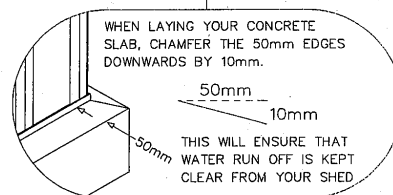
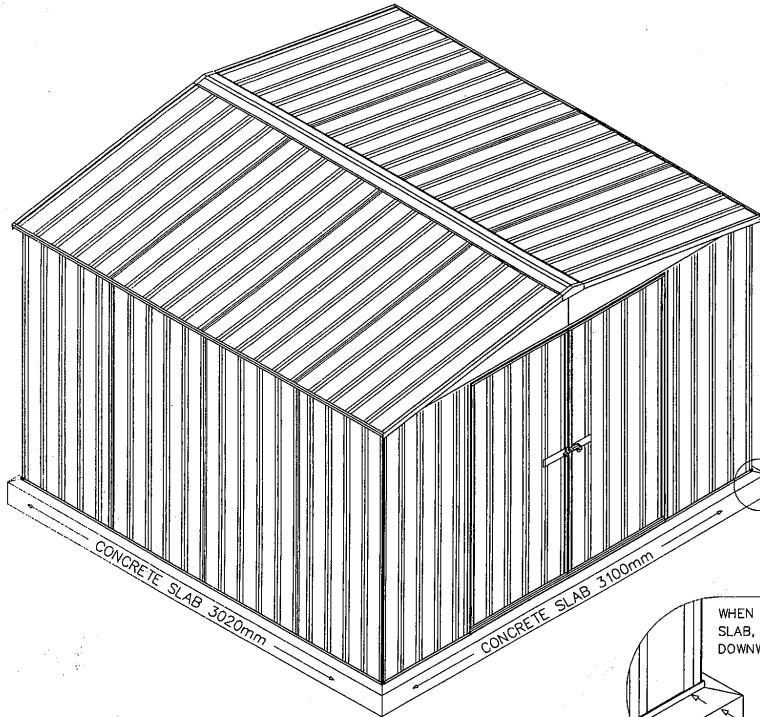


ABSCO **SNAP-TITE** REGENT RANGE ASSEMBLY INSTRUCTIONS

MODEL – 30292R

FRONT: 3.0m
SIDE: 2.92m
HEIGHT: 2.1m



SITE PREPARATION

- THE SITE FOR THE SHED MUST BE LEVEL. IT IS RECOMMENDED THAT THE SHED BE SET ON A CONCRETE SLAB AND ANCHORED DOWN APPROPRIATELY. (REFER PAGE 12 FOR DETAILS)
- ANCHOR SETS ARE NOT SUPPLIED AS STANDARD ITEMS WITH THIS PRODUCT.

GENERAL INSTRUCTIONS

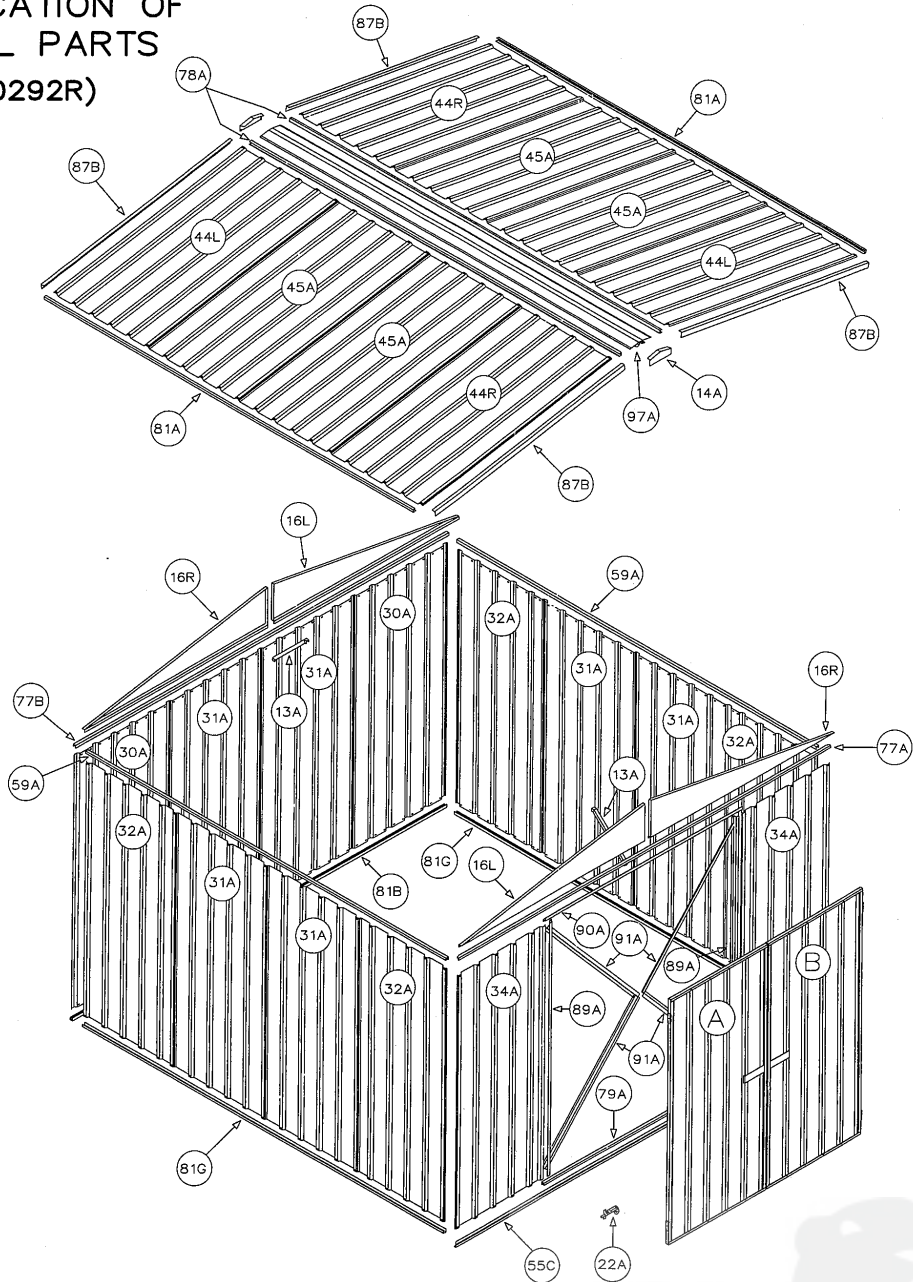
- BEFORE COMMENCING ANY ASSEMBLY, READ THROUGH THESE INSTRUCTIONS IN DETAIL TO GAIN A THOROUGH UNDERSTANDING OF ASSEMBLY METHODS AND ASSOCIATED DETAILS
- UNPACK THE CARTON AND CAREFULLY IDENTIFY AND CHECK OFF ALL THE PARTS AGAINST THE PARTS DESCRIBED AND ILLUSTRATED ON PAGES TWO AND THREE

CAUTION

- SOME PARTS MAY HAVE SHARP EDGES. IT IS ADVISABLE TO WEAR GLOVES WHEN HANDLING THESE ITEMS AND SAFETY GLASSES IF DRILLING HOLES
- DO NOT ERECT YOUR SHED IN WINDY CONDITIONS, AND ENSURE THAT THE SHED IS SECURELY ANCHORED TO A SOLID FOUNDATION IMMEDIATELY AFTER CONSTRUCTION IS COMPLETED

SNAPTITE PACKING LIST							PACKED BY: _____ / /		REGENT RANGE		
MAIN PACK CARTON (PACK 1 OF 2)							30292R				
							DOUBLE DOOR SHED				
COMPONENT	QTY	LENGTH	PRE-PUNCH	NOTCH	PART No	PACKED	COMPONENT LOCATION				
SHEET	2	1785	✓	-	30A		REAR WALL CORNERS	BATCH 16 SHEETS			
SHEET	6	1785	✓	-	31A		REAR/SIDE WALL CENTRE				
SHEET	2	1546	✓	-	44L		L/H CORNER ROOF SHEET				
SHEET	2	1546	✓	-	44R		R/H CORNER ROOF SHEET				
SHEET	4	1546	✓	-	45A		ROOF CENTRE SHEETS				
SHEET D/N	2	1785	✓	-	34A		FRONT WALL CORNERS (711 WIDE SHEET)				
SHEET S/N	4	1785	✓	-	32A		SIDE WALL CORNERS (731 WIDE SHEET)				
SHEET	1	1725	✓	-	-		DOOR PANEL TYPE 'B' (SINGLE DOOR SHEET)				
SHEET	1	1725	✓	-	-		DOOR PANEL TYPE 'A' (DOUBLE DOOR SHEET)				
GABLE L/H	2	1475	✓	-	16L		FRONT/REAR GABLE SECTIONS				
GABLE R/H	2	1475	✓	-	16R		FRONT/REAR GABLE SECTIONS				
REGENT BRACE	2	393	✓	✓	13A		RIDGE TO GABLE BRACE (LARGE)				
PKT. FITTINGS	1	-	-	-	-		ALL FITTINGS & ACCESSORIES (SEE BELOW)				
CHANNEL SET CARTON (PACK 2 OF 2)							PACKED BY: _____ / /				
CHANNEL	1	2993	✓	✓	77A		FRONT WALL TOP	BATCH 18 CHANNELS			
CHANNEL	1	2993	✓	✓	55C		FRONT WALL BASE				
CHANNEL	1	2993	✓	✓	77B		REAR WALL TOP				
CHANNEL	1	2993	-	✓	81B		REAR WALL BASE				
CHANNEL	2	2993	-	-	81A		ROOF PERIMETER				
CHANNEL	2	2919	✓	-	59A		SIDE WALL TOP				
CHANNEL	2	2919	✓	-	81G		SIDE WALL BASE				
CHANNEL	2	2993	✓	-	78A		ROOF TO RIDGE				
CHANNEL	1	1568	✓	-	79A		INVERT BELOW DOORS				
CHANNEL	1	1725	✓	-	-		DOOR TRIM SIDE CHANNEL				
CHANNEL	4	773	✓	-	58C		DOOR TRIM TOP/BOTTOM CHANNEL				
RIDGE BEAM	1	2993	✓	-	97A		RIDGE BEAM				
JAMB	2	1785	✓	✓	89A		DOOR FRAME				
JAMB	1	1568	✓	✓	90A		FRONT WALL ABOVE DOORS				
JAMB	4	1120	✓	-	91A		DIAGONAL DOOR BRACES				
JAMB	1	1725	✓	-	89C		DOOR TRIM JAMB				
LIP	4	1546	✓	-	87B		ROOF SIDE FLASHING				
CHANNEL	2	1725	✓	-	-		DOOR TRIM SIDE CHANNEL WITH HINGES FITTED				
PACKET OF FITTINGS CONTENTS:							220 SELF TAPPING SCREWS				
2 GABLE CAP 14A							8 BOLTS & NUTS				
2 DOOR PLATES 12A							12 CSK. SCREWS & NUTS				
							3 PADBOLTS				
							2 HASPS				
							12 POP RIVETS				
							1 SET OF ASSEMBLY INSTRUCTIONS				
DATE	30/06/06	ABSCO INDUSTRIES INSTRUCTION			SNAP-TITE KR22 SHED RANGE			PAGE 2 OF 12			

LOCATION OF
ALL PARTS
(30292R)

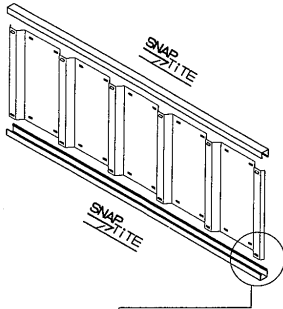


THE PART NUMBERS SHOWN ABOVE, ARE ILLUSTRATED WHERE REQUIRED THROUGHOUT THIS ASSEMBLY INSTRUCTION, TO ASSIST WITH IDENTIFYING COMPONENTS AND THEIR INTENDED LOCATION.

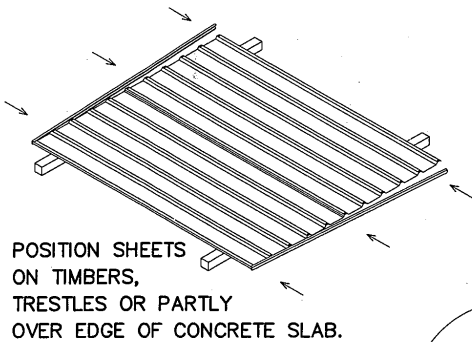
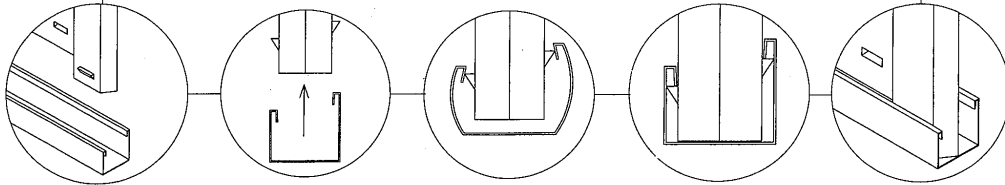
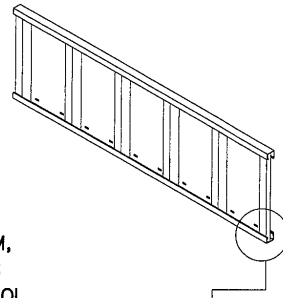
SOME COMPONENTS, ALTHOUGH GIVEN A PART NUMBER ABOVE, **HAVE NOT** BEEN MARKED WITH A PART NUMBER. THESE COMPONENTS, MAINLY ROOF AND DOOR COMPONENTS, CAN BE IDENTIFIED BY THEIR DESCRIPTION, SIZE AND ILLUSTRATION AS DETAILED IN THIS ASSEMBLY INSTRUCTION.

ABSCO SNAP-TITE ASSEMBLY INTRODUCTION

YOUR NEW ABSCO GARDEN SHED INCORPORATES THE LATEST ABSCO SNAP-TITE ASSEMBLY SYSTEM, WHICH LOCKS ALL PERIMETER CHANNELS TO ALL ROOF AND WALL SHEETS WITHOUT THE NEED FOR TOOLS AND FASTENERS. MOST OTHER CONNECTION POINTS HAVE BEEN PRE-PUNCHED TO FURTHER MAXIMISE EASE OF ASSEMBLY.

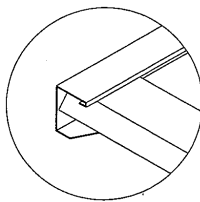


TO PRE-ASSEMBLE THE FOUR WALL PANELS AND TWO ROOF PANELS, THE PERIMETER CHANNELS ARE SECURED TO THE TOP AND BOTTOM OF EACH PANEL USING THE SNAPTITE FASTENING SYSTEM, AS DETAILED ON THE FOLLOWING PAGES WHEREVER YOU SEE THE SNAP-TITE SYMBOL.



POSITION SHEETS ON TIMBERS, TRESTLES OR PARTLY OVER EDGE OF CONCRETE SLAB.

AFTER JOINING SHEETS TOGETHER, POSITION THE CORRECT PERIMETER CHANNEL TO ONE END OF THE SHEETS, GENTLY TAPPING IT OVER THE SNAP-TITE LUGS, WORKING ALONG THE SHEETS UNTIL YOU REACH THE OTHER END. THE CHANNEL CAN BE TAPPED OVER THE LUGS USING YOUR HANDS, OR A SOFT PIECE OF WOOD OR A RUBBER MALLET. DOUBLE CHECK TO ENSURE THAT EVERY SNAP-TITE LUG IS LOCKED INTO THE CHANNEL.



EACH PERIMETER CHANNEL MUST FINISH FLUSH WITH THE EDGES OF THE SHEETS. THE SNAP-TITE SYSTEM ALLOWS ADJUSTMENT FOR THIS PROCESS BY SIMPLY TAPPING THE CHANNEL ALONG THE SHEETS UNTIL EACH END IS NEATLY FLUSH.

FASTENING SYMBOLS



JOIN COMPONENTS TOGETHER WITH ONE SCREW AT THIS LOCATION ONLY, AS SOME CHANNEL SECTIONS HAVE EXTRA HOLES THAT ARE NOT REQUIRED FOR THIS MODEL OF GARDEN SHED



DO NOT JOIN COMPONENTS TOGETHER AT THIS LOCATION YET, AS THE SCREW MAY OBSTRUCT FURTHER ASSEMBLY OF OTHER COMPONENTS



3mm POP RIVETS



4mm NUT & BOLT SET

DOOR PANEL ASSEMBLY

USE PANELS "A + B" FOR
DOUBLE DOOR OPENINGS

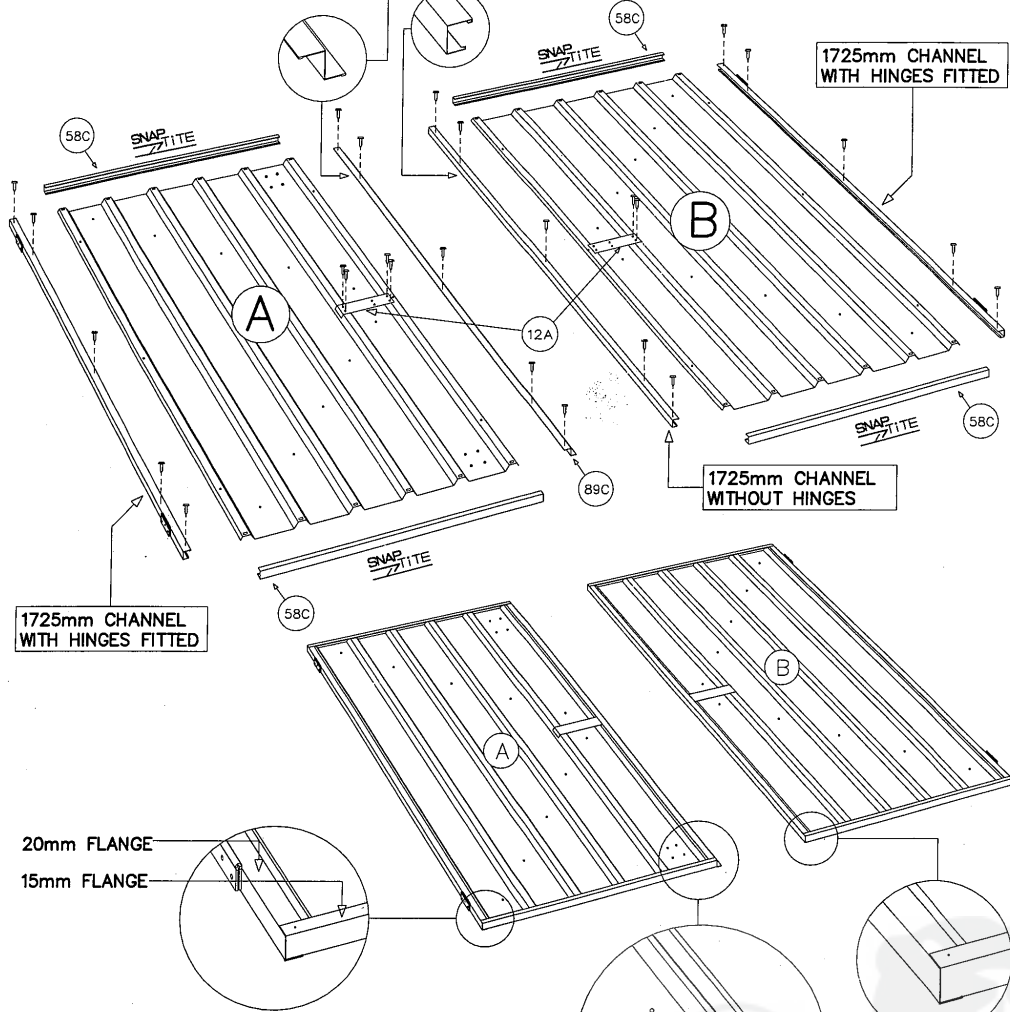
USE PANEL TYPE "B"
FOR SINGLE DOOR OPENINGS

DOOR PANEL TYPE 'A' COMPONENTS

- 1 - 1725mm X 773mm PRE-PUNCHED SHEET
- 1 - 1725mm CHANNEL WITH HINGES FITTED
- 1 - 1725mm JAMB (89C)
- 2 - 773mm CHANNELS (58C)
- 1 - DOOR PLATE (12A)

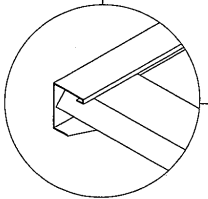
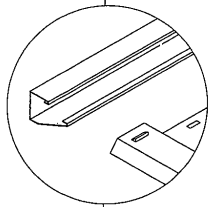
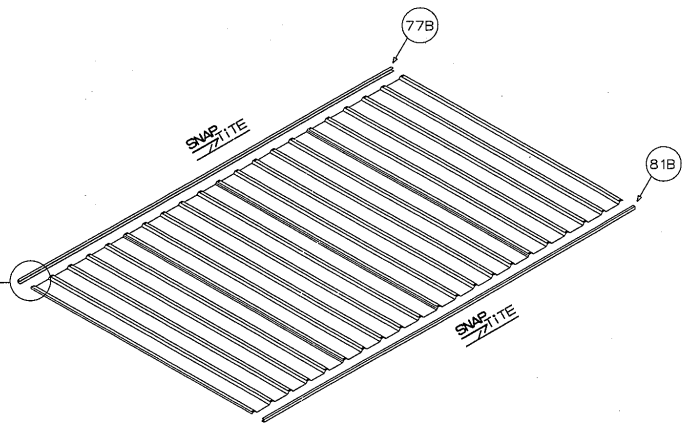
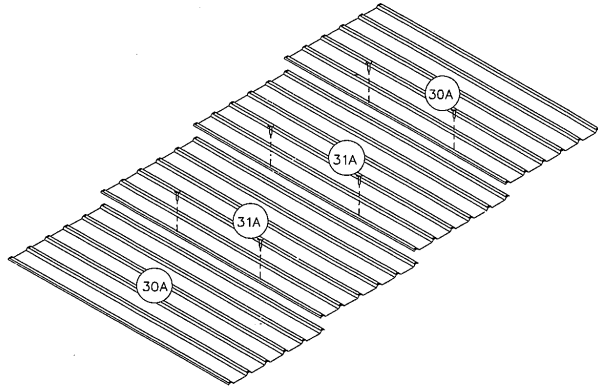
DOOR PANEL TYPE 'B' COMPONENTS

- 1 - 1725mm X 773mm PRE-PUNCHED SHEET
- 1 - 1725mm CHANNEL WITH HINGES FITTED
- 1 - 1725mm CHANNEL WITHOUT HINGES
- 2 - 773mm CHANNELS (58C)
- 1 - DOOR PLATE (12A)

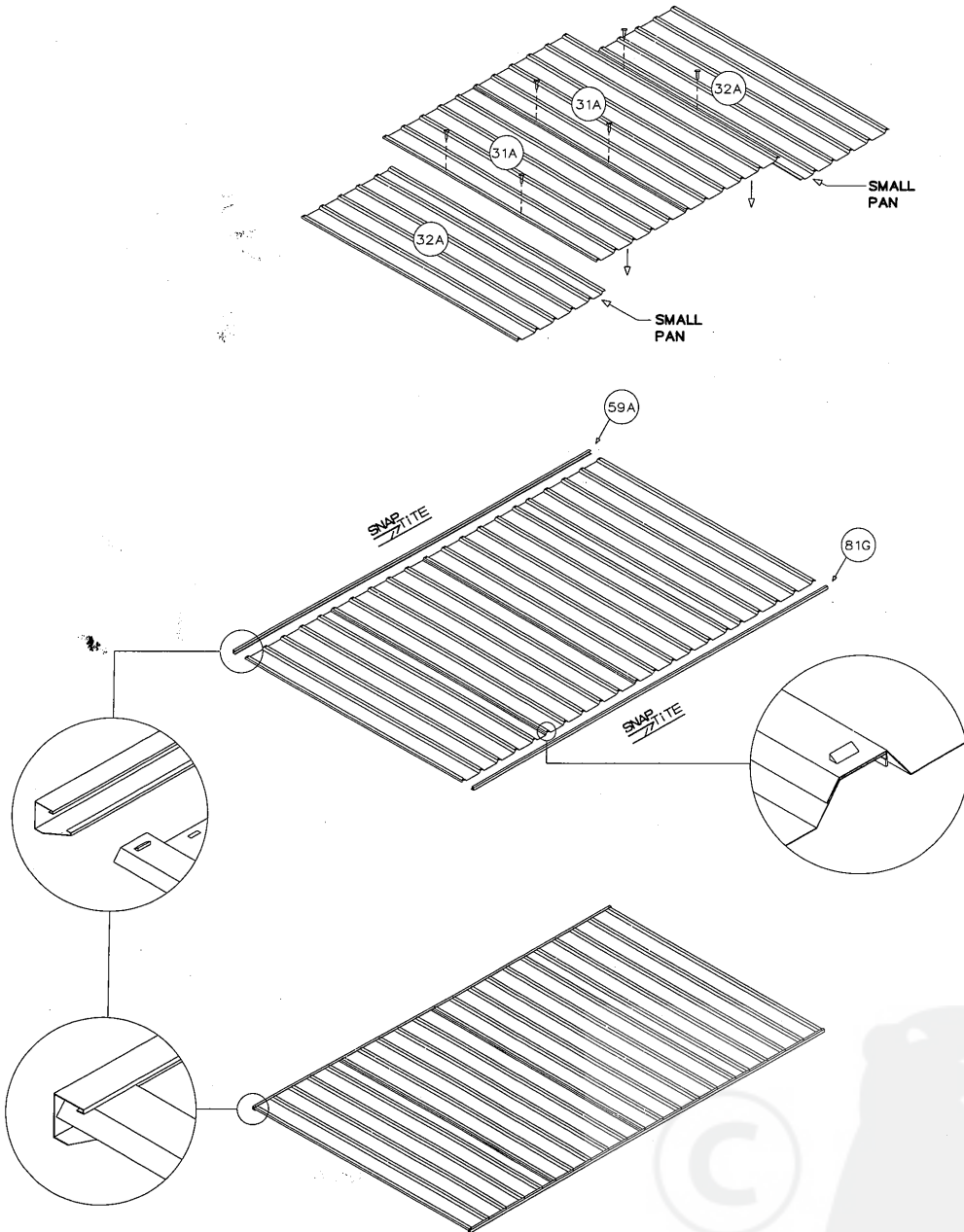


NOTE: THE ABOVE COMPONENTS HAVE NOT BEEN MARKED WITH PART NUMBERS SO AS NOT TO SPOIL THE APPEARANCE OF THE FRONT OF THE SHED. THESE COMPONENTS CAN BE EASILY IDENTIFIED BY CHECKING THE LENGTH OF EACH COMPONENT TO THE SIZES NOTED.

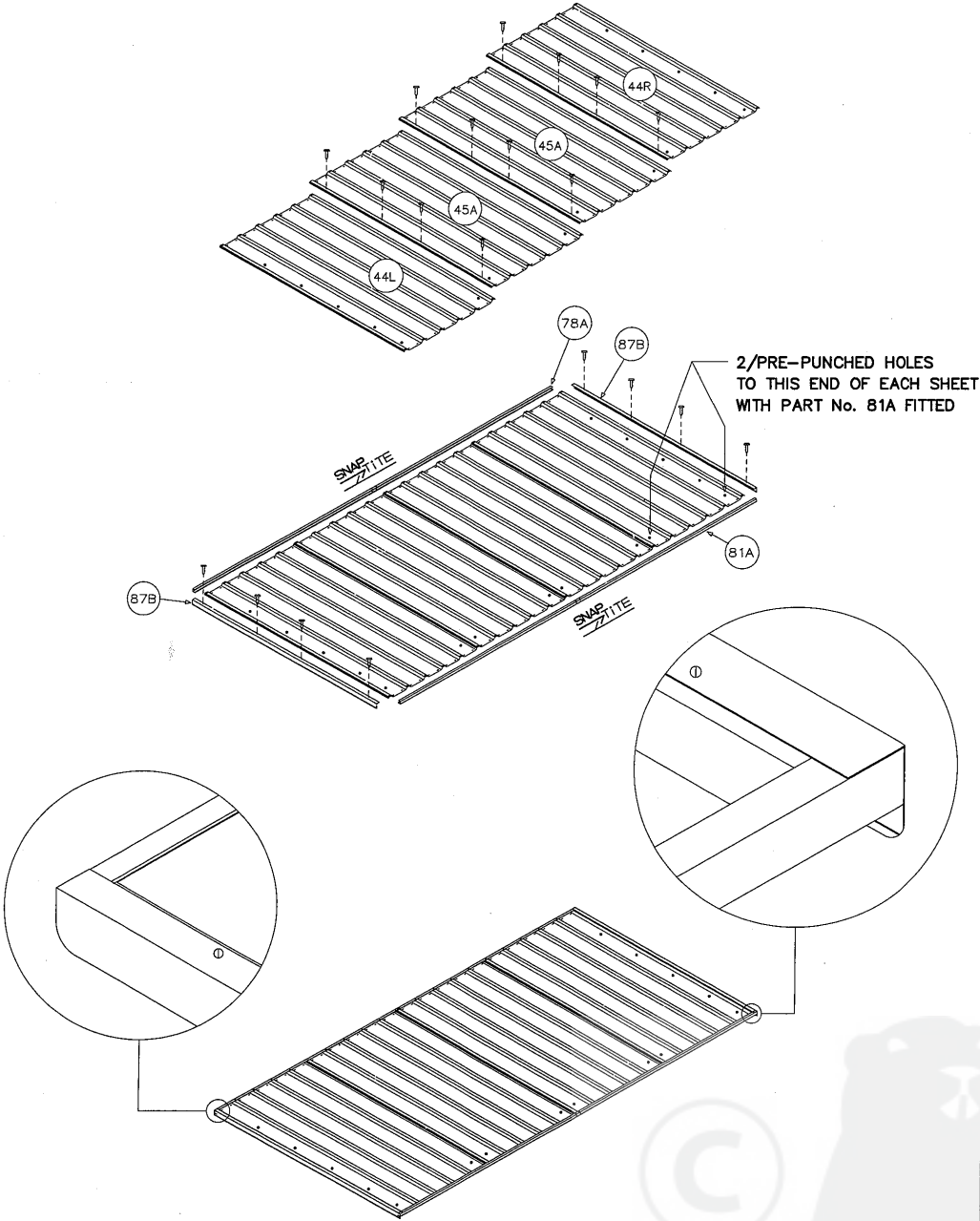
REAR PANEL ASSEMBLY



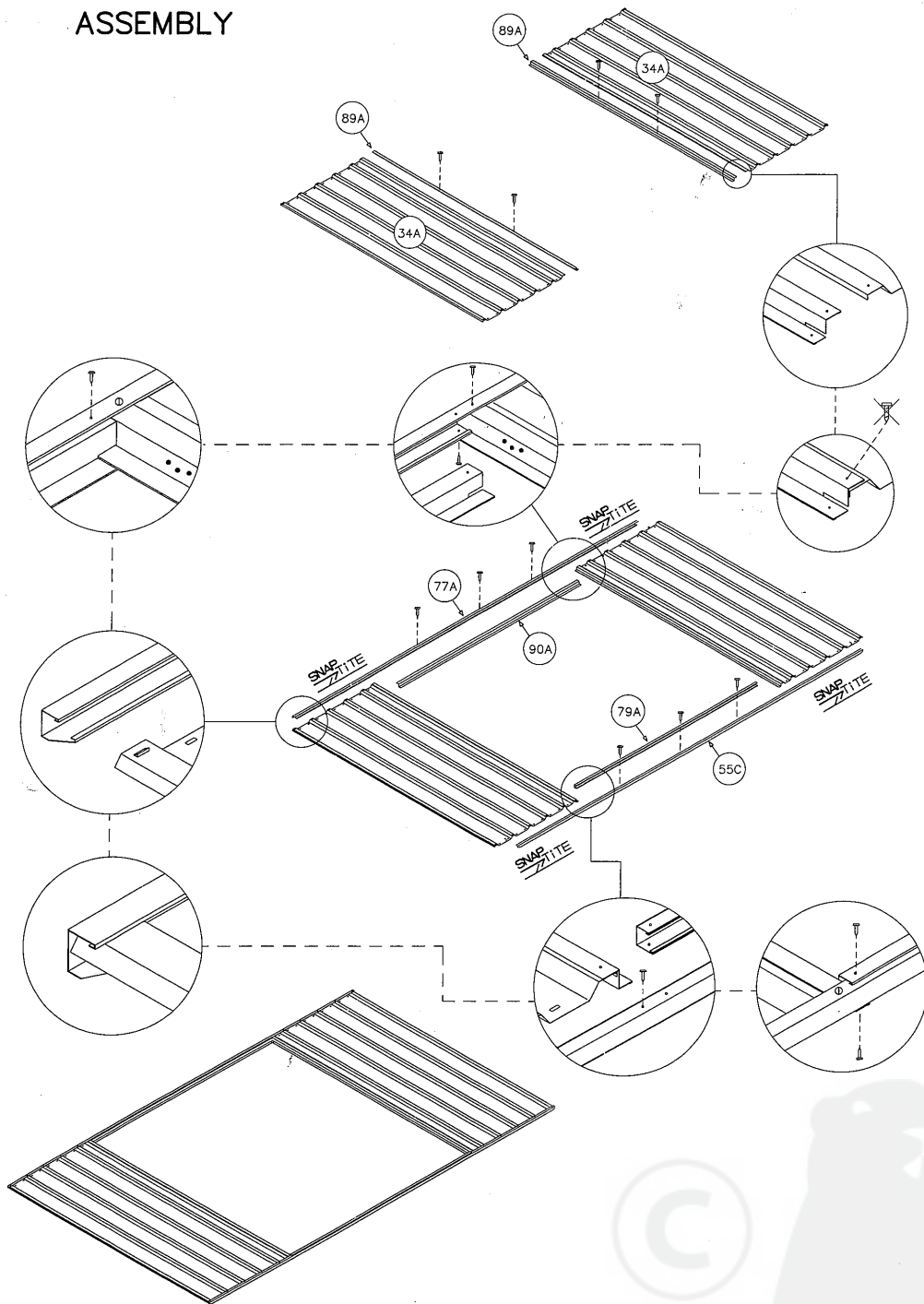
SIDE PANEL ASSEMBLY (TWO REQUIRED)



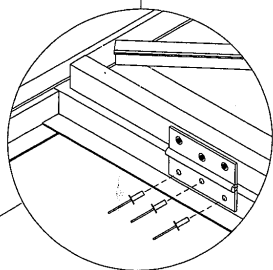
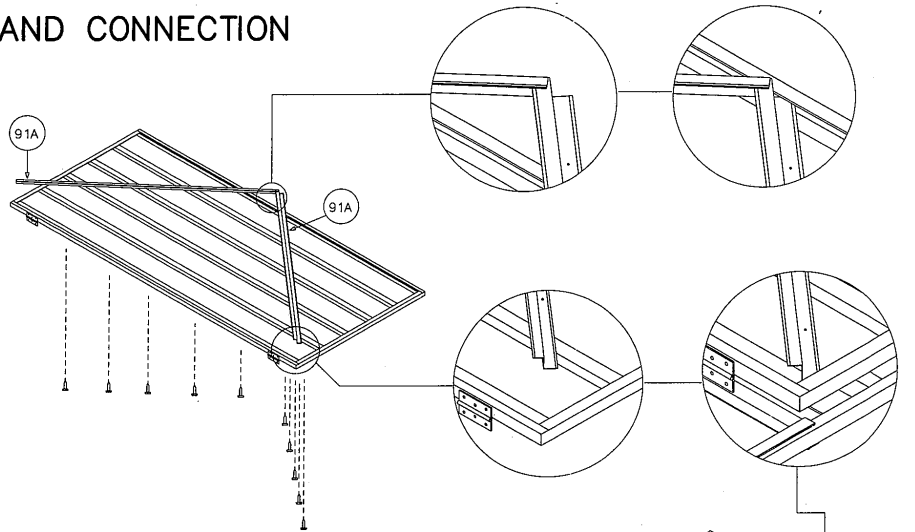
ROOF PANEL
ASSEMBLY (TWO REQUIRED)



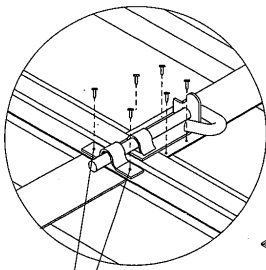
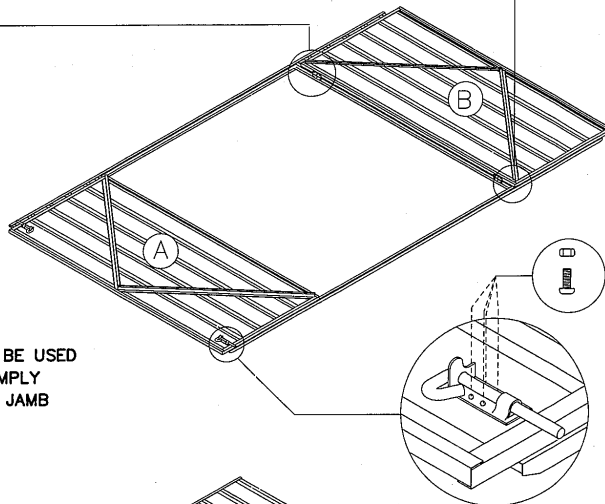
FRONT PANEL ASSEMBLY



DOUBLE DOOR ASSEMBLY AND CONNECTION



NOTE: NUTS AND BOLTS (SUPPLIED) MAY BE USED IN LIEU OF POP RIVETS (SUPPLIED) BY SIMPLY ENLARGING THE HINGE HOLE SETS IN THE JAMB USING A 4mm DRILL BIT

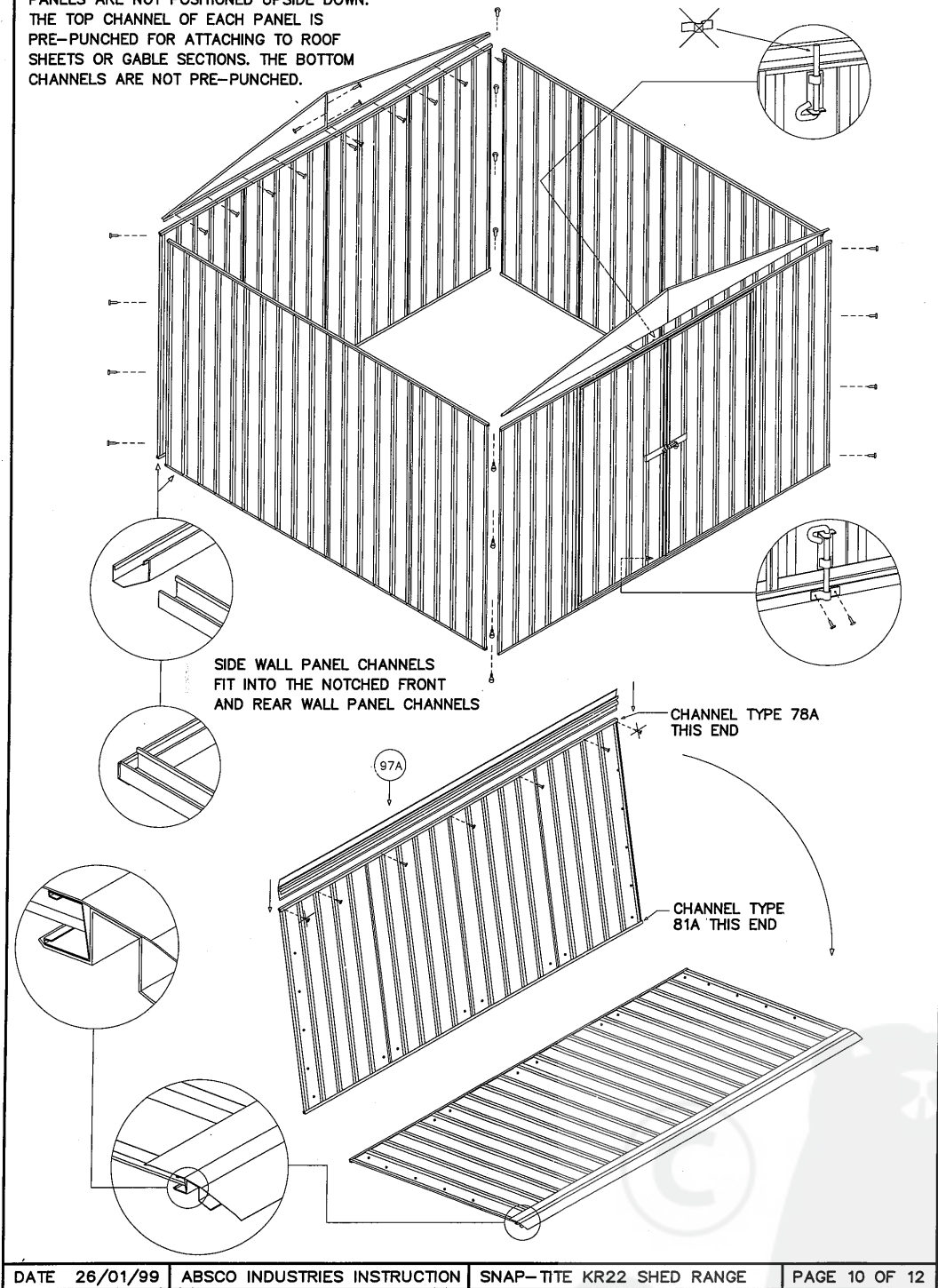


NOTE: THE TWO HOLES REQUIRED TO CONNECT THE PADBOLT HASP FOR EACH DOOR HAVE NOT BEEN PRE-PUNCHED, TO ALLOW FOR PROPER ALIGNMENT. POSITION EACH HASP CENTRALLY OVER THE PADBOLT SHAFT, AND DRILL 3mm HOLES AND SECURE WITH SCREWS

PANEL CONSTRUCTION

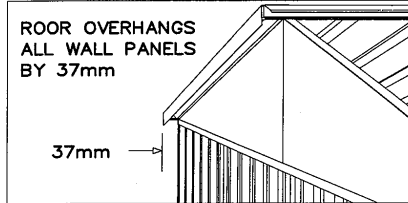
NOTE:

TAKE CARE TO ENSURE THAT ALL WALL PANELS ARE NOT POSITIONED UPSIDE DOWN. THE TOP CHANNEL OF EACH PANEL IS PRE-PUNCHED FOR ATTACHING TO ROOF SHEETS OR GABLE SECTIONS. THE BOTTOM CHANNELS ARE NOT PRE-PUNCHED.

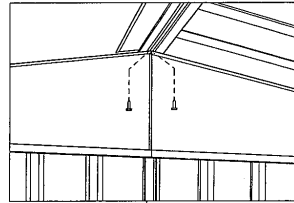


ROOF CONSTRUCTION

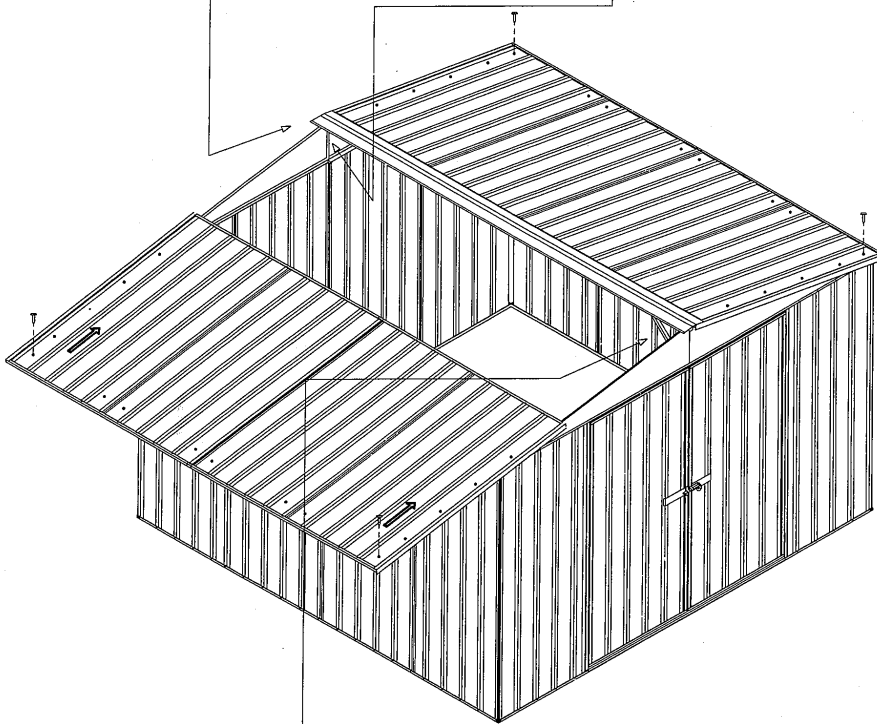
OUTSIDE VIEW



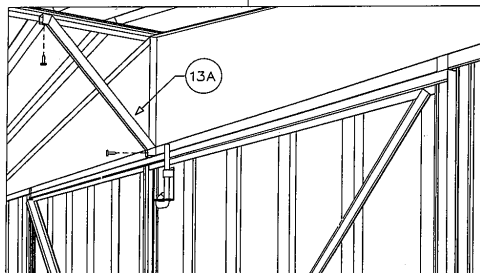
INSIDE VIEW



SECURE RIDGE BEAM TO GABLE SECTIONS WITH TWO SCREWS AT EACH END. THEN SECURE EACH ROOF PANEL WITH ONE SCREW IN EACH CORNER ONLY AT THIS STAGE

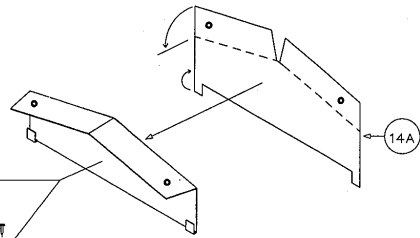
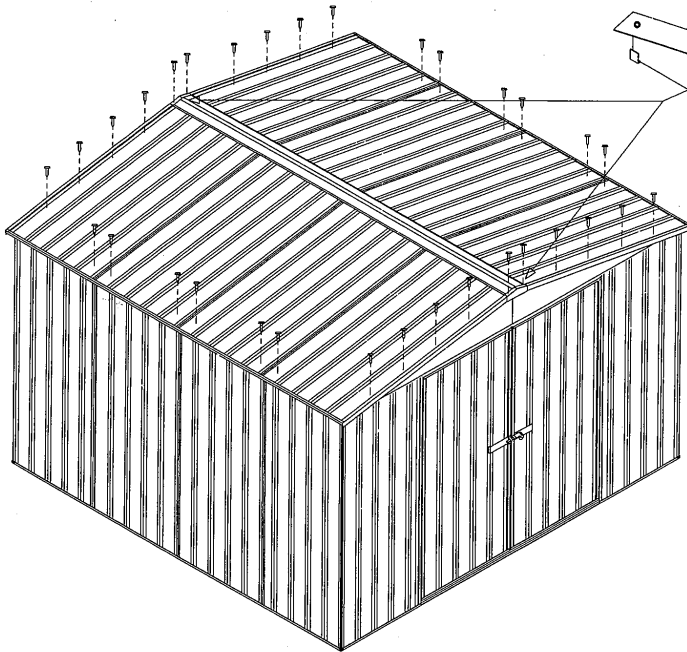


INSIDE VIEW

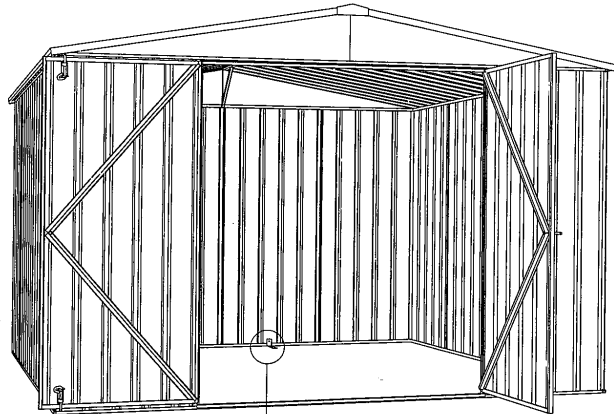


AFTER ATTACHING BOTH ROOF PANELS TO WALLS AS SHOWN ABOVE, FIT ONE REGENT BRACE TO THE RIDGE BEAM AND FRONT WALL AS SHOWN. YOU WILL HAVE TO REMOVE AND REPLACE EXISTING SCREWS AT FIXING LOCATIONS. REPEAT THIS PROCEDURE FOR THE REAR WALL REGENT BRACE

FINAL CONSTRUCTION



BEND THE TOP AND BOTTOM FLANGES AS SHOWN, THEN HOOK THE BOTTOM FLANGES UNDER THE ROOF END FLASHINGS (PART 87B) AND SCREW THE TOP FLANGES AS SHOWN FOR BOTH GABLE CAPS



ANCHORING OF SHED

ANCHORS CONSISTING OF STEEL ANGLE, DYNABOLT, AND NUT AND BOLT ARE AVAILABLE FROM YOUR ABSCO STOCKIST. THIS IS THE RECOMMENDED METHOD OF FIXING YOUR SHED TO A CONCRETE SLAB.

