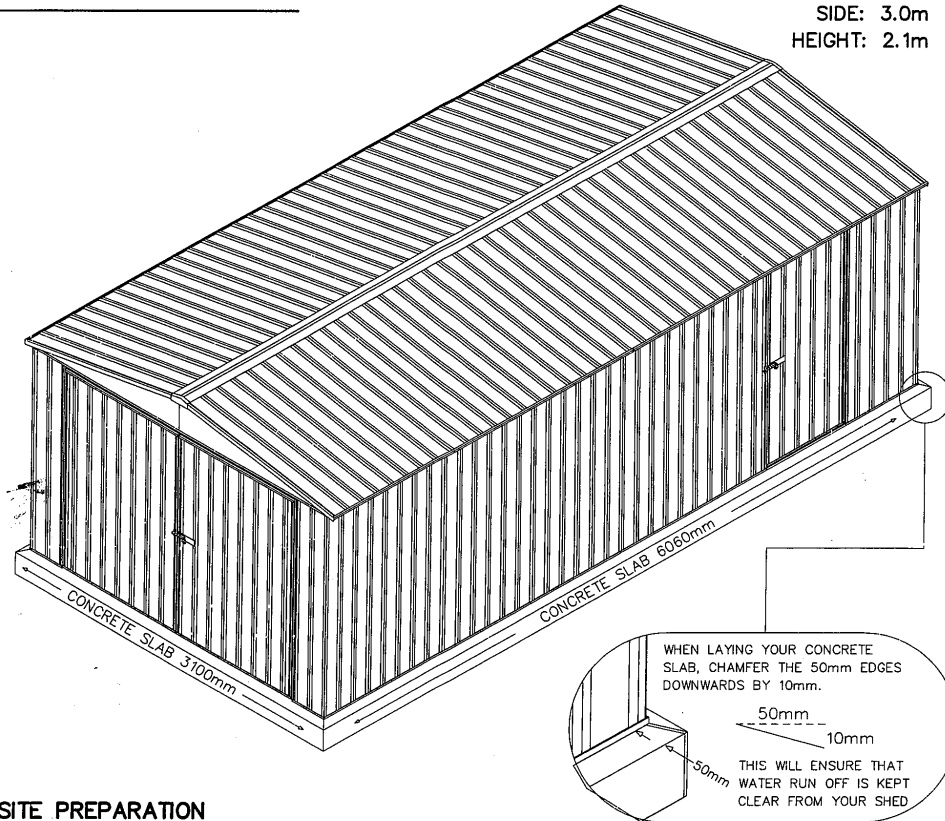


ABSCO SNAPTITE UTILITY SHED ASSEMBLY INSTRUCTIONS

MODEL – 3060UTK

FRONT: 5.96m
SIDE: 3.0m
HEIGHT: 2.1m



SITE PREPARATION

- LOCAL AUTHORITY APPROVAL MUST BE OBTAINED PRIOR TO CONSTRUCTION OF THE SHED. ONCE YOU HAVE SELECTED YOUR SITE, DRAW UP A SITE PLAN AND LODGE YOUR APPLICATION.
- THE SITE FOR THE SHED MUST BE LEVEL. IT IS RECOMMENDED THAT THE SHED BE SET ON A CONCRETE SLAB AND ANCHORED DOWN APPROPRIATELY. (REFER PAGE 21 FOR DETAILS)
- ANCHOR SETS ARE NOT SUPPLIED AS STANDARD ITEMS WITH THIS PRODUCT.

GENERAL INSTRUCTIONS

- BEFORE COMMENCING ANY ASSEMBLY, READ THROUGH THESE INSTRUCTIONS IN DETAIL TO GAIN A THOROUGH UNDERSTANDING OF ASSEMBLY METHODS AND ASSOCIATED DETAILS
- UNPACK THE CARTONS AND CAREFULLY IDENTIFY AND CHECK OFF ALL THE PARTS AGAINST THE PARTS DESCRIBED AND ILLUSTRATED ON PAGES TWO, THREE AND FOUR.

CAUTION

- SOME PARTS MAY HAVE SHARP EDGES. IT IS ADVISABLE TO WEAR GLOVES WHEN HANDLING THESE ITEMS AND SAFETY GLASSES IF DRILLING HOLES
- DO NOT ERECT YOUR SHED IN WINDY CONDITIONS, AND ENSURE THAT THE SHED IS SECURELY ANCHORED TO A SOLID FOUNDATION IMMEDIATELY AFTER CONSTRUCTION IS COMPLETED

TOOLS REQUIRED

- TOOLS REQUIRED INCLUDE ELECTRIC OR CORDLESS DRILL, 10mm MASONARY DRILL BIT, 3mm DRILL BIT, 12mm DRILL BIT, SCREW DRIVER BIT, SMALL SHIFTING SPANNER, TIN SNIPS, STRINGLINE AND CHALK.

UTILITY SHED 3060UTK THREE DOOR SHED		SNAPTITE PACKING LIST					
MAIN PACK CARTON (PACK 1 OF 4)							
COMPONENT	QTY	LENGTH	PRE-PUNCH	NOTCH	PART No	PACKED	COMPONENT LOCATION
SHEET-ANGLE	1	1915 L/H	✓	-	BWL		REAR WALL LEFT CORNER (773mm WIDE)
SHEET-ANGLE	1	2045 L/H	✓	-	BWL		REAR WALL LEFT CENTRE (773mm WIDE)
SHEET	16	1546	✓	-	45A		STANDARD ROOF SHEETS (773mm WIDE)
SHEET	2	1725	-	-	25A		DOUBLE DOOR SHEETS (773mm WIDE)
SHEET	1	1725	✓	-	B		SINGLE DOOR SHEET TYPE 'B' (773mm WIDE)
SHEET D/N	2	1725	-	-	37A		DOUBLE DOOR SHEETS (711mm WIDE)
SHEET S/N	1	1785	✓	-	32A		SIDE WALL CORNER (731mm WIDE)
SHEET S/N	1	1785	✓	-	33A		SIDE WALL CENTRE (731mm WIDE)
SHEET	2	1785	-	-	39B		FRONT PANEL TRIM (329mm WIDE)
L/H GABLE	1	1475	✓	-	16L		L/H FRONT GABLE
R/H GABLE	1	1475	✓	-	16R		R/H FRONT GABLE
PEAK BRACE	1	490	✓	-	15A		REAR WALL TOP BRACKET
PKT. FITTINGS	1	-	-	-	-		ALL FITTINGS & ACCESSORIES (SEE BELOW)
MAIN PACK CARTON (PACK 2 OF 4) PACKED BY: _____ / /							
SHEET-ANGLE	1	1915 R/H	✓	-	BWR		REAR WALL RIGHT CORNER (773mm WIDE)
SHEET-ANGLE	1	2045 R/H	✓	-	BWR		REAR WALL RIGHT CENTRE (773mm WIDE)
SHEET	3	1785	✓	-	30A		SIDE WALL CORNER SHEETS (773mm WIDE)
SHEET	10	1785	✓	-	31A		SIDE WALL CENTRE SHEETS (773mm WIDE)
PORTAL PACK	1	VARIOUS	-	-	PF		ALL PORTAL FRAME COMPONENTS (SEE BELOW)
PKT. OF FITTINGS - CONTENTS				PORTAL PACK - CONTENTS			
400 - SELF TAPPING SCREWS 8 - 3/16 ROUND HEAD BOLTS AND NUTS 18 - 3/16 COUNTERSUNK SCREWS & NUTS 18 - POP RIVETS 4 - PADBOLTS (22A) 3 - HASPS 4 - 75mm JAMB SECTIONS (93B) 1 - 3mm DRILL BIT 2 - GABLE CAPS (14A) 3 - DOOR PLATES (12A) 3 - RIDGE PLATES (RBP) 1 - RIDGE BEAM JOINER (98A) 1 - SET OF ASSEMBLY INSTRUCTIONS				80mm x 40mm CHANNEL SECTIONS 2 - 1482mm LONG (PART C1482) 2 - 1704mm LONG (PART C1704)			
				PORTAL FRAME ACCESSORIES			
				2 - KNEE PLATES 2 - APEX PLATES 2 - MULTI PURPOSE BRACKETS 120 - 16mm 10 x 16 TEK SCREWS 26 - 45mm TEK SCREWS 4 - 10mm DYNABOLTS			
DATE 30/04/07	ABSCO INDUSTRIES INSTRUCTION	MODEL 3060UTK	PAGE 2 OF 22				

UTILITY SHED 3060UTK THREE DOOR SHED	SNAPTITE PACKING LIST CHANNEL SET CARTON (PACK 3 OF 4)
---	---

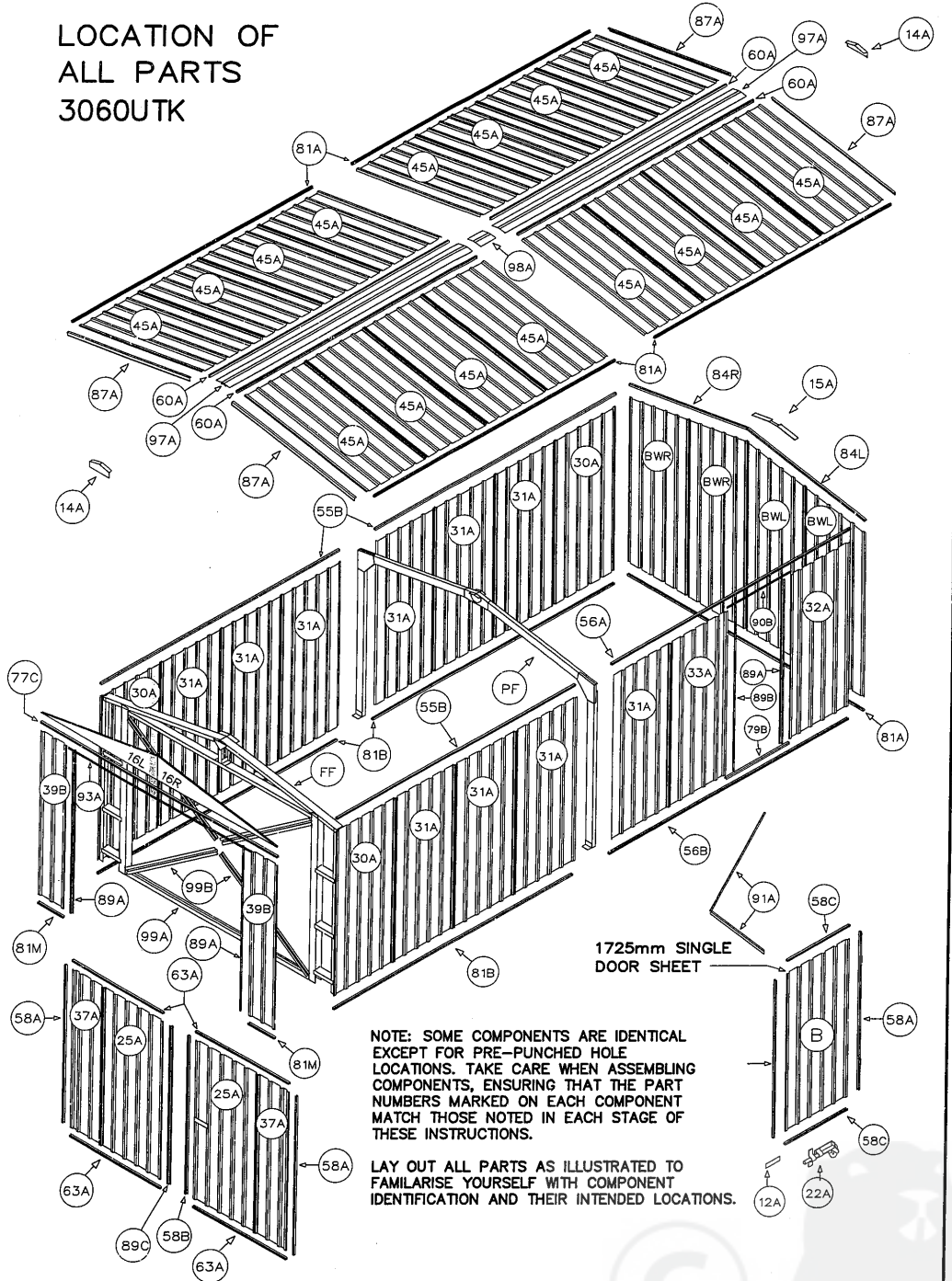
COMPONENT	QTY	LENGTH	PRE-PUNCH	NOTCH	PART No	PACKED	COMPONENT LOCATION
CHANNEL	1	2993	✓	-	77C		DOUBLE DOOR FRONT WALL TOP
CHANNEL	1	2993	✓	✓	56A		SINGLE DOOR SIDE WALL TOP
CHANNEL	1	2993	✓	✓	56B		SINGLE DOOR SIDE WALL BASE
CHANNEL	3	2993	✓	✓	55B		SIDE WALL TOP
CHANNEL	3	2993	-	✓	81B		SIDE WALL BASE
CHANNEL	5	2993	-	-	81A		REAR WALL BASE/ROOF PERIMETER
CHANNEL	1	1518	✓	-	84L		L/H REAR WALL TOP
CHANNEL	1	1518	✓	-	84R		R/H REAR WALL TOP
CHANNEL	4	2993	✓	-	60A		ROOF TO RIDGE
CHANNEL	1	788	✓	-	79B		INVERT BELOW SINGLE DOOR
CHANNEL	2	1725	✓	-	58B		DOOR-PADBOLT SIDE
CHANNEL	4	1155	✓	-	63A		DOUBLE DOOR-TOP & BOTTOM
CHANNEL	2	773	✓	-	58C		SINGLE DOOR-TOP & BOTTOM
CHANNEL	2	329	-	-	81M		FRONT PANEL BASE
CHANNEL	3	1725	✓	-	58A		DOOR-HINGED SIDE (WITH HINGES FITTED)
RIDGE BEAM	2	2993	✓	-	97A		RIDGE BEAM
JAMB	3	1785	✓	✓	89A		DOOR FRAME-HINGED SIDE
JAMB	1	1785	✓	✓	89B		DOOR FRAME-PADBOLT SIDE (SINGLE DOOR)
JAMB	1	1725	✓	✓	89C		DOUBLE DOOR JAMB
JAMB	1	788	✓	✓	90B		INVERT ABOVE SINGLE DOOR
JAMB	2	1120	✓	-	91A		SINGLE DOOR DIAGONAL BRACES
JAMB	1	2334	✓	-	93A		INVERT ABOVE DOUBLE DOORS
LIP	4	1546	✓	-	87A		ROOF SIDE FLASHING
				-			

BATCH
31
CHANNELS

FRONT FRAME PACK (PACK 4 OF 4)

80mm X 40 mm CHANNEL SECTIONS 2-2300mm LONG (PART C2300) 2-1820mm LONG (PART N1820) 2-1785mm LONG (PART C1785) 2-1484mm LONG (PART M1484) 8- 285mm LONG (PART K0285) 2- 240mm LONG (PART C0240) 2- 100mm LONG (PART C0100)	OTHER ITEMS 1-HAT SECTION 2290mm LONG (99A) 4-HAT SECTION 1350mm LONG (99B) 10-MULTIPURPOSE JOINING BRACKETS 1-SMALL TRIANGULAR PLATE 150- 16mm SELF DRILLING TEK SCREWS 1-PHILLIPS HEAD DRIVE BIT 6-10mm DYNABOLTS
--	---

LOCATION OF ALL PARTS 3060UTK



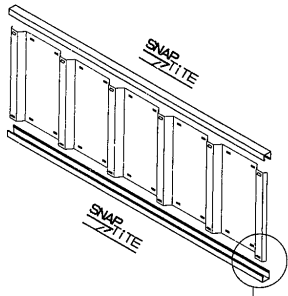
NOTE: SOME COMPONENTS ARE IDENTICAL EXCEPT FOR PRE-PUNCHED HOLE LOCATIONS. TAKE CARE WHEN ASSEMBLING COMPONENTS, ENSURING THAT THE PART NUMBERS MARKED ON EACH COMPONENT MATCH THOSE NOTED IN EACH STAGE OF THESE INSTRUCTIONS.

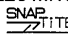
LAY OUT ALL PARTS AS ILLUSTRATED TO FAMILIARISE YOURSELF WITH COMPONENT IDENTIFICATION AND THEIR INTENDED LOCATIONS.

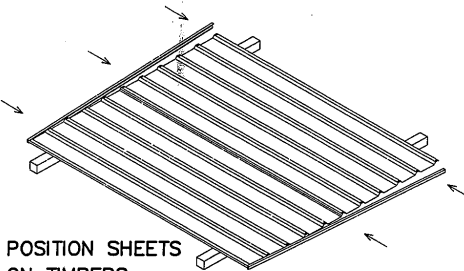
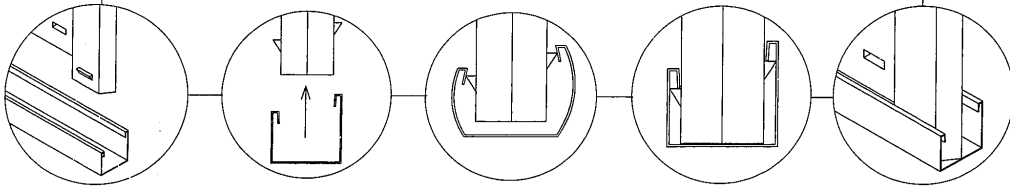
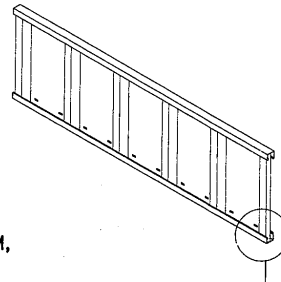
THE PART NUMBERS SHOWN ABOVE, ARE ILLUSTRATED WHERE REQUIRED THROUGHOUT THIS ASSEMBLY INSTRUCTION, TO ASSIST WITH IDENTIFYING COMPONENTS AND THEIR INTENDED LOCATION.
 SOME COMPONENTS, ALTHOUGH GIVEN A PART NUMBER ABOVE, HAVE NOT BEEN MARKED WITH A PART NUMBER. THESE COMPONENTS, MAINLY ROOF, DOOR AND GALVANISED INTERNAL FRAME COMPONENTS, CAN BE IDENTIFIED BY THEIR DESCRIPTION, SIZE AND ILLUSTRATION AS DETAILED IN THIS ASSEMBLY INSTRUCTION.

ABSCO ASSEMBLY INTRODUCTION

YOUR NEW ABSCO GARDEN SHED INCORPORATES THE LATEST ABSCO SNAP-TITE ASSEMBLY SYSTEM, WHICH LOCKS ALL PERIMETER CHANNELS TO ALL ROOF AND WALL SHEETS WITHOUT THE NEED FOR TOOLS AND FASTENERS. MOST OTHER CONNECTION POINTS HAVE BEEN PRE-PUNCHED TO FURTHER MAXIMISE EASE OF ASSEMBLY. FRONT AND CENTRE FRAMES ARE ASSEMBLED USING SELF DRILLING TEK SCREWS.





TO PRE-ASSEMBLE THE FOUR WALL PANELS AND TWO ROOF PANELS, THE PERIMETER CHANNELS ARE SECURED TO THE TOP AND BOTTOM OF EACH PANEL USING THE SNAPTITE FASTENING SYSTEM, AS DETAILED ON THE FOLLOWING PAGES WHEREVER YOU SEE THE  SYMBOL.




POSITION SHEETS ON TIMBERS, TRESTLES OR PARTLY OVER EDGE OF CONCRETE SLAB.


AFTER JOINING SHEETS TOGETHER, POSITION THE CORRECT PERIMETER CHANNEL TO ONE END OF THE SHEETS, GENTLY TAPPING IT OVER THE SNAP-TITE LUGS, WORKING ALONG THE SHEETS UNTIL YOU REACH THE OTHER END. THE CHANNEL CAN BE TAPPED OVER THE LUGS USING YOUR HANDS, OR A SOFT PIECE OF WOOD OR A RUBBER Mallet. DOUBLE CHECK TO ENSURE THAT EVERY SNAP-TITE LUG IS LOCKED INTO THE CHANNEL.

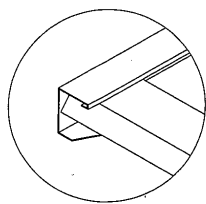
FASTENING SYMBOLS

-  3mm POP RIVETS
-  4mm NUT & BOLT SET

SELF TAPPING SCREWS

 JOIN COMPONENTS TOGETHER WITH ONE SCREW AT THIS LOCATION ONLY, AS SOME CHANNEL SECTIONS HAVE EXTRA HOLES THAT ARE NOT REQUIRED FOR THIS MODEL OF GARDEN SHED

 DO NOT JOIN COMPONENTS TOGETHER AT THIS LOCATION YET, AS THE SCREW MAY OBSTRUCT FURTHER ASSEMBLY OF OTHER COMPONENTS

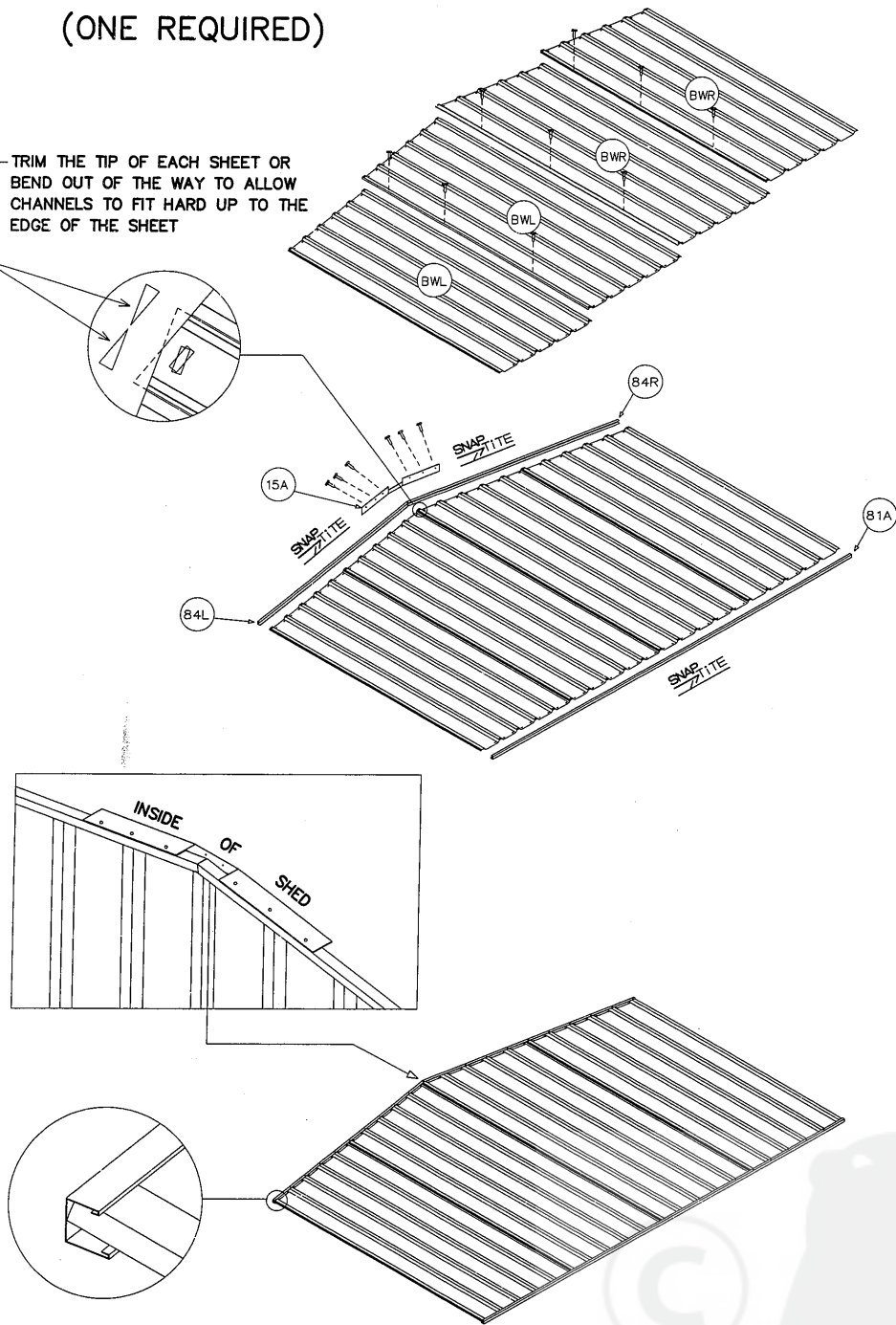


EACH PERIMETER CHANNEL MUST FINISH FLUSH WITH THE EDGES OF THE SHEETS. THE SNAP-TITE SYSTEM ALLOWS ADJUSTMENT FOR THIS PROCESS BY SIMPLY TAPPING THE CHANNEL ALONG THE SHEETS UNTIL EACH END IS NEATLY FLUSH.

 SELF DRILLING TEK SCREW FOR JOINING FRONT AND CENTRE FRAME COMPONENTS

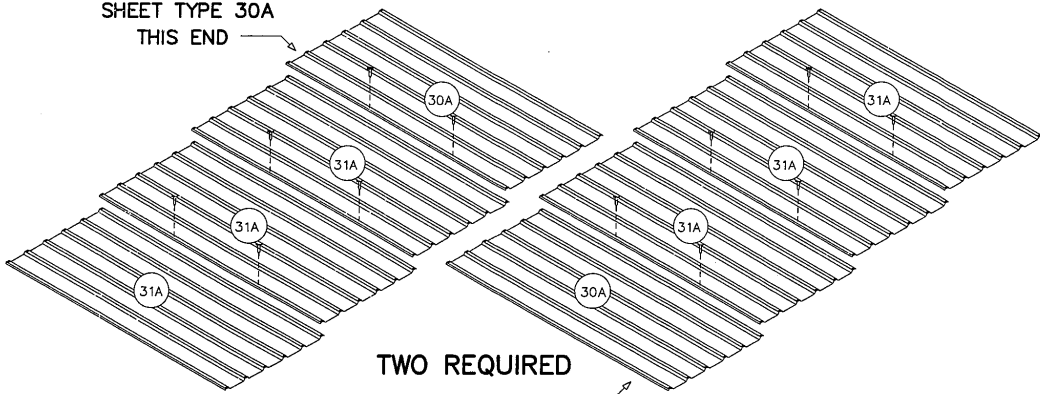
REAR PANEL ASSEMBLY (ONE REQUIRED)

TRIM THE TIP OF EACH SHEET OR
BEND OUT OF THE WAY TO ALLOW
CHANNELS TO FIT HARD UP TO THE
EDGE OF THE SHEET

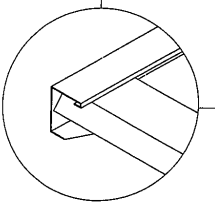
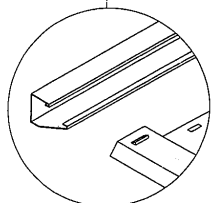
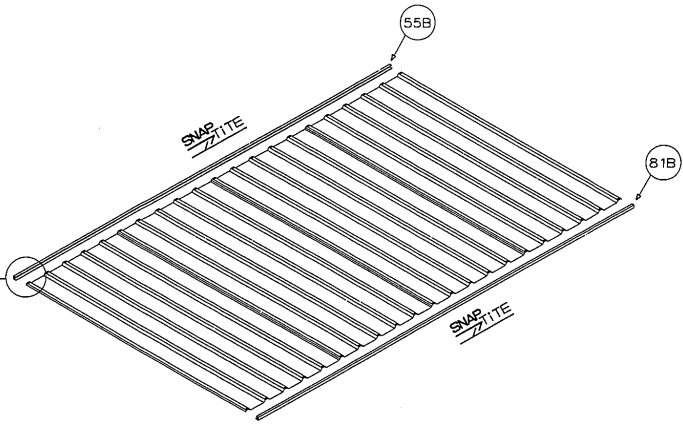


SIDE PANEL (THREE REQUIRED) ASSEMBLY

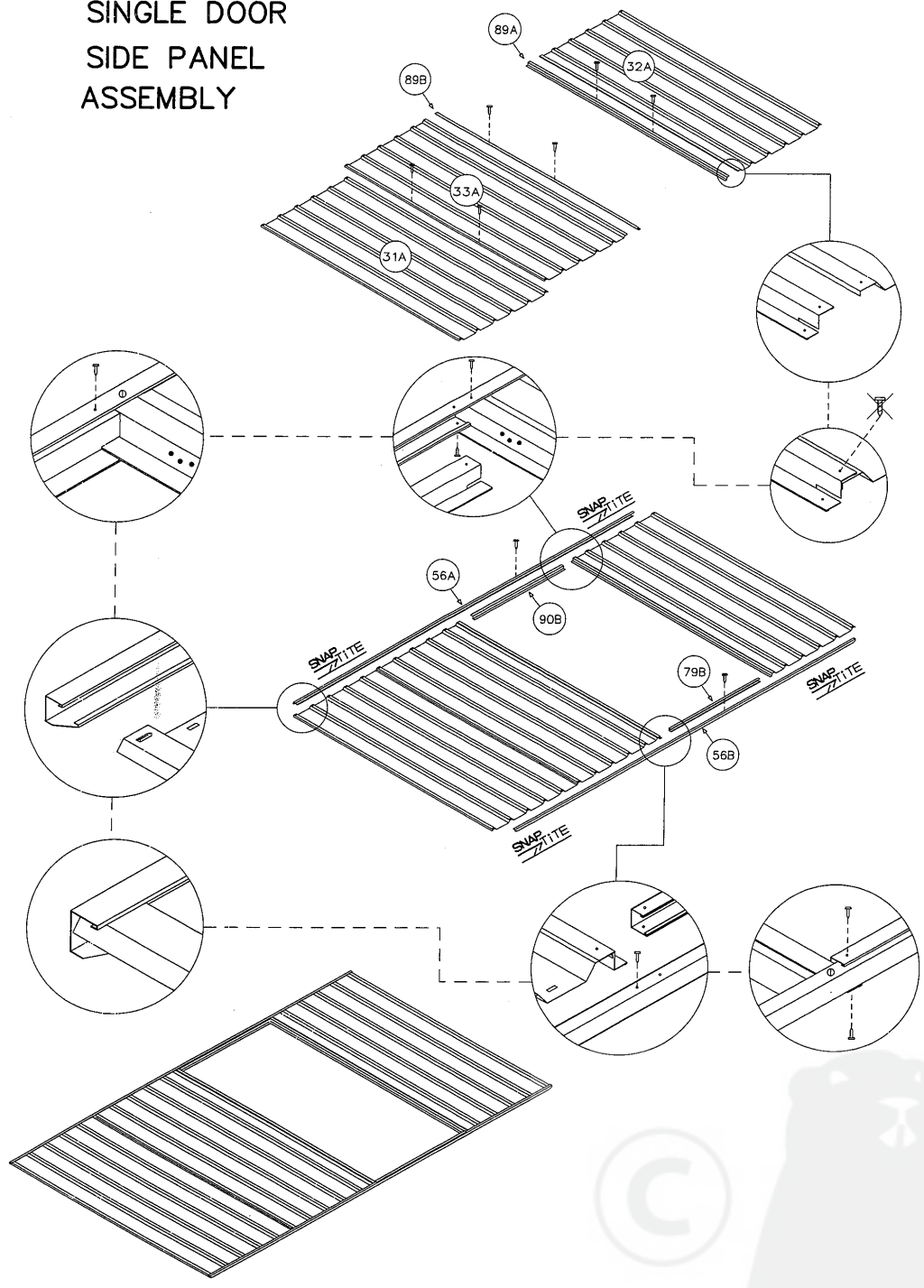
ONE REQUIRED
SHEET TYPE 30A
THIS END



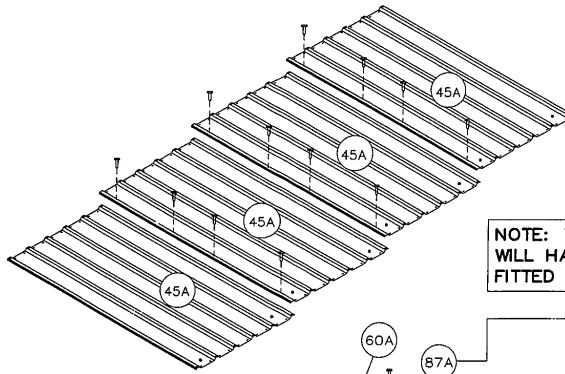
TWO REQUIRED
SHEET TYPE 30A
THIS END



SINGLE DOOR SIDE PANEL ASSEMBLY

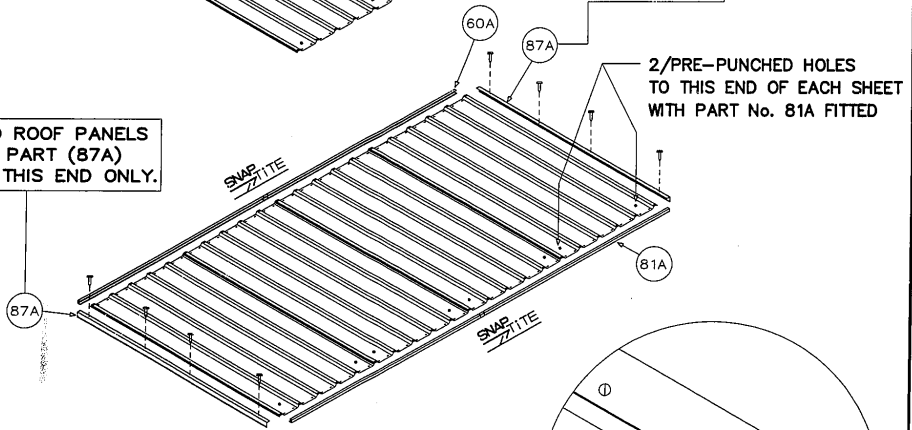


ROOF PANEL ASSEMBLY (FOUR REQUIRED)

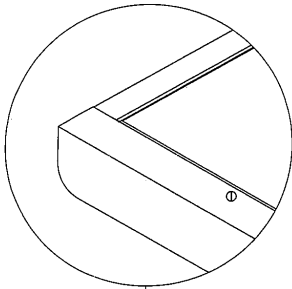


NOTE: TWO ROOF PANELS
WILL HAVE PART (87A)
FITTED TO THIS END ONLY.

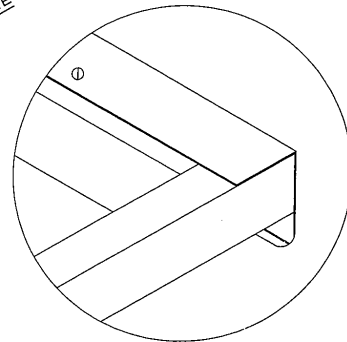
NOTE: TWO ROOF PANELS
WILL HAVE PART (87A)
FITTED TO THIS END ONLY.



2/PRE-PUNCHED HOLES
TO THIS END OF EACH SHEET
WITH PART No. 81A FITTED



NOTE: TWO ROOF PANELS
WILL HAVE PART (87A)
FITTED TO THIS END ONLY.

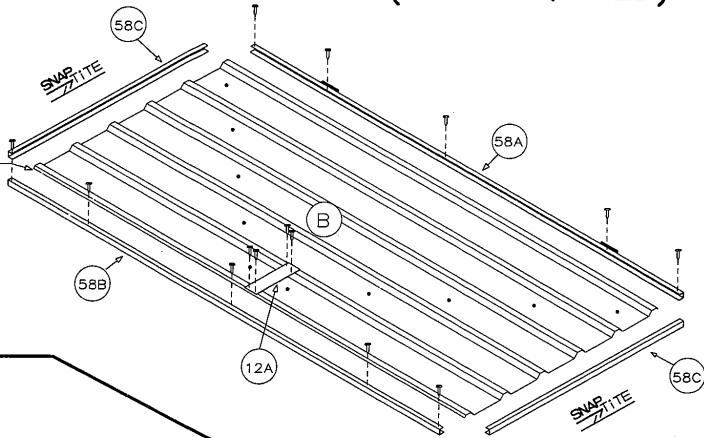


NOTE: TWO ROOF PANELS
WILL HAVE PART (87A)
FITTED TO THIS END ONLY.

DOOR PANEL ASSEMBLY

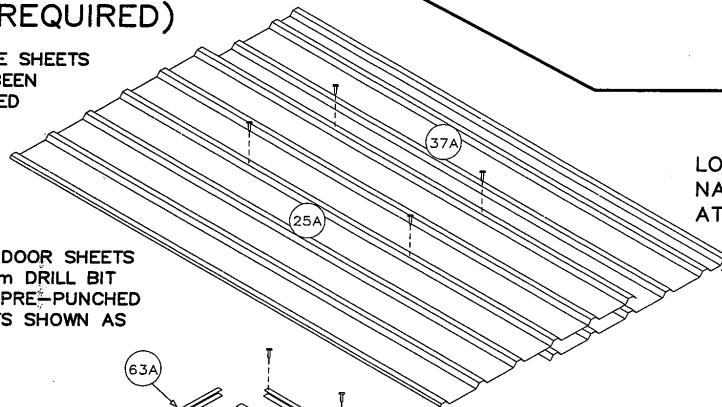
SIDE DOOR (ONE REQUIRED)

1725mm SINGLE DOOR SHEET (FULLY PRE-PUNCHED)

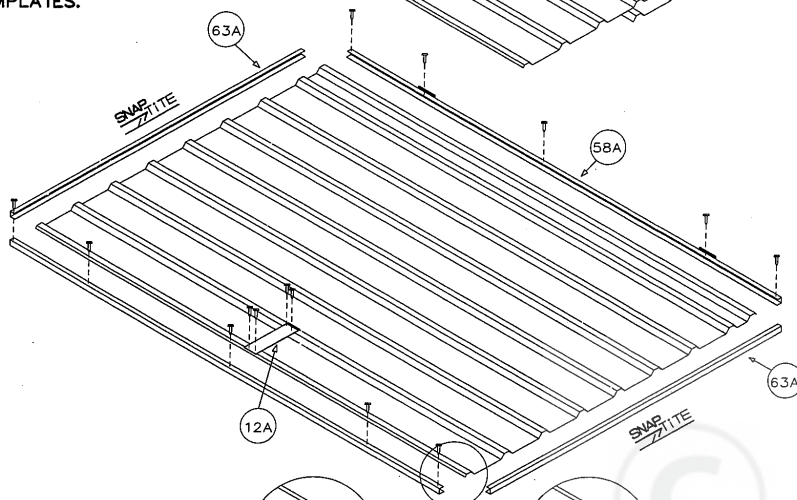


FRONT DOORS (TWO REQUIRED)

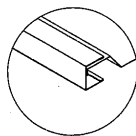
NOTE: THESE SHEETS HAVE NOT BEEN PRE-PUNCHED



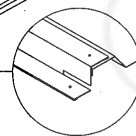
PRE-DRILL DOOR SHEETS WITH A 3mm DRILL BIT USING THE PRE-PUNCHED COMPONENTS SHOWN AS TEMPLATES.



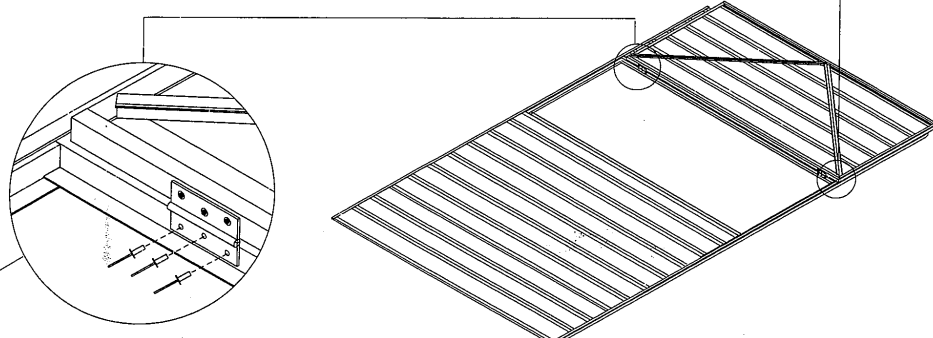
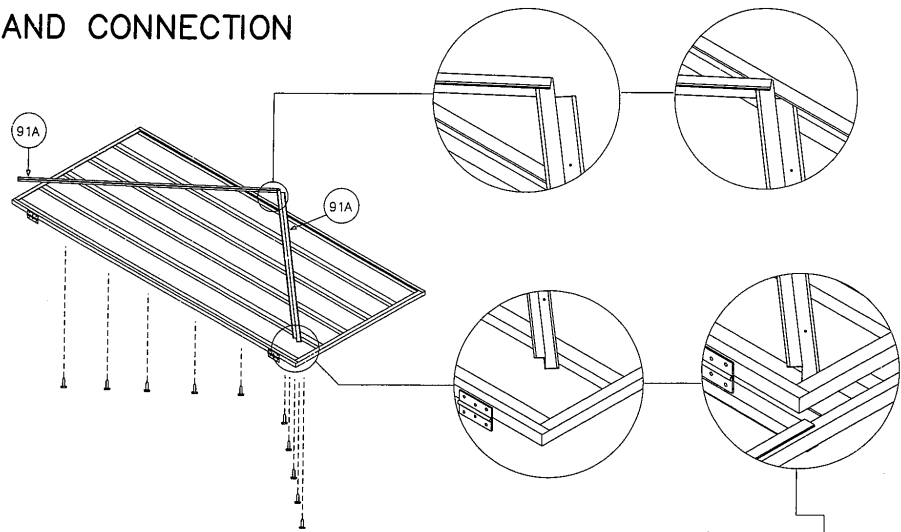
NOTE: FIT ONE DOOR WITH A CHANNEL (PART 58B)



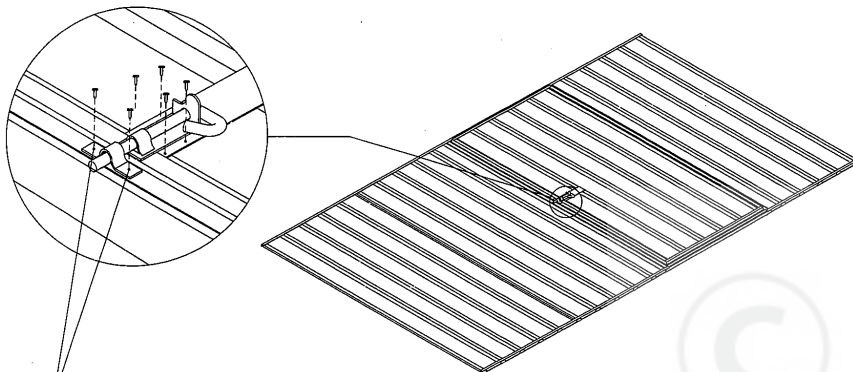
FIT THE OTHER DOOR WITH A JAMB (PART 89C)



SINGLE DOOR ASSEMBLY AND CONNECTION

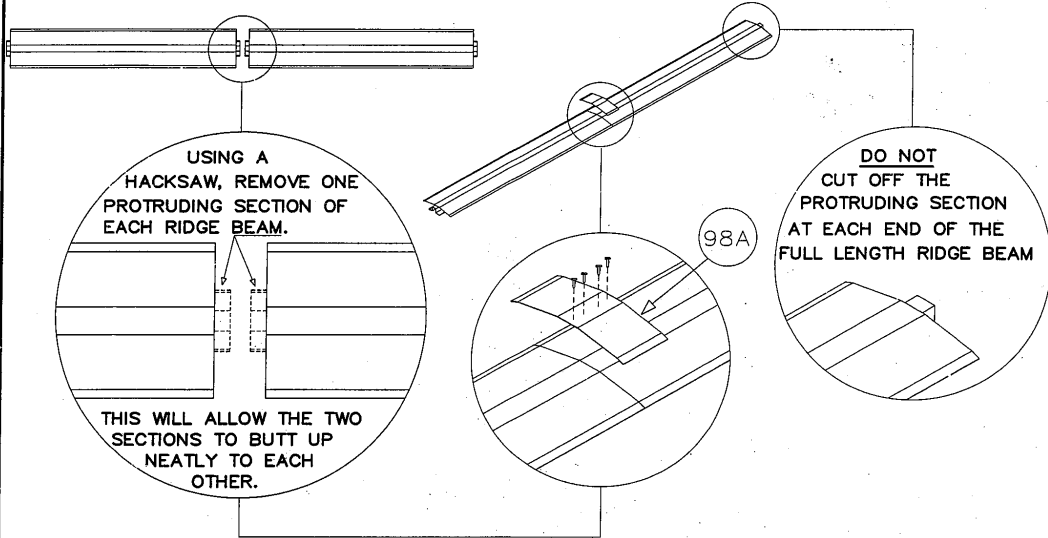


NOTE: NUTS AND BOLTS (SUPPLIED) MAY BE USED IN LIEU OF POP RIVETS (SUPPLIED) BY SIMPLY ENLARGING THE HINGE HOLE SETS IN THE JAMB USING A 4mm DRILL BIT

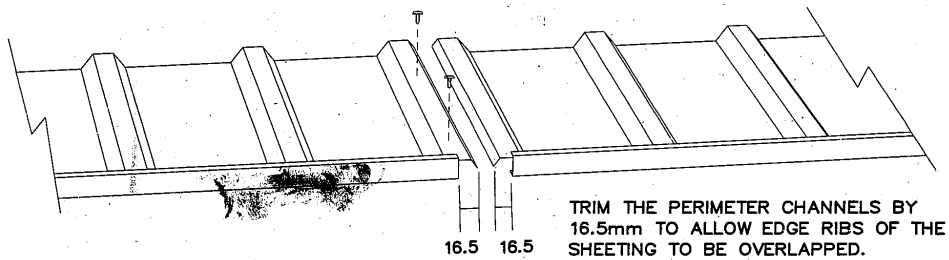


NOTE: THE TWO HOLES REQUIRED TO CONNECT THE PADBOLT HASP TO THE DOOR HAVE NOT BEEN PRE-PUNCHED, TO ALLOW FOR PROPER ALIGNMENT. POSITION THE HASP CENTRALLY OVER THE PADBOLT SHAFT, AND DRILL 3mm HOLES AND SECURE WITH SCREWS

JOINING RIDGE BEAMS

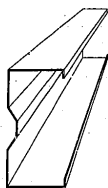


JOINING WALL & ROOF PANELS

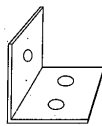


FRONT AND CENTRE FRAME ASSEMBLY

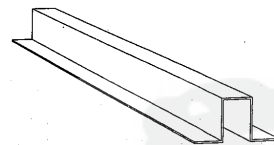
THERE ARE TWO FRAMES TO BE ASSEMBLED, ONE TO SUPPORT THE DOORS IN THE FRONT, AND ONE TO SUPPORT THE ROOF AND WALL PANELS AT THE CENTRE OF THE SHED. THESE ARE SOME OF THE COMPONENTS USED.



80mm X 40mm
GALVANISED
CHANNEL



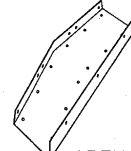
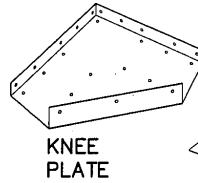
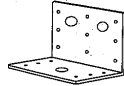
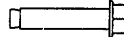
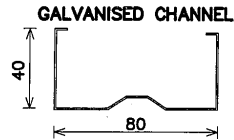
MULTI PURPOSE BRACKET
45mm X 45mm X 80mm



DOOR STIFFENER
TOP HAT SECTION

CENTRE PORTAL FRAME DETAILS

QTY	DESCRIPTION
2	GALVANISED CHANNEL 1482 LONG (PART C1482)
2	GALVANISED CHANNEL 1704 LONG (PART C1704)
2	KNEE PLATE
2	APEX PLATE
2	RIDGE PLATE
2	MULTI PURPOSE BRACKETS
120	16mm SELF DRILLING TEK SCREWS
26	45mm SELF DRILLING TEK SCREWS
4	10mm DYNABOLTS



45mm TEK SCREWS

16mm TEK SCREWS

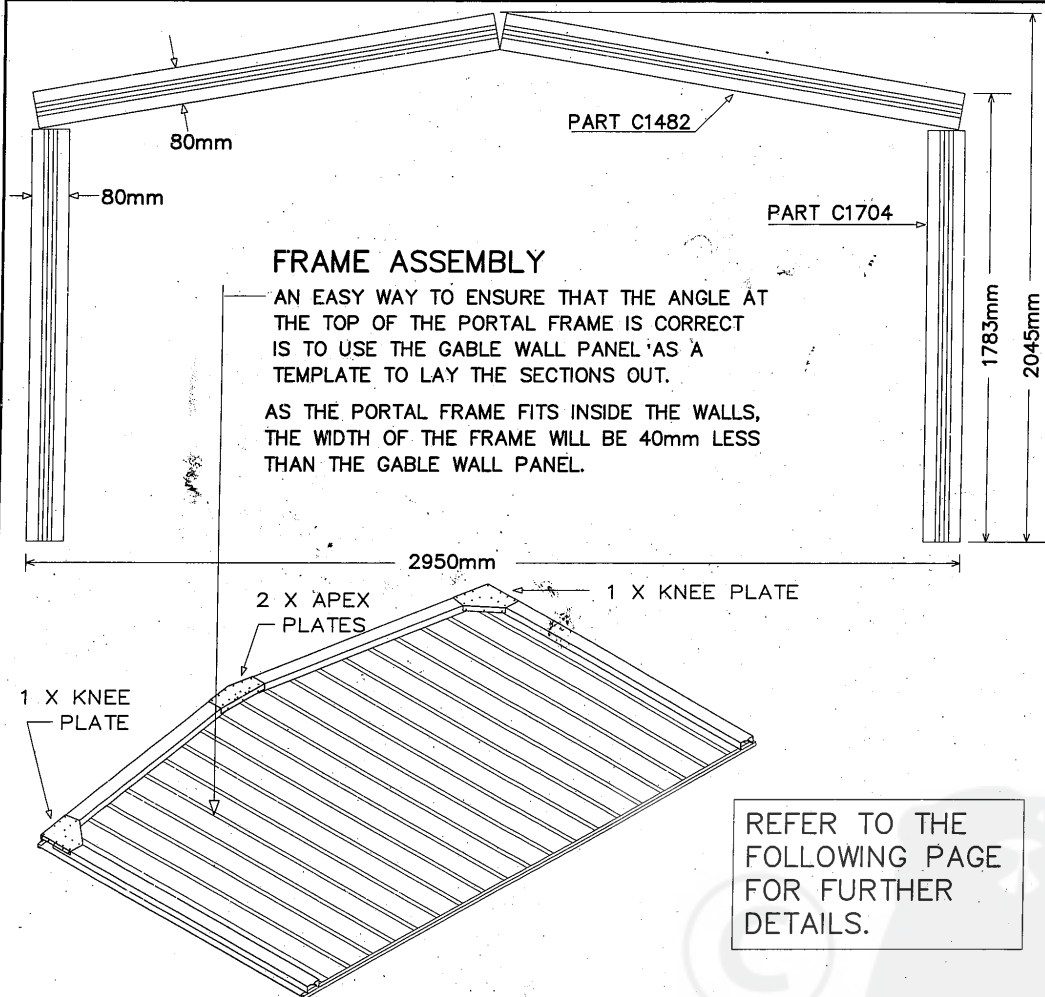
DYNABOLT

MULTI PURPOSE BRACKET

KNEE PLATE

RIDGE PLATE (RBP)

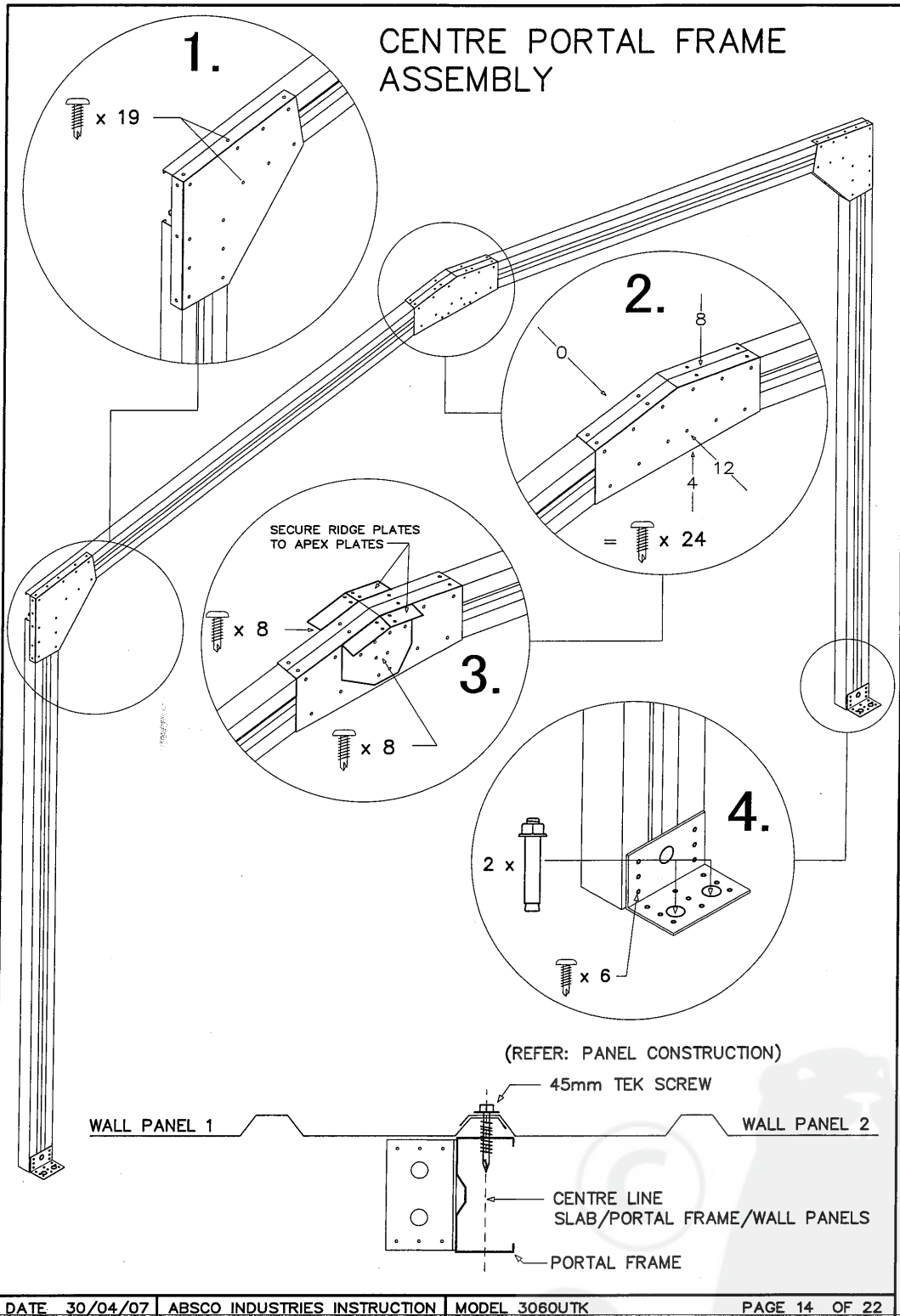
APEX PLATE



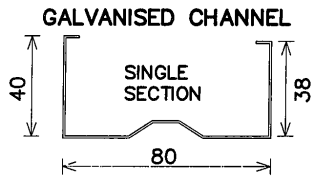
REFER TO THE FOLLOWING PAGE FOR FURTHER DETAILS.

NOTE: IF YOU HAVE AN EDGE REBATE IN YOUR CONCRETE SLAB, YOU WILL HAVE TO CUT AN AMOUNT OFF THE BOTTOM OF THE FRAME LEGS EQUAL TO THE DEPTH OF THE REBATE.

CENTRE PORTAL FRAME ASSEMBLY

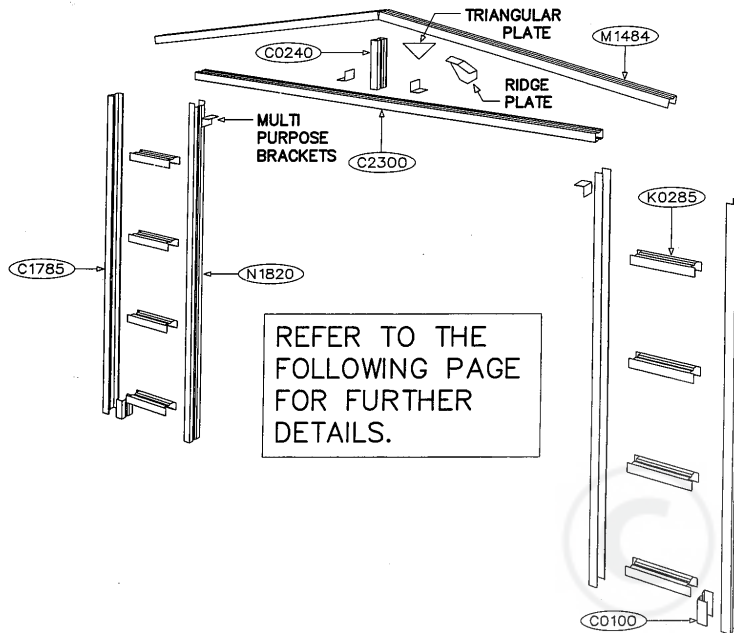
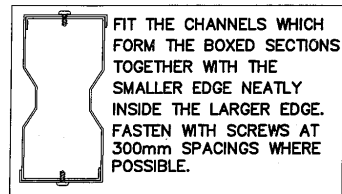
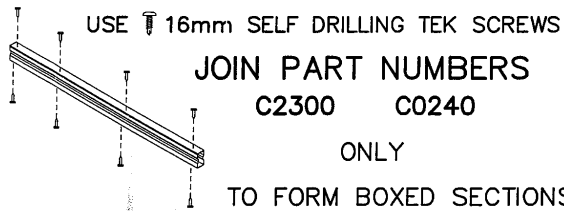


UTILITY FRONT FRAME ASSEMBLY (SHEET 1 of 2)

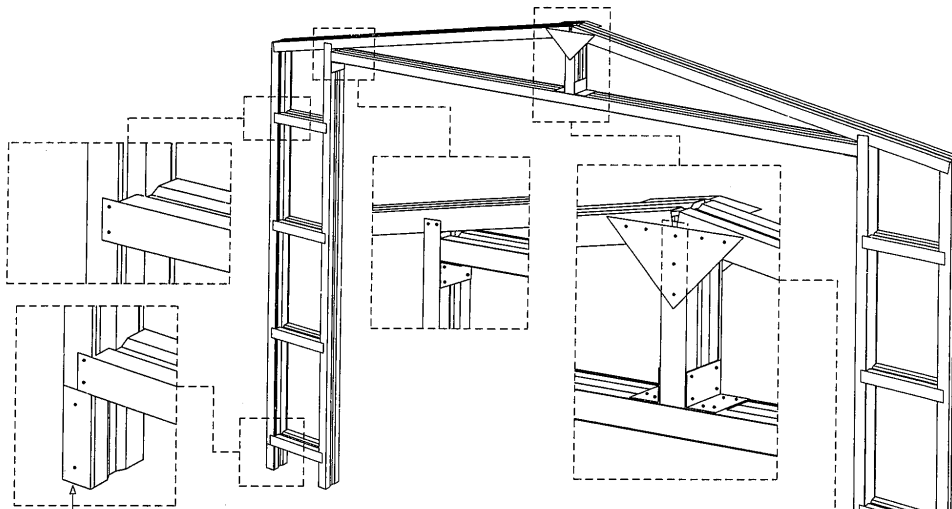


PART No.	QTY	LENGTH	PRE-ASSEMBLY
C1785	2	1785	= 2 X SINGLE SECTIONS
M1484	2	1484	= 2 X SINGLE SECTIONS
N1820	2	1820	= 2 X SINGLE SECTIONS
C0100	2	100	= 2 X SINGLE SECTIONS
K0285	8	285	= 8 X SINGLE SECTIONS
C2300	2	2300	= 1 X BOXED SECTION
C0240	2	240	= 1 X BOXED SECTION

ACCESSORIES	QTY	SIZE	LOCATION
RIDGE PLATE	1		JOIN TO PART C0240/M1484
TRIANGULAR PLATE	1	150 X 150	JOIN TO PART C0240/M1484
SELF DRILLING TEK SCREWS	150	16mm LONG	GENERAL ASSEMBLY
MULTI PURPOSE BRACKETS	4	45 x 45 ANGLE	SECURE TO PART C2300
MULTI PURPOSE BRACKETS	6	45 x 45 ANGLE	SECURE FRAME TO SLAB
10mm DYNABOLTS	6	50mm LONG	SECURE ANCHOR TO SLAB
HAT SECTION (PART 99A)	1	2290	REFER PAGE 20
HAT SECTION (PART 98B)	4	1350	DOOR BRACES (PAGE 20)
PHILLIPS HEAD SCREW BIT	1		SELF DRILLING DRIVER BIT

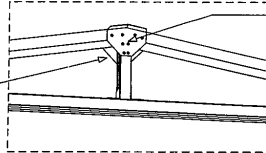


UTILITY FRONT FRAME ASSEMBLY (SHEET 2 of 2)

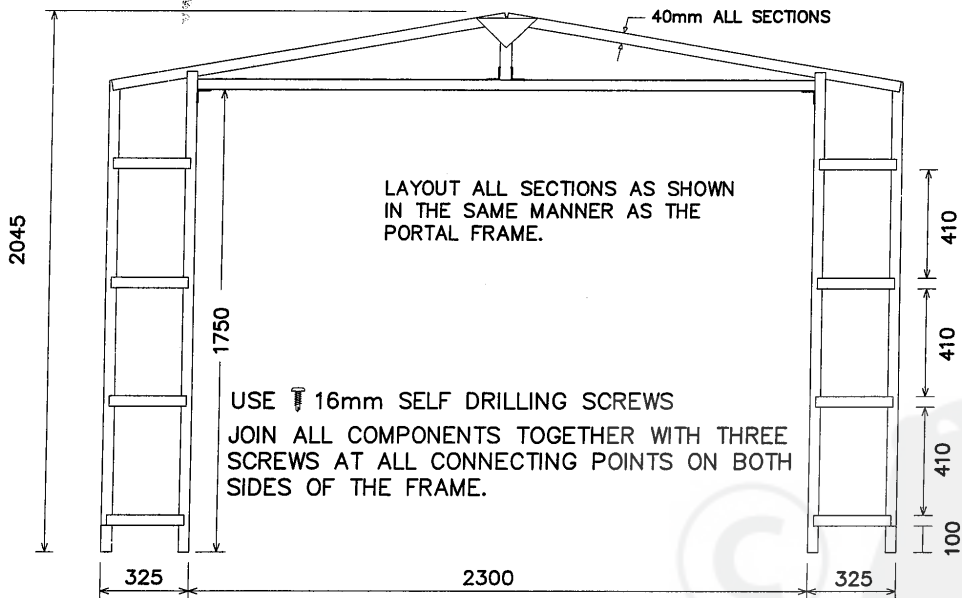


FIT ONE 100mm CHANNEL SECTION (C0100) TO BOX THE BASE OF EACH OUTSIDE LEG AS SHOWN. THESE WILL LATER BE USED FOR SECURING THE FRAME TO THE CONCRETE SLAB.

SECURE THE SMALL TRIANGULAR PLATE TO THE EXTERIOR SIDE OF THE FRAME.

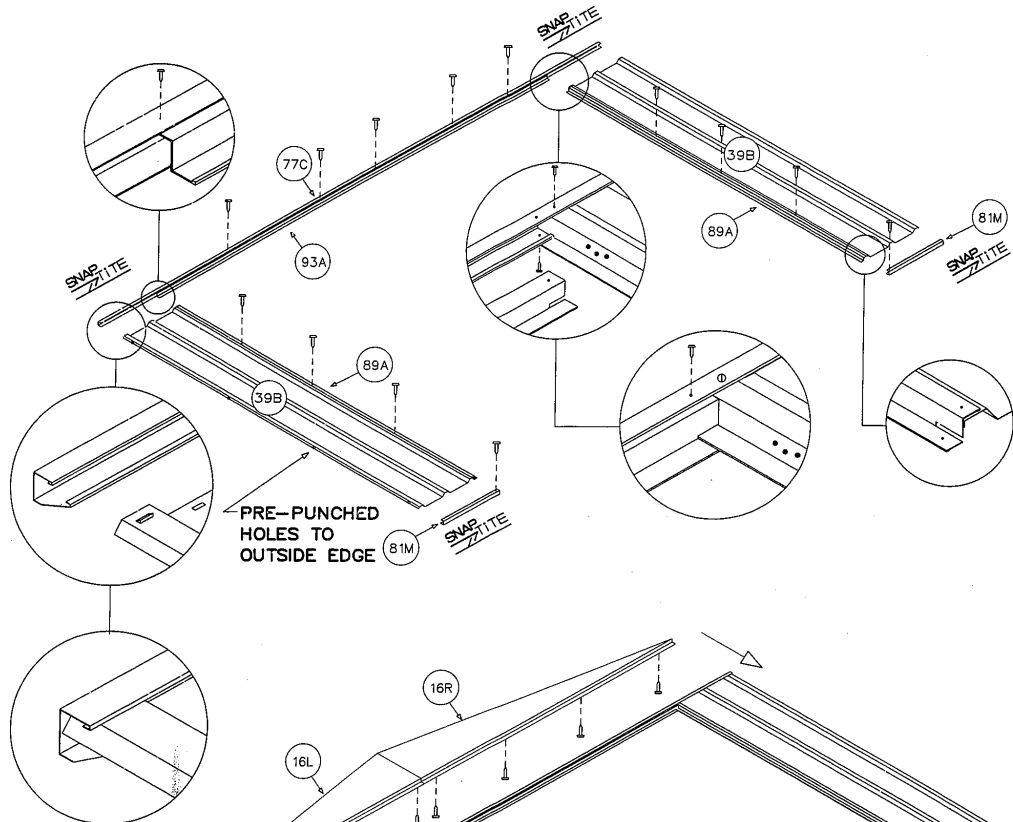


SECURE THE RIDGE PLATE TO THE INTERIOR SIDE OF THE FRAME.



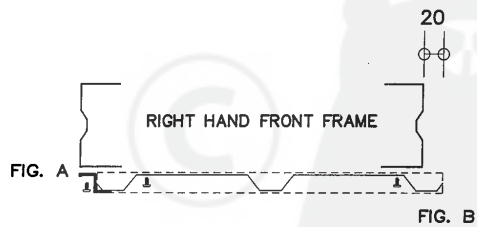
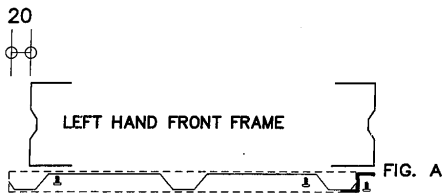
NOTE: IF YOU HAVE AN EDGE REBATE IN YOUR CONCRETE SLAB, YOU WILL HAVE TO CUT AN AMOUNT OFF THE BOTTOM OF THE FRAME LEGS EQUAL TO THE DEPTH OF THE REBATE.

FRONT PANEL ASSEMBLY



NOTE: WHEN THIS FRONT PANEL IS FASTENED TO THE FRONT FRAME, ALL THREE JAMBS SHOULD FINISH FLUSH WITH THE EDGE OF THE FRONT FRAME, THUS FORMING A WEATHERPROOF REBATE FOR THE DOORS. (FIG. A)

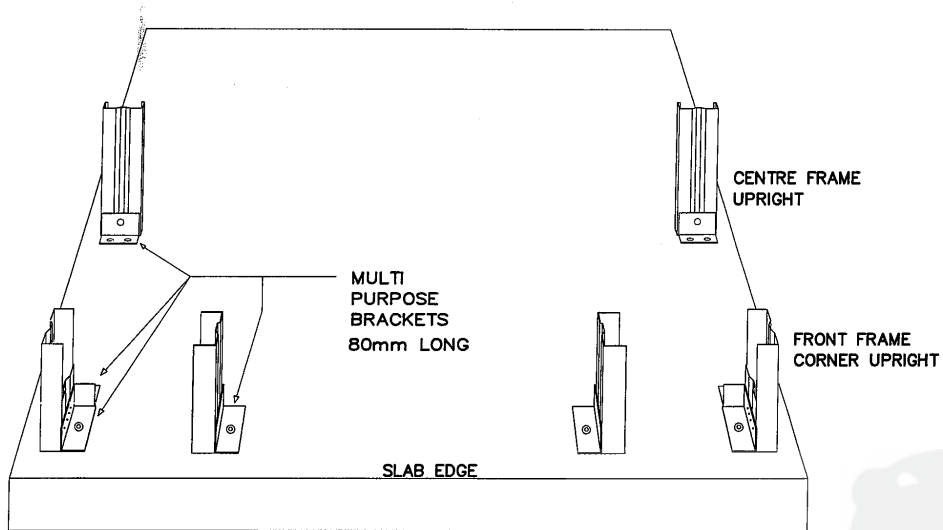
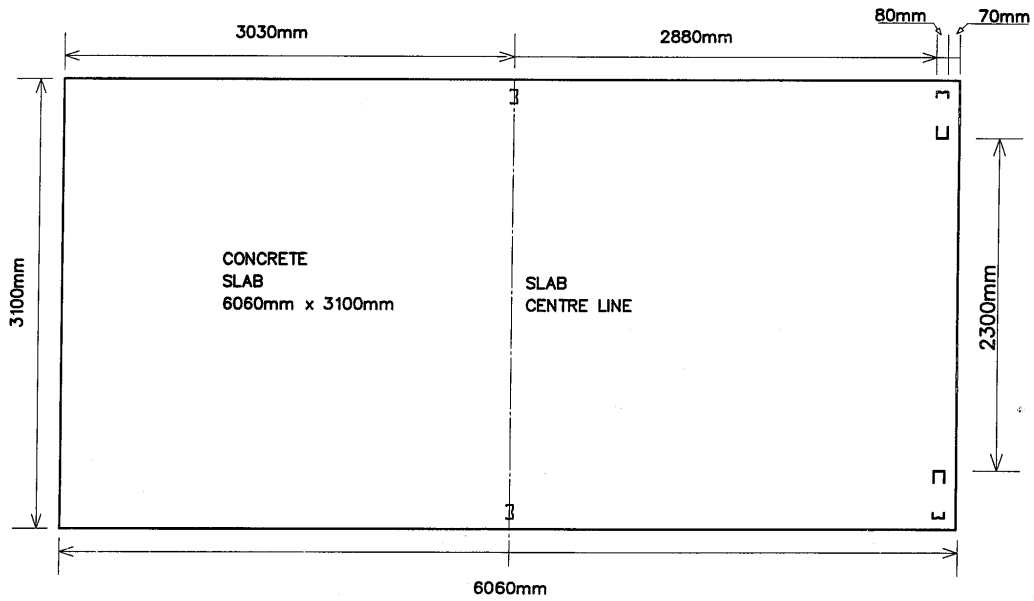
NOTE: THE OUTER EDGE OF THE FRONT PANEL SHOULD PROTRUDE 20mm PAST THE OUTER EDGE OF THE FRONT FRAME FOR CORNER LAPPING OF SIDE WALL PANELS. (FIG. B)



FRONT AND CENTRE FRAME TO SLAB DETAILS

RECOMMENDED SLAB DIMENSIONS - 6060mm x 3100mm
 EXTERNAL WALL DIMENSIONS - 5960mm x 3000mm
 INTERNAL WALL DIMENSIONS - 5920mm x 2960mm

FIG 8A

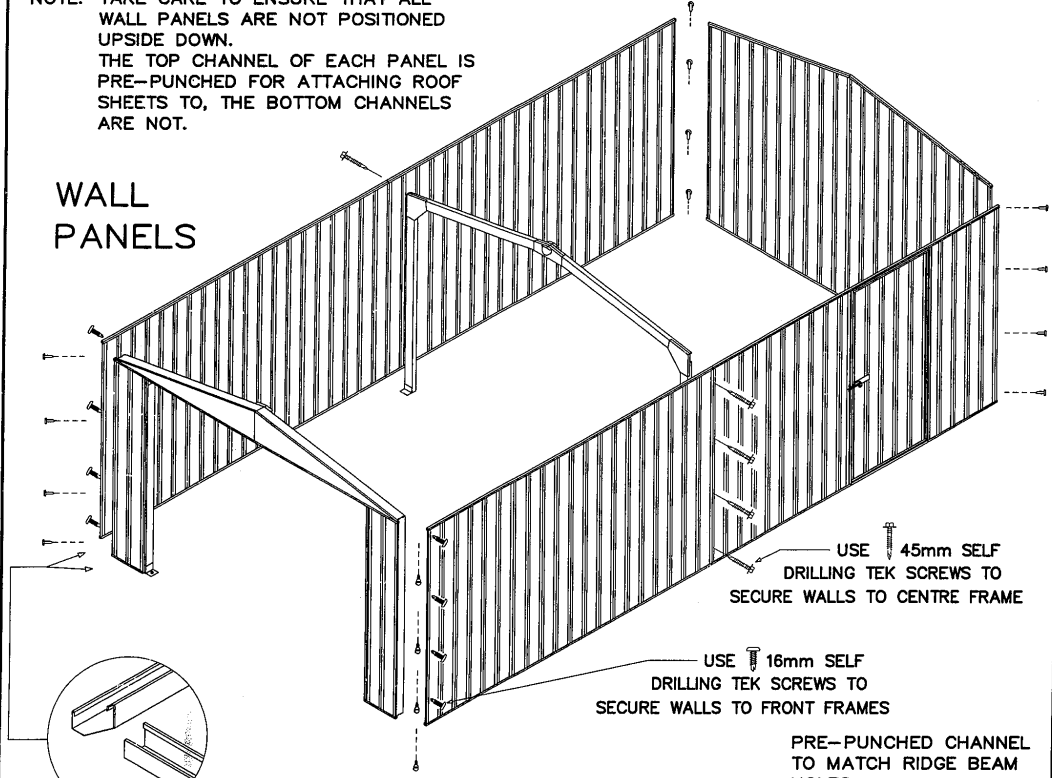


- SECURE MULTI PURPOSE BRACKETS TO UPRIGHTS USING SELF DRILLING SCREWS
- MOVE FRAMES INTO POSITION, MARK AND DRILL HOLES IN SLAB USING 10mm MASONARY DRILL BIT
- SECURE FRAMES TO SLAB WITH DYNABOLTS

PANEL CONSTRUCTION

NOTE: TAKE CARE TO ENSURE THAT ALL WALL PANELS ARE NOT POSITIONED UPSIDE DOWN. THE TOP CHANNEL OF EACH PANEL IS PRE-PUNCHED FOR ATTACHING ROOF SHEETS TO, THE BOTTOM CHANNELS ARE NOT.

WALL
PANELS



USE 45mm SELF
DRILLING TEK SCREWS TO
SECURE WALLS TO CENTRE FRAME

USE 16mm SELF
DRILLING TEK SCREWS TO
SECURE WALLS TO FRONT FRAMES

PRE-PUNCHED CHANNEL
TO MATCH RIDGE BEAM
HOLES.

SIDE WALL PANEL CHANNELS
FIT INTO THE NOTCHED FRONT
AND REAR WALL PANEL CHANNELS

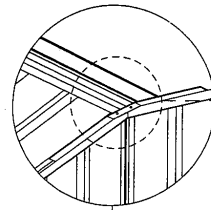
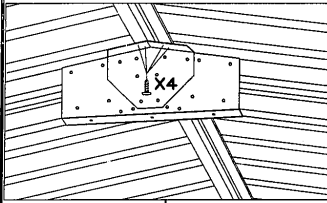
RIDGE
BEAM

SHEETING PRE-PUNCHED THIS END TO
FOR CONNECTION TO FRONT AND REAR WALLS

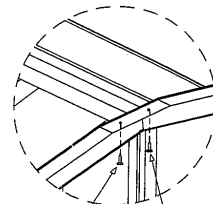
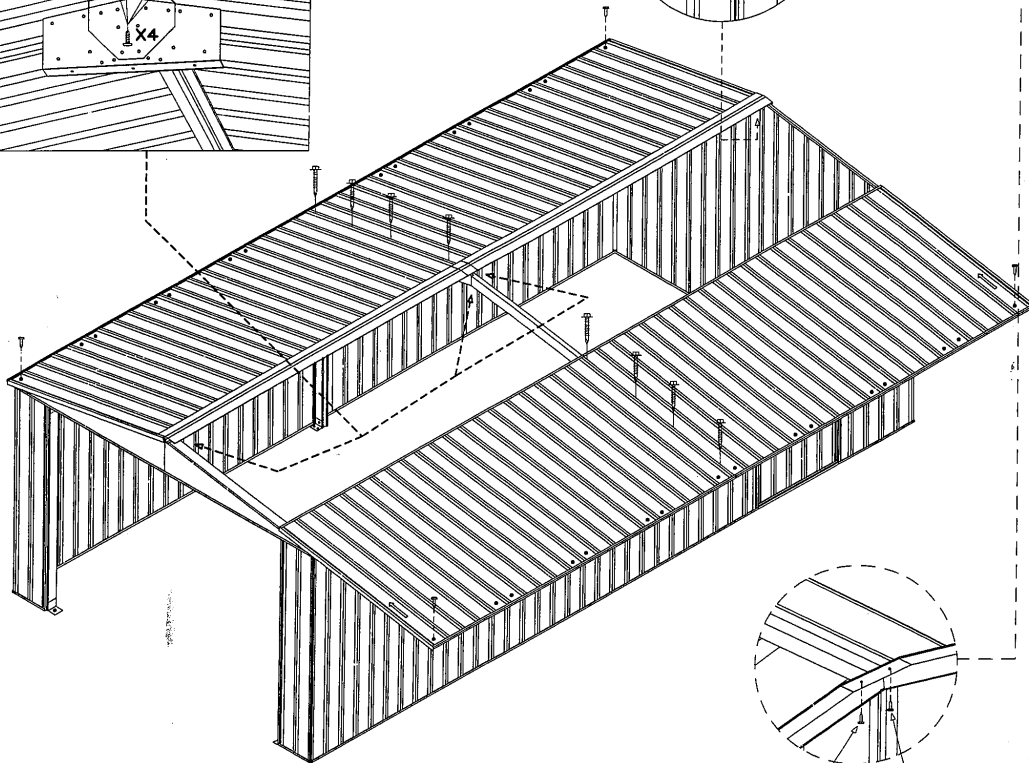
ROOF
PANELS

ROOF CONNECTION

SECURE EACH RIDGE BEAM TO EACH RIDGE PLATE WITH 4 X 16mm SELF DRILLING TEK SCREWS.



INSIDE VIEW OF FIXING



A B

SECURE PEAK BRACE TO RIDGE BEAM AND ROOF PANEL WITH ONE SCREW.

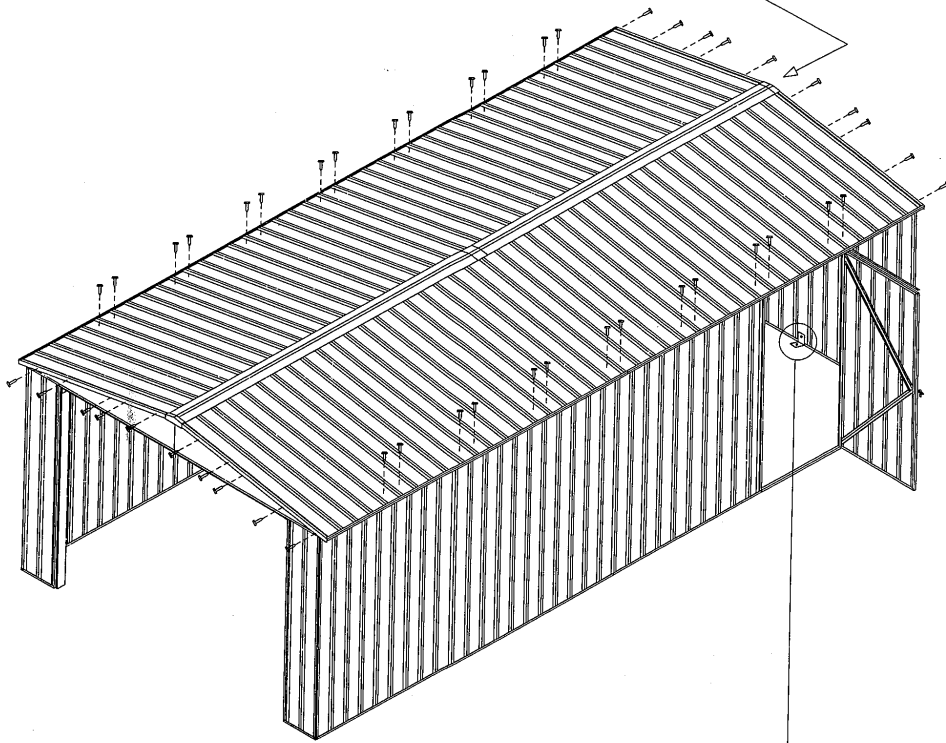
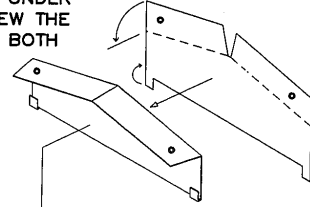
MOVE THE OTHER ROOF PANEL INTO POSITION AND SECURE PEAK BRACE TO RIDGE BEAM AND ROOF PANEL WITH ONE SCREW.

SECURE BOTH ROOF PANELS TO THE WALLS WITH ONE SCREW IN EACH CORNER FIRST, FOLLOWED BY TWO SCREWS ADJACENT TO THE PORTAL FRAME AS SHOWN ABOVE

SECURE ROOF PANELS TO THE TOP CHORDS OF THE PORTAL FRAME USING 45mm SELF DRILLING TEK SCREWS.

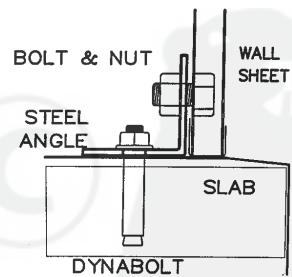
FINAL CONSTRUCTION

BEND THE TOP AND BOTTOM FLANGES OF THE GABLE CAPS AS SHOWN, THEN HOOK THE BOTTOM FLANGES UNDER THE TOP CHANNEL AND SCREW THE TOP FLANGE AS SHOWN FOR BOTH GABLE CAPS



ANCHORING OF SHED

ANCHORS CONSISTING OF STEEL ANGLE, DYNABOLT, AND NUT AND BOLT ARE AVAILABLE FROM YOUR ABSCO STOCKIST. THIS IS THE RECOMMENDED METHOD OF FIXING YOUR SHED TO A CONCRETE SLAB. PLEASE REFER TO THE ATTACHED ENGINEERING DRAWING FOR FURTHER DETAILS ON ANCHOR LOCATIONS.



DOOR INSTALLATION

- SECURE FRONT DOORS TO THE FRONT PANEL IN THE SAME MANNER AS THE SIDE DOOR WAS FITTED

