

# LAWN TENDER™

## OWNER'S MANUAL

**4' LAWN SWEEPER**

MODEL:

**SW4L T**



Important: This instruction contains information for the safety of persons and property. Read it carefully before assembly and operation of the equipment!

CONGRATULATIONS on your the purchase of your new LAWNTENDER™ Lawn Sweeper! Your lawn sweeper is designed, engineered and manufactured to give you the best possible dependability and performance.

### **CUSTOMER RESPONSIBILITIES**

Please read and retain this manual. The instructions enables you to assemble and maintain your lawn sweeper properly. And please, always observe the "Safety" instructions.

### **TABLE OF CONTENTS**

SAFETY.....	2-3
PARTS REFERENCE .....	4
PARTS LIST.....	5
ASSEMBLY.....	6-13
FREQUENTLY ASKED QUESTION .....	14
SERVICE .....	14
WARRANTY.....	BackCover

### **PRODUCT IDENTIFICATION**

#### **PRODUCT COMPATIBILITY**

This lawn sweeper is designed for use with lawn tractors & lawn and garden tractors.

#### **RECORD PURCHASE INFORMATION**

Record your purchase information in the spaces provided below.

DATE OF PURCHASE: \_\_\_\_\_

COMPANY NAME: \_\_\_\_\_

COMPANY PHONE: \_\_\_\_\_

SERIAL NUMBER: \_\_\_\_\_



TO HELP PREVENT BODILY INJURY DUE TO LOSS OF STABILITY OR CONTROL.

Do not exceed maximum towing capacity of towing vehicle listed in the vehicle operator's manual.

Do not exceed 5 mph.

Do not tow this machine behind a motor vehicle such as a car, truck or ATV.

Do not tow this machine behind a ZTR (Zero Turn Radius) Mower.

## **SAFETY**

Read the general safety operating precautions in your towing vehicle operator's manual for additional safety information.

### **Operate Safely**

Use this machine for intended purpose only.

This machine is intended for use in lawn care and home applications. Do not tow behind a vehicle on a highway or in any high speed applications. Do not tow at speeds higher than maximum recommended towing speed.

Towing speed should always be slow enough to maintain control. Travel slowly over rough ground.

Do not let children or an untrained person operate machine.

Do not let anyone, especially children, ride on this machine or the towing vehicle. Riders are subject to injury such as being struck by foreign objects and being thrown off. Riders may also obstruct the operator's view, resulting in this machine being operated in an unsafe manner.

Check towing vehicle brake action before you operate. Adjust or service brakes as necessary.

Keep all parts in good condition and properly installed. Fix damaged parts immediately. Replace worn or broken parts. Replace all worn or damaged safety and instruction decals.

Do not modify the machine or safety devices. Unauthorized modifications to the towing vehicle or machine may impair its function and safety, and void the warranty.

Keep all nuts, bolts and screws tight.

## **TOWING SAFELY**

Stopping distance increases with speed and weight of towed load. Travel slowly and allow extra time and distance to stop.

Total towed weight must not exceed limits specified in towing vehicle operator's manual.

Excessive towed load can cause loss of traction and loss of control on slopes. Reduce towed weight when operating on slopes.

Never allow children or others in or on towed equipment.

Use only approved hitches. Tow only with a machine that has a hitch designed for towing. Do not attach this machine except at the approved hitch point.

Follow the manufacturer's recommendations for weight limits for towed equipment and towing on slopes. Use counterweights or wheel weights as described in the towing vehicle operator's manual.

Do not turn sharply. Use additional caution when turning or operating under adverse surface conditions. Use care when reversing. To avoid jack-knifing, do not allow towing vehicle wheels to contact drawbar.

Do not shift to neutral and coast downhill.

### **Protect Bystanders**

Keep bystanders away when you operate this machine

Before you back look carefully behind for bystanders.

Before you operate any feature of this machine, observe your surroundings and look for bystanders.

### **Keep Riders Off Towed Attachment**

Keep riders off towed attachment.

Riders on a towed attachment are subject to injury, such as being struck by objects and being thrown off the attachment during sudden starts, stops and turns.

Riders obstruct the operator's view, resulting in the attachment being used in an unsafe manner.

Keep riders off of hitch bracket.

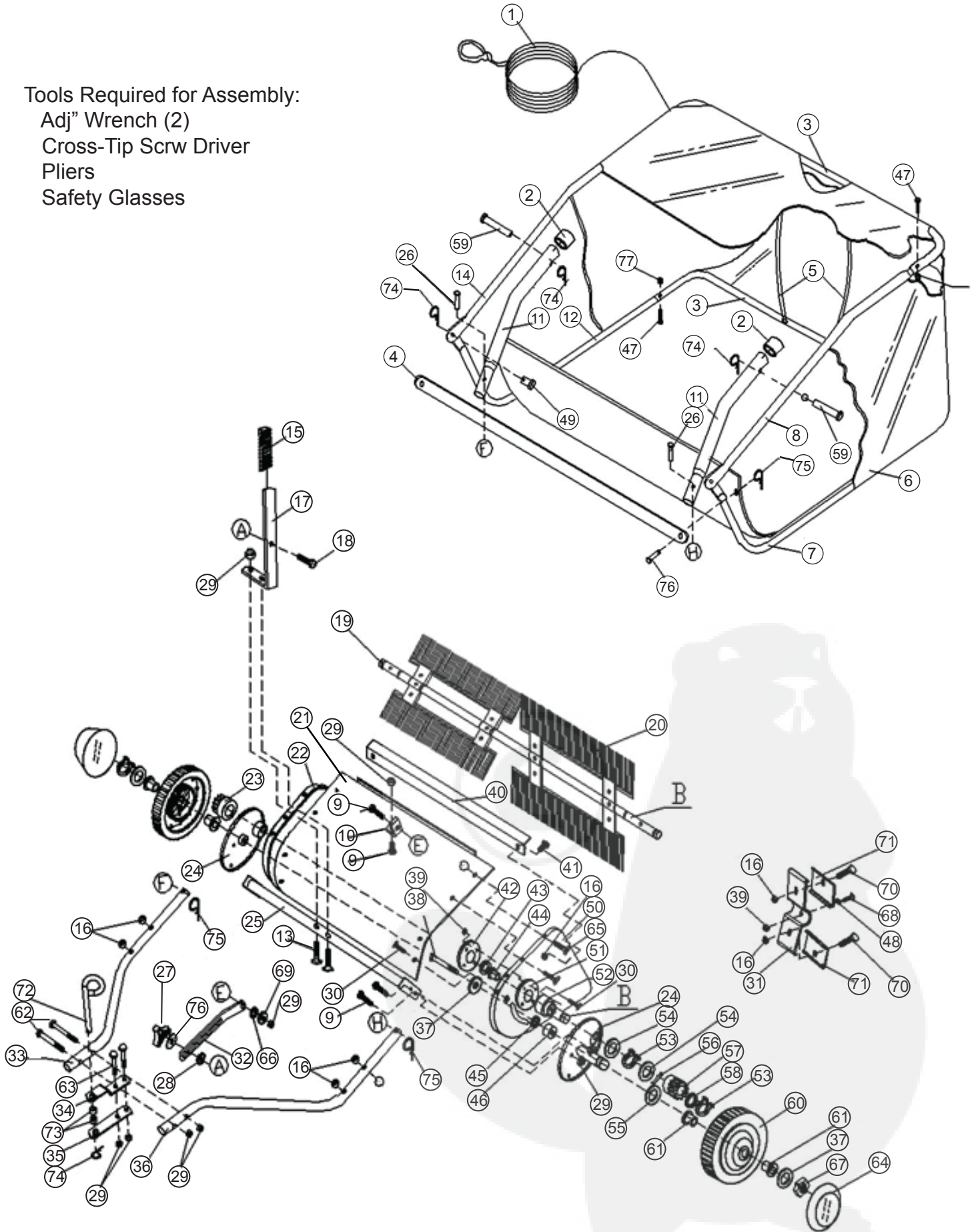
### **Keep Body Parts From Under Drawbar**

Before you disconnect this machine from towing vehicle hitch plate:

- Stop on level ground.
- Stop towing vehicle engine.
- Lock towing vehicle park brake.
- Block wheels of the machine.
- Make sure body parts are not under drawbar.

**PARTS REFERENCE** \_\_\_\_\_

Tools Required for Assembly:  
Adj" Wrench (2)  
Cross-Tip Scrw Driver  
Pliers  
Safety Glasses



## PARTS LIST

REF NO.	PART NO	DESCRIPTION	QTY.	REF NO.	PART NO	DESCRIPTION	QTY.
1.	N-100	Hamper Rope	1	54.	N-153	Adj. Washer A	4
2.	N-101	Vinyl Cap	2	55.	N-154	Adj. Washer C	2
3.	N-102	Rear Hamper Frame Tube	2	56.	N-155	Dowel Pin (Drive)	1
4.	N-103	Big Frame Strap	1	57.	N-156	Pinion Gear (LH)	2
5.	N-104	Hamper Support Rod	2	58.	N-157	Adj. Washer B	2
6.	N-105	Hamper Bag	1	59.	N-158	Pin, Clevis "	2
7.	N-106	Lower Hamper Frame LH	1	60.	N-159	Wheel & Tire Assy	2
8.	N-107	Upper Hamper Frame LH	1	61.	N-160	Wheel Bushing	4
9.	N-108	Hex Bolt, M8x16	6	62.	N-161	Hex Bolt M8x65	2
10.	N-109	Angle Bracket	1	63.	N-162	Hex Bolt M8x50	2
11.	N-110	Bag Arm Tube	1	64.	N-163	Hub Cap	2
12.	N-111	Lower Hamper Frame RH	1	65.	N-164	Hex Bolt M6x35	4
13.	N-112	Hex Bolt, M8x40	2	66.	N-165	Spacer Bushing Hgt Adj Strap	1
14.	N-113	Upper Hamper Frame RH	1	67.	N-166	Nylon Lock Nut M10	2
15.	N-114	Height Adjust Grip	1	68.	N-167	Hex Bolt M5x25	4
16.	N-115	Lock Nut M6	14	69.	N-168	Big Flat Washer Ø8	2
17.	N-116	Height Adjustment Handle	1	70.	N-169	Hex Bolt M6x20	8
18.	N-117	Carriage Bolt M8x30	1	71.	N-170	Retainer Brush	8
19.	N-118	Brush Shaft	1	72.	N-171	Hitch Pin	1
20.	N-119	Brush	4	73.	N-172	Tube, Hitch Spacer	3
21.	N-120	Wrapper	1	74.	N-173	Hair Pin Cotter Ø3	5
22.	N-121	End Plate RH	1	75.	N-174	Hair Pin Cotter Ø2	4
23.	N-122	Pinion Gear RH	1	76.	N-175	Clevis Pin B	2
24.	N-123	Dust Cover Assembly	2	77.	N-176	Hex Lock Nut	4
25.	N-124	Height Adj. Tube Assy	1				
26.	N-125	Clevis Pin Ø6x37	4				
27.	N-126	Wing Knob	1				
28.	N-127	Star Washer Ø8	1				
29.	N-128	Hex Lock Nut M	12				
30.	N-129	Slotted Pan Hd Screw M5x12	14				
31.	N-130	Retainer Brush (Large)	4				
32.	N-131	Height Adjustment Strap	1				
33.	N-132	Hitch Tube (RH)	1				
34.	N-133	Hitch Bracket	1				
35.	N-134	Hitch Bracket, Straight	1				
36.	N-135	Hitch Tube (LH)	1				
37.	N-136	Flat Washer Ø10	4				
38.	N-137	Hex Bolt M10x85	2				
39.	N-138	Nylon Lock Nut M5	18				
40.	N-139	Rear Support Brace	1				
41.	N-140	Hex Bolt M6x12	2				
42.	N-141	Dust Cover Retainer	2				
43.	N-142	Inside Star Washer	2				
44.	N-143	Brush Shaft Bushing	2				
45.	N-144	Spacer Bushing Ø16x3mm	2				
46.	N-145	Spacer for Axle	2				
47.	N-146	Cross Slot Screw	4				
48.	N-147	Star Washer Ø5	4				
49.	N-148	Clevis Pin C	2				
50.	N-149	End Plate LH	1				
51.	N-150	Special Washer	2				
52.	N-151	Bushing	2				
53.	N-152	Retaining Ring	4				



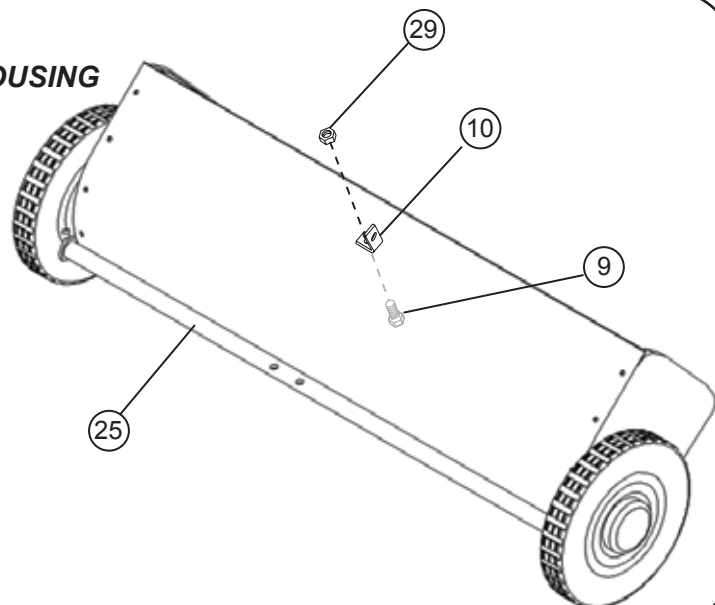
### Step 1.

#### ASSEMBLE BRACKET TO SWEEPER HOUSING

1a) Assemble the angle bracket (10) to the sweeper housing using a M8x16 hex bolt (9) and a M8 hex lock nut (29).

**IMPORTANT:** Make sure the bracket is turned as shown and aligned straight with the housing and then tighten.

1b) Cut off the plastic tie that holds the height adjustment tube (25) in place

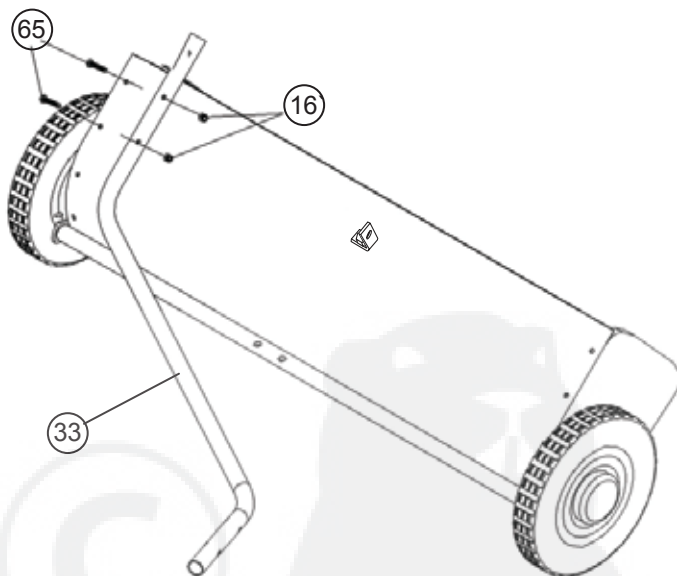


### Step 2.

#### ASSEMBLE L/R TUBE HITCH

2a) Assemble the R.H. Hitch Tube (33) to the sweeper housing using M6x35 Hex Bolt (65) and M6 Lock Nut (16).

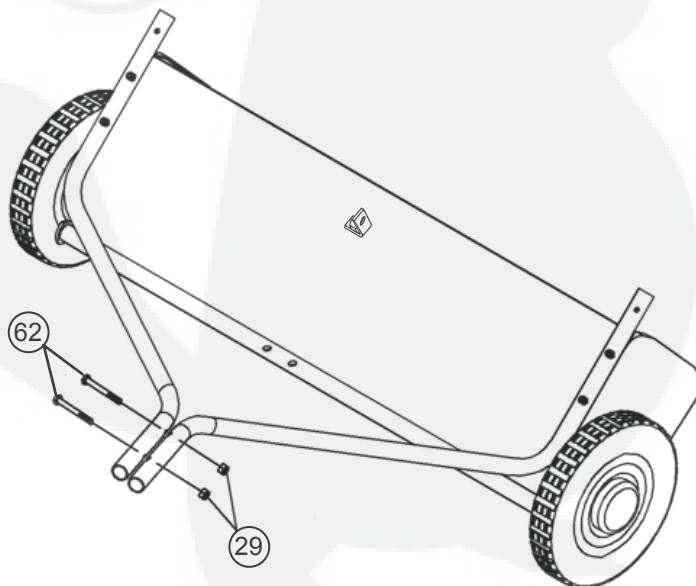
Do not tighten yet. Repeat for the L.H. hitch tube (2).



### Step 3.

#### JOIN HITCH TUBES

3a) Fasten the hitch tubes together using two M8x65 Hex Bolts (62) and M8 Lock Nuts (29). Do not tighten yet.



## Step 4.

## ASSEMBLE & ATTACH HITCH BRACKETS

NOTE: If your tractor hitch has a ground clearance between 11 in. and 13 in., see illustration A. If your tractor hitch ground clearance is between 8 in. and 11 in., see illustration B.

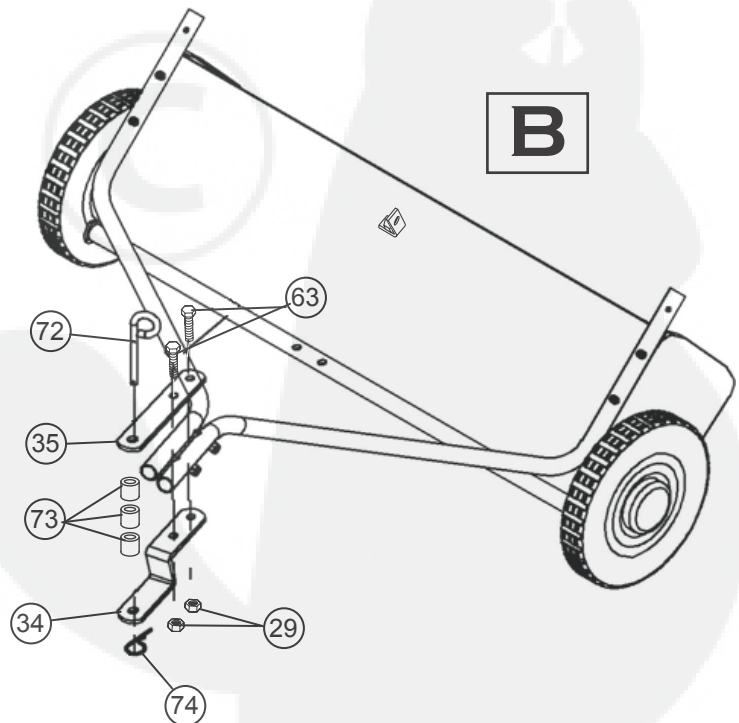
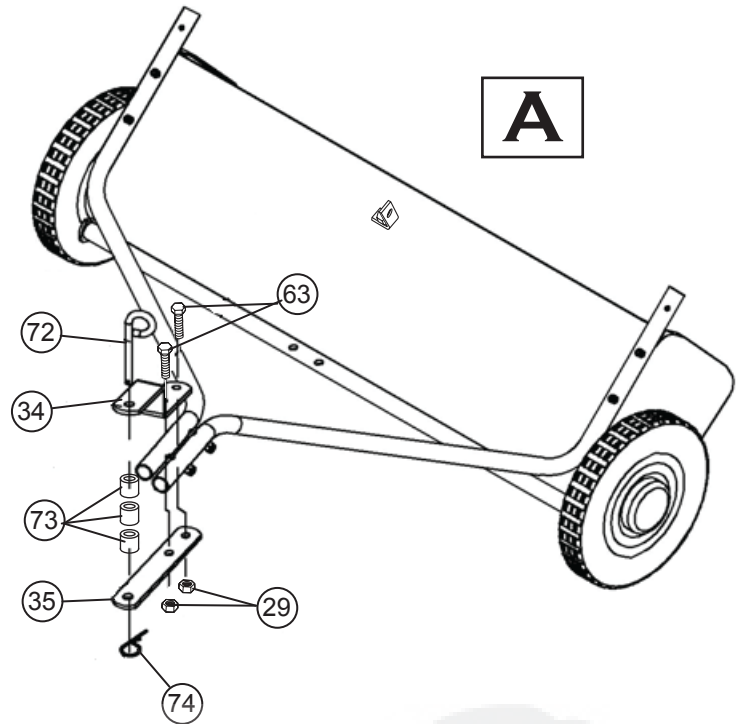
4a) Assemble the hitch brackets (34) and (35) to the hitch tubes using two M8x50 hex bolts (63) and M8 hex lock nuts (29). The bolts should straddle the front hitch tube bolt. Do not tighten yet.

4b) Tighten the four bolts fastening the hitch tubes to the sweeper housing installed in Step 2.

4c) Tighten the two bolts fastening the ends of the hitch tubes together installed in Step 3.

Tighten the two bolts fastening the hitch brackets to the hitch tubes installed in Step 4a.

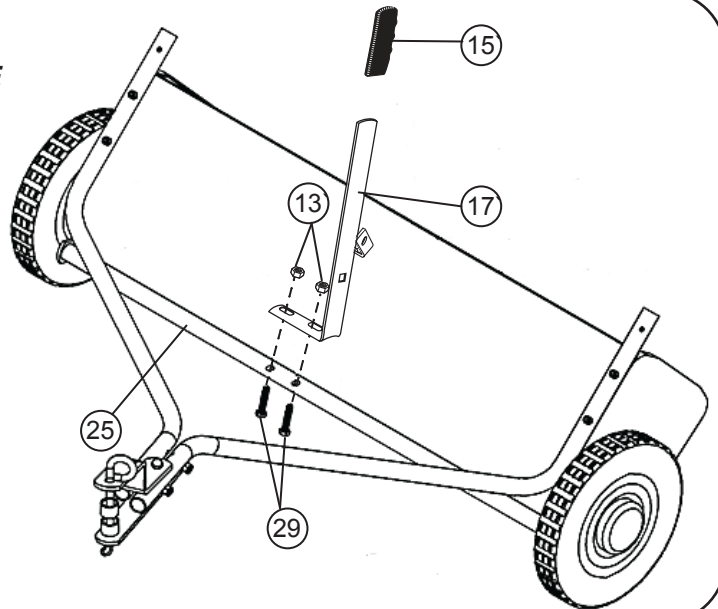
4d) Assemble the hitch pin (72), three spacers (73) and the hair cotter pin (74) to the hitch brackets.



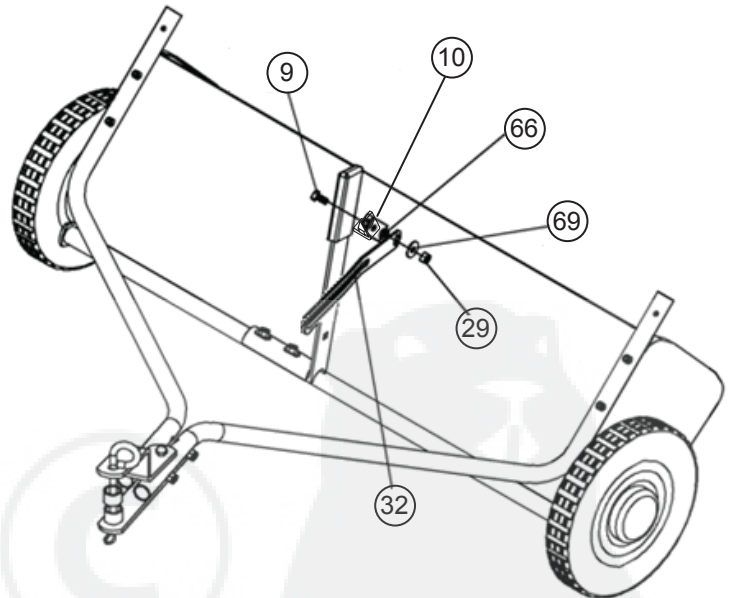
**Step 5.****ATTACH HEIGHT ADJUSTMENT HANDLE**

5a) Attach the height adjustment handle (17) to the height adjustment tube (25) as shown. Use two M8×40 hex bolts (13) and M8 lock nuts (29). Do not tighten yet.

5b) Attach the height adjustment grip (15) onto the height adjustment handle (17).

**Step 6.****ATTACH ADJUSTMENT HANDLE STRAP**

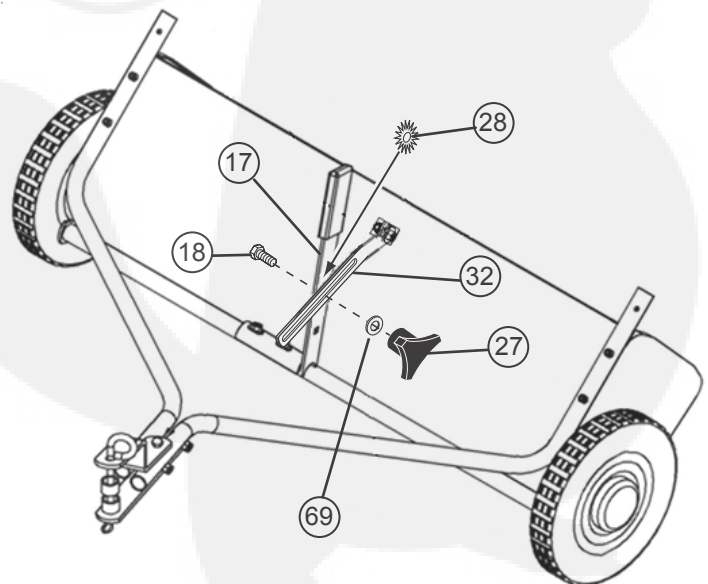
6a) Insert a M8 x16 hex bolt (9) through the angle bracket (10). Assemble onto the bolt (in order) the spacer bushing (66), the height adjustment strap (32), a Ø8 big flat washer (69) and a M8 hex lock nut (29), then tighten.

**Step 7.****CONNECT ADJUSTMENT STRAP TO HANDLE**

7a) Position the height adjustment (17) handle side to side so that the star washer (28) can fit between the handle and the height adjustment strap (32). Tighten the nuts securing the height adjustment handle, installed in Step 5a.

NOTE: Star Washer must be inserted between the height adjustment handles and height adjustment strap in order to properly operate the sweeper height adjustment feature.

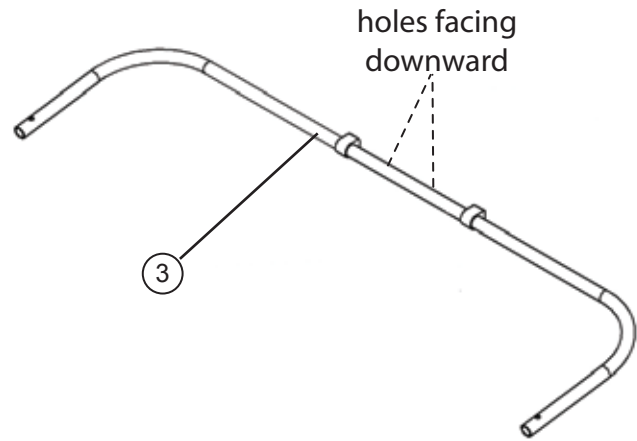
7b) Insert the M8×30 carriage bolt (18) through the height adjustment handle (17). Assemble onto the bolt, in order, the height adjustment strap, star washer (28), a big flat washer (69) and the wing knob (27).





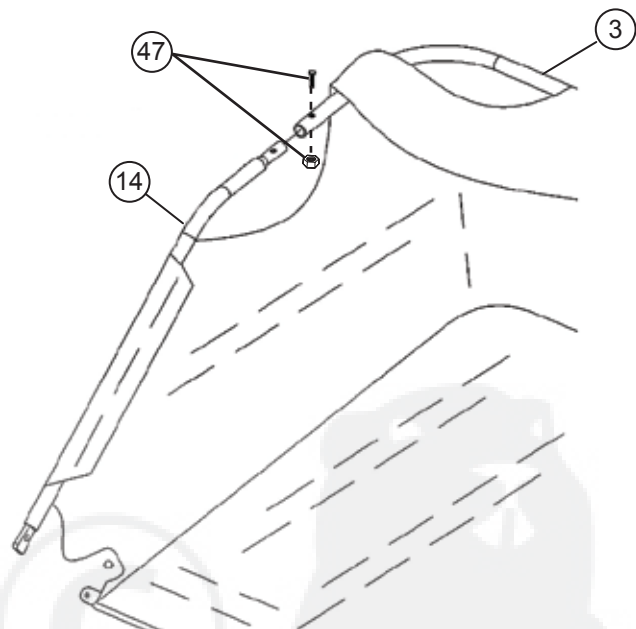
**Step 8.****ASSEMBLE HAMPER**

4a) Turn rear hamper frame tube (3) so that the brace holes in the middle of the tube face down. Slide the tube through the two loops sewn into the top rear seam inside the hamper bag.

**Step 9.****ATTACH UPPER HAMPER TUBES TO REAR HAMPER TUBE**

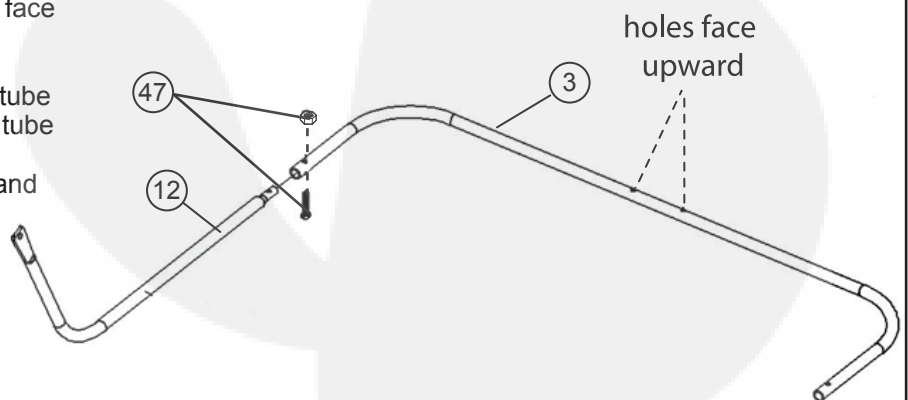
9a) Insert the left upper hamper frame tube (8) and the right upper hamper frame tube (14) through the stitched flaps on each side of the hamper bag.

9b) Attach the ends of the rear hamper tube (3) onto the ends of the upper hamper frames tubes using 1/4" x 1-1/4" Hex bolt and lock nut combination (47) and tighten.

**Step 10.****ATTACH LOWER HAMPER TUBES TO REAR HAMPER TUBE**

10a) Turn the second rear hamper tube (3) so that the brace holes in the middle of the tube face up.

10b) Assemble the ends of the rear hamper tube onto the ends of the left lower hamper frame tube (7) and right lower hamper frame tube (12). Fasten together using 1/4" x 1-1/4" Hex bolt and lock nut combination (47) and tighten.

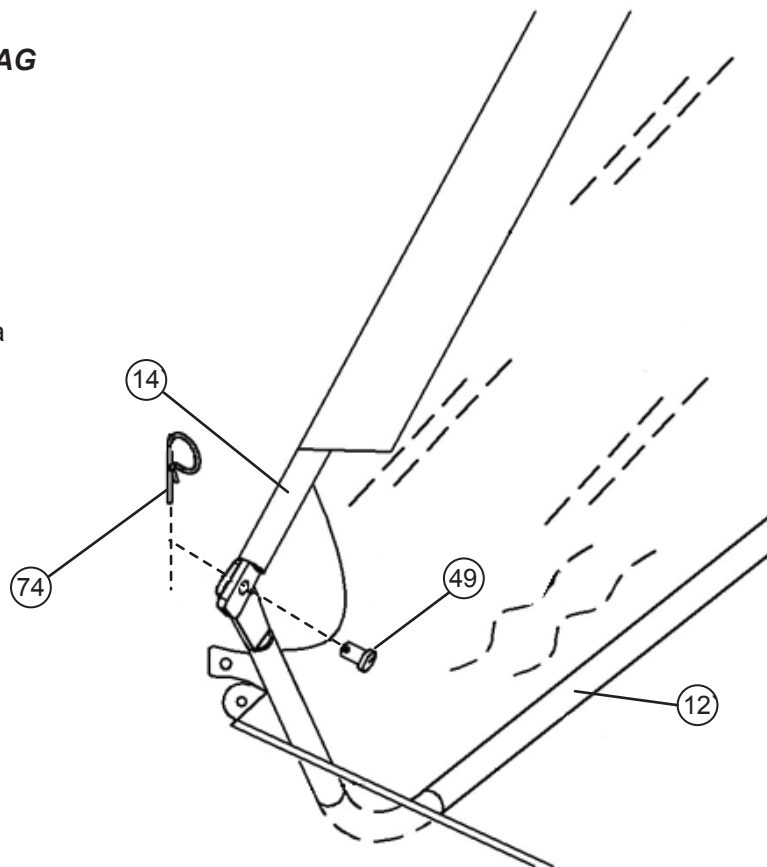


**Step 11.****ATTACH HAMPER FRAME TO BAG**

11a) Place the assembled lower hamper tubes, in to the bottom of the hamper bag.

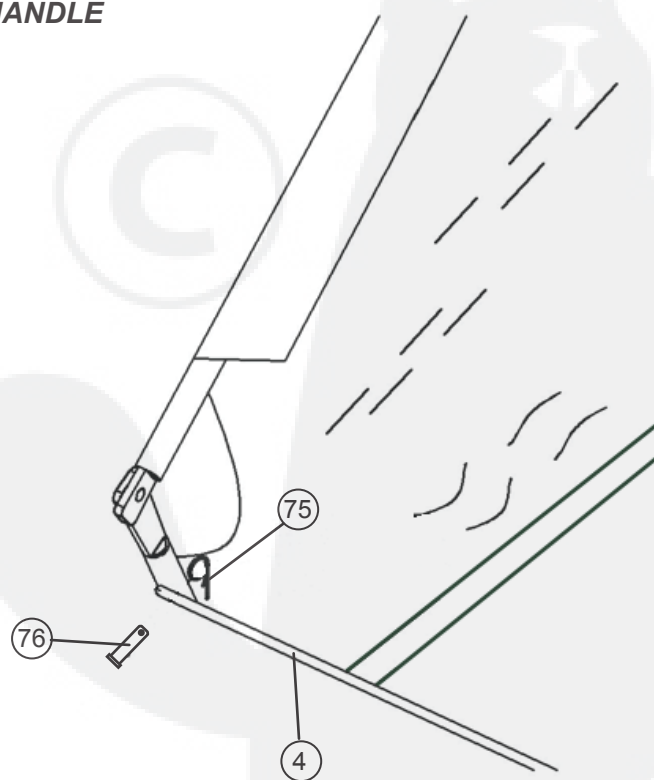
11b) Attach the end of the RH lower hamper frame tube (12) to the outboard side of the RH upper frame tube (14) using a clevis pin (49) inserted from the inside and secure in place with a hair cotter pin (74), as shown.

11c) Repeat for LH side.

**Step 12.****ATTACH HEIGHT ADJUSTMENT HANDLE**

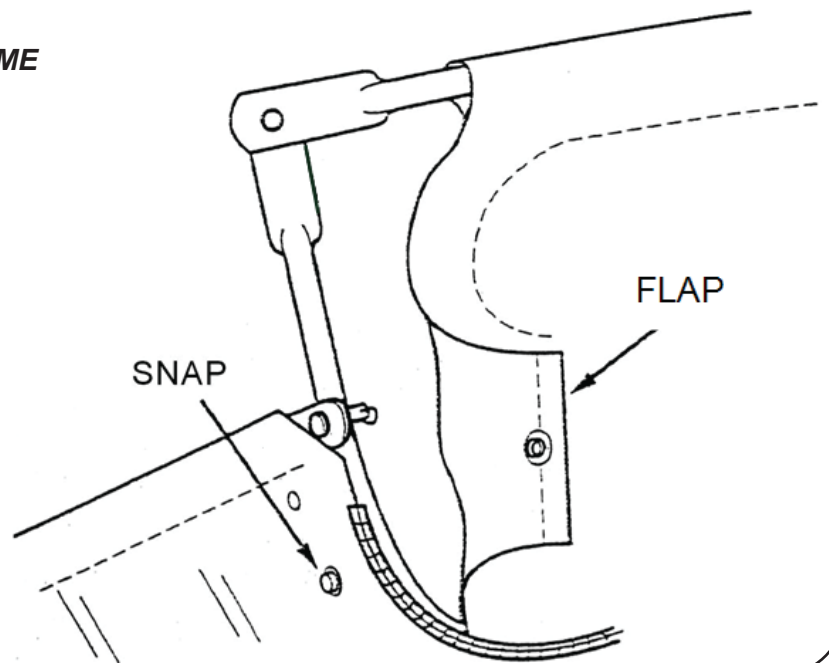
12a) Insert the bag frame strap (4) in to the stitched sleeve along the front edge of the bag bottom.

12b) Attach the bag frame strap (4) to the lower hamper side tubes using two clevis pins (76) and two hair Ø2 cotter pins (75).



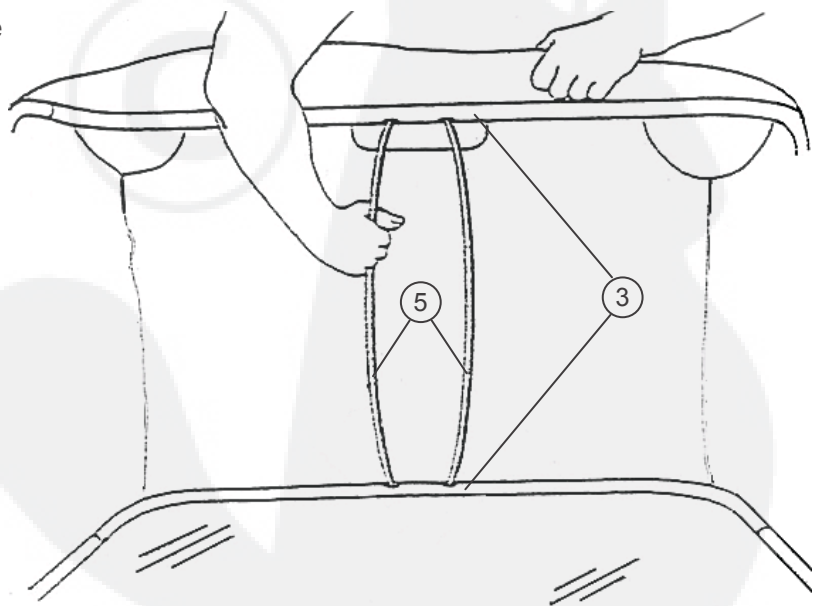
**Step 13.****SECURE BAG TO HAMPER FRAME**

13a) Secure the bag corners around the lower hamper frame tubes by snapping the bag flaps to the bag bottom on both sides

**Step 14.****INSERT HAMPER SUPPORT RODS**

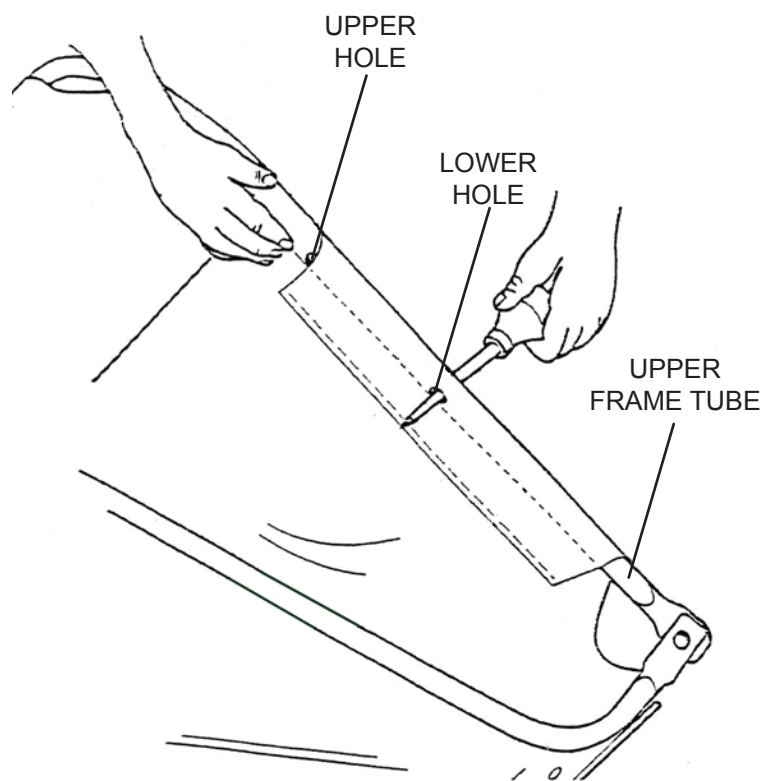
**IMPORTANT:** Do not over bend the support rods during this step. Over bending will cause the steel rods to lose supporting tension.

14a) Tip the hamper onto it's back and insert the two hamper support rods (5). Place the ends the hamper support rods in to the two holes locate in the center of the upper and lower rear hamper tubes (3). Bend the rods just enough to fit into the holes in the tubes.



**Step 15.****INSERT HOLES IN STITCHED FLAPS**

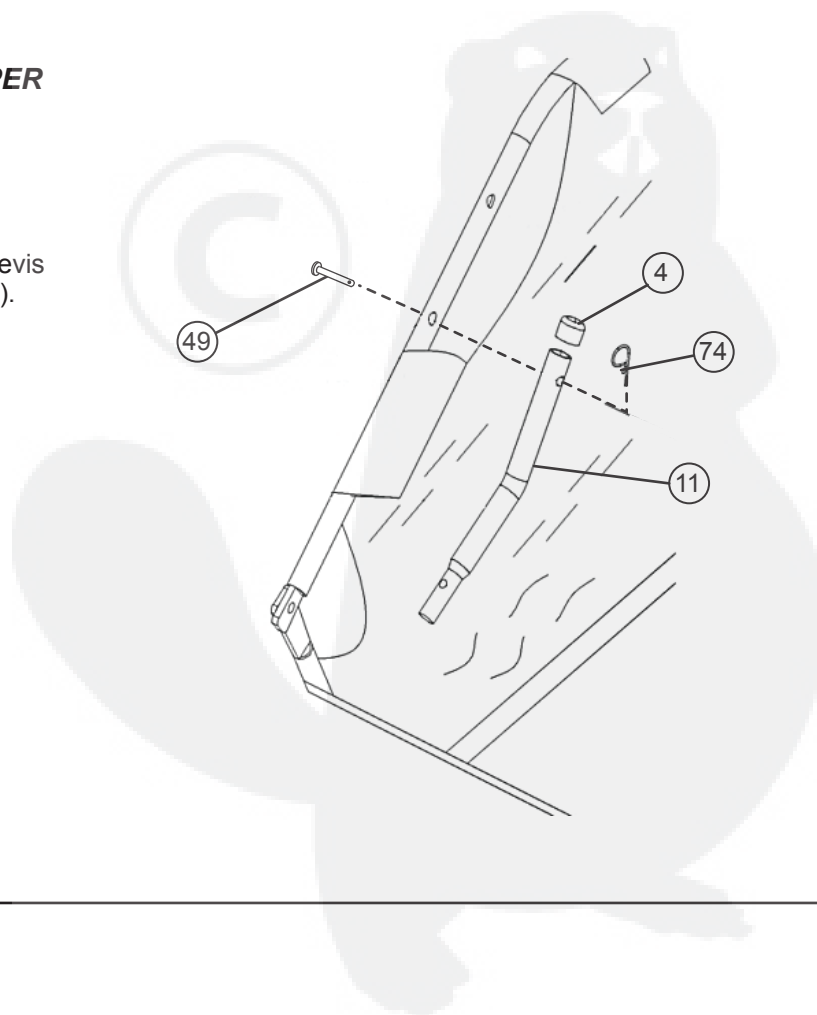
15a) Feel along the stitched flap on the hamper bag to locate the lower hole in each upper hamper frame tube. Place a hole through both sides of the stitched flaps in alignment with the lower hole.

**Step 16.****ATTACH BAG ARM TO HAMPER**

16a) Insert a clevis pin (49) through the lower hole in each upper hamper frame tube.

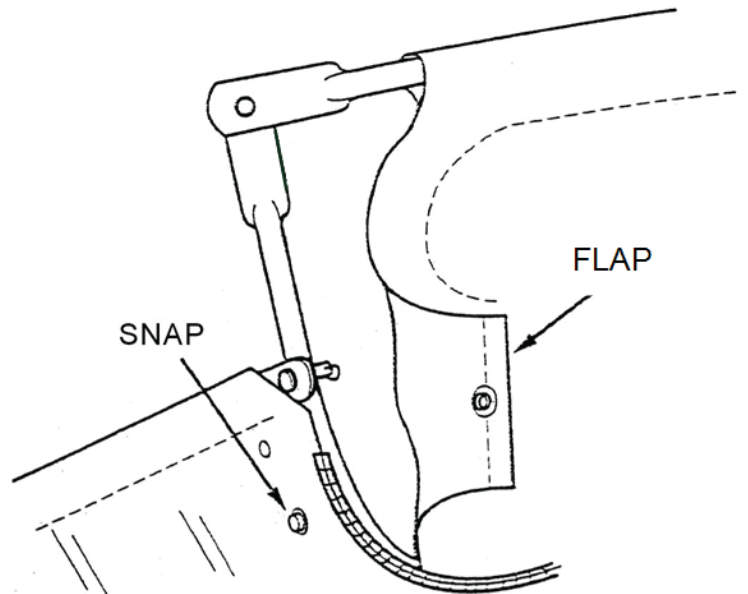
16b) Attach a bag arm tube (11) on to each clevis pin (49) and secure it with a hair cotter pin (74).

16c) Slid a vinyl cap (4) on to the end of each bag arm tube.



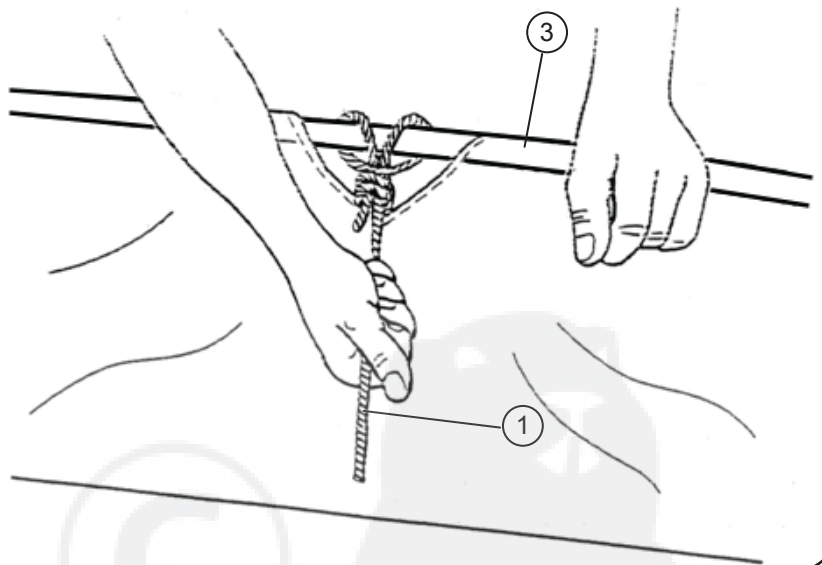
**Step 17. SECURE BAG TO HAMPER FRAME**

13a) Secure the bag corners around the lower hamper frame tubes by snapping the bag flaps to the bag bottom on both sides



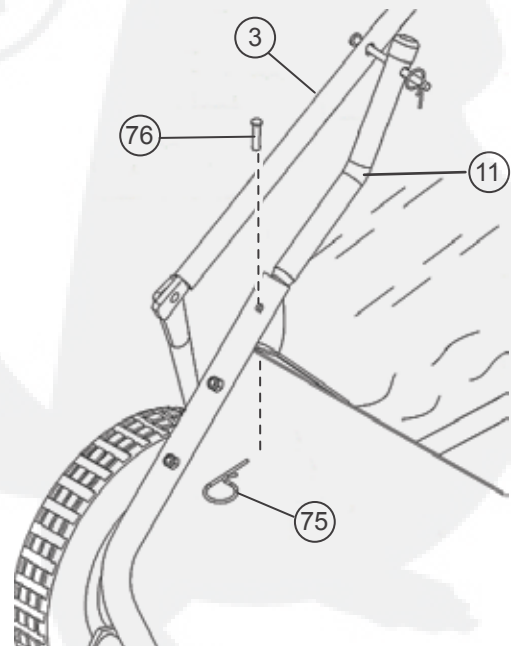
**Step 18. ATTACH ROPE**

18a) Secure the rope (1) to the top center of the upper rear hamper tube (3) of the hamper bag frame.



**Step 19. ATTACH HAMPER BAG TO SWEEPER**

18a) Assemble the hamper bag (6) to the sweeper by sliding the ends of the bag arm tubes (11) into the ends of the sweeper's hitch tubes (33) and (36), then secure each with a clevis pin (76) and hair cotter pin (75).





## **FREQUENTLY ASKED QUESTIONS**

### ***Sweeper does not pick up:***

1. The adjustment lever is set too low. A sweeper is not a dethatcher and cannot pull thatch, embedded needles or leaves from deep in the grass. The adjustment height should be set to the height of the mower deck blades.
2. The adjustment lever is set too high. Lower the adjustment lever.
3. There is a problem with the drive system. See the "Sweeper Wheels" section.

### ***Grass goes over the top of the Hamper:***

1. Forward speed is too fast. Slow the towing vehicle down. Best speed is 3 mph or less. (3 mph = 40 feet in 9 seconds).
2. Wind screen can be used to break wind coming over the top of the hamper. Slower forward speeds must be used when using the wind screen.

### ***Sweeper Wheels....Not moving... Skip...Lock-up:***

1. The brush is not turning or stops turning. The adjustment lever is set too low. Measure the cut height of the mower. Set the brush height to sweep the same as the cut height.

### ***Hamper drags the ground:***

1. The tow bars are not horizontal to the ground when attached to the tow vehicle. Remove the clevis and reinstall in a different set of holes. The clevis can be turned over to get additional adjustment. See Step 4 on attaching the hitch brackets.

## **SERVICE**

Do not allow material to remain in the hamper for extended periods of time. Clean the hamper using a water hose and allow to dry prior to storage.

Check all moving parts for wear and freedom of movement.

Routine lubrication of the pinion and dowel pin is required. We recommend in the fall before storage as a minimum. Remove, clean and lubricate the dowel pin (56) inside the drive pinions (23 & 57) with a light oil such as WD40, 3 in1, or similar. Do not use motor oil or grease.

Check the drive pinions for wear. These are considered normal wear parts. Contact our Customer Service Department to purchase replacement drive pinions, see parts reference.

Lubricate the wheels annually with multipurpose grease.

Check all fasteners for tightness.

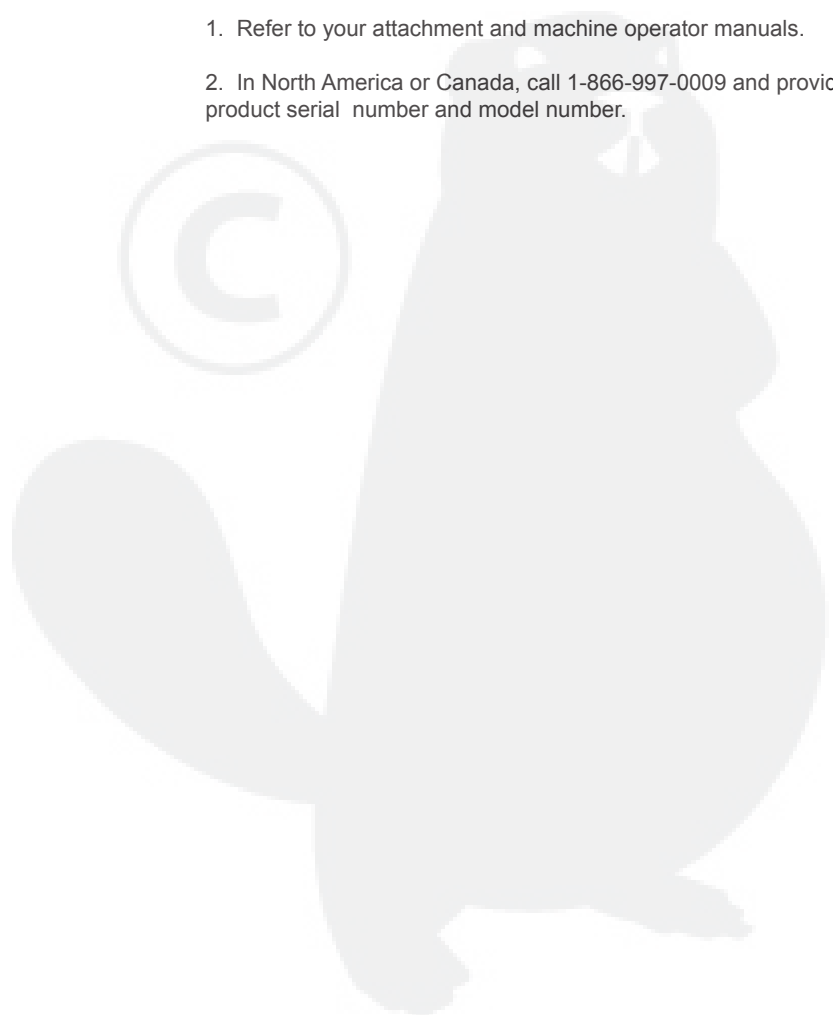
Inspect for rust on painted surfaces. Sand lightly and touch up damaged areas with enamel paint.

## **GETTING QUALITY SERVICE**

### ***Quality Continues with Quality Service***

We provide a process to handle your questions or problems. Follow the steps below to get answers to any questions you may have about your product.

1. Refer to your attachment and machine operator manuals.
2. In North America or Canada, call 1-866-997-0009 and provide product serial number and model number.





# LAWN TENDER™

## MANUFACTURER'S LIMITED WARRANTY

"LawnTender" warrants the products listed below against defects in material and workmanship, and will at its option, repair or replace, free of charge, any part found to be defective in materials or workmanship. This limited warranty shall only apply if this product has been assembled, operated, and maintained in accordance with the information furnished with the product, and has not been subject to misuse, abuse, commercial use, neglect, accident, improper maintenance, alteration, vandalism, theft, fire, water, or damage because of other peril or natural disaster.

Normal Wear Parts or components thereof are subject to separate terms as follows: All normal wear parts or component failures will be covered on the product for a period of 90 days. Wheels and tires are considered normal wear parts.

Parts found to be defective within the warranty period will be replaced at our expense. Our obligation under this warranty is expressly limited to the replacement or repair, at our option, of parts found to be defective in material and workmanship.

**HOW TO OBTAIN SERVICE:** Warranty parts replacements are available, ONLY WITH PROOF OF PURCHASE, through our Customer Service Department. Call 866-997-0009, or visit our website at [www.brinly.com](http://www.brinly.com)

This limited warranty does not provide coverage in the following cases:

- a) Routine maintenance items such as lubricants.
- b) Normal deterioration of the exterior finish due to use or exposure.
- c) Transportation and/or labor charges.
- d) Commercial and/or rental use.

**No other warranty, including any implied warranty of merchantability of fitness for a particular purpose, applies. No other express warranty whether written or oral, except as mentioned above, given by any person or entity, including a dealer or retailer, with respect to any product, shall bind LawnTender. During the period of the warranty, the exclusive remedy is repair or replacement of the product as set forth above.**

In no event shall recovery of any kind be greater than the amount of the purchase price of the product sold. Alteration of safety features of the product shall void this warranty. You assume the risk and liability for loss, damage, or injury to you and your property and/or to others and their property arising out of the misuse or inability to use this product.

This limited warranty shall not extend to anyone other than the original purchaser or to the person for whom it was purchased as a gift.

**IMPORTANT:** The Warranty period stated below begins with the PROOF OF PURCHASE. Without the proof of purchase, the Warranty period begins from the date of sale to the retailer or dealer.

### **SWEeper WARRANTY PERIOD:**

The warranty period for this lawn Sweeper is as follows: Steel Frame parts, Hamper, and Axle & Bearings – 1 Year. Tires, Wheels, Pinion Gears and Brushes – 90 Days (wear parts).