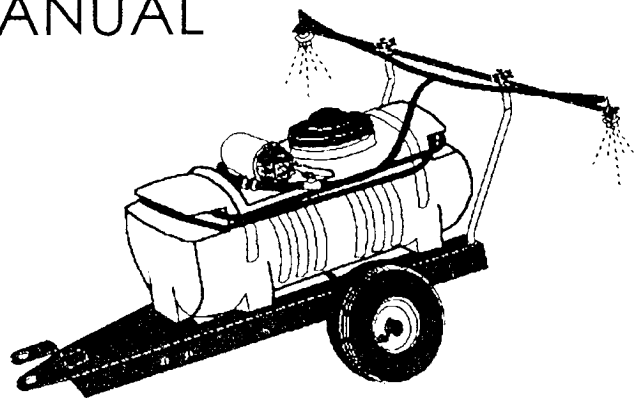


Brinly

OWNER'S MANUAL



**MODEL PS-251 BH
25 GALLON SPRAYER**



**MODEL PS-151 BH
15 GALLON SPRAYER**

IMPORTANT: THIS MANUAL CONTAINS INFORMATION FOR THE SAFETY OF PERSONS AND PROPERTY. READ IT CAREFULLY BEFORE ASSEMBLY AND OPERATION OF THE EQUIPMENT.

LIMITED WARRANTY

Brinly-Hardy Company warrants only to the original retail purchaser that this product will remain free of defects in workmanship and materials under normal use and service for a period of two (2) years, (ninety (90) days for commercial or rental use) commencing with the date of purchase.

Any parts found to be defective within the warranty period will be replaced, with proof of date of purchase, at Brinly-Hardy Company's expense. Our obligation under this warranty is expressly limited to replacement or repair, at our option of parts which are defective in material or workmanship within thirty (30) days of receipt of the parts. This warranty does not apply to damage caused by unreasonable use, including failure to provide necessary maintenance, nor does it apply to any transportation or labor charges.

WE MAKE NO OTHER EXPRESS WARRANTY, NOR IS ANYONE AUTHORIZED TO MAKE ANY ON OUR BEHALF. ANY IMPLIED OR STATUTORY WARRANTIES, INCLUDING ANY WARRANTY OF MERCHANTABILITY OR FITNESS FOR A PARTICULAR PURPOSE, ARE LIMITED TO THE DURATION OF THIS WRITTEN WARRANTY. WE SHALL NOT BE LIABLE FOR CONSEQUENTIAL OR INCIDENTAL DAMAGES OF ANY KIND.

MADE IN U.S.A.

BRINLY-HARDY COMPANY (502) 585-3351

CONGRATULATIONS on your purchase of this Brinly attachment. It has been designed, engineered, and manufactured to give you the best possible dependability and performance.



LOOK FOR THIS SYMBOL TO POINT OUT IMPORTANT SAFETY PRECAUTIONS. IT MEANS ATTENTION! BECOME ALERT! YOUR SAFETY IS INVOLVED!

Please read and retain this manual. The instructions will enable you to assemble and maintain your attachment properly. Always observe the "**SAFETY RULES**". Should the need ever exist for repair parts, order through most any Lawn and Garden dealer, use part number and description.



RULES FOR SAFE OPERATION

- Know controls and how to stop quickly. **READ THE OWNER'S MANUAL.**
- **DO NOT** allow children to operate the vehicle. **DO NOT** allow adults to operate without proper instruction or without having read the Owner's Manual.
- **DO NOT** carry passengers. Keep children and pets a safe distance away.
- **ALWAYS** wear substantial footwear. **DO NOT** wear loose fitting clothing that can get caught in moving parts.
- Keep your eyes and mind on your tractor/attachment and area being covered. **DO NOT** let other interests distract you.
- Stay alert for holes in the terrain and other hidden hazards.
- **DO NOT** drive close to creeks, ditches, and public highways.
- Watch out for traffic when crossing or near roadways.
- When using any attachment, **DO NOT** allow anyone near the vehicle while in operation.
- Keep the vehicle and attachment in good operating condition and keep safety devices in place.
- Keep all nuts, bolts, and screws tight to be sure the equipment is in safe working condition.
- The vehicle and attachment should be stopped and inspected for damage after striking a foreign object. The damage should be repaired before restarting and operating the equipment.
- See tractor equipment Owner's Manual for safe operation of the equipment.



WARNING

- Add chemicals to water, not water to chemicals.
- Keep the water hose used to fill the tank out of the chemicals.
- **PROPERLY** dispose of excess materials. **NEVER** in a drain or near a lake or stream.
- **ALWAYS** wear protective eyewear (goggles) when spraying.
- Wear protective clothing; close fitting and that covers your arms.
- **DO NOT** use flammable chemicals.
- Follow chemical manufacturer's instructions.
- **DO NOT** permit children on or around the Sprayer while in operation.
- **ALWAYS** operate your Sprayer within the speed limit for which it was designed (3 M.P.H.).
- When backing ... carefully back straight to avoid jack-knifing which could result in damage to equipment.

TABLE OF CONTENTS

WARRANTY	1	OPERATION/TROUBLESHOOTING	6-7
SAFETY RULES	2	CUSTOMER RESPONSIBILITY	7
HARDWARE	3	TANK ASSEMBLY & MECHANICAL PARTS	8-9
ASSEMBLY	4-5		

HARDWARE



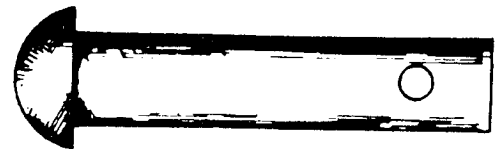
No. 25 (B-4785)
Nylon Insert Nut, 1/4"



No. 26 (B-4786)
Nylon Insert Nut, 5/16"



No. 15 (F-577)
"E" Ring, 5/8"



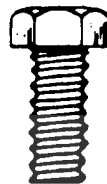
No. 11 (B-3861)
Drawbar Pin, 1/2" x 2 1/2"



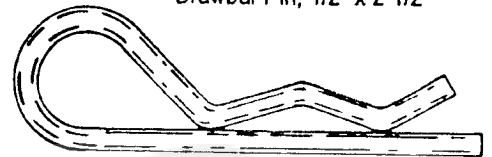
No. 24 (45M1313P)
Flat Washer, 3/8"



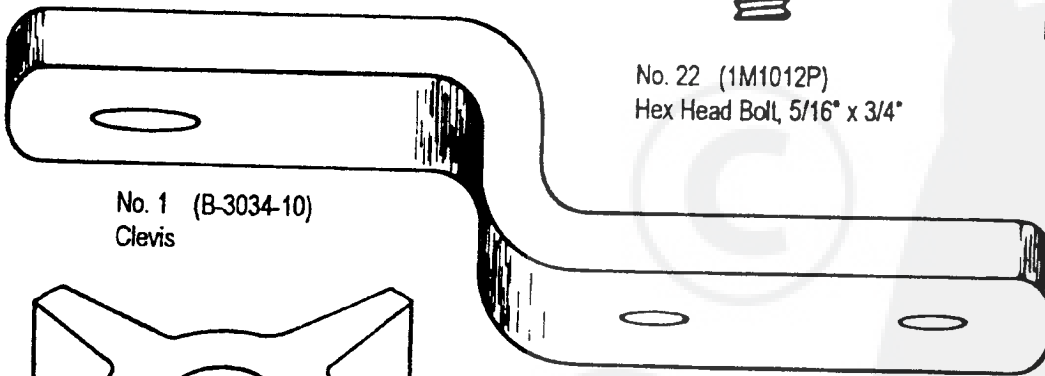
No. 14 (45M2121P)
Flat Washer, 5/8"



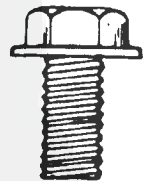
No. 22 (1M1012P)
Hex Head Bolt, 5/16" x 3/4"



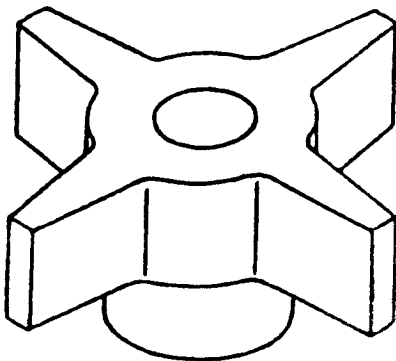
No. 12 (D146P)
Hairpin Cotter, 1/8"



No. 1 (B-3034-10)
Clevis



No. 18 (B-5695)
Hex Flange Head Bolt,
5/16" x 5/8"



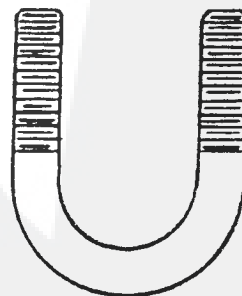
No. 17 (F-782)
Knob



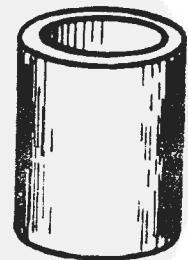
No. 19 (B-4355)
Whiz Lock Nut, 5/16"



No. 23 (45M0909P)
Flat Washer, 1/4"



No. 5 (B-5017)
"U" Bolt, 1/4" x 1 1/4"



No. 13 (B-5691-01)
Axle Spacer, 5/8" I.D. x 1"

ASSEMBLY

It is recommended that you carefully read this Owner's Manual BEFORE starting assembly of this unit.

(See Fig. 1)

- Carefully place the **SPRAYER** in an inverted position. (DO NOT TIGHTEN ANY HARDWARE UNTIL THE UNIT IS COMPLETELY ASSEMBLED).

25 GALLON SPRAYER:

- Assemble the **FRAME CHANNELS (3)** (legs facing inward) to the Sprayer tank using **5/16" x 5/8" HEX FLANGE HEAD BOLT (18)** and **3/8" FLAT WASHERS (24)**. Be sure to assemble the long channels, so that the pump is on the same end as the extended channels which bolt to the **DRAWBAR (2)**. The Frame channels are identical, so either can be installed on either side. Note that the tank is fastened to the second set of holes in the **FRAME CHANNEL (3)**, and the front of the tank is held in place with L-shaped **TANK SUPPORTS (6)** assembled with **5/16" x 5/8" HEX FLANGE HEAD BOLTS (18)**, **3/8" FLAT WASHERS (24)**, and **5/16" NYLON INSERT NUTS (26)** as shown.

(See Fig. 2)

15 GALLON SPRAYER:

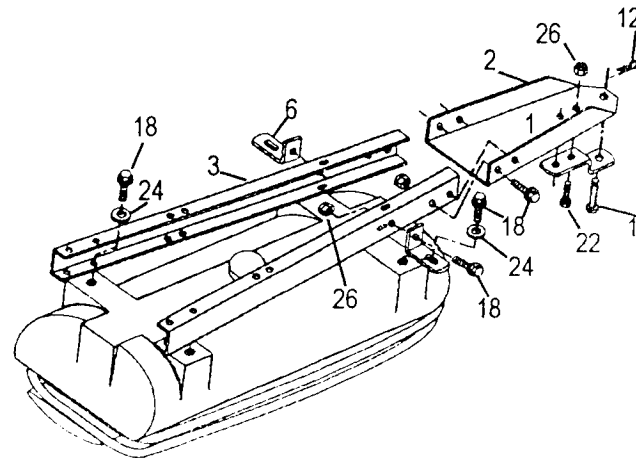
- Same as the 25 Gallon assembly except the front of the tank is mounted directly to the **FRAME CHANNEL (3)** using **5/16" x 5/8" HEX FLANGE HEAD BOLTS (18)**, **3/8" FLAT WASHERS (24)**, and the rear is attached to the **TANK SUPPORT (7)** using **5/16" x 5/8" HEX FLANGE HEAD BOLTS (18)**, with **3/8" FLAT WASHERS (24)**, as shown.
- Attach **TANK SUPPORT (7)** to second set of holes in the rear of **FRAME CHANNELS (3)** using **5/16" x 5/8" HEX FLANGE HEAD BOLTS (18)** and **5/16" NYLON INSERT NUTS (22)** as shown.

(See Figs. 1 & 2)

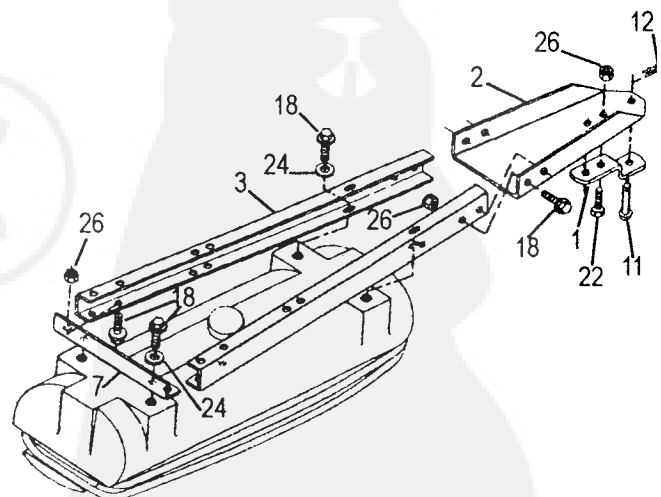
- Install the **DRAWBAR (2)** using **5/16" x 5/8" HEX FLANGE HEAD BOLTS (18)** with **5/16" NYLON INSERT NUTS (26)** and the **CLEVIS (1)** using **5/16" x 3/4" HEX HEAD BOLTS (22)** with **5/16" NYLON INSERT NUTS (22)** as shown. Install the **DRAWBAR PIN (11)** with the **HAIRPIN COTTER (12)**.
- Now tighten hardware beginning with the **DRAWBAR (2)** first and then the hardware holding the tank. Be sure to center the drawbar over the tank assembly.

TOOLS REQUIRED FOR ASSEMBLY

- (1) Pair of Pliers
- (1) 7/16" Wrench
- (2) 1/2" Wrenches



(Fig. 1)

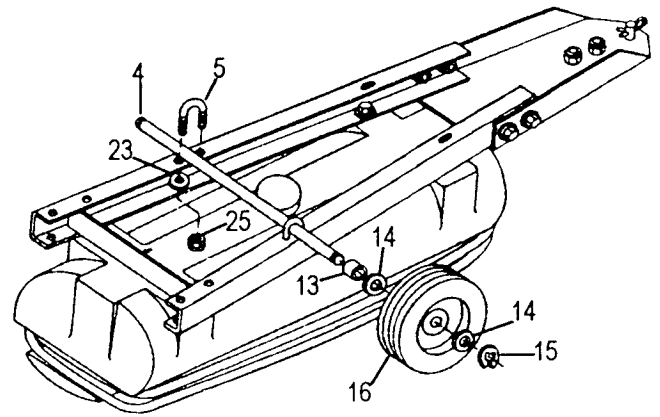


(Fig. 2)

ASSEMBLY

(See Fig. 3)

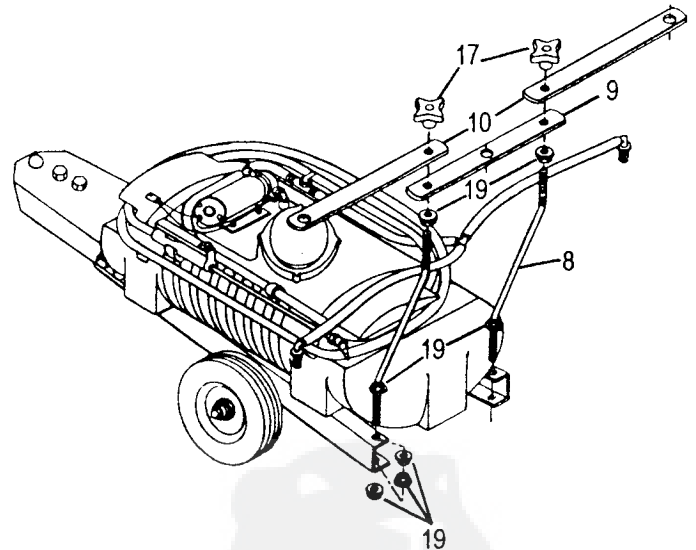
- Install the **AXLE (4)** using the **1/4" U-BOLTS (5)**, **1/4" FLAT WASHERS (23)** and **1/4" NYLON INSERT NUTS (25)**. Center the axle and tighten the nuts.
- Install the **WHEELS (16)** in this sequence; **AXLE SPACER (13)**, **WASHER (14)**, **WHEEL (16)** (with valve stems facing out), **WASHER (14)**, AND **"E"-RING (15)**. Be sure to grease wheels before use.



(Fig. 3)

(See Fig. 4)

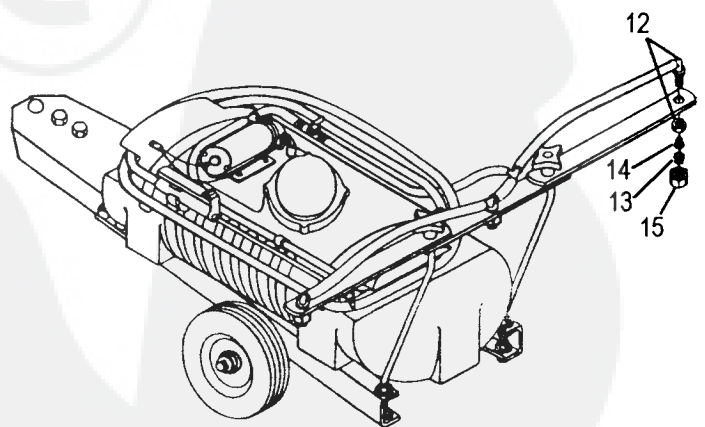
- Invert the unit and install the boom assembly.
- Install the **BOOM SUPPORTS (8)** (bent angle projects backward away from rear of frame channels) using **5/16" WHIZ LOCK NUTS (19)** above and below each leg of **FRAME CHANNEL (3)** as shown.
- The top of the boom assembly is assembled as shown with **5/16" WHIZ LOCK NUTS (19)**, **BOOM STABILIZER (9)**, **BOOM EXTENSIONS (10-2 Nozzle and 10-A-3 Nozzle)** (ends with small holes), and **PLASTIC HAND KNOBS (17)**.



(Fig. 4)

(See Fig. 5)

- Install the spray tip hose assembly into holes of the **BOOM EXTENSIONS (10-2 Nozzle and 10-A-3 Nozzle)** and/or **BOOM STABILIZER** assembling **TIP FITTINGS (12)** into holes with fitting nuts, then install **STRAINER CHECK VALVE (14)**, the **TIP (13)**, and secure with **TIP FITTING NUT (15)**. Be sure the spray tip outlet is aligned parallel with the **SPRAY BOOM SUPPORTS (8)**, and the tips should be adjusted to be about 21" from the ground when the unit is hitched to a tractor.
- The unit can now be hitched to a tractor and operated. Be sure to carefully attach the wire harness battery connection to the proper terminals. (Red is positive, and black is negative.)



(Fig. 5)

OPERATION

TRACTOR REQUIREMENTS:

- Your tractor requires a 12 volt battery and charging system, and a drawbar hitch.
- The towing tractor should have operable brakes capable of controlling the loaded Sprayer and tractor.
- Assemble the wire harness battery connection to the tractor battery. Be sure to attach the red wire to the positive terminal, and the black wire to the negative terminal of the battery. This wire harness connection can stay with the tractor. (Note the 20 amp in-line fuse in the battery connection.)

RECOMMENDED DRESS:

- You should wear close fitting clothes that cover your arms and legs.
- **ALWAYS WEAR PROTECTIVE EYE-WEAR (GOGGLES) WHEN SPRAYING.**

GENERAL SPRAYING TIPS:

- Check spray tip height before spraying. The tips should be 21" from the base of the tip to the ground.
- **NEVER** let the Sprayer operate in one spot.
- Turn Sprayer off during turns to avoid double spray.
- Fill Sprayer where spills cannot harm grass.
- Follow spray material manufacturer's recommendations for application of sprays.

CALIBRATING THE APPLICATION RATE:

Understanding the following information about your Sprayer will help to calibrate the application rate. The Sprayer operates at a fixed pressure of 60 PSI. This results in actual spraying time of 42 minutes (using the handgun) for the 25 gallon unit, and 25 minutes for the 15 gallon unit.

15 GALLON SPRAYER APPLICATION:

- The 15 gallon Sprayer takes 12 minutes to empty the tank using the spray boom. Plan on driving about 3 MPH, or 264 feet per minute. That gives you 15,840 sq. ft. of coverage per tank. Plan on about 10% overlap, so put enough chemical in the tank to cover 14,000 sq. ft. of area.



WARNING

USE CHEMICALS SAFELY:

- **DO NOT** use any flammable materials in this sprayer.
- Follow spray material manufacturer's directions for each spray material.
- **NEVER** allow the water hose that is used to fill the tank to reach down into the mixed spray solution. You may contaminate the end of the hose.
- Your spray chemical dealer can tell you which sprays need to be followed by spray neutralizer material.
- **ALWAYS** add chemicals to water - not water to chemicals.



WARNING

DISPOSE OF CHEMICALS SAFELY:

- Proper disposal of excess material is very important. It is best to dilute it with water and then spray it onto the area being sprayed.
- **NEVER "DUMP" SPRAY MATERIAL NEAR A STREAM OR DRAIN.**
- A material safety data sheet (MSDS) provides specific details on any spray material being used. Your spray chemical dealer will provide this information to you.

25 GALLON SPRAYER APPLICATION:

- The 25 gallon Sprayer takes 20 minutes to empty the tank using the spray boom. Plan on driving about 3 MPH, or 264 feet per minute. That gives you 26,400 sq. ft. of coverage per tank. Plan on about 10% overlap, so put enough chemical in the tank to cover 24,000 sq. ft. of area.

OPERATION

SPRAYER OPERATION:

1. Hitch the Sprayer to the tractor and secure the hitch pin.
2. Install the wire harness from the Sprayer to the tractor. Position the harness, so the switch is located near the operator's seat of the tractor. Be sure to check the harness, so it is not pinched in the hood area of the tractor. Before filling the tank, run the pump, and then make sure the switch is in the "off" position before filling the tank.
3. Fill the tank, making sure not to contaminate the water hose.
4. If you are using a wettable powder, you may want to use the handgun, placed into the top of the tank, to recirculate the material to help it mix.
5. Handgun Operation. Be sure the valve going to the boom is in the "off" position. The handgun can be operated using the squeeze valve on the handle. Adjust the spray pattern by rotating the tip on the end of the handgun.
6. Spray Boom Operation. Turn the valve on going to the boom. Now the sprayer should be controlled by using the switch on the wire harness.
7. Spray Strainers. The primary strainer is at the bottom of the sump hose in the tank. This strainer can be removed to clean it by unscrewing the strainer from the end of the sump tube. Each spray tip has a strainer. Remove the tip cap nut and the spray tip; the strainer can then be cleaned. Be sure to align the tip parallel with the spray boom when installing.

TROUBLESHOOTING PROBLEMS:

PUMP LOSES SUCTION:

1. Clean pump strainer in bottom of tank.
2. Check for loose pump fittings on the suction side.

PUMP CAPACITY DECREASED:

1. Clean spray nozzles.
2. Selector valve to boom may not be in "off" position.

POOR SPRAY PATTERN:

1. Adjust spray tip height.
2. Adjust spray tip direction.

PUMP VIBRATES, OR SWITCHES ON & OFF:

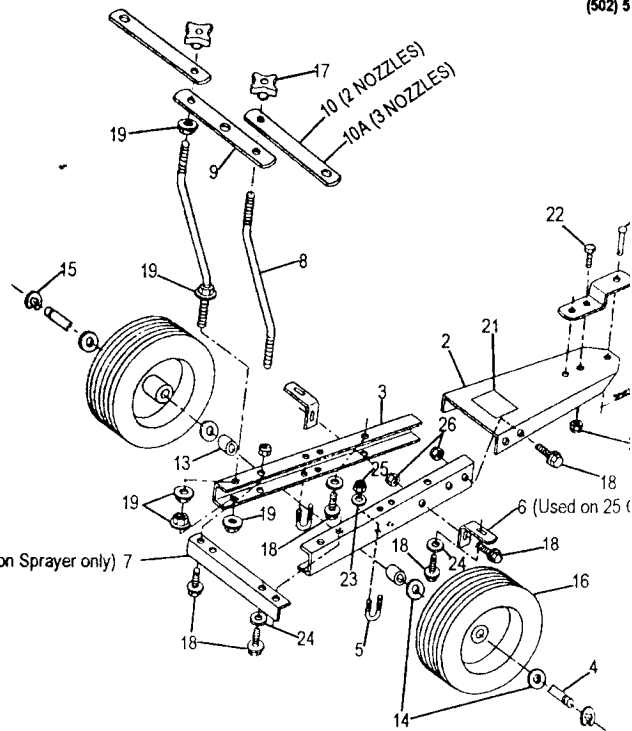
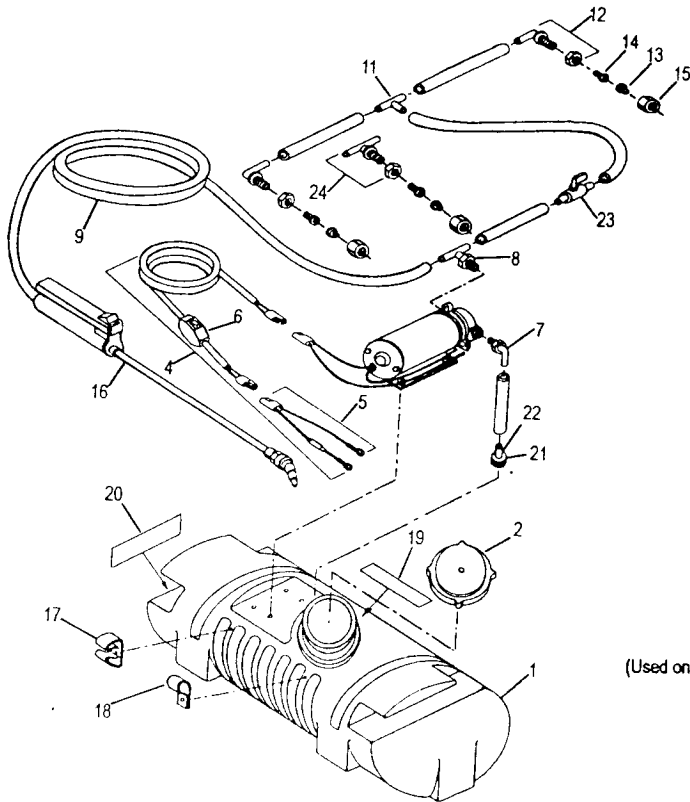
1. Adjust the allen screw in the top of the pump. Turning the screw clockwise will usually solve the problem. When the handgun is being used with a very fine mist, or a restricted spray pattern, it is normal for the pump motor to cycle off and on.

CUSTOMER RESPONSIBILITIES

- Read and observe the "SAFETY RULES".
- Follow a regular schedule in maintaining, caring for, and using your attachment.

WINTER STORAGE:

- Clean the tank of all spray material, rinse the unit with clean water, and operate the unit until all water is purged from the unit.
- Store the unit dry, with no liquid in the pump to prevent the unit from freezing.



**PS-151 BH and PS-251 BH
TANK ASSEMBLY PARTS LIST**

Ref. No.	Part No.	Description	Quantity
1	43173	15 Gallon Tank	1
1	43174	25 Gallon Tank	1
2	43175	Tank Cap	1
3	43178	Pump	1
	43209	Replacement Pump Head (Svc. part)	1
4	43187	Wire Harness Complete	1
5	43026	Wire Harness Battery Connection	1
6	43234	Replacement Harness Switch	1
7	43183	3/8" Elbow	1
8	43235	3/8" Tee-Pump Outlet	1
9	43188	Hose, 20' Length	1
10	43236	3/8" Airplane-Type Hose Clamp	1
11	43013	3/8" Tee-Barbed	1
12	43011	Tip Fitting w/Nut	2 or 3
13	43193	Tip 9506EVS	2 or 3
14	43016	Strainer - Check Valve	2 or 3
15	43012	Tip Fitting Nut	2 or 3
16	43238	Handgun	1
17	43288	Handgun Holder	1
		10/24" x 3/8" Phillips Head Screw	
18	43191	Hose Clip	1
		10/24 x 3/8" Phillips Head Screw	
19	43239	Caution Decal - Bi-Lingual	1
20	F-792	Brinly Decal	1
21	43258	Sump Strainer (40 mesh, stainless steel)	1
22	43182	3/8" Straight Fitting	1
23	43014	In-line Valve	1
24	43192	Tee Fitting w/Nut (25 gallon unit)	1

**PS-151 BH and PS-251 BH
MECHANICAL PARTS LIST**

Ref. No.	Part No.	Description	Quantity
1	B-3034-10	Clevis	
2	B-5682-10	Drawbar	
3	B-5683-10	Frame Channel	
4	B-5684-01	Axle	
5	B-5017	U-Bolts, 1/4" x 1 1/4"	
* 6	B-5685-10	Tank Support (25 Gallon)	
* 7	B-5686-10	Tank Support (15 Gallon)	
8	B-5687	Boom Support	
9	B-5688-10	Boom Stabilizer	
10	B-5689-10	Boom Extension (2 Nozzles)	
10A	B-5690-10	Boom Extension (3 Nozzles)	
11	B-3861	Drawbar Pin, 1/2" x 2 1/2"	
12	D-146P	Hairpin Cotter, 1/8"	
13	B-5691-01	Axle Spacer	
14	45M2121P	Flat Washer, 5/8"	
15	F-577	"E"-Ring, 5/8"	
16	B-5692	Wheel	
17	F-782	Knob	
18	B-5695	Hex Flange Head Bolt, 5/16" x 5/8"	
19	B-4355	Whiz Lock Nut, 5/16"	
20	F-792	Logo Decal (Not Shown)	
21	R-1946	Instructions Decal	
22	1M1012P	Hex Head Bolt, 5/16" x 3/4"	
23	45M0909P	Flat Washer, 1/4"	
24	45M1313P	Flat Washer, 3/8"	
25	B-4785	Nylon Insert Nut, 1/4"	
26	B-4786	Nylon Insert Nut, 5/16"	

* Ref. No. 6 - Used on 25 Gallon Sprayer only
* Ref. No. 7 - Used on 15 Gallon Sprayer only