

# 175LB TOW-BEHIND SPREADER



## Instruction & Assembly

SAVE THESE INSTRUCTIONS FOR FUTURE REFERENCE

## SAFETY RULES

### READ THE DIRECTIONS BEFORE ASSEMBLY

- Read the towing vehicle owners manual and towing vehicle safety rules. Know how to operate your tractor before using the tow-behind spreader.
- Read the chemical label instructions and cautions for handling and applying the chemicals purchased for spreading.
- Wear eye and hand protection when handling and when applying lawn or garden chemicals.
- Never operate tractor and spreader attachment without wearing substantial footwear, and do not allow anyone to ride or sit on spreader attachment frame.
- Never allow children to operate the tractor or spreader attachment, and do not allow adults to operate without proper instructions.
- Always begin with the transmission in first (low) gear and with the engine at low speed, and gradually increase speed as conditions permit.
- When towing spreader do not drive too close to a creek or ditch and be alert for holes and other hazards which could cause you to loose control of the spreader and tractor.
- Before operating vehicle on any grade (hill) refer to the safety rules in the vehicle owner's manual concerning safe operation on slopes. **Stay off steep slopes!**

### REMOVE AND IDENTIFY LOOSE PARTS FROM CARTON AND BAG

Hex Bolt M6x20  
2pcs



Hex Bolt M6x35  
1pc



Hex Bolt M6x45  
3pcs



Hex Bolt M6x50  
7pcs



Hex Bolt M8x45  
2pcs



Nylon Lock Nut M6  
13pcs



Nylon Lock Nut M8  
3pcs



Big Flat Washer Ø6  
9pcs



Flat Washer Ø8  
1pc



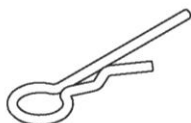
Flat Washer Ø16  
6pcs



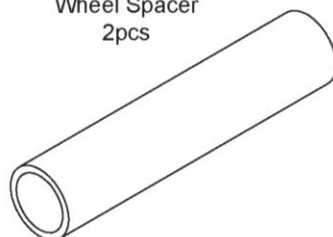
Cotter Pin Ø4x40  
2pcs



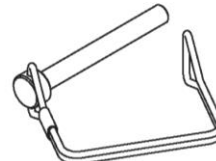
P Rin Ø3x75  
1pc



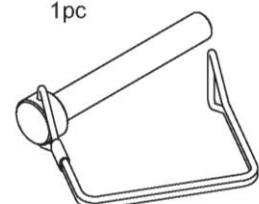
Wheel Spacer  
2pcs

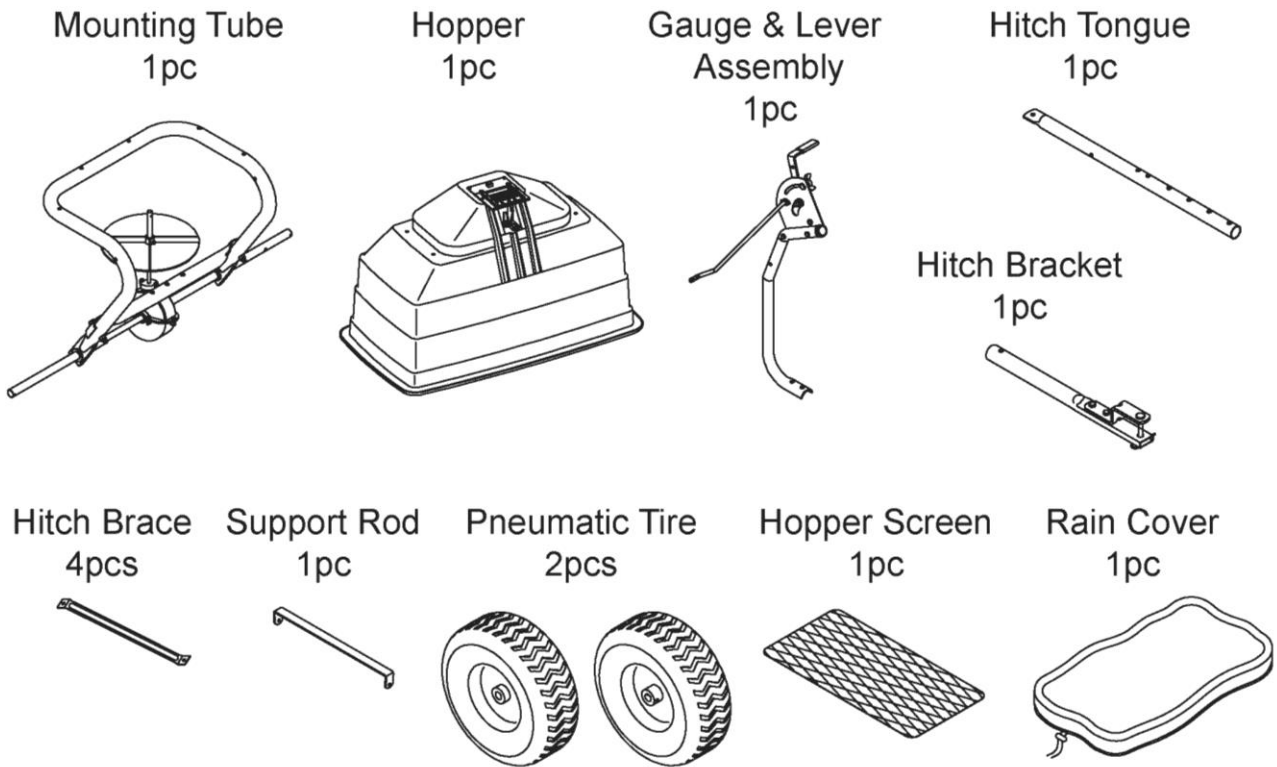


Drive Pin Ø6x45  
1pc



Drive Pin Ø9x60  
1pc





## ASSEMBLY INSTRUCTION

**STEP 1:** In the following order put flat washer Ø16, wheel spacer, second flat washer Ø16, Tire, third flat washer Ø16 on the end of wheel axle. Insert the cotter pin Ø4x40 into the small hole on the axle and bend to secure. Rotate the wheel so that the hole on the inside of the wheel is aligned with the hole on the axle, then Insert drive pin Ø6x45 and lock it.

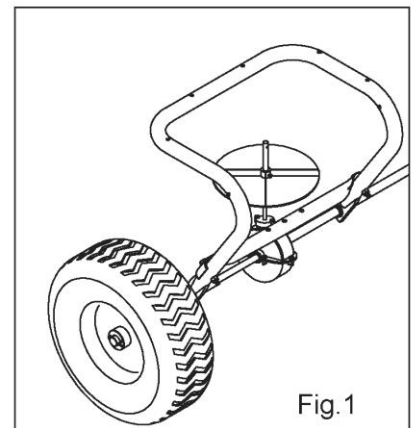
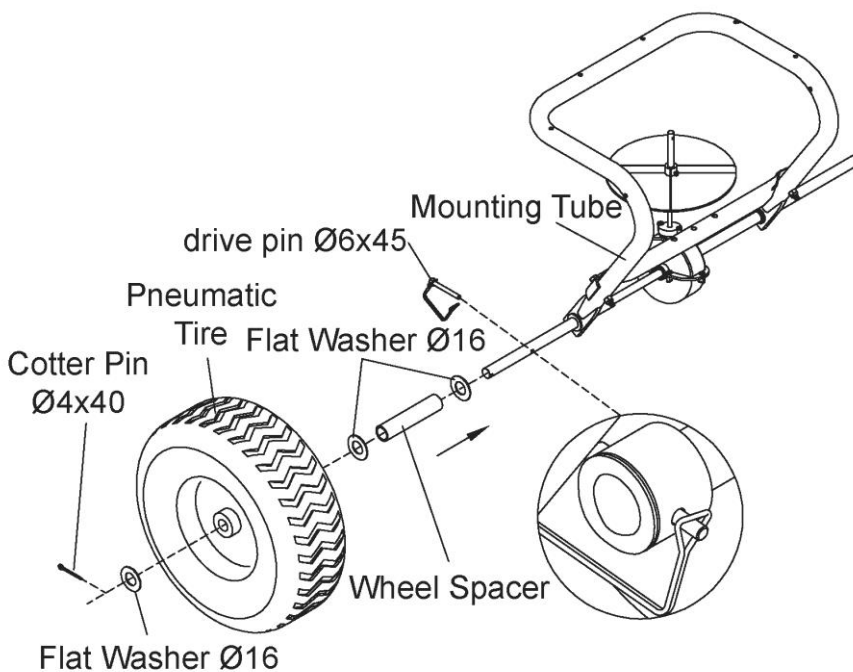
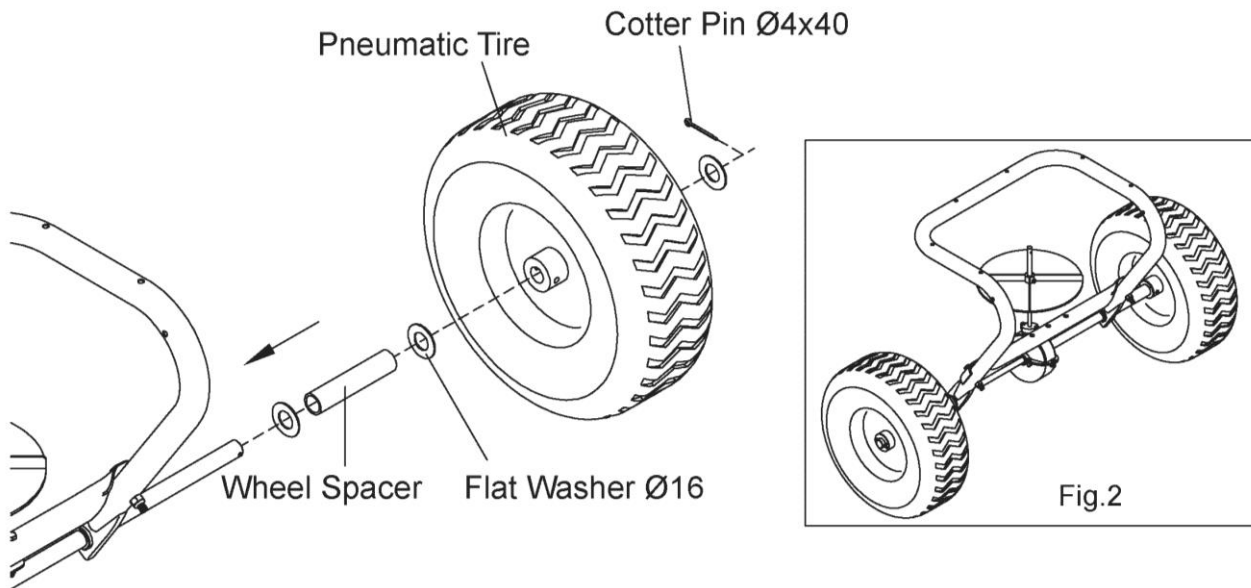
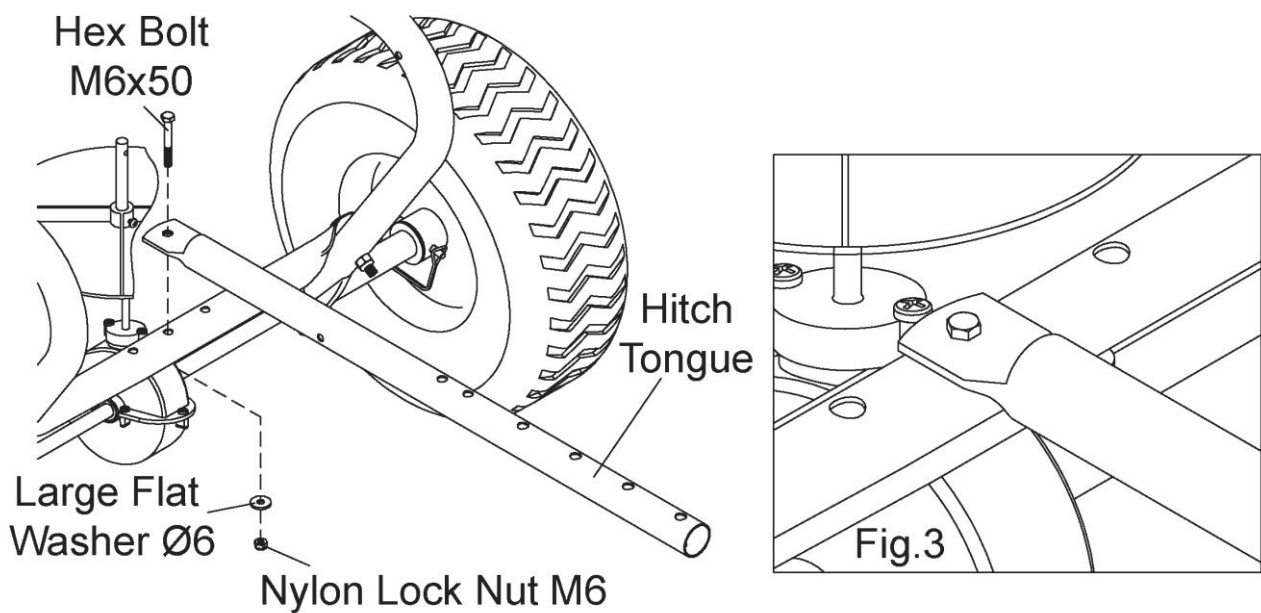


Fig.1

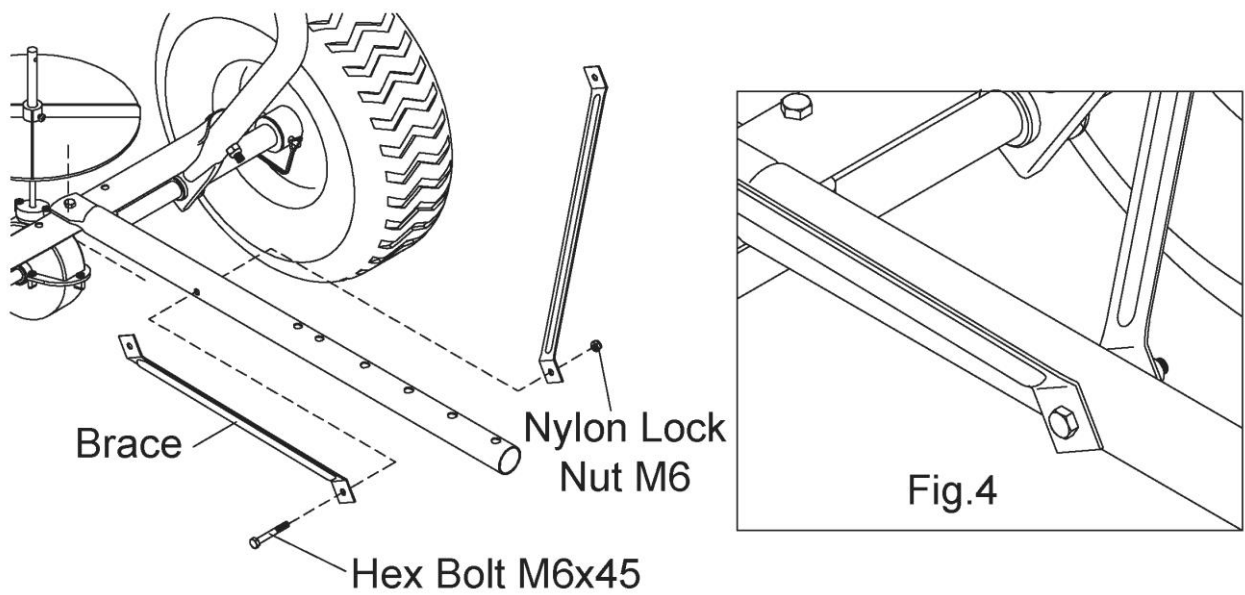
**STEP 2:** In the following order put flat washer Ø16, wheel spacer, second flat washer Ø16, Tire, third flat washer Ø16 on the end of wheel axle. Insert the cotter pin Ø4x40 into the small hole on the axle and bend to secure.



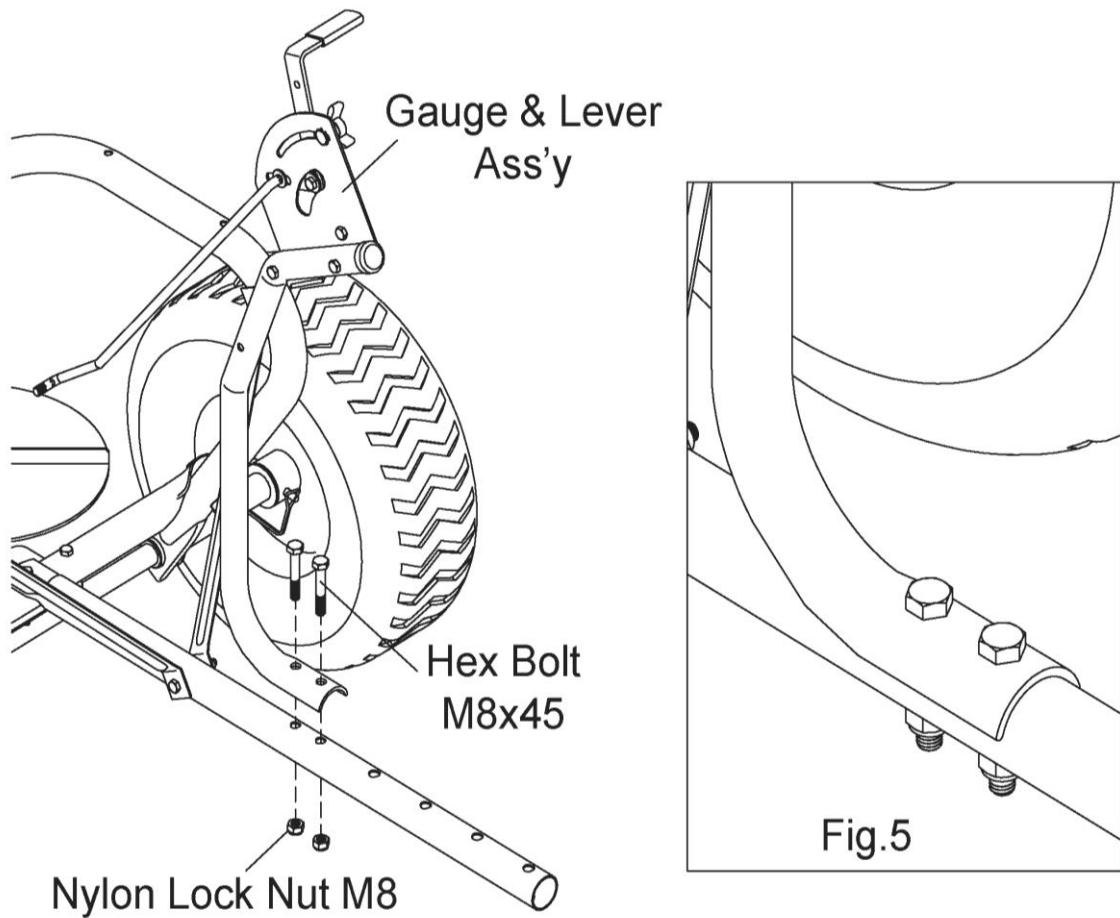
**STEP 3:** Insert the hex bolt M6x50 after aligning the hole on the flat end of hitch tongue (stay on top) with the one at the middle of crossover tube. Connect using a big flat washer Ø6 and nylon lock nut M6 and don't screw it up moderately.



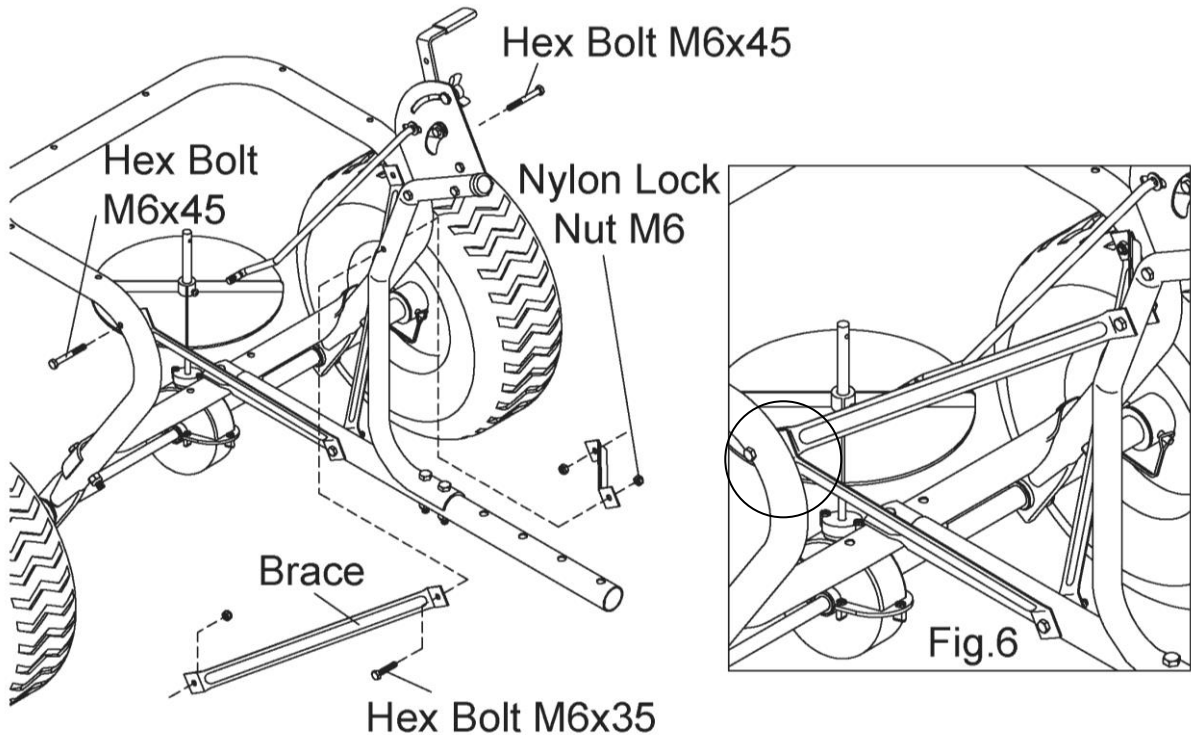
**STEP 4:** Attach the braces on each side of hitch tongue using bolt M6x45 and nylon lock nut M6. Loosely tighten.



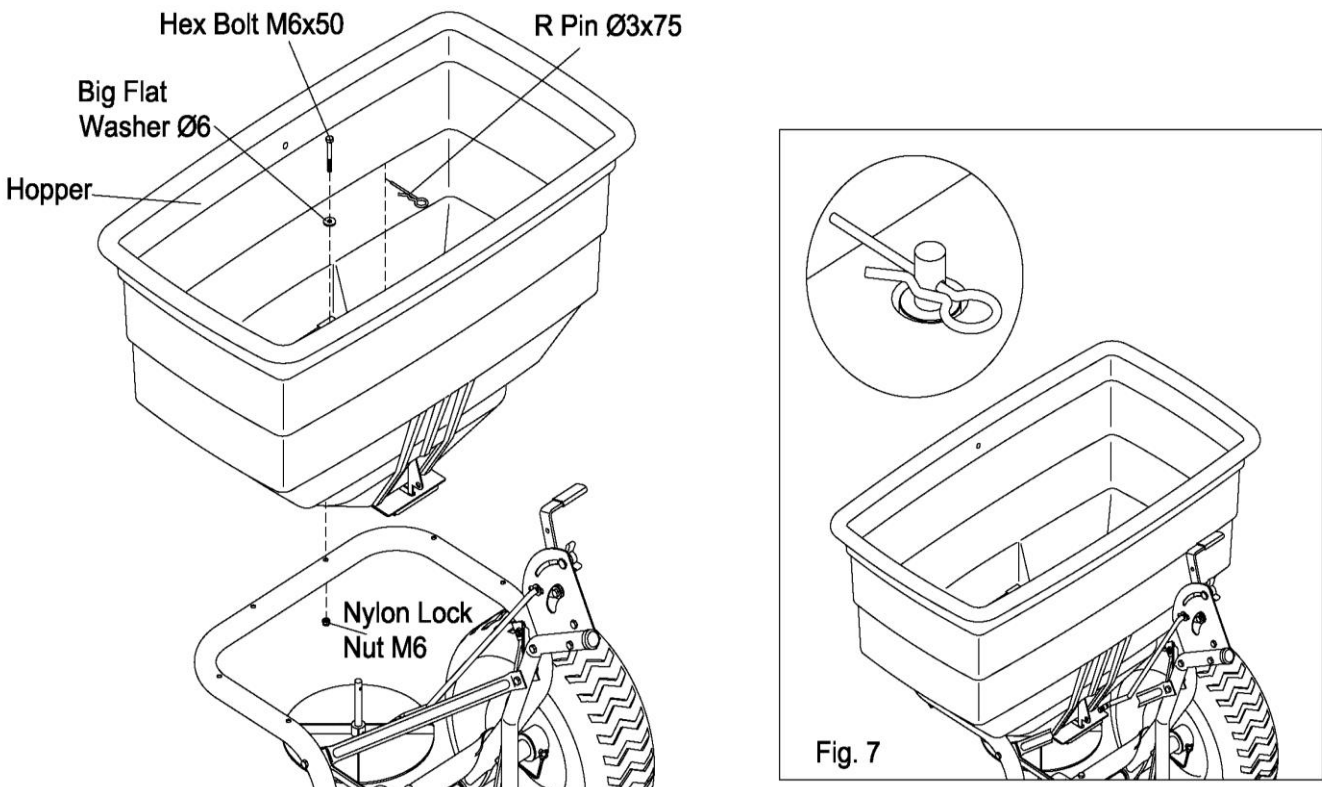
**STEP 5:** Attach the gauge & lever assembly to the middle of Hitch Tongue using two hex bolts M8x45 and nylon lock nuts M8.



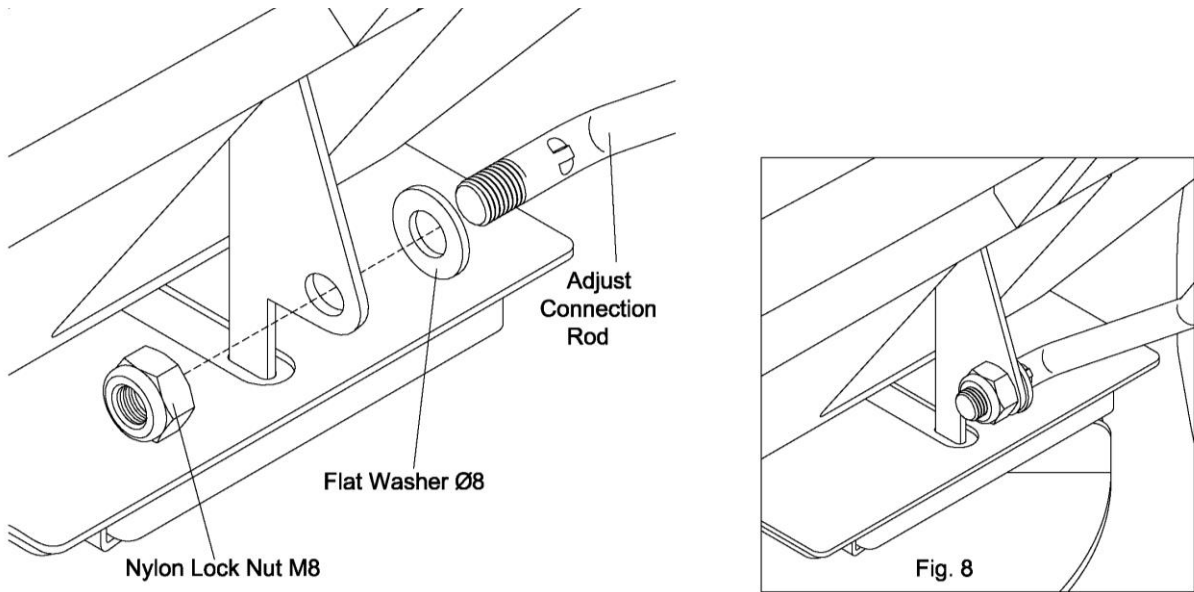
**STEP 6:** 1. Attach the two upper braces on each side of the gauge & lever assembly using hex bolt M6x35 and nylon lock nut M6. Loosely tighten. 2. Connect other four end of the braces to the upper mounting tube using bolt M6x45 and nylon lock nut M6. 3. Tighten all hardware.



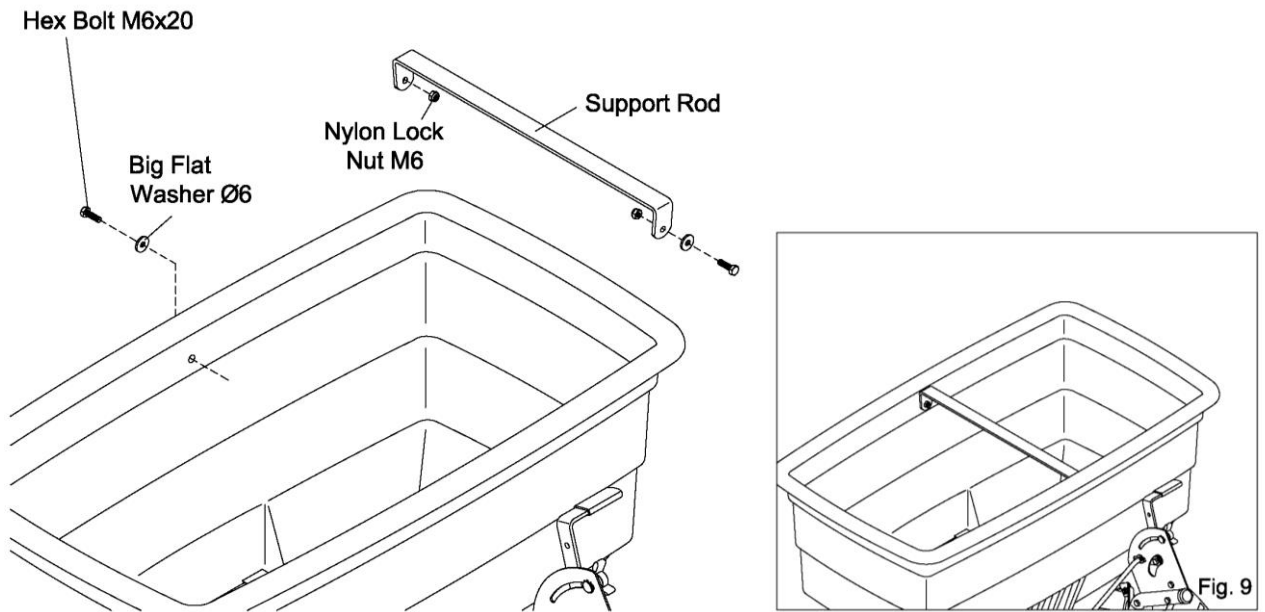
**STEP 7:** 1. Align all the six holes around inside of hopper and frame and attach using bolts M6x50, big flat washer Ø6 on the top and secure with nylon lock nuts M6 on the bottom. Adjust parts so the impeller moves freely and tighten the hardware holding the hopper. 2. Insert the R pin Ø3x75 into the hole on the swivel axle.



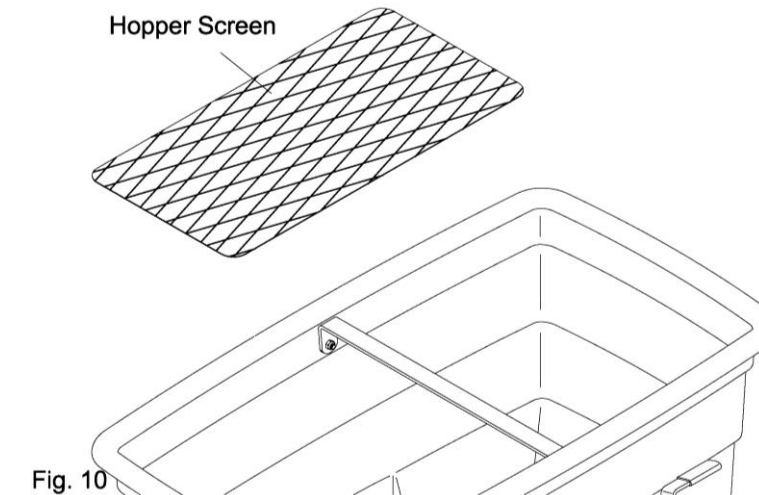
**STEP 8:** Install one flat washer Ø8 on the end of connection rod and insert into the hole on the rod base and secure using a nylon lock nut M8.



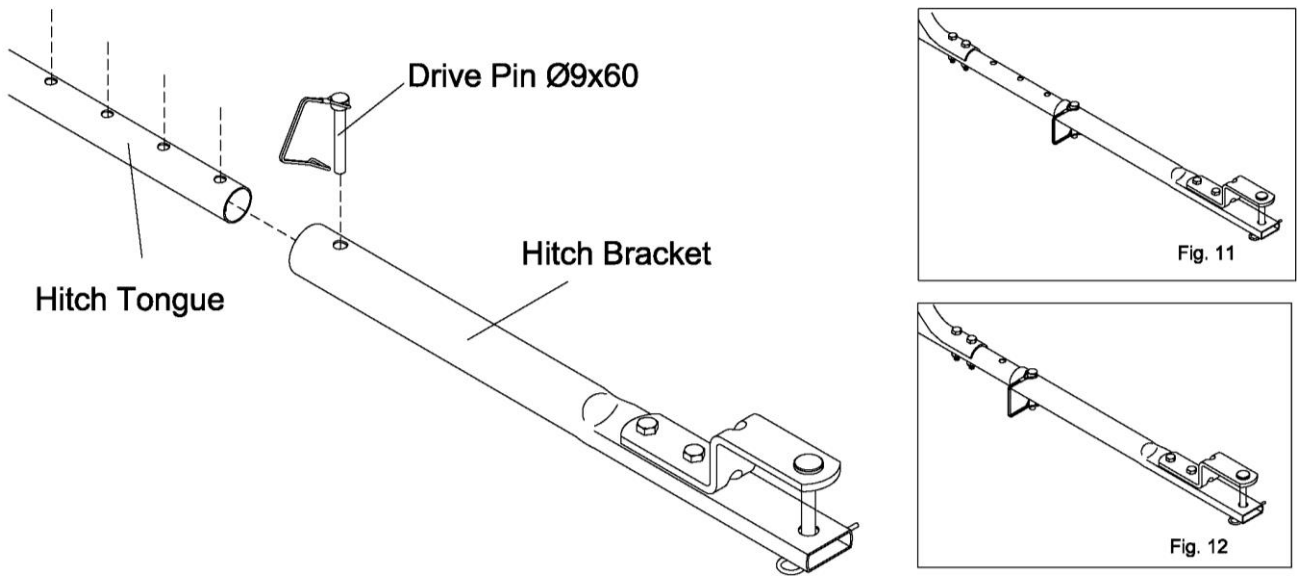
**STEP 9:** Attach the support rods to the hopper using the hex bolts M6x20, big flat washers Ø6 and nylon lock nuts M6.



**STEP 10:** Insert the hopper screen into the bottom of the hopper.

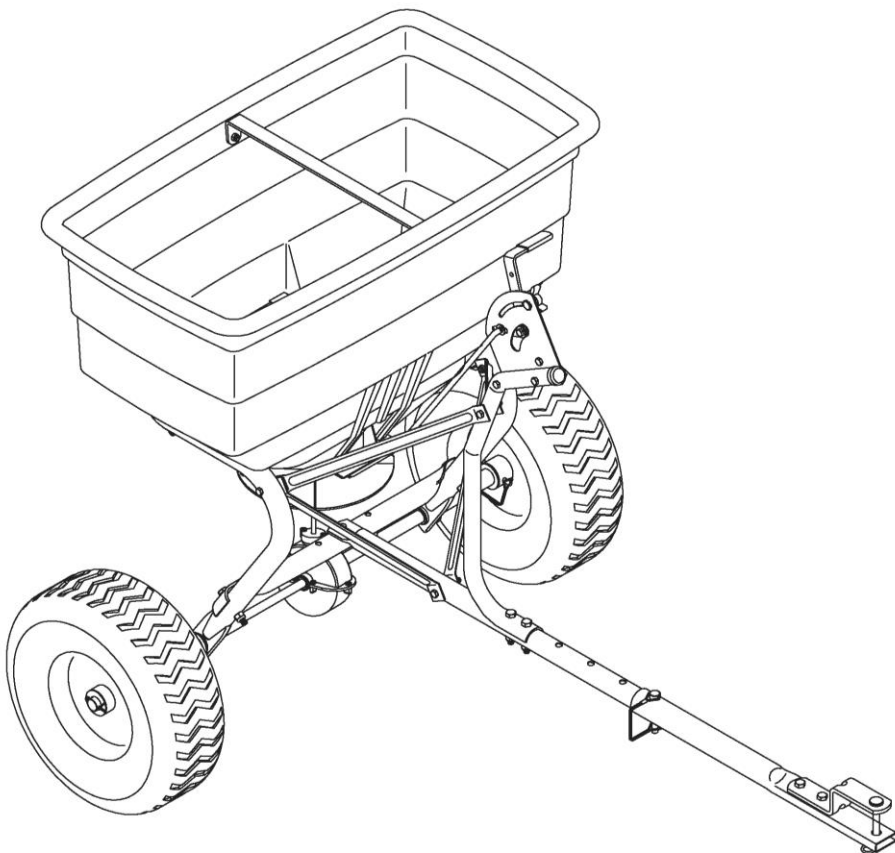


**STEP 11:** Connect hitch bracket to hitch tongue using the drive pin Ø9x60.



**NOTE:** Hitch Tongue is adjustable to different lengths.

**STEP 12:** Before operating the tow behind spreader make sure all hardware is securely tighten.



(\*) Push the adjustable handle on Gauge & Lever assembly to the proper setting while spreading.

(\*) Push the adjustable handle on Gauge & Lever assembly to the lowest position when stop spreading.



## **GENERAL WARNINGS**

Operator must read and understand all safety and warning information, operating instructions, maintenance and storage instructions before operating this equipment. Failure to properly operate and maintain the spreader could result in serious injury to the operator or bystanders.

### **Operation Warnings**

- Do not at any time carry passengers sitting or standing on the spreader.
- Do not allow children to play on, stand upon or climb on the spreader.
- Do not exceed rated capacity of 175lb.
- Replace or repair damaged or worn parts immediately.
- To avoid personal injury and/or equipment damage **DO NOT EXCEED 5 MPH.**
- Only tow with recommended vehicles (Lawn/Garden Tractors and ATVs).
- Always inspect the spreader before using to assure it is in good working condition.
- Always keep hands and feet clear from moving parts while operating the equipment.
- **DO NOT** use if the spreader is damaged or worn as this may cause injury to the operator or bystanders.
- **ALWAYS** make sure the spreader is secure and locked to the hitch of the approved vehicle before operating.
- **Never** add material to the spreader unless it is attached to the tractor.

## **Maintenance and Storage**

### **MAINTENANCE**

- After each use clean material out of hopper.
- Rinse/dry inside and outside of the spreader after each use.
- Before operating make sure the tires have the **RECOMMENDED TIRE PRESSURE.**
- Periodically check all fasteners for tightness.
- Annually clean and lightly lubricate parts.
- Use a glossy enamel spray paint to touch up scratched or worn painted metal surfaces.
- Never exceed load capacity rating of 175lbs it will damage the spreader.

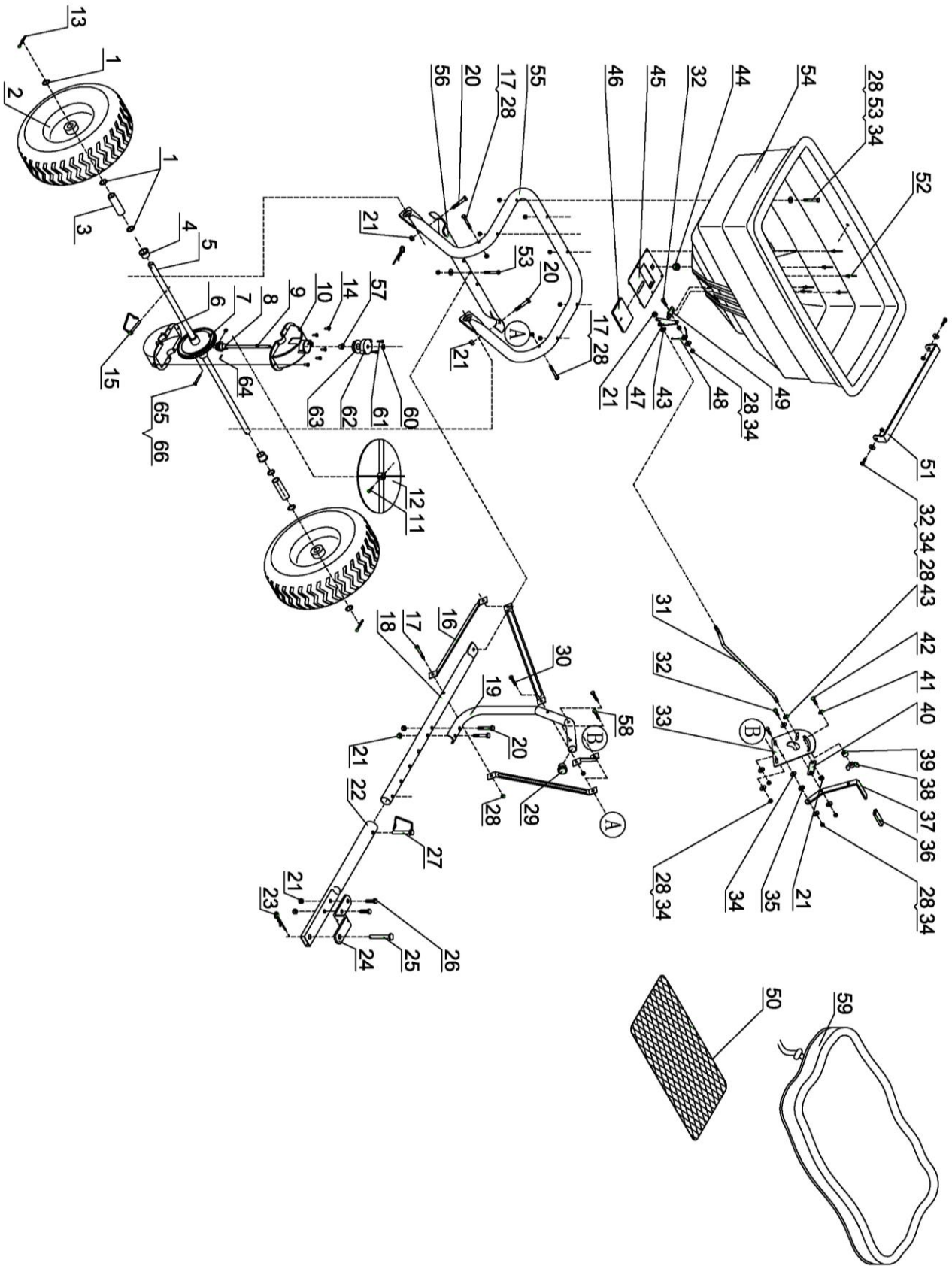
### **IMPORTANT:**

If a part needs replacement, only use parts that meet the manufacturer's specifications. Replacement parts that do not meet specifications may result in a safety hazard or poor operations.

### **STORAGE**

- Never allow material to remain in the hopper for extended periods of time.
- Before storing make sure the spreader is clean and dry for years of trouble free service.
- Store indoors or protected area during severe weather and winter months.

# PARTS DRAWING



## PARTS LIST

<b>Part#</b>	<b>Drawing No.</b>	<b>Description</b>	<b>QTY</b>
1	9301-16000	Flat Washer Ø16	6
2	N770-80000	Pneumatic Tire	2
3	N770-00006	Wheel Spacer	2
4	N770-00007	Bushing	2
5	N770-00008	Wheel Axle	1
6	N570-40002	Gear Box Lower Cover	1
7	N570-50001	Big Gear	1
8	N570-51002	Pinion	1
9	N770-00005	Pinion Shaft	1
10	N570-40001	Gear Box Upper Cover	1
11	9110-04020	Screw M4x20	1
12	N512-00010	Impeller	1
13	9404-04040	Cotter Pin Ø4x40	2
14	9118-05015	Screw M5x15	6
15	T680-30000	Drive Pin Ø6x45	1
16	N512-00004	Hitch Support	4
17	9101-06045	Hex Bolt M6x45	3
18	N760-00006	Hitch Tongue	1
19	N760-00007	Operation Support Rod	1
20	9101-06045	Hex Bolt M8x45	4
21	9206-08000	Nylon Lock Nut M8	8
22	N760-00008	Hitch Bracket	1
23	N512-00026	R Pin	2
24	N100-00014	Hitch Plate	1
25	N770-00004	Hitch Pin	1
26	9101-08030	Hex Bolt M8x30	2
27	T680-20000	Drive Ø9x60	1
28	9206-06000	Nylon Lock Nut M6	19
29	T680-00003	End Cap	1
30	9101-06035	Hex Bolt M6x35	1

<b>Part#</b>	<b>Drawing No.</b>	<b>Description</b>	<b>QTY</b>
31	N760-00014	Control Rod	1
32	9101-06020	Hex Bolt M6x20	5
33	N575-00006	Gauge Plate	1
34	9302-06000	Big Flat Washer Ø6	16
35	C130-00004	Nylon Washer	1
36	N512-00014	Handle Grip	1
37	N760-00012	Adjustable Handle	1
38	N510-00019	Wing Nut	1
39	N510-00016	Spacer	1
40	N512-00027	Connect Plate	1
41	9315-08000	Teeth Washer	1
42	9114-06025	Carriage Bolt M6x25	1
43	9301-08000	Flat Washer Ø8	2
44	N512-00009	Swivel Axle Bushing	2
45	N760-10000	Fixed Adjustable Plate	1
46	N512-00022	Active Adjustbale Plate	1
47	N512-00024	Fix Plate for Control Rod	1
48	N512-00025	Torsion Spring	1
49	N512-00023	Base for Torsion Spring	1
50	N770-00003	Screen	1
51	N770-00002	Support Rod	1
52	9504-05013	Rivet	6
53	9101-06050	Hex Bolt M6x50	7
54	N770-00001	Hopper	1
55	N760-00019	Hopper Frame	1
56	N760-00018	Crossover Tube	1
57	N570-00019	Bushing	1
58	9101-06040	Hex Bolt M6x40	2
59	N772-00002	Rain Cover	1
60	N575-00014	Thin washer	1
61	9118-04018	Screw M4x18	2
62	N575-40002	Gear Box Top Cover	1
63	N570-40006	Pinion Gland	1
64	9402-03016-FH	Elastic Pin	1
65	9110-05035	Screw M5x35	1
66	9206-05000	Nylon Lock Nut M5	1