

The limited warranty set forth below is given by Precision Products Inc. with respect to new merchandise purchased and used in the United States, its possessions and territories.

Precision Products Inc. warrants the product(s) listed against defects in material and workmanship, and will at our option, repair or replace, free of charge, any part found to be defective in materials or workmanship. This limited warranty shall only apply if this product has been assembled, operated, and maintained in accordance with the owner's manual furnished with the product, and has not been subject to misuse, abuse, neglect, accident, improper maintenance, alteration, vandalism, theft, fire, water, or damage because of other peril or natural disaster.

Normal wear parts or components thereof are subject to separate terms as follows: All normal wear parts or component failures will be covered on the product for a period of one year. Parts found to be defective within the warranty period will be replaced at our expense. Our obligation under this warranty is expressly limited to the replacement or repair, at our option, of parts found to be defective in material and workmanship.

Contacting Service

Warranty parts replacements are available, ONLY WITH PROOF OF PURCHASE, through our Customer Service Department.

Call **1 (800) 225-5891**

This limited warranty does not provide coverage in the following cases:

1. Routine maintenance items such as lubricants and filters.
2. Normal deterioration of the exterior finish due to use or exposure.
3. Transportation and/or labor charges.

No implied warranty, including any implied warranty of merchantability of fitness for a particular purpose, applies after the applicable period of express written warranty above as to the part as identified below. No other expressed warranty, whether written or oral, except as mentioned above, given by any person or entity, including a dealer or retailer, with respect to any product, shall bind Precision Products Inc. during the period of the

warranty, the exclusive remedy is repair or replacement of the product as set forth above. The provisions as set forth in this warranty provide the sole and exclusive remedy arising from the purchase.

Precision Products, Inc. will not be liable for incidental or consequential loss or damage including, without limitation, expenses incurred for substitute or replacement lawn care services, or for rental expenses to temporarily replace a warranted product.

Some states do not allow the exclusion of limitation of incidental or consequential damages, or limitations on how long an implied warranty lasts, so the above exclusions or limitations may not apply to you.

During the warranty period, the exclusive remedy is replacement of the part. In no event shall recovery of any kind be greater than the amount of the purchase price of the product sold. Alteration of safety features of the product shall void this warranty. You assume the risk and liability for loss, damage, or injury to you and your property and/or to others and their property arising out of the misuse or inability to use this product.

This limited warranty shall not extend to anyone other than the original purchaser or to the person for whom it was purchased as a gift.

Local Law to this Warranty

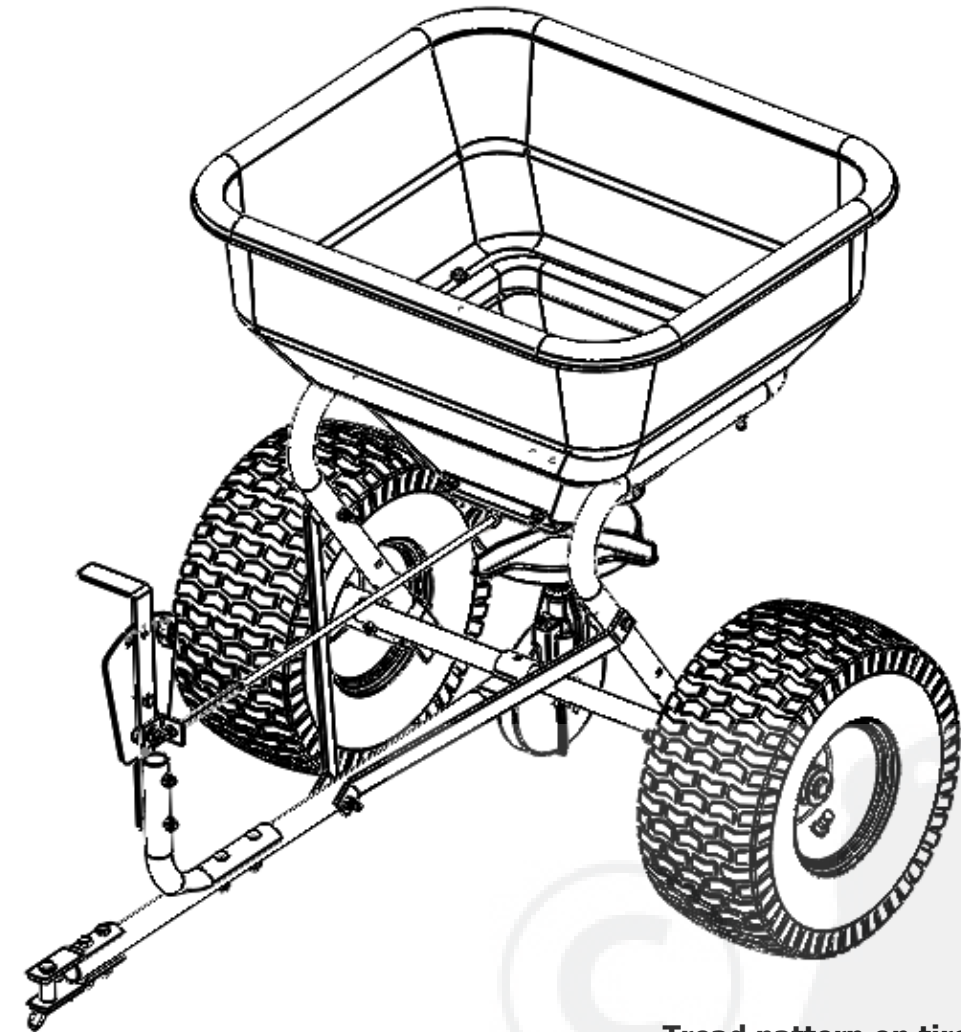
This limited warranty gives you specific legal rights, and you may also have other rights which vary from state to state.

Warranty Period

The warranty period stated below begins with the **Proof of Purchase**. Without the proof of purchase, the warranty period begins from the date of manufacture.

Product Warranty Period

The warranty period for this product is as follows: All parts are covered for 1 year.



Tread pattern on tires may vary.

Manual Contents

Safety Instructions	2
Carton Contents	2-3
Assembly	4-6
Application Chart	7-8
Operation	9
Maintenance	9
Parts	10-11
Warranty	12

Your New Trail Behind Broadcast Spreader

Congratulations on your purchase of a new Precision Products Inc. Trail Behind Broadcast Spreader. Your Spreader has been engineered and built to give you the most dependable and best performing product possible.

If you experience any problem you can not easily resolve, please feel free to contact our knowledgeable and helpful customer service department toll-free at **1 (800) 225-5891**.

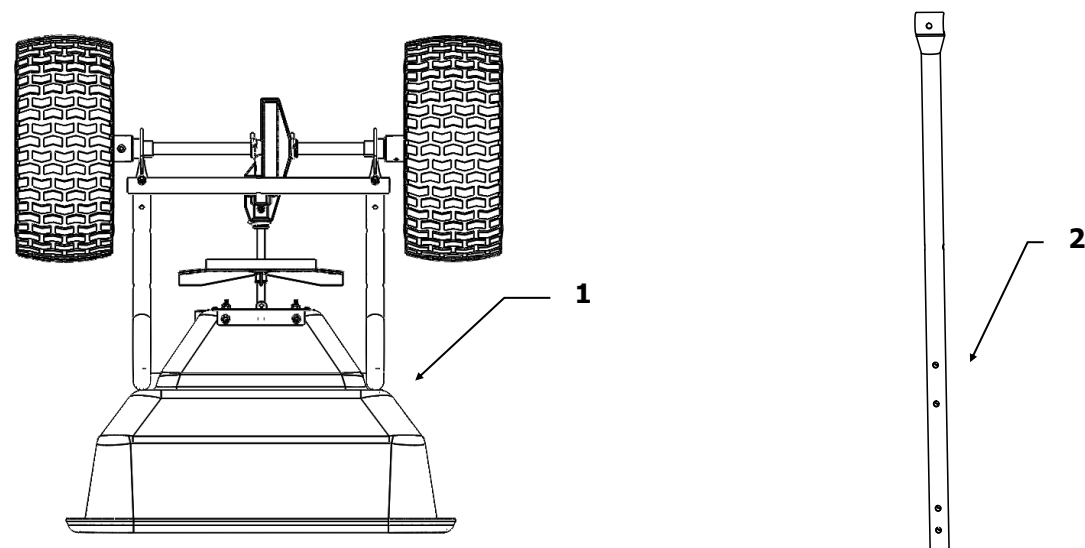
Caution: Read all Safety Instructions and Operating Instructions Carefully.

Safety Instructions

All power equipment can cause injury or property damage if operated improperly. Please read and observe the following safety rules and exercise caution at all times when operating equipment.

- Read and understand your tractor owner's manual and towing safety rules. Know how to operate your tractor before using any attachment.
- Never allow children to operate the towing vehicle. Do not allow adults to operate the vehicle without having read the owner's manual or receiving proper instruction.
- Do not allow anyone to ride or sit on tow behind equipment during operation.
- Keep all people, and animals at a safe distance.
- Always wear substantial footwear. Do not wear loose fitting clothing that may get caught in moving parts.
- Keep your eyes and mind on your tractor/attachment and area being covered. Do not let yourself be distracted.
- Stay alert for holes in the terrain and other hidden hazards.
- Tractor braking and stability may be affected with the attachment of this unit. Be aware of changing conditions on slopes. Refer to safety rules in your tractor owner's manual concerning safe operation on slopes. **Stay Off Steep Slopes.**
- Always operate up and down a slope, never across the face of a slope.
- This equipment should be operated at reduced speed(s) on rough terrain, along creeks and ditches and on hillsides or public highways, to prevent tipping or loss of control.
- Always begin with the transmission in first (low) gear and engine at low speed, and gradually increase speed as conditions permit.
- Keep the tractor and attachment in good operating condition and keep safety devices in place.
- Keep all nuts, bolts and screws tight to be sure the equipment is in safe working condition.
- The tractor and attachment should be stopped and inspected for damage after striking a foreign object. Any damage should be repaired before restarting and operating the equipment.
- Follow the maintenance instructions as outlined in this owner's manual.
- Should not be towed at more than 3-4 miles per hours.

Carton Contents



Ref No.	Part No.	Qty.	Description
1	6506T	1	Hopper
2	6510	1	Gear Case Assembly
3	2614	1	Spinner Disc
4	9228R	1	Tow Bar
5	7156R	1	Wrap Around Support
6	6526R	1	T-Handle
7	7126R	1	Cross Brace
8	2928R	2	Support Bracket
9	6524R	1	Adj. Handle
10	2197	2	Wheel
11	6555GV	1	Control Rod Galvanized
12	6538	1	Bushing 1/2" x 3/8" Flange Nylon
13	6525R	1	Adj. Handle Tab
14	6537	1	1" x 2.75" Foam Grip
15	1042	1	#14 Hitch Pin Clip
16	1086	1	1/4" x 2" Hex Hd Bolt
17	6110T	1	Slide Plate
18	6214	2	5/8" Wheel Bushing (Not Shown)
19	1558	24	1/4" Nylock Nut
20	1270	2	1/4" Hex Nut
21	2828	1	1/4" Wing Nut
22	3060	2	1" Tube Plug
23	1062R	2	Clevis Plate
24	1817SS	8	1/4" Flat Washer Stainless
25	1643	2	1/4" x 3/4" Hex Hd Bolt

Ref No.	Part No.	Qty.	Description
26	1817	9	1/4" Flat Washer
27	6544	1	Thumb Screw 1/4" (Not Shown)
28	2148PU	1	Agitator Pin (Not Shown)
29	2174	1	Retaining Ring (Not Shown)
30	1262	1	1/8" x 1-1/4" Cotter Pin (Not Shown)
31	6129	7	1/4" x 1.5" HH Bolt
32	1840	1	1/2" x 1-3/4" Clevis Pin
33	6523	1	Number Pad
34	2936B	1	Strainer
35	2906	1	Rain Cover
36	1055	9	1/4" x 1-3/4" Hex Head Bolt

*Not all parts shown.

Parts and Support



Please do not return this product to the store prior to contacting Precision.

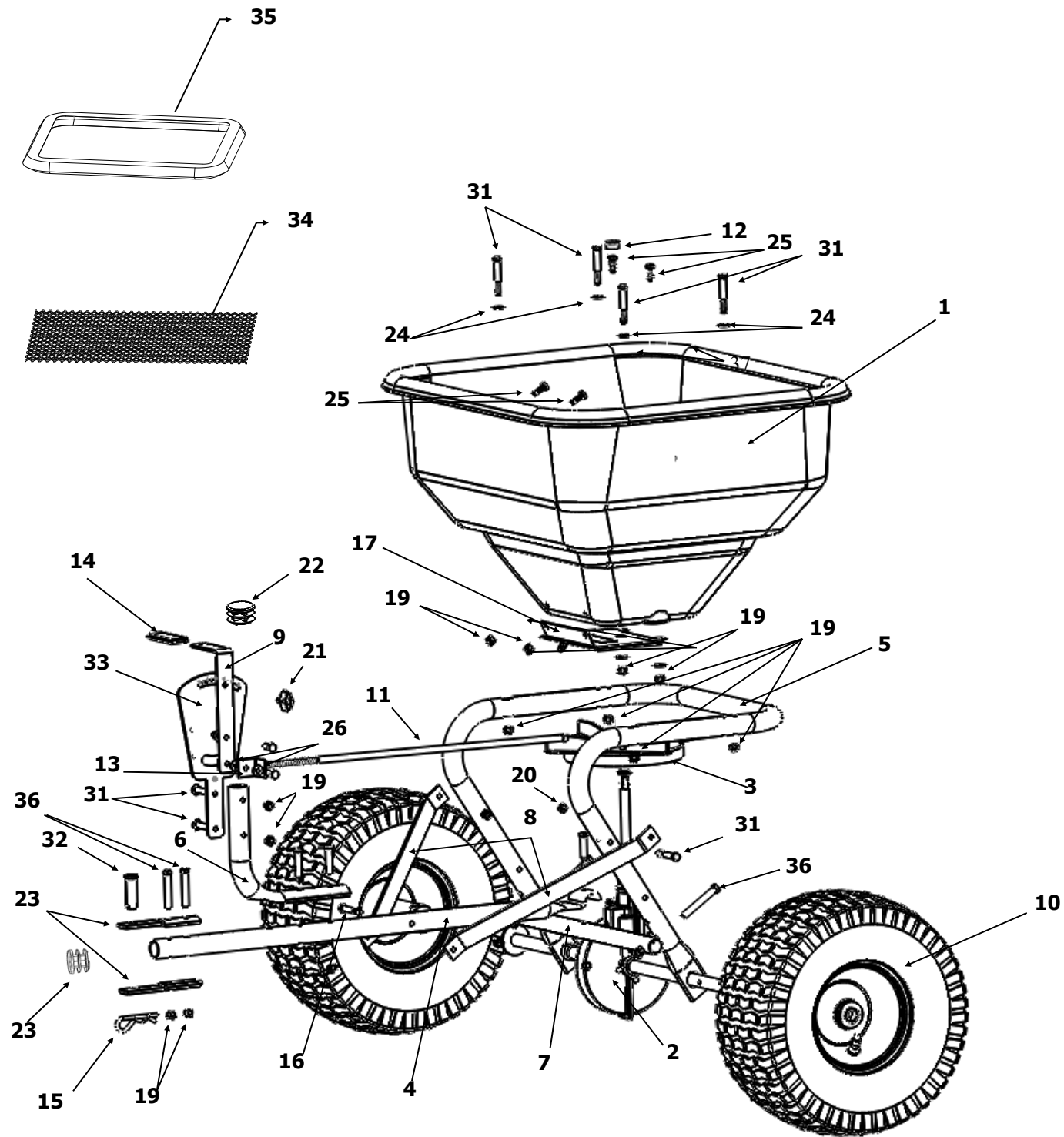
At Precision Products Inc. our goal is to deliver quality, value and outstanding service. If for any reason our product does not meet your expectations, please contact us and we will take care of any problem you may have with this unit.

When ordering replacement parts please have the model number, part description, part number, inspector number and date on box, available so that we can best serve you.

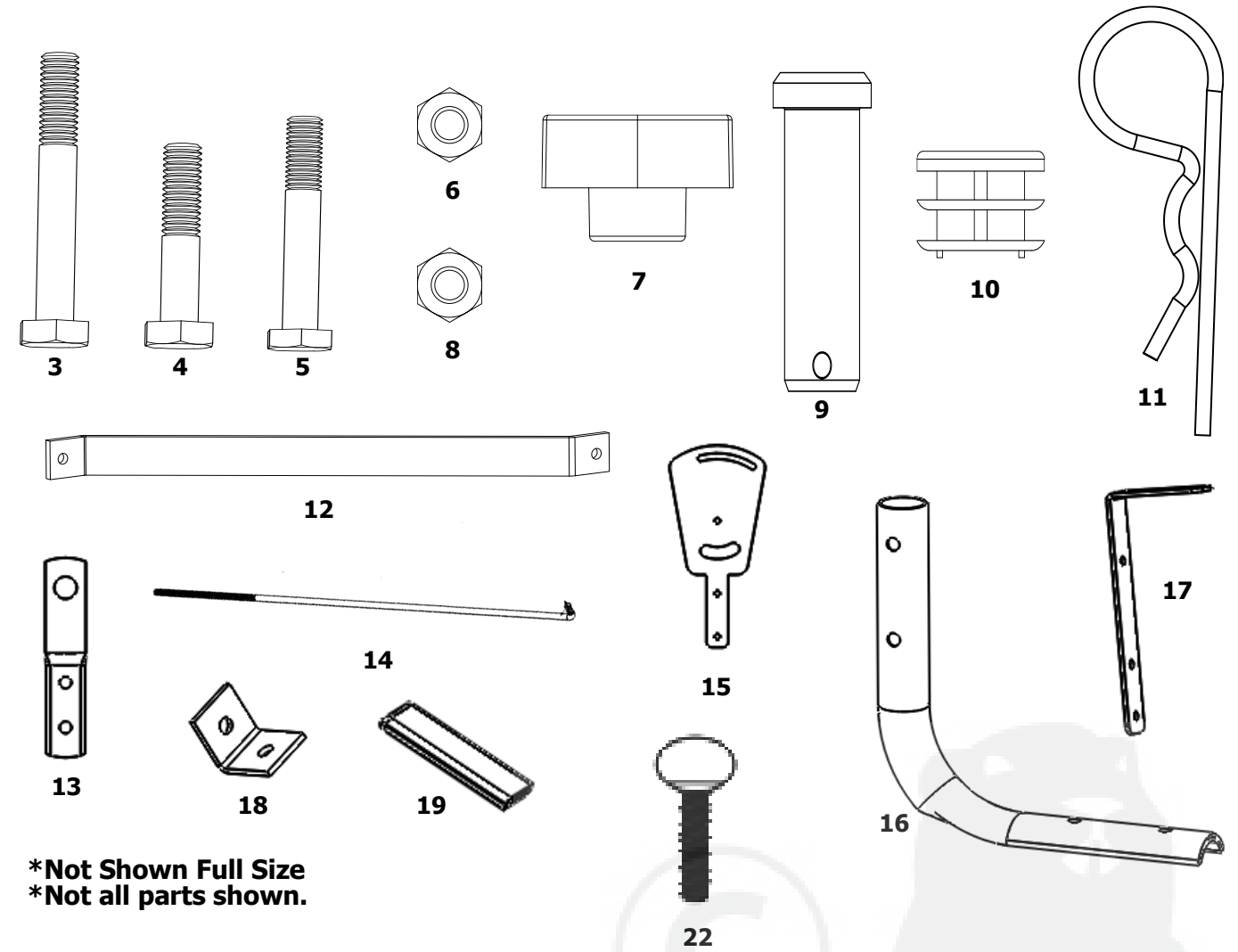
1 (800) 225-5891

www.precisionprodinc.com

**Precision Products Inc.
316 Limit St.
Lincoln IL 62656**



Parts Used During Assembly



*Not Shown Full Size
*Not all parts shown.

Ref.	Qty.	Description
1	1	Hopper Assembly
2	1	Tow Bar
3	1	1/4" x 2" Hex Head Bolt
4	7	1/4" x 1 1/2" Hex Head Bolt
5	2	1/4" x 1-3/4" Hex Head Bolt
6	2	1/4" Hex Head Nut
7	1	1/4" Wing Nut
8	12	1/4" Nylock Nut
9	1	1/2" x 1 3/4" Clevis Pin
10	2	1" Tube Plug
11	1	#14 Hitch Pin Clip
12	2	Support Brackets
13	2	Clevis Plate
14	1	Upper Rod
15	1	Number Pad
16	1	T-Handle
17	1	Adj. Handle
18	1	Adj. Handle Tab
19	1	Handle Grip
20	2	1/4" x .75" Hex Hd Bolt (Not Shown)
21	6	1/4" Washer (Not Shown)
22	1	1/4" x 1" Spade Thumb Screw

Having Problems?

Installation Questions?

Missing Parts?

Replacement Parts?

STOP *Don't go back to the store!*
Let us help you!

Please call our helpful Customer Service Department
Toll-Free at **(800) 225-5891** We will be happy to assist you.

Assembly Instructions

Tools Required for Assembly

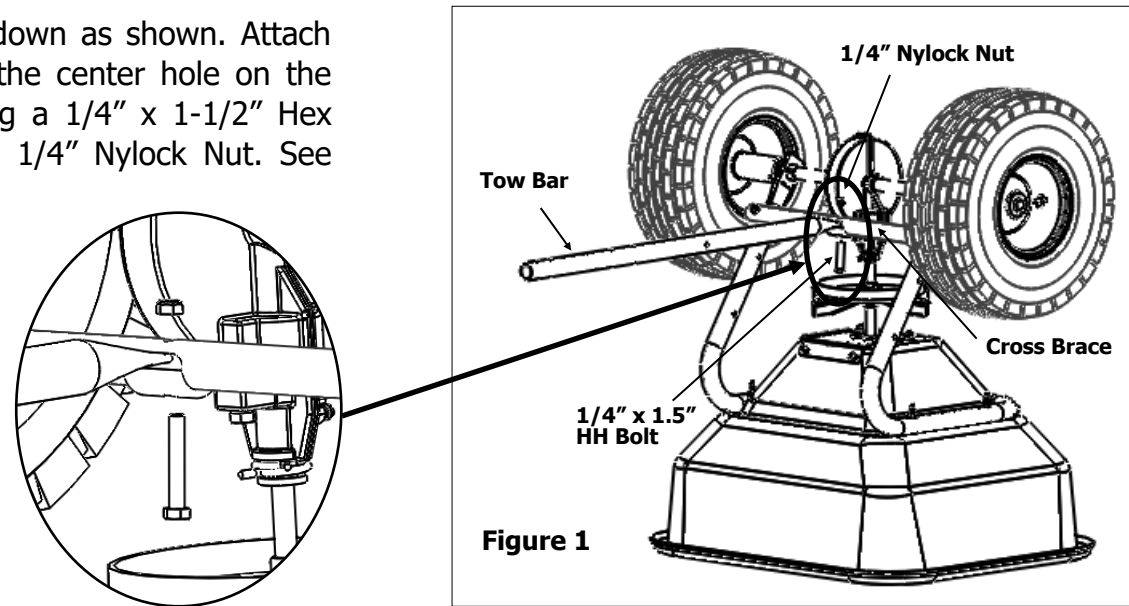
Minimum
(2) 1/2" Wrenches
(2) 7/16" Wrench

(1) Hammer

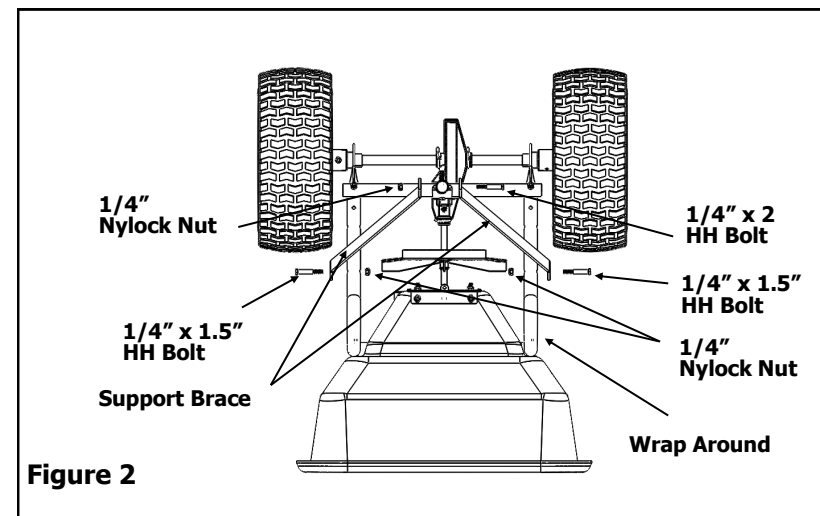
Assembly

Note: Loosely tighten nuts and bolts first. Fully tighten when the spreader is completely assembled.

1. Flip unit upside down as shown. Attach the Tow Bar to the center hole on the Cross Brace using a 1/4" x 1-1/2" Hex Head Bolt and a 1/4" Nylock Nut. See Figure 1.



2. Attach the two Support Brackets to the Wrap Around Support using 1/4" x 1-1/2" Hex Head Bolts and 1/4" Lock Nuts. Attach the other end of the two Support Brackets to the Tow Bar using a 1/4" x 2" Hex Head Bolt and 1/4" Nylock Nut. See Figure 2. Flip unit right side up.



Using Your Spreader's Controller

Settings are made by moving Adj. Handle and setting to the desired number on the Number Pad.

See Application Chart For Setting Information.

OPEN—Push the Control Lever forward until it stops against Calibration Button.

OFF—Pull Control Lever back until it stops.

Broadcast Spreader Operation

1. Always have the control lever in OFF position before filling the hopper.
2. Always push the spreader forward to operate; do not operate in reverse.
3. Start moving forward before pushing the control lever to the ON position. Pull the control lever to OFF position before stopping or turning.
4. Push the spreader at a steady pace.
5. To avoid misses or striping, space each pass across the lawn so approximately 20% of the spread with overlaps onto the previous pass. This provides a "feathered" overlap to even out distribution over the width of the spread.

DO NOT allow spreader to sit stationary with material in the hopper and control lever in the ON position

CAUTION: Care must be taken with any weed killer, pesticide, or combination product. They can be harmful to other plant life in the yard.

Maximum operating weight—130 lbs.

Maintenance Instructions

1. Empty hopper after each use. Do not store spreader with material left in hopper.
2. Wash spreader thoroughly and wipe dry.
3. Lubricate all moving parts. Use a grease gun to apply grease to the gearbox assembly. **CAUTION: Use a reasonable amount of grease. DO NOT pack gearbox full of grease.** Apply oil to spinner shaft (including area shaft that extends through hopper), slide plate and where the spinner shaft and axle extend through the gearbox.

Storage

1. Rinse inside of hopper and exterior of spreader.
2. Store in a clean, dry area.

Calculating Your Flow Setting

To calculate how many pounds of material to spread per 1000 square feet of lawn. Follow these steps.

1. Read on your material bag how many square feet of area the contents of the bag will cover and how many pounds the bag weighs.
Example: You have purchased a bag of fertilizer that states that it will cover 5,000 square feet, and weighs 16.0 pounds.
2. To calculate coverage divide bag weight by suggested coverage to obtain pounds per square foot that is needed to be applied.
Example: $16.0 \text{ lbs.} \div 5,000 \text{ sq. ft.} = .0032 \text{ lbs./sq. ft.}$
3. To calculate how much you need for 1000 sq. ft. multiply the pounds per square foot obtained above by 1000.
Example: $.0032 \text{ lbs./sq. ft.} \times 1000 = 3.2 \text{ lbs./1000 sq. ft.}$
4. Refer to standard settings table and locate the appropriate settings number.
Example: 3.2 lbs./1000 sq. ft. is closest to a 3 lbs./1000 sq. ft. so the spreader setting is a 2.5.

These are general information setting intended to be used as only references.

STANDARD SETTINGS

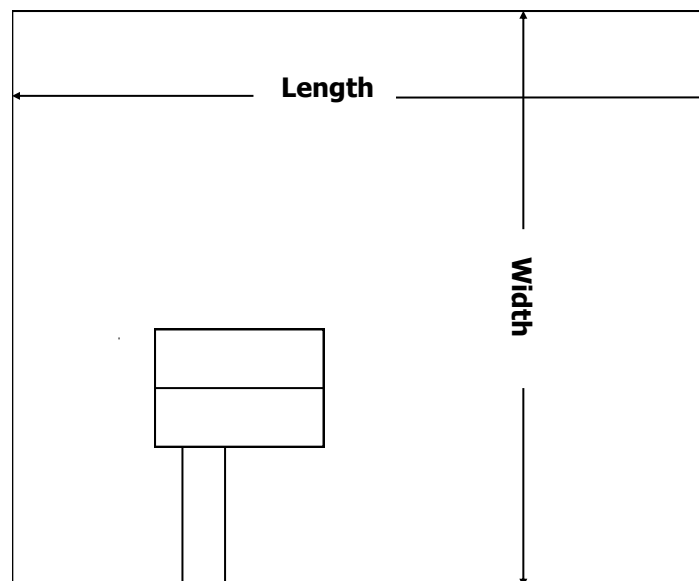
Fertilizer Lbs. per 1000 sq. ft.	Setting Broadcast Spreaders
2.5	2
3.0	2.5
3.5	2.75
4.0	3
Grass Seed	Setting
Blue Grass	1.5
Bent Grass	1.5
Fine Mixture	5
Coarse Seed	5
Insecticide (Diazinon)	Setting 1.75

Caution

On the bag of **fertilizer** there should be a **chart** that gives the recommended settings for that particular bag. Because different manufactures of **fertilizer** make the granules different sizes it is impossible for spreader manufactures to give guidelines for all of the different fertilizers. In addition to this walking speed and terrain, may vary, therefore settings may need to be adjusted. Because of these conditions, Groundworks makes no warranty as to the uniformity of coverage actually obtained from any of these calculations.

$$\begin{array}{r}
 \text{_____ Length} \\
 \times \text{_____ Width} \\
 \hline
 = \text{_____ Total sq. ft.} \\
 - \text{_____ Non-Lawn Area} \\
 \quad \text{House, drive etc.} \\
 \hline
 = \text{_____ Total sq. ft.} \\
 \quad \text{Coverage}
 \end{array}$$

CALCULATING COVERAGE AREA



3. Attach the Tab to the bottom of the Adj. Handle using a 1/4" x .75" Hex Head Bolt, two 1/4" Washers and a 1/4" Nylock Nut. Attach the Adj Handle to the Number Pad using a 1/4" x .75" Hex Head Bolt, two 1/4" Washers and 1/4" Nylock Nut. Insert Thumb Screw and 1/4" Washer into slide on Number Pad and secure with Wing Nut. See Figure 3.

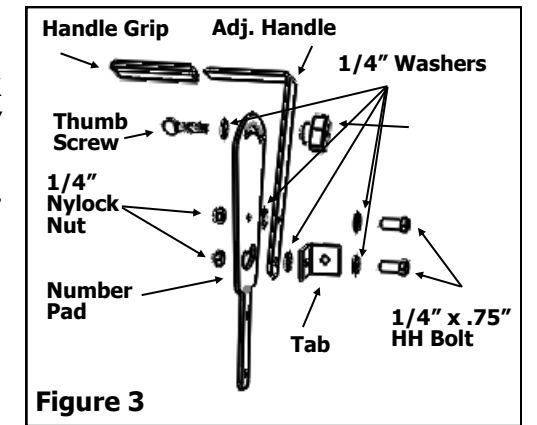


Figure 3

4. Gently tap Tube Plug into top of T-Handle. Attach the Number Pad to the top of the T-Handle using 1/4" x 1.5" Hex Head Bolts and 1/4" Nylock Nuts. Slide Grip onto Adj. Handle. See Figure 4.

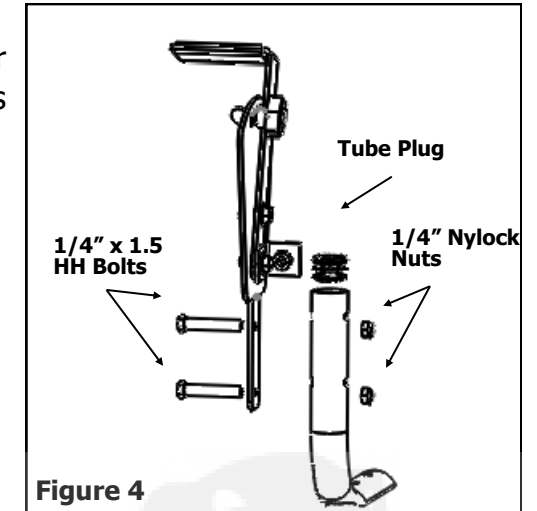


Figure 4

5. Attach the T-Handle to the top of the Tow Bar, using two 1/4" x 1.75" Hex Head Bolts and 1/4" Nylock Nuts. See Figure 5.

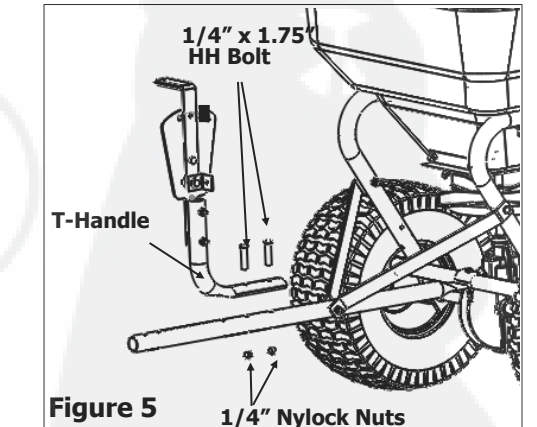


Figure 5

6. Thread a 1/4" nut onto Upper Rod then insert the Upper Rod through hole in Tab. Secure with a 1/4" nut. See Figure 6A. Remove the tape from the slide plate at the bottom of the hopper. Insert other end of Upper Rod through hole in Slide Plate and secure with a 1/4" Nylock Nut. See Figure 6B.

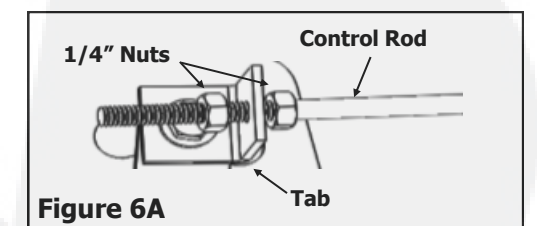


Figure 6A

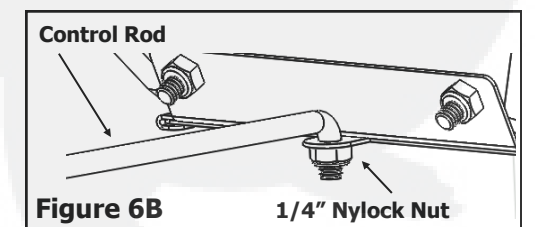


Figure 6B

7. Loosen and tighten the 1/4" Hex Head Nut onto the Control Rod till the Control Rod and the Tab gets aligned and secure it. Slide the Slide Plate along the Control Rod until the flow plate in the bottom of the hopper is open half way, adjust the 1/4 Nylock Nut which secures the slide plate and control rod if required. See figure 6 for Slide Plate position. Make sure the slide plate will open and close all the way. Readjust if necessary. See Figure 7.

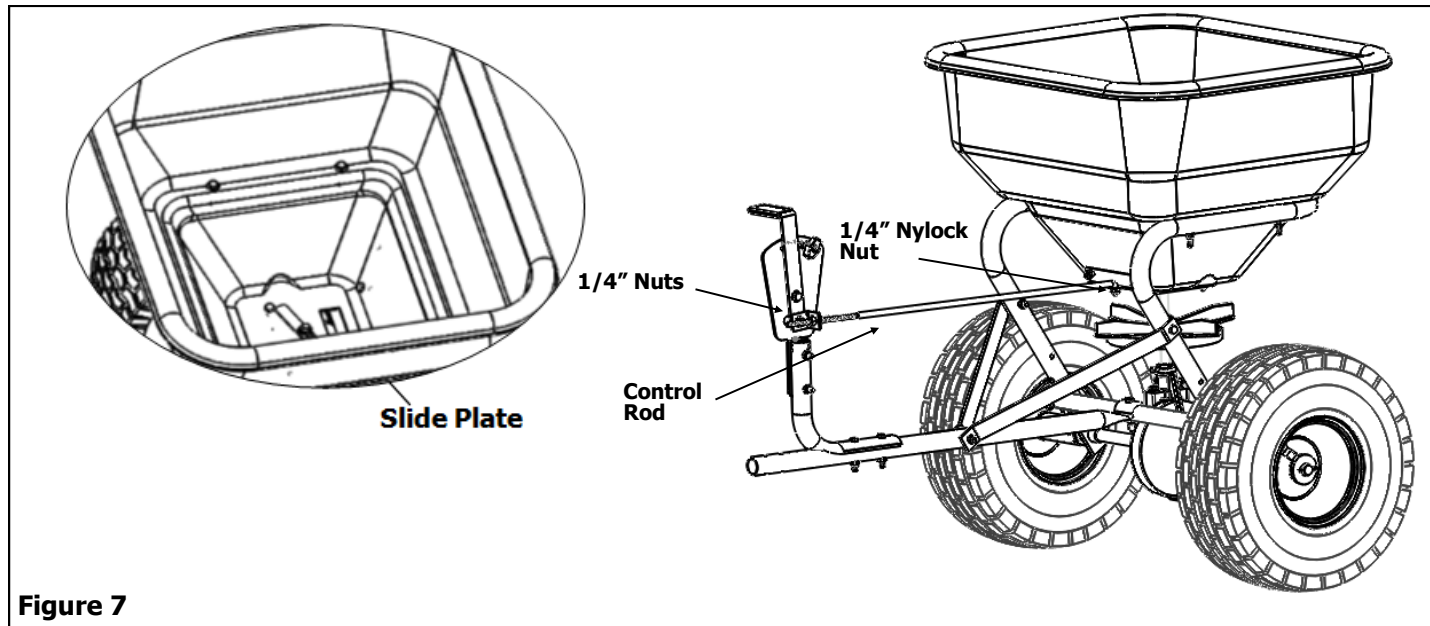


Figure 7

8. Gently tap Tube Plugs into end of Tow Bar. Attach the two Clevis Plates to the top and bottom of the Tow Bar, using two 1/4" x 1-3/4" Hex Head Bolts and two 1/4" Nylock Nuts. Insert the 1/2" x 1-3/4" Clevis Pin through holes in Clevis Plates. Secure this with a # 14 Hitch Pin Clip. See Figure 8.

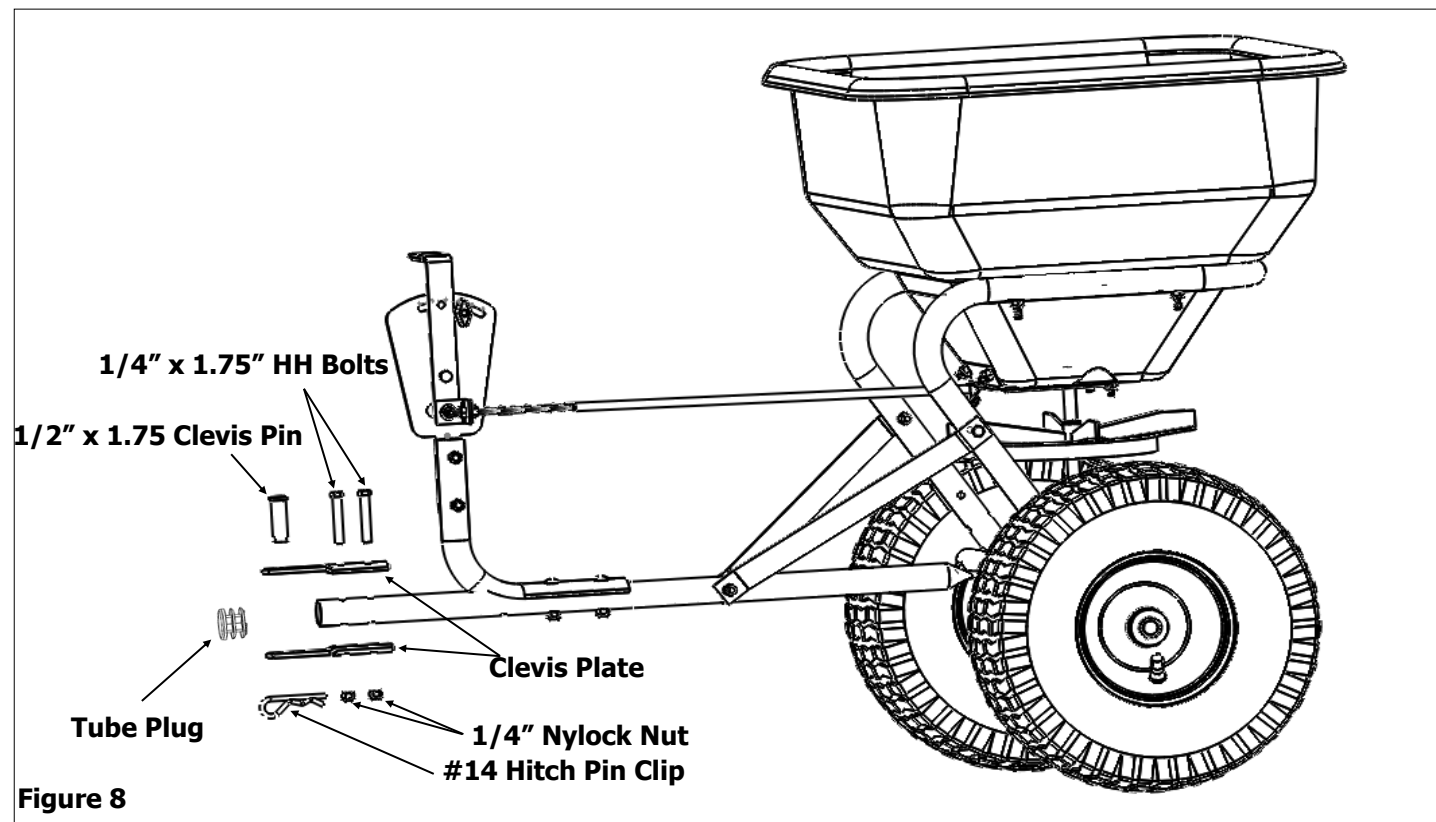


Figure 8

Broadcast Spreader Application Chart

Applying Product

1. Set Flow Rate

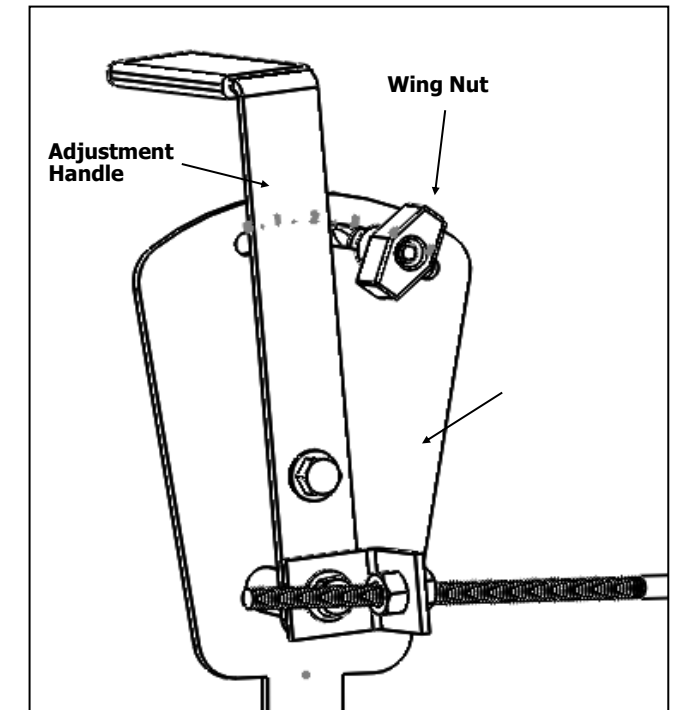
- Calculate or find the rate setting for the product being spread. See the calculation chart on the next page.
- Slide the Control handle to the calculated flow rate and set the Indicator using Wing nut.

2. Fill the Hopper

- With the spreader control lever in the off position, fill the spreader over a patch of bare ground or sidewalk/driveway.
- **DO NOT** fill the spreader on the lawn. Sweep up any spilled product.

3. Apply

- While unit is in motion at approximately 3 miles per hour, push spreader control lever up to calibration indicator button to release product.



Application Tips

- **For rectangular lawns**, apply two header strips at each end of the lawn and then go back and forth between the header strips. Close spreader at the end of each pass and reopen at the start of next pass.
- **For irregular-shaped lawns**, apply one header strip around the entire lawn, and then go back and forth.
- To avoid streaks or misses, slightly overlap each strip over the edge of the previous strip.
- Use the settings under "Standard Settings" Section for most applications by figuring lbs. per 1000 square feet.
- These numbers are for a one pass application.
- A two pass application is recommended, using a crisscross pattern. If using this method, us half the setting number given.
- If you think too much is being applied, cut down your setting. The solution for too much fertilizer is water.
- Close Spreader at the end of each pass. Open again at the start of your next pass.

