

The limited warranty set forth below is given by Precision Products, Incorporated with respect to new merchandise purchased and used in the United States, its possessions and territories.

Precision Products, Incorporated warrants the product (s) listed against defects in material and workmanship, and will at our option, repair or replace, free of charge, any part found to be defective in materials or workmanship. This limited warranty shall only apply if this product has been assembled, operated, and maintained in accordance with the owner's manual furnished with the product, and has not been subject to misuse, abuse, neglect, accident, improper maintenance, alteration, vandalism, theft, fire, water, or damage because of other peril or natural disaster.

Normal wear parts or components thereof are subject to separate terms as follows: All normal wear parts or component failures will be covered on the product for a period of one year. Parts found to be defective within the warranty period will be replaced at our expense. Our obligation under this warranty is expressly limited to the replacement or repair, at our option, of parts found to be defective in material and workmanship.

Contacting Service

Warranty parts replacements are available, ONLY WITH PROOF OF PURCHASE, through our Customer Service Department.

Call **1 (800) 225-5891**

This limited warranty does not provide coverage in the following cases:

1. Routine maintenance items such as lubricants and filters.
2. Normal deterioration of the exterior finish due to use or exposure.
3. Transportation and/or labor charges.

No implied warranty, including any implied warranty of merchantability of fitness for a particular purpose, applies after the applicable period of expressed written warranty above as to the part as identified below. No other expressed warranty, whether written or oral, except as mentioned above, given by any person or entity, including a dealer or retailer, with respect to any product, shall bind Precision Products, Inc. during the period of the warranty. The exclusive remedy is repair or replacement of the product as set forth above. The provisions as set forth in this warranty provide the sole and exclusive remedy arising from the purchase.

Precision Products, Inc. will not be liable for incidental or consequential loss or damage including, without limitation, expenses incurred for substitute or replacement lawn care services, or for rental expenses to temporarily replace a warranted product.

Some states do not allow the exclusion or limitation of incidental or consequential damages, or limitations on how long an implied warranty lasts, so the above exclusions or limitations may not apply to you.

During the warranty period, the exclusive remedy is replacement of the part. In no event shall recovery of any kind be greater than the amount of the purchase price of the product sold. Alteration of safety features of the product shall void this warranty. You assume the risk and liability for loss, damage, or injury to you and your property and/or to others and their property arising out of the misuse or inability to use this product.

This limited warranty shall not extend to anyone other than the original purchaser or to the person for whom it was purchased as a gift.

Local Law to this Warranty

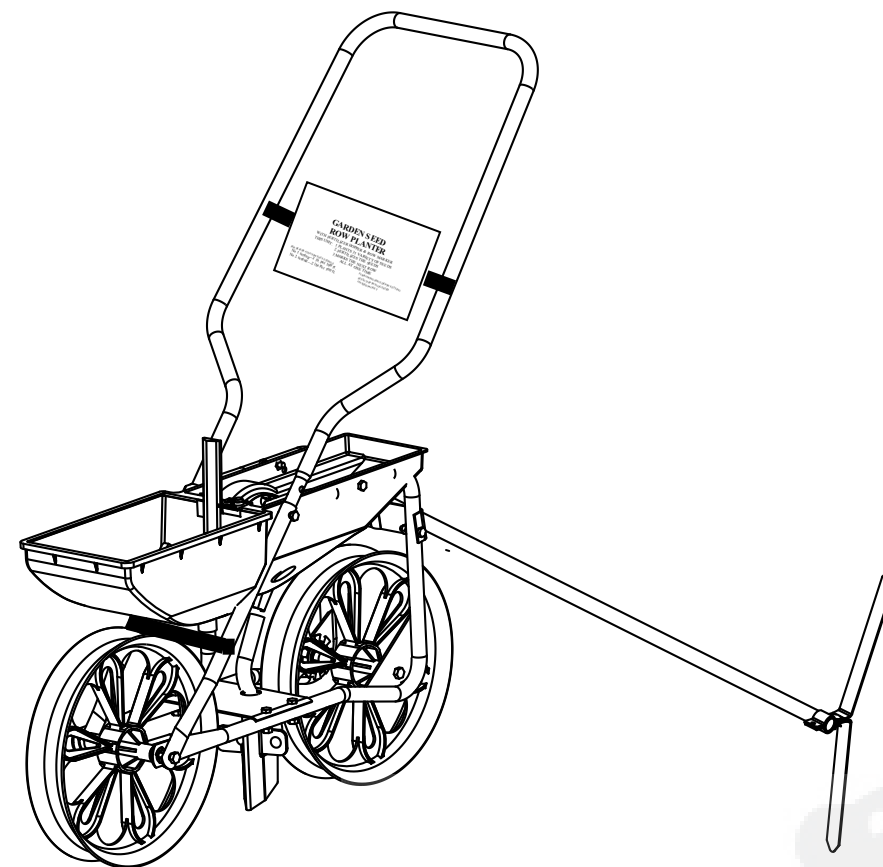
This limited warranty gives you specific legal rights, and you may also have other rights which vary from state to state.

Warranty Period

The warranty period stated below begins with the **Proof of Purchase**. Without the proof of purchase, the warranty period begins from the date of manufacture.

Product Warranty Period

The warranty period for this product is as follows: All parts are covered for 1 year.



Manual Contents

Safety Instructions	2
Assembly.....	4-5
Parts.....	6
Operation	7
Maintenance	7
Warranty.....	8

Your New Garden Seeder/Fertilizer

Congratulations on your purchase of a new Precision Products Inc. Garden Seeder/Fertilizer. Your Seeder/Fertilizer has been engineered and built to give you the most dependable and best performing product possible.

If you experience any problem you can not easily resolve, please feel free to contact our knowledgeable and helpful customer service department toll-free at **1 (800) 225-5891**.

Caution: Carefully read all Rules and Instructions for Safe Operation

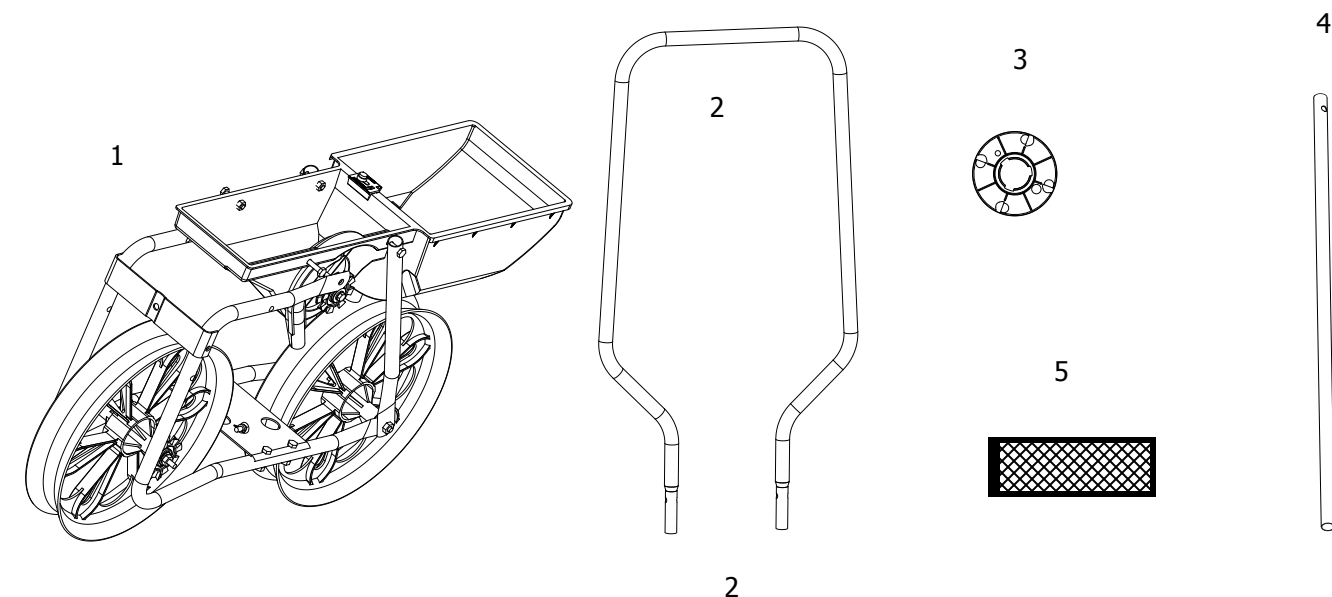
! Safety Instructions

All power equipment can cause injury or property damage if operated improperly. Please read and observe the following safety rules and exercise caution at all times when operating equipment.

- Read and understand your owner’s manual.
- Keep people, children and animals at a safe distance.
- Always wear substantial footwear. Do not wear loose fitting clothing that may get caught in moving parts.
- Keep your eyes and mind on your Seeder/Fertilizer and area being covered. Do not let yourself be distracted.
- Stay alert for holes in the terrain and other hidden hazards.
- Do not operate close to creeks, ditches or public highways.
- Keep all nuts, bolts and screws tight to be sure the equipment is in safe working condition.
- The Seeder/Fertilizer should be stopped and inspected for damage after striking a foreign object. Any damage should be repaired before using the equipment again.
- Follow the maintenance instructions as outlined in this owner’s manual.

Carton Contents

- | | |
|---------------------------|---------------------------------|
| 1. Base Assembly | 5. Seed Cover |
| 2. Handle | 6. Hardware Sack (see page 3) |
| 3. Bag of Seed Plates (7) | 7. Seed Plate Pouch (Not Shown) |
| 4. Row Marker Tube | |



FERTILIZER ADJUSTMENT SETTINGS

Granular Fertilizer must be free flowing without lumps.

- No. 1 Setting - 1lbs Per 100 ft.
- No. 2 Setting - 2lbs Per 100 ft.
- No. 3 Setting - 3lbs Per 100 ft.

SEED PLATE SELECTION GUIDE

Selection as to seed size and spacing are found on your seed plates.

OPERATION

1. To install the desired seed plate, hold the seed plate at an angle with bottom against the straight wall in the hopper. Line up the slots in the seed plate with the raised portions of the hub, hold it firmly against the inside of the hopper and rotate it approximately 1/2" in the "ON" direction as indicated by the arrow on the plate until the cam action locks the seed plate in place on the hub. Do not force, OFF and ON, directions are indicated on the seed plates with arrows.

2. Next, set the planting depth with the wedge shaped furrowing shoe located directly under the hopper. Note that there are graduations in inches on the sides of the seed tube. Move furrowing shoe until top edge is in line with desired planting depth. Retighten wing nut after adjustment is made. Check the depth by moving the seeder forward a few inches.

3. Pour seeds in the seed hopper. CAUTION: Do not fill the hopper above the center of the seed plate.

4. Pour fertilizer into fertilizer hopper. CAUTION: Do not over fill the hopper. Allow 1" from fertilizer to top edge of hopper.

5. Adjust fertilizer flow by loosening wing nut on fertilizer hopper. Slide calibrated plate to desired setting and tighten wing nut. Before filling, shut off fertilizer control.

6. Mark out the first row in your garden. Lower the row marker shaft and adjust the row marker to the proper width for the next row. You are now ready to begin planting.

7. To empty seeds, remove plug from seed hopper by simply putting pressure on center of plug and pushing inward. Pour seeds into a clean container.

8. Empty fertilizer by placing a clean container under fertilizer hose, adjust lever to No. 3 setting and open control, allowing fertilizer to flow into the container.

9. To remove seed plate, hold pulley and belt stationary with one hand and rotate the seed plate approximately 1/2" in the "OFF" as indicated by arrow on top of the seed hopper. Push the seed plate off the hub through the hole just above the pulley. It will slip off easily.

MAINTENANCE

1. Keep your seed hopper clean and free from sand, grit, and seed treating materials.
2. Do not leave fertilizer stored in hopper.

Parts and Support

STOP Please do not return this product to the store prior to contacting Precision.

At Precision Products Inc. our goal is to deliver quality, value and outstanding service. If for any reason our product does not meet your expectations, please contact us and we will take care of any problem you may have with this unit.

When ordering replacement parts please have the model number, part description, part number, inspector number and date on box, available so that we can best serve you.

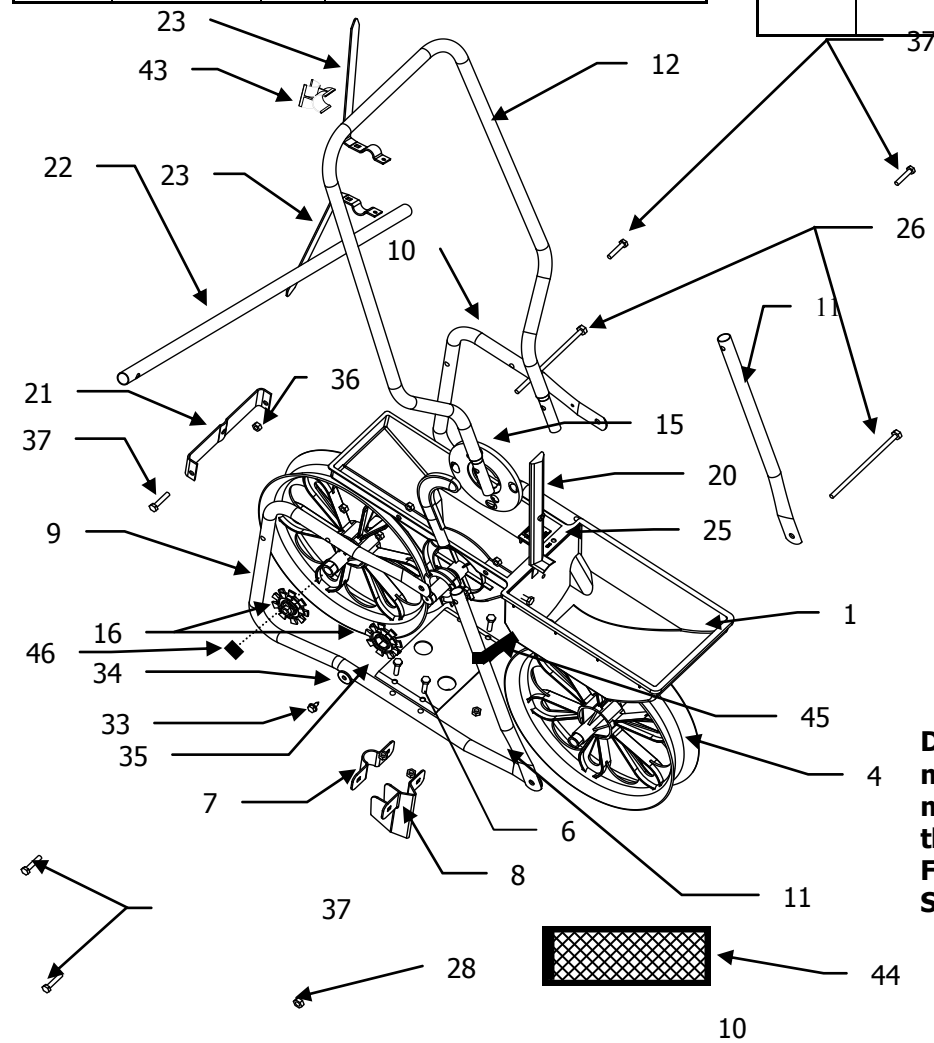
1 (800) 225-5891

www.precisionprodinc.com

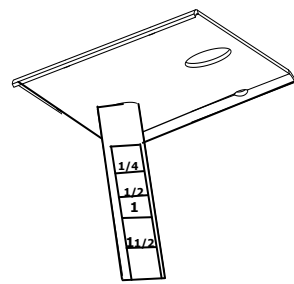
**Precision Products Inc.
316 Limit St.
Lincoln IL 62656**

Ref No.	Part No.	Qty	Description
1	GS2010-01	1	Hopper
2	GS2010-02	1	Plug **
3	GS2010-03	1	Seed Tube Cover **
4	GS2010-04	2	Seeder Wheel
5	GS2010-05	1	Spring **
6	GS2010-06	1	Seed Tube Bracket
7	GS2010-07	1	Furrowing Shoe Clamp
8	GS2010-08	1	Furrowing Shoe
9	GS2010-09	1	Right Support Tube
10	GS2010-10	1	Left Support Tube
11	GS2010-11	2	Lower Handle Tube
12	GS2010-12	1	Upper Handle Tube
13	GS2010-13	1	Seeder Plate Pouch **
14	GS2010-14	1	Spindle *
15	GS2010-15	7	Seed Plates (see page 2)
16	GS2010-16	2	Pulley
17	GS2010-17	1	Drive Belt **
18	GS2010-18	1	Seed Tube **
19	GS2010-19	1	Fertilizer Tube **
20	GS2010-20	1	Fertilizer Lever
21	GS2010-21	1	Row Marker Bracket
			*Inside of Seed Hopper (Not Shown)
			**Not All Parts Shown

Ref No.	Part No.	Qty	Description
22	GS2010-22	1	Row Marker Tube
23	GS2010-23	2	Row Marker
24	GS2010-24	1	Row Marker Tube Cap **
25	GS2010-25	1	Fertilizer Stop/Shut Off
26	GS2010-26	2	5/16" x 6" Hex Head Bolt
27	GS2010-27	2	Wheel Spacer **
28	GS2010-28	3	5/16" Lock Nut
29	GS2010-29	3	1/4" x 5/8" Carriage Bolt **
30	GS2010-30	3	1/4" Wing Nut **
31	GS2010-31	1	5/16" x 1-3/4" Hex Head Bolt **
32	GS2010-32	2	5/16" Flat Washer **
33	GS2010-33	1	1/4" x 1/2" Self Tap Screw
34	GS2010-34	1	1/4" ID x 7/8" OD Flat Washer
35	GS2010-35	4	1/4" x 1" Hex Head Bolt
36	GS2010-36	12	1/4" Hex Head Nut
37	GS2010-37	8	1/4" x 1-1/4" Hex Head Bolt
38	GS2010-38	1	1/4" x 3/4" Hex Head Bolt **
39	GS2010-39	1	#10-24 Hex Head Nut **
40	GS2010-40	1	10-24 x 1/2" Slotted Pan Screw**
41	GS2010-41	1	1/2" x 3/4" Thumb Screw **
42	GS2010-42	1	1/4" Special Nut **
43	GS2010-43	1	Marker Row Clip
44	GS2010-44	1	Mesh Seed Cover
45	GS2010-45	1	Front Brace
46	GS2010-46	1	Rear Wheel Spacer
47	GS2010-47	1	1/4" Flat Threaded Plate **
48	GS2010-48	1	1/4" x 3/4" Hex Head Bolt **

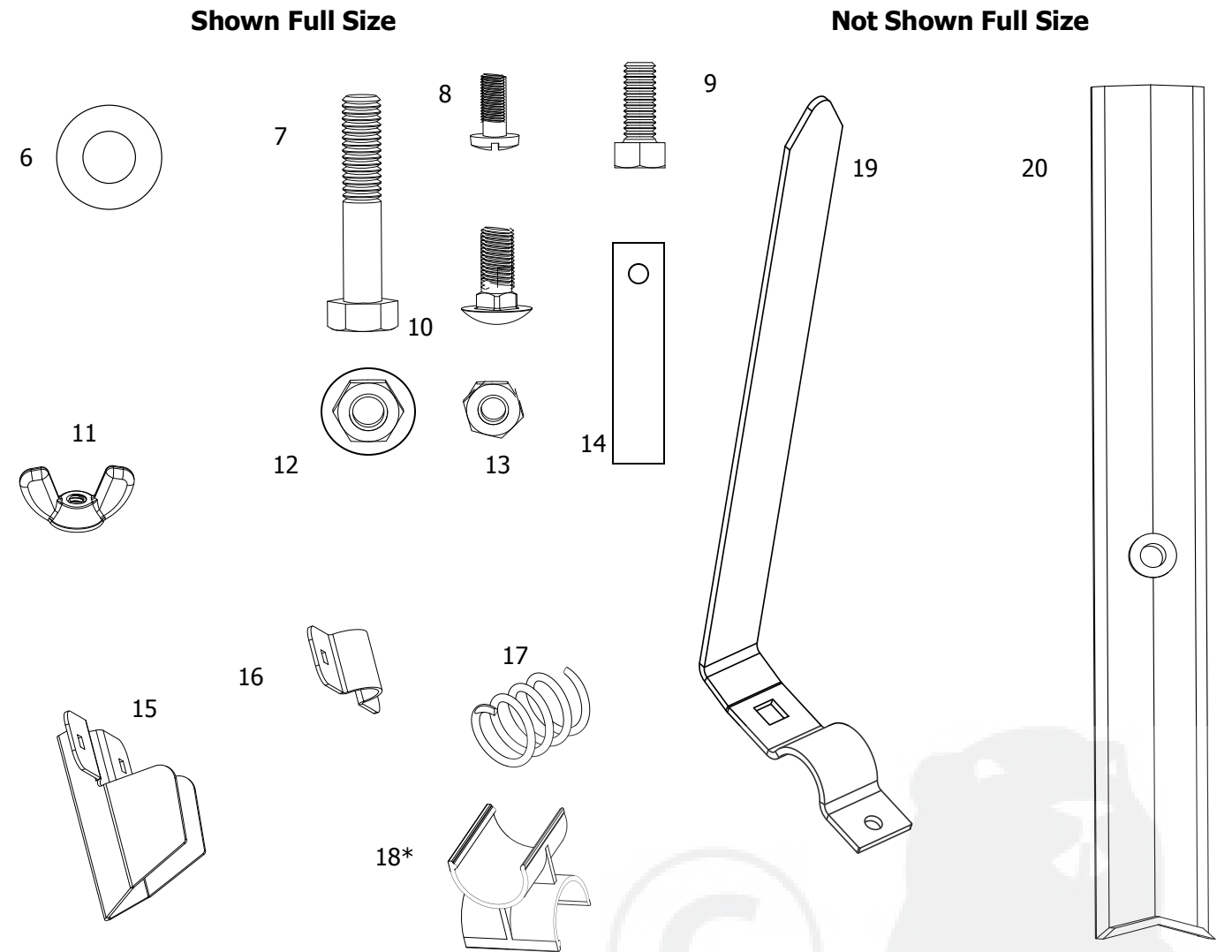


Depth Sticker Attachment Instructions



Depth adjustments are measured off of the top of the Furrowing Shoe.

Parts Used During Assembly Parts are attached to unit prior to assembly.



Ref.	Qty.	Description
6	2	5/16" Flat Washer
7	1	1-3/4" Hex Head Bolt
8	1	10-24 x 1/2" UNC Slotted Pan Screw
9	1	1/4" x 3/4" Hex Head Bolt
10	3	1/4" x 5/8" Carriage Bolt
11	3	1/4" Wing Nut
12	1	5/16" Hex Head Nut
13	1	1/4" KEPS Nut
14	1	1/4" Threaded Flat Plate
15	1	Furrowing Shoe
16	1	Furrowing Shoe Clamp
17	1	1" Spring
18	1	Marker Row Clip*
19	2	Row Marker
20	1	Fertilizer Lever
		*(Not all models may contain this part)

Having Problems?

- Installation Questions?
- Missing Parts?
- Replacement Parts?

STOP Don't go back to the store!
Let us help you!

Please call our helpful Customer Service Department Toll-Free at **(800) 225-5891** We will be happy to assist you.

Assembly Instructions

Tools Required for Assembly

(2) 7/16" Wrenches

(2) 1/2" Wrenches

Remove from Carton

Remove all parts and hardware packages from the carton. Lay out all parts and hardware and identify them using the illustrations on pages 2 through 3.

Assembly Instructions

1. Remove two 1/4" x 1-1/4" Hex Head bolts and two 1/4" Hex Head Nuts from the top of the lower handle tubes. See Figure 1.

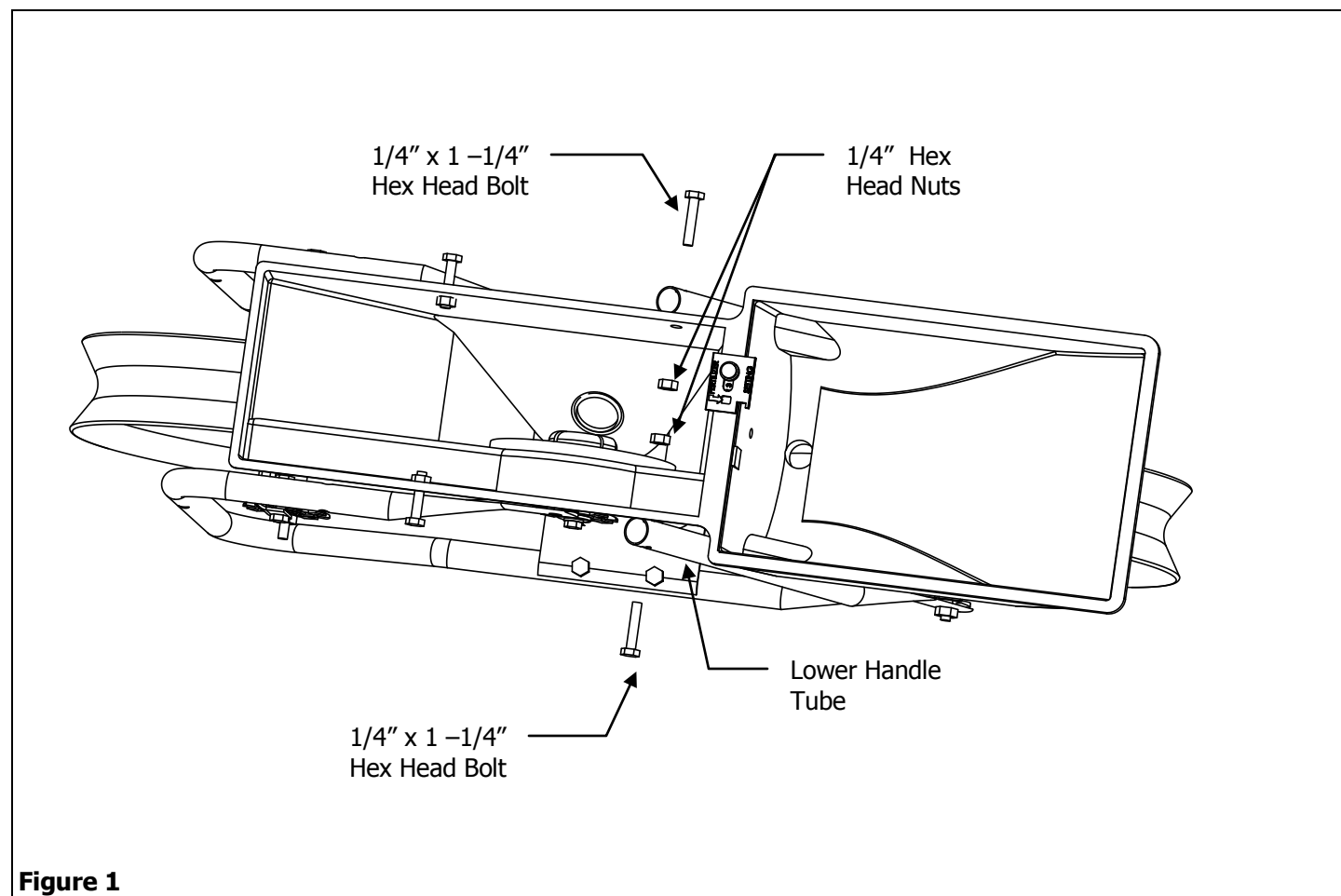


Figure 1

6. Take Furrow Shoe and Furrow Shoe Clamp, joining them together using two 1/4" x 5/8" Carriage Bolts and two 1/4" Wing Nuts. Do not tighten until you place them onto the Seed Feeder Tube and set at the appropriate height. See Figure 6.

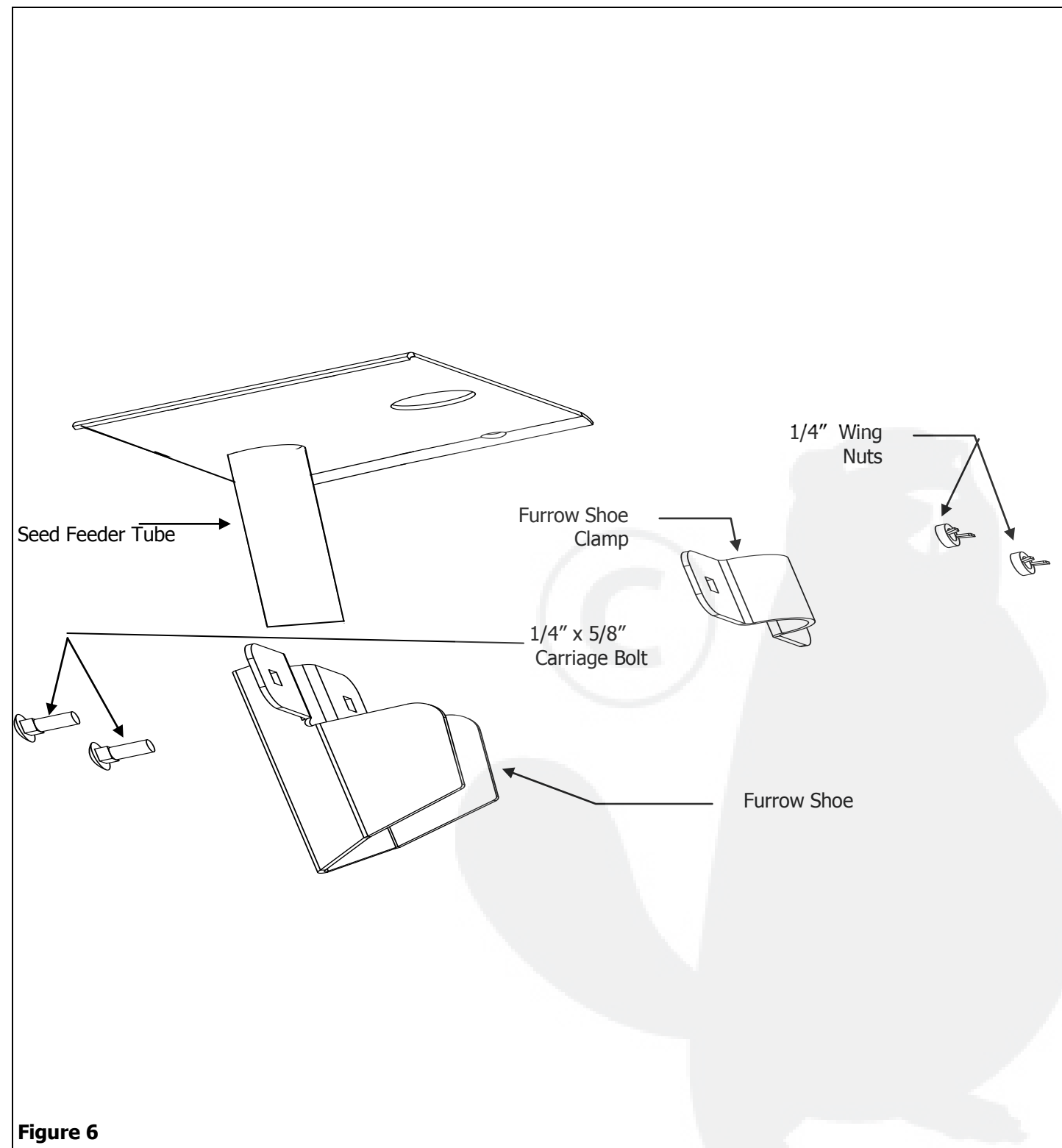


Figure 6

5. Assemble Row Marker to Row Marker Bracket using 5/16" x 1-3/4" Hex Head Bolt, 5/16" Flat Washer, Spring then another 5/16" Flat Washer and a 5/16" Lock Nut. Do not fully tighten hardware. Allow Row Marker Tube to pivot from side to side. See Figure 5.

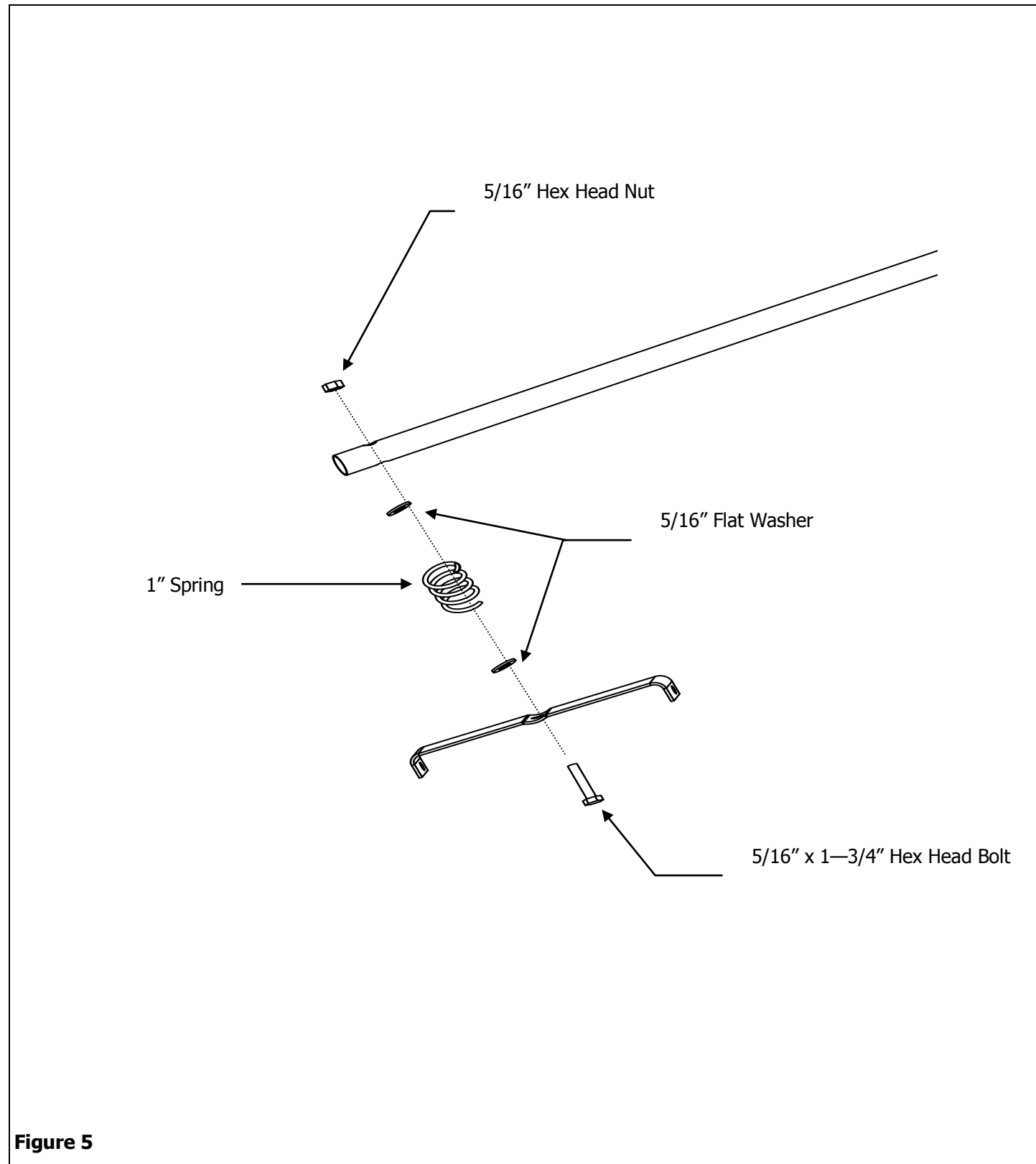


Figure 5

2. Insert the Upper Handle Tube into Lower Handle Tube and place Seed Cover between Handle Tubes and Seed Hopper then secure with two 1/4" x 1-1/4" Hex Head Bolts and two 1/4" Hex Head Nuts removed in step 1. Attach Row Marker Clip to the top of the Upper Handle. See Figure 2.

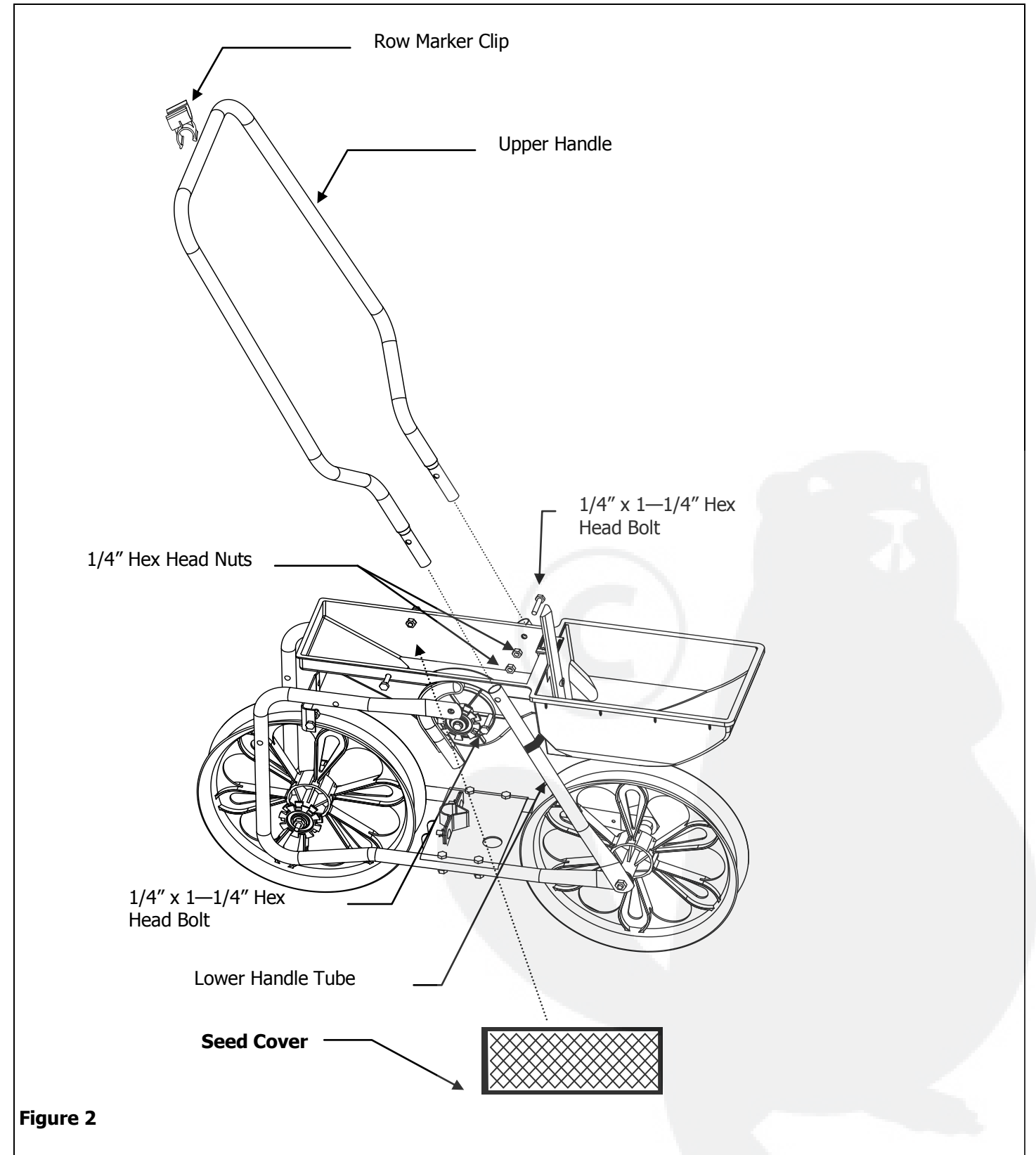
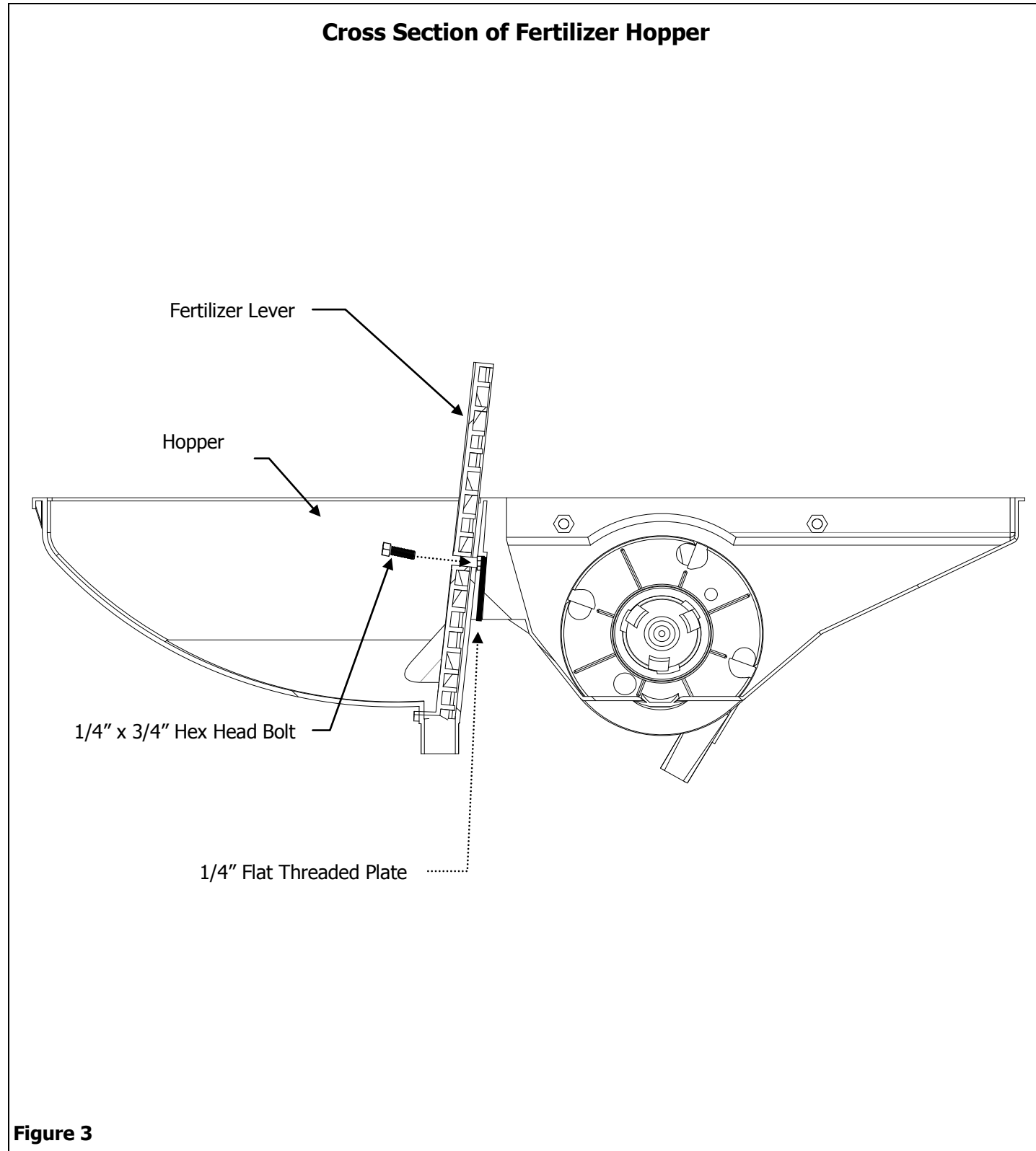


Figure 2

3. Place unit in a vertical position with the Fertilizer Hopper facing up, place the Bolt into the Fertilizer Lever, then into the corresponding hole in the Hopper. Push the 1/4" Flat Threaded Plate up into position. Attach the Bolt to the Plate. See Figure 3.



4. Assemble Row Marker to Row Marker Tube with 1/4" x 5/8" Carriage Bolt, 1/4" Wing Nut, 10-24 x 1/2" Slotted Pan Screw and the KEPS Nut. Place Marker Row Tube Cap on end of Row Marker Tube. See Figure 4.

