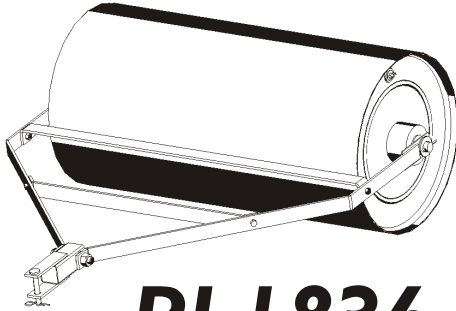
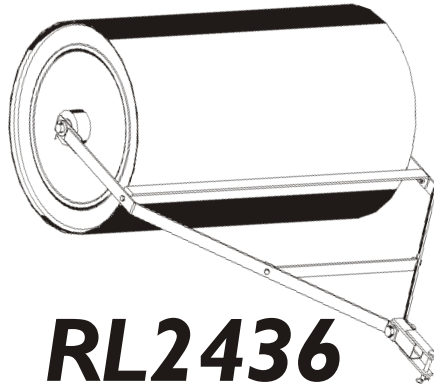


# Precision Pro Steel Lawn Roller

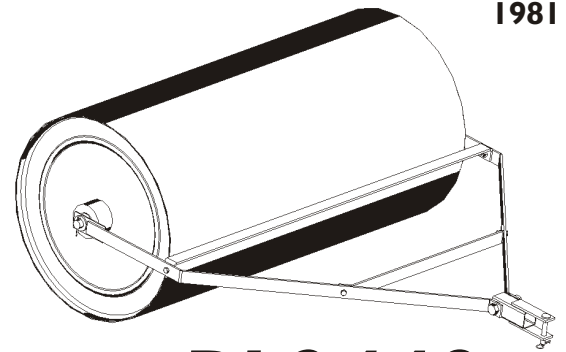
1981



## RL1836



## RL2436



## RL2448

### SAFETY GUIDELINES FOR USE OF PRODUCT

- \*The most important information is knowing how to stop your riding mower or lawn tractor, read your equipment's owner's manual for horse power and towing weights
- \*With increased towing weight, your stopping distance increases also
- \*Do not tow the roller up or down steep ditches or hills. Be extremely cautious around steep grades
- \*Watch for holes, uneven terrain and other possible obstacles
- \*Inspect roller and all hardware periodically. Be sure all parts are secure before and during operation
- \*Never carry any passengers with you
- \*Do not operate lawn roller on slopes greater than 10 - 12 degrees

### USING YOUR LAWN ROLLER

- \*Remove the expansion plug by loosening the wing nut.
- \*Fill your roller with water or sand to recommended weight for your towing equipment (mower or lawn tractor). **DO NOT GO OVER YOUR TOWING EQUIPMENT'S WEIGHT LIMIT.** Failure to do so can result in damage to the towing equipment and/or personal injury.
- \*Replace the expansion plug and tighten the wing nut. Make sure the plug is tight enough to stop any leakage.
- \*Your lawn should be moist for best rolling conditions. Excessive water or muddy conditions are not recommended.
- \*Keep your mower or lawn tractor at a safe and steady speed. 3 - 4 MPH is a good speed for proper operation.
- \*Damage to your mower, lawn tractor and/or personal injury can occur if you start or stop the roller (filled) abruptly.
- \*When finished using the roller, drain and let the interior fully dry. Never leave water in the lawn roller during cold weather. Freezing can occur, damaging the welded seams causing leaks and/or structural failure.

### WEIGHT CAPACITIES PER MODEL

It is extremely important to know how much your mower or lawn equipment is designed to tow. Below are approximate weight capacities for individual models.

Model	Weight filled with water	Weight filled with sand
RL1836	331 lbs.	530 lbs
RL2436	588 lbs.	942 lbs.
RL2448	784 lbs.	1,257 lbs.

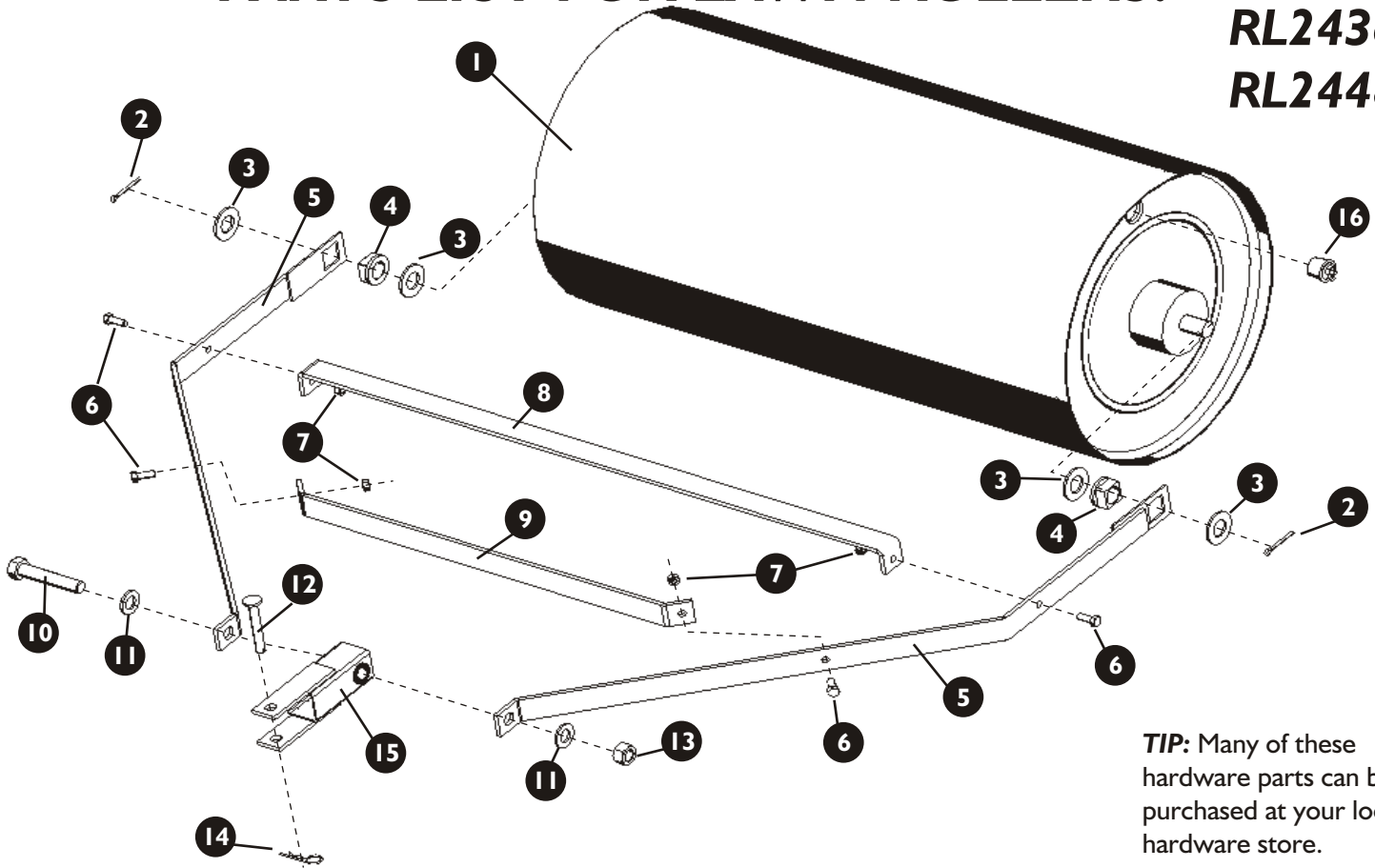
### MAINTENANCE

- \*Always check all the hardware before use. Make sure all hardware and components are tight and secure.
- \*Always keep moving joints lubricated. Lubricate the Clevis Assembly and Axle/Bearings when needed.
- \*Keeping the roller clean and dry will prolong the unit's life.
- \*Sand off any rust that might occur, and paint exposed metal with a quality enamel paint.

### **LIMITED WARRANTY**

This unit is warranted against defects in materials and workmanship to the original purchaser, under normal use and service, for a period of ninety (90) days from date of sale. During the Warranty Period, we will repair or replace at our option free of charge to the original purchaser, any part of the Unit that our examination shows to be defective in workmanship or materials. This Warranty **Does Not** apply to damage caused by transit, misuse, abuse, neglect, accident, normal wear, or alterations by unauthorized persons.

# PARTS LIST FOR LAWN ROLLERS: RL1836 RL2436 RL2448



**TIP:** Many of these hardware parts can be purchased at your local hardware store.

**PLEASE DO NOT RETURN THIS MERCHANDISE TO THE STORE. CALL US AND WE WILL TAKE CARE OF ANY PROBLEM YOU MIGHT HAVE WITH THIS PRODUCT.**  
Phone (800) 225 - 5891 EXT. #204

## RL1836 Parts List

Ref No	Parts No	Description	Qty
1	1961A	Roller Body	1
2	2576	3/16" x 2" Cotter Pin	2
3	2351	1" Flat Washer	4
4	1955	Roller Bearing	2
5	1964	Hitch Side Bar	2
6	1974	3/8" x 1" Hex Head Bolt	4
7	3039	3/8" Reverse Lock Nut	4
8	1966	Long Brace	1
9	1968	Short Brace	1
10	1988	3/4" x 4" Hex Head Bolt	1
11	1264	3/4" Flat Washer	2
12	4279	Clevis Pin 5/8" x 3-1/2"	1
13	1989	3/4" Lock Nut	1
14	1042	#14 Hitch Pin Clip	1
15	1972	Clevis Assembly	1
16	1956	Expansion Plug	1

## RL2436 Parts List

Ref No	Parts No	Description	Qty
1	2003A	Roller Body	1
2	2576	3/16" x 2" Cotter Pin	2
3	2351	1" Flat Washer	4
4	1955	Roller Bearing	2
5	1964	Hitch Side Bar	2
6	1974	3/8" x 1" Hex Head Bolt	4
7	3039	3/8" Reverse Lock Nut	4
8	1966	Long Brace	1
9	1968	Short Brace	1
10	1988	3/4" x 4" Hex Head Bolt	1
11	1264	3/4" Flat Washer	2
12	4279	Clevis Pin 5/8" x 3-1/2"	1
13	1989	3/4" Lock Nut	1
14	1042	#14 Hitch Pin Clip	1
15	1972	Clevis Assembly	1
16	1956	Expansion Plug	1

## RL2448 Parts List

Ref No	Parts No	Description	Qty
1	1960A	Roller Body	1
2	2576	3/16" x 2" Cotter Pin	2
3	2351	1" Flat Washer	4
4	1955	Roller Bearing	2
5	1965	Hitch Side Bar	2
6	1974	3/8" x 1" Hex Head Bolt	4
7	3039	3/8" Reverse Lock Nut	4
8	1967	Long Brace	1
9	1969	Short Brace	1
10	1988	3/4" x 4" Hex Head Bolt	1
11	1264	3/4" Flat Washer	2
12	4279	Clevis Pin 5/8" x 3-1/2"	1
13	1989	3/4" Lock Nut	1
14	1042	#14 Hitch Pin Clip	1
15	1972	Clevis Assembly	1
16	1956	Expansion Plug	1

### HOW TO ORDER

#### REPLACEMENT PARTS:

When ordering parts always give model number, part number and part description.

**Send To:** Parts Division  
316 Limit Street  
Lincoln, IL 62656

**Phone (800) 225-5891**  
(217) 735-1590 Ext. 204  
**FAX (217) 735-2435**