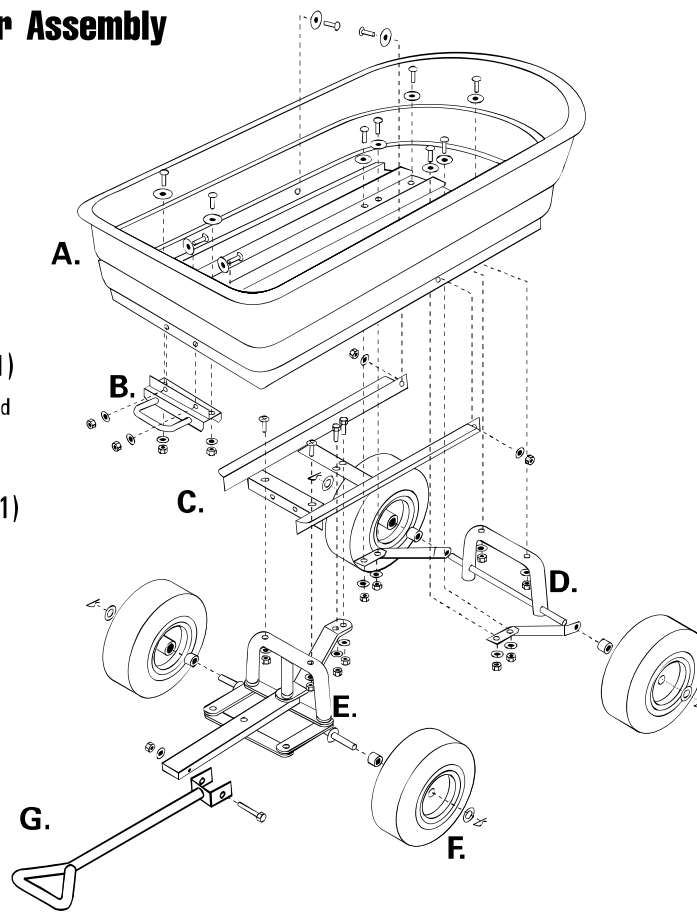


Exploded Drawing for Assembly

Parts List

- A. Tray (1)
- B. Lock Assembly (1)
- C. Front Frame (1)
- D. Rear Axle Assembly (1)
(includes rear axle and left and right struts)
- E. Front Axle Assembly (1)
- F. 10 inch wheel (4)
- G. Handle (1)



MONTEER LIJST

WISSELSTUKKENLIJST

- A bak (1)
- B slotstuk (1)
- C frame (1)
- D achteras (1)
- E vooras (1)
- F 10 duim wiel (4)
- G trekstang (1)

LISTE DE MONTAGE

LISTE PIECES

- A bac (1)
- B fermeture bac (1)
- C chassis (1)
- D axe arriere (1)
- E axe avant (1)
- F roue 10 pouce (4)
- G timon (1)

MONTAGE KIT

- A bout m8x60 (1)
- B bout m8x40 (2)
- C bout m8x45 (2)
- D bout m8x20 (10)
- E bout m8x20 (2)
- F borgmoer m8 (17)
- G rondsel m8 (17)
- H rondsel m11 (12)
- I rondsel m16 (4)
- J splitpen (4)
- K afstandsbuis (4)

KIT MONTAGE

- A boulon m8x60 (1)
- B boulon m8x40 (2)
- C boulon m8x45 (2)
- D boulon m8x20 (10)
- E boulon m8x20 (2)
- F écrou m8 (17)
- G rondel m8 (17)
- H rondel m11 (12)
- I rondel m16 (4)
- J goupille (4)
- K buselure (4)

Hardware List

- A. M8x60 Hex Head Bolt (1)
- B. M8x40 Phillips Flat Head Bolt (2)
- C. M8x45 Carriage Bolt (2)
- D. M8x20 Carriage Bolt (10)
- E. M8x20 Hex Head Bolt (2)
- F. M8 Lock Nut (17)
- G. M8 Washer (17)
- H. M11 Washer (12)
- I. M16 Washers (4)
- J. Cotter Pin (4)
- K. Wheel Spacers (4)

Images are not to scale

