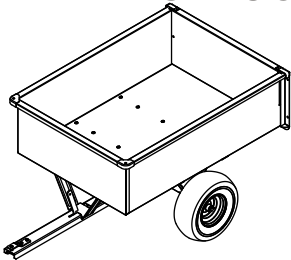


ASSEMBLY INSTRUCTIONS



Tools Needed For Cart Assembly:

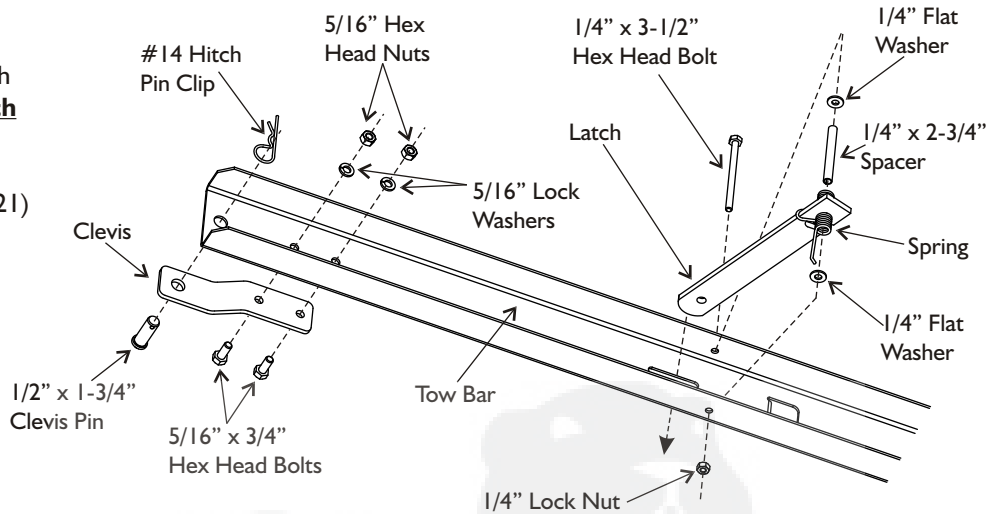
- Two - 7/16" Wrenches
- Two - 1/2" Wrenches
- One - 9/16" Wrench
- One - Pair Pliers
- One - Large Flat Blade Screw Driver

Parts List for the LC-1500A & LCI500GY

Ref. No	Parts No	Description	Qty	Ref. No	Parts No	Description	Qty
1	5632GY	Body	1	14	1586	5/16" x 3/4" Truss Hd Bolt	4
2	5622GY	Tow Bar	1	15	4552	3/8" x 3/4 Truss Head Bolt	12
3	5629	Axle	1	16	1273	3/8" Hex Head Nut	12
4	5542	Wheel	2	17	1248	5/16" x 3/4 Hex Head Bolt	2
5	1262	Cotter Pin	2	18	1275	5/16" Hex Head Nut	6
6	5631GY	Tailgate	1	19	1274	3/8" Lock Washer	12
7	1264	3/4" Flat Washer	4	20	1276	5/16" Lock Washer	6
8	4630GY	Pedestal	1	21	4466	1/4" x 3-1/2" Bolt	1
9	5630GY	Undercarriage Axle Supp.	1	22	1558	1/4" Lock Nut	1
10	1243GY	Clevis	1	23	1817	1/4" Flat Washer	2
11	1265GY	Latch	1	24	1840	1/2" x 1-3/4" Clevis Pin	1
12	4468	1/4" x 2-3/4" Spacer	1	25	1042	#14 Hitch Pin Clip	1
13	4497	Spring	1				

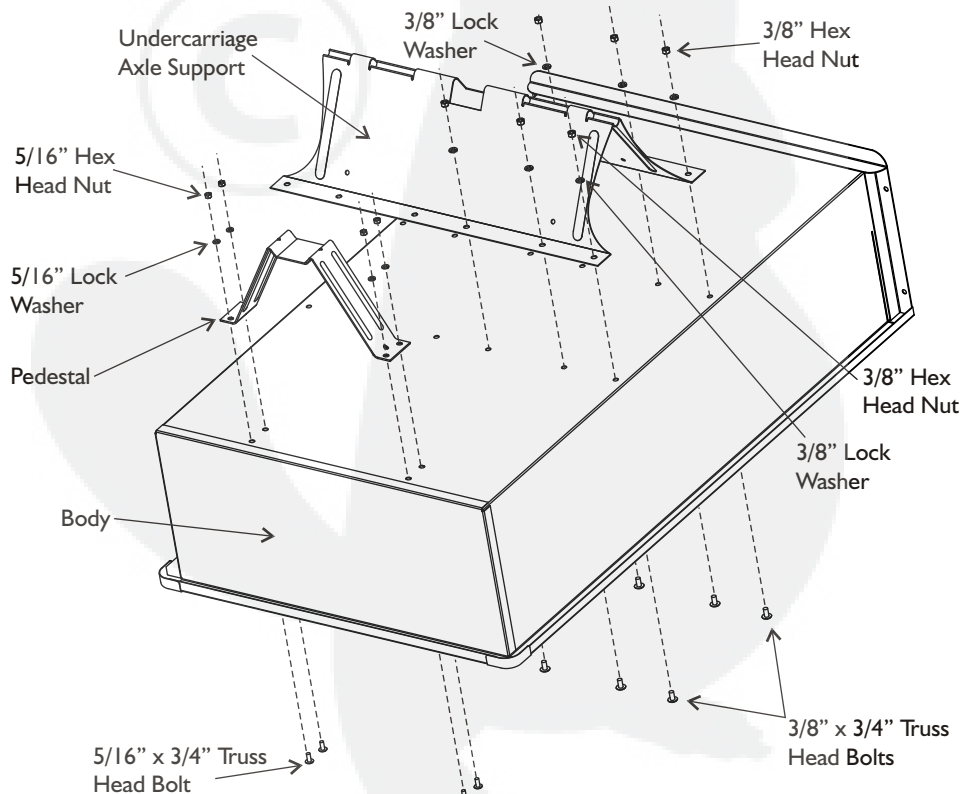
1.) Insert 1/4" Spacer (12) through Spring (13) and the hole at bottom of Latch (11). Be sure Spring is attached to Latch as shown. Push Latch down through slot in Tow Bar (2) as shown. **NOTE: Grab the Latch Handle from the other side of the Tow Bar and pull down to align the Spacer with the holes in the sides of the Tow Bar.** Slide 1/4" x 3-1/2" Bolt (21) through side of Tow Bar, Washer (23), Spacer, Washer (23), and other side of Tow Bar. Secure with 1/4" Lock Nut (22).

Attach the Clevis (10) to the Tow Bar using 5/16" x 3/4" Hex Head Bolts (17), 5/16" Lock Washers (20) and 5/16" Hex Head Nuts (18). Insert the 1/2" x 1-3/4" Clevis Pin (24) through the large hole in the Clevis and Tow Bar. Secure the Clevis Pin by inserting the #14 Hitch Pin Clip (25) through the small hole on the end.



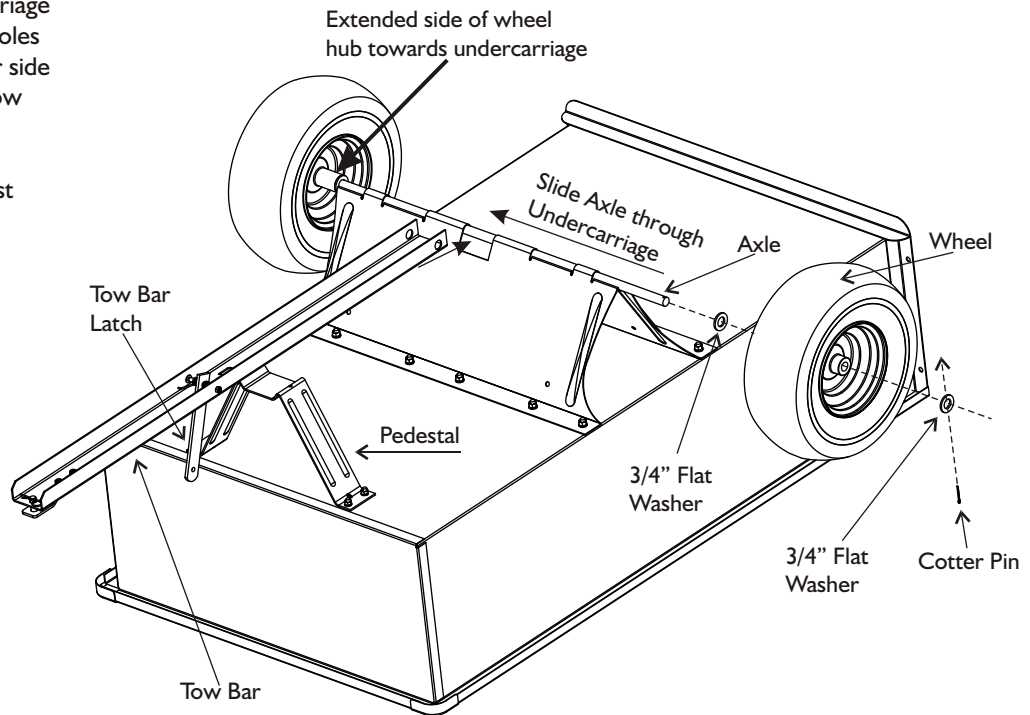
2.) Attach Undercarriage Axle Support (9) on bottom of Body (1). Use 3/8" x 3/4" Truss Head Bolts (15), 3/8" Lock Washers (19), and secure with 3/8" Hex Head Nuts (16).

Bolt the Pedestal (8) at front of Body with 5/16" x 3/4" Truss Head Bolts (14) from inside. On the outside, use 5/16" Lock Washers (20) and secure with 5/16" Hex Head Nuts (18).



3.) Slide the Axle (3) halfway through the Undercarriage Axle Support. Next, insert the Axle through both holes in the end of the Tow Bar and on through the other side of the Undercarriage Axle Support. Connect the Tow Bar to the Pedestal using the tow bar Latch.

Place a 3/4" Flat Washer (7) over the Axle up against the Undercarriage Axle Support. Next, place a Wheel (4) onto the Axle. **NOTE: The extended (longer) side of the Wheel hub goes towards the Undercarriage Axle Support.** Place another 3/4" Flat Washer (7) over the Axle and secure the Wheel into place by inserting the Cotter Pin (5) through the hole in the end of the Axle and spreading the legs of the Cotter Pin outward. Repeat the Wheel attachment step for the other wheel.



OPERATION

TO DUMP - Pull latch toward mower and Cart Body will tilt back to dump position.
 TO RETURN TO PULLING POSITION - Push down on front edge of Cart Body until Latch engages and secures to Tow Bar.
 Tractor speed should be governed by weight of load. The heavier the load, the slower the speed for safe operation.

MAINTENANCE

Grease Wheels at regular intervals, at least every six months, more frequently if used regularly.
 Check tire pressure at regular intervals.
 Proper inflation will prolong life of tire.

NOTE:

1,000 Lbs. Maximum Capacity
 Approximate weight (1) Cu. Ft.
 DIRT-150# SAND-125# GRAVEL-110#
 Max. Speed 4 MPH

WARNING OF DANGER OF IMPROPER USE OF THIS TRAILER CART. THIS UNIT IS INTENDED FOR USE ONLY WITH RIDING MOWERS OR GARDEN TRACTORS. IT IS DEFINITELY NOT FOR HIGHWAY USE, BEING PULLED AT HIGH SPEEDS, OR TRANSPORTING PASSENGERS OF ANY SORT. SUCH USE COULD RESULT IN INJURIES FOR WHICH WE CANNOT BE HELD RESPONSIBLE.

LIMITED WARRANTY

This unit is warranted against defects in materials and workmanship to the original purchaser, under normal use and service for a period of ninety (90) days from the date of sale. During the Warranty Period, we will repair or replace, at our option, free of charge to the original purchaser, any part of the unit that our examination shows to be defective in workmanship or materials.
 This Warranty does not apply to damage in transit or damage caused by misuse, abuse, neglect, normal wear, or alterations by unauthorized persons.

CUSTOMER SUPPORT

At Precision Products, Inc., delivering quality, value and outstanding service is our goal. However, sometimes parts do become damaged or lost during transport from our facilities to the store. **If you have any problems, please do not return this merchandise to the store. Call us and we will take care of any problem you may have with this unit.**

When ordering replacement parts, please have the model number, part description and part number available.

Send To: Precision Products, Inc.
316 Limit Street
Lincoln, IL 62656
Toll Free (800) 225-5891 Ext. 204
Phone (217) 735-1590
Fax (217) 735-2435

Visit us on the web: www.precisionprodinc.com