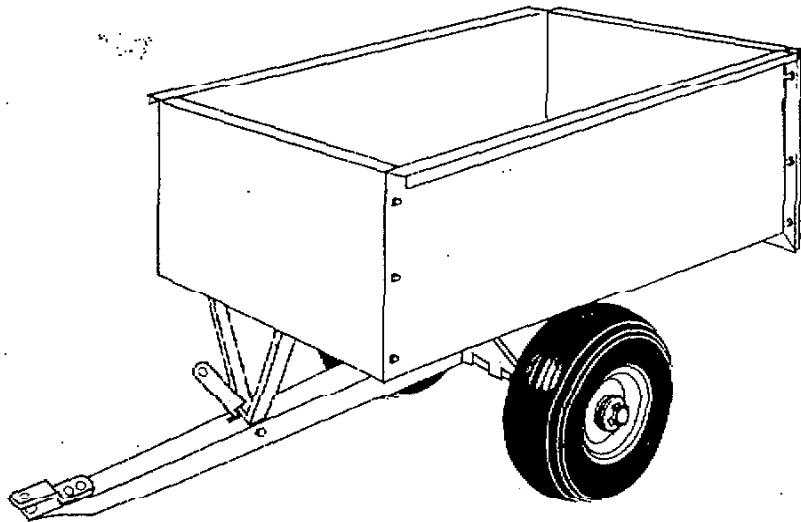


# BRINLY

## OWNER'S MANUAL

SERIES HDC-16L BH  
MODEL HDC-160L BH  
16 CUBIC FOOT CART



**"IMPORTANT: THIS MANUAL CONTAINS INFORMATION FOR THE SAFETY OF PERSONS AND PROPERTY. READ IT CAREFULLY BEFORE ASSEMBLY AND OPERATION OF THE EQUIPMENT!"**

**"CAUTION: USE THIS CART ONLY WITH A PROPERLY POWERED TRACTOR CAPABLE OF HANDLING WEIGHTS AND LOADS AS SHOWN IN THE SPECIFICATIONS. IF UNSURE ABOUT ITS CAPABILITIES, CONSULT YOUR TRACTOR MANUFACTURER. OPERATION OF THIS CART WITH WEIGHTS EXCEEDING YOUR TRACTOR'S CAPACITY MAY CAUSE DAMAGE TO THE TRANSMISSION OR ENGINE AND MAY CAUSE DIFFICULTY IN BRAKING."**

### LIMITED WARRANTY

Brinly-Hardy Company warrants only to the original retail purchaser that this product will remain free of defects in workmanship and materials under normal use and service for a period of two (2) years (NOTE: ninety (90) days for commercial or rental use) commencing with the date of purchase.

Any parts found to be defective within the warranty period will be replaced, with proof of date of purchase, at Brinly-Hardy Company's expense. Our obligation under this warranty is expressly limited to replacement or repair, at our option of parts which are defective in material or workmanship within thirty (30) days of receipt of the parts. This warranty does not apply to damage caused by unreasonable use, including failure to provide necessary maintenance, nor does it apply to any transportation or labor charges.

WE MAKE NO OTHER EXPRESS WARRANTY NOR IS ANYONE AUTHORIZED TO MAKE ANY ON OUR BEHALF. ANY IMPLIED OR STATUTORY WARRANTIES, INCLUDING ANY WARRANTY OF MERCHANTABILITY OR FITNESS FOR A PARTICULAR PURPOSE, ARE LIMITED TO THE DURATION OF THIS WRITTEN WARRANTY. WE SHALL NOT BE LIABLE FOR CONSEQUENTIAL OR INCIDENTAL DAMAGES OF ANY KIND.

BRINLY-HARDY COMPANY (502) 585-3351

MADE IN U.S.A.

CONGRATULATIONS on your purchase of this Brinly Attachment. It has been designed, engineered, and manufactured to give you the best possible dependability and performance.



Please read and retain this manual. The instructions will enable you to assemble and maintain your Attachment properly. Always observe the "SAFETY RULES".

Should the need ever exist for repair parts, order through most any Lawn and Garden dealer, using part number and description.



### RULES FOR SAFE OPERATION

- Know controls and how to stop quickly, READ THE OWNER'S MANUAL.
- Do not allow children to operate the vehicle, do not allow adults to operate without proper instruction or without having read the owner's manual.
- Do not carry passengers. Keep children and pets a safe distance away.
- Always wear substantial footwear. Do not wear loose fitting clothing that can get caught in moving parts.
- Keep your eyes and mind on your tractor/attachment and area being covered. Do not let other interest distract you.
- Stay alert for holes in the terrain and other hidden hazards.
- Do not drive close to creeks, ditches and public highways
- Watch out for traffic when crossing or near roadways.
- When using any attachments, don't allow anyone near the vehicle while in operation.
- Keep the vehicle and attachments in good operating condition and keep safety devices in place.
- Keep all nuts, bolts and screws tight to be sure the equipment is in safe working condition.
- The vehicle and attachments should be stopped and inspected for damage after striking a foreign object. The damage should be repaired before restarting and operating the equipment.
- See tractor equipment owner's manual for safe operation of the equipment.



LOOK FOR THIS SYMBOL TO POINT OUT IMPORTANT SAFETY PRECAUTIONS. IT MEANS - ATTENTION! BECOME ALERT! YOUR SAFETY IS INVOLVED.



### WARNING !

- DO NOT tow your Cart with a car or truck.
- Maximum load weight for Cart is restricted to 1200 pounds.
- DO NOT tow other equipment behind the Cart.
- Check brake performance before encountering steep grades with loaded Cart.
- Avoid steep slopes with loaded Cart.
- Operate your Cart only as designed - for off road use.
- DO NOT permit children on or around the Cart while in operation.
- Always operate your Cart within the speed limit for which it was designed (Max. 5 M.P.H.).
- When backing - carefully back straight to avoid jack-knifing, which could result in damage to equipment.

### CUSTOMER RESPONSIBILITIES

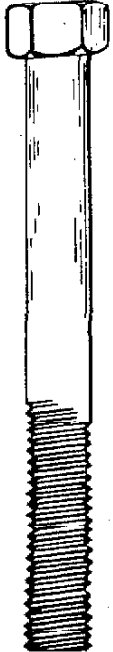
- Read and observe the "SAFETY RULES".
- Follow a regular schedule in maintaining, caring for, and using your Attachment.

### TABLE OF CONTENTS

WARRANTY.....	1	OPERATION.....	7
SAFETY RULES.....	2	MAINTENANCE.....	7
HARDWARE.....	3	REPAIR PARTS.....	8
ASSEMBLY.....	4-7		

as NO  
ping.  
i steel  
he-art

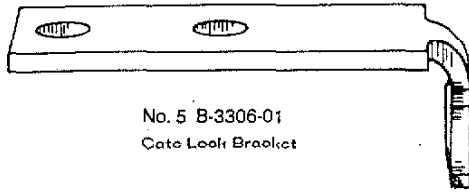
# HARDWARE



No. 23 1M1256P  
Hex Head Bolt  
3/8" x 3-1/2"



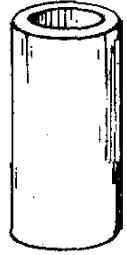
No. 1 B-1675P  
Hex Lock Nut, 3/8"



No. 5 B-3306-01  
Gate Lock Bracket



No. 6 B-3307  
Gate Retainer Pin



No. 12 B-3305  
Handle Spacer



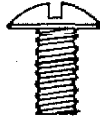
No. 18 B-4305  
"E" Ring, 3/4"



No. 21 R-618  
Special Flat Washer



No. 22 45M2121P  
Flat Washer, 5/8"



No. 24 20M0808P  
Round Head Screw  
1/4" x 1/2"



No. 25 20M1008P  
Round Head Screw  
5/16" x 1/2"



No. 26 20M1012P  
Round Head Screw  
5/16" x 3/4"



No. 31 45M2525P  
Flat Washer, 3/4"



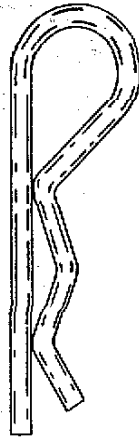
No. 28 26M1012P  
Flat Head Screw  
5/16" x 3/4"



No. 27 20M1016P  
Round Head Screw  
5/16" x 1"



No. 17 B-3861  
Drawbar Pin  
1/2" x 2-1/4"



No. 19 D-146P  
Hairpin Cotter, 1/8"



No. 29 B-4785  
Nylon Insert Nut 1/4"



No. 32 40M1000P  
Lock Washer, 5/16"



No. 30 B-4786  
Nylon Insert Nut, 5/16"

nut  
ome

post  
lip



S

## ASSEMBLY

### NOTES:

- It is recommended that you carefully read this Owner's Manual BEFORE starting assembly of the unit.
- Fold out carton to use as a pad during assembly and arrange each kind of hardware into a group to ease assembly.
- Assemble your Cart on a flat surface.
- The Lock Nut must be used where specified. It has a slightly oblong hole and is domed on one end.
- Assemble the Cart with the screw heads located on the INSIDE of bed.
- To ease assembly, use screwdriver to align flange holes.
- Do not tighten Hardware until all Hardware is in place and Wagon Bed is upside down on a flat surface. This will insure a level cart.
- Assembly of some parts may require assistance.

### TOOLS REQUIRED FOR ASSEMBLY

- 1 - Large pair of pliers (slip joint recommended).
- 1 - Screwdriver (flat)
- 2 - Medium size adjustable wrenches  
or
- 1 - Adjustable wrench and set of open-end wrenches.
- 1 - 3/16" Allen Wrench

### BED

Refer to Fig. 1

- Stand the Bed Halves (7) (with flanges touching) on end, on a smooth flat surface.
  - Insert 5/16" x 1/2" Round Head screws (25) through the flange holes, then secure with 5/16" Nylon Insert Nuts (30). Do not tighten!
  - Attach the Support Channel (9 - with flanges IN) to the bed end NOT on the ground, using ten 5/16" x 3/4" Flat Head Screws (28 - From inside bed), and secure each with one Special Flat Washer (21) and a 5/16" Nylon Insert Nut (30). Do not tighten!
- Note: DO NOT install fasteners in the two slightly smaller holes in the Support Angle. See illustration "A".

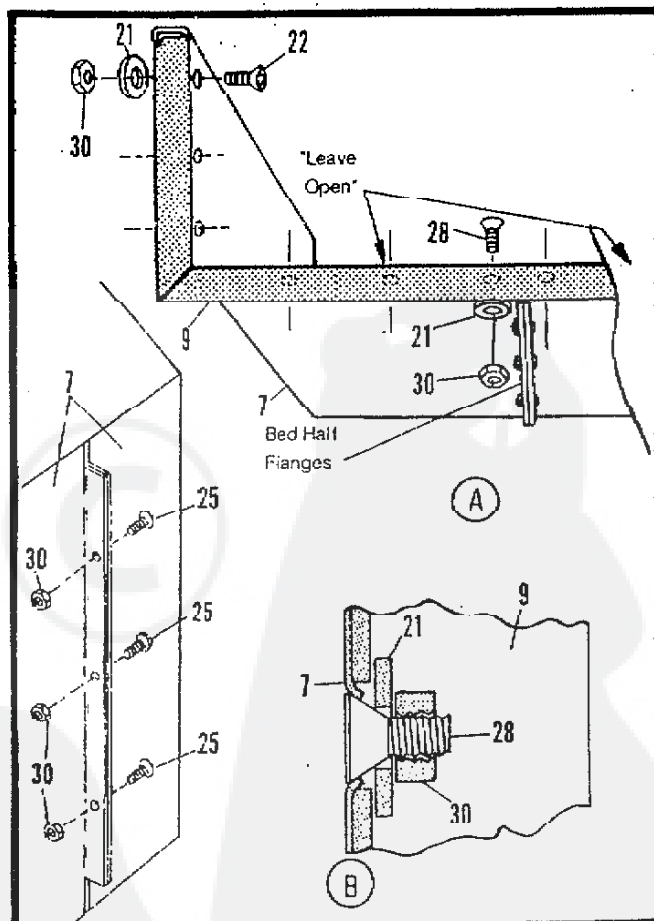


Fig. 1

Refer to Fig. 2

- See illustration "A", Lay Cart on a flat surface.
- Attach Axle Support Bracket (15) to bottom of Bed by inserting 5/16" x 3/4" Flat Head Screws (28 - from inside of Bed), 5/8" Flat Washers (22 - BETWEEN Bracket and Bed) and 5/16" Nylon Insert Nuts (30) at each hole.
- NOTE: Tighten each Flat Head Screw slightly, using 3/16" Allen Wrench. Screws will be tightened later.
- See illustration "B", Stand Cart up, resting on previously assembled Support Angle.
- Position one End Panel (8 - with Flange facing down) inside the previously assembled Bed Halves.
- Align six holes in sides of End Panel and Bed Halves and insert 5/16" x 1/2" Round Head Screws (25 - from inside of Wagon Bed), securing with 5/16" Nylon Insert Nuts (30). Do not tighten!
- Place two 5/16" Lock Washers (32) inside the "Dimpled" Projections in End Panel (Between Bed Halves and End Panel) and insert a 5/16" x 1" Round Head Screw (27) through these and the Bed Halves.
- Place the Lock Bracket (13 - with notch forward) on these two screws
- IMPORTANT: Make sure the two 5/16" Lock Washers remain inside the Dimpled Projections.
- Secure with two 5/16" Nylon Insert Nuts (30). Do not tighten!
- Align remaining holes in End Panel and Bed Halves and insert 5/16" x 1/2" Round Head Screws (25 - from inside of Wagon Bed), securing with 5/16" Nylon Insert Nuts (30). Do not tighten!
- Lay the Cart upside down on a flat smooth surface (to insure a level bed) and securely tighten all fasteners used in Fig. 1 and Fig. 2.
- Note: It is necessary to tighten each Flat Head Screw (28) until the head is flush with the bed surface. See illustration "B", Fig. 1 or Fig. 2 - illustration "A".
- While the Cart is upside down, lay the Drawbar (16) (with flanges up) in the Axle Support Bracket (15) "cut-out" and on the Lock Bracket (13). See illustration "A".
- Line up the holes in the two flanges of Drawbar with the Axle Guides formed in the Axle Support Bracket (15).
- Guide the Axle (10) through until there is an equal amount of Axle extending from both sides of Axle Support Bracket (15).

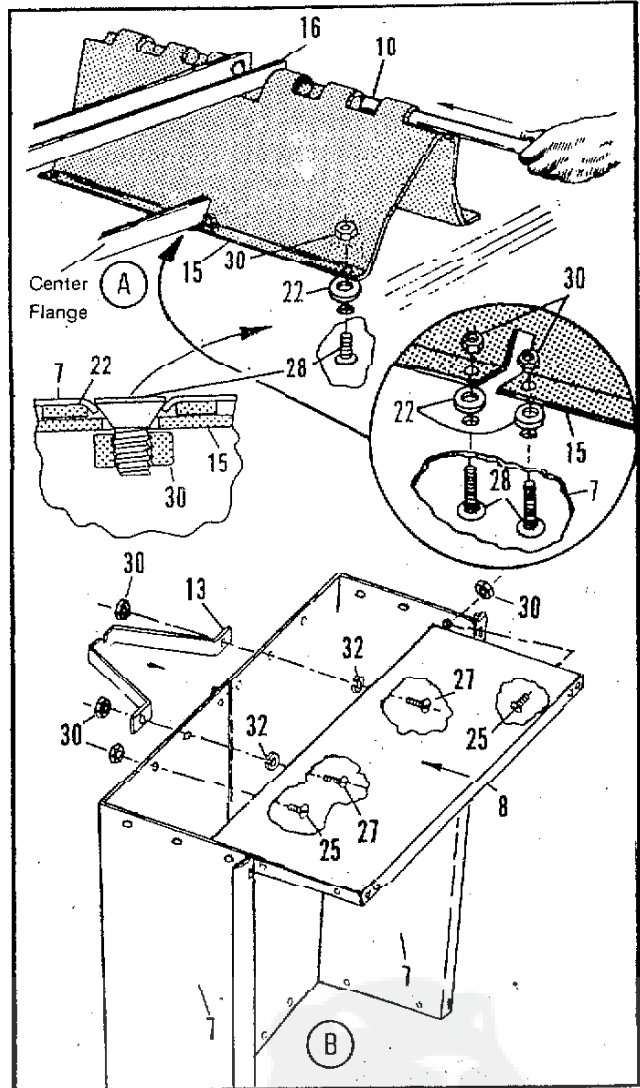


Fig. 2

## WHEELS

Refer to Fig. 3

- Install one 3/4" Flat Washer (31) on each end of Axle followed by one Wheel (11 - with long hub towards Cart) and another 3/4" Flat Washer.
- Secure each end of the Axle with 3/4" "E" Ring (18) in Groove at the ends of Axle.
- Note: "E" Rings can be assembled to Axle using a large pair of Pliers.

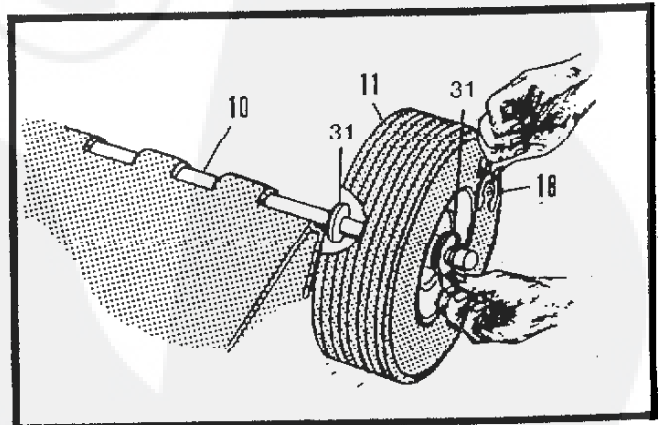


Fig. 3

## LOCK BAR

Refer to Fig. 4

- Refer to illustration "A". Assemble the Lock Bar Handle (3 - with notch rearward) to the Drawbar (16) by placing the two Handle Spacers (12) inside the Handle Spring (4) coils and on either side of the Lock Bar Handle (3).
  - Slide the 3/8" x 3-1/2" Hex Head Bolt (23) through the Drawbar and parts described above.
  - Secure with the 3/8" Hex Lock Nut (1) as shown.  
Note: DO NOT overtighten!! Handle must move freely with minimum side sway.
  - Lift each leg of the Handle Spring (4) up and over the side of Drawbar as shown in insert "B".
- Note: For proper operation, the notch in the Lock Bar must engage the notch in the Lock Bracket. See illustration "C". If Lock Bar is difficult to engage into Lock Bracket, it may be necessary to push back on Lock Bracket to align with Lock Bar.

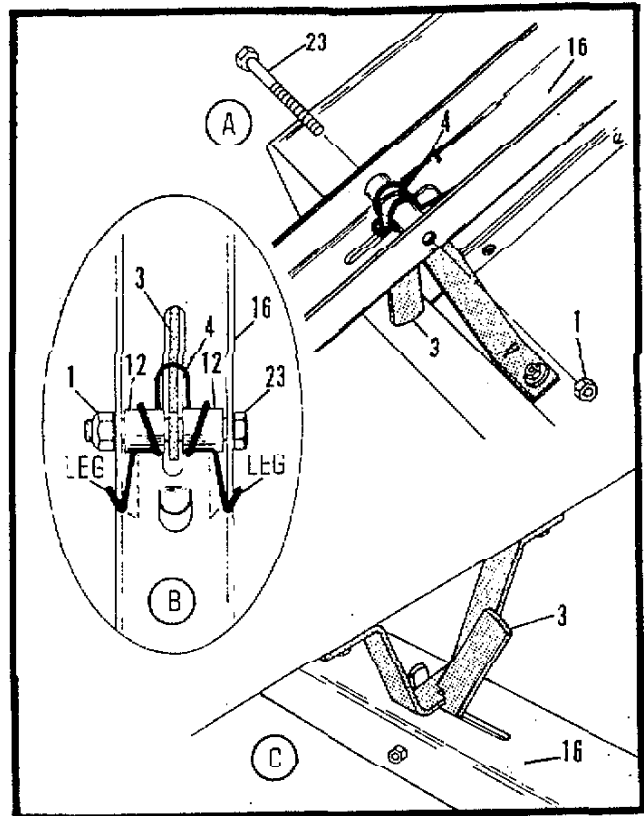


Fig. 4

## DRAWBAR CLEVIS AND PIN

Refer to Fig. 5

- Turn the Cart right side up (on its wheels).  
Assemble the Clevis (2) to the Drawbar (16) using two 5/16" x 3/4" Round Head Screws (27) and 5/16" Nylon Insert Nuts (30) - tighten securely.
- Install the Drawbar Pin (34) and Hairpin Cotter (35) provided.

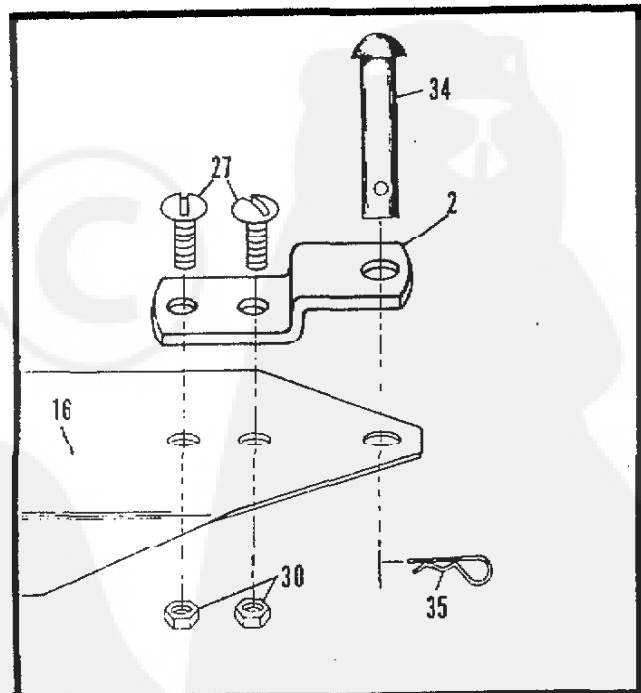


Fig. 5

## END PANEL (TAILGATE)

Refer to Fig. 6

- Attach each Tailgate Lock Bracket (5) to the End Panel (tailgate) (8) with two 1/4" x 1/2" Round Head Bolts (24), securing with 1/4" Nylon Insert Nuts (29).
  - Install the Gate Retainer Pins (6) through the "dimpled" holes in the bottom of the tailgate and secure with 5/16" Nylon Insert Nuts (30).
  - Tighten these fasteners and check all other fasteners on the Cart for tightness.
- Note: If the Tailgate Lock Brackets (5) do not align with slots (in the bed halves), loosen the Retaining Bolts (24) and shift the Brackets for proper alignment. See illustration "A".
- Align the retainer pins with the matching holes in the Cart Bed and lower the End Panel until the Gate Lock Brackets engage the two slots on top of each side of bed.
  - If Logo Decal (14) is not applied to the Front panel (8), see Parts Page (A) for location.
- Your Cart is now ready for use.

## OPERATION

- Connect the Dump Cart to your Tractor, using the Drawbar Pin.



### WARNING !

- When backing - carefully back straight to avoid jackknifing, which could result in damage to equipment.
- Always Secure the pin with the Hairpin Cotter before transporting your Cart.

- For ease of loading and unloading the Dump Cart, it is best to have the bed of the cart as level as possible.
- When loading the Cart, distribute the weight such that the cart is slightly tail heavy, making it easy to dump.
- When hauling loose material such as dirt, rocks, etc., lock the tailgate in with the flanges toward the rear (facing outward), otherwise, it may be difficult to remove.



### WARNING !

- Braking with heavy loads: When operating with heavy materials such as wet sand, dirt, or concrete, check the ability of your tractor to stop the loaded cart while on a slight incline before attempting to brake on a steep incline. Depending upon your tractor's size and the type of brakes, a fully loaded cart may overpower your tractor.

## MAINTENANCE

Note: Your Dump Cart is essentially maintenance free. However, as with any steel product, it can rust.

- For rust on bed or frame parts, sand lightly and coat with enamel.

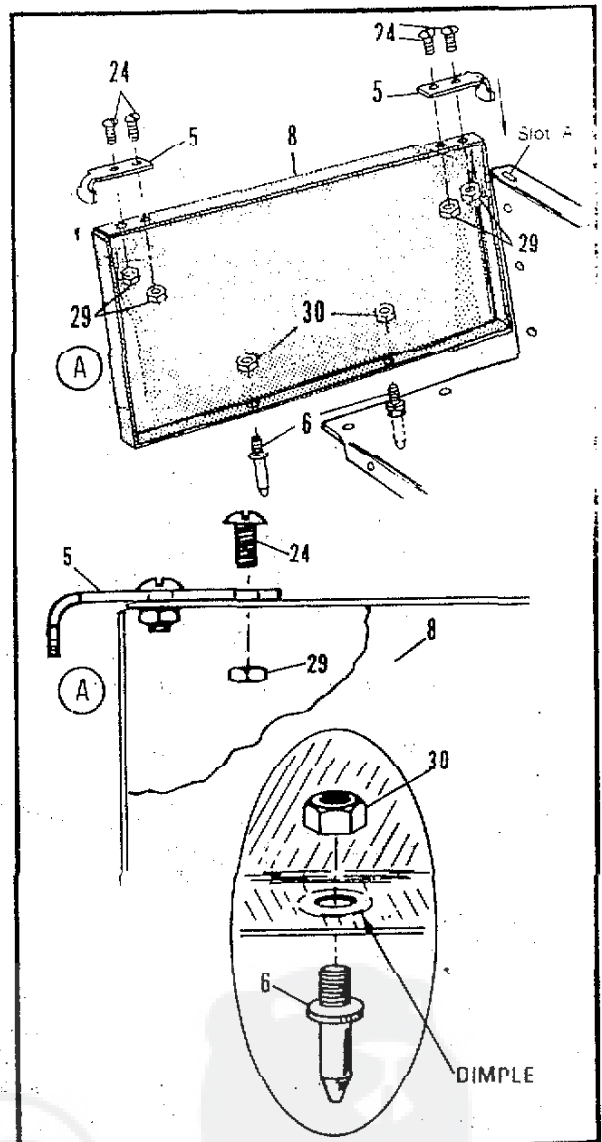
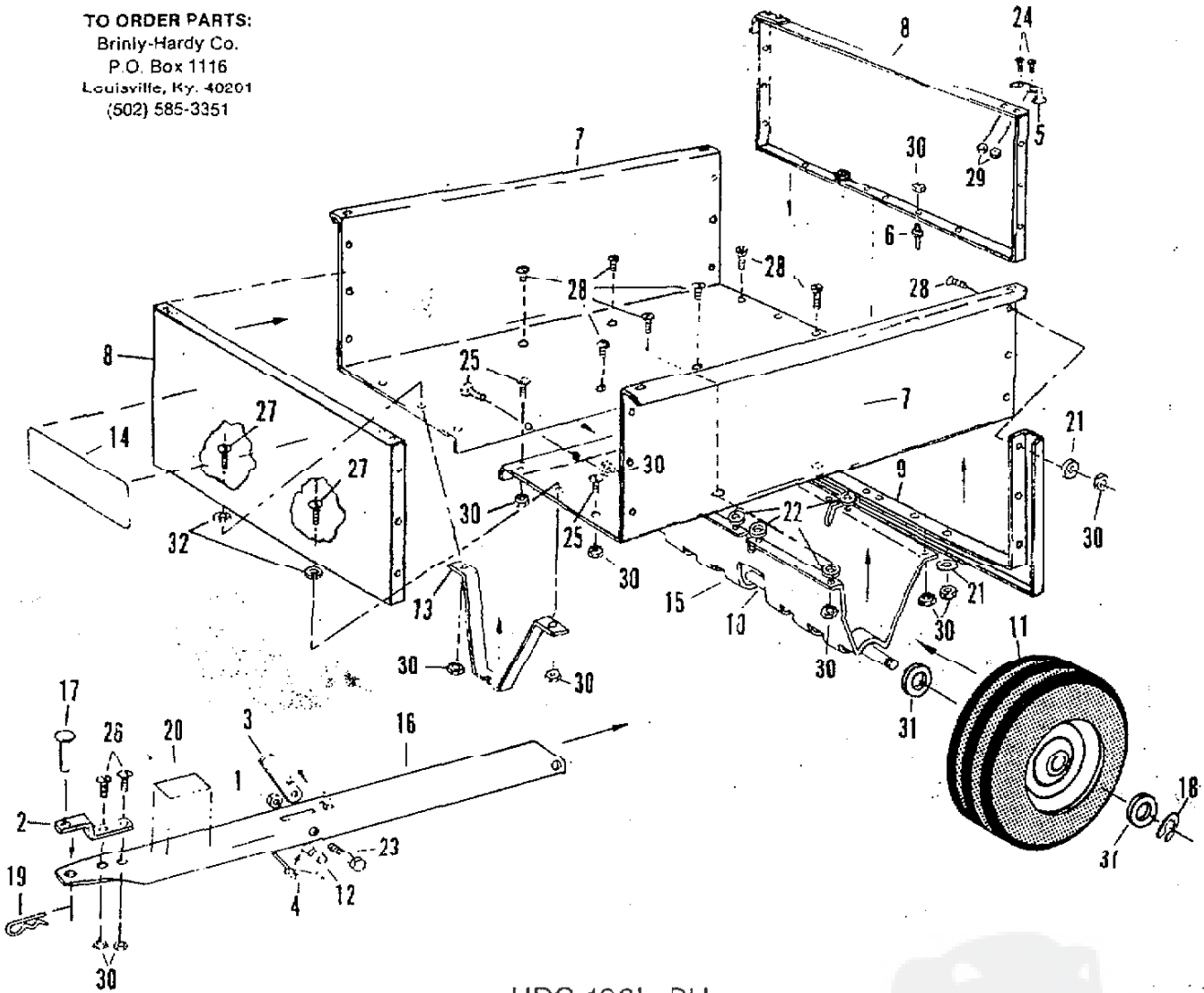


Fig. 6

- For rust on Axle, remove Wheels, sand lightly and apply a light coat of axle grease or heavy oil and replace Wheels.
- Periodically grease your Cart's Wheels through the grease fitting provided, with standard Axle Grease.
- Periodically check tightness of all fasteners.
- For long life, store the Cart in a dry area.
- Maintain proper tire pressure (Max. 14 P.S.I.).

**TO ORDER PARTS:**  
 Brinly-Hardy Co.  
 P.O. Box 1116  
 Louisville, Ky. 40201  
 (502) 585-3351



**HDC-160L BH  
 PARTS LIST**

REF. NO.	PART NO.	DESCRIPTION	QTY.	REF. NO.	PART NO.	DESCRIPTION	QTY.
1	B-1675P	Hex Lock Nut, 3/8"	1	17	B-3861	Drawbar Pin, 1/2" x 2-1/4"	1
2	B-3034-10	Clevis	1	18	E-4305	"E" Ring, 3/4"	2
3	B-3301-10	Lock Bar (Handle)	1	19	D-146P	Hairpin Cotter, 1/8"	1
4	B-3303	Spring (For Handle)	1	20	R-5482	Caution Decal	1
5	B-3306-01	Gate Lock Bracket	2	21	R-618	Special Flat Washer	10
6	B-3307	Gate Retainer Pin	2	22	45M2121P	Flat Washer, 5/8"	8
7	B-5443-10	Bed Half, R/L	2	23	1M1256P	Hex Head Bolt, 3/8" x 3-1/2"	1
8	B-5444-10	End Panel, F/R	2	24	20M0808P	Round Head Screw, 1/4" x 1/2"	4
9	B-5445-10	Support Channel	1	25	20M1008P	Round Head Screw, 5/16" x 1/2"	14
10	B-4261	Axle	1	26	20M1012P	Round Head Screw, 5/16" x 3/4"	2
11	B-4304	Wheel (14 PSI Tire Pressure)	2	27	20M1016P	Round Head Screw, 5/16" x 1"	2
12	B-3305	Handle Spacer	2	28	26M1012P	Flat Head Screw, 5/16" x 3/4"	18
13	B-3520-10	Lock Bracket	1	29	B-4785	Nylon Insert Nut, 1/4"	4
14	B-5448	Logo Decal	1	30	B-4786	Nylon Insert Nut, 5/16"	38
15	B-3308-10	Axle Support Bracket	1	31	45M2525P	Flat Washer, 3/4"	4
16	E-3411A-10	Drawbar	1	32	40M1000P	Lock Washer, 5/16"	2