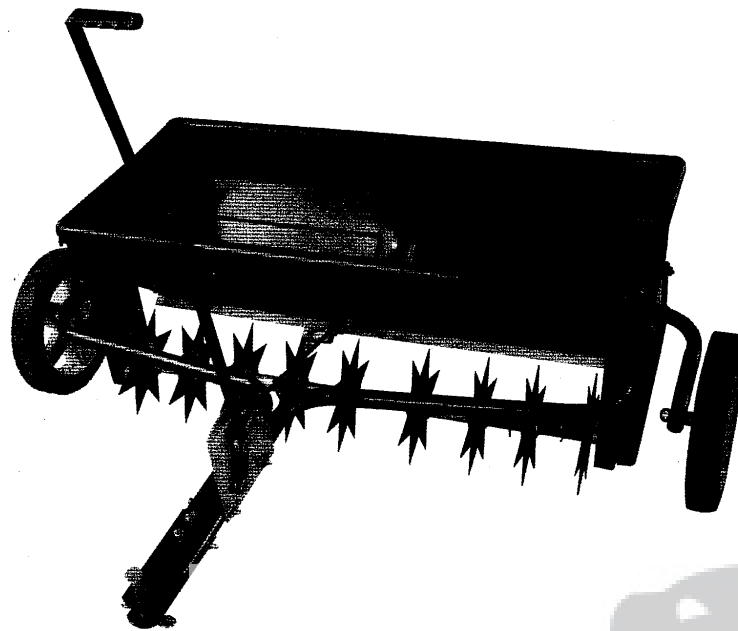


---

# 100LB SPIKER SPREADER

## INSTRUCTION AND OPERATING MANUAL

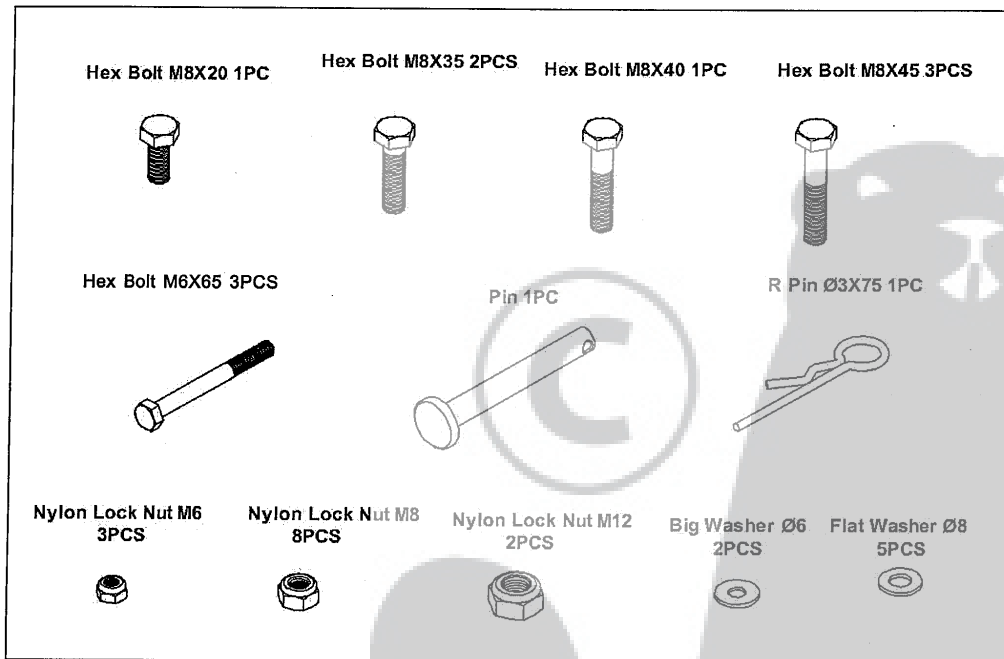
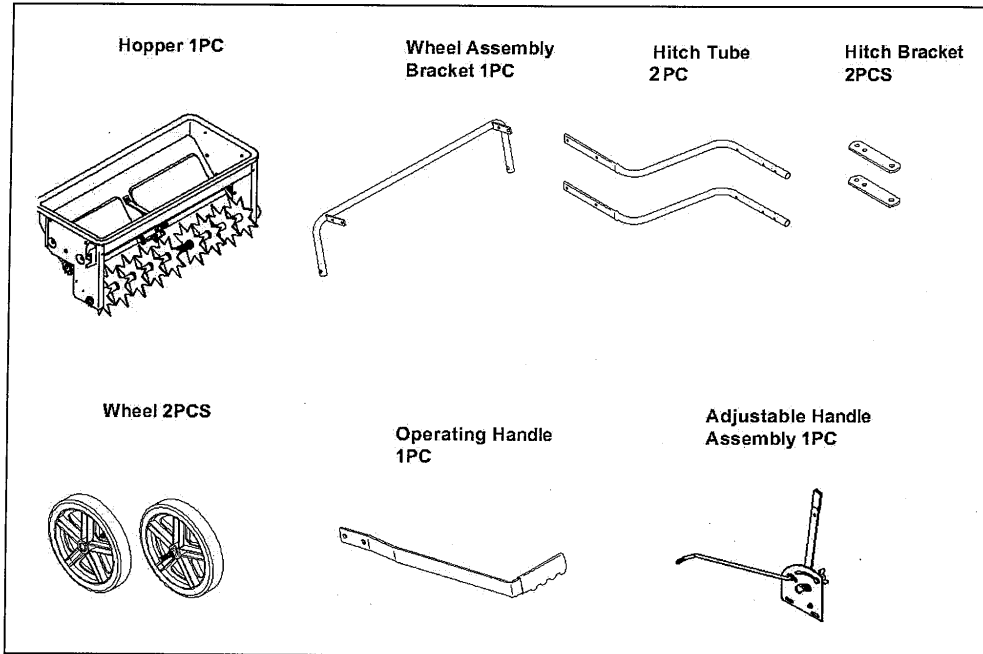


### RULES FOR SAFE OPERATIONS

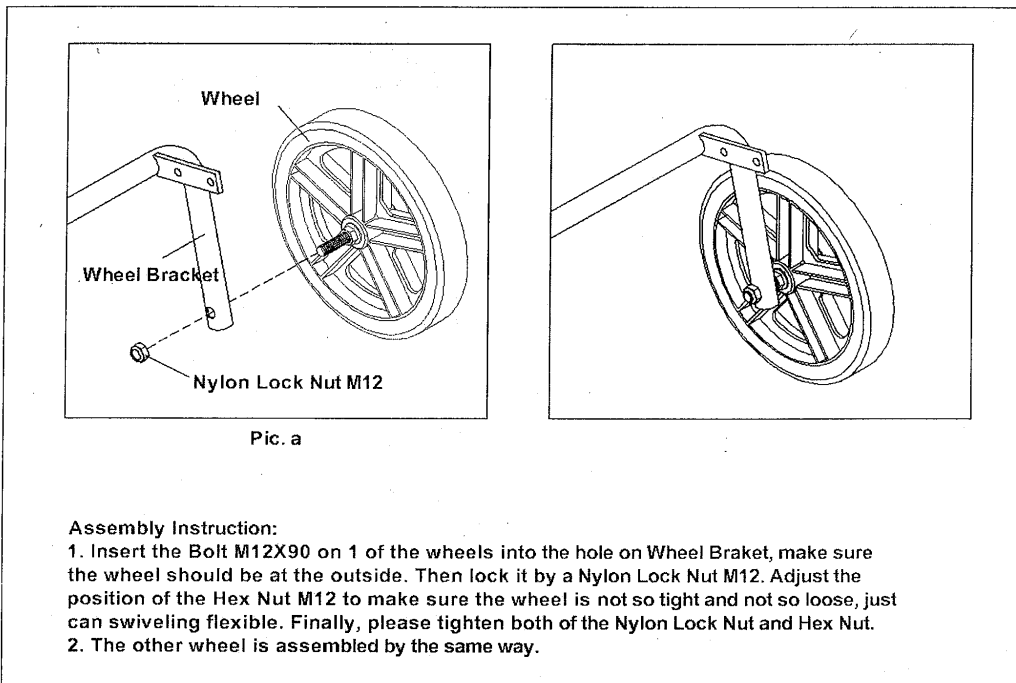
Any power equipment can cause injury if operated improperly or if the user does not understand how to operate the equipment. Exercise caution at all times, when using power equipment.

- Read this owner's manual before attempting to assemble or operate the spiker/spreader.
- Read the towing vehicle owner's manual and know how to operate the tractor before using the spiker/spreader attachment.
- Do not allow anyone to ride on or sit on the spiker/spreader.
- Never allow children to operate the tractor or spiker/spreader attachment.
- Do not allow adults to operate the tractor or spiker/spreader without proper instructions.
- Wear eye and hand protection when handling and using lawn chemicals.
- Do not drive too close to a creek or ditch and be alert for holes and other hazards which could cause you to loose control of the tractor and spiker/spreader.

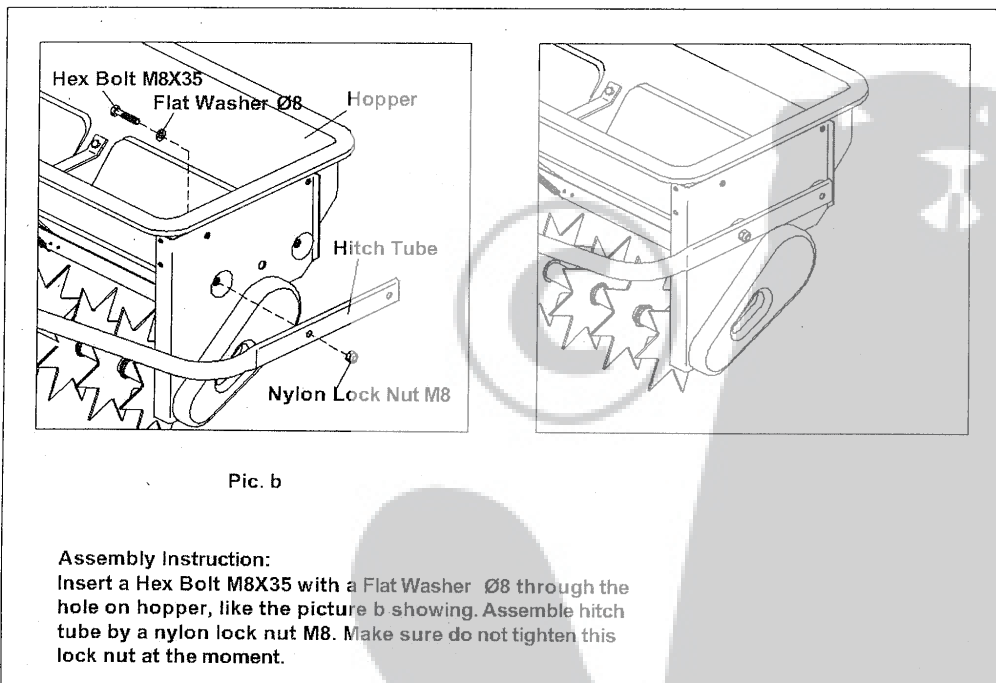
# ASSEMBLY INSTRUCTION



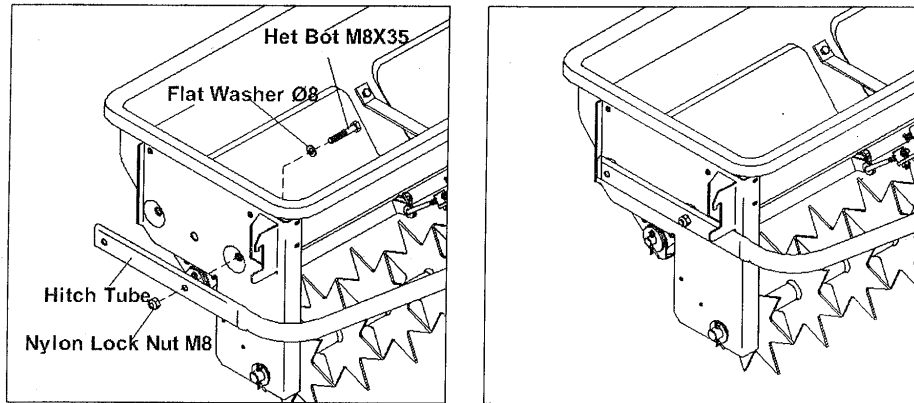
## Step 1



## Step 2



### Step 3

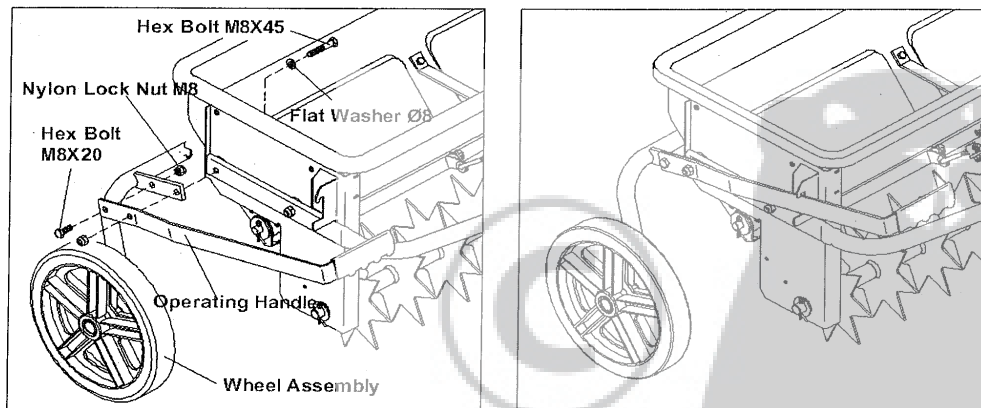


Pic. c

#### Assembly Instruction:

Insert a Hex Bolt M8X35 with a flat washer Ø8 through the hole on the hopper, like the picture c showing, and assemble the other piece of Hitch tube by a nylon lock nut M8. The lock nut should not be tightened at this moment.

### Step 4

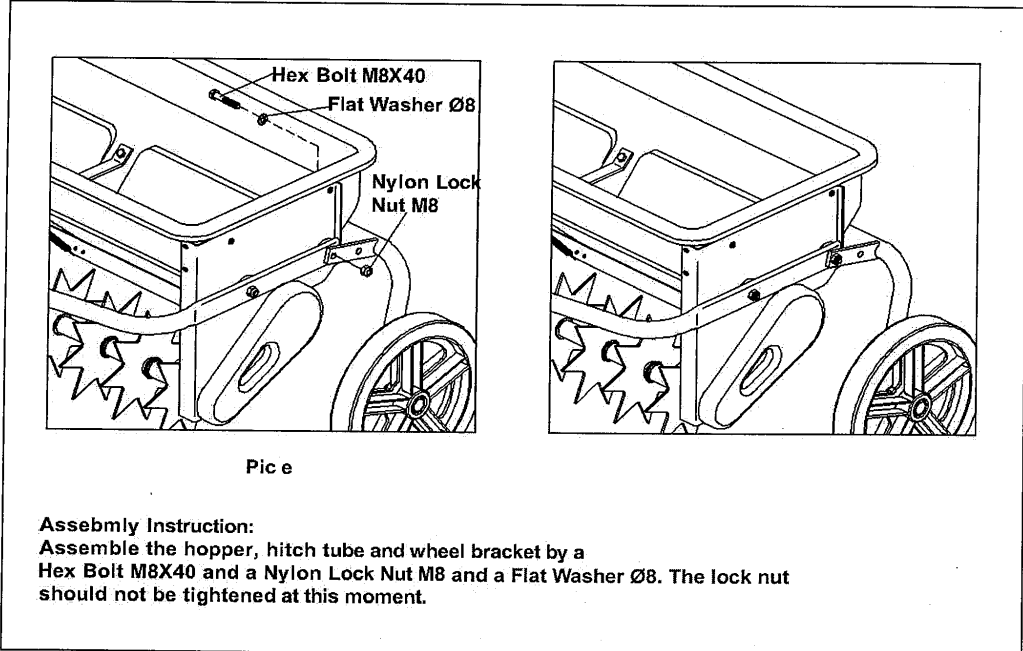


Pic. d

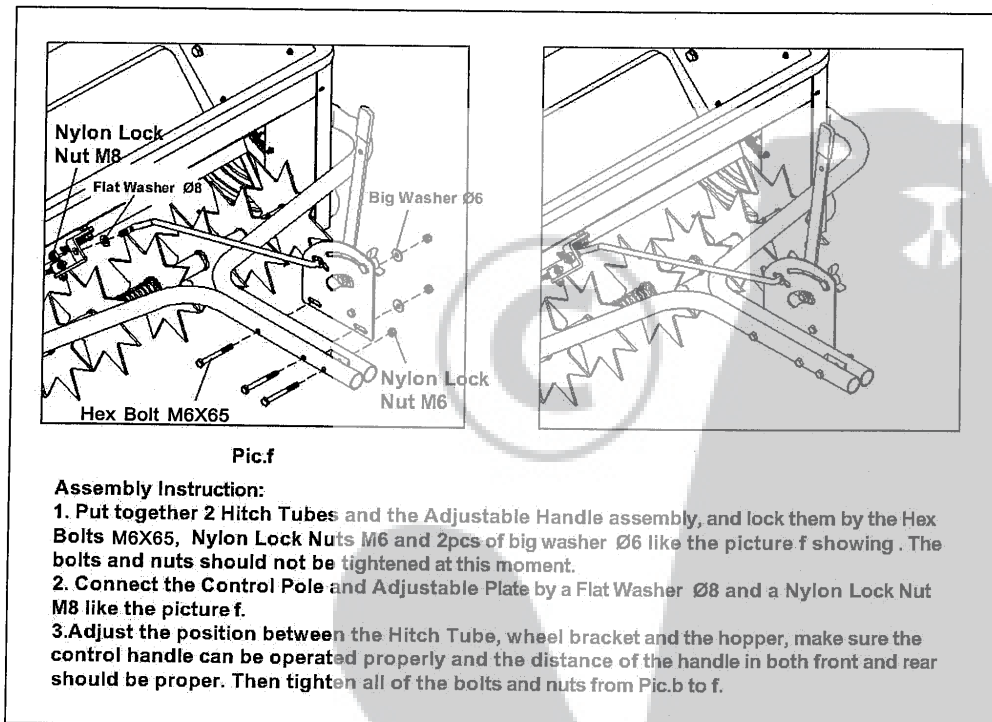
#### Assembly Instruction:

1. Insert a Hex Bolt M8X45 with a Flat Washer Ø8 through the hole on the hopper, like the picture d showing, then assemble the Wheel Bracket and Operating Handle by a Nylon Lock Nut M8. The Lock Nut should not be tightened at this moment.
2. Insert a Hex Bolt M8X20 through the other hole on the Wheel Bracket and Operating Handle, and assemble them by a Nylon Lock Nut M8. Please tighten the lock nut now.

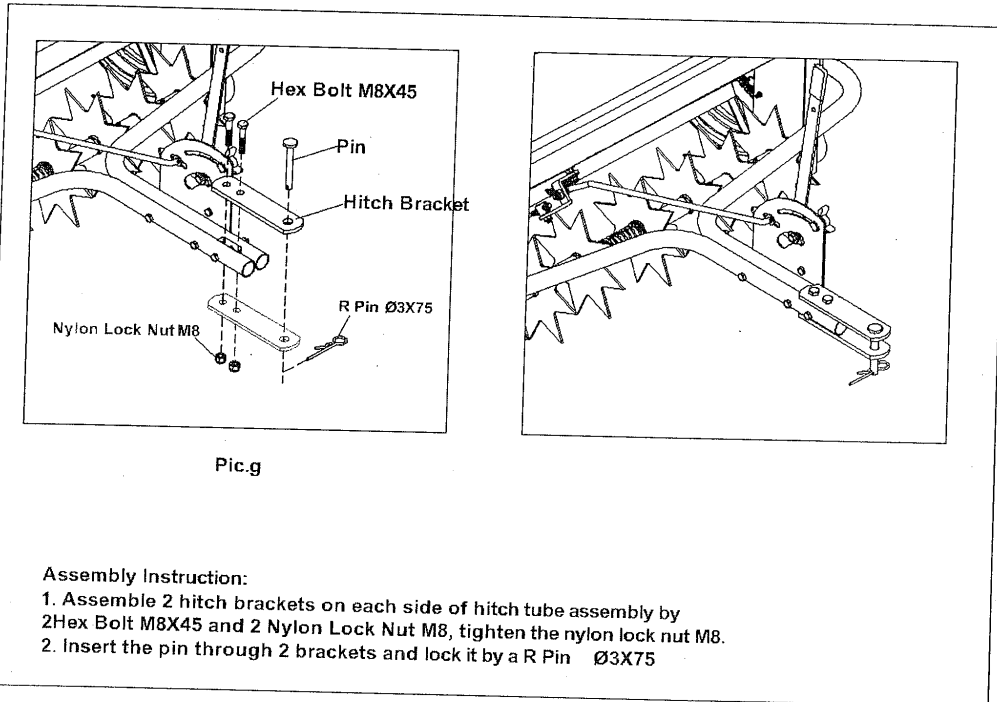
### Step 5



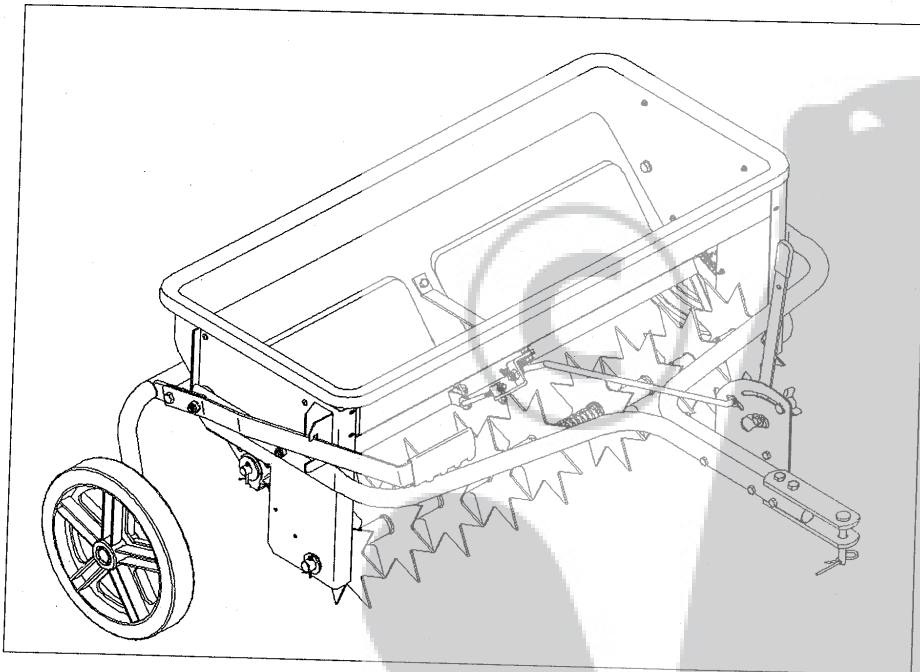
### Step 6



### Step 7



### Step 8

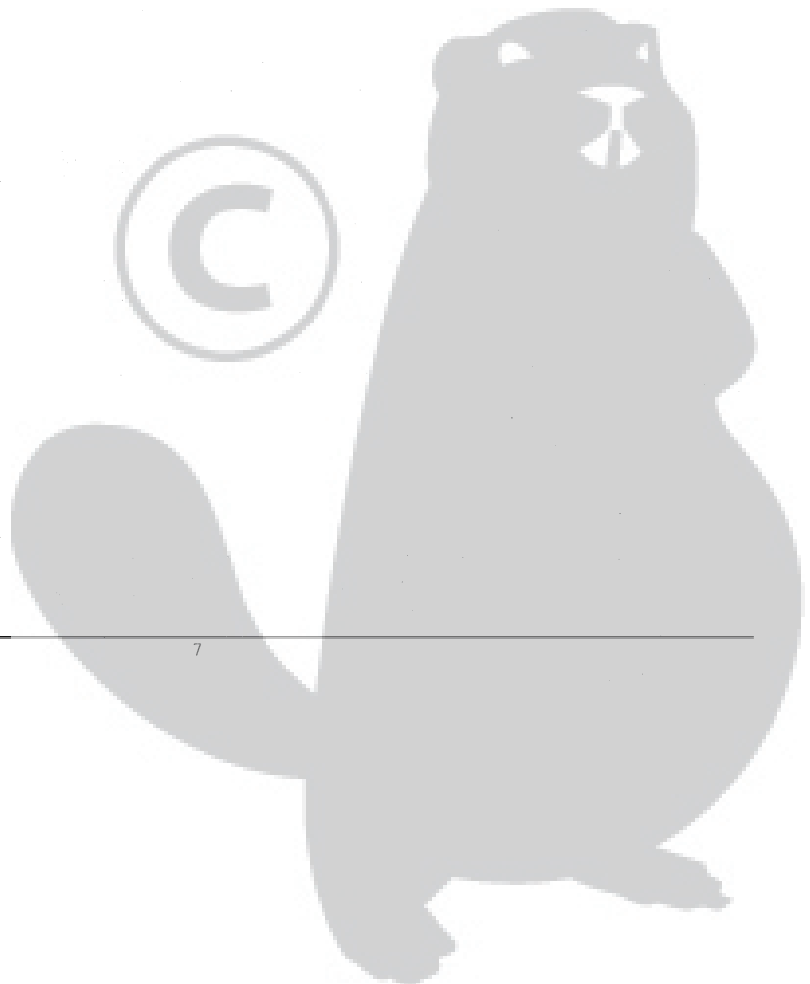
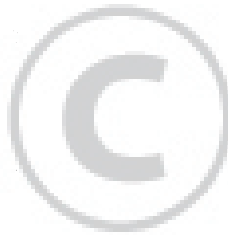


---

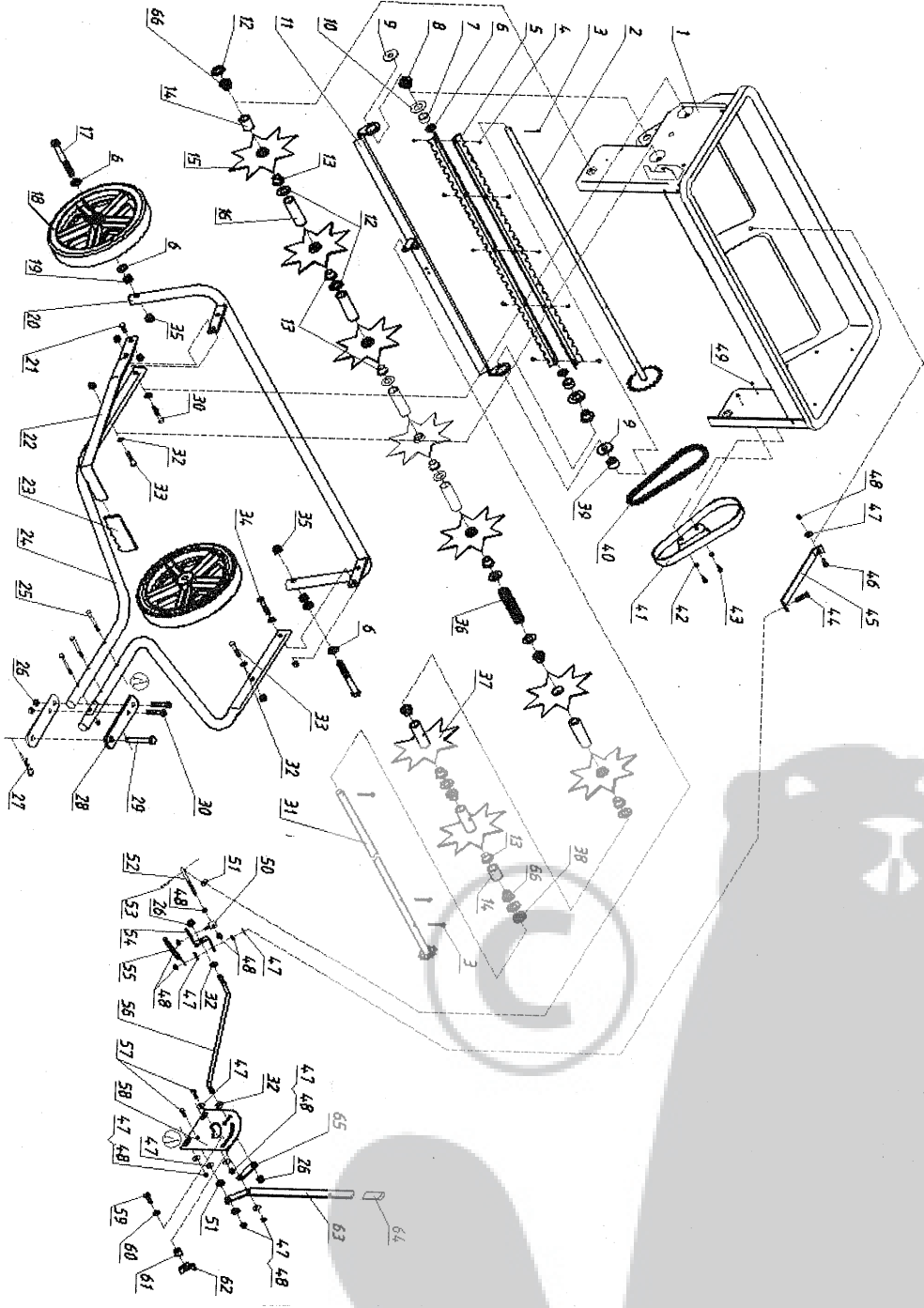
## OPERATION

How to use your spiker/spreader?

1. Determine the approximate square footage of the area to be covered and estimate the amount of fertilizer or seed required.
2. Move the spreader to the area where application is to begin.
3. Loosen the plastic wing nut and move it to the desired setting. Retighten the nut.
4. Making sure the flow control lever is in the "OFF" position, fill the hopper, breaking up any lumps.
5. Lower the aerator spikes to the operating position.
6. Start the spreader in motion and then move the flow control lever to the "ON" position as you travel across your lawn. The recommended towing speed is 3 m.p.h.
7. Do not make sharp turns with spikes in the ground
8. Raise aerator spikes to transport position when crossing over concrete or other hard surfaces.
9. Do not aerate if the ground is extremely hard or dry. If ground is too dry, sprinkle or water for one to two hours prior to use.
10. Do not aerate if the ground is too wet (muddy)



**DRAWING**





## PARTS LIST

PARTS#	DESCRIPTION	QTY	PARTS#	DESCRIPTION	QTY
1	Hopper & Side Plat Assembly	1	34	Hex Bolt M8X40	1
2	Axle & Gear Assembly	1	35	Nylon Lock Nut M12	2
3	Cotter Pin Ø4x30	4	36	Spring	1
4	Screw M5x6	10	37	Fluted Disc & Fixed Spacer Assy	2
5	Scratch Board	2	38	Small Sprocket Wheel Spacer	1
6	Flat Washer Ø12	6	39	Big Sprocket Wheel Spacer	1
7	Scratch Board Support Spacer	2	40	Bushing Chain	1
8	Scratch Board Axle Spacer	2	41	Bushing Chain Cover	1
9	Big Flat Washer Ø12	2	42	Flat Washer Ø4	2
10	Flat Washer Ø20	2	43	Screw M4X12	2
11	Rotating Door Assembly	1	44	Hex Bolt M6X30	1
12	Flat Washer Ø16	10	45	Support Shelves	1
13	Axle Spacer	11	46	Hex Bolt M6x16	1
14	Fluted Disc Spacer (Short)	2	47	Big Washer Ø6	9
15	Fluted Disc	7	48	Nylon Lock Nut M6	11
16	Fluted Disc Spacer (Long)	5	49	Nylon Lock Nut M4	2
17	Hex Bolt M12x90	2	50	Connecting Bolt	1
18	Wheel	2	51	Nylon Washer	2
19	Hex Nut M12	2	52	Threaded Pole	1
20	Wheel Bracket Assembly	1	53	Cotter Pin Ø3X20	1
21	Hex Bolt M8x20	1	54	Connecting Plate	1
22	Operating Handle	1	55	Spring	1
23	Handle Grip	1	56	Adjustable Pole	1
24	Hitch Tube	2	57	Hex Bolt M6x20	2
25	Hex Bolt M6X65	3	58	Gauge and Lever Assembly	1
26	Nylon Lock Nut M8	9	59	Carriage Bolt M6X25	1
27	R Pin	1	60	Teeth Washer Ø8	1
28	Hitch Brakcet	2	61	Bushing	1
29	Pin	1	62	Wing Nut	1
30	Hex Bolt M8X45	3	63	Adjustable Handle	1
31	Axle & Small Gear Assebmlly	1	64	Handle Grip	1
32	Flat Washer Ø8	6	65	Support Shelves	1
33	Hex Bolt M8X35	2	66	Hex Bushing	2