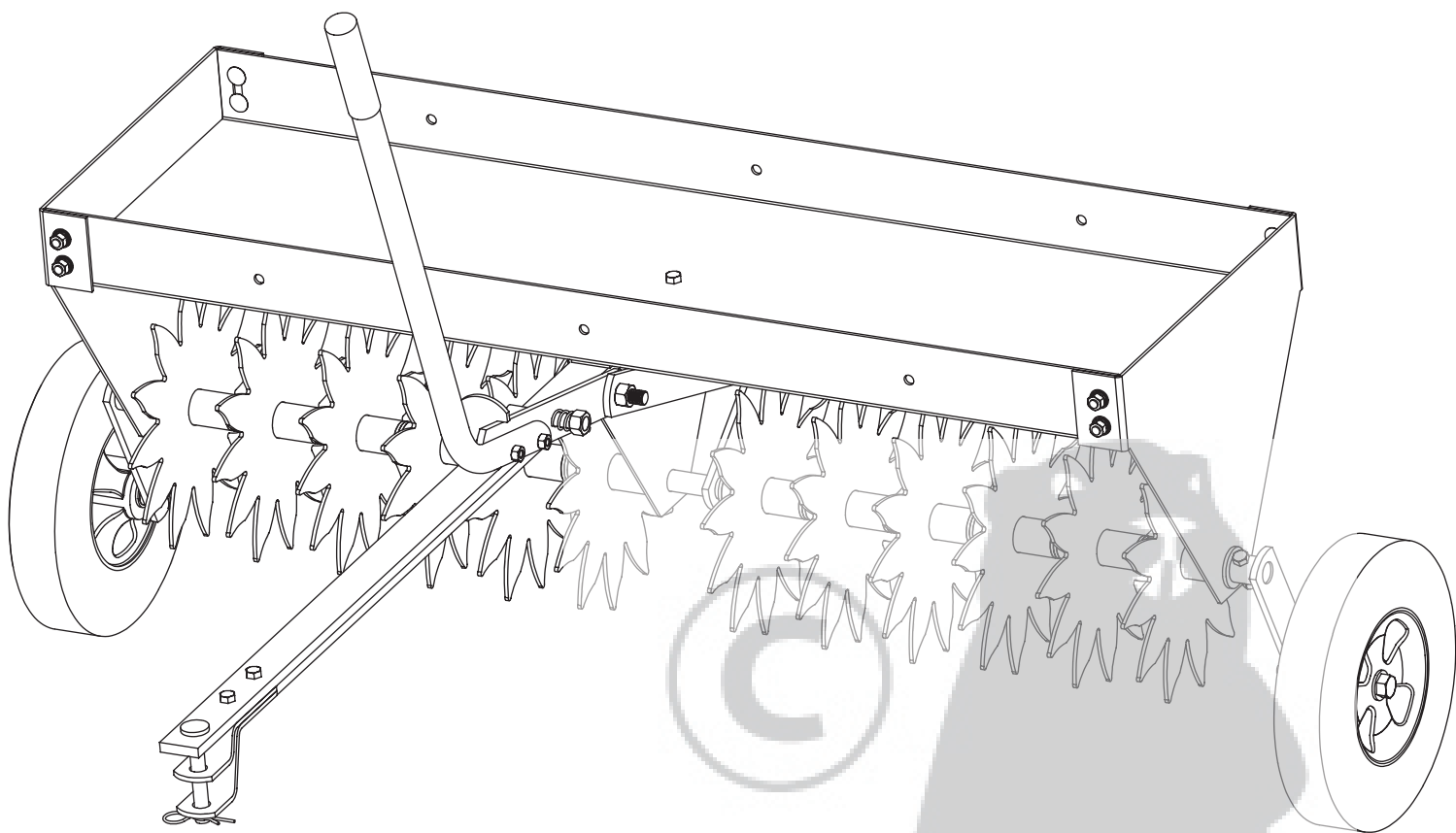


Precision



WARNING:

Before using this product, read this Manual and follow all Operating Instructions and Safety Guidelines.

**SA42 & SA42GY Assembly and Operation Manual
42 Inch Spike Aerator**

SA42 & SA42GY

Thank you for purchasing a Precision Products Spike Aerator.

Please read the Operating Instructions and take note of the Safety Guidelines before using the aerator

SAFETY GUIDELINES

1. Your spike aerator was designed for use with lawn and garden tractors.
2. Do not stand or ride on the spike aerator.
3. Never allow children to operate the tractor or the spike aerator equipment.
4. The spike aerator has sharp points. Always handle with care during actual aerator use.
Caution should be exercised at all times when the spike points are rotating or being handled.
5. To avoid jack knifing, back straight. Jack knifing could result in damage to your equipment.
6. Repairs, adjustments, and service to your spike aerator should be done only when the aerator is disconnected from the lawn/garden tractor.
7. Never exceed the recommended operating speed range of 3 to 5 MPH to avoid equipment damage.

You will need two 1/2" wrenches and two 3/4" wrenches for assembly.
Your spike aerator has been partially pre-assembled in our factory for your convenience. First, remove all items from the box. Your carton should contain the following pieces:

ASSEMBLY

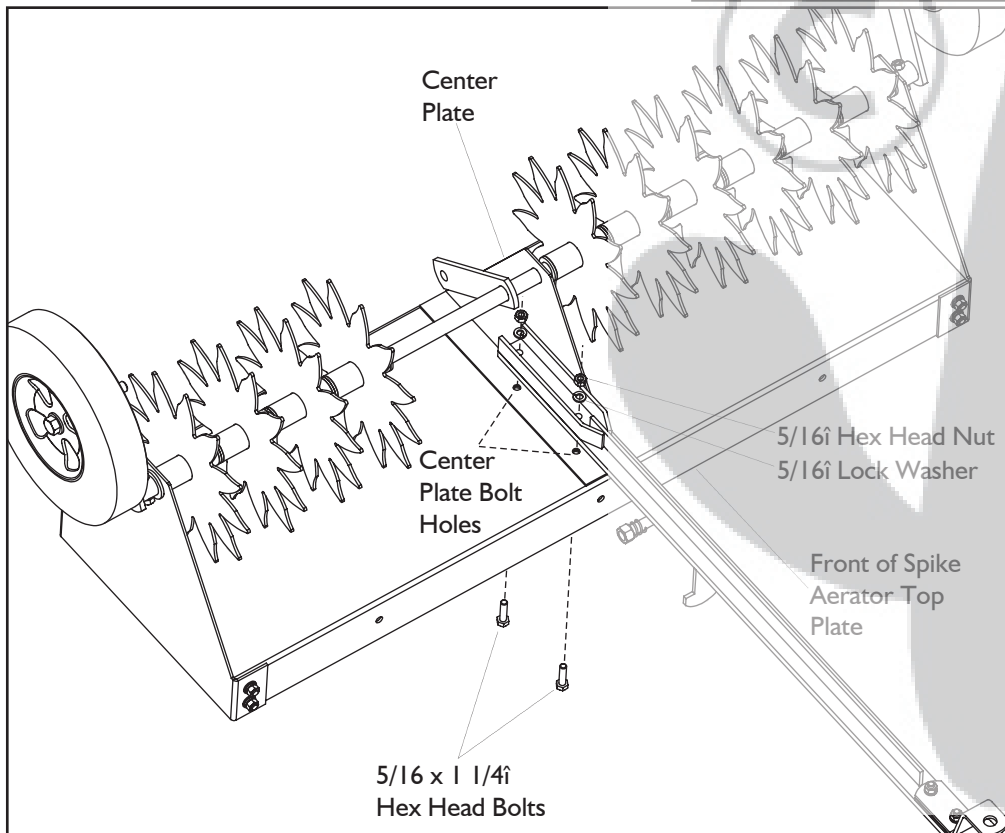
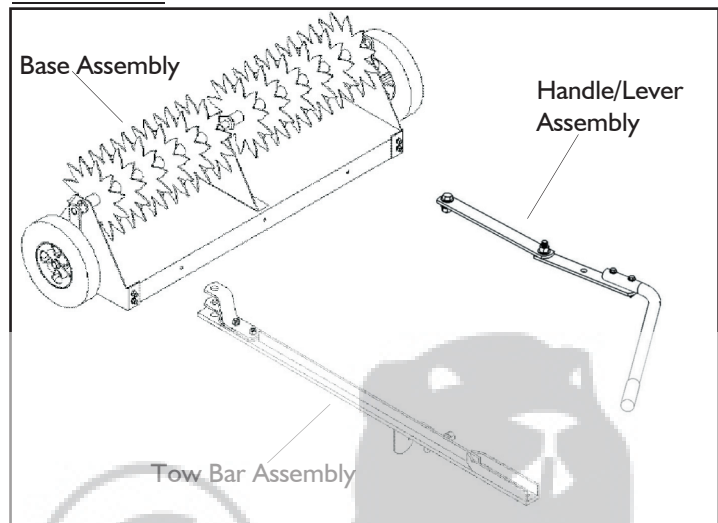


Fig. 1. Remove the 5/16" Hex Head Nuts and 5/16" Lock Washers from the Center Plate. Slide the Tow Bar Assembly onto the bolts and then fasten with the Lock Washers and Hex Head Nuts.

Note: The assembly diagrams show the aerator base assembly resting on its top plate. The first center plate bolt is closest to the front of the base assembly.

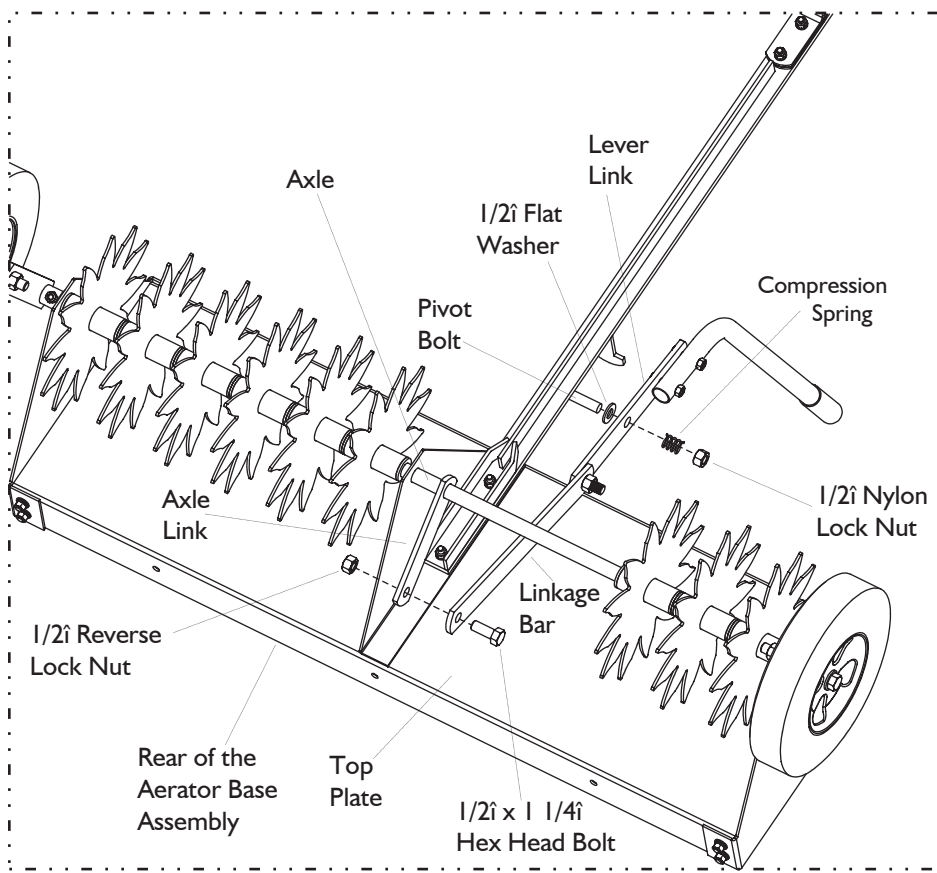


Fig. 2. Remove 1/2" Nylon Lock Nut and Compression Spring from Pivot Bolt (leave on the 1/2" Flat Washer) Position the Linkage Bar between the Axle and Top Plate. Now, slide the Lever Link onto the Pivot Bolt. Then put back on Compression Spring and Nylon Lock Nut.

Remove 1/2" Reverse Lock Nut from the 1/2" x 1 1/4" Hex Head Bolt in the end of the Linkage Bar. Attach Linkage Bar to Axle Link and then secure with the Reverse Lock Nut.

Tighten all bolts, making sure the linkages move freely.

Note: The Axle Link must be positioned toward the rear of the base assembly when attaching the Linkage Bar. This will position the aerator wheels toward the rear of the base assembly.

OPERATION

Aerating involves cutting small holes in the soil to create small reservoirs that will allow oxygen, fertilizer, and water to reach the roots. The following lawn preparation and aerator operation is recommended for optimal performance.

Mow the lawn and remove grass clippings prior to use of the spike aerator. Your spike aerator should be attached to your rider or tractor on a level surface such as a driveway or garage floor with wheels engaged.

Once you are on the grass, have the tractor in the lowest forward speed and then disengage the wheels by moving the handle out of the locked position. This will allow the spikes to enter the ground. Speed can be increased as conditions permit. Aeration should be done in a straight line. Overlapping passes can be done to increase the density of the spike point pattern.

DO NOT make sharp turns while the spike points are engaged in the ground as this will damage the lawn. Weight can be placed on the top plate to increase the depth of spike point penetration. Weight may be needed for many applications, but **DO NOT** exceed the maximum weight of 175lbs. The plate has been designed to hold concrete blocks. Secure the blocks with suitable binding material such as rubber tie down straps or wire.

MAINTENANCE

Your new spike aerator is precision made utilizing the finest tools and materials. Although it is ruggedly constructed, do not subject it to misuse. Always check the nuts and bolts to insure that they are tightened. We suggest that you apply a light coat of oil to the metal to prevent rust on the spike points, the axle (the part on which the spikes rotate) or any exposed metal. Always store your spike aerator in a dry area. Your spike points can be removed for sharpening. Sharpened spike points will allow you to maintain good soil penetration.

CUSTOMER SERVICE

PLEASE DO NOT RETURN THIS MERCHANDISE TO THE STORE. CALL US AND WE WILL TAKE CARE OF ANY PROBLEMS YOU MIGHT HAVE WITH THIS PRODUCT. **Phone (800) 225-5891 EXT.#204**

When ordering parts, always give model number, part description, & part number.

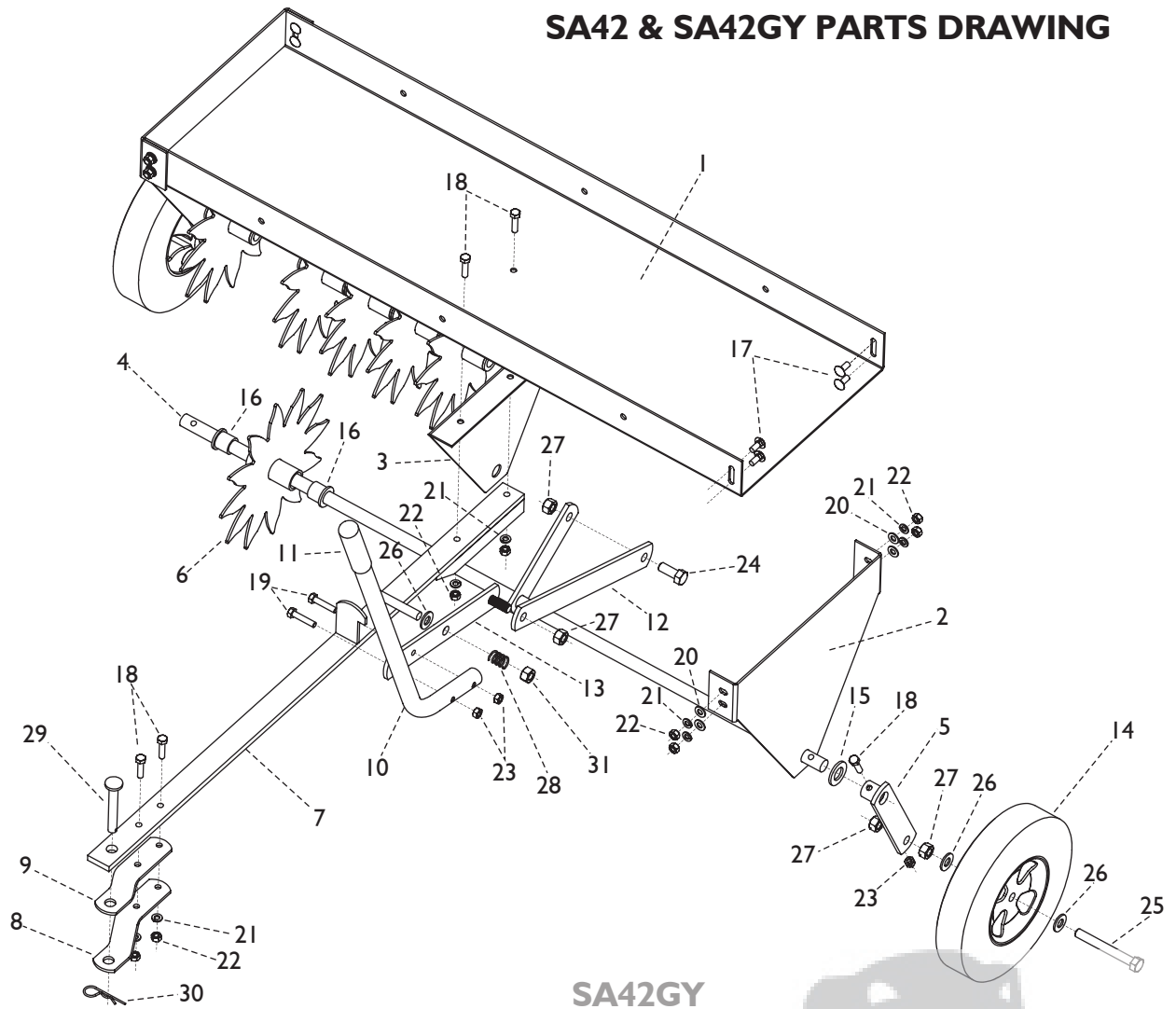
Send To: Precision Products, Inc.
Parts Division
316 Limit Street
Lincoln, IL 62656

Phone (217)735-1590
Fax (217)735-2435

LIMITED WARRANTY

This unit is warranted against defects in materials and workmanship, to the original purchaser, under normal use and service, for a period of ninety (90) days from date of sale. During the Warranty Period, we will repair or replace at our option free of charge to the original purchaser, any part of the Unit that our examination shows to be defective in workmanship or materials. This Warranty **Does Not** apply to damage caused by misuse, abuse, neglect, normal wear, or alterations by unauthorized persons.

SA42 & SA42GY PARTS DRAWING



SA42

Ref. No.	Part Description	Part No.	Part Qty.
1	Top Plate	4225B	1
2	End Plate	4226B	2
3	Center Plate	4227B	1
4	Axle Assembly	4233B	1
5	Wheel Bracket	4269B	2
6	Star	4234B	12
7	Tow Bar	4229B	1
8	Clevis #1	4265B	1
9	Clevis #2	4266B	1
10	Handle	4262B	1
11	Handle Grip	3042	1
12	Linkage Bar	4240B	1
13	Lever Link	4263B	1
14	Wheel 10i Rubber	4241	2
15	3/4 Flat Washer	1264	3
16	Flange Bearing	4232	24
17	5/16 x 3/4i Carriage Bolt	1314	8
18	5/16 x 1 1/4i Hex Head Bolt	4281	6
19	5/16 x 1 1/2i Hex Head Bolt	4014	2
20	5/16 Flat Washer	1044	8
21	5/16 Lock Washer	1276	12
22	5/16 Hex Head Nut	1275	12
23	5/16 Reverse Lock Nut	1557	4
24	1/2-13 x 1 1/4i Std Hex Head Bolt	4278	1
25	1/2-13 x 4i Hex Head Bolt Full Thd	4280	2
26	1/2 Flat Washer	1506	5
27	1/2-13 Reverse Lock Nut	1638	6
28	Compression Spring	4272	1
29	Clevis Pin 1/2 x 3 1/2i	4289	1
30	#14 Hitch Pin Clip	1042	1
31	1/2i Nylon Lock Nut	2311	1

SA42GY

Ref. No.	Part Description	Part No.	Part Qty.
1	Top Plate	4225G	1
2	End Plate	4226G	2
3	Center Plate	4227G	1
4	Axle Assembly	4233G	1
5	Wheel Bracket	4269G	2
6	Star	4234G	12
7	Tow Bar	4229G	1
8	Clevis #1	4265G	1
9	Clevis #2	4266G	1
10	Handle	4262G	1
11	Handle Grip	3042	1
12	Linkage Bar	4240G	1
13	Lever Link	4263G	1
14	Wheel 10i Rubber	4241	2
15	3/4 Flat Washer	1264	3
16	Flange Bearing	4232	24
17	5/16 x 3/4i Carriage Bolt	1314	8
18	5/16 x 1 1/4i Hex Head Bolt	4281	6
19	5/16 x 1 1/2i Hex Head Bolt	4014	2
20	5/16 Flat Washer	1044	8
21	5/16 Lock Washer	1276	12
22	5/16 Hex Head Nut	1275	12
23	5/16 Reverse Lock Nut	1557	4
24	1/2-13 x 1 1/4i Std Hex Head Bolt	4278	1
25	1/2-13 x 4i Hex Head Bolt Full Thd	4280	2
26	1/2 Flat Washer	1506	5
27	1/2-13 Reverse Lock Nut	1638	6
28	Compression Spring	4272	1
29	Clevis Pin 1/2 x 3 1/2i	4289	1
30	#14 Hitch Pin Clip	1042	1
31	1/2i Nylon Lock Nut	2311	1