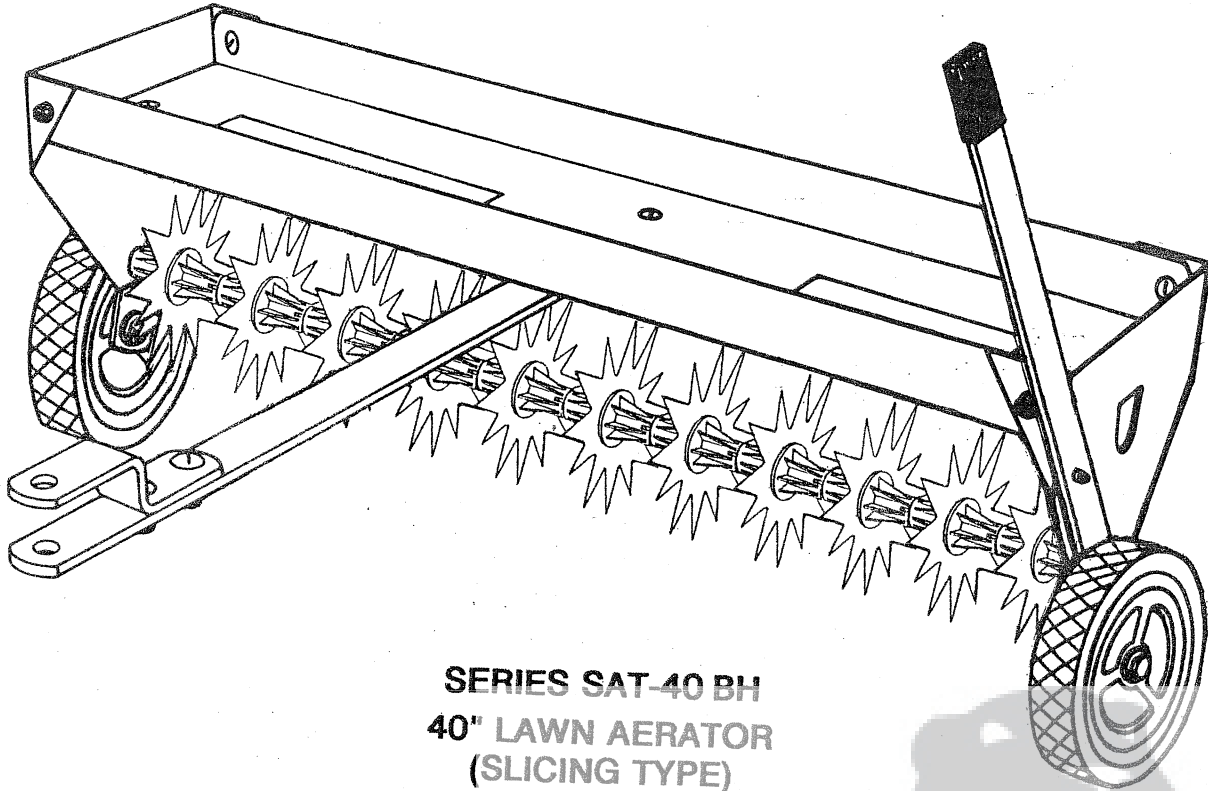


SINCE 1839

# BRINLY OWNER'S MANUAL



**SERIES SAT-40 BH  
40" LAWN AERATOR  
(SLICING TYPE)**

## **MODEL SAT-400 BH**

**"IMPORTANT: THIS MANUAL CONTAINS INFORMATION FOR THE SAFETY OF PERSONS AND PROPERTY. READ IT CAREFULLY BEFORE ASSEMBLY AND OPERATION OF THE EQUIPMENT!"**

### **LIMITED WARRANTY**

Brinly-Hardy Company warrants only to the original retail purchaser that this product will remain free of defects in workmanship and materials under normal use and service for a period of two(2) years (NOTE: ninety (90) days for commercial or rental use) commencing with the date of purchase.

Any parts found to be defective within the warranty period will be replaced, with proof of date of purchase, at Brinly Hardy Company's expense. Our obligation under this warranty is expressly limited to replacement or repair, at our option of parts which are defective in material or workmanship within thirty (30) days of receipt of the parts. This warranty does not apply to damage caused by unreasonable use, including failure to provide necessary maintenance, nor does it apply to any transportation or labor charges.

WE MAKE NO OTHER EXPRESS WARRANTY NOR IS ANYONE AUTHORIZED TO MAKE ANY ON OUR BEHALF. ANY IMPLIED OR STATUTORY WARRANTIES, INCLUDING ANY WARRANTY OF MERCHANTABILITY OR FITNESS FOR A PARTICULAR PURPOSE, ARE LIMITED TO THE DURATION OF THIS WRITTEN WARRANTY. WE SHALL NOT BE LIABLE FOR CONSEQUENTIAL OR INCIDENTAL DAMAGES OF ANY KIND.

**BRINLY-HARDY COMPANY**

**(877) 728-8224**

CONGRATULATIONS on your purchase of this implement. It has been designed, engineered, and manufactured to give you the best possible dependability and performance. When correctly assembled and with proper care, your Aerator will provide years of trouble-free service.



Periodic use of your Aerator will substantially improve the efficiency of fertilization and seeding programs. It will help control water run-off on slopes and give the soil better moisture retention, resulting in lower maintenance cost.

Please read and retain this manual. The instructions will enable you to assemble and maintain your implement properly. Always observe the "SAFETY RULES".

Should the need ever exist for repair parts, order through most any Lawn and Garden dealer, using part number and description.



### RULES FOR SAFE OPERATION

- Know controls and how to stop quickly, READ THE OWNER'S MANUAL.
- Do not allow children to operate the vehicle, do not allow adults to operate without proper instruction and without having read the owner's manual.
- Do not carry passengers. Keep children and pets a safe distance away.
- Always wear substantial footwear. Do not wear loose fitting clothing that can get caught in moving parts.
- Keep your eyes and mind on your tractor/attachment and area being covered. Don't let other interests distract you.
- Stay alert for holes in the terrain and other hidden hazards.
- Keep the vehicle and attachment in good operating condition and keep safety devices in place.
- Keep all nuts, bolts and screws tight to be sure the equipment is in safe working condition.
- The vehicle and attachment should be stopped and inspected for damage after striking a foreign object. The damage should be repaired before restarting and operating the equipment.
- See tractor equipment owner's manual for safe operation of the equipment.
- Do not drive close to creeks, ditches and public highways.
- Watch out for traffic when crossing or near roadways.
- When using any attachment, don't allow anyone near the vehicle while in operation.



#### WARNING!

- Tines have extremely sharp points. Wear gloves and handle with care.
- Always disconnect Aerator from tractor when cleaning or servicing unit.
- To avoid damage to Tines, always engage transport wheels to raise the Tines when crossing concrete or asphalt walks, drives, or roads.
- To avoid possible personal injury and/or equipment damage, never exceed the recommended operating speed range of 3 to 5 M.P.H.
- When backing - carefully back straight to avoid jackknifing which could result in damage to equipment.
- Only tow your Aerator behind vehicles for which it was designed, riders/and lawn and garden tractors.
- Do not stand or ride on Aerator, bodily injury could result.
- Do not overload tray. Maximum capacity is 100 lbs.
- Do not attempt to disconnect Aerator from tractor with weight on tray.
- Store unit with tines against wall or floor - to avoid accidental contact.



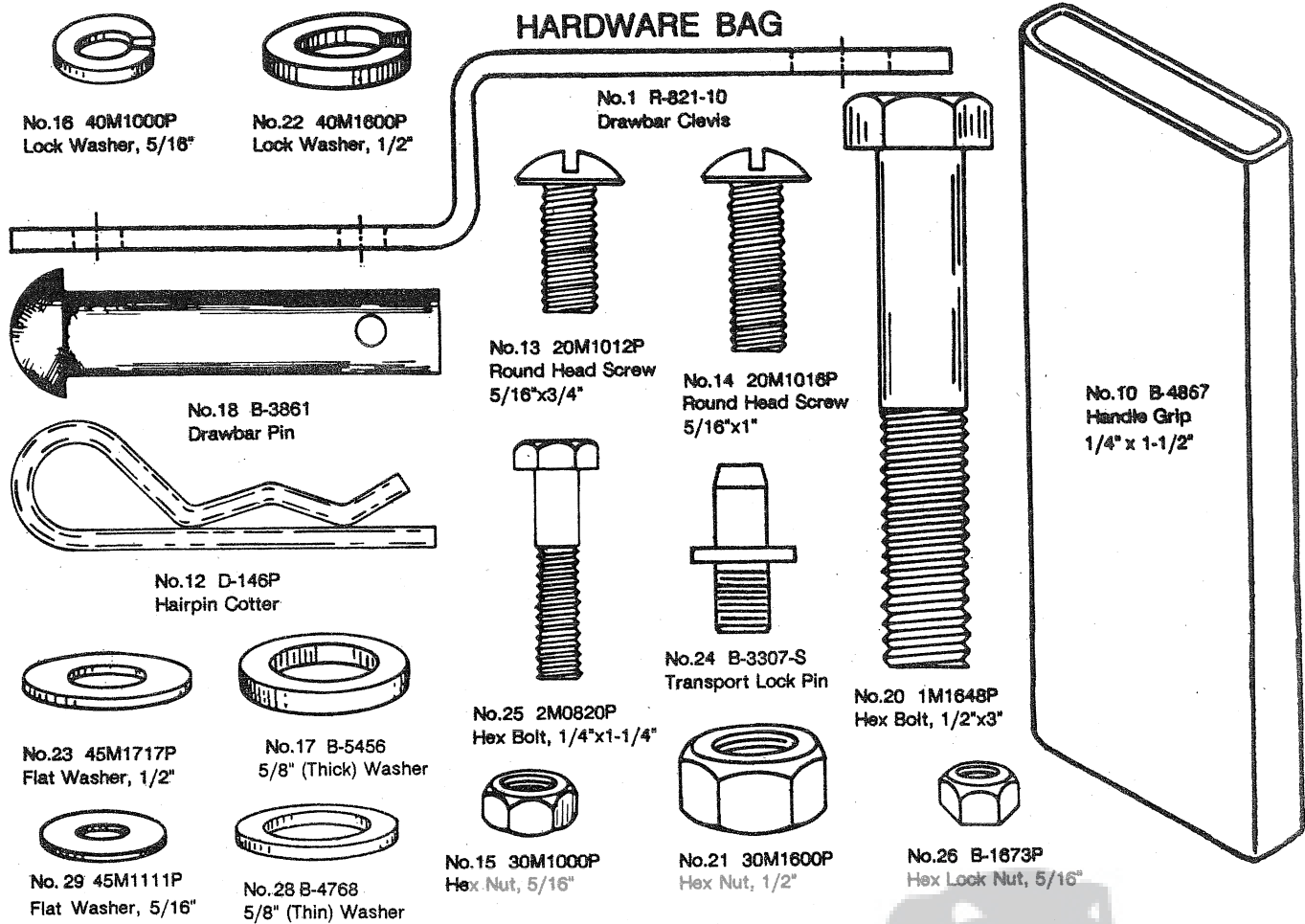
**LOOK FOR THIS SYMBOL TO POINT OUT IMPORTANT SAFETY PRECAUTIONS. IT MEANS - ATTENTION! BECOME ALERT! YOUR SAFETY IS INVOLVED.**

### CUSTOMER RESPONSIBILITIES

- Read and observe the "SAFETY RULES".
- Follow a regular schedule in maintaining, caring for, and using your Attachment.

### TABLE OF CONTENTS

WARRANTY.....	1	ASSEMBLY.....	3-5
SAFETY RULES.....	2	OPERATION.....	5
HARDWARE.....	3	CUSTOMER RESPONSIBILITY.....	5
		REPAIR PARTS.....	6



### ASSEMBLY

#### NOTES:

- It is recommended that you carefully read this Owner's Manual BEFORE starting assembly of the unit.
- Fold out carton to use as a pad during assembly and arrange each kind of hardware into a group to ease assembly.
- All reference to Right Hand and Left Hand are made while standing behind unit facing forward.

#### TOOLS REQUIRED FOR ASSEMBLY

- 1 - Pair work gloves
- 1 - Pair Pliers
- 1 - Screwdriver (Flat Blade)
- 2 - 7/16" Wrenches
- 1 - 1/2" Wrench
- OR
- 2 - Adjustable Wrenches

### FRAME ASSEMBLY

Refer to Fig.1

- Attach each End Panel (5) to the Tray (3), with the center tab located UNDER the Tray as shown.
- Secure with three 5/16"x3/4" Round Head Screws (13, from inside Tray), 5/16" Lock Washers (16), Flat Washers (29- next to slots) and 5/16" Hex Nuts (15) per side and hand tighten.

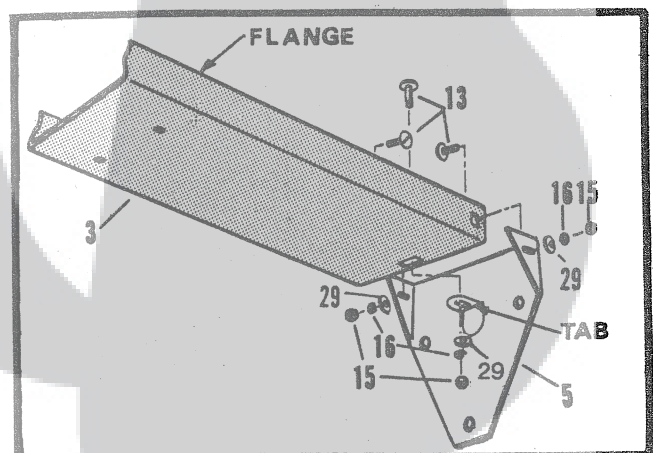


FIG. 1

Refer to Fig. 2

NOTE: The inside distance between the two End Panels (5) should be 41" for proper assembly. Refer to illustration.

- Attach the Drawbar (4) to the underside of Tray (3) using two 5/16"x3/4" Round Head Screws (13), 5/16" Lock Washers (16), and 5/16" Hex Nuts (15).
- Attach the Clevis (1) to the Drawbar (4) with two 5/16"x1" Round Head Screws (14), 5/16" Lock Washers (16), and 5/16" Hex Nuts (15).
- Assemble the Transport Lock Pin (24) into front hole in left Side Plate (5) from outside. Secure with a 5/16" Lockwasher (16) and Hex Nut (15), holding Pin with pliers as you tighten.
- Securely tighten all fasteners used in the assembly.

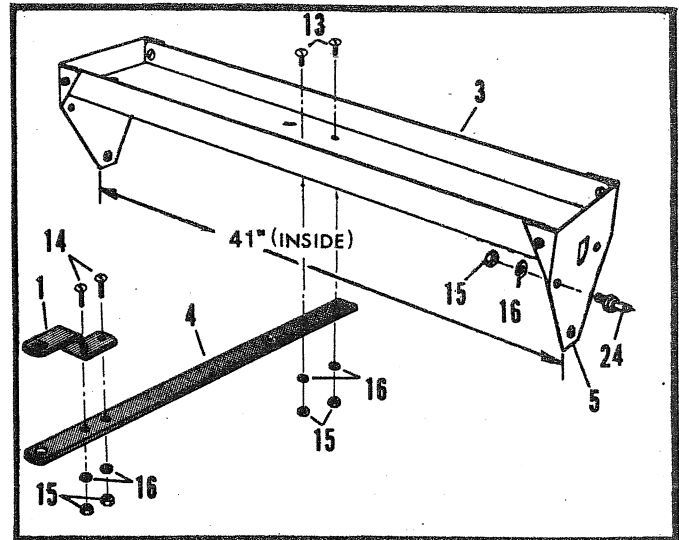


FIG. 2

### AERATOR TINE/BEARING ASSEMBLY

Refer to Fig. 3

NOTE: Axle may have surface discoloration due to manufacturing processes and will not affect operation of Aerator.

- Place Tray and Frame assembly (A) upside down with End Panels up.

Note: Extra 5/8" Washers (17 & 28) are furnished, if needed, as shims to eliminate any possible side to side movement of Aerator Tines after assembly.

- Insert the Axle Assembly (6) partially through hole in Side Plate (5) at right side and slide on two 5/8" Thick Washers (17).



#### WARNING!

- Tines have extremely sharp points. Wear gloves and handle with care.

- Position all Aerator Tines (7) and Spacer/Bearing Tubes (18) onto Tine Shaft Assembly (6) as follows:
  - Spacer/Bearing Tube, small end first.
  - Aerator Tine.
  - Spacer/Bearing Tube, large flange end first.

IMPORTANT: Round Projections on Spacer/Bearing flanges must fit into small holes in Aerator Tines and into holes of opposite Spacer/Bearing flange.

- Assemble all eleven Aerator Tines (with Spacer/Bearings) in this manner. Push Tine Shaft Assembly through as Aerator Tines are assembled.
- Position two 5/8" Thick Washers (17) between last Spacer/Bearing Half and End Panel and push Axle Assembly through hole as far as possible.
- IMPORTANT: Tines must not move from side to side inside opening of End Panels. If looseness exists, use additional 5/8" Thick or Thin Washers (17 or 28) inside End Panel to eliminate any side movement.

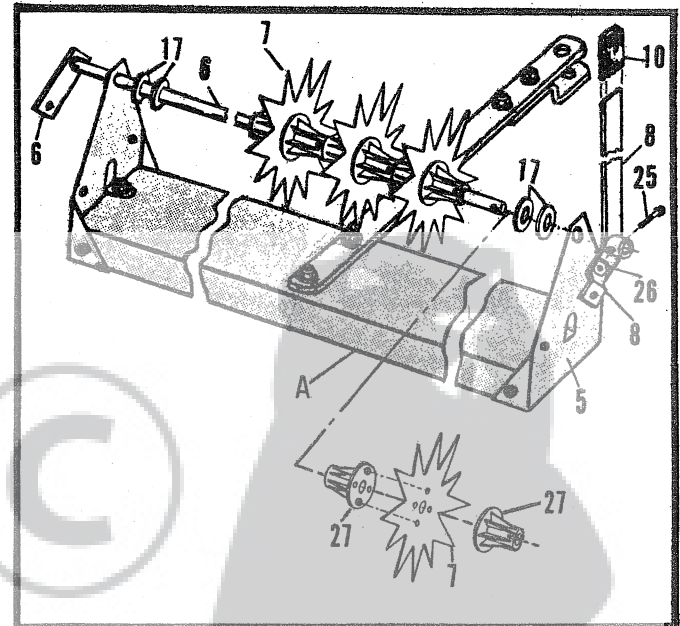


FIG. 3

- Install Handle Assembly (8) over Axle Assembly shaft-welded tube on Handle Assembly **FACING OUT**.
- Position welded strap on Axle Assembly (at opposite side) in line with short end extending from Handle Assembly (8). Align holes in Handle Assembly tube with those in Axle Assembly. Secure with 1/4"x1-1/4" Hex Bolt (25) and 1/4" Lock Nut (26).
- Slip the Handle Grip (10) over end of Handle Assembly. Soapy water will ease this assembly.
- Rotate Handle and place Aerator upright, Tines resting on ground.

## TRANSPORT WHEELS ASSEMBLY

Refer to Fig.4

- Pre-assemble the two Transport Wheels (9) using 1/2"x3" Hex Bolts (20) and Flat Washers (23) next to Bolt head, through Wheel Hubs (opposite extended Wheel Hub side).
- Install a 1/2" Flat Washer (23) next to Hub and thread a 1/2" Hex Nut (21) on as far as possible, with Bolt still free to turn.
- Install Wheels through holes in side straps (6&8) securing with Lock Washers (22) and Hex Nuts (21). Tighten securely, but with Wheels free to turn.
- Check all fasteners for tightness. Your Aerator is now ready for use.
- If Logo Decal (2) is not applied to top of Tray , see Parts Page (6) for location.

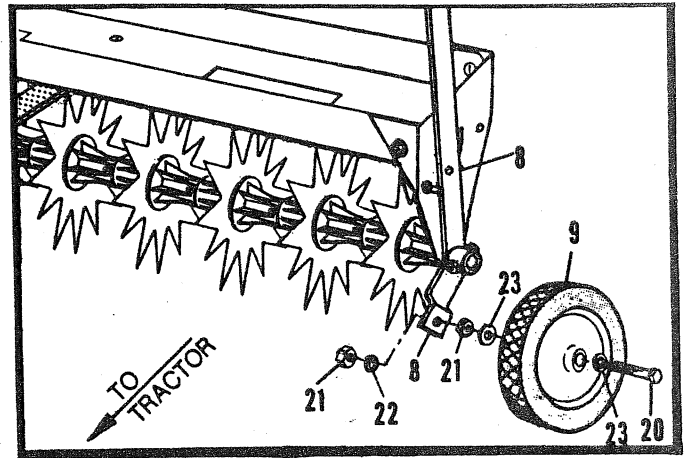



FIG. 4

## MOUNTING AND TRANSPORTING

- Attach Aerator to your Rider using Pin (18) and Hairpin Cotter (12) supplied.
- To place in Transport Position:  
Pull FORWARD on Handle Assembly (8), pull out slightly and position over Transport Lock Pin (24). Aerator rests on Wheels.
- To place in Operating Position:  
Pull OUT on Handle Assembly (releasing from Transport Position) and move Handle BACK. Aerator should rest on Tines.

## OPERATION


- A moderate soil moisture content is important to proper operation of the Aerator. Penetration will not occur in extremely dry soil, and very wet conditions will cause the unit to "bog down".
- For best penetration, add extra weight to the Tray. Concrete patio blocks are recommended for weight because of their low profiles; however, any type of weight is suitable if it can be tied down to the Tray.

 **WARNING!**

- Do not overload Tray. Maximum capacity is 100 lbs.

- If blocks are used, normally two are sufficient for good penetration, provided Lawn isn't too dry.
- Weight should be added with Drawbar attached to Tractor Drawbar and may be secured with rubber tie down straps, bailing wire, nylon rope, or any

suitable binding material. Hole in Tray End Plates can be used to secure bindings (See Fig. 1).


 **WARNING!**

- Do not attempt to disconnect Aerator from Tractor with weight on Tray.
- Do not stand or ride on Aerator, bodily injury could result.
- To avoid damage to Tines, always engage transport wheels when crossing concrete or asphalt walks, drives or roads.
- When backing - carefully back straight to avoid jack-knifing, which could result in damage to equipment.

- The Aerator may be used as a single independent operation, or, in most circumstances, can be used while mowing your grass.

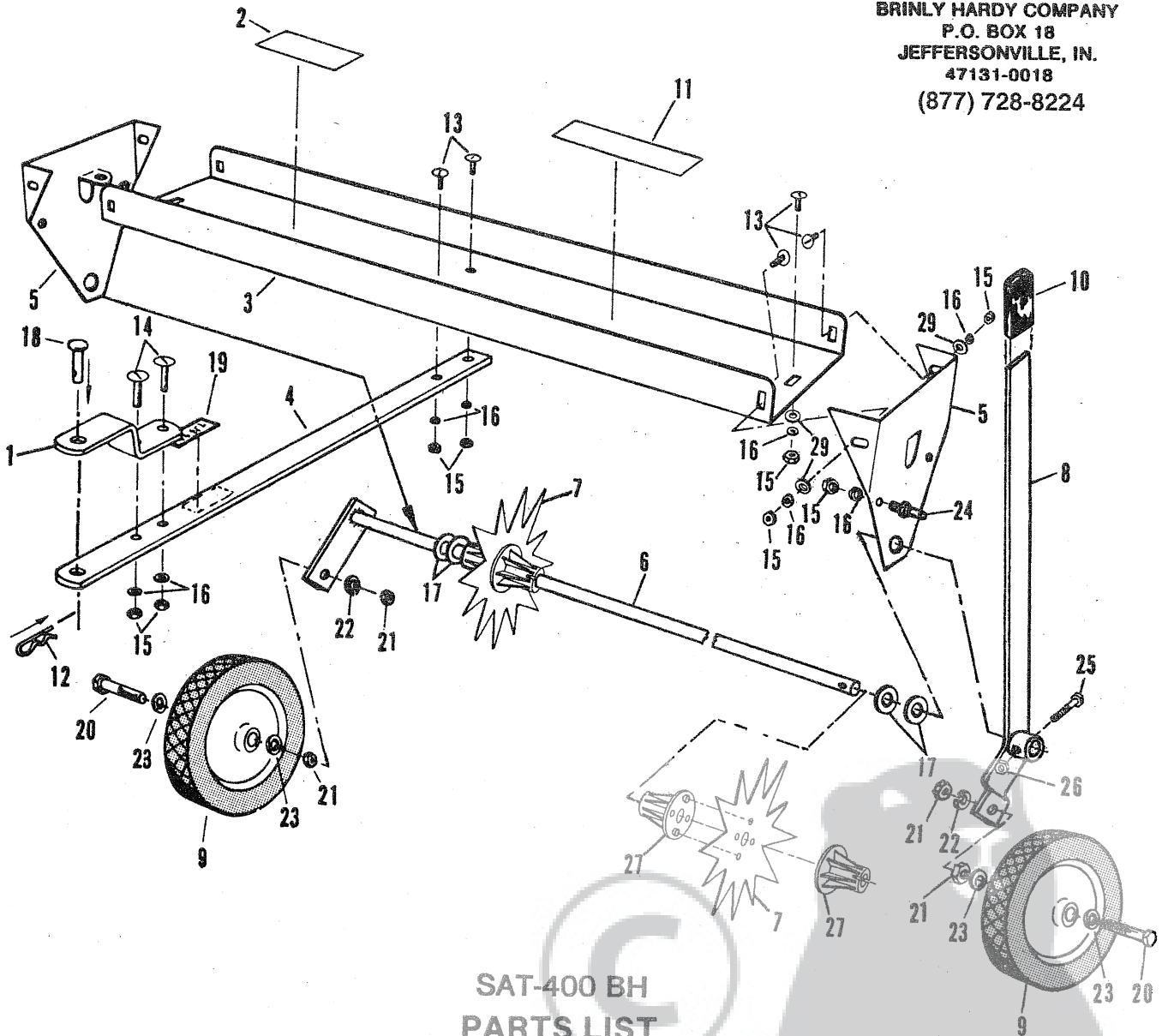
## CUSTOMER RESPONSIBILITY

- The Aerator is essentially maintenance free. However, as with any steel product, it can rust. To prevent or eliminate rust on Tines, apply a light coat of oil.
- For rust appearing on Tray or Mounting Brackets, just sand lightly and coat with enamel.
- Periodically check the Aerating Tines and remove any debris that might build up and restrict their action.
- Apply a drop of lubricating oil at each Tine/ Bearing Assembly before use.
- Always store in a dry area.

 **WARNING!**

- Always disconnect Aerator from Tractor when cleaning or servicing unit.
- Store unit with Tines against wall or floor to avoid accidental contact.
- Shield Tines while Aerator is stored.

**TO ORDER PARTS:**  
**BRINLY HARDY COMPANY**  
 P.O. BOX 18  
 JEFFERSONVILLE, IN.  
 47131-0018  
 (877) 728-8224



**SAT-400 BH  
 PARTS LIST**

Ref. No.	Part No.	Description	Qty.	Ref. No.	Part No.	Description	Qty.
1	R-821-10	Drawbar Clevis	1	15	30M1000P	Hex Nut, 5/16"	11
2	B-5925	Logo Decal	1	16	40M1000P	Lock Washer, 5/16"	11
3	B-5453-10	Tray	1	17	B-5456	5/8" Washer (Thick)	5
4	B-3593-10	Drawbar	1	18	B-3861	Drawbar Pin, 1/2"x2-1/4"	1
5	B-4892-10	End Panel	2	19	B-3922	Caution Decal	1
6	B-5832-10	Axle Assembly	1	20	1M1648P	Hex Bolt, 1/2"x3"	2
7	B-5423-10	Tine	11	21	30M1600P	Hex Nut, 1/2"	4
8	B-4888-10	Handle Assembly	1	22	40M1600P	Lock Washer, 1/2"	2
9	R-891	Wheel	2	23	45M1717P	Flat Washer, 1/2"	4
10	B-4867	Handle Grip	1	24	B-3307-S	Transport Lock Pin	1
11	B-1946	Caution Decal	1	25	2M0820P	Hex Bolt, 1/4"x1-1/4"	1
12	D-146P	Hairpin Cotter	1	26	B-1673P	Hex Lock Nut, 1/4"	1
13	20M1012P	Round Head Screw, 5/16"x3/4"	8	27	B-5425	Spacer/Bearing Half	22
14	20M1016P	Round Head Screw, 5/16"x1"	2	28	B-4768	5/8" Washer (Thin)	2
				29	45M1111P	Flat Washer- 5/16"	6

L-1643-BH