

# shindaiwa®

GB ENGLISH  
FR FRANÇAIS  
DE DEUTSCH  
IT ITALIANO

## OPERATOR'S MANUAL MANUEL D'UTILISATION BEDIENUNGSANLEITUNG MANUALE PER L'OPERATORE

### F226S

#### WARNING



READ THE INSTRUCTIONS CAREFULLY AND FOLLOW THE RULES FOR SAFE OPERATION. FAILURE TO DO SO COULD RESULT IN SERIOUS INJURY.

#### AVERTISSEMENT



LIRE ATTENTIVEMENT LES INSTRUCTIONS ET SUIVRE LES RE-GLES DE SECURITE. LE NON-RESPECT DES REGLES DE SECURITE ENTRAINE UN RISQUE DE BLESSURE GRAVE.

#### WARNUNG



LESEN SIE DIE BEDIENUNGSANLEITUNG SORGFÄLTIG DURCH, UND BEFOLGEN SIE DIE SICHERHEITSREGELN. ANDERNFALLS BESTEHT DAS RISIKO SCHWERER VERLETZUNGEN.

#### AVVERTENZA



LEGGERE E SEGUIRE ATTENTAMENTE LE ISTRUZIONI PER LA-VORARE IN CONDIZIONI DI MASSIMA SICUREZZA. LA MANCA-TA OSSERVANZA DELLE ISTRUZIONI POTREBBE PROVOCARE LESIONI GRAVI.





**shindaiwa**<sup>®</sup>

ENGLISH  
GB (Original instructions)

**OPERATOR'S MANUAL**  
**GRASS-TRIMMER**  
**F226S**

 **WARNING**



**READ THE INSTRUCTIONS CAREFULLY AND FOLLOW THE  
RULES FOR SAFE OPERATION.  
FAILURE TO DO SO COULD RESULT IN SERIOUS INJURY.**



# Contents

---

For safe use of your product.....	3
Description.....	8
Before you start .....	9
Packing list .....	9
Assembly .....	9
Preparing the fuel .....	10
Engine operation.....	12
Starting the engine .....	12
Stopping the engine.....	13
Trimming operation .....	14
Basic trimming operation with nylon line cutting head .....	15
Maintenance and care .....	17
Servicing guidelines.....	17
Maintenance and care .....	17
Storage .....	23
Specifications.....	24
Declaration of conformity .....	25

# For safe use of your product

## Important information

### **WARNING**

**Please ensure that you read the operator's manual before using your product.**

#### **About your operator's manual**

- This manual contains necessary information about the assembly, operation, and maintenance of your product. Please read it carefully and absorb its contents.
- Always keep your manual in a place where it is readily accessible.
- If you have lost your manual or it is damaged and no longer readable, please purchase a new one from your dealer.
- The units used in this manual are SI units (International System of Units). Figures in parentheses are reference values, and there may be a slight conversion error in some cases.  
Failure to do so could lead to an accident or serious injury.

#### **Intended use of this product**

- This product is lightweight, high-performance, petrol engined unit designed for weed control and grass trimming in areas difficult to control by any other means.
- Do not use this unit for any purpose other than aforementioned.
- The content of this manual may be changed without notice for the purpose of upgrades to the product. Some of the illustrations used may differ from the product itself in order to make the explanations clearer.
- Please consult your dealer if anything is unclear or of concern.  
Failure to do so could lead to an accident or serious injury.

#### **Do not modify the product**

- You must not modify the product.  
To do so could lead to an accident or serious injury. Any malfunction resulting from a modification to the product will not be covered by the manufacturer's warranty.

#### **Do not use the product unless it has been checked and maintained**

- You must not use the product unless it has been checked and maintained. Always ensure that the product is checked and maintained on a regular basis.  
Failure to do so could lead to an accident or serious injury.

#### **Loaning or assigning your product**

- When loaning your product to another party, ensure that the person borrowing the product receives the operator's manual along with it.
- If you assign your product to another party, please enclose the operator's manual with the product when handing it over.  
Failure to do so could lead to an accident or serious injury.

#### **Users of the product**

- The product should not be used by:
  - ◆ people who are tired
  - ◆ people who have taken alcohol
  - ◆ people who are on medication
  - ◆ people who are pregnant
  - ◆ people who are in poor physical condition
  - ◆ people who have not read the operator's manual
  - ◆ children
- Keep in mind that the operator or user is responsible for accidents or hazards occurring to other people or their property.  
Failure to observe these instructions could lead to an accident.



# For safe use of your product

## **WARNING**

### **Vibration and cold**

- It is believed that a condition called Raynaud's Phenomenon which affects the fingers of certain individuals may be brought about by exposure to vibration and cold. Exposure to vibration and cold may cause tingling and burning, followed by loss of colour and numbness in the fingers. The following precautions are strongly recommended because the minimum exposure which might trigger the ailment is unknown.
  - ◆ Keep your body warm, especially the head and neck, feet and ankles, and hands and wrists.
  - ◆ Maintain good blood circulation by performing vigorous arm exercises during frequent work breaks, and also by not smoking.
  - ◆ Limit the number of hours of operation. Try to fill each day with jobs where operating the trimmer or other hand-held power equipment is not required.
  - ◆ If you experience discomfort redness and swelling of the fingers, followed by whitening and loss of feeling, consult your physician before exposing yourself further to cold and vibration.

Failure to observe these instructions could result in damage to your health.

### **Repetitive stress injuries**

- It is believed that over-using the muscles and tendons of the fingers, hands, arms and shoulders may cause soreness, swelling, numbness, weakness and extreme pain to the areas just mentioned. Certain repetitive hand activities may put you at a high risk for developing a repetitive stress injury (RSI). To reduce the risk of RSI, do the following:
  - ◆ Avoid using your wrist in a bent, extended or twisted position.
  - ◆ Take periodic breaks to minimize repetition and rest your hands. Reduce the speed and force in which you do the repetitive movement.
  - ◆ Do exercises to strengthen hand and arm muscles.
  - ◆ See a doctor if you feel tingling, numbness or pain in your fingers, hands, wrists or arms. The sooner RSI is diagnosed, the more likely permanent nerve and muscle damage can be prevented.

Failure to observe these instructions could result in damage to your health.

### **Proper training**

- Do not permit operation without proper training and protective equipment.
- Be thoroughly familiar with the controls and proper use of unit.
- Know how to stop the unit and shut off the engine.
- Know how to unhook a harnessed unit quickly.
- Never allow anyone to use the unit without proper instruction.

Failure to observe these instructions could result in damage to your health.

### **Wear proper clothing.**

- Secure hair so it is above shoulder length.
- Do not wear ties, jewellery, or loose, dangling clothing which could be caught in the unit.
- Do not wear open toed footwear, or go bare-foot or barelegged.

Failure to observe these precautions could result in damage to your sight or hearing, or lead to a serious injury.



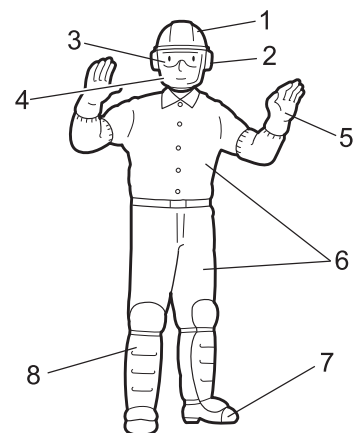
### **Wear protective gear**

- Always wear the following protective gear when working with the trimmer.
  1. Head protection (helmet): Protects the head
  2. Ear muffs or ear plugs: Protect the hearing
  3. Safety goggles: Protect the eyes
  4. Face shield: Protects the face
  5. Safety gloves: Protect the hands from cold and vibration
  6. Work clothes that fit (long sleeves, long trousers): Protect the body
  7. Heavy duty, non-slip protective boots (with toecaps) or non-slip work shoes (with toecaps): Protect the feet
  8. Shin guards: Protect the legs

Failure to observe these precautions could result in damage to your sight or hearing, or lead to a serious injury.

- When necessary, please use the protective gear below.

- ◆ Dust mask: Protects the breathing apparatus
- ◆ Bee net: To deal with attacks by bees



# For safe use of your product

## WARNING

### Environment of use and operation

○ Do not use the product:

- ◆ under poor weather conditions.
- ◆ on steep slopes or in places which give no secure foothold and are thus slippery.
- ◆ at night or in dark places with poor visibility.

○ When using the product on a gentle slope, work in a level, contour-like motion.

A serious injury could result if you fall or slip, or fail to operate the product correctly.

○ For your own health and your safe and comfortable work, operate the machine within the air temperature range of -5 °C to 40 °C.

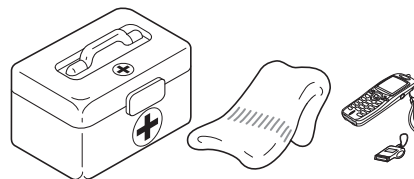
Failure to observe these instructions could result in damage to your health.

### Being prepared in case of an injury

○ In the unlikely event of an accident or injury, please ensure that you are prepared.

- ◆ First aid kit
- ◆ Towels and wipes (to stop any bleeding)
- ◆ Whistle or mobile phone (for calling outside help)

If you are unable to perform first aid or call for outside help, the injury could worsen.



### Put safety first in the case of fire or smoke

○ If fire comes from the engine or smoke appears from any area other than the exhaust vent, first distance yourself from the product to ensure your physical safety.

○ Use a shovel to throw sand or other such material on the fire to prevent it from spreading, or put it out with a fire extinguisher.

A panicked reaction could result in the fire and other damage becoming more extensive.



## Warning notices

### DANGER

This symbol accompanied by the word "**DANGER**" calls attentions to an act or a condition which will lead to serious personal injury or death of operators and bystanders.

### WARNING

This symbol accompanied by the word "**WARNING**" calls attentions to an act or a condition which can lead to serious personal injury or death of operators and bystanders.

### CAUTION

"**CAUTION**" indicates a potentially hazardous situation which, if not avoided, may result in minor or moderate injury.

## Other indicators



Circle and slash symbol means whatever is shown is prohibited.




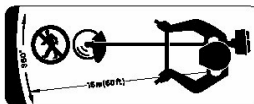
### NOTE

This enclosed message provides tips for use, care and maintenance of the product.






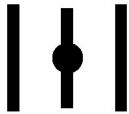

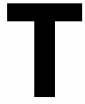








### IMPORTANT

Framed text featuring the word "**IMPORTANT**" contains important information about the use, checking, maintenance and storage of the product described in this manual.

## Symbols

Symbol form/shape	Symbol description/application	Symbol form/shape	Symbol description/application
	Carefully read the operator's manual		The maximum speed of the cutting attachment shaft in r/min
	Wear eyes, ears and head protection		Keep bystanders away 15 m

# For safe use of your product

Symbol form/shape	Symbol description/applica- tion	Symbol form/shape	Symbol description/applica- tion
	Wear foot protection and gloves		Petrol and oil mixture
	Emergency stop		Choke Control "Cold Start" Position (Choke Closed)
	Warning! Thrown objects!		Choke Control "Run" Position (Choke Open)
	Warning, side thrust		Carburettor adjustment - Idle speed
	Usage without shield not permitted		Beware of high-temperature areas
	Usage of metal blades not permitted		Guaranteed sound power level
	Do not use the product in places with poor ventilation		Engine start
	Beware of fire		Beware of electric shocks

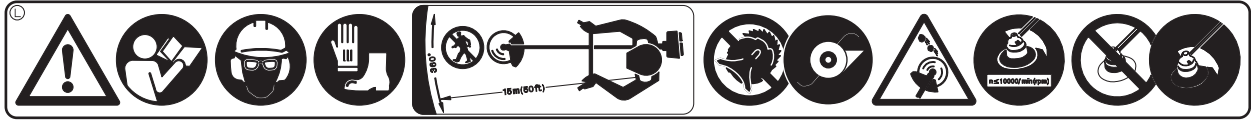


# For safe use of your product

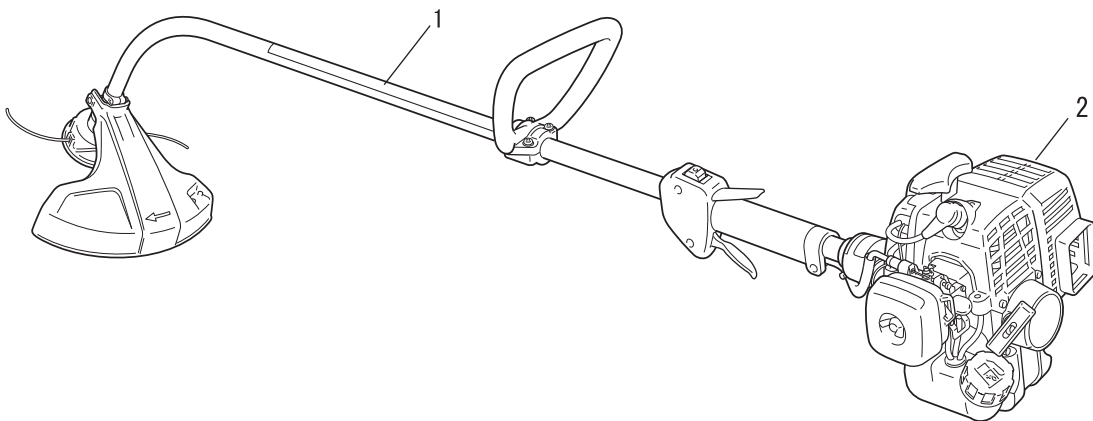
## Safety decal(s)

- The safety decal shown below has been attached to the products described in this manual. Ensure that you understand what the decal means before using your product.
- If the decal becomes unreadable due to wear and tear or damage, or peels off and is lost, please purchase a replacement decal from your dealer and attach it in the location shown in the illustrations below. Ensure that the decal is readable at all times.

### 1. Safety decal (Part number X505-000140)

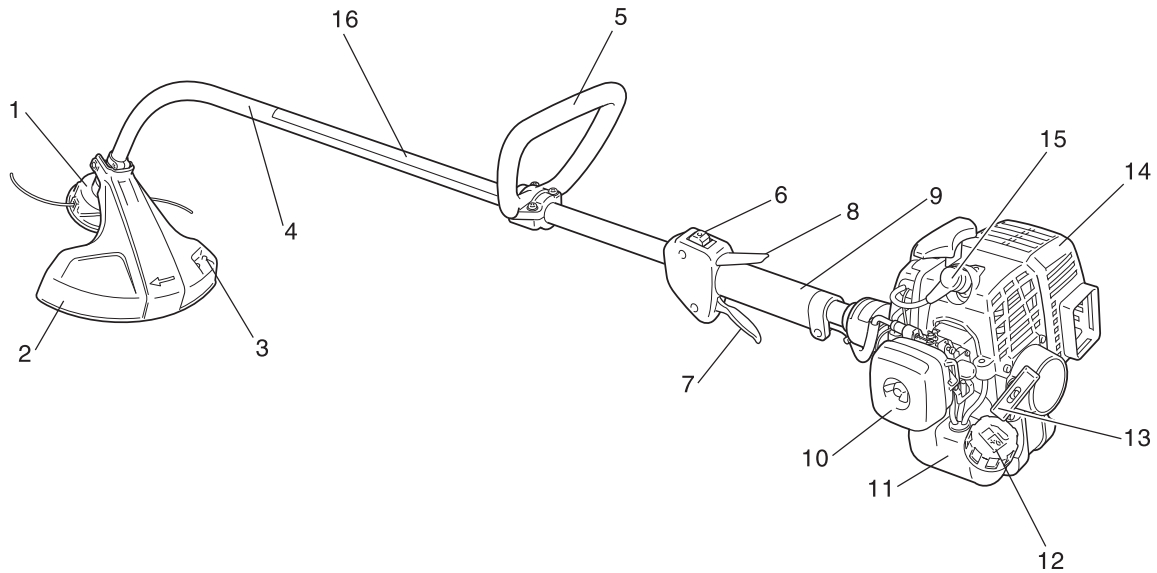


### 2. Safety decal (Part number X505-002310)



# Description

---

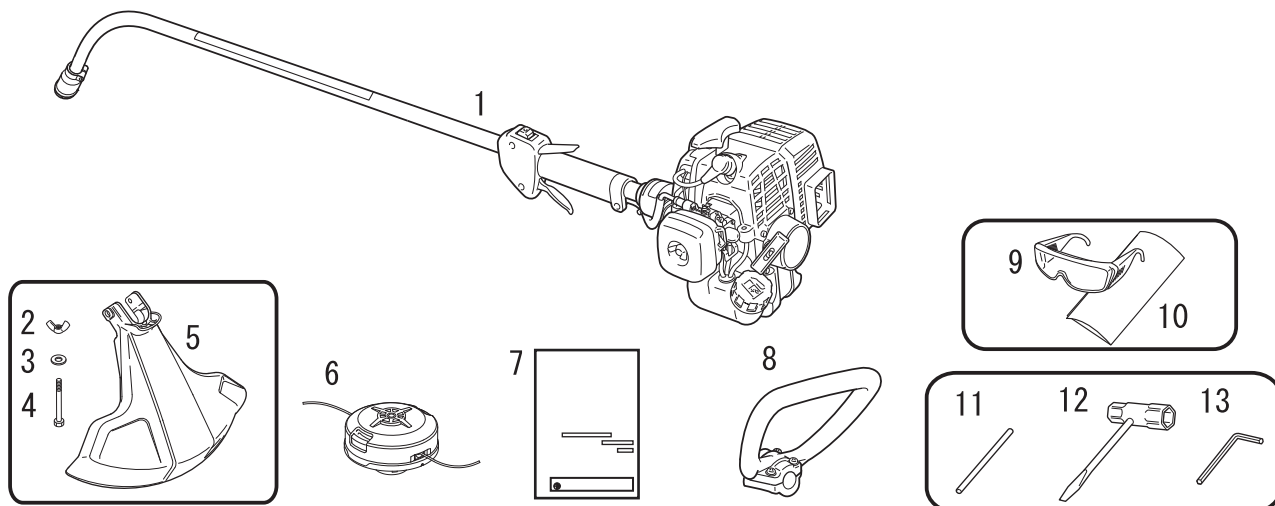


1. **Cutting attachment** Nylon line cutting head for cutting grass and weed.
2. **Shield** Device to protect the operator from accidental contact with the cutting head and thrown objects.
3. **Cut off knife** Cut nylon line to adjust line length to proper swath.
4. **Shaft tube** Part of the unit that provides a casing for power transmission shaft.
5. **Loop-handle** Light weight, suitable for nylon line trimmer.
6. **Ignition switch** "Slide switch" mounted on top of the throttle trigger housing, move switch forward to RUN, backward to STOP position.
7. **Throttle trigger** Activated by the operator's finger for controlling the engine speed.
8. **Throttle trigger lockout** Locks throttle trigger in the idling position until you have a proper grip with your right hand around the handle.
9. **Grip** Rear (right hand) handle.
10. **Air cleaner cover** Covers air filter.
11. **Fuel tank** Contains fuel and fuel filter.
12. **Fuel tank cap** For closing the fuel tank.
13. **Starter handle** Pull handle to start the engine.
14. **Silencer cover** Cover the silencer not to make operator touch to hot surface of silencer.
15. **Spark plug**
16. **Safety decal**

# Before you start

## Packing list

- The following parts are packed separately in the packing box.
- When you have unpacked the box, please check the parts that it contains.
- Contact your dealer if anything is missing or broken.



1. Engine and shaft tube
2. Wing nut
3. Washer
4. Bolt
5. Shield
6. Nylon line cutting head
7. Operator's manual
8. Loop handle
9. Safety goggles (ANSI Z 87.1 compliant)
10. Caution tag
11. Locking tool
12. Socket wrench
13. L-wrench

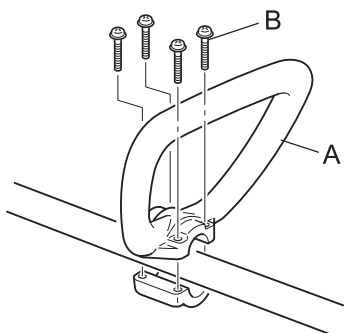
## Assembly

### WARNING

- Read the operator's manual carefully to ensure that you assemble the product correctly. Using a product that has been incorrectly assembled could lead to an accident or serious injury.



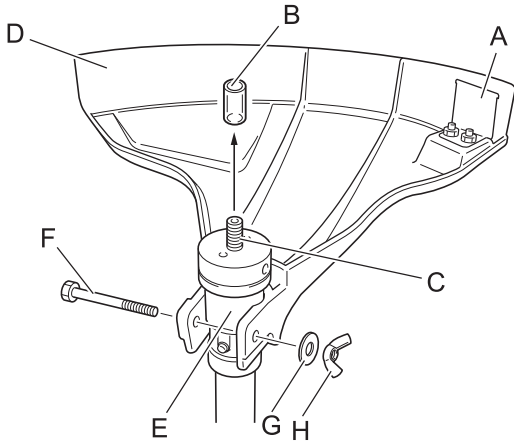
### Loop handle assembly



Position handle (A) in comfortable operating position and tighten screws (M5×35) (B). The cutting attachment should be 5 - 7.5 cm above the ground and as level as possible.

# Before you start

## Installation of shield

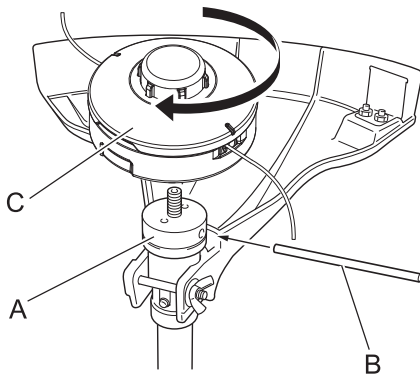


### **WARNING**

- **Cut off Knife (A) on debris shield has sharp edges. Avoid contact when installing or removing line head.**
- ◆ **Failure to do so could lead to an injury or serious accident.**

1. Remove plastic sleeve (B) from output shaft (C).
2. Snap the shield (D) over the bearing housing (E).
3. Install bolt (F), washer (G) and wing nut (H).

## Installing nylon line cutting head



1. Rotate output shaft until holes in fixing plate (A) and in bearing housing are aligned.
2. Insert locking tool (B) through these holes.
3. Install nylon line head (C) to output shaft rotating clockwise.
4. Remove locking tool.

## Preparing the fuel

### **DANGER**

- **Do not fuel up while the engine is hot or in operation.**
- **Do not smoke or hold a flame near when refuelling.**  
If you do so, the fuel could ignite and cause fire, leading to burns.



### **WARNING**

- **Do not fill fuel tanks indoors. Always fill fuel tanks outdoors over bare ground. Do not refuel the product on the loading platform of a truck, or in other such places.**
- **Fuel tanks/cans may be under pressure. Always loosen fuel caps slowly allowing pressure to equalize.**  
Otherwise, fuel may get spewed.
- **Mop up any fuel that overflows or spills out due to overfilling.**  
Fuel spills can cause fire and burns when ignited.
- **After refuelling, always check that there are no leaks or discharges of fuel from the fuel pipe, fuel system grommets, or around the fuel tank cap. If you do find fuel leaks or discharges, stop using the product immediately and contact your dealer to have it repaired.**  
Any fuel leaks could cause fire.
- **Keep the refuelling tank in a shaded area away from fire.**
- **Use an approved fuel container.**

### **IMPORTANT**

- Fuel is a mixture of regular grade petrol and an air-cooled 2-stroke engine oil of reputable brand name. Minimum 89 Octane unleaded petrol is recommended. Do not use fuel containing methyl alcohol or more than 10 % of ethyl alcohol.
- Stored fuel ages. Do not mix more fuel than you expect to use in thirty (30) days.

# Before you start

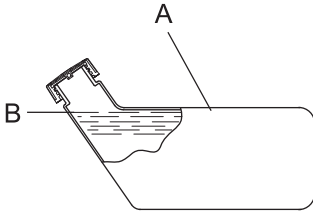
---

## Fuel



- ♦ Recommended mixture ratio; 50 : 1 (**2 %**) for ISO-L-EGD Standard (ISO/CD 13738), JASO FC,FD grade and Shindaiwa One 50 : 1 oil.
- ♦ Do not mix directly in engine fuel tank.

## Fuel supply



- ♦ Do not add so much fuel that it reaches the mouth of the fuel tank (A). Keep the fuel within the prescribed level (up to the shoulder level (B) of the fuel tank).
- ♦ Tighten the fuel tank cap securely after refuelling.

# Engine operation

## Starting the engine

### WARNING

Be particularly careful to observe the following precautions when starting the engine:

- Move at least 3m from the place where you refueled.
- Place the product in a flat, well ventilated place.
- Check that there are no fuel leaks.
- Check that none of the nuts and bolts are loose.
- Leave plenty of space around the product and do not allow people or animals near it.
- Start the engine with the throttle trigger in the idle speed position.
- Hold the product firmly to the ground when starting the engine.

Failure to observe the precautions could cause an accident or injury, or even lead to a fatality.

- Check that there are no abnormal vibrations or sounds once the engine starts. Do not use the product if there are abnormal vibrations or sounds. Contact your dealer to have it repaired.

Accidents involving parts that fall or shatter off can cause wounds or serious injury.

- The exhaust fumes from the engine contain toxic gases. Do not operate the product indoors or in other ill ventilated places.

The exhaust fumes could cause poisoning.



- Do not touch silencer, spark plug, angle transmission, and other high temperature components while the product is running or for some time after it stops.

You could burn yourself if you touch a high temperature component.



- Do not touch spark plug, spark plug wire, and other high voltage components while the product is running.

You could receive an electric shock if you touch a high voltage component while the product is running.



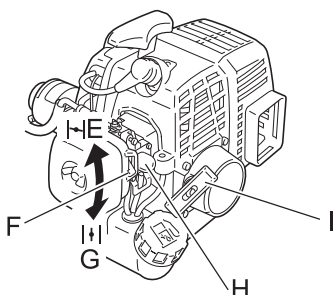
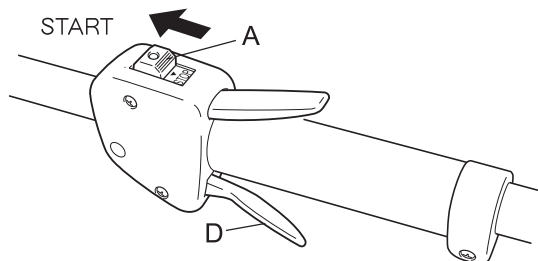
- If the cutting attachment rotates even though the throttle trigger is in the idle speed position when the engine is started, adjust the carburettor before using the product.

Failure to observe the precautions could cause an accident or injury, or even lead to a fatality.

### NOTE

- Pull out the starter grip gently at first, and then more rapidly. Do not pull the starter rope out to more than 2/3 of its length.
- Do not let go of the starter grip as it returns.

## Starting a cold engine



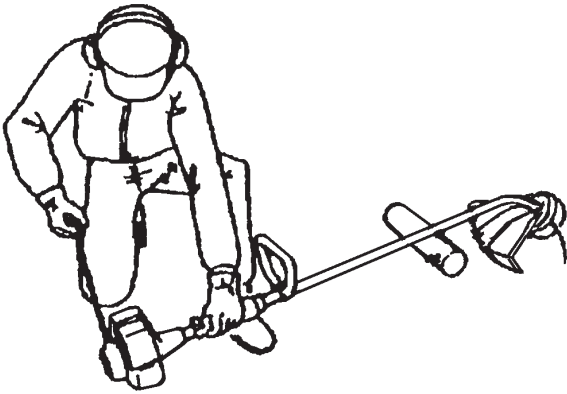
(Connect the spark plug cap if the product has been in storage for a long period of time.)

1. Placing the product on level ground, check to ensure that the cutting attachment does not come into contact with the surface of the ground or any other impediment using a beam or other such implement.
2. Move the ignition switch (A) to the Start position.
3. Make sure that the throttle trigger (D) is at the idle speed position.
4. Move the choke lever (F) to the "Cold Start" (E) position.
5. Alternately press and release the purge bulb (H) until the fuel is sucked up into it.
6. Checking that the area around you is safe, hold the position closest to the engine firmly as shown in the illustration, pulling several times on the starter grip (I).
7. If you hear an explosion-like sound and the engine stops immediately, move the choke lever to the "Run" (G) position and continue pulling on the starter grip to start the engine.
8. If the engine does not stop, return the choke lever gently to

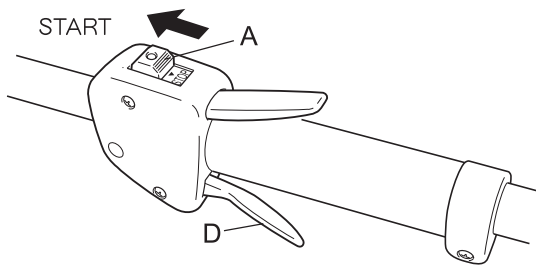
# Engine operation

the "Run" position.

9. Leave the engine to warm up at idle speed for a while.

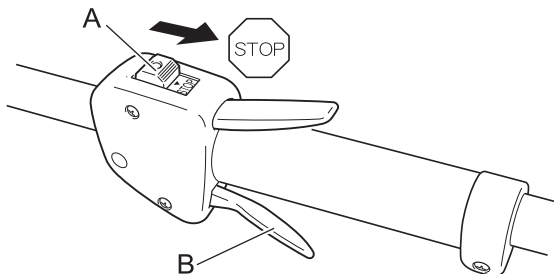


## Starting a warm engine



1. Move the ignition switch (A) to the Start position.
2. Make sure that the throttle trigger (D) is at the idle speed position.
3. Check that the choke lever is in the "Run" position.
4. If no fuel is visible in the purge bulb, alternately press and release the purge bulb until the fuel is sucked up into it.
5. Checking that the area around you is safe, hold the position closest to the engine firmly, and pull on the starter grip to start the engine.

## Stopping the engine



1. Move the throttle trigger (B) to the idle speed position and set the engine to idling (i.e. low speed).
  2. Move the ignition switch (A) to the Stop position.
  3. In the event of an emergency, stop the engine immediately using the ignition switch.
  4. If the engine fails to stop, move the choke lever to the "Cold Start" position. The engine will stall and come to a halt (an emergency stop).
- \* If the engine fails to stop when the ignition switch is used, have the ignition switch checked and repaired by your dealer before you use the product again.
5. Always disconnect the spark plug wire from the spark plug to ensure the engine cannot be started before you work on the unit or leave it unattended.

# Trimming operation

## DANGER

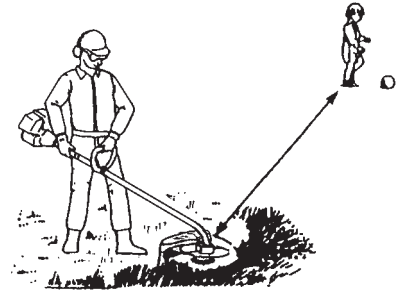
- **Always stop the engine when a cutting attachment jam occurs.**  
Severe injury can occur if a jam is removed and the cutting attachment suddenly starts.

- **Do not operate the product without the shield in place.**  
Any objects that ricochet off the cutting attachment could cause an accident or serious injury.

- **The area within a 15 m radius of the product is a danger zone. Be careful to observe the following precautions while working with the product.**

- ◆ **Do not allow children and other people or pets to enter the danger zone.**
- ◆ **If another person enters the danger zone, turn off the engine to stop the cutting attachment from rotating.**
- ◆ **When approaching the operator, signal to him by, for example, throwing twigs from outside the danger zone, and then check that engine has been switched off and the cutting attachment has stopped turning.**
- ◆ **If more than one person is working with the product, identify the way in which you will signal to each other and work at least 15 m apart.**

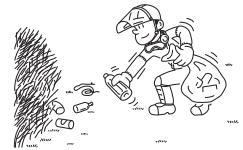
Any objects that ricochet off the cutting attachment, and any contact with the cutting attachment, could cause blindness or a fatal accident.



## WARNING

- **Before starting work, check the area where you will be working and remove any small stones and empty cans likely to ricochet off the cutting attachment, as well as any pieces of string or wire that might become twisted around the cutting attachment.**

An accident or serious injury can occur if foreign objects ricochet off the cutting attachment or wire and other materials twisted round the product spring off it.



- **In the following situations, turn off the engine immediately and ensure that the cutting attachments have stopped before checking each area of the product. Replace any damaged parts.**

- ◆ **If the cutting attachment hits a rock, tree, post, or other such obstruction while you work.**
- ◆ **If the product suddenly starts to vibrate abnormally.**

Continuing to use parts when they are damaged could lead to an accident or serious injury.

- **Do not hold the cutting attachment up while you work. You must not work with the cutting attachments raised above knee level.**

Raising the cutting attachment above knee level brings the plane of rotation closer to the face, and any objects that fly off the cutting attachments could cause an accident or serious injury.

### Transport of the product

- **When transporting in the situations described below, turn off the engine and ensure that the cutting attachment has stopped rotating, then position the silencer away from yourself.**

- ◆ **Moving to the place where you are working.**
- ◆ **Moving to another area while you are working.**
- ◆ **Leaving the place where you have been working.**

Failure to observe these precautions could cause burns or serious injury.

- **When transporting the product by car, empty the fuel tank and secure the product firmly in place to prevent it from moving around.**

Travelling by car with fuel in the fuel tank could lead to a fire.

- **Never attempt to operate the product with one hand.**
- **Ensure that you hook your thumbs around the grips, wrapping them in your thumb and remaining fingers.**





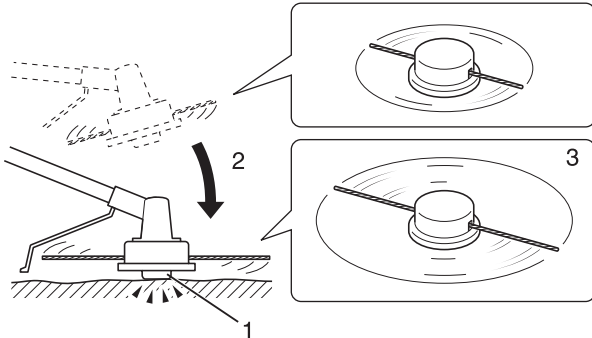
# Trimming operation

## Basic trimming operation with nylon line cutting head

### WARNING

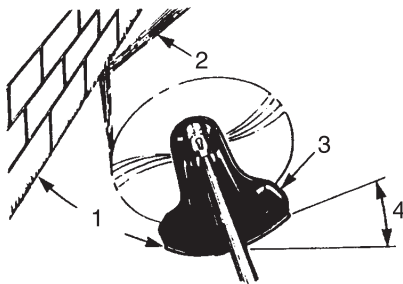
- Serious injury may result from the improper use of cutting attachment. Read and comply with all safety instructions listed in this manual.
- Use only cutting attachments recommended by YAMABIKO CORPORATION.
- Excessive nylon line beyond cut off knife could fly off when the nylon line cutting head starts rotating after adjustment of nylon line length.  
Failure to do so could lead to an accident or serious injury.

### Adjusting nylon line



- ◆ Do not rotate the nylon line cutting head at more than 10000 r/min.
  - ◆ When releasing nylon line from spool, hit tap knob of spool against the ground surface lightly at rotation speed lower than 4500 r/min.
  - ◆ Cut off knife on the shield adjusts cutting swath automatically by cutting nylon lines evenly when attachment starts rotating.
  - ◆ When operating with less than maximum cutting swath, cut two nylon lines in equal lengths.
1. Tap knob
  2. Hit knob against the ground surface lightly
  3. Nylon line comes out

### Trimming



- ◆ This is feeding the trimmer carefully into the material you wish to cut. Tilt the head slightly to direct the debris away from you. If cutting up to a barrier such as a fence, wall or tree, approach from an angle where any debris ricocheting off the barrier will fly away from you.
  - ◆ Move the nylon line cutting head slowly until the grass is cut right up to the barrier, but do not jam (overfeed) the line into the barrier. If trimming up wire mesh or chain link fencing, be careful to feed only up to the wire. If you go too far, the line will snap off around the wire.
  - ◆ Trimming can be done to cut through weed stems one at a time. Place the nylon line cutting head near the bottom of the weed never high up, which could cause the weed to chatter and catch the line. Rather than cut the weed right through, just use the very end of the line to wear through the stem slowly.
1. Angle to wall
  2. Debris
  3. Knife side raised
  4. Angle to ground

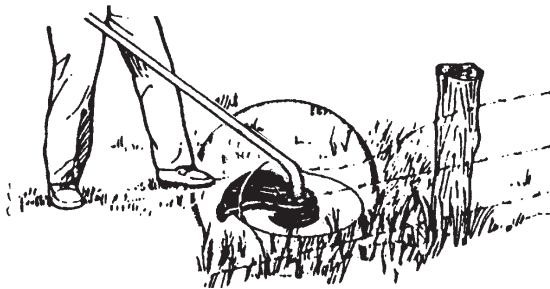
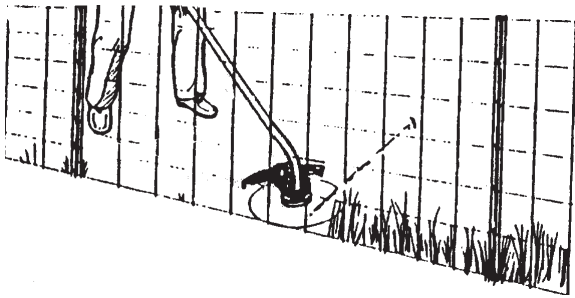
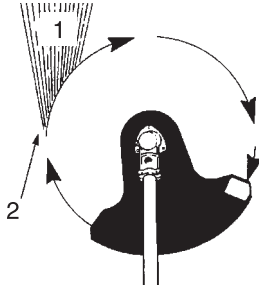
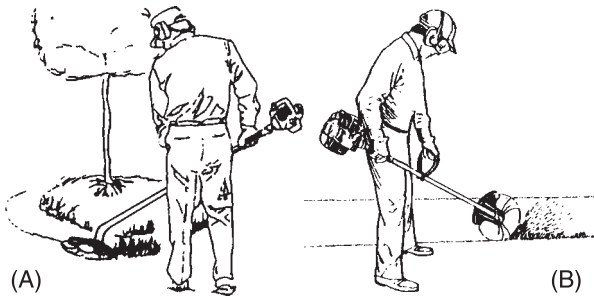
### Scything



- ◆ This is the cutting or mowing of large grassy areas by sweeping or swinging the trimmer in a level arc. Use a smooth, easy motion. Do not try to hack or chop down the grass. Tilt the nylon line cutting head to direct the debris away from you on the scything stroke. Then return without cutting grass for another stroke. If you are well protected and do not care whether some debris is thrown in your direction, you may scythe in both directions.

# Trimming operation

## Scalping and edging



- ♦ Both of these are done with the nylon line cutting head tilted at a steep angle. Scalping (A) is removing top growth, leaving the earth bare. Edging (B) is trimming the grass back where it has spread over a pavement or driveway. During both edging and scalping, hold the unit at a steep angle in a position where the debris, and any dislodged dirt and stone, will not come back towards you even if it ricochets off the hard surface.
- ♦ Although the pictures show how to edge and scalp, every operator must find for himself the angles which suit his body size and cutting situation.

- ♦ For nearly all cutting, it is good to tilt the nylon line cutting head so that contact is made on the part of line circle where the line is moving away from you and the shield (See appropriate picture). This results in the debris being thrown away from you.
- ♦ Tilting the head to the wrong side will shoot the debris toward you. If the nylon line cutting head is held flat to the ground so that cutting occurs on the whole line circle, debris will be thrown at you, drag will slow the engine, and you will use up a lot of line.
- ♦ Nylon line cutting head rotates clockwise. The knife will be on the right side of the shield.

1. Debris
2. Cut on this side

- ♦ Do not push the line into tough weeds, trees, or wire fences.
- ♦ Pushing the line into chicken wire, chain link fencing or thick brush can result in snapped-off line ends being hurled back at the operator. The proper way is to cut right up to a barrier, such as any of those mentioned, but never run the line into or through the obstruction. Do not cut closely to obstruction or barrier.

- ♦ Avoid nylon line contact with broken wire fencing. Pieces of wire broken off by the trimmer can be hurled at high speeds.

# Maintenance and care

## ⚠ WARNING

Observe the following precautions when checking and maintaining your product after use:

- Turn the engine off and do not attempt to check or maintain the product until the engine has cooled.  
You could burn yourself.
- Remove the spark plug cap before performing checks and maintenance.  
An accident could occur if the product starts unexpectedly.

## IMPORTANT

- Checking and maintenance requires specialist knowledge. If you are unable to check and maintain the product or deal with a fault yourself, consult your dealer. Do not attempt to dismantle the product.

### Servicing guidelines

Area	Maintenance	Page	Before use	Monthly
Air filter	Clean/Replace	17	•	
Fuel filter	Inspect/Clean/Replace	18	•	
Spark plug	Inspect/Clean/Adjust/Replace	19		•
Carburettor	Adjust/Replace and adjust	18		•
Cooling system	Inspect/Clean	18	•	
Silencer	Inspect/Tighten	19	•	
Silencer	Clean	19		•**
Drive shaft	Grease	20		•*
Starter	Inspect	-	•	
Cut off knife	Inspect/Clean	-	•	
Fuel system	Inspect	18	•	
Screws, bolts and nuts	Inspect, Tighten/Replace	-	•	

\* Or 50 hours, whichever occurs first. \*\* Or 100 hours, whichever occurs first.

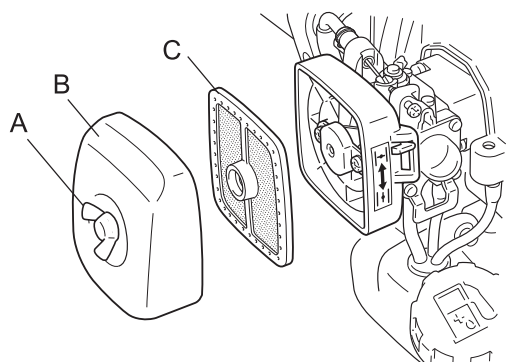
## IMPORTANT

- Time intervals are maximum. Actual use and your experience will determine the frequency of required maintenance.

### Maintenance and care

If you have any questions or problems, please contact your dealer.

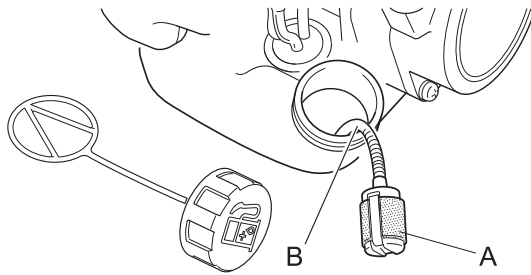
#### Cleaning air filter



- ♦ Close choke. Loosen wing bolt (A) and remove air cleaner cover (B).
- ♦ Remove air filter (C) (air filter is located inside air cleaner cover).
- ♦ Brush dirt from filter or clean with compressed air.
- ♦ Reinstall filter.
- ♦ Reinstall cover and tighten wing bolt.

# Maintenance and care

## Replacing fuel filter



1. Use a piece of metal wire or the like to pick up fuel filter (A) through fuel tank opening.
2. Pull old filter from fuel line (B).
3. Install new fuel filter.

### NOTE

- If filter is excessive dirty or no longer fits properly, replace it.

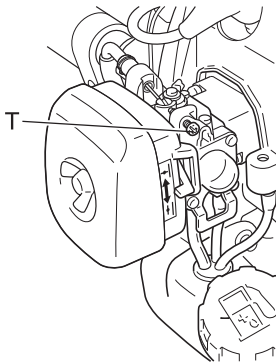
## Carburettor adjustment

### ⚠ WARNING

- When the carburettor is being adjusted, the cutting attachment may move. Be careful not to get injured.

### ⚠ CAUTION

- When starting, idle speed adjustment screw (T) should be adjusted not to rotate the cutting attachment.
- When there is some trouble with the carburettor, contact your dealer.



Every unit is test run at the factory and the carburettor is fine tuned for maximum performance.

Before adjusting carburettor, clean or replace air filter, start engine and run several minutes to bring it to operating temperature.

To adjust the carburettor proceed as follow:

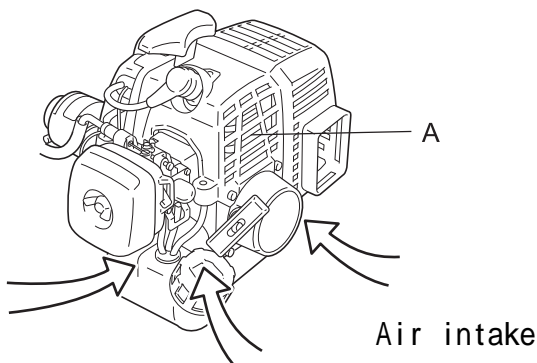
Turn "idle" speed adjustment screw (T) clockwise until cutting attachment begins to turn, then turn screw(T) out anticlockwise until cutting attachment stops turning. Turn screw (T) out, anticlockwise, and additional 1 turn.

## Cooling system maintenance

### IMPORTANT

- To maintain proper engine operating temperature, cooling air must pass freely through the cylinder fin area. This flow of air carries combustion heat away from the engine. Overheating and engine seizure can occur when:
  - ◆ Air intakes are blocked, preventing cooling air from reaching the cylinder,
  - ◆ Dust and grass build up on the outside of the cylinder. This build-up insulates the engine and prevents the heat from leaving.

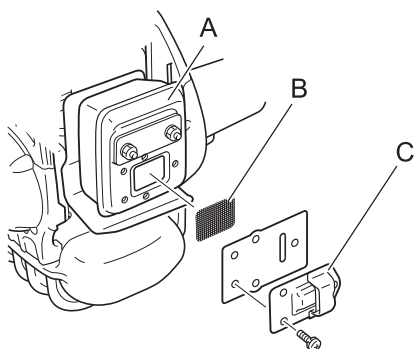
Removal of cooling passage blockages or cleaning of cylinder fins is considered "Normal Maintenance". Any resultant failure attributed to lack of maintenance is not warranted.



- ◆ Remove dust and dirt from between fins (A).
- ◆ Before each use, remove accumulated debris from bottom engine intake grille located between the fuel tank and starter.

# Maintenance and care

## Cleaning silencer

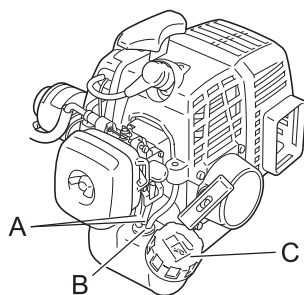


1. Remove the silencer cover.
2. Remove the spark arrester screen cover (C) and the screen (B) from the silencer body.
3. Clean carbon deposits from silencer components (A).
4. Replace the screen if it is cracked, or has holes burned through.
5. Assemble the components in reverse order.

### NOTE

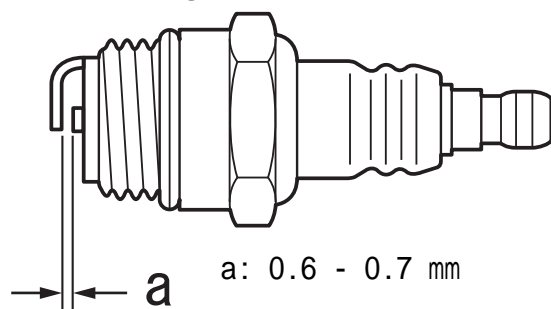
- Carbon deposits in silencer will cause drop in engine output. The spark arrester screen must be checked periodically.

## Check fuel system



- ♦ Check before every use.
- ♦ After refuelling, make sure fuel does not leak or exude from around fuel pipe (A), fuel grommet (B) or fuel tank cap (C).
- ♦ In case of fuel leakage or exudation, there is a danger of fire. Stop using the machine immediately and request your dealer to inspect or replace.

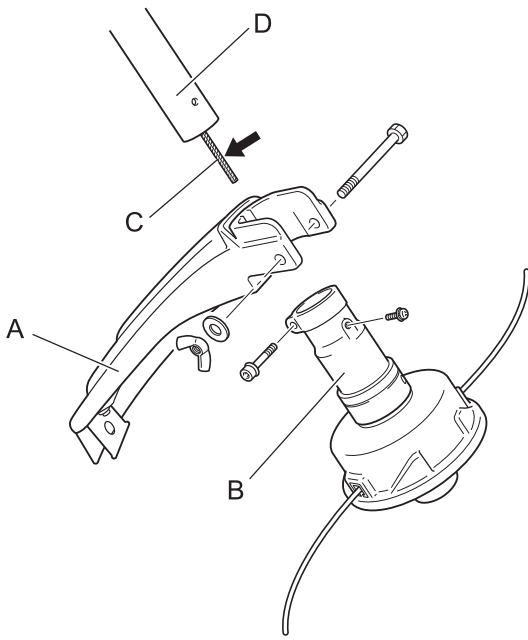
## Check spark plug



1. Check plug gap. Correct gap is 0.6 mm to 0.7 mm.
  2. Inspect electrode for wear.
  3. Inspect insulator for oil or other deposits.
  4. If the electrodes or terminals are worn, or if there are cracks in the ceramics, replace them with new parts.
  5. Tighten to 15 N·m - 17 N·m (150kgf·cm to 170 kgf·cm).
- \* The spark test (for checking whether the spark plug is sparking) must be carried out by your dealer.

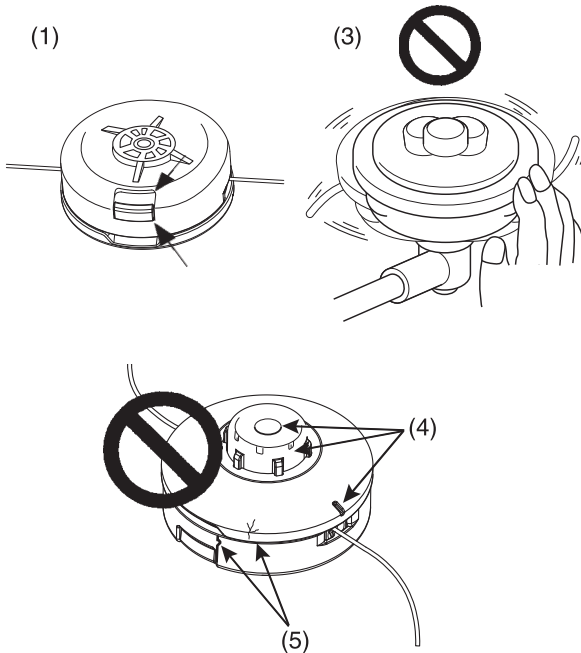
# Maintenance and care

## Lubricating drive shaft



1. Remove shield (A).
2. Loosen bearing housing (B) locating screw, at the top of the housing, remove mounting screw.
3. Pull flexible shaft (C) from the shaft tube (D), wipe clean and recoat with a thin coating 10 to 20 g, of lithium base grease.
4. Slide the flexible shaft back in the shaft tube. DO NOT get dirt on the flexible shaft.
5. Install the bearing housing and shield.

## Checking the nylon line cutting head



1. Make sure each periphery of the 2 retaining pawls of housing spreads almost fully up to the outer periphery of the respective cover window.
2. Check mount of cutting head on trimmer and tighten if it is loose.
3. Check the cutter head for deflection or abnormal noise rotating it by hand. Deflection or abnormal noise can cause abnormal vibration to occur or mount to trimmer to loosen during rotation which is dangerous.
4. Inspect cover and tap knob for wear. When slot appears on bottom of the tap knob or when slot appears on cover bottom close to outlet for nylon line, replace them with new parts without fail.
5. Check the cutting head for crack or chip. Replace parts that show any crack or chip with new ones without fail.

## Replacing nylon line

### DANGER

- Shut down trimmer engine without fail and make sure nylon line cutting head has stopped rotating before starting replacement procedure.

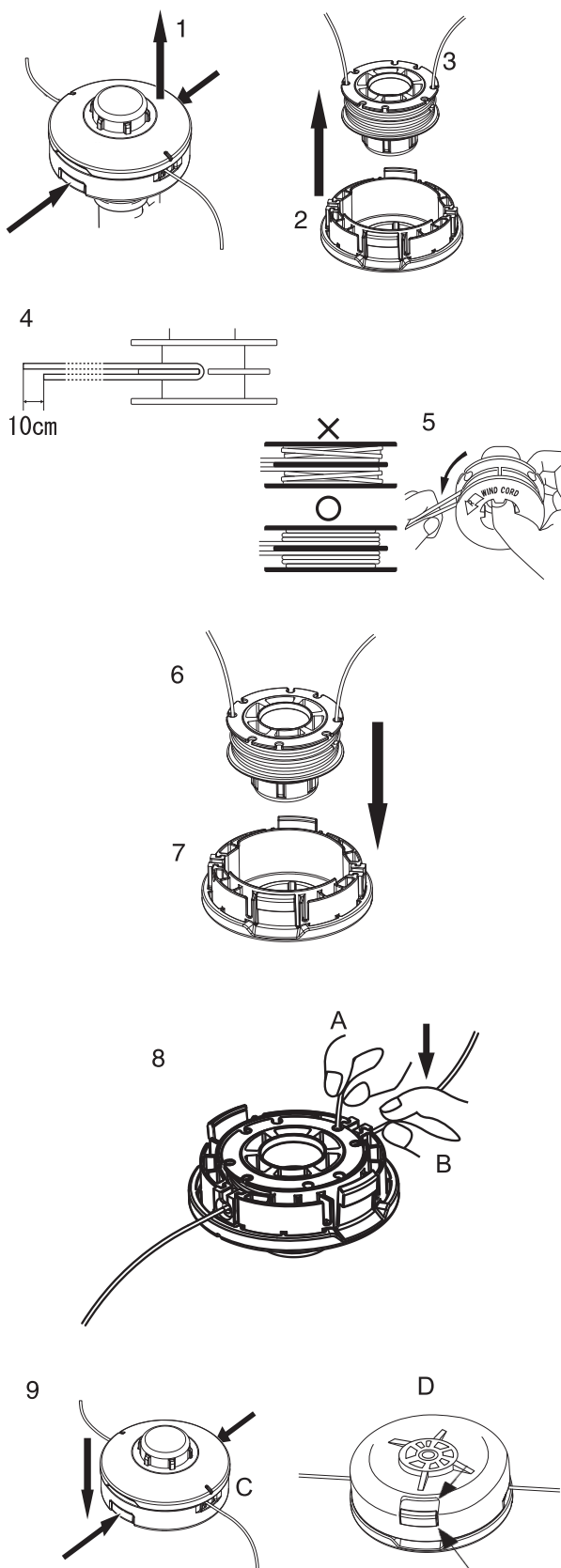
To do so could lead to an accident or serious injury.

### WARNING

- Use only flexible, non-metallic line recommended by YAMABIKO CORPORATION.

Failure to do so could lead to an accident or serious injury.

# Maintenance and care



1. Press "retaining pawls" (at two places) inward and remove cover. It is easier to remove one after another.
2. Remove spool.
3. When nylon line on the spool is almost exhausted, remove remaining line from spool and wind "new line" according to the procedures (4) and beyond. When the line on the spool is "melted and stuck" remove the entire line while peeling off the "melted and stuck" portion and wind the "removed line" anew according to procedures (4) and beyond.
4. Bend the line at the point 10 cm away from the middle of whole length and hook the bent portion into the "notch" of the intermediate separator.
5. Wind the line firmly into groove of the spool following "winding direction for the line R".
6. When the line is wound to the end hook both line ends into respective notch of spool for retaining tentatively the line while leaving line ends approximately 10 cm beyond notch.
7. Align notches of spool for the line with grooves of eyelets and fit spool into housing.
8. Pull out the line from housing. (A) Remove the line from "respective notch of spool", and (B) pass it through "groove of respective eyelet".
9. Fit cover and housing together. (C) Align "eyelets" of cover with "recesses" of housing, and (D) press pawls of housing into respective window of cover until the pawls are firmly fitted into the windows.

## **⚠ DANGER**

- **Make sure each outer periphery of pawls of housing spreads almost fully up to the outer periphery of respective window of cover.**  
If they are loosely fitted and the cutting head is turned, cover or inside components can fly off which is dangerous.

# Maintenance and care

## Troubleshooting table

<b>IMPORTANT</b>			
○ For spare parts and consumables, please use only genuine parts and designated products and components. Using parts from other manufacturers or non-designated components may result in a malfunction.			
<b>Problem</b>	<b>Diagnosis</b>	<b>Cause</b>	<b>Solution</b>
The engine does not start		<ol style="list-style-type: none"> <li>1. There is no fuel in the fuel tank</li> <li>2. The stop switch is in the Stop position</li> <li>3. Excess fuel suction</li> <li>4. Electrical fault</li> <li>5. Carburettor malfunction or internal sticking</li> <li>6. Internal engine malfunction</li> </ol>	<ol style="list-style-type: none"> <li>1. Fuel supply</li> <li>2. Move to the Start position</li> <li>3. Start the engine after servicing</li> <li>4. Consult your dealer</li> <li>5. Consult your dealer</li> <li>6. Consult your dealer</li> </ol>
Engine is difficult to start, fluctuating rotation	Fuel is entering the overflow pipe	<ol style="list-style-type: none"> <li>1. Fuel degradation</li> <li>2. Carburettor problem</li> </ol>	<ol style="list-style-type: none"> <li>1. Replace with new fuel</li> <li>2. Consult your dealer</li> </ol>
	No fuel is entering the overflow pipe	<ol style="list-style-type: none"> <li>1. Fuel filter is clogged</li> <li>2. Fuel system is clogged</li> <li>3. Internal carburettor parts sticking</li> </ol>	<ol style="list-style-type: none"> <li>1. Clean or replace</li> <li>2. Consult your dealer</li> <li>3. Consult your dealer</li> </ol>
	The spark plug is dirty or damp	<ol style="list-style-type: none"> <li>1. Fuel degradation</li> <li>2. Incorrect electrode gap</li> <li>3. Carbon deposits</li> <li>4. Electrical fault</li> </ol>	<ol style="list-style-type: none"> <li>1. Replace</li> <li>2. Replace</li> <li>3. Replace</li> <li>4. Consult your dealer</li> </ol>
Engine starts but no acceleration is possible		<ol style="list-style-type: none"> <li>1. Dirty air filter</li> <li>2. Dirty fuel filter</li> <li>3. Blocked fuel passage</li> <li>4. Carburettor adjustment problem</li> <li>5. Blocked exhaust vent or silencer vent</li> </ol>	<ol style="list-style-type: none"> <li>1. Clean or replace</li> <li>2. Clean or replace</li> <li>3. Consult your dealer</li> <li>4. Adjust</li> <li>5. Clean</li> </ol>
The engine stops		<ol style="list-style-type: none"> <li>1. Carburettor adjustment problem</li> <li>2. Electrical fault</li> </ol>	<ol style="list-style-type: none"> <li>1. Adjust</li> <li>2. Consult your dealer</li> </ol>
The engine fails to stop		<ol style="list-style-type: none"> <li>1. Stop switch malfunction</li> </ol>	<ol style="list-style-type: none"> <li>1. Perform an emergency stop and consult your dealer</li> </ol>
Cutting attachment rotates when the engine is idling		<ol style="list-style-type: none"> <li>1. Carburettor adjustment problem</li> <li>2. Damaged clutch spring</li> </ol>	<ol style="list-style-type: none"> <li>1. Adjust</li> <li>2. Consult your dealer</li> </ol>

- ♦ Consult your dealer in the event of a problem that is not covered in the table above, or other such concerns.
- ♦ Please contact your dealer in order to dispose of the product or its parts in compliance with national laws.

### Manufacturer:

**YAMABIKO CORPORATION**

7-2 SUEHIROCHO 1-CHOME, OHME, TOKYO 198-8760, JAPAN

### Authorized Representative in Europe:

**Atlantic Bridge Limited**

Atlantic House, PO Box 4800, Earley, Reading RG5 4GB, United Kingdom



# Maintenance and care

## Storage

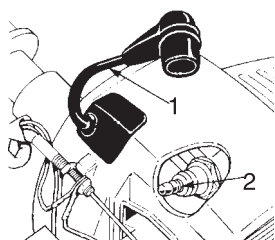
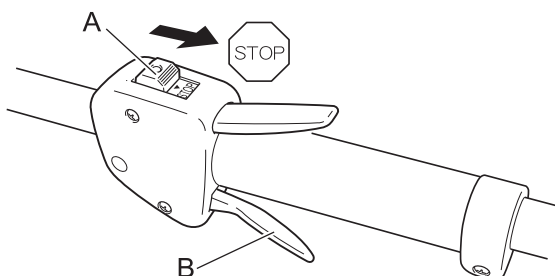
### Long-term storage (30 days or more)

#### **WARNING**

- **Do not store in sealed locations filled with fuel gas, or close to naked flames or sparks.**  
You could cause a fire.



When storing the product for long periods of time (30 days or more), ensure that the following preparations for storage are carried out.



1. Remove any fuel from the fuel tank.
2. Alternately press and release the purge bulb a number of times to remove the fuel from the purge bulb.
3. Start the engine and run it at idle speed until it comes to a natural stop.
4. Move the ignition switch (A) to the Stop position.
5. Once the product is sufficiently cool, wipe clean any grease, oil, dust, dirt and other materials on the outside of the trimmer.
6. Perform the periodic checks prescribed in this manual.
7. Check that the screws and nuts are tightened. Tighten up any that are loose.
8. Remove the spark plug (B) and add the appropriate quantity (around 10 mL) of clean, new 2-stroke engine oil to the cylinder via the installation socket.
9. Place a piece of clean cloth over the spark plug installation socket.
10. Pull 2 or 3 times on the starter grip to distribute the engine oil into the cylinder.
11. Observe the piston location through the spark plug hole. Pull the recoil starter handle slowly until the piston reaches the top of its travel and leave it there.
12. Fit the spark plug. (Do not connect the spark plug cap (C).)
13. Wrap the engine section in a plastic bag or other covering, and store in a dry, dust-free location out of reach of children.

# Specifications

		F226S
<b>External dimensions:</b> Length × Width × Height	mm	1460 × 320 × 575
<b>Mass:</b> Unit without cutting attachment and shield (ISO 11806) Unit with fuel, specified cutting attachment, shield and harness	kg kg	4.3 5.1
<b>Volume:</b> Fuel tank	L	0.4
<b>Cutting attachment:</b> Nylon line cutting head Line diameter Line length Thread	mm m	G137 3.0 2 × 1 line Right-handed thread 3/8×24UNF
<b>Gear ratio:</b> Gear ratio and lubrication		1 good quality lithium grease
<b>Rotational direction of output shaft seen from above:</b>		clockwise
<b>Engine:</b> Type Engine displacement Maximum shaft brake power, measured in accordance with ISO 8893 Engine speed at maximum engine power Recommended engine idling speed Recommended maximum engine speed (With STD attachment installed) Carburettor Ignition Spark plug Starter Clutch	mL (cm <sup>3</sup> ) kW r/min r/min r/min	Air cooled 2-stroke single cylinder 21.2 0.71 8000 3000 7200  Diaphragm type Flywheel magneto - CDI system NGK BPMR8Y Recoil starter Automatic centrifugal clutch
<b>Fuel:</b>  Oil  Ratio Fuel consumption at maximum engine power Specific fuel consumption at maximum engine power	L/h g/(kW•h)	Regular grade petrol. Minimum 89 Octane unleaded petrol is recommended. Do not use fuel containing methyl alcohol or more than 10 % of ethyl alcohol. Two stroke, air-cooled engine oil. ISO-L-EGD Standard (ISO/CD 13738), JASO FC,FD grade and Shindaiwa One 50 : 1 oil. 50 : 1 (2%) 0.45 469
<b>Sound pressure level:</b> (ISO 22868) L <sub>pAeq</sub>	dB(A)	91.9
<b>Guaranteed sound power level:</b> (ISO 22868) L <sub>WA</sub>	dB(A)	108
<b>Vibration levels:</b> (ISO 22867)a <sub>hv,eq</sub>	m/s <sup>2</sup> m/s <sup>2</sup>	Front handle 4.9 Rear handle 5.4

These specifications are subject to change without notice.

# Declaration of conformity

---

The undersigned manufacturer:

YAMABIKO CORPORATION  
7-2 SUEHIROCHO 1-CHOME  
OHME; TOKYO 198-8760  
JAPAN

declares that the hereunder specified new unit:

**GRASS-TRIMMER**

**Brand: shindaiwa**  
**Type: F226S**

assembled by:

ECHO MACHINERY (SHENZHEN) CO., LTD  
53 Block, Baotian Industrial Area, Bao-an District, Shenzhen City, Guang  
Dong, China

complies with:

- \* the requirements of Directive **2006/42/EC**
- \* the requirements of Directive **2004/108/EC** (use of harmonized standard **EN ISO 14982**)
- \* the requirements of Directive **2010/26/EU**
- \* the requirements of Directive **2000/14/EC**

Conformity assessment procedure followed **ANNEX V**

Measured sound power level :105 dB(A)

Guaranteed sound power level :108 dB(A)

Serial Number 37001001 and up

Tokyo, April 1st 2012

**YAMABIKO CORPORATION**



**K. OYURI**  
**General Manager**

**The authorized representative in Europe who is authorized to compile the technical file.**

Company: Atlantic Bridge Limited  
Address: Atlantic House, PO Box 4800, Earley, Reading  
RG5 4GB, UK

**Mr. Philip Wicks**

# MEMORANDUM

# MEMORANDUM

**YAMABIKO CORPORATION**

7-2 SUEHIROCHO 1-CHOME, OHME, TOKYO 198-8760, JAPAN

PHONE: 81-428-32-6118. FAX: 81-428-32-6145.

**shindaiwa<sup>®</sup>**



X772-000830

X772227-5700

**shindaiwa**<sup>®</sup>

FRANÇAIS  
FR (Notice originale)

# MANUEL D'UTILISATION

## COUPE-HERBE

### F226S

 **AVERTISSEMENT**



**LIRE ATTENTIVEMENT LES INSTRUCTIONS ET SUIVRE LES RÈGLES DE SÉCURITÉ.  
LE NON-RESPECT DES RÈGLES DE SÉCURITÉ ENTRAÎNE UN RISQUE DE BLESSURE GRAVE.**



# Table des matieres

---

Pour utiliser l'appareil en toute sécurité .....	3
Description .....	8
Avant de commencer .....	9
Contenu de l'emballage .....	9
Assemblage .....	9
Préparation du carburant .....	10
Fonctionnement du moteur .....	12
Démarrage du moteur .....	12
Arrêt du moteur .....	13
Utilisation de l'appareil .....	14
Utilisation de base de l'appareil avec tête de coupe à fil nylon .....	15
Entretien .....	17
Instructions d'entretien de l'appareil .....	17
Entretien .....	17
Remisage .....	24
Caractéristiques .....	25
Déclaration de conformité .....	26



# Pour utiliser l'appareil en toute sécurité

## Information importante

### **⚠ AVERTISSEMENT**

**Lire attentivement le manuel d'utilisation avant d'utiliser l'appareil pour la première fois.**

#### **A propos du manuel d'utilisation**

- Ce manuel contient les informations nécessaires au montage, à l'utilisation et à l'entretien de l'appareil. L'utilisateur doit donc le lire attentivement et intégrer les informations qu'il contient.
- Toujours conserver le manuel à portée de main.
- En cas de perte du manuel ou si ce dernier a été détérioré et n'est plus lisible, s'adresser à un revendeur pour en obtenir un nouveau.
- Les unités utilisées dans ce manuel sont les unités SI (Système international d'unités). Les chiffres indiqués entre parenthèses sont des valeurs de référence. De légères erreurs de conversion peuvent survenir dans certains cas. Le non-respect de cette règle de sécurité entraîne un risque d'accident ou de blessure grave.

#### **Utilisation de l'appareil**

- Ces machines sont légères sont des machines légères, très performantes, équipées d'un moteur à essence et conçues pour désherber et tondre dans des endroits inaccessibles par d'autres moyens.
- Ne pas utiliser cet appareil pour d'autres applications que celles mentionnées ci-dessus.
- YAMABIKO se réserve le droit de modifier sans préavis le contenu de ce manuel en fonction des améliorations apportées au produit. Il se peut que certains des schémas de ce manuel soient différents de l'appareil. Ces différences ont pour objectif de rendre les explications plus claires.
- En cas de doute, consulter un revendeur.  
Le non-respect de cette règle de sécurité entraîne un risque d'accident ou de blessure grave.

#### **Ne pas modifier l'appareil**

- Aucune modification ne doit être apportée à l'appareil.  
Le non-respect de cette règle de sécurité entraîne un risque d'accident ou de blessure grave. Tout dysfonctionnement dû à une modification de l'appareil n'est pas couvert par la garantie du fabricant.

#### **Ne pas utiliser l'appareil avant d'avoir effectué les opérations de vérification et d'entretien nécessaires**

- Il ne faut pas utiliser l'appareil avant d'avoir effectué les opérations de vérification et d'entretien nécessaires. Veiller à ce que l'appareil soit vérifié et entretenu régulièrement.  
Le non-respect de cette règle de sécurité entraîne un risque d'accident ou de blessure grave.

#### **Prêt ou cession de l'appareil à un tiers**

- Si l'appareil est prêté à un tiers, veiller à lui confier également le manuel d'utilisation fourni avec l'appareil.
- Si l'appareil est cédé à un tiers, transmettre le manuel d'utilisation fourni avec l'appareil lors de la vente.  
Le non-respect de cette règle de sécurité entraîne un risque d'accident ou de blessure grave.

#### **Utilisateurs de l'appareil**

- L'appareil ne doit pas être utilisé si :
  - ◆ l'utilisateur est fatigué
  - ◆ l'utilisateur a consommé de l'alcool
  - ◆ l'utilisateur prend des médicaments
  - ◆ la personne qui souhaite utiliser l'appareil est enceinte
  - ◆ l'utilisateur est en mauvaise condition physique
  - ◆ l'utilisateur n'a pas lu le manuel d'utilisation
  - ◆ la personne qui souhaite utiliser l'appareil est un enfant
- L'utilisateur est tenu pour responsable en cas d'accidents ou de risques pouvant entraîner des blessures corporelles ou des dommages matériels.  
Le non-respect de ces règles de sécurité entraîne un risque d'accident.



# Pour utiliser l'appareil en toute sécurité

## AVERTISSEMENT

### Exposition aux vibrations et au froid

- Les personnes exposées aux vibrations et au froid peuvent être victimes du phénomène de Raynaud, une affection qui touche les doigts. L'exposition à des vibrations et au froid peut provoquer une sensation de picotement et de brûlure, suivie d'une cyanose et d'un engourdissement des doigts. Il est vivement recommandé de respecter les mesures de précaution suivantes car le seuil d'exposition minimum pouvant provoquer l'apparition de ce phénomène reste inconnu à ce jour.
    - ◆ Limiter la perte de chaleur corporelle, en protégeant en priorité la tête, le cou, les pieds, les chevilles, les mains et les poignets.
    - ◆ Stimuler la circulation sanguine en interrompant le travail régulièrement pour remuer énergiquement les bras, et éviter de fumer.
    - ◆ Limiter le nombre d'heures d'utilisation. Essayer d'intégrer à l'emploi du temps de la journée des tâches ne nécessitant pas l'utilisation de l'appareil ou d'une autre machine portative.
    - ◆ En cas d'inconfort, de rougeur et de gonflement au niveau des doigts, suivis d'un blanchiment et d'une perte de sensibilité, consulter un médecin avant de s'exposer à nouveau au froid et aux vibrations.
- Le non-respect de ces instructions peut être dangereux pour la santé.

### Lésions attribuables au travail répétitif

- Il apparaît que la sollicitation excessive des muscles et des tendons des doigts, des mains, des bras et des épaules peut provoquer une irritation, un gonflement, un engourdissement, une faiblesse et de fortes douleurs au niveau des membres mentionnés ci-dessus. L'apparition de lésions attribuables au travail répétitif (LATR) est très fréquente chez les personnes pratiquant certaines activités manuelles répétitives. Pour réduire le risque d'apparition de LATR, respecter les mesures de précaution suivantes :
    - ◆ Eviter de plier, d'étirer ou de tordre le poignet pendant le travail.
    - ◆ Faire des pauses régulières pour réduire l'effet répétitif et pour reposer ses mains. Effectuer le mouvement répétitif plus lentement et en faisant moins d'effort.
    - ◆ Faire des exercices de musculation des mains et des bras.
    - ◆ En cas de picotements, d'engourdissement ou de douleur dans les doigts, les mains, les poignets ou les bras, consulter un médecin. Plus les LATR sont diagnostiquées précocement, plus les chances d'empêcher les lésions nerveuses et musculaires irréversibles sont grandes.
- Le non-respect de ces instructions peut être dangereux pour la santé.

### Une formation adaptée

- Toute personne devant utiliser cet appareil doit obligatoirement avoir reçu une formation et un équipement de protection adaptés.
  - Vous devez avoir une connaissance parfaite des commandes et du fonctionnement de l'appareil.
  - Vous devez savoir comment arrêter l'appareil et couper le moteur.
  - Vous devez savoir comment décrocher la machine du harnais en urgence.
  - Ne laisser personne utiliser l'appareil sans avoir préalablement reçu une formation adaptée.
- Le non-respect de ces instructions peut être dangereux pour la santé.

### Port de vêtements adaptés.

- Attacher les cheveux longs au-dessus du niveau de l'épaule.
  - Ne pas porter de cravates, bijoux ou vêtements amples qui pourraient se prendre dans l'appareil.
  - Ne pas porter de chaussures ouvertes, ne pas travailler pieds nus ou jambes nues.
- Le non-respect de ces mesures de précaution peut entraîner une dégradation de la vue ou de l'ouïe de l'utilisateur, ainsi qu'un risque de blessure grave.



# Pour utiliser l'appareil en toute sécurité

## AVERTISSEMENT

### Port d'un équipement de protection

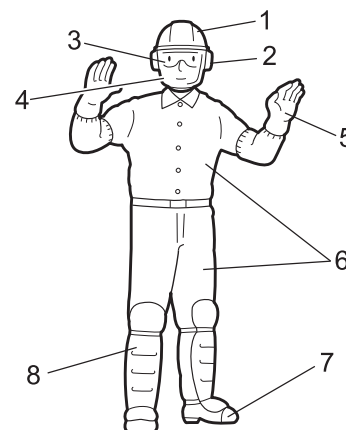
○ Toujours porter l'équipement de protection suivant pour utiliser un coupe-herbe.

1. Protection de la tête (casque) : protège la tête
2. Casque de protection anti-bruit ou protecteurs d'oreilles : protègent l'ouïe
3. Lunettes de sécurité : protègent les yeux
4. Protection du visage : protège le visage
5. Gants de sécurité : protègent les mains contre le froid et les vibrations
6. Vêtements de travail adaptés (manches longues, pantalons longs) : protègent le corps
7. Bottes résistantes avec semelles anti-dérapantes (à bouts renforcés) ou chaussures de travail avec semelles anti-dérapantes (à bouts renforcés) : protègent les pieds
8. Protège-tibias : protègent les jambes

Le non-respect de ces mesures de précaution peut entraîner une dégradation de la vue ou de l'ouïe de l'utilisateur, ainsi qu'un risque de blessure grave.

○ Si nécessaire, utiliser les équipements de protection ci-dessous.

- ◆ Masque anti-poussière : protège les voies respiratoires
- ◆ Voilette de protection : protège contre les piqûres d'abeilles



### Environnement d'utilisation et fonctionnement de l'appareil

○ Ne pas utiliser l'appareil :

- ◆ en cas de mauvaises conditions météo.
- ◆ sur des pentes raides ou sur des surfaces instables et glissantes.
- ◆ la nuit ou dans des endroits sombres mal éclairés.

○ Lorsque vous utilisez l'appareil sur un terrain en pente douce, employez un mouvement régulier et gardez la tête de coupe parallèle au sol.

Toute chute, dérapage ou utilisation incorrecte de l'appareil entraîne un risque de blessure grave pour l'utilisateur.

○ Afin de préserver votre santé et de travailler dans des conditions de sécurité et de confort optimales, utiliser l'appareil uniquement par des températures comprises entre -5 °C et 40 °C.

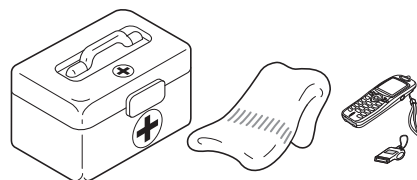
Le non-respect de ces instructions peut être dangereux pour la santé.

### Savoir réagir en cas de blessure

○ Même si les cas de blessure ou d'accident restent exceptionnels, l'utilisateur doit savoir réagir à ces situations.

- ◆ Kit de premiers secours
- ◆ Serviettes et lingettes (pour arrêter les saignements)
- ◆ Sifflet ou téléphone portable (pour appeler de l'aide)

Si l'utilisateur n'est pas capable de prodiguer les premiers soins ou d'appeler à l'aide, la blessure peut s'aggraver.



### Le bon réflexe en cas d'incendie ou de fumée

○ Si le moteur prend feu ou si de la fumée s'échappe de l'appareil à un autre endroit que la sortie d'échappement, la première chose à faire est de s'éloigner de l'appareil pour éviter tout risque de blessure.

○ A l'aide d'une pelle, jeter du sable ou un autre matériau équivalent sur les flammes pour éviter que l'incendie ne se propage, ou éteindre les flammes avec un extincteur.

Ne pas céder à la panique permet d'éviter que l'incendie ne se propage et donc de limiter l'étendue des dégâts.



## Étiquettes et symboles d'avertissement

### DANGER

Ce symbole associé au mot « DANGER » signale une action ou une situation présentant un risque de blessure corporelle grave ou d'accident mortel pour l'utilisateur et les personnes à proximité.

### AVERTISSEMENT


Ce symbole associé au mot « AVERTISSEMENT » signale une action ou une situation présentant un risque de blessure corporelle grave ou d'accident mortel pour l'utilisateur et les personnes à proximité.

### ATTENTION

« ATTENTION » signale une situation potentiellement dangereuse qui, si elle n'est pas évitée, peut entraîner une blessure légère à modérée.

# Pour utiliser l'appareil en toute sécurité




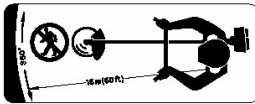














## Autres indications

	Le cercle barré indique une interdiction.
---	---



<b>REMARQUE</b>
Ce type de message fournit des conseils relatifs à l'utilisation et à l'entretien de l'appareil.

<b>IMPORTANT</b>
Le texte dans l'encadré où figure le mot « <b>IMPORTANT</b> » donne des informations importantes concernant l'utilisation, la vérification, l'entretien et le remisage de l'appareil décrit dans ce manuel.

## Symboles

Forme des symboles	Description/application des symboles	Forme des symboles	Description/application des symboles
	Lire attentivement le manuel d'utilisation		Vitesse maximale de l'arbre de l'outil de coupe en tr/min
	Port obligatoire de protections pour les yeux, les oreilles et la tête		Ne laisser personne s'approcher à moins de 15 mètres
	Port obligatoire de chaussures et de gants de protection		Mélange d'essence et d'huile
	Arrêt d'urgence		Commande de starter en position « Démarrage à froid » (starter fermé)
	Avertissement ! Projections !		Commande de starter en position « Marche » (starter ouvert)
	Attention, poussée latérale		Réglage du carburateur - Régime de ralenti
	Ne pas utiliser sans protecteur d'outil		Attention aux températures élevées
	Interdiction d'utiliser des lames métalliques		Niveau de puissance sonore garanti
	Ne pas utiliser l'appareil dans des endroits mal aérés		Démarrage du moteur

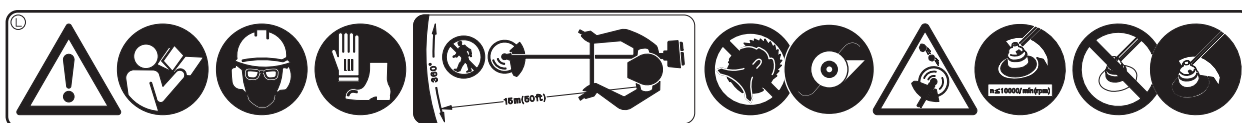
# Pour utiliser l'appareil en toute sécurité

Forme des symboles	Description/application des symboles	Forme des symboles	Description/application des symboles
	Attention aux risques d'incendie		Attention aux risques de choc électrique

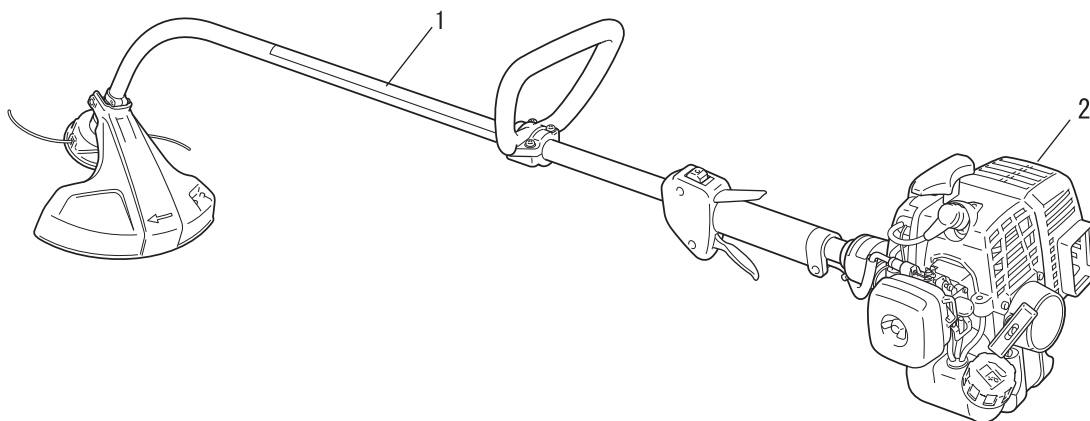
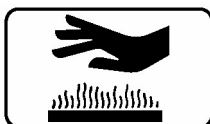
## Étiquette(s) de sécurité

- L'étiquette de sécurité ci-dessous figure sur les appareils décrits dans ce manuel. S'assurer de bien comprendre la signification de l'étiquette avant d'utiliser l'appareil.
- Si l'étiquette devient illisible avec le temps ou si elle s'est décollée ou a été déchirée, contacter un revendeur pour obtenir une nouvelle étiquette et la coller à l'emplacement indiqué sur les illustrations ci-dessous. Veiller à ce que l'étiquette soit toujours lisible.

1. Etiquette de sécurité (Numéro de pièce X505-000140)

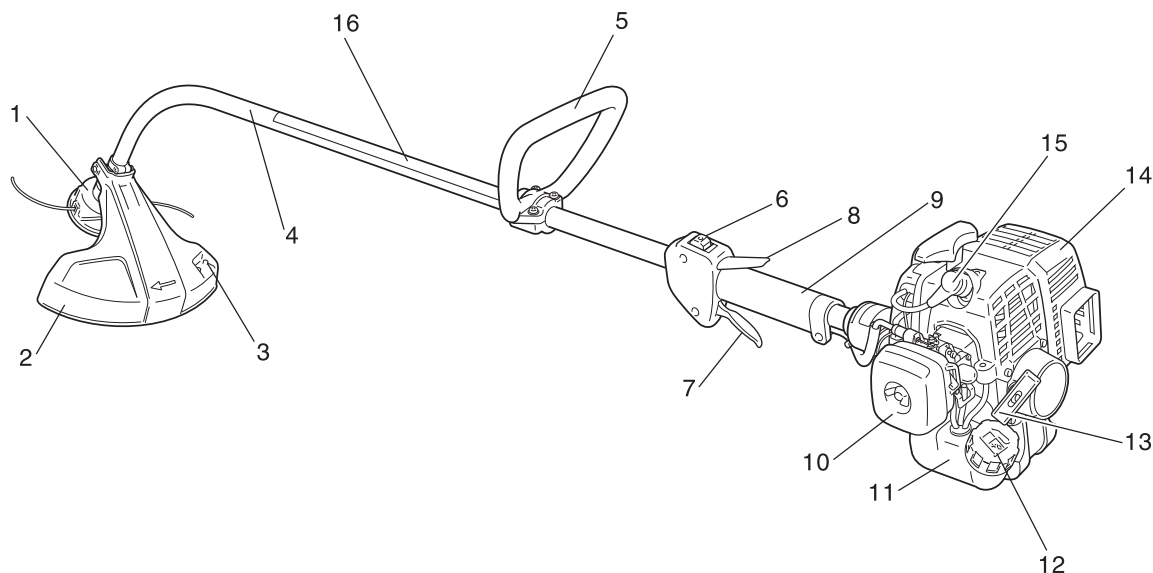


2. Etiquette de sécurité (Numéro de pièce X505-002310)



# Description

---

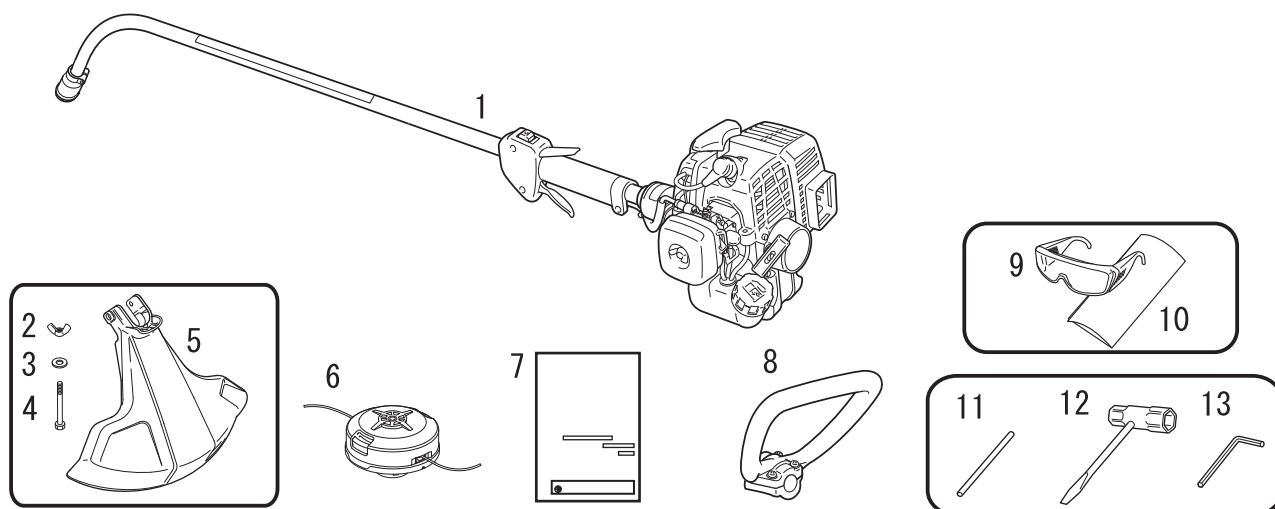


1. **Outil de coupe.** Tête de coupe à fil nylon pour couper l'herbe et les mauvaises herbes.
2. **Protecteur d'outil.** Protège l'utilisateur contre les projections et empêche tout contact accidentel avec la tête de coupe.
3. **Couteau.** Coupe le fil de nylon pour obtenir la longueur de fil appropriée.
4. **Tube de transmission.** Pièce de l'appareil qui protège l'arbre de transmission.
5. **Poignée semi-circulaire.** Légère, adaptée au coupe-herbe à fil nylon.
6. **Interrupteur marche/arrêt.** « Interrupteur à glissière » monté sur le dessus du boîtier de la gâchette d'accélérateur. Basculer l'interrupteur vers l'avant pour MARCHE, vers l'arrière pour ARRÊT.
7. **Gâchette d'accélérateur.** Activée par le doigt de l'utilisateur pour contrôler le régime moteur.
8. **Blocage de la gâchette.** Bloque la gâchette en position de ralenti jusqu'à ce que l'utilisateur puisse positionner correctement sa main droite sur la poignée.
9. **Poignée arrière (côté droit).**
10. **Couvercle de filtre à air.** Recouvre le filtre à air.
11. **Réservoir de carburant.** Contient le carburant et le filtre à carburant.
12. **Bouchon du réservoir de carburant.** Ferme le réservoir de carburant.
13. **Poignée de lanceur.** Tirer sur la poignée pour démarrer le moteur.
14. **Couvercle de silencieux.** Recouvre le silencieux pour empêcher tout contact avec la surface brûlante du silencieux.
15. **Bougie d'allumage**
16. **Étiquette de sécurité**

# Avant de commencer

## Contenu de l'emballage

- Les pièces suivantes sont conditionnées séparément dans le carton d'emballage.
- Lors de l'ouverture du carton, passer en revue les pièces qu'il contient.
- Contacter un revendeur si une pièce est manquante ou endommagée.



1. Moteur et tube de transmission
2. Ecrou à oreilles
3. Rondelle
4. Vis
5. Protecteur d'outil
6. Tête de coupe à fil nylon
7. Manuel d'utilisation
8. Poignée semi-circulaire
9. Lunettes de sécurité (conformes à la norme ANSI Z 87.1)
10. Etiquette de sécurité
11. Outil de blocage
12. Clé à pipe
13. Clé coudée

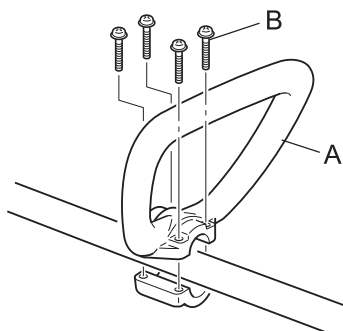
## Assemblage

### **⚠ AVERTISSEMENT**

- Lire attentivement le manuel d'utilisation pour s'assurer que l'appareil est monté correctement. L'utilisation d'un appareil monté de façon incorrecte entraîne un risque d'accident ou de blessure grave.



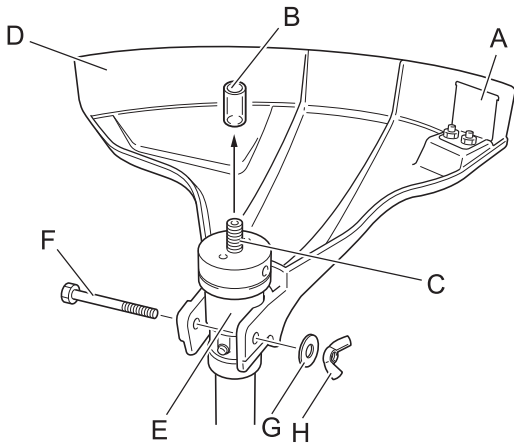
### Assemblage de la poignée semi-circulaire



Orienter la poignée (A) dans une position d'utilisation confortable, puis serrer les vis (M5×35) (B). L'outil de coupe doit être à 5 - 7,5 cm au-dessus du sol et tant que possible parallèle au sol.

# Avant de commencer

## Montage du protecteur d'outil

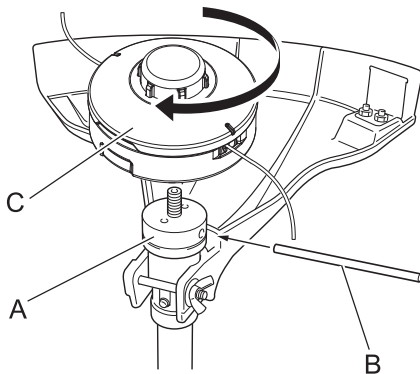


### **⚠ AVERTISSEMENT**

- Les arêtes du couteau (A) monté sur le protecteur d'outil anti-projection sont tranchantes. Eviter tout contact lors de la pose ou de la dépose de la tête de fil.
- ◆ Le non-respect de cette règle de sécurité entraîne un risque d'accident ou de blessure grave.

1. Déposer le manchon en plastique (B) de l'arbre de sortie (C).
2. Enclencher le protecteur d'outil (D) sur le corps de palier (E).
3. Poser la vis (F), la rondelle (G) et l'écrou à oreilles (H).

## Montage de la tête de coupe à fil nylon



1. Faire tourner l'arbre de sortie jusqu'à ce que les trous de la plaque de fixation (A) et ceux du corps de palier soit alignés.
2. Insérer l'outil de blocage (B) dans les trous.
3. Poser la tête de coupe à fil nylon (C) sur l'arbre de sortie en la tournant dans le sens des aiguilles d'une montre.
4. Retirer l'outil de blocage.

## Préparation du carburant

### **⚠ DANGER**

- Il est interdit de ravitailler l'appareil lorsque le moteur est chaud ou en marche.
- Il est interdit de fumer lors du ravitaillement. Effectuer le ravitaillement à l'écart de toute flamme.  
En effet, le carburant risque de s'enflammer et de provoquer un incendie, entraînant ainsi un risque de brûlure.



### **⚠ AVERTISSEMENT**

- **NE JAMAIS** remplir les réservoirs de carburant dans un endroit fermé. **TOUJOURS** remplir les réservoirs de carburant à l'extérieur, à même le sol. Ne jamais ravitailler l'appareil sur la plate-forme de chargement d'un camion ou autre endroit du même type.
- Les bidons/réservoirs de carburant peuvent être sous pression. Toujours desserrer le bouchon du réservoir de carburant de façon progressive pour permettre l'égalisation de la pression.  
Dans le cas contraire, le carburant risque de se déverser.
- **Essuyer le carburant renversé en cas de débordement ou de trop plein du réservoir.**  
Tout déversement de carburant, s'il s'enflamme, entraîne un risque d'incendie et de brûlure.
- **Après le ravitaillement, toujours vérifier qu'il n'y a pas de fuite ou d'écoulement de carburant au niveau du tuyau de carburant, du passe-tuyau de carburant ou autour du bouchon du réservoir de carburant. En cas de fuite ou d'écoulement de carburant, interrompre immédiatement l'utilisation de l'appareil et contacter un revendeur pour effectuer les réparations nécessaires.**  
Toute fuite de carburant entraîne un risque d'incendie.
- **Entreposer le réservoir de ravitaillement dans un endroit ombragé et loin de toute flamme.**
- **Utiliser un réservoir de carburant agréé.**



# Avant de commencer

## IMPORTANT

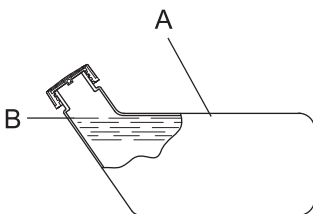
- Le carburant est un mélange d'essence ordinaire et d'une huile moteur de grande marque pour moteur deux temps à refroidissement par air. Il est conseillé d'utiliser de l'essence sans plomb avec un indice d'octane 89 au minimum. Ne pas utiliser de carburant contenant du méthanol ou plus de 10 % d'éthanol.
- Le carburant vieillit lorsqu'il est stocké. Ne préparer qu'une quantité de carburant suffisante pour une consommation de trente (30) jours.

### Carburant



- ◆ Richesse du mélange recommandée ; 50 : 1 (2 %) selon la norme ISO-L-EGD (ISO/CD 13738), la norme JASO FC,FD et l'huile Shindaiwa One 50 : 1.
- ◆ Ne pas faire le mélange directement dans le réservoir de carburant.

### Alimentation en carburant



- ◆ Ne pas remplir le réservoir de carburant (A) jusqu'en haut. Remplir le réservoir jusqu'au niveau recommandé (jusqu'à l'épaulement (B) du réservoir de carburant).
- ◆ Une fois le ravitaillement effectué, revisser fermement le bouchon du réservoir de carburant.

# Fonctionnement du moteur

## Démarrage du moteur

### AVERTISSEMENT

Veiller à bien respecter les mesures de précaution suivantes lors du démarrage du moteur :

- S'éloigner d'au moins 3 mètres de l'endroit où le ravitaillement a été effectué.
  - Placer l'appareil sur une surface plane et dans un endroit bien aéré.
  - Vérifier qu'il n'y a pas de fuite de carburant.
  - Vérifier que tous les écrous et toutes les vis sont bien serrés.
  - Établir un périmètre de sécurité autour de l'appareil et s'assurer que personne ni aucun animal ne se trouve à proximité.
  - Pour le démarrage du moteur, mettre la gâchette d'accélérateur en position de régime de ralenti.
  - Maintenir fermement l'appareil au sol lors du démarrage du moteur.
- Le non-respect de ces mesures de précaution entraîne un risque d'accident et de blessure grave, voire mortelle.

- Lorsque le moteur est démarré, vérifier que l'appareil n'émet aucun son ou vibration anormal(e). Ne pas utiliser l'appareil en cas de son ou vibration anormal(e). Contacter un revendeur pour effectuer les réparations nécessaires.
- La chute ou la rupture accidentelle de pièces entraîne un risque de blessure grave.

- Les fumées d'échappement du moteur contiennent des gaz toxiques. Ne pas utiliser l'appareil dans un endroit fermé ou mal aéré.
- Il existe un risque d'intoxication due aux fumées d'échappement.



- Ne pas toucher le silencieux, la bougie d'allumage, le renvoi de transmission et autres composants sous haute température lors du fonctionnement de l'appareil et pendant la phase qui suit l'arrêt de l'appareil.
- Il existe un risque de brûlure en cas de contact avec un composant sous haute température.



- Ne pas toucher la bougie d'allumage, le fil de la bougie d'allumage, et les composants sous haute tension lors du fonctionnement de l'appareil.
- Il existe un risque de choc électrique en cas de contact avec un composant sous haute tension pendant le fonctionnement de l'appareil.

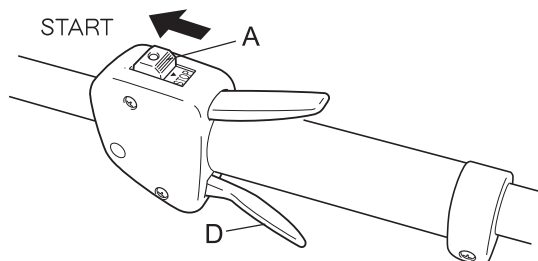


- Si une fois le moteur allumé, l'outil de coupe tourne alors que la gâchette d'accélérateur est positionnée sur le régime de ralenti, régler le carburateur avant d'utiliser l'appareil.
- Le non-respect de ces mesures de précaution entraîne un risque d'accident et de blessure grave, voire mortelle.

### REMARQUE

- Tirer la poignée de lanceur, doucement dans un premier temps, puis plus rapidement. Ne pas tirer la corde de lanceur à plus de 2/3 de sa longueur.
- Ne pas lâcher la poignée de lanceur lorsqu'elle revient.

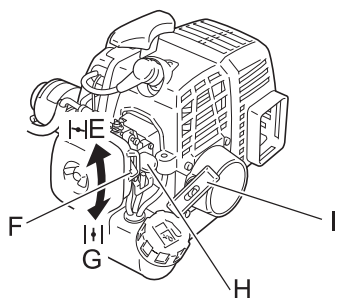
## Démarrage du moteur à froid



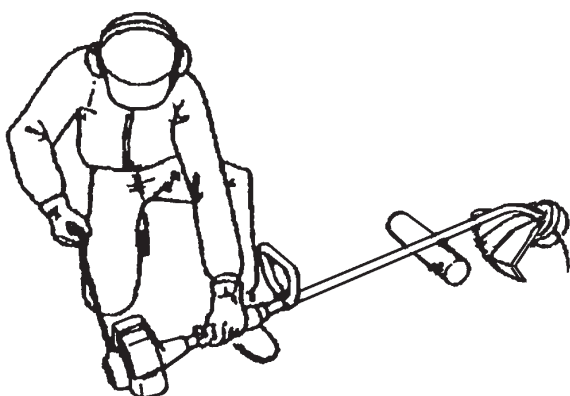
(Connecter le protecteur de bougie si l'appareil n'a pas fonctionné depuis longtemps.)

1. Après avoir posé l'appareil sur une surface plane, vérifier que l'outil de coupe n'est pas en contact avec le sol ou avec d'autres obstacles, en utilisant une poutre ou un autre objet similaire.
2. Placer l'interrupteur marche/arrêt (A) en position Marche (Start).
3. Veiller à ce que la gâchette d'accélérateur (D) soit en position de régime de ralenti.

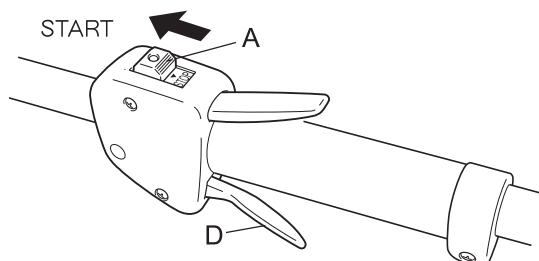
# Fonctionnement du moteur



4. Placer la manette de starter (F) en position « Démarrage à froid » (Cold Start) (E).
5. Comprimer et relâcher la pompe d'amorçage (H) jusqu'à ce que le carburant soit aspiré.
6. Après avoir vérifié que la zone entourant l'utilisateur ne présente aucun risque, tenir fermement l'appareil le plus près possible du moteur comme illustré sur l'image et tirer la poignée de lanceur (I) à plusieurs reprises.
7. Si un bruit d'explosion retentit et si le moteur s'arrête aussitôt, basculer la manette de starter en position « Marche » (Run) (G) et continuer à tirer la poignée de lanceur pour démarrer le moteur.
8. Si le moteur ne s'arrête pas, remettre doucement la manette de starter en position « Marche » (Run).
9. Laisser le moteur chauffer en régime de ralenti pendant quelques instants.

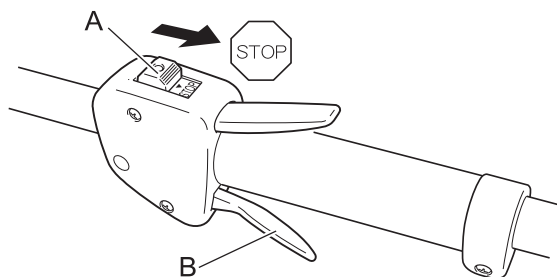


## Démarrage du moteur à chaud



1. Placer l'interrupteur marche/arrêt (A) en position Marche (Start).
2. Veiller à ce que la gâchette d'accélérateur (D) soit en position de régime de ralenti.
3. Vérifier que la manette de starter est en position « Marche ».
4. En cas d'absence de carburant dans la pompe d'amorçage, comprimer et relâcher la pompe jusqu'à ce que le carburant soit aspiré.
5. Après avoir vérifié que la zone entourant l'utilisateur ne présente aucun risque, tenir fermement l'appareil le plus près possible du moteur comme illustré sur l'image et tirer la poignée de lanceur pour démarrer le moteur.

## Arrêt du moteur



1. Placer la gâchette d'accélérateur (B) en position régime de ralenti (c.-à-d. à bas régime) et faire tourner le moteur au ralenti.
  2. Placer l'interrupteur marche/arrêt (A) en position Arrêt (Stop).
  3. En cas d'urgence, couper immédiatement le moteur à l'aide de l'interrupteur marche/arrêt.
  4. Si le moteur ne s'arrête pas, placer la manette de starter en position « Démarrage à froid ». Le moteur cale et s'arrête (arrêt d'urgence).
- \* Si le moteur ne s'arrête pas à l'aide de l'interrupteur marche/arrêt, demander au revendeur de vérifier et de réparer l'interrupteur avant de réutiliser l'appareil.
5. Toujours déconnecter le fil de la bougie pour empêcher tout démarrage intempestif du moteur lors d'interventions sur l'appareil ou lorsqu'il est laissé sans surveillance.

# Utilisation de l'appareil

## DANGER

○ **Toujours couper le moteur en cas de blocage de l'outil de coupe.**

Une fois l'objet débloqué, l'outil de coupe redémarrerait soudainement, entraînant ainsi un risque de blessure grave.

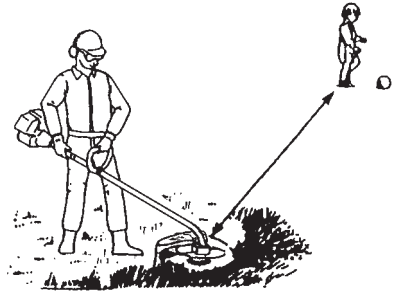
○ **Ne pas utiliser l'appareil sans le protecteur d'outil.**

Il est possible que des objets ricochent sur l'outil de coupe et soient projetés vers l'utilisateur, entraînant ainsi un risque d'accident ou de blessure grave.

○ **La zone comprise dans un rayon de 15 mètres autour de l'appareil est une zone dangereuse. Veillez à bien respecter les mesures de précaution suivantes lors de l'utilisation de l'appareil.**

- ◆ **Ne laisser personne (enfants, animaux ou autres personnes) pénétrer dans cette zone dangereuse.**
- ◆ **Si quelqu'un pénètre dans la zone dangereuse, couper le moteur pour arrêter l'outil de coupe.**
- ◆ **Lorsque vous vous approchez de l'utilisateur, signalez-lui votre présence en lançant des brindilles, par exemple, sans entrer dans la zone dangereuse. Vérifiez ensuite que le moteur est coupé et que l'outil de coupe ne tourne plus.**
- ◆ **Si l'appareil est utilisé par plus d'une personne, convenez entre vous d'un signal et travaillez à plus de 15 mètres les uns des autres.**

Toute projection d'objet ou tout contact avec l'outil de coupe entraîne un risque d'accident mortel ou pouvant causer la cécité de l'utilisateur.



## AVERTISSEMENT

○ **Avant de commencer à travailler, inspecter la zone de travail et retirer tous les cailloux et les bidons vides susceptibles de ricocher sur l'outil de coupe, ainsi que les morceaux de fils ou de câbles qui risquent de s'enrouler autour de l'outil de coupe.**

Un risque de projection pouvant entraîner un accident ou une blessure grave peut survenir lorsqu'un objet ricoche sur l'outil de coupe ou lorsqu'un fil s'enroule autour de ce dernier.



○ **Couper immédiatement le moteur et attendre que l'outil de coupe soit complètement arrêté avant d'inspecter les composants de l'appareil. Remplacer toute pièce endommagée.**

- ◆ **Si l'outil de coupe heurte une pierre, un arbre, un poteau ou tout autre obstacle au cours de son utilisation.**
- ◆ **Si l'appareil se met à vibrer soudainement de façon anormale.**

L'utilisation prolongée de pièces endommagées entraîne un risque d'accident ou de blessure grave.

○ **Ne pas tenir l'outil de coupe vers le haut pendant le travail. Ne pas travailler en tenant l'outil de coupe au-dessus des genoux.**

Si l'outil de coupe est au-dessus des genoux, le plan de rotation est plus proche du visage de l'utilisateur, ce qui entraîne un risque d'accident ou de blessure grave en cas de projections.

### Transport de la machine

○ **Dans les exemples de déplacements décrits ci-dessous, couper le moteur et s'assurer que l'outil de coupe ne tourne plus, puis tenir le silencieux à distance.**

- ◆ **Se déplacer vers le lieu de travail.**
- ◆ **Se déplacer vers un autre endroit tout en travaillant.**
- ◆ **Quitter le lieu de travail.**

Le non-respect de ces mesures de précaution entraîne un risque de brûlure ou de blessure grave.

○ **Pour transporter l'appareil dans une voiture, vider le réservoir de carburant et s'assurer que l'appareil est bien calé pour éviter qu'il se déplace lors du trajet.**

Rouler en voiture avec du carburant dans le réservoir de carburant entraîne un risque d'incendie.

○ **Ne jamais essayer d'utiliser l'appareil d'une seule main.**

○ **Passer les pouces autour de la poignée et saisir la poignée en l'enveloppant avec les autres doigts.**



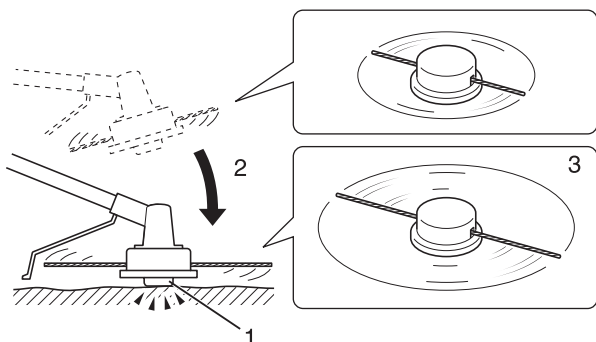
# Utilisation de l'appareil

## Utilisation de base de l'appareil avec tête de coupe à fil nylon

### **⚠ AVERTISSEMENT**

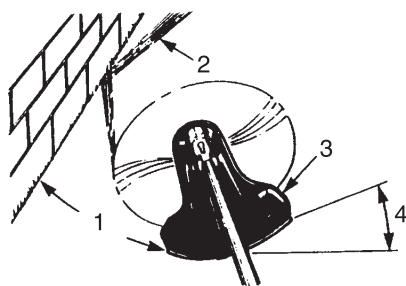
- Une mauvaise utilisation de l'outil de coupe peut entraîner un risque de blessure grave. Lire attentivement et respecter l'ensemble des règles de sécurité décrites dans ce manuel.
- Utiliser uniquement les outils de coupe recommandés par YAMABIKO CORPORATION.
- Tout excédent de fil nylon dépassant du couteau risque d'être projeté lorsque la tête de coupe à fil nylon commence à tourner après le réglage de la longueur du fil nylon.  
Le non-respect de cette règle de sécurité entraîne un risque d'accident ou de blessure grave.

### Réglage du fil nylon



- ♦ La vitesse de rotation de la tête de coupe à fil nylon ne doit pas dépasser 10000 tr/min.
  - ♦ Pour dérouler le fil nylon, taper légèrement la partie inférieure de la bobine sur le sol à une vitesse de rotation inférieure à 4500 tr/min.
  - ♦ Le couteau situé sur le protecteur règle automatiquement la longueur du fil nylon en le coupant de manière uniforme lorsque l'outil de coupe commence à tourner.
  - ♦ Pour utiliser l'appareil avec une longueur de fil inférieure à la longueur de coupe maximum, couper deux fils nylon de même longueur.
1. Partie inférieure de la bobine
  2. Taper légèrement la bobine sur le sol
  3. Le fil de nylon se déroule

### Taille



- ♦ La taille consiste à avancer l'appareil avec précaution dans l'objet à couper. Incliner légèrement la tête de coupe pour que les débris soient projetés loin de l'utilisateur. Pour effectuer une opération de taille à proximité d'une barrière, d'un mur ou d'un arbre, approcher l'appareil sous un angle tel que les débris ricochant sur la barrière ne soient pas projetés vers l'utilisateur.
  - ♦ Déplacer lentement la tête de coupe à fil nylon jusqu'à ce que l'herbe soit coupée jusqu'au niveau de la barrière, en évitant soigneusement de bloquer le fil dans la barrière. En cas de taille à proximité d'un grillage ou d'une clôture métallique, faire bien attention à ne pas coincer le fil dans le grillage ou la clôture. Si l'appareil est approché trop près, le fil se casse et s'enroule autour du grillage.
  - ♦ Pour couper les tiges de mauvaises herbes, procéder tige par tige. Toujours placer la tête de coupe à fil nylon au pied de la plante, jamais en haut, car la plante risque de se briser et de se prendre dans le fil. Plutôt que d'utiliser toute la longueur du fil pour couper une plante, ne passer que l'extrémité du fil sur la tige afin de la couper progressivement.
1. Angle par rapport au mur
  2. Débris
  3. Côté couteau relevé
  4. Angle par rapport au sol

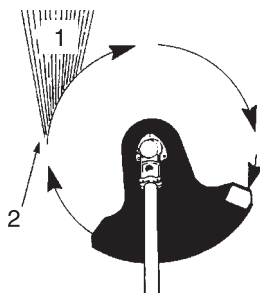
### Fauchage



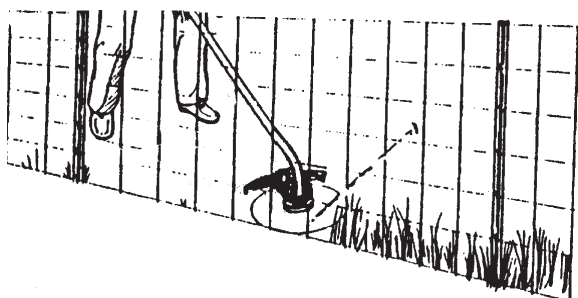
- ♦ Le fauchage consiste à couper ou tondre de grandes surfaces d'herbe en effectuant des mouvements en arc de cercle avec l'appareil. Procéder par mouvements lents et réguliers. Ne pas essayer de hacher l'herbe. Incliner la tête de coupe à fil nylon de sorte que les débris ne soient projetés dans la direction de l'utilisateur durant l'opération de fauchage. Puis retourner au point de départ (sans couper d'herbe) pour recommencer l'opération. Si l'utilisateur est bien protégé et n'est pas gêné par la projection de débris, il peut faucher dans les deux sens.

# Utilisation de l'appareil

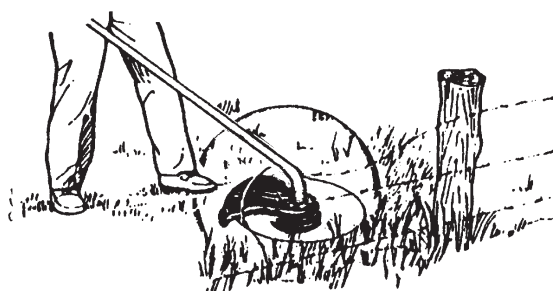
## Désherbage et taille des bordures



- ♦ Ces deux opérations sont effectuées à l'aide de la tête de coupe à fil nylon inclinée sous un angle aigu. Le désherbage (A) consiste à retirer les plantes de surface, laissant la terre nue. La taille de bordures (B) consiste à couper l'herbe qui a poussé sur un trottoir ou dans une allée. Lors du désherbage ou de la taille de bordures, maintenir l'appareil sous un angle de coupe aigu de sorte que les débris, pierres et poussières soulevés ne soient pas projetés en direction de l'utilisateur, même s'ils ricochent sur une surface dure.
- ♦ Les images montrent comment désherber et tailler les bordures. Cependant, c'est à l'utilisateur de trouver les angles de coupe les mieux adaptés à sa taille et à l'opération effectuée.
- ♦ Pour la plupart des opérations de coupe, il est recommandé d'incliner la tête de coupe à fil nylon de sorte que le contact se fasse uniquement sur la partie du cercle décrit par le fil la plus éloignée de l'utilisateur (voir l'image correspondante). Ainsi, les débris ne sont pas projetés en direction de l'utilisateur.
- ♦ Si la tête est inclinée du mauvais côté, les débris sont projetés vers l'utilisateur. Si la tête de coupe à fil nylon est maintenue à plat sur le sol et que la coupe s'effectue sur la totalité du cercle décrit par le fil, les débris sont projetés en direction de l'utilisateur, la résistance ralentit le moteur et une grande quantité de fil doit être utilisée.
- ♦ La tête de coupe à fil nylon tourne horaire des aiguilles d'une montre. Le couteau se situe sur le droit du protecteur d'outil.
  1. Débris
  2. Couper de ce côté



- ♦ Ne pas approcher le fil d'herbes drues, d'arbres ou de grillages.
- ♦ Mettre le fil en contact avec du grillage ou avec des broussailles denses peut causer la rupture du fil ; les extrémités du fil risquent alors d'être projetées vers l'utilisateur. La bonne technique consiste à couper l'herbe jusqu'à l'obstacle, mais à ne jamais heurter le fil contre l'obstacle. Ne pas utiliser l'appareil à proximité d'un obstacle ou d'une barrière.



- ♦ Eviter de mettre le fil nylon en contact avec des morceaux de grillage. A haut régime, les morceaux de fils de fer peuvent être projetés.

## AVERTISSEMENT

Respecter les mesures de précaution suivantes lors de la vérification et de l'entretien de l'appareil après utilisation :

- Couper le moteur et attendre qu'il refroidisse avant la vérification ou l'entretien de l'appareil.  
Il existe un risque de brûlure.
- Retirer le protecteur de bougie avant d'effectuer les opérations de vérification ou d'entretien.  
Il existe un risque d'accident en cas de démarrage intempestif de l'appareil.

## IMPORTANT

- La vérification et l'entretien de l'appareil nécessitent des connaissances spécialisées. Si l'utilisateur ne possède pas les compétences requises pour effectuer les opérations de vérification et d'entretien de l'appareil ou pour remédier à un dysfonctionnement, il doit consulter un revendeur. Ne pas essayer de démonter l'appareil.

### Instructions d'entretien de l'appareil

Pièce	Entretien	Page	Avant utilisation	Tous les mois
Filtre à air	Nettoyer/remplacer	18	•	
Filtre à carburant	Contrôler/nettoyer/remplacer	18	•	
Bougie d'allumage	Contrôler/nettoyer/régler/remplacer	20		•
Carburateur	Régler/remplacer et régler	18		•
Circuit de refroidissement	Contrôler/nettoyer	19	•	
Silencieux	Contrôler/serrer	19	•	
Silencieux	Nettoyer	19		•**
Arbre de transmission	Lubrifier	20		•*
Lanceur	Contrôler	-	•	
Couteau	Contrôler/nettoyer	-	•	
Circuit d'alimentation	Contrôler	18	•	
Vis, boulons et écrous	Contrôler, serrer/remplacer	-	•	

\* Ou 50 heures, si ce seuil est atteint avant la fin de la période indiquée. \*\* Ou 100 heures, selon la première échéance.

## IMPORTANT

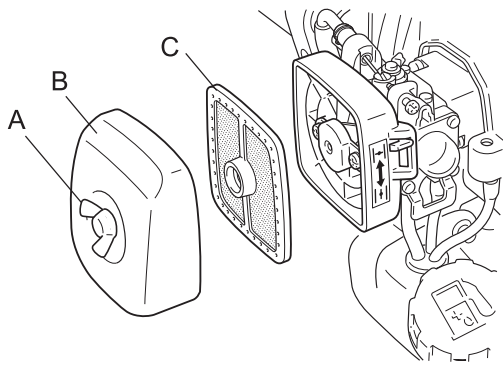
- Les intervalles indiqués sont un maximum. La fréquence des opérations d'entretien varie en fonction de l'utilisation réelle de l'appareil et de l'expérience de l'utilisateur.

### Entretien

En cas de questions ou de problèmes, contacter un revendeur.

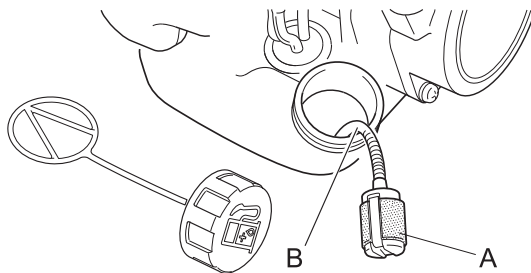
# Entretien

## Nettoyage du filtre à air



- ♦ Couper le starter. Desserrer l'écrou à oreilles (A) et retirer le couvercle du filtre à air (B).
- ♦ Retirer le filtre à air (C) (le filtre à air est situé à l'intérieur du couvercle de filtre à air).
- ♦ Brosser le filtre pour le désencrasser ou le nettoyer à l'air comprimé.
- ♦ Réinstaller le filtre à air.
- ♦ Reposer le couvercle et serrer l'écrou à oreilles.

## Remplacement du filtre à carburant



1. Utiliser un fil métallique ou équivalent pour faire sortir le filtre à carburant (A) par l'orifice du réservoir de carburant.
2. Tirer l'ancien filtre hors du tuyau d'alimentation (B).
3. Installer le filtre à carburant neuf.

### REMARQUE

- Si le filtre est extrêmement encrassé ou n'est plus correctement ajusté, il faut le remplacer.

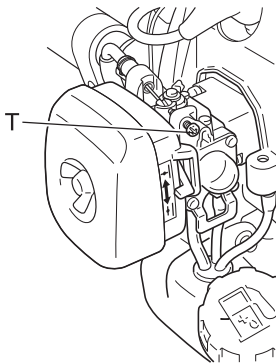
## Réglage du carburateur

### ⚠ AVERTISSEMENT

- L'outil de coupe peut bouger lors du réglage du carburateur. Veiller à éviter les blessures.

### ⚠ ATTENTION

- Lors du démarrage, la vis de réglage du régime de ralenti (T) doit être réglée de façon à ce que l'outil de coupe ne tourne pas.
- En cas de problème avec le carburateur, contacter le revendeur.



Chaque appareil est testé en usine et le carburateur est réglé avec précision pour offrir un niveau de performance optimal. Avant de régler le carburateur, nettoyer ou remplacer le filtre à air, démarrer le moteur et le laisser tourner quelques minutes pour qu'il atteigne sa température de fonctionnement.

Pour régler le carburateur, procéder comme suit :

Tourner la vis de réglage du régime de « ralenti » (T) dans le sens des aiguilles d'une montre jusqu'à ce que l'outil de coupe commence à tourner, puis tourner la vis (T) dans le sens inverse des aiguilles d'une montre jusqu'à ce que l'outil de coupe arrête de tourner. Tourner la vis (T) d'un tour supplémentaire dans le sens inverse des aiguilles d'une montre.



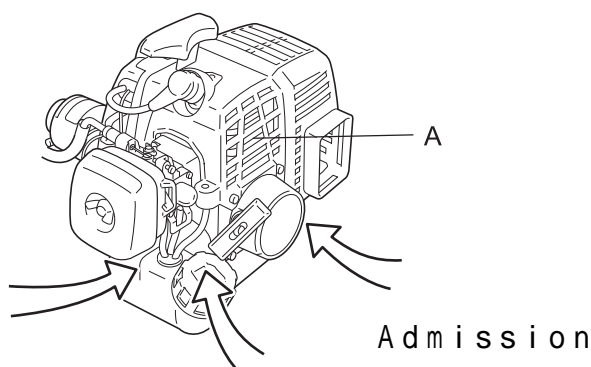
## Entretien du système de refroidissement

### IMPORTANT

○ Pour maintenir la température de fonctionnement correcte du moteur, l'air de refroidissement doit circuler librement à travers la zone des ailettes du cylindre. Ce flux d'air évacue la chaleur de combustion du moteur. Un risque de surchauffe et de grippage du moteur existe si :

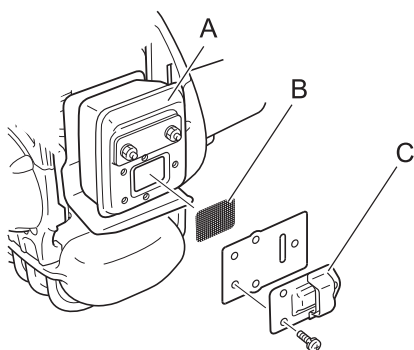
- ♦ L'admission d'air est bloquée, empêchant l'air de refroidissement d'atteindre le cylindre,
- ♦ De la poussière et de l'herbe s'accumulent à l'extérieur du cylindre. Cette accumulation isole le moteur et empêche la chaleur de s'évacuer.

Les opérations de déblocage des canaux de refroidissement ou de nettoyage des ailettes de cylindre sont considérées comme des « Opérations d'entretien normales ». Toute panne due à un mauvais entretien de l'appareil n'est pas couverte par la garantie.



- ♦ Retirer la poussière et les impuretés entre les ailettes (A).
- ♦ Avant chaque utilisation, retirer les débris qui se sont accumulés sur la grille de prise d'air du moteur située entre le réservoir de carburant et le lanceur.

## Nettoyage du silencieux

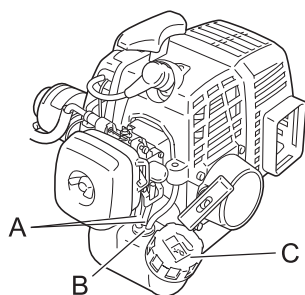


1. Retirer le couvercle du silencieux.
2. Déposer le couvercle (C) pare-étincelles et l'écran (B) pare-étincelles du silencieux d'échappement.
3. Nettoyer les dépôts de carbone sur les composants du silencieux (A).
4. Remplacer l'écran s'il présente des fissures ou des trous dus à des brûlures.
5. Remonter les composants dans l'ordre inverse.

### REMARQUE

- Les dépôts de carbone présents dans le silencieux d'échappement entraînent une perte de puissance du moteur. Contrôler régulièrement l'écran pare-étincelles.

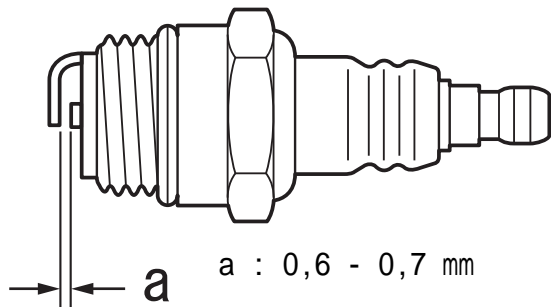
## Vérifier le circuit d'alimentation



- ♦ Vérifier avant chaque utilisation.
- ♦ Après le ravitaillement, vérifier qu'il n'y a pas de fuite ou d'écoulement de carburant au niveau du tuyau (A), du passe-tuyau de carburant (B) ou du bouchon du réservoir de carburant (C).
- ♦ Toute fuite ou écoulement de carburant constitue un risque d'incendie. Interrompre immédiatement l'utilisation de l'appareil et demander à un revendeur de le contrôler ou de le remplacer.

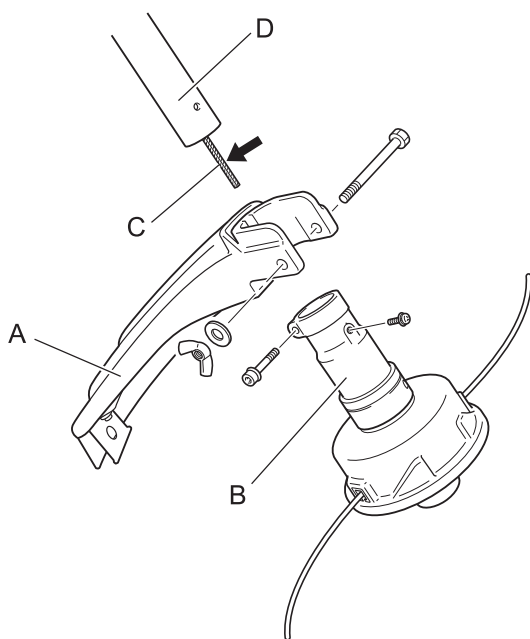
# Entretien

## Vérification de la bougie d'allumage



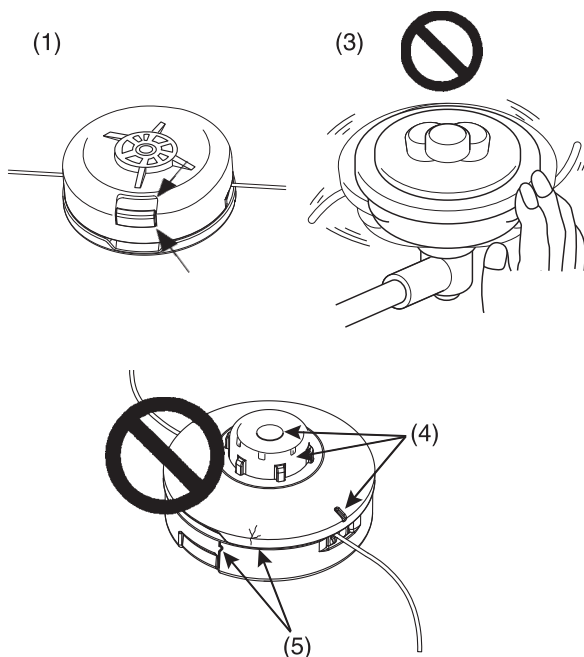
1. Vérifier l'écartement des bougies. L'écartement correct est compris entre 0,6 mm et 0,7 mm.
  2. Vérifier si l'électrode est usée.
  3. Vérifier s'il y a de l'huile ou d'autres dépôts sur l'isolant.
  4. En cas d'usure des électrodes ou des bornes, ou en cas de fissure de la céramique, procéder au remplacement de ces composants.
  5. Serrer selon 15 N·m - 17 N·m (150 kgf·cm à 170 kgf·cm).
- \* L'essai de l'étincelle (destiné à vérifier si la bougie d'allumage émet une étincelle) doit être effectué par un revendeur.

## Lubrification de l'arbre de transmission



1. Déposer le protecteur d'outil (A).
2. Desserrer la vis de positionnement du palier (B), en haut du palier, et déposer la vis de montage.
3. Tirer l'arbre flexible (C) hors du tube de transmission (D), l'essuyer et le recouvrir d'une fine couche (10 à 20 g) de graisse à base de lithium.
4. Réinsérer l'arbre flexible dans le tube de transmission. NE PAS souiller l'arbre flexible.
5. Poser le corps de palier et le protecteur d'outil.

## Vérification de la tête de coupe à fil nylon



1. S'assurer que le pourtour des 2 ergots de fixation du boîtier corresponde parfaitement au pourtour des ouvertures correspondantes du couvercle.
2. Vérifier que la tête de coupe est bien fixée sur le coupe-herbe et la resserrer le cas échéant.
3. Contrôler la tête de coupe et rechercher toute déformation ou bruit anormal en la faisant tourner manuellement. Une déformation ou un bruit anormal peut provoquer des vibrations anormales ou entraîner le desserrage du coupe-herbe pendant la rotation, ce qui constitue un risque.
4. Vérifier le degré d'usure du couvercle et de la partie inférieure de la bobine. Si une fente apparaît au bas de la partie inférieure de la bobine ou au bas du couvercle, à proximité de la sortie du fil nylon, il faut impérativement remplacer ces pièces.
5. Vérifier si la tête de coupe présente des fissures ou des éclats. Remplacer impérativement toute pièce présentant une fissure ou un éclat.

## Remplacement du fil nylon

### **⚠ DANGER**

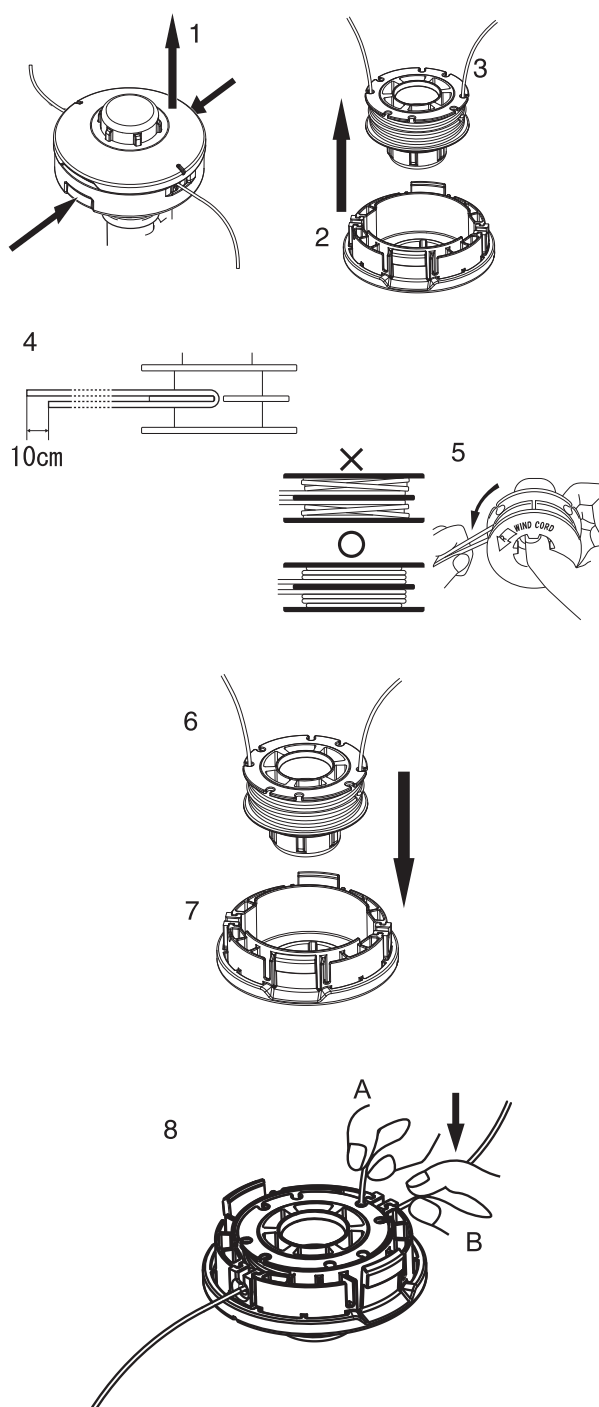
○ **Toujours couper le moteur du coupe-herbe et s'assurer que la tête de coupe à fil nylon ne tourne plus avant de procéder au remplacement de la pièce.**

Le non-respect de cette règle de sécurité entraîne un risque d'accident ou de blessure grave.

### **⚠ AVERTISSEMENT**

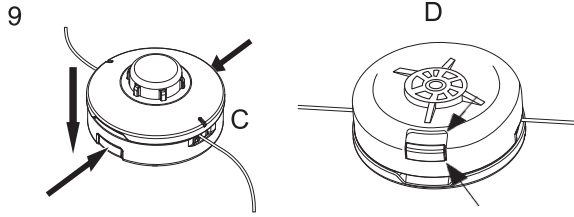
○ **Utiliser uniquement un fil de coupe flexible et non métallique recommandé par YAMABIKO CORPORATION.**

Le non-respect de cette règle de sécurité entraîne un risque d'accident ou de blessure grave.



1. Comprimer les « ergots de fixation » (en deux endroits) vers l'intérieur, puis retirer le couvercle. Il est plus facile de les retirer l'un après l'autre.
2. Déposer la bobine.
3. Lorsqu'il n'y a presque plus de fil nylon sur la bobine, retirer le fil restant de la bobine et enrouler le « nouveau fil » en suivant les instructions (4) et suivantes. Lorsque le fil est « collé » sur la bobine, retirer complètement le fil en décollant la partie « collée », puis enrouler le fil ainsi « décollé » en suivant les instructions (4) et suivantes.
4. Plier le fil à 10 cm du milieu de sa longueur totale et accrocher la partie pliée sur l'« encoche » du séparateur intermédiaire.
5. Enrouler le fil bien tendu dans la rainure de la bobine en suivant « le sens d'enroulement du fil à droite ».
6. Lorsque le fil est entièrement enroulé autour de la bobine, accrocher ses deux extrémités dans les encoches correspondantes de la bobine pour le bloquer provisoirement ; laisser environ 10 cm de fil dépasser des encoches.
7. Aligner les encoches de la bobine avec les rainures des œillets, puis emboîter la bobine dans le boîtier.
8. Tirer le fil pour le faire dépasser du boîtier. (A) Retirer le fil des « encoches correspondantes de la bobine », puis (B) le faire passer dans les « rainures des œillets correspondants ».

# Entretien



9. Assembler le couvercle et le boîtier. (C) Aligner les « œillets » du couvercle avec les « renforcements » du boîtier, puis (D) enfoncer les ergots du boîtier dans les ouvertures correspondantes du couvercle jusqu'à ce que les ergots s'encastrent parfaitement.

## DANGER

- **S'assurer que le pourtour extérieur des ergots du boîtier correspond parfaitement au pourtour extérieur des ouvertures correspondantes du couvercle.**

Si les ergots sont mal emboîtés et que la tête de coupe pivote, le couvercle ou des composants internes risquent d'être projetés, ce qui représente un danger potentiel pour l'utilisateur.

## Guide de dépannage

### IMPORTANT

- En ce qui concerne les pièces de rechange et les consommables, utiliser uniquement des pièces d'origine et les produits et les composants recommandés.  
L'utilisation de pièces d'autres marques ou de composants inappropriés peut entraîner un dysfonctionnement de l'appareil.

Problème	Diagnostic	Cause	Solution
Le moteur ne démarre pas		<ol style="list-style-type: none"> <li>1. Il n'y a pas de carburant dans le réservoir de carburant</li> <li>2. L'interrupteur d'arrêt est en position Arrêt</li> <li>3. Alimentation en carburant excessive</li> <li>4. Dysfonctionnement électrique</li> <li>5. Dysfonctionnement du carburateur ou blocage interne</li> <li>6. Dysfonctionnement interne du moteur</li> </ol>	<ol style="list-style-type: none"> <li>1. Alimentation en carburant</li> <li>2. Basculer en position Marche</li> <li>3. Démarrer le moteur après révision</li> <li>4. Consulter un revendeur</li> <li>5. Consulter un revendeur</li> <li>6. Consulter un revendeur</li> </ol>
Le moteur démarre difficilement, tourne de manière irrégulière	Le carburant pénètre dans le tuyau de trop plein	<ol style="list-style-type: none"> <li>1. Dégradation du carburant</li> <li>2. Problème de carburateur</li> </ol>	<ol style="list-style-type: none"> <li>1. Remplacer le carburant</li> <li>2. Consulter un revendeur</li> </ol>
	Aucun carburant ne pénètre dans le tuyau de trop plein	<ol style="list-style-type: none"> <li>1. Le filtre à carburant est colmaté</li> <li>2. Le circuit d'alimentation est colmaté</li> <li>3. Blocage de pièces internes du carburateur</li> </ol>	<ol style="list-style-type: none"> <li>1. Nettoyer ou remplacer</li> <li>2. Consulter un revendeur</li> <li>3. Consulter un revendeur</li> </ol>
	La bougie d'allumage est encrassée ou humide	<ol style="list-style-type: none"> <li>1. Dégradation du carburant</li> <li>2. Ecartement incorrect des électrodes</li> <li>3. Dépôts de calamine</li> <li>4. Dysfonctionnement électrique</li> </ol>	<ol style="list-style-type: none"> <li>1. Remplacer</li> <li>2. Remplacer</li> <li>3. Remplacer</li> <li>4. Consulter un revendeur</li> </ol>
Le moteur démarre mais impossible d'accélérer		<ol style="list-style-type: none"> <li>1. Filtre à air encrassé</li> <li>2. Filtre à carburant encrassé</li> <li>3. Passage de carburant obstrué</li> <li>4. Problème de réglage du carburateur</li> <li>5. Blocage de la sortie d'échappement ou de l'échappement de silencieux</li> </ol>	<ol style="list-style-type: none"> <li>1. Nettoyer ou remplacer</li> <li>2. Nettoyer ou remplacer</li> <li>3. Consulter un revendeur</li> <li>4. Régler</li> <li>5. Nettoyer</li> </ol>
Le moteur s'arrête		<ol style="list-style-type: none"> <li>1. Problème de réglage du carburateur</li> <li>2. Dysfonctionnement électrique</li> </ol>	<ol style="list-style-type: none"> <li>1. Régler</li> <li>2. Consulter un revendeur</li> </ol>
Le moteur ne s'arrête pas		<ol style="list-style-type: none"> <li>1. Dysfonctionnement de l'interrupteur d'arrêt</li> </ol>	<ol style="list-style-type: none"> <li>1. Procéder à un arrêt d'urgence et consulter un revendeur</li> </ol>
L'outil de coupe tourne alors que le moteur est au ralenti		<ol style="list-style-type: none"> <li>1. Problème de réglage du carburateur</li> <li>2. Ressort d'embrayage endommagé</li> </ol>	<ol style="list-style-type: none"> <li>1. Régler</li> <li>2. Consulter un revendeur</li> </ol>

- ♦ En cas de problème différent de ceux décrits dans le tableau ci-dessus, consulter un revendeur.
- ♦ Contacter un revendeur pour la mise au rebut de l'appareil ou de ses composants conformément à la législation nationale en vigueur.

# Entretien

## Fabricant :

**YAMABIKO CORPORATION**

7-2 SUEHIROCHO 1-CHOME, OHME, TOKYO 198-8760, JAPON

## Représentant autorisé en Europe :

**Atlantic Bridge Limited**

Atlantic House, PO Box 4800, Earley, Reading RG5 4GB, Royaume-Uni

## Remisage

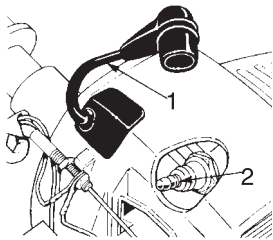
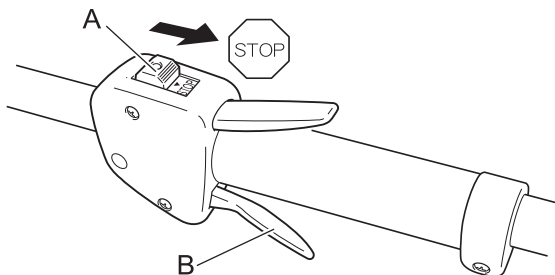
### Remisage de longue durée (30 jours ou plus)

## AVERTISSEMENT

- **Ne pas entreposer l'appareil dans un endroit clos contenant des vapeurs de carburant, ou à proximité de sources de flammes ou d'étincelles.**  
Il existe un risque d'incendie.



Si l'appareil doit être remisé pendant une longue période (30 jours ou plus), respecter les instructions de remisage suivantes.



1. Vider le réservoir de carburant.
2. Comprimer et relâcher la pompe d'amorçage à plusieurs reprises pour évacuer le carburant présent dans la pompe d'amorçage.
3. Démarrer le moteur et le laisser tourner au régime de ralenti jusqu'à ce qu'il s'arrête de lui-même.
4. Placer l'interrupteur marche/arrêt (A) en position Arrêt (Stop).
5. Une fois l'appareil suffisamment froid, nettoyer toute trace de graisse, d'huile, de poussière, d'impureté et toutes les autres substances présentes sur le coupe-herbe.
6. Effectuer les vérifications périodiques conseillées dans ce manuel.
7. Vérifier que tous les écrous et vis sont serrés. Resserrer les écrous et les vis desserrés.
8. Retirer la bougie d'allumage (B) et ajouter la quantité d'huile appropriée (environ 10 ml) d'huile propre pour moteur à 2 temps dans le cylindre via la douille d'installation.
9. Placer un linge propre sur la douille d'installation de la bougie d'allumage.
10. Tirer 2 ou 3 fois la poignée du lanceur pour répartir l'huile dans le cylindre.
11. Observer l'emplacement du piston à travers le trou de bougie. Tirer la poignée de lanceur à rappel automatique jusqu'à ce que le piston atteigne le sommet de sa course et le laisser dans cette position.
12. Installer la bougie d'allumage. (Ne pas connecter le protecteur de bougie (C).)
13. Lorsque l'appareil est sec et complètement refroidi, envelopper le bloc moteur dans un sac en plastique ou autre. Entreposer l'appareil dans un endroit sec, à l'abri de la poussière et hors de portée des enfants.

# Caractéristiques

		F226S
<b>Dimensions externes :</b> Longueur × Largeur × Hauteur	mm	1460 × 320 × 575
<b>Masse :</b> Appareil sans outil de coupe ni protecteur (ISO 11806) Appareil avec outil de coupe spécifié, réservoir plein, harnais ou protecteur d'outil.	kg kg	4,3 5,1
<b>Volume :</b> Réservoir de carburant	l	0,4
<b>Outil de coupe :</b> Tête de coupe à fil nylon Diamètre du fil Longueur du fil Filetage	mm m	G137 3,0 Fil 2 × 1 Filetage à pas à droite 3/8×24UNF
<b>Rapport de vitesse :</b> Rapport de vitesse et lubrification		1 huile lithium de bonne qualité
<b>Sens de rotation de l'arbre de sortie vu du dessus :</b>		horaire
<b>Moteur :</b> type Cylindrée Puissance maximum du frein de transmission mesurée selon la norme ISO 8893 Régime moteur à puissance maximale Régime moteur de ralenti recommandé Régime moteur maximum recommandé (avec outil standard monté) Carburateur Allumage Bougie d'allumage Lanceur Embrayage	ml (cm <sup>3</sup> ) kW tr/min tr/min tr/min	Monocylindre 2 temps à refroidissement par air 21,2 0,71 8000 3000 7200  Type à membrane Volant magnétique - système CDI NGK BPMR8Y Lanceur à rappel Embrayage centrifuge automatique
<b>Carburant :</b>  Huile  Mélange  Consommation de carburant à la puissance moteur maximale Consommation spécifique de carburant à la puissance moteur maximale	     l/h g/(kW·h)	Essence ordinaire. Il est conseillé d'utiliser de l'essence sans plomb avec un indice d'octane 89 au minimum. Ne pas utiliser de carburant contenant du méthanol ou plus de 10 % d'éthanol. Huile pour moteur 2 temps à refroidissement par air. Norme ISO-L-EGD (ISO/CD 13738), norme JASO FC,FD et huile Shindaiwa One 50 : 1. 50 : 1 (2%)  0,45 469
<b>Niveau de pression sonore :</b> (ISO 22868) L <sub>pAeq</sub>	dB(A)	91,9
<b>Niveau de puissance acoustique garanti :</b> (ISO 22868) L <sub>WA</sub>	dB(A)	108
<b>Niveaux de vibrations :</b> (ISO 22867) a <sub>h<sub>v</sub>,eq</sub>	m/s <sup>2</sup> m/s <sup>2</sup>	Poignée avant 4,9 Poignée arrière 5,4

Ces caractéristiques sont susceptibles d'être modifiées sans préavis.

# Déclaration de conformité

---

Le fabricant soussigné :

YAMABIKO CORPORATION  
7-2 SUEHIROCHO 1-CHOME  
OHME; TOKYO 198-8760  
JAPON

déclare que l'appareil désigné ci-après :

**COUPE-HERBE**

**Marque : shindaiwa**  
**Type : F226S**

assemblé par :

ECHO MACHINERY (SHENZHEN) CO., LTD  
53 Block, Baotian Industrial Area, Bao-an District, Shenzhen City, Guang  
Dong, China

est conforme aux :

- \* spécifications de la directive **2006/42/CE**
- \* spécifications de la directive **2004/108/CE** (utilisation de la norme harmonisée **EN ISO 14982**)
- \* spécifications de la directive **2010/26/UE**
- \* spécifications de la directive **2000/14/CE**

Procédure d'évaluation de la conformité suivant l'**ANNEXE V**

Niveau de puissance sonore : 105 dB(A)  
mesuré

Niveau de puissance sonore ga- : 108 dB(A)  
ranti

Numéro de série 37001001 et suivants

Tokyo, 1er avril 2012

**YAMABIKO CORPORATION**

  
\_\_\_\_\_

**K. OYURI**

**Directeur général**

**Représentant autorisé en Europe, autorisé à constituer  
le dossier technique.**

Société : Atlantic Bridge Limited

Adresse : Atlantic House, PO Box 4800, Earley, Reading  
RG5 4GB, Royaume-Uni

**M. Philip Wicks**



## NOTES

# YAMABIKO CORPORATION

7-2 SUEHIROCHO 1-CHOME, OHME, TOKYO 198-8760, JAPON

TÉLÉPHONE : 81-428-32-6118. FAX : 81-428-32-6145.

# shindaiwa<sup>®</sup>



X772-000830

X772227-5700

**shindaiwa**<sup>®</sup>

DEUTSCH  
DE (Original Gebrauchsanleitung)

# **BEDIENUNGSANLEITUNG**

## **RASENTRIMMER**

### **F226S**

 **WARNUNG**



**LESEN SIE DIE BEDIENUNGSANLEITUNG SORGFÄLTIG DURCH, UND BEFOLGEN SIE DIE SICHERHEITSREGELN. ANDERNFALLS BESTEHT DAS RISIKO SCHWERER VERLETZUNGEN.**



# Inhalt

---

Sichere Verwendung des Produkts .....	3
Beschreibung .....	8
Bevor Sie beginnen .....	9
Packliste .....	9
Zusammenbau .....	9
Bereitstellen des Kraftstoffs .....	10
Bedienung des Motors .....	12
Starten des Motors .....	12
Stoppen des Motors .....	13
Trimmen .....	14
Einfaches Trimmen mit dem Nylonfadenkopf .....	15
Wartung und Pflege .....	17
Wartungsrichtlinien .....	17
Wartung und Pflege .....	17
LAGERUNG .....	24
Technische Daten .....	25
Konformitätserklärung .....	26

# Sichere Verwendung des Produkts

## Wichtige Informationen

### **⚠️ WARNUNG**

**Lesen Sie unbedingt die Bedienungsanleitung, bevor Sie das Produkt verwenden.**

#### **Allgemeines zu dieser Bedienungsanleitung**

- Diese Bedienungsanleitung enthält wichtige Informationen über Montage, Bedienung und Instandhaltung Ihres Produkts. Bitte lesen Sie sie sorgfältig durch, und machen Sie sich mit dem Inhalt vertraut.
- Bewahren Sie die Anleitung stets an einem schnell zugänglichen Ort auf.
- Sollte die Anleitung verloren gehen oder aufgrund von Beschädigungen nicht mehr lesbar sein, besorgen Sie sich bitte eine neue Anleitung von Ihrem Händler.
- Die in dieser Anleitung verwendeten Einheiten sind SI-Einheiten (Système International d'unités; Internationales Einheitensystem). Zahlenangaben in Klammern sind Referenzwerte, bei denen mitunter geringe Umrechnungsfehler vorliegen können.  
Andernfalls kann es zu Unfällen bzw. schweren Verletzungen kommen.

#### **Beabsichtigter Zweck dieses Produkts**

- Dieses Produkt sind mit Benzinmotor ausgerüstete Hochleistungsgeräte geringen Gewichts, die sich zur Unkrautbekämpfung sowie zum Rasentrimmen an Stellen eignen, wo andere Methoden unzulänglich sind.
- Verwenden Sie das Gerät nur für den oben angegebenen Zweck.
- Um Weiterentwicklungen des Produkts Rechnung zu tragen, bleiben dem Hersteller Änderungen am Inhalt dieser Anleitung vorbehalten. Einige Abbildungen in dieser Anleitung können vom Produkt abweichen, um Sachverhalte klarer darzustellen.
- Bei Unklarheiten oder Problemen wenden Sie sich bitte an Ihren Händler.  
Andernfalls kann es zu Unfällen bzw. schweren Verletzungen kommen.

#### **Keine Veränderungen am Produkt vornehmen**

- An dem Produkt dürfen keine Veränderungen vorgenommen werden.  
Andernfalls kann es zu Unfällen bzw. schweren Verletzungen kommen. Funktionsfehler, die auf Veränderungen am Produkt zurückzuführen sind, fallen nicht unter die Herstellergarantie.

#### **Produkt nur verwenden, wenn es überprüft und gewartet wurde**

- Das Produkt darf nur verwendet werden, wenn es überprüft und gewartet wurde. Die Überprüfung und Wartung des Produkts muss regelmäßig durchgeführt werden.  
Andernfalls kann es zu Unfällen bzw. schweren Verletzungen kommen.

#### **Verleihen oder Übereignen des Produkts**

- Wenn Sie das Produkt verleihen, muss die ausleihende Person auch die zugehörige Bedienungsanleitung erhalten.
- Wenn Sie das Produkt einer anderen Person übereignen, muss die Bedienungsanleitung zusammen mit dem Produkt ausgehändigt werden.  
Andernfalls kann es zu Unfällen bzw. schweren Verletzungen kommen.

#### **Benutzer des Geräts**

- Das Gerät darf von folgenden Personen nicht verwendet werden:
  - ◆ übermüdeten Personen
  - ◆ alkoholisierten Personen
  - ◆ unter Medikamenteneinfluss stehenden Personen
  - ◆ schwangeren Frauen
  - ◆ Personen in schlechter körperlicher Verfassung
  - ◆ Personen, die die Bedienungsanleitung nicht gelesen haben
  - ◆ Kindern
- Seien Sie sich bewusst, dass der Benutzer für Unfälle bzw. Gefährdungen anderer Personen oder deren Eigentum verantwortlich ist.  
Eine Nichtbefolgung dieser Anweisungen kann zu Unfällen führen.



# Sichere Verwendung des Produkts

## **WARNUNG**

### Vibration und Kälte

- Es wird vermutet, dass das Raynaud-Syndrom, das die Finger mancher Menschen befällt, durch stark vibrierende Arbeitsgeräte und Arbeiten bei Kälte herbeigeführt wird. Durch stark vibrierende Arbeitsgeräte und dem Arbeiten bei Kälte kann sich ein Prickeln und Brennen bemerkbar machen, dem sich Farblosigkeit und Gefühllosigkeit der Finger anschließen. Die nachstehend aufgeführten Vorsichtsmaßnahmen werden dringend empfohlen, da die Mindestwerte, bei denen diese Krankheit ausgelöst wird, nicht bekannt sind.
    - ◆ Halten Sie Ihren Körper warm, insbesondere Kopf und Nacken, Füße und Fußgelenke sowie Hände und Handgelenke.
    - ◆ Legen Sie häufige Pausen ein, in deren Verlauf Sie den Kreislauf durch intensive Armübungen anregen, und rauchen Sie nicht.
    - ◆ Begrenzen Sie die Dauerbetriebszeiten auf ein Minimum. Teilen Sie jeden Arbeitstag so ein, dass auch Arbeiten ohne Trimmer oder tragbare motorisierte Geräte verrichtet werden.
    - ◆ Wenn Ihre Finger schmerzen, rot und angeschwollen sind und schließlich bleich und gefühllos werden, müssen Sie einen Arzt aufsuchen, bevor Sie sich weiterhin Kälte und Vibrationen aussetzen.
- Eine Nichtbefolgung dieser Anweisung kann zu gesundheitlichen Schäden führen.

### RSI-Syndrom

- Es wird angenommen, dass eine Überanstrengung der Muskeln und Sehnen der Finger, Hände, Arme und Schultern in den betreffenden Körperteilen Schmerz, Schwellungen, Gefühllosigkeit, Schwäche und auch akuten Schmerz verursachen kann. Durch bestimmte ständig wiederholte Handbewegungen steigt das Risiko für die Entwicklung eines RSI-Syndroms. Auf folgende Art mindern Sie das Risiko des RSI-Syndroms:
    - ◆ Achten Sie darauf, dass Sie Ihr Handgelenk nicht zu sehr beugen, strecken oder verdrehen.
    - ◆ Legen Sie von Zeit zu Zeit Pausen ein, um wiederholte Bewegungen zu minimieren, und lassen Sie Ihre Hände ruhen. Reduzieren Sie die Geschwindigkeit und den Kraftaufwand, mit denen Sie die Wiederholungsbewegung ausführen.
    - ◆ Führen Sie geeignete Übungen zur Stärkung der Hand- und Armmuskulatur durch.
    - ◆ Suchen Sie einen Arzt auf, wenn Sie ein Prickeln, Gefühllosigkeit oder Schmerzen in Ihren Fingern, Händen, Handgelenken oder Armen bemerken. Je früher das RSI-Syndrom erkannt wird, desto eher lässt sich eine dauerhafte Schädigung von Nerven und Muskeln verhindern.
- Eine Nichtbefolgung dieser Anweisung kann zu gesundheitlichen Schäden führen.

### Angemessene Unterweisung

- Das Gerät darf nicht ohne angemessene Unterweisung bzw. ohne Schutzkleidung bedient werden.
  - Machen Sie sich mit der richtigen Handhabung des Geräts und seiner Bedienelemente vertraut.
  - Sie müssen wissen, wie sich das Gerät stoppen und der Motor abstellen lässt.
  - Zudem müssen Sie lernen, wie das Gerät schnell vom Schultergurt getrennt werden kann.
  - Erlauben Sie niemals einer anderen Person, das Gerät ohne vorherige Unterweisung zu benutzen.
- Eine Nichtbefolgung dieser Anweisung kann zu gesundheitlichen Schäden führen.

### Geeignete Schutzkleidung tragen

- Ihr Haar sollte maximal Schulterlang sein, ansonsten verwenden Sie ein Haarnetz.
- Tragen Sie keine Krawatten, Schmuckstücke oder lose, weite Kleidungsstücke, die sich im Gerät verfangen könnten.
- Tragen Sie keine Schuhe mit freien Zehen, und arbeiten Sie nicht barfuß oder in kurzen Hosen.

Bei Nichtbeachtung dieser Sicherheitsvorkehrungen sind Ihr Augenlicht und Ihr Gehör gefährdet, und es drohen sonstige schwere Verletzungen.



# Sichere Verwendung des Produkts

## **WARNUNG**

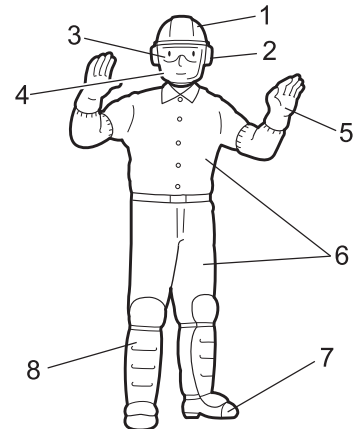
### Schutzausrüstung tragen

- Tragen Sie beim Arbeiten mit dem Trimmer immer die folgende Schutzausrüstung:

1. **Kopfschutz (Helm):** schützt den Kopf
2. **Gehörschutzbügel oder Ohrenstöpsel:** schützen das Gehör
3. **Schutzbrille:** schützt die Augen
4. **Gesichtsschutzschild:** schützt das Gesicht
5. **Sicherheitshandschuhe:** schützen die Hände vor Kälte und Vibration
6. **Eng anliegende Arbeitskleidung (lange Ärmel, lange Hosen):** schützt den Körper
7. **Robuste, rutschfeste Stiefel (mit Schutzkappe) oder rutschfeste Schuhe (mit Schutzkappe):** schützen die Füße
8. **Schienbeinschützer:** schützen die Beine

Bei Nichtbeachtung dieser Sicherheitsvorkehrungen sind Ihr Augenlicht und Ihr Gehör gefährdet, und es drohen sonstige schwere Verletzungen.

- Falls erforderlich, verwenden Sie auch folgende Schutzausrüstung:
- ◆ **Staubmaske:** schützt das Atmungssystem
  - ◆ **Bienennetz:** schützt vor angreifenden Bienen



### Arbeitsumgebung und Bedienung

- Produkt nicht verwenden:

- ◆ unter schlechten Wetterbedingungen.
- ◆ an steilen Abhängen oder auf rutschigem Untergrund ohne ausreichenden Halt.
- ◆ nachts oder bei schlechten Sichtverhältnissen.

- Arbeiten Sie an leichten Hanglagen in horizontalen, bogenartigen Bewegungen.

Wenn Sie fallen oder ausrutschen oder das Gerät nicht mehr voll beherrschen, kann dies zu schweren Verletzungen führen.

- Aus Gesundheits- und Sicherheitsgründen sollten Sie mit dem Gerät nur bei Lufttemperaturen von  $-5\text{ °C}$  bis  $40\text{ °C}$  arbeiten.

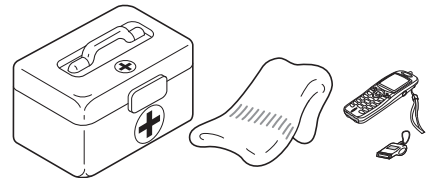
Eine Nichtbefolgung dieser Anweisung kann zu gesundheitlichen Schäden führen.

### Vorsorge für den Fall von Verletzungen

- Für den unwahrscheinlichen Fall, dass es dennoch zu Verletzungen kommt, sollten Sie folgende Dinge vorbereitet haben:

- ◆ **Verbandskasten**
- ◆ **Hand- und Wischtücher (um etwaige Blutungen zu stoppen)**
- ◆ **Trillerpfeife oder Mobiltelefon (um Hilfe rufen zu können)**

Wenn Sie weder erste Hilfe leisten noch Hilfe rufen können, kann sich die Verletzung verschlimmern.



### Bei Feuer oder Rauch steht Sicherheit an erster Stelle

- Wenn Flammen aus dem Bereich des Motors kommen oder Rauch aus einem anderen Teil als dem Auspuff austritt, entfernen Sie sich zunächst von dem Produkt, um Ihre eigene körperliche Sicherheit zu gewährleisten.

- Werfen Sie mit einer Schaufel Sand oder ähnliches Material auf das Feuer, um eine Ausbreitung zu verhindern, oder löschen Sie den Brand mit einem Feuerlöscher.

Eine Panikreaktion könnte zu einer Ausbreitung des Feuers oder anderen Schäden führen.



## Warnhinweise

### **GEFAHR**

Dieses Symbol in Verbindung mit dem Wort „**GEFAHR**“ macht auf Handlungen oder Bedingungen aufmerksam, die zu schweren Verletzungen oder zum Tod von Bediener und umstehenden Personen führen.

### **WARNUNG**


Dieses Symbol in Verbindung mit dem Wort „**WARNUNG**“ macht auf Handlungen oder Bedingungen aufmerksam, die zu schweren Verletzungen oder zum Tod von Bediener und umstehenden Personen führen können.

### **VORSICHT**

„**VORSICHT**“ warnt vor einer Gefahrensituation, in der es zu leichten bis mäßigen Verletzungen kommen kann.

# Sichere Verwendung des Produkts




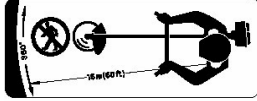














## Sonstige Kennzeichnungen

	Kreis mit umgekehrtem Schrägstrich bedeutet, dass das Dargestellte unzulässig ist.
---	--

<b>HINWEIS</b>
Hinweise dieser Art enthalten Tipps zur Verwendung, Pflege und Wartung des Produkts.



<b>WICHTIG</b>
Umrahmter Text mit der Überschrift „ <b>WICHTIG</b> “ enthält wichtige Informationen zur Verwendung, Überprüfung, Wartung und Lagerung des in dieser Anleitung beschriebenen Produkts.

## Symbole

Symbol	Beschreibung des Symbols	Symbol	Beschreibung des Symbols
	Lesen Sie die Bedienungsanleitung sorgfältig durch		Maximale Drehzahl der Welle der Schneidvorrichtung in U/min
	Augen-, Gehör- und Kopfschutz tragen		Passanten auf einen Abstand von 15 m halten
	Tragen Sie Schutzhandschuhe und Schutzschuhe		Benzin- und Ölgemisch
	NOTAUS		Choke-Position bei Kaltstart (Choke geschlossen)
	Warnung! Gegenstände werden hochgeschleudert!		Choke-Position bei Betrieb (Choke geöffnet)
	Achtung, Seitenschub!		Justieren des Vergasers - Leerlaufdrehzahl
	Einsatz ohne Schutzschild verboten		Achtung, heiße Bereiche
	Verwendung von Metallmessern verboten		Garantierter Schalleistungspegel
	Nicht in Räumen mit schlechter Belüftung verwenden		Motorstart



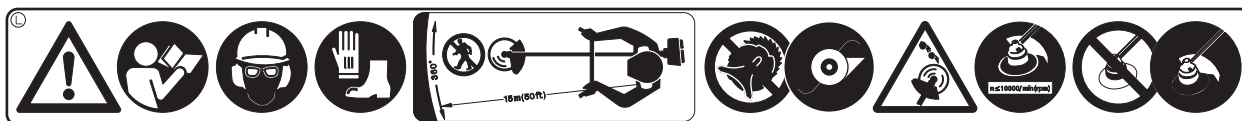
# Sichere Verwendung des Produkts

Symbol	Beschreibung des Symbols	Symbol	Beschreibung des Symbols
	Achtung, Brandgefahr		Achtung, Stromschlag-Gefahr

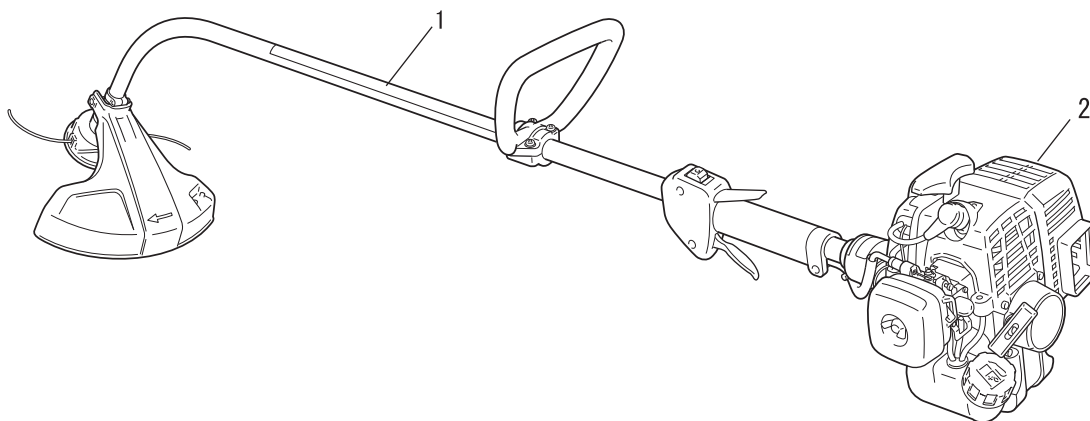
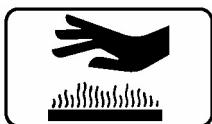
## Sicherheitsaufkleber

- Die in dieser Anleitung beschriebenen Produkte sind mit dem unten dargestellten Sicherheitsaufkleber versehen. Machen Sie sich die Bedeutung des Sicherheitsaufklebers bewusst, bevor Sie das Produkt verwenden.
- Falls der Sicherheitsaufkleber aufgrund von Verschleiß oder Beschädigung nicht mehr lesbar ist oder sich abgelöst hat, erwerben Sie bitte einen neuen Sicherheitsaufkleber von Ihrem Händler, und bringen Sie ihn an der nachstehend gezeigten Stelle an. Der Sicherheitsaufkleber muss stets gut lesbar sein.

### 1. Sicherheitsaufkleber (Teilenummer X505-000140)

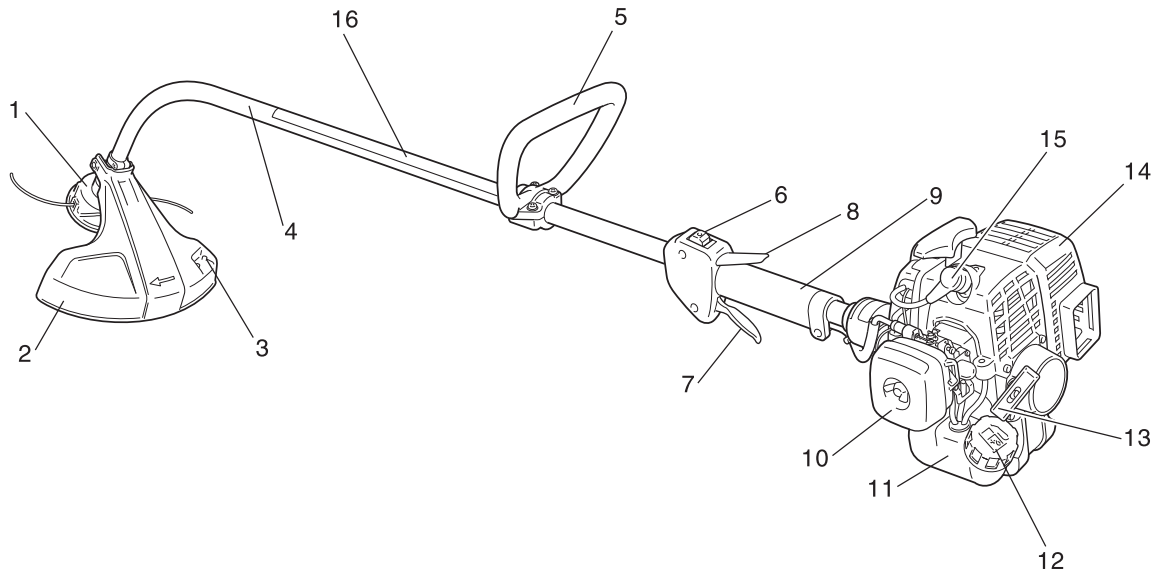


### 2. Sicherheitsaufkleber (Teilenummer X505-002310)



# Beschreibung

---

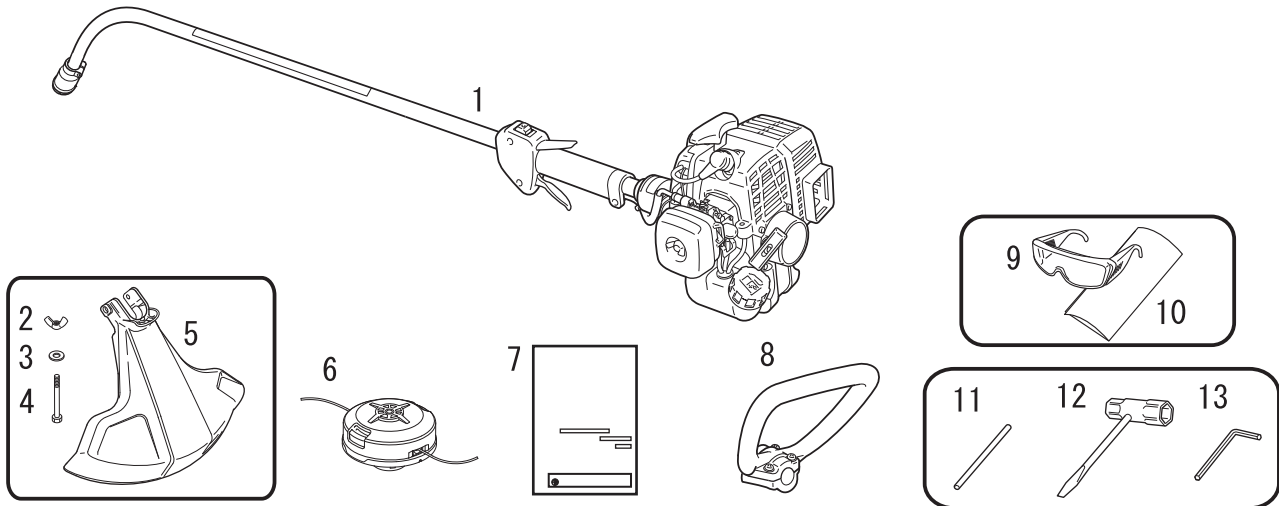


1. **Schneidvorrichtung** Nylonfadenkopf zum Schneiden von Gras und Unkraut.
2. **Schutzschild** Schützt den Bediener vor Kontakt mit dem Schneidkopf und weggeschleuderten Objekten.
3. **Fadenschneidmesser** Schneidet den Nylonfaden auf die richtige Länge ab.
4. **Antriebswellenrohr** Geräteteil, das als Gehäuse für die Antriebswelle dient.
5. **Rundgriff** Griff mit geringem Gewicht, für Nylonfadentrimmer geeignet.
6. **Stoppschalter** Schiebeschalter, der oben am Gehäuse des Gashebels montiert ist. Schalter für den Betrieb nach vorn auf „RUN“, zum Stoppen des Motors nach hinten auf „STOP“ stellen.
7. **Gashebel** Regelt die Motordrehzahl und wird durch den Bediener mit einem Finger betätigt.
8. **Gashebelsperre** Dient zum Arretieren des Gashebels im Leerlauf, bis Sie mit der rechten Hand den Griff ganz umgriffen haben.
9. **Griff** Hinterer Griff (rechts).
10. **Luftfilterabdeckung** Deckt den Luftfilter ab.
11. **Kraftstofftank** Enthält Kraftstoff und Kraftstofffilter.
12. **Kraftstofftankdeckel** Verschließt den Kraftstofftank.
13. **Startergriff** Ziehen Sie an diesem Griff, um den Motor zu starten.
14. **Auspuffabdeckung** Dient zum Schutz vor versehentlicher Berührung des heißen Schalldämpfers.
15. **Zündkerze**
16. **Sicherheitsaufkleber**

# Bevor Sie beginnen

## Packliste

- Die nachfolgend aufgeführten Einzelteile sind in der Verpackung enthalten.
- Überprüfen Sie nach dem Auspacken die Vollständigkeit des Inhalts.
- Wenden Sie sich an Ihren Händler, wenn Teile fehlen oder beschädigt sind.



1. Motor und Antriebswellenrohr
2. Flügelmutter
3. Unterlegscheibe
4. Schraube
5. Schutzschild
6. Nylonfadenkopf
7. Bedienungsanleitung

8. Rundgriff
9. Schutzbrille (konform mit ANSI Z 87.1)
10. Vorsichtshinweis
11. Arretierwerkzeug
12. Steckschlüssel
13. L-Schlüssel

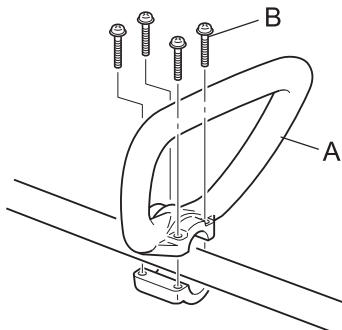
## Zusammenbau

### **WARNUNG**

- Lesen Sie die Bedienungsanleitung aufmerksam durch, um sicherzustellen, dass Sie das Produkt korrekt zusammenbauen.  
Die Verwendung eines falsch zusammengebauten Produkts kann zu Unfällen bzw. schweren Verletzungen führen.



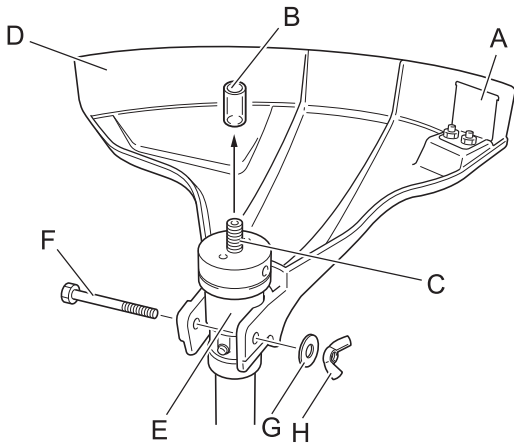
### Befestigung des Rundgriffs



Richten Sie den Griff (A) in eine für das Arbeiten bequeme Position aus, und ziehen Sie die Schrauben (M5×35) (B) fest. Die Schneidvorrichtung sollte sich 5 - 7,5 cm über dem Boden befinden und so waagrecht wie möglich gehalten werden.

# Bevor Sie beginnen

## Montage des Schutzschilds

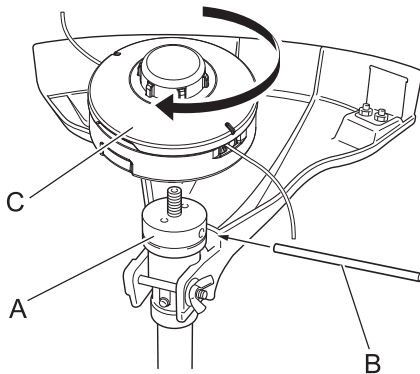


### **WARNUNG**

- Der durch eventuell abgesplitterte Teile der Schneidvorrichtung (A) beschädigte Schutzschild kann scharfkantig sein. Vermeiden Sie Kontakt beim Ein- oder Ausbau des Fadenkopfs.
- ◆ Andernfalls kann es zu Verletzungen bzw. schweren Unfällen kommen.

1. Entfernen Sie die Kunststoffhülse (B) von der Ausgangswelle (C).
2. Stecken Sie den Schutzschild (D) auf das Lagergehäuse (E).
3. Bringen Sie Schraube (F), Unterlegscheibe (G) und Flügelmutter an (H).

## Montage des Nylonfadenkopfs



1. Drehen Sie die Ausgangswelle, bis die Bohrungen der Befestigungsplatte (A) und des Lagergehäuses fluchten.
2. Führen Sie ein Arretierwerkzeug (B) in diese Bohrungen ein.
3. Montieren Sie den Nylonfadenkopf (C) auf der Ausgangswelle, indem Sie ihn im Uhrzeigersinn aufschrauben.
4. Entfernen Sie das Arretierwerkzeug.

## Bereitstellen des Kraftstoffs

### **GEFAHR**

- Niemals betanken, während der Motor heiß ist oder läuft.
- Beim Betanken auf keinen Fall rauchen oder Feuer in die Nähe bringen. Andernfalls könnte sich der Kraftstoff entzünden und zu Verbrennungen führen.



### **WARNUNG**

- Befüllen Sie Kraftstofftanks niemals in geschlossenen Räumen. Befüllen Sie Kraftstofftanks immer im Freien und auf sicherem Untergrund. Führen Sie die Betankung nicht auf der Ladefläche von Lkws oder an ähnlichen Orten durch.
- Kraftstofftanks und -kanister können unter Druck stehen. Öffnen Sie Kraftstofftankdeckel immer langsam, damit sich der Druck ausgleichen kann. Andernfalls kann es vorkommen, dass Kraftstoff herausspritzt.
- Wischen Sie Kraftstoff, der aufgrund von Überfüllung über- oder ausläuft, sofort auf. Verschütteter Kraftstoff kann sich entzünden und Verbrennungen verursachen.
- Achten Sie nach dem Betanken stets darauf, dass aus der Kraftstoffleitung, an den Kraftstoffdichtungen und rund um den Kraftstofftankdeckel kein Kraftstoff austritt. Sollten Sie feststellen, dass Kraftstoff austritt, stellen Sie sofort die Verwendung des Produkts ein, und wenden Sie sich an Ihren Händler, um es reparieren zu lassen. Ausgetretener Kraftstoff stellt in jedem Fall eine Brandgefahr dar.
- Bewahren Sie den Befüllungskanister an einem schattigen Ort in weiter Entfernung von Brandquellen auf.
- Verwenden Sie nur zugelassene Kraftstoffbehälter.

# Bevor Sie beginnen

## WICHTIG

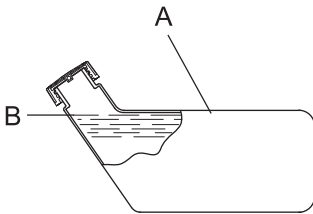
- Der Kraftstoff ist ein Gemisch aus Normalbenzin und hochwertigem Markenöl für luftgekühlte Zweitaktmotoren. Verwenden Sie bleifreies Benzin mit mindestens 89 Oktan. Verwenden Sie keinen Kraftstoff mit Methylalkohol oder mehr als 10 % Ethylalkohol.
- Gelagerter Kraftstoff altert. Mischen Sie nicht mehr Kraftstoff an, als Sie voraussichtlich innerhalb der nächsten dreißig (30) Tage verbrauchen werden.

### Kraftstoff



- ◆ Empfohlenes Mischverhältnis: 50 : 1 (**2 %**) Öl nach ISO-L-EGD Standard (ISO/CD 13738), JASO FC, FD und Shindaiwa One 50: 1-Öl.
- ◆ Mischen Sie den Kraftstoff nicht direkt im Motor-Kraftstofftank.

### Kraftstoffversorgung



- ◆ Befüllen Sie den Tank nicht bis zur Einfüllöffnung (A). Befüllen Sie den Tank nur bis zur vorgeschriebenen Höhe (nur bis zum Ansatz (B) des Einfüllstutzens).
- ◆ Verschließen Sie den Kraftstofftankdeckel nach dem Betanken wieder fest.

# Bedienung des Motors

## Starten des Motors

### **WARNUNG**

Befolgen Sie beim Starten des Motors unbedingt die folgenden Sicherheitsregeln:

- Entfernen Sie sich mindestens 3 m von der Stelle, an der die Betankung erfolgte.
- Platzieren Sie das Produkt an einem ebenen, gut belüfteten Ort.
- Vergewissern Sie sich, dass nirgendwo Kraftstoff austritt.
- Überprüfen Sie, ob alle Schrauben und Muttern fest angezogen sind.
- Sorgen Sie für ausreichenden Abstand rund um das Produkt, und lassen Sie keine Personen oder Tiere in die Nähe.
- Starten Sie den Motor mit dem Gashebel in der Leerlaufstellung.
- Halten Sie das Produkt beim Starten des Motors auf dem Boden fest.

Eine Nichtbefolgung der Sicherheitsregeln kann zu Unfällen, Verletzungen oder sogar zum Tod führen.

- Vergewissern Sie sich, dass nach dem Starten des Motors keine ungewöhnlichen Vibrationen oder Geräusche wahrzunehmen sind. Verwenden Sie das Produkt nicht, wenn Sie ungewöhnliche Vibrationen oder Geräusche feststellen. Wenden Sie sich an Ihren Händler, um es reparieren zu lassen.

Durch abfallende oder absplittende Teile kann es zu schweren Verletzungen kommen.

- Die Auspuffgase des Motors enthalten giftige Gase. Betreiben Sie das Produkt nicht in geschlossenen Räumen oder an anderen schlecht belüfteten Orten.

Die Auspuffgase können zu Vergiftungen führen.



- Schalldämpfer, Zündkerze, Winkelgetriebe und andere stark erhitzte Teile des Produkts dürfen während des Betriebs und einige Zeit danach nicht berührt werden.

Berührungen solcher stark erhitzter Teile können zu Verbrennungen führen.



- Zündkerze, Zündkabel und andere spannungsführende Teile dürfen während des Betriebs nicht berührt werden.

Sie könnten einen Stromschlag erleiden, wenn Sie während des Betriebs ein spannungsführendes Teil berühren.



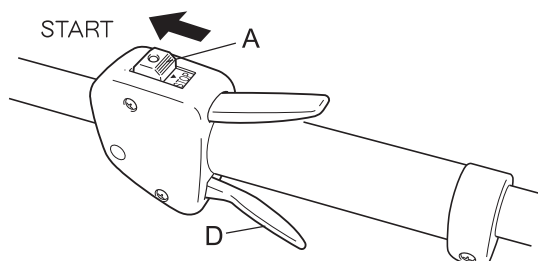
- Wenn sich die Schneidvorrichtung beim Starten dreht, obwohl der Gashebel auf Leerlaufdrehzahl eingestellt ist, justieren Sie den Vergaser nach, bevor Sie das Produkt verwenden.

Eine Nichtbefolgung der Sicherheitsregeln kann zu Unfällen, Verletzungen oder sogar zum Tod führen.

### **HINWEIS**

- Ziehen Sie den Startergriff zuerst langsam und dann allmählich schneller heraus. Ziehen Sie das Starterseil höchstens auf 2/3 seiner Länge heraus.
- Lassen Sie den Startergriff beim Zurückschnellen nicht los.

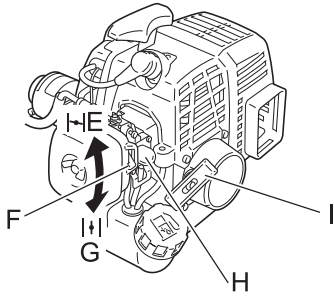
## Starten eines kalten Motors



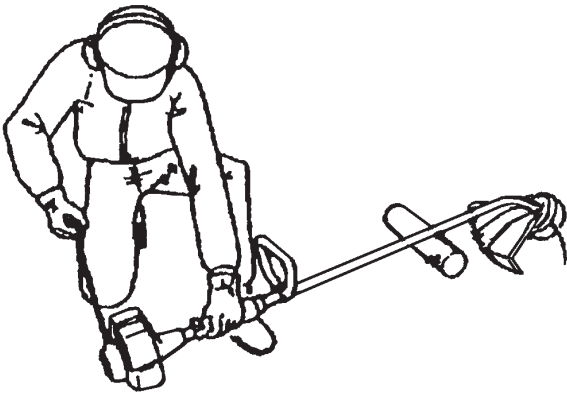
(Stecken Sie den Zündkerzenstecker wieder auf, wenn das Produkt lange Zeit nicht benutzt wurde.)

1. Legen Sie das Produkt flach auf den Boden, und sorgen Sie durch Unterlegen eines Balkens oder eines ähnlichen Hilfsmittels dafür, dass die Schneidvorrichtung nicht den Boden berührt.
2. Stellen Sie den Zündschalter (A) auf „Start“.
3. Stellen Sie sicher, dass sich der Gashebel (D) in der Leerlaufstellung befindet.

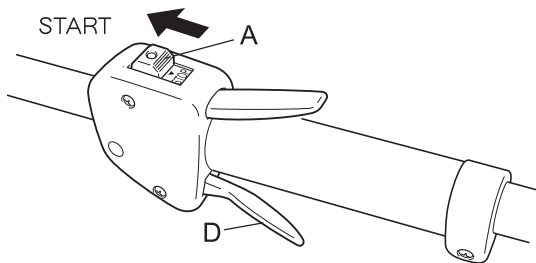
# Bedienung des Motors



4. Stellen Sie den Chokehebel (F) auf die Position „Kaltstart“ (E).
5. Betätigen Sie die Kraftstoffpumpe (H) so oft (drücken und loslassen), bis sie Kraftstoff angesaugt hat.
6. Halten Sie das Gerät möglichst nahe am Motor (siehe Abbildung), nachdem Sie die Sicherheit des Ortes überprüft haben, und ziehen Sie mehrmals am Startergriff (I).
7. Falls Sie ein explosionsartiges Geräusch hören und der Motor sofort stillsteht, stellen Sie den Chokehebel auf „Run“ (Betrieb) (G), und ziehen Sie wiederholt am Startergriff, um den Motor zu starten.
8. Falls der Motor weiterläuft, stellen Sie den Chokehebel langsam zurück auf "Run".
9. Lassen Sie den Motor eine Weile im Leerlauf warmlaufen.

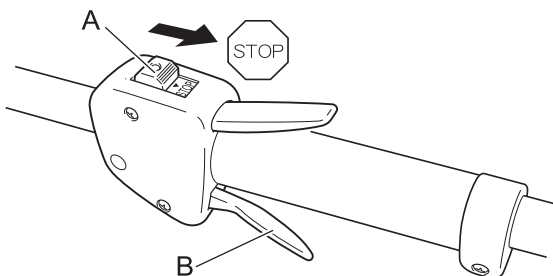


## Starten eines warmen Motors



1. Stellen Sie den Zündschalter (A) auf „Start“.
2. Stellen Sie sicher, dass sich der Gashebel (D) in der Leerlaufstellung befindet.
3. Stellen Sie sicher, dass sich der Chokehebel in der Position „Run“ (Betrieb) befindet.
4. Ist kein Kraftstoff in der Kraftstoffpumpe sichtbar, betätigen Sie die Kraftstoffpumpe so oft (drücken und loslassen), bis sie Kraftstoff angesaugt hat.
5. Halten Sie das Gerät möglichst nahe am Motor, nachdem Sie Ihre unmittelbare Umgebung auf Sicherheit überprüft haben, und ziehen Sie am Startergriff, um den Motor zu starten.

## Stoppen des Motors



1. Stellen Sie den Gashebel (B) in die Leerlaufposition, und lassen Sie den Motor bei Leerlaufdrehzahl (niedrige Drehzahl) laufen.
  2. Stellen Sie den Zündschalter (A) auf „Stop“.
  3. Stoppen Sie den Motor im Notfall sofort mit Hilfe des Zündschalters.
  4. Falls der Motor dadurch nicht gestoppt wird, bringen Sie den Chokehebel in die Position „Kaltstart“. Der Motor wird „abgewürgt“ und dadurch angehalten (Not-Aus).
- \* Lassen Sie den Zündschalter von Ihrem Händler überprüfen und reparieren, bevor Sie das Produkt erneut verwenden, wenn sich der Motor mit dem Stoppschalter nicht stoppen lässt.
5. Trennen Sie stets das Zündkabel von der Zündkerze, damit der Motor nicht von Unbefugten gestartet werden kann, wenn Sie mit der Arbeit fertig sind oder das Gerät vorübergehend beiseite legen wollen.

# Trimmen

## GEFAHR

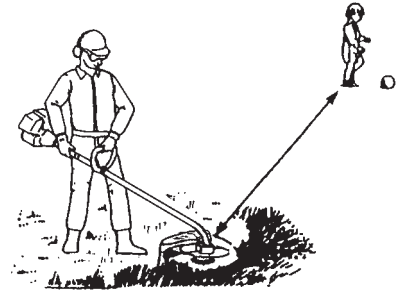
○ **Stellen Sie den Motor sofort ab, wenn die Schneidvorrichtung blockiert wird.**  
Wenn die Blockade beseitigt wird und die Schneidvorrichtung plötzlich anläuft, kann es zu schweren Verletzungen kommen.

○ **Verwenden Sie das Produkt niemals ohne den daran befestigten Schutzschild.**  
Von der Schneidvorrichtung abprallende Gegenstände können Unfälle mit schweren Verletzungen verursachen.

○ **Der Bereich in einem Radius von 15 m rund um dieses Gerät gilt als Gefahrenzone. Beachten Sie bei der Arbeit mit diesem Gerät folgende Sicherheitsregeln:**

- ◆ Lassen Sie keine Personen (insbesondere Kinder) oder Tiere in die Gefahrenzone.
- ◆ Sollte eine Person in die Gefahrenzone gelangen, stellen Sie den Motor ab, so dass sich die Schneidvorrichtung nicht mehr dreht.
- ◆ Wenn Sie sich dem Bediener nähern möchten, signalisieren Sie ihm Ihre Absicht, indem Sie z. B. Zweige von außerhalb der Gefahrenzone werfen, und warten Sie dann, bis der Motor abgestellt wurde und die Schneidvorrichtung stillsteht.
- ◆ Wenn mehrere Personen mit dem Produkt arbeiten, vereinbaren Sie eine Art der gegenseitigen Kommunikation, und arbeiten Sie mit mindestens 15 m Abstand voneinander.

Von der Schneidvorrichtung abprallende Gegenstände und Kontakt mit der Schneidvorrichtung können zu Blindheit oder tödlichen Unfällen führen.



## WARNUNG

○ **Bevor Sie mit der Arbeit beginnen, überprüfen Sie den Bereich, in dem Sie arbeiten möchten, und entfernen Sie kleine Steine und leere Dosen, die durch die Schneidvorrichtung weggeschleudert werden könnten, sowie Schnüre oder Drähte, die sich um die Schneidvorrichtung wickeln könnten.**

Wenn Fremdkörper durch die Schneidvorrichtung weggeschleudert werden oder sich Drähte oder andere Materialien um die Schneidvorrichtung wickeln, kann dies zu Unfällen bzw. schweren Verletzungen führen.



○ **Stellen Sie den Motor in den nachfolgend genannten Situationen sofort ab, und vergewissern Sie sich, dass sich die Schneidvorrichtung nicht mehr dreht. Überprüfen Sie dann die einzelnen Bereiche des Produkts. Ersetzen Sie beschädigte Teile durch neue.**

- ◆ Die Schneidvorrichtung trifft beim Arbeiten auf einen Stein, Baum, Pfosten oder ein anderes Hindernis.
- ◆ Das Produkt beginnt plötzlich, ungewöhnlich zu vibrieren.

Wenn beschädigte Teile weiter verwendet werden, kann dies zu Unfällen bzw. schweren Verletzungen führen.

○ **Halten Sie die Schneidvorrichtung während des Arbeitens nicht nach oben. Die Schneidvorrichtung darf nicht über Kniehöhe angehoben werden.**

Durch Anheben der Schneidvorrichtung über Kniehöhe würden Sie die Rotationsebene näher ans Gesicht bringen, und Gegenstände, die von der Schneidvorrichtung weggeschleudert werden, könnten Unfälle bzw. schwere Verletzungen verursachen.

### Transport des Geräts

○ **Wenn Sie sich in den zuvor beschriebenen Situationen bewegen, stellen Sie den Motor ab und vergewissern Sie sich, dass sich die Schneidvorrichtung nicht mehr dreht. Halten Sie das Gerät so, dass der Schalldämpfer von Ihnen abgewandt ist.**

- ◆ Sie suchen Ihren Arbeitsbereich auf
- ◆ Sie wechseln im Verlauf der Arbeit den Arbeitsbereich
- ◆ Sie verlassen Ihren bisherigen Arbeitsbereich

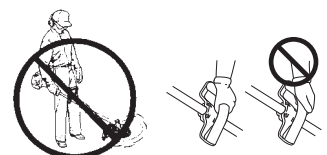
Bei Nichtbeachtung dieser Sicherheitsregeln können Verbrennungen oder andere schwere Verletzungen die Folge sein.

○ **Entleeren Sie den Kraftstofftank des Geräts zum Transport in Kraftfahrzeugen, und sichern Sie das Gerät so, dass es nicht verrutschen kann.**

Ein Transport des Produkts mit befülltem Kraftstofftank stellt eine Brandgefahr dar.

○ **Versuchen Sie nie, das Produkt mit nur einer Hand zu bedienen.**

○ **Halten Sie die Griffe immer so, dass sie von Daumen und übrigen Fingern fest umschlossen sind.**



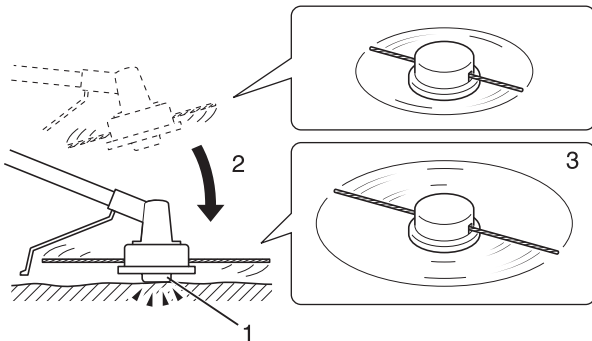


## Einfaches Trimmen mit dem Nylonfadenkopf

### **⚠️ WARNUNG**

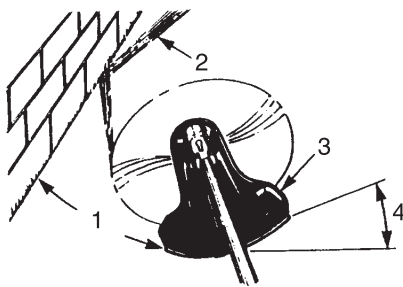
- Bei falscher Verwendung der Schneidvorrichtung drohen schwere Verletzungen. Lesen und befolgen Sie alle Sicherheitsanweisungen in dieser Bedienungsanleitung.
- Verwenden Sie nur von der YAMABIKO CORPORATION empfohlene Schneidvorrichtungen.
- Nylonfäden, die über das Fadenschneidmesser hinausragen, könnten weggeschleudert werden, wenn sich der Fadenkopf nach der Anpassung der Nylonfadenlänge zu drehen beginnt. Andernfalls kann es zu Unfällen bzw. schweren Verletzungen kommen.

### Einstellen der Nylonfadenlänge



- ♦ Verwenden Sie den Nylonfadenkopf nicht mit mehr als 10000 U/min.
  - ♦ Zum Nachstellen des Nylonfadens schlagen Sie den Nylonfadenkopf bei unter 4500 U/min leicht gegen den Boden.
  - ♦ Das am Schutzschild montierte Fadenschneidmesser begrenzt die Schnittbreite automatisch, indem es die Nylonfäden auf die gleiche Länge abschneidet, nachdem der Fadenkopf zu rotieren beginnt.
  - ♦ Wenn Sie mit einer geringeren Schnittbreite (weniger als max. Länge) arbeiten möchten, schneiden Sie die beiden Nylonfäden in gleicher Länge ab.
1. Auslöseknopf
  2. Schlagen Sie den Auslöseknopf leicht gegen den Boden
  3. Nylonfaden tritt aus

### Trimmen



- ♦ Hierbei wird der Trimmer vorsichtig an das zu schneidende Material herangeführt. Stellen Sie den Fadenkopf etwas schräg, damit das Schneidgut von Ihnen weggeleitet wird. Arbeiten Sie sich beim Schneiden in Richtung eines Hindernisses (z. B. Zaun, Mauer oder Baum) in einem Winkel vor, bei dem sichergestellt ist, dass vom Hindernis abprallendes Schneidgut von Ihnen weggeleitet wird.
  - ♦ Bewegen Sie den Nylonfadenkopf langsam, bis das Gras bis zum Hindernis abgemäht ist, dabei aber der Faden das Hindernis nicht berührt. Wenn Sie Trimmerarbeiten entlang eines Maschendraht- oder Kettengliedzauns durchführen, so achten Sie darauf, dass Sie das Gerät nur bis zum Zaundraht führen. Ansonsten kann der Faden beim Auftreffen auf den Zaundraht reißen.
  - ♦ Beim Trimmen können Unkrauthalme nacheinander durchgeschnitten werden. Setzen Sie den Nylonfadenkopf immer am unteren Bereich der Pflanze an, da sich die Pflanze sonst evtl. nur beugt und wieder aufrichtet und sich im Nylonfaden verfangen könnte. Anstatt das Unkraut sofort durchzuschneiden, führen Sie das Ende des Nylonfadens allmählich durch den Unkrauthalm.
1. Winkel zur Wand
  2. Schneidgut
  3. Schräg gestellte Schneidvorrichtung
  4. Winkel zum Boden

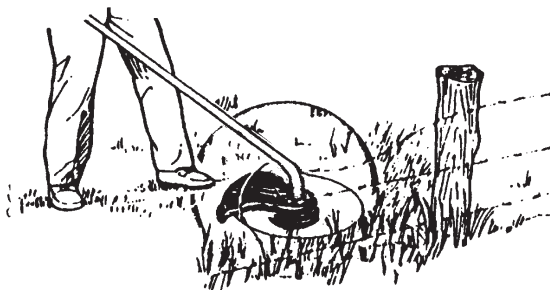
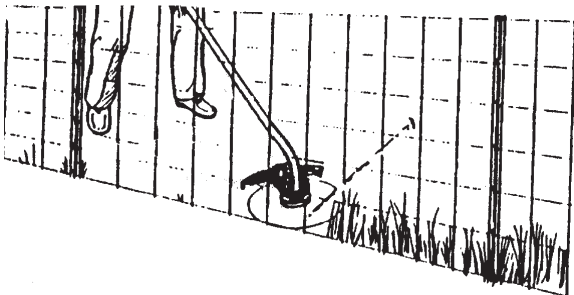
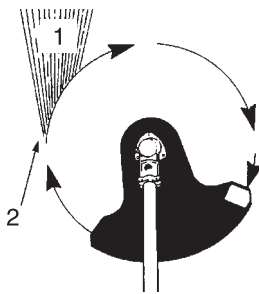
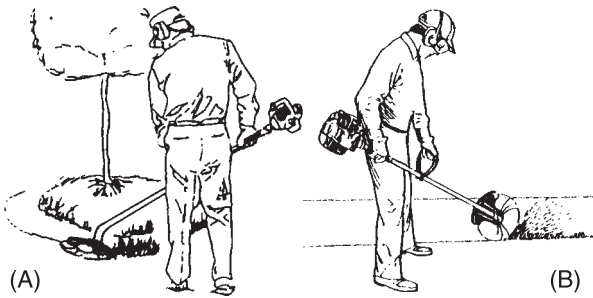
### Mähen



- ♦ Hierbei werden große Grasflächen durch Schwingen des Trimmers in einem horizontalen Bogen gemäht. Arbeiten Sie in gleichmäßigen, ruhigen Bewegungen. Versuchen Sie nicht, das Gras durch Hackbewegungen zu schneiden. Kippen Sie den Nylonfadenkopf so, dass das gemähte Gras von Ihnen weg auf die bereits gemähte Fläche geworfen wird. Dann – ohne Gras zu schneiden – das Gerät zurückführen, um den nächsten Bogen auszuführen. Wenn Sie gut geschützt sind und es Ihnen nichts ausmacht, wenn Schneidgut auf Sie zugeschleudert wird, können Sie in beide Richtungen mähen.

# Trimmen

## Skalpieren und Kantenschneiden



- ♦ Beides wird durchgeführt, indem der Nylonfadenkopf steil gekippt wird. Beim Skalpieren (A) wird die Vegetation so weit geschnitten, dass nur der kahle Boden zurückbleibt. Beim Kantenschneiden (B) wird das Gras an Stellen zurückgetrimmt, an denen es über einen Fußgängerweg oder eine Zufahrt gewachsen ist. Sowohl beim Kantenschneiden als auch beim Skalpieren ist das Gerät in einem steilen Winkel so zu halten, dass das Schneidgut sowie sich aus dem Boden lösende Steine und Schmutz nicht auf Sie zugeschleudert werden.
- ♦ Wenngleich das Kantenschneiden und Skalpieren hier in einer bestimmten Weise abgebildet sind, muss jeder Bediener für sich selbst gemäß seiner Körpergröße den Winkel herausfinden, in dem er besten arbeiten kann.
- ♦ Bei fast allen Schneidarbeiten empfiehlt es sich, den Nylonfadenkopf so schräg zu stellen, dass der Kontakt in dem Teil des Schneidkreises erfolgt, wo der Nylonfaden sich von Ihnen und dem Schutzschild wegbewegt (siehe Abbildung). Dadurch wird das Schneidgut von Ihnen weggeleitet.
- ♦ Wenn Sie den Fadenkopf zur falschen Seite neigen, wird das Schneidgut auf Sie zugeschleudert. Wenn der Nylonfadenkopf flach gegen den Boden gehalten wird, so dass der Schneidvorgang über den gesamten Schneidkreis erfolgt, wird das Schneidgut auf Sie zugeschleudert, die Motordrehzahl durch den Widerstand verringert, und es wird sehr viel mehr Nylonfaden verbraucht.
- ♦ Nylonfadenkopf dreht sich im Uhrzeigersinn. Das Fadenschneidmesser befindet sich rechts am Schutzschild.
  1. Schneidgut
  2. Auf dieser Seite schneiden
- ♦ Lassen Sie den Nylonfadenkopf nicht in zähes Unkraut, Bäume oder Zäune eindringen.
- ♦ Wenn der Nylonfaden in Maschendraht, Zäune oder dichtes Gestrüpp eindringt, kann es passieren, dass abgerissene Fadenstücke gegen den Bediener geschleudert werden. Am besten arbeiten Sie sich so weit wie möglich an das jeweilige Hindernis heran, ohne den Nylonfaden in das Hindernis vordringen zu lassen. Schneiden Sie nicht direkt an einem Hindernis.
- ♦ Achten Sie darauf, dass der Nylonfaden nicht mit beschädigtem Zaundraht in Berührung kommt. Durch den Trimmer abgebrochene Drahtstücke können mit hoher Geschwindigkeit durch die Luft geschleudert werden.

# Wartung und Pflege

## **WARNUNG**

Beachten Sie die folgenden Sicherheitsregeln, wenn Sie das Produkt nach der Verwendung überprüfen bzw. warten:

- **Schalten Sie den Motor ab und überprüfen bzw. warten Sie das Produkt erst dann, wenn der Motor abgekühlt ist.**  
Andernfalls können Sie sich verbrennen.
- **Entfernen Sie den Zündkerzenstecker, bevor Sie Überprüfungen und Wartungen durchführen.**  
Wenn sich das Produkt unerwarteterweise in Betrieb setzt, kann es zu Unfällen kommen.

## **WICHTIG**

- Für Überprüfung und Wartung sind entsprechende Fachkenntnisse erforderlich. Wenn Sie das Produkt nicht selbst überprüfen, warten oder instand setzen können, wenden Sie sich an Ihren Händler. Versuchen Sie nicht, das Gerät zu zerlegen.

## Wartungsrichtlinien

Komponente	Wartung	Seite	Vor der Verwendung	Monatlich
Luftfilter	Reinigen / ersetzen	18	•	
Kraftstofffilter	Überprüfen / reinigen / ersetzen	18	•	
Zündkerze	Überprüfen / reinigen / justieren / ersetzen	20		•
Vergaser	Justieren / ersetzen und justieren	18		•
Kühlsystem	Überprüfen / reinigen	19	•	
Schalldämpfer	Überprüfen/festziehen	19	•	
Schalldämpfer	Reinigen	19		•**
Antriebswelle	Schmieren	20		•*
Anlasser	Überprüfen	-	•	
Fadenschneidmesser	Überprüfen / reinigen	-	•	
Kraftstoffsystem	Überprüfen	18	•	
Schrauben, Bolzen und Muttern	Überprüfen, festziehen / ersetzen	-	•	

\* oder nach 50 Betriebsstunden (jeweils früherer Zeitpunkt gilt). \*\* Oder 100 Betriebsstunden (jeweils früherer Zeitpunkt gilt).

## **WICHTIG**

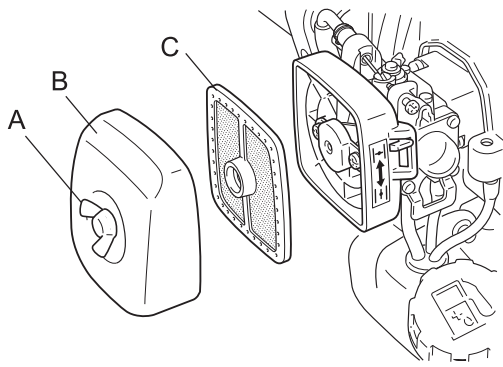
- Angegeben sind die maximalen Zeitabstände. Die Häufigkeit der erforderlichen Wartungsarbeiten richtet sich nach der tatsächlichen Beanspruchung und Ihrer Erfahrung.

## Wartung und Pflege

Wenden Sie sich bei Fragen oder Problemen bitte an Ihren Händler.

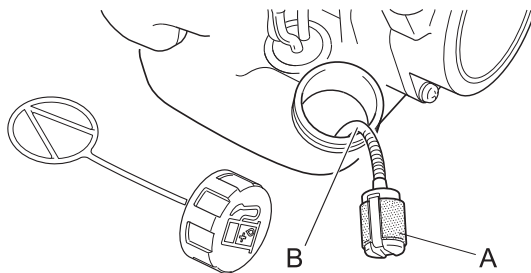
# Wartung und Pflege

## Reinigen des Luftfilters



- ♦ Schließen Sie den Choke. Lösen Sie die Flügelschraube (A) und entfernen Sie die Abdeckung des Luftfilters (B).
- ♦ Entfernen Sie den Luftfilter (C) (befindet sich unter der Luftfilterabdeckung).
- ♦ Reinigen Sie den Filter durch Abbürsten oder mittels Druckluft.
- ♦ Setzen Sie den Filter wieder ein.
- ♦ Bringen Sie die Abdeckung wieder an und ziehen Sie die Flügelschraube wieder an.

## Auswechseln des Kraftstofffilters



1. Ziehen Sie den Kraftstofffilter mit Hilfe eines Metalldrahts o. Ä. durch die Tanköffnung heraus.
2. Ziehen Sie den alten Filter von der Kraftstoffleitung (B) ab.
3. Installieren Sie den neuen Filter.

### HINWEIS

- Ersetzen Sie den Filter, wenn er stark verschmutzt oder beschädigt ist.

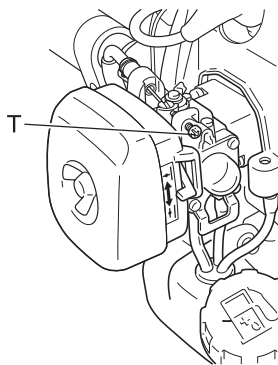
## Justieren des Vergasers

### ⚠ WARNUNG

- Bei der Vergaserjustierung kann sich die Schneidvorrichtung bewegen. Gehen Sie vorsichtig vor, um sich nicht zu verletzen!

### ⚠ VORSICHT

- Die Leerlaufanschlagschraube (T) muss so justiert sein, dass sich die Schneidvorrichtung beim Starten nicht dreht.
- Wenden Sie sich bei Problemen mit dem Vergaser an Ihren Händler.



Jedes Gerät wird werkseitig einem Probelauf unterzogen, bei dem der Vergaser auf optimale Leistung eingestellt wird. Reinigen/wechseln Sie vor der Vergaserjustierung den Luftfilter, starten Sie den Motor, und lassen Sie ihn einige Minuten warmlaufen.

So justieren Sie den Vergaser:

Drehen Sie die Leerlaufanschlagschraube (T) im Uhrzeigersinn, bis die Schneidvorrichtung beginnt, sich zu drehen. Drehen Sie anschließend die Leerlaufanschlagschraube (T) entgegen dem Uhrzeigersinn heraus, bis sich die Schneidvorrichtung nicht mehr dreht. Drehen Sie die Leerlaufanschlagschraube (T) entgegen dem Uhrzeigersinn heraus, und anschließend um eine zusätzliche Umdrehung.

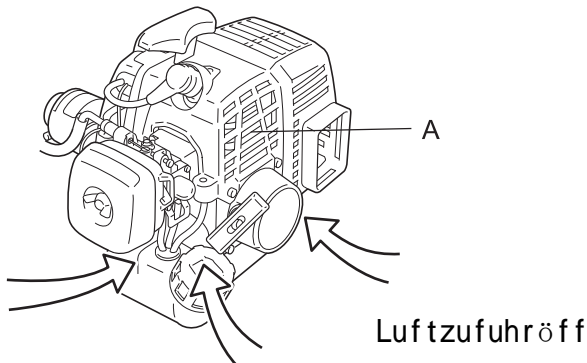
## Wartung des Kühlsystems

### WICHTIG

○ Um die richtige Motorbetriebstemperatur aufrechtzuerhalten, muss die Kühlluft ungehindert den Zylinderrippenbereich durchströmen können. Durch diesen Luftstrom wird die Verbrennungswärme vom Motor abgeführt. Unter folgenden Umständen kann es zu Überhitzung und Kolbenfressern im Motor kommen:

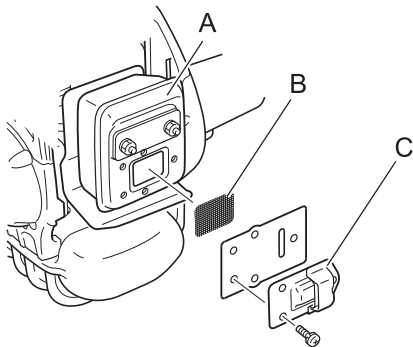
- ♦ Die Luftzufuhröffnungen sind verstopft. Dadurch gelangt keine Kühlluft zum Zylinder;
- ♦ Staub und Gras haben sich außen am Zylinder angesammelt. Durch diese Ansammlung wird der Motor isoliert, und die Wärme kann nicht mehr abgegeben werden.

Das Beheben von Verstopfungen von Kühlluft-Durchgängen bzw. die Reinigung der Zylinderrippen gelten als normale Wartungsarbeiten. Störungen auf Grund mangelhafter Wartung und Pflege fallen nicht unter die Garantie.



- ♦ Entfernen Sie Staub und Schmutz aus den Zwischenräumen der Rippen (A).
- ♦ Entfernen Sie vor jeder Verwendung Ansammlungen von Schneidgut vom unteren Ansauggrill zwischen dem Kraftstofftank und dem Starter.

## Reinigen des Schalldämpfers

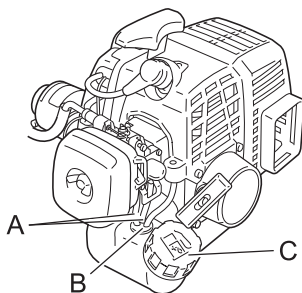


1. Entfernen Sie die Schalldämpferabdeckung.
2. Entfernen Sie die Abdeckung des Funkenchutzsiefs (C), und nehmen Sie anschließend das Sieb (B) vom Schalldämpferkörper ab.
3. Entfernen Sie Kohleablagerungen von den Bauteilen (A) des Schalldämpfers.
4. Ersetzen Sie das Sieb, falls es Risse oder Löcher aufweist.
5. Setzen Sie die Bauteile in umgekehrter Reihenfolge wieder zusammen.

### HINWEIS

- Kohleablagerungen im Schalldämpfer führen zu einer verminderten Motorleistung. Das Funkenchutzsieb muss regelmäßig überprüft werden.

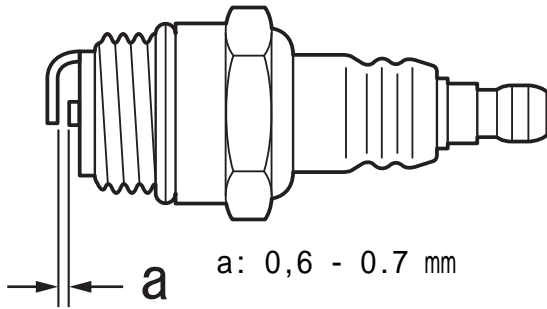
## Überprüfen des Kraftstoffsystems



- ♦ Überprüfen Sie diesen Punkt vor jeder Verwendung.
- ♦ Vergewissern Sie sich nach jeder Betankung, dass kein Kraftstoff an den Leitungen (A), Dichtungen (B) oder am Tankdeckel (C) austritt.
- ♦ Wenn Kraftstoff oder Kraftstoffdämpfe austreten, besteht Brandgefahr. Schalten Sie das Gerät in diesem Fall sofort aus, und lassen Sie es von Ihrem Händler überprüfen bzw. austauschen.

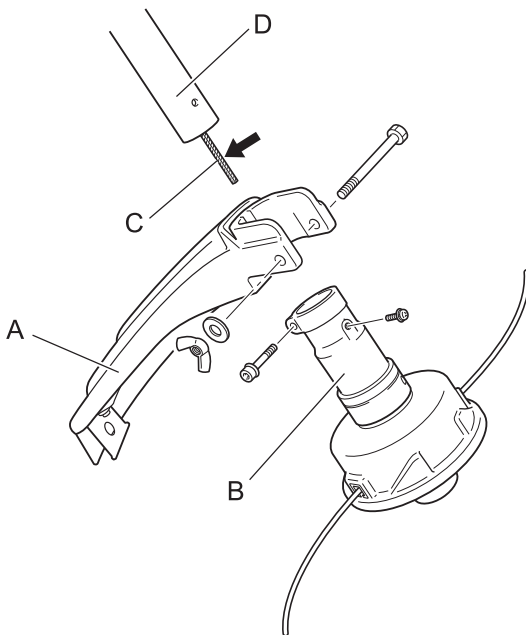
# Wartung und Pflege

## Überprüfen der Zündkerze



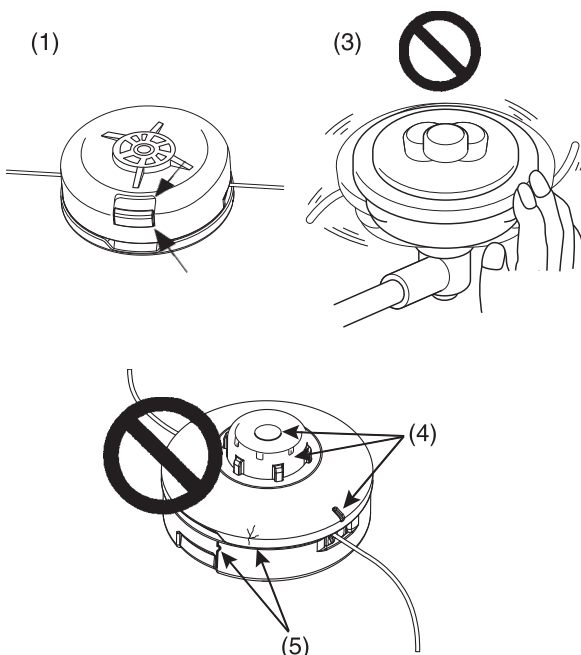
1. Prüfen Sie den Elektrodenabstand. Der korrekte Abstand beträgt 0,6 bis 0,7 mm.
  2. Prüfen Sie die Elektrode auf Verschleiß.
  3. Prüfen Sie den Isolierkörper auf Öl- oder andere Ablagerungen.
  4. Wenn die Elektroden oder Kontakte verschlissen sind oder die Keramikteile Risse aufweisen, ersetzen Sie sie durch neue Teile.
  5. Auf 15 N·m - 17 N·m (150 kgf·cm bis 170 kgf·cm) festziehen.
- \* Die Funkenprüfung (zur Feststellung, ob die Zündkerze einen Zündfunken wirft) muss von Ihrem Händler durchgeführt werden.

## Schmieren der Antriebswelle



1. Entfernen Sie den Schutzschild (A).
2. Lösen Sie die Fixierschraube oben am Gehäuse (B) und entfernen Sie die Befestigungsschraube.
3. Ziehen Sie die flexible Welle (C) aus der Kabelhülle (D), reinigen Sie sie und bestreichen Sie sie mit 10 bis 20 g Lithium-Schmiermittel.
4. Schieben Sie die flexible Welle wieder in die Kabelhülle. Achten Sie darauf, dass sich KEIN Schmutz auf der flexiblen Welle befindet.
5. Montieren Sie Lagergehäuse und Schutzschild.

## Überprüfen des Nylonfadenkopfs



1. Vergewissern Sie sich, dass jeder der 2 Rückhaltstifte des Gehäuses vollständig in die entsprechenden Aussparungen eingerastet ist.
2. Überprüfen Sie die Montage des Fadenkopfs am Trimmer, und ziehen Sie ihn fest, falls er lose ist.
3. Überprüfen Sie den Fadenkopf durch Drehen per Hand auf unruhigen Lauf und ungewöhnliche Geräusche. Bei unruhigem Lauf und ungewöhnlichen Geräuschen können Vibrationen auftreten, die sich auf den Trimmer übertragen können. Dadurch können sich Teile lösen und eine Gefahr darstellen.
4. Überprüfen Sie die Abdeckung und den Auslöseknopf auf Abnutzung. Wenn am unteren Bereich des Auslöseknopfs oder in der Nähe des Nylonfadenaustritts ein Spalt zu sehen ist, ersetzen Sie diese Teile umgehend durch neue.
5. Prüfen Sie den Fadenkopf auf Bruch oder Absplitterung. Ersetzen Sie alle Teile, die gebrochen sind oder Absplitterungen aufweisen, umgehend durch neue.

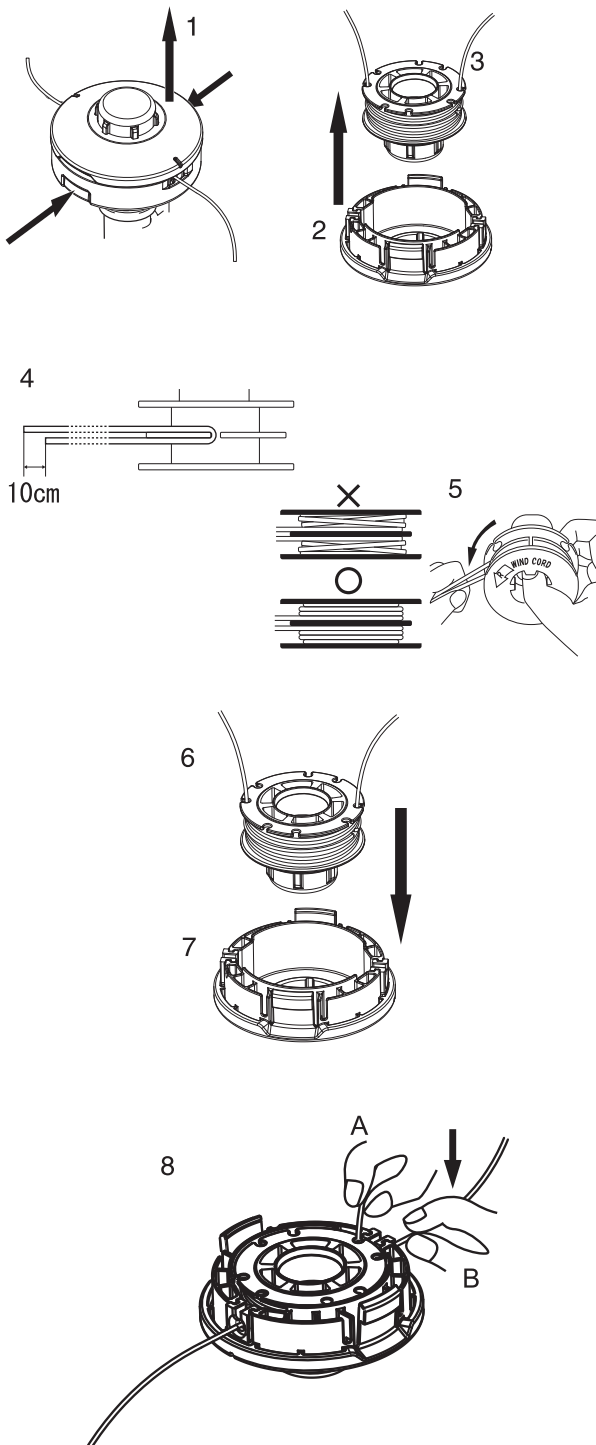
## Auswechseln des Nylonfadens

### ⚠ GEFAHR

- **Bevor Sie mit dem Auswechseln des Nylonfadens beginnen, stellen Sie den Motor ab, und warten Sie, bis sich der Nylonfadenkopf nicht mehr dreht.**  
Andernfalls kann es zu Unfällen bzw. schweren Verletzungen kommen.

### ⚠ WARNUNG

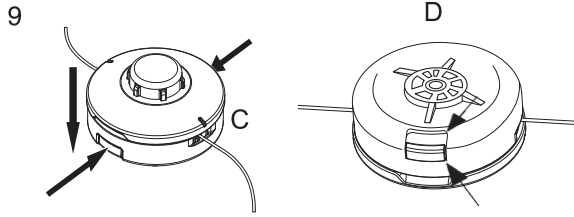
- **Verwenden Sie nur flexible, nichtmetallische, von der YAMABIKO CORPORATION empfohlene Nylonfäden.**  
Andernfalls kann es zu Unfällen bzw. schweren Verletzungen kommen.



1. Drücken Sie die Rückhaltstifte (an beiden Seiten) nach innen, und entfernen Sie den Deckel. Es ist leichter, ein Teil nach dem anderen zu entfernen.
2. Entfernen Sie die Fadenspule.
3. Wenn der Nylonfaden auf der Spule aufgebraucht ist, entfernen Sie den Rest des Fadens, und wickeln Sie den neuen Faden gemäß der Anleitung ab Punkt (4) wieder auf. Wenn der Nylonfaden auf der Spule geschmolzen ist und feststeckt, entfernen Sie den Faden vollständig, schneiden Sie das beschädigte Fadenstück ab, und wickeln Sie den verbleibenden Faden gemäß der Anleitung ab Punkt (4) wieder auf.
4. Stecken Sie den Knick des Fadens in den Schlitz der Unterteilung. Beachten Sie dabei, dass ein Ende des Fadens ca. 10 cm länger als das andere ist.
5. Wickeln Sie den Nylonfaden fest in Wickelrichtung (nach links) auf die Fadenspule „R“.
6. Wenn Sie beim Aufwickeln des Fadens ans Ende kommen, klemmen Sie die beiden Fadenenden vorläufig so in die Schlitz der Fadenspule ein, dass noch ungefähr 10 cm Faden überstehen.
7. Richten Sie die Schlitz mit dem eingeklemmten Faden so aus, dass sie sich direkt über den Fadendurchführungen befinden, und passen Sie die Spule in den Deckel ein.
8. Ziehen Sie den Faden aus dem Deckel. Lösen Sie (A) den Faden aus den entsprechenden Schlitz der Fadenspule, und führen Sie ihn (B) durch die beiden Fadendurchführungen.



# Wartung und Pflege



9. Fügen Sie Deckel und Gehäuse zusammen. Ordnen Sie (C) die Fadenösen des Deckels über den Aussparungen in der Fadenspule an, und drücken Sie (D) die beiden Stifte des Gehäuses ganz in die Aussparungen der Fadenspule, bis sie fest in die Fenster einrasten.

## **GEFAHR**

- **Vergewissern Sie sich, dass die Stifte vollständig in die Fenster der Fadenspule eingerastet sind.**  
Wenn sie nur leicht hineingesteckt sind und sich der Fadenkopf zu drehen beginnt, können sich der Deckel oder innere Teile lösen und weggeschleudert werden, was sehr gefährlich ist.



## Fehlerbehebung

### WICHTIG

- Verwenden Sie nur Original-Ersatzteile und -Verbrauchsprodukte, die für das Gerät zugelassen sind.  
Die Verwendung von Teilen anderer Hersteller oder nicht zugelassener Produkte kann zu Fehlfunktionen führen.

Problem	Diagnose	Ursache	Lösung
Der Motor lässt sich nicht starten.		<ol style="list-style-type: none"> <li>1. Im Kraftstofftank ist kein Kraftstoff</li> <li>2. Der Aus-Schalter steht auf „Stop“</li> <li>3. Es wurde zuviel Kraftstoff angesaugt</li> <li>4. Elektrischer Defekt</li> <li>5. Vergaser defekt oder innerlich verklebt</li> <li>6. Interner Defekt des Motors.</li> </ol>	<ol style="list-style-type: none"> <li>1. Kraftstoffversorgung</li> <li>2. Auf „Start“ stellen</li> <li>3. Motor nach Wartung starten</li> <li>4. Wenden Sie sich an Ihren Händler.</li> <li>5. Wenden Sie sich an Ihren Händler.</li> <li>6. Wenden Sie sich an Ihren Händler.</li> </ol>
Motor lässt sich schwer starten, Drehzahl schwankt	Kraftstoff tritt in das Überlaufrohr ein	<ol style="list-style-type: none"> <li>1. Kraftstoffalterung</li> <li>2. Vergaserstörung</li> </ol>	<ol style="list-style-type: none"> <li>1. Kraftstoff durch neuen ersetzen</li> <li>2. Wenden Sie sich an Ihren Händler.</li> </ol>
	In das Überlaufrohr tritt kein Kraftstoff ein.	<ol style="list-style-type: none"> <li>1. Kraftstofffilter ist verstopft</li> <li>2. Kraftstoffsystem ist verstopft</li> <li>3. Innere Vergaserteile sind verklebt</li> </ol>	<ol style="list-style-type: none"> <li>1. Reinigen oder ersetzen</li> <li>2. Wenden Sie sich an Ihren Händler.</li> <li>3. Wenden Sie sich an Ihren Händler.</li> </ol>
	Die Zündkerze ist verschmutzt oder feucht.	<ol style="list-style-type: none"> <li>1. Kraftstoffalterung</li> <li>2. Falscher Elektrodenabstand</li> <li>3. Kohlenstoffablagerungen</li> <li>4. Elektrischer Defekt</li> </ol>	<ol style="list-style-type: none"> <li>1. Ersetzen</li> <li>2. Ersetzen</li> <li>3. Ersetzen</li> <li>4. Wenden Sie sich an Ihren Händler.</li> </ol>
Motor springt an, Drehzahl lässt sich jedoch nicht erhöhen.		<ol style="list-style-type: none"> <li>1. Verschmutzter Luftfilter</li> <li>2. Verschmutzter Kraftstofffilter</li> <li>3. Verstopfte Kraftstoffleitung</li> <li>4. Falsch justierter Vergaser.</li> <li>5. Verstopfte Auspuff- oder Schalldämpferöffnung</li> </ol>	<ol style="list-style-type: none"> <li>1. Reinigen oder ersetzen</li> <li>2. Reinigen oder ersetzen</li> <li>3. Wenden Sie sich an Ihren Händler.</li> <li>4. Justieren</li> <li>5. Reinigen</li> </ol>
Der Motor geht aus		<ol style="list-style-type: none"> <li>1. Falsch justierter Vergaser.</li> <li>2. Elektrischer Defekt</li> </ol>	<ol style="list-style-type: none"> <li>1. Justieren</li> <li>2. Wenden Sie sich an Ihren Händler.</li> </ol>
Der Motor lässt sich nicht ausschalten		<ol style="list-style-type: none"> <li>1. Aus-Schalter defekt</li> </ol>	<ol style="list-style-type: none"> <li>1. Not-Halt durchführen und Händler um Rat fragen</li> </ol>
Schneidvorrichtung dreht sich, während Motor mit Leerlaufdrehzahl läuft		<ol style="list-style-type: none"> <li>1. Falsch justierter Vergaser.</li> <li>2. Beschädigte Kupplungsfeder</li> </ol>	<ol style="list-style-type: none"> <li>1. Justieren</li> <li>2. Wenden Sie sich an Ihren Händler.</li> </ol>

- ♦ Bei Problemen oder Störungen, die nicht in der obigen Tabelle genannt werden, wenden Sie sich an Ihren Händler.
- ♦ Informationen zur vorschriftsmäßigen Entsorgung des Produkts oder seiner Einzelteile erhalten Sie bei Ihrem Händler.

# Wartung und Pflege

## Hersteller:

**YAMABIKO CORPORATION**

7-2 SUEHIROCHO 1-CHOME, OHME, TOKIO 198-8760, JAPAN

## Autorisierter Repräsentant in Europa:

**Atlantic Bridge Limited**

Atlantic House, PO Box 4800, Earley, Reading RG5 4GB, Vereingtes Königreich

## LAGERUNG

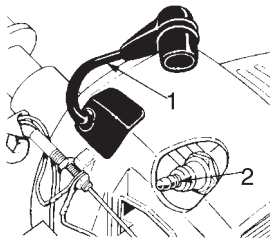
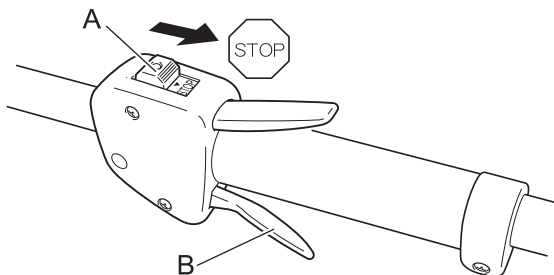
**Langfristige Lagerung (30 Tage und länger)**

### **WARNUNG**

○ Lagern Sie das Gerät nicht in verschlossenen Räumen, aus denen Kraftstoffverdunstungen nicht entweichen können, und nicht in der Nähe von Flammen oder Funken.  
Brandgefahr.



Gehen Sie folgendermaßen vor, wenn Sie das Produkt lange Zeit lagern möchten (30 Tage und länger):



1. Entfernen Sie den gesamten Kraftstoff aus dem Kraftstofftank.
2. Entfernen Sie den Kraftstoff aus der Kraftstoffpumpe, indem Sie sie mehrmals drücken und wieder loslassen.
3. Starten Sie den Motor, und lassen Sie ihn mit Leerlaufdrehzahl laufen, bis er von selbst ausgeht.
4. Stellen Sie den Zündschalter (A) auf „Stop“.
5. Wischen Sie Schmierfett, Öl, Staub, Schmutz und andere Ablagerungen außen am Trimmer ab, sobald das Gerät ausreichend abgekühlt ist.
6. Führen Sie die regelmäßigen Überprüfungen durch, die in dieser Bedienungsanleitung beschrieben sind.
7. Vergewissern Sie sich, dass Schrauben und Muttern fest angezogen sind. Ziehen Sie lose Schrauben und Muttern fest.
8. Entfernen Sie die Zündkerze (B) und füllen Sie die erforderliche Menge (ca. 10 ml) frisches Zweitaktmotoröl durch die Zündkerzenöffnung in den Zylinder ein.
9. Legen Sie ein sauberes Tuch über die Zündkerzenöffnung.
10. Ziehen Sie zwei- bis dreimal am Startergriff, um das Motoröl im Zylinder zu verteilen.
11. Beobachten Sie die Lage des Kolbens durch die Zündkerzenöffnung. Ziehen Sie am Griff des Reversierstarters, bis der Kolben den oberen Totpunkt erreicht, und belassen Sie den Griff in dieser Stellung.
12. Bauen Sie die Zündkerze ein (Schließen Sie den Zündkerzenstecker (C) nicht an.)
13. Sobald das Produkt kühl und trocken genug ist, umhüllen Sie den Bereich des Motors mit einem Kunststoffsock oder ähnlichem, und lagern Sie das Gerät an einem trockenen, staubfreien Ort außerhalb der Reichweite von Kindern.

# Technische Daten

		F226S
<b>Außenabmessungen:</b> Länge × Breite × Höhe	mm	1460 × 320 × 575
<b>Gewicht:</b> Gerät ohne Schneidvorrichtung und Schutzschild (ISO 11806)	kg	4,3
Gerät mit vorgeschriebener Schneidvorrichtung, voller Tank, schultergurt, schutzschild.	kg	5,1
<b>Fassungsvermögen:</b> Kraftstofftank	L	0,4
<b>Schneidvorrichtung:</b> Nylonfadenkopf Fadendurchmesser Fadenlänge Gewinde	mm m	G137 3,0 2 × 1 Faden Rechtsgewinde 3/8×24UNF
<b>Untersetungsverhältnis:</b> Untersetzungsverhältnis und Schmierung		Hochwertiges Lithium-Schmiermittel
<b>Drehrichtung des Werkzeugaufnahmebolzens von oben gesehen:</b>		im Uhrzeigersinn
<b>Motor:</b> Typ Hubraum Maximale Motorleistung nach ISO 8893 Motordrehzahl bei maximaler Motorleistung Empfohlene Leerlauf-Drehzahl  Empfohlene maximale Motordrehzahl (mit angebrachter Standardschneidvorrichtung)  Vergaser Zündung Zündkerze Anlasser Kupplung	ml (cm <sup>3</sup> ) kW U/min U/min  U/min	Luftgekühlter Zweitakt-Einzyliermotor  21,2 0,71 8000 3000  7200  Membrantyp Schwungradmagnet – CDI-System NGK BPMR8Y Reversierstarter Automatische Fliehkraftkupplung
<b>Kraftstoff:</b>  Öl  Verhältnis  Kraftstoffverbrauch bei maximaler Motorleistung Spezifischer Kraftstoffverbrauch bei maximaler Motorleistung	      l/h g/(kW h)	Bleifreies Normalbenzin. Verwenden Sie bleifreies Benzin mit mindestens 89 Oktan. Verwenden Sie keinen Kraftstoff mit Methylalkohol oder mehr als 10 % Ethylalkohol. Motoröl für luftgekühlte Zweitaktmotoren. ISO-L-EGD-Norm (ISO/CD 13738), JASO FC, FD und Shindaiwa One 50: 1-Öl. 50 : 1 (2%)  0,45 469
<b>Schalldruckpegel:</b> (ISO 22868) L <sub>pAeq</sub>	dB(A)	91,9
<b>Garantierter Schalleistungspegel:</b> (ISO 22868) L <sub>WA</sub>	dB(A)	108
<b>Schwingungspegel:</b> (ISO 22867) a <sub>hv, eq</sub>	m/s <sup>2</sup> m/s <sup>2</sup>	Vorderer Griff 4,9 Hinterer Griff 5,4

Änderungen der technischen Daten vorbehalten.

# Konformitätserklärung

---

Der unterzeichnete Hersteller:

YAMABIKO CORPORATION  
7-2 SUEHIROCHO 1-CHOME  
OHME, TOKIO 198-8760  
JAPAN

erklärt, dass das nachstehend spezifizierte neue Gerät:

**RASENTRIMMER**

**Marke: Shindaiwa**  
**Typ: F226S**

montiert durch:

ECHO MACHINERY (SHENZHEN) CO., LTD  
53 Block, Baotian Industrial Area, Bao-an District, Shenzhen City, Guang  
Dong, China

Folgendem entspricht:

- \* Anforderungen der Richtlinie **2006/42/EG**
- \* Anforderungen der Richtlinie **2004/108/EG** (Verwendung der harmonisierten Norm **EN ISO 14982**)
- \* Anforderungen der Richtlinie **2010/26/EU**
- \* Anforderungen der Richtlinie **2000/14/EG**

Konformitätsermittlung nach **ANHANG V**

Gemessener : 105 dB(A)  
Schalleistungspegel

Garantierter : 108 dB(A)  
Schalleistungspegel

Seriennummer 37001001 und höher

Tokio, 1. April 2012

**YAMABIKO CORPORATION**



---

**K. OYURI**  
**Hauptabteilungsleiter**

**Der Dokumentenbevollmächtigte in Europa, welcher autorisiert ist die technischen Daten zusammenzustellen.**

Unternehmen: Atlantic Bridge Limited  
Adresse: Atlantic House, PO Box 4800, Earley, Reading  
RG5 4GB, Vereinigtes Königreich

**Herr Philip Wicks**

## NOTIZEN

# YAMABIKO CORPORATION

7-2 SUEHIROCHO 1-CHOME, OHME, TOKIO 198-8760, JAPAN

TELEFON: 81-428-32-6118. FAX: 81-428-32-6145.

# shindaiwa<sup>®</sup>



X772-000830

X772227-5700

**shindaiwa**<sup>®</sup>

ITALIANO  
IT (Istruzioni originali)

# MANUALE PER L'OPERATORE DECESPUGLIATORE F226S

 **AVVERTENZA**



**LEGGERE E SEGUIRE ATTENTAMENTE LE ISTRUZIONI PER LAVORARE IN CONDIZIONI DI MASSIMA SICUREZZA.  
LA MANCATA OSSERVANZA DELLE ISTRUZIONI POTREBBE  
PROVOCARE LESIONI GRAVI.**



# Contenuto

---

Per un uso sicuro del prodotto .....	3
Descrizione .....	8
Prima di iniziare .....	9
Contenuto della confezione .....	9
Montaggio .....	9
Preparazione del carburante .....	10
Funzionamento del motore .....	12
Avviamento del motore .....	12
Arresto del motore .....	13
Operazioni di taglio .....	14
Funzionamento base del taglio con testina a filo di nylon .....	15
Manutenzione e cura .....	17
Guida alla manutenzione .....	17
Manutenzione e cura .....	17
Rimessaggio .....	24
Caratteristiche tecniche .....	25
Dichiarazione di conformità .....	26



# Per un uso sicuro del prodotto

## Informazioni importanti

### **AVVERTENZA**

**Si raccomanda di leggere il manuale per l'operatore prima di utilizzare questo prodotto.**

#### **Informazioni sul manuale per l'operatore**

- Questo manuale contiene informazioni necessarie per l'assemblaggio, il funzionamento e la manutenzione del prodotto. Si raccomanda di leggerlo attentamente e di assimilarne il contenuto.
- Tenere sempre il manuale in un posto facilmente accessibile.
- Se il manuale viene smarrito o danneggiato e non può essere consultato, acquistarne uno nuovo presso il proprio rivenditore.
- Le unità di misura utilizzate in questo manuale sono espresse in conformità al sistema internazionale. Le cifre riportate tra parentesi sono valori di riferimento e in alcuni casi ci potrebbero essere lievi errori di conversione. La mancata osservanza di queste precauzioni potrebbe causare un incidente o lesioni gravi.

#### **Funzione di questo prodotto**

- Questo prodotto è sono attrezzi leggeri a elevate prestazioni con motore a benzina, realizzati per tenere sotto controllo la crescita di erba ed erbacce in aree difficili da controllare con altri mezzi.
- Non usare questa macchina per fini diversi da quelli sopra menzionati.
- Il contenuto di questo manuale può essere modificato senza preavviso per renderlo conforme a eventuali aggiornamenti del prodotto. Alcune illustrazioni potrebbero essere diverse dal prodotto per rendere le spiegazioni più chiare.
- Per ulteriori chiarimenti, consultare il proprio rivenditore. La mancata osservanza di queste precauzioni potrebbe causare un incidente o lesioni gravi.

#### **Non modificare il prodotto**

- Non modificare il prodotto. La mancata osservanza di queste precauzioni potrebbe causare un incidente o lesioni gravi. Qualsiasi guasto causato da modifiche apportate al prodotto non sarà coperta dalla garanzia del produttore.

#### **Non utilizzare il prodotto senza aver effettuato prima il controllo e la manutenzione**

- Non utilizzare il prodotto senza aver effettuato prima il controllo e la manutenzione. Accertarsi sempre che il controllo e la manutenzione vengano eseguiti a scadenze regolari. La mancata osservanza di queste precauzioni potrebbe causare un incidente o lesioni gravi.

#### **Prestito o cessione del prodotto**

- In caso di prestito del prodotto, consegnare alla persona che lo riceve anche il manuale dell'operatore.
- Anche in caso di cessione, consegnare il prodotto insieme al manuale per l'operatore. La mancata osservanza di queste precauzioni potrebbe causare un incidente o lesioni gravi.

#### **Utenti del prodotto**

- Il prodotto non deve essere utilizzato da:
  - ◆ persone stanche
  - ◆ persone che hanno assunto bevande alcoliche
  - ◆ persone sotto trattamento farmacologico
  - ◆ persone in stato di gravidanza
  - ◆ persone in condizioni fisiche precarie
  - ◆ persone che non hanno letto il manuale dell'utente
  - ◆ bambini
- Tenere presente che l'operatore o l'utente è responsabile di eventuali rischi o incidenti provocati ad altre persone o alle proprietà altrui. La mancata osservanza di queste istruzioni potrebbe provocare incidenti.



# Per un uso sicuro del prodotto

## AVVERTENZA

### Vibrazioni e freddo

- Si ritiene che una condizione definita fenomeno di Raynaud, che colpisce le dita di alcune persone, sia causata dall'esposizione alle vibrazioni e al freddo. L'esposizione al freddo e alle vibrazioni può causare formicolio e bruciore seguiti da pallore e intorpidimento delle dita. Si consiglia vivamente di osservare le seguenti precauzioni in quanto non si conosce l'esposizione minima che causa i disturbi.
    - ◆ Tenere il corpo caldo, soprattutto testa, collo, piedi, caviglie, mani e polsi.
    - ◆ Mantenere una buona circolazione del sangue facendo vigorosi esercizi con le braccia durante frequenti pause di lavoro ed evitare di fumare.
    - ◆ Limitare il numero di ore di impiego. Cercare di pianificare altri lavori nell'arco della giornata lavorativa in cui non sia richiesto l'uso del tagliasiepi o di altro dispositivo portatile.
    - ◆ Se si accusano disagi e disturbi e se si riscontrano arrossamenti e gonfiore delle dita seguiti da pallore e perdita di sensibilità, rivolgersi al proprio medico prima di esporsi di nuovo al freddo e alle vibrazioni.
- La mancata osservanza di queste istruzioni potrebbe causare danni alla salute.

### Lesioni da sforzi ripetitivi

- Si ritiene che l'uso eccessivo dei muscoli e dei tendini di dita, mani, braccia e spalle possa causare dolore, gonfiore, intorpidimento, debolezza e fortissimi dolori nelle zone menzionate. Alcune attività manuali ripetitive possono essere causa di alto rischio per lo sviluppo di lesioni da sforzi ripetitivi. Per ridurre il rischio di lesioni da sforzi ripetitivi:
    - ◆ Evitare di usare il polso piegato, allungato o girato.
    - ◆ Fare pause a intervalli regolari per ridurre al minimo i movimenti ripetuti e far riposare le mani. Ridurre la velocità e la forza con cui il movimento ripetitivo viene eseguito.
    - ◆ Fare esercizi per rafforzare i muscoli delle mani e delle braccia.
    - ◆ Consultare un medico se si avverte formicolio, intorpidimento o dolori nelle dita, nelle mani, nei polsi o nelle braccia. Una tempestiva diagnosi di lesioni da sforzi ripetitivi consente di evitare danni permanenti ai nervi e ai muscoli.
- La mancata osservanza di queste istruzioni potrebbe causare danni alla salute.

### Addestramento

- Non permettere a nessuno di azionare l'attrezzo senza idoneo addestramento o mezzi di protezione adeguati.
  - Acquisire dimestichezza con i comandi e il corretto impiego dell'attrezzo.
  - Imparare ad arrestare l'attrezzo e a spegnere il motore.
  - Imparare a sganciare rapidamente un attrezzo spalleggiato.
  - Non permettere a nessuno di utilizzare l'attrezzo senza idoneo addestramento.
- La mancata osservanza di queste istruzioni potrebbe causare danni alla salute.

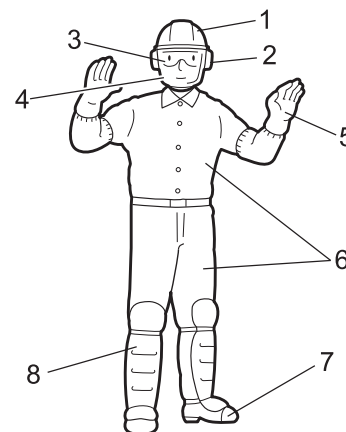
### Indossare indumenti idonei.

- Raccogliere i capelli in modo che non tocchino le spalle.
  - Non indossare cravatte, gioielli o vestiti poco aderenti che potrebbero restare impigliati nella macchina.
  - Non indossare calzature aperte, non lavorare a piedi nudi o a gambe nude.
- La mancata osservanza di queste precauzioni potrebbe causare danni alla vista o all'udito o lesioni gravi.



### Indossare indumenti protettivi

- Indossare sempre i seguenti indumenti protettivi durante il lavoro con il bordatore/decespugliatore.
    1. Casco (elmetto): Protegge la testa
    2. Protezioni acustiche o tappi per le orecchie: Proteggono l'udito
    3. Occhiali di protezione: Proteggono gli occhi
    4. Schermo facciale: Protegge il viso
    5. Guanti protettivi: Proteggono le mani dal freddo e dalle vibrazioni
    6. Indumenti da lavoro aderenti (maniche lunghe e pantaloni lunghi): Proteggono il corpo
    7. Stivali protettivi antiscivolo per lavori pesanti (con protezione delle punte) o scarpe da lavoro antiscivolo (con protezione delle punte): Proteggono i piedi
    8. Parastinchi: Proteggono gli stinchi
- La mancata osservanza di queste precauzioni potrebbe causare danni alla vista o all'udito o lesioni gravi.
- Se necessario, utilizzare anche i seguenti indumenti.
    - ◆ Respiratore: Protegge l'apparato respiratorio
    - ◆ Rete anello di metallo: Per proteggersi dalle api



# Per un uso sicuro del prodotto

## AVVERTENZA

### Area di lavoro e funzionamento

○ Non utilizzare il prodotto:

- ◆ in condizioni di cattivo tempo.
- ◆ in pendii ripidi o in luoghi con punti di appoggio non sicuri e quindi scivolosi.
- ◆ di notte o in luoghi bui con scarsa visibilità.

○ Quando si utilizza il prodotto su un pendio delicato, lavorare seguendo i contorni del terreno.

Cadute, scivolate o un uso non corretto del prodotto potrebbero causare lesioni gravi.

○ Per un uso salutare, sicuro e confortevole, utilizzare la macchina solo a temperature comprese nell'intervallo da -5 °C a 40 °C.

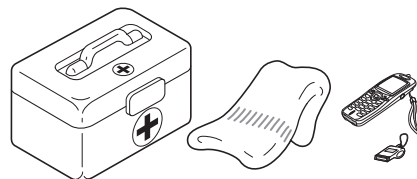
La mancata osservanza di queste istruzioni potrebbe causare danni alla salute.

### Essere pronti in caso di lesioni

○ Nell'improbabile evento di incidenti o lesioni, è consigliabile essere preparati.

- ◆ Cassetta di pronto soccorso
- ◆ Asciugamani e fazzoletti (per fermare eventuali emorragie)
- ◆ Fischietto o telefono cellulare (per chiedere aiuto)

Se non si è in grado di effettuare un primo soccorso o chiedere aiuto, le lesioni potrebbero peggiorare.



### Dare assoluta priorità alla sicurezza in caso di incendio o fumo

○ In caso di fuoriuscita di fiamme dal motore o di fumo da qualsiasi area diversa dallo sfiato della marmitta, allontanarsi dal prodotto per evitare lesioni gravi.

○ Utilizzare una pala per lanciare sabbia o altro materiale simile sul fuoco per evitarne l'espansione o spegnerlo con un estintore.

Evitare di farsi prendere dal panico per non allargare l'incendio o aumentare i danni.



## Messaggi di avviso

### PERICOLO

Questo simbolo accompagnato dalla parola "**PERICOLO**" richiama l'attenzione su un'azione o una condizione che potrebbe causare infortuni gravi o la morte di utenti o di persone presenti.

### AVVERTENZA

Questo simbolo accompagnato dalla parola "**AVVERTENZA**" richiama l'attenzione su un'azione o una condizione che potrebbe causare lesioni gravi o la morte di utenti o di persone presenti.

### ATTENZIONE

"**ATTENZIONE**" indica una situazione potenzialmente pericolosa che, se non evitata, potrebbe causare lesioni minori o moderate.

## Altri indicatori



Il cerchietto barrato sta ad indicare che quanto è illustrato è proibito.



### NOTA

Il messaggio qui riportato fornisce consigli per l'uso, la cura e la manutenzione del prodotto.


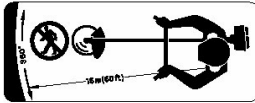





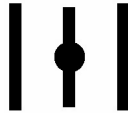


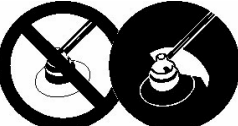







### IMPORTANTE

Il testo incorniciato, caratterizzato dalla parola "**IMPORTANTE**", contiene informazioni importanti riguardo l'uso, il controllo, la manutenzione e il rimessaggio del prodotto descritto in questo manuale.

## Simboli

Forma del simbolo	Descrizione / applicazione del simbolo	Forma del simbolo	Descrizione / applicazione del simbolo
	Leggere attentamente il manuale per l'operatore		Massima velocità albero dell'accessorio di taglio in giri/min

# Per un uso sicuro del prodotto

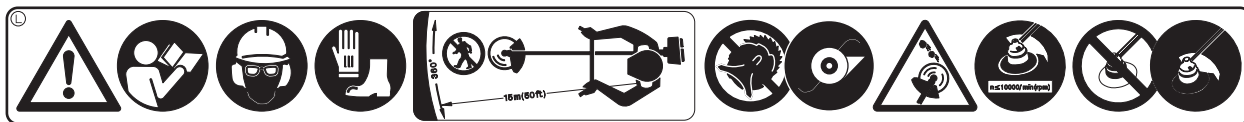
Forma del simbolo	Descrizione / applicazione del simbolo	Forma del simbolo	Descrizione / applicazione del simbolo
	Indossare protezioni per occhi, orecchie e testa		Tenere gli astanti a una distanza di 15 m
	Indossare protezioni per i piedi e guanti		Miscela di benzina e olio
	Arresto di emergenza		Controllo valvola dell'aria Posizione "Avviamento a freddo" (Valvola dell'aria chiusa)
	Avvertenza! Oggetti scagliati!		Controllo valvola dell'aria Posizione "In funzione" (Valvola dell'aria aperta)
	Attenzione, spinta laterale		Regolazione del carburatore - In folle
	Vietato l'uso senza protezione		Prestare attenzione nelle aree ad alta temperatura
	Vietato l'uso di dischi metallici		Livello di potenza acustica garantito
	Non utilizzare il prodotto in luoghi dove c'è scarsa ventilazione		Avvio del motore
	Attenzione al fuoco		Attenzione alle scosse elettriche

# Per un uso sicuro del prodotto

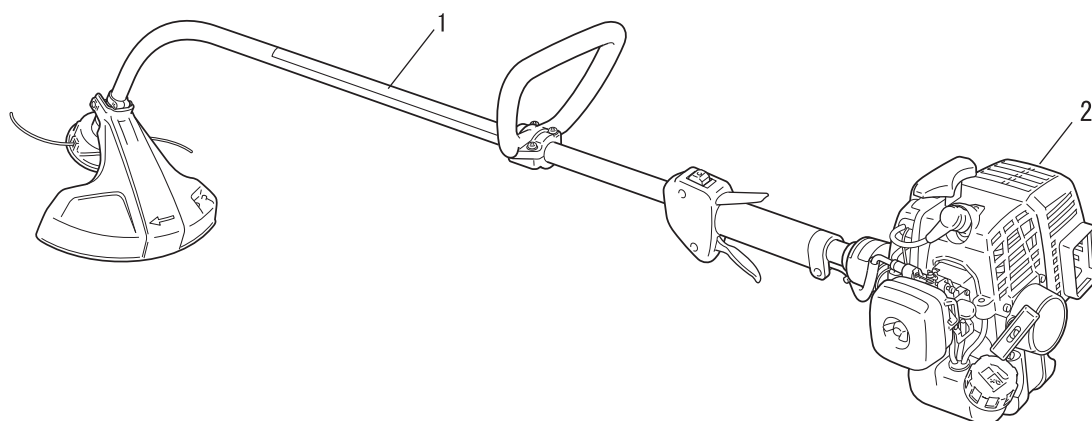
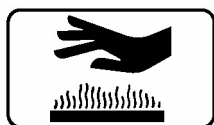
## Decalcomania/e

- La decalcomania riportata sotto è stata applicata sui prodotti descritti in questo manuale. Prima di utilizzare il prodotto accertarsi di aver compreso quanto riportato sulla decalcomania.
- Se la decalcomania diventa illeggibile a causa dell'usura, si strappa o si stacca e si perde, acquistarne una di ricambio presso il rivenditore e fissarla nel punto illustrato nella figura in basso. Accertarsi che la decalcomania sia sempre leggibile.

### 1. Decalcomania (Codice ricambio X505-000140)

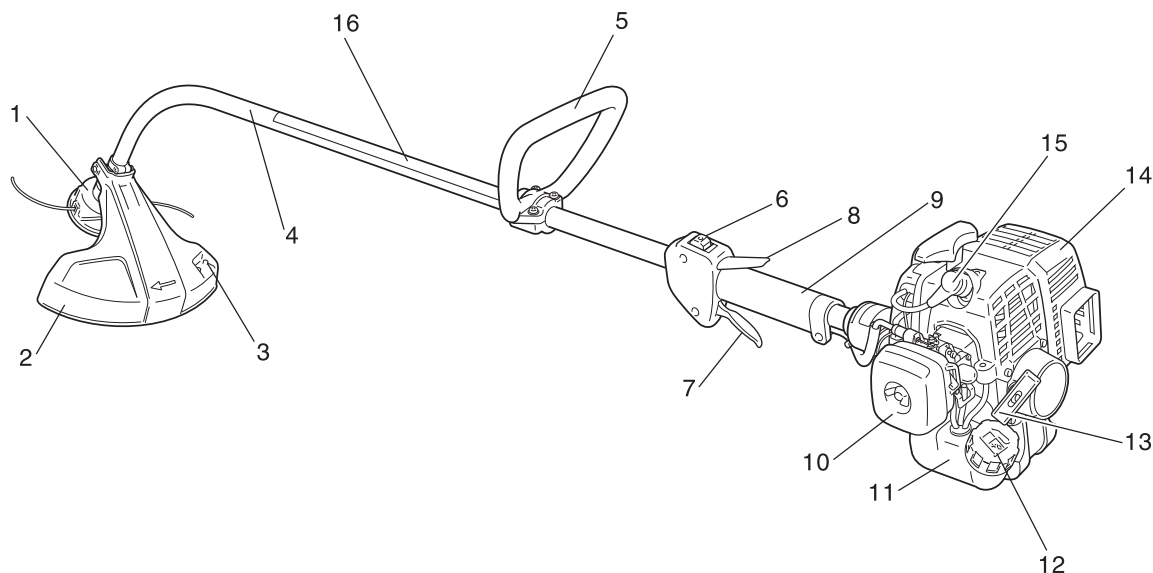


### 2. Decalcomania (Codice ricambio X505-002310)



# Descrizione

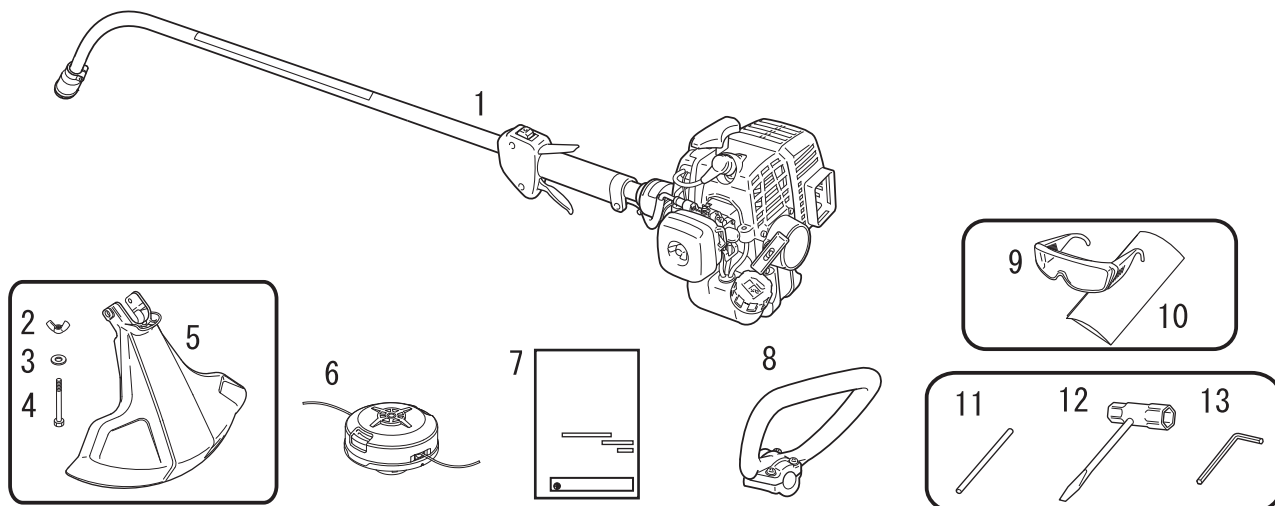
---



- 1. Accessorio di taglio** Testina a filo di nylon per falciare erba e erbacce.
- 2. Protezione** Protegge l'utente dal contatto accidentale con la testina di taglio e con eventuali oggetti lanciati.
- 3. Coltello tagliafilo** Taglia il filo di nylon per regolarne la lunghezza proporzionalmente.
- 4. Albero** Parte dell'attrezzo che funge da tubo di rivestimento dell'albero di trasmissione.
- 5. Impugnatura ad anello** Leggera, adatta per bordatore/decespugliatore con filo di nylon.
- 6. Interruttore di accensione** Interruttore "scorrevole" montato sulla sede della leva del gas. Spostare in avanti per AVVIARE e indietro per ARRESTARE.
- 7. Leva del gas** Azionata dall'utente con la mano per controllare il regime del motore.
- 8. Fermo acceleratore** Blocca la leva del gas in folle fin quando la mano destra non afferra saldamente l'impugnatura.
- 9. Impugnatura** Impugnatura posteriore (mano destra).
- 10. Coperchio del filtro dell'aria** Copre il filtro dell'aria.
- 11. Serbatoio del carburante** Contiene il carburante e il filtro del carburante.
- 12. Tappo del serbatoio carburante** Copre e sigilla il serbatoio del carburante.
- 13. Impugnatura di avviamento** Tirare l'impugnatura per avviare il motore.
- 14. Carter marmitta** Impedisce all'utente di toccare la superficie calda della marmitta.
- 15. Candela**
- 16. Decalcomania**

## Contenuto della confezione

- Le seguenti parti sono state imballate separatamente nella scatola di imballaggio.
- Dopo aver aperto la confezione, controllare che siano presenti tutte le parti.
- In caso di parti mancanti o rotte, contattare il rivenditore.



1. Motore ed albero
2. Dado ad alette
3. Rondella
4. Bullone
5. Protezione
6. Testina a filo di nylon
7. Manuale per l'operatore

8. Impugnatura ad anello
9. Occhiali di protezione (conformi allo standard ANSI Z 87.1)
10. Etichetta di precauzione
11. Utensile di bloccaggio
12. Chiave a tubo
13. Chiave a L

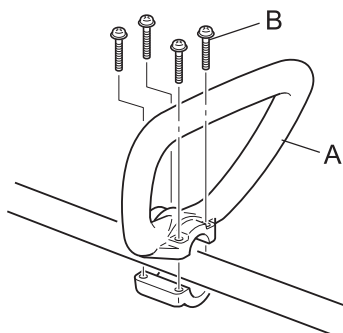
## Montaggio

### AVVERTENZA

- Leggere attentamente il manuale per l'operatore per essere certi di montare correttamente il prodotto. L'uso di un prodotto non montato correttamente potrebbe causare incidenti o lesioni gravi.



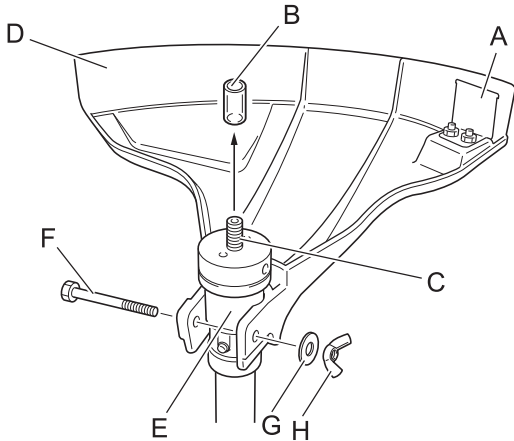
### Montaggio dell'impugnatura ad anello



Collocare l'impugnatura (A) in una posizione comoda e serrare le viti (M5×35) (B). L'accessorio di taglio dovrebbe essere mantenuto a circa 5 - 7,5 cm di altezza dal terreno e il più possibile a livello con il suolo.

# Prima di iniziare

## Montaggio della protezione

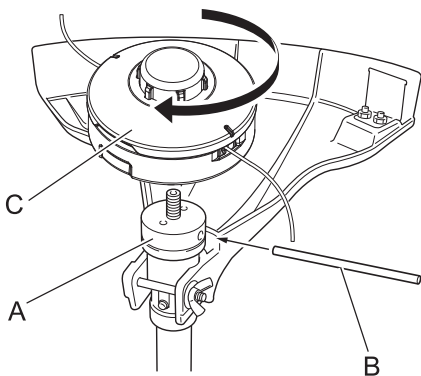


### **⚠ AVVERTENZA**

- Il coltello tagliafilo (A) montato sulla protezione dai detriti ha i bordi taglienti. Evitare di toccarlo durante il montaggio o lo smontaggio della testina a filo di nylon.
- ◆ La mancata osservanza di queste precauzioni potrebbe causare lesioni o incidenti gravi.

1. Smontare il manicotto di plastica (B) dall'alberino di uscita (C).
2. Applicare la protezione (D) attorno all'alloggiamento del cuscinetto (E).
3. Inserire il bullone (F), la rondella (G) e il dado ad alette (H).

## Montaggio della testina a filo di nylon



1. Ruotare l'alberino di uscita finché i fori della piastra di fissaggio (A) non sono allineati con i fori dell'alloggiamento del cuscinetto.
2. Inserire l'utensile di bloccaggio (B) attraverso questi fori.
3. Montare la testina a filo di nylon (C) sull'alberino di uscita facendola ruotare in senso orario.
4. Smontare l'utensile di bloccaggio.

## Preparazione del carburante

### **⚠ PERICOLO**

- Non effettuare il rifornimento quando il motore è caldo o acceso.
  - Non fumare o accendere fiamme durante il rifornimento.
- In questi casi il carburante potrebbe incendiarsi e causare ustioni.



### **⚠ AVVERTENZA**

- Non riempire mai il serbatoio del carburante in ambienti chiusi. Riempire sempre i serbatoi del carburante all'aperto e su terreno sgombro. Non rifornire il prodotto sulla piattaforma di carico di un autocarro o in altri luoghi analoghi.
- I serbatoi/contenitori di carburante possono essere sotto pressione. Allentare sempre il tappo del carburante lentamente per compensare la pressione. Altrimenti il carburante potrebbe venire versato fuori.
- Pulire il carburante traboccato o versato. Il carburante versato può causare incendi o scottature se infiammato.
- Dopo il rifornimento, controllare sempre che non ci siano perdite o fuoriuscite dal condotto del carburante, dal gommino dell'impianto di alimentazione o intorno al tappo del serbatoio. In caso di perdite o fuoriuscite di carburante, smettere immediatamente di usare il prodotto e contattare il rivenditore per la riparazione. Qualsiasi perdita di carburante può causare incendi.
- Mantenere il serbatoio di rifornimento all'ombra e lontano da fiamme libere.
- Utilizzare un contenitore di carburante approvato.

### **IMPORTANTE**

- Il carburante è una miscela di benzina di grado normale e olio per motori a 2 tempi raffreddati ad aria di buona marca. Si consiglia benzina senza piombo a 89 ottani. Non utilizzare carburante contenente alcool metilico o una percentuale di alcool etilico superiore al 10%.
- Il carburante riposto per lungo tempo invecchia. Non miscelare più carburante di quanto si prevede di utilizzare in trenta (30) giorni.

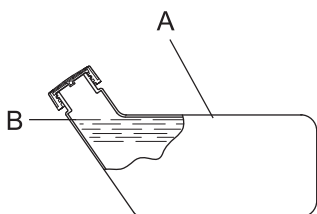


## Carburante



- ♦ Percentuale della miscela consigliata 50 : 1 (2 %) per olio standard ISO-L-EGD (ISO/CD 13738), grado JASO FC, FD e Shindaiwa One 50: 1.
- ♦ Non miscelare direttamente nel serbatoio carburante del motore.

## Rifornimento carburante



- ♦ Non riempire mai il serbatoio del carburante (A) fino all'imboccatura. Mantenere il carburante entro il livello prescritto (fino al livello massimo (B) del serbatoio).
- ♦ Serrare bene il tappo del serbatoio del carburante dopo il rifornimento.

# Funzionamento del motore

## Avviamento del motore

### AVVERTENZA

Prestare particolare attenzione alle seguenti precauzioni quando si avvia il motore:

- Spostarsi di almeno 3 m dal luogo in cui si è ricaricato il serbatoio di carburante.
- Collocare il prodotto su una superficie piana e ben ventilata.
- Verificare che non vi siano perdite di carburante.
- Controllare che non ci siano dadi o bulloni allentati.
- Lasciare sufficiente spazio intorno al prodotto e non permettere a persone o animali di avvicinarsi.
- Avviare il motore con la leva del gas in folle.
- **Mantenere il prodotto fermo a terra durante l'avvio del motore.**

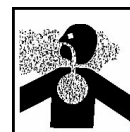
La mancata osservanza di queste precauzioni può provocare incidenti, lesioni o perfino la morte.

- **Una volta avviato il motore, verificare che non ci siano vibrazioni o rumori anomali. Non utilizzare il prodotto se ci sono vibrazioni o rumori anomali. Contattare il rivenditore per la riparazione.**

Incidenti che provocano la caduta o la rottura di parti possono causare ferite o lesioni gravi.

- **I gas di scarico provenienti dal motore contengono gas tossici. Non utilizzare il prodotto in ambienti chiusi o scarsamente ventilati.**

I gas di scarico possono provocare avvelenamento.



- **Non toccare la marmitta, la candela, la trasmissione angolare e altri componenti ad alta temperatura durante il funzionamento del prodotto e per qualche tempo dopo averlo spento.**

Il contatto con componenti ad alta temperatura potrebbe causare ustioni.



- **Non toccare la candela, il suo cavo o altri componenti ad alta tensione mentre il prodotto è acceso.**

Il contatto con componenti ad alta tensione mentre il prodotto è in moto potrebbe causare scosse elettriche.



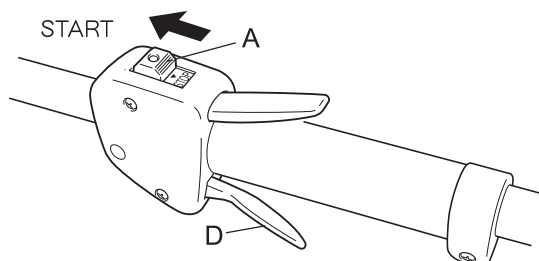
- **Se all'avviamento del motore l'accessorio di taglio ruota anche se la leva del gas si trova nella posizione di folle, regolare il carburatore prima di utilizzare il prodotto.**

La mancata osservanza di queste precauzioni può provocare incidenti, lesioni o perfino la morte.

### NOTA

- Tirare la funicella, dapprima delicatamente, quindi con maggiore rapidità. Non estrarre la funicella di avviamento per più di 2/3 della sua lunghezza.
- Non lasciar andare la funicella durante il movimento di ritorno.

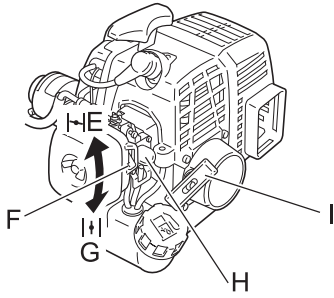
## Avviamento di un motore a freddo



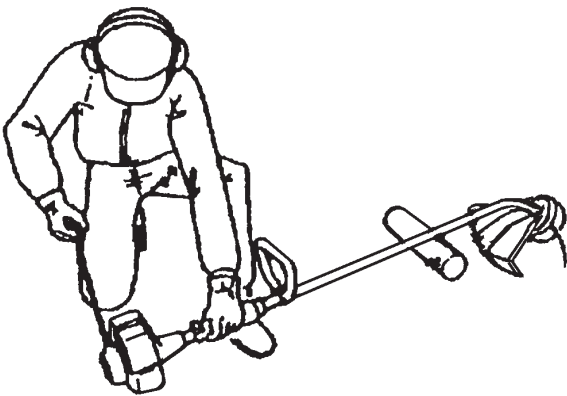
(Se il prodotto è rimasto inutilizzato per un lungo periodo, collegare il cappuccio candela).

1. Collocando il prodotto su una superficie piana, verificare che l'accessorio di taglio non si trovi a contatto con la superficie del terreno o con qualsiasi altro impedimento, servendosi di un asse o attrezzo analogo.
2. Portare l'interruttore di accensione (A) in posizione Start.
3. Assicurarsi che la leva del gas (D) sia in posizione di folle.

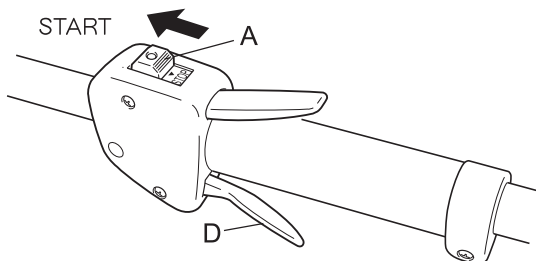
# Funzionamento del motore



4. Portare la leva della valvola dell'aria (F) nella posizione (E) di "Avviamento a freddo".
5. In alternativa, premere e rilasciare il bulbo di spurgo (H) finché il carburante non viene risucchiato al suo interno.
6. Dopo aver verificato che l'area circostante è sicura, mantenere fermo il bordatore/decespugliatore con una mano vicina al motore, come mostrato in figura, e con l'altra mano tirare ripetutamente la funicella (I).
7. Se si sente un suono di scoppio e il motore si arresta immediatamente, portare la leva della valvola dell'aria in posizione (G) "In funzione" e continuare a tirare la funicella per avviare il motore.
8. Se il motore non si arresta, riportare lentamente la leva della valvola dell'aria nella posizione "In funzione".
9. Lasciar scaldare il motore a regime minimo per un breve periodo di tempo.

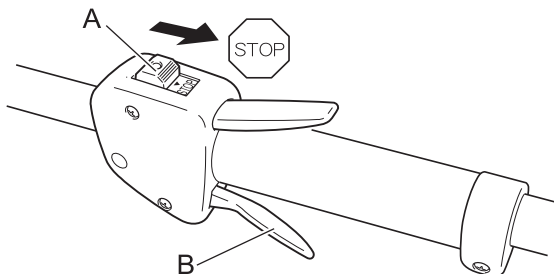


## Avviamento di un motore a caldo



1. Portare l'interruttore di accensione (A) in posizione Start.
2. Assicurarsi che la leva del gas (D) sia in posizione di folle.
3. Controllare che la leva della valvola dell'aria sia nella posizione "In funzione".
4. Se nel bulbo di spurgo non c'è carburante, premere e rilasciare il bulbo di spurgo finché il carburante non viene risucchiato al suo interno.
5. Dopo aver verificato che l'area circostante è sicura, mantenere fermo il bordatore/decespugliatore con una mano vicina al motore e con l'altra mano tirare la funicella per avviare il motore.

## Arresto del motore



1. Portare la leva del gas (B) nella posizione di folle e portare il motore al minimo (ossia, bassa velocità).
  2. Portare l'interruttore di accensione (A) in posizione Stop.
  3. In caso di emergenza, arrestare immediatamente il motore mediante l'interruttore di accensione.
  4. Se il motore non si arresta, portare la leva della valvola dell'aria in posizione "Avviamento a freddo". Il motore stalla e si arresta (arresto di emergenza).
- \* Se il motore non si arresta azionando l'interruttore di accensione, far controllare e riparare l'interruttore di accensione dal rivenditore prima di utilizzare di nuovo il prodotto.
5. Scollegare sempre il cavo dalla candela per evitare che persone non autorizzate possano avviare il motore durante l'assenza dell'operatore.

# Operazioni di taglio

## PERICOLO

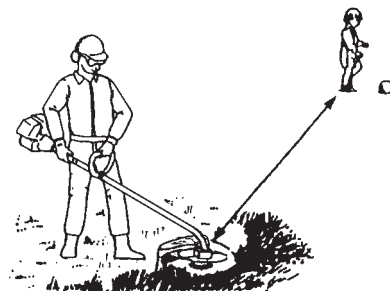
○ **Spegnere sempre il motore quando l'accessorio di taglio si inceppa.**  
Se durante la rimozione dell'inceppamento l'accessorio di taglio si avvia improvvisamente può causare gravi lesioni.

○ **Non utilizzare il prodotto senza protezione.**  
Qualsiasi oggetto che rimbalza dall'accessorio di taglio può provocare un incidente o lesioni gravi.

○ **L'area nel raggio di 15 m dal prodotto deve essere considerata zona pericolosa. Osservare le seguenti precauzioni mentre si sta lavorando con il prodotto.**

- ◆ **Non permettere a bambini, altre persone o animali di entrare nella zona pericolosa.**
- ◆ **Se altre persone entrano nella zona pericolosa, spegnere il motore per fermare la rotazione dell'accessorio di taglio**
- ◆ **Prima di avvicinarsi all'utente, fargli prima un segnale, per esempio, gettando dei ramoscelli dall'esterno della zona pericolosa, quindi controllare che il motore sia spento e che l'accessorio di taglio sia fermo.**
- ◆ **Se più persone devono lavorare con il prodotto, trovare un modo per comunicare con il collega da una distanza di 15 m.**

Qualsiasi oggetto che rimbalza dall'accessorio di taglio e qualsiasi contatto con l'accessorio di taglio può causare cecità o morte.



## AVVERTENZA

○ **Prima di iniziare a lavorare controllare l'area e rimuovere le pietre piccole e i recipienti vuoti che potrebbe rimbalzare dall'accessorio di taglio, e pezzi di lacci o fili che si potrebbero attorcigliare attorno ad esso.**

Corpi estranei rimbalzati dall'accessorio di taglio o fili e altri materiali attorcigliati attorno al prodotto potrebbero causare un incidente o lesioni gravi.



○ **Nelle seguenti situazioni spegnere il motore immediatamente e assicurarsi che l'accessorio di taglio sia fermo prima di controllare qualsiasi parte del prodotto. Sostituire le parti danneggiate.**

- ◆ **Se l'accessorio di taglio urta contro una roccia, un albero, un palo o qualsiasi altra ostruzione mentre si sta lavorando.**
- ◆ **Se il prodotto comincia improvvisamente a vibrare in maniera anomala.**

Continuare a utilizzare parti danneggiate potrebbe provocare un incidente o lesioni gravi.

○ **Non sollevare l'accessorio di taglio durante il lavoro. Non lavorare con l'accessorio di taglio sollevato oltre il livello del ginocchio.**

Sollevando l'accessorio di taglio sopra il livello del ginocchio, il piano di rotazione si avvicinerebbe al viso ed eventuali oggetti potrebbero volare dall'accessorio di taglio causando un incidente o lesioni gravi.

### Trasporto del prodotto

○ **Durante gli spostamenti nelle situazioni descritte qui di seguito, spegnere il motore, assicurarsi che l'accessorio di taglio sia fermo e posizionare la marmitta lontano dal proprio corpo.**

- ◆ **Spostandosi verso il luogo in cui si sta lavorando**
- ◆ **Spostandosi in un altro luogo mentre si sta lavorando**
- ◆ **Lasciando il luogo in cui è stato eseguito il lavoro**

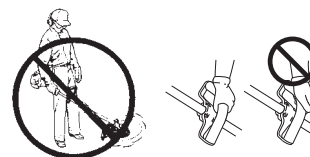
La mancata osservanza di queste precauzioni potrebbe causare scottature o lesioni gravi.

○ **Durante il trasporto del prodotto in automobile, svuotare il serbatoio del carburante e fissare saldamente il prodotto per evitare che si sposti durante il viaggio.**

Viaggiare in automobile con carburante all'interno del serbatoio potrebbe provocare un incendio.

○ **Non tentare mai di utilizzare il prodotto con una mano sola.**

○ **Le dita e il pollice di ogni mano devono afferrare saldamente le impugnature.**

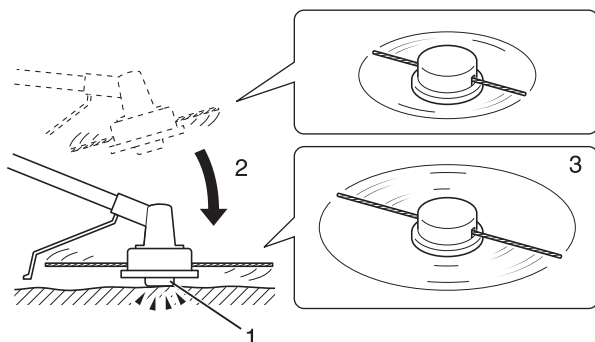


## Funzionamento base del taglio con testina a filo di nylon

### AVVERTENZA

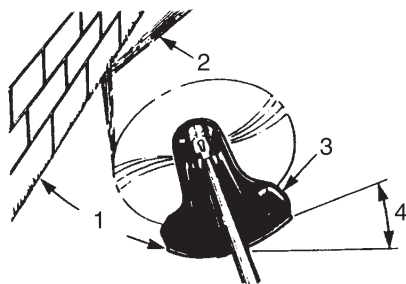
- L'uso improprio dell'accessorio di taglio può causare lesioni gravi. Leggere e osservare le istruzioni per la sicurezza riportate in questo manuale.
- Utilizzare solo accessori di taglio raccomandati da YAMABIKO CORPORATION.
- In seguito alla regolazione della lunghezza del filo, il filo di nylon superfluo che si estende oltre il coltello tagliafilo potrebbe volare via quando l'accessorio di taglio che lo contiene inizia a girare.  
La mancata osservanza di queste precauzioni potrebbe causare un incidente o lesioni gravi.

### Regolazione del filo di nylon



- ◆ Non far girare la testina a filo di nylon a più di 10000 giri/min.
  - ◆ Per far avanzare il filo della bobina, battere leggermente il pomello di battuta contro la superficie del terreno a una velocità di rotazione inferiore a 4500 giri/min.
  - ◆ Il coltello tagliafilo sulla protezione regola automaticamente i fili tagliandoli in modo uniforme quando l'accessorio inizia a ruotare.
  - ◆ Quando si lavora con una lunghezza di taglio inferiore alla massima, tagliare i due fili di nylon alla stessa lunghezza.
1. Pomello di battuta
  2. Battere leggermente il pomello contro la superficie del terreno
  3. Il filo di nylon fuoriesce

### Taglio



- ◆ Consiste nell'inserimento attento del decespugliatore nel materiale da tagliare. Inclinare leggermente la testa per indirizzare i detriti lontano dal corpo. Se il taglio viene eseguito fino a una barriera, quale una recinzione, un muro o un albero, avvicinarsi da un'angolazione tale per cui i detriti che rimbalzano dall'ostacolo non vengano contro l'utente.
  - ◆ Muovere la testina a filo di nylon lentamente finché l'erba non è stata tagliata fino alla barriera, ma non insistere troppo con il filo. Se si esegue il taglio lungo una rete, prestare attenzione a non avvicinarsi troppo. Se il filo è troppo lungo va ad avvolgersi e ad impigliarsi con la rete.
  - ◆ Il taglio serve anche per tagliare un gambo di erbacce alla volta. Mettere la testina a filo di nylon accanto alla base del fascio, mai in alto, dove l'erbaccia potrebbe vibrare ed impigliarsi nel filo. Anziché tagliare completamente le erbacce, tagliare lentamente il gambo con la punta del filo.
1. Angolo con il muro
  2. Detriti
  3. Lato lama alzato
  4. Angolo con il suolo

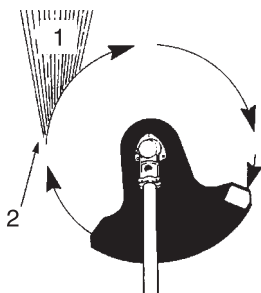
### Falciatura



- ◆ Si tratta del taglio di aree erbose piuttosto estese, eseguito descrivendo un arco con il decespugliatore con un movimento lento e uniforme, senza cercare di appiattire o tranciare l'erba. Inclinare leggermente la testina a filo di nylon per indirizzare i detriti lontano dal corpo nella corsa di falciatura. Quindi tornare indietro senza tagliare l'erba e iniziare un'altra corsa. Se si è ben protetti e quindi non ci si deve preoccupare dei detriti ricevuti addosso, è possibile falciare in entrambe le direzioni.

# Operazioni di taglio

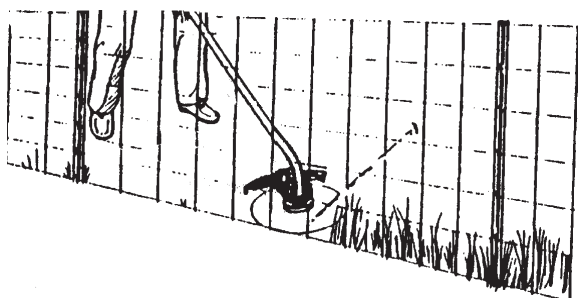
## Rasatura al suolo e rifilatura



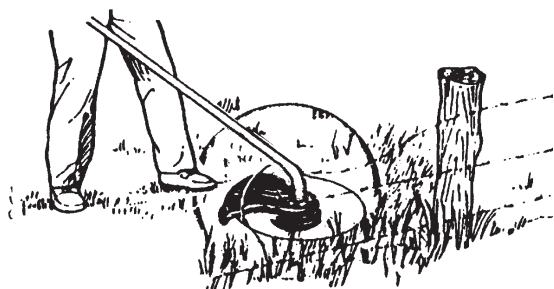
- ♦ Entrambe vengono eseguite con la testina a filo di nylon ad angolo acuto. La rasatura al suolo (A) consente di eliminare la crescita, lasciando solo la base di terra. La rifilatura (B) consiste nell'eliminare la crescita dell'erba da un'area pavimentata o da un vialetto. Durante entrambe le operazioni, tenere l'unità a un angolo acuto in una posizione per cui i detriti ed eventuali rifiuti o pietre scalzati non tornino verso l'utente anche rimbalzando contro la superficie dura.
- ♦ Sebbene le illustrazioni mostrino come radere al suolo e rifinire, ciascun utente deve individuare autonomamente l'inclinazione più adatta al suo corpo e al taglio desiderato.

- ♦ Per quasi ogni tipo di taglio è buona pratica inclinare la testina a filo di nylon in modo che il contatto avvenga sulla sezione del cerchio tracciato dal filo quando si sposta lontano dall'utente e dalla protezione (vedere la figura corrispondente). In questo modo, i detriti vengono scagliati lontano dall'utente.
- ♦ Inclinando la testina in direzione errata, l'utente fa volare i detriti verso il proprio corpo. Se la testina a filo di nylon viene tenuta piatta rispetto al suolo in modo che il taglio abbia luogo su tutto il cerchio tracciato, i detriti saranno scagliati verso l'utente, la resistenza farà rallentare il motore e si consumerà molto filo.
- ♦ Montare la testina a filo di nylon sull'alberino di uscita facendola ruotare in senso orario. Il coltello si trova sul lato destra della protezione.

1. Detriti
2. Tagliare da questo lato



- ♦ Non spingere il filo tra erbacce robuste, alberi o reti metalliche.
- ♦ Quando si spinge il filo in reti zincate leggere o recinzioni in tessuto metallico o fitta vegetazione, l'utente rischia di venire colpito dalle estremità spezzate del filo. Il metodo corretto consiste nel tagliare fino a un ostacolo come quelli già accennati, senza mai permettere che il filo entri o penetri nell'ostacolo. Non tagliare vicino a ostacoli o barriere.



- ♦ Evitare che il filo di nylon venga a contatto con la rete metallica. I pezzi di rete spezzata dal decespugliatore possono essere scagliati ad alta velocità.

## **AVVERTENZA**

Osservare le seguenti precauzioni durante il controllo e la manutenzione del prodotto dopo l'uso:

- **Spegnere il motore ed eseguire il controllo o la manutenzione del prodotto solo dopo che il motore si è raffreddato.**  
Interventi a motore caldo potrebbero causare ustioni.
- **Prima di eseguire il controllo e la manutenzione rimuovere il cappuccio della candela.**  
Un avvio imprevisto del prodotto potrebbe causare un incidente.

## **IMPORTANTE**

- Il controllo e la manutenzione richiedono competenze specialistiche. In caso di problemi o difficoltà durante la manutenzione del prodotto, consultare il proprio rivenditore. Non tentare di smontare il prodotto.

### **Guida alla manutenzione**

Parte	Manutenzione	Pagina	Prima dell'uso	Mensile
Filtro dell'aria	Pulire / sostituire	18	•	
Filtro del carburante	Ispezionare/pulire/sostituire	18	•	
Candela	Ispezionare/pulire/registrare/sostituire	20		•
Carburatore	Regolare / sostituire e regolare	18		•
Impianto di raffreddamento	Ispezionare/pulire	19	•	
Marmitta	Ispezionare/serrare	19	•	
Marmitta	Pulire	19		•**
Albero motore	Aggiungere del grasso	20		•*
Motorino di avviamento	Ispezionare	-	•	
Coltello tagliafilo	Ispezionare/pulire	-	•	
Impianto di alimentazione	Ispezionare	18	•	
Viti, bulloni e dadi	Ispezionare, serrare / sostituire	-	•	

\* o 50 ore, scegliendo l'intervallo inferiore. \*\* o 100 ore, scegliendo l'intervallo inferiore.

## **IMPORTANTE**

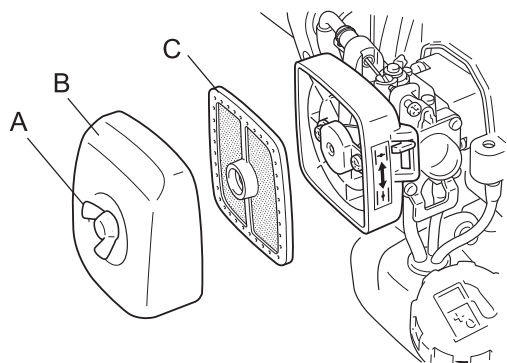
- Gli intervalli di tempo indicati sono quelli massimi. L'uso effettivo e l'esperienza dell'utente determineranno la frequenza degli interventi di manutenzione.

### **Manutenzione e cura**

In caso di dubbi o problemi, contattare il rivenditore.

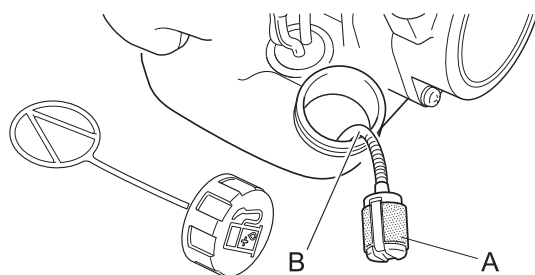
# Manutenzione e cura

## Pulizia del filtro dell'aria



- ♦ Chiudere la valvola dell'aria. Allentare il dado ad bullone (A) e rimuovere il coperchio del filtro dell'aria (B).
- ♦ Rimuovere il filtro dell'aria (C) (situato all'interno del coperchio del filtro dell'aria).
- ♦ Rimuovere lo sporco dal filtro con una spazzola o pulire con aria compressa.
- ♦ Rimontare il filtro.
- ♦ Rimontare il coperchio e serrare il dado ad bullone.

## Sostituzione del filtro del carburante



1. Sollevare il filtro del carburante (A) attraverso il serbatoio del carburante con un filo metallico o un mezzo simile.
2. Estrarre il vecchio filtro dal condotto del carburante (B).
3. Montare il nuovo filtro.

### NOTA

- Se il filtro è eccessivamente sporco o non può essere reinserito in modo appropriato, sostituirlo.

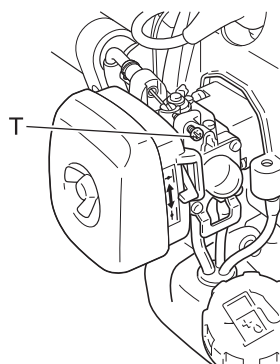
## Regolazione del carburatore

### ⚠ AVVERTENZA

- Durante la regolazione del carburatore, è possibile che l'accessorio di taglio si sposti. Prestare attenzione onde evitare di ferirsi.

### ⚠ ATTENZIONE

- Quando si avvia il motore, la vite di regolazione del folle (T) deve essere regolata in modo da non far girare l'accessorio di taglio.
- In caso di problemi con il carburatore, consultare il proprio rivenditore.



Tutte le unità vengono testate in fabbrica e il carburatore viene messo a punto per garantire prestazioni ottimali.

Prima di regolare il carburatore, pulire o sostituire il filtro dell'aria, avviare il motore e farlo girare per alcuni minuti finché non raggiunge la temperatura di esercizio.

Per regolare il carburatore, attenersi alle seguenti istruzioni:

Ruotare la vite di registro (T) regime "minimo" in senso orario fino a quando l'accessorio di taglio non inizia a girare, quindi ruotare la vite (T) in senso antiorario fino a quando l'accessorio di taglio non si ferma. Ruotare la vite (T) in senso antiorario e di un ulteriore giro.



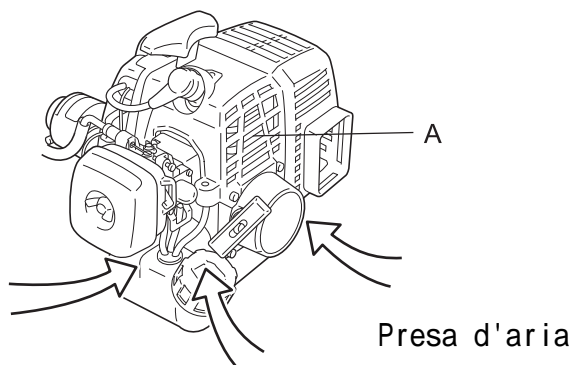
## Manutenzione dell'impianto di raffreddamento

### IMPORTANTE

○ Per mantenere la giusta temperatura di esercizio del motore, l'aria di raffreddamento deve passare liberamente attraverso le alette del cilindro. Questo flusso d'aria allontana dal motore il calore generato dalla combustione. Il surriscaldamento e il grippaggio del motore possono verificarsi quando:

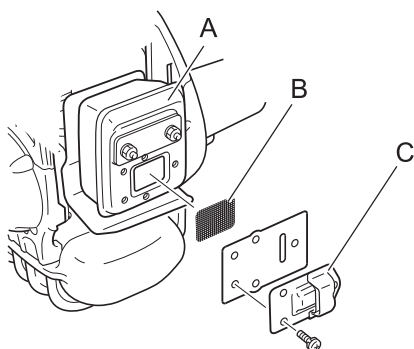
- ◆ Le prese d'aria sono bloccate e impediscono all'aria di raffreddamento di raggiungere il cilindro,
- ◆ Polvere ed erba si accumulano all'esterno del cilindro. Questo deposito isola il motore e impedisce la dispersione del calore.

La rimozione delle ostruzioni del passaggio dell'aria di raffreddamento o la pulizia delle alette del cilindro sono considerate "manutenzione ordinaria". Eventuali guasti causati da mancanza di manutenzione sono esclusi dalla garanzia.



- ◆ Rimuovere polvere e sporco dalle alette (A).
- ◆ Prima di ogni utilizzo, rimuovere l'erba accumulata nella griglia della presa d'aria inferiore del motore tra il serbatoio del carburante e il motorino d'avviamento.

## Pulizia della marmitta

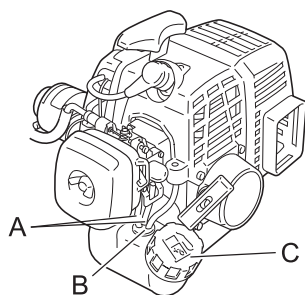


1. Rimuovere il carter della marmitta.
2. Rimuovere il coperchio della protezione parascintille (C) e la protezione (B) dal corpo della marmitta.
3. Pulire i depositi di carbonio dai componenti della marmitta (A).
4. Sostituire la protezione se è rotta o se presenta dei fori bruciacchiati.
5. Assemblare i componenti in ordine inverso.

### NOTA

○ I depositi di carbonio nella marmitta diminuiscono la potenza del motore. La protezione parascintille deve essere controllata periodicamente.

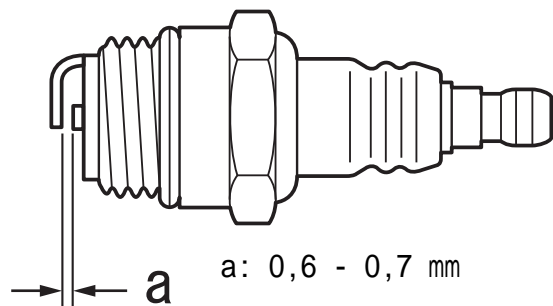
## Controllare l'impianto di alimentazione



- ◆ Controllare prima di ogni utilizzo.
- ◆ Dopo il rifornimento accertarsi che non ci siano perdite o fuoriuscite di carburante nelle aree circostanti il condotto del carburante (A), il gommino del carburante (B) o il tappo del serbatoio (C).
- ◆ In caso di perdite o trasudamento di carburante c'è rischio di incendio. Smettere immediatamente di usare la macchina e richiedere al proprio rivenditore di ispezionarla o sostituirla.

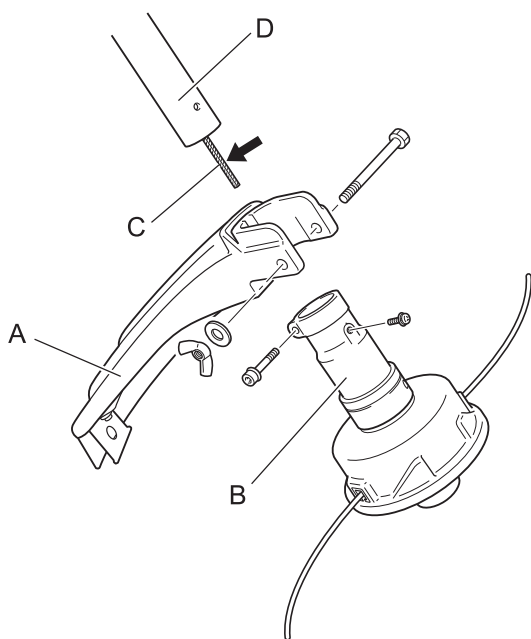
# Manutenzione e cura

## Controllo della candela



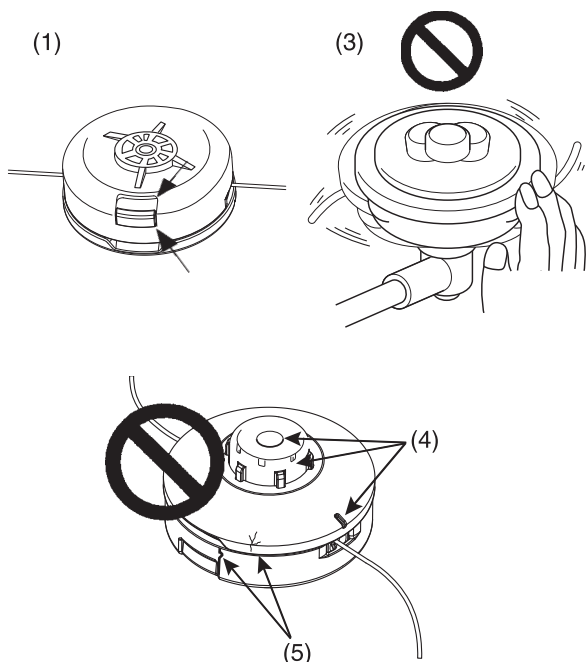
1. Verificare la distanza della candela. La giusta distanza è da 0,6 mm a 0,7 mm.
  2. Verificare l'usura dell'elettrodo.
  3. Verificare se l'isolatore presenta depositi di olio o altro.
  4. Se i terminali degli elettrodi sono usurati o se le parti in ceramica presentano spaccature, sostituirli con componenti nuovi.
  5. Serrare a 15 N·m - 17 N·m (150 kgf·cm to 170 kgf·cm).
- \* Il test di scintillamento (per verificare se la candela genera scintille) deve essere eseguito dal rivenditore.

## Lubrificazione dell'albero motore



1. Smontare la protezione (A).
2. Allentare la vite situata sull'alloggiamento del cuscinetto (B), in alto e rimuovere la vite di montaggio.
3. Estrarre l'albero flessibile (C) dall'albero (D), pulire con uno straccio e applicare un nuovo strato sottile, da 10 a 20 g, di grasso a base di litio.
4. Inserire di nuovo l'albero flessibile nell'albero. EVITARE depositi di sporco sull'albero flessibile.
5. Montare l'alloggiamento del cuscinetto e la protezione.

## Verifica della testina a filo di nylon



1. Accertarsi che i due cricchetti che bloccano il coperchio al corpo della testina siano ben fissati e scattino perfettamente nel loro alloggiamento.
2. Verificare che la testina a filo sia montata saldamente sul bordatore/decespugliatore e serrarla ulteriormente se necessario.
3. Controllare che non vi sia deflessione o rumorosità anomala ruotando la testina manualmente. Deflessione o eccessiva rumorosità possono produrre forti vibrazioni o causare un allentamento del sistema di fissaggio al bordatore/decespugliatore durante il funzionamento con conseguenti gravi rischi.
4. Accertarsi che il coperchio del pomello di battuta non sia usurato. Se è evidente la presenza di una fessura all'interno del pomello di battuta o all'interno del coperchio nelle vicinanze dell'apertura dove esce il filo, sostituirli se consumati.
5. Accertarsi che non vi siano incrinature o schegge nella testina. Se si dovessero riscontrare incrinature o schegge sostituire subito le parti danneggiate.

## Sostituzione del filo di nylon

### **⚠ PERICOLO**

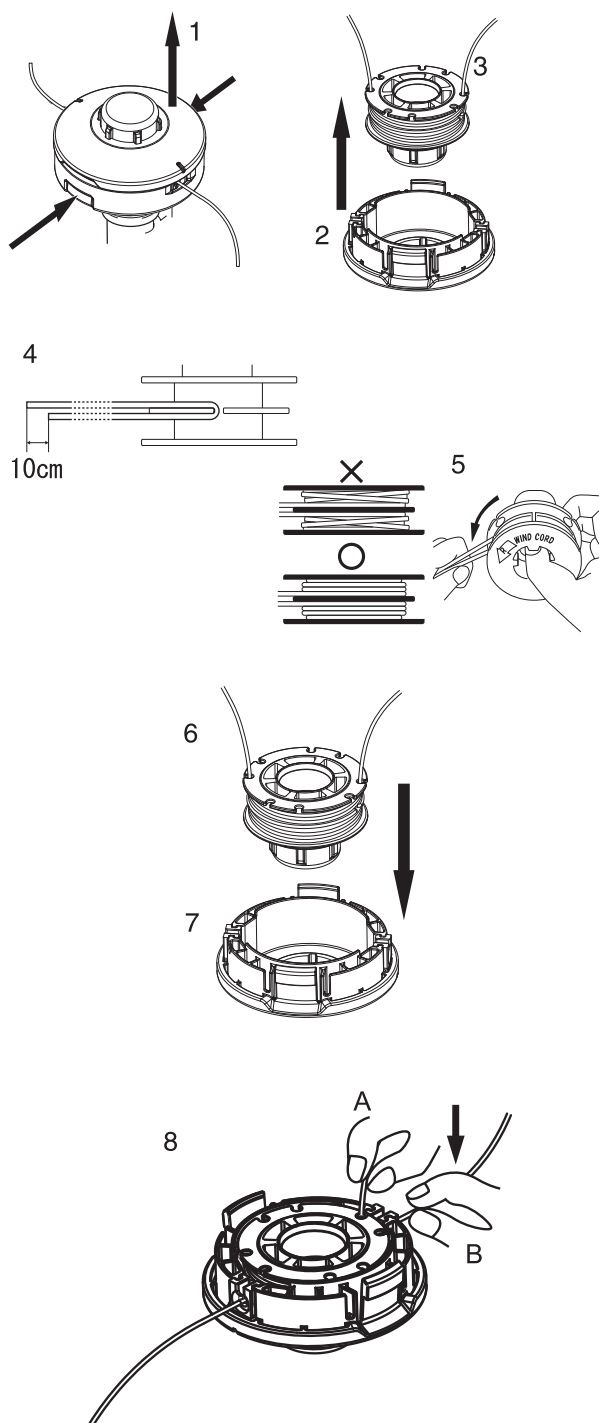
○ **Spegnere il motore del bordatore/decespugliatore e accertarsi che la testina a filo di nylon abbia smesso di ruotare prima di iniziare la procedura di sostituzione.**

La mancata osservanza di queste precauzioni potrebbe causare un incidente o lesioni gravi.

### **⚠ AVVERTENZA**

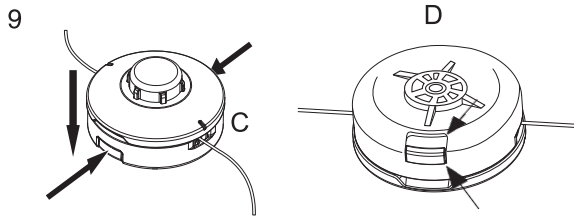
○ **Usare solo filo flessibile non metallico raccomandato da YAMABIKO CORPORATION.**

La mancata osservanza di queste precauzioni potrebbe causare un incidente o lesioni gravi.



1. Spingere in dentro i "cricchetti di bloccaggio" (in due punti) e smontare il coperchio. La rimozione è più semplice se eseguita in successione.
2. Rimuovere la bobina.
3. Quando il filo di nylon sulla bobina è quasi esaurito, eliminare il filo residuo e avvolgere un filo nuovo attenendosi alle procedure indicate al punto (4) e successive. Quando il filo di nylon sulla bobina è "fuso e incollato", eliminare l'intero filo asportando la porzione "fusa e incollata" e avvolgere nuovamente il "filo rimosso" attenendosi alle procedure indicate al punto (4) e successive.
4. Piegare il filo nel punto a 10 cm di distanza dalla metà dell'intera lunghezza e fissare la porzione piegata nella "feritoia" del separatore intermedio.
5. Avvolgere saldamente il filo nella scanalatura della bobina seguendo la "direzione di avvolgimento per il filo R".
6. Quando il filo è avvolto fino alla fine, fissare entrambe le estremità nelle rispettive feritoie della bobina per bloccarle provvisoriamente lasciando le estremità a circa 10 cm oltre la feritoia.
7. Allineare le feritoie della bobina con le scanalature degli occhielli e inserire la bobina nell'alloggiamento.
8. Estrarre il filo dall'alloggiamento. (A) Rimuovere il filo dalla "rispettiva feritoia della bobina" e (B) farlo passare attraverso la "scanalatura del rispettivo occhiello".

# Manutenzione e cura



9. Assemblare coperchio e alloggiamento. (C) Allineare gli "occhielli" del coperchio con i "recessi" dell'alloggiamento e (D) spingere i cricchetti dell'alloggiamento nelle rispettive aperture del coperchio fino a che non si incastrano saldamente nelle aperture.

## **⚠ PERICOLO**

- **Accertarsi che la parte esterna dei cricchetti dell'alloggiamento si estenda quasi completamente nella parte esterna della rispettiva apertura nel coperchio.**

Se i cricchetti sono allentati e si aziona la testina, il coperchio o i componenti interni possono saltare fuori, il che costituisce un pericolo.

## Problemi tecnici

### IMPORTANTE

○ Per i pezzi di ricambio e gli articoli di consumo, utilizzare solo parti originali, prodotti e componenti raccomandati. L'utilizzo di ricambi di altri produttori o componenti non raccomandati potrebbe provocare guasti.

Problema	Diagnosi	Causa	Soluzione
Il motore non si avvia		<ol style="list-style-type: none"> <li>1. Non c'è carburante nel serbatoio</li> <li>2. L'interruttore di arresto è in posizione di Arresto</li> <li>3. Eccessiva aspirazione di carburante</li> <li>4. Guasto elettrico</li> <li>5. Guasto al carburatore o incollaggio interno</li> <li>6. Guasto interno al motore</li> </ol>	<ol style="list-style-type: none"> <li>1. Rifornimento carburante</li> <li>2. Mettere in posizione di Start</li> <li>3. Avviare il motore dopo la manutenzione</li> <li>4. Consultare il rivenditore</li> <li>5. Consultare il rivenditore</li> <li>6. Consultare il rivenditore</li> </ol>
Il motore stenta ad avviarsi, rotazioni fluttuanti	Il carburante entra nel tubo di trabocco	<ol style="list-style-type: none"> <li>1. Degradazione del carburante</li> <li>2. Problema al carburatore</li> </ol>	<ol style="list-style-type: none"> <li>1. Sostituire con carburante nuovo</li> <li>2. Consultare il rivenditore</li> </ol>
	Il carburante non entra nel tubo di trabocco	<ol style="list-style-type: none"> <li>1. Filtro del carburante ostruito</li> <li>2. L'impianto di alimentazione è ostruito</li> <li>3. Parti interne al carburatore incollate</li> </ol>	<ol style="list-style-type: none"> <li>1. Pulire o sostituire</li> <li>2. Consultare il rivenditore</li> <li>3. Consultare il rivenditore</li> </ol>
	La candela è sporca o umida	<ol style="list-style-type: none"> <li>1. Degradazione del carburante</li> <li>2. Distanza dell'elettrodo non adeguata</li> <li>3. Depositi di carbonio</li> <li>4. Guasto elettrico</li> </ol>	<ol style="list-style-type: none"> <li>1. Sostituire</li> <li>2. Sostituire</li> <li>3. Sostituire</li> <li>4. Consultare il rivenditore</li> </ol>
Il motore si avvia ma non è possibile accelerare		<ol style="list-style-type: none"> <li>1. Filtro dell'aria sporco</li> <li>2. Filtro del carburante sporco</li> <li>3. Passaggio del carburante bloccato</li> <li>4. Problema di regolazione del carburatore</li> <li>5. Apertura per la ventilazione o sfiato della marmitta bloccati</li> </ol>	<ol style="list-style-type: none"> <li>1. Pulire o sostituire</li> <li>2. Pulire o sostituire</li> <li>3. Consultare il rivenditore</li> <li>4. Regolare</li> <li>5. Pulire</li> </ol>
Il motore si arresta		<ol style="list-style-type: none"> <li>1. Problema di regolazione del carburatore</li> <li>2. Guasto elettrico</li> </ol>	<ol style="list-style-type: none"> <li>1. Regolare</li> <li>2. Consultare il rivenditore</li> </ol>
Il motore non si arresta		<ol style="list-style-type: none"> <li>1. Interruttore di arresto guasto</li> </ol>	<ol style="list-style-type: none"> <li>1. Eseguire un arresto di emergenza del motore e consultare il proprio rivenditore</li> </ol>
L'accessorio di taglio gira mentre il motore è in folle		<ol style="list-style-type: none"> <li>1. Problema di regolazione del carburatore</li> <li>2. Molla della frizione danneggiata</li> </ol>	<ol style="list-style-type: none"> <li>1. Regolare</li> <li>2. Consultare il rivenditore</li> </ol>

- ♦ In caso di problemi non menzionati nella tabella consultare il proprio rivenditore.
- ♦ Contattare il proprio rivenditore per smaltire il prodotto o parti di esso in conformità alle leggi nazionali.

# Manutenzione e cura

## Produttore:

**YAMABIKO CORPORATION**

7-2 SUEHIROCHO 1-CHOME, OHME, TOKYO 198-8760, GIAPPONE

## Rappresentante autorizzato in Europa:

**Atlantic Bridge Limited**

Atlantic House, PO Box 4800, Earley, Reading RG5 4GB, Regno Unito

## Rimessaggio

**Rimessaggio per un lungo periodo (oltre 30 giorni)**

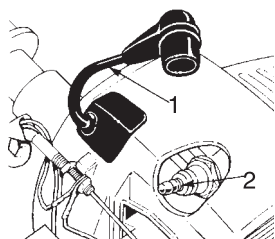
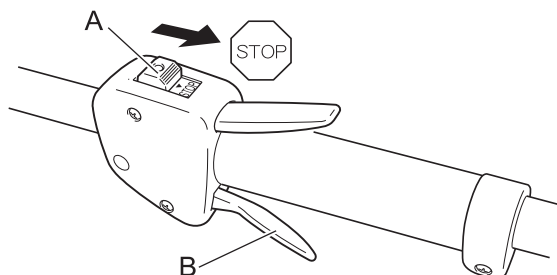
### **AVVERTENZA**

○ **Non conservare l'attrezzo in luoghi chiusi saturi di vapori di carburante o in prossimità di scintille o fiamme scoperte.**

Questo potrebbe provocare un incendio.



Per conservare il prodotto per un lungo periodo (oltre 30 giorni), effettuare le seguenti operazioni.



1. Svuotare il serbatoio del carburante.
2. In alternativa, premere e rilasciare il bulbo di spurgo alcune volte per eliminare il carburante al suo interno.
3. Avviare il motore e farlo girare in folle finché non si spegne per mancanza di carburante.
4. Portare l'interruttore di accensione (A) in posizione Stop.
5. Dopo che il prodotto si è raffreddato a sufficienza, togliere grasso, olio, sporco, detriti e altri materiali accumulati sulla parte esterna del bordatore/decespugliatore.
6. Eseguire i controlli periodici prescritti in questo manuale.
7. Verificare che le viti e i dadi siano serrati. Serrare eventuali viti o dadi allentati.
8. Smontare la candela (B) e aggiungere la quantità appropriata (circa 10 mL) di olio per motori a 2 tempi pulito nel cilindro attraverso il foro della candela.
9. Mettere un panno pulito sul foro della candela.
10. Tirare 2 o 3 volte la funicella per distribuire l'olio motore nel cilindro.
11. Osservare la posizione del pistone dal foro della candela. Tirare la leva del motorino di avviamento a rimbalzo fino a quando il pistone non raggiunge la parte superiore della corsa e lasciarla in questa posizione.
12. Montare la candela. (Non collegare il cappuccio della candela (C).)
13. Dopo aver raffreddato e asciugato a sufficienza il prodotto, avvolgere la sezione motore in una busta di plastica o in altro rivestimento, quindi conservare in luogo asciutto e privo di polvere, lontano dalla portata dei bambini.

# Caratteristiche tecniche

		F226S
<b>Dimensioni esterne:</b> Lunghezza × Larghezza × Altezza	mm	1460 × 320 × 575
<b>Massa:</b> Unità senza accessorio e protezione di taglio (ISO 11806) Unità con accessorio di taglio, serbatoio pieno, la cinghia a spalla e la protezione.	kg kg	4,3 5,1
<b>Volume:</b> Serbatoio del carburante	L	0,4
<b>Accessorio di taglio:</b> Testina a filo di nylon Diametro filo di nylon Lunghezza filo di nylon Filettatura	mm m	G137 3,0 2 × 1 filo Filettatura destrorsa da 3/8×24 UNF
<b>Rapporto ingranaggi:</b> Rapporto ingranaggi e lubrificazione		1 grasso al litio di buona qualità
<b>Senso di rotazione dell'alberino di uscita visto dall'alto:</b>		in senso orario
<b>Motore:</b> Tipo Cilindrata motore Potenza frenante massima albero di trasmissione, misurata in conformità a ISO 8893 Regime motore alla potenza massima Regime minimo raccomandato Regime motore massimo raccomandato (con accessorio STD installato) Carburatore Accensione Candela Motorino di avviamento Frizione	mL (cm <sup>3</sup> ) kW giri/min giri/min giri/min	Monocilindrico a 2 tempi raffreddato ad aria 21,2 0,71 8000 3000 7200  A membrana Magnete del volano - Sistema CDI NGK BPMR8Y Motorino di avviamento a rimbalzo Frizione centrifuga automatica
<b>Carburante:</b>  Olio  Rapporto  Consumo carburante alla massima potenza del motore Consumo specifico di carburante alla massima potenza del motore	L/h g/(kW•h)	Benzina di grado normale. Si consiglia benzina senza piombo a 89 ottani. Non utilizzare carburante contenente alcol metilico o una percentuale di alcol etilico superiore al 10%. Olio per motore a due tempi raffreddato ad aria. Olio certificato ISO-L-EGD (ISO/CD 13738), JASO FC, FD e Shindaiwa One 50 : 1. 50 : 1 (2%)  0,45 469
<b>Livello pressione acustica:</b> (ISO 22868) L <sub>pAeq</sub>	dB(A)	91,9
<b>Livello di potenza acustica garantito:</b> (ISO 22868) L <sub>WA</sub>	dB(A)	108
<b>Livelli di vibrazioni:</b> (ISO 22867) <sub>a<sub>hv,eq</sub></sub>	m/s <sup>2</sup> m/s <sup>2</sup>	Leva anteriore 4,9 Leva posteriore 5,4

Queste specifiche possono subire modifiche senza preavviso.

# Dichiarazione di conformità

---

Il produttore sottoscritto:

YAMABIKO CORPORATION  
7-2 SUEHIROCHO 1-CHOME  
OHME; TOKYO 198-8760  
GIAPPONE

dichiara che la nuova macchina di seguito descritta:

**DECESPUGLIATORE**

**Marchio: shindaiwa**  
**Tipo: F226S**

assemblato da:

ECHO MACHINERY (SHENZHEN) CO., LTD  
53 Block, Baotian Industrial Area, Bao-an District, Shenzhen City, Guang  
Dong, China

è conforme a:

- \* i requisiti richiesti dalla Direttiva **2006/42/CE**
- \* i requisiti richiesti dalla Direttiva **2004/108/CE** (uso della norma armonizzata **EN ISO 14982**)
- \* i requisiti richiesti dalla Direttiva **2010/26/UE**
- \* i requisiti richiesti dalla Direttiva **2000/14/CE**

Conforme alla procedura di accertamento dell'**ALLEGATO V**

Livello di potenza acustica misurato :105 dB(A)

Livello di potenza acustica garantito :108 dB(A)

Numero di serie 37001001 e superiori

Tokyo, 1 aprile 2012

**YAMABIKO CORPORATION**

  
\_\_\_\_\_

**K. OYURI**  
**Direttore generale**

**Rappresentante autorizzato in Europa a costituire il fascicolo tecnico.**

Azienda: Atlantic Bridge Limited  
Indirizzo: Atlantic House, PO Box 4800, Earley, Reading  
RG5 4GB, Regno Unito

**Sig. Philip Wicks**



# MEMORANDUM

# YAMABIKO CORPORATION

7-2 SUEHIROCHO 1-CHOME, OHME, TOKYO 198-8760, GIAPPONE  
TELEFONO: 81-428-32-6118. FAX: 81-428-32-6145.

# shindaiwa<sup>®</sup>



X772-000830

X772227-5700



# YAMABIKO CORPORATION

7-2 SUEHIROCHO 1-CHOME, OHME, TOKYO 198-8760, JAPAN

PHONE: 81-428-32-6118. FAX: 81-428-32-6145.

# shindaiwa®



X772-000830

X772227-5700