

# shindaiwa®

GB ENGLISH  
FR FRANÇAIS  
DE DEUTSCH  
IT ITALIANO

## OPERATOR'S MANUAL MANUEL D'UTILISATION BEDIENUNGSANLEITUNG MANUALE PER L'OPERATORE

### AH262S-HD

#### WARNING



READ THE INSTRUCTIONS CAREFULLY AND FOLLOW THE RULES FOR SAFE OPERATION. FAILURE TO DO SO COULD RESULT IN SERIOUS INJURY.

#### AVERTISSEMENT



LIRE ATTENTIVEMENT LES INSTRUCTIONS ET SUIVRE LES RÈGLES DE SÉCURITÉ. LE NON-RESPECT DES RÈGLES DE SÉCURITÉ ENTRAÎNE UN RISQUE DE BLESSURE GRAVE.

#### WARNUNG



LESEN SIE DIE BEDIENUNGSANLEITUNG SORGFÄLTIG DURCH, UND BEFOLGEN SIE DIE SICHERHEITSREGELN. ANDERNFALLS BESTEHT DAS RISIKO SCHWERER VERLETZUNGEN.

#### AVVERTENZA



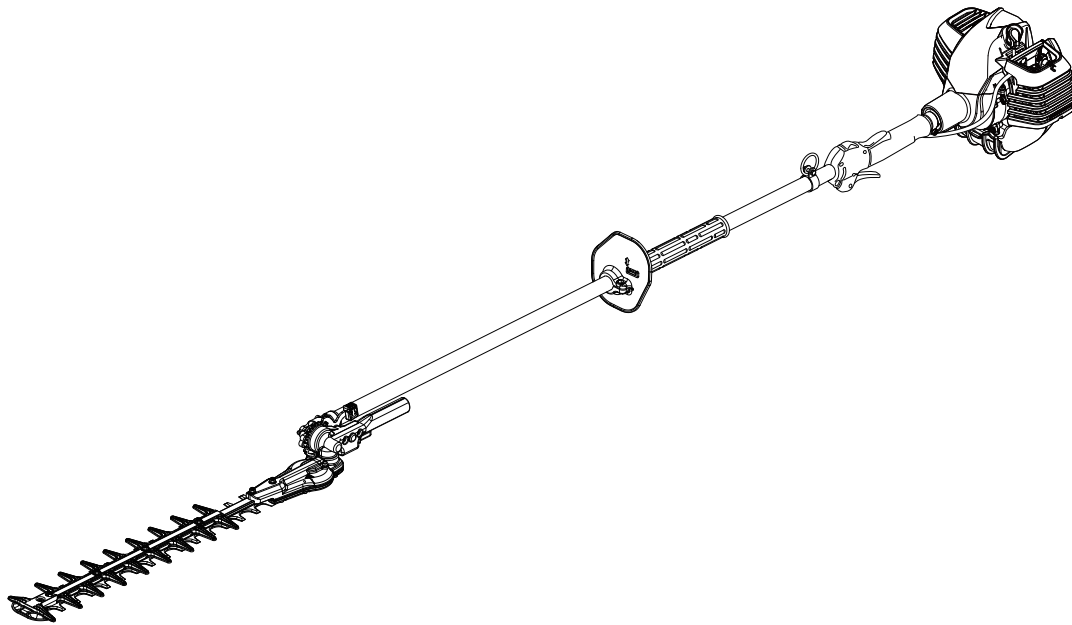
LEGGERE E SEGUIRE ATTENTAMENTE LE ISTRUZIONI PER LAVORARE IN CONDIZIONI DI MASSIMA SICUREZZA. LA MANCATA OSSERVANZA DELLE ISTRUZIONI POTREBBE PROVOCARE LESIONI GRAVI.





**shindaiwa**<sup>®</sup>

ENGLISH  
GB (Original instructions)



# OPERATOR'S MANUAL

## ARTICULATED HEDGE TRIMMER

### AH262S-HD



#### **⚠ WARNING**

**READ THE INSTRUCTIONS CAREFULLY AND FOLLOW THE RULES FOR SAFE OPERATION. FAILURE TO DO SO COULD RESULT IN SERIOUS INJURY.**

# Important information

---

**Please ensure that you read the operator's manual before using your product.**

**○ Intended use of this product**

- ◆ shindaiwa Hedge Trimmer are lightweight, high-performance, petrol engined units designed for hedge and shrub trimming.
- ◆ Do not use this unit for any purpose other than aforementioned.

**○ Users of the product**

- ◆ You should not use this product until you have read the operator's manual carefully and fully absorbed its content.
- ◆ This product should not be used by anyone who has failed to read the operator's manual properly, is suffering from a cold, tiredness or otherwise in poor physical condition, or children.
- ◆ Keep in mind that the operator or user is responsible for accidents or hazards occurring to other people or their property.

**○ About your operator's manual**

- ◆ This manual contains necessary information about the operation and maintenance of your product. Please read it carefully and absorb its contents.
- ◆ Always keep your manual in a place where it is readily accessible.
- ◆ If you have lost your manual or it is damaged and no longer readable, please purchase a new one from your shindaiwa dealer.
- ◆ The units used in this manual are SI units (International System of Units). Figures in parentheses are reference values, and there may be a slight conversion error in some cases.

**○ Loaning or assigning your product**

- ◆ When loaning the product described in this manual to another party, ensure that the person borrowing and working with the product receives the operator's manual along with the product. If you assign your product to another party, please enclose the operator's manual with the product when handing it over.

**○ Enquiries**

- ◆ Please contact your shindaiwa dealer for requests regarding information about your product, the purchase of consumables, repairs, and other such enquiries.

**○ Notices**

- ◆ The content of this manual may be changed without notice for the purpose of upgrades to the product. Some of the illustrations used may differ from the product itself in order to make the explanations clearer.
- ◆ This product requires the assembly of some parts.
- ◆ Please consult your shindaiwa dealer if anything is unclear or of concern.

**○ Feature of this model: Soft Start**

- ◆ **Soft Start** generates enough revolving power to rotate crankshaft up to a speed to ignite the engine and bring almost no kickback. **Soft Start** makes engine start far easier than you ever expect.

## Manufacturer

### **YAMABIKO CORPORATION**

**1-7-2 Suehirocho, Ohme, Tokyo 198-8760 JAPAN**

## **Authorized Representative in Europe:**

### **CERTIFICATION EXPERTS B.V.**

**Stationsplein 30, 1382AD Weesp, The Netherlands**



# Contents

---

For safe use of your product.....	4
Warning notices .....	4
Other indicators .....	4
Symbols.....	4
Location in which the safety decal is attached.....	6
Handling fuel.....	7
Handling the engine.....	7
Handling the product .....	9
Packing list.....	13
Description.....	14
Before you start .....	15
Assembly .....	15
Adjusting Cutting Angle .....	17
Shoulder strap .....	18
Preparing the fuel .....	19
Engine operation.....	20
Starting the engine .....	20
Stopping the engine.....	21
Hedge and shrub trimming operation .....	22
Basic hedge trimming operation .....	22
Maintenance and care .....	23
Maintenance and care .....	23
Storage .....	29
Long-term storage (30 days or more).....	29
Disposal procedure.....	30
Specifications.....	31
Declaration of conformity .....	32

# For safe use of your product

## Be careful to read this section before using your product.




○ The precautions described in this section contain important safety information. Please observe them carefully.

○ You must also read the precautions that appear in the body of the manual itself.

Text following a [diamond mark] mark describes the potential consequences of failing to observe the precaution.


## Warning notices

Situations where there is a risk of physical injury to the operator and other people are indicated in this manual and on the product itself by the following warning notices. Always read and observe them carefully in order to ensure safe operation.

 <b>DANGER</b>	 <b>WARNING</b>	 <b>CAUTION</b>
This symbol accompanied by the word " <b>DANGER</b> " calls attentions to an act or a condition which will lead to serious personal injury or death of operators and bystanders.	This symbol accompanied by the word " <b>WARNING</b> " calls attentions to an act or a condition which can lead to serious personal injury or death of operators and bystanders.	" <b>CAUTION</b> " indicates a potentially hazardous situation which, if not avoided, may result in minor or moderate injury.











## Other indicators

As well as warning notices, this manual uses the following explanatory symbols:













	Circle and slash symbol means whatever is shown is prohibited.	<b>NOTE</b>	<b>IMPORTANT</b>
		This enclosed message provides tips for use, care and maintenance of the product.	Framed text featuring the word " <b>IMPORTANT</b> " contains important information about the use, checking, maintenance and storage of the product described in this manual.

## Symbols

In this manual and on the product itself, a series of explanatory symbols is used. Please make sure that you fully understand what each symbol means.

Symbol form/shape	Symbol description/application	Symbol form/shape	Symbol description/application
	Carefully read the operator's manual		Petrol and oil mixture
	Wear eyes, ears and head protection		Purge bulb (Primer)
	Safety / Alert		Finger severing
	Emergency stop		Carburettor adjustment - Idle speed
	Do not use the product in places with poor ventilation		Choke Control "Cold Start" Position (Choke Closed)

# For safe use of your product

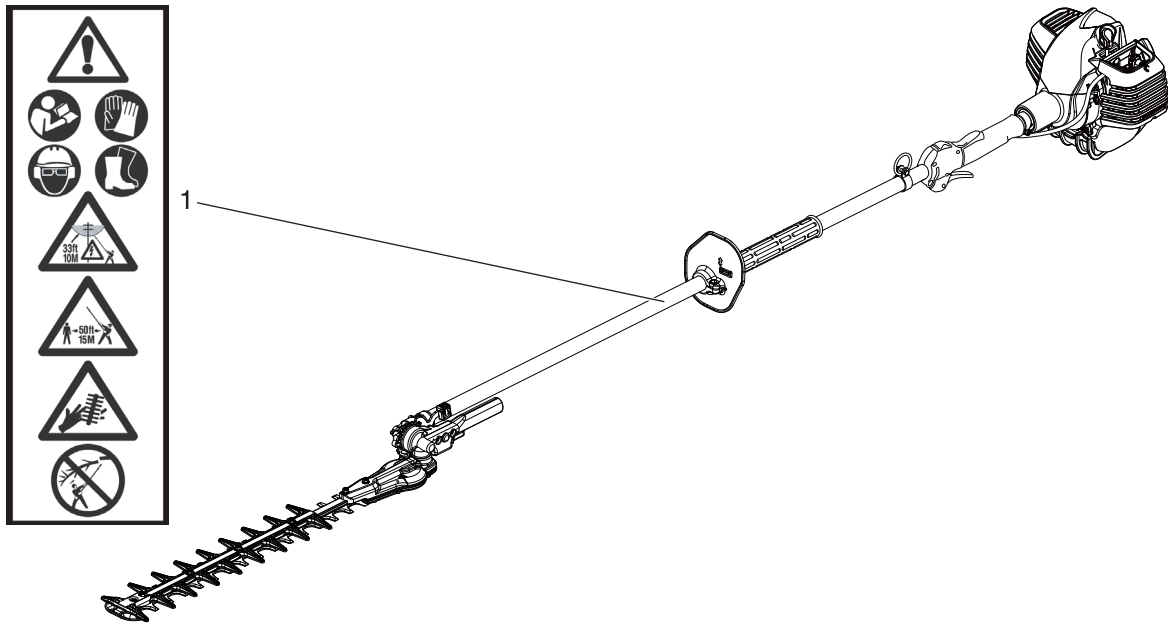
Symbol form/shape	Symbol description/application	Symbol form/shape	Symbol description/application
	Beware of fire		Choke Control "Run" Position (Choke Open)
	Beware of electric shocks		Environmental protection!
	Beware of high-temperature areas		Guaranteed sound power level
	Engine start		This product conducts electricity. Keep the product and/or operator a minimum distance of 10 meters away from electrical source and power lines.
	Wear heavy duty, non-slip gloves.		Safety tip shoes or boots with non-slip sole should be worn.
	Keep bystanders at least 15 meters away from the operating trimmer to reduce the risk of being struck by falling objects or thrown debris.		Be aware of the danger of falling debris.

# For safe use of your product

---

## Location in which the safety decal is attached

- The safety decal shown below has been attached to the products described in this manual. Ensure that you understand what the decal means before using your product.
- If the decal becomes unreadable due to wear and tear or damage, or peels off and is lost, please purchase a replacement decal from your dealer and attach it in the location shown in the illustrations below. Ensure that the decal is readable at all times.



1. Safety decal (Part number X505-002890)

# For safe use of your product

## Handling fuel

### DANGER

#### Always keep well away from fire when refuelling

Fuel is highly inflammable and leads to a risk of fire if mishandled. Use extreme care when mixing, storing or handling or serious personal injury may result. Be careful to observe the following instructions.

- Do not smoke or hold a flame near when refuelling.
- Do not fuel up while the engine is hot or in operation.
- ◆ If you do so, the fuel could ignite and cause fire, leading to burns.

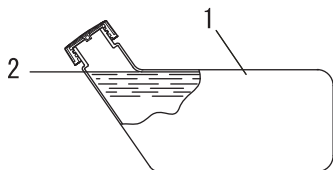
#### About the container and refuelling place

- Use an approved fuel container.
- Fuel tanks/cans may be under pressure. Always loosen fuel caps slowly allowing pressure to equalize.
- DO NOT fill fuel tanks indoors. ALWAYS fill fuel tanks outdoors over bare ground.

#### Fuel spills can cause fire

Observe the following precautions when refuelling:

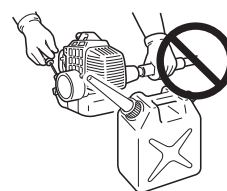
- Do not add so much fuel that it reaches the mouth of the fuel tank. Keep the fuel within the prescribed level (up to the shoulder level of the fuel tank).
- Mop up any fuel that overflows or spills out due to over-filling.
- Tighten the fuel tank cap securely after refuelling.
- ◆ Fuel spills can cause fire and burns when ignited.



- 1. Fuel tank
- 2. Shoulder level

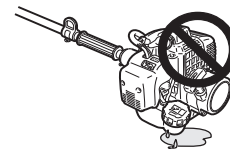
#### Do not start the engine in the area where you refueled

- You must not start the engine in the place where you carried out the refuelling. Move at least 3m from the place where you refueled before starting the engine.
- ◆ Fuel leaks that occur while refuelling can cause fire if ignited.



#### Fuel leaks cause fire

- After refuelling, always check that there are no leaks or discharges of fuel from the fuel pipe, fuel system grommets, or around the fuel tank cap.
- If you do find fuel leaks or discharges, stop using the product immediately and contact your dealer to have it repaired.
- ◆ Any fuel leaks could cause fire.



## Handling the engine

### DANGER

#### Keep the trimmer at least 10 meters away from electrical lines or branches that contact electrical lines

The articulated hedge trimmer is not insulated against electrical shock. Keep the trimmer at least 10 meters away from electrical lines or branches that contact electrical lines.

- ◆ Approaching or contacting electrical lines with the trimmer could cause death or serious injury.



# For safe use of your product

## **⚠**WARNING

### Starting the engine

Be particularly careful to observe the following precautions when starting the engine:

- Always ensure all handles and guards are fitted
- Check that none of the nuts and bolts are loose
- Check that there are no fuel leaks
- Check that the cutter blades is not damaged or excessively worn. If you find any abnormalities, do not use the product.
- Place the product in a flat, well ventilated place
- Leave plenty of space around the product and do not allow people or animals near it
- Remove obstructions, if any
- Make sure that the cutter blades is not touching the ground or any obstacles
- Start the engine with the throttle trigger in the idle speed position
- Hold the product firmly to the ground when starting the engine
- Do not start the engine holding the product in the air
- ◆ Failure to observe the precautions could cause an accident or injury, or even lead to a fatality.

### Once the engine has started, check for abnormal vibrations and sounds

- Check that there are no abnormal vibrations or sounds once the engine starts. Do not use the product if there are abnormal vibrations or sounds. Contact your dealer to have it repaired.
- ◆ Accidents involving parts that fall or shatter off can cause wounds or serious injury.

### Do not touch high temperature or high voltage components while the product is running

Do not touch the following high temperature or high voltage components while the product is running or for some time after it stops.

- Silencer, spark plug, gear housing, and other high temperature components
- ◆ You could burn yourself if you touch a high temperature component.
- Spark plug, spark plug wire, and other high voltage components
- ◆ You could receive an electric shock if you touch a high voltage component while the product is running.



### Put safety first in the case of fire or smoke

- If fire comes from the engine or smoke appears from any area other than the exhaust vent, first distance yourself from the product to ensure your physical safety.
- Use a shovel to throw sand or other such material on the fire to prevent it from spreading, or put it out with a fire extinguisher.
- ◆ A panicked reaction could result in the fire and other damage becoming more extensive.



### Exhaust fumes are toxic

- The exhaust fumes from the engine contain toxic gases. Do not operate the product indoors or in a plastic greenhouse or in other ill ventilated places.
- ◆ The exhaust fumes could cause poisoning.



### Turn off the engine when checking or maintaining the product

Observe the following precautions when checking and maintaining your product after use:

- Turn the engine off and do not attempt to check or maintain the product until the engine has cooled
- ◆ You could burn yourself.
- Remove the spark plug cap before performing checks and maintenance
- ◆ An accident could occur if the product starts unexpectedly.

### Checking the spark plug

Observe the following precautions when checking the spark plug.

- If the electrodes or terminals are worn, or if there are cracks in the ceramics, replace them with new parts.
- The spark test (for checking whether the spark plug is sparking) must be carried out by your dealer.
- The spark test must not be carried out in proximity of the spark plug hole.
- The spark test must not be performed in places where there are fuel spills or inflammable gases
- You must not touch the metal parts of the spark plug
- ◆ The spark plug could ignite a fire or give you an electric shock.



# For safe use of your product

## Handling the product General precautions

### WARNING

#### Operator's manual

- Be careful to read the operator's manual properly before using your product in order to ensure correct operation.
- ◆ Failure to do so could lead to an accident or serious injury.



#### Do not use the product for anything other than its intended purpose

- You must not use the product for any purpose other than those described in the operator's manual.
- ◆ To do so could lead to an accident or serious injury.

#### Do not modify the product

- You must not modify the product.
- ◆ To do so could lead to an accident or serious injury. Any malfunction resulting from a modification to the product will not be covered by the manufacturer's warranty.

#### Do not use the product unless it has been checked and maintained

- You must not use the product unless it has been checked and maintained. Always ensure that the product is checked and maintained on a regular basis.
- ◆ Failure to do so could lead to an accident or serious injury.

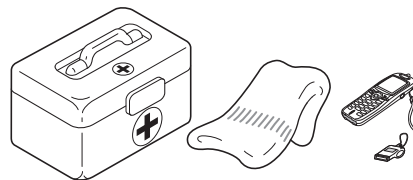
#### Loaning or assigning your product

- When loaning your product to another party, ensure that the person borrowing the product receives the operator's manual along with it.
- If you assign your product to another party, please enclose the operator's manual with the product when handing it over.
- ◆ Failure to do so could lead to an accident or serious injury.

#### Being prepared in case of an injury

In the unlikely event of an accident or injury, please ensure that you are prepared.

- First aid kit
- Towels and wipes (to stop any bleeding)
- Whistle or mobile phone (for calling outside help)
- ◆ If you are unable to perform first aid or call for outside help, the injury could worsen.



## Precautions for use

### DANGER

#### Always stop the engine when a blades jam occurs

- Do not attempt to remove an object causing a blades jam if the engine is running.
- ◆ Physical injury can occur if a blades jam is removed and the blades starts moving.

# For safe use of your product

## **WARNING**

### Users of the product

The product should not be used by:

- people who are tired
- people who have taken alcohol
- people who are on medication
- people who are pregnant
- people who are in poor physical condition
- people who have not read the operator's manual
- children

◆ Failure to observe these instructions could lead to an accident.

- The ignition system of this product generates electromagnetic fields during operation. Magnetic fields can cause pacemaker interference or pacemaker failure. To reduce health risks, we recommend that pacemaker users consult their physician and the pacemaker manufacturer before operating this product.



### Environment of use and operation

- Do not use the product in places where there is no sure foothold, such as on steep slopes or after rainfall, as such places are slippery and dangerous.
  - Maintain footing and balance at all times. Do not stand on slippery, uneven or unstable surfaces. Do not work in odd positions or on ladders. Do not over reach.
  - Do not operate the product at night or in dark places with poor visibility.
  - Heavy protective clothing can increase operator fatigue which may lead to heat stroke. Schedule heavy work for early morning or late afternoon hours when temperatures are cooler.
  - When cutting a branch that is under tension, be alert for spring-back so that you will not be struck by the moving branch.
- ◆ A serious injury could result if you fall or slip, or fail to operate the product correctly.

### Transport of the product

When transporting in the situations described below, turn off the engine and ensure that the cutter blades has stopped moving, then fit the blade cover and position the silencer away from yourself.

- Moving to the place where you are working
  - Moving to another area while you are working
  - Leaving the place where you have been working
- ◆ Failure to observe these precautions could cause burns or serious injury.
- When transporting the product by car, empty the fuel tank, fit the blade cover, and secure the product firmly in place to prevent it from moving around.
  - When carrying the articulated hedge trimmer by hand, the cutter attachment should be pointing backward with the cutter blade in the retracted or transporting position.
- ◆ Travelling by car with fuel in the fuel tank could lead to a fire.

### Vibration and cold

It is believed that a condition called Raynaud's Phenomenon which affects the fingers of certain individuals may be brought about by exposure to vibration and cold. Exposure to vibration and cold may cause tingling and burning, followed by loss of colour and numbness in the fingers. The following precautions are strongly recommended because the minimum exposure which might trigger the ailment is unknown.

- Keep your body warm, especially the head and neck, feet and ankles, and hands and wrists.
  - Maintain good blood circulation by performing vigorous arm exercises during frequent work breaks, and also by not smoking.
  - Limit the number of hours of operation. Try to fill each day with jobs where operating the hedge trimmer or other hand-held power equipment is not required.
  - If you experience discomfort redness and swelling of the fingers, followed by whitening and loss of feeling, consult your physician before exposing yourself further to cold and vibration.
- ◆ Failure to observe these instructions could result in damage to your health.

### Repetitive stress injuries

It is believed that over-using the muscles and tendons of the fingers, hands, arms and shoulders may cause soreness, swelling, numbness, weakness and extreme pain to the areas just mentioned. Certain repetitive hand activities may put you at a high risk for developing a repetitive stress injury (RSI).

To reduce the risk of RSI, do the following:

- Avoid using your wrist in a bent, extended or twisted position.
  - Take periodic breaks to minimize repetition and rest your hands. Reduce the speed and force in which you do the repetitive movement.
  - Do exercises to strengthen hand and arm muscles.
  - See a doctor if you feel tingling, numbness or pain in your fingers, hands, wrists or arms. The sooner RSI is diagnosed, the more likely permanent nerve and muscle damage can be prevented.
- ◆ Failure to observe these instructions could result in damage to your health.



# For safe use of your product

## WARNING

### Remove foreign objects and obstructions before working with the product

- Inspect area that the product will be used in. Remove stones, metal objects and any other object that could jam or damage the product.
- ◆ An accident or serious injury can occur if foreign objects throw the cutting device.

### Turn off the engine immediately if anything goes wrong

In the following situations, turn off the engine immediately and ensure that the cutting device has stopped before checking each area of the product. Replace any damaged parts.

- If the cutting device hits a rock, tree, post, or other such obstruction while you work.
- If the product suddenly starts to vibrate abnormally.
- ◆ Continuing to use parts when they are damaged could lead to an accident or serious injury.

### The area within a 15 m radius is a danger zone

The area within a 15 m radius of the product is a danger zone. Be careful to observe the following precautions while working with the product.

- Do not allow children and other people or pets to enter the danger zone.
- If another person enters the danger zone, turn off the engine to stop the blades.
- When approaching the operator, signal to him by, for example, throwing twigs from outside the danger zone, and then check that engine has been switched off and the blades has stopped moving.
- Do not allow anyone to hold the material you are cutting.
- ◆ Any contact with the cutter blades could cause serious injury.

### Do not use the product when the cutter blades is moving at idle speed

- You must not use the product while the cutter blades is moving if the Hedge Trimmer is running with the throttle trigger in the idle speed position. Turn off the engine immediately and adjust the carburettor.
- ◆ To do so could lead to an accident or serious injury.

### Operation

- Never remove hands from the product when the blades are moving.
- Only adjust cutting angle with unit resting flat on the ground, with the switch in the "STOP" position. Never adjust blade angle while standing.
- ◆ Failure to observe these instructions will cause the product to be held unsteadily and could result in serious injury.

### Make sure that the cutter blades is stopped before putting the product on the ground

- When you turn off the engine, check to ensure the cutter blades has stopped moving before you lower the product to the ground.
- ◆ Even if the engine has been turned off, the blades can still cause an injury while free-wheeling.



### Remove debris from the silencer

- If objects such as grasses, leaves, twigs or excessive grease got stuck over the area around the silencer of the engine, stop the engine and remove them paying attention not to touch hot spots.
- ◆ Failure to do so could lead to a fire.



## WARNING

### Do not use the product to cut hard objects

- Do not use the product to cut hard objects such as wires or steel plates.
- If the blades strikes an obstruction or is prevented from functioning properly, stop the engine and inspect the blades for damage.
- ◆ Failure to follow these instructions could cause breakage of the product or an accident.

### Never use the product getting on a ladder or a stool

- Do not overreach or stand on unstable surfaces.
- Do not use the product when being at the top of the ladder or standing on a stool.
- ◆ Failure to do so could lead to an accident or serious injury.

# For safe use of your product

## Protective gear

### WARNING

#### Wear protective gear

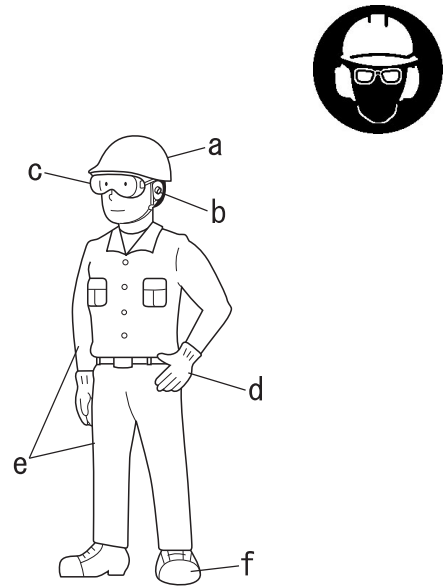
Always wear the following protective gear when working with the hedge trimmer.

- a **Head protection (helmet):** Protects the head
- b **Ear muffs or ear plugs:** Protect the hearing
- c **Safety goggles:** Protect the eyes
- d **Safety gloves:** Protect the hands from cold and vibration
- e **Work clothes that fit (long sleeves, long trousers):** Protect the body
- f **Heavy duty, non-slip protective boots or non-slip work shoes :** Protect the feet

◆ Failure to observe these precautions could result in damage to your sight or hearing, or lead to a serious injury.

**When necessary, please use the protective gear below.**

- **Dust mask:** Protects the breathing apparatus
- **Bee net:** To deal with attacks by bees
- **Full face shield:** When trimming overhead, wear head protection meeting CE with a full face shield.



#### Wear proper clothing

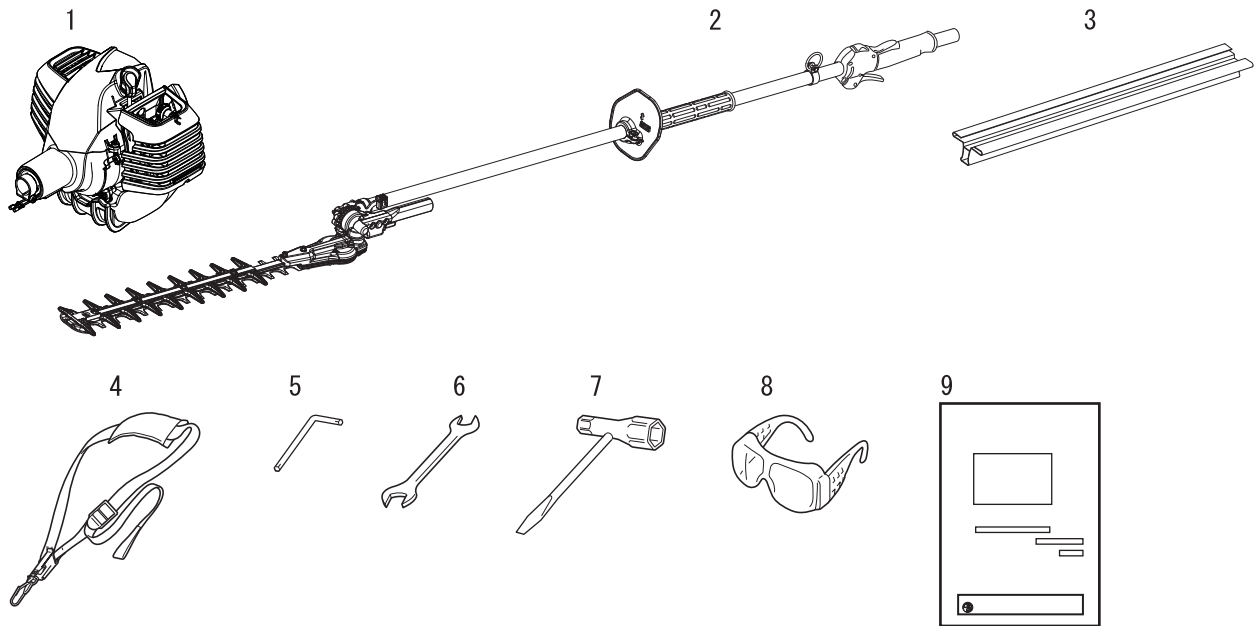
Do not wear ties, jewellery, or loose, dangling clothing which could be caught in the unit. Do not wear open toed footwear, or go bare-foot or bare-legged.

◆ Failure to observe these precautions could result in damage to your sight or hearing, or lead to a serious injury.



# Packing list

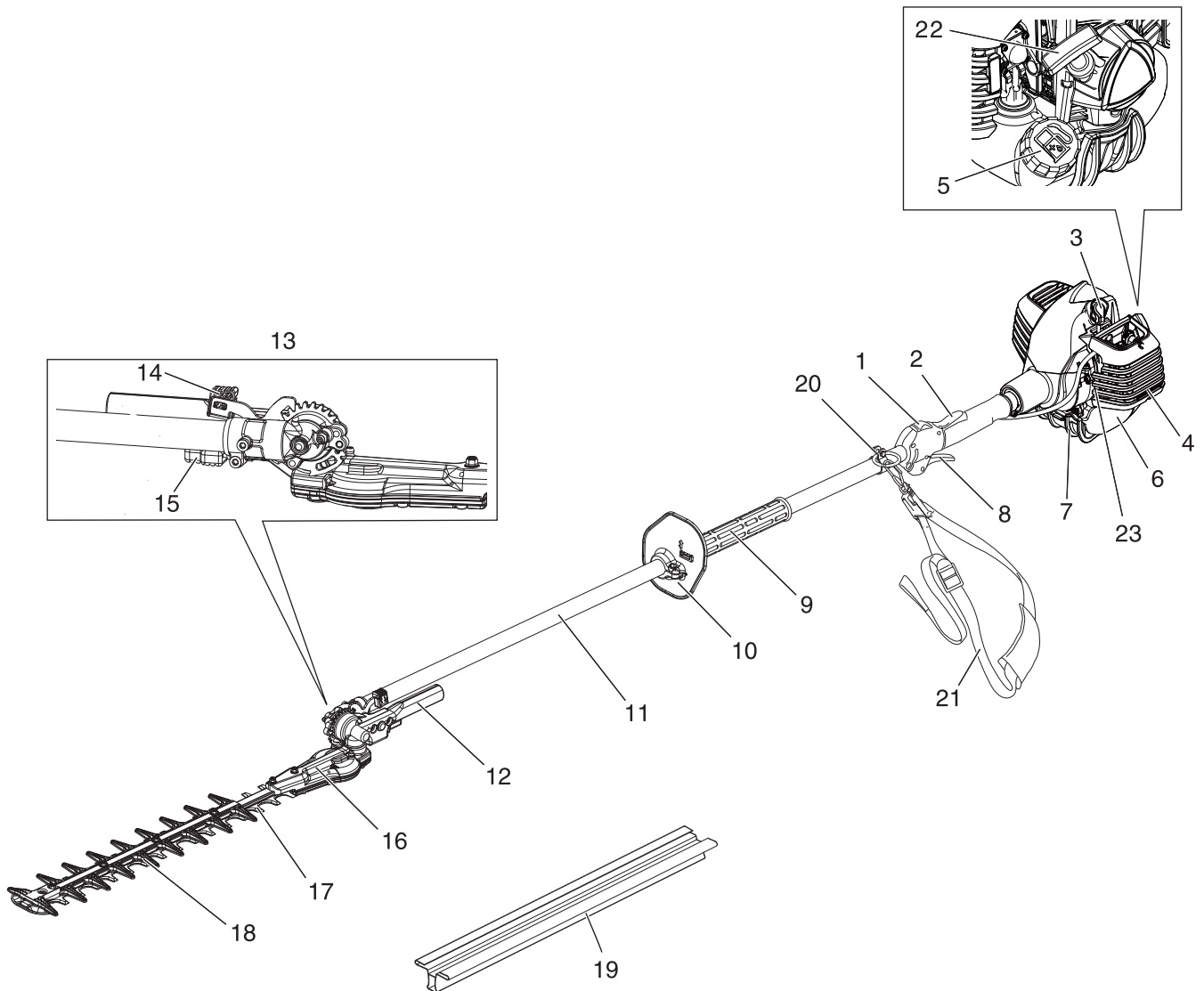
- ♦ The following parts are packed separately in the packing box.
- ♦ When you have unpacked the box, please check the parts that it contains.
- ♦ Contact your dealer if anything is missing or broken.



1. Power head
2. Operation shaft
3. Blade cover
4. Shoulder strap
5. L-wrench

6. Spanner
7. Socket wrench
8. Safety glasses
9. Operator's manual

# Description



1. **Ignition switch** Device for allowing the engine to be started and stopped.
2. **Throttle trigger lockout** Device that prevents the accidental operation of the throttle trigger until manually released.
3. **Spark plug**
4. **Air cleaner cover** Covers air filter.
5. **Fuel tank cap** For closing the fuel tank.
6. **Fuel tank** Contains fuel and fuel filter.
7. **Fuel tank guard**
8. **Throttle trigger** Device activated by the operator's finger, for controlling the engine speed.
9. **Front grip**
10. **Hand guard** Guard between the front handle and cutting device for protecting the hand from injuries if the hand slips off the handle.
11. **Outer tube** Part of the unit that provides a casing for power transmission shaft.
12. **Cutter assembly adjustment lever** Provides secure hand grip for adjusting cutting blade angle.
13. **Hedge trimmer cutter assembly**
14. **Latch lock** Fixes the angle of the cutter.
15. **Latch release** Safety device to prevent the latch lock from being released unexpectedly.
16. **Gear housing assembly** Gear housing contains drive gears for transmitting power to cutting blades.
17. **Cutter bar and cutter blades** That part of the assembly of cutter blade and shear plate together with any supporting part, which performs the cutting action.
18. **Blunt extension** An extending blunt part of the cutting device.
19. **Blade cover** When transporting or storing the product always fit the blade cover.
20. **Suspension point** Device on which the strap can be hooked.
21. **Shoulder strap** An adjustable strap to suspend unit.
22. **Starter handle** Pull handle to start the engine.
23. **Type and serial number**

## Assembly

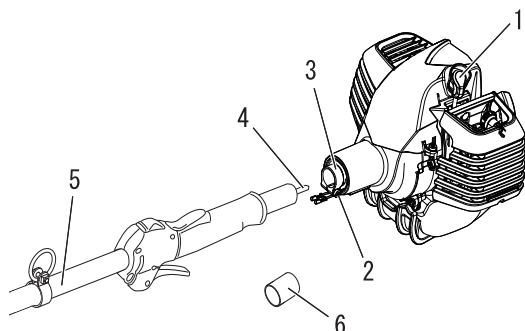
### **WARNING**

Read the operator's manual carefully to ensure that you assemble the product correctly.

◆ Using a product that has been incorrectly assembled could lead to an accident or serious injury.



### Connect the outer tube to the powerhead



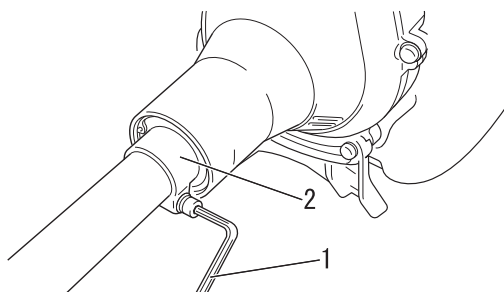
1. Spark plug
2. Clamp screw
3. Tube clamp
4. Drive shaft
5. Outer tube
6. Protective cover

1. Place the powerhead on a clean, flat surface, spark plug facing up.
2. Slip off the protective cover from the end of the outer tube.
3. Use the L-wrench to loosen the tube clamp screw.
4. Slide the outer tube into the tube clamp until the tube bottoms. If installation is difficult, rotate the outer tube or main shaft slightly until you feel the drive shaft splines engage with the powerhead.
5. Position the outer tube so that the gearcase output shaft is facing left on silencer cover.
6. Slide the outer tube into the powerhead until the throttle grip just contacts the tube clamp.

### **WARNING**

○ Ensure that the fuel tank cap is securely in place.

◆ Failure to do so could lead to an injury or serious accident, or cause a fire.



1. L-wrench
2. Tube clamp

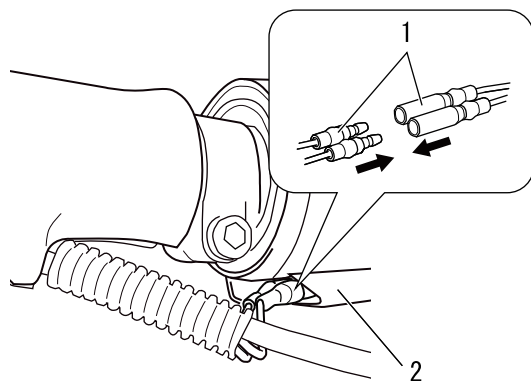
### **CAUTION**

○ Do not force the shaft tube into the powerhead.

◆ Excessive force can damage the shaft tube and drive shaft.

7. Tighten the clamp screw firmly.

### Connect the throttle cable



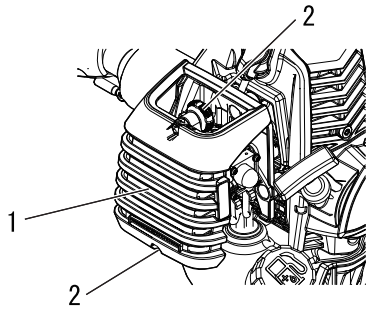
1. Ignition leads
2. Fan cover pocket

1. Connect 2 ignition leads from throttle cable tubing to 2 ignition leads on engine.
2. Place the connected ignition lead connectors in the fan cover pocket.

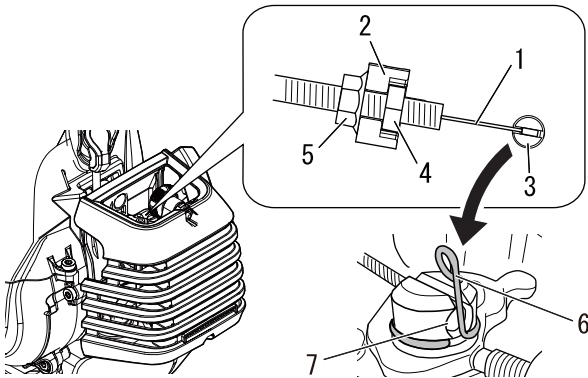
### **CAUTION**

○ Wiring runs must not interfere with throttle operation.

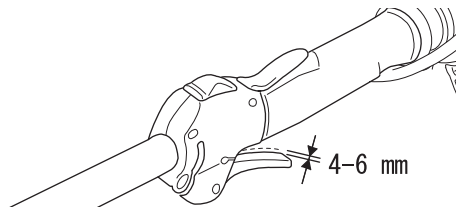
# Before you start



1. Air cleaner cover
2. Air cleaner cover knob



1. Throttle cable
2. Adjustment fixture
3. Throttle swivel hole
4. Adjustment nut
5. Locknut
6. Clip
7. Vertical slot



3. Loosen the air cleaner cover knob and remove the air cleaner cover.

4. Place throttle cable into adjustment fixture and install wire end into large carburetor throttle swivel hole.
5. Fit the vertical portion of the clip into the vertical slot to hold down the wire end.

6. The throttle lever free play should be approximately 4-6 mm.
7. Turn the adjustment nut in or out as required to obtain proper free play 4-6 mm.
8. Make sure that the throttle lever operates smoothly without binding.
9. Check throttle for freedom of movement and that wide open throttle / low idle extremes are adjusted properly.
10. Tighten locknut.
11. Install air cleaner cover.

## Adjusting Cutting Angle

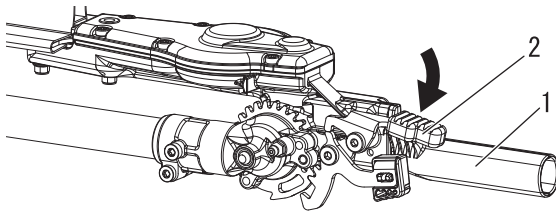
### **⚠ DANGER**

- Never adjust cutting assembly with engine running.
- ◆ Failure to do so could lead to an injury or serious accident.

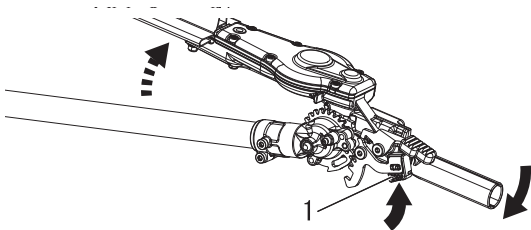
### **⚠ WARNING**

- Hedge trimmer blades are sharp. Always wear gloves when adjusting cutting assembly.
- Wear heavy duty gloves when working with the hedge trimmer blades. When replacing the hedge trimmer blades during a trimming task, ensure that the engine is switched off and that the blades have stopped.
- Do not stand hedge trimmer on end when adjusting cutting angle, otherwise serious injury may result.
- Gear case assembly becomes HOT during use. Always grip assembly at blade-adjustment handle when making cutting angle adjustments, otherwise serious injury may result.
- ◆ Failure to do so could lead to an injury or serious accident.

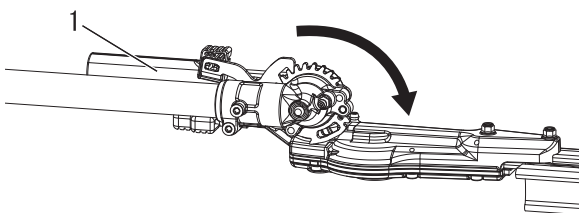
### Adjusting the hedge trimmer cutter assembly



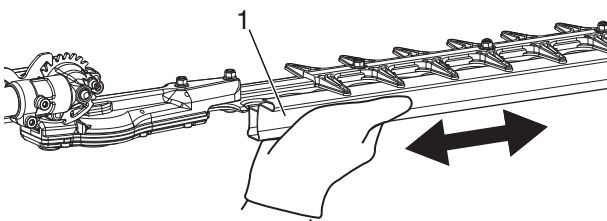
1. Adjustment lever
2. Latch release



1. Latch lock



1. Adjustment lever



1. Blade cover

1. Position the hedge trimmer on a flat, level surface with the engine resting on the fuel tank guard. Make sure the blade cover is in place on the blade.
2. With your right hand, grasp the outer tube near the handle. With your left hand, grip the adjustment lever on the cutter assembly. With the index finger of your left hand, press the latch release. With your left thumb, press the latch lock.
3. While holding the latch release down, pivot the cutter assembly using the adjustment lever until it is at the desired cutting angle.
4. Release the latch lock and the latch release. Make sure the latch lock and the latch release return securely to the straight ahead position.
5. Remove the blade cover from the cutter blade. The engine now may be started.

### **IMPORTANT**

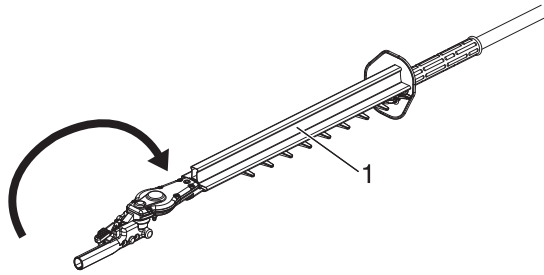
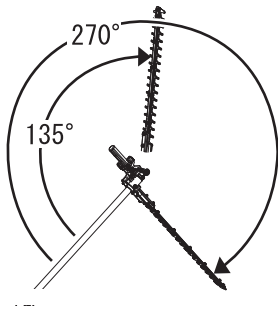
The latch release provides an interlock to help prevent inadvertent depression of the latch lock.

### **⚠ CAUTION**

- When installing and removing the blade cover from the cutter blade, hold the handle under the blade cover.
- ◆ Failure to observe these precautions could lead to injury.

# Before you start

## Cutter assembly position



1. Blade cover

The cutter assembly can be adjusted to ten different positions ranging from 135° to 270° from the outer tube as shown. Always make sure the lock latch is securely locked after each adjustment.

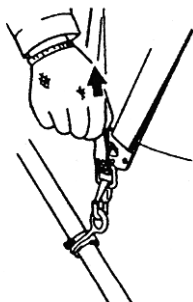
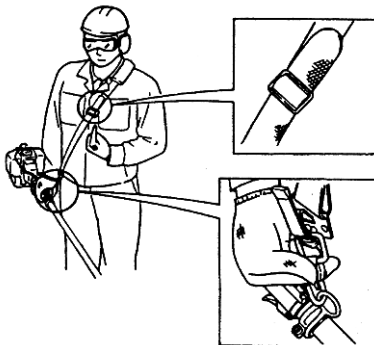
## Adjusting for Storage or Transportation

1. With the engine off, install the blade cover onto the blade.
2. Rotate the cutter assembly so it is parallel to the tube.
3. Make sure the latch lock return securely to a locking position.
4. Make sure the blade cover is in place on the cutters before storing or transporting.

### **WARNING**

- **Never run the engine when adjusting the cutter assembly to the storage position.**

## Shoulder strap



1. Hook the strap hook to the hanger on the outer tube.
2. Wear the shoulder strap so that the hook stays at your right hand side.
3. Adjust the length of the shoulder strap so that you can hold and operate the machine comfortably.

### **IMPORTANT**

Adjust the shoulder strap or harness so the shoulder pad rests comfortably on the off-side shoulder. Make sure all hooks and adjustment devices are secure.

## Emergency Release

- \* In case of emergency, strongly pull the white tab at the hook. The machine will be released from the strap.



# Before you start

## Preparing the fuel

### DANGER

- Fuel is highly inflammable and there is a risk of fire if it is handled incorrectly. Carefully read and observe the precautions in the section of this manual titled "For safe use of your product".
- Once the refuelling is complete, securely tighten the fuel tank cap and do not forget to check that there are no leaks or discharges of fuel from the fuel pipe, fuel system grommets, or around the fuel tank cap. If you do find fuel leaks or discharges, stop using the product immediately and contact your dealer to have it repaired.
- ◆ If the fuel ignites, it could cause burns and fire.



### CAUTION

- There is difference in pressure between the fuel tank and the outside air. When refuelling, loosen the fuel tank cap slightly to eliminate the difference in pressure.
- ◆ Otherwise, fuel may get spewed.

### NOTE

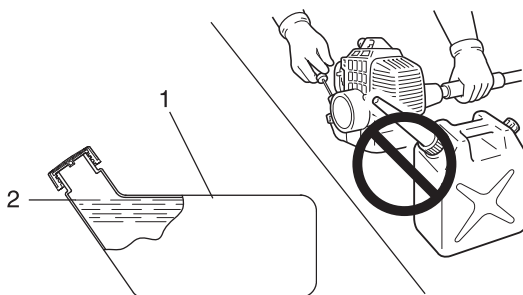
Stored fuel ages. Do not mix more fuel than you expect use in thirty (30) days. Do not mix directly in fuel tank.

## Fuel



- ◆ Fuel is a mixture of regular grade petrol and an air-cooled 2-stroke engine oil of reputable brand name. Minimum 89 Octane unleaded petrol is recommended. Do not use fuel containing methyl alcohol or more than 10 % of ethyl alcohol.
- ◆ Recommended mixture ratio; 50 : 1 (2 %) for ISO-L-EGD Standard (ISO/CD 13738), JASO FC, FD grade and Shindaiwa Premium 50 : 1 oil.
  - Do not mix directly in engine fuel tank.
  - Avoid spilling petrol or oil. Spilled fuel should always be wiped up.
  - Handle petrol with care, it is highly inflammable.
  - Always store fuel in approved container.

## Fuel supply



1. Fuel tank

2. Shoulder level

- ◆ Always refuel in a well ventilated location. Do not pour fuel indoors.
- ◆ Place the product and the refuelling tank on the ground when performing the refuelling operation. Do not refuel the product on the loading platform of a truck, or in other such places.
- ◆ Always ensure that the fuel level remains below the shoulder level of the fuel tank when refuelling.
- ◆ There is a difference in pressure between the fuel tank and the outside air. When refuelling, loosen the fuel tank cap slightly to eliminate the difference in pressure.
- ◆ Always wipe up any fuel spills.
- ◆ Move at least 3m away from where you refueled before you start the engine.
- ◆ Keep the refuelling tank in a shaded area away from fire.

# Engine operation

## Starting the engine

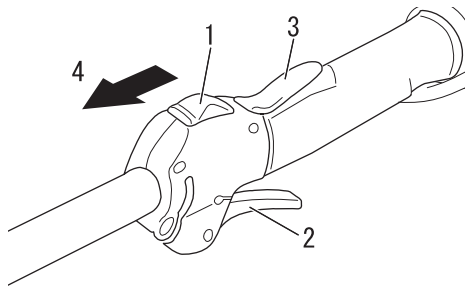
### WARNING

- When starting the engine, observe the precautions described from Page 4 in the section "For safe use of your product" to ensure that you operate the product correctly.
- The attachment will operate immediately when the engine starts and could result in loss of control and possible serious injury. Keep movable parts of the attachment off the ground and away from objects that could become entangled or thrown.
- If the blades moves even though the throttle trigger is in the idle speed position when the engine is started, adjust the carburettor before using the product.
- Blades will start moving as engine attains clutch engagement speed.
- ◆ Failure to observe the precautions could cause an accident or injury, or even lead to a fatality.

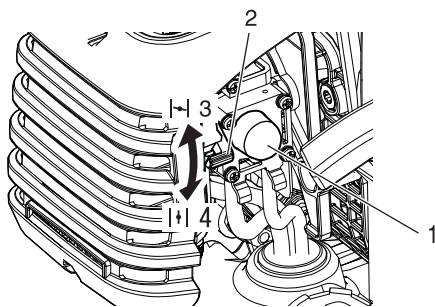
### NOTE

- ◆ Pull out the starter handle gently at first, and then more rapidly. Do not pull the starter rope out to more than 2/3 of its length.
- ◆ Do not let go of the starter handle as it returns.

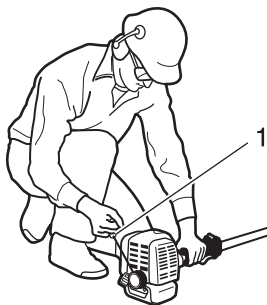
### Starting a cold engine



- 1. Ignition switch
- 2. Throttle trigger
- 3. Throttle trigger lockout
- 4. Start



- 1. Purge bulb
- 2. Choke lever
- 3. Cold Start
- 4. Run



- 1. Starter handle

(Connect the spark plug cap if the product has been in storage for a long period of time)

The starting procedure depends on whether the engine is cold or warm. A cold engine is started as follows.

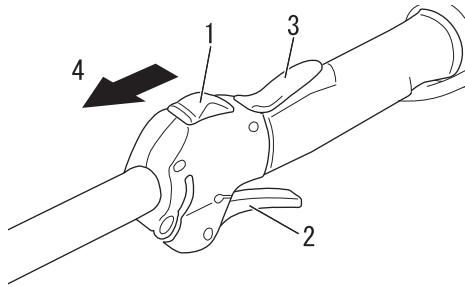
1. Remove the blade cover and check the cutter blades. If anything is wrong, replace it with a new one.
2. Placing the product on level ground, check to ensure that the blades does not come into contact with the surface of the ground or any other impediment using a beam or other such implement.
3. Check that there are no fuel leaks.
4. Move the ignition switch to the Start position.
5. Move the choke lever to the "Cold Start" position.
6. Alternately press and release the purge bulb until the fuel is sucked up into it.
7. Checking that the area around you is safe, hold the rear grip firmly with your left hand as shown in the illustration, pulling several times on the starter handle.
8. If you hear an explosion-like sound and the engine stops immediately, move the choke lever to the "Run" position and continue pulling on the starter handle to start the engine.
9. If the engine starts immediately when you carry out the instructions in step 7, above, return the choke lever gently to the "Run" position.
10. Leave the engine to warm up at idle speed for a while.
11. Depress the throttle trigger lockout and gradually squeeze the throttle trigger.

# Engine operation

## Engine warm-up

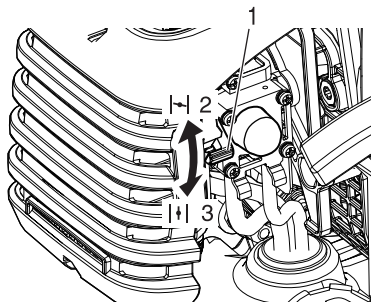
1. Once the engine starts, allow it to warm up for 2 to 3 minutes at idling (i.e. low speed).
2. Warming the engine helps to lubricate its internal workings more smoothly. Allow the engine to warm up fully, especially when it is cold.

## Starting a warm engine



1. Ignition switch
2. Throttle trigger
3. Throttle trigger lockout
4. Start

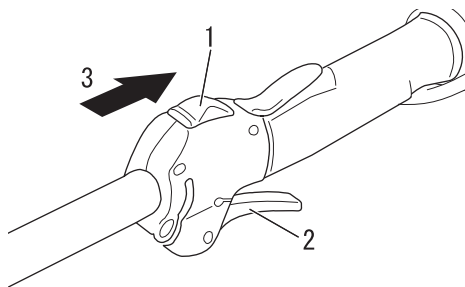
1. Move the ignition switch to the Start position.
2. Make sure that the throttle trigger is at the idle speed position.



1. Choke lever
2. Cold Start
3. Run

3. Check that the choke lever is in the "Run" position.
4. If fuel tank is not empty, pull on the starter handle to start the engine.
5. If no fuel is visible in the purge bulb, alternately press and release the purge bulb until the fuel is sucked up into it.
6. Checking that the area around you is safe and pull on the starter handle to start the engine.

## Stopping the engine



1. Ignition switch
2. Throttle trigger
3. Stop

1. Release the throttle trigger and set the engine to idling (i.e. low speed).
  2. Move the ignition switch to the Stop position.
  3. In the event of an emergency, stop the engine immediately using the ignition switch.
  4. If the engine fails to stop, move the choke lever to the "Cold Start" position. The engine will stall and come to a halt (a choke stop).
- \* If the engine fails to stop when the ignition switch is used, have the ignition switch checked and repaired by your dealer before you use the product again.

## WARNING

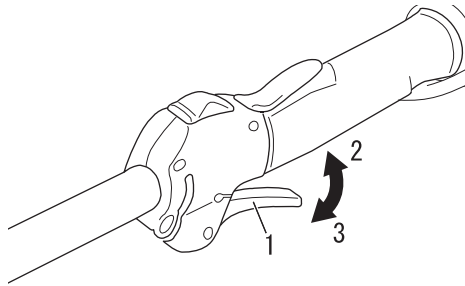
- The cutting attachment can continue moving after the engine is stopped.

# Hedge and shrub trimming operation

## Basic hedge trimming operation

### NOTE

- ♦ This product is designed to cut shrubs and hedges with branches no larger than 6 mm in diameter.
- ♦ When starting to trim, run the engine at full throttle. Cutting at less than full speed can damage the clutch by allowing it to slip. When you do not conduct trimming or cutting work, do not run the engine at full throttle.



1. Throttle trigger  
2. High speed

3. Idling

Pulling the throttle trigger after the engine is started will cause the engine speed to rise and the cutter blades to start moving. Adjust the engine speed depending on, for example, the amount of the hedges to be cut.



### Working Position

- ♦ Hold the control handle with your right hand, and the front grip with your left hand.
- ♦ Your left arm should be extended to the most comfortable position.

### Using the Hedge Trimmer

#### Preparations

- ♦ Use lopping shears to cut thick branches first.

#### Cutting Sequence

- ♦ If a radial cut is necessary, cut a little at a time in several passes.

#### Cutting Techniques

##### ○ Vertical cut:

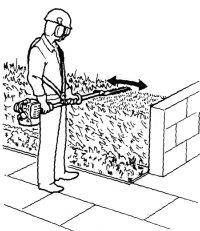
- ♦ Swing the blade up and down in an arc as you move along the hedge. Use both sides of the cutting blade.
- ♦ Cut without standing directly next to the hedge, e.g. with a flower bed between operator and hedge.

##### ○ Overhead Cut:

- ♦ Hold the shaft upright with a 90° blade angle to cut an upper surface of a hedge.

##### ○ Horizontal Cut:

- ♦ Hold the cutting blade at an angle of 0° to 10° as you swing the hedge trimmer horizontally.
- ♦ Swing the blade in an arc towards the outside of the hedge so that the cuttings are swept on to the ground.
- ♦ Cut without standing directly in front of the hedge, e.g. reach over a flower bed.
- ♦ Cut close to the ground from a standing position, e.g., for low shrubs.



# Maintenance and care

## Maintenance and care

If you have any questions or problems, please contact your dealer.

### General maintenance

#### IMPORTANT

Maintenance, replacement, or repair of emission control devices and system may be performed by any repair establishment or individual. However, warranty repairs must be performed by a dealer or service center authorized by YAMABIKO CORPORATION and use of parts that are not equivalent in performance and durability to authorized parts may impair the effectiveness of the emission control system and may have a bearing on the outcome of the warranty claim.

#### WARNING

- Non-standard accessories, cutting attachment, or replacement parts may not operate properly with your unit and may cause damage and lead to personal injury.
- Before performing any maintenance, repair, or cleaning work on the unit, make sure the engine and cutting attachment are completely stopped. Disconnect the spark plug wire before performing service or maintenance.
- Operating the engine without a silencer, or with a silencer that is damaged or improperly installed, can increase engine noise sufficiently to cause hearing loss.

#### Silencer

This unit must never be operated with a faulty or missing spark arrester or silencer. Make sure the silencer is well secured and in good condition. A worn or damaged silencer is a fire hazard and may also cause hearing loss.

#### Spark plug

Keep the spark plug and wire connections tight and clean.

#### Fasteners

Make sure nuts, bolts, and screws (except carburettor adjusting screws) are tight.

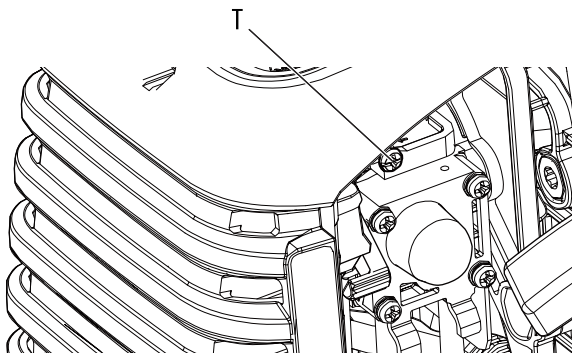
### Carburettor adjustment

#### WARNING

When carburettor adjustment is completed, cutter blade should not move at idle, otherwise serious personal injury may result.

#### CAUTION

When starting, idle speed adjuster (T) should be adjusted not to move the cutter blade. When there is some trouble with the carburettor, contact your dealer.



T: Idle speed adjuster

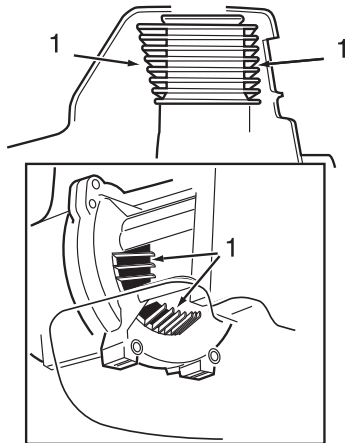
Every unit is test run at the factory and the carburettor is fine tuned for maximum performance.

Before adjusting carburettor, clean or replace air filter, start engine and run several minutes to bring it to operating temperature.

1. Idle Speed Adjustment.  
Start engine and turn idle speed adjustment screw (T) clockwise until the blades begin to move, then turn the screw (T) anticlockwise until the blades stop moving. Turn screw (T) anticlockwise an additional 1/2 turn.
2. Accelerate to full throttle for 2 to 3 seconds to clear excess fuel from engine then return to idle. Accelerate to full throttle to check for smooth transition from idle to full throttle.

# Maintenance and care

## Daily Maintenance



1. Cooling fins

Prior to each work day, perform the following:

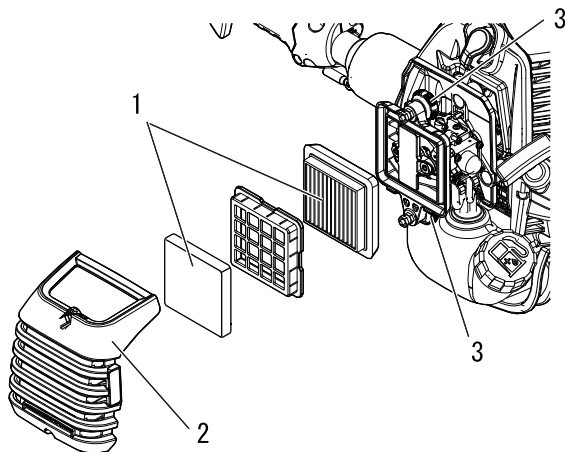
- ♦ Remove all dirt and debris from the engine, check the cooling fins and air cleaner for clogging, and clean as necessary.
- ♦ Carefully remove any accumulations of dirt or debris from the silencer and fuel tank. Check cooling air intake area at base of crankcase. Remove all debris. Dirt build-up in these areas can lead to engine overheating, fire, or premature wear.
- ♦ Lubricate the blade before use and after refueling. Check the cutter for damage or incorrect adjustment.

### **WARNING**

- **Always wear gloves when working around the cutter assembly.**
- ◆ Failure to observe the precautions could cause an accident or injury, or even lead to a fatality.

- ♦ Clean any debris or dirt from the cutting attachment.
- ♦ Check for loose or missing screws or components. Make sure the cutter attachment is securely fastened.
- ♦ Check the entire unit for leaking fuel or grease.
- ♦ Make sure nuts, bolts, and screws (except carburetor idle speed adjusting screws) are tight.

## 10-Hour Maintenance



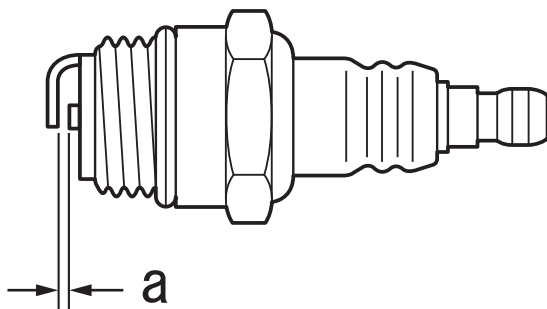
1. Air filter  
2. Air cleaner cover  
3. Cleaner cover knob

1. Close choke. Loosen cleaner cover knob and remove air cleaner cover and air filter.(air filter is located inside air cleaner cover)
2. Brush dirt from filter or clean with compressed air.
3. Reinstall air filter with cover, after installing air filter to cover.
4. Tighten air cleaner cover knob.

### **CAUTION**

- **Never operate the unit if the air cleaner assembly is damaged or missing.**

## 10/15-Hour Maintenance



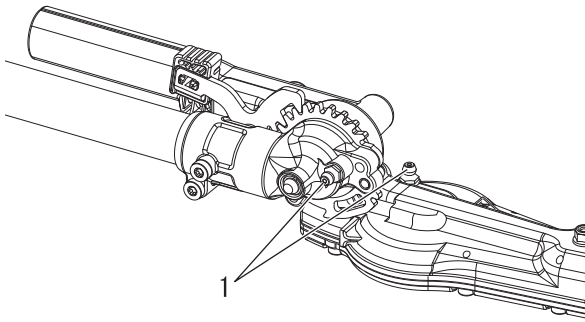
a: 0.6 - 0.7 mm

Remove and clean or replace the spark plug

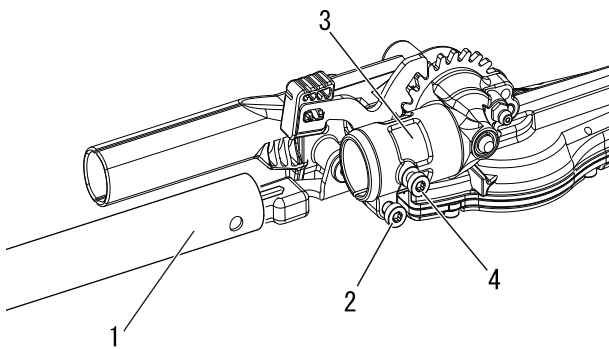
- ♦ Check plug gap. Correct gap is 0.6 mm to 0.7 mm.
- ♦ Inspect electrode for wear.
- ♦ Inspect insulator for oil or other deposits.
- ♦ Replace plug if needed and tighten to 10 N•m - 15 N•m (100 kgf•cm to 150 kgf•cm).

# Maintenance and care

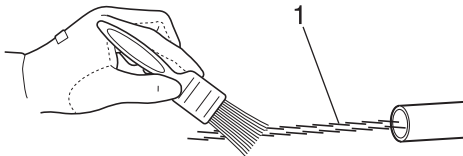
## 15/20-Hour Maintenance



1. Gearcase grease fittings



1. Outer tube  
2. Gearcase clamp bolt  
3. Gearcase  
4. Index bolt



1. Drive shaft

### Gearcase lubrication

1. Clean dirt from grease fitting.
2. Lubricate the cutter assembly gearbox by pumping one or two strokes of lithium-base grease into the grease fitting using a lever-type grease gun.

### CAUTION

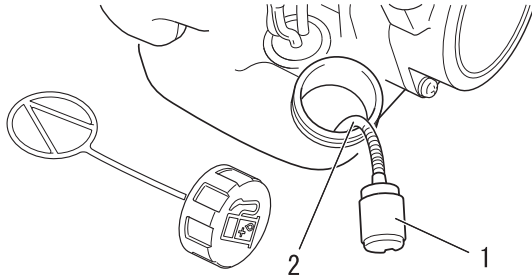
- Over lubricating can cause the gearcase to operate sluggishly and can cause grease to leak out.

### Drive shaft lubrication

1. Loosen the gearcase clamp bolt.
2. Remove the index bolt from gearcase.
3. Remove the outer tube from the gear housing.
4. Pull the drive shaft from the outer tube, and wipe clean. Re-coat with a thin coating 10 to 20 g, of lithium base grease.
5. Slide the drive shaft back into the outer tube, being careful not to get dirt on the drive shaft.
6. Align the screw hole in gear case with the locating hole in outer tube, install and tighten index bolt, and tighten gearcase clamp bolt.

# Maintenance and care

## 50-Hour Maintenance



1. Fuel filter

2. Fuel line

## Cleaning silencer

### Cylinder cooling fins

- ♦ Remove and clean the cylinder cover and clean dirt and debris from the cylinder cooling fins.

### Remove and replace the fuel filter

- ♦ Use a piece of metal wire or the like to pick up fuel filter through fuel tank opening.
- ♦ Pull old filter from fuel line.
- ♦ Install new fuel filter.

### NOTE

If filter is excessive dirty or no longer fits properly, replace it.

### WARNING

- **Never operate the unit with a damage or missing silencer or spark arrester. Operating with a missing or damaged spark arrester is a fire hazard, and could also damage your hearing.**

- ♦ Carbon deposits in silencer will cause a drop in engine output and overheating. Spark arrester screen must be checked periodically. Clean deposits from silencer.

### IMPORTANT

Do not remove the silencer cover. If necessary, Please consult your dealer.



# Maintenance and care

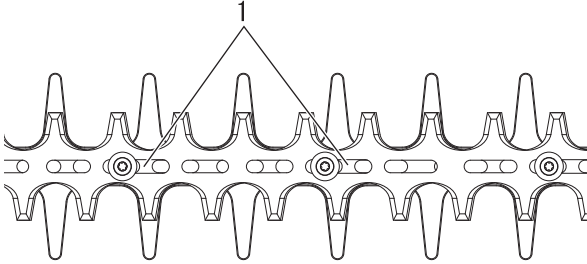
## Care for cutting blades

### CAUTION

- Wear gloves to protect hands from sharp blades.
- ◆ Failure to observe these precautions could lead to injury.

#### Lubricating blades (Every 4 hours of operation)

Apply a few drops of oil the each bolt slots at the bottom of blades.



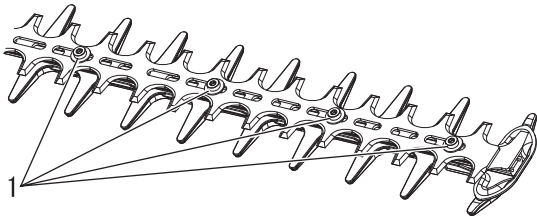
1. Bolt slots

#### Cleaning blades (After each use)

Remove gummy residue from blades with a 50 : 50 mixture of kerosene (paraffin) and machine oil.

#### Cutter blade adjustment

Standard blades require no periodic adjustments. Make sure all blade bolts are tight and in good condition.



1. Bolt

# Maintenance and care

## Troubleshooting table

Problem	Diagnosis	Cause	Solution
The engine does not start		<ul style="list-style-type: none"> <li>♦ There is no fuel in the fuel tank</li> <li>♦ The ignition switch is in the Stop position</li> <li>♦ Excess fuel suction</li> <li>♦ Electrical fault</li> <li>♦ Carburettor malfunction or internal sticking</li> <li>♦ Internal engine malfunction</li> </ul>	<ul style="list-style-type: none"> <li>♦ Fuel supply</li> <li>♦ Move to the Start position</li> <li>♦ Start the engine after servicing</li> <li>♦ Consult your dealer</li> <li>♦ Consult your dealer</li> </ul>
Engine is difficult to start, fluctuating rotation	Fuel is entering the overflow pipe	<ul style="list-style-type: none"> <li>♦ Fuel degradation</li> <li>♦ Carburettor problem</li> </ul>	<ul style="list-style-type: none"> <li>♦ Replace with new fuel</li> <li>♦ Consult your dealer</li> </ul>
	No fuel is entering the overflow pipe	<ul style="list-style-type: none"> <li>♦ Fuel filter is clogged</li> <li>♦ Fuel system is clogged</li> <li>♦ Internal carburettor parts sticking</li> </ul>	<ul style="list-style-type: none"> <li>♦ Clean or replace</li> <li>♦ Consult your dealer</li> <li>♦ Consult your dealer</li> </ul>
	The spark plug is dirty or damp	<ul style="list-style-type: none"> <li>♦ Fuel degradation</li> <li>♦ Incorrect electrode gap</li> <li>♦ Carbon deposits</li> <li>♦ Electrical fault</li> </ul>	<ul style="list-style-type: none"> <li>♦ Replace</li> <li>♦ Replace</li> <li>♦ Replace</li> <li>♦ Consult your dealer</li> </ul>
Engine starts but no acceleration is possible		<ul style="list-style-type: none"> <li>♦ Dirty air filter</li> <li>♦ Dirty fuel filter</li> <li>♦ Blocked fuel passage</li> <li>♦ Carburettor adjustment problem</li> <li>♦ Blocked exhaust vent or silencer vent</li> </ul>	<ul style="list-style-type: none"> <li>♦ Clean or replace</li> <li>♦ Clean or replace</li> <li>♦ Consult your dealer</li> <li>♦ Adjust</li> <li>♦ Clean</li> </ul>
The engine stops		<ul style="list-style-type: none"> <li>♦ Carburettor adjustment problem</li> <li>♦ Electrical fault</li> </ul>	<ul style="list-style-type: none"> <li>♦ Adjust</li> <li>♦ Consult your dealer</li> </ul>
The engine fails to stop		<ul style="list-style-type: none"> <li>♦ Ignition switch malfunction</li> </ul>	<ul style="list-style-type: none"> <li>♦ Perform an emergency stop and consult your dealer</li> </ul>
The cutter blades moves when the engine is idling		<ul style="list-style-type: none"> <li>♦ Carburettor adjustment problem</li> <li>♦ Damaged clutch spring</li> </ul>	<ul style="list-style-type: none"> <li>♦ Adjust</li> <li>♦ Consult your dealer</li> </ul>
The cutter blades gets blunt		<ul style="list-style-type: none"> <li>♦ Worn cutter blades</li> <li>♦ Big gap between upper blade and lower blade</li> <li>♦ Slippage of the clutch</li> </ul>	<ul style="list-style-type: none"> <li>♦ Consult your dealer</li> <li>♦ Consult your dealer</li> <li>♦ Consult your dealer</li> </ul>

- ♦ Checking and maintenance requires specialist knowledge. If you are unable to check and maintain the product or deal with a fault yourself, consult your dealer. Do not attempt to dismantle the product.
- ♦ Consult your dealer in the event of a problem that is not covered in the table above, or other such concerns.
- ♦ For spare parts and consumables, please use only genuine parts and designated products and components. Using parts from other manufacturers or non-designated components may result in a malfunction.

## NOTE

### Soft Start (See page 2)

When starter handle cannot be pulled lightly, the trouble is diagnosed as failure of engine inside.

Please consult your dealer.

If disassembled inadvertently, it can cause injury.

## Long-term storage (30 days or more)

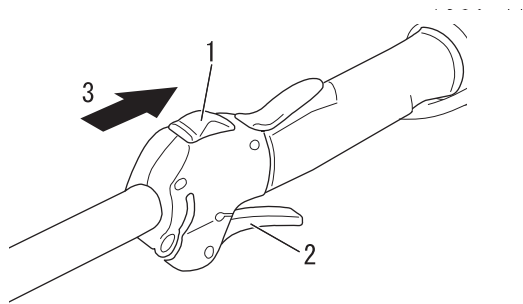
### **WARNING**

**Do not store in sealed locations filled with fuel gas, or close to naked flames or sparks.**

◆ You could cause a fire.



When storing the product for long periods of time (30 days or more), ensure that the following preparations for storage are carried out.



1. Ignition switch  
2. Throttle trigger

3. Stop

1. Empty the fuel tank completely.
  - A. Remove any fuel from the fuel tank.
  - B. Alternately press and release the purge bulb a number of times to remove the fuel from the purge bulb.
  - C. Start the engine and run it at idle speed until it comes to a natural stop.
2. Move the ignition switch to the Stop position.
3. Wipe clean any grease, oil, dust, dirt and other materials on the outside of the hedge trimmer.
4. Perform the periodic checks prescribed in this manual.
5. Check that the screws and nuts are tightened. Tighten up any that are loose.
6. Remove the spark plug and add the appropriate quantity (around 10 mL) of clean, new 2-stroke engine oil to the cylinder via the installation socket.
  - A. Place a piece of clean cloth over the spark plug installation socket.
  - B. Pull 2 or 3 times on the starter handle to distribute the engine oil into the cylinder.
  - C. Observe the piston location through the spark plug hole. Pull the recoil starter handle slowly until the piston reaches the top of its travel and leave it there.
7. Fit the spark plug. (Do not connect the spark plug cap. )
8. Lubricate the blades with a heavy coat of oil to prevent rust.
9. Once the product is sufficiently cool and dry, fit the blade cover onto the cutter blades and wrap the engine section in a plastic bag or other covering before putting them in storage.
10. Store the product in a dry, dust free place, out of the reach of children and other unauthorized persons.

# Disposal procedure

---



- ♦ Dispose of waste oil in accordance with local regulations.
- ♦ Major plastic parts making up the product have codes showing their materials.  
The codes refer to the following materials; dispose of those plastic parts in accordance with local regulations.

Mark	Material
>PA6-GF<	Nylon 6 - Glass fiber
>PP-GF<	Polypropylene - Glass fiber
>PE-HD<	Polyethylene

- ♦ Please contact your dealer in case you do not know how you should dispose of waste oil / plastic parts.

# Specifications

		AH262S-HD
<b>External dimensions:</b> Length x Width x Height	mm	2440 × 273 × 260
<b>Masses:</b> Unit with specified cutting attachment, empty tank	kg	6.5
Unit with specified cutting attachment, full tank	kg	7.0
<b>Volume:</b> Fuel tank	mL	600
<b>Fuel:</b>  Oil  Mixing ratio		Regular grade petrol. Minimum 89 Octane unleaded petrol is recommended. Do not use fuel containing methyl alcohol or more than 10% of ethyl alcohol.  Two stroke, air-cooled engine oil. ISO-L-EGD Standard (ISO/CD 13738), JASO FC/FD grade and Shindaiwa Premium 50:1 oil.  50: 1 part (2%)
<b>Cutting attachment:</b> Type Cutting length Pitch Height	  mm mm mm	 Dual action, double sided blade 536 35 21
<b>Gear ratio and lubrication:</b>		4.60 reduction and good quality lithium grease
<b>Engine:</b> Type Carburettor Magneto Spark Plug Starter Power transmission Engine displacement Maximum shaft brake power (ISO 8893) Fuel consumption at maximum engine power Recommended maximum engine speed (With STD attachment installed) Recommended engine idling speed	      cm <sup>3</sup> kW L/h r/min r/min	 Air-cooled two stroke, single cylinder Diaphragm type Flywheel magneto: CDI system NGK CMR7H Recoil starter Automatic Centrifugal clutch 25.4 1.04 0.61 11500 3000
<b>Vibration levels:</b> (ISO 10517) $a_{hv,eq}$ Front handle / Rear handle Uncertainty: K	 m/s <sup>2</sup> m/s <sup>2</sup>	 7.3 / 7.1 5.0
<b>Sound pressure level:</b> (ISO 10517) $L_{pAd}(=L_{pAeq} + K_{pA})$ Uncertainty: $K_{pA}$	 dB (A) dB (A)	 96.6 2.5
<b>Sound power level:</b> (ISO 10517) $L_{WAAd}(=L_{WAeq} + K_{WA})$ Uncertainty: $K_{WA}$	 dB (A) dB (A)	 109.0 2.5

These specifications are subject to change without notice.

# Declaration of conformity

---

The undersigned manufacturer:

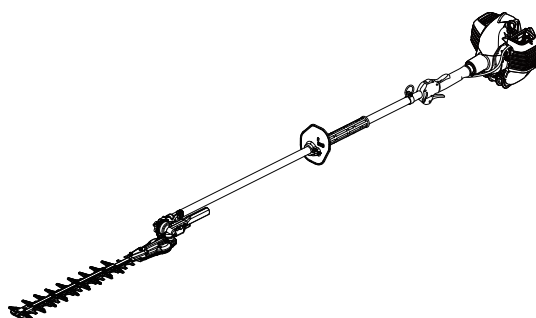
YAMABIKO CORPORATION  
1-7-2 Suehirocho  
Ohme, Tokyo 198-8760  
JAPAN

This declaration of conformity is issued under the sole responsibility of the manufacturer.

Declares that the hereunder specified new unit:

## PORTABLE HEDGE TRIMMER

**Brand: shindaiwa**  
**Type: AH262S-HD**



Complies with:

- \* the requirements of Directive **2006/42/EC** (use of harmonized standard **EN ISO 10517: 2009**)
- \* the requirements of Directive **2014/30/EU** (use of harmonized standard **EN ISO 14982: 2009**)
- \* the requirements of Directive **2000/14/EC**

Conformity assessment procedure followed **ANNEX V**

Measured sound power level: **107 dB(A)**

Guaranteed sound power level: **110 dB(A)**

Serial Number 37001001 to 37100000

Tokyo, September 1st, 2018

## YAMABIKO CORPORATION

---

**Masayuki Kimura**  
**General Manager**  
**Quality Assurance Dept.**

**The authorized representative in Europe who is authorized to compile the technical file.**

Company: CERTIFICATION EXPERTS B.V.

Address: Stationsplein 30, 1382AD Weesp, The Netherlands

**Mr. Richard Glaser**

# MEMORANDUM

# YAMABIKO CORPORATION

1-7-2 Suehirocho, Ohme, Tokyo 198-8760 JAPAN

PHONE: 81-428-32-6118. FAX: 81-428-32-6145.

# shindaiwa<sup>®</sup>



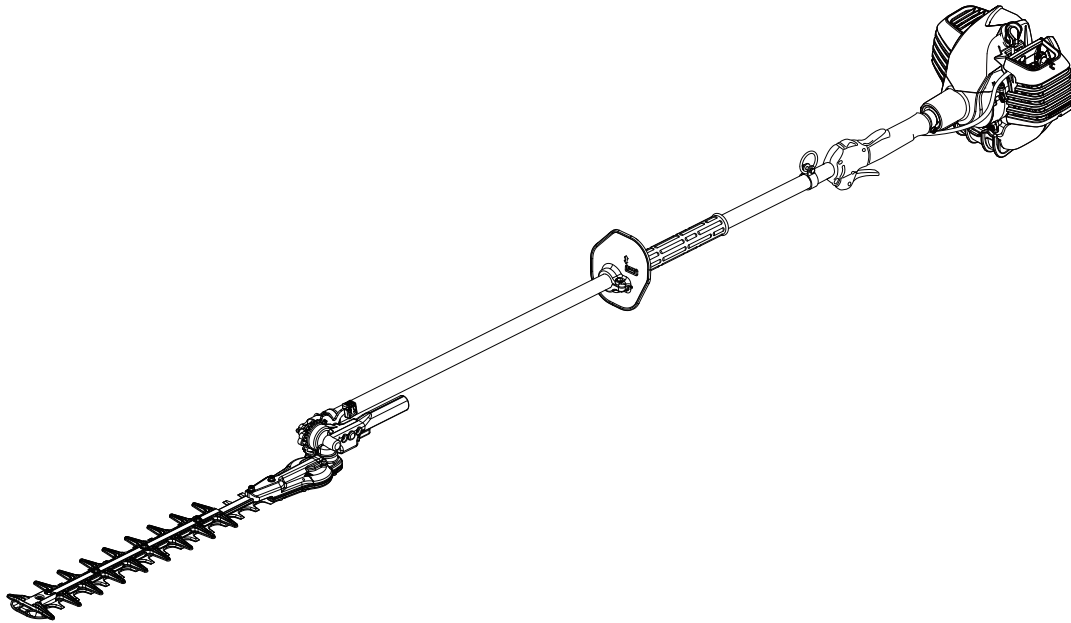
X750-029111

X750234-3201



# shindaiwa®

FRANÇAIS  
FR (Notice originale)



## MANUEL D'UTILISATION

# TAILLE-HAIE ARTICULE AH262S-HD

### AVERTISSEMENT

LIRE ATTENTIVEMENT LES INSTRUCTIONS ET SUIVRE LES  
RÈGLES DE SÉCURITÉ.  
LE NON-RESPECT DES RÈGLES DE SÉCURITÉ ENTRAÎNE UN  
RISQUE D'ACCIDENTS GRAVES.



# Information importante

---

**Lire attentivement le manuel d'utilisation avant d'utiliser l'appareil pour la première fois.**

## ○ Utilisation de l'appareil

- ♦ Les taille-haies shindaiwa sont des machines légères, très performantes, équipées d'un moteur à essence et conçues pour tailler haies et arbustes.
- ♦ Ne pas utiliser cet appareil pour d'autres applications que celles mentionnées ci-dessus.

## ○ Utilisateurs de l'appareil

- ♦ Lire attentivement ce manuel d'utilisation et intégrer les informations qu'il contient avant d'utiliser l'appareil pour la première fois.
- ♦ Toute personne n'ayant pas lu attentivement ce manuel d'utilisation, enrhumée, fatiguée ou en mauvaise condition physique ne doit pas utiliser cet appareil. Ne pas laisser un enfant manipuler l'appareil.
- ♦ L'utilisateur est tenu pour responsable en cas d'accidents ou de risques pouvant entraîner des blessures corporelles ou des dommages matériels.

## ○ A propos du manuel d'utilisation

- ♦ Ce manuel contient les informations nécessaires à l'utilisation et à l'entretien de l'appareil. L'utilisateur doit donc le lire attentivement et intégrer les informations qu'il contient.
- ♦ Toujours conserver le manuel à portée de main.
- ♦ En cas de perte du manuel ou si ce dernier a été détérioré et n'est plus lisible, s'adresser à un revendeur Shindaiwa pour en obtenir un nouveau.
- ♦ Les unités utilisées dans ce manuel sont les unités SI (Système international d'unités). Les chiffres indiqués entre parenthèses sont des valeurs de référence. De légères erreurs de conversion peuvent survenir dans certains cas.

## ○ Prêt ou cession de l'appareil à un tiers

- ♦ Si l'appareil décrit dans ce manuel est prêté à un tiers, veiller à lui confier également le manuel d'utilisation fourni avec l'appareil. Si l'appareil est cédé à un tiers, transmettre le manuel d'utilisation fourni avec l'appareil lors de la vente.

## ○ Renseignements

- ♦ Contacter un revendeur Shindaiwa pour toute demande d'information concernant l'appareil, l'achat de consommables, les réparations ou pour tout autre renseignement.

## ○ Remarques

- ♦ YAMABIKO se réserve le droit de modifier sans préavis le contenu de ce manuel en fonction des améliorations apportées au produit. Il se peut que certains des schémas de ce manuel soient différents de l'appareil. Ces différences ont pour objectif de rendre les explications plus claires.
- ♦ L'appareil nécessite le montage de certains éléments.
- ♦ En cas de doute, consulter un revendeur Shindaiwa.

## ○ Caractéristique spécifique à ce modèle : **Soft Start**

- ♦ La fonction **Soft Start** génère une puissance de rotation qui permet de faire tourner le vilebrequin à un régime suffisamment élevé pour allumer le moteur pratiquement sans provoquer de rebond. Avec la fonction **Soft Start**, démarrer le moteur devient un jeu d'enfant.

## Fabricant

### YAMABIKO CORPORATION

1-7-2 Suehirocho, Ohme, Tokyo 198-8760 JAPON

## Représentant autorisé en Europe:

### CERTIFICATION EXPERTS B.V.

Stationsplein 30, 1382AD Weesp, Pays-Bas

# Table des matieres

---

Pour utiliser l'appareil en toute sécurité .....	4
Etiquettes et symboles d'avertissement .....	4
Autres indications .....	4
Symboles .....	4
Emplacement de l'étiquette de sécurité .....	6
Manipulation du carburant .....	7
Manipulation du moteur .....	7
Manipulation de l'appareil .....	9
Contenu de l'emballage .....	13
Description .....	14
Avant de commencer .....	15
Assemblage .....	15
Réglage de l'angle de coupe .....	17
Harnais .....	18
Préparation du carburant .....	19
Fonctionnement du moteur .....	20
Démarrage du moteur .....	20
Arrêt du moteur .....	21
Taille de haies et d'arbustes .....	22
Taille de haie de base .....	22
Entretien .....	23
Entretien .....	23
Remisage .....	29
Remisage de longue durée (30 jours ou plus) .....	29
Procédure d'élimination des déchets .....	30
Caractéristiques .....	31
Déclaration de conformité .....	32

# Pour utiliser l'appareil en toute sécurité




## Lire attentivement cette section avant d'utiliser l'appareil pour la première fois.

○ Les mesures de précaution décrites dans cette section contiennent des informations essentielles pour la sécurité. Les suivre scrupuleusement.

○ Il est également nécessaire de prendre connaissance des mesures de précaution exposées tout au long de ce manuel. Le texte précédé d'une puce [en forme de losange] décrit les risques encourus en cas de non-respect d'une mesure de précaution.


## Étiquettes et symboles d'avertissement

Les étiquettes et les symboles d'avertissement dans le manuel et sur l'appareil signalent les situations pouvant entraîner un risque de blessure de l'utilisateur et d'autres personnes. Pour des raisons de sécurité, toujours lire et suivre attentivement les instructions figurant sur ces étiquettes.

 <b>DANGER</b>	 <b>AVERTISSEMENT</b>	 <b>ATTENTION</b>
Ce symbole associé au mot « <b>DANGER</b> » signale une action ou une situation présentant un risque de blessure corporelle grave ou d'accident mortel pour l'utilisateur et les personnes à proximité.	Ce symbole associé au mot « <b>AVERTISSEMENT</b> » signale une action ou une situation présentant un risque de blessure corporelle grave ou d'accident mortel pour l'utilisateur et les personnes à proximité.	« <b>ATTENTION</b> » signale une situation potentiellement dangereuse qui, si elle n'est pas évitée, peut entraîner une blessure légère à modérée.









## Autres indications

Outre les étiquettes et les symboles d'avertissement, ce manuel contient les symboles d'explication suivants :















	Le cercle barré indique une interdiction.	<b>REMARQUE</b>	<b>IMPORTANT</b>
		Ce type de message fournit des conseils relatifs à l'utilisation et à l'entretien de l'appareil.	Le texte dans l'encadré où figure le mot « <b>IMPORTANT</b> » donne des informations importantes concernant l'utilisation, la vérification, l'entretien et le remisage de l'appareil décrit dans ce manuel.

## Symboles

De nombreux symboles d'explication sont utilisés dans ce manuel et sur l'appareil lui-même. S'assurer d'avoir bien compris la signification de chacun de ces symboles.

Forme des symboles	Description/application des symboles	Forme des symboles	Description/application des symboles
	Lire attentivement le manuel d'utilisation		Mélange d'essence et d'huile
	Port obligatoire de protections pour les yeux, les oreilles et la tête		Pompe d'amorçage (charge d'amorçage)
	Alerte / sécurité		Risque de sectionnement des doigts
	Arrêt d'urgence		Réglage du carburateur - Régime de ralenti

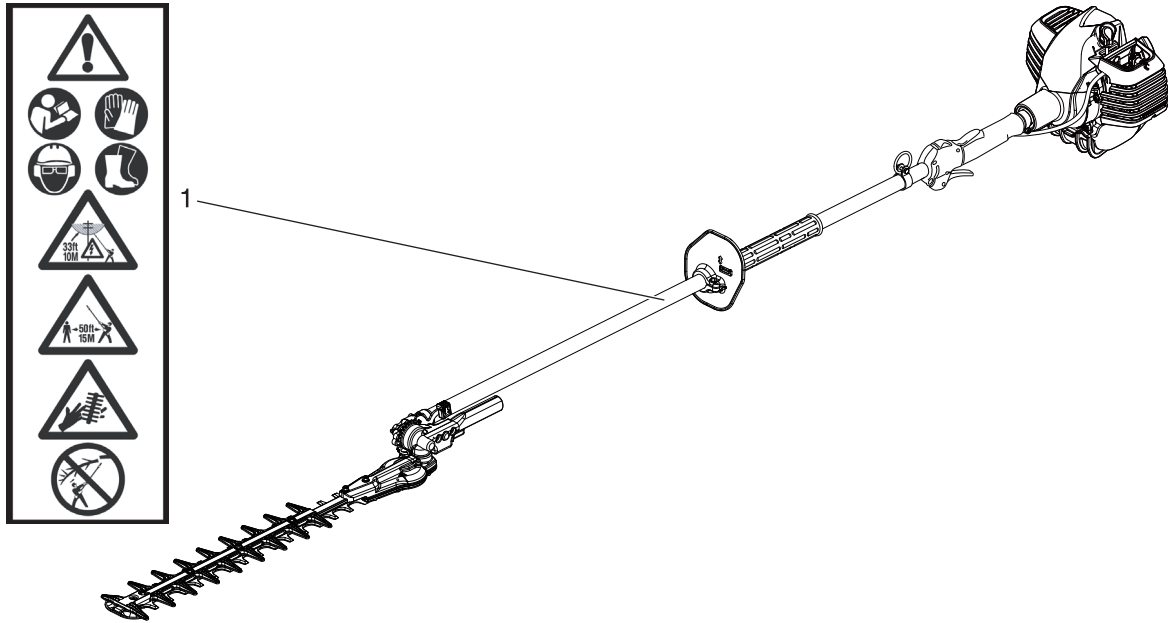
# Pour utiliser l'appareil en toute sécurité

Forme des symboles	Description/application des symboles	Forme des symboles	Description/application des symboles
	Ne pas utiliser l'appareil dans des endroits mal aérés		Commande de starter en position « Démarrage à froid » (starter fermé)
	Attention aux risques d'incendie		Commande de starter en position « Marche » (starter ouvert)
	Attention aux risques de choc électrique		Protection de l'environnement !
	Attention aux températures élevées		Niveau de puissance sonore garanti
	Démarrage du moteur		Ce produit est conducteur d'électricité. Garder ce produit et/ou son utilisateur à une distance minimum de 10 mètres d'une source d'électricité et de lignes haute tension.
	Porter des gants antidérapants et résistants.		Porter des chaussures ou des bottes de sécurité à bouts renforcés avec semelle antidérapante.
	Pendant l'utilisation, maintenir les tierces personnes à au moins 15 mètres de l'appareil pour réduire les risques qu'elles ne soient touchées par des chutes d'objets ou des projections.		Rester vigilant quant aux dangers de chute de débris.

# Pour utiliser l'appareil en toute sécurité

## Emplacement de l'étiquette de sécurité

- L'étiquette de sécurité ci-dessous figure sur les appareils décrits dans ce manuel. S'assurer de bien comprendre la signification de l'autocollant avant d'utiliser l'appareil.
- Si l'étiquette devient illisible avec le temps ou si elle s'est décollée ou a été déchirée, prendre contact avec un revendeur pour obtenir une nouvelle étiquette et la coller à l'emplacement indiqué sur les illustrations ci-dessous. Veiller à ce que l'autocollant soit toujours lisible.



1. Etiquette de sécurité (Numéro de pièce X505-002890)

# Pour utiliser l'appareil en toute sécurité

## Manipulation du carburant

### DANGER

#### Toujours effectuer le ravitaillement à l'écart de toute flamme

Le carburant est hautement inflammable et entraîne un risque d'incendie en cas de mauvaise manipulation. Rester extrêmement vigilant lors du mélange, du stockage ou de la manipulation du carburant. Toute erreur entraîne un risque de blessure corporelle grave. Observer scrupuleusement les règles de sécurité suivantes.

- Il est interdit de fumer lors du ravitaillement. Effectuer le ravitaillement à l'écart de toute flamme.
- Il est interdit de ravitailler l'appareil lorsque le moteur est chaud ou en marche.
- ◆ En effet, le carburant risque de s'enflammer et de provoquer un incendie, entraînant ainsi un risque de brûlure.

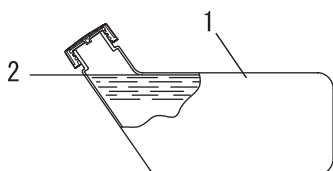
#### A propos du réservoir et du point de ravitaillement

- Utiliser un réservoir de carburant agréé.
- Les bidons/réservoirs de carburant peuvent être sous pression. Toujours desserrer le bouchon du réservoir de carburant de façon progressive pour permettre l'égalisation de la pression.
- NE JAMAIS remplir les réservoirs de carburant dans un endroit fermé. TOUJOURS remplir les réservoirs de carburant à l'extérieur, à même le sol.

#### Tout déversement de carburant entraîne un risque d'incendie

Respecter les règles de sécurité suivantes lors du ravitaillement :

- Ne pas remplir le réservoir de carburant jusqu'en haut. Remplir le réservoir jusqu'au niveau recommandé (jusqu'à l'épaulement du réservoir de carburant).
- Essuyer le carburant renversé en cas de débordement ou de trop plein du réservoir.
- Une fois le ravitaillement effectué, revisser fermement le bouchon du réservoir de carburant.
- ◆ Tout déversement de carburant, s'il s'enflamme, entraîne un risque d'incendie et de brûlure.

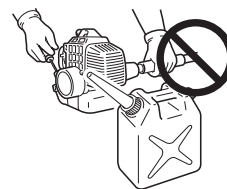


1. Réservoir de carburant  
2. Epaulement

#### Ne pas démarrer le moteur à l'endroit où le ravitaillement a été effectué

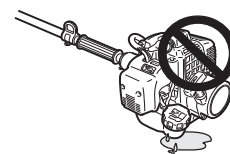
- Il ne faut pas démarrer le moteur à l'endroit où le ravitaillement a été effectué. S'éloigner d'au moins 3 mètres de l'endroit où le ravitaillement a été effectué avant de démarrer le moteur.

- ◆ Les fuites de carburant qui peuvent survenir lors du ravitaillement entraînent un risque d'incendie si le carburant s'enflamme.



#### Toute fuite de carburant entraîne un risque d'incendie

- Après le ravitaillement, toujours vérifier qu'il n'y a pas de fuite ou d'écoulement de carburant au niveau du tuyau de carburant, du passe-tuyau de carburant ou autour du bouchon du réservoir de carburant.
- En cas de fuite ou d'écoulement de carburant, interrompre immédiatement l'utilisation de l'appareil et contacter un revendeur pour effectuer les réparations nécessaires.
- ◆ Toute fuite de carburant entraîne un risque d'incendie.



## Manipulation du moteur

### DANGER

#### Garder le taille-haies à au moins 10 mètres des lignes électriques ou des branches en contact avec des lignes électriques.

Le taille-haies articulé n'est pas protégé contre les décharges électriques. Garder le taille-haies à au moins 10 mètres des lignes électriques ou des branches en contact avec des lignes électriques.

- ◆ Approcher le taille-haie d'une ligne électrique ou le mettre en contact avec une ligne électrique peut provoquer la mort ou de sérieuses blessures.



# Pour utiliser l'appareil en toute sécurité

## AVERTISSEMENT

### Démarrage du moteur

Veiller à bien respecter les mesures de précaution suivantes lors du démarrage du moteur :

- Toujours vérifier que toutes les poignées et protections sont fixées
- Vérifier que tous les écrous et toutes les vis sont bien serrés.
- Vérifier qu'il n'y a pas de fuite de carburant.
- Vérifier que les lames ne sont pas endommagées ni excessivement usées. Si des anomalies sont constatées, ne pas utiliser l'appareil.
- Placer l'appareil sur une surface plane et dans un endroit bien aéré.
- Établir un périmètre de sécurité autour de l'appareil et s'assurer que personne ni aucun animal ne se trouve à proximité.
- Retirer tout obstacle éventuel.
- Vérifier que les lames ne touchent pas le sol ou tout autre obstacle.
- Pour le démarrage du moteur, mettre la gâchette d'accélérateur en position de régime de ralenti.
- Maintenir fermement l'appareil au sol lors du démarrage du moteur.
- Ne pas démarrer le moteur en tenant l'appareil en l'air
- ◆ Le non-respect de ces mesures de précaution constitue un risque d'accident et de blessures graves voire mortelles.

### Une fois le moteur démarré, vérifier l'absence de vibrations et de sons anormaux.

- Au démarrage du moteur, vérifier l'absence de vibrations et de sons anormaux. Ne pas utiliser l'appareil en cas de vibrations ou de sons anormaux. S'adresser à un revendeur pour faire effectuer les réparations nécessaires.
- ◆ La chute ou la rupture accidentelle de pièces constitue un risque de blessures graves.

### Ne pas toucher les composants sous haute tension ou à haute température lorsque l'appareil fonctionne

Ne pas toucher les composants sous haute tension ou à haute température suivants lors du fonctionnement de l'appareil et pendant la phase qui suit l'arrêt de l'appareil.

- Silencieux, bougie d'allumage, carter d'engrenage et autres composants sous haute température.

- ◆ Il existe un risque de brûlure en cas de contact avec un composant à haute température.

- Bougie d'allumage, fil de la bougie et autres composants sous haute tension

- ◆ Il existe un risque de choc électrique en cas de contact avec un composant sous haute tension pendant le fonctionnement de l'appareil.



### Le bon réflexe en cas d'incendie ou de fumée

- Si le moteur prend feu ou si de la fumée s'échappe de l'appareil à un autre endroit que la sortie d'échappement, la première chose à faire est de s'éloigner de l'appareil pour éviter tout risque d'accident.
- À l'aide d'une pelle, jeter du sable ou un autre matériau équivalent sur les flammes pour éviter que l'incendie ne se propage, ou éteindre les flammes avec un extincteur.



- ◆ Ne pas céder à la panique permet d'éviter que l'incendie ne se propage et donc de limiter l'étendue des dégâts.

### Toxicité des fumées d'échappement

- Les fumées d'échappement du moteur contiennent des gaz toxiques. Ne pas utiliser l'appareil dans un endroit fermé, dans une serre en plastique ou dans tout autre endroit mal aéré.
- ◆ Il existe un risque d'intoxication due aux fumées d'échappement.



### Arrêter le moteur pour la vérification et l'entretien de l'appareil

Respecter les mesures de précaution suivantes lors de la vérification et de l'entretien de l'appareil après utilisation :

- Couper le moteur et attendre qu'il refroidisse avant la vérification ou l'entretien de l'appareil.

- ◆ Il existe un risque de brûlure.

- Retirer le protecteur de bougie avant d'effectuer les opérations de vérification ou d'entretien.

- ◆ Il existe un risque d'accident en cas de démarrage intempestif de l'appareil.

### Vérification de la bougie d'allumage

Respecter les mesures de précaution suivantes lors de la vérification de la bougie d'allumage.

- Si les électrodes ou les bornes sont usées ou si la céramique présente des fissures, procéder au remplacement de ces composants.

- L'essai de l'étincelle (destiné à vérifier si la bougie d'allumage émet une étincelle) doit être effectué par un revendeur.

- L'essai d'étincelle ne doit pas être effectué à proximité du trou de bougie.

- L'essai d'étincelle ne doit pas être effectué à proximité de flaques de carburant ou de gaz inflammables.

- Ne pas toucher les parties métalliques de la bougie d'allumage.

- ◆ La bougie d'allumage pourrait provoquer un incendie ou un choc électrique.





# Pour utiliser l'appareil en toute sécurité

## Manipulation de l'appareil Mesures de précaution générales

### AVERTISSEMENT

#### Manuel d'utilisation

- Lire attentivement le manuel d'utilisation avant d'utiliser l'appareil pour la première fois afin d'éviter toute erreur d'utilisation.
- ◆ Le non-respect de cette mesure de précaution entraîne un risque d'accident ou de blessure grave.



#### Ne pas détourner l'appareil de son utilisation normale

- Utiliser l'appareil uniquement pour les tâches décrites dans ce manuel d'utilisation.
- ◆ Le non-respect de cette règle de sécurité entraîne un risque d'accident ou de blessure grave.

#### Ne pas modifier l'appareil

- Aucune modification ne doit être apportée à l'appareil.
- ◆ Le non-respect de cette règle de sécurité entraîne un risque d'accident ou de blessure grave. Tout dysfonctionnement dû à une modification de l'appareil n'est pas couvert par la garantie du fabricant.

#### Ne pas utiliser l'appareil avant d'avoir effectué les opérations de vérification et d'entretien nécessaires

- Il ne faut pas utiliser l'appareil avant d'avoir effectué les opérations de vérification et d'entretien nécessaires. Veiller à ce que l'appareil soit vérifié et entretenu régulièrement.
- ◆ Le non-respect de cette règle de sécurité entraîne un risque d'accident ou de blessure grave.

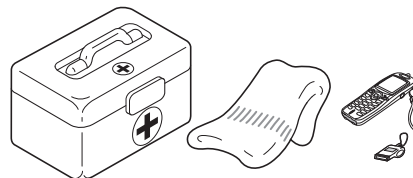
#### Prêt ou cession de l'appareil à un tiers

- Si l'appareil est prêté à un tiers, veiller à lui confier également le manuel d'utilisation fourni avec l'appareil.
- Si l'appareil est cédé à un tiers, transmettre le manuel d'utilisation fourni avec l'appareil lors de la vente.
- ◆ Le non-respect de cette règle de sécurité entraîne un risque d'accident ou de blessure grave.

#### Savoir réagir en cas de blessure

Même si les cas de blessure ou d'accident restent exceptionnels, l'utilisateur doit savoir réagir à ces situations.

- Kit de premiers secours
- Serviettes et lingettes (pour arrêter les saignements)
- Sifflet ou téléphone portable (pour appeler de l'aide)
- ◆ Si l'utilisateur n'est pas capable de prodiguer les premiers soins ou d'appeler à l'aide, la blessure peut s'aggraver.



## Précautions d'utilisation

### DANGER

#### Toujours couper le moteur en cas de blocage des lames.

- Ne pas essayer de retirer l'objet à l'origine du blocage si le moteur est en marche.
- ◆ Le mouvement des lames lors du retrait de l'objet à l'origine du blocage peut entraîner des blessures.

# Pour utiliser l'appareil en toute sécurité

## AVERTISSEMENT

### Utilisateurs de l'appareil

L'appareil ne doit pas être utilisé si :

- l'utilisateur est fatigué
- l'utilisateur a consommé de l'alcool
- l'utilisateur prend des médicaments
- la personne qui souhaite utiliser l'appareil est enceinte
- l'utilisateur est en mauvaise condition physique
- l'utilisateur n'a pas lu le manuel d'utilisation
- la personne qui souhaite utiliser l'appareil est un enfant



- ◆ Le non-respect de ces règles de sécurité entraîne un risque d'accident.
- Le système d'allumage de cet appareil produit des champs électromagnétiques lorsqu'il fonctionne. Les champs magnétiques peuvent provoquer des interférences ou des pannes sur les stimulateurs cardiaques. Pour réduire les risques pour la santé, nous recommandons aux porteurs d'un stimulateur cardiaque de consulter leur médecin et le fabricant du stimulateur avant d'utiliser cet appareil.

### Environnement d'utilisation et fonctionnement de l'appareil

- Ne pas utiliser l'appareil sur une surface instable, comme un terrain en pente raide ou détrempé. Ces types de terrain sont glissants et donc dangereux.
- Garder un bon appui et l'équilibre en permanence. Ne pas se tenir sur des surfaces glissantes, inégales ou instables. Ne pas travailler dans des positions non sécurisées ou sur une échelle. Veiller à ne pas trop éloigner l'appareil du buste.
- Ne pas utiliser l'appareil la nuit ou dans des endroits mal éclairés offrant de mauvaises conditions de visibilité.
- Le port de vêtements de protection lourds peut augmenter la fatigue de l'utilisateur et entraîner un coup de chaleur. Planifier les tâches exigeantes tôt le matin ou en fin d'après-midi lorsque la température est plus basse.
- Lors de la coupe d'une branche sous contrainte, anticiper le mouvement de la branche afin d'éviter tout choc.
- ◆ Toute chute, dérapage ou utilisation incorrecte de l'appareil entraîne un risque de blessure grave pour l'utilisateur.

### Transport de la machine

Dans les exemples de transports décrits ci-dessous, couper le moteur et s'assurer que les lames se sont immobilisées, puis remettre en place l'étui protecteur de lame et tenir le silencieux à distance.

- Se déplacer vers le lieu de travail
- Se déplacer vers un autre endroit tout en travaillant
- Quitter le lieu de travail
- ◆ Le non-respect de ces mesures de précaution entraîne un risque de brûlure ou de blessure grave.
- Pour transporter l'appareil dans une voiture, vider le réservoir de carburant, remettre en place l'étui protecteur de lame et s'assurer que l'appareil est bien calé pour éviter qu'il se déplace lors du trajet.
- Lors du transport du taille-haies articulé à la main, la lame de coupe doit être pointée vers l'arrière avec la lame rétractée ou en position de transport.
- ◆ Rouler en voiture avec du carburant dans le réservoir de carburant entraîne un risque d'incendie.

### Exposition aux vibrations et au froid

Les personnes exposées aux vibrations et au froid peuvent être victimes du phénomène de Raynaud, une affection qui touche les doigts. L'exposition à des vibrations et au froid peut provoquer une sensation de picotement et de brûlure, suivie d'une cyanose et d'un engourdissement des doigts.

Il est vivement recommandé de respecter les mesures de précaution suivantes car le seuil d'exposition minimum pouvant provoquer l'apparition de ce phénomène reste inconnu à ce jour.

- Limiter la perte de chaleur corporelle, en protégeant en priorité la tête, le cou, les pieds, les chevilles, les mains et les poignets.
- Stimuler la circulation sanguine en interrompant le travail régulièrement pour remuer énergiquement les bras, et éviter de fumer.
- Limiter le nombre d'heures d'utilisation. Essayer d'intégrer à l'emploi du temps de la journée des tâches ne nécessitant pas l'utilisation du taille-haie ou d'une autre machine portable.
- En cas d'inconfort, de rougeur et de gonflement au niveau des doigts, suivis d'un blanchiment et d'une perte de sensibilité, consulter un médecin avant de s'exposer à nouveau au froid et aux vibrations.
- ◆ Le non-respect de ces instructions peut être dangereux pour la santé.

### Lésions attribuables au travail répétitif

Une trop grande sollicitation des muscles et des tendons des doigts, des mains, des bras et des épaules peut entraîner l'apparition d'inflammations, de gonflements, d'engourdissements, d'une sensation de faiblesse ou d'une douleur aiguë dans ces parties du corps. L'apparition de lésions attribuables au travail répétitif (LATR) est très fréquente chez les personnes pratiquant certaines activités manuelles répétitives.

Pour réduire le risque d'apparition de LATR, respecter les mesures de précaution suivantes :

- Éviter de plier, d'étirer ou de tordre le poignet pendant le travail.
- Faire des pauses régulières pour réduire l'effet répétitif et pour reposer ses mains. Effectuer le mouvement répétitif plus lentement et en faisant moins d'effort.
- Faire des exercices de musculation des mains et des bras.
- En cas de picotements, d'engourdissement ou de douleur dans les doigts, les mains, les poignets ou les bras, consulter un médecin. Plus les LATR sont diagnostiquées précocement, plus les chances d'empêcher les lésions nerveuses et musculaires irréversibles sont grandes.
- ◆ Le non-respect de ces instructions peut être dangereux pour la santé.

# Pour utiliser l'appareil en toute sécurité

## AVERTISSEMENT

### Retirer tous les corps étrangers et toutes les sources de blocage de l'appareil avant de l'utiliser

- Inspecter la zone dans laquelle l'appareil doit être utilisé. Retirer les pierres, objets métalliques et tout autre objet susceptible de bloquer ou d'endommager l'appareil.
- ◆ La projection de corps étrangers par l'outil de coupe peut entraîner un accident ou des blessures graves.

### Couper immédiatement le moteur en cas d'anomalie

Couper immédiatement le moteur et attendre que l'outil de coupe soit complètement arrêté avant d'inspecter les composants de l'appareil. Remplacer toute pièce endommagée.

- Si l'outil de coupe heurte une pierre, un arbre, un poteau ou tout autre obstacle au cours de son utilisation.
- Si l'appareil se met à vibrer soudainement de façon anormale.
- ◆ L'utilisation prolongée de pièces endommagées entraîne un risque d'accident ou de blessure grave.

### La zone comprise dans un rayon de 15 mètres autour de l'appareil est une zone dangereuse

La zone comprise dans un rayon de 15 mètres autour de l'appareil est une zone dangereuse. Veillez à bien respecter les mesures de précaution suivantes lors de l'utilisation de l'appareil.

- Ne laisser personne (enfants, animaux ou autres personnes) pénétrer dans cette zone dangereuse.
- Si quelqu'un pénètre dans la zone dangereuse, couper le moteur pour arrêter les lames.
- Lorsqu'une personne s'approche de l'utilisateur, elle doit lui signaler sa présence en lançant des brindilles, par exemple, sans entrer dans la zone dangereuse. Elle doit ensuite vérifier que le moteur est coupé et que les lames se sont immobilisées.
- Ne laisser personne tenir le matériau en train d'être coupé.
- ◆ Tout contact avec les lames risque de causer des blessures graves.

### Ne pas utiliser l'appareil si les lames tournent alors que le moteur est au ralenti

- Ne pas utiliser l'appareil si les lames tournent alors que la gâchette d'accélérateur de l'appareil est en position de ralenti. Arrêter le moteur immédiatement et régler le carburateur.
- ◆ Le non-respect de cette règle de sécurité entraîne un risque d'accident ou de blessure grave.

### Fonctionnement

- Ne jamais retirer les mains de l'appareil lorsque les lames sont en mouvement.
- Ne régler l'angle de coupe que lorsque l'appareil repose à plat sur le sol avec l'interrupteur en position « ARRÊT ». Ne jamais régler l'angle des lames debout.
- ◆ Le non-respect de ces instructions entraîne une mauvaise prise en main de l'appareil et risque de causer des blessures graves.

### Vérifier que les lames ne tournent pas avant de poser l'appareil au sol

- Lorsque le moteur est coupé, vérifier que les lames se sont immobilisées avant de poser l'appareil au sol.
- ◆ Même si le moteur est coupé, les lames peuvent continuer de tourner en rotation libre et entraîner un risque de blessure.



### Retirer les débris accumulés dans le silencieux

- Si des objets tels que de l'herbe, des feuilles, des brindilles ou une quantité excessive de graisse s'accumulent dans la zone entourant le silencieux du moteur, arrêter le moteur et les retirer en prenant garde à ne pas toucher de zones chaudes de l'appareil.
- ◆ Le non-respect de cette mesure de précaution entraîne un risque d'incendie.



## AVERTISSEMENT

### Ne pas utiliser l'appareil pour découper des objets durs

- Ne pas utiliser l'appareil pour découper des objets durs tels que des câbles ou des plaques d'acier.
- Si les lames heurtent un obstacle ou si elles ne fonctionnent pas correctement, arrêter le moteur et vérifier que les lames ne sont pas endommagées.
- ◆ Le non-respect de ces instructions risque d'endommager l'appareil ou de causer un accident.

### Ne jamais utiliser l'appareil sur une échelle ou un tabouret

- Ne pas porter l'appareil à bout de bras ou ne pas se tenir sur des surfaces instables.
- Ne pas utiliser l'appareil en haut d'une échelle ou sur un tabouret.
- ◆ Le non-respect de cette règle de sécurité entraîne un risque d'accident ou de blessure grave.

# Pour utiliser l'appareil en toute sécurité

## Équipement de protection

### AVERTISSEMENT

#### Port d'un équipement de protection

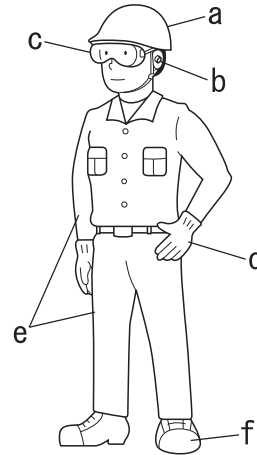
Toujours porter l'équipement de protection suivant pour utiliser un taille-haie.

- a **Protection de la tête (casque)** : protège la tête
- b **Casque de protection anti-bruit ou protecteurs d'oreilles** : protègent l'ouïe
- c **Lunettes de sécurité** : protègent les yeux
- d **Gants de sécurité** : protègent les mains contre le froid et les vibrations
- e **Vêtements de travail adaptés (manches longues, pantalons longs)** : protègent le corps
- f **Bottes résistantes avec semelles anti-dérapantes ou chaussures de travail avec semelles anti-dérapantes** : protègent les pieds

◆ Le non-respect de ces mesures de précaution peut entraîner une dégradation de la vue ou de l'ouïe de l'utilisateur, ainsi qu'un risque de blessure grave.

**Si nécessaire, utiliser les équipements de protection ci-dessous.**

- **Masque anti-poussière** : protège les voies respiratoires
- **Voilette de protection** : protège contre les piqûres d'abeilles
- **Protection faciale intégrale** : Lors d'opérations de taille en hauteur, porter un casque conforme aux normes CE et une protection faciale intégrale.



#### Port de vêtements adaptés

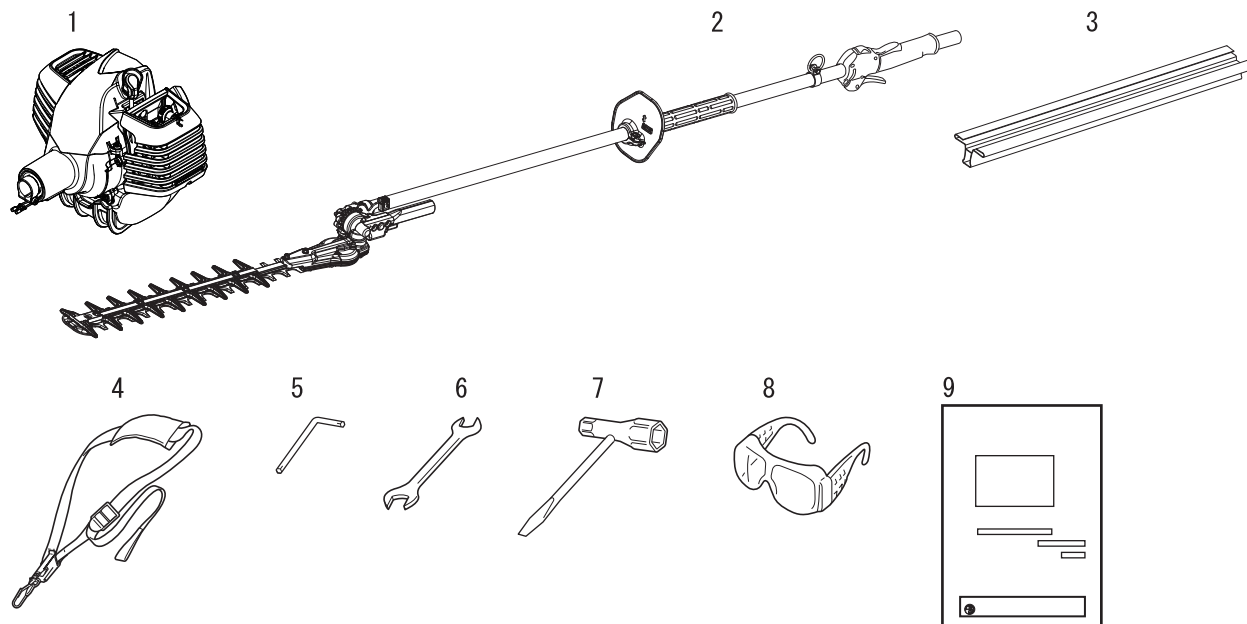
**Ne pas porter de cravates, bijoux ou vêtements amples qui pourraient se prendre dans l'appareil. Ne pas porter de chaussures ouvertes, ne pas travailler pieds nus ou jambes nues.**

◆ Le non-respect de ces mesures de précaution peut entraîner une dégradation de la vue ou de l'ouïe de l'utilisateur, ainsi qu'un risque de blessure grave.



# Contenu de l'emballage

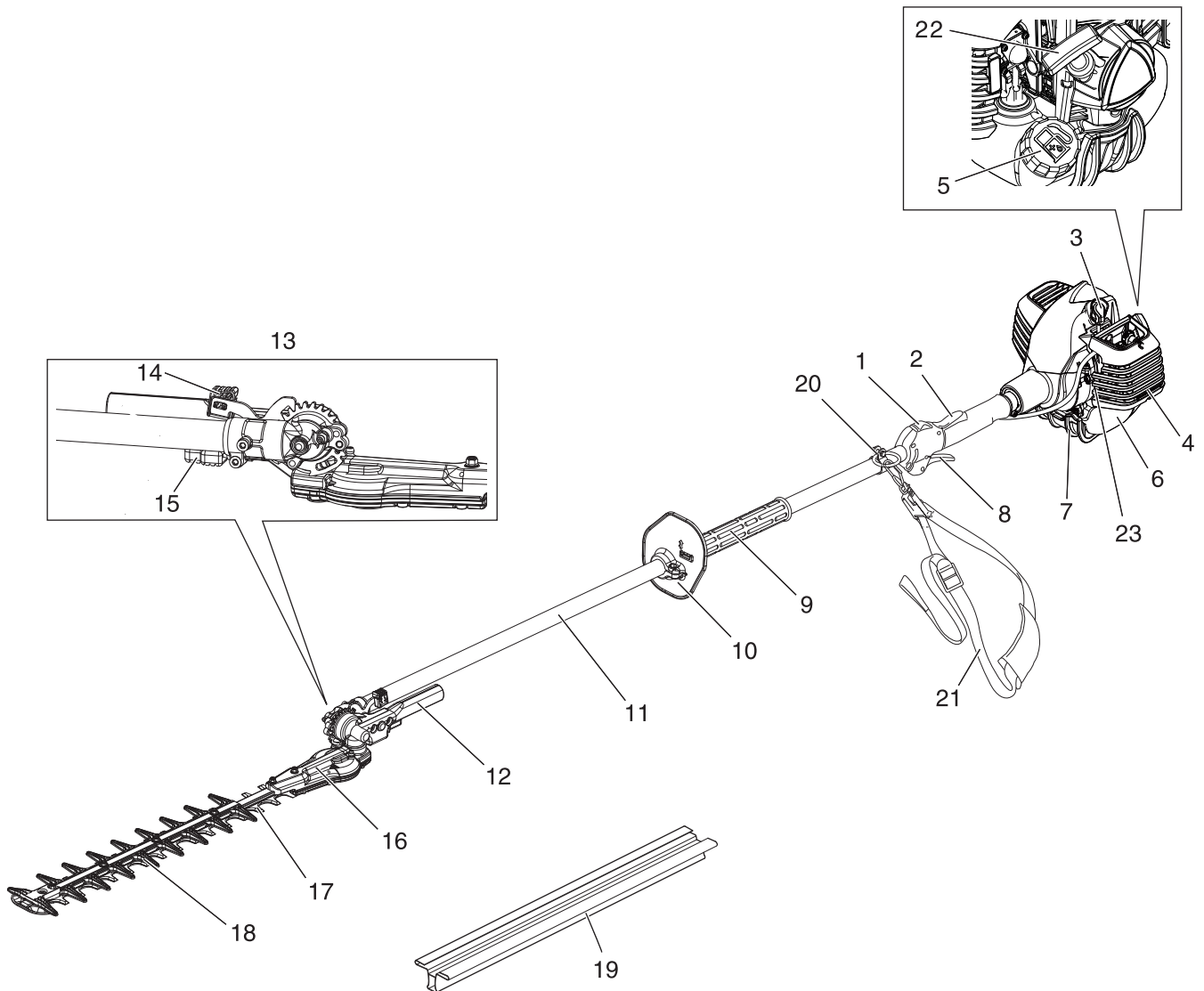
- ♦ Les pièces suivantes sont conditionnées séparément dans le carton d'emballage.
- ♦ Lors de l'ouverture du carton, passer en revue les pièces qu'il contient.
- ♦ S'adresser au revendeur si une pièce est manquante ou endommagée.



1. Tête du souffleur
2. Barre de travail
3. Étui protecteur de lame
4. Harnais
5. Clé coudée

6. Clé tricoise
7. Clé à pipe
8. Lunettes de sécurité
9. Manuel d'utilisation

# Description



1. **Interrupteur marche/arrêt** Dispositif permettant la mise en marche et l'arrêt du moteur.
2. **Blocage de la gâchette d'accélérateur** Dispositif destiné à empêcher le fonctionnement accidentel de la gâchette d'accélérateur jusqu'à sa désactivation manuelle.
3. **Bougie d'allumage**
4. **Couvercle de filtre à air** Recouvre le filtre à air.
5. **Bouchon du réservoir de carburant** Ferme le réservoir de carburant.
6. **Réservoir de carburant** Contient le carburant et le filtre à carburant.
7. **Protection du réservoir de carburant**
8. **Gâchette d'accélérateur.** Activée par le doigt de l'utilisateur pour contrôler le régime moteur.
9. **Poignée avant**
10. **Protège-main** Protection située entre la poignée avant et l'outil de coupe destinée à protéger la main des blessures si celle-ci glisse de la poignée.
11. **Tube extérieur** Pièce de l'appareil qui protège l'arbre de transmission.
12. **Levier de réglage de la lame** Offre une bonne prise en main lors du réglage de l'angle de la lame.
13. **Lame du taille-haie**
14. **Levier de verrouillage** Bloque l'angle de la lame.
15. **Levier de déverrouillage** Dispositif de sécurité empêchant le déverrouillage inattendu du levier de verrouillage.
16. **Carter d'engrenage** Le carter d'engrenage abrite les engrenages assurant la transmission de la puissance aux lames de coupe.
17. **Barre de coupe et lames** Pièce de l'ensemble lame et plaque de cisaillement ainsi que toute autre pièce associée, qui effectue l'action de coupe.
18. **Rallonge arrondie** Pièce d'extension arrondie de l'outil de coupe.
19. **Étui protecteur de lame** Toujours placer l'étui protecteur sur la lame lors du transport ou du remisage de l'appareil.
20. **Point de suspension** Dispositif sur lequel le harnais peut être accroché.
21. **Harnais** Sangle réglable pour suspendre l'appareil.
22. **Poignée de lanceur** Tirer sur la poignée pour démarrer le moteur.
23. **Type et numéro de série**

## Assemblage

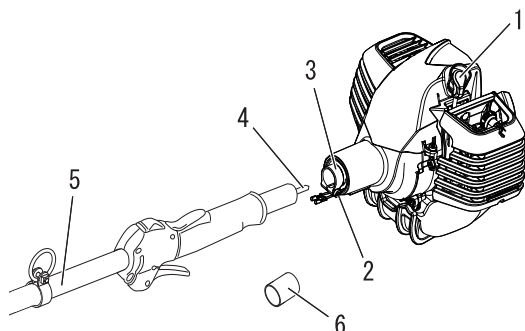
### **⚠ AVERTISSEMENT**

**Lire attentivement le manuel d'utilisation pour s'assurer que l'appareil est monté correctement.**

◆ L'utilisation d'un appareil monté de façon incorrecte entraîne un risque d'accident ou de blessure grave.



### Raccorder le tube extérieur à la tête de coupe



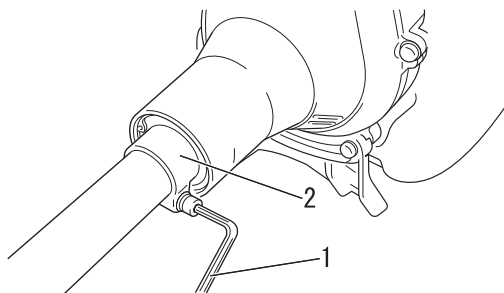
1. Bougie d'allumage
2. Vis de serrage
3. Bride du tube
4. Arbre de transmission
5. Tube extérieur
6. Coiffe de protection

1. Placer la tête de coupe sur une surface propre et plane, la bougie d'allumage orientée vers le haut.
2. Retirer la coiffe de protection de l'extrémité du tube extérieur.
3. Utiliser la clef clé coudée pour dévisser la vis de serrage du tube.
4. Faire glisser le tube extérieur jusqu'au fond de la bride. Si l'installation s'avère difficile, tourner le tube extérieur ou l'arbre principal doucement, jusqu'à ce que vous sentiez les ergots de l'arbre de transmission s'engager dans la tête de coupe.
5. Positionner le tube extérieur de sorte que la sortie du carter d'engrenage soit orientée du côté gauche du couvercle du silencieux.
6. Glisser le tube extérieur dans la tête de coupe jusqu'à ce que la poignée d'accélérateur soit au contact de la bride.

### **⚠ AVERTISSEMENT**

○ **S'assurer que le bouchon du réservoir de carburant est bien vissé.**

◆ Le non-respect de cette instruction peut entraîner un risque de blessure ou d'accident grave, ou encore d'incendie.



1. Clé coudée
2. Bride du tube

### **⚠ ATTENTION**

○ **Ne pas forcer le tube de l'arbre dans la tête de coupe.**

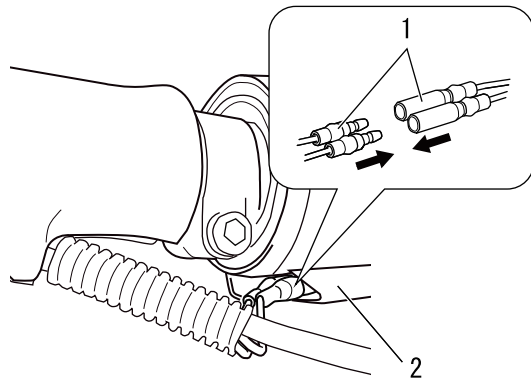
◆ Forcer de manière excessive peut endommager le tube de l'arbre et l'arbre de transmission.

7. Serrer la vis de serrage fermement.

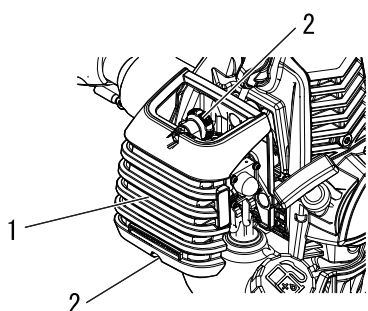


# Avant de commencer

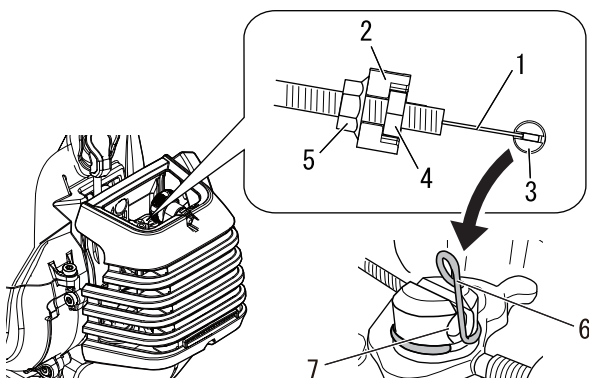
## Connecter le câble de l'accélérateur



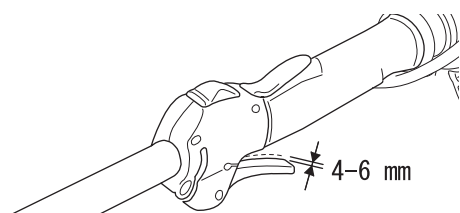
1. Fils d'allumage
2. Poche de couvercle de ventilateur



1. Couvercle de filtre à air
2. Bouton de couvercle du filtre à air



1. Câble d'accélérateur
2. Accessoire de réglage
3. Trou de pivot d'accélérateur
4. Écrou de réglage
5. Contre-écrou
6. Collier de fixation
7. Encoche verticale



1. Brancher les 2 fils d'allumage de la gaine de câble d'accélérateur aux 2 fils d'allumage situés sur le moteur.
2. Placer les connecteurs du fil d'allumage branché dans la poche de couvercle de ventilateur.

### **ATTENTION**

- Le passage des câbles ne doit pas gêner la course de l'accélérateur.

3. Dévisser le bouton du couvercle de filtre à air et déposer le couvercle du filtre à air.

4. Placer le câble d'accélérateur dans l'accessoire de réglage et installer l'embout de câble dans le grand trou de pivot d'accélérateur du carburateur.
5. Introduire la partie verticale du collier de fixation dans l'encoche verticale afin de fixer l'embout de câble en place.

6. La course de la poignée d'accélérateur doit avoir une longueur d'environ 4 à 6 mm.
7. Tourner l'écrou de réglage de câble pour tendre ou détendre le câble et obtenir une course comprise entre 4 et 6 millimètres.
8. S'assurer que la poignée d'accélérateur fonctionne parfaitement sans gripper.
9. Contrôler la liberté de mouvement de l'accélérateur et vérifier que les extrêmes de condition de pleine ouverture du papillon des gaz/ralenti le plus réduit sont réglés correctement.
10. Serrer le contre-écrou.
11. Installer le couvercle du filtre à air.



## Réglage de l'angle de coupe

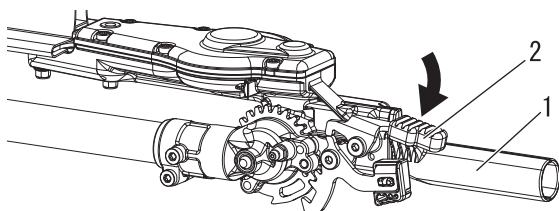
### **⚠ DANGER**

- Ne jamais régler le dispositif de coupe alors que le moteur est en marche.
- ◆ Le non-respect de cette règle de sécurité entraîne un risque d'accident ou de blessure grave.

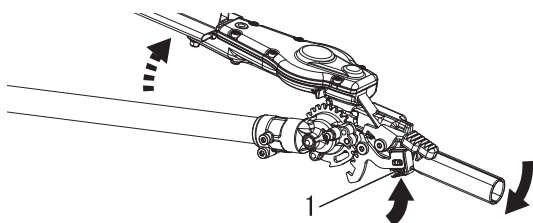
### **⚠ AVERTISSEMENT**

- Les lames du taille-haie sont tranchantes. Toujours porter des gants lors du réglage du dispositif de coupe.
- Porter des gants résistants pour manipuler les lames du taille-haie. En cas de remplacement des lames du taille-haie lors d'une opération de taille, s'assurer que le moteur est coupé et que les lames sont immobiles.
- Ne pas poser le taille-haie à la verticale lors du réglage de l'angle de coupe. Cela risque de provoquer des blessures graves.
- Le carter d'engrenage **CHAUFFE** pendant l'utilisation. Toujours saisir l'appareil par la poignée de réglage de lame lors du réglage de l'angle de coupe, faute de quoi des blessures graves pourraient survenir.
- ◆ Le non-respect de cette règle de sécurité entraîne un risque d'accident ou de blessure grave.

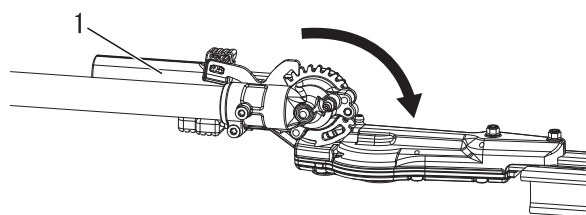
### Ajuster la lame du taille-haies



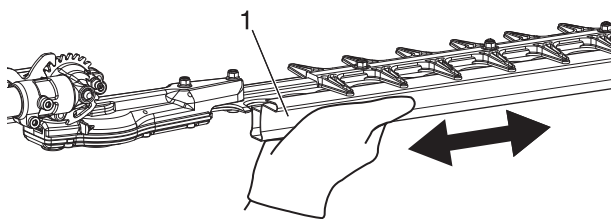
1. Levier de réglage
2. Levier de déverrouillage



1. Levier de verrouillage



1. Levier de réglage



1. Étui protecteur de lame

1. Positionner le taille-haie sur une surface plane avec le moteur posé sur la protection du réservoir de carburant. S'assurer que l'étui protecteur de lame est en place sur la lame.
2. Saisir de votre main droite le tube extérieur à côté de la poignée. De la main gauche, saisir le levier de réglage de la lame. Avec l'index de la main gauche, appuyer sur le levier de déverrouillage. Avec votre pouce gauche, pressez le levier de verrouillage.
3. Pendant que le levier de déverrouillage est maintenu en position enfoncée, faire pivoter les lames avec le levier de réglage jusqu'à l'angle de coupe voulu.
4. Relâcher le levier de verrouillage et celui de déverrouillage. S'assurer que le levier de verrouillage et celui de déverrouillage soient revenus correctement en position droite.
5. Retirer l'étui protecteur de lame de la lame. Le moteur peut maintenant être démarré.

### **IMPORTANT**

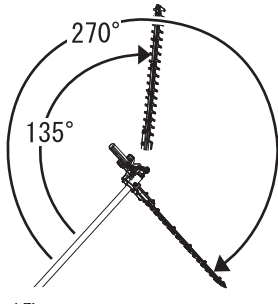
Le levier de déverrouillage possède un cran intermédiaire pour aider à éviter toute manipulation inopinée du verrouillage.

### **⚠ ATTENTION**

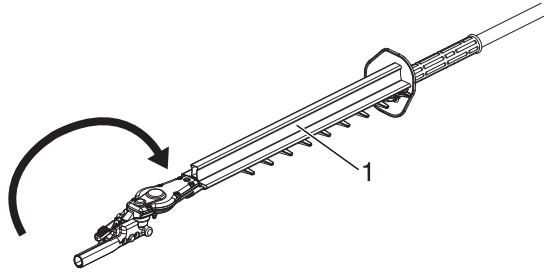
- Pour l'installation de l'étui protecteur de lame sur la lame de coupe ou pour son retrait, tenir la poignée sous l'étui protecteur de lame.
- ◆ Le non-respect de ces mesures de précaution entraîne un risque de blessure.

# Avant de commencer

## Position des lames



Les lames peuvent être réglées dans dix positions différentes, allant d'un angle de 135° à 270° par rapport au tube extérieur, comme indiqué. Toujours s'assurer que le levier de verrouillage est correctement bloqué après chaque réglage.



1. Étui protecteur de lame

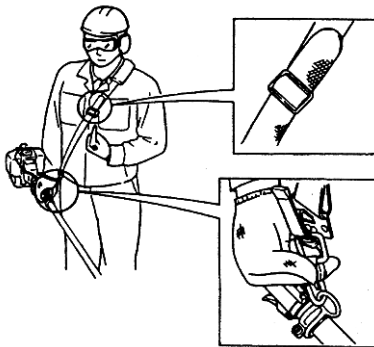
## Précautions pour le stockage ou le transport

1. Installer l'étui protecteur de lame sur la lame après avoir éteint le moteur.
2. Tourner la lame pour qu'elle soit parallèle au tube.
3. S'assurer que le verrouillage revient bien en position de blocage.
4. S'assurer que l'étui protecteur de lame est correctement positionné sur la lame avant tout entreposage ou transport.

## AVERTISSEMENT

- ⚠ **Ne jamais faire tourner le moteur pendant le réglage de la lame en position de stockage.**

## Harnais



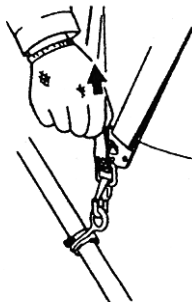
1. Accrocher le crochet de la sangle sur la fixation du tube extérieur.
2. Porter le harnais de manière à ce que le crochet repose sur votre côté droit.
3. Ajuster la longueur du harnais de manière à pouvoir porter le taille-haies et à pouvoir travailler confortablement avec.

## IMPORTANT

Ajuster la bandoulière ou le harnais de sorte que la protection d'épaule repose confortablement sur l'épaule gauche. S'assurer que tous les crochets et dispositifs de réglage sont bien fixés.

## Décrochage d'urgence

- \* En cas d'urgence, tirer fermement sur la languette blanche du crochet. La machine sera dégagée de la sangle.



# Avant de commencer

## Préparation du carburant

### DANGER

- Le carburant est un produit hautement inflammable. Toute manipulation incorrecte du carburant entraîne un risque d'incendie. Lire attentivement et respecter les mesures de précaution indiquées dans la section du manuel intitulée « Pour utiliser l'appareil en toute sécurité ».
- Une fois le ravitaillement effectué, visser fermement le bouchon du réservoir de carburant et vérifier qu'il n'y a pas de fuite ou d'écoulement de carburant au niveau du tuyau et du passe-tuyau de carburant, ou autour du bouchon du réservoir de carburant. En cas de fuite ou d'écoulement de carburant, interrompre immédiatement l'utilisation de l'appareil et contacter un revendeur pour effectuer les réparations nécessaires.
- ◆ Si le carburant s'enflamme, il entraîne un risque de brûlure et d'incendie.



### ATTENTION

- Il existe une différence de pression entre le réservoir de carburant et l'air extérieur. Lors du ravitaillement, dévisser légèrement le bouchon du réservoir de carburant pour égaliser la pression.
- ◆ Dans le cas contraire, le carburant risque de se déverser.

## REMARQUE

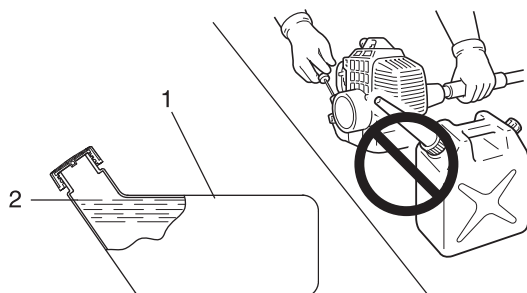
Le carburant vieillit lorsqu'il est stocké. Ne préparer qu'une quantité de carburant suffisante pour une consommation de trente (30) jours. Ne pas faire le mélange directement dans le réservoir de carburant.

## Carburant



- ◆ Le carburant est un mélange d'essence ordinaire et d'une huile moteur de grande marque pour moteur deux temps à refroidissement par air. Il est conseillé d'utiliser de l'essence sans plomb avec un indice d'octane 89 au minimum. Ne pas utiliser de carburant contenant du méthanol ou plus de 10 % d'éthanol.
- ◆ Richesse du mélange recommandée ; 50 : 1 (2 %) selon la norme ISO-L-EGD (ISO/CD 13738), la norme JASO FC, FD et l'huile Shindaiwa Premium 50 : 1.
  - Ne pas faire le mélange directement dans le réservoir de carburant.
  - Eviter de renverser du carburant ou de l'huile. Toujours essuyer les projections de carburant.
  - Manipuler le carburant avec précaution : il est hautement inflammable.
  - Toujours stocker le carburant dans un récipient approprié.

## Alimentation en carburant



1. Réservoir de carburant 2. Epaulement

- ◆ Toujours effectuer le ravitaillement dans un endroit bien aéré. Ne jamais effectuer le ravitaillement dans un endroit fermé.
- ◆ Placer l'appareil et le réservoir de ravitaillement sur le sol lors du ravitaillement. Ne jamais ravitailler l'appareil sur la plateforme de chargement d'un camion ou autre endroit du même type.
- ◆ Toujours s'assurer que le niveau de carburant ne dépasse pas l'épaule du réservoir lors du ravitaillement.
- ◆ Il existe une différence de pression entre le réservoir de carburant et l'air extérieur. Lors du ravitaillement, dévisser légèrement le bouchon du réservoir de carburant pour égaliser la pression.
- ◆ Toujours essuyer les projections de carburant.
- ◆ S'éloigner d'au moins 3 mètres de l'endroit du ravitaillement avant de démarrer le moteur.
- ◆ Entreposer le réservoir de ravitaillement dans un endroit ombragé et loin de toute flamme.

# Fonctionnement du moteur

## Démarrage du moteur

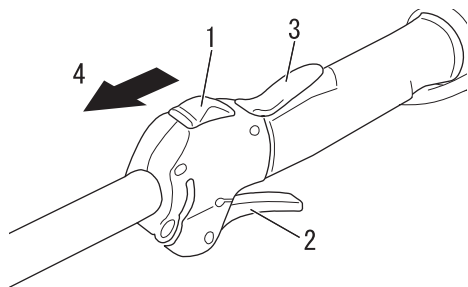
### **⚠ AVERTISSEMENT**

- Lors du démarrage du moteur, respecter les mesures de précaution décrites à partir de la page 4 dans la section « Pour utiliser l'appareil en toute sécurité » pour garantir une utilisation correcte de l'appareil.
- L'outil de coupe se met en marche dès que le moteur démarre. Attention aux pertes de contrôle et aux éventuelles blessures graves. Tenir les pièces mobiles au-dessus du sol et à distance des objets susceptibles d'être happés ou projetés.
- Si les lames sont en mouvement bien que la gâchette d'accélérateur soit en position de ralenti alors que le moteur est en marche, régler le carburateur avant toute utilisation de l'appareil.
- Les lames commencent à fonctionner lorsque le moteur atteint la vitesse d'enclenchement de l'embrayage.
- ◆ Le non-respect de ces mesures de précaution constitue un risque d'accident et de blessures graves voire mortelles.

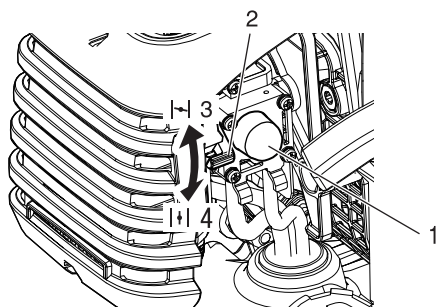
### **REMARQUE**

- ♦ Tirer la poignée de lanceur, doucement dans un premier temps, puis plus rapidement. Ne pas tirer la corde de lanceur à plus de 2/3 de sa longueur.
- ♦ Ne pas lâcher la poignée de lanceur lorsqu'elle revient.

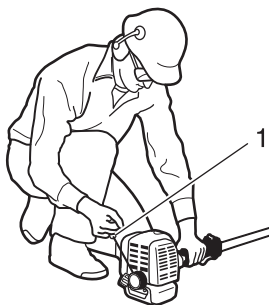
### Démarrage du moteur à froid



- 1. Interrupteur marche/arrêt
- 2. Gâchette d'accélérateur
- 3. Blocage de la gâchette d'accélérateur
- 4. Démarrage



- 1. Pompe d'amorçage
- 2. Manette de starter
- 3. Démarrage à froid
- 4. Marche



- 1. Poignée de lanceur

(Connecter le protecteur de bougie si l'appareil n'a pas fonctionné depuis longtemps)

La procédure de démarrage est différente si le moteur est froid ou chaud. Le démarrage à froid du moteur s'effectue de la manière suivante.

1. Retirer l'étui protecteur de lame et contrôler l'état des lames. En cas de problème, procéder au remplacement de la lame.
2. Après avoir posé l'appareil sur une surface plane, vérifier que les lames ne sont pas en contact avec le sol ou avec d'autres obstacles, en utilisant une poutre ou un autre objet similaire.
3. Vérifier qu'il n'y a pas de fuite de carburant.
4. Placer l'interrupteur marche/arrêt en position Marche.
5. Placer la manette de starter en position « Démarrage à froid ».
6. Comprimer et relâcher la pompe d'amorçage jusqu'à ce que le carburant soit aspiré.
7. Après avoir vérifié que la zone entourant l'utilisateur ne présente aucun risque, tenir fermement la poignée arrière avec la main gauche comme illustré sur l'image et tirer la poignée de lanceur à plusieurs reprises.
8. Si un bruit d'explosion retentit et si le moteur s'arrête aussitôt, basculer la manette de starter en position « Marche » et continuer à tirer la poignée de lanceur pour démarrer le moteur.
9. Si le moteur démarre immédiatement en suivant les instructions de l'étape 7 ci-dessus, remettre doucement la manette de starter en position « Marche ».
10. Laisser le moteur chauffer au ralenti pendant quelques instants.

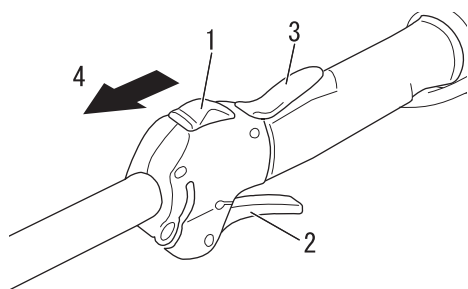
# Fonctionnement du moteur

## Mise en température du moteur

11. Appuyer sur le blocage de la gâchette et actionner progressivement la gâchette d'accélérateur.

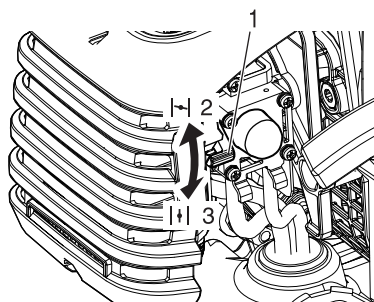
1. Lorsque le moteur démarre, le laisser chauffer au ralenti (c.-à-d. à bas régime) pendant 2 à 3 minutes.
2. La mise en température du moteur permet de lubrifier progressivement son mécanisme interne. Laisser le moteur chauffer jusqu'à atteindre la température adéquate, surtout par temps froid.

## Démarrage du moteur à chaud



1. Interrupteur marche/arrêt
2. Gâchette d'accélérateur
3. Blocage de la gâchette d'accélérateur
4. Démarrage

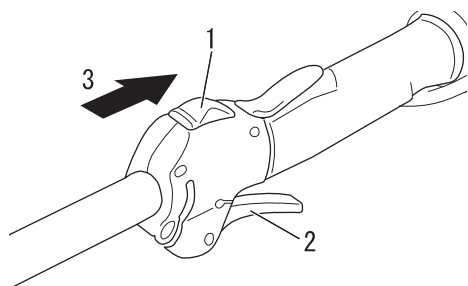
1. Placer l'interrupteur marche/arrêt en position Marche.
2. Veiller à ce que la gâchette d'accélérateur soit en position de régime de ralenti.



1. Manette de starter
2. Démarrage à froid
3. Marche

3. Vérifier que la manette de starter est en position « Marche » (Run).
4. Si le réservoir de carburant n'est pas vide, tirer la poignée de lanceur pour démarrer le moteur.
5. En cas d'absence de carburant dans la pompe d'amorçage, comprimer et relâcher la pompe jusqu'à ce que le carburant soit aspiré.
6. Vérifier que la zone autour de l'utilisateur ne présente aucun risque et tirer sur la poignée du lanceur pour démarrer le moteur.

## Arrêt du moteur



1. Interrupteur marche/arrêt
2. Gâchette d'accélérateur
3. Arrêt

1. Relâcher la gâchette d'accélérateur et faire tourner le moteur au ralenti (c.-à-d. à bas régime).
2. Placer l'interrupteur marche/arrêt en position Arrêt.
3. En cas d'urgence, couper immédiatement le moteur à l'aide de l'interrupteur marche/arrêt.
4. Si le moteur ne s'arrête pas, placer la manette de starter en position « Démarrage à froid ». Le moteur cale et s'arrête (arrêt du starter).

\* Si le moteur ne s'arrête pas à l'aide de l'interrupteur marche/arrêt, demander au revendeur de vérifier et de réparer l'interrupteur avant de réutiliser l'appareil.

### **⚠ AVERTISSEMENT**

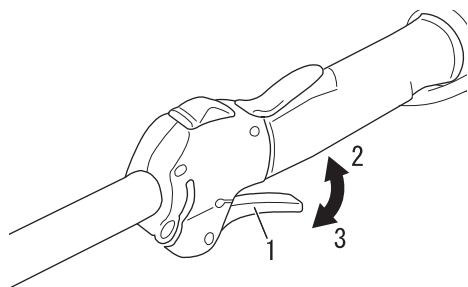
- L'outil de coupe peut continuer de bouger après l'arrêt du moteur.

# Taille de haies et d'arbustes

## Taille de haie de base

### REMARQUE

- ♦ Cet appareil a été conçu pour couper des arbustes et des haies ayant des branches ne dépassant pas 6 mm de diamètre.
- ♦ Lors du début de la taille, faire fonctionner le moteur à plein régime. Couper à une vitesse inférieure au plein régime risque d'endommager l'embrayage en lui permettant de patiner. Lors de travaux autres que taille et découpe, ne pas faire fonctionner le moteur à plein régime.



1. Gâchette d'accélérateur 3. Ralenti  
2. Régime élevé



Actionner la gâchette d'accélérateur après le démarrage du moteur entraîne l'augmentation du régime moteur et le mouvement des lames. Régler le régime moteur en fonction de la quantité de haies à couper, par exemple.

### Position de travail

- ♦ Garder la poignée de contrôle dans la main droite et l'Poignée avant dans la gauche.
- ♦ Le bras gauche peut être tendu pour avoir une position plus confortable.

### Utilisation du taille-haie

#### Préparation

- ♦ Utiliser l'ébrancheur pour couper d'abord les grosses branches.

#### Procédure de coupe

- ♦ S'il est nécessaire de faire une coupe latérale, couper petit à petit en plusieurs passages.

#### Techniques de coupe

##### ○ Coupe verticale :

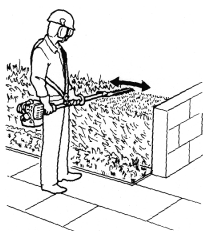
- ♦ Balancer la lame vers le haut et vers le bas en décrivant un arc de cercle au fur et à mesure que vous avancez le long de la haie. Utiliser les deux côtés de la lame.
- ♦ Couper sans vous tenir au contact avec la haie, par exemple en passant par dessus un massif de fleurs.

##### ○ Couper en hauteur :

- ♦ Tenir l'arbre à la verticale en réglant les lames à un angle de 90° pour couper le dessus de la haie.

##### ○ Couper horizontalement :

- ♦ Tenir les lames de coupe selon un angle de 0° à 10° en faisant des va-et-vient horizontaux.
- ♦ Faire des va-et-vient en arc de cercle vers l'extérieur de la haie pour que les débris tombent au sol.
- ♦ Tailler sans être directement au contact de la haie, par exemple en passant par dessus un massif.
- ♦ Couper au ras du sol en position debout ; par exemple pour les petits arbustes.





## Entretien

En cas de questions ou de problèmes, contacter un revendeur.

### Entretien général

#### IMPORTANT

L'entretien, le remplacement, les réparations des dispositifs et du système de contrôle des émissions peuvent être réalisés soi-même ou par n'importe quel atelier de réparation. Cependant, les réparations soumises à garantie doivent être réalisées par un revendeur ou un centre technique approuvé par YAMABIKO CORPORATION. L'utilisation de pièces qui ne sont pas équivalentes tant sur le plan de la performance que de la durabilité peut affecter l'efficacité du système de contrôle d'émissions et impacter le résultat d'une demande de garantie.

#### ⚠ AVERTISSEMENT

- Les accessoires non standard (outils de coupe, pièces détachées) peuvent ne pas fonctionner correctement avec votre machine et peuvent causer des dommages et des blessures.
- Avant de réaliser une opération d'entretien, de réparation ou de nettoyage, assurez-vous que l'appareil et ses lames sont totalement à l'arrêt. Débrancher le câble de la bougie avant de réaliser une opération de maintenance.
- Utiliser le taille-haie sans silencieux ou avec un silencieux endommagé ou mal installé peut augmenter le bruit de façon significative et entraîner une perte d'audition.

##### Silencieux

Cette machine ne doit jamais fonctionner sans pare-étincelles et sans silencieux. S'assurer que le silencieux est bien fixé et en bon état. Un silencieux usé ou endommagé peut déclencher des incendies et provoquer également des pertes d'audition.

##### Bougie d'allumage

Garder la bougie et les branchements des fils électriques serrés et propres.

##### Fixations

S'assurer que les écrous, boulons et vis (excepté les vis de réglage du carburateur) soient bien serrés.

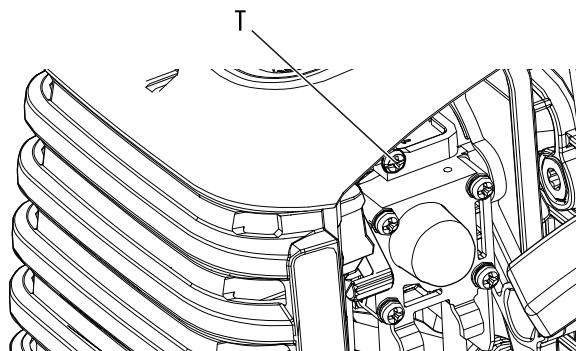
### Réglage du carburateur

#### ⚠ AVERTISSEMENT

Une fois le carburateur réglé, la lame ne doit plus tourner en régime de ralenti. Dans le cas contraire, elle peut entraîner un risque de blessure grave.

#### ⚠ ATTENTION

Au démarrage, le dispositif de réglage du régime de ralenti (T) doit être réglé de telle sorte que la lame ne tourne pas. En cas de problème avec le carburateur, contacter un revendeur.



T : Dispositif de réglage du régime de ralenti

Chaque appareil est testé en usine et le carburateur est réglé avec précision pour offrir un niveau de performance optimal.

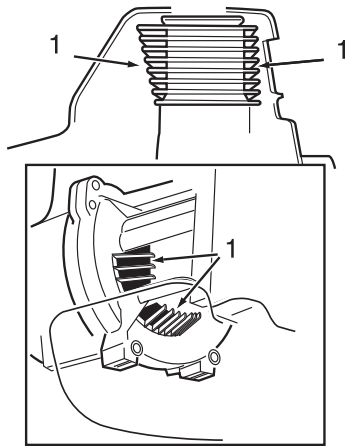
Avant de régler le carburateur, nettoyer ou remplacer le filtre à air, démarrer le moteur et le laisser tourner quelques minutes pour qu'il atteigne sa température de fonctionnement.

1. Réglage du régime de ralenti.  
Démarrer le moteur et tourner la vis de réglage du régime de « ralenti » (T) dans le sens des aiguilles d'une montre jusqu'à ce que les lames commencent à tourner, puis tourner la vis (T) dans le sens inverse des aiguilles d'une montre jusqu'à ce que les lames arrêtent de tourner. Tourner la vis (T) dans le sens inverse des aiguilles d'une montre d'un demi-tour supplémentaire.
2. Accélérer à fond pendant 2 ou 3 secondes pour évacuer l'excédent de carburant du moteur et repasser en mode ra-

# Entretien

lenti. Accélérer à fond pour vérifier si le passage du mode ralenti au mode plein gaz s'effectue correctement.

## Entretien quotidien



1. Ailettes de refroidissement

Avant chaque utilisation, effectuer les opérations suivantes :

- ♦ Enlever toutes les saletés et débris du moteur, contrôler si les ailettes de refroidissement et le filtre à air sont obstrués, nettoyer si nécessaire.
- ♦ Enlever précautionneusement toute accumulation de débris ou de saletés du silencieux et du réservoir. Contrôler l'arrivée d'air frais à la base du carter moteur. Enlever tous les débris. L'accumulation de saletés dans cette zone peut entraîner la surchauffe du moteur, un incendie ou une usure prématurée.
- ♦ Huiler les lames avant utilisation et après avoir fait le plein. Contrôler le bon état des lames et leur réglage.

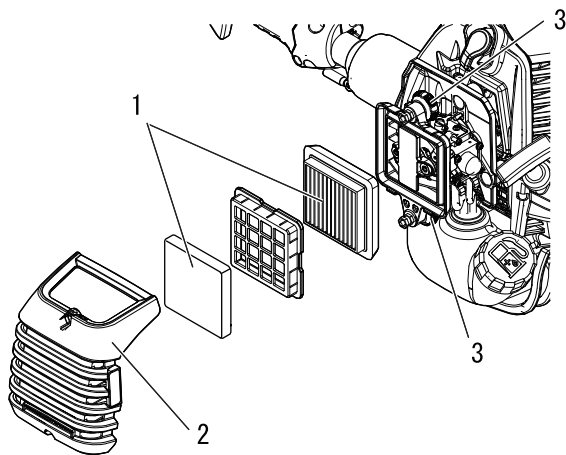
### **⚠ AVERTISSEMENT**

○ **Toujours porter des gants pour travailler à proximité de l'ensemble de lames.**

◆ Le non-respect de ces mesures de précaution entraîne un risque d'accident et de blessure grave, voire mortelle.

- ♦ Nettoyer tous les débris et saletés des lames.
- ♦ Contrôler qu'il ne manque pas de vis ou d'éléments. S'assurer que l'outil de coupe est fixé correctement.
- ♦ Contrôler tout l'appareil pour vérifier s'il n'y a pas de fuite de carburant ou de graisse.
- ♦ S'assurer que les écrous, boulons et vis (exceptées les vis de réglage de ralenti du carburateur) sont bien serrés.

## Entretien après 10 heures d'utilisation



1. Filtre à air  
2. Couvercle de filtre à air  
3. Bouton du couvercle de filtre à air

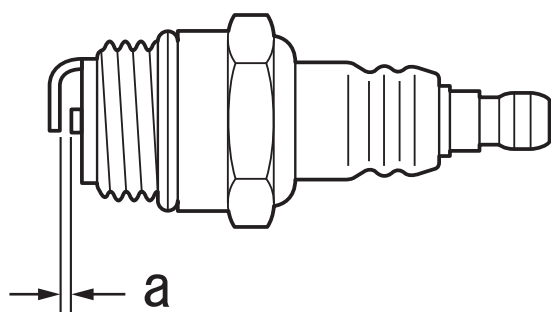
1. Couper le starter. Desserrer le bouton du couvercle de filtre à air et déposer le couvercle de filtre à air et le filtre à air (le filtre à air est situé à l'intérieur du couvercle de filtre à air).
2. Brosser le filtre pour le désencrasser ou le nettoyer à l'air comprimé.
3. Remettre le filtre à air et le couvercle en place, après avoir assemblé le filtre à air et le couvercle.
4. Serrer le bouton du couvercle du filtre à air.

### **⚠ ATTENTION**

○ **Ne jamais utiliser l'appareil si le filtre à air est endommagé ou n'est pas installé.**



## Entretien après 10/15 heures d'utilisation

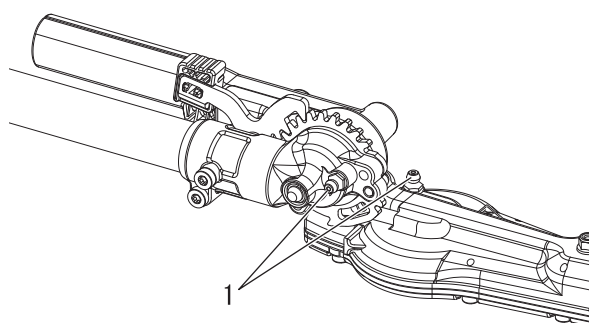


a : 0,6 - 0,7 mm

Déposer et nettoyer ou remplacer la bougie d'allumage.

- ♦ Vérifier l'écartement des bougies. L'écartement correct est compris entre 0,6 mm et 0,7 mm.
- ♦ Vérifier si l'électrode est usée.
- ♦ Vérifier s'il y a de l'huile ou d'autres dépôts sur l'isolant.
- ♦ Remplacer la bougie si nécessaire et la serrer à 10 N•m - 15 N•m (100 kgf•cm to 150 kgf•cm).

## Entretien après 15/20 heures d'utilisation



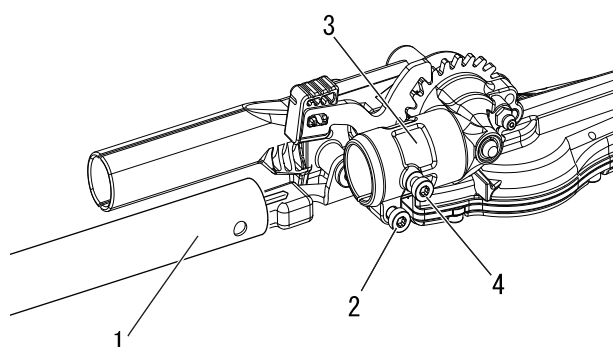
1. Embouts de graissage du carter d'engrenage

### Lubrification du carter d'engrenage

1. Nettoyer les impuretés présentes sur le graisseur.
2. Lubrifier le carter d'engrenage des éléments de coupe en mettant une ou deux giclées de graisse à base de lithium en utilisant une burette.

**ATTENTION**

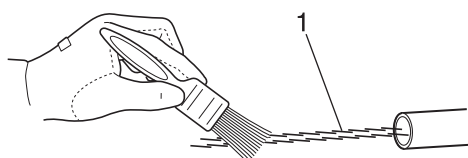
○ Trop mettre de lubrifiant peut ralentir le fonctionnement du carter d'engrenage et entraîner des coulures.



1. Tube extérieur  
2. Boulon de serrage du carter d'engrenage  
3. Carter d'engrenage  
4. Boulon

### Lubrification de l'arbre de transmission

1. Dévisser le boulon de serrage du carter d'engrenage.
2. Enlever le boulon du carter d'engrenage.
3. Enlever le tube extérieur du boîtier d'engrenage.

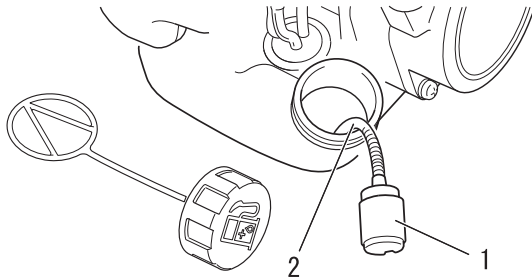


1. Arbre de transmission

4. Retirer l'arbre de transmission du tube extérieur et le nettoyer. L'enduire à nouveau d'une fine couche de 10 à 20 g de graisse au lithium.
5. Réinsérer l'arbre de transmission dans le tube extérieur en veillant à ne pas déposer de saletés sur l'arbre de transmission.
6. Aligner l'orifice de vis du carter d'engrenage sur le trou de positionnement du tube extérieur, poser et serrer le boulon, puis serrer le boulon de serrage du carter d'engrenage.

# Entretien

## Entretien après 50 heures d'utilisation



1. Filtre à carburant

2. Tuyau d'alimentation de carburant

### Ailettes de refroidissement du cylindre

- ♦ Enlever et nettoyer le carter du cylindre et nettoyer la saleté et les débris des ailettes du cylindre.

### Enlever et remplacer le filtre à essence

- ♦ Utiliser un fil métallique ou équivalent pour faire sortir le filtre à carburant par l'orifice du réservoir de carburant.
- ♦ Tirer l'ancien filtre hors du tuyau d'alimentation.
- ♦ Installer le filtre à carburant neuf.

### REMARQUE

Si le filtre est extrêmement encrassé ou n'est plus correctement ajusté, il faut le remplacer.

## Nettoyage du silencieux

### AVERTISSEMENT

- **Ne jamais utiliser l'appareil si le silencieux ou le pare-étincelles sont endommagés ou manquants, au risque de provoquer un incendie ou de dégrader l'ouïe de l'utilisateur.**

- ♦ Les dépôts de carbone présents dans le silencieux entraînent une perte de puissance et la surchauffe du moteur. L'écran pare-étincelles doit être contrôlé régulièrement. Enlever les dépôts du silencieux.

### IMPORTANT

Ne pas déposer le couvercle du silencieux. Si nécessaire, consulter votre concessionnaire.

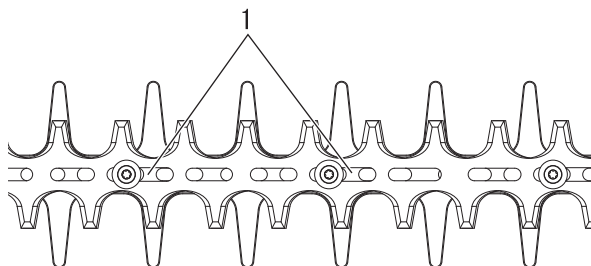
## Entretien des lames de coupe

### ATTENTION

- Porter des gants pour protéger les mains des lames affûtées.
- ◆ Le non-respect de ces mesures de précaution entraîne un risque de blessure.

#### Lubrification des lames (toutes les 4 heures de fonctionnement)

Appliquer quelques gouttes d'huile dans chaque fente de boulon en bas des lames.



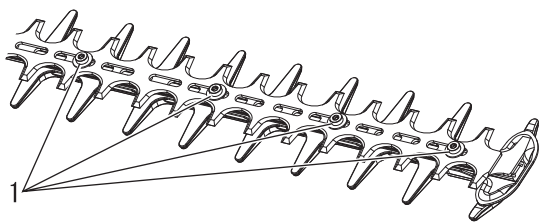
1. Fentes de boulons

#### Nettoyage des lames (après chaque utilisation)

Eliminer les résidus poisseux présents sur les lames à l'aide d'un mélange de 50 % de kérosène (paraffine) et de 50 % d'huile pour machine.

#### Réglage de la lame

Les lames standard n'ont pas besoin de réglages réguliers. Veiller à ce que les boulons des lames soient serrés et en bon état.



1. Boulon

# Entretien

## Guide de dépannage

Problème	Diagnostic	Cause	Solution
Le moteur ne démarre pas		<ul style="list-style-type: none"> <li>♦ Il n'y a pas de carburant dans le réservoir de carburant</li> <li>♦ L'interrupteur marche/arrêt est en position Arrêt</li> <li>♦ Alimentation en carburant excessive</li> <li>♦ Dysfonctionnement électrique</li> <li>♦ Dysfonctionnement du carburateur ou blocage interne</li> <li>♦ Dysfonctionnement interne du moteur</li> </ul>	<ul style="list-style-type: none"> <li>♦ Alimentation en carburant</li> <li>♦ Basculer en position Marche</li> <li>♦ Démarrer le moteur après révision</li> <li>♦ Consulter un revendeur</li> <li>♦ Consulter un revendeur</li> <li>♦ Consulter un revendeur</li> </ul>
Le moteur démarre difficilement, tourne de manière irrégulière	Le carburant pénètre dans le tuyau de trop plein	<ul style="list-style-type: none"> <li>♦ Dégradation du carburant</li> <li>♦ Problème de carburateur</li> </ul>	<ul style="list-style-type: none"> <li>♦ Remplacer le carburant</li> <li>♦ Consulter un revendeur</li> </ul>
	Aucun carburant ne pénètre dans le tuyau de trop plein	<ul style="list-style-type: none"> <li>♦ Le filtre à carburant est colmaté</li> <li>♦ Le circuit d'alimentation est colmaté</li> <li>♦ Blocage de pièces internes du carburateur</li> </ul>	<ul style="list-style-type: none"> <li>♦ Nettoyer ou remplacer</li> <li>♦ Consulter un revendeur</li> <li>♦ Consulter un revendeur</li> </ul>
	La bougie d'allumage est encrassée ou humide	<ul style="list-style-type: none"> <li>♦ Dégradation du carburant</li> <li>♦ Ecartement incorrect des électrodes</li> <li>♦ Dépôts de calamine</li> <li>♦ Dysfonctionnement électrique</li> </ul>	<ul style="list-style-type: none"> <li>♦ Remplacer</li> <li>♦ Remplacer</li> <li>♦ Remplacer</li> <li>♦ Consulter un revendeur</li> </ul>
Le moteur démarre mais impossible d'accélérer		<ul style="list-style-type: none"> <li>♦ Filtre à air encrassé</li> <li>♦ Filtre à carburant encrassé</li> <li>♦ Passage de carburant obstrué</li> <li>♦ Problème de réglage du carburateur</li> <li>♦ Blocage de la sortie d'échappement ou de l'échappement de silencieux</li> </ul>	<ul style="list-style-type: none"> <li>♦ Nettoyer ou remplacer</li> <li>♦ Nettoyer ou remplacer</li> <li>♦ Consulter un revendeur</li> <li>♦ Régler</li> <li>♦ Nettoyer</li> </ul>
Le moteur s'arrête		<ul style="list-style-type: none"> <li>♦ Problème de réglage du carburateur</li> <li>♦ Dysfonctionnement électrique</li> </ul>	<ul style="list-style-type: none"> <li>♦ Régler</li> <li>♦ Consulter un revendeur</li> </ul>
Le moteur ne s'arrête pas		<ul style="list-style-type: none"> <li>♦ Dysfonctionnement de l'interrupteur marche/arrêt</li> </ul>	<ul style="list-style-type: none"> <li>♦ Procéder à un arrêt d'urgence et consulter le revendeur</li> </ul>
Les lames sont en mouvement lorsque le moteur fonctionne au ralenti		<ul style="list-style-type: none"> <li>♦ Problème de réglage du carburateur</li> <li>♦ Ressort d'embrayage endommagé</li> </ul>	<ul style="list-style-type: none"> <li>♦ Régler</li> <li>♦ Consulter un revendeur</li> </ul>
Les lames s'émousent		<ul style="list-style-type: none"> <li>♦ Lames usées</li> <li>♦ Ecart important entre la lame supérieure et la lame inférieure</li> <li>♦ Patinage de l'embrayage</li> </ul>	<ul style="list-style-type: none"> <li>♦ Consulter un revendeur</li> <li>♦ Consulter un revendeur</li> <li>♦ Consulter un revendeur</li> </ul>

- ♦ La vérification et l'entretien de l'appareil nécessitent des connaissances spécialisées. Si l'utilisateur ne possède pas les compétences requises pour effectuer les opérations de vérification et d'entretien de l'appareil ou pour remédier à un dysfonctionnement, il doit consulter un revendeur. Ne pas essayer de démonter l'appareil.
- ♦ En cas de problème autre que ceux décrits dans le tableau ci-dessus, consulter un revendeur.
- ♦ En ce qui concerne les pièces de rechange et les consommables, utiliser uniquement des pièces d'origine et les produits et les composants recommandés. L'utilisation de pièces d'autres marques ou de composants inappropriés peut entraîner un dysfonctionnement de l'appareil.

## REMARQUE

### Soft Start (voir page 2)

Lorsqu'il est impossible de tirer doucement sur la poignée, il s'agit d'une défaillance interne du moteur.

Consulter le revendeur.

Démonter la poignée pourrait entraîner un risque de blessure.

## Remisage de longue durée (30 jours ou plus)

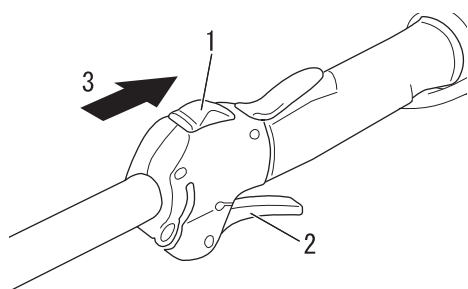
### AVERTISSEMENT

Ne pas entreposer l'appareil dans un endroit clos contenant des vapeurs de carburant, ou à proximité de sources de flammes ou d'étincelles.

◆ Il existe un risque d'incendie.



Si l'appareil doit être remisé pendant une longue période (30 jours ou plus), respecter les instructions de remisage suivantes.



1. Interrupteur marche/arrêt  
2. Gâchette d'accélérateur

3. Arrêt

1. Vider totalement le réservoir de carburant.
  - A. Vider le réservoir de carburant.
  - B. Comprimer et relâcher la pompe d'amorçage à plusieurs reprises pour évacuer le carburant présent dans la pompe d'amorçage.
  - C. Démarrer le moteur et le laisser tourner au régime de ralenti jusqu'à ce qu'il s'arrête de lui-même.
2. Placer l'interrupteur marche/arrêt en position Arrêt.
3. Nettoyer toute trace de graisse, d'huile, de poussière, d'impureté et toutes les autres substances présentes sur la taille-haie.
4. Effectuer les vérifications périodiques conseillées dans ce manuel.
5. Vérifier que tous les écrous et vis sont serrés. Resserrer les écrous et les vis desserrés.
6. Retirer la bougie d'allumage et ajouter la quantité d'huile appropriée (environ 10 mL) d'huile propre pour moteur à 2 temps dans le cylindre via la douille d'installation.
  - A. Placer un linge propre sur la douille d'installation de la bougie d'allumage.
  - B. Tirer 2 ou 3 fois la poignée du lanceur pour répartir l'huile dans le cylindre.
  - C. Observer l'emplacement du piston à travers le trou de bougie. Tirer la poignée de lanceur à rappel automatique jusqu'à ce que le piston atteigne le sommet de sa course et le laisser dans cette position.
7. Installer la bougie d'allumage. (Ne pas connecter le protecteur de bougie.)
8. Lubrifier les lames en appliquant une couche généreuse d'huile afin de les empêcher de rouiller.
9. Une fois que l'appareil est suffisamment froid et sec, placer l'étui protecteur sur les lames et envelopper le bloc moteur dans un sac plastique ou autre avant de le remisage.
10. Entreposer l'appareil dans un endroit sec, à l'abri de la poussière, hors de portée des enfants et de toute personne non autorisée.

# Procédure d'élimination des déchets

---



- ♦ Veuillez procéder à l'élimination de l'huile usagée conformément à la législation locale en vigueur.
- ♦ Les pièces plastiques principales de l'appareil portent des codes indiquant la nature de leurs matériaux de composition. Ces codes font référence aux matériaux suivants ; veuillez procéder à l'élimination de ces pièces plastiques conformément à la législation locale en vigueur.

Code	Matériau
>PA6-GF<	Nylon 6 - Fibre de verre
>PP-GF<	Polypropylène - Fibre de verre
>PE-HD<	Polyéthylène

- ♦ Si vous ne connaissez pas la procédure à suivre pour vous débarrasser de l'huile usagée ou des pièces plastiques, contactez votre revendeur.

# Caractéristiques

		AH262S-HD
<b>Dimensions externes</b> : longueur x largeur x hauteur	mm	2440 × 273 × 260
<b>Masses</b> :		
Appareil avec outil de coupe spécifié, réservoir vide	kg	6,5
Appareil avec outil de coupe spécifié, réservoir plein	kg	7,0
<b>Volume</b> : réservoir de carburant	ml	600
<b>Carburant</b> :		
Huile		Essence ordinaire. Il est conseillé d'utiliser de l'essence sans plomb avec un indice d'octane 89 au minimum. Ne pas utiliser de carburant contenant du méthanol ou plus de 10% d'éthanol.  Huile pour moteur 2 temps à refroidissement par air. ISO-L-EGD Standard (ISO/CD 13738), JASO FC/FD grade and Shindaiwa Premium 50:1 oil.
Rapport de mélange		50: 1 (2 %)
<b>Outil de coupe</b> :		
Type		Alternatif, lame biface
Longueur de coupe	mm	536
Pas	mm	35
Hauteur	mm	21
<b>Rapport de vitesse et lubrification</b> :		Réduction de 4,60 et graisse au lithium de bonne qualité
<b>Moteur</b> :		
Type		Monocylindre 2 temps à refroidissement par air
Carburateur		Type à membrane
Magnéto		Volant magnétique : système CDI (allumage par décharge capacitive)
Bougie d'allumage		NGK CMR7H
Lanceur		Lanceur à rappel
Transmission		Embrayage centrifuge automatique
Cylindrée	cm <sup>3</sup>	25,4
Puissance maximale mesurée au frein (ISO 8893)	kW	1,04
Consommation de carburant à la puissance moteur maximale	l/h	0,61
Régime moteur maximum recommandé (avec outil standard monté)	tr/min	11500
Régime moteur de ralenti recommandé	tr/min	3000
<b>Niveaux de vibrations</b> : (ISO 10517) $a_{hv,eq}$		
Poignée avant/poignée arrière	m/s <sup>2</sup>	7,3 / 7,1
Incertitude : K	m/s <sup>2</sup>	5,0
<b>Niveau de pression sonore</b> : (ISO 10517) $L_{pAd}$ (= $L_{pAeq}$ + $K_{pA}$ )	dB(A)	96,6
Incertitude : $K_{pA}$	dB(A)	2,5
<b>Niveau de puissance sonore</b> : (ISO 10517) $L_{WAAd}$ (= $L_{WAeq}$ + $K_{WA}$ )	dB(A)	109,0
Incertitude : $K_{WA}$	dB(A)	2,5

Ces caractéristiques sont susceptibles d'être modifiées sans préavis.

# Déclaration de conformité

---

Le fabricant soussigné :

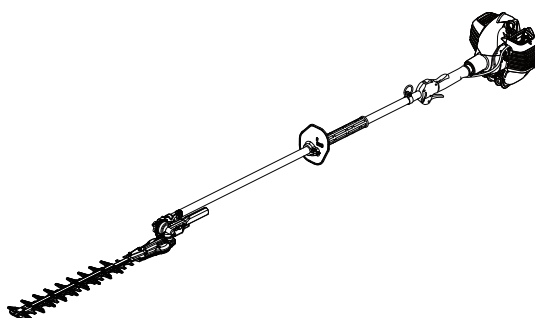
YAMABIKO CORPORATION  
1-7-2 Suehirocho  
Ohme, Tokyo 198-8760  
JAPON

Cette déclaration de conformité est délivrée sous la seule responsabilité du fabricant.

Déclare que l'appareil neuf désigné ci-après :

## TAILLE-HAIE PORTATIF

**Marque : shindaiwa**  
**Type : AH262S-HD**



Est conforme :

- \* spécifications de la directive **2006/42/CE** (utilisation de la norme harmonisée **EN ISO 10517: 2009**)
- \* aux spécifications de la directive **2014/30/UE** (utilisation de la norme harmonisée **EN ISO 14982: 2009**)
- \* aux exigences de la directive **2000/14/CE**

Procédure d'évaluation de la conformité suivie : **ANNEXE V**

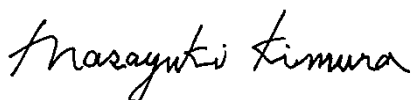
Niveau de puissance sonore mesuré : **107 dB(A)**

Niveau de puissance sonore garanti : **110 dB(A)**

Numéro de série 37001001 à 37100000

Tokyo, le 1er septembre 2018

## YAMABIKO CORPORATION



**Masayuki Kimura**

**Directeur général**  
**Service Assurance qualité**

**Représentant autorisé en Europe, autorisé à constituer le dossier technique.**

Société : CERTIFICATION EXPERTS B.V.

Adresse : Stationsplein 30, 1382AD Weesp, Pays-Bas

**M. Richard Glaser**

**Importateur pour la France**

Société : P.P.K.

Adresse : Z.I. du Chemin Vert 10/16 rue de l'Angoumois BP 8002 -  
95811 ARGENTEUIL CEDEX, France



## NOTES

# YAMABIKO CORPORATION

1-7-2 Suehirocho, Ohme, Tokyo 198-8760 JAPON

TÉLÉPHONE : 81-428-32-6118. FAX : 81-428-32-6145.

# shindaiwa<sup>®</sup>

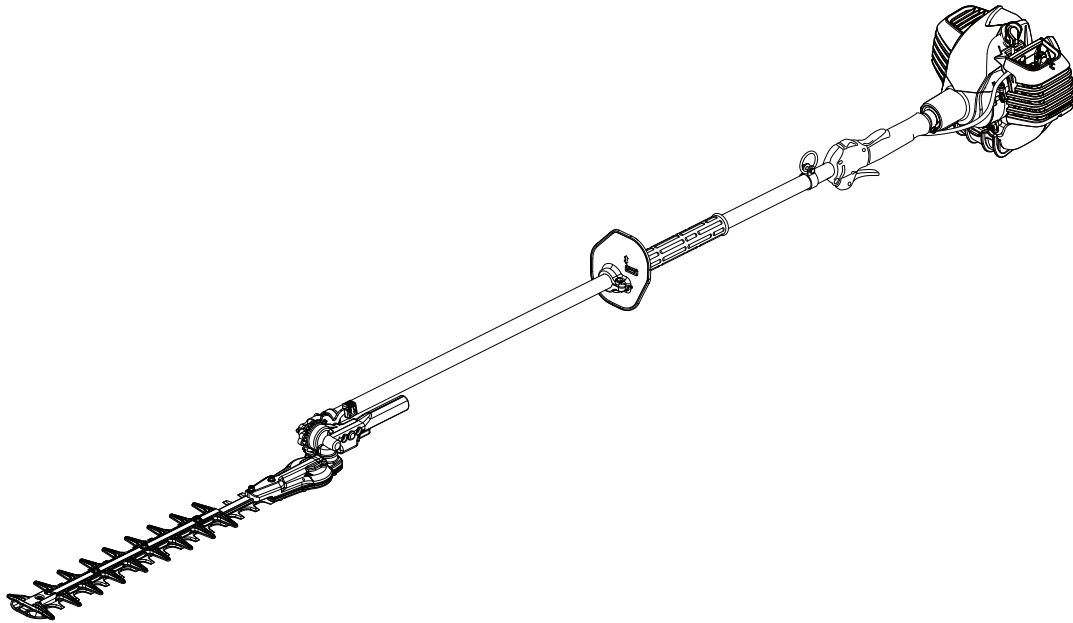


X750-029111

X750234-3201

**shindaiwa**<sup>®</sup>

DEUTSCH  
DE (Original Gebrauchsanleitung)



# BEDIENUNGSANLEITUNG

## SCHWENKBARE HECKENSCHERE

### AH262S-HD

#### **WARNUNG**



**LESEN SIE DIE BEDIENUNGSANLEITUNG SORGFÄLTIG DURCH, UND BEFOLGEN SIE DIE SICHERHEITSGESAMEN. ANDERNFALLS BESTEHT DAS RISIKO SCHWERER VERLETZUNGEN.**



# Wichtige Informationen

---

**Lesen Sie unbedingt die Bedienungsanleitung, bevor Sie das Produkt verwenden.**

## ○ **Beabsichtigter Zweck dieses Produkts**

- ♦ shindaiwa-Heckenscheren zeichnen sich durch ihr geringes Gewicht sowie ihre hohe Leistungsfähigkeit aus. Sie sind mit Benzinmotoren ausgestattet und eignen sich zum Schneiden von Hecken und Sträuchern.
- ♦ Verwenden Sie das Gerät nur für den oben angegebenen Zweck.

## ○ **Benutzer des Geräts**

- ♦ Verwenden Sie dieses Produkt erst, nachdem Sie die Bedienungsanleitung sorgfältig gelesen und den Inhalt genau verstanden haben.
- ♦ Das Produkt darf von keiner Person verwendet werden, die die Bedienungsanleitung nicht gelesen hat, an Erkältung, Müdigkeit oder einer anderen körperlichen Schwäche leidet. Das Produkt darf nicht von Kindern verwendet werden.
- ♦ Seien Sie sich bewusst, dass der Benutzer für Unfälle bzw. Gefährdungen anderer Personen oder deren Eigentum verantwortlich ist.

## ○ **Allgemeines zu dieser Bedienungsanleitung**

- ♦ Diese Bedienungsanleitung enthält wichtige Informationen über die Bedienung und Instandhaltung Ihres Produkts. Bitte lesen Sie sie sorgfältig durch, und machen Sie sich mit dem Inhalt vertraut.
- ♦ Bewahren Sie die Anleitung stets an einem schnell zugänglichen Ort auf.
- ♦ Sollte die Anleitung verloren gehen oder aufgrund von Beschädigungen nicht mehr lesbar sein, besorgen Sie sich bitte eine neue Anleitung von Ihrem shindaiwa-Händler.
- ♦ Die in dieser Anleitung verwendeten Einheiten sind SI-Einheiten (Système International d'unités; Internationales Einheitensystem). Zahlenangaben in Klammern sind Referenzwerte, bei denen mitunter geringe Umrechnungsfehler vorliegen können.

## ○ **Verleihen oder Übereignen des Produkts**

- ♦ Wenn Sie das in dieser Anleitung beschriebene Produkt verleihen, muss die Person, die das Produkt ausleiht und verwendet, auch die zugehörige Bedienungsanleitung erhalten. Wenn Sie das Produkt einer anderen Person übereignen, muss die Bedienungsanleitung zusammen mit dem Produkt ausgehändigt werden.

## ○ **Anfragen**

- ♦ Bei Fragen bezüglich Informationen zum Produkt, Erwerb von Verbrauchsmaterial, zu Reparaturen u. Ä. wenden Sie sich bitte an Ihren shindaiwa-Händler.

## ○ **Anmerkungen**

- ♦ Um Weiterentwicklungen des Produkts Rechnung zu tragen, bleiben dem Hersteller Änderungen am Inhalt dieser Anleitung vorbehalten. Einige Abbildungen in dieser Anleitung können vom Produkt abweichen, um Sachverhalte klarer darzustellen.
- ♦ Vor Inbetriebnahme des Produkts müssen einige Teile montiert werden.
- ♦ Bei Unklarheiten oder Problemen wenden Sie sich bitte an Ihren shindaiwa-Händler.

## ○ **Sonderfunktion dieses Modells: Soft-Startergriff**

- ♦ **Der „Soft-Startergriff“** erzeugt ausreichend Drehmoment, um die Kurbelwelle auf die für die Zündung erforderliche Drehzahl zu beschleunigen, wobei kaum Rückschlag entsteht. **Der „Soft-Startergriff“** erleichtert das Starten des Motors erheblich.

## **Hersteller**

### **YAMABIKO CORPORATION**

**1-7-2 Suehirocho, Ohme, Tokio 198-8760 JAPAN**

## **Autorisierter Repräsentant in Europa:**

### **CERTIFICATION EXPERTS B.V.**

**Stationsplein 30, 1382AD Weesp, Niederlande**

Sichere Verwendung des Produkts .....	4
Warnhinweise .....	4
Sonstige Kennzeichnungen .....	4
Symbole.....	4
Stelle, an der sich der Sicherheitsaufkleber befindet.....	6
Umgang mit Kraftstoff .....	7
Umgang mit dem Motor .....	7
Umgang mit dem Produkt.....	9
Packliste .....	13
Beschreibung.....	14
Bevor Sie beginnen .....	15
Zusammenbau.....	15
Verstellen des Schnittwinkels .....	17
Schulterriemen.....	18
Bereitstellen des Kraftstoffs .....	19
Bedienung des Motors.....	20
Starten des Motors .....	20
Stoppen des Motors .....	21
Schneiden von Hecken und Sträuchern .....	22
Grundlagen / Heckenschneiden .....	22
Wartung und Pflege .....	23
Wartung und Pflege.....	23
LAGERUNG.....	29
Langfristige Lagerung (30 Tage und länger) .....	29
Entsorgungshinweise.....	30
Technische Daten .....	31
Konformitätserklärung.....	32

# Sichere Verwendung des Produkts

## Lesen Sie diesen Abschnitt unbedingt durch, bevor Sie das Produkt verwenden.




○ Er enthält wichtige Informationen zum Thema Sicherheit. Befolgen Sie die Anweisungen sorgfältig.

○ Lesen Sie außerdem die Sicherheitshinweise im Hauptteil dieser Bedienungsanleitung.

In Textabschnitten, die mit einem [diamond mark]-Symbol beginnen, werden die möglichen Folgen einer Nichtbeachtung von Sicherheitshinweisen beschrieben.


## Warnhinweise

Auf Situationen, in denen eine Verletzungsgefahr für den Bediener und andere Personen besteht, wird in dieser Anleitung und auf dem Produkt selbst durch die nachstehenden Warnhinweise aufmerksam gemacht. Lesen Sie diese Warnhinweise genau durch, und befolgen Sie sie, um sicheres Arbeiten zu gewährleisten.

 <b>GEFAHR</b>	 <b>WARNUNG</b>	 <b>VORSICHT</b>
Dieses Symbol in Verbindung mit dem Wort „ <b>GEFAHR</b> “ macht auf Handlungen oder Bedingungen aufmerksam, die zu schweren Verletzungen oder zum Tod von Bediener und umstehenden Personen führen.	Dieses Symbol in Verbindung mit dem Wort „ <b>WARNUNG</b> “ macht auf Handlungen oder Bedingungen aufmerksam, die zu schweren Verletzungen oder zum Tod von Bediener und umstehenden Personen führen können.	„ <b>VORSICHT</b> “ warnt vor einer Gefahrensituation, in der es zu leichten bis mäßigen Verletzungen kommen kann.








## Sonstige Kennzeichnungen

Zusätzlich zu den Warnhinweisen werden in dieser Anleitung folgende erklärende Symbole verwendet:















	Kreis mit umgekehrtem Schrägstrich bedeutet, dass das Dargestellte unzulässig ist.	<b>HINWEIS</b>	Hinweise dieser Art enthalten Tipps zur Verwendung, Pflege und Wartung des Produkts.	<b>WICHTIG</b>	Umrahmter Text mit der Überschrift „ <b>WICHTIG</b> “ enthält wichtige Informationen zur Verwendung, Überprüfung, Wartung und Lagerung des in dieser Anleitung beschriebenen Produkts.
-------------------------------------------------------------------------------------	------------------------------------------------------------------------------------	----------------	--------------------------------------------------------------------------------------	----------------	----------------------------------------------------------------------------------------------------------------------------------------------------------------------------------------

## Symbole

In dieser Anleitung und auf dem Produkt selbst werden verschiedene erklärende Symbole verwendet. Vergewissern Sie sich, dass Sie die Bedeutung der einzelnen Symbole genau verstehen.

Symbol	Beschreibung des Symbols	Symbol	Beschreibung des Symbols
	Lesen Sie die Bedienungsanleitung sorgfältig durch		Benzin- und Ölgemisch
	Augen-, Gehör- und Kopfschutz tragen		Kraftstoffpumpe
	Sicherheit/Alarm		Gefahr der Fingerabtrennung
	NOTAUS	<b>T</b>	Justieren des Vergasers - Leerlaufdrehzahl

# Sichere Verwendung des Produkts

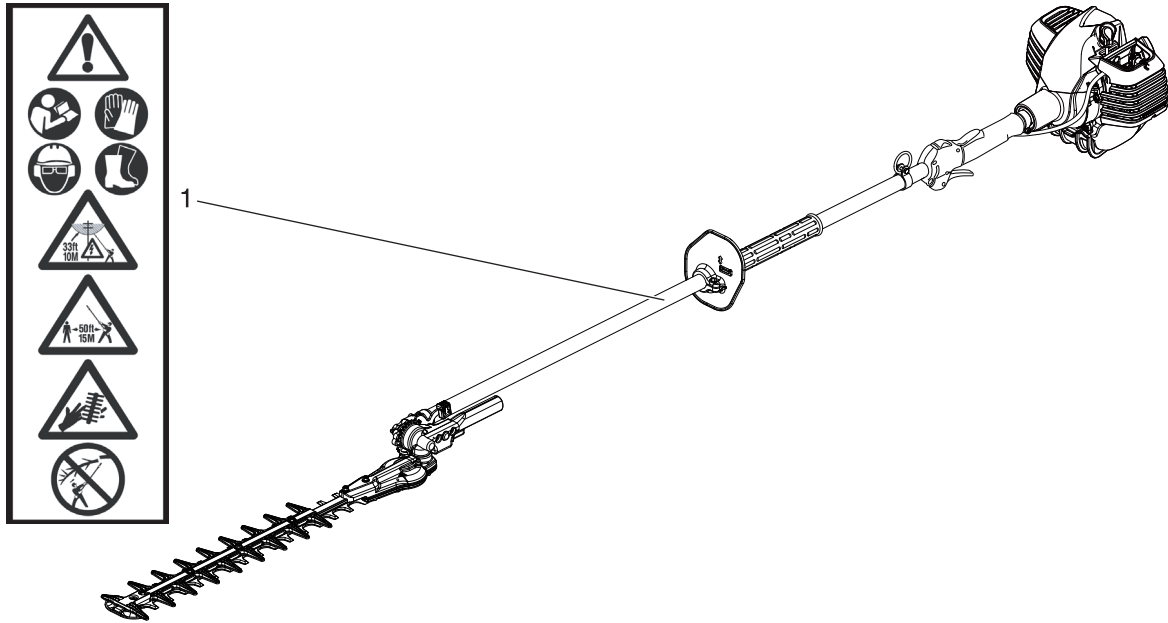
Symbol	Beschreibung des Symbols	Symbol	Beschreibung des Symbols
	Nicht in Räumen mit schlechter Belüftung verwenden		Choke-Position bei Kaltstart (Choke geschlossen)
	Achtung, Brandgefahr		Choke-Position bei Betrieb (Choke geöffnet)
	Achtung, Stromschlag-Gefahr		Schutz der Umwelt!
	Achtung, heiße Bereiche		Garantierter Schallleistungspegel
	Motorstart		Dieses Gerät ist stromführend. Gerät und Bediener sollten einen Mindestabstand von 10 Metern zu Stromquellen oder Elektroleitungen nicht unterschreiten.
	Tragen Sie rutschfeste Arbeitshandschuhe.		Tragen Sie stets Arbeitsschuhe oder -stiefel mit Schutzkappen, die rutschfeste Sohlen aufweisen.
	Unbeteiligte sollten bei Betrieb des Geräts einen Mindestabstand von 15 Metern einhalten, um das Risiko zu verringern, von herab fallenden Objekten oder ausgeworfenem Schneidgut getroffen zu werden.		Achten Sie auf herabfallendes Schneidgut.

# Sichere Verwendung des Produkts

---

## Stelle, an der sich der Sicherheitsaufkleber befindet

- Die in dieser Anleitung beschriebenen Produkte sind mit dem unten dargestellten Sicherheitsaufkleber versehen. Machen Sie sich die Bedeutung des Sicherheitsaufklebers bewusst, bevor Sie das Produkt verwenden.
- Falls der Sicherheitsaufkleber aufgrund von Verschleiß oder Beschädigung nicht mehr lesbar ist oder sich abgelöst hat, erwerben Sie bitte einen neuen Sicherheitsaufkleber von Ihrem Händler, und bringen Sie ihn an der nachstehend gezeigten Stelle an. Der Sicherheitsaufkleber muss stets gut lesbar sein.



1. Sicherheitsaufkleber (Teilenummer X505-002890)



# Sichere Verwendung des Produkts

## Umgang mit Kraftstoff

### GEFAHR

#### Beim Auftanken in sicherer Entfernung von Brandherden bleiben

Kraftstoff ist leicht entflammbar und kann bei falschem Umgang schnell in Brand geraten. Gehen Sie beim Mischen, Lagern und Betanken mit äußerster Vorsicht vor. Andernfalls kann es zu schweren Brandverletzungen kommen. Befolgen Sie sorgfältig die folgenden Anweisungen.

- Beim Betanken auf keinen Fall rauchen oder Feuer in die Nähe bringen.
- Niemals betanken, während der Motor heiß ist oder läuft.
- ◆ Andernfalls könnte sich der Kraftstoff entzünden und zu Verbrennungen führen.

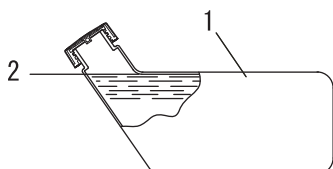
#### Behälter und Ort des Betankens

- Verwenden Sie nur zugelassene Kraftstoffbehälter.
- Kraftstofftanks und -kanister können unter Druck stehen. Öffnen Sie Kraftstofftankdeckel immer langsam, damit sich der Druck ausgleichen kann.
- Befüllen Sie Kraftstofftanks NIEMALS in geschlossenen Räumen. Befüllen Sie Kraftstofftanks IMMER im Freien und auf sicherem Untergrund.

#### Verschütteter Kraftstoff ist feuergefährlich

Befolgen Sie beim Betanken folgende Sicherheitsregeln:

- Füllen Sie den Tank nicht bis zur Einfüllöffnung auf. Befüllen Sie den Tank nur bis zur vorgeschriebenen Höhe (nur bis zum Ansatz des Einfüllstutzens).
- Wischen Sie Kraftstoff, der aufgrund von Überfüllung über- oder ausläuft, sofort auf.
- Verschließen Sie den Kraftstofftankdeckel nach dem Betanken wieder fest.
- ◆ Verschütteter Kraftstoff kann sich entzünden und Verbrennungen verursachen.

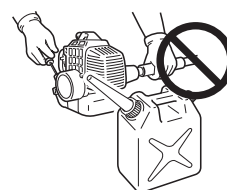


- 1. Kraftstofftank
- 2. Ansatz des Einfüllstutzens

#### Motor nicht am Ort der Betankung starten

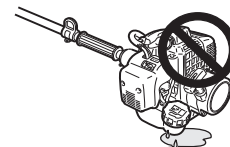
- Der Motor darf nicht an dem Ort gestartet werden, an dem die Betankung stattfand. Entfernen Sie sich mindestens 3 m von der Stelle, an der die Betankung erfolgte, bevor Sie den Motor starten.

- ◆ Beim Betanken übergelaufener Kraftstoff kann sich leicht entzünden.



#### Ausgetretener Kraftstoff stellt eine Brandgefahr dar

- Achten Sie nach dem Betanken stets darauf, dass aus der Kraftstoffleitung, an den Kraftstoffdichtungen und rund um den Kraftstofftankdeckel kein Kraftstoff austritt.
- Sollten Sie feststellen, dass Kraftstoff austritt, stellen Sie sofort die Verwendung des Produkts ein, und wenden Sie sich an Ihren Händler, um es reparieren zu lassen.
- ◆ Ausgetretener Kraftstoff stellt in jedem Fall eine Brandgefahr dar.



## Umgang mit dem Motor

### GEFAHR

#### Halten Sie mit dem Gerät einen Mindestabstand von 10 Metern zu Elektroleitungen oder Ästen ein, die mit Elektroleitungen in Kontakt sind

Die schwenkbare Heckenschere ist nicht gegen Stromschläge isoliert. Halten Sie mit dem Gerät einen Mindestabstand von 10 Metern zu Elektroleitungen oder Ästen ein, die mit Elektroleitungen in Kontakt sind.

- ◆ Das Berühren von Elektroleitungen mit dem Trimmer könnte zum Tod oder zu schwerwiegenden Verletzungen führen.



# Sichere Verwendung des Produkts

## **⚠️ WARNUNG**

### Starten des Motors

Befolgen Sie beim Starten des Motors unbedingt die folgenden Sicherheitsregeln:

- Stellen Sie beim Einsatz des Gerätes stets sicher, dass alle Griffe und Schutzvorrichtungen montiert sind.
- Überprüfen Sie, ob alle Bolzen und Muttern fest angezogen sind.
- Vergewissern Sie sich, dass nirgendwo Kraftstoff austritt.
- Stellen Sie sicher, dass die Schneidmesser weder beschädigt noch übermäßig abgenutzt sind. Nehmen Sie das Gerät nicht in Betrieb, wenn Ihnen Unregelmäßigkeiten auffallen.
- Platzen Sie das Produkt an einem ebenen, gut belüfteten Ort.
- Sorgen Sie für ausreichenden Abstand rund um das Produkt, und lassen Sie keine Personen oder Tiere in die Nähe kommen.
- Entfernen Sie jegliche Hindernisse.
- Stellen Sie sicher, dass die Schneidmesser weder mit dem Boden oder noch mit irgendwelchen Hindernissen in Berührung kommen können.
- Starten Sie den Motor mit dem Gashebel in der Leerlaufstellung.
- Halten Sie das Produkt beim Starten des Motors auf dem Boden fest.
- Halten Sie das Gerät beim Starten des Motors nicht in die Luft.
- ◆ Eine Nichtbefolgung der Sicherheitsregeln kann zu Unfällen, Verletzungen oder sogar zum Tod führen.

### Nach dem Starten des Motors auf ungewöhnliche Vibrationen oder Geräusche achten.

- Vergewissern Sie sich, dass nach dem Starten des Motors keine ungewöhnlichen Vibrationen oder Geräusche wahrzunehmen sind. Verwenden Sie das Produkt nicht, wenn Sie ungewöhnliche Vibrationen oder Geräusche feststellen. Wenden Sie sich an Ihren Händler, um es reparieren zu lassen.
- ◆ Durch abfallende oder absplinternde Teile kann es zu schweren Verletzungen kommen.

### Während des Betriebs keine stark erhitzten oder spannungsführenden Teile berühren.

Die folgenden stark erhitzten oder spannungsführenden Teile des Produkts dürfen während des Betriebs und einige Zeit danach nicht berührt werden:

- Schalldämpfer, Zündkerze, Gehäuse und andere stark erhitzte Teile.
- ◆ Berührungen solcher stark erhitzter Teile können zu Verbrennungen führen.
- Zündkerze, Zündkabel und andere spannungsführende Teile
- ◆ Sie könnten einen Stromschlag erleiden, wenn Sie während des Betriebs ein spannungsführendes Teil berühren.



### Bei Feuer oder Rauch steht Sicherheit an erster Stelle.

- Wenn Flammen aus dem Bereich des Motors kommen oder Rauch aus einem anderen Teil als dem Auspuff austritt, entfernen Sie sich zunächst von dem Produkt, um Ihre eigene körperliche Sicherheit zu gewährleisten.
- Werfen Sie mit einer Schaufel Sand oder ähnliches Material auf das Feuer, um eine Ausbreitung zu verhindern, oder löschen Sie den Brand mit einem Feuerlöscher.
- ◆ Eine Panikreaktion könnte zu einer Ausbreitung des Feuers oder anderen Schäden führen.



### Auspuffgase sind giftig.

- Die Auspuffgase des Motors enthalten giftige Gase. Verwenden Sie das Produkt nicht in geschlossenen Räumen, in Treibhäusern aus Kunststoff oder an anderen schlecht belüfteten Orten.
- ◆ Die Auspuffgase können zu Vergiftungen führen.



### Schalten Sie den Motor ab, bevor Sie das Produkt überprüfen oder warten.

Beachten Sie die folgenden Sicherheitsregeln, wenn Sie das Produkt nach der Anwendung überprüfen bzw. warten:

- Schalten Sie den Motor ab und überprüfen bzw. warten Sie das Produkt erst dann, wenn der Motor abgekühlt ist.
- ◆ Andernfalls können Sie sich verbrennen.
- Entfernen Sie den Zündkerzenstecker, bevor Sie Überprüfungen und Wartungen durchführen.
- ◆ Wenn sich das Produkt unerwarteterweise in Betrieb setzt, kann es zu Unfällen kommen.

### Überprüfen der Zündkerze

Beachten Sie beim Überprüfen der Zündkerze die folgenden Sicherheitsregeln:

- Wenn die Elektroden oder Kontakte verschlissen sind oder die Keramikteile Risse aufweisen, ersetzen Sie sie durch neue Teile.
- Die Funkenprüfung (zur Feststellung, ob die Zündkerze einen Zündfunken wirft) muss von Ihrem Händler durchgeführt werden.
- Die Funkenprüfung darf nicht in der Nähe der Zündkerzenöffnung durchgeführt werden.
- Die Funkenprüfung darf nicht an Orten durchgeführt werden, an denen verschütteter Kraftstoff oder entzündbare Gase vorhanden sind.
- Die Metallteile der Zündkerze dürfen nicht berührt werden.
- ◆ Die Zündkerze könnte ein Feuer entzünden oder Ihnen einen elektrischen Schlag versetzen.



# Sichere Verwendung des Produkts

## Umgang mit dem Produkt Allgemeine Sicherheitsregeln

### **WARNUNG**

#### Bedienungsanleitung

- Lesen Sie die Bedienungsanleitung vor der Inbetriebnahme des Produkts aufmerksam durch, um eine korrekte Bedienung zu gewährleisten.
- ◆ Andernfalls kann es zu Unfällen bzw. schweren Verletzungen kommen.



#### Produkt nur für den vorgesehenen Zweck verwenden

- Das Produkt darf nicht für andere als die in dieser Bedienungsanleitung genannten Zwecke verwendet werden.
- ◆ Andernfalls kann es zu Unfällen bzw. schweren Verletzungen kommen.

#### Keine Veränderungen am Produkt vornehmen

- An dem Produkt dürfen keine Veränderungen vorgenommen werden.
- ◆ Andernfalls kann es zu Unfällen bzw. schweren Verletzungen kommen. Funktionsfehler, die auf Veränderungen am Produkt zurückzuführen sind, fallen nicht unter die Herstellergarantie.

#### Produkt nur verwenden, wenn es überprüft und gewartet wurde

- Das Produkt darf nur verwendet werden, wenn es überprüft und gewartet wurde. Die Überprüfung und Wartung des Produkts muss regelmäßig durchgeführt werden.
- ◆ Andernfalls kann es zu Unfällen bzw. schweren Verletzungen kommen.

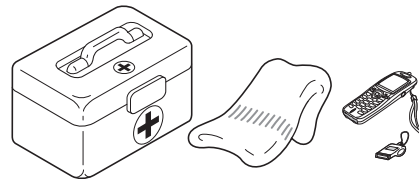
#### Verleihen oder Übereignen des Produkts

- Wenn Sie das Produkt verleihen, muss die ausleihende Person auch die zugehörige Bedienungsanleitung erhalten.
- Wenn Sie das Produkt einer anderen Person übereignen, muss die Bedienungsanleitung zusammen mit dem Produkt ausgehändigt werden.
- ◆ Andernfalls kann es zu Unfällen bzw. schweren Verletzungen kommen.

#### Vorsorge für den Fall von Verletzungen

Für den unwahrscheinlichen Fall, dass es dennoch zu Verletzungen kommt, sollten Sie folgende Dinge vorbereitet haben:

- **Verbandskasten**
- **Hand- und Wischtücher** (um etwaige Blutungen zu stoppen)
- **Trillerpfeife oder Mobiltelefon** (um Hilfe rufen zu können)
- ◆ Wenn Sie weder erste Hilfe leisten noch Hilfe rufen können, kann sich die Verletzung verschlimmern.



## Sicherheitsregeln für die Benutzung

### **GEFAHR**

#### Stellen Sie den Motor, wenn die Schneidmesser blockieren, immer sofort ab!

- Versuchen Sie niemals, bei laufendem Motor einen Gegenstand, der ein Klemmen der Schneidmesser verursacht, zu entfernen.
- ◆ Beim plötzlichen Wiederanlaufen der Schneidmesser besteht Verletzungsgefahr.

# Sichere Verwendung des Produkts

## **WARNUNG**

### Benutzer des Geräts

Das Gerät darf von folgenden Personen nicht verwendet werden:

- übermüdeten Personen
- alkoholisierten Personen
- unter Medikamenteneinfluss stehenden Personen
- schwangeren Frauen
- Personen in schlechter körperlicher Verfassung
- Personen, die die Bedienungsanleitung nicht gelesen haben
- Kindern
- ◆ Eine Nichtbefolgung dieser Anweisungen kann zu Unfällen führen.
- Von der Zündanlage dieses Geräts werden bei Betrieb elektromagnetische Felder erzeugt. Magnetfelder können Störungen oder Ausfälle bei Herzschrittmachern verursachen. Um Gesundheitsrisiken zu reduzieren, empfehlen wir, dass Personen mit Herzschrittmachern vor Betrieb dieses Geräts ihren Arzt und den Hersteller des Herzschrittmachers konsultieren.



### Arbeitsumgebung und Bedienung

- Verwenden Sie das Gerät nicht an Orten ohne sicheren Untergrund, etwa an steilen Hängen oder nach Regengüssen, da solche Stellen rutschig und gefährlich sind.
- Sorgen Sie stets für sicheren Stand, und halten Sie das Gleichgewicht. Stellen Sie sich nicht auf rutschigen, unebenen oder instabilen Untergrund. Arbeiten Sie nicht in ungünstigen Stellungen oder auf Leitern. Strecken Sie sich nicht zu weit nach vorn.
- Verwenden Sie das Gerät nicht nachts oder an dunklen Stellen mit schlechten Sichtverhältnissen.
- Schwere Schutzkleidung kann zur Ermüdung des Anwenders und zu einem Hitzschlag führen. Planen Sie schwere Arbeiten für den frühen Morgen oder den späten Nachmittag ein, wenn es kühler ist.
- Wenn Sie Äste beschneiden, die unter Zugspannung stehen, achten Sie auf den möglichen Rückschlag, der entstehen kann.
- ◆ Wenn Sie fallen oder ausrutschen oder das Gerät nicht mehr voll beherrschen, kann dies zu schweren Verletzungen führen.

### Transport des Geräts

- Stellen Sie den Motor aus, wenn Sie sich in den unten beschriebenen Situationen an eine andere Stelle bewegen, und warten Sie, bis sich die Schneidmesser nicht mehr bewegen. Bringen Sie dann die Messerabdeckung an, und halten Sie den Schalldämpfer von Ihrem Körper weg.
- Sie suchen Ihren Arbeitsbereich auf
  - Sie wechseln im Verlauf der Arbeit den Arbeitsbereich
  - Sie verlassen Ihren bisherigen Arbeitsbereich
  - ◆ Bei Nichtbeachtung dieser Sicherheitsregeln können Verbrennungen oder andere schwere Verletzungen die Folge sein.
  - Zum Transport des Produkts in Kraftfahrzeugen entleeren Sie seinen Kraftstofftank, bringen Sie die Messerabdeckung an, und sichern Sie das Produkt so, dass es nicht verrutschen kann.
  - Beim Tragen der schwenkbaren Heckenschere sollte die Schneidvorrichtung nach hinten zeigen, wobei das Schneidmesser eingefahren ist bzw. sich in der Transportposition befindet.
  - ◆ Ein Transport des Produkts mit befülltem Kraftstofftank stellt eine Brandgefahr dar.

### Vibration und Kälte

Es wird vermutet, dass das Raynaud-Syndrom, das die Finger mancher Menschen befällt, durch stark vibrierende Arbeitsgeräte und dem Arbeiten bei Kälte herbeigeführt wird. Durch stark vibrierende Arbeitsgeräte und dem Arbeiten bei Kälte kann sich ein Prickeln und Brennen bemerkbar machen, dem sich Farblosigkeit und Gefühllosigkeit der Finger anschließen.

Die nachstehend aufgeführten Vorkehrungen werden dringend empfohlen, da die Mindestwerte, bei denen diese Krankheit ausgelöst wird, nicht bekannt sind.

- Halten Sie Ihren Körper warm, insbesondere Kopf und Nacken, Füße und Fußgelenke sowie Hände und Handgelenke.
- Legen Sie häufige Pausen ein, in deren Verlauf Sie den Kreislauf durch intensive Armübungen anregen, und rauchen Sie nicht.
- Begrenzen Sie die Dauerbetriebszeiten auf ein Minimum.  
Teilen Sie jeden Arbeitstag so ein, dass auch Arbeiten ohne Trimmer oder tragbare Motorgeräte verrichtet werden.
- Wenn Ihre Finger schmerzen, rot und angeschwollen sind und schließlich bleich und gefühllos werden, müssen Sie einen Arzt aufsuchen, bevor Sie sich weiterhin Kälte und Vibrationen aussetzen.
- ◆ Eine Nichtbefolgung dieser Anweisung kann zu gesundheitlichen Schäden führen.

### RSI-Syndrom

Es wird angenommen, dass eine Überanstrengung der Muskeln und Sehnen der Finger, Hände, Arme und Schultern in den betreffenden Körperteilen Schmerzen, Schwellungen, Gefühllosigkeit, Schwäche und auch akuten Schmerz verursachen kann. Durch bestimmte ständig wiederholte Handbewegungen steigt das Risiko für die Entwicklung eines RSI-Syndroms.

Auf folgende Art mindern Sie das Risiko des RSI-Syndroms:

- Achten Sie darauf, dass Sie Ihr Handgelenk nicht zu sehr beugen, strecken oder verdrehen.
- Legen Sie von Zeit zu Zeit Pausen ein, um wiederholte Bewegungen zu minimieren, und lassen Sie Ihre Hände ruhen. Reduzieren Sie die Geschwindigkeit und den Kraftaufwand, mit denen Sie die Wiederholungsbewegung ausführen.
- Führen Sie geeignete Übungen zur Stärkung der Hand- und Armmuskulatur durch.
- Suchen Sie einen Arzt auf, wenn Sie ein Prickeln, Gefühllosigkeit oder Schmerzen in Ihren Fingern, Händen, Handgelenken oder Armen bemerken. Je früher das RSI-Syndrom erkannt wird, desto eher lässt sich eine dauerhafte Schädigung von Nerven und Muskeln verhindern.
- ◆ Eine Nichtbefolgung dieser Anweisung kann zu gesundheitlichen Schäden führen.

# Sichere Verwendung des Produkts

## **WARNUNG**

### Vor dem Arbeiten mit dem Produkt alle Fremdkörper und Hindernisse aus dem Arbeitsbereich entfernen

- Überprüfen Sie den Bereich, in dem das Gerät eingesetzt werden soll. Entfernen Sie alle Steine, Metallteile und anderen Gegenstände, die das Gerät blockieren oder beschädigen könnten.
- ◆ Vom Schneidmesser abprallende Gegenstände können Unfälle und schwere Verletzungen verursachen.

### Motor bei Problemen sofort abstellen

Stellen Sie den Motor in den nachfolgend genannten Situationen sofort ab, und vergewissern Sie sich, dass sich die Schneidvorrichtung nicht mehr bewegt. Überprüfen Sie dann die einzelnen Bereiche des Geräts. Ersetzen Sie beschädigte Teile durch neue.

- Die Schneidvorrichtung kommt beim Arbeiten mit einem Stein, Baum, Pfosten oder einem anderen Hindernis in Berührung.
- Das Produkt beginnt plötzlich, ungewöhnlich zu vibrieren.
- ◆ Wenn beschädigte Teile weiter verwendet werden, kann dies zu Unfällen bzw. schweren Verletzungen führen.

### Gefahrenzone im 15-m-Radius

Der Bereich in einem Radius von 15 m rund um dieses Gerät gilt als Gefahrenzone. Beachten Sie bei der Arbeit mit diesem Gerät folgende Sicherheitsregeln:

- Lassen Sie keine Personen (insbesondere Kinder) oder Tiere in die Gefahrenzone.
- Betritt eine andere Person die Gefahrenzone, stellen Sie den Motor aus, damit sich die Schneidmesser nicht mehr bewegen.
- Wenn Sie sich dem Bediener nähern möchten, machen Sie ihn auf Ihre Absicht aufmerksam, zum Beispiel, indem Sie ihm aus einigem Abstand Zweige ins Sichtfeld werfen. Warten Sie dann, bis der Motor ausgestellt ist und die Schneidmesser stillstehen.
- Gestatten Sie keiner Person, das von Ihnen zu schneidende Material festzuhalten.
- ◆ Jeder Kontakt mit den Schneidmessern kann zu schweren Verletzungen führen.

### Verwenden Sie das Gerät nicht, wenn sich die Schneidmesser im Leerlauf befinden.

- Das Gerät darf nicht verwendet werden, wenn sich das Schneidmesser bewegt, obwohl der Gashebel der Heckenschere auf Leerlaufdrehzahl eingestellt ist. Schalten Sie den Motor sofort aus und justieren Sie den Vergaser.
- ◆ Andernfalls kann es zu Unfällen bzw. schweren Verletzungen kommen.

### Betrieb

- Entfernen Sie niemals die Hände vom Gerät, solange sich das Schneidmesser bewegt.
- Legen Sie das Gerät flach auf den Boden, wenn Sie den Schnittwinkel ändern möchten, und sorgen Sie dafür, dass sich der Schalter dabei in der Stellung „STOP“ befindet. Ändern Sie den Schnittwinkel niemals im Stehen!
- ◆ Bei Nichtbeachtung dieser Anweisungen wird das Gerät nicht ausreichend stabilisiert; dies kann zu schwerwiegenden Verletzungen führen.

### Stellen Sie sicher, dass sich die Schneidmesser nicht mehr bewegen, bevor Sie das Gerät auf den Boden legen.

- Setzen Sie das Produkt nach dem Ausschalten des Motors nur ab, wenn Sie sicher sind, dass die Schneidmesser wirklich stillstehen.
- ◆ Auch nach dem Ausschalten des Motors können die Schneidmesser beim Nachlaufen noch Verletzungen verursachen.



### Schneidgut vom Schalldämpfer entfernen

- Wenn sich im Bereich des Schalldämpfers Gegenstände wie z. B. Gras, Blätter, Zweige oder zu viel Schmiermittel ansammeln, stellen Sie den Motor ab und entfernen Sie diese Gegenstände. Achten Sie dabei darauf, nicht mit heißen Oberflächen in Berührung zu kommen.
- ◆ Andernfalls kann es zu einer Brandentwicklung kommen.





# Sichere Verwendung des Produkts

## **WARNUNG**

### Produkt nicht zum Schneiden harter Gegenstände verwenden

- Verwenden Sie das Gerät nicht zum Schneiden harter Gegenstände (z. B. Drähte oder Stahlplatten).
- Stellen Sie den Motor aus, wenn die Schneidmesser auf ein Hindernis treffen oder nicht ordnungsgemäß funktionieren, und untersuchen Sie die Schneidmesser anschließend auf Schäden.
- ◆ Die Nichtbefolgung dieser Anweisungen kann zu einer Beschädigung des Gerätes und zu Unfällen führen.

### Verwenden Sie das Produkt nicht, wenn Sie auf einer Leiter oder einem Stuhl stehen

- Führen Sie keine Schneidarbeiten durch, wenn Sie auf einer instabilen Oberfläche stehen oder sich zum Schneiden strecken müssen.
- Verwenden Sie das Gerät nicht, wenn Sie sich ganz oben auf einer Leiter befinden oder auf einem Stuhl stehen.
- ◆ Andernfalls kann es zu Unfällen bzw. schweren Verletzungen kommen.

## Schutzausrüstung

## **WARNUNG**

### Schutzausrüstung tragen

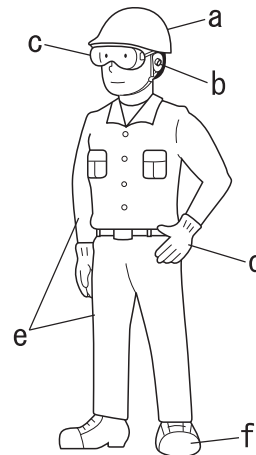
Tragen Sie beim Arbeiten mit dem Trimmer immer die folgende Schutzausrüstung:

- a **Kopfschutz (Helm):** schützt den Kopf
  - b **Gehörschutzbügel oder Ohrstöpsel:** schützen das Gehör
  - c **Schutzbrille:** schützt die Augen
  - d **Sicherheitshandschuhe:** schützen die Hände vor Kälte und Vibration
  - e **Eng anliegende Arbeitskleidung (lange Ärmel, lange Hosen):** schützt den Körper
  - f **Robuste, rutschfeste Stiefel oder rutschfeste Arbeitsschuhe:** schützen die Füße
- ◆ Bei Nichtbeachtung dieser Sicherheitsvorkehrungen sind Ihr Augenlicht und Ihr Gehör gefährdet, und es drohen sonstige schwere Verletzungen.

Falls erforderlich, verwenden Sie auch folgende

### Schutzausrüstung:

- **Staubmaske:** schützt das Atmungssystem
- **Bienennetz:** schützt vor angreifenden Bienen
- **Schutzmaske:** Tragen Sie bei der Überkopparbeiten einen Kopfschutz mit CE-Kennzeichnung und Schutzmaske.



### Geeignete Schutzkleidung tragen

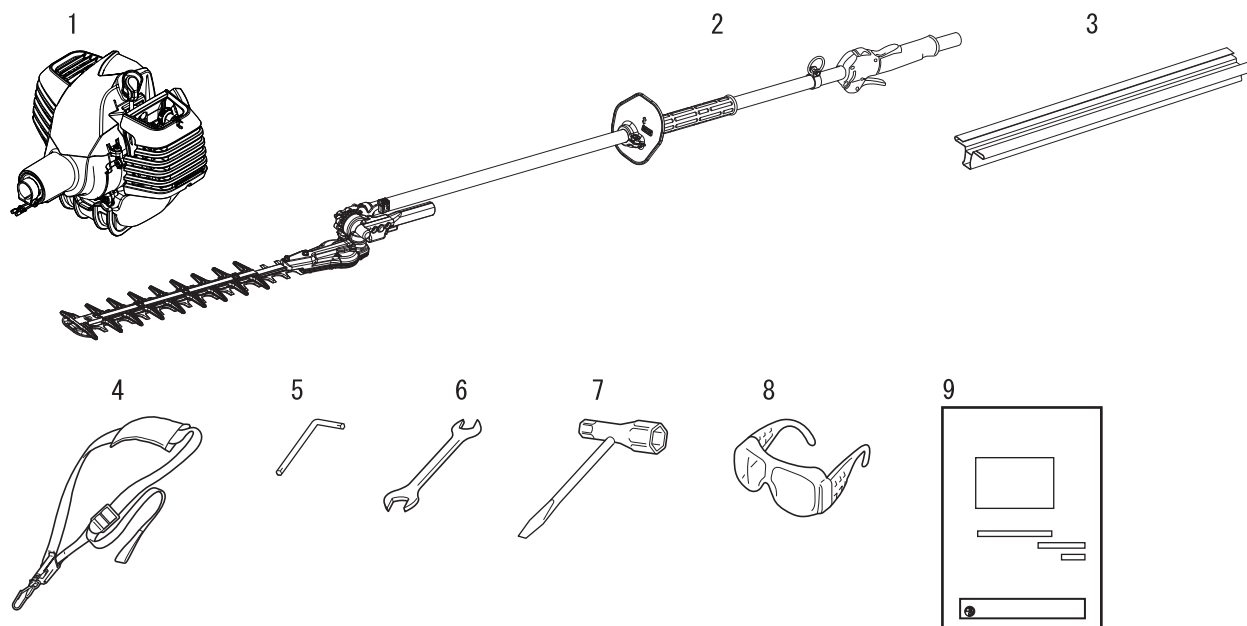
Tragen Sie keine Krawatten, Schmuckstücke oder lose, weite Kleidungsstücke, die sich im Gerät verfangen könnten. Tragen Sie keine offenen Schuhe, und arbeiten Sie nicht barfuß oder in kurzen Hosen.

- ◆ Bei Nichtbeachtung dieser Sicherheitsvorkehrungen sind Ihr Augenlicht und Ihr Gehör gefährdet, und es drohen sonstige schwere Verletzungen.



# Packliste

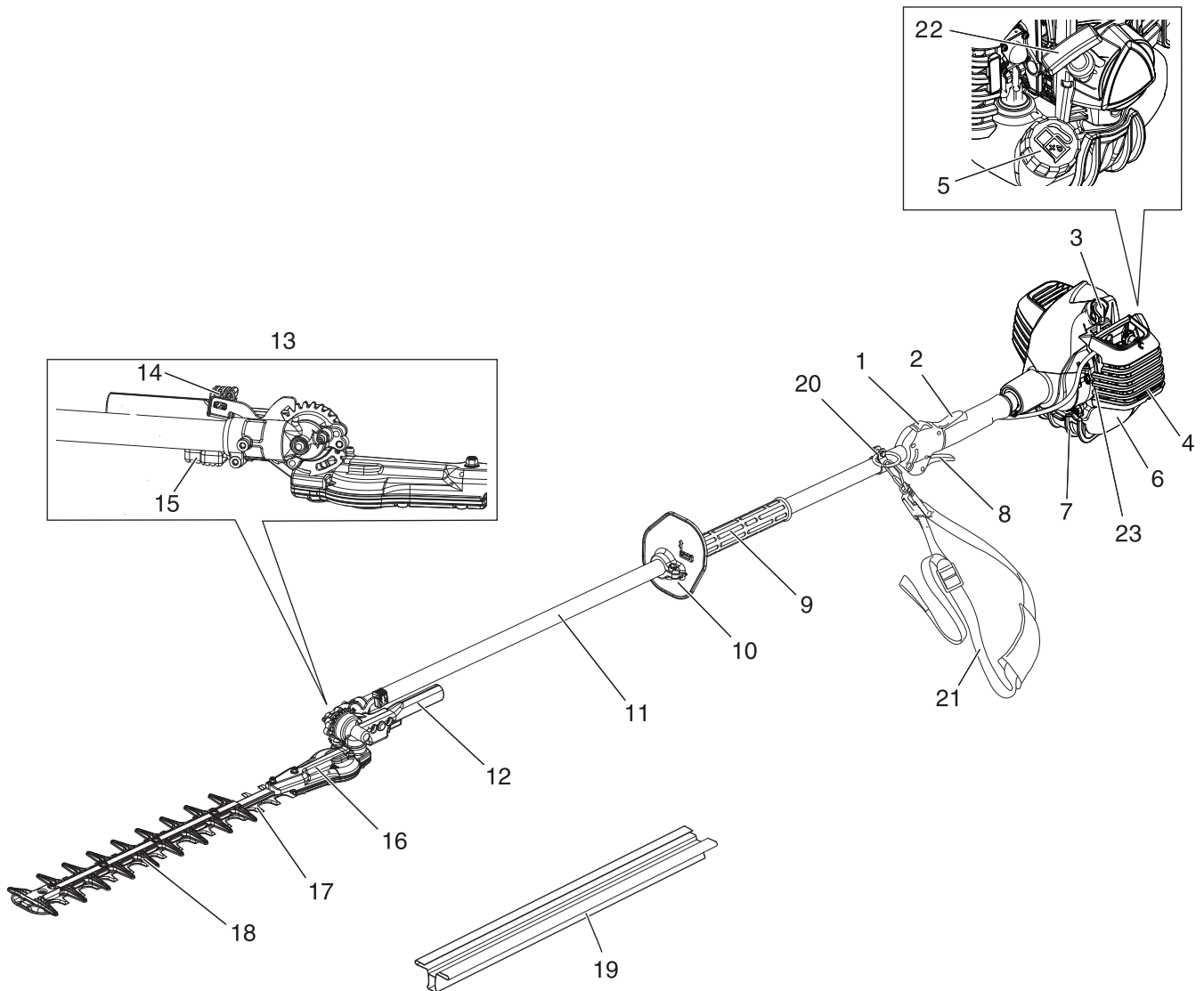
- ♦ Die nachfolgend aufgeführten Einzelteile sind in der Verpackung enthalten.
- ♦ Überprüfen Sie nach dem Auspacken die Vollständigkeit des Inhalts.
- ♦ Wenden Sie sich an Ihren Händler, wenn Teile fehlen oder beschädigt sind.



1. Motoreinheit
2. Antriebswelle
3. Messerabdeckung
4. Schulterriemen
5. L-Schlüssel

6. Maulschlüssel
7. Steckschlüssel
8. Schutzbrille
9. Bedienungsanleitung

# Beschreibung



1. **Stopschalter** Einrichtung zum Ein- und Ausschalten des Motors.
2. **Gashebelsperre** Manuelle Sperre zum Schutz vor einer versehentlichen Betätigung des Gashebels.
3. **Zündkerze**
4. **Luftfilterabdeckung** Deckt den Luftfilter ab.
5. **Kraftstofftankdeckel** Verschließt den Kraftstofftank.
6. **Kraftstofftank** Enthält Kraftstoff und Kraftstofffilter.
7. **Kraftstofftankschutz**
8. **Gashebel** Regelt die Motordrehzahl und wird vom Bediener mit dem Finger betätigt.
9. **Vorderer Griff**
10. **Handschutz** Schutz zwischen dem vorderen Handgriff und der Schneidvorrichtung, um die Hand bei eventuellem Abrutschen vom Griff vor Verletzungen zu schützen.
11. **Außenrohr** Geräteteil, das als Gehäuse für die Antriebswelle dient.
12. **Einstellhebel für Schneidvorrichtung** Bietet einen sicheren Griff beim Verstellen des Schnittwinkels.
13. **Schneidvorrichtung**
14. **Verriegelung** Befestigt den Winkel der Schneidvorrichtung.
15. **Entriegelung** Sicherheitsvorrichtung, die verhindern soll, dass die Verriegelung unerwartet gelöst wird.
16. **Getriebegehäuse** Im Getriebegehäuse befindet sich das Getriebe, über das die Schneidmesser angetrieben werden.
17. **Messerbalken und Obermesser** Teil der Baugruppe mit Obermesser und Abscherplatte, durch den der Schneidvorgang bewirkt wird.
18. **Stumpfe Verlängerung** Eine stumpfe Verlängerung des Schneidwerks
19. **Messerabdeckung** Zum Transport und zur Lagerung des Produkts immer die Messerabdeckung anbringen.
20. **Trageöse** Vorrichtung, mit der das Gerät am Schultergurt befestigt wird.
21. **Schultergurt** Einstellbarer Riemen, an dem das Gerät aufgehängt wird.
22. **Startergriff** Ziehen Sie an diesem Griff, um den Motor zu starten.
23. **Typ und Seriennummer**



# Bevor Sie beginnen

## Zusammenbau

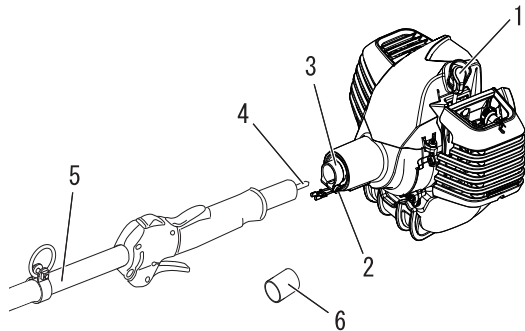
### **⚠️ WARNUNG**

Lesen Sie die Bedienungsanleitung aufmerksam durch, um sicherzustellen, dass Sie das Produkt korrekt zusammenbauen.

◆ Die Verwendung eines falsch zusammengebauten Produkts kann zu Unfällen bzw. schweren Verletzungen führen.



### Verbinden Sie das Außenrohr mit dem Motorkopf



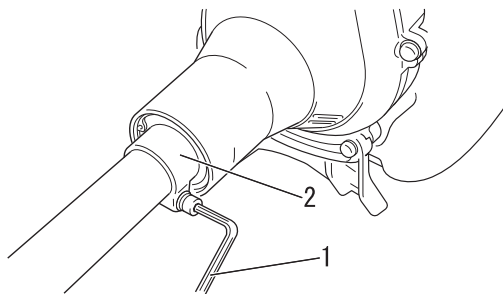
1. Zündkerze
2. Klemmschraube
3. Rohrschelle
4. Antriebswelle
5. Außenrohr
6. Schutzabdeckung

1. Legen Sie den Motorkopf auf eine saubere, ebene Fläche. Die Zündkerze muss nach oben zeigen.
2. Schieben Sie die Schutzabdeckung vom Ende des Außenrohrs ab.
3. Lösen Sie mit dem L-Schlüssel die Klemmschraube an der Rohrschelle.
4. Schieben Sie das Außenrohr bis zum Anschlag in die Rohrschelle ein. Sollte dies nicht auf Anhieb gelingen, drehen Sie das Außenrohr bzw. die Antriebswelle etwas, bis die Nuten der Antriebswelle im Motorkopf einrasten.
5. Positionieren Sie das Außenrohr so, dass der Werkzeugaufnahmebolzen am Messerantrieb nach links zeigt.
6. Schieben Sie das Außenrohr so weit in den Motorkopf ein, bis der Gasgriff die Rohrschelle fast berührt.

### **⚠️ WARNUNG**

○ Stellen Sie sicher, dass der Kraftstofftankdeckel fest zugeschraubt ist.

◆ Andernfalls kann es zu Unfällen, schweren Verletzungen oder Bränden kommen.



1. L-Schlüssel
2. Rohrschelle

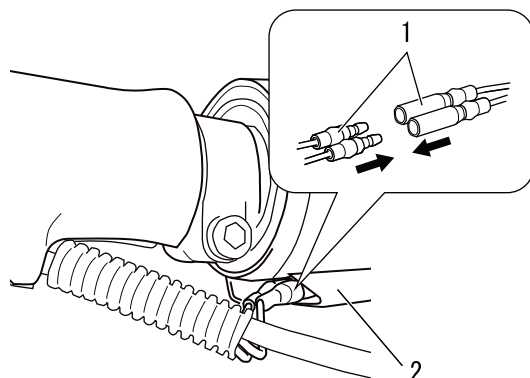
### **⚠️ VORSICHT**

○ Schieben Sie die Kabelhülle nicht mit Gewalt in den Motorkopf.

◆ Dies kann zur Beschädigung von Kabelhülle oder Antriebswelle führen.

7. Ziehen Sie die Klemmschraube gut fest.

### Befestigen Sie den Gaszug



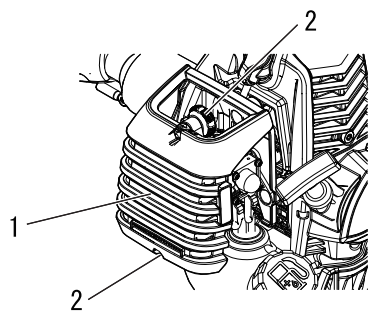
1. Zündkabel
2. Tasche Lüfterabdeckung

1. Die zwei Zündkabel an der Gaszughülle mit den zwei Zündkabeln am Motor verbinden.
2. Die angeschlossenen Steckverbinder des Zündkabels in der Lüfterabdeckungstasche verstauen.

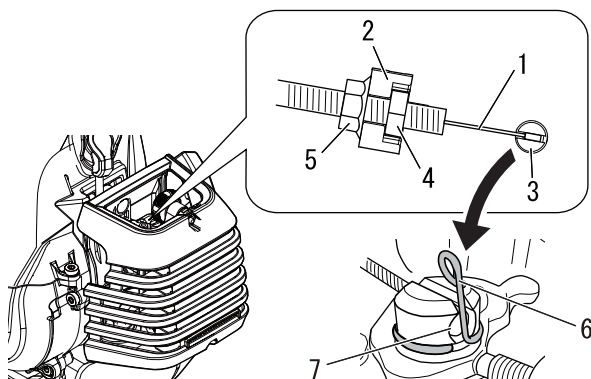
### **⚠️ VORSICHT**

○ Die verlegten Zündkabel dürfen die Betätigung des Gaszugs nicht beeinträchtigen.

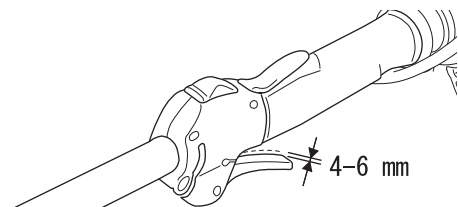
# Bevor Sie beginnen



1. Luftfilterabdeckung
2. Luftfilterabdeckungs-Drehgriff



1. Gaszug
2. Einstellhalterung
3. Gaszug-Drehloch
4. Einstellmutter
5. Gegenmutter
6. Klemme
7. Vertikaler Steckplatz



3. Lösen Sie den Luftfilterabdeckungs-Drehgriff, und entfernen Sie die Luftfilterabdeckung.

4. Den Gaszug in die Einstellhalterung einführen und das Gaszugende in das große Gaszug-Drehloch am Vergaser einführen.
5. Den vertikalen Teil der Klemme in den vertikalen Steckplatz stecken, um das Ende des Drahts zu fixieren.

6. Das Spiel des Gashebels sollte ca. 4-6 mm betragen.
7. Drehen Sie die Einstellmutter nach Bedarf nach innen oder außen, um das korrekte Spiel von 4-6 mm zu erhalten.
8. Stellen Sie sicher, dass sich der Gashebel leicht und ruckfrei bewegen lässt.
9. Überprüfen Sie den Gaszug auf Leichtgängigkeit und auf vorschriftsmäßige Einstellung der Vollgas-/Leerlauf-Einstellungen.
10. Ziehen Sie die Gegenmutter an.
11. Bringen Sie die Luftfilterabdeckung an.

# Bevor Sie beginnen

## Verstellen des Schnittwinkels

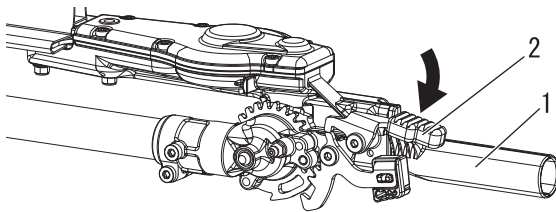
### **⚠ GEFAHR**

- **Verstellen Sie die Messer niemals bei laufendem Motor!**
- ◆ Andernfalls kann es zu Verletzungen bzw. schweren Unfällen kommen.

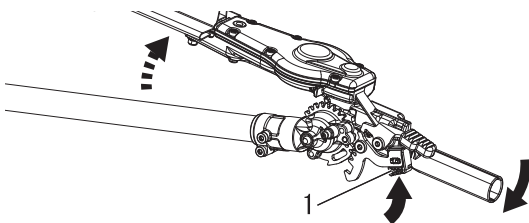
### **⚠ WARNUNG**

- Die Schneidmesser der Heckenschere sind scharf. Verstellen Sie die Schneidmesser niemals ohne Handschuhe.
- Tragen Sie beim Arbeiten mit dem Trimmermesser robuste Handschuhe. Vergewissern Sie sich, dass der Motor zuerst ausgeschaltet wurde und die Messer zum Stillstand gekommen sind, wenn die Schneidmesser während der Arbeit ausgetauscht werden müssen.
- Stellen Sie die Heckenschere niemals mit einem Ende auf den Boden, um den Schnittwinkel zu verstellen. Ansonsten können schwere Verletzungen die Folge sein.
- Getriebegehäuse wird im Betrieb HEISS. Halten Sie das Gerät immer an der Messergriffbaugruppe fest, wenn Sie den Schnittwinkel verstellen. Ansonsten können schwere Verletzungen die Folge sein.
- ◆ Andernfalls kann es zu Verletzungen bzw. schweren Unfällen kommen.

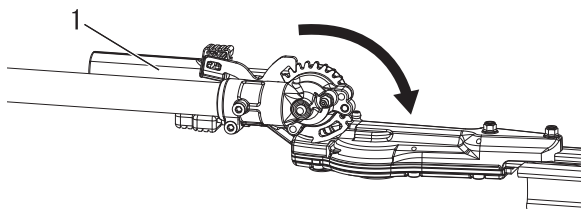
## Einstellen der Schneidvorrichtung



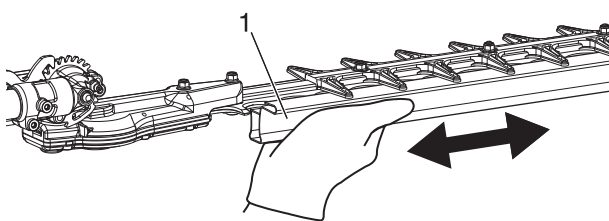
- 1. Einstellhebel
- 2. Entriegelung



- 1. Verriegelung



- 1. Einstellhebel



- 1. Messerabdeckung

1. Stellen Sie die Heckenschere auf eine ebene Fläche, so dass der Motor auf dem Kraftstofftankschutz aufliegt. Vergewissern Sie sich, dass die Messerabdeckung am Messer angebracht ist.
2. Nehmen Sie das Außenrohr in der Nähe des Griffs in Ihre rechte Hand. Nehmen Sie den Einstellhebel an der Schneidvorrichtung in Ihre linke Hand. Drücken Sie die Entriegelung mit dem Zeigefinger Ihrer linken Hand herunter. Drücken Sie die Verriegelung mit dem Daumen Ihrer linken Hand herunter.
3. Drücken Sie die Entriegelung herunter, und schwenken Sie die Schneidvorrichtung mithilfe des Einstellhebels, bis der gewünschte Schnittwinkel erreicht ist.
4. Lassen Sie Verriegelung und Entriegelung wieder los. Vergewissern Sie sich, dass Entriegelung und Verriegelung wieder in die Geradeausstellung einrasten.
5. Entfernen Sie die Messerabdeckung vom Schneidmesser. Sie können den Motor nun anlassen.

### **WICHTIG**

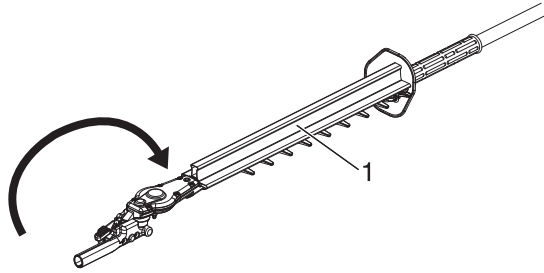
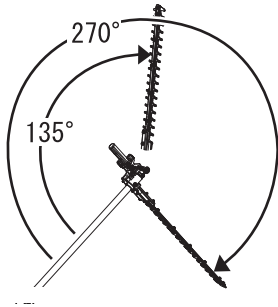
Die Entriegelung besitzt eine Sperre, die ein unbeabsichtigtes Betätigen verhindert.

### **⚠ VORSICHT**

- **Halten Sie den Griff unter der Messerabdeckung, während Sie die Messerabdeckung am Schneidmesser anbringen bzw. von diesem entfernen.**
- ◆ Eine Nichtbeachtung dieser Vorsichtsmaßnahme kann zu Verletzungen führen.

# Bevor Sie beginnen

## Positionierung der Schneidvorrichtung



1. Messerabdeckung

Die Schneidvorrichtung besitzt zehn verschiedene Raststellungen, die Schnittwinkel von 135° bis 270° ermöglichen (siehe Abbildung). Vergewissern Sie sich nach jeder Änderung des Schnittwinkels, dass die Arretierung sicher eingrastet ist.

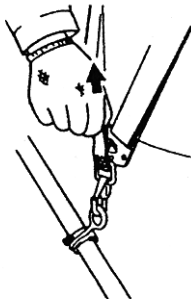
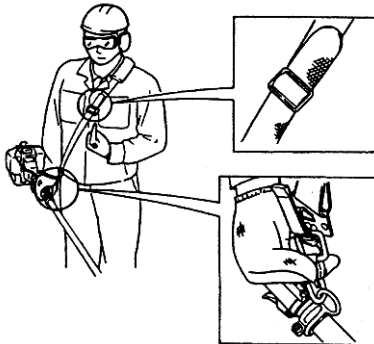
## Vorbereitung für Lagerung oder Transport

1. Bringen Sie bei ausgeschaltetem Motor die Messerabdeckung auf dem Messer an.
2. Klappen Sie die Schneidvorrichtung ein (parallel zum Außenrohr).
3. Stellen Sie sicher, dass die Verriegelung wieder sicher eingrastet ist.
4. Vergewissern Sie sich vor der Lagerung oder dem Transport, dass die Messerabdeckung auf der Schneidvorrichtung angebracht ist.

## **WARNUNG**

- Bei eingeklappter Schneidvorrichtung (Lagerposition) darf der Motor nicht angelassen werden.

## Schulterriemen



1. Haken Sie den Schulterriemen in die Hängescheibe am Außenrohr ein.
2. Positionieren Sie den Schulterriemen so, dass sich der Tragehaken auf Ihrer rechten Körperhälfte befindet.
3. Stellen Sie die Länge des Schulterriemens so ein, dass Sie das Gerät bequem tragen und bedienen können.

## **WICHTIG**

Stellen Sie den Schulterriemen oder Sicherheitsgurt so ein, dass das Schulterpolster bequem auf der gegenüberliegenden Schulter aufliegt. Vergewissern Sie sich, dass sämtliche Haken und Einstellvorrichtungen fest sitzen.

## **Schnelllöseeinrichtung für Notfälle**

- \* Ziehen Sie bei einem Notfall fest an der weißen Schlaufe am Haken. Das Gerät wird sofort vom Schulterriemen gelöst.

# Bevor Sie beginnen

## Bereitstellen des Kraftstoffs

### GEFAHR

- Kraftstoff ist leicht entflammbar und kann bei falschem Umgang schnell in Brand geraten. Lesen und befolgen Sie die Sicherheitsanweisungen im Abschnitt „Sichere Verwendung des Produkts“ in dieser Bedienungsanleitung.
- Schrauben Sie den Tankdeckel fest zu, nachdem Sie den Tank mit Kraftstoff befüllt haben, und stellen Sie sicher, dass aus der Kraftstoffleitung, an den Dichtungen und im Bereich des Tankdeckels kein Kraftstoff austritt. Sollten Sie feststellen, dass Kraftstoff austritt, stellen Sie sofort die Verwendung des Produkts ein, und wenden Sie sich an Ihren Händler, um es reparieren zu lassen.
- ◆ Eine Entzündung des Kraftstoffs kann zu Verbrennungen und Bränden führen.



### VORSICHT

- Im Kraftstofftank und in der Umgebungsluft herrschen unterschiedliche Drücke. Lösen Sie deshalb zum Betanken den Tankdeckel zunächst nur leicht, um die Druckdifferenz auszugleichen.
- ◆ Andernfalls kann es vorkommen, dass Kraftstoff herausspritzt.

## HINWEIS

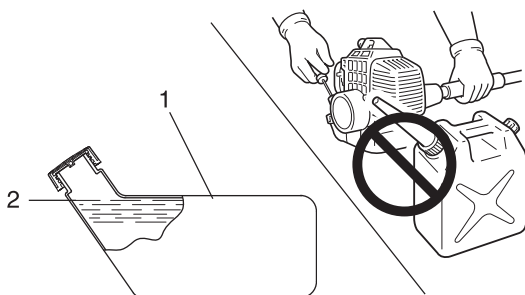
Gelagerter Kraftstoff altert. Mischen Sie nicht mehr Kraftstoff an, als Sie voraussichtlich innerhalb der nächsten dreißig (30) Tage verbrauchen werden. Mischen Sie den Kraftstoff nicht direkt im Kraftstofftank.

## Kraftstoff



- ◆ Der Kraftstoff ist ein Gemisch aus Normalbenzin und hochwertigem Markenöl für luftgekühlte Zweitaktmotoren. Verwenden Sie bleifreies Benzin mit mindestens 89 Oktan. Verwenden Sie keinen Kraftstoff mit Methylalkohol oder mehr als 10 % Ethylalkohol.
- ◆ Empfohlenes Mischverhältnis: 50 : 1 (2 %) Öl nach ISO-LEGD Standard (ISO/CD 13738), JASO FC, FD und Shindaiwa Premium 50: 1 Öl.
  - Mischen Sie den Kraftstoff nicht direkt im Motor-Kraftstofftank.
  - Achten Sie darauf, dass kein Benzin oder Öl verschüttet wird. Wischen Sie verschütteten Kraftstoff stets auf.
  - Gehen Sie mit Benzin vorsichtig um. Es ist äußerst leicht entzündlich.
  - Lagern Sie Benzin nur in zugelassenen Behältern.

## Kraftstoffversorgung



1. Kraftstofftank

2. Ansatz des Einfüllstutzens

- ◆ Führen Sie die Betankung nur an gut belüfteten Orten durch. Füllen Sie Kraftstoff niemals in Innenräumen ein oder um.
- ◆ Platzieren Sie das Produkt und den Befüllungskanister während des Betankens auf dem Boden. Führen Sie die Betankung nicht auf der Ladefläche von Lkws oder an ähnlichen Orten durch.
- ◆ Achten Sie beim Betanken stets darauf, dass der Füllstand den Ansatz des Einfüllstutzens nicht übersteigt.
- ◆ Im Kraftstofftank und in der Umgebungsluft herrschen unterschiedliche Drücke. Lösen Sie deshalb zum Betanken den Tankdeckel zunächst nur leicht, um die Druckdifferenz auszugleichen.
- ◆ Wischen Sie verschütteten Kraftstoff sofort auf.
- ◆ Bevor Sie den Motor starten, entfernen Sie sich mindestens 3 m von der Stelle, an der die Betankung durchgeführt wurde.
- ◆ Bewahren Sie den Befüllungskanister an einem schattigen Ort in weiter Entfernung von Brandquellen auf.

# Bedienung des Motors

## Starten des Motors

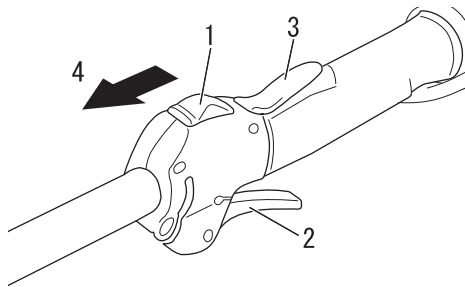
### **WARNUNG**

- Beachten Sie beim Starten des Motors die Sicherheitsanweisungen ab Seite 4 im Abschnitt „Sichere Verwendung des Produkts“, um eine einwandfreie Bedienung des Geräts sicherzustellen.
- Das Gerät startet, sobald der Motor eingeschaltet wird. Dies kann zu einem Kontrollverlust und zu schweren Verletzungen führen. Halten Sie die beweglichen Teile des Geräts fern vom Boden und von Gegenständen, die eingezogen oder weggestoßen werden könnten.
- Justieren Sie zunächst den Vergaser, wenn sich die Schneidmesser beim Starten bewegen, obwohl sich der Gashebel in der Leerlaufstellung befindet. Erst danach können Sie das Gerät gefahrlos verwenden.
- Die Schneidmesser setzen sich in Bewegung, sobald der Motor die Drehzahl erreicht, bei der die Kupplung einrückt.
- ◆ Eine Nichtbefolgung der Sicherheitsregeln kann zu Unfällen, Verletzungen oder sogar zum Tod führen.

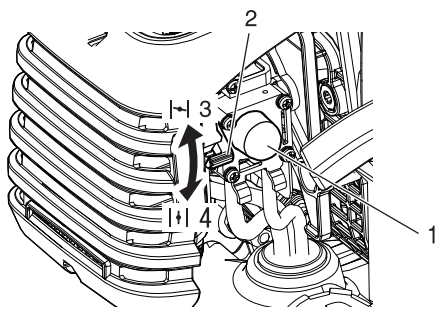
### **HINWEIS**

- ♦ Ziehen Sie den Startergriff zuerst langsam und dann allmählich schneller heraus. Ziehen Sie das Starterseil höchstens auf 2/3 seiner Länge heraus.
- ♦ Lassen Sie den Startergriff beim Zurückschnellen nicht los.

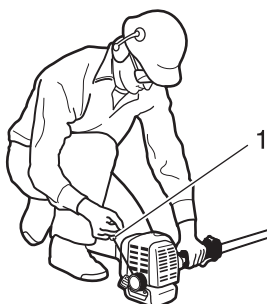
### Starten eines kalten Motors



- 1. Zündschalter
- 2. Gashebel
- 3. Gashebelsperre
- 4. Starten



- 1. Kraftstoffpumpe
- 2. Chokehebel
- 3. Kaltstart
- 4. Betrieb



- 1. Startergriff

(Stecken Sie den Zündkerzenstecker wieder auf, wenn das Produkt lange Zeit nicht benutzt wurde.)

Beim Starten kommt es darauf an, ob der Motor kalt oder warm ist. Gehen Sie bei einem kalten Motor folgendermaßen vor:

1. Entfernen Sie die Schneidmesserabdeckung, und überprüfen Sie die Schneidmesser. Falls es Schäden aufweist, ersetzen Sie es durch ein neues.
2. Legen Sie das Produkt flach auf den Boden, und sorgen Sie durch Unterlegen eines Balkens oder eines ähnlichen Hilfsmittels dafür, dass die Messer weder den Boden noch irgendein Hindernis berühren.
3. Vergewissern Sie sich, dass nirgendwo Kraftstoff austritt.
4. Stellen Sie den Zündschalter auf „Start“.
5. Stellen Sie den Chokehebel auf die Position „Kaltstart“.
6. Betätigen Sie die Kraftstoffpumpe so oft (drücken und loslassen), bis sie Kraftstoff angesaugt hat.
7. Umfassen Sie, nachdem Sie die Sicherheit des Arbeitsbereichs überprüft haben, den hinteren Handgriff fest mit der linken Hand (siehe Abbildung), und ziehen Sie mehrmals am Startergriff.
8. Falls Sie ein explosionsartiges Geräusch hören und der Motor sofort stillsteht, stellen Sie den Chokehebel auf „Run“ (Betrieb), und ziehen Sie wiederholt am Startergriff, um den Motor zu starten.
9. Falls der Motor beim Ausführen von Schritt 7 (siehe oben) sofort anspringt, stellen Sie den Chokehebel langsam wieder auf „Run“ (Betrieb).
10. Lassen Sie den Motor eine Weile im Leerlauf warmlaufen.
11. Lösen Sie die Gashebelsperre und betätigen Sie langsam den Gashebel.

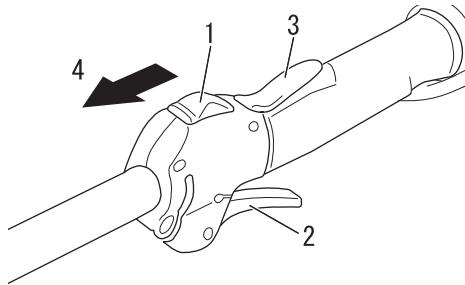


# Bedienung des Motors

## Warmlaufen des Motors

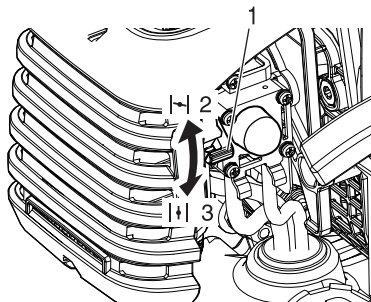
1. Sobald der Motor läuft, lassen Sie ihn 2 bis 3 Minuten im Leerlauf (niedrige Drehzahl) warmlaufen.
2. Das Warmlaufen des Motors sorgt für eine gleichmäßigere Schmierung im Inneren. Lassen Sie den Motor vollständig warmlaufen, insbesondere bei Kälte.

## Starten eines warmen Motors



1. Zündschalter
2. Gashebel
3. Gashebelsperre
4. Starten

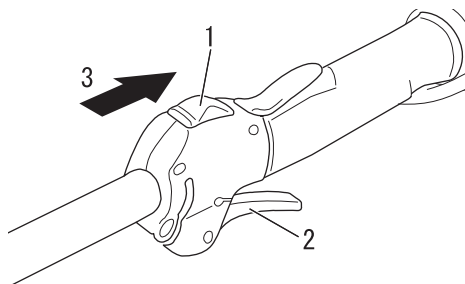
1. Stellen Sie den Zündschalter auf „Start“.
2. Stellen Sie sicher, dass sich der Gashebel in der Leerlaufstellung befindet.



1. Chokehebel
2. Kaltstart
3. Betrieb

3. Stellen Sie sicher, dass sich der Chokehebel in der Position „Run“(Betrieb) befindet.
4. Sofern Kraftstoff im Tank vorhanden ist, ziehen Sie am Startergriff, um den Motor zu starten.
5. Ist kein Kraftstoff in der Kraftstoffpumpe sichtbar, betätigen Sie die Kraftstoffpumpe so oft (drücken und loslassen), bis sie Kraftstoff angesaugt hat.
6. Überprüfen Sie die Sicherheit des Arbeitsbereichs, und ziehen Sie zum Starten des Motors am Startergriff.

## Stoppen des Motors



1. Zündschalter
2. Gashebel
3. Stop

1. Lassen Sie den Gashebel los und bringen Sie den Motor auf Leerlaufdrehzahl (niedrige Drehzahl).
  2. Stellen Sie den Zündschalter in die Position „Stopp“.
  3. Stoppen Sie den Motor im Notfall sofort mit Hilfe des Zündschalters.
  4. Falls der Motor dadurch nicht gestoppt wird, bringen Sie den Chokehebel in die Position „Kaltstart“. Der Motor wird „abgewürgt“ und dadurch angehalten (Choke-Stopp).
- \* Lassen Sie den Zündschalter von Ihrem Händler überprüfen und reparieren, bevor Sie das Produkt erneut verwenden, wenn sich der Motor mit dem Stoppschalter nicht stoppen lässt.

### **WARNUNG**

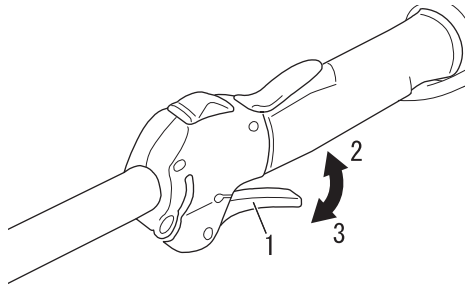
- Die Schneidvorrichtung kann sich auch nach dem Abschalten des Motors weiterbewegen.

# Schneiden von Hecken und Sträuchern

## Grundlagen / Heckenschneiden

### HINWEIS

- ♦ Dieses Gerät ist für das Schneiden von Sträuchern und Hecken mit Zweigen von max. 6 mm Durchmesser ausgelegt.
- ♦ Führen Sie alle Schneidarbeiten bei Vollgas durch. Wenn Sie mit geringeren Geschwindigkeiten als Vollgas arbeiten, schleift möglicherweise die Kupplung; dies kann zu einer Beschädigung der Kupplung führen. Lassen Sie den Motor nicht mit Vollgas laufen, wenn Sie keine Schneidarbeiten durchführen.



1. Gashebel  
2. Hohe Drehzahl  
3. Leerlauf

Wenn nach dem Starten des Motors der Gashebel betätigt wird, erhöht sich die Motordrehzahl, und die Messer setzen sich in Bewegung. Stellen Sie die Motordrehzahl je nach Aufgabe ein (z. B. entsprechend der zu schneidenden Hecke/Aststärke).



### Arbeitsposition

- ♦ Halten Sie den Griff mit der rechten, den Vorderer Griff mit der linken Hand.
- ♦ Halten Sie Ihren linken Arm bequem ausgestreckt.

### Arbeiten mit der Heckenschere

#### Vorbereitung

- ♦ Entfernen Sie dickere Äste zunächst mit einer Astschere.

#### Schnittfolge

- ♦ Sollte ein Radialschnitt erforderlich sein, gehen Sie schrittweise in mehreren Durchgängen vor.

#### Schnitttechniken

##### ○ Vertikalschnitt:

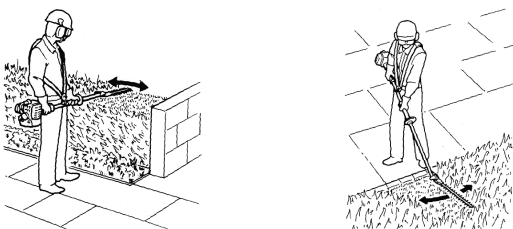
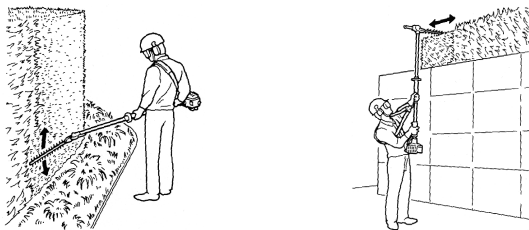
- ♦ Führen Sie das Messer bogenförmig auf und ab, während Sie sich entlang der Hecke vorarbeiten. Nutzen Sie beide Seiten des Messers.
- ♦ Halten Sie einen Abstand zur Hecke ein, z. B. ein Blumenbeet, und stehen Sie nicht zu dicht an der Hecke.

##### ○ Überkopfschnitt:

- ♦ Halten Sie den Schaft senkrecht nach oben mit einem eingestellten Schnittwinkel von 90°, um die obere Heckenkante zu beschneiden.

##### ○ Horizontalschnitt:

- ♦ Halten Sie das Schneidmesser in einem Winkel zwischen 0° bis 10°, während Sie die Heckenschere horizontal hin- und herführen.
- ♦ Führen Sie das Messer bogenförmig zur Außenkante der Hecke, so dass das Schnittgut zu Boden fällt.
- ♦ Stehen Sie beim Schneiden nicht zu dicht an der Hecke; arbeiten Sie z. B. über ein Blumenbeet hinweg.
- ♦ Arbeiten Sie auch bei niedrigen Sträuchern stets im Stehen.





## Wartung und Pflege

Wenden Sie sich bei Fragen oder Problemen bitte an Ihren Händler.

### Allgemeine Wartung

#### WICHTIG

Wartung, Austausch oder Reparatur von Emissionsregelungssystemen dürfen von beliebigen Reparaturbetrieben oder Einzelpersonen vorgenommen werden. Reparaturen im Rahmen der Garantie müssen hingegen von einem von der YAMABIKO CORPORATION autorisiertem Händler oder einer entsprechenden Servicewerkstatt ausgeführt werden. Die Verwendung von Ersatzteilen, die in Leistungsfähigkeit und Lebensdauer nicht den autorisierten Teilen entsprechen, kann die Wirksamkeit des Emissionsregelungssystems beeinträchtigen und sich möglicherweise negativ auf den Garantieanspruch auswirken.

#### **WARNUNG**

- Nicht genormte Zubehörteile, Schneidvorrichtungen oder Ersatzteile schränken möglicherweise die Funktionsfähigkeit Ihres Geräts ein und können zu Schäden und Verletzungen führen.
- Bevor Sie Wartungs-, Reparatur-, oder Reinigungsarbeiten am Gerät ausführen, vergewissern Sie sich, dass der Motor und die Schneidvorrichtung vollständig zum Stillstand gekommen sind. Ziehen Sie das Zündkerzenkabel ab, bevor Sie Reparatur- oder Wartungsarbeiten ausführen.
- Der Betrieb des Motors ohne einen Schalldämpfer bzw. einen Schalldämpfer, der beschädigt ist oder nicht korrekt installiert wurde, kann die Lautstärke des Motorengeräusches so weit erhöhen, dass Gehörverlust droht.

#### Schalldämpfer

Dieses Gerät darf nicht ohne bzw. mit einem beschädigten Funkenschutzsieb oder Schalldämpfer betrieben werden. Vergewissern Sie sich, dass der Schalldämpfer entsprechend gesichert ist und sich in einwandfreiem Zustand befindet. Ein abgenutzter oder beschädigter Schalldämpfer erhöht das Brandrisiko und kann zu Gehörverlust führen.

#### Zündkerze

Sorgen Sie dafür, dass Zündkerze und Verbindung stets sauber und fest angezogen sind.

#### Fasteners

Stellen Sie sicher, dass alle Muttern, Bolzen und Schrauben (außer den Vergasereinstellschrauben) fest angezogen sind.

### Justieren des Vergasers

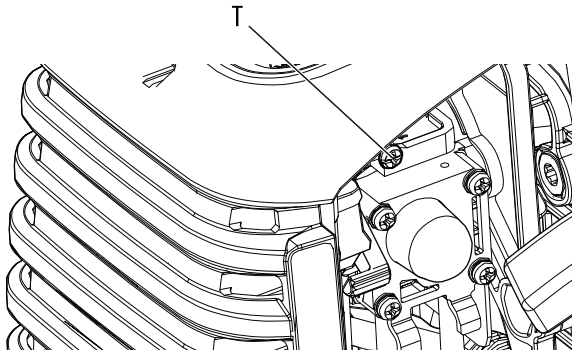
#### **WARNUNG**

Nach erfolgter Vergaserjustierung darf sich das Schneidmesser im Leerlauf nicht bewegen; ansonsten besteht die Gefahr schwerer Verletzungen.

#### **VORSICHT**

Die Leerlaufanschlagschraube (T) muss so justiert sein, dass sich das Schneidmesser beim Starten nicht bewegt. Wenden Sie sich bei Problemen mit dem Vergaser bitte an Ihren Händler.

# Wartung und Pflege

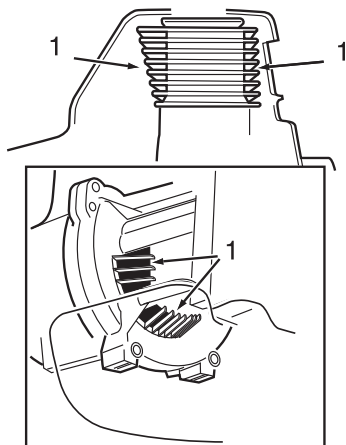


T: Leerlaufanschlagschraube

Jedes Gerät wird werkseitig einem Probelauf unterzogen, bei dem der Vergaser auf optimale Leistung eingestellt wird. Reinigen/wechseln Sie vor der Vergaserjustierung Sie den Luftfilter, starten Sie den Motor, und lassen Sie ihn einige Minuten warmlaufen.

1. Einstellen der Leerlaufanschlagschraube.  
Starten Sie den Motor, und drehen Sie die Leerlaufanschlagschraube (T) im Uhrzeigersinn, bis sich das Schneidmesser in Bewegung setzt. Anschließend die Schraube (T) solange gegen den Uhrzeigersinn zurückdrehen, bis das Schneidmesser wieder stehen bleibt. Drehen Sie danach die Schraube eine weitere 1/2 Umdrehung heraus (gegen den Uhrzeigersinn).
2. Geben Sie 2 bis 3 Sekunden Vollgas, um überschüssigen Kraftstoff aus dem Vergaser zu entfernen, und kehren Sie dann in den Leerlauf zurück. Geben Sie erneut Vollgas, um den gleichmäßigen Drehzahlanstieg aus dem Leerlauf auf Höchstzahl zu prüfen.

## Tägliche Wartung



1. Kühlrippen

Führen Sie zu Arbeitsbeginn immer die folgenden Schritte aus:

- ♦ Entfernen Sie Schmutz und Schnittgut vom Motor, und beheben Sie ggf. Verstopfungen von Kühlrippen und Luftfilter.
- ♦ Entfernen Sie Ansammlungen von Schmutz und Fremdkörpern vom Schalldämpfer und dem Kraftstofftank. Überprüfen Sie die Luftzufuhröffnungen unten am Kurbelgehäuse. Entfernen Sie sämtliche Fremdkörper. Schmutzansammlungen in diesen Bereichen können zur Überhitzung des Motors, Brandentwicklung und zu übermäßiger Abnutzung führen.
- ♦ Schmieren Sie die Schneidmesser vor dem Betrieb und nach dem Auftanken. Überprüfen Sie die Schneidmesser auf Beschädigung und korrekte Justierung.

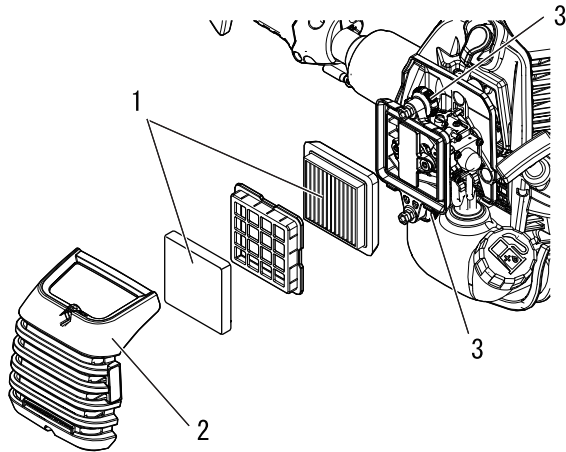
### **⚠️ WARNUNG**

○ **Tragen Sie beim Umgang mit der Schneidvorrichtung stets Arbeitshandschuhe.**

◆ Eine Nichtbefolgung der Sicherheitsregeln kann zu Unfällen, Verletzungen oder sogar zum Tod führen.

- ♦ Befreien Sie die Schneidvorrichtung von Schmutz oder Fremdkörpern.
- ♦ Achten Sie auf lose oder fehlende Schrauben und Teile. Stellen Sie sicher, dass die Schneidvorrichtung sicher angebracht ist.
- ♦ Überprüfen Sie das gesamte Gerät auf austretenden Kraftstoff oder Schmiermittel.
- ♦ Stellen Sie sicher, dass alle Muttern, Bolzen und Schrauben (außer den Vergasereinstellschrauben) fest angezogen sind.

## 10-Stunden-Wartung



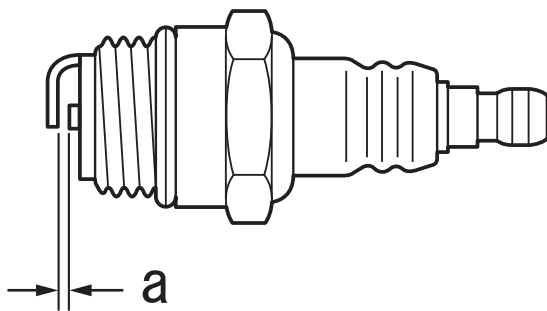
1. Luftfilter  
2. Luftfilterabdeckung  
3. Verschlussknopf Luftfilterabdeckung

1. Schließen Sie den Choke. Den Verschlussknopf Luftfilterabdeckung lösen und die Luftfilterabdeckung entfernen. (Der Luftfilter befindet sich in der Abdeckung.)
2. Reinigen Sie den Filter durch Abbürsten oder mittels Druckluft.
3. Bauen Sie nun den Luftfilter wieder ein, und montieren Sie die Abdeckung.
4. Verriegeln Sie die Luftfilterabdeckung.

### **⚠ VORSICHT**

- **Betreiben Sie das Gerät nie bei defektem oder fehlendem Luftfilter.**

## Wartung nach 10/15 Betriebsstunden

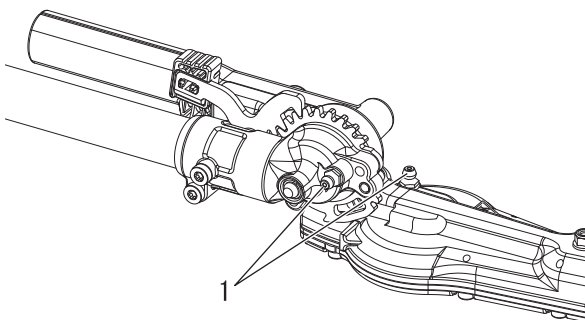


a: 0,6 - 0,7 mm

Entfernen und reinigen bzw. ersetzen Sie die Zündkerze

- ♦ Prüfen Sie den Elektrodenabstand. Der korrekte Abstand beträgt 0,6 bis 0,7 mm.
- ♦ Prüfen Sie die Elektrode auf Verschleiß.
- ♦ Prüfen Sie den Isolierkörper auf Öl- oder andere Ablagerungen.
- ♦ Ersetzen Sie die Zündkerze ggf. durch eine neue, und ziehen Sie sie mit 10 N•m - 15 N•m (100 kgf•cm - 150 kgf•cm) fest.

## Wartung nach 15/20 Betriebsstunden



1. Schmiernippel am Messertrieb

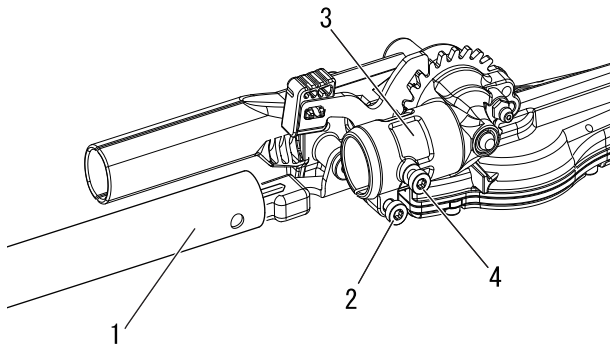
### Schmieren des Messertriebs

1. Wischen Sie den Schmiernippel ab.
2. Schmieren Sie das Getriebe der Schneidvorrichtung, indem Sie mit einer Hebel-Fettpresse ein bis zwei Kolben Lithium-Schmiermittel in die Schmiernippel pumpen.

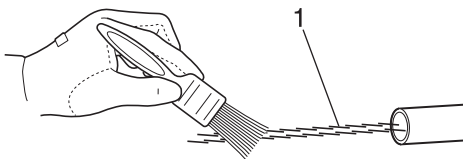
### **⚠ VORSICHT**

- **Übermäßiges Schmieren kann das Getriebe schwerfälliger machen und dazu führen, dass Schmiermittel austritt.**

# Wartung und Pflege



- 1. Außenrohr
- 2. Klemmbolzen am Messerantrieb
- 3. Getriebegehäuse
- 4. Rastbolzen



- 1. Antriebswelle

## Schmierung der Antriebswelle

1. Lösen Sie den Klemmbolzen am Messerantrieb.
2. Entfernen Sie den Rastbolzen aus dem Messerantrieb.
3. Entfernen Sie das Außenrohr vom Messerantriebsgehäuse.

4. Ziehen Sie die Antriebswelle aus dem Außenrohr, und reinigen Sie sie mit einem Lappen. Tragen Sie 10 bis 20 g Schmiermittel auf Lithium-Basis auf, sodass eine dünne Schicht entsteht.
5. Schieben Sie die Antriebswelle in das Rohr zurück, achten Sie dabei darauf, dass kein Schmutz auf die Antriebswelle gerät.
6. Richten Sie das Schraubenloch im Getriebegehäuse und das Positionierloch im Außenrohr aufeinander aus, montieren Sie den Rastbolzen, ziehen Sie diesen fest, und ziehen Sie anschließend den Klemmbolzen fest.

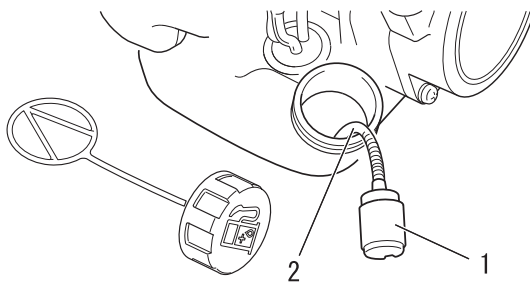
## 50-Stunden-Wartung

### Zylinderrippen

- ♦ Entfernen und reinigen Sie die Zylinderabdeckung. Reinigen Sie die Zylinderrippen.

### Entfernen und ersetzen Sie den Kraftstofffilter

- ♦ Ziehen Sie den Kraftstofffilter mit Hilfe eines Metalldrahts o. Ä. durch die Tanköffnung heraus.
- ♦ Ziehen Sie den alten Filter von der Kraftstoffleitung ab.
- ♦ Installieren Sie den neuen Filter.



- 1. Kraftstofffilter
- 2. Kraftstoffleitung

## HINWEIS

Ersetzen Sie den Filter, wenn er stark verschmutzt oder beschädigt ist.

## Reinigen des Schalldämpfers

### **⚠️ WARNUNG**

○ **Betreiben Sie das Gerät nie bei defektem oder fehlendem Schalldämpfer oder Funkenschutz. Ein Betreiben des Geräts mit defektem oder fehlendem Funkenschutz stellt eine Brandgefahr dar, auch können Sie Gehörschäden davontragen.**

- ◆ Kohlenstoffablagerungen im Schalldämpfer verringern die Motorleistung und führen zu Überhitzung. Das Funkenschutzsieb muss regelmäßig geprüft werden. Ablagerungen vom Schalldämpfer entfernen.

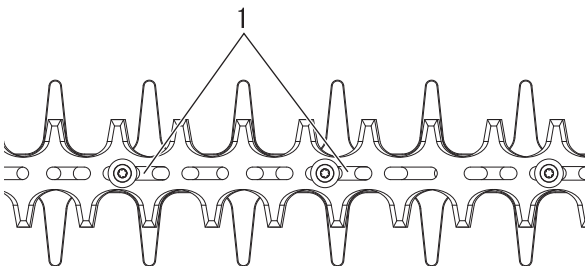
### **WICHTIG**

Die Schalldämpferabdeckung nicht ausbauen. Fragen Sie bei Bedarf bitte Ihren Händler um Rat.

## Pflege der Schneidmesser

### **⚠️ VORSICHT**

- **Zum Schutz der Hände vor den scharfen Schneidmessern stets Schutzhandschuhe tragen.**
- ◆ Eine Nichtbeachtung dieser Vorsichtsmaßnahme kann zu Verletzungen führen.



1. Schraubenschlitze

### **Schneidmesser schmieren (alle 4 Betriebsstunden)**

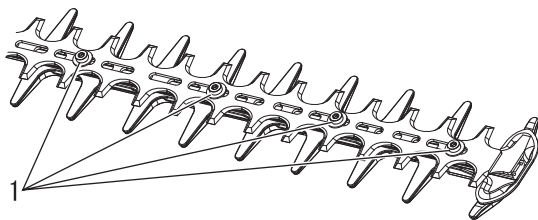
Geben Sie einige Tropfen Öl auf die Schraubenschlitze an der Unterseite der Schneidmesser.

### **Schneidmesser reinigen (nach jeder Verwendung des Geräts)**

Entfernen Sie Harzrückstände an den Messern mit einem Gemisch (Verhältnis 50:50) aus Kerosin (Paraffin) und Maschinenöl.

### **Einstellen des Schneidmessers**

Bei Standardmessern ist kein regelmäßiges Einstellen erforderlich. Stellen Sie sicher, dass alle Schrauben für die Messer fest angezogen und in gutem Zustand sind.



1. Schraube

# Wartung und Pflege

## Fehlerbehebung

Problem	Diagnose	Ursache	Lösung
Der Motor lässt sich nicht starten.		<ul style="list-style-type: none"> <li>♦ Im Kraftstofftank ist kein Kraftstoff</li> <li>♦ Der Stoppschalter befindet sich in der Position „Stopp“</li> <li>♦ Es wurde zu viel Kraftstoff angesaugt</li> <li>♦ Elektrischer Defekt</li> <li>♦ Vergaser defekt oder innerlich verklebt</li> <li>♦ Interner Defekt des Motors.</li> </ul>	<ul style="list-style-type: none"> <li>♦ Kraftstoffversorgung</li> <li>♦ Auf „Start“ stellen</li> <li>♦ Motor nach Wartung starten</li> <li>♦ Händler um Rat fragen</li> <li>♦ Händler um Rat fragen</li> <li>♦ Händler um Rat fragen</li> </ul>
Motor lässt sich schwer starten, Drehzahl schwankt	Kraftstoff tritt in das Überlaufrohr ein	<ul style="list-style-type: none"> <li>♦ Kraftstoffalterung</li> <li>♦ Vergaserstörung</li> </ul>	<ul style="list-style-type: none"> <li>♦ Kraftstoff durch neuen ersetzen</li> <li>♦ Händler um Rat fragen</li> </ul>
	In das Überlaufrohr tritt kein Kraftstoff ein.	<ul style="list-style-type: none"> <li>♦ Kraftstofffilter ist verstopft</li> <li>♦ Kraftstoffsystem ist verstopft</li> <li>♦ Innere Vergaserteile sind verklebt</li> </ul>	<ul style="list-style-type: none"> <li>♦ Reinigen oder ersetzen</li> <li>♦ Händler um Rat fragen</li> <li>♦ Händler um Rat fragen</li> </ul>
	Die Zündkerze ist verschmutzt oder feucht.	<ul style="list-style-type: none"> <li>♦ Kraftstoffalterung</li> <li>♦ Falscher Elektrodenabstand</li> <li>♦ Kohlenstoffablagerungen</li> <li>♦ Elektrischer Defekt</li> </ul>	<ul style="list-style-type: none"> <li>♦ Ersetzen</li> <li>♦ Ersetzen</li> <li>♦ Ersetzen</li> <li>♦ Händler um Rat fragen</li> </ul>
Motor springt an, Drehzahl lässt sich jedoch nicht erhöhen.		<ul style="list-style-type: none"> <li>♦ Verschmutzter Luftfilter</li> <li>♦ Verschmutzter Kraftstofffilter</li> <li>♦ Verstopfte Kraftstoffleitung</li> <li>♦ Falsch justierter Vergaser.</li> <li>♦ Verstopfte Auspuff- oder Schalldämpferöffnung</li> </ul>	<ul style="list-style-type: none"> <li>♦ Reinigen oder ersetzen</li> <li>♦ Reinigen oder ersetzen</li> <li>♦ Händler um Rat fragen</li> <li>♦ Justieren</li> <li>♦ Reinigen</li> </ul>
Der Motor geht aus		<ul style="list-style-type: none"> <li>♦ Falsch justierter Vergaser.</li> <li>♦ Elektrischer Defekt</li> </ul>	<ul style="list-style-type: none"> <li>♦ Justieren</li> <li>♦ Händler um Rat fragen</li> </ul>
Der Motor lässt sich nicht ausschalten		<ul style="list-style-type: none"> <li>♦ Fehlfunktion Stoppschalter</li> </ul>	<ul style="list-style-type: none"> <li>♦ NOT-AUS durchführen und Händler um Rat fragen</li> </ul>
Die Schneidmesser bewegen sich, wenn Motor im Leerlauf ist		<ul style="list-style-type: none"> <li>♦ Falsch justierter Vergaser.</li> <li>♦ Beschädigte Kupplungsfeder</li> </ul>	<ul style="list-style-type: none"> <li>♦ Justieren</li> <li>♦ Händler um Rat fragen</li> </ul>
Die Schneidmesser werden stumpf		<ul style="list-style-type: none"> <li>♦ Abgenutzte Schneidmesser</li> <li>♦ Zu großer Abstand zwischen Ober- und Untermesser</li> <li>♦ Kupplung schleift</li> </ul>	<ul style="list-style-type: none"> <li>♦ Händler um Rat fragen</li> <li>♦ Händler um Rat fragen</li> <li>♦ Händler um Rat fragen</li> </ul>

- ♦ Für Überprüfung und Wartung sind entsprechende Fachkenntnisse erforderlich. Wenn Sie das Produkt nicht selbst überprüfen, warten oder instand setzen können, wenden Sie sich an Ihren Händler. Versuchen Sie nicht, das Gerät zu zerlegen.
- ♦ Bei Problemen oder Störungen, die nicht in der obigen Tabelle genannt werden, wenden Sie sich an Ihren Händler.
- ♦ Verwenden Sie nur Original-Ersatzteile und -Verbrauchsprodukte, die für das Gerät zugelassen sind. Die Verwendung von Teilen anderer Hersteller oder nicht zugelassener Produkte kann zu Fehlfunktionen führen.

## HINWEIS

### Soft-Startergriff (siehe Seite 2)

Wenn sich der Startergriff nicht leicht betätigen lässt, weist dies auf ein Problem im Motor hin.

Bitte wenden Sie sich an Ihren Händler.

Bei unsachgemäßer Demontage drohen Verletzungen.

## Langfristige Lagerung (30 Tage und länger)

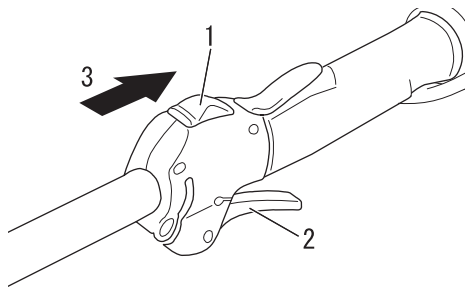
### **WARNUNG**

Lagern Sie das Gerät nicht in verschlossenen Räumen, aus denen Kraftstoffverdunstungen nicht entweichen können, und nicht in der Nähe von Flammen oder Funken.

◆ Brandgefahr.



Gehen Sie folgendermaßen vor, wenn Sie das Produkt lange Zeit lagern möchten (30 Tage und länger):



1. Zündschalter  
2. Gashebel

3. Stop

1. Entleeren Sie den Kraftstofftank vollständig.
  - A. Entfernen Sie den gesamten Kraftstoff aus dem Kraftstofftank.
  - B. Entfernen Sie den Kraftstoff aus der Kraftstoffpumpe, indem Sie sie mehrmals drücken und wieder loslassen.
  - C. Starten Sie den Motor, und lassen Sie ihn mit Leerlaufdrehzahl laufen, bis er von selbst ausgeht.
2. Stellen Sie den Zündschalter in die Position „Stopp“.
3. Wischen Sie Schmierfett, Öl, Staub und andere Ablagerungen außen am Trimmer ab.
4. Führen Sie die regelmäßigen Überprüfungen durch, die in dieser Bedienungsanleitung beschrieben sind.
5. Vergewissern Sie sich, dass Schrauben und Muttern fest angezogen sind. Ziehen Sie lose Schrauben und Muttern fest.
6. Entfernen Sie die Zündkerze, und füllen Sie die erforderliche Menge (ca. 10 ml) frisches Zweitaktmotoröl durch die Zündkerzenöffnung in den Zylinder ein.
  - A. Legen Sie ein sauberes Tuch über die Zündkerzenöffnung.
  - B. Ziehen Sie zwei- bis dreimal am Startergriff, um das Motoröl im Zylinder zu verteilen.
  - C. Beobachten Sie die Lage des Kolbens durch die Zündkerzenöffnung. Ziehen Sie am Griff des Reversierstarters, bis der Kolben den oberen Totpunkt erreicht, und belassen Sie den Griff in dieser Stellung.
7. Bauen Sie die Zündkerze ein (schließen Sie den Zündkerzenstecker nicht an.)
8. Schmieren Sie die Schneidmesser mit genügend Öl, um die Bildung von Rost zu verhindern.
9. Lassen Sie das Gerät ausreichend abkühlen und trocknen. Versehen Sie die Schneidmesser anschließend mit der Schneidmesserabdeckung, und hüllen Sie den Motorbereich zur Lagerung in eine Plastiktüte o. Ä.
10. Lagern Sie das Gerät trocken, staubfrei und für Kinder bzw. unbefugte Personen unzugänglich.

# Entsorgungshinweise

---



- ♦ Entsorgen Sie Altöl unter Einhaltung der gesetzlichen Vorschriften Ihres Landes.
- ♦ Auf den größeren Kunststoffteilen des Produkts befindet sich jeweils eine Kennzeichnung (Code) des Werkstoffs. Diese Codes beziehen sich auf die folgenden Werkstoffe; entsorgen Sie diese Kunststoffteile unter Einhaltung der gesetzlichen Vorschriften Ihres Landes.

Kennzeichnung	Werkstoff
>PA6-GF<	Nylon 6 - Glasfaser
>PP-GF<	Polypropylen - Glasfaser
>PE-HD<	Polyethylen

- ♦ Wenn Sie Fragen zur korrekten Entsorgung von Altöl oder Kunststoffteilen haben, setzen Sie sich bitte mit Ihrem Fachhändler in Verbindung.



# Technische Daten

		AH262S-HD
<b>Außenabmessungen:</b> Länge x Breite x Höhe	mm	2440 × 273 × 260
<b>Gewicht:</b> Gerät mit vorgeschriebener Schneidvorrichtung, leerer Tank	kg	6,5
Gerät mit vorgeschriebener Schneidvorrichtung, voller Tank	kg	7,0
<b>Fassungsvermögen:</b> Kraftstofftank	ml	600
<b>Kraftstoff:</b>  Öl  Mischverhältnis		Bleifreies Normalbenzin. Verwenden Sie bleifreies Benzin mit mindestens 89 Oktan. Verwenden Sie keinen Kraftstoff mit Methylalkohol oder mehr als 10 % Ethylalkohol.  Motoröl für luftgekühlte Zweitaktmotoren. ISO-L-EGD Standard (ISO/CD 13738), JASO FC/FD grade and Shindaiwa Premium 50:1 oil.  50: 1 (2 %)
<b>Schneidvorrichtung:</b> Typ		Gegenläufiges, doppelseitiges Messer
Schneidlänge	mm	536
Zahnteilung	mm	35
Höhe	mm	21
<b>Untersetungsverhältnis und Schmierung:</b>		Untersetzung 4,60; hochwertiges Lithium-Schmiermittel
<b>Motor:</b> Typ		Luftgekühlter Zweitakt-Einzylindermotor
Vergaser		Membrantyp
Zündung / Magnetinduktor		Schwungmagnetzündler: CDI-System
Zündkerze		NGK CMR7H
Anlasser		Reversierstarter
Kraftübertragung		Automatische Fliehkraftkupplung
Hubraum	cm <sup>3</sup>	25,4
Maximale Motorleistung (ISO 8893)	kW	1,04
Kraftstoffverbrauch bei maximaler Motorleistung	l/h	0,61
Empfohlene maximale Motordrehzahl (mit angebrachter Standardschneidvorrichtung)	U/min	11500
Empfohlene Leerlaufdrehzahl	U/min	3000
<b>Schwingungspegel:</b> (ISO 10517) $a_{hv, eq}$		
Vorderer Griff / hinterer Griff	m/s <sup>2</sup>	7,3 / 7,1
Unsicherheit: K	m/s <sup>2</sup>	5,0
<b>Schalldruckpegel:</b> (ISO 10517) $L_{pAd}$ (= $L_{pAeq}$ + $K_{pA}$ )	dB (A)	96,6
Unsicherheit: $K_{pA}$	dB (A)	2,5
<b>Schalleistungspegel:</b> (ISO 10517) $L_{WAAd}$ (= $L_{WAeq}$ + $K_{WA}$ )	dB (A)	109,0
Unsicherheit: $K_{WA}$	dB (A)	2,5

Änderungen der technischen Daten vorbehalten.

# Konformitätserklärung

---

Der unterzeichnete Hersteller:

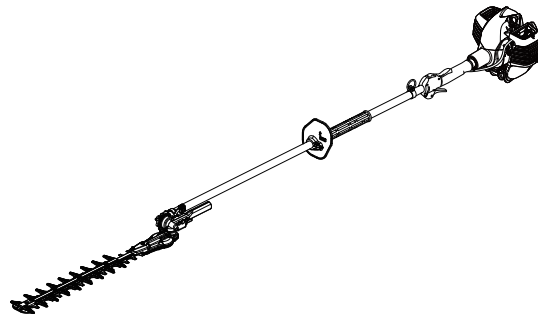
YAMABIKO CORPORATION  
1-7-2 Suehirocho  
Ohme, Tokio 198-8760  
JAPAN

Diese Konformitätserklärung wird unter der alleinigen Verantwortung des Herstellers erstellt.

erklärt, dass das nachstehend spezifizierte neue Gerät:

## TRAGBARE MOTORHECKENSCHERE

**Marke: Shindaiwa**  
**Typ: AH262S-HD**



Folgendes erfüllt:

- \* Anforderungen der Richtlinie **2006/42/EG** (Verwendung der harmonisierten Norm **EN ISO 10517: 2009**)
- \* Anforderungen der Richtlinie **2014/30/EU** (Anwendung der harmonisierten Norm **EN ISO 14982: 2009**)
- \* Anforderungen der Richtlinie **2000/14/EG**

Konformitätsbewertungsverfahren nach **ANHANG V**

Gemessener Schalleistungspegel: **107 dB(A)**

Garantierter Schalleistungspegel: **110 dB(A)**

Seriennummer 37001001 bis 37100000

Tokio, 1. September 2018

**YAMABIKO CORPORATION**

*Masayuki Kimura*

---

**Der Dokumentenbevollmächtigte in Europa, welcher autorisiert ist, die technischen Daten zusammenzustellen.**

Unternehmen: CERTIFICATION EXPERTS B.V.

Adresse: Stationsplein 30, 1382AD Weesp, Niederlande

**Masayuki Kimura**

**Hauptabteilungsleiter**  
**Abteilung Qualitätssicherung**

**Herr Richard Glaser**

# NOTIZEN

# YAMABIKO CORPORATION

1-7-2 Suehirocho, Ohme, Tokio 198-8760 JAPAN

TELEFON: 81-428-32-6118. FAX: 81-428-32-6145.

# shindaiwa®

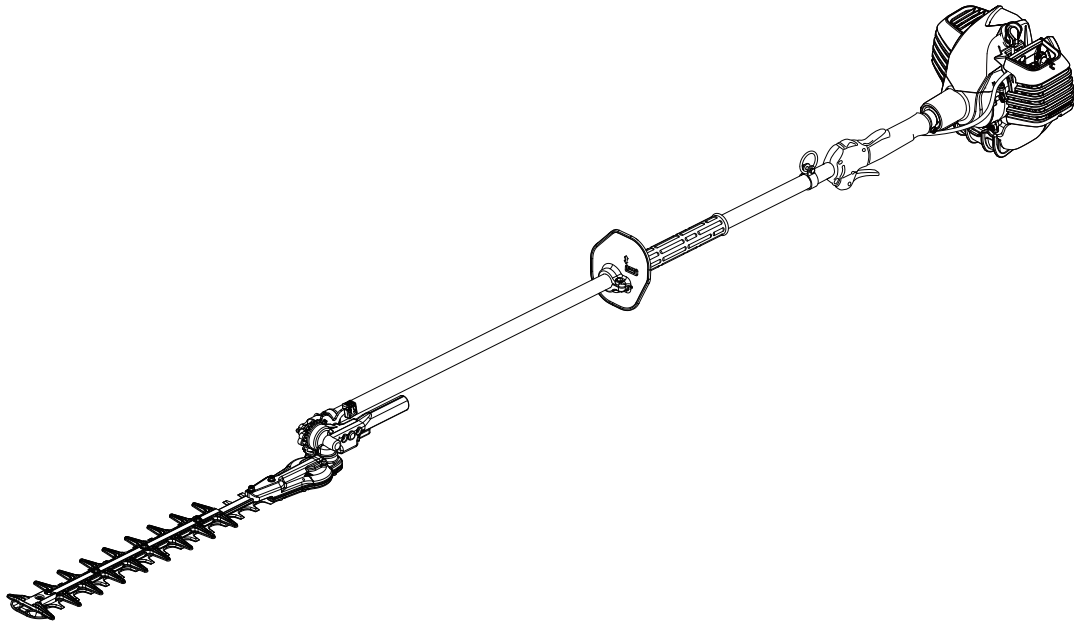


X750-029111

X750234-3201

# shindaiwa®

IT ITALIANO  
(Istruzioni originali)



## MANUALE PER L'OPERATORE

# TAGLIASIEPI ARTICOLATO AH262S-HD

### AVVERTENZA

LEGGERE E SEGUIRE ATTENTAMENTE LE ISTRUZIONI PER LAVORARE IN CONDIZIONI DI MASSIMA SICUREZZA.  
LA MANCATA OSSERVANZA DELLE ISTRUZIONI POTREBBE PROVOCARE LESIONI GRAVI.



# Informazioni importanti

---

**Si raccomanda di leggere il manuale per l'operatore prima di utilizzare questo prodotto.**

## ○ Funzione di questo prodotto

- ♦ I taglia siepi shindaiwa sono attrezzi a benzina leggeri e a elevate prestazioni per il taglio di siepi e arbusti.
- ♦ Non usare questa macchina per fini diversi da quelli sopra menzionati.

## ○ Utenti del prodotto

- ♦ Prima di utilizzare questo prodotto leggere attentamente e assimilare il contenuto del manuale per l'operatore.
- ♦ Non utilizzare questo prodotto senza aver prima letto attentamente il manuale per l'operatore, in condizioni debilitate a causa di raffreddore o stanchezza o in condizioni fisiche e psicologiche non ottimali; inoltre vietare l'uso ai bambini.
- ♦ Tenere presente che l'operatore o l'utente è responsabile di eventuali rischi o incidenti provocati ad altre persone o alle proprietà altrui.

## ○ Informazioni sul manuale per l'operatore

- ♦ Questo manuale contiene informazioni necessarie per il funzionamento e la manutenzione del prodotto. Si raccomanda di leggerlo attentamente e di assimilarne il contenuto.
- ♦ Tenere sempre il manuale in un posto facilmente accessibile.
- ♦ Se il manuale viene smarrito o danneggiato e non può essere consultato, acquistarne uno nuovo presso il rivenditore Shindaiwa.
- ♦ Le unità di misura utilizzate in questo manuale sono espresse in conformità al sistema internazionale. Le cifre riportate tra parentesi sono valori di riferimento e in alcuni casi ci potrebbero essere lievi errori di conversione.

## ○ Prestito o cessione del prodotto

- ♦ In caso di prestito o cessione del prodotto descritto in questo manuale, consegnare alla persona che lo riceve in prestito e che dovrà utilizzarlo anche il manuale per l'operatore. Anche in caso di cessione, consegnare il prodotto insieme al manuale per l'operatore.

## ○ Richieste

- ♦ Per ricevere ulteriori informazioni sul prodotto, per l'acquisto di articoli di consumo, per riparazioni e altre eventuali richieste, contattare il proprio rivenditore Shindaiwa.

## ○ Avvisi

- ♦ Il contenuto di questo manuale può essere modificato senza preavviso per renderlo conforme a eventuali aggiornamenti al prodotto. Alcune illustrazioni potrebbero essere diverse dal prodotto per rendere le spiegazioni più chiare.
- ♦ Questo prodotto richiede l'assemblaggio di alcune parti.
- ♦ Consultare il proprio rivenditore Shindaiwa per ulteriori chiarimenti.

## ○ Funzioni di questo modello: **Sure Start**

- ♦ **Sure Start** genera una potenza sufficiente a ruotare l'albero motore alla velocità necessaria per accendere il motore, quasi senza contraccolpi. **Sure Start** rende l'accensione del motore eccezionalmente facile.

## Produttore

### **YAMABIKO CORPORATION**

**1-7-2 Suehirocho, Ohme, Tokyo 198-8760 GIAPPONE**

## Rappresentante autorizzato in Europa:

### **CERTIFICATION EXPERTS B.V.**

**Stationsplein 30, 1382AD Weesp, The Netherlands**

Per un uso sicuro del prodotto .....	4
Messaggi di avviso .....	4
Altri indicatori .....	4
Simboli .....	4
Posizione in cui è applicata la decalcomania .....	6
Gestione del carburante .....	7
Gestione del motore .....	7
Gestione del prodotto .....	9
Contenuto della confezione .....	13
Descrizione .....	14
Prima di iniziare .....	15
Montaggio .....	15
Regolazione angolo di taglio .....	17
Cinghia a bandoliera .....	18
Preparazione del carburante .....	19
Funzionamento del motore .....	20
Avviamento del motore .....	20
Arresto del motore .....	22
Taglio di siepi e arbusti .....	23
Funzionamento base del tagliaiepi .....	23
Manutenzione e cura .....	24
Manutenzione e cura .....	24
Rimessaggio .....	30
Rimessaggio per un lungo periodo (oltre 30 giorni) .....	30
Procedura di smaltimento .....	31
Caratteristiche tecniche .....	32
Dichiarazione di conformità .....	33

# Per un uso sicuro del prodotto

## Leggere questa sezione prima di utilizzare il prodotto.

○ Le precauzioni descritte in questa sezione contengono importanti informazioni per la sicurezza. Si raccomanda di seguirle scrupolosamente.

○ Leggere anche le precauzioni presenti all'interno del manuale.

Il testo seguito da un contrassegno [a forma di rombo] descrive le potenziali conseguenze che si potrebbero verificare in caso di mancata osservanza delle precauzioni.


## Messaggi di avviso

Situazioni in cui c'è il rischio di causare lesioni fisiche all'utente e ad altre persone sono indicate in questo manuale e sul prodotto, con le seguenti avvertenze. Leggerle e osservarle sempre per lavorare in condizioni di massima sicurezza.

<p><b>⚠ PERICOLO</b></p> <p>Questo simbolo accompagnato dalla parola "<b>PERICOLO</b>" richiama l'attenzione su un'azione o una condizione che potrebbe causare infortuni gravi o la morte di utenti o di persone presenti.</p>	<p><b>⚠ AVVERTENZA</b></p> <p>Questo simbolo accompagnato dalla parola "<b>AVVERTENZA</b>" richiama l'attenzione su un'azione o una condizione che potrebbe causare lesioni gravi o la morte di utenti o di persone presenti.</p>	<p><b>⚠ ATTENZIONE</b></p> <p>"<b>ATTENZIONE</b>" indica una situazione potenzialmente pericolosa che, se non evitata, potrebbe causare lesioni minori o moderate.</p>
---------------------------------------------------------------------------------------------------------------------------------------------------------------------------------------------------------------------------------	-----------------------------------------------------------------------------------------------------------------------------------------------------------------------------------------------------------------------------------	------------------------------------------------------------------------------------------------------------------------------------------------------------------------

## Altri indicatori

Oltre alle avvertenze, questo manuale utilizza i seguenti simboli esplicativi:

	<p>Il cerchietto barrato sta ad indicare che quanto è illustrato è proibito.</p>	<p><b>NOTA</b></p> <p>Il messaggio qui riportato fornisce consigli per l'uso, la cura e la manutenzione del prodotto.</p>	<p><b>IMPORTANTE</b></p> <p>Il testo incorniciato, caratterizzato dalla parola "<b>IMPORTANTE</b>", contiene informazioni importanti riguardo l'uso, il controllo, la manutenzione e il rimessaggio del prodotto descritto in questo manuale.</p>
------------------------------------------------------------------------------------	----------------------------------------------------------------------------------	---------------------------------------------------------------------------------------------------------------------------	---------------------------------------------------------------------------------------------------------------------------------------------------------------------------------------------------------------------------------------------------




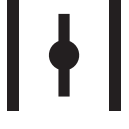










## Simboli

In questo manuale e sul prodotto sono riportati alcuni simboli esplicativi. Accertarsi di aver ben compreso il significato di tutti i simboli.

Forma del simbolo	Descrizione / applicazione del simbolo	Forma del simbolo	Descrizione / applicazione del simbolo
	Leggere attentamente il manuale per l'operatore		Miscela di benzina e olio
	Indossare protezioni per occhi, orecchie e testa		Bulbo di spurgo (adescamento)
	Protezione/allarme		Taglio delle dita
	Arresto di emergenza		Regolazione del carburatore - In folle



# Per un uso sicuro del prodotto

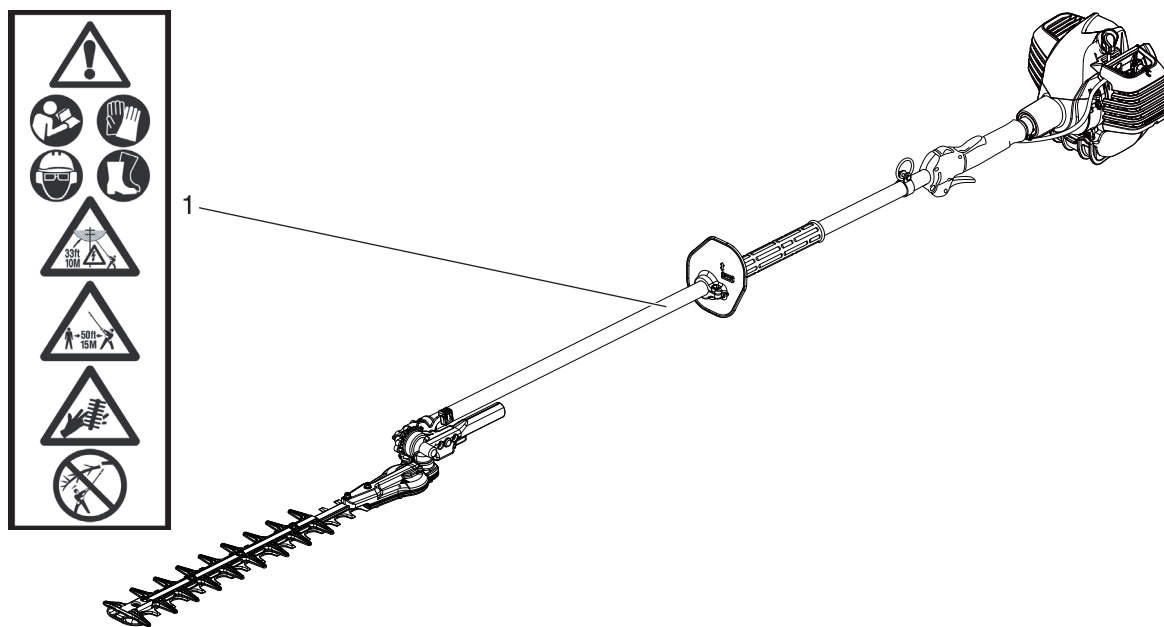
Forma del simbolo	Descrizione / applicazione del simbolo	Forma del simbolo	Descrizione / applicazione del simbolo
	Non utilizzare il prodotto in luoghi dove c'è scarsa ventilazione		Controllo valvola dell'aria Posizione "Avviamento a freddo" (Valvola dell'aria chiusa)
	Attenzione al fuoco		Controllo valvola dell'aria Posizione "In funzione" (Valvola dell'aria aperta)
	Attenzione alle scosse elettriche		Protezione ambientale!
	Prestare attenzione nelle aree ad alta temperatura		Livello di potenza acustica garantito
	Avvio del motore		Questo prodotto conduce elettricità. Durante l'uso del prodotto l'utente deve mantenersi a una distanza minima di 10 metri da fonti di corrente e linee elettriche.
	Indossare guanti protettivi robusti anti-sdruciolio.		Indossare stivali con puntali di sicurezza o stivali con suola anti-sdruciolio.
	Durante il lavoro mantenere gli astanti a una distanza di almeno 15 metri per ridurre il rischio di lesioni provocate da oggetti in caduta o da detriti scagliati dal tagliaiepi.		Ricordarsi sempre dei pericoli derivanti da detriti in caduta.

# Per un uso sicuro del prodotto

---

## Posizione in cui è applicata la decalcomania

- La decalcomania riportata sotto è stata applicata sui prodotti descritti in questo manuale. Prima di utilizzare il prodotto accertarsi di aver compreso quanto riportato sulla decalcomania.
- Se la decalcomania diventa illeggibile a causa dell'usura, si strappa o si stacca e si perde, acquistarne una di ricambio presso il rivenditore e fissarla nel punto illustrato nella figura in basso. Accertarsi che la decalcomania sia sempre leggibile.



1. Decalcomania (Codice ricambio X505-002890)

# Per un uso sicuro del prodotto

## Gestione del carburante

### PERICOLO

#### Rifornire il prodotto di carburante sempre in un'area lontana dal fuoco

Il carburante è altamente infiammabile e può causare incendi se usato senza le dovute precauzioni. Prestare estrema attenzione durante la preparazione della miscela, il rimessaggio o il rifornimento per evitare lesioni gravi. Osservare le seguenti istruzioni.

- Non fumare o accendere fiamme durante il rifornimento.
- Non effettuare il rifornimento quando il motore è caldo o acceso.
- ◆ In questi casi il carburante potrebbe incendiarsi e causare ustioni.

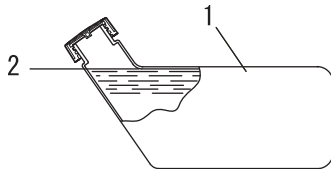
#### Contenitore e luogo per il rifornimento

- Utilizzare un contenitore di carburante approvato.
- I serbatoi/contenitori di carburante possono essere sottopressione. Allentare sempre il tappo del carburante lentamente per compensare la pressione.
- NON riempire mai il serbatoio del carburante in ambienti chiusi. Riempire SEMPRE i serbatoi del carburante all'aperto e su terreno sgombro.

#### Perdite di carburante possono causare incendi

Osservare le seguenti precauzioni durante il rifornimento:

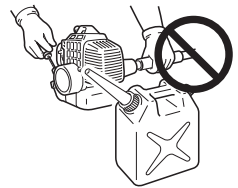
- Non riempire mai il serbatoio del carburante fino all'imboccatura. Mantenere il carburante entro il livello prescritto (fino al livello del serbatoio).
- Pulire il carburante traboccato o versato.
- Serrare bene il tappo del serbatoio del carburante dopo il rifornimento.
- ◆ Il carburante versato può causare incendi o scottature se infiammato.



1. Serbatoio del carburante  
2. Livello

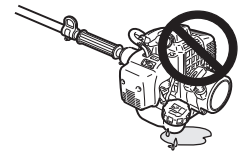
#### Non avviare il motore nell'area nella quale è stato rifornito il serbatoio carburante

- Non avviare il motore nell'area in cui è stato rifornito il serbatoio. Prima di avviare il motore, spostarsi almeno a 3 m dall'area in cui è stato rifornito il serbatoio.
- ◆ Durante il rifornimento potrebbero verificarsi perdite di carburante che potrebbero provocare incendi.



#### Le perdite di carburante causano incendi

- Dopo il rifornimento, controllare sempre che non ci siano perdite o fuoriuscite dal condotto del carburante, dal gommino dell'impianto di alimentazione o intorno al tappo del serbatoio.
- In caso di perdite o fuoriuscite di carburante, smettere immediatamente di usare il prodotto e contattare il rivenditore per la riparazione.
- ◆ Qualsiasi perdita di carburante può causare incendi.



## Gestione del motore

### PERICOLO

#### Mantenere il tagliaerba a una distanza di almeno 10 metri da linee elettriche o da eventuali rami a contatto con le linee elettriche

Il tagliaerba articolato non è isolato da scosse elettriche. Mantenere il tagliaerba a una distanza di almeno 10 metri da linee elettriche o da eventuali rami a contatto con le linee elettriche.

- ◆ Avvicinandosi o toccando le linee elettriche con il tagliaerba può essere causa di morte o di lesioni gravi.



# Per un uso sicuro del prodotto

## **⚠ AVVERTENZA**

### **Avviamento del motore**

Prestare particolare attenzione alle seguenti precauzioni quando si avvia il motore:

- Accertarsi sempre che tutte le impugnature e le protezioni siano installate
- Controllare che non ci siano dadi o bulloni allentati
- Controllare che non vi siano perdite di carburante
- Controllare che le lame non siano danneggiate o eccessivamente usurate. Se il prodotto evidenzia condizioni anormali, non utilizzarlo.
- Collocare il prodotto su una superficie piana e ben ventilata.
- Lasciare sufficiente spazio intorno al prodotto e non permettere a persone o animali di avvicinarsi
- Rimuovere eventuali ostruzioni, se presenti
- Accertarsi che le lame non siano a contatto con il terreno o con altri ostacoli
- Avviare il motore con la leva del gas in folle
- Mantenere il prodotto fermo a terra durante l'avvio del motore
- Non avviare il motore tenendo il prodotto sollevato
- ◆ La mancata osservanza di queste precauzioni può provocare incidenti, lesioni o perfino la morte.

### **Una volta avviato il motore, verificare che non ci siano vibrazioni e rumori anomali**

- Una volta avviato il motore, verificare che non ci siano vibrazioni o rumori anomali. Non utilizzare il prodotto se ci sono vibrazioni o rumori anomali. Contattare il rivenditore per la riparazione.
- ◆ Incidenti che provocano la caduta o la rottura di parti possono causare ferite o lesioni gravi.

### **Non toccare i componenti ad alta temperatura o ad alta tensione mentre il prodotto è in moto**

Non toccare i seguenti componenti ad alta temperatura o ad alta tensione mentre il prodotto è in moto o è stato appena spento.

- **Marmitta, candela, carter ingranaggi e altri componenti ad alta temperatura**
  - ◆ Il contatto con componenti ad alta temperatura potrebbe causare ustioni.
- **Candela, cavo candela e altri componenti ad alta tensione**
  - ◆ Il contatto con componenti ad alta tensione mentre il prodotto è in moto potrebbe causare scosse elettriche.



### **Dare assoluta priorità alla sicurezza in caso di incendio o fumo**

- In caso di fuoriuscita di fiamme dal motore o di fumo da qualsiasi area diversa dallo sfiato della marmitta, allontanarsi dal prodotto per evitare lesioni gravi.
- Utilizzare una pala per lanciare sabbia o altro materiale simile sul fuoco per evitarne l'espansione o spegnerlo con un estintore.
- ◆ Evitare di farsi prendere dal panico per non allargare l'incendio o aumentare i danni.



### **I gas di scarico sono tossici**

- I gas di scarico provenienti dal motore contengono gas tossici. Non utilizzare il prodotto in ambienti chiusi, all'interno di una serra ricoperta di plastica o in ambienti scarsamente ventilati.
- ◆ I gas di scarico possono provocare avvelenamento.



### **Durante l'esecuzione di ispezioni o manutenzioni del prodotto, spegnere il motore**

Osservare le seguenti precauzioni durante il controllo e la manutenzione del prodotto dopo l'uso:

- Spegnerlo il motore ed eseguire il controllo o la manutenzione del prodotto solo dopo che il motore si è raffreddato.
- ◆ L'esecuzione di interventi a motore caldo può causare ustioni.
- Prima di eseguire ispezioni e manutenzioni rimuovere il cappuccio della candela.
- ◆ Un avvio imprevisto del prodotto potrebbe causare un incidente.

### **Controllo della candela**

Durante il controllo della candela, osservare le seguenti precauzioni.

- Se i terminali degli elettrodi sono usurati o se le parti in ceramica presentano spaccature, sostituirli con componenti nuovi.
- Il test di scintillamento (per verificare se la candela genera scintille) deve essere eseguito dal rivenditore.
- Il test di scintillamento non deve essere eseguito in prossimità del foro della candela.
- Il test di scintillamento non deve essere eseguito in prossimità di aree in cui sono presenti perdite di carburante o gas infiammabili.
- Non toccare le parti metalliche della candela
- ◆ La candela può generare fiamme o scosse elettriche.



# Per un uso sicuro del prodotto

## Gestione del prodotto Precauzioni generali

### **AVVERTENZA**

#### Manuale per l'operatore

- Per un corretto funzionamento del prodotto, prima di utilizzarlo leggere attentamente il manuale per l'operatore.
- ◆ La mancata osservanza di queste precauzioni potrebbe causare un incidente o lesioni gravi.



#### Non utilizzare il prodotto per eseguire lavori diversi da quelli per cui è stato progettato

- Non utilizzare il prodotto per eseguire lavori diversi da quelli descritti nel manuale dell'operatore.
- ◆ La mancata osservanza di queste precauzioni potrebbe causare un incidente o lesioni gravi.

#### Non modificare il prodotto

- Non modificare il prodotto.
- ◆ La mancata osservanza di queste precauzioni potrebbe causare un incidente o lesioni gravi. Qualsiasi guasto causato da modifiche apportate al prodotto non sarà coperta dalla garanzia del produttore.

#### Non utilizzare il prodotto senza aver effettuato prima il controllo e la manutenzione

- Non utilizzare il prodotto senza aver effettuato prima il controllo e la manutenzione. Accertarsi sempre che il controllo e la manutenzione vengano eseguiti a scadenze regolari.
- ◆ La mancata osservanza di queste precauzioni potrebbe causare un incidente o lesioni gravi.

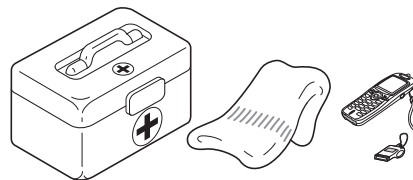
#### Prestito o cessione del prodotto

- In caso di prestito del prodotto, consegnare alla persona che lo riceve anche il manuale dell'operatore.
- Anche in caso di cessione, consegnare il prodotto insieme al manuale per l'operatore.
- ◆ La mancata osservanza di queste precauzioni potrebbe causare un incidente o lesioni gravi.

#### Essere pronti in caso di lesioni

Nell'improbabile evento di incidente o lesioni è consigliabile essere preparati.

- Cassetta di pronto soccorso
- Asciugamani e fazzoletti (per fermare eventuali emorragie)
- Fischietto o telefono cellulare (per chiedere aiuto)
- ◆ Se non si è in grado di effettuare un primo soccorso o chiedere aiuto, le lesioni potrebbero peggiorare.



## Precauzioni per l'uso

### **PERICOLO**

#### Arrestare sempre il motore quando le lame si incepano.

- Non cercare di rimuovere l'oggetto che ha provocato l'inceppamento delle lame con il motore acceso.
- ◆ Eliminato l'inceppamento, le lame potrebbero riprendere improvvisamente a muoversi causando lesioni fisiche.

# Per un uso sicuro del prodotto

## AVVERTENZA

### Utenti del prodotto

Il prodotto non deve essere utilizzato da:

- persone stanche
- persone che hanno assunto bevande alcoliche
- persone sotto trattamento farmacologico
- persone in stato di gravidanza
- persone in condizioni fisiche precarie
- persone che non hanno letto il manuale dell'utente
- bambini

◆ La mancata osservanza di queste istruzioni potrebbe provocare incidenti.

○ Il sistema di accensione di questo prodotto genera campi elettromagnetici durante il funzionamento. I campi magnetici possono causare interferenze con pacemaker o il malfunzionamento di questi ultimi. Per ridurre i rischi per la salute, consigliamo ai portatori di pacemaker di consultare il proprio medico e il produttore del pacemaker prima di utilizzare questo prodotto.



### Area di lavoro e funzionamento

- Non utilizzare il prodotto su terreni instabili, ad esempio con forti pendenze o dopo un acquazzone, oppure su terreni scivolosi e pericolosi.
  - Mantenere sempre una posizione stabile e bilanciata. Non sostare su superfici scivolose, irregolari o instabili. Non utilizzare il prodotto in posizioni inusuali o su scale, né utilizzarlo eccessivamente.
  - Non utilizzare il prodotto di notte o in zone con scarsa visibilità.
  - Gli indumenti protettivi pesanti possono aumentare la fatica dell'operatore e provocare un colpo di calore. Programmare i lavori pesanti nella prima mattina o nel tardo pomeriggio, quando le temperature sono più basse.
  - Durante il taglio di un ramo sotto tensione, fare attenzione ai rimbalzi all'indietro, in modo tale da non essere colpiti dal ramo in movimento.
- ◆ Cadute, scivolate o un uso non corretto del prodotto potrebbero causare lesioni gravi.

### Trasporto del prodotto

Durante il trasporto nelle situazioni descritte di seguito, spegnere il motore e assicurarsi che le lame siano ferme, quindi installare il coprilama e posizionare la marmitta lontano dal proprio corpo.

- Spostarsi verso l'area in cui si sta lavorando
  - Spostarsi verso un'altra area mentre si sta lavorando
  - Abbandonare l'area in cui è stato eseguito il lavoro
- ◆ La mancata osservanza di queste precauzioni potrebbe causare scottature o lesioni gravi.
- Durante il trasporto in automobile, svuotare il serbatoio del carburante, installare il coprilama e fissare saldamente il prodotto per evitare che si muova durante il viaggio.
  - Durante il trasporto a mano del tagliasiepi articolato, l'accessorio di taglio deve essere rivolto all'indietro con la lama in posizione retratta o di trasporto.
- ◆ Viaggiare in automobile con carburante all'interno del serbatoio potrebbe provocare un incendio.

### Vibrazioni e freddo

Si ritiene che la condizione definita fenomeno di Raynaud, che colpisce le dita di alcune persone, sia causata dall'esposizione alle vibrazioni e al freddo. L'esposizione al freddo e alle vibrazioni può causare formicolio e bruciole seguiti da pallore e intorpidimento delle dita.

Si consiglia vivamente di osservare le seguenti precauzioni in quanto non si conosce l'esposizione minima che causa i disturbi.

- Tenere il corpo caldo, soprattutto testa, collo, piedi, caviglie, mani e polsi.
  - Mantenere una buona circolazione del sangue facendo vigorosi esercizi con le braccia durante frequenti pause di lavoro ed evitare di fumare.
  - Limitare il numero di ore di impiego.  
Si consiglia di non lavorare con altre macchine a mano oltre al tagliasiepi nell'arco della stessa giornata.
  - Se si accusano disagi e disturbi e se si riscontrano arrossamenti e gonfiore delle dita seguiti da pallore e perdita di sensibilità, rivolgersi al proprio medico prima di esporsi di nuovo al freddo e alle vibrazioni.
- ◆ La mancata osservanza di queste istruzioni potrebbe causare danni alla salute.

### Lesioni da sforzi ripetitivi

Si ritiene che l'uso eccessivo dei muscoli e dei tendini di dita, mani, braccia e spalle possa causare dolore, gonfiore, intorpidimento, debolezza e fortissimi dolori nelle zone menzionate. Alcune attività manuali ripetitive possono essere causa di alto rischio per lo sviluppo di lesioni da sforzi ripetitivi.

Per ridurre il rischio di lesioni da sforzi ripetitivi:

- Evitare di usare il polso piegato, allungato o girato.
  - Fare pause a intervalli regolari per ridurre al minimo i movimenti ripetuti e far riposare le mani. Ridurre la velocità e la forza con cui il movimento ripetitivo viene eseguito.
  - Fare esercizi per rafforzare i muscoli delle mani e delle braccia.
  - Consultare un medico se si avverte formicolio, intorpidimento o dolori nelle dita, nelle mani, nei polsi o nelle braccia. Una tempestiva diagnosi di lesioni da sforzi ripetitivi consente di evitare danni permanenti ai nervi e ai muscoli.
- ◆ La mancata osservanza di queste istruzioni potrebbe causare danni alla salute.

# Per un uso sicuro del prodotto

## AVVERTENZA

### Prima di lavorare con il prodotto rimuovere corpi estranei e ostruzioni

- Ispezionare l'area in cui il prodotto deve essere utilizzato. Rimuovere pietre, oggetti metallici e altri oggetti che possono inceppare o danneggiare il tagliaerba.
- ◆ Eventuali contatti della barra di taglio con oggetti estranei possono provocare incidenti o lesioni gravi.

### In caso di imprevisti spegnere immediatamente il motore

Nelle seguenti situazioni, arrestare il motore immediatamente e accertarsi che la barra di taglio sia ferma prima di controllare qualsiasi parte del prodotto. Sostituire le parti danneggiate.

- Se la barra di taglio urta contro una roccia, un albero, un palo o qualsiasi altra ostruzione mentre si sta lavorando.
- Se il prodotto comincia improvvisamente a vibrare in maniera anomala.
- ◆ Continuare a utilizzare parti danneggiate potrebbe provocare un incidente o lesioni gravi.

### L'area nel raggio di 15 m deve essere considerata zona pericolosa

L'area nel raggio di 15 m dal prodotto deve essere considerata zona pericolosa. Osservare le seguenti precauzioni mentre si sta lavorando con il prodotto.

- Non permettere a bambini, altre persone o animali di entrare nella zona pericolosa.
- Se altre persone entrano nella zona pericolosa, spegnere il motore per fermare le lame.
- Prima di avvicinarsi all'operatore, fargli un segnale, ad esempio gettando dei ramoscelli dall'esterno della zona pericolosa, quindi controllare che il motore sia spento e le lame ferme.
- Non permettere a nessuno di mantenere fermo il materiale che si sta tagliando.
- ◆ Qualsiasi contatto con le lame può causare lesioni gravi.

### Non utilizzare il prodotto mentre le lame si muovono con il motore in folle.

- Non utilizzare il prodotto con le lame in movimento se il tagliaerba è in moto con la leva del gas in folle. Spegnerne immediatamente il motore e regolare il carburatore.
- ◆ La mancata osservanza di queste precauzioni potrebbe causare un incidente o lesioni gravi.

### Funzionamento

- Non togliere mai le mani dal prodotto mentre le lame sono in movimento.
- Regolare l'angolo di taglio solo quando l'unità è appoggiata per terra con l'interruttore in posizione di arresto (STOP). Non regolare l'angolo della lama quando l'unità è sollevata da terra.
- ◆ La mancata osservanza di queste istruzioni potrebbe causare un controllo instabile del tagliaerba con conseguenti lesioni gravi.

### Prima di poggiare il prodotto a terra accertarsi che le lame siano ferme.

- Dopo aver spento il motore, verificare che le lame siano ferme prima di abbassare il prodotto a terra.
- ◆ Anche se il motore è stato spento, le lame possono ancora provocare lesioni quando girano a ruota libera.



### Rimuovere i detriti dalla marmitta

- Se oggetti come erba, foglie, ramoscelli o grasso eccessivo si accumulano nell'area attorno alla marmitta, spegnere il motore e rimuoverli prestando attenzione a non toccare parti calde.
- ◆ La mancata osservanza di queste precauzioni potrebbe causare un incendio.



## AVVERTENZA

### Non utilizzare il prodotto per tagliare oggetti duri.

- Non utilizzare il prodotto per tagliare oggetti duri come fili o piastre di acciaio.
- Se le lame colpiscono un'ostruzione o non sono in condizioni di funzionare correttamente, arrestare il motore e ispezionarle per verificare che non siano danneggiate.
- ◆ La mancata osservanza di queste istruzioni potrebbe provocare la rottura del prodotto o incidenti.

### Non utilizzare mai il prodotto su una scala o su uno sgabello

- Non sporgersi né sostare su superfici instabili.
- Non utilizzare il prodotto in cima a una scala o su uno sgabello.
- ◆ La mancata osservanza di queste precauzioni potrebbe causare un incidente o lesioni gravi.



# Per un uso sicuro del prodotto

## Indumenti protettivi

### AVVERTENZA

#### Indossare indumenti protettivi

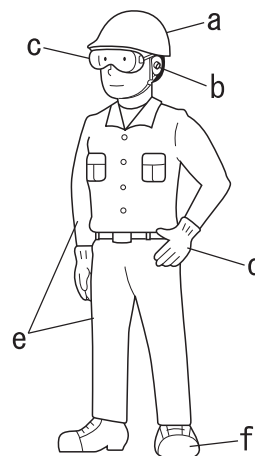
Indossare sempre i seguenti indumenti protettivi durante il lavoro con il tagliasiepi.

- a **Casco (elmetto):** Protegge la testa
- b **Protezioni acustiche o tappi per le orecchie:** Proteggono l'udito
- c **Occhiali di protezione:** Proteggono gli occhi
- d **Guanti protettivi:** Proteggono le mani dal freddo e dalle vibrazioni
- e **Indumenti da lavoro aderenti (maniche lunghe e pantaloni lunghi):** Proteggono il corpo
- f **Stivali protettivi antiscivolo per lavori pesanti o scarpe da lavoro antiscivolo:** Proteggono i piedi

◆ La mancata osservanza di queste precauzioni potrebbe causare danni alla vista o all'udito o lesioni gravi.

Se necessario, utilizzare anche i seguenti indumenti .

- **Respiratore:** Protegge l'apparato respiratorio
- **Rete anello di metallo:** Per proteggersi dalle api
- **Schermo facciale integrale:** Quando si esegue il taglio tenendo l'unità sopra la testa, è necessario indossare una protezione dotata di schermo facciale integrale in conformità con le direttive CE.



#### Indossare indumenti idonei

Non indossare cravatte, gioielli o vestiti poco aderenti che potrebbero restare impigliati nella macchina. Non indossare calzature aperte, non lavorare a piedi nudi o a gambe nude.

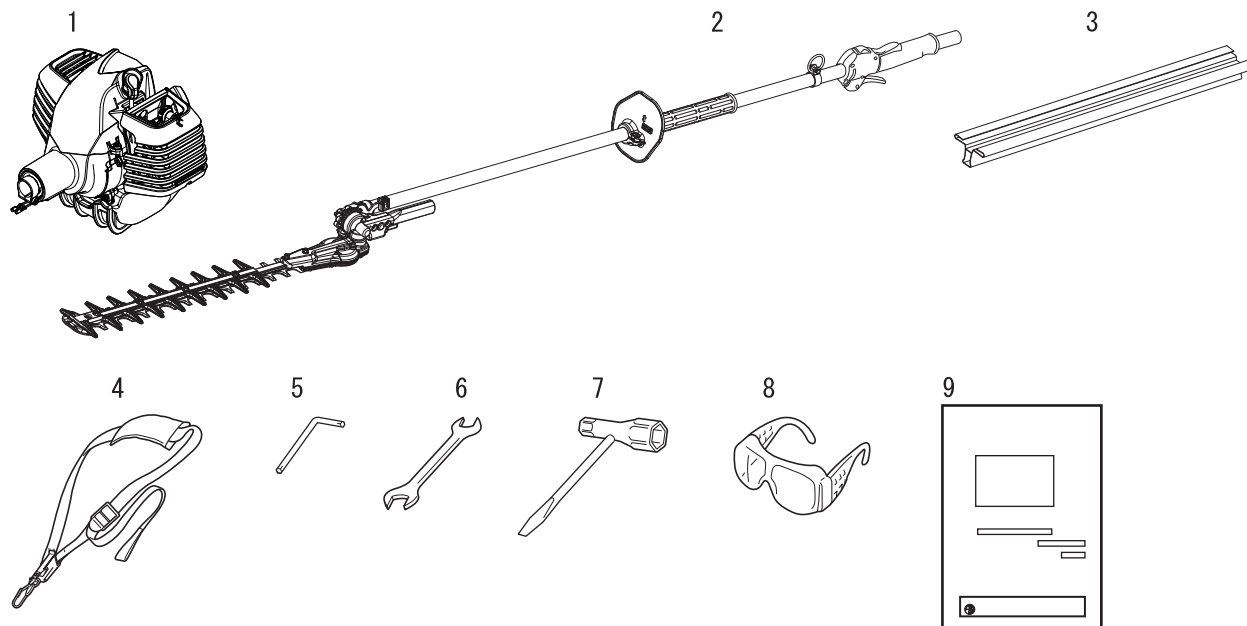
◆ La mancata osservanza di queste precauzioni potrebbe causare danni alla vista o all'udito o lesioni gravi.





# Contenuto della confezione

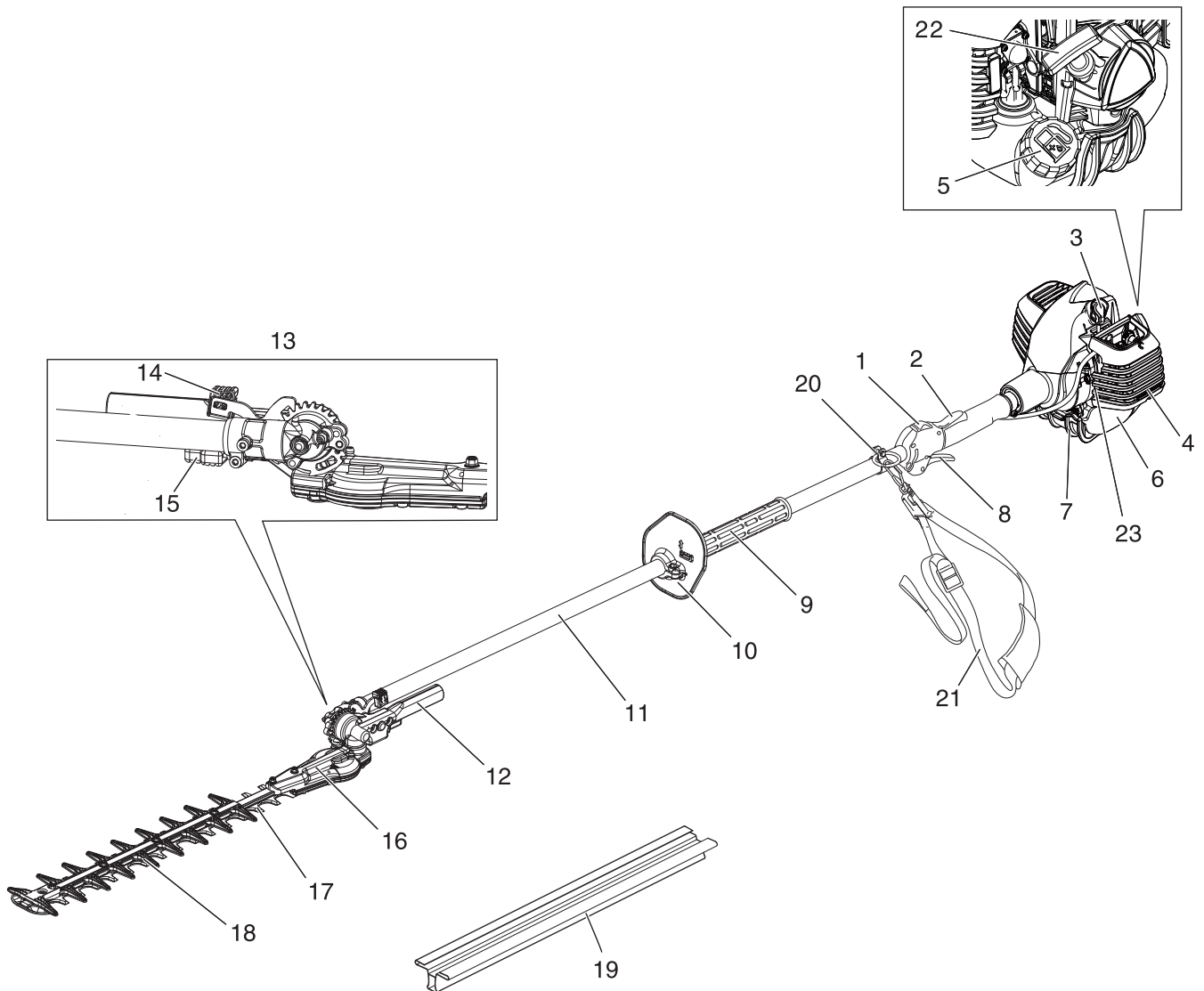
- ♦ Le seguenti parti sono state imballate separatamente nella confezione.
- ♦ Dopo aver aperto la confezione, controllare che tutte le parti siano presenti.
- ♦ In caso di parti mancanti o danneggiate, contattare il rivenditore.



1. Testa unità
2. Albero di funzionamento
3. Protezione coprilama
4. Cinghia a bandoliera
5. Chiave a L

6. Chiave inglese
7. Chiave a tubo
8. Occhiali di protezione
9. Manuale per l'operatore

# Descrizione



1. **Interruttore di accensione** Dispositivo che consente di accendere e spegnere il motore.
2. **Blocco grilletto acceleratore** Dispositivo che impedisce l'azionamento accidentale del grilletto dell'acceleratore se non viene rilasciato manualmente.
3. **Candela**
4. **Coperchio del filtro dell'aria** Copre il filtro dell'aria.
5. **Tappo del serbatoio carburante** Copre e sigilla il serbatoio del carburante.
6. **Serbatoio del carburante** Contiene il carburante e il filtro del carburante.
7. **Protezione serbatoio carburante**
8. **Leva del gas** Azionata dall'utente con la mano per controllare il regime del motore.
9. **Impugnatura anteriore**
10. **Protezione paramani** Protezione posta tra l'impugnatura anteriore e la barra di taglio per evitare ferite alla mano qualora questa dovesse scivolare dall'impugnatura.
11. **Tubo esterno** Parte dell'attrezzo che funge da alloggiamento per l'albero di trasmissione.
12. **Impugnatura di regolazione del gruppo lame** Garantisce una presa sicura durante la regolazione dell'angolazione delle lame.
13. **Gruppo di taglio tagliasiepi**
14. **Blocco del fermo** Consente di fissare l'angolazione delle lame.
15. **Sblocco del fermo** Dispositivo di sicurezza che previene eventuali sblocchi accidentali del blocco del fermo.
16. **Gruppo carter ingranaggi** Il carter ingranaggi contiene gli ingranaggi di trasmissione che trasmettono la potenza alle lame di taglio.
17. **Barra di taglio e gruppo lame** Gruppo preposto all'esecuzione del taglio, composto dalla lama e dalla piastra di taglio con i relativi componenti di supporto.
18. **Estensione smussata** Un'estensione smussata posta sulla barra di taglio.
19. **Protezione coprilama** Prima di trasportare o immagazzinare il prodotto, applicare sempre il coprilama.
20. **Punto di sospensione** Dispositivo su cui si aggancia la cintura a bandoliera.
21. **Cinghia a spalla** Cinghia regolabile per sostenere l'attrezzo.
22. **Impugnatura di avviamento** Tirare l'impugnatura per avviare il motore.
23. **Tipo e numero di serie**

## Montaggio

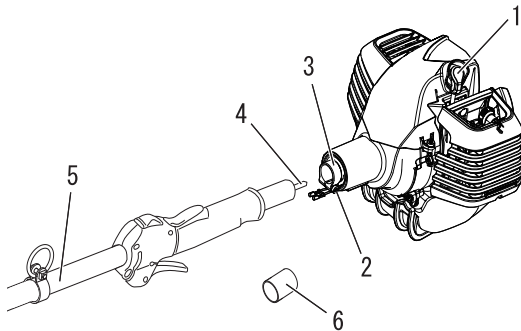
### **⚠ AVVERTENZA**

**Leggere attentamente il manuale per l'operatore per essere certi di montare correttamente il prodotto.**

◆ L'uso di un prodotto non montato correttamente potrebbe causare incidenti o lesioni gravi.



### Collegare il tubo esterno alla testata

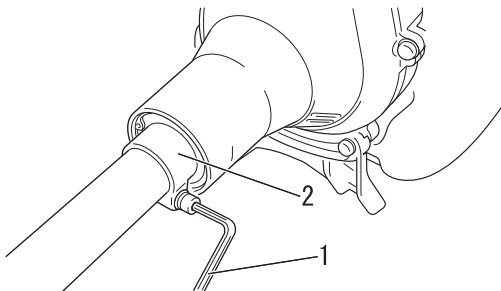


1. Candela
2. Vite del fermo
3. Fermo del tubo
4. Albero motore
5. Tubo esterno
6. Rivestimento protettivo

1. Posizionare la testata su una superficie pulita e piatta con la candela rivolta verso l'alto.
2. Far scorrere il rivestimento protettivo dall'estremità del tubo esterno.
3. Utilizzare una chiave a L per allentare la vite del fermo del tubo.
4. Far scorrere il tubo esterno nel relativo fermo fino a inserirlo completamente. Se l'installazione risulta difficile, ruotare leggermente il tubo esterno o l'albero primario finché non si avverte che le scanalature dell'albero motore si innestano correttamente con le rispettive scanalature della testa.
5. Posizionare il tubo esterno in modo che l'alberino di uscita della scatola degli ingranaggi sia rivolto verso il lato sinistro del carter della marmitta.
6. Far scorrere il tubo esterno nella testata finché l'impugnatura dell'acceleratore non entra in contatto con il fermo del tubo.

### **⚠ AVVERTENZA**

- **Accertarsi che il tappo del serbatoio sia fissato saldamente in posizione.**
- ◆ In caso contrario, si potrebbero provocare lesioni o incidenti gravi, oppure far scoppiare un incendio.



1. Chiave a L
2. Fermo del tubo

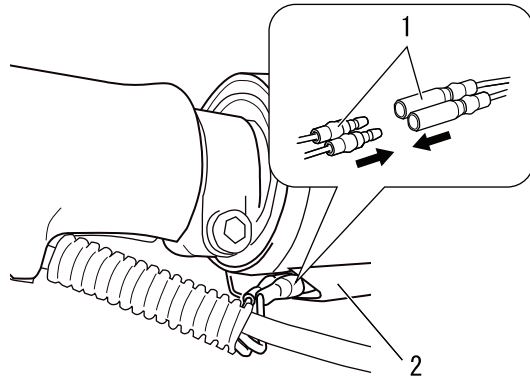
### **⚠ ATTENZIONE**

- **Non forzare l'inserimento del tubo dell'albero nella sede presente sulla testa dell'albero.**
- ◆ Esercitare una forza eccessiva può danneggiare il tubo dell'albero e l'albero primario.

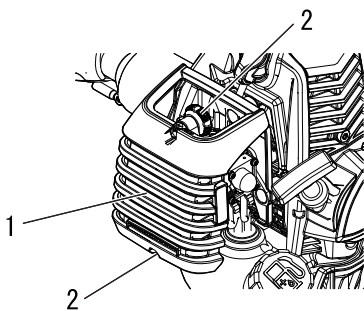
7. Serrare fino in fondo le viti del fermo.

# Prima di iniziare

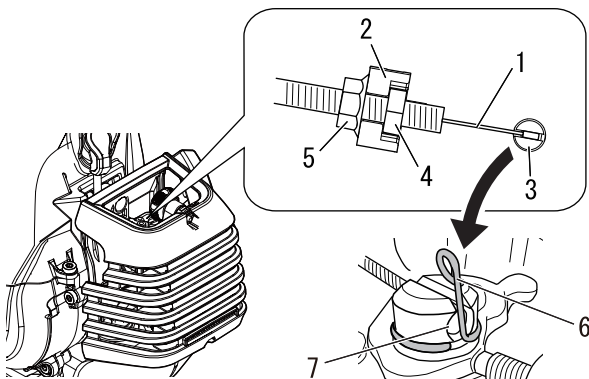
## Collegare il cavo dell'acceleratore



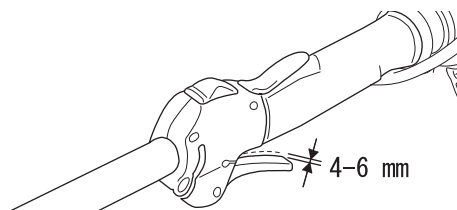
1. Cavi di accensione
2. Tasca coperchio ventola



1. Coperchio filtro aria
2. Pomello del coperchio del filtro dell'aria



1. Cavo dell'acceleratore
2. Dispositivo di regolazione
3. Foro del comando del gas rotante
4. Dado di regolazione
5. Controdado
6. Fermo
7. Apertura verticale



1. Collegare i 2 cavi di accensione che connettono il cavo acceleratore ai 2 cavi di accensione posti sul gruppo motore.
2. Posizionare i connettori del cavo di accensione nella tasca del coperchio ventola.

### **⚠ ATTENZIONE**

- I cablaggi non devono interferire con il movimento della leva del gas.

3. Allentare il pomello del coperchio del filtro dell'aria e rimuovere il coperchio.

4. Posizionare il cavo dell'acceleratore nel dispositivo di regolazione e inserire l'estremità dello stesso nel foro del comando del gas rotante posto sul carburatore.
5. Inserire la sezione verticale del fermo all'interno dell'apertura verticale, per fissare in posizione l'estremità del cavo.

6. Il gioco della leva del gas deve essere pari a circa 4-6 mm.
7. Ruotare il dado di regolazione verso l'interno o verso l'esterno, per ottenere il gioco corretto, compreso tra 4 e 6 mm.
8. Assicurarsi che la leva dell'acceleratore funzioni in modo scorrevole e omogeneo, senza bloccaggi e rallentamenti.
9. Assicurarsi che il meccanismo sia in grado di muoversi liberamente e che i regimi di massimo e minimo/folle siano regolati correttamente.
10. Serrare il controdado.
11. Installare il coperchio del filtro dell'aria.

## Regolazione angolo di taglio

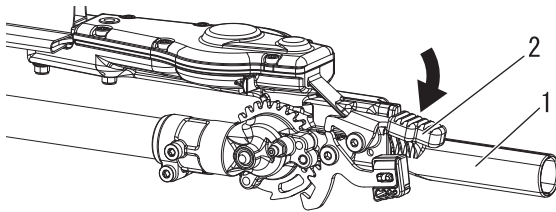
### **⚠ PERICOLO**

- Non eseguire la regolazione del gruppo di taglio mentre il motore è in funzione.
- ◆ La mancata osservanza di queste precauzioni potrebbe causare lesioni o incidenti gravi.

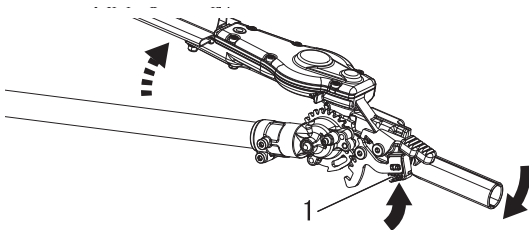
### **⚠ AVVERTENZA**

- Le lame del tagliaiepi sono affilate. Indossare sempre i guanti durante la regolazione del gruppo di taglio.
- Indossare guanti protettivi robusti durante l'uso delle lame del tagliaiepi. Durante la sostituzione delle lame del tagliaiepi il motore deve essere spento e le lame devono essere ferme.
- Non sollevare il tagliaiepi durante la regolazione dell'angolo di taglio, onde evitare lesioni gravi.
- Il gruppo carter ingranaggi si RISCALDA durante l'uso. Durante la regolazione dell'angolo di taglio, afferrare il gruppo dall'impugnatura di regolazione della lama, onde evitare lesioni gravi.
- ◆ La mancata osservanza di queste precauzioni potrebbe causare lesioni o incidenti gravi.

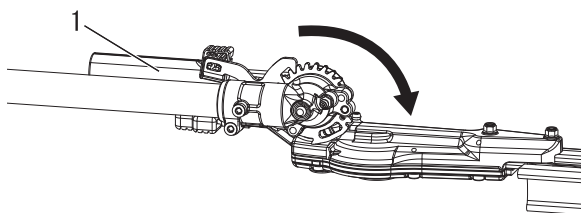
## Regolazione del gruppo di taglio del tagliaiepi



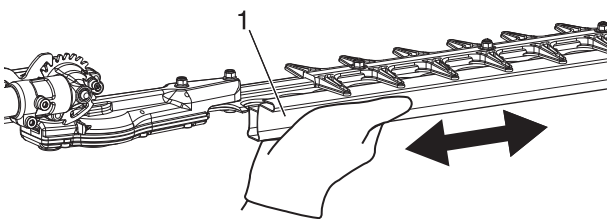
1. Leva di regolazione
2. Leva di rilascio del fermo



1. Leva di blocco del fermo



1. Leva di regolazione



1. Protezione copilama

1. Posizionare il tagliaiepi su una superficie piana con il motore poggiato sulla protezione del serbatoio carburante. Accertarsi che la protezione copilama sia installata sulla lama.
2. Con la mano destra, afferrare il tubo esterno vicino all'impugnatura. Con la mano sinistra, stringere la leva di regolazione sul gruppo di taglio. Con l'indice della mano destra, premere la leva di rilascio del fermo. Con il pollice della mano sinistra, premere la leva di blocco del fermo.
3. Mantenendo abbassata la leva di rilascio del fermo, ruotare il gruppo di taglio impugnando la leva di regolazione, fino a posizionarlo sull'angolo di taglio desiderato.
4. Rilasciare la leva di blocco e la leva di rilascio del fermo. Accertarsi che la leva di blocco e la leva di rilascio del fermo siano in posizione dritta.
5. Rimuovere la protezione copilama dalla lama. Ora è possibile accendere il motore.

### **IMPORTANTE**

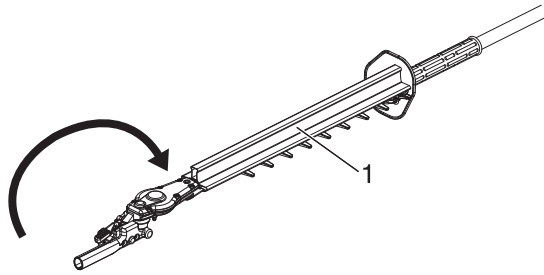
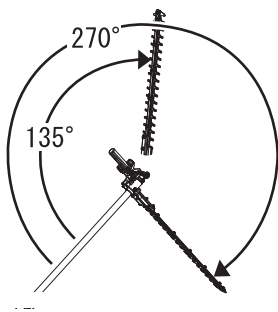
La leva di sblocco del fermo è un dispositivo di sicurezza che impedisce un eventuale rilascio involontario della leva di rilascio del fermo.

### **⚠ ATTENZIONE**

- Durante l'installazione e la rimozione della protezione copilama dalle lame di taglio, tenere la maniglia posta sotto la protezione copilama.
- ◆ La mancata osservanza di queste istruzioni potrebbe causare lesioni.

# Prima di iniziare

## Posizione gruppo di taglio



1. Protezione coprilama

Il gruppo di taglio può essere regolato su dieci posizioni differenti, con un'angolazione compresa tra 135 ° e 270 °, rispetto al tubo esterno, come indicato in figura. Dopo ogni regolazione, accertarsi sempre che la leva di blocco del fermo sia bloccata saldamente.

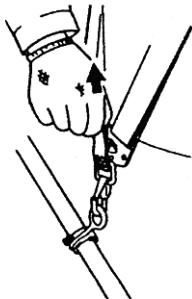
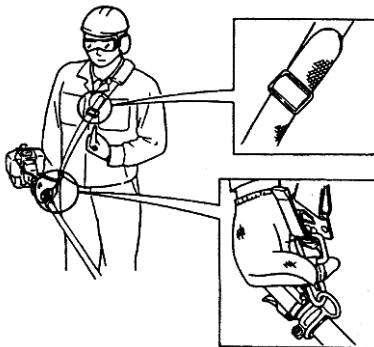
## Regolazione per il rimessaggio o il trasporto

1. A motore spento, installare la protezione coprilama sulla lama.
2. Ruotare il gruppo di taglio in modo che sia parallelo al tubo.
3. Accertarsi che la leva di blocco ritorni nella posizione di bloccaggio.
4. Prima di procedere allo stoccaggio o al trasporto dell'unità, accertarsi che la protezione coprilama sia posizionata correttamente sulle lame.

## AVVERTENZA

○ Non avviare mai il motore durante la regolazione del gruppo di taglio in posizione di stoccaggio.

## Cinghia a bandoliera



1. Agganciare il gancio della cinghia alla graffa sul tubo esterno.
2. Indossare la cinghia a bandoliera in modo tale che il gancio si trovi sul lato destro.
3. Regolare la lunghezza della cinghia a bandoliera in modo tale da poter sostenere e utilizzare la macchina comodamente.

## IMPORTANTE

Regolare la cinghia a bandoliera o l'imbracatura in modo tale che la spallina di sostegno sia posizionata comodamente sulla spalla esterna. Accertarsi che tutti i ganci e i dispositivi di regolazione siano fissati saldamente.

## Rilascio di emergenza

- \* In caso di emergenza, tirare con forza la linguetta bianca sul gancio. La cinghia verrà sganciata dalla macchina.

## Preparazione del carburante

### PERICOLO

- Il carburante è altamente infiammabile e può provocare incendi se non viene manipolato correttamente. Leggere attentamente e rispettare le precauzioni illustrate nella sezione "Norme di sicurezza" del presente manuale.
- Dopo aver completato il rifornimento, serrare saldamente il tappo del serbatoio carburante e non dimenticare di controllare che non vi siano perdite o fuoriuscite di carburante dal condotto, dai gommini dell'impianto di alimentazione o intorno al tappo del serbatoio. In caso di perdite o fuoriuscite di carburante, smettere immediatamente di usare il prodotto e contattare il rivenditore per la riparazione.
- ◆ Se il carburante prende fuoco, può provocare ustioni o incendi.



### ATTENZIONE

- C'è una differenza di pressione tra il serbatoio carburante e l'aria esterna. Durante il rifornimento, allentare leggermente il tappo del serbatoio carburante per eliminarla.
- ◆ Altrimenti il carburante potrebbe venire versato fuori.

### NOTA

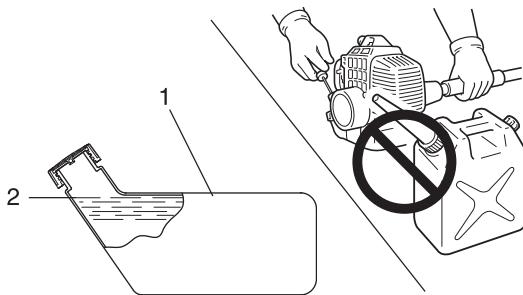
Il carburante riposto per lungo tempo invecchia. Non miscelare più carburante di quanto si prevede di utilizzare in trenta (30) giorni. Non miscelarlo direttamente nel serbatoio.

## Carburante



- ◆ Il carburante è una miscela di benzina di grado normale e olio per motori a 2 tempi raffreddati ad aria di buona marca. Si consiglia benzina senza piombo ad 89 ottani. Non utilizzare carburante contenente alcol metilico o una percentuale di alcol etilico superiore al 10%.
- ◆ Percentuale della miscela consigliata 50 : 1 (2 %) per olio standard ISO-L-EGD (ISO/CD 13738), grado JASO FC, FD ed Shindaiwa Premium 50: 1 olio.
  - Non miscelare direttamente nel serbatoio carburante del motore.
  - Evitare di versare benzina o olio. Ripulire sempre il carburante versato.
  - Prestare attenzione durante la manipolazione della benzina, in quanto altamente infiammabile.
  - Conservare sempre il carburante in un contenitore approvato.

## Rifornimento carburante



1. Serbatoio del carburante  
2. Livello

- ◆ Rifornire sempre il carburante in un luogo ben aerato. Non versare carburante in locali chiusi.
- ◆ Collocare il prodotto e il serbatoio di rifornimento a terra durante il rifornimento. Non rifornire il prodotto sulla piattaforma di carico di un autocarro o in altri luoghi analoghi.
- ◆ Durante il rifornimento, accertarsi che il livello del carburante rimanga sempre sotto il livello massimo del serbatoio.
- ◆ C'è una differenza di pressione tra il serbatoio carburante e l'aria esterna. Durante il rifornimento, allentare leggermente il tappo del serbatoio carburante per eliminarla.
- ◆ Eliminare sempre eventuali fuoriuscite di carburante.
- ◆ Allontanarsi di almeno 3 m dal luogo in cui è stato eseguito il rifornimento prima di avviare il motore.
- ◆ Mantenere il serbatoio di rifornimento all'ombra e lontano da fiamme libere.



# Funzionamento del motore

## Avviamento del motore

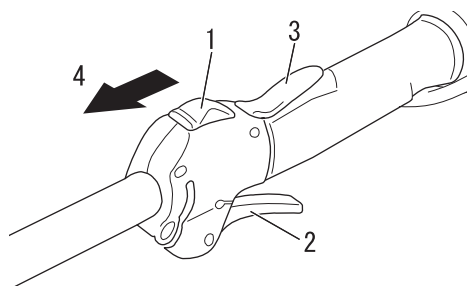
### **⚠ AVVERTENZA**

- All'avviamento del motore, attenersi alle precauzioni descritte a partire da pagina 4 nella sezione "Per un uso sicuro del prodotto" per essere certi di utilizzare il prodotto nel modo corretto.
- L'accessorio di taglio si aziona immediatamente dopo l'avviamento del motore e può causare la perdita di controllo del prodotto e provocare lesioni gravi. Mantenere le parti mobili dell'accessorio sollevate da terra e lontano da oggetti che potrebbero rimanere incagliati o essere lanciati.
- Se all'avviamento del motore le lame si muovono anche se la leva del gas si trova nella posizione di folle, regolare il carburatore prima di utilizzare il prodotto.
- Le lame iniziano a muoversi nel momento in cui il motore raggiunge la velocità di innesto della frizione.
- ◆ La mancata osservanza di queste precauzioni può provocare incidenti, lesioni o perfino la morte.

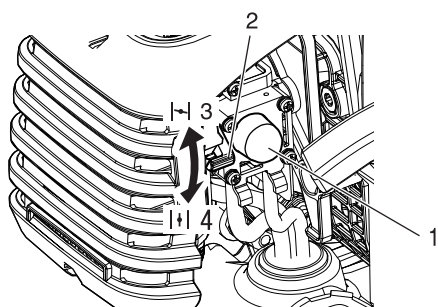
### **NOTA**

- ♦ Tirare l'impugnatura della funicella di avviamento, dapprima delicatamente, quindi con maggiore rapidità. Evitare di estrarre la funicella di avviamento per più di 2/3 della sua lunghezza.
- ♦ Non rilasciare l'impugnatura della funicella di avviamento durante il movimento di ritorno.

### Avviamento di un motore a freddo



- |                               |                                                 |
|-------------------------------|-------------------------------------------------|
| 1. Interruttore di accensione | 3. Dispositivo di bloccaggio della leva del gas |
| 2. Leva del gas               | 4. Avviamento                                   |



- |                                 |                        |
|---------------------------------|------------------------|
| 1. Bulbo di spurgo              | 3. Avviamento a freddo |
| 2. Leva della valvola dell'aria | 4. In funzione         |

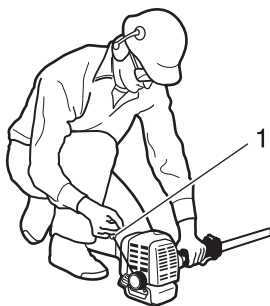
(Se il prodotto è stato conservato per un lungo periodo, collegare il cappuccio della candela)

La procedura di avviamento varia a seconda che il motore sia freddo o caldo. Per avviare un motore freddo, procedere nel modo seguente.

1. Rimuovere il copilama e controllare le lame. In caso di problemi, sostituire con una parte nuova.
2. Collocare il prodotto su una superficie piana e verificare che le lame non entrino in contatto con la superficie del terreno o con qualsiasi altro impedimento, utilizzando un asse o un attrezzo analogo.
3. Verificare che non vi siano perdite di carburante.
4. Portare l'interruttore di accensione in posizione di avviamento.
5. Portare la leva della valvola dell'aria in posizione "Avviamento a freddo".
6. In alternativa, premere e rilasciare il bulbo di spurgo finché il carburante non viene risucchiato al suo interno.



# Funzionamento del motore



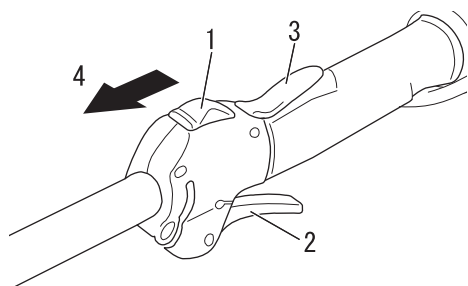
1. Impugnatura di avviamento

7. Dopo aver verificato che l'area circostante è sicura, afferrare saldamente l'impugnatura posteriore con la mano sinistra, come mostrato nell'illustrazione, e con l'altra mano tirare ripetutamente l'impugnatura della funicella di avviamento.
8. Se si avverte un rumore simile e uno scoppio e il motore si arresta immediatamente, portare la leva della valvola dell'aria in posizione "In funzione" e continuare a tirare l'impugnatura della funicella per avviare il motore.
9. Se dopo aver eseguito le operazioni indicate al punto 7 il motore si avvia immediatamente, riportare delicatamente la leva della valvola dell'aria nella posizione "In funzione".
10. Lasciar scaldare il motore a regime minimo per un breve periodo di tempo.
11. Premere il dispositivo di bloccaggio della leva del gas e azionare gradualmente la leva del gas.

## Riscaldamento del motore

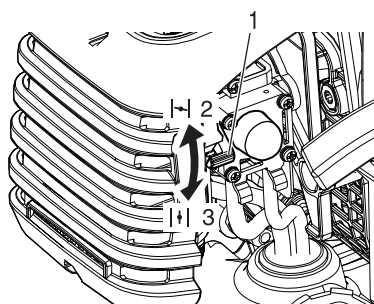
1. Una volta avviato, lasciar riscaldare il motore per 2 - 3 minuti in folle, ossia al regime minimo.
2. Il riscaldamento consente di lubrificare più uniformemente gli ingranaggi interni del motore. Far riscaldare bene il motore, in particolare quando è freddo.

## Avviamento di un motore a caldo



- |                               |                                                 |
|-------------------------------|-------------------------------------------------|
| 1. Interruttore di accensione | 3. Dispositivo di bloccaggio della leva del gas |
| 2. Leva del gas               | 4. Avviamento                                   |

1. Portare l'interruttore di accensione in posizione di avviamento.
2. Assicurarci che la leva del gas sia in posizione di folle.

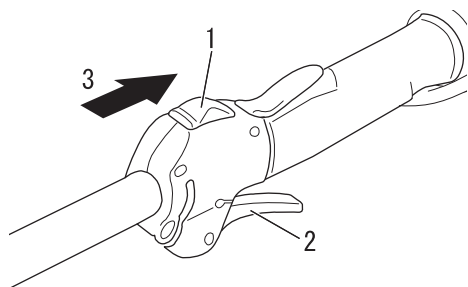


- |                                 |                |
|---------------------------------|----------------|
| 1. Leva della valvola dell'aria | 3. In funzione |
| 2. Avviamento a freddo          |                |

3. Controllare che la leva della valvola dell'aria sia nella posizione "In funzione".
4. Se il serbatoio del carburante non è vuoto, tirare l'impugnatura della funicella per avviare il motore.
5. Se nel bulbo di spurgo non c'è carburante, premere e rilasciare il bulbo di spurgo finché il carburante non viene risucchiato al suo interno.
6. Dopo aver verificato che l'area circostante è sicura, tirare l'impugnatura della funicella di avviamento per accendere il motore.

# Funzionamento del motore

## Arresto del motore



1. Interruttore di accensione  
2. Leva del gas  
3. Arresto

1. Rilasciare il grilletto dell'acceleratore e mettere il motore in folle (cioè al regime minimo).
  2. Abbassare l'interruttore di accensione in posizione "STOP".
  3. In caso di emergenza, arrestare immediatamente il motore mediante l'interruttore di accensione.
  4. Se il motore non si arresta, portare la leva della valvola dell'aria in posizione "Avviamento a freddo". Il motore stalla e si arresta (retrattile).
- \* Se il motore non si arresta azionando l'interruttore di accensione, far controllare e riparare l'interruttore di accensione dal rivenditore prima di utilizzare di nuovo il prodotto.

### **AVVERTENZA**

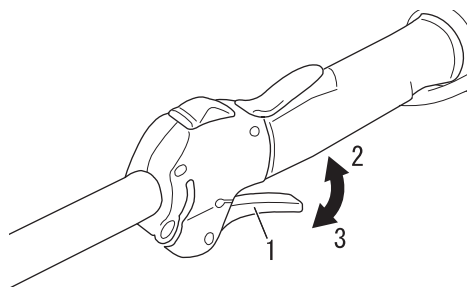
- L'accessorio di taglio può muoversi anche dopo aver spento il motore.

# Taglio di siepi e arbusti

## Funzionamento base del tagliasiepi

### NOTA

- ♦ Questo prodotto è stato progettato per il taglio di arbusti e siepi che abbiano rami con una larghezza massima di 6 mm.
- ♦ Prima di iniziare le operazioni di taglio portare il motore alla massima accelerazione. Effettuare lavori di taglio con un regime motore più basso può far slittare la frizione e danneggiarla. Quando non viene utilizzato per lavori di taglio o rifinitura, non far girare il motore al regime massimo.



- 1. Leva del gas
- 2. Alta velocità

3. Al regime minimo

Premendo il grilletto dell'acceleratore a motore acceso, il regime aumenta e le lame iniziano a muoversi. Regolare il regime motore in base, ad esempio, alla quantità di siepe da tagliare.



### Posizione di lavoro

- ♦ Afferrare l'impugnatura di controllo con la mano destra e l'impugnatura anteriore con la mano sinistra.
- ♦ Il braccio sinistro deve essere esteso nella posizione più comoda.

### Uso del tagliasiepi

#### Preparazione

- ♦ Utilizzare delle cesoie per potatura per tagliare prima i rami più spessi.

#### Sequenza di taglio

- ♦ Per ottenere un taglio radiale, tagliare poco alla volta e ripassare più volte sullo stesso punto.

#### Tecniche di taglio

##### ○ Taglio verticale:

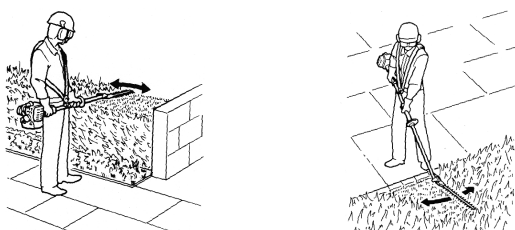
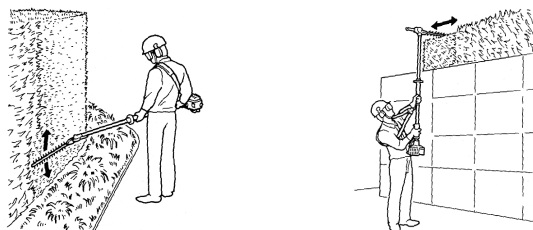
- ♦ Muovere la lama verso l'alto e verso il basso con un movimento ad arco lungo la siepe. Utilizzare entrambi i lati della lama.
- ♦ Tagliare senza sostare nelle immediate vicinanze della siepe, ad esempio con una aiuola tra l'operatore e la siepe.

##### ○ Taglio con la lama sopra la testa:

- ♦ Mantenere l'albero in verticale con l'angolo della lama a 90° per tagliare la superficie superiore di una siepe.

##### ○ Taglio orizzontale:

- ♦ Mantenere la lama a un angolo tra 0° e 10° e contemporaneamente muovere orizzontalmente il tagliasiepi.
- ♦ Muovere la lama con un movimento ad arco verso l'esterno della siepe in modo tale da spingere il materiale tagliato a terra.
- ♦ Tagliare senza sostare direttamente di fronte alla siepe, ad esempio oltre un'aiuola.
- ♦ Tagliare al livello del terreno mantenendo una posizione eretta, ad esempio per arbusti bassi.



# Manutenzione e cura

## Manutenzione e cura

In caso di dubbi o problemi, contattare il rivenditore.

### Manutenzione generale

#### IMPORTANTE

La manutenzione, la sostituzione o la riparazione dei dispositivi e dei sistemi di controllo delle emissioni può essere eseguita da qualsiasi meccanico o officina. Tuttavia, le operazioni di riparazione in garanzia devono essere eseguite da un concessionario o centro autorizzato YAMABIKO CORPORATION e l'uso di componenti non equivalenti, per prestazioni e durata, ai ricambi originali potrebbe ridurre l'efficacia del sistema di controllo delle emissioni e avere effetti negativi sull'esito di un reclamo in garanzia.

#### ⚠ AVVERTENZA

- Accessori generici, accessori di taglio o ricambi non originali potrebbero non funzionare correttamente e causare danni all'unità e lesioni personali.
- Prima di effettuare qualsiasi intervento di manutenzione, riparazione o pulizia sull'unità è necessario accertarsi che il motore e l'accessorio di taglio siano completamente fermi. Scollegare il cavo della candela prima di effettuare interventi di manutenzione o assistenza.
- Il funzionamento del motore senza marmitta o con una marmitta danneggiata o non correttamente montata, può aumentare la rumorosità del motore a un livello tale da causare la perdita dell'udito.

#### Marmitta

Non utilizzare mai l'unità con un parascintille o una marmitta guasti o senza questi componenti. Accertarsi che la marmitta sia fissata bene e sia in buone condizioni. Una marmitta usurata o danneggiata potrebbe causare un incendio e la perdita dell'udito.

#### Candela

Mantenere la candela e le connessioni serrate e pulite.

#### Elementi di fissaggio

Accertarsi che dadi, bulloni e viti (eccetto le viti di regolazione del carburatore) siano serrate.

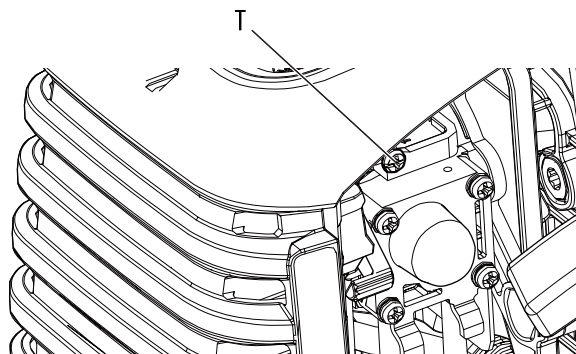
## Regolazione del carburatore

#### ⚠ AVVERTENZA

Una volta completata la regolazione del carburatore, la lama non dovrebbe muoversi con il motore in folle, altrimenti si rischiano gravi infortuni.

#### ⚠ ATTENZIONE

Quando si avvia il motore, il regolatore del folle (T) dovrebbe essere regolato in modo da non far muovere la lama. In caso di problemi con il carburatore, consultare il proprio rivenditore.



T: Vite di regolazione del folle

Tutte le unità vengono testate in fabbrica e il carburatore viene messo a punto per garantire prestazioni ottimali.

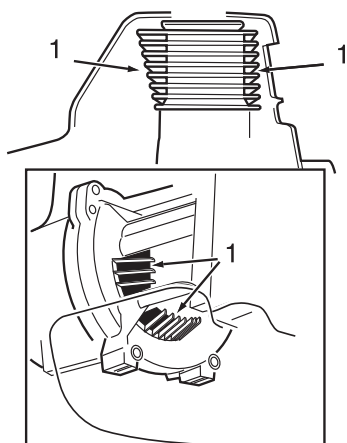
Prima di mettere a punto il carburatore, pulire o sostituire il filtro dell'aria, avviare il motore e farlo girare per alcuni minuti finché non raggiunge la temperatura di esercizio.

1. Vite di regolazione del folle.  
Avviare il motore e ruotare la vite di regolazione del folle (T) in senso orario finché le lame non iniziano a muoversi, quindi girare la vite (T) in senso antiorario finché le lame non si arrestano. Girare la vite (T) in senso antiorario di un altro 1/2 giro.
2. Accelerare alla massima potenza per 2 o 3 secondi per eliminare il carburante in eccesso dal motore, quindi tornare in folle. Accelerare alla massima potenza per controllare se la

# Manutenzione e cura

transizione da folle alla massima potenza è fluida.

## Manutenzione quotidiana



1. Alette di raffreddamento

All'inizio di ogni giornata di lavoro, effettuare le seguenti operazioni:

- ♦ Rimuovere tutta la sporcizia e i detriti dal motore, verificare che le alette di raffreddamento e il filtro dell'aria non siano ostruiti e, se necessario, pulirli.
- ♦ Rimuovere con cura eventuali accumuli di sporcizia e detriti dalla marmitta e dal serbatoio del carburante. Controllare la zona dove viene aspirata l'aria di raffreddamento, nella base del basamento. Rimuovere tutti i detriti. La formazione di sporcizia in questi punti può comportare il surriscaldamento del motore, fiamme o usura prematura.
- ♦ Lubrificare la lama prima dell'utilizzo e dopo il rifornimento di carburante. Verificare che la lama non sia danneggiata o regolata impropriamente.

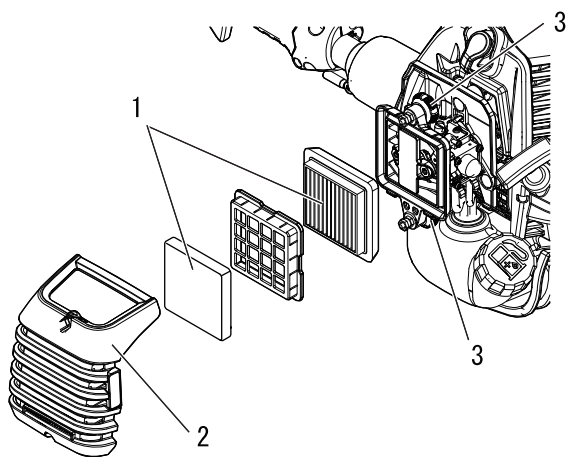
### **⚠ AVVERTENZA**

○ **Indossare sempre guanti quando si opera sul gruppo di taglio.**

◆ La mancata osservanza di queste precauzioni può provocare incidenti, lesioni o perfino la morte.

- ♦ Pulire eventuali detriti o la sporcizia dall'accessorio di taglio.
- ♦ Verificare eventuali viti o componenti allentati o mancanti. Accertarsi che l'accessorio di taglio sia fissato saldamente.
- ♦ Controllare eventuali perdite di carburante o grasso.
- ♦ Accertarsi che dadi, bulloni e viti (eccetto le viti di regolazione del carburatore) siano serrate.

## Manutenzione dopo 10 ore



1. Filtro dell'aria  
2. Coperchio filtro aria

3. Pomello coperchio del filtro dell'aria

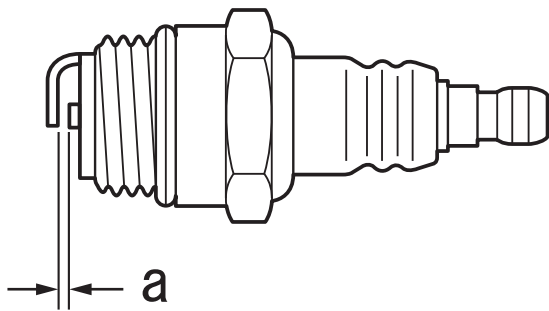
1. Chiudere la valvola dell'aria. Allentare il pomello del coperchio del filtro dell'aria e rimuovere il coperchio e il filtro. (il filtro dell'aria è posizionato all'interno del coperchio del filtro aria)
2. Rimuovere lo sporco dal filtro con una spazzola o pulire con aria compressa.
3. Rimontare il filtro dell'aria dopo averlo installato nel coperchio.
4. Serrare il pomello del coperchio del filtro dell'aria.

### **⚠ ATTENZIONE**

○ **Non utilizzare mai l'unità con il gruppo filtro dell'aria danneggiato o smontato.**

# Manutenzione e cura

## Manutenzione dopo 10/15 ore

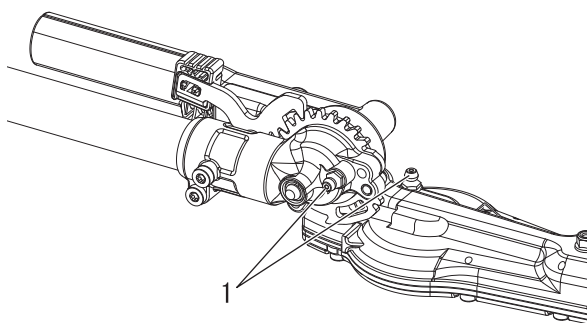


a: 0,6 - 0,7 mm

Rimuovere e pulire o sostituire la candela

- ♦ Verificare la distanza della candela. La giusta distanza è da 0,6 mm a 0,7 mm.
- ♦ Verificare l'usura dell'elettrodo.
- ♦ Verificare se l'isolatore presenta depositi di olio o altro.
- ♦ Se necessario, sostituire la candela e serrare a 10 N•m - 15 N•m (da 100 kgf•cm a 150 kgf•cm).

## Manutenzione dopo 15/20 ore



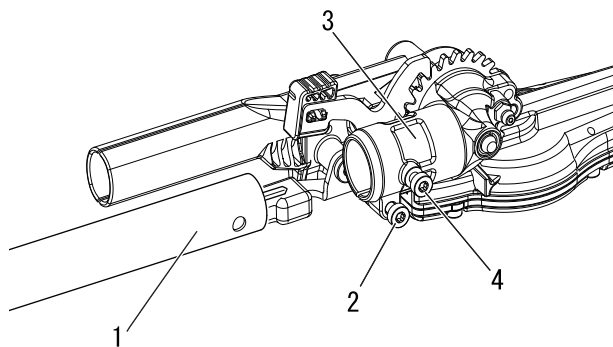
1. Raccordi di ingrassaggio della scatola degli ingranaggi

### Lubrificazione della scatola ingranaggi

1. Pulire il raccordo di ingrassaggio.
2. Lubrificare la scatola degli ingranaggi del gruppo di taglio pompando due volte del grasso al litio nel raccordo di ingrassaggio mediante un ingrassatore a siringa con leva.

### **⚠ ATTENZIONE**

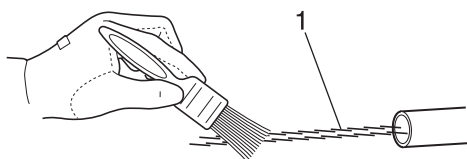
- Una lubrificazione eccessiva può rallentare il funzionamento della scatola degli ingranaggi e causare perdite di grasso.



1. Tubo esterno
2. Bullone di fermo della scatola ingranaggi
3. Scatola ingranaggi
4. Bullone mobile

### Lubrificazione albero motore

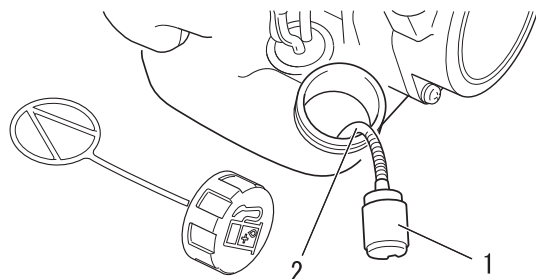
1. Allentare il bullone del fermo della scatola degli ingranaggi.
2. Rimuovere il bullone di regolazione dalla scatola degli ingranaggi.
3. Rimuovere il tubo esterno dall'alloggiamento degli ingranaggi.



1. Albero motore

4. Estrarre l'albero motore dal tubo esterno e ripulirlo accuratamente. Lubrificare con un sottile strato di grasso a base di litio (10 o 20 g).
5. Reinscrivere l'albero motore nel tubo esterno, prestando attenzione a non sporcare l'albero motore.
6. Allineare il foro della vite della scatola degli ingranaggi con il foro di posizionamento del tubo esterno; quindi serrare il bullone di fissaggio della scatola ingranaggi.

## Manutenzione dopo 50 ore



1. Filtro del carburante

2. Condotto del carburante

## Pulizia della marmitta

### Alette di raffreddamento del cilindro

- ♦ Rimuovere e pulire il coperchio del cilindro e pulire i detriti e la sporcizia asportandoli dalle alette di raffreddamento del cilindro.

### Rimuovere e sostituire il filtro del carburante

- ♦ Sollevare il filtro del carburante attraverso il serbatoio del carburante con un filo d'acciaio o un mezzo simile.
- ♦ Estrarre il vecchio filtro dal condotto del carburante.
- ♦ Montare il nuovo filtro.

### NOTA

Se il filtro è eccessivamente sporco o non può essere reinserito in modo appropriato, sostituirlo.

### AVVERTENZA

- Non utilizzare mai l'unità con una marmitta o un parascintille danneggiati o smontati. Lavorando con un parascintille danneggiato o smontato si rischia di causare un incendio e inoltre si potrebbero subire danni all'udito.

- ♦ I depositi di carbonio nella marmitta provocano perdita di potenza e surriscaldamento del motore. Controllare regolarmente la protezione parascintille. Pulire i depositi dalla marmitta.

### IMPORTANTE

Non rimuovere il coperchio della marmitta. Se necessario, consultare il proprio concessionario.

# Manutenzione e cura

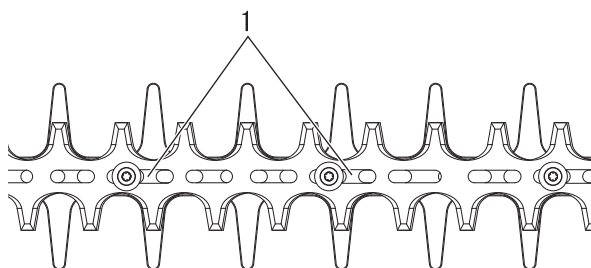
## Manutenzione delle lame

### **ATTENZIONE**

- **Indossare i guanti per proteggere le mani dalle lame taglienti.**
- ◆ **La mancata osservanza di queste istruzioni potrebbe causare lesioni.**

### **Lubrificazione delle lame (ogni 4 ore di funzionamento)**

Applicare poche gocce di olio in ciascuna delle fessure dei bulloni, nella parte inferiore delle lame.



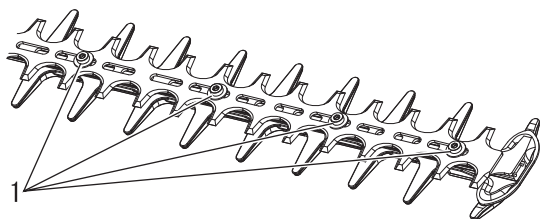
1. Fessure per i bulloni

### **Pulizia delle lame (dopo ogni uso)**

Rimuovere i residui gommosi dalle lame utilizzando una miscela 50 : 50 di cherosene (paraffina) e olio per macchine.

### **Regolazione della lama**

Le lame standard non richiedono regolazioni periodiche. Accertarsi che tutti i bulloni delle lame siano serrati e in buono stato.



1. Bullone



# Manutenzione e cura

## Problemi tecnici

Problema	Diagnosi	Causa	Soluzione
Il motore non si avvia		<ul style="list-style-type: none"> <li>♦ Non c'è carburante nel serbatoio</li> <li>♦ L'interruttore di accensione è in posizione di Arresto</li> <li>♦ Eccessiva aspirazione di carburante</li> <li>♦ Guasto elettrico</li> <li>♦ Guasto al carburatore o incollaggio interno</li> <li>♦ Guasto interno al motore</li> </ul>	<ul style="list-style-type: none"> <li>♦ Rifornimento carburante</li> <li>♦ Mettere in posizione di Start</li> <li>♦ Avviare il motore dopo la manutenzione</li> <li>♦ Consultare il proprio rivenditore</li> <li>♦ Consultare il proprio rivenditore</li> <li>♦ Consultare il proprio rivenditore</li> </ul>
Il motore stenta ad avviarsi, rotazioni fluttuanti	Il carburante entra nel tubo di trabocco	<ul style="list-style-type: none"> <li>♦ Degradazione del carburante</li> <li>♦ Problema al carburatore</li> </ul>	<ul style="list-style-type: none"> <li>♦ Sostituire con carburante nuovo</li> <li>♦ Consultare il proprio rivenditore</li> </ul>
	Il carburante non entra nel tubo di trabocco	<ul style="list-style-type: none"> <li>♦ Filtro del carburante ostruito</li> <li>♦ L'impianto di alimentazione è ostruito</li> <li>♦ Parti interne al carburatore incollate</li> </ul>	<ul style="list-style-type: none"> <li>♦ Pulire o sostituire</li> <li>♦ Consultare il proprio rivenditore</li> <li>♦ Consultare il proprio rivenditore</li> </ul>
	La candela è sporca o umida	<ul style="list-style-type: none"> <li>♦ Degradazione del carburante</li> <li>♦ Distanza dell'elettrodo non adeguata</li> <li>♦ Depositi di carbonio</li> <li>♦ Guasto elettrico</li> </ul>	<ul style="list-style-type: none"> <li>♦ Sostituire</li> <li>♦ Sostituire</li> <li>♦ Sostituire</li> <li>♦ Consultare il proprio rivenditore</li> </ul>
Il motore si avvia ma non è possibile accelerare		<ul style="list-style-type: none"> <li>♦ Filtro dell'aria sporco</li> <li>♦ Filtro del carburante sporco</li> <li>♦ Passaggio del carburante bloccato</li> <li>♦ Problema di regolazione del carburatore</li> <li>♦ Apertura per la ventilazione o sfiato della marmitta bloccati</li> </ul>	<ul style="list-style-type: none"> <li>♦ Pulire o sostituire</li> <li>♦ Pulire o sostituire</li> <li>♦ Consultare il proprio rivenditore</li> <li>♦ Regolare</li> <li>♦ Pulire</li> </ul>
Il motore si arresta		<ul style="list-style-type: none"> <li>♦ Problema di regolazione del carburatore</li> <li>♦ Guasto elettrico</li> </ul>	<ul style="list-style-type: none"> <li>♦ Regolare</li> <li>♦ Consultare il proprio rivenditore</li> </ul>
Il motore non si arresta		<ul style="list-style-type: none"> <li>♦ Guasto all'interruttore di accensione</li> </ul>	<ul style="list-style-type: none"> <li>♦ Eseguire un arresto di emergenza del motore e consultare il proprio rivenditore</li> </ul>
Le lame si muovono quando il motore è in folle		<ul style="list-style-type: none"> <li>♦ Problema di regolazione del carburatore</li> <li>♦ Molla della frizione danneggiata</li> </ul>	<ul style="list-style-type: none"> <li>♦ Regolare</li> <li>♦ Consultare il proprio rivenditore</li> </ul>
Le lame non tagliano		<ul style="list-style-type: none"> <li>♦ Lame usurate</li> <li>♦ Distanza eccessiva tra la lama superiore e la lama inferiore</li> <li>♦ Slittamento della frizione</li> </ul>	<ul style="list-style-type: none"> <li>♦ Consultare il proprio rivenditore</li> <li>♦ Consultare il proprio rivenditore</li> <li>♦ Consultare il proprio rivenditore</li> </ul>

- ♦ Il controllo e la manutenzione richiedono competenze specialistiche. In caso di problemi o difficoltà durante la manutenzione del prodotto, consultare il proprio rivenditore. Non tentare di smontare il prodotto.
- ♦ In caso di problemi non menzionati nella tabella consultare il proprio rivenditore.
- ♦ Per i pezzi di ricambio e gli articoli di consumo, utilizzare solo parti originali, prodotti e componenti raccomandati. L'utilizzo di ricambi di altri produttori o componenti non raccomandati potrebbe provocare guasti.

## NOTA

### **Sure Start** (vedere pagina 2)

Quando non si riesce a tirare la funicella senza sforzo, il guasto deve essere ricercato all'interno del motore.

Consultare il proprio rivenditore.

Se smontato involontariamente, può causare lesioni.

# Rimessaggio

## Rimessaggio per un lungo periodo (oltre 30 giorni)

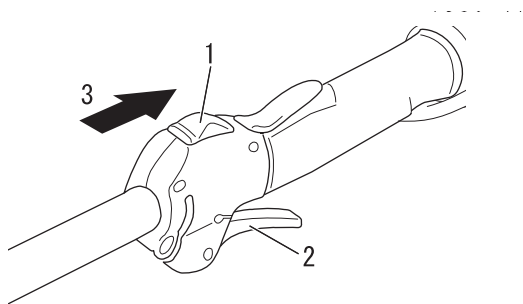
### **AVVERTENZA**

Non conservare l'attrezzo in luoghi chiusi dove le esalazioni del carburante potrebbero accumularsi, raggiungendo una fiamma libera o infiammarsi.

◆ Questo potrebbe provocare un incendio.



Per conservare il prodotto per un lungo periodo (oltre 30 giorni), effettuare le seguenti operazioni.



1. Interruttore di accensione  
2. Leva del gas  
3. Arresto

1. Svuotare completamente il serbatoio del carburante.
  - A. Svuotare il serbatoio del carburante.
  - B. In alternativa, premere e rilasciare il bulbo di spurgo alcune volte per eliminare il carburante al suo interno.
  - C. Avviare il motore e farlo girare in folle finché non si spegne per mancanza di carburante.
2. Abbassare l'interruttore di accensione in posizione "STOP".
3. Togliere grasso, olio, sporco e detriti accumulati sulla parte esterna del tagliaerba.
4. Eseguire i controlli periodici prescritti in questo manuale.
5. Verificare che le viti e i dadi siano serrati. Serrare eventuali viti o dadi allentati.
6. Smontare la candela e aggiungere la quantità appropriata (circa 10 mL) di olio per motori a 2 tempi pulito nel cilindro attraverso il foro della candela.
  - A. Mettere un panno pulito sul foro della candela.
  - B. Tirare 2 o 3 volte la funicella per distribuire l'olio motore nel cilindro.
  - C. Osservare la posizione del pistone dal foro della candela. Tirare la leva del motorino di avviamento a rimbalzo fino a quando il pistone non raggiunge la parte superiore della corsa e lasciarla in questa posizione.
7. Montare la candela. (Non collegare il cappuccio della candela.)
8. Lubrificare le lame con una patina spessa di olio per evitare la ruggine.
9. Dopo che il prodotto si è sufficientemente raffreddato e asciugato, applicare il coprilama alle lame e avvolgere la sezione del motore con un sacchetto di plastica o con una copertura simile prima di immagazzinarlo.
10. Conservare il prodotto in un luogo asciutto e privo di polvere, lontano dalla portata dei bambini o da persone non autorizzate.

# Procedura di smaltimento

---



- ♦ Smaltire l'olio usato in conformità alla legislazione locale.
- ♦ I componenti principali di plastica del prodotto presentano dei codici che indicano i materiali che li costituiscono. I codici fanno riferimento ai seguenti materiali; smaltire questi componenti di plastica in conformità alla legislazione locale.

Contrassegno	Materiale
>PA6-GF<	Nylon 6 - Fibra di vetro
>PP-GF<	Polipropilene - Fibra di vetro
>PE-HD<	Polietilene

- ♦ Per ottenere informazioni sulle modalità di smaltimento dell'olio usato o dei componenti in plastica, contattare il proprio concessionario.

# Caratteristiche tecniche

		AH262S-HD
<b>Dimensioni esterne:</b> Lunghezza x Larghezza x Altezza	mm	2440 × 273 × 260
<b>Masse:</b> Unità con accessorio di taglio, serbatoio vuoto	kg	6,5
Unità con accessorio di taglio, serbatoio pieno	kg	7,0
<b>Volume:</b> Serbatoio del carburante	mL	600
<b>Carburante:</b>  Olio  Percentuale di miscelazione		Benzina normale. Si consiglia benzina senza piombo ad 89 ottani. Non utilizzare carburante contenente alcol metilico o una percentuale di alcol etilico superiore al 10%.  Olio per motori a due tempi raffreddati ad aria. ISO-L-EGD Standard (ISO/CD 13738), JASO FC/FD grade and Shindaiwa Premium 50:1 oil.  50: 1 parte (2%)
<b>Accessorio di taglio:</b> Tipo Lunghezza di taglio Passo Altezza		Doppia lama a doppio effetto  mm 536 mm 35 mm 21
<b>Rapporto ingranaggi e lubrificazione:</b>		4,60 riduzione e grasso al litio di buona qualità
<b>Motore:</b> Tipo Carburatore Magnete Candela Motorino di avviamento Trasmissione Cilindrata motore Massima potenza freno sulla trasmissione (ISO 8893) Consumo carburante alla massima potenza del motore Regime motore massimo raccomandato (con accessorio STD installato) Regime minimo raccomandato		Monocilindrico a 2 tempi - raffreddato ad aria Tipo diaframma Magnete del volano: Sistema CDI NGK CMR7H Avviatore a strappo Frizione centrifuga automatica  cm <sup>3</sup> 25,4 kW 1,04 L/h 0,61 giri/min 11500 giri/min 3000
<b>Livelli di vibrazioni:</b> (ISO 10517) <sub>a<sub>hv,eq</sub></sub> Impugnatura anteriore / Impugnatura posteriore Incertezza : K	m/s <sup>2</sup> m/s <sup>2</sup>	7,3 / 7,1 5,0
<b>Livello pressione acustica:</b> (ISO 10517) L <sub>pAd</sub> (= L <sub>pAeq</sub> + K <sub>pA</sub> ) Incertezza : K <sub>pA</sub>	dB(A) dB(A)	96,6 2,5
<b>Livello potenza acustica:</b> (ISO 10517) L <sub>WAAd</sub> (= L <sub>WAeq</sub> + K <sub>WA</sub> ) Incertezza : K <sub>WA</sub>	dB(A) dB(A)	109,0 2,5

Queste specifiche possono subire modifiche senza preavviso.

# Dichiarazione di conformità

---

Il produttore sottoscritto:

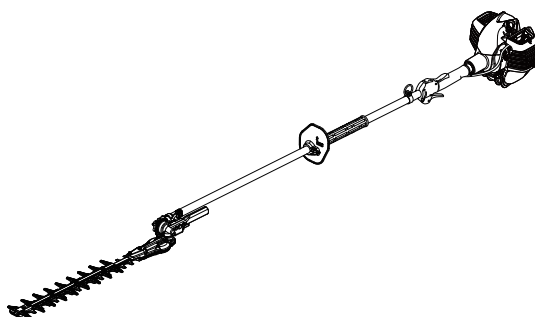
YAMABIKO CORPORATION  
1-7-2 Suehirocho  
Ohme, Tokyo 198-8760  
GIAPPONE

La presente dichiarazione di conformità viene rilasciata sotto la responsabilità esclusiva del produttore.

Dichiara che la nuova unità di seguito descritta:

## TAGLIASIEPI PORTATILE

**Marchio: shindaiwa**  
**Tipo: AH262S-HD**



È conforme a:

- \* i requisiti richiesti dalla Direttiva **2006/42/CE** (uso della norma armonizzata **EN ISO 10517: 2009**)
- \* i requisiti della Direttiva **2014/30/EU** (uso di norma armonizzata **EN ISO 14982: 2009**)
- \* i requisiti richiesti dalla Direttiva **2000/14/CE**

Conforme alla procedura di accertamento dell'**ALLEGATO V**

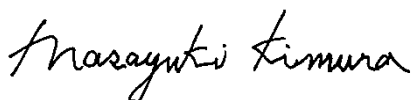
Livello di potenza acustica misurato: **107 dB(A)**

Livello di potenza acustica garantito: **110 dB(A)**

Numero di serie da 37001001 a 37100000

Tokyo, 1 settembre 2018

## YAMABIKO CORPORATION



**Rappresentante autorizzato in Europa a costituire il fascicolo tecnico.**

Azienda: CERTIFICATION EXPERTS B.V.

Indirizzo: Stationsplein 30, 1382AD Weesp, The Netherlands

**Masayuki Kimura**

**Direttore generale**

**Reparto Garanzia di qualità**

**Mr. Richard Glaser**

# YAMABIKO CORPORATION

1-7-2 Suehirocho, Ohme, Tokyo 198-8760 GIAPPONE

TELEFONO: 81-428-32-6118. FAX: 81-428-32-6145.

# shindaiwa<sup>®</sup>



X750-029111

X750234-3201



# YAMABIKO CORPORATION

1-7-2 Suehirocho, Ohme, Tokyo 198-8760 JAPAN

PHONE: 81-428-32-6118. FAX: 81-428-32-6145.

# shindaiwa<sup>®</sup>



X750-029111

X750234-3201

**Printed in Japan**

1809A 0740 ES