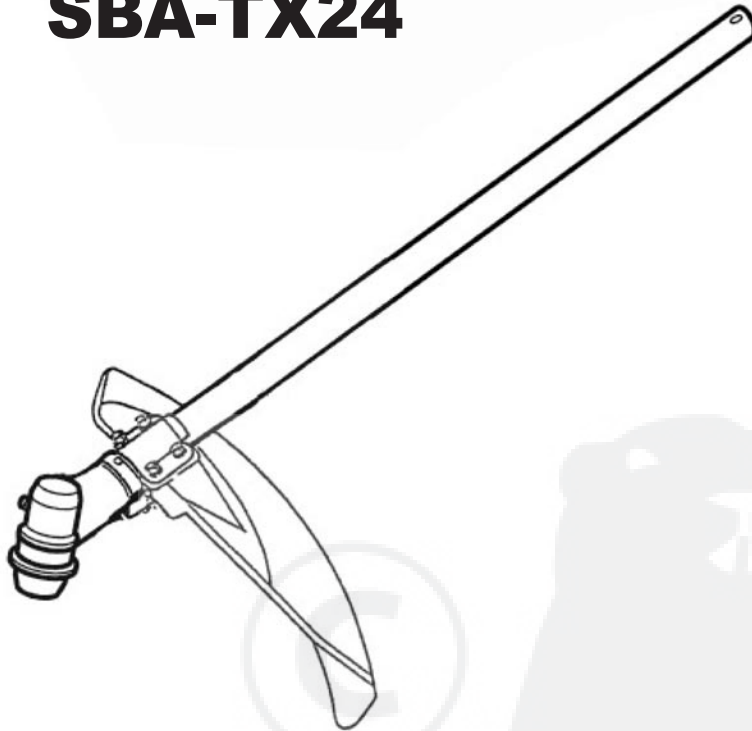


SHINDAIWA OWNER'S/OPERATOR'S MANUAL

SPLITBOOM ATTACHMENT SBA-TX24



WARNING!

Minimize the risk of injury to yourself and others!
Always wear eye and hearing protection when operating this unit.
Read this manual and the manual provided with the Shindaiwa Multipurpose Engine and familiarize yourself with its contents.
Do not operate or service this machine unless you clearly understand this manual.
Keep this manual available at all times so that it may be referred to if questions arise regarding this unit's use.
This machine is designed for cutting grass, weed, and brush with the Shindaiwa Multipurpose Engine.
Do not use this machine for other purposes

shindaiwa

Part Number 65014-94310
Rev. 2/05

Introduction

The Shindaiwa SBA-TX24 Splitboom Attachment is designed and built to deliver superior performance and reliability without compromise to quality, comfort, safety or durability.

As an owner/operator, you'll soon discover for yourself why Shindaiwa is simply in a class by itself!

The procedures described in this manual are intended to help you get the most from your machine as well as to protect you and others from harm. These procedures are guidelines for safe operation under most conditions, and are not intended to replace any safety rules and/or laws that may be in force in your area.

If you have questions regarding your power tool, or if you do not understand something in this manual, your Shindaiwa dealer will be glad to assist you

IMPORTANT!

The information contained in these instructions describes units available at the time of publication. While every attempt has been made to provide the latest information about your Shindaiwa product, there may be some differences between your SBA-TX24 and what is described here. Shindaiwa Inc. reserves the right to make changes to products without prior notice and without obligation to make alterations to units previously manufactured. Shindaiwa Inc. reserves the right to make changes to products without prior notice, and without obligation to make alterations to units previously manufactured.

Contents

	Page
Attention Statements	2
Safety Precautions	3
Operating Precautions	4
Product Description	6
Technical Specifications	6
Assembling the Splitboom	7
Front Handle Assembly	7
Installing Tool Attachment	8
Installing a Blade	9
Operation	10
General Maintenance	12
Long Term Storage	12
Sharpening the Blade	13
Troubleshooting Guide	14

Attention Statements

Throughout this manual are special "attention statements" surrounded by boxes and preceded by the triangular Attention Symbol.



WARNING!

A statement preceded by the triangular attention symbol and the word "WARNING" contains information that should be acted upon to prevent serious bodily injury.

CAUTION!

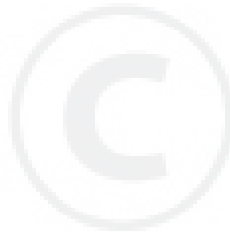
A statement preceded by the word "CAUTION" contains information that should be acted upon to prevent mechanical damage.

IMPORTANT!

A statement preceded by the word "IMPORTANT" is one that possesses special significance.

NOTE:

A statement preceded by the word "NOTE" contains information that is handy to know and may make your job easier.



Safety Precautions

A splitboom attachment has the potential to do serious damage if misused, abused or mishandled. To reduce the risk of injury, you must maintain control at all times, and observe all safety precautions during operation. **Never permit a person without training or instruction to operate this tool!**



WARNING!

Do not make unauthorized modifications to this unit.

NOTE:

For specific maintenance and safety information about your Shindaiwa Multipurpose Tool Carrier, consult the owner's manual provided with that unit. If it has been misplaced, contact a Shindaiwa Dealer for a replacement.

Warning Labels

Warning labels affixed to the machine are as follows:



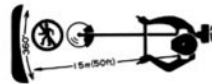
Read and follow this manual, make sure anyone using this unit does likewise. Failure to do so could result in serious personal injury or machine failure. Keep this manual for future reference.



Always wear a hard hat to reduce the risk of head injuries during operation of this machine. In addition, always wear eye and hearing protection. Shindaiwa recommends wearing a face shield as additional face and eye protection.



Wear nonslip heavy-duty work gloves to improve your grip on this unit. Wear sturdy footwear with nonslip soles to provide good footing. Steel-toe safety boots are recommended. Wear snug-fitting clothes that also permit freedom of movement.



Make sure no one is within 15 meters of an operating attachment.



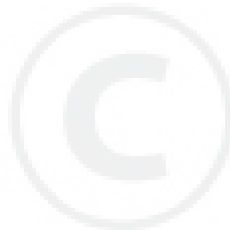
Beware of thrown objects.



MAX

8500min⁻¹

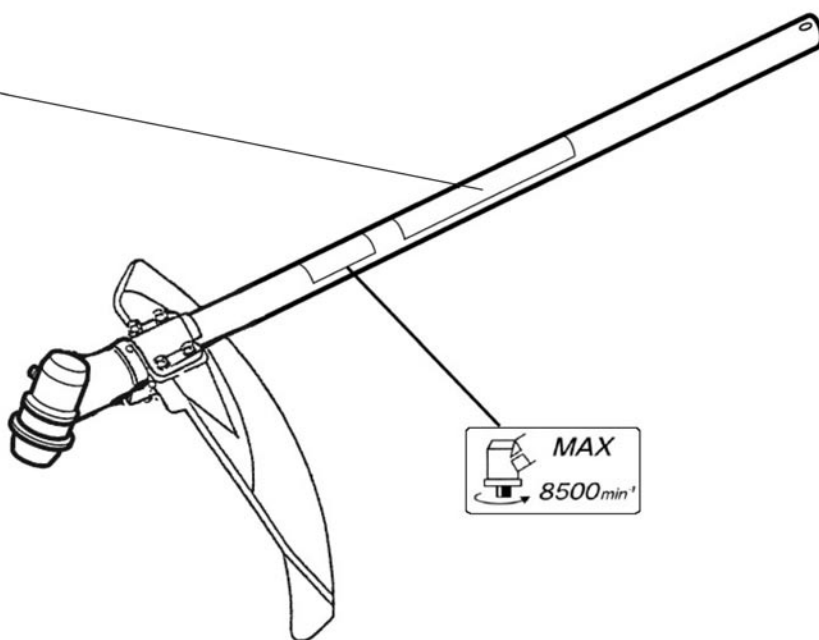
The maximum speed of the cutting attachment shaft in min⁻¹.



Safety Labels

IMPORTANT!

Safety and Operation Information Labels: Make sure all information labels are undamaged and readable. Immediately replace damaged or missing information labels. New labels are available from your local authorized Shindaiwa dealer.



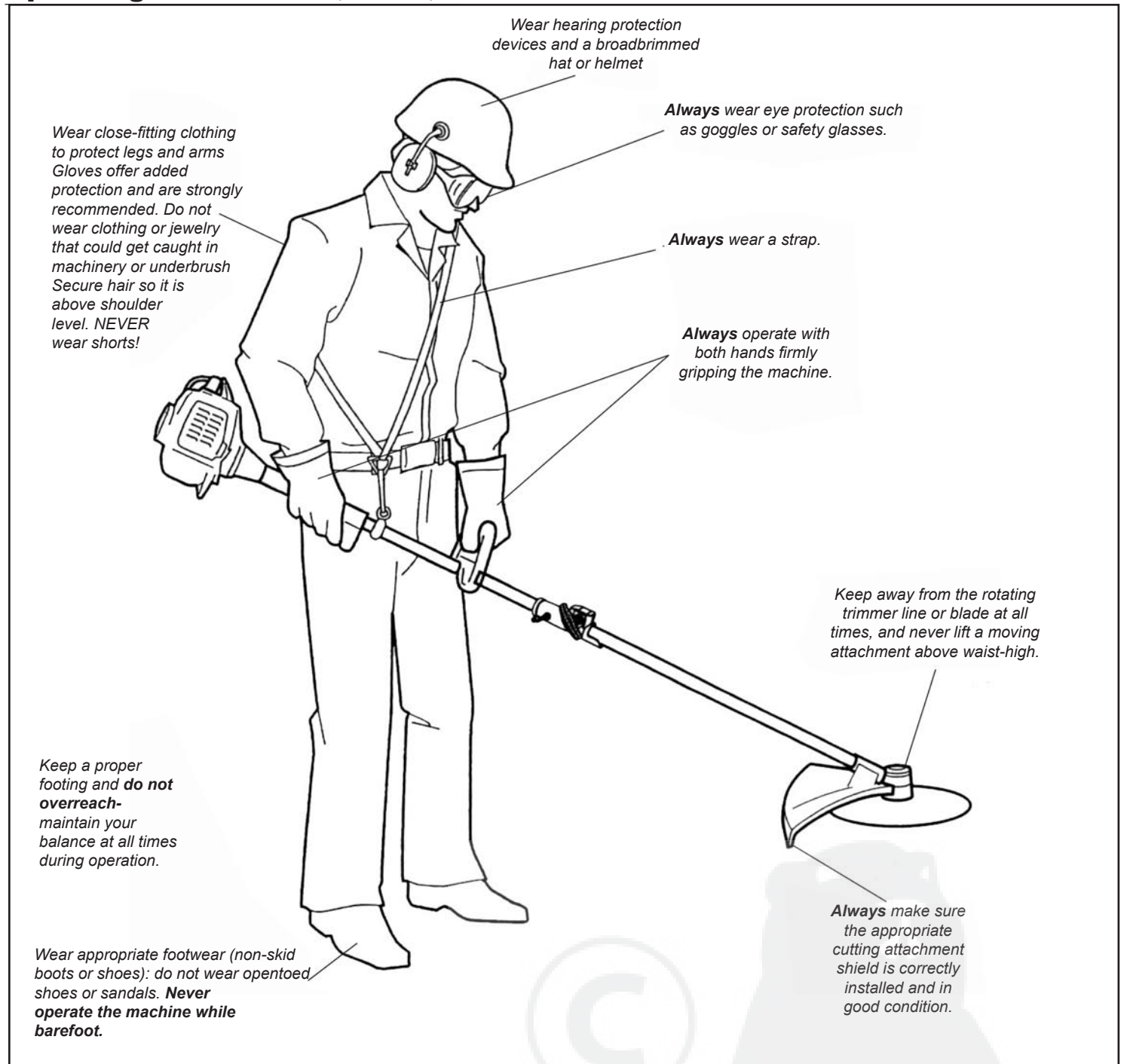
Operating Precautions



WARNING!

- This Shindaiwa Splitboom Attachment SBA-TX24 is specifically designed for use with a Shindaiwa Multipurpose Engine. Installation and/or use on any other model, brand, or type of power tool is not approved by Shindaiwa. Attempts to use on non-approved models can damage the equipment and cause accidents, serious injury, or death. **Never permit a person without training or instruction to operate this unit.**
- Make sure the Splitboom Attachment is properly installed and firmly tightened before operation.
- Never use a cracked or warped cutting attachment; replace it with a serviceable one and make sure it fits properly.
- Never smoke or light fires near the engine. Engine fuel is very flammable and fire could lead to serious personal injury or property damage.
- Make sure there is no fuel leaking from fuel tank, fuel cap, fuel tube, and carburetor and other parts in which fuel may leak. The unit should be free of fuel leaks before operating.
- Make sure there are no missing or loose fasteners, and that the stop switch and throttle controls are working properly.
- Secure the machine during transportation to prevent leakage of fuel, damage, or injury.
- Make sure there is always good ventilation when operating the trimmer. Fumes from engine exhaust can cause serious injury or death. Never run the engine indoors!
- Before starting the engine, make sure the cutting attachment is not contacting anything.
- Always stop the engine immediately and check for damage if you strike a foreign object or if the unit becomes tangled. Do not operate with broken or damaged equipment.
- Stop the unit immediately if it suddenly begins to vibrate or shake. Inspect for broken, missing or improperly installed parts or attachments.
- Never transport the unit or set it down with the engine running. An engine that's running could be accidentally accelerated causing the cutting attachment to rotate.
- Never operate power equipment of any kind if you are tired or if you are under the influence of alcohol, drugs, or any other substance that could effect your ability or judgment.
- For the details of filling fuel, consult the owner's manual that was provided with the Multipurpose Engine. If it has been misplaced contact your Shindaiwa Dealer for a replacement.

Operating Precautions (continued)



Use Good Judgment



WARNING!

ALWAYS wear eye protection to shield against thrown objects.

NEVER run the engine when transporting the machine.

ALWAYS clear your work area of trash or hidden debris that could be thrown back at you or toward a bystander.

ALWAYS use the proper cutting tool for the job.

ALWAYS stop the machine immediately if it suddenly begins to vibrate or shake. Inspect for broken, missing or improperly installed parts or attachments.

ALWAYS hold the machine firmly with both hands when cutting or trimming, and maintain control at all times.

ALWAYS keep the handles clean.

ALWAYS disconnect the spark plug wire before performing any maintenance work.

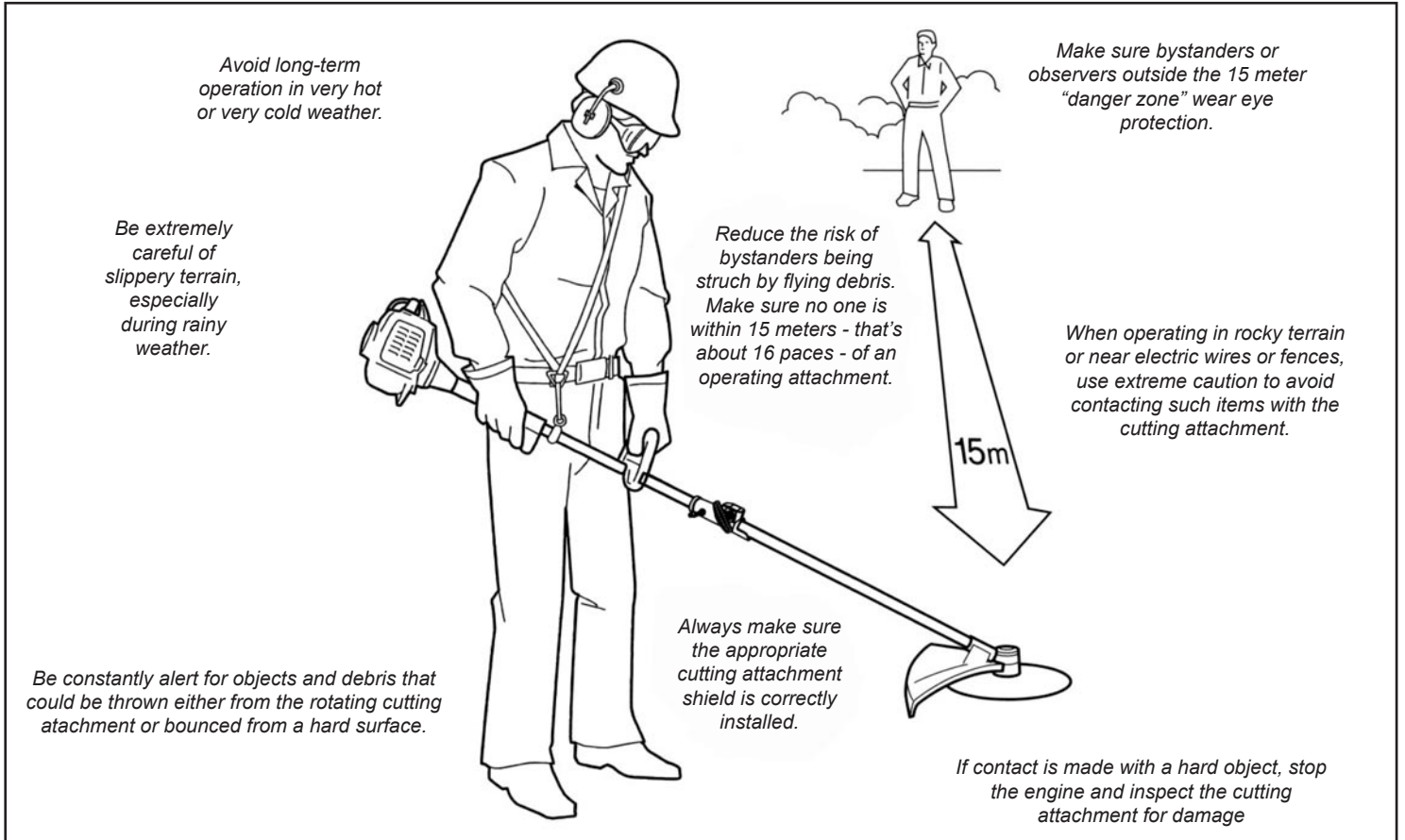
ALWAYS, if a blade should bind fast in a cut, shut off the engine immediately. Push the branch or tree to ease the bind and free the blade.

CAUTION!

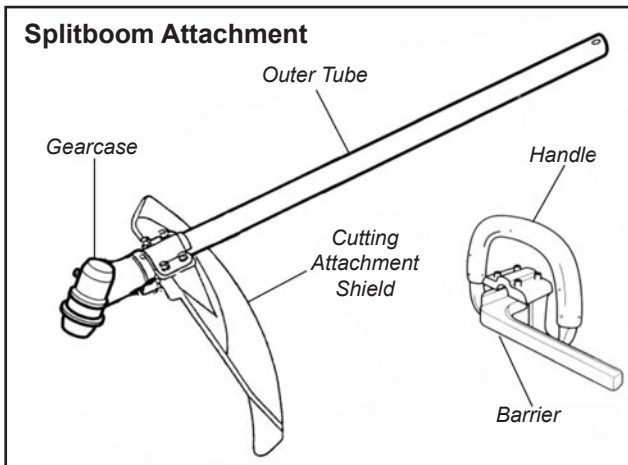
NEVER extend trimming line beyond the length specified for your unit.

ALWAYS keep the unit as clean as practical. Keep it free of loose vegetation, mud, etc.

Be Aware of the Working Environment



Product Description and Technical Specifications



Dry Weight SBA-TX24 (less cutting attachment)	1.2 kg
Gearcase Lubrication	Lithium based grease
Gear Reduction	1.286:1
Gearcase Arbor Size	7mm Left-handed thread (female)

• Specifications are subject to change without notice.

Prior To Assembly

Using figure above as a guide, familiarize yourself with the Shindaiwa SBA-TX24 Splitboom Attachment and its various components. Understanding your unit helps ensure top performance, longer service life, and safer operation.

Before assembling, make sure you have all the components required for a complete unit:

- Outer Tube/Main Shaft Assembly
- Cutting Attachment Shield
- Front Handle
- Kit containing cutting attachment shield mounting bracket and hardware, gearcase tool holder, this owner's/operator's manual and a hex wrench and spanner wrench.

Carefully inspect all components for damage.

IMPORTANT

The terms "left", "left-hand", and "LH"; "right", "right-hand", and "RH"; "front" and "rear" refer to directions as viewed by the operator during normal operation.



WARNING!

Do not make unauthorized modifications or alterations to your Splitboom Attachment or its components.

Assembling the Splitboom

Installing the Cutting Attachment Shield



WARNING!

NEVER operate the Shindaiwa SBA-TX24 Splitboom Attachment without the cutting attachment shield installed and tightly secured!

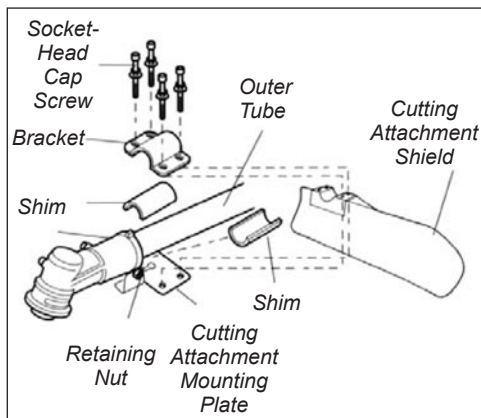
CAUTION!

Make sure the clamp screw and retaining nut are securely tightened before tightening the four socket head cap screws.

NOTE:

It may be necessary to loosen the retaining nut and clamp screw to adjust cutting attachment shield mounting plate.

1. Insert the cutting attachment shield between the outer tube and the cutting attachment mounting plate.
2. Fit the two shims and the bracket over the outer tube and loosely install the four socket-head screws.



Installing the Sub Guard



WARNING!

NEVER use this machine without sub guard when using a trimmer head.

CAUTION!

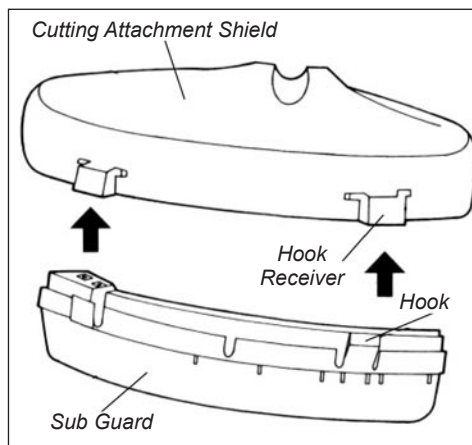
Make sure the sub guard is completely hooked at the hook receiver.

NOTE:

Make sure the edge of cutting attachment shield is aligned with the groove of the sub guard.

1. Install the sub guard.

See figure below.



Front Handle Assembly

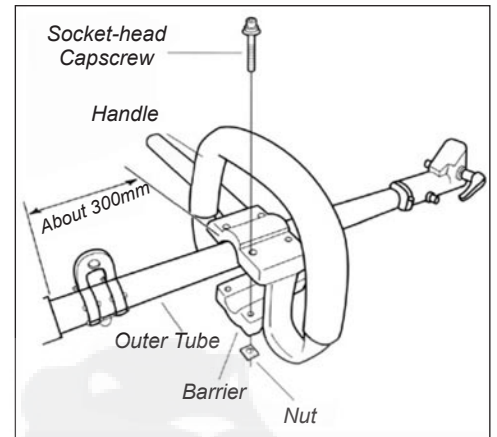
Installing the Front Handle to the Outer Tube of the Shindaiwa Multipurpose Engine

NOTE:

The underside of the handle mounting barrier is recessed to receive the nuts.

Before assembling the handle, slide to remove the front rubber grip from the outer tube of the Shindaiwa Multipurpose Engine.

1. Position the handle on the outer tube as shown.
2. Install the mounting barrier with the socket-head screws and nuts. Tighten the screws finger-tight **ONLY** at this time.
3. Locate the handle in the best position for operator comfort (usually about 300mm ahead of the throttle assembly).
4. Secure the handle by alternately tightening the four socket head screws in a diagonal or "crisscross" fashion.



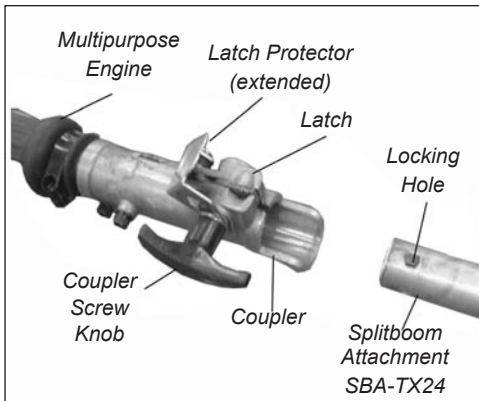
Installing Tool Attachment

1. Place Multipurpose Engine and the Splitboom Attachment SBA-TX24 on a clean, flat surface so that both assemblies fit end to end. The powerhead assembly should be facing up, and the Splitboom Attachment SBA-TX24 should be positioned with the locking hole in the tube end facing up.

CAUTION!

Keep the open ends of the tubes clean and free of debris!

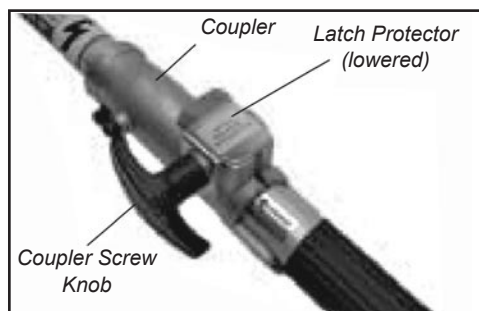
2. Slip off the protective cover from the end of the tool, and loosen the coupler screw knob.
3. Insert the tube into the coupler, with the tool decal facing up, until the line of the decal is flush with the end of the coupler. Twist the tool back and forth until you are sure it snaps in place by the coupler latch.



4. When the two tube halves are locked together, press down on the spring-loaded latch protector and tighten the coupler screw.

CAUTION!

Make sure there is no gap between the Latch Protector and the Coupler.



Disassembling the Tool Attachment

1. Place the unit on a clean, flat surface, loosen the coupler screw. The spring loaded coupler protector should pop up.
2. Press down on the latch with your finger or thumb. This releases the coupler lock.
3. Pull the tube out of the coupler



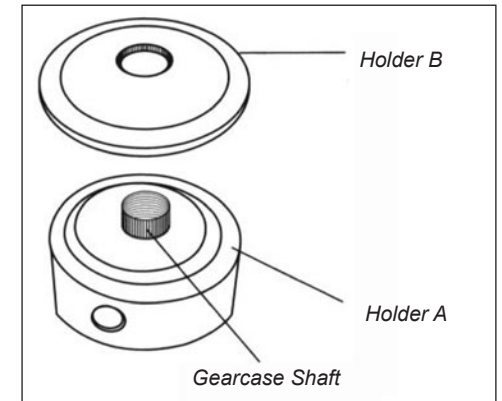
Installing a Trimmer Head

1. Make sure the switch is turned off and the engine is stopped.
2. Turn the unit over so the shaft from the gearcase is faces up.

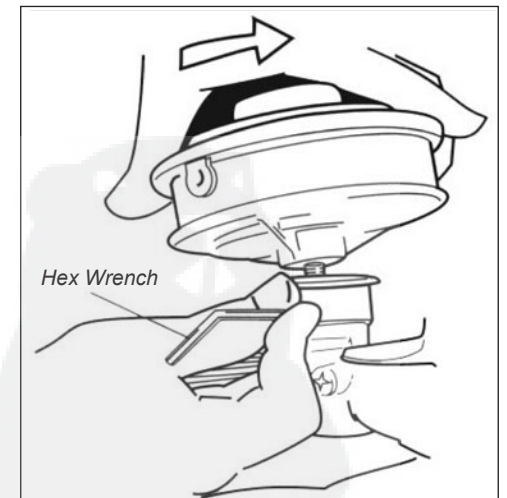
IMPORTANT!

The shaft bolt, bolt guard, and safety clips are not used with a trimmer head cutting attachment. Save these parts for future blade installation.

3. Remove the shaft bolt, bolt guard, holder and the safety clip(s) from the output shaft.



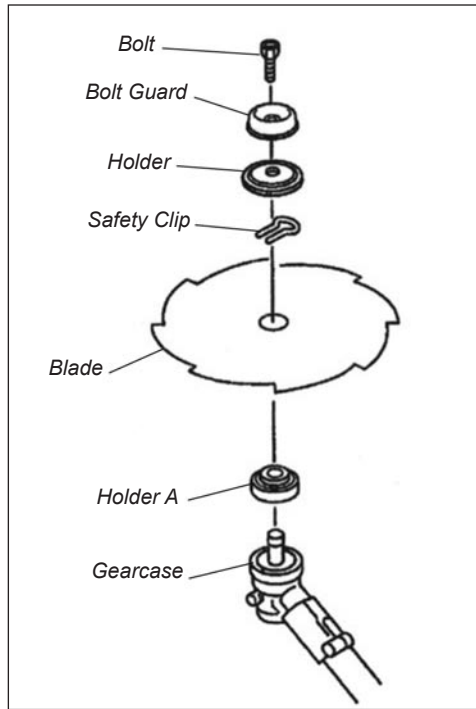
4. Rotate the holder until the hole in the holder aligns with the notch on the gearcase flange. Using the hex wrench, lock the gearcase as shown.



5. While holding the holder with the hex wrench, thread the trimmer head onto the gear-shaft and install securely using hand pressure. Turn counter clockwise to install.
6. Remove the hex wrench.

Installing a Blade

1. Make sure the switch is off and the engine is stopped.
2. Wear gloves to protect your hands.
3. Turn the unit over so that the blade holder flange extending from the gear case is facing up.
4. Using the small end of the plug wrench, loosen the bolt (turn clockwise) and remove the bolt, bolt guard and holder.
5. Slide the safety clip as the illustration shows.



7. Put the holder and bolt guard back and tighten the bolt finger tight only at this time. Make sure the holder is flat against the blade. The blade and the recess in the holder must face the blade and completely cover the safety clip.
8. Rotate holder A until the hole in its skirt aligns with the hole in the gear case. Insert the hex wrench through both holes (to prevent the shaft from turning).
9. Holding the hex wrench and the blade with one hand, tighten the bolt (turn counterclockwise) securely using the small end of the plug wrench.
10. Remove the hex wrench.



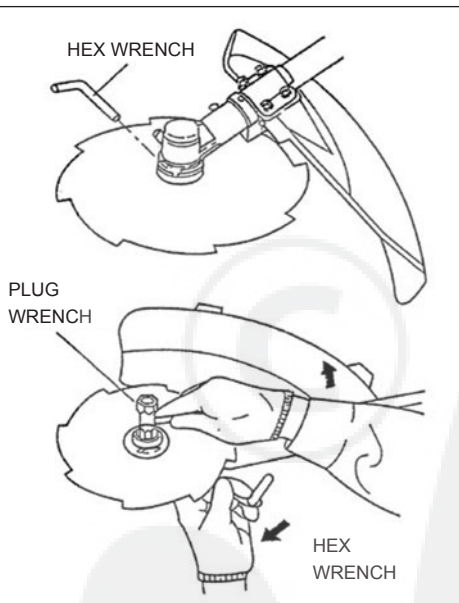
WARNING!

Make sure the direction of the arrow indicated on the blade corresponds with the arrow indicated on the debris shield.



WARNING!

Before operating, make sure the blade is securely mounted. Turn the blade with your hand slightly and make sure the blade turns smoothly without wobbling.



WARNING!

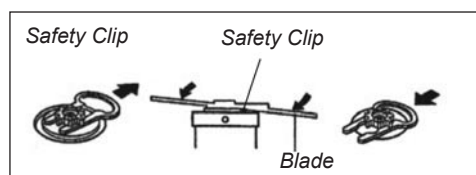
Never operate this unit without the safety clip in place.



WARNING!

The blade must fit flat against holder A. The blade's mounting hole must be centered over the raised boss of the holder A.

6. Fit the blade over the safety clip and onto holder A. Then, slide the safety clip back to the original position.



Checking Unit Condition

NEVER operate the unit with the cutting attachment shield or other protective devices (ignition switch, etc.) removed!



WARNING!

A cutting attachment shield or other protective device is no guarantee of protection against ricochet. You must always guard against flying debris!

Use only authorized Shindaiwa parts and accessories with your Shindaiwa products. Do not make modifications to your machine without the written approval of Shindaiwa.

- ALWAYS make sure the cutting attachment is properly installed and firmly tightened before operation.
- NEVER use a cracked or warped cutting attachment: replace it with a serviceable one.
- ALWAYS make sure the cutting attachment fits properly into the appropriate cutter holder. If a properly installed attachment vibrates, replace the attachment with a new one and recheck.
- ALWAYS stop the engine immediately and check for damage if you strike a foreign object or if the machine becomes tangled. Do not operate with broken or damaged equipment.
- NEVER allow the engine to run at high RPM without a load. Doing so could damage the engine.
- NEVER operate a machine with worn or damaged fasteners or attachment holders.

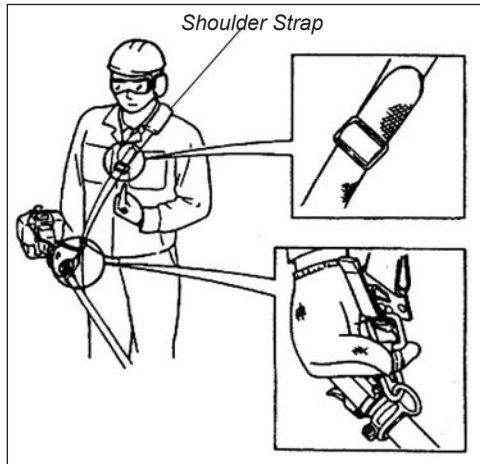
NOTE:

A shoulder strap accessory is required for use with Splitboom Attachment SBA-TX24. A shoulder strap can increase operator comfort during extended periods of operation.

Attaching The Shoulder Strap

To Wear the Shoulder Strap

1. Hook the strap hook to the hanger on the outer pipe.
2. Wear the shoulder strap so that the hook stays at your right hand side.
3. Adjust the length of the shoulder strap so that you can hold and operate the machine comfortably.



Emergency Release

In case of emergency, firmly pull the white tab at the hook. The machine will be released from the strap.



Operation

(Cutting Grass with a Trimmer Head)

Your Shindaiwa Multipurpose Trimmer Tool may be equipped with one of several Shindaiwa trimmer head models, each with features for specific applications and/or operational requirements.

NOTE:

For proper operation, always refer to the instructions accompanying the trimmer head being used.

Available trimmer head styles include:

- **Fully automatic.** The trimmer head automatically indexes line during operation.
- **Semi-automatic.** Trimmer line is indexed when the operator taps the trimmer head on the ground during operation.
- **Manual.** The operator indexes line manually with the grass trimmer stopped.
- **Fixed.** The operator must stop the machine and add new lengths of trimmer line manually.
- **Flail.** This device, designed for clearing weeds and light brush, features three pivoting nylon blades.

CAUTION!

Do not push the rotating trimmer line into trees, wire fences or any other solid objects that could tangle or break line ends.

Engine Operating Speeds

Operate the machine at full throttle while cutting grass.

CAUTION!

Operation at low RPM can lead to premature clutch failure.

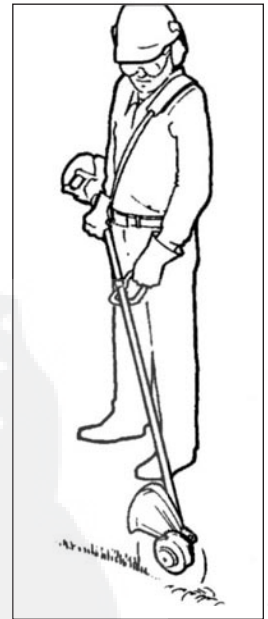
Trimming and Mowing Grass

Hold the grass trimmer so the trimmer head is angled slightly into the area to be cut. To ensure maximum trimmer-line service life, cut only with the tip of the trimmer line. Cut grass by swinging the machine's trimmer head from left to right. Keep the trimmer head horizontal.



Edging

Tilt the handle about 100° to the left from horizontal) and move forward, holding the trimmer vertically.

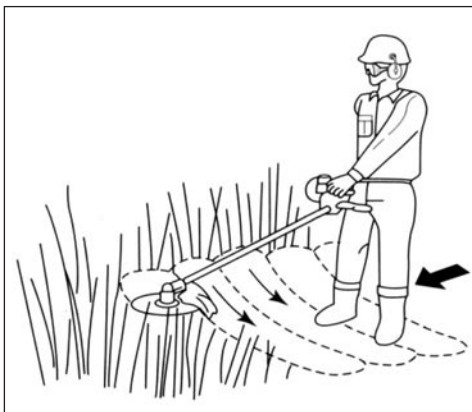


Cutting With a Blade

- (1) After starting the engine, pull the throttle lever gradually. The engine speed increases and the blade will start rotating.
- (2) When the throttle lever is released, the engine goes back to idle speed automatically.
- (3) Operate the machine at full throttle while cutting. Best fuel efficiency is obtained by releasing the throttle when swinging back after cut.
- (4) The blade rotates counterclockwise. For best performance and to minimize being stuck by debris, move the blade from right to left while advancing on your work.

CAUTION!

To prevent possible engine damage, do not allow the machine to run at high speeds without a load. Avoid operating the engine at low speeds. Doing so can lead to rapid clutch wear. In addition, slow-speed operation tends to cause grass and debris to wrap around the cutting attachment.



WARNING!

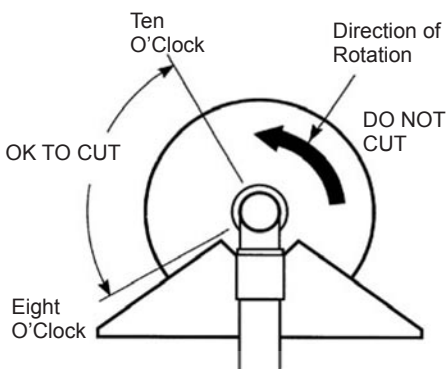
Position the blade so cuts are made between blade's 8 o'clock and 10 o'clock positions (as viewed from above). DO NOT cut between the 11 o'clock and 5 o'clock positions.

WARNING!

"BLADE THRUST" is a sudden sideway or backward motion of the machine. Such motion may occur when the blade jams or catches on an object such as a sapling tree or tree stump. BE CONSTANTLY ALERT FOR BLADE THRUST AND GUARD AGAINST ITS EFFECTS.

WARNING!

DO NOT use 2-tooth blades with this machine.



WARNING!

Never strike or slam the spinning blade against the wood.

WARNING!

When transporting, make sure the engine is not running and the blade is covered with the blade cover.

Recommended Cutting Attachments

Make sure to use the following recommended Shindaiwa cutting attachments with this machine.

Blades

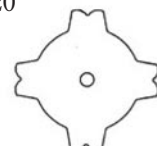
PART NUMBER 60903-98310
8-TOOTH BLADE
INNER BORE: 25.4mm
DIAMETER: 255.0mm
THICKNESS: 2.0mm



PART NUMBER 72430-92142
3-TOOTH BLADE
INNER BORE: 25.4mm
DIAMETER: 255.0mm
THICKNESS: 2.2mm



PART NUMBER 60903-98320
4-TOOTH BLADE
INNER BORE: 25.4mm
DIAMETER: 255.0mm
THICKNESS: 2.0mm

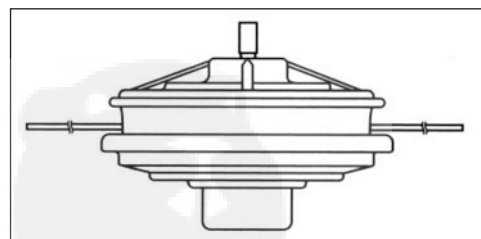


WARNING!

Never use this unit with an unauthorized blade, doing so may cause injury by creating an unbalanced machine.

Recommended Trimmer Head

PART NUMBER 67000-65010
TAP & FEED TRIMMER HEAD
BOLT DIAMETER: 7mm
THREAD: LEFT PITCH: 1.00mm



General Maintenance



WARNING!

Before performing any maintenance, repair, or cleaning work on the unit, make sure the engine and cutting attachments are completely stopped. Disconnect the spark plug wire before performing service or maintenance work.



WARNING!

Non-standard accessories, cutting attachments, or replacement parts may not operate properly with your unit and may cause damage and lead to personal injury.

IMPORTANT!

For detailed maintenance information about your Shindaiwa Multipurpose Engine, consult the owner's manual that was provided with it. If it has been misplaced, contact Shindaiwa for a replacement.

Daily Maintenance

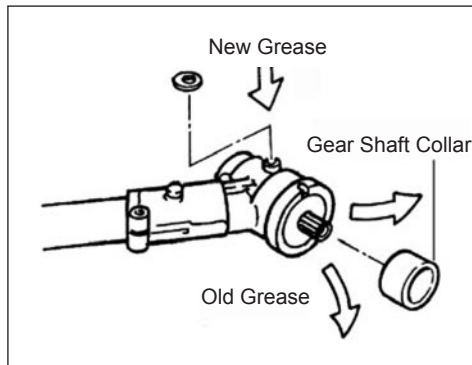
Prior to each work day, perform the following:

- Clean any debris or dirt from the cutting attachment.
- Check for loose or missing screws or components. Make sure the cutting attachment is securely fastened.
- Make sure nuts, bolts, and screws are tight.

50-Hour Maintenance

(more frequently in dusty or dirty conditions):

- Remove the cutting attachment and the gear shaft collar, and press new grease into the gear case until the old grease has been pushed out. Use only lithium-base grease such as Shindaiwa Gear Case Lubricant or equivalent.



Short Term Storage

(Less than 30 days)

- Clean debris from gearcase and outer tube exterior surfaces.
- Lubricate gearcase as outlined in this manual.

Long Term Storage

Whenever the unit will not be used for 30 days or longer, use the following procedures to prepare it for storage:

- Clean external parts thoroughly and apply a light coating of oil to all metal surfaces.
- Before storing the unit, repair or replace any worn or damaged parts.
- Store the unit in a clean, dust-free area.
- Lubricate gearcase.
- Cover the blade with the blade cover.

Blade Sharpening

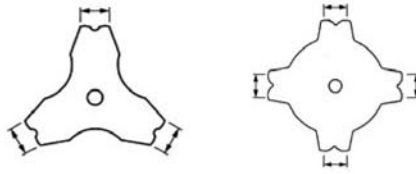
With the file or a grinder, file a blade as follows.



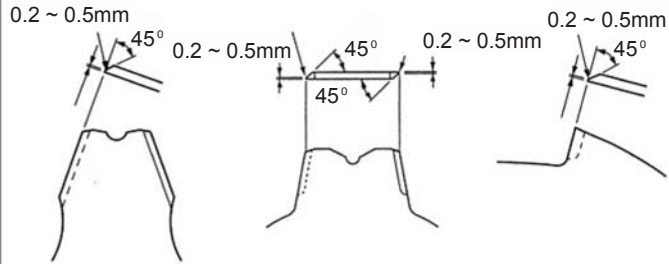
WARNING!

Sharpen only the cutting teeth of a blade. DO NOT alter the contour of the blade in any way. In order to keep the blade in balance, all cutting edges must be sharpened equally. DO NOT file the tips of the teeth too sharp.

Make sure the width of the 3 sides/4 sides is all the same.



The sharpening angle should be 45° approx. Do not file the tips of the blade too sharp. Leave 0.2 ~ 0.5mm unsharpened.



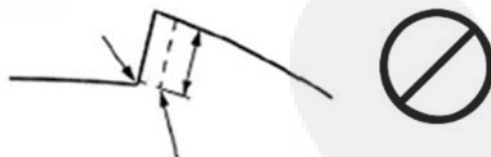
The bottom of each tooth must remain unsharpened. (Blade viewed from bottom.)



4-Tooth Blade



8-Tooth Blade



Troubleshooting Guide

Additional Problems

Cutting attachment rotates at engine idle.

Engine idle too high.

Set idle: 2,750 min⁻¹

Broken clutch spring or worn clutch spring boss.

Replace spring/shoes as required, check idle speed.

Loose attachment holder.

Inspect and retighten holders securely.

Excessive vibration

Warped or damaged attachment.

Inspect and replace attachment as required.

Loose gearcase.

Tighten gearcase securely.

Bent main shaft/worn or damaged bushings.

Inspect and replace as necessary.

Attachment will not rotate.

Shaft not installed in powerhead or gearcase.

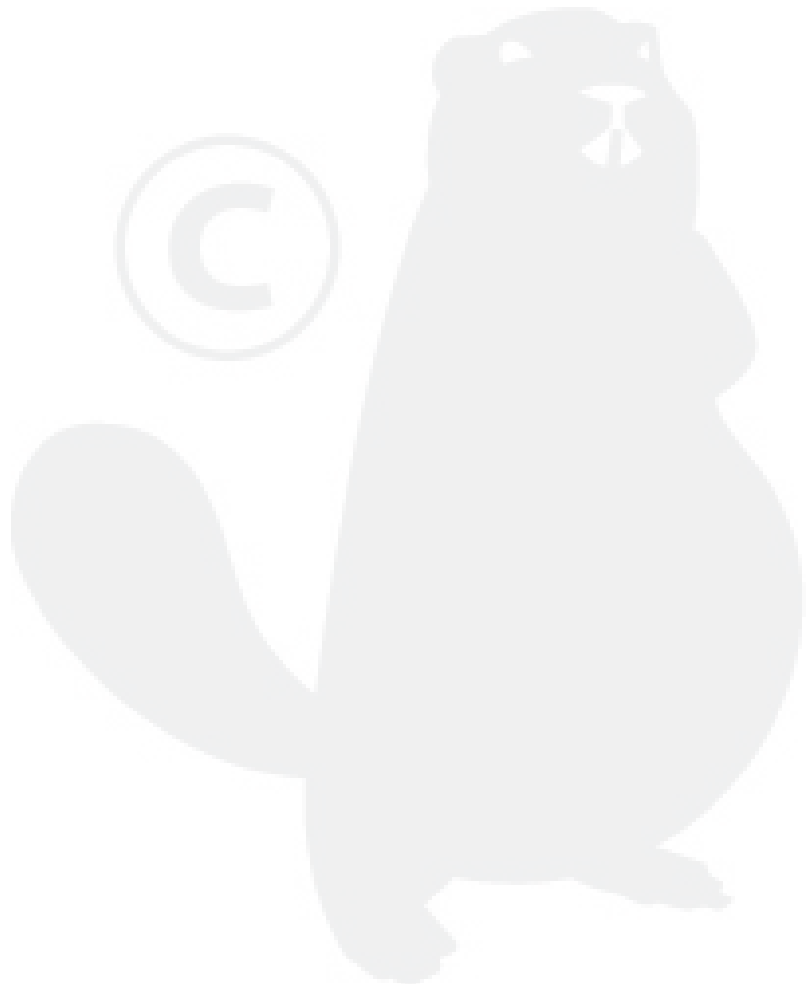
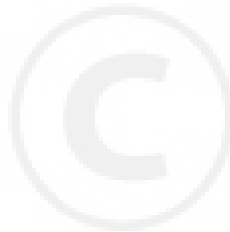
Inspect and reinstalled as required.

Broken shaft.

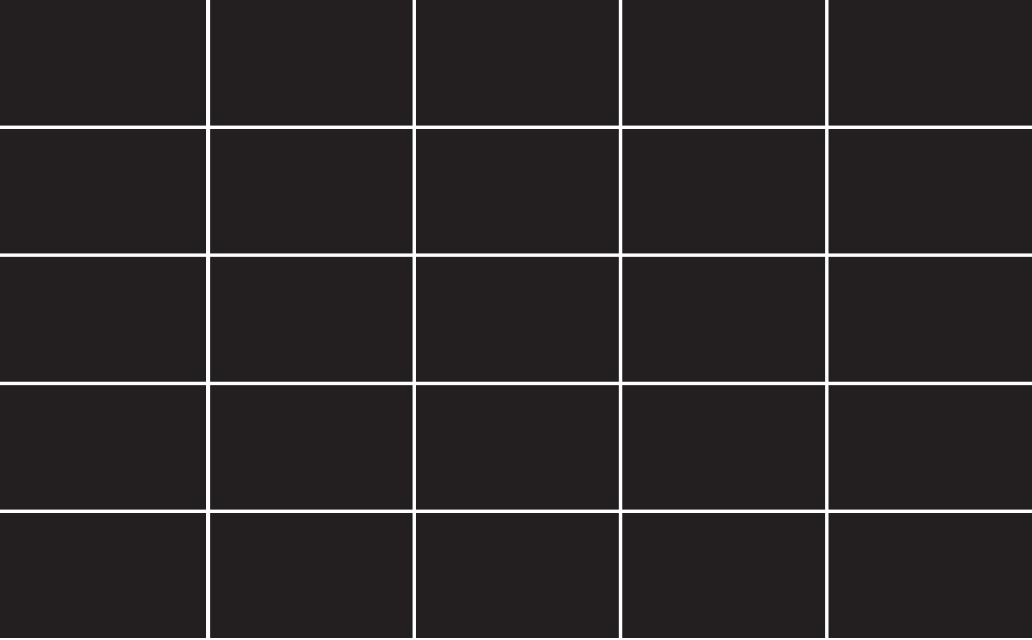
Return unit to dealer.

Damaged gearcase.

Return unit to dealer.







shindaiwa

Shindaiwa Inc.
11975 S.W. Herman Rd.
Tualatin, Oregon 97062 USA
Telephone: 503 692-3070
Fax: 503 692-6696
www.shindaiwa.com

Shindaiwa Kogyo Co., Ltd.
Head Office:
6-2-11, Ozuka-Nishi
Asaminami-Ku, Hiroshima
731-3167, Japan
Telephone: 81-82-849-2220
Fax: 81-82-849-2481

©2005 Shindaiwa, Inc.
Part Number 65014-94310
Revision 02/05

Shindaiwa is a registered trademark
of Shindaiwa, Inc.
Specifications subject to change without notice.

