

shindaiwa®

GB ENGLISH
FR FRANÇAIS
DE DEUTSCH
IT ITALIANO
ES ESPAÑOL

OPERATOR'S MANUAL MANUEL D'UTILISATION BEDIENUNGSANLEITUNG MANUALE PER L'OPERATORE MANUAL DE INSTRUCCIONES DH202

WARNING



READ THE INSTRUCTIONS CAREFULLY AND FOLLOW THE RULES FOR SAFE OPERATION. FAILURE TO DO SO COULD RESULT IN SERIOUS INJURY.

AVERTISSEMENT



LIRE ATTENTIVEMENT LES INSTRUCTIONS ET SUIVRE LES RÈGLES DE SÉCURITÉ. LE NON-RESPECT DES RÈGLES DE SÉCURITÉ ENTRAÎNE UN RISQUE DE BLESSURE GRAVE.

WARNUNG



LESEN SIE DIE BEDIENUNGSANLEITUNG SORGFÄLTIG DURCH, UND BEFOLGEN SIE DIE SICHERHEITSREGELN. ANDERNFALLS BESTEHT DAS RISIKO SCHWERER VERLETZUNGEN.

AVVERTENZA



LEGGERE E SEGUIRE ATTENTAMENTE LE ISTRUZIONI PER LAVORARE IN CONDIZIONI DI MASSIMA SICUREZZA. LA MANCATA OSSERVANZA DELLE ISTRUZIONI POTREBBE PROVOCARE LESIONI GRAVI.

ADVERTENCIA



LEA ATENTAMENTE LAS INSTRUCCIONES Y SIGA LAS INDICACIONES PARA UN FUNCIONAMIENTO SEGURO. DE NO HACERLO, PODRÍA SUFRIR LESIONES GRAVES.



shindaiwa[®]

ENGLISH
GB (Original instructions)

OPERATOR'S MANUAL

HEDGE TRIMMER DH202



⚠ WARNING

**READ THE INSTRUCTIONS CAREFULLY AND FOLLOW THE
RULES FOR SAFE OPERATION.
FAILURE TO DO SO COULD RESULT IN SERIOUS INJURY.**

Important information

Please ensure that you read the operator's manual before using your product.

○ Intended use of this product

- ◆ shindaiwa Hedge Trimmer are lightweight, high-performance, petrol engined units designed for hedge and shrub trimming.
- ◆ Do not use this unit for any purpose other than aforementioned.

○ Users of the product

- ◆ You should not use this product until you have read the operator's manual carefully and fully absorbed its content.
- ◆ This product should not be used by anyone who has failed to read the operator's manual properly, is suffering from a cold, tiredness or otherwise in poor physical condition, or children.
- ◆ Keep in mind that the operator or user is responsible for accidents or hazards occurring to other people or their property.

○ About your operator's manual

- ◆ This manual contains necessary information about the operation and maintenance of your product. Please read it carefully and absorb its contents.
- ◆ Always keep your manual in a place where it is readily accessible.
- ◆ If you have lost your manual or it is damaged and no longer readable, please purchase a new one from your shindaiwa dealer.
- ◆ The units used in this manual are SI units (International System of Units). Figures in parentheses are reference values, and there may be a slight conversion error in some cases.

○ Loaning or assigning your product

- ◆ When loaning the product described in this manual to another party, ensure that the person borrowing and working with the product receives the operator's manual along with the product. If you assign your product to another party, please enclose the operator's manual with the product when handing it over.

○ Enquiries

- ◆ Please contact your shindaiwa dealer for requests regarding information about your product, the purchase of consumables, repairs, and other such enquiries.

○ Notices

- ◆ The content of this manual may be changed without notice for the purpose of upgrades to the product. Some of the illustrations used may differ from the product itself in order to make the explanations clearer.
- ◆ Please consult your shindaiwa dealer if anything is unclear or of concern.

Manufacturer

YAMABIKO CORPORATION

1-7-2 Suehirocho, Ohme, Tokyo 198-8760 JAPAN

Authorized Representative in Europe:

CERTIFICATION EXPERTS B.V.

P.O. box 5047, Merwedeweg 2, 3621 LR Breukelen, The Netherlands

Contents

For safe use of your product.....	4
Warning notices	4
Other indicators	4
Symbols.....	4
Location in which the safety decal is attached.....	5
Handling fuel.....	6
Handling the engine.....	7
Handling the product	8
Packing list.....	12
Description.....	13
Before you start	14
Preparing the fuel	14
Engine operation.....	15
Starting the engine	15
Stopping the engine.....	16
Hedge and shrub trimming operation	17
Basic hedge trimming operation	17
Maintenance and care	18
Servicing guidelines.....	18
Maintenance and care	18
Storage	23
Long-term storage (30 days or more).....	23
Disposal procedure	24
Specifications.....	25
Declaration of conformity	26

For safe use of your product

Be careful to read this section before using your product.




○ The precautions described in this section contain important safety information. Please observe them carefully.

○ You must also read the precautions that appear in the body of the manual itself.

Text following a [diamond mark] mark describes the potential consequences of failing to observe the precaution.


Warning notices

Situations where there is a risk of physical injury to the operator and other people are indicated in this manual and on the product itself by the following warning notices. Always read and observe them carefully in order to ensure safe operation.

 DANGER	 WARNING	 CAUTION
This symbol accompanied by the word " DANGER " calls attentions to an act or a condition which will lead to serious personal injury or death of operators and bystanders.	This symbol accompanied by the word " WARNING " calls attentions to an act or a condition which can lead to serious personal injury or death of operators and bystanders.	" CAUTION " indicates a potentially hazardous situation which, if not avoided, may result in minor or moderate injury.











Other indicators

As well as warning notices, this manual uses the following explanatory symbols:







	Circle and slash symbol means whatever is shown is prohibited.	NOTE	This enclosed message provides tips for use, care and maintenance of the product.	IMPORTANT	Framed text featuring the word " IMPORTANT " contains important information about the use, checking, maintenance and storage of the product described in this manual.
---	--	-------------	---	------------------	--

Symbols

In this manual and on the product itself, a series of explanatory symbols is used. Please make sure that you fully understand what each symbol means.

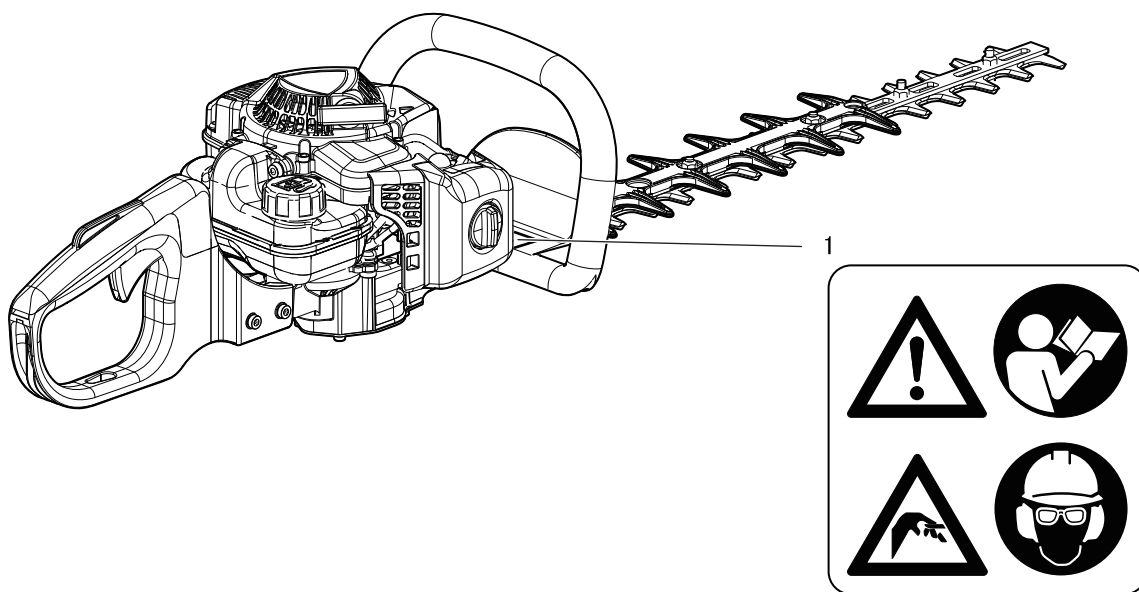
Symbol form/shape	Symbol description/application	Symbol form/shape	Symbol description/application
	Carefully read the operator's manual		Petrol and oil mixture
	Wear eyes, ears and head protection		Purge bulb (Primer)
	Safety / Alert		Finger severing
	Emergency stop		Carburettor adjustment - Idle speed
	Do not use the product in places with poor ventilation		Choke Control "Cold Start" Position (Choke Closed)

For safe use of your product

Symbol form/shape	Symbol description/applica- tion	Symbol form/shape	Symbol description/applica- tion
	Beware of fire		Choke Control "Run" Position (Choke Open)
	Beware of electric shocks		Beware of high-temperature areas
	Guaranteed sound power level		Engine start

Location in which the safety decal is attached

- The safety decal shown below has been attached to the products described in this manual. Ensure that you understand what the decal means before using your product.
- If the decal becomes unreadable due to wear and tear or damage, or peels off and is lost, please purchase a replacement decal from your dealer and attach it in the location shown in the illustrations below. Ensure that the decal is readable at all times.



1. Safety decal (Part number X505-002030)

For safe use of your product

Handling fuel

DANGER

Always keep well away from fire when refuelling

Fuel is highly inflammable and leads to a risk of fire if mishandled. Use extreme care when mixing, storing or handling or serious personal injury may result. Be careful to observe the following instructions.

- Do not smoke or hold a flame near when refuelling.
- Do not fuel up while the engine is hot or in operation.
- ◆ If you do so, the fuel could ignite and cause fire, leading to burns.

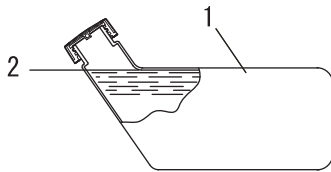
About the container and refuelling place

- Use an approved fuel container.
- Fuel tanks/cans may be under pressure.
Always loosen fuel caps slowly allowing pressure to equalize.
- DO NOT fill fuel tanks indoors.
ALWAYS fill fuel tanks outdoors over bare ground.

Fuel spills can cause fire

Observe the following precautions when refuelling:

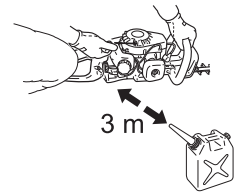
- Do not add so much fuel that it reaches the mouth of the fuel tank. Keep the fuel within the prescribed level (up to the shoulder level of the fuel tank).
- Mop up any fuel that overflows or spills out due to over-filling.
- Tighten the fuel tank cap securely after refuelling.
- ◆ Fuel spills can cause fire and burns when ignited.



- 1. Fuel tank
- 2. Shoulder level

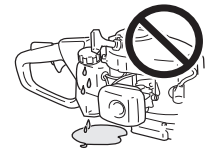
Do not start the engine in the area where you refueled

- You must not start the engine in the place where you carried out the refuelling. Move at least 3m from the place where you refueled before starting the engine.
- ◆ Fuel leaks that occur while refuelling can cause fire if ignited.



Fuel leaks cause fire

- After refuelling, always check that there are no leaks or discharges of fuel from the fuel pipe, fuel system grommets, or around the fuel tank cap.
- If you do find fuel leaks or discharges, stop using the product immediately and contact your dealer to have it repaired.
- ◆ Any fuel leaks could cause fire.



For safe use of your product

Handling the engine

WARNING

Starting the engine

Be particularly careful to observe the following precautions when starting the engine:

- Always ensure all handles and guards are fitted
- Check that none of the nuts and bolts are loose
- Check that there are no fuel leaks
- Check that the cutter blades is not damaged or excessively worn. If you find any abnormalities, do not use the product.
- Place the product in a flat, well ventilated place
- Leave plenty of space around the product and do not allow people or animals near it
- Remove obstructions, if any
- Make sure that the cutter blades is not touching the ground or any obstacles
- Start the engine with the throttle trigger in the idle speed position
- Hold the product firmly to the ground when starting the engine
- Do not start the engine holding the product in the air
- ◆ Failure to observe the precautions could cause an accident or injury, or even lead to a fatality.

Once the engine has started, check for abnormal vibrations and sounds

- Check that there are no abnormal vibrations or sounds once the engine starts. Do not use the product if there are abnormal vibrations or sounds. Contact your dealer to have it repaired.
- ◆ Accidents involving parts that fall or shatter off can cause wounds or serious injury.

Do not touch high temperature or high voltage components while the product is running

Do not touch the following high temperature or high voltage components while the product is running or for some time after it stops.

- Silencer, spark plug, gear housing, and other high temperature components
- ◆ You could burn yourself if you touch a high temperature component.
- Spark plug, spark plug wire, and other high voltage components
- ◆ You could receive an electric shock if you touch a high voltage component while the product is running.



Put safety first in the case of fire or smoke

- If fire comes from the engine or smoke appears from any area other than the exhaust vent, first distance yourself from the product to ensure your physical safety.
- Use a shovel to throw sand or other such material on the fire to prevent it from spreading, or put it out with a fire extinguisher.
- ◆ A panicked reaction could result in the fire and other damage becoming more extensive.



Exhaust fumes are toxic

- The exhaust fumes from the engine contain toxic gases. Do not operate the product indoors or in a plastic greenhouse or in other ill ventilated places.
- ◆ The exhaust fumes could cause poisoning.



Turn off the engine when checking or maintaining the product

Observe the following precautions when checking and maintaining your product after use:

- Turn the engine off and do not attempt to check or maintain the product until the engine has cooled
- ◆ You could burn yourself.
- Remove the spark plug cap before performing checks and maintenance
- ◆ An accident could occur if the product starts unexpectedly.

Checking the spark plug

Observe the following precautions when checking the spark plug.

- If the electrodes or terminals are worn, or if there are cracks in the ceramics, replace them with new parts.
- The spark test (for checking whether the spark plug is sparking) must be carried out by your dealer.
- The spark test must not be carried out in proximity of the spark plug hole.
- The spark test must not be performed in places where there are fuel spills or inflammable gases
- You must not touch the metal parts of the spark plug
- ◆ The spark plug could ignite a fire or give you an electric shock.



For safe use of your product

Handling the product General precautions

WARNING

Operator's manual

- Be careful to read the operator's manual properly before using your product in order to ensure correct operation.
- ◆ Failure to do so could lead to an accident or serious injury.



Do not use the product for anything other than its intended purpose

- You must not use the product for any purpose other than those described in the operator's manual.
- ◆ To do so could lead to an accident or serious injury.

Do not modify the product

- You must not modify the product.
- ◆ To do so could lead to an accident or serious injury. Any malfunction resulting from a modification to the product will not be covered by the manufacturer's warranty.

Do not use the product unless it has been checked and maintained

- You must not use the product unless it has been checked and maintained. Always ensure that the product is checked and maintained on a regular basis.
- ◆ Failure to do so could lead to an accident or serious injury.

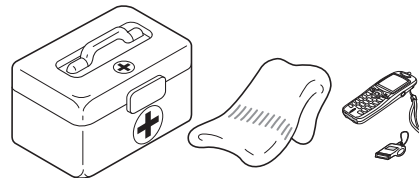
Loaning or assigning your product

- When loaning your product to another party, ensure that the person borrowing the product receives the operator's manual along with it.
- If you assign your product to another party, please enclose the operator's manual with the product when handing it over.
- ◆ Failure to do so could lead to an accident or serious injury.

Being prepared in case of an injury

In the unlikely event of an accident or injury, please ensure that you are prepared.

- First aid kit
- Towels and wipes (to stop any bleeding)
- Whistle or mobile phone (for calling outside help)
- ◆ If you are unable to perform first aid or call for outside help, the injury could worsen.



Precautions for use

DANGER

Starting the engine

- Never try to start the engine by positioning yourself on the blade side.
- ◆ Physical injury can occur if the cutter blades suddenly starts to move.

Do not remove the blunt extension

- Do not operate the product without the blunt extension. If it needs to be removed for the sake of maintenance, consult your dealer.
- ◆ Failure to comply may result in serious injury.

Always stop the engine when a blades jam occurs

- Do not attempt to remove an object causing a blades jam if the engine is running.
- ◆ Physical injury can occur if a blades jam is removed and the blades starts moving.

For safe use of your product

WARNING

Users of the product

The product should not be used by:

- people who are tired
- people who have taken alcohol
- people who are on medication
- people who are pregnant
- people who are in poor physical condition
- people who have not read the operator's manual
- children

◆ Failure to observe these instructions could lead to an accident.

- **The ignition system of this product generates electromagnetic fields during operation. Magnetic fields can cause pacemaker interference or pacemaker failure. To reduce health risks, we recommend that pacemaker users consult their physician and the pacemaker manufacturer before operating this product.**



Environment of use and operation

- Do not use the product in places where there is no sure foothold, such as on steep slopes or after rainfall, as such places are slippery and dangerous.
- Do not operate the product at night or in dark places with poor visibility.
- ◆ A serious injury could result if you fall or slip, or fail to operate the product correctly.

Transport of the product

When transporting in the situations described below, turn off the engine and ensure that the cutter blades has stopped moving, then fit the blade cover and position the silencer away from yourself.

- Moving to the place where you are working
- Moving to another area while you are working
- Leaving the place where you have been working
- ◆ Failure to observe these precautions could cause burns or serious injury.
- When transporting the product by car, empty the fuel tank, fit the blade cover, and secure the product firmly in place to prevent it from moving around.
- ◆ Travelling by car with fuel in the fuel tank could lead to a fire.

Vibration and cold

It is believed that a condition called Raynaud's Phenomenon which affects the fingers of certain individuals may be brought about by exposure to vibration and cold. Exposure to vibration and cold may cause tingling and burning, followed by loss of colour and numbness in the fingers. The following precautions are strongly recommended because the minimum exposure which might trigger the ailment is unknown.

- Keep your body warm, especially the head and neck, feet and ankles, and hands and wrists.
- Maintain good blood circulation by performing vigorous arm exercises during frequent work breaks, and also by not smoking.
- Limit the number of hours of operation. Try to fill each day with jobs where operating the hedge trimmer or other hand-held power equipment is not required.
- If you experience discomfort redness and swelling of the fingers, followed by whitening and loss of feeling, consult your physician before exposing yourself further to cold and vibration.
- ◆ Failure to observe these instructions could result in damage to your health.

Repetitive stress injuries

It is believed that over-using the muscles and tendons of the fingers, hands, arms and shoulders may cause soreness, swelling, numbness, weakness and extreme pain to the areas just mentioned. Certain repetitive hand activities may put you at a high risk for developing a repetitive stress injury (RSI).

To reduce the risk of RSI, do the following:

- Avoid using your wrist in a bent, extended or twisted position.
- Take periodic breaks to minimize repetition and rest your hands. Reduce the speed and force in which you do the repetitive movement.
- Do exercises to strengthen hand and arm muscles.
- See a doctor if you feel tingling, numbness or pain in your fingers, hands, wrists or arms. The sooner RSI is diagnosed, the more likely permanent nerve and muscle damage can be prevented.
- ◆ Failure to observe these instructions could result in damage to your health.

For safe use of your product

WARNING

Remove foreign objects and obstructions before working with the product

- Inspect area that the product will be used in. Remove stones, metal objects and any other object that could jam or damage the product.
- ◆ An accident or serious injury can occur if foreign objects throw the cutting device.

Turn off the engine immediately if anything goes wrong

In the following situations, turn off the engine immediately and ensure that the cutting device has stopped before checking each area of the product. Replace any damaged parts.

- If the cutting device hits a rock, tree, post, or other such obstruction while you work.
- If the product suddenly starts to vibrate abnormally.
- ◆ Continuing to use parts when they are damaged could lead to an accident or serious injury.

The area within a 10 m radius is a danger zone

The area within a 10 m radius of the product is a danger zone. Be careful to observe the following precautions while working with the product.

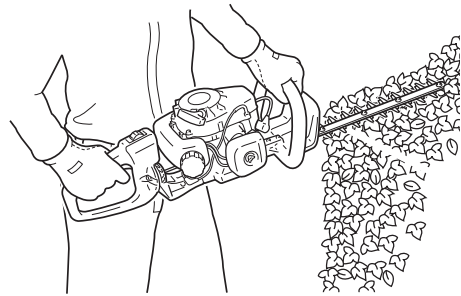
- Do not allow children and other people or pets to enter the danger zone.
- If another person enters the danger zone, turn off the engine to stop the blades.
- When approaching the operator, signal to him by, for example, throwing twigs from outside the danger zone, and then check that engine has been switched off and the blades has stopped moving.
- Do not allow anyone to hold the material you are cutting.
- ◆ Any contact with the cutter blades could cause serious injury.

Do not use the product when the cutter blades is moving at idle speed

- You must not use the product while the cutter blades is moving if the Hedge Trimmer is running with the throttle trigger in the idle speed position. Turn off the engine immediately and adjust the carburettor.
- ◆ To do so could lead to an accident or serious injury.

Do not operate the product one-handed

- Keep both hands on handles while the engine is running. Never operate the product with only one hand.
- Keep a firm grip on the hedge trimmer with both hands, one hand on the front handle, the other hand on the rear handle.
- Use a firm grip with thumbs and fingers encircling the handles.
- Never remove hands from the product when the blades are moving.
- ◆ Failure to observe these instructions will cause the product to be held unsteadily and could result in serious injury.



Make sure that the cutter blades is stopped before putting the product on the ground

- When you turn off the engine, check to ensure the cutter blades has stopped moving before you lower the product to the ground.
- ◆ Even if the engine has been turned off, the blades can still cause an injury while free-wheeling.

Remove debris from the silencer

- If objects such as grasses, leaves, twigs or excessive grease got stuck over the area around the silencer of the engine, stop the engine and remove them paying attention not to touch hot spots.
- ◆ Failure to do so could lead to a fire.



For safe use of your product

WARNING

Do not use the product to cut hard objects

- Do not use the product to cut hard objects such as wires or steel plates.
- If the blades strikes an obstruction or is prevented from functioning properly, stop the engine and inspect the blades for damage.
- ◆ Failure to follow these instructions could cause breakage of the product or an accident.



Never use the product getting on a ladder or a stool

- Do not overreach or stand on unstable surfaces.
- Do not use the product when being at the top of the ladder or standing on a stool.
- ◆ Failure to do so could lead to an accident or serious injury.

Protective gear

WARNING

Wear protective gear

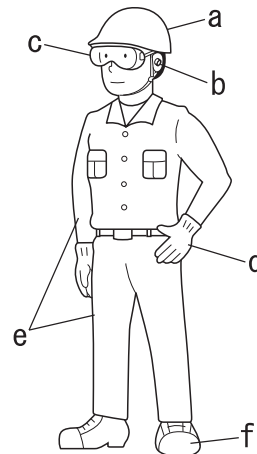
Always wear the following protective gear when working with the hedge trimmer.

- a **Head protection (helmet):** Protects the head
- b **Ear muffs or ear plugs:** Protect the hearing
- c **Safety goggles:** Protect the eyes
- d **Safety gloves:** Protect the hands from cold and vibration
- e **Work clothes that fit (long sleeves, long trousers):** Protect the body
- f **Heavy duty, non-slip protective boots or non-slip work shoes :** Protect the feet

◆ Failure to observe these precautions could result in damage to your sight or hearing, or lead to a serious injury.

When necessary, please use the protective gear below.

- **Dust mask:** Protects the breathing apparatus
- **Bee net:** To deal with attacks by bees



Wear proper clothing

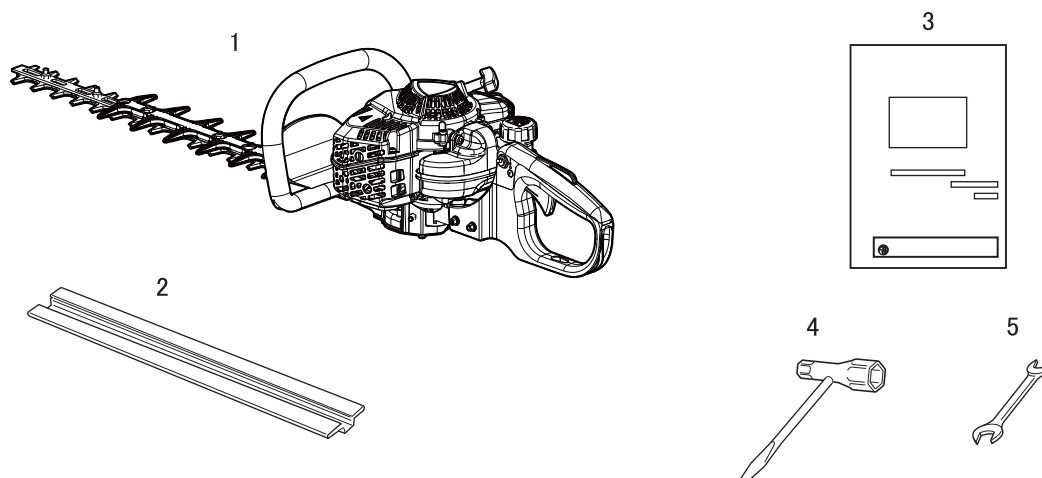
Do not wear ties, jewellery, or loose, dangling clothing which could be caught in the unit. Do not wear open toed footwear, or go bare-foot or barelegged.

◆ Failure to observe these precautions could result in damage to your sight or hearing, or lead to a serious injury.

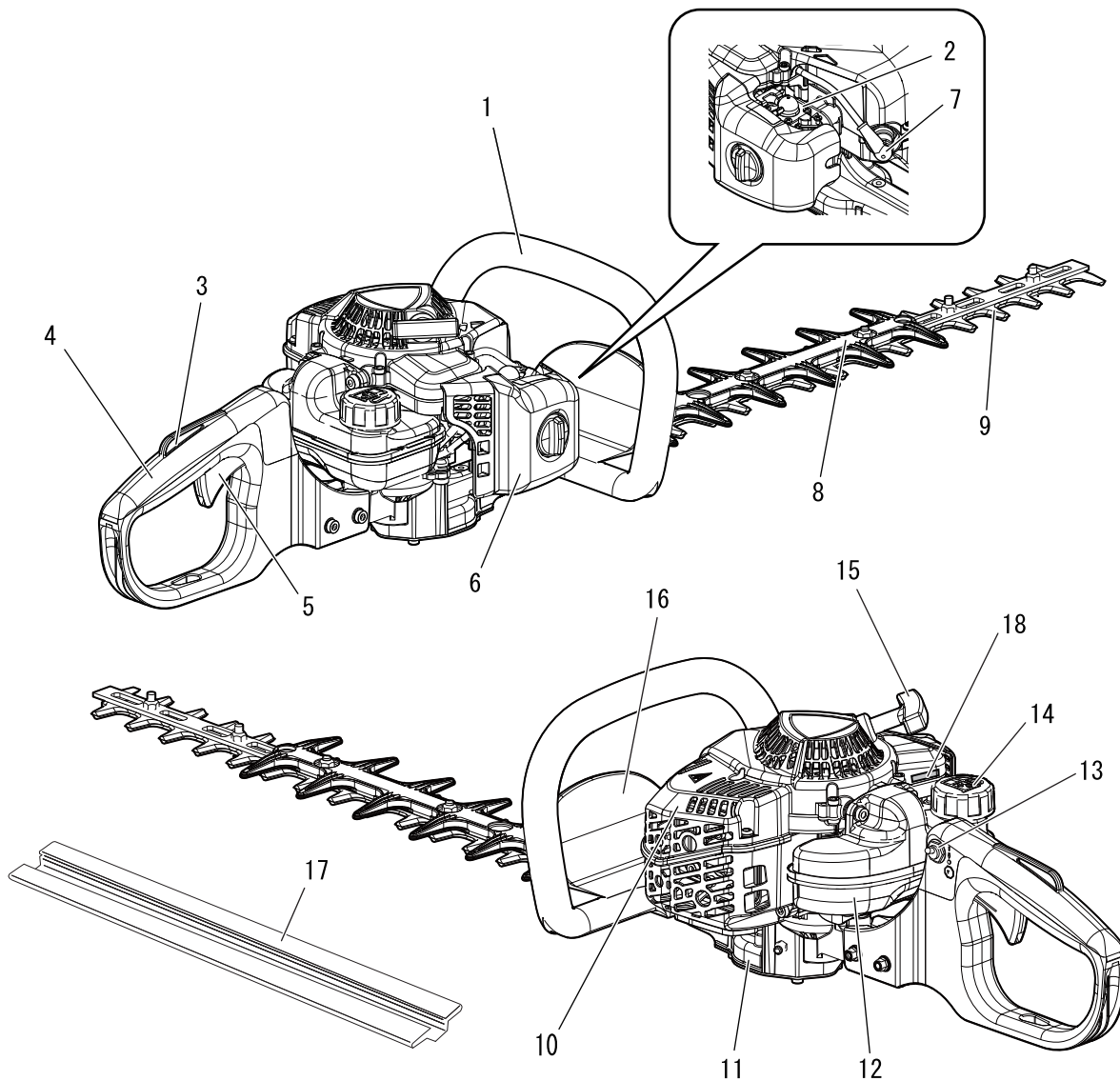


Packing list

- ♦ The following parts are packed separately in the packing box.
- ♦ When you have unpacked the box, please check the parts that it contains.
- ♦ Contact your dealer if anything is missing or broken.



Number	Part name	Quantity
(1)	Hedge trimmer assembly	1
(2)	Blade cover	1
(3)	Operator's manual	1
(4)	T-wrench	1
(5)	Open end wrench	1



1. **Front handle** Handle located on the cutting device.
2. **Carburettor** Device for mixing fuel and air in the correct proportions.
3. **Throttle trigger lockout** Device that prevents the accidental operation of the throttle trigger until manually released.
4. **Rear handle** Handle located furthest from the cutting device.
5. **Throttle trigger** Device activated by the operator's finger, for controlling the engine speed.
6. **Air cleaner cover** Covers air filter.
7. **Spark plug**
8. **Blunt extension** An extending blunt part of the cutting device. (Applicable to double edged blade unit)
9. **Cutting device** That part of the assembly of cutter blade and shear plate together with any supporting part, which performs the cutting action.
10. **Silencer cover** Cover for the silencer to prevent operator contact with hot exhaust.
11. **Gear housing** Housing to support the gears that reduce the speed of engine to cutting attachment.
12. **Fuel tank** Contains fuel and fuel filter.
13. **Ignition switch** Device for allowing the engine to be started and stopped.
14. **Fuel tank cap** For closing the fuel tank.
15. **Starter handle** Pull handle to start the engine.
16. **Guard** Guard between the front handle and cutting device for protecting the hand from injuries if the hand slips off the handle.
17. **Blade cover** When transporting or storing the product always fit the blade cover.
18. **Type and serial number**

Before you start

Preparing the fuel

DANGER

- Fuel is highly inflammable and there is a risk of fire if it is handled incorrectly. Carefully read and observe the precautions in the section of this manual titled "For safe use of your product".
- Once the refuelling is complete, securely tighten the fuel tank cap and do not forget to check that there are no leaks or discharges of fuel from the fuel pipe, fuel system grommets, or around the fuel tank cap. If you do find fuel leaks or discharges, stop using the product immediately and contact your dealer to have it repaired.
- ◆ If the fuel ignites, it could cause burns and fire.



CAUTION

- There is difference in pressure between the fuel tank and the outside air. When refuelling, loosen the fuel tank cap slightly to eliminate the difference in pressure.**
- ◆ Otherwise, fuel may get spewed.

NOTE

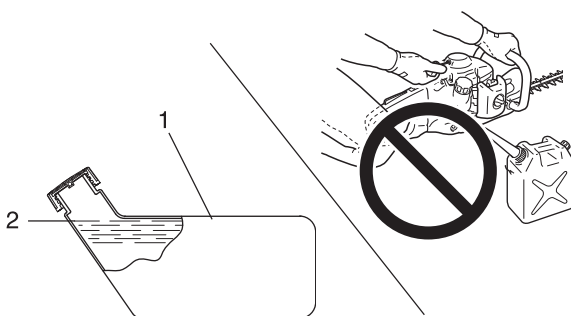
Stored fuel ages. Do not mix more fuel than you expect use in thirty (30) days. Do not mix directly in fuel tank.

Fuel



- ◆ Fuel is a mixture of regular grade petrol and an air-cooled 2-stroke engine oil.
Minimum 89 Octane unleaded petrol is recommended. Do not use fuel containing methyl alcohol or more than 10 % of ethyl alcohol.
- ◆ Recommended mixture ratio; 50 : 1 (2 %) for ISO-L-EGD Standard (ISO/CD 13738), JASO FC, FD grade and Shindaiwa recommended oil.
 - Never use two-stroke oil intended for water-cooled engines, motor-cycle engines.
 - Do not mix directly in engine fuel tank.
 - Avoid spilling petrol or oil. Spilled fuel should always be wiped up.
 - Handle petrol with care, it is highly inflammable.
 - Always store fuel in approved container.

Fuel supply



1. Fuel tank

2. Shoulder level

- ◆ Fill the fuel tank outdoors over bare ground and install the fuel cap securely. Do not pour fuel indoors.
- ◆ Place the product and the refuelling tank on the ground when performing the refuelling operation. Do not refuel the product on the loading platform of a truck, or in other such places.
- ◆ Always ensure that the fuel level remains below the shoulder level of the fuel tank when refuelling.
- ◆ There is a difference in pressure between the fuel tank and the outside air. When refuelling, loosen the fuel tank cap slightly to eliminate the difference in pressure.
- ◆ Always wipe up any fuel spills.
- ◆ Move at least 3m away from where you refueled before you start the engine.
- ◆ Keep the refuelling tank in a shaded area away from fire.

Starting the engine

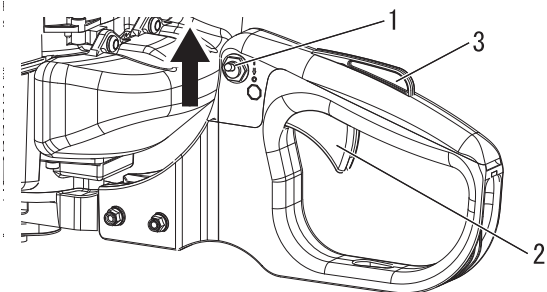
WARNING

- When starting the engine, observe the precautions described from Page 4 in the section "For safe use of your product" to ensure that you operate the product correctly.
- If the cutter blade moves even though the throttle trigger is in the idle speed position when the engine is started, adjust the carburettor before using the product.
- Cutter blade will start moving as engine attains clutch engagement speed.
- ◆ Failure to observe the precautions could cause an accident or injury, or even lead to a fatality.

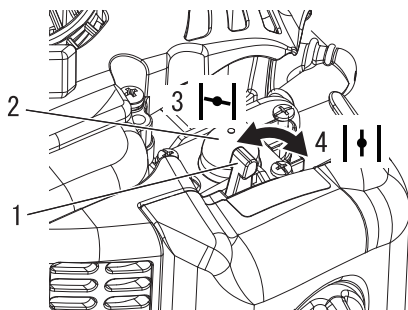
NOTE

- ◆ Pull out the starter grip gently at first, and then more rapidly. Do not pull the starter rope out to more than 2/3 of its length.
- ◆ Do not let go of the starter grip as it returns.

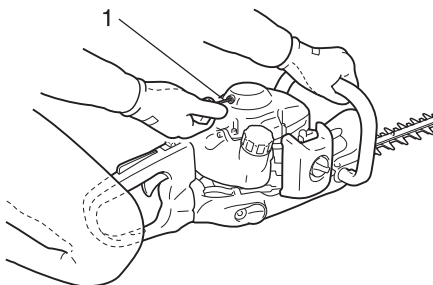
Starting a cold engine



- 1. Ignition switch
- 2. Throttle trigger
- 3. Throttle trigger lockout



- 1. Choke lever
- 2. Purge bulb
- 3. Cold Start
- 4. Run



- 1. Starter handle

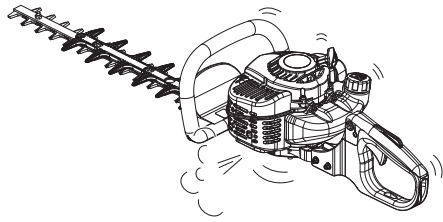
(Connect the spark plug cap if the product has been in storage for a long period of time)

The starting procedure depends on whether the engine is cold or warm. A cold engine is started as follows.

1. Remove the blade cover and check the cutter blades. If anything is wrong, replace it with a new one.
2. Placing the product on level ground, check to ensure that the blades does not come into contact with the surface of the ground or any other impediment using a beam or other such implement.
3. Check that there are no fuel leaks.
4. Move the ignition switch away from the Stop position.
5. Move the choke lever to the "Cold Start" position.
6. Alternately press and release the purge bulb until the fuel is sucked up into it.
7. Checking that the area around you is safe, hold the front handle firmly with your left hand as shown in the illustration, pulling several times on the starter grip.
8. If you hear an explosion-like sound and the engine stops immediately, move the choke lever to the "Run" position and continue pulling on the starter grip to start the engine.
9. If the engine starts immediately when you carry out the instructions in step 7, above, return the choke lever gently to the "Run" position.
10. Leave the engine to warm up at idle speed for a while.
11. Depress the throttle trigger lockout and gradually squeeze the throttle trigger.

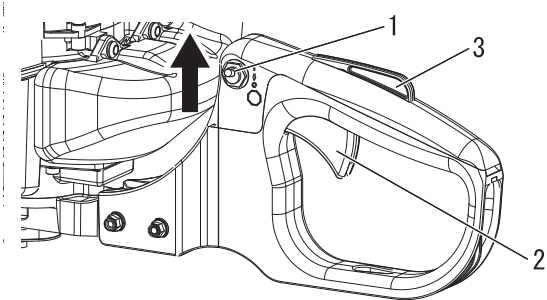
Engine operation

Engine warm-up



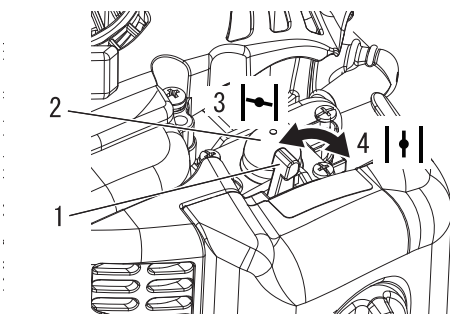
1. Once the engine starts, allow it to warm up for 2 to 3 minutes at idling (i.e. low speed).
2. Warming the engine helps to lubricate its internal workings more smoothly. Allow the engine to warm up fully, especially when it is cold.

Starting a warm engine



1. Ignition switch
2. Throttle trigger
3. Throttle trigger lockout

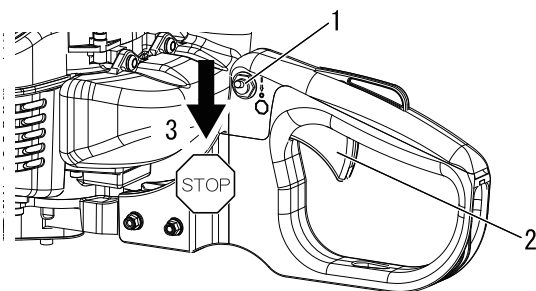
1. Move the ignition switch away from the Stop position.
2. Make sure that the throttle trigger is at the idle speed position.



1. Choke lever
2. Purge bulb
3. Cold Start
4. Run

3. Check that the choke lever is in the "Run" position.
4. If fuel tank is not empty, pull on the starter grip to start the engine.
5. If no fuel is visible in the purge bulb, alternately press and release the purge bulb until the fuel is sucked up into it.
6. Checking that the area around you is safe and pull on the starter grip to start the engine.

Stopping the engine



1. Ignition switch
2. Throttle trigger
3. Stop

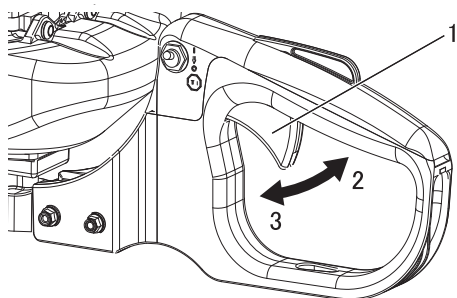
1. Release the throttle trigger and set the engine to idling (i.e. low speed).
 2. Move the ignition switch to the Stop position.
 3. In the event of an emergency, stop the engine immediately using the ignition switch.
 4. If the engine fails to stop, move the choke lever to the "Cold Start" position. The engine will stall and come to a halt (a choke stop).
- * If the engine fails to stop when the ignition switch is used, have the ignition switch checked and repaired by your dealer before you use the product again.

Hedge and shrub trimming operation

Basic hedge trimming operation

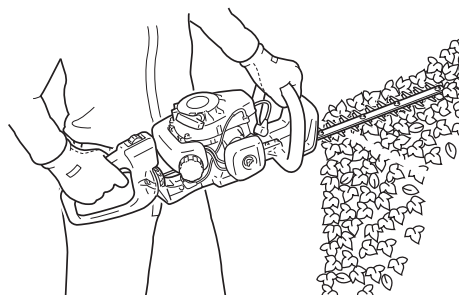
NOTE

- ♦ This product is designed to cut shrubs and hedges with branches no larger than 6 mm in diameter.
- ♦ When starting to trim, run the engine at full throttle. Cutting at less than full speed can damage the clutch by allowing it to slip. When you do not conduct trimming or cutting work, do not run the engine at full throttle.



1. Throttle trigger
2. High speed

3. Idling



- ♦ Pulling the throttle trigger after the engine is started will cause the engine speed to rise and the cutter blades to start moving. Adjust the engine speed depending on, for example, the amount of the hedges to be cut.
- ♦ Conduct cutting work with the cutter blades positioned away from you. Do not orient the cutter blades toward yourself or put it closer to yourself.
- ♦ When cutting the top of the hedges or shrubs, do so by moving the cutter blades from side to side. Tidy trimming will be made possible by moving the blades slightly cast down.
- ♦ When cutting sides, do so by moving the cutter blades in the bottom-up direction for tidy trimming.
- ♦ Do not press the cutter blades against the objects like trees. Operate the product in accordance with the movement and the speed of the cutter blades.

Maintenance and care

Servicing guidelines

Area	Maintenance	Page	Before use	Monthly
Air filter	Clean/Replace	18	•	
Fuel filter	Inspect/Clean/Replace	18		•
Spark plug	Inspect/Clean/Adjust/Replace	20		•
Carburettor	Adjust/Replace and adjust	19		•
Cooling system	Inspect/Clean	19	•	
Silencer	Inspect/Tighten/Clean	19		•
Gear housing	Grease	21	• (15 - 20h)	
Starter	Inspect	22	•	
Blades	Inspect/Clean/Lubricate	20	•	
Fuel system	Inspect	20	•	
Screws, bolts and nuts	Inspect/Tighten/Replace	-	•	

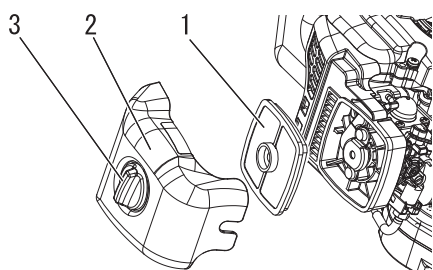
IMPORTANT

Time intervals are maximum. Actual use and your experience will determine the frequency of required maintenance. Record dates of monthly and yearly inspections.

Maintenance and care

If you have any questions or problems, please contact your dealer.

Cleaning air filter



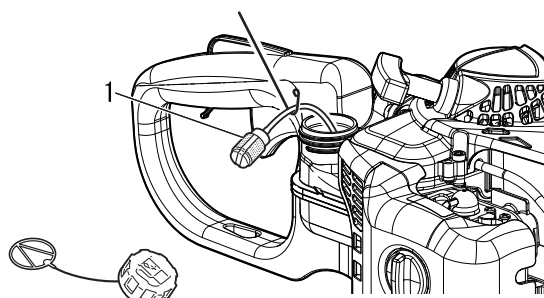
- 1. Air filter
- 2. Air cleaner cover
- 3. Cleaner cover knob

NOTE

- ♦ If filter is excessively dirty or no longer fits properly, replace it.
- ♦ Ensure that the filter is completely dry before reinstalling it.

1. Close choke. Loosen cleaner cover knob and remove air cleaner cover and air filter.
2. Carefully brush dirt from filter or clean with a nonflammable solvent if necessary. Dry it completely before installation.
3. Reinstall air filter with cover, after installing air filter to cover.

Cleaning fuel filter



- 1. Fuel filter

1. Pick up fuel filter through fuel tank opening with a piece of steel wire or the like.
2. Clean filter in a suitable cleaner or replace it if necessary.
3. Reinstall the filter.

Maintenance and care

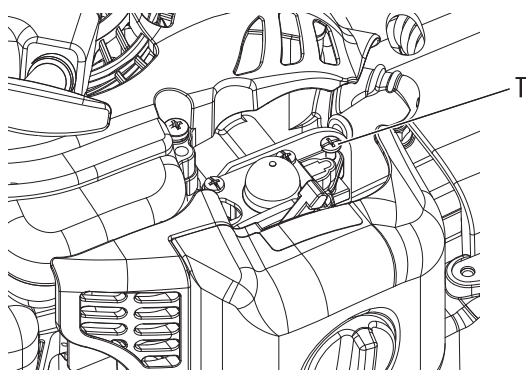
Carburettor adjustment

⚠ WARNING

When carburettor adjustment is completed, cutter blade should not move at idle, otherwise serious personal injury may result.

⚠ CAUTION

When starting, idle speed adjuster (T) should be adjusted not to move the cutter blade.
When there is some trouble with the carburettor, contact your dealer.



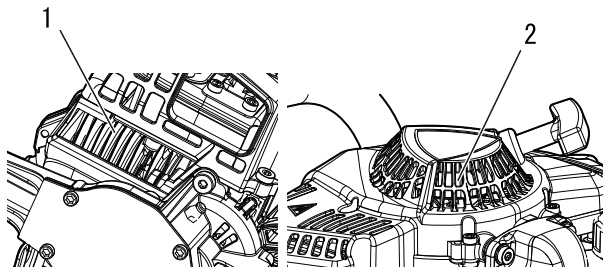
T: Idle speed adjuster

Every unit is test run at the factory and the carburettor is fine tuned for maximum performance.

Before adjusting carburettor, clean or replace air filter, start engine and run several minutes to bring it to operating temperature.

1. Idle Speed Adjustment.
Start engine and turn idle speed adjustment screw (T) clockwise until the blades begin to move, then turn the screw (T) anticlockwise until the blades stop moving. Turn screw (T) anticlockwise an additional 1/2 turn.
2. Accelerate to full throttle for 2 to 3 seconds to clear excess fuel from engine then return to idle. Accelerate to full throttle to check for smooth transition from idle to full throttle.

Cooling system



1. Cylinder fins

2. Cooling air intake

1. Remove dirt and debris from cylinder fins.
2. Remove debris around the cooling air intake.

Cleaning silencer

⚠ WARNING

○ Never operate the unit with a damage or missing silencer or spark arrester. Operating with a missing or damaged spark arrester is a fire hazard, and could also damage your hearing.

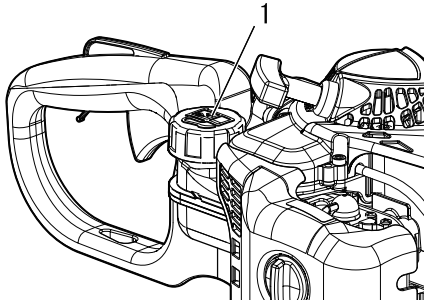
- ♦ Carbon deposits in silencer will cause a drop in engine output and overheating. Spark arrester screen must be checked periodically. Clean deposits from silencer.

IMPORTANT

Do not remove the silencer cover. If necessary, Please consult your dealer.

Maintenance and care

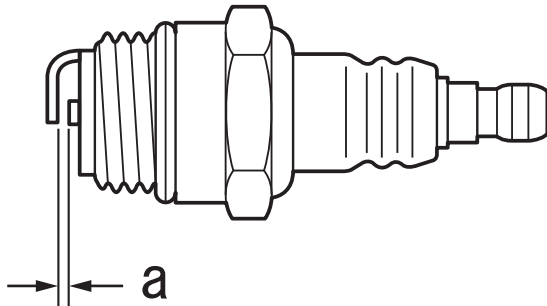
Check fuel system



1. Fuel tank cap

- ♦ Check before every use.
- ♦ After refuelling, make sure fuel does not leak or exude from around fuel pipe, fuel grommet or fuel tank cap.
- ♦ In case of fuel leakage or exudation there is a danger of fire. Stop using the machine immediately and request your dealer to inspect or replace.

Check spark plug



a: 0.6 - 0.7 mm

- ♦ Check plug gap. Correct gap is 0.6 mm to 0.7 mm.
- ♦ Inspect electrode for wear.
- ♦ Inspect insulator for oil or other deposits.
- ♦ Replace plug if needed and tighten to 15 N•m - 17 N•m (150 kgf•cm to 170 kgf•cm).

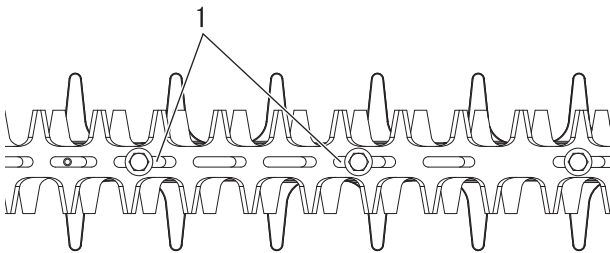
Care for cutting blades

CAUTION

- Wear gloves to protect hands from sharp blades.
- ◆ Failure to observe these precautions could lead to injury.

Lubricating blades (Every 4 hours of operation)

Apply a few drops of oil the each bolt slots at the bottom of blades.

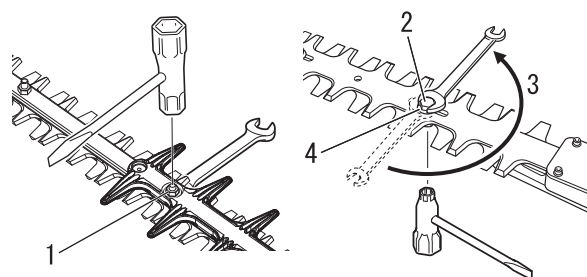


1. Bolt slots

Cleaning blades (After each use)

Remove gummy residue from blades with a 50 : 50 mixture of kerosene (paraffin) and machine oil.

Maintenance and care



1. Locknut
2. Bolt

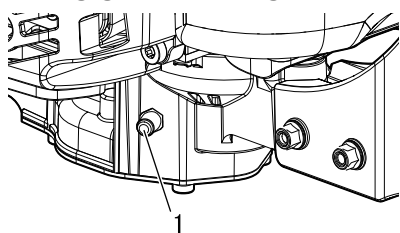
3. Loosen 1/4 - 1/2 turn
4. Washer

Adjusting gap between blades (As needed)

Loosen the locknuts 1/2 turn with T-wrench.
Tighten the blade bolts until snug with 10 mm open end wrench.
Loosen the bolts 1/4 - 1/2 turn.
Hold the bolts from turning and tighten the locknuts.

When bolt adjustment is correct, there should be a gap of 0.25 - 0.50 mm between the cutter blades and the flat washers, and the flat washer beneath each bolt head should turn freely.

Lubricating gear housing



1. Grease fitting

Tools required:

Grease gun, Rag.

Parts required:

Lithium based grease.

1. Clean dirt from grease fitting.
2. Hold the product firmly and carefully pump grease in fitting. Do not force grease. Too much pressure will force grease past seals and cause damage. **Apply 1 - 2 pumps of grease every 15 - 20 hours of operation.**

NOTE

Use good quality lithium multi grease.

Maintenance and care

Troubleshooting table

Problem	Diagnosis	Cause	Solution
The engine does not start		<ul style="list-style-type: none"> ♦ There is no fuel in the fuel tank ♦ The ignition switch is in the Stop position ♦ Excess fuel suction ♦ Electrical fault ♦ Carburettor malfunction or internal sticking ♦ Internal engine malfunction 	<ul style="list-style-type: none"> ♦ Fuel supply ♦ Move to the Start position ♦ Start the engine after servicing ♦ Consult your dealer ♦ Consult your dealer ♦ Consult your dealer
Engine is difficult to start, fluctuating rotation	Fuel is entering the overflow pipe	<ul style="list-style-type: none"> ♦ Fuel degradation ♦ Carburettor problem 	<ul style="list-style-type: none"> ♦ Replace with new fuel ♦ Consult your dealer
	No fuel is entering the overflow pipe	<ul style="list-style-type: none"> ♦ Fuel filter is clogged ♦ Fuel system is clogged ♦ Internal carburettor parts sticking 	<ul style="list-style-type: none"> ♦ Clean or replace ♦ Consult your dealer ♦ Consult your dealer
	The spark plug is dirty or damp	<ul style="list-style-type: none"> ♦ Fuel degradation ♦ Incorrect electrode gap ♦ Carbon deposits ♦ Electrical fault 	<ul style="list-style-type: none"> ♦ Replace ♦ Replace ♦ Replace ♦ Consult your dealer
Engine starts but no acceleration is possible		<ul style="list-style-type: none"> ♦ Dirty air filter ♦ Dirty fuel filter ♦ Blocked fuel passage ♦ Carburettor adjustment problem ♦ Blocked exhaust vent or silencer vent 	<ul style="list-style-type: none"> ♦ Clean or replace ♦ Clean or replace ♦ Consult your dealer ♦ Adjust ♦ Clean
The engine stops		<ul style="list-style-type: none"> ♦ Carburettor adjustment problem ♦ Electrical fault 	<ul style="list-style-type: none"> ♦ Adjust ♦ Consult your dealer
The engine fails to stop		<ul style="list-style-type: none"> ♦ Ignition switch malfunction 	<ul style="list-style-type: none"> ♦ Perform an emergency stop and consult your dealer
The cutter blades moves when the engine is idling		<ul style="list-style-type: none"> ♦ Carburettor adjustment problem ♦ Damaged clutch spring 	<ul style="list-style-type: none"> ♦ Adjust ♦ Consult your dealer
The cutter blades gets blunt		<ul style="list-style-type: none"> ♦ Worn cutter blades ♦ Big gap between upper blade and lower blade ♦ Slippage of the clutch 	<ul style="list-style-type: none"> ♦ Consult your dealer ♦ Consult your dealer ♦ Consult your dealer

- ♦ Checking and maintenance requires specialist knowledge. If you are unable to check and maintain the product or deal with a fault yourself, consult your dealer. Do not attempt to dismantle the product.
- ♦ Consult your dealer in the event of a problem that is not covered in the table above, or other such concerns.
- ♦ For spare parts and consumables, please use only genuine parts and designated products and components. Using parts from other manufacturers or non-designated components may result in a malfunction.

Long-term storage (30 days or more)

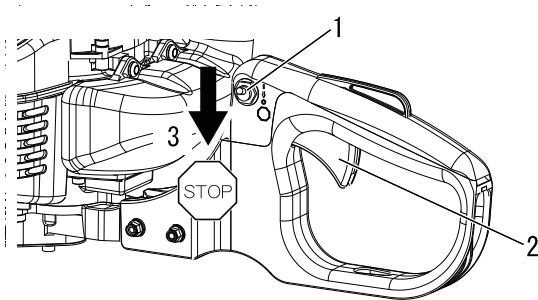
WARNING

Do not store in sealed locations filled with fuel gas, or close to naked flames or sparks.

◆ You could cause a fire.



When storing the product for long periods of time (30 days or more), ensure that the following preparations for storage are carried out.



1. Ignition switch
2. Throttle trigger

3. Stop

1. Drain the fuel tank completely outdoors over bare ground. Do not drain fuel indoors.
 - A. Alternately press and release the purge bulb a number of times to remove the fuel from the purge bulb.
 - B. Start the engine and run it at idle speed until it comes to a natural stop.
2. Move the ignition switch to the Stop position.
3. Wipe clean any grease, oil, dust, dirt and other materials on the outside of the hedge trimmer.
4. Perform the periodic checks prescribed in this manual.
5. Check that the screws and nuts are tightened. Tighten up any that are loose.
6. Remove the spark plug and add the appropriate quantity (around 10 mL) of clean, new 2-stroke engine oil to the cylinder via the installation socket.
 - A. Place a piece of clean cloth over the spark plug installation socket.
 - B. Pull 2 or 3 times on the starter grip to distribute the engine oil into the cylinder.
 - C. Observe the piston location through the spark plug hole. Pull the recoil starter handle slowly until the piston reaches the top of its travel and leave it there.
7. Fit the spark plug. (Do not connect the spark plug cap.)
8. Lubricate the blades with a heavy coat of oil to prevent rust.
9. Once the product is sufficiently cool and dry, fit the blade cover onto the cutter blades and wrap the engine section in a plastic bag or other covering before putting them in storage.
10. Store the product in a dry, dust free place, out of the reach of children and other unauthorized persons.

Disposal procedure



- ♦ Dispose of waste oil in accordance with local regulations.
- ♦ Major plastic parts making up the product have codes showing their materials.
The codes refer to the following materials; dispose of those plastic parts in accordance with local regulations.

Mark	Material
>PA6-GF<	Nylon 6 - Glass fiber
>PP-GF<	Polypropylene - Glass fiber
>PE-HD<	Polyethylene

- ♦ Please contact your dealer in case you do not know how you should dispose of waste oil / plastic parts.

Specifications

		DH202
External dimensions: Length x Width x Height	mm	1052 × 272 × 198
Masses: Unit with specified cutting attachment, empty tank	kg	4.5
Unit with specified cutting attachment, full tank	kg	4.8
Volume: Fuel tank	mL	390
Fuel: Oil Mixing ratio		Regular grade petrol. Minimum 89 Octane unleaded petrol is recommended. Do not use fuel containing methyl alcohol or more than 10% of ethyl alcohol. Two stroke, air-cooled engine oil. ISO-L-EGD Standard (ISO/CD 13738), JASO FC/FD grade and Shindaiwa recommended oil. 50: 1 part (2%)
Cutting attachment: Type Cutting length Pitch Height	 mm mm mm	 Dual action, double sided blade 534 35 21
Gear ratio and lubrication:		5.88 reduction and good quality lithium grease
Engine: Type Carburettor Magneto Spark Plug Starter Power transmission Engine displacement Maximum shaft brake power (ISO 8893) Fuel consumption at maximum engine power Recommended maximum engine speed (With STD attachment installed) Recommended engine idling speed	 cm ³ kW L/h r/min r/min	 Air-cooled two stroke, single cylinder Diaphragm type Flywheel magneto: CDI system NGK BPMR8Y Recoil starter Automatic Centrifugal clutch 21.2 0.6 0.44 10500 3300
Vibration levels: (ISO 10517) $a_{hv,eq}$ Front handle / Rear handle Uncertainty: K	 m/s ² m/s ²	 6.4 / 9.7 5.0
Sound pressure level: (ISO 10517) $L_{pAd}(=L_{pAeq} + K_{pA})$ Uncertainty: K_{pA}	 dB (A) dB (A)	 96.1 2.5
Sound power level: (ISO 10517) $L_{WAAd}(=L_{WAeq} + K_{WA})$ Uncertainty: K_{WA}	 dB (A) dB (A)	 106.5 2.5

These specifications are subject to change without notice.

Declaration of conformity

The undersigned manufacturer:

YAMABIKO CORPORATION

1-7-2 Suehirocho, Ohme, Tokyo 198-8760 JAPAN

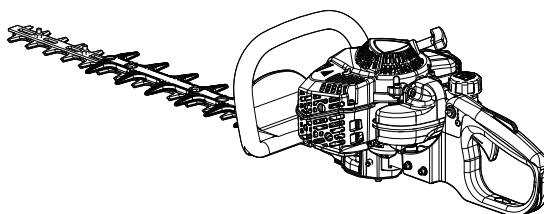
This declaration of conformity is issued under the sole responsibility of the manufacturer.

declares that the hereunder specified new unit:

PORTABLE HEDGE TRIMMER

Brand: shindaiwa

Type: DH202



complies with:

- * the requirements of Directive **2006/42/EC** (use of harmonized standard **EN ISO 10517: 2019**)
- * the requirements of Directive **2014/30/EU** (use of harmonized standard **EN ISO 14982: 2009**)
- * the requirements of Directive **2011/65/EU** (use of harmonized standard **EN 50581: 2012**)
- * the requirements of Directive **2000/14/EC**

Conformity assessment procedure followed **ANNEX V**

Measured sound power level : **105 dB(A)**

Guaranteed sound power level : **108 dB(A)**

Serial Number 38001001 to 38100000

Tokyo, September 5th, 2019

YAMABIKO CORPORATION

A handwritten signature in black ink that reads "Masayuki Kimura". The signature is written in a cursive style and is positioned above a horizontal line.

Masayuki Kimura

General Manager

Quality Assurance Dept.

The authorized representative in Europe who is authorized to compile the technical file.

Company: CERTIFICATION EXPERTS B.V.

Address: P.O. box 5047, Merwedeweg 2, 3621 LR Breukelen, The Netherlands

Mr. Richard Glaser

MEMORANDUM

YAMABIKO CORPORATION
1-7-2 Suehirocho, Ohme, Tokyo 198-8760 JAPAN
PHONE: 81-428-32-6118. FAX: 81-428-32-6145.

shindaiwa[®]



X770224-8500

shindaiwa®

FRANÇAIS
FR (Notice originale)

MANUEL D'UTILISATION

TAILLE-HAIE DH202

AVERTISSEMENT



LIRE ATTENTIVEMENT LES INSTRUCTIONS ET SUIVRE LES
RÈGLES DE SÉCURITÉ.

LE NON-RESPECT DES RÈGLES DE SÉCURITÉ ENTRAÎNE UN
RISQUE D'ACCIDENTS GRAVES.



Information importante

Lire attentivement le manuel d'utilisation avant d'utiliser l'appareil pour la première fois.

○ Utilisation de l'appareil

- ♦ Les taille-haies shindaiwa sont des machines légères, très performantes, équipées d'un moteur à essence et conçues pour tailler haies et arbustes.
- ♦ Ne pas utiliser cet appareil pour d'autres applications que celles mentionnées ci-dessus.

○ Utilisateurs de l'appareil

- ♦ Lire attentivement ce manuel d'utilisation et intégrer les informations qu'il contient avant d'utiliser l'appareil pour la première fois.
- ♦ Toute personne n'ayant pas lu attentivement ce manuel d'utilisation, enrhumée, fatiguée ou en mauvaise condition physique ne doit pas utiliser cet appareil. Ne pas laisser un enfant manipuler l'appareil.
- ♦ L'utilisateur est tenu pour responsable en cas d'accidents ou de risques pouvant entraîner des accidents corporels ou des dommages matériels.

○ À propos du manuel d'utilisation

- ♦ Ce manuel contient les informations nécessaires à l'utilisation et à l'entretien de l'appareil. L'utilisateur doit donc le lire attentivement et intégrer les informations qu'il contient.
- ♦ Toujours conserver le manuel à portée de main.
- ♦ En cas de perte du manuel ou si ce dernier a été détérioré et n'est plus lisible, s'adresser à un revendeur Shindaiwa pour en obtenir un nouveau.
- ♦ Les unités utilisées dans ce manuel sont les unités SI (Système international d'unités). Les chiffres indiqués entre parenthèses sont des valeurs de référence. De légères erreurs de conversion peuvent survenir dans certains cas.

○ Prêt ou cession de l'appareil à un tiers

- ♦ Si l'appareil décrit dans ce manuel est prêté à un tiers, veiller à lui confier également le manuel d'utilisation fourni avec l'appareil. Si l'appareil est cédé à un tiers, transmettre le manuel d'utilisation fourni avec l'appareil lors de la vente.

○ Renseignements

- ♦ Contacter un revendeur Shindaiwa pour toute demande d'information concernant l'appareil, l'achat de consommables, les réparations ou pour tout autre renseignement.

○ Remarques

- ♦ YAMABIKO se réserve le droit de modifier sans préavis le contenu de ce manuel en fonction des améliorations apportées au produit. Il se peut que certains des schémas de ce manuel soient différents de l'appareil. Ces différences ont pour objectif de rendre les explications plus claires.
- ♦ En cas de doute, consulter un revendeur Shindaiwa.

Fabricant

YAMABIKO CORPORATION

1-7-2 Suehirocho, Ohme, Tokyo 198-8760 JAPON

Représentant autorisé en Europe :

CERTIFICATION EXPERTS B.V.

P.O. box 5047, Merwedeweg 2, 3621 LR Breukelen, Pays-Bas

Table des matieres

Pour utiliser l'appareil en toute sécurité	4
Etiquettes et symboles d'avertissement	4
Autres indications	4
Symboles	4
Emplacement de l'étiquette de sécurité	5
Manipulation du carburant	6
Manipulation du moteur	7
Manipulation de l'appareil	8
Contenu de l'emballage	12
Description	13
Avant de commencer	14
Préparation du carburant	14
Fonctionnement du moteur	15
Démarrage du moteur	15
Arrêt du moteur	16
Taille de haies et d'arbustes	17
Taille de haie de base	17
Entretien	18
Instructions d'entretien de l'appareil	18
Entretien	18
Remisage	23
Remisage de longue durée (30 jours ou plus)	23
Procédure d'élimination des déchets	24
Caractéristiques	25
Déclaration de conformité	26

Pour utiliser l'appareil en toute sécurité




Lire attentivement cette section avant d'utiliser l'appareil pour la première fois.

○ Les mesures de précaution décrites dans cette section contiennent des informations essentielles pour la sécurité. Les suivre scrupuleusement.

○ Il est également nécessaire de prendre connaissance des mesures de précaution exposées tout au long de ce manuel. Le texte précédé d'une puce [en forme de losange] décrit les risques encourus en cas de non-respect d'une mesure de précaution.


Étiquettes et symboles d'avertissement

Les étiquettes et les symboles d'avertissement dans le manuel et sur l'appareil signalent les situations pouvant entraîner un risque de blessure de l'utilisateur et d'autres personnes. Pour des raisons de sécurité, toujours lire et suivre attentivement les instructions figurant sur ces étiquettes.

 DANGER	 AVERTISSEMENT	 ATTENTION
Ce symbole associé au mot « DANGER » signale une action ou une situation présentant un risque de blessure corporelle grave ou d'accident mortel pour l'utilisateur et les personnes à proximité.	Ce symbole associé au mot « AVERTISSEMENT » signale une action ou une situation présentant un risque de blessure corporelle grave ou d'accident mortel pour l'utilisateur et les personnes à proximité.	« ATTENTION » signale une situation potentiellement dangereuse qui, si elle n'est pas évitée, peut entraîner une blessure légère à modérée.









Autres indications

Outre les étiquettes et les symboles d'avertissement, ce manuel contient les symboles d'explication suivants :









	Le cercle barré indique une interdiction.	REMARQUE	IMPORTANT
		Ce type de message fournit des conseils relatifs à l'utilisation et à l'entretien de l'appareil.	Le texte dans l'encadré où figure le mot « IMPORTANT » donne des informations importantes concernant l'utilisation, la vérification, l'entretien et le remisage de l'appareil décrit dans ce manuel.

Symboles

De nombreux symboles d'explication sont utilisés dans ce manuel et sur l'appareil lui-même. S'assurer d'avoir bien compris la signification de chacun de ces symboles.

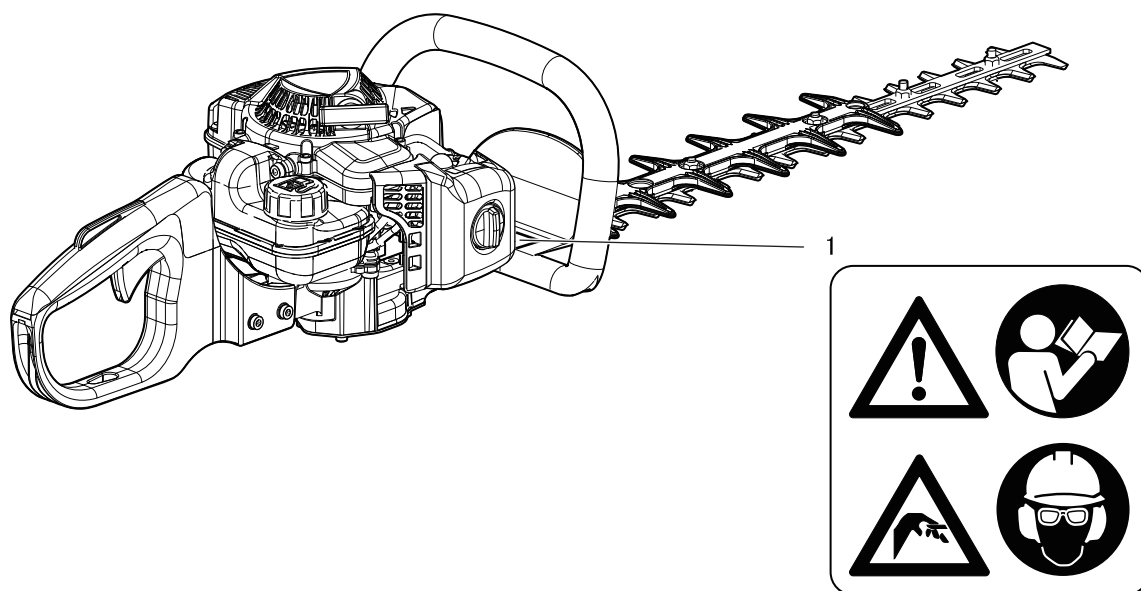
Forme des symboles	Description / application des symboles	Forme des symboles	Description / application des symboles
	Lire attentivement le manuel d'utilisation		Mélange d'essence et d'huile
	Port obligatoire de protections pour les yeux, les oreilles et la tête		Pompe d'amorçage (charge d'amorçage)
	Alerte / sécurité		Risque de sectionnement des doigts
	Arrêt d'urgence		Réglage du carburateur - Régime de ralenti

Pour utiliser l'appareil en toute sécurité

Forme des symboles	Description / application des symboles	Forme des symboles	Description / application des symboles
	Ne pas utiliser l'appareil dans des endroits mal aérés		Commande de starter en position « Démarrage à froid » (starter fermé)
	Attention aux risques d'incendie		Commande de starter en position « Marche » (starter ouvert)
	Attention aux risques de choc électrique		Attention aux températures élevées
	Niveau de puissance sonore garanti		Démarrage du moteur

Emplacement de l'étiquette de sécurité

- L'étiquette de sécurité ci-dessous figure sur les appareils décrits dans ce manuel. S'assurer de bien comprendre la signification de l'étiquette avant d'utiliser l'appareil.
- Si l'étiquette devient illisible avec le temps ou si elle s'est décollée ou a été déchirée, prendre contact avec un revendeur pour obtenir une nouvelle étiquette et la coller à l'emplacement indiqué sur les illustrations ci-dessous. Veiller à ce que l'étiquette soit toujours lisible.



1. Etiquette de sécurité (Numéro de pièce X505-002030)

Pour utiliser l'appareil en toute sécurité

Manipulation du carburant

DANGER

Toujours effectuer le ravitaillement à l'écart de toute flamme

Le carburant est hautement inflammable et entraîne un risque d'incendie en cas de mauvaise manipulation. Rester extrêmement vigilant lors du mélange, du stockage ou de la manipulation du carburant. Toute erreur entraîne un risque de blessure corporelle grave. Observer scrupuleusement les règles de sécurité suivantes.

- Il est interdit de fumer lors du ravitaillement. Effectuer le ravitaillement à l'écart de toute flamme.
- Il est interdit de ravitailler l'appareil lorsque le moteur est chaud ou en marche.
- ◆ En effet, le carburant risque de s'enflammer et de provoquer un incendie, entraînant ainsi un risque de brûlure.

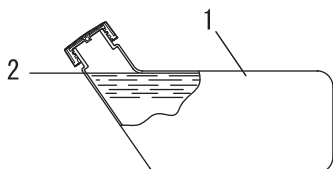
A propos du réservoir et du point de ravitaillement

- Utiliser un réservoir de carburant agréé.
- Les bidons/réservoirs de carburant peuvent être sous pression. Toujours desserrer le bouchon du réservoir de carburant de façon progressive pour permettre l'égalisation de la pression.
- **NE JAMAIS** remplir les réservoirs de carburant dans un endroit fermé. **TOUJOURS** remplir les réservoirs de carburant à l'extérieur, à même le sol.

Tout déversement de carburant entraîne un risque d'incendie

Respecter les règles de sécurité suivantes lors du ravitaillement :

- Ne pas remplir le réservoir de carburant jusqu'en haut. Remplir le réservoir jusqu'au niveau recommandé (jusqu'à l'épaulement du réservoir de carburant).
- Essuyer le carburant renversé en cas de débordement ou de trop plein du réservoir.
- Une fois le ravitaillement effectué, revisser fermement le bouchon du réservoir de carburant.
- ◆ Tout déversement de carburant, s'il s'enflamme, entraîne un risque d'incendie et de brûlure.

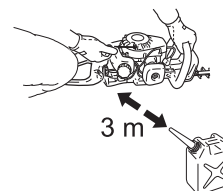


1. Réservoir de carburant
2. Epaulement

Ne pas démarrer le moteur à l'endroit où le ravitaillement a été effectué

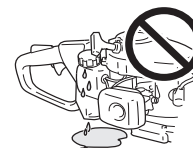
- Il ne faut pas démarrer le moteur à l'endroit où le ravitaillement a été effectué. S'éloigner d'au moins 3 mètres de l'endroit où le ravitaillement a été effectué avant de démarrer le moteur.

- ◆ Les fuites de carburant qui peuvent survenir lors du ravitaillement entraînent un risque d'incendie si le carburant s'enflamme.



Toute fuite de carburant entraîne un risque d'incendie

- Après le ravitaillement, toujours vérifier qu'il n'y a pas de fuite ou d'écoulement de carburant au niveau du tuyau de carburant, du passe-tuyau de carburant ou autour du bouchon du réservoir de carburant.
- En cas de fuite ou d'écoulement de carburant, interrompre immédiatement l'utilisation de l'appareil et contacter un revendeur pour effectuer les réparations nécessaires.
- ◆ Toute fuite de carburant entraîne un risque d'incendie.



Pour utiliser l'appareil en toute sécurité

Manipulation du moteur

AVERTISSEMENT

Démarrage du moteur

Veiller à bien respecter les mesures de précaution suivantes lors du démarrage du moteur :

- Toujours vérifier que toutes les poignées et protections sont fixées
- Vérifier que tous les écrous et toutes les vis sont bien serrés
- Vérifier qu'il n'y a pas de fuite de carburant
- Vérifier que les lames ne sont pas endommagées ni excessivement usées. Si des anomalies sont constatées, ne pas utiliser l'appareil.
- Placer l'appareil sur une surface plane et dans un endroit bien aéré
- Etablir un périmètre de sécurité autour de l'appareil et s'assurer que personne ni aucun animal ne se trouve à proximité.
- Retirer tout obstacle éventuel
- Vérifier que les lames ne touchent pas le sol ou tout autre obstacle.
- Pour le démarrage du moteur, mettre la gâchette d'accélérateur en position de régime de ralenti.
- Maintenir fermement l'appareil au sol lors du démarrage du moteur
- Ne pas démarrer le moteur en tenant l'appareil en l'air
- ◆ Le non-respect de ces mesures de précaution entraîne un risque d'accident et de blessure grave, voire mortelle.

Une fois le moteur démarré, vérifier que l'appareil n'émet aucun son ou vibration anormal(e).

- Lorsque le moteur est démarré, vérifier que l'appareil n'émet aucun son ou vibration anormal(e). Ne pas utiliser l'appareil en cas de son ou vibration anormal(e). Contacter un revendeur pour effectuer les réparations nécessaires.
- ◆ La chute ou la rupture accidentelle de pièces entraîne un risque de blessure grave.

Ne pas toucher les composants sous haute tension ou sous haute température lors du fonctionnement de l'appareil

Ne pas toucher les composants sous haute tension ou sous haute température suivants lors du fonctionnement de l'appareil et pendant la phase qui suit l'arrêt de l'appareil.

- Silencieux, bougie d'allumage, carter d'engrenage et autres composants sous haute température.
- ◆ Il existe un risque de brûlure en cas de contact avec un composant sous haute température.
- Bougie d'allumage, fil de la bougie et autres composants sous haute tension
- ◆ Il existe un risque de choc électrique en cas de contact avec un composant sous haute tension pendant le fonctionnement de l'appareil.



Le bon réflexe en cas d'incendie ou de fumée

- Si le moteur prend feu ou si de la fumée s'échappe de l'appareil à un autre endroit que la sortie d'échappement, la première chose à faire est de s'éloigner de l'appareil pour éviter tout risque de blessure.
- A l'aide d'une pelle, jeter du sable ou un autre matériau équivalent sur les flammes pour éviter que l'incendie ne se propage, ou éteindre les flammes avec un extincteur.
- ◆ Ne pas céder à la panique permet d'éviter que l'incendie ne se propage et donc de limiter l'étendue des dégâts.



Toxicité des fumées d'échappement

- Les fumées d'échappement du moteur contiennent des gaz toxiques. Ne pas utiliser l'appareil dans un endroit fermé, dans une serre en plastique ou dans tout autre endroit mal aéré.
- ◆ Il existe un risque d'intoxication due aux fumées d'échappement.



Arrêter le moteur pour la vérification et l'entretien de l'appareil

Respecter les mesures de précaution suivantes lors de la vérification et de l'entretien de l'appareil après utilisation :

- Couper le moteur et attendre qu'il refroidisse avant la vérification ou l'entretien de l'appareil.
- ◆ Il existe un risque de brûlure.
- Retirer le protecteur de bougie avant d'effectuer les opérations de vérification ou d'entretien
- ◆ Il existe un risque d'accident en cas de démarrage intempestif de l'appareil.

Vérification de la bougie d'allumage

Respecter les mesures de précaution suivantes lors de la vérification de la bougie d'allumage.

- En cas d'usure des électrodes ou des bornes, ou en cas de fissure de la céramique, procéder au remplacement de ces composants.
- L'essai de l'étincelle (destiné à vérifier si la bougie d'allumage émet une étincelle) doit être effectué par un revendeur.
- L'essai de l'étincelle ne doit pas être effectué à proximité du trou de bougie.
- L'essai de l'étincelle ne doit pas être effectué à proximité de flaques de carburant ou de gaz inflammables
- Ne pas toucher les parties métalliques de la bougie d'allumage
- ◆ La bougie d'allumage risque de provoquer un incendie ou un choc électrique.



Pour utiliser l'appareil en toute sécurité

Manipulation de l'appareil Mesures de précaution générales

AVERTISSEMENT

Manuel d'utilisation

- Lire attentivement le manuel d'utilisation avant d'utiliser l'appareil pour la première fois afin d'éviter toute erreur d'utilisation.
- ◆ Le non-respect de cette mesure de précaution entraîne un risque d'accident ou de blessure grave.



Ne pas détourner l'appareil de son utilisation normale

- Utiliser l'appareil uniquement pour les tâches décrites dans ce manuel d'utilisation.
- ◆ Le non-respect de cette règle de sécurité entraîne un risque d'accident ou de blessure grave.

Ne pas modifier l'appareil

- Aucune modification ne doit être apportée à l'appareil.
- ◆ Le non-respect de cette règle de sécurité entraîne un risque d'accident ou de blessure grave. Tout dysfonctionnement dû à une modification de l'appareil n'est pas couvert par la garantie du fabricant.

Ne pas utiliser l'appareil avant d'avoir effectué les opérations de vérification et d'entretien nécessaires

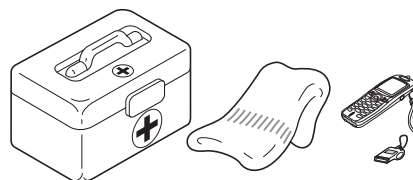
- Il ne faut pas utiliser l'appareil avant d'avoir effectué les opérations de vérification et d'entretien nécessaires. Veiller à ce que l'appareil soit vérifié et entretenu régulièrement.
- ◆ Le non-respect de cette règle de sécurité entraîne un risque d'accident ou de blessure grave.

Prêt ou cession de l'appareil à un tiers

- Si l'appareil est prêté à un tiers, veiller à lui confier également le manuel d'utilisation fourni avec l'appareil.
- Si l'appareil est cédé à un tiers, transmettre le manuel d'utilisation fourni avec l'appareil lors de la vente.
- ◆ Le non-respect de cette règle de sécurité entraîne un risque d'accident ou de blessure grave.

Savoir réagir en cas de blessure

- Même si les cas de blessure ou d'accident restent exceptionnels, l'utilisateur doit savoir réagir à ces situations.
- Kit de premiers secours
 - Serviettes et lingettes (pour arrêter les saignements)
 - Sifflet ou téléphone portable (pour appeler de l'aide)
 - ◆ Si l'utilisateur n'est pas capable de prodiguer les premiers soins ou d'appeler à l'aide, la blessure peut s'aggraver.



Précautions d'utilisation

DANGER

Démarrage du moteur

- Ne jamais essayer de démarrer le moteur lorsque l'utilisateur se trouve du côté de la lame.
- ◆ Le démarrage soudain des lames peut entraîner des blessures.

Ne pas retirer la rallonge arrondie

- Ne pas utiliser l'appareil sans la rallonge arrondie. Si celle-ci doit être retirée à des fins de maintenance, consulter votre concessionnaire.
- ◆ Le non-respect des règles de sécurité entraîne un risque de blessure grave.

Toujours couper le moteur en cas de blocage des lames.

- Ne pas essayer de retirer l'objet à l'origine du blocage si le moteur est en marche.
- ◆ Le mouvement des lames lors du retrait de l'objet à l'origine du blocage peut entraîner des blessures.

Pour utiliser l'appareil en toute sécurité

⚠ AVERTISSEMENT

Utilisateurs de l'appareil

L'appareil ne doit pas être utilisé si :

- l'utilisateur est fatigué
- l'utilisateur a consommé de l'alcool
- l'utilisateur prend des médicaments
- la personne qui souhaite utiliser l'appareil est enceinte
- l'utilisateur est en mauvaise condition physique
- l'utilisateur n'a pas lu le manuel d'utilisation
- la personne qui souhaite utiliser l'appareil est un enfant



- ◆ Le non-respect de ces règles de sécurité constitue un risque d'accident.
- Le système d'allumage de cet appareil produit des champs électromagnétiques lorsqu'il fonctionne. Les champs magnétiques peuvent provoquer des interférences ou des pannes sur les stimulateurs cardiaques. Pour réduire les risques pour la santé, nous recommandons aux porteurs d'un stimulateur cardiaque de consulter leur médecin et le fabricant du stimulateur avant d'utiliser cet appareil.

Environnement d'utilisation et fonctionnement de l'appareil

- Ne pas utiliser l'appareil sur une surface instable, comme un terrain en pente raide ou détrempé. Ces types de terrain sont glissants et donc dangereux.
- Ne pas utiliser l'appareil la nuit ou dans des endroits mal éclairés offrant de mauvaises conditions de visibilité.
- ◆ Toute chute, glissade ou utilisation incorrecte de l'appareil constitue un risque de blessures graves pour l'utilisateur.

Transport de l'appareil

Dans les exemples de transports décrits ci-dessous, couper le moteur et s'assurer que les lames se sont immobilisées, puis remettre en place l'étui protecteur de lame et tenir le silencieux à distance.

- Se déplacer vers le lieu de travail
- Se déplacer vers un autre endroit tout en travaillant
- Quitter le lieu de travail
- ◆ Le non-respect de ces mesures de précaution constitue un risque de brûlure ou de blessure grave.
- Pour transporter l'appareil dans une voiture, vider le réservoir de carburant, remettre en place l'étui protecteur de lame et s'assurer que l'appareil est bien calé pour éviter qu'il se déplace lors du trajet.
- ◆ Rouler en voiture avec du carburant dans le réservoir de carburant constitue un risque d'incendie.

Exposition aux vibrations et au froid

Les personnes exposées aux vibrations et au froid peuvent être victimes du phénomène de Raynaud, une affection qui touche les doigts. L'exposition à des vibrations et au froid peut provoquer une sensation de picotement et de brûlure, suivie d'une décoloration et d'un engourdissement des doigts.

Il est vivement recommandé de respecter les mesures de précaution suivantes car le seuil d'exposition minimum pouvant provoquer l'apparition de ce phénomène reste inconnu à ce jour.

- Limiter la perte de chaleur corporelle, en protégeant en priorité la tête, le cou, les pieds, les chevilles, les mains et les poignets.
- Stimuler la circulation sanguine en interrompant le travail régulièrement pour remuer énergiquement les bras, et éviter de fumer.
- Limiter le nombre d'heures d'utilisation. Essayer d'intégrer à l'emploi du temps de la journée des tâches ne nécessitant pas l'utilisation du taille-haie ou d'une autre machine portative.
- En cas d'inconfort, de rougeur et de gonflement au niveau des doigts, suivis d'un blanchissement et d'une perte de sensibilité, consulter un médecin avant de s'exposer à nouveau au froid et aux vibrations.
- ◆ Le non-respect de ces instructions peut être dangereux pour la santé.

Lésions attribuables au travail répétitif

Une trop grande sollicitation des muscles et des tendons des doigts, des mains, des bras et des épaules peut entraîner l'apparition d'inflammations, de gonflements, d'engourdissements, d'une sensation de faiblesse ou d'une douleur aiguë dans ces parties du corps. L'apparition de lésions attribuables au travail répétitif (LATR) est très fréquente chez les personnes pratiquant certaines activités manuelles répétitives.

Pour réduire le risque d'apparition de LATR, respecter les mesures de précaution suivantes :

- Éviter de plier, d'étirer ou de tordre le poignet pendant le travail.
- Faire des pauses régulières pour réduire l'effet répétitif et pour reposer ses mains. Effectuer le mouvement répétitif plus lentement et en faisant moins d'effort.
- Faire des exercices de musculation des mains et des bras.
- En cas de picotements, d'engourdissement ou de douleur dans les doigts, les mains, les poignets ou les bras, consulter un médecin. Plus les LATR sont diagnostiquées précocement, plus les chances d'empêcher les lésions nerveuses et musculaires irréversibles sont grandes.
- ◆ Le non-respect de ces instructions peut être dangereux pour la santé.

Pour utiliser l'appareil en toute sécurité

⚠ AVERTISSEMENT

Retirer tous les corps étrangers et toutes les sources de blocage de l'appareil avant de l'utiliser

○ Inspecter la zone dans laquelle l'appareil doit être utilisé. Retirer les pierres, objets métalliques et tout autre objet susceptible de bloquer ou d'endommager l'appareil.

◆ La projection de corps étrangers par l'outil de coupe peut entraîner un accident ou des blessures graves.

Couper immédiatement le moteur en cas d'anomalie

Couper immédiatement le moteur et attendre que l'outil de coupe soit complètement arrêté avant d'inspecter les composants de l'appareil. Remplacer toute pièce endommagée.

○ Si l'outil de coupe heurte une pierre, un arbre, un poteau ou tout autre obstacle au cours de son utilisation.

○ Si l'appareil se met à vibrer soudainement de façon anormale.

◆ L'utilisation prolongée de pièces endommagées entraîne un risque d'accident ou de blessure grave.

La zone comprise dans un rayon de 10 mètres autour de l'appareil est une zone dangereuse

La zone comprise dans un rayon de 10 mètres autour de l'appareil est une zone dangereuse. Veillez à bien respecter les mesures de précaution suivantes lors de l'utilisation de l'appareil.

○ Ne laisser personne (enfants, animaux ou autres personnes) pénétrer dans cette zone dangereuse.

○ Si quelqu'un pénètre dans la zone dangereuse, couper le moteur pour arrêter les lames.

○ Lorsqu'une personne s'approche de l'utilisateur, elle doit lui signaler sa présence en lançant des brindilles, par exemple, sans entrer dans la zone dangereuse. Elle doit ensuite vérifier que le moteur est coupé et que les lames se sont immobilisées.

○ Ne laisser personne tenir le matériau en train d'être coupé.

◆ Tout contact avec les lames risque de causer des blessures graves.

Ne pas utiliser l'appareil si les lames tournent alors que le moteur est au ralenti

○ Ne pas utiliser l'appareil si les lames tournent alors que la gâchette d'accélérateur de l'appareil est en position de ralenti. Arrêter le moteur immédiatement et régler le carburateur.

◆ Le non-respect de cette règle de sécurité entraîne un risque d'accident ou de blessure grave.

Ne pas utiliser l'appareil d'une seule main

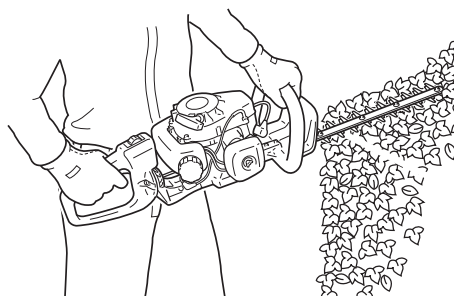
○ Garder les deux mains sur les poignées tant que le moteur est en marche. Ne jamais faire fonctionner l'appareil d'une seule main.

○ Maintenir fermement le taille-haie à deux mains, une main sur la poignée avant et l'autre sur la poignée arrière.

○ Enerrer fermement les poignées entre le pouce et les doigts.

○ Ne jamais retirer les mains de l'appareil lorsque les lames sont en mouvement.

◆ Le non-respect de ces instructions entraîne une mauvaise prise en main de l'appareil et risque de causer des blessures graves.



Vérifier que les lames ne tournent pas avant de poser l'appareil au sol

○ Lorsque le moteur est coupé, vérifier que les lames se sont immobilisées avant de poser l'appareil au sol.

◆ Même si le moteur est coupé, les lames peuvent continuer de tourner en rotation libre et entraîner un risque de blessure.

Retirer les débris accumulés dans le silencieux

○ Si des objets tels que de l'herbe, des feuilles, des brindilles ou une quantité excessive de graisse s'accumulent dans la zone entourant le silencieux du moteur, arrêter le moteur et les retirer en prenant garde à ne pas toucher de zones chaudes de l'appareil.

◆ Le non-respect de cette mesure de précaution entraîne un risque d'incendie.

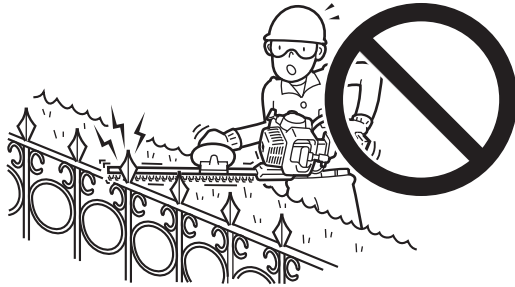


Pour utiliser l'appareil en toute sécurité

⚠ AVERTISSEMENT

Ne pas utiliser l'appareil pour découper des objets durs

- Ne pas utiliser l'appareil pour découper des objets durs tels que des câbles ou des plaques d'acier.
- Si la lame heurte un obstacle ou si son bon fonctionnement est empêché, arrêter le moteur et vérifier que la lame n'est pas endommagée.
- ◆ Le non-respect de ces instructions risque d'endommager l'appareil ou de causer un accident.



Ne jamais utiliser l'appareil sur une échelle ou un tabouret

- Ne pas porter l'appareil à bout de bras ou ne pas se tenir sur des surfaces instables.
- Ne pas utiliser l'appareil en haut d'une échelle ou sur un tabouret.
- ◆ Le non-respect de cette règle de sécurité entraîne un risque d'accident ou de blessure grave.

Equipement de protection

⚠ AVERTISSEMENT

Port d'un équipement de protection

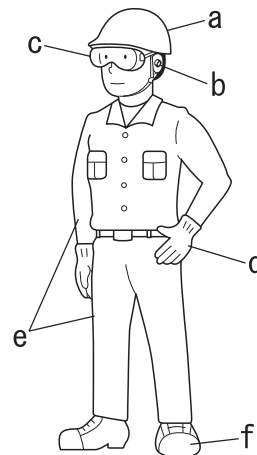
Toujours porter l'équipement de protection suivant pour utiliser un taille-haie.

- a Protection de la tête (casque) : protège la tête
- b Casque de protection anti-bruit ou protecteurs d'oreilles : protègent l'ouïe
- c Lunettes de sécurité : protègent les yeux
- d Gants de sécurité : protègent les mains contre le froid et les vibrations
- e Vêtements de travail adaptés (manches longues, pantalons longs) : protègent le corps
- f Bottes résistantes avec semelles anti-dérapantes ou chaussures de travail avec semelles anti-dérapantes : protègent les pieds

◆ Le non-respect de ces mesures de précaution peut entraîner une dégradation de la vue ou de l'ouïe de l'utilisateur, ainsi qu'un risque de blessure grave.

Si nécessaire, utiliser les équipements de protection ci-dessous.

- Masque anti-poussière : protège les voies respiratoires
- Voilette de protection : protège contre les piqûres d'abeilles



Port de vêtements adaptés

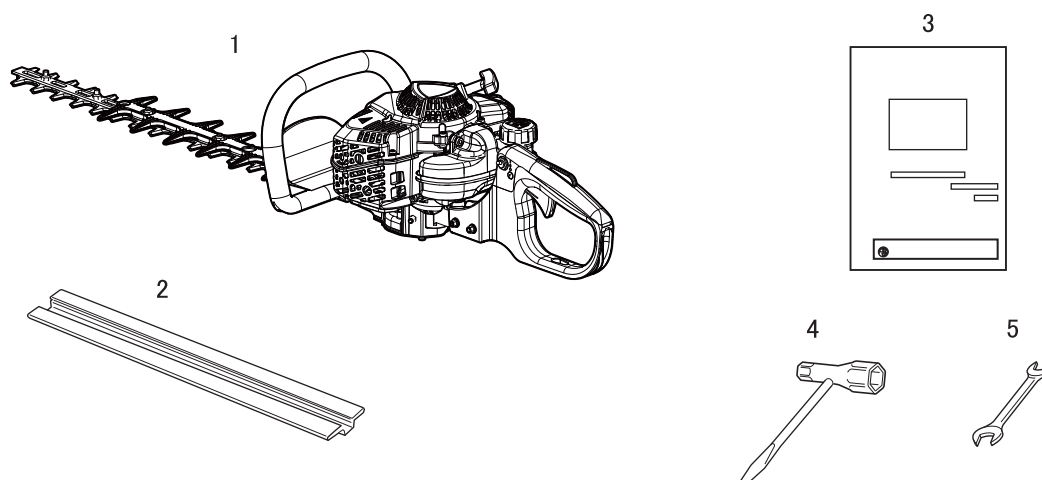
Ne pas porter de cravates, bijoux ou vêtements amples qui pourraient se prendre dans l'appareil. Ne pas porter de chaussures ouvertes, ne pas travailler pieds nus ou jambes nues.

◆ Le non-respect de ces mesures de précaution peut entraîner une dégradation de la vue ou de l'ouïe de l'utilisateur, ainsi qu'un risque de blessure grave.

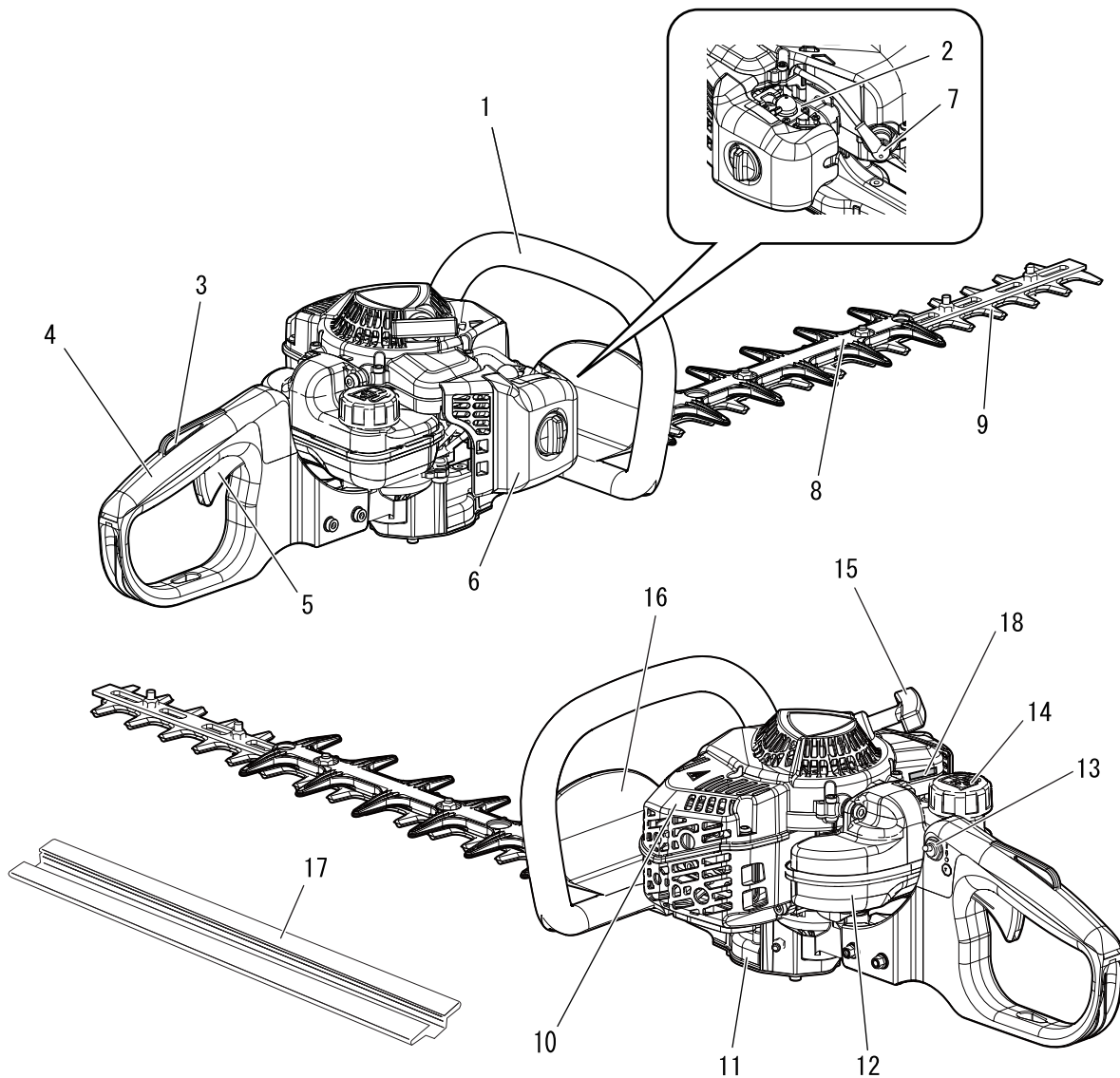


Contenu de l'emballage

- ♦ Les pièces suivantes sont conditionnées séparément dans le carton d'emballage.
- ♦ Lors de l'ouverture du carton, passer en revue les pièces qu'il contient.
- ♦ S'adresser au revendeur si une pièce est manquante ou endommagée.



Numéro	Désignation	Quantité
(1)	Taille-haie	1
(2)	Étui protecteur de lame	1
(3)	Manuel d'utilisation	1
(4)	Clé à pipe	1
(5)	Clé à fourche	1



1. **Poignée avant** Poignée située sur l'outil de coupe.
2. **Carburateur** Appareil servant à mélanger le carburant et l'air dans les proportions correctes.
3. **Blocage de la gâchette d'accélérateur** Dispositif destiné à empêcher le fonctionnement accidentel de la gâchette d'accélérateur jusqu'à sa désactivation manuelle.
4. **Poignée arrière** Poignée la plus éloignée de l'outil de coupe.
5. **Gâchette d'accélérateur.** Activée par le doigt de l'utilisateur pour contrôler le régime moteur.
6. **Couvercle de filtre à air.** Recouvre le filtre à air.
7. **Bougie d'allumage**
8. **Rallonge arrondie** Pièce d'extension arrondie de l'outil de coupe. (valable pour les appareils à lame à double tranchant)
9. **Outil de coupe** Pièce de l'ensemble lame-plaque de cisaillement ainsi que toute autre pièce associée, qui effectue l'action de coupe.
10. **Couvercle de silencieux** Couvercle destiné à empêcher le contact de l'opérateur avec le tuyau d'échappement chaud.
11. **Carter d'engrenage** Boîtier contenant les engrenages qui réduisent la vitesse du moteur de l'outil de coupe.
12. **Réservoir de carburant** Contient le carburant et le filtre à carburant.
13. **Interrupteur marche/arrêt** Dispositif permettant la mise en marche et l'arrêt du moteur.
14. **Bouchon du réservoir de carburant.** Ferme le réservoir de carburant.
15. **Poignée de lanceur.** Tirer sur la poignée pour démarrer le moteur.
16. **Protection** Protection située entre la poignée avant et l'outil de coupe destinée à protéger la main des blessures si celle-ci glisse de la poignée.
17. **Étui protecteur de lame** Toujours placer l'étui protecteur sur la lame lors du transport ou du remisage de l'appareil.
18. **Type et numéro de série**

Avant de commencer

Préparation du carburant

DANGER

- Le carburant est un produit hautement inflammable. Toute manipulation incorrecte du carburant entraîne un risque d'incendie. Lire attentivement et respecter les mesures de précaution indiquées dans la section du manuel intitulée « Pour utiliser l'appareil en toute sécurité ».
- Une fois le ravitaillement effectué, visser fermement le bouchon du réservoir de carburant et vérifier qu'il n'y a pas de fuite ou d'écoulement de carburant au niveau du tuyau et du passe-tuyau de carburant, ou autour du bouchon du réservoir de carburant. En cas de fuite ou d'écoulement de carburant, interrompre immédiatement l'utilisation de l'appareil et contacter un revendeur pour effectuer les réparations nécessaires.
- ◆ Si le carburant s'enflamme, il entraîne un risque de brûlure et d'incendie.



ATTENTION

- Il existe une différence de pression entre le réservoir de carburant et l'air extérieur. Lors du ravitaillement, dévisser légèrement le bouchon du réservoir de carburant pour égaliser la pression.
- ◆ Dans le cas contraire, le carburant risque de se déverser.

REMARQUE

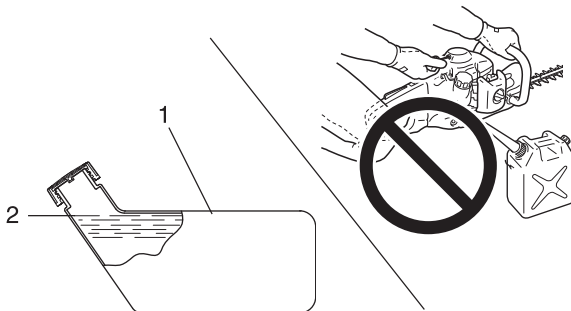
Le carburant vieillit lorsqu'il est stocké. Ne préparer qu'une quantité de carburant suffisante pour une consommation de trente (30) jours. Ne pas faire le mélange directement dans le réservoir de carburant.

Carburant



- ◆ Le carburant est un mélange d'essence ordinaire et d'une huile pour moteurs 2 temps à refroidissement par air. Il est conseillé d'utiliser de l'essence sans plomb d'indice d'octane 89 au minimum. Ne pas utiliser de carburant contenant du méthanol ou plus de 10 % d'éthanol.
- ◆ Richesse du mélange recommandée ; 50 : 1 (2 %) selon la norme ISO-L-EGD (ISO/CD 13738), la norme JASO FC, FD et l'huile shindaiwa recommandée.
 - Ne jamais utiliser d'huile pour moteurs deux temps à refroidissement par eau ou moteurs de motos.
 - Ne pas faire le mélange directement dans le réservoir de carburant.
 - Eviter de renverser du carburant ou de l'huile. Toujours essuyer les projections de carburant.
 - Manipuler le carburant avec précaution : il est hautement inflammable.
 - Toujours stocker le carburant dans un récipient approprié.

Alimentation en carburant



1. Réservoir de carburant 2. Epaulement

- ◆ Remplir le réservoir à l'extérieur, sur un sol nu, et bien visser le bouchon. Ne jamais effectuer le ravitaillement dans un endroit fermé.
- ◆ Placer l'appareil et le réservoir de ravitaillement sur le sol lors du ravitaillement. Ne jamais ravitailler l'appareil sur la plateforme de chargement d'un camion ou autre endroit du même type.
- ◆ Toujours s'assurer que le niveau de carburant ne dépasse pas l'épaulement du réservoir lors du ravitaillement.
- ◆ Il existe une différence de pression entre le réservoir de carburant et l'air extérieur. Lors du ravitaillement, dévisser légèrement le bouchon du réservoir de carburant pour égaliser la pression.
- ◆ Toujours essuyer les projections de carburant.
- ◆ S'éloigner d'au moins 3 mètres de l'endroit du ravitaillement avant de démarrer le moteur.
- ◆ Entreposer le réservoir de ravitaillement dans un endroit ombragé et loin de toute flamme.

Fonctionnement du moteur

Démarrage du moteur

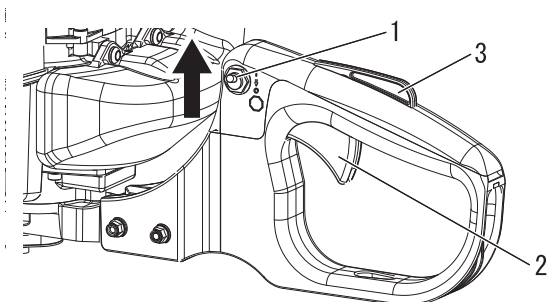
⚠ AVERTISSEMENT

- Lors du démarrage du moteur, respecter les mesures de précaution décrites à partir de la page 4 dans la section « Pour utiliser l'appareil en toute sécurité » pour garantir une utilisation correcte de l'appareil.
- Si une fois le moteur allumé, la lame tourne alors que la gâchette d'accélérateur est positionnée sur le régime de ralenti, régler le carburateur avant d'utiliser l'appareil.
- La lame commence à tourner lorsque le moteur atteint la vitesse d'enclenchement de l'embrayage.
- ◆ Le non-respect de ces mesures de précaution entraîne un risque d'accident et de blessure grave, voire mortelle.

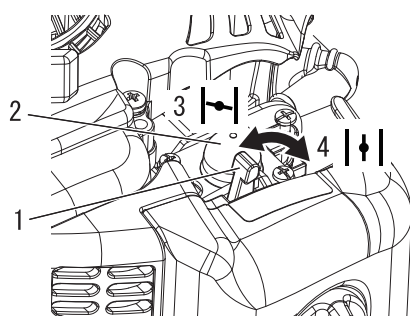
REMARQUE

- ♦ Tirer la poignée de lanceur, doucement dans un premier temps, puis plus rapidement. Ne pas tirer la corde de lanceur à plus de 2/3 de sa longueur.
- ♦ Ne pas lâcher la poignée de lanceur lorsqu'elle revient.

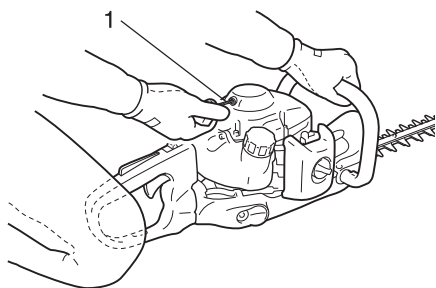
Démarrage du moteur à froid



- 1. Interrupteur marche/arrêt
- 2. Gâchette d'accélérateur
- 3. Blocage de la gâchette d'accélérateur



- 1. Manette de starter
- 2. Pompe d'amorçage
- 3. Démarrage à froid
- 4. Marche



- 1. Poignée de lanceur

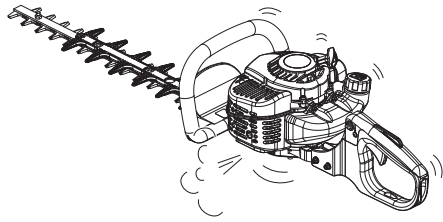
(Connecter le protecteur de bougie si l'appareil n'a pas fonctionné depuis longtemps)

La procédure de démarrage est différente si le moteur est froid ou chaud. Le démarrage à froid du moteur s'effectue de la manière suivante.

1. Retirer l'étui protecteur de lame et contrôler l'état des lames. En cas de problème, procéder au remplacement de la lame.
2. Après avoir posé l'appareil sur une surface plane, vérifier que les lames ne sont pas en contact avec le sol ou avec d'autres obstacles, en utilisant une poutre ou un autre objet similaire.
3. Vérifier qu'il n'y a pas de fuite de carburant.
4. Déplacer l'interrupteur marche/arrêt de la position Arrêt.
5. Placer la manette de starter en position « Démarrage à froid ».
6. Comprimer et relâcher la pompe d'amorçage jusqu'à ce que le carburant soit aspiré.
7. Après avoir vérifié que la zone entourant l'utilisateur ne présente aucun risque, tenir fermement la poignée avant avec la main gauche comme illustré sur l'image et tirer la poignée de lanceur à plusieurs reprises.
8. Si un bruit d'explosion retentit et si le moteur s'arrête aussitôt, basculer la manette de starter en position « Marche » et continuer à tirer la poignée de lanceur pour démarrer le moteur.
9. Si le moteur démarre immédiatement en suivant les instructions de l'étape 7 ci-dessus, remettre doucement la manette de starter en position « Marche ».
10. Laisser le moteur chauffer au ralenti pendant quelques instants.
11. Appuyer sur le blocage de la gâchette et actionner progressivement la gâchette d'accélérateur.

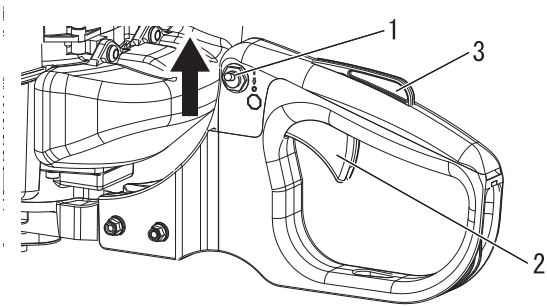
Fonctionnement du moteur

Mise en température du moteur



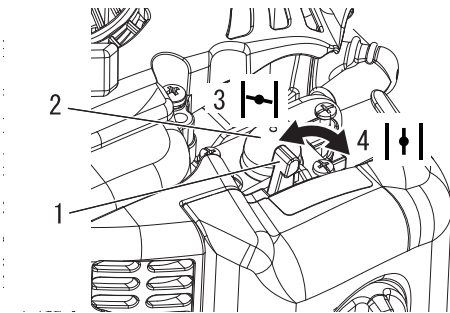
1. Lorsque le moteur démarre, le laisser chauffer au ralenti (c.-à-d. à bas régime) pendant 2 à 3 minutes.
2. La mise en température du moteur permet de lubrifier progressivement son mécanisme interne. Laisser le moteur chauffer jusqu'à atteindre la température adéquate, surtout par temps froid.

Démarrage du moteur à chaud



1. Interrupteur marche/arrêt
2. Gâchette d'accélérateur
3. Blocage de la gâchette d'accélérateur

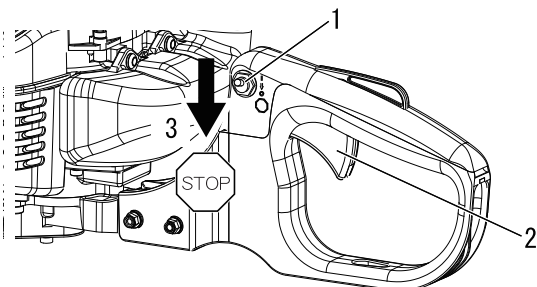
1. Déplacer l'interrupteur marche/arrêt de la position Arrêt.
2. Veiller à ce que la gâchette d'accélérateur soit en position de régime de ralenti.



1. Manette de starter
2. Pompe d'amorçage
3. Démarrage à froid
4. Marche

3. Vérifier que la manette de starter est en position « Marche » (Run).
4. Si le réservoir de carburant n'est pas vide, tirer la poignée de lanceur pour démarrer le moteur.
5. En cas d'absence de carburant dans la pompe d'amorçage, comprimer et relâcher la pompe jusqu'à ce que le carburant soit aspiré.
6. Vérifier que la zone autour de l'utilisateur ne présente aucun risque et tirer sur la poignée du lanceur pour démarrer le moteur.

Arrêt du moteur



1. Interrupteur marche/arrêt
2. Gâchette d'accélérateur
3. Arrêt

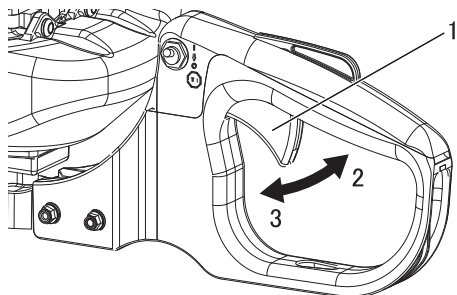
1. Relâcher la gâchette d'accélérateur et faire tourner le moteur au ralenti (c.-à-d. à bas régime).
 2. Placer l'interrupteur marche/arrêt en position Arrêt.
 3. En cas d'urgence, couper immédiatement le moteur à l'aide de l'interrupteur marche/arrêt.
 4. Si le moteur ne s'arrête pas, placer la manette de starter en position « Démarrage à froid ». Le moteur cale et s'arrête (arrêt du starter).
- * Si le moteur ne s'arrête pas à l'aide de l'interrupteur marche/arrêt, demander au revendeur de vérifier et de réparer l'interrupteur avant de réutiliser l'appareil.

Taille de haies et d'arbustes

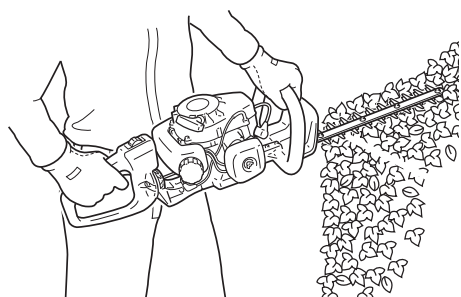
Taille de haie de base

REMARQUE

- ♦ Cet appareil a été conçu pour couper des arbustes et des haies ayant des branches ne dépassant pas 6 mm de diamètre.
- ♦ Lors du début de la taille, faire fonctionner le moteur à plein régime. Couper à une vitesse inférieure au plein régime risque d'endommager l'embrayage en lui permettant de patiner. Lors de travaux autres que taille et découpe, ne pas faire fonctionner le moteur à plein régime.



1. Gâchette d'accélérateur 3. Ralenti
2. Régime élevé



- ♦ Actionner la gâchette d'accélérateur après le démarrage du moteur entraîne l'augmentation du régime moteur et le mouvement de la lame. Régler le régime moteur en fonction de la quantité de haies à couper, par exemple.
- ♦ Effectuer les travaux de coupe en éloignant la lame de l'utilisateur. Ne pas orienter la lame vers l'utilisateur et ne pas la rapprocher de ce dernier.
- ♦ Pour couper le dessus des haies ou des arbustes, déplacer la lame latéralement. La taille de précision est possible en déplaçant la lame légèrement vers le bas.
- ♦ La coupe des côtés est réalisée en déplaçant la lame du bas vers le haut pour une taille de précision.
- ♦ Ne pas exercer de pression avec la lame sur des objets tels que des arbres. Manipuler l'appareil en fonction du mouvement et de la vitesse de la lame.

Entretien

Instructions d'entretien de l'appareil

Pièce	Entretien	Page	Avant utilisation	Tous les mois
Filtre à air	Nettoyer/remplacer	18	•	
Filtre à carburant	Contrôler/nettoyer/remplacer	18		•
Bougie d'allumage	Contrôler/nettoyer/régler/remplacer	20		•
Carburateur	Régler/remplacer et régler	19		•
Circuit de refroidissement	Contrôler/nettoyer	19	•	
Silencieux	Contrôler/serrer/nettoyer	19		•
Carter d'engrenage	Lubrifier	21	• (15 - 20 h)	
Lanceur	Contrôler	22	•	
Lames	Contrôler/nettoyer/lubrifier	20	•	
Circuit d'alimentation	Contrôler	20	•	
Vis, boulons et écrous	Contrôler/serrer/remplacer	-	•	

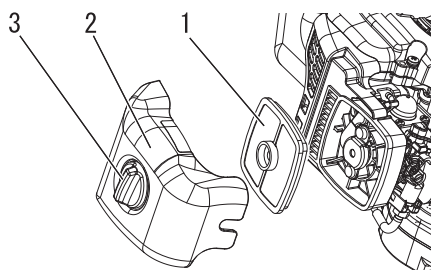
IMPORTANT

Les intervalles indiqués sont un maximum. La fréquence des opérations d'entretien varie en fonction de l'utilisation réelle de l'appareil et de l'expérience de l'utilisateur. Noter les dates des inspections mensuelles et annuelles.

Entretien

En cas de questions ou de problèmes, contacter un revendeur.

Nettoyage du filtre à air



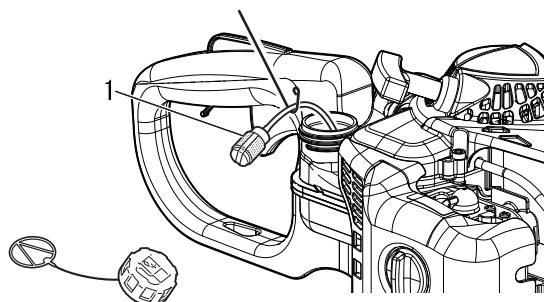
1. Filtre à air
2. Couvercle du filtre à air
3. Bouton de capot de filtre à air

REMARQUE

- ♦ Si le filtre est extrêmement encrassé ou n'est plus correctement ajusté, il faut le remplacer.
- ♦ S'assurer que le filtre est complètement sec avant de le réinstaller.

1. Couper le starter. Dévisser le bouton du couvercle de filtre à air et retirer le couvercle puis le filtre à air.
2. Brosser soigneusement le filtre pour éliminer les impuretés accumulées ou le nettoyer à l'aide d'un solvant non inflammable si nécessaire. Le faire complètement sécher avant de l'installer.
3. Remettre le filtre à air et le couvercle en place, après avoir assemblé le filtre à air et le couvercle.

Nettoyage du filtre à carburant



1. Filtre à carburant

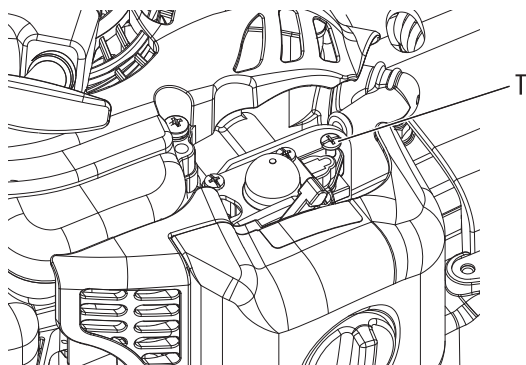
Réglage du carburateur

⚠ AVERTISSEMENT

Une fois le carburateur réglé, la lame ne doit plus tourner en régime de ralenti. Dans le cas contraire, elle peut entraîner un risque de blessure grave.

⚠ ATTENTION

Au démarrage, le dispositif de réglage du régime de ralenti (T) doit être réglé de telle sorte que la lame ne tourne pas. En cas de problème avec le carburateur, contacter un revendeur.

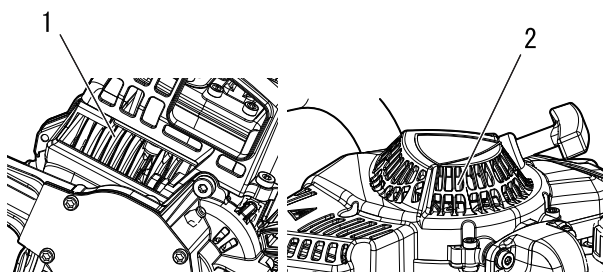


T : Dispositif de réglage du régime de ralenti

Chaque appareil est testé en usine et le carburateur est réglé avec précision pour offrir un niveau de performance optimal. Avant de régler le carburateur, nettoyer ou remplacer le filtre à air, démarrer le moteur et le laisser tourner quelques minutes pour qu'il atteigne sa température de fonctionnement.

1. Réglage du régime de ralenti.
Démarrer le moteur et tourner la vis de réglage du régime de « ralenti » (T) dans le sens des aiguilles d'une montre jusqu'à ce que les lames commencent à tourner, puis tourner la vis (T) dans le sens inverse des aiguilles d'une montre jusqu'à ce que les lames arrêtent de tourner. Tourner la vis (T) dans le sens inverse des aiguilles d'une montre d'un demi-tour supplémentaire.
2. Accélérer à fond pendant 2 ou 3 secondes pour évacuer l'excédent de carburant du moteur et repasser en mode ralenti. Accélérer à fond pour vérifier si le passage du mode ralenti au mode plein gaz s'effectue correctement.

Circuit de refroidissement



1. Ailettes de cylindre 2. Admission d'air

1. Retirer les impuretés et les débris des ailettes de cylindre.
2. Retirer les débris situés autour de l'admission d'air de refroidissement.

Nettoyage du silencieux

⚠ AVERTISSEMENT

○ Ne jamais utiliser l'appareil si le silencieux ou le pare-étincelles sont endommagés ou manquants, au risque de provoquer un incendie ou de dégrader l'ouïe de l'utilisateur.

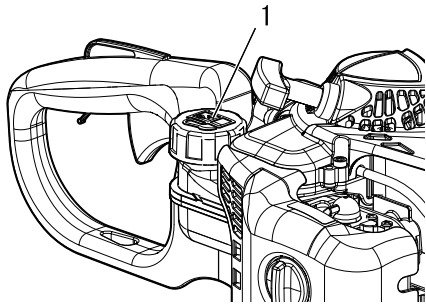
- ♦ Les dépôts de carbone présents dans le silencieux entraînent une perte de puissance et la surchauffe du moteur. L'écran pare-étincelles doit être contrôlé régulièrement. Enlever les dépôts du silencieux.

IMPORTANT

Ne pas déposer le couvercle du silencieux. Si nécessaire, consulter votre concessionnaire.

Entretien

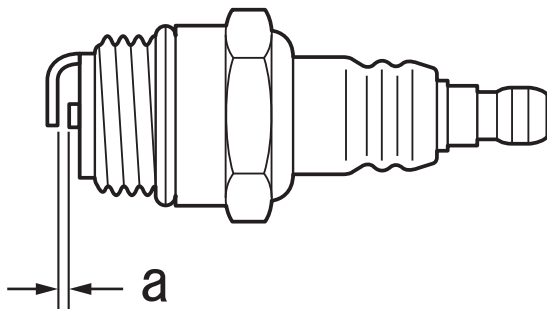
Vérifier le circuit d'alimentation



1. Bouchon du réservoir de carburant

- ♦ Vérifier avant chaque utilisation.
- ♦ Après le ravitaillement, vérifier qu'il n'y a pas de fuite ou d'écoulement de carburant au niveau du tuyau, du passe-tuyau de carburant ou du bouchon du réservoir de carburant.
- ♦ Toute fuite ou écoulement de carburant constitue un risque d'incendie. Interrompre immédiatement l'utilisation de l'appareil et demander à un revendeur de le contrôler ou de le remplacer.

Vérification de la bougie d'allumage



a : 0,6 - 0,7 mm

- ♦ Vérifier l'écartement des bougies. L'écartement correct est compris entre 0,6 mm et 0,7 mm.
- ♦ Vérifier si l'électrode est usée.
- ♦ Vérifier s'il y a de l'huile ou d'autres dépôts sur l'isolant.
- ♦ Remplacer la bougie si nécessaire et la serrer à 15 N•m - 17 N•m (150 kgf•cm - 170 kgf•cm).

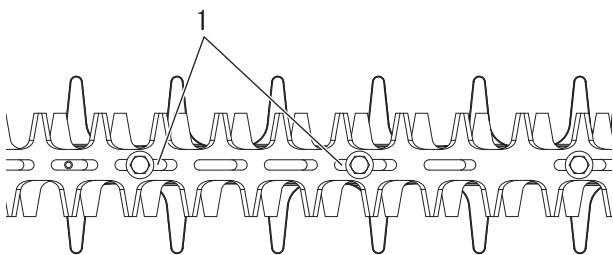
Entretien des lames de coupe

ATTENTION

- Porter des gants pour protéger les mains des lames affûtées.
- ◆ Le non-respect de ces mesures de précaution entraîne un risque de blessure.

Lubrification des lames (toutes les 4 heures de fonctionnement)

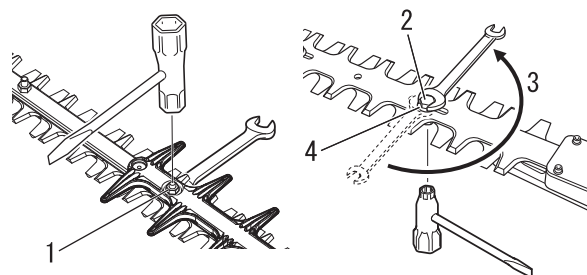
Appliquer quelques gouttes d'huile dans chaque fente de boulon en bas des lames.



1. Fentes de boulons

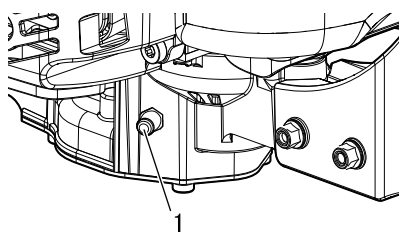
Nettoyage des lames (après chaque utilisation)

Eliminer les résidus poisseux présents sur les lames à l'aide d'un mélange de 50 % de kérosène (paraffine) et de 50 % d'huile pour machine.



1. Contre-écrou
2. Boulon
3. Desserrer d'un 1/4 à 1/2 tour.
4. Rondelle

Lubrification du carter d'engrenage



1. Graisseur

Réglage de l'écart entre les lames (selon les besoins)

Serrer les contre-écrous d'un 1/2 tour à l'aide d'une clé à fourche.
Serrer les vis de la lame jusqu'à ce qu'elles ne tournent plus avec une clé à fourche 10 mm.

Desserrer les boulons d'un 1/4 à 1/2 tour.

Maintenir les boulons pour les empêcher de tourner et serrer les contre-écrous.

Lorsque le réglage du boulon est correct, l'espace entre les lames et les rondelles plates doit être de 0,25 à 0,50 mm et les rondelles doivent pouvoir tourner librement sous chaque boulon.

Outils nécessaires :

pistolet graisseur, chiffon.

Pièces nécessaires :

graisse au lithium.

1. Nettoyer les impuretés présentes sur le graisseur.
2. Maintenir fermement l'appareil et pomper soigneusement l'huile présente dans le graisseur. Ne pas forcer le passage de la graisse. Une pression excessive entraîne le passage forcé de la graisse au-delà des joints et cause des dommages. **Appliquer 1 ou 2 mesure(s) de graisse toutes les 15 -20 heures de fonctionnement.**

REMARQUE

Utiliser une graisse multi-usage au lithium de bonne qualité.

Entretien

Guide de dépannage

Problème	Diagnostic	Cause	Solution
Le moteur ne démarre pas		<ul style="list-style-type: none"> ♦ Il n'y a pas de carburant dans le réservoir de carburant ♦ L'interrupteur marche/arrêt est en position Arrêt ♦ Alimentation en carburant excessive ♦ Dysfonctionnement électrique ♦ Dysfonctionnement du carburateur ou blocage interne ♦ Dysfonctionnement interne du moteur 	<ul style="list-style-type: none"> ♦ Alimentation en carburant ♦ Basculer en position Marche ♦ Démarrer le moteur après révision ♦ Consulter un revendeur ♦ Consulter un revendeur ♦ Consulter un revendeur
Le moteur démarre difficilement, tourne de manière irrégulière	Le carburant pénètre dans le tuyau de trop plein	<ul style="list-style-type: none"> ♦ Dégradation du carburant ♦ Problème de carburateur 	<ul style="list-style-type: none"> ♦ Remplacer le carburant ♦ Consulter un revendeur
	Aucun carburant ne pénètre dans le tuyau de trop plein	<ul style="list-style-type: none"> ♦ Le filtre à carburant est colmaté ♦ Le circuit d'alimentation est colmaté ♦ Blocage de pièces internes du carburateur 	<ul style="list-style-type: none"> ♦ Nettoyer ou remplacer ♦ Consulter un revendeur ♦ Consulter un revendeur
	La bougie d'allumage est encrassée ou humide	<ul style="list-style-type: none"> ♦ Dégradation du carburant ♦ Ecartement incorrect des électrodes ♦ Dépôts de calamine ♦ Dysfonctionnement électrique 	<ul style="list-style-type: none"> ♦ Remplacer ♦ Remplacer ♦ Remplacer ♦ Consulter un revendeur
Le moteur démarre mais impossible d'accélérer		<ul style="list-style-type: none"> ♦ Filtre à air encrassé ♦ Filtre à carburant encrassé ♦ Passage de carburant obstrué ♦ Problème de réglage du carburateur ♦ Blocage de la sortie d'échappement ou de l'échappement de silencieux 	<ul style="list-style-type: none"> ♦ Nettoyer ou remplacer ♦ Nettoyer ou remplacer ♦ Consulter un revendeur ♦ Régler ♦ Nettoyer
Le moteur s'arrête		<ul style="list-style-type: none"> ♦ Problème de réglage du carburateur ♦ Dysfonctionnement électrique 	<ul style="list-style-type: none"> ♦ Régler ♦ Consulter un revendeur
Le moteur ne s'arrête pas		<ul style="list-style-type: none"> ♦ Dysfonctionnement de l'interrupteur marche/arrêt 	<ul style="list-style-type: none"> ♦ Procéder à un arrêt d'urgence et consulter le revendeur
Les lames sont en mouvement lorsque le moteur fonctionne au ralenti		<ul style="list-style-type: none"> ♦ Problème de réglage du carburateur ♦ Ressort d'embrayage endommagé 	<ul style="list-style-type: none"> ♦ Régler ♦ Consulter un revendeur
Les lames s'émousent		<ul style="list-style-type: none"> ♦ Lames usées ♦ Ecart important entre la lame supérieure et la lame inférieure ♦ Patinage de l'embrayage 	<ul style="list-style-type: none"> ♦ Consulter un revendeur ♦ Consulter un revendeur ♦ Consulter un revendeur

- ♦ La vérification et l'entretien de l'appareil nécessitent des connaissances spécialisées. Si l'utilisateur ne possède pas les compétences requises pour effectuer les opérations de vérification et d'entretien de l'appareil ou pour remédier à un dysfonctionnement, il doit consulter un revendeur. Ne pas essayer de démonter l'appareil.
- ♦ En cas de problème autre que ceux décrits dans le tableau ci-dessus, consulter un revendeur.
- ♦ En ce qui concerne les pièces de rechange et les consommables, utiliser uniquement des pièces d'origine et les produits et les composants recommandés. L'utilisation de pièces d'autres marques ou de composants inappropriés peut entraîner un dysfonctionnement de l'appareil.

Remisage de longue durée (30 jours ou plus)

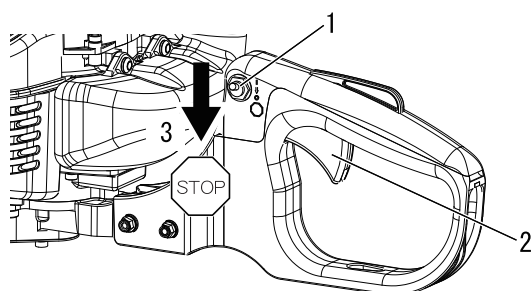
AVERTISSEMENT

Ne pas entreposer l'appareil dans un endroit clos contenant des vapeurs de carburant, ou à proximité de sources de flammes ou d'étincelles.

◆ Il existe un risque d'incendie.



Si l'appareil doit être remisé pendant une longue période (30 jours ou plus), respecter les instructions de remisage suivantes.



1. Interrupteur marche/arrêt
2. Gâchette d'accélérateur
3. Arrêt

1. Purger entièrement le réservoir de carburant en extérieur, sur un sol nu. Ne jamais effectuer la purge dans un endroit fermé.
 - A. Comprimer et relâcher la pompe d'amorçage à plusieurs reprises pour évacuer le carburant présent dans la pompe d'amorçage.
 - B. Démarrer le moteur et le laisser tourner au régime de ralenti jusqu'à ce qu'il s'arrête de lui-même.
2. Placer l'interrupteur marche/arrêt en position Arrêt.
3. Nettoyer toute trace de graisse, d'huile, de poussière, d'impureté et toutes les autres substances présentes sur le tailleur.
4. Effectuer les vérifications périodiques conseillées dans ce manuel.
5. Vérifier que tous les écrous et vis sont serrés. Resserrer les écrous et les vis desserrés.
6. Retirer la bougie d'allumage et ajouter la quantité appropriée (environ 10 mL) d'huile propre pour moteur à 2 temps dans le cylindre via la douille d'installation.
 - A. Placer un linge propre sur la douille d'installation de la bougie d'allumage.
 - B. Tirer 2 ou 3 fois la poignée du lanceur pour répartir l'huile dans le cylindre.
 - C. Observer l'emplacement du piston à travers le trou de bougie. Tirer la poignée de lanceur à rappel automatique jusqu'à ce que le piston atteigne le sommet de sa course et le laisser dans cette position.
7. Installer la bougie d'allumage. (Ne pas connecter le protecteur de bougie.)
8. Lubrifier les lames en appliquant une couche généreuse d'huile afin de les empêcher de rouiller.
9. Une fois que l'appareil est suffisamment froid et sec, placer l'étui protecteur sur les lames et envelopper le bloc moteur dans un sac plastique ou autre avant de le remisage.
10. Entreposer l'appareil dans un endroit sec, à l'abri de la poussière, hors de portée des enfants et de toute personne non autorisée.

Procédure d'élimination des déchets



- Veuillez procéder à l'élimination de l'huile usagée conformément à la législation locale en vigueur.
- Les pièces plastiques principales de l'appareil portent des codes indiquant la nature de leurs matériaux de composition. Ces codes font référence aux matériaux suivants ; veuillez procéder à l'élimination de ces pièces plastiques conformément à la législation locale en vigueur.

Code	Matériau
>PA6-GF<	Nylon 6 - Fibre de verre
>PP-GF<	Polypropylène - Fibre de verre
>PE-HD<	Polyéthylène

- Si vous ne connaissez pas la procédure à suivre pour vous débarrasser de l'huile usagée ou des pièces plastiques, contactez votre revendeur.

Caractéristiques

		DH202
Dimensions externes : longueur x largeur x hauteur	mm	1052 × 272 × 198
Masses :		
Appareil avec outil de coupe spécifié, réservoir vide	kg	4,5
Appareil avec outil de coupe spécifié, réservoir plein	kg	4,8
Volume : réservoir de carburant	ml	390
Carburant :		
Huile		Essence ordinaire. Il est conseillé d'utiliser de l'essence sans plomb avec un indice d'octane 89 au minimum. Ne pas utiliser de carburant contenant du méthanol ou plus de 10% d'éthanol. Huile pour moteur 2 temps à refroidissement par air. Norme ISO-L-EGD (ISO/CD 13738), norme JASO FC/FD et l'huile Shindaiwa recommandée.
Rapport de mélange		50: 1 (2 %)
Outil de coupe :		
Type		Alternatif, lame biface
Longueur de coupe	mm	534
Pas	mm	35
Hauteur	mm	21
Rapport de vitesse et lubrification :		Réduction de 5,88 et graisse au lithium de bonne qualité
Moteur :		
Type		Monocylindre 2 temps à refroidissement par air
Carburateur		Type à membrane
Magnéto		Volant magnétique : système CDI (allumage par décharge capacitive)
Bougie d'allumage		NGK BPMR8Y
Lanceur		Lanceur à rappel
Transmission		Embrayage centrifuge automatique
Cylindrée	cm ³	21,2
Puissance maximale mesurée au frein (ISO 8893)	kW	0,6
Consommation de carburant à la puissance moteur maximale	l/h	0,44
Régime moteur maximum recommandé (avec outil standard monté)	tr/min	10500
Régime moteur de ralenti recommandé	tr/min	3300
Niveaux de vibrations : (ISO 10517) $a_{hv,eq}$		
Poignée avant/poignée arrière	m/s ²	6,4 / 9,7
Incertitude : K	m/s ²	5,0
Niveau de pression sonore : (ISO 10517) L_{pAd} (= L_{pAeq} + K_{pA})	dB(A)	96,1
Incertitude : K_{pA}	dB(A)	2,5
Niveau de puissance sonore : (ISO 10517) L_{WAAd} (= L_{WAeq} + K_{WA})	dB(A)	106,5
Incertitude : K_{WA}	dB(A)	2,5

Ces caractéristiques sont susceptibles d'être modifiées sans préavis.

Déclaration de conformité

Le fabricant soussigné :

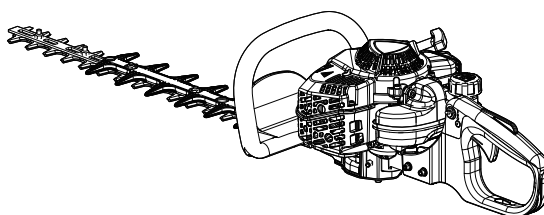
YAMABIKO CORPORATION
1-7-2 Suehirocho, Ohme, Tokyo 198-8760 JAPON

Cette déclaration de conformité est délivrée sous la seule responsabilité du fabricant.

déclare que l'appareil neuf désigné ci-après :

TAILLE-HAIE PORTATIF

Marque : shindaiwa
Type : DH202



est conforme aux :

- * aux exigences de la directive **2006/42/CE** (utilisation de la norme harmonisée **EN ISO 10517: 2019**)
- * aux exigences de la directive **2014/30/UE** (utilisation de la norme harmonisée **EN ISO 14982: 2009**)
- * aux exigences de la directive **2011/65/UE** (utilisation de la norme harmonisée **EN 50581: 2012**)
- * aux exigences de la directive **2000/14/CE**

Procédure d'évaluation de la conformité suivant l'**ANNEXE V**

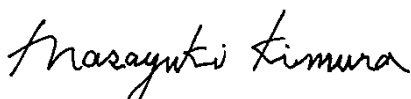
Niveau de puissance sonore mesuré : **105 dB(A)**

Niveau de puissance sonore garanti : **108 dB(A)**

Numéro de série 38001001 à 38100000

Tokyo, le 5er septembre 2019

YAMABIKO CORPORATION



Masayuki Kimura

**Directeur général
Service Assurance qualité**

Représentant autorisé en Europe, autorisé à constituer le dossier technique.

Société : CERTIFICATION EXPERTS B.V.

Adresse : P.O. box 5047, Merwedeweg 2, 3621 LR Breukelen, Pays-Bas

M. Richard Glaser

Importateur pour la France

Société : P.P.K.

Adresse : Z.I. du Chemin Vert 10/16 rue de l'Angoumois BP 8002
-95811 ARGENTEUIL CEDEX, France

NOTES

YAMABIKO CORPORATION

1-7-2 Suehirocho, Ohme, Tokyo 198-8760 JAPON

TÉLÉPHONE : 81-428-32-6118. FAX : 81-428-32-6145.

shindaiwa[®]



X770224-8500

shindaiwa[®]

DEUTSCH
DE (Original Gebrauchsanleitung)

BEDIENUNGSANLEITUNG

TRAGBARE MOTORHECKENSCHERE

RE

DH202

 **WARNUNG**



LESEN SIE DIE BEDIENUNGSANLEITUNG SORGFÄLTIG DURCH, UND BEFOLGEN SIE DIE SICHERHEITSREGELN. ANDERNFALLS BESTEHT DAS RISIKO SCHWERER VERLETZUNGEN.



Wichtige Informationen

Lesen Sie unbedingt die Bedienungsanleitung, bevor Sie das Produkt verwenden.

○ **Beabsichtigter Zweck dieses Produkts**

- ♦ Shindaiwa-Heckenscheren zeichnen sich durch ihr geringes Gewicht sowie ihre hohe Leistungsfähigkeit aus. Sie sind mit Benzinmotoren ausgestattet und eignen sich zum Schneiden von Hecken und Sträuchern.
- ♦ Verwenden Sie das Gerät nur für den oben angegebenen Zweck.

○ **Benutzer des Geräts**

- ♦ Verwenden Sie dieses Produkt erst, nachdem Sie die Bedienungsanleitung sorgfältig gelesen und den Inhalt genau verstanden haben.
- ♦ Das Produkt darf von keiner Person verwendet werden, die die Bedienungsanleitung nicht gelesen hat, an Erkältung, Müdigkeit oder einer anderen körperlichen Schwäche leidet. Das Produkt darf nicht von Kindern verwendet werden.
- ♦ Seien Sie sich bewusst, dass der Benutzer für Unfälle bzw. Gefährdungen anderer Personen oder deren Eigentum verantwortlich ist.

○ **Allgemeines zu dieser Bedienungsanleitung**

- ♦ Diese Bedienungsanleitung enthält wichtige Informationen über die Bedienung und Instandhaltung Ihres Produkts. Bitte lesen Sie sie sorgfältig durch, und machen Sie sich mit dem Inhalt vertraut.
- ♦ Bewahren Sie die Anleitung stets an einem schnell zugänglichen Ort auf.
- ♦ Sollte die Anleitung verloren gehen oder aufgrund von Beschädigungen nicht mehr lesbar sein, besorgen Sie sich bitte eine neue Anleitung von Ihrem Shindaiwa-Händler.
- ♦ Die in dieser Anleitung verwendeten Einheiten sind SI-Einheiten (Système International d'unités; Internationales Einheitensystem). Zahlenangaben in Klammern sind Referenzwerte, bei denen mitunter geringe Umrechnungsfehler vorliegen können.

○ **Verleihen oder Übereignen des Produkts**

- ♦ Wenn Sie das in dieser Anleitung beschriebene Produkt verleihen, muss die Person, die das Produkt ausleiht und verwendet, auch die zugehörige Bedienungsanleitung erhalten. Wenn Sie das Produkt einer anderen Person übereignen, muss die Bedienungsanleitung zusammen mit dem Produkt ausgehändigt werden.

○ **Anfragen**

- ♦ Bei Fragen bezüglich Informationen zum Produkt, Erwerb von Verbrauchsmaterial, zu Reparaturen u. Ä. wenden Sie sich bitte an Ihren Shindaiwa-Händler.

○ **Anmerkungen**

- ♦ Um Weiterentwicklungen des Produkts Rechnung zu tragen, bleiben dem Hersteller Änderungen am Inhalt dieser Anleitung vorbehalten. Einige Abbildungen in dieser Anleitung können vom Produkt abweichen, um Sachverhalte klarer darzustellen.
- ♦ Bei Unklarheiten oder Problemen wenden Sie sich bitte an Ihren Shindaiwa-Händler.

Hersteller

YAMABIKO CORPORATION

1-7-2 Suehirocho, Ohme, Tokio 198-8760 JAPAN

Autorisierter Repräsentant in Europa:

CERTIFICATION EXPERTS B.V.

P.O. box 5047, Merwedeweg 2, 3621 LR Breukelen, Niederlande

Sichere Verwendung des Produkts	4
Warnhinweise	4
Sonstige Kennzeichnungen	4
Symbole.....	4
Stelle, an der sich der Sicherheitsaufkleber befindet.....	5
Umgang mit Kraftstoff.....	6
Umgang mit dem Motor	7
Umgang mit dem Produkt.....	8
Packliste	12
Beschreibung.....	13
Bevor Sie beginnen	14
Bereitstellen des Kraftstoffs.....	14
Bedienung des Motors.....	15
Starten des Motors	15
Stoppen des Motors	16
Schneiden von Hecken und Sträuchern	17
Grundlagen / Heckenschneiden	17
Wartung und Pflege	18
Wartungsrichtlinien	18
Wartung und Pflege.....	18
LAGERUNG.....	23
Langfristige Lagerung (30 Tage und länger)	23
Entsorgungshinweise.....	24
Technische Daten	25
Konformitätserklärung.....	26

Sichere Verwendung des Produkts

Lesen Sie diesen Abschnitt unbedingt durch, bevor Sie das Produkt verwenden.




○ Er enthält wichtige Informationen zum Thema Sicherheit. Befolgen Sie die Anweisungen sorgfältig.

○ Lesen Sie außerdem die Sicherheitshinweise im Hauptteil dieser Bedienungsanleitung.

In Textabschnitten, die mit einem [diamond mark]-Symbol beginnen, werden die möglichen Folgen einer Nichtbeachtung von Sicherheitshinweisen beschrieben.


Warnhinweise

Auf Situationen, in denen eine Verletzungsgefahr für den Bediener und andere Personen besteht, wird in dieser Anleitung und auf dem Produkt selbst durch die nachstehenden Warnhinweise aufmerksam gemacht. Lesen Sie diese Warnhinweise genau durch, und befolgen Sie sie, um sicheres Arbeiten zu gewährleisten.

 GEFAHR	 WARNUNG	 VORSICHT
Dieses Symbol in Verbindung mit dem Wort „ GEFAHR “ macht auf Handlungen oder Bedingungen aufmerksam, die zu schweren Verletzungen oder zum Tod von Bediener und umstehenden Personen führen.	Dieses Symbol in Verbindung mit dem Wort „ WARNUNG “ macht auf Handlungen oder Bedingungen aufmerksam, die zu schweren Verletzungen oder zum Tod von Bediener und umstehenden Personen führen können.	„ VORSICHT “ warnt vor einer Gefahrensituation, in der es zu leichten bis mäßigen Verletzungen kommen kann.









Sonstige Kennzeichnungen

Zusätzlich zu den Warnhinweisen werden in dieser Anleitung folgende erklärende Symbole verwendet:


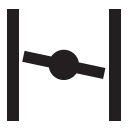

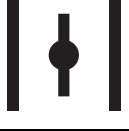




	Kreis mit umgekehrtem Schrägstrich bedeutet, dass das Dargestellte unzulässig ist.	HINWEIS	Hinweise dieser Art enthalten Tipps zur Verwendung, Pflege und Wartung des Produkts.	WICHTIG	Umrahmter Text mit der Überschrift „ WICHTIG “ enthält wichtige Informationen zur Verwendung, Überprüfung, Wartung und Lagerung des in dieser Anleitung beschriebenen Produkts.
---	--	----------------	--	----------------	--

Symbole

In dieser Anleitung und auf dem Produkt selbst werden verschiedene erklärende Symbole verwendet. Vergewissern Sie sich, dass Sie die Bedeutung der einzelnen Symbole genau verstehen.

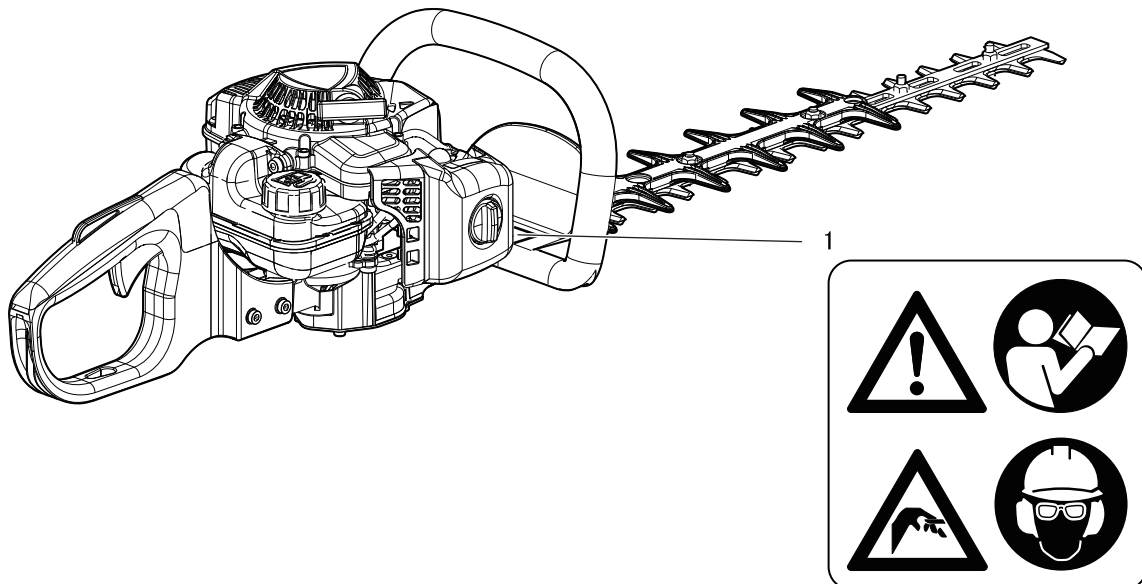
Symbol	Beschreibung des Symbols	Symbol	Beschreibung des Symbols
	Lesen Sie die Bedienungsanleitung sorgfältig durch		Benzin- und Ölgemisch
	Augen-, Gehör- und Kopfschutz tragen		Kraftstoffpumpe (Einspritzpumpe)
	Sicherheit/Alarm		Gefahr der Fingerabtrennung
	NOTAUS		Vergaserjustierung – Leerlaufdrehzahl

Sichere Verwendung des Produkts

Symbol	Beschreibung des Symbols	Symbol	Beschreibung des Symbols
	Nicht in Räumen mit schlechter Belüftung verwenden		Choke-Position bei Kaltstart (Choke geschlossen)
	Achtung, Brandgefahr		Choke-Position bei Betrieb (Choke geöffnet)
	Achtung, Stromschlag-Gefahr		Achtung, heiße Bereiche
	Garantierter Schalleistungspegel		Motorstart

Stelle, an der sich der Sicherheitsaufkleber befindet

- Die in dieser Anleitung beschriebenen Produkte sind mit dem unten dargestellten Sicherheitsaufkleber versehen. Machen Sie sich die Bedeutung des Sicherheitsaufklebers bewusst, bevor Sie das Produkt verwenden.
- Falls der Sicherheitsaufkleber aufgrund von Verschleiß oder Beschädigung nicht mehr lesbar ist oder sich abgelöst hat, erwerben Sie bitte einen neuen Sicherheitsaufkleber von Ihrem Händler, und bringen Sie ihn an der nachstehend gezeigten Stelle an. Der Sicherheitsaufkleber muss stets gut lesbar sein.



1. Sicherheitsaufkleber (Teilenummer X505-002030)

Sichere Verwendung des Produkts

Umgang mit Kraftstoff

GEFAHR

Beim Auftanken in sicherer Entfernung von Brandherden bleiben

Kraftstoff ist leicht entflammbar und kann bei falschem Umgang schnell in Brand geraten. Gehen Sie beim Mischen, Lagern und Betanken mit äußerster Vorsicht vor. Andernfalls kann es zu schweren Brandverletzungen kommen. Befolgen Sie sorgfältig die folgenden Anweisungen.

- Beim Betanken auf keinen Fall rauchen oder Feuer in die Nähe bringen.
- Niemals betanken, während der Motor heiß ist oder läuft.
- ◆ Andernfalls könnte sich der Kraftstoff entzünden und zu Verbrennungen führen.

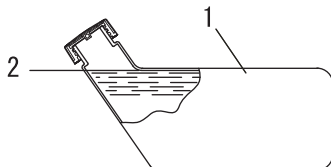
Behälter und Ort des Betankens

- Verwenden Sie nur zugelassene Kraftstoffbehälter.
- Kraftstofftanks und -kanister können unter Druck stehen. Öffnen Sie Kraftstofftankdeckel immer langsam, damit sich der Druck ausgleichen kann.
- Befüllen Sie Kraftstofftanks NIEMALS in geschlossenen Räumen. Befüllen Sie Kraftstofftanks IMMER im Freien und auf sicherem Untergrund.

Verschütteter Kraftstoff ist feuergefährlich

Befolgen Sie beim Betanken folgende Sicherheitsregeln:

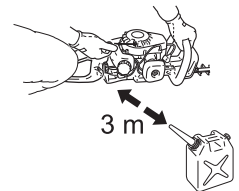
- Füllen Sie den Tank nicht bis zur Einfüllöffnung auf. Befüllen Sie den Tank nur bis zur vorgeschriebenen Höhe (nur bis zum Ansatz des Einfüllstutzens).
- Wischen Sie Kraftstoff, der aufgrund von Überfüllung über- oder ausläuft, sofort auf.
- Verschließen Sie den Kraftstofftankdeckel nach dem Betanken wieder fest.
- ◆ Verschütteter Kraftstoff kann sich entzünden und Verbrennungen verursachen.



- 1. Kraftstofftank
- 2. Ansatz des Einfüllstutzens

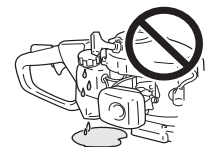
Motor nicht am Ort der Betankung starten

- Der Motor darf nicht an dem Ort gestartet werden, an dem die Betankung stattfand. Entfernen Sie sich mindestens 3 m von der Stelle, an der die Betankung erfolgte, bevor Sie den Motor starten.
- ◆ Beim Betanken übergelaufener Kraftstoff kann sich leicht entzünden.



Ausgetretener Kraftstoff stellt eine Brandgefahr dar

- Achten Sie nach dem Betanken stets darauf, dass aus der Kraftstoffleitung, an den Kraftstoffdichtungen und rund um den Kraftstofftankdeckel kein Kraftstoff austritt.
- Sollten Sie feststellen, dass Kraftstoff austritt, stellen Sie sofort die Verwendung des Produkts ein, und wenden Sie sich an Ihren Händler, um es reparieren zu lassen.
- ◆ Ausgetretener Kraftstoff stellt in jedem Fall eine Brandgefahr dar.



Sichere Verwendung des Produkts

Umgang mit dem Motor

WARNUNG

Starten des Motors

Befolgen Sie beim Starten des Motors unbedingt die folgenden Sicherheitsregeln:

- Stellen Sie beim Einsatz des Gerätes stets sicher, dass alle Griffe und Schutzvorrichtungen montiert sind.
- Überprüfen Sie, ob alle Schrauben und Muttern fest angezogen sind.
- Vergewissern Sie sich, dass nirgendwo Kraftstoff austritt.
- Stellen Sie sicher, dass die Schneidmesser weder beschädigt noch übermäßig abgenutzt sind. Nehmen Sie das Gerät nicht in Betrieb, wenn Ihnen Unregelmäßigkeiten auffallen.
- Platzen Sie das Produkt an einem ebenen, gut belüfteten Ort.
- Sorgen Sie für ausreichenden Abstand rund um das Produkt, und lassen Sie keine Personen oder Tiere in die Nähe.
- Entfernen Sie jegliche Hindernisse.
- Stellen Sie sicher, dass die Schneidmesser weder mit dem Boden oder noch mit irgendwelchen Hindernissen in Berührung kommen können.
- Starten Sie den Motor mit dem Gashebel in der Leerlaufstellung.
- Halten Sie das Produkt beim Starten des Motors auf dem Boden fest.
- Halten Sie das Gerät beim Starten des Motors nicht in die Luft.
- ◆ Eine Nichtbefolgung der Sicherheitsregeln kann zu Unfällen, Verletzungen oder sogar zum Tod führen.

Nach dem Starten des Motors auf ungewöhnliche Vibrationen oder Geräusche achten

- Vergewissern Sie sich, dass nach dem Starten des Motors keine ungewöhnlichen Vibrationen oder Geräusche wahrzunehmen sind. Verwenden Sie das Produkt nicht, wenn Sie ungewöhnliche Vibrationen oder Geräusche feststellen. Wenden Sie sich an Ihren Händler, um es reparieren zu lassen.
- ◆ Durch abfallende oder absplittende Teile kann es zu schweren Verletzungen kommen.

Während des Betriebs keine stark erhitzten oder spannungsführenden Teile berühren.

Die folgenden stark erhitzten oder spannungsführenden Teile des Produkts dürfen während des Betriebs und einige Zeit danach nicht berührt werden:

- Schalldämpfer, Zündkerze, Gehäuse und andere stark erhitzte Teile.
- ◆ Berührungen solcher stark erhitzter Teile können zu Verbrennungen führen.
- Zündkerze, Zündkabel und andere spannungsführende Teile
- ◆ Sie könnten einen Stromschlag erleiden, wenn Sie während des Betriebs ein spannungsführendes Teil berühren.



Bei Feuer oder Rauch steht Sicherheit an erster Stelle

- Wenn Flammen aus dem Bereich des Motors kommen oder Rauch aus einem anderen Teil als dem Auspuff austritt, entfernen Sie sich zunächst von dem Produkt, um Ihre eigene körperliche Sicherheit zu gewährleisten.
- Werfen Sie mit einer Schaufel Sand oder ähnliches Material auf das Feuer, um eine Ausbreitung zu verhindern, oder löschen Sie den Brand mit einem Feuerlöscher.
- ◆ Eine Panikreaktion könnte zu einer Ausbreitung des Feuers oder anderen Schäden führen.



Auspuffgase sind giftig

- Die Auspuffgase des Motors enthalten giftige Gase. Verwenden Sie das Produkt nicht in geschlossenen Räumen, in Treibhäusern aus Kunststoff oder an anderen schlecht belüfteten Orten.
- ◆ Die Auspuffgase können zu Vergiftungen führen.



Schalten Sie den Motor ab, bevor Sie das Produkt überprüfen oder warten

Beachten Sie die folgenden Sicherheitsregeln, wenn Sie das Produkt nach der Verwendung überprüfen bzw. warten:

- Schalten Sie den Motor ab und überprüfen bzw. warten Sie das Produkt erst dann, wenn der Motor abgekühlt ist
- ◆ Andernfalls können Sie sich verbrennen.
- Entfernen Sie den Zündkerzenstecker, bevor Sie Überprüfungen und Wartungen durchführen.
- ◆ Wenn sich das Produkt unerwarteterweise in Betrieb setzt, kann es zu Unfällen kommen.

Überprüfen der Zündkerze

Beachten Sie beim Überprüfen der Zündkerze die folgenden Sicherheitsregeln:

- Wenn die Elektroden oder Kontakte verschlissen sind oder die Keramikteile Risse aufweisen, ersetzen Sie sie durch neue Teile.
- Die Funkenprüfung (zur Feststellung, ob die Zündkerze einen Zündfunken wirft) muss von Ihrem Händler durchgeführt werden.
- Die Funkenprüfung darf nicht in der Nähe der Zündkerzenöffnung durchgeführt werden.
- Die Funkenprüfung darf nicht an Orten durchgeführt werden, an denen verschütteter Kraftstoff oder entzündbare Gase vorhanden sind.
- Die Metallteile der Zündkerze dürfen nicht berührt werden.
- ◆ Die Zündkerze könnte ein Feuer entzünden oder Ihnen einen elektrischen Schlag versetzen.



Sichere Verwendung des Produkts

Umgang mit dem Produkt Allgemeine Sicherheitsregeln

WARNUNG

Bedienungsanleitung

- Lesen Sie die Bedienungsanleitung vor der Inbetriebnahme des Produkts aufmerksam durch, um eine korrekte Bedienung zu gewährleisten.
- ◆ Andernfalls kann es zu Unfällen bzw. schweren Verletzungen kommen.



Produkt nur für den vorgesehenen Zweck verwenden

- Das Produkt darf nicht für andere als die in dieser Bedienungsanleitung genannten Zwecke verwendet werden.
- ◆ Andernfalls kann es zu Unfällen bzw. schweren Verletzungen kommen.

Keine Veränderungen am Produkt vornehmen

- An dem Produkt dürfen keine Veränderungen vorgenommen werden.
- ◆ Andernfalls kann es zu Unfällen bzw. schweren Verletzungen kommen. Funktionsfehler, die auf Veränderungen am Produkt zurückzuführen sind, fallen nicht unter die Herstellergarantie.

Produkt nur verwenden, wenn es überprüft und gewartet wurde

- Das Produkt darf nur verwendet werden, wenn es überprüft und gewartet wurde. Die Überprüfung und Wartung des Produkts muss regelmäßig durchgeführt werden.
- ◆ Andernfalls kann es zu Unfällen bzw. schweren Verletzungen kommen.

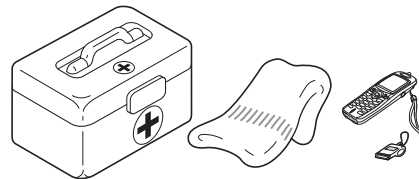
Verleihen oder Übereignen des Produkts

- Wenn Sie das Produkt verleihen, muss die ausleihende Person auch die zugehörige Bedienungsanleitung erhalten.
- Wenn Sie das Produkt einer anderen Person übereignen, muss die Bedienungsanleitung zusammen mit dem Produkt ausgehändigt werden.
- ◆ Andernfalls kann es zu Unfällen bzw. schweren Verletzungen kommen.

Vorsorge für den Fall von Verletzungen

Für den unwahrscheinlichen Fall, dass es dennoch zu Verletzungen kommt, sollten Sie folgende Dinge vorbereitet haben:

- **Verbandskasten**
- **Hand- und Wischtücher** (um etwaige Blutungen zu stoppen)
- **Trillerpfeife oder Mobiltelefon** (um Hilfe rufen zu können)
- ◆ Wenn Sie weder erste Hilfe leisten noch Hilfe rufen können, kann sich die Verletzung verschlimmern.



Sicherheitsregeln für die Benutzung

GEFAHR

Starten des Motors

- Starten Sie den Motor niemals, wenn das Schneidmesser in Richtung Ihres Körpers weist.
- ◆ Bei einem abrupten Start des Schneidmessers kann es zu Verletzungen kommen.

Entfernen Sie das stumpfe Verlängerungsteil nicht.

- Verwenden Sie das Produkt nicht ohne das stumpfe Erweiterungsteil. Wenn es zu Wartungszwecken entfernt werden muss, wenden Sie sich bitte an Ihren Händler.
- ◆ Nichtbefolgen dieser Anweisung kann zu schweren Verletzungen führen.

Stellen Sie den Motor, wenn die Schneidmesser blockieren, immer sofort ab!

- Versuchen Sie niemals, bei laufendem Motor einen Gegenstand, der ein Klemmen der Schneidmesser verursacht, zu entfernen.
- ◆ Beim plötzlichen Wiederanlaufen der Schneidmesser besteht Verletzungsgefahr.

Sichere Verwendung des Produkts

WARNUNG

Benutzer des Geräts

Das Gerät darf von folgenden Personen nicht verwendet werden:

- übermüdeten Personen
- alkoholisierten Personen
- unter Medikamenteneinfluss stehenden Personen
- schwangeren Frauen
- Personen in schlechter körperlicher Verfassung
- Personen, die die Bedienungsanleitung nicht gelesen haben
- Kindern

◆ Eine Nichtbefolgung dieser Anweisungen kann zu Unfällen führen.

- Von der Zündanlage dieses Geräts werden bei Betrieb elektromagnetische Felder erzeugt. Magnetfelder können Störungen oder Ausfälle bei Herzschrittmachern verursachen. Um Gesundheitsrisiken zu reduzieren, empfehlen wir, dass Personen mit Herzschrittmachern vor Betrieb dieses Geräts ihren Arzt und den Hersteller des Herzschrittmachers konsultieren.



Arbeitsumgebung und Bedienung

- Verwenden Sie das Gerät nicht an Orten ohne sicheren Untergrund, etwa an steilen Hängen oder nach Regengüssen, da solche Stellen rutschig und gefährlich sind.
- Verwenden Sie das Gerät nicht nachts oder an dunklen Stellen mit schlechten Sichtverhältnissen.
- ◆ Wenn Sie fallen oder ausrutschen oder das Gerät nicht mehr voll beherrschen, kann dies zu schweren Verletzungen führen.

Transport des Geräts

Stellen Sie den Motor aus, wenn Sie sich in den unten beschriebenen Situationen an eine andere Stelle bewegen, und warten Sie, bis sich die Schneidmesser nicht mehr bewegen. Bringen Sie dann die Messerabdeckung an, und halten Sie den Schalldämpfer von Ihrem Körper weg.

- Sie suchen Ihren Arbeitsbereich auf.
- Sie wechseln im Verlauf der Arbeit den Arbeitsbereich.
- Sie verlassen Ihren bisherigen Arbeitsbereich.
- ◆ Bei Nichtbeachtung dieser Sicherheitsregeln können Verbrennungen oder andere schwere Verletzungen die Folge sein.
- Zum Transport des Produkts in Kraftfahrzeugen entleeren Sie seinen Kraftstofftank, bringen Sie die Messerabdeckung an, und sichern Sie das Produkt so, dass es nicht verrutschen kann.
- ◆ Ein Transport des Produkts mit befülltem Kraftstofftank stellt eine Brandgefahr dar.

Vibration und Kälte

Es wird vermutet, dass das Raynaud-Syndrom, das die Finger mancher Menschen befällt, durch stark vibrierende Arbeitsgeräte und dem Arbeiten bei Kälte herbeigeführt wird. Durch stark vibrierende Arbeitsgeräte und dem Arbeiten bei Kälte kann sich ein Prickeln und Brennen bemerkbar machen, dem sich Farblosigkeit und Gefühllosigkeit der Finger anschließen.

Die nachstehend aufgeführten Vorkehrungen werden dringend empfohlen, da die Mindestwerte, bei denen diese Krankheit ausgelöst wird, nicht bekannt sind.

- Halten Sie Ihren Körper warm, insbesondere Kopf und Nacken, Füße und Fußgelenke sowie Hände und Handgelenke.
- Legen Sie häufige Pausen ein, in deren Verlauf Sie den Kreislauf durch intensive Armübungen anregen, und rauchen Sie nicht.
- Begrenzen Sie die Dauerbetriebszeiten auf ein Minimum.
Teilen Sie jeden Arbeitstag so ein, dass auch Arbeiten ohne Trimmer oder tragbare Motorgeräte verrichtet werden.
- Wenn Ihre Finger schmerzen, rot und angeschwollen sind und schließlich bleich und gefühllos werden, müssen Sie einen Arzt aufsuchen, bevor Sie sich weiterhin Kälte und Vibrationen aussetzen.
- ◆ Eine Nichtbefolgung dieser Anweisung kann zu gesundheitlichen Schäden führen.

RSI-Syndrom

Es wird angenommen, dass eine Überanstrengung der Muskeln und Sehnen der Finger, Hände, Arme und Schultern in den betreffenden Körperteilen Schmerzen, Schwellungen, Gefühllosigkeit, Schwäche und auch akuten Schmerz verursachen kann. Durch bestimmte ständig wiederholte Handbewegungen steigt das Risiko für die Entwicklung eines RSI-Syndroms.

Auf folgende Art mindern Sie das Risiko des RSI-Syndroms:

- Achten Sie darauf, dass Sie Ihr Handgelenk nicht zu sehr beugen, strecken oder verdrehen.
- Legen Sie von Zeit zu Zeit Pausen ein, um wiederholte Bewegungen zu minimieren, und lassen Sie Ihre Hände ruhen. Reduzieren Sie die Geschwindigkeit und den Kraftaufwand, mit denen Sie die Wiederholungsbewegung ausführen.
- Führen Sie geeignete Übungen zur Stärkung der Hand- und Armmuskulatur durch.
- Suchen Sie einen Arzt auf, wenn Sie ein Prickeln, Gefühllosigkeit oder Schmerzen in Ihren Fingern, Händen, Handgelenken oder Armen bemerken. Je früher das RSI-Syndrom erkannt wird, desto eher lässt sich eine dauerhafte Schädigung von Nerven und Muskeln verhindern.
- ◆ Eine Nichtbefolgung dieser Anweisung kann zu gesundheitlichen Schäden führen.

Sichere Verwendung des Produkts

WARNUNG

Vor dem Arbeiten mit dem Produkt alle Fremdkörper und Hindernisse aus dem Arbeitsbereich entfernen

- Überprüfen Sie den Bereich, in dem das Gerät eingesetzt werden soll. Entfernen Sie alle Steine, Metallteile und anderen Gegenstände, die das Gerät blockieren oder beschädigen könnten.
- ◆ Vom Schneidmesser abprallende Gegenstände können Unfälle und schwere Verletzungen verursachen.

Motor bei Problemen sofort abstellen

Stellen Sie den Motor in den nachfolgend genannten Situationen sofort ab, und vergewissern Sie sich, dass sich die Schneidvorrichtung nicht mehr bewegt. Überprüfen Sie dann die einzelnen Bereiche des Geräts. Ersetzen Sie beschädigte Teile durch neue.

- Die Schneidvorrichtung kommt beim Arbeiten mit einem Stein, Baum, Pfosten oder einem anderen Hindernis in Berührung.
- Das Produkt beginnt plötzlich, ungewöhnlich zu vibrieren.
- ◆ Wenn beschädigte Teile weiter verwendet werden, kann dies zu Unfällen bzw. schweren Verletzungen führen.

Gefahrenzone im 10-m-Radius

Der Bereich in einem Radius von 10 m rund um dieses Gerät gilt als Gefahrenzone. Beachten Sie bei der Arbeit mit diesem Gerät folgende Sicherheitsregeln:

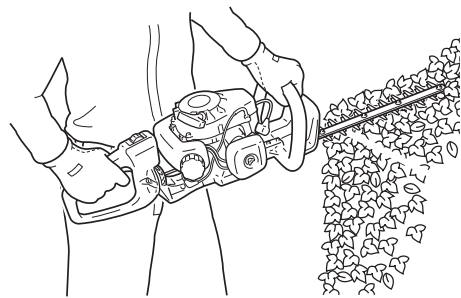
- Lassen Sie keine Personen (insbesondere Kinder) oder Tiere in die Gefahrenzone.
- Betritt eine andere Person die Gefahrenzone, stellen Sie den Motor aus, damit sich die Schneidmesser nicht mehr bewegen.
- Wenn Sie sich dem Bediener nähern möchten, machen Sie ihn auf Ihre Absicht aufmerksam, zum Beispiel, indem Sie ihm aus einigem Abstand Zweige ins Sichtfeld werfen. Warten Sie dann, bis der Motor ausgestellt ist und die Schneidmesser stillstehen.
- Gestatten Sie keiner Person, das von Ihnen zu schneidende Material festzuhalten.
- ◆ Jeder Kontakt mit den Schneidmessern kann zu schweren Verletzungen führen.

Verwenden Sie das Gerät nicht, wenn sich die Schneidmesser im Leerlauf befinden.

- Das Gerät darf nicht verwendet werden, wenn sich das Schneidmesser bewegt, obwohl der Gashebel der Heckenschere auf Leerlaufdrehzahl eingestellt ist. Schalten Sie den Motor sofort aus und justieren Sie den Vergaser.
- ◆ Andernfalls kann es zu Unfällen bzw. schweren Verletzungen kommen.

Produkt nicht einhändig bedienen

- Umfassen Sie bei laufendem Motor die Handgriffe stets mit beiden Händen. Bedienen Sie das Produkt niemals mit nur einer Hand.
- Halten Sie die Heckenschere immer fest mit beiden Händen; halten Sie dabei den vorderen Griff mit der einen und den hinteren Griff mit der anderen Hand fest.
- Umschließen Sie die Griffe der Heckenschere jeweils fest mit der ganzen Hand.
- Entfernen Sie niemals die Hände vom Gerät, solange sich das Schneidmesser bewegt.
- ◆ Bei Nichtbeachtung dieser Anweisungen wird das Gerät nicht ausreichend stabilisiert; dies kann zu schwerwiegenden Verletzungen führen.



Stellen Sie sicher, dass sich die Schneidmesser nicht mehr bewegen, bevor Sie das Gerät auf den Boden legen.

- Setzen Sie das Produkt nach dem Ausschalten des Motors nur ab, wenn Sie sicher sind, dass die Schneidmesser wirklich stillstehen.
- ◆ Auch nach dem Ausschalten des Motors können die Schneidmesser beim Nachlaufen noch Verletzungen verursachen.

Schneidgut vom Schalldämpfer entfernen

- Wenn sich im Bereich des Schalldämpfers Gegenstände wie z. B. Gras, Blätter, Zweige oder zu viel Schmiermittel ansammeln, stellen Sie den Motor ab und entfernen Sie diese Gegenstände. Achten Sie dabei darauf, nicht mit heißen Oberflächen in Berührung zu kommen.
- ◆ Andernfalls kann es zu einer Brandentwicklung kommen.

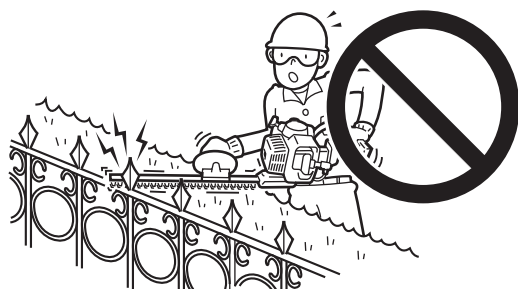


Sichere Verwendung des Produkts

⚠️ WARNUNG

Produkt nicht zum Schneiden harter Gegenstände verwenden

- Verwenden Sie das Gerät nicht zum Schneiden harter Gegenstände (z. B. Drähte oder Stahlplatten).
- Stellen Sie den Motor ab und untersuchen Sie das Schneidmesser auf Schäden, wenn das Schneidmesser auf ein Hindernis trifft oder nicht ordnungsgemäß funktioniert.
- ◆ Die Nichtbefolgung dieser Anweisungen kann zu einer Beschädigung des Gerätes und zu Unfällen führen.



Verwenden Sie das Produkt nicht, wenn Sie auf einer Leiter oder einem Stuhl stehen

- Führen Sie keine Schneidarbeiten durch, wenn Sie auf einer instabilen Oberfläche stehen oder sich zum Schneiden strecken müssen.
- Verwenden Sie das Gerät nicht, wenn Sie sich ganz oben auf einer Leiter befinden oder auf einem Stuhl stehen.
- ◆ Andernfalls kann es zu Unfällen bzw. schweren Verletzungen kommen.

Schutzausrüstung

⚠️ WARNUNG

Schutzausrüstung tragen

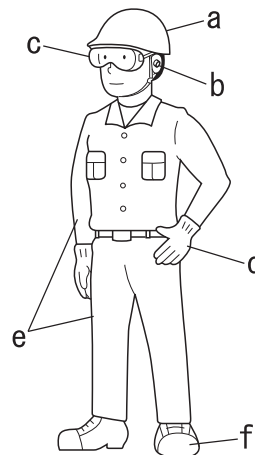
Tragen Sie beim Arbeiten mit dem Trimmer immer die folgende Schutzausrüstung:

- a **Kopfschutz (Helm):** schützt den Kopf
- b **Gehörschutzbügel oder Ohrstöpsel:** schützen das Gehör
- c **Schutzbrille:** schützt die Augen
- d **Sicherheitshandschuhe:** schützen die Hände vor Kälte und Vibration
- e **Eng anliegende Arbeitskleidung (lange Ärmel, lange Hosen):** schützt den Körper
- f **Robuste, rutschfeste Stiefel oder rutschfeste Arbeitsschuhe:** schützen die Füße

◆ Bei Nichtbeachtung dieser Sicherheitsvorkehrungen sind Ihr Augenlicht und Ihr Gehör gefährdet, und es drohen sonstige schwere Verletzungen.

Falls erforderlich, verwenden Sie auch folgende Schutzausrüstung.

- **Staubmaske:** schützt das Atmungssystem
- **Bienennetz:** schützt vor angreifenden Bienen



Geeignete Schutzkleidung tragen

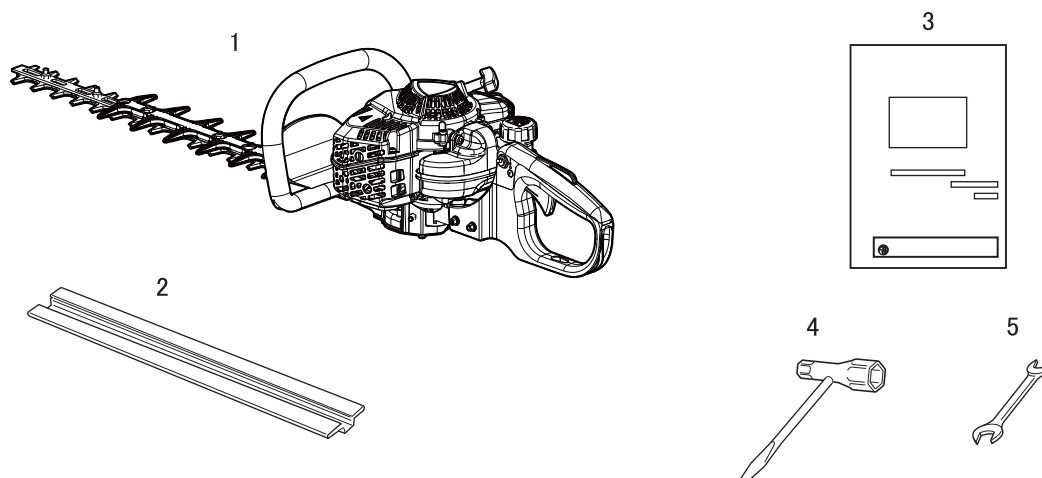
Tragen Sie keine Krawatten, Schmuckstücke oder lose, weite Kleidungsstücke, die sich im Gerät verfangen könnten. Tragen Sie keine offenen Schuhe, und arbeiten Sie nicht barfuß oder in kurzen Hosen.

◆ Bei Nichtbeachtung dieser Sicherheitsvorkehrungen sind Ihr Augenlicht und Ihr Gehör gefährdet, und es drohen sonstige schwere Verletzungen.

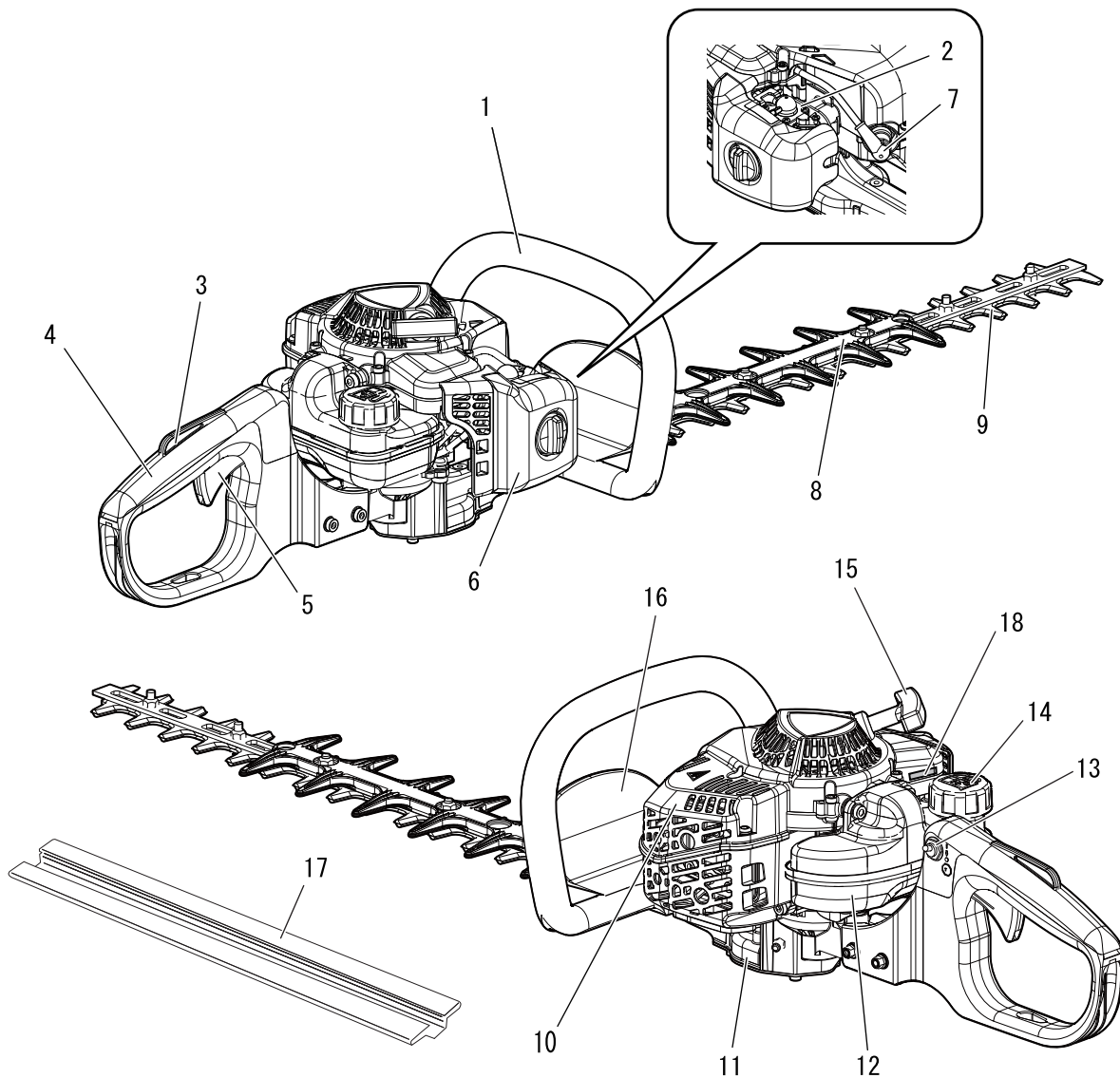


Packliste

- ♦ Die nachfolgend aufgeführten Einzelteile sind in der Verpackung enthalten.
- ♦ Überprüfen Sie nach dem Auspacken die Vollständigkeit des Inhalts.
- ♦ Wenden Sie sich an Ihren Händler, wenn Teile fehlen oder beschädigt sind.



Nummer	Bezeichnung des Teils	Menge
(1)	Komplett montierte Motorheckenschere	1
(2)	Messerabdeckung	1
(3)	Bedienungsanleitung	1
(4)	T-Schlüssel	1
(5)	Gabelschlüssel	1



1. **Vorderer Handgriff** Zur Schneidvorrichtung hin angebrachter Handgriff.
2. **Vergaser** Zur Herstellung eines geeigneten Kraftstoff-Luft-Gemisches.
3. **Gashebelsperre** Manuelle Sperre zum Schutz vor einer versehentlichen Betätigung des Gashebels.
4. **Hinterer Handgriff** Handgriff, der am weitesten vom Schneidmesser entfernt ist.
5. **Gashebel** Regelt die Motordrehzahl und wird vom Bediener mit dem Finger betätigt.
6. **Luftfilterabdeckung** Deckt den Luftfilter ab.
7. **Zündkerze**
8. **Stumpfes Verlängerungsteil** Stumpfe Verlängerung der Schneidvorrichtung. (Nur bei zweischneidiger Messereinheit.)
9. **Schneidvorrichtung** Teil der Baugruppe mit Obermesser und Abscherplatte, durch den der Schneidvorgang bewirkt wird.
10. **Schalldämpferabdeckung** Zum Schutz vor versehentlichem Kontakt mit heißen Abgasen.
11. **Getriebegehäuse** Enthält das Getriebe zur Verminderung der Geschwindigkeit, die vom Motor auf die Schneidvorrichtung übertragen wird.
12. **Kraftstofftank** Enthält Kraftstoff und Kraftstofffilter.
13. **Stopschalter** Einrichtung zum Ein- und Ausschalten des Motors.
14. **Kraftstofftankdeckel** Verschließt den Kraftstofftank.
15. **Startergriff** Ziehen Sie an diesem Griff, um den Motor zu starten.
16. **Handschutz** Schutz zwischen dem vorderen Handgriff und der Schneidvorrichtung, um die Hand bei eventuellem Abrutschen vom Griff vor Verletzungen zu schützen.
17. **Messerabdeckung** Bei Transport oder Lagerung des Geräts Messerabdeckung stets anbringen.
18. **Typ und Seriennummer**

Bevor Sie beginnen

Bereitstellen des Kraftstoffs

GEFAHR

- Kraftstoff ist leicht entflammbar und kann bei falschem Umgang schnell in Brand geraten. Lesen und befolgen Sie die Sicherheitsanweisungen im Abschnitt „Sichere Verwendung des Produkts“ in dieser Bedienungsanleitung.
- Schrauben Sie den Tankdeckel fest zu, nachdem Sie den Tank mit Kraftstoff befüllt haben, und stellen Sie sicher, dass aus der Kraftstoffleitung, an den Dichtungen und im Bereich des Tankdeckels kein Kraftstoff austritt. Sollten Sie feststellen, dass Kraftstoff austritt, stellen Sie sofort die Verwendung des Produkts ein, und wenden Sie sich an Ihren Händler, um es reparieren zu lassen.
- ◆ Eine Entzündung des Kraftstoffs kann zu Verbrennungen und Bränden führen.



VORSICHT

Im Kraftstofftank und in der Umgebungsluft herrschen unterschiedliche Drücke. Lösen Sie deshalb zum Betanken den Tankdeckel zunächst nur leicht, um die Druckdifferenz auszugleichen.

- ◆ Andernfalls kann es vorkommen, dass Kraftstoff herausspritzt.

HINWEIS

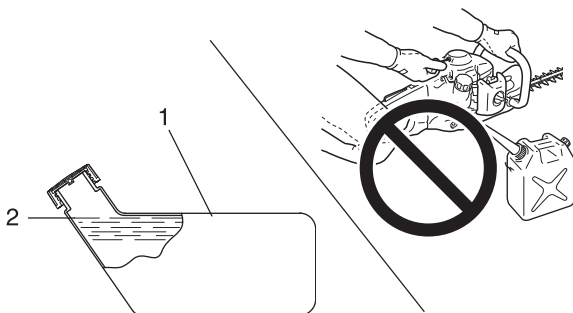
Gelagerter Kraftstoff altert. Mischen Sie nicht mehr Kraftstoff an, als Sie voraussichtlich innerhalb der nächsten dreißig (30) Tage verbrauchen werden. Mischen Sie den Kraftstoff nicht direkt im Kraftstofftank.

Kraftstoff



- ◆ Der Kraftstoff ist ein Gemisch aus Normalbenzin und Öl für luftgekühlte Zweitaktmotoren. Verwenden Sie bleifreies Benzin mit mindestens 89 Oktan. Verwenden Sie keinen Kraftstoff mit Methylalkohol oder mehr als 10 % Ethylalkohol.
- ◆ Empfohlenes Mischverhältnis: 50 : 1 (2 %) Öl nach ISO-L-EGD Standard (ISO/CD 13738), JASO FC, FD und von shindaiwa empfohlenes Öl.
 - Verwenden Sie niemals Zweitaktöl, das für wassergekühlte Motoren oder Motorradmotoren vorgesehen ist.
 - Mischen Sie den Kraftstoff nicht direkt im Motor-Kraftstofftank.
 - Achten Sie darauf, dass kein Benzin oder Öl verschüttet wird. Wischen Sie verschütteten Kraftstoff stets auf.
 - Gehen Sie mit Benzin vorsichtig um. Es ist äußerst leicht entzündlich.
 - Lagern Sie Benzin nur in zugelassenen Behältern.

Kraftstoffversorgung



1. Kraftstofftank

2. Ansatz des Einfüllstutzens

- ◆ Füllen Sie den Kraftstofftank im Freien auf (wobei darauf zu achten ist, dass keine feuergefährlichen Gegenstände in der Nähe herumliegen) und schrauben Sie den Tankdeckel wieder fest zu. Füllen Sie Kraftstoff niemals in Innenräumen ein oder um.
- ◆ Platzieren Sie das Produkt und den Befüllungskanister während des Betankens auf dem Boden. Führen Sie die Betankung nicht auf der Ladefläche von Lkws oder an ähnlichen Orten durch.
- ◆ Achten Sie beim Betanken stets darauf, dass der Füllstand den Ansatz des Einfüllstutzens nicht übersteigt.
- ◆ Im Kraftstofftank und in der Umgebungsluft herrschen unterschiedliche Drücke. Lösen Sie deshalb zum Betanken den Tankdeckel zunächst nur leicht, um die Druckdifferenz auszugleichen.
- ◆ Wischen Sie verschütteten Kraftstoff sofort auf.
- ◆ Bevor Sie den Motor starten, entfernen Sie sich mindestens 3 m von der Stelle, an der die Betankung durchgeführt wurde.
- ◆ Bewahren Sie den Befüllungskanister an einem schattigen Ort in weiter Entfernung von Brandquellen auf.

Bedienung des Motors

Starten des Motors

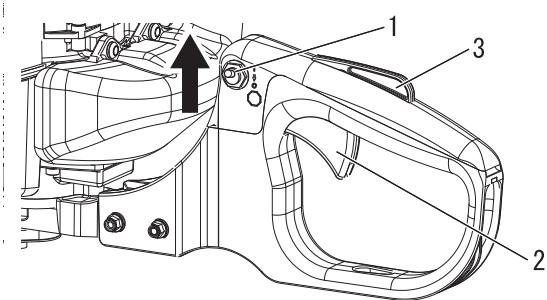
WARNUNG

- Beachten Sie beim Starten des Motors die Sicherheitsanweisungen ab Seite 4 im Abschnitt „Sichere Verwendung des Produkts“, um eine einwandfreie Bedienung des Geräts sicherzustellen.
- Wenn sich das Schneidmesser beim Starten bewegt, obwohl der Gashebel auf Leerlaufdrehzahl eingestellt ist, justieren Sie den Vergaser, bevor Sie das Produkt verwenden.
- Das Schneidmesser setzt sich in Bewegung, sobald der Motor die Drehzahl erreicht, bei der die Kupplung einrückt.
- ◆ Eine Nichtbefolgung der Sicherheitsregeln kann zu Unfällen, Verletzungen oder sogar zum Tod führen.

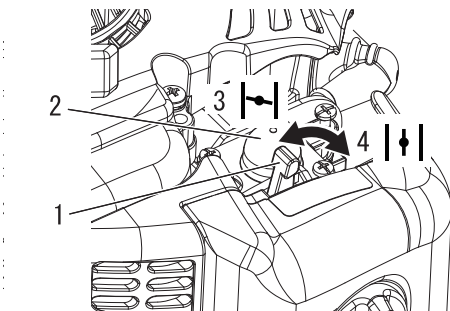
HINWEIS

- ◆ Ziehen Sie den Startergriff zuerst langsam und dann allmählich schneller heraus. Ziehen Sie das Starterseil höchstens auf 2/3 seiner Länge heraus.
- ◆ Lassen Sie den Startergriff beim Zurückschnellen nicht los.

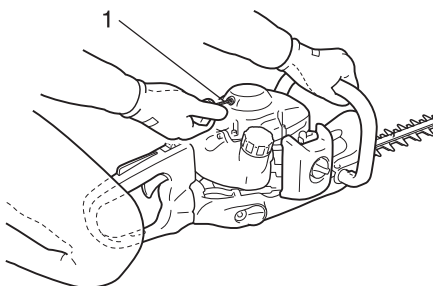
Starten eines kalten Motors



1. Zündschalter
2. Gashebel
3. Gashebelsperre



1. Chokehebel
2. Kraftstoffpumpe
3. Kaltstart
4. Betrieb



1. Startergriff

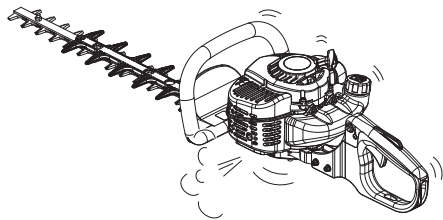
(Stecken Sie den Zündkerzenstecker wieder auf, wenn das Produkt lange Zeit nicht benutzt wurde.)

Beim Starten kommt es darauf an, ob der Motor kalt oder warm ist. Gehen Sie bei einem kalten Motor folgendermaßen vor:

1. Entfernen Sie die Schneidmesserabdeckung, und überprüfen Sie die Schneidmesser. Falls es Schäden aufweist, ersetzen Sie es durch ein neues.
2. Legen Sie das Produkt flach auf den Boden, und sorgen Sie durch Unterlegen eines Balkens oder eines ähnlichen Hilfsmittels dafür, dass die Messer weder den Boden noch irgendein Hindernis berühren.
3. Vergewissern Sie sich, dass nirgendwo Kraftstoff austritt.
4. Schieben Sie den Zündschalter aus der Position „Stopp“.
5. Stellen Sie den Chokehebel auf die Position „Kaltstart“.
6. Betätigen Sie die Kraftstoffpumpe so oft (drücken und loslassen), bis sie Kraftstoff angesaugt hat.
7. Umfassen Sie, nachdem Sie die Sicherheit des Arbeitsbereichs überprüft haben, den vorderen Handgriff fest mit der linken Hand (siehe Abbildung), und ziehen Sie mehrmals am Startergriff.
8. Falls Sie ein explosionsartiges Geräusch hören und der Motor sofort stillsteht, stellen Sie den Chokehebel auf „Run“ (Betrieb), und ziehen Sie wiederholt am Startergriff, um den Motor zu starten.
9. Falls der Motor beim Ausführen von Schritt 7 (siehe oben) sofort anspringt, stellen Sie den Chokehebel langsam wieder auf „Run“ (Betrieb).
10. Lassen Sie den Motor eine Weile im Leerlauf warmlaufen.
11. Lösen Sie die Gashebelsperre und betätigen Sie langsam den Gashebel.

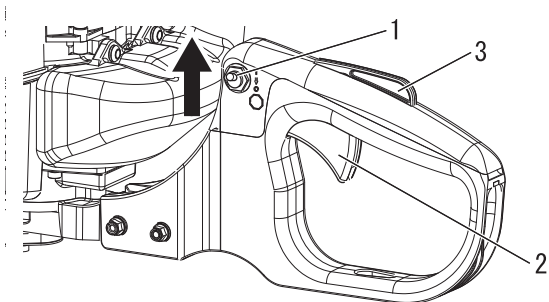
Bedienung des Motors

Warmlaufen des Motors



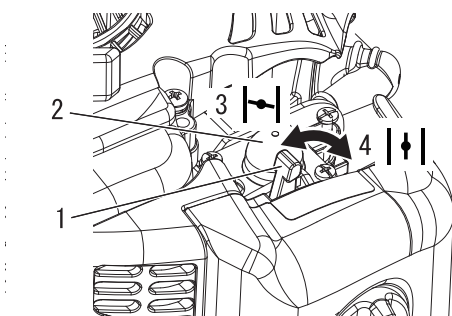
1. Sobald der Motor läuft, lassen Sie ihn 2 bis 3 Minuten im Leerlauf (niedrige Drehzahl) warmlaufen.
2. Das Warmlaufen des Motors sorgt für eine gleichmäßigere Schmierung im Inneren. Lassen Sie den Motor vollständig warmlaufen, insbesondere bei Kälte.

Starten eines warmen Motors



1. Zündschalter
2. Gashebel
3. Gashebelsperre

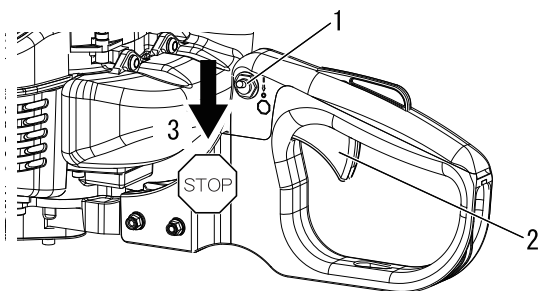
1. Schieben Sie den Zündschalter aus der Position „Stopp“.
2. Stellen Sie sicher, dass sich der Gashebel in der Leerlaufstellung befindet.



1. Chokehebel
2. Kraftstoffpumpe
3. Kaltstart
4. Betrieb

3. Stellen Sie sicher, dass sich der Chokehebel in der Position „Run“ (Betrieb) befindet.
4. Sofern Kraftstoff im Tank vorhanden ist, ziehen Sie am Startergriff, um den Motor zu starten.
5. Ist kein Kraftstoff in der Kraftstoffpumpe sichtbar, betätigen Sie die Kraftstoffpumpe so oft (drücken und loslassen), bis sie Kraftstoff angesaugt hat.
6. Überprüfen Sie die Sicherheit des Arbeitsbereichs, und ziehen Sie zum Starten des Motors am Startergriff.

Stoppen des Motors



1. Zündschalter
2. Gashebel
3. Stop

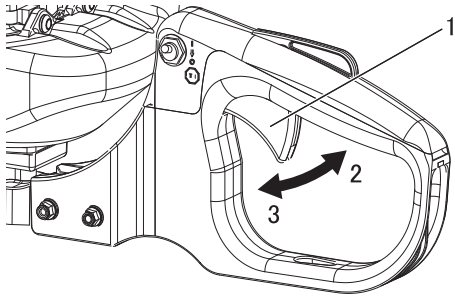
1. Lassen Sie den Gashebel los und bringen Sie den Motor auf Leerlaufdrehzahl (niedrige Drehzahl).
 2. Stellen Sie den Zündschalter in die Position „Stopp“.
 3. Stoppen Sie den Motor im Notfall sofort mit Hilfe des Zündschalters.
 4. Falls der Motor dadurch nicht gestoppt wird, bringen Sie den Chokehebel in die Position „Kaltstart“. Der Motor wird „abgewürgt“ und dadurch angehalten (Choke-Stopp).
- * Lassen Sie den Zündschalter von Ihrem Händler überprüfen und reparieren, bevor Sie das Produkt erneut verwenden, wenn sich der Motor mit dem Stoppschalter nicht stoppen lässt.

Schneiden von Hecken und Sträuchern

Grundlagen / Heckenschneiden

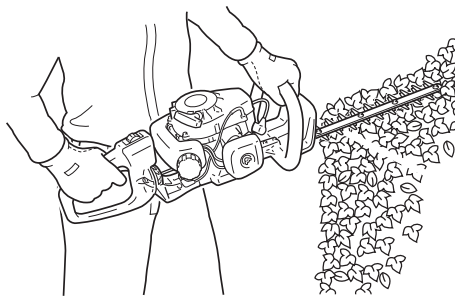
HINWEIS

- ♦ Dieses Gerät ist für das Schneiden von Sträuchern und Hecken mit Zweigen von max. 6 mm Durchmesser ausgelegt.
- ♦ Führen Sie alle Schneidarbeiten bei Vollgas durch. Wenn Sie mit geringeren Geschwindigkeiten als Vollgas arbeiten, schleift möglicherweise die Kupplung; dies kann zu einer Beschädigung der Kupplung führen. Lassen Sie den Motor nicht mit Vollgas laufen, wenn Sie keine Schneidarbeiten durchführen.



1. Gashebel
2. Hohe Drehzahl

3. Leerlauf



- ♦ Durch Betätigung des Gashebels bei gestartetem Motor erhöht sich die Motordrehzahl, und das Schneidmesser setzt sich in Bewegung. Stellen Sie die Motordrehzahl je nach Aufgabe ein (z. B. entsprechend der zu schneidenden Hecke/Aststärke).
- ♦ Achten Sie bei allen Schneidarbeiten darauf, dass das Schneidmesser von Ihrem Körper wegweist. Stellen Sie sicher, dass das Schneidmesser nicht in Richtung Ihres Körpers weist, und halten Sie stets ausreichend Abstand.
- ♦ Bewegen Sie das Schneidmesser in waagerechter Richtung hin und her, um die oberen Bereiche von Hecken oder Sträuchern zu schneiden. Sie erzielen saubere Schnittflächen, indem Sie das Schneidmesser leicht nach unten gekippt am Schnittgut entlangführen.
- ♦ Führen Sie für saubere Schnittflächen an seitlichen Bereichen das Schneidmesser von unten nach oben.
- ♦ Drücken Sie das Schneidmesser nicht gegen Gegenstände wie z. B. Bäume. Berücksichtigen Sie bei der Bedienung des Gerätes die Bewegungsrichtung und Geschwindigkeit des Schneidmessers.

Wartung und Pflege

Wartungsrichtlinien

Komponente	Wartung	Seite	Vor der Verwendung	Monatlich
Luftfilter	Reinigen/ersetzen	18	•	
Kraftstofffilter	Überprüfen/reinigen/ersetzen	18		•
Zündkerze	Überprüfen/reinigen/justieren/ersetzen	20		•
Vergaser	Justieren/Ersetzen und justieren	19		•
Kühlsystem	Überprüfen/reinigen	19	•	
Schalldämpfer	Überprüfen/festziehen/reinigen	19		•
Messerantrieb	Schmieren	21	• (15 - 20 Std.)	
Starter	Überprüfen	22	•	
Messer	Überprüfen/reinigen/schmieren	20	•	
Kraftstoffsystem	Überprüfen	20	•	
Schrauben, Bolzen und Muttern	Überprüfen/festziehen/ersetzen	-	•	

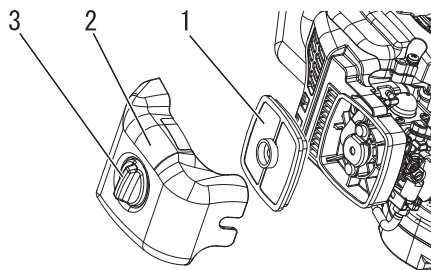
WICHTIG

Angegeben sind die maximalen Zeitabstände. Die Häufigkeit der erforderlichen Wartungsarbeiten richtet sich nach der tatsächlichen Beanspruchung und Ihrer Erfahrung. Daten der monatlich bzw. jährlich durchgeführten Inspektionen aufzeichnen!

Wartung und Pflege

Wenden Sie sich bei Fragen oder Problemen bitte an Ihren Händler.

Reinigen des Luftfilters



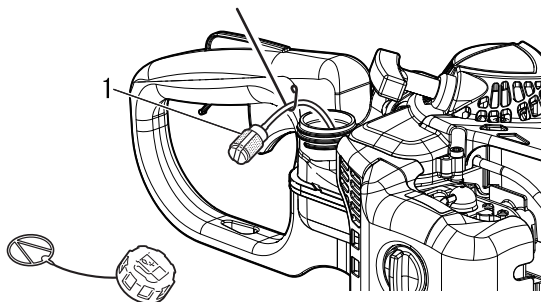
1. Luftfilter
2. Luftfilterabdeckung
3. Verschlussknopf Luftfilterabdeckung

HINWEIS

- ♦ Ersetzen Sie den Filter, wenn er stark verschmutzt oder beschädigt ist.
- ♦ Stellen Sie sicher, dass der Filter vollständig getrocknet ist, bevor Sie ihn wieder in das Gerät einsetzen.

1. Schließen Sie den Choke. Lösen Sie den Verschlussknopf der Luftfilterabdeckung, und entfernen Sie diese zusammen mit dem Luftfilter.
2. Reinigen Sie den Filter durch vorsichtiges Abbürsten oder verwenden Sie ein nicht brennbares Lösungsmittel, falls erforderlich. Lassen Sie den Filter vollständig trocknen, bevor Sie ihn wieder in das Gerät einsetzen.
3. Bauen Sie nun den Luftfilter wieder ein, und montieren Sie die Abdeckung.

Reinigung des Kraftstofffilters



1. Kraftstofffilter

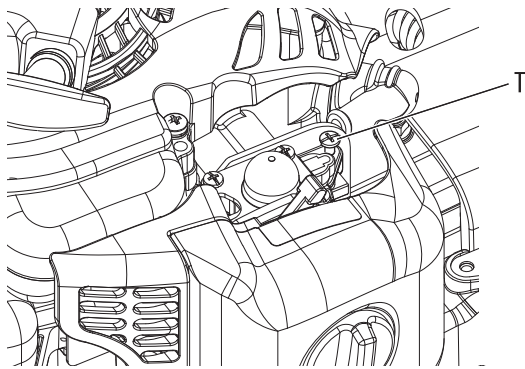
Justieren des Vergasers

⚠️ WARNUNG

Nach erfolgter Vergaserjustierung darf sich das Schneidmesser im Leerlauf nicht bewegen; ansonsten besteht die Gefahr schwerer Verletzungen.

⚠️ VORSICHT

Die Leerlaufanschlagschraube (T) muss so justiert sein, dass sich das Schneidmesser beim Starten nicht bewegt. Wenden Sie sich bei Problemen mit dem Vergaser bitte an Ihren Händler.

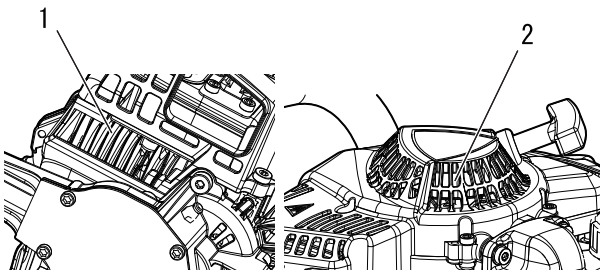


T: Leerlaufanschlagschraube

Jedes Gerät wird werkseitig einem Probelauf unterzogen, bei dem der Vergaser auf optimale Leistung eingestellt wird. Reinigen/wechseln Sie vor der Vergaserjustierung den Luftfilter, starten Sie den Motor, und lassen Sie ihn einige Minuten warmlaufen.

1. Einstellen der Leerlaufanschlagschraube. Starten Sie den Motor, und drehen Sie die Leerlaufanschlagschraube (T) im Uhrzeigersinn, bis sich das Schneidmesser in Bewegung setzt. Anschließend die Schraube (T) solange gegen den Uhrzeigersinn zurückdrehen, bis das Schneidmesser wieder stehen bleibt. Drehen Sie danach die Schraube eine weitere 1/2 Umdrehung heraus (gegen den Uhrzeigersinn).
2. Geben Sie 2 bis 3 Sekunden Vollgas, um überschüssigen Kraftstoff aus dem Vergaser zu entfernen, und kehren Sie dann in den Leerlauf zurück. Geben Sie erneut Vollgas, um den gleichmäßigen Drehzahlanstieg aus dem Leerlauf auf Höchstzahl zu prüfen.

Kühlsystem



1. Zylinderrippen

2. Luftzufuhröffnung

Reinigen des Schalldämpfers

⚠️ WARNUNG

○ **Betreiben Sie das Gerät nie bei defektem oder fehlendem Schalldämpfer oder Funkenschutz. Ein Betreiben des Geräts mit defektem oder fehlendem Funkenschutz stellt eine Brandgefahr dar, auch können Sie Gehörschäden davontragen.**

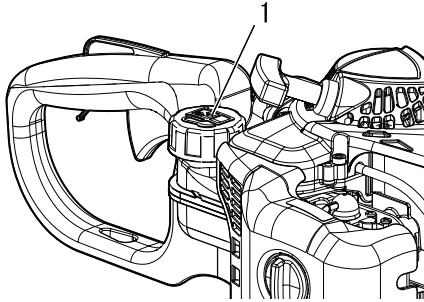
- ♦ Kohlenstoffablagerungen im Schalldämpfer verringern die Motorleistung und führen zu Überhitzung. Das Funkenschutzsieb muss regelmäßig geprüft werden. Ablagerungen vom

Schalldämpfer entfernen.

WICHTIG

Die Schalldämpferabdeckung nicht ausbauen. Fragen Sie bei Bedarf bitte Ihren Händler um Rat.

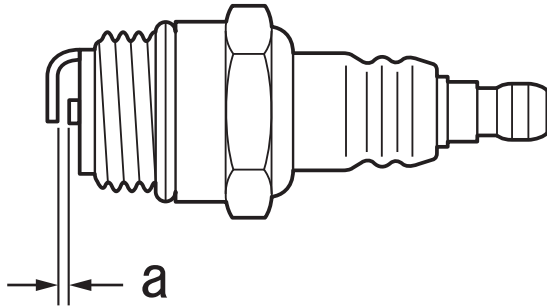
Überprüfen des Kraftstoffsystems



1. Kraftstofftankdeckel

- ♦ Führen Sie vor jeder Verwendung eine Überprüfung durch.
- ♦ Vergewissern Sie sich nach jeder Betankung, dass kein Kraftstoff an den Leitungen, Dichtungen oder am Kraftstofftankdeckel austritt.
- ♦ Wenn Kraftstoff oder Kraftstoffdämpfe austreten besteht Brandgefahr. Schalten Sie das Gerät in diesem Fall sofort aus, und lassen Sie es von Ihrem Händler überprüfen bzw. austauschen.

Überprüfen der Zündkerze



a: 0,6 - 0,7 mm

- ♦ Prüfen Sie den Elektrodenabstand. Der korrekte Abstand beträgt 0,6 bis 0,7 mm.
- ♦ Prüfen Sie die Elektrode auf Verschleiß.
- ♦ Prüfen Sie den Isolierkörper auf Öl- oder andere Ablagerungen.
- ♦ Ersetzen Sie die Zündkerze ggf. durch eine neue, und ziehen Sie sie mit 15 N•m - 17 N•m (150 kgf•cm - 170 kgf•cm) fest.

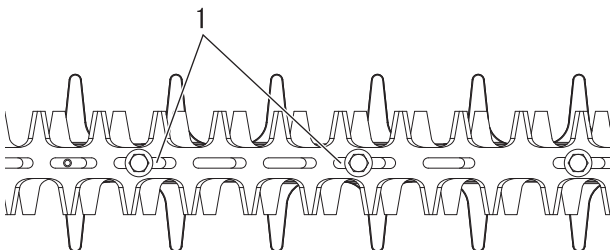
Pflege der Schneidmesser

⚠ VORSICHT

- Zum Schutz der Hände vor den scharfen Schneidmessern stets Schutzhandschuhe tragen.
- ◆ Eine Nichtbeachtung dieser Vorsichtsmaßnahme kann zu Verletzungen führen.

Schneidmesser schmieren (alle 4 Betriebsstunden)

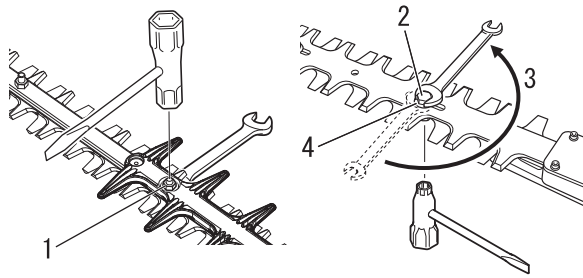
Geben Sie einige Tropfen Öl auf die Schraubenschlitze an der Unterseite der Schneidmesser.



1. Schraubenschlitze

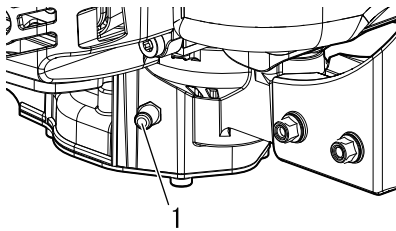
Schneidmesser reinigen (nach jeder Verwendung des Geräts)

Entfernen Sie Harzrückstände an den Messern mit einem Gemisch (Verhältnis 50:50) aus Kerosin (Paraffin) und Maschinenöl.



1. Gegenmutter
2. Schraube
3. 1/4 - 1/2 Umdrehung lösen
4. Unterlegscheibe

Schmieren des Getriebegehäuses



1. Schmiernippel

Messerabstand einstellen (je nach Bedarf)

Die Gegenmuttern mit einem T-Schlüssel eine halbe Umdrehung aufdrehen.

Schneidmesserbolzen mit einem 10 mm-Gabelschlüssel festziehen.

Die Schrauben 1/4 - 1/2 Umdrehung lösen

Bolzen mit dem Gabelschlüssel in dieser Position halten und Gegenmuttern festziehen.

Wenn der Bolzen richtig eingestellt ist, müsste zwischen den Messern und den flachen Unterlegscheiben ein Abstand von 0,25 - 0,50 mm bestehen, und die flache Unterlegscheibe unter jedem Bolzenkopf müsste sich frei drehen.

Erford. Werkzeuge:

Fettpresse, Lappen.

Erforderliche Teile:

Fett auf Lithiumbasis.

1. Wischen Sie den Schmiernippel ab.
2. Halten Sie das Gerät gut fest und schmieren Sie den Schmiernippel vorsichtig. Schmiermittel nicht mit Druck aufbringen! Bei zu hohem Druck dringt das Schmiermittel durch die Dichtungen und führt zu einer Beschädigung des Geräts.

Schmieren Sie mit 1 bis 2 Fettstößen alle 15 bis 20 Betriebsstunden.

HINWEIS

Verwenden Sie ein hochwertiges Lithium-Mehrzweckfett.

Wartung und Pflege

Fehlerbehebung

Problem	Diagnose	Ursache	Lösung
Der Motor lässt sich nicht starten.		<ul style="list-style-type: none"> ♦ Im Kraftstofftank ist kein Kraftstoff ♦ Der Stoppschalter befindet sich in der Position „Stopp“ ♦ Es wurde zu viel Kraftstoff angesaugt ♦ Elektrischer Defekt ♦ Vergaser defekt oder innerlich verklebt ♦ Interner Defekt des Motors. 	<ul style="list-style-type: none"> ♦ Kraftstoffversorgung ♦ Auf „Start“ stellen ♦ Motor nach Wartung starten ♦ Händler um Rat fragen ♦ Händler um Rat fragen ♦ Händler um Rat fragen
Motor lässt sich schwer starten, Drehzahl schwankt	Kraftstoff tritt in das Überlaufrohr ein	<ul style="list-style-type: none"> ♦ Kraftstoffalterung ♦ Vergaserstörung 	<ul style="list-style-type: none"> ♦ Kraftstoff durch neuen ersetzen ♦ Händler um Rat fragen
	In das Überlaufrohr tritt kein Kraftstoff ein.	<ul style="list-style-type: none"> ♦ Kraftstofffilter ist verstopft ♦ Kraftstoffsystem ist verstopft ♦ Innere Vergaserteile sind verklebt 	<ul style="list-style-type: none"> ♦ Reinigen oder ersetzen ♦ Händler um Rat fragen ♦ Händler um Rat fragen
	Die Zündkerze ist verschmutzt oder feucht.	<ul style="list-style-type: none"> ♦ Kraftstoffalterung ♦ Falscher Elektrodenabstand ♦ Kohlenstoffablagerungen ♦ Elektrischer Defekt 	<ul style="list-style-type: none"> ♦ Ersetzen ♦ Ersetzen ♦ Ersetzen ♦ Händler um Rat fragen
Motor springt an, Drehzahl lässt sich jedoch nicht erhöhen.		<ul style="list-style-type: none"> ♦ Verschmutzter Luftfilter ♦ Verschmutzter Kraftstofffilter ♦ Verstopfte Kraftstoffleitung ♦ Falsch justierter Vergaser. ♦ Verstopfte Auspuff- oder Schalldämpferöffnung 	<ul style="list-style-type: none"> ♦ Reinigen oder ersetzen ♦ Reinigen oder ersetzen ♦ Händler um Rat fragen ♦ Justieren ♦ Reinigen
Der Motor geht aus		<ul style="list-style-type: none"> ♦ Falsch justierter Vergaser. ♦ Elektrischer Defekt 	<ul style="list-style-type: none"> ♦ Justieren ♦ Händler um Rat fragen
Der Motor lässt sich nicht ausschalten		<ul style="list-style-type: none"> ♦ Fehlfunktion Stoppschalter 	<ul style="list-style-type: none"> ♦ NOT-AUS durchführen und Händler um Rat fragen
Die Schneidmesser bewegen sich, wenn Motor im Leerlauf ist		<ul style="list-style-type: none"> ♦ Falsch justierter Vergaser. ♦ Beschädigte Kupplungsfeder 	<ul style="list-style-type: none"> ♦ Justieren ♦ Händler um Rat fragen
Die Schneidmesser werden stumpf		<ul style="list-style-type: none"> ♦ Abgenutzte Schneidmesser ♦ Zu großer Abstand zwischen Ober- und Untermesser ♦ Kupplung schleift 	<ul style="list-style-type: none"> ♦ Händler um Rat fragen ♦ Händler um Rat fragen ♦ Händler um Rat fragen

- ♦ Für Überprüfung und Wartung sind entsprechende Fachkenntnisse erforderlich. Wenn Sie das Produkt nicht selbst überprüfen, warten oder instand setzen können, wenden Sie sich an Ihren Händler. Versuchen Sie nicht, das Gerät zu zerlegen.
- ♦ Bei Problemen oder Störungen, die nicht in der obigen Tabelle genannt werden, wenden Sie sich an Ihren Händler.
- ♦ Verwenden Sie nur Original-Ersatzteile und -Verbrauchsprodukte, die für das Gerät zugelassen sind. Die Verwendung von Teilen anderer Hersteller oder nicht zugelassener Produkte kann zu Fehlfunktionen führen.

Langfristige Lagerung (30 Tage und länger)

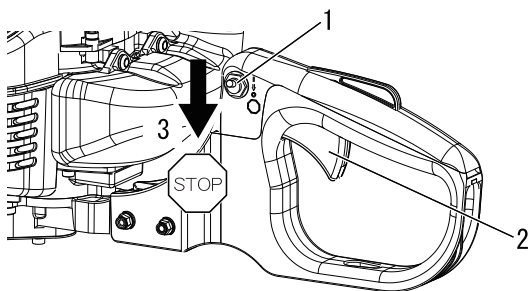
WARNUNG

Lagern Sie das Gerät nicht in verschlossenen Räumen, aus denen Kraftstoffverdunstungen nicht entweichen können, und nicht in der Nähe von Flammen oder Funken.

◆ Brandgefahr.



Gehen Sie folgendermaßen vor, wenn Sie das Produkt lange Zeit lagern möchten (30 Tage und länger):



1. Zündschalter
2. Gashebel

3. Stopp

1. Entleeren Sie den Kraftstofftank vollständig im Freien, wobei sich keine feuergefährlichen Gegenstände in der Nähe befinden dürfen. Lassen Sie Kraftstoff niemals in geschlossenen Räumen ab.
 - A. Entfernen Sie den Kraftstoff aus der Kraftstoffpumpe, indem Sie sie mehrmals drücken und wieder loslassen.
 - B. Starten Sie den Motor, und lassen Sie ihn mit Leerlaufdrehzahl laufen, bis er von selbst ausgeht.
2. Stellen Sie den Zündschalter in die Position „Stopp“.
3. Wischen Sie Schmierfett, Öl, Staub und andere Ablagerungen außen an der Heckenschere ab.
4. Führen Sie die regelmäßigen Überprüfungen durch, die in dieser Bedienungsanleitung beschrieben sind.
5. Vergewissern Sie sich, dass Schrauben und Muttern fest angezogen sind. Ziehen Sie lose Schrauben und Muttern fest.
6. Entfernen Sie die Zündkerze, und füllen Sie die erforderliche Menge (ca. 10 mL) frisches Zweitaktmotoröl durch die Zündkerzenöffnung in den Zylinder ein.
 - A. Legen Sie ein sauberes Tuch über die Zündkerzenöffnung.
 - B. Ziehen Sie 2 bis 3 Mal am Startergriff, um das Motoröl im Zylinder zu verteilen.
 - C. Beobachten Sie die Lage des Kolbens durch die Zündkerzenöffnung. Ziehen Sie am Griff des Reversierstarters, bis der Kolben den oberen Totpunkt erreicht, und belassen Sie den Griff anschließend in dieser Stellung.
7. Bauen Sie die Zündkerze ein (schließen Sie den Zündkerzenstecker nicht an.)
8. Schmieren Sie die Schneidmesser mit genügend Öl, um die Bildung von Rost zu verhindern.
9. Lassen Sie das Gerät ausreichend abkühlen und trocknen. Versehen Sie die Schneidmesser anschließend mit der Schneidmesserabdeckung, und hüllen Sie den Motorbereich zur Lagerung in eine Plastiktüte o. ä.
10. Lagern Sie das Gerät trocken, staubfrei und für Kinder bzw. unbefugte Personen unzugänglich.

Entsorgungshinweise



- ♦ Entsorgen Sie Altöl unter Einhaltung der gesetzlichen Vorschriften Ihres Landes.
- ♦ Auf den größeren Kunststoffteilen des Produkts befindet sich jeweils eine Kennzeichnung (Code) des Werkstoffs. Diese Codes beziehen sich auf die folgenden Werkstoffe; entsorgen Sie diese Kunststoffteile unter Einhaltung der gesetzlichen Vorschriften Ihres Landes.

Kennzeichnung	Werkstoff
>PA6-GF<	Nylon 6 - Glasfaser
>PP-GF<	Polypropylen - Glasfaser
>PE-HD<	Polyethylen

- ♦ Wenn Sie Fragen zur korrekten Entsorgung von Altöl oder Kunststoffteilen haben, setzen Sie sich bitte mit Ihrem Fachhändler in Verbindung.

Technische Daten

		DH202
Außenabmessungen: Länge x Breite x Höhe	mm	1052 × 272 × 198
Gewicht: Gerät mit vorgeschriebener Schneidvorrichtung, leerer Tank	kg	4,5
Gerät mit vorgeschriebener Schneidvorrichtung, voller Tank	kg	4,8
Fassungsvermögen: Kraftstofftank	ml	390
Kraftstoff: Öl Mischverhältnis		Bleifreies Normalbenzin. Verwenden Sie bleifreies Benzin mit mindestens 89 Oktan. Verwenden Sie keinen Kraftstoff mit Methylalkohol oder mehr als 10 % Ethylalkohol. Motoröl für luftgekühlte Zweitaktmotoren. ISO-L-EGD-Norm (ISO/CD 13738), JASO FC/FD und von Shindaiwa empfohlenes Öl. 50: 1 (2 %)
Schneidvorrichtung: Typ		Gegenläufiges, doppelseitiges Messer
Schneidlänge	mm	534
Zahnteilung	mm	35
Höhe	mm	21
Untersetungsverhältnis und Schmierung:		Untersetzung 5,88; hochwertiges Lithium-Schmiermittel
Motor: Typ		Luftgekühlter Zweitakt-Einzylindermotor
Vergaser		Membrantyp
Zündung / Magnetinduktor		Schwungmagnetzünder: CDI-System
Zündkerze		NGK BPMR8Y
Anlasser		Reversierstarter
Kraftübertragung		Automatische Fliehkraftkupplung
Hubraum	cm ³	21,2
Maximale Motorleistung (ISO 8893)	kW	0,6
Kraftstoffverbrauch bei maximaler Motorleistung	l/h	0,44
Empfohlene maximale Motordrehzahl (mit angebrachter Standardschneidvorrichtung)	U/min	10500
Empfohlene Leerlaufdrehzahl	U/min	3300
Schwingungspegel: (ISO 10517) $a_{hv, eq}$		
Vorderer Griff / hinterer Griff	m/s ²	6,4 / 9,7
Unsicherheit: K	m/s ²	5,0
Schalldruckpegel: (ISO 10517) L_{pAd} (= L_{pAeq} + K_{pA})	dB(A)	96,1
Unsicherheit: K_{pA}	dB(A)	2,5
Schalleistungspegel: (ISO 10517) L_{WAAd} (= L_{WAeq} + K_{WA})	dB(A)	106,5
Unsicherheit: K_{WA}	dB(A)	2,5

Änderungen der technischen Daten vorbehalten.

Konformitätserklärung

Der unterzeichnete Hersteller:

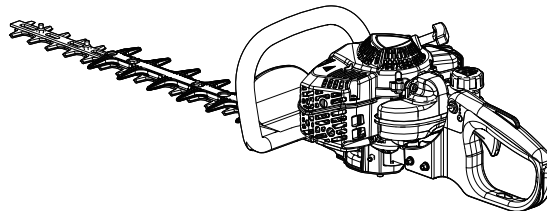
YAMABIKO CORPORATION
1-7-2 Suehirocho, Ohme, Tokio 198-8760 JAPAN

Diese Konformitätserklärung wird unter der alleinigen Verantwortung des Herstellers erstellt.

erklärt, dass das nachstehend spezifizierte neue Gerät:

TRAGBARE MOTORHECKENSCHERE

Marke: **Shindaiwa**
Typ: **DH202**



Folgendem entspricht:

- * Anforderungen der Richtlinie **2006/42/EG** (Verwendung der harmonisierten Norm **EN ISO 10517: 2019**)
- * Anforderungen der Richtlinie **2014/30/EU** (Verwendung der harmonisierten Norm **EN ISO 14982: 2009**)
- * Anforderungen der Richtlinie **2011/65/EU** (Verwendung der harmonisierten Norm **EN 50581: 2012**)
- * Anforderungen der Richtlinie **2000/14/EG**

Konformitätsermittlung nach **ANHANG V**

Gemessener Schalleistungspegel: **105 dB(A)**

Garantierter Schalleistungspegel: **108 dB(A)**

Seriennummer 38001001 bis 38100000

Tokio, 5. September 2019

YAMABIKO CORPORATION

A handwritten signature in black ink that reads "Masayuki Kimura". The signature is written in a cursive style and is positioned above a horizontal line.

Masayuki Kimura
Hauptabteilungsleiter
Abteilung Qualitätssicherung

Der Dokumentenbevollmächtigte in Europa, welcher autorisiert ist, die technischen Daten zusammenzustellen.

Unternehmen: CERTIFICATION EXPERTS B.V.
Adresse: P.O. box 5047, Merwedeweg 2, 3621 LR Breukelen, Niederlande

Herr Richard Glaser

NOTIZEN

YAMABIKO CORPORATION
1-7-2 Suehirocho, Ohme, Tokio 198-8760 JAPAN
TELEFON: 81-428-32-6118. FAX: 81-428-32-6145.

shindaiwa[®]



X770224-8500

shindaiwa®

ITALIANO
IT (Istruzioni originali)

MANUALE PER L'OPERATORE

TAGLIASIEPI DH202

AVVERTENZA



LEGGERE E SEGUIRE ATTENTAMENTE LE ISTRUZIONI PER LAVORARE IN CONDIZIONI DI MASSIMA SICUREZZA.
LA MANCATA OSSERVANZA DELLE ISTRUZIONI POTREBBE PROVOCARE LESIONI GRAVI.



Informazioni importanti

Si raccomanda di leggere il manuale per l'operatore prima di utilizzare questo prodotto.

○ Funzione di questo prodotto

- ♦ I taglia siepi shindaiwa sono attrezzi a benzina leggeri e a elevate prestazioni per il taglio di siepi e arbusti.
- ♦ Non usare questa macchina per fini diversi da quelli sopra menzionati.

○ Utenti del prodotto

- ♦ Prima di utilizzare questo prodotto leggere attentamente e assimilare il contenuto del manuale per l'operatore.
- ♦ Non utilizzare questo prodotto senza aver prima letto attentamente il manuale per l'operatore, non utilizzare il prodotto in condizioni debilitate a causa di raffreddore o stanchezza o in condizioni fisiche e psicologiche non ottimali; inoltre vietare l'uso ai bambini.
- ♦ Tenere presente che l'operatore o l'utente è responsabile di eventuali rischi o incidenti provocati ad altre persone o alle proprietà altrui.

○ Informazioni sul manuale per l'operatore

- ♦ Questo manuale contiene informazioni necessarie per il funzionamento e la manutenzione del prodotto. Si raccomanda di leggerlo attentamente e di assimilarne il contenuto.
- ♦ Tenere sempre il manuale in un posto facilmente accessibile.
- ♦ Se il manuale viene smarrito o danneggiato e non può essere consultato, acquistarne uno nuovo presso il rivenditore Shindaiwa.
- ♦ Le unità di misura utilizzate in questo manuale sono espresse in conformità al sistema internazionale. Le cifre riportate tra parentesi sono valori di riferimento e in alcuni casi ci potrebbero essere lievi errori di conversione.

○ Prestito o cessione del prodotto

- ♦ In caso di prestito o cessione del prodotto descritto in questo manuale, consegnare alla persona che lo riceve in prestito e che dovrà utilizzarlo anche il manuale per l'operatore. Anche in caso di cessione, consegnare il prodotto insieme al manuale per l'operatore.

○ Richieste

- ♦ Per ricevere ulteriori informazioni sul prodotto, per l'acquisto di articoli di consumo, per riparazioni e altre eventuali richieste, contattare il proprio rivenditore Shindaiwa.

○ Avvisi

- ♦ Il contenuto di questo manuale può essere modificato senza preavviso per renderlo conforme a eventuali aggiornamenti del prodotto. Alcune illustrazioni potrebbero essere diverse dal prodotto per rendere le spiegazioni più chiare.
- ♦ Consultare il proprio rivenditore Shindaiwa per ulteriori chiarimenti.

Produttore

YAMABIKO CORPORATION

1-7-2 Suehirocho, Ohme, Tokyo 198-8760 GIAPPONE

Rappresentante autorizzato in Europa:

CERTIFICATION EXPERTS B.V.

P.O. box 5047, Merwedeweg 2, 3621 LR Breukelen, Paesi Bassi

Per un uso sicuro del prodotto	4
Messaggi di avviso	4
Altri indicatori	4
Simboli	4
Posizione in cui è applicata la decalcomania	5
Gestione del carburante	6
Gestione del motore	7
Gestione del prodotto	8
Contenuto della confezione	12
Descrizione	13
Prima di iniziare	14
Preparazione del carburante	14
Funzionamento del motore	15
Avviamento del motore	15
Arresto del motore	16
Taglio di siepi e arbusti	17
Funzionamento base del tagliaiepi	17
Manutenzione e cura	18
Guida alla manutenzione	18
Manutenzione e cura	18
Rimessaggio	23
Rimessaggio per un lungo periodo (oltre 30 giorni).....	23
Procedura di smaltimento	24
Caratteristiche tecniche	25
Dichiarazione di conformità	26

Per un uso sicuro del prodotto

Leggere questa sezione prima di utilizzare il prodotto.

○ Le precauzioni descritte in questa sezione contengono importanti informazioni per la sicurezza. Si raccomanda di seguirle scrupolosamente.

○ Leggere anche le precauzioni presenti all'interno del manuale.

Il testo seguito da un contrassegno [a forma di rombo] descrive le potenziali conseguenze che si potrebbero verificare in caso di mancata osservanza delle precauzioni.


Messaggi di avviso

Situazioni in cui c'è il rischio di causare lesioni fisiche all'utente e ad altre persone sono indicate in questo manuale e sul prodotto, con le seguenti avvertenze. Leggerle e osservarle sempre per lavorare in condizioni di massima sicurezza.

<p>⚠ PERICOLO</p> <p>Questo simbolo accompagnato dalla parola "PERICOLO" richiama l'attenzione su un'azione o una condizione che potrebbe causare infortuni gravi o la morte di utenti o di persone presenti.</p>	<p>⚠ AVVERTENZA</p> <p>Questo simbolo accompagnato dalla parola "AVVERTENZA" richiama l'attenzione su un'azione o una condizione che potrebbe causare lesioni gravi o la morte di utenti o di persone presenti.</p>	<p>⚠ ATTENZIONE</p> <p>"ATTENZIONE" indica una situazione potenzialmente pericolosa che, se non evitata, potrebbe causare lesioni minori o moderate.</p>
---	---	--

Altri indicatori

Oltre alle avvertenze, questo manuale utilizza i seguenti simboli esplicativi:





	<p>Il cerchietto barrato sta ad indicare che quanto è illustrato è proibito.</p>	<p>NOTA</p> <p>Il messaggio qui riportato fornisce consigli per l'uso, la cura e la manutenzione del prodotto.</p>	<p>IMPORTANTE</p> <p>Il testo incorniciato, caratterizzato dalla parola "IMPORTANTE", contiene informazioni importanti riguardo l'uso, il controllo, la manutenzione e il rimessaggio del prodotto descritto in questo manuale.</p>
--	--	---	---

Simboli

In questo manuale e sul prodotto sono riportati alcuni simboli esplicativi. Accertarsi di aver ben compreso il significato di tutti i simboli.

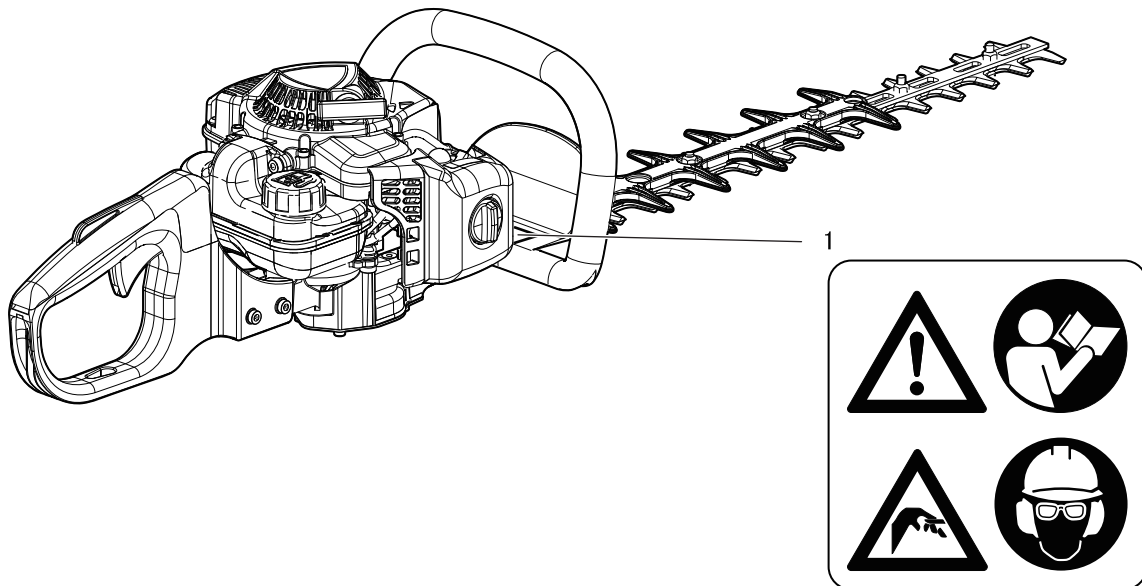
Forma del simbolo	Descrizione / applicazione del simbolo	Forma del simbolo	Descrizione / applicazione del simbolo
	Leggere attentamente il manuale per l'operatore		Miscela di benzina e olio
	Indossare protezioni per occhi, orecchie e testa		Bulbo di spurgo (adescamento)
	Protezione/allarme		Taglio delle dita
	Arresto di emergenza		Regolazione carburatore - Folle

Per un uso sicuro del prodotto

Forma del simbolo	Descrizione / applicazione del simbolo	Forma del simbolo	Descrizione / applicazione del simbolo
	Non utilizzare il prodotto in luoghi dove c'è scarsa ventilazione		Controllo valvola dell'aria Posizione "Avviamento a freddo" (Valvola dell'aria chiusa)
	Attenzione al fuoco		Controllo valvola dell'aria Posizione "In funzione" (Valvola dell'aria aperta)
	Attenzione alle scosse elettriche		Prestare attenzione nelle aree ad alta temperatura
	Livello di potenza acustica garantito		Avvio del motore

Posizione in cui è applicata la decalcomania

- La decalcomania riportata sotto è stata applicata sui prodotti descritti in questo manuale. Prima di utilizzare il prodotto accertarsi di aver compreso quanto riportato sulla decalcomania.
- Se la decalcomania diventa illeggibile a causa dell'usura, si strappa o si stacca e si perde, acquistarne una di ricambio presso il rivenditore e fissarla nel punto illustrato nella figura in basso. Accertarsi che la decalcomania sia sempre leggibile.



1. Decalcomania (Codice ricambio X505-002030)

Per un uso sicuro del prodotto

Gestione del carburante

PERICOLO

Rifornire il prodotto di carburante sempre in un'area lontana dal fuoco

Il carburante è altamente infiammabile e può causare incendi se usato senza le dovute precauzioni. Prestare estrema attenzione durante la preparazione della miscela, il rimessaggio o il rifornimento per evitare lesioni gravi. Osservare le seguenti istruzioni.

- Non fumare o accendere fiamme durante il rifornimento.
- Non effettuare il rifornimento quando il motore è caldo o acceso.
- ◆ In questi casi il carburante potrebbe incendiarsi e causare ustioni.

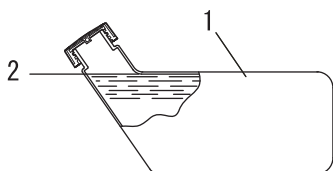
Contenitore e luogo per il rifornimento

- Utilizzare un contenitore di carburante approvato.
- I serbatoi/contenitori di carburante possono essere sotto pressione. Allentare sempre il tappo del carburante lentamente per compensare la pressione.
- **NON** riempire mai il serbatoio del carburante in ambienti chiusi. Riempiere **SEMPRE** i serbatoi del carburante all'aperto e su terreno sgombro.

Perdite di carburante possono causare incendi

Osservare le seguenti precauzioni durante il rifornimento:

- Non riempire mai il serbatoio del carburante fino all'imboccatura. Mantenere il carburante entro il livello prescritto (fino al livello del serbatoio).
- Pulire il carburante traboccato o versato.
- Serrare bene il tappo del serbatoio del carburante dopo il rifornimento.
- ◆ Il carburante versato può causare incendi o scottature se infiammato.

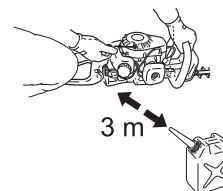


- 1. Serbatoio del carburante
- 2. Livello

Non avviare il motore nell'area nella quale è stato rifornito il serbatoio carburante

- Non avviare il motore nell'area in cui è stato rifornito il serbatoio. Prima di avviare il motore, spostarsi almeno a 3 m dall'area in cui è stato rifornito il serbatoio.

- ◆ Durante il rifornimento potrebbero verificarsi perdite di carburante che potrebbero provocare incendi.



Le perdite di carburante causano incendi

- Dopo il rifornimento, controllare sempre che non ci siano perdite o fuoriuscite dal condotto del carburante, dal gommino dell'impianto di alimentazione o intorno al tappo del serbatoio.
- In caso di perdite o fuoriuscite di carburante, smettere immediatamente di usare il prodotto e contattare il rivenditore per la riparazione.
- ◆ Qualsiasi perdita di carburante può causare incendi.



Per un uso sicuro del prodotto

Gestione del motore

AVVERTENZA

Avviamento del motore

Prestare particolare attenzione alle seguenti precauzioni quando si avvia il motore:

- Accertarsi sempre che tutte le impugnature e le protezioni siano installate
- Controllare che non ci siano dadi o bulloni allentati.
- Controllare che non vi siano perdite di carburante
- Controllare che le lame non siano danneggiate o eccessivamente usurate. Se il prodotto evidenzia condizioni anormali, non utilizzarlo.
- Collocare il prodotto su una superficie piana e ben ventilata.
- Lasciare sufficiente spazio intorno al prodotto e non permettere a persone o animali di avvicinarsi
- Rimuovere eventuali ostruzioni
- Accertarsi che le lame non siano a contatto con il terreno o con altri ostacoli
- Avviare il motore con la leva del gas in folle
- Mantenere il prodotto fermo a terra durante l'avvio del motore
- Non avviare il motore tenendo il prodotto sollevato
- ◆ La mancata osservanza di queste precauzioni può provocare incidenti, lesioni o perfino la morte.

Una volta avviato il motore, verificare che non ci siano vibrazioni e rumori anormali

- Una volta avviato il motore, verificare che non ci siano vibrazioni o rumori anormali. Non utilizzare il prodotto se ci sono vibrazioni o rumori anormali. Contattare il rivenditore per la riparazione.
- ◆ Incidenti che provocano la caduta o la rottura di parti possono causare ferite o lesioni gravi.

Non toccare i componenti ad alta temperatura o ad alta tensione mentre il prodotto è in moto

Non toccare i seguenti componenti ad alta temperatura o ad alta tensione mentre il prodotto è in moto o è stato appena spento.

○ Marmitta, candela, carter ingranaggi e altri componenti ad alta temperatura

- ◆ Il contatto con componenti ad alta temperatura potrebbe causare ustioni.



○ Candela, cavo candela e altri componenti ad alta tensione

- ◆ Il contatto con componenti ad alta tensione mentre il prodotto è in moto potrebbe causare scosse elettriche.



Dare assoluta priorità alla sicurezza in caso di incendio o fumo

- In caso di fuoriuscita di fiamme dal motore o di fumo da qualsiasi area diversa dallo sfiato della marmitta, allontanarsi dal prodotto per evitare lesioni gravi.
- Utilizzare una pala per lanciare sabbia o altro materiale simile sul fuoco per evitarne l'espansione o spegnerlo con un estintore.
- ◆ Evitare di farsi prendere dal panico per non allargare l'incendio o aumentare i danni.



I gas di scarico sono tossici

- I gas di scarico provenienti dal motore contengono gas tossici. Non utilizzare il prodotto in ambienti chiusi, all'interno di una serra ricoperta di plastica o in ambienti scarsamente ventilati.
- ◆ I gas di scarico possono provocare avvelenamento.



Durante il controllo o la manutenzione del prodotto spegnere il motore

Osservare le seguenti precauzioni durante il controllo e la manutenzione del prodotto dopo l'uso:

- Spegnerlo il motore ed eseguire il controllo o la manutenzione del prodotto solo dopo che il motore si è raffreddato.
- ◆ Interventi a motore caldo potrebbero causare ustioni.
- Prima di eseguire il controllo e la manutenzione rimuovere il cappuccio della candela.
- ◆ Un'avvio imprevisto del prodotto potrebbe causare un incidente.

Controllo della candela

Osservare le seguenti precauzioni durante il controllo della candela.

- Se i terminali degli elettrodi sono usurati o se le parti in ceramica presentano spaccature, sostituirli con componenti nuovi.
- Il test di scintillamento (per verificare se la candela genera scintille) deve essere eseguito dal rivenditore.
- Il test di scintillamento non deve essere eseguito in prossimità del foro della candela.
- I test di scintillamento non deve essere eseguito vicino a perdite di carburante o gas infiammabili.
- Non toccare le parti metalliche della candela
- ◆ La candela può generare fiamme o scosse elettriche.



Per un uso sicuro del prodotto

Gestione del prodotto Precauzioni generali

AVVERTENZA

Manuale per l'operatore

- Per un corretto funzionamento del prodotto, prima di utilizzarlo leggere attentamente il manuale per l'operatore.
- ◆ La mancata osservanza di queste precauzioni potrebbe causare un incidente o lesioni gravi.



Non utilizzare il prodotto per eseguire lavori diversi da quelli per cui è stato progettato

- Non utilizzare il prodotto per eseguire lavori diversi da quelli descritti nel manuale dell'operatore.
- ◆ La mancata osservanza di queste precauzioni potrebbe causare un incidente o lesioni gravi.

Non modificare il prodotto

- Non modificare il prodotto.
- ◆ La mancata osservanza di queste precauzioni potrebbe causare un incidente o lesioni gravi. Qualsiasi guasto causato da modifiche apportate al prodotto non sarà coperta dalla garanzia del produttore.

Non utilizzare il prodotto senza aver effettuato prima il controllo e la manutenzione

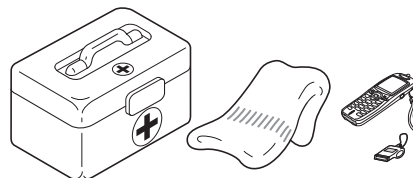
- Non utilizzare il prodotto senza aver effettuato prima il controllo e la manutenzione. Accertarsi sempre che il controllo e la manutenzione vengano eseguiti a scadenze regolari.
- ◆ La mancata osservanza di queste precauzioni potrebbe causare un incidente o lesioni gravi.

Prestito o cessione del prodotto

- In caso di prestito del prodotto, consegnare alla persona che lo riceve anche il manuale dell'operatore.
- Anche in caso di cessione, consegnare il prodotto insieme al manuale per l'operatore.
- ◆ La mancata osservanza di queste precauzioni potrebbe causare un incidente o lesioni gravi.

Essere pronti in caso di lesioni

- Nell'improbabile evento di incidente o lesioni è consigliabile essere preparati.
- Cassetta di pronto soccorso
 - Asciugamani e fazzoletti (per fermare eventuali emorragie)
 - Fischiello o telefono cellulare (per chiedere aiuto)
 - ◆ Se non si è in grado di effettuare un primo soccorso o chiedere aiuto, le lesioni potrebbero peggiorare.



Precauzioni per l'uso

PERICOLO

Avviamento del motore

- Non provare mai ad accendere il motore posizionandosi sul lato della lama.
- ◆ Un improvviso movimento delle lame potrebbe provocare lesioni fisiche.

Non rimuovere l'estensione smussata

- Non utilizzare il prodotto senza l'estensione smussata. Se è necessario rimuoverla per scopi manutentivi, consultare il proprio concessionario.
- ◆ La mancata osservanza delle istruzioni potrebbe comportare lesioni gravi.

Arrestare sempre il motore quando le lame si inceppano.

- Non cercare di rimuovere l'oggetto che ha provocato l'inceppamento delle lame con il motore acceso.
- ◆ Eliminato l'inceppamento, le lame potrebbero riprendere improvvisamente a muoversi causando lesioni fisiche.

Per un uso sicuro del prodotto

AVVERTENZA

Utenti del prodotto

Il prodotto non deve essere utilizzato da:

- persone stanche
- persone che hanno assunto bevande alcoliche
- persone sotto trattamento farmacologico
- persone in stato di gravidanza
- persone in condizioni fisiche precarie
- persone che non hanno letto il manuale dell'utente
- bambini

◆ La mancata osservanza di queste istruzioni potrebbe provocare incidenti.

- Il sistema di accensione di questo prodotto genera campi elettromagnetici durante il funzionamento. I campi magnetici possono causare interferenze con pacemaker o il malfunzionamento di questi ultimi. Per ridurre i rischi per la salute, consigliamo ai portatori di pacemaker di consultare il proprio medico e il produttore del pacemaker prima di utilizzare questo prodotto.



Area di lavoro e funzionamento

- Non utilizzare il prodotto su terreni instabili, ad esempio con forti pendenze o dopo un acquazzone, oppure su terreni scivolosi e pericolosi.
- Non utilizzare il prodotto di notte o in zone con scarsa visibilità.
- ◆ Cadute, scivolate o un uso non corretto del prodotto potrebbero causare lesioni gravi.

Trasporto del prodotto

Durante il trasporto nelle situazioni descritte di seguito, spegnere il motore e assicurarsi che le lame siano ferme, quindi installare il coprilama e posizionare la marmitta lontano dal proprio corpo.

- Spostamenti verso l'area in cui si sta lavorando
- Spostamenti verso un'altra area mentre si sta lavorando
- Abbandono dell'area in cui è stato eseguito il lavoro
- ◆ La mancata osservanza di queste precauzioni potrebbe causare scottature o lesioni gravi.
- Durante il trasporto in automobile, svuotare il serbatoio del carburante, installare il coprilama e fissare saldamente il prodotto per evitare che si muova durante il viaggio.
- ◆ Trasportare il prodotto con il serbatoio contenente carburante all'interno di un veicolo può essere causa di incendi.

Vibrazioni e freddo

Si ritiene che la condizione definita fenomeno di Raynaud, che colpisce le dita di alcune persone, sia causata dall'esposizione alle vibrazioni e al freddo. L'esposizione al freddo e alle vibrazioni può causare formicolio e bruciore, seguiti da pallore e intorpidimento delle dita.

Dato che non si conosce il livello di esposizione minima che causa i disturbi, si consiglia vivamente di osservare le seguenti precauzioni.

- Tenere il corpo caldo, soprattutto testa, collo, piedi, caviglie, mani e polsi.
- Mantenere una buona circolazione del sangue facendo vigorosi esercizi con le braccia durante frequenti pause di lavoro, ed evitare di fumare.
- Limitare il numero di ore di impiego.
Si consiglia di non lavorare con altre macchine a mano oltre al tagliasièpi nell'arco della stessa giornata.
- Se si accusano disagi e disturbi e se si riscontrano arrossamenti e gonfiore delle dita seguiti da pallore e perdita di sensibilità, rivolgersi al proprio medico prima di esporsi di nuovo al freddo e alle vibrazioni.
- ◆ La mancata osservanza di queste istruzioni potrebbe causare danni alla salute.

Lesioni da sforzi ripetitivi

Si ritiene che l'uso eccessivo dei muscoli e dei tendini di dita, mani, braccia e spalle possa causare dolore, gonfiore, intorpidimento, debolezza e fortissimi dolori nelle zone menzionate. Alcune attività manuali ripetitive possono essere causa di alto rischio per lo sviluppo di lesioni da sforzi ripetitivi.

Per ridurre il rischio di lesioni da sforzi ripetitivi:

- Evitare di usare il polso piegato, allungato o girato.
- Fare pause a intervalli regolari per ridurre al minimo i movimenti ripetuti e far riposare le mani. Ridurre la velocità e la forza con cui il movimento ripetitivo viene eseguito.
- Fare esercizi per rafforzare i muscoli delle mani e delle braccia.
- Consultare un medico se si avverte formicolio, intorpidimento o dolori nelle dita, nelle mani, nei polsi o nelle braccia. Una tempestiva diagnosi di lesioni da sforzi ripetitivi consente di evitare danni permanenti ai nervi e ai muscoli.
- ◆ La mancata osservanza di queste istruzioni potrebbe causare danni alla salute.

Per un uso sicuro del prodotto

AVVERTENZA

Prima di lavorare con il prodotto rimuovere corpi estranei e ostruzioni

- Ispezionare l'area in cui il prodotto deve essere utilizzato. Rimuovere pietre, oggetti metallici e altri oggetti che possono inceppare o danneggiare il tagliaerba.
- ◆ Eventuali contatti della barra di taglio con oggetti estranei possono provocare incidenti o lesioni gravi.

In caso di imprevisti spegnere immediatamente il motore

Nelle seguenti situazioni, arrestare il motore immediatamente e accertarsi che la barra di taglio sia ferma prima di controllare qualsiasi parte del prodotto. Sostituire le parti danneggiate.

- Se la barra di taglio urta contro una roccia, un albero, un palo o qualsiasi altra ostruzione mentre si sta lavorando.
- Se il prodotto comincia improvvisamente a vibrare in maniera anomala.
- ◆ Continuare a utilizzare parti danneggiate potrebbe provocare un incidente o lesioni gravi.

L'area nel raggio di 10 m deve essere considerata zona pericolosa

L'area nel raggio di 10 m dal prodotto deve essere considerata zona pericolosa. Osservare le seguenti precauzioni mentre si sta lavorando con il prodotto.

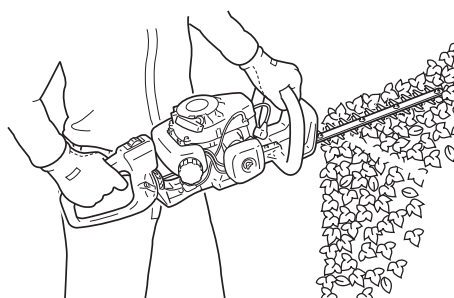
- Non permettere a bambini, altre persone o animali di entrare nella zona pericolosa.
- Se altre persone entrano nella zona pericolosa, spegnere il motore per fermare le lame.
- Prima di avvicinarsi all'operatore, fargli un segnale, ad esempio gettando dei ramoscelli dall'esterno della zona pericolosa, quindi controllare che il motore sia spento e le lame ferme.
- Non permettere a nessuno di mantenere fermo il materiale che si sta tagliando.
- ◆ Qualsiasi contatto con le lame può causare lesioni gravi.

Non utilizzare il prodotto mentre le lame si muovono con il motore in folle.

- Non utilizzare il prodotto con le lame in movimento se il tagliaerba è in moto con la leva del gas in folle. Spegnerne immediatamente il motore e regolare il carburatore.
- ◆ La mancata osservanza di queste precauzioni potrebbe causare un incidente o lesioni gravi.

Non utilizzare il tagliaerba con una sola mano

- Mentre il motore è acceso, mantenere entrambe le mani sulle impugnature. Non utilizzare mai il tagliaerba con una sola mano.
- Mantenere saldamente il tagliaerba con entrambe le mani, una sull'impugnatura anteriore e l'altra sull'impugnatura posteriore.
- I pollici e le altre dita devono avere una buona presa e afferrare bene le impugnature.
- Non togliere mai le mani dal prodotto mentre le lame sono in movimento.
- ◆ La mancata osservanza di queste istruzioni potrebbe causare un controllo instabile del tagliaerba con conseguenti lesioni gravi.



Prima di poggiare il prodotto a terra accertarsi che le lame siano ferme.

- Dopo aver spento il motore, verificare che le lame siano ferme prima di abbassare il prodotto a terra.
- ◆ Anche se il motore è stato spento, le lame possono ancora provocare lesioni quando girano a ruota libera.

Rimuovere i detriti dalla marmitta

- Se oggetti come erba, foglie, ramoscelli o grasso eccessivo si accumulano nell'area attorno alla marmitta, spegnere il motore e rimuoverli prestando attenzione a non toccare parti calde.
- ◆ La mancata osservanza di queste precauzioni potrebbe causare un incendio.



Per un uso sicuro del prodotto

⚠ AVVERTENZA

Non utilizzare il prodotto per tagliare oggetti duri.

- Non utilizzare il prodotto per tagliare oggetti duri come fili o piastre di acciaio.
- Se la lama colpisce un'ostruzione o non è in condizioni di funzionare correttamente, arrestare il motore e ispezionare la lama per verificare che non sia danneggiata.
- ◆ La mancata osservanza di queste istruzioni potrebbe provocare la rottura del prodotto o incidenti.



Non utilizzare mai il prodotto su una scala o su uno sgabello

- Non sporgersi né sostare su superfici instabili.
- Non utilizzare il prodotto in cima a una scala o su uno sgabello.
- ◆ La mancata osservanza di queste precauzioni potrebbe causare un incidente o lesioni gravi.

Indumenti protettivi

⚠ AVVERTENZA

Indossare indumenti protettivi

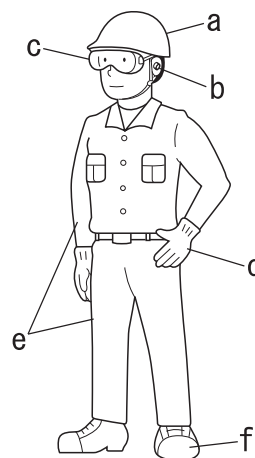
Indossare sempre i seguenti indumenti protettivi durante il lavoro con il tagliasiepi.

- a Casco (elmetto): Protegge la testa
- b Protezioni acustiche o tappi per le orecchie: Proteggono l'udito
- c Occhiali di protezione: Proteggono gli occhi
- d Guanti protettivi: Proteggono le mani dal freddo e dalle vibrazioni
- e Indumenti da lavoro aderenti (maniche lunghe e pantaloni lunghi): Proteggono il corpo
- f Stivali protettivi antiscivolo per lavori pesanti o scarpe da lavoro antiscivolo: Proteggono i piedi

◆ La mancata osservanza di queste precauzioni potrebbe causare danni alla vista o all'udito o lesioni gravi.

Se necessario, utilizzare anche i seguenti indumenti .

- Respiratore: Protegge l'apparato respiratorio
- Rete anello di metallo: Per proteggersi dalle api



Indossare indumenti idonei

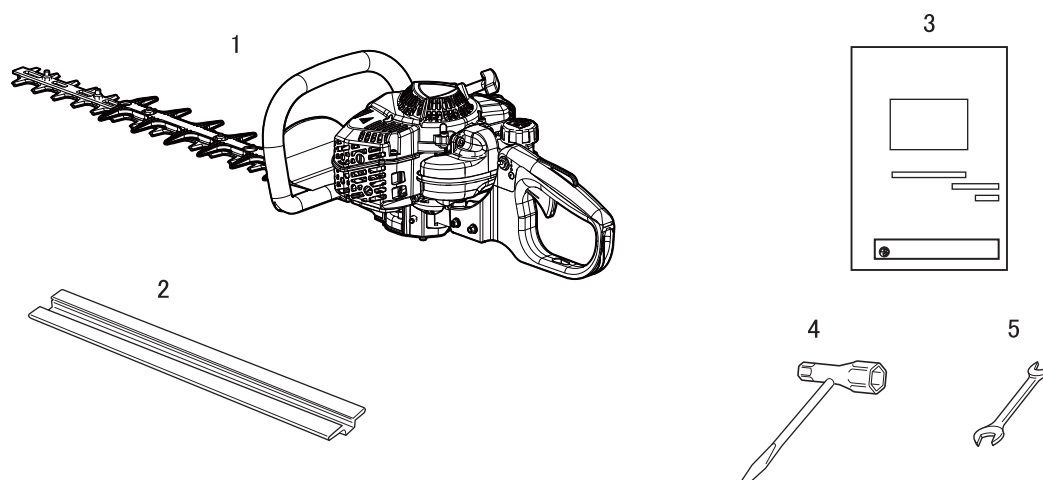
Non indossare cravatte, gioielli o vestiti poco aderenti che potrebbero restare impigliati nella macchina. Non indossare calzature aperte, non lavorare a piedi nudi o a gambe nude.

◆ La mancata osservanza di queste precauzioni potrebbe causare danni alla vista o all'udito o lesioni gravi.

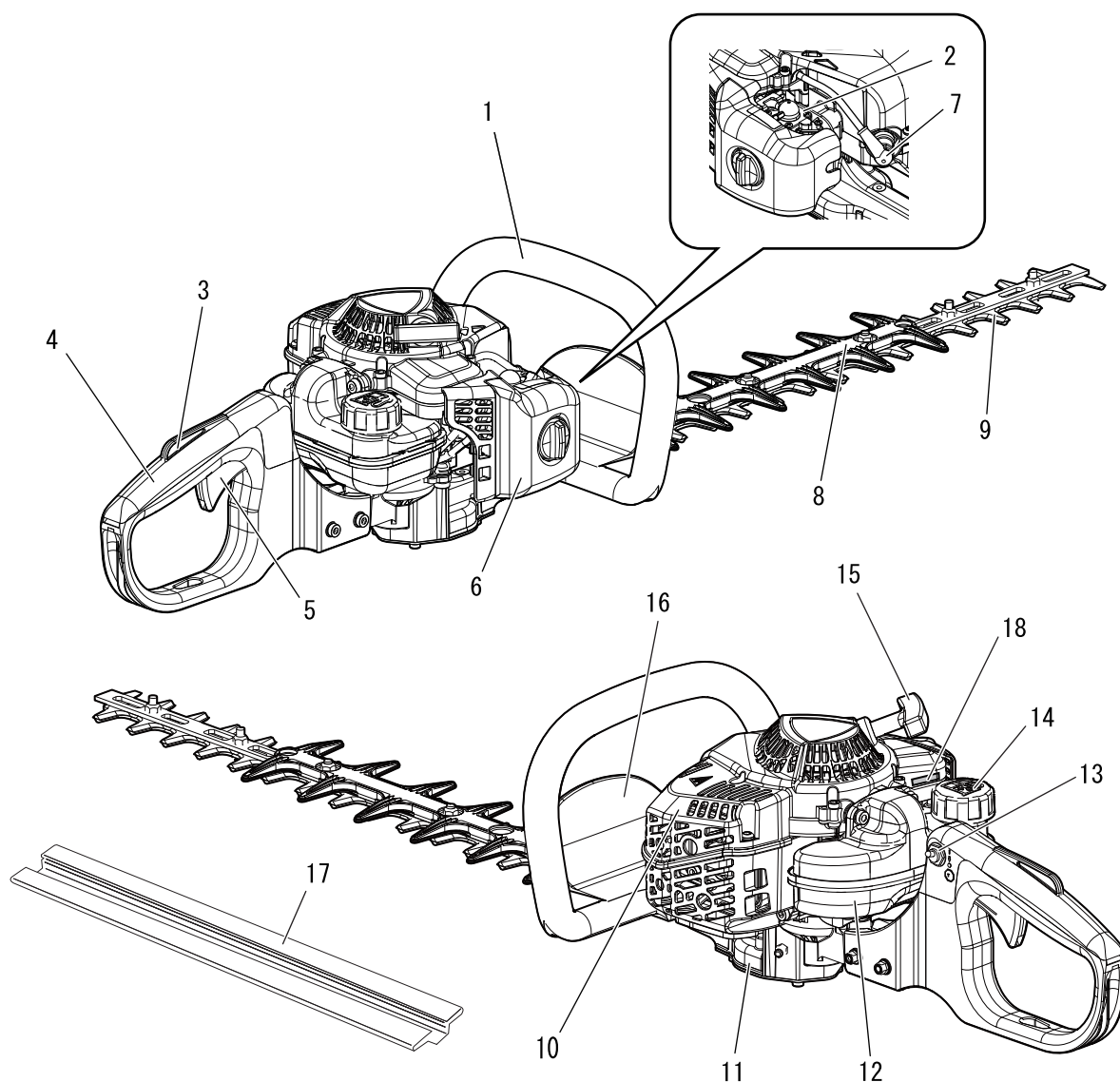


Contenuto della confezione

- ♦ Le seguenti parti sono state imballate separatamente nella confezione.
- ♦ Dopo aver aperto la confezione, controllare che tutte le parti siano presenti.
- ♦ In caso di parti mancanti o danneggiate, contattare il rivenditore.



Numero	Nome parte	Quantità
(1)	Tagliasiepi	1
(2)	Coprilama	1
(3)	Manuale per l'operatore	1
(4)	Chiave a T	1
(5)	Chiave a forchetta	1



1. **Impugnatura anteriore** L'impugnatura situata sulla barra di taglio.
2. **Carburatore** Dispositivo che miscela carburante e aria nelle corrette proporzioni.
3. **Blocco grilletto acceleratore** Dispositivo che impedisce l'azionamento accidentale del grilletto dell'acceleratore se non viene rilasciato manualmente.
4. **Impugnatura posteriore** L'impugnatura più lontana dalla barra di taglio.
5. **Leva del gas** Azionata dall'utente con la mano per controllare il regime del motore.
6. **Coperchio del filtro dell'aria** Copre il filtro dell'aria.
7. **Candela**
8. **Estensione smussata** Un'estensione smussata della barra di taglio. (Applicabile alle lame con taglio a due lati)
9. **Barra di taglio** Gruppo composto dalla lama e dalla piastra di taglio che, congiuntamente ad altre parti di supporto, esegue il taglio.
10. **Carter marmitta** Carter della marmitta per evitare che l'operatore entri a contatto con gli scarichi ad alta temperatura.
11. **Carter ingranaggi** Carter che supporta gli ingranaggi che riducono la velocità del motore trasmessa all'accessorio di taglio.
12. **Serbatoio del carburante** Contiene il carburante e il filtro del carburante.
13. **Interruttore di accensione** Dispositivo che consente di accendere e spegnere il motore.
14. **Tappo del serbatoio carburante** Copre e sigilla il serbatoio del carburante.
15. **Impugnatura di avviamento** Tirare l'impugnatura per avviare il motore.
16. **Protezione** Protezione tra l'impugnatura anteriore e la barra di taglio per evitare ferite alla mano se questa dovesse scivolare dall'impugnatura..
17. **Copilama** Prima di trasportare o immagazzinare il prodotto, applicare sempre il copilama.
18. **Tipo e numero di serie**

Prima di iniziare

Preparazione del carburante

PERICOLO

- Il carburante è altamente infiammabile e può provocare incendi se non viene manipolato correttamente. Leggere attentamente e rispettare le precauzioni illustrate nella sezione "Norme di sicurezza" del presente manuale.
- Dopo aver completato il rifornimento, serrare saldamente il tappo del serbatoio carburante e non dimenticare di controllare che non vi siano perdite o fuoriuscite di carburante dal condotto, dai gommini dell'impianto di alimentazione o intorno al tappo del serbatoio. In caso di perdite o fuoriuscite di carburante, smettere immediatamente di usare il prodotto e contattare il rivenditore per la riparazione.
- ◆ Se il carburante prende fuoco, può provocare ustioni o incendi.



ATTENZIONE

C'è una differenza di pressione tra il serbatoio carburante e l'aria esterna. Durante il rifornimento, allentare leggermente il tappo del serbatoio carburante per eliminarla.

- ◆ Altrimenti il carburante potrebbe venire versato fuori.

NOTA

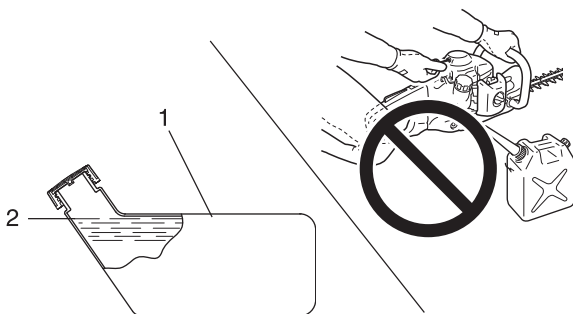
Il carburante riposto per lungo tempo invecchia. Non miscelare più carburante di quanto si prevede di utilizzare in trenta (30) giorni. Non miscelarlo direttamente nel serbatoio.

Carburante



- ◆ Il carburante è una miscela di benzina di grado normale e olio per motori a 2 tempi raffreddati ad aria. Si consiglia benzina senza piombo a 89 ottani. Non utilizzare carburante contenente alcool metilico o una percentuale di alcool etilico superiore al 10%.
- ◆ Percentuale della miscela consigliata 50 : 1 (2 %) per olio certificato ISO-L-EGD (ISO/CD 13738), grado JASO FC, FD e shindaiwa.
 - Non utilizzare mai olio per motori raffreddati ad acqua a 2 tempi o per i motori delle motociclette.
 - Non miscelare direttamente nel serbatoio carburante del motore.
 - Evitare di versare benzina o olio. Ripulire sempre il carburante versato.
 - Prestare attenzione durante la manipolazione della benzina, in quanto altamente infiammabile.
 - Conservare sempre il carburante in un contenitore approvato.

Rifornimento carburante



1. Serbatoio del carburante
2. Livello

- ◆ Riempire il serbatoio di carburante all'aperto su terreno sgombro e serrare saldamente il tappo. Non versare carburante in locali chiusi.
- ◆ Collocare il prodotto e il serbatoio di rifornimento a terra durante il rifornimento. Non rifornire il prodotto sulla piattaforma di carico di un autocarro o in altri luoghi analoghi.
- ◆ Durante il rifornimento, accertarsi che il livello del carburante rimanga sempre sotto il livello massimo del serbatoio.
- ◆ C'è una differenza di pressione tra il serbatoio carburante e l'aria esterna. Durante il rifornimento, allentare leggermente il tappo del serbatoio carburante per eliminarla.
- ◆ Eliminare sempre eventuali fuoriuscite di carburante.
- ◆ Allontanarsi di almeno 3 m dal luogo in cui è stato eseguito il rifornimento prima di avviare il motore.
- ◆ Mantenere il serbatoio di rifornimento all'ombra e lontano da fiamme libere.

Funzionamento del motore

Avviamento del motore

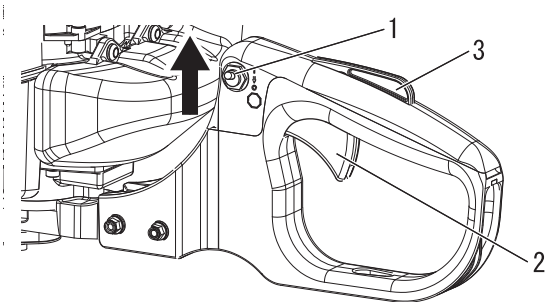
⚠ AVVERTENZA

- All'avviamento del motore, attenersi alle precauzioni descritte a partire da pagina 4 nella sezione "Per un uso sicuro del prodotto" per essere certi di utilizzare il prodotto nel modo corretto.
- Se all'avviamento del motore la lama si muove anche se la leva del gas si trova nella posizione di folle, regolare il carburatore prima di utilizzare il prodotto.
- La lama inizia a muoversi nel momento in cui il motore raggiunge la velocità di innesto della frizione.
- ◆ La mancata osservanza di queste precauzioni può provocare incidenti, lesioni o perfino la morte.

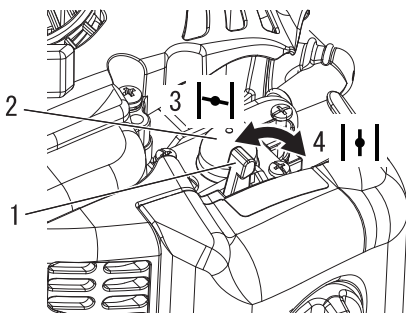
NOTA

- ◆ Tirare la funicella, dapprima delicatamente, quindi con maggiore rapidità. Non estrarre la funicella di avviamento per più di 2/3 della sua lunghezza.
- ◆ Non lasciar andare la funicella durante il movimento di ritorno.

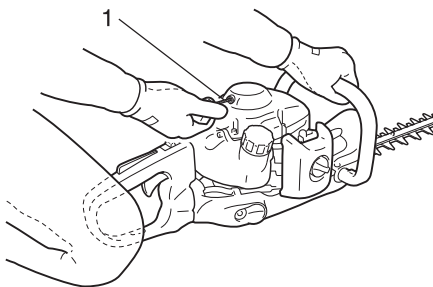
Avviamento di un motore a freddo



1. Interruttore di accensione
2. Leva del gas
3. Dispositivo di bloccaggio della leva del gas



1. Leva della valvola dell'aria
2. Bulbo di spurgo
3. Avviamento a freddo
4. In funzione



1. Impugnatura di avviamento

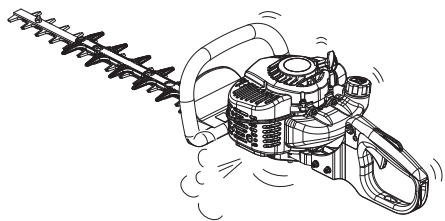
(Se il prodotto è stato conservato per un lungo periodo, collegare il cappuccio della candela)

La procedura di avviamento varia a seconda che il motore sia freddo o caldo. Per avviare un motore freddo, procedere nel modo seguente.

1. Rimuovere il coprilama e controllare le lame. In caso di problemi, sostituire con una parte nuova.
2. Collocare il prodotto su una superficie piana e verificare che le lame non entrino in contatto con la superficie del terreno o con qualsiasi altro impedimento, utilizzando un asse o un attrezzo analogo.
3. Verificare che non vi siano perdite di carburante.
4. Spostare l'interruttore di accensione dalla posizione Stop.
5. Portare la leva della valvola dell'aria in posizione "Avviamento a freddo".
6. In alternativa, premere e rilasciare il bulbo di spurgo finché il carburante non viene risucchiato al suo interno.
7. Dopo aver verificato che l'area circostante è sicura, afferrare saldamente l'impugnatura anteriore con la mano sinistra, come mostrato nell'illustrazione, e con l'altra mano tirare ripetutamente la funicella di avviamento.
8. Se si avverte il rumore di uno scoppio e il motore si arresta immediatamente, portare la leva della valvola dell'aria in posizione "In funzione" e continuare a tirare la funicella per avviare il motore.
9. Se dopo aver eseguito le operazioni indicate al punto 7 il motore si avvia immediatamente, riportare delicatamente la leva della valvola dell'aria nella posizione "In funzione".
10. Lasciar scaldare il motore a regime minimo per un breve periodo di tempo.
11. Premere il dispositivo di bloccaggio della leva del gas e azionare gradualmente la leva del gas.

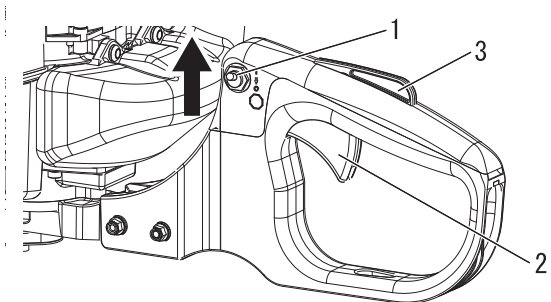
Funzionamento del motore

Riscaldamento del motore



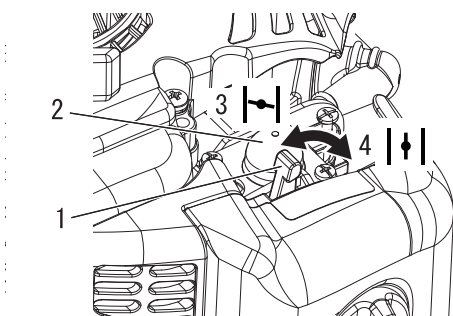
1. Una volta avviato, lasciar riscaldare il motore per 2 - 3 minuti in folle, ossia al regime minimo.
2. Il riscaldamento consente di lubrificare più uniformemente gli ingranaggi interni del motore. Far riscaldare bene il motore, in particolare quando è freddo.

Avviamento di un motore a caldo



1. Interruttore di accensione
2. Leva del gas
3. Dispositivo di bloccaggio della leva del gas

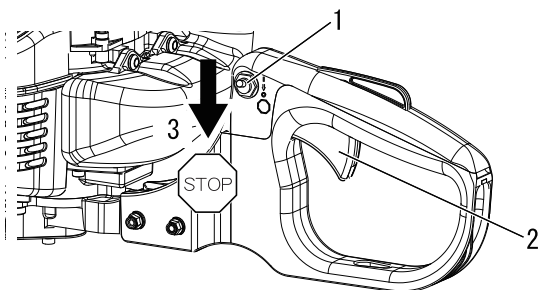
1. Spostare l'interruttore di accensione dalla posizione Stop.
2. Assicurarsi che la leva del gas sia in posizione di folle.



1. Leva della valvola dell'aria
2. Bulbo di spurgo
3. Avviamento a freddo
4. In funzione

3. Controllare che la leva della valvola dell'aria sia nella posizione "In funzione".
4. Se il serbatoio del carburante non è vuoto, tirare la funicella per avviare il motore.
5. Se nel bulbo di spurgo non c'è carburante, premere e rilasciare il bulbo di spurgo finché il carburante non viene risucchiato al suo interno.
6. Dopo aver verificato che l'area circostante è sicura, tirare la funicella di avviamento per accendere il motore.

Arresto del motore



1. Interruttore di accensione
2. Leva del gas
3. Arresto

1. Rilasciare il grilletto dell'acceleratore e mettere il motore in folle (cioè al regime minimo).
2. Abbassare l'interruttore di accensione in posizione "STOP".
3. In caso di emergenza, arrestare immediatamente il motore mediante l'interruttore di accensione.
4. Se il motore non si arresta, portare la leva della valvola dell'aria in posizione "Avviamento a freddo". Il motore stalla e si arresta (retrattile).

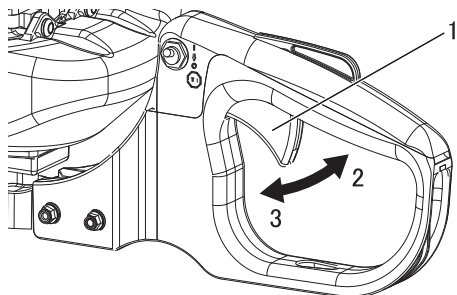
* Se il motore non si arresta azionando l'interruttore di accensione, far controllare e riparare l'interruttore di accensione dal rivenditore prima di utilizzare di nuovo il prodotto.

Taglio di siepi e arbusti

Funzionamento base del tagliasiepi

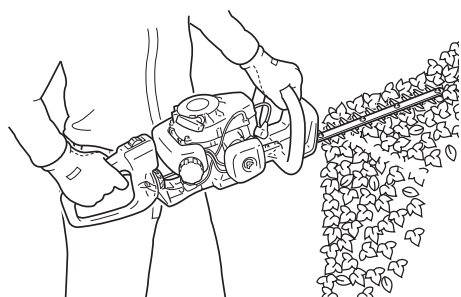
NOTA

- ♦ Questo prodotto è stato progettato per il taglio di arbusti e siepi che abbiano rami con una larghezza massima di 6 mm.
- ♦ Prima di iniziare le operazioni di taglio portare il motore alla massima accelerazione. Effettuare lavori di taglio con un regime motore più basso può far slittare la frizione e danneggiarla. Quando non viene utilizzato per lavori di taglio o rifinitura, non far girare il motore al regime massimo.



1. Leva del gas
2. Alta velocità

3. Al regime minimo



- ♦ Premendo il grilletto dell'acceleratore a motore acceso, il regime aumenta e la lama inizia a muoversi. Regolare il regime motore in base, ad esempio, alla quantità di siepe da tagliare.
- ♦ Eseguire il lavoro di taglio mantenendo la lama lontana dal corpo. Non orientare la lama verso il proprio corpo e mantenerla il più possibile lontana.
- ♦ Durante il taglio dei bordi superiori di siepi o arbusti, muovere la lama da un lato all'altro. È possibile ottenere un taglio pulito e ordinato muovendo la lama leggermente inclinata.
- ♦ Durante il taglio dei bordi laterali di una siepe, per ottenere un taglio pulito e ordinato, muovere la lama da basso verso l'alto.
- ♦ Non premere la lama contro oggetti come gli alberi. Utilizzare il tagliasiepi adattandolo al movimento e alla velocità della lama.

Manutenzione e cura

Guida alla manutenzione

Parte	Manutenzione	Pagina	Prima dell'uso	Mensile
Filtro dell'aria	Pulire/sostituire	18	•	
Filtro del carburante	Ispezionare/pulire/sostituire	18		•
Candela	Ispezionare/pulire/regolare/sostituire	20		•
Carburatore	Regolare/sostituire e regolare	19		•
Impianto di raffreddamento	Ispezionare/pulire	19	•	
Marmitta	Ispezionare/serrare/pulire	19		•
Carter ingranaggi	Aggiungere del grasso	21	• (15 - 20h)	
Motorino di avviamento	Ispezionare	22	•	
Lame	Ispezionare/pulire/lubrificare	20	•	
Impianto di alimentazione	Ispezionare	20	•	
Viti, bulloni e dadi	Ispezionare/serrare/sostituire	-	•	

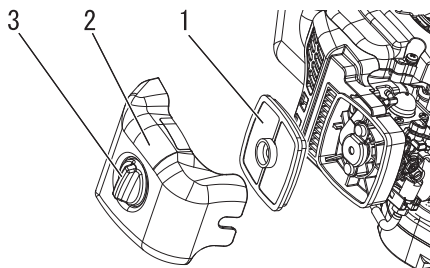
IMPORTANTE

Gli intervalli di tempo indicati sono quelli massimi. L'uso effettivo e l'esperienza dell'utente determineranno la frequenza degli interventi di manutenzione. Registrare le date delle ispezioni mensili e annuali.

Manutenzione e cura

In caso di dubbi o problemi, contattare il rivenditore.

Pulizia del filtro dell'aria



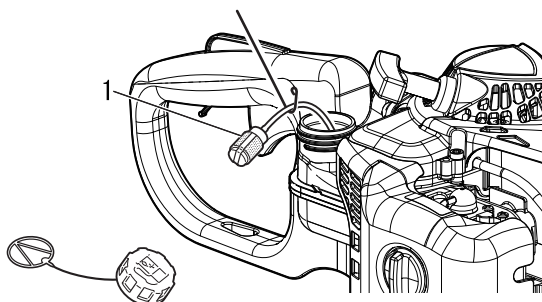
1. Filtro dell'aria
2. Coperchio filtro dell'aria
3. Pomello coperchio del filtro dell'aria

NOTA

- ♦ Se il filtro è eccessivamente sporco o non può essere reinserito in modo appropriato, sostituirlo.
- ♦ Prima di rimontarlo, accertarsi che il filtro sia completamente asciutto.

1. Chiudere la valvola dell'aria. Allentare il pomello del coperchio del filtro dell'aria e rimuovere il coperchio e il filtro.
2. Spazzolare delicatamente il filtro per eliminare i detriti oppure pulire con un solvente non infiammabile. Prima del montaggio asciugarlo completamente.
3. Rimontare il filtro dell'aria dopo averlo installato nel coperchio.

Pulizia del filtro carburante



1. Filtro del carburante

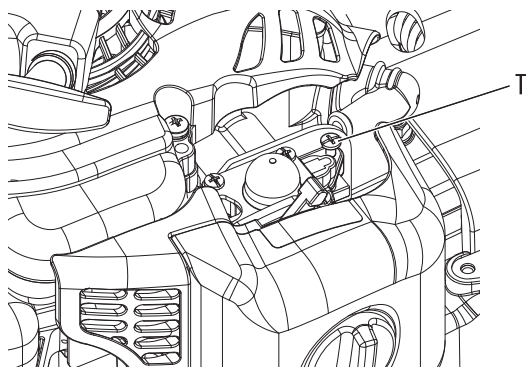
Regolazione del carburatore

⚠ AVVERTENZA

Una volta completata la regolazione del carburatore, la lama non dovrebbe muoversi con il motore in folle, altrimenti si rischiano gravi infortuni.

⚠ ATTENZIONE

Quando si avvia il motore, il regolatore del folle (T) dovrebbe essere regolato in modo da non far muovere la lama. In caso di problemi con il carburatore, consultare il proprio rivenditore.



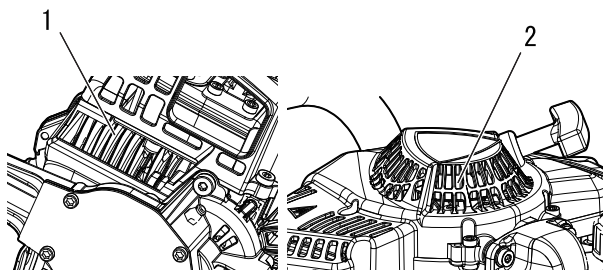
T: Vite di regolazione del folle

Tutte le unità vengono testate in fabbrica e il carburatore viene messo a punto per garantire prestazioni ottimali.

Prima di mettere a punto il carburatore, pulire o sostituire il filtro dell'aria, avviare il motore e farlo girare per alcuni minuti finché non raggiunge la temperatura di esercizio.

1. Vite di regolazione del folle.
Avviare il motore e ruotare la vite di regolazione del folle (T) in senso orario finché le lame non iniziano a muoversi, quindi girare la vite (T) in senso antiorario finché le lame non si arrestano. Girare la vite (T) in senso antiorario di un altro 1/2 giro.
2. Accelerare alla massima potenza per 2 o 3 secondi per eliminare il carburante in eccesso dal motore, quindi tornare in folle. Accelerare alla massima potenza per controllare se la transizione da folle alla massima potenza è fluida.

Impianto di raffreddamento



1. Alette del cilindro

2. Presa d'aria

Pulizia della marmitta

⚠ AVVERTENZA

⊘ Non utilizzare mai l'unità con una marmitta o un parascintille danneggiati o smontati. Lavorando con un parascintille danneggiato o smontato si rischia di causare un incendio e inoltre si potrebbero subire danni all'udito.

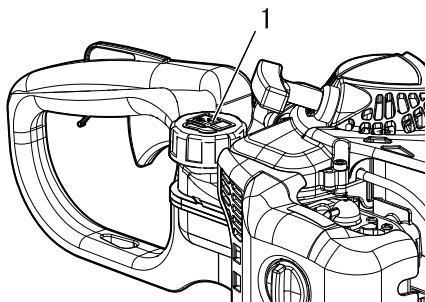
- ♦ I depositi di carbonio nella marmitta provocano perdita di potenza e surriscaldamento del motore. Controllare regolarmente la protezione parascintille. Pulire i depositi dalla marmitta.

IMPORTANTE

Non rimuovere il coperchio della marmitta. Se necessario, consultare il proprio concessionario.

Manutenzione e cura

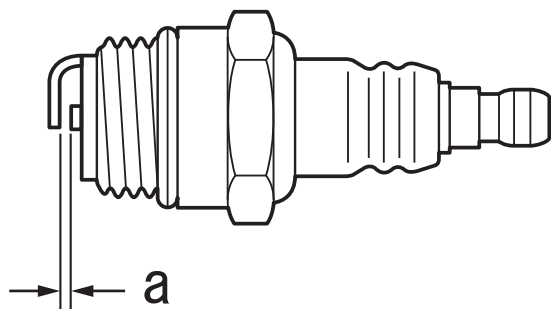
Controllare l'impianto di alimentazione



1. Tappo del serbatoio carburante

- ♦ Controllare prima di ogni utilizzo.
- ♦ Dopo il rifornimento accertarsi che non ci siano perdite o fuoriuscite di carburante nelle aree circostanti il condotto del carburante, il gommino del carburante o il tappo del serbatoio.
- ♦ In caso di perdite o trasudamento di carburante c'è rischio di incendio. Smettere immediatamente di usare la macchina e richiedere al proprio rivenditore di ispezionarla o sostituirla.

Controllo della candela



a: 0,6 - 0,7 mm

- ♦ Verificare la distanza della candela. La giusta distanza è da 0,6 mm a 0,7 mm.
- ♦ Verificare l'usura dell'elettrodo.
- ♦ Verificare se l'isolatore presenta depositi di olio o altro.
- ♦ Se necessario, sostituire la candela e serrare a 15 N•m - 17 N•m (da 150 kgf•cm a 170 kgf•cm).

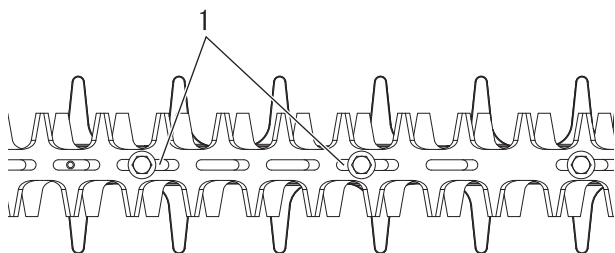
Manutenzione delle lame

ATTENZIONE

- Indossare i guanti per proteggere le mani dalle lame taglienti.
- ◆ La mancata osservanza di queste istruzioni potrebbe causare lesioni.

Lubrificazione delle lame (ogni 4 ore di funzionamento)

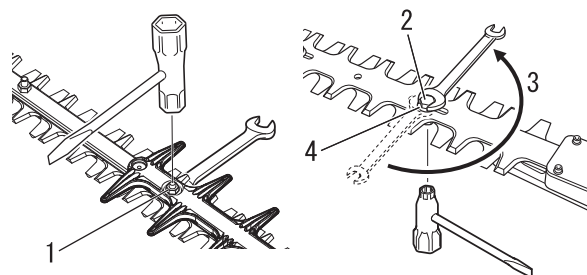
Applicare poche gocce di olio in ciascuna delle fessure dei bulloni, nella parte inferiore delle lame.



1. Fessure per i bulloni

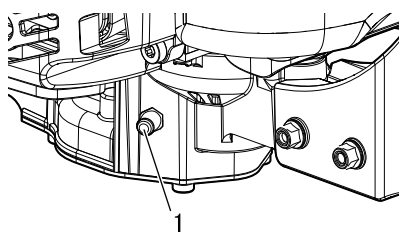
Pulizia delle lame (dopo ogni uso)

Rimuovere i residui gommosi dalle lame utilizzando una miscela 50 : 50 di cherosene (paraffina) e olio per macchine.



1. Controdado
2. Bullone
3. Allentare di 1/4 o 1/2 giro
4. Rondella

Lubrificazione del carter degli ingranaggi



1. Raccordo di ingrassaggio

Regolare la distanza tra le lame (se necessario)

Allentare i controdadi di 1/2 giro, mediante la chiave a T. Serrare saldamente i bulloni con una chiave a forchetta da 10 mm.

Allentare i bulloni di 1/4 o 1/2 giro.

Mantenendo fermi i bulloni per evitare che ruotino, serrare i controdadi.

Quando la regolazione del bullone è corretta, la distanza tra le lame e le rondelle piane deve essere compresa tra 0,25 e 0,50 mm e le rondelle piane devono essere in grado di ruotare liberamente sotto la testa di ciascun bullone.

Utensili necessari:

ingrassatore a siringa, panno.

Parti necessarie:

Grasso al litio.

1. Pulire il raccordo di ingrassaggio.
2. Mantenere il prodotto fermo e pompare delicatamente il grasso attraverso il raccordo. Non forzare il pompaggio del grasso. Un'eccessiva pressione potrebbe causare una fuoriuscita del grasso dalle guarnizioni di tenuta provocando danni al prodotto. **Applicare 1 - 2 pompaggi di grasso ogni 15 - 20 ore di funzionamento.**

NOTA

Usare grasso multiuso al litio di buona qualità.

Manutenzione e cura

Problemi tecnici

Problema	Diagnosi	Causa	Soluzione
Il motore non si avvia		<ul style="list-style-type: none"> ♦ Non c'è carburante nel serbatoio ♦ L'interruttore di accensione è in posizione di Arresto ♦ Eccessiva aspirazione di carburante ♦ Guasto elettrico ♦ Guasto al carburatore o incollaggio interno ♦ Guasto interno al motore 	<ul style="list-style-type: none"> ♦ Rifornimento carburante ♦ Mettere in posizione di Start ♦ Avviare il motore dopo la manutenzione ♦ Consultare il proprio rivenditore ♦ Consultare il proprio rivenditore ♦ Consultare il proprio rivenditore
Il motore stenta ad avviarsi, rotazioni fluttuanti	Il carburante entra nel tubo di trabocco	<ul style="list-style-type: none"> ♦ Degradazione del carburante ♦ Problema al carburatore 	<ul style="list-style-type: none"> ♦ Sostituire con carburante nuovo ♦ Consultare il proprio rivenditore
	Il carburante non entra nel tubo di trabocco	<ul style="list-style-type: none"> ♦ Filtro del carburante ostruito ♦ L'impianto di alimentazione è ostruito ♦ Parti interne al carburatore incollate 	<ul style="list-style-type: none"> ♦ Pulire o sostituire ♦ Consultare il proprio rivenditore ♦ Consultare il proprio rivenditore
	La candela è sporca o umida	<ul style="list-style-type: none"> ♦ Degradazione del carburante ♦ Distanza dell'elettrodo non adeguata ♦ Depositi di carbonio ♦ Guasto elettrico 	<ul style="list-style-type: none"> ♦ Sostituire ♦ Sostituire ♦ Sostituire ♦ Consultare il proprio rivenditore
Il motore si avvia ma non è possibile accelerare		<ul style="list-style-type: none"> ♦ Filtro dell'aria sporco ♦ Filtro del carburante sporco ♦ Passaggio del carburante bloccato ♦ Problema di regolazione del carburatore ♦ Apertura per la ventilazione o sfiato della marmitta bloccati 	<ul style="list-style-type: none"> ♦ Pulire o sostituire ♦ Pulire o sostituire ♦ Consultare il proprio rivenditore ♦ Regolare ♦ Pulire
Il motore si arresta		<ul style="list-style-type: none"> ♦ Problema di regolazione del carburatore ♦ Guasto elettrico 	<ul style="list-style-type: none"> ♦ Regolare ♦ Consultare il proprio rivenditore
Il motore non si arresta		<ul style="list-style-type: none"> ♦ Guasto all'interruttore di accensione 	<ul style="list-style-type: none"> ♦ Eseguire un arresto di emergenza del motore e consultare il proprio rivenditore
Le lame si muovono quando il motore è in folle		<ul style="list-style-type: none"> ♦ Problema di regolazione del carburatore ♦ Molla della frizione danneggiata 	<ul style="list-style-type: none"> ♦ Regolare ♦ Consultare il proprio rivenditore
Le lame non tagliano		<ul style="list-style-type: none"> ♦ Lame usurate ♦ Distanza eccessiva tra la lama superiore e la lama inferiore ♦ Slittamento della frizione 	<ul style="list-style-type: none"> ♦ Consultare il proprio rivenditore ♦ Consultare il proprio rivenditore ♦ Consultare il proprio rivenditore

- ♦ Il controllo e la manutenzione richiedono competenze specialistiche. In caso di problemi o difficoltà durante la manutenzione del prodotto, consultare il proprio rivenditore. Non tentare di smontare il prodotto.
- ♦ In caso di problemi non menzionati nella tabella consultare il proprio rivenditore.
- ♦ Per i pezzi di ricambio e gli articoli di consumo, utilizzare solo parti originali, prodotti e componenti raccomandati. L'utilizzo di ricambi di altri produttori o componenti non raccomandati potrebbe provocare guasti.

Rimessaggio per un lungo periodo (oltre 30 giorni)

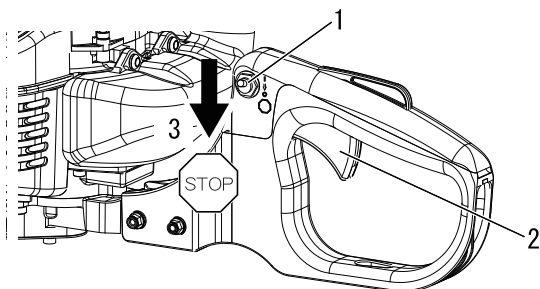
AVVERTENZA

Non conservare l'attrezzo in luoghi chiusi dove le esalazioni del carburante potrebbero accumularsi, raggiungendo una fiamma libera o infiammarsi.

◆ Questo potrebbe provocare un incendio.



Per conservare il prodotto per un lungo periodo (oltre 30 giorni), effettuare le seguenti operazioni.



1. Interruttore di accensione
2. Leva del gas
3. Arresto

1. Scaricare completamente il serbatoio carburante in un luogo all'aperto su un pavimento nudo. Non scaricare il carburante in un luogo chiuso.
 - A. In alternativa, premere e rilasciare il bulbo di spurgo alcune volte per eliminare il carburante al suo interno.
 - B. Avviare il motore e farlo girare in folle finché non si spegne per mancanza di carburante.
2. Spostare l'interruttore di accensione in posizione "STOP".
3. Togliere grasso, olio, sporco e detriti accumulati sulla parte esterna del tagliaerba.
4. Eseguire i controlli periodici prescritti in questo manuale.
5. Verificare che le viti e i dadi siano serrati. Serrare eventuali viti o dadi allentati.
6. Smontare la candela e aggiungere la quantità appropriata (circa 10 mL) di olio per motori a 2 tempi pulito nel cilindro attraverso il foro della candela.
 - A. Mettere un panno pulito sul foro della candela.
 - B. Tirare 2 o 3 volte la funicella per distribuire l'olio motore nel cilindro.
 - C. Osservare la posizione del pistone dal foro della candela. Tirare la leva del motorino di avviamento a rimbalzo fino a quando il pistone non raggiunge la parte superiore della corsa e lasciarla in questa posizione.
7. Montare la candela. (Non collegare il cappuccio della candela.)
8. Lubrificare le lame con una patina spessa di olio per evitare la ruggine.
9. Dopo che il prodotto si è sufficientemente raffreddato e asciugato, applicare il coprilama alle lame e avvolgere la sezione del motore con un sacchetto di plastica o con una copertura simile prima di immagazzinarlo.
10. Conservare il prodotto in un luogo asciutto e privo di polvere, lontano dalla portata dei bambini o da persone non autorizzate.

Procedura di smaltimento



- ♦ Smaltire l'olio usato in conformità alla legislazione locale.
- ♦ I componenti principali di plastica del prodotto presentano dei codici che indicano i materiali che li costituiscono. I codici fanno riferimento ai seguenti materiali; smaltire questi componenti di plastica in conformità alla legislazione locale.

Contrassegno	Materiale
>PA6-GF<	Nylon 6 - Fibra di vetro
>PP-GF<	Polipropilene - Fibra di vetro
>PE-HD<	Polietilene

- ♦ Per ottenere informazioni sulle modalità di smaltimento dell'olio usato o dei componenti in plastica, contattare il proprio concessionario.

Caratteristiche tecniche

		DH202
Dimensioni esterne: Lunghezza x Larghezza x Altezza	mm	1052 × 272 × 198
Masse: Unità con accessorio di taglio, serbatoio vuoto	kg	4,5
Unità con accessorio di taglio, serbatoio pieno	kg	4,8
Volume: Serbatoio del carburante	mL	390
Carburante: Olio Percentuale di miscelazione		Benzina normale. Si consiglia benzina senza piombo ad 89 ottani. Non utilizzare carburante contenente alcol metilico o una percentuale di alcol etilico superiore al 10%. Olio per motori a due tempi raffreddati ad aria. Olio certificato ISO-L-EGD (ISO/CD 13738), grado JASO FC/FD ed Shindaiwa. 50: 1 parte (2%)
Accessorio di taglio: Tipo Lunghezza di taglio Passo Altezza		Doppia lama a doppio effetto mm 534 mm 35 mm 21
Rapporto ingranaggi e lubrificazione:		5,88 riduzione e grasso al litio di buona qualità
Motore: Tipo Carburatore Magnete Candela Motorino di avviamento Trasmissione Cilindrata motore Massima potenza freno sulla trasmissione (ISO 8893) Consumo carburante alla massima potenza del motore Regime motore massimo raccomandato (con accessorio STD installato) Regime minimo raccomandato		Monocilindrico a 2 tempi - raffreddato ad aria Tipo diaframma Magnete del volano: Sistema CDI NGK BPMR8Y Avviatore a strappo Frizione centrifuga automatica cm ³ 21,2 kW 0,6 L/h 0,44 giri/min 10500 giri/min 3300
Livelli di vibrazioni: (ISO 10517) _{a_{hv,eq}} Impugnatura anteriore / Impugnatura posteriore Incertezza : K	m/s ² m/s ²	6,4 / 9,7 5,0
Livello pressione acustica: (ISO 10517) L _{pAd} (= L _{pAeq} + K _{pA}) Incertezza : K _{pA}	dB(A) dB(A)	96,1 2,5
Livello potenza acustica: (ISO 10517) L _{WAAd} (= L _{WAeq} + K _{WA}) Incertezza : K _{WA}	dB(A) dB(A)	106,5 2,5

Queste specifiche possono subire modifiche senza preavviso.

Dichiarazione di conformità

Il produttore sottoscritto:

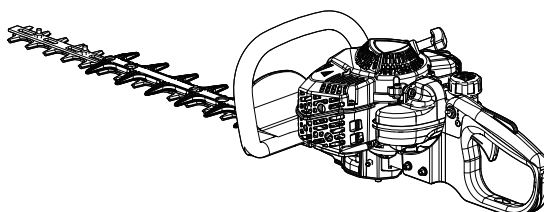
YAMABIKO CORPORATION
1-7-2 Suehirocho, Ohme, Tokyo 198-8760 GIAPPONE

La presente dichiarazione di conformità viene rilasciata sotto la responsabilità esclusiva del produttore.

dichiara che la nuova macchina di seguito descritta:

TAGLIASIEPI PORTATILE

Marchio: shindaiwa
Tipo: DH202



è conforme a:

- * i requisiti della Direttiva **2006/42/CE** (uso di norma armonizzata **EN ISO 10517: 2019**)
- * i requisiti della Direttiva **2014/30/UE** (uso di norma armonizzata **EN ISO 14982: 2009**)
- * i requisiti della Direttiva **2011/65/CE** (uso di norma armonizzata **EN 50581: 2012**)
- * i requisiti della Direttiva **2000/14/CE**

Conforme alla procedura di accertamento dell'**ALLEGATO V**

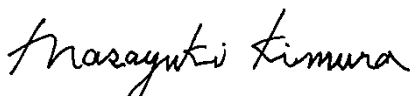
Livello di potenza acustica misurato: **105 dB(A)**

Livello di potenza acustica garantito: **108 dB(A)**

Numero di serie da 38001001 a 38100000

Tokyo, 5 settembre 2019

YAMABIKO CORPORATION



Masayuki Kimura
Direttore generale
Reparto Garanzia di qualità

Rappresentante autorizzato in Europa a costituire il fascicolo tecnico.

Azienda: CERTIFICATION EXPERTS B.V.

Indirizzo: P.O. box 5047, Merwedeweg 2, 3621 LR Breukelen, Paesi Bassi

Mr. Richard Glaser

MEMORANDUM

YAMABIKO CORPORATION
1-7-2 Suehirocho, Ohme, Tokyo 198-8760 GIAPPONE
TELEFONO: 81-428-32-6118. FAX: 81-428-32-6145.

shindaiwa[®]



X770224-8500

shindaiwa[®]

ESPAÑOL
ES (Instrucciones originales)

MANUAL DE INSTRUCCIONES

CORTASETOS DH202



ADVERTENCIA

LEA ATENTAMENTE LAS INSTRUCCIONES Y SIGA LAS INDICACIONES PARA UN FUNCIONAMIENTO SEGURO.
DE NO HACERLO, PODRÍA SUFRIR LESIONES GRAVES.

Información importante

Asegúrese de leer el manual de instrucciones antes de utilizar el producto.

○ Uso al que está destinado este producto

- ♦ Los cortasetos de gasolina shindaiwa son ligeros, ofrecen un excelente rendimiento y han sido diseñados específicamente para recortar setos y arbustos.
- ♦ No utilice este aparato para ningún otro propósito distinto de los mencionados anteriormente.

○ Usuarios del producto

- ♦ No deberá utilizar este producto hasta que no haya leído atentamente el manual de instrucciones y asimilado su contenido.
- ♦ Nadie que no haya leído el manual de instrucciones adecuadamente deberá utilizar el producto, asimismo, deberá evitar su utilización si se encuentra resfriado, cansado o en una mala condición física, así como la utilización por parte de niños.
- ♦ Tenga presente que el operador o usuario es responsable de los accidentes o peligros ocasionados a terceras personas o a su propiedad.

○ Acerca del manual de instrucciones

- ♦ Este manual proporciona la información necesaria para el funcionamiento y mantenimiento de esta máquina. Léalo atentamente y asimile su contenido.
- ♦ Mantenga siempre el manual en un lugar fácilmente accesible.
- ♦ Si ha perdido el manual o si está dañado y no es legible, adquiera uno nuevo en su DISTRIBUIDOR shindaiwa.
- ♦ Los aparatos utilizados en este manual son aparatos SI (sistema internacional de unidades). Las imágenes que se encuentran entre paréntesis son valores de referencia y, en algunos casos, puede haber un ligero error de conversión.

○ Préstamo o asignación del producto

- ♦ Cuando preste el producto descrito en este manual a una tercera persona, asegúrese de que la persona que recibe y trabaja con el producto reciba el manual de instrucciones con el mismo. Si asigna el producto a una tercera persona, adjunte el manual de instrucciones con el producto cuando haga la entrega.

○ Consultas

- ♦ Póngase en contacto con su DISTRIBUIDOR shindaiwa para consultas relacionadas con información del producto, para la adquisición de consumibles, reparaciones y cualquier otro tipo de consultas.

○ Avisos

- ♦ El contenido de este manual puede sufrir cambios sin previo aviso debido a actualizaciones del producto. Algunas de las ilustraciones utilizadas pueden ser diferentes al propio producto para hacer más claras las explicaciones.
- ♦ Este producto requiere el montaje de algunas piezas.
- ♦ Consulte con su DISTRIBUIDOR shindaiwa si hay algo que no esté claro o sobre lo que tenga interés.

Fabricante

YAMABIKO CORPORATION

1-7-2 Suehirocho, Ohme, Tokio 198-8760 JAPÓN

Representante autorizado en Europa:

CERTIFICATION EXPERTS B.V.

P.O. box 5047, Merwedeweg 2, 3621 LR Breukelen, Países Bajos

Para una utilización segura del producto.....	4
Avisos de advertencia.....	4
Otros indicadores.....	4
Símbolos.....	4
Ubicación en la que se encuentra el adhesivo de seguridad	5
Manipulación del combustible.....	6
Manipulación del motor.....	7
Manipulación del producto.....	8
Lista de piezas	12
Descripción	13
Antes de comenzar	14
Preparación del combustible	14
Funcionamiento del motor	15
Arranque del motor.....	15
Parada del motor	16
Operación de recorte de setos y arbustos.....	17
Funcionamiento básico de recorte de setos	17
Mantenimiento y cuidados	18
Directivas de asistencia	18
Mantenimiento y cuidados	18
Almacenamiento	23
Almacenamiento durante un largo periodo (30 días o más).....	23
Procedimiento para desechar el producto	24
Características técnicas.....	25
Declaración de conformidad	26

Para una utilización segura del producto

Lea atentamente esta sección antes de utilizar el producto.




○ Las precauciones descritas en esta sección contienen información de seguridad importante. Cúmplalas cuidadosamente.

○ Asimismo, debe leer las precauciones que aparecen en el interior del propio manual.

El texto que aparece después de una marca [marca de diamante] describe las posibles consecuencias de no cumplir la precaución.


Avisos de advertencia

Las situaciones en las que existe un riesgo de lesión física para el operador y para otras personas aparecen indicadas en este manual y en el propio producto mediante los siguientes avisos de peligro. Léalos y téngalos siempre en cuenta para garantizar un funcionamiento seguro.

 PELIGRO	 ADVERTENCIA	 PRECAUCIÓN
Este símbolo acompañado por la palabra " PELIGRO " llama la atención sobre una acción o sobre unas condiciones que causarán heridas personales importantes o incluso la muerte al operario y a los transeúntes.	Este símbolo acompañado por la palabra " ADVERTENCIA " llama la atención sobre una acción o sobre unas condiciones que pueden causar heridas personales importantes o incluso la muerte al operario y a los transeúntes.	" PRECAUCIÓN " indica una situación potencialmente peligrosa que, si no se evita, puede provocar heridas leves o moderadas.




Otros indicadores

Además de los avisos de advertencia, en este manual se utilizan los siguientes símbolos explicativos:

	El círculo con barra oblicua prohíbe la acción o uso de los objetos mostrados.	NOTA	Este mensaje enmarcado proporciona consejos para el uso, cuidado y mantenimiento del equipo.	IMPORTANTE	El texto enmarcado con la palabra " IMPORTANTE " contiene información importante relativa al uso, comprobación, mantenimiento y almacenamiento del producto descrito en este manual.
---	--	-------------	--	-------------------	---

Símbolos

En este manual y en el propio producto se utilizan una serie de símbolos explicativos. Asegúrese de entender completamente lo que significa cada símbolo.

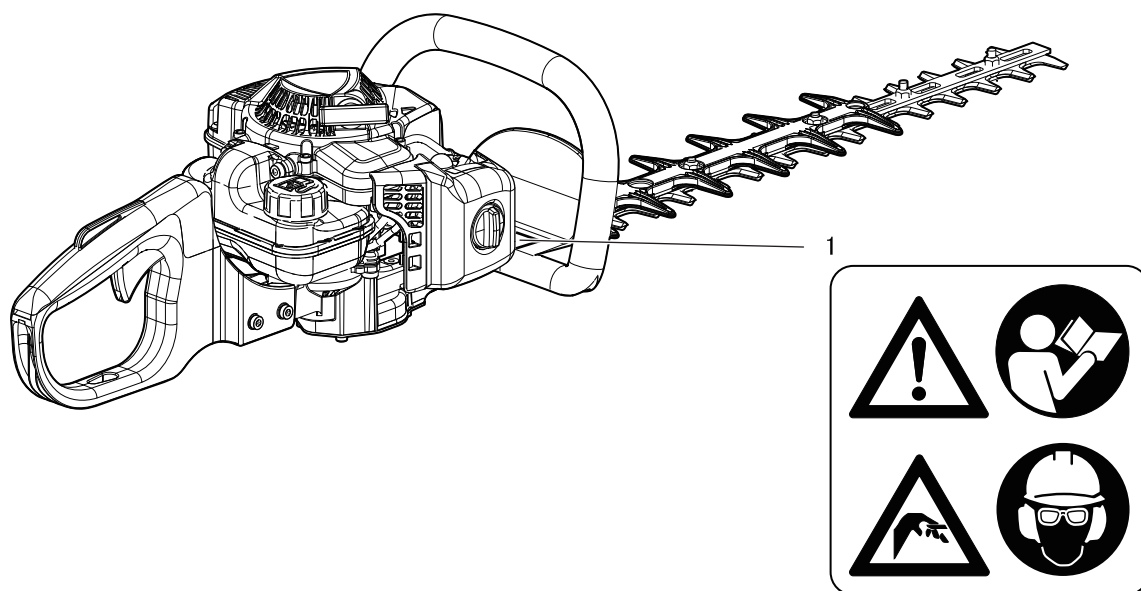
Forma y silueta del símbolo	Descripción / aplicación del símbolo	Forma y silueta del símbolo	Descripción / aplicación del símbolo
	Lea atentamente el manual de instrucciones.		Mezcla de gasolina y aceite
	Utilice siempre protección para los ojos, oídos y cabeza.		Cubeta de purga (cebador)
	Seguridad / Alerta		Amputación de dedo
	Parada de emergencia	T	Ajuste del carburador - Velocidad de ralentí

Para una utilización segura del producto

Forma y silueta del símbolo	Descripción / aplicación del símbolo	Forma y silueta del símbolo	Descripción / aplicación del símbolo
	No utilice este producto en zonas con ventilación escasa		Control del estrangulador, posición de "Arranque en frío" (Estrangulador cerrado)
	Tenga cuidado no se incendie		Control del estrangulador, posición de "Funcionamiento" (Estrangulador abierto)
	Tenga cuidado de no sufrir descargas eléctricas		Tenga precaución con las zonas a alta temperatura
	Nivel de potencia acústica garantizada		Arranque del motor

Ubicación en la que se encuentra el adhesivo de seguridad

- Los productos descritos en este manual incorporan el adhesivo de seguridad mostrado a continuación. Asegúrese de comprender el significado del adhesivo antes de utilizar el producto.
- Si el adhesivo se ha deteriorado debido al desgaste, está dañado o se ha despegado y perdido, adquiera un adhesivo de reemplazo en su distribuidor y colóquelo en la ubicación mostrada en las ilustraciones que aparecen a continuación. Asegúrese de que el adhesivo sea siempre legible.



1. Adhesivo de seguridad (Número de pieza X505-002030)

Para una utilización segura del producto

Manipulación del combustible

PELIGRO

Mantener siempre alejado del fuego cuando realice el repostaje

El combustible es altamente inflamable y conlleva un riesgo de incendio si se manipula incorrectamente. Tenga un cuidado extremo al mezclarlo, almacenarlo o manipularlo o podrá sufrir lesiones personales graves. Tenga cuidado de cumplir las siguientes instrucciones.

- No fume ni sujete una llama cerca cuando esté realizando el repostaje.
- No reposte el combustible con el motor caliente o en funcionamiento.
- ◆ Si lo hace, el combustible podría incendiarse y provocar un fuego dando lugar a quemaduras.

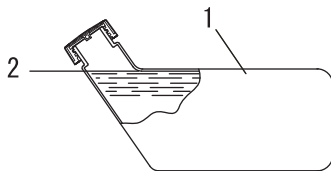
Acerca del depósito y del lugar de repostaje

- Utilizar un depósito de combustible aprobado.
- Los depósitos/latas de combustible pueden estar a presión. Afloje siempre los tapones del combustible lentamente para permitir que se iguale la presión.
- NO llene los depósitos de combustible bajo techo. Llene SIEMPRE los depósitos de combustible en el exterior y sobre suelo descubierto.

Las salpicaduras de combustible pueden provocar un incendio

Tenga en cuenta las siguientes precauciones cuando reposte:

- No añada demasiado combustible a fin de que no alcance la boca del depósito de combustible. Mantenga el combustible dentro del nivel indicado (hasta el nivel de la pared del depósito de combustible).
- Limpie cualquier resto de combustible que se desborde o que se derrame debido a un llenado excesivo.
- Apriete firmemente la tapa de seguridad una vez finalizado el repostaje.
- ◆ Las salpicaduras de combustible pueden provocar un incendio y quemarse cuando se inflamen.

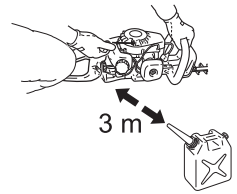


1. Depósito de combustible
2. Nivel de los hombros

No encienda el motor en la zona en la que haya realizado el repostaje

- No debe encender el motor en el lugar en el que haya realizado el repostaje. Desplácese un mínimo de 3 m del lugar en el que ha realizado el repostaje antes de arrancar el motor.

- ◆ Las fugas de combustible producidas durante el repostaje pueden provocar un fuego si se prenden.



Las fugas de combustible pueden provocar un fuego

- Una vez realizado el repostaje, compruebe siempre que no haya fugas o descargas de combustible en el conducto del combustible, en las arandelas aislantes del sistema de combustible o alrededor de la tapa del depósito de combustible.
- Si las hubiera, deje de utilizar inmediatamente el producto y póngase en contacto con su distribuidor para que lo repare.
- ◆ Cualquier fuga de combustible puede provocar un fuego.



Para una utilización segura del producto

Manipulación del motor

ADVERTENCIA

Arranque del motor

Tenga especial cuidado de seguir las siguientes precauciones cuando arranque el motor:

- Asegúrese de que en todo momento están instalados los asideros y protecciones.
- Compruebe que ninguna tuerca ni perno estén flojos
- Compruebe que no haya fugas de combustible
- Compruebe que las cuchillas de corte no están dañadas ni excesivamente desgastadas. Si encuentra alguna anomalía, no utilice la unidad.
- Coloque el producto en un lugar plano y bien ventilado
- Deje suficiente espacio alrededor del producto y no deje que se acerquen personas o animales
- Elimine las obstrucciones, de haberlas
- Asegúrese de que las cuchillas de corte no tocan el suelo ni ningún obstáculo.
- Arranque el motor con el gatillo del acelerador en la posición de velocidad de ralentí
- Mantenga la unidad firmemente en el suelo al arrancar el motor
- No arranque el motor mientras la unidad se encuentra en el aire
- ◆ Si no tiene en cuenta estas precauciones podría provocar un accidente o una lesión, e incluso dar lugar a un accidente mortal.

Una vez arrancado el motor, compruebe que no haya vibraciones y sonidos anormales

- Compruebe que no haya vibraciones ni sonidos anormales una vez arrancado el motor. No utilice el producto si hay vibraciones o sonidos anormales. Póngase en contacto con su distribuidor para que lo repare.
- ◆ Los accidentes que causen la caída o rotura de las piezas pueden provocar heridas o lesiones graves.

No toque los componentes a temperatura elevada o de alta tensión mientras esté en marcha el producto.

No toque los siguientes componentes a temperatura elevada o de alta tensión mientras esté en marcha el producto o durante algún tiempo después de que se detenga.

- Silenciador, bujía, alojamiento del engranaje y otros componentes a temperatura elevada
- ◆ Podría quemarse si toca un componente a elevada temperatura.
- Bujía, cable de bujía y otros componentes de alta tensión
- ◆ Podría recibir una descarga eléctrica si toca un componente de alta tensión mientras el producto esté en marcha.



En caso de incendio o humo, anteponga la seguridad

- Si el fuego proviene del motor o bien el humo aparece en otra zona distinta del tubo de escape, en primer lugar aléjese del producto para asegurar su integridad física.
- Utilice una pala para arrojar arena u otro material similar sobre el fuego a fin de evitar su propagación o bien apáguelo utilizando un extintor de incendios.
- ◆ Una reacción de pánico podría provocar que el fuego y los demás daños sean más importantes.



Los humos de escape son tóxicos

- Los humos de escape del motor contienen gases tóxicos. No utilice el producto en interiores, en invernaderos de plástico o en otros lugares mal ventilados.
- ◆ Los humos de escape podrían provocar envenenamiento.



Apague el motor cuando compruebe o realice el mantenimiento del producto

Cuando compruebe o realice el mantenimiento del producto después del uso, tenga en cuenta las siguientes precauciones:

- Apague el motor y no intente realizar ninguna comprobación ni mantenimiento del producto hasta que el motor se haya enfriado
- ◆ Podría quemarse.
- Retire la pipa de la bujía antes de realizar comprobaciones y operaciones de mantenimiento
- ◆ Podría producirse un accidente si el producto se arranca inesperadamente.

Comprobación de la bujía

Cuando compruebe la bujía, tenga en cuenta las siguientes precauciones.

- Si los electrodos o terminales están desgastados o si hay roturas en los elementos cerámicos, sustitúyalos por otros nuevos.
- La prueba de chispas (para comprobar si la bujía está emitiendo chispas) debe ser realizada por su distribuidor.
- La prueba de chispas no debe realizarse cerca del orificio de la bujía.
- La prueba de chispas no debe realizarse en lugares en los que haya salpicaduras de combustible o gases inflamables
- No debe tocar las partes metálicas de la bujía
- ◆ La bujía podría iniciar un fuego o darle una descarga eléctrica.



Para una utilización segura del producto

Manipulación del producto Precauciones generales

ADVERTENCIA

Manual de instrucciones

- Lea atentamente el manual de instrucciones antes de utilizar el producto a fin de asegurar un funcionamiento correcto.
- ◆ Si no lo hace podría provocar un accidente o una lesión grave.



No utilice el producto para un uso distinto para el que está diseñado

- No debe utilizar el producto para ningún propósito distinto de los descritos en el manual de instrucciones.
- ◆ De hacerlo, podría provocar un accidente o una lesión grave.

No modifique el producto

- No debe modificar el producto.
- ◆ De hacerlo, podría provocar un accidente o una lesión grave. Cualquier error resultante de una modificación del producto no estará cubierto por la garantía del fabricante.

No utilice el producto a no ser que haya sido comprobado y se le haya realizado el mantenimiento

- No debe utilizar el producto a no ser que haya sido comprobado y se le haya realizado el mantenimiento. Asegúrese siempre de comprobar el producto y de realizar regularmente el mantenimiento.
- ◆ Si no lo hace, podría producirse un accidente o una lesión grave.

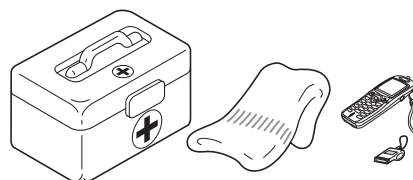
Préstamo o asignación del producto

- Cuando preste el producto a una tercera persona, asegúrese de que la persona que toma prestado el producto recibe con él el manual de instrucciones.
- Si asigna el producto a una tercera persona, adjunte el manual de instrucciones con el producto cuando haga la entrega.
- ◆ Si no lo hace, podría producirse un accidente o una lesión grave.

Preparación en caso de sufrir una lesión

En el improbable caso de sufrir un accidente o lesión, asegúrese de que esté preparado.

- Equipo de primeros auxilios
- Paños y toallas (para detener cualquier hemorragia)
- Silbato o teléfono móvil (para solicitar ayuda externa)
- ◆ Si no es capaz de realizar los primeros auxilios o de pedir ayuda externa, la lesión podría empeorar.



Precauciones de uso

PELIGRO

Arranque del motor

- No trate de arrancar el motor colocándose por el lado de la cuchilla.
- ◆ Pueden producirse lesiones físicas si las cuchillas de corte comienzan a moverse de repente.

No retire la extensión no afilada

- No trabaje con el producto sin la extensión no afilada. Si debe retirarla para razones de mantenimiento, consulte a su distribuidor.
- ◆ Si no lo hiciera, podría sufrir lesiones graves.

Pare siempre el motor si se atascan las cuchillas.

- No intente nunca extraer el objeto causante del atasco con el motor funcionando.
- ◆ Pueden producirse lesiones físicas si se extrae el objeto causante del atasco de las cuchillas y éstas comienzan a moverse de nuevo.

Para una utilización segura del producto

ADVERTENCIA

Usuarios del producto

El producto no podrá ser utilizado por:

- personas que estén cansadas
- personas que hayan consumido alcohol
- personas que estén tomando medicación
- mujeres embarazadas
- personas que estén en una mala condición física
- personas que no hayan leído el manual de instrucciones
- niños

◆ Si no sigue estas instrucciones podría provocar un accidente.

- El sistema de encendido de este producto genera campos electromagnéticos durante su funcionamiento. Los campos magnéticos pueden causar interferencias con los marcapasos o hacer que no funcionen correctamente. Para reducir los riesgos para la salud, recomendamos a los usuarios de marcapasos que consulten a su médico y al fabricante del marcapasos antes de utilizar este producto.



Condiciones de uso y de funcionamiento

- No utilice el producto en lugares donde no se asegure la estabilidad, por ejemplo, cuevas empinadas o después de que haya llovido, ya que dichos lugares son resbaladizos y peligrosos.
- No trabaje con el producto de noche o en lugares oscuros con poca visibilidad.
- ◆ Si se cae o se resbala podría sufrir una lesión grave, o bien no lograr que el producto funcione correctamente.

Transporte del producto

Cuando lleve a cabo el transporte en las situaciones descritas a continuación, apague el motor y asegúrese de que las cuchillas de corte se hayan detenido y, a continuación, coloque la tapa de las cuchillas y aleje el silenciador de usted.

- Traslado a otro lugar cuando esté trabajando
- Traslado a otra área mientras está trabajando
- Abandono del lugar en el que ha estado trabajando
- ◆ Si no cumple estas precauciones podría sufrir quemaduras o una lesión grave.
- Cuando transporte el producto en coche, vacíe el depósito de combustible, coloque la tapa de la cuchilla de corte y asegure firmemente el producto en su lugar para evitar que se mueva.
- ◆ Los viajes en coche con combustible en el depósito podrían provocar un incendio.

Las vibraciones y el frío

Se cree que puede contraerse una enfermedad llamada fenómeno de Raynaud, que afecta a los dedos de ciertos individuos, si se está expuesto a vibraciones y frío. La exposición a las vibraciones y al frío puede causar el cosquilleo y quemazón de los dedos, seguidos de pérdida de color y sensación de dedos dormidos.

Se recomiendan las siguientes precauciones, ya que se desconoce cuál es la exposición mínima que desencadena esta dolencia.

- Mantenga el cuerpo caliente, especialmente la cabeza y el cuello, los pies y los tobillos y las manos y las muñecas.
- Mantenga una buena circulación sanguínea realizando vigorosos ejercicios con los brazos durante frecuentes descansos y también no fumando.
- Limite el número de horas de trabajo. Intente también hacer cada día trabajos en los que no sea necesario usar el cortasetos u otros equipos a motor sujetados con las manos.
- Si experimenta molestias, rojez o hinchazón de los dedos, seguidos de una pérdida de sensación y emblanquecimiento de los mismos, consulte con su médico antes de volver a exponerse al frío y a las vibraciones.
- ◆ Si no tiene en cuenta estas instrucciones podría perjudicar su salud.

Lesiones por esfuerzos repetitivos

Se cree que un uso excesivo de los músculos y tendones de los dedos, manos, brazos y hombros puede causar dolores, hinchazones, adormecimiento, debilidad y dolores extremos en los mismos. Ciertas actividades repetitivas de las manos pueden suponer un alto riesgo para el usuario de desarrollo de lesiones debidas a esfuerzos repetitivos (RSI).

Para reducir el riesgo de lesiones por esfuerzos repetitivos (RSI):

- Evite colocar la muñeca en posición doblada, extendida o torcida.
- Tómese descansos periódicos para minimizar la repetición y deje descansar las manos. Reduzca la velocidad y fuerza con la que hace el movimiento repetitivo.
- Haga ejercicios que fortalezcan los músculos de las manos y de los brazos.
- Consulte a su médico si siente cosquilleos, adormecimiento o dolor en sus dedos, manos, muñecas o brazos. Cuanto antes se diagnostiquen estas lesiones (RSI), más probabilidades tendrá de prevenir daños permanentes en los nervios y músculos.
- ◆ Si no tiene en cuenta estas instrucciones podría perjudicar su salud.

Para una utilización segura del producto

ADVERTENCIA

Retire las sustancias y obstáculos extraños antes de utilizar el producto

- Inspeccione el área en la que se utilizará la unidad. Retire las piedras, objetos metálicos y otros objetos que pudieran obstruir o dañarla.
- ◆ Puede producirse un accidente o lesiones graves si el dispositivo de corte arroja objetos extraños.

Apague inmediatamente el motor si algo no va como debiera

- En las situaciones que se describen a continuación, apague inmediatamente el motor y asegúrese de que el dispositivo de corte se ha detenido antes de comprobar cada área del producto. Sustituya cualquier pieza dañada.
- Si el dispositivo de corte golpea una roca, árbol, poste u otro tipo de obstáculo mientras esté trabajando.
 - Si el producto comienza a vibrar anormalmente de forma repentina.
 - ◆ El uso continuado de las piezas cuando estén dañadas puede provocar un accidente o una lesión grave.

El área dentro de un radio de 10 metros es una zona peligrosa

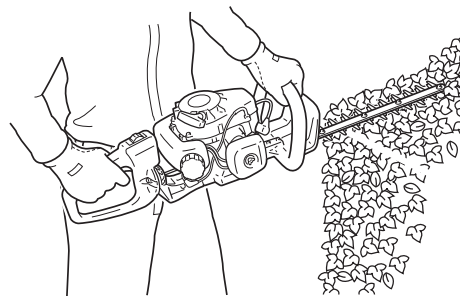
- El área dentro de un radio de 10 metros del producto es una zona peligrosa. Tenga cuidado de cumplir estas precauciones cuando trabaje con el producto.
- No permite que niños, otras personas o mascotas entren en la zona de peligro.
 - Si entra otra persona en la zona de peligro, apague el motor para detener las cuchillas.
 - Cuando se acerque al operario, hágale una señal, por ejemplo, arrojándole ramitas desde el exterior de la zona de peligro y, a continuación, compruebe que el motor se haya desconectado y que las cuchillas hayan parado de moverse.
 - No permita que nadie sujete el material que está cortando.
 - ◆ Cualquier contacto con las cuchillas de corte podría provocar una lesión grave.

No utilice el producto cuando las cuchillas de corte estén moviéndose a velocidad de ralentí.

- No utilice el producto mientras las hojas de corte estén en movimiento, si el cortasetos está funcionando con el gatillo del acelerador en la posición de ralentí. Apague inmediatamente el motor y ajuste el carburador.
- ◆ De hacerlo, podría provocar un accidente o una lesión grave.

No utilice la unidad con una sola mano.

- Mantenga ambas manos en los asideros mientras el motor esté en marcha. Nunca utilice la unidad con una sola mano.
- Sujete firmemente el cortasetos con ambas manos, colocando una mano en el asidero delantero y la otra en el asidero trasero.
- Sujete firmemente la unidad colocando los pulgares y los dedos alrededor de los asideros.
- No retire las manos de la unidad cuando las cuchillas estén en movimiento.
- ◆ Si no observa estas instrucciones hará que el producto sea inestable, lo que puede derivar en lesiones graves.



Asegúrese de que las cuchillas de corte están paradas antes de colocar la unidad en el suelo.

- Cuando apague el motor, compruebe y asegúrese de que las cuchillas de corte hayan dejado de moverse antes de bajar la unidad al suelo.
- ◆ Incluso aunque el motor esté apagado, las cuchillas pueden provocar todavía una lesión mientras estén girando libremente.

Retire los restos del silenciador

- Si objetos tales como hierba, hojas, ramitas o el exceso de grasa quedan atascados alrededor del silenciador del motor, detenga éste y retire cualquier objeto extraño, teniendo cuidado siempre de no tocar los puntos calientes de la unidad.
- ◆ Si no lo hace podría provocar un incendio.

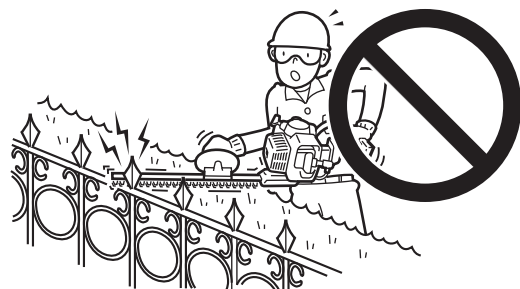


Para una utilización segura del producto

⚠ ADVERTENCIA

No utilice la unidad para cortar objetos duros

- No utilice la unidad para cortar objetos duros, tales como cables o láminas de acero.
- Si la cuchilla choca con un obstáculo o no funcionan correctamente, detenga el motor e inspeccione la cuchilla en busca de daños.
- ◆ Si no observa estas indicaciones podría dar lugar a la avería del producto o a un accidente.



Jamás utilice la unidad mientras se encuentra subido en una escalera o taburete

- No se suba a superficies inestables.
- No utilice la unidad cuando se encuentre subido en la parte superior de una escalera o de pie en un taburete.
- ◆ Si no lo hace, podría producirse un accidente o una lesión grave.

Ropa de protección

⚠ ADVERTENCIA

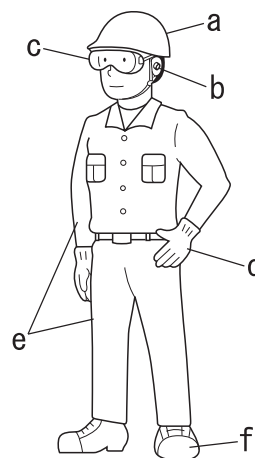
Póngase indumentaria protectora

Póngase siempre la ropa de protección siguiente cuando trabaje con el cortasetos.

- a **Protección para la cabeza (casco):** Protege la cabeza
 - b **Orejas o tapones para los oídos:** Protegen los oídos
 - c **Gafas de seguridad:** Protegen los ojos
 - d **Gautes de seguridad:** Protegen las manos del frío y la vibración
 - e **Ropa de trabajo ajustada (mangas y pantalones largos):** Protege el cuerpo
 - f **Botas protectoras, no deslizantes y pesadas o zapatos de trabajo no deslizantes:** Protegen los pies
- ◆ Si no tiene en cuenta estas precauciones, podría derivar en daños en la visión o en la audición o dar lugar a una lesión grave.

En caso necesario, utilice la ropa de protección descrita a continuación.

- **Mascarilla para el polvo:** Protege el aparato respiratorio
- **Red para abejas:** Para hacer frente a ataques de abejas



Utilice indumentaria adecuada

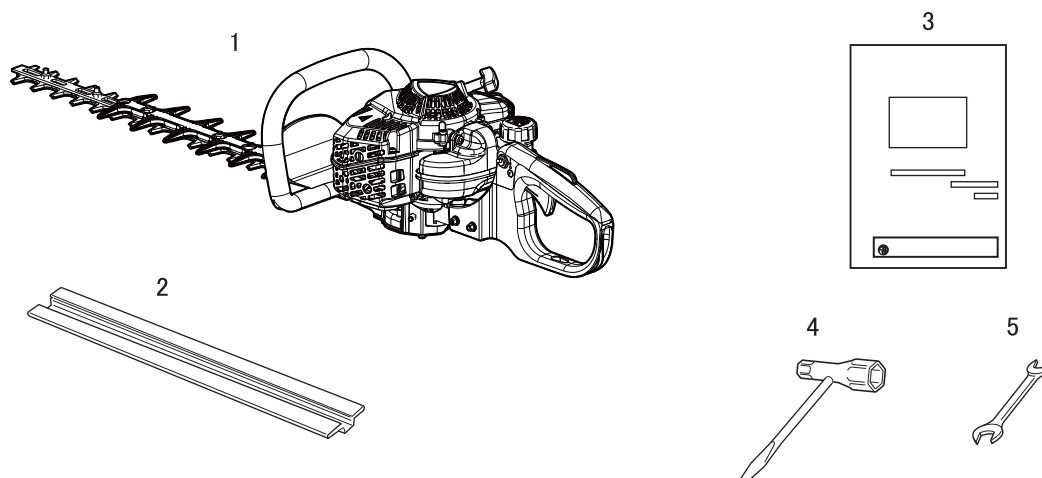
No utilice corbatas, joyería o ropa floja o colgante que pueda quedar atrapada en la unidad. No utilice calzado con la puntera abierta ni vaya descalzo o sin perneras.

- ◆ Si no tiene en cuenta estas precauciones, podría derivar en daños en la visión o en la audición o dar lugar a una lesión grave.

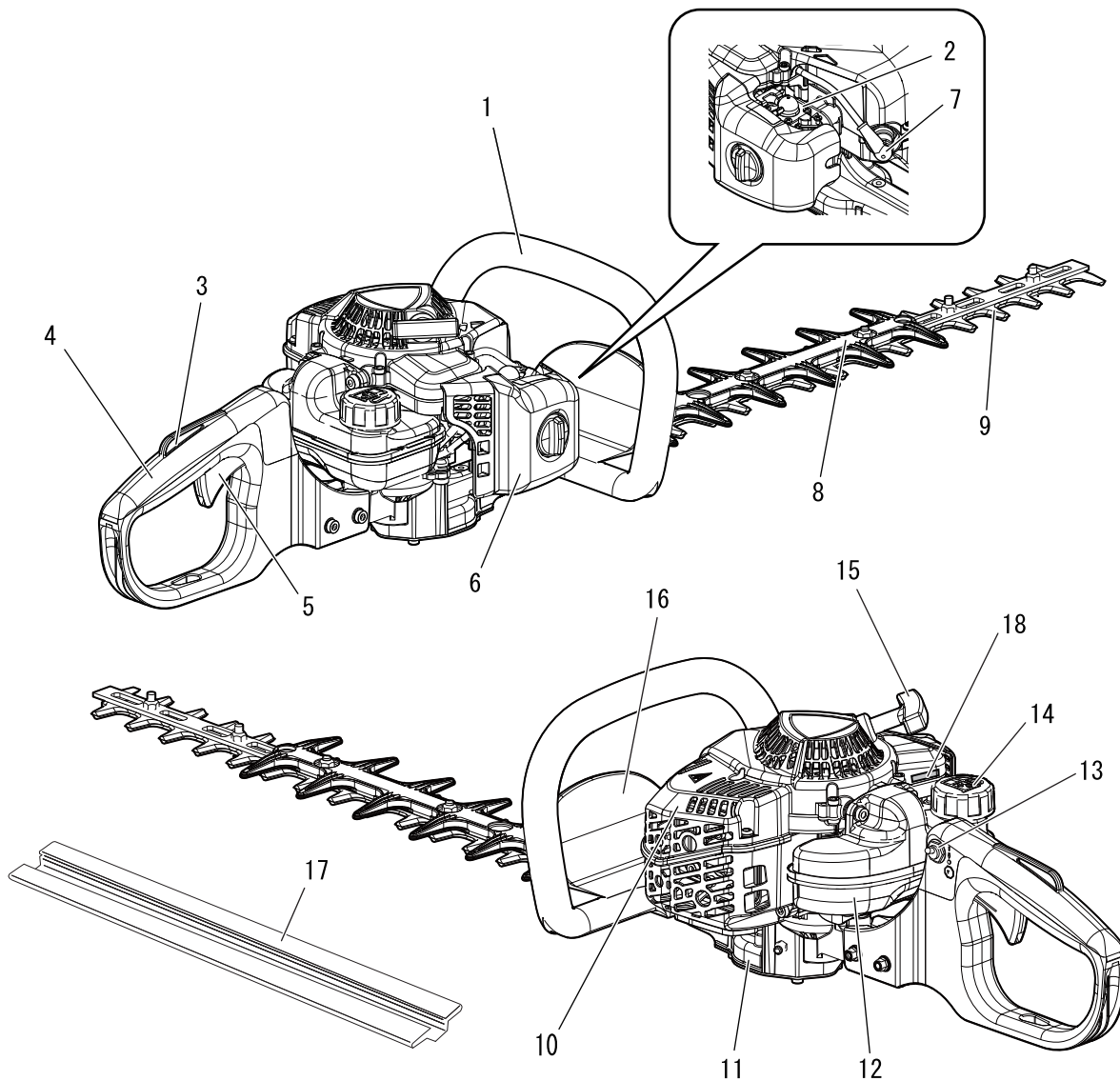


Lista de piezas

- ♦ En la caja de embalaje están empaquetadas de forma separada las siguientes piezas.
- ♦ Cuando haya desempaquetado la caja, compruebe que contenga las siguientes piezas.
- ♦ Póngase en contacto con su DISTRIBUIDOR ECHO si falta alguna o está rota.



Número	Nombre de pieza	Cantidad
(1)	Conjunto del cortasetos	1
(2)	Funda de la cuchilla	1
(3)	Manual de instrucciones	1
(4)	Llave en T	1
(5)	Llave fija	1



1. **Asidero delantero** Asidero ubicado sobre el dispositivo de corte.
2. **Carburador** Dispositivo para mezclar el combustible y el aire en las proporciones correctas.
3. **Bloqueo del gatillo del acelerador** Dispositivo que evita la puesta en funcionamiento accidental del gatillo del acelerador hasta que no se libera manualmente.
4. **Asidero trasero** Asidero ubicado en el extremo más alejado del accesorio de corte.
5. **Gatillo del acelerador** Dispositivo que se acciona con el dedo y sirve para controlar la velocidad del motor.
6. **Tapa del filtro de aire** Recubre y protege el filtro de aire.
7. **Bujía**
8. **Extensión sin filo** Una parte desafilada para extender el accesorio de corte. (Aplicable a la unidad de cuchilla de doble filo)
9. **Dispositivo de corte** La parte del conjunto de la cuchilla de corte y la placa de rotura, junto con cualquier pieza accesorio, que realiza la acción cortadora.
10. **Cubierta para el silenciador** Cubierta para el silenciador que impide que el usuario entre en contacto con el escape caliente.
11. **Alojamiento de engranajes** Alojamiento que contiene los engranajes que reducen la velocidad del motor para el accesorio de corte.
12. **Depósito de combustible** Contiene el combustible y el filtro de combustible.
13. **Interruptor de encendido** Dispositivo que permite arrancar y detener el motor.
14. **Tapón del depósito de combustible** Para cerrar el depósito de combustible.
15. **Tirador del estarter** Tire de este tirador para arrancar el motor.
16. **Protección** Protección situada entre el asidero delantero y el accesorio de corte para proteger la mano de lesiones si ésta se resbala del asidero.
17. **Funda de la cuchilla** Al transportar o guardar la unidad, coloque siempre la funda de la cuchilla.
18. **Tipo y número de serie**

Antes de comenzar

Preparación del combustible

PELIGRO

- El combustible es altamente inflamable y existe riesgo de incendio si se manipula incorrectamente. Lea detenidamente y tenga en cuenta las precauciones de la sección de este manual titulada "Para una utilización segura del producto".
- Una vez finalizado el repostaje, apriete firmemente el tapón del depósito de combustible y no olvide comprobar que no haya pérdidas o descargas por el conducto, en las arandelas aislantes del sistema de combustible o alrededor de la tapa del depósito de combustible. Si las hubiera, deje de utilizar inmediatamente el producto y póngase en contacto con su distribuidor para que lo repare.
- ◆ Si se incendia el combustible, puede provocar quemaduras y fuego.



PRECAUCIÓN

- Existe diferencia en la presión que hay entre el interior del depósito de combustible y el aire del exterior. Cuando realice el repostaje, afloje ligeramente la tapa del depósito de combustible para eliminar la diferencia de presión.
- ◆ En caso contrario, el combustible podría salirse.

NOTA

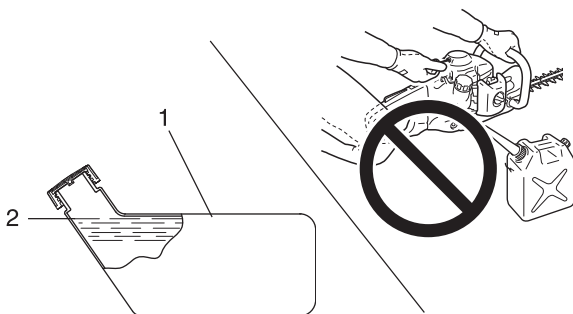
El combustible almacenado envejece. No mezcle más combustible del que Ud. espera usar en treinta (30) días. No realice la mezcla directamente en el depósito de combustible.

Combustible



- ◆ El combustible es una mezcla de gasolina normal y aceite para motor de 2 tiempos refrigerado por aire. Se recomienda gasolina normal, sin plomo y mínimo de 89 octanos. No utilice combustible que contenga alcohol metílico o más de 10 % de alcohol etílico.
- ◆ Relación de mezcla recomendada: 50 : 1 (2 %) para aceite recomendado ISO-L-EGD Standard (ISO/CD 13738), JASO FC, FD y shindaiwa.
 - No utilice aceite de dos tiempos para motores refrigerados por agua o para motores de motocicletas.
 - No haga la mezcla directamente en el depósito de combustible del motor.
 - Evite derramar gasolina o aceite. Deberá limpiarse siempre el combustible derramado.
 - Manipule la gasolina con sumo cuidado, ya que es extremadamente inflamable.
 - Almacene siempre el combustible en un recipiente aprobado y homologado.

Suministro de combustible



1. Depósito de combustible
2. Nivel de los hombros

- ◆ Llene siempre el depósito al aire libre sobre un suelo raso y coloque firmemente el tapón del combustible. No vierta combustible en espacios interiores.
- ◆ Coloque el producto y el depósito de repostaje sobre el suelo cuando realice el repostaje. No reposte el producto sobre la plataforma de carga de un camión o en otro lugar similar.
- ◆ Asegúrese siempre de que el nivel de combustible está por debajo del nivel de la pared del depósito de combustible cuando realice el repostaje.
- ◆ Existe una diferencia en la presión que hay entre el depósito de combustible y el aire del exterior. Cuando realice el repostaje, afloje ligeramente la tapa del depósito de combustible para eliminar la diferencia de presión.
- ◆ Limpie siempre cualquier resto de combustible derramado.
- ◆ Desplácese un mínimo de 3 m del lugar en el que ha realizado el repostaje antes de arrancar el motor.
- ◆ Mantenga el depósito de repostaje en un lugar oscuro alejado del fuego.

Funcionamiento del motor

Arranque del motor

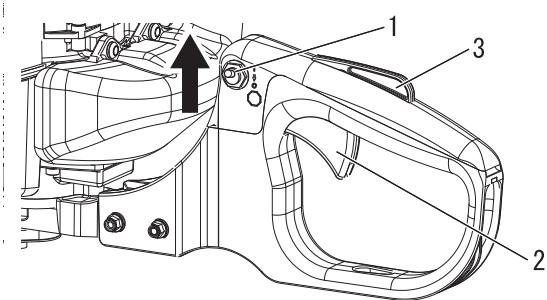
⚠ ADVERTENCIA

- Cuando arranque el motor, tenga en cuenta las precauciones descritas en la página 4 en la sección "Para una utilización segura del producto" para asegurarse de que utiliza correctamente el producto.
- Si cuando se arranque el motor la cuchilla de corte se mueve aunque el gatillo del acelerador este en la posición de velocidad de ralentí, ajuste el carburador antes de utilizar el producto.
- La cuchilla de corte empezará a moverse a medida que el motor cobra velocidad de accionamiento del embrague.
- ◆ Si no tiene en cuenta estas precauciones podría sufrir un accidente o lesión o incluso dar lugar a un accidente mortal.

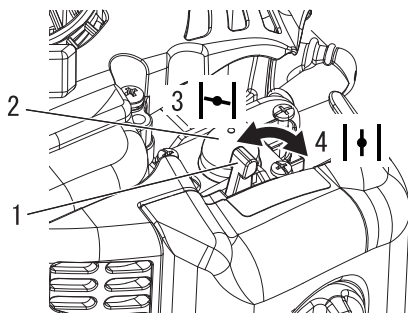
NOTA

- ♦ Tire suavemente en primer lugar del puño del arranque y, a continuación, más rápidamente. No tire hacia fuera de la cuerda del arranque a más de 2/3 de su longitud.
- ♦ No la deje llegar hasta el puño del arranque cuando vuelva.

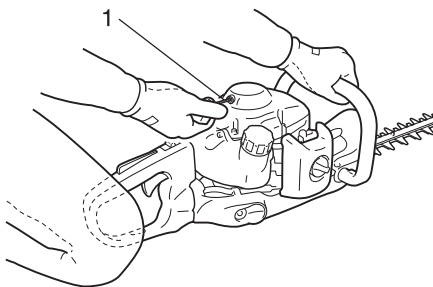
Arranque de un motor frío



1. Interruptor de encendido
2. Gatillo del acelerador
3. Bloqueo del gatillo del acelerador



1. Palanca del estrangulador
2. Cebador
3. Arranque en frío
4. Funcionamiento



1. Tirador del arranque

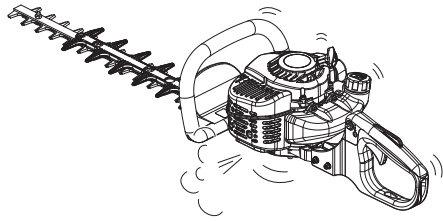
(Conecte el tapón de bujías en caso de que el producto haya estado guardado durante un largo periodo)

El procedimiento de arranque depende de si el motor está frío o caliente. Un motor frío se arranca del siguiente modo.

1. Retire la funda de la cuchilla y compruebe las cuchillas de corte. Si algo está mal, sustitúyala por una nueva.
2. Ponga el producto sobre un suelo nivelado y compruebe y asegúrese de que las cuchillas no están en contacto con la superficie de la tierra o con cualquier otro impedimento, con una barra u otra herramienta similar.
3. Compruebe que no haya fugas de combustible.
4. Mueva el interruptor de encendido fuera de la posición de parada.
5. Mueva la palanca del estrangulador a la posición de "Arranque en frío".
6. Pulse y libere alternativamente el cebador hasta que succione combustible.
7. Comprobando que el área que tiene alrededor sea segura, sujete el asidero delantero firmemente con la mano izquierda tal como se muestra en la ilustración y tire varias veces del puño del arranque.
8. Si escucha un sonido como de explosión y se detiene el motor de forma inmediata, mueva la palanca del estrangulador a la posición de "Trabajo" y continúe tirando del puño del arranque para arrancar el motor.
9. Si el motor se arranca de forma inmediata al seguir las instrucciones del paso 7 anterior, vuelva a colocar suavemente la palanca del estrangulador en la posición de "Trabajo".
10. Deje calentar el motor durante unos instantes en la velocidad de ralentí.
11. Pulse el bloqueo del gatillo del acelerador y vaya apretando gradualmente el gatillo del acelerador.

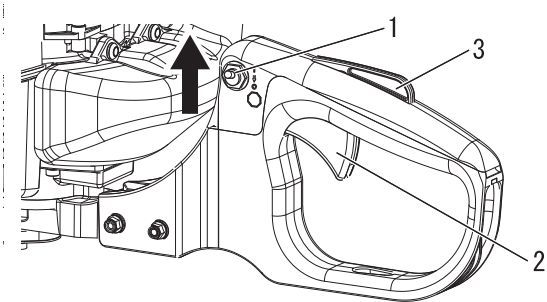
Funcionamiento del motor

Calentamiento del motor



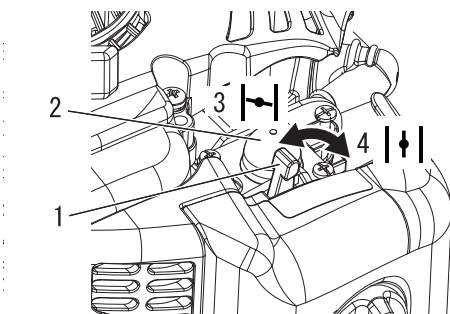
1. Una vez arrancado el motor, déjelo calentar de 2 a 3 minutos en ralentí (es decir, a baja velocidad).
2. El calentamiento del motor ayuda a lubricar su funcionamiento interno con mayor uniformidad. Deje calentar totalmente el motor, especialmente si está frío.

Arranque de un motor caliente



1. Interruptor de encendido
2. Gatillo del acelerador
3. Bloqueo del gatillo del acelerador

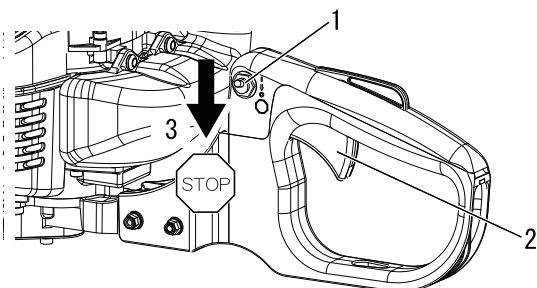
1. Mueva el interruptor de encendido fuera de la posición de parada.
2. Asegúrese de que el disparador del acelerador esté en posición de ralentí.



1. Palanca del estrangulador
2. Cebador
3. Arranque en frío
4. Funcionamiento

3. Compruebe que la palanca del estrangulador esté en la posición de "Trabajo".
4. Si el depósito de combustible no está vacío, tire del puño del estárter para arrancar el motor.
5. Si no puede verse combustible en el cebador, pulse y libere de forma alternativa el cebador hasta que éste succione el combustible.
6. Comprobando que el área a su alrededor es segura, tire del puño del arranque para arrancar el motor.

Parada del motor



1. Interruptor de encendido
2. Gatillo del acelerador
3. Parada

1. Suelte el gatillo del acelerador y ajuste el motor al ralentí (es decir baja velocidad).
2. Ponga el interruptor de encendido en la posición de parada.
3. En caso de emergencia, pare el motor inmediatamente utilizando el interruptor de encendido.
4. Si el motor no se para, desplace la palanca del estrangulador a la posición de "Arranque en frío". El motor se calará y se detendrá (un paro de estrangulador).

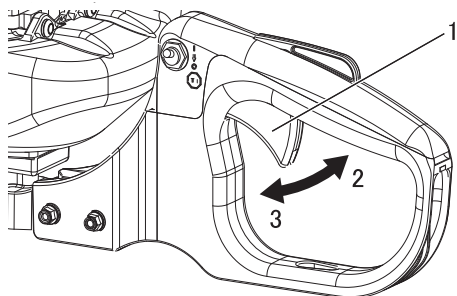
* Si no se detiene el motor cuando se utiliza el interruptor de encendido, haga que un distribuidor compruebe y repare el interruptor de encendido antes de volver a utilizar el producto.

Operación de recorte de setos y arbustos

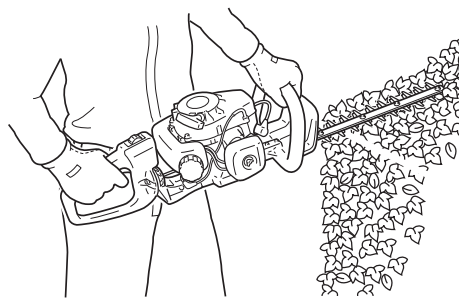
Funcionamiento básico de recorte de setos

NOTA

- ♦ Esta unidad está diseñada para cortar arbustos y setos con ramas con un diámetro inferior a 6 mm.
- ♦ Cuando empiece a recortar, utilice la velocidad máxima. Si corta a menos velocidad, podría dañar el embrague si éste se resbala. Cuando no realice operaciones de corte o recorte, no utilice el motor a máxima aceleración.



1. Gatillo del acelerador 3. Ralentí
2. Alta velocidad



- ♦ Tirar del gatillo del acelerador después de arrancar provocará que la velocidad del motor aumente y que la cuchilla de corte comience a moverse. Ajuste la velocidad del motor dependiendo, por ejemplo de la cantidad de setos que va a cortar.

- ♦ Realice el trabajo de corte con la cuchilla colocada en dirección opuesta a su cuerpo. No oriente la cuchilla de corte hacia usted ni la coloque cerca de su cuerpo.
- ♦ Al cortar la parte superior de setos o arbustos, hágalo mientras desplaza la cuchilla de corte de un lado a otro. Puede realizar un corte limpio si desplaza la cuchilla ligeramente hacia abajo.
- ♦ Al cortar los laterales, mueva la cuchilla de abajo arriba para lograr un corte limpio.
- ♦ No presione la cuchilla de corte contra objetos como los árboles. Utilice la unidad de acuerdo con el movimiento y la velocidad de la cuchilla de corte.

Mantenimiento y cuidados

Directivas de asistencia

Área	Mantenimiento	Página	Antes de usar	Mensual
Filtro de aire	Limpiar/sustituir	18	•	
Filtro de combustible	Inspeccionar/limpiar/sustituir	18		•
Bujía	Inspeccionar/limpiar/ajustar/sustituir	20		•
Carburador	Ajustar/sustituir y ajustar	19		•
Sistema de enfriamiento	Inspeccionar/limpiar	19	•	
Silenciador	Inspeccionar/apretar/limpiar	19		•
Caja de engranajes	Engrasar	21	• (15 - 20h)	
Arranque	Inspeccionar	22	•	
Cuchillas	Inspeccionar/limpiar/lubricar	20	•	
Sistema de combustible	Inspeccionar	20	•	
Tornillos, pernos y tuercas	Inspeccionar/apretar/sustituir	-	•	

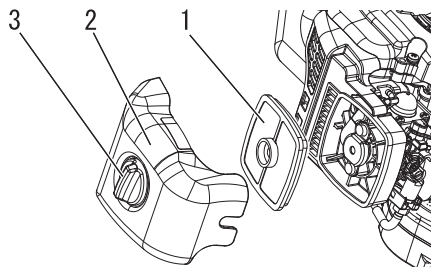
IMPORTANTE

Los intervalos de tiempo son los máximos. El uso real y su experiencia determinarán la frecuencia del mantenimiento necesario. Registre las fechas de las inspecciones mensuales y anuales.

Mantenimiento y cuidados

Si tiene cualquier pregunta o problema, póngase en contacto con su distribuidor.

Limpeza del filtro de aire



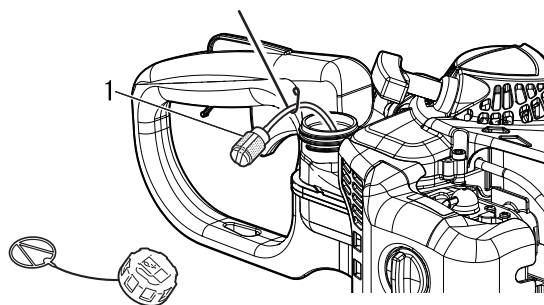
1. Filtro de aire
2. Tapa del filtro de aire
3. Botón de la tapa del filtro de aire

NOTA

- ♦ Si el filtro estuviera excesivamente sucio o ya no encajara bien, sustitúyalo.
- ♦ Compruebe que el filtro está completamente seco antes de volver a montarlo.

1. Cierre el estrangulador. Afloje el botón de la tapa del filtro de aire y retire la tapa del filtro de aire y del filtro de aire.
2. Cepille cuidadosamente la suciedad del filtro o limpie con un disolvente no inflamable si lo cree necesario. Seque completamente antes de volver a montar.
3. Vuelva a montar el filtro de aire con su tapa.

Limpeza del filtro de combustible



1. Filtro de combustible

1. Extraiga el filtro del combustible a través de la abertura del depósito de combustible con un alambre de acero o similar.
2. Limpie el filtro con un limpiador adecuado o sustitúyalo si es necesario.
3. Vuelva a montar el filtro.

Mantenimiento y cuidados

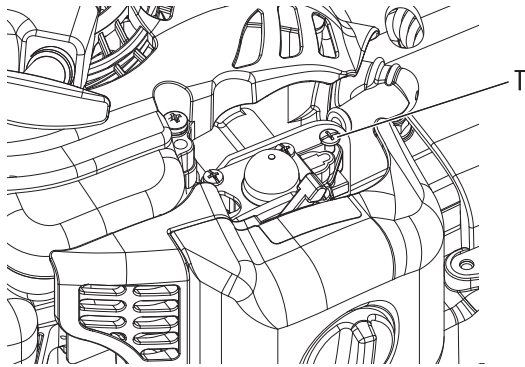
Ajuste del carburador

⚠ ADVERTENCIA

Cuando haya finalizado el ajuste del carburador, no deberá mover la cuchilla de corte al ralentí, en caso contrario podría sufrir una lesión personal grave.

⚠ PRECAUCIÓN

Cuando arranque, el regulador de velocidad de ralentí (T) deberá estar ajustado para que la cuchilla de corte no se mueva. Si hay algún problema con el carburador, póngase en contacto con su distribuidor.



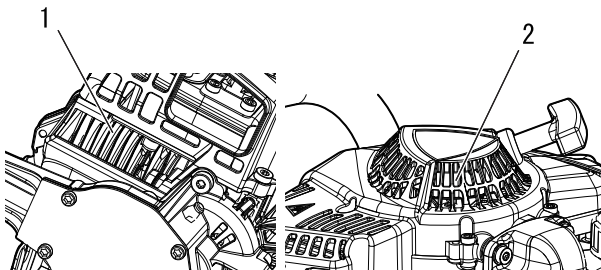
T: Regulador de velocidad de ralentí

Todas las unidades se prueban en fábrica y se ajusta el carburador para proporcionar un rendimiento máximo.

Antes de ajustar el carburador, limpie o sustituya el filtro de aire, arranque el motor y déjelo en marcha varios minutos para que alcance la temperatura de funcionamiento.

1. Ajuste de la velocidad de ralentí.
Arranque el motor y gire el tornillo de ajuste de la velocidad de ralentí (T) en el sentido horario hasta que las cuchillas empiecen a moverse; a continuación gire el tornillo (T) en sentido anti horario hasta que las cuchillas dejen de moverse. Gire 1/2 de vuelta adicional el tornillo (T) en sentido contrario a las agujas del reloj.
2. Acelere hasta la máxima velocidad durante 2 ó 3 segundos para eliminar el exceso de combustible del motor y, a continuación, vuelva al ralentí. Acelere a máxima velocidad para comprobar que haya una transición suave desde el ralentí hasta la máxima velocidad.

Sistema de enfriamiento



1. Aletas del cilindro

2. Entrada de aire de refrigeración

1. Limpie la suciedad y los residuos de las aletas del cilindro.
2. Limpie la suciedad alrededor de la entrada de aire de refrigeración.

Limpieza del silenciador

⚠ ADVERTENCIA

ⓘ No utilice nunca la unidad si el silenciador o el amortiguador de chispa están dañados o ausentes. La utilización de un amortiguador de chispa dañado o ausente supone un riesgo de incendio y puede dañar su audición.

- ♦ Los depósitos de carbonilla en el silenciador provocarán una reducción de la potencia del motor y su sobrecalentamiento. La pantalla protectora del apaga chispas debe revisarse periódicamente. Limpie cualquier depósito que se acumule en el

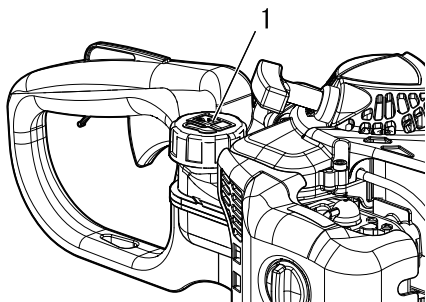
Mantenimiento y cuidados

silenciador.

IMPORTANTE

No desmonte la tapa del silenciador. Si fuera necesario, no dude en consultar a su distribuidor.

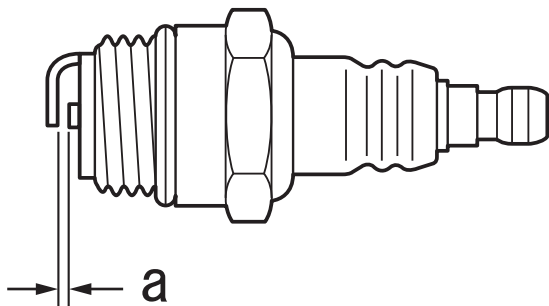
Comprobación del sistema de combustible



1. Tapón del depósito de combustible

- ♦ Compruébelo después de cada uso.
- ♦ Una vez repostado, asegúrese de que no haya fugas ni transpiraciones alrededor del tubo de combustible, de la arandela aislante del combustible ni del tapón del depósito de combustible.
- ♦ En caso de fugas o transpiraciones de combustible, existe peligro de incendio. Deje de utilizar la máquina inmediatamente y solicite al distribuidor que lo inspeccione o sustituya.

Comprobación de la bujía



a: 0,6 - 0,7 mm.

- ♦ Compruebe la distancia entre electrodos de la bujía. La distancia correcta está entre 0,6 mm y 0,7 mm.
- ♦ Compruebe la bujía por si tuviera los electrodos gastados.
- ♦ Inspeccione el aislante por si tuviera aceite u otros depósitos.
- ♦ Cambie la bujía si fuera necesario y apriete con una fuerza de 15 N•m - 17 N•m (de 150 kgf•cm a 170 kgf•cm).

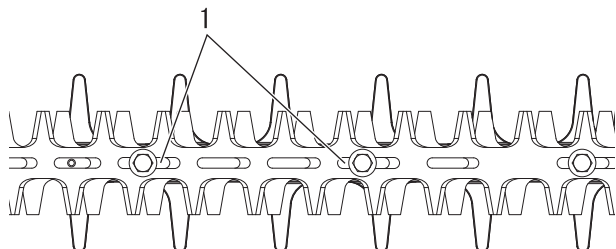
Cuidados para las cuchillas de corte

⚠ PRECAUCIÓN

- Use guantes para proteger las manos de las cuchillas afiladas.
- ◆ Si no sigue estas precauciones podría provocar lesiones

Lubricación de las cuchillas (Cada 4 horas de funcionamiento)

Aplique unas pocas gotas de aceite en cada ranura de perno, en la base de las cuchillas.



1. Ranuras para tornillos

Limpieza de cuchillas (Después de cada uso)

Elimine los residuos pegajosos de las cuchillas con una mezcla de queroseno (parafina) y aceite para máquinas al 50:50.

Mantenimiento y cuidados

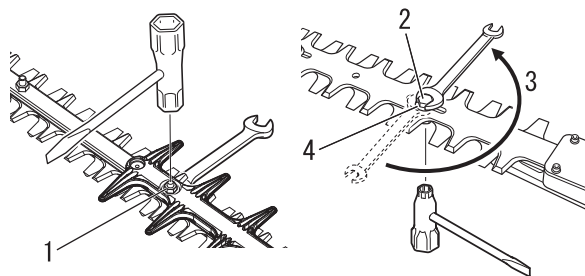
Ajuste de la separación entre cuchillas (Según sea necesario)

Afloje las contratuercas 1/2 vuelta con una llave de palanca.
Apriete los pernos de la cuchilla hasta el tope con una llave fija de 10 mm.

Afloje los pernos 1/4 - 1/2 vuelta.

Sujete los pernos para que no se muevan y apriete las contratuercas.

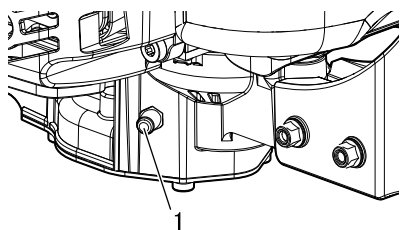
Cuando el ajuste del perno sea correcto, debería quedar un hueco de entre 0,25 - 0,50 mm entre las hojas de corte y las arandelas planas, y la arandela plana que hay debajo de cada cabeza de perno debería poder girar libremente.



1. Contratuerca
2. Perno

3. Aflojar 1/4 - 1/2 vuelta
4. Arandela

Lubricación de la caja de engranajes



1. Orificio para grasa

Herramientas necesarias:

Pistola de lubricación, paño.

Piezas necesarias:

Grasa con base de litio.

1. Limpie la grasa acumulada.
2. Sujete la unidad con firmeza y bombee grasa por el orificio adecuado. No fuerce la entrada de la grasa. Si se ejerce demasiada presión, la grasa rebosará los sellos y provocará daños. **Aplique 1 - 2 bombas de grasa cada 15 - 20 horas de funcionamiento.**

NOTA

Utilice grasa multiuso de litio de alta calidad.

Mantenimiento y cuidados

Tabla de localización de averías

Problema	Diagnóstico	Causa	Remedio
El motor no arranca		<ul style="list-style-type: none"> ♦ No hay combustible en el depósito de combustible ♦ El interruptor de encendido está en la posición Stop ♦ Succión excesiva de combustible ♦ Fallo eléctrico ♦ Error del carburador o agarrotamiento interno ♦ Error interno del motor 	<ul style="list-style-type: none"> ♦ Suministro de combustible ♦ Mueva a la posición de arranque ♦ Arranque el motor después de la asistencia técnica ♦ Consulte a su distribuidor ♦ Consulte a su distribuidor ♦ Consulte a su distribuidor
Es difícil arrancar el motor, rotación fluctuante	Está entrando combustible en el tubo de drenaje	<ul style="list-style-type: none"> ♦ Degradación del combustible ♦ Problema en el carburador 	<ul style="list-style-type: none"> ♦ Sustitúyalo por combustible nuevo ♦ Consulte a su distribuidor
	No está entrando combustible en el tubo de drenaje	<ul style="list-style-type: none"> ♦ El filtro de combustible está obstruido ♦ El sistema de alimentación de combustible está obstruido ♦ Hay piezas internas del carburador adheridas 	<ul style="list-style-type: none"> ♦ Limpiar o sustituir ♦ Consulte a su distribuidor ♦ Consulte a su distribuidor
	La bujía está sucia o húmeda	<ul style="list-style-type: none"> ♦ Degradación del combustible ♦ Separación de electrodos incorrecta ♦ Depósitos de carbón ♦ Fallo eléctrico 	<ul style="list-style-type: none"> ♦ Sustituir ♦ Sustituir ♦ Sustituir ♦ Consulte a su distribuidor
El motor arranca pero no es posible acelerar		<ul style="list-style-type: none"> ♦ Filtro de aire sucio ♦ Filtro de combustible sucio ♦ Paso de combustible bloqueado ♦ Problema de ajuste del carburador ♦ Respiradero de escape o del silenciador bloqueados 	<ul style="list-style-type: none"> ♦ Limpiar o sustituir ♦ Limpiar o sustituir ♦ Consulte a su distribuidor ♦ Ajustar ♦ Limpiar
El motor se para		<ul style="list-style-type: none"> ♦ Problema de ajuste del carburador ♦ Fallo eléctrico 	<ul style="list-style-type: none"> ♦ Ajustar ♦ Consulte a su distribuidor
El motor no se para		<ul style="list-style-type: none"> ♦ Avería del interruptor de encendido 	<ul style="list-style-type: none"> ♦ Realice una parada de emergencia y consulte a su distribuidor
Las cuchillas de corte se mueven cuando el motor está al ralentí.		<ul style="list-style-type: none"> ♦ Problema de ajuste del carburador ♦ Resorte de embrague dañado 	<ul style="list-style-type: none"> ♦ Ajustar ♦ Consulte a su distribuidor
Las cuchillas de corte pierden filo.		<ul style="list-style-type: none"> ♦ Cuchillas de corte desgastadas ♦ Separación muy grande entre la cuchilla superior e inferior ♦ El embrague patina 	<ul style="list-style-type: none"> ♦ Consulte a su distribuidor ♦ Consulte a su distribuidor ♦ Consulte a su distribuidor

- ♦ Las comprobaciones y el mantenimiento requieren un conocimiento especializado. Si no puede comprobar y realizar el mantenimiento del producto o dar con un problema usted sólo, consulte con su distribuidor. No intente desmontar el producto.
- ♦ Consulte a su distribuidor si se encuentra con un problema que no esté cubierto en la tabla anterior o para cualquier otra consulta.
- ♦ Para piezas de repuesto y consumibles, utilice sólo piezas auténticas y productos y componentes indicados. La utilización de piezas de otros fabricantes o de componentes no indicados pueden derivar en un fallo de funcionamiento.

Almacenamiento durante un largo periodo (30 días o más)

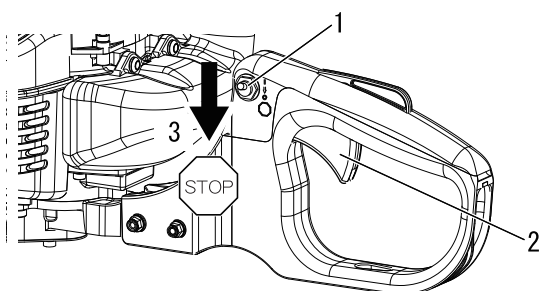
ADVERTENCIA

No almacene el equipo en ubicaciones cerradas lleno de combustible o cerca llamas chispas.

◆ Podría provocar un incendio.



Cuando almacene el producto durante largos periodos de tiempo (30 días o más), asegúrese de que se realicen los siguientes preparativos para el almacenamiento.



- 1. Interruptor de encendido
- 2. Gatillo del acelerador
- 3. Parada

1. Drene por completo el depósito de combustible en el exterior sobre un suelo despejado. No drene combustible en espacios interiores.
 - A. Pulse y suelte alternativamente el cebador varias veces para extraer el combustible del mismo.
 - B. Arranque el motor y déjelo funcionar a velocidad de ralentí hasta que se detenga de forma natural.
2. Ponga el interruptor de encendido en la posición de parada.
3. Elimine las acumulaciones de grasa, aceite, polvo, suciedad y otros materiales que pueda haber en el exterior del cortasetos.
4. Realice las comprobaciones periódicas descritas en este manual.
5. Compruebe que los tornillos y las tuercas estén apretados. Apriete cualquiera que esté flojo.
6. Saque la bujía y añada la cantidad adecuada de aceite (aproximadamente 10 ml) limpio y nuevo para motor de dos tiempos en el cilindro a través del zócalo de instalación.
 - A. Coloque un trapo limpio sobre el zócalo de instalación de la bujía.
 - B. Tire dos o tres veces del puño del arranque para distribuir el aceite dentro del motor.
 - C. Observe la posición del pistón a través del orificio de la bujía. Tire lentamente del dispositivo de arranque por retroceso hasta que el pistón alcance la parte superior de su recorrido y déjelo allí.
7. Instale la bujía. (No conecte el tapón de la bujía.)
8. Lubrique la cuchillas con una capa gruesa de aceite para evitar que se oxiden.
9. Una vez que la unidad está bien fría y seca, ponga la funda de cuchillas sobre las cuchillas de corte y envuelva la sección del motor en una bolsa de plástico u otra funda antes de guardar la unidad.
10. Guarde la unidad en un lugar seco, libre de polvo y fuera del alcance de los niños y otras personas no autorizadas.

Procedimiento para desechar el producto



- ♦ Deshágase del aceite usado según las normativas locales.
- ♦ Las principales piezas de plástico que componen el producto llevan códigos que indican el material de que están hechas. Los códigos hacen referencia a los siguientes materiales; recicle dichas piezas de plástico según las normativas locales.

Marca	Material
>PA6-GF<	Nailon 6 - Fibra de vidrio
>PP-GF<	Polipropileno - Fibra de vidrio
>PE-HD<	Polietileno

- ♦ Póngase en contacto con su distribuidor si no conoce los procedimientos de eliminación de las piezas plásticas o el aceite usado.

Características técnicas

		DH202
Dimensiones externas: longitud x anchura x altura	mm	1052 × 272 × 198
Pesos:		
Unidad con accesorio de corte especificado, depósito vacío	kg	4,5
Unidad con accesorio de corte especificado, depósito lleno	kg	4,8
Capacidad: Depósito de combustible	ml	390
Combustible:		
Aceite		Gasolina de grado normal. Se recomienda gasolina normal, sin plomo y mínimo de 89 octanos. No utilice combustible que contenga alcohol metílico o más de 10% de alcohol etílico.
Proporción de mezcla		Aceite para motor de dos tiempos refrigerado por aire. Aceite recomendado ISO-L-EGD Standard (ISO/CD 13738), JASO FC/FD y shindaiwa. 50: 1 (2 %)
Accesorio de corte:		
Tipo		Acción doble, cuchilla de doble lado
Longitud de corte	mm	534
Inclinación	mm	35
Altura	mm	21
Relación de engranajes y lubricación:		Reducción 5,88 y grasa de litio de buena calidad
Motor:		
Tipo		Cilindro simple de dos tiempos refrigerado por aire
Carburador		Tipo de diafragma
Magneto		Magneto del volante: Sistema CDI
Bujía		NGK BPMR8Y
Estárter		Estárter por retroceso
Transmisión de potencia		Embrague centrífugo automático
Cilindrada	cm ³	21,2
Potencia máxima de frenado del eje (ISO 8893)	kW	0,6
Consumo de combustible a máxima potencia del motor	L/h	0,44
Velocidad máxima recomendada del motor (con accesorio estándar instalado)	rpm	10500
Velocidad de ralentí del motor recomendada	rpm	3300
Niveles de vibración: (ISO 10517) $a_{hv,eq}$		
Asa delantera / Asa trasera	m/s ²	6,4 / 9,7
Tolerancia: K	m/s ²	5,0
Nivel de presión acústica: (ISO 10517) $L_{pAd}(= L_{pAeq} + K_{pA})$	dB (A)	96,1
Tolerancia: K_{pA}	dB (A)	2,5
Nivel de potencia acústica: (ISO 10517) $L_{WAd}(= L_{WAeq} + K_{WA})$	dB (A)	106,5
Tolerancia: K_{WA}	dB (A)	2,5

Estas características técnicas están sujetas a cambios sin previo aviso.

Declaración de conformidad

El fabricante abajo firmante:

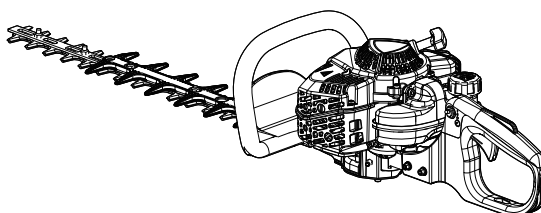
YAMABIKO CORPORATION
1-7-2 Suehirocho, Ohme, Tokio 198-8760 JAPÓN

Declaración de conformidad publicada bajo la exclusiva responsabilidad del fabricante.

Declara que la unidad nueva aquí especificada:

CORTASETOS PORTÁTIL

Marca: shindaiwa
Tipo: DH202



Cumple con:

- * los requisitos de la directiva **2006/42/CE** (aplicación de la norma armonizada **EN ISO 10517: 2019**)
- * los requisitos de la directiva **2014/30/UE** (aplicación de la norma armonizada **EN ISO 14982: 2009**)
- * los requisitos de la directiva **2011/65/UE** (aplicación de la norma armonizada **EN 50581: 2012**)
- * los requisitos de la directiva **2000/14/CE**

Procedimiento de valoración de conformidad según **ANEXO V**

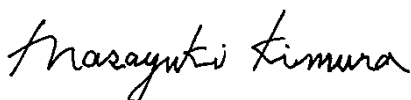
Nivel de potencia acústica medido: **105 dB(A)**

Nivel de potencia acústica garantizado: **108 dB(A)**

Número de serie de 38001001 a 38100000

Tokio, 5 de septiembre de 2019

YAMABIKO CORPORATION



Masayuki Kimura

Director general

Departamento de Garantía de Calidad

El representante autorizado en Europa que está autorizado para compilar el expediente técnico.

Empresa: CERTIFICATION EXPERTS B.V.

Dirección: P.O. box 5047, Merwedeweg 2, 3621 LR Breukelen, Países Bajos

Richard Glaser

MEMORANDO

YAMABIKO CORPORATION

1-7-2 Suehirocho, Ohme, Tokio 198-8760 JAPÓN
TELÉFONO: 81-428-32-6118. FAX: 81-428-32-6145.

shindaiwa[®]



X770224-8500

YAMABIKO CORPORATION

1-7-2 Suehirocho, Ohme, Tokyo 198-8760 JAPAN

PHONE: 81-428-32-6118. FAX: 81-428-32-6145.

shindaiwa[®]



X770224-8500

Printed in Japan
1910B 1033 ES