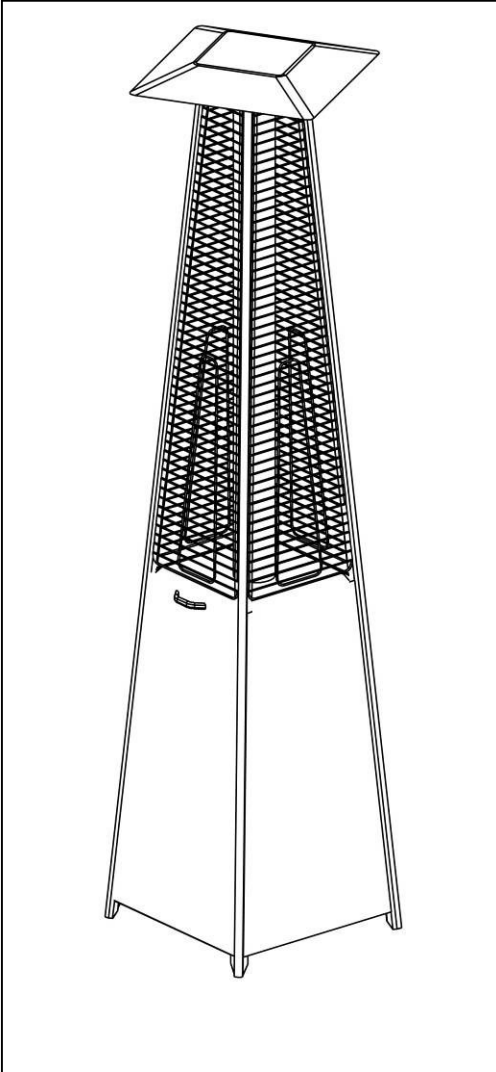


# Flame Heater – PH08 SERIES

## ASSEMBLY AND OPERATION INSTRUCTIONS



### WARNING

Read this instruction before using this appliance. The appliance must be installed in accordance with the instructions and local regulations. The use of this appliance in enclosed areas can be dangerous and is PROHIBITED.

- Do the leak test after each changing LPG cylinder.
- Never check for leaks with a match or open flame
- Do not store or use gasoline or other flammable vapors and liquids in the vicinity of this appliance.

### IF YOU SMELL GAS

- Close the valve of the gas cylinder or regulator.
- Extinguish all naked flames; do not operate any electrical appliances
- Check for leaks as detailed in this instructions
- If odor persists, contact your dealer or gas supplier immediately

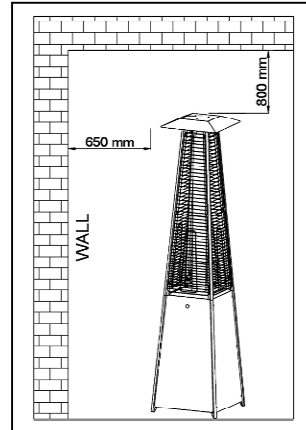
**FOR OUTDOOR USE ONLY.  
KEEP THE INSTRUCTIONS FOR FUTURE REFERENCE**

## **PRECAUTIONS**

- Installation and services should only be a qualified person.
- Do not use the heater in an explosive atmosphere.
- Before to use, check the hose.
- Disconnect LPG cylinder before moving the heater.
- Do not attempt to alter any parts of the heater.  
Example: Using the heater without reflector or protection guard.
- The appliance shall not be used in basements or below ground level.
- It must always be placed on a solid and level surface.
- Never replace or substitute the regulator use only that one is suitable both appliance category and normal pressure of gas.
- Do not clean the heater with cleaners that are combustible or corrosive.
- Do not paint protection guard, control box or reflector.
- The LPG gas cylinder valve should be turned off when the heater is not in use.
- Don't not use the heater when it is raining, and do not let any liquid splash to the glass tube when the heater is working.
- Keep the children away from the heater, always be carefully not to knock down the heater, which will break the glass tube and might cause injury.
- Do not move the appliance when in operation.
- After a long break of operation, the gas parts in the control box of the heater and the hose should be inspected for spiders, spider webs or other insects.
- Check the heater immediately if any of the following exists:
  1. There is smell of gas.
  2. The heater is not enough effective.
  3. The burner makes popping noise during use (a slight popping noise is normal when the burner is extinguished after use).
- If you smell gas, turn off the valve immediately. If smell persists, contact the dealer or gas supplier immediately.
- The hose with regulator assembly shall be stored on a safety place to avoid it's accidental damage.
- Children and adults should be aware of the high surface temperature hazard, and should keep a safe distance away to avoid clothes burning or igniting.
- Young children should be carefully supervised when they are in the working area of the heater.
- Clothing or other flammable material should not be hung from the heater, or placed on or near the heater.
- Do not obstruct the flow of combustion products.
- Keep the ventilation opening of the cylinder enclosure free and clear of debris.
- Do not obstruct the ventilation holes of the cylinder housing.
- Shut off the valve of gas cylinder or the regulator before moving the appliance.
- The tubing or the flexible hose must be changed within the prescribed intervals.
- Use only the type of gas and the type of cylinder specified by the manufacturer.
- In case of violent wind particular attention must be taken against tilting of the appliance.

## APPLIANCE STAND AND LOACTION

- The appliance is for outdoor use only. Do not use it for indoor or in an enclosed area.
- Always maintain proper clearance from combustible materials, i.e. top 800mm and sides 650mm minium.



## LEAKAGE TEST

Gas connections on the appliance are leak tested at the factory prior to shipment. Possible mishandling of the appliance during the shipment might contribute to product integrity as a whole. A complete gas leakage test must be performed again at the installation site. Please follow the procedure below for leakage test.

- Make a soap solution of one part liquid detergent and one part water. The soap solution can be applied with spray bottle, brush or rag. Soap bubbles will appear where a leak is present.
- Make sure the control tap is in the “OFF” position (full disk = ●) on the control panel.
- Turn on the gas supply and check for bubbles from the hoses and connections. Presents of bubble means that a leak path is present.
- If a leak is present, turn OFF the gas supply immediately, tighten any leaking fitting carefully, turn gas again and recheck.
- Never leak test while smoking.

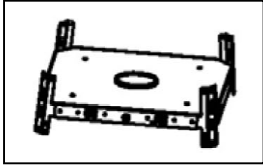
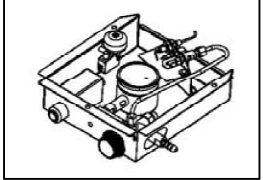
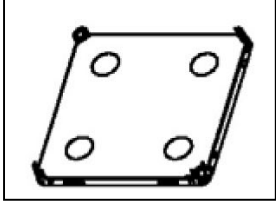

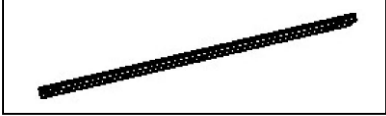
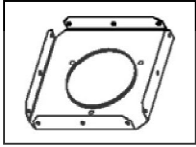
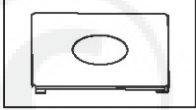
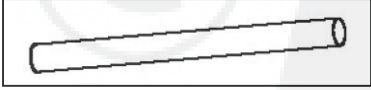
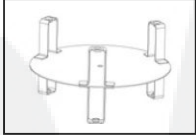
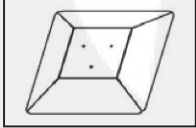
## INSTALLATION

Important safety requirements:

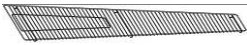
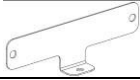
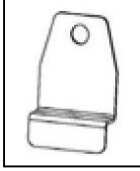
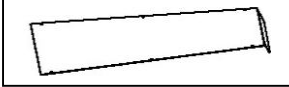
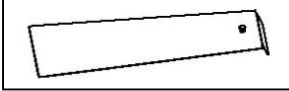
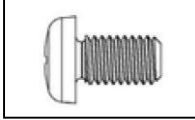

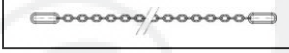

### **THIS APPLIANCE OUTDOOR USE ONLY**

1. This appliance shall not be installed or used indoors, in buildings, garages or any other enclosed area.
2. **DO NOT** place articles on or against this appliance.
3. **DO NOT** use or store flammable materials near this appliance.
4. **DO NOT** operate this appliance unless it is fully assembled with reflector and protection guard in place.
5. Installation and repair should be done by a qualified service person. The appliance must be inspected before use and at least annually by a qualified service person. More frequent cleaning may be required as necessary. It is imperative that control compartment, burners and circulating air passages of the heater and light be kept clean.

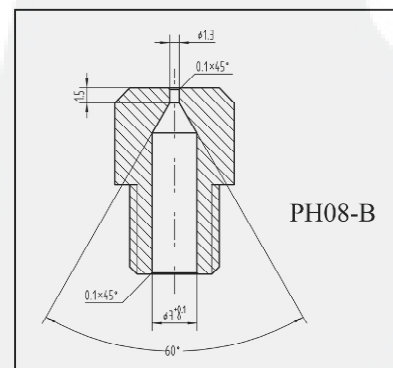
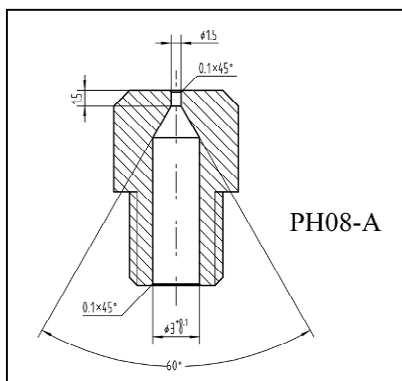
# PARTS LIST-1

Part NO.	Part Name	QTY	Picture	Remarks
	Middle Plate	1		
2	Control Box	1		Preassembled in the Middle plate
3	Bottom Plate	1		
4	Lower Support	4		
5	Upper support	4		
6	Upper Plate	1		
7	Plate cover	1		Preassembled in the Middle plate
8	Glass tube	1		One more spare glass tube is provided
9	Damper	1		Preassembled in upper plate
10	Reflector	1		

## PARTS LIST-2

Part NO.	Part Name	QTY	Picture	Remarks
11	Lower protection guard	4		
12	Connecting tube	8		
14	Fixing bracket	4		
15	Side panel	3		
16	Front panel	1		A chain is preassembled in this panel
17	Screw M3/16"	66		All preassembled in relative parts
18	Handle	1		
19	Chain	1		Preassembled in the front panel
20	AA battery	1		Optional part

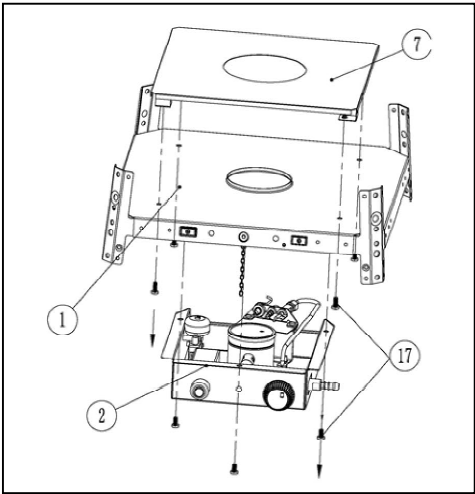
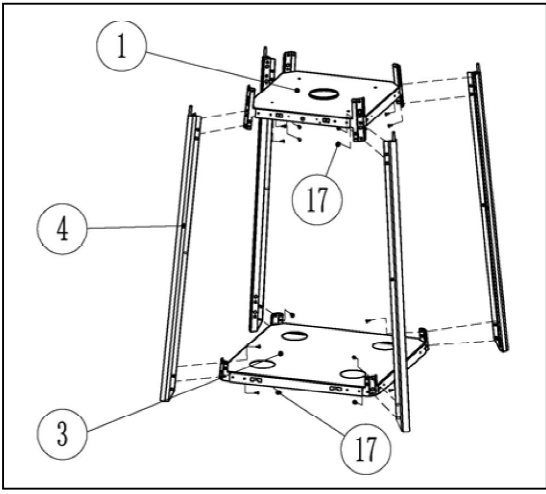
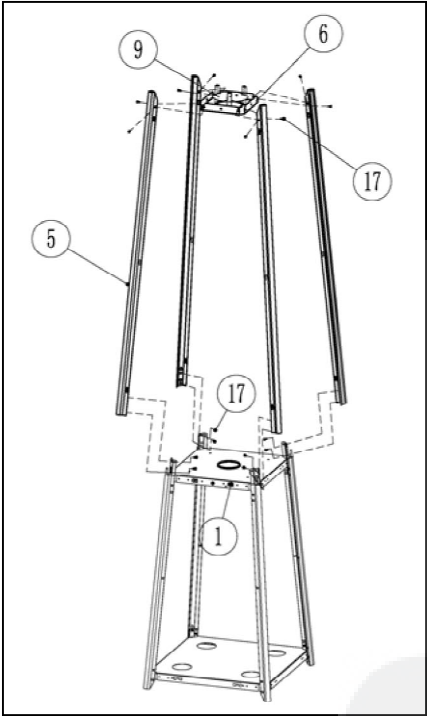
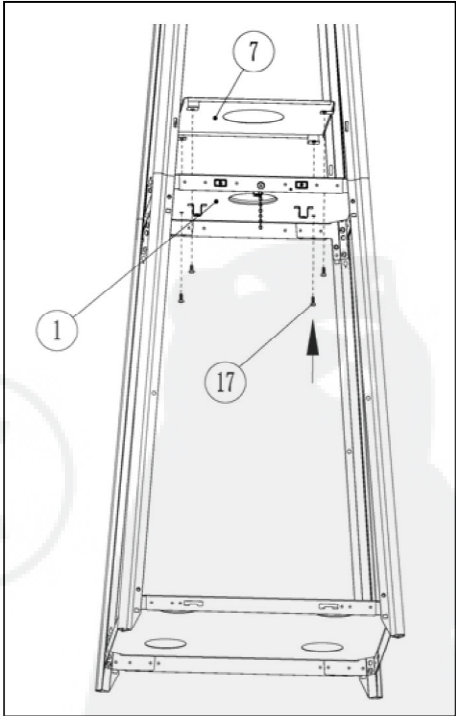
## INJECTOR

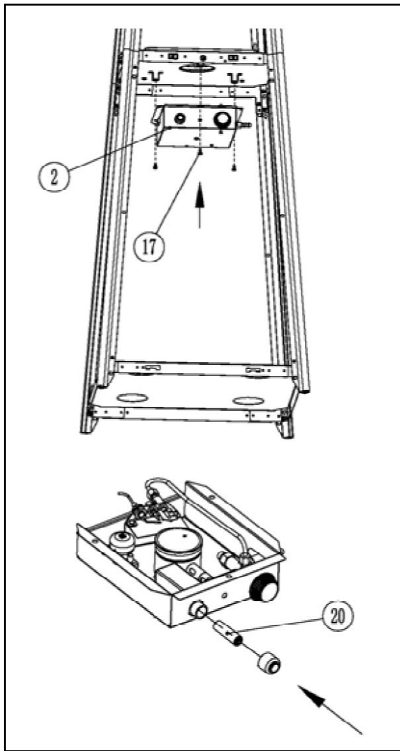


# HEATER ASSEMBLY

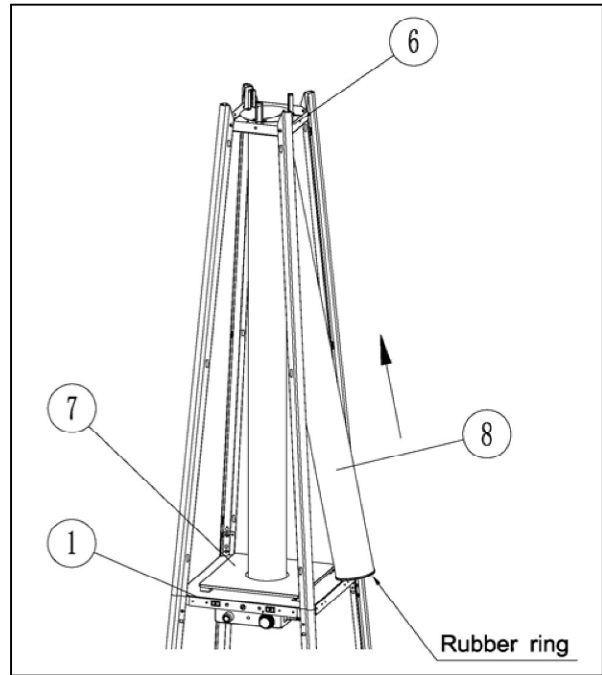
## Tools Required:

1 Phillips head screwdriver, 1 adjustable spanner

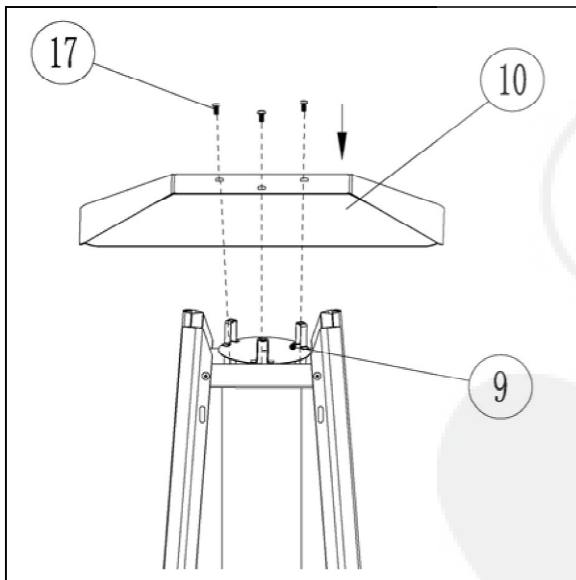
	
<p>1. Take the control box(2) and the plate cover(7) out off the middle plate(1) by unscrew the screws(17)</p>	<p>2. Connect and fix the 4 lower supports(4) to bottom plate(3) and middle plate(1) by the screws(17)</p>
	
<p>3. Connect 4 upper supports (5) to the lower supports (4) and fixed by screws(17), then fix the upper plate(6) to 4 upper supports(5) by screws(17).</p>	<p>4. Fix the plate cover(7) onto the middle plate(1) by screws(17).</p>



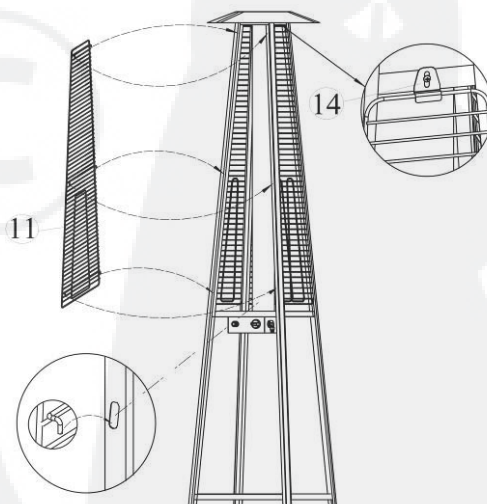
5. Install a AA battery(20) into the control box, then, fix the control box(2) underneath the middle plate(1) by screws (17)



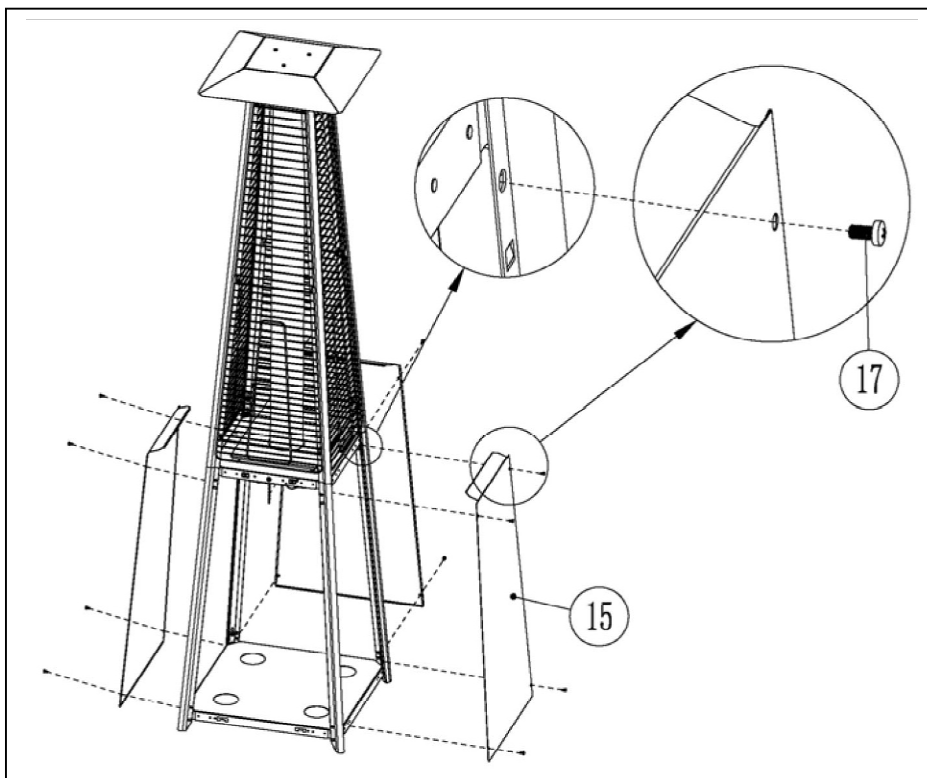
6. Carefully put the glass tube(8) up through the center hole in the upper plate(6), Make sure the rubber ring is attached on the lower end of the glass tube(8). Move and sit the glass tube(8) through the hole of the plate cover(7) on the middle plate(1), check and ensure that the glass tube(8) cover the center hole of the middle plate(1)



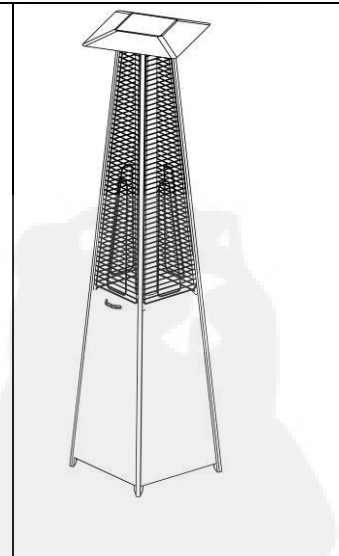
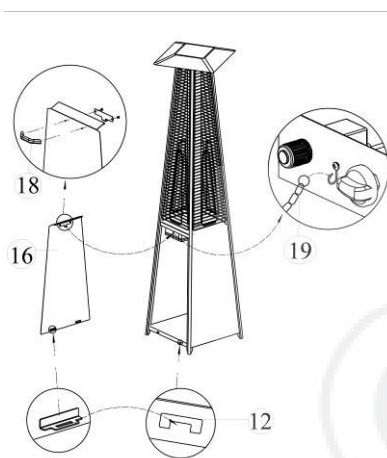
7. Fix the reflector (10) onto the damper (9) by screws(17).



8. Attach the protection guards (11) onto the frame by putting its hooks into the holes of the frame. Fix the guards by the fixing brackets(14)



9. Fix 3 side panels (15) by the screw (17).  
 Note: Don't cover the side where the control knob is.



10. Screw the handle(18) onto the front panel(16), attached the connector(12) back the front panel,screw them with 2pcs M4X8 bolts, hook the chain(19) to the hole in control box, then Close panel to the middle plate ,the panel is attracted by the magnets.

Tips: the chain can hold the panel while operating the control

Completed



## OPERATION

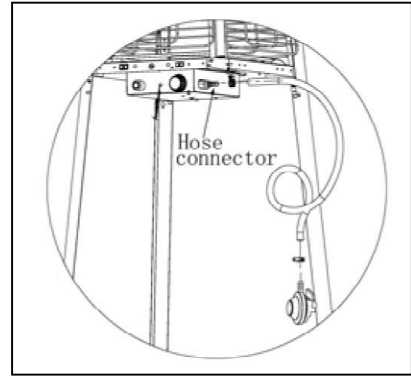
### **Preparation:**

You will need to purchase a LPG cylinder. You need a suitable size LPG cylinder that can be installed to the compartment. You have to use pressure regulator with an outlet pressure comply with the appliance category. The flexible tube must be approved also.

Connect the hose to the hose connector in the control box

### **Warning:**

Always test the hose for leaks with soapy water at both of the ends.

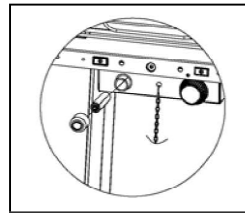


### **Warning:**

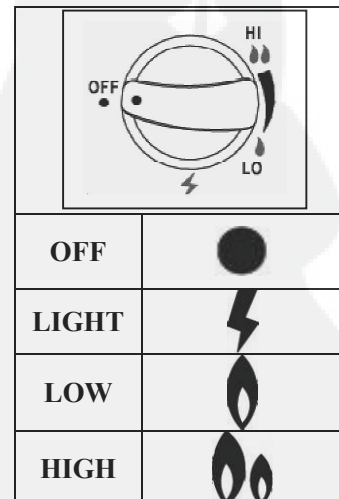
- Never use the heater while it is raining, the glass tube would break when it suddenly met water.
- Always turn off the heater while there is a rain.
- Never splash any liquid to the glass tube when the heater is working
- The glass tube will be extremely hot when it is working, never try to touch it and Keep the children away from the heater.
- Always ensure the heater stands firmly, the glass tube may break if the heater was fell down onto ground.
- Never use the heater if the glass tube has any crack

## LIGHTING INSTRUCTIONS

Check and ensure that an AA battery is inside the ignition chamber and has power. Ensure the anode(+) faces outside.



- 1.Ensure that the control knob is **OFF**. Slowly open the gas cylinder valve.
- 2.Press and turn the control knob to **LIGHT** position, push the igniter to generate spark while keeping control knob in pressed position
- 3.Check for pilot flame through glass tube. If pilot does not light, turn control knob to '**OFF**' position wait two minutes minimum and try again from the start. Some attempts may be necessary.
- 4.If the pilot alight, keep control knob pressed for 15 seconds then turn the control knob to '**LOW**'.
- 5.For maximum heat turn control knob to '**HIGH**'.
- 6.To turn heater off, turn control knob to '**OFF**'.
- 7.Close the vlave of the gas cylinder or the regulator after use.



## CLEANING/MAINTENANCE/STORAGE

### CLEANING AND MAINTENANCE:

- To enjoy outstanding performance of your heater for years make sure to perform the following maintenance activities on a regular basis:
- Keep exterior surfaces clean.
  - Use warm soapy water for cleaning. Never use flammable, corrosive or abrasive cleaners.
  - While washing your unit, be sure to keep the area around the burner and pilot assembly dry at all time. If the gas control is exposed to water in any way, do NOT try to use it. It must be replaced.
- After a long break from operation, the unit should be inspected for spiders, spider webs or other insects.
- Air flow must be unobstructed. Keep controls. Burner and circulating air passageways clean. Signs of possible blockage include:
  - Gas odour with extreme yellow tipping of flame.
  - Heater does NOT reach the desired temperature.
  - Heater glow is excessively uneven.
  - Heater makes popping noises.
- Spider and insects can nest in burner or orifices.

This dangerous condition can damage heater and render it unsafe for use. Clean burner holes by using a heavy-duty pipe cleaner.

Compressed air may help clear away smaller particles.
- Carbon deposits may create a fire hazard. Clean reflector and glass tube inside with soapy water if any carbon deposits develop. Always be careful when cleaning the glass tube.

### STORAGE:

#### Between uses:

- Turn the control knob to “OFF” position.
- Turn LPG cylinder to “OFF” position.
- Store heater upright in an area sheltered away from weather conditions (such as rain, sleet, hail, snow).
- If desired, cover heater to protect exterior surfaces and to help prevent dust and debris collecting in air passages.

#### During periods of extended inactivity or when transporting:

- Turn the control knob to “OFF” position.
- Disconnect LPG Cylinder and move to a secure, well-ventilated location outdoors. DO NOT store in a location that will exceed 50 degrees C.
- Store heater upright in an area sheltered away from weather conditions (such as rain, sleet, hail, snow).
- If desired, cover heater to protect exterior surfaces and to help prevent dust and debris collecting in air passages.

#### WARNING

FOR YOUR SAFETY:

- DO NOT touch or move heater for at Least 45 minutes after use.
- Allow all burner elements to cool before Touching.

#### NOTE

- In a salt-air environment (such as near an Ocean) corrosion occurs more quickly than normal.
- Frequently check for corroded areas and Repair them promptly.
- Wait until heater is cool before covering.

# Technical specifications

Item number:	PH08-A	FLAME HEATER	PH08-B
Nominal heat input: (Hs)	9.5kW		10.5kW
Appliance category:	I3+	I3B/P	I3B/P
Reference gas:	G30/G31	G30	G30
Normal gas pressure:	28-30/37mbar	30mbar	50mbar
Injector size:	1.5mm	1.5mm	1.3mm
Country of Destination:	I3+ for BE-CH-ES-FR-GB-GR-IE-IT-PT 28-30/37mbar I3B/P for CY-CZ-DK-EE-FI-LT-LV-MT-NL-NO-SE-SI-SK-BG-RO-TR 30mbar I3B/P for AT-DE 50mbar		

## Troubleshooting

PROBLEM	PROBABLE CAUSE	SOLUTION
Pilot will not light	Gas valve may be OFF	Turn the gas valve ON
	LPG cylinder empty	Refill LPG cylinder
	Orifice blocked	Clean or replace Orifice
	Air in supply system	Purge air from lines
	Loose connection	Check all fittings
Pilot will not stay on	Debris around pilot	Clean dirty area
	Loose connection	Tighten connection
	Thermocouple bad	Replace Thermocouple
	Gas leak in line	Check connections
	Lack of gas pressure	LPG cylinder is near empty
Burner will not light	Gas pressure is low	LPG cylinder is near empty
	Orifice blocked	Remove, clean and replace
	Control knob not ON	Turn knob to ON
	Thermocouple bad	Replace Thermocouple
	Pilot light assembly bent Or not in correct location	Place pilot light in correct Position and retry

- Any repairs to the patio heater must be carried out by a qualified person.