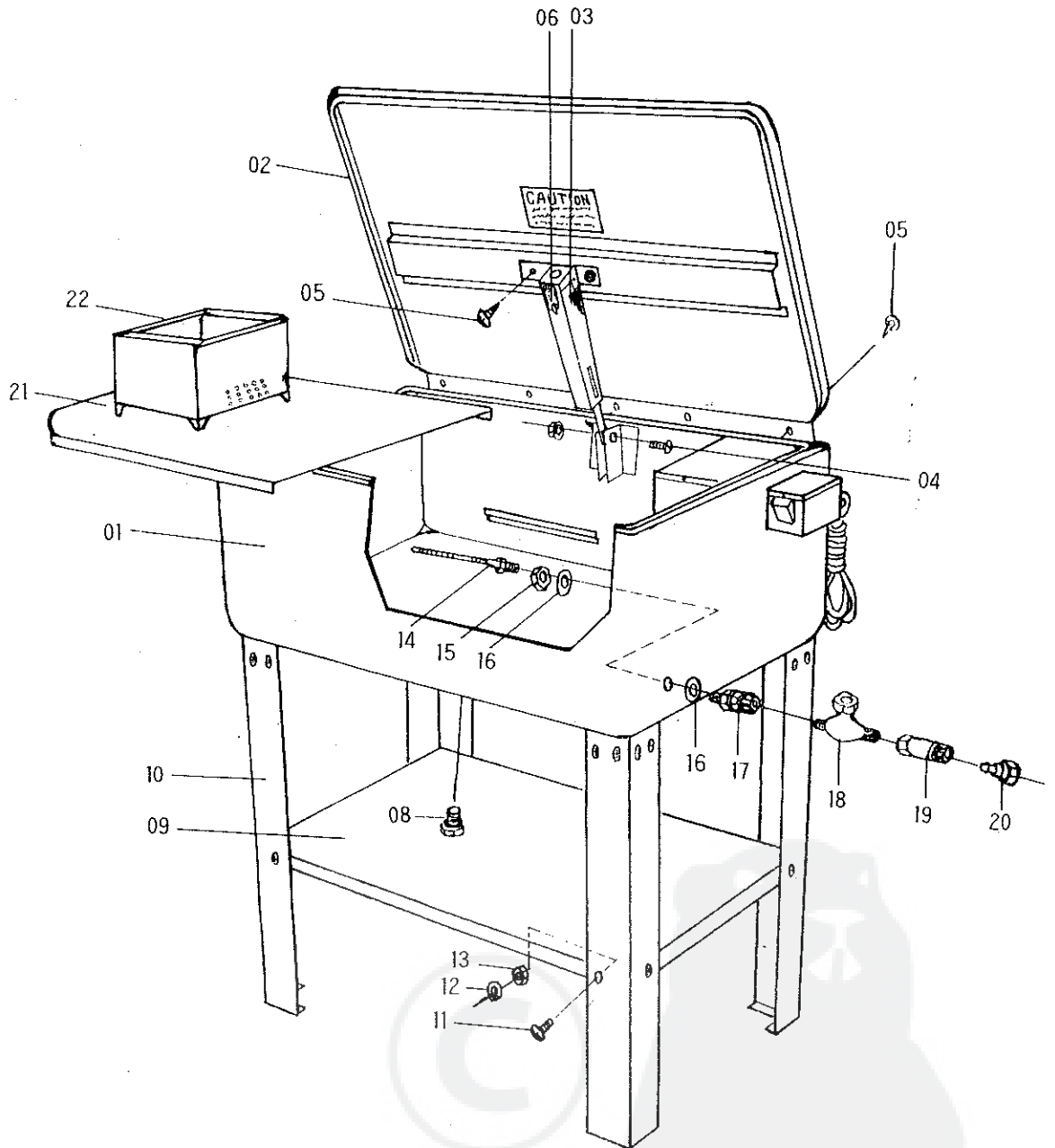


TURBO ACTION
PARTS WASHER
20-GALLON
WORK CAPACITY: 12 GALLON

ASSEMBLY INSTRUCTIONS

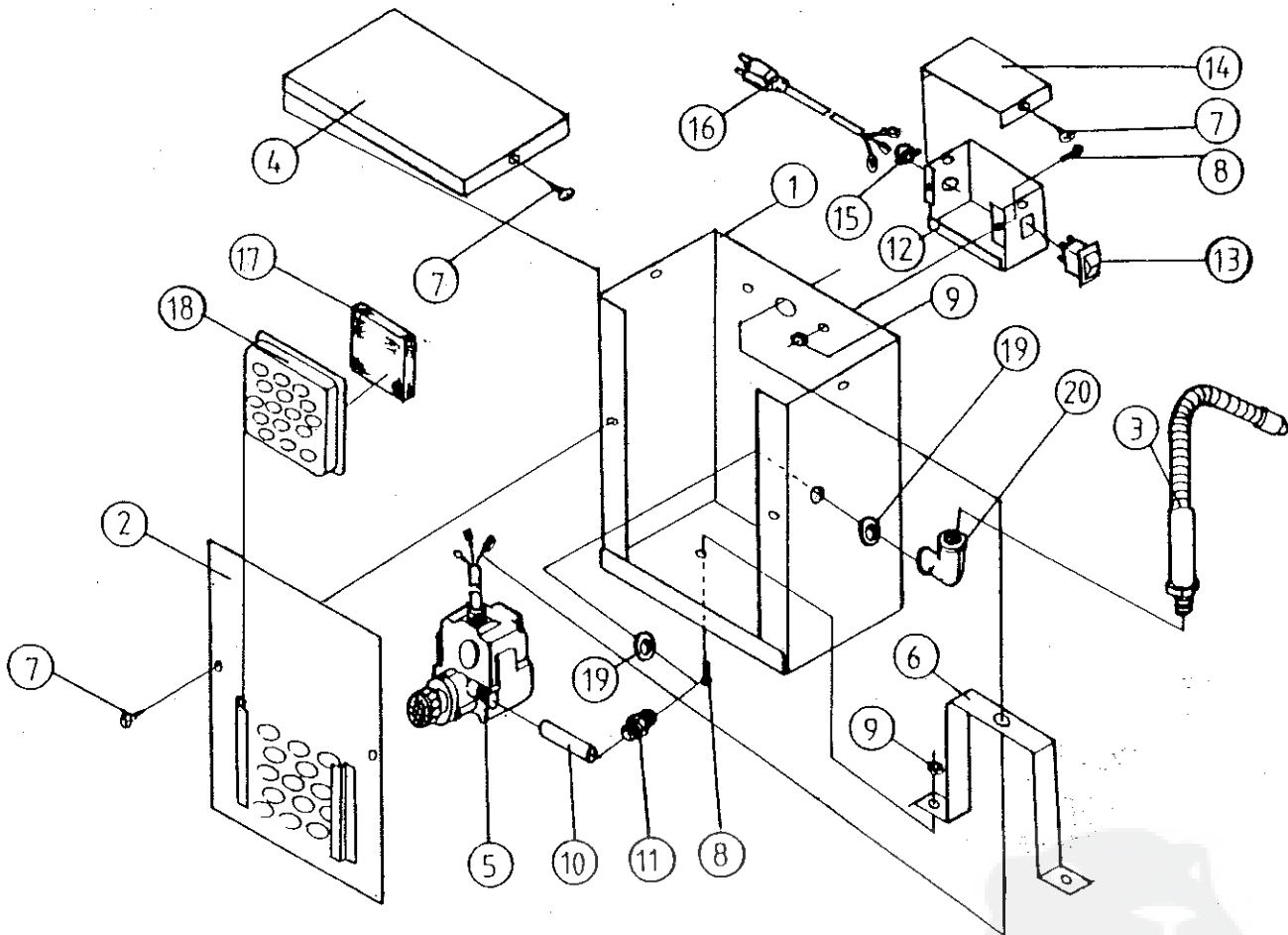
1. Remove machine from carton and inspect for any visual damage.
2. Remove parts from inside the machine.
3. Lay clean cardboard on floor and lay machine on its lid. (Make sure you hold cover closed when laying machine on its lid.)
4. Mount four legs on brackets with 1/4"-20 × 3/8" Phillips head screws and 1/4"-20NC Keps nuts. NOTE: DO NOT tighten.
5. Place lower shelf between legs with flat surface down and attach to legs with 1/4"-20 × 3/8" Phillips head screws and 1/4"-20 Hex nuts.
6. With legs pressed tight against lower shelf, tighten all screws to lower shelf.
7. Tighten all screws installed in Step 4.
8. Stand machine up, being careful to hold lid closed
9. Place work shelf and basket into the machine.
10. Mount pump assembly into slot on the side of the machine.
11. Thread turbo regulator valve (18) into end of threaded adapter (17) (assembled at factory) and tighten until adjustment knob is facing Thread metal spigot (14) into end of threaded adapter inside tub and tighten. To prevent air leakage, we suggest using pipe thread seal tape on all threaded connections outside of tub.
We have included a quick connector with the quick coupler that attached to your air hose.
12. Plug machine into standard 110 Volt / 60 Hz (240 Volt / 50Hz) grounded outlet and fill with proper amount of fluid.
13. Turn switch on. Fluid should now be flowing from the flexible spigot.

PARTS WASHER



ITEM	Q'TY	DESCRIPTION	ITEM	Q'TY	DESCRIPTION
01	1	BODY	12	24	GEAR WASHER
02	1	COVER	13	24	HEX NUT
03	1	SAFETY LEVER	14	1	TURBO SPIGOT
04	1	PAN SCREW	15	1	HEX NUT
05	7	TAPPING SCREW	16	2	FBER WASHER
06	1	SAFETY PLATE	17	1	THREADED ADAPTER
07			18	1	TURBO CONTROL VALVE
08	1	PLUG	19	1	QUICK COUPLER
09	1	SHELF	20	1	QUICK CONNECTOR
10	4	LEG	21	1	SHELF WORK
11	24	PAN SCREW	22	1	BASKET

PARTS WASHER



ITEM	Q'TY	DESCRIPTION	ITEM	Q'TY	DESCRIPTION
01	1	PUMP HOUSING	11	1	NIPPLE CONNECTOR
02	1	HOUSING FRONT COVER	12	1	SWITCH BOX
03	1	FLEX,HOSE	13	1	LIGHT SWITCH
04	1	HOUSING TOP	14	1	SWITCH BOX COVER
05	1	PUMP	15	1	FEED THRU
06	1	PUMP ANCHOR	16	1	POWER CORD
07	6	TAPPING SCREW	17	1	NON WOVEN FABRICS
08	4	PAN SCREW	18	1	FILTER BRACKET
09	4	HEX NUT	19	2	WASHER
10	1	FLUID HOSE	20	1	90°CONNECTOR

CAUTION

FLAMMABLE LIQUID

NO SMOKING

- SOLVENT FUMES MAY BE TOXIC
- USE ONLY RECOMMENDED CLEANING SOLVENTS
- USE IN WELL VENTILATED AREA
- DO NOT USE HIGHLY VOLATILE FLAMMABLE SOLVENTS SUCH AS GASOLINE

WARNING!

USE PROTECTIVE MEASURES WHEN NECESSARY
FUSIBLE LINK MUST BE INTACT AT ALL TIMES
AVOID SOLVENT CONTACT WITH SKIN AND EYES

MANUFACTURER RECOMMEND USE THE FOLLOWING
SOLVENTS ONLY, PARAFFIN, JIZER, GUNK, ODOURLESS
KEROSENE, DIESEL OIL. DO NOT USE OTHER KIND OF
SOLVENTS OR IT MAY DAMAGE THE PUMP