



- GB ENGLISH
- FR FRANÇAIS
- DE DEUTSCH
- IT ITALIANO
- ES ESPAÑOL

# OPERATOR'S MANUAL MANUEL D'UTILISATION BEDIENUNGSANLEITUNG MANUALE PER L'OPERATORE MANUAL DE INSTRUCCIONES

## MTA-DTB

### WARNING



READ THE INSTRUCTIONS CAREFULLY AND FOLLOW THE RULES FOR SAFE OPERATION. FAILURE TO DO SO COULD RESULT IN SERIOUS INJURY.

### AVERTISSEMENT



LIRE ATTENTIVEMENT LES INSTRUCTIONS ET SUIVRE LES RÈGLES DE SÉCURITÉ. LE NON-RESPECT DES RÈGLES DE SÉCURITÉ ENTRAÎNE UN RISQUE DE BLESSURE GRAVE.

### WARNUNG



LESEN SIE DIE BEDIENUNGSANLEITUNG SORGFÄLTIG DURCH, UND BEFOLGEN SIE DIE SICHERHEITSREGELN. ANDERNFALLS BESTEHT DAS RISIKO SCHWERER VERLETZUNGEN.

### AVVERTENZA



LEGGERE E SEGUIRE ATTENTAMENTE LE ISTRUZIONI PER LAVORARE IN CONDIZIONI DI MASSIMA SICUREZZA. LA MANCATA OSSERVANZA DELLE ISTRUZIONI POTREBBE PROVOCARE LESIONI GRAVI.

### ADVERTENCIA



LEA ATENTAMENTE LAS INSTRUCCIONES Y SIGA LAS INDICACIONES PARA UN FUNCIONAMIENTO SEGURO. DE NO HACERLO, PODRÍA SUFRIR LESIONES GRAVES.







ENGLISH  
GB (Original instructions)

# **OPERATOR'S MANUAL**

## **Trimmer/Brushcutter Attachment**

### **MTA-DTB**

 **WARNING**



**READ THE INSTRUCTIONS CAREFULLY AND FOLLOW THE  
RULES FOR SAFE OPERATION.  
FAILURE TO DO SO COULD RESULT IN SERIOUS INJURY.**

# Contents

---

For safe use of your product.....	3
Description.....	7
Before you start .....	8
Packing list .....	8
Assembly .....	8
Installation of shield .....	9
Installing nylon line cutting head.....	9
Adjusting the balance .....	10
Trimming operation.....	11
Using shoulder harness .....	12
Basic trimming operation with nylon line cutting head .....	12
Basic trimming operation with metal blade .....	14
Maintenance and care .....	15
Servicing guidelines.....	15
Maintenance and care .....	15
Storage .....	18
Specifications.....	19
Declaration of conformity .....	20

# For safe use of your product

## Important information

### **WARNING**

**Please ensure that you read the operator's manual before using your product.**

#### **About your operator's manual**

- This manual contains necessary information about the assembly, operation, and maintenance of your product. Please read it carefully and absorb its contents.
- Always keep your manual in a place where it is readily accessible.
- If you have lost your manual or it is damaged and no longer readable, please purchase a new one from your dealer.
- The units used in this manual are SI units (International System of Units). Figures in parentheses are reference values, and there may be a slight conversion error in some cases.  
Failure to do so could lead to an accident or serious injury.

#### **Intended use of this product**

- This product is lightweight, high-performance unit designed for weed control and grass trimming in areas difficult to control by any other means.
- Do not use this unit for any purpose other than aforementioned.
- The content of this manual may be changed without notice for the purpose of upgrades to the product. Some of the illustrations used may differ from the product itself in order to make the explanations clearer.
- Please consult your dealer if anything is unclear or of concern.  
Failure to do so could lead to an accident or serious injury.

#### **Do not modify the product**

- You must not modify the product.  
To do so could lead to an accident or serious injury. Any malfunction resulting from a modification to the product will not be covered by the manufacturer's warranty.

#### **Do not use the product unless it has been checked and maintained**

- You must not use the product unless it has been checked and maintained. Always ensure that the product is checked and maintained on a regular basis.  
Failure to do so could lead to an accident or serious injury.

#### **Loaning or assigning your product**

- When loaning your product to another party, ensure that the person borrowing the product receives the operator's manual along with it.
- If you assign your product to another party, please enclose the operator's manual with the product when handing it over.  
Failure to do so could lead to an accident or serious injury.

#### **Users of the product**

- The product should not be used by:
  - ◆ people who are tired
  - ◆ people who have taken alcohol
  - ◆ people who are on medication
  - ◆ people who are pregnant
  - ◆ people who are in poor physical condition
  - ◆ people who have not read the operator's manual
  - ◆ children
- Keep in mind that the operator or user is responsible for accidents or hazards occurring to other people or their property.  
Failure to observe these instructions could lead to an accident.
- The components of this machine generate an electromagnetic field during operation, which may interfere with some pacemakers. To reduce health risks, we recommend that pacemaker users consult their physician and the pacemaker manufacturer before operating this product.



# For safe use of your product

## WARNING

### Vibration and cold

- It is believed that a condition called Raynaud's Phenomenon which affects the fingers of certain individuals may be brought about by exposure to vibration and cold. Exposure to vibration and cold may cause tingling and burning, followed by loss of colour and numbness in the fingers. The following precautions are strongly recommended because the minimum exposure which might trigger the ailment is unknown.
  - ◆ Keep your body warm, especially the head and neck, feet and ankles, and hands and wrists.
  - ◆ Maintain good blood circulation by performing vigorous arm exercises during frequent work breaks, and also by not smoking.
  - ◆ Limit the number of hours of operation. Try to fill each day with jobs where operating the trimmer or other hand-held power equipment is not required.
  - ◆ If you experience discomfort redness and swelling of the fingers, followed by whitening and loss of feeling, consult your physician before exposing yourself further to cold and vibration.

Failure to observe these instructions could result in damage to your health.

### Repetitive stress injuries

- It is believed that over-using the muscles and tendons of the fingers, hands, arms and shoulders may cause soreness, swelling, numbness, weakness and extreme pain to the areas just mentioned. Certain repetitive hand activities may put you at a high risk for developing a repetitive stress injury (RSI). To reduce the risk of RSI, do the following:
  - ◆ Avoid using your wrist in a bent, extended or twisted position.
  - ◆ Take periodic breaks to minimize repetition and rest your hands. Reduce the speed and force in which you do the repetitive movement.
  - ◆ Do exercises to strengthen hand and arm muscles.
  - ◆ See a doctor if you feel tingling, numbness or pain in your fingers, hands, wrists or arms. The sooner RSI is diagnosed, the more likely permanent nerve and muscle damage can be prevented.

Failure to observe these instructions could result in damage to your health.

### Proper training

- Do not permit operation without proper training and protective equipment.
- Be thoroughly familiar with the controls and proper use of unit.
- Know how to stop the unit and switch off the motor.
- Know how to unhook a harnessed unit quickly.
- Never allow anyone to use the unit without proper instruction.

Failure to observe these instructions could result in damage to your health.

### Wear proper clothing.

- Secure hair so it is above shoulder length.
- Do not wear ties, jewellery, or loose, dangling clothing which could be caught in the unit.
- Do not wear open toed footwear, or go bare-foot or barelegged.

Failure to observe these precautions could result in damage to your sight or hearing, or lead to a serious injury.



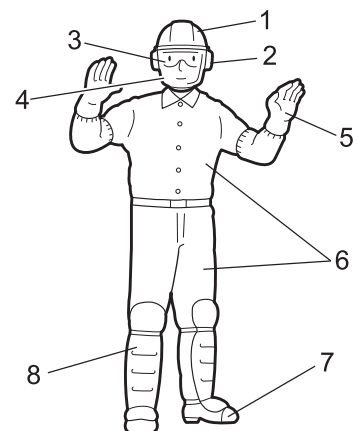
### Wear protective gear

- Always wear the following protective gear when working with the trimmer.
  1. Head protection (helmet): Protects the head
  2. Ear muffs or ear plugs: Protect the hearing
  3. Safety goggles: Protect the eyes
  4. Face shield: Protects the face
  5. Safety gloves: Protect the hands from cold and vibration
  6. Work clothes that fit (long sleeves, long trousers): Protect the body
  7. Heavy duty, non-slip protective boots (with toecaps) or non-slip work shoes (with toecaps): Protect the feet
  8. Shin guards: Protect the legs

Failure to observe these precautions could result in damage to your sight or hearing, or lead to a serious injury.

- When necessary, please use the protective gear below.

- ◆ Dust mask: Protects the breathing apparatus
- ◆ Bee net: To deal with attacks by bees



# For safe use of your product

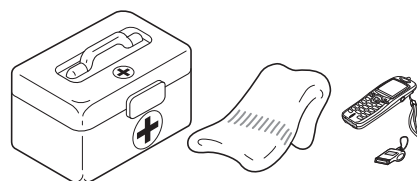
## WARNING

### Environment of use and operation

- Do not use the product:
  - ◆ in damp or wet locations.
  - ◆ in the rain.
  - ◆ under poor weather conditions.
  - ◆ on steep slopes or in places which give no secure foothold and are thus slippery.
  - ◆ at night or in dark places with poor visibility.
  - ◆ when there is a risk of lightning.
- When using the product on a gentle slope, work in a level, contour-like motion.  
A serious injury could result if you fall or slip, or fail to operate the product correctly.
- For your own health and your safe and comfortable work, operate the machine within the air temperature range of  $-5^{\circ}\text{C}$  to  $40^{\circ}\text{C}$ .  
Failure to observe these instructions could result in damage to your health.

### Being prepared in case of an injury

- In the unlikely event of an accident or injury, please ensure that you are prepared.
    - ◆ First aid kit
    - ◆ Towels and wipes (to stop any bleeding)
    - ◆ Whistle or mobile phone (for calling outside help)
- If you are unable to perform first aid or call for outside help, the injury could worsen.



## Warning notices

### DANGER

This symbol accompanied by the word "**DANGER**" calls attentions to an act or a condition which will lead to serious personal injury or death of operators and bystanders.

### WARNING

This symbol accompanied by the word "**WARNING**" calls attentions to an act or a condition which can lead to serious personal injury or death of operators and bystanders.

### CAUTION

"**CAUTION**" indicates a potentially hazardous situation which, if not avoided, may result in minor or moderate injury.

## Other indicators



Circle and slash symbol means whatever is shown is prohibited.





### NOTE

This enclosed message provides tips for use, care and maintenance of the product.








### IMPORTANT

Framed text featuring the word "**IMPORTANT**" contains important information about the use, checking, maintenance and storage of the product described in this manual.

## Symbols

Symbol form/shape	Symbol description/application	Symbol form/shape	Symbol description/application
	Carefully read the operator's manual		Remove the battery before maintenance and care.
	Wear eyes, ears and head protection		Keep bystanders away 15 m

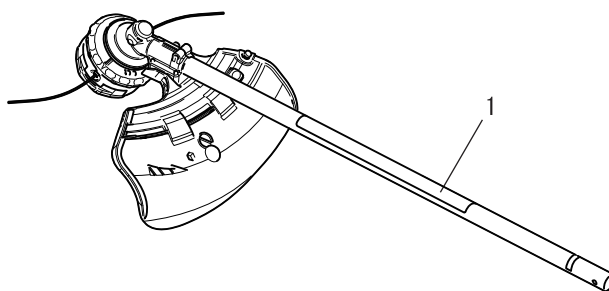
# For safe use of your product

Symbol form/shape	Symbol description/applica- tion	Symbol form/shape	Symbol description/applica- tion
	Warning, side thrust		Wear foot protection and gloves
	Safety/Alert		Beware of high-temperature areas
	Warning! Thrown objects!		Usage of nylon line cutting head not permitted
	Usage of metal blades not permitted		

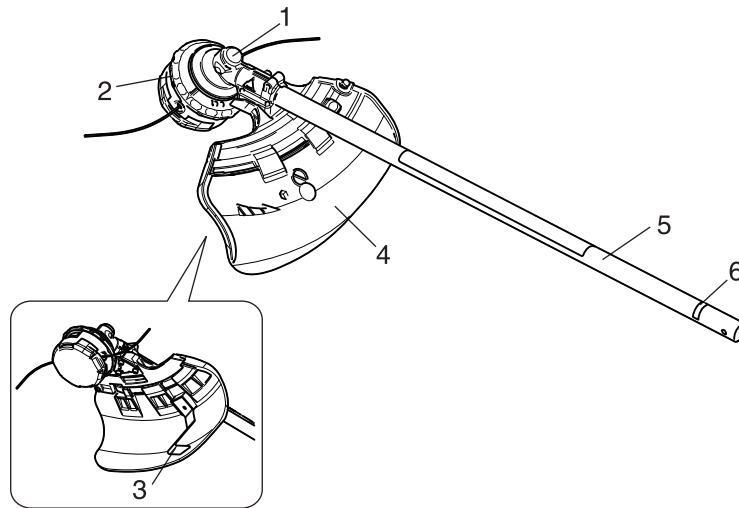
## Safety decal(s)

- The safety decal shown below has been attached to the products described in this manual. Ensure that you understand what the decal means before using your product.
- If the decal becomes unreadable due to wear and tear or damage, or peels off and is lost, please purchase a replacement decal from your dealer and attach it in the location shown in the illustrations below. Ensure that the decal is readable at all times.

1. Safety decal (Part number X505-011600)





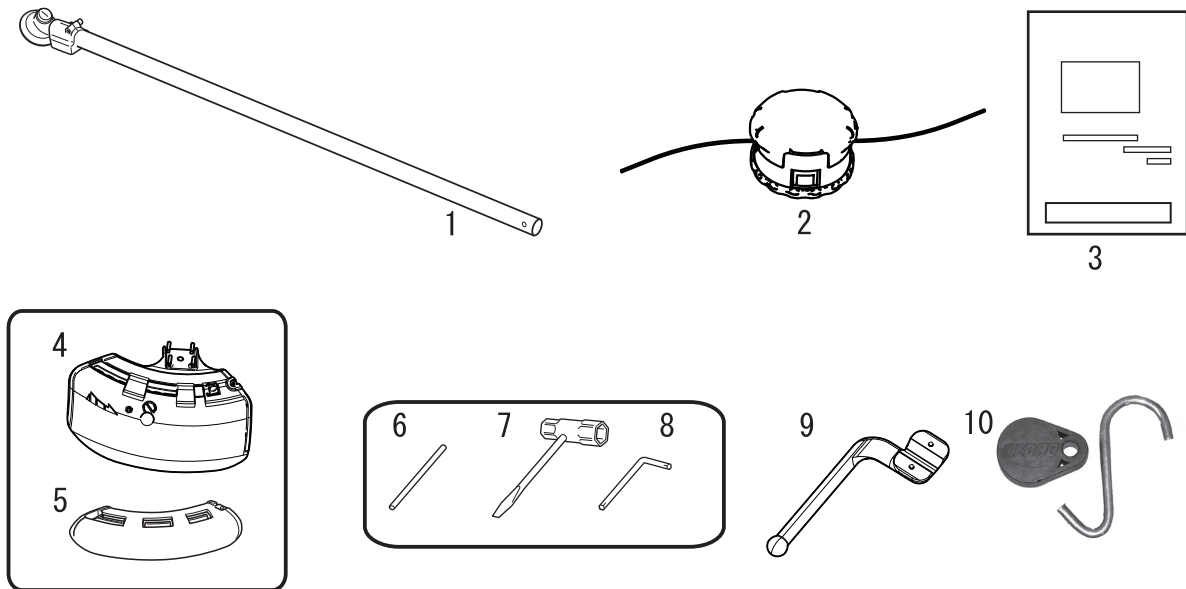


1. **Angle transmission** - Having two gears to change the angle of rotating axis.
2. **Cutting attachment** - Nylon line cutting head for cutting grass and weed.
3. **Cut off knife** - Cut nylon line to adjust line length to proper swath.
4. **Shield** - Device to protect the operator from accidental contact with the cutting head and thrown objects.
5. **Shaft tube** - Part of the unit that provides a casing for power transmission shaft.
6. **Type and serial number**

# Before you start

## Packing list

- The following parts are packed separately in the packing box.
- When you have unpacked the box, please check the parts that it contains.
- Contact your dealer if anything is missing or broken.



1. Trimmer/Brushcutter attachment
2. Nylon line cutting head
3. Operator's manual
4. Shield (for nylon line cutting head)
5. Shield (for metal blade)

6. Locking Tool
7. Socket wrench
8. L-wrench
9. Loop handle bracket (barrier bar)
10. Storage hook assembly

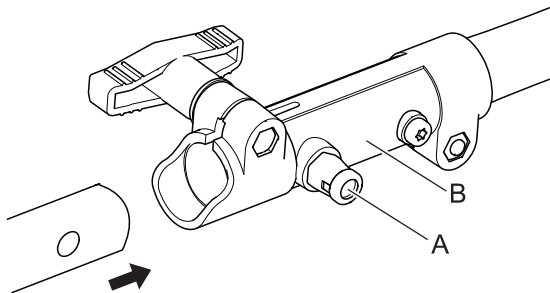
## Assembly

### WARNING

- Read the operator's manual carefully to ensure that you assemble the product correctly.  
Using a product that has been incorrectly assembled could lead to an accident or serious injury.

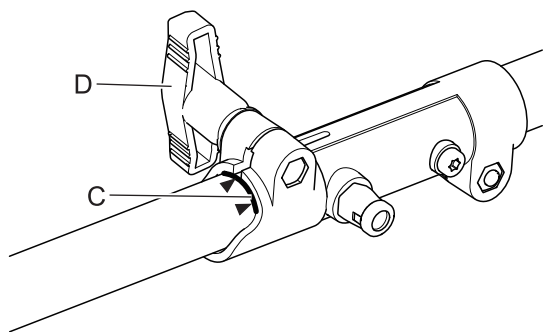


### Attachment shaft assembly



1. Set power head/shaft assembly on a level surface.
2. Pull locator pin (A) out, and turn anticlockwise 1/4 turn to lockout position.
3. Remove vinyl cap from attachment drive shaft.

# Before you start



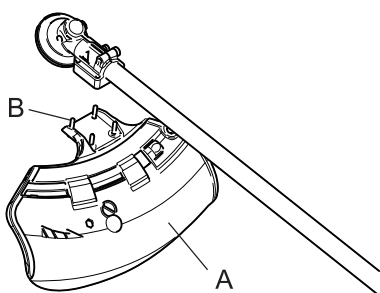
4. Carefully fit attachment drive shaft assembly into coupler (B) to decal assembly line (C), making sure that the inner lower drive shaft engages into the square upper drive shaft socket.

## NOTE

Lower bearing housing and head assembly must be in line with the motor unit.

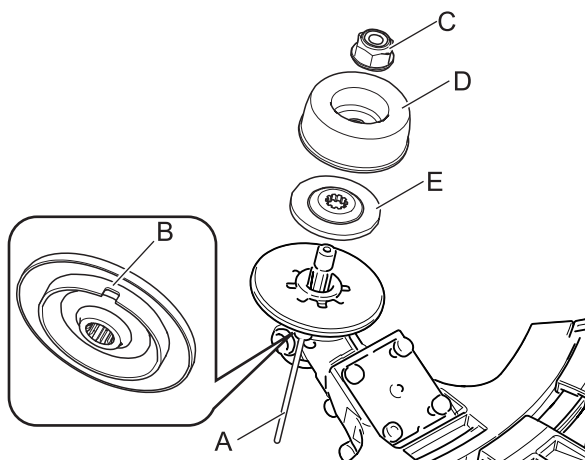
5. Rotate locator pin (A) 1/4 turn clockwise to engage lower shaft hole. Insure locator pin is fully engaged by twisting lower drive shaft. Locator pin should snap flush in coupler. Full engagement will prevent further shaft rotation.
6. Secure lower shaft assembly to coupler by tightening clamping knob (D).
7. To disassemble, reverse assembly instructions.

## Installation of shield

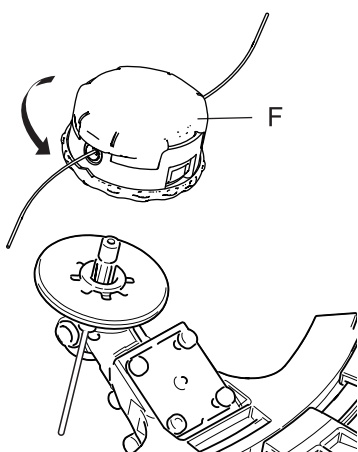


1. Fit shield (A) to mounting portion of angle transmission and tighten 4 bolts (B).

## Installing nylon line cutting head



1. Insert locking tool (A) into a hole located on the right side of angle transmission while forcing retainer spring to the left side.
  2. Insert locking tool further into blade retainer fixing slot (B) to fix output shaft.
  3. Using the socket wrench, remove the nut (C), cup (D), and lower blade retainer (E).
- \* Nut, cup, and lower blade retainer are not used with a nylon line cutting head.



## CAUTION

○ Fix output shaft securely using locking tool in order to prevent it from rotating when nylon cutting head is mounted.

4. Thread nylon line cutting head (F) onto shaft (anticlockwise) until it is tight.
5. Remove locking tool.

# Before you start

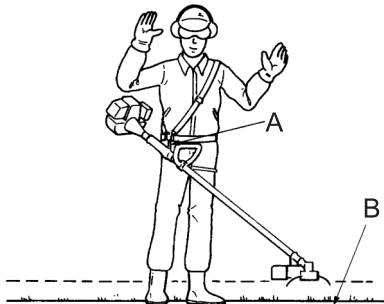
## Adjusting the balance Adjusting the shoulder harness

### WARNING

○ This product is designed to fit a wide variety of body sizes, but may not be adjustable for extremely tall persons. Do not use the unit if your feet can reach the cutting attachment when the unit is attached to the harness.

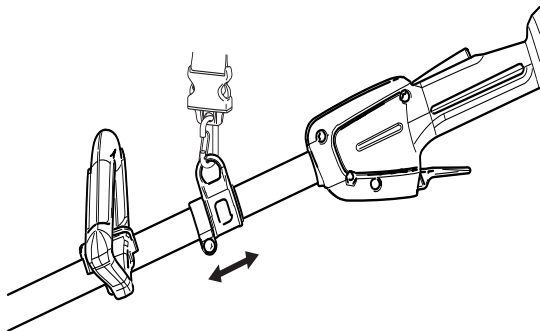
### IMPORTANT

○ A person's size can affect the balancing adjustment. Also the balancing procedure may not work with some units on some persons. If the shoulder harness does not fit you or cannot be adjusted well, please ask your dealer for assistance.



Balance tool for a level plane of cutting head rotation

- ◆ Use a shoulder harness when provided or when recommended in this manual. Adjust both harness and the suspension point (A) on the unit so the unit hangs with the cutting attachment a few centimetres above ground level (B).
- ◆ The cutting attachment and shield should be level in all directions. Harness the unit on the right side as shown.

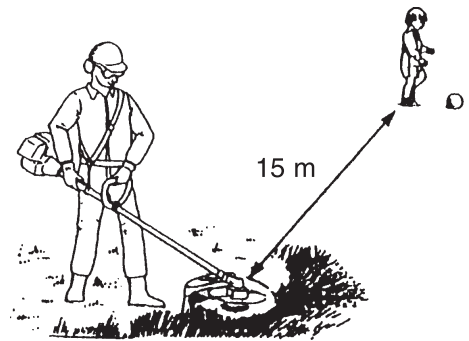


- ◆ Slide suspension point up and down the tube to find the right balance. Rotate the clamp to level the cutting attachment and shield. Lock in position. If the suspension point is a free-spinning type, the unit may tend to roll over sideways, however, you should still level the attachment and shield on the front-to-rear axis.
- ◆ Balancing and levelling, as above, may require relocation of the clamp and readjustment of the harness straps. Also, each type of cutting attachment and shield mounted on the unit may require balancing.

# Trimming operation

## DANGER

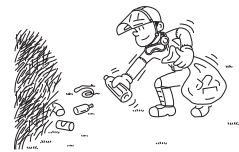
- **Always stop the unit and remove the battery when a cutting attachment jam occurs.**  
Severe injury can occur if a jam is removed and the cutting attachment suddenly starts.
- **Do not operate the product without the shield in place.**  
Any objects that ricochet off the cutting attachment could cause an accident or serious injury.
- **The area within a 15 m radius of the product is a danger zone. Be careful to observe the following precautions while working with the product.**
  - ◆ **Do not allow children and other people or pets to enter the danger zone.**
  - ◆ **If another person enters the danger zone, turn off the unit to stop the cutting attachment from rotating.**
  - ◆ **When approaching the operator, signal to him by, for example, throwing twigs from outside the danger zone, and then check that unit has been switched off and the cutting attachment has stopped turning.**
  - ◆ **If more than one person is working with the product, identify the way in which you will signal to each other and work at least 15 m apart.**



Any objects that ricochet off the cutting attachment, and any contact with the cutting attachment, could cause blindness or a fatal accident.

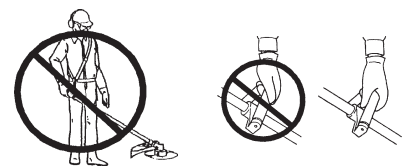
## WARNING

- **Before starting work, check the area where you will be working and remove any small stones and empty cans likely to ricochet off the cutting attachment, as well as any pieces of string or wire that might become twisted around the cutting attachment.**  
An accident or serious injury can occur if foreign objects ricochet off the cutting attachment or wire and other materials twisted round the product spring off it.
- **In the following situations, turn off the unit immediately and ensure that the cutting attachments have stopped before checking each area of the product. Replace any damaged parts.**
  - ◆ **If the cutting attachment hits a rock, tree, post, or other such obstruction while you work.**
  - ◆ **If the product suddenly starts to vibrate abnormally.**Continuing to use parts when they are damaged could lead to an accident or serious injury.
- **Do not hold the cutting attachment up while you work. You must not work with the cutting attachments raised above knee level.**  
Raising the cutting attachment above knee level brings the plane of rotation closer to the face, and any objects that fly off the cutting attachments could cause an accident or serious injury.



### **Transport of the product**

- **When transporting in the situations described below, turn off the unit and ensure that the trimmer blade has stopped rotating, then fit the trimmer blade cover.**
  - ◆ **Moving to the place where you are working.**
  - ◆ **Moving to another area while you are working.**
  - ◆ **Leaving the place where you have been working.**
- **When transporting the product by car, remove the battery pack from the unit, fit the blade cover, and secure the product firmly in place to prevent it from moving around.**  
Failure to observe these precautions could cause burns or serious injury.
- **Never attempt to operate the product with one hand.**
- **Ensure that you hook your thumbs around the grips, wrapping them in your thumb and remaining fingers.**
- **Keep handles and grasping surfaces dry, clean and free from oil and grease.**  
Slippery handles and grasping surfaces do not allow for handling and control of the unit in unexpected situations.



## NOTE

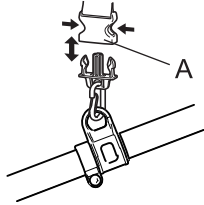
- When you first use this product under low temperature after purchase, it may not operate smoothly in rare instances. This phenomenon does not indicate a product failure. In this case, condition the unit to room temperature (normal temperature), and turn on and off power to the unit repeatedly before use.

# Trimming operation

## Using shoulder harness

### **⚠ WARNING**

- Do not to simultaneously wear multiple belt harnesses or multiple shoulder harnesses.
- When wearing a harness, other wearable must not interferes with the release and removal of the harness.  
Failure to do so could lead to an accident or serious injury.



Always mount the trimmer correctly using the shoulder harness.

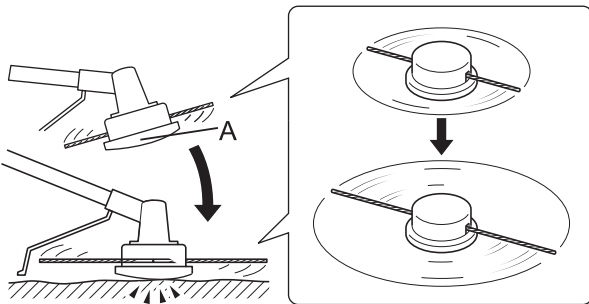
- ◆ Attach product to harness.
- ◆ Place shoulder harness over left shoulder and adjust straps so the quick release pin rests just below the waist.
- ◆ Check for correct adjustment by moving cutting attachment along ground.
- ◆ Re-adjust position of suspension point if necessary.
- ◆ The shoulder harness is fitted with an emergency release function. In case of emergency, pull up on the collar (A) to disconnect the machine from the strap.

## Basic trimming operation with nylon line cutting head

### **⚠ WARNING**

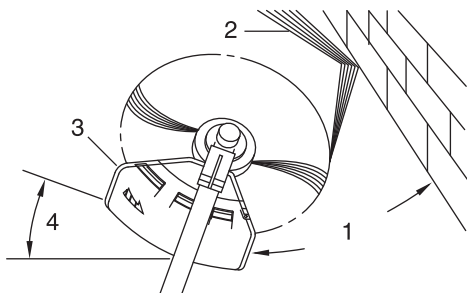
- Serious injury may result from the improper use of cutting attachment. Read and comply with all safety instructions listed in this manual.
- Do not operate with a damaged cutter.
- Use only cutting attachments recommended by YAMABIKO Corporation.
- Excessive nylon line beyond cut off knife could fly off when the nylon line cutting head starts rotating after adjustment of nylon line length.  
Failure to do so could lead to an accident or serious injury.

## Adjusting nylon line



- ◆ Cut off knife on the shield adjusts cutting swath automatically by cutting nylon lines evenly when attachment starts rotating.
- ◆ When operating with less than maximum cutting swath, cut two nylon lines in equal lengths.
- ◆ To advance trimmer line, tap the nylon line cutting head (A) against the ground while the head is turning at normal operating speed.

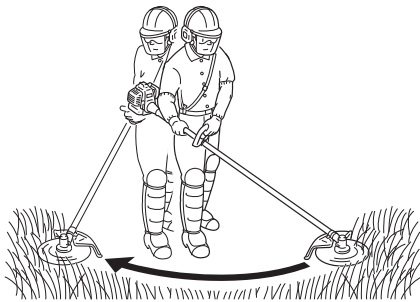
## Trimming



- ◆ This is feeding the trimmer carefully into the material you wish to cut. Tilt the head slightly to direct the debris away from you. If cutting up to a barrier such as a fence, wall or tree, approach from an angle where any debris ricocheting off the barrier will fly away from you.
  - ◆ Move the nylon line cutting head slowly until the grass is cut right up to the barrier, but do not jam (overfeed) the line into the barrier. If trimming up wire mesh or chain link fencing, be careful to feed only up to the wire. If you go too far, the line will snap off around the wire.
  - ◆ Trimming can be done to cut through weed stems one at a time. Place the nylon line cutting head near the bottom of the weed never high up, which could cause the weed to chatter and catch the line. Rather than cut the weed right through, just use the very end of the line to wear through the stem slowly.
1. Angle to wall

# Trimming operation

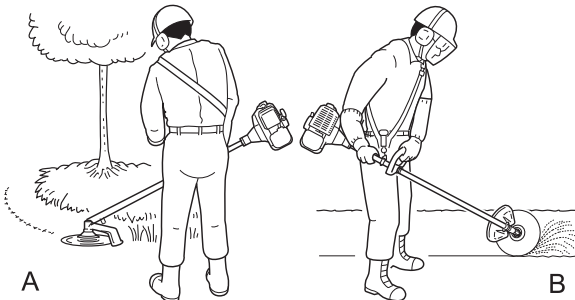
## Scything



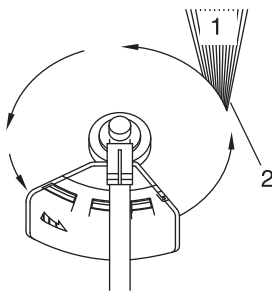
2. Debris
3. Knife side raised
4. Angle to ground

- ♦ This is the cutting or mowing of large grassy areas by sweeping or swinging the trimmer in a level arc. Use a smooth, easy motion. Do not try to hack or chop down the grass. Tilt the nylon line cutting head to direct the debris away from you on the scything stroke. Then return without cutting grass for another stroke. If you are well protected and do not care whether some debris is thrown in your direction, you may scythe in both directions.

## Scalping and edging

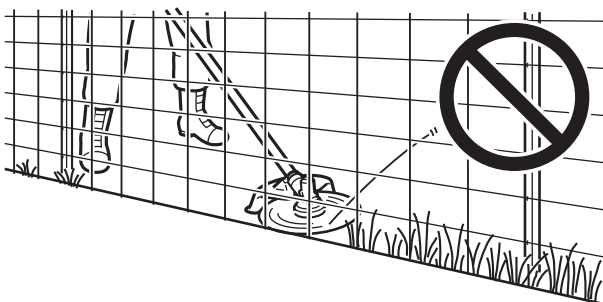


- ♦ Both of these are done with the nylon line cutting head tilted at a steep angle. Scalping (A) is removing top growth, leaving the earth bare. Edging (B) is trimming the grass back where it has spread over a pavement or driveway. During both edging and scalping, hold the unit at a steep angle in a position where the debris, and any dislodged dirt and stone, will not come back towards you even if it ricochets off the hard surface.
- ♦ Although the pictures show how to edge and scalp, every operator must find for himself the angles which suit his body size and cutting situation.

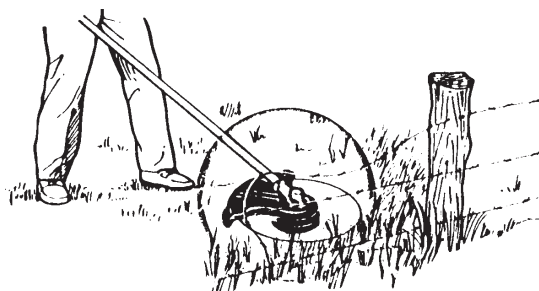


- ♦ For nearly all cutting, it is good to tilt the nylon line cutting head so that contact is made on the part of line circle where the line is moving away from you and the shield (See appropriate picture). This results in the debris being thrown away from you.
- ♦ Tilting the head to the wrong side will shoot the debris toward you. If the nylon line cutting head is held flat to the ground so that cutting occurs on the whole line circle, debris will be thrown at you, drag will slow the unit, and you will use up a lot of line.
- ♦ Nylon line cutting head rotates anticlockwise. The knife will be on the left side of the shield.

1. Debris
2. Cut on this side



- ♦ Do not push the line into tough weeds, trees, or wire fences.
- ♦ Pushing the line into chicken wire, chain link fencing or thick brush can result in snapped-off line ends being hurled back at the operator. The proper way is to cut right up to a barrier, such as any of those mentioned, but never run the line into or through the obstruction. Do not cut closely to obstruction or barrier.



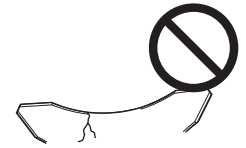
- ♦ Avoid nylon line contact with broken wire fencing. Pieces of wire broken off by the trimmer can be hurled at high speeds.

# Trimming operation

## Basic trimming operation with metal blade

### WARNING

- Please observe the following instructions when trimming.
  - ◆ Check to ensure that the trimmer blade has been tightened securely in place.
  - ◆ Replace the shield if it is damaged or cracked.
  - ◆ Replace the trimmer blade nut when it becomes worn.
  - ◆ Do not cut into the ground with the blade.
  - ◆ Do not operate with a dull, bent, fractured or discoloured blade and worn or damaged nut.



Failure to do so could lead to an accident or serious injury.

- Use only cutting attachments recommended by YAMABIKO Corporation. YAMABIKO Corporation will not be responsible for the failure of cutting devices, attachments or accessories which have not been tested and approved by YAMABIKO Corporation for use with this unit.
- The type of blade used must be matched to the type and size of material cut. An improper or dull blade can cause serious personal injury. Blades must be sharp. Dull blades increase the chance of kick-out and injury to yourself and bystanders.
  - ◆ Plastic/Nylon Grass/Weed Blades may be used where ever the nylon line head is used. Do not use this blade for heavy weeds or brush.
  - ◆ The 3 cutter blade is designed especially to cut weeds and grass. To avoid injury due to kickback or blade fracture, do not use the 3 cutter blade to cut brush or trees.
  - ◆ 8 Tooth Weed/Grass Blade is designed for grass, garden debris and thick weeds. Do not use this blade for brush or heavy woody growth, 19 mm diameter or larger.
  - ◆ 22 Tooth Clearing Blade is designed for dense thickets and saplings up to 64 mm diameter.
  - ◆ 80 Tooth Brush Blade is designed for cutting brush and woody growth up to 13 mm diameter.

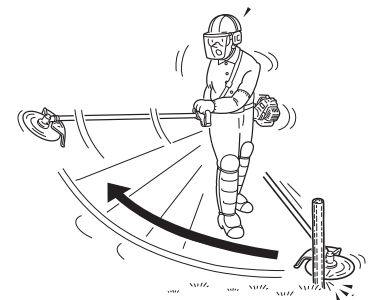
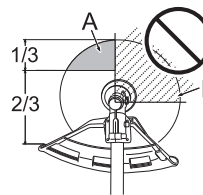
Damaged or shattered blades can cause accidents and serious injury.

- When cutting brush or saplings that are under tension, be alert for spring back. When the tension in the wood fibres is released, the brush or sapling may strike the operator and/or throw the machine out of control.
- Use extreme caution when cutting brush and the slender material may catch the blade and be whipped toward you or pull you off balance.

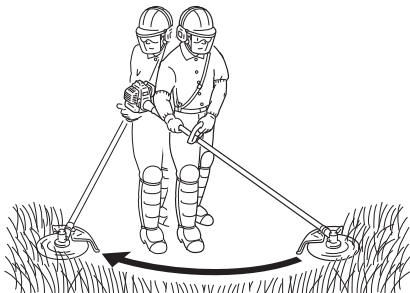
#### Kickback

- The phenomenon that occurs if the trimmer blade comes into contact with a tree, post, rock or other hard object while rotating at high speed and reacts by recoiling powerfully and instantaneously is known as kickback.
- Causing kickback can result in a loss of control over the product and is highly dangerous.
- In particular, if the front-right quadrant of the trimmer blade (B) strikes a shrub or other such object, the trimmer blade will cause the product to recoil sharply backwards to the right.
- To prevent kickback, do not trim from left to right. Be careful to ensure that the trimmer blade does not strike any hard objects.
- When trimming, ensure that the object you are cutting meets the portion of the blade 1/3 in from the front edge on the left-hand side (A).

Failure to do so could cause an injury or fatal accident.



#### Scything weeds



- ◆ This is cutting by swinging the cutting attachment in a level arc. It can quickly clear areas of field grass and weeds. Scything should not be used to cut large, tough weeds or woody growths.
- ◆ If a sapling or shrub binds the cutting attachment, do not use the cutting attachment as a lever to free the bind, because this will cause cutting attachment failure.
- ◆ Instead, turn off the unit and push the sapling or shrub to free the blades.



# Maintenance and care

## **⚠ WARNING**

Observe the following precautions when checking and maintaining your product after use:

- Turn power to unit off, remove battery, and make sure all moving parts have come to a complete stop.  
An accident could occur if the product starts unexpectedly.
- Allow unit to cool before performing service.  
You could burn yourself.

- Never service damaged battery packs. Service of battery packs should only be performed by the manufacturer or authorized service providers.

## **IMPORTANT**

- Checking and maintenance requires specialist knowledge. If you are unable to check and maintain the product or deal with a fault yourself, consult your dealer. Do not attempt to dismantle the product.

### **Servicing guidelines**

Area	Maintenance	Page	Before use	Monthly
Angle transmission	Grease	15		•*
Cut off knife	Inspect/Clean	-	•	
Screws, bolts and nuts	Inspect, Tighten/Replace	-	•	

\* Or 50 hours, whichever occurs first.

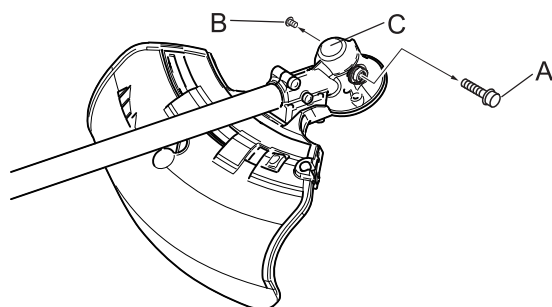
## **IMPORTANT**

- Time intervals are maximum. Actual use and your experience will determine the frequency of required maintenance.

### **Maintenance and care**

If you have any questions or problems, please contact your dealer.

#### **Angle transmission**



1. Remove the plug (A) and drain screw (B) from the angle transmission (C).
2. Add grease into the transmission until old grease is pushed out. If necessary, use a low pressure pump.

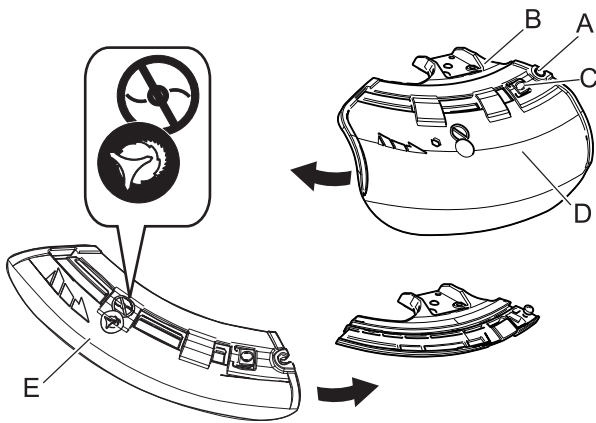
### **NOTE**

- Use good quality lithium multi grease.

3. Reinstall the drain screw and plug.

# Maintenance and care

## Method to change shield



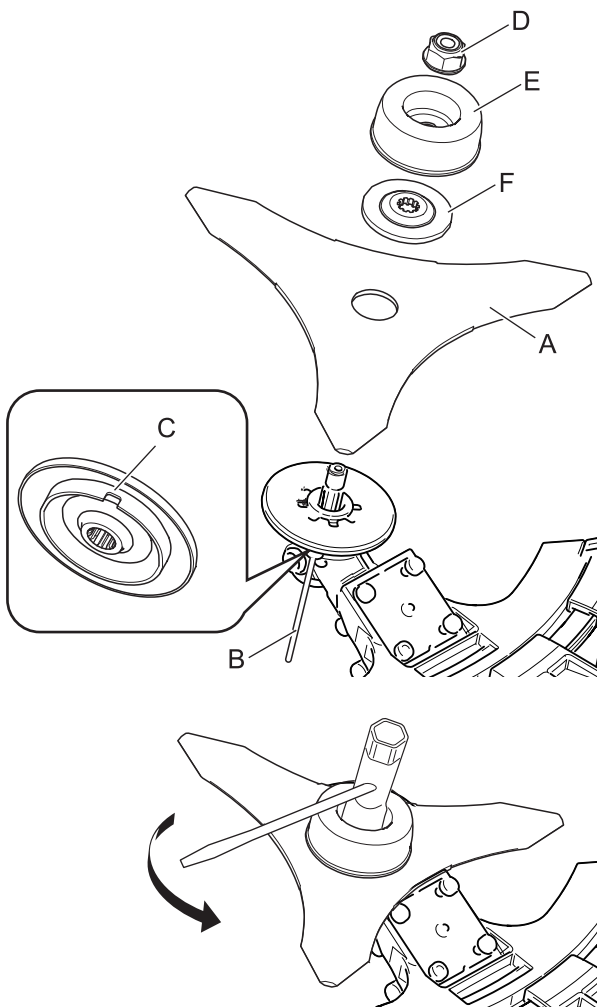
- ♦ There are two types of shields: namely the one used exclusively for nylon line cutting head and the other one used exclusively for metal blade. When metal blade is used, use the shield for metal blade.

1. Fully loosen the bolt (A) on the right side of the bracket (B) to slide the shield. The bolt itself cannot be removed from the bracket.
2. Pushing the button (C), slide the shield (D) to the left and remove it.
3. Put shield of other type (E) into groove and slide it to the right until it stops. Be sure to tighten the bolt.

## Installing blade (option)

### **⚠ WARNING**

- Wear heavy duty gloves when working with the trimmer blade.
- When replacing the trimmer blade during a trimming task, ensure that the unit is switched off and that the blades have stopped.
- Do not attempt to fit the trimmer blade with one hand or without using the socket spanner. Fit the trimmer blade accurately using the supplied socket spanner and tighten firmly in position.
- Do not use any tools other than the provided socket spanner to tighten the blade; a pneumatic or electric tool may tighten the blade more than necessary and cause the nut or the output shaft to break.
- If worn nut and cup for blade are used, there is a danger of blade getting loose. Replace them with new one. Failure to do so could lead to an injury or serious accident.



1. Inspect blades (A) before installation. Check for sharpness. Dull blades increase the risk of blade kickback reactions. Small cracks can develop into fractures resulting in a piece of blade flying off during operation. Discard cracked blades no matter how small the crack.
2. Insert locking tool (B) into a hole located on the right side of angle transmission while forcing retainer spring to the left side.
3. Insert locking tool further into blade retainer fixing slot (C) to fix output shaft.
4. Using the socket wrench, remove the nut (D), cup (E), and lower blade retainer (F).
5. Securely tighten the blade, lower blade retainer, cup, and nut by hand.

### **⚠ CAUTION**

- Fix output shaft securely using locking tool in order to prevent it from rotating when blade is mounted. Otherwise, the blade fastening nut will not be tightened sufficiently.
6. Tighten the nut (turn anticlockwise) using a socket wrench. Never fasten while applying your weight. Otherwise the

# Maintenance and care

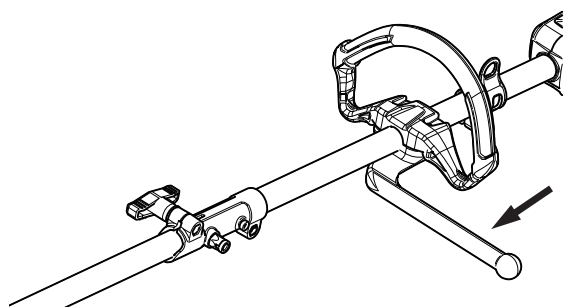
- thread of nut could be broken.
- 7. Remove locking tool.

## Barrier bar assembly

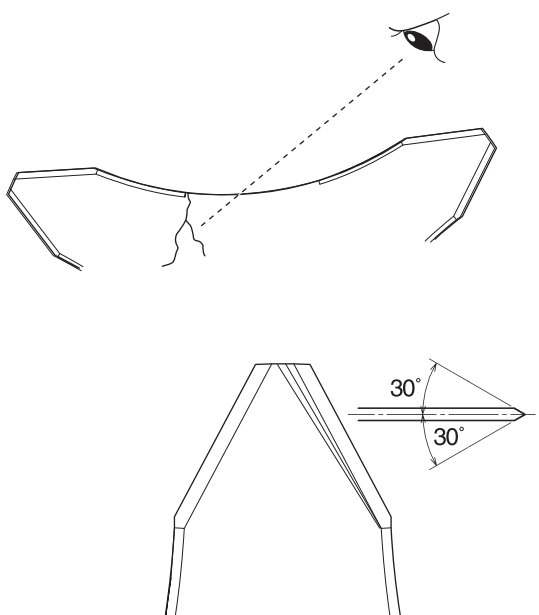
### **WARNING**

○ The barrier bar must be used with brush-cutter attachment.

1. Unscrew bottom bracket of handle, and replace with Barrier Bar as shown. Adjust handle and secure as described above.



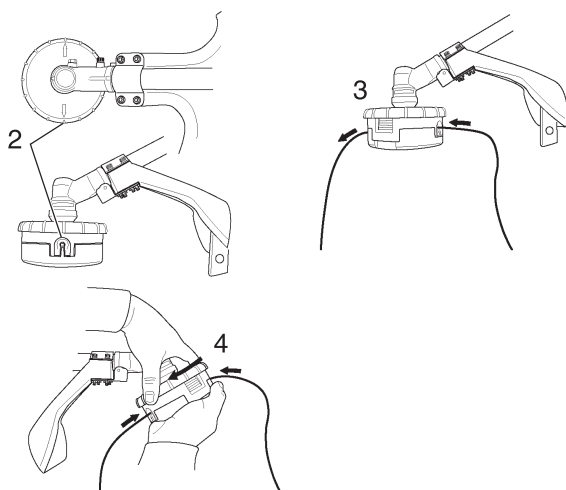
## Checking the blade



- ◆ Use only blade designated for this model by the manufacturer.
- ◆ When a crack is noticed on the blade, do not use it but replace with a new one.
- ◆ Ensure that the blade is correctly fitted in accordance with the instructions.

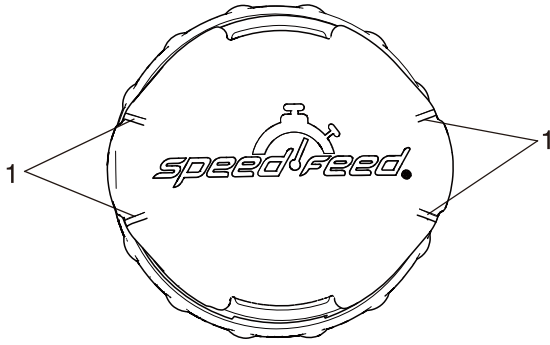
- ◆ When the cutting blade becomes dull due to wear reverse it for further use.
- ◆ When chip or bend occurs on the blade, vibration will increase. Replace with new one.
- ◆ When filing the blade file 3 cutting edges evenly using a flat file as shown in the illustration. Otherwise, the balance will be lost and vibration will increase.

## Loading nylon line



1. Cut one piece of line to recommended length.
  - ◆ 2.4 mm dia. - 3.5 m
2. Align arrows on top of knob with openings in eyelets.
3. Insert one end of nylon line into an eyelet, and push line equal distance through nylon line cutting head.
4. Hold nylon line cutting head while turning knob clockwise to wind line onto spool until about 13 cm of each line remains exposed.

# Maintenance and care



1. Wear Indicators

## IMPORTANT

When the wear indicators located at the bottom of the nylon line cutting head are worn smooth, replacement of the cover or the entire nylon line cutting head is required.

## Troubleshooting table

### IMPORTANT

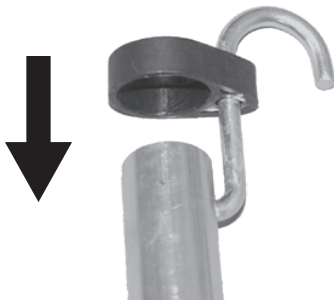
- For spare parts and consumables, please use only genuine parts and designated products and components. Using parts from other manufacturers or non-designated components may result in a malfunction.

Trouble	Cause	Remedy
Line won't feed	<ol style="list-style-type: none"> <li>1. Not enough line on the spool</li> <li>2. Line tangled in the spool</li> </ol>	<ol style="list-style-type: none"> <li>1. Rewind with new line</li> <li>2. Unwind and rewind the line</li> </ol>
Line fails to cut off	<ol style="list-style-type: none"> <li>1. Cut off knife in the shield is damaged or missing</li> </ol>	<ol style="list-style-type: none"> <li>1. Consult your dealer</li> </ol>

- ◆ Consult your dealer in the event of a problem that is not covered in the table above, or other such concerns.
- ◆ Please contact your dealer in order to dispose of the product or its parts in compliance with national laws.

## Storage

### Storage hook installation



1. Insert small end of hook into locating hole on attachment shaft.
2. Slide plastic cap onto end of attachment shaft.

## Manufacturer:

**YAMABIKO CORPORATION**

1-7-2 Suehirocho, Ohme, Tokyo 198-8760 JAPAN

## Authorized Representative in Europe:

**CERTIFICATION EXPERTS B.V.**

Amerlandseweg 7, 3621 ZC Breukelen, The Netherlands

# Specifications

	<b>MTA-DTB</b>	
<b>External dimensions:</b> Length × Width × Height (without cutting attachment)	818 × 310 × 212 mm	
<b>Mass:</b> Unit without cutting attachment Unit with specified cutting attachment and guard Unit without cutting attachment and guard	1.4 kg 1.7 kg 0.9 kg	
<b>Cutting attachment:</b> Nylon line cutting head (Cutting swath) Thread Nylon cord size (diameter) Nylon cord length	SF400 (406) Left-handed thread M10×1.25 pitch 2.4 mm 3.5 m	
<b>Gear Case:</b> Gear ratio and lubrication Rotational direction of output shaft viewed from above maximum rotational frequency of the spindle	1.62 reduction and good quality lithium grease Anticlockwise 5850 r/min	
<b>2006/42/EC</b> <b>Vibration</b> (EN50636-2-91) $a_{hv,eq}$  <b>Sound pressure level</b> (EN50636-2-91) $L_{pAeq}$  <b>Sound power level</b> (EN50636-2-91) $L_{WA}$	Left handle Right handle Uncertainty K  Uncertainty $K_{pA}$  Uncertainty $K_{WA}$	$3.8 \text{ m/s}^2$ $2.9 \text{ m/s}^2$ $1.5 \text{ m/s}^2$  79.6 dB(A) 3.0 dB(A)  92.0 dB(A) 3.0 dB(A)
<b>Guaranteed sound power level:</b> (2000/14/EC, Annex VI) $L_{WA}$	96 dB(A)	
Applicable model	DPAS-2600	

These specifications are subject to change without notice.

# Declaration of conformity

---

The undersigned manufacturer:

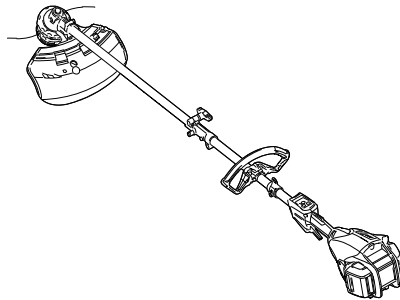
YAMABIKO CORPORATION  
1-7-2 Suehirocho Ohme, Tokyo 198-8760 JAPAN

This declaration of conformity is issued under the sole responsibility of the manufacturer.

Declares that the hereunder specified new unit:

## PRO ATTACHMENT SERIES (GRASS-TRIMMER/BRUSHCUTTER)

**Brand: ECHO**  
**Type: DPAS-2600 + MTA-DTB**



Complies with:

- \* the requirements of Directive **2006/42/EC** (use of harmonized standard **EN ISO 11806-1: 2011, EN 60335-1: 2012 +A11: 2014, and EN 50636-2-91: 2014**)
- \* the requirements of Directive **2014/30/EU** (use of harmonized standard **EN 55014-1: 2017 +A11: 2020, EN 55014-2: 2015**)
- \* the requirements of Directive **2000/14/EC** amended by **2005/88/EC**

Conformity assessment procedure followed **ANNEX VI**

TÜV SÜD Industrie Service GmbH (Notified Body 0036)  
Westendstraße 199 80686 München Deutschland

Measured sound power level: 91.2 dB(A), Guaranteed sound power level: 96 dB(A)

- \* the requirements of Directive **2011/65/EU** (use of harmonized standard **EN IEC63000: 2018**)

Serial Number U49935001001 to U49935100000

Tokyo, January 27th, 2022

## YAMABIKO CORPORATION



**Hisashi Kobayashi**  
**General Manager**  
**Quality Assurance Dept.**

**The authorized representative in Europe who is authorized to compile the technical file.**

Company: CERTIFICATION EXPERTS B.V.  
Address: Amerlandseweg 7, 3621 ZC Breukelen, The Netherlands

**Mr. Richard Glaser**

# MEMORANDUM

# MEMORANDUM



# MEMORANDUM

**YAMABIKO CORPORATION**  
1-7-2 Suehirocho, Ohme, Tokyo 198-8760 JAPAN  
PHONE: 81-428-32-6118. FAX: 81-428-32-6145.



X750823-0501



FRANÇAIS  
FR (Notice originale)

# MANUEL D'UTILISATION

## Outil de coupe-herbe/débroussailleuse

### MTA-DTB

#### AVERTISSEMENT



LIRE ATTENTIVEMENT LES INSTRUCTIONS ET SUIVRE LES RÈGLES DE SÉCURITÉ.  
LE NON-RESPECT DES RÈGLES DE SÉCURITÉ ENTRAÎNE UN RISQUE DE BLESSURE GRAVE.



# Table des matieres

---

Pour utiliser l'appareil en toute sécurité.....	3
Description.....	8
Avant de commencer.....	9
Contenu de l'emballage.....	9
Assemblage.....	9
Montage du protecteur d'outil.....	10
Montage de la tête de coupe à fil nylon.....	10
Equilibrage.....	11
Utilisation de l'appareil.....	12
Utilisation du harnais.....	13
Utilisation de base de l'appareil avec tête de coupe à fil nylon.....	13
Utilisation de base de l'appareil avec lame métallique.....	16
Entretien.....	17
Instructions d'entretien de l'appareil.....	17
Entretien.....	17
Remisage.....	20
Caractéristiques.....	21
Déclaration de conformité.....	22

# Pour utiliser l'appareil en toute sécurité

## Information importante

### **⚠ AVERTISSEMENT**

**Lire attentivement le manuel d'utilisation avant d'utiliser l'appareil pour la première fois.**

#### **À propos du manuel d'utilisation**

- Ce manuel contient les informations nécessaires au montage, à l'utilisation et à l'entretien de l'appareil. L'utilisateur doit donc le lire attentivement et intégrer les informations qu'il contient.
- Toujours conserver le manuel à portée de main.
- En cas de perte du manuel ou si ce dernier a été détérioré et n'est plus lisible, s'adresser à un revendeur pour en obtenir un nouveau.
- Les unités utilisées dans ce manuel sont les unités SI (Système international d'unités). Les chiffres indiqués entre parenthèses sont des valeurs de référence. De légères erreurs de conversion peuvent survenir dans certains cas. Le non-respect de cette règle de sécurité entraîne un risque d'accident ou de blessure grave.

#### **Utilisation de l'appareil**

- Ces machines sont des machines légères, très performantes, et conçues pour désherber et tondre dans des endroits inaccessibles par d'autres moyens.
- Ne pas utiliser cet appareil pour d'autres applications que celles mentionnées ci-dessus.
- Le constructeur se réserve le droit de modifier sans préavis le contenu de ce manuel en fonction des améliorations apportées au produit. Il se peut que certains des schémas de ce manuel soient différents de l'appareil. Ces différences ont pour objectif de rendre les explications plus claires.
- En cas de doute, consulter un revendeur.  
Le non-respect de cette règle de sécurité entraîne un risque d'accident ou de blessure grave.

#### **Ne pas modifier l'appareil**

- Aucune modification ne doit être apportée à l'appareil.  
Le non-respect de cette règle de sécurité entraîne un risque d'accident ou de blessure grave. Tout dysfonctionnement dû à une modification de l'appareil n'est pas couvert par la garantie du fabricant.

#### **Ne pas utiliser l'appareil avant d'avoir effectué les opérations de vérification et d'entretien nécessaires**

- Il ne faut pas utiliser l'appareil avant d'avoir effectué les opérations de vérification et d'entretien nécessaires. Veiller à ce que l'appareil soit vérifié et entretenu régulièrement.  
Le non-respect de cette règle de sécurité entraîne un risque d'accident ou de blessure grave.

#### **Prêt ou cession de l'appareil à un tiers**

- Si l'appareil est prêté à un tiers, veiller à lui confier également le manuel d'utilisation fourni avec l'appareil.
- Si l'appareil est cédé à un tiers, transmettre le manuel d'utilisation fourni avec l'appareil lors de la vente.  
Le non-respect de cette règle de sécurité entraîne un risque d'accident ou de blessure grave.

#### **Utilisateurs de l'appareil**

- L'appareil ne doit pas être utilisé si :
  - ◆ l'utilisateur est fatigué ;
  - ◆ l'utilisateur a consommé de l'alcool ;
  - ◆ l'utilisateur prend des médicaments ;
  - ◆ la personne qui souhaite utiliser l'appareil est enceinte ;
  - ◆ l'utilisateur est en mauvaise condition physique ;
  - ◆ l'utilisateur n'a pas lu le manuel d'utilisation ;
  - ◆ la personne qui souhaite utiliser l'appareil est un enfant.
- L'utilisateur est tenu pour responsable en cas d'accidents ou de risques pouvant entraîner des accidents corporels ou des dommages matériels.  
Le non-respect de ces règles de sécurité constitue un risque d'accident.
- Les composants de cette machine produisent en fonctionnement un champ électromagnétique susceptible d'interférer avec certains stimulateurs cardiaques. Pour réduire les risques pour la santé, nous recommandons aux porteurs d'un stimulateur cardiaque de consulter leur médecin et le fabricant du stimulateur avant d'utiliser cet appareil.



# Pour utiliser l'appareil en toute sécurité

## **⚠ AVERTISSEMENT**

### **Exposition aux vibrations et au froid**

- Les personnes exposées aux vibrations et au froid peuvent être victimes du phénomène de Raynaud, une affection qui touche les doigts. L'exposition à des vibrations et au froid peut provoquer une sensation de picotement et de brûlure, suivie d'une décoloration et d'un engourdissement des doigts. Il est vivement recommandé de respecter les mesures de précaution suivantes car le seuil d'exposition minimum pouvant provoquer l'apparition de ce phénomène reste inconnu à ce jour.
    - ◆ Limiter la perte de chaleur corporelle, en protégeant en priorité la tête, le cou, les pieds, les chevilles, les mains et les poignets.
    - ◆ Stimuler la circulation sanguine en interrompant le travail régulièrement pour remuer énergiquement les bras, et éviter de fumer.
    - ◆ Limiter le nombre d'heures d'utilisation. Essayer d'intégrer à l'emploi du temps de la journée des tâches ne nécessitant pas l'utilisation de l'appareil ou d'une autre machine portable.
    - ◆ En cas d'inconfort, de rougeur et de gonflement au niveau des doigts, suivis d'un blanchissement et d'une perte de sensibilité, consulter un médecin avant de s'exposer à nouveau au froid et aux vibrations.
- Le non-respect de ces instructions peut être dangereux pour la santé.

### **Lésions attribuables au travail répétitif**

- Il apparaît que la sollicitation excessive des muscles et des tendons des doigts, des mains, des bras et des épaules peut provoquer une irritation, un gonflement, un engourdissement, une faiblesse et de fortes douleurs au niveau des membres mentionnés ci-dessus. L'apparition de lésions attribuables au travail répétitif (LATR) est très fréquente chez les personnes pratiquant certaines activités manuelles répétitives. Pour réduire le risque d'apparition de LATR, respecter les mesures de précaution suivantes :
    - ◆ Éviter de plier, d'étirer ou de tordre le poignet pendant le travail.
    - ◆ Faire des pauses régulières pour réduire l'effet répétitif et pour reposer ses mains. Effectuer le mouvement répétitif plus lentement et en faisant moins d'effort.
    - ◆ Faire des exercices de musculation des mains et des bras.
    - ◆ En cas de picotements, d'engourdissement ou de douleur dans les doigts, les mains, les poignets ou les bras, consulter un médecin. Plus les LATR sont diagnostiquées précocement, plus les chances d'empêcher les lésions nerveuses et musculaires irréversibles sont grandes.
- Le non-respect de ces instructions peut être dangereux pour la santé.

### **Une formation adaptée**

- Toute personne devant utiliser cet appareil doit obligatoirement avoir reçu une formation et un équipement de protection adaptés.
  - Vous devez avoir une connaissance parfaite des commandes et du fonctionnement de l'appareil.
  - Vous devez savoir comment arrêter l'appareil et couper le moteur.
  - Vous devez savoir comment décrocher la machine du harnais en urgence.
  - Ne laisser personne utiliser l'appareil sans avoir préalablement reçu une formation adaptée.
- Le non-respect de ces instructions peut être dangereux pour la santé.

### **Port de vêtements adaptés.**

- Attacher les cheveux longs au-dessus du niveau de l'épaule.
  - Ne pas porter de cravates, bijoux ou vêtements amples qui pourraient se prendre dans l'appareil.
  - Ne pas porter de chaussures ouvertes, ne pas travailler pieds nus ou jambes nues.
- Le non-respect de ces mesures de précaution peut entraîner une dégradation de la vue ou de l'ouïe de l'utilisateur, ainsi qu'un risque de blessure grave.



# Pour utiliser l'appareil en toute sécurité

## **⚠ AVERTISSEMENT**

### Port d'équipements de protection

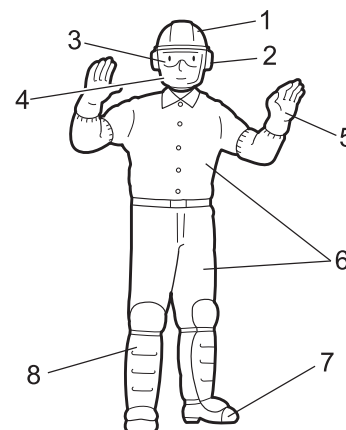
○ Toujours porter les équipements de protection suivants pour utiliser un taille-haies.

1. Protection de la tête (casque) : protège la tête.
2. Casque de protection anti-bruit ou protecteurs d'oreilles : protègent l'ouïe.
3. Lunettes de sécurité : protègent les yeux.
4. Protection du visage : protège le visage.
5. Gants de sécurité : protègent les mains contre le froid et les vibrations.
6. Vêtements de travail adaptés (manches longues, pantalons longs) : protègent le corps.
7. Bottes résistantes avec semelles anti-dérapantes (à bouts renforcés) ou chaussures de travail avec semelles anti-dérapantes (à bouts renforcés) : protègent les pieds.
8. Protège-tibias : protègent les jambes.

Le non-respect de ces mesures de précaution peut entraîner une dégradation de la vue ou de l'ouïe de l'utilisateur, ainsi qu'un risque de blessure grave.

○ Si nécessaire, utiliser les équipements de protection ci-dessous.

- ◆ Masque anti-poussière : protège les voies respiratoires.
- ◆ Voilette de protection : protège contre les piqûres d'abeilles.



### Environnement d'utilisation et fonctionnement de l'appareil

○ Ne pas utiliser l'appareil :

- ◆ dans des endroits humides ou mouillés ;
- ◆ sous la pluie ;
- ◆ en cas de mauvaises conditions météo ;
- ◆ sur des pentes raides ou sur des surfaces instables et glissantes ;
- ◆ la nuit ou dans des endroits sombres mal éclairés.
- ◆ en cas de risque de foudre.

○ Lorsque vous utilisez l'appareil sur un terrain en pente douce, employez un mouvement régulier et gardez la tête de coupe parallèle au sol.

Toute chute, glissade ou utilisation incorrecte de l'appareil constitue un risque de blessures graves pour l'utilisateur.

○ Afin de préserver votre santé et de travailler dans des conditions de sécurité et de confort optimales, utiliser l'appareil uniquement par des températures comprises entre -5 °C et 40 °C.

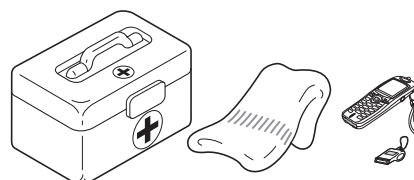
Le non-respect de ces instructions peut être dangereux pour la santé.

### Savoir réagir en cas de blessure

○ Même si les cas de blessure ou d'accident restent exceptionnels, l'utilisateur doit savoir réagir à ces situations.

- ◆ Kit de premiers secours
- ◆ Serviettes et lingettes (pour arrêter les saignements)
- ◆ Sifflet ou téléphone portable (pour appeler de l'aide)

Si l'utilisateur n'est pas capable de prodiguer les premiers soins ou d'appeler à l'aide, la blessure peut s'aggraver.



## Etiquettes et symboles d'avertissement

### **⚠ DANGER**

Ce symbole associé au mot « **DANGER** » signale une action ou une situation présentant un risque de blessure corporelle grave ou d'accident mortel pour l'utilisateur et les personnes à proximité.

### **⚠ AVERTISSEMENT**


Ce symbole associé au mot « **AVERTISSEMENT** » signale une action ou une situation présentant un risque de blessure corporelle grave ou d'accident mortel pour l'utilisateur et les personnes à proximité.

### **⚠ ATTENTION**












« **ATTENTION** » signale une situation potentiellement dangereuse qui, si elle n'est pas évitée, peut entraîner une blessure légère à modérée.

# Pour utiliser l'appareil en toute sécurité

## Autres indications

	<p>Le cercle barré indique une interdiction.</p>	<p style="text-align: center;"><b>REMARQUE</b></p> <p>Ce type de message fournit des conseils relatifs à l'utilisation et à l'entretien de l'appareil.</p>	<p style="text-align: center;"><b>IMPORTANT</b></p> <p>Le texte dans l'encadré où figure le mot « <b>IMPORTANT</b> » donne des informations importantes concernant l'utilisation, la vérification, l'entretien et le remisage de l'appareil décrit dans ce manuel.</p>
---	--	--	--

## Symboles

Forme des symboles	Description/application des symboles	Forme des symboles	Description/application des symboles
	<p>Lire attentivement le manuel d'utilisation</p>		<p>Retirer la batterie avant toute intervention de nettoyage et d'entretien.</p>
	<p>Port obligatoire de protections pour les yeux, les oreilles et la tête</p>		<p>Ne laisser personne s'approcher à moins de 15 mètres</p>
	<p>Attention, poussée latérale</p>		<p>Port obligatoire de chaussures et de gants de protection</p>
	<p>Alerte/sécurité</p>		<p>Attention aux températures élevées</p>
	<p>Avertissement ! Projections !</p>		<p>Interdiction d'utiliser une tête de coupe à fil nylon</p>
	<p>Interdiction d'utiliser des lames métalliques</p>		

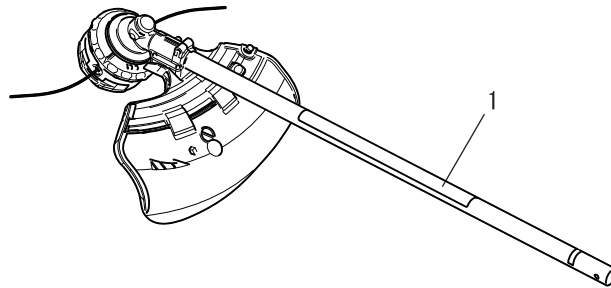


# Pour utiliser l'appareil en toute sécurité

## Étiquette(s) de sécurité

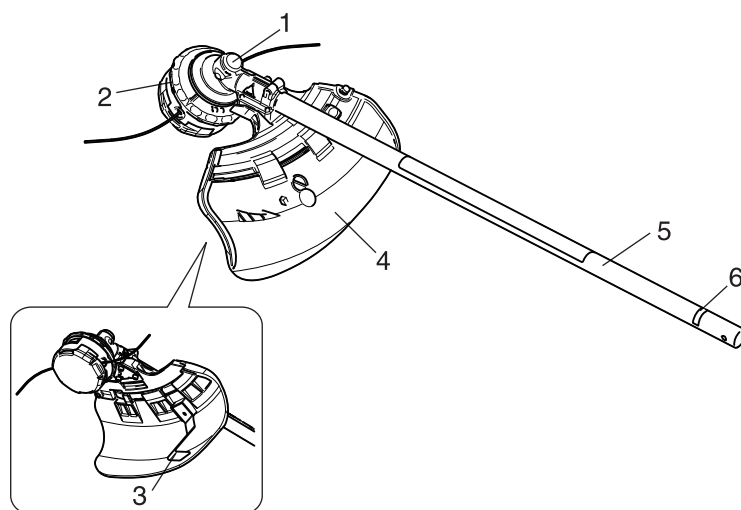
- L'étiquette de sécurité ci-dessous figure sur les appareils décrits dans ce manuel. S'assurer de bien comprendre la signification de l'étiquette avant d'utiliser l'appareil.
- Si l'étiquette devient illisible avec le temps ou si elle s'est décollée ou a été déchirée, contacter un revendeur pour obtenir une nouvelle étiquette et la coller à l'emplacement indiqué sur les illustrations ci-dessous. Veiller à ce que l'étiquette soit toujours lisible.

1. Autocollant de sécurité (référence X505-011600)



# Description

---

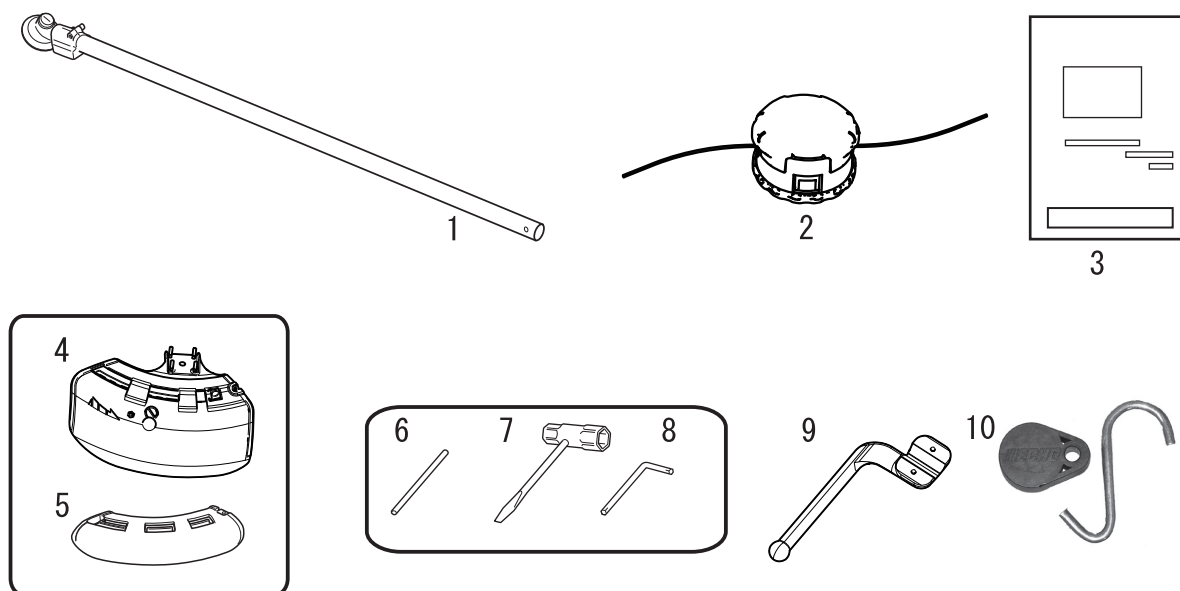


1. **Renvoi d'angle** - Avec deux engrenages pour changer l'angle de l'axe de rotation.
2. **Outil de coupe.** - Tête de coupe à fil nylon pour couper l'herbe et les mauvaises herbes.
3. **Couteau.** - Coupe le fil de nylon pour obtenir la longueur de fil appropriée.
4. **Protecteur d'outil.** - Protège l'utilisateur contre les projections et empêche tout contact accidentel avec la tête de coupe.
5. **Tube de transmission** - Pièce de l'appareil qui protège l'arbre de transmission.
6. **Type et numéro de série**

# Avant de commencer

## Contenu de l'emballage

- ♦ Les pièces suivantes sont conditionnées séparément dans le carton d'emballage.
- ♦ Lors de l'ouverture du carton, passer en revue les pièces qu'il contient.
- ♦ Contacter un revendeur si une pièce est manquante ou endommagée.



- |  |   |
|--|---|
| 1. Outil de coupe-herbe/débroussailleuse               | 6. Outil de blocage                                   |
| 2. Tête de coupe à fil nylon                           | 7. Clé à pipe   |
| 3. Manuel d'utilisation                                | 8. Clé coudée   |
| 4. Protecteur d'outil (pour tête de coupe à fil nylon) | 9. Support de poignée en boucle (barre de protection) |
| 5. Protecteur d'outil (pour lame métallique)           | 10. Crochet de remisage                               |

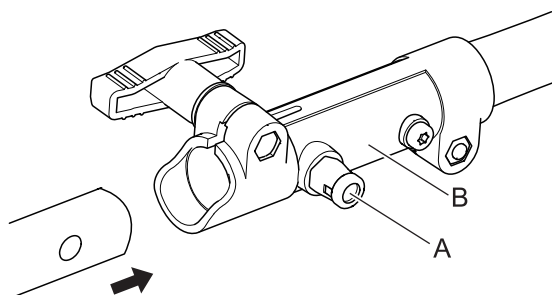
## Assemblage

### AVERTISSEMENT

- Lire attentivement le manuel d'utilisation pour s'assurer que l'appareil est monté correctement.  
L'utilisation d'un appareil monté de façon incorrecte entraîne un risque d'accident ou de blessure grave.

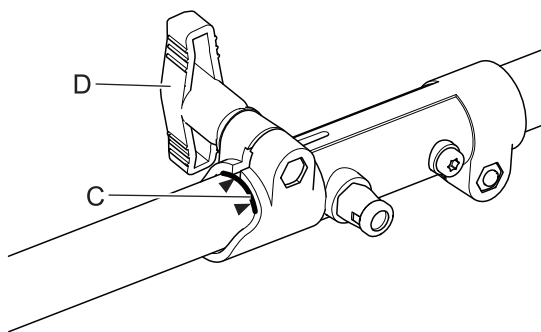


### Assemblage de l'arbre de l'outil



1. Disposer la tête de l'appareil/l'arbre sur une surface plane.
2. Tirer la goupille de positionnement (A) et la tourner d'1/4 de tour dans le sens inverse des aiguilles d'une montre en position de blocage.
3. Retirer la protection en vinyle de l'arbre de transmission de l'outil.

# Avant de commencer



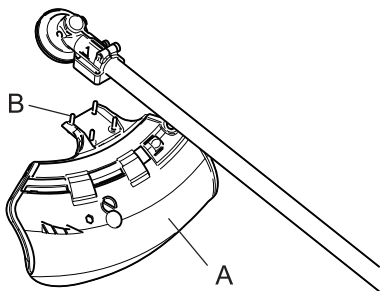
- Insérer soigneusement l'arbre de transmission de l'outil dans le coupleur (B) jusqu'à la ligne d'assemblage tracée sur l'étiquette (C), en vérifiant que l'arbre de transmission inférieur s'enclenche dans la prise à carré conducteur de l'arbre de transmission supérieur.

## REMARQUE

Le corps de palier inférieur et la tête doivent être alignés avec le moteur.

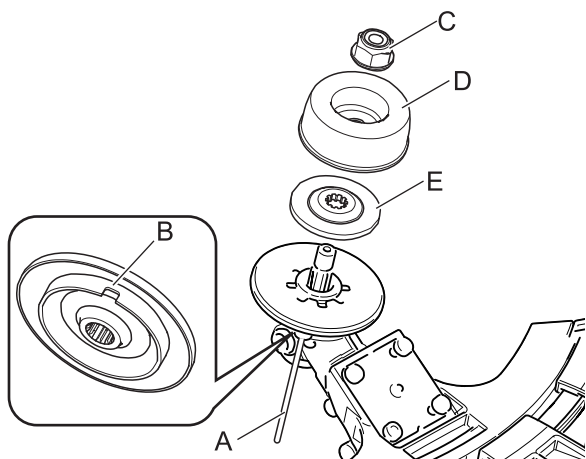
- Tourner la goupille de positionnement (A) d'1/4 de tour dans le sens des aiguilles d'une montre pour l'enclencher dans l'orifice de l'arbre inférieur. Vérifier que la goupille de positionnement est bien enclenchée en tournant l'arbre de transmission inférieur. La goupille de positionnement doit parfaitement s'enclencher dans le coupleur. Ainsi, l'arbre ne peut plus tourner.
- Fixer l'arbre inférieur sur le coupleur en serrant le bouton de serrage (D).
- Pour le démontage, inverser les instructions de montage.

## Montage du protecteur d'outil

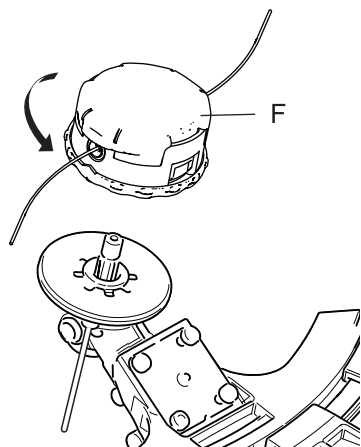


- Placer le protecteur d'outil (A) sur la zone de fixation du renvoi d'angle et serrer 4 boulons (B).

## Montage de la tête de coupe à fil nylon



- Insérer l'outil de blocage (A) dans l'orifice situé sur le côté droit du renvoi d'angle tout en poussant le ressort de retenue vers la gauche.
  - Enfoncer l'outil de blocage dans le trou de blocage de lame (B) pour fixer l'arbre de sortie.
  - Se servir d'une clé à pipe pour retirer l'écrou (C), la coupelle (D) et le dispositif de blocage inférieur de la lame (E).
- \* L'écrou, la coupelle et le dispositif de blocage inférieur de la lame ne sont pas utilisés avec une tête de coupe à fil nylon.



## ATTENTION

○ Fixer solidement l'arbre de sortie à l'aide de l'outil de blocage pour éviter qu'il ne tourne lors de la pose de la tête de coupe à fil nylon.

- Visser la tête de coupe à fil nylon (F) sur l'arbre (dans le sens inverse des aiguilles d'une montre) en s'assurant qu'elle est bien serrée.
- Retirer l'outil de blocage.

# Avant de commencer

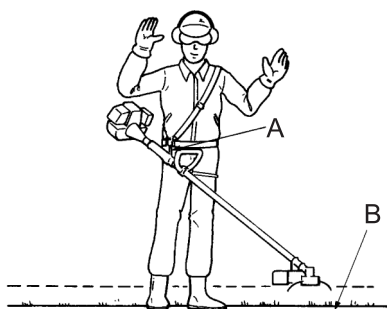
## Équilibrage Réglage du harnais

### **⚠ AVERTISSEMENT**

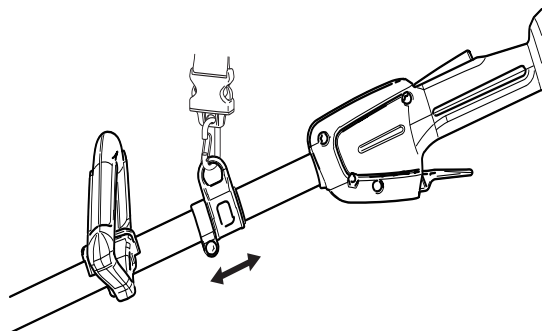
○ Cet appareil est conçu de manière à pouvoir être utilisé par des personnes de tailles différentes ; il se peut néanmoins qu'il ne convienne pas aux personnes de très grande taille. Ne pas utiliser l'appareil si les pieds de l'utilisateur atteignent l'outil de coupe lorsque l'appareil est fixé au harnais.

### **IMPORTANT**

○ La taille de l'utilisateur peut avoir un impact sur l'équilibrage de l'appareil. En outre, il se peut que la procédure d'équilibrage ne fonctionne pas sur certains appareils avec certaines personnes. Si le harnais n'est pas à la taille de l'utilisateur ou ne peut pas être réglé correctement, contacter le revendeur pour obtenir de l'aide.



**Équilibrer l'outil de sorte à ce que le plan de rotation de la tête de coupe soit parallèle au sol.**

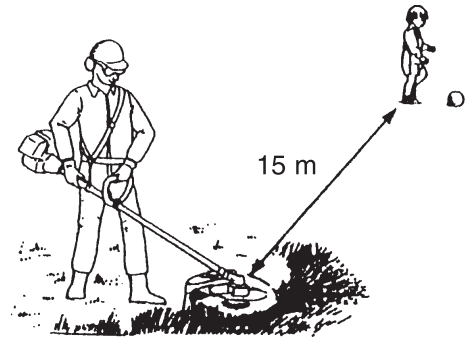


- ◆ Utiliser un harnais lorsque celui-ci est fourni avec l'appareil ou lorsque son utilisation est recommandée dans ce manuel. Régler le harnais et le point d'accrochage (A) de l'appareil sur l'unité de sorte que l'outil de coupe se situe à quelques centimètres au-dessus du sol (B).
- ◆ L'outil de coupe et le protecteur d'outil doivent être parallèles au sol dans toutes les directions. Fixer l'appareil au harnais sur le côté droit, comme indiqué.
- ◆ Faire glisser le point d'accrochage le long du tube pour trouver le point d'équilibre. Tourner la bride pour régler le parallélisme de l'outil de coupe et du protecteur. Verrouiller la position. Si le point d'accrochage est de type à rotation libre, il se peut que l'appareil ait tendance à se retourner sur le côté ; néanmoins, toujours régler l'outil de coupe et le protecteur selon l'axe avant/arrière.
- ◆ Il se peut que l'équilibrage et la mise à niveau, comme indiqués ci-dessus, nécessitent le déplacement de la bride et le réajustement des lanières du harnais. En outre, tous les types d'outil de coupe et de protecteur d'outil montés sur l'appareil doivent être équilibrés.

# Utilisation de l'appareil

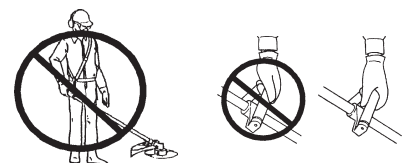
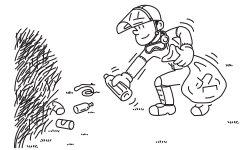
## DANGER

- **Toujours arrêter l'appareil et retirer la batterie en cas de blocage de l'outil de coupe.**  
Après déblocage de l'outil de coupe, celui-ci redémarrerait soudainement, entraînant ainsi un risque de blessure grave.
  - **Ne pas utiliser l'appareil sans le protecteur d'outil.**  
Il est possible que des objets ricochent sur l'outil de coupe et soient projetés vers l'utilisateur, entraînant ainsi un risque d'accident ou de blessure grave.
  - **La zone comprise dans un rayon de 15 mètres autour de l'appareil est une zone dangereuse. Veiller à bien respecter les mesures de précaution suivantes lors de l'utilisation de l'appareil.**
    - ◆ **Ne laisser personne (enfants, animaux ou autres personnes) pénétrer dans la zone dangereuse.**
    - ◆ **Si quelqu'un pénètre dans la zone dangereuse, éteindre l'appareil pour arrêter l'outil de coupe.**
    - ◆ **Lorsque vous vous approchez de l'utilisateur, signalez-lui votre présence en lançant des brindilles, par exemple, sans entrer dans la zone dangereuse. Vérifiez ensuite que le fonctionnement de l'appareil est coupé et que l'outil de coupe ne tourne plus.**
    - ◆ **Si l'appareil est utilisé par plusieurs personnes, celles-ci doivent convenir entre elles des signaux à utiliser et travailler à plus de 15 mètres les unes des autres.**
- Toute projection d'objet ou tout contact avec l'outil de coupe entraîne un risque d'accident mortel ou pouvant causer la cécité de l'utilisateur.



## AVERTISSEMENT

- **Avant de commencer à travailler, inspecter la zone de travail et retirer tous les cailloux et les canettes vides susceptibles de ricocher sur l'outil de coupe, ainsi que les morceaux de fils ou de câbles qui risquent de s'enrouler autour de l'outil de coupe.**  
Un risque de projection pouvant entraîner un accident ou une blessure grave peut survenir lorsqu'un objet ricoche sur l'outil de coupe ou lorsqu'un fil s'enroule autour de ce dernier.
  - **Éteindre immédiatement l'appareil et attendre que l'outil de coupe soit complètement arrêté avant d'inspecter les composants de l'appareil. Remplacer toute pièce endommagée.**
    - ◆ **Si l'outil de coupe heurte une pierre, un arbre, un poteau ou tout autre obstacle au cours de son utilisation.**
    - ◆ **Si l'appareil se met à vibrer soudainement de façon anormale.**L'utilisation prolongée de pièces endommagées entraîne un risque d'accident ou de blessure grave.
  - **Ne pas tenir l'outil de coupe vers le haut pendant le travail. Ne pas travailler en tenant l'outil de coupe au-dessus des genoux.**  
Si l'outil de coupe est au-dessus des genoux, le plan de rotation est plus proche du visage de l'utilisateur, ce qui entraîne un risque d'accident ou de blessure grave en cas de projections.
- Transport de l'appareil**
- **Avant de transporter l'appareil dans les situations décrites ci-après, l'éteindre et s'assurer que la lame de coupe a cessé de tourner, puis mettre en place le protecteur de lame de coupe.**
    - ◆ **Se déplacer vers le lieu de travail.**
    - ◆ **Se déplacer vers un autre endroit tout en travaillant.**
    - ◆ **Quitter le lieu de travail.**
  - **Pour transporter l'appareil dans une voiture, retirer le bloc-batterie, poser le protecteur de lame et s'assurer que l'appareil est bien calé pour éviter qu'il se déplace lors du trajet.**  
Le non-respect de ces mesures de précaution constitue un risque de brûlure ou de blessure grave.
  - **Ne jamais essayer d'utiliser l'appareil d'une seule main.**
  - **Passer les pouces autour de la poignée et saisir la poignée en l'enveloppant avec les autres doigts.**
  - **Les poignées et les surfaces de préhension doivent toujours rester propres, sèches et exemptes de toute trace d'huile et de graisse.**  
Des poignées et surfaces de préhension glissantes ne permettent pas de guider et de maîtriser l'appareil dans des situations imprévues.



# Utilisation de l'appareil

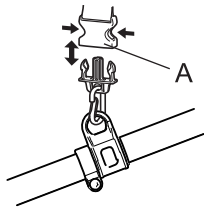
## REMARQUE

- Lors de la première utilisation de cet appareil à basse température après l'achat, il se peut qu'il ne fonctionne pas correctement dans de rares cas. Ce phénomène n'indique pas une panne du produit. Dans un tel cas, mettre l'appareil à température ambiante (température normale), et le mettre sous tension et hors tension à plusieurs reprises avant l'utilisation.

## Utilisation du harnais

### ⚠ AVERTISSEMENT

- **Ne pas porter simultanément plusieurs harnais de ceinture ou d'épaule.**
- **En cas de port d'un harnais, les autres équipements ne doivent pas gêner l'ouverture et le retrait de celui-ci.**  
Le non-respect de cette règle de sécurité entraîne un risque d'accident ou de blessure grave.



Toujours monter correctement le coupe-herbe avec le harnais.

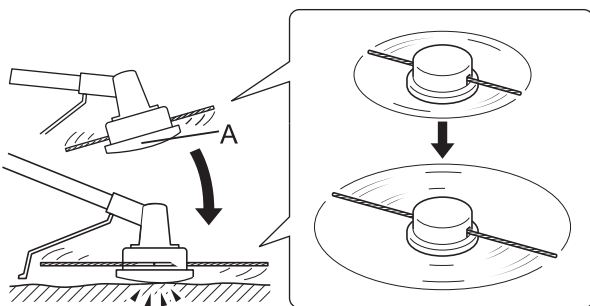
- ♦ Fixer l'appareil au harnais.
- ♦ Placer le harnais sur l'épaule gauche et régler les lanières de sorte que l'axe de décrochage rapide se situe juste sous la taille.
- ♦ Pour vérifier que l'appareil est correctement ajusté, déplacer l'outil de coupe au-dessus du sol.
- ♦ Réajuster le point d'accrochage si nécessaire.
- ♦ Le harnais est doté d'une fonction de décrochage rapide. En cas d'urgence, tirer sur l'entretoise (A) afin de débrancher la machine du harnais.

## Utilisation de base de l'appareil avec tête de coupe à fil nylon

### ⚠ AVERTISSEMENT

- **Une mauvaise utilisation de l'outil de coupe peut entraîner un risque de blessure grave. Lire attentivement et respecter l'ensemble des règles de sécurité décrites dans ce manuel.**
- **Ne pas utiliser d'outil de coupe endommagé.**
- **Utiliser uniquement les outils de coupe recommandés par YAMABIKO Corporation.**
- **Tout excédent de fil nylon dépassant du couteau risque d'être projeté lorsque la tête de coupe à fil nylon commence à tourner après le réglage de la longueur du fil nylon.**  
Le non-respect de cette règle de sécurité entraîne un risque d'accident ou de blessure grave.

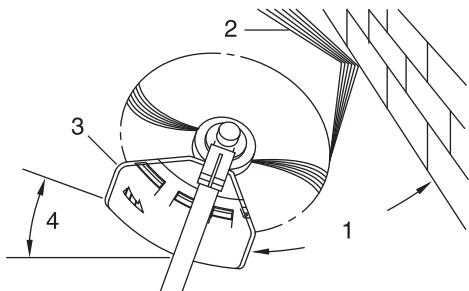
## Réglage du fil nylon



- ♦ Le couteau situé sur le protecteur règle automatiquement la longueur du fil nylon en le coupant de manière uniforme lorsque l'outil de coupe commence à tourner.
- ♦ Pour utiliser l'appareil avec une longueur de fil inférieure à la longueur de coupe maximum, couper deux fils nylon de même longueur.
- ♦ Pour faire avancer le fil de coupe, taper la tête de coupe à fil nylon (A) contre le sol tandis qu'elle tourne à la vitesse normale de fonctionnement.

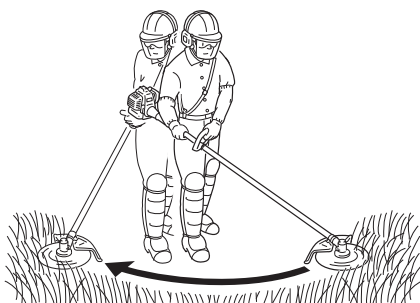
# Utilisation de l'appareil

## Taille



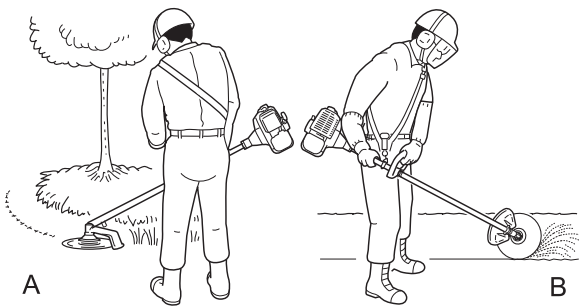
- ♦ La taille consiste à avancer l'appareil avec précaution dans l'objet à couper. Incliner légèrement la tête de coupe pour que les débris soient projetés loin de l'utilisateur. Pour effectuer une opération de taille à proximité d'une barrière, d'un mur ou d'un arbre, approcher l'appareil sous un angle tel que les débris ricochant sur la barrière ne soient pas projetés vers l'utilisateur.
  - ♦ Déplacer lentement la tête de coupe à fil nylon jusqu'à ce que l'herbe soit coupée jusqu'au niveau de la barrière, en évitant soigneusement de bloquer le fil dans la barrière. En cas de taille à proximité d'un grillage ou d'une clôture métallique, faire bien attention à ne pas coincer le fil dans le grillage ou la clôture. Si l'appareil est approché trop près, le fil se casse et s'enroule autour du grillage.
  - ♦ Pour couper les tiges de mauvaises herbes, procéder tige par tige. Toujours placer la tête de coupe à fil nylon au pied de la plante, jamais en haut, car la plante risque de se briser et de se prendre dans le fil. Plutôt que d'utiliser toute la longueur du fil pour couper une plante, ne passer que l'extrémité du fil sur la tige afin de la couper progressivement.
1. Angle par rapport au mur
  2. Débris
  3. Côté couteau relevé
  4. Angle par rapport au sol

## Fauchage

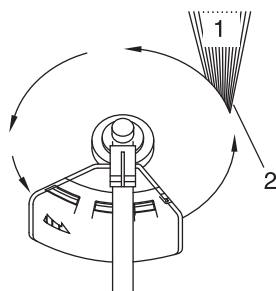


- ♦ Le fauchage consiste à couper ou tondre de grandes surfaces d'herbe en effectuant des mouvements en arc de cercle avec l'appareil. Procéder par mouvements lents et réguliers. Ne pas essayer de hacher l'herbe. Incliner la tête de coupe à fil nylon de sorte que les débris ne soient projetés dans la direction de l'utilisateur durant l'opération de fauchage. Puis retourner au point de départ (sans couper d'herbe) pour recommencer l'opération. Si l'utilisateur est bien protégé et n'est pas gêné par la projection de débris, il peut faucher dans les deux sens.

## Désherbage et taille des bordures



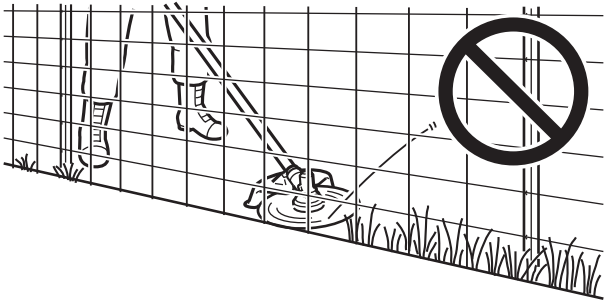
- ♦ Ces deux opérations sont effectuées à l'aide de la tête de coupe à fil nylon inclinée sous un angle aigu. Le désherbage (A) consiste à retirer les plantes de surface, laissant la terre nue. La taille de bordures (B) consiste à couper l'herbe qui a poussé sur un trottoir ou dans une allée. Lors du désherbage ou de la taille de bordures, maintenir l'appareil sous un angle de coupe aigu de sorte que les débris, pierres et poussières soulevés ne soient pas projetés en direction de l'utilisateur, même s'ils ricochent sur une surface dure.
  - ♦ Les images montrent comment désherber et tailler les bordures. Cependant, c'est à l'utilisateur de trouver les angles de coupe les mieux adaptés à sa taille et à l'opération effectuée.
  - ♦ Pour la plupart des opérations de coupe, il est recommandé d'incliner la tête de coupe à fil nylon de sorte que le contact se fasse uniquement sur la partie du cercle décrit par le fil la plus éloignée de l'utilisateur (voir l'image correspondante). Ainsi, les débris ne sont pas projetés en direction de l'utilisateur.
  - ♦ Si la tête est inclinée du mauvais côté, les débris sont projetés vers l'utilisateur. Si la tête de coupe à fil nylon est maintenue à plat sur le sol et que la coupe s'effectue sur la totalité du cercle décrit par le fil, les débris sont projetés en direction de l'utilisateur, la résistance ralentit l'appareil et une grande quantité de fil doit être utilisée.
  - ♦ La tête de coupe à fil nylon tourne dans le sens inverse des aiguilles d'une montre. Le couteau se situe sur le côté gauche du protecteur d'outil.
1. Débris



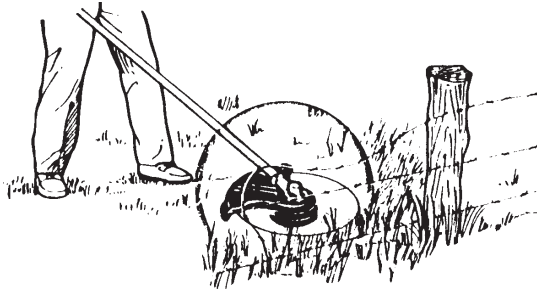


# Utilisation de l'appareil

## 2. Couper de ce côté



- ♦ Ne pas approcher le fil d'herbes drues, d'arbres ou de grillages.
- ♦ Mettre le fil en contact avec du grillage ou avec des broussailles denses peut causer la rupture du fil ; les extrémités du fil risquent alors d'être projetées vers l'utilisateur. La bonne technique consiste à couper l'herbe jusqu'à l'obstacle, mais à ne jamais heurter le fil contre l'obstacle. Ne pas utiliser l'appareil à proximité d'un obstacle ou d'une barrière.



- ♦ Éviter de mettre le fil nylon en contact avec des morceaux de grillage. À haut régime, les morceaux de fils de fer peuvent être projetés.

# Utilisation de l'appareil

## Utilisation de base de l'appareil avec lame métallique

### AVERTISSEMENT

- Respecter les instructions suivantes lors de l'utilisation de l'appareil.
  - ◆ Vérifier que la lame est bien serrée et maintenue fermement en place.
  - ◆ Remplacer le protecteur d'outil s'il est endommagé ou fissuré.
  - ◆ Remplacer l'écrou de fixation de la lame lorsqu'il est usé.
  - ◆ Ne pas enfoncer la lame dans le sol.
  - ◆ Ne pas utiliser l'appareil si sa lame est émoussée, courbée, fracturée ou décolorée ou si l'écrou de fixation est usé ou endommagé.



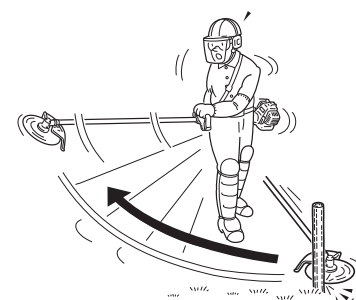
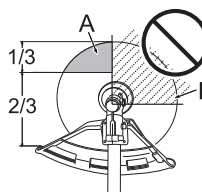
Le non-respect de cette règle de sécurité entraîne un risque d'accident ou de blessure grave.

- Utiliser uniquement les outils de coupe recommandés par YAMABIKO Corporation. YAMABIKO décline toute responsabilité en cas de panne d'un dispositif de coupe, outil ou accessoire n'ayant pas été testé et approuvé par YAMABIKO en vue d'être utilisé avec cet appareil.
- Le type de lame utilisé doit être adapté au type et à la taille du matériau coupé. Une lame incorrecte ou émoussée peut entraîner des blessures graves. Les lames doivent être affûtées. Des lames émoussées augmentent le risque d'éjection de débris et de blessures pour vous-même et les personnes à proximité.
  - ◆ Des lames en plastique/nylon pour herbe/mauvaises herbes peuvent être utilisées chaque fois que la tête de fil nylon est utilisée. Ne pas utiliser cette lame pour des buissons ou de mauvaises herbes épaisses.
  - ◆ La lame à 3 dents est conçue spécialement pour la tonte et le désherbage. Pour éviter le risque de blessure cause par un rebond ou une fracture de la lame, ne pas utiliser la lame à 3 dents pour couper des arbres ou des buissons.
  - ◆ La lame à 8 dents pour herbe/mauvaises herbes est conçue pour l'herbe, les déchets de jardin et les mauvaises herbes épaisses. Ne pas utiliser cette lame pour des buissons ou des arbustes d'un diamètre égal ou supérieur à 19 mm.
  - ◆ La lame de débroussaillage à 22 dents est conçue pour des fourrés denses et de jeunes arbres jusqu'à 64 mm de diamètre.
  - ◆ La lame de débroussaillage à 80 dents est conçue pour couper des broussailles et des arbustes jusqu'à 13 mm de diamètre.

Une lame endommagée ou brisée peut entraîner un risque d'accident ou de blessure grave.

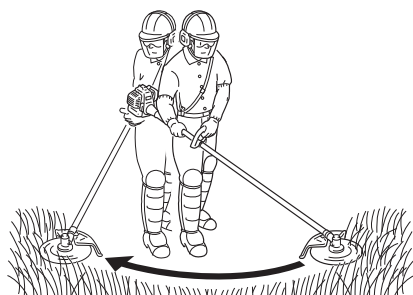
### Rebond

- Lorsque la lame heurte un arbre, un poteau, une pierre ou tout autre objet dur alors qu'elle tourne à une vitesse élevée, elle subit un mouvement de recul violent et instantané. C'est ce que l'on appelle le phénomène de rebond.
- Le phénomène de rebond est très dangereux car il peut provoquer une perte de contrôle de l'appareil.
- Par exemple, si le quadrant avant droit de la lame (B) vient heurter un arbuste ou un objet similaire, l'appareil va subir un mouvement de recul brutal vers la droite.
- Pour prévenir le phénomène de rebond, ne pas tailler de gauche à droite. Veiller à ce que la lame ne heurte aucun objet dur.
- Lors de la taille, couper l'objet avec le tiers avant gauche de la lame (A).



Le non-respect de cette mesure de précaution peut entraîner un risque de blessure ou d'accident mortel.

## Fauchage des mauvaises herbes



- ◆ Lors du fauchage, l'utilisateur décrit des arcs de cercle avec l'outil de coupe. Cette méthode permet de désherber rapidement une zone donnée. La technique de fauchage ne doit pas être employée pour couper des plantes hautes et drues ou des arbustes.
- ◆ Si un arbrisseau ou un arbuste bloque l'outil de coupe, ne pas se servir de l'outil de coupe comme levier pour le dégager : l'outil risque d'être endommagé.
- ◆ Dans ce cas, éteindre l'appareil et pousser l'arbrisseau ou l'arbuste pour dégager les lames.

## **⚠ AVERTISSEMENT**

- Respecter les mesures de précaution suivantes lors de la vérification et de l'entretien de l'appareil après utilisation :**
- **Mettre l'appareil hors tension, retirer la batterie et s'assurer que toutes les pièces mobiles sont complètement à l'arrêt.**  
Il existe un risque d'accident en cas de démarrage intempestif de l'appareil.
  - **Laisser l'appareil refroidir avant d'intervenir dessus.**  
Il existe un risque de brûlure.
  - **Ne jamais essayer de réparer des blocs-batteries endommagés. L'entretien des blocs-batteries doit être exclusivement confié au fabricant ou à des agents d'entretien agréés.**

## **IMPORTANT**

- La vérification et l'entretien nécessitent des connaissances spécialisées. Si l'utilisateur ne possède pas les compétences requises pour effectuer les opérations de vérification et d'entretien de l'appareil ou pour remédier à un dysfonctionnement, il doit consulter un revendeur. Ne pas essayer de démonter le produit.

### **Instructions d'entretien de l'appareil**

Pièce	Entretien	Page	Avant utilisation	Tous les mois
Renvoi d'angle	Lubrifier	17		•*
Couteau	Contrôler/nettoyer	-	•	
Vis, boulons et écrous	Contrôler, serrer/remplacer	-	•	

\* Ou 50 heures, si ce seuil est atteint avant la fin de la période indiquée.

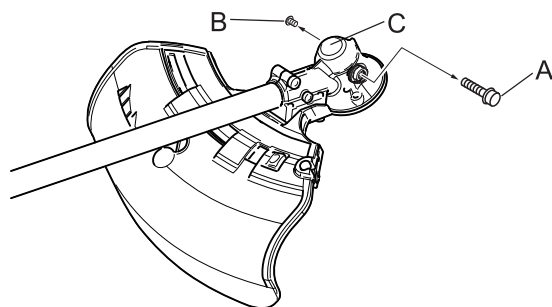
## **IMPORTANT**

- Les intervalles indiqués sont un maximum. La fréquence des opérations d'entretien varie en fonction de l'utilisation réelle de l'appareil et de l'expérience de l'utilisateur.

### **Entretien**

En cas de questions ou de problèmes, contacter un revendeur.

#### **Renvoi d'angle**



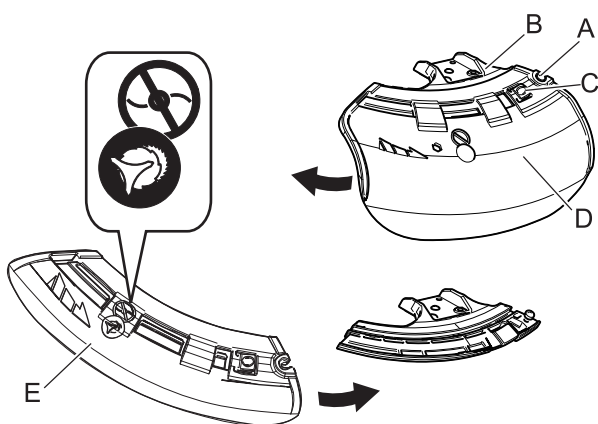
1. Retirer le bouchon (A) et la vis de vidange (B) du renvoi d'angle (C).
2. Ajouter de la graisse dans le renvoi d'angle jusqu'à ce que l'ancienne graisse soit expulsée. Si besoin, utiliser une pompe à basse pression.

### **REMARQUE**

- Utiliser une graisse multi-usage au lithium de bonne qualité.
3. Remettre en place la vis de vidange et le bouchon.

# Entretien

## Méthode de remplacement du protecteur d'outil



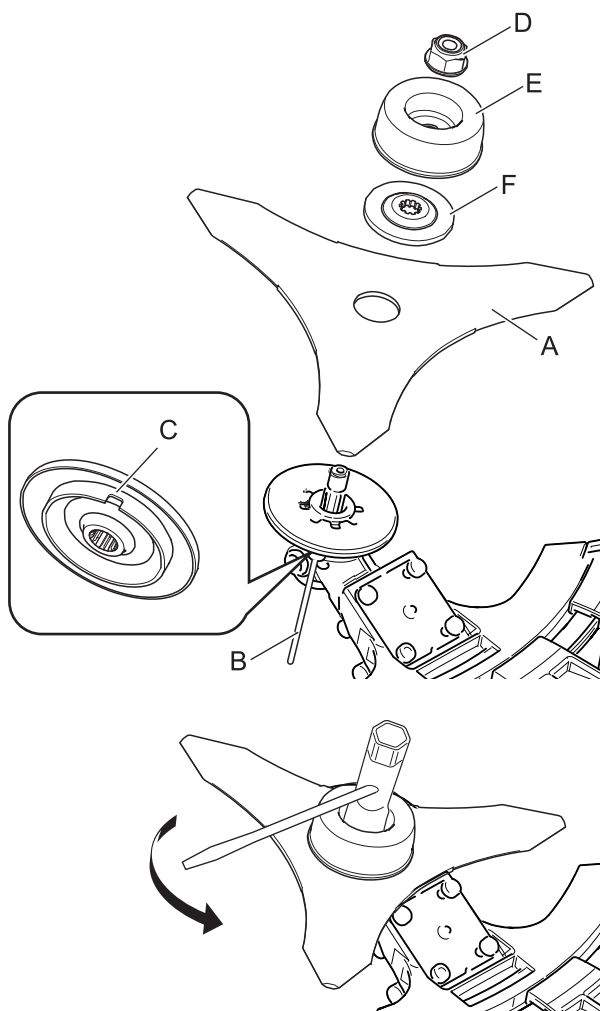
♦ Il existe deux types de protecteurs d'outil : le premier est utilisé exclusivement pour les têtes de coupe à fil nylon et le second uniquement pour les lames métalliques. Lorsqu'une lame métallique est utilisée, installer le protecteur d'outil pour lames métalliques.

1. Dévisser entièrement le boulon (A) situé sur le côté droit du support (B) pour faire glisser le protecteur. Le boulon ne s'enlève pas et reste solidaire du support.
2. Tout en appuyant sur le bouton (C), faire glisser le protecteur (D) vers la gauche et le retirer.
3. Placer le protecteur d'outil de remplacement (E) dans la rainure et le faire glisser vers la droite jusqu'en butée. Veiller à serrer le boulon.

## Pose de la lame (en option)

### ⚠ AVERTISSEMENT

- Porter des gants résistants lorsque la lame doit être manipulée.
- En cas de remplacement de la lame pendant une opération de taille, s'assurer que l'appareil est éteint et que les lames ne tournent plus.
- Ne pas essayer de poser la lame d'une seule main ou sans utiliser la clé à pipe. Poser la lame avec précision à l'aide de la clé à pipe fournie avec l'appareil et la serrer fermement.
- Ne pas serrer la lame à l'aide d'outils autres que la clé à pipe fournie ; avec un outil pneumatique ou électrique, la lame risquerait d'être serrée de manière excessive, ce qui casserait l'écrou ou l'arbre de sortie.
- Si un écrou et une coupelle usés sont utilisés, la lame risque de se desserrer. Les remplacer par des pièces neuves. Le non-respect de cette règle de sécurité entraîne un risque d'accident ou de blessure grave.



1. Examiner les lames (A) avant de les installer. Vérifier leur affûtage. Les lames émoussées augmentent le risque de rebonds. Les lames légèrement fissurées peuvent se fracturer et des morceaux de lame peuvent être projetés pendant l'utilisation de l'appareil. Jeter les lames fissurées, quelle que soit la taille de la fissure.
2. Insérer l'outil de blocage (B) dans l'orifice situé sur le côté droit du renvoi d'angle tout en poussant le ressort de retenue vers la gauche.
3. Enfoncer l'outil de blocage dans le trou de blocage de lame (C) pour fixer l'arbre de sortie.
4. Se servir d'une clé à pipe pour retirer l'écrou (D), la coupelle (E) et le dispositif de blocage inférieur de la lame (F).
5. Serrer solidement à la main la lame, le dispositif de blocage inférieur de la lame, la coupelle et l'écrou.

### ⚠ ATTENTION

- Fixer solidement l'arbre de sortie à l'aide de l'outil de blocage pour éviter qu'il ne tourne lors de la pose de la lame. Sinon, l'écrou de fixation de la lame ne sera pas suffisamment serré.

6. Serrer l'écrou (en tournant dans le sens inverse des aiguilles d'une montre) à l'aide d'une clé à pipe. Ne jamais serrer en

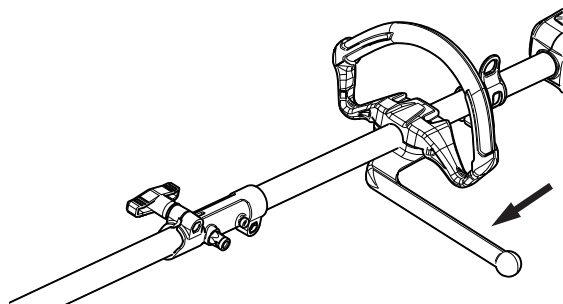
- utilisant le poids de votre corps. Dans le cas contraire, le filetage de l'écrou risque de se briser.
- Retirer l'outil de blocage.

## Assemblage de la barre de protection

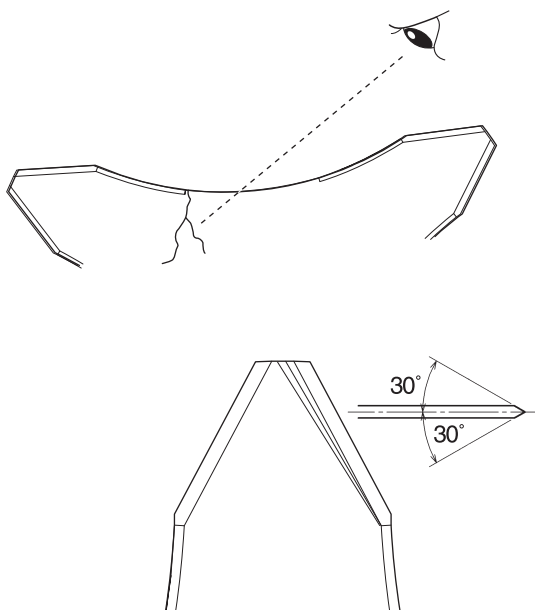
### **AVERTISSEMENT**

○ La barre de protection doit être utilisée avec l'outil débroussailleuse.

- Dévisser le support inférieur de la poignée et le remplacer par la barre de protection comme indiqué. Régler et fixer la poignée comme décrit ci-dessus.



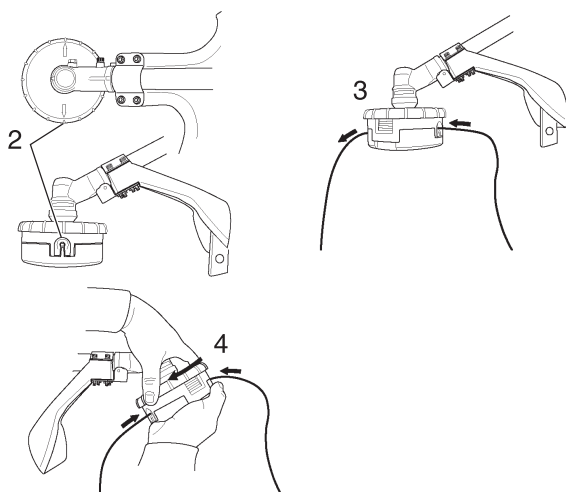
## Vérification de la lame



- Utiliser uniquement une lame recommandée pour ce modèle par le constructeur.
- En cas de fissure, remplacer la lame.
- Vérifier que la lame est correctement fixée, conformément aux instructions.

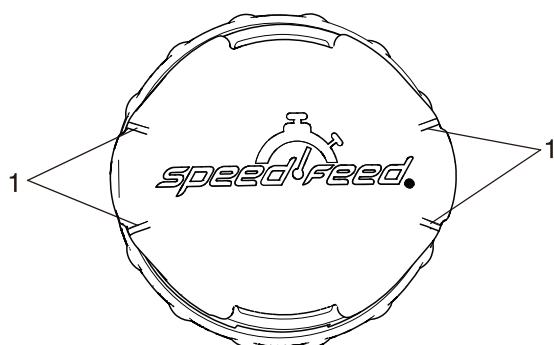
- Lorsque la lame commence à s'émousser, il est possible de continuer à l'utiliser en la retournant.
- En cas de fêlure ou de déformation de la lame, les vibrations émises par l'appareil augmentent. Procéder au remplacement de la lame.
- Lors de l'affûtage de la lame, veiller à ce que les 3 tranchants soient uniformément affûtés en utilisant une lime plate, comme indiqué sur l'image. Dans le cas contraire, l'appareil risque d'être déséquilibré et d'émettre plus de vibrations.

## Chargement du fil nylon



- Couper un morceau de fil à la longueur recommandée.
  - Diamètre 2,4 mm - 3,5 mm
- Aligner les flèches sur le dessus du bouton avec les ouvertures dans les œillets.
- Introduire une extrémité du fil nylon dans un œillet et enfoncer le fil en l'égalisant à travers la tête de coupe à fil nylon.
- Maintenir la tête de coupe à fil nylon tout en tournant le bouton dans le sens des aiguilles d'une montre pour enrouler le fil sur la bobine jusqu'à ce qu'il reste environ 13 cm visible à chaque extrémité du fil.

# Entretien



1. Témoins d'usure

## IMPORTANT

Lorsque les témoins d'usure situés au-dessous de la tête de coupe à fil nylon sont entièrement usés, il est nécessaire de remplacer le couvercle ou la tête de coupe à fil nylon entière.

## Guide de dépannage

### IMPORTANT

○ En ce qui concerne les pièces de rechange et les consommables, utiliser uniquement des pièces d'origine et les produits et composants recommandés.

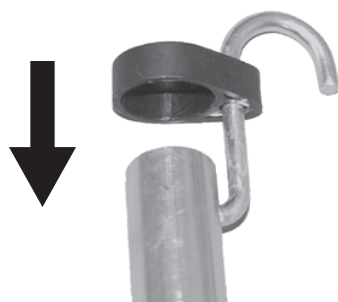
L'utilisation de pièces d'autres marques ou de composants inappropriés peut entraîner un dysfonctionnement de l'appareil.

Problème	Cause	Solution
Avance du fil impossible	<ol style="list-style-type: none"><li>1. Quantité insuffisante de fil sur la bobine</li><li>2. Fil emmêlé dans la bobine</li></ol>	<ol style="list-style-type: none"><li>1. Rembobiner à l'aide de fil neuf</li><li>2. Débobiner puis rebobiner le fil</li></ol>
Le fil ne se coupe pas	<ol style="list-style-type: none"><li>1. Couteau placé dans le protecteur d'outil endommagé ou manquant</li></ol>	<ol style="list-style-type: none"><li>1. Consulter un revendeur</li></ol>

- ♦ En cas de problème différent de ceux décrits dans le tableau ci-dessus, consulter un revendeur.
- ♦ S'adresser à un revendeur pour la mise au rebut de l'appareil ou de ses composants conformément à la législation nationale en vigueur.

## Remisage

### Installation du crochet de remisage



1. Insérer l'extrémité fine du crochet dans le trou de positionnement de l'arbre de l'outil.
2. Placer la protection en plastique sur l'extrémité de l'arbre de l'outil.

### Fabricant :

**YAMABIKO CORPORATION**

1-7-2 Suehirocho, Ohme, Tokyo 198-8760 JAPON

### Représentant autorisé en Europe :

**CERTIFICATION EXPERTS B.V.**

Amerlandseweg 7, 3621 ZC Breukelen, Pays-Bas

# Caractéristiques

	<b>MTA-DTB</b>	
<b>Dimensions externes</b> : Longueur × largeur × hauteur (sans l'outil de coupe)	818 × 310 × 212 mm	
<b>Masse</b> :		
Appareil sans outil de coupe	1,4 kg	
Appareil avec outil de coupe et protecteur	1,7 kg	
Appareil sans outil de coupe ni protecteur	0,9 kg	
<b>Outil de coupe</b> :		
Tête de coupe à fil nylon (largeur de coupe)	SF400 (406)	
Filetage	Filetage à gauche M10×pas 1,25	
Dimension du fil nylon (diamètre)	2,4 mm	
Longueur du fil nylon	3,5 m	
<b>Carter d'engrenage</b> : rapport et lubrification	Réduction de 1,62 et graisse au lithium de bonne qualité	
Sens de rotation de l'arbre de sortie vu du dessus	Sens inverse des aiguilles d'une montre	
Fréquence de rotation maximale de la broche	5850 tr/min	
<b>2006/42/CE</b>	Poignée gauche	3,8 m/s <sup>2</sup>
<b>Vibrations</b> (EN50636-2-91) a <sub>hV,eq</sub>	Poignée droite	2,9 m/s <sup>2</sup>
	Incertitude K	1,5 m/s <sup>2</sup>
<b>Niveau de pression sonore</b> (EN50636-2-91)		79,6 dB(A)
L <sub>pAeq</sub>	Incertitude K <sub>pA</sub>	3,0 dB(A)
<b>Niveau de puissance sonore</b> (EN50636-2-91)		92,0 dB(A)
L <sub>WA</sub>	Incertitude K <sub>WA</sub>	3,0 dB(A)
<b>Niveau de puissance sonore garanti</b> : (2000/14/EC, Annexe VI)		96 dB(A)
L <sub>WA</sub>		
Modèle concerné	DPAS-2600	

Ces caractéristiques sont susceptibles d'être modifiées sans préavis.

# Déclaration de conformité

---

Le fabricant soussigné :

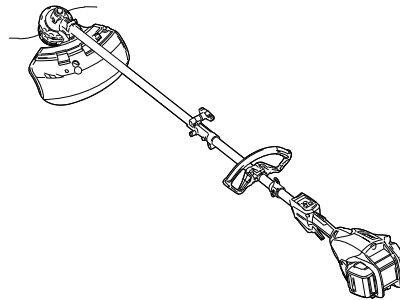
YAMABIKO CORPORATION  
1-7-2 Suehirocho, Ohme, Tokyo 198-8760 JAPON

Cette déclaration de conformité est délivrée sous la seule responsabilité du fabricant.

Déclare que l'appareil neuf désigné ci-après :

## SÉRIE PRO ATTACHMENT (COUPE-HERBE/DÉBROUSSAILLEUSE)

Marque : ECHO  
Type : DPAS-2600 + MTA-DTB



Est conforme :

- \* aux exigences de la directive **2006/42/CE** (utilisation de la norme harmonisée **EN ISO 11806-1: 2011, EN 60335-1: 2012 +A11: 2014 et EN 50636-2-91: 2014**)
- \* aux spécifications de la directive **2014/30/UE** (utilisation de la norme harmonisée **EN 55014-1: 2017 +A11: 2020, EN 55014-2: 2015**)
- \* aux exigences de la directive **2000/14/EC** modifié par **2005/88/EC**

Procédure d'évaluation de conformité suivie **ANNEXE VI**

TÜV SÜD Industrie Service GmbH (Organisme notifié 0036)  
Westendstraße 199 80686 München Allemagne

Niveau de puissance sonore mesuré : 91,2 dB(A), niveau de puissance acoustique garanti : 96 dB(A)

- \* aux exigences de la directive **2011/65/EU** (utilisation de la norme harmonisée **EN IEC63000: 2018**)

Numéro de série U49935001001 à U49935100000

Tokyo, 27 janvier 2022

## YAMABIKO CORPORATION



**Hisashi Kobayashi**

**Directeur général**  
**Service Assurance qualité**

**Représentant autorisé en Europe, autorisé à constituer le dossier technique.**

Société : CERTIFICATION EXPERTS B.V.

Adresse : Amerlandseweg 7, 3621 ZC Breukelen, Pays-Bas

**M. Richard Glaser**

**Importateur pour la France**

Société : P.P.K.

Adresse : Z.I. du Chemin Vert 10/16 rue de l'Angoumois BP 8002 -  
95811 ARGENTEUIL CEDEX, France



## NOTES

# YAMABIKO CORPORATION

1-7-2 Suehirocho, Ohme, Tokyo 198-8760 JAPON

TÉLÉPHONE : 81-428-32-6118. FAX : 81-428-32-6145.



X750823-0501



DEUTSCH  
DE (Original Gebrauchsanleitung)

# **BEDIENUNGSANLEITUNG**

## **Trimmer-/Motorsensenvorrichtung**

### **MTA-DTB**

#### **WARNUNG**



**LESEN SIE DIE BEDIENUNGSANLEITUNG SORGFÄLTIG DURCH,  
UND BEFOLGEN SIE DIE SICHERHEITSREGELN.  
ANDERNFALLS BESTEHT DAS RISIKO SCHWERER  
VERLETZUNGEN.**



# Inhalt

---

Sichere Verwendung des Produkts .....	3
Beschreibung .....	8
Bevor Sie beginnen .....	9
Packliste .....	9
Zusammenbau .....	9
Montage des Schutzschilds .....	10
Montage des Nylonfadenkopfs .....	10
Ausrichten der Balance .....	11
Trimmen .....	12
Verwendung des Schultergurts .....	13
Einfaches Trimmen mit dem Nylonfadenkopf .....	13
Einfaches Trimmen mit Metallmesser .....	16
Wartung und Pflege .....	17
Wartungsrichtlinien .....	17
Wartung und Pflege .....	17
LAGERUNG .....	21
Technische Daten .....	22
Konformitätserklärung .....	23

# Sichere Verwendung des Produkts

## Wichtige Informationen

### **⚠️ WARNUNG**

**Lesen Sie unbedingt die Bedienungsanleitung, bevor Sie das Produkt verwenden.**

#### **Allgemeines zu dieser Bedienungsanleitung**

- Diese Bedienungsanleitung enthält wichtige Informationen über Montage, Bedienung und Instandhaltung Ihres Produkts. Bitte lesen Sie sie sorgfältig durch, und machen Sie sich mit dem Inhalt vertraut.
- Bewahren Sie die Anleitung stets an einem schnell zugänglichen Ort auf.
- Sollte die Anleitung verloren gehen oder aufgrund von Beschädigungen nicht mehr lesbar sein, besorgen Sie sich bitte eine neue Anleitung von Ihrem Händler.
- Die in dieser Anleitung verwendeten Einheiten sind SI-Einheiten (Système International d'unités; Internationales Einheitensystem). Zahlenangaben in Klammern sind Referenzwerte, bei denen mitunter geringe Umrechnungsfehler vorliegen können.

Andernfalls kann es zu Unfällen bzw. schweren Verletzungen kommen.

#### **Bestimmungsgemäßer Gebrauch dieses Produkts**

- Dieses Produkt ist ein Hochleistungsgerät geringen Gewichts, das sich zur Unkrautbekämpfung sowie zum Rasentrimmen an Stellen eignet, wo andere Methoden unzulänglich sind.
- Verwenden Sie das Gerät nur für den oben angegebenen Zweck.
- Um Weiterentwicklungen des Produkts Rechnung zu tragen, bleiben dem Hersteller Änderungen am Inhalt dieser Anleitung vorbehalten. Einige Abbildungen in dieser Anleitung können vom Produkt abweichen, um Sachverhalte klarer darzustellen.
- Bei Unklarheiten oder Problemen wenden Sie sich bitte an Ihren Händler.

Andernfalls kann es zu Unfällen bzw. schweren Verletzungen kommen.

#### **Keine Veränderungen am Produkt vornehmen**

- An dem Produkt dürfen keine Veränderungen vorgenommen werden.

Andernfalls kann es zu Unfällen bzw. schweren Verletzungen kommen. Funktionsfehler, die auf Veränderungen am Produkt zurückzuführen sind, fallen nicht unter die Herstellergarantie.

#### **Produkt nur verwenden, wenn es überprüft und gewartet wurde**

- Das Produkt darf nur verwendet werden, wenn es überprüft und gewartet wurde. Die Überprüfung und Wartung des Produkts muss regelmäßig durchgeführt werden.

Andernfalls kann es zu Unfällen bzw. schweren Verletzungen kommen.

#### **Verleihen oder Übereignen des Produkts**

- Wenn Sie das Produkt verleihen, muss die ausleihende Person auch die zugehörige Bedienungsanleitung erhalten.
- Wenn Sie das Produkt einer anderen Person übereignen, muss die Bedienungsanleitung zusammen mit dem Produkt ausgehändigt werden.

Andernfalls kann es zu Unfällen bzw. schweren Verletzungen kommen.

#### **Anwender des Produkts**

- Das Produkt darf von folgenden Personen nicht gebraucht werden:

- ◆ übermüdete Personen
- ◆ alkoholisierte Personen
- ◆ unter Medikamenteneinfluss stehende Personen
- ◆ schwangere Frauen
- ◆ Personen in schlechter körperlicher Verfassung
- ◆ Personen, die die Bedienungsanleitung nicht gelesen haben
- ◆ Kinder



- Seien Sie sich bewusst, dass der Benutzer für Unfälle bzw. Gefährdungen anderer Personen oder deren Eigentum verantwortlich ist.

Eine Nichtbefolgung dieser Anweisungen kann zu Unfällen führen.

- Die Bauteile dieser Maschine erzeugen im Betrieb ein elektromagnetisches Feld, das manche Herzschrittmacher stören kann. Um Gesundheitsrisiken zu reduzieren, empfehlen wir, dass Personen mit Herzschrittmachern vor dem Betrieb dieses Produkts ihren Arzt und den Hersteller des Herzschrittmachers konsultieren.

# Sichere Verwendung des Produkts

## **WARNUNG**

### Vibration und Kälte

- Es wird vermutet, dass das Raynaud-Syndrom, das die Finger mancher Menschen befällt, durch stark vibrierende Arbeitsgeräte und Arbeiten bei Kälte herbeigeführt wird. Durch stark vibrierende Arbeitsgeräte und das Arbeiten bei Kälte kann sich ein Prickeln und Brennen bemerkbar machen, dem sich Farblosigkeit und Gefühllosigkeit der Finger anschließen. Die nachstehend aufgeführten Vorsichtsmaßnahmen werden dringend empfohlen, da die Mindestwerte, bei denen diese Krankheit ausgelöst wird, nicht bekannt sind.
    - ◆ Halten Sie Ihren Körper warm, insbesondere Kopf und Nacken, Füße und Fußgelenke sowie Hände und Handgelenke.
    - ◆ Legen Sie häufige Pausen ein, in deren Verlauf Sie den Kreislauf durch intensive Armübungen anregen, und rauchen Sie nicht.
    - ◆ Begrenzen Sie die Dauerbetriebszeiten auf ein Minimum. Teilen Sie jeden Arbeitstag so ein, dass auch Arbeiten ohne Trimmer oder tragbare motorisierte Geräte verrichtet werden.
    - ◆ Wenn Ihre Finger schmerzen, rot und angeschwollen sind und schließlich bleich und gefühllos werden, müssen Sie einen Arzt aufsuchen, bevor Sie sich weiterhin Kälte und Vibrationen aussetzen.
- Eine Nichtbefolgung dieser Anweisung kann zu gesundheitlichen Schäden führen.

### RSI-Syndrom

- Es wird angenommen, dass eine Überanstrengung der Muskeln und Sehnen der Finger, Hände, Arme und Schultern in den betreffenden Körperteilen Schmerz, Schwellungen, Gefühllosigkeit, Schwäche und auch akuten Schmerz verursachen kann. Durch bestimmte ständig wiederholte Handbewegungen steigt das Risiko für die Entwicklung eines RSI-Syndroms. Auf folgende Art mindern Sie das Risiko des RSI-Syndroms:
    - ◆ Achten Sie darauf, dass Sie Ihr Handgelenk nicht zu sehr beugen, strecken oder verdrehen.
    - ◆ Legen Sie von Zeit zu Zeit Pausen ein, um wiederholte Bewegungen zu minimieren, und lassen Sie Ihre Hände ruhen. Reduzieren Sie die Geschwindigkeit und den Kraftaufwand, mit denen Sie die Wiederholungsbewegung ausführen.
    - ◆ Führen Sie geeignete Übungen zur Stärkung der Hand- und Armmuskulatur durch.
    - ◆ Suchen Sie einen Arzt auf, wenn Sie ein Prickeln, Gefühllosigkeit oder Schmerzen in Ihren Fingern, Händen, Handgelenken oder Armen bemerken. Je früher das RSI-Syndrom erkannt wird, desto eher lässt sich eine dauerhafte Schädigung von Nerven und Muskeln verhindern.
- Eine Nichtbefolgung dieser Anweisung kann zu gesundheitlichen Schäden führen.

### Angemessene Unterweisung

- Das Gerät darf nicht ohne angemessene Unterweisung bzw. ohne Schutzkleidung bedient werden.
  - Machen Sie sich mit der richtigen Handhabung des Geräts und seiner Bedienelemente vertraut.
  - Sie müssen wissen, wie sich das Gerät stoppen und der Motor abstellen lässt.
  - Zudem müssen Sie lernen, wie das Gerät schnell vom Schultergurt getrennt werden kann.
  - Erlauben Sie niemals einer anderen Person, das Gerät ohne vorherige Unterweisung zu benutzen.
- Eine Nichtbefolgung dieser Anweisung kann zu gesundheitlichen Schäden führen.

### Geeignete Kleidung tragen.

- Ihr Haar sollte maximal schulterlang sein, ansonsten verwenden Sie ein Haarnetz.
- Tragen Sie keine Krawatten, Schmuckstücke oder lose, weite Kleidungsstücke, die sich im Gerät verfangen könnten.
- Tragen Sie keine Schuhe mit freien Zehen, und arbeiten Sie nicht barfuß oder in kurzen Hosen.

Bei Nichtbeachtung dieser Sicherheitsvorkehrungen sind Ihr Augenlicht und Ihr Gehör gefährdet, und es drohen andere schwere Verletzungen.



# Sichere Verwendung des Produkts

## **WARNUNG**

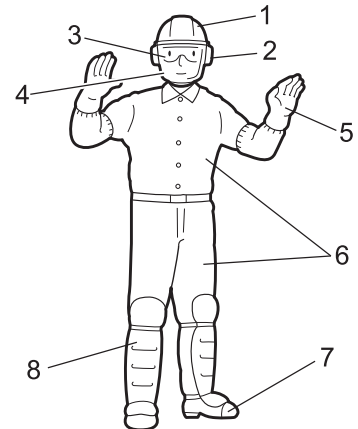
### Schutzausrüstung tragen

- Tragen Sie beim Arbeiten mit dem Trimmer immer die folgende Schutzausrüstung:

1. **Kopfschutz (Helm):** schützt den Kopf
2. **Ohrenschützer oder Ohrenstöpsel:** schützen das Gehör
3. **Schutzbrille:** schützt die Augen
4. **Gesichtsschutzschild:** schützt das Gesicht
5. **Sicherheitshandschuhe:** schützen die Hände vor Kälte und Vibration
6. **Eng anliegende Arbeitskleidung (lange Ärmel, lange Hosen):** schützt den Körper
7. **Robuste, rutschfeste Stiefel (mit Schutzkappe) oder rutschfeste Schuhe (mit Schutzkappe):** schützen die Füße
8. **Schienbeinschützer:** schützen die Beine

Bei Nichtbeachtung dieser Sicherheitsvorkehrungen sind Ihr Augenlicht und Ihr Gehör gefährdet, und es drohen andere schwere Verletzungen.

- Falls erforderlich, verwenden Sie auch folgende Schutzausrüstung:
- ◆ **Staubmaske:** schützt das Atmungssystem
  - ◆ **Bienennetz:** schützt vor angreifenden Bienen



### Arbeitsumgebung und Bedienung

- Produkt nicht verwenden:

- ◆ an feuchten oder nassen Orten,
- ◆ im Regen,
- ◆ unter schlechten Wetterbedingungen,
- ◆ an steilen Abhängen oder auf rutschigem Untergrund ohne ausreichenden Halt,
- ◆ nachts oder bei schlechten Sichtverhältnissen,
- ◆ bei Blitzrisiko.

- Arbeiten Sie an leichten Hanglagen in horizontalen, bogenartigen Bewegungen.

Wenn Sie fallen oder ausrutschen oder das Produkt nicht mehr voll beherrschen, kann dies zu schweren Verletzungen führen.

- Aus Gesundheits- und Sicherheitsgründen sollten Sie mit dem Gerät nur bei Lufttemperaturen von  $-5\text{ °C}$  bis  $40\text{ °C}$  arbeiten.

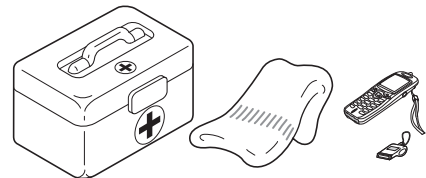
Eine Nichtbefolgung dieser Anweisung kann zu gesundheitlichen Schäden führen.

### Vorsorge für den Fall von Verletzungen

- Für den unwahrscheinlichen Fall, dass es dennoch zu Verletzungen kommt, sollten Sie folgende Dinge vorbereitet haben:

- ◆ **Verbandskasten**
- ◆ **Hand- und Wischtücher (um etwaige Blutungen zu stoppen)**
- ◆ **Trillerpfeife oder Mobiltelefon (um Hilfe rufen zu können)**

Wenn Sie weder erste Hilfe leisten noch Hilfe rufen können, kann sich die Verletzung verschlimmern.



## Warnhinweise

### **GEFAHR**

Dieses Symbol in Verbindung mit dem Wort „**GEFAHR**“ macht auf Handlungen oder Bedingungen aufmerksam, die zu schweren Verletzungen oder zum Tod von Bediener und umstehenden Personen führen.

### **WARNUNG**


Dieses Symbol in Verbindung mit dem Wort „**WARNUNG**“ macht auf Handlungen oder Bedingungen aufmerksam, die zu schweren Verletzungen oder zum Tod von Bediener und umstehenden Personen führen können.

### **VORSICHT**

„**VORSICHT**“ warnt vor einer Gefahrensituation, in der es zu leichten bis mäßigen Verletzungen kommen kann.

# Sichere Verwendung des Produkts












## Sonstige Kennzeichnungen

	<p>Kreis mit umgekehrtem Schrägstrich bedeutet, dass das Dargestellte unzulässig ist.</p>
---	---

<h3>HINWEIS</h3>
<p>Hinweise dieser Art enthalten Tipps zur Verwendung, Pflege und Wartung des Produkts.</p>

<h3>WICHTIG</h3>
<p>Umrahmter Text mit der Überschrift „<b>WICHTIG</b>“ enthält wichtige Informationen zur Verwendung, Überprüfung, Wartung und Lagerung des in dieser Anleitung beschriebenen Produkts.</p>

## Symbole

Symbol	Beschreibung des Symbols	Symbol	Beschreibung des Symbols
	<p>Die Bedienungsanleitung sorgfältig lesen</p>		<p>Zur Durchführung von Wartungsarbeiten den Akku entnehmen</p>
	<p>Augen-, Gehör- und Kopfschutz tragen</p>		<p>Passanten auf einen Abstand von 15 m halten</p>
	<p>Achtung, Seitenschub!</p>		<p>Fußschutz und Handschuhe tragen</p>
	<p>Sicherheit / Achtung</p>		<p>Achtung, heiße Bereiche</p>
	<p>Warnung! Gegenstände werden hochgeschleudert!</p>		<p>Verwendung von Nylonfadenköpfen verboten</p>
	<p>Verwendung von Metallmessern verboten</p>		

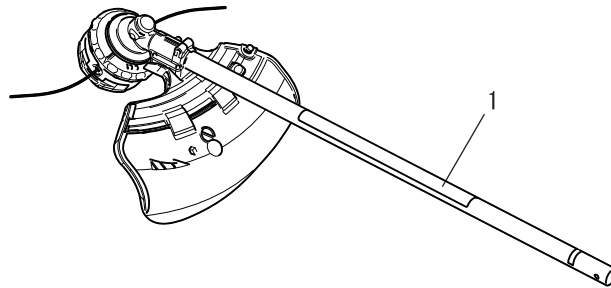


# Sichere Verwendung des Produkts

## Sicherheitsaufkleber

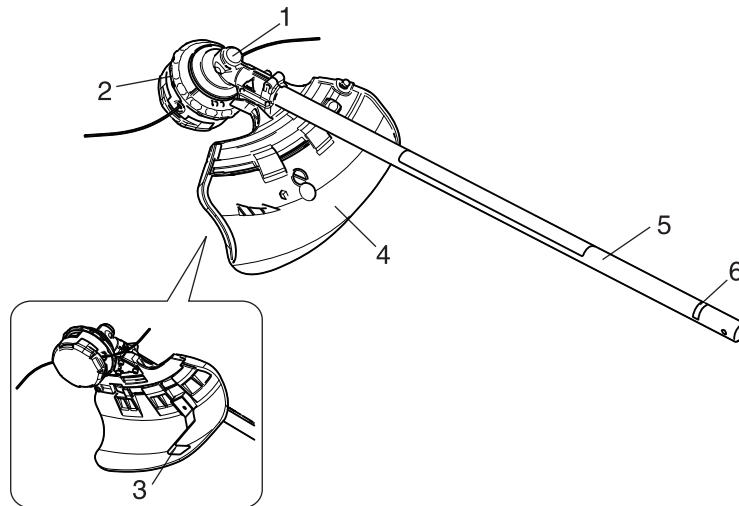
- Die in dieser Anleitung beschriebenen Produkte sind mit dem unten dargestellten Sicherheitsaufkleber versehen. Machen Sie sich die Bedeutung des Sicherheitsaufklebers bewusst, bevor Sie das Produkt verwenden.
- Falls der Sicherheitsaufkleber aufgrund von Verschleiß oder Beschädigung nicht mehr lesbar ist oder sich abgelöst hat, erwerben Sie bitte einen neuen Sicherheitsaufkleber von Ihrem Händler, und bringen Sie ihn an der nachstehend gezeigten Stelle an. Der Sicherheitsaufkleber muss stets gut lesbar sein.

1. Sicherheitsaufkleber (Teilenummer X505-011600)



# Beschreibung

---

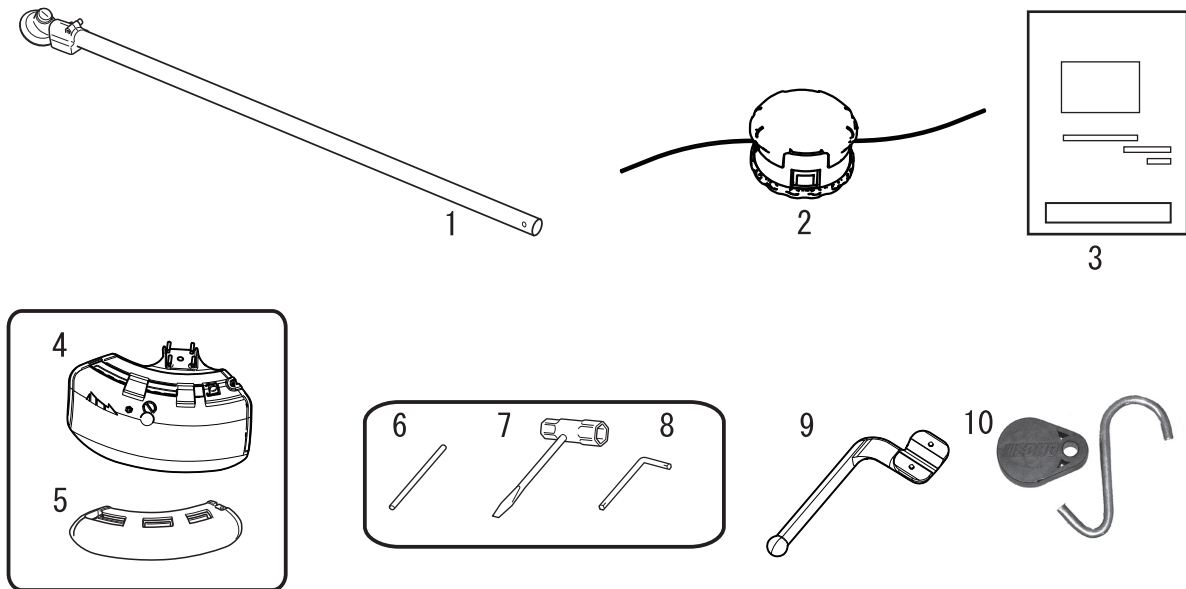


1. **Winkelgetriebe** - Zwei Zahnräder, die den Winkel der Rotationsachse ändern.
2. **Schneidvorrichtung** - Nylonfadenkopf zum Schneiden von Gras und Unkraut.
3. **Fadenschneidmesser** - Schneidet den Nylonfaden auf die richtige Länge ab.
4. **Schutzschild** - Schützt den Bediener vor Kontakt mit dem Schneidkopf und weggeschleuderten Objekten.
5. **Antriebswellenrohr** - Geräteteil, das als Gehäuse für die Antriebswelle dient.
6. **Typ und Seriennummer**

# Bevor Sie beginnen

## Packliste

- Die nachfolgend aufgeführten Einzelteile sind in der Verpackung enthalten.
- Überprüfen Sie nach dem Auspacken die Vollständigkeit des Inhalts.
- Wenden Sie sich an Ihren Händler, wenn Teile fehlen oder beschädigt sind.



1. Trimmer-/Motorsensenvorrichtung
2. Nylonfadenkopf
3. Bedienungsanleitung
4. Schutzschild (für Nylonfadenkopf)
5. Schutzschild (für Metallmesser)

6. Arretierwerkzeug
7. Steckschlüssel
8. L-Schlüssel
9. Schlaufengriffhalterung (Schutzbügel)
10. Aufhänger und Haken

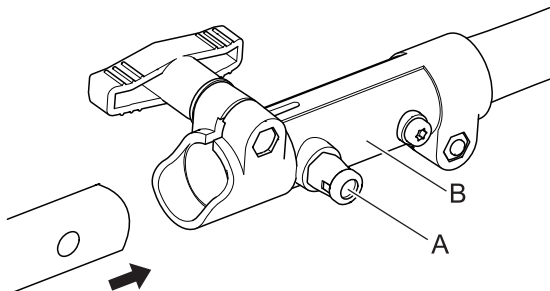
## Zusammenbau

### **WARNUNG**

- Lesen Sie die Bedienungsanleitung aufmerksam durch, um sicherzustellen, dass Sie das Produkt korrekt zusammenbauen.  
Die Verwendung eines falsch zusammengebauten Produkts kann zu Unfällen bzw. schweren Verletzungen führen.

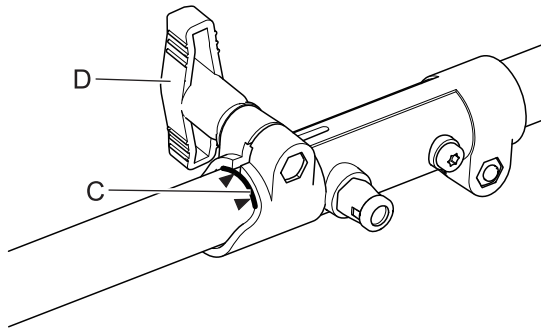


### Montage von Anbauteilen an der Antriebswellenbaugruppe



1. Setzen Sie die Gruppe aus Motorkopf und Schaft auf eine ebene Fläche.
2. Ziehen Sie den Positionierstift (A) heraus, und drehen Sie ihn zur Entriegelung um eine Vierteldrehung nach links.
3. Entfernen Sie die PVC-Kappe vom Antriebsschaft.

# Bevor Sie beginnen



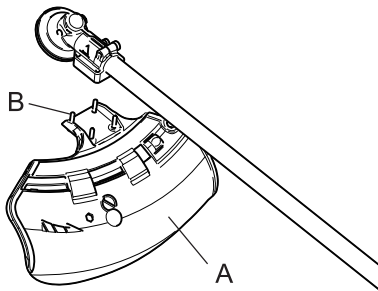
4. Schieben Sie die Antriebsschaftgruppe vorsichtig in das Verbindungselement (B) bis an die Markierungslinie (C). Dabei muss der innere untere Antriebsschaft in der Vierkantaufnahme des oberen Antriebsschafts einrasten.

## HINWEIS

Das untere Lagergehäuse und der Gerätekopf müssen mit der Motoreinheit auf einer Linie liegen.

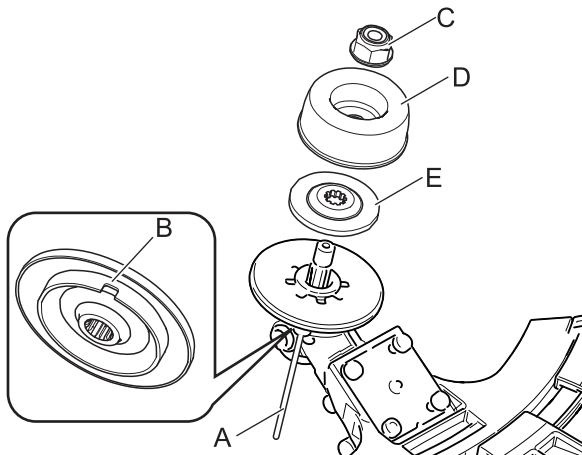
5. Drehen Sie den Positionierstift (A) um eine Vierteldrehung nach rechts, bis er im Loch des unteren Schafts einrastet. Achten Sie darauf, dass der Positionierstift vollständig eingerastet ist, indem Sie versuchen, den unteren Antriebsschaft zu drehen. Der Positionierstift muss im Verbindungselement einschnappen und darf nicht hervorstehen. Durch das vollständige Einrasten wird vermieden, dass sich der Schaft dreht.
6. Befestigen Sie die untere Schaftgruppe am Verbindungselement durch Festziehen des Feststellers (D).
7. Zum Zerlegen die Schritte in umgekehrter Reihenfolge durchführen.

## Montage des Schutzschilds



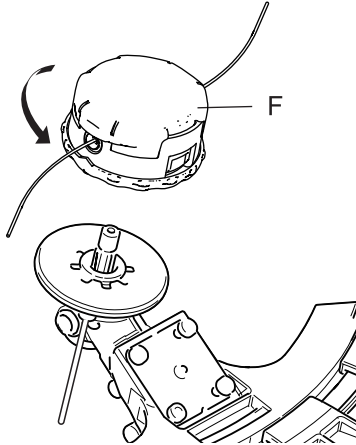
1. Befestigen Sie das Schutzschild (A) am Winkelgetriebe und ziehen Sie die 4 Schrauben (B) fest.

## Montage des Nylonfadenkopfs



1. Stecken Sie das Arretierwerkzeug (A) in das Loch auf der rechten Seite des Winkelgetriebes. Drücken Sie dabei die Rückhaltefeder nach links.
  2. Stecken Sie das Arretierwerkzeug in das Arretierungsloch (B) der Fixierplatte, um den Werkzeugaufnahmebolzen zu blockieren.
  3. Bauen Sie die Mutter (C), den Auflageteller (D) und die untere Fixierplatte (E) mit dem Steckschlüssel aus.
- \* Mutter, Auflageteller und untere Fixierplatte werden bei einem Nylonfadenkopf nicht verwendet.

# Bevor Sie beginnen



## **⚠ VORSICHT**

○ Verhindern Sie mit Hilfe des Arretierwerkzeugs ein Mitdrehen des Werkzeugaufnahmebolzens, bevor Sie den Fadenkopf montieren.

4. Schrauben Sie den Nylonfadenkopf (F) (durch Drehen gegen den Uhrzeigersinn) auf die Welle auf, und ziehen Sie ihn gut fest.
5. Entfernen Sie das Arretierwerkzeug.

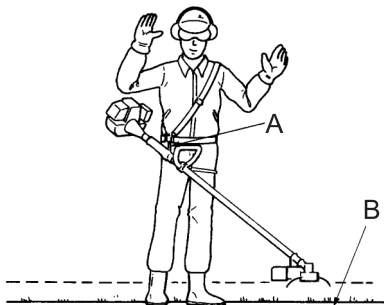
## **Ausrichten der Balance Einstellen des Schultergurts**

## **⚠ WARNUNG**

○ Dieses Produkt ist für viele verschiedene Körpergrößen ausgelegt, lässt sich aber evtl. nicht für sehr große Personen einstellen. Verwenden Sie das Gerät nicht, wenn Ihre Füße an die Schneidvorrichtung heranreichen, während das Gerät am Schultergurt eingehängt ist.

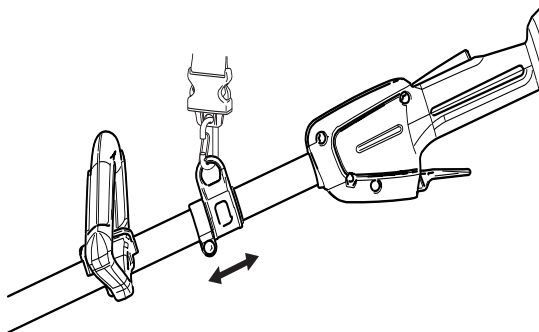
## **WICHTIG**

○ Die Körpergröße einer Person kann sich auf das Gerätegleichgewicht auswirken. Manchen Personen ist u. U. nicht möglich, bestimmte Geräte ins Gleichgewicht zu bringen. Fragen Sie Ihren Händler um Rat, wenn es Ihnen nicht gelingt, den Schultergurt an Ihre Körpermaße anzupassen.



**Gerät so ausbalancieren, dass der Schneidkopf parallel zum Boden steht**

- ♦ Tragen Sie den Schultergurt, wenn dies in dieser Bedienungsanleitung empfohlen oder vorgeschrieben wird. Justieren Sie sowohl den Gurt als auch die Trageöse (A) am Gerät so, dass das Gerät mit der Schneidvorrichtung einige Zentimeter über dem Boden (B) hängt.
- ♦ Die Schneidvorrichtung und der Schutzschild müssen sich absolut waagrecht befinden. Bringen Sie den Tragegurt rechts wie abgebildet an.



- ♦ Verstellen Sie die Trageöse entlang des Antriebswellenrohrs, um die richtige Balanceposition zu finden. Drehen Sie die Trageöse so, dass Schneidvorrichtung und Schutzschild parallel zum Boden ausgerichtet sind. Arretieren Sie sie in dieser Position. Wenn es sich um eine frei bewegliche Trageöse handelt, kann sich das Gerät leicht zur Seite neigen. Sie müssen aber dennoch die Schneidvorrichtung und den Schutzschild auf einer Achse von vorn nach hinten nivellieren.
- ♦ Beim oben beschriebenen Ausrichten und Nivellieren ist es u. U. erforderlich, die Trageöse anders zu positionieren und die Schultergurte anders einzustellen. Außerdem kann es sein, dass die verschiedenen Schneidvorrichtungen und Schutzschilde am Gerät einzeln ausgerichtet werden müssen.

# Trimmen

## GEFAHR

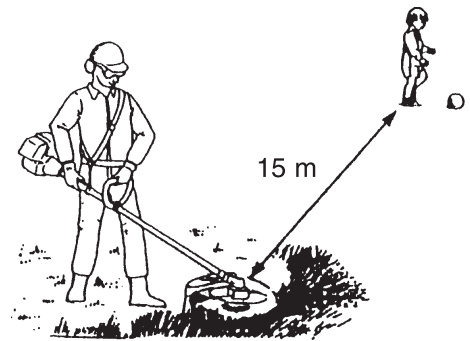
○ **Stellen Sie das Gerät ab, und entnehmen Sie den Akku, wenn die Schneidvorrichtung blockiert wird.**  
Wenn die Blockade beseitigt wird und die Schneidvorrichtung plötzlich anläuft, kann es zu schweren Verletzungen kommen.

○ **Verwenden Sie das Produkt niemals ohne den daran befestigten Schutzschild.**  
Von der Schneidvorrichtung abprallende Gegenstände können Unfälle mit schweren Verletzungen verursachen.

○ **Der Bereich in einem Radius von 15 m rund um dieses Produkt gilt als Gefahrenzone. Beachten Sie bei der Arbeit mit diesem Produkt folgende Sicherheitsregeln:**

- ◆ Lassen Sie keine Personen (insbesondere Kinder) oder Tiere in die Gefahrenzone.
- ◆ Sollte eine Person in die Gefahrenzone gelangen, stellen Sie das Gerät ab, so dass sich die Schneidvorrichtung nicht mehr dreht.
- ◆ Wenn Sie sich dem Bediener nähern möchten, signalisieren Sie ihm Ihre Absicht, indem Sie z. B. Zweige von außerhalb der Gefahrenzone werfen, und warten Sie dann, bis der Motor abgestellt wurde und die Schneidvorrichtung stillsteht.
- ◆ Wenn mehrere Personen mit dem Produkt arbeiten, vereinbaren Sie eine Art der gegenseitigen Kommunikation, und arbeiten Sie mit mindestens 15 m Abstand voneinander.

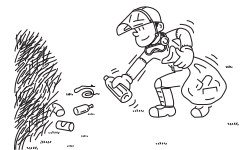
Von der Schneidvorrichtung abprallende Gegenstände und Kontakt mit der Schneidvorrichtung können zu Blindheit oder tödlichen Unfällen führen.



## WARNUNG

○ **Bevor Sie mit der Arbeit beginnen, überprüfen Sie den Bereich, in dem Sie arbeiten möchten, und entfernen Sie kleine Steine und leere Dosen, die durch die Schneidvorrichtung weggeschleudert werden könnten, sowie Schnüre oder Drähte, die sich um die Schneidvorrichtung wickeln könnten.**

Wenn Fremdkörper durch die Schneidvorrichtung weggeschleudert werden oder sich Drähte oder andere Materialien um die Schneidvorrichtung wickeln, kann dies zu Unfällen bzw. schweren Verletzungen führen.



○ **Stellen Sie das Gerät in nachfolgend genannten Situationen sofort ab, und vergewissern Sie sich, dass sich die Schneidvorrichtung nicht mehr dreht. Überprüfen Sie dann die einzelnen Bereiche des Produkts. Ersetzen Sie beschädigte Teile durch neue.**

- ◆ Die Schneidvorrichtung trifft beim Arbeiten auf einen Stein, Baum, Pfosten oder ein anderes Hindernis.
- ◆ Das Produkt beginnt plötzlich, ungewöhnlich zu vibrieren.

Wenn beschädigte Teile weiter verwendet werden, kann dies zu Unfällen bzw. schweren Verletzungen führen.

○ **Halten Sie die Schneidvorrichtung während des Arbeitens nicht nach oben. Die Schneidvorrichtung darf nicht über Kniehöhe angehoben werden.**

Durch Anheben der Schneidvorrichtung über Kniehöhe würden Sie die Rotationsebene näher ans Gesicht bringen, und Gegenstände, die von der Schneidvorrichtung weggeschleudert werden, könnten Unfälle bzw. schwere Verletzungen verursachen.

### Transport des Produkts

○ **Schalten Sie das Gerät zum Transport in den unten beschriebenen Situationen aus, vergewissern Sie sich, dass das Trimmermesser ausgelaufen ist und stillsteht, und bringen Sie die Trimmermesserabdeckung an.**

- ◆ Sie suchen Ihren Arbeitsbereich auf.
- ◆ Sie wechseln im Verlauf der Arbeit den Arbeitsbereich.
- ◆ Sie verlassen Ihren bisherigen Arbeitsbereich.

○ **Zum Transport des Produkts in Kraftfahrzeugen entnehmen Sie den Akku aus dem Gerät, bringen Sie die Messerabdeckung an, und sichern Sie das Produkt so, dass es nicht verrutschen kann.**

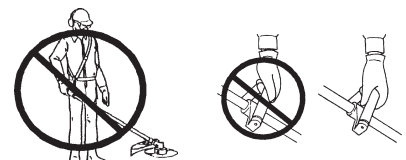
Bei Nichtbeachtung dieser Sicherheitsregeln können Verbrennungen oder andere schwere Verletzungen die Folge sein.

○ **Versuchen Sie nie, das Produkt mit nur einer Hand zu bedienen.**

○ **Halten Sie die Griffe immer so, dass sie von Daumen und übrigen Fingern fest umschlossen sind.**

○ **Halten Sie die Handgriffe und Griffflächen trocken, sauber und frei von Öl und Fett.**

Rutschige Griffe und Griffflächen erschweren die Handhabung des Geräts und erschweren es in unerwarteten Situationen, das Gerät unter Kontrolle zu halten.



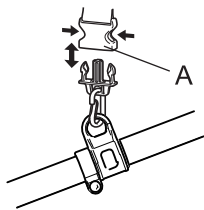
## HINWEIS

- Wenn der erste Einsatz dieses Produkt nach dem Kauf bei niedrigen Temperaturen erfolgt, kann in seltenen Fällen der Betrieb stockend sein. Dieses Phänomen ist kein Produktmangel. Lassen Sie das Gerät in dem Fall Raumtemperatur (normale Temperatur) annehmen, und schalten Sie das Gerät vor dem Einsatz mehrmals ein und aus.

## Verwendung des Schultergurts

### ⚠ WARNUNG

- Es sollten nicht mehrere Körper- und Schultergurte zusammen getragen werden.
- Kleidung oder andere am Körper getragene Gegenstände dürfen nicht beim Ausklinken und Ablegen des Gurts hinderlich sein.  
Andernfalls kann es zu Unfällen bzw. schweren Verletzungen kommen.



Hängen Sie den Trimmer immer ordnungsgemäß am Schultergurt auf.

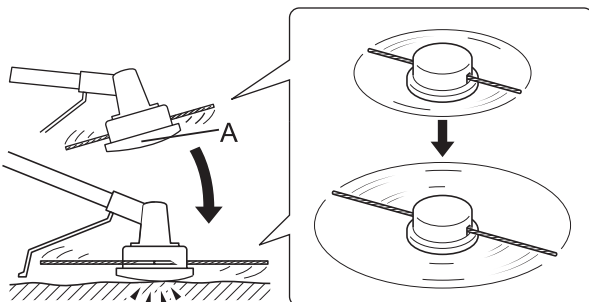
- ◆ Befestigen Sie das Gerät am Schultergurt.
- ◆ Legen Sie den Schultergurt über die linke Schulter, und stellen Sie die Riemen so ein, dass sich die Schnellöseeinrichtung knapp unterhalb der Hüfte befindet.
- ◆ Überprüfen Sie die richtige Einstellung, indem Sie das Gerät über den Boden führen.
- ◆ Stellen Sie die Position der Trageöse ggf. nach.
- ◆ Der Schultergurt ist mit einer Schnellöseeinrichtung für Notfälle ausgestattet. In einer Notsituation die Manschette (A) hochschieben, um die Maschine vom Gurt zu lösen.

## Einfaches Trimmen mit dem Nylonfadenkopf

### ⚠ WARNUNG

- Bei falscher Verwendung der Schneidvorrichtung drohen schwere Verletzungen. Lesen und befolgen Sie alle Sicherheitsanweisungen in dieser Bedienungsanleitung.
- Arbeiten Sie nie mit einer beschädigten Schneidvorrichtung.
- Verwenden Sie nur von der YAMABIKO Corporation empfohlene Schneidvorrichtungen.
- Nylonfäden, die über das Fadenschneidmesser hinausragen, könnten weggeschleudert werden, wenn sich der Fadenkopf nach der Anpassung der Nylonfadenlänge zu drehen beginnt.  
Andernfalls kann es zu Unfällen bzw. schweren Verletzungen kommen.

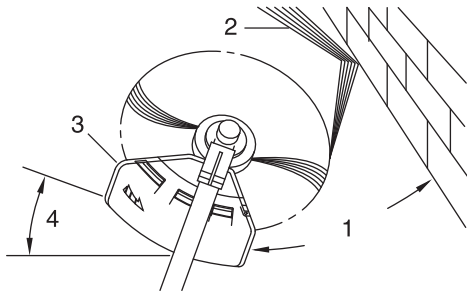
## Einstellen der Nylonfadenlänge



- ◆ Das am Schutzschild montierte Fadenschneidmesser begrenzt die Schnittbreite automatisch, indem es die Nylonfäden auf die gleiche Länge abschneidet, nachdem der Fadenkopf zu rotieren beginnt.
- ◆ Wenn Sie mit einer geringeren Schnittbreite (weniger als max. Länge) arbeiten möchten, schneiden Sie die beiden Nylonfäden in gleicher Länge ab.
- ◆ Um zusätzlichen Faden nachzuführen, tippen Sie den Nylonfaden-Schneidkopf (A) auf den Boden auf, während sich der Kopf mit normaler Betriebsgeschwindigkeit dreht.

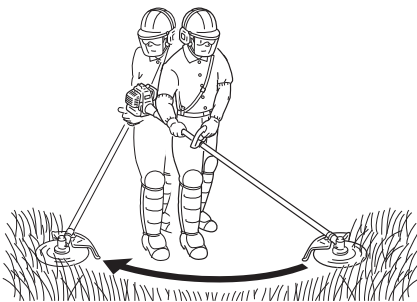
# Trimmen

## Trimmen



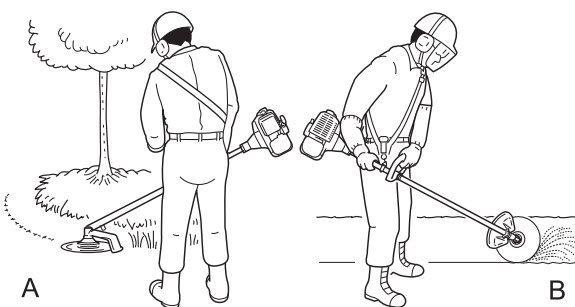
- Hierbei wird der Trimmer vorsichtig an das zu schneidende Material herangeführt. Stellen Sie den Fadenkopf etwas schräg, damit das Schneidgut von Ihnen weggeleitet wird. Arbeiten Sie sich beim Schneiden in Richtung eines Hindernisses (z. B. Zaun, Mauer oder Baum) in einem Winkel vor, bei dem sichergestellt ist, dass vom Hindernis abprallendes Schneidgut von Ihnen weggeleitet wird.
  - Bewegen Sie den Nylonfadenkopf langsam, bis das Gras bis zum Hindernis abgemäht ist, dabei aber der Faden das Hindernis nicht berührt. Wenn Sie Trimmerarbeiten entlang eines Maschendraht- oder Kettengliedzauns durchführen, so achten Sie darauf, dass Sie das Gerät nur bis zum Zaundraht führen. Ansonsten kann der Faden beim Auftreffen auf den Zaundraht reißen.
  - Beim Trimmen können Unkrauthalme nacheinander durchgeschnitten werden. Setzen Sie den Nylonfadenkopf immer am unteren Bereich der Pflanze an, da sich die Pflanze sonst evtl. nur beugt und wieder aufrichtet und sich im Nylonfaden verfangen könnte. Anstatt das Unkraut sofort durchzuschneiden, führen Sie das Ende des Nylonfadens allmählich durch den Unkrauthalm.
1. Winkel zur Wand
  2. Schneidgut
  3. Schräg gestellte Schneidvorrichtung
  4. Winkel zum Boden

## Mähen

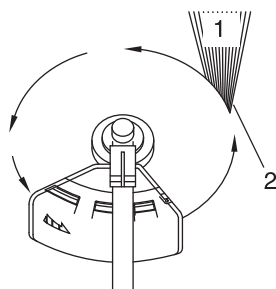


- Hierbei werden große Grasflächen durch Schwingen des Trimmers in einem horizontalen Bogen gemäht. Arbeiten Sie in gleichmäßigen, ruhigen Bewegungen. Versuchen Sie nicht, das Gras durch Hackbewegungen zu schneiden. Kippen Sie den Nylonfadenkopf so, dass das gemähte Gras von Ihnen weg auf die bereits gemähte Fläche geworfen wird. Dann – ohne Gras zu schneiden – das Gerät zurückführen, um den nächsten Bogen auszuführen. Wenn Sie gut geschützt sind und es Ihnen nichts ausmacht, wenn Schneidgut auf Sie zugeschleudert wird, können Sie in beide Richtungen mähen.

## Skalpieren und Kantenschneiden

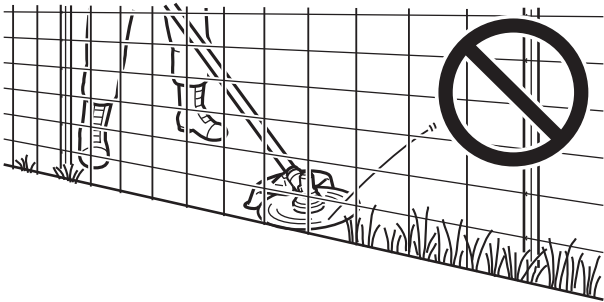


- Beides wird durchgeführt, indem der Nylonfadenkopf steil gekippt wird. Beim Skalpieren (A) wird die Vegetation so weit geschnitten, dass nur der kahle Boden zurückbleibt. Beim Kantenschneiden (B) wird das Gras an Stellen zurückgetrimmt, an denen es über einen Fußgängerweg oder eine Zufahrt gewachsen ist. Sowohl beim Kantenschneiden als auch beim Skalpieren ist das Gerät in einem steilen Winkel so zu halten, dass das Schneidgut sowie sich aus dem Boden lösende Steine und Schmutz nicht auf Sie zugeschleudert werden.
- Wenngleich das Kantenschneiden und Skalpieren hier in einer bestimmten Weise abgebildet sind, muss jeder Bediener für sich selbst gemäß seiner Körpergröße den Winkel herausfinden, in dem er besten arbeiten kann.
- Bei fast allen Schneidarbeiten empfiehlt es sich, den Nylonfadenkopf so schräg zu stellen, dass der Kontakt in dem Teil des Schneidkreises erfolgt, wo der Nylonfaden sich von Ihnen und dem Schutzschild wegbewegt (siehe Abbildung). Dadurch wird das Schneidgut von Ihnen weggeleitet.
- Wenn Sie den Fadenkopf zur falschen Seite neigen, wird das Schneidgut auf Sie zugeschleudert. Wenn der Nylonfadenkopf flach gegen den Boden gehalten wird, so dass der Schneidvorgang über den gesamten Schneidkreis erfolgt, wird das Schneidgut auf Sie zugeschleudert, das Gerät durch den Widerstand verlangsamt, und es wird sehr viel mehr Nylonfaden verbraucht.

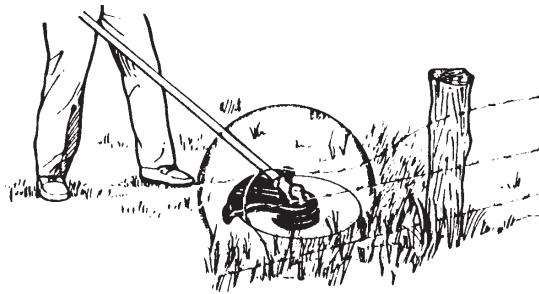




- ♦ Nylonfadenkopf dreht sich gegen den Uhrzeigersinn. Das Fadenschneidmesser befindet sich links am Schutzschild.
1. Schneidgut
  2. Auf dieser Seite schneiden



- ♦ Lassen Sie den Nylonfadenkopf nicht in zähes Unkraut, Bäume oder Zäune eindringen.
- ♦ Wenn der Nylonfaden in Maschendraht, Zäune oder dichtes Gestrüpp eindringt, kann es passieren, dass abgerissene Fadenstücke gegen den Bediener geschleudert werden. Am besten arbeiten Sie sich so weit wie möglich an das jeweilige Hindernis heran, ohne den Nylonfaden in das Hindernis vordringen zu lassen. Schneiden Sie nicht direkt an einem Hindernis.



- ♦ Achten Sie darauf, dass der Nylonfaden nicht mit beschädigtem Zaundraht in Berührung kommt. Durch den Trimmer abgebrochene Drahtstücke können mit hoher Geschwindigkeit durch die Luft geschleudert werden.

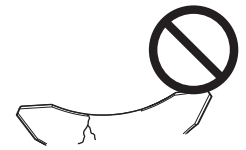
# Trimmen

## Einfaches Trimmen mit Metallmesser

### **WARNUNG**

○ Befolgen Sie beim Trimmen die folgenden Anweisungen:

- ♦ Vergewissern Sie sich, dass die Befestigungsmutter des Messers fest angezogen ist.
- ♦ Wenn der Schutzschild beschädigt oder gerissen ist, ersetzen Sie ihn durch einen neuen.
- ♦ Ersetzen Sie die Befestigungsmutter des Trimmermessers, wenn sie Verschleißspuren aufweist.
- ♦ Lassen Sie das Messer nicht den Erdboden berühren.
- ♦ Arbeiten Sie nicht mit einem stumpfen, verbogenen, gebrochenen oder verfärbten Messer und nicht mit einer verschlissenen oder beschädigten Befestigungsmutter.



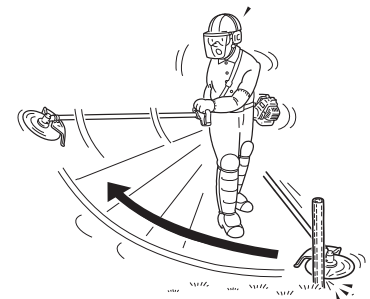
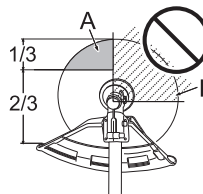
Andernfalls kann es zu Unfällen bzw. schweren Verletzungen kommen.

- Verwenden Sie nur von der YAMABIKO Corporation empfohlene Schneidvorrichtungen. YAMABIKO übernimmt keine Verantwortung für das Versagen von Schneidvorrichtungen, Ersatz- oder Zubehörteilen, die nicht von YAMABIKO geprüft und zugelassen wurden und die für die Verwendung mit diesem Gerät nicht geeignet sind.
- Das Messer muss dem zu schneidenden Material entsprechen. Ein falsches oder stumpfes Messer kann zu Verletzungen führen. Messer müssen scharf sein. Stumpfe Messer erhöhen die Gefahr eines Rückschlags und die Verletzungsgefahr für sich selbst und andere Personen.
- ♦ Plastik-/Nylonmesser für Gras und Unkraut können da eingesetzt werden, wo der Nylonfadenkopf zum Einsatz kommt. Diese Messer nicht für Buschwerk oder dichtes Unkraut verwenden.
  - ♦ Das 3-Zahn-Messer ist speziell zum Schneiden von Unkraut und Gras vorgesehen. Verwenden Sie das 3-Zahn-Messer nicht zum Schneiden von Gestrüpp oder Bäumen, um Verletzungen aufgrund von Rückschlag oder Klingbruch zu vermeiden.
  - ♦ Das 8-Zahn-Messer ist zum Schneiden von Gras, Gartenabfällen und Unkraut vorgesehen. Verwenden Sie dieses Messer nicht für Buschwerk oder starke holzhaltige Vegetation mit einem Durchmesser von 19 mm oder mehr.
  - ♦ Das 22-Zahn-Messer ist für dichtes Strauchwerk und Trieblinge bis zu einem Durchmesser von 64 mm vorgesehen.
  - ♦ Das 80-Zahn-Messer ist für das Schneiden von Gestrüpp und holzhaltiger Vegetation von bis zu 13 mm Durchmesser vorgesehen.

Beschädigte oder gebrochene Messer können Unfälle bzw. schwere Verletzungen verursachen.

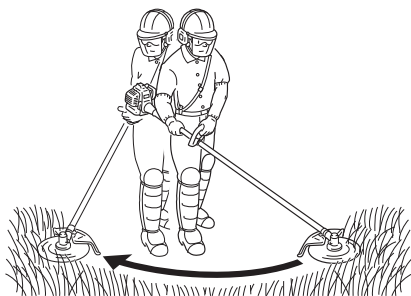
### Rückschlag

- Wenn das Trimmermesser bei hoher Drehzahl auf einen Baum, Pfosten, Stein oder einen anderen Gegenstand trifft, prallt es urplötzlich heftig zurück. Dieses Phänomen wird als Rückschlag bezeichnet.
- Ein solcher Rückschlag kann bewirken, dass der Bediener die Kontrolle über das Produkt verliert, und ist deshalb höchst gefährlich.
- Insbesondere, wenn das vordere rechte Viertel des Trimmermessers (B) auf einen Busch oder ein anderes Objekt trifft, wird das Produkt heftig nach rechts zurückgeschleudert.
- Um solche Rückschläge zu vermeiden, sollten Sie niemals von links nach rechts trimmen. Achten Sie stets darauf, dass das Trimmermesser nicht auf harte Gegenstände trifft.
- Achten Sie beim Trimmen darauf, dass das zu beschneidende Objekt vom vorderen Drittel der linken Seite des Messers erfasst wird (A).



Andernfalls kann es zu Unfällen bzw. tödlichen Verletzungen kommen.

## Unkraut mähen



- ♦ Beim Mähen wird die Schneidvorrichtung in einem horizontalen Bogen geschwungen. Dadurch lassen sich große Bereiche rasch von Gras und Unkraut befreien. Die Sensenmethode eignet sich jedoch nicht zum Mähen von hohem, zähem Unkraut oder holzhaltiger Vegetation.
- ♦ Wenn sich in der Schneidvorrichtung ein Schößling oder eine Staude verfängt, darf die Schneidvorrichtung nicht als Hebel benutzt werden, um die Pflanze zu entfernen, da sie dadurch beschädigt werden würde.
- ♦ Stellen Sie stattdessen das Gerät ab, und entfernen Sie, nachdem das Messer zum Stillstand gekommen ist, den Schößling bzw. die Staude vom Messer.

## ⚠️ WARNUNG

Beachten Sie die folgenden Sicherheitsregeln, wenn Sie das Produkt nach dem Gebrauch überprüfen und warten:

- Schalten Sie das Gerät aus, entfernen Sie den Akku und vergewissern Sie sich, dass alle beweglichen Teile zu einem kompletten Stillstand gekommen sind.

Es besteht Unfallgefahr, wenn das Produkt unerwartet in Bewegung geht.

- Lassen Sie das Gerät abkühlen, bevor Sie Wartungsarbeiten durchführen.

Andernfalls können Sie sich verbrennen.

- Versuchen Sie nicht, schadhafte Akkus instandzusetzen. Die Instandsetzung von Akkus soll nur durch den Hersteller oder hierfür autorisierte Betriebe erfolgen.

## WICHTIG

- Für die Überprüfung und Wartung sind entsprechende Fachkenntnisse erforderlich. Wenn Sie das Produkt nicht selbst überprüfen, warten oder instand setzen können, wenden Sie sich an Ihren Händler. Versuchen Sie nicht, das Produkt zu zerlegen.

## Wartungsrichtlinien

Komponente	Wartung	Seite	Vor der Verwendung	Monatlich
Winkelgetriebe	Schmieren	17		•*
Fadenschneidmesser	Überprüfen / reinigen	-	•	
Schrauben, Bolzen und Muttern	Überprüfen, festziehen / ersetzen	-	•	

\* oder nach 50 Betriebsstunden (jeweils früherer Zeitpunkt gilt).

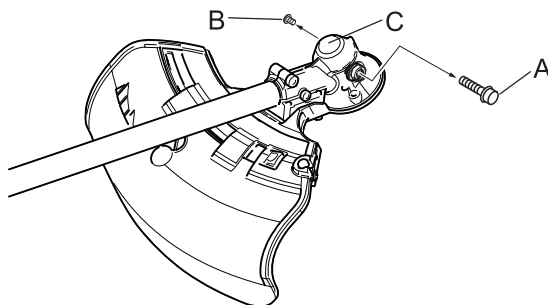
## WICHTIG

- Angegeben sind die maximalen Zeitabstände. Die Häufigkeit der erforderlichen Wartungsarbeiten richtet sich nach der tatsächlichen Beanspruchung und Ihrer Erfahrung.

## Wartung und Pflege

Wenden Sie sich bei Fragen oder Problemen bitte an Ihren Händler.

### Winkelgetriebe



1. Bauen Sie den Stopfen (A) und die Ablassschraube (B) aus dem Winkelgetriebe (C).
2. Füllen Sie das Getriebe mit so viel neuem Schmierfett, bis das alte Schmierfett herausgedrückt wird. Verwenden Sie bei Bedarf eine Niederdruckpumpe.

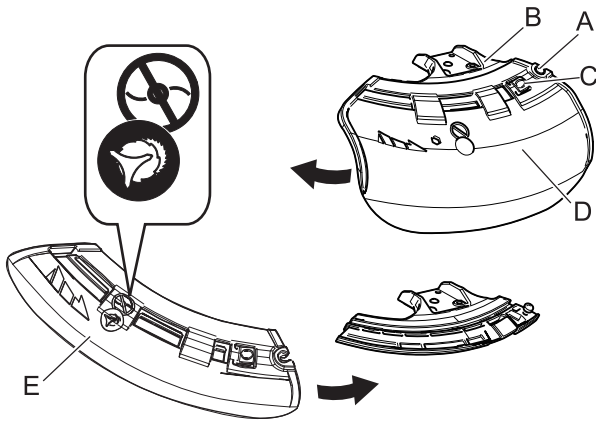
## HINWEIS

- Verwenden Sie ein hochwertiges Lithium-Mehrzweckfett.

3. Bauen Sie die Ablassschraube und den Stopfen wieder ein.

# Wartung und Pflege

## Wechseln des Schutzschildes



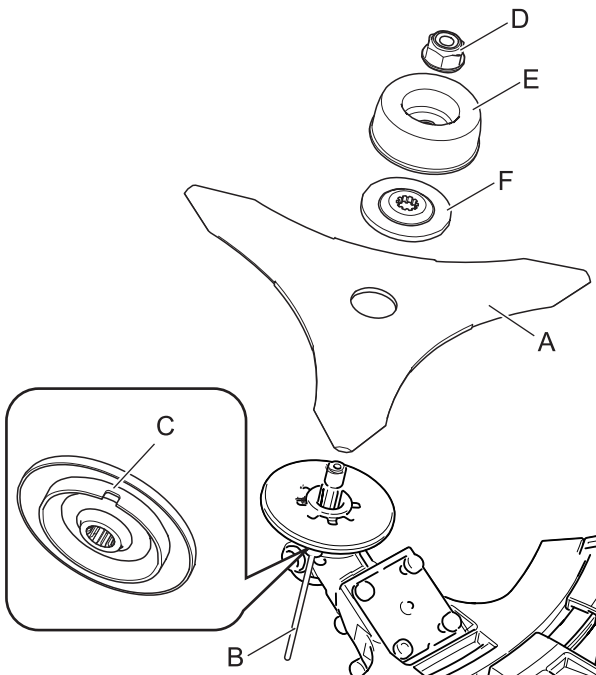
♦ Es gibt zwei unterschiedliche Schutzschilde: der eine Schutzschild wird ausschließlich zur Verwendung des Nylonfadenkopfes, der andere ausschließlich zur Verwendung von Metallmessern angebracht. Wenn Sie mit Metallmessern arbeiten, verwenden Sie den Schutzschild für Metallmesser.

1. Lösen Sie die Schraube (A) auf der rechten Seite der Halterung (B) komplett, um das Schutzschild verschieben zu können. Die Schraube selbst kann nicht von der Halterung entfernt werden.
2. Drücken Sie die Taste (C), schieben Sie das Schutzschild (D) nach links und nehmen es ab.
3. Ein anderes Schutzschild (E) in die Nut einführen und bis zum Anschlag nach rechts schieben. Die Schraube unbedingt festziehen.

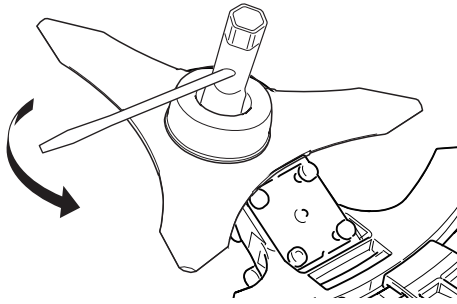
## Montage des Messers (option)

### ⚠ WARNUNG

- Tragen Sie beim Arbeiten mit dem Trimmermesser robuste Handschuhe.
- Wenn während eines Trimmereinsatzes ein Trimmermesser ausgetauscht werden muss, vergewissern Sie sich, dass das Gerät zuvor ausgeschaltet wurde und das Messer zum Stillstand gekommen ist.
- Versuchen Sie nicht, das Trimmermesser mit einer Hand oder ohne Verwendung des Steckschlüssels zu montieren. Befestigen Sie das Trimmermesser ordnungsgemäß mit dem mitgelieferten Steckschlüssel, und ziehen Sie es in der richtigen Position fest.
- Verwenden Sie zum Festziehen der Schneidmesser ausschließlich den vorgeschriebenen Steckschlüssel. Die Verwendung eines Druckluft- oder elektrisch betriebenen Geräts könnte dazu führen, dass das Schneidmesser übermäßig fest angezogen wird und dass die Mutter oder der Werkzeugaufnahmebolzen brechen.
- Bei Verwendung von verschlissenen Muttern und Auflagetellern zur Befestigung des Messers besteht die Gefahr, dass sich das Messer lockert. Ersetzen Sie diese Teile durch neue. Andernfalls kann es zu Verletzungen bzw. schweren Unfällen kommen.



1. Kontrollieren Sie die Messer (A) vor der Montage. Überprüfen Sie die Schärfe. Bei stumpfen Messern erhöht sich das Risiko eines Rückschlags. Kleine Risse können sich zu Brüchen entwickeln, so dass Teile des Messers während des Betriebs weggeschleudert werden. Entsorgen Sie gerissene Messer, egal, wie klein der Riss ist.
2. Stecken Sie das Arretierwerkzeug (B) in das Loch auf der rechten Seite des Winkelgetriebes. Drücken Sie dabei die Rückhaltefeder nach links.
3. Stecken Sie das Arretierwerkzeug in das Arretierungsloch (C) der Fixierplatte, um den Werkzeugaufnahmebolzen zu blockieren.
4. Bauen Sie die Mutter (D), den Auflageteller (E) und die untere Fixierplatte (F) mit dem Steckschlüssel aus.
5. Ziehen Sie das Messer, die untere Fixierplatte, den Auflageteller und die Mutter sicher von Hand fest.



## **⚠ VORSICHT**

○ Verhindern Sie mit Hilfe des Arretierwerkzeugs ein Mitdrehen des Werkzeugaufnahmebolzens, bevor Sie das Messer montieren. Andernfalls kann die Mutter zur Befestigung des Messers nicht ausreichend festgezogen werden.

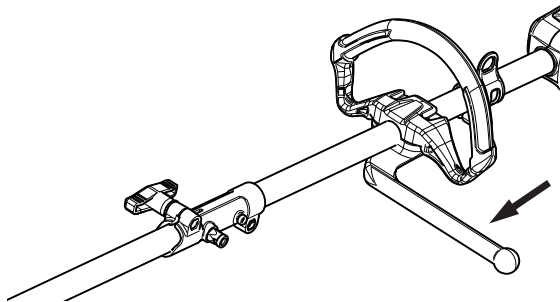
6. Ziehen Sie die Mutter mit einem Steckschlüssel fest (gegen den Uhrzeigersinn). Niemals mit voller Kraft anziehen. Das Gewinde der Mutter könnte beschädigt werden.
7. Entfernen Sie das Arretierwerkzeug.

## Montage der Schutzbügel

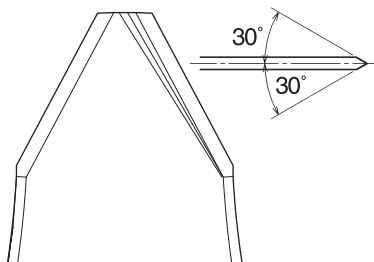
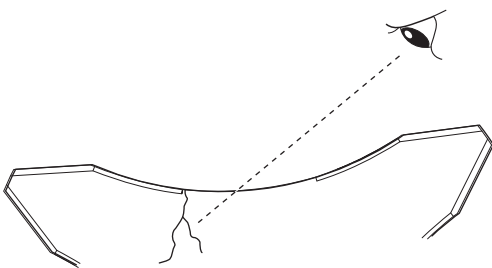
## **⚠ WARNUNG**

○ Der Schutzbügel muss mit der Motorsensen-Vorrichtung verwendet werden.

1. Entfernen Sie den unteren Bügel des Griffs, und bringen Sie den Schutzbügel wie abgebildet an. Bringen Sie den Griff in die gewünschte Position, und sichern Sie ihn wie oben beschrieben.



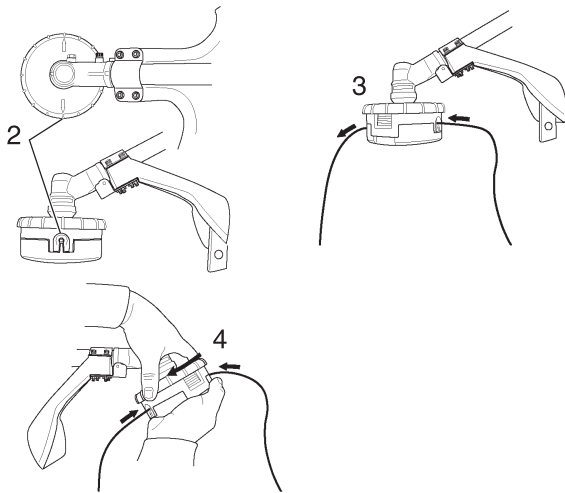
## Überprüfen des Messers



- ♦ Verwenden Sie nur Messer, die vom Hersteller für dieses Modell vorgesehen sind.
- ♦ Wenn das Messer einen Riss aufweist, ersetzen Sie es sofort durch ein neues.
- ♦ Achten Sie darauf, dass das Messer gemäß den Anweisungen montiert wird.
- ♦ Wenn das Messer stumpf wird, drehen Sie es um, und benutzen Sie die scharfe Gegenseite.
- ♦ Bei Zersplitterung oder Verformung gerät das Messer in heftigere Vibration. Ersetzen Sie sie es in diesem Fall sofort.
- ♦ Schärfen Sie das 3-Zahn-Messer mit einer Flachfeile an jeder Schneide gleichmäßig (siehe Abbildung). Andernfalls entsteht eine Unwucht und die Vibrationen werden verstärkt.

# Wartung und Pflege

## Nylonfaden einlegen



1. Schneiden Sie ein Stück Faden auf die empfohlene Länge zu.
  - ♦ 2,4 mm Durchm. - 3,5 m
2. Richten Sie die oben am Drehknopf befindlichen Pfeile mit den Ösenöffnungen aus.
3. Fädeln Sie ein Ende des Nylonfadens durch die Öse und schieben Sie den Faden gleich weit durch den Nylonfadenkopf.
4. Halten Sie den Nylonfadenkopf, während Sie den Drehknopf im Uhrzeigersinn drehen, und wickeln Sie den Faden so weit auf die Spule, bis auf jeder Seite ca. 13 cm Faden freiliegen.



1. Verschleißanzeigen

### WICHTIG

Wenn die unten am Nylonfadenkopf befindlichen Verschleißanzeigen abgenutzt und glatt sind, muss die Abdeckung oder der gesamte Nylonfadenkopf ausgetauscht werden.

## Fehlerbehebung

### WICHTIG

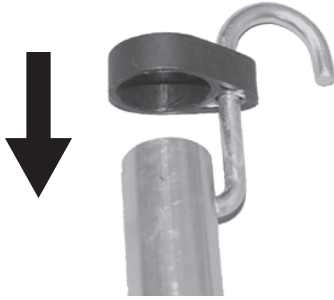
- Verwenden Sie nur Original-Ersatzteile und -Verbrauchsprodukte, die für das Produkt zugelassen sind.  
Die Verwendung von Teilen anderer Hersteller oder nicht zugelassener Produkte kann zu Fehlfunktionen führen.

Problem	Ursache	Abhilfe
Faden ist nicht lang genug	<ol style="list-style-type: none"> <li>1. Es ist nicht genug Faden auf der Spule</li> <li>2. Faden ist in der Spule verfangen</li> </ol>	<ol style="list-style-type: none"> <li>1. Mit neuem Kabel neu aufwickeln</li> <li>2. Faden ab- und wieder aufwickeln</li> </ol>
Faden wird nicht abgeschnitten	<ol style="list-style-type: none"> <li>1. Das Schneidmesser im Schutzschild ist beschädigt oder es fehlt</li> </ol>	<ol style="list-style-type: none"> <li>1. Wenden Sie sich an Ihren Händler.</li> </ol>

- ♦ Bei Problemen oder Störungen, die nicht in der obigen Tabelle genannt werden, wenden Sie sich an Ihren Händler.
- ♦ Informationen zur vorschriftsmäßigen Entsorgung des Produkts oder seiner Einzelteile erhalten Sie bei Ihrem Händler.

## LAGERUNG

### Montage des Lagerungshakens



1. Führen Sie das kleine Ende des Hakens in das Positionierloch an der Anbauwelle.
2. Schieben Sie die Kunststoffkappe auf das Ende der Anbauwelle.

### Hersteller:

**YAMABIKO CORPORATION**

1-7-2 Suehirocho, Ohme, Tokio 198-8760 JAPAN

### Bevollmächtigter Vertreter in Europa:

**CERTIFICATION EXPERTS B.V.**

Amerlandseweg 7, 3621 ZC Breukelen, Niederlande

# Technische Daten

	<b>MTA-DTB</b>
<b>Außenabmessungen:</b> Länge × Breite × Höhe (ohne Schneidvorrichtung)	818 × 310 × 212 mm
<b>Gewicht:</b> Gerät ohne Schneidvorrichtung Gerät mit vorgeschriebener Schneidvorrichtung und Schutzvorrichtung Gerät ohne Schneidvorrichtung und Schutzschild	1,4 kg 1,7 kg 0,9 kg
<b>Schneidvorrichtung:</b> Nylonfaden-Schneidkopf (Schneidbreite) Gewinde Nylonfadenstärke (Durchmesser) Nylonfadenlänge	SF400 (406) Linksgewinde M10×1,25 2,4 mm 3,5 m
<b>Messerantrieb:</b> Untersetzungsverhältnis und Schmierung Drehrichtung des Werkzeugaufnahmebolzens von oben gesehen Maximale Rotationsfrequenz der Spindel	Untersetzung 1,62; hochwertiges Lithium-Schmiermittel Gegen den Uhrzeigersinn 5850 U/min
<b>2006/42/EG</b> <b>Schwingungen</b> (EN50636-2-91) $a_{hv,eq}$  <b>Sound pressure level</b> (EN50636-2-91) $L_{pAeq}$  <b>Schalldruckpegel</b> (EN50636-2-91) $L_{WA}$	Linker Griff Rechter Griff Unsicherheit K  Unsicherheit $K_{pA}$  Unsicherheit $K_{WA}$
	3,8 m/s <sup>2</sup> 2,9 m/s <sup>2</sup> 1,5 m/s <sup>2</sup>  79,6 dB(A) 3.0 dB(A)  92,0 dB(A) 3.0 dB(A)
<b>Garantierter Schalleistungspegel:</b> (2000/14/EC, Anhang VI) $L_{WA}$	96 dB(A)
Gültig für Modell	DPAS-2600

Änderungen der technischen Daten vorbehalten.



# Konformitätserklärung

Der unterzeichnete Hersteller:

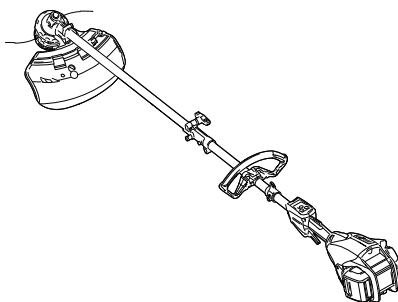
**YAMABIKO CORPORATION**  
1-7-2 Suehirocho Ohme, Tokio 198-8760 JAPAN

Diese Konformitätserklärung wird unter der alleinigen Verantwortung des Herstellers erstellt.

erklärt, dass das nachstehend spezifizierte neue Gerät:

## **PRO ATTACHMENT SERIE (RASENTRIMMER/MOTORSENSE)**

**Marke: ECHO**  
**Typ: DPAS-2600 + MTA-DTB**



Entspricht:

- \* Anforderungen der Richtlinie **2006/42/EG** (Verwendung der harmonisierten Norm **EN ISO 11806-1: 2011, EN 60335-1: 2012 +A11: 2014 und EN 50636-2-91: 2014**)
- \* Anforderungen der Richtlinie **2014/30/EU** (Anwendung der harmonisierten Norm **EN 55014-1: 2017 +A11: 2020, EN 55014-2: 2015**)
- \* Anforderungen der Richtlinie **2000/14/EC** geändert durch **2005/88/EC**

Konformitätsbewertungsverfahren nach **ANHANG VI**

TÜV SÜD Industrie Service GmbH (Benannte Stelle 0036)  
Westendstraße 199, 80686 München Deutschland

Gemessener Schalleistungspegel: 91,2 dB(A), Garantierter Schalleistungspegel: 96 dB(A)

- \* Anforderungen der Richtlinie (Verwendung der harmonisierten Norm **EN IEC63000: 2018**)

Seriennummer U49935001001 bis U49935100000

Tokio, 27. Januar 2022

**YAMABIKO CORPORATION**



**Hisashi Kobayashi**

**Hauptabteilungsleiter**  
**Abteilung Qualitätssicherung**

**Der Dokumentenbevollmächtigte in Europa, welcher autorisiert ist, die technischen Unterlagen zusammenzustellen.**

Unternehmen: CERTIFICATION EXPERTS B.V.  
Adresse: Amerlandseweg 7, 3621 ZC Breukelen, Niederlande

**Herr Richard Glaser**

**YAMABIKO CORPORATION**  
1-7-2 Suehirocho, Ohme, Tokio 198-8760 JAPAN  
TELEFON: 81-428-32-6118. FAX: 81-428-32-6145.



X750823-0501



IT ITALIANO  
(Istruzioni originali)

# **MANUALE PER L'OPERATORE**

## **Accessorio per bordatore/decespugliatore**

### **MTA-DTB**

#### **AVVERTENZA**



**LEGGERE E SEGUIRE ATTENTAMENTE LE ISTRUZIONI PER LAVORARE IN CONDIZIONI DI MASSIMA SICUREZZA. LA MANCATA OSSERVANZA DELLE ISTRUZIONI POTREBBE PROVOCARE LESIONI GRAVI.**



# Contenuto

---

Per un uso sicuro del prodotto .....	3
Descrizione .....	7
Prima di iniziare .....	8
Contenuto della confezione .....	8
Montaggio .....	8
Montaggio della protezione.....	9
Montaggio della testina a filo di nylon.....	9
Regolazione del punto di equilibrio.....	10
Operazioni di taglio .....	11
Uso della cinghia a spalla .....	12
Funzionamento base del taglio con testina a filo di nylon .....	12
Funzionamento base del taglio con disco metallico .....	14
Manutenzione e cura .....	16
Guida alla manutenzione .....	16
Manutenzione e cura .....	16
Rimessaggio .....	20
Caratteristiche tecniche .....	21
Dichiarazione di conformità .....	22

# Per un uso sicuro del prodotto

## Informazioni importanti

### **AVVERTENZA**

**Si raccomanda di leggere il manuale per l'operatore prima di utilizzare questo prodotto.**

#### **Informazioni sul manuale per l'operatore**

- Questo manuale contiene informazioni necessarie per l'assemblaggio, il funzionamento e la manutenzione del prodotto. Si raccomanda di leggerlo attentamente e di assimilarne il contenuto.
- Tenere sempre il manuale in un luogo facilmente accessibile.
- Se il manuale viene smarrito o danneggiato e non può essere consultato, acquistarne uno nuovo presso il proprio rivenditore.
- Le unità di misura utilizzate in questo manuale sono espresse in conformità al sistema internazionale. Le cifre riportate tra parentesi sono valori di riferimento e in alcuni casi ci potrebbero essere lievi errori di conversione.  
La mancata osservanza di queste precauzioni potrebbe causare incidenti o lesioni gravi.

#### **Tipologia di impiego del prodotto**

- Questo prodotto è un attrezzo leggero a elevate prestazioni con motore a benzina, realizzato per tenere sotto la crescita delle erbacce e il taglio dell'erba in aree difficili da controllare con altri mezzi.
- Non usare il prodotto per impieghi differenti da quelli specificati sopra.
- Il contenuto di questo manuale può essere modificato senza preavviso per renderlo conforme a eventuali aggiornamenti del prodotto. Al fine di illustrare con maggiore chiarezza le spiegazioni sul prodotto, alcune illustrazioni potrebbero essere differenti da quelle del prodotto reale.
- Per ulteriori chiarimenti, consultare il proprio rivenditore.  
La mancata osservanza di queste precauzioni potrebbe causare incidenti o lesioni gravi.

#### **Non modificare il prodotto**

- Il prodotto non deve essere modificato.  
La mancata osservanza di queste precauzioni potrebbe causare un incidente o lesioni gravi. Qualsiasi guasto causato da modifiche apportate al prodotto non sarà coperto dalla garanzia del produttore.

#### **Non utilizzare il prodotto senza aver effettuato prima il controllo e la manutenzione**

- Non utilizzare il prodotto senza aver effettuato prima il controllo e la manutenzione. Accertarsi sempre che il controllo e la manutenzione vengano eseguiti a scadenze regolari.  
La mancata osservanza di queste precauzioni potrebbe causare incidenti o lesioni gravi.

#### **Prestito o cessione del prodotto**

- In caso di prestito del prodotto, consegnare alla persona che lo riceve anche il manuale dell'operatore.
- Se si cede o vende il prodotto a terzi, consegnare anche il manuale dell'operatore assieme al prodotto.  
La mancata osservanza di queste precauzioni potrebbe causare incidenti o lesioni gravi.

#### **Utenti del prodotto**

- Il prodotto non deve essere utilizzato da:
  - ◆ persone stanche
  - ◆ persone che hanno assunto bevande alcoliche
  - ◆ persone sotto trattamento farmacologico
  - ◆ persone in stato di gravidanza
  - ◆ persone in condizioni fisiche precarie
  - ◆ persone che non hanno letto il manuale dell'utente
  - ◆ bambini
- Tenere presente che l'operatore o l'utente è responsabile di eventuali rischi o incidenti provocati ad altre persone o alle proprietà altrui.  
La mancata osservanza di queste istruzioni potrebbe provocare incidenti.
- I componenti di questa macchina generano un campo elettromagnetico durante l'uso, e ciò potrebbe interferire con alcuni tipi di pacemaker. Per ridurre i rischi per la salute, consigliamo ai portatori di pacemaker di consultare il proprio medico e il produttore del pacemaker prima di utilizzare questo prodotto.



# Per un uso sicuro del prodotto

## AVVERTENZA

### Vibrazioni e freddo

- Si ritiene che la condizione definita fenomeno di Raynaud, che colpisce le dita di alcune persone, sia causata dall'esposizione alle vibrazioni e al freddo. L'esposizione al freddo e alle vibrazioni può causare formicolio e brucio-re, seguiti da pallore e intorpidimento delle dita. Dato che non si conosce il livello di esposizione minima che causa i disturbi, si consiglia vivamente di osservare le seguenti precauzioni.
  - ◆ Tenere il corpo caldo, soprattutto testa, collo, piedi, caviglie, mani e polsi.
  - ◆ Mantenere una buona circolazione del sangue facendo vigorosi esercizi con le braccia durante frequenti pause di lavoro, ed evitare di fumare.
  - ◆ Limitare il numero di ore di impiego. Cercare di pianificare altri lavori nell'arco della giornata lavorativa, in cui non sia richiesto l'uso del decespugliatore o di altre macchine portatili.
  - ◆ Se si accusano disagi e disturbi e se si riscontrano arrossamenti e gonfiore delle dita seguiti da pallore e perdita di sensibilità, rivolgersi al proprio medico prima di esporsi di nuovo al freddo e alle vibrazioni.

La mancata osservanza di queste istruzioni potrebbe causare danni alla salute.

### Lesioni da sforzi ripetuti

- Si ritiene che l'uso eccessivo dei muscoli e dei tendini di dita, mani, braccia e spalle possa causare dolore, gonfiore, intorpidimento, debolezza e fortissimi dolori nelle zone menzionate. Alcune attività manuali ripetitive possono essere causa di alto rischio per lo sviluppo di lesioni da sforzi ripetitivi. Per ridurre il rischio di lesioni da sforzi ripetitivi:
  - ◆ Evitare di usare il polso piegato, allungato o girato.
  - ◆ Fare pause a intervalli regolari per ridurre al minimo i movimenti ripetuti e far riposare le mani. Ridurre la velocità e la forza con cui il movimento ripetitivo viene eseguito.
  - ◆ Fare esercizi per rafforzare i muscoli delle mani e delle braccia.
  - ◆ Consultare un medico se si avverte formicolio, intorpidimento o dolori nelle dita, nelle mani, nei polsi o nelle braccia. Una tempestiva diagnosi di lesioni da sforzi ripetitivi consente di evitare danni permanenti ai nervi e ai muscoli.

La mancata osservanza di queste istruzioni potrebbe causare danni alla salute.

### Addestramento

- Non permettere a nessuno di azionare l'attrezzo senza idoneo addestramento o attrezzature di protezione adeguate.
- Acquisire dimestichezza con i comandi e il corretto impiego dell'attrezzo.
- Familiarizzare con le procedure di arresto e spegnimento motore dell'attrezzo.
- Imparare a sganciare rapidamente un attrezzo spalleggiato.
- Non permettere a nessuno di utilizzare l'attrezzo senza idoneo addestramento.

La mancata osservanza di queste istruzioni potrebbe causare danni alla salute.

### Indossare indumenti idonei.

- Raccogliere i capelli in modo che non tocchino le spalle.
- Non indossare cravatte, gioielli o vestiti poco aderenti che potrebbero restare impigliati nella macchina.
- Non indossare calzature aperte, non lavorare a piedi nudi o a gambe nude.

La mancata osservanza di queste precauzioni potrebbe causare danni alla vista o all'udito o lesioni gravi.



### Indossare indumenti protettivi

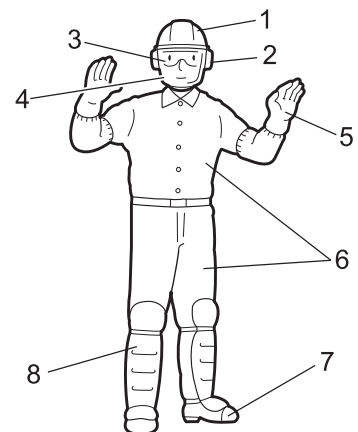
- Indossare sempre i seguenti indumenti protettivi durante il lavoro con il decespugliatore.

1. Casco (elmetto): Protegge la testa
2. Protezioni acustiche o tappi per le orecchie: Proteggono l'udito
3. Occhiali di protezione: Proteggono gli occhi
4. Schermo facciale: Protegge il viso
5. Guanti protettivi: Proteggono le mani dal freddo e dalle vibrazioni
6. Indumenti da lavoro aderenti (maniche lunghe e pantaloni lunghi): Proteggono il corpo
7. Stivali protettivi antiscivolo per lavori pesanti (con protezione delle punte) o scarpe da lavoro antiscivolo (con protezione delle punte): Proteggono i piedi
8. Parastinchi: Proteggono gli stinchi

La mancata osservanza di queste precauzioni potrebbe causare danni alla vista o all'udito o lesioni gravi.

- Se necessario, utilizzare anche i seguenti indumenti protettivi.

- ◆ Respiratore: Protegge l'apparato respiratorio
- ◆ Rete antiapi: Per proteggersi dalle api



# Per un uso sicuro del prodotto

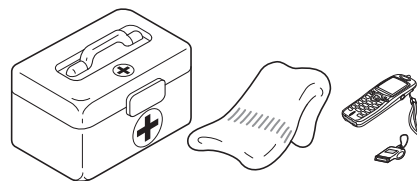
## AVVERTENZA

### Ambiente di utilizzo e funzionamento

- Non utilizzare il prodotto:
  - ◆ In ambienti umidi.
  - ◆ Sotto la pioggia.
  - ◆ In condizioni di cattivo tempo.
  - ◆ In pendii ripidi o in luoghi con punti di appoggio non sicuri e quindi scivolosi.
  - ◆ Di notte o in luoghi bui con scarsa visibilità.
  - ◆ Ove sussistano rischi di fulmini.
- Quando si utilizza il prodotto su un pendio delicato, lavorare seguendo i contorni del terreno.  
Cadute, scivolate o un uso non corretto del prodotto potrebbero causare lesioni gravi.
- Per un uso salutare, sicuro e confortevole, utilizzare la macchina solo a temperature comprese nell'intervallo da -5 °C a 40°C.  
La mancata osservanza di queste istruzioni potrebbe causare danni alla salute.

### Essere pronti in caso di lesioni

- Nell'improbabile evento di incidenti o lesioni, è consigliabile essere preparati.
  - ◆ Cassetta di pronto soccorso
  - ◆ Asciugamani e fazzoletti (per fermare eventuali emorragie)
  - ◆ Fischiotto o telefono cellulare (per chiedere aiuto)
 Se non si è in grado di effettuare un primo soccorso o chiedere aiuto, le lesioni potrebbero peggiorare.



## Messaggi di avviso

### PERICOLO

Questo simbolo accompagnato dalla parola "PERICOLO" richiama l'attenzione su un'azione o una condizione che potrebbe causare infortuni gravi o la morte di utenti o di persone presenti.

### AVVERTENZA

Questo simbolo accompagnato dalla parola "AVVERTENZA" richiama l'attenzione su un'azione o una condizione che potrebbe causare lesioni gravi o la morte di utenti o di persone presenti.

### ATTENZIONE

"ATTENZIONE" indica una situazione potenzialmente pericolosa che, se non evitata, potrebbe causare lesioni minori o moderate.

## Altri indicatori



Il cerchietto barrato sta ad indicare che quanto è illustrato è proibito.





### NOTA

Il messaggio qui riportato fornisce consigli per l'uso, la cura e la manutenzione del prodotto.








### IMPORTANTE

Il testo incorniciato, caratterizzato dalla parola "IMPORTANTE", contiene informazioni importanti riguardo l'uso, il controllo, la manutenzione e il rimessaggio del prodotto descritto in questo manuale.

## Simboli

Forma del simbolo	Descrizione/applicazione del simbolo	Forma del simbolo	Descrizione/applicazione del simbolo
	Leggere attentamente il manuale per l'operatore		Rimuovere il pacco batterie prima di procedere a qualunque operazione di manutenzione e cura.
	Indossare protezioni per occhi, orecchie e testa		Tenere gli astanti a una distanza di 15 m

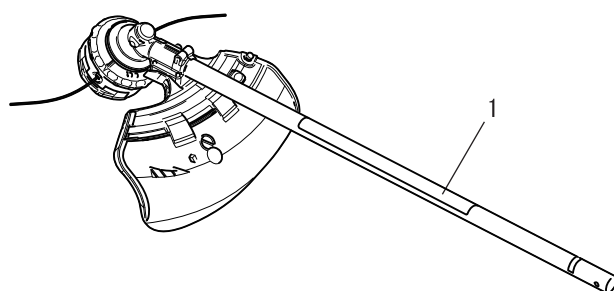
# Per un uso sicuro del prodotto

Forma del simbolo	Descrizione/applicazione del simbolo	Forma del simbolo	Descrizione/applicazione del simbolo
	Attenzione, spinta laterale		Indossare protezioni per i piedi e guanti
	Protezione/allarme		Prestare attenzione nelle aree ad alta temperatura
	Avvertenza! Oggetti scagliati!		L'uso della testina a filo di nylon non è consentito
	Vietato l'uso di dischi metallici		

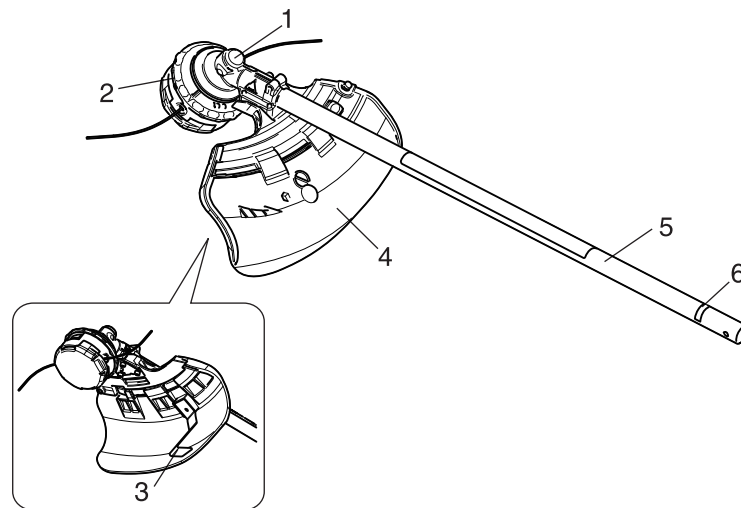
## Decalcomania/e

- La decalcomania riportata sotto è stata applicata sui prodotti descritti in questo manuale. Prima di utilizzare il prodotto accertarsi di aver compreso quanto riportato sulla decalcomania.
- Se la decalcomania diventa illeggibile a causa dell'usura, si strappa o si stacca e si perde, acquistarne una di ricambio presso il rivenditore e fissarla nel punto illustrato nella figura in basso. Accertarsi che la decalcomania sia sempre leggibile.

1. Decalcomania (Codice ricambio X505-011600)





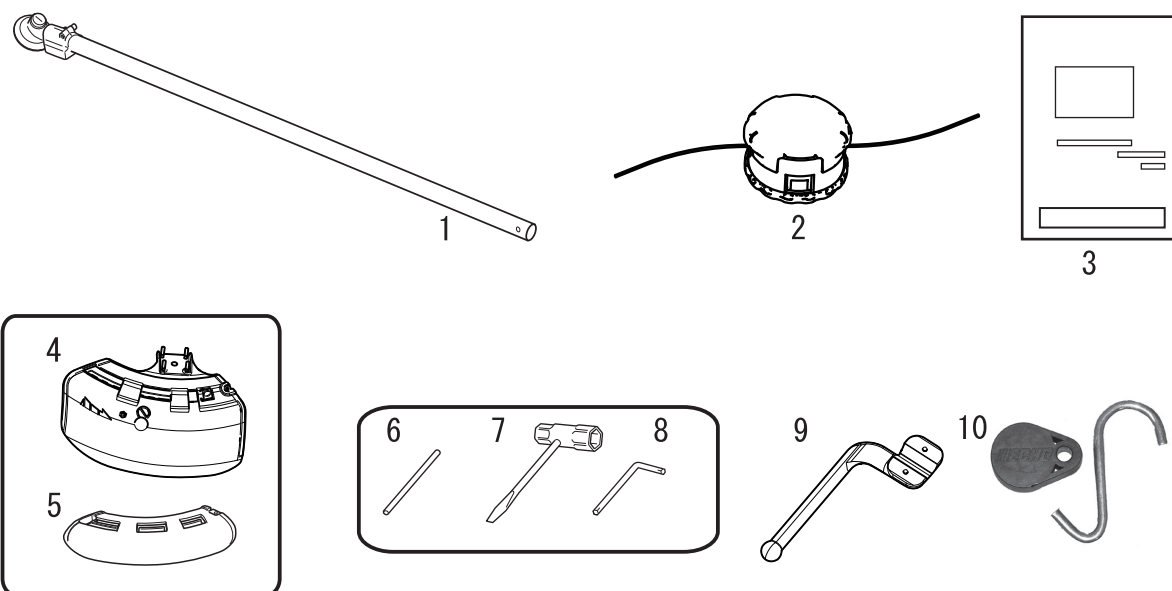


1. **Trasmissione angolare** - Due ingranaggi per cambiare l'angolo dell'asse di rotazione.
2. **Accessorio di taglio** - Testina a filo di nylon per falciare erba e erbacce.
3. **Coltello tagliafilo** - Taglia il filo di nylon per regolarne la lunghezza proporzionalmente.
4. **Protezione** - Protegge l'utente dal contatto accidentale con la testina di taglio e con eventuali oggetti espulsi.
5. **Tubo dell'albero** - Parte dell'attrezzo che funge da tubo di rivestimento dell'albero di trasmissione.
6. **Tipo e numero di serie**

# Prima di iniziare

## Contenuto della confezione

- ♦ Le seguenti parti sono state imballate separatamente nella scatola di imballaggio.
- ♦ Dopo aver aperto la confezione, controllare che siano presenti tutte le parti.
- ♦ In caso di parti mancanti o rotte, contattare il rivenditore.



1. Accessorio per bordatore/decespugliatore
2. Testina a filo di nylon
3. Manuale per l'operatore
4. Protezione (per testina a filo di nylon)
5. Protezione (per disco metallico)

6. Utensile di bloccaggio
7. Chiave a tubo
8. Chiave a L
9. Staffa impugnatura ad anello (barra della barriera)
10. Gancetto porta-accessorio

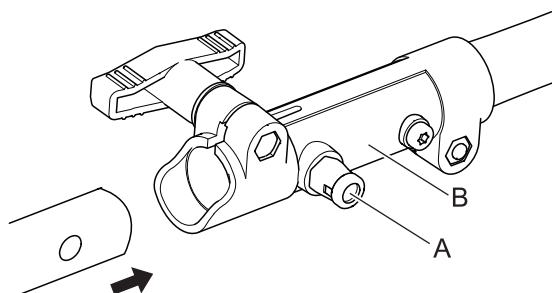
## Montaggio

### AVVERTENZA

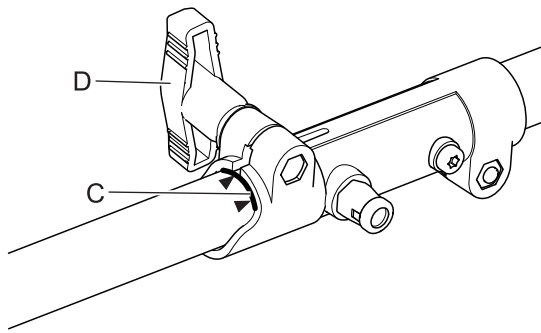
- Leggere attentamente il manuale per l'operatore per essere certi di montare correttamente il prodotto. L'uso di un prodotto non montato correttamente potrebbe causare incidenti o lesioni gravi.



### Montaggio dell'albero dell'accessorio



1. Posizionare il gruppo albero/testa dell'unità su una superficie piana.
2. Tirare il perno di centraggio (A) e ruotarlo di un 1/4 di giro in senso antiorario per bloccarlo in posizione.
3. Rimuovere il tappo in vinile dall'albero dell'accessorio.



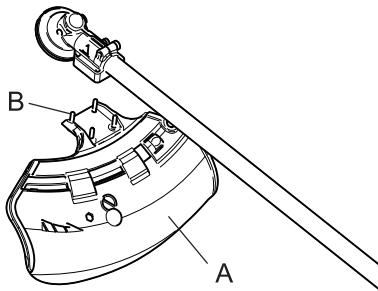
- Innestare con cautela il gruppo albero motore nell'accoppiatore (B) fino alla decalcomania (C), prestando attenzione che l'albero motore inferiore interno si innesti correttamente nell'attacco quadro dell'albero motore superiore.

## NOTA

L'alloggiamento del cuscinetto inferiore e la testa dell'unità devono essere in linea con l'unità.

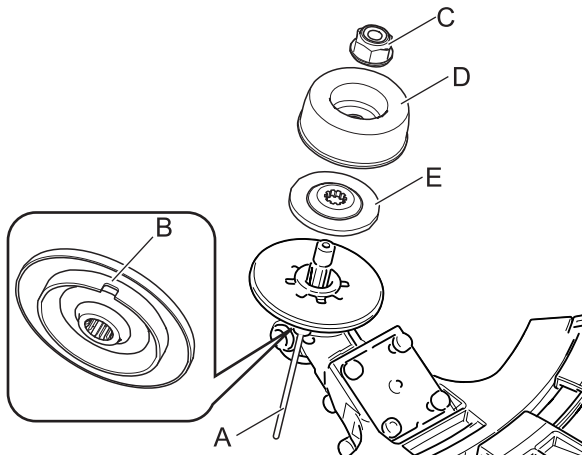
- Ruotare il perno di centraggio (A) di 1/4 di giro in senso orario per innestarlo nel foro dell'albero inferiore. Accertarsi che il perno di centraggio sia innestato correttamente ruotando l'albero motore inferiore. Il perno di centraggio dovrebbe innestarsi nell'accoppiatore apparendo a filo con la superficie di quest'ultimo. Il completo inserimento dovrebbe impedire la rotazione dell'albero.
- Fissare il gruppo albero inferiore all'accoppiatore serrando la manopola di serraggio (D).
- Per lo smontaggio, invertire la sequenza delle istruzioni di montaggio.

## Montaggio della protezione

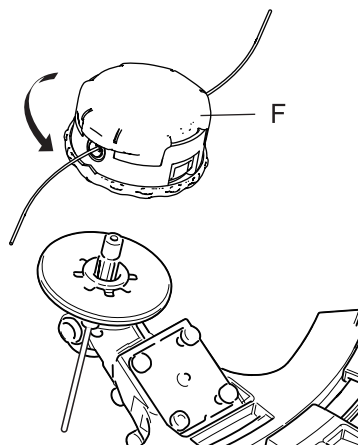


- Montare la protezione (A) alla porzione di supporto della trasmissione angolare e serrare i 4 bulloni (B).

## Montaggio della testina a filo di nylon



- Inserire l'utensile di bloccaggio (A) in un foro situato sul lato destro della trasmissione angolare, forzando al contempo la molla porta disco sul lato sinistro.
  - Inserire l'utensile di bloccaggio nell'asola per il bloccaggio del fermo della lama (B), per fissare l'alberino di uscita.
  - Utilizzando la chiave a tubo, rimuovere il dado (C), il sottocoppa (D) e il fermo della lama inferiore (E).
- \* Dado, sottocoppa e fermo della lama inferiore non sono utilizzati in presenza di testine con filo di nylon.



## ⚠ ATTENZIONE

○ Fissare saldamente l'alberino di uscita con l'utensile di bloccaggio per impedire la rotazione dell'alberino di uscita durante il montaggio della testina a filo di nylon.

- Avvitare la testina a filo di nylon (F) sull'albero (in senso antiorario) fino a quando non è saldamente inserita in sede.
- Smontare l'utensile di bloccaggio.

# Prima di iniziare

## Regolazione del punto di equilibrio Regolazione della cinghia a spalla

### AVVERTENZA

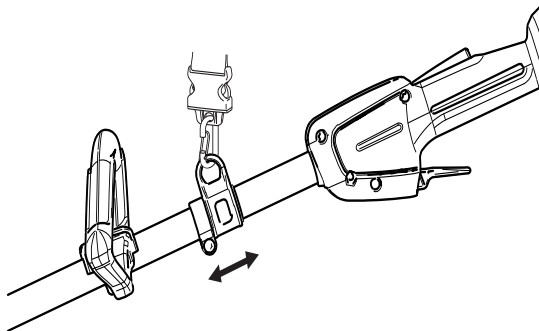
○ Questo prodotto è progettato per adattarsi a vari tipi di corporature, ma non sempre è regolabile per persone molto alte. Non utilizzare l'attrezzo se i piedi raggiungono l'accessorio di taglio quando l'attrezzo è fissato alla cinghia a spalla.

### IMPORTANTE

○ L'altezza della persona può influire sulla regolazione del punto di equilibrio. Inoltre, la procedura di bilanciamento può non essere valida per alcune unità o per alcune persone. Se la cinghia a spalla non si adatta o non può essere ben regolata, richiedere assistenza al proprio rivenditore.



### Equilibrare l'attrezzo per un taglio con rotazione livellata



- ◆ Utilizzare una cinghia a spalla se in dotazione o se consigliata in questo manuale. Regolare sia la cinghia che il punto di sospensione (A) sull'unità in modo che questa rimanga sospesa con l'accessorio di taglio a pochi centimetri da terra (B).
- ◆ L'accessorio di taglio e la protezione devono essere a livello in tutte le direzioni. Agganciare l'unità sul lato destro come mostrato.

- ◆ Far scorrere il punto di sospensione su e giù lungo l'albero per trovare l'equilibrio adeguato. Ruotare il fermo per portare l'accessorio di taglio a livello con la protezione. Bloccare in posizione. Se il punto di sospensione è di tipo a rotazione libera, l'unità può tendere a sbilanciarsi lateralmente; tuttavia, è necessario livellare ugualmente l'accessorio e la protezione sull'asse anteriore-posteriore.
- ◆ In seguito al bilanciamento e al livellamento può essere necessario riposizionare il fermo e regolare le fascette della cinghia. All'occorrenza riequilibrare l'accessorio di taglio e la protezione montati sull'unità.

## PERICOLO

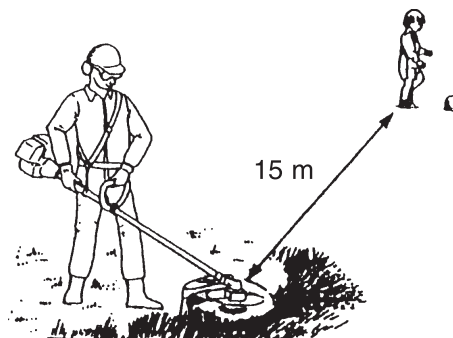
○ **Spegnere sempre l'unità e rimuovere la batteria quando l'accessorio di taglio si inceppa.**  
Se durante la rimozione dell'inceppamento l'accessorio di taglio si avvia improvvisamente può causare gravi lesioni.

○ **Non utilizzare il prodotto senza protezione.**  
Qualsiasi oggetto che rimbalza dall'accessorio di taglio può provocare un incidente o lesioni gravi.

○ **L'area nel raggio di 15 m dal prodotto deve essere considerata zona pericolosa. Osservare le seguenti precauzioni mentre si sta lavorando con il prodotto.**

- ◆ **Non permettere a bambini, altre persone o animali di entrare nella zona pericolosa.**
- ◆ **Se altre persone entrano nella zona pericolosa, spegnere l'unità per fermare la rotazione dell'accessorio di taglio.**
- ◆ **Prima di avvicinarsi all'utente, fargli prima un segnale, per esempio, gettando dei ramoscelli dall'esterno della zona pericolosa, quindi controllare che l'unità sia spenta e che l'accessorio di taglio sia fermo.**
- ◆ **Se più persone devono lavorare con il prodotto, trovare un modo per comunicare con il collega da una distanza di 15 m.**

Qualsiasi oggetto che rimbalza dall'accessorio di taglio e qualsiasi contatto con l'accessorio di taglio può causare cecità o morte.



## AVVERTENZA

○ **Prima di iniziare a lavorare controllare l'area e rimuovere le pietre piccole e i recipienti vuoti che potrebbe rimbalzare dall'accessorio di taglio, e pezzi di lacci o fili che si potrebbero attorcigliare attorno ad esso.**

Corpi estranei rimbalzati dall'accessorio di taglio o fili e altri materiali attorcigliati attorno al prodotto potrebbero causare un incidente o lesioni gravi.



○ **Nelle seguenti situazioni spegnere l'unità immediatamente e assicurarsi che l'accessorio di taglio sia fermo prima di controllare qualsiasi parte del prodotto. Sostituire le parti danneggiate.**

- ◆ **Se l'accessorio di taglio urta contro una roccia, un albero, un palo o qualsiasi altra ostruzione mentre si sta lavorando.**
- ◆ **Se il prodotto comincia improvvisamente a vibrare in maniera anomala.**

Continuare a utilizzare parti danneggiate potrebbe provocare un incidente o lesioni gravi.

○ **Non sollevare l'accessorio di taglio durante il lavoro. Non lavorare con l'accessorio di taglio sollevato oltre il livello del ginocchio.**

Sollevando l'accessorio di taglio sopra il livello del ginocchio, il piano di rotazione si avvicinerebbe al viso ed eventuali oggetti potrebbero volare dall'accessorio di taglio causando un incidente o lesioni gravi.

### Trasporto del prodotto

○ **Durante il trasporto nelle situazioni descritte di seguito, spegnere l'unità e assicurarsi che la lama bordatore sia ferma, quindi installare il relativo coprilama.**

- ◆ **Spostandosi verso il luogo in cui si sta lavorando.**
- ◆ **Spostandosi in un altro luogo mentre si sta lavorando.**
- ◆ **Lasciando il luogo in cui è stato eseguito il lavoro.**

○ **Durante il trasporto in automobile, rimuovere il pacco batteria dall'unità, installare il coprilama e fissare saldamente il prodotto per evitare che si muova durante il viaggio.**

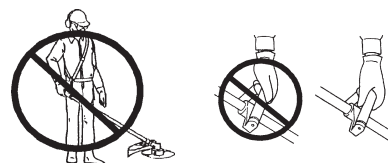
La mancata osservanza di queste precauzioni potrebbe causare scottature o lesioni gravi.

○ **Non tentare mai di utilizzare il prodotto con una mano sola.**

○ **Le dita e il pollice di ogni mano devono afferrare saldamente le impugnature.**

○ **Le impugnature e le superfici di presa devono essere sempre asciutte pulite e prive di olio e grasso.**

Impugnature e superfici di presa scivolose non consentono la gestione e il controllo dell'unità in situazioni impreviste.



# Operazioni di taglio

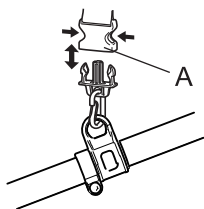
## NOTA

- Se, dopo l'acquisto, l'attrezzo viene utilizzato per la prima volta in ambienti con basse temperature, in talune occasioni potrebbe non funzionare in maniera fluida e omogenea. Questo fenomeno non indica alcun guasto o malfunzionamento dell'attrezzo. In tal caso, sarà sufficiente attendere che l'attrezzo raggiunga la temperatura ambientale (temperatura normale) e quindi accenderlo e spegnerlo ripetutamente prima dell'uso.

## Uso della cinghia a spalla

### ⚠ AVVERTENZA

- **Non indossare contemporaneamente imbracature a cinghia multiple o imbracature a spalla multiple.**
- **Quando si indossa un'imbracatura, gli altri indumenti non devono interferire con il rilascio e la rimozione dell'imbracatura.**  
La mancata osservanza di queste precauzioni potrebbe causare incidenti o lesioni gravi.



Montare sempre il decespugliatore correttamente utilizzando la cinghia a spalla.

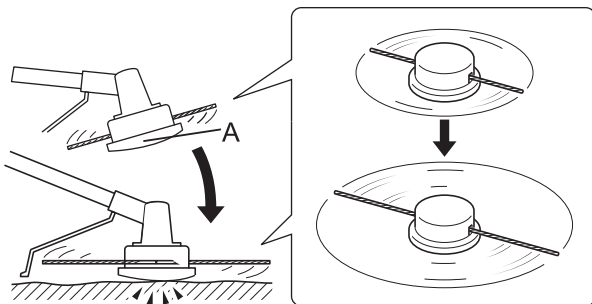
- ◆ Agganciare il prodotto alla cinghia a spalla.
- ◆ Collocare la cinghia sulla spalla sinistra e regolare le fascette in modo che la spina a sgancio rapido rimanga immediatamente sotto la vita.
- ◆ Verificare la corretta regolazione muovendo l'accessorio di taglio sul terreno.
- ◆ Se necessario, regolare nuovamente la posizione del punto di sospensione.
- ◆ La cinghia a spalla è dotata di una funzione di rilascio di emergenza. In caso di emergenza, tirare il collare verso l'alto (A) per sganciare la macchina dalla cinghia.

## Funzionamento base del taglio con testina a filo di nylon

### ⚠ AVVERTENZA

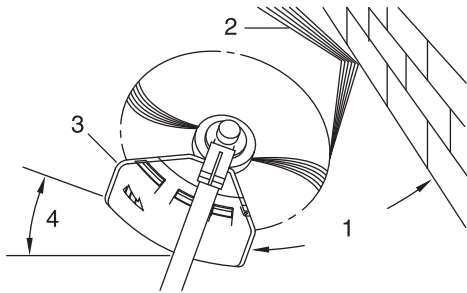
- **L'uso improprio dell'accessorio di taglio può causare lesioni gravi. Leggere e osservare le istruzioni per la sicurezza riportate in questo manuale.**
- **Non utilizzare con una lama danneggiata.**
- **Utilizzare solo accessori di taglio raccomandati da YAMABIKO Corporation.**
- **In seguito alla regolazione della lunghezza del filo, il filo di nylon superfluo che si estende oltre il coltello tagliafilo potrebbe volare via quando l'accessorio di taglio che lo contiene inizia a girare.**  
La mancata osservanza di queste precauzioni potrebbe causare incidenti o lesioni gravi.

## Regolazione del filo di nylon



- ◆ Il coltello tagliafilo sulla protezione regola automaticamente i fili tagliandoli in modo uniforme quando l'accessorio inizia a ruotare.
- ◆ Quando si lavora con una lunghezza di taglio inferiore alla massima, tagliare i due fili di nylon alla stessa lunghezza.
- ◆ Per far avanzare il filo del tosaerba, picchiettare la testa di taglio del filo di nylon (A) contro il terreno mentre la testa ruota alla normale velocità di funzionamento.

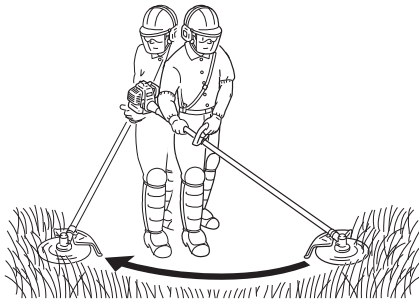
## Taglio



- ♦ Consiste nell'inserimento attento del decespugliatore nel materiale da tagliare. Inclinare leggermente la testa per indirizzare i detriti lontano dal corpo. Se il taglio viene eseguito fino a una barriera, quale una recinzione, un muro o un albero, avvicinarsi da un'angolazione tale per cui i detriti che rimbalzano dall'ostacolo non vengano contro l'utente.
- ♦ Muovere la testina a filo di nylon lentamente finché l'erba non è stata tagliata fino alla barriera, ma non insistere troppo con il filo. Se si esegue il taglio lungo una rete, prestare attenzione a non avvicinarsi troppo. Se il filo è troppo lungo va ad avvolgersi e ad impigliarsi con la rete.
- ♦ Il taglio serve anche per tagliare un gambo di erbacce alla volta. Mettere la testina a filo di nylon accanto alla base del fascio, mai in alto, dove l'erbaccia potrebbe vibrare ed impigliarsi nel filo. Anziché tagliare completamente le erbacce, tagliare lentamente il gambo con la punta del filo.

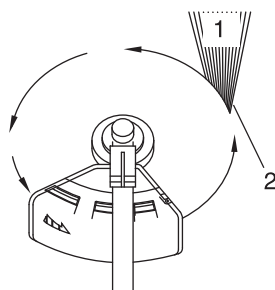
1. Angolo con il muro
2. Detriti
3. Lato lama alzato
4. Angolo con il suolo

## Falciatura



- ♦ Si tratta del taglio di aree erbose piuttosto estese, eseguito descrivendo un arco con il decespugliatore con un movimento lento e uniforme, senza cercare di appiattire o tranciare l'erba. Inclinare leggermente la testina a filo di nylon per indirizzare i detriti lontano dal corpo nella corsa di falciatura. Quindi tornare indietro senza tagliare l'erba e iniziare un'altra corsa. Se si è ben protetti e quindi non ci si deve preoccupare dei detriti ricevuti addosso, è possibile falciare in entrambe le direzioni.

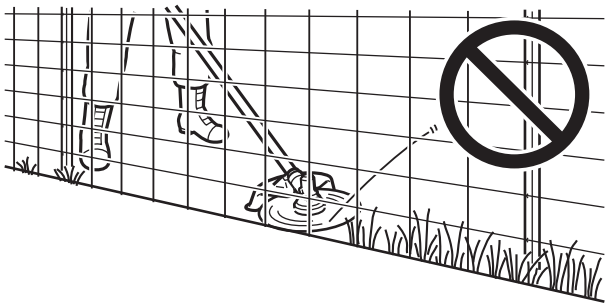
## Rasatura al suolo e rifilatura



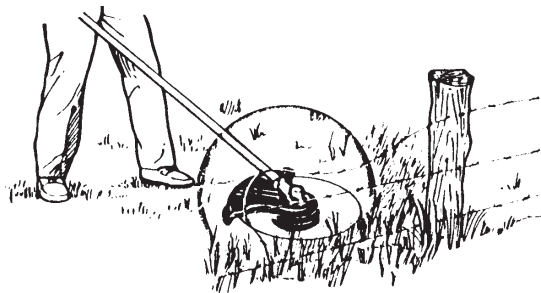
- ♦ Entrambe vengono eseguite con la testina a filo di nylon ad angolo acuto. La rasatura al suolo (A) consente di eliminare la crescita, lasciando solo la base di terra. La rifilatura (B) consiste nell'eliminare la crescita dell'erba da un'area pavimentata o da un vialetto. Durante entrambe le operazioni, tenere l'unità a un angolo acuto in una posizione per cui i detriti ed eventuali rifiuti o pietre scalzati non tornino verso l'utente anche rimbalzando contro la superficie dura.
- ♦ Sebbene le illustrazioni mostrino come radere al suolo e rifinire, ciascun utente deve individuare autonomamente l'inclinazione più adatta al suo corpo e al taglio desiderato.
- ♦ Per quasi ogni tipo di taglio è buona pratica inclinare la testina a filo di nylon in modo che il contatto avvenga sulla sezione del cerchio tracciato dal filo quando si sposta lontano dall'utente e dalla protezione (vedere la figura corrispondente). In questo modo, i detriti vengono scagliati lontano dall'utente.
- ♦ Inclinando la testina in direzione errata, l'utente fa volare i detriti verso il proprio corpo. Se la testina a filo di nylon viene tenuta piatta rispetto al suolo in modo che il taglio abbia luogo su tutto il cerchio tracciato, i detriti saranno scagliati verso l'utente, la resistenza farà rallentare l'unità con un elevato consumo di filo.
- ♦ La testina a filo di nylon ruota in senso antiorario. Il coltello si trova sul lato sinistro della protezione.

1. Detriti
2. Tagliare da questo lato

# Operazioni di taglio



- ♦ Non spingere il filo tra erbacce robuste, alberi o reti metalliche.
- ♦ Quando si spinge il filo in reti zincate leggere o recinzioni in tessuto metallico o fitta vegetazione, l'utente rischia di venire colpito dalle estremità spezzate del filo. Il metodo corretto consiste nel tagliare fino a un ostacolo come quelli già accennati, senza mai permettere che il filo entri o penetri nell'ostacolo. Non tagliare vicino a ostacoli o barriere.



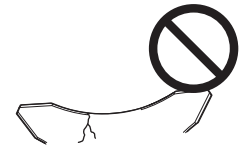
- ♦ Evitare che il filo di nylon venga a contatto con la rete metallica. I pezzi di rete spezzata dal decespugliatore possono essere scagliati ad alta velocità.

## Funzionamento base del taglio con disco metallico

### ⚠ AVVERTENZA

#### ○ Durante il taglio, attenersi alle seguenti istruzioni.

- ♦ Verificare che la lama bordatore sia serrata saldamente in posizione.
- ♦ Sostituire la protezione in caso di danni o incrinature.
- ♦ Sostituire il dado delle lame del bordatore se usurato.
- ♦ Non inserire la lama nel suolo.
- ♦ Non lavorare con una lama non affilata, piegata, fratturata o scolorita e un dado usurato o danneggiato.



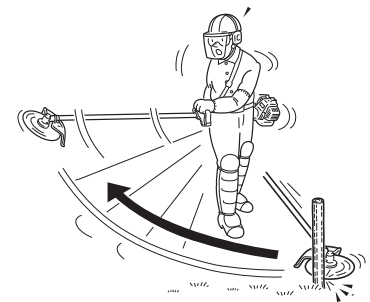
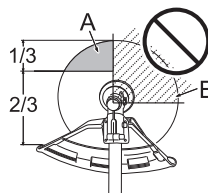
La mancata osservanza di queste precauzioni potrebbe causare un incidente o lesioni gravi.

- Utilizzare solo accessori di taglio raccomandati da YAMABIKO Corporation. YAMABIKO CORPORATION declina qualsiasi responsabilità per guasti a dispositivi di taglio Accessorio, o ad accessori non collaudati e non approvati da YAMABIKO per l'uso con questa unità.
- Il tipo di lama utilizzato deve essere adeguato per il tipo e dimensione del materiale da tagliare. Una lama inadatta o poco affilata può causare gravi lesioni personali. Le lame devono essere affilate. Le lame scarsamente affilate comportano un maggiore rischio di contraccolpi e infortuni dell'operatore e di eventuali persone presenti.
  - ♦ È possibile usare lame per erba/erbacce di plastica/nylon laddove venga utilizzata la testina a filo di nylon. Non adoperare questa lama per cespugli o erbacce di grandi dimensioni.
  - ♦ Il disco a tre lame è stato realizzato appositamente per falciare erbacce ed erba. Per evitare lesioni causate da contraccolpo o dalla rottura del disco non utilizzare il disco a tre lame per segare cespugli o alberi.
  - ♦ La lama dentata per l'erba/erbacce è progettata per falciare erba, detriti da giardino ed erbacce di grandi dimensioni. Non usare questa lama per il taglio di cespugli o grossi arbusti legnosi, dal diametro di 19 mm o superiore.
  - ♦ La lama a 22 denti è progettata per segare sterpaglia e alberelli, fino a un diametro di 64 mm.
  - ♦ La lama a 80 denti è progettata per tagliare cespugli e arbusti legnosi fino a un diametro di 13 mm.

L'utilizzo di lame danneggiate o rovinata può causare incidenti e lesioni gravi.

#### Contraccolpo

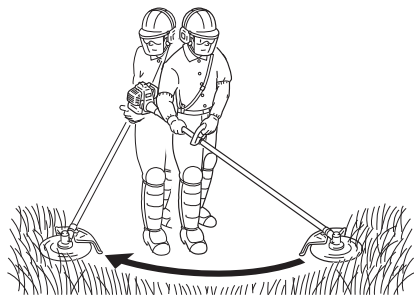
- Il fenomeno che si verifica se l'accessorio di taglio entra in contatto con un albero, un palo, una roccia o altri oggetti duri mentre sta girando ad alta velocità e reagisce indietreggiando fortemente e all'improvviso, è noto come contraccolpo.
- Il contraccolpo è estremamente pericoloso perché può provocare la perdita di controllo del prodotto.
- In particolare, se il quadrante anteriore destro della lama del bordatore (B) colpisce un arbusto o un altro oggetto simile, causa un brusco ritorno all'indietro verso destra.
- Per prevenire i contraccolpi, non tagliare da sinistra verso destra. Evitare di colpire oggetti duri con la lama bordatore.
- Tagliare l'oggetto impegnando solo 1/3 della superficie complessiva della lama, calcolato dal bordo anteriore sinistro (A).



La mancata osservanza di queste istruzioni potrebbe provocare lesioni o la morte.



## Falciatura dell'erba



- ♦ Viene eseguita facendo oscillare l'accessorio di taglio in guisa di arco sul piano orizzontale. Consente di ripulire in tempi brevi erba ed erbacce. La falciatura non è indicata per tagliare erbacce resistenti o di grosso diametro oppure vegetazione legnosa.
- ♦ Se un ramoscello o un arbusto si avvolge intorno all'accessorio di taglio, non utilizzare quest'ultimo come leva per eliminare l'inceppamento, poiché in questo modo si provoca la rottura dell'accessorio.
- ♦ Arrestare invece l'unità e spingere il ramoscello o l'arbusto per liberare le lame.

# Manutenzione e cura

## **⚠ AVVERTENZA**

Osservare le seguenti precauzioni durante il controllo e la manutenzione del prodotto dopo l'uso:

○ Spegner l'unità, rimuovere la batteria e assicurarsi che tutte le parti in movimento si siano completamente arrestate.

Un avvio imprevisto del prodotto potrebbe causare un incidente.

○ Prima di eseguire le operazioni di manutenzione, far raffreddare l'unità.

L'esecuzione di interventi a motore caldo può causare ustioni.

○ Mai effettuare la manutenzione di pacchi batteria danneggiati. La manutenzione dei pacchi batteria deve essere effettuata esclusivamente dal produttore o da addetti all'assistenza autorizzati.

## **IMPORTANTE**

○ Il controllo e la manutenzione richiedono competenze specializzate. In caso di problemi o difficoltà durante il controllo o la manutenzione del prodotto o la riparazione in caso di guasto, consultare il proprio rivenditore. Non tentare di smontare il prodotto.

## **Guida alla manutenzione**

Parte	Manutenzione	Pagina	Prima dell'uso	Mensilmente
Trasmissione angolare	Aggiungere del grasso	16		•*
Coltello tagliafilo	Ispezionare/pulire	-	•	
Viti, bulloni e dadi	Ispezionare, serrare / sostituire	-	•	

\* o 50 ore, scegliendo l'intervallo inferiore.

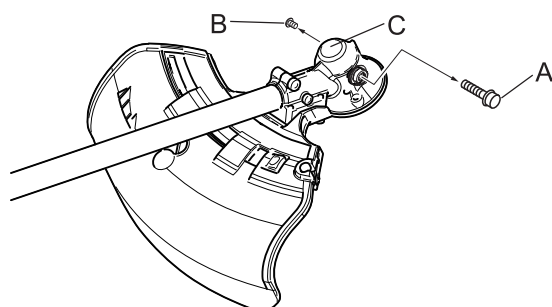
## **IMPORTANTE**

○ Gli intervalli di tempo indicati sono quelli massimi. L'uso effettivo e l'esperienza dell'utente determineranno la frequenza degli interventi di manutenzione.

## **Manutenzione e cura**

In caso di dubbi o problemi, contattare il rivenditore.

### **Trasmissione angolare**



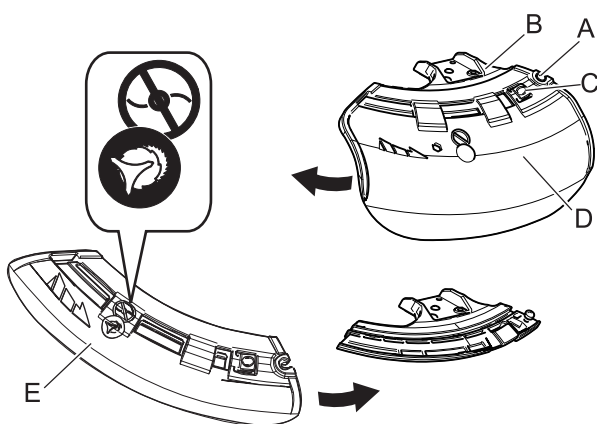
1. Rimuovere il tappo (A) e la vite di scarico (B) dalla trasmissione angolare (C).
2. Aggiungere del grasso nella trasmissione fino a quando quello esausto non inizia ed essere espulso. Se necessario, utilizzare una pompa a bassa pressione.

### **NOTA**

○ Usare grasso multiuso al litro di buona qualità.

3. Applicare nuovamente la vite di scarico e il tappo.

## Procedura di sostituzione della protezione



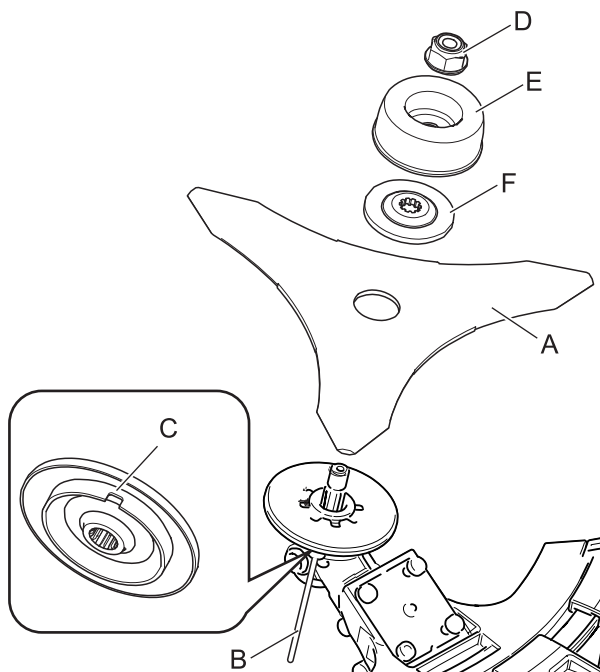
- ♦ Esistono due tipi di protezioni: nella fattispecie, una viene utilizzata esclusivamente per la testina a filo di nylon e l'altra esclusivamente per il disco metallico. Quando si utilizza il disco metallico, servirsi della protezione corrispondente.
1. Allentare completamente il bullone (A) sul lato destro del supporto (B) per far scorrere la protezione. Il bullone stesso non può essere rimosso dal supporto.
  2. Spingendo il pulsante (C), far scorrere la protezione (D) verso sinistra e toglierla.
  3. Collocare la protezione dell'altro tipo (E) nella scanalatura e farla scorrere verso destra fino all'arresto. Non dimenticare di serrare il bullone.

## Montaggio della lama (opzione)

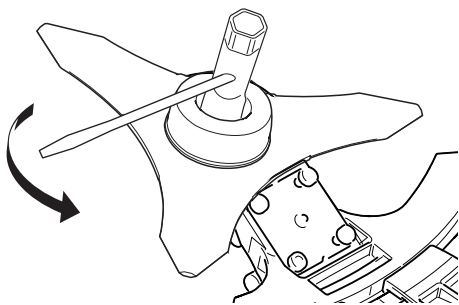
### **⚠ AVVERTENZA**

- Indossare guanti protettivi durante l'uso della lama bordatore.
- Quando si sostituisce la lama bordatore durante un'operazione di taglio, accertarsi che l'unità sia spenta e che le lame si siano arrestate.
- Non tentare di montare la lama bordatore con una mano o senza utilizzare la chiave a tubo. Montare accuratamente la lama bordatore utilizzando la chiave a tubo in dotazione e serrare saldamente in posizione.
- Per serrare la lama, non utilizzare altri strumenti se non la chiave a tubo in dotazione; attrezzi elettrici o pneumatici possono serrare eccessivamente la lama e causare la rottura del dado o dell'alberino di uscita.
- Se si utilizza un dado e una sottocoppa usurati per la lama, questa potrebbe allentarsi. Sostituirli con componenti nuovi.

La mancata osservanza di queste precauzioni potrebbe causare lesioni o incidenti gravi.



1. Ispezionare le lame (A) prima del montaggio. Verificare che siano affilate. Un'affilatura scadente aumenta il rischio di reazioni da contraccolpo della lama. Le piccole incrinature possono trasformarsi in rotture, che fanno saltare via una parte della lama durante il funzionamento. Scartare i dischi incrinati a prescindere dalle dimensioni dell'incrinatura.
2. Inserire l'utensile di bloccaggio (B) in un foro situato sul lato destro della trasmissione angolare, forzando al contempo la molla porta disco sul lato sinistro.
3. Inserire l'utensile di bloccaggio nell'asola per il bloccaggio del fermo della lama (C) per fissare l'alberino di uscita.
4. Utilizzando la chiave a tubo, rimuovere il dado (D), il sottocoppa (E) e il fermo della lama inferiore (F).
5. Serrare saldamente la lama, il fermo inferiore della lama, il sottocoppa, e il dado manualmente.



## **⚠ ATTENZIONE**

○ Fissare saldamente l'alberino di uscita con l'utensile di bloccaggio per impedire la rotazione dell'alberino di uscita durante il montaggio della lama. Altrimenti, il dado di fissaggio della lama non verrà serrato sufficientemente.

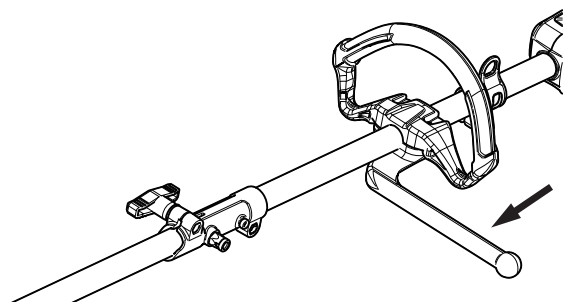
6. Serrare il dado, ruotando in senso antiorario, servendosi di una chiave a tubo. Non serrare mai applicando il proprio peso, per evitare di danneggiare la filettatura del dado.
7. Smontare l'utensile di bloccaggio.

### Montaggio della barra della barriera

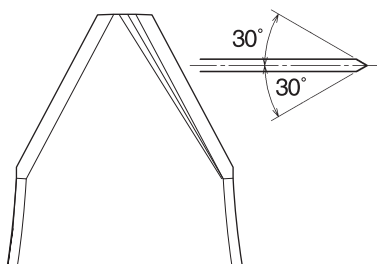
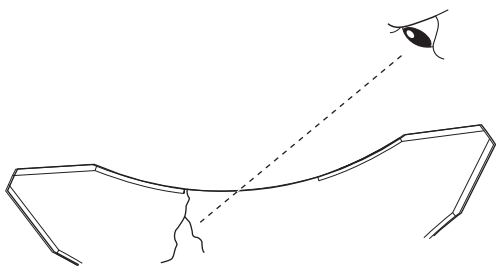
## **⚠ AVVERTENZA**

○ Quando si utilizza l'accessorio del decespugliatore è necessario installare la relativa barriera.

1. Svitare la staffa inferiore dell'impugnatura e sostituirla con la barra della barriera, come mostrato qui di seguito. Regolare l'impugnatura e fissarla seguendo le istruzioni seguenti.



### Verifica della lama

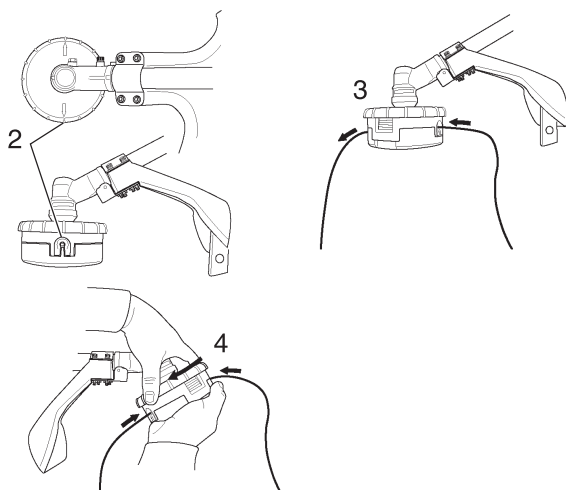


- ◆ Utilizzare solo lame raccomandate per questo modello dal fabbricante.
- ◆ Non usare lame incrinate, ma sostituirle con lame nuove.
- ◆ Verificare che la lama sia correttamente montata in conformità alle istruzioni.

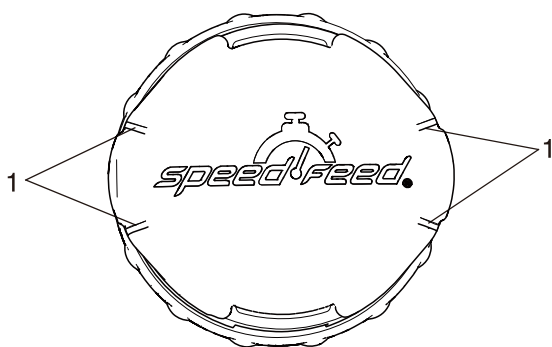
- ◆ Quando la lama perde l'affilatura a causa dell'usura, girarla per poterla usare ancora.
- ◆ Quando la lama è danneggiata o piegata le vibrazioni aumentano. Sostituirla con una nuova.
- ◆ Affilare le tre lame in maniera uniforme utilizzando l'apposita lima piatta come mostrato nell'illustrazione. Altrimenti viene compromesso il bilanciamento e aumentano le vibrazioni.

# Manutenzione e cura

## Caricamento del filo di nylon



1. Tagliare un pezzo di filo della lunghezza indicata.
  - ♦ 2.4 mm dia. - 3,5 m
2. Allineare le frecce sul pomello con le aperture degli occhielli.
3. Inserire un'estremità del filo di nylon in un occhiello e spingerlo attraverso la testina a filo di nylon in modo da ottenere una lunghezza uguale su entrambi i lati.
4. Tenere ferma la testina a filo di nylon e girare il pomello in senso orario per avvolgere il filo sulla bobina, lasciando esposti circa 13 cm di filo su ciascun lato.



1. Indicatori di usura

### IMPORTANTE

Quando gli indicatori di usura che si trovano sotto la testina di taglio a filo di nylon sono completamente lisci e usurati, è necessario sostituire il coperchio o l'intera testina di taglio a filo di nylon.

## Problemi tecnici

### IMPORTANTE

- Per i pezzi di ricambio e gli articoli di consumo, utilizzare solo parti originali, prodotti e componenti raccomandati. L'utilizzo di ricambi di altri produttori o componenti non raccomandati potrebbe provocare guasti.

Problema	Causa	Rimedio
Il filo non si inserisce	<ol style="list-style-type: none"><li>1. Filo insufficiente sulla bobina</li><li>2. Filo impigliato nella bobina</li></ol>	<ol style="list-style-type: none"><li>1. Riavvolgere con un filo nuovo</li><li>2. Svolgere e riavvolgere il filo</li></ol>
Il filo non riesce a tagliare	<ol style="list-style-type: none"><li>1. Il coltello tagliafilo nella protezione è danneggiato o mancante</li></ol>	<ol style="list-style-type: none"><li>1. Consultare il rivenditore</li></ol>

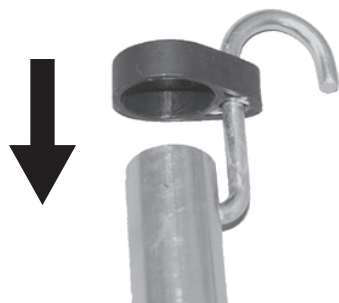
- ♦ In caso di problemi non menzionati nella tabella consultare il proprio rivenditore.
- ♦ Contattare il proprio rivenditore per smaltire il prodotto o parti di esso in conformità alle leggi nazionali.

# Manutenzione e cura

---

## Rimessaggio

### Montaggio del gancio porta-accessorio



1. Inserire l'estremità piccola del gancio nell'apposito foro sull'albero dell'accessorio.
2. Far scorrere il tappo in plastica sull'estremità dell'albero dell'accessorio.

### Produttore:

**YAMABIKO CORPORATION**

1-7-2 Suehirocho, Ohme, Tokyo 198-8760 GIAPPONE

### Rappresentante autorizzato in Europa:

**CERTIFICATION EXPERTS B.V.**

Amerlandseweg 7, 3621 ZC Breukelen, Paesi Bassi

# Caratteristiche tecniche

	<b>MTA-DTB</b>	
<b>Dimensioni esterne:</b> Lunghezza × larghezza × altezza (senza accessorio di taglio)	818 × 310 × 212 mm	
<b>Massa:</b> Unità senza accessorio di taglio Unità con accessorio di taglio specificato e protezione Unità senza accessorio e protezione di protezione	1,4 kg 1,7 kg 0,9 kg	
<b>Accessorio di taglio:</b> Testa di taglio linea di nylon (passaggio taglio) Filettatura Dimensioni del filo di nylon (diametro) Lunghezza del filo di nylon	SF400 (406) Filettatura sinistrorsa M10×1,25 (passo) 2,4 mm 3,5 m	
<b>Carter ingranaggi:</b> Rapporto ingranaggi e lubrificazione Senso di rotazione dell'alberino di uscita visto dall'alto frequenza massima di rotazione del mandrino	1,62 riduzione e grasso al litio di buona qualità Senso antiorario 5850 giri/min	
<b>2006/42/CE</b> <b>Vibrazioni</b> (EN50636-2-91) $a_{hv,eq}$	Impugnatura sinistra Impugnatura destra Incertezza K	3,8 m/s <sup>2</sup> 2,9 m/s <sup>2</sup> 1,5 m/s <sup>2</sup>
<b>Livello pressione acustica</b> (EN50636-2-91) L <sub>pAeq</sub>	Incertezza K <sub>pA</sub>	79,6 dB(A) 3,0 dB(A)
<b>Livello potenza acustica</b> (EN50636-2-91) L <sub>WA</sub>	Incertezza K <sub>WA</sub>	92,0 dB(A) 3,0 dB(A)
<b>Livello di potenza acustica garantito:</b> (2000/14/EC, Allegato VI) L <sub>WA</sub>	96 dB(A)	
Modelli interessati	DPAS-2600	

Queste specifiche possono subire modifiche senza preavviso.

# Dichiarazione di conformità

---

Il produttore sottoscritto:

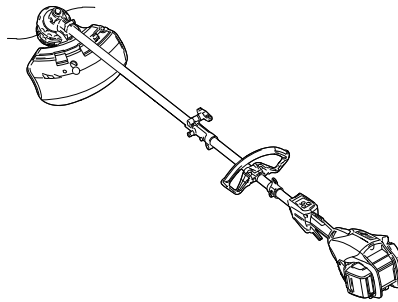
**YAMABIKO CORPORATION**  
1-7-2 Suehirocho Ohme, Tokyo 198-8760 GIAPPONE

La presente dichiarazione di conformità viene rilasciata sotto la responsabilità esclusiva del produttore.

Dichiara che la nuova unità di seguito descritta:

**SERIE PRO ATTACHMENT (DECESPUGLIATORE/BORDATORE)**

**Marchio: ECHO**  
**Tipo: DPAS-2600 + MTA-DTB**



È conforme a:

- \* i requisiti richiesti dalla Direttiva **2006/42/CE** (uso di norma armonizzata **EN ISO 11806-1: 2011, EN 60335-1: 2012 +A11: 2014, EN 50636-2-91: 2014**)
- \* Requisiti richiesti dalla Direttiva **2014/30/UE** (uso della norma armonizzata **EN 55014-1: 2017 +A11: 2020, EN 55014-2: 2015**)
- \* i requisiti richiesti dalla Direttiva **2000/14/EC** modificato da **2005/88/EC**

Seguita procedura di valutazione della conformità **ALLEGATO VI**

TÜV SÜD Industrie Service GmbH (Organismo notificato 0036)  
Westendstraße 199 80686 München Deutschland

Livello di potenza acustica misurato: 91,2 dB(A) Livello di potenza acustica garantito: 96 dB(A)

- \* i requisiti richiesti dalla Direttiva **2011/65/EU** (uso di norma armonizzata **EN IEC63000: 2018**)

Numeri di serie da U49935001001 a U49935100000

Tokyo, 27 gennaio 2022

**YAMABIKO CORPORATION**



**Hisashi Kobayashi**  
**Direttore generale**  
**Reparto Garanzia di qualità**

**Rappresentante autorizzato in Europa a costituire il fascicolo tecnico.**

Azienda: CERTIFICATION EXPERTS B.V.

Indirizzo: Amerlandseweg 7, 3621 ZC Breukelen, Paesi Bassi

**Mr. Richard Glaser**



# MEMORANDUM

**YAMABIKO CORPORATION**  
1-7-2 Suehirocho, Ohme, Tokyo 198-8760 GIAPPONE  
TELEFONO: 81-428-32-6118. FAX: 81-428-32-6145.



X750823-0501



ESPAÑOL  
ES (Instrucciones originales)

# MANUAL DE INSTRUCCIONES

## Accesorio de cortabordes/desbrozadora

### MTA-DTB

#### ADVERTENCIA



LEA ATENTAMENTE LAS INSTRUCCIONES Y SIGA LAS INDICACIONES PARA UN FUNCIONAMIENTO SEGURO.  
DE NO HACERLO, PODRÍA SUFRIR LESIONES GRAVES.

# Contenido

---

Para una utilización segura del producto.....	3
Descripción .....	7
Antes de comenzar .....	8
Lista de piezas.....	8
Montaje .....	8
Instalación del escudo .....	9
Instalación del cabezal de corte de hilo de nylon .....	9
Ajuste del equilibrio .....	10
Funcionamiento del recorte de bordes .....	11
Uso del arnés .....	12
Funcionamiento básico del recorte de bordes con el cabezal de corte de hilo de nylon.....	12
Funcionamiento básico del recorte de bordes con la cuchilla metálica.....	15
Mantenimiento y cuidados .....	16
Directivas de asistencia .....	16
Mantenimiento y cuidados .....	16
Almacenamiento .....	20
Características técnicas.....	21
Declaración de conformidad .....	22

# Para una utilización segura del producto

## Información importante

### **⚠ ADVERTENCIA**

**Asegúrese de leer el manual de instrucciones antes de utilizar el producto.**

#### **Acerca del manual de instrucciones**

- Este manual proporciona la información necesaria para el montaje, funcionamiento y mantenimiento de esta máquina. Léalo atentamente y asimile su contenido.
- Mantenga siempre el manual en un lugar fácilmente accesible.
- Si ha extraviado el manual o está dañado y no es posible leerlo, por favor adquiera uno nuevo en su distribuidor.
- Las unidades utilizadas en este manual son unidades SI (sistema internacional de unidades). Las cifras que aparecen entre paréntesis son valores de referencia y, en algunos casos, puede haber un ligero error de conversión. Si no lo hace, podría producirse un accidente o una lesión grave.

#### **Uso al que está destinado este producto**

- Este producto es una máquina ligera de alto rendimiento, diseñada para controlar el crecimiento de las malas hierbas y cortar los bordes en áreas difíciles de controlar con otros medios.
- No utilice este aparato para ningún otro propósito distinto de los mencionados anteriormente.
- El contenido de este manual puede sufrir cambios sin previo aviso debido a actualizaciones del producto. Algunas de las ilustraciones utilizadas pueden ser diferentes al propio producto para hacer más claras las explicaciones.
- Consulte con su distribuidor si hay algo que no esté claro o le preocupe. Si no lo hace, podría producirse un accidente o una lesión grave.

#### **No modifique el producto**

- No debe modificar el producto. De hacerlo, podría provocar un accidente o una lesión grave. Cualquier error resultante de una modificación del producto no estará cubierto por la garantía del fabricante.

#### **No utilice el producto a no ser que haya sido comprobado y se le haya realizado el mantenimiento**

- No debe utilizar el producto a no ser que haya sido comprobado y se le haya realizado el mantenimiento. Asegúrese siempre de comprobar el producto y de realizar regularmente el mantenimiento. Si no lo hace, podría producirse un accidente o una lesión grave.

#### **Préstamo o asignación del producto**

- Cuando preste el producto a una tercera persona, asegúrese de que la persona que toma prestado el producto recibe también el manual de instrucciones.
- Si asigna el producto a una tercera persona, adjunte el manual de instrucciones con el producto cuando haga la entrega. Si no lo hace, podría producirse un accidente o una lesión grave.

#### **Usuarios del producto**

- El producto no podrá ser utilizado por:
  - ◆ personas que estén cansadas
  - ◆ personas que hayan consumido alcohol
  - ◆ personas que estén tomando medicación
  - ◆ mujeres embarazadas
  - ◆ personas que estén en una mala condición física
  - ◆ personas que no hayan leído el manual de instrucciones
  - ◆ niños
- Tenga presente que el operador o usuario es responsable de los accidentes o peligros ocasionados a terceras personas o a su propiedad. Si no sigue estas instrucciones podría provocar un accidente.
- Los componentes de esta máquina generan un campo electromagnético durante su funcionamiento, lo que podría interferir con algunos marcapasos. Para reducir los riesgos para la salud, recomendamos a los usuarios de marcapasos que consulten a su médico y al fabricante del marcapasos antes de utilizar este producto.



# Para una utilización segura del producto

## ADVERTENCIA

### Las vibraciones y el frío

- Se cree que puede contraerse una enfermedad llamada fenómeno de Raynaud, que afecta a los dedos de ciertos individuos, si está expuesto a vibraciones y frío. La exposición a las vibraciones y al frío puede causar cosquilleo y quemazón en los dedos, seguido de pérdida de color y sensación de dedos dormidos. Se recomiendan las siguientes precauciones, ya que se desconoce cuál es la exposición mínima que desencadena esta dolencia.
    - ♦ Mantenga el cuerpo caliente, especialmente la cabeza y el cuello, los pies y los tobillos y las manos y las muñecas.
    - ♦ Mantenga una buena circulación sanguínea realizando vigorosos ejercicios con los brazos durante frecuentes descansos y también no fumando.
    - ♦ Limite el número de horas de trabajo. Intente también hacer cada día trabajos en los que no sea necesario usar el cortabordes u otros equipos eléctricos de sujeción manual.
    - ♦ Si experimenta molestias, rojez o hinchazón de los dedos, seguidos de una pérdida de sensación y emblaquecimiento de los mismos, consulte con su médico antes de volver a exponerse al frío y a las vibraciones.
- Si no tiene en cuenta estas instrucciones podría perjudicar su salud.

### Lesiones por esfuerzos repetitivos

- Se cree que un uso excesivo de los músculos y tendones de los dedos, manos, brazos y hombros puede causar dolores, hinchazones, adormecimiento, entumecimiento, debilidad y dolores extremos en los mismos. Ciertas actividades repetitivas de las manos pueden suponer un alto riesgo para el usuario de desarrollo de lesiones debidas a esfuerzos repetitivos (RSI). Para reducir el riesgo de lesiones por RSI:
    - ♦ Evite colocar la muñeca en posición doblada, extendida o torcida.
    - ♦ Tómese descansos periódicos para minimizar la repetición y deje descansar las manos. Reduzca la velocidad y fuerza con la que hace el movimiento repetitivo.
    - ♦ Haga ejercicios que fortalezcan los músculos de las manos y de los brazos.
    - ♦ Consulte a su médico si siente cosquilleos, adormecimiento o dolor en los dedos, manos, muñecas o brazos. Cuanto antes se diagnostiquen lesiones por RSI, más probabilidades tendrá de prevenir daños permanentes en los nervios y músculos.
- Si no tiene en cuenta estas instrucciones podría perjudicar su salud.

### Formación adecuada

- No permita que nadie utilice este producto sin la formación adecuada ni equipos de protección.
  - Familiarícese al máximo con los controles y el uso adecuado de esta máquina.
  - Aprenda a detener la máquina y a desconectar el motor.
  - Aprenda a desenganchar rápidamente la unidad conectada.
  - No permita bajo ningún concepto que nadie use este producto sin la debida formación.
- Si no tiene en cuenta estas instrucciones podría perjudicar su salud.

### Utilice indumentaria adecuada.

- Si lleva el pelo largo, recójase por encima de los hombros.
  - No utilice corbatas, joyería o ropa floja o colgante que pueda quedar atrapada en la unidad.
  - No utilice calzado con la puntera abierta ni vaya descalzo o sin perneras.
- Si no tiene en cuenta estas precauciones, podrían derivarse daños en la visión o en la audición o dar lugar a una lesión grave.



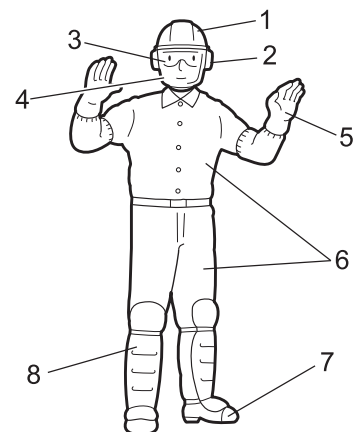
### Póngase indumentaria de protección

- Póngase siempre la ropa de protección siguiente cuando trabaje con el cortabordes.

1. Protección para la cabeza (casco): Protege la cabeza
2. Orejeras o tapones para los oídos: Protegen los oídos
3. Gafas de seguridad: Protegen los ojos
4. Careta: Protege la cara
5. Guantes de seguridad: Protegen las manos del frío y la vibración
6. Ropa de trabajo ajustada (mangas y pantalones largos): Protege el cuerpo
7. Botas protectoras antideslizantes y pesadas (con punteras) o zapatos de trabajo antideslizantes (con punteras): Protegen los pies
8. Protectores para las espinillas: Protegen las piernas

Si no tiene en cuenta estas precauciones, podrían derivarse daños en la visión o en la audición o dar lugar a una lesión grave.

- En caso necesario, utilice la ropa de protección descrita a continuación.
  - ♦ Mascarilla para el polvo: Protege el aparato respiratorio
  - ♦ Red para abejas: Para hacer frente a ataques de abejas



# Para una utilización segura del producto

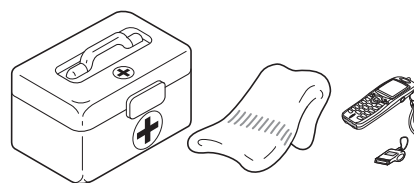
## **ADVERTENCIA**

### Condiciones de uso y de funcionamiento


- No utilice el producto:
  - ◆ en lugares mojados o húmedos.
  - ◆ si llueve.
  - ◆ en condiciones meteorológicas adversas.
  - ◆ sobre pendientes inclinadas o en lugares en los que no exista un apoyo firme para los pies y el terreno sea resbaladizo.
  - ◆ de noche o en lugares oscuros con mala visibilidad.
  - ◆ si hay riesgo de rayos.
- Cuando utilice el producto en una pendiente suave, trabaje con un movimiento nivelado similar al contorno. Si se cae o se resbala podría sufrir una lesión grave, o bien no lograr que el producto funcione correctamente.
- Por cuestiones de salud, seguridad y comodidad del trabajo, trabaje con la máquina en un intervalo de temperatura del aire de -5 °C a 40 °C.  
Si no tiene en cuenta estas instrucciones podría perjudicar su salud.

### Preparación en caso de sufrir una lesión


- En el improbable caso de sufrir un accidente o lesión, asegúrese de estar preparado.
    - ◆ Kit de primeros auxilios
    - ◆ Paños y toallas (para detener cualquier hemorragia)
    - ◆ Silbato o teléfono móvil (para solicitar ayuda externa)
- Si no es capaz de realizar los primeros auxilios o de pedir ayuda externa, la lesión podría empeorar.




## Avisos de advertencia

 **PELIGRO**

Este símbolo acompañado por la palabra "**PELIGRO**" llama la atención sobre una acción o sobre unas condiciones que causarán heridas personales importantes o incluso la muerte al operario y a los transeúntes.


 **ADVERTENCIA**

Este símbolo acompañado por la palabra "**ADVERTENCIA**" llama la atención sobre una acción o sobre unas condiciones que pueden causar heridas personales importantes o incluso la muerte al operario y a los transeúntes.

 **PRECAUCIÓN**

"**PRECAUCIÓN**" indica una situación potencialmente peligrosa que, si no se evita, puede provocar heridas leves o moderadas.

## Otros indicadores



El círculo con barra oblicua prohíbe la acción o uso de los objetos mostrados.




**NOTA**

Este mensaje enmarcado proporciona consejos para el uso, cuidado y mantenimiento del equipo.

**IMPORTANTE**

El texto enmarcado con la palabra "**IMPORTANTE**" contiene información importante relativa al uso, comprobación, mantenimiento y almacenamiento del producto descrito en este manual.

## Símbolos

Forma/silueta del símbolo	Descripción/aplicación del símbolo	Forma/silueta del símbolo	Descripción/aplicación del símbolo
	Leer atentamente el manual de instrucciones		Extraer la batería antes de realizar el mantenimiento y cuidados
	Utilizar protección para los ojos, orejas y cabeza		Mantener a los transeúntes a una distancia de 15 m

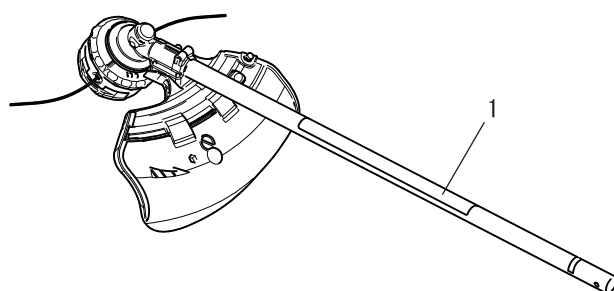
# Para una utilización segura del producto

Forma/silueta del símbolo	Descripción/aplicación del símbolo	Forma/silueta del símbolo	Descripción/aplicación del símbolo
	¡Atención! Empuje hacia el lado		Utilizar calzado y guantes de protección
	Seguridad/Alerta		Precaución con las zonas a alta temperatura
	¡Advertencia! ¡Objetos expulsados!		Prohibido el uso de cabezales de corte de hilo de nailon
	Prohibido el uso de cuchillas metálicas		

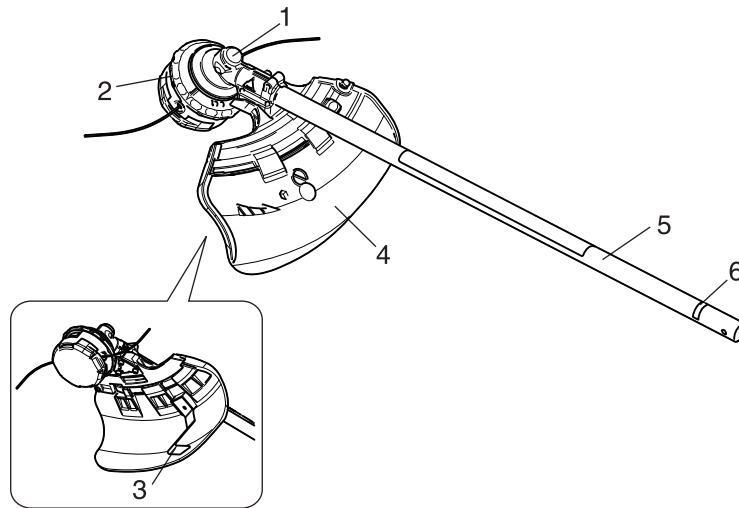
## Adhesivo(s) de seguridad

- Los productos descritos en este manual incorporan el adhesivo de seguridad mostrado a continuación. Asegúrese de comprender el significado del adhesivo antes de utilizar el producto.
- Si el adhesivo se ha deteriorado debido al desgaste, está dañado o se ha despegado y perdido, adquiera un adhesivo de repuesto en su distribuidor y colóquelo en la ubicación mostrada en las ilustraciones que aparecen a continuación. Asegúrese de que el adhesivo sea siempre legible.

1. Adhesivo de seguridad (Número de pieza X505-011600)





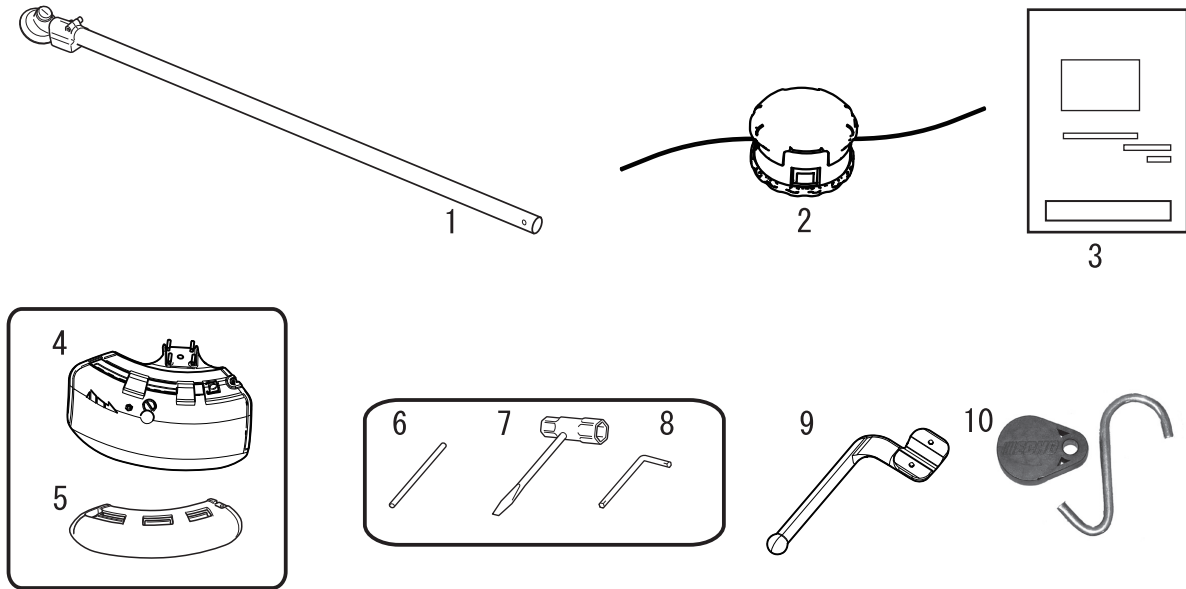


1. **Transmisión en ángulo** - Con dos engranajes para cambiar el ángulo del eje giratorio.
2. **Accesorio de corte** - Cabezal de corte de hilo de nylon para cortar césped y malas hierbas.
3. **Cuchillo de corte** - Corta el hilo de nylon para ajustar la longitud del mismo.
4. **Escudo** - Dispositivo para proteger al usuario de un contacto accidental con el cabezal de corte o con los objetos lanzados por el mismo.
5. **Tubo del eje** - Pieza del equipo que contiene el eje de transmisión de potencia.
6. **Tipo y número de serie**

# Antes de comenzar

## Lista de piezas

- En la caja de embalaje están empaquetadas de forma separada las siguientes piezas.
- Cuando haya desempaquetado la caja, compruebe que contenga las siguientes piezas.
- Póngase en contacto con su distribuidor si falta alguna o está rota.



- |  |  |
|--|--|
| 1. Accesorio de cortabordes/desbrozadora               | 6. Herramienta de bloqueo                              |
| 2. Cabezal de corte de hilo de nailon                  | 7. Llave tubular                                       |
| 3. Manual de instrucciones                             | 8. Llave de palanca                                    |
| 4. Escudo (para el cabezal de corte de hilo de nailon) | 9. Soporte del manillar circular (barra de protección) |
| 5. Escudo (para la cuchilla metálica)                  | 10. Conjunto de gancho de almacenaje                   |

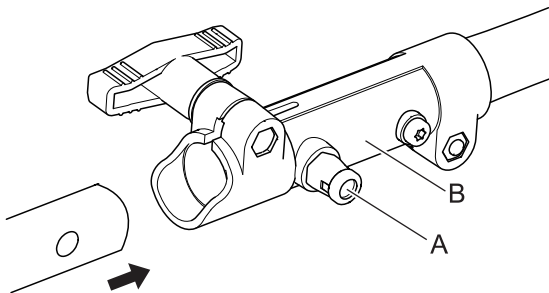
## Montaje

### ADVERTENCIA

- Lea atentamente el manual de instrucciones para asegurarse de que monta correctamente el producto. La utilización de un producto que se haya montado incorrectamente puede ocasionar un accidente o una lesión grave.

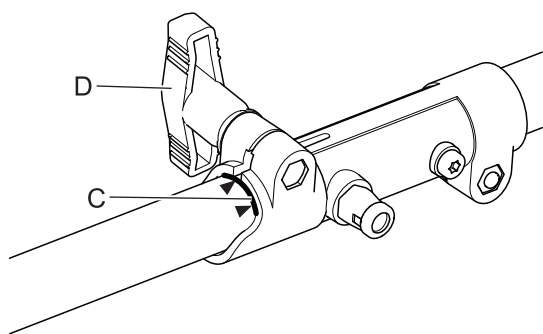


## Conjunto de eje de accesorio



1. Coloque el conjunto de cabezal/eje de potencia sobre una superficie nivelada.
2. Extraiga el pasador de colocación (A) y gire 1/4 de vuelta en el sentido anti horario para bloquear la posición.
3. Desmonte el tapón de vinilo del eje de transmisión del accesorio.

# Antes de comenzar



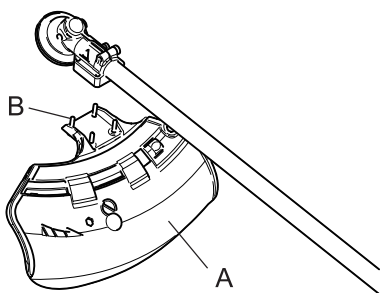
- Coloque con cuidado el conjunto del eje de transmisión en el acoplador (B) para adherir la línea de montaje (C), asegurándose que el eje de transmisión inferior interior se acopla en el casquillo cuadrado del eje de transmisión superior.

## NOTA

El alojamiento del cojinete inferior y el conjunto del cabezal deben estar en línea con el motor.

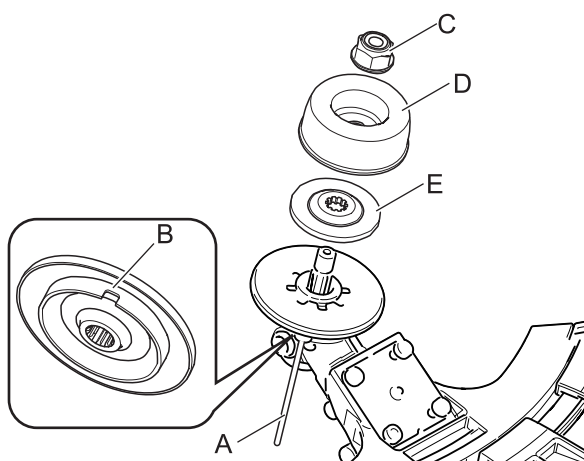
- Gire el pasador de fijación (A) 1/4 de vuelta en el sentido horario para que se acople al orificio del eje inferior. Asegúrese de que el pasador de fijación está bien acoplado, para ello mueva el eje de transmisión inferior. El pasador de colocación debe ajustarse al ras en el acoplador. El acoplamiento total evitará una posterior rotación del eje.
- Asegure el conjunto del eje inferior al acoplador, para ello apriete el mando de fijación (D).
- Para el desmontaje, siga en orden inverso las instrucciones de montaje.

## Instalación del escudo

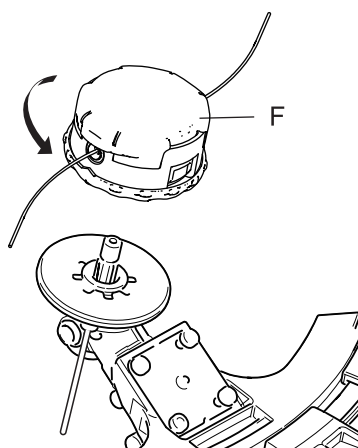


- Instale el escudo (A) en la parte de montaje de la transmisión en ángulo y apriete los 4 pernos (B).

## Instalación del cabezal de corte de hilo de nylon



- Introduzca la herramienta de bloqueo (A) en el orificio ubicado en el lado derecho de la transmisión en ángulo forzando al mismo tiempo el muelle de retén hacia el lado izquierdo.
  - Introduzca aún más la herramienta de bloqueo en la ranura de fijación (B) del retén de la cuchilla para fijar el eje de salida.
  - Utilizando la llave de boca tubular, retire la tuerca (C), la copa (D) y el retén de la cuchilla inferior (E).
- \* La tuerca, la copa y el retén de la cuchilla inferior no se utilizan con el cabezal de corte de nylon.



## ⚠ PRECAUCIÓN

○ Fije el eje de salida con seguridad usando la herramienta de bloqueo para prevenir que gire cuando se monta el cabezal de corte de nylon.

- Enrosque el cabezal de corte (F) en el eje (en sentido contrario a las agujas del reloj) hasta que esté bien apretado.
- Extraiga la herramienta de bloqueo.

# Antes de comenzar

## Ajuste del equilibrio Ajuste del arnés

### **⚠ ADVERTENCIA**

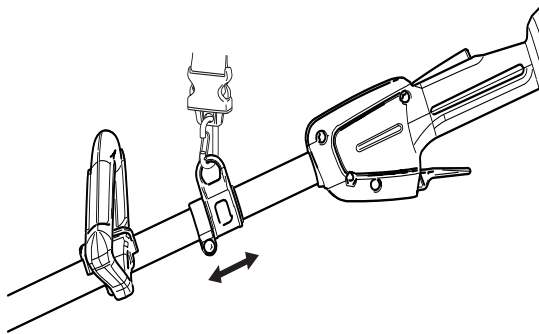
○ Este producto está diseñado para adaptarse a una amplia variedad de tamaños corporales, pero no puede ajustarse para personas extremadamente altas. No utilice esta unidad si sus pies pueden tocar el accesorio de corte cuando la unidad esté fijada al arnés.

### **IMPORTANTE**

○ El tamaño de la persona puede afectar al ajuste del equilibrio. Por otro lado, el procedimiento de equilibrio de algunos equipos puede que no sirva para algunas personas. Si no le encaja el arnés o no puede ajustarlo bien, consulte con su distribuidor.



**Equilibre la herramienta para que el cabezal de corte gire en un plano llano.**



- ♦ Utilice el arnés cuando se proporcione o recomiende en este manual. Ajuste tanto el arnés como el punto de suspensión (A) del equipo, de modo que éste cuelgue con el cabezal de corte unos pocos centímetros sobre el nivel del suelo (B).
- ♦ El accesorio de corte y la protección deben quedar nivelados en todas las direcciones. Sitúe el equipo en el lado derecho tal como se muestra.

- ♦ Deslice el punto de suspensión arriba y abajo del tubo hasta encontrar el equilibrio correcto. Gire la abrazadera para nivelar el accesorio de corte y la protección. Bloquéelo en posición. Si el punto de suspensión es de tipo de giro libre, puede que la unidad tienda a desplazarse lateralmente, pero aún así, deberá nivelar el accesorio y la protección en el eje delantero / trasero.
- ♦ El equilibrado y nivelado, como se describe aquí arriba, puede requerir la reubicación de la abrazadera y el reajuste de las tiras del arnés. Observe también que cada tipo de accesorio de corte y de protección montados en el equipo pueden necesitar equilibrado.

# Funcionamiento del recorte de bordes

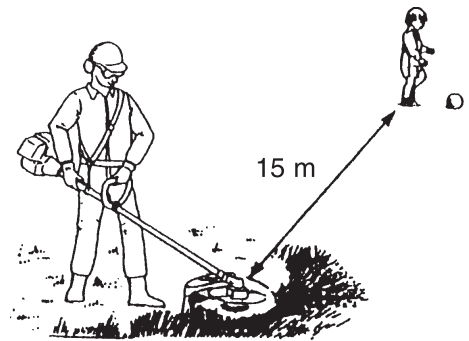
## PELIGRO

○ **Pare siempre la unidad y extraiga la batería cuando se produzca una obstrucción del accesorio de corte.**  
En caso contrario, al eliminar la obstrucción, el accesorio de corte podría arrancar de forma repentina y causarle heridas.

○ **No trabaje con el producto sin el escudo protector en su sitio.**  
Cualquier objeto que rebote en el accesorio de corte podría provocar un accidente o una lesión grave.

○ **El área dentro de un radio de 15 metros del producto es una zona peligrosa. Tenga cuidado de cumplir estas precauciones cuando trabaje con el producto.**

- ◆ No permita que niños, otras personas o mascotas entren en la zona de peligro.
- ◆ Si entra otra persona en la zona de peligro, apague la unidad para detener la rotación del accesorio de corte.
- ◆ Cuando se acerque al operario, hágale una señal, por ejemplo, arrojándole ramitas desde el exterior de la zona de peligro y, a continuación, compruebe que la unidad se haya desconectado y que el accesorio de corte haya dejado de girar.
- ◆ Si hay más de una persona trabajando con el producto, identifique la forma en la que se avisarán y trabajen a una distancia mínima de 15 metros.



Cualquier objeto que rebote en el accesorio de corte o que entre en contacto con el mismo, podría causar ceguera o un accidente fatal.

## ADVERTENCIA

○ **Antes de comenzar a trabajar, compruebe el área en la que vaya a trabajar y elimine las piedras pequeñas y latas vacías que probablemente puedan rebotar en el accesorio de corte, así como cualquier trozo de cuerda o cable que puede enrollarse alrededor del accesorio de corte.**

Puede producirse un accidente o lesión grave si sustancias extrañas rebotan en el accesorio de corte o si salta un cable u otro material enrollado alrededor del producto.



○ **En las situaciones que se describen a continuación, apague inmediatamente la unidad y asegúrese de que los accesorios de corte se hayan detenido antes de comprobar cada área del producto. Sustituya cualquier pieza dañada.**

- ◆ Si el accesorio de corte golpea una roca, árbol, poste u otro tipo de obstáculo mientras está trabajando.
- ◆ Si el producto comienza a vibrar anormalmente de forma repentina.

El uso continuado de las piezas cuando estén dañadas puede provocar un accidente o una lesión grave.

○ **No sujete el accesorio de corte mientras esté trabajando. No debe trabajar con los accesorios de corte por encima del nivel de la rodilla.**

La elevación del accesorio de corte por encima del nivel de la rodilla acerca el plano de rotación a la cara y cualquier objeto proyectado por los accesorios de corte podría provocar un accidente o una lesión grave.

### Transporte del producto

○ **Cuando transporte la unidad en las situaciones descritas a continuación, apáguela y asegúrese de que la cuchilla cortabordes haya dejado de girar. A continuación, coloque la tapa de dicha cuchilla.**

- ◆ Traslado al lugar de trabajo.
- ◆ Traslado a otra zona mientras está trabajando.
- ◆ Abandono del lugar en el que ha estado trabajando.

○ **Cuando transporte el producto en coche, extraiga el pack de baterías de la unidad, coloque la tapa de la cuchilla de corte y asegure firmemente el producto en su lugar para evitar que se mueva.**

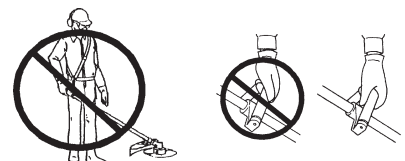
Si no cumple estas precauciones podría sufrir quemaduras o una lesión grave.

○ **No utilice el equipo con una sola mano en ningún caso.**

○ **Asegúrese de enganchar los pulgares alrededor de las empuñaduras, envolviéndolas con el pulgar y los demás dedos.**

○ **Mantenga los asideros y la superficie de agarre secos, limpios y libres de aceite y grasa.**

Si los asideros y la superficie de agarre están resbaladizos no podrá manejar ni controlar la unidad en situaciones imprevistas.



# Funcionamiento del recorte de bordes

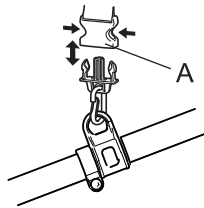
## NOTA

- Es posible que, en casos aislados, el producto no funcione adecuadamente cuando se utiliza a bajas temperaturas por primera vez tras la compra. Este fenómeno no indica un fallo del producto. En este caso, haga que la unidad alcance la temperatura ambiente (temperatura normal), y enciéndala y apáguela varias veces antes de usarla.

## Uso del arnés

### ⚠ ADVERTENCIA

- No utilice de forma simultánea múltiples cinturones o arneses.
- Cuando utilice un arnés no permita que otras prendas o accesorios interfieran con la liberación y retirada del mismo. De lo contrario, podría producirse un accidente o una lesión grave.



Coloque siempre correctamente el cortabordes utilizando el arnés.

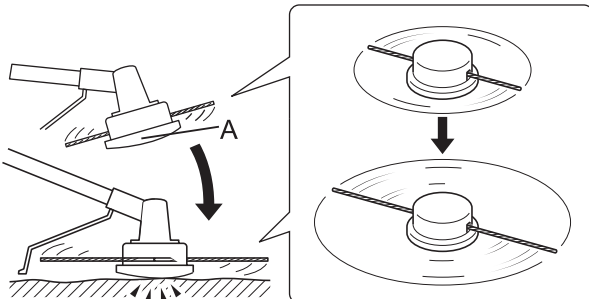
- ♦ Coloque el dispositivo en el arnés.
- ♦ Coloque el arnés sobre su hombro izquierdo y ajuste las tiras de modo que el pasador de liberación rápida quede justo debajo de su cintura.
- ♦ Compruebe el ajuste correcto moviendo el accesorio de corte a lo largo del suelo.
- ♦ Reajuste la posición del punto de suspensión si fuera necesario.
- ♦ El arnés está equipado con una función de liberación de emergencia. En caso de emergencia, tire hacia arriba del casquillo (A) para desconectar la máquina de la tira.

## Funcionamiento básico del recorte de bordes con el cabezal de corte de hilo de nylon

### ⚠ ADVERTENCIA

- Puede producirse una lesión grave como resultado del uso inadecuado del accesorio de corte. Lea y cumpla todas las instrucciones de seguridad que se dan en este manual.
- Nunca utilice el aparato con una cuchilla estropeada.
- Use solo accesorios de corte recomendados por YAMABIKO Corporation.
- Después de regular la longitud del hilo, el hilo sobrante que queda después de cortar con el cuchillo, podría salir proyectado hacia usted cuando el accesorio de corte que lo contiene empieza a girar. De lo contrario, podría producirse un accidente o una lesión grave.

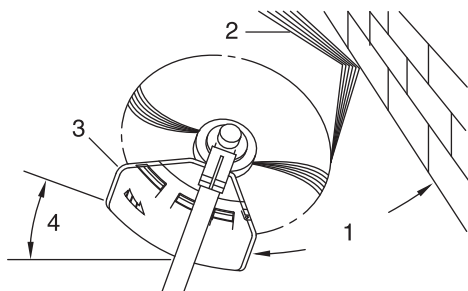
## Ajuste del hilo de nylon



- ♦ El cuchillo de corte del escudo ajusta la franja de corte automáticamente cortando los hilos de nailon por igual cuando el accesorio de corte empieza a girar.
- ♦ Cuando deba trabajar con una franja de corte menor que la máxima, corte por igual los dos hilos de nailon a la longitud deseada.
- ♦ Para avanzar la línea del cortabordes, presione el cabezal de corte del hilo de nailon (A) contra el suelo mientras el cabezal gira a una velocidad de funcionamiento normal.

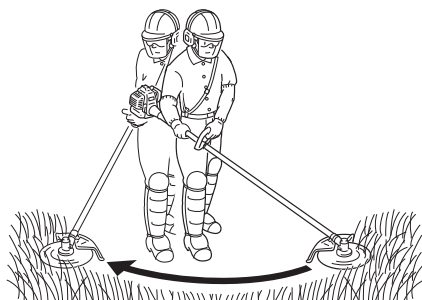
# Funcionamiento del recorte de bordes

## Recorte de bordes contra barrera



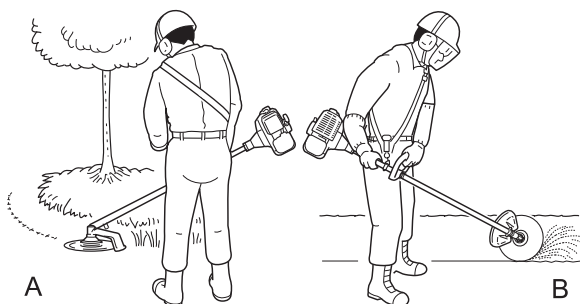
- ♦ Se trata de acercar el cortador cuidadosamente hacia el material que desee cortar. Incline el cabezal ligeramente para alejar de Ud. los desechos. Si recorta contra una pared, valla o árbol, acerquese desde un ángulo desde el que los desechos lanzados por el equipo se alejen de Ud.
  - ♦ Mueva el cabezal con el hilo o el disco con el hilo despacio hasta cortar la hierba justo hasta la barrera, pero no deje que el hilo toque demasiado a la misma. Si recorta contra una valla de alambre o eslabonada, ponga atención en que el hilo no toque el alambre, ya que de lo contrario el hilo podría enredarse en el alambre de la valla.
  - ♦ Puede recortar de tal manera que corte los tallos de las malas hierbas de uno en uno. Coloque el cortador con hilo de nylon cerca de la parte inferior de la hierba, nunca en la parte superior ya que podría enredarse. En vez de cortar la hierba directamente de una vez, use el extremo del hilo para que corte despacio y paulatinamente el tallo.
1. Ángulo con la pared
  2. Desechos
  3. Lado de cuchilla elevado
  4. Ángulo con el suelo

## Siega

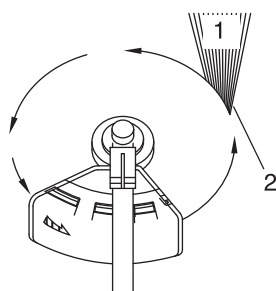


- ♦ Consiste en el corte o siega de grandes áreas con hierbas, bariendo con el cortador o haciéndolo oscilar en un arco llano. Utilice un movimiento suave y fácil. No intente cortar a "hachazos". Incline el cabezal o disco con el hilo de tal modo que los desechos lanzados se alejen de Ud. en todo el recorrido del equipo. Luego vuelva a la posición original, sin cortar hierba, para iniciar otro recorrido. Si Ud. está bien protegido y no le preocupa el que algunos desechos sean lanzados hacia Ud., podrá segar en ambas direcciones.

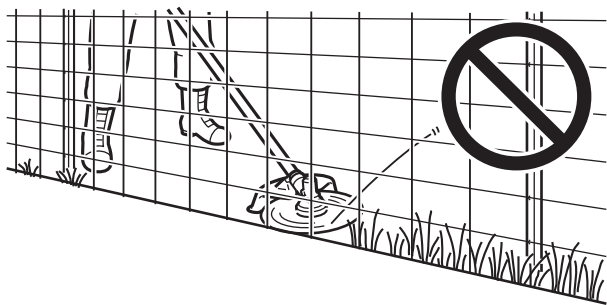
## Desbroce y recorte de bordes



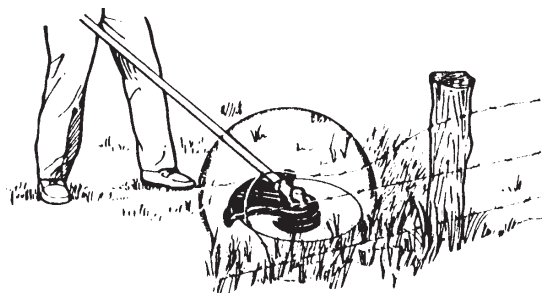
- ♦ Ambas actividades se realizan con el cabezal de corte de hilo de nailon inclinado a un gran ángulo. El desbroce (A) consiste en cortar las malas hierbas dejando el suelo raso. El recorte de bordes (B) consiste en cortar la hierba en aquellos lugares en los que se ha extendido hacia el pavimento o el camino. Tanto en el recorte de bordes como en el desbroce, sujete el equipo inclinado en un ángulo pronunciado y en una posición tal que los desechos, así como las piedras y otros materiales, no se dirijan hacia usted incluso si rebotan contra una superficie dura.
  - ♦ Aunque las ilustraciones muestran cómo desbrozar y recortar bordes, cada profesional debe encontrar por sí mismo los ángulos más adecuados a su tamaño corporal y al corte en concreto.
  - ♦ Para casi todos los tipos de corte, convendrá inclinar el cabezal de corte de hilo de nailon de tal modo que haga contacto con la parte del círculo en la que el hilo se aleja de usted y del escudo (véase la ilustración correspondiente). De este modo los desechos se lanzan lejos de usted.
  - ♦ Si se inclina el cabezal hacia el lado erróneo, los desechos se dirigirán hacia usted. Si el cabezal de corte de hilo de nailon se mantiene plano con respecto al suelo de modo que el corte tenga lugar en todo el círculo que traza el hilo, los desechos se dirigirán hacia usted, la resistencia ralentizará la unidad y necesitará gran cantidad de hilo.
  - ♦ El cabezal de corte de hilo de nailon gira en sentido contrario a las agujas del reloj. El cuchillo de corte de hilo está en el lado izquierdo del escudo.
1. Desechos
  2. Corte en este lado



# Funcionamiento del recorte de bordes



- ♦ No lleve el hilo hacia plantas fuertes, árboles o vallas de metal o alambre.
- ♦ Si lleva el hilo hacia alambradas de corral, cercado eslabonado o arbustos grandes, puede que se rompan los extremos del hilo y que salgan proyectados hacia el usuario. El método correcto consiste en cortar justo hasta la barrera, pero nunca llevar el hilo hasta la obstrucción o a través de ella. No corte demasiado cerca de la obstrucción o barrera.



- ♦ Evite el contacto del hilo de nylon con alambradas rotas. Los trozos de alambre rotos por el cortabordes podrían salir proyectados hacia usted a alta velocidad.



# Funcionamiento del recorte de bordes

## Funcionamiento básico del recorte de bordes con la cuchilla metálica

### ADVERTENCIA

- Cuando recorte bordes, tenga en cuenta las siguientes instrucciones.
  - ◆ Compruebe y asegúrese de que la cuchilla del cortabordes está bien apretada en su sitio.
  - ◆ Sustituya el escudo si está dañado o roto.
  - ◆ Sustituya la tuerca de la cuchilla del cortabordes cuando esté gastada.
  - ◆ No toque el terreno con la cuchilla.
  - ◆ No haga funcionar el equipo con una cuchilla roma, doblada, fracturada u oxidada, o con la tuerca gastada o dañada.



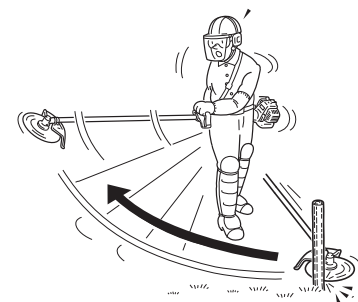
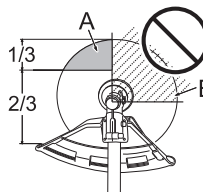
Si no lo hace, podría producirse un accidente o una lesión grave.

- Use sólo accesorios de corte recomendados por YAMABIKO Corporation. YAMABIKO Corporation no se hará responsable de los fallos del dispositivo de corte, los accesorios o accesorio de corte que no hayan sido probados y homologados por YAMABIKO Corporation para su uso con esta unidad.
- El tipo de cuchilla usada debe coincidir con el tipo y tamaño del corte material. Una cuchilla inadecuada o desafilada puede causar heridas personales importantes. Las cuchillas deben estar bien afiladas. Las cuchillas desafiladas incrementan la posibilidad de causar contragolpe y heridas a usted y a los transeúntes.
  - ◆ Las cuchillas para hierba / malas hierbas de plástico / nylon pueden ser usadas siempre que se use el cabezal de hilo de nylon. No use esta cuchilla para cortar malas hierbas o arbustos grandes.
  - ◆ La cuchilla de 3 cortadores está especialmente diseñada para cortar césped y malas hierbas. Para evitar heridas provocadas por el contragolpe o por la fractura de la cuchilla, no use la cuchilla de 3 cortadores para cortar arbustos o árboles.
  - ◆ La cuchilla para malas hierbas / hierba de 8 dientes está diseñada para cortar césped, desechos de jardín y arbustos grandes. No use esta cuchilla para cortar arbustos o ramas de madera con un diámetro de 19 mm o mayor.
  - ◆ La cuchilla de despejar de 22 dientes está diseñada para cortar matorrales densos y árboles jóvenes con un diámetro de hasta 64 mm.
  - ◆ La cuchilla de desbroce está diseñada para cortar arbustos y ramas de madera con un diámetro de hasta 13 mm.

Las cuchillas dañadas o destrozadas pueden provocar accidentes y heridas graves.

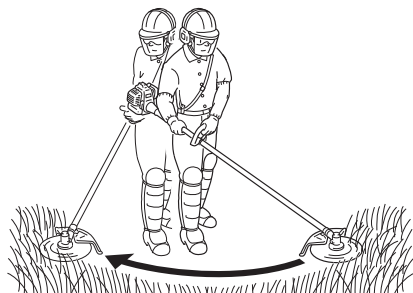
### Contragolpe

- El fenómeno que se produce si la cuchilla del cortabordes contacta con un árbol, poste, roca u otro objeto duro cuando está girando a alta velocidad y reacciona saltando hacia atrás con fuerza y de forma instantánea se conoce como contragolpe.
- El contragolpe puede provocar una pérdida de control sobre el producto y es muy peligrosa.
- En particular, si el cuadrante delantero derecho de la cuchilla del cortabordes (B) golpea un arbusto u otro objeto similar, la cuchilla del cortabordes hará que el producto salte hacia atrás de forma abrupta de atrás hacia la derecha.
- Para evitar el contragolpe, no corte de izquierda a derecha. Tenga cuidado de asegurarse de que la cuchilla del cortabordes no golpee ningún objeto duro.
- Cuando corte, asegúrese de que el objeto que está cortando esté dentro de la parte de 1/3 de la cuchilla del borde delantero del lateral izquierdo (A).



Si no lo hace, podría provocar una lesión o accedente fatal.

### La siega de malas hierbas



- ◆ Consiste en el corte realizado haciendo oscilar el accesorio de corte en un arco llano. Puede limpiar rápidamente áreas de malas hierbas y césped. Este tipo de corte no debe utilizarse para cortar malas hierbas grandes y duras o ramas de madera.
- ◆ Si un árbol joven o un arbusto traba el accesorio de corte, no intente usar el mismo como palanca para destrabarlo, ya que esto causaría un mal funcionamiento del accesorio de corte.
- ◆ En vez de ello, apague la unidad y empuje el árbol o arbusto para liberar las cuchillas.

# Mantenimiento y cuidados

## **⚠ ADVERTENCIA**

Cuando compruebe o realice el mantenimiento del producto después del uso, tenga en cuenta las siguientes precauciones:

- **Desconecte la alimentación de la unidad, extraiga la batería y asegúrese de que todas las piezas móviles se hayan detenido por completo.**  
Podría producirse un accidente si el producto arranca de forma inesperada.
- **Deje que la unidad se enfríe antes de realizar el mantenimiento.**  
Podría quemarse.
- **No realice nunca el mantenimiento de packs de baterías dañados. El mantenimiento de los packs de baterías solo debe realizarlo el fabricante o un servicio técnico autorizado.**

## **IMPORTANTE**

- Las comprobaciones y el mantenimiento requieren un conocimiento especializado. Si no puede comprobar y realizar el mantenimiento del producto o solventar un problema por su cuenta, consulte con su distribuidor. No intente desmontar el producto.

### **Directivas de asistencia**

Área	Mantenimiento	Página	Antes de usar	Mensual
Transmisión en ángulo	Engrasar	16		•*
Cuchillo de corte	Inspeccionar / Limpiar	-	•	
Tornillos, pernos y tuercas	Inspeccionar, apretar / sustituir	-	•	

\* ○ 50 horas, lo que primero tenga lugar.

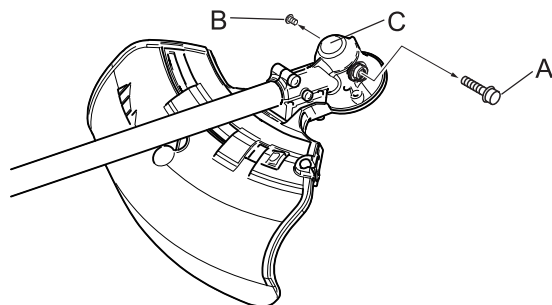
## **IMPORTANTE**

- Los intervalos de tiempo son los máximos. El uso real y su experiencia determinarán la frecuencia del mantenimiento necesario.

### **Mantenimiento y cuidados**

Si tiene cualquier pregunta o problema, póngase en contacto con su distribuidor.

#### **Transmisión en ángulo**



1. Saque el tapón (A) y el tornillo de vaciado (B) de la transmisión en ángulo (C).
2. Añada grasa en la transmisión hasta que salga la grasa anterior. En caso necesario, utilice una bomba de baja presión.

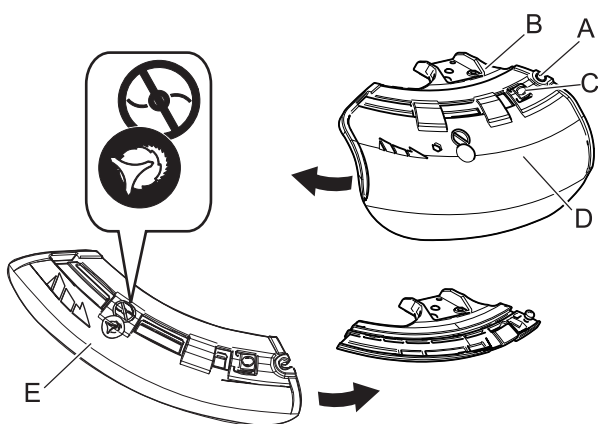
#### **NOTA**

- Utilice grasa multiuso de litio de alta calidad.

3. Vuelva a colocar el tornillo de vaciado y el tapón.

# Mantenimiento y cuidados

## Cómo cambiar el protector



♦ Hay dos tipos de escudos: a saber, uno que se usa exclusivamente para el hilo de nylon y otro que se usa exclusivamente para la cuchilla metálica. Cuando emplee la cuchilla metálica, use el escudo para dicha cuchilla.

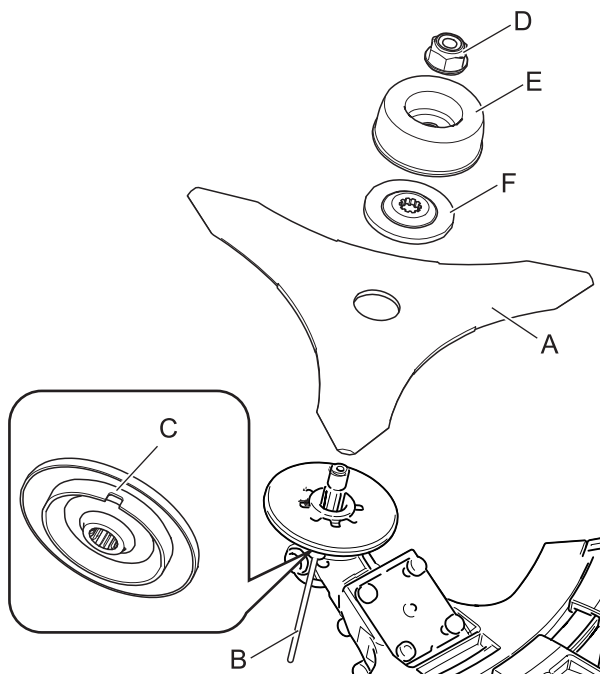
1. Afloje por completo el perno (A) a la derecha del soporte (B) para deslizar el escudo. El propio perno no puede ser extraído del soporte.
2. Pulse el botón (C), deslice el escudo (D) a la izquierda y extraígalo.
3. Ponga el escudo del otro tipo (E) en la ranura y deslícelo a la derecha hasta que se detenga. Asegúrese de apretar el perno.

## Instalación de la cuchilla (opcional)

### ⚠ ADVERTENCIA

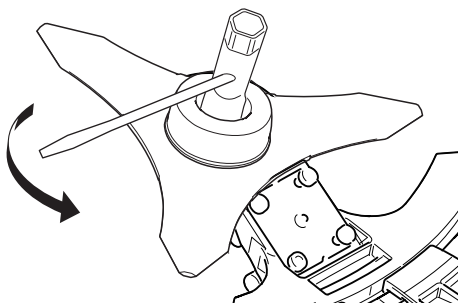
- Utilice guantes de alta resistencia cuando trabaje con la cuchilla del cortabordes.
- Cuando sustituya la cuchilla del cortabordes durante un trabajo de corte, asegúrese de que la unidad esté apagada y de que se han detenido las cuchillas.
- No intente colocar la cuchilla del cortabordes con una mano o sin utilizar la llave tubular. Coloque con precisión la cuchilla del cortabordes utilizando la llave tubular suministrada y apriétela firmemente en su sitio.
- No utilice otra herramienta que no sea la llave tubular incluida para apretar la cuchilla; las herramientas neumáticas o eléctricas pueden apretar excesivamente la cuchilla y, por consiguiente, pueden romper la tuerca o el eje de salida.
- Si se usaran una tuerca y copa desgastadas para la cuchilla, existe el peligro de que esta se afloje. Sustitúyalas siempre por unas nuevas.

En caso contrario, podría producirse una lesión o un accidente grave.



1. Inspeccione las cuchillas (A) antes de su instalación. Compruebe también que estén afiladas. Las cuchillas romas aumentan el riesgo de contragolpes de la cuchilla. Las grietas pequeñas pueden convertirse en fracturas y, durante el uso, podrían salir volando trozos de cuchilla con el consiguiente peligro. Deseche las cuchillas agrietadas sin tener en cuenta lo pequeñas que puedan ser las grietas.
2. Introduzca la herramienta de bloqueo (B) en el orificio ubicado en el lado derecho de la transmisión en ángulo forzando al mismo tiempo el muelle de retén hacia el lado izquierdo.
3. Introduzca aún más la herramienta de bloqueo en la ranura de fijación (C) del retén de la cuchilla para fijar el eje de salida.
4. Utilizando la llave de boca tubular, retire la tuerca (D), la copa (E) y el retén de la cuchilla inferior (F).
5. Apriete a mano firmemente la cuchilla, el retén de la cuchilla inferior, la copa y la tuerca.

# Mantenimiento y cuidados



## **⚠ PRECAUCIÓN**

○ Fije el eje de salida con seguridad usando la herramienta de bloqueo para prevenir que gire cuando se monta la cuchilla. De lo contrario, la tuerca de sujeción de la cuchilla no será apretada lo suficiente.

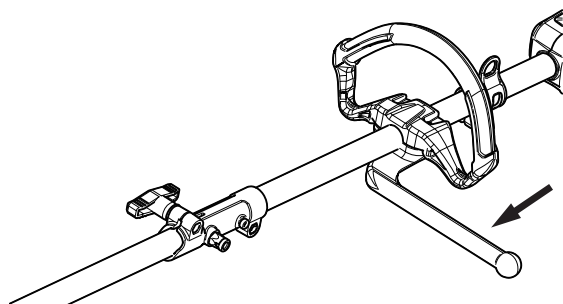
6. Apriete la tuerca (girándola en sentido contrario a las agujas del reloj) usando una llave de boca tubular. Nunca apriete mientras está aplicando su peso. En caso contrario podría romperse la rosca de la tuerca.
7. Extraiga la herramienta de bloqueo.

## Conjunto de barra de protección

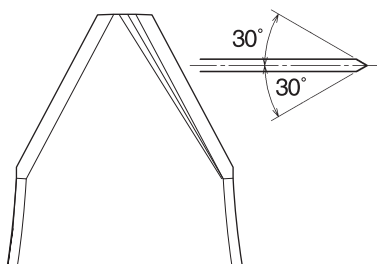
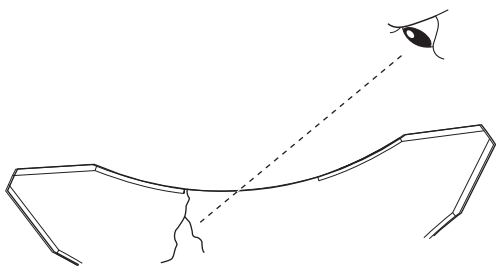
## **⚠ ADVERTENCIA**

○ La barra de protección debe usarse con el accesorio del cortasetos.

1. Desatornille el soporte inferior del manillar y sustitúyalo por la barra de protección, tal como se ilustra. Ajuste el manillar y fíjelo según lo descrito anteriormente.



## Comprobación de la cuchilla

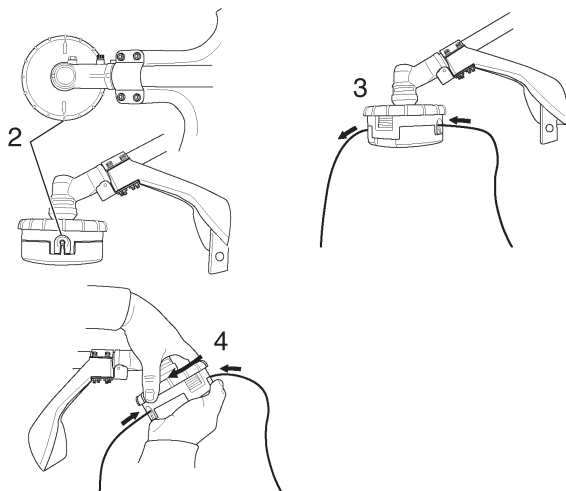


- ♦ Use sólo la cuchilla designada por el fabricante para este modelo.
- ♦ Sustituya la cuchilla por una nueva si ve alguna grieta. No use en ningún caso una cuchilla agrietada.
- ♦ Asegúrese de que la cuchilla está colocada correctamente según las instrucciones.

- ♦ Cuando la cuchilla de corte deje de estar afilada debido al desgaste, déle la vuelta y podrá seguir usándola.
- ♦ Cuando la cuchilla se melle o doble aumentarán las vibraciones. En ese caso, sustitúyala por una nueva.
- ♦ Cuando lime la cuchilla, lime los 3 bordes de corte uniformemente usando una lima plana tal como se muestra en la ilustración. De otro modo, se perdería el equilibrio y aumentarían las vibraciones.

# Mantenimiento y cuidados

## Carga del hilo de nylon



1. Corte un trozo de hilo de la longitud recomendada.
  - ♦ 2,4 mm - 3,5 m de diámetro
2. Alinee las flechas de la parte superior de la perilla con las aberturas de los ojales.
3. Introduzca un extremo del hilo de nylon en un ojal, y pase el hilo a la misma distancia por el cabezal de corte de hilo de nylon.
4. Sujete el cabezal de corte de hilo de nylon mientras gira la perilla en la dirección de las agujas del reloj para enrollar el hilo en el carrete hasta que queden aproximadamente 13 cm de cada extremo del hilo.



1. Indicadores de desgaste

### IMPORTANTE

Cuando los indicadores de desgaste situados en la parte inferior del cabezal de corte de hilo de nylon están desgastados, es necesario cambiar la tapa de todo el cabezal de corte de hilo de nylon.

## Tabla de localización de averías

### IMPORTANTE

- Para piezas de repuesto y consumibles, utilice solo piezas originales y los productos y componentes indicados. La utilización de piezas de otros fabricantes o de componentes no indicados puede derivar en un fallo de funcionamiento.

Problema	Causa	Solución
No se alimenta hilo de corte	<ol style="list-style-type: none"> <li>1. No hay suficiente hilo en el carrete</li> <li>2. Hilo atascado en el carrete</li> </ol>	<ol style="list-style-type: none"> <li>1. Recoja con hilo nuevo</li> <li>2. Recoja y desenrolle el hilo</li> </ol>
No se corta el hilo	<ol style="list-style-type: none"> <li>1. El cuchillo de corte del escudo está dañado o no está</li> </ol>	<ol style="list-style-type: none"> <li>1. Consulte con su distribuidor</li> </ol>

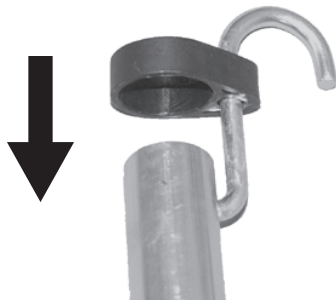
- ♦ Consulte con su distribuidor si se encuentra con un problema que no esté cubierto en la tabla anterior o para cualquier otra consulta.
- ♦ Para desechar el producto o sus piezas de acuerdo con las normativas locales, póngase en contacto con su distribuidor.

# Mantenimiento y cuidados

---

## Almacenamiento

### Instalación del gancho de almacenaje



1. Introduzca el extremo pequeño del gancho en el orificio de colocación situado en el eje del accesorio.
2. Coloque la tapa de plástico sobre el extremo del eje del accesorio.

### Fabricante:

**YAMABIKO CORPORATION**

1-7-2 Suehirocho, Ohme, Tokio 198-8760 JAPÓN

### Representante autorizado en Europa:

**CERTIFICATION EXPERTS B.V.**

Amerlandseweg 7, 3621 ZC Breukelen, Países Bajos

# Características técnicas

		MTA-DTB
<b>Dimensiones externas:</b> Longitud × Anchura × Altura (sin el accesorio de corte)		818 × 310 × 212 mm
<b>Peso:</b> Unidad sin accesorio de corte Unidad con accesorio de corte y protección Unidad sin combustible, accesorio de corte y protección		1,4 kg 1,7 kg 0,9 kg
<b>Accesorio de corte:</b> Cabezal de corte del hilo de nailon (franja de corte) Rosca Tamaño de la cuerda de nailon (diámetro) Longitud de cuerda de nailon		SF400 (406) Rosca a la izquierda, paso M10×1,25 2,4 mm 3,5 m
<b>Caja de engranajes:</b> Relación de engranajes y lubricación Dirección de giro del eje de salida visto desde arriba Frecuencia máxima de giro del eje		Reducción 1,62 y grasa de litio de buena calidad En sentido contrario a las agujas del reloj 5850 rpm
<b>2006/42/CE</b> <b>Vibración</b> (EN50636-2-91) $a_{hv,eq}$	Manillar izquierdo Manillar derecho Incertidumbre K	3,8 m/s <sup>2</sup> 2,9 m/s <sup>2</sup> 1,5 m/s <sup>2</sup>
<b>Nivel de presión acústica</b> (EN50636-2-91) $L_{pAeq}$	Incertidumbre $K_{pA}$	79,6 dB (A) 3,0 dB (A)
<b>Nivel de potencia acústica</b> (EN50636-2-91) $L_{WA}$	Incertidumbre $K_{WA}$	92,0 dB (A) 3,0 dB (A)
<b>Nivel de potencia acústica garantizado:</b> (2000/14/EC, Anexo VI) $L_{WA}$		96 dB (A)
Modelos aplicables		DPAS-2600

Estas características técnicas están sujetas a cambios sin previo aviso.

# Declaración de conformidad

---

El fabricante abajo firmante:

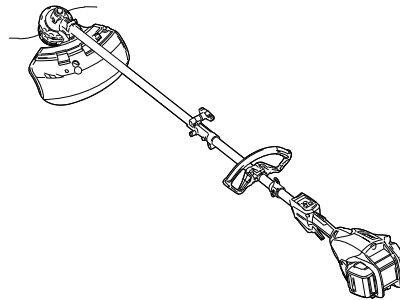
YAMABIKO CORPORATION  
1-7-2 Suehirocho, Ohme, Tokio 198-8760 JAPÓN

Declaración de conformidad publicada bajo la exclusiva responsabilidad del fabricante.

Declara que la unidad nueva aquí especificada:

## SERIE PRO ATTACHMENT (CORTABORDES/DESBROZADORA)

**Marca: ECHO**  
**Tipo: DPAS-2600 + MTA-DTB**



Cumple con:

- \* los requisitos de la Directiva **2006/42/CE** (aplicación de la norma armonizada **EN ISO 11806-1: 2011, EN 60335-1: 2012 +A11: 2014 y EN 50636-2-91: 2014**)
- \* los requisitos de la Directiva **2014/30/UE** (aplicación de la norma armonizada **EN 55014-1: 2017 +A11: 2020, EN 55014-2: 2015**)
- \* los requisitos de la Directiva **2000/14/EC** enmendado por **2005/88/EC**

Procedimiento de evaluación de conformidad según el **ANEXO VI**

TÜV SÜD Industrie Service GmbH (Organismo notificado 0036)  
Westendstraße 199 80686 München Deutschland

Nivel de potencia acústica medido: 91,2 dB(A); Nivel de potencia acústica garantizado: 96 dB (A)

- \* los requisitos de la Directiva **2011/65/EU** (aplicación de la norma armonizada **EN IEC63000: 2018**)

Número de serie de U49935001001 a U49935100000

Tokio, 27 de enero de 2022

**YAMABIKO CORPORATION**



**Hisashi Kobayashi**

**Director general**

**Departamento de Garantía de Calidad**

**El representante autorizado en Europa que está autorizado para compilar el expediente técnico.**

**Empresa: CERTIFICATION EXPERTS B.V.**

**Dirección: Amerlandseweg 7, 3621 ZC Breukelen, Países Bajos**

**Richard Glaser**



# MEMORANDO

**YAMABIKO CORPORATION**  
1-7-2 Suehirocho, Ohme, Tokio 198-8760 JAPÓN  
TELÉFONO: 81-428-32-6118. FAX: 81-428-32-6145.



X750823-0501



**YAMABIKO CORPORATION**  
1-7-2 Suehirocho, Ohme, Tokyo 198-8760 JAPAN  
PHONE: 81-428-32-6118. FAX: 81-428-32-6145.



X750823-0501

**Printed in Japan**  
2202A 0084 ES