



- GB ENGLISH
- FR FRANÇAIS
- DE DEUTSCH
- IT ITALIANO
- ES ESPAÑOL

OPERATOR'S MANUAL MANUEL D'UTILISATION BEDIENUNGSANLEITUNG MANUALE PER L'OPERATORE MANUAL DE INSTRUCCIONES PB-2620

WARNING



READ THE INSTRUCTIONS CAREFULLY AND FOLLOW THE RULES FOR SAFE OPERATION. FAILURE TO DO SO COULD RESULT IN SERIOUS INJURY.

AVERTISSEMENT



LIRE ATTENTIVEMENT LES INSTRUCTIONS ET SUIVRE LES RÈGLES DE SÉCURITÉ. LE NON-RESPECT DES RÈGLES DE SÉCURITÉ ENTRAÎNE UN RISQUE DE BLESSURE GRAVE.

WARNUNG



LESEN SIE DIE BEDIENUNGSANLEITUNG SORGFÄLTIG DURCH, UND BEFOLGEN SIE DIE SICHERHEITSREGELN. ANDERNFALLS BESTEHT DAS RISIKO SCHWERER VERLETZUNGEN.

AVVERTENZA



LEGGERE E SEGUIRE ATTENTAMENTE LE ISTRUZIONI PER LAVORARE IN CONDIZIONI DI MASSIMA SICUREZZA. LA MANCATA OSSERVANZA DELLE ISTRUZIONI POTREBBE PROVOCARE LESIONI GRAVI.

ADVERTENCIA

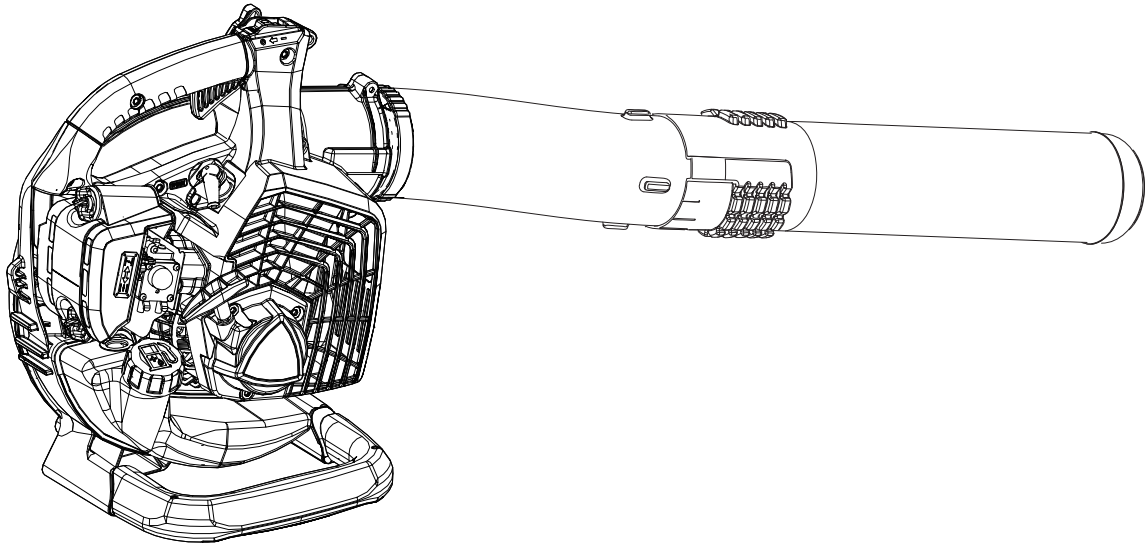


LEA ATENTAMENTE LAS INSTRUCCIONES Y SIGA LAS INDICACIONES PARA UN FUNCIONAMIENTO SEGURO. DE NO HACERLO, PODRÍA SUFRIR LESIONES GRAVES.





GB ENGLISH
(Original instructions)



OPERATOR'S MANUAL

POWER BLOWER

PB-2620



⚠ WARNING

READ THE INSTRUCTIONS CAREFULLY AND FOLLOW THE RULES FOR SAFE OPERATION. FAILURE TO DO SO COULD RESULT IN SERIOUS INJURY.

Important information

Please ensure that you read the operator's manual before using your product.

○ Intended use of this product

- ♦ ECHO Power Blowers are designed for blowing away dust of various sorts, including fallen leaves.
- ♦ Do not use this unit for any purpose other than aforementioned.

○ Users of the product

- ♦ You should not use this product until you have read the operator's manual carefully and fully absorbed its content.
- ♦ This product should not be used by anyone who has failed to read the operator's manual properly, is suffering from a cold, tiredness or otherwise in poor physical condition, or children.
- ♦ Keep in mind that the operator or user is responsible for accidents or hazards occurring to other people or their property.

○ About your operator's manual

- ♦ This manual contains necessary information about the assembly, operation, and maintenance of your product. Please read it carefully and absorb its contents.
- ♦ Always keep your manual in a place where it is readily accessible.
- ♦ If you have lost your manual or it is damaged and no longer readable, please purchase a new one from your ECHO DEALER.
- ♦ The units used in this manual are SI units (International System of Units). Figures in parentheses are reference values, and there may be a slight conversion error in some cases.

○ Loaning or assigning your product

- ♦ When loaning the product described in this manual to another party, ensure that the person borrowing and working with the product receives the operator's manual along with the product. If you assign your product to another party, please enclose the operator's manual with the product when handing it over.

○ Enquiries

- ♦ Please contact your ECHO DEALER for requests regarding information about your product, the purchase of consumables, repairs, and other such enquiries.

○ Notices

- ♦ The content of this manual may be changed without notice for the purpose of upgrades to the product. Some of the illustrations used may differ from the product itself in order to make the explanations clearer.
- ♦ This product requires the assembly of some parts.
- ♦ Please consult your ECHO DEALER if anything is unclear or of concern.

Manufacturer

YAMABIKO CORPORATION

7-2 SUEHIROCHO 1-CHOME, OHME, TOKYO 198-8760, JAPAN

Authorized Representative in Europe

CERTIFICATION EXPERTS B.V.

P.O. box 5047, Merwedeweg 2, 3621 LR Breukelen, The Netherlands

Contents

For safe use of your product.....	4
Warning notices	4
Other indicators	4
Symbols.....	4
Location in which the safety decal is attached.....	6
Handling fuel.....	7
Handling the engine.....	8
Handling the product	9
Packing list.....	12
Description.....	13
Before you start	14
Assembly	14
Preparing the fuel	15
Engine operation.....	16
Starting the engine	16
Stopping the engine.....	17
Operation	18
Operating blower	18
Maintenance and care	19
Servicing guidelines.....	19
Maintenance and care	19
Troubleshooting table	24
Long-term storage(30 days or more).....	25
Specifications.....	26
Declaration of conformity	27

For safe use of your product

Be careful to read this section before using your product.




○ The precautions described in this section contain important safety information. Please observe them carefully.

○ You must also read the precautions that appear in the body of the manual itself.

Text following a [diamond mark] mark describes the potential consequences of failing to observe the precaution.


Warning notices

Situations where there is a risk of physical injury to the operator and other people are indicated in this manual and on the product itself by the following warning notices. Always read and observe them carefully in order to ensure safe operation.

 DANGER	 WARNING	 CAUTION
This symbol accompanied by the word " DANGER " calls attentions to an act or a condition which will lead to serious personal injury or death of operators and bystanders.	This symbol accompanied by the word " WARNING " calls attentions to an act or a condition which can lead to serious personal injury or death of operators and bystanders.	" CAUTION " indicates a potentially hazardous situation which, if not avoided, may result in minor or moderate injury.










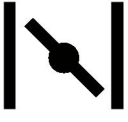
Other indicators

As well as warning notices, this manual uses the following explanatory symbols:





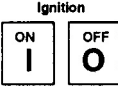


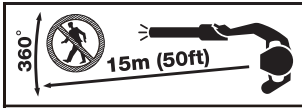

	Circle and slash symbol means whatever is shown is prohibited.	NOTE	IMPORTANT
		This enclosed message provides tips for use, care and maintenance of the product.	Framed text featuring the word " IMPORTANT " contains important information about the use, checking, maintenance and storage of the product described in this manual.

Symbols

In this manual and on the product itself, a series of explanatory symbols is used. Please make sure that you fully understand what each symbol means.

Symbol form/shape	Symbol description/application	Symbol form/shape	Symbol description/application
	Carefully read the operator's manual		Petrol and oil mixture
	Wear eyes, ears and head protection		Purge bulb (Primer)
	Safety / Alert		Emergency stop
	Finger Severing		Carburettor adjustment - Idle speed
	Do not use the product in places with poor ventilation		Choke Control "Cold Start" Position (Choke Closed)

For safe use of your product

Symbol form/shape	Symbol description/applica- tion	Symbol form/shape	Symbol description/applica- tion
	Beware of fire		Choke Control "Run" Position (Choke Open)
	Beware of electric shocks		Guaranteed sound power level
	Ignition ON / OFF		Beware of high-temperature areas
	Engine start		Keep bystanders away 15 m
	Beware of thrown objects		

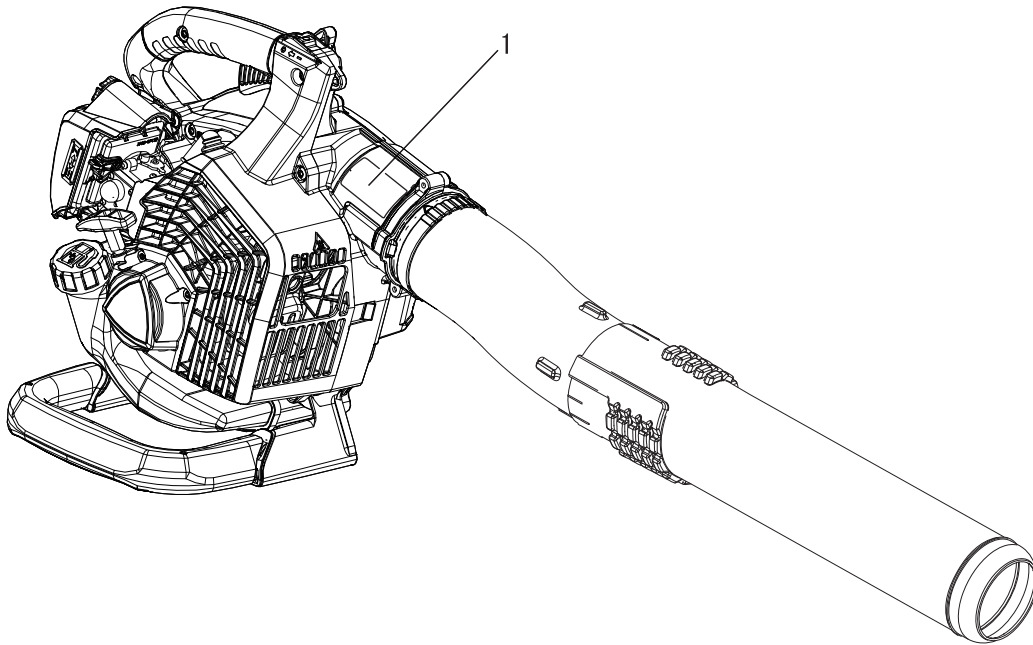
For safe use of your product

Location in which the safety decal is attached

- The safety decal shown below has been attached to the product described in this manual. Ensure that you understand what the decal means before using your product.
- If the decal becomes unreadable due to wear and tear or damage, or peels off and is lost, please purchase a replacement decal from your ECHO DEALER and attach it in the location shown in the illustrations below. Ensure that the decal is readable at all times.



1. Safety decal (Part number X505010760)



For safe use of your product

Handling fuel

DANGER

Always keep well away from fire when refuelling

Fuel is highly inflammable and leads to a risk of fire if mishandled. Use extreme care when mixing, storing or handling or serious personal injury may result. Be careful to observe the following instructions.

- Do not smoke or hold a flame near when refuelling.
- Do not fuel up while the engine is hot or in operation.
- ◆ If you do so, the fuel could ignite and cause fire, leading to burns.



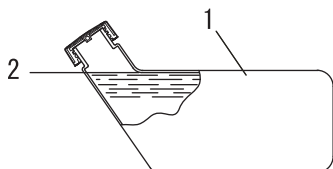
About the container and refuelling place

- Use an approved fuel container.
- Fuel tanks/cans may be under pressure. Always loosen fuel caps slowly allowing pressure to equalize.
- DO NOT fill fuel tanks indoors. ALWAYS fill fuel tanks outdoors over bare ground.

Fuel spills can cause fire

Observe the following precautions when refuelling:

- Do not add so much fuel that it reaches the mouth of the fuel tank. Keep the fuel within the prescribed level (up to the shoulder level of the fuel tank).
- Mop up any fuel that overflows or spills out due to over-filling.
- Tighten the fuel tank cap securely after refuelling.
- ◆ Fuel spills can cause fire and burns when ignited.



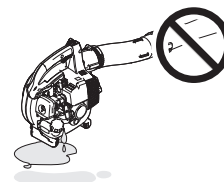
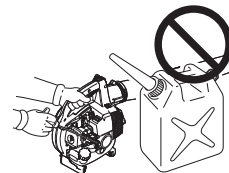
- 1. Fuel tank
- 2. Shoulder level

Do not start the engine in the area where you refuelled

- You must not start the engine in the place where you carried out the refuelling. Move at least 3m from the place where you refuelled before starting the engine.
- ◆ Fuel leaks that occur while refuelling can cause fire if ignited.

Fuel leaks cause fire

- After refuelling, always check that there are no leaks or discharges of fuel from the fuel pipe, fuel system grommets, or around the fuel tank cap.
- If you do find fuel leaks or discharges, stop using the product immediately and contact your ECHO DEALER to have it repaired.
- ◆ Any fuel leaks could cause fire.



For safe use of your product

Handling the engine

WARNING

Starting the engine

Be particularly careful to observe the following precautions when starting the engine:

- Check that none of the nuts and bolts are loose
- Check that there are no fuel leaks
- Place the product in a flat, well ventilated place
- Leave plenty of space around the product and do not allow people or animals near it
- Remove obstructions, if any
- Start the engine with the throttle lever in the start/operation position
- Hold the product firmly to the ground when starting the engine
- ◆ Failure to observe the precautions could cause an accident or injury, or even lead to a fatality.

Once the engine has started, check for abnormal vibrations and sounds

- Check that there are no abnormal vibrations or sounds once the engine starts. Do not use the product if there are abnormal vibrations or sounds. Contact your ECHO DEALER to have it repaired.
- ◆ Accidents involving parts that fall or shatter off can cause wounds or serious injury.

Do not touch high temperature or high voltage components while the product is running

Do not touch the following high temperature or high voltage components while the product is running or for some time after it stops.

- Silencer, cylinder, and other high temperature components
- ◆ You could burn yourself if you touch a high temperature component.
- Spark plug, spark plug wire, and other high voltage components
- ◆ You could receive an electric shock if you touch a high voltage component while the product is running.



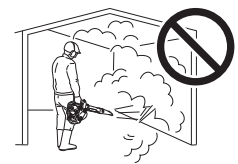
Put safety first in the case of fire or smoke

- If fire comes from the engine or smoke appears from any area other than the exhaust vent, first distance yourself from the product to ensure your physical safety.
- Use a shovel to throw sand or other such material on the fire to prevent it from spreading, or put it out with a fire extinguisher.
- ◆ A panicked reaction could result in the fire and other damage becoming more extensive.



Exhaust fumes are toxic

- The exhaust fumes from the engine contain toxic gases. Do not operate the product indoors or in a plastic greenhouse or in other ill ventilated places.
- In case of conducting the work near the house, do not conduct the work near the opened window. There is the possibility that the exhaust fumes comes into the house.
- ◆ The exhaust fumes could cause poisoning.



Turn off the engine when checking or maintaining the product

Observe the following precautions when checking and maintaining your product after use:

- Turn the engine off and do not attempt to check or maintain the product until the engine has cooled
- ◆ You could burn yourself.
- Remove the spark plug cap before performing checks and maintenance
- ◆ An accident could occur if the product starts unexpectedly.

Checking the spark plug

Observe the following precautions when checking the spark plug.

- If the electrodes or terminals are worn, or if there are cracks in the ceramics, replace them with new parts.
- The spark test (for checking whether the spark plug is sparking) must be carried out by a professional. Please ask your ECHO DEALER.
- The spark test must not be carried out in proximity of the spark plug hole.
- The spark test must not be performed in places where there are fuel spills or inflammable gases
- You must not touch the metal parts of the spark plug
- ◆ The spark plug could ignite a fire or give you an electric shock.



For safe use of your product

Handling the product General precautions

WARNING

Operator's manual

- Be careful to read the operator's manual properly before using your product in order to ensure correct operation.
- ◆ Failure to do so could lead to an accident or serious injury.



Do not use the product for anything other than its intended purpose

- You must not use the product for any purpose other than those described in the operator's manual.
- ◆ To do so could lead to an accident or serious injury.

Do not modify the product

- You must not modify the product.
- ◆ To do so could lead to an accident or serious injury. Any malfunction resulting from a modification to the product will not be covered by the manufacturer's warranty.

Do not use the product unless it has been checked and maintained

- You must not use the product unless it has been checked and maintained. Always ensure that the product is checked and maintained on a regular basis.
- ◆ Failure to do so could lead to an accident or serious injury.

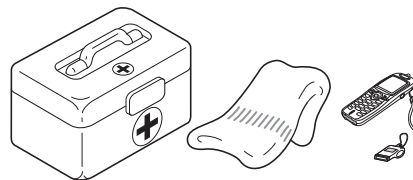
Loaning or assigning your product

- When loaning your product to another party, ensure that the person borrowing the product receives the operator's manual along with it.
- If you assign your product to another party, please enclose the operator's manual with the product when handing it over.
- ◆ Failure to do so could lead to an accident or serious injury.

Being prepared in case of an injury

In the unlikely event of an accident or injury, please ensure that you are prepared.

- First aid kit
- Towels and wipes (to stop any bleeding)
- Whistle or mobile phone (for calling outside help)
- ◆ If you are unable to perform first aid or call for outside help, the injury could worsen.



For safe use of your product

Precautions for use

WARNING

Users of the product

The product should not be used by:

- people who are tired
- people who have taken alcohol
- people who are on medication
- people who are pregnant
- people who are in poor physical condition
- people who have not read the operator's manual
- children

- ◆ Failure to observe these instructions could lead to an accident.
- The ignition system of this product generates electromagnetic fields during operation. Magnetic fields can cause pacemaker interference or pacemaker failure. To reduce health risks, we recommend that pacemaker users consult their physician and the pacemaker manufacturer before operating this product.



Environment of use and operation

- Do not use the product in places where there is no sure foothold, such as on steep slopes or after rainfall, as such places are slippery and dangerous.
- Do not operate the product at night or in dark places with poor visibility.
- ◆ A serious injury could result if you fall or slip, or fail to operate the product correctly.

The area within a 15 m radius is a danger zone

The area within a 15 m radius of the product is a danger zone. Be careful to observe the following precautions while working with the product.

- Do not allow children and other people or pets to enter the danger zone.
- If another person enters the danger zone, turn off the engine.
- When approaching the operator, signal to him by, for example, throwing twigs from outside the danger zone, and then check that engine has been switched off.
- If more than one person is working with the product, identify the way in which you will signal to each other and work at least 15 m apart.
- ◆ Thrown objects could cause serious injury to the operator or bystanders.

Using the product

When using the product, pay special attention to observe the following precautions.

- Do not allow people who are irrelevant to the work conducted or animals to be in the worksite.
- Do not point the blower pipe at people or animals.
- Do not use the product in places where there is no sure foothold.
- Hold the handle tightly.
- Avoid using the product late at night or early in the morning so that the neighbors will not be disturbed by noise.
- ◆ Failure to observe these instructions could lead to an accident or injury.

Turn off the engine when moving around

When moving around in the situations described below, turn off the engine.

- Moving to the place where you are working
- Moving to another area while you are working
- Leaving the place where you have been working
- ◆ Failure to observe these precautions could cause burns or serious injury.
- When transporting the product by car, empty the fuel tank, put the product in the upright position, and secure it firmly in place to prevent it from moving around.
- ◆ Travelling by car with fuel in the fuel tank could lead to a fire.

Be careful not to get caught in the fan

- Be careful not to get your hair caught in the fan.
- ◆ The wind suction from the fan could make your hand and anything being caught in the fan, resulting in a serious injury.

Vibration and cold

It is believed that a condition called Raynaud's Phenomenon which affects the fingers of certain individuals may be brought about by exposure to vibration and cold. Exposure to vibration and cold may cause tingling and burning, followed by loss of colour and numbness in the fingers. The following precautions are strongly recommended because the minimum exposure which might trigger the ailment is unknown.

- Keep your body warm, especially the head and neck, feet and ankles, and hands and wrists.
- Maintain good blood circulation by performing vigorous arm exercises during frequent work breaks, and also by not smoking.
- Limit the number of hours of operation.
Try to fill each day with jobs where operating the blower or other hand-held power equipment is not required.
- If you experience discomfort redness and swelling of the fingers, followed by whitening and loss of feeling, consult your physician before exposing yourself further to cold and vibration.
- ◆ Failure to observe these instructions could result in damage to your health.

For safe use of your product

WARNING

Repetitive stress injuries

It is believed that over-using the muscles and tendons of the fingers, hands, arms and shoulders may cause soreness, swelling, numbness, weakness and extreme pain to the areas just mentioned. Certain repetitive hand activities may put you at a high risk for developing a repetitive stress injury (RSI).

To reduce the risk of RSI, do the following:

- Avoid using your wrist in a bent, extended or twisted position.
- Take periodic breaks to minimize repetition and rest your hands. Reduce the speed and force in which you do the repetitive movement.
- Do exercises to strengthen hand and arm muscles.
- See a doctor if you feel tingling, numbness or pain in your fingers, hands, wrists or arms. The sooner RSI is diagnosed, the more likely permanent nerve and muscle damage can be prevented.
- ◆ Failure to observe these instructions could result in damage to your health.

Turn off the engine immediately if anything goes wrong

- Turn off the engine immediately if the product suddenly starts to emit abnormal sounds or vibrate abnormally. The product cannot be used when it suffers from abnormal vibration or sounds. Contact your ECHO DEALER for repair.
- ◆ Continuing to use parts when they are damaged could lead to an accident or serious injury.

Protective gear

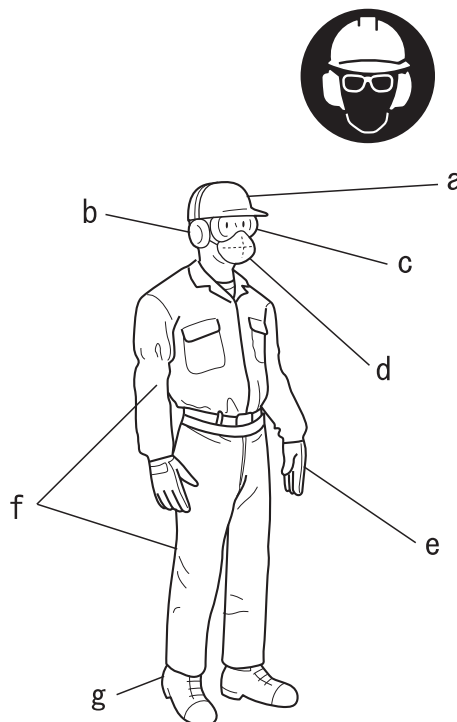
WARNING

Wear protective gear

- Wear appropriate work clothes and protective gear when working with the power blower. Above all, make sure to wear safety goggles, a dust mask, and ear muffs at all times while working.

◆ Without the protective gear, you could inhale the debris or dust blown away or get them in your eyes, which could lead to an accident or injury.

- a **Head protection (helmet):** Protects the head
 - b **Ear muffs or ear plugs:** Protect the hearing
 - c **Safety goggles:** Protect the eyes
 - d **Dust mask**
 - e **Safety gloves:** Protect the hands from cold and vibration
 - f **Work clothes that fit (long sleeves, long trousers):** Protect the body
 - g **Heavy duty, non-slip protective boots (with toecaps) or non-slip work shoes (with toecaps):** Protect the feet
- ◆ Failure to observe these precautions could result in damage to your sight or hearing, or lead to a serious injury.



Wear proper clothing

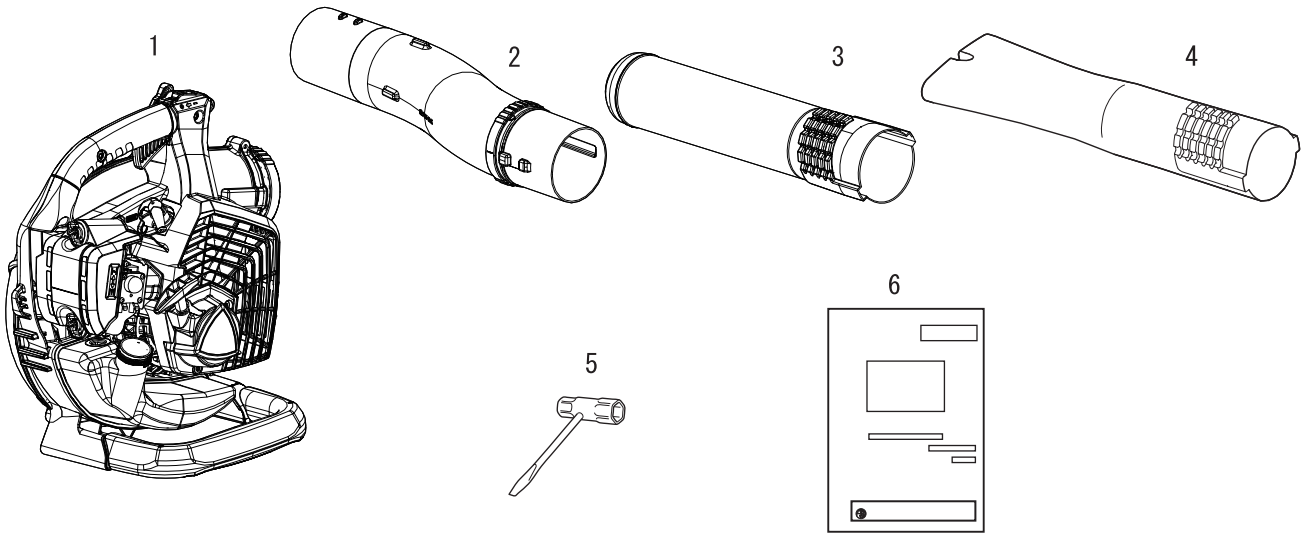
Do not wear ties, jewellery, or loose, dangling clothing which could be caught in the unit. Do not wear open toed footwear, or go bare-foot or barelegged. In certain situations, total face and head protection may be required.

- ◆ Failure to observe these precautions could result in damage to your sight or hearing, or lead to a serious injury.



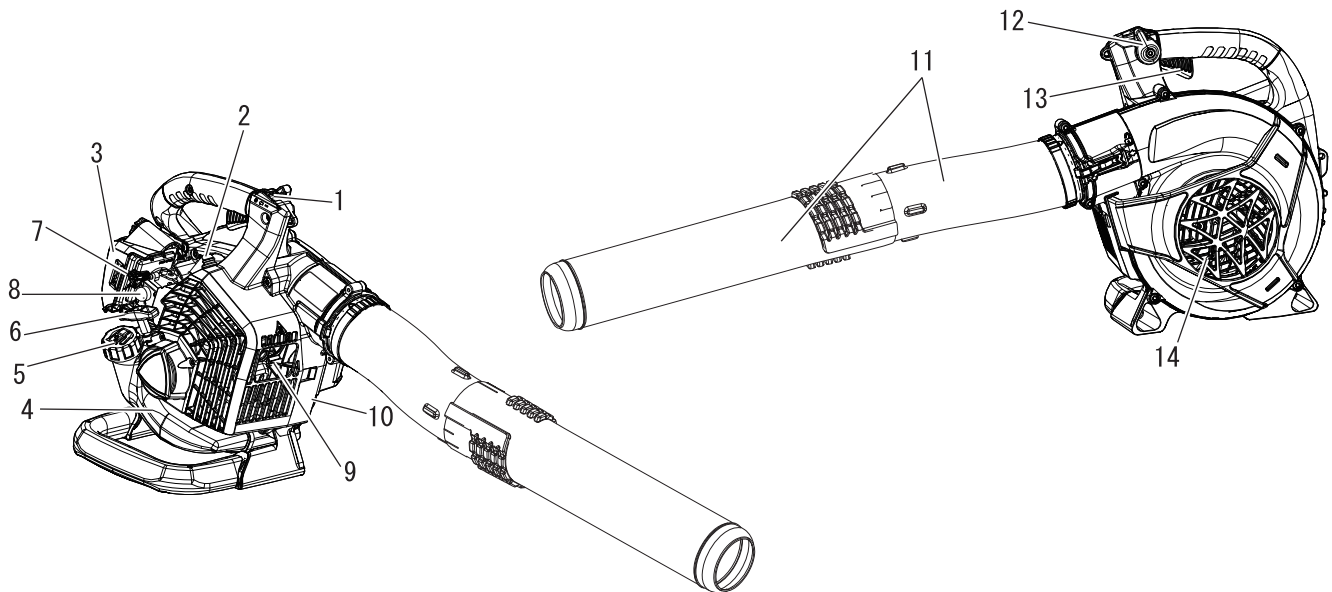
Packing list


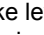
- ♦ The following parts are packed separately in the packing box.
- ♦ When you have unpacked the box, please check the parts that it contains.
- ♦ Contact your ECHO DEALER if anything is missing or broken.



Number	Part name	Quantity	Number	Part name	Quantity
1	Power Head	1	4	Flat Straight Nozzle	1
2	Blower Pipe	1	5	T-Wrench	1
3	Round Straight Nozzle	1	6	Operator's Manual	1

Description



- 1. Stop switch "SLIDE SWITCH"** mounted on top of handle. Push forward to start and run. Slide back to stop.
- 2. Spark plug** Provides spark to ignite fuel mixture.
- 3. Air cleaner** Contains replaceable air filter element.
- 4. Fuel tank** Contains fuel and fuel filter.
- 5. Fuel tank cap** Covers and seals fuel tank.
- 6. Starter handle** Pull recoil handle slowly until recoil starter engages, then quickly and firmly. When engine starts, return handle slowly. DO NOT let handle snap back or damage to unit will occur.
- 7. Choke** Choke is located on top of the air cleaner. Move choke lever to  position to close choke for cold starting. Move choke lever to  position to open choke.
- 8. Purge bulb** Pumping purge bulb before starting engine draws fresh fuel from the fuel tank, purging air from the carburettor. Pump purge bulb until fuel is visible and flows freely in the clear fuel tank return line. Pump purge bulb an additional 4 or 5 times.
- 9. Spark arrestor - Catalytic silencer / Silencer** The silencer or catalytic silencer controls exhaust noise and emission. The spark arrestor screen prevents hot, glowing particles of carbon from leaving the silencer. Keep exhaust area clear of flammable debris.
- 10. Type and serial number.**
- 11. Blower pipes** Exclusive positive locking system.
- 12. Throttle position lever (Throttle setting device)** Pull back to increase engine speed. Friction washers maintain throttle lever setting.
- 13. Throttle trigger** Spring loaded to return to idle when released. During acceleration, press trigger gradually for best operating technique.
- 14. Housing cover** Covers blade area.

Before you start

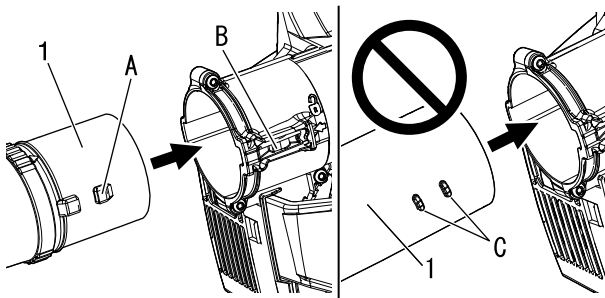
Assembly

WARNING

- Read the operator's manual carefully to ensure that you assemble the product correctly.
- Never perform maintenance or assembly procedures with engine running.
- ◆ Using a product that has been incorrectly assembled could lead to an accident or serious injury.



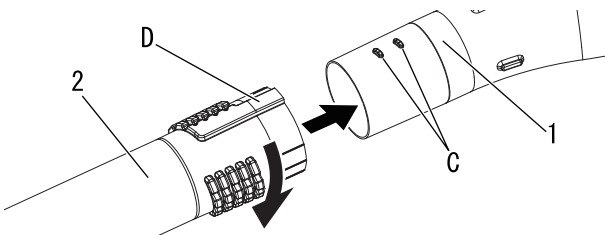
Install blower pipes



1. Blower pipe

1. Stand unit upright on blower base.
2. Align large locking ribs (A) on curved blower pipe with pipe lock (B) in fan case. Slide curved blower pipe into fan case until a clicking sound is heard.

* Do not assemble the opposite end of the curved blower pipe to the fan case.



1. Blower pipe

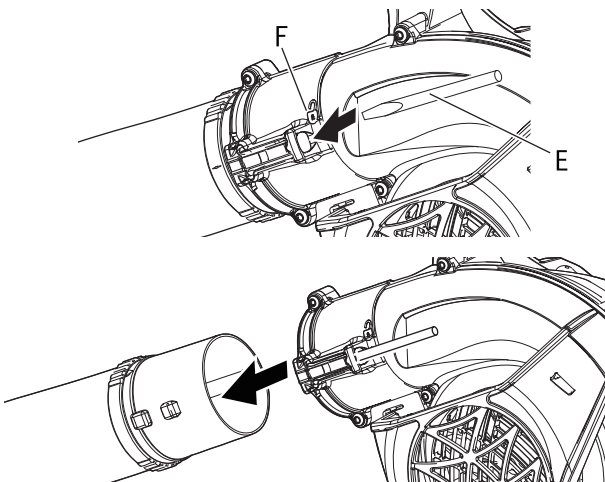
2. Round straight nozzle
or Flat straight nozzle

3. Align tabs (C) with grooves (D) and slide the nozzle over the blower pipe until there is light resistance. Do not force connection.
4. Hold the blower pipe, and turn the nozzle clockwise, engaging positive locking channels until connection is firm. Do not force connection.

NOTE

Blower use will eventually loosen pipe connections. Exclusive positive locking system allows pipes to be tightened. If loosening occurs, remove the nozzle and install according to instructions 3 & 4.

Remove blower pipes



1. Insert screwdriver (E) into hole located near lock symbol (F) to release pipe lock.

2. Pull pipes out of fan case.
3. Remove screwdriver.

Before you start

Preparing the fuel

DANGER

- Fuel is highly inflammable and there is a risk of fire if it is handled incorrectly. Carefully read and observe the precautions in the section of this manual titled "For safe use of your product".
- Once the refuelling is complete, securely tighten the fuel tank cap and do not forget to check that there are no leaks or discharges of fuel from the fuel pipe, fuel system grommets, or around the fuel tank cap. If you do find fuel leaks or discharges, stop using the product immediately and contact your ECHO DEALER to have it repaired.
- ◆ If the fuel ignites, it could cause burns and fire.



CAUTION

- There is difference in pressure between the fuel tank and the outside air. When refuelling, loosen the fuel tank cap slightly to eliminate the difference in pressure.
- ◆ Otherwise, fuel may get spewed.

NOTE

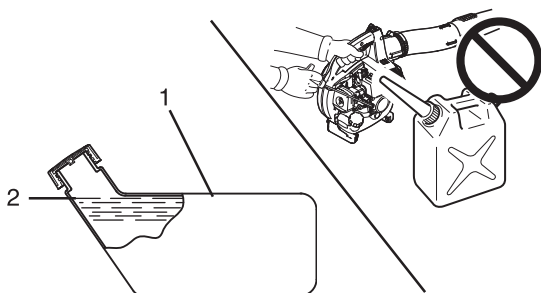
Stored fuel ages. Do not mix more fuel than you expect use in thirty (30) days. Do not mix directly in fuel tank.

Fuel



- ◆ Fuel is a mixture of regular grade petrol and an air-cooled 2-stroke engine oil.
Minimum 89 Octane unleaded petrol is recommended. Do not use fuel containing methyl alcohol or more than 10 % of ethyl alcohol.
- ◆ Recommended mixture ratio; 50 : 1 (2 %) for ISO-L-EGD Standard (ISO/CD 13738), JASO FC,FD grade and ECHO recommended oil.
 - Never use two-stroke oil intended for water-cooled engines, motor-cycle engines.
 - Do not mix directly in engine fuel tank.
 - Avoid spilling petrol or oil. Spilled fuel should always be wiped up.
 - Handle petrol with care, it is highly inflammable.
 - Always store fuel in approved container.

Fuel supply



1. Fuel tank

2. Shoulder level

- ◆ Fill the fuel tank outdoors over bare ground and install the fuel cap securely. Do not pour fuel indoors.
- ◆ Place the product and the refuelling tank on the ground when performing the refuelling operation. Do not refuel the product on the loading platform of a truck, or in other such places.
- ◆ Always ensure that the fuel level remains below the shoulder level of the fuel tank when refuelling.
- ◆ There is a difference in pressure between the fuel tank and the outside air. When refuelling, loosen the fuel tank cap slightly to eliminate the difference in pressure.
- ◆ Always wipe up any fuel spills.
- ◆ Move at least 3m away from where you refuelled before you start the engine.
- ◆ Keep the refuelling tank in a shaded area away from fire.

Engine operation

Starting the engine

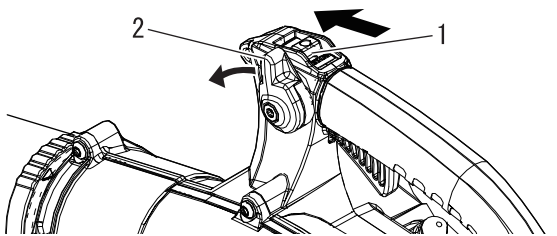
WARNING

- When starting the engine, observe the precautions described from Page 4 in the section "For safe use of your product" to ensure that you operate the product correctly.
- ◆ Failure to observe the precautions could cause an accident or injury, or even lead to a fatality.

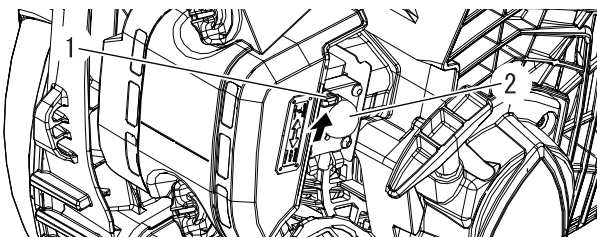
NOTE

- ◆ Pull out the starter grip gently at first, and then more rapidly. Do not pull the starter rope out to more than 2/3 of its length.
- ◆ Do not let go of the starter grip as it returns.
- ◆ To start the engine, return the choke knob when you hear the first explosion-like sound and pull on the starter grip again. Be careful not to miss the first explosion-like sound.

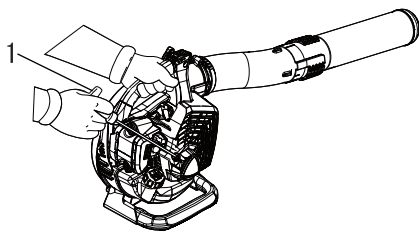
Starting a cold engine



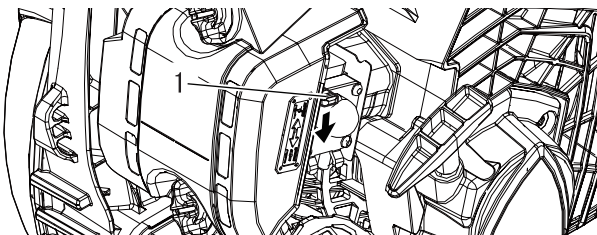
1. Stop switch 2. Throttle position lever



1. Choke 2. Purge bulb



1. Recoil starter



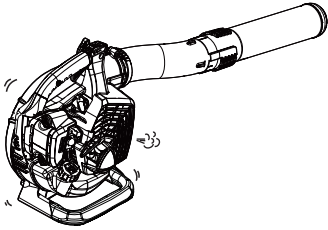
1. Choke

- ◆ Recoil starter: Use short pulls - only 1/2-2/3 of rope length for starting. Do not allow the rope to snap back in. Always hold the unit firmly.

1. *Stop Switch*
Move stop switch away from the STOP position.
2. *Throttle Position Lever*
Move throttle position lever midway between idle and full throttle positions.
3. *Choke*
Move choke lever to "||" position.
4. *Purge Bulb*
Pump purge bulb until fuel is visible and flows freely in the clear fuel tank return line.
5. *Recoil Starter*
Place the blower on a flat, clear area. Hold the blower firmly with left hand and pull out the starter grip gently at first, and rapidly pull recoil starter handle/rope until engine fires, or maximum 5 pulls.
6. *Choke*
Move choke lever to "|||" position and if necessary, restart engine. If engine does not start after 5 pulls, repeat instructions 3-6.
7. *Engine start*
Allow engine to warm up before use.

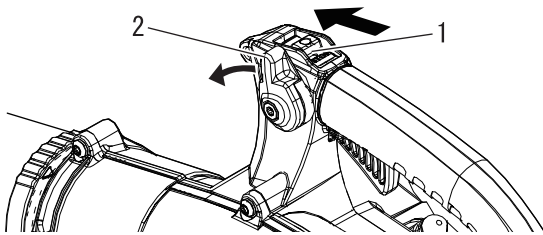
Engine operation

Engine warm-up



1. Once the engine starts, allow it to warm up for 2 to 3 minutes at idling (i.e. low speed).
2. Warming the engine helps to lubricate its internal workings more smoothly. Allow the engine to warm up fully, especially when it is cold.
3. Never run the engine without the blower pipes fitted.

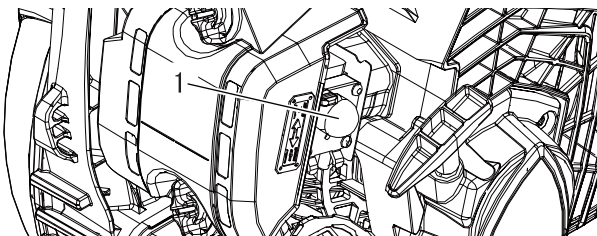
Starting a warm engine



1. Stop switch
2. Throttle position lever

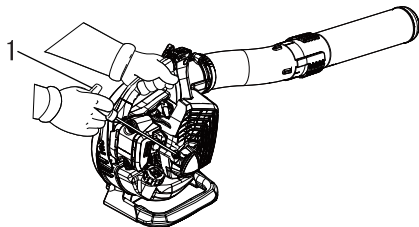
- ♦ The starting procedure is the same as Cold Start except DO NOT close the choke.

1. *Stop Switch*
Move stop switch away from the STOP position.
2. *Throttle Position Lever*
Move throttle position lever midway between idle and full throttle positions.



1. Purge bulb

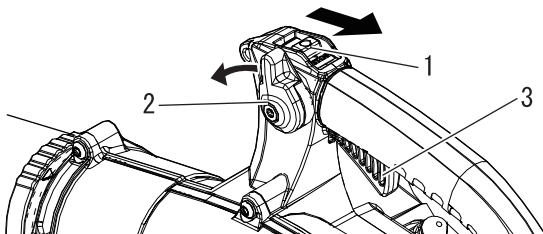
3. *Purge Bulb*
Pump purge bulb until fuel is visible and flows freely in the clear fuel tank return line.



1. Recoil starter

4. *Recoil Starter*
Place the unit on a flat, clear area. Firmly grasp throttle grip with left hand and pull out the starter grip gently at first, and rapidly pull recoil starter handle/rope until engine fires. If engine does not start after 5 pulls, use cold start procedures.


Stopping the engine



1. Stop switch
2. Throttle position lever
3. Throttle trigger

1. *Throttle Position Lever*
Release throttle trigger. Move throttle position lever forward to idle position and allow engine to return to idle before shutting off engine.
2. Move stop switch to STOP position.

⚠ WARNING

If engine does not stop when stop switch is moved to STOP position, close choke -  position - to stall engine. Have your ECHO dealer repair stop switch before using blower again.

Operation

Operating blower

WARNING

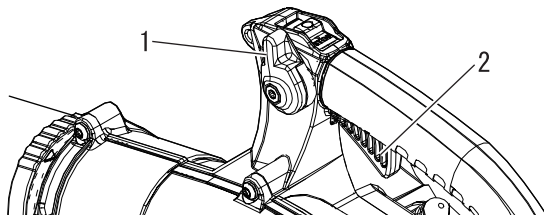
Always wear safety glasses, hearing protection, face filter mask and take all safety precautions or serious personal injury may result. Do not point the blower pipe in the direction of people or pets.

IMPORTANT

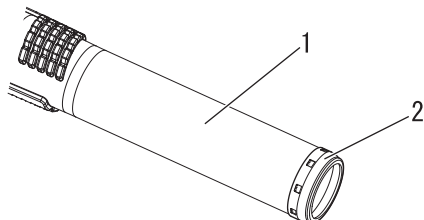
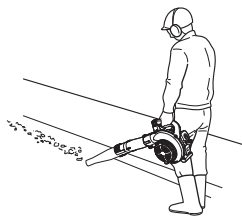
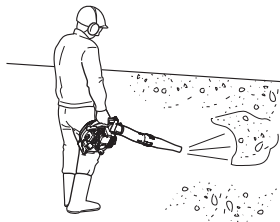
To avoid engine damage due to over revving, do not block blower pipe opening.

NOTE

Never use a higher speed setting than necessary to perform a task. Remember, the higher the engine speed, the louder the blower noise. Minimize dust by using blower at lower speeds. Keep debris on your property. Be Smart - be a good neighbor.



1. Throttle position lever 2. Throttle trigger



1. Round straight nozzle 2. Protective metal ring

♦ Read the Safety Section carefully.

1. Use only during appropriate hours.
2. Allow the engine to warm up for a few minutes.
3. Control engine speed with throttle trigger, or for continuous use, set engine speed with throttle position lever. Rotate throttle position lever forward for lower speed, back for higher speed.
4. Set engine speed with throttle position lever.
5. Use lower speed to blow dry grass and leaves from walks, patios and drives.
6. Additional speed may be necessary to clean leaves from a lawn or flowerbed.
7. Higher speed may be necessary to move gravel, dirt, snow, bottles or cans from a driveway, street, parking lot or stadium.
8. When working near a house, do not blow air towards open windows. Debris could be blown into window.
9. Using the longest pipe extension assures the air stream will reach the ground more efficiently.
10. Loosen or break up debris with a rake to make debris easier to move.
11. Dampen dusty areas before moving debris to reduce airborne dust.
12. Always stop unit using stop engine procedure.

CAUTION

Contacting round straight nozzle tip on abrasive surfaces can create sharp cutting edges and can result in personal injury if touched. Do not scrape or drag round straight nozzle tip when operating or transporting unit. Replace round straight nozzle assembly if protective metal ring is worn, cracked or deformed.

Maintenance and care

Servicing guidelines

Area	Maintenance	Page	Before use	Monthly
Air filter	Inspect / Clean / Replace	19	•	
Fuel filter	Inspect / Replace	20	•	
Spark plug	Inspect / Clean / Adjust / Replace	23		•
Carburettor	Inspect	21		•
Cooling system	Inspect / Clean	21	•	
Exhaust system	Inspect / Tighten / Clean	22	•	
Starter	Inspect	-	•	
Fuel system	Inspect	-	•	
Screws, bolts and nuts	Inspect / Tighten / Replace	-	•	

IMPORTANT

Time intervals are maximum. Actual use and your experience will determine the frequency of required maintenance.

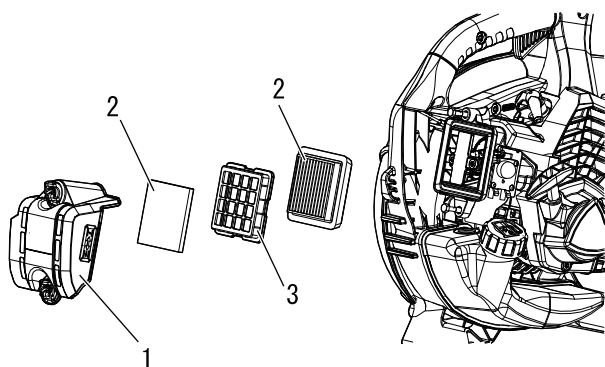
Maintenance and care

If you have any questions or problems, please contact your ECHO DEALER.

Cleaning air filter




Tools required: 25-50 mm (1-2 in.) Cleaning brush
Parts required: Air filter



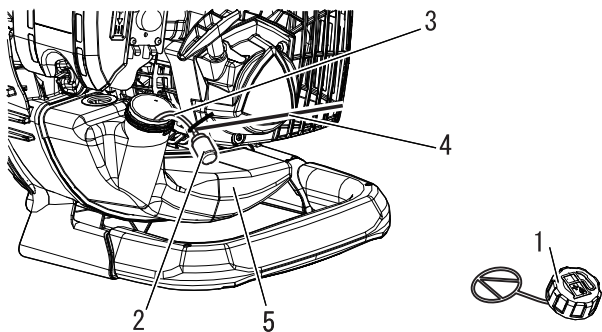
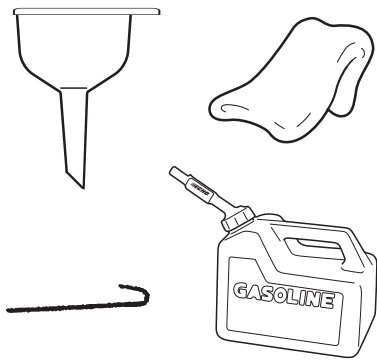
1. Air filter cover
3. Element plate

2. Air filter

1. Move choke lever to  position. This prevents dirt from entering the carburettor throat when the air filter is removed. Brush accumulated dirt from air cleaner area.
2. Remove air filter cover. Brush dirt from inside cover.
3. Remove air filter and element plate, and then lightly brush debris from them. Replace filter if it is damaged, fuel soaked, very dirty, or the rubber sealing edges are deformed.
4. If filter can be reused, be certain it:
 - ♦ Fits tightly in the air filter cavity.
 - ♦ Is installed with the original side out.
5. Install air filter cover.

Maintenance and care

Replacing fuel filter



1. Fuel cap
2. Fuel filter
3. Fuel line
4. Fuel line hook
5. Fuel tank

Tools required: 200-250 mm (8-10 in.) length of wire with one end bent into a hook, clean rag, funnel, and an approved fuel container
Parts required: Fuel line and filter

DANGER

Fuel is **VERY** flammable. Use extreme care when mixing, storing or handling.

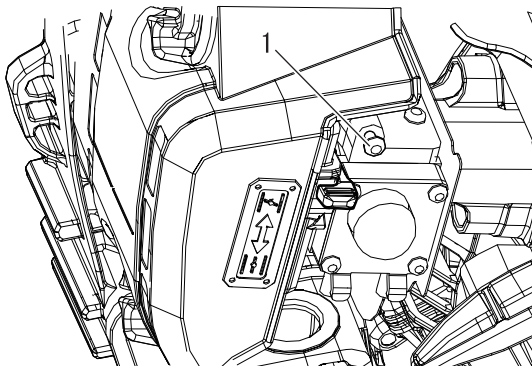
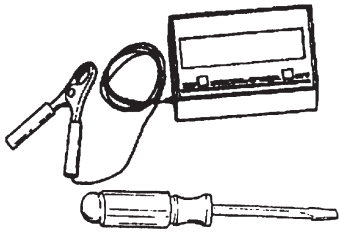
NOTE

If filter is excessive dirty or no longer fits properly, replace it.

1. Use a clean rag to remove loose dirt from around fuel cap and empty fuel tank.
2. Use the "fuel line hook" to pull the fuel line and filter from the tank.
3. Remove the filter from the line and install the new filter.

Maintenance and care

Carburettor adjustment



1. Screw

CAUTION

When there is trouble with the carburettor, contact your ECHO DEALER.

Tools required: Screwdriver, tachometer
Parts required: None

NOTE

Every unit is run at the factory and the carburettor is set in compliance with Emission Regulations. This carburettor does not have acceleration and high speed adjustment needles.

Before Adjustment

Check that:

- Air filter is clean and properly installed.
- Spark arrestor screen is free of carbon.
- Blower pipes are installed.

- Start engine, run at idle for one minute.
- Complete warm up by running at full throttle for 5 minutes, operating choke twice to clear air from carburettor chambers.
- Check idle speed and reset if necessary. If a tachometer is available, idle speed screw should be set to the specifications found on Page 26 "Specifications" of this manual. Turn idle screw clockwise to increase idle speed; counter clockwise to decrease idle speed.

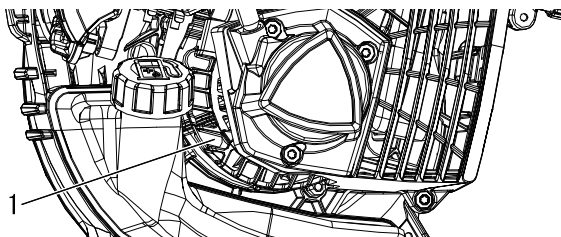
Cooling system maintenance

IMPORTANT

To maintain proper engine operating temperature, cooling air must pass freely through the cylinder fin area. This flow of air carries combustion heat away from the engine.

Overheating and engine seizure can occur when:

- Air intakes are blocked, preventing cooling air from reaching the cylinder, or
 - Dust and grass build up on the out side of the cylinder. This build-up insulates the engine and prevents the heat from leaving.
- Removal of cooling passage blockages or cleaning of cylinder fins is considered "Normal Maintenance". Any resultant failure attributed to lack of maintenance is not warranted.



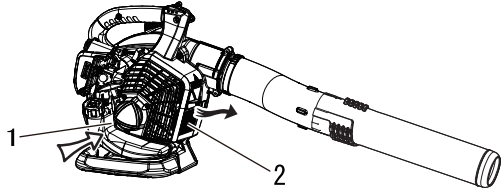
1. Intake grill

Tools required: Cleaning brush, Compressed air
Parts required: None

Cleaning Grill

- Brush accumulated debris from crankcase intake grill above the fuel tank.

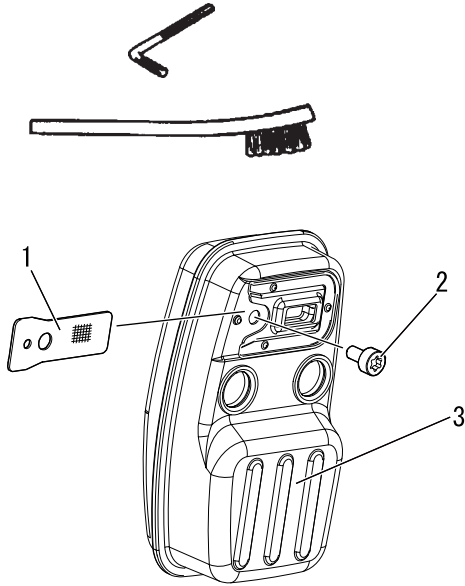
Maintenance and care



1. Intake grill

2. Discharge grill

Exhaust system



1. Spark arrestor screen
3. Silencer

2. Bolt

Cleaning Cylinder Fins

1. Blow compressed air through crankcase intake grill and discharge grill.

Spark Arrestor Screen

Tools required: Torx L-wrench T27, Cleaning brush
Parts required: Spark arrestor screen

IMPORTANT

Carbon deposits in silencer will cause a drop in engine output and overheating. Spark arrestor screen must be checked periodically.

1. Remove a bolt.
2. Remove spark arrestor screen from silencer. Replace screen if plugged with carbon deposits.
3. Install spark arrestor screen.
4. Tighten a bolt and screws securely.

NOTE

When cleaning carbon deposits, be careful not to damage the catalytic element inside silencer.

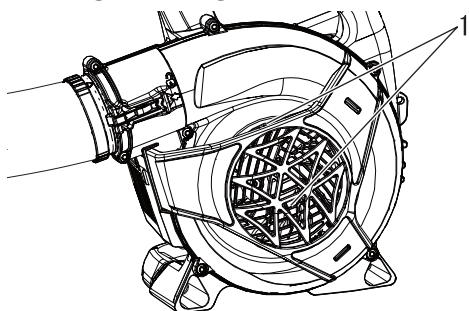
Cylinder Exhaust Port

IMPORTANT

The cylinder exhaust port must be inspected and cleaned of excess carbon every 3 months or 90 hours of operation in order to maintain this engine within the emissions durability period. ECHO strongly recommends that you return your unit to your ECHO dealer for this important maintenance service.

Maintenance and care

Cleaning housing cover



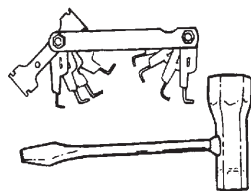
1. Housing cover

Remove dust of various sorts, including fallen leaves blocking the housing cover.

IMPORTANT

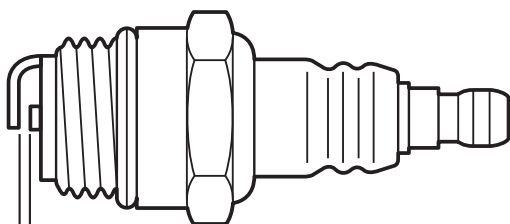
Do not remove the housing cover. If necessary, Please consult your dealer.

Check spark plug



Tools required: T-Wrench, Feeler gauge

Parts required: Spark plug



a: 0.6 - 0.7 mm

IMPORTANT

Use only NGK BPMR8Y spark plug otherwise severe engine damage may occur.

1. Check plug gap. Correct gap is 0.6 mm to 0.7 mm.
2. Inspect electrode for wear.
3. Inspect insulator for oil or other deposits.
4. Replace plug if needed and tighten to 15 N·m - 17 N·m (150 kgf·cm to 170 kgf·cm).

Maintenance and care

Troubleshooting table

Problem	Diagnosis	Cause	Solution
Engine is difficult to start, fluctuating rotation or The engine does not start	No fuel is entering the over-flow pipe	Fuel filter is clogged Fuel system is clogged Internal carburettor parts sticking	Clean or replace Clean Consult your ECHO DEALER
	Fuel is entering the over-flow pipe	Fuel degradation Carburettor problem	Replace with new fuel Consult your ECHO DEALER
	The crankshaft does not rotate	Internal engine malfunction	Consult your ECHO DEALER
	The spark plug is dirty or damp	Fuel degradation Incorrect electrode gap Carbon deposits Electrical fault	Replace with new fuel Adjust or replace Clean or replace Consult your ECHO DEALER
Engine starts but no acceleration is possible		Dirty air filter Dirty fuel filter Blocked fuel passage Carburettor adjustment problem Spark plug problem Blocked exhaust vent or silencer vent Spark arrester screen plugged or normal wear	Clean or replace Clean or replace Consult your ECHO DEALER Consult your ECHO DEALER Clean, adjust or replace Clean Clean or replace

- Checking and maintenance requires specialist knowledge. If you are unable to check and maintain the product or deal with a fault yourself, consult your ECHO DEALER. Do not attempt to dismantle the product.
- Consult your ECHO DEALER in the event of a problem that is not covered in the table above, or other such concerns.
- For spare parts and consumables, please use only genuine parts and designated products and components. Using parts from other manufacturers or non-designated components may result in a malfunction.

Maintenance and care

Long-term storage(30 days or more)

WARNING

During operation the silencer - catalytic silencer and surrounding cover become hot. Always keep exhaust area clear of flammable debris during transportation or when storing, otherwise serious property damage or personal injury may result.

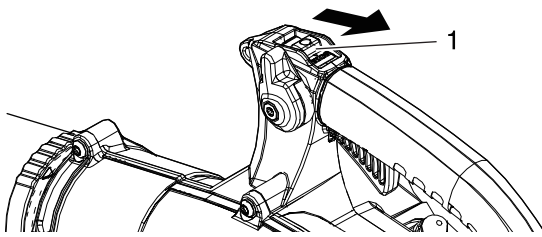


Do not store your unit for a prolonged period of time (30 days or longer) without performing protective storage maintenance which includes the following:

1. Store unit in a dry, dust free place, out of the reach of children.

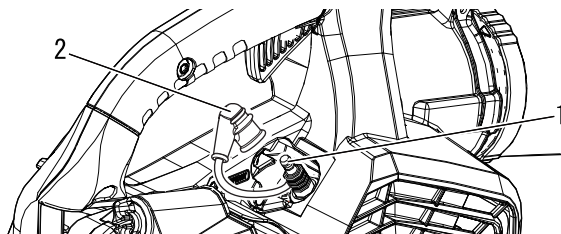
WARNING

Do not store where fuel fumes may accumulate or reach an open flame or spark.



1. Stop switch

2. Place the stop switch in the "STOP" position.
3. Remove accumulation of grease, oil, dirt and debris from exterior of unit.
4. Perform all periodic lubrication and services that are required.
5. Tighten all screws and nuts.
6. Drain the fuel tank completely outdoors over bare ground and pull the recoil starter handle several times to remove fuel from the carburettor. Do not drain fuel indoors.
7. Remove the spark plug and pour 10mL of fresh, clean ECHO 2-stroke engine oil into the cylinder through the spark plug hole.
 - A. Place a clean cloth over the spark plug hole.
 - B. Pull the recoil starter handle 2-3 times to distribute the oil inside the engine.
 - C. Observe the piston location through the spark plug hole. Pull the recoil handle slowly until the piston reaches the top of its travel and leave it there.
8. Fit the spark plug. (Do not connect the spark plug cap.)
9. Remove blower pipe assembly from unit.



1. Spark plug

2. Spark plug cap

Please contact your ECHO DEALER in order to dispose of the product or its parts in compliance with national laws.

Specifications

		PB-2620	
Mass (Dry, with blower pipes):		kg	4.4
External dimensions (without blower pipes):			
Length		mm	324
Width		mm	282
Height		mm	355
Engine:			
Type			Air cooled 2-stroke single cylinder gasoline engine
Engine displacement		cm ³	25.4
Maximum power		kW	0.9
Engine speed at maximum engine power		r/min	7500
Recommended engine speed at full load		r/min	7500
Recommended engine speed at idling		r/min	3000
Carburettor			Diaphragm type
Ignition			Flywheel magneto - CDI system
Spark plug			NGK BPMR8Y
Starter			Recoil starter
Air volume: (ANSI/OPEI B175.2)		m ³ /h	774 (Round Straight Nozzle)
		m ³ /h	726 (Flat Straight Nozzle)
Max. air speed: (ANSI/OPEI B175.2)		m/s	76.7 (Round Straight Nozzle)
		m/s	80.5 (Flat Straight Nozzle)
Fuel:			
Oil			Regular grade petrol. Minimum 89 Octane unleaded petrol is recommended. Do not use fuel containing methyl alcohol or more than 10 % of ethyl alcohol. Two stroke, air-cooled engine oil. ISO-L-EGD Standard (ISO/CD 13738), JASO FC,FD grade and ECHO recommended oil.
Ratio			50 : 1 (2%)
Tank Capacity (full):		mL	600
Sound pressure level: (EN15503)		L _{pAeq}	dB(A)
			93.5 (Round Straight Nozzle)
			93.4 (Flat Straight Nozzle)
uncertainty		K _{pA}	2.5
Sound power level: (EN15503)		L _{wARa}	dB(A)
			104.9 (Round Straight Nozzle)
			104.6 (Flat Straight Nozzle)
uncertainty		K _{wA}	2.5
Vibration: (EN15503)		a _{hv,eq}	m/s ²
			6.6 (Round Straight Nozzle)
			7.1 (Flat Straight Nozzle)
uncertainty		K	5.0

These specifications are subject to change without notice.

Declaration of conformity

The undersigned manufacturer:

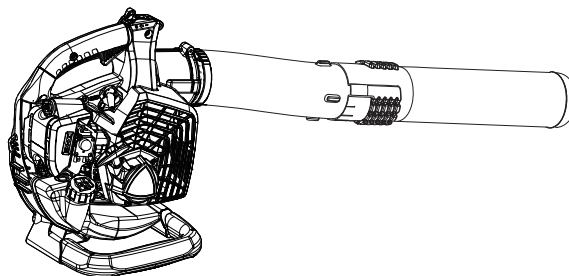
YAMABIKO CORPORATION
7-2 SUEHIROCHO 1-CHOME
OHME; TOKYO 198-8760
JAPAN

This declaration of conformity is issued under the sole responsibility of the manufacturer.

Declares that the hereunder specified new unit:

POWER BLOWER

Brand: ECHO
Type: PB-2620



Assembled by:

ECHO, INCORPORATED
400 Oakwood Road
Lake Zurich, Illinois 60047-1564
U.S.A.

Complies with:

- * the requirements of Directive **2006/42/EC** (use of harmonized standard **EN 15503: 2009+A2: 2015**)
- * the requirements of Directive **2011/65/EU** (use of harmonized standard **EN 50581: 2012**)
- * the requirements of Directive **2014/30/EU** (use of harmonized standard **EN ISO 14982: 2009**)
- * the requirements of Directive **2000/14/EC**

Conformity assessment procedure followed **ANNEX V**

Measured sound power level : **105 dB(A)**

Guaranteed sound power level : **108 dB(A)**

Serial Number 38001001 to 38100000

Tokyo, December 5th, 2018

YAMABIKO CORPORATION

Masayuki Kimura

The authorized representative in Europe who is authorized to compile the technical file.

Company: CERTIFICATION EXPERTS B.V.

Address: P.O. box 5047, Merwedeweg 2, 3621 LR Breukelen, The Netherlands

Masayuki Kimura

**General Manager
Quality Assurance Dept.**

Mr. Richard Glaser

YAMABIKO CORPORATION

7-2 SUEHIROCHO 1-CHOME, OHME, TOKYO 198-8760, JAPAN

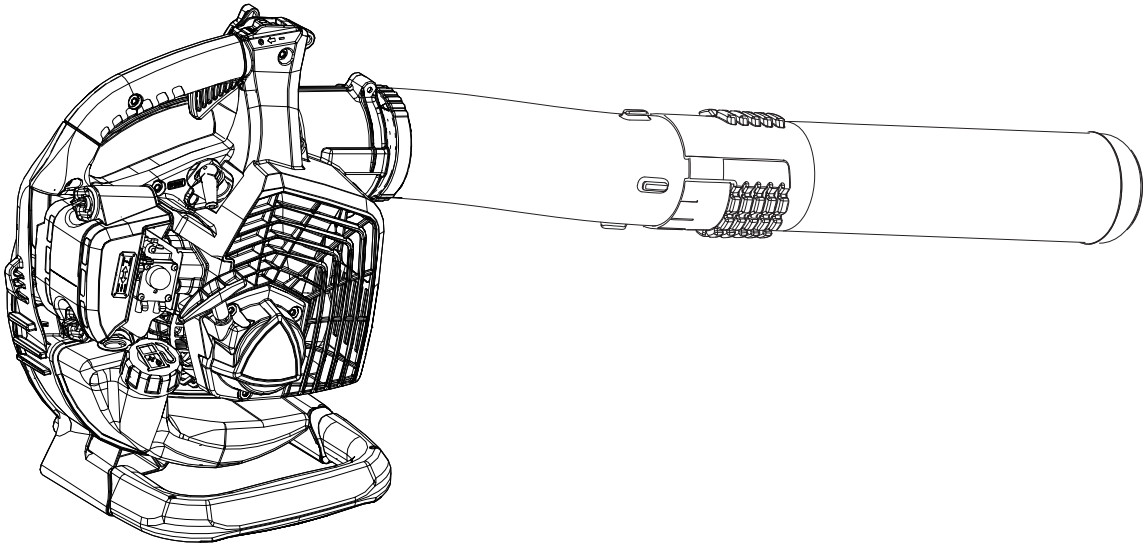
PHONE: 81-428-32-6118. FAX: 81-428-32-6145.



X750119-1000



FR FRANÇAIS
(Notice originale)



MANUEL D'UTILISATION

SOUFFLEUR

PB-2620

AVERTISSEMENT

LIRE ATTENTIVEMENT LES INSTRUCTIONS ET SUIVRE LES RÈGLES DE SÉCURITÉ.
LE NON-RESPECT DES RÈGLES DE SÉCURITÉ ENTRAÎNE UN RISQUE D'ACCIDENTS GRAVES.



Information importante

Lire attentivement le manuel d'utilisation avant d'utiliser l'appareil pour la première fois.

○ Utilisation de l'appareil

- ♦ Les souffleurs ECHO sont conçus pour éliminer les poussières et autres déchets, y compris les feuilles mortes.
- ♦ Ne pas utiliser cet appareil pour d'autres applications que celles mentionnées ci-dessus.

○ Utilisateurs de l'appareil

- ♦ Lire attentivement ce manuel d'utilisation et intégrer les informations qu'il contient avant d'utiliser l'appareil pour la première fois.
- ♦ Toute personne n'ayant pas lu attentivement ce manuel d'utilisation, enrhumée, fatiguée ou en mauvaise condition physique ne doit pas utiliser cet appareil. Ne pas laisser un enfant manipuler l'appareil.
- ♦ L'utilisateur est tenu pour responsable en cas d'accidents ou de risques pouvant entraîner des blessures corporelles ou des dommages matériels.

○ A propos du manuel d'utilisation

- ♦ Ce manuel contient les informations nécessaires au montage, à l'utilisation et à l'entretien de l'appareil. L'utilisateur doit donc le lire attentivement et intégrer les informations qu'il contient.
- ♦ Toujours conserver le manuel à portée de main.
- ♦ En cas de perte du manuel ou si ce dernier a été détérioré et n'est plus lisible, s'adresser au REVENDEUR ECHO pour en obtenir un nouveau.
- ♦ Les unités utilisées dans ce manuel sont les unités SI (Système international d'unités). Les chiffres indiqués entre parenthèses sont des valeurs de référence. De légères erreurs de conversion peuvent survenir dans certains cas.

○ Prêt ou cession de l'appareil à un tiers

- ♦ Si l'appareil décrit dans ce manuel est prêté à un tiers, veiller à lui confier également le manuel d'utilisation fourni avec l'appareil. Si l'appareil est cédé à un tiers, transmettre le manuel d'utilisation fourni avec l'appareil lors de la vente.

○ Renseignements

- ♦ Contacter un REVENDEUR ECHO pour toute demande d'information concernant l'appareil, l'achat de consommables, les réparations ou pour tout autre renseignement.

○ Remarques

- ♦ ECHO se réserve le droit de modifier sans préavis le contenu de ce manuel en fonction des améliorations apportées au produit. Il se peut que certains des schémas de ce manuel soient différents de l'appareil. Ces différences ont pour objectif de rendre les explications plus claires.
- ♦ L'appareil nécessite le montage de certains éléments.
- ♦ En cas de doute, consulter un REVENDEUR ECHO.

Fabricant

YAMABIKO CORPORATION

7-2 SUEHIROCHO 1-CHOME, OHME, TOKYO 198-8760, JAPON

Représentant autorisé en Europe

CERTIFICATION EXPERTS B.V.

P.O. box 5047, Merwedeweg 2, 3621 LR Breukelen, Pays-Bas

Table des matieres

Pour utiliser l'appareil en toute sécurité.....	4
Etiquettes et symboles d'avertissement	4
Autres indications	4
Symboles	4
Emplacement de l'étiquette de sécurité.....	6
Manipulation du carburant	7
Manipulation du moteur	8
Manipulation de l'appareil	9
Contenu de l'emballage	13
Description	14
Avant de commencer.....	15
Assemblage	15
Préparation du carburant.....	16
Fonctionnement du moteur.....	17
Démarrage du moteur.....	17
Arrêt du moteur.....	18
Fonctionnement	19
Fonctionnement du souffleur	19
Entretien	20
Instructions d'entretien de l'appareil	20
Entretien	20
Guide de dépannage	25
Remisage de longue durée (30 jours ou plus).....	26
Caractéristiques.....	27
Déclaration de conformité.....	28

Pour utiliser l'appareil en toute sécurité



Lire attentivement cette section avant d'utiliser l'appareil pour la première fois.

○ Les mesures de précaution décrites dans cette section contiennent des informations essentielles pour la sécurité. Les suivre scrupuleusement.

○ Il est également nécessaire de prendre connaissance des mesures de précaution exposées tout au long de ce manuel. Le texte précédé d'une puce [en forme de losange] décrit les risques encourus en cas de non-respect d'une mesure de précaution.


Étiquettes et symboles d'avertissement

Les étiquettes et les symboles d'avertissement dans le manuel et sur l'appareil signalent les situations pouvant entraîner un risque de blessure de l'utilisateur et d'autres personnes. Pour des raisons de sécurité, toujours lire et suivre attentivement les instructions figurant sur ces étiquettes.

 DANGER	 AVERTISSEMENT	 ATTENTION
Ce symbole associé au mot « DANGER » signale une action ou une situation présentant un risque de blessure corporelle grave ou d'accident mortel pour l'utilisateur et les personnes à proximité.	Ce symbole associé au mot « AVERTISSEMENT » signale une action ou une situation présentant un risque de blessure corporelle grave ou d'accident mortel pour l'utilisateur et les personnes à proximité.	« ATTENTION » signale une situation potentiellement dangereuse qui, si elle n'est pas évitée, peut entraîner une blessure légère à modérée.









Autres indications

Outre les étiquettes et les symboles d'avertissement, ce manuel contient les symboles d'explication suivants :







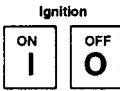


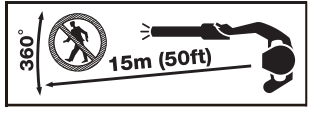

	Le cercle barré indique une interdiction.	REMARQUE	IMPORTANT
		Ce type de message fournit des conseils relatifs à l'utilisation et à l'entretien de l'appareil.	Le texte dans l'encadré où figure le mot « IMPORTANT » donne des informations importantes concernant l'utilisation, la vérification, l'entretien et le remisage de l'appareil décrit dans ce manuel.

Symboles

De nombreux symboles d'explication sont utilisés dans ce manuel et sur l'appareil lui-même. S'assurer d'avoir bien compris la signification de chacun de ces symboles.

Forme des symboles	Description/application des symboles	Forme des symboles	Description/application des symboles
	Lire attentivement le manuel d'utilisation		Mélange d'essence et d'huile
	Port obligatoire de protections pour les yeux, les oreilles et la tête		Poire de purge (pompe d'amorçage)
	Alerte/sécurité		Arrêt d'urgence
	Risque de sectionnement des doigts		Réglage du carburateur - régime de ralenti

Pour utiliser l'appareil en toute sécurité

Forme des symboles	Description/application des symboles	Forme des symboles	Description/application des symboles
	Ne pas utiliser l'appareil dans des endroits mal aérés		Commande de starter Position « Démarrage à froid » (Starter fermé)
	Attention aux risques d'incendie		Commande de starter Position « Fonctionnement » (Starter ouvert)
	Attention aux risques de choc électrique		Niveau de puissance sonore garanti
	Allumage MARCHE / ARRÊT		Attention aux températures élevées
	Démarrage du moteur		Ne laisser personne s'approcher à moins de 15 mètres
	Risque de projection d'objets		

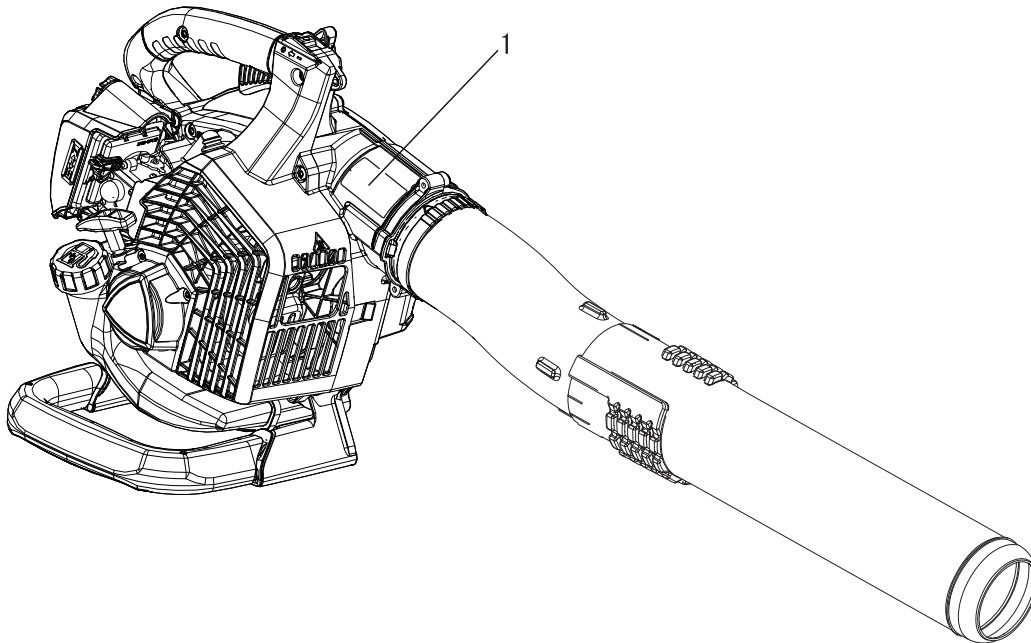
Pour utiliser l'appareil en toute sécurité

Emplacement de l'étiquette de sécurité

- L'autocollant de sécurité ci-dessous a été apposé sur l'appareil décrit dans ce manuel. S'assurer de bien comprendre la signification de l'autocollant avant d'utiliser l'appareil.
- Si l'étiquette devient illisible avec le temps ou si elle s'est décollée ou a été déchirée, contacter un REVENDEUR ECHO pour obtenir une nouvelle étiquette et la coller à l'emplacement indiqué sur les illustrations ci-dessous. Veiller à ce que l'autocollant soit toujours lisible.



1. Etiquette de sécurité (Numéro de pièce X505010760)



Pour utiliser l'appareil en toute sécurité

Manipulation du carburant

DANGER

Toujours effectuer le ravitaillement à l'écart de toute flamme

Le carburant est hautement inflammable et entraîne un risque d'incendie en cas de mauvaise manipulation. Rester extrêmement vigilant lors du mélange, du stockage ou de la manipulation du carburant. Toute erreur entraîne un risque de blessure corporelle grave. Observer scrupuleusement les règles de sécurité suivantes.

- Il est interdit de fumer lors du ravitaillement. Effectuer le ravitaillement à l'écart de toute flamme.
- Il est interdit de ravitailler l'appareil lorsque le moteur est chaud ou en marche.
- ◆ En effet, le carburant risque de s'enflammer et de provoquer un incendie, entraînant ainsi un risque de brûlure.



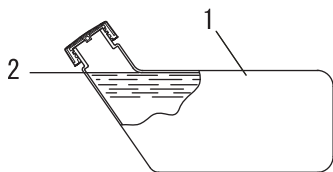
A propos du réservoir et du point de ravitaillement

- Utiliser un réservoir de carburant agréé.
- Les bidons/réservoirs de carburant peuvent être sous pression. Toujours desserrer le bouchon du réservoir de carburant de façon progressive pour permettre l'égalisation de la pression.
- **NE JAMAIS** remplir les réservoirs de carburant dans un endroit fermé. **TOUJOURS** remplir les réservoirs de carburant à l'extérieur, à même le sol.

Tout déversement de carburant entraîne un risque d'incendie

Respecter les règles de sécurité suivantes lors du ravitaillement :

- Ne pas remplir le réservoir de carburant jusqu'en haut. Remplir le réservoir jusqu'au niveau recommandé (jusqu'à l'épaulement du réservoir de carburant).
- Essuyer le carburant renversé en cas de débordement ou de trop plein du réservoir.
- Une fois le ravitaillement effectué, revisser fermement le bouchon du réservoir de carburant.
- ◆ Tout déversement de carburant, s'il s'enflamme, entraîne un risque d'incendie et de brûlure.

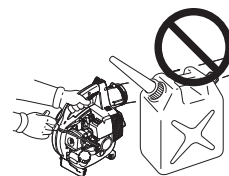


1. Réservoir de carburant
2. Epaulement

Ne pas démarrer le moteur à l'endroit où le ravitaillement a été effectué

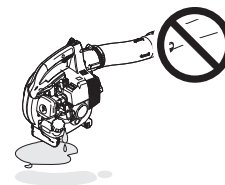
- Il ne faut pas démarrer le moteur à l'endroit où le ravitaillement a été effectué. S'éloigner d'au moins 3 mètres de l'endroit où le ravitaillement a été effectué avant de démarrer le moteur.

- ◆ Les fuites de carburant qui peuvent survenir lors du ravitaillement entraînent un risque d'incendie si le carburant s'enflamme.



Toute fuite de carburant entraîne un risque d'incendie

- Après le ravitaillement, toujours vérifier qu'il n'y a pas de fuite ou d'écoulement de carburant au niveau du tuyau de carburant, du passe-tuyau de carburant ou autour du bouchon du réservoir de carburant.
- En cas de fuite ou d'écoulement de carburant, interrompre immédiatement l'utilisation de l'appareil et contacter un **REVENDEUR ECHO** pour effectuer les réparations nécessaires.
- ◆ Toute fuite de carburant entraîne un risque d'incendie.



Pour utiliser l'appareil en toute sécurité

Manipulation du moteur

AVERTISSEMENT

Démarrage du moteur

Veiller à bien respecter les mesures de précaution suivantes lors du démarrage du moteur :

- Vérifier que tous les écrous et toutes les vis sont bien serrés.
- Vérifier qu'il n'y a pas de fuite de carburant.
- Placer l'appareil sur une surface plane et dans un endroit bien aéré.
- Établir un périmètre de sécurité autour de l'appareil et s'assurer que personne ni aucun animal ne se trouve à proximité.
- Retirer tout obstacle éventuel.
- Démarrer le moteur avec la manette d'accélérateur en position démarrage/marche.
- Maintenir fermement l'appareil au sol lors du démarrage du moteur.
- ◆ Le non-respect de ces mesures de précaution constitue un risque d'accident et de blessures graves voire mortelles.

Une fois le moteur démarré, vérifier l'absence de vibrations et de sons anormaux.

- Au démarrage du moteur, vérifier l'absence de vibrations et de sons anormaux. Ne pas utiliser l'appareil en cas de vibrations ou de sons anormaux. Prendre contact avec un REVENDEUR ECHO pour faire effectuer les réparations nécessaires.
- ◆ La chute ou la rupture accidentelle de pièces constitue un risque de blessures graves.

Ne pas toucher les composants sous haute tension ou à haute température lorsque l'appareil fonctionne.

Ne pas toucher les composants sous haute tension ou à haute température suivants lors du fonctionnement de l'appareil et pendant la phase qui suit l'arrêt de l'appareil.

- Silencieux, cylindre et autres composants à haute température
- ◆ Il existe un risque de brûlure en cas de contact avec un composant à haute température.



- Bougie d'allumage, fil de la bougie et autres composants sous haute tension
- ◆ Il existe un risque de choc électrique en cas de contact avec un composant sous haute tension pendant le fonctionnement de l'appareil.



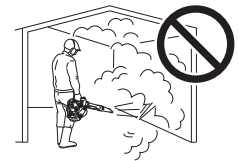
Le bon réflexe en cas d'incendie ou de fumée

- Si le moteur prend feu ou si de la fumée s'échappe de l'appareil à un autre endroit que la sortie d'échappement, la première chose à faire est de s'éloigner de l'appareil pour éviter tout risque d'accident.
- À l'aide d'une pelle, jeter du sable ou un autre matériau équivalents sur les flammes pour éviter que l'incendie ne se propage, ou éteindre les flammes avec un extincteur.
- ◆ Ne pas céder à la panique permet d'éviter que l'incendie ne se propage et donc de limiter l'étendue des dégâts.



Toxicité des fumées d'échappement

- Les fumées d'échappement du moteur contiennent des gaz toxiques. Ne pas utiliser l'appareil dans un endroit fermé, dans une serre en plastique ou dans tout autre endroit mal aéré.
- À proximité des habitations, ne pas utiliser l'appareil près d'une fenêtre ouverte. Il existe un risque que les fumées d'échappement entrent dans l'habitation.
- ◆ Il existe un risque d'intoxication due aux fumées d'échappement.



Arrêter le moteur pour la vérification et l'entretien de l'appareil

Respecter les mesures de précaution suivantes lors de la vérification et de l'entretien de l'appareil après utilisation :

- Couper le moteur et attendre qu'il refroidisse avant la vérification ou l'entretien de l'appareil.
- ◆ Il existe un risque de brûlure.
- Retirer le protecteur de bougie avant d'effectuer les opérations de vérification ou d'entretien.
- ◆ Il existe un risque d'accident en cas de démarrage intempestif de l'appareil.

Vérification de la bougie d'allumage

Respecter les mesures de précaution suivantes lors de la vérification de la bougie d'allumage.

- Si les électrodes ou les bornes sont usées ou si la céramique présente des fissures, procéder au remplacement de ces composants.
- L'essai d'étincelle (destiné à vérifier que la bougie d'allumage émet une étincelle) doit être effectué par un professionnel. Consulter un REVENDEUR ECHO.
- L'essai d'étincelle ne doit pas être effectué à proximité du trou de bougie.
- L'essai d'étincelle ne doit pas être effectué à proximité de flaques de carburant ou de gaz inflammables.
- Ne pas toucher les parties métalliques de la bougie d'allumage.
- ◆ La bougie d'allumage pourrait provoquer un incendie ou un choc électrique.



Pour utiliser l'appareil en toute sécurité

Manipulation de l'appareil Mesures de précaution générales

AVERTISSEMENT

Manuel d'utilisation

- Lire attentivement le manuel d'utilisation avant d'utiliser l'appareil pour la première fois afin d'éviter toute erreur d'utilisation.
- ◆ Le non-respect de cette mesure de précaution entraîne un risque d'accident ou de blessure grave.



Ne pas détourner l'appareil de son utilisation normale

- Utiliser l'appareil uniquement pour les tâches décrites dans ce manuel d'utilisation.
- ◆ Le non-respect de cette règle de sécurité entraîne un risque d'accident ou de blessure grave.

Ne pas modifier l'appareil

- Aucune modification ne doit être apportée à l'appareil.
- ◆ Le non-respect de cette règle de sécurité entraîne un risque d'accident ou de blessure grave. Tout dysfonctionnement dû à une modification de l'appareil n'est pas couvert par la garantie du fabricant.

Ne pas utiliser l'appareil avant d'avoir effectué les opérations de vérification et d'entretien nécessaires

- Il ne faut pas utiliser l'appareil avant d'avoir effectué les opérations de vérification et d'entretien nécessaires. Veiller à ce que l'appareil soit vérifié et entretenu régulièrement.
- ◆ Le non-respect de cette règle de sécurité entraîne un risque d'accident ou de blessure grave.

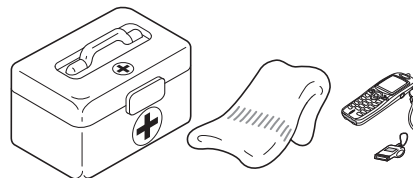
Prêt ou cession de l'appareil à un tiers

- Si l'appareil est prêté à un tiers, veiller à lui confier également le manuel d'utilisation fourni avec l'appareil.
- Si l'appareil est cédé à un tiers, transmettre le manuel d'utilisation fourni avec l'appareil lors de la vente.
- ◆ Le non-respect de cette règle de sécurité entraîne un risque d'accident ou de blessure grave.

Savoir réagir en cas de blessure

Même si les cas de blessure ou d'accident restent exceptionnels, l'utilisateur doit savoir réagir à ces situations.

- Kit de premiers secours
- Serviettes et lingettes (pour arrêter les saignements)
- Sifflet ou téléphone portable (pour appeler de l'aide)
- ◆ Si l'utilisateur n'est pas capable de prodiguer les premiers soins ou d'appeler à l'aide, la blessure peut s'aggraver.



Pour utiliser l'appareil en toute sécurité

Précautions d'utilisation

⚠ AVERTISSEMENT

Utilisateurs du produit

L'appareil ne doit pas être utilisé si :

- l'utilisateur est fatigué ;
- l'utilisateur a consommé de l'alcool ;
- l'utilisateur prend des médicaments ;
- la personne qui souhaite utiliser l'appareil est enceinte ;
- l'utilisateur est en mauvaise condition physique ;
- l'utilisateur n'a pas lu le manuel d'utilisation ;
- la personne qui souhaite utiliser l'appareil est un enfant.



- ◆ Le non-respect de ces règles de sécurité constitue un risque d'accident.
- Le système d'allumage de cet appareil produit des champs électromagnétiques lorsqu'il fonctionne. Les champs magnétiques peuvent provoquer des interférences ou des pannes sur les stimulateurs cardiaques. Pour réduire les risques pour la santé, nous recommandons aux porteurs d'un stimulateur cardiaque de consulter leur médecin et le fabricant du stimulateur avant d'utiliser cet appareil.

Environnement d'utilisation et fonctionnement de l'appareil

- Ne pas utiliser l'appareil sur une surface instable, comme un terrain en pente raide ou détremé. Ces types de terrain sont glissants et donc dangereux.
- Ne pas utiliser l'appareil la nuit ou dans des endroits mal éclairés offrant de mauvaises conditions de visibilité.
- ◆ Toute chute, glissade ou utilisation incorrecte de l'appareil constitue un risque de blessures graves pour l'utilisateur.

La zone comprise dans un rayon de 15 mètres autour de l'appareil est une zone dangereuse.

La zone comprise dans un rayon de 15 mètres autour de l'appareil est une zone dangereuse. Veiller à bien respecter les mesures de précaution suivantes lors de l'utilisation de l'appareil.

- Ne laisser personne (enfants, animaux ou autres personnes) pénétrer dans la zone dangereuse.
- Si quelqu'un pénètre dans la zone dangereuse, couper le moteur.
- Lorsqu'une personne s'approche de l'utilisateur, elle doit lui signaler sa présence en lançant des brindilles, par exemple, sans entrer dans la zone dangereuse. Elle doit ensuite vérifier que le moteur est coupé.
- Si l'appareil est utilisé par plusieurs personnes, celles-ci doivent convenir entre elles des signaux à utiliser et travailler à plus de 15 mètres les uns des autres.
- ◆ Les objets projetés peuvent blesser gravement l'utilisateur ou les personnes présentes à proximité.

Attention à ne pas se faire prendre dans la turbine

- Veiller à ne pas avoir les cheveux happés dans la turbine.
- ◆ L'aspiration créée par la turbine risque de happer la main ou des objets quelconques vers la turbine et donc d'entraîner un accident grave.

Utilisation de l'appareil

Veiller à bien respecter les mesures de précaution suivantes lors de l'utilisation de l'appareil.

- Les personnes n'ayant pas de rapport avec le travail effectué et les animaux sont interdits sur le lieu de travail.
- Ne pas diriger le tuyau de soufflage vers des personnes ou des animaux.
- Ne pas utiliser l'appareil sur une surface instable.
- Tenir la poignée fermement.
- Afin d'éviter toute nuisance sonore pour le voisinage, ne pas utiliser l'appareil tard le soir ou tôt le matin.
- ◆ Le non-respect de ces règles de sécurité constitue un risque d'accident ou de blessure.

Couper le moteur pour se déplacer

Dans les exemples de déplacement décrits ci-dessous, couper le moteur.

- Se déplacer vers le lieu de travail
- Se déplacer vers un autre endroit tout en travaillant
- Quitter le lieu de travail
- ◆ Le non-respect de ces mesures de précaution constitue un risque de brûlure ou de blessure grave.
- Pour transporter l'appareil dans une voiture, vider le réservoir de carburant, placer l'appareil en position verticale et s'assurer qu'il est bien calé pour éviter qu'il ne se déplace lors du trajet.
- ◆ Rouler en voiture avec du carburant dans le réservoir de carburant constitue un risque d'incendie.

Exposition aux vibrations et au froid

Les personnes exposées aux vibrations et au froid peuvent être victimes du phénomène de Raynaud, une affection qui touche les doigts. L'exposition à des vibrations et au froid peut provoquer une sensation de picotement et de brûlure, suivie d'une décoloration et d'un engourdissement des doigts.

Il est vivement recommandé de respecter les mesures de précaution suivantes car le seuil d'exposition minimum pouvant provoquer l'apparition de ce phénomène reste inconnu à ce jour.

- Limiter la perte de chaleur corporelle, en protégeant en priorité la tête, le cou, les pieds, les chevilles, les mains et les poignets.
- Stimuler la circulation sanguine en interrompant le travail régulièrement pour remuer énergiquement les bras, et éviter de fumer.
- Limiter le nombre d'heures d'utilisation. Essayer d'intégrer à l'emploi du temps de la journée des tâches ne nécessitant pas l'utilisation du souffleur ou d'une autre machine portable.
- En cas d'inconfort, de rougeur et de gonflement au niveau des doigts, suivis d'un blanchissement et d'une perte de sensibilité, consulter un médecin avant de s'exposer à nouveau au froid et aux vibrations.
- ◆ Le non-respect de ces instructions peut être dangereux pour la santé.

Pour utiliser l'appareil en toute sécurité

AVERTISSEMENT

Lésions attribuables au travail répétitif

Une trop grande sollicitation des muscles et des tendons des doigts, des mains, des bras et des épaules peut entraîner l'apparition d'inflammations, de gonflements, d'engourdissements, d'une sensation de faiblesse ou d'une douleur aiguë dans ces parties du corps. L'apparition de lésions attribuables au travail répétitif (LATR) est très fréquente chez les personnes pratiquant certaines activités manuelles répétitives. Pour réduire le risque d'apparition de LATR, respecter les mesures de précaution suivantes :

- Éviter de plier, d'étirer ou de tordre le poignet pendant le travail.
 - Faire des pauses régulières pour réduire l'effet répétitif et pour reposer ses mains. Effectuer le mouvement répétitif plus lentement et en faisant moins d'effort.
 - Faire des exercices de musculation des mains et des bras.
 - En cas de picotements, d'engourdissement ou de douleur dans les doigts, les mains, les poignets ou les bras, consulter un médecin. Plus les LATR sont diagnostiquées précocement, plus les chances d'empêcher les lésions nerveuses et musculaires irréversibles sont grandes.
- ◆ Le non-respect de ces instructions peut être dangereux pour la santé.

Couper immédiatement le moteur en cas d'anomalie

- Si l'appareil se met à vibrer soudainement ou émet des bruits anormaux, couper immédiatement le moteur. Ne pas utiliser l'appareil en cas de son ou vibration anormal(e). Contacter un REVENDEUR ECHO pour effectuer les réparations nécessaires.
- ◆ L'utilisation prolongée de pièces endommagées entraîne un risque d'accident ou de blessure grave.

Pour utiliser l'appareil en toute sécurité

Equipement de protection

AVERTISSEMENT

Port d'un équipement de protection

○ Toujours porter des vêtements et un équipement de protection adaptés pour utiliser le souffleur. Veiller surtout à toujours porter des lunettes de sécurité, un masque anti-poussière et un casque de protection anti-bruit pour travailler avec l'appareil.

◆ Sans cet équipement de protection, il existe un risque d'inhaler les débris ou la poussière soufflés par l'appareil. Ces corps étrangers peuvent également être projetés vers les yeux, entraînant ainsi un risque d'accident ou de blessure.

a Protection de la tête (casque) : protège la tête

b Casque de protection anti-bruit ou protecteurs d'oreilles : protègent l'ouïe

c Lunettes de sécurité : protègent les yeux

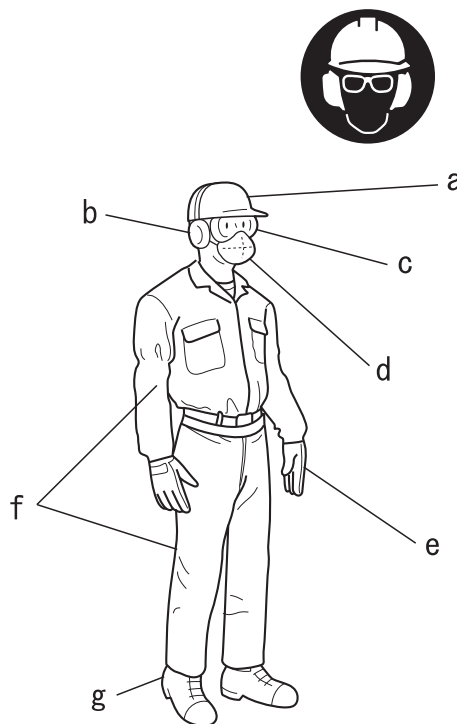
d Masque anti-poussière

e Gants de sécurité : protègent les mains contre le froid et les vibrations

f Vêtements de travail adaptés (manches longues, pantalons longs) : protègent le corps

g Bottes résistantes avec semelles anti-dérapantes (à bouts renforcés) ou chaussures de travail avec semelles anti-dérapantes (à bouts renforcés) : protègent les pieds

◆ Le non-respect de ces mesures de précaution peut entraîner une dégradation de la vue ou de l'ouïe de l'utilisateur, ainsi qu'un risque de blessure grave.



Port de vêtements adaptés

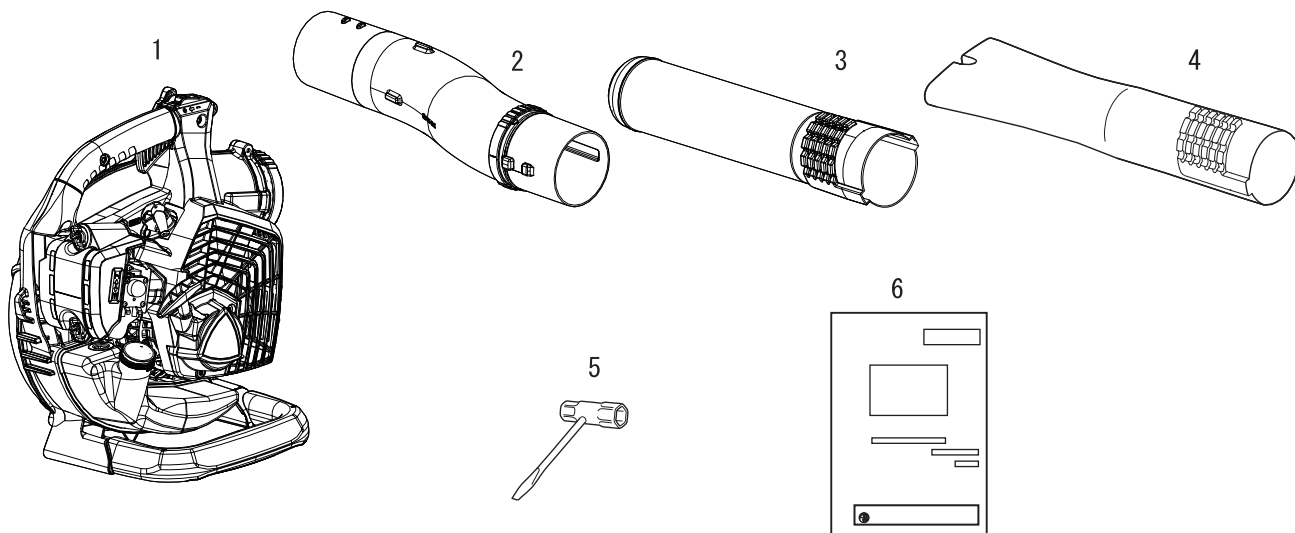
Ne pas porter de cravates, bijoux ou vêtements amples qui pourraient se prendre dans l'appareil. Ne pas porter de chaussures ouvertes, ne pas travailler pieds nus ou jambes nues. Dans certains cas, une protection complète du visage et de la tête peut être nécessaire.

◆ Le non-respect de ces mesures de précaution peut entraîner une dégradation de la vue ou de l'ouïe de l'utilisateur, ainsi qu'un risque de blessure grave.



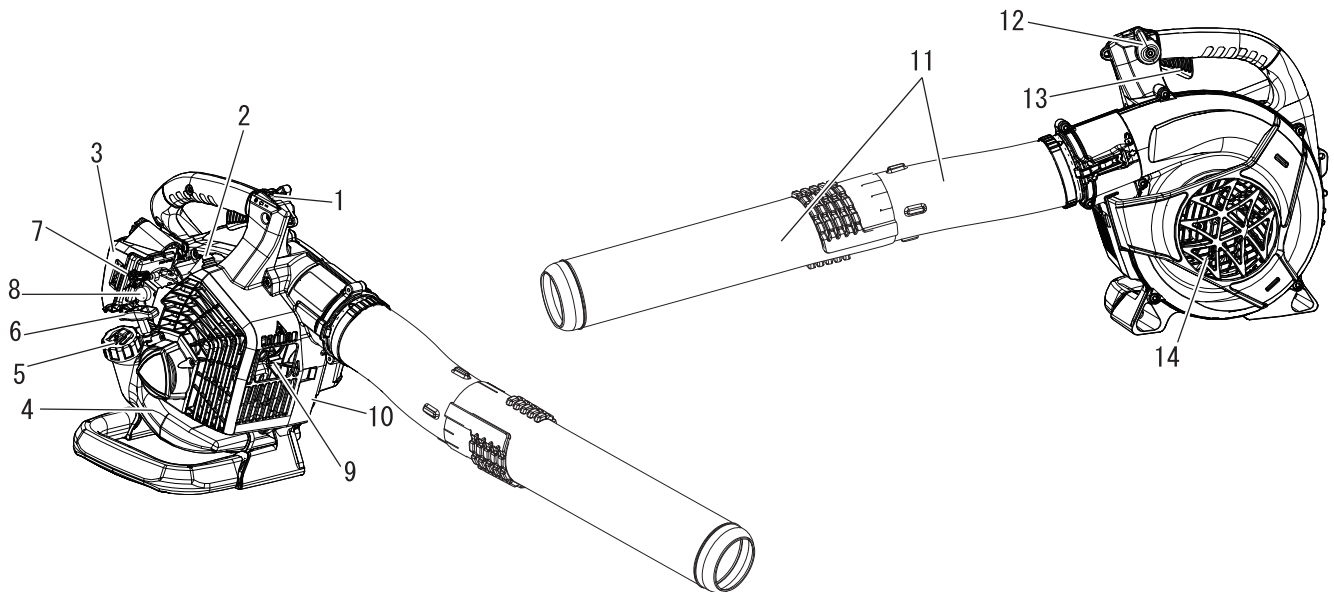
Contenu de l'emballage

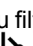
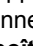
- ♦ Les pièces suivantes sont conditionnées séparément dans le carton d'emballage.
- ♦ Lors de l'ouverture du carton, passer en revue les pièces qu'il contient.
- ♦ Contacter un REVENDEUR ECHO si une pièce est manquante ou endommagée.



Numéro	Désignation	Quantité	Numéro	Désignation	Quantité
1	Tête du souffleur	1	4	Embout droit plat	1
2	Tuyau de soufflage	1	5	Clé en T	1
3	Embout droite ronde	1	6	Manuel d'utilisation	1

Description



- 1. Interrupteur d'arrêt « INTERRUPTEUR À GLISSIÈRE »** monté sur le dessus de la poignée. Pousser l'interrupteur vers l'avant pour mettre l'appareil en marche. Faire glisser l'interrupteur vers l'arrière pour arrêter l'appareil.
- 2. Bougie d'allumage** Émet une étincelle pour allumer le mélange de carburant.
- 3. Filtre à air** Contient l'élément remplaçable du filtre à air.
- 4. Réservoir de carburant** Contient le carburant et le filtre à carburant.
- 5. Bouchon du réservoir de carburant** Ferme le réservoir de carburant et assure son étanchéité.
- 6. Poignée de lanceur** Tirer doucement la poignée du lanceur jusqu'à ce que le lanceur à rappel automatique s'enclenche, puis tirer la poignée rapidement et fermement. Lorsque le moteur démarre, ramener doucement la poignée dans sa position initiale. NE PAS relâcher brutalement la poignée. Cela risquerait d'endommager l'appareil.
- 7. Starter** Le starter est situé sur le dessus du filtre à air. Déplacer la manette de starter en position  afin de fermer le starter pour un démarrage à froid. Déplacer la manette de starter en position  pour ouvrir le starter.
- 8. Pompe d'amorçage** Actionner la pompe d'amorçage avant de démarrer le moteur permet d'aspirer du carburant neuf du réservoir de carburant afin de chasser l'air présent dans le carburateur. Actionner la pompe d'amorçage jusqu'à ce que le carburant soit visible et s'écoule librement dans la conduite de retour du réservoir de carburant. Actionner la pompe d'amorçage encore 4 ou 5 fois.
- 9. Pare-étincelles - pot d'échappement catalytique/silencieux** Le silencieux ou pot catalytique régule les émissions et les bruits d'échappement. L'écran pare-étincelles empêche que des particules de carbone incandescentes soient projetées hors du silencieux. Veiller à ce qu'aucun débris inflammable ne se trouve dans la zone d'échappement.
- 10. Type et numéro de série.**
- 11. Tuyaux de soufflage** Système de verrouillage automatique exclusif.
- 12. Levier de position de l'accélérateur (dispositif de réglage de l'accélérateur)** Tirer le levier vers l'arrière pour augmenter le régime moteur. Des rondelles de friction permettent de conserver le réglage du levier d'accélérateur.
- 13. Gâchette d'accélérateur** Gâchette à ressort permettant de revenir au ralenti lorsqu'elle est relâchée. Pendant l'accélération, appuyer progressivement sur la gâchette pour un fonctionnement optimal.
- 14. Couvercle du boîtier** Couvre la lame.

Avant de commencer

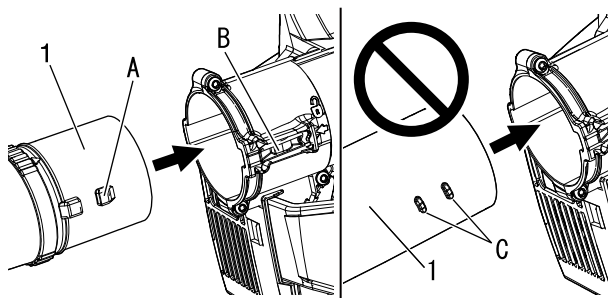
Assemblage

⚠ AVERTISSEMENT

- Lire attentivement le manuel d'utilisation pour s'assurer que l'appareil est monté correctement.
- Ne jamais effectuer d'opérations d'entretien ou de montage lorsque le moteur tourne.
- ◆ L'utilisation d'un appareil monté de façon incorrecte entraîne un risque d'accident ou de blessure grave.



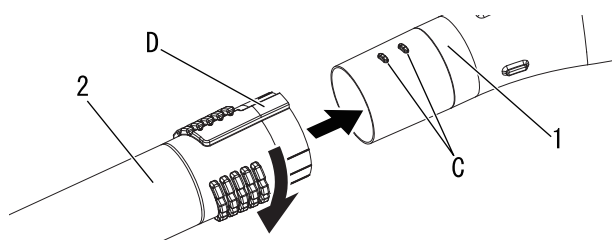
Installer les tuyaux de soufflage



1. Tuyau de soufflage

1. Mettre l'appareil debout, sur la base du souffleur.
2. Aligner les grandes nervures de blocage (A) sur le tuyau de soufflage courbé avec le verrou de tuyau (B) dans le carter de la turbine. Insérer le tuyau de soufflage courbé dans le carter de la turbine jusqu'à ce qu'un déclic se fasse entendre.

* Ne pas fixer le tuyau de soufflage courbé au carter de turbine par son autre extrémité.



1. Tuyau de soufflage

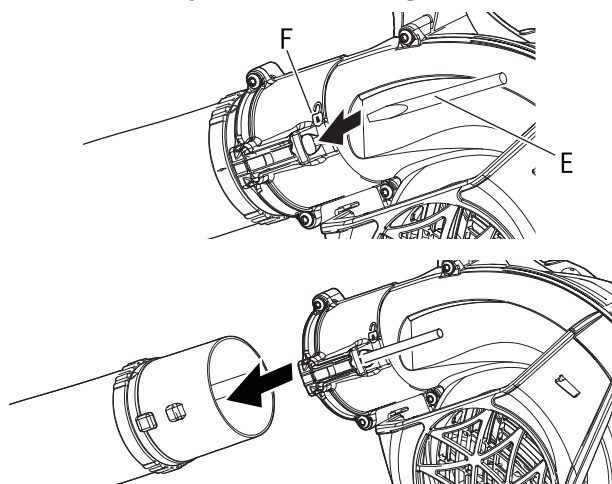
2. Embout droit rond ou embout droit plat

3. Aligner les languettes (C) avec les rainures (D) et glisser l'embout sur le tuyau de soufflage jusqu'à rencontrer une légère résistance. Ne pas forcer.
4. Tenir le tuyau de soufflage et tourner l'embout vers la droite, en engageant les canaux de verrouillage jusqu'à obtenir une connexion sûre. Ne pas forcer.

REMARQUE

Les raccords entre les tuyaux se desserrent au fil de l'utilisation du souffleur. Le système de verrouillage automatique exclusif permet de serrer les raccords entre les tuyaux. En cas de desserrage, déposer et reposer l'embout conformément aux instructions 3 et 4.

Déposer les tuyaux de soufflage



1. Insérer le tournevis (E) dans l'orifice situé près du symbole de blocage (F) pour débloquer le tuyau.

2. Retirer les tuyaux du carter du ventilateur.
3. Retirer le tournevis.

Avant de commencer

Préparation du carburant

DANGER

- Le carburant est un produit hautement inflammable. Toute manipulation incorrecte du carburant entraîne un risque d'incendie. Lire attentivement et respecter les mesures de précaution indiquées dans la section du manuel intitulée « Pour utiliser l'appareil en toute sécurité ».
- Une fois le ravitaillement effectué, visser fermement le bouchon du réservoir de carburant et vérifier qu'il n'y a pas de fuite ou d'écoulement de carburant au niveau du tuyau et du passe-tuyau de carburant, ou autour du bouchon du réservoir de carburant. En cas de fuite ou d'écoulement de carburant, interrompre immédiatement l'utilisation de l'appareil et contacter un **REVENDEUR ECHO** pour effectuer les réparations nécessaires.
- ◆ Si le carburant s'enflamme, il entraîne un risque de brûlure et d'incendie.



ATTENTION

- Il existe une différence de pression entre le réservoir de carburant et l'air extérieur. Lors du ravitaillement, dévisser légèrement le bouchon du réservoir de carburant pour égaliser la pression.
- ◆ Dans le cas contraire, le carburant risque de se déverser.

REMARQUE

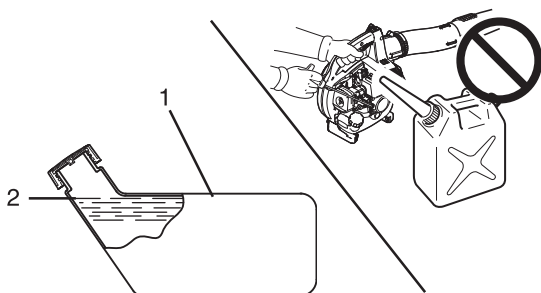
Le carburant vieillit lorsqu'il est stocké. Ne préparer qu'une quantité de carburant suffisante pour une consommation de trente (30) jours. Ne pas faire le mélange directement dans le réservoir de carburant.

Carburant



- ◆ Le carburant est un mélange d'essence ordinaire et d'une huile pour moteurs 2 temps à refroidissement par air. Il est conseillé d'utiliser de l'essence sans plomb avec un indice d'octane 89 au minimum. Ne pas utiliser de carburant contenant du méthanol ou plus de 10 % d'éthanol.
- ◆ Richesse du mélange recommandée ; 50 : 1 (2 %) selon la norme ISO-L-EGD (ISO/CD 13738), la norme JASO FC, FD et l'huile ECHO recommandée.
 - Ne jamais utiliser d'huile pour moteurs deux temps à refroidissement par eau ou moteurs de motos.
 - Ne pas faire le mélange directement dans le réservoir de carburant.
 - Éviter de renverser du carburant ou de l'huile. Toujours essuyer les projections de carburant.
 - Manipuler le carburant avec précaution : il est hautement inflammable.
 - Toujours stocker le carburant dans un récipient approprié.

Alimentation en carburant



1. Réservoir de carburant 2. Epaulement

- ◆ Remplir le réservoir à l'extérieur, sur un sol nu, et bien revisser le bouchon. Ne jamais effectuer le ravitaillement dans un endroit fermé.
- ◆ Placer l'appareil et le réservoir de ravitaillement sur le sol lors du ravitaillement. Ne jamais ravitailler l'appareil sur la plateforme de chargement d'un camion ou autre endroit du même type.
- ◆ Toujours s'assurer que le niveau de carburant ne dépasse pas l'épaulement du réservoir lors du ravitaillement.
- ◆ Il existe une différence de pression entre le réservoir de carburant et l'air extérieur. Lors du ravitaillement, dévisser légèrement le bouchon du réservoir de carburant pour égaliser la pression.
- ◆ Toujours essuyer les projections de carburant.
- ◆ S'éloigner d'au moins 3 mètres de l'endroit du ravitaillement avant de démarrer le moteur.
- ◆ Entreposer le réservoir de ravitaillement dans un endroit ombragé et loin de toute flamme.

Fonctionnement du moteur

Démarrage du moteur

⚠ AVERTISSEMENT

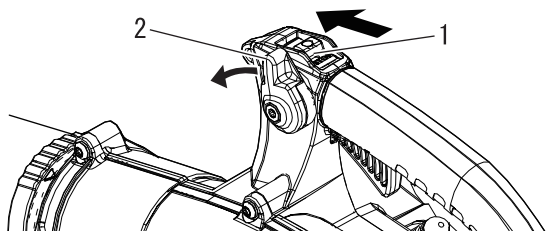
○ Lors du démarrage du moteur, respecter les mesures de précaution décrites à partir de la page 4 dans la section « Pour utiliser l'appareil en toute sécurité » pour garantir une utilisation correcte de l'appareil.

◆ Le non-respect de ces mesures de précaution entraîne un risque d'accident et de blessure grave, voire mortelle.

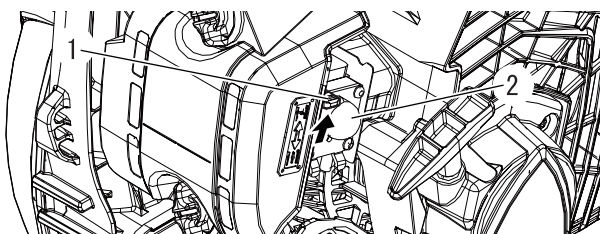
REMARQUE

- ♦ Tirer la poignée de lanceur, doucement dans un premier temps, puis plus rapidement. Ne pas tirer la corde de lanceur à plus de 2/3 de sa longueur.
- ♦ Ne pas lâcher la poignée de lanceur lorsqu'elle revient.
- ♦ Pour démarrer le moteur, remettre le bouton de starter dans sa position initiale au premier bruit d'explosion, puis tirer de nouveau la poignée de lanceur. Veiller à ne pas manquer le premier bruit d'explosion.

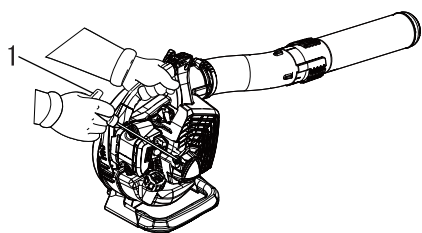
Démarrage du moteur à froid



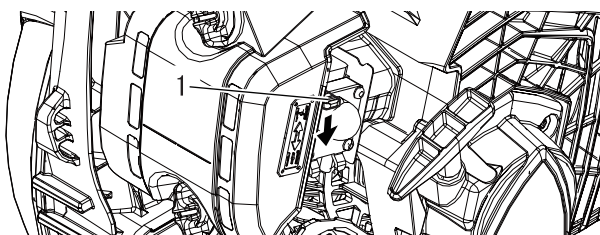
1. Interrupteur d'arrêt 2. Levier de position de l'accélérateur



1. Starter 2. Pompe d'amorçage




1. Lanceur à rappel automatique




1. Starter

- ♦ Lanceur à rappel automatique : Tirer la corde de lanceur sur de courtes distances (pas plus de 1/2-2/3 de sa longueur) pour le démarrage. Ne pas laisser la corde s'enrouler jusqu'au bout. Toujours tenir l'appareil fermement.

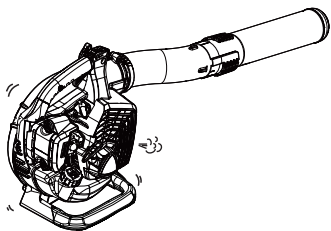
1. *Interrupteur d'arrêt*
Déplacer l'interrupteur d'arrêt à partir de la position ARRÊT.
2. *Levier de position de l'accélérateur*
Placer le levier de position de l'accélérateur à mi-chemin entre les positions ralenti et plein gaz.
3. *Starter*
Placer la manette de starter en position «  ».
4. *Pompe d'amorçage*
Actionner la pompe d'amorçage jusqu'à ce que le carburant soit visible et s'écoule librement dans la conduite de retour du réservoir de carburant.

5. *Lanceur à rappel automatique*
Placer le souffleur sur une surface plane et dégagée. Tenir fermement le souffleur de la main gauche et tirer la poignée de lanceur en douceur au début, puis tirer rapidement la poignée/corde du lanceur à rappel automatique jusqu'à ce que le moteur démarre, ou 5 fois maximum.

6. *Starter*
Placer la manette de starter en position «  » et, si nécessaire, redémarrer le moteur. Si le moteur ne démarre pas après 5 tentatives, répéter les instructions 3-6.
7. *Démarrage du moteur*
Laisser le moteur chauffer avant utilisation.

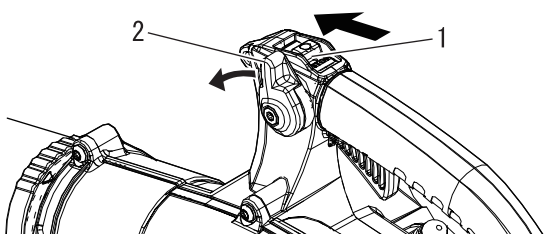
Fonctionnement du moteur

Mise en température du moteur



1. Lorsque le moteur démarre, le laisser chauffer au ralenti (c.-à-d. à bas régime) pendant 2 à 3 minutes.
2. La mise en température du moteur permet de lubrifier progressivement son mécanisme interne. Laisser le moteur chauffer jusqu'à atteindre la température adéquate, surtout par temps froid.
3. Ne jamais faire tourner le moteur sans avoir préalablement fixé les tuyaux de soufflage.

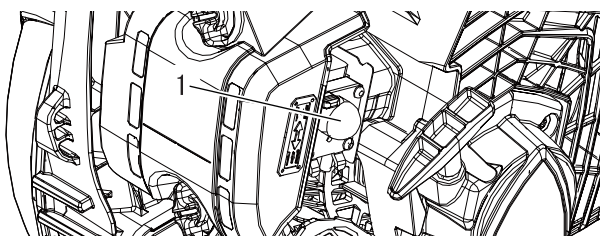
Démarrage du moteur à chaud



1. Interrupteur d'arrêt
2. Levier de position de l'accélérateur

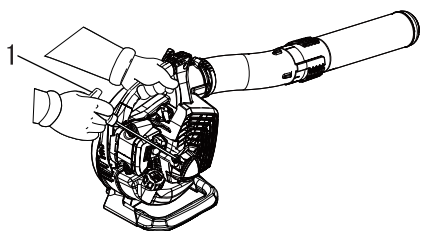
- ♦ La procédure de démarrage est identique à la procédure de Démarrage à froid, mis à part qu'il NE FAUT PAS fermer le starter.

1. *Interrupteur d'arrêt*
Déplacer l'interrupteur d'arrêt à partir de la position ARRÊT.
2. *Levier de position de l'accélérateur*
Placer le levier de position de l'accélérateur à mi-chemin entre les positions ralenti et plein gaz.



1. Pompe d'amorçage

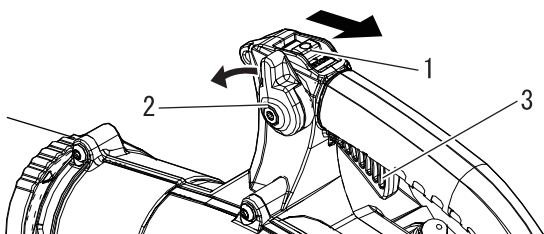
3. *Pompe d'amorçage*
Actionner la pompe d'amorçage jusqu'à ce que le carburant soit visible et s'écoule librement dans la conduite de retour du réservoir de carburant.



1. Lanceur à rappel automatique

4. *Lanceur à rappel automatique*
Placer l'unité sur une surface plane et dégagée. Tenir fermement la poignée de l'accélérateur de la main gauche et tirer doucement la poignée de lanceur au début, puis tirer rapidement la poignée/corde du lanceur à rappel automatique jusqu'à ce que le moteur démarre. Si le moteur ne démarre pas après 5 tentatives, suivre la procédure de démarrage à froid.


Arrêt du moteur



1. Interrupteur d'arrêt
2. Levier de position de l'accélérateur
3. Gâchette d'accélérateur

1. *Levier de position de l'accélérateur*
Relâcher la gâchette de l'accélérateur. Déplacer le levier de position de l'accélérateur vers l'avant en position ralenti et laisser le moteur tourner au ralenti avant de le couper.
2. Placer l'interrupteur d'arrêt en position ARRÊT.

AVERTISSEMENT

Si le moteur ne s'arrête pas alors que l'interrupteur d'arrêt est en position ARRÊT, fermer le starter (position ) pour faire caler le moteur. Contacter un revendeur ECHO pour réparer l'interrupteur d'arrêt avant d'utiliser à nouveau le souffleur.

Fonctionnement du souffleur

⚠ AVERTISSEMENT

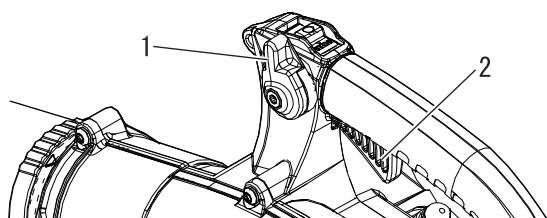
Toujours porter des lunettes de protection, un casque de protection anti-bruit, un masque anti-poussière et respecter impérativement les mesures de précaution afin d'éviter tout risque de blessure. Ne pas diriger le tuyau de soufflage vers des personnes ou des animaux.

IMPORTANT

Pour éviter d'endommager le moteur en raison d'un sursrégime, ne pas obturer l'ouverture du tuyau de soufflage.

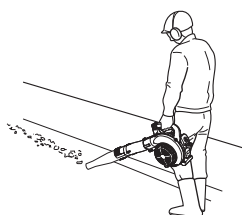
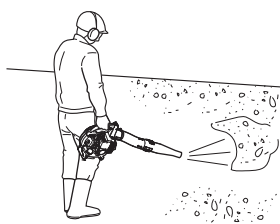
REMARQUE

Ne jamais utiliser l'appareil à un régime plus élevé que nécessaire. Rappel : plus le régime moteur est élevé, plus le souffleur est bruyant. Utiliser le souffleur à bas régimes afin de réduire le déplacement de poussière. Garder les débris sur le lieu de travail. Respecter le voisinage.



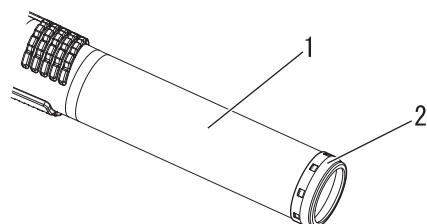
1. Levier de position de l'accélérateur

2. Gâchette d'accélérateur



♦ Lire attentivement le chapitre Sécurité.

1. Utiliser l'appareil uniquement aux heures appropriées.
2. Laisser le moteur chauffer pendant quelques minutes.
3. Contrôler le régime moteur à l'aide de la gâchette d'accélérateur, ou pour une utilisation en continu, régler le régime moteur à l'aide du levier de position de l'accélérateur. Déplacer le levier de position de l'accélérateur vers l'avant pour réduire le régime, et vers l'arrière pour augmenter le régime.
4. Régler le régime moteur à l'aide du levier de position de l'accélérateur.
5. Utiliser l'appareil à bas régime pour souffler les herbes et les feuilles présentes dans les allées, les cours intérieures et les passages.
6. Pour souffler les feuilles présentes sur une pelouse ou un parterre de fleurs, il peut s'avérer nécessaire d'utiliser l'appareil à un régime supérieur.
7. Pour souffler du gravier, de la poussière, de la neige, des canettes ou des bouteilles vides présentes dans une allée, une rue, un parking ou un stade, il peut s'avérer nécessaire d'utiliser l'appareil à un régime encore supérieur.
8. Pour les travaux près d'une habitation, ne pas souffler d'air vers des fenêtres ouvertes. Des débris pourraient être soufflés dans ces fenêtres.
9. Utiliser le tuyau de rallonge le plus long permet de veiller à ce que le flux d'air atteigne le sol de manière plus efficace.
10. Ameubler ou réduire les débris en morceaux à l'aide d'un râteau afin d'en faciliter le déplacement.
11. Humidifier les zones poussiéreuses avant de déplacer les débris, de manière à réduire la poussière en suspension dans l'air.
12. Toujours arrêter l'appareil en respectant la procédure d'arrêt du moteur.



1. Tuyau droit

2. Anneau de protection en métal

⚠ ATTENTION

Une extrémité de tuyau droit touchant des surfaces abrasives peut créer un bord tranchant et entraîner des blessures en cas de contact. Ne pas érafler ou traîner une extrémité de tuyau lors de l'utilisation ou du transport de l'appareil. Remplacer l'ensemble de tuyau droit si l'anneau de protection en métal est usé, fendillé ou déformé.

Instructions d'entretien de l'appareil

Pièce	Entretien	Page	Avant utilisation	Tous les mois
Filtre à air	Contrôler / nettoyer / remplacer	20	•	
Filtre à carburant	Contrôler / remplacer	21	•	
Bougie d'allumage	Contrôler / nettoyer / régler / remplacer	24		•
Carburateur	Contrôler	22		•
Circuit de refroidissement	Contrôler / nettoyer	22	•	
Système d'échappement	Contrôler / serrer / nettoyer	23	•	
Lanceur	Contrôler	-	•	
Circuit d'alimentation	Contrôler	-	•	
Vis, boulons et écrous	Contrôler / serrer / remplacer	-	•	

IMPORTANT

Les intervalles indiqués sont un maximum. La fréquence des opérations d'entretien varie en fonction de l'utilisation réelle de l'appareil et de l'expérience de l'utilisateur.

Entretien

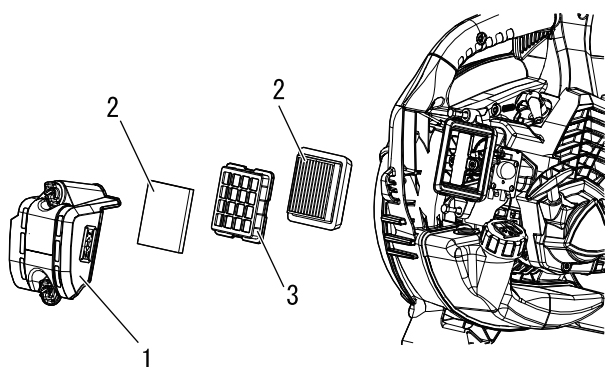
En cas de questions ou de problèmes, contacter un REVENDEUR ECHO.

Nettoyage du filtre à air

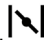


Outils nécessaires : pinceau de nettoyage de 25-50 mm (1-2 in.)

Pièces nécessaires : Filtre à air

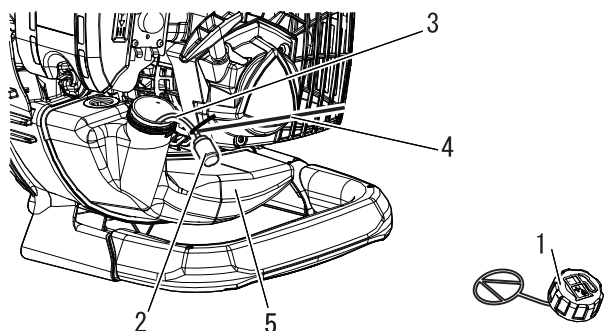
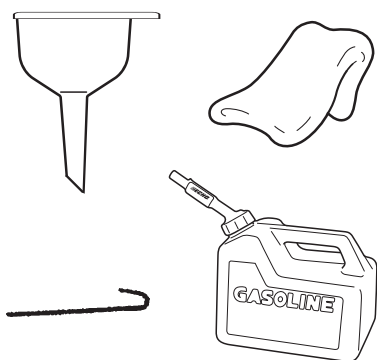


1. Couvercle du filtre à air
 2. Filtre à air
 3. Plaque de l'élément filtrant

- Placer la manette de starter en position «  ». Cela permet d'empêcher la pénétration d'impuretés dans l'étranglement du carburateur lors de la dépose du filtre à air. Brossez la zone autour du filtre à air pour éliminer les impuretés accumulées.
- Déposer le couvercle du filtre à air. Brossez l'intérieur du couvercle pour éliminer les impuretés accumulées.
- Retirer le filtre à air et la plaque de l'élément filtrant puis les brossez légèrement pour en éliminer les débris. Remplacez le filtre s'il est endommagé, contaminé par du carburant, extrêmement encrassé ou si les bords du joint en caoutchouc sont déformés.
- Si le filtre peut être réutilisé, s'assurer qu'il :
 - ◆ S'emboîte parfaitement dans le logement du filtre à air.
 - ◆ Est installé avec le côté d'origine vers l'extérieur.
- Poser le couvercle du filtre à air.

Entretien

Remplacement du filtre à carburant



1. Bouchon du réservoir de carburant
2. Filtre à carburant
3. Tuyau d'alimentation de carburant
4. Crochet du tuyau d'alimentation
5. Réservoir de carburant

Outils nécessaires : câble de 200-250 mm (8-10 in.) de longueur avec une extrémité repliée pour former un crochet, chiffon propre, entonnoir et récipient de carburant approprié
Pièces nécessaires : tuyau d'alimentation et filtre à carburant

DANGER

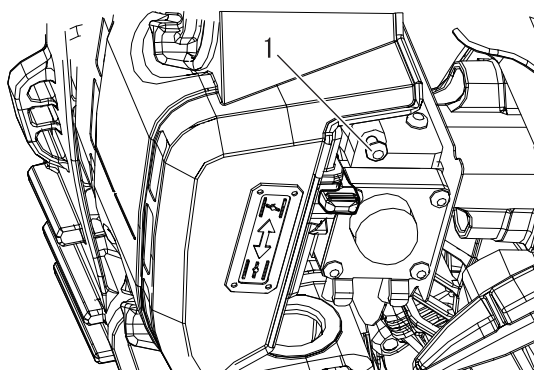
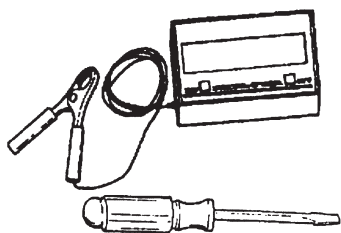
Le carburant est **EXTREMEMENT** inflammable. Rester extrêmement vigilant lors du mélange, du stockage ou de la manipulation du carburant.

REMARQUE

Si le filtre est extrêmement encrassé ou n'est plus correctement ajusté, il faut le remplacer.

1. A l'aide d'un chiffon propre, éliminer les impuretés présentes autour du bouchon du réservoir de carburant et vider le réservoir.
2. Utiliser le « crochet du tuyau d'alimentation » pour tirer le tuyau d'alimentation et le filtre hors du réservoir.
3. Déposer le filtre du tuyau et poser le filtre neuf.

Réglage du carburateur



1. Vis

ATTENTION

En cas de problème avec le carburateur, s'adresser à un **REVENDEUR ECHO**.

Outils nécessaires : tournevis, tachymètre
Pièces nécessaires : néant

REMARQUE

Chaque appareil est testé en usine et le carburateur est réglé en conformité avec la réglementation sur les émissions. Le carburateur n'est pas doté d'aiguilles de réglage d'accélération ou de régime élevé.

Avant le réglage

Vérifier que :

- Le filtre à air est propre et installé correctement.
- L'écran pare-étincelles ne contient pas de calamine.
- Les tuyaux de soufflage sont installés.

- Démarrer le moteur et le laisser tourner au ralenti pendant une minute.
- Terminer la phase de mise en température du moteur en le faisant tourner à plein gaz pendant 5 minutes, en actionnant deux fois le starter afin de purger l'air présent dans les chambres du carburateur.
- Contrôler le régime de ralenti et le régler si nécessaire. À l'aide d'un tachymètre, régler la vis de régime de ralenti conformément aux spécifications données à la page 27 «Caractéristiques» de ce manuel. Tourner la vis de ralenti dans le sens des aiguilles d'une montre pour augmenter le régime de ralenti, et dans le sens inverse des aiguilles d'une montre pour le réduire.

Entretien du système de refroidissement

IMPORTANT

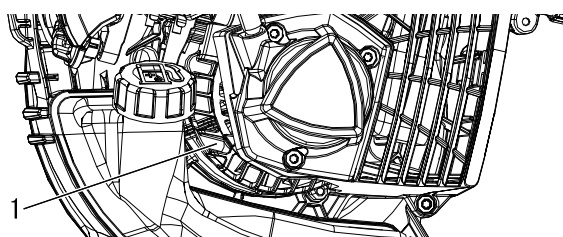
Pour maintenir la température de fonctionnement correcte du moteur, l'air de refroidissement doit circuler librement à travers la zone des ailettes du cylindre. Ce flux d'air évacue la chaleur de combustion du moteur. Un risque de surchauffe et de grippage du moteur existe si :

- ♦ L'admission d'air est bloquée, empêchant l'air de refroidissement d'atteindre le cylindre,
- ou
- ♦ De la poussière et de l'herbe s'accumulent à l'extérieur du cylindre. Cette accumulation isole le moteur et empêche la chaleur de s'évacuer.

Les opérations de déblocage des canaux de refroidissement ou de nettoyage des ailettes de cylindre sont considérées comme des « Opérations d'entretien normales ». Toute panne due à un mauvais entretien de l'appareil n'est pas couverte par la garantie.

Outils nécessaires : brosse de nettoyage, air comprimé
Pièces nécessaires : néant

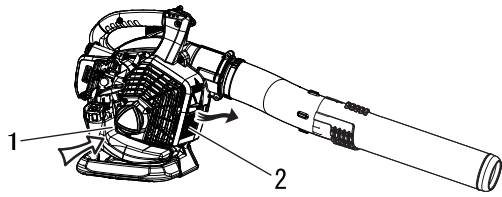
Nettoyage de la grille



1. Grille d'admission

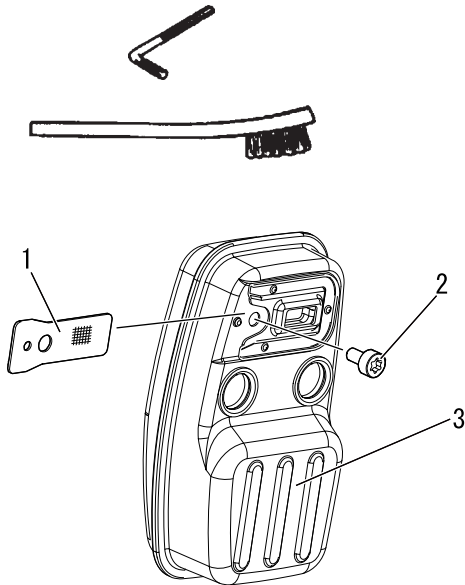
- Avec une brosse, retirer les débris accumulés sur la grille d'admission du carter de moteur au-dessus du réservoir de carburant.

Entretien



1. Grille d'admission 2. Grille de refoulement

Système d'échappement



1. Écran pare-étincelles 2. Boulon
3. Silencieux

Nettoyage des ailettes de cylindre

1. Souffler de l'air comprimé à travers la grille d'admission du carter moteur et la grille de refoulement.

Écran pare-étincelles

Outils nécessaires : clé coudée Torx T27, pinceau de nettoyage

Pièces nécessaires : écran pare-étincelles

IMPORTANT

Les dépôts de calamine présents dans le silencieux entraînent une perte de puissance et la surchauffe du moteur. L'écran pare-étincelles doit être contrôlé régulièrement.

1. Déposer le boulon.
2. Déposer l'écran pare-étincelles du silencieux. Si l'écran est obturé par des dépôts de calamine, le remplacer.
3. Poser l'écran pare-étincelles.
4. Serrer fermement le boulon et les vis.

REMARQUE

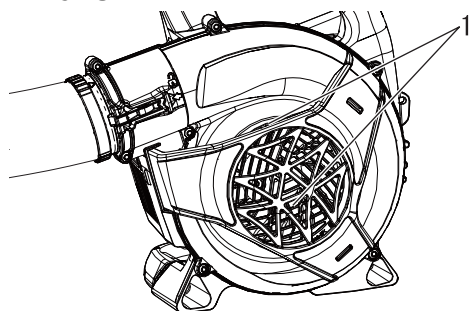
Veiller à ne pas endommager l'élément catalytique à l'intérieur du silencieux d'échappement lors de l'élimination des dépôts de calamine.

Orifice d'échappement du cylindre

IMPORTANT

L'orifice d'échappement du cylindre doit être contrôlé et les résidus de calamine doivent être éliminés tous les 3 mois ou toutes les 90 heures de fonctionnement afin de maintenir le moteur en-deçà des limites d'émissions autorisées. ECHO recommande vivement de confier l'appareil à un revendeur ECHO pour cette opération d'entretien essentielle.

Nettoyage du couvercle du boîtier



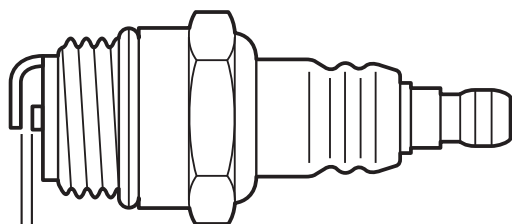
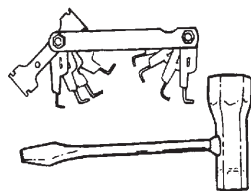
1. Couvercle du boîtier

Éliminer les poussières et autres déchets, y compris les feuilles mortes obstruant le couvercle du boîtier.

IMPORTANT

Ne pas déposer le couvercle du boîtier. Si nécessaire, consulter votre concessionnaire.

Vérification de la bougie d'allumage



a : 0,6 - 0,7 mm

Outils nécessaires : Clé en T, jauge d'épaisseur
Pièces nécessaires : Bougie d'allumage

IMPORTANT

Utiliser uniquement une bougie d'allumage NGK BPMR8Y sous peine d'endommager gravement le moteur.

1. Vérifier l'écartement des bougies. L'écartement correct est compris entre 0,6 mm et 0,7 mm.
2. Vérifier si l'électrode est usée.
3. Vérifier s'il y a de l'huile ou d'autres dépôts sur l'isolant.
4. Remplacer la bougie si nécessaire et la serrer à 15 N•m - 17 N•m (150 kgf cm - 170 kgf cm).

Entretien

Guide de dépannage

Problème	Diagnostic	Cause	Solution
Le moteur démarre difficilement, tourne de manière irrégulière ou	Aucun carburant ne pénètre dans le tuyau de trop plein	Le filtre à carburant est colmaté Le circuit d'alimentation est colmaté Blocage de pièces internes du carburateur	Nettoyer ou remplacer Nettoyer Consulter un REVENDEUR ECHO
	Le carburant pénètre dans le tuyau de trop plein	Dégradation du carburant Problème de carburateur	Remplacer le carburant Consulter un REVENDEUR ECHO
Le moteur ne démarre pas	Le vilebrequin ne tourne pas	Dysfonctionnement interne du moteur	Consulter un REVENDEUR ECHO
	La bougie d'allumage est encrassée ou humide	Dégradation du carburant Ecartement incorrect des électrodes Dépôts de calamine Dysfonctionnement électrique	Remplacer le carburant Régler ou remplacer Nettoyer ou remplacer Consulter un REVENDEUR ECHO
Le moteur démarre mais impossible d'accélérer		Filtre à air encrassé Filtre à carburant encrassé Passage de carburant obstrué Problème de réglage du carburateur Problème de bougie d'allumage Blocage de la sortie d'échappement ou de l'échappement de silencieux Ecran pare-étincelles obstrué ou normalement usé	Nettoyer ou remplacer Nettoyer ou remplacer Consulter un REVENDEUR ECHO Consulter un REVENDEUR ECHO Nettoyer, régler ou remplacer Nettoyer Nettoyer ou remplacer

- ♦ La vérification et l'entretien de l'appareil nécessitent des connaissances spécialisées. Si l'utilisateur ne possède pas les compétences requises pour effectuer les opérations de vérification et d'entretien de l'appareil ou pour remédier à un dysfonctionnement, il doit consulter un REVENDEUR ECHO. Ne pas essayer de démonter l'appareil.
- ♦ En cas de problème autre que ceux décrits dans le tableau ci-dessus, consulter un REVENDEUR ECHO.
- ♦ En ce qui concerne les pièces de rechange et les consommables, utiliser uniquement des pièces d'origine et les produits et les composants recommandés. L'utilisation de pièces d'autres marques ou de composants inappropriés peut entraîner un dysfonctionnement de l'appareil.

Remisage de longue durée (30 jours ou plus)

⚠ AVERTISSEMENT

Au cours de l'utilisation, le silencieux, le pot catalytique et le couvercle chauffent. Toujours s'assurer qu'aucun débris inflammable ne se trouve dans la zone de l'échappement pour le transport ou le remisage de l'appareil car il existe un risque de dégâts matériels ou de blessure corporelle.

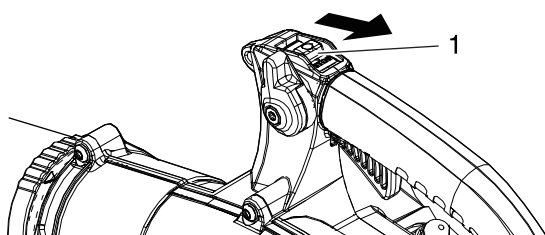


Ne pas remiser l'appareil pendant une période prolongée (30 jours ou plus) sans avoir préalablement effectué les opérations d'entretien préventives spécifiques au remisage, qui comprennent les mesures suivantes :

1. Remiser l'appareil dans un endroit sec, non poussiéreux et hors de portée des enfants.

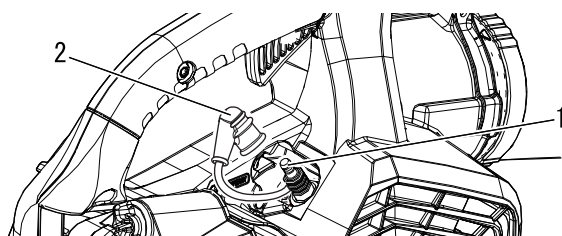
⚠ AVERTISSEMENT

Ne pas remiser l'appareil dans un endroit où les vapeurs de carburant risquent de s'accumuler ou d'entrer en contact avec une flamme ou une étincelle.



1. Interrupteur d'arrêt

2. Placer l'interrupteur d'arrêt en position « ARRÊT ».
3. Eliminer la graisse, l'huile, les impuretés et les débris accumulés à l'extérieur de l'appareil.
4. Effectuer régulièrement toutes les opérations de lubrification et d'entretien nécessaires.
5. Serrer tous les écrous et vis.
6. Vidanger complètement le réservoir de carburant à l'extérieur sur un terrain nu et tirer plusieurs fois la poignée du lanceur à rappel afin de vidanger le carburant présent dans le carburateur. Ne jamais vidanger le carburant dans un endroit fermé.
7. Retirer la bougie d'allumage et verser dans le cylindre 10mL d'huile ECHO propre pour moteur à 2 temps, via le trou de bougie.
 - A. Placer un chiffon propre sur le trou de bougie.
 - B. Tirer 2 à 3 fois la poignée du lanceur à rappel automatique pour répartir l'huile dans le moteur.
 - C. Observer l'emplacement du piston à travers le trou de bougie. Tirer doucement la poignée du lanceur à rappel automatique jusqu'à ce que le piston atteigne le sommet de sa course et le laisser dans cette position.
8. Installer la bougie d'allumage. (Ne pas connecter le protecteur de bougie.)
9. Enlever l'ensemble des tuyaux de soufflage de l'appareil.



1. Bougie d'allumage

2. Protecteur de bougie

Contactez un REVENDEUR ECHO pour la mise au rebut de l'appareil ou de ses composants conformément à la législation nationale en vigueur.

Caractéristiques

		PB-2620
Masse (à sec, avec tuyaux de soufflage) :	kg	4,4
Dimensions externes (sans tuyaux de soufflage) :		
Longueur	mm	324
Largeur	mm	282
Hauteur	mm	355
Moteur :		
Type		Moteur essence monocylindre 2 temps à refroidissement par air
Cylindrée	cm ³	25,4
Puissance maximale	kW	0,9
Régime moteur à puissance maximale	tr/min	7500
Régime moteur recommandé à pleine charge	tr/min	7500
Régime moteur recommandé au ralenti	tr/min	3000
Carburateur		Type à membrane
Allumage		Volant magnétique - système CDI
Bougie d'allumage		NGK BPMR8Y
Lanceur		Lanceur à rappel
Volume d'air : (ANSI/OPEI B175.2)	m ³ /h	774 (embout droit rond)
	m ³ /h	726 (embout droit plat)
Vitesse maximale de l'air : (ANSI/OPEI B175.2)	m/s	76,7 (embout droit rond)
	m/s	80,5 (embout droit plat)
Carburant :		
Huile		Essence ordinaire. Il est conseillé d'utiliser de l'essence sans plomb avec un indice d'octane 89 au minimum. Ne pas utiliser de carburant contenant du méthanol ou plus de 10 % d'éthanol. Huile pour moteur 2 temps à refroidissement par air. Norme ISO-L-EGD (ISO/CD 13738), norme JASO FC, FD et huile ECHO recommandée.
Mélange		50 : 1 (2 %)
Capacité du réservoir (plein) :	ml	600
Niveau de pression sonore : (EN15503) L_{pAeq}	dB(A)	93,5 (embout droit rond)
	dB(A)	93,4 (embout droit plat)
incertitude K_{pA}		2,5
Niveau de puissance sonore : (EN15503) L_{wARa}	dB(A)	104,9 (embout droit rond)
	dB(A)	104,6 (embout droit plat)
incertitude K_{wA}		2,5
Vibrations : (EN15503) $a_{hv,eq}$	m/s ²	6,6 (embout droit rond)
	m/s ²	7,1 (embout droit plat)
incertitude K		5,0

Ces caractéristiques sont susceptibles d'être modifiées sans préavis.

Déclaration de conformité

Le fabricant soussigné :

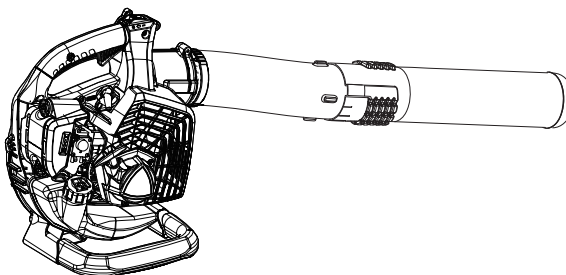
YAMABIKO CORPORATION
7-2 SUEHIROCHO 1-CHOME
OHME ; TOKYO 198-8760
JAPON

Cette déclaration de conformité est délivrée sous la seule responsabilité du fabricant.

Déclare que l'appareil neuf désigné ci-après :

SOUFFLEUR

Marque : ECHO
Type : PB-2620



Assemblé par :

ECHO, INCORPORATED
400 Oakwood Road
Lake Zurich, Illinois 60047-1564
États-Unis

Est conforme :

- * aux spécifications de la directive **2006/42/CE** (utilisation de la norme harmonisée **EN 15503: 2009+A2: 2015**)
- * aux spécifications de la directive **2011/65/UE** (utilisation de la norme harmonisée **EN 50581: 2012**)
- * aux spécifications de la directive **2014/30/UE** (utilisation de la norme harmonisée **EN ISO 14982: 2009**)
- * aux spécifications de la directive **2000/14/CE**

Procédure d'évaluation de la conformité suivant l'**ANNEXE V**

Niveau de puissance sonore mesuré : **105 dB(A)**

Niveau de puissance sonore garanti : **108 dB(A)**

Numéro de série 38001001 à 38100000

Tokyo, le 5er Décembre 2018

YAMABIKO CORPORATION

Masayuki Kimura

Masayuki Kimura

Directeur général
Service Assurance qualité

Représentant autorisé en Europe, autorisé à constituer le dossier technique.

Société : CERTIFICATION EXPERTS B.V.

Adresse : P.O. box 5047, Merwedeweg 2, 3621 LR Breukelen, Pays-Bas

M. Richard Glaser

Importateur pour la France

Société : P.P.K.

Adresse : Z.I. du Chemin Vert 10/16 rue de l'Angoumois
BP 8002 - 95811 ARGENTEUIL CEDEX, France

NOTES

YAMABIKO CORPORATION

7-2 SUEHIROCHO 1-CHOME, OHME, TOKYO 198-8760, JAPON

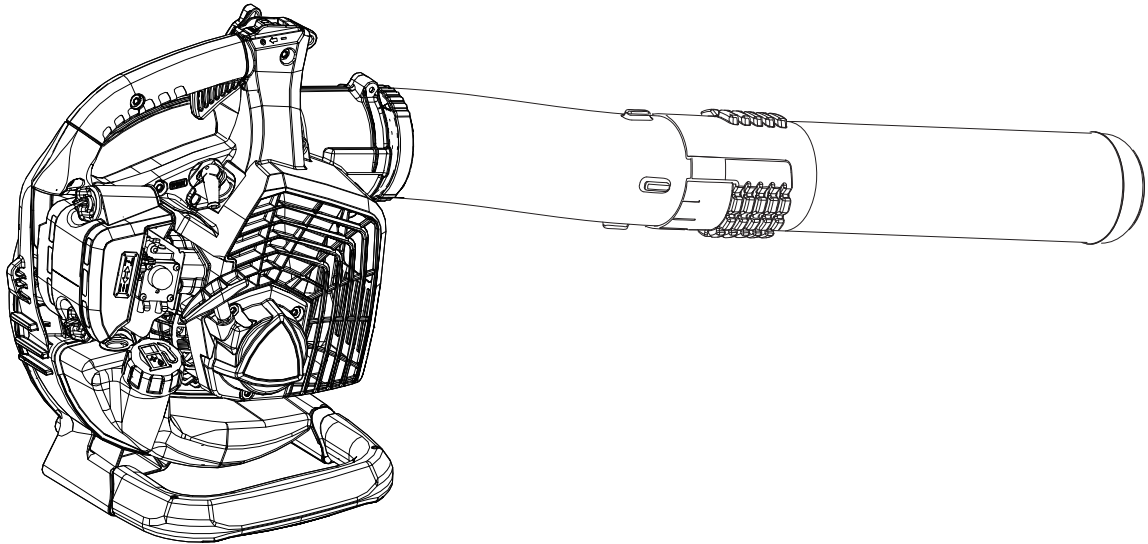
TÉLÉPHONE : 81-428-32-6118. FAX : 81-428-32-6145.



X750119-1000



DE DEUTSCH
(Original-Anleitung)



BEDIENUNGSANLEITUNG

LAUBBLÄSER

PB-2620

WARNUNG



LESEN SIE DIE BEDIENUNGSANLEITUNG SORGFÄLTIG DURCH, UND BEFOLGEN SIE DIE SICHERHEITSREGELN. ANDERNFALLS BESTEHT DAS RISIKO SCHWERER VERLETZUNGEN.



Wichtige Informationen

Lesen Sie unbedingt die Bedienungsanleitung, bevor Sie das Produkt verwenden.

○ Beabsichtigter Zweck dieses Produkts

- ♦ ECHO Laubbläser sind darauf ausgelegt, verschiedene Arten Schmutz und Laub zusammenzublasen.
- ♦ Verwenden Sie das Gerät nur für den oben angegebenen Zweck.

○ Benutzer des Geräts

- ♦ Verwenden Sie dieses Produkt erst, nachdem Sie die Bedienungsanleitung sorgfältig gelesen und den Inhalt genau verstanden haben.
- ♦ Das Produkt darf von keiner Person verwendet werden, die die Bedienungsanleitung nicht gelesen hat, an Erkältung, Müdigkeit oder einer anderen körperlichen Schwäche leidet. Das Produkt darf nicht von Kindern verwendet werden.
- ♦ Seien Sie sich bewusst, dass der Benutzer für Unfälle bzw. Gefährdungen anderer Personen oder deren Eigentum verantwortlich ist.

○ Allgemeines zu dieser Bedienungsanleitung

- ♦ Diese Bedienungsanleitung enthält wichtige Informationen über Montage, Bedienung und Instandhaltung Ihres Produkts. Bitte lesen Sie sie sorgfältig durch, und machen Sie sich mit dem Inhalt vertraut.
- ♦ Bewahren Sie die Anleitung stets an einem schnell zugänglichen Ort auf.
- ♦ Sollte die Anleitung verloren gehen oder aufgrund von Beschädigungen nicht mehr lesbar sein, besorgen Sie sich bitte eine neue Anleitung von Ihrem ECHO-Händler.
- ♦ Die in dieser Anleitung verwendeten Einheiten sind SI-Einheiten (Système International d'unités; Internationales Einheitensystem). Zahlenangaben in Klammern sind Referenzwerte, bei denen mitunter geringe Umrechnungsfehler vorliegen können.

○ Verleihen oder Übereignen des Produkts

- ♦ Wenn Sie das in dieser Anleitung beschriebene Produkt verleihen, muss die Person, die das Produkt ausleiht und verwendet, auch die zugehörige Bedienungsanleitung erhalten. Wenn Sie das Produkt einer anderen Person übereignen, muss die Bedienungsanleitung zusammen mit dem Produkt ausgehändigt werden.

○ Anfragen

- ♦ Bei Fragen bezüglich Informationen zum Produkt, Erwerb von Verbrauchsmaterial, zu Reparaturen u. Ä. wenden Sie sich bitte an Ihren ECHO-Händler.

○ Anmerkungen

- ♦ Um Weiterentwicklungen des Produkts Rechnung zu tragen, bleiben dem Hersteller Änderungen am Inhalt dieser Anleitung vorbehalten. Einige Abbildungen in dieser Anleitung können vom Produkt abweichen, um Sachverhalte klarer darzustellen.
- ♦ Vor Inbetriebnahme des Produkts müssen einige Teile montiert werden.
- ♦ Bei Unklarheiten oder Problemen wenden Sie sich bitte an Ihren ECHO-Händler.

Hersteller

YAMABIKO CORPORATION

7-2 SUEHIROCHO 1-CHOME, OHME, TOKIO 198-8760, JAPAN

Autorisierte Vertretung in Europa

CERTIFICATION EXPERTS B.V.

P.O. box 5047, Merwedeweg 2, 3621 LR Breukelen, Niederlande

Sichere Verwendung des Produkts	4
Warnhinweise	4
Sonstige Kennzeichnungen	4
Symbole.....	4
Stelle, an der sich der Sicherheitsaufkleber befindet.....	6
Umgang mit Kraftstoff	7
Umgang mit dem Motor	8
Umgang mit dem Produkt.....	9
Packliste	13
Beschreibung.....	14
Bevor Sie beginnen	15
Zusammenbau.....	15
Bereitstellen des Kraftstoffs	16
Bedienung des Motors.....	17
Starten des Motors	17
Stoppen des Motors	18
Betrieb	19
Betrieb des Bläasers.....	19
Wartung und Pflege	20
Wartungsrichtlinien	20
Wartung und Pflege.....	20
Fehlerbehebung	25
Langfristige Lagerung (30 Tage und länger)	26
Technische Daten	27
Konformitätserklärung.....	28

Sichere Verwendung des Produkts

Lesen Sie diesen Abschnitt unbedingt durch, bevor Sie das Produkt verwenden.




○ Er enthält wichtige Informationen zum Thema Sicherheit. Befolgen Sie die Anweisungen sorgfältig.

○ Lesen Sie außerdem die Sicherheitshinweise im Hauptteil dieser Bedienungsanleitung.

In Textabschnitten, die mit einem [diamond mark]-Symbol beginnen, werden die möglichen Folgen einer Nichtbeachtung von Sicherheitshinweisen beschrieben.


Warnhinweise

Auf Situationen, in denen eine Verletzungsgefahr für den Bediener und andere Personen besteht, wird in dieser Anleitung und auf dem Produkt selbst durch die nachstehenden Warnhinweise aufmerksam gemacht. Lesen Sie diese Warnhinweise genau durch, und befolgen Sie sie, um sicheres Arbeiten zu gewährleisten.

 GEFAHR	 WARNUNG	 VORSICHT
Dieses Symbol in Verbindung mit dem Wort „ GEFAHR “ macht auf Handlungen oder Bedingungen aufmerksam, die zu schweren Verletzungen oder zum Tod von Bediener und umstehenden Personen führen.	Dieses Symbol in Verbindung mit dem Wort „ WARNUNG “ macht auf Handlungen oder Bedingungen aufmerksam, die zu schweren Verletzungen oder zum Tod von Bediener und umstehenden Personen führen können.	„ VORSICHT “ warnt vor einer Gefahrensituation, in der es zu leichten bis mäßigen Verletzungen kommen kann.








Sonstige Kennzeichnungen

Zusätzlich zu den Warnhinweisen werden in dieser Anleitung folgende erklärende Symbole verwendet:


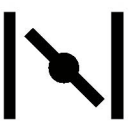

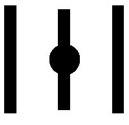


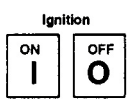




	Kreis mit umgekehrtem Schrägstrich bedeutet, dass das Dargestellte unzulässig ist.	HINWEIS	Hinweise dieser Art enthalten Tipps zur Verwendung, Pflege und Wartung des Produkts.	WICHTIG	Umrahmter Text mit der Überschrift „ WICHTIG “ enthält wichtige Informationen zur Verwendung, Überprüfung, Wartung und Lagerung des in dieser Anleitung beschriebenen Produkts.
---	--	----------------	--	----------------	--

Symbole

In dieser Anleitung und auf dem Produkt selbst werden verschiedene erklärende Symbole verwendet. Wichtig ist, dass Sie die Bedeutung der einzelnen Symbole genau verstehen.

Symbol	Beschreibung des Symbols	Symbol	Beschreibung des Symbols
	Lesen Sie die Bedienungsanleitung sorgfältig durch		Benzin- und Ölgemisch
	Augen-, Gehör- und Kopfschutz tragen		Kraftstoffpumpe (Einspritzpumpe)
	Sicherheit / Achtung		Not-Aus
	Abgetrennte Finger	T	Justieren des Vergasers - Leerlaufdrehzahl

Sichere Verwendung des Produkts

Symbol	Beschreibung des Symbols	Symbol	Beschreibung des Symbols
	Nicht in Räumen mit schlechter Belüftung verwenden		Choke-Stellung „Kaltstart“-Position (Choke geschlossen)
	Achtung, Brandgefahr		Choke-Stellung „Betrieb“-Position (Choke offen)
	Achtung, Stromschlag-Gefahr		Garantierter Schalleistungspegel
	Zündung EIN/AUS		Achtung, heiße Bereiche
	Motorstart		Passanten auf einen Abstand von 15 m halten
	Es besteht Gefahr durch hochgeschleuderte Objekte		

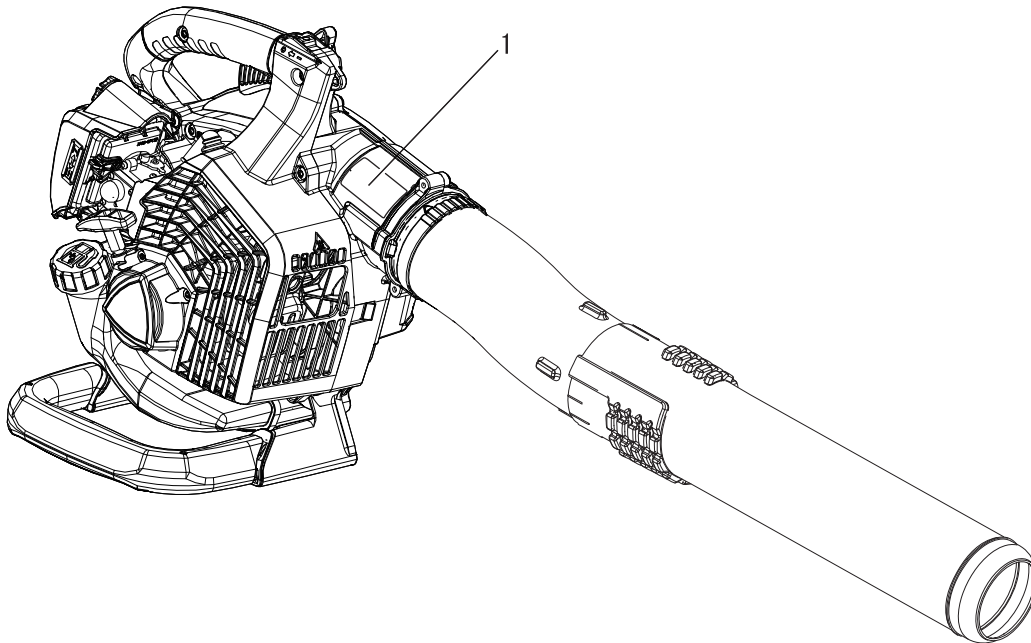
Sichere Verwendung des Produkts

Stelle, an der sich der Sicherheitsaufkleber befindet

- Das in dieser Anleitung beschriebene Produkt ist mit dem unten dargestellten Sicherheitsaufkleber versehen. Machen Sie sich die Bedeutung des Sicherheitsaufklebers bewusst, bevor Sie das Produkt verwenden.
- Falls der Sicherheitsaufkleber aufgrund von Verschleiß oder Beschädigung nicht mehr lesbar ist oder sich abgelöst hat, erwerben Sie bitte einen neuen Sicherheitsaufkleber von Ihrem ECHO-Händler, und bringen Sie ihn an der nachstehend gezeigten Stelle an. Der Sicherheitsaufkleber muss stets gut lesbar sein.



1. Sicherheitsaufkleber (Teilenummer X505010760)



Sichere Verwendung des Produkts

Umgang mit Kraftstoff

GEFAHR

Beim Auftanken in sicherer Entfernung von Brandherden bleiben

Kraftstoff ist leicht entflammbar und kann bei falschem Umgang schnell in Brand geraten. Gehen Sie beim Mischen, Lagern und Betanken mit äußerster Vorsicht vor. Andernfalls kann es zu schweren Brandverletzungen kommen. Befolgen Sie sorgfältig die folgenden Anweisungen.

- Beim Betanken auf keinen Fall rauchen oder Feuer in die Nähe bringen.
- Niemals betanken, während der Motor heiß ist oder läuft.
- ◆ Andernfalls könnte sich der Kraftstoff entzünden und zu Verbrennungen führen.



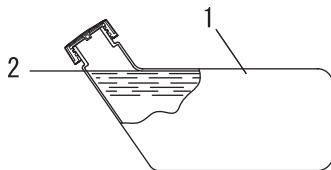
Behälter und Ort des Betankens

- Verwenden Sie nur zugelassene Kraftstoffbehälter.
- Kraftstofftanks und -kanister können unter Druck stehen. Öffnen Sie Kraftstofftankdeckel immer langsam, damit sich der Druck ausgleichen kann.
- Befüllen Sie Kraftstofftanks NIEMALS in geschlossenen Räumen. Befüllen Sie Kraftstofftanks IMMER im Freien und auf sicherem Untergrund.

Verschütteter Kraftstoff ist feuergefährlich

Befolgen Sie beim Betanken folgende Sicherheitsregeln:

- Füllen Sie den Tank nicht bis zur Einfüllöffnung auf. Befüllen Sie den Tank nur bis zur vorgeschriebenen Höhe (nur bis zum Ansatz des Einfüllstutzens).
- Wischen Sie Kraftstoff, der aufgrund von Überfüllung über- oder ausläuft, sofort auf.
- Verschließen Sie den Kraftstofftankdeckel nach dem Betanken wieder fest.
- ◆ Verschütteter Kraftstoff kann sich entzünden und Verbrennungen verursachen.



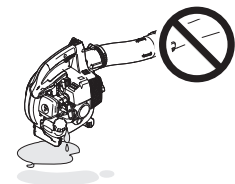
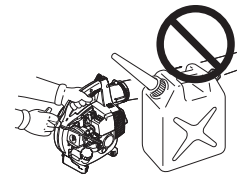
- 1. Kraftstofftank
- 2. Ansatz des Einfüllstutzens

Motor nicht am Ort der Betankung starten

- Der Motor darf nicht an dem Ort gestartet werden, an dem die Betankung stattfand. Entfernen Sie sich mindestens 3 m von der Stelle, an der die Betankung erfolgte, bevor Sie den Motor starten.
- ◆ Beim Betanken übergelaufener Kraftstoff kann sich leicht entzünden.

Ausgetretener Kraftstoff stellt eine Brandgefahr dar

- Achten Sie nach dem Betanken stets darauf, dass aus der Kraftstoffleitung, an den Kraftstoffdichtungen und rund um den Kraftstofftankdeckel kein Kraftstoff austritt.
- Sollten Sie feststellen, dass Kraftstoff austritt, stellen Sie sofort die Verwendung des Produkts ein, und wenden Sie sich an Ihren ECHO-Händler, um es reparieren zu lassen.
- ◆ Ausgetretener Kraftstoff stellt in jedem Fall eine Brandgefahr dar.



Sichere Verwendung des Produkts

Umgang mit dem Motor

WARNUNG

Starten des Motors

Befolgen Sie beim Starten des Motors unbedingt die folgenden Sicherheitsregeln:

- Überprüfen Sie, ob alle Schrauben und Muttern fest angezogen sind.
- Vergewissern Sie sich, dass nirgendwo Kraftstoff austritt.
- Platzieren Sie das Produkt an einem ebenen, gut belüfteten Ort.
- Sorgen Sie für ausreichenden Abstand rund um das Produkt, und lassen Sie keine Personen oder Tiere in die Nähe kommen.
- Entfernen Sie jegliche Hindernisse.
- Starten Sie den Motor mit dem Gashebel in der Stellung Start/Betrieb.
- Halten Sie das Produkt beim Starten des Motors auf dem Boden fest.
- ◆ Eine Nichtbefolgung der Sicherheitsregeln kann zu Unfällen, Verletzungen oder sogar zum Tod führen.

Nach dem Starten des Motors auf ungewöhnliche Vibrationen oder Geräusche achten.

- Vergewissern Sie sich, dass nach dem Starten des Motors keine ungewöhnlichen Vibrationen oder Geräusche wahrzunehmen sind. Verwenden Sie das Produkt nicht, wenn Sie ungewöhnliche Vibrationen oder Geräusche feststellen. Wenden Sie sich an Ihren ECHO-Händler, um es reparieren zu lassen.
- ◆ Durch abfallende oder absplittende Teile kann es zu schweren Verletzungen kommen.

Während des Betriebs keine heißen oder spannungsführenden Teile berühren

Die folgenden heißen oder spannungsführenden Teile des Produkts dürfen während des Betriebs und einige Zeit danach nicht berührt werden:

- Schalldämpfer, Zylinder und andere stark erhitzte Teile

◆ Beim Berühren heißer Teile können Sie sich Verbrennungen zuziehen.

- Zündkerze, Zündkabel und andere spannungsführende Teile

◆ Beim Berühren von Teilen, die im Betrieb des Produkts spannungsführend sind, können Sie einen Stromschlag erleiden.



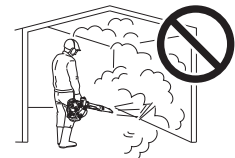
Bei Feuer oder Rauch steht Sicherheit an erster Stelle.

- Wenn Flammen aus dem Bereich des Motors kommen oder Rauch aus einem anderen Teil als dem Auspuff austritt, entfernen Sie sich zunächst von dem Produkt, um Ihre eigene körperliche Sicherheit zu gewährleisten.
- Werfen Sie mit einer Schaufel Sand oder ähnliches Material auf das Feuer, um eine Ausbreitung zu verhindern, oder löschen Sie den Brand mit einem Feuerlöscher.
- ◆ Eine Panikreaktion könnte zu einer Ausbreitung des Feuers oder anderen Schäden führen.



Auspuffgase sind giftig.

- Die Auspuffgase des Motors enthalten giftige Gase. Verwenden Sie das Produkt nicht in geschlossenen Räumen, in Treibhäusern aus Kunststoff oder an anderen schlecht belüfteten Orten.
- Wenn Sie in der Nähe eines Gebäudes arbeiten, sollten Sie Arbeit vor geöffneten Fenstern vermeiden. Es besteht Gefahr, dass Auspuffgase in das Gebäude gelangen können.
- ◆ Die Auspuffgase können zu Vergiftungen führen.



Schalten Sie den Motor ab, bevor Sie das Produkt überprüfen oder warten.

Beachten Sie die folgenden Sicherheitsregeln, wenn Sie das Produkt nach dem Gebrauch überprüfen und warten:

- Schalten Sie den Motor ab und überprüfen bzw. warten Sie das Produkt erst dann, wenn der Motor abgekühlt ist.
- ◆ Andernfalls können Sie sich verbrennen.
- Entfernen Sie den Zündkerzenstecker, bevor Sie Überprüfungen und Wartungen durchführen.
- ◆ Wenn sich das Produkt unerwarteterweise in Betrieb setzt, kann es zu Unfällen kommen.

Überprüfen der Zündkerze

Beachten Sie beim Überprüfen der Zündkerze die folgenden Sicherheitsregeln:

- Wenn die Elektroden oder Kontakte verschlissen sind oder die Keramikteile Risse aufweisen, ersetzen Sie sie durch neue Teile.
- Die Funkenprüfung (zur Feststellung, ob die Zündkerze einen Zündfunken wirft) muss von Fachpersonal durchgeführt werden. Wenden Sie sich hierzu an Ihren ECHO-Händler.
- Die Funkenprüfung darf nicht in der Nähe der Zündkerzenöffnung durchgeführt werden.
- Die Funkenprüfung darf nicht an Orten durchgeführt werden, an denen verschütteter Kraftstoff oder entzündbare Gase vorhanden sind.
- Die Metallteile der Zündkerze dürfen nicht berührt werden.
- ◆ Die Zündkerze könnte ein Feuer entzünden oder Ihnen einen elektrischen Schlag versetzen.



Sichere Verwendung des Produkts

Umgang mit dem Produkt Allgemeine Sicherheitsregeln

WARNUNG

Bedienungsanleitung

- Lesen Sie die Bedienungsanleitung vor der Inbetriebnahme des Produkts aufmerksam durch, um eine korrekte Bedienung zu gewährleisten.
- ◆ Andernfalls kann es zu Unfällen bzw. schweren Verletzungen kommen.



Produkt nur für den vorgesehenen Zweck verwenden

- Das Produkt darf nicht für andere als die in dieser Bedienungsanleitung genannten Zwecke verwendet werden.
- ◆ Andernfalls kann es zu Unfällen bzw. schweren Verletzungen kommen.

Keine Veränderungen am Produkt vornehmen

- An dem Produkt dürfen keine Veränderungen vorgenommen werden.
- ◆ Andernfalls kann es zu Unfällen bzw. schweren Verletzungen kommen. Funktionsfehler, die auf Veränderungen am Produkt zurückzuführen sind, fallen nicht unter die Herstellergarantie.

Produkt nur verwenden, wenn es überprüft und gewartet wurde

- Das Produkt darf nur verwendet werden, wenn es überprüft und gewartet wurde. Die Überprüfung und Wartung des Produkts muss regelmäßig durchgeführt werden.
- ◆ Andernfalls kann es zu Unfällen bzw. schweren Verletzungen kommen.

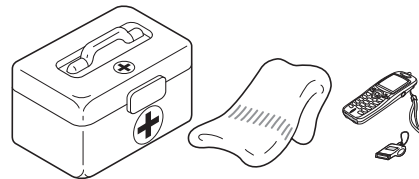
Verleihen oder Übereignen des Produkts

- Wenn Sie das Produkt verleihen, muss die ausleihende Person auch die zugehörige Bedienungsanleitung erhalten.
- Wenn Sie das Produkt einer anderen Person übereignen, muss die Bedienungsanleitung zusammen mit dem Produkt ausgehändigt werden.
- ◆ Andernfalls kann es zu Unfällen bzw. schweren Verletzungen kommen.

Vorsorge für den Fall von Verletzungen

Für den unwahrscheinlichen Fall, dass es dennoch zu Verletzungen kommt, sollten Sie folgende Dinge vorbereitet haben:

- **Verbandskasten**
- **Hand- und Wischtücher** (um etwaige Blutungen zu stoppen)
- **Trillerpfeife oder Mobiltelefon** (um Hilfe rufen zu können)
- ◆ Wenn Sie weder erste Hilfe leisten noch Hilfe rufen können, kann sich die Verletzung verschlimmern.



Sichere Verwendung des Produkts

Sicherheitsregeln für die Benutzung

WARNUNG

Anwender des Produkts

Das Produkt darf von folgenden Personen nicht gebraucht werden:

- übermüdete Personen
- alkoholisierte Personen
- unter Medikamenteneinfluss stehende Personen
- schwangere Frauen
- Personen in schlechter körperlicher Verfassung
- Personen, die die Bedienungsanleitung nicht gelesen haben
- Kinder



- ◆ Eine Nichtbefolgung dieser Anweisungen kann zu Unfällen führen.
- Von der Zündanlage dieses Geräts werden bei Betrieb elektromagnetische Felder erzeugt. Magnetfelder können Störungen oder Ausfälle bei Herzschrittmachern verursachen. Um Gesundheitsrisiken zu reduzieren, empfehlen wir, dass Personen mit Herzschrittmachern vor dem Betrieb dieses Produkts ihren Arzt und den Hersteller des Herzschrittmachers konsultieren.

Arbeitsumgebung und Bedienung

- Verwenden Sie das Produkt nicht an Orten ohne sicheren Untergrund, etwa an steilen Hängen oder nach Regengüssen, da solche Stellen rutschig und gefährlich sind.
- Verwenden Sie das Gerät nicht nachts oder an dunklen Stellen mit schlechten Sichtverhältnissen.
- ◆ Wenn Sie fallen oder ausrutschen oder das Produkt nicht mehr voll beherrschen, kann dies zu schweren Verletzungen führen.

Gefahrenzone im 15-m-Radius

Der Bereich in einem Radius von 15 m rund um dieses Produkt gilt als Gefahrenzone. Beachten Sie bei der Arbeit mit diesem Produkt folgende Sicherheitsregeln:

- Lassen Sie keine Personen (insbesondere Kinder) oder Tiere in die Gefahrenzone.
- Wenn eine andere Person die Gefahrenzone betritt, schalten Sie den Motor aus.
- Wenn Sie sich dem Bediener nähern möchten, signalisieren Sie ihm Ihre Absicht, indem Sie z. B. Zweige von außerhalb der Gefahrenzone werfen, und prüfen Sie dann, dass der Motor abgestellt wurde.
- Wenn mehrere Personen mit dem Produkt arbeiten, vereinbaren Sie eine Art der gegenseitigen Kommunikation, und arbeiten Sie mit mindestens 15 m Abstand voneinander.
- ◆ Ausgeworfene Gegenstände können ernsthafte Verletzung des Bedieners oder Personen in dessen Umfeld verursachen.

Vorsicht mit dem Gebläse!

- Lassen Sie Ihre Haare nicht in das Gebläse gelangen!
- ◆ Ihre Hand oder Gegenstände können ins Gebläse gesaugt und schwer verletzt bzw. beschädigt werden.

Arbeiten mit dem Produkt

Achten Sie bei der Arbeit mit dem Produkt besonders auf folgende Sicherheitsanweisungen:

- Halten Sie Unbeteiligte und Tiere aus dem Arbeitsbereich fern.
- Richten Sie das Rohr nicht auf Menschen oder Tiere.
- Arbeiten Sie nicht in Bereichen ohne ausreichenden Halt.
- Halten Sie den Griff fest.
- Arbeiten Sie nicht spät nachts oder früh morgens, da sich Anwohner vom Geräusch gestört fühlen.
- ◆ Bei Nichtbeachtung dieser Anweisungen kann es zu Unfällen mit Verletzungsfolge kommen.

Motor beim Wechsel des Arbeitsorts abstellen

Stellen Sie den Motor ab, wenn Sie den Arbeitsort wechseln, wie unten beschrieben.

- Sie suchen Ihren Arbeitsbereich auf.
- Sie wechseln im Verlauf der Arbeit den Arbeitsbereich.
- Sie verlassen Ihren bisherigen Arbeitsbereich.
- ◆ Bei Nichtbeachtung dieser Sicherheitsregeln können Verbrennungen oder andere schwere Verletzungen die Folge sein.
- Zum Transport des Produkts in Kraftfahrzeugen entleeren Sie seinen Kraftstofftank, stellen Sie das Produkt aufrecht ab und sichern Sie es ausreichend, so dass es nicht verrutschen kann.
- ◆ Ein Transport des Produkts mit befülltem Kraftstofftank stellt eine Brandgefahr dar.

Vibration und Kälte

Es wird vermutet, dass das Raynaud-Syndrom, das die Finger mancher Menschen befällt, durch stark vibrierende Arbeitsgeräte und das Arbeiten bei Kälte herbeigeführt wird. Durch stark vibrierende Arbeitsgeräte und das Arbeiten bei Kälte kann sich ein Prickeln und Brennen bemerkbar machen, dem sich Farblosigkeit und Gefühllosigkeit der Finger anschließen.

Die nachstehend aufgeführten Vorkehrungen werden dringend empfohlen, da die Mindestwerte, bei denen diese Krankheit ausgelöst wird, nicht bekannt sind.

- Halten Sie Ihren Körper warm, insbesondere Kopf und Nacken, Füße und Fußgelenke sowie Hände und Handgelenke.
- Legen Sie häufige Pausen ein, in deren Verlauf Sie den Kreislauf durch intensive Armübungen anregen, und rauchen Sie nicht.
- Begrenzen Sie die Dauerbetriebszeiten auf ein Minimum.
Teilen Sie jeden Arbeitstag so ein, dass auch Arbeiten ohne Bläser oder tragbare Motorgeräte verrichtet werden.
- Wenn Ihre Finger schmerzen, rot und angeschwollen sind und schließlich bleich und gefühllos werden, müssen Sie einen Arzt aufsuchen, bevor Sie sich weiterhin Kälte und Vibrationen aussetzen.
- ◆ Eine Nichtbefolgung dieser Anweisung kann zu gesundheitlichen Schäden führen.

Sichere Verwendung des Produkts

WARNUNG

RSI-Syndrom

Es wird angenommen, dass eine Überanstrengung der Muskeln und Sehnen der Finger, Hände, Arme und Schultern in den betreffenden Körperteilen Schmerzen, Schwellungen, Gefühllosigkeit, Schwäche und auch akuten Schmerz verursachen kann. Durch bestimmte ständig wiederholte Handbewegungen steigt das Risiko für die Entwicklung eines RSI-Syndroms. Auf folgende Art mindern Sie das Risiko des RSI-Syndroms:

- Achten Sie darauf, dass Sie Ihr Handgelenk nicht zu sehr beugen, strecken oder verdrehen.
- Legen Sie von Zeit zu Zeit Pausen ein, um wiederholte Bewegungen zu minimieren, und lassen Sie Ihre Hände ruhen. Reduzieren Sie die Geschwindigkeit und den Kraftaufwand, mit denen Sie die Wiederholungsbewegung ausführen.
- Führen Sie geeignete Übungen zur Stärkung der Hand- und Armmuskulatur durch.
- Suchen Sie einen Arzt auf, wenn Sie ein Prickeln, Gefühllosigkeit oder Schmerzen in Ihren Fingern, Händen, Handgelenken oder Armen bemerken. Je früher das RSI-Syndrom erkannt wird, desto eher lässt sich eine dauerhafte Schädigung von Nerven und Muskeln verhindern.
- ◆ Eine Nichtbefolgung dieser Anweisung kann zu gesundheitlichen Schäden führen.

Motor bei Problemen sofort abstellen

- Schalten Sie den Motor sofort aus, wenn das Produkt plötzlich ungewohnte Geräusche erzeugt oder zu vibrieren beginnt. Unter diesen Umständen darf das Produkt nicht betrieben werden. Wenden Sie sich bei anfallenden Reparaturen an Ihren ECHO-Händler.
- ◆ Wenn beschädigte Teile weiter verwendet werden, kann dies zu Unfällen bzw. schweren Verletzungen führen.

Sichere Verwendung des Produkts

Schutzausrüstung

WARNUNG

Schutzausrüstung tragen

○ Tragen Sie bei Arbeiten mit dem Bläser angemessene Arbeitskleidung und eine Schutzausrüstung. Tragen Sie bei der Arbeit vor allem stets eine Schutzbrille, eine Staubschutzmaske und Gehörschutzbügel.

◆ Ohne Schutzausrüstung besteht die Gefahr, dass aufgewirbelte Schmutzpartikel in Atemwege oder Augen gelangen, was zu Unfällen und Verletzungen führen kann.

a Kopfschutz (Helm): schützt den Kopf

b Gehörschutzbügel oder Ohrenstöpsel: schützen das Gehör

c Schutzbrille: schützt die Augen

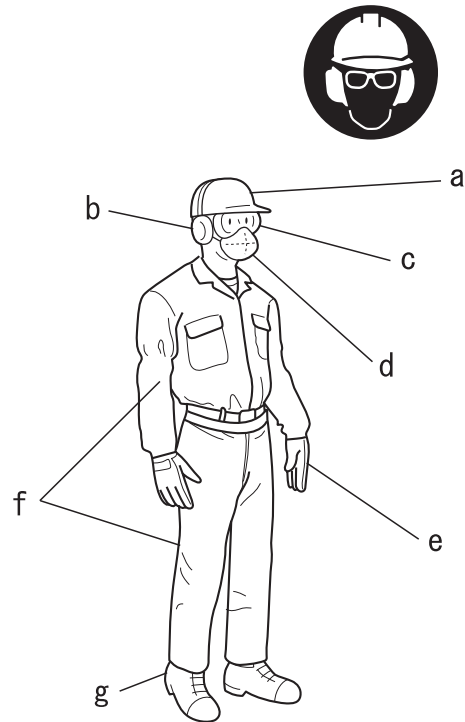
d Staubschutzmaske

e Sicherheitshandschuhe: schützen die Hände vor Kälte und Vibration

f Eng anliegende Arbeitskleidung (lange Ärmel, lange Hosen): schützt den Körper

g Robuste, rutschfeste Stiefel (mit Schutzkappe) oder rutschfeste Schuhe (mit Schutzkappe): schützen die Füße

◆ Bei Nichtbeachtung dieser Sicherheitsvorkehrungen sind Ihr Augenlicht und Ihr Gehör gefährdet, und es drohen sonstige schwere Verletzungen.



Geeignete Schutzkleidung tragen

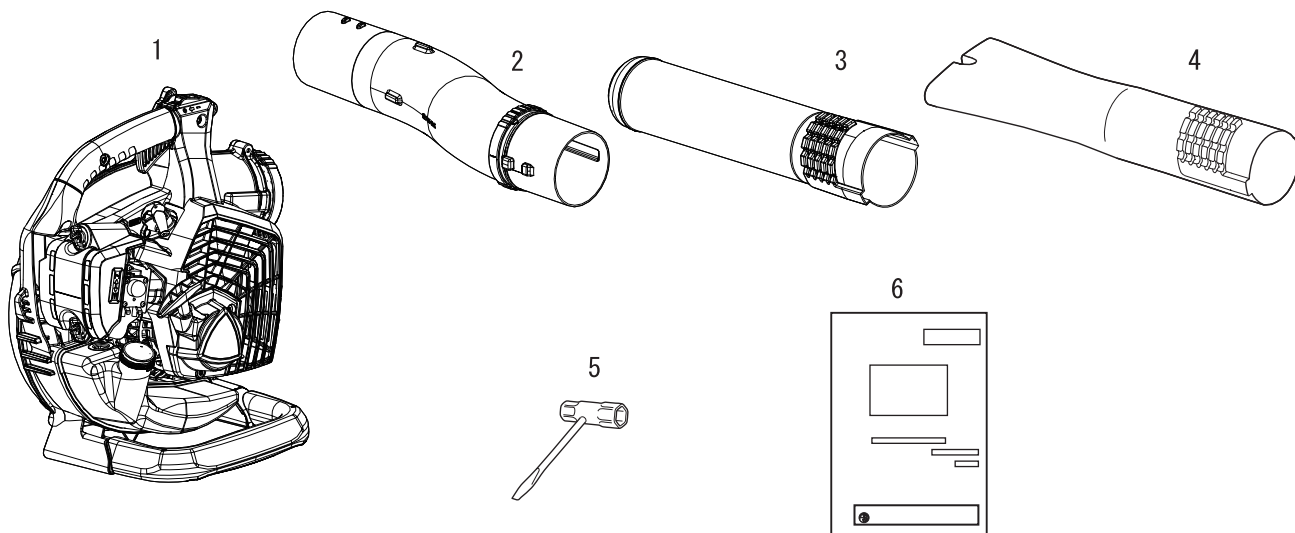
Tragen Sie keine Krawatten, Schmuckstücke oder lose, weite Kleidungsstücke, die sich im Gerät verfangen könnten. Tragen Sie keine Schuhe mit freien Zehen, und arbeiten Sie nicht barfuß oder in kurzen Hosen. In bestimmten Situationen kann ein Gesichts- und Kopf-Rundumschutz erforderlich sein.

◆ Bei Nichtbeachtung dieser Sicherheitsvorkehrungen sind Ihr Augenlicht und Ihr Gehör gefährdet, und es drohen sonstige schwere Verletzungen.



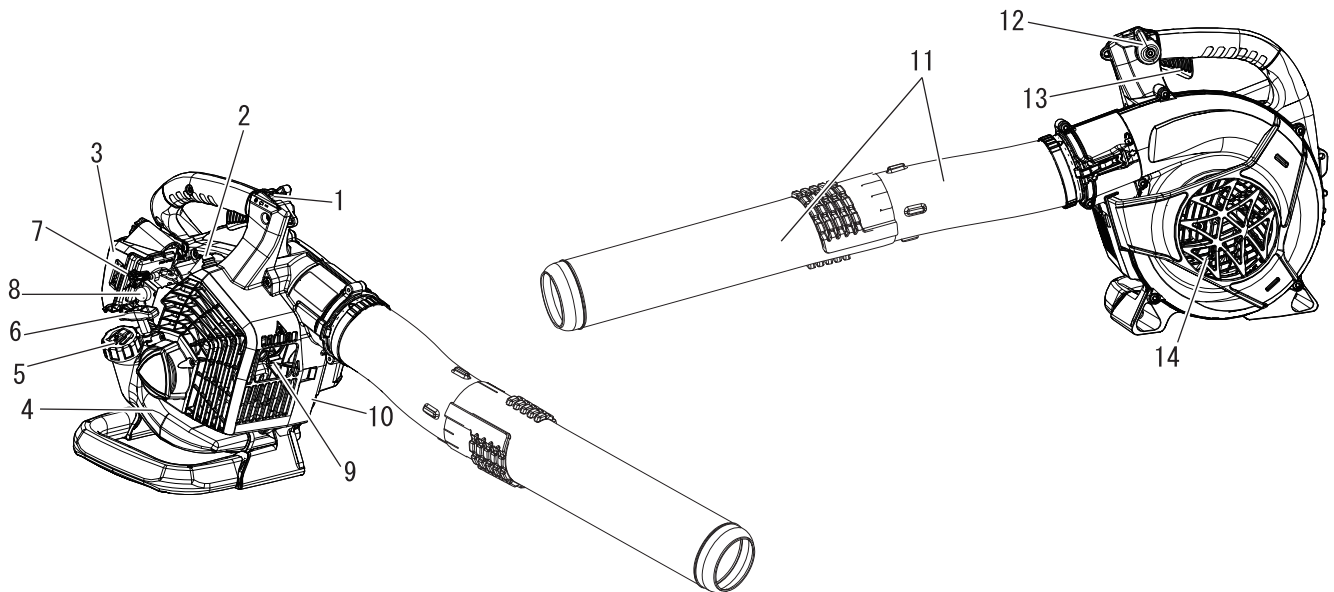
Packliste


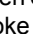
- ♦ Die nachfolgend aufgeführten Einzelteile sind in der Verpackung enthalten.
- ♦ Überprüfen Sie nach dem Auspacken die Vollständigkeit des Inhalts.
- ♦ Wenden Sie sich an Ihren ECHO-Händler, wenn Teile fehlen oder beschädigt sind.



Nummer	Bezeichnung des Teils	Menge	Nummer	Bezeichnung des Teils	Menge
1	Motoreinheit	1	4	Flache gerade Düse	1
2	Rohr	1	5	T-Schlüssel	1
3	Runde gerade Düse	1	6	Bedienungsanleitung	1

Beschreibung



- 1. Aus-Schalter "SCHIEBESCHALTER"** an der Oberseite des Griffs. Schieben Sie ihn nach vorn, um das Gerät zu starten. Schieben Sie ihn nach hinten, um das Gerät zu stoppen.
- 2. Zündkerze** Erzeugt den für die Zündung des Kraftstoffgemischs erforderlichen Funken.
- 3. Luftfilter** Enthält ein austauschbares Luftfilterelement.
- 4. Kraftstofftank** Enthält Kraftstoff und Kraftstofffilter.
- 5. Kraftstofftankdeckel** Verschließt den Kraftstofftank.
- 6. Startergriff** Ziehen Sie zunächst langsam am Griff des Reversierstarters, bis der Reversierstarter einrastet, und ziehen Sie dann schneller und mit größerer Kraft weiter. Lassen Sie den Reversierstarter los, sobald der Motor läuft. Lassen Sie den Reversierstarter NICHT frei zurückschnellen. Ansonsten können Schäden am Gerät entstehen.
- 7. Choke** Der Choke befindet sich oben am Luftfilter. Rücken Sie den Chokehebel in die Stellung , um den Choke beim Kaltstart zu schließen. Rücken Sie den Chokehebel in die Stellung , um den Choke zu öffnen.
- 8. Kraftstoffpumpe** Durch Betätigen der Kraftstoffpumpe vor dem Starten des Motors wird frischer Kraftstoff aus dem Tank gesaugt und die Luft aus dem Vergaser entfernt. Betätigen Sie die Kraftstoffpumpe, bis der Kraftstoff sichtbar durch die transparente Rücklaufleitung fließt. Betätigen Sie die Kraftstoffpumpe 4 bis 5 weitere Male.
- 9. Funkenschutz - Katalysatordämpfer/Schalldämpfer**
Der Katalysatordämpfer/Schalldämpfer senkt die Geräuschentwicklung und den Schadstoffausstoß. Der Funkenschutz verhindert, dass glühende Kohlenstoffpartikel aus dem Schalldämpfer austreten. Halten Sie den Auspuffbereich frei von brennbarem Material.
- 10. Typ und Seriennummer.**
- 11. Blasrohre** Exklusive, kraftschlüssige Steckverbindungen.
- 12. Leerlaufsteller** Ziehen Sie ihn nach hinten, um die Motordrehzahl zu erhöhen. Die Position des Leerlaufstellers wird dank Reibscheiben beibehalten.
- 13. Gashebel** Kehrt durch Federkraft nach Loslassen automatisch in die Leerlaufstellung zurück. Drücken Sie den Gashebel stufenweise bis zur gewünschten Arbeitsposition.
- 14. Gehäuseabdeckung** Deckt den Bereich der Messer ab.

Bevor Sie beginnen

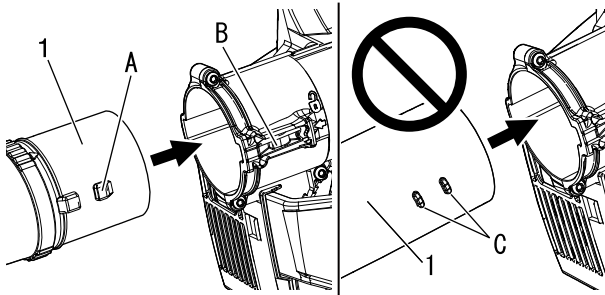
Zusammenbau

WARNUNG

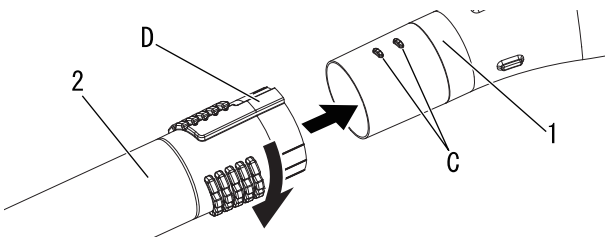
- Lesen Sie die Bedienungsanleitung aufmerksam durch, um sicherzustellen, dass Sie das Produkt korrekt zusammenbauen.
- Führen Sie bei laufendem Motor niemals Wartungs- oder Einbauarbeiten durch.
- ◆ Die Verwendung eines falsch zusammengebauten Produkts kann zu Unfällen bzw. schweren Verletzungen führen.



Montage der Rohre



1. Rohr



1. Rohr

2. Runde gerade Düse
oder flache gerade Düse

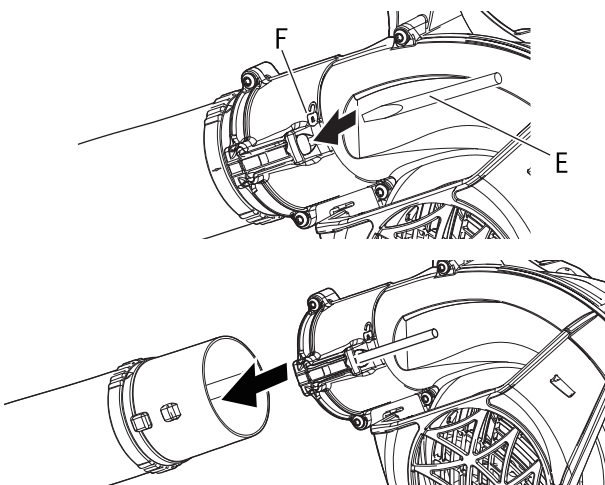
1. Stellen Sie das Gerät aufrecht ab.
2. Richten Sie die großen Verriegelungsnasen (A) am gebogenen Rohr mit dem Rohrschloss (B) im Gebläsegehäuse aus. Schieben Sie das gebogene Rohr in das Gebläsegehäuse, bis es hörbar einrastet.
- * Das gegenüberliegende Ende des gebogenen Rohrs nicht am Gebläsegehäuse montieren.

3. Richten Sie die Passfedern (C) auf die Nuten (D) aus, und schieben Sie die Düse auf das Rohr, bis Sie einen leichten Widerstand spüren. Wenden Sie keine Gewalt an!
4. Halten Sie das Rohr fest und drehen Sie die Düse im Uhrzeigersinn, bis die Verbindung einrastet. Wenden Sie keine Gewalt an!

HINWEIS

Durch die Anwendung des Bläasers lockern sich die Verbindungen mit der Zeit. Die exklusive, formschlüssige Verbindung hält die Rohre fest zusammen. Sollten sich die Verbindungen lösen, bauen Sie die Düse aus und wie in Schritt 3 und 4 beschrieben wieder ein.

Entfernen der Rohre



1. Führen Sie einen Schraubendreher (E) in die Öffnung neben dem Verriegelungssymbol (F) ein, um die Rohrverriegelung freizugeben.
2. Ziehen Sie die Rohre aus dem Gebläsegehäuse heraus.
3. Entfernen Sie den Schraubendreher.

Bevor Sie beginnen

Bereitstellen des Kraftstoffs

GEFAHR

- Kraftstoff ist leicht entflammbar und kann bei falschem Umgang schnell in Brand geraten. Lesen und befolgen Sie die Sicherheitsanweisungen im Abschnitt „Sichere Verwendung des Produkts“ in dieser Bedienungsanleitung.
- Schrauben Sie den Tankdeckel fest zu, nachdem Sie den Tank mit Kraftstoff befüllt haben, und stellen Sie sicher, dass aus der Kraftstoffleitung, an den Dichtungen und im Bereich des Tankdeckels kein Kraftstoff austritt. Sollten Sie feststellen, dass Kraftstoff austritt, stellen Sie sofort die Verwendung des Produkts ein, und wenden Sie sich an Ihren ECHO-Händler, um es reparieren zu lassen.
- ◆ Eine Entzündung des Kraftstoffs kann zu Verbrennungen und Bränden führen.



VORSICHT

Im Kraftstofftank und in der Umgebungsluft herrschen unterschiedliche Drücke. Lösen Sie deshalb zum Betanken den Tankdeckel zunächst nur leicht, um die Druckdifferenz auszugleichen.

- ◆ Andernfalls kann es vorkommen, dass Kraftstoff herausspritzt.

HINWEIS

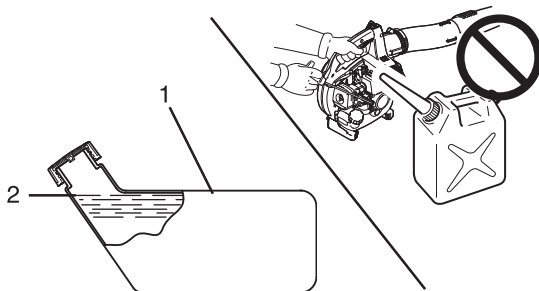
Gelagerter Kraftstoff altert. Mischen Sie nicht mehr Kraftstoff an, als Sie voraussichtlich innerhalb der nächsten dreißig (30) Tage verbrauchen werden. Mischen Sie den Kraftstoff nicht direkt im Kraftstofftank.

Kraftstoff



- ◆ Der Kraftstoff ist ein Gemisch aus Normalbenzin und Öl für luftgekühlte Zweitaktmotoren. Verwenden Sie bleifreies Benzin mit mindestens 89 Oktan. Verwenden Sie keinen Kraftstoff mit Methylalkohol oder mehr als 10 % Ethylalkohol.
- ◆ Empfohlenes Mischverhältnis: 50 : 1 (2 %) Öl nach ISO-L-EGD Standard (ISO/CD 13738), JASO FC, FD und von ECHO empfohlenes Öl.
 - Verwenden Sie niemals Zweitaktöl, das für wassergekühlte Motoren oder Motorradmotoren vorgesehen ist.
 - Mischen Sie den Kraftstoff nicht direkt im Motor-Kraftstofftank.
 - Achten Sie darauf, dass kein Benzin oder Öl verschüttet wird. Wischen Sie verschütteten Kraftstoff stets auf.
 - Gehen Sie mit Benzin vorsichtig um. Es ist äußerst leicht entzündlich.
 - Lagern Sie Benzin nur in zugelassenen Behältern.

Kraftstoffversorgung



1. Kraftstofftank

2. Ansatz des
Einfüllstutzens

- ◆ Füllen Sie den Kraftstofftank im Freien auf (wobei darauf zu achten ist, dass keine feuergefährlichen Gegenstände in der Nähe herumliegen) und schrauben Sie den Tankdeckel wieder fest zu. Füllen Sie Kraftstoff niemals in Innenräumen ein oder um.
- ◆ Platzieren Sie das Produkt und den Befüllungskanister während des Betankens auf dem Boden. Führen Sie die Betankung nicht auf der Ladefläche von Lkws oder an ähnlichen Orten durch.
- ◆ Achten Sie beim Betanken stets darauf, dass der Füllstand den Ansatz des Einfüllstutzens nicht übersteigt.
- ◆ Im Kraftstofftank und in der Umgebungsluft herrschen unterschiedliche Drücke. Lösen Sie deshalb zum Betanken den Tankdeckel zunächst nur leicht, um die Druckdifferenz auszugleichen.
- ◆ Wischen Sie verschütteten Kraftstoff sofort auf.
- ◆ Bevor Sie den Motor starten, entfernen Sie sich mindestens 3 m von der Stelle, an der die Betankung durchgeführt wurde.
- ◆ Bewahren Sie den Befüllungskanister an einem schattigen Ort in weiter Entfernung von Brandquellen auf.

Bedienung des Motors

Starten des Motors

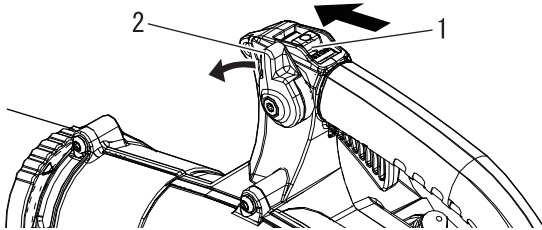
WARNUNG

- Beachten Sie beim Starten des Motors die Sicherheitsanweisungen ab Seite 4 im Abschnitt „Sichere Verwendung des Produkts“, um eine einwandfreie Bedienung des Geräts sicherzustellen.
- ◆ Eine Nichtbefolgung der Sicherheitsregeln kann zu Unfällen, Verletzungen oder sogar zum Tod führen.

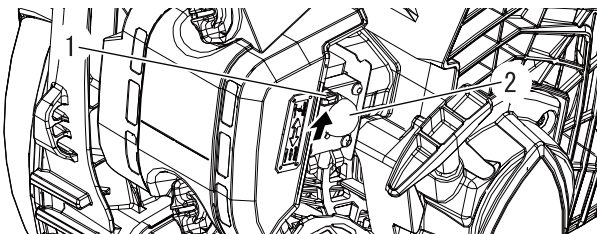
HINWEIS

- ♦ Ziehen Sie den Startergriff zuerst langsam und dann allmählich schneller heraus. Ziehen Sie das Starterseil höchstens auf 2/3 seiner Länge heraus.
- ♦ Lassen Sie den Startergriff beim Zurückschnellen nicht los.
- ♦ Stellen Sie den Chokeknopf zum Starten des Motors zurück, sobald Sie das erste explosionsartige Geräusch hören, und ziehen Sie erneut am Startergriff. Achten Sie aufmerksam auf das erste explosionsartige Geräusch.

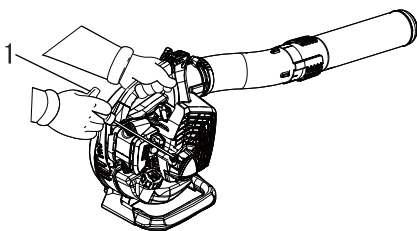
Starten eines kalten Motors



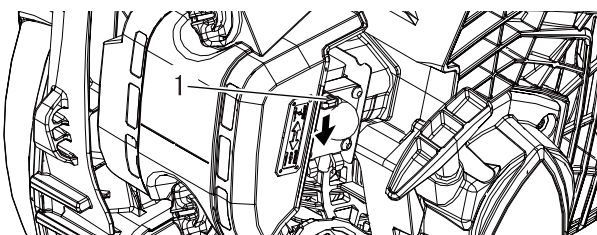
1. Aus-Schalter 2. Leerlaufsteller



1. Choke 2. Kraftstoffpumpe




1. Reversierstarter




1. Choke

- ♦ Reversierstarter: Nur kurz ziehen: ca. 1/2 bis 2/3 der Seillänge zum Starten. Führen Sie das Seil langsam in seine Ausgangsposition zurück und halten Sie das Gerät dabei stets fest.

1. *Aus-Schalter*
Schieben Sie den Aus-Schalter aus der Stellung STOP.
2. *Leerlaufsteller*
Bringen Sie den Gashebel in die mittlere Stellung zwischen Leerlauf und Vollgas.
3. *Choke*
Bringen Sie den Chokehebel in die Stellung „“.
4. *Kraftstoffpumpe*
Betätigen Sie die Kraftstoffpumpe, bis der Kraftstoff sichtbar durch die transparente Rücklaufleitung fließt.

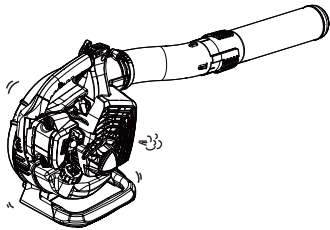
5. *Reversierstarter*
Stellen Sie das Gerät auf einer ebenen und sauberen Fläche ab. Umgreifen Sie den Bläser fest mit der linken Hand und ziehen Sie schnell mit der anderen Hand am Seil bzw. Griff des Reversierstarters, bis der Motor zündet (max. 5 Mal ziehen).

6. *Choke*
Bringen Sie den Choke in die Stellung „“ und starten Sie gegebenenfalls den Motor neu. Wenn der Motor nach 5-maligem Ziehen des Seils nicht zündet, wiederholen Sie die Schritte 3 bis 6.

7. *Motorstart*
Lassen Sie den Motor zunächst warmlaufen.

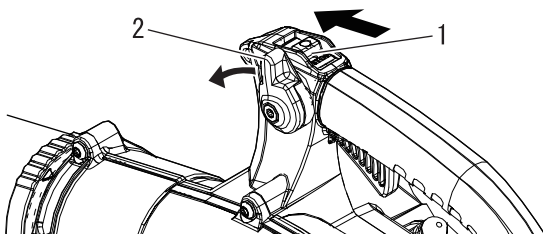
Bedienung des Motors

Warmlaufen des Motors



1. Sobald der Motor läuft, lassen Sie ihn 2 bis 3 Minuten im Leerlauf (niedrige Drehzahl) warmlaufen.
2. Das Warmlaufen des Motors sorgt für eine gleichmäßigere Schmierung im Inneren. Lassen Sie den Motor vollständig warmlaufen, insbesondere bei Kälte.
3. Lassen Sie das Gerät niemals ohne montiertes Rohr laufen.

Starten eines warmen Motors

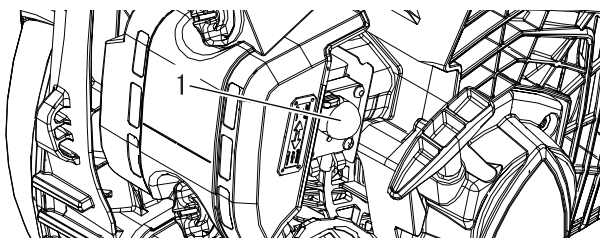


1. Aus-Schalter

2. Leerlaufsteller

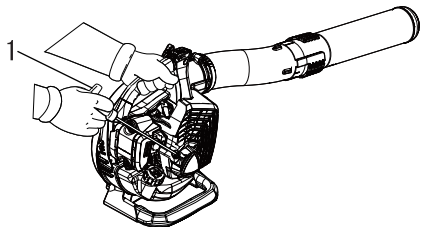
- ♦ Gehen Sie wie beim Kaltstart vor, aber schließen Sie NICHT den Choke.

1. *Aus-Schalter*
Schieben Sie den Aus-Schalter aus der Stellung STOP.
2. *Leerlaufsteller*
Bringen Sie den Gashebel in die mittlere Stellung zwischen Leerlauf und Vollgas.



1. Kraftstoffpumpe

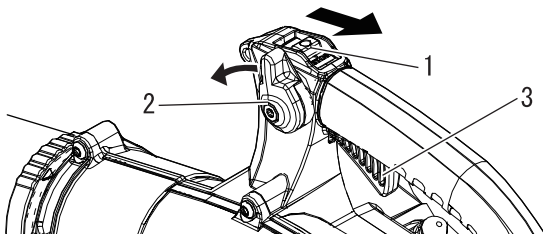
3. *Kraftstoffpumpe*
Betätigen Sie die Kraftstoffpumpe, bis der Kraftstoff sichtbar durch die transparente Rücklaufleitung fließt.



1. Reversierstarter

4. *Reversierstarter*
Stellen Sie das Gerät auf einer ebenen und sauberen Fläche ab. Umgreifen Sie den Gashebelgriff fest mit der linken Hand und ziehen Sie schnell mit der anderen Hand am Seil bzw. Griff des Reversierstarters, bis der Motor zündet. Wenn der Motor nach 5-maligem Ziehen nicht zündet, gehen Sie vor wie beim Kaltstart.

Stoppen des Motors



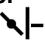
1. Aus-Schalter

2. Gashebel

3. Gashebel

1. *Leerlaufsteller*
Lassen Sie den Gashebel los. Bringen Sie den Leerlaufsteller in die Stellung LEERLAUF. Vor dem Ausschalten muss der Motor mit Leerlaufdrehzahl laufen.
2. Bringen Sie den Aus-Schalter in die Stellung STOP.

⚠ WARNUNG

Sollte der Motor weiter laufen, obwohl der Aus-Schalter auf „STOP“ steht, schließen Sie den Choke – Stellung  , um den Motor auszuschalten. Lassen Sie den Aus-Schalter bei Ihrem ECHO-Händler reparieren, bevor Sie das Produkt erneut verwenden.

Betrieb des Bläasers

WARNUNG

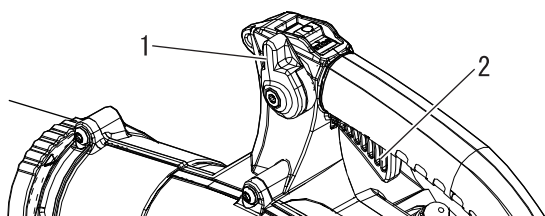
Zur Vermeidung schwerer Verletzungen sollten Sie immer eine Schutzbrille, Gehörschutz und eine Gesichtsmaske tragen und alle gebotenen Sicherheitsmaßnahmen einhalten. Richten Sie das Rohr nicht auf Menschen oder Tiere.

WICHTIG

Um Motorschäden durch zu hohe Drehzahlen zu verhindern, halten Sie das Rohr stets frei.

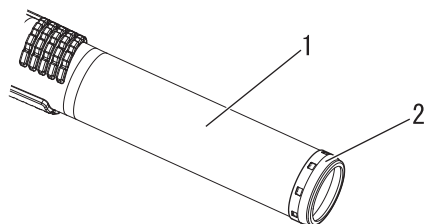
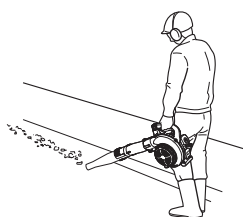
HINWEIS

Stellen Sie die Drehzahl nie höher ein als notwendig. Je höher die Motordrehzahl, desto größer die Geräuschentwicklung. Minimieren Sie Staubentwicklung, indem Sie den Bläser mit niedriger Drehzahl betreiben. Achten Sie darauf, dass Schmutz auf Ihrem Grundstück bleibt. Nehmen Sie Rücksicht auf Ihre Nachbarn.



1. Leerlaufsteller

2. Gashebel



1. Gerades Rohr

2. Metallschutzring

♦ Lesen Sie den Abschnitt „Sicherheit“ sorgfältig durch.

1. Arbeiten Sie stets zu angemessener Tageszeit.
2. Lassen Sie den Motor einige Minuten warmlaufen.
3. Regeln Sie die Motordrehzahl mithilfe des Gashebels oder stellen Sie die Motordrehzahl für Dauerbetrieb mithilfe des Leerlaufstellers ein. Bewegen Sie den Leerlaufsteller nach vorn, um die Drehzahl zu verringern, und nach hinten, um sie zu erhöhen.
4. Stellen Sie die Motordrehzahl mit dem Leerlaufsteller ein.
5. Blasen Sie trockenes Gras und Laub auf Wegen, in Innenhöfen und Auffahrten mit niedriger Drehzahl zusammen.
6. Zum Entfernen von feuchtem Laub von Rasenflächen oder aus Blumenbeeten sind meist etwas höhere Drehzahlen erforderlich.
7. Bei Kies, Schmutz, Schnee, Flaschen oder Dosen auf Auffahrten, Straßen, Parkplätzen oder im Umfeld von Stadien müssen höhere Drehzahlen eingestellt werden.
8. Wenn Sie in der Nähe von Häusern arbeiten, richten Sie den Luftstrom nicht in die Richtung von Fenstern. Dadurch könnte Schmutz in die Innenräume geblasen werden.
9. Wenn Sie die längste Rohrverlängerung verwenden, erreicht der Luftstrom den Boden effizienter.
10. Schmutzmaterial kann mit einer Harke gelöst oder aufgebrochen werden, sodass es einfacher zu bewegen ist.
11. Befeuchten Sie staubige Flächen, bevor Sie das Schmutzmaterial bewegen, um das Aufwirbeln von Staub zu vermeiden.
12. Halten Sie das Gerät immer durch Anhalten des Motors an.

VORSICHT

Der Kontakt zwischen der Spitze des geraden Rohrs und abreibenden Oberflächen kann scharfe Schnitte auf der Oberfläche und bei Berührung Verletzungen verursachen. Die Spitze des geraden Rohrs beim Betrieb oder Transport des Geräts nicht schleifen lassen und nicht mit ihr schaben. Die gesamte Baugruppe, gerades Rohr muss ausgetauscht werden, wenn der Metallring verschlissen, gerissen oder verzogen ist.

Wartung und Pflege

Wartungsrichtlinien

Komponente	Wartung	Seite	Vor der Verwendung	Monatlich
Luftfilter	Überprüfen / reinigen / ersetzen	20	•	
Kraftstofffilter	Überprüfen / ersetzen	21	•	
Zündkerze	Überprüfen / reinigen / justieren / ersetzen	24		•
Vergaser	Überprüfen	22		•
Kühlsystem	Überprüfen / reinigen	22	•	
Abgasanlage	Überprüfen / festziehen / reinigen	23	•	
Anlasser	Überprüfen	-	•	
Kraftstoffsystem	Überprüfen	-	•	
Schrauben, Bolzen und Muttern	Überprüfen / festziehen / ersetzen	-	•	

WICHTIG

Angegeben sind die maximalen Zeitabstände. Die Häufigkeit der erforderlichen Wartungsarbeiten richtet sich nach der tatsächlichen Beanspruchung und Ihrer Erfahrung.

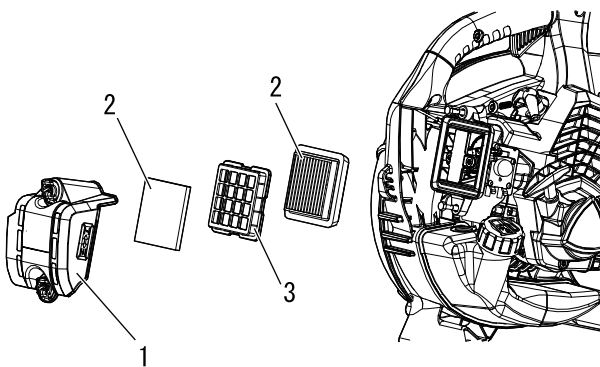
Wartung und Pflege

Bei Fragen oder Problemen wenden Sie sich bitte an Ihren ECHO-Händler.

Reinigen des Luftfilters




Erf. Werkzeuge: Reinigungsbürste (25-50 mm)
Erforderliche Teile: Luftfilter

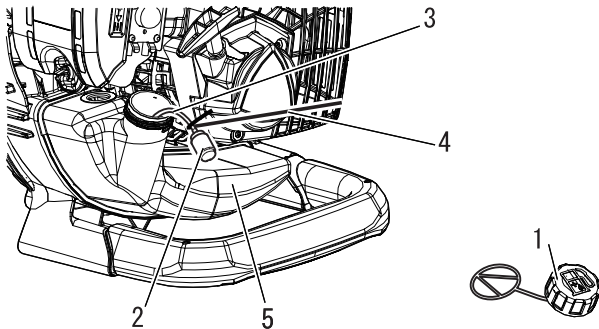
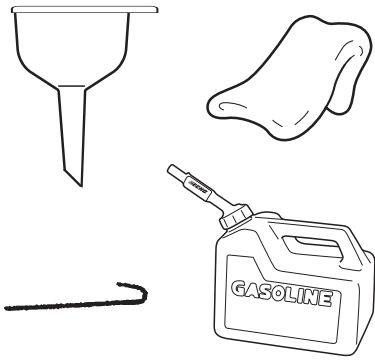


1. Luftfilterabdeckung
3. Laubsieb

2. Luftfilter

1. Bringen Sie den Chokehebel in die Stellung „“. So kann bei ausgebautem Luftfilter kein Schmutz in den Vergaser dringen. Befreien Sie den Luftfilter mit der Bürste von Schmutzansammlungen.
2. Bauen Sie die Luftfilterabdeckung aus. Bürsten Sie den Schmutz im Inneren der Abdeckung ab.
3. Bauen Sie den Luftfilter und das Laubsieb aus. Befreien Sie diese vorsichtig mit einer Bürste von Ablagerungen. Ersetzen Sie den Filter, wenn er beschädigt, stark verschmutzt oder von Kraftstoff durchtränkt ist oder wenn die Gummidichtlippen verformt sind.
4. Wenn der Filter wieder verwendet werden kann, muss er:
 - ♦ genau in den Filtereinsatz passen.
 - ♦ mit der richtigen Seite nach außen eingebaut werden.
5. Bauen Sie die Luftfilterabdeckung ein.

Auswechseln des Kraftstofffilters



- 1. Tankdeckel
- 2. Kraftstofffilter
- 3. Kraftstoffleitung
- 4. Haken für die Kraftstoffleitung
- 5. Kraftstofftank

Erford. Werkzeuge: 200-250 mm langer Draht (ein Ende zu einem Haken gebogen), Reinigungslappen, Trichter, zulässiger Kraftstoffbehälter
Erforderliche Teile: Kraftstoffleitung und -filter

GEFAHR

Kraftstoff ist HOCH entzündlich! Gehen Sie auch beim Mischen und Lagern von Kraftstoff sehr sorgfältig vor.

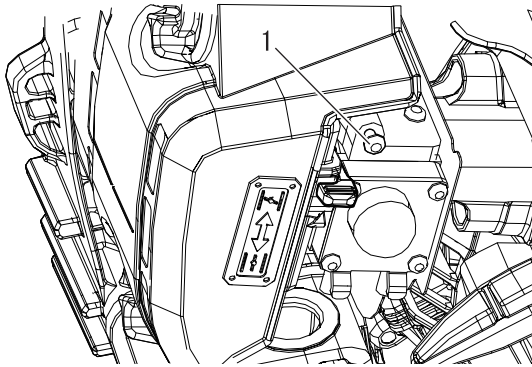
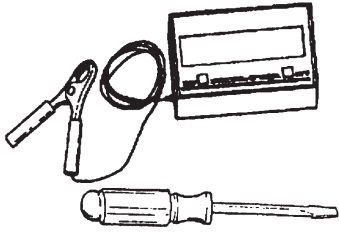
HINWEIS

Ersetzen Sie den Filter, wenn er stark verschmutzt oder beschädigt ist.

1. Entfernen Sie mit einem Lappen oberflächlichen Schmutz im Bereich des Tankdeckels, und entleeren Sie den Tank.
2. Ziehen Sie Kraftstoffleitung und Filter mit dem Haken vom Tank.
3. Trennen Sie den Filter von der Leitung, und bauen Sie den neuen Filter ein.

Wartung und Pflege

Justieren des Vergasers



1. Schraube

⚠ VORSICHT

Wenden Sie sich bei Problemen mit dem Vergaser bitte an Ihren ECHO-Händler.

Erford. Werkzeuge: Schraubendreher, Drehzahlmesser
Erforderliche Teile: Keine

HINWEIS

Jedes Gerät wird im Werk getestet, und der Vergaser wird nach den jeweiligen Vorschriften für den Schadstoffausstoß eingestellt. Dieser Vergaser hat keine Stellnadeln für Beschleunigung oder hohe Drehzahlen.

Vor dem Einstellen

Prüfen Sie:

- ob der Luftfilter sauber und richtig eingebaut ist.
- ob der Funkenschutz frei von Kohlenstoff ist.
- ob die Rohre angebaut sind.

1. Starten Sie den Motor und lassen Sie ihn eine Minute lang warmlaufen.
2. Beenden Sie das Warmlaufen, indem Sie den Motor 5 Sekunden lang auf voller Drehzahl laufen lassen und den Choke dabei zweimal betätigen, um die Luft aus den Vergaserkammern zu lassen.
3. Prüfen Sie die Leerlaufdrehzahl und stellen Sie sie ggf. ein. Wenn Sie einen Drehzahlmesser haben, stellen Sie die Leerlaufanschlagschraube nach den Angaben auf Seite 27, „Technische Daten“ dieses Handbuchs ein. Drehen Sie die Leerlaufanschlagschraube im Uhrzeigersinn, um die Leerlaufdrehzahl zu erhöhen oder gegen den Uhrzeigersinn, um sie zu verringern.

Wartung des Kühlsystems

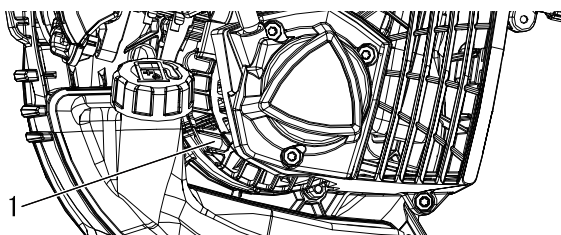
WICHTIG

Um die richtige Motorbetriebstemperatur aufrechtzuerhalten, muss die Kühlluft ungehindert den Zylinderrippenbereich durchströmen können. Durch diesen Luftstrom wird die Verbrennungswärme vom Motor abgeführt. Unter folgenden Umständen kann es zu Überhitzung und Kolbenfressern im Motor kommen:

- ♦ Die Luftzufuhröffnungen sind verstopft. Dadurch gelangt keine Kühlluft zum Zylinder;
- oder
- ♦ Staub und Gras haben sich außen am Zylinder angesammelt. Durch diese Ansammlung wird der Motor isoliert, und die Wärme kann nicht mehr abgegeben werden.

Das Beheben von Verstopfungen von Kühlluft-Durchgängen bzw. die Reinigung der Zylinderrippen gelten als normale Wartungsarbeiten. Störungen auf Grund mangelhafter Wartung und Pflege fallen nicht unter die Garantie.

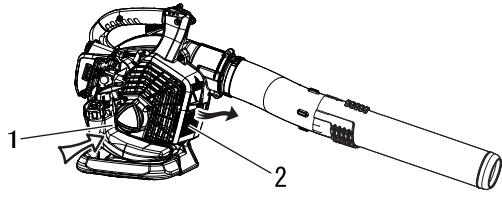
Erford. Werkzeuge: Reinigungsbürste, Druckluft
Erforderliche Teile: Keine



1. Ansauggrill

Reinigungsgitter

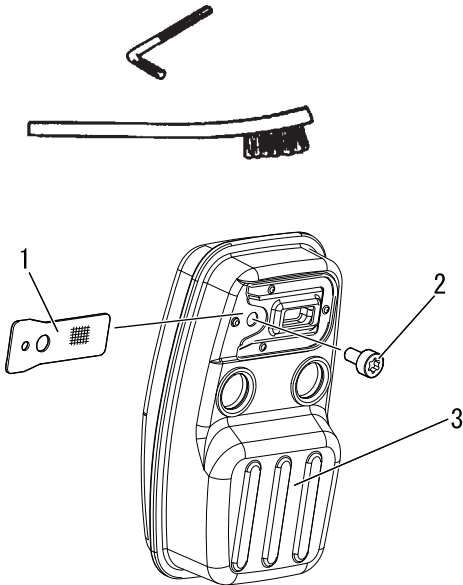
1. Säubern Sie das über dem Benzintank liegende Ansauggrillgehäuse von angesammeltem Schnittgut.



1. Ansauggrill

2. Ausblasgitter

Abgasanlage



1. Funkenschutzsieb
3. Schalldämpfer

2. Schraube

Reinigung der Zylinderrippen

1. Blasen Sie Druckluft durch Ansaug- und Ausblasgitter des Kurbelgehäuses.

Funkenschutz

Erford. Werkzeuge: Torx-L-Schlüssel T27, Reinigungsbürste
Erforderliche Teile: Funkenschutzsieb

WICHTIG

Kohlenstoffablagerungen im Schalldämpfer verringern die Motorleistung und führen zu Überhitzung. Das Funkenschutzsieb muss regelmäßig geprüft werden.

1. Drehen Sie eine Schraube heraus.
2. Entfernen Sie das Funkenschutzsieb vom Schalldämpfer. Ersetzen Sie das Sieb, wenn es durch Kohleablagerungen verstopft ist.
3. Installieren Sie das Funkenschutzsieb.
4. Ziehen Sie einen Bolzen und Muttern fest an.

HINWEIS

Beschädigen Sie beim Entfernen von Kohleablagerungen nicht den Katalysator im Dämpfer.

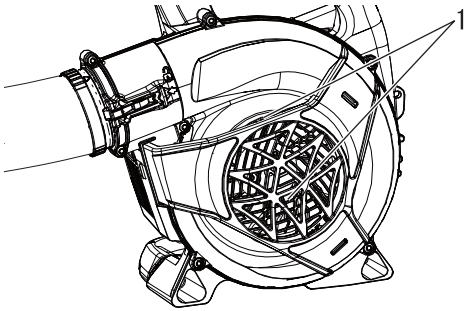
Auspuffkanal am Zylinder

WICHTIG

Der Auspuffkanal muss alle 3 Monate/alle 90 Betriebsstunden geprüft und von Kohlenstoffablagerungen befreit werden, damit die Emissionswerte des Motors nicht überschritten werden. ECHO empfiehlt dringend, dass Sie diesen wichtigen Wartungsschritt Ihrem ECHO-Händler überlassen.

Wartung und Pflege

Reinigen der Gehäuse-Abdeckung



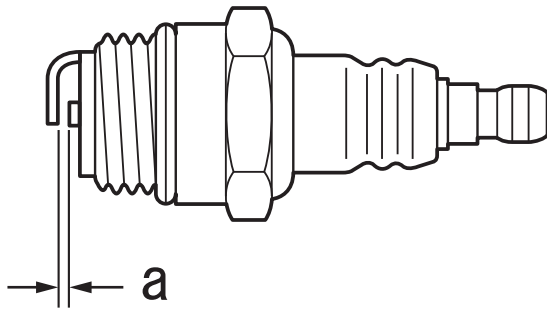
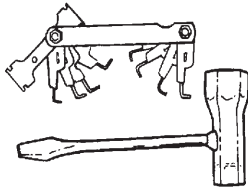
1. Gehäuse-Abdeckung

Entfernen Sie jegliche Verschmutzungen inklusive Laub, das die Gehäuse-Abdeckung verstopfen kann.

WICHTIG

Entfernen Sie nicht die Gehäuse-Abdeckung. Fragen Sie bei Bedarf bitte Ihren Händler um Rat.

Überprüfen der Zündkerze



a: 0,6 - 0,7 mm

Erford. Werkzeuge: T-Schlüssel, Fühlerlehre
Erforderliche Teile: Zündkerze

WICHTIG

Verwenden Sie ausschließlich eine Zündkerze vom Typ NGK BPMR8Y, ansonsten kann es zu schweren Motorschäden kommen.

1. Prüfen Sie den Elektrodenabstand. Der korrekte Abstand beträgt 0,6 bis 0,7 mm.
2. Prüfen Sie die Elektrode auf Verschleiß.
3. Prüfen Sie den Isolierkörper auf Öl- oder andere Ablagerungen.
4. Ersetzen Sie die Zündkerze ggf. durch eine neue, und ziehen Sie sie mit 15 Nm - 17 Nm (150 kgf·cm - 170 kgf·cm) fest.

Fehlerbehebung

Problem	Diagnose	Ursache	Lösung
<p>Motor lässt sich schwer starten, Drehzahl schwankt</p> <p>oder</p> <p>Der Motor lässt sich nicht starten.</p>	In das Überlaufrohr tritt kein Kraftstoff ein.	<p>Kraftstofffilter ist verstopft</p> <p>Kraftstoffsystem ist verstopft</p> <p>Innere Vergaserteile sind verklebt</p>	<p>Reinigen oder ersetzen</p> <p>Reinigen</p> <p>ECHO-Händler um Rat fragen</p>
	Kraftstoff tritt in das Überlaufrohr ein	<p>Kraftstoffalterung</p> <p>Vergaserstörung</p>	<p>Kraftstoff durch neuen ersetzen</p> <p>ECHO-Händler um Rat fragen</p>
	Die Kurbelwelle dreht nicht.	Interner Defekt des Motors.	ECHO-Händler um Rat fragen
	Die Zündkerze ist verschmutzt oder feucht.	<p>Kraftstoffalterung</p> <p>Falscher Elektrodenabstand</p> <p>Kohlenstoffablagerungen</p> <p>Elektrischer Defekt</p>	<p>Kraftstoff durch neuen ersetzen</p> <p>Einstellen oder ersetzen</p> <p>Reinigen oder ersetzen</p> <p>ECHO-Händler um Rat fragen</p>
Motor springt an, Drehzahl lässt sich jedoch nicht erhöhen.		<p>Verschmutzter Luftfilter</p> <p>Verschmutzter Kraftstofffilter</p> <p>Verstopfte Kraftstoffleitung</p> <p>Falsch justierter Vergaser.</p> <p>Zündkerzenproblem</p> <p>Verstopfte Auspuff- oder Schalldämpferöffnung</p> <p>Funkenschutzsieb verstopft oder abgenutzt</p>	<p>Reinigen oder ersetzen</p> <p>Reinigen oder ersetzen</p> <p>ECHO-Händler um Rat fragen</p> <p>ECHO-Händler um Rat fragen</p> <p>Reinigen, einstellen oder ersetzen</p> <p>Reinigen</p> <p>Reinigen oder ersetzen</p>

- Für Überprüfung und Wartung sind entsprechende Fachkenntnisse erforderlich. Wenn Sie das Produkt nicht selbst überprüfen, warten oder instand setzen können, wenden Sie sich an Ihren ECHO-Händler. Versuchen Sie nicht, das Gerät zu zerlegen.
- Bei Problemen oder Störungen, die nicht in der obigen Tabelle genannt werden, wenden Sie sich an Ihren ECHO-Händler.
- Verwenden Sie nur Original-Ersatzteile und -Verbrauchsprodukte, die für das Gerät zugelassen sind. Die Verwendung von Teilen anderer Hersteller oder nicht zugelassener Produkte kann zu Fehlfunktionen führen.

Wartung und Pflege

Langfristige Lagerung (30 Tage und länger)

WARNUNG

Beim Betrieb erwärmen sich Schalldämpfer/Katalysator und Abdeckung stark. Halten Sie den Auspuff bei Transport oder Lagerung stets frei von brennbarem Schmutz, um Personen- und Sachschaden zu vermeiden.

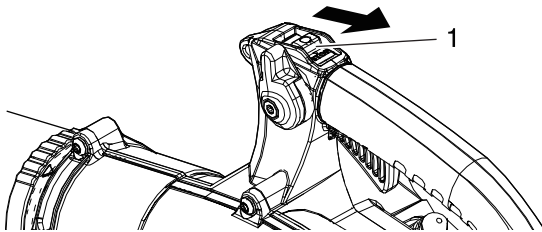


Lagern Sie das Gerät länger als 30 Tage, müssen Sie gewisse Vorkehrungen treffen. Gehen Sie wie folgt vor:

1. Lagern Sie das Gerät trocken, staubfrei und für Kinder unzugänglich.

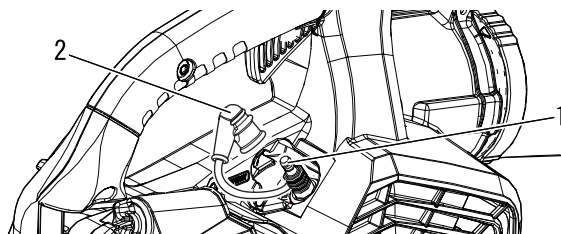
WARNUNG

Lagern Sie es nicht dort, wo Kraftstoffdämpfe sich sammeln oder an offene Funken geraten können.



1. Aus-Schalter

2. Bringen Sie den Aus-Schalter in die Stellung "STOP".
3. Entfernen Sie Ansammlungen von Schmierfett, Öl, Schmutz und Fremdkörpern vom Gerät.
4. Schmieren Sie das Gerät regelmäßig nach dem Wartungsplan.
5. Ziehen Sie alle Schrauben und Muttern fest.
6. Entleeren Sie den Kraftstofftank vollständig im Freien, wobei sich keine feuergefährlichen Gegenstände in der Nähe befinden dürfen. Ziehen Sie mehrmals am Griff des Reversierstarters, damit sich kein Kraftstoff mehr im Vergaser befindet. Lassen Sie Kraftstoff niemals in geschlossenen Räumen ab.
7. Bauen Sie die Zündkerze aus, und gießen Sie 10 ml neues ECHO-Zweitakt-Motoröl durch die Kerzenbohrung in den Zylinder.
 - A. Legen Sie ein sauberes Tuch über die Kerzenbohrung.
 - B. Ziehen Sie 2 bis 3 Mal am Griff des Reversierstarters, um das Motoröl im Zylinder zu verteilen
 - C. Beobachten Sie die Lage des Kolbens durch die Zündkerzenöffnung. Ziehen Sie am Griff des Reversierstarters, bis der Kolben den oberen Totpunkt erreicht, und lassen Sie ihn in dieser Stellung.
8. Bauen Sie die Zündkerze ein (schließen Sie den Zündkerzenstecker nicht an.)
9. Gebläserohr komplett vom Gerät abnehmen.



1. Zündkerze

2. Zündkerzenstecker

Zur vorschriftsmäßigen Entsorgung des Produkts oder seiner Einzelteile wenden Sie sich an Ihren ECHO-Händler.

Technische Daten

		PB-2620	
Masse (trocken, mit Rohren):		kg	4,4
Außenmaße (ohne Rohre):			
Länge		mm	324
Breite		mm	282
Höhe		mm	355
Motor:			
Typ			Luftgekühlter Zweitakt-Einzylinderbenzinmotor
Hubraum		cm ³	25,4
Maximalleistung		kW	0,9
Motordrehzahl bei maximaler Motorleistung		U/min	7500
Empfohlene Motordrehzahl bei Vollast		U/min	7500
Empfohlene Motordrehzahl im Leerlauf		U/min	3000
Vergaser			Membrantyp
Zündung			Schwungradmagnet - CDI-System
Zündkerze			NGK BPMR8Y
Anlasser			Reversierstarter
Luftvolumen: (ANSI/OPEI B175.2)		m ³ /h	774 (Runde gerade Düse)
		m ³ /h	726 (Flache gerade Düse)
Maximale Luftgeschwindigkeit: (ANSI/OPEI B175.2)		m/s	76,7 (Runde gerade Düse)
		m/s	80,5 (Flache gerade Düse)
Kraftstoff:			
Öl			Bleifreies Normalbenzin. Verwenden Sie bleifreies Benzin mit mindestens 89 Oktan. Verwenden Sie keinen Kraftstoff mit Methylalkohol oder mehr als 10 % Ethylalkohol. Motoröl für luftgekühlte Zweitaktmotoren. Öl nach ISO-L-EGD-Norm (ISO/CD 13738), JASO FC, FD und von ECHO empfohlenes Öl.
Verhältnis			50 : 1 (2 %)
Tankinhalt (voll):		ml	600
Schalldruckpegel: (EN15503)		L _{pAeq}	dB(A)
			93,5 (Runde gerade Düse)
			93,4 (Flache gerade Düse)
Unsicherheit		K _{pA}	2,5
Schalleistungspegel: (EN15503)		L _{wARa}	dB(A)
			104,9 (Runde gerade Düse)
			104,6 (Flache gerade Düse)
Unsicherheit		K _{WA}	2,5
Schwingungen: (EN15503)		a _{hv,eq}	m/s ²
			6,6 (Runde gerade Düse)
			7,1 (Flache gerade Düse)
Unsicherheit		K	5,0

Änderungen der technischen Daten vorbehalten.

Konformitätserklärung

Der unterzeichnete Hersteller:

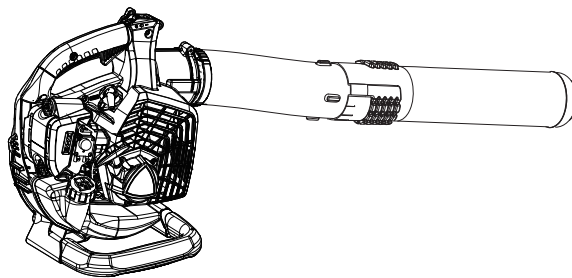
YAMABIKO CORPORATION
7-2 SUEHIROCHO 1-CHOME
OHME, TOKIO 198-8760
JAPAN

Diese Konformitätserklärung wird unter der alleinigen Verantwortung des Herstellers erstellt.

erklärt, dass das nachstehend spezifizierte neue Gerät:

LAUBBLÄSER

Marke: **ECHO**
Typ: **PB-2620**



Zusammenggebaut von:

ECHO, INCORPORATED
400 Oakwood Road
Lake Zurich, Illinois 60047-1564

USA

Folgendes erfüllt:

- * Anforderungen der Richtlinie **2006/42/EG** (Verwendung der harmonisierten Norm **EN 15503: 2009+A2: 2015**)
- * Anforderungen der Richtlinie **2011/65/EU** (Verwendung der harmonisierten Norm **EN 50581: 2012**)
- * Anforderungen der Richtlinie **2014/30/EU** (Verwendung der harmonisierten Norm **EN ISO 14982: 2009**)
- * Anforderungen der Richtlinie **2000/14/EG**

Konformitätsbewertungsverfahren nach **ANHANG V**

Gemessener Schallleistungspegel: **105 dB(A)**

Garantierter Schallleistungspegel: **108 dB(A)**

Seriennummer 38001001 bis 38100000

Tokio, 5. Dezember 2018

YAMABIKO CORPORATION

Masayuki Kimura

Der Dokumentenbevollmächtigte in Europa, welcher autorisiert ist, die technischen Daten zusammenzustellen.

Unternehmen: CERTIFICATION EXPERTS B.V.

Adresse: P.O. box 5047, Merwedeweg 2, 3621 LR Breukelen, Niederlande

Masayuki Kimura

**Hauptabteilungsleiter
Abteilung
Qualitätssicherung**

Herr Richard Glaser

NOTIZEN

YAMABIKO CORPORATION

7-2 SUEHIROCHO 1-CHOME, OHME, TOKIO 198-8760, JAPAN

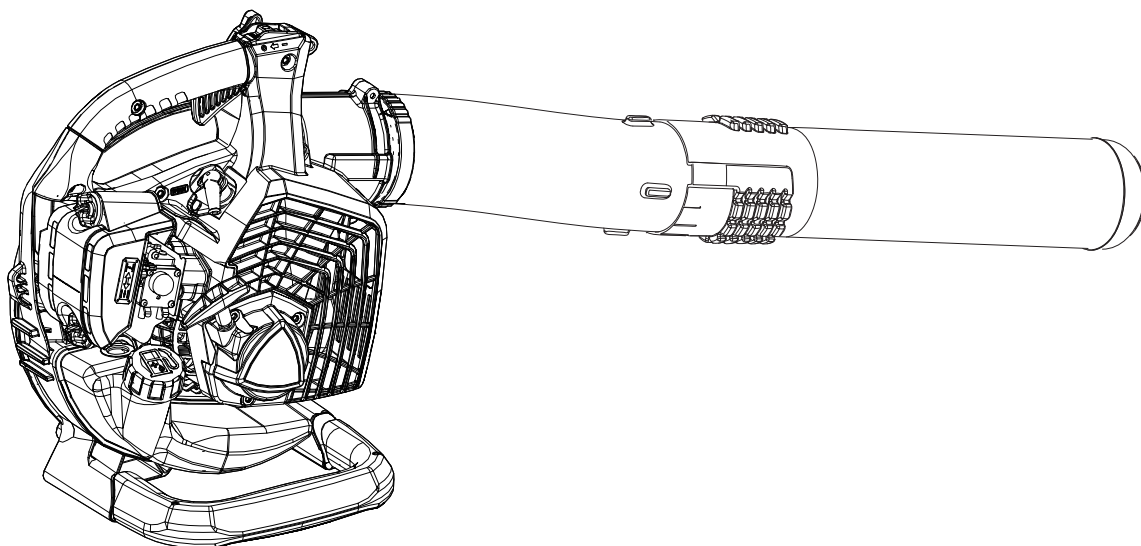
TELEFON: 81-428-32-6118. FAX: 81-428-32-6145.



X750119-1000



IT ITALIANO
(Istruzioni originali)



MANUALE PER L'OPERATORE

SOFFIATORE

PB-2620

AVVERTENZA

LEGGERE E SEGUIRE ATTENTAMENTE LE ISTRUZIONI PER LAVORARE IN CONDIZIONI DI MASSIMA SICUREZZA. LA MANCATA OSSERVANZA DELLE ISTRUZIONI POTREBBE PROVOCARE LESIONI GRAVI.



Informazioni importanti

Si raccomanda di leggere il manuale per l'operatore prima di utilizzare questo prodotto.

○ Funzione di questo prodotto

- ♦ Il soffiatore ECHO è stato progettato per allontanare polvere e materiali di vario tipo, incluse le foglie cadute dagli alberi.
- ♦ Non usare questa macchina per fini diversi da quelli sopra menzionati.

○ Utenti del prodotto

- ♦ Prima di utilizzare questo prodotto leggere attentamente e assimilare il contenuto del manuale per l'operatore.
- ♦ Non utilizzare questo prodotto senza aver prima letto attentamente il manuale per l'operatore, in condizioni debilitate a causa di raffreddore o stanchezza o in condizioni fisiche e psicologiche non ottimali; inoltre vietare l'uso ai bambini.
- ♦ Tenere presente che l'operatore o l'utente è responsabile di eventuali rischi o incidenti provocati ad altre persone o alle proprietà altrui.

○ Informazioni sul manuale per l'operatore

- ♦ Questo manuale contiene informazioni necessarie per l'assemblaggio, il funzionamento e la manutenzione del prodotto. Si raccomanda di leggerlo attentamente e di assimilarne il contenuto.
- ♦ Tenere sempre il manuale in un posto facilmente accessibile.
- ♦ Se il manuale viene smarrito o danneggiato e non può essere consultato, acquistarne uno nuovo presso il rivenditore ECHO.
- ♦ Le unità di misura utilizzate in questo manuale sono espresse in conformità al sistema internazionale. Le cifre riportate tra parentesi sono valori di riferimento e in alcuni casi ci potrebbero essere lievi errori di conversione.

○ Prestito o cessione del prodotto

- ♦ In caso di prestito o cessione del prodotto descritto in questo manuale, consegnare alla persona che lo riceve in prestito e che dovrà utilizzarlo anche il manuale per l'operatore. Anche in caso di cessione, consegnare il prodotto insieme al manuale per l'operatore.

○ Richieste

- ♦ Per ricevere ulteriori informazioni sul prodotto, per l'acquisto di articoli di consumo, per riparazioni e altre eventuali richieste, contattare il proprio rivenditore ECHO.

○ Avvisi

- ♦ Il contenuto di questo manuale può essere modificato senza preavviso per renderlo conforme a eventuali aggiornamenti al prodotto. Alcune illustrazioni potrebbero essere diverse dal prodotto per rendere le spiegazioni più chiare.
- ♦ Questo prodotto richiede l'assemblaggio di alcune parti.
- ♦ Consultare il proprio rivenditore ECHO per ulteriori chiarimenti.

Produttore

YAMABIKO CORPORATION

7-2 SUEHIROCHO 1-CHOME, OHME, TOKYO 198-8760, GIAPPONE

Rappresentante autorizzato in Europa

CERTIFICATION EXPERTS B.V.

P.O. box 5047, Merwedeweg 2, 3621 LR Breukelen, Paesi Bassi

Per un uso sicuro del prodotto	4
Messaggi di avviso	4
Altri indicatori	4
Simboli	4
Posizione in cui è applicata la decalcomania	6
Gestione del carburante	7
Gestione del motore	8
Gestione del prodotto	9
Contenuto della confezione	12
Descrizione	13
Prima di iniziare	14
Montaggio	14
Preparazione del carburante	15
Funzionamento del motore	16
Avviamento del motore	16
Arresto del motore	17
Funzionamento	18
Funzionamento del soffiatore	18
Manutenzione e cura	19
Guida alla manutenzione	19
Manutenzione e cura	19
Problemi tecnici	24
Rimessaggio per un lungo periodo (oltre 30 giorni).....	25
Caratteristiche tecniche	26
Dichiarazione di conformità	27

Per un uso sicuro del prodotto

Leggere questa sezione prima di utilizzare il prodotto.




○ Le precauzioni descritte in questa sezione contengono importanti informazioni per la sicurezza. Si raccomanda di seguirle scrupolosamente.

○ Leggere anche le precauzioni presenti all'interno del manuale.

Il testo seguito da un contrassegno [a forma di rombo] descrive le potenziali conseguenze che si potrebbero verificare in caso di mancata osservanza delle precauzioni.


Messaggi di avviso

Situazioni in cui c'è il rischio di causare lesioni fisiche all'utente e ad altre persone sono indicate in questo manuale e sul prodotto, con le seguenti avvertenze. Leggerle e osservarle sempre per lavorare in condizioni di massima sicurezza.

 PERICOLO	 AVVERTENZA	 ATTENZIONE
Questo simbolo accompagnato dalla parola " PERICOLO " richiama l'attenzione su un'azione o una condizione che potrebbe causare infortuni gravi o la morte di utenti o di persone presenti.	Questo simbolo accompagnato dalla parola " AVVERTENZA " richiama l'attenzione su un'azione o una condizione che potrebbe causare lesioni gravi o la morte di utenti o di persone presenti.	" ATTENZIONE " indica una situazione potenzialmente pericolosa che, se non evitata, potrebbe causare lesioni minori o moderate.









Altri indicatori

Oltre alle avvertenze, questo manuale utilizza i seguenti simboli esplicativi:







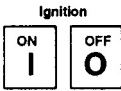


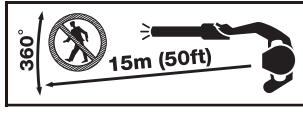

 Il cerchietto barrato sta ad indicare che quanto è illustrato è proibito.	NOTA Il messaggio qui riportato fornisce consigli per l'uso, la cura e la manutenzione del prodotto.	IMPORTANTE Il testo incorniciato, caratterizzato dalla parola " IMPORTANTE ", contiene informazioni importanti riguardo l'uso, il controllo, la manutenzione e il rimessaggio del prodotto descritto in questo manuale.
--	--	--

Simboli

In questo manuale e sul prodotto sono riportati alcuni simboli esplicativi. Accertarsi di aver ben compreso il significato di tutti i simboli.

Forma del simbolo	Descrizione/applicazione del simbolo	Forma del simbolo	Descrizione/applicazione del simbolo
	Leggere attentamente il manuale per l'operatore		Miscela di benzina e olio
	Indossare protezioni per occhi, orecchie e testa		Bulbo di spurgo (adescamento)
	Protezione/allarme		Arresto di emergenza
	Taglio delle dita		Regolazione del carburatore - In folle

Per un uso sicuro del prodotto

Forma del simbolo	Descrizione/applicazione del simbolo	Forma del simbolo	Descrizione/applicazione del simbolo
	Non utilizzare il prodotto in luoghi scarsamente ventilati		Controllo valvola dell'aria Posizione "Avviamento a freddo" (Valvola dell'aria chiusa)
	Attenzione al fuoco		Controllo valvola dell'aria Posizione "In funzione" (Valvola dell'aria aperta)
	Attenzione alle scosse elettriche		Livello di potenza acustica garantito
	Accensione ON/OFF		Prestare attenzione nelle aree ad alta temperatura
	Avvio del motore		Tenere gli astanti a una distanza di 15 m
	Pericolo di oggetti scagliati		

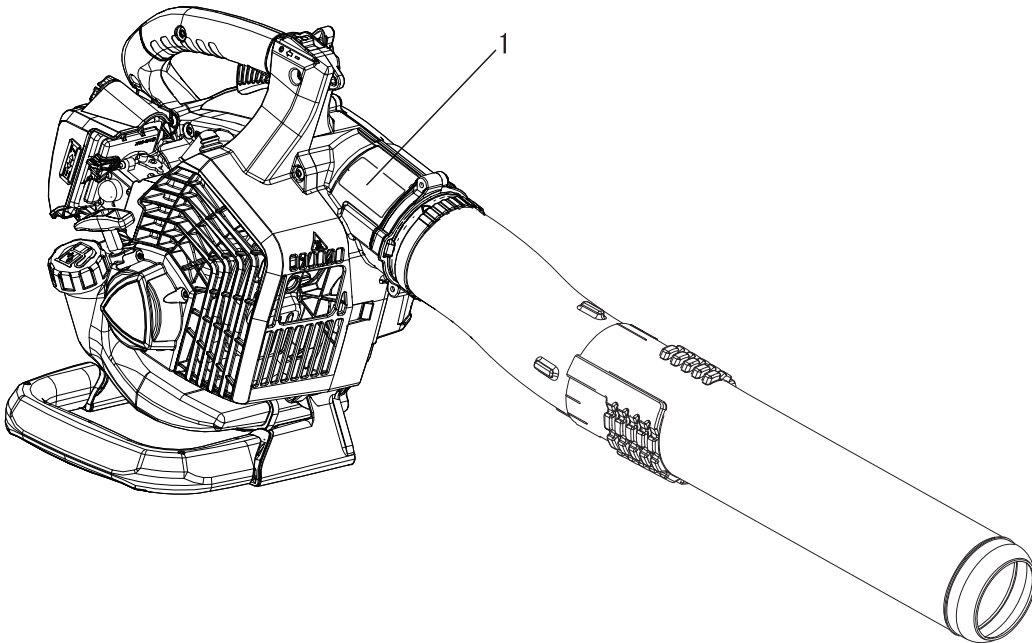
Per un uso sicuro del prodotto

Posizione in cui è applicata la decalcomania

- La decalcomania riportata sotto è stata applicata al prodotto descritto in questo manuale. Prima di utilizzare il prodotto accertarsi di aver compreso quanto riportato sulla decalcomania.
- Se la decalcomania diventa illeggibile a causa dell'usura, si strappa o si stacca e si perde, acquistarne una di ricambio presso il rivenditore ECHO e fissarla nel punto illustrato nella figura in basso. Accertarsi che la decalcomania sia sempre leggibile.



1. Decalcomania (Codice ricambio X505010760)



Per un uso sicuro del prodotto

Gestione del carburante

PERICOLO

Rifornire il prodotto di carburante sempre in un'area lontana dal fuoco

Il carburante è altamente infiammabile e può causare incendi se usato senza le dovute precauzioni. Prestare estrema attenzione durante la preparazione della miscela, il rimessaggio o il rifornimento per evitare lesioni gravi. Osservare le seguenti istruzioni.

- Non fumare o accendere fiamme durante il rifornimento.
- Non effettuare il rifornimento quando il motore è caldo o acceso.
- ◆ In questi casi il carburante potrebbe incendiarsi e causare ustioni.



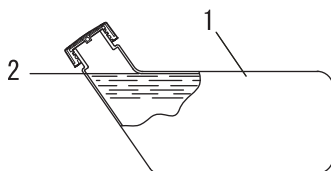
Contenitore e luogo per il rifornimento

- Utilizzare un contenitore di carburante approvato.
- I serbatoi/contenitori di carburante possono essere sottopressione. Allentare sempre il tappo del carburante lentamente per compensare la pressione.
- **NON** riempire mai il serbatoio del carburante in ambienti chiusi. Riempire **SEMPRE** i serbatoi del carburante all'aperto e su terreno sgombro.

Perdite di carburante possono causare incendi

Osservare le seguenti precauzioni durante il rifornimento:

- Non riempire mai il serbatoio del carburante fino all'imboccatura. Mantenere il carburante entro il livello prescritto (fino al livello del serbatoio).
- Pulire il carburante traboccato o versato.
- Serrare bene il tappo del serbatoio del carburante dopo il rifornimento.
- ◆ Il carburante versato può causare incendi o scottature se infiammato.



- 1. Serbatoio del carburante
- 2. Livello

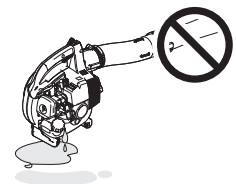
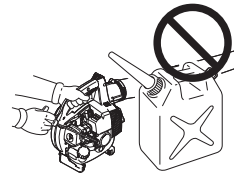
Non avviare il motore nell'area nella quale è stato rifornito il serbatoio carburante

- Non avviare il motore nell'area in cui è stato rifornito il serbatoio. Prima di avviare il motore, spostarsi almeno a 3 m dall'area in cui è stato rifornito il serbatoio.

- ◆ Durante il rifornimento potrebbero verificarsi perdite di carburante che potrebbero provocare incendi.

Le perdite di carburante causano incendi

- Dopo il rifornimento, controllare sempre che non ci siano perdite o fuoriuscite dal condotto del carburante, dal gommino dell'impianto di alimentazione o intorno al tappo del serbatoio.
- In caso di perdite o fuoriuscite di carburante, smettere immediatamente di usare la macchina e contattare il rivenditore ECHO per la riparazione.
- ◆ Qualsiasi perdita di carburante può causare incendi.



Per un uso sicuro del prodotto

Gestione del motore

AVVERTENZA

Avviamento del motore

Prestare particolare attenzione alle seguenti precauzioni quando si avvia il motore:

- Controllare che non ci siano dadi o bulloni allentati
- Controllare che non vi siano perdite di carburante
- Collocare il prodotto su una superficie piana e ben ventilata
- Lasciare sufficiente spazio intorno al prodotto e non permettere a persone o animali di avvicinarsi
- Rimuovere eventuali ostruzioni, se presenti
- Avviare il motore con la leva del gas in posizione di avvio o di funzionamento
- Mantenere il prodotto fermo a terra durante l'avvio del motore

◆ La mancata osservanza di queste precauzioni può provocare incidenti, lesioni o perfino la morte.

Una volta avviato il motore, verificare che non ci siano vibrazioni e rumori anomali

- Una volta avviato il motore, verificare che non ci siano vibrazioni o rumori anomali. Non utilizzare il prodotto se ci sono vibrazioni o rumori anomali. Contattare il rivenditore ECHO per la riparazione.

◆ Incidenti che provocano la caduta o la rottura di parti possono causare ferite o lesioni gravi.

Non toccare i componenti ad alta temperatura o ad alta tensione mentre il prodotto è in moto

Non toccare i seguenti componenti ad alta temperatura o ad alta tensione mentre il prodotto è in moto o è stato appena spento.

- Marmitta, cilindro e altri componenti ad alta temperatura

◆ Il contatto con componenti ad alta temperatura potrebbe causare ustioni.

- Candela, cavo candela e altri componenti ad alta tensione

◆ Il contatto con componenti ad alta tensione mentre il prodotto è in moto potrebbe causare scosse elettriche.



Dare assoluta priorità alla sicurezza in caso di incendio o fumo

- In caso di fuoriuscita di fiamme dal motore o di fumo da qualsiasi area diversa dallo sfiato della marmitta, allontanarsi dal prodotto per evitare lesioni gravi.

- Utilizzare una pala per lanciare sabbia o altro materiale simile sul fuoco per evitarne l'espansione o spegnerlo con un estintore.

◆ Evitare di farsi prendere dal panico per non allargare l'incendio o aumentare i danni.

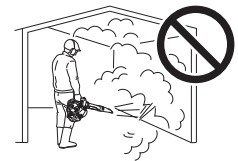


I gas di scarico sono tossici

- I gas di scarico provenienti dal motore contengono gas tossici. Non utilizzare il prodotto in ambienti chiusi, all'interno di una serra ricoperta di plastica o in ambienti scarsamente ventilati.

- Qualora il soffiatore debba essere utilizzato in prossimità di abitazioni, evitare l'uso nelle vicinanze di finestre aperte. L'uso in prossimità di finestre aperte può causare l'ingresso di fumi di scarico all'interno delle abitazioni.

◆ I gas di scarico possono provocare avvelenamento.



Durante l'esecuzione di ispezioni o manutenzioni del prodotto, spegnere il motore

Osservare le seguenti precauzioni durante il controllo e la manutenzione del prodotto dopo l'uso:

- Spegner il motore ed eseguire il controllo o la manutenzione del prodotto solo dopo che il motore si è raffreddato.

◆ L'esecuzione di interventi a motore caldo può causare ustioni.

- Prima di eseguire ispezioni e manutenzioni rimuovere il cappuccio della candela.

◆ Un avvio imprevisto del prodotto potrebbe causare un incidente.

Controllo della candela

Durante il controllo della candela, osservare le seguenti precauzioni.

- Se i terminali degli elettrodi sono usurati o se le parti in ceramica presentano spaccature, sostituirli con componenti nuovi.

- Il test di scintillamento (per verificare se la candela genera scintille) deve essere eseguito da un professionista. Rivolgersi al rivenditore ECHO.

- Il test di scintillamento non deve essere eseguito in prossimità del foro della candela.

- I test di scintillamento non deve essere eseguito in prossimità di aree in cui sono presenti perdite di carburante o gas infiammabili.

- Non toccare le parti metalliche della candela

◆ La candela può generare fiamme o scosse elettriche.



Per un uso sicuro del prodotto

Gestione del prodotto Precauzioni generali

AVVERTENZA

Manuale per l'operatore

- Per un corretto funzionamento del prodotto, prima di utilizzarlo leggere attentamente il manuale per l'operatore.
- ◆ La mancata osservanza di queste precauzioni potrebbe causare un incidente o lesioni gravi.



Non utilizzare il prodotto per eseguire lavori diversi da quelli per cui è stato progettato

- Non utilizzare il prodotto per eseguire lavori diversi da quelli descritti nel manuale dell'operatore.
- ◆ La mancata osservanza di queste precauzioni potrebbe causare un incidente o lesioni gravi.

Non modificare il prodotto

- Non modificare il prodotto.
- ◆ La mancata osservanza di queste precauzioni potrebbe causare un incidente o lesioni gravi. Qualsiasi guasto causato da modifiche apportate al prodotto non sarà coperta dalla garanzia del produttore.

Non utilizzare il prodotto senza aver effettuato prima il controllo e la manutenzione

- Non utilizzare il prodotto senza aver effettuato prima il controllo e la manutenzione. Accertarsi sempre che il controllo e la manutenzione vengano eseguiti a scadenze regolari.
- ◆ La mancata osservanza di queste precauzioni potrebbe causare un incidente o lesioni gravi.

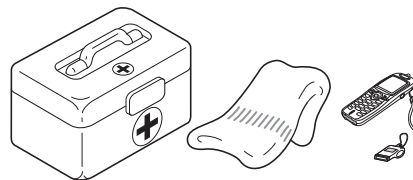
Prestito o cessione del prodotto

- In caso di prestito del prodotto, consegnare alla persona che lo riceve anche il manuale dell'operatore.
- Anche in caso di cessione, consegnare il prodotto insieme al manuale per l'operatore.
- ◆ La mancata osservanza di queste precauzioni potrebbe causare un incidente o lesioni gravi.

Essere pronti in caso di lesioni

Nell'improbabile evento di incidente o lesioni è consigliabile essere preparati.

- Cassetta di pronto soccorso
- Asciugamani e fazzoletti (per fermare eventuali emorragie)
- Fischietto o telefono cellulare (per chiedere aiuto)
- ◆ Se non si è in grado di effettuare un primo soccorso o chiedere aiuto, le lesioni potrebbero peggiorare.



Per un uso sicuro del prodotto

Precauzioni per l'uso

AVVERTENZA

Utenti del prodotto

Il prodotto non deve essere utilizzato da:

- persone stanche
- persone che hanno assunto bevande alcoliche
- persone sotto trattamento farmacologico
- persone in stato di gravidanza
- persone in condizioni fisiche precarie
- persone che non hanno letto il manuale dell'utente
- bambini

◆ La mancata osservanza di queste istruzioni potrebbe provocare incidenti.

- Il sistema di accensione di questo prodotto genera campi elettromagnetici durante il funzionamento. I campi magnetici possono causare interferenze con i pacemaker o il malfunzionamento di questi ultimi. Per ridurre i rischi per la salute, consigliamo ai portatori di pacemaker di consultare il proprio medico e il produttore del pacemaker prima di utilizzare questo prodotto.



Ambiente di utilizzo e funzionamento

- Non utilizzare il prodotto su terreni instabili, ad esempio con forti pendenze o dopo un acquazzone, oppure su terreni scivolosi e pericolosi.
- Non utilizzare il prodotto di notte o in zone con scarsa visibilità.
- ◆ Cadute, scivolate o un uso non corretto del prodotto potrebbero causare lesioni gravi.

L'area nel raggio di 15 m deve essere considerata zona pericolosa

L'area nel raggio di 15 m dal prodotto deve essere considerata zona pericolosa. Osservare le seguenti precauzioni mentre si sta lavorando con il prodotto.

- Non permettere a bambini, altre persone o animali di entrare nella zona pericolosa.
- Se un'altra persona entra nella zona pericolosa, spegnere il motore.
- Quando ci si avvicina all'operatore, segnalargli la propria presenza, per esempio, lanciandogli dei rametti dall'esterno della zona pericolosa e quindi controllare che il motore sia stato spento.
- Se più persone devono lavorare con il prodotto, trovare un modo per comunicare con il collega da una distanza di 15 m.
- ◆ Eventuali oggetti scagliati potrebbero provocare lesioni gravi all'operatore o agli astanti.

Uso del prodotto

Durante l'uso del prodotto, prestare particolare attenzione e osservare le seguenti precauzioni.

- Non permettere a persone estranee all'attività che si sta svolgendo o ad animali di sostare in prossimità dell'area di lavoro.
- Non puntare il condotto del soffiatore in direzione di persone o animali.
- Non utilizzare il prodotto su terreni instabili.
- Mantenere la maniglia in modo fermo e saldo.
- Evitare di utilizzare il prodotto nelle ore notturne o al mattino presto, per non disturbare i vicini con il rumore.
- ◆ La mancata osservanza di queste istruzioni potrebbe causare incidenti o lesioni.

Spegnere il motore durante gli spostamenti

Durante gli spostamenti, nelle situazioni descritte di seguito, spegnere il motore.

- Spostamenti verso l'area in cui si sta lavorando
- Spostamenti verso un'altra area mentre si sta lavorando
- Abbandono dell'area in cui è stato eseguito il lavoro
- ◆ La mancata osservanza di queste precauzioni potrebbe causare scottature o lesioni gravi.
- Durante il trasporto in automobile, svuotare il serbatoio del carburante, sistemare il prodotto in posizione verticale e fissarlo saldamente per evitare che si sposti durante il viaggio.
- ◆ Trasportare il prodotto con il serbatoio contenente carburante all'interno di un veicolo può essere causa di incendi.

Prestare attenzione a non rimanere impigliati nella ventola

- Prestare attenzione a non impigliare i capelli nella ventola.
- ◆ L'effetto di risucchio dell'aria generata dalla ventola potrebbe attirare la mano o altri oggetti all'interno del vano ventola, causando lesioni gravi.

Vibrazioni e freddo

Si ritiene che la condizione definita fenomeno di Raynaud, che colpisce le dita di alcune persone, sia causata dall'esposizione alle vibrazioni e al freddo. L'esposizione al freddo e alle vibrazioni può causare formicolio e bruciore, seguiti da pallore e intorpidimento delle dita.

Dato che non si conosce il livello di esposizione minima che causa i disturbi, si consiglia vivamente di osservare le seguenti precauzioni.

- Tenere il corpo caldo, soprattutto testa, collo, piedi, caviglie, mani e polsi.
- Mantenere una buona circolazione del sangue facendo vigorosi esercizi con le braccia durante frequenti pause di lavoro, ed evitare di fumare.
- Limitare il numero di ore di impiego.
Si consiglia di non lavorare con altre macchine portatili oltre al soffiatore nell'arco della stessa giornata.
- Se si accusano disagi e disturbi e se si riscontrano arrossamenti e gonfiore delle dita seguiti da pallore e perdita di sensibilità, rivolgersi al proprio medico prima di esporsi di nuovo al freddo e alle vibrazioni.
- ◆ La mancata osservanza di queste istruzioni potrebbe causare danni alla salute.

Per un uso sicuro del prodotto

AVVERTENZA

Lesioni da sforzi ripetitivi

Si ritiene che l'uso eccessivo dei muscoli e dei tendini di dita, mani, braccia e spalle possa causare dolore, gonfiore, intorpidimento, debolezza e fortissimi dolori nelle zone menzionate. Alcune attività manuali ripetitive possono essere causa di alto rischio per lo sviluppo di lesioni da sforzi ripetitivi. Per ridurre il rischio di lesioni da sforzi ripetitivi:

- Evitare di usare il polso piegato, allungato o girato.
- Fare pause a intervalli regolari per ridurre al minimo movimenti ripetuti e far riposare le mani. Ridurre la velocità e la forza con cui il movimento ripetitivo viene eseguito.
- Fare esercizi per rafforzare i muscoli della mano e del braccio.
- Consultare un medico se si accusano formicolio, intorpidimento o dolori nelle dita, nelle mani, nei polsi o nelle braccia. Una tempestiva diagnosi di lesioni da sforzi ripetitivi consente di evitare danni permanenti ai nervi e ai muscoli.

◆ La mancata osservanza di queste istruzioni potrebbe causare danni alla salute.

In caso di imprevisti spegnere immediatamente il motore

○ Spegnere immediatamente il motore se il prodotto inizia improvvisamente a produrre rumori o vibrazioni anomale. Il prodotto non può essere utilizzato se produce rumori o vibrazioni anomale. Contattare il rivenditore ECHO per la riparazione.

◆ Continuare a utilizzare parti danneggiate potrebbe provocare un incidente o lesioni gravi.

Indumenti protettivi

AVVERTENZA

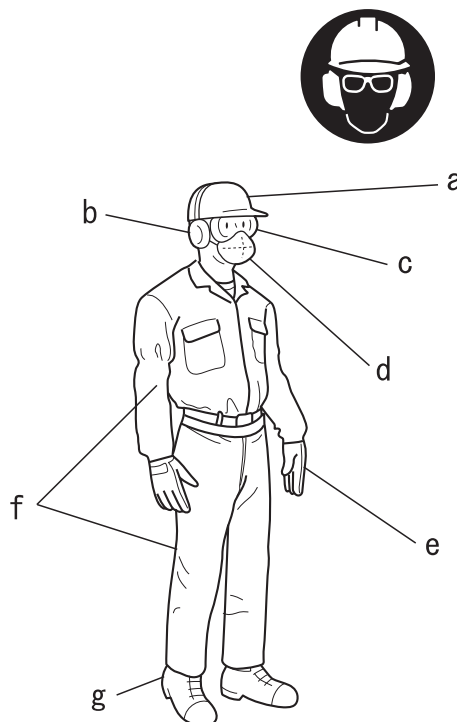
Indossare indumenti protettivi

○ Durante il lavoro con il soffiatore indossare sempre indumenti e abiti protettivi appropriati. E soprattutto, durante il lavoro, indossare occhiali di protezione, una mascherina antipolvere e tappi per le orecchie.

◆ Senza indumenti protettivi, i detriti o la polvere soffiata via potrebbe essere inalata o colpire gli occhi provocando incidenti o lesioni.

- a **Casco (elmetto):** Protegge la testa
- b **Protezioni acustiche o tappi per le orecchie:** Proteggono l'udito
- c **Occhiali di protezione:** Proteggono gli occhi
- d **Mascherina antipolvere**
- e **Guanti protettivi:** Proteggono le mani dal freddo e dalle vibrazioni
- f **Indumenti da lavoro aderenti (maniche lunghe e pantaloni lunghi):** Proteggono il corpo
- g **Stivali protettivi antiscivolo per lavori pesanti (con protezione delle punte) o scarpe da lavoro antiscivolo (con protezione delle punte):** Proteggono i piedi

◆ La mancata osservanza di queste precauzioni potrebbe causare danni alla vista o all'udito o lesioni gravi.



Indossare indumenti idonei

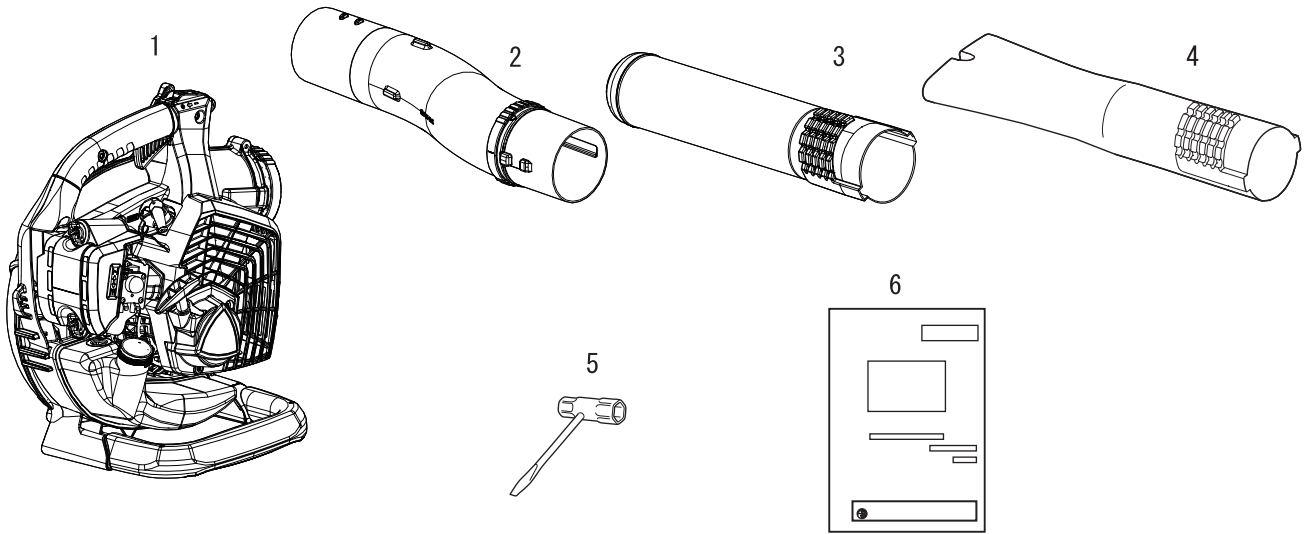
Non indossare cravatte, gioielli o vestiti poco aderenti che potrebbero restare impigliati nella macchina. Non indossare calzature aperte, non lavorare a piedi nudi o a gambe nude. In alcuni casi potrebbe essere necessario proteggere sia il viso che la testa.

◆ La mancata osservanza di queste precauzioni potrebbe causare danni alla vista o all'udito o lesioni gravi.

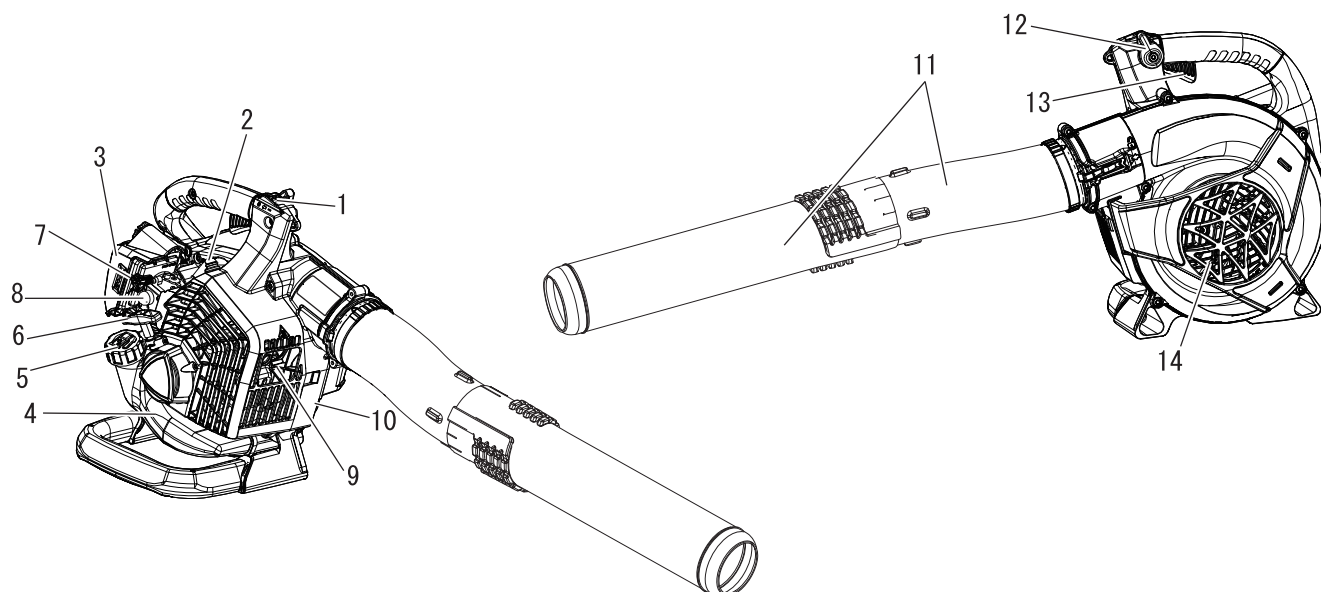




Contenuto della confezione

- ♦ Le seguenti parti sono state imballate separatamente nella confezione.
- ♦ Dopo aver aperto la confezione, controllare che tutte le parti siano presenti.
- ♦ In caso di parti mancanti o danneggiate, contattare il rivenditore ECHO.



Numero	Nome parte	Quantità	Numero	Nome parte	Quantità
1	Testa del soffiatore	1	4	Ugello piatto dritto	1
2	Tubo del soffiatore	1	5	Chiave a T	1
3	Ugello tondo dritto	1	6	Manuale per l'operatore	1



1. **Interruttore di arresto "INTERRUTTORE SCORREVOLE"** montato sull'impugnatura. Spingere l'interruttore in avanti per avviare l'apparecchiatura. Far scorrere indietro l'interruttore per arrestarla.
2. **Candela** Genera le scintille necessarie per accendere la miscela.
3. **Filtro dell'aria** Contiene gli elementi sostituibili del filtro dell'aria.
4. **Serbatoio del carburante** Contiene il carburante e il filtro del carburante.
5. **Tappo del serbatoio carburante** Consente di coprire e tenere sigillato il serbatoio del carburante.
6. **Impugnatura di avviamento** Tirare lentamente l'impugnatura del motorino di avviamento a strappo fino a innestarlo, rapidamente e fermamente. Una volta avviato il motore, riportare lentamente l'impugnatura in posizione iniziale. NON lasciare l'impugnatura bruscamente o l'unità potrebbe danneggiarsi.
7. **Valvola dell'aria** La valvola dell'aria si trova sul filtro dell'aria. Spostare la leva della valvola dell'aria nella posizione  per chiuderla e avviare il motore a freddo. Spostare la leva della valvola dell'aria nella posizione  per aprirla.
8. **Bulbo di spurgo** Premendo sul bulbo di spurgo prima di avviare il motore, verrà pompato carburante fresco dal serbatoio carburante, rimuovendo l'aria residua presente nel carburatore. Pompate sul bulbo di spurgo finché non si vede il carburante fluire liberamente attraverso il condotto di ritorno trasparente del serbatoio carburante. Pompate sul bulbo di spurgo per altre 4 o 5 volte.
9. **Parascintille - Marmitta catalitica / Marmitta** La marmitta o marmitta catalitica controlla il rumore e le emissioni allo scarico. Il parascintille la fuoriuscita di particelle di carbonio calde e incandescenti dalla marmitta. Mantenere l'area dello scarico libera da detriti infiammabili.
10. **Tipo e numero di serie.**
11. **Tubi del soffiante** Dotati di un esclusivo sistema a bloccaggio positivo.
12. **Leva di regolazione acceleratore (Dispositivo di regolazione dell'accelerazione)** Tirare indietro per aumentare il regime motore. La presenza di rondelle antiattrito mantengono costante l'impostazione della leva del gas.
13. **Leva del gas** Caricata a molla per consentire il ritorno automatico in folle quando rilasciata. Durante l'accelerazione, premere la leva gradualmente per garantire un funzionamento ottimale.
14. **Coperchio della scatola** Copre l'area delle spazzole.

Prima di iniziare

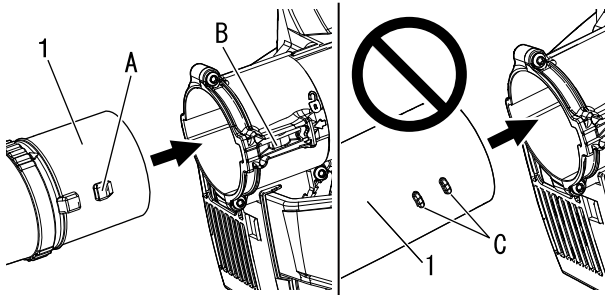
Montaggio

AVVERTENZA

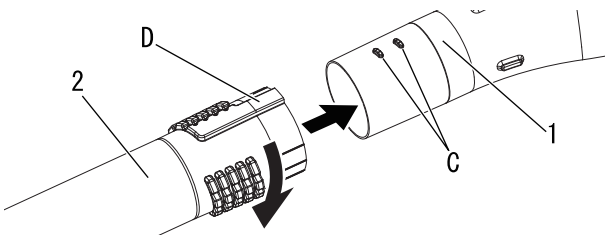
- Leggere attentamente il manuale per l'operatore per essere certi di montare correttamente il prodotto.
- Non eseguire mai operazioni di manutenzione o procedure di montaggio con il motore in funzione.
- ◆ L'uso di un prodotto non montato correttamente potrebbe causare incidenti o lesioni gravi.



Montaggio dei condotti del soffiatore



1. Tubo del soffiatore



1. Tubo del soffiatore

2. Ugello tondo dritto
o Ugello piatto dritto

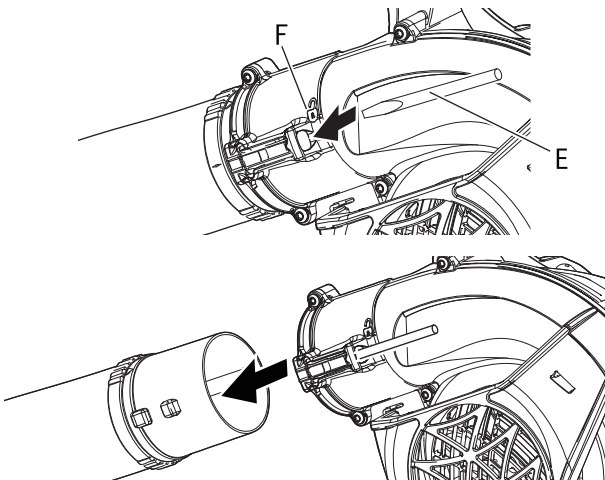
1. Posizionare l'unità in verticale, facendola poggiare sulla base del soffiatore.
 2. Allineare le grandi nervature di bloccaggio (A) sul tubo ricurvo del soffiatore con il blocco del tubo (B) nel carter della ventola. Infilare il tubo ricurvo del soffiatore nel carter della ventola fino ad avvertire uno scatto.
- * Non assemblare l'estremità opposta del tubo ricurvo del soffiatore al carter della ventola.

3. Allineare le linguette (C) alle scanalature (D) e far scorrere l'ugello sul tubo del soffiatore fino ad avvertire una leggera resistenza. Non forzare.
4. Bloccare il tubo del soffiatore, quindi ruotare l'ugello in senso orario, innestando saldamente i canali di bloccaggio. Non forzare.

NOTA

Durante l'uso del soffiatore le giunzioni tra i tubi possono allentarsi. Il pratico ed esclusivo sistema di bloccaggio positivo consente un saldo fissaggio dei tubi. In caso di allentamento, rimuovere l'ugello ed eseguire una nuova installazione seguendo le istruzioni riportate nei punti 3 e 4.

Smontaggio dei condotti del ventilatore



1. Inserire il cacciavite (E) nel foro posizionato accanto al simbolo di bloccaggio (F) per rilasciare il bloccaggio del condotto.
2. Estrarre i condotti dall'alloggiamento della ventola.
3. Rimuovere il cacciavite.

Preparazione del carburante

PERICOLO

- Il carburante è altamente infiammabile e può provocare incendi se non viene manipolato correttamente. Leggere attentamente e rispettare le precauzioni illustrate nella sezione "Norme di sicurezza" del presente manuale.
- Dopo aver completato il rifornimento, serrare saldamente il tappo del serbatoio carburante e non dimenticare di controllare che non vi siano perdite o fuoriuscite di carburante dal condotto, dai gommini dell'impianto di alimentazione o intorno al tappo del serbatoio. In caso di perdite o fuoriuscite di carburante, smettere immediatamente di usare la macchina e contattare il rivenditore ECHO per la riparazione.
- ◆ Se il carburante prende fuoco, può provocare ustioni o incendi.



ATTENZIONE

- C'è una differenza di pressione tra il serbatoio carburante e l'aria esterna. Durante il rifornimento, allentare leggermente il tappo del serbatoio carburante per eliminarla.
- ◆ Altrimenti il carburante potrebbe venire versato fuori.

NOTA

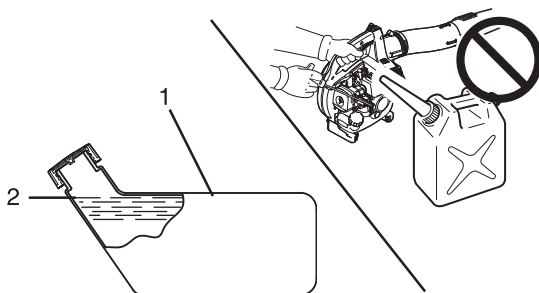
Il carburante riposto per lungo tempo invecchia. Non miscelare più carburante di quanto si prevede di utilizzare in trenta (30) giorni. Non miscelarlo direttamente nel serbatoio.

Carburante



- ◆ Il carburante è una miscela di benzina di grado normale e olio per motori a 2 tempi raffreddati ad aria. Si consiglia benzina senza piombo ad 89 ottani. Non utilizzare carburante contenente alcol metilico o una percentuale di alcol etilico superiore al 10%.
- ◆ Percentuale della miscela consigliata 50: 1 (2 %) per olio certificato ISO-L-EGD (ISO/CD 13738), grado JASO FC, FD e ECHO.
 - Non utilizzare mai olio per motori raffreddati ad acqua a 2 tempi o per i motori delle motociclette.
 - Non miscelare direttamente nel serbatoio carburante del motore.
 - Evitare di versare benzina o olio. Ripulire sempre il carburante versato.
 - Prestare attenzione durante la manipolazione della benzina, in quanto altamente infiammabile.
 - Conservare sempre il carburante in un contenitore approvato.

Rifornimento carburante



1. Serbatoio del carburante 2. Livello

- ◆ Riempire il serbatoio di carburante all'aperto su terreno sgombro e serrare saldamente il tappo. Non versare carburante in locali chiusi.
- ◆ Collocare il prodotto e il serbatoio di rifornimento a terra durante il rifornimento. Non rifornire il prodotto sulla piattaforma di carico di un autocarro o in altri luoghi analoghi.
- ◆ Durante il rifornimento, accertarsi che il livello del carburante rimanga sempre sotto il livello massimo del serbatoio.
- ◆ C'è una differenza di pressione tra il serbatoio carburante e l'aria esterna. Durante il rifornimento, allentare leggermente il tappo del serbatoio carburante per eliminarla.
- ◆ Eliminare sempre eventuali fuoriuscite di carburante.
- ◆ Allontanarsi di almeno 3 m dal luogo in cui è stato eseguito il rifornimento prima di avviare il motore.
- ◆ Mantenere il serbatoio di rifornimento all'ombra e lontano da fiamme libere.

Funzionamento del motore

Avviamento del motore

AVVERTENZA

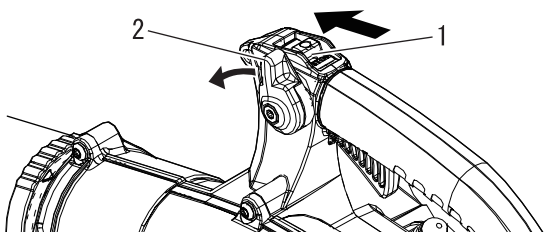
○ All'avviamento del motore, attenersi alle precauzioni descritte a partire da pagina 4 nella sezione "Per un uso sicuro del prodotto" per essere certi di utilizzare il prodotto nel modo corretto.

◆ La mancata osservanza di queste precauzioni può provocare incidenti, lesioni o perfino la morte.

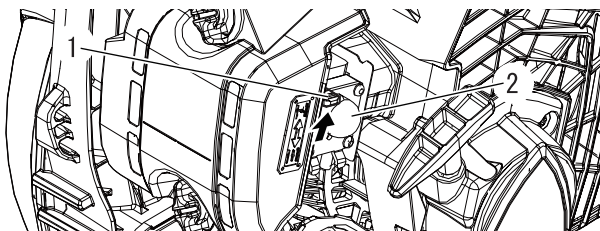
NOTA

- Tirare la funicella, dapprima delicatamente, quindi con maggiore rapidità. Non estrarre la funicella di avviamento per più di 2/3 della sua lunghezza.
- Non lasciar andare la funicella durante il movimento di ritorno.
- Per avviare il motore, girare nuovamente il pomello starter quando si sente il primo scoppio e tirare nuovamente la funicella. Prestare attenzione a sentire il primo suono di scoppio.

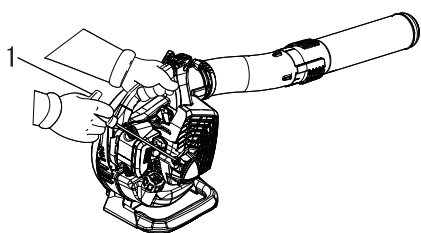
Avviamento di un motore a freddo



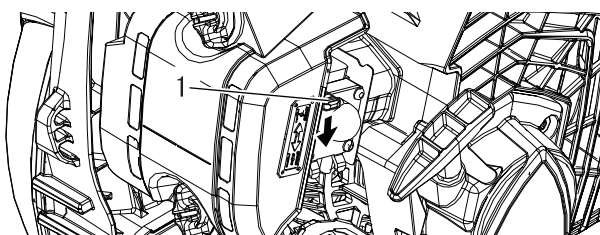
1. Interruttore di arresto 2. Leva di regolazione acceleratore



1. Valvola dell'aria 2. Bulbo di spurgo



1. Motorino di avviamento a rimbalzo



1. Valvola dell'aria

- Avviamento a strappo: Non tirare eccessivamente la cordicella; è sufficiente tirare 1/2-2/3 della corsa totale per avviare il motore. Non lasciare che la funicella ritorni a scatto all'indietro. Mantenere sempre ferma l'unità.

1. Interruttore di arresto

Allontanare l'interruttore dalla posizione di ARRESTO.

2. Leva di regolazione acceleratore

Spostare la leva di regolazione dell'acceleratore a metà corsa tra il folle e la posizione di massima accelerazione.

3. Valvola dell'aria

Spostare la valvola dell'aria nella posizione "1/2".

4. Bulbo di spurgo

Pompate sul bulbo di spurgo finché non si vede il carburante fluire liberamente attraverso il condotto di ritorno trasparente del serbatoio carburante.

5. Motorino di avviamento a strappo

Collocare il soffiatore su una superficie piatta e pulita. Mantenere saldamente il soffiatore con la mano sinistra e tirare la funicella/impugnatura del motorino di avviamento a strappo, iniziando con un movimento dolce e progressivo, e poi tirando la cordicella rapidamente fino all'accensione del motore, o comunque fino a raggiungere un massimo di 5 strappi.

6. Valvola dell'aria

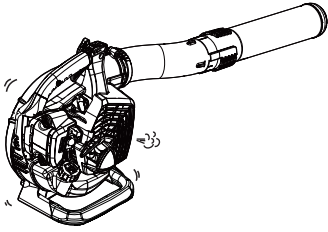
Impostare la valvola dell'aria in posizione "1/2", e se necessario, riavviare il motore. Se il motore non si avvia dopo 5 strappi, ripetere le operazioni di cui ai punti da 3 a 6.

7. Avvio del motore

Prima di iniziare il lavoro attendere che il motore si sia adeguatamente riscaldato.

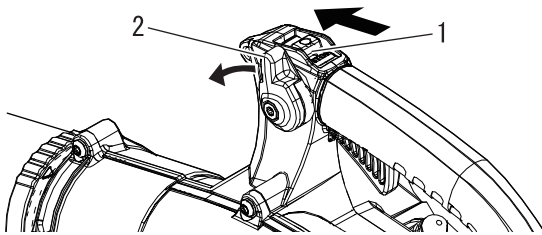
Funzionamento del motore

Riscaldamento del motore



1. Una volta avviato, lasciar riscaldare il motore per 2 - 3 minuti in folle, ossia al regime minimo.
2. Il riscaldamento consente di lubrificare più uniformemente gli ingranaggi interni del motore. Far riscaldare bene il motore, in particolare quando è freddo.
3. Non avviare mai il motore senza aver montato i condotti del soffiatore.

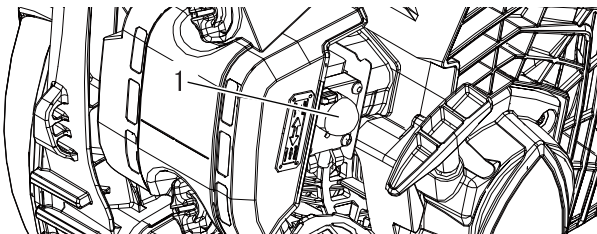
Avviamento di un motore a caldo



1. Interruttore di arresto
2. Leva di regolazione acceleratore

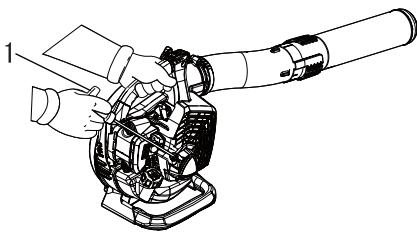
- ♦ La procedura di avviamento è identica a quella di avviamento del motore a freddo; l'unica differenza è che NON bisogna chiudere la valvola dell'aria.

1. *Interruttore di arresto*
Allontanare l'interruttore dalla posizione di ARRESTO.
2. *Leva di regolazione acceleratore*
Spostare la leva di regolazione dell'acceleratore a metà corsa tra il folle e la posizione di massima accelerazione.



1. Bulbo di spurgo

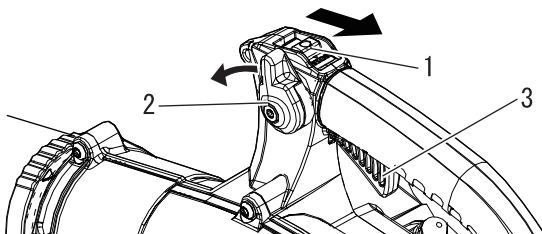
3. *Bulbo di spurgo*
Pompate sul bulbo di spurgo finché non si vede il carburante fluire liberamente attraverso il condotto di ritorno trasparente del serbatoio carburante.



1. Motorino di avviamento a rimbalzo

4. *Motorino di avviamento a strappo*
Collocare l'unità su una superficie piatta e pulita. Mantenere saldamente il soffiatore con la mano sinistra e tirare la funicella/impugnatura del motorino di avviamento a strappo, iniziando con un movimento dolce e progressivo, e poi tirando la cordicella rapidamente fino all'accensione del motore. Se dopo 5 strappi il motore non si accende, utilizzare la procedura di avviamento del motore a freddo.


Arresto del motore



1. Interruttore di arresto
2. Leva di regolazione acceleratore
3. Leva del gas

1. *Leva di regolazione acceleratore*
Rilasciare la leva del gas. Spostare la leva di regolazione acceleratore in avanti, sul folle, e, prima di spegnerlo, attendere che il motore torni in folle.
2. Spostare l'interruttore di arresto nella posizione STOP.

AVVERTENZA

Se dopo aver portato l'interruttore di arresto in posizione STOP il motore non si arresta, chiudere la valvola dell'aria - posizione  - per metterlo in una condizione di stallo. Prima di utilizzare nuovamente il soffiatore, farlo riparare dal rivenditore ECHO.

Funzionamento

Funzionamento del soffiatore

AVVERTENZA

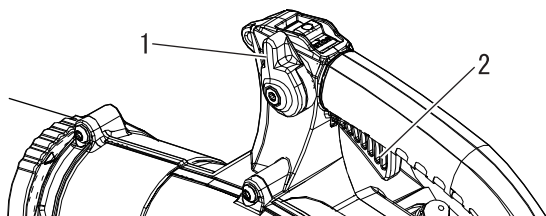
Indossare sempre occhiali di protezione, protezioni acustiche e mascherina e adottare tutte le misure di sicurezza per evitare gravi lesioni personali. Non puntare il condotto del soffiatore in direzione di persone o animali.

IMPORTANTE

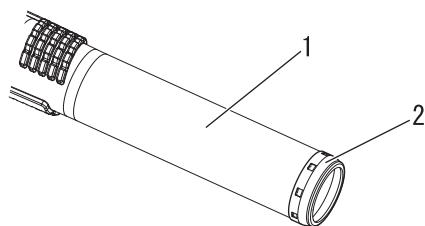
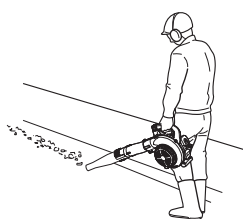
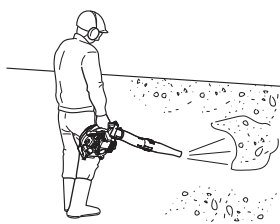
Per evitare danni al motore causati da funzionamento a regimi massimi, non ostruire mai l'apertura del condotto del soffiatore.

NOTA

Non usare mai il soffiatore a regimi più elevati del necessario per eseguire un lavoro. Ricordare inoltre che più elevato è il regime motore, più alto sarà il rumore prodotto dal soffiatore. Ridurre al minimo la produzione di polvere utilizzando il soffiatore a bassi regimi. Raccogliere i detriti sul proprio terreno, mantenendo un comportamento corretto e rispettando i vicini di casa.



1. Leva di regolazione del gas 2. Leva dell'acceleratore gas



1. Tubo dritto 2. Anello di protezione metallico

♦ Leggere attentamente la sezione relativa alla sicurezza.

1. Utilizzare il soffiatore durante le ore più opportune.
2. Lasciar riscaldare il motore per alcuni minuti.
3. Controllare il regime motore con la leva del gas, o, in caso di uso continuato, impostare il regime motore con la leva di regolazione acceleratore. Ruotare la leva di regolazione acceleratore in avanti per ottenere regimi bassi, indietro per ottenere regimi alti.
4. Regolare il regime motore con la leva di regolazione del gas.
5. Utilizzare il soffiatore a bassi regimi per eliminare erba e foglie secche da marciapiedi, patii e viali.
6. Un regime più elevato può essere necessario per soffiare via le foglie da prati o aiuole.
7. Un regime ancora più elevato può essere necessario per spazzare via ghiaia, detriti, neve, bottiglie o barattoli da viali, strade, parcheggi o stadi.
8. Quando si opera nelle vicinanze di abitazioni, evitare di dirigere il getto d'aria verso le finestre aperte. Ciò potrebbe causare l'infiltrazione di sporco e detriti attraverso la finestra.
9. Utilizzare il tubo di prolunga più lungo, consente di dirigere il getto d'aria verso il suolo con maggiore efficacia.
10. Separare o spezzare i detriti da soffiare con un rastrello, per facilitarne lo spostamento.
11. Prima di procedere al soffiaggio dei detriti, inumidire le superfici da trattare, per minimizzare la formazione di polveri in atmosfera.
12. Arrestare sempre l'unità adottando la corretta procedura di arresto.

ATTENZIONE

Il contatto tra l'estremità del tubo dritto e le superfici abrasive può creare spigoli affilati e appuntiti che, se toccati, possono causare infortuni. Evitare di raschiare o trascinare la punta del tubo dritto durante l'uso o il trasporto dell'unità. Sostituire l'intero tubo dritto se l'anello protettivo in metallo presenta segni di usura, crepe o deformazioni.

Guida alla manutenzione

Parte	Manutenzione	Pagina	Prima dell'uso	Mensile
Filtro dell'aria	Ispezionare / pulire / sostituire	19	•	
Filtro del carburante	Ispezionare / sostituire	20	•	
Candela	Ispezionare / pulire / registrare / sostituire	23		•
Carburatore	Ispezionare	21		•
Impianto di raffreddamento	Ispezionare / pulire	21	•	
Impianto di scarico	Ispezionare / serrare / pulire	22	•	
Motorino di avviamento	Ispezionare	-	•	
Impianto di alimentazione	Ispezionare	-	•	
Viti, bulloni e dadi	Ispezionare / serrare / sostituire	-	•	

IMPORTANTE

Gli intervalli di tempo indicati sono quelli massimi. L'uso effettivo e l'esperienza dell'utente determineranno la frequenza degli interventi di manutenzione.

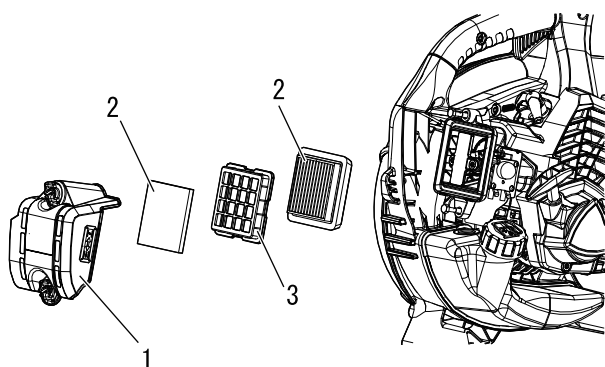
Manutenzione e cura

In caso di dubbi o problemi, contattare il rivenditore ECHO.

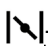
Pulizia del filtro dell'aria



Utensili necessari: Spazzola per pulizia da 25-50 mm (1-2 in.)
Parti necessarie: Filtro dell'aria

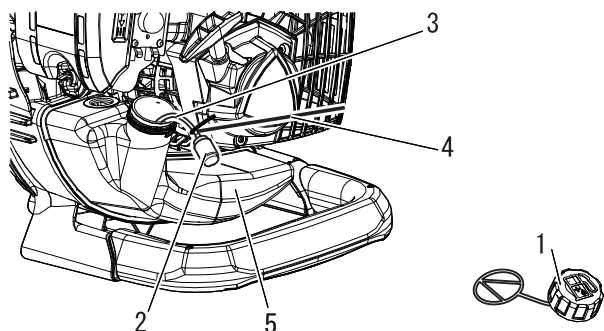
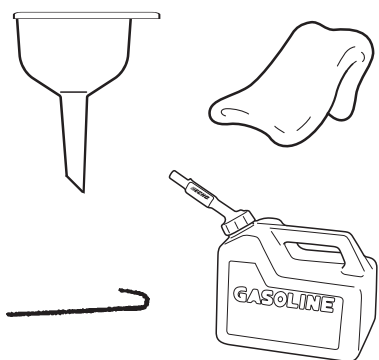


1. Coperchio filtro dell'aria 2. Filtro dell'aria
3. Piastrina dell'elemento

1. Spostare la valvola dell'aria nella posizione . In questo modo si impedisce l'ingresso di sporco nella gola del carburatore quando viene smontato il filtro dell'aria. Rimuovere con la spazzola lo sporco accumulato nella zona del filtro dell'aria.
2. Smontare il coperchio del filtro dell'aria. Rimuovere con la spazzola lo sporco dal coperchio interno.
3. Rimuovere il filtro dell'aria e la piastrina dell'elemento, quindi rimuovere con cautela i detriti. Sostituire il filtro se è danneggiato, bagnato da carburante, eccessivamente sporco o se i bordi delle guarnizioni in gomma sono deformati.
4. Se è possibile riutilizzare il filtro, assicurarsi che:
 - ♦ sia montato saldamente nella relativa cavità.
 - ♦ sia montato con il lato originale rivolto verso l'esterno.
5. Montare il coperchio del filtro dell'aria.

Manutenzione e cura

Sostituzione del filtro del carburante



1. Tappo del carburante
2. Filtro del carburante
3. Condotto del carburante
4. Gancio del condotto del carburante
5. Serbatoio del carburante

Utensili necessari: filo lungo 200-250 mm (8-10 poll.) con un'estremità piegata a uncino, panno pulito, imbuto e un contenitore di carburante approvato
Parti necessarie: filtro e condotto del carburante

PERICOLO

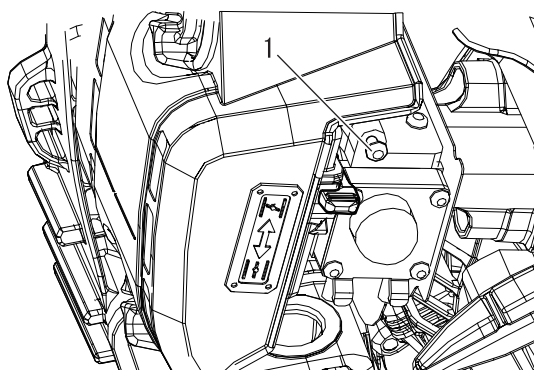
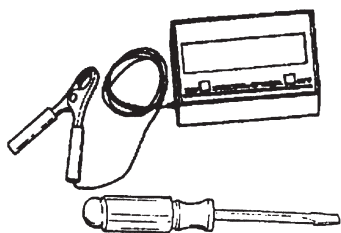
Il carburante è ESTREMAMENTE infiammabile. Prestare particolare attenzione durante la preparazione della miscela, il rimessaggio o il rifornimento.

NOTA

Se il filtro è eccessivamente sporco o non può essere reinserito in modo appropriato, sostituirlo.

1. Utilizzare il panno pulito per rimuovere lo sporco non incrostanto dal bordo del tappo del carburante e dal serbatoio carburante vuoto.
2. Utilizzare il "gancio del condotto carburante" per estrarre il condotto e il filtro dal serbatoio.
3. Rimuovere il filtro dal condotto e montarne uno nuovo.

Regolazione del carburatore



1. Vite

⚠ ATTENZIONE

In caso di problemi con il carburatore, rivolgersi al proprio CONCESSIONARIO ECHO.

Utensili necessari: Cacciavite, tachimetro
Parti necessarie: Nessuna

NOTA

Tutte le unità vengono testate in fabbrica e il carburatore viene messo a punto in conformità alle normative sulle emissioni. Questo carburatore non è dotato di aghi di regolazione dell'accelerazione e della velocità elevata.

Prima della regolazione

Controllare quanto segue:

- Il filtro dell'aria è pulito e montato correttamente.
- La protezione parascintille è priva di carbonio.
- I condotti del soffiatore sono montati.

1. Avviare il motore e farlo funzionare al minimo per un minuto.
2. Completarne il riscaldamento facendolo girare alla massima potenza per 5 minuti, azionando due volte la valvola dell'aria dalle camere del carburatore.
3. Controllare il folle e reimpostarlo, se necessario. Se si dispone di un contagiri, la vite del folle deve essere impostata come indicato alla pagina 26 "Caratteristiche tecniche" del presente manuale. Ruotare la vite del folle in senso orario per aumentarne la velocità e in senso antiorario per diminuirla.

Manutenzione dell'impianto di raffreddamento

IMPORTANTE

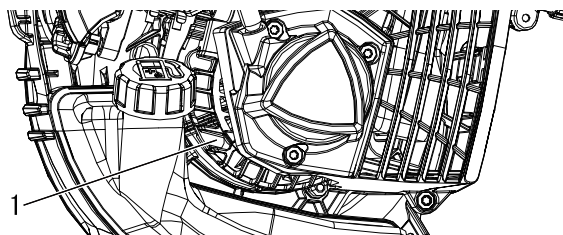
Per mantenere la giusta temperatura di esercizio del motore, l'aria di raffreddamento deve passare liberamente attraverso le alette del cilindro. Questo flusso d'aria allontana dal motore il calore generato dalla combustione. Il surriscaldamento e il grippaggio del motore possono verificarsi quando:

- Le prese d'aria sono bloccate e impediscono all'aria di raffreddamento di raggiungere il cilindro, oppure
 - Polvere ed erba si accumulano all'esterno del cilindro. Questo deposito isola il motore e impedisce la dispersione del calore.
- La rimozione delle ostruzioni del passaggio dell'aria di raffreddamento o la pulizia delle alette del cilindro sono considerate "manutenzione ordinaria". Eventuali guasti causati da mancanza di manutenzione sono esclusi dalla garanzia.

Utensili necessari: Spazzola per pulizia, aria compressa
Parti necessarie: Nessuna

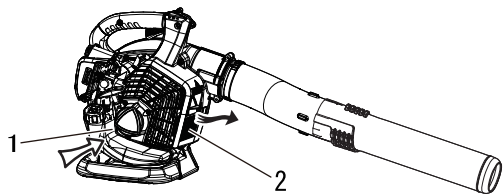
Pulizia della griglia

1. Rimuovere i detriti accumulatisi sulla calotta di aspirazione del basamento sopra il serbatoio carburante utilizzando una spazzola.



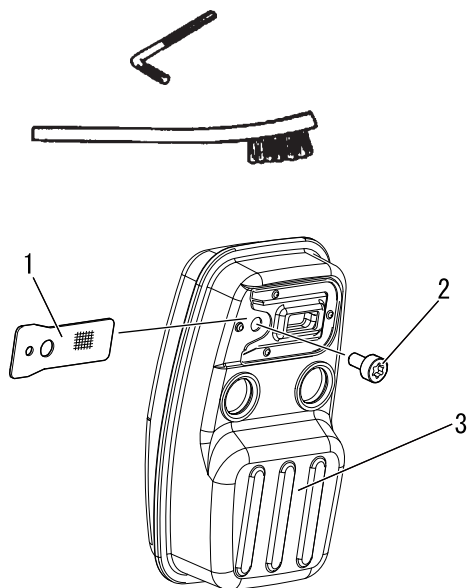
1. Griglia presa d'aria

Manutenzione e cura



1. Griglia presa d'aria 2. Griglia dello scarico

Impianto di scarico



1. Protezione parascintille 2. Bullone
3. Marmitta

Pulizia delle alette del cilindro

1. Dirigere un getto di aria compressa attraverso la griglia presa d'aria e la griglia dello scarico del basamento.

Protezione parascintille

Utensili necessari: Chiave a L Torx T27, spazzola per pulizia
Parti necessarie: Protezione parascintille

IMPORTANTE

I depositi di carbonio nella marmitta provocano perdite di potenza e il surriscaldamento del motore. Controllare regolarmente la protezione del parascintille.

1. Rimuovere un bullone.
2. Rimuovere la protezione parascintille dalla marmitta. Se ostruita da depositi di carbonio, sostituire la protezione.
3. Protezione parascintille
4. Serrare saldamente un bullone e le viti.

NOTA

Durante la pulizia dei depositi di carbonio, fare attenzione a non danneggiare l'elemento catalitico all'interno della marmitta.

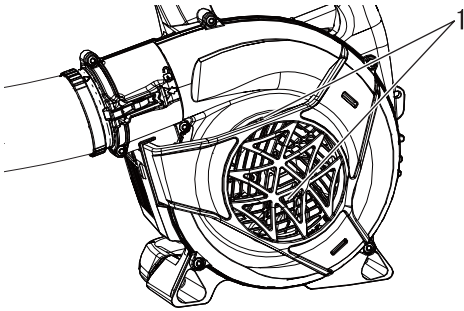
Luce di scarico del cilindro

IMPORTANTE

Ispezionare e rimuovere i depositi di carbonio dall'apertura di scarico del cilindro ogni 3 mesi o 90 ore di esercizio, per mantenere il motore conforme all'intervallo di tempo stabilito per la durata delle emissioni. Per eseguire questa importante operazione di manutenzione, ECHO consiglia vivamente di restituire l'unità al proprio rivenditore.

Manutenzione e cura

Pulizia del coperchio dell'alloggiamento



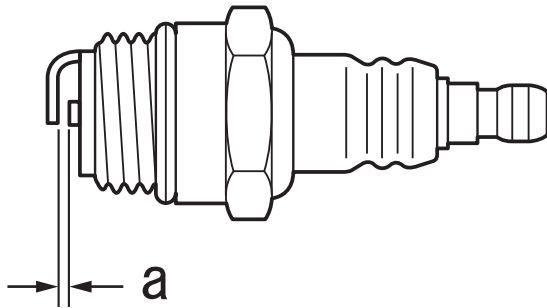
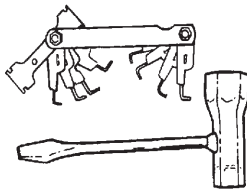
1. Coperchio dell'alloggiamento

Rimuovere polvere e materiali di vario tipo, incluse le foglie cadute dagli alberi, che possono bloccare il coperchio dell'alloggiamento.

IMPORTANTE

Non rimuovere il coperchio dell'alloggiamento. Se necessario, consultare il proprio concessionario.

Controllo della candela



a: 0,6 - 0,7 mm

Utensili necessari: Chiave a T, spessimetro
Parti necessarie: Candela

IMPORTANTE

Per non causare seri danni al motore, utilizzare solo candele NGK BPMR8Y.

1. Verificare la distanza della candela. La giusta distanza è da 0,6 mm a 0,7 mm.
2. Verificare l'usura dell'elettrodo.
3. Verificare se l'isolatore presenta depositi di olio o altro.
4. Se necessario, sostituire la candela e serrare a 15 N m - 17 N m (da 150 kgf cm a 170 kgf cm).

Manutenzione e cura

Problemi tecnici

Problema	Diagnosi	Causa	Soluzione
Il motore stenta ad avviarsi, rotazioni fluttuanti oppure Il motore non si avvia	Il carburante non entra nel tubo di trabocco	Filtro del carburante ostruito L'impianto di alimentazione è ostruito Parti interne al carburatore incollate	Pulire o sostituire Pulire Consultare il proprio rivenditore ECHO
	Il carburante entra nel tubo di trabocco	Degradazione del carburante Problema al carburatore	Sostituire con carburante nuovo Consultare il proprio rivenditore ECHO
	L'albero motore non ruota	Guasto interno al motore	Consultare il proprio rivenditore ECHO
	La candela è sporca o umida	Degradazione del carburante Distanza dell'elettrodo non adeguata Depositi di carbonio Guasto elettrico	Sostituire con carburante nuovo Regolare o sostituire Pulire o sostituire Consultare il proprio rivenditore ECHO
Il motore si avvia ma non è possibile accelerare		Filtro dell'aria sporco Filtro del carburante sporco Passaggio del carburante bloccato Problema di regolazione del carburatore Problema nella candela Apertura per la ventilazione o sfiato della marmitta bloccati Protezione parascintille ostruita o normale usura	Pulire o sostituire Pulire o sostituire Consultare il proprio rivenditore ECHO Consultare il proprio rivenditore ECHO Pulire, regolare o sostituire Pulire Pulire o sostituire

- ♦ Il controllo e la manutenzione richiedono competenze specialistiche. In caso di problemi o difficoltà durante la manutenzione del prodotto, consultare il proprio rivenditore ECHO. Non tentare di smontare il prodotto.
- ♦ In caso di problemi non menzionati nella tabella consultare il proprio rivenditore ECHO.
- ♦ Per i pezzi di ricambio e gli articoli di consumo, utilizzare solo parti originali, prodotti e componenti raccomandati. L'utilizzo di ricambi di altri produttori o componenti non raccomandati potrebbe provocare guasti.

Rimessaggio per un lungo periodo (oltre 30 giorni)

AVVERTENZA

Durante il funzionamento, la marmitta - marmitta catalitica e il coperchio circostante diventano caldi. Durante il trasporto o il rimessaggio, tenere sempre lontani i detriti infiammabili dall'area di scarico, per evitare seri danni all'apparecchiatura o lesioni personali gravi.

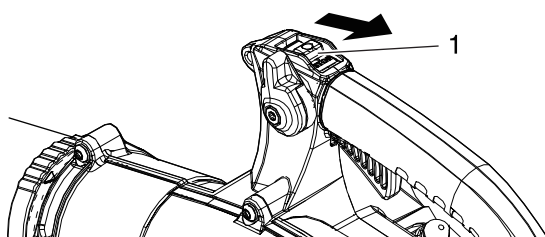


Non lasciare inutilizzata l'unità per un periodo di tempo prolungato (30 giorni o oltre) senza eseguire le operazioni di manutenzione protettive per il rimessaggio, che includono quanto segue:

1. Conservare l'unità in un luogo asciutto e privo di polvere, lontano dalla portata dei bambini.

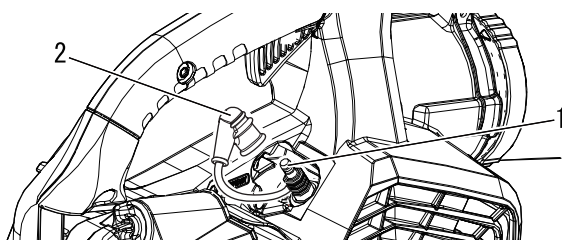
AVVERTENZA

Non conservare l'unità in un luogo in cui possono accumularsi fumi di carburante o in aree raggiungibili da scintille o fiamme aperte.



1. Interruttore di arresto

2. Portare l'interruttore di arresto nella posizione "STOP".
3. Rimuovere eventuali accumuli di grasso, olio, sporco e detriti dalle parti esterne dell'unità.
4. Eseguire tutte le operazioni di manutenzione e lubrificazione periodiche necessarie.
5. Serrare tutte le viti e i dadi.
6. Scaricare completamente il serbatoio carburante in un luogo all'aperto su un pavimento nudo e tirare l'impugnatura del motorino di avviamento a strappo diverse volte per rimuovere il carburante dal carburatore. Non scaricare il carburante in un luogo chiuso.
7. Rimuovere la candela e versare 10 mL di olio per motori a 2 tempi ECHO nuovo e pulito nel cilindro, attraverso il foro della candela.
 - A. Collocare un panno pulito sul foro della candela.
 - B. Tirare l'impugnatura del motorino di avviamento a rimbalzo 2-3 volte per distribuire l'olio all'interno del motore.
 - C. Osservare la posizione del pistone dal foro della candela. Tirare l'impugnatura del motorino di avviamento a rimbalzo fino a quando il pistone non raggiunge la parte superiore della corsa e lasciarla in questa posizione.
8. Montare la candela. (Non collegare il cappuccio della candela.)
9. Togliere il complessivo condotto soffiatore dalla macchina.



1. Candela

2. Cappuccio candela

Contattare il proprio rivenditore ECHO per smaltire il prodotto o parti di esso in conformità alle leggi nazionali.

Caratteristiche tecniche

		PB-2620	
Massa (a secco, con tubi del soffiatore):		kg	4,4
Dimensioni esterne (senza tubi del soffiatore):			
Lunghezza		mm	324
Larghezza		mm	282
Altezza		mm	355
Motore:			
Tipo			Motore a benzina monocilindrico a 2 tempi raffreddato ad aria
Cilindrata motore		cm ³	25,4
Potenza massima		kW	0,9
Regime motore alla potenza massima		giri/min	7500
Regime motore al carico massimo raccomandato		giri/min	7500
Regime motore minimo in folle raccomandato		giri/min	3000
Carburatore			Tipo diaframma
Accensione			Magnete del volano - Sistema CDI
Candela			NGK BPMR8Y
Motorino di avviamento			Avviatore a strappo
Volume di aria: (ANSI/OPEI B175.2)		m ³ /h	774 (Ugello tondo dritto)
		m ³ /h	726 (Ugello tondo piatto)
Velocità aria max: (ANSI/OPEI B175.2)		m/s	76,7 (Ugello tondo dritto)
		m/s	80,5 (Ugello tondo piatto)
Carburante:			
Olio			Benzina normale. Si consiglia benzina senza piombo ad 89 ottani. Non utilizzare carburante contenente alcol metilico o una percentuale di alcol etilico superiore al 10%. Olio per motori a due tempi raffreddati ad aria. Olio certificato ISO-L-EGD (ISO/CD 13738), grado JASO FC, FD ed ECHO.
Rapporto			50 : 1 (2%)
Capacità serbatoio (pieno):		mL	600
Livello pressione acustica: (EN15503)			
	L_{pAeq}	dB(A)	93,5 (Ugello tondo dritto)
		dB(A)	93,4 (Ugello tondo piatto)
incertezza	K_{pA}		2,5
Livello potenza acustica: (EN15503)			
	L_{wARa}	dB(A)	104,9 (Ugello tondo dritto)
		dB(A)	104,6 (Ugello tondo piatto)
incertezza	K_{wA}		2,5
Vibrazioni: (EN15503)			
	$a_{hv,eq}$	m/s ²	6,6 (Ugello tondo dritto)
		m/s ²	7,1 (Ugello tondo piatto)
incertezza	K		5,0

Queste specifiche possono subire modifiche senza preavviso.

Dichiarazione di conformità

Il produttore sottoscritto:

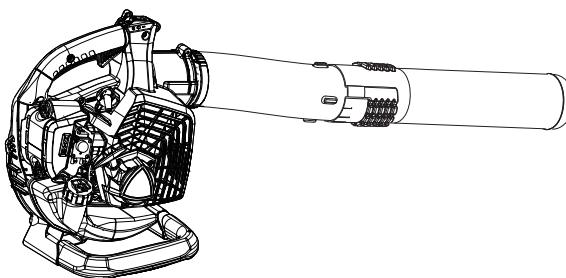
YAMABIKO CORPORATION
7-2 SUEHIROCHO 1-CHOME
OHME; TOKYO 198-8760
GIAPPONE

La presente dichiarazione di conformità viene rilasciata sotto la responsabilità esclusiva del produttore.

Dichiara che la nuova unità di seguito descritta:

SOFFIATORE

Marchio: ECHO
Tipo: PB-2620



Assemblato da:

ECHO, INCORPORATED
400 Oakwood Road
Lake Zurich, Illinois 60047-1564

U.S.A.

È conforme a:

- * i requisiti richiesti dalla Direttiva **2006/42/CE** (uso della norma armonizzata **EN 15503: 2009+A2: 2015**)
- * i requisiti richiesti dalla Direttiva **2011/65/CE** (uso della norma armonizzata **EN 50581: 2012**)
- * i requisiti richiesti dalla Direttiva **2014/30/CE** (uso della norma armonizzata **EN ISO 14982: 2009**)
- * i requisiti richiesti dalla Direttiva **2000/14/CE**

Conforme alla procedura di accertamento dell'**ALLEGATO V**

Livello di potenza acustica misurato: **105 dB(A)**

Livello di potenza acustica garantito: **108 dB(A)**

Numero di serie da 38001001 a 38100000

Tokyo, 5 dicembre 2018

YAMABIKO CORPORATION

Masayuki Kimura

Rappresentante autorizzato in Europa a costituire il fascicolo tecnico.

Azienda: CERTIFICATION EXPERTS B.V.

Indirizzo: P.O. box 5047, Merwedeweg 2, 3621 LR Breukelen, Paesi Bassi

Masayuki Kimura

Direttore generale

Reparto Garanzia di qualità

Mr. Richard Glaser

YAMABIKO CORPORATION

7-2 SUEHIROCHO 1-CHOME, OHME, TOKYO 198-8760, GIAPPONE

TELEFONO: 81-428-32-6118. FAX: 81-428-32-6145.

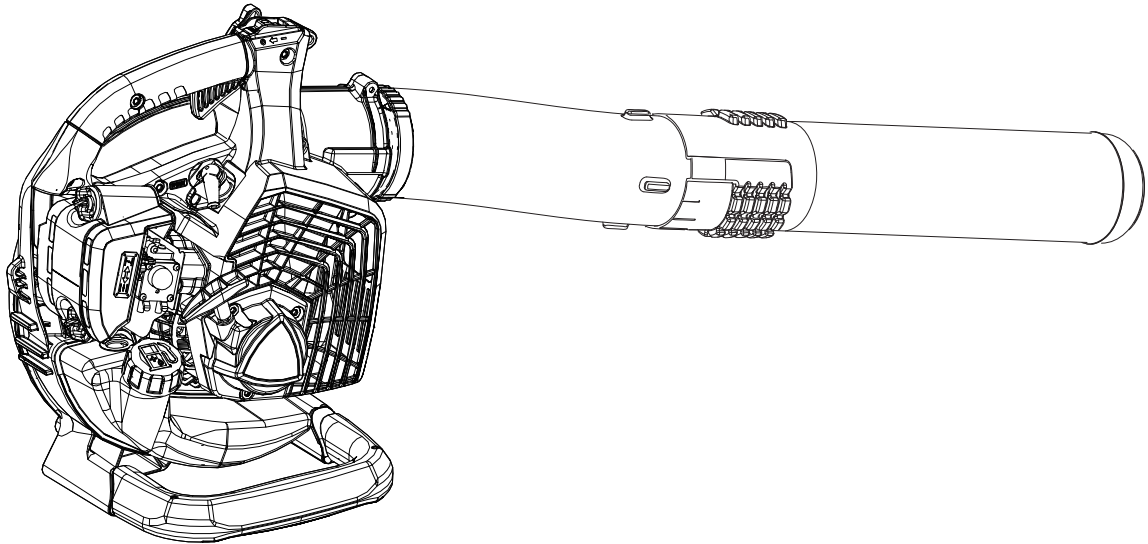
ECHO®



X750119-1000



ES ESPAÑOL
(Instrucciones originales)



MANUAL DE INSTRUCCIONES

SOPLADORA

PB-2620

ADVERTENCIA

LEA ATENTAMENTE LAS INSTRUCCIONES Y SIGA LAS INDICACIONES PARA UN FUNCIONAMIENTO SEGURO. DE NO HACERLO, PODRÍA SUFRIR LESIONES GRAVES.



Información importante

Asegúrese de leer el manual de instrucciones antes de utilizar el producto.

○ Uso al que está destinado este producto

- ♦ La sopladora ECHO está diseñada para soplar polvo de varios tipos, incluidas hojas caídas.
- ♦ No utilice este aparato para ningún otro propósito distinto de los mencionados anteriormente.

○ Usuarios del producto

- ♦ No deberá utilizar este producto hasta que no haya leído atentamente el manual de instrucciones y asimilado su contenido.
- ♦ Nadie que no haya leído el manual de instrucciones adecuadamente deberá utilizar el producto, asimismo, deberá evitar su utilización si se encuentra resfriado, cansado o en una mala condición física, así como la utilización por parte de niños.
- ♦ Tenga presente que el operador o usuario es responsable de los accidentes o peligros ocasionados a terceras personas o a su propiedad.

○ Acerca del manual de instrucciones

- ♦ Este manual proporciona la información necesaria para el montaje, funcionamiento y mantenimiento de esta máquina. Léalo atentamente y asimile su contenido.
- ♦ Mantenga siempre el manual en un lugar fácilmente accesible.
- ♦ Si ha perdido el manual o si está dañado y no es legible, adquiera uno nuevo en su DISTRIBUIDOR ECHO.
- ♦ Los aparatos utilizados en este manual son aparatos SI (sistema internacional de unidades). Las imágenes que se encuentran entre paréntesis son valores de referencia y, en algunos casos, puede haber un ligero error de conversión.

○ Préstamo o asignación del producto

- ♦ Cuando preste el producto descrito en este manual a una tercera persona, asegúrese de que la persona que recibe y trabaja con el producto reciba el manual de instrucciones con el mismo. Si asigna el producto a una tercera persona, adjunte el manual de instrucciones con el producto cuando haga la entrega.

○ Consultas

- ♦ Póngase en contacto con su DISTRIBUIDOR ECHO para consultas relacionadas con información del producto, para la adquisición de consumibles, reparaciones y cualquier otro tipo de consultas.

○ Avisos

- ♦ El contenido de este manual puede sufrir cambios sin previo aviso debido a actualizaciones del producto. Algunas de las ilustraciones utilizadas pueden ser diferentes al propio producto para hacer más claras las explicaciones.
- ♦ Este producto requiere el montaje de algunas piezas.
- ♦ Consulte con su DISTRIBUIDOR ECHO si hay algo que no esté claro o sobre lo que tenga interés.

Fabricante

YAMABIKO CORPORATION

7-2 SUEHIROCHO 1-CHOME, OHME, TOKIO 198-8760, JAPÓN

Representante autorizado en Europa

CERTIFICATION EXPERTS B.V.

Apartado postal 5047, Merwedeweg 2, 3621 LR Breukelen, Países Bajos

Para una utilización segura del producto.....	4
Avisos de advertencia.....	4
Otros indicadores.....	4
Símbolos.....	4
Ubicación en la que se encuentra el adhesivo de seguridad	6
Manipulación del combustible.....	7
Manipulación del motor.....	8
Manipulación del producto.....	9
Lista de piezas.....	13
Descripción.....	14
Antes de comenzar.....	15
Montaje.....	15
Preparación del combustible	16
Funcionamiento del motor.....	17
Arranque del motor.....	17
Parada del motor.....	18
Funcionamiento.....	19
Puesta en marcha del soplador.....	19
Mantenimiento y cuidados.....	20
Directivas de asistencia.....	20
Mantenimiento y cuidados.....	20
Tabla de localización de averías.....	25
Almacenamiento durante un largo periodo (30 días o más).....	26
Características técnicas.....	27
Declaración de conformidad.....	28

Para una utilización segura del producto

Lea atentamente esta sección antes de utilizar el producto.




○ Las precauciones descritas en esta sección contienen información de seguridad importante. Cúmplalas cuidadosamente.

○ Asimismo, debe leer las precauciones que aparecen en el interior del propio manual.

El texto que aparece después de una marca [marca de diamante] describe las posibles consecuencias de no cumplir la precaución.


Avisos de advertencia

Las situaciones en las que existe un riesgo de lesión física para el operador y para otras personas aparecen indicadas en este manual y en el propio producto mediante los siguientes avisos de peligro. Léalos y téngalos siempre en cuenta para garantizar un funcionamiento seguro.

 PELIGRO	 ADVERTENCIA	 PRECAUCIÓN
Este símbolo acompañado por la palabra " PELIGRO " llama la atención sobre una acción o sobre unas condiciones que causarán heridas personales importantes o incluso la muerte al operario y a los transeúntes.	Este símbolo acompañado por la palabra " ADVERTENCIA " llama la atención sobre una acción o sobre unas condiciones que pueden causar heridas personales importantes o incluso la muerte al operario y a los transeúntes.	" PRECAUCIÓN " indica una situación potencialmente peligrosa que, si no se evita, puede provocar heridas leves o moderadas.









Otros indicadores

Además de los avisos de advertencia, en este manual se utilizan los siguientes símbolos explicativos:







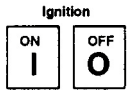


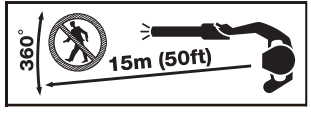

	El círculo con barra oblicua prohíbe la acción o uso de los objetos mostrados.	NOTA	IMPORTANTE
		Este mensaje enmarcado proporciona consejos para el uso, cuidado y mantenimiento del equipo.	El texto enmarcado con la palabra " IMPORTANTE " contiene información importante relativa al uso, comprobación, mantenimiento y almacenamiento del producto descrito en este manual.

Símbolos

En este manual y en el propio producto se utilizan una serie de símbolos explicativos. Asegúrese de entender completamente lo que significa cada símbolo.

Forma/silueta del símbolo	Descripción/aplicación del símbolo	Forma/silueta del símbolo	Descripción/aplicación del símbolo
	Leer atentamente el manual de instrucciones		Mezcla de gasolina y aceite
	Utilice siempre protección para los ojos, orejas y cabeza		Cubeta de purga (cebador)
	Seguridad/Alerta		Parada de emergencia
	Amputación de dedo		Ajuste del carburador - Velocidad de ralentí

Para una utilización segura del producto

Forma/silueta del símbolo	Descripción/aplicación del símbolo	Forma/silueta del símbolo	Descripción/aplicación del símbolo
	No utilice este producto en zonas con ventilación escasa		Control del estrangulador Posición de "Arranque en frío" (Estrangulador cerrado)
	Cuidado con los incendios		Control del estrangulador Posición de "Funcionamiento" (Estrangulador abierto)
	Cuidado con las descargas eléctricas		Nivel de potencia acústica garantizado
	Encendido ON / OFF		Precaución con las zonas a alta temperatura
	Arranque del motor		Mantener a los transeúntes a una distancia de 15 m
	Riesgo de proyectiles		

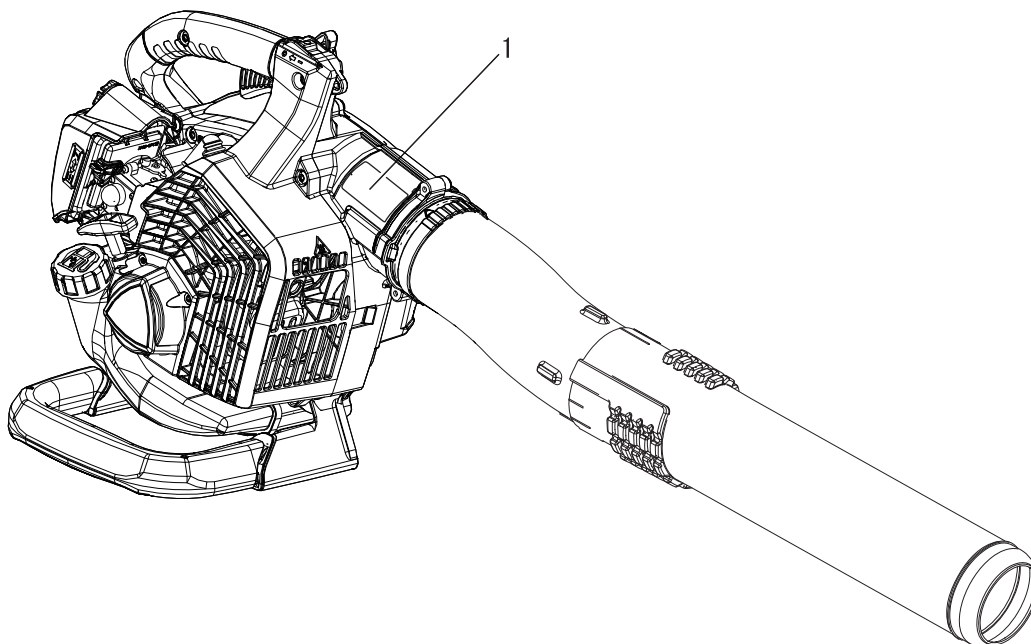
Para una utilización segura del producto

Ubicación en la que se encuentra el adhesivo de seguridad

- El producto descrito en este manual incorpora el adhesivo de seguridad mostrado a continuación. Asegúrese de comprender el significado del adhesivo antes de utilizar el producto.
- Si el adhesivo se ha deteriorado debido al desgaste, está dañado o se ha despegado y perdido, adquiera un adhesivo de reemplazo en su DISTRIBUIDOR ECHO y colóquelo en la ubicación mostrada en las ilustraciones que aparecen a continuación. Asegúrese de que el adhesivo sea siempre legible.



1. Adhesivo de seguridad (Número de pieza X505010760)



Para una utilización segura del producto

Manipulación del combustible

PELIGRO

Mantener siempre alejado del fuego cuando realice el repostaje

El combustible es altamente inflamable y conlleva un riesgo de incendio si se manipula incorrectamente. Tenga un cuidado extremo al mezclarlo, almacenarlo o manipularlo o podrá sufrir lesiones personales graves. Tenga cuidado de cumplir las siguientes instrucciones.

- No fume ni sujete una llama cerca cuando esté realizando el repostaje.
- No reposte el combustible con el motor caliente o en funcionamiento.
- ◆ Si lo hace, el combustible podría incendiarse y provocar un fuego dando lugar a quemaduras.



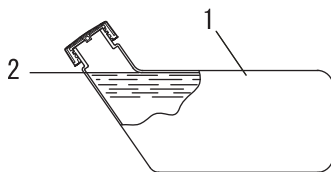
Acerca del depósito y del lugar de repostaje

- Utilizar un depósito de combustible aprobado.
- Los depósitos/latas de combustible pueden estar a presión. Afloje siempre los tapones del combustible lentamente para permitir que se iguale la presión.
- NO llene los depósitos de combustible bajo techo. Llene SIEMPRE los depósitos de combustible en el exterior y sobre suelo descubierto.

Las salpicaduras de combustible pueden provocar un incendio

Tenga en cuentas las siguientes precauciones cuando reposte:

- No añada demasiado combustible a fin de que no alcance la boca del depósito de combustible. Mantenga el combustible dentro del nivel indicado (hasta el nivel de la pared del depósito de combustible).
- Limpie cualquier resto de combustible que se desborde o que se derrame debido a un llenado excesivo.
- Apriete firmemente la tapa de seguridad una vez finalizado el repostaje.
- ◆ Las salpicaduras de combustible pueden provocar un incendio y quemarse cuando se inflamen.



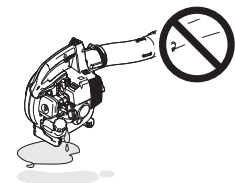
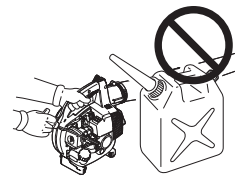
- 1. Depósito de combustible
- 2. Nivel de los hombros

No encienda el motor en la zona en la que haya realizado el repostaje

- No debe encender el motor en el lugar en el que haya realizado el repostaje. Desplácese un mínimo de 3 m del lugar en el que ha realizado el repostaje antes de arrancar el motor.
- ◆ Las fugas de combustible producidas durante el repostaje pueden provocar un fuego si se prenden.

Las fugas de combustible pueden provocar un fuego

- Una vez realizado el repostaje, compruebe siempre que no haya fugas o descargas de combustible en el conducto del combustible, en las arandelas aislantes del sistema de combustible o alrededor de la tapa del depósito de combustible.
- Si las hubiera, deje de utilizar inmediatamente el producto y póngase en contacto con su DISTRIBUIDOR ECHO para que lo repare.
- ◆ Cualquier fuga de combustible puede provocar un fuego.



Para una utilización segura del producto

Manipulación del motor

ADVERTENCIA

Arranque del motor

Tenga especial cuidado de seguir las siguientes precauciones cuando arranque el motor:

- Compruebe que ninguna tuerca ni perno estén flojos
 - Compruebe que no haya fugas de combustible
 - Coloque el producto en un lugar plano y bien ventilado
 - Deje suficiente espacio alrededor del producto y no deje que se acerquen personas o animales
 - Elimine las obstrucciones, de haberlas
 - Arranque el motor con la palanca del acelerador en la posición de arranque/funcionamiento
 - Mantenga la unidad firmemente en el suelo al arrancar el motor
- ◆ Si no tiene en cuenta estas precauciones podría sufrir un accidente o lesión o incluso dar lugar a un accidente mortal.

Una vez arrancado el motor, compruebe que no haya vibraciones y sonidos anormales

- Compruebe que no haya vibraciones ni sonidos anormales una vez arrancado el motor. No utilice el producto si hay vibraciones o sonidos anormales. Póngase en contacto con su DISTRIBUIDOR ECHO para que lo repare.
- ◆ Los accidentes que causen la caída o rotura de las piezas pueden provocar heridas o lesiones graves.

No toque los componentes a temperatura elevada o de alta tensión mientras esté en marcha el producto.

No toque los siguientes componentes a temperatura elevada o de alta tensión mientras esté en marcha el producto o durante algún tiempo después de que se detenga.

- Silenciador, cilindro y otros componentes que alcanzan temperaturas altas
- ◆ Podría quemarse si toca un componente a elevada temperatura.
- Bujía, cable de bujía y otros componentes de alta tensión
- ◆ Podría recibir una descarga eléctrica si toca un componente de alta tensión mientras el producto esté en marcha.



En caso de incendio o humo, anteponga la seguridad

- Si el fuego proviene del motor o bien el humo aparece en otra zona distinta del tubo de escape, en primer lugar aléjese del producto para asegurar su integridad física.
 - Utilice una pala para arrojar arena u otro material similar sobre el fuego a fin de evitar su propagación o bien apáguelo utilizando un extintor de incendios.
- ◆ Una reacción de pánico podría provocar que el fuego y los demás daños sean más importantes.



Los humos de escape son tóxicos

- Los humos de escape del motor contienen gases tóxicos. No utilice el producto en interiores, en invernaderos de plástico o en otros lugares mal ventilados.
 - Si está trabajando cerca de una vivienda, no lo haga junto a una ventana abierta. Podrían introducirse los gases de escape en la vivienda.
- ◆ Los humos de escape podrían provocar envenenamiento.



Apague el motor cuando compruebe o realice el mantenimiento del producto

Cuando compruebe o realice el mantenimiento del producto después del uso, tenga en cuenta las siguientes precauciones:

- Apague el motor y no intente realizar ninguna comprobación ni mantenimiento del producto hasta que el motor se haya enfriado
- ◆ Podría quemarse.
- Retire la pipa de la bujía antes de realizar comprobaciones y operaciones de mantenimiento
- ◆ Podría producirse un accidente si el producto arranca de forma inesperada.

Comprobación de la bujía

Cuando compruebe la bujía, tenga en cuenta las siguientes precauciones.

- Si los electrodos o terminales están desgastados o si hay roturas en los elementos cerámicos, sustitúyalos por otros nuevos.
 - La prueba de chispas (para comprobar si la bujía está emitiendo chispas) debe ser realizada por un profesional. Solicíteselo a su DISTRIBUIDOR ECHO.
 - La prueba de chispas no debe realizarse cerca del orificio de la bujía.
 - La prueba de chispas no debe realizarse en lugares en los que haya salpicaduras de combustible o gases inflamables
 - No debe tocar las partes metálicas de la bujía
- ◆ La bujía podría iniciar un fuego o darle una descarga eléctrica.



Para una utilización segura del producto

Manipulación del producto Precauciones generales

ADVERTENCIA

Manual de instrucciones

- Lea atentamente el manual de instrucciones antes de utilizar el producto a fin de asegurar un funcionamiento correcto.
- ◆ Si no lo hace podría provocar un accidente o una lesión grave.



No utilice el producto para un uso distinto para el que está diseñado

- No debe utilizar el producto para ningún propósito distinto de los descritos en el manual de instrucciones.
- ◆ De hacerlo, podría provocar un accidente o una lesión grave.

No modifique el producto

- No debe modificar el producto.
- ◆ De hacerlo, podría provocar un accidente o una lesión grave. Cualquier error resultante de una modificación del producto no estará cubierto por la garantía del fabricante.

No utilice el producto a no ser que haya sido comprobado y se le haya realizado el mantenimiento

- No debe utilizar el producto a no ser que haya sido comprobado y se le haya realizado el mantenimiento. Asegúrese siempre de comprobar el producto y de realizar regularmente el mantenimiento.
- ◆ Si no lo hace, podría producirse un accidente o una lesión grave.

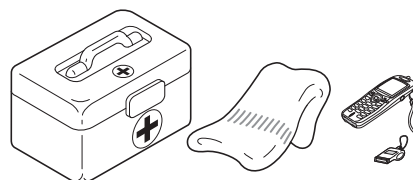
Préstamo o asignación del producto

- Cuando preste el producto a una tercera persona, asegúrese de que la persona que toma prestado el producto recibe con él el manual de instrucciones.
- Si asigna el producto a una tercera persona, adjunte el manual de instrucciones con el producto cuando haga la entrega.
- ◆ Si no lo hace, podría producirse un accidente o una lesión grave.

Preparación en caso de sufrir una lesión

En el improbable caso de sufrir un accidente o lesión, asegúrese de que esté preparado.

- Equipo de primeros auxilios
- Paños y toallas (para detener cualquier hemorragia)
- Silbato o teléfono móvil (para solicitar ayuda externa)
- ◆ Si no es capaz de realizar los primeros auxilios o de pedir ayuda externa, la lesión podría empeorar.



Para una utilización segura del producto

Precauciones de uso

ADVERTENCIA

Usuarios del producto

El producto no podrá ser utilizado por:

- personas que estén cansadas
- personas que hayan consumido alcohol
- personas que estén tomando medicación
- mujeres embarazadas
- personas que estén en una mala condición física
- personas que no hayan leído el manual de instrucciones
- niños

◆ Si no sigue estas instrucciones podría provocar un accidente.

- El sistema de encendido de este producto genera campos electromagnéticos durante su funcionamiento. Los campos magnéticos pueden causar interferencias con los marcapasos o hacer que no funcionen correctamente. Para reducir los riesgos para la salud, recomendamos a los usuarios de marcapasos que consulten a su médico y al fabricante del marcapasos antes de utilizar este producto.



Condiciones de uso y de funcionamiento

- No utilice el producto en lugares donde no se asegure la estabilidad, por ejemplo, en cuestras empinadas o después de que haya llovido, ya que dichos lugares son resbaladizos y peligrosos.
- No trabaje con el producto de noche o en lugares oscuros con poca visibilidad.
- ◆ Si se cae o se resbala podría sufrir una lesión grave, o bien no lograr que el producto funcione correctamente.

El área dentro de un radio de 15 metros es una zona peligrosa

El área dentro de un radio de 15 metros del producto es una zona peligrosa. Tenga cuidado de cumplir estas precauciones cuando trabaje con el producto.

- No permita que niños, otras personas o mascotas entren en la zona de peligro.
- Si entra otra persona en la zona de peligro, apague el motor.
- Cuando se acerque al operario, hágale una señal, por ejemplo, arrojándole ramitas desde el exterior de la zona de peligro y, a continuación, compruebe que el motor se haya apagado.
- Si hay más de una persona trabajando con el producto, identifique la forma en la que se avisarán y trabajen a una distancia mínima de 15 metros.
- ◆ Los objetos lanzados pueden causar lesiones graves al operario o a los transeúntes.

Tenga cuidado de no quedarse atrapado en el ventilador

- Tenga cuidado de que su cabello no se enganche en el ventilador.
- ◆ La aspiración del viento procedente del ventilador podría atrapar su mano o cualquier otro objeto en el ventilador y provocar lesiones graves.

Uso del producto

Al utilizar el producto, preste especial atención al cumplimiento de las siguientes precauciones.

- No permita que personas no involucradas en el trabajo realizado o animales permanezcan en el lugar de trabajo.
- No dirija el tubo de la sopladora hacia personas o animales.
- No utilice el producto en lugares en los que no exista un punto de apoyo seguro para los pies.
- Sujete la empuñadura firmemente.
- Procure no utilizar el producto a altas horas de la noche o muy temprano por la mañana, puesto que el ruido molestará a los vecinos.
- ◆ Si no sigue estas instrucciones podría provocar un accidente o lesión.

Apague el motor cuando realice un traslado

Si se encuentra en algunas de las situaciones descritas a continuación, apague el motor.

- Traslado a otro lugar cuando esté trabajando
- Traslado a otra área mientras está trabajando
- Abandono del lugar en el que ha estado trabajando
- ◆ Si no cumple estas precauciones podría sufrir quemaduras o una lesión grave.
- Cuando transporte el producto en coche, vacíe el depósito de combustible, coloque el producto boca arriba y asegure firmemente el producto en su lugar para evitar que se mueva.
- ◆ Los viajes en coche con combustible en el depósito podrían provocar un incendio.

Las vibraciones y el frío

Se cree que puede contraerse una enfermedad llamada fenómeno de Raynaud, que afecta a los dedos de ciertos individuos, si se está expuesto a vibraciones y frío. La exposición a las vibraciones y al frío puede causar cosquilleo y quemazón en los dedos, seguido de pérdida de color y sensación de dedos dormidos.

Se recomiendan las siguientes precauciones, ya que se desconoce cuál es la exposición mínima que desencadena esta dolencia.

- Mantenga el cuerpo caliente, especialmente la cabeza y el cuello, los pies y los tobillos y las manos y las muñecas.
- Mantenga una buena circulación sanguínea realizando vigorosos ejercicios con los brazos durante frecuentes descansos y también no fumando.
- Limite el número de horas de trabajo. Intente también hacer cada día trabajos en los que no sea necesario usar la sopladora u otros equipos eléctricos de sujeción manual.
- Si experimenta molestias, rojez o hinchazón de los dedos, seguidos de una pérdida de sensación y emblanquecimiento de los mismos, consulte con su médico antes de volver a exponerse al frío y a las vibraciones.
- ◆ Si no tiene en cuenta estas instrucciones podría perjudicar su salud.

Para una utilización segura del producto

ADVERTENCIA

Lesiones por esfuerzos repetitivos

Se cree que un uso excesivo de los músculos y tendones de los dedos, manos, brazos y hombros puede causar dolores, hinchazones, adormecimiento, debilidad y dolores extremos en los mismos. Ciertas actividades repetitivas de las manos pueden conllevar para Ud. un alto riesgo de desarrollo de lesiones debidas a esfuerzos repetitivos (RSI). Para reducir el riesgo de lesiones por esfuerzos repetitivos (RSI):

- Evite colocar la muñeca en posición doblada, extendida o torcida.
- Tómese descansos periódicos para minimizar la repetición y deje descansar las manos. Reduzca la velocidad y fuerza con la que hace el movimiento repetitivo.
- Haga ejercicios que fortalezcan los músculos de las manos y de los brazos.
- Consulte a su médico si siente cosquilleos, adormecimiento o dolor en sus dedos, manos, muñecas o brazos. Cuanto antes se diagnostiquen estas lesiones (RSI), más probabilidades tendrá de prevenir daños permanentes en los nervios y músculos.
- ◆ Si no tiene en cuenta estas instrucciones podría perjudicar su salud.

Apague inmediatamente el motor si algo no va como debiera

- Apague inmediatamente el motor si el producto comienza a emitir sonidos extraños o a vibrar de forma anormal. El producto no puede utilizarse si presenta vibraciones o sonidos anormales. Póngase en contacto con su DISTRIBUIDOR DE ECHO para proceder a su reparación.
- ◆ El uso continuado de las piezas cuando estén dañadas puede provocar un accidente o una lesión grave.

Para una utilización segura del producto

Ropa de protección

ADVERTENCIA

Póngase indumentaria protectora

○ Vista prendas de trabajo adecuadas e indumentaria protectora cuando trabaje con la sopladora. Sobre todo, no olvide utilizar gafas de seguridad, una máscara anti-polvo y orejeras siempre que esté trabajando.

◆ Sin la indumentaria protectora, podría inhalar los escombros o el polvo soplado o éstos podrían introducirse en los ojos, lo que podría provocar un accidente o lesión.

a Protección para la cabeza (casco): Protege la cabeza

b Orejeras o tapones para los oídos: Protegen los oídos

c Gafas de seguridad: Protegen los ojos

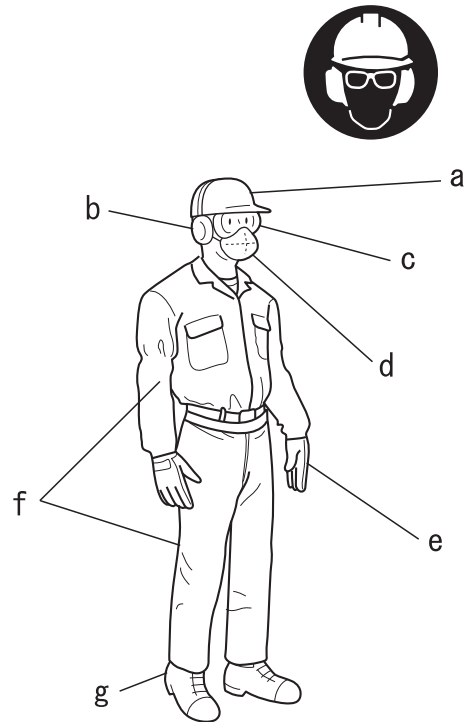
d Mascarilla anti-polvo

e Guantes de seguridad: Protegen las manos del frío y la vibración

f Ropa de trabajo ajustada (mangas y pantalones largos): Protege el cuerpo

g Botas protectoras no deslizantes y pesadas (con punteras) o zapatos de trabajo no deslizantes (con punteras): Protegen los pies

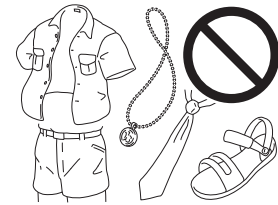
◆ Si no tiene en cuenta estas precauciones, podría derivar en daños en la visión o en la audición o dar lugar a una lesión grave.



Utilice indumentaria adecuada

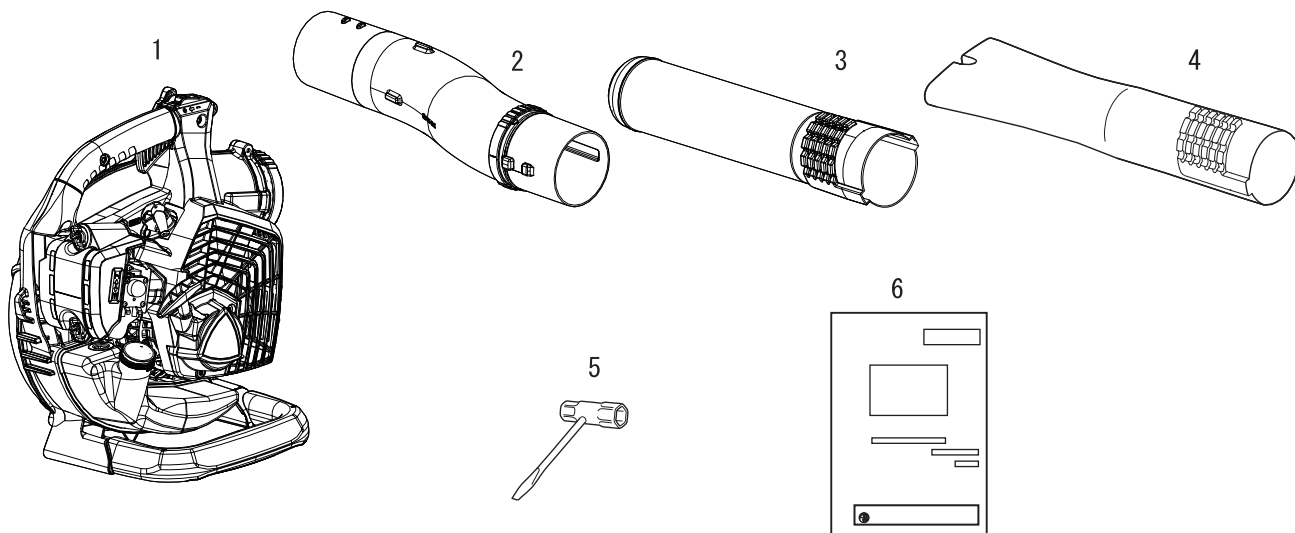
No utilice corbatas, joyería o ropa floja o colgante que pueda quedar atrapada en la unidad. No utilice calzado con la puntera abierta ni vaya descalzo o sin perneras. En determinadas situaciones, puede ser necesaria la utilización de protección total para la cabeza o la cara.

◆ Si no tiene en cuenta estas precauciones, podría derivar en daños en la visión o en la audición o dar lugar a una lesión grave.



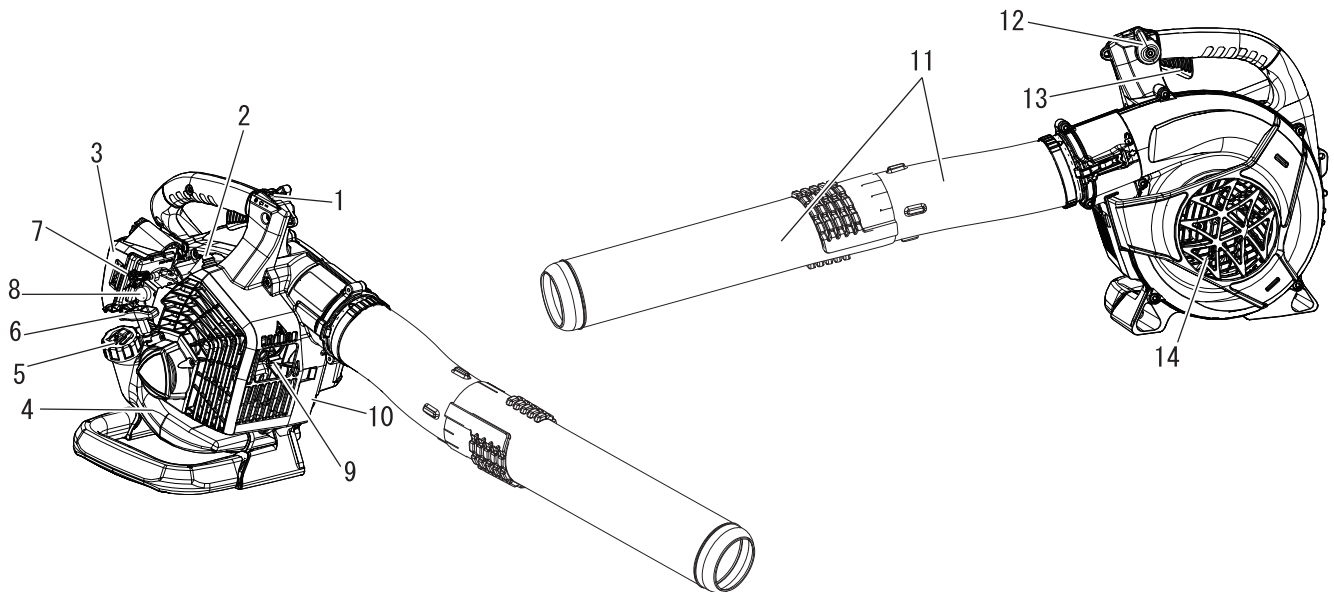
Lista de piezas



- ♦ En la caja de embalaje están empaquetadas de forma separada las siguientes piezas.
- ♦ Cuando haya desempaquetado la caja, compruebe que contenga las siguientes piezas.
- ♦ Póngase en contacto con su DISTRIBUIDOR ECHO si falta alguna o está rota.



Número	Nombre de pieza	Cantidad	Número	Nombre de pieza	Cantidad
1	Grupo propulsor	1	4	Boquilla recta plana	1
2	Tubo del soplador	1	5	Llave en T	1
3	Boquilla recta redonda	1	6	Manual de instrucciones	1

Descripción



- 1. Interruptor de paro "INTERRUPTOR DESLIZANTE"** situado en la parte superior del asa. Presione hacia delante para arrancar. Deslizar hacia atrás para detener.
- 2. Bujía** Proporciona la chispa necesaria para encender la mezcla de combustible.
- 3. Filtrador de aire** Contiene el elemento reemplazable del filtro de aire.
- 4. Depósito de combustible** Contiene el combustible y el filtro de combustible.
- 5. Tapón del depósito de combustible** Cierra y sella el depósito de combustible.
- 6. Tirador del arranque** Tire lentamente del tirador hasta que se acople el arranque de retroceso, luego tire con rapidez y fuerza. Cuando arranque el motor, devuelva el tirador a su posición lentamente. **NO DEJE** que el mango vuelva de golpe o podría dañar la unidad.
- 7. Estrangulador** El estrangulador está situado en la parte superior del filtrador de aire. Desplace la palanca del estrangulador hasta la posición  para cerrar el estrangulador y arrancar en frío. Desplace la palanca del estrangulador hasta la posición  para abrir el estrangulador.
- 8. Cebador** El accionamiento del cebador antes de arrancar el motor sirve para absorber combustible limpio del depósito, purgando el aire del carburador. Accione el cebador hasta que el combustible sea visible y fluya libremente por el tubo transparente de retorno del combustible. Accione el cebador otras 4 ó 5 veces.
- 9. Apaga chispas - Silenciador catalítico / Silenciador** El silenciador o silenciador catalítico controla las emisiones y el ruido de escape. La pantalla protectora del apaga chispas evita que las partículas incandescentes de carbonilla salgan del silenciador. Mantenga el área de escape despejada de restos inflamables.
- 10. Tipo y número de serie.**
- 11. Tubos de la sopladora** Sistema de bloqueo positivo exclusivo.
- 12. Palanca de posición del acelerador (dispositivo de ajuste del acelerador)** Tire para aumentar la velocidad del motor. Las arandelas de fricción mantienen el ajuste de la palanca del acelerador.
- 13. Gatillo del acelerador** Cargado por resorte para volver a la posición de ralentí al soltarlo. Durante la aceleración, presione el gatillo para obtener los mejores resultados.
- 14. Cubierta del alojamiento** Cubre la zona de la cuchilla.

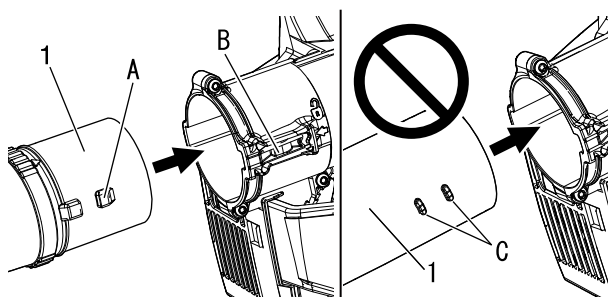
Montaje

⚠ ADVERTENCIA

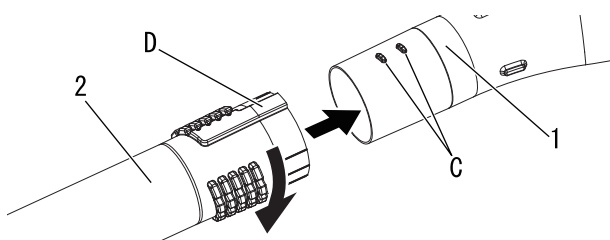
- Lea atentamente el manual de instrucciones para asegurarse de que monta correctamente el producto.
- No realice tareas de mantenimiento ni de montaje con el motor en marcha.
- ◆ La utilización de un producto que se haya montado incorrectamente puede ocasionar un accidente o una lesión grave.



Montaje de los tubos del soplador



1. Tubo del soplador



1. Tubo del soplador

2. Boquilla recta redonda o boquilla recta plana

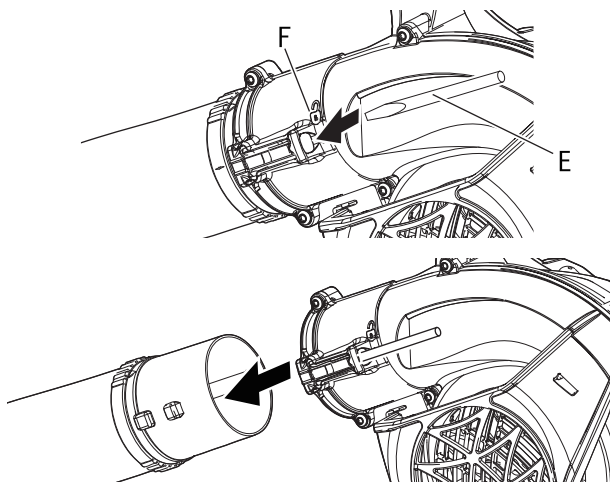
1. Coloque la unidad en vertical sobre la base del soplador.
 2. Alinee los salientes de bloqueo grandes (A) del tubo curvo del soplador con el cierre del tubo (B) de la carcasa del ventilador. Deslice el tubo curvo del soplador dentro de la carcasa del ventilador hasta que se oiga un clic.
- * No acople el extremo opuesto del tubo curvo del soplador a la carcasa del ventilador.

3. Alinee las lengüetas (C) con las ranuras (D) y deslice la boquilla por encima del tubo del soplador hasta que se note una cierta resistencia. No fuerce la conexión.
4. Sujete el tubo del soplador y gire la boquilla en sentido de las agujas del reloj, enganchando los canales de bloqueo positivo, hasta que la conexión sea firme. No fuerce la conexión.

NOTA

Con el uso, las conexiones de los tubos del soplador se irán aflojando. El exclusivo sistema de bloqueo positivo permite apretar los tubos. Si se produce un aflojamiento, extraiga la boquilla y vuelva a montarla siguiendo los pasos 3 y 4 de las instrucciones.

Retire los tubos del soplador



1. Introduzca el destornillador (E) en el orificio situado cerca del símbolo de bloqueo (F) para soltar el bloqueo del tubo.
2. Extraiga los tubos de la carcasa del ventilador.
3. Retire el destornillador.

Antes de comenzar

Preparación del combustible

PELIGRO

- El combustible es altamente inflamable y existe riesgo de incendio si se manipula incorrectamente. Lea detenidamente y tenga en cuenta las precauciones de la sección de este manual titulada "Para una utilización segura del producto".
- Una vez finalizado el repostaje, apriete firmemente el tapón del depósito de combustible y no olvide comprobar que no haya pérdidas o descargas por el conducto, en las arandelas aislantes del sistema de combustible o alrededor de la tapa del depósito de combustible. Si las hubiera, deje de utilizar inmediatamente el producto y póngase en contacto con su **DISTRIBUIDOR ECHO** para que lo repare.
- ◆ Si se incendia el combustible, puede provocar quemaduras y fuego.



PRECAUCIÓN

- Existe diferencia en la presión que hay entre el interior del depósito de combustible y el aire del exterior. Cuando realice el repostaje, afloje ligeramente la tapa del depósito de combustible para eliminar la diferencia de presión.
- ◆ En caso contrario, el combustible podría salirse.

NOTA

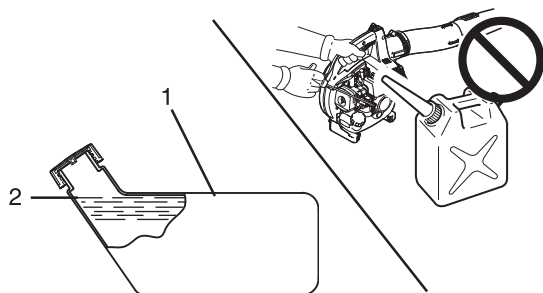
El combustible almacenado envejece. No mezcle más combustible del que Ud. espera usar en treinta (30) días. No realice la mezcla directamente en el depósito de combustible.

Combustible



- ◆ El combustible es una mezcla de gasolina normal y aceite para motor de 2 tiempos refrigerado por aire. Se recomienda gasolina normal, sin plomo y mínimo de 89 octanos. No utilice combustible que contenga alcohol metílico o más de 10 % de alcohol etílico.
- ◆ Relación de mezcla recomendada: 50 : 1 (2 %) para aceite recomendado ISO-L-EGD Standard (ISO/CD 13738), JASO FC, FD y ECHO.
 - No utilice aceite de dos tiempos para motores refrigerados por agua o para motores de motocicletas.
 - No haga la mezcla directamente en el depósito de combustible del motor.
 - Evite derramar gasolina o aceite. Deberá limpiarse siempre el combustible derramado.
 - Manipule la gasolina con sumo cuidado, ya que es extremadamente inflamable.
 - Almacene siempre el combustible en un recipiente aprobado y homologado.

Suministro de combustible



1. Depósito de combustible
2. Nivel de los hombros

- ◆ Llene siempre el depósito al aire libre sobre un suelo raso y coloque firmemente el tapón del combustible. No vierta combustible en espacios interiores.
- ◆ Coloque el producto y el depósito de repostaje sobre el suelo cuando realice el repostaje. No reposte el producto sobre la plataforma de carga de un camión o en otro lugar similar.
- ◆ Asegúrese siempre de que el nivel de combustible está por debajo del nivel de la pared del depósito de combustible cuando realice el repostaje.
- ◆ Existe una diferencia en la presión que hay entre el depósito de combustible y el aire del exterior. Cuando realice el repostaje, afloje ligeramente la tapa del depósito de combustible para eliminar la diferencia de presión.
- ◆ Limpie siempre cualquier resto de combustible derramado.
- ◆ Desplácese un mínimo de 3 m del lugar en el que ha realizado el repostaje antes de arrancar el motor.
- ◆ Mantenga el depósito de repostaje en un lugar oscuro alejado del fuego.

Funcionamiento del motor

Arranque del motor

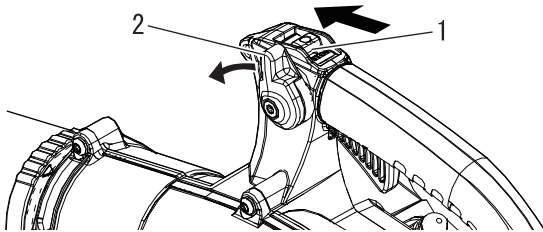
ADVERTENCIA

- Cuando arranque el motor, tenga en cuenta las precauciones descritas en la página 4 en la sección "Para una utilización segura del producto" para asegurarse de que utiliza correctamente el producto.
- ◆ Si no tiene en cuenta estas precauciones podría sufrir un accidente o lesión o incluso dar lugar a un accidente mortal.

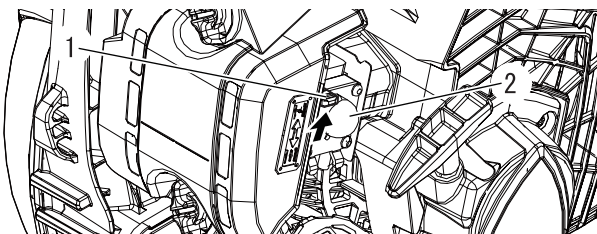
NOTA

- ♦ Tire suavemente en primer lugar del puño del arranque y, a continuación, más rápidamente. No tire hacia fuera de la cuerda del arranque a más de 2/3 de su longitud.
- ♦ No la deje llegar hasta el puño del arranque cuando vuelva.
- ♦ Para arrancar el motor, vuelva al botón del estrangulador cuando escuche el primer sonido como de explosión y tire de nuevo del puño del arranque. Tenga cuidado de no perderse el primer sonido como de explosión.

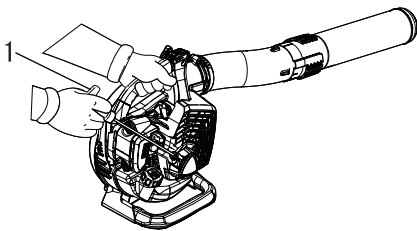
Arranque de un motor frío



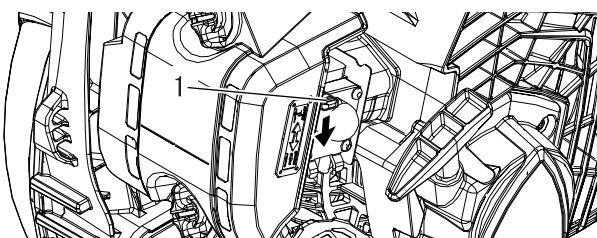
1. Interruptor de paro 2. Palanca de posición del acelerador



1. Estrangulador 2. Cebador



1. Estárter por retroceso



1. Estrangulador

- ♦ Arranque de retroceso: Realice tirones cortos: sólo 1/2-2/3 de la cuerda para arrancar. No permita que la cuerda retroceda. Sujétela firmemente.

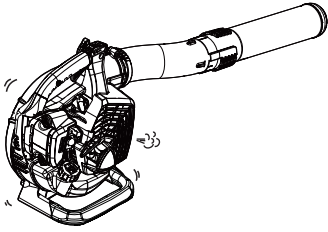
1. *Interruptor de paro*
Aleje el interruptor de paro de la posición STOP.
2. *Palanca de posición del acelerador*
Desplace la palanca de posición del acelerador hasta medio recorrido entre el ralentí y la posición de máxima aceleración.
3. *Estrangulador*
Coloque la palanca del estrangulador en la posición "||".
4. *Cebador*
Accione el cebador hasta que el combustible sea visible y fluya libremente por el tubo transparente de retorno del combustible.

5. *Arranque de retroceso*
Coloque la unidad sobre una zona plana y limpia. Sujete firmemente la sopladora con la mano izquierda y tire del puño de arranque de retroceso, suavemente la primera vez, y tire rápidamente del mango/cuerda de arranque hasta que arranque el motor, o un máximo de 5 veces.

6. *Estrangulador*
Mueva la palanca del estrangulador a la posición "||| " y, si es necesario, vuelva a arrancar el motor. Si el motor no arranca después de cinco intentos, repita las instrucciones 3-6.
7. *Arranque del motor*
Deje que el motor se caliente antes de usar el aparato.

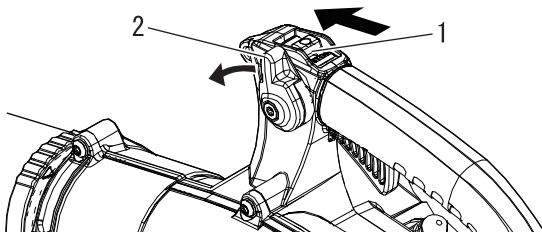
Funcionamiento del motor

Calentamiento del motor



1. Una vez arrancado el motor, déjelo calentar de 2 a 3 minutos en ralentí (es decir, a baja velocidad).
2. El calentamiento del motor ayuda a lubricar su funcionamiento interno con mayor uniformidad. Deje calentar totalmente el motor, especialmente si está frío.
3. Nunca haga funcionar el motor sin tener colocados los tubos de la sopladora.

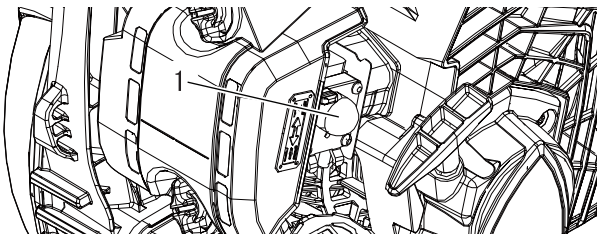
Arranque de un motor caliente



1. Interruptor de paro
2. Palanca de posición del acelerador

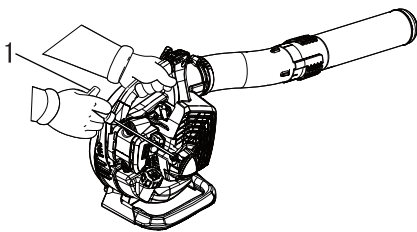
- ♦ El procedimiento de arranque es el mismo que el del Arranque en frío, excepto que NO DEBE cerrar el estrangulador.

1. *Interruptor de paro*
Aleje el interruptor de paro de la posición STOP.
2. *Palanca de posición del acelerador*
Desplace la palanca de posición del acelerador hasta medio recorrido entre el ralentí y la posición de máxima aceleración.



1. Cebador

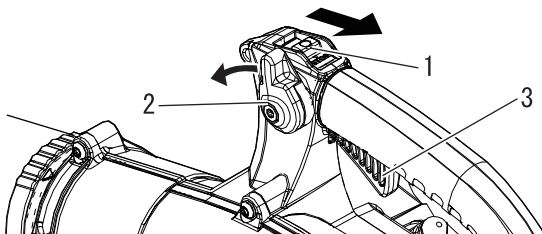
3. *Cebador*
Accione el cebador hasta que el combustible sea visible y fluya libremente por el tubo transparente de retorno del combustible.



1. Estarter por retroceso

4. *Arranque de retroceso*
Coloque la unidad sobre una zona plana y limpia. Sujete firmemente el puño del acelerador con la mano izquierda y tire del puño de arranque de retroceso, suavemente la primera vez, y tire rápidamente del mango/cuerda de arranque hasta que arranque el motor. Si el motor no arranca después de cinco tirones, utilice el procedimiento de arranque en frío.


Parada del motor



1. Interruptor de paro
2. Palanca de posición del acelerador
3. Gatillo del acelerador

1. *Palanca de posición del acelerador*
Libere el gatillo del acelerador. Desplace hacia adelante la palanca de posición del acelerador hasta la posición de ralentí y deje que el motor vuelva a ralentí antes de parar el motor.
2. Coloque el interruptor de paro en la posición STOP.

ADVERTENCIA

Si el motor no se detiene al desplazar el interruptor de paro a la posición STOP, cierre el estrangulador (posición ) para detener el motor. Lleve la sopladora a su distribuidor de ECHO para que repare el interruptor de paro antes de volver a usarla.

Puesta en marcha del soplador

ADVERTENCIA

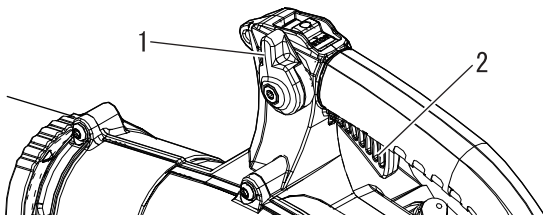
Lleve siempre gafas de seguridad, protección auditiva, mascarilla facial y tome todas las precauciones de seguridad, de lo contrario, podría sufrir graves lesiones personales. No oriente el tubo del soplador hacia personas o animales.

IMPORTANTE

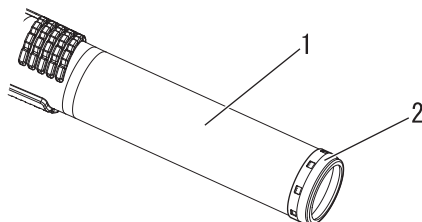
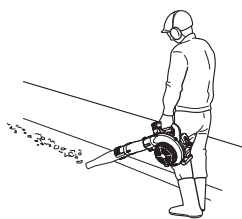
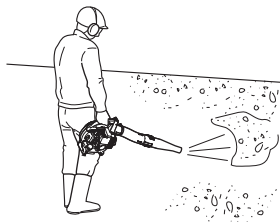
Para evitar dañar el motor por exceso de aceleración, no bloquee la abertura del tubo de la sopladora.

NOTA

No utilice nunca una velocidad superior a la necesaria para realizar la tarea. Recuerde, cuanto mayor sea la velocidad del motor, mayor será el ruido emitido por la sopladora. Reduzca la presencia de polvo al usar el soplador a velocidades bajas. Deje los escombros en su propiedad. Sea respetuoso.



1. Palanca de posición del acelerador 2. Gatillo del acelerador



1. Tubo recto 2. Anillo de metal de protección

♦ Lea detenidamente la Sección de seguridad.

1. Utilice el aparato en horario adecuado.
2. Deje que el motor se caliente durante unos minutos.
3. Controle la velocidad del motor con el gatillo del acelerador, o para un uso continuado, ajuste la velocidad del motor con la palanca de posición del acelerador. Gire la palanca de posición del acelerador hacia delante para lograr una velocidad menor, hacia atrás para velocidades mayores.
4. Determine la velocidad del motor con la palanca de posición del acelerador.
5. Utilice velocidad baja para soplar hierba y hojas secas de caminos, patios y senderos.
6. Puede que sea necesario aumentar la velocidad para retirar hojas de un césped o un parterre.
7. Quizá sea necesaria una velocidad mayor para eliminar grava, suciedad, nieve, botellas o latas de un camino, calle, aparcamiento o estadio.
8. Cuando trabaje cerca de una casa, no sople el aire hacia las ventanas abiertas. La suciedad podría introducirse en la vivienda.
9. La utilización de la extensión del tubo más larga garantiza que la corriente de aire llegue al suelo con mayor eficacia.
10. Afloje o desmenuce la suciedad con un rastrillo para poder moverla con mayor facilidad.
11. Para reducir la suciedad en el aire, humedezca las áreas con polvo antes de mover la suciedad.
12. Siempre detenga la unidad siguiendo las indicaciones del procedimiento de paro del motor.

PRECAUCIÓN

El contacto del extremo del tubo recto con superficies abrasivas puede crear bordes afilados y causarle lesiones si los toca. No raspe o arrastre el extremo del tubo recto durante el uso o transporte de la unidad. Sustituya el conjunto del tubo recto si se desgasta, se agrieta o se deforma el anillo metálico de protección.

Mantenimiento y cuidados

Directivas de asistencia

Área	Mantenimiento	Página	Antes de usar	Mensual
Filtro de aire	Inspeccionar / limpiar / sustituir	20	•	
Filtro de combustible	Inspeccionar / sustituir	21	•	
Bujía	Inspeccionar / limpiar / ajustar / sustituir	24		•
Carburador	Inspeccionar	22		•
Sistema de enfriamiento	Inspeccionar / limpiar	22	•	
Sistema de escape	Inspeccionar / apretar / limpiar	23	•	
Estárter	Inspeccionar	-	•	
Sistema de combustible	Inspeccionar	-	•	
Tornillos, pernos y tuercas	Inspeccionar / apretar / sustituir	-	•	

IMPORTANTE

Los intervalos de tiempo son los máximos. El uso real y su experiencia determinarán la frecuencia del mantenimiento necesario.

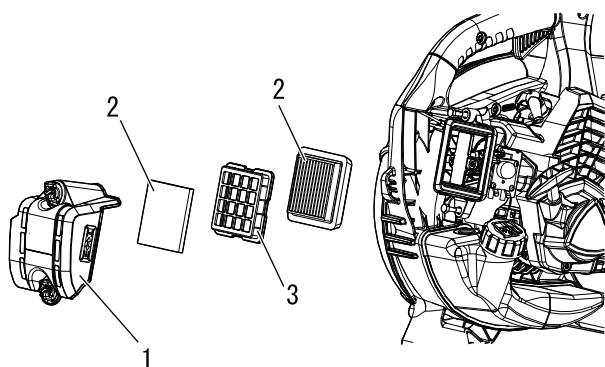
Mantenimiento y cuidados

Si tiene cualquier pregunta o problema, póngase en contacto con su DISTRIBUIDOR ECHO.


Limpieza del filtro de aire



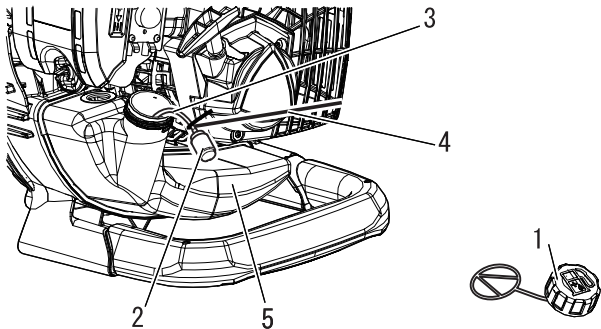
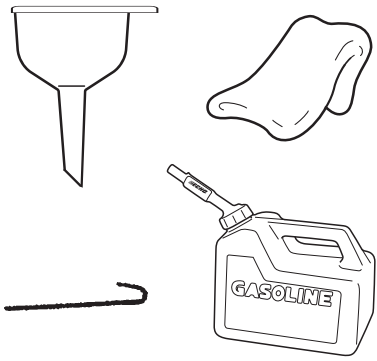
Herramientas necesarias: Cepillo limpiador de 25-50 mm.
Piezas necesarias: Filtro de aire



1. Tapa del filtro de aire 2. Filtro de aire
3. Placa del elemento

1. Coloque la palanca del estrangulador en la posición . Así evita que la suciedad entre en el tubo del carburador al extraer el filtro de aire. Cepille la suciedad acumulada en la zona del filtro de aire.
2. Extraiga la tapa del filtro de aire. Cepille la suciedad alojada en el interior de la tapa.
3. Extraiga el filtro de aire y la placa del elemento, luego cepille ligeramente los restos depositados sobre ellos. Reemplace el filtro si está dañado, si está mojado de combustible, si está muy sucio o si los bordes sellantes de goma están deformados.
4. Si el filtro puede reutilizarse, asegúrese de que:
 - ♦ Encaja perfectamente en el hueco del filtro de aire.
 - ♦ Está montado con el lado original hacia fuera.
5. Monte la tapa del filtro de aire.

Sustitución del filtro de combustible



1. Tapón del combustible
2. Filtro de combustible
3. Tubo de combustible
4. Gancho del tubo de combustible
5. Depósito de combustible

Herramientas necesarias: Cable de 200-250 mm. con un extremo doblado en forma de gancho, un trapo limpio, un embudo y un recipiente de combustible homologado.
Piezas necesarias: Tubo y filtro de combustible

PELIGRO

El combustible es MUY inflamable. Extreme las precauciones al mezclar, almacenar o manipular el combustible.

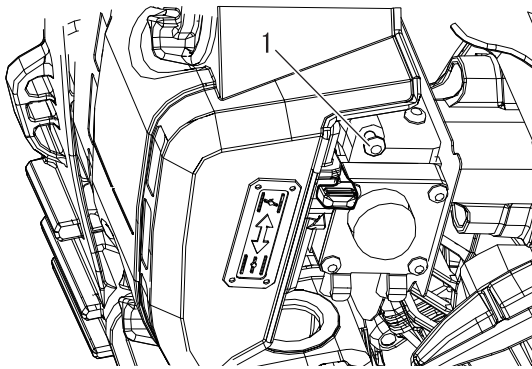
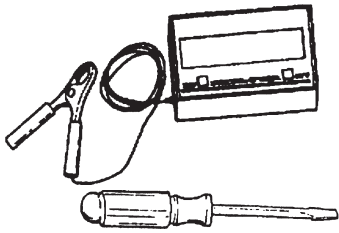
NOTA

Si el filtro estuviera excesivamente sucio o ya no encajara bien, sustitúyalo.

1. Utilice un trapo limpio para eliminar la suciedad suelta alojada alrededor del tapón de combustible y vacíe el depósito de combustible.
2. Utilice el "gancho del tubo de combustible" para sacar el tubo y el filtro de combustible del depósito.
3. Extraiga el filtro del tubo y monte un filtro nuevo.

Mantenimiento y cuidados

Ajuste del carburador



1. Tornillo

PRECAUCIÓN

Si hay algún problema con el carburador, póngase en contacto con su DISTRIBUIDOR ECHO.

Herramientas necesarias: Destornillador, tacómetro
Piezas necesarias: Ninguna

NOTA

Cada unidad se prueba en la fábrica y el carburador se ajusta de conformidad con la Normativa de Emisiones. Este carburador no tiene agujas de ajuste de aceleración y alta velocidad.

Antes de proceder al ajuste

Compruebe que:

- El filtro de aire está limpio y bien colocado.
- La pantalla protectora del apaga chispas no tiene carbonilla.
- Los tubos de la sopladora están montados.

1. Arranque el motor y déjelo a ralentí durante un minuto.
2. Complete el calentamiento accionando el aparato a plena potencia durante 5 minutos, accionando el estrangulador dos veces para limpiar el aire de las cámaras del carburador.
3. Compruebe la velocidad de ralentí y restablezca si es necesario. Si dispone de un tacómetro, el tornillo de velocidad de ralentí debe ajustarse según las especificaciones que figuran en la página 27 "Características técnicas" de este manual. Gire el tornillo de ralentí en sentido de las agujas del reloj para aumentar la velocidad de ralentí; gírelo en sentido contrario a las agujas del reloj para reducir la velocidad de ralentí.

Mantenimiento del sistema de enfriamiento

IMPORTANTE

Para mantener la temperatura adecuada de funcionamiento del motor, el aire de enfriamiento debe pasar libremente a través del área de aletas del cilindro. Este flujo de aire disipa el calor de combustión del motor. Puede tener lugar un sobrecalentamiento y agarrotamiento del motor cuando:

- Las entradas de aire estén bloqueadas, impidiendo que el aire de enfriamiento alcance el cilindro,
- Se hayan acumulado polvo y hierbas en el lado exterior del cilindro. Esta acumulación aísla el motor e impide que se disipe el calor.

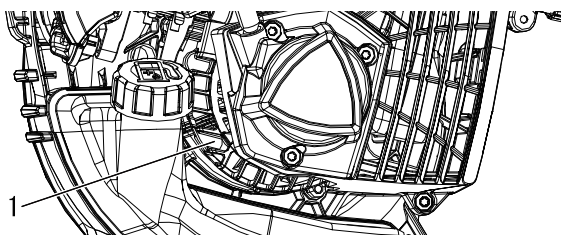
La extracción de depósitos que bloquean el paso del aire o la limpieza de las aletas se considera parte del "mantenimiento normal". Cualquier fallo resultante atribuible a la falta de mantenimiento no entra en garantía.

Herramientas necesarias: Cepillo de limpieza, aire comprimido

Piezas necesarias: Ninguna

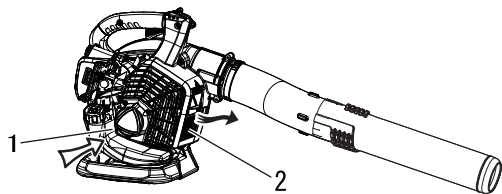
Rejilla de limpieza

1. Cepille los restos acumulados de la rejilla de admisión del cárter situada sobre el depósito de combustible.



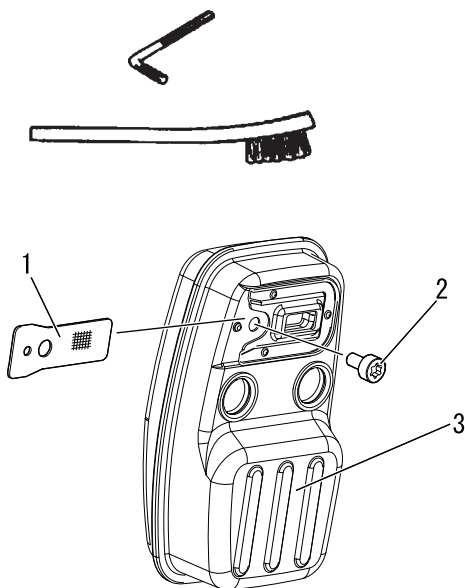
1. Rejilla de admisión

Mantenimiento y cuidados



1. Rejilla de admisión 2. Rejilla de emisión

Sistema de escape



1. Pantalla protectora del apaga chispas 2. Perno
3. Silenciador

Limpieza de las aletas del cilindro

1. Sople aire comprimido a través de la rejilla de emisión y la rejilla de admisión del cárter.

Pantalla protectora del apaga chispas

Herramientas necesarias: Llave Torx en L T27, cepillo de limpieza

Piezas necesarias: Pantalla protectora del apaga chispas

IMPORTANTE

Los depósitos de carbonilla en el silenciador provocarán una reducción de la potencia del motor y su sobrecalentamiento. La pantalla protectora del apaga chispas debe revisarse periódicamente.

1. Extraiga un perno.
2. Extraiga la pantalla protectora del apaga chispas del silenciador. Sustituya la pantalla si tiene depósitos de carbonilla acumulados.
3. Instale la pantalla protectora del apaga chispas.
4. Apriete el perno y los tornillos con firmeza.

NOTA

Al limpiar los depósitos de carbonilla, tenga cuidado de no dañar el elemento catalítico alojado en el silenciador.

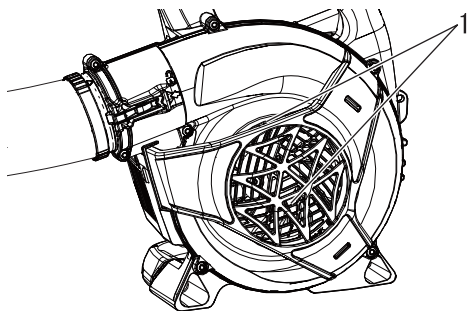
Puerto de escape del cilindro

IMPORTANTE

El puerto de escape del cilindro debe inspeccionarse y limpiarse de carbonilla cada 3 meses o 90 horas de funcionamiento, a fin de que el motor siga cumpliendo con las especificaciones de emisiones. ECHO recomienda encarecidamente que devuelva su unidad a su distribuidor de ECHO para que se realice este importante servicio de mantenimiento.

Mantenimiento y cuidados

Limpeza de la cubierta del alojamiento



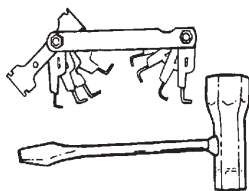
1. Cubierta del alojamiento

Retire todo tipo de residuos, como las hojas que pudieran bloquear la cubierta del alojamiento.

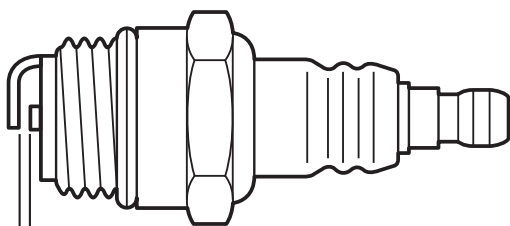
IMPORTANTE

No retire la cubierta del alojamiento. Si fuera necesario, no dude en consultar a su distribuidor.

Comprobación de la bujía



Herramientas necesarias: Llave en T, Calibrador
Piezas necesarias: Bujía



a: 0,6 - 0,7 mm.

IMPORTANTE

Utilice sólo una bujía NGK BPMR8Y, de lo contrario, podría provocar daños graves al motor.

1. Compruebe la distancia entre electrodos de la bujía. La distancia correcta está entre 0,6 mm y 0,7 mm.
2. Compruebe la bujía por si tuviera los electrodos gastados.
3. Inspeccione el aislante por si tuviera aceite u otros depósitos.
4. Sustituya la bujía si es necesario y apriete a 15 N·m - 17 N·m (150 kgf·cm a 170 kgf·cm).

Mantenimiento y cuidados

Tabla de localización de averías

Problema	Diagnóstico	Causa	Remedio
Es difícil arrancar el motor, rotación fluctuante o El motor no arranca	No está entrando combustible en el tubo de drenaje	El filtro de combustible está obstruido El sistema de alimentación de combustible está obstruido Hay piezas internas del carburador adheridas	Limpiar o sustituir Limpiar Consulte a su DISTRIBUIDOR ECHO
	Está entrando combustible en el tubo de drenaje	Degradación del combustible Problema en el carburador	Sustitúyalo por combustible nuevo Consulte a su DISTRIBUIDOR ECHO
	El cigüeñal no gira	Error interno del motor	Consulte a su DISTRIBUIDOR ECHO
	La bujía está sucia o húmeda	Degradación del combustible Separación de electrodos incorrecta Depósitos de carbón Fallo eléctrico	Sustitúyalo por combustible nuevo Ajustar o sustituir Limpiar o sustituir Consulte a su DISTRIBUIDOR ECHO
El motor arranca pero no es posible acelerar		Filtro de aire sucio Filtro de combustible sucio Paso de combustible bloqueado Problema de ajuste del carburador Problema de la bujía Respiradero de escape o del silenciador bloqueados Pantalla protectora del apaga chispas desgastada	Limpiar o sustituir Limpiar o sustituir Consulte a su DISTRIBUIDOR ECHO Consulte a su DISTRIBUIDOR ECHO Consulte a su DISTRIBUIDOR ECHO Limpiar, ajustar o sustituir Limpiar Limpiar o sustituir

- ♦ Las comprobaciones y el mantenimiento requieren un conocimiento especializado. Si no puede comprobar y realizar el mantenimiento del producto o dar con un problema usted sólo, consulte con su DISTRIBUIDOR ECHO. No intente desmontar el producto.
- ♦ Consulte a su DISTRIBUIDOR ECHO si se encuentra con un problema que no esté cubierto en la tabla anterior o para cualquier otra consulta.
- ♦ Para piezas de repuesto y consumibles, utilice sólo piezas auténticas y productos y componentes indicados. La utilización de piezas de otros fabricantes o de componentes no indicados pueden derivar en un fallo de funcionamiento.

Mantenimiento y cuidados

Almacenamiento durante un largo periodo (30 días o más)

ADVERTENCIA

Durante el funcionamiento, el silenciador (silenciador catalítico y tapa que lo rodea) se calienta. Mantenga siempre el área de escape libre de escombros inflamables durante el transporte o el almacenamiento; de lo contrario, podrían producirse graves daños a la propiedad o lesiones personales.

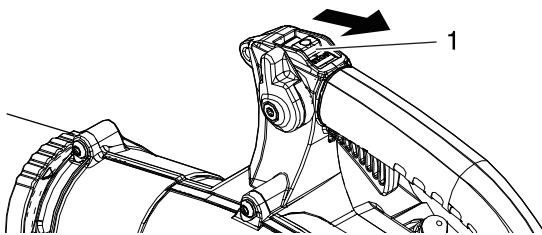


No guarde la unidad durante un largo periodo (30 días o más) sin realizar el mantenimiento de protección para el almacenamiento en el que se incluye:

1. Guardar la unidad en un lugar seco, libre de polvo y fuera del alcance de los niños.

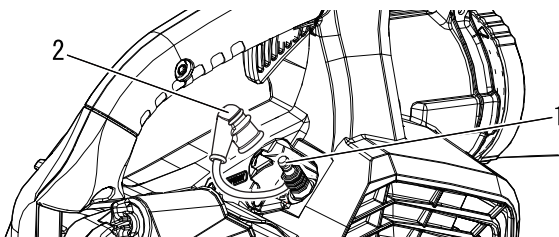
ADVERTENCIA

No guarde el aparato en un lugar en el que puedan acumularse gases de combustible o que esté expuesto a llamas o chispas.



1. Interruptor de paro

2. Coloque el interruptor de paro en la posición "STOP".
3. Eliminar la acumulación de grasa, aceite, suciedad y desechos del exterior de la unidad.
4. Realice todas las tareas de lubricación y mantenimiento periódicas que sean necesarias.
5. Apriete todos los tornillos y tuercas.
6. Drene completamente el tanque de combustible al aire libre sobre suelo despejado y tire varias veces del tirador del arranque de retroceso para eliminar combustible del carburador. No drene el combustible en interiores.
7. Extraiga la bujía y vierta 10 ml de aceite limpio y nuevo para motor de dos tiempos ECHO en el cilindro a través del orificio de la bujía.
 - A. Coloque un paño limpio sobre el orificio de la bujía.
 - B. Tire 2 ó 3 veces del arranque de retroceso para distribuir el aceite en el interior del motor.
 - C. Observe la posición del pistón a través del orificio de la bujía. Tire lentamente del tirador del arranque de retroceso hasta que el pistón alcance la parte superior de su recorrido y déjelo allí.
8. Instale la bujía. (No conecte el tapón de la bujía.)
9. Retire los tubos de la unidad.



1. Bujía

2. Tapa de la bujía

Para desechar el producto o sus piezas de acuerdo las normativas locales, póngase en contacto con su DISTRIBUIDOR ECHO.

Características técnicas

		PB-2620	
Masa (en seco, con tubos del soplador):		kg	4,4
Medidas externas (sin tubos del soplador):			
Longitud		mm	324
Anchura		mm	282
Altura		mm	355
Motor:			
Tipo			Motor de gasolina monocilíndrico de 2 tiempos refrigerado por aire
Cilindrada		cm ³	25,4
Potencia máxima		kW	0,9
Velocidad del motor a la máxima potencia del motor		r/min	7500
Velocidad recomendada del motor a plena carga		r/min	7500
Velocidad recomendada del motor al ralentí		r/min	3000
Carburador			Tipo de diafragma
Encendido			Imán del volante de inercia - Sistema CDI
Bujía			NGK BPMR8Y
Estárter			Estárter por retroceso
Volumen de aire: (ANSI/OPEI B175.2)		m ³ /h	774 (Boquilla recta redonda)
		m ³ /h	726 (Boquilla recta plana)
Velocidad máx. de aire: (ANSI/OPEI B175.2)		m/s	76,7 (Boquilla recta redonda)
		m/s	80,5 (Boquilla recta plana)
Combustible:			
Aceite			Gasolina de grado normal. Se recomienda gasolina normal, sin plomo y mínimo de 89 octanos. No utilice combustible que contenga alcohol metílico o más de 10 % de alcohol etílico. Aceite para motor de dos tiempos refrigerado por aire. Aceite ISO-L-EGD Standard (ISO/CD 13738), JASO FC, FD y ECHO recomendado.
Proporción			50 : 1 (2%)
Capacidad del depósito (lleno):		ml	600
Nivel de presión acústica: (EN15503)			
	L_{pAeq}	dB(A)	93,5 (Boquilla recta redonda)
		dB(A)	93,4 (Boquilla recta plana)
incertidumbre	K_{pA}		2,5
Nivel de potencia acústica: (EN15503)			
	L_{wARa}	dB(A)	104,9 (Boquilla recta redonda)
		dB(A)	104,6 (Boquilla recta plana)
incertidumbre	K_{wA}		2,5
Vibración: (EN15503)			
	$a_{hv,eq}$	m/s ²	6,6 (Boquilla recta redonda)
		m/s ²	7,1 (Boquilla recta plana)
incertidumbre	K		5,0

Estas características técnicas están sujetas a cambios sin previo aviso.

Declaración de conformidad

El fabricante abajo firmante:

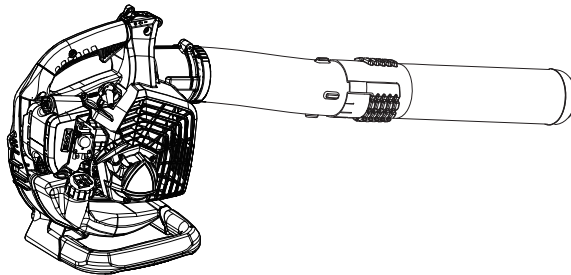
YAMABIKO CORPORATION
7-2 SUEHIROCHO 1-CHOME
OHME; TOKIO 198-8760
JAPÓN

Declaración de conformidad publicada bajo la exclusiva responsabilidad del fabricante.

Declara que la unidad nueva aquí especificada:

SOPLADORA

Marca: ECHO
Tipo: PB-2620



Montada por:

ECHO, INCORPORATED
400 Oakwood Road
Lake Zurich, Illinois 60047-1564

EE. UU.

Cumple con:

- * los requisitos de la directiva **2006/42/CE** (aplicación de la norma armonizada **EN 15503: 2009+A2: 2015**)
- * los requisitos de la directiva **2011/65/UE** (aplicación de la norma armonizada **EN 50581: 2012**)
- * los requisitos de la directiva **2014/30/UE** (aplicación de la norma armonizada **EN ISO 14982: 2009**)
- * los requisitos de la Directiva **2000/14/CE**

Procedimiento de valoración de conformidad según **ANEXO V**

Nivel de potencia acústica medido: **105 dB(A)**

Nivel de potencia acústica garantizado: **108 dB(A)**

Número de serie de 38001001 a 38100000

Tokio, 5 de diciembre de 2018

YAMABIKO CORPORATION

Masayuki Kimura

El representante autorizado en Europa que está autorizado para compilar el expediente técnico.

Empresa: CERTIFICATION EXPERTS B.V.

Dirección: Apartado postal 5047, Merwedeweg 2, 3621 LR Breukelen, Países Bajos

Masayuki Kimura

Director general
Departamento de Garantía
de Calidad

Richard Glaser

MEMORANDO

MEMORANDO

MEMORANDO

YAMABIKO CORPORATION

7-2 SUEHIROCHO 1-CHOME, OHME, TOKIO 198-8760, JAPÓN

TELÉFONO: 81-428-32-6118. FAX: 81-428-32-6145.



X750119-1000

YAMABIKO CORPORATION
1-7-2 SUEHIROCHO, OHME, TOKYO 198-8760, JAPAN
PHONE: 81-428-32-6118. FAX: 81-428-32-6145.



X750119-1000