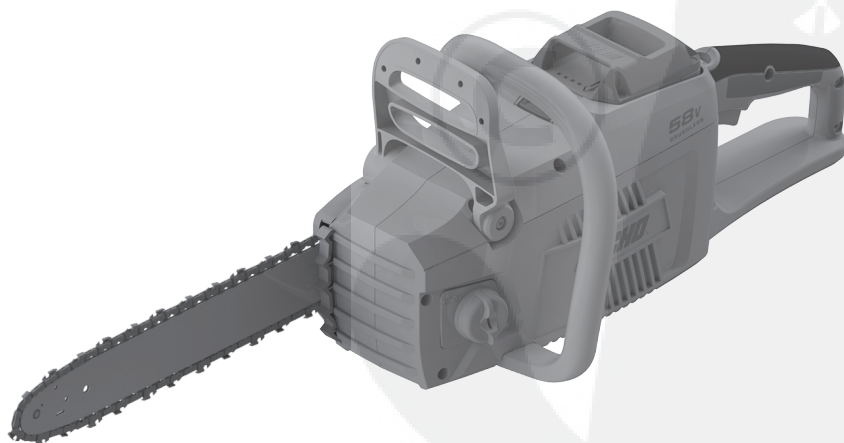


ECHO®

ECCS-58V

Original instructions
Traduction des instructions originales
Übersetzung der originalanleitung
Traducción de las instrucciones originales
Traduzione delle istruzioni originali
Vertaling van de originele instructies
Tradução das instruções originais
Oversættelse af de originale instruktioner
Översättning av de ursprungliga instruktionerna
Alkuperäisten ohjeiden suomennos
Oversettelse av de originale instruksjonene
Перевод оригинальных инструкций
Tłumaczenie instrukcji oryginalnej
Překlad originálních pokynů
Az eredeti útmutató fordítása
Traducerea instrucțiunilor originale
Tulkots no oriģinālās instrukcijas
Originalių instrukcijų vertimas
Originaaljuhendi tõlge
Prijevod originalnih uputa
Prevod originalnih navodil
Preklad originálnych pokynov
Превод от оригиналните инструкции
Переклад оригінальних інструкцій
Orijinal talimatların çevirileri

EN
FR
DE
ES
IT
NL
PT
DA
SV
FI
NO
RU
PL
CS
HU
RO
LV
LT
ET
HR
SL
SK
BG
UK
TR



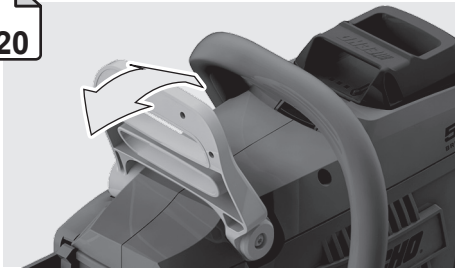




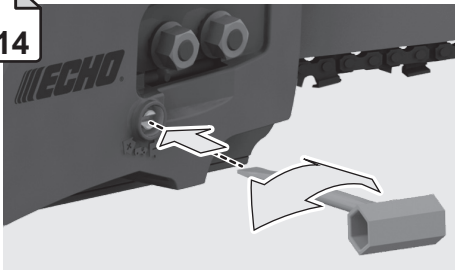
Important!	It is essential that you read the instructions in this manual before assembling, operating and maintaining the product. Subject to technical modification.
Attention!	Il est essentiel que vous lisez les instructions contenues dans ce manuel avant d'assembler, d'entretenir et d'utiliser le produit. Sous réserve de modifications techniques.
Achtung!	Es ist wichtig, dass Sie vor Zusammenbau, Wartung und Benutzung des Produktes die Anweisungen in dieser Anleitung lesen. Technische Änderungen vorbehalten.
¡Atención!	Resulta fundamental que lea este manual de instrucciones antes de realizar el montaje, el mantenimiento y de utilizar este producto. Bajo reserva de modificaciones técnicas.
Attenzione!	E' importante leggere le istruzioni contenute nel presente manuale prima di montare il prodotto, svolgere le operazioni di manutenzione sullo stesso e metterlo in funzione. Con riserva di eventuali modifiche tecniche.
Let op!	Het is van essentieel belang dat u de instructies in deze gebruiksaanwijzing leest voor u het product monteert, onderhoudt en gebruikt. Technische wijzigingen voorbehouden.
Atenção!	É fundamental que leia as instruções deste manual antes da montagem, manutenção e operação do aparelho. Com reserva de modificações técnicas.
OBS!	Det er vigtigt, at man læser instrukserne i denne brugsanvisning, inden man samler, vedligeholder og betjener produktet. Med forbehold for tekniske ændringer.
Observera!	Det är viktigt att du läser instruktionerna i manualen före montering, användning och underhåll av produkten. Med förbehåll för tekniska ändringar.
Huomio!	On tärkeää, että luet tämän käsikirjan ohjeet ennen tuotteen kokoamista, huoltoa ja käyttöä. Tekniset muutokset varataan.
Advarsel!	Det er viktig at du leser instruksjonene i denne manualen før sammensetning, vedlikehold og bruk av produktet. Med forbehold om tekniske endringer.
Внимание!	Необходимо прочитать инструкции в данном руководстве перед сборкой, обслуживанием и эксплуатацией этого изделия. могут быть внесены технические изменения.
Uwaga!	Koniecznienależyprzeczytaćinstrukcjezawarte w tym podręczniku przed montażem, obsługą oraz konserwacją produktu. Z zastrzeżeniem modyfikacji technicznych.
Důležitost upozornění!	Neinstalujte, neprovádějte údržbu ani nepoužívejte tento výrobek dříve, než si přečtete pokyny uvedené v tomto návodu. Změny technických údajů vyhrazeny.
Figyelem!	Fontos, hogy a termék összeszerelése, karbantartása és használatá elött elolvassa a kézikönyvbent található utasításokat. A műszaki módosítás jogát fenntartjuk.
Atenție!	Este esențial să citiți instrucțiunile din acest manual înainte de asamblare, efectuarea întreținerii și operarea produsului. Sub rezerva modificățiilor tehnice.
Uzmanību!	Ir svarīgi izlasīt šīs rokasgrāmatas instrukcijas pirms uzstādīšanas, apkopes un precas darbināšanas. Paturam tiesības mainīt tehniskos raksturlielumus.
Dėmesio!	Prieš surenkant, prižiūrint ir naudojant gaminį, būtina perskaityti šiamė vadovė pateiktus nurodymus. Pasiliekanė teisė daryti techninius pakeitimus.
Tähtis!	Enne masina kokkupanekut, hooldamist ja kasutama hakkamist tuleb kõesolevas juhendis esitatud juhised kindlasti läbi lugeda. Tehnilised muudatused võimalikud.
Upozorenje!	Vrlo je važno da ste prije sklapanja, održavanja i rada s ovim proizvodom pročitali upute u ovom priručniku. Podloženo tehničkim promjenama.
Pomembno!	Pomembno je da pred montažo vzdrževanjem in uporabo tega izdelka preberete navodila v tem priročniku. Tehnične spremembe dopuščene.
Upozornenie!	Je dôležité, aby ste si pred montážou, údržbou a obsluhou produktu prečítali pokyny v tomto návode. Právo na technické zmeny je vyhradené.
Важно!	Исключительно важно е да прочетете инструкциите в настоящото ръководство, преди да преминете към сглобяване, поддръжка или работа с продукта. Подлежи на технически модификации.
Важливо!	Дуже важливо, щоб ви прочитали інструкції в цьому керівництві перед складанням, обслуговуванням та експлуатацією цієї машини. Є об'єктом для технічних змін.
Önemli!	Ürünü monte etmeden, kullanmadan ve bakımlını yapmadan önce bu kılavuzdaki talimatları okumanız önemlidir. Teknik değışikliğe tabidir.



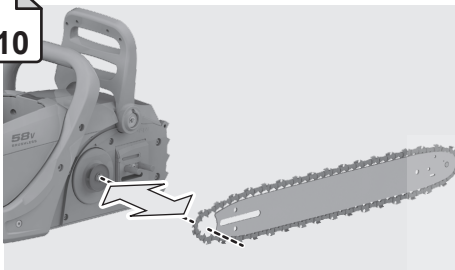
20



14



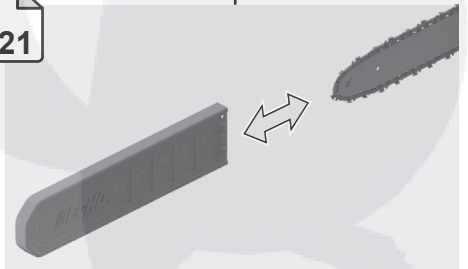
10



22

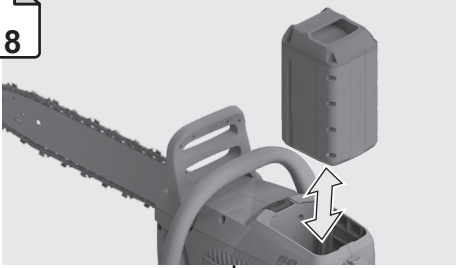


21

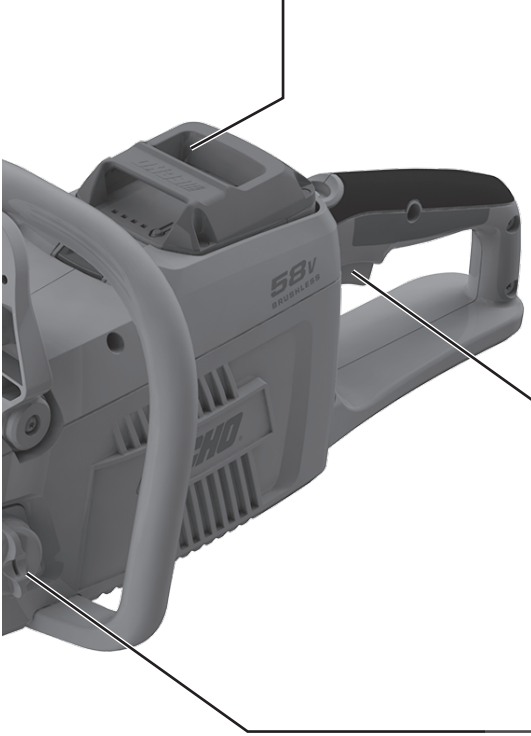
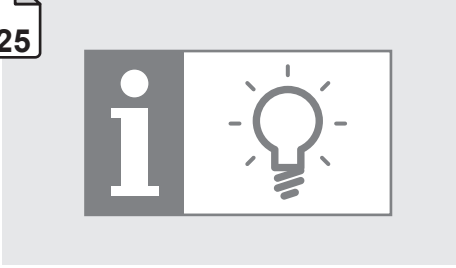




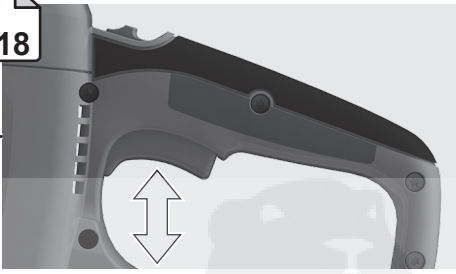
8



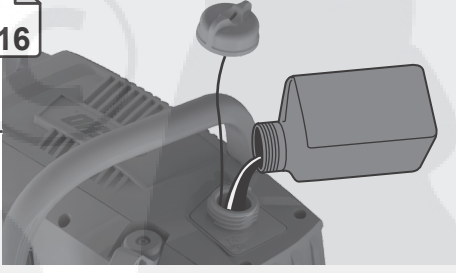
25



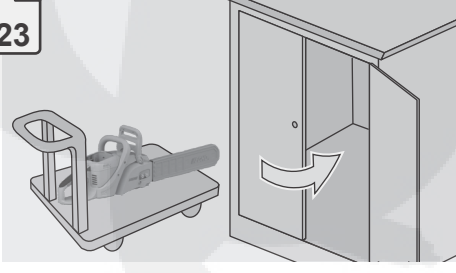
18

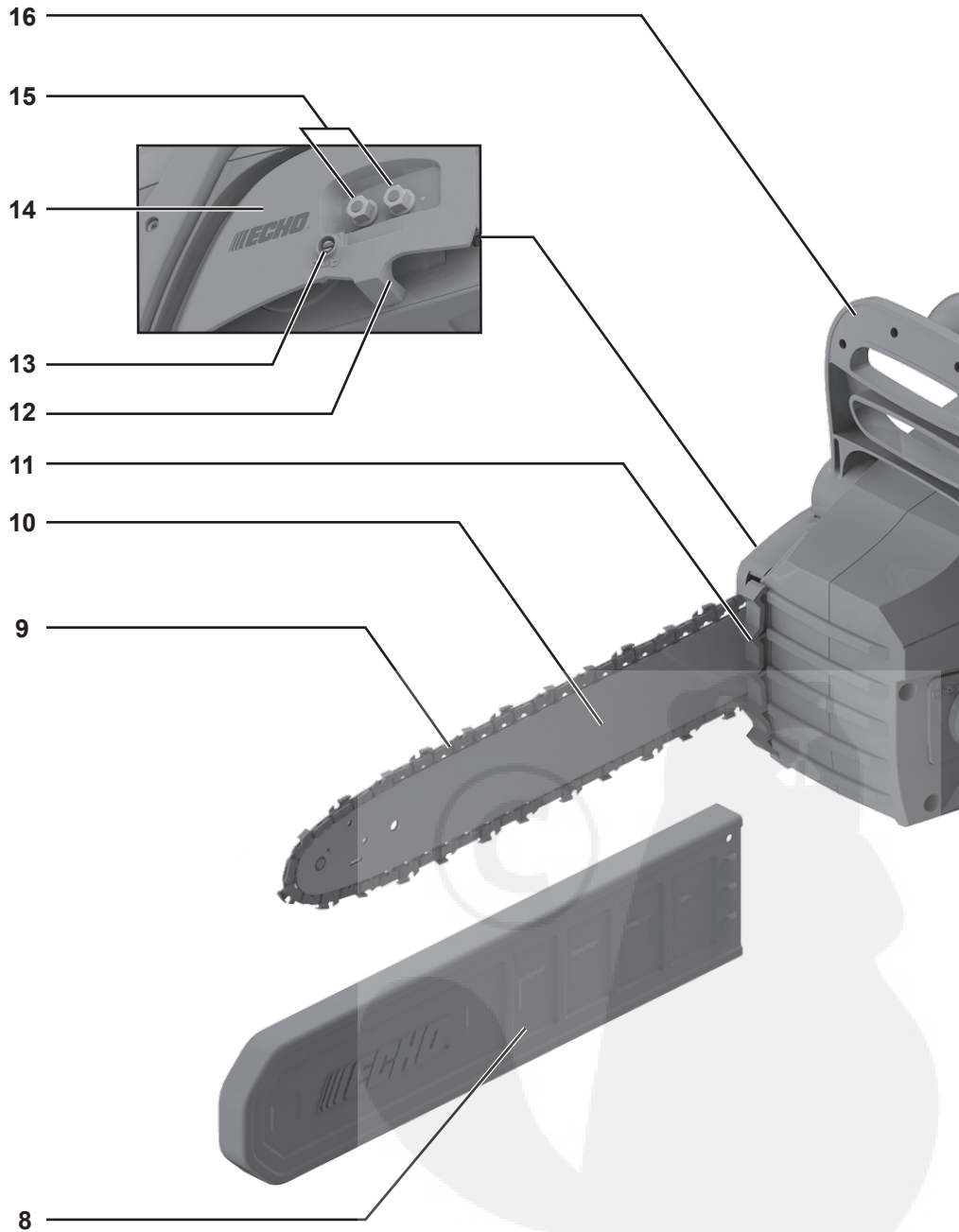


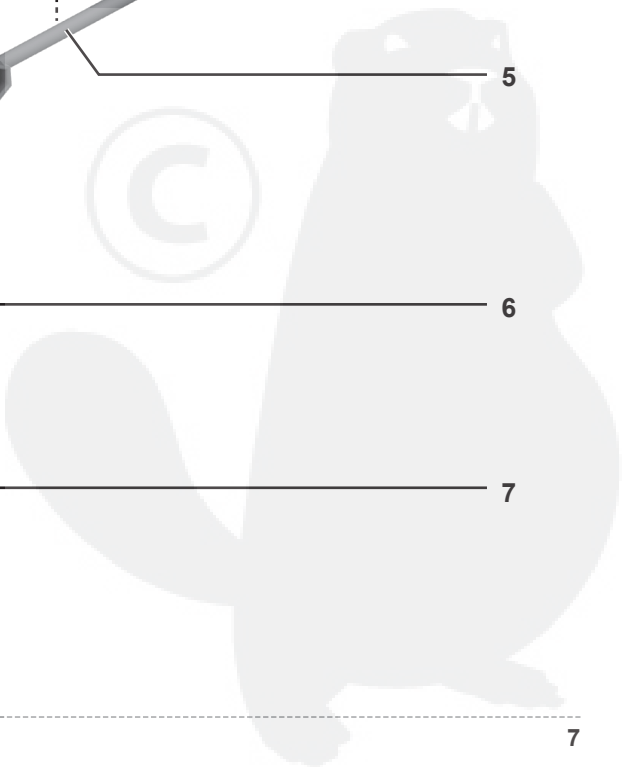
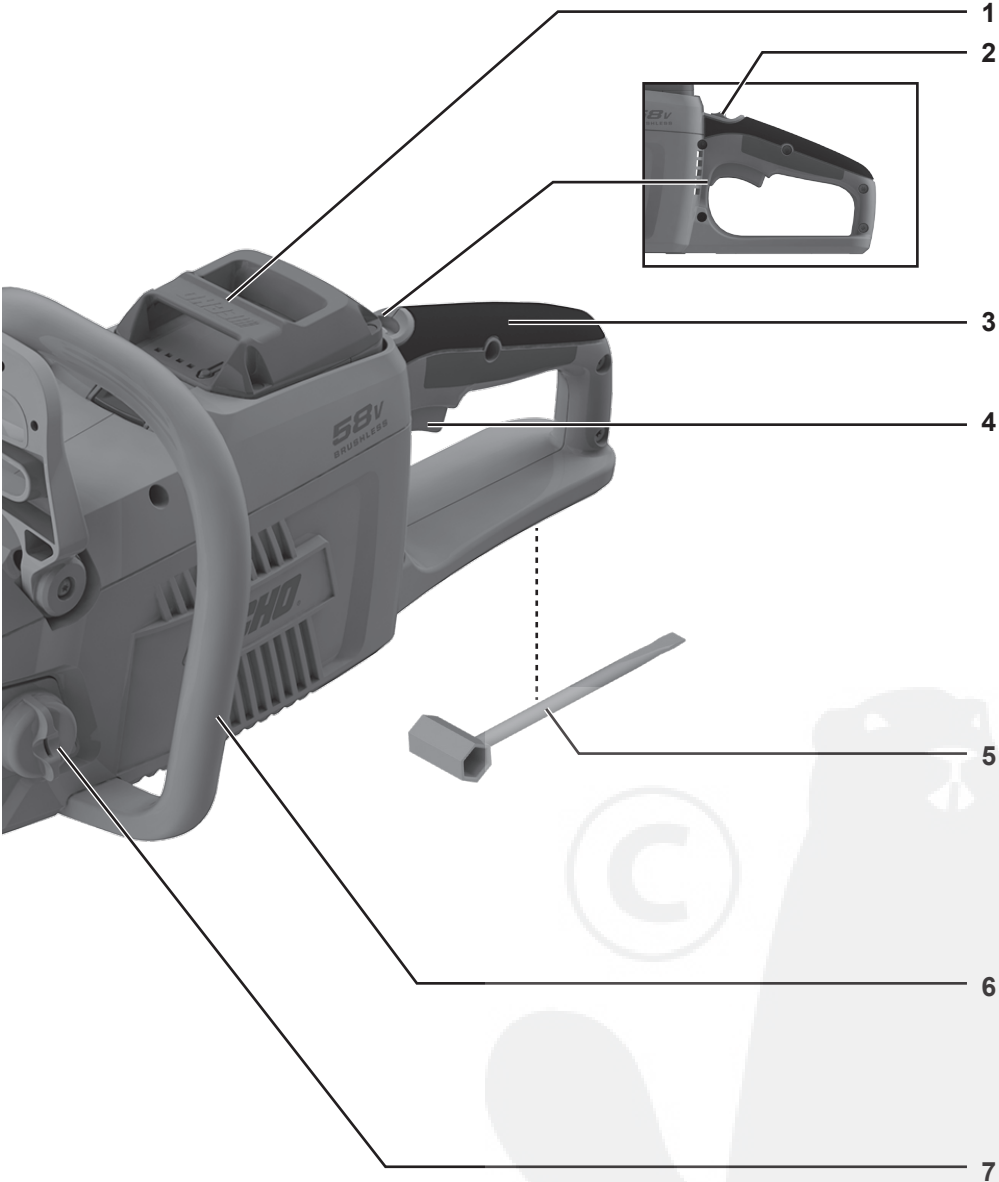
16

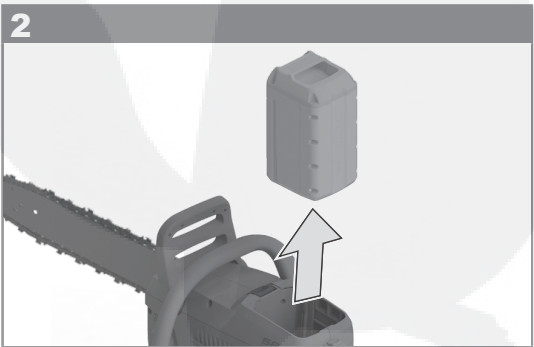
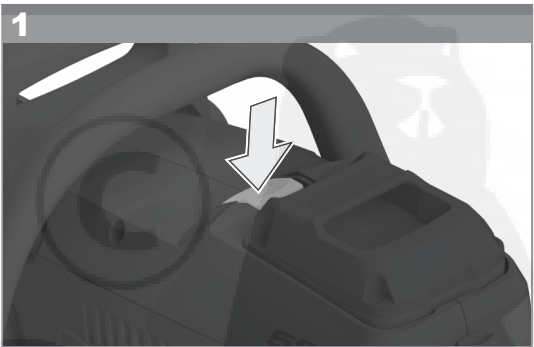
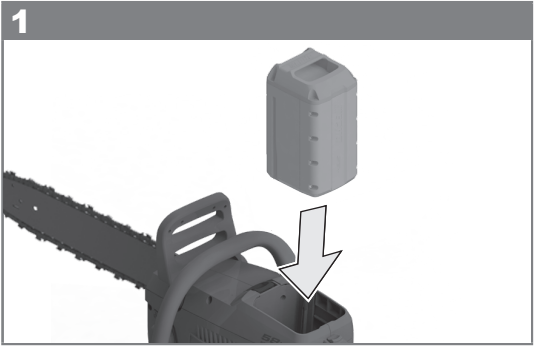
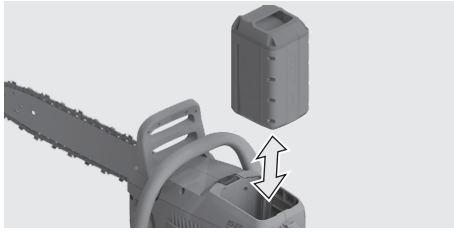


23





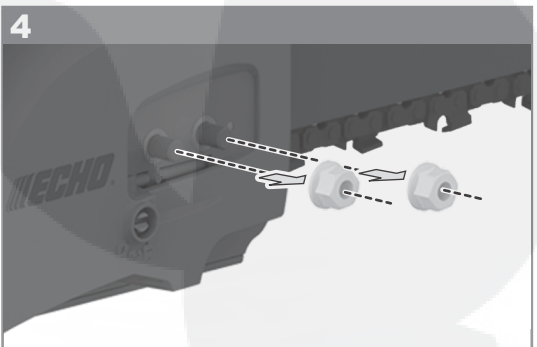
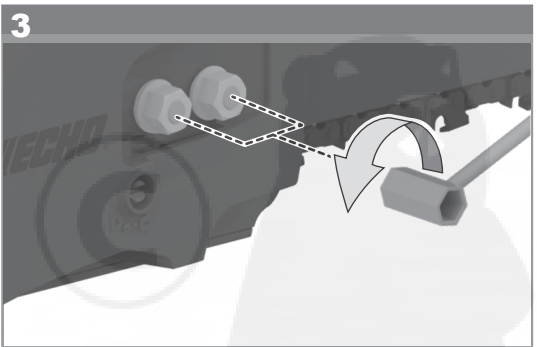
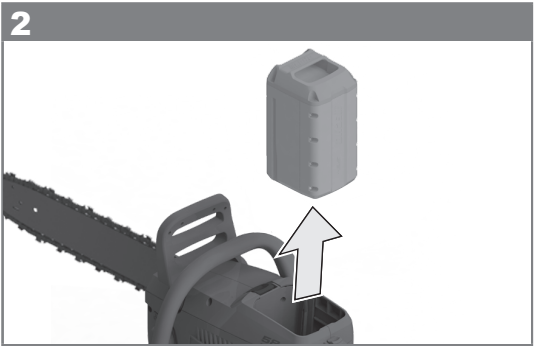
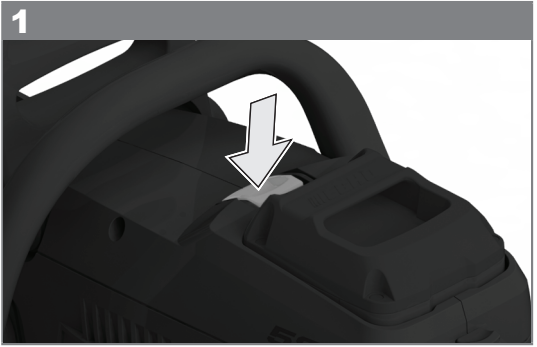
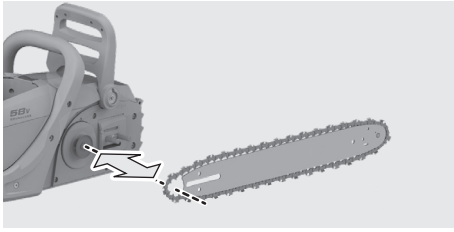




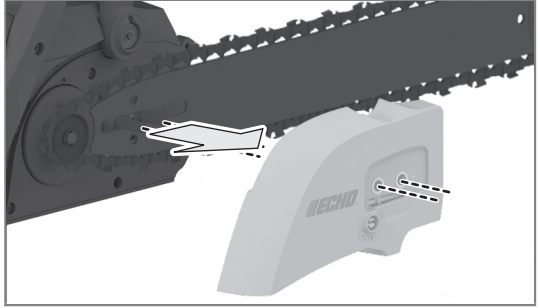
A diagram illustrating the battery status indicators. It consists of four rows, each representing a different battery level range. Each row shows a set of LED lights and a battery icon with a corresponding percentage range. An inset image shows the grey device being inserted into a larger black device.

Four lit LEDs	75-100 %
Three lit LEDs, one dim LED	50-75 %
Two lit LEDs, two dim LEDs	25-50 %
One lit LED, three dim LEDs	0-25 %

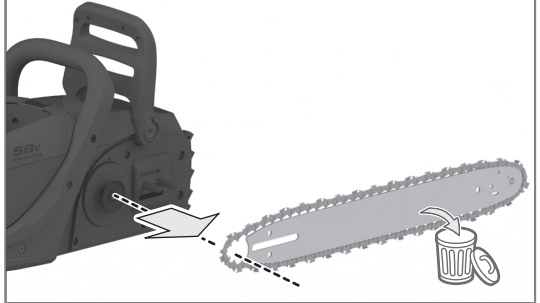
An inset image shows the grey device being inserted into a larger black device, with a white arrow pointing downwards.



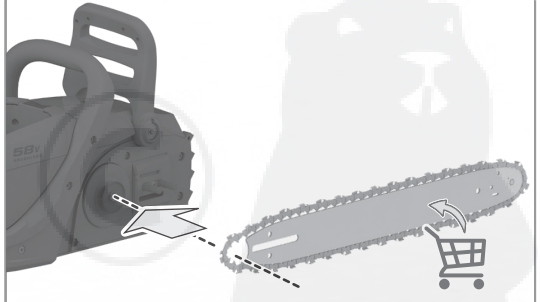
5



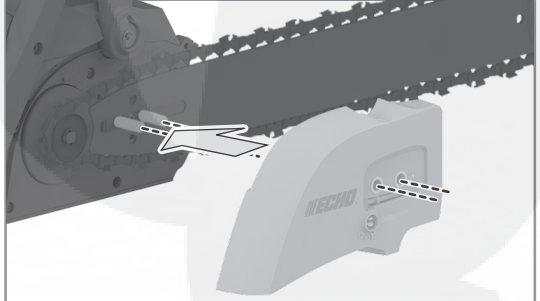
6

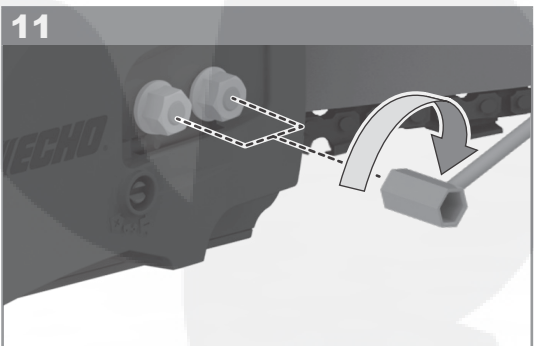
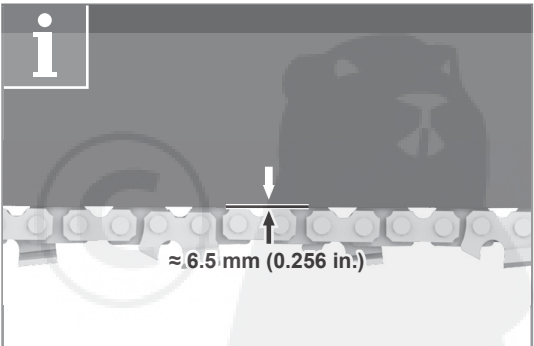
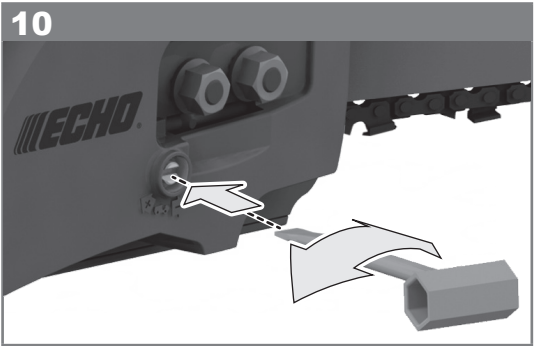
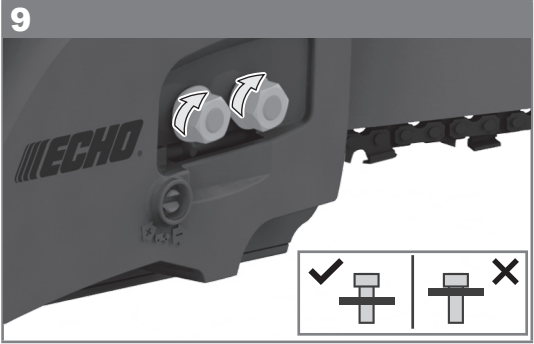


7

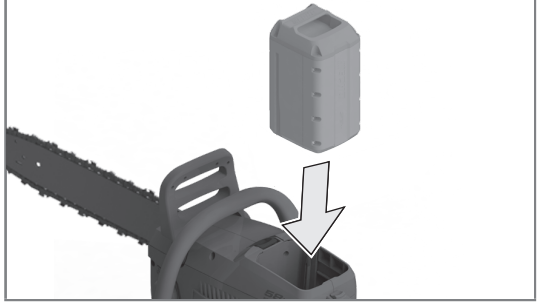


8



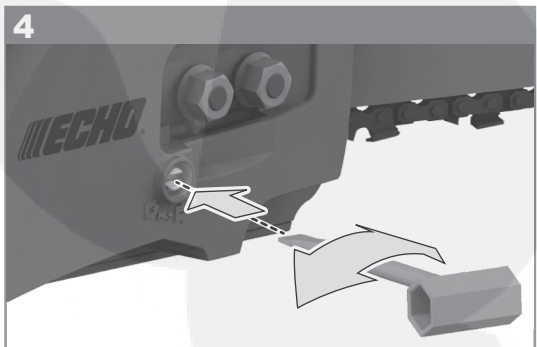
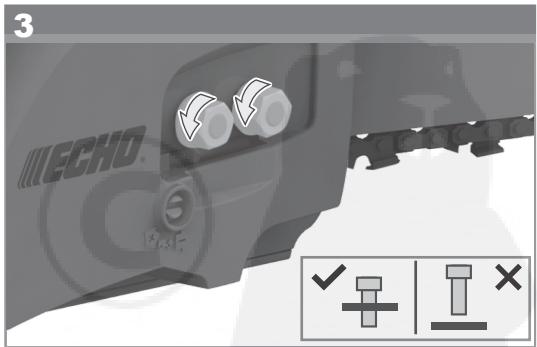
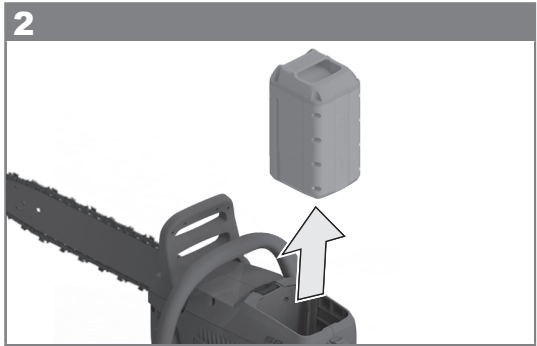
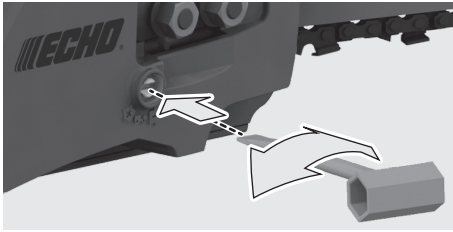


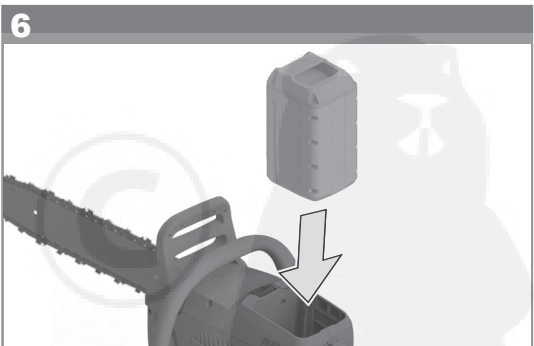
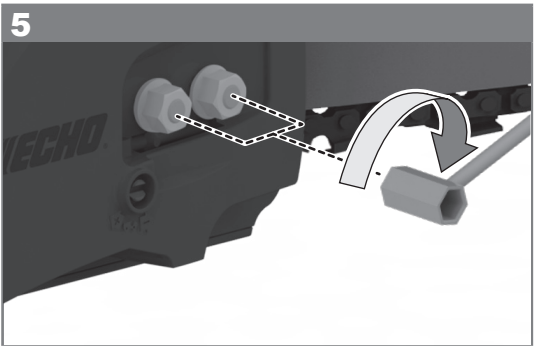
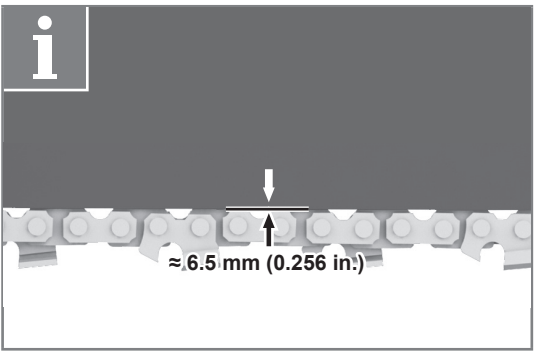
12

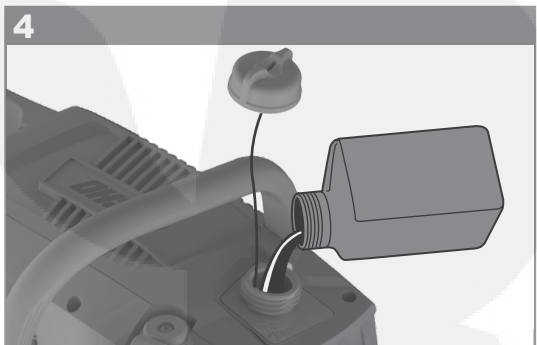
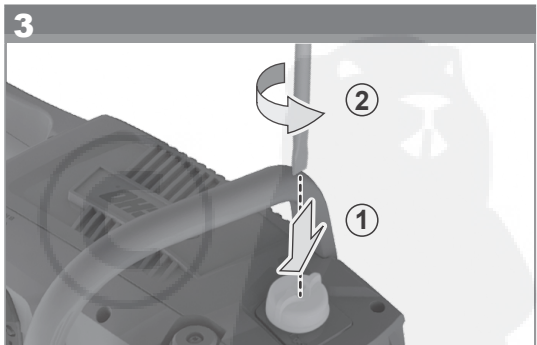
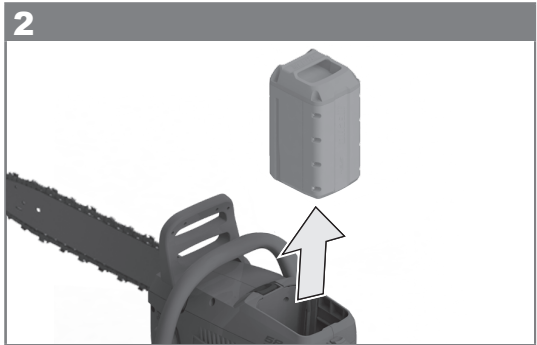
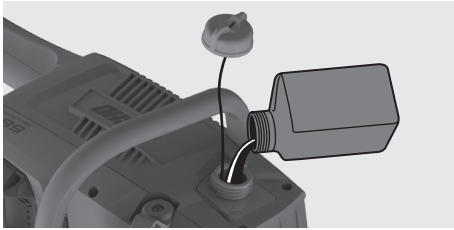


13

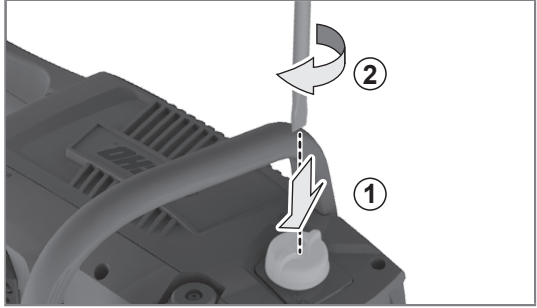




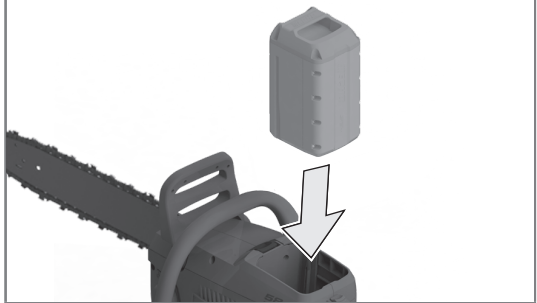




5

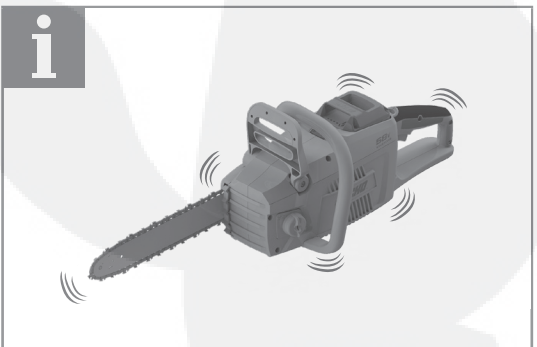
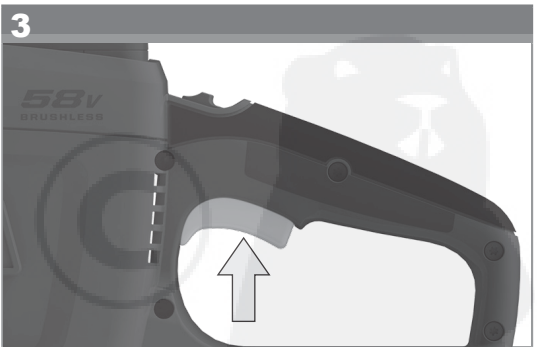
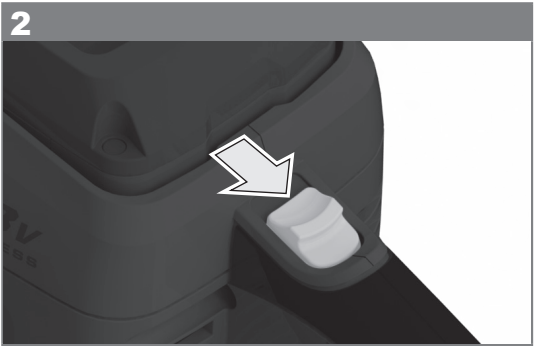
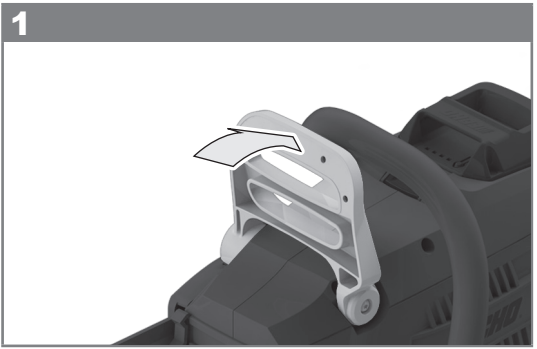
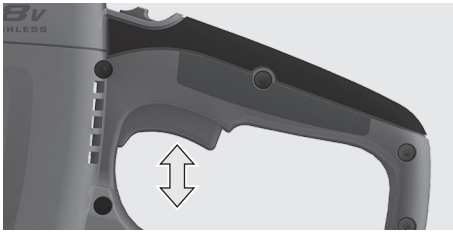


6

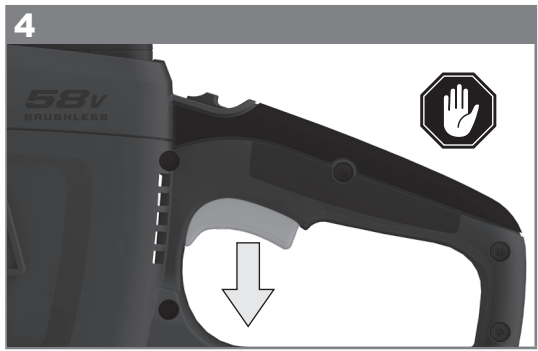


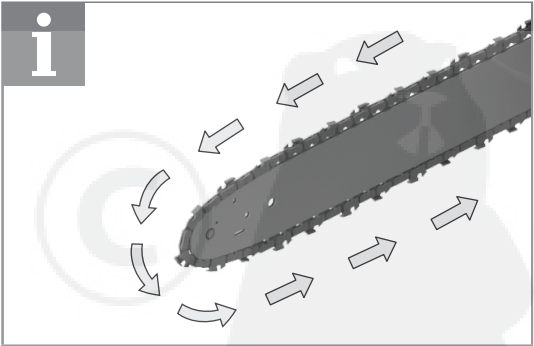
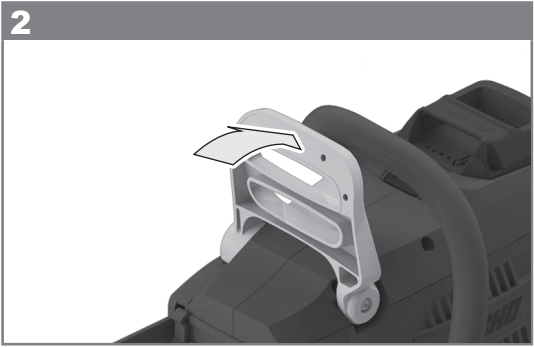
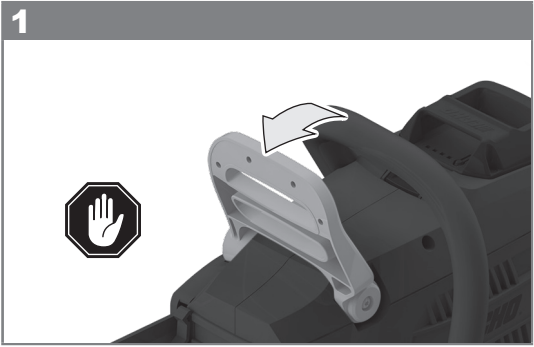
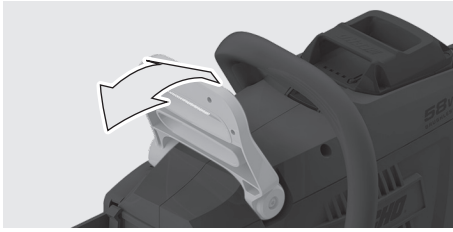
7

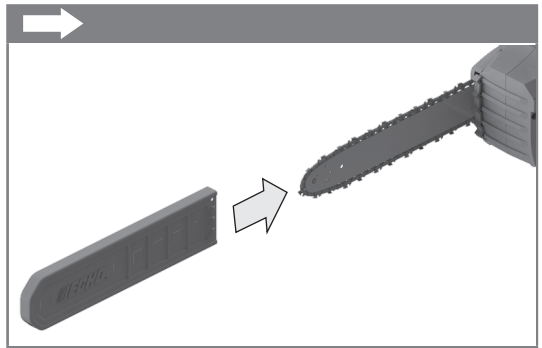
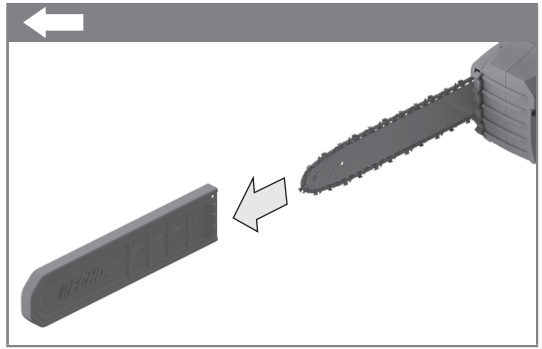
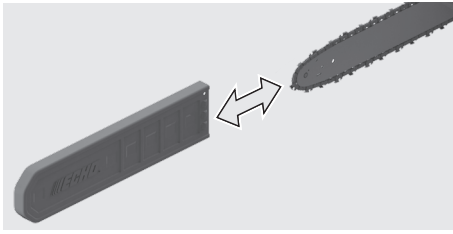


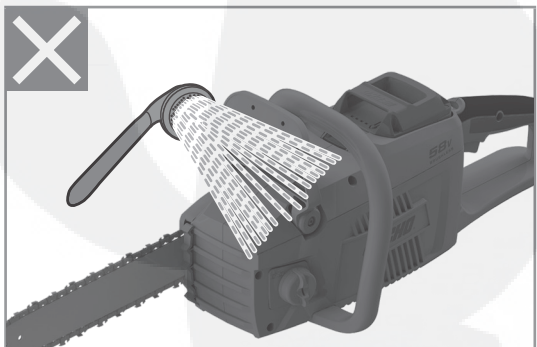
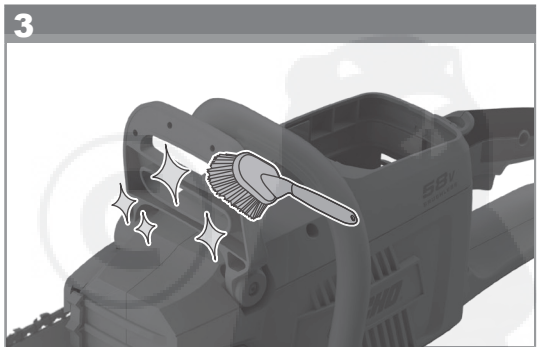
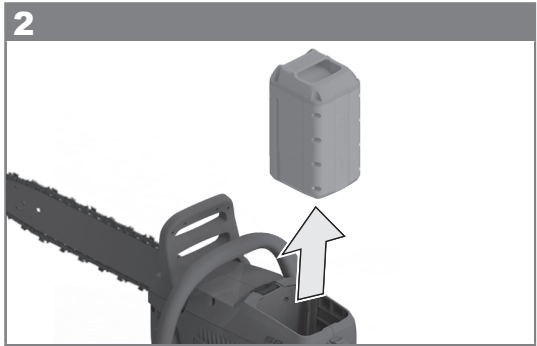


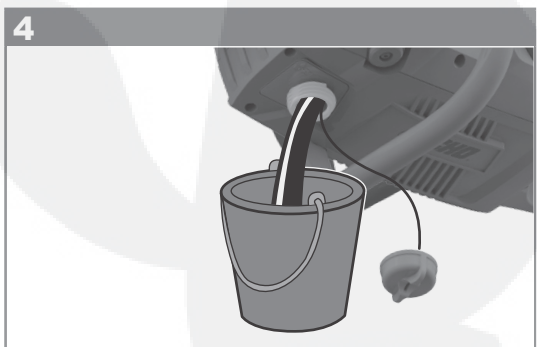
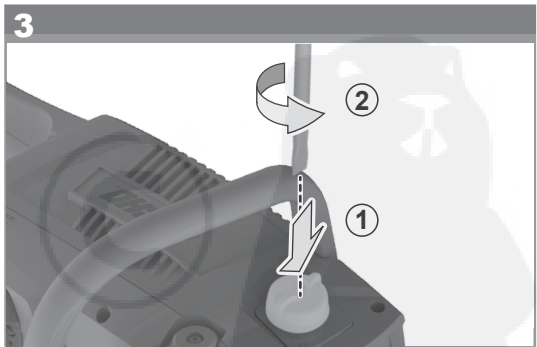
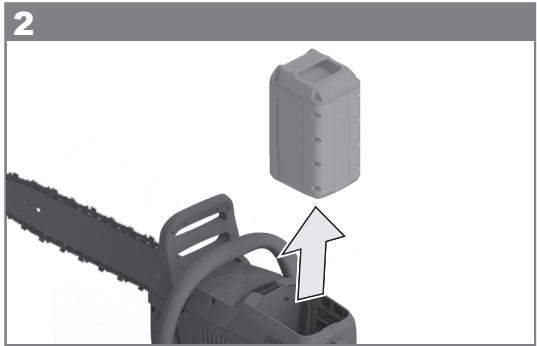
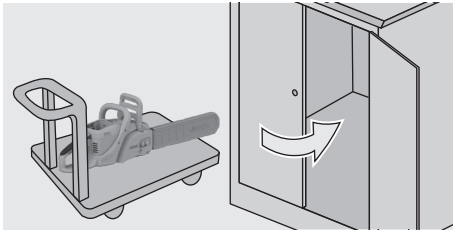
4



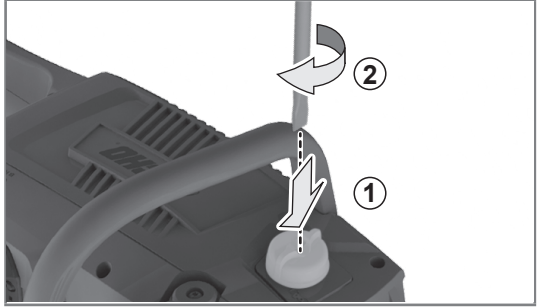




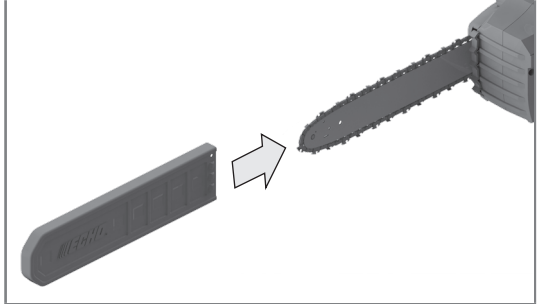




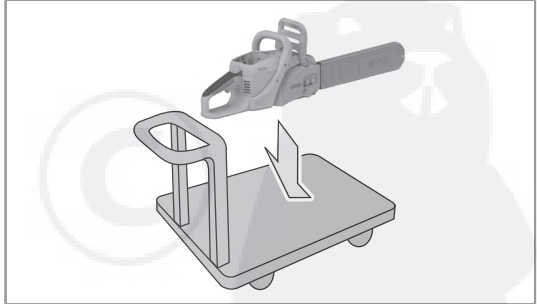
5



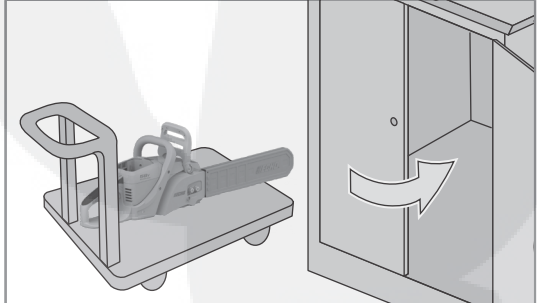
6



7



8



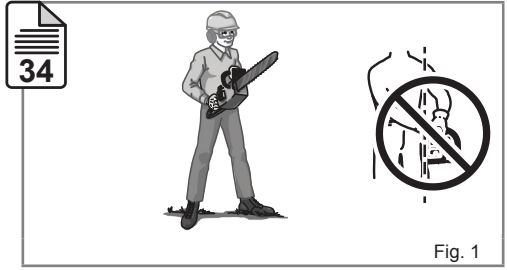
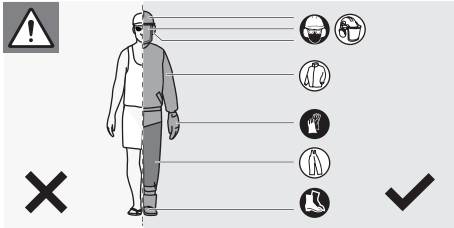
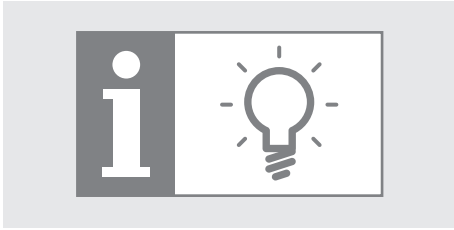


Fig. 1

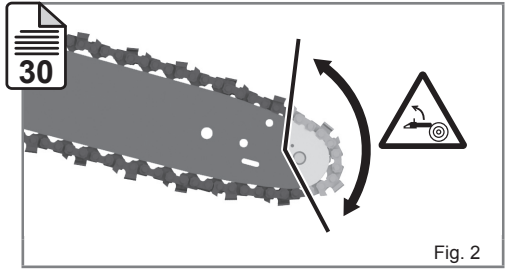


Fig. 2

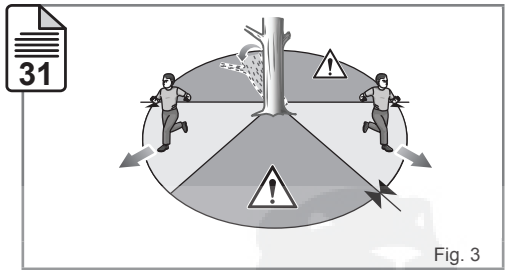


Fig. 3

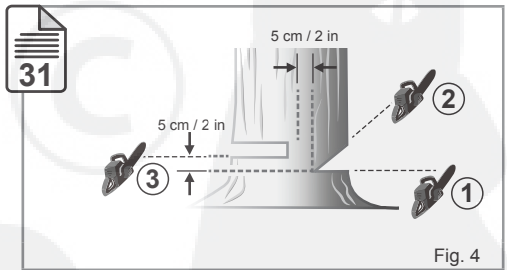


Fig. 4

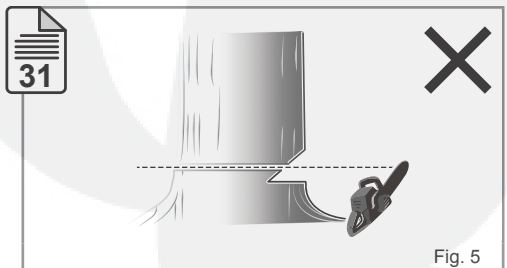
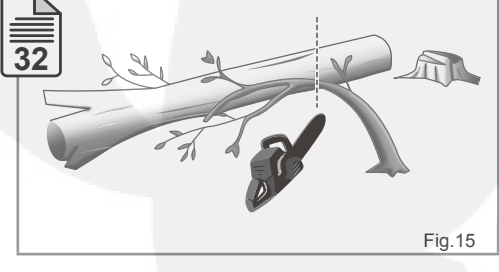
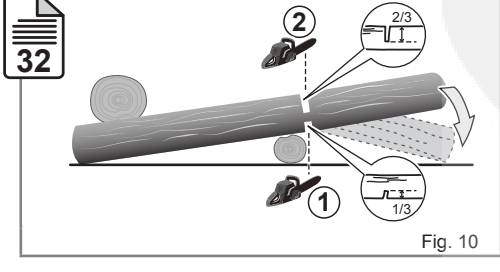
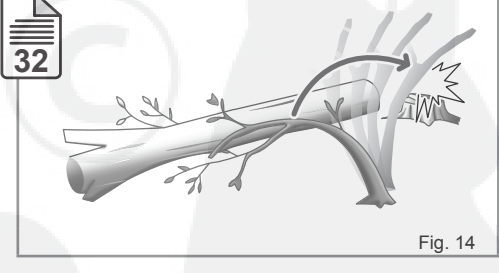
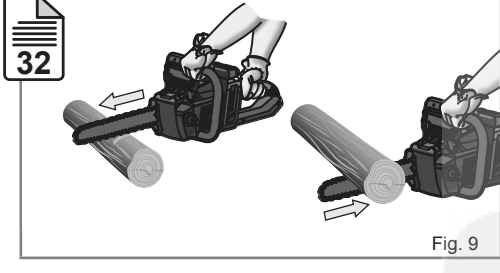
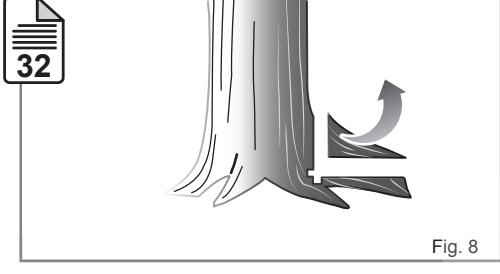
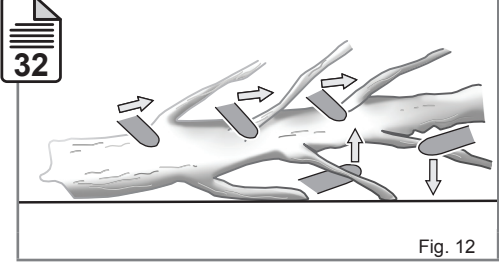
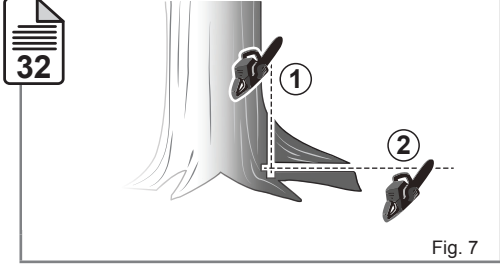
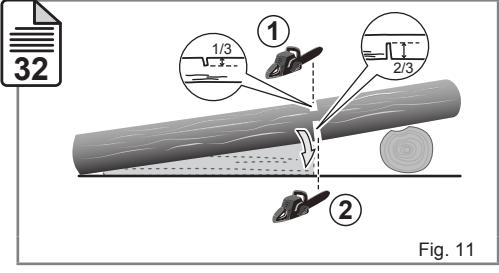
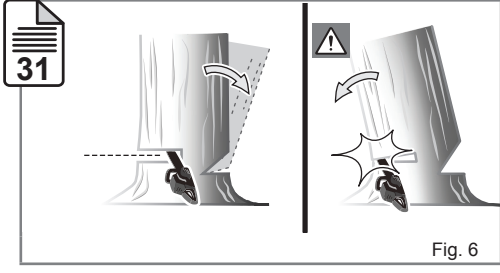


Fig. 5





TECHNICAL DATA

CHAINSAW

ECCS-58V

EN
FR
DE
ES
IT
NL
PT
DA
SV
FI
NO
RU
PL
CS
HU
RO
LV
LT
ET
HR
SL
SK
BG
UK
TR

Serial numbers	17402201000001 - 17402201999999
Rated voltage	51.1 V, 58 V MAX
Max bar length	400 mm
Chain oil tank capacity	177 ml
Weight (without battery pack, with guide bar, chain and empty tank)	4.83 kg
Weight (with 4.0 Ah battery pack)	6.73 kg
Weight (with 2.0 Ah battery pack)	6.03 kg
Max no-load speed	21 m/s
Usable cutting length	250 mm
Noise emission level (in accordance with EN 60745-1, EN 60745-2-13)	
A-weighted sound pressure level at working position L_{PA} :	94.5 dB(A)
K_{PA} :	2.5 dB(A)
A-weighted sound power level L_{WA} :	105.5 dB(A)
K_{WA} :	2.5 dB(A)
Vibration level (according to EN 60745-1, EN 60745-2-13) (Front/Rear):	2.1 / 2.8 m/s ² K=1.5 m/s ²

BATTERY AND CHARGER

ECCS-58V

Compatible battery packs	ECBP-58V40 / ECBP-58V20
Compatible chargers	ECBC-58VEU / ECBC-58VUK



WARNING!

The vibration emission level given in this information sheet has been measured in accordance with a standardised test given in EN 60745 and may be used to compare one tool with another. It may be used for a preliminary assessment of exposure.

The declared vibration emission level represents the main applications of the tool. However if the tool is used for different applications, with different accessories or poorly maintained, the vibration emission may differ. This may significantly increase the exposure level over the total working period.

An estimation of the level of exposure to vibration should also take into account the times when the tool is switched off or when it is running but not actually doing the job. This may significantly reduce the exposure level over the total working period.

Identify additional safety measures to protect the operator from the effects of vibration such as: maintain the tool and the accessories, keep the hands warm, organisation of work patterns.

GENERAL SAFETY WARNINGS



WARNING!

Read all safety warnings and all instructions. Failure to follow the warnings and instructions may result in electric shock, fire and/or serious injury.

Save all warnings and instructions for future reference.

The term "power tool" in the warnings refers to your mains-operated (corded) power tool or battery-operated (cordless) power tool.

WORK AREA SAFETY

Keep work area clean and well-lit. Cluttered or dark areas invite accidents.

Do not operate power tools in explosive atmospheres, such as in the presence of flammable liquids, gases or dust. Power tools create sparks which may ignite the dust or fumes.

Keep children and bystanders away while operating a power tool. Distractions can cause you to lose control.

ELECTRICAL SAFETY

Power tool plugs must match the outlet. Never modify the plug in any way. Do not use any adapter plugs with





earthed (grounded) power tools. Unmodified plugs and matching outlets will reduce risk of electric shock.

Avoid body contact with earthed or grounded surfaces, such as pipes, radiators, ranges and refrigerators. There is an increased risk of electric shock if your body is earthed or grounded.

Do not expose power tools to rain or wet conditions. Water entering a power tool will increase the risk of electric shock.

Do not abuse the cord. Never use the cord for carrying, pulling or unplugging the power tool. Keep cord away from heat, oil, sharp edges or moving parts. Damaged or entangled cords increase the risk of electric shock.

When operating a power tool outdoors, use an extension cord suitable for outdoor use. Use of a cord suitable for outdoor use reduces the risk of electric shock.

If operating a power tool in a damp location is unavoidable, use a residual current device (RCD) protected supply. Use of an RCD reduces the risk of electric shock.

PERSONAL SAFETY

Stay alert, watch what you are doing and use common sense when operating a power tool. Do not use a power tool while you are tired or under the influence of drugs, alcohol or medication. A moment of inattention while operating power tools may result in serious personal injury.

Use personal protective equipment. Always wear eye protection. Protective equipment such as dust mask, non-skid safety shoes, hard hat or hearing protection used for appropriate conditions will reduce personal injuries.

Prevent unintentional starting. Ensure the switch is in the off-position before connecting to power source and/or battery pack, picking up or carrying the tool. Carrying power tools with your finger on the switch or energising power tools that have the switch on invites accidents.

Remove any adjusting key or wrench before turning the power tool on. A wrench or a key left attached to a rotating part of the power tool may result in personal injury.

Do not overreach. Keep proper footing and balance at all times. This enables better control of the power tool in unexpected situations.

Dress properly. Do not wear loose clothing or jewellery. Keep your hair, clothing and gloves away from moving parts. Loose clothes, jewellery or long hair can be caught in moving parts.

If devices are provided for the connection of dust extraction and collection facilities, ensure these are connected and properly used. Use of dust collection can reduce dust-related hazards.

POWER TOOL USE AND CARE

Do not force the power tool. Use the correct power tool for your application. The correct power tool will do the job better and safer at the rate for which it was designed.

Do not use the power tool if the switch does not turn it on and off. Any power tool that cannot be controlled with the switch is dangerous and must be repaired.

Disconnect the plug from the power source and/or the battery pack from the power tool before making any adjustments, changing accessories or storing power tools. Such preventive safety measures reduce the risk of starting the power tool accidentally.

Store idle power tools out of the reach of children and do not allow persons unfamiliar with the power tool or these instructions to operate the power tool. Power tools are dangerous in the hands of untrained users.

Maintain power tools. Check for misalignment or binding of moving parts, breakage of parts and any other condition that may affect the power tool's operation. If damaged, have the power tool repaired before use. Many accidents are caused by poorly maintained power tools.

Keep cutting tools sharp and clean. Properly maintained cutting tools with sharp cutting edges are less likely to bind and are easier to control.

Use the power tool, accessories and tool bits etc. in accordance with these instructions, taking into account the working conditions and the work to be performed. Use of the power tool for operations different from those intended could result in a hazardous situation.

BATTERY TOOL USE AND CARE

Recharge only with the charger specified by the manufacturer. A charger that is suitable for one type of battery pack may create a risk of fire when used with another battery pack.

Use power tools only with specifically designated battery packs. Use of any other battery packs may create a risk of injury and fire.

When battery pack is not in use, keep it away from other metal objects, like paper clips, coins, keys, nails, screws or other small metal objects, that can make a connection from one terminal to another. Shorting the battery terminals together may cause burns or a fire.

Under abusive conditions, liquid may be ejected from the battery; avoid contact. If contact accidentally occurs, flush with water. If liquid contacts eyes, additionally seek medical help. Liquid ejected from the battery may cause irritation or burns.

SERVICE

Have your power tool serviced by a qualified repair person using only identical replacement parts. This will ensure that the safety of the power tool is maintained.

ADDITIONAL GENERAL SAFETY WARNINGS

Some regions have regulations that restrict the use of the product. Check with your local authority for advice.

Never allow children or people unfamiliar with the instructions to use the product. Local regulations may restrict the age of the operator.



Ensure before each use that all controls and safety devices function correctly. Do not use the product if the "off" switch does not stop the motor.

Wear full eye and hearing protection, strong sturdy gloves, as well as head protection while operating the product. Use a face mask if operation is dusty.

Do not wear loose fitting clothing, short trousers, or jewellery of any kind.

Secure long hair so it is above shoulder level to prevent entanglement in moving parts.

Beware of thrown, flying, or falling objects. Keep all bystanders, children, and animals at least 15 m away from the work area.

Do not operate in poor lighting. The operator requires a clear view of the work area to identify potential hazards.

Use of hearing protection reduces the ability to hear warnings (shouts or alarms). The operator must pay extra attention to what is going on in the work area.


Operating similar tools nearby increases both the risk of hearing injury and the potential for other persons to enter your work area.

Keep firm footing and balance. Do not overreach. Overreaching can result in loss of balance and can increase the risk of kickback.

Keep all parts of your body away from any moving part.

Inspect the product before each use. Check for correct operation of all controls, including the chain brake. Check for loose fasteners, make sure all guards and handles are properly and securely attached. Replace any damaged parts before use.

Do not modify the product in any way or use parts and accessories which are not recommended by the manufacturer.



WARNING!

If the product is dropped, suffers heavy impact or begins to vibrate abnormally, immediately stop the product and inspect for damage or identify the cause of the vibration. Any damage should be properly repaired or replaced by an authorised service centre.

Do not dispose of used battery packs in the household refuse or by burning them. ECHO distributors offer to retrieve old batteries to protect our environment.

Do not store the battery pack together with metal objects (short circuit risk).

Use only ECBC-58VEU and ECBC-58VUK chargers for charging the battery pack. Do not use battery pack from other systems.

Compatible battery packs: ECBP-58V40 and ECBP-58V20

Battery acid may leak from damaged batteries under extreme load or extreme temperatures. In case of contact

with battery acid, wash it off immediately with soap and water. In case of eye contact, rinse thoroughly for at least 10 minutes and immediately seek medical attention.

The two chain bar locking screws are sensitive points for electrostatic discharge when in use. The user needs to release the switch trigger to restart the product if it trips due to electrostatic discharge.

CHAINSAW SAFETY WARNINGS

Keep all parts of the body away from the saw chain when operating the product. Before you start the chainsaw, make sure the saw chain is not contacting anything. A moment of inattention while operating chainsaws may cause entanglement of your clothing or body with the saw chain.

Always hold the chainsaw with your right hand on the rear handle and your left hand on the front handle. Holding the chainsaw with a reversed hand configuration increases the risk of personal injury and should never be done.

Hold the product by the insulated gripping surface only, because the saw chain may contact hidden wiring. Saw chains contacting a "live" wire may make exposed metal parts of the power tool "live" and could give the operator an electric shock.

Wear safety glasses and hearing protection. Further protective equipment for head, hands, legs and feet is recommended. Adequate protective clothing will reduce personal injury by flying debris or accidental contact with the saw chain.

Do not operate a chainsaw in a tree. Operation of a chainsaw while up in a tree may result in personal injury.

Always keep proper footing and operate the chainsaw only when standing on fixed, secure and level surface. Slippery or unstable surfaces such as ladders may cause a loss of balance or control of the chainsaw.

When cutting a limb that is under tension be alert for spring back. When the tension in the wood fibres is released the spring loaded limb may strike the operator and/or throw the chainsaw out of control.

Use extreme caution when cutting brush and saplings. The slender material may catch the saw chain and be whipped toward you or pull you off balance.

Carry the chainsaw by the front handle with the chainsaw switched off and away from your body. When transporting or storing the chainsaw always fit the guide bar cover. Proper handling of the chainsaw will reduce the likelihood of accidental contact with the moving saw chain.

Follow instructions for lubricating, chain tensioning and changing accessories. Improperly tensioned or lubricated chain may either break or increase the chance for kickback.

Keep handles dry, clean, and free from oil and grease. Greasy, oily handles are slippery causing loss of control.

Cut wood only. Do not use chainsaw for purposes not intended. For example: do not use chainsaw for cutting plastic, masonry or non-wood building materials. Use of the chainsaw for operations different than intended could result in a hazardous situation.

Causes and operator prevention of kickback:

Kickback may occur when the nose or tip of the guide bar touches an object, or when the wood closes in and pinches the saw chain in the cut.

Tip contact in some cases may cause a sudden reverse reaction, kicking the guide bar up and back towards the operator.

Pinching the saw chain along the top of the guide bar may push the guide bar rapidly back towards the operator.

Either of these reactions may cause you to lose control of the saw which could result in serious personal injury. Do not rely exclusively upon the safety devices built into your saw. As a chainsaw user, you should take several steps to keep your cutting jobs free from accident or injury.

Kickback is the result of tool misuse and/or incorrect operating procedures or conditions and can be avoided by taking proper precautions as given below:

Maintain a firm grip, with thumbs and fingers encircling the chainsaw handles, with both hands on the saw and position your body and arm to allow you to resist kickback forces. Kickback forces can be controlled by the operator, if proper precautions are taken. Do not let go of the chainsaw.

Do not overreach and do not cut above shoulder height. This helps prevent unintended tip contact and enables better control of the chainsaw in unexpected situations.

Only use replacement bars and chains specified by the manufacturer. Incorrect replacement bars and chains may cause chain breakage and/or kickback.

Follow the manufacturer's sharpening and maintenance instructions for the saw chain. Decreasing the depth gauge height can lead to increased kickback.

ADDITIONAL CHAINSAW SAFETY WARNINGS

It is recommended to cut logs on a saw-horse or cradle when operating the product for the first time.

Ensure all guards, handles, and spiked bumper are properly fitted and are in good condition.

Persons using the product should be in good health. The product is heavy, so the operator must be physically fit. The operator should be alert, have a good vision, mobility, balance, and manual dexterity. If there is any doubt, do not operate the product.

Do not start using the product until you have a clear work area, secure footing, and a planned retreat path away from a falling tree.

Beware of the emission of lubricant mist and saw dust. Wear a mask or respirator, if required.

Do not cut vines and/or small undergrowth (less than 75 mm in diameter).

Always hold the chainsaw with both hands during operation. Use a firm grip with thumbs and fingers encircling the chainsaw handles. Right hand must be on the rear handle and left hand on the front handle.

Before starting the product, make sure the saw chain is not contacting any object.

Do not modify the product in any way or use it to power any attachments or devices not recommended by the manufacturer for your saw.

There should be a first-aid kit containing large wound dressings and a means to summon attention (e.g., whistle) close to the operator. A larger more comprehensive kit should be reasonably nearby.

Wear a helmet at all times when operating the product. A helmet, equipped with mesh visor, can help reduce the risk of injury to the face and the head if kickback occurs.

An incorrectly tensioned chain can jump off the guide bar and could result in serious injury or fatality. The length of the chain depends on the temperature. Check the tension frequently.

You should get used to your new chainsaw by making simple cuts on securely supported wood. Do this whenever you have not operated the saw for some time.

To reduce the risk of injury associated with contacting moving parts, always stop the motor, apply the chain brake, remove the battery pack and make sure all moving parts have come to a stop before:

- cleaning or clearing a blockage
- leaving the product unattended
- installing or removing attachments
- checking, conducting maintenance or working on the product

The size of the work area depends on the job being performed as well as the size of the tree or work piece involved. For example, felling a tree requires a larger work area than making other cuts, i.e., bucking cuts, etc. The operator needs to be aware and in control of everything happening in the work area.

Do not cut with your body in line with the guide bar and chain. If you experience kickback, this will help prevent the chain coming into contact with your head or body.

Do not use a back-and-forward sawing motion, let the chain do the work. Keep the chain sharp and do not try to push the chain through the cut.

Do not put pressure on the saw at the end of the cut. Be ready to take on the weight of the saw as it cuts free from the wood. Failure to do so could result in possible serious personal injury.

Do not stop the saw in the middle of a cutting operation. Keep the saw running until it is already removed from the cut.



Push and pull

The reaction force is always opposite to the direction the chain is moving. Thus, the operator must be ready to control the tendency for the product to pull away (forward motion) when cutting on the bottom edge of the bar and the push backwards (towards the operator) when cutting along the top edge.

Saw jammed in the cut

Stop the chainsaw and make it safe. Do not try to force the chain and bar out of the cut as this is likely to break the chain, which may swing back and strike the operator. This situation normally occurs because the wood is incorrectly supported which forces the cut to close under compression, thereby pinching the blade. If adjusting the support does not release the bar and chain, use wooden wedges or a lever to open the cut and release the saw. Never try to start the chainsaw when the guide bar is already in a cut or kerf.

Personal protective equipment

Good quality personal protective equipment, as used by professionals, will help reduce the risk of injury to the operator. The following items should be used when operating the product:

Safety helmet

- should comply with EN 397 and be CE marked

Hearing protection

- should comply with EN 352-1 and be CE marked

Eye and face protection

- should be CE marked and comply with EN 166 (for safety glasses) or EN 1731 (for mesh visors)

Gloves

- should comply with EN381-7 and be CE marked

Leg protection (chaps)

- should comply with EN381-5, be CE marked and provide all-round protection

Chainsaw safety boots

- should comply with EN ISO 20345:2004 and be marked with a shield depicting a chain saw to show compliance with EN 381-3. (Occasional users may use steel toe-cap safety boots with protective gaiters which conform to EN 381-9 if the ground is even and there is little risk of tripping or catching on undergrowth)

Chainsaw jackets for upper body protection

- should comply with EN 381-11 and be CE marked

INSTRUCTIONS CONCERNING THE PROPER TECHNIQUES FOR BASIC FELLING, LIMBING, AND CROSS-CUTTING

Understanding the forces within the wood

When you understand the directional pressures and stresses inside the wood you can reduce the "pinches" or at least expect them during your cutting. Tension in the

wood means the fibers are being pulled apart and if you cut in this area, the "kerf" or cut will tend to open as the saw goes through. If a log is being supported on a saw horse and the end is hanging unsupported over the end, tension is created on the upper surface due to the weight of the overhanging log stretching the fibers. Likewise, the underside of the log will be in compression and the fibers are being pushed together. If a cut is made in this area, the kerf will have the tendency to close up during the cut. This would pinch the blade.

Felling a tree

See fig. 1 - 6.

When bucking and felling operations are being performed by two or more persons at the same time, the felling operations should be separated from the bucking operation by a distance of at least twice the height of the tree being felled. Trees should not be felled in a manner that would endanger any person, strike any utility line, or cause any property damage. If the tree does make contact with any utility line, the company should be notified immediately.

The chainsaw operator should keep on the uphill side of the terrain as the tree is likely to roll or slide downhill after it is felled.

An escape path should be planned and cleared as necessary before cuts are started. The escape path should extend back and diagonally to the rear of the expected line of fall.

Before felling starts, consider the natural lean of the tree, the location of larger branches, and the wind direction to judge which way the tree will fall.

Remove dirt, stones, loose bark, nails, staples, and wire from the tree.

Do not attempt to fell trees which are rotten or have been damaged by wind, fire, lightning, etc. This is extremely dangerous and should only be completed by professional tree surgeons.

1. Notching undercut

See fig. 1 - 6.

Make the notch 1/3 the diameter of the tree, perpendicular to the direction of the fall. Make the lower horizontal notching cut first. This will help to avoid pinching either the saw chain or the guide bar when the second notch is being made.

2. Felling-back cut

See fig. 1 - 6.

Make the felling-back cut at least 50 mm/2 in. higher than the horizontal notching cut. Keep the felling-back cut parallel to the horizontal notching cut. Make the felling back cut so enough wood is left to act as a hinge. The hinge wood keeps the tree from twisting and falling in the wrong direction. Do not cut through the hinge.

As the felling gets close to the hinge, the tree should begin to fall. If there is any chance that the tree may not fall in the desired direction or it may rock back and bind the saw chain, stop cutting before the felling-back cut is complete and use wedges of wood, plastic or aluminium to open the cut and drop the tree along the desired line of fall.



When the tree begins to fall remove the chainsaw from the cut, stop the motor, put the chainsaw down, and use the retreat path planned. Be alert for falling overhead limbs and watch your footing.

Removing buttress roots

See fig. 7 - 8.

A buttress root is a large root extending from the trunk of the tree above the ground. Remove large buttress roots prior to felling. Make the horizontal cut into the buttress first, followed by the vertical cut. Remove the resulting loose section from the work area. Follow the correct tree felling procedure after you have removed the large buttress roots.

Bucking a log

See fig. 9 - 11.

Bucking is cutting a log into lengths. It is important to make sure your footing is firm and your weight is evenly distributed on both feet. When possible, the log should be raised and supported by the use of limbs, logs or chocks. Follow the simple directions for easy cutting. When the log is supported along its entire length, it is cut from the top (overbuck).

When the log is supported on one end, cut 1/3 the diameter from the underside (underbuck). Then make the finished cut by overbuckling to meet the first cut.

When the log is supported on both ends, cut 1/3 the diameter from the top (overbuck). Then make the finished cut by underbuckling the lower 2/3 to meet the first cut.

When bucking on a slope always stand on the uphill side of the log. To maintain control when "cutting through", release the cutting pressure near the end of the cut without relaxing your grip on the chainsaw handles. Don't let the chain contact the ground. After completing the cut, wait for the saw chain to stop before you move the chainsaw. Always stop the motor before moving from tree to tree.

Limbing a tree

See fig. 12 - 13.

Limbing is removing the branches from a fallen tree. When limbing, leave larger lower limbs to support the log off the ground. Remove the small limbs in one cut. Branches under tension should be cut from the bottom up to avoid binding the chainsaw.

Springpoles

See fig. 14 - 15.

A springpole is any log, branch, rooted stump, or sapling which is bent under tension by other wood so that it springs back if the wood holding it is cut or removed.

On a fallen tree, a rooted stump has a high potential of springing back to the upright position during the bucking cut to separate the log from the stump. Watch out for springpoles—they are dangerous.

WARNING!

Springpoles are dangerous and could strike the operator, causing the operator to lose control of the chainsaw. This could result in severe or fatal injury to the operator. This should be done by trained users.

ADDITIONAL BATTERY SAFETY WARNINGS

WARNING!

To reduce the risk of fire, personal injury, and product damage due to a short circuit, never immerse your tool, battery pack or charger in fluid or allow a fluid to flow inside them. Corrosive or conductive fluids, such as seawater, certain industrial chemicals, and bleach or bleach-containing products, etc., can cause a short circuit.

RESIDUAL RISKS

Even when the product is used as prescribed, it is still impossible to completely eliminate certain residual risk factors. The following hazards may arise in use and the operator should pay special attention to avoid the following:

- Injury caused by vibration
 - Always use the right tool for the job. Use designated handles. Restrict working time and exposure.
- Damage to hearing due to exposure to noise
 - Wear hearing protection and limit exposure.
- Injury caused by contact with exposed saw teeth of the chain
- Injury caused by thrown-out pieces of the workpiece (wood chips, splinters)
- Injury caused by dust and particles
- Injury to the skin caused by contact with lubricants

RISK REDUCTION

It has been reported that vibrations from handheld tools may contribute to a condition called Raynaud's Syndrome in certain individuals. Symptoms may include tingling, numbness, and blanching of the fingers, usually apparent upon exposure to cold. Hereditary factors, exposure to cold and dampness, diet, smoking and work practices are all thought to contribute to the development of these symptoms. There are measures that can be taken by the operator to possibly reduce the effects of vibration:

- Keep your body warm in cold weather. When operating the unit wear gloves to keep the hands and wrists warm.
- After each period of operation, exercise to increase blood circulation.



- Take frequent work breaks. Limit the amount of exposure per day.
- Protective gloves available from professional chainsaw retailers are designed specifically for chainsaw use which give protection, good grip and also reduce the effect of handle vibration.

If you experience any of the symptoms of this condition, immediately discontinue use and see your physician.



WARNING!

Injuries may be caused, or aggravated, by prolonged use of a tool. When using any tool for prolonged periods, ensure you take regular breaks.

SPECIFIED CONDITIONS OF USE

The product is only intended for use outdoors. For safety reasons, the product must be adequately controlled by using two-handed operation at all times.

The product is designed for cutting branches, trunks, logs, and beams of a diameter determined by the cutting length of the guide bar. It is only designed to cut wood. It is only to be used in domestic application by adults who have received adequate training on the hazards and preventative measures/actions to be taken while using the product.

It is not to be used for professional tree services. The product is not to be used by children or by persons not wearing adequate personal protective equipment and clothing.

Do not use the product for any purpose not listed in the Specified Conditions of Use.



WARNING!

When using the product, the safety rules must be followed. For your own safety and that of bystanders, you must read and fully understand these instructions before operating the product. You should attend a professionally organized safety course in the use, preventative actions, first-aid, and maintenance of chainsaws. Please keep these instructions safe for later use.



WARNING!

Chainsaws are potentially dangerous tools. Accidents involving the use of chainsaws often result in loss of limbs or death. It is not just the chainsaw that is the hazard. Falling branches, toppling trees, and rolling logs can all kill. Diseased or rotting timber poses additional hazards. You should assess your capability of completing the task safely. If there is any doubt, leave it to a professional tree surgeon.

KNOW YOUR PRODUCT

See pages 6-7.

1. Battery pack
2. Trigger release
3. Rear handle
4. Switch trigger
5. Combination wrench
6. Front handle
7. Chain lubricant cap
8. Guide bar cover
9. Chain
10. Guide bar
11. Spiked bumper
12. Chain catcher
13. Chain tensioning screw
14. Chain cover
15. Bar mounting nuts
16. Front hand guard/Chain brake

SAFETY DEVICES

Low kick-back saw chain

A low-kick-back saw chain helps to reduce the possibility of a kickback event.

The rakers (depth gauges) ahead of each cutter can minimize the force of a kick-back reaction by preventing the cutters from digging in too deeply. Only use replacement guide bar and chain combinations recommended by the manufacturer.

As saw chains are sharpened, they lose some of the low kickback qualities and extra caution is required. For your safety, replace saw chains when cutting performance decreases.

Spiked bumper

The integral bumper spike may be used as a pivot when making a cut. It helps to keep the body of the chainsaw steady while cutting. When cutting, push the machine forward until the spikes dig into the edge of the wood, then by moving the rear handle up or down in the direction of the cutting line it can help ease the physical strain of cutting.

Guide bars

Generally, guide bars with small radius tips have somewhat lower potential for kick-back. You should use a guide bar and matching chain which is just long enough for the job. Longer bars increase the risk of loss of control during sawing. Regularly check the chain tension. When cutting smaller branches (less than the full length of the guide bar) the chain is more likely to be thrown off if the tension is not correct.

Chain brake

Chain brakes are designed to quickly stop the chain from rotating. When the chain brake lever/hand guard is pushed towards the bar, the chain should stop immediately. A chain brake does not prevent kickback. It only lowers the risk of injury should the chain bar contact the operator's body during a kickback event. The chain brake should be tested before each use for correct operation in both the run and brake positions.

EN

FR

DE

ES

IT

NL

PT

DA

SV

FI

NO

RU

PL

CS

HU

RO

LV

LT

ET

HR

SL

SK

BG

UK

TR



Chain catcher

A chain catcher prevents the saw chain from being thrown back towards the operator if the saw chain comes loose or breaks.

OPERATION



WARNING!

If any parts are damaged or missing do not operate the product until the parts are replaced. Failure to heed this warning could result in serious personal injury.

Installing the battery pack

See page 6.

Place the battery pack in the product. Align raised ribs on the battery pack with grooves in the product's battery port.

Make sure the latch of the battery pack snaps in place and that the battery pack is fully seated and secure in the product before beginning operation.

Holding the chainsaw

See figure 1.

Always hold the product with your right hand on the rear handle and your left hand on the front handle. Grip both handles with the thumbs and fingers encircling the handles. Ensure that your left hand is holding the front handle so that your thumb is underneath.

Starting the product

See page 8.

Before starting the product, you should install the battery pack in the product and make sure the chain brake is in run position by pulling the chain brake lever/hand guard toward the front handle.

To start the product: pull the trigger release, and then press the throttle trigger.

Checking and operating the chain brake

See page 20.

Engage the chain brake by rotating your left hand around the front handle. Allow the back of your hand to push the chain brake lever/hand guard toward the bar while the chain is rotating rapidly. Be sure to maintain both hands on the saw handles at all times.

Reset the chain brake back into the run position by grasping the top of the chain brake lever/hand guard and pulling toward the front handle until you hear a click.



WARNING!

If the chain brake does not stop the chain immediately, or if the chain brake will not stay in the run position without assistance, bring the product to an authorised service centre.

Adjusting the chain tension

See pages 14 - 15.

Remove the battery pack before you do any work on the chainsaw.

Make sure the bar mounting nuts are loosened to finger-tight.

To increase the chain tension, turn the chain tensioning screw clockwise and check the chain tension frequently. To reduce the chain tension, turn the chain tensioning screw counterclockwise and check the chain tension frequently.

The chain tension is correct when the gap between the cutter in the chain and the bar is about 6.5 mm (0.256 in). Pull the chain in the middle of the lower side of the bar downwards (away from the bar) and measure the distance between the bar and the chain cutters.

Adding chain lubricating oil

See pages 16 - 17.



WARNING!

Never work without chain lubricant. If the saw chain is running without lubricant, the guide bar and the saw chain can be damaged. It is essential to frequently check the oil level in the oil level gauge and before starting to use the chainsaw.

Clear surface around the oil cap to prevent contamination.

Unscrew and remove the cap from the oil tank.

Pour the oil into the oil tank and monitor the oil level gauge. Ensure that no dirt enters the oil tank while filling.

Put the oil cap back on and tighten it up. Wipe away any spillage.

TRANSPORTATION AND STORAGE

Stop the product, remove the battery pack, and allow the product to cool down before storing or transporting.

Clean all foreign material from the product. Store it in a cool dry and well-ventilated place that is inaccessible to children. Keep away from corrosive agents, such as garden chemicals and de-icing salts. Do not store outdoors.

Fit the guide bar cover before storing the product or during transportation.

For transportation, secure the product against movement or falling to prevent injury to persons or damage to the product.

MAINTENANCE



WARNING!

Use only ECHO accessories and ECHO spare parts. Failure to do so can cause possible injury, contribute to poor performance, and may void your warranty. Should components need to be replaced, which have not been described, please contact one of our ECHO service agents.

**WARNING!**

Servicing requires extreme care and knowledge and should be performed only by a qualified service technician. For service, bring the product to an authorised service centre for repair. When servicing, use only original replacement parts.

**WARNING!**

Remove the battery before adjustment, maintenance or cleaning. Failure to do so could result in serious personal injury.

- You may only make adjustments or repairs described in this manual. For other repairs, contact the authorised service agent.
- Consequences of improper maintenance may cause the chain brake and other safety features to not function correctly, thus increasing the potential for serious injury. Keep your chainsaw professionally maintained and safe.
- Sharpening the chain safely is a skilled task. Therefore, the manufacturer strongly recommends that a worn or dull chain is replaced with a new one, available at your authorised service centre. The part number is available in the product specification table in this manual.
- Follow instructions for lubricating and chain tension checking and adjustment.
- After each use, clean the product with a soft dry cloth.
- Check all nuts, bolts, and screws at frequent intervals for security to ensure the product is in safe working condition. Any part that is damaged should be properly repaired or replaced by an authorised service centre.

Replacing guide bar and saw chain

See pages 10 - 13.

Make sure to remove the battery. Wear protective gloves.

Remove the bar mounting nuts using the combination wrench provided.

Remove the chain cover.

Remove the bar and saw chain from the product.

Put the new chain in the correct direction onto the bar and make sure that the drive links are aligned in the bar groove.

Attach the bar to the chain saw and loop the chain around the drive sprocket.

Replace the chain cover and bar mounting nuts.

Finger-tighten the bar mounting nuts. The bar must be free to move for chain tension adjustment.

Adjust the chain tension. Refer to the "Adjusting chain tension" section.

Hold the tip of the guide bar up and tighten the bar mounting nuts securely.

Inspecting and cleaning the chain brake

See page 22.

Always keep the chain brake mechanism clean by lightly brushing the linkage free from dirt.

Always test the chain brake performance after cleaning. Refer to "Checking and operating the chain brake" section in this manual for additional information.

MAINTENANCE SCHEDULE

Daily check	
Bar lubrication	Before each use
Chain tension	Before each use and frequently
Chain sharpness	Before each use, visual check
For damaged parts	Before each use
For loose fasteners	Before each use
Chain brake function	Before each use
Inspect and clean	
Bar	Before each use
Complete saw	After each use
Chain brake	Every 5 hours*

* Hours of operation

REPLACEMENT PARTS

Part	Accessory number
Guide bar	6000945
Chain	90PX056X

BATTERIES

- Battery packs, which have not been used for some time should be recharged before use.
- Temperatures in excess of 50°C (122°F) reduce the performance of the battery pack. Avoid extended exposure to heat or sunshine (risk of overheating).
- The contacts of chargers and battery packs must be kept clean.
- For an optimum lifetime, the battery packs have to be fully charged after use.
- To obtain the longest possible battery life, remove the battery pack from the charger once it is fully charged.

For battery pack storage longer than 30 days:

- Store the battery pack where the temperature is below 27°C and away from moisture.
- Store the battery pack in a 30% - 50% charged condition.

- Every six months of storage, charge the pack as normal.

TRANSPORTING LITHIUM BATTERIES

Lithium-ion batteries are subject to the Dangerous Goods Legislation requirements.

Transportation of those batteries has to be done in accordance with local, national and international provisions and regulations.

- The user can transport the batteries by road without further requirements.
- Commercial transport of lithium-ion batteries by third parties is subject to Dangerous Goods regulations. Transport preparation and transport are exclusively to be carried out by appropriately trained persons and the process has to be accompanied by corresponding experts.

When transporting batteries:

- Ensure that battery contact terminals are protected and insulated to prevent short circuit.
- Ensure that the battery pack is secured against movement within packaging.
- Do not transport batteries that are cracked or leak.

Check with forwarding company for further advice.



Set the chain brake to the RUN position.



Set the chain brake to the BRAKE position.



The guaranteed sound power level is 106 dB.



Ukrainian mark of conformity



EurAsian Conformity Mark



Waste electrical products should not be disposed of with household waste. Please recycle where facilities exist. Check with your local authority or retailer for recycling advice.



Conforms to all regulatory standards in the country in the EU where the product is purchased.

The following signal words and meanings are intended to explain the levels of risk associated with the product.



DANGER

Indicates an imminently hazardous situation, which, if not avoided, will result in death or serious injury.



WARNING

Indicates a potentially hazardous situation, which, if not avoided, could result in death or serious injury.



CAUTION

Indicates a potentially hazardous situation, which, if not avoided, may result in minor or moderate injury.

CAUTION

Without safety alert symbol

Indicates a situation that may result in property damage.

SYMBOLS



Safety alert



Read and understand all instructions before operating the product, follow all warnings and safety instructions.



Wear eye, ear and head protection.



Wear non-slip safety footwear when using the product.



Wear non-slip, heavy duty gloves.



Beware of chain saw kickback and avoid contact with bar tip.



Do not expose to rain or damp condition.



Hold and operate the saw properly with both hands.



Do not operate the saw using only one hand.



DONNÉES TECHNIQUES

TRONÇONNEUSE

ECCS-58V

Numéro de série	17402201000001 - 17402201999999
Tension nominale	51,1 V, 58 V maximal
Longueur maximale de la barre	400 mm
Contenance du réservoir d'huile de chaîne	177 ml
Poids (Sans batterie, avec chaîne, guide-chaîne et réservoir vide)	4,83 kg
Poids (avec pack de batterie 4,0 Ah)	6,73 kg
Poids (avec pack de batterie 2,0 Ah)	6,03 kg
Vitesse maximale à vide	21 m/s
Longueur de coupe utile	250 mm
Niveau d'émission sonore (selon EN 60745-1, EN 60745-2-13)	
Niveau de pression sonore pondéré-A au niveau de l'opérateur (L_{PA})	94,5 dB(A)
K_{PA} :	2,5 dB(A)
Niveau de puissance sonore pondéré-A (L_{WA})	105,5 dB(A)
K_{WA} :	2,5 dB(A)
Niveau de vibration (selon EN 60745-1; EN 60745-2-13) (avant/arrière)	2,1 / 2,8 m/s ² K=1,5 m/s ²

EN
FR
DE
ES
IT
NL
PT
DA
SV
FI
NO
RU
PL
CS
HU
RO
LV
LT
ET
HR
SL
SK
BG
UK
TR

BATTERIE ET CHARGEUR

ECCS-58V

Packs batterie compatibles	ECBP-58V40 / ECBP-58V20
Chargeur compatible	ECBC-58VEU / ECBC-58VUK



AVERTISSEMENT!

Le niveau d'émission des vibrations donné dans cette fiche d'information a été mesuré selon un test normalisé de la norme EN 60745 et peut servir de référence pour comparer les outils entre eux. Il peut servir d'évaluation préliminaire à l'exposition.

Le niveau d'émission de vibration déclaré représente les principales applications de l'outil. Toutefois, si l'outil est utilisé pour des applications différentes, avec des accessoires différents ou mal entretenus, les vibrations émises peuvent varier. Cela peut augmenter de façon significative le niveau d'exposition sur la durée totale d'utilisation.

Une estimation du niveau d'exposition aux vibrations doit aussi prendre en compte les périodes durant lesquelles l'outil est éteint ou lorsqu'il est en marche sans vraiment effectuer de tâches. Cela peut diminuer de façon significative le niveau d'exposition sur la durée totale d'utilisation.

Identifier les mesures de sécurité supplémentaires afin de protéger l'opérateur des effets des vibrations, par exemple : entretenir l'outil et les accessoires, garder les mains chaudes, organiser les méthodes de travail.

AVERTISSEMENTS GÉNÉRAUX DE SÉCURITÉ



AVERTISSEMENT!

Lisez tous les avertissements et indications. Le non-respect des avertissements et instructions peut entraîner un décharge électrique, un incendie et/ou de graves blessures.

Bien garder tous les avertissements et instructions.

La notion de « outil électroportatif » mentionnée dans les avertissements se rapporte à des outils électriques raccordés au secteur (avec câble de raccordement) et à des outils électriques à accu (sans câble de raccordement).

SÉCURITÉ DANS LA ZONE DE TRAVAIL

Maintenez l'endroit de travail propre et bien éclairé. Un lieu de travail en désordre ou mal éclairé augmente le risque d'accidents.

N'utilisez pas l'outil électroportatif dans un environnement présentant des risques d'explosion et où se trouvent des liquides, des gaz ou poussières inflammables. Les outils



électroportatifs génèrent des étincelles risquant d'enflammer les poussières ou les vapeurs.

Tenez les enfants et autres personnes éloignés durant l'utilisation de l'outil électroportatif. En cas d'inattention vous risquez de perdre le contrôle sur l'appareil.

SÉCURITÉ RELATIVE AU SYSTÈME ÉLECTRIQUE

La fiche de secteur de l'outil électroportatif doit être appropriée à la prise de courant. Ne pas modifier en aucun cas la fiche. Ne pas utiliser de fiches d'adaptateur avec des outils électroportatifs avec mise à la terre. Les fiches non modifiées et les prises de courant appropriées réduisent le risque de choc électrique.

Éviter le contact physique avec des surfaces mises à la terre tels que tuyaux, radiateurs, fours et réfrigérateurs. Il y a un risque élevé de choc électrique au cas où votre corps serait relié à la terre.

Ne pas exposer l'outil électroportatif à la pluie ou à l'humidité. La pénétration d'eau dans un outil électroportatif augmente le risque d'un choc électrique.

Ne malmenez pas le câble d'alimentation. Ne jamais utiliser le cordon pour porter, tirer ou débrancher l'outil. Maintenir le câble éloigné des sources de chaleur, des parties grasses, des bords tranchants ou des parties de l'appareil en rotation. Un câble endommagé ou torsadé augmente le risque d'un choc électrique.

Au cas où l'outil électroportatif serait utilisé à l'extérieur, utiliser une rallonge appropriée pour les applications extérieures. L'utilisation d'une rallonge électrique appropriée pour les applications extérieures réduit le risque d'un choc électrique.

Si une utilisation de l'outil électroportatif dans un environnement humide ne peut pas être évitée, utiliser un disjoncteur différentiel. Un disjoncteur différentiel réduit le risque d'un choquo électrique.

SÉCURITÉ DES PERSONNES

Rester vigilant, surveiller ce que vous faites. Faire preuve de bon sens en utilisant l'outil électroportatif. Ne pas utiliser un outil électroportatif lorsqu'on est fatigué ou après avoir consommé de l'alcool, des drogues ou avoir pris des médicaments. Un moment d'inattention lors de l'utilisation de l'outil électroportatif peut entraîner de graves blessures sur les personnes.

Porter des équipements de protection. Porter toujours des lunettes de protection. Le fait de porter des équipements de protection personnels tels que masque anti-poussière, chaussures de sécurité antidérapantes, casque de protection ou protection acoustique suivant le travail à effectuer avec l'outil électroportatif, réduit le risque de blessures.

Éviter toute mise en service accidentelle. Assurez-vous que l'interrupteur est en position "arrêt" avant la connexion au secteur et/ou l'insertion de la batterie, ainsi qu'avant de saisir ou de transporter l'outil. Le transport d'un outil électrique avec votre doigt sur l'interrupteur ou la mise sous tension d'un outil dont l'interrupteur est en position "marche" est propice aux accidents.

Enlever tout outil de réglage ou toute clé avant de mettre l'outil électroportatif en fonctionnement. Une clé ou un outil se trouvant sur une partie en rotation peut causer des blessures. Le fait de porter l'outil électroportatif avec le doigt sur l'interrupteur ou de le brancher sur la source de courant lorsque l'outil électroportatif est en fonctionnement, peut entraîner des accidents.

Ne pas se précipiter. Gardez une position et un équilibre adaptés à tout moment. Cela permet un meilleur contrôle de l'outil dans des situations inattendues.

Portez des vêtements appropriés. Ne pas porter de vêtements amples ni de bijoux. Maintenir cheveux, vêtements et gants éloignés des parties de l'appareil en rotation. Des vêtements amples, des bijoux ou des cheveux longs peuvent être happés par des pièces en mouvement.

Si des dispositifs servant à aspirer ou à recueillir les poussières doivent être utilisés, vérifier que ceux ci soient effectivement raccordés et qu'ils sont correctement utilisés. L'utilisation d'un dispositif d'aspiration des poussières peut réduire les dangers dus aux poussières.

UTILISATION ET EMPLOI SOIGNEUX D'OUTILS ÉLECTROPORTATIFS

Ne pas surcharger l'appareil. Utiliser l'outil électroportatif approprié au travail à effectuer. Avec l'outil électroportatif approprié, vous travaillerez mieux et avec plus de sécurité à la vitesse pour laquelle il est prévu.

Ne pas utiliser un outil électroportatif dont l'interrupteur est défectueux. Un outil électroportatif qui ne peut plus être mis en ou hors fonctionnement est dangereux et doit être réparé.

Débranchez la fiche secteur de la source de courant et/ou le pack batterie de l'outil électrique avant d'effectuer tout réglage, tout changement d'accessoire, et avant de le ranger. Cette mesure de précaution empêche une mise en fonctionnement de l'outil électroportatif par mégarde.

Conserver les outils à l'arrêt hors de la portée des enfants et ne pas permettre à des personnes ne connaissant pas l'outil ou les présentes instructions de le faire fonctionner. Les outils sont dangereux entre les mains d'utilisateurs novices.

Prendre soin de l'outil électroportatif. Vérifier que les parties en mouvement fonctionnent correctement et qu'elles ne soient pas coincées, et contrôler si des parties sont cassées ou endommagées de telle sorte que le bon fonctionnement de l'outil électroportatif s'en trouve entravé. Faire réparer ces parties endommagées avant d'utiliser l'appareil. De nombreux accidents sont dus à des outils électroportatifs mal entretenus.

Maintenir les outils de coupe aiguisés et propres. Des outils soigneusement entretenus avec des bords tranchants bien aiguisés se coincent moins souvent et peuvent être guidés plus facilement.

Utiliser l'outil, les accessoires et les lames etc., conformément à ces instructions, en tenant compte des conditions de travail et du travail à réaliser.



L'utilisation des outils électroportatifs à d'autres fins que celles prévues peut entraîner des situations dangereuses.

UTILISATION ET EMPLOI SOIGNEUX DES OUTILS ÉLECTRIQUES SANS FIL

Ne chargez les blocs de batteries que dans des chargeurs recommandés par le fabricant. Un chargeur approprié à un type spécifique de batterie peut engendrer un risque d'incendie lorsqu'il est utilisé avec une autre batterie.

Dans les outils électriques, n'utilisez que les blocs de batteries spécialement prévus pour ceux-ci. L'utilisation de tout autre bloc de batterie peut entraîner des blessures et des risques d'incendie.

Lorsqu'un bloc de batterie n'est pas utilisé, le maintenir à l'écart de tout autre objet métallique, par exemple trombones, pièces de monnaie, clés, clous, vis ou autres objets de petite taille qui peuvent donner lieu à une connexion d'une borne à une autre. Un court-circuit entre les contacts de batterie peut provoquer des brûlures ou un incendie.

En cas d'utilisation abusive, du liquide peut sortir du bloc de batterie. Évitez tout contact avec ce liquide. En cas de contact accidentel, rincez soigneusement avec de l'eau. En cas de contact avec les yeux, consultez également un médecin. Le liquide qui sort du bloc de batterie peut entraîner des irritations de la peau ou causer des brûlures.

TRAVAUX D'ENTRETIEN

Ne faire réparer l'outil électroportatif que par un personnel qualifié et seulement avec des pièces de rechange d'origine. Ceci permet d'assurer la sécurité de l'appareil.

INSTRUCTIONS DE SÉCURITÉ GÉNÉRALE ADDITIONNELLES

La législation de certaines régions restreint l'utilisation du produit. Contactez les autorités locales pour obtenir des conseils.

Ne laissez jamais les enfants ou les personnes non familiarisées avec le mode d'emploi utiliser le produit. Les lois locales peuvent imposer un âge minimum à l'opérateur.

Avant chaque utilisation assurez-vous que toutes les commandes et tous les organes de sécurité fonctionnent correctement. N'utilisez pas le produit si son interrupteur "arrêt" est inopérant à arrêter le moteur.

Portez une protection oculaire et auditive totale, des gants solides ainsi qu'un casque de protection de la tête lors de l'utilisation du produit ; portez un masque facial au cas où l'opération générerait des poussières.

Ne portez pas de vêtements amples, de pantalons courts ou de bijoux d'aucune sorte.

Attachez les cheveux longs au-dessus du niveau des épaules afin d'éviter qu'ils ne se prennent dans les parties en mouvement.

Prenez garde à la projection et à la chute d'objets. Gardez tous les passants, en particulier les enfants et les animaux,

éloignés d'au moins 15 m de distance de la zone de travail.

N'utilisez pas cet outil dans une zone mal éclairée. L'opérateur doit avoir une bonne vue d'ensemble de la zone de travail pour identifier les dangers éventuels.

L'utilisation d'une protection auditive réduit la capacité à entendre les avertissements (cris ou alarmes). L'utilisateur doit redoubler d'attention par rapport aux événements survenant dans la zone de travail.

L'utilisation d'outils similaires alentour augmente le risque d'atteinte à l'audition ainsi que le risque que d'autres personnes entrent dans la zone de travail.

Gardez un bon appui et un bon équilibre. Ne pas se précipiter. Un travail en extension excessive peut entraîner une perte d'équilibre et augmenter le risque de rebond.

Maintenez toutes les parties de votre corps éloignées des parties en mouvement.

Vérifiez la machine avant chaque utilisation. Vérifiez le fonctionnement correct de toutes les commandes, frein de chaîne compris. Vérifiez le bon serrage des attaches, assurez-vous que toutes les protections et poignées sont bien en place et bien verrouillées. Remplacez toute pièce endommagée avant utilisation.

Ne modifiez la machine d'aucune façon et n'utilisez pas de pièces ou accessoires non recommandés par le fabricant.



AVERTISSEMENT!

Si le produit est tombé, a subi un choc important ou se met à vibrer de façon anormale, arrêtez-le immédiatement et recherchez les dommages éventuels ou identifiez la cause des vibrations. Toute pièce endommagée doit être correctement remplacée ou réparée par un service après-vente agréé.

Ne jetez pas les packs batterie usagés avec les ordures ménagères et ne les jetez pas au feu. Les distributeurs ECHO proposent de reprendre les anciennes batteries afin de préserver l'environnement.

Ne pas entreposer le pack de batterie avec des objets métalliques (risque de court-circuit).

Utiliser uniquement le chargeur ECBC-58VEU / ECBC-58VUK pour recharger les packs de batterie. Ne pas utiliser de packs de batterie provenant d'autres systèmes.

Packs batterie compatibles: ECBP-58V40/ ECBP-58V20

L'acide de la batterie peut fuir des batteries endommagées sous une charge extrême ou des températures extrêmes. En cas de contact avec l'acide de la batterie, laver immédiatement à l'eau et au savon. En cas de contact oculaire, rincer avec soin pendant au moins 10 minutes et se rendre immédiatement chez un médecin.

En cours d'utilisation, les deux vis de verrouillage de la barre de chaîne constituent des points de décharge électrique sensibles. En cas de court-circuit dû à une décharge électrostatique, l'utilisateur doit relâcher le déclencheur de l'interrupteur de façon à redémarrer le produit.



AVERTISSEMENTS DE SÉCURITÉ RELATIFS À LA TRONÇONNEUSE

Conserver toutes les parties du corps à distance de la tronçonneuse lors de l'utilisation du produit. Avant de mettre la tronçonneuse en marche, assurez-vous que rien ne soit en contact avec la chaîne. Un moment d'inattention lors de l'utilisation d'une tronçonneuse est susceptible d'entraîner l'enchevêtrement de vos habits ou de votre corps dans sa chaîne.

Tenez toujours la tondeuse avec votre main droite sur la poignée arrière et votre main gauche sur la poignée avant. Le maintien de la tronçonneuse avec la position des mains inversée augmente le risque de blessures et ne doit jamais être effectué.

Tenir le produit uniquement au niveau de sa surface de saisie isolée, parce que la tronçonneuse peut entrer en contact avec des branchements dissimulés. Une chaîne de tronçonneuse qui entrerait en contact avec un câble "sous tension" pourrait véhiculer cette tension électrique vers les parties métalliques de l'outil et exposer l'opérateur à une décharge électrique.

Portez des lunettes de sécurité et une protection auditive. L'utilisation d'équipement de protection supplémentaire pour la tête, les mains, les jambes et les pieds est recommandée. Un habillement de protection adéquat réduit les risques de blessures provoquées par la projection de débris ou la mise en contact accidentelle avec la chaîne de la tronçonneuse.

N'utilisez pas de tronçonneuse dans un arbre. L'utilisation d'une tronçonneuse en hauteur dans un arbre est susceptible de provoquer des blessures.

Gardez toujours un bon appui de vos pieds au sol et n'utilisez la tronçonneuse que lorsque vous vous tenez debout sur une surface fixe, sûre et horizontale. Les surfaces glissantes ou instables telles que les échelles peuvent entraîner une perte d'équilibre ou de maîtrise de la tronçonneuse.

Lorsque vous coupez une branche sous tension, prenez garde à l'effet ressort. Une fois la tension des fibres du bois relâchée, la branche sous tension pourrait frapper l'opérateur et/ou causer une perte de contrôle de la tronçonneuse.

Soyez particulièrement prudent lors de la coupe de broussailles et de jeunes arbres. Les fins branchages sont susceptibles d'être agrippés par la chaîne de la tronçonneuse et de venir vous fouetter ou de vous faire perdre l'équilibre.

Transportez la tronçonneuse par sa poignée avant, moteur coupé et éloignée de votre corps. Mettez toujours le fourreau de protection du guide-chaîne en place lorsque vous transportez ou rangez la tronçonneuse. Une manipulation correcte de la tronçonneuse réduit la probabilité de mise en contact accidentelle avec la chaîne en mouvement.

Respectez les instructions concernant la lubrification, la tension de la chaîne et le changement d'accessoires. Une chaîne mal tendue ou mal lubrifiée peut soit casser ou

augmenter le risque de rebond.

Gardez les poignées propres, sèches, et exemptes d'huile et de graisse. Des poignées grasses ou huileuses sont glissantes et peuvent entraîner une perte de contrôle.

Ne coupez que du bois. N'utilisez pas cette tronçonneuse pour un usage autre que ceux prévus. Par exemple, n'utilisez pas la tronçonneuse pour couper du plastique, de la maçonnerie ou des matériaux n'étant pas à base de bois. L'utilisation détournée de l'appareil peut entraîner des situations dangereuses.

Causes et prévention du rebond :

Il peut se produire un rebond si l'extrémité du guide-chaîne entre en contact avec un objet ou si la chaîne coupante se pince et se bloque dans le bois pendant la coupe.

Dans certains cas, le contact avec le nez du guide-chaîne peut provoquer une réaction inverse soudaine, faisant rebondir le guide-chaîne vers le haut et en direction de l'opérateur.

Le pincement de la chaîne au niveau du haut du guide-chaîne est susceptible de le repousser rapidement le guide-chaîne en direction de l'opérateur.

Dans chacun de ces cas, vous pouvez perdre le contrôle de la tronçonneuse et être grièvement blessé. Ne vous fiez pas exclusivement aux éléments de protection de votre tronçonneuse. Vous devez également prendre différentes mesures pour éviter les risques d'accidents ou de blessures.

Le rebond est le résultat d'une utilisation incorrecte de l'outil et/ou de mauvaises procédures ou conditions d'utilisation, et il peut être évité en prenant les précautions adéquates indiquées ci-dessous :

Maintenez fermement la tronçonneuse des deux mains, vos pouces et vos doigts enserrant ses poignées, et positionnez votre corps et vos bras de façon à pouvoir résister aux forces de rebond. Les forces de rebond peuvent être maîtrisées par l'opérateur si des précautions adaptées sont prises. Ne lâchez pas la tronçonneuse.

Ne travaillez pas en extension et ne tronçonnez pas au dessus du niveau des épaules. Vous aiderez ainsi à éviter le contact accidentel avec le nez du guide-chaîne et à améliorer la maîtrise de la tronçonneuse en cas de situation inattendue.

N'utilisez que les chaînes et guides-chaînes indiqués par le fabricant. Des chaînes et guides-chaînes de rechange de type incorrect pourraient entraîner une rupture de la chaîne et/ou un rebond.

Respectez les instructions du fabricant pour l'aiguisage et l'entretien de la chaîne. La diminution de la hauteur du limiteur de profondeur est susceptible d'augmenter le risque de rebond.

AVERTISSEMENTS DE SÉCURITÉ SUPPLÉMENTAIRES CONCERNANT LES TRONÇONNEUSES

Il est recommandé de couper les bûches sur un chevalet ou sur un berceau lors de la première utilisation du produit.



Assurez-vous que toutes les protections et poignées ainsi que l'arrêtoir à griffes sont bien en place et en bon état.

Les utilisateurs du produit doivent être en bonne santé. Le produit est lourd ; l'opérateur doit être en bonne condition physique. L'utilisateur doit être vigilant, avoir une bonne vue, une bonne mobilité, un bon sens de l'équilibre, et être adroit de ses mains. En cas de doute quel qu'il soit, n'utilisez pas la tronçonneuse.

Ne commencez pas à utiliser le produit avant de disposer d'une zone de travail dégagée, d'avoir un bon appui au sol, ainsi qu'un chemin de repli éloigné de la zone de chute de l'arbre.

Prenez garde aux projections de brouillard d'huile et de sciure. Portez un masque ou un respirateur au besoin.

Ne coupez pas de vigne et/ou de petites broussailles (de moins de 75 mm de diamètre).

Toujours tenir le produit avec les deux mains lors de son utilisation. Tenez la tronçonneuse fermement, vos doigts entourant les poignées. La main droite doit tenir la poignée arrière et la main gauche la poignée avant.

Avant de démarrer le produit, assurez-vous que la tronçonneuse n'est en contact avec aucun objet.

Ne modifiez votre produit d'aucune façon, et ne l'utilisez pas pour faire fonctionner des accessoires ou appareils non recommandés par le fabricant de votre produit.

Il devrait toujours y avoir une trousse de premiers soins contenant de grands pansements et un dispositif permettant d'attirer l'attention (par ex. un sifflet) à proximité de l'utilisateur. Une trousse de premiers soins mieux fournie doit aussi se trouver à distance raisonnablement proche.

Porter un casque en permanence lors de l'utilisation du produit. Un casque, équipé d'une visière en mesh, peut permettre de réduire le risque de blessure du visage et de la tête en cas de recul.

Une chaîne mal tendue peut dérailler du guide-chaîne et provoquer de graves blessures potentiellement mortelles. La longueur de la chaîne varie en fonction de la température. Vérifiez fréquemment sa tension.

Vous devriez vous familiariser avec votre nouvelle tronçonneuse en effectuant des coupes simples dans du bois bien calé. Faites-le si vous n'avez pas utilisé la tronçonneuse depuis longtemps.

Pour réduire le risque de blessures occasionnées par le contact avec les éléments en mouvement, il convient de toujours arrêter le moteur, actionner le frein de chaîne, retirer le pack batterie et assurez-vous que tous les éléments en mouvement se sont bien arrêtés avant de :

- nettoyer ou dégager la cause d'un blocage
- laisser le produit sans surveillance
- mettre en place ou retirer des accessoires
- travailler sur le produit, de le vérifier ou de l'entretenir

La superficie de la zone de travail dépend du travail à effectuer tout autant que de la taille de l'arbre ou de la pièce

à usiner. Par exemple, l'abattage d'un arbre demande une zone de travail plus importante que les autres coupes, telles que le tronçonnage, etc.

L'opérateur doit être conscient de son environnement de travail et opérer un contrôle total sur tout événement pouvant s'y produire.

Ne coupez pas en ayant votre corps aligné avec le guide-chaîne et avec la chaîne. En cas de rebond, vous aiderez ainsi à éviter que la chaîne n'entre en contact avec votre tête ou votre corps.

N'effectuez pas de mouvements de sciage d'avant en arrière, laissez la chaîne faire le travail, gardez la chaîne affûtée et ne tentez pas de la pousser dans la coupe.

N'exercez pas de pression sur la tronçonneuse en fin de coupe. Tenez-vous prêt à supporter le poids de la tronçonneuse une fois celle-ci libérée en fin de la coupe. Le non-respect de cet avertissement peut entraîner de graves blessures.

N'arrêtez pas la tronçonneuse en pleine opération de coupe. Gardez la tronçonneuse en fonctionnement jusqu'à ce qu'elle soit sortie de la coupe.

Poussée et traction

La force de réaction s'exerce toujours dans la direction opposée au sens de rotation de la chaîne. Ainsi, l'opérateur doit être prêt à contrôler la tendance de la machine à tracter (mouvement vers l'avant) lors de la coupe avec le côté bas de la chaîne et à pousser (vers l'opérateur) lors de la coupe avec le côté supérieur.

Tronçonneuse coincée dans la coupe

Arrêtez la tronçonneuse et sécurisez-la. Ne tentez pas de faire sortir de force la chaîne et le guide-chaîne de la coupe, vous risqueriez de provoquer le bris de la chaîne qui pourrait alors basculer en arrière et frapper l'opérateur. Cette situation arrive généralement lorsque le bois est mal soutenu et force la coupe à se resserrer sous la pression, entraînant le pincement de la chaîne et du guide-chaîne. Si le réglage du support ne parvient pas à dégager la chaîne et le guide-chaîne, ouvrez la coupe à l'aide de coins ou d'un levier. Ne tentez jamais de mettre la tronçonneuse en marche lorsque le guide-chaîne se trouve déjà dans une coupe ou dans un trait d'abattage.

Équipement de protection individuel

Un équipement de protection individuel de bonne qualité utilisé par des professionnels aide à réduire le risque de blessures infligées à l'opérateur. Les éléments suivants doivent être utilisés lorsque vous utilisez votre tronçonneuse :

Casque de sécurité

- doit être conforme à EN 397 et porter l'inscription CE

Protection auditive

- doit être conforme à EN 352-1 et porter l'inscription CE

Protection oculaire et faciale

- doit porter l'inscription CE et être conforme à EN 166



(pour les lunettes de sécurité) ou EN 1731 (pour les visières à grille)

Gants

- doit être conforme à EN381-7 et porter l'inscription CE

Protèges-jambes (jambières)

- doivent être conformes à EN381-5, porter l'inscription CE et protéger tout le tour des jambes.

Bottes de protection pour tronçonneuse

- doivent être conformes à EN ISO 20345:2004 et porter un pictogramme de tronçonneuse indiquant la conformité à EN 381-3. (Les utilisateurs occasionnels peuvent porter des chaussures de sécurité à embouts acier et des guêtres de sécurité conformes à EN 381-9 si le sol est régulier et que le risque de trébucher ou de s'emmêler dans des broussailles est faible)

Vestes de protection du haut du corps pour tronçonneuse

- doit être conforme à EN 381-11 et porter l'inscription CE

INSTRUCTIONS CONCERNANT LES TECHNIQUES DE BASE ADÉQUATE POUR L'ABATTAGE, LE TRONÇONNAGE, ET L'ÉBRANCHAGE

Compréhension des forces présentes dans le bois

Une fois comprises les pressions directionnelles et les tensions présentes dans le bois, vous pouvez réduire les "pincement" ou au moins les prévoir en cours de coupe. Une tension dans le bois signifie que les fibres subissent une force de traction et que si vous coupez dans cette zone, le "trait de coupe" ou la coupe auront tendance à s'ouvrir à mesure que la tronçonneuse progressera. Si une bûche est soutenue par un chevalet et que son extrémité pend sans être soutenue à son extrémité, une tension se crée alors sur son dessus due au poids de la partie qui dépasse et qui étire les fibres. De la même façon, le dessous de la bûche sera comprimé et les fibres seront comprimées. Si une coupe est effectuée dans cette zone, le trait de coupe aura tendance à se refermer en cours de coupe. La chaîne et le guide-chaîne s'en trouveront pincés.

Abattage d'un arbre

Voir figure 1 - 6.

Lorsque des opérations de tronçonnage et d'abattage sont effectuées simultanément par deux personnes ou plus, les opérations d'abattage et de tronçonnage doivent être séparées par une distance égale à au moins deux fois la hauteur de l'arbre à abattre. Les arbres ne doivent pas être abattus d'une façon qui pourrait mettre quiconque en danger, atteindre toute conduite ou toute ligne électrique ou causer des dommages à la propriété d'autrui. En cas de contact avec toute conduite ou ligne électrique, prévenez immédiatement la compagnie d'exploitation.

Si le terrain est en pente, restez toujours en haut du terrain car l'arbre risque de rouler ou de glisser au bas de la pente une fois abattu.

Un chemin de repli doit être prévu et déblayé au besoin avant de commencer les coupes. Le chemin de repli doit s'étendre vers l'arrière et en diagonale par rapport à la ligne de chute prévue.

Avant de commencer l'abattage, prenez en compte l'inclinaison naturelle de l'arbre, la position des plus grosses branches ainsi que la direction du vent pour juger du chemin de chute de l'arbre.

Débarassez l'arbre de la terre, des pierres, des écorces détachées, des clous, des agrafes et des câbles.

N'essayez pas d'abattre des arbres qui sont pourris, ou ont été endommagés par le vent, le feu, la foudre, etc.

C'est extrêmement dangereux et ne doit être réalisé que par des arboriculteurs professionnels.

1. Entaille d'abattage

Voir figure 1 - 6.

Effectuez l'entaille sur 1/3 du diamètre de l'arbre, perpendiculairement à la direction de chute. Commencez par l'entaille horizontale inférieure. Vous aiderez ainsi à éviter de pincer soit la chaîne ou le guide-chaîne lors de la coupe de la deuxième entaille.

2. Trait d'abattage

Voir figure 1 - 6.

Effectuez le trait d'abattage au moins 50 mm au dessus de l'entaille d'abattage horizontale. Gardez le trait d'abattage parallèle à l'entaille d'abattage horizontale. Effectuez le trait d'abattage de façon à laisser assez de bois pour que se forme une charnière. La charnière évite que l'arbre ne se vrille et chute dans la mauvaise direction. Ne coupez pas dans la charnière.

À mesure que la coupe se rapproche de la charnière, l'arbre doit commencer à tomber. S'il existe une possibilité que l'arbre ne chute pas dans la direction prévue ou qu'il bascule et coince la chaîne, arrêtez la coupe avant que le trait d'abattage ne soit terminé et utilisez des coins en bois, en plastique ou en aluminium pour ouvrir la coupe et faire tomber l'arbre le long de la ligne de chute prévue.

lorsque l'arbre commence à tomber, retirez la tronçonneuse de la coupe, arrêtez le moteur, posez la tronçonneuse, puis empruntez le chemin de repli prévu. Prenez garde à la chute de branches hautes et assurez vous pas.

Coupe des racines de contrefort

Voir figure 7 - 8.

Une racine de contrefort est une grosse racine partant du tronc de l'arbre jusqu'au sol. Coupez les grosses racines avant de procéder à l'abattage. Effectuez tout d'abord une entaille horizontale dans le contrefort, puis une entaille verticale. Dégagez la partie ainsi coupée de la zone de travail. Procédez à l'abattage après avoir retiré les racines de contrefort.

Coupe d'un tronçon

Voir figure 9 - 11.

Le tronçonnage consiste à débiter une bûche en plusieurs

tronçons. Il est important de vous assurer que votre appui au sol est ferme et que votre poids est bien réparti sur vos deux pieds. Lorsque cela est possible, la bûche doit être relevée et soutenue à l'aide de branches, de bûches ou de cales. Suivez les instructions de base pour une coupe facile. Lorsque la bûche est soutenue sur toute sa longueur, coupez-la par le dessus (tronçonnage par dessus).

Lorsque la bûche est soutenue par une extrémité, coupez 1/3 de son diamètre par le dessous (tronçonnage par dessous). Effectuez ensuite la coupe finale par le dessus en rejoignant la première coupe.

Lorsque la bûche est soutenue par ses deux extrémités, coupez 1/3 de son diamètre par le dessus (tronçonnage par dessus). Effectuez ensuite la coupe finale par le dessous aux 2/3 en rejoignant la première coupe.

Lorsque vous tronçonnez dans une pente, tenez-vous toujours en amont de la bûche. Lorsque vous atteignez la fin de la coupe, pour garder un contrôle total, relâchez la pression de coupe lorsque vous approchez de la fin de la coupe sans desserrer votre maintien des poignées de la tronçonneuse. Ne laissez pas la chaîne entrer en contact avec le sol. Une fois la coupe terminée, attendez l'arrêt complet de la chaîne avant de déplacer la tronçonneuse. Arrêtez toujours le moteur avant de passer d'un arbre à un autre.

Ébranchage d'un arbre

Voir figure 12 - 13.

L'ébranchage consiste à retirer les branches d'un arbre abattu. Lorsque vous procédez à un ébranchage, laissez les plus grosses branches inférieures en place pour soulever le tronc du sol. Retirez les petites branches en une seule coupe. Les branches sous tension doivent être coupées du dessous vers le dessus afin d'éviter de coincer la tronçonneuse.

Élément contraint

Voir figure 14 - 15.

Un fouet est une branche, souche déracinée ou un arbrisseau qui est fléchi par un autre morceau de bois, de telle sorte qu'il se détend brusquement lorsque l'on coupe ou retire le morceau de bois le retenant.

La souche déracinée d'un arbre abattu risque fortement de se détendre et de revenir en position verticale pendant la coupe pour la séparer du tronc. Attention aux fouets, ils sont dangereux.



AVERTISSEMENT!

Les fouets sont dangereux car ils peuvent vous frapper et vous faire perdre le contrôle de la tronçonneuse. ce qui peut entraîner des blessures graves ou mortelles. Ceci doit être effectué par des utilisateurs entraînés.

MISES EN GARDE DE SÉCURITÉ SUPPLÉMENTAIRES CONCERNANT LA BATTERIE



AVERTISSEMENT!

Pour réduire le risque d'incendie, de blessures corporelles et de dommages causés par un court-circuit, ne jamais immerger l'outil, le bloc-piles ou le chargeur dans un liquide ou laisser couler un fluide à l'intérieur de celui-ci. Les fluides corrosifs ou conducteurs, tels que l'eau de mer, certains produits chimiques industriels, les produits de blanchiment ou de blanchiment, etc., peuvent provoquer un court-circuit.

RISQUES RÉSIDUELS

Même lorsque le produit est utilisé selon les prescriptions, il reste impossible d'éliminer totalement certains facteurs de risque résiduels. Les dangers suivants risquent de se présenter en cours d'utilisation et l'utilisateur doit prêter particulièrement garde à ce qui suit :

- Blessures dues aux vibrations
 - Utilisez toujours l'outil adapté au travail à effectuer. Utiliser les poignées prévues à cet effet. Limiter la durée de travail et l'exposition.
- L'exposition au bruit peut provoquer des pertes d'audition.
 - Portez une protection auditive et limitez le temps d'exposition
- blessures dues à l'entrée en contact avec les dents visibles de la chaîne
- blessures provoquées par des éléments coupés projetés (copeaux et éclats)
- Blessures provoquées par l'inhalation de poussières et particules
- blessures provoquées par contact de la peau avec de l'huile ou du lubrifiant

RÉDUCTION DES RISQUES

Il a été reporté que les vibrations engendrées par les outils tenus à la main peuvent contribuer à l'apparition d'un état appelé le syndrome de Raynaud chez certaines personnes. Les symptômes peuvent comprendre des fourmillements, un engourdissement et un blanchiment des doigts, généralement par temps froid. Des facteurs héréditaires, l'exposition au froid et à l'humidité, le régime alimentaire, le tabagisme et les habitudes de travail peuvent contribuer au développement de ces symptômes. Certaines mesures peuvent être prises par l'utilisateur pour aider à réduire les effets des vibrations:



- Gardez votre corps au chaud par temps froid. Lorsque vous utilisez l'appareil, portez des gants afin de garder vos mains et vos poignets au chaud.
- Après chaque session de travail, pratiquez des exercices qui favorisent la circulation sanguine.
- Faites des pauses fréquentes. Limitez la quantité d'exposition journalière.
- Les gants de protection disponibles auprès des revendeurs professionnels de tronçonneuses sont spécialement destinés à l'utilisation avec une tronçonneuse, ils procurent une bonne protection et une bonne accroche, et ils réduisent également les effets des vibrations des poignées.

Si vous ressentez l'un des symptômes associés à ce syndrome, arrêtez immédiatement le travail et consultez votre médecin pour lui en faire part.



AVERTISSEMENT!

L'utilisation prolongée d'un outil est susceptible de provoquer ou d'aggraver des blessures. Assurez-vous de faire des pauses de façon régulière lorsque vous utilisez tout outil de façon prolongée.

UTILISATION PRÉVUE

Ce produit ne doit être utilisé qu'à l'extérieur. Pour des raisons de sécurité, le produit doit être en permanence contrôlé des deux mains.

Le produit est destiné à la coupe des branches, troncs, bûches, et poutres d'un diamètre déterminé par la longueur de coupe du guide-chaîne. Il n'est autorisé de l'utiliser que pour couper du bois. Il ne doit être utilisé que de façon privée par des adultes ayant reçu un entraînement approprié couvrant les risques et mesures préventives liés à son utilisation.

Il ne doit pas être utilisé de façon professionnelle pour l'abattage et l'élagage des arbres. Le produit ne doit pas être utilisé par des enfants ou par des personnes ne portant pas des équipements et vêtements de sécurité.

Ne pas utiliser le produit à des fins non spécifiées à la rubrique Usage prévu.



AVERTISSEMENT!

Suivez les règles de sécurité lorsque vous utilisez le produit. Pour votre sécurité et celle des passants, vous devez lire et totalement comprendre ces instructions avant d'utiliser le produit. Vous devriez suivre un stage professionnel de sécurité ayant trait à l'utilisation et à l'entretien des tronçonneuses, ainsi qu'aux mesures préventives et aux premiers soins. Veuillez conserver ce manuel pour vous-y reporter dans le futur.



AVERTISSEMENT!

Les tronçonneuses sont des outils potentiellement dangereux. Les accidents impliquant l'utilisation de tronçonneuses causent souvent la perte d'un membre ou la mort. La tronçonneuse en elle-même n'est pas le seul risque. La chute de branches et d'arbres et la rotation des bûches peuvent tuer. Le bois malade ou pourri crée des risques supplémentaires. Vous devez jauger votre capacité à effectuer une tâche de façon sûre. En cas de doute quel qu'il soit, confiez le travail à un chirurgien du bois.

APPRENEZ À CONNAÎTRE VOTRE PRODUIT

Voir pages 6-7.

1. Bloc de batterie
2. Bouton de déverrouillage de la gâchette
3. Poignée arrière
4. Interrupteur
5. Clé mixte
6. Poignée avant
7. Bouchon du réservoir d'huile
8. Fourreau de guide-chaîne
9. Chaîne coupante
10. Guide-chaîne
11. Patin d'ébranchage
12. Attrape-chaîne
13. Vis de tension de la chaîne
14. Cache de chaîne
15. Boulons de montage de la barre
16. Protège-main avant / frein de chaîne

ÉLÉMENTS DE SÉCURITÉ

Chaîne à faible tendance au rebond

Une chaîne à faible rebond aide à réduire la possibilité qu'un rebond se produise.

Les limiteurs de profondeur situés à l'avant de chaque dent peuvent réduire la force de l'effet de rebond en évitant que les dents ne s'enfoncent trop profondément dans la zone de rebond. N'utilisez que les combinaisons de chaînes et guides-chaînes recommandés par le fabricant.

Redoublez de vigilance après avoir aiguisé la chaîne de votre tronçonneuse, car l'aiguisage rend la chaîne moins résistante au rebond. Pour votre sécurité, remplacez les chaînes des tronçonneuses lorsque leurs performances de coupe diminuent.

Patin d'ébranchage

Tout le patin d'ébranchage peut être utilisé comme pivot lors d'une coupe. Cela aide à garder le corps de la tronçonneuse stable en cours de coupe. Lors de la coupe, poussez la machine vers l'avant jusqu'à ce que les pointes s'enfoncent dans le bord du bois, puis en déplaçant la poignée arrière vers le bas et vers le haut dans le sens du trait de coupe, facilitez la libération des efforts de coupe.



Guide-chaîne

En général, les guides-chaîne dont l'embout a un petit rayon sont moins susceptibles de provoquer un rebond. Vous devriez utiliser un guide-chaîne et une chaîne juste assez longs pour le travail à effectuer. Des guides-chaînes plus longs augmentent le risque de perte de contrôle en cours de coupe. Vérifiez régulièrement la tension de la chaîne. Lors de la coupe de branches courtes (plus courtes que le guide-chaîne) la chaîne a plus de chances de se faire éjecter si la tension n'est pas correcte.

Frein de chaîne

Le frein de chaîne a été conçu pour permettre d'arrêter rapidement la chaîne de tourner. La chaîne doit s'arrêter immédiatement lorsque le levier du frein / protège-main est poussé vers l'avant. Un frein de chaîne n'empêche pas l'effet de rebond. Il ne fait que diminuer le risque de blessures en cas de contact du guide-chaîne avec le corps de l'opérateur en cas de rebond. Le frein de chaîne doit être testé avant chaque utilisation afin de vérifier son bon fonctionnement à la fois en position de fonctionnement et en position de frein.

Attrape-chaîne

Un bloqueur empêche la chaîne de reculer vers l'opérateur si elle se détend ou se casse.

UTILISATION



AVERTISSEMENT!

Si une quelconque pièce ou partie de ce produit est manquante ou endommagée, ne l'utilisez pas avant d'avoir changé la pièce. Le non-respect de cet avertissement pourrait entraîner de graves blessures.

Mise en place du pack batterie

Voir page 6.

Remettre la batterie en place dans le produit. Alignez les languettes du pack batterie avec les rainures du logement batterie de l'appareil.

Assurez-vous que la languette du bloc-batterie se clipse et que le bloc batterie est fixé à l'appareil avant toute mise en marche.

Maintien du produit

Voir figure 1.

Tenez le produit avec la main droite sur la poignée arrière et la main gauche sur la poignée avant. Agripez les deux poignées de façon que vos pouces et vos doigts les encerclent. Assurez-vous que votre main gauche tient la poignée avant de telle façon que votre pouce se trouve en dessous.

Démarrage du produit

Voir page 8.

Avant de commencer l'utilisation, vous devez mettre en place le pack batterie dans la machine, et vous assurer que le frein de chaîne est en position de fonctionnement en tirant sur son levier/sur le protège-mains en direction de la poignée avant.

Pour mettre la machine en marche, tirez sur le blocage de gâchette, puis enfoncez la gâchette-interrupteur.

Vérification et utilisation du frein de chaîne

Voir page 20.

Actionnez le frein de chaîne en faisant tourner votre main gauche autour de la poignée avant. À l'aide du dos de votre main, poussez le levier du frein de chaîne/sur le protège-mains en direction du guide-chaîne alors que la chaîne est en rotation rapide. Assurez-vous de maintenir les poignées de la tronçonneuse des deux mains en permanence.

Remettez le frein de chaîne en position Run (fonctionnement) en saisissant la partie supérieure du levier de frein/protège-mains et en le tirant vers la poignée avant jusqu'à entendre un clic.



AVERTISSEMENT!

Si le frein de chaîne ne stoppe pas immédiatement la chaîne, ou s'il ne reste pas en position de fonctionnement sans y être aidé, apportez la tronçonneuse à un service après-vente agréé pour la faire réparer avant de continuer à l'utiliser.

Réglage de la tension de la chaîne

Voir page 14-15.

Retirez le bloc de batterie avant de commencer un quelconque travail sur le produit.

S'assurer que les écrous de la barre de montage sont desserrés ou serrés à la main.

Pour augmenter la tension de la chaîne, tourner la vis de tension de la chaîne dans le sens horaire et vérifier fréquemment la tension de la chaîne. Pour réduire la tension de la chaîne, tourner la vis de tension de la chaîne dans le sens antihoraire et vérifier fréquemment la tension de la chaîne.

La tension de la chaîne est correcte lorsque la fente entre le cutter dans la chaîne et la barre est d'environ 6,5 mm (0,256"). Tirez la chaîne vers le bas au niveau du milieu de la partie inférieure du guide-chaîne (de façon à l'éloigner du guide-chaîne) et mesurez la distance entre le guide-chaîne et les dents de coupe.

Ajout d'huile de lubrification de chaîne

Voir page 16-17.



AVERTISSEMENT!

Ne travaillez jamais sans huile de chaîne. Si la chaîne tourne sans lubrifiant, cela peut endommager la chaîne et le guide-chaîne. Il est donc essentiel de vérifier fréquemment le niveau d'huile à l'aide de la jauge, ainsi qu'à chaque démarrage.

Nettoyez la surface autour du bouchon d'huile pour éviter toute contamination.

Dévissez et retirez le bouchon du réservoir d'huile.

Versez l'huile dans le réservoir d'huile et vérifiez la jauge de niveau d'huile. Prenez garde de ne pas faire pénétrer de saletés dans le réservoir d'huile lors de son remplissage.

Remettez le bouchon d'huile en place et serrez-le. Essayez toute huile renversée.

TRANSPORT ET STOCKAGE

Arrêtez le produit, retirez la batterie, et laissez-les refroidir avant de les ranger ou de les transporter.

Débarrassez l'appareil de tous les corps étrangers. Rangez-le en un endroit frais, sec et correctement ventilé, hors de portée des enfants. Ne la rangez pas à proximité d'agents corrosifs tels que produits chimiques de jardinage ou sels de dégel. Ne rangez pas à l'extérieur.

Mettez le fourreau de protection du guide-chaîne en place avant de ranger l'appareil, ainsi qu'au cours de son transport.

Pour le transport, attachez le produit pour l'empêcher de bouger ou de tomber, afin d'éviter toute blessure et tout dommage matériel.

ENTRETIEN



AVERTISSEMENT!

Utiliser uniquement des accessoires ECHO et des pièces de rechange ECHO. Le non-respect de cette précaution peut entraîner de mauvaises performances, des blessures, et annuler votre garantie. Si vous devez remplacer des composants qui n'ont pas été décrits, veuillez contacter un de nos agents du service clientèle ECHO.



AVERTISSEMENT!

Les réparations demandent un soin et des connaissances extrêmes et ne doivent être effectuées que par un réparateur qualifié. Pour l'entretien et les réparations, apportez le produit à un service après-vente agréé. N'utilisez que des pièces détachées d'origine constructeur pour les opérations d'entretien.



AVERTISSEMENT!

Retirez la batterie avant tout réglage et toute opération d'entretien ou de nettoyage. Le non-respect de cet avertissement peut entraîner de graves blessures.

- Vous n'êtes autorisé à effectuer que les réglages ou réparations décrits dans ce manuel. Pour les autres réparations, contactez un service après-vente agréé.
- Les conséquences d'un mauvais entretien peuvent être la rupture de la chaîne et le mauvais fonctionnement des dispositifs de sécurité, ce qui augmente les risques de graves blessures. Gardez votre tronçonneuse entretenue professionnellement et sûre.
- L'affûtage de la chaîne en toute sécurité est une opération demandant un certain savoir-faire. Le fabricant vous recommande donc de remplacer toute chaîne usée ou émoussée par une neuve, disponible auprès de votre service après-vente agréé ECHO. Vous pourrez trouver la référence de la pièce dans le tableau des caractéristiques présent dans ce manuel.
- Respectez les instructions concernant la lubrification, la vérification de la tension de la chaîne et son réglage.
- Après chaque utilisation, utilisez un chiffon propre et sec pour nettoyer le produit.
- Vérifiez régulièrement le bon serrage des écrous, vis et boulons pour que la tondeuse soit toujours en bon état de fonctionnement. Toute pièce endommagée doit être correctement remplacée ou réparée par un service après-vente agréé.

Remplacement du guide-chaîne et de la chaîne

Voir page 10-13.

Assurez-vous d'avoir retiré la batterie. Portez des gants de protection.

Retirer les écrous de montage de la barre à l'aide de la clé combinée fournie.

Retirer le cache de la chaîne.

Retirez le guide-chaîne ainsi que la chaîne de l'appareil.

Mettez la nouvelle chaîne en place sur le guide-chaîne (dans le bon sens) et assurez-vous que les maillons d'entraînement sont bien alignés dans le sillon du guide-chaîne.

Assemblez le guide-chaîne sur la tronçonneuse puis passez la chaîne autour du pignon d'entraînement.

Remettre le cache de la chaîne et les écrous de montage de la barre en place.

Serrer les écrous de montage de la barre à la main. Le guide doit pouvoir être bougé pour permettre le réglage de la tension de la chaîne.

Réglez la tension de la chaîne. Reportez-vous au chapitre "Réglage de la tension de la chaîne".

Maintenez l'extrémité du guide-chaîne et serrez fermement les écrous de montage du guide.

Vérification et nettoyage du frein de chaîne

Voir page 22.

Gardez toujours le mécanisme de frein de chaîne propre en en brossant légèrement l'accouplement pour en retirer la saleté.

Testez toujours l'efficacité du frein de chaîne après l'avoir nettoyé. Pour plus d'informations, consulter la section « Vérification et utilisation du frein de la chaîne » dans ce manuel.

PÉRIODICITÉ D'ENTRETIEN

Vérification quotidienne	
Lubrification du guide	Avant chaque utilisation
Tension de la chaîne	Avant chaque utilisation et fréquemment
Affutage de la chaîne	Avant chaque utilisation, vérification visuelle
Pièces éventuellement endommagées	Avant chaque utilisation
Attaches mal serrées	Avant chaque utilisation
Le bon fonctionnement du frein de chaîne	Avant chaque utilisation
Vérification et nettoyage	
Guide-chaîne	Avant chaque utilisation
Tronçonneuse dans son ensemble	Après chaque utilisation
Frein de chaîne	Toutes les 5 heures*

*Heures de fonctionnement

PIÈCES DE RECHANGE

Pièce/Composant	Numéro d'accessoire
Guide-chaîne	6000945
Chaîne coupante	90PX056X

BATTERIES

- Les packs de batterie n'ayant pas été utilisés depuis un moment doivent être rechargés avant emploi.
- Une température supérieure à 50 °C (112 °F) réduit les performances du pack de batterie. Éviter toute exposition prolongée à la chaleur ou aux rayons du soleil (risque de surchauffe).
- Tenir propres les contacts des accus et des chargeurs.
- Pour une durée de vie optimale, les packs de batterie doivent être complètement rechargés après usage.
- Pour obtenir la plus longue durée de vie possible, retirer le pack de batterie du chargeur une fois qu'il est

totallement chargé.

Pour un stockage du pack batterie supérieur à 30 jours:

- Stockez le pack batterie en un lieu où la température est inférieure à 27°C, à l'abri de l'humidité.
- Stockez les packs batterie avec un niveau de charge de 30%-50%.
- Tous les six mois de stockage, rechargez le pack de façon normale.

TRANSPORT DES BATTERIES AU LITHIUM

La batterie lithium ion est susceptible d'être concernée par la législation concernant les marchandises dangereuses.

Le transport de ces batteries doit être réalisé conformément aux dispositions et réglementations en vigueur au niveau local, national et international.

- L'utilisateur peut transporter les batteries par la route sans dispositions supplémentaires.
- Le transport commercial des batteries Lithion-Ion par des tiers parties est soumis aux réglementations relatives aux marchandises dangereuses. Les préparatifs du transport et le transport doivent être effectués exclusivement par des personnes ayant reçu une formation adéquate, et le processus doit être accompagné par les experts correspondants.

Lors du transport des batteries :

- Assurez-vous que les bornes des batteries sont protégées et isolées afin d'empêcher tout court-circuit.
- Veiller à la bonne fixation du pack de batterie pour éviter tout mouvement dans l'emballage.
- Ne transportez pas une batterie qui serait fendue ou qui fuirait.

Demandez conseil au transporteur pour de plus amples informations.

SYMBOLES



Alerte de sécurité



Lisez et comprenez toutes les instructions avant d'utiliser le produit, respectez tous les avertissements et toutes les instructions de sécurité.



Portez une protection oculaire et auditive ainsi qu'un casque



Portez des chaussures de sécurité antidérapantes lorsque vous utilisez le produit.



Portez des gants de protection solides et antidérapants.



Prenez garde au phénomène de rebond de la tronçonneuse et évitez le contact avec l'extrémité du guide-chaîne.



N'exposez pas ce produit à la pluie ou à des conditions humides.



Tenez et utilisez votre tronçonneuse avec vos deux mains.



N'utilisez pas votre tronçonneuse en la tenant avec une seule main.



Réglez le frein à chaîne sur la position MARCHÉ.



Réglez le frein à chaîne sur la position FREIN.



Le niveau de puissance sonore garanti est de 106 dB



Marque de conformité ukrainienne



Marque de conformité d'Eurasie



Les produits électriques hors d'usage ne doivent pas être jetés avec les ordures ménagères. Recyclez-les par l'intermédiaire des structures disponibles. Contactez les autorités locales ou votre distributeur pour vous renseigner sur les conditions de recyclage.



Cet outil est conforme à l'ensemble des normes réglementaires du pays de l'UE où il a été acheté.

Les signaux et mots suivants sont destinés à indiquer le niveau de risque associé au produit :



DANGER

Imminence d'un danger qui, si l'on n'y prend garde, peut entraîner la mort ou des blessures graves.

AVERTISSEMENT



Situation potentiellement dangereuse qui, si l'on n'y prend garde, peut entraîner la mort ou des blessures graves.



ATTENTION

Situation potentiellement dangereuse qui, si l'on n'y prend garde, peut entraîner des blessures moyennes ou légères.

ATTENTION

Sans symbole d'alerte de sécurité

Indique une situation pouvant entraîner des dommages matériels.



TECHNISCHE DATEN

KETTENSÄGE

ECCS-58V

EN
FR
DE
ES
IT
NL
PT
DA
SV
FI
NO
RU
PL
CS
HU
RO
LV
LT
ET
HR
SL
SK
BG
UK
TR

Seriennummer	17402201000001 - 17402201999999
Nennspannung	51,1 V, 58 V maximal
Max. Stangenlänge	400 mm
Kettenöltankkapazität	177 ml
Gewicht (Ohne Akku, mit Schwert, Kette und leerem Tank)	4,83 kg
Gewicht (mit 4,0 Ah Akkupack)	6,73 kg
Gewicht (mit 2,0 Ah Akkupack)	6,03 kg
Maximalgeschwindigkeit im Leerlauf	21 m/s
Andwendbare Schnittlänge	250 mm
Schalleistung (gemäß EN 60745-1, EN 60745-2-13)	
A-bewerteter Schalldruckpegel an der Position des Anwenders (L_{PA})	94,5 dB(A)
K_{PA} :	2,5 dB(A)
A-bewerteter Schalleistungspegel (L_{WA})	105,5 dB(A)
K_{WA} :	2,5 dB(A)
Vibrationsgrad (gemäß EN 60745-1; EN 60745-2-13) (vorne/hinten)	2,1 / 2,8 m/s ² K=1,5 m/s ²

AKKU UND LADEGERÄT

ECCS-58V

Kompatible Akkus	ECBP-58V40 / ECBP-58V20
Kompatible Ladegeräte	ECBC-58VEU / ECBC-58VUK



WARNUNG!

Der in diesem Merkblatt angegebene Schwingungsemissionspegel wurde gemäß einer standardisierten Prüfung nach EN 60745 gemessen und kann verwendet werden, um ein Werkzeug mit einem anderen zu vergleichen. Er kann für eine vorläufige Beurteilung der Belastung verwendet werden.

Der deklarierte Schwingungsemissionspegel trifft auf die Hauptanwendung des Werkzeugs zu. Wenn jedoch das Werkzeug für verschiedene Anwendungen genutzt wird, mit unterschiedlichem Zubehör oder schlecht gewartet, kann die Schwingungsemission variieren. Dies kann das Belastungsniveau über die gesamte Arbeitszeit deutlich erhöhen.

Eine Schätzung der Schwingungsbelastung sollte auch die Zeiten berücksichtigen, in denen das Werkzeug zwar läuft, aber nicht im Einsatz ist und wenn es ausgeschaltet ist. Dies kann das Belastungsniveau über die gesamte Arbeitszeit deutlich reduzieren.

Legen Sie zusätzliche Sicherheitsmaßnahmen fest, um den Bediener vor den Auswirkungen der Schwingungen zu schützen, wie z. B: Wartung des Werkzeugs und Zubehörs, Hände warm halten, Strukturieren der Arbeitsabläufe.

ALLGEMEINE SICHERHEITSWARNUNGEN



WARNUNG!

Lesen Sie alle Sicherheitshinweise und Anweisungen. Versäumnisse bei der Einhaltung der Sicherheitshinweise und Anweisungen können elektrischen Schlag, Brand und/oder schwere Verletzungen verursachen.

Bewahren Sie alle Sicherheitshinweise und Anweisungen für die Zukunft auf.

Der in den Sicherheitshinweisen verwendete Begriff „Elektrowerkzeug“ bezieht sich auf netzbetriebene Elektrowerkzeuge (mit Netzkabel) und auf akkubetriebene Elektrowerkzeuge (ohne Netzkabel).

ARBEITSPLATZSICHERHEIT

Halten Sie Ihren Arbeitsbereich sauber und gut beleuchtet. Unordnung oder unbeleuchtete Arbeitsbereiche können zu Unfällen führen.

Arbeiten Sie mit dem Elektrowerkzeug nicht in explosionsgefährdeter Umgebung, in der sich brennbare Flüssigkeiten, Gase oder Stäube befinden.





Elektrowerkzeuge erzeugen Funken, die den Staub oder die Dämpfe entzünden können.

Halten Sie Kinder und andere Personen während der Benutzung des Elektrowerkzeugs fern. Bei Ablenkung können Sie die Kontrolle über das Gerät verlieren.

ELEKTRISCHE SICHERHEIT

Der Anschlussstecker des Elektrowerkzeuges muss in die Steckdose passen. Der Stecker darf in keiner Weise verändert werden. Verwenden Sie keine Adapterstecker gemeinsam mit schutzgeerdeten Elektrowerkzeugen. Unveränderte Stecker und passende Steckdosen verringern das Risiko eines elektrischen Schlages!

Vermeiden Sie Körperkontakt mit geerdeten Oberflächen wie von Rohren, Heizungen, Herden und Kühlschränken. Es besteht ein erhöhtes Risiko durch elektrischen Schlag, wenn Ihr Körper geerdet ist.

Halten Sie Elektrowerkzeuge von Regen oder Nässe fern. Das Eindringen von Wasser in ein Elektrowerkzeug erhöht das Risiko eines elektrischen Schlages.

Zweckentfremden Sie das Kabel nicht, um das Elektrowerkzeug zu tragen, aufzuhängen oder um den Stecker aus der Steckdose zu ziehen. Halten Sie das Kabel fern von Hitze, Öl, scharfen Kanten, oder sich bewegenden Geräteteilen. Beschädigte oder verwickelte Kabel erhöhen das Risiko eines elektrischen Schlages.

Wenn Sie mit einem Elektrowerkzeug im Freien arbeiten, verwenden Sie nur Verlängerungskabel, die auch für den Außenbereich geeignet sind. Die Anwendung eines für den Außenbereich geeigneten Verlängerungskabels verringert das Risiko eines elektrischen Schlages.

Wenn der Betrieb des Elektrowerkzeuges in feuchter Umgebung nicht vermeidbar ist, verwenden Sie einen Fehlerstromschutzschalter. Der Einsatz eines Fehlerstromschutzschalters vermindert das Risiko eines elektrischen Schlages.

SICHERHEIT VON PERSONEN

Seien Sie aufmerksam, achten Sie darauf, was Sie tun und gehen Sie mit Vernunft an die Arbeit mit einem Elektrowerkzeug. Benutzen Sie kein Elektrowerkzeug, wenn Sie müde sind oder unter dem Einfluss von Drogen, Alkohol oder Medikamenten stehen. Ein Moment der Unachtsamkeit beim Gebrauch des Elektrowerkzeuges kann zu ernsthaften Verletzungen führen.

Tragen Sie persönliche Schutzausrüstung und immer eine Schutzbrille. Das Tragen persönlicher Schutzausrüstung, wie Staubmaske, rutschfeste Sicherheitsschuhe, Schutzhelm oder Gehörschutz, je nach Art und Einsatz des Elektrowerkzeuges, verringert das Risiko von Verletzungen.

Vermeiden Sie eine unbeabsichtigte Inbetriebnahme. Vergewissern Sie sich, dass das Elektrowerkzeug ausgeschaltet ist, bevor Sie es an die Stromversorgung und/oder den Akku anschließen, es aufnehmen oder tragen. Wenn Sie beim Tragen des Elektrowerkzeuges den Fingern am Schalter haben oder das Gerät eingeschaltet

an die Stromversorgung anschließen, kann dies zu Unfällen führen.

Entfernen Sie Einstellwerkzeuge oder Schraubenschlüssel, bevor Sie das Elektrowerkzeug einschalten. Ein Werkzeug oder Schlüssel, der sich in einem drehenden Geräteteil befindet, kann zu Verletzungen führen.

Vermeiden Sie eine abnormale Körperhaltung. Sorgen Sie für einen sicheren Stand und halten Sie jederzeit das Gleichgewicht. Dadurch können Sie das Elektrowerkzeug in unerwarteten Situationen besser kontrollieren.

Tragen Sie geeignete Kleidung. Tragen Sie keine lockere sitzende Kleidung oder Schmuck. Halten Sie Haare, Kleidung und Handschuhe fern von sich bewegenden Teilen. Lockere Kleidung, Schmuck oder lange Haare können von sich bewegenden Teilen erfasst werden.

Wenn Staubabsaug- und -auffangeinrichtungen montiert werden können, vergewissern Sie sich, dass diese angeschlossen sind und richtig verwendet werden. Verwendung einer Staubabsaugung kann Gefährdungen durch Staub verringern.

VERWENDUNG UND BEHANDLUNG DES ELEKTROWERKZEUGES

Überlasten Sie das Gerät nicht. Verwenden Sie für Ihre Arbeit das dafür bestimmte Elektrowerkzeug. Mit dem passenden Elektrowerkzeug arbeiten Sie besser und sicherer im angegebenen Leistungsbereich.

Benutzen Sie kein Elektrowerkzeug, dessen Schalter defekt ist. Ein Elektrowerkzeug, das sich nicht mehr ein- oder ausschalten lässt, ist gefährlich und muss repariert werden.

Ziehen Sie den Stecker aus der Steckdose und/oder entfernen Sie den Akku, bevor Sie Geräteeinstellungen vornehmen, Zubehörteile wechseln oder das Gerät weglegen. Diese Vorsichtsmaßnahme verhindert den unbeabsichtigten Start des Elektrowerkzeuges.

Bewahren Sie benutzte Elektrowerkzeuge außerhalb der Reichweite von Kindern auf. Lassen Sie Personen das Gerät nicht benutzen, die mit diesem nicht vertraut sind oder diese Anweisungen nicht gelesen haben. Elektrowerkzeuge sind gefährlich, wenn sie von unerfahrenen Personen benutzt werden

Pflegen Sie Elektrowerkzeuge mit Sorgfalt. Kontrollieren Sie, ob bewegliche Teile einwandfrei funktionieren und nicht klemmen, ob Teile gebrochen oder so beschädigt sind, dass die Funktion des Elektrowerkzeuges beeinträchtigt ist. Lassen Sie beschädigte Teile vor dem Einsatz des Gerätes reparieren. Viele Unfälle haben ihre Ursache in schlecht gewarteten Elektrowerkzeugen.

Halten Sie Schneidwerkzeuge scharf und sauber. Sorgfältig gepflegte Schneidwerkzeuge mit scharfen Schneidkanten verkleben sich weniger und sind leichter zu führen.

Verwenden Sie Elektrowerkzeug, Zubehör, Einsatzwerkzeuge usw. entsprechend diesen Anweisungen. Berücksichtigen Sie dabei die





Arbeitsbedingungen und die ausführende Tätigkeit. Der Gebrauch von Elektrowerkzeugen für andere als die vorgesehenen Anwendungen kann zu gefährlichen Situationen führen.

VERWENDUNG UND BEHANDLUNG DES AKKUWERKZEUGES

Laden Sie die Akkus nur in Ladegeräten auf, die vom Hersteller empfohlen werden. Für ein Ladegerät, das für eine bestimmte Art von Akkus geeignet ist, besteht Brandgefahr, wenn es mit anderen Akkus verwendet wird.

Verwenden Sie nur die dafür vorgesehenen Akkus in den Elektrowerkzeugen. Der Gebrauch von anderen Akkus kann zu Verletzungen und Brandgefahr führen.

Halten Sie den nicht benutzten Akku fern von Büroklammern, Münzen, Schlüsseln, Nägeln, Schrauben oder anderen kleinen Metallgegenständen, die eine Überbrückung der Kontakte verursachen könnten. Ein Kurzschluss zwischen den Akkukontakten kann Verbrennungen oder Feuer zur Folge haben.

Bei falscher Anwendung kann Flüssigkeit aus dem Akku austreten. Vermeiden Sie den Kontakt damit. Bei zufälligem Kontakt mit Wasser abspülen. Wenn die Flüssigkeit in die Augen kommt, nehmen Sie zusätzlich ärztliche Hilfe in Anspruch. Austretende Akkufflüssigkeit kann zu Hautreizungen oder Verbrennungen führen.

SERVICE

Lassen Sie Ihr Elektrowerkzeug nur von qualifiziertem Fachpersonal und nur mit Original-Ersatzteilen reparieren. Damit wird sichergestellt, dass die Sicherheit des Elektrowerkzeugs erhalten bleibt.

ZUSÄTZLICHE ALLGEMEINE SICHERHEITSWARNUNGEN

In einigen Regionen können Vorschriften die Benutzung dieses Produkts einschränken. Lassen Sie sich von Ihrer örtlichen Behörde beraten.

Erlauben Sie niemals Kindern oder Personen, die mit diesen Anweisungen nicht vertraut sind, das Produkt zu benutzen. Die lokale Gesetzgebung regelt das Mindestalter des Benutzers.

Stellen Sie vor jeder Benutzung sicher, dass alle Bedienelemente und Sicherheitsvorrichtung ordnungsgemäß funktionieren. Benutzen Sie das Produkt nicht, wenn der "Aus" -Schalter den Motor nicht stoppt.

Tragen Sie vollen Augen- und Gehörschutz, feste und robuste Handschuhe sowie einen Kopfschutz, wenn Sie das Produkt benutzen; verwenden Sie eine Gesichtsmaske, wenn die Arbeit staubig ist.

Tragen Sie keine weite Kleidung, kurze Hosen oder irgendetwas Schmuck.

Binden Sie lange Haare zurück, so dass diese sich über Schulterhöhe befinden um zu verhindern, dass sie sich in beweglichen Teilen verfangen.

Achten Sie auf geschleuderte oder fallende Objekte. Halten Sie unbeteiligte Personen (insbesondere Kinder und Tiere) mindestens 15m vom Arbeitsbereich fern.

Nicht bei schlechter Beleuchtung verwenden. Der Benutzer braucht einen ungehinderten Blick auf den Arbeitsbereich, um mögliche Gefahren zu erkennen.

Das Tragen von Gehörschutz verringert Ihre Fähigkeit, Warnungen zu hören (Warnungen oder Zurufe). Der Benutzer muss dem Geschehen, was im Arbeitsbereich vor sich geht ganz besondere Beachtung schenken.

Der Betrieb ähnlicher Werkzeuge in der Umgebung erhöht das Risiko von Gehörschäden und die Wahrscheinlichkeit, dass andere Personen Ihren Arbeitsbereich betreten.

Sorgen Sie für einen sicheren Stand und halten Sie das Gleichgewicht. Vermeiden Sie eine abnormale Körperhaltung. Eine abnormale Körperhaltung kann zu einem Verlust des Gleichgewichts und die Gefahr eines Rückschlags erhöhen.

Halten Sie alle Körperteile von den sich bewegenden Teilen fern.

Untersuchen Sie das Produkt vor jeder Benutzung. Überprüfen Sie für den ordnungsgemäßen Betrieb alle Bedienelemente, einschließlich der Kettenbremse. Überprüfen Sie auf lockere Verschlüsse, stellen Sie sicher, dass alle Schutzabdeckungen und Griffe ordnungsgemäß und sicher befestigt sind. Ersetzen Sie vor der Benutzung jegliche beschädigten Teile.

Verändern Sie das Produkt nicht in irgendeiner Weise oder verwenden Teile oder Zubehör die nicht vom Hersteller empfohlen sind.



WARNUNG!

Wenn das Produkt fallen gelassen wurde oder einen schweren Schlag erhielt oder ungewöhnlich vibriert, stoppen Sie das Produkt sofort und überprüfen es auf Schäden oder identifizieren Sie die Ursache der Vibration. Jeder Schaden sollte durch den autorisierten Kundendienst ordnungsgemäß repariert oder ausgetauscht werden.

Entsorgen Sie benutzte Akkus nicht im Hausabfall oder durch Verbrennen. ECHO-Vertriebspartner bieten an, alte Akkus zum Schutz unserer Umwelt wieder herzustellen.

Lagern Sie den Akku nicht zusammen mit Metallgegenständen (Kurzschlussrisiko).

Verwenden Sie nur das Ladegerät ECBC-58VEU/ECBC-58VUK zum Aufladen der Akkus. Verwenden Sie keine Akkus aus anderen Systemen.

Kompatible Akkus: ECBP-58V40, ECBP-58V20

Batteriesäure kann bei extremer Belastung oder extremen Temperaturen aus beschädigten Akkus austreten. Bei Kontakt mit Batteriesäure sofort mit Seife und Wasser abwaschen. Bei Augenkontakt ca. 10 Minuten lang gründlich ausspülen und sofort ärztlichen Rat einholen.

Die beiden Schraubensicherungen der Kettenleiste stellen während der Nutzung empfindliche Punkte für elektrostatische Entladung dar. Der Bediener muss den Auslöseschalter loslassen, um das Gerät neu zu starten, wenn es sich aufgrund der elektrostatischen Entladung abschaltet.



KETTENSÄGE SICHERHEITSWARNUNGEN

Halten Sie bei laufender Säge alle Körperteile von der Kettensäge fern. Vergewissern Sie sich vor dem Starten der Säge, dass die Sägekette nichts berührt. Beim Arbeiten mit einer Kettensäge kann ein Moment der Unachtsamkeit dazu führen, dass Bekleidung oder Körperteile von der Sägekette erfasst werden.

Halten Sie die Kettensäge immer mit der rechten Hand am hinteren Griff und mit der linken Hand am vorderen Griff. Ein Festhalten der Kettensäge in umgekehrter Arbeitshaltung erhöht das Risiko von Verletzungen und darf nicht angewendet werden.

Das Elektrowerkzeug darf nur an den isolierten Griffflächen gehalten werden, weil die Sägekette verdeckte Leitungen berühren kann. Sägeketten, die einen spannungsführenden Draht berühren, machen metallene Teile des Elektrowerkzeugs spannungsführend und könnten dem Bediener einer elektrischen Schlag versetzen.

Tragen Sie eine Schutzbrille- und Gehörschutz. Weitere Schutzausrüstung für Kopf, Hände, Beine und Füße wird empfohlen. Passende Schutzkleidung mindert die Verletzungsgefahr durch herumfliegendes Spanmaterial und zufälliges Berühren der Sägekette.

Arbeiten Sie mit der Kettensäge nicht auf einem Baum. Bei Betrieb auf einem Baum besteht Verletzungsgefahr.

Achten Sie immer auf einen festen Stand, und benutzen Sie die Kettensäge nur, wenn Sie auf einer festem, sicherem und ebenem Grund stehen. Rutschiger Untergrund oder instabile Standflächen wie auf einer Leiter können zum Verlust des Gleichgewichts oder zum Verlust der Kontrolle über die Kettensäge führen.

Rechnen Sie beim Schneiden eines unter Spannung stehenden Astes damit, dass dieser zurückfedert. Wenn die Spannung in den Holzfasern freikommt, kann der gespannte Ast die Bedienperson treffen und / oder die Kettensäge der Kontrolle entreißen.

Seien Sie besonders vorsichtig beim Schneiden von Unterholz und jungen Bäumen. Das dünne Material kann sich in der Sägekette verfangen und auf Sie schlagen oder Sie aus dem Gleichgewicht bringen.

Tragen Sie die Kettensäge am vorderen Handgriff im ausgeschalteten Zustand und am Vordergriff, die Sägeketten von Ihrem Körper abgewandt. Bei Transport oder Aufbewahrung der Kettensäge stets die Schutzabdeckung aufziehen. Sorgfältiger Umgang mit der Kettensäge verringert die Wahrscheinlichkeit einer versehentlichen Berührung mit der laufenden Sägekette.

Befolgen Sie Anweisungen zum Schmierung, die Kettenspannung dem Spannen der Kette und dem Wechseln von Zubehör. Eine unsachgemäß gespannte oder geschmierte Kette kann entweder reißen oder das Rückschlagrisiko erhöhen.

Halten Sie Griffe trocken, sauber und frei von Öl und Fett. Fettige, ölige Griffe sind rutschig und führen zum Verlust der Kontrolle.

Nur Holz sägen. Die Kettensäge nicht für Arbeiten verwenden, für die sie nicht bestimmt ist. Zum Beispiel, benutzen Sie die Kettensäge nicht zum Sägen von Kunststoff, Mauerwerk oder nicht aus Holz bestehenden Baumaterialien. Die Verwendung der Kettensäge für nicht bestimmungsgemäße Arbeiten kann zu gefährlichen Situationen führen.

Ursachen und Vermeidung eines Rückschlags :

Wenn die Spitze der Führungsschiene einen Gegenstand berührt oder wenn sich die Kette beim Sägen im Schnittpalt verklemmt und blockiert, kann ein Rückschlag auftreten.

Ein Kontakt mit der Spitze kann in manchen Fällen zu einer plötzlichen, entgegengesetzten Reaktion führen, wobei die Führungsschiene hoch und zurück gegen den Benutzer geschlagen wird.

Wenn die Sägekette an der Oberseite der Führungsschiene eingeklemmt wird, kann sich die Führungsschiene sehr schnell zurück, in Richtung des Benutzers bewegen.

Jede dieser Reaktionen kann dazu führen, dass Sie die Kontrolle über die Säge verlieren und sich möglicherweise schwer verletzen. Verlassen Sie sich nicht ausschließlich auf die in der Kettensäge eingebauten Sicherheitseinrichtungen. Als Benutzer einer Kettensäge sollten Sie verschiedene Maßnahmen ergreifen, um unfall- und verletzungsfrei arbeiten zu können.

Ein Rückschlag ist die Folge eines falschen oder fehlerhaften Gebrauchs des Elektrowerkzeugs. Er kann durch geeignete Vorsichtsmaßnahmen, wie nachfolgend beschrieben werden:

Halten Sie die Säge mit beiden Händen fest, wobei Daumen und Finger die Griffe der Kettensäge umschließen. Bringen Sie den Körper und die Arme in eine Stellung, in der Sie den Rückschlagkräften standhalten können. Wenn geeignete Maßnahmen getroffen werden, kann der Bediener die Rückschlagkräfte beherrschen.

Vermeiden Sie eine abnormale Körperhaltung und sägen Sie nicht höher als auf Schulterhöhe. Das hilft, unbeabsichtigten Kontakt mit der Spitze zu vermeiden und ermöglicht eine bessere Kontrolle der Kettensäge in unerwarteten Situationen.

Verwenden Sie stets vom Hersteller vorgeschriebene Ersatzschiene und Sägeketten. Falsche Ersatzschiene und Sägeketten können zum Reißen der Kette und / oder Rückschlag führen.

Halten Sie sich an die Anweisungen des Herstellers für das Schärfen und die Wartung der Sägekette. Zu niedrige Tiefenbegrenzer erhöhen die Neigung zum Rückschlag.

ZUSÄTZLICHE SICHERHEITSWARNUNGEN FÜR KETTENSÄGEN

Es wird empfohlen, Baumstämme auf einem Sägebock zu sägen, wenn Sie das Produkt zum ersten Mal benutzen.

Stellen Sie sicher, dass alle Schutzabdeckungen, Griffe und Ablängdorne ordnungsgemäß befestigt und in gutem Zustand sind.



Personen, die das Produkt benutzen, sollten bei guter Gesundheit sein. Das Produkt ist ein schweres Gerät, deshalb sollte der Benutzer körperlich fit sein. Der Benutzer sollte aufmerksam sein, gutes Sehvermögen, Beweglichkeit, Balance und Handfertigkeit besitzen. Wenn irgendwelche Zweifel bestehen, benutzen Sie das Produkt nicht.

Fangen Sie nicht an das Produkt zu benutzen, bevor Sie über einen sauberen Arbeitsplatz, sicheren Stand und einen Rückzugsweg weg von dem fallenden Baum verfügen.

Nehmen Sie sich vor Abgasen, Schmieröldunst und Sägespänen in Acht. Tragen Sie, wenn nötig, eine Maske oder Atemgerät.

Sägen Sie keine Rebstöcke und/oder kurzes Buschwerk(weniger als 75 mm Durchmesser).

Halten Sie das Produkt beim Betrieb immer mit beiden Händen fest. Die Griffe der Kettensäge mit den Daumen auf einer Seite und den Fingern auf der anderen Seite gut festhalten. Die rechte Hand muss an dem hinteren Griff sein und die linke Hand an dem vorderen Griff.

Achten Sie vor dem Starten des Produkts darauf, dass keine Gegenstände die Sägekette berühren.

Verändern Sie Ihr Produkt nicht auf irgendeine Weise, oder verwenden es, um Anbauteile oder Geräte die nicht vom Hersteller Ihres Produktes empfohlen sind anzutreiben.

Eine Verbandskasten mit Verbandsmaterial für große Wunden und einem Mittel, um Hilfe zu rufen (z.B. Pfeife) sollten bei dem Benutzers sein. Ein größerer, umfangreicherer Verbandskasten sollte in der Nähe ein.

Tragen Sie immer vollen Gehörschutz, wenn Sie das Produkt benutzen. Ein Helm der mit einem Netzvisier ausgestattet ist, kann beim Rückschlag das Risiko von Verletzungen im Gesicht und im Kopf reduzieren.

Eine falsch gespannte Kette kann von der Führungsschiene springen und zu schweren Verletzungen oder den Tod führen. Die Länge der Kette ist von der Temperatur abhängig. Überprüfen Sie die Kettenspannung regelmäßig.

Sie sollten sich mit Ihrer neuen Kettensäge vertraut machen, indem Sie einfache Schnitte in sicher abgestütztem Holz machen. Machen Sie dass immer dann, wenn Sie die Kettensäge längere Zeit nicht benutzt haben.

Damit die Gefahr durch bewegende Teile verringert wird, stoppen Sie immer den Motor, entfernen den Akku und stellen sicher, dass alle bewegenden Teile gestoppt sind, bevor Sie:

- Sie reinigen oder eine Blockierung entfernen
- Sie das Produkt unbeaufsichtigt zurücklassen
- Sie Anbauteile montieren oder entfernen.
- die Maschine prüfen, warten oder an dem Produkt arbeiten

Die Größe des Arbeitsbereichs hängt von der durchgeführten Aufgabe, der Größe des Baums oder des Arbeitsstücks ab. Zum Beispiel erfordert das Fällen eines

Baumes einen größeren Arbeitsbereich wie das Ablängen.

Der Benutzer muss aufmerksam sein und alles unter Kontrolle haben, was in seinem Arbeitsbereich passiert.

Sägen Sie nicht mit Ihrem Körper in einer Linie mit Führungsschiene und Kette. Wenn Sie einen Rückschlag erleben, verringert das die Chance, dass die Kette Ihren Kopf oder Körper trifft.

Benutzen Sie keine hin und her Sägebewegung, lassen Sie die Kette die Arbeit machen, halten Sie die Kette scharf und versuchen Sie nicht die Kette durch den Schnitt zu drücken.

Am Ende des Schnitts keinen Druck auf die Säge ausüben. Seien Sie bereit, die Säge zu entlasten, wenn sie das Holz durchsägt hat. Nichtbeachtung kann zu schweren Verletzungen führen.

Stoppen Sie die Säge nicht während des Sägevorgangs. Lassen Sie die Säge laufen, bis sie den Sägeschnitt beendet hat.

Drücken und ziehen

Die Reaktionskraft wirkt immer in die entgegengesetzte Richtung der Kettenaufrichtung. Deshalb muss der Benutzer bereit sein die Tendenz der Maschine wegzuziehen (in einer Vorwärtsbewegung), wenn mit der Unterseite der Schiene gesägt wird, und rückwärts zu drücken (in Richtung Benutzer) wenn mit der Oberseite gesägt wird.

Säge in dem Sägespalt verklemt

Stoppen Sie die Kettensäge und sichern Sie die Säge. Versuchen Sie nicht die Kette und Führungsschiene mit Gewalt aus dem Sägespalt zu entfernen, weil dadurch die Kette zurückschnellen, und den Benutzer verletzen kann. Diese Situation entsteht meistens weil das Holz falsch abgestützt wird und der Sägespalt zugeedrückt wird und die Schiene einklemmt. Wenn die Verstellung der Stütze die Schiene und Kette nicht löst, benutzen Sie Holzkeile oder einen Hebel, um den Schnitt zu öffnen und die Säge zu lösen. Versuche Sie niemals die Kettensäge zu starten, wenn die Führungsschiene bereits in einem Schnitt oder einer Kerbe ist.

Benutzen Sie eine persönliche Schutzausrüstung.

Persönliche Schutzausrüstung guter Qualität, wie sie von Profis benutzt wird, hilft die Gefahr von Verletzungen des Benutzers zu verringern. Die folgenden Artikel sollten beim Einsatz Ihrer Säge benutzt werden.

Sicherheitshelm

- sollte EN 397 erfüllen und CE gekennzeichnet sein.

Gehörschutz

- sollte EN 352-1 erfüllen und CE gekennzeichnet sein.

Augen- und Gesichtsschutz

- sollte CE gekennzeichnet sein und EN 166 erfüllen (für Sicherheitsbrillen) oder EN 1731 (für Gittervisiere)





Handschuhe

- sollte EN381-7 erfüllen und CE gekennzeichnet sein.

Beinschutz (Beinschützer)

- sollten EN381-5 erfüllen, CE gekennzeichnet sein und Rundumschutz bieten.

Kettensägen Sicherheitsschuhe

- sollten EN ISO 20345:2004 erfüllen und mit der Abbildung einer Kettensäge gekennzeichnet sein, um darzustellen, dass EN 381-3 erfüllt wird. (Gelegentliche Benutzer können Sicherheitsschuhe mit Stahl-Vorderkappen und Schutzgamaschen, die EN 381-9 erfüllen, benutzen, wenn der Boden eben ist und geringe Gefahr von Stolpern oder von Verfangen im Buschwerk besteht)

Kettensägenjacken zum Schutz des Oberkörpers

- sollte EN 381-11 erfüllen und CE gekennzeichnet sein.

ANWEISUNGEN ÜBER DIE RICHTIGE TECHNIK ZUM FÄLLEN, ENTASTEN UND DURCHSÄGEN.

Verstehen Sie die Kräfte in dem Holz

Wenn Sie die gerichteten Drucke und Spannungen in dem Holz verstehen, können Sie die "Klemmungen" verringern oder mindestens beim Sägen darauf vorbereitet sein. Spannung im Holz bedeutet, dass die Fasern auseinander gezogen werden, und wenn Sie in diesem Bereich sägen, wird die "kerbe" oder der Schnitt sich öffnen während Sie sägen. Wenn ein Baumstamm auf einem Holzbock liegt und ein Ende nicht gestützt wird, dann entsteht Spannung an der Oberseite, weil das Gewicht des überhängenden Baumstamms die Fasern dehnt. Ähnlich wie die Unterseite des Baumstamms komprimiert und die Fasern zusammengedrückt. Wenn ein Schnitt in diesem Bereich gemacht wird, wird die Kerbe dazu tendieren sich beim Sägen zu schließen. Das würde die Schiene einklemmen.

Fällen eines Baumes

Siehe Abbildungen 1 - 6.

Wird von zwei oder mehreren Personen gleichzeitig zugeschnitten und gefällt, so sollte der Abstand zwischen den fallenden und zuschneidenden Personen mindestens die doppelte Höhe des zu fallenden Baumes betragen. Bäume dürfen nicht auf eine Weise gefällt werden, die eine Gefahr für Personen darstellt, zu einer Berührung mit einer Versorgungsleitung führt oder Sachschaden verursacht. Sollte ein Baum mit einer Versorgungsleitung in Berührung kommen, so ist das Versorgungsunternehmen sofort in Kenntnis zu setzen.

Der Bediener der Kettensäge sollte sich immer bergaufwärts des Baums befinden, da dieser nach dem Fällen wahrscheinlich bergabwärts rollen oder rutschen wird.

Es sollte eine Fluchtroute eingeplant und, sofern erforderlich, vor Beginn der Fällarbeiten freigeräumt werden. Die Fluchtroute sollte hinter der erwarteten Falllinie diagonal nach hinten führen.

Berücksichtigen Sie, bevor Sie mit dem Fällen beginnen, die natürliche Neigung des Baums, die Lage größerer Äste und die Windrichtung, um einschätzen zu können in welche Richtung der Baum fallen wird.

Entfernen Sie Schmutz, Steine, lose Rinde, Nägel, Klammern und Draht vom bzw. aus dem Baum.

Versuchen Sie nicht, Bäume zu fällen, die verfault sind oder durch Wind, Feuer, Blitz usw. beschädigt wurden.

Das ist extrem gefährlich und sollte von professionellen Baumpfleger durchgeführt werden.

1. Kerbschnitt setzen

Siehe Abbildungen 1 - 6.

Führen Sie die Kerbe über 1/3 des Baumdurchmessers senkrecht zur Fallrichtung aus. Führen Sie zuerst den unteren horizontalen Fallkerb aus. Das hilft ein Einklemmen der Sägekette oder der Führungsschiene zu vermeiden, wenn die zweite Kerbe geschnitten wird.

2. Fällschnitt

Siehe Abbildungen 1 - 6.

Führen Sie den Fällschnitt mindestens 50 mm höher als den waagerechten Fallkerb aus. Führen Sie den Fällschnitt parallel zum waagerechten Fallkerb aus. Führen Sie den Fällschnitt so aus, dass genügend Holz stehen bleibt, um als Bruchleiste zu dienen. Die Bruchleiste hindert den Baum daran, sich zu verdrehen und in die falsche Richtung zu fallen. Schneiden Sie nicht durch die Bruchleiste!

Wenn der Fällschnitt sich der Bruchleiste nähert, sollte der Baum zu fallen beginnen. Sollte die Gefahr bestehen, dass der Baum nicht in die gewünschte Richtung fällt, oder zurückschwankt und die Sägekette einklemmt, hören Sie mit dem Schneiden auf, bevor der Fällschnitt vollständig ausgeführt ist, und verwenden Sie Holz-, Plastik- oder Aluminiumkeile, um den Schnitt zu erweitern und den Baum in der gewünschten Fallrichtung fallen zu lassen.

Ziehen Sie, sobald der Baum zu fallen beginnt, die Kettensäge aus dem Schnitt, schalten Sie den Motor aus, setzen sie die Kettensäge ab und folgen Sie dann dem geplanten Rückzugspfad. Achten Sie auf fallende hoch liegende Äste und einen sicheren Halt.

Wurzelsätze entfernen

Siehe Abbildungen 7 - 8.

Ein Wurzelsatz ist eine große Wurzel, die über dem Erdrich aus dem Stamm des Baums vorsteht. Große Wurzelsätze müssen vor dem Fällen entfernt werden. Den Wurzelsatz erst horizontal und danach vertikal anschneiden. Das lose Wurzelstück aus dem Arbeitsbereich entfernen. Das korrekte Vorgehen zum Fällen des Baums einhalten, nachdem die großen Wurzelsätze entfernt wurden.

Baumstamm ablängen

Siehe Abbildungen 9 - 11.

Ablängen ist das Schneiden eines Baumstamms in Stücke. Es ist wichtig, dass Sie einen festen Stand haben und ihr



Gewicht gleichmäßig auf beide Füße verteilt ist. Sofern möglich, sollte der Stamm erhöht liegen und durch Äste, Stämme oder Holzkeile gestützt werden. Befolgen Sie die folgenden Anweisungen, um sich das Schneiden zu erleichtern: Wenn der Stamm über die gesamte Länge gestützt wird, wird er von oben geschnitten (Oberschnitt).

Wenn der Stamm an einem Ende gestützt wird, schneiden Sie durch ein Drittel des Durchmessers von der Unterseite (Unterschnitt). Führen Sie dann den abschließenden Schnitt als Oberschnitt aus, der auf den ersten Schnitt trifft.

Wenn der Stamm an beiden Enden gestützt wird, schneiden Sie durch ein Drittel des Durchmessers von der Oberseite (Oberschnitt). Führen Sie dann den abschließenden Schnitt als Unterschnitt über die unteren 2/3 aus, der auf den ersten Schnitt trifft.

Stehen Sie beim Ablängen in Hanglage immer auf der vom Stamm aus höher gelegenen Seite. Um beim Abschluss des Schnitts vollkommen die Kontrolle zu behalten, verringern Sie den Schnittdruck gegen Ende des Schnitts ohne Ihren festen Griff um die Griffe der Kettensäge zu lösen. Lassen Sie die Kette nicht in Kontakt mit dem Boden geraten. Warten Sie nach Beendigung des Schnitts bis die Sägekette angehalten hat bevor sie die Kettensäge bewegen. Schalten Sie immer den Motor aus, bevor Sie sich von Baum zu Baum bewegen.

Entasten

Siehe Abbildungen 12 - 13.


Entasten ist das Entfernen von Zweigen von einem gefällten Baum. Belassen Sie beim Entasten größere unten liegende Äste als Stützen, um den Baum über dem Boden zu halten. Entfernen Sie kleinere Äste in einem Schnitt. Äste, die unter Spannung stehen, sollten von unten nach oben geschnitten werden, um ein Einklemmen der Kettensäge zu vermeiden.

Springbaum

Siehe Abbildungen 14 - 15.

Gespanntes Holz ist ein Stamm, Ast, verwurzelter Stumpf oder Schößling, der von anderem Holz unter Spannung gebogen wird und zurückschnellt, wenn das andere Holz geschnitten oder entfernt wird.

Bei einem gefällten Baum ist es sehr wahrscheinlich, dass ein verwurzelter Stumpf wieder in seine aufrechte Stellung zurückschnellt, wenn der Stamm beim Ablängen vom Stumpf getrennt wird. Auf gespanntes Holz achten, da dies sehr gefährlich ist.



WARNUNG!

Gespanntes Holz ist gefährlich und kann die Bedienperson treffen und zum Verlust der Kontrolle über die Kettensäge führen. Das kann zu schweren oder tödlichen Verletzungen der Bedienperson führen. Das sollte von geschulten Benutzern durchgeführt werden.

WEITERE SICHERHEITSHINWEISE ZUM AKKU



WARNUNG!

Um die durch einen Kurzschluss verursachte Gefahr eines Brandes, von Verletzungen oder Produktbeschädigungen zu vermeiden, tauchen Sie das Werkzeug, den Wechselakku oder das Ladegerät nicht in Flüssigkeiten ein und sorgen Sie dafür, dass keine Flüssigkeiten in die Geräte und Akkus eindringen. Korrodierende oder leitfähige Flüssigkeiten, wie Salzwasser, bestimmte Chemikalien und Bleichmittel oder Produkte, die Bleichmittel enthalten, können einen Kurzschluss verursachen.

RESTRISIKEN

Sogar wenn das Produkt wie vorgeschrieben benutzt wird, ist es unmöglich ein gewisses Restrisiko vollständig zu beseitigen. Die folgenden Gefahren können bei der Benutzung entstehen, und der Benutzer sollte besonders auf folgende Punkte achten:

- Durch Vibrationen verursachte Verletzungen.
 - Verwenden Sie für jede Arbeit das immer richtige Werkzeug. Benutzen Sie die vorgesehenen Griffe. Schränken die Arbeitszeit und Exposition ein.
- Lärm kann zu Gehörschaden führen.
 - Tragen Sie einen Gehörschutz und schränken Sie die Belastung ein.
- Verletzungen durch Kontakt mit den freiliegenden Sägezähnen der Kette
- Verletzungen durch herausgeschleuderte Teile des Werkstücks (Holzspäne und Splinter)
- Verletzungen durch Inhalation von Staub und Fremdkörpern
- Verletzungen durch Hautkontakt mit Schmierstoffen oder Öl

RISIKOVERRINGERUNG

Vibrationen von in der Hand gehaltenen Werkzeugen können bei einigen Personen zu einem Zustand, der Raynaud-Syndrom genannt wird, führen. Symptome sind u.a. Kribbeln, Taubheitsgefühl und episodische Weißfärbung der Finger und treten normalerweise bei Kälte auf. Man geht davon aus, dass ererbte Faktoren, Kälte und Feuchtigkeit, Essgewohnheiten, Rauchen und Arbeitsweise zur Entwicklung dieser Symptome beitragen. Der Anwender kann Maßnahmen ergreifen, um die Auswirkungen der Vibrationen möglicherweise zu verringern:

- Halten Sie den Körper bei Kälte warm. Tragen Sie beim Betrieb des Geräts Handschuhe, um Hände und Handgelenke warm zu halten.

- Betätigen Sie sich nach jedem Einsatz körperlich, um den Blutkreislauf zu steigern.
- Machen Sie regelmäßig Pausen. Beschränken Sie die Beanspruchung pro Tag.
- Schutzhandschuhe die von professionellen Kettensägenhändlern erhältlich sind, sind speziell zur Benutzung mit Kettensägen entwickelt und bieten Schutz, sicheren Griff und reduzieren auch den Effekt des vibrierenden Griffs.

Sollten bei Ihnen Symptome dieses Zustands auftreten, stellen Sie unverzüglich den Betrieb ein und suchen Sie in Hinsicht auf die Symptome einen Arzt auf.



WARNUNG!

Verletzungen können durch lange Benutzung eines Werkzeugs entstehen oder verschlimmert werden. Machen Sie regelmäßig Pause, wenn Sie ein Werkzeug für lange Zeit benutzen.

BESTIMMUNGSGEMÄSSE VERWENDUNG

Dieses Produkt ist nur zum Einsatz im Freien vorgesehen. Aus Sicherheitsgründen muss das Produkt durch die Benutzung immer mit beiden Händen immer ausreichend kontrolliert werden.

Das Produkt wurde zum Sägen von Zweigen, Ästen, Stämmen und Balken mit einem Durchmesser, der durch die Schnittlänge der Führungsschiene bestimmt wird, entwickelt. Sie darf ausschließlich zum Schneiden von Holz verwendet werden. Es sollte nur von Erwachsenen, die ausreichend über die Gefahren und Vorbeugungs-/ Schutzmaßnahmen unterwiesen wurden, für den Hausgebrauch verwendet werden.

Es darf nicht im Rahmen professioneller Baumarbeiten eingesetzt werden. Das Produkt darf nicht von Kindern oder Personen, die nicht die erforderliche persönliche Schutzausstattung und -kleidung tragen, verwendet werden.

Nutzen Sie das Gerät ausschließlich für als vorgesehen aufgeführte Zwecke.



WARNUNG!

Die Sicherheitsregeln müssen befolgt werden, wenn dieses Produkt benutzt wird. Lesen Sie für Ihre eigene Sicherheit und die von Zuschauern diese Anweisungen, bevor Sie das Produkt benutzen. Sie sollten einen professionell organisierten Sicherheitskurs über die Benutzung, Präventionsmaßnahmen, Erste Hilfe und Wartung der Kettensäge besuchen. Bitte bewahren Sie die Anweisungen zum späteren Nachschlagen auf.



WARNUNG!

Kettensägen sind potenziell gefährliche Werkzeuge. Unfälle mit Kettensägen führen oft zum Verlust von Gliedmaßen oder zum Tode. Es ist nicht nur die Kettensäge, die gefährlich ist. Fallende Äste, umfallende Bäume, rollende Baumstämme können töten. Krankes oder verfaultes Holz stellt eine weitere Gefahr dar. Sie sollten Ihre Fähigkeiten, die Aufgabe sicher zu bewältigen abschätzen. Wenn Sie irgendwelche Bedenken haben, überlassen Sie die Arbeit einem professionellen Baumpfleger.

MACHEN SIE SICH MIT IHREM PRODUKT VERTRAUT

Siehe Seiten 6-7.

1. Akku
2. Drückerfreigabe
3. Hinterer Handgriff
4. Auslöserschalter
5. Kombischlüssel
6. Vorderer Haltegriff
7. Kettenöltank-Deckel
8. Abdeckung Führungsschiene
9. Kette
10. Führungsschiene
11. Krallenanschlag
12. Kettenfänger
13. Kettenspannschraube
14. Kettenabdeckung
15. Führungsschienen-Befestigungsmuttern
16. Vorderer Handschutz/Kettenbremse

SCHUTZVORRICHTUNGEN

Sägekette mit geringem Rückschlag

Eine Sägekette mit geringer Rückschlaggefahr kann die Wahrscheinlichkeit eines Rückschlags reduzieren.

Die Räumzähne (Eingriffmesser) vor jedem Sägezahn können die Stärke der Rückschlagreaktion gering halten, indem sie verhindern, dass die Sägezähne in der Rückschlagzone zu tief eingreifen. Verwenden Sie ausschließlich die durch den Hersteller empfohlenen Kombinationen von Ersatzschienen und -ketten.

Beim Schleifen von Sägeketten verlieren diese etwas an Qualität, die den Rückschlag gering halten, und es ist daher besondere Vorsicht geboten. Zu Ihrer eigenen Sicherheit, ersetzen Sie Sägeketten, wenn die Sägeleistung sich verschlechtert.

Krallenanschlag

Die integrierte Anschlagkralle kann als Drehpunkt verwendet werden, wenn ein Schnitt durchzuführen ist. Es ist hilfreich, beim Sägen das Gehäuse der Säge stabil zu halten. Drücken Sie beim Sägen die Maschine nach vorne, bis die Metalldorne in die Holzkannte dringen, wenn Sie dann den hinteren Griff nach oben oder unten in Richtung des Schnitts heben, kann die physische Belastung des Sägens verringert werden.



Führungsschienen

Allgemein gilt, Führungsschienen mit Spitzen mit kleinerem Radius haben ein etwas geringeres Potential für Rückschläge. Sie sollten eine Führungsschiene mit passender Kette benutzen, die gerade lange genug für die Aufgabe ist. Längere Führungsschienen erhöhen die Gefahr eines Kontrollverlustes beim Sägen. Überprüfen Sie die Kettenspannung regelmäßig. Beim Sägen kleinerer Äste (dünner als die volle Länge der Führungsschiene), ist die Gefahr, dass die Kette abgeworfen wird, wenn die Spannung nicht richtig ist, größer.


Kettenbremse

Kettenbremsen sind dazu vorgesehen, die Kette schnell zum Stillstand zu bringen. Wenn der Kettenbremshebel/ Handschutz in Richtung Schiene gedrückt wird, muss die Kette sofort zum Stillstand gebracht werden. Eine Kettenbremse kann Rückschlag nicht verhindern. Sie verringert nur das Verletzungsrisiko, wenn die Führungsschiene den Körper des Benutzers bei einem Rückschlag trifft. Der ordnungsgemäße Betrieb der Kettenbremse sollte vor jeder Benutzung getestet werden, in der Betriebs- und Bremsposition

Kettenfänger

Ein Kettenfänger verhindert, dass die Kette in Richtung Benutzer geschleudert wird, wenn die Kette sich lockert oder reißt.

BETRIEB

 **WARNUNG!**
Falls Teile fehlen oder beschädigt sind sollte das Gerät nicht in Betrieb genommen werden, bevor alles korrekt ersetzt wurde. Die Nichtbeachtung dieser Warnung kann zu schweren Personenschäden führen.

Einsetzen des Akkupacks

Siehe Seite 6.

Setzen Sie den Akku in das Produkt ein. Richten Sie die erhöhten Stege auf dem Akku mit den Rillen in dem Akkufach aus.

Bevor Sie das Gerät einschalten, stellen Sie sicher, dass die Verriegelung des Akkus einrastet und der Akku vollständig eingelegt und sicher am Gerät befestigt ist.

Halten des Produktes

Siehe Abbildung 1.

Halten Sie das Produkt mit der rechten Hand am hinteren Handgriff und der linken Hand am vorderen Handgriff. Halten Sie beide Griffe mit fest umschlossenen Daumen und Fingern fest. Achten Sie darauf, dass ihre linke Hand den vorderen Griff so hält, dass ihr Daumen sich unter ihm befindet.

Starten des Produktes

Siehe Seite 8.

Bevor Sie mit der Benutzung starten, sollten Sie den Akku in die Maschine einlegen und sicherstellen, dass die Kettenbremse in der Betriebsposition ist, indem Sie den Kettenbremshebel/ Handschutz in Richtung vorderen Griff ziehen.

Ziehen Sie zum Starten der Maschine die Gashebelsperre und drücken den Gashebel.

Überprüfung und Betrieb der Kettenbremse

Siehe Seite 20.

Betätigen Sie die Kettenbremse, indem Sie die linke Hand um den vorderen Griff drehen. Drücken Sie den Kettenbremshebel/ Handschutz mit Ihrem Handrücken in Richtung Führungsschiene während die Kette sich schnell bewegt. Stellen Sie sicher, dass sich beide Hände immer an den Griffen befinden.

Stellen Sie die Kettenbremse zurück auf die Betriebsposition, indem Sie die Oberseite des Hebels der Kettenbremse/ Handschutzes greifen und in Richtung Griff ziehen.



WARNUNG!

Falls die Kettenbremse die Kette nicht sofort anhält, oder falls die Kettenbremse nicht in der Laufstellung ohne Hilfe bleibt, bringen Sie die Säge zu einer zugelassene Reparaturstelle und erst nach der Reparatur wieder benutzen.

Kettenspannung einstellen

Siehe Seiten 14 - 15.

Entfernen Sie den Akku, bevor Sie mit Arbeiten an dem Produkt beginnen.

Stellen Sie sicher, dass die Befestigungsmuttern der Schiene handfest gelockert sind.

Drehen Sie den Ring zum Einstellen der Kettenspannung im Uhrzeigersinn, um die Kettenspannung zu erhöhen, und überprüfen Sie dabei regelmäßig die Kettenspannung. Drehen Sie den Ring zum Einstellen der Kettenspannung im Gegenuhrzeigersinn, um die Kettenspannung zu verringern, und überprüfen Sie dabei regelmäßig die Kettenspannung.

Die Kettenspannung ist korrekt, wenn die Lücke zwischen dem Schneider in der Kette und der Stange etwa 6,5 mm (0,256 in) beträgt. Ziehen Sie die Kette an der unteren Seite der Schiene in der Mitte nach unten (von der Schiene weg) und messen dann den Abstand zwischen der Schiene und den Zähnen der Kette.

Fügen Sie Kettenöl hinzu.

Siehe Seiten 16 - 17.

EN
FR
DE
ES
IT
NL
PT
DA
SV
FI
NO
RU
PL
CS
HU
RO
LV
LT
ET
HR
SL
SK
BG
UK
TR





WARNUNG!

Arbeiten Sie niemals ohne Kettenschmierung. Wenn die Säge ohne Schmierung läuft, können die Führungsschiene und die Sägekette beschädigt werden. Es ist deshalb unerlässlich den Ölstand mit dem Ölmesstab regelmäßig zu messen, und jedes Mal, wenn Sie mit der Arbeit mit der Kettensäge beginnen.

Reinigen Sie die Oberfläche um den Tankdeckel, um Verunreinigung zu verhindern.

Schrauben Sie den Deckel auf und nehmen Sie ihn vom Öltank.

Füllen Sie das Öl in den Öltank und beobachten sie dabei den Ölmesstab. Achten Sie darauf, dass kein Schmutz in den Öltank gerät während sie das Öl einfüllen.

Setzen Sie den Deckel wieder auf und drehen Sie ihn fest. Wischen Sie verschüttetes Öl ab.

TRANSPORT UND LAGERUNG

Stoppen Sie das Produkt, entfernen Sie den Akku und lassen es abkühlen, bevor Sie es lagern oder transportieren.

Entfernen Sie alle Fremdkörper vom Produkt. Lagern Sie das Gerät an einem kühlen, trockenen und gut belüfteten Ort, der Kindern keinen Zugang bietet. Von korrodierend wirkenden Stoffen, wie Gartenchemikalien und Enteisungssalzen, fernhalten. Nicht im Freien lagern.

Setzen Sie immer die Abdeckung der Führungsschiene auf, bevor Sie das Produkt einlagern oder während des Transports.

Sichern Sie die Maschine beim Transport gegen Bewegung oder fallen, um Verletzungen und Beschädigung der Maschine zu verhindern.

WARTUNG UND PFLEGE



WARNUNG!

Verwenden Sie nur Zubehör und Ersatzteile von ECHO. Nichtbefolgung kann mögliche Verletzungen oder schlechte Leistung verursachen und Ihre Garantie ungültig machen. Sollten Komponenten ersetzt werden, die noch nicht beschrieben wurden, wenden Sie sich bitte an einen unserer ECHO-Kundendienstmitarbeiter.



WARNUNG!

Service und Wartung des Gerätes erfordert besonderen Sorgfalt und Kenntnisstand und sollte nur durch qualifiziertes Personal durchgeführt werden. Bringen Sie das Produkt zur Wartung zu einem autorisierten Kundendienst. Beim Service sollten Sie nur originale Ersatzteile benutzen.



WARNUNG!

Entfernen Sie vor Einstellungen, Wartung oder Reinigung den Akku. Nichtbeachtung dieser Warnung kann zu schweren Verletzungen führen.

- Sie dürfen nur die in dieser Bedienungsanleitung beschriebenen Einstellungen oder Reparaturen durchführen. Kontaktieren Sie Ihren autorisierten Kundendienst für andere Reparaturen.
- Durch falsche Wartung können die Kettenbremse und andere Sicherheitsfunktionen nicht ordnungsgemäß funktionieren, und dadurch die Gefahr schwerer Verletzungen erhöhen. Halten Sie Ihre Kettensäge immer professionell gewartet und sicher.
- Das Schärfen der Kette ist eine anspruchsvolle Aufgabe. Deshalb empfiehlt der Hersteller, dass eine abgenutzte oder stumpfe Kette mit einer neuen ersetzt wird, erhältlich bei Ihrem Kundendienst. Die Teilenummer ist in der Tabelle der Produktspezifikation in dieser Bedienungsanleitung aufgeführt.
- Befolgen Sie die Anweisungen zur Schmierung der Kette und Kettenspannung und -einstellung.
- Reinigen Sie das Produkt nach jeder Benutzung mit einem weichen, trockenen Lappen.
- Überprüfen Sie Bolzen, Muttern und Schrauben immer wieder, ob alle fest angezogen sind, so dass das Produkt in einem sicheren Zustand ist. Jedes beschädigte Teil muss durch den autorisierten Kundendienst ordnungsgemäß repariert oder ausgetauscht werden.

Ersetzen der Führungsschiene und der Sägekette

Siehe Seiten 10 - 13.

Stellen Sie sicher, dass der Akku entfernt ist. Tragen Sie Schutzhandschuhe.

Entfernen Sie die Befestigungsmuttern der Führungsschiene mit dem mitgelieferten Schlüssel.

Nehmen Sie den Kettenschutz ab.

Entfernen Sie Schiene und Sägekette von dem Werkzeug.

Führen Sie die neue Kette in der richtigen Richtung auf die Schiene und vergewissern sich, dass die Kettenglieder mit der Schienennut ausgerichtet sind.

Befestigen Sie die Schiene an der Kettensäge und führen die Kette um den Zahnkranz.

Montieren Sie wieder den Kettenschutz und schrauben Sie die Befestigungsschrauben auf.

Drehen Sie die Führungsschienen-Befestigungsmuttern handfest. Die Schiene muss frei beweglich sein, damit die Spannung eingestellt werden kann.

Stellen Sie die Kettenspannung ein. Lesen Sie den Abschnitt "Einstellen der Kettenspannung".

Die Spitze der Führungsschiene nach oben halten und die Schienenbefestigungsmuttern sicher festziehen.

Überprüfen und Reinigen der Kettenbremse

Siehe Seite 22.

Halten Sie den Kettenbremsmechanismus immer sauber, indem Sie das Gestänge vorsichtig abbürsten.

Testen Sie nach der Reinigung immer die Funktionsfähigkeit der Kettenbremse. Weitere Informationen finden Sie im Abschnitt „Prüfen und Betreiben der Kettenbremse“ in dieser Betriebsanleitung.

WARTUNGSPLAN

Tägliche Kontrollen	
Schmierung Schiene	Vor jedem Gebrauch
Kettenspannung	Vor jeder Benutzung und öfters
Kettenschärfe	Vor jeder Benutzung, Sichtprüfung
Beschädigte Teile	Vor jedem Gebrauch
Lose Befestigungsteile	Vor jedem Gebrauch
Kettenbremse-Funktion	Vor jedem Gebrauch
Inspizieren und Reinigen	
Führungsschiene	Vor jedem Gebrauch
Komplette Säge	Nach jeder Verwendung
Kettenbremse	Alle 5 Stunden*

*Betriebsstunden

ERSATZTEILE

Teil	Teilenummer
Führungsschiene	6000945
Kette	90PX056X

AKKUS

- Akkupacks, die seit einiger Zeit nicht benutzt wurden, sollten vor Gebrauch wieder aufgeladen werden.
- Temperaturen über 50 °C (122 °F) reduzieren die Leistung des Akkupacks. Vermeiden Sie eine ausgedehnte Hitzeeinwirkung oder Sonneneinstrahlung (Überhitzungsgefahr).
- Die Anschlusskontakte an Ladegerät und Akku sauber halten.
- Für eine optimale Lebensdauer müssen die Akkupacks nach dem Gebrauch voll aufgeladen werden.
- Um eine möglichst lange Akkulebensdauer zu erreichen, entfernen Sie den Akku aus dem Ladegerät, sobald er vollständig aufgeladen ist.

Bei Lagerung von Akkus für länger als 30 Tage:

- Lagern Sie den Akku trocken und bei einer Temperatur von weniger als 27°C.
- Lagern Sie Akkus mit einem Ladezustand von 30%-50%.

- Laden Sie den Akku während der Lagerung alle sechs Monate normal auf.

TRANSPORT VON LITHIUM-IONEN- AKKUS

Der Lithium-Ionen Akku unterliegt der Gesetzgebung für gefährliche Waren.

Der Transport dieses Akkus muss in Übereinstimmung mit den örtlichen, nationalen und internationalen Bestimmungen und Vorschriften erfolgen.

- Der Benutzer darf die Akkus auf der Straße ohne weitere Anforderungen transportieren.
- Der kommerzielle Transport von Lithium-Ionen-Akkus durch Dritte unterliegt den Gefahrgutvorschriften. Die Transportvorbereitungen und der Transport dürfen ausschließlich von angemessen ausgebildeten Personen durchgeführt werden, und der Vorgang muss von den entsprechenden Experten begleitet werden.

Beim Transport von Akkus:

- Stellen Sie sicher, dass die Akkupole geschützt und isoliert sind, um Kurzschlüsse zu verhindern.
- Vergewissern Sie sich, dass der Akku in der Verpackung gegen Verrutschen und Wackeln gesichert ist.
- Transportieren Sie keine Akkus die gebrochen oder undicht sind.

Befragen Sie Ihre Transportfirma nach weiteren Informationen.

SYMBOLE



Sicherheitswarnung



Lesen und verstehen Sie alle Anweisungen, bevor Sie das Produkt benutzen, befolgen Sie alle Warnungen und Sicherheitsanweisungen.



Tragen Sie Augen, Gehör und Kopfschutz.



Tragen Sie rutschfeste Sicherheitsschuhe, wenn Sie dieses Produkt benutzen.



Tragen Sie rutschfeste, schwere Schutzhandschuhe.



Achten Sie auf Rückschlag der Kettensäge und vermeiden Sie den Kontakt mit der Schienenspitze.



Nicht Regen oder feuchten Bedingungen aussetzen.



Halten Sie Ihre Kettensäge bei der Arbeit mit beiden Händen.



Verwenden Sie Ihre Kettensäge niemals, in dem Sie sie nur mit einer Hand halten.



Stellen Sie die Kettenbremse auf die Position RUN.



Stellen Sie die Kettenbremse auf die Position BRAKE.



Der garantierte Schalleistungspegel beträgt 106 dB



Ukrainisches Prüfzeichen



EurAsian Konformitätszeichen



Elektrische Geräte sollten nicht mit dem übrigen Müll entsorgt werden. Bitte entsorgen Sie diese an den entsprechenden Entsorgungsstellen. Wenden Sie sich an die örtliche Behörde oder Ihren Händler, um Auskunft über die Entsorgung zu erhalten.



Dieses Gerät entspricht allen gesetzlichen Normen des Landes der Europäischen Union, in dem es gekauft wurde.

Die folgenden Signalwörter und –bedeutungen sollen den mit diesem Produkt verbundenen Risikograd veranschaulichen:



GEFAHR

Weist auf eine unmittelbare gefährliche Situation hin, die, falls nicht vermieden, zu Tod oder ernsthafter Verletzung führen kann.



WARNUNG

Weist auf eine mögliche gefährliche Situation hin, die, falls nicht vermieden, zu Tod oder ernsthafter Verletzung führen kann.



VORSICHT

Weist auf eine mögliche gefährliche Situation hin, die, falls nicht vermieden, zu einer leichten oder mittleren Verletzung führen kann.

VORSICHT

Ohne Sicherheitswarnsymbol

Bezeichnet eine Situation die zu Sachbeschädigungen führen kann.





DATOS TÉCNICOS

MOTOSIERRA

ECCS-58V

EN
FR
DE
ES
IT
NL
PT
DA
SV
FI
NO
RU
PL
CS
HU
RO
LV
LT
ET
HR
SL
SK
BG
UK
TR

Número de serie	17402201000001 - 17402201999999
Tensión nominal	51,1 V, 58 V máxima
Longitud máx. de la barra	400 mm
Capacidad del depósito de aceite de la cadena	177 ml
Peso (Sin batería, con barra guía, cadena y depósito vacío)	4,83 kg
Peso (con batería de 4,0 Ah)	6,73 kg
Peso (con batería de 2,0 Ah)	6,03 kg
Velocidad máxima sin carga	21 m/s
Largo de corte	250 mm
Nivel de emisión de ruido (de acuerdo con EN 60745-1, EN 60745-2-13)	
Nivel de presión acústica ponderado A en la posición del operador (L_{PA})	94,5 dB(A)
K_{PA} :	2,5 dB(A)
Nivel de potencia acústica ponderada en A (L_{WA})	105,5 dB(A)
K_{WA} :	2,5 dB(A)
Nivel de vibración (de acuerdo con EN 60745-1; EN 60745-2-13) (parte delantera/parte posterior)	2,1 / 2,8 m/s ² K=1,5 m/s ²

BATERÍA Y CARGADOR

ECCS-58V

Paquetes de batería compatibles	ECBP-58V40 / ECBP-58V20
Cargador compatible	ECBC-58VEU / ECBC-58VUK



ADVERTENCIA!

El nivel de emisión de vibración aportado en esta ficha técnica se ha calculado conforme a una prueba estandarizada conforme a EN 60745 y podría utilizarse para comparar una herramienta con otra. Podría utilizarse para una evaluación preliminar de exposición.

El nivel de emisión de vibración declarado representa las aplicaciones principales de la herramienta. No obstante, si la herramienta se utiliza para diferentes aplicaciones, con distintos accesorios o con un mantenimiento deficiente, el emisión de vibración podría diferir. Esto podría aumentar significativamente el nivel de exposición sobre el periodo de funcionamiento total.

Una estimación del nivel de exposición a la vibración debería también tenerse en cuando la herramienta está apagada o cuando está en funcionamiento pero no hace su función. Esto podría reducir significativamente el nivel de exposición sobre el periodo de funcionamiento total.

Identificar las medidas de seguridad adicionales para proteger al operario de los efectos de la vibración como: conservar la herramienta y los accesorios, mantener las manos calientes, organización de las pautas de trabajo.

ALERTA DE SEGURIDAD GENERAL



ADVERTENCIA!

Lea todas las advertencias de peligro e instrucciones. El incumplimiento de las advertencias e instrucciones puede provocar descargas eléctricas, incendios y/o lesiones graves.

Conserve estas advertencias e instrucciones para poder consultarlas posteriormente.

El término "herramienta eléctrica" que aparece en las advertencias se refiere a su herramienta eléctrica (con cable) o con batería (sin cables).

ZONA DE TRABAJO

Mantenga el área de trabajo limpia y bien iluminada. Las zonas oscuras o poco despejadas pueden provocar accidentes.

No utilice herramientas eléctricas en entornos inflamables, como puede ser en presencia de líquidos inflamables, gases o polvo. Las herramientas eléctricas





crean chispas que pueden inflamar el polvo o el humo.

Mantenga a los niños y personas ajenas alejadas de la zona en la que está utilizando la herramienta eléctrica.

Las distracciones pueden hacer que pierda el control de la herramienta.

SEGURIDAD ELÉCTRICA

Las conexiones de la herramienta eléctrica deben corresponder a los de la toma de corriente. No modifique el enchufe de ninguna manera. No utilice ningún adaptador con herramientas eléctricas conectadas a tierra. Utilizar enchufes sin modificar y tomas correspondientes reducirán el riesgo de descargas eléctricas.

Evite el contacto corporal con superficies conectadas a tierra, como tuberías, radiadores, estufas y refrigeradores. Existe un mayor riesgo de descargas eléctricas si su cuerpo está conectado a tierra.

No exponga este producto a la lluvia o humedad. Si entra agua en una herramienta eléctrica podría aumentar el riesgo de descargas eléctricas.

Utilice correctamente el cable. No utilice el cable para llevar, tirar o desconectar el cable de la herramienta. Mantenga el cable lejos del calor, aceite, bordes afilados o partes móviles. Los cables dañados o enredados aumentan el riesgo de descargas eléctricas.

A la hora de utilizar herramientas eléctricas al aire libre, utilice un alargador adecuado para uso en exteriores. El uso de un cable adecuado para uso en exteriores reduce el riesgo de descargas eléctricas.

Si es inevitable utilizar una herramienta eléctrica en un lugar húmedo, utilice un dispositivo de corriente residual (RCD) como protección. El uso de un RCD reduce el riesgo de descargas eléctricas.

SEGURIDAD PERSONAL

Manténgase alerta y atento a lo que está haciendo y utilice el sentido común al utilizar una herramienta eléctrica. No utilice una herramienta eléctrica cuando esté cansado o bajo la influencia de drogas, alcohol o medicamentos. En un momento de descuido, mientras utiliza herramientas eléctricas podrían ocurrir lesiones personales graves.

Utilice un equipo de protección personal. Utilice siempre dispositivos de protección ocular. El equipo de protección como las máscaras de polvo, calzado antideslizante de seguridad, cascos rígidos o unas condiciones adecuadas reducirán los daños corporales.

Evite la puesta en marcha accidental de la herramienta. Asegúrese de que el interruptor está en posición OFF antes de conectar la herramienta a una toma de corriente y/o batería, y levantar o transportar la herramienta. El transporte de herramientas con el dedo sobre el interruptor o la conexión de herramientas eléctricas con el interruptor en ON puede causar accidentes.

Extraiga cualquier llave de ajuste antes de encender la herramienta eléctrica. Una llave que se encuentra conectada a una pieza de rotación puede resultar en lesiones personales.

No se extienda demasiado. Afírmese bien en sus piernas y no extienda demasiado el brazo. Esto permite un mejor control de la herramienta eléctrica en situaciones inesperadas.

Lleve ropa adecuada. No use ropa holgada o joyas. Mantenga su cabello, ropa y guantes lejos de las piezas móviles. La ropa suelta, joyas o el cabello largo pueden quedar atrapados en las piezas móviles.

Si existen dispositivos para la conexión de accesorios de recogida y extracción de polvo, asegúrese de que están conectados y que se utilizan adecuadamente. El uso de accesorios de recogida de polvo puede reducir riesgos relacionados con el polvo.

USO Y CUIDADO DE LA HERRAMIENTA ELÉCTRICA

No fuerce el producto. Utilice la herramienta correcta para su aplicación. La herramienta correcta hará un trabajo más seguro y mejor para el que ha sido diseñada.

No utilice la herramienta eléctrica si el interruptor de encendido no responde. Cualquier herramienta que no puede ser controlada con el interruptor de encendido es peligrosa y debe ser reparada.

Desconecte el enchufe de la fuente de alimentación y/o extraiga la batería de la herramienta eléctrica antes de hacer cualquier ajuste, cambiar accesorios o almacenar herramientas eléctricas. Estas medidas preventivas de seguridad reducen el riesgo de arranque accidental de la herramienta.

Coloque las herramientas eléctricas a ralentí fuera del alcance de los niños y no permita que personas no familiarizadas con la herramienta o con estas instrucciones la utilicen. Las herramientas eléctricas son peligrosas en manos de personas no capacitadas.

Realice labores de mantenimiento de las herramientas eléctricas. Compruebe la alineación o unión de las piezas móviles, si existe rotura de piezas o cualquier otro problema que pueda afectar al funcionamiento de la herramienta. Si alguna pieza está dañada, la herramienta eléctrica debería repararse antes de volver a utilizarla. Muchos accidentes son causados por un mantenimiento deficiente.

Mantenga las herramientas de corte bien afiladas y limpias. Las herramientas de corte con bordes de corte afilados que tienen un mantenimiento adecuado reducen su deterioro y son más fáciles de controlar.

Utilice la herramienta, accesorios, partes eléctricas, etc., de acuerdo con estas instrucciones, teniendo en cuenta las condiciones de trabajo y el trabajo que se va a realizar. Utilizar la herramienta eléctrica para realizar trabajos diferentes a los que esta herramienta está destinada podría dar como resultado una situación peligrosa.

USO Y CUIDADO DE LA HERRAMIENTA

Recargue la unidad solamente con el cargador especificado por el fabricante. Podría haber un riesgo de incendio cuando se utilice un cargador con una batería para la que no está diseñado.





EN
FR
DE
ES
IT
NL
PT
DA
SV
FI
NO
RU
PL
CS
HU
RO
LV
LT
ET
HR
SL
SK
BG
UK
TR

Utilice sólo herramientas eléctricas específicamente diseñadas para ellos. Utilizar cualquier otro tipo de baterías puede causar lesiones o un riesgo de incendio.

Cuando la batería no está en uso, manténgala alejada de otros objetos metálicos como clips, monedas, llaves, clavos, tornillos u otros objetos metálicos pequeños que puedan crear una conexión desde una terminal a otra. Causar un cortocircuito en los terminales de la batería puede causar quemaduras o un incendio.

En condiciones abusivas, podría salir expulsado líquido de la batería, por lo que debería evitar el contacto con éste. Si se produce un contacto accidental, enjuáguese las manos con agua. Si el líquido entra en contacto con los ojos, acuda inmediatamente al médico. Si el líquido es expulsado de la batería y entra en contacto con él, podría causar irritación o quemaduras.

MANTENIMIENTO

Su herramienta eléctrica debería ser reparada por personas cualificadas, que deberían utilizar únicamente piezas de repuesto idénticas. Esto garantizará la seguridad a la hora de utilizar la herramienta eléctrica.

ADVERTENCIAS GENERALES DE SEGURIDAD ADICIONALES

Algunas regiones tienen normas que limitan el uso del producto. Consulte con su autoridad local para obtener información.

Nunca permita que niños o personas no familiarizadas con las instrucciones utilicen este producto. Las regulaciones locales pueden restringir la edad del operario.

Antes de cada uso, asegúrese de que todos los controles y dispositivos de seguridad funcionan correctamente. No utilice el aparato si el interruptor "off" no para el motor.

Lleve un equipo completo de protección auditiva y ocular, guantes fuertes resistentes, así como protección para la cabeza mientras esté utilizando el producto; use una mascarilla si el funcionamiento genera mucho polvo.

No utilice ropas anchas, pantalones cortos ni joyas de cualquier tipo.

Recoja el cabello largo para que quede por encima del nivel de los hombros y evitar así que se enmarañe en cualquier pieza móvil.

Tenga cuidado con los objetos proyectados, volantes o que caigan. Mantenga a los transeúntes, a los niños y a los animales a 15 m de distancia de la zona de operación.

No trabaje con esta herramienta en una zona mal iluminada. El operador debe tener una visión clara de la zona de trabajo para identificar peligros potenciales.

El uso de dispositivos de protección auditiva reducirá su capacidad para oír posibles advertencias (gritos o alarmas). El operador debe prestar atención extra a lo que está sucediendo en el área de trabajo.

Utilizar herramientas similares a poca distancia aumenta tanto el riesgo de lesión auditiva como el riesgo potencial de que otras personas accedan a su área de trabajo.

Mantenga su pisada firme y su equilibrio. No se extienda demasiado. Estirarse demasiado puede resultar en la pérdida de equilibrio y puede aumentar el riesgo de retroceso.

Mantenga las piezas en movimiento alejadas de su cuerpo.

Inspeccione la máquina antes de cada uso. Compruebe el correcto funcionamiento de todos los controles incluyendo el freno de cadena. Compruebe que no haya piezas de sujeción sueltas, asegúrese de que todas las protecciones y mangos están bien sujetos. Sustituya cualquier pieza dañificada antes de su utilización.

No modifique la herramienta de modo alguno ni utilice piezas o accesorios que no sean los recomendados por el fabricante.

ADVERTENCIA!

Si el aparato se cae, sufre un impacto fuerte o empieza a vibrar de manera anormal, párelo inmediatamente y compruebe si está dañado o identifique el motivo de la vibración. La reparación de daños y la sustitución de piezas deben ser realizadas por un centro de servicio autorizado.

Al desechar baterías usadas, no deben tirarse con los residuos domésticos ni quemarse. Los distribuidores de ECHO se ofrecen a recuperar baterías viejas para proteger el medioambiente.

No almacene las baterías junto con objetos de metal (riesgo de cortocircuito).

Use exclusivamente un cargador ECBC-58VEU/ECBC-58VUK para cargar la batería. No utilice baterías de otros sistemas.

Paquetes de batería compatibles: ECBP-58V40, ECBP-58V20

Podría filtrarse ácido de las baterías dañadas en caso de cargas o temperaturas extremas. En caso de entrar en contacto con el ácido de la batería, lávese inmediatamente con jabón y agua. En caso de que le entre en un ojo, aclare abundantemente con agua durante al menos durante 10 minutos y solicite inmediatamente asistencia médica.

Los dos tornillos de bloqueo de la barra de la cadena son puntos sensibles a las descargas electrostáticas durante el uso del producto. El usuario debe soltar el gatillo para reiniciar el producto en caso de que se produzca una desconexión debida a una descarga electrostática.

ADVERTENCIAS DE SEGURIDAD DE LA MOTOSIERRA

Aleje todas las partes del cuerpo de la cadena de la sierra cuando utilice el producto. Antes de arrancar la motosierra, asegúrese de que la cadena de la sierra no está en contacto con nada. Un momento de distracción en el manejo de la motosierra puede provocar que se enrede su ropa o su cuerpo con la motosierra.





Sujete siempre la herramienta con la mano derecha en la empuñadura trasera y la mano izquierda en la empuñadura delantera. Sujetar la motosierra con la mano de forma invertida incrementa el riesgo de sufrir daños personales, por lo que nunca debe realizarse de ese modo.

Sujete el producto exclusivamente por la superficie de agarre aislada, porque la cadena de la sierra puede entrar en contacto con cables eléctricos ocultos. El contacto de la motosierra con un cable con corriente puede cargar las partes metálicas de la herramienta y puede provocar una descarga eléctrica.

Use gafas de seguridad y protección para los oídos. Se recomienda además el uso de equipos de protección para cabeza, manos, pierns y pies. Una ropa de protección apropiada reducirá el riesgo de lesiones personales causadas por partículas volátiles o por el contacto accidental con la motosierra.

No utilice la motosierra en un árbol. Utilizar la motosierra cuando se encuentra sobre un árbol puede provocar lesiones personales.

Mantenga siempre el equilibrio necesario y maneje la motosierra sólo cuando se encuentre sobre una superficie fija, firme y nivelada. Las superficies resbaladizas o inestables, como las escaleras, pueden provocar una pérdida del equilibrio o del control de la motosierra.

Al cortar una rama que se encuentre bajo tensión, esté alerta por el efecto de retroceso. Cuando la tensión de las fibras de madera se libera, la rama catapultada puede golpear al usuario y/o a la motosierra y dejarla fuera de control.

Tenga extremo cuidado al cortar los arbustos y brotes. El material delgado puede bloquear la motosierra y lanzarla hacia usted o hacerle perder el equilibrio.

Lleve la motosierra por el mango delantero con la motosierra apagada y alejada de su cuerpo. Cuando transporte o guarde la herramienta, coloque siempre la cobertura de la barra guía. Sujetar adecuadamente la motosierra reducirá la probabilidad de un contacto accidental con la cadena móvil de la sierra.

Siga las instrucciones para lubricar, tensar la cadena y cambiar los accesorios. Una cadena mal tensada o lubricada incorrectamente puede romperse o incrementar el riesgo de retroceso.

Mantenga las asas secas, limpias y libres de aceite y grasa. Los mangos grasientos y aceitosos son resbaladizos, provocando la pérdida de control.

Corte únicamente madera. No utilice la motosierra para fines diferentes de los aquí indicados. Por ejemplo, no utilice la motosierra para cortar plástico, mampostería o materiales de construcción que no sean de madera. Utilizar la motosierra para realizar trabajos diferentes a los que esta herramienta está destinada podría dar como resultado una situación peligrosa.

Causas y prevención de retroceso:

Se puede producir un efecto de retroceso si el extremo de la espada toca un objeto o si la cadena se pellizca y se bloquea en la madera durante el corte.

El contacto con la punta, en algunos casos, puede ocasionar una reacción inversa repentina, provocando que la barra guía salte hacia el usuario.

Apretar la cadena de la sierra a lo largo de la parte superior de la barra de guía puede hacer que la barra de guía retroceda rápidamente hacia el operador.

Ambas reacciones provocan la pérdida de control de la motosierra, con el consiguiente riesgo de lesiones de gravedad. No confíe exclusivamente en los dispositivos de seguridad integrados en la motosierra. Como usuario de una motosierra, deberá adoptar una serie de medidas para evitar accidentes y lesiones durante los trabajos de corte.

El retroceso es el resultado de un uso incorrecto de la herramienta y/o de condiciones o procedimientos de manejo incorrectos, y se puede evitar tomando las precauciones necesarias según lo indicado abajo:

Sujete firmemente con ambas manos las empuñaduras de la motosierra, y coloque su cuerpo y el brazo de forma que puedan resistir la fuerza del retroceso. La fuerza del retroceso puede ser controlada por el usuario si se toman las precauciones adecuadas. No suelte la motosierra.

No realice sobreesfuerzos y no corte por encima de la altura del hombro. Esto ayuda a impedir el contacto accidental del extremo de la barra y permite un mejor control de la motosierra en situaciones inesperadas.

Utilice solo las cadenas y barras especificadas por el fabricante. El uso de barras y cadenas de recambio incorrectas podría provocar una ruptura de la cadena y/o un retroceso.

Siga las instrucciones de afilado y mantenimiento del fabricante de la motosierra. Disminuir la altura del calibre de profundidad puede ocasionar un incremento del retroceso.

ADVERTENCIAS ADICIONALES DE SEGURIDAD DE LA MOTOSIERRA

Se recomienda cortar troncos sobre un caballete o un soporte al utilizar el producto por primera vez.

Asegúrese de que todas las protecciones, mangos y paragolpes dentado están debidamente instalados y en buen estado.

Las personas que utilicen el producto deben estar en buen estado de salud. El producto es pesado, por lo que el usuario debe contar con la capacidad física necesaria para manejarlo. The product is heavy, so the operator must be physically fit. El operario debe estar alerta, tener buena visión, movilidad, equilibrio y destreza manual. Si tiene alguna duda, no utilice el producto.

No empiece a usar el producto hasta que el área de trabajo esté despejada, tenga los pies firmes y cuente con una zona planificada para alejarse de la caída del árbol.

Tenga cuidado con la emisión de neblina del lubricante y aserrín. Use una máscara o respirador, si es necesario.

No corte vides y/o maleza pequeña (menos de 75 mm de diámetro).





Sujete siempre el producto con las dos manos cuando lo utilice. Sujétela firmemente con los pulgares y los dedos alrededor de las asas. La mano derecha debe estar en el mango trasero y la mano izquierda en el mango delantero.

Antes de poner en marcha el producto, compruebe que la cadena de la sierra no está en contacto con ningún objeto.

No modifique su producto de ningún modo ni lo utilice para alimentar accesorios o dispositivos no recomendados por el fabricante para su producto.

Debe haber un kit de primeros auxilios con vendajes grandes para heridas y un medio para llamar la atención (por ejemplo, un silbato) cerca del operario. Del mismo modo, debe haber un kit más amplio y completo cerca.

Lleve un casco en todo momento al utilizar el producto. Un casco, equipado con visera de malla, puede reducir el riesgo de lesiones en la cara y la cabeza por retroceso.

Una cadena mal tensada puede saltar fuera de la barra de guía, resultando en lesiones graves o la muerte. La longitud de la cadena depende de la temperatura. Compruebe frecuentemente la tensión.

Debe familiarizarse con su nueva motosierra haciendo cortes simples en madera con un apoyo seguro. Haga esto cada vez que haya pasado algún tiempo sin utilizar la sierra.

Para reducir el riesgo de lesiones causadas por el contacto con piezas móviles, detenga siempre el motor, aplique el freno de cadena, retire la batería y asegúrese de que todas las partes móviles se hayan detenido completamente antes de:

- limpieza y desobstrucción de bloqueo
- dejar el producto desatendido
- instalar o retirar accesorios
- inspeccionar, mantener o trabajar con el producto

La extensión de la zona de trabajo depende de la tarea realizada así como del tamaño del árbol o de la pieza en cuestión. Por ejemplo, la tala de un árbol requiere una mayor área de trabajo que la realización de otros cortes, por ejemplo, cortes de división de troncos, etc.

El operario tiene que estar atento y tener bajo control todo lo que ocurre en esta área de trabajo.

No corte con su cuerpo en línea con la barra de guía y la cadena. En caso de retroceso, esto ayudará a evitar que la cadena entre en contacto con su cabeza o su cuerpo.

No utilice un movimiento de vaivén hacia atrás y hacia delante mientras sierra, deje que la cadena haga el trabajo, mantenga la cadena afilada y no intente empujar la cadena a través del corte.

No aplique presión sobre la sierra al final del corte. Prepárese para aguantar el peso de la sierra cuando ésta sobrepase la madera. De otro modo, podría sufrir lesiones personales graves.

No detenga la sierra en medio de una operación de corte. Mantenga la sierra funcionando hasta que ya esté retirada del corte.

Empuje y arrastre

La reacción es siempre opuesta a la dirección de movimiento de la cadena. Así, el operario debe estar preparado para controlar la tendencia de la máquina a apartarse (movimiento hacia delante) al cortar en el borde inferior de la barra y a empujar (hacia el operario) cuando se corta a lo largo del borde superior.

Sierra atascada en el corte

Detenga la motosierra y asegúrela. No intente forzar la cadena y la barra fuera del corte, ya que es probable que se rompa la cadena, pudiendo girar hacia tras y golpear al operario. Normalmente esta situación se debe a que la madera está mal apoyada y fuerza el corte bajo compresión, pellizcando así la hoja. Si la barra y la cadena no se liberan mediante el ajuste del soporte, use cuñas de madera o una palanca para abrir el corte y liberar la sierra. No intente arrancar la motosierra cuando la barra de guía ya esté en un corte o ranura.

Equipo de protección personal

Los equipos de protección individual de buena calidad, como los utilizados por profesionales, ayudarán a reducir el riesgo de lesiones al operario. Al utilizar su motosierra, debe utilizar los siguientes elementos:

Casco de seguridad

- debe cumplir la norma EN 397 y poseer el marcado CE

Protección auditiva

- debe cumplir la norma EN 352-1 y poseer el marcado CE

Protección ocular y para el rostro

- deben poseer el marcado CE y cumplir la norma EN 166 (para gafas de seguridad) o EN 1731 (para pantallas de rejilla)

Gautes

- debe cumplir la norma EN381-7 y poseer el marcado CE

Protección para las piernas (pantalones de seguridad)

- deben cumplir la norma EN381-5, poseer el marcado CE y proporcionar una protección completa.

Botas de seguridad para la motosierra

- deben cumplir la norma EN ISO 20345:2004 y poseer un marcado que represente una motosierra para demostrar su conformidad con la norma EN 381-3. (Los usuarios ocasionales pueden utilizar botas de seguridad con punta de acero con polainas protectoras, de acuerdo con la norma EN 381-9 si el suelo está nivelado y hay poco riesgo de tropezar o engancharse en la maleza)

Chaquetas adecuadas para motosierra para protección de la parte superior del cuerpo

- debe cumplir la norma EN 381-11 y poseer el marcado CE



INSTRUCCIONES RELATIVAS A TÉCNICAS ADECUADAS PARA TALA BÁSICA, CORTE DE RAMAS Y CORTE TRANSVERSAL

Comprender las fuerzas dentro de la madera

Cuando se entienden las presiones y tensiones direccionales dentro de la madera, pueden reducirse los "pellizcos" o por lo menos preverlos durante el corte. La tensión en la madera significa que las fibras están siendo separadas y, si se corta en esta área, el corte tenderá a abrirse a medida que la sierra lo atraviesa. Si se está apoyando el tronco sobre un caballete y el extremo queda colgando sin soporte, se crea tensión en la superficie superior debido al peso del tronco que sobresale, estirando las fibras. Del mismo modo, la parte inferior del tronco estará en compresión, por lo que las fibras tienden a unirse. Si se hace un corte en esta zona, el corte de separación tenderá a cerrarse durante el corte. Esto podría pellizcar la hoja de corte.

Talar un árbol

Véase Fig. 1 - 6.

Cuando dos o más personas realizan operaciones de corte y tala al mismo tiempo, la operación tala debería realizarse a una distancia de la operación de corte de al menos dos veces la altura del árbol que se está talando. Los árboles no deberían talarse de forma que puedan poner a alguien en peligro, alcanzar la línea de suministro o causar daños a la propiedad. Si el árbol se pone en contacto con cualquier línea de suministro, las empresas deberían ser notificadas inmediatamente.

El operario de la motosierra debe mantenerse en la parte más elevada del terreno puesto que es probable que el árbol ruede o resbale hacia abajo una vez talado.

Debe planificarse y despejar una vía de escape ya que es necesario antes de iniciar los cortes. La ruta de retirada debe extenderse hacia atrás y en diagonal hacia la parte posterior de la línea de caída prevista.

Antes de empezar la tala, tenga en cuenta la inclinación natural del árbol, la ubicación de las ramas más grandes y la dirección del viento para evaluar cómo caerá el árbol.

Elimine la suciedad, piedras, trozos de corteza suelta, clavos, estribos o cualquier alambre que pueda estar en el árbol.

No trate de hacer caer árboles descompuestos o dañados por viento, fuego, rayos, etc.

Es extremadamente peligroso y debe realizarlo un selvicultor profesional.

1. Corte inferior de entalle (muesca)

Véase Fig. 1 - 6.

Realice la muesca de 1/3 del diámetro del árbol, perpendicular a la dirección de la caída. Realice primero la muesca horizontal inferior. Esto ayudará a evitar que se pellizque la cadena de la sierra o la barra de guía al realizar la segunda muesca.

2. Corte por cara opuesta

Véase Fig. 1 - 6.

Realice el corte trasero por lo menos 50 mm (2 pulgadas) por encima de la muesca horizontal. Mantenga el corte trasero paralelo al corte de la muesca horizontal. Haga el corte trasero para que haya suficiente madera para que funcione como una bisagra. La bisagra de madera evita que el árbol se retuerza y caiga en la dirección errónea. No corte a través de la bisagra.

A medida que se acerca el corte a la bisagra, el árbol debería comenzar a caer. Si hay alguna posibilidad de que el árbol pueda no caer en la dirección deseada o que pueda balancearse hacia atrás o atascar la cadena de la motosierra, detenga el corte antes de completar el corte trasero y utilice cuñas de madera, plástico o aluminio para abrir el corte y dejar caer el árbol en la línea deseada.

Cuando el árbol empiece a caer, retire la motosierra del corte, detenga el motor, coloque la motosierra en el suelo y, a continuación, use la ruta de retirada planeada. Está alerta para evitar las ramas que puedan caer y preste atención siempre por donde camine.

Eliminación de las raíces fulcreas

Véase Fig. 7 - 8.

Una raíz fulcrea es una raíz grande que sale del tronco del árbol por encima del suelo. Elimine las raíces fulcreas antes de talar el árbol. Primero realice el corte horizontal en la raíz fulcrea, y luego el vertical. Retire de la zona de trabajo la sección suelta de madera que ha cortado. Después de eliminar las raíces fulcreas grandes, siga el procedimiento correcto para talar el árbol.

Corte transversal de un tronco

Véase Fig. 9 - 11.

Este aserrado se realiza longitudinalmente. Es importante asegurarse de que el suelo donde se encuentra sea firme y que su peso se distribuya uniformemente en ambos pies. Cuando sea posible el tronco debería ser levantado y apoyado mediante ramas, troncos o cuñas. Siga estas sencillas instrucciones para realizar un corte fácil: Cuando el tronco esté apoyado en toda su longitud, se corta desde la parte superior (corte desde arriba).

Cuando el tronco esté apoyado en un extremo, corte 1/3 del diámetro a partir de la parte inferior (corte desde abajo). A continuación, realice el corte final cortando desde arriba para encontrar el primer corte.

Cuando el tronco está apoyado en ambos extremos, corte 1/3 del diámetro de la parte superior (overbuck). A continuación, realice el corte final cortando desde arriba 2/3 más abajo para encontrar el primer corte.

Cuando se realice el corte en una pendiente, sitúese siempre en la parte superior del terreno detrás del tronco. Al realizar un corte transversal y para mantener el control completo, libere la presión de corte cerca del extremo del corte sin relajar la fuerza que ejerce sobre las empuñaduras de la herramienta. No deje que la cadena toque el suelo. Después de completar el corte, espere hasta que la cadena se detenga antes de mover la herramienta. Detenga siempre el motor antes de pasar a otro árbol.

Desramado un árbol

Véase Fig. 12 - 13.

La poda en este contexto se refiere a quitar las ramas de un árbol talado. Al podar, deje que las ramas más grandes apoyen el tronco en el suelo. Quite las ramas pequeñas de un solo corte. Las ramas bajo tensión deben cortarse desde la parte inferior hacia arriba para evitar que se atasque la motosierra.

Rama flexible doblada

Véase Fig. 14 - 15.

Una rama con acción de resorte es cualquier tronco, rama, tocón con raíz o árbol joven que está curvado con tensión bajo la acción de otra pieza de madera que, cuando se corta o se retira, libera la rama que recupera bruscamente su posición original.

En un árbol caído, es muy probable que un tocón con raíces vuelva de golpe a su posición vertical al realizar el corte de tronzado para separar el tronco del tocón. Tenga mucho cuidado con las ramas con acción de resorte, porque son peligrosas.



ADVERTENCIA!

Las ramas con acción de resorte son peligrosas porque pueden golpear al operario haciéndole perder el control de la motosierra. Esto puede causar al operario lesiones graves o incluso fatales. Esta tarea debe ser realizada por usuarios capacitados.

ADVERTENCIAS DE SEGURIDAD DE LA BATERÍA ADICIONAL



ADVERTENCIA!

Para reducir el riesgo de incendio, lesion personales y daños al producto debido a un cortocircuito, no sumerja nunca la herramienta, el paquete de baterías o el cargador en líquido ni permita que fluya un fluido dentro de ellos. Los fluidos corrosivos o conductivos, como el agua de mar, ciertos productos quími-cos industriales y blanqueadores o lejías que contienen, etc., Pueden causar un cortocircuito.

RIESGOS RESIDUALES:

Incluso cuando se utiliza el producto según las instrucciones, sigue siendo imposible eliminar por completo ciertos factores de riesgo residuales. Los siguientes peligros pueden surgir en el uso y el operador debe prestar especial atención para evitar lo siguiente:

- Lesiones por vibración
 - Use siempre la herramienta adecuada para el trabajo. Utilice los mangos designados. Limite el tiempo de trabajo y la exposición.

- La exposición al ruido puede causar pérdidas de audición.
 - Use protección para los oídos y limite el tiempo de exposición
- lesión por contacto con los dientes de sierra de la cadena expuestos
- lesión causada por piezas proyectadas de la pieza de trabajo (trozos de madera y astillas)
- Lesión causada por la inhalación de polvo y partículas
- lesión causada por contacto de la piel con el lubricante o aceite

REDUCCIÓN DEL RIESGO

Se ha informado de que las vibraciones de las herramientas de mano puede contribuir a una condición llamada síndrome de Raynaud en ciertos individuos. Los síntomas pueden incluir hormigueo, entorpecimiento y decoloración de los dedos, generalmente aparentes cuando tiene lugar una exposición al frío. Se considera que los factores hereditarios, exposición al frío y a la humedad, dieta, tabaquismo y prácticas de trabajo contribuyen al desarrollo de estos síntomas. Existen medidas que pueden ser tomadas por el operador para reducir los efectos de vibración:

- Mantenga su cuerpo caliente durante el tiempo frío. Al manipular la unidad, utilice guantes para mantener las manos y las muñecas calientes.
- Después de cada período de funcionamiento, realice ejercicios para aumentar la circulación sanguínea.
- Haga pausas de trabajo frecuentes. Limite la cantidad de exposición por día.
- Los guantes de protección disponibles en tiendas de motosierras profesionales están diseñados específicamente para el uso de motosierras, ofreciendo protección y buen agarre, reduciendo también el efecto de la vibración en el mango.

Si siente alguno de los síntomas de esta enfermedad, interrumpa inmediatamente el uso y consulte a su médico estos síntomas.



ADVERTENCIA!

El uso prolongado de una herramienta puede causar o agravar lesiones. Al utilizar cualquier herramienta durante períodos prolongados asegúrese de tomar descansos regulares.

USO PREVISTO

Este producto sólo está destinado para usar al aire libre. Por razones de seguridad, la herramienta debe controlarse de forma adecuada utilizando las dos manos en todo momento.



Este producto está diseñado para el corte de ramas, troncos, leña y vigas de un diámetro determinado por la longitud de corte de la barra guía. Su uso se limita al corte de madera. Sólo debe utilizarse en usos domésticos por adultos que hayan recibido una formación adecuada sobre los riesgos y las acciones/medidas preventivas a tener en cuenta durante su utilización.

No debe ser utilizado para servicios profesionales de tala de árboles. El producto no debería ser utilizado por niños o por personas que no lleven ropa o un equipo adecuados de protección personal.

No utilice el producto para ningún fin que no aparezca indicado en el apartado Uso previsto.



ADVERTENCIA!

Al utilizar el producto, deben seguirse las normas de seguridad. Por su propia seguridad y la de los transeúntes, debe leer y comprender todas estas instrucciones antes de empezar a utilizar el aparato. Debe asistir a un curso de seguridad organizado profesionalmente sobre uso, medidas preventivas, primeros auxilios y mantenimiento de motosierras. Guarde las instrucciones para usarlas en el futuro.



ADVERTENCIA!

Las motosierras son herramientas potencialmente peligrosas. Los accidentes que impliquen el uso de motosierras a menudo pueden causar la pérdida de miembros o la muerte. La motosierra no es la única que conlleva riesgo. Las ramas que caen, el derribo de árboles, o troncos rodantes pueden causar la muerte. La madera enferma o podrida implica peligros adicionales. Debes evaluar tu capacidad para completar la tarea de manera segura. En caso de duda, déjelo en manos de un profesional de árboles.

CONOZCA SU PRODUCTO

Ver páginas 6-7.

1. Batería
2. Liberador del gatillo
3. Mango trasero
4. Gatillo interruptor
5. Llave de combinación
6. Mango delantero
7. Tapón de aceite de la cadena
8. Cubierta de la barra de guía
9. Cadena
10. Espada
11. Espiga del parachoques
12. Pasador de la cadena
13. Tornillo de tensión de la cadena
14. Cubierta de la cadena
15. Tuercas de montaje de barra
16. Protección de la mano delantera/Freno de la cadena

DISPOSITIVOS DE SEGURIDAD

Cadena de bajo retroceso

Una motosierra con poco nivel de retroceso ayuda a reducir la posibilidad de retroceso.

Las puntas (limitadores de profundidad) situadas delante de cada cuchilla reducen la fuerza de la reacción de retroceso evitando que las cuchillas se claven con demasiada profundidad en la zona de retroceso. Utilice solamente combinaciones de cadena y barras de guía recomendadas por el fabricante.

Cuando las cadenas se afilan, pierden parte de sus cualidades de bajo retroceso, por lo que se requiere mayor precaución. Por su seguridad, sustituya las cadenas de la sierra cuando disminuya el rendimiento de corte.

Espiga del parachoques

La espiga integral del parachoques puede usarse como pivote al hacer un corte. Ayuda a mantener el cuerpo de la motosierra estable durante el corte. Al cortar, empuje la herramienta hacia adelante hasta que las púas se claven en el borde de la madera y, a continuación, moviendo el mango trasero arriba o abajo en la dirección de la línea de corte, puede ayudar a aliviar la tensión física de corte

Espadas

Por lo general, las barras de guía con puntas esféricas pequeñas tienen menos probabilidades de retroceso. Debe utilizar una barra de guía y una cadena adecuada que sea lo bastante larga para el trabajo. Las barras más largas aumentan el riesgo de pérdida de control durante el aserrado. Compruebe regularmente la tensión de la cadena. Al cortar ramas más pequeñas (con menor longitud que la barra guía), existen más posibilidades de que la cadena sea proyectada si la tensión no es correcta.

Freno de la cadena

El freno de la cadena está diseñado para detener rápidamente la rotación de la cadena. Cuando la palanca del freno/protección de la mano se presiona hacia la espada, la cadena debe detenerse inmediatamente. El freno de la cadena no evita el retroceso. Sólo reduce el riesgo de lesiones en caso de que la barra de la cadena entre en contacto con el cuerpo del operario durante un retroceso. El freno de cadena debe probarse antes de cada para comprobar que funciona correctamente en posición de funcionamiento y de frenado.

Pasador de la cadena

Un resguardo para la cadena evita que la sierra de cadena retroceda hacia el usuario si esta se afloja o se rompe.

UTILIZACIÓN



ADVERTENCIA!

En caso de que se dañe o falte alguna pieza, no utilice este producto hasta que se hayan reemplazado las piezas. No prestar atención a esta advertencia podría resultar en lesiones personales.



Instalación de la batería

Véase la página 6.

Coloque la batería en el producto. Alinee las nervaduras salientes de la batería con los surcos del puerto de la batería del producto.

Asegúrese de que el pasador de la batería encaja en su sitio y de que la batería quede bien asentada y fijada en el producto antes de iniciar el funcionamiento del equipo.

Sujetar el producto

Ver figura 1.

Sujete el producto con la mano derecha en el manillar posterior y la mano izquierda en el manillar frontal. Sujete las empuñaduras con ambas manos. Asegúrese de que su mano izquierda sostiene el asa frontal y que su pulgar está debajo.

Arrancar el producto

Véase la página 8.

Antes de iniciar la operación, debe instalar la batería en la máquina y asegurarse de que el freno de la cadena está en posición de funcionamiento tirando de la palanca del freno de cadena/protección manual hacia el mango delantero.

Para arrancar el motor, tire de la traba del gatillo y luego presione el gatillo del acelerador.

Comprobación y funcionamiento del freno de cadena

Véase la página 20.

Accione el freno de cadena girando con la mano izquierda el mango delantero. Usando la palma de la mano, empuje la palanca del freno de cadena/protección manual en dirección a la barra mientras la cadena está girando rápidamente. Asegúrese de mantener ambas manos sobre los mangos de la sierra en todo momento.

Vuelva a colocar el freno de cadena en posición de funcionamiento sujetando la parte superior de la palanca del freno de cadena/protección manual y tirando de ella hacia el mango delantero hasta que oiga un clic.



ADVERTENCIA!

Si el freno no detiene la cadena inmediatamente, o si el freno no queda fijo en la posición de funcionamiento por sí mismo, lleve la motosierra a un centro oficial de reparación.

Ajuste de la tensión de la cadena

Véase la página 14 - 15.

Quite las baterías antes de empezar ningún trabajo con el producto.

Asegúrese de que las tuercas de montaje de barra se han soltado manualmente.

Para aumentar la tensión de la cadena, gire el tornillo en el sentido de las agujas del reloj y compruebe la tensión de la cadena frecuentemente. Para reducir la tensión

de la cadena, gire el tornillo en el sentido contrario al de las agujas del reloj y compruebe la tensión de la cadena frecuentemente.

La tensión de la cadena es correcta cuando la separación entre el dispositivo de corte de la cadena y la barra es de unos 6,5 mm (0,256 pulgadas). Tire de la cadena en el centro de la parte inferior de la barra hacia abajo (alejándola de la barra) y mida la distancia entre la barra y los cortadores de la cadena.

Añada aceite lubricante para la cadena

Véase la página 16 - 17.



ADVERTENCIA!

Nunca trabaje sin lubricante de cadena. Si la motosierra está funcionando sin lubricante, la barra de guía y la motosierra pueden estropearse. Por tanto, es imprescindible comprobar el nivel de aceite en el indicador de nivel de aceite con frecuencia y siempre antes de empezar a utilizar la motosierra.

Limpie el área alrededor de la tapa del aceite para prevenir la contaminación.

Desatornille y retire la tapa del depósito de aceite.

Vierta el aceite en el depósito de aceite y controle el indicador de nivel de aceite. Asegúrese de que no entre suciedad en el depósito de aceite durante la operación de llenado.

Coloque la tapa del depósito y apriétela. Limpie cualquier posible derrame.

TRANSPORTE Y ALMACENAMIENTO

Detenga el producto, retire la batería y deje que ambos se enfríen antes de guardarlos o transportarlos.

Limpie todo el material extraño que pueda permanecer en el producto. Guarde en una zona seca y bien ventilada, a la que no puedan acceder los niños. Evite el contacto con agentes corrosivos tales como productos químicos de jardinería o sales descongelantes. No almacenar al aire libre.

Coloque la cubierta de la barra de guía antes de almacenar la unidad o durante el transporte.

Para transportar el producto, sujételo de modo que no se mueva ni se caiga para evitar lesiones personales o daños al producto.

MANTENIMIENTO



ADVERTENCIA!

Utilice exclusivamente accesorios ECHO y piezas de recambio ECHO. Si no lo hace podría ocurrir un mal funcionamiento, podrían producirse daños o podría quedar anulada la garantía. Si es necesario sustituir algún componente que no se haya descrito, contacte con nuestro agente de servicio de ECHO.



ADVERTENCIA!

Las reparaciones requieren tener mucho cuidado y conocimiento y sólo debe realizarse por un técnico de servicio calificado. Para operaciones de servicio, lleve el producto a un centro de servicio autorizado. Utilice solo recambios originales del fabricante para las operaciones de mantenimiento.



ADVERTENCIA!

Extraiga la batería antes de realizar operaciones de ajuste, mantenimiento o limpieza. Si no lo hace podría haber un riesgo de lesiones graves.

- Usted solo puede realizar los ajustes o reparaciones descritos en este manual. Para otro tipo de reparaciones póngase en contacto con un agente de servicios autorizado.
- Las consecuencias de un mantenimiento inadecuado pueden hacer que el freno de cadena y otras características de seguridad no funcionen correctamente, aumentando así la posibilidad de lesiones graves. Mantenga la motosierra con un mantenimiento profesional y segura.
- El afilado de la cadena de manera segura es una tarea especializada. Por tanto, el fabricante recomienda encarecidamente que una cadena opaca o desgastada se sustituya por otra nueva, que se encuentra disponible en el centro de asistencia autorizado. El nombre de la pieza se encuentra disponible en la tabla de especificaciones de producto de este manual.
- Siga las instrucciones para lubricar, ajustar y comprobar la tensión de la cadena.
- Limpiar el producto con un paño suave seco después de cada uso.
- Verifique a intervalos frecuentes si todas las tuercas, pernos y tornillos están apretados apropiadamente para asegurarse de que el equipo esté en buenas condiciones de trabajo. Cualquier pieza dañada debe ser sustituida o reparada adecuadamente por un centro de servicio autorizado.

Sustitución de la barra de guía y de la cadena

Véase la página 10 - 13.

Asegúrese de retirar la batería. Use guantes de protección.

Quite las tuercas de montaje de barra con la llave combinada proporcionada.

Quite la cubierta de la cadena.

Retire la barra y la cadena de la herramienta.

Coloque la nueva cadena en la dirección correcta en la barra y compruebe que las conexiones de transmisión están alineadas con la ranura de la barra.

Instale la barra en la motosierra y enrolle la cadena alrededor del piñón motriz.

Sustituya la cubierta de la cadena y las tuercas de montaje de barra.

Apriete manualmente las tuercas de montaje de barra. La espada debe poder moverse para ajustar la tensión.

Ajuste la tensión de la cadena. Consulte la sección "Ajuste de la tensión de la cadena".

Sostenga la punta de la espada hacia arriba y apriete firmemente las tuercas de fijación de la espada.

Inspeccionar y limpiar el freno de cadena

Véase la página 22.

Mantenga siempre limpio el mecanismo de freno de la cadena cepillando suavemente la conexión para mantenerla libre de suciedad.

Compruebe siempre el funcionamiento del freno de la cadena tras limpiarlo. Consulte la sección "Comprobación y uso del freno de cadena" de este manual para obtener más información.

PROGRAMA DE MANTENIMIENTO

Revisión diaria	
Lubricación de la barra	Antes de cada uso
Tensión de la cadena	Antes de cada uso y con frecuencia
Filo de la cadena	Antes de cada uso, inspección visual
Si hay piezas dañadas	Antes de cada uso
Si hay sujetadores sueltos	Antes de cada uso
Funcionamiento del freno de cadena	Antes de cada uso
Inspeccionar y limpiar	
Barra	Antes de cada uso
Sierra completa	Después de cada uso
Freno de la cadena	Cada 5 horas*

*Horas de funcionamiento

PIEZAS DE REPUESTO

Pieza	Número de accesorio
Espada	6000945
Cadena	90PX056X

BATERÍAS

- Las baterías que no se han utilizado durante un tiempo deberían recargarse antes de su uso.
- Las temperaturas superiores a los 50 °C (122 °F) reducen el rendimiento de la batería. Evite la exposición continuada al calor o la luz solar (riesgo de sobrecalentamiento).
- Se deben mantener limpios los contactos de los

cargadores y las baterías.

- Para una duración óptima, la batería se tiene que cargar completamente después de usar.
- Para aprovechar al máximo la duración de la batería, desenchúfela del cargador cuando esté cargada del todo.

Para el almacenamiento de la batería durante más de 30 días:

- Guarde las baterías con una temperatura inferior a 27°C, y lejos de la humedad.
- Guarde la batería con un 30%-50% de carga.
- Cada seis meses de almacenamiento, cargue la batería de forma habitual.

TRANSPORTE DE BATERÍAS DE LITIO

La batería de ión-litio está sujeta a la legislación sobre mercancías peligrosas.

El transporte de las baterías se tiene que realizar conforme a las provisiones y regulaciones locales, nacionales e internacionales.

- El usuario puede transportar las baterías por carretera sin requisitos adicionales.
- El transporte comercial de baterías de ion-litio por parte de terceros está sujeto a las regulaciones de bienes peligrosos. La preparación del transporte y el transporte sólo deben ser realizados por personal con la formación adecuada y el proceso debe ser supervisado por los correspondientes expertos.

Al transportar baterías:

- Asegúrese de que los terminales de contacto de la batería están protegidos y aislados para evitar cortocircuitos.
- Compruebe que la batería esté asegurada dentro del embalaje para que no se dañe con el movimiento.
- No transporte baterías que tengan grietas o fugas.

Consulte a la empresa de transporte para obtener más asesoramiento.

SÍMBOLOS



Advertencia



Lea y comprenda todas las instrucciones antes de manipular el producto, respete las advertencias y las instrucciones de seguridad.



Póngase protección para los ojos, los oídos y la cabeza.



Utilice calzado de seguridad antideslizante cuando utilice este producto.



Use guantes de trabajo resistentes, antideslizantes.



Tenga cuidado con el rebote de la sierra y evite el contacto con el extremo de la espada.



No la exponga a la lluvia o a lugares húmedos.



Sostenga y utilice la motosierra con ambas manos.



No utilice la motosierra sosteniéndola con una sola mano.



Coloque el freno de cadena en la posición RUN (funcionamiento).



Coloque el freno de cadena en la posición BRAKE (freno).



El mejor nivel de potencia sonora es de 106 dB



Marca de conformidad ucraniana



Certificado EAC de conformidad



Los productos eléctricos de desperdicio no deben desecharse con desperdicios caseros. Por favor reciclelos donde existan dichas instalaciones. Compruebe con su autoridad local o minorista para reciclar.



Esta herramienta responde a todas las normas reglamentarias del país de la UE donde se ha comprado.

Los siguientes símbolos y sus significados pretenden explicar los niveles de riesgo asociados a este producto.



PELIGRO

Indica una situación potencialmente peligrosa que, de no evitarse, puede ocasionar la muerte o heridas de gravedad.



ADVERTENCIA

Indica una situación peligrosa que, de no evitarse, puede ocasionar la muerte o heridas de gravedad.



ADVERTENCIA

Indica una situación potencialmente peligrosa que, de no evitarse, puede ocasionar heridas leves.

ADVERTENCIA

Sin símbolo de alerta de seguridad

Indica una situación que puede causar daños en las cosas.





DATI TECNICI

MOTOSEGA A BATTERIA

ECCS-58V

EN
FR
DE
ES
IT
NL
PT
DA
SV
FI
NO
RU
PL
CS
HU
RO
LV
LT
ET
HR
SL
SK
BG
UK
TR

Numero seriale	1740220100001 - 1740220199999
Voltaggio nominale	51,1 V, 58 V massima
Lunghezza max barra	400 mm
Capacità serbatoio olio catena	177 ml
Peso (Senza batteria, con barra di guida, catena e serbatoio vuoto)	4,83 kg
Peso (con batteria da 4,0 Ah)	6,73 kg
Peso (con batteria da 2,0 Ah)	6,03 kg
Massima velocità a vuoto	21 m/s
Lunghezza di taglio disponibile	250 mm
Livello di emissione rumore (in accordo con la direttiva EN 60745-1, EN 60745-2-13)	
Livello di pressione sonora ponderata A alla posizione dell'operatore (L_{PA})	94,5 dB(A)
K_{PA} :	2,5 dB(A)
Livello di potenza sonora pesato A (L_{WA})	105,5 dB(A)
K_{WA} :	2,5 dB(A)
Livello vibrazioni (in accordo con la direttiva EN 60745-1; EN 60745-2-13) (davanti/retro)	2,1 / 2,8 m/s ² K=1,5 m/s ²

BATTERIA E CARICATORE

ECCS-58V

Gruppo batterie compatibili	ECBP-58V40 / ECBP-58V20
Caricatore compatibile	ECBC-58VEU / ECBC-58VUK



AVVERTENZA!

Il livello di emissione di vibrazioni riportato in questa scheda informativa è stato misurato con una prova standardizzata secondo EN 60745 ed è utilizzabile per confrontare gli utensili fra di loro. Può essere usato per una valutazione preliminare dell'esposizione.

Il livello di emissione vibrazioni dichiarato è rappresentativo delle principali applicazioni dell'utensile. Tuttavia, se l'utensile viene utilizzato in applicazioni differenti, con differenti accessori o con scarsa manutenzione, l'emissione di vibrazioni può essere diversa. Ciò può significativamente aumentare il livello di esposizione nel periodo di lavoro totale.

Una stima del livello di esposizione alle vibrazioni va presa in considerazione anche quando l'utensile viene spento oppure è in funzione senza svolgere alcun lavoro. Ciò può significativamente ridurre il livello di esposizione nel periodo di lavoro totale.

Identificare ulteriori misure di sicurezza per proteggere l'operatore dagli effetti delle vibrazioni, come: sottoporre a manutenzione l'utensile e gli accessori, mantenere calde le mani, organizzare le modalità di lavoro.

AVVERTENZE GENERALI DI SICUREZZA



AVVERTENZA!

Leggere tutte le avvertenze di sicurezza e le istruzioni. La mancata osservanza di tutte le istruzioni potrà causare scosse elettriche, incendi e/o gravi lesioni personali.

Conservare le presenti avvertenze ed istruzioni per poterle consultare in seguito.

Il termine "elettroutensile" nelle avvertenze fa riferimento a un elettroutensile che funziona con una spina (con cavo) o a batterie (senza cavo).

AMBIENTE DI LAVORO

Mantenere l'area di lavoro pulita e ben illuminata. Aree di lavoro disordinate o non illuminate adeguatamente potranno causare incidenti.

Non mettere in funzione gli elettroutensili in atmosfere esplosive, come in presenza di liquidi infiammabili, gas o polvere. Gli elettroutensili creano scintille che possono causare incendi a contatto con polveri e fumi.





Tenere bambini ed eventuali osservatori lontani mentre si mette in funzione l'elettrotensile. Eventuali distrazioni potranno causare una perdita di controllo.

SICUREZZA ELETTRICA

La spina dell'elettrotensile deve corrispondere alla presa. Non modificare la spina in alcun modo. Non utilizzare spine adattatrici con elettrotensili con messa a terra (presa di terra). Spine non modificate e prese corrispondenti ridurranno il rischio di scosse elettriche.

Evitare il contatto del corpo con superfici con messa a terra come tubi, radiatori, piani cottura e refrigeratori. Rischio aumentato di scosse elettriche se il corpo viene collegato con messa a terra.

Non esporre il prodotto a pioggia o umidità. Nel caso in cui dell'acqua entrerà nell'elettrotensile il rischio di scosse elettriche aumenterà.

Non sottoporre a sforzi il cavo dell'alimentazione. Non trasportare né tirare o scollegare l'elettrotensile dal cavo. Tenere il cavo lontano da calore, olio, angoli appuntiti o parti in movimento. Cavi danneggiati o intrecciati potranno far aumentare il rischio di scosse elettriche.

Quando si mette in funzione un elettrotensile all'esterno, utilizzare una prolunga adatta all'esterno. Utilizzare un cavo adatto agli esterni per ridurre il rischio di scosse elettriche.

Nel caso in cui non si possa fare a meno di mettere in funzione un elettrotensile in un luogo umido, utilizzare un dispositivo di corrente residua (RCD). Utilizzare un RCD ridurrà il rischio di scosse elettriche.

SICUREZZA PERSONALE

Mantenere sempre l'attenzione e utilizzare buon senso quando si utilizza un elettrotensile. Non utilizzare un elettrotensile se stanchi o sotto l'influenza di droghe, alcool o farmaci. Un momento di disattenzione durante le operazioni potrà risultare in gravi lesioni personali.

Utilizzare equipaggiamento di protezione personale. Indossare sempre occhiali di protezione. Utilizzare sempre equipaggiamento di protezione come maschere per la polvere, calzature antiscivolo, caschi o cuffie di protezione per ridurre rischi di lesioni alla persona.

Prevenire l'avvio accidentale. Assicurarsi che l'interruttore sia sulla posizione off (spento) prima di collegare l'utensile all'alimentazione e/o al gruppo batterie, o prima di afferre e trasportare l'utensile. Trasportare elettrotensili tenendo un dito sull'interruttore o con l'elettrotensile acceso potrà causare incidenti.

Rimuovere eventuali chiavi o dispositivi di regolazione prima di accendere l'elettrotensile. Una chiave o un dispositivo di blocco collegato a una parte rotante dell'utensile potrà risultare in gravi lesioni personali.

Non protendersi. Rimanere bene in equilibrio sulle gambe e non distendere troppo lontano le braccia. Ciò permetterà un miglior controllo dell'elettrotensile in situazioni inaspettate.

Indossare un abbigliamento adatto. Non utilizzare abiti con parti svolazzanti o gioielli. Tenere capelli, vestiti e guanti lontani dalle parti in movimento. Abiti con parti svolazzanti, gioielli o capelli lunghi potranno rimanere impigliati nelle parti in movimento.

Nel caso in cui vengano forniti dispositivi per l'estrazione e la raccolta della polvere, assicurarsi che gli stessi siano collegati e utilizzati correttamente. Utilizzare il sacchetto di raccolta della polvere può ridurre rischi collegati alla polvere.

UTILIZZO E MANUTENZIONE ELETTROTENSILI

Non forzare il prodotto. Utilizzare l'elettrotensile corretto per il proprio lavoro. L'elettrotensile corretto svolgerà in maniera migliore e più sicura il lavoro per il quale è stato progettato.

Non utilizzare l'elettrotensile se l'interruttore non si accende e spegne. Un elettrotensile che non può essere controllato dall'interruttore è pericoloso e deve essere riparato.

Scollegare la presa dall'alimentazione e/o il gruppo batterie dall'elettrotensile prima di svolgere le eventuali regolazioni, cambiare gli accessori o riporre elettrotensili. Queste misure di sicurezza preventive ridurranno il rischio di avvio dell'elettrotensile.

Riporre elettrotensili lontano dalla portata dei bambini e non permettere a persone che non conoscano il funzionamento dell'elettrotensile o queste istruzioni di metterlo in funzione. Gli elettrotensili possono essere pericolosi se utilizzati da personale non preparato.

Svolgere sempre le operazioni di manutenzione sull'elettrotensile. Controllare l'eventuale allineamento scorretto o blocco delle parti in movimento, la rottura di parti e qualsiasi altra condizione che potrà influenzare il funzionamento dell'elettrotensile. In caso di danni far riparare l'elettrotensile prima di utilizzarlo. Elettrotensili sui quali non sono state svolte le dovute operazioni di manutenzione possono essere causa di incidenti.

Mantenere tutti gli utensili affilati e appuntiti. Utensili per operazioni di taglio con parti taglienti sui quali sono state svolte le corrette operazioni di manutenzione non si bloccheranno e saranno più facili da controllare.

Utilizzare l'elettrotensile, i suoi accessori, le punte ecc. assieme a queste istruzioni tenendo conto delle condizioni di lavoro e del lavoro da svolgere. Utilizzare l'elettrotensile per operazioni diverse da quelle indicate potrà causare situazioni pericolose.

UTILIZZO E MANUTENZIONE DI UN UTENSILE A BATTERIE

Ricaricare solo con il caricatore indicato dalla ditta produttrice. Un caricatore adatto per un tipo di batterie potrà creare un rischio di incendio se utilizzato con un altro gruppo batterie.

Utilizzare elettrotensili solo con i gruppi batteria indicati. L'utilizzo di gruppi batteria diversi da quelli indicati potrà causare rischi di lesioni e incendi.





Quando il gruppo batterie non viene utilizzato, tenerlo lontano da oggetti in metallo come fermagli, monete, chiavi, chiodi, viti o altri piccoli oggetti che potranno fare da tramite da un terminale all'altro. Cortocircuitare i terminali della batteria assieme potrà causare scottature o incendi.

Se sottoposto a stress, la batteria potrà perdere dei liquidi; evitare il contatto. Se si entra accidentalmente in contatto con tali liquidi, lavarsi immediatamente con acqua. Se il liquido entra negli occhi, rivolgersi a un medico. Il liquido espulso dalla batteria potrà causare irritazioni o scottature.

MANUTENZIONE

Far svolgere la manutenzione da personale qualificato utilizzando solo parti di ricambio identiche. Ciò permette di mantenere la sicurezza dell'elettrotensile.

AVVERTENZE DI SICUREZZA GENERALI ADDIZIONALI

Alcune regioni hanno norme che limitano l'utilizzo del prodotto. Rivolgersi alle autorità locali per eventuali consigli.

Tenere il prodotto lontano dalla portata dei bambini e di persone che non ne conoscono l'uso o le istruzioni di funzionamento. Leggi locali possono limitare l'età dell'operatore.

Assicurarsi prima di ciascun utilizzo che tutti i comandi e i dispositivi di sicurezza funzionino correttamente. Non utilizzare l'utensile se l'interruttore "off" (spento) non arresta il motore.

Indossare occhiali e cuffie di protezione, guanti resistenti e un casco di protezione mentre si utilizza il prodotto, indossare una maschera di protezione per il volto nel caso in cui durante le operazioni di lavoro si prevede di produrre molta polvere.

Non indossare abiti con parti svolazzanti, pantaloni corti, né gioielli di alcun genere.

Assicurare i capelli lunghi al di sopra delle spalle per evitare che rimangano impigliati nelle parti in movimento.

Fare attenzione agli oggetti che potranno essere scagliati dall'utensile, agli oggetti volanti o che cadono. Tenere osservatori, bambini e animali ad almeno 15 metri di distanza dall'area delle operazioni.

Norme di sicurezza generali non utilizzare questo apparecchio in una zona scarsamente illuminata. L'area di lavoro deve essere pulita per essere in grado di individuare potenziali rischi.

L'utilizzo di dispositivi di protezione ridurrà la capacità di ascoltare eventuali segnali d'allarme (grida o avvertimenti). L'operatore dovrà prestare attenzione a ciò che accade nella zona di lavoro.

Mettere in funzione utensili simili troppo vicino al proprio corpo aumenterà il rischio di lesioni all'udito e i rischi potenziali per le persone che entrano nell'area di lavoro.

Mantenere sempre un appoggio saldo e l'equilibrio. Non protendersi. Protendersi eccessivamente potrà causare una perdita di equilibrio e aumentare il rischio di contraccolpo.

Tenere tutte le parti del proprio corpo lontane dalle parti in movimento.

Controllare l'utensile prima di ogni utilizzo. Assicurarsi che tutti i controlli compreso il freno della catena funzionino correttamente. Controllare parti allentate, assicurarsi che tutti gli schermi e i manici siano correttamente collegati e assicurati. Sostituire le parti danneggiate prima dell'utilizzo.

Non modificare l'utensile in alcun modo né utilizzare parti e accessori non raccomandati dalla ditta produttrice.



AVVERTENZA!

Se il prodotto cade, subisce impatti pesanti o inizia a vibrare in maniera anomala, arrestarlo e controllare eventuali danni per identificare la causa delle vibrazioni. Riparare eventuali danni o far sostituire i pezzi da un centro servizi autorizzato.

Non smaltire i gruppi batteria utilizzati tra i rifiuti domestici né bruciarli. I distributori ECHO offrono la raccolta delle batterie usate per proteggere l'ambiente.

Non conservare la batteria insieme a degli oggetti metallici (rischio di corto circuito).

Per caricare le batterie usare solo il caricatore ECBC-58VEU/ECBC-58VUK. Non usare le batterie di altri sistemi.

Gruppo batterie compatibili: ECBP-58V40, ECBP-58V20

In condizioni di carichi estremi o temperature estreme le batterie possono danneggiarsi con fuoriuscita di acido. In caso di contatto con l'acido della batteria lavarsi immediatamente con acqua e sapone. In caso di contatto con gli occhi risciacquarli accuratamente per almeno 10 minuti e poi rivolgersi a un medico.

Durante l'uso, le due viti di fermo della barra della catena sono punti sensibili alle scariche elettrostatiche. In caso di spegnimento di sicurezza dovuto alle scariche elettrostatiche l'utente deve rilasciare l'interruttore a grilletto per riavviare il prodotto.

AVVERTENZE DI SICUREZZA MOTOSEGA

Durante l'utilizzo della motosega tenere tutte le parti del corpo distanti dal prodotto. Prima di avviare la motosega assicurarsi che l'utensile non entri in contatto con alcun altro corpo estraneo. Un momento di disattenzione durante l'utilizzo della motosega potrà far impigliare l'abbigliamento dell'operatore e intrappolare parti del corpo nell'utensile.

Reggere sempre la motosega con la mano destra sul manico posteriore e la mano sinistra su quello anteriore. Reggere la motosega impugnandola in modo diverso da come indicato potrà aumentare il rischio di lesioni personali e non dovrebbe mai essere fatto.

Tenere il prodotto solo tramite la superficie antiscivolo isolata, perché la sega a catena potrebbe entrare in contatto con dei fili elettrici nascosti. Una motosega che tocca un cavo "vivo" potrà esporre le parti "vive" in metallo dell'elettrotensile causando scosse elettriche all'operatore.





Indossare occhiali e cuffie di protezione. Si raccomanda di utilizzare ulteriore attrezzatura di protezione per testa, mani, gambe e piedi. Un adeguato abbigliamento protettivo ridurrà il rischio di lesioni personali causate da eventuali oggetti scagliati o di contatto accidentale con la motosega.

Non mettere in funzione la motosega in un albero. Operazioni con la motosega mentre si è su un albero potranno causare lesioni personali.

Mantenere sempre l'equilibrio e mettere in funzione la motosega solo quando si sta in piedi su una superficie fissa, sicura e ben equilibrata. Superfici scivolose o instabili come le scale potranno causare una perdita di equilibrio o controllo della motosega.

Quando si taglia un ramo sotto tensione fare attenzione all'eventuale contraccolpo. Quando si rilascia la tensione delle fibre del legno, il contraccolpo del ramo potrà colpire l'operatore e/o far perdere allo stesso il controllo della motosega.

Fare estrema attenzione quando si tagliano rami e arbusti. I materiali dallo spessore più esiguo potranno rimanere impigliati nella motosega ed essere scagliati contro l'operatore o far perdere allo stesso l'equilibrio.

Trasportare la motosega dal manico anteriore con il dispositivo spento e lontano dal proprio corpo. Installare sempre la copertura della barra di guida quando si trasporta o ripone la motosega. Una gestione corretta della motosega ridurrà la probabilità di eventuale contatto accidentale con la sega in movimento.

Seguire le istruzioni per lubrificare e tensionare la catena o cambiare gli accessori. Una catena non correttamente tensionata o lubrificata potrà rompersi o aumentare la possibilità di contraccolpi.

Mantenere i manici puliti, e rimuovere eventuali tracce di olio e grasso. Manici sporchi e unti sono scivolosi, e causano perdita di controllo.

Tagliare solo il legno. Non utilizzare la motosega per scopi non consentiti. Per esempio, non utilizzare la motosega per tagliare plastica, materiali edili, o materiali non legnosi. Utilizzare la motosega per operazioni diverse da quelle indicate potrà causare rischi.

Cause e prevenzione di eventuali rimbalzi:

Può verificarsi un contraccolpo se la punta della barra di guida entra a contatto con un oggetto o se la catena si incastra e si blocca nel legno durante il taglio.

Il contatto con la punta potrà causare una reazione improvvisa, facendo scattare la barra di guida indietro e verso l'operatore.

Tirare la catena lungo la parte superiore della barra di guida potrà spingere l'utensile rapidamente verso l'operatore.

Queste reazioni possono causare all'operatore la perdita di controllo della sega, portando a gravi lesioni personali. Non affidarsi soltanto ai dispositivi di sicurezza predisposti sulla sega. L'operatore deve adottare altre misure di sicurezza per garantire che le operazioni di taglio non siano pericolose e non portino a infortuni.

Il contraccolpo è il risultato di un utilizzo scorretto dell'utensile e/o di procedure o condizioni di funzionamento non adeguate e potrà essere evitato prendendo le adeguate precauzioni, come indicato di seguito:

Mantenere una presa salda, con i pollici e le dita attorno al manico della motosega e con entrambe le mani sulla motosega, posizionando il corpo e il braccio in modo da resistere alla forza del contraccolpo. Le forze del contraccolpo non possono essere controllate dall'operatore, se vengono prese adeguate precauzioni. Non lasciar andare la motosega.

Non protendersi e non tagliare al di sopra dell'altezza della spalla. Ciò aiuterà a prevenire il contatto non intenzionale con la punta e garantirà un controllo migliore della motosega in situazioni inaspettate.

Utilizzare solo barre e catene di ricambio specificate dalla ditta produttrice. Sostituzioni non corrette di barre e catene potranno causare rotture e/o contraccolpi.

Leggere tutte le istruzioni del produttore in merito all'affilimento della catena e tutte le relative istruzioni di manutenzione. Diminuire l'altezza della profondità dell'indicatore potrà aumentare il rischio di contraccolpi.

AVVERTENZE DI SICUREZZA ADDIZIONALI PER LA MOTOSEGA

Si raccomanda di tagliare tronchi su un cavalletto o un supporto quando si mette in funzione il prodotto per la prima volta.

Assicurarsi che tutti gli schermi, i manici e i respingenti dentati siano stati correttamente montati e siano in ottime condizioni.

Gli operatori che utilizzano questo prodotto dovranno essere in ottima salute. Il prodotto è pesante, pertanto l'operatore dev'essere fisicamente idoneo. L'operatore dovrà essere attento, avere un'ottima vista, mobilità ed equilibrio oltre a destrezza manuale. In caso di dubbi, non mettere in funzione il prodotto.

Non iniziare a utilizzare il prodotto senza essersi prima assicurati prima un'area di lavoro pulita, massimo equilibrio e una via di fuga ben chiara da un eventuale albero in caduta.

Fare attenzione alle emissioni di lubrificante e segatura. Indossare una maschera o un respiratore se necessario.

Non tagliare viti e/o piccoli arbusti (con un diametro inferiore a 75 mm).

Durante l'utilizzo tenere sempre il prodotto con entrambe le mani. Afferrare energicamente le impugnature della sega avvolgendovi attorno il pollice e le dita. Mettere sempre la mano destra sul manico posteriore e quella sinistra sul manico anteriore.

Prima di avviare il prodotto accertarsi che la sega a catena non sia a contatto di alcun oggetto.

Non modificare il prodotto in alcun modo nè utilizzarlo per alimentare accessori o dispositivi non raccomandati dalla ditta produttrice dello stesso.

Tenere sempre un kit di pronto soccorso con cerotti e





bende grandi e un dispositivo per attirare l'attenzione (come un fischietto) accanto all'operatore. Tenere anche a portata di mano un kit più grande e meglio fornito.

Durante l'utilizzo del prodotto indossare sempre un elmetto. Un elmetto dotato di visore a retina può ridurre il rischio di lesioni al viso e alla testa in caso di rinculo.

Una catena non correttamente tensionata può fuoriuscire dalla barra di guida e potrebbe risultare in gravi lesioni o incidenti. La lunghezza della catena dipende dalla temperatura. Controllare frequentemente la tensione.

Familiarizzare con la propria motosega facendo tagli semplici su legno saldamente assicurato. Farlo quando la motosega non è stata messa in funzione per qualche tempo.

Per ridurre il rischio di lesioni associate con il contatto con le parti in movimento, arrestare sempre il motore, applicare il freno della catena, rimuovere il gruppo batterie e assicurarsi che tutte le parti in movimento si siano arrestate prima di:

- rimuovere o pulire un eventuale blocco
- Lasciare il prodotto incustodito
- Installare o rimuovere gli accessori
- Operazioni di controllo, manutenzione e lavoro sul prodotto

la dimensione della zona di lavoro dipende dall'operazione da eseguire e dalla dimensione degli alberi o degli elementi coinvolti. Per esempio, tagliare un albero richiede un'area di lavoro più grande di quella di cui si ha bisogno per altri tipi di taglio, come per esempio tagliare un tronco in pezzi più piccoli, ecc.

L'operatore deve essere attento e mantenere il controllo di tutto ciò che accade nella zona di lavoro.

Non tagliare con il corpo allineato alla barra di guida e alla catena. In caso di contraccolpi ciò eviterà che la catena entri in contatto con la testa o il corpo dell'operatore.

Non fare movimenti di taglio in avanti e indietro, lasciare che la catena faccia il suo lavoro, mantenere la catena affilata e non tentare di spingere la catena attraverso il taglio.

Non esercitare pressione sulla sega al termine del taglio. Essere pronti ad accollarsi il peso della motosega mentre si libera dal legno. La mancata osservanza di queste regole potrà causare gravi lesioni personali.

Non arrestare la motosega a metà delle operazioni di taglio. Lasciare la motosega in funzione fino a che non venga rimossa dal taglio.

Spinta e trazione

La forza di reazione è sempre contraria alla direzione di movimento della catena. L'operatore dovrà essere pronto a controllare la tendenza della macchina ad allontanarsi (movimento in avanti) quando si taglia sulla parte inferiore della barra e a spingere indietro (verso l'operatore) quando si taglia lungo l'estremità inferiore.

Motosega incastrata nel taglio

Arrestare la motosega e fare in modo che sia sicura. Non tentare di forzare la catena e la barra fuori dal taglio dal momento che ciò potrà rompere la catena che potrà rimbalzare e colpire l'operatore. Questa situazione si verifica normalmente se il legno viene sostenuto in maniera scorretta permettendo al taglio di chiudersi a causa della compressione e facendo quindi incastrare la lama. Se regolare il supporto non rilascia la barra e la catena, utilizzare delle zeppe in legno o una leva per aprire il taglio e rilasciare la motosega. Non tentare di avviare la motosega quando la barra di guida è già stata inserita nel taglio o nell'intaccatura.

Equipaggiamento protettivo personale

Un equipaggiamento protettivo personale di ottima qualità come utilizzato dai professionisti aiuterà a ridurre il rischio di lesioni all'operatore. Le seguenti voci devono essere utilizzate quando si mette in funzione la motosega:

Casco di sicurezza

- deve essere conforme allo standard EN 397 ed essere contrassegnato CE

Cuffie di protezione

- deve essere conforme allo standard EN 352-1 ed essere contrassegnato CE

Protezione occhi e viso

- devono essere contrassegnate con il marchio CE e rispettare lo standard EN 166 (per gli occhiali di sicurezza) o lo standard EN 1731 (per visori con rete)

Guanti

- deve essere conforme allo standard EN381-7 ed essere contrassegnato CE

Protezione gambe (sovrappantaloni)

- deve essere conforme allo standard EN381-5, ed essere contrassegnata dal marchio CE e fornire una protezione totale.

Stivali di sicurezza motosega

- devono rispettare lo standard EN ISO 20345:2004 ed essere contrassegnati con uno scudo che indica una motosega per indicare la compatibilità con lo standard EN 381-3. (gli utenti occasionali potranno utilizzare stivali di sicurezza con punta in acciaio con ghettoni di protezione secondo quanto indicato dallo standard EN 381-9 se il pavimento è ben equilibrato e ci sono ben pochi rischi di inciampare o rimanere impigliati nell'erba)

Giacche anti-infortunistiche per una protezione totale della parte superiore del corpo

- deve essere conforme allo standard EN 381-11 ed essere contrassegnato CE





ISTRUZIONI RIGUARDANTI LE TECNICHE ADATTE PER TAGLI DI BASE, TAGLIO DEI RAMI E TAGLIO INCROCIATO

Studiare le forze delle fibre del legno

Quando si comprendono le pressioni direzionali e le forze all'interno del legno, si possono ridurre le probabilità che la lama "si inceppi" nel legno o almeno prevenire che ciò avvenga durante le fasi di taglio. La tensione nel legno indica che le fibre si stanno separando e se si taglia in quest'area l'"intaccatura" o taglio tenderà ad aprirsi quando la sega lo attraverserà. Se un tronco viene sostenuto su un cavalletto e l'estremità dello stesso non viene sostenuta, si creerà tensione sulla superficie superiore a causa delle fibre del tronco sospeso che si allungano. Allo stesso modo la parte interna del tronco si comprimerà e le fibre verranno schiacciate assieme. Se si procede a far un taglio in questa zona l'intaccatura avrà la tendenza di chiudersi durante il taglio. Ciò intrappolerà la lama.

Tagliare un albero

Ved. Fig. 1 - 6.

Quando le operazioni di taglio e disboscamento vengono svolte da due o più persone allo stesso tempo, le due operazioni dovranno essere separate l'una dall'altra e svolte a una distanza di almeno due volte l'altezza dell'albero che si sta tagliando. Gli alberi non dovranno essere tagliati in modo da mettere in pericolo delle persone, colpire cavi elettrici o causare danni alla proprietà. Se l'albero entra in contatto con una linea elettrica, la compagnia ne dovrà essere immediatamente notificata.

Si consiglia all'operatore di mettersi sul lato a monte del terreno, poiché è più probabile che un albero rotoli o scivoli verso valle una volta abbattuto.

Progettare sempre una via di fuga e tenerla sempre pronta, prima di avviare le operazioni di taglio. La via di fuga deve essere tracciata alle spalle dell'operatore e in maniera diagonale rispetto alla linea di caduta dell'albero.

Prima di avviare le operazioni di taglio, considerare l'inclinazione dell'albero, la posizione dei rami più grandi e la direzione del vento per capire dove cadrà l'albero.

Rimuovere sporco, pietre, pezzi di corteccia, chiodi, fermagli e cavi dall'albero.

Non tentare di abbattere alberi marci o danneggiati da vento, incendi, fulmini, ecc.

Si tratta di un'operazione estremamente pericolosa che deve essere eseguita solo da professionisti.

1. Incidere il taglio

Ved. Fig. 1 - 6.

Fare una incisione di 1/3 del diametro dell'albero, perpendicolare alla direzione della caduta. Fare prima il taglio orizzontale inferiore. Ciò aiuterà ad evitare che la catena o la barra di guida rimangano impigliate quando si fa il secondo taglio.

2. Taglio posteriore di caduta

Ved. Fig. 1 - 6.

Fare il taglio di caduta a una altezza di almeno 50

mm/2 volte più in alto del taglio di intaccatura. Tenere il taglio di caduta parallelo al taglio orizzontale. Fare il taglio in modo che venga lasciato abbastanza legno e che lo stesso possa agire come cerniera. Il legno della cerniera farà in modo che l'albero non si pieghi su se stesso e cada nella direzione sbagliata. Non tagliare la cerniera.

Man mano che il taglio si avvicina al cardine, l'albero inizierà a cadere. Nel caso in cui vi sia la possibilità che l'albero non cada nella direzione desiderata o che ondeggi avanti e indietro bloccando la catena, arrestare le operazioni di taglio prima che il taglio finale sia completato e utilizzare cunei di legno, plastica o alluminio per aprire il taglio e far cadere l'albero lungo la linea di caduta desiderata.

Quando l'albero inizia a cadere rimuovere la motosega dal taglio, arrestare il motore, mettere giù la motosega, quindi seguire la linea di fuga programmata. Fare attenzione ad eventuali rami sospesi che cadono dall'alto e fare attenzione al proprio equilibrio.

Rimozione dei contrafforti

Ved. Fig. 7 - 8.

I contrafforti sono protuberanze legnose che si sviluppano nell'angolo tra le radici laterali e la loro inserzione al fusto, interessando la porzione basale del fusto stesso. È necessario rimuovere queste protuberanze prima di abbattere un albero. Praticare prima un taglio orizzontale nel contrafforte, seguito da un taglio verticale. Eliminare queste porzioni dalla zona di lavoro. Dopo aver eliminato tutti gli elementi cadenti, attenersi alla procedura di abbattimento appropriata.

Tagliare un tronco in pezzi più piccoli

Ved. Fig. 9 - 11.

Questa operazione consiste nel tagliare un tronco in pezzi piccoli. Assicurarsi sempre l'equilibrio e che il peso sia distribuito in maniera uguale su entrambi i piedi. Ove possibile, il tronco dovrà essere alzato e supportato utilizzando rami, tronchi o pezzi di legno. Seguire le direzioni semplici per tagli facili. Quando il tronco è sostenuto lungo tutta la sua lunghezza, viene tagliato dalla parte superiore (taglio dall'alto).

Quando il tronco viene sostenuto a una estremità, tagliare un diametro di 1/3 dalla parte interna (taglio dal basso). Fare il taglio finale dall'alto per incontrare il primo taglio.

Quando il tronco è sostenuto da entrambe le parti, tagliare un diametro di 1/3 dalla parte superiore (taglio dall'alto). Fare quindi un taglio finale a 2/3 dalla parte inferiore per incontrare il primo taglio.

Quando si svolgono le operazioni di taglio su un piano scosceso, posizionarsi sempre sulla parte più in alto. Quando si passa al "taglio finale", per mantenere il completo controllo rilasciare la pressione di taglio vicino all'estremità di taglio senza rilasciare la presa sulle impugnature della motosega. Non lasciare che la motosega entri in contatto con il terreno. Dopo aver completato il taglio, attendere che la motosega si arresti prima di spostare la motosega. Arrestare sempre il motore prima di spostarsi da un albero all'altro.





Tagliare rami da un albero abbattuto

Ved. Fig. 12 - 13.


Tale operazione consiste nel rimuovere rami da un albero abbattuto. Quando si svolgono queste operazioni lasciare i rami inferiori in modo che sostengano il tronco lontano dal terreno. Rimuovere i rami piccoli con un taglio. I rami sotto tensione dovranno essere tagliati dal basso verso l'alto per evitare di bloccare la motosega.

Astoni elastici

Ved. Fig. 14 - 15.


Un astone elastico è un qualsiasi elemento dell'albero (ramo, ceppaia radicata o giovane pertica) piegatosi sotto tensione a causa di altri elementi e che, se il corpo che lo trattiene venisse reciso o rimosso, manifesterebbe un ritorno elastico improvviso.

Una ceppaia radicata ha un grosso potenziale di ritorno elastico alla sua posizione verticale durante l'operazione di sezionamento che separa il fusto dalla ceppaia stessa. Prestare attenzione agli astoni elastici, poiché sono pericolosi.

 **AVVERTENZA!**

Gli astoni elastici sono pericolosi e potrebbero colpire l'operatore provocando la perdita di controllo della sega a catena. Le conseguenze possono essere anche letali per l'operatore. Queste operazioni dovranno essere svolte da operatori preparati.

AVVERTENZE AGGIUNTIVE PER LA SICUREZZA DELLA BATTERIA

 **AVVERTENZA!**

Per ridurre il rischio d'incendio, di lesioni o di danni al prodotto causati da corto circuito, non immergere mai l'utensile, la batteria ricaricabile o la carica batterie in un liquido e non lasciare mai penetrare alcun liquido all'interno dei dispositivi e delle batterie. I fluidi corrosivi o conduttori come acqua salata, alcuni agenti chimici, agenti candeggianti o prodotti contenenti agenti candeggianti potrebbero provocare un corto circuito.

RISCHI RESIDUI

Anche quando il prodotto viene utilizzato come indicato, è impossibile eliminare completamente alcuni fattori di rischio residuo. Si potranno verificare i seguenti rischi durante l'utilizzo e l'operatore dovrà prestare attenzione speciale per evitare quanto segue:

- Lesioni causate da vibrazioni
 - Utilizzare sempre l'attrezzo corretto per il lavoro che si desidera svolgere. Usare le apposite maniglie.

Limitare la durata del lavoro e l'esposizione.


- L'esposizione al rumore può causare lesioni all'udito.
 - Indossare cuffie di protezione e limitare l'esposizione.
- lesioni da contatto con i denti esposti della catena
- lesioni causate da parti del pezzo sul quale si sta lavorando (schegge e pezzi di legno) scagliate verso l'operatore.
- Lesioni causate dall'inalazione di polvere e particelle
- Lesioni causate dal contatto di lubrificante o olio con la pelle

RIDUZIONE DEL RISCHIO

Si è accertato che le vibrazioni causate da utensili a mano possono contribuire a causare una condizione chiamata Sindrome di Raynaud in alcune persone. I sintomi, comprendenti formicolio, intorpidimento e perdita di colore alle dita, si verificano di solito quando ci si espone al freddo. Fattori ereditari, esposizione a freddo e umidità, una dieta scorretta, fumo e condizioni di lavoro non sicure potranno contribuire allo sviluppo di questi sintomi. È possibile prendere delle precauzioni per ridurre le vibrazioni:

- Tenere il corpo al caldo a basse temperature. Quando si utilizza l'utensile, indossare guanti e tenere le mani e i polsi caldi.
- Dopo aver utilizzato l'utensile per un certo periodo, fare degli esercizi per stimolare la circolazione del sangue.
- Fare spesso delle pause. Limitare la quantità di esposizione giornaliera.
- I guanti protettivi disponibili presso negozi professionali per motoseghe sono disegnati specificatamente per l'utilizzo con tali utensili e per garantire protezione, ottima impugnatura e ridurre l'effetto delle vibrazioni del manico.

Nel caso in cui si provino i sintomi di questa condizione, interrompere immediatamente l'utilizzo dell'utensile e consultare un dottore.

 **AVVERTENZA!**

Il prolungato utilizzo dell'utensile potrà causare o aggravare lesioni. Quando si utilizza questo utensile per periodi di tempo prolungati, assicurarsi di fare sempre delle pause regolari.

UTILIZZO RACCOMANDATO

Prodotto indicato solo per l'utilizzo all'esterno. Per ragioni di sicurezza, l'utensile deve essere adeguatamente controllato utilizzando sempre due mani.

Questo utensile è progettato per tagliare rami, fusti, tronchi, e rami di un diametro determinato dalla lunghezza di taglio della barra di guida. Questo utensile è adatto solo a tagliare legname. Il prodotto dovrà essere utilizzato solo per lavori



domestici da adulti che abbiano ricevuto le adeguate istruzioni sui rischi e misure/azioni preventive dovranno essere prese mentre lo si utilizza.

Il prodotto non deve essere utilizzato per lavori professionali di taglio alberi. Il prodotto non dovrà essere utilizzato da bambini o da persone che non indossino un adeguato equipaggiamento anti-infortunistico e abiti di protezione.

Non usare il prodotto per qualsiasi scopo che non sia elencato nell'Uso previsto.



AVVERTENZA!

Quando si utilizza questo prodotto, seguire eventuali norme di sicurezza. Per la sicurezza dell'utente e quella degli osservatori, leggere e comprendere le istruzioni prima di mettere in funzione il prodotto. L'utente deve partecipare a un corso professionale organizzato sulla sicurezza nell'utilizzo, sulle azioni preventive, sul pronto soccorso e la manutenzione delle motoseghe. Conservare le istruzioni per eventuali riferimenti futuri.



AVVERTENZA!

Le motoseghe sono utensili potenzialmente pericolosi. Incidenti con motoseghe risultano spesso in perdita di parti del corpo o morte. La motosega non è l'unico pericolo. Anche rami in caduta, alberi tagliati e tronchi rotolanti possono uccidere. Il legno marcio o malato può costituire un ulteriore pericolo. Valutare la propria capacità nel completare il compito in maniera sicura. Nel dubbio, lasciar lavorare un professionista o medico degli alberi.

FAMILIARIZZARE CON IL PRODOTTO

Vedere le pagine 6-7.

1. Batteria
2. Rilascio della leva
3. Manico posteriore
4. Interruttore a grilletto
5. Chiave a combinazione
6. Manico anteriore
7. Tappo dell'olio
8. Coperchio barra di guida
9. Catena
10. Barra di guida
11. Respingente protezione dentate
12. Recuperatore della catena
13. Vite di tensionamento della catena
14. Copricatena
15. Dadi di montaggio della barra
16. Protezione mano anteriore/freno catena

DISPOSITIVI DI SICUREZZA

Catena a contraccolpo basso

Una catena a basso contraccolpo aiuta a ridurre la possibilità di contraccolpi.

I limitatori di spessore posti davanti a ciascun dente tagliente possono ridurre al minimo la forza prodotta da una reazione di contraccolpo, impedendo ai denti di penetrare in profondità una volta raggiunta la zona di contraccolpo. Utilizzare solo combinazioni di barra di guida e catena di ricambio raccomandati dalla ditta produttrice.

L'affilamento delle catene attenua via via le caratteristiche di contraccolpo basso e pertanto vanno trattate con maggiore cautela. Per la propria sicurezza, sostituire le catene della motosega quando le prestazioni di taglio diminuiscono.

Respingente protezione dentate

Il respingente protezione dentata integrale può essere utilizzato come sostegno quando si svolgono delle operazioni di taglio. Aiuta a mantenere il corpo della motosega fermo durante le operazioni di taglio. Durante le operazioni di taglio, spingere l'utensile in avanti fino a che le punte non entrino dentro il legno, quindi muovendo il manico posteriore su o giù nella direzione della linea di taglio si allenterà lo sforzo fisico del taglio.

Barre di guida

Di solito le barre di guida con punte da un diametro piccolo hanno un potenziale di rimbalzo più basso. Si dovrà utilizzare una barra di guida e una catena compatibile che sia abbastanza lunga per il lavoro. Le barre più lunghe aumentano il rischio di perdita di controllo durante le operazioni di taglio. Controllare regolarmente la tensione della catena. Quando si tagliano rami più piccoli (di lunghezza inferiore alla lunghezza della barra di guida) è più probabile che la catena venga spostata se la tensione non è corretta.

Freno della catena

Il freno della catena è stato studiato per un arresto brusco della catena. Quando si spinge la leva del freno verso la barra, la catena dovrebbe arrestarsi immediatamente. Il freno della catena non impedisce il contraccolpo. Diminuisce solo il rischio di lesioni se la barra entra in contatto con il corpo dell'operatore durante un incidente di contraccolpo. Il freno della catena dovrà essere testato prima di ogni utilizzo per un corretto funzionamento nelle posizioni di avvio e freno.

Recuperatore della catena

Una protezione evita che la sega venga scagliata contro l'operatore qualora dovesse allentarsi o rompersi.

UTILIZZO



AVVERTENZA!

Nel caso in cui un componente manchi o sia danneggiato, non tentare di utilizzare l'apparecchio prima di averlo sostituito. La mancata osservanza di queste avvertenze potrà causare gravi lesioni personali.

Installare il gruppo batterie

Vedere pagina 6.

Inserire la batteria nel prodotto. Allineare le costolette rialzate sul gruppo batterie con il solco sul vano batterie del prodotto.

Prima di iniziare a utilizzare l'apparecchio, accertarsi che il dispositivo di bloccaggio della batteria scatti in posizione e che la batteria sia completamente posizionata e fissata al prodotto.

Reggere il prodotto

Vedere la figura 1.

Mantenere il prodotto con la mano destra sulla maniglia posteriore e la mano sinistra sulla maniglia anteriore. Afferrare entrambi i manici con i pollici e le dita attorno ai manici. Assicurarsi che la mano sinistra regga il manico anteriore in modo che il pollice sia nella parte sottostante.

Avvio del prodotto

Vedere pagina 8.

Prima di avviare le operazioni, installare il gruppo batterie nell'utensile, assicurandosi che il freno della catena sia nella posizione di avvio tirando la leva/schermo mani del freno della catena verso l'impugnatura anteriore.

Per avviare la macchina, tirare il dispositivo di rilascio grilletto e quindi premere la valvola a farfalla.

Controllo messa in funzione del freno catena

Vedere pagina 20.

Inserire il freno della catena ruotandolo con la mano sinistra attorno al manico anteriore. Con il retro della mano, spingere la leva del freno della catena/lo schermo di protezione mani verso la barra mentre la catena ruota rapidamente. Assicurarsi di mantenere entrambe le mani sui manici della motosega in qualsiasi momento.

Riportare il freno della catena nella posizione di Avvio afferrando la parte superiore della leva del freno catena/ schermo mani e spingerla verso il manico anteriore fino a che non si senta uno scatto.



AVVERTENZA!

Se il freno della catena non blocca la catena immediatamente, o se non rimane bloccato nella posizione di funzionamento automaticamente senza che l'operatore lo regga in questa posizione, far controllare la sega da un centro assistenza autorizzato prima di utilizzare l'utensile.

Regolazione della tensione della catena

Vedere le pagine 14 - 15.

Rimuovere la batteria prima di iniziare qualsiasi lavoro sul prodotto.

Accertarsi che i dadi di montaggio della barra siano allentati per essere avvvitabili a mano.

Per aumentare la tensione della catena ruotare la vite di tensionamento in senso orario, controllando spesso la tensione. Per ridurre la tensione della catena ruotare la vite di tensionamento in senso antiorario, controllando spesso la tensione.

La tensione della catena è corretta quando la distanza fra le lame della catena e la barra è di 6,5 mm (0,256 in). Estrarre la catena nel centro del lato inferiore della barra rivolta verso il basso (lontano dalla barra) e misurare la distanza tra la barra e i dispositivi di taglio della catena.

Aggiungere olio lubrificante per catene

Vedere le pagine 16 - 17.



AVVERTENZA!

Non lavorare mai senza lubrificante sulla catena. Se la catena della sega gira senza lubrificante, la barra di guida e la catena della sega potranno essere danneggiate. E' essenziale controllare l'indicatore del livello dell'olio frequentemente ogni volta prima di iniziare ad utilizzare la motosega.

Pulire attorno al tappo dell'olio per prevenire eventuale contaminazione.

Svitare e rimuovere il tappo dal serbatoio dell'olio.

Versare l'olio nel serbatoio e monitorare l'indicatore livello dell'olio. Assicurarsi che non entri sporco nel serbatoio dell'olio mentre si riempie lo stesso di olio.

Rimettere il tappo dell'olio e serrare. Rimuovere eventuali tracce di olio versato.

TRASPORTO E RIPONIMENTO

Arrestare il prodotto, rimuovere la batteria, e lasciarlo raffreddare prima di riporlo o trasportarlo.

Rimuovere eventuali materiali di scarto dal prodotto. Riporre in un luogo asciutto e ben ventilato non accessibile ai bambini, tenendo a distanza da agenti corrosivi, come le sostanze chimiche per il giardinaggio e il fondente chimico. Non riporre all'esterno.

Montare il coperchio della barra di guida prima di riporre l'unità o durante le fasi di trasporto.

Per il trasporto, assicurare il prodotto contro ogni movimento o contro eventuali cadute per evitare lesioni a persone o danni al prodotto.

MANUTENZIONE



AVVERTENZA!

Usare solo accessori e parti di ricambio ECHO. In caso contrario si potranno causare lesioni, prestazioni basse e la garanzia verrà invalidata. In caso di sostituzione di componenti che non sono stati descritti, rivolgersi a uno degli agenti di assistenza ECHO.



AVVERTENZA!

Le operazioni di manutenzione devono essere svolte con grande attenzione e accortezza solo da un tecnico qualificato. Per la manutenzione, portare il prodotto presso un centro servizi autorizzato. Quando si svolgono le operazioni di manutenzione, utilizzare solo parti di ricambio originali della ditta produttrice.



AVVERTENZA!

Rimuovere la batteria prima di svolgere le operazioni di regolazione, manutenzione o pulizia. La mancata osservanza di queste norme potrà causare gravi lesioni alla persona.

- Sarà solo possibile svolgere le regolazioni o riparazioni indicate nel presente manuale. Per ulteriori riparazioni, contattare il centro servizi autorizzato.
- Le conseguenze di una manutenzione scorretta potranno impedire al freno della catena e ad altre funzioni di sicurezza di funzionare correttamente, aumentando la probabilità di lesioni gravi. Svolgere sempre le operazioni di manutenzione in maniera professionale e fare in modo che l'utensile sia sempre sicuro.
- Affilare la catena in modo sicuro è un compito che richiede attenzione e professionalità. A questo proposito la ditta produttrice raccomanda che una catena consumata o rovinata venga sostituita con una nuova catena, disponibile presso il centro servizi autorizzato. Il numero della parte è disponibile nella tabella specifiche prodotto nel presente manuale.
- Seguire le istruzioni per lubrificare, controllare e regolare il tensionamento catena.
- Dopo ogni uso, pulire il prodotto con un panno morbido e asciutto.
- Controllare frequentemente dadi, bulloni e viti, verificando che siano stati assicurati correttamente per fare in modo che l'utensile garantisca condizioni di lavoro ottimali. Riparare eventuali parti danneggiate o farle sostituire da un centro servizi autorizzato.

Sostituire la barra di guida e la catena

Vedere le pagine 10 - 13.

Assicurarsi di aver rimosso la batteria. Indossare guanti di protezione.

Rimuovere i dadi di montaggio della barra usando la chiave a combinazione in dotazione.

Rimuovere il copricatena.

Rimuovere la barra e la motosega dall'unità.

Mettere la nuova catena nella direzione corretta sulla barra e assicurarsi che i connettori della trazione siano allineati con il solco sulla barra.

Montare la barra sulla motosega e collegare la catena attorno alla ruota dentata della trazione.

Riposizionare il copricatena e i dadi di montaggio della barra.

Serrare con le dita i dadi di montaggio della barra. La barra deve essere libera di muoversi per consentire la regolazione della tensione.

Regolare la tensione della catena. Far riferimento alla sezione "Regolare la tensione della catena".

Tenere la punta della barra di guida in alto e serrare a fondo i dadi della barra.

Ispezionare e pulire il freno della catena.

Vedere pagina 22.

Tenere sempre il meccanismo del freno della catena pulito mantenendo gli anelli della catena puliti.

Testare sempre le prestazioni del freno della catena dopo le operazioni di pulizia. Per ulteriori informazioni consultare la sezione "Verifica e utilizzo del freno della catena" del presente manuale.

PROGRAMMA DI MANUTENZIONE

Controllo quotidiano	
Lubrificazione barra	Prima di ogni utilizzo
Tensione catena	Prima di ogni utilizzo e frequentemente
Affilatura catena	Prima di ogni utilizzo, fare un controllo.
Parti danneggiate	Prima di ogni utilizzo
Coperchi allentati	Prima di ogni utilizzo
Funzione freno catena	Prima di ogni utilizzo
Ispezionare e pulire	
Barra	Prima di ogni utilizzo
Sega completa	Dopo ogni utilizzo
Freno della catena	Ogni 5 ore*

*Ore di funzionamento

PARTI DI RICAMBIO

Parte	Numero di accessorio
Barra di guida	6000945
Catena	90PX056X

BATTERIE

- Le batterie che non sono state usate per qualche tempo devono essere ricaricate prima dell'uso.
- Temperature superiori a 50°C (122°F) riducono le prestazioni della batteria. Evitare la prolungata esposizione al calore o ai raggi solari (rischio di surriscaldamento).

- I contatti di caricatori e pacchi batterie devono essere tenuti puliti.
- Per una durata ottimale le batterie devono essere caricate completamente dopo l'uso.
- Per ottenere la massima durata possibile della batteria, rimuoverla dal caricatore una volta che sia totalmente carica.

Se si ripongono le batterie per oltre 30 giorni:

- Riporre il gruppo batterie a temperature inferiori ai 27°C e lontano da umidità.
- Riporre i gruppi batterie con una carica del 30%-50%.
- Caricare il gruppo batterie ogni sei mesi.

TRASPORTO BATTERIE AL LITIO

La batteria agli ioni di litio è soggetta a legislazione sui materiali pericolosi.

Il trasporto delle batterie deve avvenire nel rispetto delle disposizioni e delle normative locali, nazionali e internazionali.

- L'operatore può trasportare batterie su strada senza dover sottostare a ulteriori normative.
- Il trasporto commerciale delle batterie agli ioni di litio da parte di terzi è soggetto ai regolamenti sulle merci pericolose. La preparazione per il trasporto e il trasporto sono esclusivamente da portare a termine da persone che abbiano ricevuto adeguate istruzioni in materia e il procedimento deve essere accompagnato da esperti in materia.

Durante il trasporto delle batterie:

- Assicurarsi che i terminali dei contatti della batteria siano protetti e isolati per prevenire corto circuiti.
- Assicurarsi che la batteria sia fissata per evitarne il movimento dentro l'imballaggio.
- Non trasportare batterie rotte o che perdono liquidi.

Consultare la ditta produttrice per eventuali ulteriori consigli.

SIMBOLI



Avvertenza



Leggere e comprendere tutte le istruzioni prima di mettere in funzione il prodotto, seguire tutte le istruzioni e le avvertenze di sicurezza.



Indossare protezione occhi, orecchie e testa.



Indossare calzature anti-scivolo con questo prodotto.



Indossare guanti anti-scivolo da lavoro.



Fare attenzione al rimbalzo della motosega ed evitare il contatto con la punta della barra.



Non esporre a pioggia o umidità.



Tenere ed utilizzare la motosega con entrambe le mani.



Non utilizzare la motosega tenendola con una sola mano.



Posizionare il freno della sega in posizione RUN (funzionamento).



Posizionare il freno della sega in posizione BRAKE (freno).



Il livello di potenza sonora garantito è 106 dB



Marchio di conformità ucraino



Marchio di conformità EurAsian



I prodotti elettrici non devono essere smaltiti con i rifiuti domestici. Vi sono strutture per smaltire tali prodotti. Informarsi presso il proprio Comune o rivenditore di sicurezza per smaltire adeguatamente tali rifiuti.



Questo apparecchio è conforme a tutte le norme vigenti nel paese dell'UE in cui è stato acquistato.

Le parole e i messaggi di avvertimento spiegano i livelli di rischio associato con il prodotto.



PERICOLO

Indica una situazione pericolosa che, se non evitata attentamente, potrà causare gravi lesioni alla persona o morte.



AVVERTENZA

Indica una situazione potenzialmente pericolosa che, se non evitata attentamente, potrà causare gravi lesioni alla persona o morte



ATTENZIONE

Indica una situazione potenzialmente pericolosa che, se non evitata attentamente, potrà causare lesioni minori o moderate alla persona.

ATTENZIONE

Senza simbolo di allerta di sicurezza

Indica una situazione che potrà risultare in gravi danni a cose.



**TECHNISCHE GEGEVENS****KETTINGZAAG"****ECCS-58V**

Serienummer	17402201000001 - 17402201999999
Toegekende spanning	51,1 V, 58 V maximum
Maximale zwaardlengte	400 mm
Kettingolietankcapaciteit	177 ml
Gewicht (Zonder accupak, met zwaard, ketting en lege tank)	4,83 kg
Gewicht (met accu van 4,0 Ah)	6,73 kg
Gewicht (met accu van 2,0 Ah)	6,03 kg
Maximaal toerental zonder belasting	21 m/s
Bruikbare zaaglengte	250 mm
Geluidsemissieniveau (in overeenstemming met EN 60745-1, EN 60745-2-13)	
A-gewogen geluidsdrukkniveau bij positie van gebruiker (L_{PA})	94,5 dB(A)
K_{PA} :	2,5 dB(A)
A-gewogen geluidsniveau (L_{WA})	105,5 dB(A)
K_{WA} :	2,5 dB(A)
Trillingsniveau (in overeenstemming met EN 60745-1; EN 60745-2-13) (voorzijde/achterzijde)	2,1 / 2,8 m/s ² K = 1,5 m/s ²

EN
FR
DE
ES
IT
NL
PT
DA
SV
FI
NO
RU
PL
CS
HU
RO
LV
LT
ET
HR
SL
SK
BG
UK
TR

ACCU EN OPLADER**ECCS-58V**

Compatibele accupacks	ECBP-58V40 / ECBP-58V20
Compatibele oplader	ECBC-58VEU / ECBC-58VUK

**WAARSCHUWING!**

Het trillingsemissieniveau in dit informatieblad is gemeten in overeenkomst met een gestandaardiseerde test in EN 60745 en kan gebruikt worden om gereedschappen met elkaar te vergelijken. Deze waarde kan gebruikt worden voor een voorafgaande beoordeling van blootstelling.

Het verklaarde trillingsemissieniveau vertegenwoordigt de belangrijkste toepassingen van het gereedschap. Als het gereedschap echter voor andere toepassingen of met andere accessoires gebruikt wordt of slecht onderhouden wordt, kan de trillingsemissie afwijken. Dit kan het blootstellingsniveau over de gehele gebruiksperiode aanzienlijk verhogen.

Een schatting van het niveau van blootstelling aan trilling dient ook rekening te houden met de perioden dat het gereedschap uitgeschakeld is, of ingeschakeld is maar niet gebruikt wordt. Dit kan het blootstellingsniveau over de gehele gebruiksperiode aanzienlijk verlagen.

Neem aanvullende veiligheidsmaatregelen om de bediener te beschermen tegen de effecten van trilling, zoals: Zorg dat het gereedschap en de accessoires in goede staat verkeren, houd de handen warm en organiseer werkpatronen.

ALGEMENE VEILIGHEIDSWAARSCHUWINGEN**WAARSCHUWING!**

Lees alle veiligheidswaarschuwingen en instructies. Wanneer niet de waarschuwingen en instructies niet opvolgt, kan dit leiden tot elektrische schok en/of ernstig letsel.

Bewaar deze waarschuwingen en voorschriften zorgvuldig om ze ook later te kunnen inzien.

De term "elektrisch gereedschap" in de waarschuwingen verwijst naar gereedschap dat met de stroomtoevoer is verbonden (met snoer) of accu-aangedreven (snoerloos) gereedschap.

WERKOMGEVING

Houd de werplek schoon en goed verlicht. Vervuilde of donkere plekken nodigen uit tot ongevallen.

Gebruik elektrische werktuigen niet in explosieve omgevingen, zoals in de aanwezigheid van ontvlambare vloeistoffen, gassen of stof. Elektrisch gereedschap kan vonken veroorzaken die het stof of de gassen kunnen ontsteken.





Houd kinderen en omstanders weg terwijl u elektrisch gereedschap gebruikt. Wanneer u wordt afgeleid, kunt u de controle verliezen.

ELEKTRISCHE VEILIGHEID

Stekkers van elektrisch gereedschap moeten overeenkomen met de contactdoos. Wijzig de stekker nooit. Gebruik geen adapters met geaarde elektrische werktuigen. Niet-gewijzigde stekkers en overeenkomstige contactdozen zullen het risico op elektrische schok verminderen.

Vermijd lichaamscontact met een geaard oppervlak, zoals buizen, radiatoren, kookfornuizen en koelkasten. Er bestaat een verhoogd risico voor elektrische schokken als uw lichaam is geaard.

Stel het product niet bloot aan regen of natte omstandigheden. Water dat een elektrisch werktuig binnendringt, verhoogt het risico op elektrische schokken.

Misbruik het snoer niet. Gebruik het snoer nooit om het elektrisch werktuig te dragen, eraan te trekken of het uit de contactdoos te trekken. Houd het snoer weg van hitte, olie, scherpe randen of bewegende onderdelen. Beschadigde of verstrikte snoeren verhogen het risico op elektrische schokken.

Gebruik een verlengsnoer geschikt voor buitenshuis gebruik wanneer u een elektrisch werktuig buitenshuis gebruikt. Het gebruik van een snoer dat geschikt is voor buitenshuis gebruik, vermindert het risico op elektrische schokken.

Als het gebruik van een elektrisch werktuig op een vochtige plaats onvermijdelijk is, gebruikt u een contactdoos die beschermd is door een aardlekschakelaar. Het gebruik van een aardlekschakelaar vermindert het risico op elektrische schokken.

PERSOONLIJKE VEILIGHEID

Blijf alert, kijk naar wat u doet en gebruik uw gezond verstand wanneer u elektrisch gereedschap gebruikt. Gebruik een elektrisch werktuig niet wanneer u moe of onder de invloed van drugs, alcohol of medicijnen bent. Een ogenblik van onoplettendheid terwijl u elektrisch gereedschap gebruikt, kan leiden tot ernstige verwondingen.

Gebruik een persoonlijke beschermuitrusting. Draag altijd gehoorbescherming. Beschermonderdelen, zoals een stofmasker, antislipschoeisel, helm of gehoorbescherming dat op een geschikte manier wordt gebruikt, zal het risico op verwondingen verlagen.

Ongewenst starten voorkomen. Zorg ervoor dat de schakelaar zich in de uit-stand bevindt voor u de machine met een stroombron en/of accupack verbindt, de machine opheft of draagt. Wanneer u elektrisch gereedschap draagt met de vinger op de schakelaar of wanneer het gereedschap met de stroombron is verbonden, kan dit leiden tot ongevallen.

Verwijder alle afstelsleutels voor u het elektrisch werktuig inschakelt. Een sleutel die op een draaiend onderdeel van het elektrisch gereedschap werd achtergelaten, kan leiden tot verwondingen.

Overrek u niet. Ga altijd stevig op uw benen staan en reik niet te ver weg met uw arm. Dit maakt een betere controle van het werktuig in onverwachte omstandigheden mogelijk.

Draag geen wijde kleding, dassen of sieraden die klem kunnen raken en u naar de bewegende delen toe kunnen trekken. Draag geen losse kledij of juwelen. Houd uw haar, kledij en handschoenen weg van de bewegende onderdelen. Losse kledij, juwelen of lang haar kan in bewegende onderdelen verstrikt raken.

Als er apparaten worden geleverd voor de verbinding met een stofextractie en verzamelfaciliteiten, zorgt u ervoor dat deze zijn verbonden en goed worden gebruikt. Het gebruik van een stofverzamelaar vermindert stof-gerelateerde gevaren.

GEBRUIK VAN EN ZORG VOOR UW ELEKTRISCH GE-REEDSCHAP

Forceer het product niet. Gebruik het correcte werktuig voor uw toepassing. Het juiste werktuig zal de taak beter en veiliger uitvoeren aan het tempo waarvoor het werd ontworpen.

Gebruik het elektrisch werktuig niet als de schakelaar het niet kan in- of uitschakelen. Een elektrisch werktuig dat niet met behulp van de schakelaar kan worden bediend, is gevaarlijk en moet worden gerepareerd.

Trek de stekker uit de contactdoos en/of ontkoppel het accupack van het gereedschap voor u de machine afstelt, accessoires wisselt of het werktuig opbergt. Zulke preventieve veiligheidsmaatregelen kunnen het risico op ongewenst starten van de machine verminderen.

Bewaar ongebruikt elektrisch gereedschap buiten het bereik van kinderen en niet-opgeleide personen die het gereedschap of deze gebruiksaanwijzingen niet kennen. Elektrisch gereedschap is gevaarlijk in de handen van niet-opgeleide gebruikers.

Onderhoud elektrisch gereedschap. Controleer op verkeerde aflijning of verstrikt raken van bewegende delen, defecten van onderdelen en alle andere situaties die de werking van het werktuig kunnen beïnvloeden. Indien beschadigd, laat u het elektrisch gereedschap repareren voor gebruik. Veel ongevallen worden veroorzaakt door slecht onderhouden elektrische werktuigen.

Houd de zaagwerktuigen scherp en schoon. Correct onderhouden zaagwerktuigen met scherpe randen zijn minder geneigd om verstrikt te raken en kunnen makkelijker worden bestuurd.

Gebruik het werktuig, de accessoires en werktuigonderdelen, etc. in overeenstemming met deze instructies en houd rekening met de bedrijfsomstandigheden en het uit te voeren werk. Het gebruik van een elektrisch werktuig voor zaken die niet in het voorgeschreven gebruik zijn beschreven, kan leiden tot gevaarlijke situaties.





GEbruik EN ONDERHOUD VAN HET ACCU- AANGE- DREVEN WERKTUIG

Herlaad enkel met de oplader die door de fabrikant is gespecificeerd. Een oplader die voor een type accupack is geschikt kan een brandgevaar betekenen wanneer het met een ander accupack wordt gebruikt.

Gebruik elektrisch gereedschap uitsluitend met de specifiek toegewezen accupacks. Het gebruik van andere accupacks kan leiden tot risico's op letsel en brand.

Wanneer het accupack niet wordt gebruikt, moet u het weg houden van andere metalen objecten, zoals papierclips, munten, sleutels, spijkers, schroeven of andere kleine metalen voorwerpen die een verbinding kan maken van een terminal naar een andere. De batterijterminals kortsluiten kan leiden tot brandwonden of brand.

In oneigenlijke omstandigheden, kan een vloeistof uit de accu lekken; vermijd contact hiermee. Als per ongeluk contact voorkomt, spoelt u met water. Als de vloeistof in contact komt met de ogen, dient u bijkomend medische hulp te raadplegen. Vloeistof die uit de accu lekt, kan irritatie of brandwonden veroorzaken.

ONDERHOUD

Laat uw elektrisch gereedschap onderhouden door een gekwalificeerd onderhoudspersoon en gebruik hierbij uitsluitend identieke vervangonderdelen. Dit zal ervoor zorgen dat de veiligheid van het werktuig wordt behouden.

BIJKOMENDE ALGEMENE VEILIGHEIDSWAARSCHUWINGEN

Enkele regio's hebben regels die het gebruik van het product beperken. Raadpleeg uw lokale autoriteit voor advies.

Laat kinderen of mensen die niet vertrouwd zijn met de gebruiksaanwijzingen, het product nooit gebruiken. De plaatselijke wetgeving kan beperkingen opleggen i.v.m. de leeftijd van de bediener.

Controleer voor elk gebruik of alle bedieningsknoppen en veiligheidsinrichtingen goed functioneren. Gebruik het product niet als de "uit"-knop de motor niet stillegt.

Draag een volledige gezichts- en gehoorbescherming, stevige veiligheidshandschoenen en hoofdbescherming terwijl u het product gebruikt; gebruik een gezichtsmasker als het werken veel stof veroorzaakt.

Draag geen losse kledij, korte mouwen of juwelen.

Maak lang haar vast boven schouderhoogte om te voorkomen dat het verstrikt raakt in de bewegende delen.

Pas op voor weggeslingerde, rondvliegende of vallende voorwerpen. Houd omstaanders, kinderen en huisdieren op tenminste 15 m afstand van het werkgebied.

Gebruik dit apparaat niet op plekken waar u niet goed kunt zien. De gebruiker heeft een duidelijk overzicht nodig van het werkgebied om mogelijke gevaren te identificeren.

Het gebruik van gehoorbescherming vermindert de

mogelijkheid om waarschuwingen (verbaal of alarmen) te horen. De gebruiker moet extra aandacht hebben voor wat er op de werkplaats gebeurt.

Het gebruik van gelijksoortige apparaten in de nabijheid verhoogt het risico van letsel en de mogelijkheid dat er andere mensen in uw werkgebied komen.

Bewaar steeds een stevige houvast en goed evenwicht. Overrek u niet. Overreiken kan leiden tot evenwichtsverlies en dit kan het risico op terugslag verhogen.

Houd alle lichaamsdelen weg van de bewegende delen.

Controleer de machine voor elk gebruik. Controleer of alle bedieninstrumenten correct werken, met inbegrip van de kettingrem. Controleer op losse verbinders. Zorg ervoor dat alle beschermers en handvatten correct en stevig zijn vastgemaakt. Vervang alle beschadigde onderdelen voor gebruik.

Het apparaat op geen enkele wijze aanpassen of reserveonderdelen gebruiken die niet worden aanbevolen door de fabrikant.



WAARSCHUWING!

Als u het product laat vallen, het een ernstige impact ondergaat of abnormaal begint te trillen, legt u het product onmiddellijk stil en controleert u het op schade of zoekt u naar de oorzaak van de trillingen. Enige schade moet direct worden gerepareerd of vervangen door een bevoegd onderhoudscentrum.

Gooi gebruikte accu's niet weg met het huishoudelijk afval of verbrand ze niet. ECHO-distributeurs nemen oude accu's terug ter bescherming van ons milieu.

Bewaar de accu niet samen met metalen voorwerpen (gevaar van kortsluiting).

Gebruik alleen een ECBC-58VEU/ECBC-58VUK-oplader voor het opladen van de accu. Gebruik geen accu's van andere systemen.

Compatibele accupacks: ECBP-58V40, ECBP-58V20

Bij te zware belasting of extreme temperaturen kan er accu-ur uit een beschadigde accu lekken. In geval van contact met accu-ur: reinig de huid onmiddellijk met water en zeep. In geval van contact met de ogen: spoel de ogen minstens 10 minuten lang grondig met water en zoek dan onmiddellijk medische hulp.

De twee borgschroeven voor de kettingstang zijn gevoelige punten voor elektrostatische ontlading tijdens gebruik. De gebruiker moet de schakelaar activeren om het product opnieuw te starten als het door elektrostatische ontlading wordt uitgeschakeld.

VEILIGHEIDSWAARSCHUWINGEN KETTINGZAAG

Houd alle lichaamsdelen uit de buurt van de zaagketting tijdens het gebruik van het product. Voor u de kettingzaag start, zorgt u ervoor dat de zaagketting

EN
FR
DE
ES
IT
NL
PT
DA
SV
FI
NO
RU
PL
CS
HU
RO
LV
LT
ET
HR
SL
SK
BG
UK
TR





met niets in contact komt. Een korte onoplettendheid tijdens het werken met een kettingzaag kan ertoe leiden dat uw kledij of lichaam met de kettingzaag verstrikt raakt.

Houd de kettingzaag altijd vast met de rechterhand op het achterste handvat en de linkerhand op het voorste handvat. Als u de kettingzaag in een omgekeerde configuratie vasthoudt, wordt het risico op lichamelijke letsels groter.

Houd het product alleen vast bij het geïsoleerde handvat, omdat de ketting in contact kan komen met verborgen bedrading. Zaagkettingen die in contact komen met een spanningvoerende kabel kunnen metalen onderdelen van het gereedschap blootleggen, waardoor ook het gereedschap "onder spanning" komt te staan, waardoor de bediener een elektrische schok kan krijgen

Draag een veiligheidsbril en gehoorbescherming. Een bijkomende beschermuistrusting voor het hoofd, de handen, benen en voeten is aangewezen. Een aangepaste beschermkledij vermindert lichamelijke letsels veroorzaakt door rondvliegend afval of accidenteel contact met de zaagketting.

Gebruik de kettingzaag niet in een boom. Als u de kettingzaag in een boom gebruikt, kan dit leiden tot lichamelijke letsels.

Zorg ervoor dat u altijd stevig vast staat en gebruik de kettingzaag alleen wanneer u op een vast, stabiel en effen oppervlak staat. Een glad of onstabiel oppervlak, zoals een ladder kan ertoe leiden dat u het evenwicht of de controle over de kettingzaag verliest.

Wanneer u een tak onder spanning doorzaagt, pas dan op voor de terugslag. Wanneer de spanning in de houtvezels vrijkomt, kan de tak die onder spanning staat de gebruiker raken en/of ervoor zorgen dat hij de controle over de kettingzaag verliest.

Weest uiterst voorzichtig als u hout en twijgen zaagt. Het dunne materiaal kan verstrikt raken in de kettingzaag en in uw richting worden geworpen of u uit uw evenwicht trekken.

Draag de kettingzaag aan het voorste handvat en zorg ervoor dat de kettingzaag is uitgeschakeld en zich weg van uw lichaam bevindt. Wanneer u de kettingzaag transporteert of opbergt, dient u altijd het zwaarddeksel te bevestigen. Als u de kettingzaag goed hanteert, zal dit de kans op accidenteel contact met de bewegende zaagketting verminderen.

Volg de instructies voor het smeren, aanspannen van de zaagketting en het vervangen van accessoires. Een foutief aangespannen of gesmeerde ketting kan breken of de kans op terugslag verhogen.

Houd de handvatten droog, schoon en vrij van olie en vet. Vettige handen zijn glad, waardoor u de controle kunt verliezen.

Zaag uitsluitend hout. Gebruik de kettingzaag niet voor niet-voorgescreven doeleinden. Gebruik de kettingzaag bijvoorbeeld niet voor het zagen van kunststof, metselwerk of bouw materiaal dat niet uit hout is gemaakt. Als u de kettingzaag voor andere

doeleinden gebruikt dan deze die werden voorgeschreven, kan dit tot gevaarlijke situaties leiden.

Oorzaken en het voorkomen van terugslag:

Terugslag kan gebeuren wanneer de neus of de punt van het zaagblad een voorwerp raakt of het hout de kettingzaag afkneelt in de zaagsnede.

Soms kan het contact van de punt leiden tot een plotsse omgekeerde reactie, waardoor het zwaard wordt teruggeworpen en in de richting van de gebruiker wordt gegooid.

Wanneer u de zaagketting langs de bovenkant van het zwaard klemt, kan het zwaard snel achteruit in de richting van de gebruiker wordt geduwd.

Door beide reacties kan men de controle over de zaag verliezen wat kan resulteren in ernstig letsel. Vertrouw niet uitsluitend op de veiligheidsvoorzieningen die in uw zaag zijn ingebouwd. Als gebruiker van de kettingzaag dient u diverse stappen te ondernemen om uw zaagwerkzaamheden te vrijwaren van ongelukken of letsels.

Terugslag is het resultaat van misbruik van het gereedschap en /of foutieve bedieningsprocedures of omstandigheden en kunnen worden vermeden door de volgende voorzorgen te nemen:

Houd een stevige greep met de duimen en vingers rond de kettingzaaghandvatten, met beide handen op de zaag en plaats uw lichaam en arm zo dat u terugslagkrachten kunt weerstaan. Terugslagkrachten kunnen door de gebruiker worden gecontroleerd als de nodige voorzorgen worden genomen. Laat de kettingzaag niet los.

Overreik niet en zaag niet boven schouderhoogte. Dit helpt voorkomen dat de punt ongewild contact maakt en geeft u betere controle over de kettingzaag in onverwachte omstandigheden.

Gebruik uitsluitend vervangzwaarden en -kettingen die door de fabrikant zijn gespecificeerd. Een foutief vervangzwaard of -ketting kan leiden tot kettingbreuk en/of terugslag.

Volg de slijp- en onderhoudsaanwijzingen van de fabrikant voor de kettingzaag op. Het verminderen van de dieptemeterhoogte kan leiden tot verhoogde terugslag.

BIJKOMENDE VEILIGHEIDSWAARSCHUWINGEN M.B.T. DE KETTINGZAAG

Het is aangewezen om houtbokken op een zaagbank of krat wanneer u het product voor het eerst gebruikt.

Zorg ervoor dat alle beschermers, handvatten en buffer goed zijn bevestigd en in goede staat zijn.

De personen die het product gebruiken moeten in goede gezondheid zijn. Het product is zwaar, dus de bediener moet lichamelijk sterk zijn. De gebruiker moet alert zijn, een goed zicht hebben, mobiel zijn, een goed evenwicht hebben en handig zijn. Bij twijfel gebruikt u het product niet.

Start het product niet tot uw werkruimte vrij is, zorg dat u stevig op de voeten staat en bereid een ontsnappingsroute voor uw weg van een vallende boom.





Pas op voor de emissie van smeermiddelmist en zaagsel. Draag indien nodig een masker of ademhalings toestel.

Zaag geen wijnranken en/of lage ondergroei (minder dan 75 mm in diameter).

Houd het product altijd met beide handen vast tijdens gebruik. Zorg voor een stevige grip waarbij duimen en vingers de handgrepen van de kettingzaag omsluiten. De rechterhand moet zich op het achterste handvat bevinden en de linkerhand op het voorste handvat.

Controleer voordat u het product start dat de ketting geen contact maakt met andere voorwerpen.

Wijzig het product nooit of gebruik het niet om voorzetstukken of apparaten aan te drijven die niet door de fabrikant van het product worden aangeraden.

Er moet zich een eerstehulpkit met grote wondverbanden en een middel om de aandacht te trekken (vb. een fluitje) in de buurt van de gebruiker bevinden. Een uitgebreidere kit moet zich op redelijke afstand bevinden.

Draag altijd een helm wanneer u het product gebruikt. Een helm met een gazen vizier helpt het risico op verwonding aan hoofd en gezicht te verkleinen bij een terugslag.

Een foutief aangespannen ketting kan van het zwaard afspringen, wat kan leiden tot ernstige verwondingen of de dood. De lengte van de ketting hangt af van de temperatuur. Controleer regelmatig de spanning.

U dient vertrouwd te worden met uw nieuwe kettingzaag door enkele eenvoudige zaagbewegingen te maken op een goed ondersteund stuk hout. Do dit altijd wanneer u de kettingzaag gedurende een zekere tijd niet hebt gebruikt.

Om het risico te verminderen op letsels die samenhangen met contact aan bewegende onderdelen, legt u de motor altijd stil, activeert u de kettingrem, verwijdert u het batterijpack en zorgt u ervoor dat alle bewegende onderdelen zijn stilgevallen voor:

- blokkering schoon- of vrijmaken
- het product onbeheerd achterlaten
- u voorzetstukken installeert of verwijdert
- ontrollen, onderhoud of werken aan het product

De omvang van het werkterrein is afhankelijk van het werk dat wordt uitgevoerd, alsmede het formaat van de desbetreffende boom of het werkstuk. Het vellen van een boom, bijvoorbeeld, veronderstelt een groter werkgebied dan nodig is voor andere zaagbewegingen, vb. het in stukken zagen van een houtblok, etc.

De gebruiker moet zich bewust zijn van alles wat zich in het werkbereik afspeelt en er de controle over hebben.

Zaag niet terwijl uw lichaam zich in lijn met het zwaard en de ketting bevindt. Als u een terugslag ervaart, zal dit helpen voorkomen dat de ketting in contact komt met uw hoofd of lichaam.

Gebruik geen voor- en achterwaartse beweging, maar laat de ketting zijn werk doen. Houd de ketting scherp en probeer de ketting niet door de zaagsnede te forceren.

Oefen geen druk uit op de zaag aan het einde van de zaagsnede. Wees klaar op het gewicht van de kettingzaag op te vangen als deze zich vrij van het hout zaagt. Wanneer u dit niet doet kan dit leiden tot ernstige letsels.

Stop het zagen niet in het midden van een zaagbeweging. Laat de zaag draaien tot ze uit de zaagsnede is verwijderd.

Duwen en trekken

De reactiekracht is altijd tegenovergesteld aan de richting waarin de ketting beweegt. De gebruiker moet klaar zijn om de trekbeweging van de machine (voorwaartse beweging), te beheersen wanneer hij met de onderste rand van het zwaard zaagt en de duwbeweging (in de richting van de gebruiker) wanneer hij met de bovenste rand zaagt.

Zaag zit vast in de zaagsnede

Stop de kettingzaag en beveilig deze. Probeer de ketting en het zwaard niet uit de zaagsnede te forceren aangezien de kans groot is dat de ketting breekt en terugslaat, waardoor de gebruiker wordt geraakt. Deze situatie doet zich normaal voor omdat het hout foutief wordt ondersteund en de zaagsnede onder druk komt te staan, waardoor het zaagblad vast raakt. Als u de steun afstelt, laat u het zwaard en de ketting niet los, maar gebruik houten spieën of een hefboom op de zaagsnede te openen en de zaag te bevrijden. Probeer de kettingzaag nooit te starten wanneer het zwaard zich reeds in een zaagsnede of insnijding bevindt.

Persoonlijke beschermuitrusting

Goede kwaliteit, persoonlijke beschermuitrusting, zoals gebruikt door profs help u het risico voor de gebruiker te verminderen. De volgende items moeten worden gebruikt wanneer u de kettingzaag bedient:

Veiligheidshelm

- moet overeenstemmen met EN 397 en CE-gemarkeerd zijn.

Gehoorbescherming

- moet overeenstemmen met EN 352-1 en CE-gemarkeerd zijn.

Oog- en gezichtsbescherming

- moet CE-gemarkeerd zijn en overeenstemmen met EN 166 (voor veiligheidsbril) of EN 1731 (voor gezichtsmaskers in gaaS)

Handschoenen

- moet overeenstemmen met EN381-7 en CE-gemarkeerd zijn.

Beenbeschermers (chaps)

- moeten overeenstemmen met EN381-5 en CE-gemarkeerd zijn en een algemene bescherming bieden.

Veiligheidslaarzen kettingzaag

- moeten overeenstemmen met EN ISO 20345:2004 en gemarkeerd zijn met een schild dat een kettingzaag afbeeldt om de overeenstemming met EN 381-3 aan te duiden. (Occasionele gebruikers kunnen



veiligheidslaarzen met stalen punt met beschermende beenkappen gebruiken die overeenstemmen met EN 381-9 als de bodem vlak is er een maar weinig risico bestaat om te struikelen of in de ondergroei verstrikt te raken)

Kettingzaagjassen voor bescherming van het bovenlichaam

- moet overeenstemmen met EN 381-11 en CE-gemarkeerd zijn.

INSTRUCTIES MET BETREKKING TOT CORRECTE TECHNIEKEN VOOR HET VELLEN VAN BOMEN, SNOEIEN VAN TAKKEN EN DWARSZAGEN.

De krachten in het hout begrijpen

Als u de directionele druk en kracht in het hout begrijpt, kunt u de "knelpunten" verminderen of ze tenminste tijdens het zagen voorspellen. Spanning in het hout betekent dat de vezels uit elkaar worden getrokken en als u in deze omgeving de "insnijding" doorzaagt, zal de zaagsnede zich willen openen naargelang de zaag zich een weg door het hout baant. Als een houtblok op een zaagbank wordt ondersteund en het uiteinde hangt niet-ondersteund over, wordt spanning gecreëerd aan het buitenste oppervlak omwille van het gewicht van de overhangende blok die de vezels uitrekt. Op dezelfde manier zal de onderzijde van het houtblok onder druk staan en worden de vezels samengedrukt. Als u in deze buurt een insnede maakt, zal de zaagsnede de neiging hebben om zich tijdens het zagen te sluiten. Dit zou het zaagblad inklemmen.

Een boom vellen

Zie afbeelding 1 - 6.

Als u een boom in stukken zaagt of velt, moet dit door twee of meer personen tegelijk worden uitgevoerd en moet het vellen van het verzagen worden verwijderd door een afstand van tenminste twee keer de hoogte van de te vellen boom. Bomen mogen niet worden geveld op een manier dat iemand in gevaar zou kunnen komen, een nutsleiding kan worden geraakt of er zich materiële schade kan voordoen. Als de boom in contact komt met een nutsleiding, moet de nutsmaatschappij onmiddellijk worden verwittigd.

De gebruiker van de kettingzaag moet heuvelopwaarts staan op het terrein omdat de boom, nadat deze geveld is, zeer waarschijnlijk omlaag zal rollen of glijden.

Er moet een ontsnappingsroute worden gepland en vrijgemaakt, voor het zagen begint. De ontsnappingsroute moet weg van en diagonaal ten opzichte van de achterzijde van de verwachte vallijn worden gelegd.

Voor u met het vellen start, moet u de natuurlijke helling van de boom overwegen, de locatie van grotere takken en de windrichting om te oordelen waar de boom zal neerkomen.

Verwijder vuil, stenen, losse schors, nagels, nietjes en draden van de boom.

Probeer geen bomen te vellen die rot zijn, of zijn beschadigd door wind, vuur, bliksem, enz.

Dit is uiterst gevaarlijk en mag alleen worden uitgevoerd door professionele boomchirurgen.

1. Valkerf aanbrengen

Zie afbeelding 1 - 6.

Maak de valkerf 1/3 de diameter van de boom, zijdelings tot de richting van de val. Zorg ervoor dat de ondersnede eerst wordt aangebracht. Dit helpt voorkomen dat de kettingzaag of het zwaard vast komen te zitten wanneer de tweede snede wordt gemaakt.

2. Velsnede

Zie afbeelding 1 - 6.

Maak de velsnede tenminste 50 mm/2 hoger dan de valkerf. Houd de velsnede paralel tot de valkerf. Maak de velsnede zo dat er voldoende hout overblijft om als scharnier te werken. Het scharnierhout zorgt ervoor dat de boom omkantelt en in de verkeerde richting valt. Zaag niet door het scharnier.

Naarmate het vellen dicht bij de scharnier komt, moet de boom beginnen vallen. Als de kans bestaat dat de boom niet in de gewenste richting valt of terugkantelt en de zaagketting klemt, stopt u met zagen voor de velsnede voltooid is en gebruikt u houten, kunststof of aluminium spieën om de zaagsnede te openen en de boom in de gewenste vallijn te doen vallen.

Wanneer de boom begint te vallen, verwijdert u de kettingzaag uit de snede, legt u de motor stil, de kettingzaag neer en gebruikt u de geplande ontsnappingsroute. Wees alert voor vallende overhangende takken en let op waar u de voeten neerzet.

Hoofdwortels verwijderen

Zie afbeelding 7 - 8.

Zoals de naam al zegt, is een hoofdwortel een grote wortel die boven de grond vanuit de stam groeit. Verwijder grote hoofdwortels voorafgaand aan het vellen. Maak eerst een horizontale zaagsnede in de hoofdwortel, gevolgd door een verticale zaagsnede. Verwijder het losgezaagde stuk van de werkplek. Volg de juiste boomvelprocedure nadat u de grote hoofdwortels hebt verwijderd.

Afkorten

Zie afbeelding 9 - 11.

Verzagen betekent dat u een houtblok in stukken zaagt. Het is belangrijk te zorgen dat u stevig op de voeten staat en dat uw gewicht evenredig over beide voeten is verdeeld. Indien mogelijk, moet het houtblok worden opgeheven en ondersteund door takken, houtblokken of schoren. Volg de eenvoudige aanwijzingen voor gemakkelijk zagen. Wanneer het houtblok over de hele lengte wordt ondersteund, wordt het vanaf de bovenzijde gezaagd (bovensnede).

Wanneer het blok aan een zijde wordt ondersteund, zaagt u 1/3 de diameter vanaf de onderzijde (ondersnede). Dan maakt u de laatste zaagsnede langs de bovenzijde om de eerste zaagsnede te ontmoeten.

Wanneer het houtblok aan beide zijden wordt ondersteund, zaagt u 1/3 de diameter vanaf de bovenzijde (bovensnede). Dan maakt u de afgewerkte snede door de onderste 2/3 langs onder te zagen om de eerste snede te ontmoeten.



Wanneer u op een helling verzaagt, staat u altijd aan de bovenzijde van het houtblok. Wanneer u "doorzaagt" laat u de zaagdruk in de buurt van het einde van de zaagsnede los om de controle te behouden zonder uw grip op de kettingzaaghandvatten te verliezen. Laat de ketting de grond niet raken. Nadat u de zaagsnede hebt voltooid, wacht u tot de zaagketting is stilgevallen tot u de kettingzaag beweegt. Leg de motor altijd stil voor u van boom naar boom beweegt.

Takken afzagen

Zie afbeelding 12 - 13.

Takken afzagen is het verwijderen van de takken van een gevelde boom. Wanneer u de takken afzaagt, laat u de grotere, lager takken hangen om het houtblok van de grond te ondersteunen. De kleinere takken in een zaagsnede verwijderen Takken onder spanning moeten vanaf de rand naar boven worden gezaagd om te vermijden dat de kettingzaag verstrikt raakt.

Terugverende tak

Zie afbeelding 14 - 15.

Met een gebogen tak bedoelen we in deze handleiding elke stam, tak, boomstronk of twijg die onder spanning gebogen staat door een ander stuk hout zodat het in zijn oorspronkelijke positie terugspringt zodra het hout dat de 'gebogen tak' in diens positie houdt, wordt gezaagd of verwijderd.

Bij een omgevallen boom is de kans groot dat een in de grond gewortelde boomstronk terugspringt in zijn oorspronkelijke positie tijdens het kortzagen om de stam van de stronk te scheiden. Pas op voor takken onder spanning, deze zijn gevaarlijk.



WAARSCHUWING!

Takken onder spanning zijn gevaarlijk en kunnen ervoor zorgen dat de gebruiker de controle over de kettingzaag verliest. Dit kan resulteren in ernstig of fataal letsel voor de gebruiker. Dit moet door ervaren gebruikers worden uitgevoerd.

EXTRA WAARSCHUWINGEN BATTERIJVEILIGHEID



WAARSCHUWING!

V voorkom brand, persoonlijk letsel of materiële schade door kortsluiting en dompel het gereedschap, de wisselaccu en het laadtoestel niet onder in vloeistoffen en waarborg dat geen vloeistoffen in de apparaten en accu's kunnen dringen. Corrosieve of geleidende vloeistoffen zoals zout water, bepaalde chemicaliën, bleekmiddelen of producten die bleekmiddelen bevatten, kunnen een kortsluiting veroorzaken.

RESTRISICO'S

Zelfs wanneer het product zoals voorgeschreven wordt gebruikt, is het nog steeds onmogelijk om bepaalde restrisiko's volledig te elimineren. De volgende gevaren kunnen zich voordoen tijdens het gebruik en de gebruiker dient in het bijzonder aandacht te hebben om de volgende situaties te vermijden:

- Letsels veroorzaakt door trillingen
 - Gebruik altijd het voor de taak geschikte werktuig. Gebruik de daarvoor bestemde handvatten. Beperk de werktijd en blootstelling.
- Blootstelling aan geluid kan gehoorletsels veroorzaken.
 - Draag gehoorbescherming en beperk de blootstelling.
- Letsels door contact met de blootgestelde zaagtanden van de ketting
- Letsels veroorzaakt door weggegooide onderdelen van het werkstuk (zaagsel en splinters)
- Letsels veroorzaakt door het inhaleren van stof en deeltjes.
- Letsels veroorzaakt door huidcontact met het smeermiddel of de olie

RISICOBEPERKING

Er zijn meldingen dat trillingen van handwerktoolen bij sommige mensen bijdragen tot het Syndroom van Raynaud. Symptomen kunnen ondermeer tintelingen, gevoelloosheid en bleek worden van de vingers omvatten, wat normaal gezien duidelijk wordt bij blootstelling aan koude. Erfelijke factoren, blootstelling aan koude en vocht, dieet, roken en werkroutine kunnen allemaal bijdragen tot de ontwikkeling van deze symptomen. Er kunnen door de bediener maatregelen worden genomen om de gevolgen van de trillingen te beperken:

- Houd bij koud weer uw lichaam warm. Draag handschoenen wanneer u de machine gebruikt om handen en polsen warm te houden.
- Doe oefeningen om de bloeddoorstroming te bevorderen na elke periode van gebruik.
- Neem regelmatig een pauze. Beperk het aantal uren dat u per dag wordt blootgesteld.
- Beschermhandschoenen verkrijgbaar bij professionele kettingzaaghandelaars zijn specifiek ontworpen voor gebruik met kettingzagen die bescherming bieden, een goede greep en de gevolgen van handgreetrillingen verminderen.

Wanneer u enige van de symptomen van deze aandoening ervaart, stop dan onmiddellijk met het gebruik van het toestel en raadpleeg uw dokter





WAARSCHUWING!

Letsels kunnen worden veroorzaakt of ernstiger worden door verlengd gebruik van een werktuig. Als u een werktuig gedurende langere periodes gebruikt, neem dan regelmatig pauze.

VOORGESCHREVEN GEBRUIK

Het product is uitsluitend geschikt voor buitenshuis gebruik. Omwille van veiligheidsredenen moet het product correct worden bediend door steeds twee handen te gebruiken.

Het product is ontworpen voor het zagen van takken, boomstammen, houtblokken en balken in een diameter die wordt bepaald door de zaaglengte van het zwaard. Het werd uitsluitend ontworpen om hout te zagen. Het mag alleen worden gebruikt voor huishoudelijke toepassingen door volwassenen die voldoende opleiding hebben gekregen over de gevaren en preventieve maatregelen/handelingen die tijdens het gebruik moeten worden genomen.

Het mag niet worden gebruikt voor professionele boomediensten. Het product mag niet worden gebruikt door kinderen of personen die geen geschikte beschermuitrusting en -kledij dragen.

Gebruik het product niet voor doeleinden die niet in de lijst voor beoogd gebruik staan.



WAARSCHUWING!

Wanneer u het product gebruikt, moeten de veiligheidsregels worden opgevolgd. Voor uw eigen veiligheid en deze van omstaanders, moet u deze instructies lezen en begrijpen voor u het product gebruikt. U volgt best een professioneel georganiseerde veiligheids cursus inzake het gebruik, preventieve acties, eerstehulp en onderhoud van kettingzagen. Bewaar de instructies voor later gebruik.



WAARSCHUWING!

Kettingzagen zijn potentieel gevaarlijke werktuigen. Ongevallen met kettingzagen leiden vaak tot het verlies van ledematen of de dood. Niet enkel de kettingzaag is een gevaar. Vallende takken, omvallende bomen, rollende boomstammen kunnen allemaal de dood veroorzaken. Zieke of rottende bomen vormen een bijkomend gevaar. U moet altijd verzekeren dat u in staat bent om de opdracht veilig te vervullen. Bij twijfel laat u het over aan een professionele boomchirurg.

KEN UW PRODUCT

Zie pagina 6-7.

1. Accu
2. Gashendelontgrendeling

3. Achterste handvat
4. Trekschakelaar
5. Combinatiesleutel
6. Voorste handvat
7. Kettingolie dop
8. Zwaarddeksel
9. Ketting
10. Zaagblad
11. Steunklauw
12. Kettingvanger
13. Kettingspan Schroef
14. Ketting scherm
15. Zwaardbevestigingsbouten
16. Voorste handbescherming/Kettingrem

VEILIGHEIDSVORZIENINGEN

Zaagketting met lage terugslag

Een kettingzaag met weinig terugslag helpt de kans voor terugslag verminderen.

De dieptestellernok (tanddiepte) voor elke snijschakel kan de kracht van de terugslagreactie verminderen door te voorkomen dat de snijschakels zich te diep in het terugslaggebied ingraven. Gebruik uitsluitend een vervangzwaard en -kettingcombinatie, aangeraden door de fabrikant.

Wanneer zaagkettingen worden geslepen, verliezen ze iets van hun lage terugslag-functionaliteit en dient men extra op te letten. Voor uw veiligheid vervangt u de zaagkettingen wanneer de zaagprestaties verminderen.

Steunklauw

De geïntegreerde bumperspike kan als middelpunt worden gebruikt wanneer u een insnede maakt. Het helpt om het lichaam van de kettingzaag stabiel te houden tijdens het zagen. Tijdens het zagen drukt u de machine voorwaarts tot de pinnen zich in de rand van het hout zetten en door het achterste handvat naar boven of onder in de zaagrichting te bewegen, wat kan helpen om de fysieke inspanning van het zagen te verlichten.

Zaagbladen

Over het algemeen hebben zwaarden met kleine schuifpunten een ietwat lager potentieel voor terugslag. U dient een zwaard en passende ketting te gebruiken die net lang genoeg is voor het werk. Langere zwaarden verhogen het risico op controleverlies tijdens het zagen. Controleer regelmatig de spanning. Wanneer u kleinere takken zaagt (kleiner dan de volledige lengte van het zwaard) is de kans dat de ketting wordt afgeworpen groter als de spanning niet correct is.

Kettingrem

Kettingremmen zijn ontworpen om het draaien van de ketting snel te stoppen. Wanneer de kettingremhendel/handbescherming naar het zaagblad wordt geduwd, moet de ketting onmiddellijk stoppen. Een kettingrem voorkomt geen terugslag. Het vermindert het risico op letsels in geval het zwaard in contact komt met het lichaam van de gebruiker tijdens terugslag. De kettingrem moet worden getest voor elk gebruik op correcte werking in de stand draaien en rem.

Kettingvanger

Een kettingvanger voorkomt bij losraken of breken van de ketting dat deze in de richting van de gebruiker springt.

BEDIENING



WAARSCHUWING!

Als er onderdelen zijn beschadigd of ontbreken, gebruik dan het toestel niet vooraleer de onderdelen werden vervangen. Wanneer u deze waarschuwing niet in acht neemt, kan dit leiden tot ernstige letsels.

Accupack installeren

Zie pagina 6.

Plaats de accu in het product. Lijn de opgeheven ribben op het accupack met de groeven in de accupoort van het product.

Controleer voor gebruik of de accu goed op zijn plaats zit en vastklikt.

Product vasthouden

Zie afbeelding 1.

Pak het product vast met de rechterhand op het achterste handvat en de linkerhand op het voorste handvat. Grijp beide handvatten met de duimen en vingers vast en omvat ze volledig. Zorg ervoor dat de linkerhand het voorste handvat vasthoudt en de duim zich onderaan bevindt.

Product starten

Zie pagina 8.

Voor u de werken start, moet u het batterijpack in de machine installeren en ervoor zorgen dat de kettingrem zich in de stand "draaien" bevindt door de kettingremhendel/handbeschermer in de richting van het voorste handvat te trekken.

Om de machine te starten, trekt u aan de ontgrendelknop en drukt u op de aan-/uitknop.

Kettingrem controleren en bedienen

Zie pagina 20.

Activeer de kettingrem door de linkerhand rond het voorste handvat te draaien. Met de achterzijde van uw hand drukt u de kettingremhendel/handbeschermer in de richting van het zwaard terwijl de ketting snel ronddraait. Zorg ervoor dat u beide handen altijd op de handvatten van de zaag houdt.

Zet de kettingrem terug in de stand "Draaien" door de bovenkant van de kettingremhendel/handbeschermer vast te nemen en deze in de richting van het voorste handvat te trekken tot u een klik hoort.



WAARSCHUWING!

Indien de kettingrem de ketting niet onmiddellijk stopt, of indien de kettingrem niet in de draaistand wil blijven zonder hulp, breng dan de kettingzaag naar een erkend Homeliteonderhoudscentrum voor herstel vooraleer u het opnieuw gebruikt.

De kettingspanning aanpassen

(raadpleeg pagina 14 - 15)

Verwijder de accu voordat u werkzaamheden aan het product uitvoert.

Zorg ervoor dat de montagevoeren van het zwaard half losgedraaid worden.

Om de spanning van de ketting te verhogen, draait u de spanschroef met de klok mee en controleert u de spanning van de ketting regelmatig. Om de spanning van de ketting te verlagen, draait u de spanschroef tegen de klok in en controleert u de spanning van de ketting regelmatig.

De kettingspanning is correct wanneer de ruimte tussen de zaagtanden in de ketting en het zwaard ongeveer 6,5 mm is. Trek de ketting in het midden van de onderste zijde van het zwaard naar beneden (weg van het zwaard) en meet de afstand tussen het zwaard en de kettingsnijders.

Kettingsmeerolie toevoegen

(raadpleeg pagina 16 - 17)



WAARSCHUWING!

Werk nooit zonder kettingsmeerolie. Als de zaagketting zonder smeermiddel dreigt te vallen, kunnen het zwaard en de zaagketting beschadigd raken. Het is daarom van essentieel belang om het oliepeil in de oliepeilmeter regelmatig te controleren en telkens voor u de kettingzaag begint te gebruiken.

Maak de omgeving rond de oliedop schoon om vervuiling te vermijden.

Schroef de dop los en verwijder ze van de olietank.

Giet de olie in de olietank en controleer de oliepeilmeter. Zorg ervoor dat er geen vuil in de olietank terecht komt wanneer u de machine met olie vult.

Plaats de oliedop terug en span aan. Veeg gemorste olie af.

TRANSPORT EN OPSLAG

Leg het product stil, verwijder de batterij en laat afkoelen voor u het toestel opbergt of transporteert.

Verwijder alle vreemde voorwerpen van het product. Bewaar op een koele, droge en goed geventileerde plaats die niet toegankelijk is voor kinderen. Houd corrosieve producten, zoals tuinchemicaliën en strooizout uit de buurt van het apparaat. Bewaar niet buitenshuis.

EN
FR
DE
ES
IT
NL
PT
DA
SV
FI
NO
RU
PL
CS
HU
RO
LV
LT
ET
HR
SL
SK
BG
UK
TR

Plaats het zwaarddeksel terug voor u de machine opbergt of tijdens het transport.

Voor transport beveiligd u het product tegen bewegen of vallen om lichamelijke letsels of schade aan het product te voorkomen.

ONDERHOUD



WAARSCHUWING!

Gebruik alleen accessoires en reserveonderdelen van ECHO. Als u dit niet doet, kan dit mogelijks letsels of slechte prestaties veroorzaken waardoor uw garantie kan vervallen. Als er onderdelen vervangen moeten worden die niet beschreven zijn, neem dan contact op met een van onze ECHO-onderhoudsvertegenwoordigers.



WAARSCHUWING!

Het onderhoud vereist extreme voorzichtigheid en deskundigheid en mag enkel door een gekwalificeerde onderhoudstechnicus worden uitgevoerd. Voor onderhoud brengt u het product naar een geautoriseerd onderhoudscentrum. Gebruik uitsluitend originele vervangonderdelen wanneer u onderhoudswerken aan de machine uitvoert.



WAARSCHUWING!

Verwijder de batterij voor u de machine afstelt, onderhoudt of reinigt. Als u dit niet doet, kan dit leiden tot ernstige lichamelijke letsels.

- U mag uitsluitend de afstellingen of herstellingen uitvoeren die in deze gebruiksaanwijzing worden beschreven. Voor andere herstellingen, neemt u contact op met uw geautoriseerd onderhoudsagent.
- De gevolgen van foutief onderhoud kunnen ertoe leiden dat de kettingrem en andere veiligheidsvoorzieningen niet correct werken, waardoor de kans op ernstige letsels verhoogt. Houd uw kettingzaag professioneel onderhouden en veilig.
- Het veilig slijpen van de ketting is een taak die gespecialiseerde kennis vereist. De fabrikant raadt daarom aan om een versleten of botte ketting door een nieuw exemplaar te vervangen, verkrijgbaar bij uw geautoriseerd ECHO servicecentrum. Het onderdeelnummer is beschikbaar in de productspecificatie in deze gebruiksaanwijzing
- Volg de instructies voor het smeren en de afstelling en controle van de kettingspanning.
- Na elk gebruik, reinigt u het product met een zachte, droge doek.

- Controleer regelmatig of alle moeren, bouten en vijzen goed zijn vastgemaakt om zeker te zijn dat het toestel veilig kan worden gebruikt. Een beschadigd onderdeel moet door een geautoriseerd onderhoudscentrum goed worden gerepareerd of vervangen.

Zwaard en zaagketting vervangen

(raadpleeg pagina 10 - 13)

Zorg ervoor dat u de batterij verwijdert. Draag beschermhandschoenen.

Verwijder de montagevoeren van het zwaard met gebruik van de bijgeleverde steeksleutel.

Verwijder de afdekking van de ketting.

Verwijder het zwaard en de zaagketting van de machine.

Plaats de nieuwe ketting in de correcte richting op het zwaard en zorg ervoor dat de drijfstangen in de zwaardgroef zijn afgelijnd.

Maak het zwaard aan de kettingzaag vast en leg de ketting rond het aandrijfkettingwiel.

Plaats de afdekking van de ketting en de montagevoeren van het zwaard weer terug.

Draai de montagevoeren van het zwaard half vast. Het zaagblad moet kunnen bewegen voor het afstellen van de kettingspanning.

Stel de kettingspanning af. Raadpleeg het hoofdstuk "Kettingspanning afstellen".

Til de neus van het zaagblad op en draai de bevestigingsmoeren van het zaagblad stevig vast.

Kettingrem inspecteren en reinigen

Zie pagina 22.

Houd het kettingremmechanisme altijd schoon door de drijvers vrij van vuil te houden en licht af te borstelen.

Test altijd de kettingremprestatie na het reinigen. Zie het hoofdstuk "Controle en bediening van de kettingrem" in deze handleiding voor meer informatie.

ONDERHOUDSSHEMA

Dagelijkse controle	
Zaagbladsmering	Voor elk gebruik
Kettingspanning	Voor elk gebruik en regelmatig
Ketting scherpte	Voor elk gebruik, visuele controle
Op beschadigde onderdelen	Voor elk gebruik
Op losse binders	Voor elk gebruik
Kettingremfunctie	Voor elk gebruik
Controleer en reinig	

Zwaard	Voor elk gebruik
Volledige zaag	Na elk gebruik
Kettingrem	Elke 5 uur*

*Uren in gebruik

VERVANGONDERDELEN

Onderdeel	Accessoirenummer
Zaagblad	6000945
Ketting	90PX056X

ACCU'S

- Accu's die lange tijd niet gebruikt zijn, dienen voor gebruik opnieuw opgeladen te worden.
- De prestatie van de accu vermindert bij temperaturen boven de 50°C. Vermijd langdurige blootstelling aan hitte of zonlicht (gevaar van oververhitting).
- De contactpunten van laders en accu's moeten schoongehouden worden.
- Voor een optimale levensduur dient de accu na gebruik volledig opgeladen te worden.
- Haal de accu uit de oplader nadat hij volledig opgeladen is, om voor een zo lang mogelijke levensduur te zorgen.

Om het accupack langer te bewaren dan 30 dagen:

- Bewaar het accupack op een plaats waar de temperatuur lager is dan 27°C en weg van vocht.
- Bewaar accupacks in een laadtoestand van 30%-50%.
- Laad het pack tijdens het bewaren elke zes maanden normaal op.

LITHIUMBATTERIJEN TRANSPORTEREN

De lithium-ionaccu is onderworpen aan de wetgeving inzake gevaarlijke stoffen.

Vervoer van de accu's vindt plaats volgens plaatselijke, nationale en internationale voorwaarden en regelgeving.

- De gebruiker kan de batterijen via de weg transporteren zonder bijkomende vereisten.
- Commercieel vervoer van lithium-ionaccu's door derde partijen is onderhevig aan regelgeving voor gevaarlijke stoffen. De voorbereidingen voor het transport en het transport zelf mag uitsluitend worden uitgevoerd door personeel dat vakkundig werd opgeleid en het proces moet worden begeleid door overeenkomstige experts.

Tijdens het vervoeren van accu's:

- Zorg ervoor dat de batterijcontactterminals beschermd en geïsoleerd zijn om kortsluiting te voorkomen.
- Zorg ervoor dat de accu niet kan verschuiven binnen de verpakking.

- Transporteer geen accues die lekken of gebarsten zijn.

Overleg met het transportbedrijf voor verder advies.

SYMBOLLEN



Waarschuwing



Lees en begrijp alle instructies voor u het product bedient, volg alle waarschuwingen en veiligheidsinstructies.



Draag gezichts-, gehoor- en hoofdbescherming.



Draag anti-slipschoeisel wanneer u het product gebruikt.



Draag zware, antislip handschoenen.



Pas op voor de terugslag van de kettingzaagmachine en vermijd contact met de zwaardtip.



Stel niet bloot aan regen of vocht.



Houd de kettingzaag altijd met uw twee handen vast bij gebruik.



Gebruik de kettingzaag niet door deze met één hand vast te houden.



Zet de kettingrem op de stand RUN (UITVOEREN).



Zet de kettingrem op de stand BRAKE (REM).



Het gegarandeerde geluidsniveau bedraagt 106 dB.



Oekraïens conformiteitssymbool



EurAsian-symbool van overeenstemming

EN
FR
DE
ES
IT
NL
PT
DA
SV
FI
NO
RU
PL
CS
HU
RO
LV
LT
ET
HR
SL
SK
BG
UK
TR



Elektrisch afval mag niet samen met ander huishoudafval worden weggegooid. Gelieve te recyclen indien de mogelijkheid bestaat. Neem contact op met uw lokaal bestuur of handelaar om advies te krijgen over recyclage.



Dit apparaat voldoet aan alle geldende normen van Lid-Staat van de Europese Unie waar het werd gekocht.

De volgende signaalwoorden en betekenissen zijn bedoeld om de gevaarniveaus die met het product zijn verbonden, te verklaren:



GEVAAR

Wijst op een gevaarlijke situatie die, als ze niet wordt voorkomen, dodelijk kan zijn of ernstige verwondingen kan veroorzaken.



WAARSCHUWING

Wijst op een mogelijks gevaarlijke situatie die, als ze niet wordt voorkomen, dodelijk kan zijn of ernstige verwondingen kan veroorzaken.



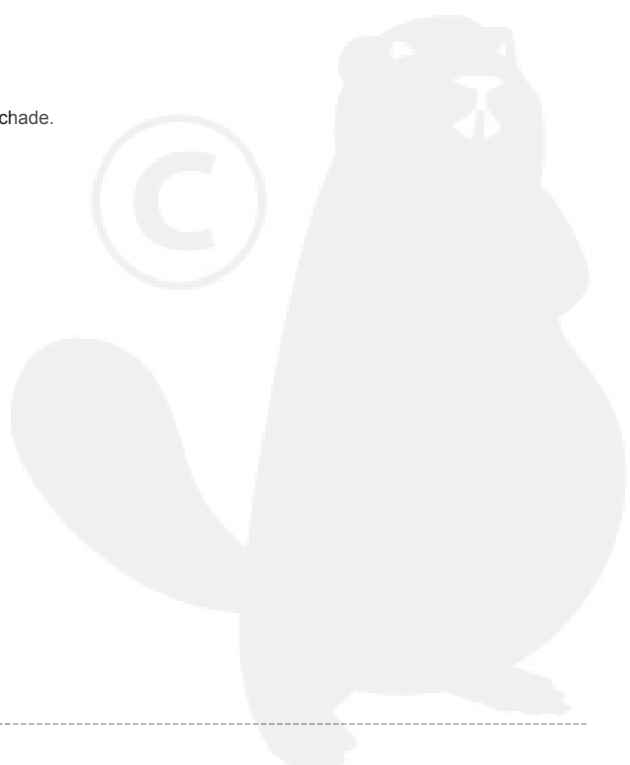
LET OP

Wijst op een mogelijks gevaarlijke situatie die, als ze niet wordt voorkomen, kleine of middelmatige verwondingen kan veroorzaken.

LET OP

Zonder veiligheidswaarschuwingssymbool

Wijst op een situatie die kan leiden tot materiële schade.





DADOS TÉCNICOS

MOTOSSERRA

ECCS-58V

Número de série	17402201000001 - 17402201999999
Tensão nominal	51,1 V, 58 V máximo
Comprimento máx. da lança	400 mm
Capacidade do depósito do óleo da corrente	177 ml
Peso (Sem bateria, com barra guia, corrente e depósito vazio)	4,83 kg
Peso (com o conjunto de baterias de 4,0 Ah)	6,73 kg
Peso (com o conjunto de baterias de 2,0 Ah)	6,03 kg
Velocidade máxima sem carga	21 m/s
Comprimento de corte útil	250 mm
Nível de emissão de ruído (em conformidade com EN 60745-1, EN 60745-2-13)	
Nível de pressão acústica ponderado A na posição do operador (L_{pA})	94,5 dB(A)
K_{pA} :	2,5 dB(A)
Nível de potência sonora ponderada A (L_{WA})	105,5 dB(A)
K_{WA} :	2,5 dB(A)
Nível de vibração (em conformidade com EN 60745-1; EN 60745-2-13) (frente/traseira)	2,1 / 2,8 m/s ² K = 1,5 m/s ²

EN
FR
DE
ES
IT
NL
PT
DA
SV
FI
NO
RU
PL
CS
HU
RO
LV
LT
ET
HR
SL
SK
BG
UK
TR

BATERIA E CARREGADOR

ECCS-58V

Baterias compatíveis	ECBP-58V40 / ECBP-58V20
Carregador compatível	ECBC-58VEU / ECBC-58VUK



ADVERTÊNCIA!

O nível de emissão de vibrações dado nesta folha de informações foi medido de acordo com um teste normalizado sob a Norma EN 60745 e pode ser utilizado para fazer comparações entre ferramentas. Pode ser utilizado para uma avaliação preliminar da exposição.

O nível declarado de emissão de vibrações representa as aplicações principais da ferramenta. Contudo, se a ferramenta for utilizada para várias aplicações, com diferentes acessórios ou se receber manutenção insuficiente, a emissão de vibrações pode ser diferente. Isto pode aumentar significativamente o nível de exposição ao longo do período total de trabalho.

Uma estimativa do nível de exposição às vibrações deverá também levar em conta os tempos que a ferramenta está desligada ou que está a funcionar mas sem estar a ser utilizada para trabalho. Isto pode reduzir significativamente o nível de exposição ao longo do período total de trabalho.

Identifique medidas de segurança adicionais para proteger o operador contra os efeitos da vibração, como por exemplo: fazer a manutenção correcta da ferramenta e dos acessórios, manter as mãos aquecidas, organizar o escalas de trabalho.

AVISOS GERAIS DE SEGURANÇA



ADVERTÊNCIA!

Leia todos os avisos de segurança e todas as instruções. O facto de não seguir os avisos e as instruções pode conduzir a choque eléctrico, fogo e/ou lesão grave.

Conserve estas advertências e instruções para que possa consultá-las mais tarde.

O termo "ferramenta eléctrica" nos avisos refere-se à ferramenta operada através de ligação à rede eléctrica (com fios) ou à ferramenta operada através de bateria (sem fios).

AMBIENTE DE TRABALHO

Mantenha a área de trabalho limpa e bem iluminada. As áreas desordenadas ou escuras são um convite para acidentes.

Não opere ferramentas eléctricas em atmosferas explosivas, tais como na presença de líquidos





inflamáveis, gases ou poeira. As ferramentas eléctricas criam faíscas que podem causar a inflamação de poeiras ou vapores.

Ao operar esta ferramenta eléctrica, mantenha as crianças e as pessoas presentes afastadas. Distracções podem fazer com que perca o controlo.

SEGURANÇA ELÉCTRICA

As fichas eléctricas da ferramenta têm de corresponder à tomada. Nunca altere a ficha seja de que maneira for. Não use quaisquer fichas adaptadoras com ferramentas de ligação com terra. As fichas não modificadas e tomadas compatíveis reduzirão o risco de choque eléctrico.

Evite o contacto do corpo com superfícies com ligação terra ou enterradas, tais como tubos, radiadores, fogões e frigoríficos. Há um aumento do risco de choque eléctrico se o seu corpo estiver ligado à terra.

Não exponha este produto à chuva ou humidade elevada. A entrada de água na ferramenta eléctrica aumentará o risco de choque eléctrico.

Não abuse do cabo de alimentação. Nunca use o cabo para carregar, puxar ou retirar a ficha da ferramenta da tomada. Mantenha o cabo afastado do calor, óleo, pontas afiadas ou peças móveis. Os cabos danificados ou emaranhados aumentam o risco de choque eléctrico.

Ao operar uma ferramenta eléctrica ao ar livre, use um cabo de extensão apropriado para o uso ao ar livre. A utilização de um cabo apropriado para o uso ao ar livre reduz o risco de choque eléctrico.

Se operar uma ferramenta eléctrica num local húmido é inevitável, use uma fonte com protecção de dispositivo de corrente residual (RCD). O uso de um RCD reduz o risco de choque eléctrico.

SEGURANÇA PESSOAL

Ao operar esta ferramenta eléctrica, permaneça alerta, tenha em atenção ao que está a fazer e use o bom senso. Não utilize a ferramenta eléctrica quando se sentir cansado ou se se encontrar sob a influência de drogas, álcool ou medicamentos. Um momento de desatenção enquanto opera estas ferramentas eléctricas pode resultar em ferimentos graves.

Utilizar equipamento de protecção. Use sempre protecção para os olhos. O equipamento de protecção tal como a máscara contra pó, calçado anti-derrapante de segurança, capacete, ou protecção para os ouvidos, usado para condições apropriadas irá reduzir a probabilidade de ferimentos.

Evite o arranque involuntário. Assegure-se de que o interruptor se encontra na posição de desligado antes de o ligar à fonte de energia e/ou bateria, levantando ou transportando a ferramenta. Transportar ferramentas eléctricas com o seu dedo no interruptor ou ligar à corrente ferramentas eléctricas que têm o interruptor ligado são um convite a acidentes.

Remova qualquer chave de ajuste antes de ligar a ferramenta eléctrica. Uma chave-inglesa ou uma chave

colocada numa peça móvel da ferramenta eléctrica pode causar lesões pessoais.

Não se aproxime em demasia. Fique sempre bem apoiado nas pernas e não estique demasiado o braço. Isto possibilita um melhor controlo da ferramenta eléctrica em situações inesperadas.

Use roupas adequadas. Não use roupa larga ou acessórios de jóias. Mantenha o seu cabelo, roupa e luvas longe das peças móveis. A roupa larga, jóias ou cabelo comprido podem ficar presos nas peças móveis.

Se são fornecidos os dispositivos para a ligação de espaços de extracção e recolha de pó, assegure-se de que estes se encontram conectados e usados correctamente. A utilização de um coletor de pó pode reduzir os perigos relacionados com o pó.

UTILIZAÇÃO E MANUTENÇÃO DA FERRAMENTA ELÉCTRICA

Não force o produto. Use a ferramenta eléctrica correcta para a sua aplicação. A ferramenta fará o seu trabalho melhor e de forma mais segura trabalhando ao ritmo para que foi concebida.

Não use uma ferramenta caso o interruptor não ligue e desligue a ferramenta eléctrica correctamente. Qualquer ferramenta eléctrica que não possa ser controlada com o interruptor é perigosa e deve ser reparada.

Desligue a ficha da alimentação eléctrica e/ou a bateria da ferramenta antes de proceder a quaisquer ajustes, mudança de acessórios ou de armazenar ferramentas eléctricas. Estas medidas de segurança preventivas reduzem o risco de arranque acidental da ferramenta eléctrica.

Armazene as ferramentas eléctricas fora do alcance das crianças e não permita que pessoas não familiarizadas com a ferramenta eléctrica ou com estas instruções utilizem a ferramenta eléctrica. As ferramentas eléctricas são perigosas nas mãos de utilizadores inexperientes.

Realize a manutenção das ferramentas eléctricas. Verifique se existe desalinhamento ou emperramento das peças móveis, ruptura das peças e qualquer outra condição que possa ter afectado o funcionamento da ferramenta eléctrica. Se danificado, mande a ferramenta eléctrica ser reparada antes de a utilizar. Muitos acidentes são causados por ferramentas eléctricas com fracas manutenções.

Mantenha as ferramentas de corte afiadas e limpas. É menos provável que as ferramentas de corte com uma correcta manutenção e com pontas de corte afiadas fiquem presas e são mais fáceis de controlar.

Utilize a ferramenta, acessórios, peças eléctricas, etc., de acordo com estas instruções, tendo em conta as condições de trabalho e o trabalho que se vai realizar. O uso da ferramenta eléctrica para as operações diferentes daquelas a que se destina podem causar uma situação perigosa.





UTILIZAÇÃO E MANUTENÇÃO DA BATERIA

Recarregue apenas com o carregador especificado pelo fabricante. Um carregador que seja adequado para um tipo de bateria pode causar risco de incêndio, quando utilizado com outra bateria.

Use ferramentas eléctricas somente com baterias especificamente concebidas. O uso de qualquer outro tipo de bateria pode causar risco de lesões e incêndio.

Quando a bateria não estiver a ser utilizada, mantenha-a afastada de outros objectos metálicos como cliques de papel, moedas, chaves, pregos, parafusos, ou outros pequenos objectos metálicos que podem fazer a ligação de um terminal para outro. Ligar os terminais da bateria em conjunto pode causar queimaduras ou um incêndio.

Sob circunstâncias abusivas, o líquido pode ser ejectado da bateria, evite o contacto. Se o contacto ocorrer acidentalmente, limpe com água abundante. Se o líquido entrar em contacto com os olhos, procure adicionalmente assistência médica. O líquido ejectado da bateria pode causar irritação ou queimaduras.

MANUTENÇÃO

A manutenção da sua ferramenta eléctrica deve ser efectuada por uma pessoa qualificada para reparações, utilizando apenas peças de substituição idênticas. Isto assegurará que a segurança da ferramenta eléctrica é mantida.

AVISOS GERAIS DE SEGURANÇA ADICIONAIS

Algumas regiões têm normas que limitam o uso do produto. Consulte a sua autoridade local para obter informação.

Nunca permita que crianças ou pessoas que não estejam familiarizadas com estas instruções utilizem o produto. A legislação local pode restringir a idade do operador.

Certifique-se antes de cada uso que todos os controlos e dispositivos de segurança funcionam corretamente. Não utilize o aparelho se o interruptor "off" não parar o motor.

Utilize proteção completa ocular e auricular, luvas grossas resistentes, bem como proteção para a cabeça durante o funcionamento do aparelho; utilize uma máscara de rosto caso a operação envolva poeira.

Não use roupas largas, calças curtas nem joias de qualquer tipo.

Prenda o cabelo comprido para que fique acima do nível dos ombros para evitar que fique emaranhado em peças móveis.

Cuidado com os objetos projetados, voadores ou em queda. Mantenha os transeuntes, as crianças e os animais a 15 m de distância da zona de operação.

Não utilize esta ferramenta numa zona com pouca luz. O operador necessita de uma visão clara da área de trabalho para identificar potenciais perigos.

O uso da protecção auditiva reduz a sua capacidade de ouvir avisos (gritos ou alarmes). O operador deve prestar atenção extra àquilo que está a acontecer na área de trabalho.

Operar ferramentas similares nas proximidades aumenta tanto o risco de lesão auditiva e o potencial para outras pessoas entrarem na sua área de trabalho.

Mantenha-se bem apoiado e equilibrado. Não se aproxime em demasia. O esticar-se pode resultar em perda de equilíbrio e pode aumentar o risco de ressalto.

Mantenha qualquer peça em movimento longe do seu próprio corpo.

Inspecione a máquina antes de cada uso. Verifique o correto funcionamento de todos os controlos, incluindo o travão da corrente. Verifique que não há peças de fixação soltas, assegure-se de que todas as proteções e cabos estão bem fixos. Substitua qualquer peça danificada antes da utilização.

Não modifique a máquina em qualquer forma nem use peças e acessórios que não sejam recomendados pelo fabricante.



ADVERTÊNCIA!

Se o aparelho cair, sofrer um impacto forte ou começar a vibrar de maneira anormal, pare-o imediatamente e verifique se está danificado ou identifique o motivo da vibração. Qualquer dano deve ser devidamente reparado ou substituído por um centro de assistência autorizado.

Não deite fora baterias usadas juntamente com o lixo doméstico nem queimando-as. Os Distribuidores ECHO estão disponíveis para recolher baterias velhas, para proteger o meio-ambiente.

Não guarde o conjunto de baterias juntamente com objectos metálicos (risco de curto-circuito).

Utilize apenas o carregador ECBC-58VEU/ECBC-58VUK para dar carga aos conjuntos de baterias. Não utilize conjuntos de baterias de outros sistemas.

Baterias compatíveis: ECBP-58V40, ECBP-58V20

Sob condições extremas de carga ou de temperatura, baterias danificadas podem verter ácido de baterias. Em caso de contacto com ácido de baterias, lave a área afectada imediatamente com água e sabão. Em caso de contacto com os olhos, enxágue imediatamente e de modo completo com água durante pelo menos 10 minutos e consulte um médico sem demora.

Os parafusos de retenção da barra de duas correias são pontos sensíveis à descarga eletrostática durante a utilização. O utilizador tem de soltar o gatilho do interruptor para reiniciar o produto se disparar devido a descarga eletrostática.

AVISOS DE SEGURANÇA DA MOTOSSERRA

Durante a utilização do produto, mantenha todas as partes do seu corpo afastadas da corrente da serra. Antes de iniciar a motosserra, certifique-se que a corrente da serra não se encontra em contacto com





nada. Um momento de distração ao operar a motosserra pode causar emaranhamento da sua roupa ou corpo com a motosserra.

Segure sempre a motosserra com a sua mão direita na pega traseira e com a sua mão esquerda na pega dianteira. Segurar a motosserra com uma configuração da mão invertida aumenta o risco de lesão pessoal e deva nunca ser feito.

Agarre o produto apenas pelas superfícies de preensão isoladas, porque a corrente da serra pode entrar em contacto com fios condutores ocultos. O contacto da motosserra com um cabo com tensão elétrica pode expor as peças metálicas da ferramenta à corrente elétrica, o que pode provocar um choque ao operador.

Use óculos de segurança proteção para os ouvidos. Recomenda-se ainda equipamento de proteção para a cabeça, mãos, pernas e pés é recomendado. A roupa de proteção adequada reduzirá o risco de lesões pessoais causadas por detritos esvoaçantes ou contacto acidental com a motosserra.

Não opere uma motosserra numa árvore. A utilização de uma motosserra enquanto se encontra em cima de uma árvore pode causar lesões pessoais.

Mantenha sempre o equilíbrio adequado dos pés e opere a motosserra apenas quando se encontra sobre uma superfície fixa, firme e nivelada. As superfícies escorregadiças ou instáveis tais como escadas podem causar uma perda de equilíbrio ou o controlo da motosserra.

Ao cortar um ramo que esteja sob tensão, esteja alerta para o efeito de ricochete. Quando a tensão nas fibras de madeira é libertada, o ramo catapultado pode atingir o operador e/ou atirar a motosserra e ficar fora de controlo.

Use extrema cautela ao cortar os arbustos e rebentos. O material delgado pode apanhar a motosserra e ser atirado para si ou tirar-lhe o equilíbrio.

Transporte a motosserra pela pega frontal com a motosserra desligada e afastada do seu corpo. Ao transportar ou armazenar a motosserra, coloque sempre a capa da barra guia. O segurar adequadamente na motosserra reduzirá a probabilidade de contacto acidental com a corrente móvel da serra.

Siga as instruções para a lubrificação, tensionamento da corrente e mudança dos acessórios. Uma corrente com a tensão ou a lubrificação incorretas também pode quebrar ou aumento o risco de ricochete.

Mantenha os manipuladores secos, limpos e livres de óleo e graxa. As pegas gordurosas e oleosas são escorregadias, provocando a perda de controlo.

Corte apenas madeira. Não utilize a motosserra para fins a que não se destina. Por exemplo, não use a motosserra para cortar plástico, alvenaria ou materiais de construção que não sejam de madeira. O uso da motosserra para as operações diferentes daquelas a que se destina podem causar uma situação perigosa.

Causas e prevenção do utilizador do ricochete:

Pode ocorrer um coice quando a ponta da barra-guia toca num objecto ou se a corrente da serra ficar entalada e bloquear-se na madeira durante o corte.

O contacto com a ponta, em alguns casos, pode causar uma reação reversa rapidíssima, fazendo com que a barra guia salte para o operador.

Apertar a corrente da serra ao longo do topo da barra guia pode fazer com que esta recue rapidamente na direcção do operador.

Qualquer uma destas reacções pode fazer com que perca o controlo da serra e levar a graves ferimentos pessoais. Não dependa exclusivamente dos dispositivos de segurança incorporados na sua serra. Enquanto utilizador da serra, deverá tomar uma série de medidas tendentes a garantir que as operações de corte decorrem livres de acidentes ou ferimentos.

O ricochete é o resultado de uma má utilização da ferramenta e/ou condições ou procedimentos de operação incorretos e pode ser evitado tomando as precauções apropriadas conforme indicado abaixo:

Segure firmemente, com os polegares e os dedos que cercam as pegadas da motosserra, com ambas as mãos na serra e posicione o seu corpo e braço para permitir-lhe resistir à força do ricochete. As forças do ricochete podem ser controladas pelo operador, se as precauções apropriadas forem tomadas. Não largue a motosserra.

Não se estenda e não corte acima da altura do ombro. Isto ajuda a impedir o contacto da ponta não intencional e permite um melhor controlo da motosserra em situações inesperadas.

Utilize apenas correntes e barras sobressalentes do fabricante. As barras e as correntes de substituição incorretas podem causar uma rutura da corrente e/ou ricochete.

Siga as instruções de afiação e manutenção do fabricante da corrente da serra. Diminuir a altura do calibre da profundidade pode conduzir a aumentos do ricochete.

ADVERTÊNCIAS ADICIONAIS DE SEGURANÇA DA MOTO-SERRA

É recomendável cortar os troncos num cavalete de serrador ou num suporte ao operar o aparelho pela primeira vez.

Certifique-se de todas as proteções, pegadas e para-choques dentado estão devidamente instalados e em boas condições.

As pessoas que utilizarem o produto devem estar em bom estado de saúde. O produto é pesado, portanto o utilizador tem obrigatoriamente de estar em boa forma física. O operador deve estar alerta, ter boa visão, mobilidade, equilíbrio e destreza manual. Se tiver alguma dúvida, não utilize o produto.

Não comece a usar o produto até que tenha uma área de trabalho clara, base segura e um caminho de retirada planeada afastado da queda da árvore.



Cuidado com a emissão da névoa de lubrificante e serrim. Utilize uma máscara ou respirador, se necessário.

Não corte as videiras e/ou mato pequeno (menos de 75 mm de diâmetro).

Quando utilizar o produto, segure-o sempre com as duas mãos. Segure firmemente na ferramenta, com os polegares e os dedos envolvendo as pegadas da serra de corrente. A mão direita deve estar na pega traseira e a mão esquerda sobre a pega dianteira.

Antes de dar arranque ao produto, certifique-se de que a corrente não está em contacto com nenhum objecto.

Não modifique o seu produto de nenhum modo nem o utilize para alimentar acessórios ou dispositivos não recomendados pelo fabricante para o seu produto.

Deve haver um kit de primeiros socorros que contenha grandes pensos para feridas e um meio para chamar a atenção (por exemplo, um apito) próximo do operador. Um kit maior e mais abrangente deve estar, razoavelmente, nas proximidades.

Quando utilizar o produto, use sempre um capacete. Um capacete equipado com viseira de rede pode ajudar a reduzir o risco de ferimentos na cara e na cabeça em caso de ressalto.

Uma corrente incorretamente sujeita a tensão pode saltar fora da barra de guia e pode resultar em ferimentos graves ou morte. O comprimento da corrente depende da temperatura. Verifique a tensão regularmente.

Deve familiarizar-se com a sua nova motosserra fazendo cortes simples em madeira firmemente apoiada. Faça isto sempre que não tenha operado a serra há algum tempo.

Para reduzir o risco de lesões associadas com o contacto com partes móveis, pare sempre o motor, aplique o travão da corrente, retire a bateria e certifique-se de que todas as peças móveis pararam completamente antes de:

- limpeza e desobstrução de bloqueio
- deixar o produto sem vigilância
- instalar ou remover acessórios
- verificar, fazer a manutenção ou funcionar com o produto

O tamanho da área de trabalho depende do trabalho a ser realizado, bem como do tamanho da árvore ou da peça alvo da intervenção. Por exemplo, abater uma árvore requer uma maior área de trabalho do que para fazer outros cortes, como por exemplo, cortes de divisão de troncos, etc.

O operador precisa estar atento e em controlo de tudo o que está a acontecer nesta área de trabalho.

Não corte com o seu corpo em linha com a barra de guia e corrente. Caso ocorra um ressalto, isto ajudará a evitar a corrente de entrar em contacto com a sua cabeça ou corpo.

Não utilize um movimento de serrar para trás e para a frente, deixe a corrente fazer o trabalho, mantenha a

corrente afiada e não tente empurrar a corrente através do corte.

Não exerça pressão na serra no fim do corte. Prepare-se para aguentar com o peso da serra quando esta se liberta da madeira. O incumprimento desta indicação pode causar possíveis lesões pessoais graves.

Não pare a serra a meio de uma operação de corte. Mantenha a serra a funcionar até que tenha sido removida do corte.

Pressão e tracção

A força de reacção é sempre oposta ao sentido de deslocação da corrente. Como tal, o operador deve estar preparado para controlar a tendência para a máquina se afastar (movimento para a frente) ao cortar na borda inferior da barra e a empurrar para trás (na direcção do operador) ao cortar ao longo da borda superior.

Serra encravada no corte

Pare a motosserra e torne-a segura. Não tente forçar a corrente e a barra do corte, visto que é provável que isto quebre a corrente, a qual pode balançar para trás e atingir o operador. Esta situação ocorre normalmente porque a madeira está incorretamente apoiada e a forçar o corte demasiado perto sob compressão trilhando assim a lâmina. Caso, ao ajustar o suporte não liberte a barra e a corrente, use cunhas de madeira ou uma alavanca para abrir o corte e libertar a serra. Nunca tente iniciar a motosserra quando a barra guia já se encontra num corte ou ranhura.

Equipamento de protecção pessoal

Os equipamentos de protecção individual de boa qualidade, conforme os utilizados por profissionais, ajudarão a reduzir o risco de ferimentos ao operador. Os itens seguintes devem ser utilizados ao operar a sua motosserra:

Capacete de segurança

- deverá cumprir a norma EN 397 e possuir a marcação CE

Protecção auricular

- deverá cumprir a norma EN 352-1 e possuir a marcação CE

Protecção para os olhos e rosto

- devem possuir a marcação CE e cumprir com EN 166 (para óculos de segurança) ou EN 1731 (para viseiras de malha)

Guantes

- deverá cumprir a norma EN381-7 e possuir a marcação CE

Protecção das pernas (perneiras)

- deve cumprir com a norma EN381-5, possuir a marcação CE e fornecer uma protecção completa.

Botas de segurança para motosserra

- deve cumprir com a norma EN ISO 20345:2004 e possuir uma marcação a ilustrar uma motosserra

para demonstrar a conformidade com EN 381-3. (Os utilizadores ocasionais podem usar botas de segurança com biqueira de aço com polainas de proteção conformes à EN 381-9, caso o piso seja nivelado e exista pouco risco de tropeçar ou ficar preso na vegetação rasteira)

Casacos próprios para motosserra para proteção da parte superior do corpo

- deverá cumprir a norma EN 381-11 e possuir a marcação CE

INSTRUÇÕES SOBRE AS TÉCNICAS ADEQUADAS PARA ABATE BÁSICO, CORTAR RAMOS E CORTE TRANSVERSAL

Compreender as forças dentro da madeira

Quando compreende as pressões e tensões direcionais dentro da madeira, pode reduzir os "beliscões", ou pelo menos prevê-los durante o corte. A tensão na madeira significa que as fibras estão a ser separadas e se cortar nesta área, a área de separação ("kerf") ou corte tendem a abrir à medida que a serra passa. Se um tronco está a ser apoiado sobre um cavalete e a extremidade está pendurada sem apoio sobre a extremidade, então a tensão é criada na superfície superior devido ao peso do tronco suspenso, esticando as fibras. Da mesma forma, a parte inferior do tronco estará em compressão e as fibras são empurradas umas contra as outras. Se um corte é feito nesta área, o corte de separação terá tendência a fechar-se durante o corte. Isto iria trilhar a lâmina.

Abater uma árvore

Ver Fig. 1 - 6.

Quando as operações de cortar e abater estão a ser realizadas por duas ou mais pessoas ao mesmo tempo, a operação de abate deve ser separada da operação de corte por uma distância de pelo menos duas vezes a altura da árvore que vai cair. As árvores não devem ser abatidas de alguma forma que possa pôr alguém em perigo, atingir alguma linha de fornecimento ou causar danos de propriedade. Se a árvore entrar em contacto com alguma linha de fornecimento, a empresa deve ser notificada de imediato.

O operador da serra de corrente deve manter-se no lado mais alto de um terreno inclinado, já que é provável que a árvore role ou deslize pelo terreno abaixo quando do abate.

Um percurso de escape deve ser planeado e desobstruído conforme necessário antes de se iniciar os cortes. O percurso de fuga deve estender-se para trás e na diagonal à traseira da linha de queda prevista.

Antes de iniciar o abate, tenha em conta a inclinação natural da árvore, a localização dos ramos maiores e a direção do vento para avaliar a forma como a árvore irá cair.

Remova a sujidade, pedras, casca solta, pregos, estribos e arames da árvore.

Não tente subir a árvores que tenham apodrecido ou

que tenham sido danificadas pelo vento, pelo fogo, por relâmpagos, etc.

Isso é extremamente perigoso e só deve ser feito por cirurgiões de árvores profissionais.

1. Corte inferior de entalhe

Ver Fig. 1 - 6.

Faça o entalhe com 1/3 do diâmetro da árvore, perpendicular ao sentido das quedas. Realize o corte de entalhe horizontal inferior primeiro. Isto ajudará a evitar trilhar a corrente da serra ou a barra de guia quando o segundo entalhe está a ser feito.

2. Corte pela face oposta

Ver Fig. 1 - 6.

Faça o corte de abate para trás com pelo menos 50 mm (2 polegadas) mais alto do que o corte de entalhadura horizontal. Mantenha o corte de abate para trás paralelo ao corte de entalhadura horizontal. Faça o corte de abate para trás de modo a que resta madeira suficiente para atuar como uma dobradiça. A articulação da madeira evita que a árvore se torça e caia na direção errada. Não corte através da articulação.

À medida que o abate se aproxima da dobradiça, a árvore deve começar a cair. Se houver qualquer possibilidade da árvore não cair no sentido desejado de poder balançar para trás e vincar a motosserra, pare de cortar antes que o corte de abate para trás esteja concluído e use cunhas de madeira, plástico ou alumínio para abrir o corte e deixar cair a árvore sobre a linha desejada.

Quando a árvore começa a cair, remova a motosserra do corte, pare o motor, coloque a motosserra para baixo e, em seguida, use o caminho de retirada planeado. Esteja alerta para ramos suspensos que possam cair e preste atenção ao seu equilíbrio.

Remoção dos sustentáculos

Ver Fig. 7 - 8.

Um sustentáculo é uma raiz de grandes dimensões que se prolonga do tronco da árvore acima do solo. Deverá remover sustentáculos grandes antes de realizar o abate. Efectue primeiro o corte horizontal no sustentáculo e, só depois, o corte vertical. Remova a secção solta da área de trabalho. Siga o procedimento de abate de árvores correcto depois de terem sido removidos os sustentáculos grandes.

Cortar transversalmente um tronco

Ver Fig. 9 - 11.

Decepar consiste em cortar um tronco em comprimentos. É importante certificar-se que o seu equilíbrio é firme e que o seu peso está distribuído uniformemente em ambos os pés. Quando possível o tronco deve ser levantado e suportado pelo uso de ramos, troncos ou calços. Siga a instrução simples para um corte fácil. Quando o tronco é suportado ao longo de todo o comprimento, é cortado a partir do topo (overbuck).

Quando o tronco é suportado numa extremidade, corte 1/3 do diâmetro do lado de baixo (underbuck). Em seguida, efectue o corte final overbucking para encontrar o primeiro corte.

Quando o tronco está apoiado em ambas as extremidades, corte 1/3 do diâmetro a partir de cima (overbuck). Em seguida, efetue o corte final underbucking 2/3 mais baixo para encontrar o primeiro corte.

Ao cortar numa inclinação, fique sempre no lado de cima do tronco. Ao cortar transversalmente, para manter o controle total, liberte a pressão de corte perto da extremidade do corte sem relaxar o seu aperto nas pegas da motosserra. Não deixe a corrente entrar em contacto com o chão. Após ter terminado o corte, aguarde que a corrente da serra pare antes de deslocar a motosserra. Pare sempre o motor antes de se deslocar de árvore em árvore.

Cortar ramos de uma árvore

Ver Fig. 12 - 13.

Desbastar consiste em remover os ramos de uma árvore abatida. Ao desbastar, deixe os ramos maiores inferiores para apoiar o tronco do chão. Remova os ramos com um só corte. Os ramos sob tensão devem ser cortados a partir do fundo para evitar comprometer a motosserra.

Pequena árvore dobrada

Ver Fig. 14 - 15.

Um tranchão tensado é qualquer toro, ramo, cepo com raízes ou árvore jovem que está dobrada e tensada por outro lenho e que efectua um movimento de ricochete se o lenho que a estava a segurar for cortado ou removido.

Numa árvore abatida, um cepo com raízes oferece um elevado potencial de regressar à posição vertical num movimento repentino, durante o corte transversal para separar o toro do cepo. Tenha atenção a tranchões tensados, pois são muito perigosos.



ADVERTÊNCIA!

Os tranchões tensados são perigosos, podendo atingir operador, fazendo com que perca o controlo da serra de corrente. Esta situação poderá conduzir a ferimentos graves ou mesmo mortais. Isto deve ser realizado por utilizadores formados.

AVISOS DE SEGURANÇA ADICIONAIS DAS BATERIAS



ADVERTÊNCIA!

Para evitar o risco de incêndio, de feridas ou de danificação do produto causado por um curto-circuito, não imerja a bateria intercambiável ou o carregador em líquidos e assegure-se de que líquidos não penetrem nos aparelhos ou nas baterias. Líquidos corrosivos ou condutivos como água salgada, determinadas substâncias químicas ou produtos que contenham branqueadores podem causar um curto-circuito.

RISCOS RESIDUAIS:

Mesmo quando se utiliza o produto segundo as instruções, continua a ser impossível eliminar por completo certos fatores de risco residuais. Os seguintes perigos podem surgir na utilização e o operador deve prestar especial atenção para evitar o seguinte:

- Lesões por vibração
 - Use sempre a ferramenta adequada para o trabalho. Utilize as pegas designadas. Limite o tempo de trabalho e a exposição.
- A exposição ao ruído pode provocar perda de audição.
 - Use proteção para os ouvidos e limite o tempo de exposição
- lesão por contacto com os dentes da serra da corrente expostos
- lesão causada por peças projetadas da peça de trabalho (bocados de madeira e estilha)
- Lesão causada pela inalação de poeira e partículas
- lesão causada por contacto da pele com o lubrificante ou óleo

REDUÇÃO DO RISCO

Foi reportado que as vibrações das ferramentas de mão podem contribuir para uma doença designada de Síndrome de Raynaud em determinados indivíduos. Os sintomas podem incluir formigueiro, entorpecimento e empalidecimento dos dedos, habitualmente visível aquando da exposição ao frio. Estima-se que os factores hereditários, exposição ao frio e humidade, dieta, tabagismo e práticas de trabalho contribuem todos para o desenvolvimento destes sintomas. Existem medidas que podem ser tomadas pelo operador para possivelmente reduzir os efeitos da vibração:

- Mantenha o seu corpo quente durante o tempo frio. Ao operar a unidade, use luvas para manter as mãos e os pulsos quentes.
- Após cada período de operação, exercite para aumentar a circulação sanguínea.
- Faça pausas frequentes no trabalho. Limite o tempo de exposição por dia.
- As luvas protetoras disponíveis nos retalhistas de motosserra profissional são especificamente concebidas para uso de motosserra que dão proteção, boa aderência e também reduzem o efeito de vibração da pega.

Caso sinta algum dos sintomas desta doença, interrompa de imediato a sua utilização e consulte o seu médico sobre estes sintomas.



ADVERTÊNCIA!

O uso prolongado de uma ferramenta pode causar o agravar lesões. Ao usar qualquer ferramenta durante períodos prolongados, assegure-se que faz intervalos regulares.

USO PREVISTO

Este produto destina-se exclusivamente a ser utilizado ao ar livre. Por razões de segurança, o aparelho tem que ser adequadamente controlado através da operação com as duas mãos em todos os momentos.

Este produto é concebido para cortar ramos, troncos, cepos e vigas de um diâmetro determinado pelo comprimento de corte da barra-guia. Apenas foi concebida para cortar madeira. Só deve ser utilizado em aplicações domésticas por adultos que tenham recebido formação adequada sobre os perigos e medidas/ações preventivas a tomar durante a sua utilização.

Não deve ser usado para serviços profissionais de corte de árvores. O produto não deve ser usada por crianças ou por pessoas que não usem o equipamento de protecção pessoal e vestuário adequados.

Não utilize o produto para nenhum outro objectivo diferente do especificado na Utilização Prevista.



ADVERTÊNCIA!

Ao utilizar o produto, devem seguir-se as normas de segurança. Para sua própria segurança e a dos transeuntes, deve ler e compreender todas estas instruções antes de começar a utilizar o aparelho. Deve participar num curso de segurança organizada profissional sobre a utilização, ações preventivas, primeiros socorros e manutenção de motosserras. Guarde as instruções para usá-las no futuro.



ADVERTÊNCIA!

As moto-serras são ferramentas potencialmente perigosas. Os acidentes que envolvem o uso frequente de moto-serras podem causar a perda de membro ou a morte. A moto-serra não é a única que implica risco. Os ramos que caem, o derrube de árvores, ou troncos a girar podem causar a morte. A madeira doente ou podre implica perigos adicionais. Deve avaliar a sua capacidade para efetuar a tarefa de forma segura. Em caso de dúvida, peça a um profissional de corte de árvores para fazer o trabalho.

CONHEÇA O SER APARELHO

Ver páginas 6-7.

1. Bateria
2. Libertador do actuador

3. Pega traseira
4. Interruptor de gatilho
5. Chave de combinação
6. Pega frontal
7. Tampão do óleo da corrente
8. Capa da barra guia
9. Corrente
10. Barra-guia
11. Grampo pára-choques
12. Retentor de corrente
13. Parafuso tensor da corrente
14. Tampa da corrente
15. Porcas de fixação da lança
16. Guarda-mão frontal/Travão da corrente

DISPOSITIVOS DE SEGURANÇA

Serra de corrente de baixo coice

Uma corrente de serra com reduzido ressalto ajuda a reduzir a possibilidade de um evento de ressalto.

Os limitadores de profundidade à frente de cada dente de corte podem minimizar a força de uma reacção de coice, prevenindo que os dentes de corte penetrem com profundidade na zona de coice. Utilize apenas combinações de barras de guia e correntes de substituição que sejam recomendadas pelo fabricante.

Com a continuação de afiação, as corrente da serra vão perdendo as suas qualidade de baixo coice, sendo necessário empregar cautela adicional. Por sua segurança, substitua as correntes da serra quando diminuir o rendimento de corte.

Grampo pára-choques

O grampo pára-choques integral pode ser usado como uma articulação ao realizar um corte. Ajuda a manter o corpo da motosserra estável durante o corte. Ao cortar, empurre a máquina para a frente até que os picos se introduzam na borda da madeira e, em seguida, movendo a pega traseira para cima ou para baixo na direcção da linha de corte pode ajudar a aliviar a tensão física do corte.

Barras-guia

De modo geral, as barras guia com pontas esféricas pequenas têm menos probabilidades de ressalto. Deve usar uma barra de guia e uma corrente correspondente que seja apenas o suficientemente comprida para o trabalho. As barras mais compridas aumentam o risco de perda de controlo durante o corte de serra. Verifique regularmente a tensão da corrente. Ao cortar ramos mais pequenos (menos que o comprimento total da barra de guia), é provável que a corrente seja projetada caso a tensão não seja a correta.

Travão da corrente

Os travões de corrente foram concebidos para pararem rapidamente a corrente, impedindo-a de girar. Quando a alavanca do travão da corrente/guarda-mão é empurrada contra a barra, a corrente pára imediatamente. O travão da corrente não impede o coice. Apenas reduz o risco de lesão, caso a barra da corrente entre em contacto com o corpo do operador durante um evento de ressalto. O travão da corrente deve ser testado antes de cada utilização

quanto à sua correta operação em ambas as posições de funcionamento e travagem.

Retentor de corrente

Um apanhador de corrente impede que a corrente da serra seja projectada para trás, na direcção do operador, se a corrente se soltar ou se partir.

UTILIZAÇÃO



ADVERTÊNCIA!

Se qualquer peça estiver danificada ou em falta, não utilize este produto até as peças serem repostas. A inobservância deste aviso pode resultar em graves ferimentos pessoais.

Instalar a bateria

Ver a página 6.

Monte o conjunto de baterias no produto. Alinhe as nervuras salientes da bateria com as ranhuras na porta da bateria do produto.

Antes de começar a operação, certifique-se de que o trinco no conjunto de baterias encaixa em posição e que o conjunto de baterias está totalmente assente e fixado em segurança no produto.

Segurar o produto

Ver figura 1.

Agarre o produto com a mão direita na pega traseira e a mão esquerda na pega dianteira. Segure ambas as pegas com os polegares e os dedos que cercam as pegas. Assegure-se de que a sua mão esquerda está a segurar o manípulo frontal de modo a que o polegar esteja por baixo.

Arrancar o produto

Ver a página 8.

Antes de iniciar a operação, deve instalar a bateria na máquina e certificar-se de que o travão da corrente está na posição de funcionamento puxando a alavanca do travão da corrente/protecção manual na direcção da pega dianteira.

Para iniciar a máquina, puxe o botão de libertação do gatilho e, em seguida, prima o gatilho do acelerador.

Verificação e funcionamento do travão da corrente

Ver a página 20.

Acione o travão da corrente rodando a sua mão esquerda ao redor da pega dianteira. Usando a palma da sua mão, empurre a alavanca do travão da corrente/protecção manual na direcção da barra enquanto a corrente está a rodar rapidamente. Certifique-se que mantém ambas as mãos sobre as pegas da serra em todos os momentos.

Redefina o travão da corrente de volta para a posição de funcionamento segurando no cimo da alavanca do travão da corrente/protecção manual e puxando em direcção à pega dianteira até ouvir um clique.



ADVERTÊNCIA!

Se o travão de corrente não pára a corrente de imediato, ou se o travão de corrente não permanece na posição de funcionamento sem auxílio, leve a serra a um centro de assistência autorizado para a reparar antes de usar.

Ajuste da tensão da corrente

ver página 14 - 15

Antes de fazer quaisquer trabalhos de manutenção ou limpeza ao produto, desmonte o conjunto de baterias.

Certifique-se de que as porcas de fixação da lança estão afrouxadas até poderem ser desapertadas só com os dedos.

Para aumentar a tensão da corrente, rode o parafuso tensor da corrente no sentido dos ponteiros do relógio e vá verificando a tensão da corrente com frequência. Para afrouxar a tensão da corrente, faça rodar o parafuso tensor da corrente no sentido contrário aos ponteiros do relógio e verifique a tensão da corrente frequentemente.

A tensão da corrente está correcta quando o espaço entre o dente de corte na corrente e a lança é de cerca de 6,5 mm (0,256 de polegada). Puxe a corrente no meio do lado inferior da barra para baixo (afastando da barra) e meça a distância entre a barra e os cortadores da corrente.

Adicionar óleo lubrificante da corrente

ver página 16 - 17



ADVERTÊNCIA!

Nunca trabalhe sem lubrificante da corrente. Se a moto-serra estiver a funcionar sem lubrificante, a barra guia e a moto-serra podem ficar danificadas. Por conseguinte, é indispensável verificar o nível de óleo no medidor de nível do óleo regularmente e sempre antes de começar a usar a motosserra.

Limpe a superfície ao redor da tampa do óleo para evitar a contaminação.

Desaparafuse e remova o tampão do depósito do óleo.

Verta o óleo no depósito de óleo e monitorize o indicador de nível de óleo. Certifique-se que não entra sujidade no depósito de óleo enquanto abastece de óleo.

Coloque o tampão do depósito de óleo novamente e aperte-o. Limpe qualquer respingo.

TRANSPORTE E ARMAZENAMENTO

Pare o produto, retire a bateria e deixe que ambos arrefeçam antes de guardar ou de transportar.

Limpe todos os materiais estranhos do produto. Guarde-o num local fresco e seco e bem ventilado a que as crianças não consigam aceder. Mantenha-o afastado de substâncias corrosivas, tais como produtos químicos

utilizados em jardinagem e saís de descongelação. Não armazenar ao ar livre.

Coloque a capa da barra de guia antes de guardar a unidade, ou durante o transporte.

Para transportar, prenda o aparelho de modo a evitar que este se mova ou caia, para evitar lesões ou danos no produto.

MANUTENÇÃO



ADVERTÊNCIA!

Utilize apenas acessórios ECHO e sobresselentes ECHO. A inobservância desta indicação pode causar um fraco desempenho, possíveis lesões e poderá anular a sua garantia. Se for necessário substituir componentes que não foram descritos, entre em contacto com um dos nossos agentes de assistência técnica ECHO.



ADVERTÊNCIA!

Os serviços de manutenção requerem extremo cuidado e conhecimentos e devem apenas ser realizado por um técnico de assistência qualificado. Para operações de serviço, leve o produto a um centro de serviço autorizado. Durante as operações de manutenção, utilize peças de substituição originais do fabricante.



ADVERTÊNCIA!

Retire a bateria antes de qualquer operação de ajuste, manutenção ou limpeza. O incumprimento desta instrução pode conduzir a lesões graves.

- Só pode proceder aos ajustes ou reparações descritas neste manual. Para outro tipo de reparações entre em contacto com um agente de serviço autorizado.
- As consequências de uma manutenção inadequada podem fazer com que o travão da corrente e outras características de segurança não funcionem corretamente, aumentando assim o potencial para ferimentos graves. Mantenha a sua motosserra profissionalmente mantida e segura.
- Afilar a corrente de forma segura é uma tarefa especializada. Portanto, o fabricante recomenda encarecidamente que uma corrente opaca ou desgastada se substitua por outra nova, que se encontra disponível no centro de assistência autorizado. O nome da peça encontra-se disponível na tabela de especificações de produto deste manual.
- Siga as instruções para lubrificação e verificação e ajuste da tensão da corrente.
- Limpar o produto com um pano suave seco depois de cada uso.

- Verifique todas as porcas, pregos e parafusos com intervalos frequentes para confirmar a tensão apropriada e se certificar que o equipamento está em condições seguras de funcionamento. Qualquer peça danificada deve ser substituída ou reparada adequadamente por um centro de serviço autorizado.

Substituição da barra de guia e corrente da serra

ver página 10 - 13

Certifique-se que remove a bateria. Use luvas de protecção.

Desmonte as porcas de fixação da lança, utilizando a chave múltipla fornecida.

Desmonte a tampa da corrente.

Retire a lâmina e a corrente da unidade.

Coloque a nova corrente na direcção correcta na barra e certifique-se de que as ligações de transmissão estão alinhadas com a ranhura da barra.

Instale a barra na motosserra e enrole a corrente em torno da roda dentada motriz.

Volte a montar a tampa da corrente e as porcas de fixação da lança.

Dê aperto só com os dedos às porcas de fixação da lança. A barra tem de se poder mover para ajuste da tensão.

Ajuste a tensão da corrente. Consulte a secção "Ajustar a tensão da corrente".

Segure a ponta da barra-guia levantada e aperte muito bem as porcas de montagem da barra.

Inspecção e limpeza do travão da corrente

Ver a página 22.

Mantenha sempre o mecanismo de travagem da corrente limpo, escovando levemente a ligação mantendo-a sem sujidade.

Teste sempre o desempenho do travão da corrente após a limpeza. Para mais informações, consulte a secção "Verificar e Utilizar o Travão da Corrente" neste Manual.

CALENDÁRIO DE MANUTENÇÃO

Verificação diária	
Lubrificação da barra	Antes de cada uso
Tensão da corrente	Antes de cada utilização e frequentemente
Afiação da corrente	Antes de cada utilização, verificação visual
Por peças danificadas	Antes de cada uso
Por fixadores soltos	Antes de cada uso
Função de travagem da corrente	Antes de cada uso

Inspeccionar e Limpar	
Barra	Antes de cada uso
Serra completa	após cada utilização
Travão da corrente	Cada 5 horas*

*Horas de Funcionamento

PEÇAS DE SUBSTITUIÇÃO

Peça	Número do acessório
Barra-guia	6000945
Corrente	90PX056X

BATERIAS

- Conjuntos de baterias que tenham estado algum tempo sem serem utilizados devem ser recarregados antes de serem utilizados.
- Temperaturas acima de 50 °C (122 °F) reduzem o desempenho do conjunto de baterias. Evite a exposição prolongada ao calor ou à luz solar directa (risco de sobreaquecimento).
- Os contactos dos carregadores e dos conjuntos de baterias têm de ser mantidos limpos.
- Para assegurar a máxima vida útil, os conjuntos de baterias têm obrigatoriamente de ser totalmente carregados depois de serem utilizados.
- Para obter a máxima vida útil da bateria, desmonte o conjunto de baterias do carregador quando estiver totalmente carregado.

Para a armazenagem da bateria durante mais de 30 dias:

- Armazene o compartimento das baterias com temperatura abaixo dos 27°C e longe da humidade.
- Guarde a bateria com 30%-50% de carga.
- Cada seis meses de armazenagem, carregue a bateria da forma habitual.

TRANSPORTE DE BATERIAS DE LÍLIO

A bateria de íão de lítio está sujeita à legislação de mercadorias perigosas.

O transporte dessas baterias tem de ser feito de acordo com as disposições e os regulamentos locais, nacionais e internacionais.

- O utilizador pode transportar as baterias por estrada sem requisitos adicionais.
- O transporte comercial de baterias de íões de lítio por terceiros está sujeito à regulamentação de Mercadorias Perigosas. A preparação do transporte e o transporte apenas devem ser realizados por pessoal com a formação adequada e o processo deve ser supervisionado pelos especialistas correspondentes.

Quando transportar baterias:

- Assegure-se que os terminais de contacto da bateria estão protegidos e isolados para evitar curto-circuitos.
- Utilize materiais de embalagem para se certificar de que o conjunto de baterias está acondicionado de forma segura, contra movimentos ou quedas.
- Não transporte baterias que estejam rachadas ou com fugas.

Confirme com a empresa de envio para mais conselhos.

SÍMBOLOS



Aviso



Leia e compreenda todas as instruções antes de manipular o produto, respeite os alertas e as instruções de segurança.



Coloque proteção para olhos, ouvidos e cabeça.



Utilize calçado de segurança antidesslizante quando utilizar este produto.



Use luvas de trabalho resistentes, antidesslizantes.



Tenha cuidado com o ressalto da serra e evite o contacto com o extremo da barra.



Não o exponha à chuva ou a condições de humidade.



Segure e utilize a serra de corrente com ambas as mãos.



Não utilize a serra de corrente segurando-a com uma só mão.



Passo o travão da corrente para a posição de Trabalhar (RUN).



Passo o travão da corrente para a posição de Travão (BRAKE).



O melhor nível de potência sonora é de 106 dB



Marca de conformidade ucraniana



Marca de conformidade EurAsian



Os aparelhos eléctricos antigos não devem ser eliminados juntamente com o lixo doméstico. Recicle onde existem instalações para o efeito. Verifique com as suas Autoridades Locais ou revendedor para obter informações sobre reciclagem.



Esta ferramenta obedece a todas as normas regulamentares do país da UE onde foi comprada.

As seguintes palavras de sinal e significados destinam-se a explicar os níveis de risco associados a este produto:



PERIGO

Indica uma situação perigosa iminente, que, se não evitada, poderá resultar em morte ou ferimentos graves.



ADVERTÊNCIA

Indica uma situação potencialmente perigosa, que, se não evitada, poderá conduzir à morte ou graves lesões.



ADVERTÊNCIA

Indica uma situação potencialmente perigosa, que, se não evitada, poderá resultar em pequenas ou moderadas lesões.

ADVERTÊNCIA

Sem símbolo de alerta de segurança

Indica uma situação que pode resultar em danos de propriedade.





TEKNISKE DATA

MOTORSAV

ECCS-58V

EN
FR
DE
ES
IT
NL
PT
DA
SV
FI
NO
RU
PL
CS
HU
RO
LV
LT
ET
HR
SL
SK
BG
UK
TR

Serienummer	17402201000001 - 17402201999999
Mærkespænding	51,1 V, 58 V max
Maks. stanglængde	400 mm
Kædeolietank-kapacitet	177 ml
Vægt (Ingen batteri, med sværd, kæde og tom tank)	4,83 kg
Vægt (med 4,0 Ah batteripakke)	6,73 kg
Vægt (med 2,0 Ah batteripakke)	6,03 kg
Maksimum hastighed uden belastning	21 m/s
Anvendelig skærer længde	250 mm
Støjemissionsniveau (iht. EN 60745-1, EN 60745-2-13)	
A-vægtet lydtryksniveau ved operatørens position (L_{PA})	94,5 dB(A)
K_{PA} :	2,5 dB(A)
A-vægtet lydeffektniveau (L_{WA})	105,5 dB(A)
K_{WA} :	2,5 dB(A)
Vibrationsniveau (iht. EN 60745-1; EN 60745-2-13) (forside/bagside)	2,1 / 2,8 m/s ² K = 1,5 m/s ²

BATTERI OG OPLADER

ECCS-58V

Kompatible batterier	ECBP-58V40 / ECBP-58V20
Kompatibel oplader	ECBC-58VEU / ECBC-58VUK



ADVARSEL!

Vibrationsemissionsniveauet angivet i dette informationsblad er målt i overensstemmelse med en standardiseret test angivet i EN 60745 og kan bruges til at sammenligne et værktøj med et andet. Den kan bruges som en foreløbig vurdering af udsættelse.

Det angivne vibrationsemissionsniveau repræsenterer værktøjets hovedanvendelser. Men hvis værktøjet anvendes til andre formål med forskelligt tilbehør eller i dårlig vedligeholdet stand, kan vibrationsemissionen afvige. Dette kan i væsentlig grad forøge udsættelsesniveauet over den samlede arbejdsperiode.

Et overslag over udsættelsesniveauet for vibration bør også tage højde for de tidspunkter, hvor værktøjet er slukket, eller når det kører, men ikke udfører arbejde. Dette kan i betragteligt omfang reducere udsættelsesniveauet over den samlede arbejdsperiode.

Find yderligere sikkerhedsforanstaltninger til at beskytte operatøren mod virkninger af vibration som f.eks.: vedligehold værktøjet og tilbehøret, hold hænderne varme, organisering af arbejdsmønstre.

GENERELLE SIKKERHEDSADVARSLER



ADVARSEL!

Alle sikkerhedsadvarsler og alle anvisninger skal læses. Manglende overholdelse af advarslerne og anvisningerne kan medføre elektrisk stød, brand og/eller alvorlige personskader.

Gem vejledningen med advarsler og anvisninger til senere opslag.

Med udtrykket "elværktøj" i advarslerne henvises til dit

lysnet-drevne (via ledning) elværktøj eller batteridrevne (ledningsfri) elværktøj.

ARBEJDSOMGIVELSER

Hold arbejdsområdet rent og godt oplyst. Rodede eller mørke områder inviterer til ulykker.

Brug ikke elværktøjer i eksplosive omgivelser som fx i nærheden af brandbar væske, gas eller støv. Elværktøjer udløser gnister, som kan antænde støvet eller dampene.

Der må ikke være børn og tilskuere i nærheden, når et elværktøj anvendes. Distractioner kan medføre, at du mister kontrollen.



ELEKTRISK SIKKERHED

Elværktøjets elstik skal passe til elnetkontakten. Elstikket må aldrig modificeres på nogen som helst måde. Undlad brug af adapterstik til jordede (stelforbundne) elværktøjer. Umodificerede elstik og passende elnetkontakter reducerer faren for elektrisk stød.

Undgå kropskontakt med jordede eller stelforbundne overflader som fx rør, radiatorer, komfurer og køleskabe. Der er forøget risiko for elektrisk stød, hvis din krop er forbundet med jord eller stel.

Dette produkt må ikke udsættes for regn eller fugt. Hvis der trænger vand ind i et elværktøj, øges faren for elektrisk stød.

Undlad at misbruge ledningen. Ledningen må aldrig bruges til at bære eller trække i elværktøjet eller til at trække stikket ud. Ledningen må ikke komme i nærheden af varme, olie, skarpe kanter eller bevægelige dele. Beskadigede eller sammenfiltrede ledninger øger faren for elektrisk stød.

Når et elværktøj anvendes i det fri, skal der bruges en forlængerledning, der er egnet til udendørs brug. Brug af ledninger beregnet til udendørs brug reducerer faren for elektrisk stød.

Hvis man er nødt til at bruge et elværktøj i fugtige omgivelser, skal strømforsyningen have en fejlstrømsafbryder (RCD-afbryder). Brug af fejlstrømssikring reducerer faren for elektrisk stød.

PERSONLIG SIKKERHED

Når man bruger et elværktøj, skal man være agtpågivende, iagttage hvad man gør og bruge sund fornuft. Undlad at bruge et elværktøj, hvis du er træt eller påvirket af narkotika, alkohol eller medikamenter. Et øjeblikvis uopmærksomhed under brug af motoriserede værktøjer kan medføre alvorlige personskader.

Brug personlige værnemidler. Brug altid øjenværn. Værnemidler som fx støvmaske, skridfast sikkerhedsfodtøj, hjelm eller høreværn anvendt korrekt i forhold til de givne forhold reducerer faren for personskader.

Forebyg utilsigtet start. Kontrollér, at kontakten er i pos. OFF (=slukket), inden værktøjet sluttes til strømkilde og/eller batteri, samles op eller bæres. At bære elværktøjer med fingeren på kontakten eller at slutte strøm til elværktøjer med tændt kontakt er at invitere til ulykker.

Fjern evt. skruenøgler, inden der tændes for elværktøjet. En efterladt skruenøgle fastgjort til en roterende del af elværktøjet kan medføre personskader.

Overstræk ikke. Sørg for altid at have godt fodfæste og god balance. Dette giver bedre kontrol over elværktøjet i uventede situationer.

Vær ordentligt klædt på. Bær ikke løftsiddende tøj eller smykker. Sørg for, at hår, tøj og handsker ikke kommer i nærheden af bevægelige dele. Løstsiddende tøj, smykker eller langt hår kan hænge fast i bevægelige dele.

Hvis der findes anordninger for tilslutning af støvudsugnings- og -opsamlingsudstyr, skal disse

tilsluttes og anvendes korrekt. Brug af støvopsamling kan reducere støvrelaterede faremomenter.

BRUG OG PLEJE AF ELVÆRKTØJ

Undlad at tvinge produktet. Brug elværktøjet til det tiltænkte anvendelsesformål. Det korrekte elværktøj klarer opgaven bedre og sikrere med den hastighed, det er designet til.

Elværktøjet må ikke tages i brug, hvis TÆND/SLUK-kontakten ikke virker. Et elværktøj, der ikke kan kontrolleres med TÆND/SLUK-kontakten, er farligt og skal repareres.

Inden udførelse af justeringer, udskiftning af tilbehør eller opbevaring af elværktøjer skal elstikket trækkes ud af elnetkontakten, og/eller batteriet skal tages ud af elværktøjet. Disse forebyggende sikkerhedsforanstaltninger reducerer faren for utilsigtet start af elværktøjet.

Når elværktøjer ikke bruges, skal de opbevares utilgængeligt for børn; personer, som ikke er fortrolige med elværktøjet eller denne brugsanvisning, må ikke anvende elværktøjet. Elværktøjer er farlige i hænderne på ukendte brugere.

Elværktøjer skal vedligeholdes. Kontrollér, om der er forkert indjusterede eller forbundne bevægelige dele, afbrækkede dele samt andre tilstande, som kan påvirke elværktøjets funktionsmåde. Hvis der konstateres skader, skal elværktøjet repareres inden brug. Mange ulykker skyldes dårligt vedligeholdte elværktøjer.

Skærende værktøjer skal holdes skarpe og rene. Korrekt vedligeholdte skærende værktøjer med skarpe skær er mindre tilbøjelige til at binde/blokere og er lettere at kontrollere.

Brug elværktøjet, tilbehøret og værktøjs-bits osv. som foreskrevet i denne brugsanvisning, og tag højde for arbejdsforholdene og den aktuelle arbejdsopgave. Brug af elværktøjet i strid med de tiltænkte anvendelsesformål kan medføre farlige situationer.

BRUG OG PLEJE AF BATTERIVÆRKTØJ

Opladning må kun finde sted med den af producenten foreskrevne oplader. En oplader, der er beregnet til én type batteri, kan udgøre en brandsikriso, hvis den bruges til en anden batteritype.

Brug kun elværktøjer sammen med specifikt godkendte batterier. Brug af andre batterityper kan medføre fare for personskade og brand.

Når batteriet ikke bruges, må det ikke opbevares sammen med metalgenstande som fx papirclips, mønter, nøgler, søm, skruer eller andre metalgenstande, som kan skabe forbindelse mellem batteriets poler. Hvis batteriets poler kortsluttes, kan det forårsage forbrændinger eller ildebrand.

Hvis batteriet misbruges, kan der sprøjte væske ud af det; undgå kontakt med batterivæsken. Ved kontakt med batterivæsken skylles med vand. Hvis der kommer væske i øjnene, søges desuden læge. Udsprøjet batterivæske kan forårsage irritation eller forbrændinger.

VEDLIGEHOLDELSE

Sørg for, at elværktøjet serviceres af en kvalificeret reparatør, som kun benytter sig af originale reservedele. Herved garanteres sikkerheden for elproduktet.

YDERLIGERE GENERELLE SIKKERHEDSADVARSLER

Nogle områder har regler, som begrænser brugen af produktet. Forhør dig hos de lokale myndigheder.

Lad aldrig børn eller personer uden kendskab til brugsanvisningen bruge produktet. Lokale love kan have indflydelse på den tilladte brugerage.

Inden hver brug skal man kontrollere, at alle betjenings-elementer og alt sikkerhedsudstyr fungerer upålageligt. Undlad at bruge produktet, hvis motoren ikke kan standses med "SLUK"-kontakten.

Benyt fuldt øjen- og høreværn, stærke solide handsker samt hovedbeskyttelse, mens du bruger produktet; brug ansigtsmaske, hvis arbejdet genererer støv.

Undlad at bære løstsiddende tøj, korte bukser eller smykker af enhver art.

Langt hår skal bindes op over skulderniveau, så det ikke risikerer at vikles ind i bevægelige dele.

Pas på udslyngede, flyvende eller faldende objekter. Tilskuere, børn og kæledyr skal have en sikkerhedsafstand på mindst 15 m til arbejdsområdet.

Må ikke anvendes under dårlige lysforhold. Operatøren skal have tydeligt overblik over arbejdsområdet, så han/hun kan identificere evt. faremomenter.

Vær opmærksom på, at høreværn begrænser evnen til at høre advarsler (alarmer eller råb). Operatøren skal være ekstra opmærksom på, hvad der sker i arbejdsområdet.

Brug af lignende værktøjer i nærheden øger både risikoen for høreskader og for, at uvedkommende personer kommer ind i dit arbejdsområde.

Hold et godt fodfæste og balance. Overstræk ikke. Ved at læne sig for langt frem risikerer man at miste balancen og øge risikoen for tilbageslag ('kickback').

Hold alle legemsdele på afstand af alle bevægelige dele.

Husk altid at inspicere maskinen inden brug. Kontrollér, at alle betjenings-elementer inkl. kædebremsen fungerer fejlfrit. Kontrollér for løse fastgørelses-elementer og at alle skærme og håndtag er fastgjort ordentligt og sikkert. Udskift evt. beskadigede dele inden brug.

Undgå at ændre ved maskinen på nogen som helst måde eller at bruge dele og tilbehør, som ikke anbefales af producenten.



ADVARSEL!

Hvis produktet tabes, udsættes for stød eller begynder at vibrere unormalt, skal man omgående stoppe det og inspicere det for skader eller lokalisere årsagen til vibrationen. Enhver beskadiget del skal repareres ordentligt eller udskiftes på et autoriseret servicecenter.

Brugte batterier må ikke bortskaffes som husholdningsaffald eller afbrændes. ECHO's forhandlere tilbyder at modtage gamle batterier for at beskytte miljøet.

Opbevar ikke batteripakken sammen med metalgenstande (risiko for kortslutning).

Brug kun ECBC-58VEU/ECBC-58VUK-lader til opladning af batteripakker. Brug ikke batteripakker fra andre systemer.

Kompatible batterier: ECBP-58V40, ECBP-58V20

Der kan sive batterisyre ud af beskadigede batterier under ekstrem belastning eller ekstreme temperaturer. I tilfælde af kontakt med batterisyre skal den vaskes af med det samme med vand og sæbe. Skyl i tilfælde af øjenkontakt grundigt med vand i mindst 10 minutter, og søg øjeblikkeligt lægehjælp.

De to kædesværs låseskruer er følsomme punkter for elektrostatisk udladning under brug. Brugeren skal frigøre kontaktrafækkeren for at genstarte produktet, hvis det deaktiveres på grund af elektrostatisk udladning.

SIKKERHEDSADVARSLER VEDR KÆDESAV.

Hold alle dele af kroppen på afstand af savkæden ved betjening af produktet. Inden man starter kædesaven, skal man sikre sig, at kæden ikke er i kontakt med noget. Et øjeblikks uopmærksomhed under brug af kædesaven kan bevirke, at tøj eller legemsdele filtreres sammen med kædesaven.

Hold altid kædesaven med højre hånd på det bageste håndtag og venstre hånd på det forreste håndtag. Hvis man holder kædesaven omvendt, øges risikoen for personskade, hvorfor man aldrig bør gøre dette.

Hold kun på produktet på de isolerede gribeblader, fordi savkæden evt. kan komme i berøring med skjulte ledninger. Savkæder, som kommer i kontakt med en strømførende ledning, kan gøre udsatte metaldele på elværktøjet strømførende og give operatøren elektrisk stød.

Benyt sikkerhedsbriller og høreværn. Det anbefales, at man benytter yderligere værnemidler for hoved, hænder, ben og fødder. Passende beskyttelsestøj vil reducere personskader som følge af flyvende affaldsstykker eller utilsigtet kontakt med savkæden.

Undlad at benytte en kædesav oppe i et træ. Brug af en kædesav oppe i et træ kan medføre personskader.

Sørg altid for at have godt fodfæste, og benyt kun saven, når du står på en fast, sikker og plan overflade. Glatte eller ustabile overflader som fx stiger kan bevirke, at man mister balancen eller kontrollen med kædesaven.

Når der saves i en gren, der er under spænding, skal man være opmærksom på tilbagespring. Når spændingen i træfibrene frigøres, risikerer man, at den fjederbelastede gren rammer operatøren, og/eller at kædesaven kommer ud af kontrol.



Vær ekstremt forsigtig ved savning af buske og unge træer. Det slanke materiale kan sætte sig fast i savkæden og blive pisket ind mod dig eller trække dig ud af balance.

Kædesaven skal bæres i det forreste håndtag, mens den er slukket, og holdes ud fra kroppen. Når man transporterer eller opbevarer kædesaven, skal man altid montere sværdskedden. Korrekt håndtering af kædesaven vil reducere sandsynligheden for utilsigtet kontakt med den bevægelige savkæde.

Følg vejledningen for smøring, kædestramning og udskiftningstilbehør. En forkert spændt eller smurt kæde kan enten knække eller øge risikoen for tilbageslag ('kickback').

Hold håndtagene tørre, rene og fri for olie og fedt. Fedtede og oliebelagte håndtag er glatte og kan bevirke, at mister kontrollen.

Der må kun saves i træ. Undlad at bruge kædesaven til formål, den ikke er beregnet til. Undlad fx at bruge kædesaven til at save i plast, murværk eller byggematerialer, der ikke består af træ. Brug af kædesaven i strid med det tiltænkte anvendelsesformål kan medføre farlige situationer.

Årsager til og operatør-foranstaltninger mod tilbageslag ('kickback'):

Tilbageslag kan forekomme, hvis sværdspiden rammer en fast overflade, eller hvis savkæden kommer i klemme i træet og sidder fast i snittet.

Sværdspids-kontakt kan i visse tilfælde forårsage en pludselig modsat reaktion og kaste sværdet op og ind mod operatøren.

Hvis savkæden blokeres langs toppen af sværdet, risikerer man, at sværdet presses hurtigt tilbage mod operatøren.

Begge disse reaktioner kan medføre, at man mister kontrollen over redskabet og føre til alvorlige ulykker, der kan være livsfarlige. **MAN MÅ IKKE** udelukkende forlade sig på motorsavens indbyggede sikkerhedsanordninger. Som motorsavsbruger bør man overholde nogle bestemte forholdsregler for at minimere ulykkesrisikoen.

Tilbageslag ('kickback') er resultatet af forkert brug af værktøjet og/eller forkerte arbejdsmetoder eller -forhold og kan undgås ved at træffe nedenstående forholdsregler:

Bevar et fast greb, med tommelfingre og øvrige fingre omkring kædesavens håndtag, med begge hænder på saven, og placér kroppen og armen på en sådan måde, så du kan modstå tilbageslagskræfterne. Tilbageslagskræfter kan kontrolleres af operatøren, hvis der træffes de rigtige forholdsregler. Undlad at slippe kædesaven.

Undgå at læne dig for langt frem eller save over skulderhøjde. Dette hjælper dig med at undgå utilsigtet sværdspids-kontakt og giver dig bedre kontrol med kædesaven i uventede situationer.

Brug kun de typer reservesværd og -kæder, der er foreskrevet af producenten. Ikke-godkendte reservesværd og -kæder kan forårsage kædebrud og/eller tilbageslag ('kickback').

Følg kædeproducentens anvisninger for filing og justering af kæden. Reduktion af dybdeindstillingen kan medføre øget tilbageslag ('kickback').

EKSTRA SIKKERHEDSADVARSLER VEDR. KÆDESAV-VE

Det anbefales, at man siver kævlér på en savbuk eller i en holder, når man bruger produktet for første gang.

Sørg for, at alle afskærmninger, håndtag og barkstøtte er korrekt monteret og i god stand.

Personer, som benytter produktet, skal være sunde og raske. Produktet er tungt, så operatøren skal være i god fysisk form. Operatøren bør være opmærksom, have et godt syn, mobilitet, balance og godt håndelag. Hvis der er den mindste tvivl, skal man undlade at bruge produktet.

Undlad at bruge produktet, før du har et ryddet arbejdsområde, et sikkert fodfæste og en planlagt flugtvej fra det faldende træ.

Pas på udledningen af smøremiddeltåge og savsmuld. Benyt evt. maske eller åndedrætsværn.

Undgå at save i vinstokke og/eller lav underskov (mindre end 75 mm i diameter).

Hold altid produktet med begge hænder, når du betjener det. Sørg for, at fingrene omslutter håndtagene helt. Højre hånd skal være på bageste håndtag og venstre hånd på forreste håndtag.

Sørg for inden start af produktet, at savkæden ikke er i berøring med nogen genstand.

Man må ikke ændre produktet på nogen måde eller bruge det til at drive evt. tilbehørsdele eller enheder, der ikke er anbefalet af producenten til brug med produktet.

Der bør være en førstehjælpskasse med store bandager og et middel til at tilkalde opmærksomhed (fx fløjte) tæt ved operatøren. Et større og mere omfattende sæt bør være inden for rimelig rækkevidde.

Brug altid hjelm, når du betjener produktet. En hjelm med visir kan hjælpe til med at reducere risikoen for skader i ansigtet og hovedet, hvis der forekommer tilbageslag.

En forkert spændt kæde kan springe af sværdet og medføre alvorlige personskader eller dødsfald. Kædens længde afhænger af temperaturen. Kædens spænding skal kontrolleres hyppigt.

Man skal gøre sig fortlørlig med sin nye kædesav ved at foretage simple snit i sikkert fastspændt træ. Dette skal gøres, når man ikke har brugt saven i nogen tid.

For at mindske risikoen for skader i forbindelse med kontakt med bevægelige dele skal man altid stoppe motoren, aktivere kædebremsen, fjerne batteriet og sørge for, at alle bevægelige dele er fuldstændigt stoppet, inden:

- rengøre eller fjerne en blokering
- at efterlade produktet uden opsyn
- installation og fjernelse af tilbehørsdele
- kontrol, vedligeholdelse eller arbejde på produktet



Størrelsen af "arbejdsstedet" afhænger af, hvilken opgave der udføres, og af det pågældende træes eller træstykkets størrelse. Fx kræver fældning af et træ et større arbejdsområde, end når man foretager andre savesnit, dvs. savbuksnit o.lign.

Operatøren skal være bevidst om og have kontrol med alt, hvad der sker i arbejdsområdet.

Undgå at save med kroppen i lige linje med sværdet og kæden. Hvis man kommer ud for tilbageslag ("kickback"), vil dette bidrage til at forebygge, at kæden kommer i kontakt med ens hoved eller krop.

Undgå at bruge frem- og tilbagegående savebevægelser; lad kæden gøre arbejdet, hold kæden skarp, og forsøg ikke at presse den gennem snittet.

Undlad at tynde saven nedad i slutningen af snittet. Vær parat til at holde savens vægt, når den saver sig gennem træet. Manglende overholdelse af denne anvisning kan medføre alvorlige personskader.

Undgå at stoppe saven i midten af en saveoperation. Hold saven kørende, til den er taget ud af saverillen.

Skub og træk

Motorsaven vil altid trække modsat kædens omdrejningsretning. Dermed skal operatøren være parat til at styre maskinens tendens til at trække sig væk (fremad), når der saves på sværdets underkant, og til at skubbe sig bagud (mod operatøren), når der saves på overkanten.

Sav har sat sig fast i saverillen.

Stop kædesaven, og gør den sikker. Man skal undgå at tvinge kæden og sværdet ud af saverillen, da man herved risikerer at knække kæden, som så kan slå tilbage og ramme operatøren. Denne situation opstår normalt, fordi træet er forkert understøttet og tvinger saverillen til at lukke under sammenpresning og derved fastklemme klingens. Hvis man ikke kan løsne sværdet og kæden ved at justere understøttelsen, kan man bruge trækiler eller en løftestang til at åbne saverillen og frigøre saven. Forsøg aldrig at starte kædesaven, når sværdet allerede befinder sig i en saverille eller -fuge.

Personlige værnemidler

Personlige værnemidler af god kvalitet, som anvendes af professionelle, bidrager til at mindske risikoen for personskader på operatøren. Man bør benytte følgende udstyr, når man arbejder med en kædesav:

Sikkerhedshjelm

- skal opfylde kravene iht. EN 397 og skal være CE-mærket

Høreværn

- skal opfylde kravene iht EN 352-1 og skal være CE-mærket

Øjen- og ansigtsværn

- skal være CE-mærket og opfylde EN 166 (for sikkerhedsbriller) eller EN 1731 (for visirmasker)

Handsker

- skal opfylde kravene iht. EN381-7 og skal være CE-mærket

Benværn (chaps)

- skal opfylde EN381-5, være CE-mærket og yde allround-beskyttelse.

Sikkerhedsstøvler til kædesave

- skal opfylde EN ISO 20345:2004 og være mærket med et emblem, der forestiller en kædesav og indikerer opfyldelse af EN 381-3. (Lejlighedsvis brugere kan anvende sikkerhedsstøvler med stål-tåkappe sammen med beskyttende gamacher, som opfylder EN 381-9, hvis underlaget er plant, og der er lille risiko for at snuble eller hænge fast i bundvegetationen)

Kædesavsjakker til beskyttelse af overkroppen

- skal opfylde kravene iht EN 381-11 og skal være CE-mærket

VEJLEDNING VEDR. KORREKT TEKNIK TIL GRUNDLÆGGENDE FÆLDNING, AFGRENING OG TVÆRSAVNING

Forståelse af kræfterne i træet

Når man forstår de retningsbestemte trykkræfter og belastninger inde i træet, kan man begrænse "fastklemningerne" eller i det mindste være forberedt på dem under savearbejdet. Spændinger i træet betyder, at fibre trækkes fra hinanden, og hvis man saver i dette område, vil "saverillen" eller snittet være tilbøjelig til at åbne sig, når saven går igennem. Hvis en kævl understøttes på en savbuk, og enden rager ud over enden uden understøttelse, og der derefter genereres spænding på den øverste overflade som følge af vægten af den overhængende kævl, vil fibre blive strukket. På samme måde vil kævlens underside blive sammenpresset, så fibre presses sammen. Hvis der foretages et snit i dette område, vil saverillen have tendens til at lukke sig sammen under savningen. Herved vil kling blive fastklemt.

Fældning af et træ

Se figur 1 - 6.

Når der udføres afkørings- og fældningsarbejde af to eller flere personer på samme tid, skal fældningsarbejdet adskilles fra afkøringsarbejdet med en afstand på mindst to gange højden af det træ, der skal fældes. Træer må ikke fældes på en måde, som kan bringe personer i fare, ramme forsyningslinjer eller forårsage materielle skader. Hvis træet berører en forsyningslinje, skal det pågældende selskab underrettes øjeblikkeligt.

Når man fælder et træ på en skråning, skal man stille sig på den højestliggende side af træet, der sandsynligvis vil rulle eller skride ned af bakke, når det er fældet.

Der skal planlægges og ryddes en flugtvej, inden savningen påbegyndes. Flugtvejen skal forløbe bag ved og diagonalt på bagsiden af den forventede faldlinje.

Før fældningen påbegyndes, skal man tage bestik af

EN
FR
DE
ES
IT
NL
PT
DA
SV
FI
NO
RU
PL
CS
HU
RO
LV
LT
ET
HR
SL
SK
BG
UK
TR



træets naturlige hældning, placeringen af større grene samt vindretningen for at vurdere, hvilken vej træet vil falde.

Fjern snavs, sten, løs bark, søm, hæfteklammer og wire fra træet.

Fæld ikke træer, der er rådne eller blevet beskadiget af vind, brand, lynnedslag osv.

Dette er meget farligt og bør kun udføres af professionelle trædoktorer.

1. Fremstilling af forhug

Se figur 1 - 6.

Lav forhugget over 1/3 af træets diameter, retvinklet på faldretningen. Lav først det nederste horisontale forhug. Dette vil hjælpe med at undgå fastklemning af enten savkæden eller sværdet, når man laver det andet forhug.

2. Fældnings-baghug

Se figur 1 - 6.

Lav fældnings-baghugget mindst 50 mm højere end det horisontale forhug. Sørg for, at fældnings-baghugget er parallelt med det horisontale forhug. Lav fældnings-baghugget således, at der er nok træ tilbage til, at det kan fungere som et hængsel. Hængseltræet forhindrer træet i at vride sig og falde i den forkerte retning. Undgå at save gennem hængslet.

I takt med at fældningen kommer tæt på hængslet, bør træet begynde at falde. Hvis der er nogen som helst risiko for, at træet ikke falder i den ønskede retning, eller at det vipper bagud og binder savkæden, skal man stoppe med at save, inden fældesnittet er færdigt, og i stedet bruge kiler af træ, plast eller aluminium til at åbne snittet og få træet til at falde langs den ønskede faldlinje.

Når træet begynder at falde, fjerner man kædesaven fra snittet, stopper motoren, sætter kædesaven ned, og benytter derefter den planlagte flugtvej. Vær opmærksom på nedfaldende grene, og hold øje med, hvor du træder.

Fjerning af brætrødder

Se figur 7 - 8.

En brætrod er en af de store rødder, der stikker ud fra træstammen over jorden. De store brætrødder skal saves over, inden træet fældes. Sav først vandret ind og derefter lodret ned i hver brætrod. De opståede, løse rodstykker skal fjernes fra arbejdsområdet. Begynd derefter at fælde træet med brug af korrekt arbejdsteknik.

Afkortning af en stamme

Se figur 9 - 11.

Med afkortning menes opskæring af en stamme i kortere længder. Det er vigtigt at sikre sig, at man har et solidt fodfæste, og at ens vægt er jævnt fordelt på begge fødder. Stammen bør så vidt muligt løftes og understøttes ved hjælp af grene, kævler eller klodser. Følg den enkle vejledning for nem savning. Når stammen er understøttet over hele længden, saver man den fra oversiden.

Når stammen er understøttet i den ene ende, saver man 1/3 diameter fra undersiden af stammen. Man afslutter

derefter snittet via savning ovenfra ned til det første snit.

Når stammen er understøttet i begge ender, saver man 1/3 diameter fra oversiden af stammen. Man afslutter derefter snittet ved at save de nederste 2/3 nedefra op til det første snit.

Ved afkortning af en stamme, der ligger på en skråning, skal man altid stå på siden oven for stammen. Når man "saver igennem", skal man - for at bevare den fulde kontrol - lette savetrykket nær slutningen af snittet, men uden at slippe grebet om kædesavens håndtag. Undlad at lade kæden røre ved jorden. Efter et udført snit skal man vente, til savkæden stopper, inden man atter bevæger kædesaven. Man skal altid stoppe motoren, inden man går fra træ til træ.

Afgrening af et træ

Se figur 12 - 13.

Med afgrening menes afsavning af grene fra et fældet træ. Under afgreningen skal man lade de nederste større grene sidde, så stammen holdes oppe fra jorden. Fjern de små grene i ét snit. Grene under spænding skal afsaves nedefra for at undgå, at kædesaven sætter sig fast.

Fjederpæl

Se figur 14 - 15.

"Træ i spænd" kan være alle slags stammeog grenstykker, stubbe på rødder eller ungræer, der er bragt i spænd under vægten af et andet træ(stykke), og som vil springe tilbage i den oprindelige stilling, hvis man fælder eller fjerner det træ, der tynger.

Når man laver det sidste snit, inden et fældet træ vælter, vil stubben på rødder sandsynligvis springe tilbage i lodret stilling. Vær på vagt over for træstammer mv. i spænd - de er farlige!



ADVARSEL!

Træstammer mv., der står i spænd, er farlige, fordi man risikerer at blive ramt af dem og miste kontrollen over motorsaven. Dette kan medføre alvorlige ulykker, der kann være livsfarlige. Dette må kun gøres af øvede brugere.

YDERLIGERE SIKKERHEDSADVARSLER OM BATTERI



ADVARSEL!

For at undgå risiko for brand, kvæstelser eller beskadigelse af produktet forårsaget af kortslutning må værktøjet, batteripakken eller opladeren ikke nedsænkes i vand. Sørg ligeledes for, at der ikke trænger væske ind i enhederne og batterierne. Korroderende eller ledende væsker, f.eks. saltvand, bestemte kemikalier, blegestoffer eller produkter, som indeholder blegestoffer, kan forårsage kortslutning.



UUNDGÅELIGE RISICI

Selv om produktet anvendes som foreskrevet, er det stadig umuligt at eliminere visse uundgåelige risikofaktorer fuldstændigt. Følgende risici kan opstå under brug, og operatøren bør være særligt opmærksom for at undgå følgende:

- Personskader forårsaget af vibration
 - Brug altid det korrekte værktøj til arbejdsopgaven. Brug de dertil beregnede håndtag. Begræns arbejdstid og udsættelse.
- Eksponering for støj kan medføre høreskader.
 - Benyt høreværn, og begræns eksponering
- Fare for personskader som følge af kontakt med blottede kædetænder
- Fare for personskade pga. udslyngede emne dele (træspåner og splinter)
- Personskade som følge af inhalering af støv og partikler
- Fare for personskade pga. hudkontakt med smøremiddel eller olie

RISIKOREDUKTION

Der er rapporteret om, at vibrationer fra håndholdte værktøjer kan være medvirkende til en lidelse kaldet Raynauds syndrom hos visse personer. Symptomerne herpå kan være prikken, følelsesløshed og blegning af fingrene, der normalt viser sig ved kuldepåvirkning. Faktorer som arvelighed, udsættelse for kulde og fugt, kost, rygning og arbejdsvaner menes alle at medvirke til udviklingen af disse symptomer. Der findes forholdsregler, som operatøren kan træffe for at begrænse påvirkningen fra vibrationer:

- Hold kroppen varm i koldt vejr. Brug handsker, så hænder og vriste holdes varme under arbejdet.
- Motionér efter hver arbejdsperiode for at øge blodcirkulationen.
- Hold hyppige arbejds pauser. Begræns eksponeringen for vibrationer pr. dag.
- Beskyttelseshandsker fra professionelle kædesavsforhandlere er designet specielt til kædesavsbrug og yder beskyttelse, godt greb og formindsker desuden effekten af håndtagenes vibrationer.

Hvis du mærker nogen af symptomerne på denne tilstand, skal du straks ophøre med arbejdet og søge læge.



ADVARSEL!

Længere tids brug af et værktøj kan forårsage - eller forværre - personskader. Når man bruger et værktøj i længere perioder ad gangen, skal man huske at holde hyppige pauser.

TILTÆNKT ANVENDELSESFORMÅL

Produktet er kun beregnet til udendørs brug. Af sikkerhedshensyn skal produktet altid kontrolleres omhyggeligt ved at fastholde det med begge hænder.

Produktet er beregnet til at save i grene, træstammer, kævler og bjælker med en diameter, der bestemmes af sværdets savelængde. Den er kun beregnet til skæring i træ. Det må kun anvendes i husholdninger af voksne, der har modtaget behørig uddannelse i faremomenterne og de forebyggende foranstaltninger/tiltag, der skal træffes under brug.

Det må ikke bruges til professionelt træarbejde. Produktet må ikke bruges af børn eller personer, som ikke bærer tilstrækkeligt med personlige værnemidler og -beklædning.

Brug ikke produktet til noget formål, der ikke er anført i Tilsigtede brug.



ADVARSEL!

Når produktet anvendes, skal sikkerhedsreglerne efterleves. Af hensyn til egen og andres sikkerhed skal man læse og forstå denne brugsanvisning, inden produktet anvendes. Du bør deltage i et professionelt organiseret sikkerhedskursus i brug, forebyggende foranstaltninger, førstehjælp og vedligeholdelse af kædesave. Disse sikkerhedsregler skal opbevares med henblik på senere brug.



ADVARSEL!

Kædesave er potentielt farlige værktøjer. Ulykker i forbindelse med brug af kædesave medfører ofte tab af lemdele eller død. Det er ikke kun selve kædesaven, som er farlig. Nedfaldende grene, væltende træer, rullende træstammer kan alt sammen være dræbende. Dødt eller råddent træ udgør også faremomenter. Man skal vurdere, om man føler sig i stand til at udføre opgaven på sikker vis. Hvis der er den mindste tvivl, skal man overlade opgaven til en professionel trækirurg.

KEND PRODUKTET

Se side 6-7.

1. Batteri
2. Gashåndtagets udløserknop
3. Baghåndtag
4. Aftrækkerkontakt
5. Kombiøgle
6. Forhåndtag
7. Kædeolie-dæksel
8. Sværdske
9. Kæde
10. Sværd
11. Bumper spike
12. Fangetap
13. Kædestrammeskruer

14. Kædedæksel
15. Møtrikker til montering af sværd
16. Forreste håndskærm/kædebremse

SIKKERHEDSUDSTYR

Sikkerhedskæde (lav tilbageslags-effekt)

En low-kickback-savkæde bidrager til at reducere risikoen for tilbageslag ('kickback').

Rytterne (dybdestop), der sidder foran hver af savtænderne, kan mindske tilbageslagseffekten, idet de forhindrer savtænderne i at skære for dybt i det farlige område øverst på sværdspidsen. Brug kun de kombinationer af reservesværd og -kæder, der er foreskrevet af producenten.

Man skal være ekstra påpasselig med kæder, der er blevet filet, da disse har mistet en del af deres evne til at modvirke tilbageslag. Af sikkerhedshensyn skal savkæder udskiftes, så snart deres ydelse aftager.

Bumper spike

Den integrerede "bumper spike" (spids stop til at holde saven stabil ved træ) kan bruges som drejetap, når der skæres. Dette bidrager til at holde selve kædesaven stabil under arbejdet. Når man saver, skal man skubbe maskinen fremad, indtil tænderne griber ind i kanten af træet, og dernæst bevæge det bageste håndtag op eller ned i retning af skærelinjen for at begrænse den fysiske anstrengelse ved savningen.

Sværdtyper

Generelt har styresværd med tyndere spids lavere tendens til tilbageslag ("kickback") Man bør bruge et sværd og en tilhørende kæde, som lige netop er lang nok til den pågældende arbejdsopgave. Længere svær øger risikoen for at miste kontrollen under savningen. Man skal kontrollere kædespændingen med jævne mellemrum. Når man saver mindre grene (mindre end sværdets fulde længde), er kæden mere tilbøjelig til at springe af, hvis den ikke er korrekt spændt.

Kædebremse

Kædebremsen er beregnet til at standse kæden hurtigt, når gashåndtaget slippes. Når kædebremsegreb/-håndskærm skubbes fremad mod sværdet, skal kæden standse øjeblikkeligt. Kædebremsen forhindrer ikke tilbageslag. Dette reducerer kun risikoen for personskader, hvis sværdet skulle komme i kontakt med operatørens krop i tilfælde af et tilbageslag ('kickback'). Kædebremsen skal funktionstestes inden hver brug i både drifts- og bremseposition.

Fangetap

En kædefanger forhindrer savkæden i at blive slynget tilbage mod brugeren, hvis savkæden bliver løs eller knækker.

VEKSELSTRØM



ADVARSEL!

Hvis dele enten er beskadiget eller mangler, så anvend ikke produktet før disse dele er udskiftet. Manglende overholdelse af denne advarsel kan medføre alvorlig personskade.

Installering af batteri

Se side 6.

Placer batteripakken i produktet. Sørg for, at kilerne på batteriet går ind i kilesporene i produktets batteri-indgang.

Sørg for, at palen på batteripakken klikker på plads, og at batteripakken sidder helt fast i produktet, før det tages i brug.

Fastholdning af produktet

Se figur 1.

Hold produktet med den højre hånd på styret og den venstre hånd på det forreste håndtag. Grib om begge håndtag, så tommelfingeren og de øvrige fingre omslutter håndtaget. Sørg for, at venstre hånd holder om forhåndtaget, således at tommelfingeren vender nedad.

Start af produktet

Se side 8.

Inden ibrugtagning skal man indsætte batteriet i maskinen og sikre sig, at kædebremsen er i driftsposition ved at trække kædebremsegrebet/håndtaget ind mod det forreste håndtag.

Man starter maskinen ved at trække i udløseren og presse gashåndtaget ind.

Kontrol og betjening af kædebremsen

Se side 20.

Man aktiverer kædebremsen ved at dreje venstre hånd omkring det forreste håndtag. Med bagsiden af hånden presser man kædebremsehåndtaget/håndbeskyttelsen ind mod sværdet, mens kæden roterer hurtigt. Husk altid at holde begge hænder på savens håndtag.

Sæt kædebremsen tilbage i pos. Run (=Kør) ved at tage fat i det øverste af kædebremsehåndtaget/håndbeskyttelsen og trække det i retning mod forhåndtaget, til der høres et klik.



ADVARSEL!

Hvis kæde bremsen ikke stopper kæden med det samme, eller hvis kæde bremsen ikke vil blive i køre stillingen uden hjælp, tage saven til en autoriseret service agent for reparation før brug.

Justering af kædestramning

Se side 14 - 15.

Aftag batterisættet før der eventuelt udføres arbejde på produktet.

Sørg for, at møtrikkerne til montering af sværdet er løst, så de er fingerstramme.

For at øge kædens spænding skal du dreje kædestrammerskruen i urets retning og regelmæssigt kontrollere kædespændingen. For at reducere kædens spænding skal du dreje kædestrammerskruen mod uret og regelmæssigt kontrollere kædespændingen.

Kædespændingen er korrekt, når mellemrummet mellem skæret i kæden og stangen er ca. 6,5 mm (0,256 tomme). Træk ud i kæden midt på undersiden af sværdet (væk fra sværdet), og mål afstanden mellem sværdet og kædens skæretænder.

Påføring af kædesmørelolie

Se side 16 - 17.



ADVARSEL!

Man må aldrig arbejde uden kædesmøring. Hvis savkæden kører uden smøremiddel, risikerer man at ødelægge sværd og savkæde. Det er derfor vigtigt at kontrollere oliestanden i oliestandsmåleren ofte, og altid inden man begynder at bruge kædesaven.

Rens overfladen omkring oliedækslet for at forhindre forurening.

Løsn og fjern dækslet fra olietanken.

Hæld olie i olietanken, og hold øje med oliestandsmåleren. Sørg for, at der ikke kommer snavs i olietanken under påfyldningen.

Påsæt oliedækslet igen, og spænd det fast. Evt. spildt olie tørrer af.

TRANSPORT OG OPBEVARING

Stop produktet, fjern batteriet, og lad det køle af inden opbevaring eller transport.

Afrens alle fremmedlegemer fra produktet. Opbevar den på et køligt, tørt og godt ventileret sted utilgængeligt for børn. Opbevar motorsaven på afstand af ætsende midler som f.eks. havekemikalier og optøningssalt. Må ikke opbevares udenørs.

Montér sværdsleden inden opbevaring eller transport af enheden.

Til transport skal man sikre produktet, så den ikke kan bevæge sig eller vælte; dette for at forebygge personskader eller skader på produktet.

VEDLIGEHOLDELSE



ADVARSEL!

Brug kun ECHO-tilbehør og ECHO-reservedele. I modsat fald er der fare for personskader, dårlig maskinydelse og annullering af garantien. Hvis komponenter skal udskiftes, men ikke er blevet beskrevet, så kontakt et af vores ECHO servicecentre.



ADVARSEL!

Vedligeholdelse kræver stor omhyggelighed og viden og kun bør udføres af en kvalificeret tekniker. Servicing af produktet skal ske på et autoriseret servicecenter. Brug kun originale reservedele fra maskinproducenten i forbindelse med servicearbejde.



ADVARSEL!

Husk at fjerne batteriet inden justering, vedligeholdelse eller rengøring. Gør man ikke det, er der fare for alvorlige personskader.

- Man kan selv foretage de justeringer eller reparationer, der er beskrevet i denne brugsanvisning. Til andre reparationsopgaver skal man kontakte den autoriserede servicemontør.
- Konsekvenser af forkert vedligeholdelse kan være, at kædebremsen og andre sikkerhedsanordninger ikke fungerer rigtigt, hvilket øger potentialet for alvorlige personskader. Sørg for at vedligeholde kædesaven professionelt og sikkert.
- Sikker opslibning af kæden kræver specialviden. Derfor anbefaler producenten på det kraftigste, at en slidt eller uskarp kæde udskiftes med en ny, der fås få autoriserede ECHO-servicecentre. Reservedelnummeret fremgår af produktspecifikationstabellen i denne brugsanvisning.
- Følg vejledningen i smøring og kontrol/justering af kædespænding.
- Produktet skal rengøres med en blød klud efter hver brug.
- Tjek ofte alle møtrikker, bolte og skruer om de sidder godt fast og sørg for at græsslåmaskinen fungerer ordentligt. Enhver del, som bliver beskadiget, skal repareres ordentligt eller udskiftes på et autoriseret servicecenter.

Udskiftning af sværd og savkæde

Se side 10 - 13.

Husk af udtage batteriet. Benyt beskyttelseshandsker.

Fjern møtrikkerne til montering af sværdet ved hjælp af den medfølgende skruenøgle.

Fjern kædeafskærmningen.

Fjern sværdet og savkæden fra enheden.

Monér den nye kæde i den rigtige retning på sværdet, og sørg for, at styreleddene indjusteres i sværdillen.

Fastgør sværdet til kædesaven, og sæt kæden på drivkædehjulet

Sæt kædeafskærmning og møtrikkerne til montering af sværdet på igen.

Stram møtrikkerne til montering af sværdet med fingrene. Sværdet skal kunne bevæge sig under kædejustering.

Justér kædespændingen. Se afsnittet "Justering af kædespænding".

Løft op i sværdspidsen og spænd nu møtrikkerne godt fast.

Inspektion og rengøring af kædebremser

Se side 22.

Kædebremserens mekanisme skal altid holdes ren ved at børste den fri for snavs.

Man skal altid funktionsteste bremsen efter rengøring. Der henvises til afsnittet "Kontrol og betjening af kædebremser" i denne manual for yderligere informationer.

VEDLIGEHOLDELSESOVERSIGT

Daglig kontrol	
Stangsmøring	Inden hver brug
Kædespænding	Inden hver brug - og hyppigt
Kædeskarphed	Inden hver brug, visuel kontrol
For beskadigede dele	Inden hver brug
For løse spænder	Inden hver brug
Kædebremsefunktion	Inden hver brug
Kontroller og rengør	
Sværd	Inden hver brug
Hele saven	Efter hvert brug
Kædebremse	Hver 5. time*

*Driftstimer

RESERVEDELE

Del	Artikelnummer
Sværd	6000945
Kæde	90PX056X

BATTERIER

- Batteripakker, der ikke er brugt i et stykke tid, skal genoplades inden brug.
- Temperaturer på mere end 50° C nedsætter batteripakkens ydelse. Undgå lang tids udsættelse for

varme eller sol (risiko for overophedning).

- Kontakterne på opladere og batteripakker skal holdes rene.
- For at opnå en optimal levetid for batteripakker skal de oplades fuldstændigt efter brug.
- For at opnå længst muligt batterilevetid skal batteripakken fjernes fra laderen, når den er fuldt opladet.

Hvis batteriet skal opbevares længere end 30 dage:

- Batteriet skal opbevares på et sted, hvor temperaturen er under 27°C, og der ikke findes fugt.
- Batterier bør opbevares i en tilstand, hvor de er 30%-50% opladet.
- Efter seks måneders opbevaring oplades batteriet på normal vis.

TRANSPORT AF LITHIUM-BATTERIER

Lithium-ion-batteriet er omfattet af lovgivningen om farligt gods.

Transport af de batterier skal foretaget i overensstemmelse med lokale, nationale og internationale forskrifter og forordninger.

- Brugeren kan transportere batterierne på offentlig vej uden yderligere krav.
- Kommerciel transport af lithium-ion-batterier foretaget af tredjeparter er underlagt forordninger om farligt gods. Forberedelse af transport og selve transporten må kun forestås af behørigt uddannet personale, og processen skal ledsages af relevante fagfolk.

Ved transport af batterier:

- Kontrollér, at batteriets kontaktklemmer er beskyttet og isoleret for at forebygge kortslutning.
- Sørg for, at batteripakken er sikret mod bevægelse inden i emballagen.
- Undlad at transportere batterier med revner eller utætheder.

Rådfør dig desuden hos speditøren.

SYMBOLER



Sikkerheds Varsel



Alle vejledninger skal læses og forstås, inden produktet benyttes; følg alle advarsler og sikkerhedsinstrukser.



Benyt øjen-, høre- og hovedværn.



Benyt skridsikkert sikkerhedsfodtøj, når produktet anvendes.



Brug friktionsfri, kraftige handsker.



Pas på tilbageslag ("kickback") fra kædesaven, og undgå kontakt med sværdspidsen.



Må ikke udsættes for regn eller bruges på fugtige steder.



Hold og styr motorsaven med begge hænder.



Anvend aldrig motorsaven med kun én hånd.



Sæt kædebremsen i ARBEJDSSTILLING (RUN).



Sæt kædebremsen i BREMSESTILLING (BRAKE).



Det garanterede lydeffektniveau er 106 dB.



Ukrainsk overensstemmelsesmærke



EurAsian overensstemmelsesmærke



Elektriske affaldsprodukter bør ikke afskaffes sammen med husholdningsaffald. Genbrug venligst hvor faciliteterne tillader dette. Tjek med din lokale kommune eller forhandler for genbrugsråd.



Dette redskab overholder alle lovkrav og standarder i det EU-land, hvor det er købt.

Formålet med nedenstående signalord og betydninger er at tydeliggøre risikoniveauet i forbindelse med produktet:



FARE

Indikerer en meget farlig situation, som hvis ikke undgås, kan føre til alvorlige skader og i værste fald døden.



ADVARSEL

Indikerer en potentielt farlig situation, som hvis ikke undgås, kan føre til alvorlige skader og i værste fald døden.



PAS PÅ

Indikerer en potentielt farlig situation, som hvis ikke undgås, kan føre til mindre eller moderate skader.

PAS PÅ

Uden sikkerhedsadvarselssymbol

Indikerer en situation, som kan medføre materiel skade.

EN
FR
DE
ES
IT
NL
PT
DA
SV
FI
NO
RU
PL
CS
HU
RO
LV
LT
ET
HR
SL
SK
BG
UK
TR



TEKNISKA UPPGIFTER

MOTORSÅG

ECCS-58V

Serienummer	17402201000001 - 17402201999999
Spänning	51,1 V, 58 V max
Max, skaftlängd	400 mm
Kapacitet för oljebehållaren	177 ml
Vikt (Utan batteri, med stödarm, kedja och tom tank)	4,83 kg
Vikt (med 4,0 Ah batteripaket)	6,73 kg
Vikt (med 2,0 Ah batteripaket)	6,03 kg
Maximalt tomgångsvarvtal	21 m/s
Användbar sågningslängd	250 mm
Bullerutsläppsnivå (enligt EN 60745-1, EN 60745-2-13)	
A-viktad ljudtrycksnivå vid operatörens plats (L_{PA})	94,5 dB(A)
K_{PA} :	2,5 dB(A)
A-vägd ljudeffektsnivå (L_{WA})	105,5 dB(A)
K_{WA} :	2,5 dB(A)
Vibrationsnivå (enligt EN 60745-1; EN 60745-2-13) (framsida/baksida)	2,1 / 2,8 m/s ² K = 1,5 m/s ²

BATTERI OCH BATTERILADDARE

ECCS-58V

Kompatibla batteripaket	ECBP-58V40 / ECBP-58V20
Kompatibel laddare	ECBC-58VEU / ECBC-58VUK



VARNING!

Den nivå för emission av vibrationer som anges på detta informationsblad har uppmätts i enlighet med ett standardiserat prov som anges i EN 60745 och kan användas för att jämföra olika verktyg. Den kan användas för en preliminär bedömning av exponering.

Den angivna nivån för emission av vibrationer representerar verktygets huvudsakliga användningsområden. Om verktyget emellertid används i andra tillämpningar, med andra tillbehör eller underhålls bristfälligt, kan emissionen av vibrationer skilja sig från den angivna. Detta kan öka exponeringsnivån under den totala arbetsperioden avsevärt.

En uppskattning av exponeringsnivån för vibrationer bör även ta med i beräkningen de tider då verktyget är avstängt eller när det är igång men inte används i arbete. Detta kan minska exponeringsnivån under den totala arbetsperioden betydligt.

Identifiera ytterligare säkerhetsåtgärder för att skydda operatören från vibrationseffekter, såsom: underhåll av verktyg och tillbehör, håll händerna varma, organisera arbetsrutiner.

ALLMÄNNA SÄKERHETSFÖRESKRIFTER



VARNING!

Läs alla säkerhetsvarningar och alla instruktioner. Om du inte följer varningarna och anvisningarna kan du orsaka elektrisk stöt, brand och allvarlig skada.

Spara dessa varningar och instruktioner för senare behov.

Termen "kraftverktyg" i varningarna hänvisar till ditt eldrivna (med sladd) verktyg eller ditt batteridrivna (utan sladd) verktyg.

ARBETSMILJÖ

Håll arbetsområdet rent och välupplyst. Oordnade och mörka områden inbjuder till olyckor.

Använd inte kraftverktyg i explosiva atmosfärer, exempelvis i närheten av brännbara vätskor, gaser eller damm. Kraftverktyg ger upphov till gnistor vilka kan antända damm eller ångor.





Håll barn och åskådare borta när du använder ett kraftverktyg. Distractioner kan få dig att tappa kontrollen.

ELEKTRISK SÄKERHET

Kraftverktygets kontakt måste matcha uttaget. Modifiera inte kontakten på något sätt. Använd inga adapterkontakter med jordade kraftverktyg. Omodifierade kontakter och matchande uttag minskar risken för elektrisk stöt.

Undvik kroppskontakt med jordade ytor, som exempelvis rör, element, spis och kylskåp. Det föreligger en förhöjd risk för elektrisk stöt om din kropp är jordad.

Exponera inte produkten för regn eller våta förhållanden. Vatten som tränger in i ett kraftverktyg ökar risken för elektrisk stöt.

Misshandla inte sladden. Använd aldrig sladden för att bära, dra eller koppla bort kraftverktyget. Håll sladden borta från värme, olja, vassa kanter och rörliga delar. Skadade eller intrasslade elsladdar ökar risken för elektrisk stöt.

Använd en förlängningssladd avsedd för utomhusbruk när du använder kraftverktyget utomhus. Användning av en sladd lämplig för utomhusbruk minskar risken för elektrisk stöt.

Använd en jordfelsbrytare om det är oundvikligt att använda ett kraftverktyg i en fuktig miljö. Användningen av en jordfelsbrytare minskar risken för elektrisk stöt.

PERSONLIG SÄKERHET

Var uppmärksam på vad du gör och använd sunt förnuft när du använder ett kraftverktyg. Använd inte ett kraftverktyg när du är trött eller påverkad av droger, alkohol eller mediciner. Ett ögonblicks ouppmärksamhet när du använder kraftverktyg kan orsaka allvarlig personskada.

Använd skyddsutrustning. Bär alltid ögonskydd. Skyddsutrustning, som exempelvis andningsskydd, halkskyddade säkerhetsskor, huvudskydd och hörselskydd minskar i tillämpliga fall risken för personskador.

Förhindra oavsiktlig start. Säkerställ att strömbrytaren är i av-läge innan du ansluter till uttaget och/eller batteripaketet, innan du lyfter upp verktyget och innan du bär det. Att bära kraftverktyg med fingret på avtryckaren eller kraftverktyg som är igång bjuder in olyckor.

Ta bort eventuella justerings- eller skiftnycklar innan du startar kraftverktyget. En skiftnyckel eller justeringsnyckel som lämnas kvar i en roterande del av kraftverktyget kan orsaka personskada.

Sträck dig inte. Ha alltid ett bra fotfäste och en god balans. Det ger dig bättre kontroll över kraftverktyget i oväntade situationer.

Klä dig korrekt. Använd inte löst åtsittande kläder eller smycken. Håll ditt hår, dina kläder och handskar borta från rörliga delar. Lössittande kläder, smycken och långt hår kan fastna i rörliga delar.

Om några uppsamlingsenheter för damm och avfall medföljer ska dessa vara ansluta och användas på ett korrekt sätt. Användningen av en dammuppsamlare kan minska dammrelaterade faror.

ANVÄND OCH TA HAND OM KRAFTVERKTYGET

Tvinga inte produkten. Använd rätt kraftverktyg för ditt jobb. Rätt kraftverktyg gör jobbet bättre och säkrare om det används i den takt som det är designat för.

Använd inte kraftverktyget om strömbrytaren inte fungerar för att stänga av och sätta på verktyget. Alla kraftverktyg som inte kan kontrolleras med strömbrytaren är farliga och måste repareras.

Koppla från eluttaget och/eller batteripaketet från elverktyget före justeringar, byte av tillbehör eller förvaring. Sådana förebyggande åtgärder minskar risken för att kraftverktyget startar oavsiktligt.

Förvara avstängda kraftverktyg utom räckhåll för barn och låt inte personer som är obekanta med kraftverktyg, eller dessa instruktioner, använda kraftverktyget. Kraftverktyg är farliga i händerna på otränade användare.

Underhåll dina kraftverktyg. Kontrollera så att inga rörliga delar är felinriktade eller sitter fast, att inga delar har gått sönder samt att ingenting annat föreligger som kan påverka kraftverktygets användning. Reparera kraftverktyget innan användning om det är skadat. Många olyckor uppstår på grund av dåligt underhållna kraftverktyg.

Håll skärverktyg vassa och rena. Korrekt underhållna skärverktyg med vassa skärkanter fastnar inte lika lätt och är lättare att kontrollera.

Använd kraftverktyget, tillbehören och borrspetsar etc. i enlighet med dessa anvisningar och ta hänsyn till arbetsförhållanden och det jobb som ska utföras. Användning av kraftverktyget till andra saker än det är avsett för kan resultera i en farlig situation.

ANVÄNDNING OCH UNDERHÅLL AV BATTERIET

Använd endast den batteriladdare som tillverkaren rekommenderar. En batteriladdare som passar en typ av batteripack kan vara en brandfara om den används med en annan typ av batteripack.

Använd eldrivna verktyg med batteripaket som är speciellt utformade för användning tillsammans med produkterna. Om du använder andra batteripaket ökar du risken för skador och brand.

När batteripaketet inte används ska det hållas bort från metallföremål som gem, mynt, nycklar, spikar, skruvar och andra små metallföremål som kan kortsluta batteriets kontakter. Vid kortslutning av batteriets kontakter finns det risk för brännskador eller brand.

Vätska kan läcka ut från batteripaketet vid felaktig användning; undvik kontakt med vätskan. Spola med vatten om du kommer i kontakt med den. Uppsök omedelbart läkarhjälp om du får vätska i ögonen. Den kan orsaka irritation och brännskador.





UNDERHÅLL

Låt en kvalificerad serviceperson serva ditt kraftverktyg med identiska utbytesdelar. Detta säkerställer att kraftverktygets säkerhet bibehålls.

YTTERLIGARE SÄKERHETSFORESKRIFTER

I vissa regioner finns regleringar som begränsar användning av produkten. Ta kontakt med lokala myndigheter för information.

Låt aldrig barn eller personer som inte har läst dessa anvisningar använda produkten. Lokala regler kan åldersbegränsa användningen av gräsklipparen.

Kontrollera före användning så att reglage och säkerhetsanordningar fungerar som de ska. Använd inte produkten om "Off"-läget inte stoppar motorn.

Använd heltäckande skyddsglasögon och hörselskydd, ordentligt grova handskar och skyddshjälm vid användning av produkten. Använd ansiktsmask om det dammar mycket.

Bär inte löst sittande kläder, korta byxor eller smycken av något slag.

Sätt upp hår som är längre än till axlarna så att det inte trasslas in i rörliga delar.

Se upp med kringflygande, ivägkastade och fallande föremål. Håll åskådare, barn och husdjur på minst 15 meters avstånd.

Använd endast i god belysning. Operatören måste ha god överblick över arbetsområdet för att upptäcka potentiella faror.

När du använder hörselskydd minskar din förmåga att uppfatta varningar (skrik och alarm). Du måste vara extra uppmärksam på vad som sker i arbetsområdet.

Användning av liknande maskiner i närheten ökar risken för både hörselskador och för andra personer i närheten av arbetsområdet.

Bibehåll ett bra fotfäste och bra balans. Sträck dig inte. Sträck dig inte för långt så att du tappar balansen och ökar risken för bakslag.

Håll alla kroppsdelar borta från rörliga delar.

Se över maskinen inför varje användning. Se till att alla reglage fungerar som de ska, inklusive kedjebromsen. Kontrollera för lösa fästen, se till att alla skydd och handtag sitter ordentligt på plats. Byt ut eventuella skadade delar före användning.

Modifiera inte maskinen på något sätt och använd inte delar eller tillbehör som inte rekommenderats av tillverkaren.



VARNING!

Om produkten tappas, utsätts för hårda slag eller börjar vibrera onormalt mycket ska produkten omedelbart stoppas och kontrolleras för eventuella skador eller orsak till vibrationerna. Eventuella skador ska repareras ordentligt eller bytas ut av ett auktoriserat servicecenter.

Kasta inte förbrukade batterier i hushållsoporna eller genom att bränna dem. ECHO Distributors erbjuder sig att ta hand om gamla batterier för att skydda vår miljö.

Förvara inte batteripaketet tillsammans med metallföremål (risk för kortslutning).

Använd endast laddaren ECBC-58VEU/ECBC-58VUK för att ladda batteripaket. Använd inte batteripaket från andra system.

Kompatibla batteripaket: ECBP-58V40, ECPB-58V20

Vid extrem belastning eller extrema temperaturer kan batterisyra läcka från skadade batterier. Vid kontakt med batterisyra, tvätta bort den omedelbart med tvål och vatten. Vid ögonkontakt, skölj noggrant under minst 10 minuter och uppsök omedelbart läkarvård.

De två låsskruvarna för kedja/sågsvärd är känsliga punkter för elektrostatisk urladdning vid användning. Användaren måste släppa brytarknappen för att starta om produkten om den slår från på grund av elektrostatisk urladdning.

SÄKERHETSFORESKRIFTER FÖR MOTORSÅG

Håll alla delar av kroppen på avstånd från sågkedjan när du använder produkten. Innan du startar motorsågen ska du kontrollera att klingan inte vidrör något. Ett ögonblick med bristande uppmärksamhet vid användning av motorsåg kan göra att kläder eller kroppsdelar kommer in i sågklingan.

Håll alltid motorsågen med höger hand på bakre handtaget och vänster hand på det främre. Om du håller motorsågen med omvänd fattning ökar risken för personskada. Undvik detta alltid.

Håll produkten endast i den isolerade greppytan, eftersom sågkedjan kan komma i kontakt med dolda ledningar. Om klingan kommer i kontakt med en "aktiv" ledning kan metalldelar exponeras och ge användaren en elektrisk stöt.

Använd ögon- och hörselskydd. Vi rekommenderar även användning av skydd för huvud, händer, ben och fötter. Korrekta skyddskläder minskar risken för personskador på grund av kringflygande skräp eller beröring av sågklingan.

Använd inte motorsågen i träd. Användning av motorsåg när användaren befinner sig uppe i ett träd kan leda till personskador.

Se till att alltid stå stadigt och använd enbart motorsågen när du står på fast, säkert och jämnt underlag. Hala eller instabila underlag som stegar kan göra att balansen eller kontroll av motorsågen förloras.

Vid kapning av grenar som är belastade ska du vara beredd på att den kan fjädra tillbaka. När spänningen i träfibren lossas kan den belastade grenen slå till användaren och/eller kasta iväg motorsågen.

Var extremt försiktig när du kapar buskar och skott. Det tunnare materialet kan fastna i kedjan och piska till mot dig eller dra dig ur balans.





Bär motorsågen i främre handtaget med motorsågen avslagen och håll den borta från kroppen. Vid transport eller förvaring av motorsågen ska alltid sågskyddet vara på. Korrekt hantering av motorsågen minskar risken för beröring av misstag med sågklingan i rörelse.

Följ instruktionerna för smörjning, spänna kedjan och byte av tillbehör. Felaktigt spänd eller smord kedja kan antingen gå av eller öka risken för bakslag.

Håll handtagen torra, rena och fria från olja och fett. Feta och oljiga handtag kan glida och göra att du förlorar kontroll.

Kapa enbart trä. Använd inte motorsågen för annat än avsett. Använd exempelvis inte motorsågen för att kapa plats, sten eller byggnadsmaterial som inte är trä. Användning av motorsågen för saker som den inte är avsedd för kan leda till riskfyllda situationer.

Orsaker och förhindran av bakslag:

Ett kast kan uppstå när spetsen på svärdet rör vid ett föremål eller om kedjan kilas fast i träet under arbetet.

Vidröring med spetsen kan orsaka en plötslig omvänd reaktion, slå klingan bakåt och uppåt mot användaren.

Om man nyper sågkedjan längs översidan av guidestaven så kan guidestaven tryckas tillbaka mot operatören.

Båda dessa reaktioner kan medföra förlorad kontroll över sågen, och innebär risk för svåra skador. Förлита dig inte enbart på sågens inbyggda säkerhetsfunktioner. I egenskap av användare av motorsåg, bör du vidta flera olika åtgärder för att hålla alla sågningsarbeten fria från olycksfall och skador.

Bakslag beror på felaktig användning och/eller felaktiga procedurer eller förutsättningar och kan undvikas genom att vidta försiktighetsåtgärder enligt nedan:

Ha ett fast grepp med tumme och fingrar runt motorsågens handtag, båda händerna på sågen och se till att kroppen och armarna är beredda på bakslag. Kraften i bakslag kan kontrolleras av användaren om man vidtar korrekta försiktighetsåtgärder. Släpp inte taget om motorsågen.

Sträck dig inte och kapa inte ovanför axelhöjd. På så sätt undviks oönskad beröring med spetsen och det ger bättre kontroll på motorsågen i oväntade situationer.

Använd enbart ersättningsklingor och -kedjor som rekommenderas av tillverkaren. Felaktiga ersättningsklingor och -kedjor kan leda till att kedjan går av och/eller bakslag.

Följ tillverkarens anvisningar beträffande slipning och skötsel av sågkedjan. Minskning av djupet kan leda till ökade bakslag.

YTTERLIGARE VARNINGAR GÄLLANDE MOTORSÅGAR

Vi rekommenderar att kapa stockar på sågbock eller i vaggan första gången produkten används.

Se till att alla skydd, handtag och spikskydd sitter ordentligt och är i gott skick.

Personer som använder produkten ska vara friska. Produkten är tung, så operatören måste vara i fysiskt god form. Användaren ska vara alert, ha god syn, mobilitet, balans och kroppskontroll. Om du tvekar, använd inte produkten.

Börja inte använda produkten innan arbetsområdet är rensat, har säkert fötåste och en planerad reträttväg bort från fallande träd.

Se upp för utsläpp av smörjmedel och sågdamm. Använd mask eller respirator vid behov.

Kapa inte smågrenar eller undervegetation (under 75 mm i diameter).

Håll alltid produkten med båda händerna när du använder den. Håll ett stadigt grepp med tumme och fingrar runt motorsågens handtag. Höger hand på bakre handtaget och vänster hand på främre.

Före start av produkten, kontrollera att sågkedjan inte är i kontakt med något föremål.

Modifiera inte produkten och använd den inte för att driva några tillbehör eller enheter som inte rekommenderas av tillverkaren.

Det ska finnas första hjälpen-utrustning med omslag för större sår och sätt att tillkalla hjälp (exempelvis visselpipa) i närheten av användaren. Ett större mer komplett utrustningspaket ska finnas i rimlig närhet.

Använd alltid hjälm när du använder produkten. En hjälm försedd med ett nätvisir kan hjälpa till att minska risken för skador på ansikte och huvud om det sker en återstuds.

En felaktigt spänd kedja kan hoppa av klingan och leda till allvarlig personskada eller dödsfall. Kedjans längd är beroende på temperatur. Kontrollera spänningen regelbundet.

Se till att vänja dig vid en ny motorsåg genom enklare kapning av ordentligt säkrat trä. Gör alltid det när du inte har använt sågen under en längre tid.

För att minska risken för skador som kan uppkomma vid kontakt med rörliga delar ska motorn alltid stoppas, kedjebromsen aktiveras, batteriet tas bort och alla rörliga delar ska ha stoppat före:

- rengöring eller rensning av ett stopp
- att lämna produkten utan tillsyn
- installation eller borttagning av tillbehör
- kontroll, underhåll eller arbete på maskinen

Arbetsområdets storlek beror på det arbete som utförs samt storleken på det träd eller arbetsstycke som sågas. Exempelvis kräver trädfällning större arbetsområde än andra kapningar, som på sågbock, etc.

Användaren ska vara uppmärksam och ha kontroll på allt som händer på arbetsområdet.

Kapa inte med kroppen i linje med klingan och kedjan. Om det skulle bli bakslag hjälper detta till att förhindra kedjan att komma i kontakt med ditt huvud eller din kropp.





Rör inte motorsågen fram och tillbaka vid kapning, låt kedjan arbeta, håll kedjan vass och försök inte trycka igenom klingan genom trä.

Utsätt inte sågen för tryck i slutet av sågningen. Var beredd på att ta emot den extra vikten av sågen när den går igenom trä. Om du inte följer dessa anvisningar finns det risk för allvarliga personskador.

Stoppa inte sågen mitt i en kapning. Låt kedjan gå tills den är borttagen från kapet.

Dra och skjut

Reaktionskraften är alltid i motsatt riktning till kedjans rörelseriktning. Därför måste användaren vara beredd att kontrollera tendensen för maskinen att dra iväg (röra sig framåt) vid kapning nära basen på klingan och trycka bakåt (röra sig bakåt) vid kapning nära toppen på klingan.

Sågen har fastnat i kapet

Stoppa motorsågen och var försiktig. Försök inte tvinga ut klingan ur kapet eftersom kedjan då kan gå av och slå bakåt och träffa användaren. Detta inträffar oftast på grund av att trästycket inte har bra stöd och man försöker tvinga och trycka ned klingan som därvid kommer i kläm. Om korrigerig av stödet inte gör att klingan släpps loss kan du använda träkilar eller någon spak för att öppna kapet och få loss sågen. Försök aldrig starta motorsågen om klingan sitter fast i ett kap eller brott.

Personlig skyddsutrustning

Personlig skyddsutrustning i hög kvalitet, sådan som används yrkesmässigt, hjälper till att minska risken för personskada på användaren. Följande bör användas vid bruk av motorsågen:

Skyddshjälm

- ska uppfylla EN 397 och vara CE-märkt

Hörselskydd

- ska uppfylla EN 352-1 och vara CE-märkt

Ögon- och ansiktsskydd

- ska vara CE-märkta och uppfylla EN 166 (skyddsglasögon) eller EN 1731 (nätvisir)

Arbetshandskar

- ska uppfylla EN381-7 och vara CE-märkt

Benskydd (chaps)

- ska uppfylla EN 381-5, vara CE-märkta och ge allroundskydd.

Skyddsstövlar för motorsågsbruk

- ska uppfylla EN ISO 20345:2004 och vara märkta med en sköld och en motorsåg för att visa att de uppfyller EN 381-3. (Tillfälliga användare kan använda skyddsstövlar med ståltåhätta som uppfyller EN 381-9 om underlaget är jämnt och det finns minimal risk för att falla eller fastna i undervegetation)

Motorsågsjacka för skydd av överkroppen

- ska uppfylla EN 381-11 och vara CE-märkt

INSTRUKTIONER FÖR KORREKT TEKNIK VID GRUNDLÄGGANDE TRÄDFÄLLNING, GRENKAPNING OCH KAPNING

Förståelse för de krafter som finns i trä

När man förstår det riktade tryck och påfrestningarna inuti trä kan man minska "klämningar" eller åtminstone vara förberedd på dem vid kapning. Spänningar i träet innebär att fibrer dras isär och om man kapar i det området kommer kapet att öppnas upp allteftersom sågen går igenom. Om en stock stöds på en sågbock och ena änden hänger utan stöd skapas spänning i den övre delen på grund av vikten från överhänget och det sträcker fibrerna. Samtidigt är undersidan av stocken under tryck och fibrerna där trycks samman. Om man kapar i detta område kommer kapet att ha en tendens att stänga sig under kapningen. Och då kommer sågklingan i kläm.

Fälla träd

Se bild 1 - 6.

Vid samtidig kapning och fällning som utförs av två personer eller flera ska fällningen skiljas från kapningen med minst dubbla avståndet motsvarande höjden på det träd som fälls. Träden ska inte fällas på så sätt att det utsätter någon person för fara, kan falla över kablar eller orsaka skador på egendom. Om träd skulle komma i kontakt med kablar ska företaget omedelbart meddelas.

Användaren av motorsågen skall hålla sig i terrängens motlutning eftersom trädet med all sannolikhet kommer att rulla eller glida nedåt efter fällningen.

En reträttväg ska finnas planerad och rensad vid behov innan kapning påbörjas. Reträttvägen ska sträcka sig bakåt och diagonalt mot den förväntade fallriktningen.

Innan fällningen kan påbörjas ska den naturliga lutningen på trädet kontrollera, placering av större grenar och vindriktningen för att bedöma åt vilket håll trädet kommer att falla.

Ta bort skräp, stenar, lösa barkbitar, spikar, klamrar och vajrar från trädet.

Försök inte att fälla ruttna träd eller träd som skadats av vind, brand, blixtnedslag etc.

Detta är extremt farligt och skall bara utföras av professionella arborister.

1. Skåra underifrån

Se bild 1 - 6.

Gör skåran 1/3 av trädets diameter och vinkelrätt mot det håll trädet ska falla. Gör den lägre horisontella skåran först. På så sätt kläms inte sågklingan när den andra skåran görs.

2. Fällskåra på baksidan

Se bild 1 - 6.

Gör fällskåran på baksidan minst 50 mm/2 tum högre upp än den horisontella skåran underifrån. Se till att fällskåran är parallell med horisontella skåran underifrån. Gör fällskåran så att du lämnar tillräckligt med trä för att det ska kunna fungera som gångjärn. Trågångjärnet gör att trädet inte vrider sig och faller i fel



riktning. Skär inte igenom gångjärnet.

När fällskåran närmar sig gångjärnet ska trädet börja falla. Om det finns risk att trädet inte kommer att falla i önskad riktning eller det kan gunga tillbaka och klämma fast sågklingan ska du sluta kapa innan fällskåran är klar och använd kilar av trä, plats eller aluminium för att öppna skåran och fälla trädet i önskad riktning.

När trädet börjar falla tar du bort motorsågen från skåran, stoppar motorn, lägger ner motorsågen och använder den planerade reträttvägen. Var uppmärksam på grenar som faller och var du sätter fötterna.

Avlägsna rotben

Se bild 7 - 8.

Ett rotben är en stor rot som sticker ut från trädstammen ovan mark. Avlägsna stora rotben före fällning. Gör först ett horisontellt skär i rotbenet och därefter ett vertikalt skär. Avlägsna den resulterande lösa sektionen från arbetsplatsen. Använd korrekt trädgårdsteknik när du har avlägsnat de stora rotbenen.

Kapa upp en stam

Se bild 9 - 11.

Kapa upp är att dela en trästam i delar. Det är viktigt att du har bra fotfäste och att vikten är lika fördelad på båda fötterna. Om det är möjligt ska stocken resas och stötas med grenar, stockar eller kilar. Följ de enkla anvisningarna för vanlig kapning. Om stocken har stöd över hela längden ska den kapas uppifrån (överkapning).

Om stocken har stöd från ena hållet ska ca 1/3 av diametern kapas underifrån (underkapning). Avsluta sedan med att göra resterande kapning uppifrån så att det möter den första skåran.

Om stocken stöds i båda ändar ska ca 1/3 av diametern kapas uppifrån (överkapning). Avsluta sedan med att göra resterande kapning, 2/3 av diametern, underifrån så att det möter den första skåran.

Om du kapar i en sluttning ska du alltid stå på den övre sidan av stocken. När du "sågar igenom" ska du för att behålla kontrollen släppa på trycket mot slutet av skåran för utan att släppa det fasta greppet om handtagen. Låt inte kedjan komma i kontakt med marken. När du kapat klart ska du vänta tills kedjan stannat innan du flyttar motorsågen. Stoppa alltid motorn när du går från träd till träd.

Kvista av träd

Se bild 12 - 13.

Att kvista av träd innebär att grenarna tas bort från ett fällt träd. Vid kvistning ska större nedre grenar lämnas kvar som stöd för stammen på marken. Ta bort de mindre grenarna med ett skär. Grenar i spänning ska kapas nerifrån och upp för att inte motorsågen ska klämmas.

Hävstång

Se bild 14 - 15.

Fjädrande trä är alla stockar, grenar, rotade stubbar, eller

ungträd som är böjda under spänning av annat trä så att det fjädrar tillbaka om det trä som håller det på plats sågas av eller avlägsnas.

För fallna träd, är det stor risk att en rotad stubbe fjädrar tillbaka under kapning av stocken från stubben. Se upp för fjädrande trä. Det är farligt.



VARNING!

Fjädrande trä är farligt och kan träffa användaren av sågen så att denne tappar kontrollen över motorsågen. Detta kan medföra svåra eller dödliga skador för användaren av sågen. Det får enbart utföras av utbildad användare.

YTTERLIGARE SÄKERHETSVARNINGAR FÖR BATTERIER



VARNING!

För att undvika den fara för brand, personskador eller produktskador som orsakas av en kortslutning, doppa inte ner verktyget, utbytesbatteriet eller laddaren i vätskor och se till att ingen vätska kan tränga in i apparaterna eller batterierna. Korroderande eller ledande vätskor, som saltvatten, vissa kemikalier, blekningsmedel eller produkter som innehåller blekmedel, kan orsaka en kortslutning.

KVARSTÅENDE RISKER

Även om produkten används enligt instruktionerna går det inte att eliminera alla eventuella riskfaktorer. Följande risker kan uppkomma under bruk och användaren ska vara extra uppmärksam för att undvika följande:

- Skada orsakad av vibration
 - Använd alltid rätt verktyg för jobbet. Använd avsedda handtag. Begränsa arbetstid och exponering.
- Exponering för buller kan orsaka hörselskador.
 - Använd hörselskydd och begränsa exponeringen
- Personskada från kontakt med blottade sågtänder på kedjan
- Personskada orsakad av utkastade delar av arbetsstycket (flisor och splitter)
- Skador orsakade av inandning av damm eller andra partiklar
- Personskada orsakad av hudkontakt med smörjmedel eller olja

RISKMINSKNING

Det finns rapporter om att vibrationer från handhållna verktyg kan bidra till ett tillstånd som kallas Raynauds



syndrom för vissa personer. Symptomen brukar vara att det sticker i fingrarna och att de domnar bort; fingrarna kan också bli vita, särskilt vid kyla. Årftiga faktorer, kyla och fukt, diet, rökning och arbetsrutiner tros alla bidra till att orsaka dessa symptom. Det finns förebyggande åtgärder som du kan vidta för att försöka minska vibrationernas påverkan:

- Håll dig varm när du arbetar i kallt väder. Använd handskar för att hålla kvar värmen i händer och handleder.
- Träna och rör på dig efter varje användningstillfälle för att öka blodcirkulationen.
- Ta ofta pauser från arbetet. Begränsa tiden du utsätter dig varje dag.
- Skyddshandskar som köps från motorsågsfackbutik är avsedda specifikt för motorsågsanvändning och ger skydd, bra grepp och minskar påverkan av vibration i handtagen.

Upphör omedelbart om du upplever några av dessa symptom och uppsök din läkare.



VARNING!

Risk för person- eller slitageskador vid användning av verktyget under lång tid. Om verktyget används under längre perioder krävs regelbundna pauser.

ANVÄNDNINGSSOMRÅDE

Produkten är enbart avsedd för utomhusbruk. Av säkerhetsskäl ska produkten hela tiden kontrolleras med båda händerna.

Produkten är designad för att sköra grenar, stammar, stockar och balkar upp till diameter som klingans såglängd. Du får endast såga i trä, inte i några andra material. Den får enbart användas till privata ändamål av vuxna som har utbildats gällande de risker som finns och försiktighetsåtgärder som ska vidtas vid användning.

Den är inte avsedd för yrkesmässigt bruk. Produkten får inte användas av barn eller av personer som inte tillräcklig personlig skyddsutrustning och -kläder.

Använd inte produkten för något syfte som inte tagits upp under "Avsedd användning".



VARNING!

När man använder apparaten måste säkerhetsföreskrifterna följas. För egen och åskådares säkerhet måste du läsa och vara helt införstådd med dessa instruktioner innan du använder produkten. Du bör gå en yrkesmässigt organiserad utbildning för användning, förebyggande åtgärder, första hjälpen och underhåll av motorsågar. Förvara instruktionerna på ett säkert ställe för användning vid senare tillfälle.



VARNING!

Motorsågar är potentiellt mycket farliga redskap. Olyckor med motorsågar leder ofta till stympling eller dödsfall. Det är inte bara kedjan som är farlig. Fallande grenar och träd, rullande stockar kan också döda. Dött eller ruttet timmer är extra farligt. Kontrollera alltid att arbetet kan utföras på säkert sätt. Om du tvekar ska du lämna det till yrkesarbetare.

LÄR KÄNNA PRODUKTEN

Se sida 6-7.

1. Batteri
2. Avtryckarrigöring
3. Bakre handtag
4. Brytarknapp
5. Kombinationsnyckel
6. Främre handtag
7. Kedjeoljelock
8. Klingskydd
9. Kedja
10. Svärd
11. Stötdämpningsspets
12. Kedjestopp
13. Skruv för kedjespänning
14. Kedjeskydd
15. Monteringsmuttrar för sågsvärd
16. Främre handskydd/kedjebroms

SÄKERHETSENHETER

Sågkedja med låg kastrisk

En såg med "low-kick-back" hjälper till att minska risken för bakslag.

Underställningsklackarna (djupmätarna) framför varje sågtand kan minimera kaststyrkan genom att hindra sågtänderna från att skära för djupt i kastzonen. Använd enbart kombinationer av klinga och kedja som rekommenderas av tillverkaren vid utbyte.

Då sågkedjan slipas, förloras en del av dess antikastegenskaper och extra försiktighet bör iakttagas. För säkerhets skull ska kedjan bytas ut när effekten försämras.

Stötdämpningsspets

Den integrerade stötdämpningsspetsen kan användas som en svängtapp vid sågning. Det hjälper till att hålla motorsågen stabil under kapningen. Vid kapning förs motorsågen framåt tills tänderna biter i träkanten, sedan förs bakre handtaget upp och ned i kapningsriktningen för att minska spänningen i kapningen.

Svärd

Generellt har klingor med mindre radie något lägre risk för kickbacks. Använd en guideklinga och en passande kedja som är lagom lång för arbetet. Längre klingor ökar risken för förlorad kontroll under sågning. Kontrollera kedjespänningen regelbundet. Vid kapning av mindre grenar (mindre än klingans halva längd) finns det större risk att kedjan lossnar om inte spänningen är korrekt.



Kedjebroms

Kedjebromsen är utformad för att snabbt stoppa kedjan från att rotera. Då kedjebromsens spak/handskyddet trycks mot svärdet, skall kedjan stanna omedelbart. En kedjebroms förebygger inte kast. Den sänker bara risken för skada om sågklingan skulle komma i kontakt med användaren vid ett bakslag. Kedjebromsen ska testat före alla användningstillfällen så att den fungerar korrekt i både såg- och bromsläge.

Kedjestoppare

En kedjefångare förhindrar sågens kedja att kastas bakåt mot operatören om kedjan lossnar eller går av.

ANVÄNDNING



VARNING!

Om några delar är skadade eller saknas, använd inte denna produkt innan delarna har bytts ut. Att inte följa denna säkerhetsvarning kan leda till allvarlig kroppsskada.

Montera batteripacketet

Se sida 6.

Placera batteripaketet i produkten. Passa in räfflorna på batteripaketet med skärorna i produktens batteriport.

Säkerställ att hakarna på batteripaketet snäpper in på plats och att batteripaketet är fullständigt och säkert fäst i produkten innan du börjar använda den.

Hålla produkten

Se bild 1.

Håll produkten med höger hand på det bakre handtaget och vänster hand på det främre handtaget. Håll i båda handtagen med tummar och fingrar runt om handtagen. Se till att vänster hand håller främre handtaget med tummen nedåt.

Starta produkten

Se sida 8.

Före användning måste du installera batteriet i maskinen och se till att kedjebromsen är i driftsläge genom att dra i kedjebromsreglaget/handskyddet mot det främre handtaget.

Starta maskinen, dra i avtryckarreglaget och tryck sedan på gasreglaget.

Kontrollera och använd kedjebromsen

Se sida 20.

Aktivera kedjebromsen genom att vrida vänster hand runt det främre handtaget. Använd baksidan på handen och tryck kedjebromsreglaget/handskyddet mot staven medan kedjan roterar hastigt. Var noga med att ha båda händerna på handtagen hela tiden.

Återställ kedjebromsen till driftläget genom att ta tag i toppen av kedjebromsreglaget/handskyddet och dra mot främre handtaget tills ett klickande ljud hörs.



VARNING!

Lämna sågen till en auktoriserad serviceagent för reparation innan användning om kedjebromsen inte stoppar kedjan omedelbart eller om kedjebromsen inte stannar kvar i KÖR-läge utan hjälp.

Inställning av kedjespänning

Se sida 14 - 15

Ta bort batteripaketet innan du påbörjar arbete på produkten.

Säkerställ att muttrarna för montering av sågsvärdet inte är hårdare ådragna än vad du kan göra manuellt.

För att öka kedjespänningen, vrid skruven för kedjespänning medurs och kontrollera kedjans spänning ofta. För att minska kedjespänningen, vrid skruven för kedjespänning moturs och kontrollera kedjans spänning ofta.

Kedjespänningen är korrekt när avståndet mellan kedjans skärande del och sågsvärdet är omkring 6.5 mm (0,256 tum). Dra i kedjan på mitten av nedre sidan av klingan (bort från klingan) och mät avståndet mellan klingan och kedjans tänder.

Smörja kedjan med olja

Se sida 16 - 17



VARNING!

Arbeta aldrig utan smörjolja. Om motorsågen går utan smörjolja kan svärd och sågkedja förstöras. Därför måste oljenivån kontrolleras ofta och före varje användning av motorsågen.

Gör rent runt oljelocket för att förhindra nedsmutsning av oljan.

Skruva av och ta av locket från oljebehållaren.

Håll olja i oljebehållaren och läs av på oljemätaren. Se till att skräp inte kommer in i oljebehållaren under påfyllningen.

Sätt tillbaka oljelocket och dra åt det. Torka bort eventuell spill.

TRANSPORT OCH FÖRVARING

Stoppa produkten, ta ur batteriet och låt svalna före transport eller förvaring.

Ta bort allt främmande material från produkten. Förvara den svalt och välventilerat på en plats där barn inte kan komma åt den. Förvara på avstånd från frätande medel, t.ex. trädgårdskemikalier och vägsalt. Förvara den inte utomhus.

Sätt på sågklingsskyddet före förvaring av enheten och under transport.

Vid transport ska produkten säkras mot rörelser eller fallande för att förhindra personskador eller att produkten skadas.

UNDERHÅLL



VARNING!

Använd endast tillbehör och reservdelar från ECHO. Om inte kan det eventuellt orsaka skador, sämre resultat och kan upphäva garantin. Om komponenter som inte har beskrivits här behöver ersättas, var vänlig kontakta en av våra ECHO serviceverkstäder.



VARNING!

Att serva produkten kräver extrem försiktighet och kunskap och bör endast utföras av en kvalificerad servicetekniker. Vid service ska produkten lämnas till auktoriserat servicecenter. Under servicearbete ska enbart tillverkarens originaltillbehör användas.



VARNING!

Ta bort batteriet före justeringar, underhåll och rengöring. Om det inte efterlevs kan det leda till allvarlig personskada.

- Du får enbart göra justeringar eller reparationer som nämns i denna manual. För alla andra reparationer ska godkänt servicecenter kontaktas.
- Följden av eftersatt underhåll kan bli att kedjebromsen och andra skydd inte fungerar som de ska och därmed ökar risken för allvarlig personskada. Se till att motorsågen sköts professionellt och hålls säker.
- Slipa kedjan är en uppgift som kräver stor kunskap. Därför rekommenderar tillverkaren att en sliten eller slö kedja byts ut mot en ny som finns hos din auktoriserade återförsäljare. Artikelnumret finns angivet i specifikationstabellen i manualen.
- Följ instruktionerna för smörjning samt kontroll och justering av kedjespänning.
- Efter rengöring ska maskinen alltid rengöras med en mjuk torr trasa.
- För att vara säker på att maskinen är säker att använda, kontrollera alla muttrar, bultar och skruvar regelbundet för att säkerställa att de är åtdragna ordentligt. Skadade delar skall repareras ordentligt eller bytas ut av en auktoriserad servicefirma.

Ersätta sågklinga och -kedja

Se sida 10 - 13

Se till att batteriet är borttaget. Bär skyddshandskar.

Ta bort muttrarna för montering av sågsvärdet med den medföljande skiftnyckeln.

Ta bort kedjans kåpa.

Ta bort klingan och kedjan från enheten.

Sätt på den nya kedjan med rätt riktning på klingan och se till att drivlänkarna ligger rätt i spåren på klingan.

Fäst klingan på motorsågen och dra kedjan runt drivhjulet.

Sätt tillbaka kedjans kåpa och muttrarna för montering av sågsvärdet.

Dra åt muttrarna för montering av sågsvärdet för hand. Svärdet måste vara rörligt för spänningsjustering.

Justera kedjespänningen. Se avsnittet "Justera kedjespänningen".

Håll upp svärdsspetsen och dra åt svärdets monteringsmuttrar ordentligt.

Se över och rengöra kedjebromsen

Se sida 22.

Se till att kedjebromsen alltid är ren genom att borsta av länkarna så de är fria från skräp.

Prova alltid kedjebromsens funktion efter rengöring. Se avsnittet "Kontrollera och använd kedjebromsen" i denna bruksanvisning för ytterligare information.

UNDERHÅLLSSCHEMA

Daglig kontroll	
Svärdsmörjning	Före varje användning
Kedjespänning	Före varje användning och regelbundet
Kedjeslipning	Före varje användning, visuellt
Skadade delar	Före varje användning
Lösa fästanelordningar	Före varje användning
Kedjebromsfunktionen	Före varje användning
Inspektera och rengör	
Stöd	Före varje användning
Hela sågen	Efter varje användning
Kedjebroms	Var femte timma*

*Användningstimmar

UTBYTESDELAR

Del	Tillbehörsnummer
Svärd	6000945
Kedja	90PX056X

BATTERIER

- Batteripaket som inte har använts under någon tid skall laddas före användning.
- Temperaturer över 50°C (122°F) minskar batteripaketets prestanda. Undvik långvarig exponering för värme eller solljus (risk för överhettning).

- Laddarna och batteriernas kontakter måste hållas rena.
- För optimal livslängd skall batteripaketet laddas upp helt och hållet efter användning.
- För att få längsta möjliga batterilivslängd, avlägsna batteriet från laddaren när det är fulladdat.

Vid förvaring längre än 30 dagar:

- Förvara batteripacket där temperaturen är under 27°C och där det inte är fuktigt.
- Förvara batteripack med 30%-50% laddning.
- Ladda batteripacket som vanligt var 6:e månad.

TRANSPORTERA LITIUMBATTERIER

Litiumionbatteriet ska hanteras som farligt gods.

Transport av dessa batterier måste ske i enlighet med lokala, nationella och internationella bestämmelser och föreskrifter.

- Användaren kan transportera batterierna på väg utan ytterligare krav.
- Kommersiell transport av litiumjon-batterier genom tredje part lyder under bestämmelser om farligt gods. Transportförberedelse och transport får enbart utföras av därför utbildade personer och processen ska övervakas av motsvarande experter.

Vid transport av batterier:

- Se till att batteriernas kontaktterminaler är skyddade och isolerade så att kortslutning förhindras.
- Säkerställ att batteripaketet inte kan röra sig inuti förpackningen.
- Transportera aldrig batterier som har spruckit eller som läcker.

Kontrollera med det transporterande företaget för vidare rådgivning.

SYMBOLER



Säkerhetsvarning



Läs igenom och var införstådd med alla instruktioner före användning av produkten, var uppmärksam på alla varningar och säkerhetsinstruktioner.



Använd alltid ögon-, hörsel- och ansiktsskydd.



Bär halkskyddade säkerhetsskor när du använder produkten.



Används halkfria, grova skyddshandskar.



Se upp för kickback från motorsågen och undvik kontakt med spetsen.



Utsätt inte för regn eller våta omgivningar.



Håll i och använd kedjesågen med båda händerna.



Använd inte kedjesågen med bara en hand.



Ställ in kedjebromsen på läget KÖR.



Ställ in kedjebromsen på läget BROMSA.



Garanterad ljudnivå är 106 dB



Ukrainskt märke för överensstämmelse



EurAsian överensstämmelsesymbol



Gamla elektroniska produkter ska inte kastas med hushållssoporna. Återvinn där sådana faciliteter finns. Kontrollera med din lokala myndighet eller säljaren för att få återvinningstips.



Detta verktyg uppfyller alla standarder i de EU-länder där det kan köpas.

Följande signalord och betydelser är avsedda att beskriva risknivåer associerade med produkten:



FARA

Indikerar en överhängande farlig situation som kan, om den inte undviks, resultera i dödsfall eller allvarlig skada.



VARNING

Indikerar en potentiellt farlig situation som kan, om den inte undviks, resultera i dödsfall eller allvarlig skada.



PÅMINNELSE

Indikerar en potentiellt farlig situation som kan, om den inte undviks, resultera i mindre eller medelstora skador.

PÅMINNELSE

Utan säkerhetssymbol

Visar på en situation som kan orsaka skada på egendom.





TEKNISET TIEDOT

AKKUKÄYTTÖINEN MOOTTORISAHA

ECCS-58V

EN
FR
DE
ES
IT
NL
PT
DA
SV
FI
NO
RU
PL
CS
HU
RO
LV
LT
ET
HR
SL
SK
BG
UK
TR

Sarjanumero	17402201000001 - 17402201999999
Nimellisjännite	51,1 V, 58 V max.
Laipan enimmäispituus	400 mm
Ketjun öljysäiliön tilavuus	177 ml
Paino (Ilman akkua, terälevy, ketju ja tyhjä säiliö)	4,83 kg
Paino (4,0 Ah akkupaketilla)	6,73 kg
Paino (2,0 Ah akkupaketilla)	6,03 kg
Enimmäisnopeus kuormittamattomana	21 m/s
Leikkuupituus	250 mm
Melutaso (standardin EN 60745-1, EN 60745-2-13 mukaisesti)	
A-painotettu käyttäjään kohdistuva äänenpainetaso (L_{PA})	94,5 dB(A)
K_{PA} :	2,5 dB(A)
A-painotettu äänenteho (L_{WA})	105,5 dB(A)
K_{WA} :	2,5 dB(A)
Tärinätaso (standardin EN 60745-1; EN 60745-2-13 mukaisesti) (etuosa/ takaosa)	2,1 / 2,8 m/s ² K = 1,5 m/s ²

AKKU JA LATURI

ECCS-58V

Yhteensopivat akut	ECBP-58V40 / ECBP-58V20
Yhteensopiva laturi	ECBC-58VEU / ECBC-58VUK



VAROITUS!

Tässä tietolehtisessä annettu tärinäpäästötaso on mitattu standardissa EN 60745 annetun standardisoidun testin mukaisesti, ja sitä voidaan käyttää työkalun vertaamiseen toiseen työkaluun. Sitä voidaan käyttää altistumisen alustavaan arvioimiseen.

Ilmoitettu tärinäpäästötaso vastaa työkalun pääkäyttötarkoituksia. Jos työkalua käytetään eri käyttötarkoituksiin, eri tarvikkeilla tai huonosti huollettuna, tärinäpäästö voi vaihdella. Se saattaa huomattavasti nostaa altistumistasoa kokonaistyöjakson aikana.

Tärinän altistumistason arviointi tulisi ottaa myös huomioon silloin, kun työkalu on kytketty pois päältä tai kun se on käynnissä mutta sitä ei varsinaisesti käytetä. Se saattaa huomattavasti vähentää altistumistasoa kokonaistyöjakson aikana.

Tunnista lisäturvatoimenpiteet käyttäjän suojelemiseksi tärinän vaikutuksilta, kuten: työkalun ja tarvikkeiden käsitteleminen, käsien lämpimänä pitäminen, työjärjestelyiden organisointi.

YLEISET TURVALLISUUSVAROITUKSET



VAROITUS!

Lue kaikki turvallisuusvaroitukset ja ohjeet. Varoitusten ja ohjeiden laiminlyönnistä voi seurata sähköisku, tulipalo ja/tai vakava loukkaantuminen.

Säilytä nämä varoitukset ja ohjeet myöhempää tarvetta varten.

Sana "sähkötyökalu" viittaa varoituksissa verkkovirta- (langalliseen) tai akkukäyttöiseen (langattomaan)

sähkötyökaluun.

TYÖYMPÄRISTÖ

Pidä työalue siistinä ja valoisana. Epäjärjestyksessä olevat ja pimeät alueet myötävaikuttavat onnettomuuksiin.

Älä käytä sähkötyökalua räjähdyksalttiissa paikoissa, kuten helposti syttyvien nesteiden tai kaasujen tai pölyn läheisyydessä. Sähkötyökalut kipinöivät, mikä saattaa syyttää pölyn tai höyryt.

Pidä lapset ja sivulliset loitolla, kun käytät sähkötyökaluja. Häiriöt voivat saada koneen riistäytymään hallinnasta.



SÄHKÖTURVALLISUUS

Pistokkeen on sovittava pistorasiaan. Älä koskaan muunna pistoketta millään tavalla. Älä käytä maadoitettujen sähkötyökälujen kanssa minkäänlaisia sovittipistokkeita. Alkuperäiset pistokkeet ja niitä vastaavat pistorasiat pienentävät sähköiskun vaaraa.

Älä kosketa maadoitettuihin pintoihin, kuten putkiin, lämpöpattereihin, helioihin tai jääkaappeihin. Jos ruumiisi on maadoitettu, sähköiskun vaara on suurempi.

Älä altista tuotetta sateelle tai kosteudelle. Sähkötyökaluun joutunut vesi kasvattaa sähköiskun vaaraa.

Pidä huolta sähköjohdosta. Älä koskaan kannata tai vedä sähkötyökäluä johdosta tai irrota pistoketta johdosta vetämällä. Pidä johto etäällä kuumista paikoista, öljystä, terävistä kulmista ja liikkuvista osista. Vioittunut tai takkuinen johto lisää sähköiskun vaaraa.

Kun käytät sähkötyökäluä ulkotiloissa, käytä ulkokäyttöön sopivaa jatkojohtoa. Ulkokäyttöön sopivan johdon käyttö pienentää sähköiskun vaaraa.

Jos sähkötyökäluä on pakko käyttää kosteissa tiloissa, käytä jäännösvirtalaitteella (RCD) suojattua pistorasiaa. RCD:n käyttö pienentää sähköiskun vaaraa.

KÄYTTÄJÄN TURVALLISUUS

Ole valpas, katso mitä teet ja käytä maalaisjärkeä, kun käytät sähkötyökäluä. Älä käytä sähkötyökäluä väsyneenä tai huumeiden, alkoholin tai lääkkeiden vaikutuksen alaisena. Tarkkaamattomuus sähkötyökäluä käytettäessä saattaa johtaa vakavaan loukkaantumiseen.

Käytä henkilökohtaisia suojavarusteita. Käytä aina suojalaseja. Suojalaitteet, kuten pölynaamari, luistamattomat suojakengät, kypärä ja kuulosuojaimet vähentävät loukkaantumisen vaaraa.

Älä anna koneen käynnistyä vahingossa. Varmista, että katkaisin on poissa päältä, ennen kuin kytket koneen virtalähteeseen ja/tai akkuun ja ennen kuin nostat tai kannat konetta. Sähkötyökäluen kantaminen sormi katkaisimella ja virran kytkeminen koneeseen, joka on päällä, saattaa johtaa onnettomuksiin.

Irrota säätöavaimet ja jakoavaimet ennen sähkötyökäluen käynnistystä. Sähkötyökäluen pyöriivään osaan jätetty jako- tai säätöavain saattaa johtaa loukkaantumiseen.

Älä kurkota liian pitkälle. Pysyttele tukevasti jaloillasi äläkä kurkota käsivartta liian kauas. Tällöin sähkötyökäluä on helpompi hallita odottamattomissa tilanteissa.

Älä pukeudu väliin vaatteisiin, kravattiin tai koruihin, jotka voivat juuttua liikkuviin osiin. Älä käytä välijiä vaatteita tai koruja. Pidä hiukset, vaatteet ja käsinet etäällä liikkuvista osista. Löysät vaatteet, korut ja pitkät hiukset saattavat tarttua liikkuviin osiin.

Jos laitetta varten on pölynpoisto- ja keräyslaite, kytkä se asianmukaisesti ja käytä sitä oikein. Pölyn kerääminen voi vähentää pölyyn liittyviä vaaroja.

SÄHKÖTYÖKÄLUN KÄYTTÖ JA HUOLTO

Älä pakota tuotetta. Käytä työhön sopivaa sähkötyökäluä. Asianmukainen sähkötyökälu hoitaa työt paremmin ja turvallisemmin sillä vauhdilla, jota varten se on suunniteltu.

Älä käytä sähkötyökäluä, jos se ei käynnisty ja sammu katkaisimesta. Jos sähkötyökäluä ei voida hallita katkaisimella, se on vaarallinen ja vaatii korjaamista.

Irrota pistoke virranlähteestä ja/tai akku työkoneesta, ennen kuin teet säätöjä, vaihdat varusteita tai varastoit koneen. Tällaiset varoitimet pienentävät sitä vaaraa, että kone käynnistyisi vahingossa.

Varastoi sähkötyökäluä pois lasten ulottuvilta äläkä anna kenenkään, joka ei tunne työkoneita tai näitä ohjeita, käyttää sitä. Sähkötyökäluet ovat vaarallisia kouluttamattomien käyttäjien käsissä.

Huolla sähkötyökäluä. Tarkista, että liikkuvat osat on kohdistettu oikein ja että ne liikkuvat kunnolla, että osia ei ole rikkoutunut ja että mikään muu seikka ei häiritse sähkötyökäluen toimintaa. Jos sähkötyökäluä vioittuu, korjaa se ennen käyttöä. Onnettomuudet johtuvat usein sähkötyökälujen huonosta huollosta.

Pidä leikkuutyökäluet terävinä ja puhtaina. Asianmukaisesti huolletut leikkuutyökäluet, joiden leikkuupinnat ovat teräviä, eivät jumiuudu helposti ja niitä on helppo hallita.

Käytä työkoneita, lisävarusteita, teriä jne. näiden ohjeiden mukaisesti, ja huomioi työolosuhteet ja tehtävän työn laatu. Työkoneen käyttö muuhun kuin sille tarkoitettuun työhön voi aiheuttaa vaarallisia tilanteita.

AKKUKÄYTTÖISEN TYÖKÄLUN KÄYTTÖ JA HOITO

Käytä lataukseen ainoastaan valmistajan suosittelemaa laturia. Yhden tyyppiselle akulle sopivan laturin käyttö toisenlaisen akun kanssa voi olla vaarallista.

Käytä sähkötyökäluä ainoastaan sitä varten suunniteltujen akkujen kanssa. Muiden akkujen käyttö voi johtaa loukkaantumiseen ja tulipaloon.

Kun akkuä ei käytetä, pidä se erillään metalliesineistä, kuten paperiliittimistä, kolikoista, avaimista, nauloista, ruuveista ja muista pienistä metalliesineistä, jotka voivat yhdistää akun navat. Akun napojen oikosulkeminen voi aiheuttaa palovammoja ja tulipalon.

Jos akkuä käsitellään väärin, siitä voi vuotaa nestettä; älä kosketa sitä. Jos kosketat sitä vahingossa, huuhtelee se vedellä. Jos nestettä pääsee silmiin, hakeudu lisäksi lääkärin hoitoon. Akusta vuotanut neste voi ärsyttää ihoa ja aiheuttaa palovammoja.

HUOLTO

Huollata työkone pätevällä huoltomiehellä, joka käyttää ainoastaan asianmukaisia varaosia. Tämä varmistaa, että sähkötyökälu on turvallinen.

MUITA YLEISIÄ TURVALLISUUSVAROITUKSIA

Joillain alueilla vallitsee säädöksiä, jotka rajoittavat tämän tuotteen käyttöä. Pyydä paikallisilta viranomaisilta neuvoa.

Älä anna lasten tai käyttööheita tuntemattomien ihmisten käyttää tuotetta. Paikalliset säädökset saattavat asettaa rajoituksia käyttäjän iälle.

Varmista aina ennen käyttöä, että kaikki hallinta- ja turvallisuuslaitteet toimivat asianmukaisesti. Älä käytä tuotetta, jos Off-kytkin ei sammuta moottoria.

Käytä täysisiä suojalaseja ja kuulosuojaimia, kestäviä käsineitä sekä kypärää käyttäessäsi tuotetta; käytä kasvosuojainta, jos käyttö on pölyistä.

Älä käytä löysiä vaatteita, shortseja tai minkäänlaisia koruja.

Sido pitkät hiukset hartioiden yläpuolelle, jotta ne eivät pääse tarttumaan liikkuviin osiin.

Varo sinkoutuneita, lentäviä ja putoavia esineitä. Pidä turvalliset, lapset ja lemmikit 15 metrin etäisyydellä työalueesta.

Älä käytä tätä työkalua huonosti valaistussa paikassa. Käyttäjällä on oltava esteetön näkyvyys työalueelle, jotta hän näkee mahdolliset vaaratekijät.

Kuulosuojaimet vaikeuttavat varoitusten kuulemista (häilytyksiä ja huutoja). Käyttäjän on kiinnitettävä enemmän huomiota siihen, mitä työalueella tapahtuu.

Samankaltaisten laitteiden käyttö lähettyvillä kasvattaa kuulovaurion riskiä sekä vaaraa, että joku muu tulee työalueellesi.

Pidä vakaa tasapaino. Älä kurkota liian pitkälle. Liian pitkälle kurottelu voi aiheuttaa tasapainon menetyksen ja kasvattaa takapotkun vaaraa.

Pidä kaikki ruumiinosat kaukana liikkuvista osista.

Tarkasta laite aina ennen käyttöä. Tarkista kaikkien hallintalaitteiden, mukaan lukien teräketjujarrun, asianmukainen toiminta. Tarkista kiinnikkeiden kireys ja että kaikki suojukset ja kahvat on kiinnitetty tukevasti. Vaihda kaikki vioittuneet osat ennen käyttöä.

Älä muunna laitetta millään tavoin tai käytä osia tai lisävarusteita, jotka eivät ole valmistajan suosittelemia.



VAROITUS!

Jos tuote putoaa, saa kovan iskun tai alkaa täristä normaalia enemmän, sammuta se heti ja tarkista se vaurioiden varalta tai paikanna tärinän syy. Valtuutetun huolopisteen on korjattava tai vaihdettava vioittuneet osat asianmukaisesti.

Älä hävitä akkuja talousjätteiden seassa tai polttamalla. ECHO:n tuotejakeelijat ottavat takaisin vanhat akut ympäristön suojelemiseksi.

Älä säilytä akkupakettia metallisten esineiden kanssa (oikosulkuriski).

Lataa akkupaketit vain ECBC-58VEU/ECBC-58VUK -laturilla. Älä käytä muiden järjestelmien akkupaketteja.

Yhteensopivat akut: ECBP-58V40, ECBP-58V20

Akkuhappoa saattaa vuotaa viallisista akuista äärimmäisten kuormitusten tai lämpötilojen vuoksi. Jos joudut kosketuksiin akkuhapon kanssa, pese se heti pois saippualla ja vedellä. Jos sitä pääsee silmiin, huuhtelee kunnolla vähintään 10 minuutin ajan ja käänny välittömästi lääkärin puoleen.

Moottorisahan laipan kaksi lukitusruuvia ovat herkkiä kohtia sähköstaattiselle purkaukselle käytön aikana. Käyttäjän pitää löysätä käynnistysliipaisin sahan uudelleenkäynnistämiseksi, jos se sammuu sähköstaattisen purkauksen seurauksena.

MOOTTORISAHAN TURVALLISUUSVAROITUKSET

Kun käytät laitetta, pidä kaikki kehonosat loitolla teräketjusta. Varmista ennen moottorisahan käynnistämistä, ettei teräketju ole kosketuksissa mihinkään. Herpaantuminen hetkiseksi moottorisahan käytön aikana saattaa aiheuttaa vaatekusi tai vartalosi sotkeutumisen teräketjuun.

Pidä aina oikealla kädellä kiinni takakädensijasta ja vasemmalla kädellä etukädensijasta. Moottorisahan pitteleminen kädet vastakkaisessa asennossa lisää loukkaantumisen riskiä, eikä niin tule koskaan tehdä.

Pidä laitteesta kiinni vain eristetystä pitopinnasta, sillä moottorisaha saattaa koskea piilotettuja johtoja. Jos teräketju koskettaa sähköistettyä johtoa, työkalun metalliosat voivat sähköistyä ja aiheuttaa käyttäjälle sähköiskun.

Käytä suojalaseja ja kuulosuojaimia. Suosittelemme myös pään, käsien, raajojen ja jalkojen suojarusteiden käyttöä. Asianmukainen suojavaatetus vähentää loukkaantumisia, jotka johtuvat lentävistä pirstaleista tai tahattomasta kosketuksesta teräketjuun.

Älä käytä moottorisahaa puussa. Moottorisahan käyttö ylhäällä puussa saattaa johtaa loukkaantumiseen.

Ota aina hyvä jalansija ja käytä moottorisahaa vain, kun seisot kiinteällä, turvallisella tasapinnalla. Liukkaat tai epävakaat pinnat, kuten tikkaat, voivat saada käyttäjän menettämään tasapainon tai sahan hallinnan.

Muista sahatessasi jännitettyä oksaa, että se potkaisee katketessaan takaisin. Puun kuitujen jännityksen vapautuessa taipunut oksa saattaa osua käyttäjään ja/tai aiheuttaa moottorisahan hallinnan menetyksen.

Ole erityisen varovainen sahatessasi pensaita ja puun vesoja. Ohuet oksat saattavat osua teräketjuun ja iskeytyä sinuun tai saada sinut menettämään tasapainosi.

Kanna moottorisahaa etukahvasta ja sammuta se sekä pidä se poissa vartalosi lähettyviltä. Käytä aina ketjunsuojasta, kun kuljetat moottorisahaa tai jätät sen varastoon. Moottorisahan asianmukainen käyttö vähentää satunnaisen kosketuksen todennäköisyyttä liikkuvan teräketjun kanssa.

Noudata voiteluun, ketjun kiristykseen ja lisävarusteiden vaihtoon liittyviä ohjeita. Huonosti kiristetty tai voideltu ketju saattaa katketa tai saada sahan iskemään takaisin.



Pidä kädensijat kuivina ja puhtaina liasta, öljystä ja rasvasta. Rasvaiset ja öljyiset kahvat ovat liukkaat ja aiheuttavat hallinnan menettämisen.

Sahaa ainoastaan puuta. Älä käytä moottorisahaa muihin kuin sille suunniteltuihin tarkoituksiin. Esimerkki: älä käytä moottorisahaa muovin, tiilen tai muiden kuin puusta valmistettujen rakennusmateriaalien sahaamiseen. Moottorisahan käyttö muuhun kuin sille tarkoitettuun työtehtävään voi aiheuttaa vaarallisia tilanteita.

Takapotkun syyt ja sen esto:

Takapotku voi ilmaantua, kun terälevyn pää tai kärki koskettaa esinettä tai kun ketju tarttuu ja puristuu puun leikkauskohtaan.

Joissakin tapauksissa kärkikosketus saattaa aiheuttaa äkillisen vastakkaisen reaktion ja potkaista terälevyn ylös ja taakse kohti käyttäjää.

Teräketjun joutuminen puristuksiin saattaa heittää terälevyn käyttäjää kohteen.

Kumpikin näistä reaktioista voi aiheuttaa sahan hallinnan menetyksen, joka voi johtaa vakavaan tapaturmaan. Älä luota yksinomaan sahaan rakennettuihin turvalaitteisiin. Moottorisahan käyttäjänä sinun on tehtävä useita varotoimia, jotta sahaustöissä ei tapahtuisi onnettomuuksia tai vammautumisia.

Takapotku johtuu työkalun vääristä käytöstä ja/tai vääristä toimenpiteistä tai tilanteista, jotka voidaan välttää alla olevia asianmukaisia varotoimenpiteitä noudattaen:

Pitele moottorisahaa tukevasti kahvoista siten, että peukalot ja sormet ympäröivät kahvat molempien käsien pidellessä sahaa. Aseta vartalosi ja kätesi siten, että voit vastustaa takapotkun voimaa. Käyttäjä pystyy hallitsemaan takapotkun voiman, jos hän ryhtyy asianmukaisiin varotoimiin. Älä päästä otettasi irti moottorisahasta.

Älä kurkota liian kauaksi äläkä sahaa harteita korkeammalla. Tämä auttaa tahattoman kärkikosketuksen estämisessä ja mahdollistaa moottorisahan paremman hallinnan odottamattomissa tilanteissa.

Käytä ainoastaan valmistajan suosittelemia terälevyjä ja ketjuja. Epäasianmukaiset terälevyt ja ketjut voivat saada ketjun katkeamaan ja/tai sahan iskemään takaisin.

Noudata valmistajan antamia teräketjun teroitusta kunnossapito-ohjeita. Syvyystulkin korkeuden pienentäminen voi aiheuttaa voimakkaamman takapotkun.

MUITA MOOTTORISAHAN TURVALLISUUSVAROITUKSIA

Suosittelaaan, että tukit piikotaan sahapukilla tai telineessä, kun tuotetta käytetään ensimmäistä kertaa.

Varmista, että kaikki suojukset, kahvat ja piikillinen puskuri ovat kunnolla paikoillaan ja hyvässä kunnossa.

Tuotteen käyttäjän terveyden on oltava hyvä. Laite on painava, joten käyttäjän on oltava fyysikaltaan sopiva käyttämään sitä. Käyttäjän on oltava valpas ja hänen näkönsä, liikkuvuutensa, tasapainonsa ja ketterytensä

hyviä. Jos epäilet asiaa, älä käytä tuotetta.

Älä aloita tuotteen käyttöä, ennen kuin sinulla on esteetön työalue, vakaa jalansija ja suunniteltu poistumisreitti kaatuvan puun tieltä.

Varo voiteluainesumua ja sahanpurua. Käytä tarvittaessa maskia tai hengityslaitetta.

Älä sahaa köynnöksiä ja/tai pientä alakasvillisuutta (halkaisijaltaan alle 75 mm).

Pidä aina laitteesta molemmin käsin, kun käytät sitä. Ota teräketjun kahvoista kiinni lujalla otteella peukalot ja sormet kahvojen ympärillä. Pidä oikealla kädellä kiinni takakädensijasta ja vasemmallä kädellä etukädensijasta.

Ennen kuin käynnistät laitteen, varmista että moottorisaha ei ole kosketuksissa minkään esineen kanssa.

Älä muuntele tuotetta millään tavoin tai käytä sitä minkään lisävarusteen tai laitteen virtälähteenä, jos valmistaja ei suosittele sitä tuotteellesi.

Käyttäjän lähellä on oltava ensiapupakkaus, jossa on suuria haavasiteitä ja keino kutsua apua (esim. pilli). Suurempi ja täydellisempi pakkaus on oltava suhteellisen lähellä.

Käytä kypärää, aina kun käytät laitetta. Verkkovisiirillä varustetun kypärän avulla voidaan vähentää kasvojen ja pään loukkaantumiseriskiä takaiskun sattuessa.

Väärin kiristetty ketju voi hypätä pois terälevyltä ja aiheuttaa vakavan vamman tai kuoleman. Ketjun pituus riippuu lämpötilasta. Tarkista kireys säännöllisesti.

Totuttele käyttämään uutta moottorisahaa sahaamalla yksinkertaisia leikkauksia tukevasti tuettuun puuhun. Tee näin aina kun et ole käyttänyt sahaa pitempään aikaan.

Jotta liikkuvien osien kosketukseen liittyvä riski olisi pienempi, sammuta aina moottori, laita teräjaru päälle, irrota akku ja varmista, että kaikki liikkuvat osat ovat pysähtyneet, ennen kuin:

- ennen tukoksen poistamista
- tuotteen jättäminen valvomatta
- asennat tai irrotat lisävarusteita
- tuotteen tarkastusta, ylläpitoa ja huoltoa

Työalueen koko riippuu suoritetusta työstä sekä kysymyksessä olevan puun tai leikkauskohteen koosta. Esimerkiksi puun kaataminen vaatii laajemman työalueen kuin muiden leikkausten tekeminen – esim. karsinta.

Käyttäjän on oltava tietoinen kaikesta työalueella tapahtuvasta ja pystyttävä hallitsemaan sitä.

Älä sahaa siten, että vartalosi olisi samassa linjassa terälevyn ja ketjun kanssa. Jos moottorisaha potkaisee takaisin, tällainen asento auttaa estämään ketjua osumasta päähäsi tai vartalooosi.

Älä käytä edestakalsta sahausliikettä; anna ketjun tehdä työ; pidä ketju terävänä äläkä yritä painaa terää leikkauksen läpi.

Älä paina sahaa sahausksen lopussa. Ole valmis





kannattamaan sahan painon sen leikkautuessa puun läpi. Muutoin seurauksena voi olla vakava loukkaantuminen.

Älä pysäytä sahaa keskellä leikkausta. Pidä saha käynnissä, kunnes se on irti leikkauksesta.

Työntö ja veto

Reaktiovoima on aina ketjun liikkumissuunnan päinvastainen voima. Käyttäjän on näin ollen oltava valmis hallitsemaan laitteen taipumusta vetäytyä pois (liike eteenpäin) leikattaessa terälevyn alareunalla ja työntää taaksepäin (käyttäjää khden) leikattaessa yläreunalla.

Leikkaukseen jumittunut saha

Sammuta moottorisaha ja tee se turvallisiksi. Älä yritä pakottaa ketjua ja terälevyä ulos leikkauksesta, sillä tämä saattaisi rikkoa ketjun, joka voi sitten sinkoutua taaksepäin ja osia käyttäjään. Näin tapahtuu tavallisesti sen takia, että puu on tuettu virheellisesti ja pakottaa leikkauksen sulkeutumaan, jättäen terän puristuksiin. Jos tuen säätäminen ei vapauta terälevyä ja ketjua, käytä puukiloja tai vipua avataksesi leikkauksen ja vapauttaaksesi sahan. Älä koskaan yritä käynnistää moottorisaha, jos terälevy on leikkauksessa tai uurrossa.

Henkilöstön suojaimet

Laadukkaat ammattilaisten käyttämät henkilösuojat auttavat pienentämään käyttäjän loukkaantumisriskiä. Moottorisahaa käytettäessä on käytettävä seuraavia varusteita:

Suojajypäri

- sen tulee noudattaa EN 397 -standardia ja olla CE-merkitty

Kuulosuojaimet

- sen tulee noudattaa EN 352-1 standardia ja olla CE-merkitty

Suojalasit ja kasvosuojus

- niiden tulee olla CE-merkittyjä ja noudattaa EN 166 -standardia (suojalasit) ja EN 1731 -standardia (verkkovisiiri)

Käsineet

- sen tulee noudattaa EN381-7 -standardia ja olla CE-merkitty

Jalkasuojat

- niiden tulee noudattaa EN381-5-standardia, olla CE-merkittyjä ja suojata kaikilta suunnilta.

Moottorisahan suojajalkineet

- niiden tulee noudattaa EN ISO 20345:2004 -standardia, ja niissä tulee olla moottorisahaa kuvaava kilpi todisteena EN 381-3 -standardin noudattamisesta. (Joskus käyttäjät voivat käyttää teräskarkisia suojajalkineita ja säärystimiä, jotka noudattavat EN 381-9 -standardia, jos maa on tasaista ja kaatumisen ja alakasvullisuuteen takertumisen vaara on hyvin pieni)

Moottorisahatakki suojaamaan ylävartaloa

- sen tulee noudattaa EN 381-11 standardia ja olla CE-merkitty

OHJEET PUUN KAADON, KARSINNAN JA PILKKOMISEN OIKEISTA TEKNIKOISTA

Puun voimien ymmärtäminen

Kun ymmärrät puun sisällä vallitsevat suunnat paineet ja voimat, voit vähentää "puristumisia" tai vähintäänkin ennakoita ne sahatessasi. Puun jännite merkitsee sitä, että kuituja vedetään erilleen, ja jos sahaat tällaista aluetta, uurre tai leikkaus avautuu sahan mennessä puun läpi. Jos tukkia kannatellaan sahapukissa ja sen pääty riippuu tukematta päädyistä, yläpintaan syntyy jännitystä sen takia, että riippuva tukki venyttää kuituja. Vastaavasti, tukin alapinta puristuu kokoon ja kuituja työnnetään yhteen. Jos tätä aluetta sahataan, uurre pyrkii sulkeutumaan sahausajan aikana. Tällöin terä jää puristuksiin.

Puun kaataminen

Katso kuvaa 1 - 6.

Karsiminen ja kaataminen suoritetaan kahden tai useamman henkilön toimesta, mutta kaataminen erottuu karsimisesta sikäli, että etäisyyden tulee olla vähintään kaksi kertaa niin suuri kuin kaadettavan puun korkeus. Puita ei tule kaataa siten, että ihmiset ovat vaarassa tai että ne voivat osua sähkölinjaan tai aiheuttaa omaisuusvahinkoja. Mikäli puu on kosketuksissa sähkölinjaan, sähkölaitokselle tulee ilmoittaa siitä välittömästi.

Moottorisahan käyttäjän tulisi olla maastossa ylämäen puolella, koska puu todennäköisesti pyörii tai liukuu mäkeä alas kaaduttuaan.

Pakoreitti tulee suunnitella ja tarvittaessa raivata ennen sahaamisen aloittamista. Perääntymisreitit tulee ulottautua viistosti suunnitellun kaatumislinjan taakse.

Ota huomioon ennen kaatamisen aloittamista puun luonnollinen kallistuma, suurempien oksien sijainti ja tuulen suunta arvioidaksesi mihin suuntaan puu kaatuu.

Irrota puusta muta, kivet, irrallinen kaarna, naulat, niitit ja rautalangat.

Älä yritä kaataa puita, jotka ovat lahoja tai joita tuuli, tulipalo, salama jne. on vahingoittanut.

Tämä on erittäin vaarallista, ja vain ammattilaispuuasiantuntijat saavat suorittaa kyseisen työn.

1. Alasahaus

Katso kuvaa 1 - 6.

Leikkaa puuhun noin 1/3 paksuinen lovi suorassa kulmassa kaatumissuuntaan nähden. Saha ensin alempi, vaakasuora lovi. Näin ketju ei jää puristuksiin, kun teet toisen loven.

2. Kaatosahaus

Katso kuvaa 1 - 6.

Tee kaatoleikkaus vähintään 50 mm/2 tuumaa korkeammalle kuin kaatolovi. Pidä kaatosahaus samansuuntaisena vaakasuoran, alemman loven



kanssa. Tee kaatosahaus siten, että puuta jää jäljelle, jotta se toimisi saranana. Pitopuu estää puun kääntymisen ja kaatumisen väärrään suuntaan. Älä sahaa saranan läpi.

Kaatosahauksen lähestyessä saranaa puun pitäisi ruveta kaatumaan. Jos on mahdollisuus, ettei puu ehkä kaadukaan haluttuun suuntaan tai että se kallistuu takaisin puristaen moottorisahaa, lopeta sahaaminen ennen kuin kaatosahaus on suoritettu loppuun ja käytä puista, muovista tai alumiinista kiillaa avataksesi loven ja kaataaksesi puun halutun kaatolinjan mukaisesti.

Kun puu alkaa kaatua, poista moottorisaha lovesta, pysäytä moottori, aseta moottorisaha maahan ja käytä suunniteltua perääntymisreittiä. Varo, ettei päällesi putoa oksia, ja katso minne astut.

Ulkonevien juurien poistaminen

Katso kuvaa 7 - 8.

Ulkoneva juuri on suuri rungosta maan päälle ulottuva juuri. Poista isot ulkonevat juuret ennen puun kaatamista. Tee ensin vaakasuuntainen leikkaus ulkonevaan juureen, ja sen jälkeen pystysuuntainen leikkaus. Poista tästä lähtevä irrallinen osa työskentelyalueelta. Kun olet poistanut isot ulkonevat juuret, jatka puun kaatamistoimia oikeaa tekniikkaa noudattamalla.

Tukin apteraus

Katso kuvaa 9 - 11.

Apteraus tarkoittaa rungon leikkaamista paloiksi. On tärkeää, että seisot tukevasti ja että painosi jakautuu tasaisesti molemmille jaloille. Mikäli mahdollista, runko tulee nostaa ja se tulee tukea oksien, pölkkyjen tai pönkkien varaan. Noudata näitä yksinkertaisia ja helppoja leikkausohjeita: Jos tukki on tuettu koko matkalta, se leikataan yläpuolelta.

Kun runko on tuettu toisesta päästä, sahataan halkaisijasta 1/3 alapuolelta (rungen ali). Sahaa sitten loput ylhäältä, jotta yhtyisit ensimmäisen sahaukseen.

Kun runkoa tuetaan molemmista päistä, sahataan halkaisijasta 1/3 yläpuolelta. Leikkaa sitten alapuolelta 2/3 siten, että leikkaus kohtaa ensimmäisen loven.

Kun pilkot rinteessä, seiso aina tukkiin nähden ylärinteessä. Kun leikkaat tukkia poikki, lakkaa painamasta sahaa lähellä leikkauksen loppua ilman, että hellität otettasi moottorisahan kädensijoista, jotta saha pysyisi hallinnassa. Alla anna ketjun koskettaa maata. Kun leikkaus on valmis, anna ketjun pysähtyä ennen kuin liikutat sahaa. Pysäytä moottori aina ennen kuin liikut puun luota toiselle.

Puun karsiminen

Katso kuvaa 12 - 13.

Oksimisella tarkoitetaan oksien poistamista kaatuneesta puusta. Jätä oksissa suuremmat, alempana sijaitsevat oksat tukemaan maassa olevaa runkoa. Poista pienet oksat yhdellä sahauksella. Jännitetyt oksat tulee leikata alhaalta latvaan päin moottorisahan puristumisen välttämiseksi.

Riuku

Katso kuvaa 14 - 15.

Jousiriuku on mikä tahansa tukki, oksa, juurellinen kanto tai nuori puu, joka on taipunut toisen puun alle ja joka ponnahtaa ylös, jos sitä painava puu katkaistaan ja poistetaan.

Kaatunessa puussa juurellinen kanto voi mahdollisesti ponnahtaa ylös pystyasentoon katkaisun aikana, jolloin tukkiosa eroaa kannosta. Varo jousiriukuja; ne ovat vaarallisia.



VAROITUS!

Jousiriu'ut ovat vaarallisia ja voivat iskeä sahan käyttäjää ja aiheuttaa sahan hallinnan menetyksen. Tämä voi aiheuttaa vakavan tai kohtalokkaan vamman käyttäjälle. Tämä tulee jättää koulutetun käyttäjän tehtäväksi.

LISÄÄ AKUN TURVALLISUUSVAROITUKSIA



VAROITUS!

Jotta vältetään lyhytsulun aiheuttama tulipalon, loukkaantumisen tai tuotteen vahingoittumisen vaara, älä koskaan upota työkalua, vaihtoakkuja tai latauslaitetta nesteeseen ja huolehdi siitä, ettei mitään nesteitä pääse tunkeutumaan laitteiden tai akkujen sisään. Syövyttävät tai sähköä johtavat nesteet, kuten suolavesi, tietyt kemikaalit ja lalkaisuaineet tai valkaisuaineita sisältävät tuotteet voivat aiheuttaa lyhytsulun.

KÄYTTÖÖN LIITTYVÄT RISKIT

Vaikka tuotetta käytettäisiin ohjeiden mukaisesti, ei ole mahdollista täysin eliminoida tiettyjä käyttöön liittyviä riskitekijöitä. Käytössä voi aiheutua seuraavia vaaroja, ja käyttäjän tulee kiinnittää erityistä huomiota niiden välttämiseen:

- Tärinän aiheuttama vamma
 - Käytä aina työhön oikeaa työkalua. Käytä osoitettuja kahvoja. Rajoita työskentelyaikaa ja altistumista.
- Liian kova melu voi aiheuttaa kuulovamman.
 - Käytä suojalaseja ja rajoita altistumista.
- loukkaantuminen ketjun suojaamattomiin hampaisiin koskettamisesta
- loukkaantuminen työkappaleesta sinkoutuneiden osien takia (puulastut tai tikut)
- Pölyn ja hiukkasten hengittämisestä aiheutunut vamma
- loukkaantuminen johtuen ihokosketuksesta voiteluaineen tai öljyn kanssa

RISKIEN VÄHENTÄMINEN

Raporttien mukaan käsikäyttöisten laitteiden tärinä voi joidenkin kohdalla myötävaikuttaa Raynaud's Syndromen (Raynaudin oireen) ilmenemiseen. Oireita ovat pistely, turtuus ja sormien kalpeneminen, yleensä kylmässä ilmassa. Perinnölliset tekijät, kylmyys ja kosteus, ruokavalio, tupakointi sekä työtavat voivat kaikki myötävaikuttaa näiden oireiden ilmenemiseen. Käyttäjä voi ehkäistä tärinän aiheuttamia vaikutuksia seuraavasti:

- Pidä itsesi lämpimänä kylmällä säällä. Käytä laitteen käytön aikana käsineitä, jotta kätesi ja ranteesi pysyvät lämpöisinä.
- Harjoita kunkin käyttöjakson jälkeen liikuntaa, jotta verenkierto lisääntyy.
- Pidä työn aikana säännöllisesti taukoja. Rajoita päivittämän tärinän määrä.
- Ammatilliselta moottorisahojen jälleenmyyjältä saatavat suojakäsineet on suunniteltu erityisesti moottorisahakäyttöön; ne tarjoavat suojaa ja hyvän otteen ja vaimentavat lisäksi kahvan tärinävaikutusta.

Jos mitään yllä mainittuja oireita ilmenee, lopeta heti laitteen käyttö ja kerro oireista lääkärille.



VAROITUS!

Laitteen pitkittynyt käyttö voi aiheuttaa tai vaikeuttaa vammoja. Kun käytät mitä tahansa laitetta pitkiä aikoja, muista pitää säännöllisiä taukoja.

KÄYTTÖTARKOITUS

Tämä tuote on tarkoitettu yksinomaan ulkokäyttöön. Turvallisuussyistä tuotteen on oltava asianmukaisesti hallinnassa ja käyttäjän on pideltävä sitä aina kaksin käsin.

Tuote on tarkoitettu oksien, puunrunkojen, tukkien ja paalujen, sahaamiseen, joiden halkaisija on terälevyn pituutta pienempi. Sillä saa sahata vain puuta. Sitä saa käyttää vain kotitalouskohteissa ja käyttäjän on oltava aikuinen, joka on saanut riittävän koulutuksen sen käytön aikaisista vaaroista ja varoimista.

Tämä tuote ei ole tarkoitettu ammattikäyttöön. Tuotetta eivät saa käyttää lapset tai henkilöt, joilla ei ole riittäviä henkilökohtaisia suojavarusteita ja -vaatetusta.

Älä käytä laitetta tarkoituksiin, joita ei ole mainittu Tarkoitettu käyttö -osiossa.



VAROITUS!

Noudata turvallisuussääntöjä tuotetta käyttäessäsi. Sinun tulee oman ja sivullisten turvallisuuden vuoksi lukea ja ymmärtää nämä ohjeet täysin ennen tuotteen käyttöä. Osallistu ammatillisesti järjestettyyn turvallisuuskurssiin moottorisahojen käytössä, varoimissa, ensiavussa ja huollossa. Säilytä ohjeet tulevaa käyttöä varten.



VAROITUS!

Moottorisahat saattavat olla vaarallisia. Moottorisahan käyttöön liittyvät onnettomuudet johtavat usein raajan tai hengen menetykseen. Vaarana ei ole ainoastaan moottorisaha. Putoavat oksat, kaatuvat puut ja pyörivät tukit voivat myös olla hengenvaarallisia. Sairas tai lahonnut puu on myös vaarallinen. Arvioi kykyysi suorittaa tehtävä turvallisesti. Jos epäilet kykyjäsi, jätä työ ammatilliselle ”puukirurgille”.

TUNNE TUOTTEESI

Katso sivut 6-7.

1. Akku
2. Liipaisimen vapautin
3. Takakädensija
4. Liipaisinkytkin
5. Avain
6. Etukädensija
7. Ketjuöljysäiliön tulppa
8. Terälevyn suojus
9. Ketju
10. Terälevy
11. Moottorisahan kuorituki
12. Ketjun pidäte
13. Ketjun kiristinruuvi
14. Ketjusuoja
15. Terälaipan kiinnitysmutterit
16. Käden etusuojus/Ketjujarru

SUOJALAITTEET

Pienitakapotkuinen teräketju

Takapotkua vaimentava teräketju auttaa vähentämään takapotkun mahdollisuutta.

Höylähampaat (syvyysmitat) kunkin leikkurin edessä voivat minimoida takapotkun reaktion voiman estämällä leikkureita kaivautumasta liian syväälle takapotkuvyöhykkeellä. Käytä ainoastaan valmistajan suosittelemia vaihtoterälevy ja –teräketjuyhdistelmiä.

Kun teräketjuja teroitetaan, ne menettävät jonkin verran pientakapotkuominaisuuksistaan. Noudata sen vuoksi erityistä varovaisuutta. Vaihda turvallisuutesi vuoksi sahan teräketju suorituskyvyn heiketessä.

Moottorisahan kuorituki

Sisään rakennettua moottorisahan kuoritukea voidaan käyttää nivelpisteenä katkaistaessa. Se auttaa pitämään moottorisahan rungon vakaana sahattaessa. Työnnä laitetta sahatessasi eteenpäin kunnes piikit tunkeutuvat puun reunaan; liikuta sitten takakahvaa ylös tai alas leikkuulinjalla pienentääksesi sahausken rasitusta.

Terälevyt

Yleisesti, terälevyt, joiden kärjen säde on pienempi, ovat vähemmän alltiita takapotkulle. Käytä terälevyä ja sitä vastaavaa teräketjua, joka on riittävän pitkä työhön. Pitempi terälevy lisää vaaraa, että saha riistäytyy hallinnasta

sahattaessa. Tarkista ketjun kireys säännöllisesti. Kun sahaat pienempiä oksia (terälevyn koko pituutta pienempiä), teräketju irtoaa todennäköisemmin jos kireys ei ole oikea.

Ketjujarru

Ketjujarrut on tarkoitettu pysäyttämään nopeasti ketjun pyöriminen. Kun ketjujarrun vipu/kädensuojus työnnetään terälevyä kohti, ketjun tulisi pysähtyä heti. Ketjujarru ei estä takapotkua. Se pienentää loukkaantumisriskiä vain, jos terälevy koskettaa käyttäjän ruumista takaiskun yhteydessä. Ketjujarrun toiminta tulee testata ennen jokaista käyttökertaa sekä käyttö- että jarruasennossa.

Ketjun pidäte

Ketjusieppari estää sahaketjua heittäytymästä takaisin käyttäjää kohti, jos sahaketju irtoaa tai katkeaa.

KÄYTTÖ



VAROITUS!

Jos osia puuttuu, älä käytä työkalua ennen, kuin olet hankkinut puuttuvan osan. Muutoin seurauksena voi olla vakava loukkaantuminen.

Akun asentaminen

Katso sivu 6.

Aseta akkupaketti laitteeseen. Kohdista akun harjanteet laitteen akkutilan uriin.

Varmista ennen laitteen käytön aloittamista, että akkupakkauksen salpa napsahtaa paikalleen ja että akkupakkaus on laitteessa oikein ja tukevasti paikallaan.

Tuotteen piteleminen

Katso kuvaa 1.

Pidä tuotteesta kiinni takakahvasta oikealla kädellä ja etukahvasta vasemmalla kädellä. Pidä kiinni molemmista kädensijoista siten, että sormet kietoutuvat niiden ympärille. Varmista, että pidät vasenta kättä siten, että peukalo on etukädensijan alapuolella.

Tuotteen käynnistäminen

Katso sivu 8.

Ennen kuin aloitat käytön, asenna akku laitteeseen ja varmista, että ketjujarru on käyttöasennossa, vetämällä ketjujarruvipua/käsinsuojusta etukahvaa kohden.

Käynnistä laite vetämällä liipaisimen vapautinta ja paina sitten liipaisinta.

Ketjujarrun tarkistaminen ja käyttö

Katso sivu 20.

Kytke ketjujarru päälle kiertämällä vasenta kättä etukahvan ympärillä. Työnnä käden takapuolella ketjujarrun vipua/

käsinsuojaa tankoa kohden ketjun pyöriessä nopeasti. Muista pitää molemmat kädet sahan kahvoilla kaiken aikaa.

Palauta ketjujarru käyttöasentoon ottamalla kiinni ketjujarrun vivun/käsinsuojan yläosasta ja vetämällä sitä etukahvaa kohden, kunnes kuulet napsahduksen.



VAROITUS!

Jos ketjujarru ei pysäytä teräketjua välittömästi tai jos siitä on pidettävä kiinni käytön aikana, ettei se pääsisi vapautumaan, vie moottorisaha korjattavaksi valtuutettuun korjaamoon ennen, kuin käytät sitä uudelleen.

Ketjun jännitteen säätö

(ks. sivu 14 - 15)

Irrota akkuyksikkö laitteesta ennen kuin teet siihen mitään toimenpiteitä.

Varmista, että laipan kiinnitysmutterit on löysätty sormitiukkuuteen.

Käännä ketjunkiiristinruuvia myötäpäivään kiristääksesi ketjua ja tarkista ketjun kireys säännöllisesti. Käännä ketjunkiiristinruuvia vastapäivään löysätäksesi ketjua ja tarkista ketjun kireys säännöllisesti.

Ketjun kireys on oikea, kun ketjussa olevan leikkuuterän ja laipan väliin jää rakoa n. 6,5 mm:n verran. Vedä ketjua alapuolen keskikohdasta (poispäin terälevystä) ja mitata terälevyn ja ketjun välinen rako.

Ketjun voiteluöljyn lisääminen

(ks. sivu 16 - 17)



VAROITUS!

Älä koskaan työskentele ilman voiteluöljyä. Jos sahan teräketjua käytetään ilman voiteluainetta, terälevy ja teräketju voivat vioittua. Näin ollen on tärkeää tarkistaa öljyn määrä mitta-asteikosta säännöllisesti aina ennen moottorisahan käyttöä.

Puhdista öljysäiliön korkin ympäristö, jotta se ei likaannu.

Ruuvaa öljysäiliön tulppa auki.

Kaada öljysäiliöön öljyä ja pidä silmällä säiliön öljytason mittaa. Kun täytät öljyä, pidä huoli että säiliöön ei pääse likaa.

Aseta öljysäiliön tulppa paikoilleen ja kiristä se. Pyyhi läikkyneet öljy pois.

KULJETUS JA VARASTOITAESSA

Sammuta tuote, irrota akku ja anna sen jäähtyä ennen varastointia ja kuljetusta.

Puhdista laitteesta kaikki vieraat materiaalit. Varastoi laite viileään, kuivaan ja hyvin tuuletettuun paikkaan, jossa lapset eivät pääse siihen käsiksi. Pidä poissa syövyttäviä

aineilta kuten puutarhakemikaaleilta ja jääsulatussuolalta. Älä säilytä ulkona.

Aseta terälevyn suojus paikoilleen ennen laitteen varastointia ja kuljetusta.

Kiinnitä tuote kuljettaessa siten, että se ei pääse liikkumaan tai kaatumaan, jotta välttyä loukkaantumisilta ja vaurioilta.

HUOLTO



VAROITUS!

Käytä vain ECHO:n tarvikkeita ja varaosia. Tämän noudattamatta jättäminen voi johtaa loukkaantumiseen ja huonoon tulokseen ja voi mitätöidä takuun. Jos sinun on vaihdettava komponentteja, joita ei ole kuvailtu tässä, ota yhteys yhteen ECHO:n huoltohenkilöstämme.



VAROITUS!

Huolto kaippaa suurta huolellisuutta ja hyvää työkalun tuntemusta: Se on annettava pätevän teknikon tehtäväksi. Kun tuote vaatii huoltoa, vie tuote valtuutettuun huoltoon. Käytä huollossa ainoastaan alkuperäisiä valmistajan tuottamia varaosia.



VAROITUS!

Irrota akku ennen säätöjä, huoltoa ja puhdistusta. Muutoin seurauksena voi olla vakava loukkaantuminen.

- Sinulla on lupa suorittaa ainoastaan tässä käsikirjassa kuvattuja säätöjä ja korjauksia. Jos laite vaatii muuta huoltoa, ota yhteys valtuutettuun huoltopisteeseen.
- Virheellinen huolto voi aiheuttaa sen, että ketjujarru ja muut turvallisuusominaisuudet eivät toimi asianmukaisesti, mikä kasvattaa vakavan loukkaantumisen vaaraa. Pidä moottorisahasi ammattimaisesti huollettuna ja turvallisena.
- Ketjun teroittaminen turvallisesti vaatii taitoa. Tästä syystä valmistaja suosittelee, että kulunut tai tylsä ketju vaihdetaan uuteen; uuden ketjun voi hankkia valtuutetusta ECHO-huollosta. Osanumero ilmoitetaan tuotteen teknisten tietojen taulukossa tässä käsikirjassa.
- Noudata ohjeita voitelusta ja ketjun kireyden tarkistamisesta ja säädöstä.
- Puhdista tuote aina käytön jälkeen pehmeällä ja kuivalla liinalla.
- Varmista aina, että ruuvit ja mutterit ovat tiukasti kiinni, jotta leikkuri olisi aina turvallinen ja käyttövalmis. Valtuutetun huoltopisteen on korjattava tai vaihdettava vioittuneet osat asianmukaisesti.

Terälevyn ja teräketjun asentaminen

(ks. sivu 10 - 13)

Muista irrottaa akku. Käytä suojakäsineitä.

Irrota laipan kiinnitysmutterit käyttämällä mukana toimitettua yhdistelmäavainta.

Irrota ketjun suojus.

Irrota terälevy ja ketju laitteesta.

Aseta uusi ketju oikean suuntaisesti terälevylle ja varmista, että vetosilmukat ovat kohdakkain terälevyn uran kanssa.

Kiinnitä terälevy moottorisahaan ja pujota ketju vetopyörän ympäri.

Vaihda ketjun suojus ja laipan kiinnitysmutterit.

Kiristä laipan kiinnitysmutterit sormitiukkuuteen. Terän on oltava vapaa liikkuman jännitteen säätöä varten.

Säädä ketjun kireys. Viittaa kohtaan Ketjun kireyden säätäminen.

Pidä terälevyn kärkeä ylhäällä ja kiristä terän kiinnitysmutterit tiukalle.

Ketjujarrun tarkistaminen ja puhdistaminen

Katso sivu 22.

Pidä ketjujarrumeکانismi aina puhtaana harjaamalla sen puhtaaksi.

Testaa ketjujarrun toiminta aina puhdistuksen jälkeen. Katso lisätietoja tämän oppaan kohdasta "Ketjujarrun tarkastus ja käyttö".

POLTOAINESEKOITUKSEN MÄÄRÄ

Päivittäinen tarkastus	
Teräketjun kireys	Ennen jokaista käyttöä
Teräketjun terävyys	Ennen jokaista käyttökertaa ja säännöllisesti
Viallisten varaosien varalta	Ennen jokaista käyttökertaa, silmämääräinen tarkastus
Irtonaisten kansion varalta	Ennen jokaista käyttöä
Irtonaisten kiinnitysosien varalta	Ennen jokaista käyttöä
Ketjun jarrutustoiminto	Ennen jokaista käyttöä
Tarkasta ja puhdista	
Terälevy	Ennen jokaista käyttöä
Koko saha	jokaisen käytön jälkeen
Ketjujarru	5 tunnin välein*

*Käyttötunnit

EN
FR
DE
ES
IT
NL
PT
DA
SV
FI
NO
RU
PL
CS
HU
RO
LV
LT
ET
HR
SL
SK
BG
UK
TR

VARAOSAT

Osa	Lisävarusteen numero
Terälevy	6000945
Ketju	90PX056X

AKUT

- Jos akkupaketteja ei ole käytetty vähään aikaan, ne on syytä ladata uudelleen ennen käyttöä.
- Yli 50 °C (122 °F) lämpötilat alentavat akkupaketin suorituskykyä. Vältä akkupakettien pitkäaikaista altistumista kuumuudelle tai auringonvalolle (ylikuumenemisriski).
- Laturin ja akun kontaktipinnat täytyy pitää puhtaina.
- Akkupakettien tulee olla täyteen ladattuja käytön jälkeen niiden eliniän optimoimiseksi.
- Pidäntäksesi akkupakettien elinikää poista akkupaketti laturista heti, kun se on täyteen ladattu.

Jos akku varastoidaan yli 30 päiväksi:

- Säilytä akkua alle 27°C lämpötilassa ja kuivassa tilassa.
- Säilytä akkua 30-50 % ladattuna.
- Lataa akku normaalisti kuuden varastointikuukauden välein.

LITIUMAKKUJEN KULJETTAMINEN

Litiumioniakku on vaarallisten tuotteiden lainsäädännön alainen.

Akkujen kuljettamisessa on noudatettava paikallisia, kansallisia ja kansainvälisiä säännöksiä ja määräyksiä.

- Käyttäjä voi kuljettaa akkuja maanteitse ilman muita vaatimuksia.
- Litiumioniakkujen kaupallinen kuljetus kolmansien osapuolten toimesta on vaarallisten aineiden säännösten alainen. Kuljetusvalmistelut ja kuljetus vaativat yksinomaan asianmukaisesti koulutettua henkilöstöä, ja vastaavien asiantuntijoiden on valvottava toimintaa.

Akkujen kuljettaminen:

- Varmista, että akkujen navat on suojattu ja eristetty oikosuluilta.
- Varmista, että akkupaketti on pakattu turvallisesti niin, ettei se liiku pakkauksessa.
- Älä kuljeta akkuja, jotka ovat halkeilleet tai vuotavat.

Kysy välitysyritykseltä lisäneuvoja.

SYMBOLIT



Varoitus



Lue ja ymmärrä kaikki ohjeet ennen tuotteen käyttöä ja noudata kaikkia varoituksia ja turvallisuusohjeita.



Käytä suojalaseja, kuulosuojaimia ja kypärää



Käytä tätä tuotetta käyttäessäsi luisumattomia turvajalkineita.



Käytä luisumattomia raskaan käytön käsineitä.



Varo teräketjun takapotkua äläkä kosketa terälevyn kärkeä.



Älä altista konetta sateelle tai kosteudelle.



Pidä ja käytä moottorisahaa kaksin käsin.



Älä käytä moottorisahaa yhdellä kädellä.



Aseta ketjujarru käyntiasentoon (RUN).



Aseta ketjujarru jarruasentoon (BRAKE).



Taattu äänenteho on 106 dB.



Ukrainalainen säästöstenmukaisuusmerkintä



EurAsian-vaatimustenmukaisuusmerkki



Käytöstä poistettavia sähkölaitteita ei pidä hävittää talousjätteiden mukana. Ne on mahdollisuuksien mukaan pantava kiertoon. Kierrätysohjeita antavat kunnan viranomaiset ja vähittäiskauppiat.



Tämä työkalu on sen EU-maan kaikkien sääntömääräisten standardien mukainen, josta se on ostettu.

Seuraavien merkkien tarkoitus on selittää, miten vakava riski tuotteeseen liittyy.



VAARA

Ilmaisee välitöntä vaaratilannetta, joka ellei sitä vältetä, johtaa kuolemaan tai vakavaan loukkaantumiseen.



VAROITUS

Ilmaisee potentiaalisen vaaratilanteen, joka ellei sitä vältetä, johtaa kuolemaan tai vakavaan loukkaantumiseen.



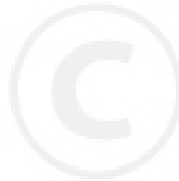
HUOMAUTUS

Ilmaisee potentiaalisen vaaratilanteen, joka ellei sitä vältetä, saattaa johtaa pienempään tai keskivaiketaan loukkaantumiseen.

HUOMAUTUS

Ilman turvallisuusvaroitussymbolia

Ilmoittaa tilanteesta, jossa omaisuutta saattaa vaurioitua.





TEKNISKE DATA

MOTORSAG

ECCS-58V

Serienummer	17402201000001 - 17402201999999
Nominell spenning	51,1 V, 58 V maksimalt
Maks stanglengde	400 mm
Kjeldeolje tankkapasitet	177 ml
Vekt (Uten batteri, med føringsskinne, kjede og tom tank)	4,83 kg
Vekt (med en batteripakke på 4,0 Ah)	6,73 kg
Vekt (med en batteripakke på 2,0 Ah)	6,03 kg
Maksimal null-last hastighet	21 m/s
Brukbar kuttelengde	250 mm
Støyutslippsnivå (iht. EN 60745-1, EN 60745-2-13)	
Støynivåvekting ved operatørens posisjon (L_{pA})	94,5 dB(A)
K_{pA} :	2,5 dB(A)
A-vektet lydeffektnivå (L_{WA})	105,5 dB(A)
K_{WA} :	2,5 dB(A)
Vibrasjonsnivå (iht. EN 60745-1; EN 60745-2-13) (foran/bak)	2,1 / 2,8 m/s ² K = 1,5 m/s ²

BATTERI OG LADER

ECCS-58V

Kompatible batteripakker	ECBP-58V40 / ECBP-58V20
Kompatibel lader	ECBC-58VEU / ECBC-58VUK



ADVARSEL!

Nivået på utslippet fra vibreringen som er gitt i dette infoheftet er målt i samsvar med en standardisert test fra EN 60745 og kan brukes til å sammenligne et verktøy med et annet. Det kan brukes for å gi en utslippsvurdering.

Det opplyste utslippsnivået fra vibreringen stammer fra verktøyets hovedapplikasjoner. Utslippet fra vibreringen kan være annerledes hvis verktøyet brukes til andre ting med forskjellig tilbehør, eller hvis det er dårlig vedlikeholdt. Dette kan øke farenivået betraktelig i løpet av arbeidsperioden.

En vurdering av farenivået fra vibreringen bør også ta hensyn til de gangene verktøyet er slått av eller går på tomgang. Dette kan redusere farenivået betraktelig i løpet av arbeidsperioden.

Du kan også utføre følgende sikkerhetstiltak for å beskytte operatøren mot virkningene av vibreringen: vedlikehold verktøyet og tilbehøret, hold hendene varme og organiser skiftene.

GENERELLE SIKKERHETSADVARSLER



ADVARSEL!

Les alle sikkerhetsadvarslene og alle instruksjonene. Å unnlate å følge advarslene og instruksjonene kan føre til elektrisk støt, brann og alvorlig personskade.

Ta vare på disse advarslene og instruksjonene for å se i dem senere.

Begrepet "elektrisk verktøy" i advarslene gjelder ditt elektriske verktøy koblet til strømmettet (med ledning) eller batteridrevet (uten ledning) elektrisk verktøy.

ARBEIDSOMGIVELSER

Hold arbeidsområdet rent, ryddig og godt opplyst. Uryddige og dårlig opplyste områder fører lett til ulykker.

Ikke bruk elektrisk verktøy i eksplosive atmosfærer, som der det finnes brennbare væsker, gasser eller støv. Elektrisk verktøy skaper gnister som kan antenne støv eller gasser.

Hold barn og andre på avstand når et elektrisk verktøy brukes. Distraksjon kan føre til tap av kontroll.

ELEKTRISK SIKKERHET

Støpslet på det elektriske verktøyet må stemme med stikkkontakten. Foreta aldri noen form for endringer





av støpslet. **Ikke bruk noen form for adapterstøpsel til jordet elektrisk verktøy.** Umodifiserte støpsler og passende stikkontakter vil redusere risikoen for elektrisk støt.

Unngå kroppskontakt med jordede overflater, som vannrør, radiatorer, kokeapparater og kjøleaggregater. Det er økt risiko for elektrisk støt dersom kroppen din har kontakt med jord.

Ikke utsett produktet for regn eller høy fuktighet. Vann som trenger inn i et elektrisk verktøy vil øke faren for elektrisk støt.

Ikke misbruk den elektriske ledningen. Bruk aldri ledningen til å bære det elektriske verktøyet eller trekke støpslet ut av stikkontakten. Hold ledningen vekk fra varme, olje, skarpe kanter eller bevegelige deler. Skadet eller sammenfloknet ledning øker risikoen for elektrisk støt.

Når du bruker det elektriske verktøyet utendørs, bruk en skjøteledning som er tilpasset utendørs bruk. Bruk av ledning som er tilpasset utendørs bruk reduserer risikoen for elektrisk støt.

Dersom bruk av elektrisk verktøy i fuktige omgivelser ikke er til å unngå, bruk en strømkrets med sikring som er tilpasset verktøyet. Bruk av strømkrets med sikring reduserer risikoen for elektrisk støt.

PERSONLIG SIKKERHET

Vær våken, se på hva du gjør og bruk fornuft når du arbeider med et elektrisk verktøy. Ikke bruk elektrisk verktøy når du er sliten eller under påvirkning av narkotiske stoffer, alkohol eller medisiner som kan påvirke din reaksjonsevne og/eller dømmekraft. Et øyeblikks uoppmerksomhet når elektrisk verktøy brukes kan føre til alvorlige personskade.

Bruk personlig verneutstyr. Bruk alltid øyebeskyttelse. Verneutstyr som støvmaske, sklisikre vernesko, hjelm eller hørselsvern brukt i passende sammenhenger vil redusere risikoen for personskade.

Unngå utilsiktet start. Sørg for at bryteren er i posisjon OFF før utstyret kobles til strømmettet og / eller batteripakken, plukkes opp eller bæres. Å bære det elektriske verktøyet med fingeren på startknappen eller koble strøm til et elektrisk verktøy med bryteren i ON inviterer til ulykker.

Fjern justeringsnøkler og annet verktøy før du setter strøm på det elektriske verktøyet. En fastnøkkel eller annet verktøy festet til en roterende del av et elektrisk verktøy når det startes kan føre til personskade.

Ikke len deg for langt. Sørg for godt fotfeste og god balanse til enhver tid. Dette gir bedre kontroll over det elektriske verktøyet i en uventet situasjon.

Kle deg riktig. Ikke bruk løstsittende plagg og/eller løsthengende smykker. Hold hår, klær og hansker vekk fra bevegelige deler. Løse plagg, smykker og langt hår kan fanges opp av bevegelige deler.

Hvis det finnes tilkoblingsmuligheter for oppsugnings- og oppsamlingsutstyr for støv, sørg for at dette blir

tilkoblet og brukt på riktig måte. Bruk av støvoppsamler kan redusere støvrelatert faresituasjoner.

BRUK OG BEHANDLING AV ELEKTRISK VERKTØY

Ikke press maskinen. Bruk korrekt elektrisk verktøy for jobben som skal gjøres. Riktig elektrisk verktøy vil gjøre jobben bedre og tryggere når det brukes slik det var tiltenkt.

Ikke bruk verktøyet hvis bryteren ikke slår verktøyet av og på. Ethvert elektrisk verktøy som ikke kan kontrolleres med bryteren er farlig og må repareres før det kan brukes.

Trekk støpslet ut av den elektriske kontakten og/eller batteripakken fra det elektriske verktøyet før du foretar endringer, skifter tilbehør eller lagrer det elektriske verktøyet. Slike forebyggende sikkerhetstiltak reduserer risikoen for utilsiktet start av det elektriske verktøyet.

Oppbevar elektrisk verktøy som ikke brukes utenfor barns rekkevidde og la ikke personer som ikke er kjent med det elektriske verktøyet eller dets instruksjoner bruke det. Elektrisk verktøy er farlig i hendene på uerfarne brukere.

Vedlikehold av elektrisk verktøy. Kontroller for feilinnretting og at bevegelige deler løper fritt, at det ikke finnes ødelagte deler og enhver annen tilstand som kan påvirke det elektriske verktøets drift. Hvis skadet må det elektriske verktøyet repareres før bruk. Mange ulykker skyldes dårlig vedlikeholdt elektrisk verktøy.

Hold skjæreredskap skarpe og rene. Korrekt vedlikeholdt skjæreverktøy med skarpe skjærekanten har mindre mulighet for å blokkere seg og er lettere å kontrollere.

Bruk det elektriske verktøyet, tilbehøret, verktøybits etc i henhold til disse instruksjonene, der du tar hensyn til arbeidsforholdene og det arbeidet som skal utføres. Bruk av elektrisk verktøy på en måte det ikke var tiltenkt kan skape farlige situasjoner.

BATTERIPRODUKTER - BRUK OG STELL

Lad bare med ladere som er spesifisert av produsenten. En lader som passer til en type batteripakke kan skape risiko for brann dersom den brukes til en annen type batteripakke.

Bruk batteriprodukter kun med spesielt tiltenkte batteripakker. Bruk av andre batteripakker kan føre til risiko for skade og brann.

Når batteripakken ikke er i bruk, hold den vekk fra metallgjenstander som binders, mynter, nøkler, spiker, skruer og annet som kan forbinde de to terminalene med hverandre. Kortslutning av batteriterminalene kan føre til brenning eller brann.

Dersom batteriet misbrukes kan det slippe ut væske, unngå hudkontakt med væsken. Hvis du får kontakt med væsken fra batteriet, skyll med rikelige mengder vann. Hvis væsken får kontakt med øynene må det søkes medisinsk hjelp. Væske som kommer ut av batteriet kan føre til irritasjon eller brannskår.

VEDLIKEHOLD

Sørg for at reparasjoner og vedlikehold av ditt elektriske verktøy utføres av kvalifiserte teknikere som

EN
FR
DE
ES
IT
NL
PT
DA
SV
FI
NO
RU
PL
CS
HU
RO
LV
LT
ET
HR
SL
SK
BG
UK
TR





kun bruker originale erstatningsdeler. Dette vil sørge for at sikkerheten med det elektriske verktøyet ivaretas.

GENERELLE TILLEGGSSIKKERHETSADVARSLER

Noen regioner har bestemmelser som begrenser bruk av dette produktet. Spør de lokale myndigheter for råd.

Ikke tillat at barn eller personer som ikke er kjent med brukermanualen bruker produktet. Lokale forskrifter kan begrense en alder av operatøren.

Kontroller før hver bruk at alle styreenheter og sikkerhetsanordninger fungerer som de skal. Ikke bruk dette produktet hvis "av" knappen ikke stanser motoren.

Bruk full øye- og hørselvern, sterke hansker og hodebeskyttelse når du bruker dette produktet; bruk en ansiktsmaske hvis arbeidene er støvete.

Ikke bruk løstsittende klær, kortbukser eller smykker av noe slag

Sørg for at langt hår ikke når lenger ned en til skuldrene for å hindre at det kan fanges opp av roterende deler.

Pass deg for gjenstander som blir slengt ut, flyr eller faller gjennom lufta. Hold tilskuere, barn og kjæledyr 15 m unna arbeidsområde.

Ikke bruk i dårlig lys. Operatøren må ha klar sikt over arbeidsfeltet for å identifisere potensielle farer.

Bruk av hørselsvern reduserer muligheten for å høre advarsler (rop eller alarmer). Brukeren må være ekstra oppmerksom med hensyn til hva som skjer på arbeidsområdet.


Bruk av lignende utstyr i nærheten øker faren for både hørselskade og muligheten for at andre kommer inn i din arbeidssone.

Ha god fotfeste og ballanse til enhver tid. Ikke len deg for langt. Å bøye seg for langt over ting kan føre til at man mister balansen og øker faren for kickback.

Hold alle deler av kroppen vekke fra bevegelige deler.

Sjekk maskinen før hver bruk. Sjekk at alle kontrollene fungerer som de skal, inkludert kjedebremsen. Sjekk for løse fester, kontroller at alle vern og håndtak er satt på riktig og festet godt. Erstatt alle skadede deler før fortsatt bruk.

Du må ikke endre maskinen på noe måte eller bruke deler og tilbehør som ikke er anbefalt brukt av produsenten.

 **ADVARSEL!**

Dersom produktet faller i bakken, får et sterkt slag eller starter å vibrere unormalt, stans produktet omgående og sjekk for skader eller finn ut hva som er årsaken for vibrasjonene. Enhver skade må reparere helt eller delen skiftes av et autorisert serviceverksted.

Ikke brenn kast brukte batterier sammen med husholdningsavfall. Skal ikke brennes. Utladde batterier kan leveres til ECHO-distributører.

Batteripakken skal ikke oppbevares sammen med metallgjenstander (fare for kortslutning).

Batteripakker skal bare lades med ECBC-58VEU/ECBC-58VUK-laderen. Ikke bruk batteripakker fra andre systemer.

Kompatible batteripakker: ECBP-58V40, ECBP-58V20

Under ekstrem last eller temperaturer kan batterisyre lekke fra skadede batterier. Hvis du kommer i kontakt med batterisyre, må dette umiddelbart vaskes av med såpe og vann. Hvis batterisyren kommer i kontakt med øynene, må du skylle dem i 10 minutter og deretter kontakte lege.

De to kjedesøylelåseskruene er sensitive punkter for elektrisk utladning når i bruk. Brukere må frigi bryterutløseren for å starte produktet på nytt hvis det utløses på grunn av elektrostatisk utladning.

KJEDESAG SIKKERHETSADVARSLER

Hold alle deler av kroppen på avstand fra sagkjeden når produktet er i bruk. Før du starter kjedesagen, påse at sagen ikke er i kontakt med noe. Et øyeblikk med uoppmerksomhet når du bruker kjedesagen kan føre til at klærne eller kroppen blir klemt inn i sagens kjede.

Hold kjedesagen alltid med høyre hånd på bakhåndtaket og venstre hånd på fremre håndtak. Hvis man holder kjedesagen omvendt, øker risikoen for personskade og det bør derfor aldri gjøres.

Produktet skal bare holdes i grepet, ettersom kjedet kan inneholde skjulte kabler. Kjeder som er i kontakt med strømførende ledninger kan gjøre metalldele på elektroverktøyet strømførende, noe som kan føre til at brukeren får elektrisk støt.

Bruk vernebriller og hørselvern. Annet verneutstyr for hode, hender, bein og føtter anbefales. Passende verneklær vil redusere personskader utløst av smuss som slenges ut og utilsiktet kontakt med kjede.

Ikke bruk kjedesagen i et tre. Bruk av kjedesagen mens man befinner seg i et tre kan føre til personskader.

Stå alltid stødig og bruk kjedesagen kun når du står på en fast, sikker og jevn overflate. Et glatt eller ustabil underlag som stiger kan føre til at man taper balansen eller mister kontrollen over kjedesagen.

Når du kutter en gren som er under spenning, vær oppmerksom på at det kan sprette tilbake. Når spenningen i trefibrene slippes, kan den fjærbelastede grenen sprette tilbake på operatøren og/eller slenge kjedesagen ut av kontroll.

Vær ekstremt forsiktig når du kutter busker og skudd. Slikt tynt materiale kan hekte seg fast i kjede og bli slengt mot deg eller dra deg ut av balanse.

Bær kjedesagen ved å holde i fronthåndtaket ved at kjedesagen er skrudd av og alltid unna kroppen. Når du skal transportere eller lagre kjedesagen, sett alltid på dekslet. Riktig håndtering av kjedesagen vil redusere sannsynligheten for utilsiktet kontakt med kjedesagen som er i bevegelse.





Følg instruksene for smøring, kjedestramming og bytte av tilleggsutstyr. Et feilstrammet eller feilsmurt kjede kan sprekke eller øke faren for kickback.

Hold håndtakene tørre, rene og fri for olje og fett. Håndtak som er fettete eller tilsølt med olje kan føre til at du mister kontrollen over sagen.

Kun til trekutting. Ikke bruk kjedesagen for annet enn tilsiktet bruk. F.eks. må du ikke bruke kjedesagen for å kutte plast, mur eller byggematerialer som ikke er tre. Bruk av kjedesagen for arbeider som avviker fra de tilsiktede, kan føre til farlige situasjoner.

Årsaker til kickback og hvordan hindre de:

Det kan oppstå tilbakeslag når tuppen på sverdet kommer borti en gjenstand eller når sagkjeden knipes eller låses fast i treverket under sagingen.

Kontakt med tuppen kan i noen tilfeller føre til en plutselig reversreaksjon, slik at sagsverdet spretter bakover mot brukeren.

Blokkering av sagkjedet langs toppen av sverdet vil kunne skyve sverdet hurtig tilbake mot brukeren.

Begge disse reaksjonene kan medføre at du mister styringen på sagen, og det kan føre til alvorlige personskader. Du må ikke bare stole blindt på de sikkerhetsanordninger som er innbygget i sagen. Som bruker av en motorsag må du ta flere forholdsregler for å beskytte deg mot ulykker og skader.

En kickback er resultatet av misbruk av verktøyet og/eller feil bruksprosedyrer eller forhold som kan unngås ved å ta riktige forholdsregler som følger:

Hold verktøyet fast, med tommelen og fingrene rundt kjedesagens håndtak, med begge hendene på sagen og med kroppen og armene slik at du klarer å motstå kickback. Kickback-kreftene kan kontrolleres av brukeren hvis man tar de riktige forholdsreglene. Ikke slipp taket på kjedesagen.

Ikke strekk deg over den og ikke kutt over skulderhøyde. Det bidrar til å hindre utilsiktet kontakt med tuppen og sikrer bedre kontroll over kjedesagen i uventede situasjoner.

Bruk kun reservedeler for skinnen og kjede i samsvar med produsentens spesifikasjoner. Feil reservedeler for skinnen og kjede kan føre til at kjede brister og/eller kickback.

Følg fabrikantens anvisninger for kvessing og vedlikehold av sagkjeden. Ved å minske høyden på dybdemåleren, er det større fare for kickback.

GENERELLE TILLEGGSADVARSLER FOR KJEDESAGEN

Det anbefales å kutte tømmer på en sagbukk eller lignende når man bruker produktet for første gang.

Påse at alle verneanordninger, håndtak og piggvernet er påsatt riktig og i god stand.

Personer som bruker dette produktet må være ved god helse. Produktet er tungt, så operatøren må være fysisk i god form. Brukeren må være oppmerksom, ha godt syn,

mobilitet, balanse og være høyrehendt. Ikke bruk produktet hvis du er i tvil om anvendelsen.

Ikke start å bruke produktet inntil du har et ryddet arbeidsområde, står trygt, og en planlagt fluktvei unna et fallende tre er klarlagt.

Pass deg for utslipp av smøredamp og sagstøv. Bruk maske eller helmaske ved behov.

Ikke kutt slyngplanter og/eller buskas (mindre enn 75 mm i diameter).

Produktet skal alltid holdes med to hender når du bruker det. BRUK ET FAST GREP, og grip om håndtakene med alle fingrene. Høyre hånd må være på bakre håndtak og venstre håndtak på fronthåndtaket.

Se til at kjedet ikke er i kontakt med noen gjenstander før du begynner å bruke produktet.

Ikke modifierer produktet på noen måte eller bruk det til å drive tilleggsutstyr eller utstyr som ikke er anbefalt av produsenten for ditt produkt.

Du bør ha et førstekjølpskryn med store sårbind og utstyr for å tilkalle hjelp (f.eks. fløyte) stående nær deg. Et større, mer velutstyrt skryn bør være innen rekkevidde.

Ha alltid på deg en hjelm når du bruker produktet. En hjelm, utstyrt med øyeskjerm, kan hjelpe med å redusere skade på ansiktet og hodet hvis en gjenstand kommer raskt mot deg.

Feil spenning i kjede kan føre til at sagsverdet spretter av og fører til alvorlige personskader eller død. Kjedes lengde er avhengig av temperaturen. Sjekk spenningen ofte.

Du kan bli vant til din nye kjedesag ved å gjøre enkle kutt på trygt støttet trevirke. Gjør det hver gang du ikke har brukt sagen på en stund.

For å minske faren for personskader forårsaket av kontakt med bevegelige deler, stans alltid motoren, sett på bremsen, fjern batteriet og sikre at alle bevegelige deler har stanset før:

- rengjøring eller fjernes en blokkering
- etterlater produktet uten tilsyn
- installasjon eller fjerning av påsatser
- kontroll, vedlikehold og arbeider på produktet

Størrelsen på arbeidsområdet avhenger av hvilken jobb som skal gjøres, og av størrelsen på det treet eller det arbeidsstykket du skal arbeide med. F.eks. krever felling av et tre et større arbeidsområde enn når man bare kutter, f.eks. oppkapping osv.

Brukeren må være oppmerksom og ha kontroll over alt som skjer i arbeidsområde.

Ikke kutt hvis du har kroppen på linje med sagsverdet og kjede. Hvis det oppstår kickback vil du slik bidra til å hindre at kjede kan komme i kontakt med hode eller kroppen din.

Ikke bruk en bakover og framover sagesbevegelse, la kjede gjøre arbeidet, hold kjede skarpt og ikke prøv å dytte kjede gjennom kuttet.





Ikke trykk på sagen ved slutten av kuttet. Vær klar for å ta imot vekten av sagen når den har kuttet gjennom treet. Å unnlate å gjøre det kan føre til alvorlig personskade.

Ikke stans sagen midt i kutteprosessen. Hold sagen i gang inntil den helt er fjernet fra kuttet.

Skyvende og trekkende

Reaksjonskraften går alltid motsatt vei av den retningen saggjeden beveger seg. Derfor må brukeren være klar til å styre maskinens tendens til å dra unna (bevegelse framover) når det kuttet med nedre kant av skinnen og dytt bakover (mot brukeren) når man kutter med øvre kant.

Sag kjørt fast i kuttet.

Stans kjedesagen og sikre den. Ikke prøv å forsere kjede og skinnen ut av kuttet for det vil sannsynligvis føre til at kjede vil briste og slå mot brukeren. Denne situasjonen oppstår vanligvis når trevirket ikke er støttet opp riktig slik at kuttet blir presset sammen etterhvert som man fortsetter, noe som klemmer bladet i kuttet. Hvis justering av støtten ikke løser skinnen og kjedet, bruk trekiler eller et brekkjern for å åpne kuttet og frigjøre sagen. Du må aldri prøve å starte kjedesagen når sagsverdet allerede er i et kutt eller sagsnitt.

Personlig verneutstyr

Personlig verneutstyr av god kvalitet som profesjonelle bruker, vil hjelpe til å redusere faren for personskader hos brukeren. Følgende ting bør brukes når du bruker kjedesagen:

Vernehjelm

- bør være iht. EN 397 og merket med CE

Hørselvern

- bør være iht EN 352-1 og merket med CE

Beskyttelse for øyne og ansiktet

- bør være CE-merket og iht. EN 166 (for vernebriller) eller EN 1731 (for masker med gitter)

Hansker

- bør være iht. EN381-7 og merket med CE

Beinbeskyttelse (chaps)

- bør være iht. EN 381-5, være CE-merket og gi helhetlig beskyttelse.

Kjedesag vernestøvler

- bør være iht. EN ISO 20345:2004, være merket med et piktogram med kjedesag for å vise at det er iht. EN 381-3. (De som bruker enheten av og til kan bruke vernesko med ståltupp og gamasjer iht. EN 381-9 hvis bakken er jevn og det er liten fare for å å snuble eller hekte seg fast i lyngen)

Kjedesagjakke for å beskytte kroppen

- bør være iht EN 381-11 og merket med CE

ANVISNINGER OM RIKTIG TEKNIKK FOR GRUNNLEGGENDE FELLING, KVISTING OG KRYSSKUTTING

Å forstå kreftene i trevirke

Når du har forstått retningstrykk og stresskrefter i trevirke, kan du redusere "klem" eller i det minste forvente de under kutting. Spenninger i trevirke betyr at fibre blir dratt fra hverandre og his du kutter inn i et slikt område, vil sagsnittet eller kuttet prøve å åpne seg mens sagen går gjennom. Hvis et tømmer er støttet opp på en sagbukk og enden henger uten støtte over enden, da vil spenningen som oppstår strekke fibre på øvre overflate på grunn av vekten på det overhengende tømmeret. Tilsvarende vil undersiden være i kompresjon og fibre blir presset sammen. Hvis et kutt gjøres i dette område, vil sagsnittet ha en tendens til å lukke seg under kuttet. Det vil klemme kjede.

Felle et tre

Se fig. 1 - 6.

Når oppkapping og felling gjøres av to eller flere personer samtidig, bør fellingen gjøres adskilt fra kappingen på en avstand minst dobbel så stor som høyden på treet som felles. Trær bør ikke felles på en slik måte at man setter personer i fare, treffer en strømledning eller forårsaker materielle skader. Hvis treet kommer i kontakt med en strømledning, må selskapet kontaktes omgående.

Motorsagbrukeren bør stå høyere enn treet i en evt. skråning, slik at treet mest sannsynlig vil rulle eller gli nedover skråningen etter at det er felt.

Man bør ha en fluktvei klar og rensket etter behov før man starter kappingen. Fluktveien bør være utvidet bakover og diagonalt for bakdelen av forventet falllinje.

Før du starter fellingen, ta med i beregningen treets naturlige helling, hvor større grener er og vindretningen for å avveie hvor treet vil falle.

Fjern møkk, steiner og løst bark, spiker, stifter og wire fra treet.

Ikke prøv å felle trær som er råtne eller har blitt skadet av vind, brann, lynnedslag eller liknende,

da dette er ekstremt farlig og bare bør utføres av profesjonelle arborister.

1. Lage styreskjær

Se fig. 1 - 6.

Lag et snitt på 1/3 av treets diameter, loddrett til fallretningen. Lag den nedre vannrette innsnittet først. Slik vil du unngå at kjede eller sagsverdet blir klemt når det andre snittet lages.

2. Lage felleskjæret

Se fig. 1 - 6.

Lag felleskjæret minst 50 mm høyere enn det vannrette styreskjæret. Hold felleskjæret parallelt til styreskjæret. Lag felleskjæret slik at det er nok trevirke igjen for at det blir som en hengsel. Hengselen hindrer at treet vil vri seg og falle i feil retning. Ikke kutt gjennom hengselen.

Når felleskjæret nærmer seg hengselen, bør treet starte



å falle. Hvis det er noe mulighet for at treet ikke vil falle i ønsket retning eller kan bikke bakover og klemme sagens kjede, stans kuttingen før felleskjæret er kuttet ferdig og bruk så kiler i tre, plastikk eller aluminium for å åpne kuttet, slik at treet kan falle i ønsket retning.

Når treet begynner å falle, fjern kjedesagen fra kuttet, stans motoren, sett ned kjedesagen og bruk deretter veien som var planlagt for tilbaketrekking. Vær oppmerksom på grener som kan falle ovenfra og pass på hvor du trækker.

Fjerne støtterøtter

Se fig. 7 - 8.

En støtterot er en stor rot som går ut fra stammen på treet over jorden. Støtterøtter bør fjernes før treet felles. Sag først det vannrette kuttet inn i roten, deretter det vertikale. Fjern den løse delen fra arbeidsområdet. Følg korrekt prosedyre for felling etter at du har fjernet de store støtterøttene.

Kappe opp stammen.

Se fig. 9 - 11.

Kappe opp stammen i mindre lengder. Det er viktig at du står stødig og vekten er fordelt jevnt på begge føtter. Hvis mulig, skal tømmerstokken løftes og støttes ved hjelp av grener, andre stokker eller klosser. Følg disse enkle anvisningene for lettere kapping. Når tømmerstokken er støttet over hele lengden, kutter du ovenfra.

Når tømmerstokken er støttet i en ende, kutt 1/3 av diameteren fra undersiden. Deretter fullfører du kuttet ovenfra slik at du møter kuttet fra undersiden.

Når tømmerstokken er støttet i begge ender, kutt 1/3 av diameteren fra oversiden. Deretter fullfører du kuttet nedenfra slik at du møter det første kuttet.

Kutter du i en skråning, stå alltid på oversiden av tømmerstokken. Når du kutter gjennom, slipp opp kuttetrykket nær enden av kuttet for å beholde kontrollen, men uten å slippe opp grepet på kjedesagens håndtak. Kjede må ikke komme i kontakt med bakken. Etter at du har fullført kuttet, vent til kjedesagen har stanset før du flytter kjedesagen. Stopp alltid motoren før du går fra et tre til neste.

Kviste et tre

Se fig. 12 - 13.

Å kviste betyr å fjerne grener fra treet som er felt. Under kvistingen la større grener lenger ned bli igjen for å støtte opp tømmerstokken. Fjern de små grenene i ett kutt. Grener under spenning bør kuttes fra undersiden og opp for å unngå at sagen går i klem.

Fjærstokk

Se fig. 14 - 15.

En stamme som står i spenn, kan være alle stammer, gjenstående stubber eller renninger som er bøyd av andre trær og står i spenn, slik at de vil slå opp når det som holder dem fjernes eller sages bort.

På et nedfelt tre kan rotstubben ha høy risiko for å slå tilbake når du kapper stammen fri fra stubben. Se opp for stammer som står i spenn, de er farlige.



ADVARSEL!

Stammer som står i spenn er farlige; de kan slå til brukeren slik at han mister kontrollen over sagen. Dette kan forårsake alvorlig eller dødelig skade på brukeren. Dette bør kun gjøres av erfarne brukere.

EKSTRA ADVARSLER FOR BATTERISIKKERHET



ADVARSEL!

For å unngå fare for en brann forårsaket av en kortslutning, av personskader eller skader av produktet, må det forhindres at batteripakken eller laderen dyppes i væsker og også sørges for at ingen væsker kan komme inn i apparatene eller batteriene. Korroderende og ledende væsker som saltvann, visse kjemikalier og blekemidler eller produkt som inneholder blekemidler kan forårsake en kortslutning.

GJENVÆRENDE RISIKO

Selv om utstyret brukes som beskrevet er det ikke mulig å unngå enhver gjenværende risiko. Følgende faresituasjoner kan oppstå ved bruk, og operatøren må legge spesielt vekt på å unngå følgende:

- Personskade på grunn av vibrasjon
 - Bruk alltid riktig verktøy for jobben. Bruk tilegnede håndtak. Begrens arbeidstiden og eksponeringen.
- Eksponering for støy kan føre til hørselskader.
 - Bruk hørselvern og begrens eksponeringen.
- Fare for personskade ved berøring av de eksponerte tennene.
- Fare for personskade hvis biter av arbeidsemne blir slengt ut (treplint og flis)
- Skader som følge av inhalering av støv og partikler
- Fare for personskade ved hudkontakt med smøremiddel eller olje

FAREREDUKSJON

Det foreligger rapporter om at vibrasjoner fra håndholdt verktøy for enkelte personer kan bidra til en tilstand som kalles Raynauds Syndrome. Symptomene kan omfatte følelsesløshet og gjøre fingrene bleke, vanligvis synlig ved eksponering til lave temperaturer. Arvelige faktorer, eksponering mot lave temperaturer og fuktighet, diett, røyking og arbeidspraksis blir alle ansett for å kunne bidra

til å utvikle disse symptomene. Brukeren kan iverksette tiltak for mulig å redusere virkningene av vibrasjonene:

- Hold kroppen din varm i kaldt vær. Bruk hansker og hold hender og vrister varme ved bruk av gressklipperen.
- Etter hver arbeidsperiode bør det utføres øvelser for å øke blodsirkulasjonen.
- Ta ofte pauser fra arbeidet som utføres. Begrens mengden av eksponering pr. dag.
- Vernehansker fås hos profesjonelle forhandlere av kjedesager og er spesielt utformet til bruk med kjedesagen slik at de beskytter, gir godt grep og også reduserer effekten av håndtakvibrasjonene.

Hvis du opplever noen av symptomene på denne tilstanden må du øyeblikkelig avbryte arbeidet og oppsøke en lege med disse symptomene.



ADVARSEL!

Hvis man bruker verktøyet for lenge av gangen, kan det føre til eller forverre allerede eksisterende personskade. Når du bruker et verktøy over en lenger tidsperiode, husk å ta regelmessige pauser.

TILTENKT BRUK

Produktet er kun til utendørs bruk. Av sikkerhetsmessige årsaker må produktet holdes under kontroll ved alltid å holde det med to hender.

Produktet er ment til kutting av grener, stammer, tømmerstokker og bjelker på en diameter som bestemmes av lengden på sagsverdet. Den kan kun brukes til saging i tre. Det er kun til privat bruk og skal kun brukes av voksne som har fått tilstrekkelig opplæring om farene og forebyggende tiltak/handlinger som skal iverksettes under bruk.

Skal ikke brukes i profesjonell trefelligsvirksomhet. Produktet skal ikke brukes av barn eller personer som ikke bruker tilstrekkelig personlig verneutstyr og verneklær.

Ikke bruk produktet til noe annet formål som ikke er opplistet i Tiltent bruk.



ADVARSEL!

Når produktet brukes må sikkerhetsreglene følges. For din egen sikkerhet og sikkerheten til tilskuerne, må du ha lest og forstått disse instruksene før du tar i bruk produktet. Du bør være med på et profesjonelt sikkerhetskurs vedrørende bruk, forebyggende tiltak, førstehjelp og vedlikehold av kjedesager. Vennligst ta vare på instruksjonene for fremtidig bruk.



ADVARSEL!

En kjedesag er et potensielt farlig verktøy. Ulykker der kjedesager er innblandet fører ofte til tap av ekstremiteter eller død. Det er ikke kjedesagen i seg selv som er farlig. Fallende grener, veltende trær, rullende tømmerstokker kan drepe. Dødt eller råtnende trevirke utgjør en ytterligere fare. Du bør vurdere dine evner for å kunne fullføre oppgavene trygt. Ved tvil, la heller en profesjonell trefeller utføre jobben.

KJENN PRODUKTET DITT

Se side 6-7.

1. Batteri
2. Utløser for gasshåndtak
3. Bakre håndtak
4. Bryterens på-knapp
5. Kombinasjonsnøkkel
6. Fremre håndtak
7. Løkk for oljetank
8. Sagsverddeksel
9. Kjede
10. Sverd
11. Fenderlist
12. Kjedefanger
13. Skrue til stramming av kjeden
14. Kjededeksel
15. Muttere til montering av håndtaket
16. Håndvern/kjedebremse

SIKKERHETSANORDNINGER

Sagkjede med lav risiko for tilbakeslag

Et sagkjede med lav kickback bidrar til å redusere muligheten for at kickback oppstår.

Renseknastene (dybdeknastene) foran hver tann kan minske kraften i et tilbakeslag ved at de hindrer tennene å grave seg for dypt ned i tilbakeslagssonen. Ved utskifting må du kun bruke sagsverd og kjeder som produsenten anbefaler i kombinasjon med hverandre.

Når du kvesser tennene, mister de noe av sin evne til å hindre tilbakeslag, og da må du være ekstra forsiktig. For din sikkerhet, bør du skifte kjede når det begynner å kappe dårligere.

Fenderlist

Den integrerte fenderlisten kan brukes som dreiesenter når man gjør et kutt. Det hjelper å holde motoren til kjedesagen rolig under kuttingen. Når du kutter, dytt maskinen forover inntil piggene graver seg inn i treverkets kant, deretter flytter du øverste håndtak oppover eller nedover, dvs. i retning av kuttelinjen slik at man letter på den fysiske tyngden kuttingen utgjør.

Sverd

Generelt sett har sverd med liten radius på tuppen noe mindre potensiale for tilbakeslag. Du bør bruke et sagsverd og passende kjede som er passende stort for jobben. Lange sverd øker risikoen for at man kan tape styringen under

sagingen. Sjekk kjedespenningen regelmessig. Når du kutter mindre grener (under full lengde på sagsverdet), er det større mulighet for at kjede spretter av hvis spenningen ikke er riktig.

Kjedebremser

Kjedebremsen er konstruert for å stoppe kjedens rotasjon øyeblikkelig. Når hendelen for kjedebremsen trykkes mot sverdet, skal kjeden stoppe øyeblikkelig. En kjedebremser forhindrer ikke tilbakeslag. Det vil kun redusere risikoen for personskade dersom sagsverdet kommer i kontakt med brukers kroppsdeler ved en kickback. Kjedebremser bør testes før hvert bruk at den fungerer som den skal i begge posisjoner, åpen og utløst.

Kjedefanger

En kjedefanger hindrer at sagkjedet blir kastet tilbake mot operatøren hvis det løsner eller ryker.

BETJENING



ADVARSEL!

Om noen deler er skadet eller mangler ikke bruk dette produktet før det er reparert eller erstattet. Å ikke følge denne advarselen kan føre til alvorlig personskade.

Installer batteripakken

Se side 6.

Sett batteripakken i produktet. Tilpass den hevede ribben på batteripakken til sporet i trimmerens batteriport.

Pass på at låsen på batteripakken klikker på plass, og at batteriet er riktig plassert og godt festet til produktet før drift.

Holding av produktet

Se fig. 1.

Hold produktet med høyre hånd på det bakre håndtaket og venstre hånd på det fremre håndtaket. Ta tak i begge håndtak slik at du griper rundt med tommel og fingre. Påse at din venstre hånd holder fronthåndtaket slik at tommelen er under.

Starting av produktet

Se side 8.

Før du starter arbeidet, må du sette batteriet inn i maskinen og sjekke at kjedebremsen er i fri ved å dra kjedebremsspaken/håndvernet mot fronthåndtaket.

For å starte maskinen, dra i utløseren og trykk deretter gassutløseren.

Sjekke og bruke kjedebremsen

Se side 20.

Utløs kjedebremsen ved å rotere din venstre hånd

rundt fronthåndtaket. Med håndbaken dytter du kjedebremsspaken/ håndvernet mot sverdet mens kjede roterer raskt. Påse å at du til enhver tid holder i saghåndtakene.

Sett kjedebremsen tilbake til fri ved å ta tak i kjedebremsspaken / håndvernet og dra fronthåndtaket inntil du hører et klikk.



ADVARSEL!

Hvis kjedebremsen ikke stopper kjedet øyeblikkelig, eller hvis kjedebremsen ikke vil holde seg i kjørestilling uten hjelp, ta saken med til et autorisert servicesenter for reparasjon før bruk.

Justere kjedestrammingen

(se side 14 - 15)

Fjern batteripakken før du starter arbeid på produktet.

Du må løsne mutterne på motorsagens monteringsenhet, slik at du kan skru dem løs med fingrene.

For å stramme til kjedet, skal du skru kjedestrammeskruen i klokkeretningen og sjekke kjedespenningen ofte. Skru kjedestrammeskruen mot klokkeretningen og sjekk kjedespenningen ofte for å løsne kjedet.

Kjedestrammingen er riktig når gapet mellom kutteren i kjedenn og stangen er omtrent 6,5 mm (0,256 tommes). Dra i kjede midt på undersiden av sverdet nedover (unna sverdet) og mål avstanden mellom sverdet og kjedekutterne.

Fyll kjedesmørelje

(se side 16 - 17)



ADVARSEL!

Du må aldri jobbe uten kjedesmøring. Hvis kjede går uten smøring, kan sagsverdet og kjede bli skadet. Derfor er det nødvendig å sjekke oljenivået i oljemåleren ofte og hver gang man starter å jobbe med kjedesagen igjen.

Rengjør område rundt oljedekselet for å hindre forurensing.

Skru opp og ta av dekelet til oljetanken.

Hell oljen inn i oljetanken og følg med på oljemåleren. Pass på at smuss ikke kommer inn i oljetanken mens du fyller på oljen.

Sett tilbake oljedekselet og skru fast. Tørk bort eventuelt søl.

TRANSPORT OG LAGRING

Slå av produktet og la det kjøles ned før lagring eller transport.

Fjern alle fremmedelemerter fra produktet. Lagres på et kjølig, tørt og godt ventilert sted som er utilgjengelig

for barn. Hold den borte fra korrosive materialer, så som ugressmidler og veisalt. Ikke oppbevar utendørs.

Sett på sverddekselet før du lagrer enheten eller under transport.

Ved transport må produktet sikres mot å komme i bevegelse eller falle for å unngå skade på personer eller produktet.

VEDLIKEHOLD



ADVARSEL!

Bruk bare tilbehør og reservedeler fra ECHO. Dersom dette ikke følges, kan det forårsake personskader, dårlig funksjon og kan annullere garantien din. Kontakt en av ECHO-serviceagentene våre hvis du må erstatte deler som ikke er omtalt her.



ADVARSEL!

Service krever meget stor forsiktighet og kunnskap og bør utføres kun av kvalifisert teknisk personale. For service skal produktet leveres til et autorisert serviceverksted. For service av maskinen, bruk kun produsentens originale reservedeler.



ADVARSEL!

Fjern batteriet før du utfører justeringer, vedlikehold eller rengjøring. Hvis denne advarselen ikke følges, kan det føre til alvorlig personskade.

- Du kan bare foreta justeringer og reparasjoner som er beskrevet i denne brukermanualen. For andre reparasjoner, ta kontakt med et autorisert serviceverksted.
- Følgene etter uriktig vedlikehold kan føre til at kjede sprekker og andre sikkerhetsfunksjoner ikke virker som de skal, slik at det øker faren for alvorlige skader. Utfør profesjonelt vedlikehold på kjedesagen og oppbevar trygt.
- Kvessing av kjeden på en sikker måte er en avansert operasjon. Derfor anbefaler produsenten sterkt at et slitt og sløvt kjede skiftes ut med et nytt som kjøpes fra ditt autoriserte servicesenter. Delenummeret står i tabellen over produktspesifikasjoner i denne manualen.
- Følg anvisningene for smøring samt kontroll og justering av kjedespenningen.
- Etter hver bruk, rens produktet med en myk tørr klut.
- Kontroller all mutter, bolter og skruer med jevne mellomrom at de er skrudd fast for å sikre at utstyret er i driftssikker stand. Enhver del som er skadet må repareres eller skiftes ut ved et autorisert serviceverksted.

Skifte sagsverdet og kjede

(se side 10 - 13)

Forsikre deg om at batteriet er fjernet. Bruk vernehansker.

Bruk skiftenøkkelen til å fjerne mutterne som holder monteringsenheten på plass.

Fjern kjededekselet.

Ta sverdet og kjede av enheten.

Sett det nye kjede i riktig retning på sverdet og sikre at kjøreleddene er i flukt med fordypningene på sverdet.

Fest sverdet til kjedesagen og legg kjede rund drivtennene.

Bytt ut kjededekselet og mutterne som holder monteringsenheten på plass.

Skrut fast monteringsenheten med fingrene. Sverdet må kunne bevegges fritt lengdeveis for stramming av kjeden.

Juster kjedespenningen. Se i kapittelet "Juster kjedespenningen".

Hold tuppen på sverdet opp og stram monteringsmutrene helt.

Kontroll og rengjøring av kjedebremsen

Se side 22.

Hold alltid mekanismen til kjedebremsen ren ved lett å børste over leddene slik at de er smussfrie.

Sjekk alltid at kjedebremsen fungerer etter rengjøring. Les i avsnittet «Sjekk og kontroll av kjedebremsen» i denne bruksanvisningen for ekstra informasjon.

VEDLIKEHOLDSPLAN

Daglig sjekk	
Sverdsmøring	Før hver gangs bruk
Kjedestramming	Før hver bruk og regelmessig
Kjedeskarpheit	Før hver bruk, visuell kontroll
Skadede deler	Før hver gangs bruk
Løse festemidler	Før hver gangs bruk
Kjedebremsfunksjon	Før hver gangs bruk
Undersøk og rengjør:	
Skinne	Før hver gangs bruk
Hele saken	etter hvert bruk
Kjedebremse	Hver 5 driftstime

*Antall timer drift

ERSTATNINGSDELER

Del	Artikkelnummer
Sverd	6000945

Kjede	90PX056X
-------	----------

BATTERIER

- Batteripakker som ikke har vært brukt på en stund bør lades opp før du bruker dem.
- Temperaturer over 50°C reduserer batteripakkens ytelse. Produktet må ikke utsettes for varme eller solskinn (fare for overoppheting).
- Ladekontaktene og batteripakkene må holdes rene.
- Batteripakkene må lades helt opp etter bruk hvis du ønsker at de skal vare lengst mulig.
- Fjern batteripakken fra laderen når det er fulladet, sånn at det varer lengst mulig.

For batteripakkelagring i mer enn 30 dager:

- Oppbevar batteripakken der temperaturen er under 27°C, og vekke fra fuktighet.
- Oppbevar batteripakken i 30%-50% ladet tilstand.
- For hver seks måneders lagringstid, lad batteriet på normal måte.

TRANSPORTERE LITIUM-BATTERIER

Litium ion-batteri omfattes av lovgivning for farlig gods.

Transport av disse batteriene må gjøres i samsvar med lokale, nasjonale og internasjonale bestemmelser og forskrifter.

- Brukeren kan transportere batteriene på åpen vei uten innfrielse av ytterligere krav.
- Kommersiell frakt av Lithium-Ion-batterier er underlagt bestemmelsene om transport av farlig gods. Klargjøring av transporten og transporten kan kun utføres av passende opplærte personer og prosessen må følges av tilsvarende kvalifiserte eksperter.

Iverksatt følgende tiltak når du frakter batteriene:

- Påse at batterienes kontaktkontakter er beskyttet og isolert for å hindre kortslutning.
- Se til at batteripakken er sikret mot bevegelse inni pakningen.
- Ikke transporter batterier som er sprukne eller som lekker.

Kontakt spedtøren for å få ytterligere råd.

SYMBOLER



Sikkerhetsalarm



Les og forstå alle instruksjoner før du tar i bruk produktet, følg alle advarsler og sikkerhetsanvisninger.



Bruk beskyttelse for øyne, hørsel og ansikt.



Anvend glisikkert fotteøy ved bruk av dette produktet.



Bruk kraftige, sklisikre hansker.



Vær klar over faren for tilbakeslag fra kjedesagen og unngå kontakt med sverdtuppen.



Ikke utsette for regn eller fuktige forhold.



Hold og bruk kjedesagen med begge hender.



Hold ikke kjedesagen med bare én hånd når du bruker den.



Still kjedebremsen til kjørestilling.



Still kjedebremsen til bremsestilling.



Garantert lydnivå er 106 dB



Ukrainsk merke for konformitet



EurAsian Konformitetstegn



Avfall fra elektriske produkter skal ikke kastes sammen med husholdningsavfall. Vennligst resirkulervedeksisterende avfallsbehandlingssted. Undersøk hos dine lokale myndigheter eller forhandler for råd om resirkulering.



Dette verktøyet overholder samtlige standarder i det EU-landet det er kjøpt i.

Følgende signalord og meninger har til hensikt å forklare graden av risiko forbundet med bruken av dette produktet.



FARE

Indikerer en øyeblikkelig farlig situasjon, som, hvis ikke

unngås, kan resultere i død eller alvorlig personskade.



ADVARSEL

Indikerer en potensiell farlig situasjon, som, hvis ikke unngås, kan resultere i død eller alvorlig personskade.



FORSIKTIGHETSREGEL

Indikerer en potensiell farlig situasjon, som, hvis ikke unngås, kan resultere i mindre eller moderat personskade.

FORSIKTIGHETSREGEL

Uten sikkerhetsvarselsymbol

Indikerer en situasjon som kan føre til skade på eiendom.





ТЕХНИЧЕСКИЕ ХАРАКТЕРИСТИКИ АККУМУЛЯТОРНАЯ ПИЛА

ECCS-58V

Заводской номер	17402201000001 - 17402201999999
Номинальное напряжение	51,1 V, 58 V максимум
Максимальная длина направляющей	400 mm
Емкость масляного бака пилы	177 ml
Вес (Без аккумулятора, с пильной шиной, цепью и пустым топливным баком)	4,83 kg
Вес (с аккумуляторным блоком 4 Ач)	6,73 kg
Вес (с аккумуляторным блоком 2 Ач)	6,03 kg
Максимальная частота оборотов на холостом ходу	21 m/s
Используемая режущая длина	250 mm
Уровень шума (в соответствии с EN 60745-1, EN 60745-2-13)	
Амплитудно-взвешенный уровень звукового давления на рабочем месте оператора (L_{PA})	94,5 dB(A)
K_{PA} :	2,5 dB(A)
Уровень A-взвешенной звуковой мощности (L_{WA})	105,5 dB(A)
K_{WA} :	2,5 dB(A)
Уровень вибрации (в соответствии с EN 60745-1; EN 60745-2-13) (спереди/сзади)	2,1 / 2,8 m/s ² K = 1,5 m/s ²

EN
FR
DE
ES
IT
NL
PT
DA
SV
FI
NO
RU
PL
CS
HU
RO
LV
LT
ET
HR
SL
SK
BG
UK
TR

АККУМУЛЯТОРНАЯ БАТАРЕЯ И ЗАРЯДНОЕ УСТРОЙСТВО

ECCS-58V

Совместимая аккумуляторная батарея	ECBP-58V40 / ECBP-58V20
Совместимое зарядное устройство	ECBC-58VEU / ECBC-58VUK



ОСТОРОЖНО!

Данные об уровне вибрационного воздействия, указанные в настоящей брошюре, получены в ходе стандартизированного исследования, предусмотренного стандартом EN 60745, и могут использоваться для сравнения инструментов. Они могут применяться в рамках предварительной оценки степени воздействия.

Указанный уровень вибрационного воздействия учитывает основные области применения инструмента. При этом, если инструмент используется иным образом, с другим оборудованием либо некачественно обслуживается, степень вибрационного воздействия может отличаться. В рамках всего периода эксплуатации это может способствовать значительному повышению уровня воздействия.

Установление уровня вибрационного воздействия должно также проводиться с учетом количества выключений инструмента и случаев работы на холостом ходу. В рамках всего периода эксплуатации это может способствовать значительному снижению уровня воздействия.

Определите дополнительные меры защиты оператора от воздействия вибрации, например: обслуживание инструмента и дополнительного оборудования, поддержание температуры рук, составление схем организации работ.



ОБЩИЕ ПРАВИЛА БЕЗОПАСНОСТИ



ОСТОРОЖНО!

Прочтите все предупреждения и инструкции по технике безопасности. Несоблюдение приводимых ниже предупреждений и инструкций может привести к поражению электрическим током, возгоранию или тяжким телесным повреждениям.

Сохраните все предупреждения и инструкции по технике безопасности для последующего использования.

Термин "электроинструмент" в данном описании относится к инструментам с питанием от сети (проводные) и от аккумуляторных батарей (беспроводные).

БЕЗОПАСНОСТЬ НА РАБОЧЕМ МЕСТЕ

Рабочая зона должна быть свободна и хорошо освещена. Загромождение или плохое освещение рабочей зоны может привести к несчастным случаям.

Не используйте электроинструмент во взрывоопасной среде, например в присутствии легковоспламеняющихся жидкостей, газов или пыли. В электроинструментах происходит искрообразование, что может привести к воспламенению пыли или газа.

Не допускайте присутствия детей и посторонних лиц при работе с инструментом. Невнимательность может привести к утрате контроля.

ЭЛЕКТРОБЕЗОПАСНОСТЬ

Вилка кабеля питания инструмента должна соответствовать используемой розетке. Не подвергайте вилку кабеля каким-либо изменениям. Не используйте какие-либо переходники с электроинструментами с заземляющим проводом. Использование оригинальных штепсельных вилок и соответствующих розеток предотвращает опасность поражения электрическим током.

Не допускайте контакта частей тела с поверхностями заземленных предметов, таких как трубы, радиаторы отопления, кухонные плиты, холодильники. При соприкосновении частей тела человека с заземленными участками возрастает опасность поражения электрическим током.

Не допускайте попадания влаги на изделие и не используйте его во влажной атмосфере. Попавшая внутрь инструмента вода повышает опасность поражения электрическим током.

Обращайтесь с кабелем питания надлежащим образом. Не используйте кабель для переноски, перемещения или отключения инструмента от сети питания. Оберегайте кабель от источников тепла, масляных и острых предметов и движущихся деталей. Поврежденные или запутанные провода повышают опасность поражения электрическим током.

При работе с электроинструментом вне помещений пользуйтесь удлинительным кабелем, предназначенным для наружного применения. Использование кабеля, предназначенного для наружного применения, снижает опасность поражения электрическим током.

Если нет возможности избежать работы в условиях повышенной влажности, подключайте инструмент через устройство защитного отключения. При использовании устройства защитного отключения снижается опасность поражения электрическим током.

ЛИЧНАЯ БЕЗОПАСНОСТЬ

Соблюдайте осторожность, следите за своими действиями и пользуйтесь здравым смыслом при работе с электроинструментом. Не пользуйтесь инструментом в состоянии усталости или под воздействием наркотических средств, алкоголя или медицинских препаратов. Малейшая невнимательность при работе с инструментом может привести к тяжкому телесному повреждению.

Используйте средства индивидуальной защиты. Всегда надевайте средства защиты зрения. Средства защиты, такие как пылезащитная маска, нескользящая защитная обувь, шлем-каска, средства защиты органов слуха, используемые надлежащим образом, снижают опасность телесного повреждения.

Не допускайте случайного запуска. Перед подключением к источнику питания или установкой аккумуляторной батареи, подъемом или перемещением инструмента убедитесь, что переключатель находится в положении «выключено». Во избежание несчастных случаев при перемещении инструмента не держите пальцы на переключателе инструмента и не подключайте его к источнику питания при включенном положении переключателя.

Перед включением инструмента уберите все регулировочные и гаечные ключи. Гаечные или регулировочные ключи, оставленные на вращающихся частях инструмента, могут привести к телесному повреждению.

Не перенапрягайтесь. Старайтесь сохранять устойчивость и подыскивайте твердую опору. Это обеспечивает лучшую управляемость электроинструментом в непредвиденных ситуациях.

Одевайтесь соответствующим образом. Не надевайте свободную одежду и украшения. Не допускайте попадания волос, одежды и перчаток в движущиеся части. Свободная одежда, украшения и длинные волосы могут попасть в движущиеся части.

Если в инструменте предусмотрено использование устройства удаления и сбора пыли, обеспечьте их надежное крепление и надлежащее использование. Использование пылесборника снижает опасность, связанную с пылеобразованием.



ИСПОЛЬЗОВАНИЕ И ОБРАЩЕНИЕ С ИНСТРУМЕНТОМ

Не прикладывайте чрезмерных усилий при работе с данным инструментом. В каждом случае используйте надлежащий электроинструмент. Правильно выбранный электроинструмент позволяет выполнять работу, для которой он предназначен, более качественно и более безопасно.

Не пользуйтесь инструментом, если выключатель не включается или не выключается. Любой электроинструмент, не управляемый выключателем, представляет опасность и должен быть отремонтирован.

Перед выполнением каких-либо регулировок, заменой приспособлений или хранением инструмента отключите вилку кабеля источника питания и/или аккумуляторной батареи от электроинструмента. Такие меры предосторожности помогут предотвратить опасность случайного пуска инструмента.

Храните неиспользуемые электроинструменты в месте, недоступном для детей, а также не допускайте к использованию данного инструмента лиц, не знакомых с его работой или не ознакомленных с данными данными инструкциями. Инструмент в руках неподготовленного лица представляет опасность.

Бережно обращайтесь с инструментом. Проверяйте инструмент на отсутствие перекосов или заклинивания движущихся частей, их неисправности или других причин, которые могут отразиться на работе инструмента. При повреждении инструмента перед его дальнейшим использованием его следует отремонтировать. Многие несчастные случаи вызваны ненадлежащим обращением с инструментом.

Содержите режущее устройство в чистоте и заточенном виде. При надлежащем техническом обслуживании режущего инструмента снижается вероятность застревания режущих частей и облегчается управляемость.

Используйте инструмент, принадлежности, насадки и т.п. в соответствии с данными указаниями, и принимая во внимание условия работы и выполняемую работу. Использование данного электроинструмента не по назначению может создать опасную ситуацию.

ЭКСПЛУАТАЦИЯ УСТРОЙСТВА С АККУМУЛЯТОРНЫМ ПИТАНИЕМ И УХОД ЗА НИМ

Зарядку выполняйте только с использованием зарядного устройства, указанного изготовителем. Зарядное устройство, подходящее к одному типу аккумуляторных батарей, может создать опасность возгорания при использовании с аккумуляторными батареями другого типа.

Используйте электрические устройства только со специально предназначенными для них аккумуляторными батареями. Использование

аккумуляторных батарей другого типа может привести к телесным повреждениям или возгоранию.

Если аккумуляторная батарея не используется, храните ее отдельно от других металлических предметов, например канцелярских скрепок, монет, ключей, гвоздей, винтов и других мелких металлических предметов, которые могут привести к замыканию контактов батареи. Замыкание контактов батареи может вызвать ожоги или привести к возгоранию.

При ненормальных условиях из батареи может вытечь жидкость, избегайте контакта с ней. Если этого избежать не удалось, смойте жидкость водой. Если жидкость попала в глаза, после их промывания обратитесь за медицинской помощью. Жидкость, вытекающая из батареи, может вызвать раздражение или ожог.

ОБСЛУЖИВАНИЕ

Техническое обслуживание и ремонт инструмента должно выполняться только квалифицированным специалистом с использованием взаимозаменяемых запасных частей. Это обеспечит нормальное техническое состояние устройства.

ДОПОЛНИТЕЛЬНЫЕ ОБЩИЕ УКАЗАНИЯ ПО БЕЗОПАСНОСТИ

В некоторых регионах существуют правила, ограничивающие использование этого продукта. Проконсультируйтесь с местными органами власти.

Не допускайте к работе с данным устройством детей и лиц, незнакомых с инструкциями по использованию изделия. Местные инструкции могут ограничить возраст оператора.

Убедитесь перед каждым использованием, что все элементы управления и предохранительные устройства функционируют правильно. Не используйте устройство, если невозможно остановить двигатель выключателем.

Используйте надежные приспособления для защиты глаз и органов слуха, прочные перчатки, а также средства защиты головы при работе с продуктом. Для защиты от пыли используйте защитную маску.

Не допускается ношение слишком свободной одежды, коротких брюк, ювелирных изделий.

Соберите длинные волосы выше плеч, чтобы предотвратить их попадание в движущиеся части.

Остерегайтесь отлетающих или падающих предметов. Не допускайте прохожих, детей и домашних животных ближе чем на 15 м от рабочей зоны.

Не работайте при недостаточном освещении. Оператор должен четко видеть рабочую зону в целях выявления потенциальных опасностей.

Использование средств защиты органов слуха снижает способность услышать предупреждения (крики или сигналы). Работая, уделять повышенное внимание к происходящему в зоне работы.



Эксплуатация аналогичных устройств вблизи рабочей зоны повышает риск повреждения слуха и опасность появления посторонних лиц в вашей рабочей зоне.

Держать устойчивую опору и баланс. Не перенапрягать. Перенапряжение может вызвать потерю равновесия и увеличить опасность возникновения отскока.

Не допускайте попадания частей тела в движущиеся детали.

Проверяйте устройство перед каждым использованием. Проверьте правильную работу всех элементов управления, включая тормоз пильной цепи. Проверьте надежность креплений, убедитесь, что все защитные приспособления и ручки правильно и надежно закреплены. Перед использованием замените поврежденные детали.

Запрещается каким-либо образом изменять конструкцию устройства или использования детали и принадлежности, не рекомендованные производителем.



ОСТОРОЖНО!

Если устройство уронили, оно издает громкий стук или начинает чрезмерно вибрировать, немедленно остановите его и проверьте на наличие повреждений или выясните причину вибрации. Любые поврежденные детали должны быть надлежащим образом отремонтированы или заменены в авторизованном сервисном центре.

Не выбрасывайте использованные батареи как бытовой мусор и не сжигайте их. Дистрибьюторы ECHO предлагают услугу возврата старых аккумуляторов для защиты окружающей среды.

Хранение аккумуляторного блока вместе с металлическими предметами не допускается (риск короткого замыкания).

Для зарядки аккумуляторных блоков используйте только зарядное устройство ECBC-58VEU/ECBC-58VUK. Использование аккумуляторных блоков от других систем не допускается.

Совместимая аккумуляторная батарея: EСBP-58V40, EСBP-58V20

Существует опасность утечки электролита под экстремальной нагрузкой или при экстремальных температурах. При попадании электролита на кожу незамедлительно смойте его водой с мылом. При попадании в глаза тщательно промойте не менее 10 минут и немедленно обратитесь к врачу.

Зажимные винты пильной шины в процессе работы являются точками, чувствительными к электрическому разряду. В случае отключения изделия под воздействием электрического разряда пользователю необходимо отпустить курковый переключатель, чтобы выполнить его перезапуск.

ПРЕДОСТЕРЕЖЕНИЯ ОТНОСИТЕЛЬНО БЕЗОПАСНОГО ПОЛЬЗОВАНИЯ ЦЕПНОЙ ПИЛЫ

В процессе работы с изделием не касайтесь пильной цепи и не прислоняйте ее к себе. Перед запуском цепной пилы удостоверьтесь, что пильная цепь ни к чему не прикасается. Минутная невнимательность при работе с цепной пилой может привести к тому, что пильная цепь зацепит вашу одежду или тело.

Всегда держите пилу правой рукой за заднюю рукоятку, а левой рукой – за переднюю рукоятку. Работа цепной пилой с обратным положением рук повышает опасность телесных повреждений и ни в коем случае не допускается.

Удерживайте изделие только за изолированную захватную поверхность, поскольку внутри пильной цепи могут находиться скрытые провода. Касание провода, находящегося под напряжением, режущей цепью может вызвать протекание электрического тока через металлические части электроинструмента и привести к поражению оператора электрическим током.

Надевайте защитные очки и средства защиты слуха. Рекомендуется дополнительное защитное снаряжение для головы, рук, ног и ступней. Соответствующая защитная одежда уменьшит опасность телесных повреждений отлетающими отходами пиления или при случайном контакте с пильной цепью.

Не используйте цепную пилу, если вы находитесь на дереве. Эксплуатация цепной пилы при нахождении на дереве может привести к телесному повреждению.

Всегда имейте надлежащую опору и эксплуатируйте цепную пилу только при нахождении на неподвижной, безопасной и ровной поверхности. Скользкие или неустойчивые поверхности, например, стремянки, могут привести к потере равновесия или потере управления цепной пилой.

При пилении согнутой напряженной ветви остерегайтесь ее распрямления. Когда натяжение в древесных волокнах высвобождается, то напряженная ветвь может ударить оператора и/или нарушить управляемость цепной пилы.

Будьте крайне осторожны при пилении кустарника и молодых деревьев. Тонкий лесоматериал может быть захвачен пильной цепью, хлестнуть вас или вывести из равновесия.

Переносите цепную пилу за переднюю ручку, в выключенном состоянии, не прижимая к телу. При транспортировке или хранении цепной пилы всегда надевайте на пильную шину защитное приспособление. Надлежащее обращение с цепной пилой снижает опасность случайного контакта с движущейся пильной цепью.

Следуйте инструкциям по смазке, натяжению цепи и замене принадлежностей. Неправильно натянутая или смазанная цепь может порваться или увеличить

опасность отскока.

Содержите ручки в сухом и чистом виде, очищайте их от масла и смазки. Если на ручки попало смазка и масло, они становятся скользкими, вызывая потерю контроля.

Цепная пила предназначена только для пиления древесины. Используйте цепную пилу только по прямому назначению. Например, не используйте цепную пилу для пиления пластика, каменной кладки или недревесных строительных материалов. Во избежание опасности соблюдайте указанное для цепной пилы предназначение.

Причины отскоков и меры защиты оператора от них

Если носок шины натолкнется на препятствие или пыльная цепь зажмется в дереве во время работы, бензопила может отскочить.

Контакт с вершиной в некоторых случаях может вызвать внезапную отдачу, которая отбрасывает пыльную шину вверх и назад в направлении оператора.

Заклинивание цепной пилы в верхней части направляющей может привести к отскоку в направлении оператора.

И в первом и во втором случае можно потерять контроль за бензопилой и получить тяжелые травмы. Не надейтесь только на средства безопасности самой бензопилы. Во избежание несчастных случаев и травм, необходимо принимать различные меры предосторожности.

Отскок является результатом неправильного использования инструмента и/или нарушений правил или условий его эксплуатации. Этого следует избегать, соблюдая указанные ниже меры предосторожности.

Поддерживайте надежный захват так, чтобы большие пальцы (с одной стороны) и остальные пальцы (с другой стороны) крепко охватывали рукоятки цепной пилы, держите пилу обеими руками, располагайте тело и руки таким образом, чтобы противостоять усилию отскока. Оператор может справиться с усилием отскока, если предприняты надлежащие меры предосторожности. Не выпускайте пилу из рук.

Не перенапрягайтесь и не пилите выше уровня плеч. Это поможет избежать непреднамеренного касания пилы и позволит лучше управлять цепной пилой в непредвиденных ситуациях.

Используйте запасные шины и цепи, только указанные производителем. Ненадлежащие запасные шины и цепи могут привести к обрыву цепи и/или отскоку.

При обслуживании и заточке пыльной цепи соблюдайте инструкции изготовителя. Уменьшение высоты ограничителя подачи может привести к увеличению отдачи.

ДОПОЛНИТЕЛЬНЫЕ ПРЕДУПРЕЖДЕНИЯ О ТЕХНИКЕ БЕЗОПАСНОСТИ ЦЕПНОЙ ПИЛЫ

При работе с инструментом в первый раз рекомендуется пилить бревна на козлах или на опорах.

Убедитесь в том, что все устройства защиты, ручки и зубчатый упор должным образом установлены и находятся в хорошем состоянии.

Лица, эксплуатирующие данное изделие, должны находиться в хорошем физическом состоянии. Изделие тяжелое, поэтому оператор должен быть физически крепким. Оператор должен быть осторожным, иметь хорошее зрение, обладать подвижностью, чувством равновесия и ловкостью рук. При наличии каких-либо сомнений не эксплуатируйте изделие.

Не начинайте использование инструмента, пока не расчищена рабочая зона, не обеспечена опора и не подготовлен путь отхода от падающего дерева.

Остерегайтесь выбросов паров смазки и опилок. При необходимости надевайте маску или респиратор.

Не допускается пиление вьющихся растений и/или молодого подлеска (диаметром менее 75 мм).

В процессе работы удерживайте изделие обеими руками. Крепко держите бензопилу, обхватив рукоятки пальцами. Правой рукой нужно держать заднюю рукоятку, а левой рукой – переднюю рукоятку.

Перед запуском изделия убедитесь в том, что пыльная цепь ни с чем не соприкасается.

Запрещается каким-либо образом изменять конструкцию изделия или использовать насадки или устройства, не рекомендованные производителем вашего изделия.

Рядом с оператором должна находиться аптечка первой помощи, содержащая крупные перевязочные материалы и сигнальные средства (например, свисток). В пределах досягаемости должен находиться большой, более полный комплект.

В процессе работы с изделием используйте шлем. Шлем, оснащенный сетчатым щитком, снизит риск травмы лица и головы при отдаче.

Неправильно натянутая цепь может выскочить из пыльной шины и нанести тяжкие телесные повреждения, вплоть до смертельного исхода. Длина цепи зависит от температуры. Регулярно проверяйте натяжение.

Необходимо привыкнуть к новой цепной пиле, делая простые пропилы на надежно подпертом дереве. Делайте это каждый раз, когда пила некоторое время не эксплуатировалась.

Для снижения риска получения травмы, связанной с касанием движущихся частей, обязательно выключите двигатель, заблокируйте тормоз цепи, снимите батарею и убедитесь, что все движущиеся части остановились перед выполнением следующих операций:

- очистка или устранение засора
- Оставление изделия без присмотра
- установка и снятие насадок

EN
FR
DE
ES
IT
NL
PT
DA
SV
FI
NO
RU
PL
CS
HU
RO
LV
LT
ET
HR
SL
SK
BG
UK
TR

- проверка, техобслуживание и эксплуатация устройства

Размеры рабочей зоны зависят от вида работ и размеров дерева. Например, валка дерева требует большей рабочей зоны, чем другие виды пиления – раскряжевка и т.д.

Оператор должен знать и контролировать все, что происходит в этой рабочей зоне.

Не располагайте ваше тело на одной линии с пильной шиной и цепью. Если действительно произойдет отскок, то это поможет предотвратить соприкосновение цепи с головой или телом.

Не перемещайте пилу вперед-назад, дайте цепи свободно работать. Поддерживайте цепь наточенной. Не пытайтесь протолкнуть цепь через пропил.

Не нажимайте на бензопилу в конце распиловки. Будьте готовы принять вес пилы, когда пиление в древесине закончится. Невыполнение данного требования может привести к получению серьезной травмы.

Не останавливайте пилу в процессе пиления. Не выключайте пилу, пока она не выйдет из пропила.

Возвратно-поступательная тяга

Рабочая тяга всегда противоположна направлению движения пильной цепи. Поэтому оператор должен быть готов противостоять тенденции инструмента к вытягиванию наружу (движение вперед) при пилении нижним краем шины и толчку назад (к оператору) при пилении верхним краем.

Пилу заклинило в пропиле

Остановите цепную пилу и обеспечьте ее безопасное состояние. Не пытайтесь с излишним усилием вынуть цепь и шину из пропила, так как при этом цепь может повраться, отлететь назад и ударить оператора. Такая ситуация обычно возникает из-за того, что дерево неправильно поддерживается и сдавливает пропил, заставляя его закрыться, таким образом защемляя зубья пилы. Если регулировкой подпоры не удастся освободить шину и цепь, используйте для расширения пропила и освобождения пилы деревянные клинья или рычаг. Никогда не запускайте цепную пилу, если пильная шина находится в пропиле.

Индивидуальные средства защиты

Высококачественные индивидуальные средства защиты, используемые профессионалами, снижают опасность получения оператором телесных повреждений. При эксплуатации цепной пилы должны использоваться следующие средства:

Каска

- должна соответствовать EN 397 и иметь маркировку CE

Устройства защиты слуха

- должна соответствовать EN 352-1 и иметь маркировку CE

Средства защиты органов зрения и слуха

- должны иметь маркировку CE и соответствовать EN 166 (для бесосколочных стекол) или 1731 EN (для сетчатых козырьков)

Перчатки

- должна соответствовать EN381-7 и иметь маркировку CE

Защита ног (защитные гетры)

- должны соответствовать EN381-5, иметь маркировку CE и обеспечивать полную защиту.

Защитная обувь

- должна соответствовать EN ISO 20345:2004 и быть маркирована знаком, изображающим цепную пилу, что указывает на соответствие EN 381-3. (Непостоянные пользователи могут использовать защитную обувь со стальным носком и защитными гетрами, которые соответствуют EN 381-9, если поверхность грунта ровная и опасность потери сцепления или захвата подроста невелика)

Куртка для работы с цепной пилой, для защиты верхней части тела

- должна соответствовать EN 381-11 и иметь маркировку CE

ИНСТРУКЦИИ ПО ПРАВИЛЬНЫМ СПОСОБАМ ОСНОВНОЙ ВАЛКИ, ОБРЕЗАНИЯ СУЧЬЕВ И ПОПЕРЕЧНОГО ПИЛЕНИЯ

Описание сил, действующих в древесине

Когда вы представляете себе направление давлений и напряжений в древесине, можно устранить возникновение защемлений или, по крайней мере, ожидать их в процессе пиления. Натяжение в древесине приводит к тому, что слои растягиваются и, если пилить эту область, то пропил будет стремиться расходиться по мере прохождения пилы. Если бревно лежит на козлах для пилки дров, а конец свисает без опоры, то напряжение создается на верхней поверхности из-за веса свисающего конца бревна, растягивающего слои древесины. Аналогично, нижняя сторона бревна будет под давлением, и слои древесины сжимаются. Если пропил будет делаться в этой области, то он будет стремиться замкнуться во время пиления. Это приводит к защемлению зубьев пилы.

Валка деревьев

См. рис. 1 - 6.

Если работы по раскряжевке и валке выполняются несколькими лицами одновременно, работы по валке должны быть удалены от работ по раскряжевке на расстояние не менее чем две высоты валимого дерева. Валка деревьев не должна производиться способом, представляющим опасность для любого лица, а также вызывающим повреждение линий электропередачи или наносящим материальный ущерб. Если произойдет контакт дерева с какой-либо линией электропередачи, следует немедленно известить об

этом соответствующую энергетическую компанию.

При валке на косогоре стойте всегда выше дерева, т.к. после падения оно может покатиться вниз.

Путь отхода должен быть продуман и, при необходимости, расчищен до начала пиления. Путь отхода должен идти назад и вбок относительно ожидаемого направления падения.

Перед началом валки определите естественный наклон дерева, расположение крупных ветвей и направление ветра, чтобы оценить предположительный путь падения дерева.

Удалите с дерева грязь, камни, отставшую кору, гвозди, скобы и провода.

Не пытайтесь спилить гнилые или поврежденные ветром, огнем, молнией и т.п. деревья.

Такая работа чрезвычайно опасна и должна выполняться специалистом по обрезке деревьев.

1. Валочный пропил

См. рис. 1 - 6.

Сделайте так называемый обратный пропил на 1/3 от диаметра дерева перпендикулярно к направлению падения и с той же стороны. Сначала сделайте нижний горизонтальный обратный пропил. Это поможет предотвратить защемление пильной цепи или шины при выполнении второго пропила.

2. Валочный пропил

См. рис. 1 - 6.

Сделайте валочный пропил выше горизонтального обратного пропила минимум на 50 мм. Поддерживайте валочный пропил параллельным горизонтальному обратному пропилу. Сделайте валочный пропил таким образом, чтобы осталось достаточно древесины для перемычки. Перемычка на дереве предотвращает вращение дерева и обеспечивает падение в нужном направлении. Не перепиливайте перемычку.

Как только валочный пропил дойдет до перемычки, дерево должно начать падать. Если существует возможность того, что дерево не упадет в нужном направлении или отклонится назад и зажмет пильную цепь, прекратите пиление до завершения валочного пропила и используйте деревянные, пластиковые или алюминиевые клинья, чтобы разжать пропил и наклонить дерево в нужную сторону падения.

Когда дерево начнет падать, выньте цепную пилу из пропила, остановите двигатель, отложите цепную пилу, а затем воспользуйтесь подготовленным путем отхода. Остерегайтесь падения ветвей сверху и следите за своей опорой.

Обрезание несущих корней

См. рис. 7 - 8.

Несущие корни - это крупные корни, отходящие от ствола к земле. Обрезайте эти корни перед валкой дерева. Сделайте сначала горизонтальный разрез (А)

в корне, затем вертикальный (В). Удалите вырезанную часть (С) из рабочей зоны. Удалив несущие корни, приступайте к валке дерева.

Раскряжевка бревен

См. рис. 9 - 11.

Раскряжевка – это распиловка бревна по длине. Необходимо обеспечить устойчивую опору и равномерное распределение веса на обе ноги. По возможности, бревно нужно поднять и подпереть с помощью ветвей, бревен или деревянных чурок. Соблюдайте простые правила для облегчения пиления. Если бревно подперто по всей длине, оно пиляется сверху (надпил).

Если бревно подперто с одного конца, пропилите 1/3 диаметра снизу (подпил). Затем завершите пиление, сделав надпил до встречи с первым пропилом.

Если бревно поддерживается с обоих концов, пропилите 1/3 диаметра сверху (надпил). Затем завершите пиление, сделав подпил на 2/3 снизу до встречи с первым пропилом.

Если раскряжевка выполняется на склоне, следует всегда находиться на верхней по склону стороне бревна. При сквозном пропиливании, чтобы сохранить полный контроль до конца, ослабьте давление на пилу при приближении к концу пропила, не ослабляя захват рукояток цепной пилы. Не допускайте контакта цепи с землей. После завершения пиления подождите, пока цепь пилы остановится, прежде чем перемещать цепную пилу. Всегда останавливайте двигатель, прежде чем перейти от дерева к дереву.

Сучкование дерева

См. рис. 12 - 13.

Сучкование – это удаление сучьев с поваленного дерева. При сучковании, не обрезайте первыми крупные нижние ветви, чтобы они поддерживали дерево над землей. Срезайте небольшие ветки за один проход. Напряженные ветви следует пилить снизу вверх, во избежание заклинивания пильной пилы.

Пружинящие стебли

См. рис. 14 - 15.

Хлыст (А) - это ветка, выкорчеванный корень или куст, натянутый под давлением другим деревом. Хлыст может резко выпрямиться, если отрезать держащее его дерево.

Пень поваленного дерева часто возвращается в вертикальное положение, когда ствол отрезают от него до конца. Будьте осторожны! Хлысты опасны.



ОСТОРОЖНО!

Хлысты могут ударить рабочего и вывести бензопилу из-под его контроля. Это ведет тяжелым и даже смертельным травмам. Это должно выполняться квалифицированными пользователями.

ТРЕБОВАНИЯ БЕЗОПАСНОСТИ ПРИ ИСПОЛЬЗОВАНИИ ДОПОЛНИТЕЛЬНОЙ АККУМУЛЯТОРНОЙ БАТАРЕИ



ОСТОРОЖНО!

Для предотвращения опасности пожара в результате короткого замыкания, травм и повреждения изделия не опускайте инструмент, сменный аккумулятор или зарядное устройство в жидкости и не допускайте попадания жидкостей внутрь устройств или аккумуляторов. Коррозионные и проводящие жидкости, такие как соленый раствор, определенные химикаты, отбеливающие средства или содержащие их продукты, могут привести к короткому замыканию.

БУДЬТЕ ВСЕГДА ОСТОРОЖНЫ

Даже когда изделие используют согласно инструкциям, невозможно полностью устранить факторы риска. При эксплуатации могут возникнуть следующие ситуации, которым пользователь должен уделять особое внимание, чтобы избежать проблем:

- Травмы, вызываемые вибрацией
 - Применяйте инструмент только по своему назначению. Пользуйтесь специальными рукоятками. Ограничьте время работы.
- Воздействие шума может привести к повреждению слуха.
 - Носите устройства защиты слуха и ограничивайте продолжительность шумового воздействия
- травма от контакта с зубцами цепи
- травма, вызываемая отлетающими частицами обрабатываемого материала (опилки и щепки)
- Травмы, вызываемые вдыханием пыли и ворсинок
- травма, вызываемая попаданием смазки или масла на кожу

СНИЖЕНИЕ РИСКА

Считается, что вибрация ручного инструмента может привести к проявлению у отдельных лиц так называемой болезни Рейно (Raynaud's Syndrome). К симптомам могут относиться покалывание, онемение и побеление пальцев (как при переохлаждении). Считают, что наследственные факторы, охлаждение и влажность, диета, курение и практический опыт способствуют развитию этих симптомов. Ниже приводятся меры, которые может принять оператор для снижения воздействия вибрации:

- Одевайтесь теплее в холодную погоду. При работе с устройством пользуйтесь перчатками, чтобы руки и запястья были в тепле.

- После каждого этапа работы выполните упражнения для усиления кровообращения.
- Чаще делайте перерывы в работе. Сократите длительность ежедневного пребывания на открытом воздухе.
- Защитные перчатки, продаваемые поставщиками профессиональных цепных пил, предназначены специально для использования с цепной пилой, они обеспечивают защиту, хороший захват, а также уменьшают воздействие вибрации рукоятки.

При появлении каких-либо из указанных симптомов сразу же прекратите работу и обратитесь по их поводу к врачу.



ОСТОРОЖНО!

Слишком продолжительное использование инструмента может привести к травме. При использовании инструмента в течение длительного времени делайте регулярные перерывы.

НАЗНАЧЕНИЕ

Инструмент предназначен только для использования на открытом воздухе. Из соображений безопасности всегда необходимо эксплуатировать инструмент, управляя им двумя руками.

Данный инструмент предназначен для распила веток, стволов, бревен и бруса, диаметр которых определяется длиной резания пильной шины. Предназначено только для распила дерева. Инструмент предназначен только для бытового применения взрослыми, прошедшими соответствующее обучение на предмет потенциальной опасности, профилактических мер и действий, предпринимаемых при эксплуатации.

Он не предназначен для использования профессиональными службами озеленения. К использованию устройством не должны допускаться дети или лица без соответствующих средств защиты и одежды.

Использование изделия допускается только в целях, указанных в разделе "Назначение".



ОСТОРОЖНО!

При использовании устройства необходимо соблюдать правила техники безопасности. В целях вашей безопасности и безопасности окружающих необходимо прочитать и полностью уяснить настоящие инструкции перед эксплуатацией устройства. Вам необходимо пройти профессионально организованные курсы по безопасности эксплуатации, профилактическим действиям, первой помощи и техническому обслуживанию цепных пил. Сохраните данные инструкции для последующего использования.



ОСТОРОЖНО!

Цепные пилы являются потенциально опасными инструментами. Несчастные случаи, связанные с использованием цепных пил, обычно приводят к повреждениям конечностей и летальному исходу. Но не только сама цепная пила может быть источником опасности. Падающие ветви, сваливающиеся деревья, укатывающиеся бревна могут убить человека. Поврежденная или сгнившая древесина представляет дополнительную опасность. Вы должны оценить свою способность выполнять поставленные задачи безопасно. Если у вас есть сомнения, доверьте эту работу профессиональному специалисту по резке дерева.

ИЗУЧИТЕ УСТРОЙСТВО

См. стр. 6-7.

1. Аккумулятор
2. Кнопка разблокировки курка
3. Задняя ручка
4. Курковый переключатель
5. Комбинированный гаечный ключ
6. Передняя ручка
7. Крышка масляного бака
8. Защитное приспособление пильной шины
9. Пильная цепь
10. Шина
11. Шип Бампера
12. Уловитель цепи
13. Натяжной винт
14. Кожух цепи
15. Гайки крепления шины
16. Передний защитный щиток тормоз пильной цепи

УСТРОЙСТВА БЕЗОПАСНОСТИ

Противоотскоковая пильная цепь

Пильная цепь с низкой отдачей снижает опасность отскока.

Ограничители глубины перед каждым зубом пильной цепи могут сократить силу отскока, не давая зубьям слишком глубоко врезаться в дерево. Используйте запасные пильные шины и цепи, только рекомендуемые производителем.

Будьте вдвойне бдительны после заточки цепи: она легче отскакивает. Для вашей безопасности производите замену цепей пилы при остановке процесса резания.

Шип Бампера

Составной шип бампера может использоваться как центр при создании среза. Это поможет надежно удерживать корпус цепной пилы при пилении. При выполнении пиления нажимайте на инструмент от себя, пока упорные зубья не войдут в край древесины, а затем двигайте задней рукояткой вверх-вниз на линии пропила – это поможет уменьшить физическую нагрузку при пилении.

Шина

Как правило, у пильных шин с небольшим радиусом режущих концов вероятность отбрасывания несколько ниже. Необходимо использовать пильную шину и подходящую цепь, которая имеет длину, достаточную для работы. Увеличенная длина шины повышает опасность потери управляемости во время пиления. Регулярно проверяйте натяжение цепи. При пилении небольших ветвей (короче полной длины пильной шины) цепь может соскочить, если ее натяжение установлено неправильно.

Тормоз цепи

Этот тормоз предназначен для быстрой остановки пильной цепи. При перемещении вперед тормоз пильной цепи/защитный щиток должен немедленно останавливать цепь. Тормоз пильной цепи не предупреждает отскоков. Это только снижает опасность телесного повреждения в случае соприкосновения пильной шины с телом оператора при возникновении отскока. Тормоз пильной цепи должен проверяться перед каждым использованием на предмет правильной работы в обоих положениях – рабочем положении и положении торможения.

Уловитель цепи

Ограничитель цепи предотвращает отбрасывание пильной цепи в сторону оператора при ее ослаблении и разрыве.

ЭКСПЛУАТАЦИЯ



ОСТОРОЖНО!

Если любые части повреждены, или отсутствуют не использовать это изделие, пока части не заменены. Пренебрежение данным предупреждением может привести к тяжкому телесному повреждению.

Установка аккумуляторной батареи

См. стр. 6.

Установите аккумуляторный блок в изделие. Вставьте выступающую контактную колодку аккумуляторного блока в гнездо батарейного отсека устройства.

Перед началом работы убедитесь в том, что крючок на блоке аккумулятора защелкнулся и аккумуляторный блок надежно зафиксирован.

Обращение с изделием

См. рис. 1.

Держите инструмент правой рукой за заднюю ручку, а левой за переднюю. Обхватите обе рукоятки, используя большой и остальные пальцы рук. Большой палец левой руки, удерживающей переднюю рукоятку, должен располагаться снизу.

Запуск изделия

См. стр. 8.

Перед началом работы необходимо установить в инструмент батарею и перевести тормоз пильной цепи в рабочее положение, потянув рычаг тормоза цепи/устройство защиты рук к передней рукоятке.

Чтобы запустить инструмент, потяните разблокировку рычажка, а затем нажмите рычажок газа.

Проверка и работа цепного тормоза

См. стр. 20.

Включите тормоз пильной цепи, вращая левую руку вокруг передней рукоятки. При быстром вращении цепи тыльной стороной кисти толкните рычаг тормоза пильной цепи/устройство защиты рук к шине. Постоянно держите пилу обеими руками за обе рукоятки.

Верните тормоз пильной цепи в рабочее положение, взявшись за верх рычага тормоза пильной цепи/устройства защиты рук и потянув его к передней рукоятке до щелчка.



ОСТОРОЖНО!

Если тормоз цепи не останавливает цепь немедленно, или если тормоз цепи не будет оставаться в управляемом положении без помощи, отнести пилу в авторизованный центр обслуживания для ремонта до использования.

Регулировка натяжения цепи

(см. стр. 14 - 15)

Перед запуском и использованием изделия извлеките аккумуляторный блок.

Ослабьте гайку крепления шины для ручной затяжки.

Натяжка цепи осуществляется вращением натяжного винта, периодически проверяя цепь. Ослабление цепи осуществляется вращением натяжного винта против часовой стрелки с периодической проверкой натяжения цепи.

Правильность натяжения цепи определяется зазором между режущим элементом цепи и направляющей, который должен составлять 6,5 мм (0,256 дюйма). Вытяните цепь вниз в середине нижней стороны шины (от шины) и измерьте расстояние между шиной и зубьями цепи.

Смазка цепи смазочным маслом

(см. стр. 16 - 17)



ОСТОРОЖНО!

Никогда не работайте без смазки цепи. При использовании цепи пилы без смазки пильная шина и цепь пилы могут получить повреждения. Поэтому важно регулярно проверять уровень масла по указателю уровня масла и каждый раз перед началом использования цепной пилы.

Протрите поверхность около масляного колпачка во избежание загрязнения.

Открутите и снимите крышку с масляного бака.

Залейте масло в масляный бак и проверьте указатель уровня масла. При заливке масла не допускайте попадания грязи в масляный бак.

Поставьте масляный колпачок на место и заверните его. Вытрите все подтеки.

ТРАНСПОРТИРОВКА И ХРАНЕНИЕ

Остановите устройство, извлеките батарею и дайте им остыть перед постановкой на хранение или транспортировкой.

Очистите устройство от всех посторонних материалов. Храните его в прохладном, сухом, хорошо проветриваемом и недоступном для детей месте. Не держите бензопилу рядом с коррозионными веществами, такими как садовые химикаты или размораживающая соль. Не храните на открытом воздухе.

Перед хранением или транспортировкой пилы наденьте на пильную шину крышку.

Для транспортировки закрепите изделие так, чтобы оно не могло перемещаться или упасть во избежание травмирования персонала или повреждения изделия.

ТЕХНИЧЕСКОЕ ОБСЛУЖИВАНИЕ



ОСТОРОЖНО!

Используйте только дополнительное оборудование ЕСНО и запасные детали ЕСНО. Невыполнение этого требования может привести к травме, к снижению производительности и к аннулированию гарантии. При необходимости замены неуказанных здесь компонентов обратитесь к одному из сервисных представителей ЕСНО.



ОСТОРОЖНО!

Обслуживание требует чрезвычайной заботы и знания и должно быть выполнено только квалифицированным техником обслуживания. Обратитесь в авторизованный сервисный центр для техобслуживания. При выполнении технического обслуживания используйте только оригинальные запчасти от производителя.



ОСТОРОЖНО!

Извлекайте батарею перед регулировкой, обслуживанием или очисткой. Несоблюдение этого правила может привести к серьезным травмам.

- Вы можете выполнять работы по регулировке и обслуживанию, которые описаны в данном руководстве. По вопросу ремонта обращайтесь в авторизованный сервисный центр.
- Следствием неправильного технического обслуживания может быть неверная работа тормоза пильной цепи и других средств безопасности, что повышает опасность причинения тяжелых телесных повреждений. Поддерживайте цепную пилу в безопасном состоянии и выполняйте профессиональное техобслуживание.
- Безопасная отточка цепи - задача, требующая навыка. Таким образом, производитель строго рекомендует производить замену изношенной и тупой цепи на новую, которую можно получить в авторизованном сервисном центре. Номер детали доступен в таблице спецификаций изделия в руководстве.
- Соблюдайте инструкции по смазке, проверке натяжения цепи и регулировке.
- После каждого использования протирайте изделие мягкой сухой тканью.
- Проверить все болты, задвижки, и винты, через короткие интервалы, на надлежащую плотность, чтобы убедиться, что оборудование находится в безопасном, рабочем состоянии. В случае повреждения какой-либо детали необходимо обратиться в авторизованный сервисный центр для выполнения надлежащего ремонта или замены.

Замена пильной шины и цепи

(см. стр. 10 - 13)

Произведите снятие батареи. Надевайте защитные перчатки.

Извлеките гайки крепления шины с помощью комбинированного гаечного ключа в комплекте.

Снимите кожух цепи.

Снимите шину и цепь с устройства.

Поместите новую цепь на шину в правильном направлении и удостоверьтесь в том, что приводные звенья расположены в канавке шины.

Прикрепите шину к цепной пиле и наденьте цепь на ведущую звездочку.

Установите кожух цепи и гайки крепления шины на место.

Затяните гайки крепления шины вручную. Шина должна иметь возможность перемещаться при регулировке натяжения цепи.

Регулировка натяжения цепи. См. раздел «Регулировка натяжения цепи».

Придерживая носок шины, крепко затяните ее гайки.

Осмотр и очистка тормоза пильной цепи

См. стр. 22.

Всегда содержите в чистоте механизм тормоза пильной цепи, бережно очищая соединения от грязи щеткой.

После очистки всегда проверяйте работу тормоза пильной цепи. Дополнительную информацию можно найти в разделе "Проверка и использование цепного тормоза" настоящего руководства.

СПИСОК ОБСЛУЖИВАНИЯ

Ежедневная проверка	
Смазка Шины	Перед каждым использованием
Напряженность Цепи	Перед каждым использованием и регулярно
Острота Цепи	Перед каждым использованием, визуальная проверка
На поврежденные части	Перед каждым использованием
На свободные застёжки	Перед каждым использованием
Цепной тормоз	Перед каждым использованием
Осмотр и Чистка	
Шина	Перед каждым использованием
Целостность пилы	после каждого использования
Тормоз цепи	Каждые 5 часов*

*Часы Действия

ЗАПАСНЫЕ ЧАСТИ

Деталь	Номер детали
Шина	6000945
Пильная цепь	90PX056X

БАТАРЕИ

- Аккумуляторные блоки, которые не использовались какое-то время, перед началом эксплуатации необходимо зарядить.
- При температуре выше 50°C (122°F) производительность аккумуляторного блока снижается. Не допускайте длительного воздействия жары или солнечных лучей (риск перегрева).
- Контакты зарядного устройства и аккумуляторных блоков должны содержаться в чистоте.
- Для обеспечения оптимального срока службы после использования изделия аккумуляторные блоки необходимо полностью заряжать.

- Для обеспечения максимального срока службы аккумуляторного блока после каждой зарядки извлекайте его из зарядного устройства.

Для хранения аккумуляторной батареи свыше 30 дней:

- Храните аккумуляторную батарею при температуре ниже 27°С в местах без повышенной влажности.
- Храните батарею с зарядом 30%-50% от номинального.
- После каждых шести месяцев хранения зарядите ее обычным образом.

ПЕРЕВОЗКА ЛИТИЕВЫХ БАТАРЕЙ

При обращении с литий-ионной батареей выполняйте рекомендации постановлений об обращении с опасными изделиями.

Транспортировка указанных аккумуляторов должна осуществляться в соответствии с региональными, национальными и международными нормами и правилами.

- Пользователь может перевозить батареи автотранспортом без дополнительных требований.
- Коммерческая транспортировка литий-ионных аккумуляторов третьими лицами регулируется правилами обращения с опасными грузами. Подготовка транспорта и перевозка должны выполняться только обученным работником и под наблюдением соответствующих специалистов.

При транспортировке аккумуляторов:

- Убедитесь, что батарея и контакты защищены и изолированы для предотвращения короткого замыкания.
- Убедитесь в том, что аккумуляторный блок надежно зафиксирован внутри упаковки.
- Не транспортируйте поврежденные или протекающие батареи.

За консультацией обращайтесь в транспортно-экспедиционную компанию.

УСЛОВНЫЕ ОБОЗНАЧЕНИЯ



Внимание



Внимательно прочитайте все инструкции перед началом работы с продуктом, соблюдайте все предупреждения и инструкции по безопасности.



Носите устройства защиты зрения и слуха, а также защитную каску.



При работе с данным изделием надевайте нескользящую защитную обувь.



Надевайте нескользящие перчатки для работы в тяжелых условиях.



Не забывайте о возможности отскока пильной цепи и не прикасайтесь к концу пильной шины.



Не подвергайте инструмент воздействию дождя и не используйте в условиях повышенной влажности.



Работайте бензопилой, держа ее обеими руками.



Не работайте бензопилой, держа ее одной рукой.



Установите тормоз пильной цепи в положение РАБОТА.



Установите тормоз пильной цепи в положение ТОРМОЗ.



Гарантированный уровень звуковой мощности 106 дБ



Украинский знак стандартизации



Знак Евразийского Соответствия



Отработанная электротехническая продукция должна уничтожаться вместе с бытовыми отходами. Утилизируйте, если имеется специальное техническое оборудование. По вопросам утилизации проконсультируйтесь с местным органом власти или предприятием розничной торговли.



Настоящий инструмент отвечает всем официальным стандартам страны ЕС, в которой он был приобретен.

Следующие сигнальные слова и значения предназначены для того, чтобы объяснить уровень риска, связанного с этим изделием:



ОПАСНО

Указывает неизбежно опасную ситуацию, которая, если не избежать, кончится смертельным или серьезным ущербом.

 **ОСТОРОЖНО**

Указывает потенциально опасную ситуацию, которая, если не избежать, может кончиться смертельным или серьезным ущербом.

 **ПРЕДОСТЕРЕЖЕНИЕ**

Указывает потенциально опасную ситуацию, которая, если не избежать, может кончиться малым или уменьшенным ущербом.

ПРЕДОСТЕРЕЖЕНИЕ

Употребляется без предупреждающего знака

Указывает на ситуацию, которая может привести к повреждению имущества.

EN
FR
DE
ES
IT
NL
PT
DA
SV
FI
NO
RU
PL
CS
HU
RO
LV
LT
ET
HR
SL
SK
BG
UK
TR



**DANE TECHNICZNE****PILARKA ŁAŃCUCHOWA****ECCS-58V**

Numer seryjny	17402201000001 - 17402201999999
Napięcie znamionowe	51,1 V, 58 V maks.
Maksymalna długość prowadnicy	400 mm
Pojemność zbiornika oleju łańcuchowego	177 ml
Masa (Bez akumulatora, z prowadnicą, łańcuchem i pustym zbiornikiem paliwa)	4,83 kg
Ciężar (z akumulatorem 4,0 Ah)	6,73 kg
Ciężar (z akumulatorem 2,0 Ah)	6,03 kg
Maksymalna prędkość bez obciążenia	21 m/s
Użyteczna długość cięcia	250 mm
Poziom emisji hałasu (zgodnie z normą EN 60745-1, EN 60745-2-13)	
Poziom ciśnienia akusytcznego (A) w miejscu operatora (L_{PA})	94,5 dB(A)
K_{PA} :	2,5 dB(A)
A-weigA-ważony poziom natężenia hałasu (L_{WA})	105,5 dB(A)
K_{WA} :	2,5 dB(A)
Poziom wibracji (zgodnie z normą EN 60745-1; EN 60745-2-13) (przód/tył)	2,1 / 2,8 m/s ² K = 1,5 m/s ²

AKUMULATOR I ŁADOWARKA**ECCS-58V**

Pasujące akumulatory	ECBP-58V40 / ECBP-58V20
Zgodna ładowarka	ECBC-58VEU / ECBC-58VUK

**OSTRZEŻENIE!**

Podany w niniejszym arkuszu informacyjnym poziom emisji wibracji zmierzono zgodnie ze znormalizowanym testem opisanym w normie EN 60745 — może on być wykorzystywany do wzajemnego porównywania narzędzi. Można go wykorzystywać do wstępnej oceny narażenia.

Deklarowany poziom emisji wibracji odpowiada głównym zastosowaniom narzędzia. Jeżeli jednak narzędzie będzie używane do innych zastosowań lub z innymi akcesoriami, bądź też jeśli będzie niewłaściwie konserwowane, poziom emisji wibracji będzie się różnił. Może to prowadzić do znaczącego wzrostu poziomu narażenia w całym okresie eksploatacji.

Oszacowanie poziomu narażenia na wibracje powinno również uwzględniać okresy, w których narzędzie jest wyłączone bądź działa, ale nie jest wykorzystywane do pracy. Może to prowadzić do znaczącego ograniczenia poziomu narażenia w całym okresie eksploatacji.

Zidentyfikować dodatkowe środki bezpieczeństwa w celu ochrony operatora przed skutkami wibracji, czyli na przykład: konserwować narzędzie i akcesoria, dbać o odpowiednią ciepłotę dłoni, odpowiednio układać harmonogram prac.



OGÓLNE OSTRZEŻENIA DOTYCZĄCE BEZPIECZEŃSTWA



OSTRZEŻENIE!

Zapoznaj się ze wszystkimi zasadami bezpieczeństwa i instrukcjami. Niezastosowanie się do ostrzeżeń i instrukcji może spowodować porażenie prądem, pożar oraz/lub poważne obrażenia ciała.

Zachowajcie te ostrzeżenia i zalecenia, aby móc się do nich odnieść w późniejszym czasie.

Termin "elektronarzędzia" stosowany w przedstawionych tu zasadach bezpieczeństwa odnosi się zarówno do urządzeń zasilanych z sieci energetycznej (przewodowych) jak i urządzeń zasilanych z akumulatora (bezprowadowych).

OTOCZENIE ROBOCZE

Miejsce pracy musi być utrzymywane w czystości i dobrze oświetlone. Obszary zaśmieczone lub niewystarczająco oświetlone mogą być przyczyną wypadku.

Nie wolno uruchamiać urządzeń elektrycznych w miejscach, gdzie grozi to wybuchem, na przykład w pobliżu łatwopalnych cieczy, gazów lub pyłów. Urządzenia elektryczne mogą wytwarzać iskry, które mogą być przyczyną zapłonu pyłów lub oparów.

Podczas używania narzędzi elektrycznych należy utrzymywać osoby postronne i dzieci z dala od miejsca pracy. Odwrócenie uwagi operatora może spowodować utratę kontroli nad urządzeniem.

ZASADY BEZPIECZEŃSTWA DOTYCZĄCE OBSŁUGI URZĄDZEŃ ELEKTRYCZNYCH

Wtyczki zasilania elektronarzędzi muszą pasować do gniazd sieciowych. Nie wolno modyfikować wtyczek w żaden sposób. Nie wolno używać żadnych przejściówek do podłączania urządzeń posiadających przewód zasilania z ziemiowaniem. Stosowanie oryginalnych wtyczek i dopasowanych gniazd sieciowych zmniejsza ryzyko porażenia prądem.

Unikać kontaktu ciała z powierzchniami uziemionymi lub podłączonymi do bieguna zerowego, np. rury, instalacje grzewcze i chłodnicze. Kontakt ciała z masą lub uziemieniem zwiększa ryzyko porażenia prądem.

Nie narażać tego produktu na działanie deszczu lub wody. Przedostanie się wody do wnętrza elektronarzędzia zwiększa ryzyko porażenia prądem.

Nie uszkodzić przewodu zasilania. Nie wolno używać przewodu zasilania do przenoszenia, ciągnięcia urządzenia lub jego odłączania z gniazda sieciowego. Przewody elektryczne trzymać z dala od źródeł ciepła, oleju, ostrych krawędzi lub ruchomych elementów. Uszkodzony lub zaplątany przewód elektryczny zwiększa ryzyko porażenia prądem.

W przypadku używania urządzenia na zewnątrz, ewentualne przedłużacze muszą być do tego przystosowane. Zastosowanie przedłużacza

przystosowanego do warunków zewnętrznych zmniejsza ryzyko porażenia prądem.

Jeśli nie można uniknąć użytkowania urządzenia elektrycznego w warunkach wilgotnych, należy je zasilac z obwodu zabezpieczonego wyłącznikiem różnicowo-prądowym (RCD). Zastosowanie takiego wyłącznika pozwala zmniejszyć ryzyko porażenia prądem elektrycznym.

BEZPIECZEŃSTWO OSOBISTE

Zachowywać skupienie, uważnie obserwować wykonywane czynności, stosować zasady zdrowego rozsądku podczas obsługi urządzenia. Nie używać urządzeń elektrycznych w stanie zmęczenia lub będąc pod wpływem leków, alkoholu lub środków odurzających. Moment nieuwagi podczas obsługi elektronarzędzia może być przyczyną poważnego zranienia.

Stosować środki ochrony osobistej. Zawsze nosić okulary ochronne. Stosowanie takich środków ochrony osobistej jak maska przeciwpyłowa, obuwie antypoślizgowe, twarde nakrycie głowy, nauszники pozwoli zmniejszyć ryzyko zranienia.

Unikać możliwości przypadkowego uruchomienia urządzenia. Przed podłączeniem do zasilania/założeniem akumulatora lub w celu jego podniesienia lub przeniesienia należy upewnić się, że wyłącznik zasilania znajduje się w położeniu wyłączonym. Przenoszenie elektronarzędzia z palcem na wyłączniku lub podłączenie zasilania do urządzenia, w którym wyłącznik znajduje się w położeniu włączonym grozi wypadkiem.

Usunąć wszelkie narzędzia i klucze przed włączeniem zasilania. Uruchomienie elektronarzędzia z kluczem założonym na ruchomym elemencie grozi poważnym wypadkiem.

Nie sięgać zbyt daleko. Należy cały czas pewnie opierać stopy i utrzymywać równowagę. Zapewni to lepsze panowanie nad urządzeniem w nieprzewidzianych sytuacjach.

Należy zakładać odpowiednią odzież ochronną. Nie zakładać luźnego ubioru ani biżuterii. Trzymać włosy, ubranie i okulary z dala od ruchomych elementów. Mogą być one wciągnięte przez ruchome części urządzenia.

Jeśli używane urządzenie posiada przyłączy do wyciągu i gromadzenia kurzu, należy go używać w odpowiedni sposób. Stosowanie metod usuwania pyłu zmniejsza zagrożenie związane z jego gromadzeniem.

UŻYTKOWANIE I KONSERWACJA URZĄDZEŃ ELEKTRYCZNYCH

Nie przeciążać urządzenia. Używać odpowiedniego narzędzia do odpowiedniego rodzaju prac. Najlepsze efekty pracy, przy zachowaniu pełnego bezpieczeństwa, zapewni używanie urządzeń w zakresie parametrów znamionowych i stosownie do ich przeznaczenia.

Nie używać tego urządzenia, jeśli wyłącznik nie pracuje poprawnie. Używanie elektronarzędzia bez sprawnego wyłącznika jest zbyt niebezpieczne - należy oddać je do naprawy.



Przed przystąpieniem do regulacji, wymiany akcesoriów lub przed odłożeniem elektronarzędzia w miejsce przechowywania należy wyjąć wtyczkę z gniazda sieciowego lub wyjąć akumulator. Tego rodzaju środki zapobiegawcze pozwolą zmniejszyć ryzyko przypadkowego uruchomienia elektronarzędzia.

Nieużywane urządzenia należy przechowywać poza zasięgiem dzieci. Nie wolno zezwalać osobom nie obeznanym z obsługą urządzeń elektrycznych na ich używanie. Urządzenia elektryczne mogą być niebezpieczne w rękach osób nieposiadających odpowiedniego przygotowania.

Urządzenia elektryczne wymagają konserwacji. Należy sprawdzać wyrównanie elementów ruchomych, sprawdzać, czy nie ma jakichkolwiek uszkodzeń, uwzględniać wszelkie aspekty mające wpływ na bezpieczną pracę urządzenia. W przypadku stwierdzenia uszkodzeń, oddać urządzenie do naprawy. Wiele wypadków spowodowane jest używaniem urządzeń w niewłaściwym stanie technicznym.

Elementy tnące muszą być ostre i czyste. Odpowiednio ostre krawędzie tnące ułatwiają prowadzenie urządzenia i są bardziej odporne na uszkodzenie.

Wszelkie urządzenia, przystawki, akcesoria itp. należy używać zgodnie z dołączonymi instrukcjami obsługi, z uwzględnieniem warunków i charakteru wykonywanej pracy. Używanie narzędzi w sposób niezgodny z ich przeznaczeniem grozi poważnym niebezpieczeństwem.

UŻYTKOWANIE I OBSŁUGA AKUMULATORA

Ładować wyłącznie za pomocą ładowarki dostarczonej przez producenta. Ładowarka przeznaczona do jednego modelu akumulatora może być przyczyną pożaru w przypadku zastosowania do ładowania akumulatora innego typu.

Używać narzędzi ręcznych z napędem elektrycznym wyłącznie z akumulatorami przeznaczonymi do tych urządzeń. Używanie innych akumulatorów wiąże się ze zwiększonym ryzykiem pożaru lub obrażeń ciała.

Gdy akumulator nie jest używany, przechowywać go z dala od innych metalowych przedmiotów, np. spinaczy, monet, kluczy, gwoździ, śrub lub innych małych metalowych przedmiotów, które mogłyby utworzyć połączenie między stykami, prowadząc do zwarcia. Zwarcie styków akumulatora może spowodować oparzenia lub pożar.

W przypadku niewłaściwej obsługi może dojść do wycieku płynu z akumulatora, należy unikać kontaktu z tym płynem. Miejsce ewentualnego kontaktu przepłukać wodą. W przypadku, gdy płyn dostanie się do oczu, po przemyciu zwrócić się o pomoc do lekarza. Płyn wyciekający z akumulatora może powodować podrażnienia i oparzenia.

KONSERWACJA

Urządzenie elektryczne powinno być naprawiane przez wykwalifikowany personel, z zastosowaniem identycznych części zamiennych. Dzięki temu zapewnione będzie bezpieczeństwo użytkownika urządzenia.

DODATKOWE OGÓLNE OSTRZEŻENIA DOTYCZĄCE BEZPIECZEŃSTWA

W niektórych regionach obowiązują przepisy ograniczające używanie produktu. Informacja na ten temat można uzyskać w lokalnych urzędach.

Nie wolno zezwalać ani dzieciom, ani osobom dorosłym nie zaznajomionym z tym podręcznikiem na obsługę tego produktu. Przepisy lokalne mogą ograniczać dopuszczalny wiek operatora.

Przed użyciem należy sprawdzić, czy wszystkie przyrządy sterowania oraz zabezpieczenia działają prawidłowo. Nie należy używać produktu, jeśli wyłącznik („off”) nie umożliwia wyłączenia silnika.

Podczas obsługi produktu należy nosić pełne zabezpieczenie oczu i uszu, grube, wytrzymałe rękawice, jak również zabezpieczenie głowy. W przypadku pracy w zapyłonym miejscu należy nosić maskę oddechową.

Nie należy nosić luźnego ubrania, krótkich spodenek ani żadnej biżuterii.

Długie włosy należy związać, aby znajdowały się powyżej ramion i aby nie zostały pochwycone przez maszyny.

Należy zwrócić uwagę na odrzucane, latające lub spadające objekty. Osoby postronne, dzieci i zwierzęta muszą znajdować się w odległości przynajmniej 15 metrów od miejsca pracy.

Nie pracować w słabym oświetleniu. Operator musi dobrze widzieć miejsce pracy, aby móc zidentyfikować potencjalne zagrożenia.

Stosowanie środków ochrony słuchu zmniejsza słyszalność ostrzeżeń (alarmów, okrzyków). Należy zwracać większą uwagę na to, co dzieje się w miejscu pracy.

Praca podobnych narzędzi w pobliżu zwiększa ryzyko urazu słuchu oraz wtargnięcia innej osoby na miejsce pracy.

Stać stabilnie, zachowując równowagę. Nie sięgać zbyt daleko. Nadmierne wychylenie się może spowodować utratę równowagi i zwiększa ryzyko odskoku.

Wszystkie kończyny należy trzymać z dala od ruchomych elementów urządzenia.

Przed każdym użyciem należy sprawdzić maszynę. Należy sprawdzić, czy wszystkie przyrządy urządzenia, w tym hamulec łańcucha, działają prawidłowo. Należy sprawdzić, czy mocowania nie są poluzowane, upewnić się, czy wszystkie osłony oraz uchwyty są prawidłowo i solidnie zamocowane. Wymienić wszystkie uszkodzone elementy przed rozpoczęciem użytkowania.

Nie należy modyfikować maszyny w żaden sposób ani używać części i akcesoriów, które nie są zalecane przez producenta.





OSTRZEŻENIE!

W przypadku upuszczenia produktu, narażenia jej na silne uderzenie lub w przypadku wystąpienia nietypowych wibracji należy natychmiast zatrzymać produkt i sprawdzić, czy nie ma oznak uszkodzenia lub ustalić przyczynę wibracji. Wszelkie uszkodzone części muszą być odpowiednio naprawione lub wymienione w autoryzowanym punkcie serwisowym.

Nie należy wyrzucać zużytych akumulatorów z odpadami domowymi ani ich palić. Dystrybutorzy sprzętu ECHO oferują odbiór zużytych akumulatorów w celu ochrony środowiska.

Nie przechowywać akumulatora z metalowymi przedmiotami (ryzyko zwarcia).

Ładować akumulatory wyłącznie ładowarką ECBC-58VEU/ECBC-58VUK. Nie stosować akumulatorów z innych systemów.

Pasujące akumulatory: ECBP-58V40, ECBP-58V20

Przy skrajnym obciążeniu lub w skrajnych temperaturach może dochodzić do wycieków kwasu z uszkodzonych akumulatorów. W przypadku kontaktu z kwasem z akumulatora należy go natychmiast zmyć wodą z mydłem. W przypadku przedostania się do oczu dokładnie płukać przez co najmniej 10 minut i natychmiast zasięgnąć porady lekarza.

Dwie śruby mocujące prowadnicę łańcucha są punktami, na których może dochodzić do wyładowań elektrostatycznych w trakcie pracy urządzenia. Użytkownik musi puścić spust wyzwalający, aby ponownie uruchomić produkt, jeśli dojdzie do zatrzymania z powodu wyładowania elektrostatycznego.

OSTRZEŻENIA BEZPIECZEŃSTWA DOTYCZĄCE PILARKI ŁAŃCUCHOWEJ

W trakcie pracy z produktem trzymać wszystkie części ciała z dala od łańcucha piły. Przed uruchomieniem pilarki łańcuchowej należy upewnić się, że pilarka łańcuchowa nie styła się z żadnym przedmiotem. Chwila nieuwagi podczas obsługi pilarki łańcuchowej może spowodować wplątanie odzieży lub kontakt łańcucha tnącego z częścią ciała.

Pilarkę łańcuchową zawsze należy trzymać w taki sposób, aby prawa ręka spoczywała na tylnym uchwycie a lewa ręka na przednim uchwycie. Trzymanie pilarki łańcuchowej z odwrotnym ustawieniem rąk zwiększa ryzyko obrażeń ciała i nigdy nie wolno trzymać pilarki w ten sposób.

Trzymać produkt wyłącznie za izolowany uchwyt, ponieważ w przeciwnym przypadku łańcuch piły może zetknąć się z ukrytymi przewodami. Zetknięcie pilarki z przewodem pod napięciem spowoduje, że wszystkie metalowe części elektronarzędzia będą również pod napięciem, co w rezultacie spowoduje porażenie operatora prądem elektrycznym.

Należy nosić okulary ochronne i środki ochrony słuchu. Zalecamy stosowanie innych środków ochrony

głowy, rąk, nóg oraz stóp. Odpowiednia odzież robocza ograniczy ryzyko obrażeń ciała na skutek odrzucanych obiektów lub przypadkowego kontaktu z łańcuchem pilarki.

Nie używać pilarki łańcuchowej na drzewie. Obsługa pilarki łańcuchowej na drzewie może spowodować obrażenia ciała.

Zawsze należy zapewnić odpowiednie oparcie dla nóg. Pilarkę łańcuchową można obsługiwać wyłącznie stojąc na stałej, stabilnej i równej powierzchni. Śliskie lub niestabilne powierzchnie, takie jak drabiny mogą spowodować utratę równowagi lub kontroli nad pilarką łańcuchową.

Należy zachować ostrożność w przypadku przecinania naprężonej gałęzi, ponieważ występuje ryzyko odskoczenia gałęzi. Gdy naprężenie włókien drewna zostanie zwolnione, gałąź może odskoczyć i uderzyć operatora oraz/lub spowodować utratę kontroli nad pilarką łańcuchową.

Należy zachować szczególną ostrożność podczas cięcia krzaków i młodych drzew. Wiotki materiał może być pochwycony przez łańcuch pilarki, przyciągnięty do operatora lub operator może stracić równowagę.

Pilarkę łańcuchową należy trzymać za przedni uchwyt, gdy pilarka jest wyłączona i znajduje się z dala od ciała. W przypadku transportu lub przechowywania pilarki łańcuchowej zawsze należy zakładać osłonę prowadnicy. Prawidłowa obsługa pilarki łańcuchowej ograniczy prawdopodobieństwo przypadkowego kontaktu z pracującym łańcuchem pilarki.

Należy postępować zgodnie z instrukcjami dotyczącymi smarowania, napinania łańcucha i wymiany akcesoriów. Nieprawidłowo napięty lub nienasmarowany łańcuch może pęknąć lub zwiększyć ryzyko odbicia piły.

Uchwyt trzymać w czystości, muszą być zawsze suche, wolne od oleju i smarów. Uchwyt pokryte smarem i olejem są śliskie i mogą powodować utratę kontroli.

Należy ciąć wyłącznie drewno. Pilarkę łańcuchową należy używać wyłącznie zgodnie z jej przeznaczeniem. Na przykład nie należy używać pilarki łańcuchowej do cięcia plastiku, muru ani materiałów budowlanych innych niż drewniane. Stosowanie pilarki łańcuchowej do prac niezgodnych z jej przeznaczeniem może doprowadzić do niebezpiecznych sytuacji.

Przyczyny odskoku i środki zaradcze:

Może dojść do odrzutu (odboju) jeżeli czubek prowadnicy łańcucha wchodzi w kontakt z przedmiotem lub gdy łańcuch tnący zaklinuje się czy zablokuje w drewnie podczas piłowania.

W niektórych przypadkach kontakt końcówki może spowodować gwałtowny odskok, na skutek czego prowadnica odskakuje do góry i do tyłu w stronę operatora.

Zakleszczenie łańcucha piły na wysokości górnej krawędzi prowadnicy może spowodować gwałtowne odepchnięcie prowadnicy w stronę operatora.



W każdym przypadku, możecie utracić kontrolę nad piłą łańcuchową i poważnie się zranić. Nie wolno polegać jedynie na elementach zabezpieczających waszej piły łańcuchowej. W celu uniknięcia ryzyka wypadków czy zranienia powinniście podjąć różne środki bezpieczeństwa.

Odskok ma miejsce w rezultacie nieprawidłowego użycia oraz/lub niewłaściwych procedur roboczych lub warunków i można go uniknąć, stosując się do poniższych środków ostrożności:

Należy trzymać urządzenie w pewny sposób, tak aby kciuki i palce obejmowały uchwyty pilarki łańcuchowej, obie ręce znajdowały się na pilarce oraz aby pozycja ciała i ramion była odpowiednia, aby oprzeć się odskokowi. Siły odskoku mogą być kontrolowane przez operatora, jeśli zostaną zastosowane odpowiednie środki zaradcze. Nie wolno utracić kontroli nad pilarką łańcuchową.

Nie należy zbytnio wychylać się ani ciąć powyżej wysokości ramion. Pomoże to wyeliminować niezamierzony kontakt końcówki i zapewni lepszą kontrolę nad pilarką łańcuchową w niespodziewanych sytuacjach.

Należy wyłącznie stosować prowadnice i łańcuchy określone przez producenta. Nieprawidłowe zamiennie prowadnice i łańcuchy mogą spowodować pęknięcie łańcucha oraz/lub odskok.

Przy ostrzeniu i konserwacji łańcucha należy przestrzegać zaleceń producenta. Zmniejszenie wysokości głębokościomierza może zwiększyć siłę odskoku.

DODATKOWE OSTRZEŻENIA BEZPIECZEŃSTWA DOTYCZĄCE PILARKI ŁAŃCUCHOWEJ

Zalecamy ciąć kłody na koźle w przypadku pierwszej obsługi produktu.

Należy dopilnować, aby wszystkie osłony, uchwyty oraz oporowy zderzak zębaty było odpowiednio zamontowane i znajdowały się w dobrym stanie.

Osoby używające produktu powinny być w dobrej kondycji zdrowotnej. Produkt jest ciężki, więc operator musi być sprawny fizycznie. Operator powinien być czujny, skupiony, mieć dobrą widoczność, swobodę ruchu, zachowywać równowagę oraz manualną zręczność. W przypadku wątpliwości nie należy używać produktu.

Nie należy rozpoczynać używania produktu zanim obszar pracy nie będzie dobrze przygotowany, operator zajmie pewną pozycję oraz określi drogę ewakuacji w przypadku spadającego drzewa.

Należy uważać na emisję mgielki środka smarnego oraz pyłu drzewnego. Należy nosić maskę lub respirator, jeśli jest to wymagane.

Nie należy przecinać winorośli oraz/lub niewielkich roślin (o średnicy poniżej 75 mm).

W trakcie użytkowania produktu zawsze trzymać go obydwoma dłońmi. Należy mocno trzymać piłę łańcuchową, palce powinny być wokół uchwytów. Prawa ręka musi znajdować się na tylnym uchwycie, a lewa ręka na przednim uchwycie.

Przed uruchomieniem produktu upewnić się, że łańcuch piły nie styka się z żadnym przedmiotem.

Nie należy modyfikować produktu w żaden sposób ani używać go do napędzania innych urządzeń, które nie są zalecane przez producenta jako współpracujące z produktem.

W pobliżu operatora powinien znajdować się zestaw pierwszej pomocy zawierający duże opatrunki oraz przyrząd do wzywania pomocy (np. gwizdek). Większy, lepiej wyposażony zestaw powinien znajdować się w bliskim sąsiedztwie.

W trakcie użytkowania produktu zawsze nosić kask. Kask z osłoną siatkową może ograniczyć ryzyko urazu twarzy i głowy w przypadku odrzutu.

Nieprawidłowo napięty łańcuch może ześlizgnąć się z prowadnicy i może spowodować poważne obrażenia lub śmierć. Długość łańcucha zależy od temperatury. Należy regularnie sprawdzać napięcie łańcucha.

Należy zaznajomić się z obsługą nowej pilarki łańcuchowej, wykonując proste cięcia na odpowiednio zabezpieczonym drewnie. Należy to zrobić w przypadku, gdy operator przez jakiś czas nie używał pilarki.

Aby ograniczyć ryzyko obrażeń ciała związanych z kontaktem z ruchomymi częściami, zawsze należy zatrzymać silnik, włączyć hamulec łańcucha, wyjąć akumulator i sprawdzić, czy wszystkie ruchome części zatrzymały się przed wykonaniem następujących czynności:

- czyszczenie lub usuwanie blokady
- pozostawianie produktu bez nadzoru
- montaż lub demontaż osprzętu
- sprawdzenie, konserwacja lub obsługa produktu

Powierzchnia strefy roboczej zależy tak samo od rodzaju pracy do wykonania jak i od rozmiaru drzewa czy przedmiotu do obróbki. Np. ścięcie drzewa wymaga większego obszaru pracy niż wykonywanie innych cięć, takich jak przerzwanie itp.

Operator musi być świadomy oraz musi kontrolować wszystko, co dzieje się na obszarze pracy.

Nie należy ciąć, znajdując się w jednej linii z prowadnicą i łańcuchem. W przypadku odskoku pomoże to uniknąć kontaktu głowy lub ciała z łańcuchem.

Nie należy wykonywać ruchów piłowania do przodu/do tyłu. Piłowanie musi odbywać się za pomocą ruchu łańcucha. Łańcuch musi być ostry i nie można dociskać łańcucha do przecięcia.

Pod koniec cięcia nie naciskajcie na piłę łańcuchową. Należy przygotować się do przejścia ciężaru pilarki, gdy przetnie ona drewno. W przeciwnym razie może dojść do poważnych obrażeń ciała.

Nie należy zatrzymywać pilarki w połowie cięcia. Piła musi pracować aż do wyjęcia z wřądu.



Ciąg i naciąg

Siła ciągu (nacisku) przejawia się zawsze w kierunku przeciwnym do ruchu łańcucha. W ten sposób operator musi być gotowy do kontrolowania tendencji odciągnięcia przez maszynę (ruch do przodu) przy cięciu dolnej krawędzi belki i dociągania (w stronę operatora) przy cięciu górnej krawędzi.

Piła zablokowana we wrąbie.

Zatrzymać pilarkę łańcuchową w bezpieczny sposób. Nie próbować wyjmować na siłę łańcucha i prowadnicy z wrąbu, ponieważ może to spowodować pęknięcie łańcucha i w rezultacie odskoczenie i uderzenie łańcuchem operatora. Ta sytuacja z reguły ma miejsce przypadku, gdy drewno jest nieprawidłowo podparte i oddziałuje siła zamykania wrąbu, powodując zaklinowanie ostrza. Jeśli poprawienie podparcia nie pozwoli odblokować prowadnicy i łańcucha, należy użyć drewnianych klinów lub zastosować dźwignię w celu zwolnienia pilarki. Nigdy nie wolno usiłować uruchamiać pilarki łańcuchowej, gdy prowadnica znajduje się we wrąbie lub szczelinie.

Środki ochrony osobistej

Dobrej jakości środki ochrony osobistej stosowane przez zawodowców pomogą ograniczyć ryzyko obrażeń ciała u operatora. W przypadku obsługi pilarki łańcuchowej powinny być używane następujące elementy:

Kask ochronny

- powinien być zgodny z normą EN 397 i mieć oznaczenie CE

Środki ochrony słuchu

- powinien być zgodny z normą EN 352-1 i mieć oznaczenie CE

Ochrona oczu i twarzy

- powinny mieć oznaczenie CE oraz być zgodne z normą EN 166 (dot. okularów ochronnych) lub EN 1731 (siatkowa osłona)

Rękawice

- powinien być zgodny z normą EN381-7 i mieć oznaczenie CE

Ochrona nóg (pęknięcia)

- powinna być zgodna z normą EN 381 -5, mieć oznaczenie CE oraz zapewniać całociową ochronę.

Buty ochronne do pracy z pilarką łańcuchową

- powinny być zgodne z normą EN ISO 20345:2004 i być oznaczone symbolem przydatności do używania z pilarką łańcuchową, zgodnie z normą EN 381-3. (Sporadyczni użytkownicy mogą używać butów ochronnych z metalową wkładką ochronną oraz ochronnymi mieszkami zgodnymi z normą EN 381-9, jeśli podłoże jest równe i występuje niewielkie ryzyko przewrócenia się lub zaplątania się w roślinność)

Kurtki przeznaczone do obsługi pilarki łańcuchowej zapewniające ochronę górnej części ciała

- powinien być zgodny z normą EN 381-11 i mieć oznaczenie CE

INSTRUKCJE DOTYCZĄCE PRAWIDŁOWYCH TECHNIK PODSTAWOWEGO WYRĄBU, OKRZESYWANIA ORAZ CIĘCIA POPRZECZNEGO

Zrozumienie sił oddziałujących w przypadku drewna

Gdy użytkownik zrozumie naciski i naprężenia kierunkowe występujące wewnątrz drewna, będzie mógł ograniczyć częstość zakleszczenia narzędzia lub przynajmniej będzie w stanie przygotować się na nie podczas cięcia. Naprężenie drewna oznacza, że włókna rozciągają się i wycięcie wrębu lub szczeliny w tym miejscu ma tendencję do rozchylania się w miarę zagłębienia piły. Jeśli kłoda opiera się na koźle i końcówka zwisa bez podparcia, wtedy występuje naprężenie górnej powierzchni na skutek ciężaru fragmentu zwisającej kłody, powodując rozciąganie włókien. W ten sam sposób spodnia część kłody będzie ściskana i włókna będą ze sobą ściskane. Jeśli cięcie wykonywane jest w tym obszarze, wrąb będzie miał tendencję do zamykania się podczas cięcia. Spowoduje to zakleszczenie ostrza.

Wyřub drzewa

Zobacz rysunek 1 - 6.

Przy przerynaniu i wyrębie przeprowadzanym jednocześnie przez dwie lub więcej osób, operacje wyrębu powinny być oddzielone od operacji ogławiania odległością stanowiącą przynajmniej dwukrotność wysokości ścinanego drzewa. Drzew nie wolno ścinać w sposób, który może stanowić zagrożenie wobec jakiegokolwiek osoby, może dojść do zetknięcia z linią energetyczną lub do uszkodzenia mienia. Jeśli drzewo zetknie się z linią energetyczną, trzeba natychmiast powiadomić stosowne służby.

Jeżeli teren jest spadkowy, pozostanie na górze terenu, gdyż ścięte drzewo mogłoby się stoczyć czy ześliznąć na dół stoku.

Przed rozpoczęciem cięcia należy zaplanować i odpowiednio przygotować drogę ewakuacji. Droga ewakuacji powinna rozciągać się do tyłu i ukośnie do tyłu przewidywanej linii upadku drzewa.

Przed rozpoczęciem ścinki należy uwzględnić naturalne pochYLENIE drzewa, rozmieszczenie większych konarów oraz kierunek wiatru, aby ustalić kierunek przewrócenia się drzewa.

Należy usunąć z drzewa zanieczyszczenia, luźną korę, gwoździe, klamry oraz drut.

Nie podejmować prób ścinania drzew spróchniałych lub uszkodzonych przez wiatr, pożar, piorun itp.

Czynności te są skrajnie niebezpieczne i powinny być wykonywane wyłącznie przez specjalistów ds. wycinki drzew.

1. Rzaz podcinający

Zobacz rysunek 1 - 6.

Należy wykonać wycięcie o średnicy 1/3 drzewa,



prostopadle do kierunku upadku drzewa. Najpierw należy wykonać niższe poziome cięcie. Pomoże to uniknąć zakleszczenia łańcucha pilarki lub prowadnicy podczas wykonywania drugiego cięcia.

2. Rzaz ścinający

Zobacz rysunek 1 - 6.

Rzaz ścinający należy wykonać przynajmniej 50 mm powyżej poziomego rzazu podcinającego. Rzaz ścinający należy wykonać równoległe do poziomego rzazu podcinającego. Rzaz ścinający należy wykonać w taki sposób, aby pozostawić wystarczająco dużo drewna, które będzie pełnił funkcję zawiasu. Zadaniem zawiasu jest uniemożliwienie przekręcenia się drzewa i spadnięcia w nieprawidłowym kierunku. Nie należy przecinać zawiasu.

Gdy rzaz zbliży się do zawiasu, drzewo powinno zacząć się przewracać. Jeśli występuje jakiegokolwiek ryzyko, że drzewo może przewrócić się w niezamierzonym kierunku lub odchylić się do tyłu i zakleszczyć pilarkę łańcuchową, należy przerwać cięcie przed zakończeniem cięcia i użyć klinów z drewna, tworzywa sztucznego lub aluminium, aby utworzyć rzaz i powalić drzewo w odpowiednim kierunku.

Gdy drzewo zacznie się przewracać, należy wyjąć pilarkę łańcuchową z rzazu, wyłączyć silnik, odłożyć pilarkę łańcuchową i wycofać się zaplanowaną drogą ewakuacji. Należy zwrócić uwagę na spadające konary oraz na przeszkody leżące na ziemi.

Cięcie głównych korzeni

Zobacz rysunek 7 - 8.

Główny korzeń, to gruby korzeń wychodzący z pnia aż do ziemi. Należy ścinać grube korzenie przed przystąpieniem do ścinania drzewa. Wykonajcie najpierw poziome nacięcie w głównym korzeniu, a następnie nacięcie pionowe. Usunąć w ten sposób odciętą część ze strefy roboczej. Przystąpcie do ścinania drzewa po zdjęciu głównych korzeni.

Przerzwanie kłody

Zobacz rysunek 9 - 11.

Przerzwanie to cięcie kłody na odcinki. Ważne jest pewne oparcie na obu nogach oraz odpowiednie rozłożenie ciężaru ciała. Gdy jest to możliwe, kłoda powinna być podniesiona i podparta przy użyciu konarów, kłód lub klocków. Należy postępować zgodnie z prostymi wskazówkami w zakresie cięcia. Gdy kłoda jest podparta na całej długości, jest ona cięta od góry (overbuck).

Gdy kłoda jest podparta na jednym końcu, należy przeciąć 1/3 średnicy od spodu (underbuck). Następnie należy wykonać cięcie kończące, przecinając, aby zejść się z pierwszym cięciem.

Gdy kłoda jest podparta na obu końcach, należy przeciąć 1/3 średnicy od góry (overbuck). Następnie należy wykonać cięcie kończące, przecinając dolne 2/3, aby zejść się z pierwszym cięciem.

W przypadku przecinania na wzniesieniu zawsze należy stać powyżej kłody. W przypadku przecinania, aby zachować pełną kontrolę, należy zwoić nacisk przy cięciu w pobliżu końca rzazu, bez luzowania chwytu na

uchwytach pilarki łańcuchowej. Łańcuch nie może mieć kontaktu z ziemią. Po wykonaniu cięcia należy odczekać aż pilarka łańcuchowa zatrzyma się. Dopiero wtedy można przenieść pilarkę. Przechodząc od drzewa do drzewa, zawsze należy wyłączać silnik.

Okrzesywanie drzewa

Zobacz rysunek 12 - 13.

Okrzesywanie to usuwanie gałęzi zwalonego drzewa. W przypadku okrzesywania należy pozostawić większe dolne konary, aby unieść kłodę nad ziemią. Małe konary należy usunąć jednym cięciem. Naprężone gałęzie należy odcinać od dołu, aby nie dopuścić do zakleszczenia pilarki łańcuchowej.

Sprężynujące drewno

Zobacz rysunek 14 - 15.

Różga jest gałązką, pniakiem wyrwanym z korzeniami, lub drzewkiem które jest zgięte pod innym kawałkiem drewna, tak że rozpręża się ono gwałtownie, kiedy trnie się lub zdejmuje kawałek drewna, który je przytrzymał.

Pniak wyrwany z korzeniami obalonego drzewa również grozi rozprężeniem się i powrotem do pozycji pionowej podczas wykonywania odcinania tego pniaka od pnia. Uwaga na różgki, są one niebezpieczne.



OSTRZEŻENIE!

Różgi są niebezpieczne, gdyż mogą was uderzyć co może doprowadzić do utraty kontroli nad piłą łańcuchową. I spowodować ciężkie a nawet śmiertelne obrażenia. Powinni to wykonywać przeszkoleni użytkownicy.

AKUMULATOR — DODATKOWE OSTRZEŻENIA DOTYCZĄCE BEZPIECZEŃSTWA



OSTRZEŻENIE!

Aby uniknąć niebezpieczeństwa pożaru, obrażeń lub uszkodzeń produktu na skutek zwarcia, nie wolno zanurzać narzędzia, akumulatora wymiennego ani ładowarki w cieczach i należy zatroszczyć się o to, aby do urządzeń i akumulatorów nie dostały się żadne ciecze. Zwarcie spowodować mogą korodujące lub przewodzące ciecze, takie jak woda morska, określone chemikalia i wybielacze lub produkty zawierające wybielacze.

RYZYKO ZWIĄZANE Z UŻYTKOWANIEM:

Nawet jeśli produkt jest używany zgodnie z zaleceniami, nadal nie jest możliwe wyeliminowanie określonych czynników ryzyka. Następujące zagrożenia mogą wystąpić podczas używania urządzenia i operator powinien zwracać szczególną uwagę na poniższe punkty:



- Urazy ciała spowodowane przez wibracje
 - Zawsze należy używać odpowiedniego narzędzia do danej pracy. Stosować wyznaczone uchwyty. Ograniczać czas pracy i narażenie na kontakt z pracującym urządzeniem.
- Narażenie na hałas może spowodować utratę słuchu.
 - Należy nosić środki ochrony uszu oraz ograniczyć poziom narażenia
- urazy na skutek kontaktu z odsłoniętym zębem łańcucha
- urazy spowodowane odrzucanymi obrabianymi obiektami (drzazgi i wióry)
- Urazy spowodowane wdychaniem pyłu i kurzu
- urazy spowodowane kontaktem ze środkiem smarnym lub olejem

OGRANICZENIE RYZYKA

Badania dowodzą, że wibracje powodowane przez narzędzia ręczne mogą wywoływać u niektórych osób objawy syndromu Raynauda. Typowe objawy to mrowienie, drętwienie i blednięcie palców, widoczne zwykle po wystawieniu na działanie zimna. Uważa się, że czynniki dziedziczne, wystawienie na działanie zimna i wilgoci, dieta, palenie papierosów i przyjęte zwyczaje przyczyniają się do rozwoju tych objawów. Istnieją środki zaradcze, które może podjąć operator narzędzia, aby zmniejszyć efekt wibracji:

- Zadbaj w niskich temperaturach o ciepłotę własnego ciała, zakładając odpowiednie ubranie. Podczas obsługi urządzenia należy nosić rękawice, aby dłonie i nadgarstki były ciepłe.
- Podczas przerw w pracy należy wykonywać ćwiczenia poprawiające krążenie krwi..
- Podczas pracy robić częste przerwy. Ograniczyć ekspozycję w ciągu dnia.
- Rękawice ochronne, które są dostępne u wyspecjalizowanych sprzedawców pił łańcuchowych, są przeznaczone specjalnie do obsługi pilarki łańcuchowej i zapewniają ochronę, pewny chwyt oraz ograniczają efekt wibracji uchwytu.

W razie doświadczenia dowolnego z wymienionych objawów, należy niezwłocznie zaprzestać użytkowania tego urządzenia i skontaktować się z lekarzem.



OSTRZEŻENIE!

Długotrwałe użytkowanie narzędzia może spowodować obrażenia ciała lub nasilić dolegliwości zdrowotne. W przypadku używania narzędzia przed dłuższy czas należy pamiętać o regularnych przerwach.

PRZEZNACZENIE

Produkt jest przeznaczony do użytku wyłącznie na zewnątrz pomieszczeń. Ze względów bezpieczeństwa produkt musi być odpowiednio kontrolowany – należy przez cały czas trzymać go obiema rękoma.

Produkt jest przeznaczony do cięcia gałęzi, pni, kłód i belek o średnicy określonej przez długość cięcia prowadnicy. Może być używana wyłącznie do cięcia drewna. Produkt może być używany wyłącznie do zastosowań domowych przez osoby dorosłe, które zostały odpowiednio przeszkolone w zakresie zagrożeń i środków/działań zaradczych, które należy podjąć w trakcie używania urządzenia.

Produkt nie jest przeznaczony do zawodowej śinki drzewa. Produkt nie może być używany przez dzieci lub osoby, które nie noszą odpowiednich środków ochrony osobistej oraz odzieży ochronnej.

Nie używać produktu do celów innych niż wymienione jako zgodne z przeznaczeniem.



OSTRZEŻENIE!

Podczas używania tego urządzenia należy przestrzegać odpowiednich zasad bezpieczeństwa. Ze względu na bezpieczeństwo użytkownika oraz osób postronnych, użytkownik musi w pełni zrozumieć te instrukcje przed rozpoczęciem używania produktu. Użytkownik powinien wziąć udział w profesjonalnie zorganizowanym kursie dotyczącym bezpiecznego użytkowania, działań zaradczych, pierwszej pomocy oraz konserwacji pilarki łańcuchowej. Niniejszą instrukcję należy przechowywać w bezpiecznym miejscu do późniejszego użytku.



OSTRZEŻENIE!

Pilarki łańcuchowe są potencjalnie niebezpiecznymi narzędziami. Wypadki związane z użyciem pilarek łańcuchowych często skutkują utratą kończyn lub śmiercią. Nie tylko pilarka łańcuchowa jest niebezpieczna. Spadające konary i gałęzie, przewracające się drzewa lub staczające się kłody mogą stanowić śmiertelne niebezpieczeństwo. Spróchniałe drewno stanowi dodatkowe zagrożenie. Należy ocenić możliwość bezpiecznego wykonania zadania. W przypadku wątpliwości należy zwrócić się o pomoc do zawodowego drwala.

ZAPOZNAJ SIĘ ZE SWOIM PRODUKTEM

Patrz str. 6-7.

1. Akumulator
2. Przycisk odblokowania spustu-włącznika
3. Tylny chwyt
4. Spust włączający
5. Klucz uniwersalny
6. Przedni chwyt
7. Korek zbiornika oleju

8. Osłona prowadnicy
9. Łańcuch tnący
10. Prowadnica łańcucha
11. Kolec oporowy
12. Trzpień ochronny łańcucha
13. Śruba napinająca łańcuch
14. Osłona łańcucha
15. Nakrętki mocujące prowadnicę
16. Przednia osłona ręki/hamulec łańcucha

ELEMENTY ZABEZPIEZAJĄCE

Łańcuch o słabej skłonności do odrzutu

Łańcuch odznaczający się dobrą odpornością na odskok pomaga ograniczyć ryzyko odskoku.

Ograniczniki głębokości znajdujące się z przodu każdego zęba mogą ograniczyć siłę efektu odrzutu unikając zbytniego zagłębienia się zębów w strefę odrzutu (odboju). Należy stosować wyłącznie kombinacje prowadnic i łańcuchów zalecanych przez producenta.

Zalecamy zdwójnienie uwagi po naostrzeniu łańcucha waszej piły, gdyż ostrzenie czyni łańcuch mniej odpornym na odrzut. Ze względów bezpieczeństwa łańcuch pilarki należy wymienić, gdy pogorszy się jego skuteczność cięcia.

Kolec oporowy

Zintegrowany kolec oporowy może służyć jako przegub podczas cięcia. Pomaga to zachować odpowiednią pozycję ciała podczas cięcia. Podczas cięcia należy popchnąć maszynę do przodu, aż kolce wbiją się w krawędź drewna. Następnie należy przesunąć tylny uchwyt do góry i na dół, zgodnie z kierunkiem cięcia. Pomoże to ograniczyć wysiłek fizyczny podczas cięcia.

Prowadnica łańcucha

W zasadzie prowadnice z końcówkami o mniejszym promieniu mają mniejszą tendencję do odskoku. Użytkownik powinien używać prowadnicy oraz odpowiedniego łańcucha o właściwej długości dla danego zadania. Dłuższe prowadnice zwiększają ryzyko utraty kontroli podczas pilowania. Należy regularnie sprawdzać napięcie łańcucha. W przypadku cięcia mniejszych krawędzi (poniżej pełnej długości prowadnicy) łańcuch jest bardziej narażony na odrzut, jeśli napięcie jest nieprawidłowe.

Hamulec łańcucha

Hamulec łańcucha został zaprojektowany, tak by umożliwić szybkie zatrzymanie poruszającego się łańcucha. Łańcuch musi się natychmiast zatrzymać, kiedy dźwignia hamulca/osłona ręki jest popchnięta do przodu. Hamulec łańcucha nie zapobiega efektowi odrzutu (odboju). Ogranicza to jedynie ryzyko obrażeń ciała, jeśli prowadnica zetknie się z ciałem operatora w przypadku odskoku. Hamulec łańcucha powinien być sprawdzony przed każdym użyciem. Należy sprawdzić jego działanie w położeniu roboczym oraz hamowania.

Trzpień ochronny łańcucha

Wychwytnik łańcucha zapobiega wyrzutowi łańcucha wstecz w kierunku operatora w przypadku poluzowania lub pęknięcia łańcucha.

SPOSÓB UŻYCIA



OSTRZEŻENIE!

W przypadku uszkodzenia lub braku dowolnego podzespołu urządzenia, nie wolno go używać aż do wymiany podzespołu. W przeciwnym wypadku może dojść do poważnych obrażeń.

Montaż akumulatora

Patrz str. 6.

Włożyć akumulator do produktu. Wyrównać występy akumulatora z rowkami w komorze akumulatora urządzenia.

Przed rozpoczęciem pracy upewnić się, że zatrzaski akumulatora zatrzaskną się, a sam akumulator zostanie dobrze osadzony oraz zamocowany do produktu.

Trzymanie produktu

Zobacz rysunek 1.

Przytrzymać produkt, umieszczając prawą dłoń na tylnym uchwycie, a lewą na przednim. Chwycić oba uchwyty palcami i kciukami w taki sposób, aby całe uchwyty były objęte dłońmi. Lewa ręka musi znajdować się na przednim uchwycie, tak aby kciuk znajdował się pod spodem.

Uruchamianie produktu

Patrz str. 8.

Przed rozpoczęciem pracy należy zainstalować akumulator w maszynie i upewnić się, że hamulec łańcucha jest w pozycji roboczej, pociągając dźwignię hamulca łańcucha/osłonę ręki w stronę przedniego uchwytu.

Aby uruchomić maszynę, należy pociągnąć przełącznik zwalniający, a następnie nacisnąć spust przepustnicy.

Sprawdzanie i obsługa hamulca łańcucha

Patrz str. 20.

Włączyć hamulec łańcucha, obracając lewą ręką na przednim uchwycie. Gdy łańcuch porusza się szybko, za pomocą tylnej części dłoni należy popchnąć dźwignię hamulca ręcznego/osłonę ręki w stronę prowadnicy. Należy pamiętać, aby przez cały czas ręce znajdowały się na uchwytach pilarki.

Ustawić hamulec pilarki w położeniu roboczym, chwytając górną część dźwigni hamulca łańcucha/osłonę dłoni i pociągając w stronę przedniego uchwytu, aż do usłyszenia kliknięcia.



OSTRZEŻENIE!

Jeśli hamulec nie zatrzyma niezwłocznie łańcucha lub jeśli nie pozostaje samoczynnie w położeniu umożliwiającym pracę pilarki, należy oddać pilarkę do serwisu w celu naprawy, a do tego momentu nie używać jej.

Regulacja napięcia łańcucha

(patrz strona 14 - 15)

Przed rozpoczęciem pracy z produktem wymontować akumulator.

Upewnić się, że nakrętki mocujące prowadnicę są poluzowane tak, by można je było odkręcić palcami.

Aby zwiększyć napięcie łańcucha, obracać śrubę napinającą łańcuch w prawo i często sprawdzać napięcie łańcucha. Aby zmniejszyć napięcie łańcucha, obracać śrubę napinającą łańcuch w lewo i często sprawdzać napięcie łańcucha.

Napięcie łańcucha jest prawidłowe, gdy szczelina między nożem łańcucha a prowadnicą ma szerokość około 6,5 mm. Należy pociągnąć na dół łańcuch na środku dolnej strony prowadnicy (na zewnątrz prowadnicy) i zmierzyć odległość pomiędzy prowadnicą i frezami łańcucha.

Dolewanie oleju smarowania łańcucha

(patrz strona 16 - 17)



OSTRZEŻENIE!

Nigdy nie wolno pracować bez środka smarnego łańcucha. Jeśli łańcuch pilarki będzie pracował bez smarowania, może dojść do uszkodzenia łańcucha pilarki i prowadnicy. W związku z tym bardzo ważne jest sprawdzanie poziomu oleju w okienku poziomu oleju oraz za każdym razem przed rozpoczęciem pilarki łańcuchowej.

Wyczyścić powierzchnię wokół korka oleju, aby nie dopuścić do zanieczyszczenia.

Odkręcić i zdjąć korek oleju ze zbiornika oleju.

Wlać olej do zbiornika oleju i kontrolować wskaźnik poziomu oleju. Podczas wlewania oleju należy zachować ostrożność, aby do zbiornika oleju nie dostały się żadne zanieczyszczenia.

Założyć i przykręcić korek oleju. Wyrzucić rozlany olej.

TRANSPORT I PRZECHOWYWANIE

Przed schowaniem lub transportem produktu należy zatrzymać go, wyjąć akumulator i odczekać, aż ostygnie.

Usunąć z produktu wszelkie zanieczyszczenia. Należy przechowywać urządzenie w chłodnym, suchym i dobrze wentylowanym miejscu, które jest niedostępne dla dzieci. Nie chowajcie jej w pobliżu czynników żrących, takich jak ogrodowe produkty chemiczne czy sole odmrażające. Nie przechowywać na zewnątrz.

Założyć osłonę prowadnicy przed schowaniem urządzenia lub podczas transportu.

W przypadku transportu produktu należy zabezpieczyć go przed przemieszczaniem się lub upadkiem, aby nie dopuścić do obrażeń ciała lub uszkodzenia urządzenia.

KONSERWACJA



OSTRZEŻENIE!

Stosować wyłącznie akcesoria i części zamienne ECHO. W przeciwnym razie może dojść do obrażeń ciała, niskiej wydajności oraz do unieważnienia gwarancji. W przypadku zaistnienia konieczności wymiany komponentów na nieopisane w niniejszej instrukcji należy skontaktować się z jednym z naszych agentów serwisowych ECHO.



OSTRZEŻENIE!

Serwisowanie wymaga wyjątkowej staranności i wiedzy. Może być wykonywane wyłącznie przez wykwalifikowany personel serwisowy. Serwisowanie produktu należy zlecić autoryzowanemu przedstawicielowi serwisu. Do serwisowania należy stosować wyłącznie oryginalne części zamienne producenta.



OSTRZEŻENIE!

Przed regulacją, konserwacją lub czyszczeniem należy wyjąć akumulator. W przeciwnym razie może dojść do poważnych obrażeń ciała.

- Użytkownik może jedynie wykonywać czynności regulacyjne i naprawcze opisane w tej instrukcji obsługi. W przypadku innych napraw należy skontaktować się z autoryzowanym punktem serwisowym.
- Konsekwencje nieprawidłowej konserwacji mogą spowodować pęknięcie łańcucha oraz niezadziałanie funkcji zabezpieczającej, co może zwiększyć ryzyko poważnych obrażeń ciała. Należy zapewnić profesjonalną konserwację pilarki łańcuchowej.
- Bezpieczne ostrzenie łańcucha wymaga wprawy. W związku z tym producent zdecydowanie zaleca, aby zużyty lub tępy łańcuch wymienić na nowy łańcuch, który można zakupić w autoryzowanym centrum serwisowym. Numer części można znaleźć w tabeli specyfikacji produktu w tym podręczniku.
- Należy postępować zgodnie z instrukcjami w zakresie smarowania oraz sprawdzania i regulacji napięcia łańcucha.
- Po każdym użyciu należy wyczyścić produkt miękką, suchą szmatką.
- Systematycznie sprawdzać, czy wszystkie nakrętki, wkrety i śruby są dobrze dokręcone, aby upewnić się, że kosiarka jest w bezpiecznym stanie. Każdą uszkodzoną część należy odpowiednio naprawić lub wymienić w autoryzowanym punkcie serwisowym.



Wymiana prowadnicy i łańcucha pilarki

(patrz strona 10 - 13)

Należy pamiętać o wyjęciu akumulatora. Zakładać rękawice ochronne.

Zdemontować nakrętki mocujące prowadnicę za pomocą dostarczonego klucza maszynowego.

Zdemontować osłonę łańcucha.

Wyjąć prowadnicę i łańcuch z pilarki.

Nałożyć nowy łańcuch w odpowiednim kierunku na prowadnicę i upewnić się, że ogniwa napędowe są odpowiednio ustawione w rowku prowadnicy.

Zamocować prowadnicę do pilarki łańcuchowej i nałożyć łańcuch na koło łańcuchowe.

Ponownie zamontować osłonę łańcucha i nakrętki mocujące prowadnicę.

Dokręcić nakrętki mocujące prowadnicę palcami do oporu. Powinno być możliwe poruszanie prowadnicy w celu umożliwienia regulacji napięcia łańcucha.

Wyreguluj naciąg łańcucha. Zapoznać się z sekcją „Regulacja napięcia łańcucha”.

Przytrzymajcie czubek prowadnicy łańcucha i mocno dokręćcie nakrętki montażowe prowadnicy.

Kontrola i czyszczenie hamulca łańcucha

Patrz str. 22.

Mechanizm hamulca łańcucha zawsze powinien być czysty. W tym celu należy lekko czyścić szczotką ogniwa, usuwając wszelkie zanieczyszczenia.

Po czyszczeniu zawsze należy sprawdzać działanie hamulca łańcucha. Więcej informacji można znaleźć w rozdziale niniejszej instrukcji zatytułowanym „Sprawdzanie i użytkowanie hamulca łańcucha”.

HARMONOGRAM KONSERWACJI

Codzienna kontrola	
Smarowanie prowadnicy	Przed każdym użyciem
Naciąg łańcucha	Przed każdym użyciem i często
Ostrość łańcucha	Przed każdym użyciem, kontrola wizualna
Występowanie uszkodzeń	Przed każdym użyciem
Dokręcenie elementów mocujących	Przed każdym użyciem
Działanie hamulca łańcucha	Przed każdym użyciem
Sprawdzić i oczyścić	
Prowadnica	Przed każdym użyciem
Całą pilarkę	po każdym użyciu

Hamulec łańcucha	Co 5 godzin*
------------------	--------------

*Godziny przepracowane

CZĘŚCI ZAMIENNE

Część	Numer akcesorium
Prowadnica łańcucha	6000945
Łańcuch tnący	90PX056X

AKUMULATORY

- Akumulatory, które nie były używane od pewnego czasu, należy ponownie naładować przed użyciem.
- Temperatury przekraczające 50°C (122°F) zmniejszają efektywność akumulatora. Unikać długotrwałego narażenia na działanie promieni słonecznych (ryzyko przegrzania).
- Konieczne jest utrzymywanie czystości styków ładowarek i akumulatorów.
- W celu uzyskania optymalnej żywotności akumulatory należy ładować do pełna po każdym użyciu.
- W celu uzyskania najdłuższej możliwej żywotności akumulatora należy wyjmować go z ładowarki po naładowaniu do pełna.

W przypadku przechowywania akumulatora dłużej niż 30 dni:

- Akumulator należy przechowywać w miejscach o temperaturze poniżej 27°C i z dala od wilgoci.
- Utrzymywać stan naładowania 30%-50%.
- Co każde sześć miesięcy przechowywania, należy normalnie naładować akumulator.

TRANSPORTOWANIE AKUMULATORÓW LITOWYCH

Akumulator litowo-jonowy podlega przepisom dotyczącym produktów niebezpiecznych.

Transport tych akumulatorów musi odbywać się zgodnie z przepisami i regulacjami lokalnymi, krajowymi oraz międzynarodowymi.

- Użytkownik może przewozić baterie środkami transportu drogowego bez dodatkowych wymagań.
- Komercyjny transport akumulatorów litowo-jonowych przez osoby trzecie podlega przepisom o towarach niebezpiecznych. Przygotowanie transportu oraz przewóz mogą być realizowane wyłącznie przez dobrze przeszkolony personel, a proces musi być nadzorowany przez odpowiednich ekspertów.

W trakcie transportowania akumulatorów:

- Należy upewnić się, że styki baterii są zabezpieczone i zabezpieczone, aby nie dopuścić do zwarcia.
- Upewnić się, że akumulator został zabezpieczony przed przemieszczaniem się w opakowaniu.



- Nie należy transportować pękniętych ani nieszczelnych akumulatorów.

Szczegółowe porady można uzyskać w firmie spedycyjnej.

SYMBOLE



Alarm bezpieczeństwa



Należy przeczytać i zrozumieć wszystkie instrukcje przed rozpoczęciem obsługi produktu oraz przestrzegać wszystkich ostrzeżeń i instrukcji dotyczących bezpieczeństwa.



Stosować środki ochrony oczu, uszu i głowy.



Podczas korzystania z tego produktu należy zakładać wysokie, antypoślizgowe obuwie ochronne.



Zakładać antypoślizgowe, grube rękawice ochronne.



Uważaj na odrzut pilarki łańcuchowej i unikaj kontaktu z końcówką przewodniczą.



Nie wystawiać urządzenia na działanie deszczu ani nie używać w miejscach o dużej wilgotności.



Trzymajcie i obsługujcie wasza pilarkę dwoma rękami.



Nie używajcie waszej pilarki trzymając ją jedną ręką.



Ustawić hamulec łańcucha w położeniu RUN („praca”).



Ustawić hamulec łańcucha w położeniu BRAKE („hamulec”).



Gwarantowany poziom mocy akustycznej wynosi 106 dB



Ukraiński znak zgodności



Znak zgodności EurAsian



Zużyte produkty elektryczne nie powinny być utylizowane z odpadami domowymi. Prosimy poddawać recyklingowi w odpowiednich miejscach. Informacje o właściwych metodach recyklingu można uzyskać u władz lokalnych lub sprzedawcy.



Narzędzie to spełnia wymogi wszystkich norm reglamentacji kraju UE, w którym było ono zakupione.

Następujące wyrażenia i znaczenia wyrażają poziom zagrożenia związanego z tym produktem.



NIEBEZPIECZEŃSTWO

Wskazuje na realne zagrożenie, które może spowodować śmierć lub poważne zranienie, jeżeli się nie uniknie tego niebezpieczeństwa.



OSTRZEŻENIE

Wskazuje na potencjalne zagrożenie, które może spowodować śmierć lub poważne zranienie, jeżeli się nie uniknie tego niebezpieczeństwa.



UWAGA

Wskazuje na potencjalne zagrożenie, które może spowodować mniejsze lub bardziej poważne zranienie, jeżeli się nie uniknie tego niebezpieczeństwa.

UWAGA

Bez symbolu ostrzeżenia

Sytuacja, która może grozić uszkodzeniem mienia.



TECHNICKÉ ÚDAJE

MOTOROVÁ PILA

ECCS-58V

Výrobní číslo	17402201000001 - 17402201999999
Jmenovité napětí	51,1 V, 58 V maximální
Maximální délka lišty	400 mm
Kapacita olejové nádrže pro řetěz	177 ml
Hmotnost (Není vložen akumulátor, s vodící lištou, řetězem a prázdnou nádrží)	4,83 kg
Hmotnost (s akumulátory 4,0 Ah)	6,73 kg
Hmotnost (s akumulátory 2,0 Ah)	6,03 kg
Maximální rychlost bez zatížení	21 m/s
Využitelná řezací délka	250 mm
Hladina emise hluku (v souladu s EN 60745-1, EN 60745-2-13)	
Hladina akustického tlaku vážená funkcí A v poloze obsluhy (L_{pA})	94,5 dB(A)
K_{pA} :	2,5 dB(A)
Hladina akustického výkonu vážená funkcí A (L_{WA})	105,5 dB(A)
K_{WA} :	2,5 dB(A)
Úroveň vibrací (v souladu s EN 60745-1; EN 60745-2-13) (přední/zadní)	2,1 / 2,8 m/s ² K = 1,5 m/s ²

NABÍJEČKA A BATERIE

ECCS-58V

Kompatibilní akumulátory	ECBP-58V40 / ECBP-58V20
Kompatibilní nabíječka	ECBC-58VEU / ECBC-58VUK



VAROVÁNÍ!

Úroveň vibrací uvedená v tomto návodu byla změřena v souladu se standardizovaným testem podle EN 60745 a může být použita ke srovnání jednoho přístroje s druhým. Může být použita k předběžnému posouzení vystavení.

Deklarovaná úroveň vibrací zastupuje hlavní způsoby použití přístroje. Pokud je však přístroj použit jiným způsobem, s jiným příslušenstvím nebo při nedostatečné údržbě, úrovně vibrací se mohou lišit. To může podstatně zvýšit úroveň vystavení za celou pracovní dobu.

Při odhadu úrovně vystavení vibracím byste měli brát v úvahu také dobu, kdy je přístroj vypnutý nebo spuštěný, ale právě nevykonává práci. To může podstatně snížit úroveň vystavení za celou pracovní dobu.

Určete další bezpečnostní opatření pro ochranu obsluhy před účinky vibrací, např.: udržovat nástroj i příslušenství, udržovat ruce teplé, organizace pracovních postupů.

VŠEOBECNÁ BEZPEČNOSTNÍ VAROVÁNÍ



VAROVÁNÍ!

Přečtěte si všechny pokyny a bezpečnostní varování. Opomenutí dodržování varování a pokynů uvedených níže může způsobit úraz elektrinou požár a/nebo vážná poranění osob.

Ušchovejte všechny pokyny a upozornění, abyste se k nim mohli v budoucnosti vrátit.

Pojem „elektricky poháněný nástroj“ ve varování poukazuje na váš nástroj, který je napájen pomocí napájecího kabelu z elektrické sítě (s kabelem) nebo z baterie (bez přívodního kabelu).

PRACOVNÍ PROSTŘEDÍ

Udržujte pracovní prostor čistý a dobře osvětlený. Zatarasené nebo tmavé oblasti vedou k nehodám.

Nepracujte s tímto elektricky poháněným nástrojem ve výbušných prostředích, například v přítomnosti hořlavých kapalin, plynů nebo prachu. Elektricky poháněné nástroje vytváří jiskry, které mohou zapálit prach nebo výpary.





Udržujte děti a přihlížející během práce s elektricky poháněným nástrojem stranou. Rozptylování může způsobit ztrátu kontroly.

ELEKTRICKÁ BEZPEČNOST

Zástrčky elektricky poháněného nástroje musí být shodné s elektrickou zásuvkou. Nepokoušejte se zástrčku jakýmkoliv způsobem upravovat. Nepoužívejte žádný adaptér zástrček se zemněným (uzemněným) elektricky poháněným nástrojem. Neupravené zástrčky a shodné zásuvky snižují nebezpečí elektrického úrazu.

Předcházejte tělesnému kontaktu s uzemněnými nebo zemněnými povrchy, například trubkami, radiátory, sporáky a lednicemi. Je zde zvýšené nebezpečí zásahu elektrickým proudem, pokud je vaše tělo zemněno nebo uzemněno.

Nevystavujte tento přístroj dešti nebo vlhkým podmínkám. Voda vnikající do elektricky poháněného nástroje zvyšuje nebezpečí elektrického úrazu.

Nepoškoďte napájecí kabel. Nikdy pro odpojování, táhnutí nebo přenášení elektricky poháněného nástroje nepoužívejte kabel. Udržujte kabel mimo horké plochy, olej, pohyblivé součásti nebo ostré hrany. Poškozené nebo zamotané kabely zvyšují nebezpečí elektrického úrazu.

Pokud používáte elektricky poháněný nástroj ve venkovním prostředí, používejte prodlužovací kabel vhodný pro venkovní prostředí. Použití kabelu vhodného pro venkovní prostředí snižuje nebezpečí elektrického úrazu.

Pokud používáte elektricky poháněný nástroj ve vlhkém prostředí, je nezbytné používat proudový chránič (PCH). Použitím PCH snížíte nebezpečí poranění elektrickým proudem.

OSOBNÍ BEZPEČNOST

Buďte ve střehu, hlídejte, co děláte a používejte zdravý rozum při provozu tohoto elektricky poháněného nástroje. Elektrický nástroj nepoužívejte, pokud jste unaveni nebo pod vlivem drog, alkoholu nebo léků. Chvilé nepozornosti při práci s tímto elektricky poháněným nástrojem může způsobit vážná poranění osob.

Používejte osobní ochrannou výbavu. Vždy noste ochranu očí. Ochranná výbava jako respirátor, protiskluzová obuv, ochranná přilba nebo ochrana sluchu použitá pro příslušné podmínky snižuje osobní poranění.

Zabraňte náhodnému spuštění. Zabezpečte, aby byl spínač v poloze vypnuto (off) před připojením zdroje energie a/nebo bloku baterií, přípravou nebo nesením nástroje. Nošení elektrického nástroje s vaším prstem na spínači nebo se zapojenou zástrčkou elektrického nástroje může při zapnutí vést k nehodě.

Odstraňte všechny seřizovací klíče nebo šroubováky, než zapnete poháněný nástroj. Klíč nebo šroubovák ponechaný přiložený k pohyblivému dílu elektricky poháněného nástroje může způsobit poranění osob.

Nepřeceňujte se. Udržujte řádné postavení a rovnováhu po celou dobu práce. Toto umožňuje lepší ovládnutí poháněného nástroje v neočekávaných situacích.

Správně se oblékejte. Nenoste volný oděv nebo šperky. Udržujte svoje vlasy, oděv a rukavice mimo pohybující se části. Volný oděv, šperky nebo dlouhé vlasy mohou být zachyceny do pohyblivých dílů.

Pokud jsou zařízení vybavena přípojkou pro odsávání prachu a sběrným zařízením, ujistěte se, že jsou správně připojeny k nástroji, a že se správně používají. Použití odsavače prachu může snížit nebezpečí související s prachem.

POUŽITÍ A PÉČE O NÁSTROJ

Nepoužívejte nadměrnou sílu na nástroj. Nářadí vybírejte podle povahy práce, kterou chcete provádět. Správný elektricky poháněný nástroj bude svou práci provádět lépe a bezpečněji při práci, pro kterou byl navržen.

Elektricky poháněný nástroj nepoužívejte, pokud spínač nezapíná a nevypíná. Každý elektricky poháněný nástroj, který nemůže být ovládnut spínačem, je nebezpečný a musí být opraven.

Odpojte zástrčku od zdroje napájení a/nebo bateriový modul dříve, než provedete jakákoliv nastavení, výměnu příslušenství nebo než elektrický nástroj uložíte. Také bezpečnostní preventivní opatření snižují riziko náhodného spuštění elektrického nástroje.

Ukládejte nečinný elektricky poháněný nástroj mimo dosah dětí a nenechávejte neznámé osoby pracovat s elektricky poháněným nástrojem nebo s těmito pokyny k obsluze elektrického nástroje. Elektricky poháněné nástroje jsou nebezpečné v rukou nekvalifikovaných uživatelů.

Udržujte elektrické nástroje. Kontrolujte vychýlení nebo zasekávání pohyblivých dílů, rozbité části a každé jiné podmínky, které mohou ovlivnit funkci elektricky poháněných nástrojů. Zjistili-li se poškození, musí se elektricky poháněný nástroj před použitím opravit. Mnoho úrazů je způsobeno nedostatečně udržovanými elektricky poháněnými nástroji.

Udržujte řezné nástroje ostré a čisté. Řádně udržované řezné nástroje s ostrými řeznými hranami mají nízkou pravděpodobnost zaseknutí a jsou snadněji ovladatelné.

Poháněné nástroje, příslušenství a vrtáky, atd. používejte v souladu s těmito pokyny s ohledem k pracovním podmínkám a práci, která má být provedena. Použití elektricky poháněného nástroje pro práce jiné, než zamýšlené by mohlo mít za následek nebezpečnou situaci.

POUŽITÍ A PÉČE O NÁSTROJ NA BATERIE

Dobíjejte pouze nabíječkou určenou výrobcem. Nabíječka, která je vhodná pro jeden typ akumulátoru může způsobit nebezpečí požáru, pokud se používá s jiným bateriovým modulem.

Elektrický nástroj používejte pouze s přesně určeným bateriovým modulem. Použití jakéhokoliv jiného akumulátoru může způsobit nebezpečí poranění a požáru.





Pokud akumulátor nepoužíváte, uchovávejte jej mimo kovové předměty jako svorky pro papír, mince, klíče, hřebíky, šrouby nebo jiné malé kovové předměty, které mohou vytvořit propojení jednoho vývodu s druhým. Zkratování vývodů baterie může způsobit požár nebo popáleniny.

Za nevhodných podmínek může z baterie vytékat kapalina; zabraňte kontaktu. Pokud dojde k náhodnému kontaktu, omyjte vodou. Pokud kapalina přijde do kontaktu s očima, vyhledejte lékařskou pomoc. Kapalina vytečená z baterie způsobit podráždění nebo popáleniny.

ÚDRŽBA

Váš elektricky poháněný nástroj smí opravovat pouze kvalifikovaný opravárenský pracovník a musí používat pouze shodné náhradní díly. Toto zajišťuje udržování bezpečnosti elektricky poháněného nástroje.

DOPLŇJÍCÍ VŠEOBECNÁ BEZPEČNOSTNÍ VAROVÁNÍ

Místní předpisy mohou omezovat použití výrobku. Ověřte si u svého orgánu místní správy toto nařízení.

Nenechte děti nebo osoby neseznámené s těmito pokyny pracovat s výrobkem. Místní předpisy mohou omezovat dobu obsluhy.

Před každým použitím se ujistěte, že všechny ovladače a jištění řádně fungují. Nástroj nepoužívejte, pokud přepínač „nevypíná“ (off) motor.

Při práci s nástrojem používejte kompletní ochranu zraku a sluchu, zesílené pevné rukavice a helmu; používejte respirátor, pokud pracujete v prachu.

Nenoste volný oděv, krátkasy nebo jakékoliv šperky.

Dlouhé vlasy si svažte nad rameny, aby se nemohly zaplést do pohyblivých částí.

Dávejte pozor na odhazované, padající nebo odlétávané předměty. Všechny přihlízející, zvláště děti a zvířata udržujte 15 m mimo pracovní oblasti.

Neprovozujte při slabém osvětlení. Obsluha musí mít čistý výhled na pracovní oblast k identifikaci potenciálních nebezpečí.

Uvědomte si, že použití ochrany sluchu snižuje vaši schopnost slyšet varování (poplachy nebo výkřiky). Obsluha si musí být tohoto vědoma a platí speciální upozornění, aby si všimla události v jeho pracovní oblasti.

Obsluha podobných nástrojů zvyšuje jak nebezpečí poranění sluchu, tak osob vstupujících do zóny práce.

Udržujte bezpečné postavení a rovnováhu. Nepřeceňujte se. Přeceňování může mít za následek ztrátu rovnováhy a zvýšení nebezpečí zpětného vrhu.

Udržujte všechny části těla mimo pohyblivé součásti.

Zkontrolujte nástroj před každým použitím. Ověřte správnou funkci všech ovládacích prvků včetně brzdy řetězu. Zkontrolujte včetně, zda nejsou uvolněny upínací a zda jsou všechny chrániče, vodičí plechy a rukojetě řádně

a bezpečně připojeny. Před použitím vyměňte jakékoliv poškozené součásti.

Nástroj nijak neupravujte nebo nepoužívejte příslušenství, jež nejsou doporučena výrobcem.



VAROVÁNÍ!

Pokud začne po pádu, silných nárazech nástroj nenormálně vibrovat, zastavte nástroj a ihned zjistěte příčinu vibrací a rozsah škod. Pokud je nějaká část poškozena, musí se nechat řádně opravit nebo vyměnit pověřeným servisním střediskem.

Nelikvidujte baterie v domovním odpadu či ohni. Distributoři ECHO nabízejí odběr starých baterií pro ochranu životního prostředí.

Neskladujte akumulátory společně s kovovými předměty (riziko zkratu).

Akumulátory dobíjejte pouze pomocí nabíječky ECBC-58VEU/ECBC-58VUK. Nepoužívejte akumulátory z jiných systémů.

Kompatibilní akumulátory: ECBP-58V40, ECBP-58V20

Akumulátorová kyselina může z poškozených akumulátorů vytékat pod extrémní zátěží nebo v extrémních teplotách. Pokud se dotknete akumulátorové kyseliny, okamžitě postižené místo omyjte vodou a mýdlem. Pokud se dostane do očí, důkladně vymývejte nejméně 10 minut a okamžitě vyhledejte lékaře.

Oba aretační šrouby lišty řetězu jsou během chodu body citlivými na elektrostatický výboj. Pokud dojde k vypnutí ochranou v důsledku elektrostatického výboje, je nutné provést restartování výrobku uvolněním spouště spínače.

BEZPEČNOSTNÍ VAROVÁNÍ K ŘETĚZOVÉ PILE

Při používání pily musí být všechny části těla mimo dosah jejího řetězu. Před spuštěním řetězové pily zkontrolujte, zda se řetěz pily nedotýká žádného předmětu. Chvilke nepozornosti při práci s řetězovou pilou může způsobit zamotání vašeho oděvu nebo těla do řetězu pily.

Vždy držte řetězovou pilu pravou rukou na zadní rukojeti a levou rukou na přední rukojeti. Držení řetězové pily v opačném umístění rukou se zvyšuje nebezpečí poranění osob a nemělo by se nikdy používat.

Produkt držte pouze za izolovaný úchopový povrch, protože řetězová pila se může dotknout skrytého vedení. Kontakt pilového řetězu s „živým“ vodičem způsobí, že kovové části elektrického nástroje se stanou také „živými“ a způsobí elektrický úraz obsluze.

Noste ochranné brýle a ochranu sluchu. Doporučuje se také nosit další ochranné pomůcky pro hlavu, ruce, nohy a chodidla. Vhodný ochranný oděv snižuje četnost poranění osob odlétávajícími úlomky nebo náhodného dotyku s řetězem pily.

Řetězovou pilu nepoužívejte na stromě. Obsluha





řetězové pily, když jste na stromě, může mít za následek poranění osob.

Vždy udržujte řádné postavení a obsluhujte pilu pouze při postavení na pevné, bezpečné a rovné ploše. Kluzké a nestabilní plochy jako například žebříky mohou zapříčinit ztrátu rovnováhy a kontroly nad řetězovou pilou.

Když řezáte větev, která je napnutá, buďte ve střehu před zpětným svihem. Pokud se uvolní prnutí ve vláknech dřeva může napružená větev udeřit obsluhu anebo způsobit ztrátu kontroly nad řetězovou pilou.

Buďte velmi opatrní při řezání malých větviček a křovin. Mohou se zachytit o zuby řetězu a být vymršťeny směrem k vám a narušit tak vaši rovnováhu.

Noste řetězovou pilu za přední rukojeť ve vypnutém stavu a směrem od vašeho těla. Pokud řetězovou pilu přepravujete nebo ukládáte, vždy připevňte kryt vodící lišty. Správné držení řetězové pily snižá pravděpodobnost náhodného dotyku s pohybujícím se řetězem pily.

Postupujte dle pokynů pro mazání, napnutí řetězu a výměnu příslušenství. Nesprávné upnutí nebo namazaný řetěz může buď způsobit nebo zvýšit zpětný vrh.

Udržujte rukojeti suché, čisté a bez mastnot a oleje. Rukojeti znečištěné mastnotou a olejem jsou kluzké, což způsobuje ztrátu kontroly.

Řezajte pouze dřevo. Nepoužívejte řetězovou pilu pro účely, pro které nebyla navržena. Například nepoužívejte řetězovou pilu pro řezání plastových, kamenných nebo nedřevěných stavebních materiálů. Použití řetězové pily pro práce jiné, než zamýšlené, by mohlo mít za následek nebezpečnou situaci.

Příčiny a prevence zpětnému vrhu:

Pokud konec vodící lišty narazí na cizí předmět nebo dojde k zablokování řetězu při řezání, existuje nebezpečí zpětného vrhu.

Dotyk vrcholem vodící lišty může v některých případech způsobit náhlou zpětnou reakci, což je vyhození vodící lišty nahoru a zpět směrem k obsluze.

Sevření řetězu pily na horní části vodící lišty může vodící lištu rychle zatlačit zpět směrem k obsluze.

Ve všech uvedených případech může obsluha pily ztratit kontrolu nad nářadím a způsobit si vážný úraz. Nespoléhejte pouze na ochranné prvky řetězové pily. Při obsluze řetězové pily je třeba dodržovat opatření k zajištění bezpečností a ochrany zdraví při práci.

Zpětný vrh je následkem nesprávného používání nástroje anebo nesprávných pracovních postupů nebo podmínek a lze se jím vyhnout prováděním správných opatření, viz níže:

Udržujte pevný úchop, palce a prsty obepínají rukojeti řetězové pily, oběma rukama na řetězové pile a rozestavte své tělo a ruce tak, abyste odolávali silám zpětného vrhu. Síly zpětného vrhu mohou být ovládnány obsluhou, pokud provede správná opatření. Řetězovou pilu neopouštějte.

Nepřeceňujte se a neřežte nad úroveň ramen. Toto pomáhá zabránit neúmyslnému kontaktu s vrcholem vodící lišty a umožňuje lepší ovládnání řetězové pily v neočekávaných situacích.

Používejte pouze náhradní vodící lišty a řetězy určené výrobcem. Nesprávné náhradní vodící lišty a řetězy mohou způsobit zlomení řetězu anebo zpětný vrh.

Dodržujte pokyny výrobce při ostření a údržbě řetězu. Zmenšení výšky hloubkoměru může vést ke zvýšenému zpětnému vrhu.

DOPLŇUJÍCÍ BEZPEČNOSTNÍ VAROVÁNÍ K ŘETĚZOVÉ PILE

Doporučujeme řezat polena na řezací koze nebo speciální podpěře (kolébce), když výrobek používáte poprvé.

Zkontrolujte, zda jsou všechny bezpečnostní kryty, rukojeti a ozubené opěrky správně instalovány a v dobrém stavu.

Osoby, které používají výrobek by měl být v dobrém zdravotním stavu. Pila je těžká, takže její obsluha musí být tělesně zdatná. Obsluha musí být pozorná, mít dobrý výhled, mobilitu, rovnováhu a manualní zručnost. Pokud jsou jakékoliv pochybnosti, nepoužívejte výrobek.

Nezačínejte řezat, dokud není pracovní zóna vyčištěná, dokud nebudete stát pevně oběma nohama na zemi a dokud nebudete mít promyšlenou únikovou cestu před padajícími stromem.

Dávejte si pozor na emise výparů z mazacího oleje a prachu z pilin. V případě nutnosti noste masku nebo respirátor.

Neodřezávejte výhonky ani křoviny s malým průměrem (do 75 mm).

Vždy při provozování produktu ho držte oběma rukama. Držte řetězovou pilu pevně, prsty musí pevně spočívat na rukojeti. Pravou rukou držte zadní rukojeť a levou rukou přední rukojeť.

Před spuštěním produktu zkontrolujte, že se řetězová pila nedotýká žádného předmětu.

V žádném případě neupravujte výrobek nebo jej nepoužívejte k napájení jakékoliv příslušenství či zařízení, které není doporučeno výrobcem pro váš výrobek.

Na pracovišti obsluhy pily by se měla nacházet lékárníčka s obvazy a prostředky pro upozornění (např. píšťalku). V rozumném dosahu by se pak měla nacházet obsáhlejší sada.

Kdykoliv při práci s produktem noste helmu. Helma vybavená síťovým průzorem může pomoci snížit riziko zranění tváře a hlavy při zpětném rázu.

Nesprávně napnutý řetěz může vyskočit z vodící lišty a způsobit vážné či smrtelné poranění. Délka řetězu závisí na teplotě. Pravidelně kontrolujte napnutí řetězu.

Měli byste si zvyknout na novou motorovou pilou tím, že budete provádět jednoduché řezy pevně podepřeného dřeva. Udělejte to vždy, když jste pilu nějakou dobu nepoužívali.





Pro snížení nebezpečí poranění spojených s dotykem pohyblivých dílů vždy zastavte motor, použijte brzdu řetězu, vyndejte akumulátor a ujistěte se, že se všechny rotační díly zastavily před:

- čištění nebo odstranění ucápkvy
- ponechání výrobku bez dozoru
- demontáži a montáži příslušenství
- kontrola, údržba nebo práce na nástroji

Plocha pracovní zóny závisí na povaze práce, na velikosti stromu nebo řezaného materiálu. např. při kácení stromu potřebujete více místa než při řezání větví.

Obsluha musí být pozorná a mít pod kontrolou veškeré dění v pracovní oblasti.

Neřežte v linii s vodící lištou a řetězem. Pokud budete vystaveni zpětnému vrhu, pomůže to zabránit kontaktu řetězu s vaší hlavou či tělem.

Nepoužívejte při řezání pohyby plou vpřed a vzad, vlastní řezání nechejte provádět řetěz, při řezání netlačte na řetěz.

V konečné fázi řezu na řetězovou pilu netlačte. Budte připraveni na hmotnost pily, když se uvolní ze dřeva. Pochybení tak může způsobit případně vážné osobní poranění.

Nezastavujte pilu během řezání. Nechejte pilu běžet, dokud se neuvolní z řezu.

tlak a tah

Zpětné působení (reakce) je vždy v opačném směru oproti směru otáčení řetězu. Proto musí být obsluha připravena zvládnout tendenci nástroj odtažením (pohyb dopředu), při řezání na spodní straně lišty a tlačení dozadu (směrem k obsluze) při řezání horní stranou.

Pila zaseknuta v řezu

Zastavte řetězovou pilu a zabezpečte ji. Netlačte na řetěz ani lištu, abyste ji dostali z řezu, protože se snadno zlomí řetěz, který pak následně odletí směrem k obsluze. K situaci dochází, pokud není dřevo řádně podepřeno, což nutí řez uzavírat pod tlakem s následkem sevření lišty. Pokud úpravou podpěry neuvolníte řetěz ani lištu, použijte dřevěné klíny nebo páku k otevření řezu a uvolnění pily. Nikdy se nepokoušejte spustit řetězovou pilu, když je vodící lišta již v řezu či zářezu.

Prostředky osobní ochrany

Kvalitní osobní ochranné prostředky, které používají profesionálové, pomohou snížit riziko poranění obsluhy. Při obsluze řetězové pily je třeba použít následující:

Ochranná přilba

- ve shodě s EN 397 a označená značkou CE

Ochrana sluchu

- ve shodě s EN 352-1 a označená značkou CE

Ochrana zraku a obličjeje.

- označená značkou CE a ve shodě s EN 166 (pro safety

glasses) nebo EN 1731 (sítovinový průhled)

Rukavice

- ve shodě s EN381-7 a označená značkou CE

Ochrana dolních končetin (s vypávkou)

- ve shodě s EN381-5, označená značkou CE a poskytuje všestrannou ochranu.

Bezpečnostní obuv odolnou řetězové pile

- ve shodě s EN ISO 20345:2004 a označeno štítek bránící průniku řetězové pily a označeno dle EN 381-3. (Občasní uživatelé mohou používat bezpečnostní obuv se špičkou vyztuženou ocelí dle EN 381-9, zpokud je podklad rovný a kde je malé riziko zakopnutí nebo zachycení porostem)

Ochranná bunda proti zásahu pilou pro horní část těla

- ve shodě s EN 381-11 a označená značkou CE

POKYNY TÝKAJÍCÍ SE SPRÁVNÉ TECHNIKY PRO ZÁKLADNÍ KÁCENÍ, ODVĚTVOVÁNÍ A PŘÍČNÉ ŘEZÁNÍ

Pochopení sil ve dřevě

Pokud porozumíte směrovým tlakům a pnutí ve dřevě můžete redukovat počet „sevření“, nebo je alespoň očekávat během řezání. Pnutí ve dřevě znamená, že vlákna dřeva jsou tažena od sebe a pokud vedete „zářez“ v této oblasti, nebo řez, bude mít tendenci se uvolňovat při púchodu pily. Je-li poleno podpořeno na stojanu pro dřevo („koza“) a konec visí nepodepřen pak je pnutí vytvářeno pnutí vláken na horní straně hmotností převislé části polena. Stejně tak je napnuta i spodní strana polena a vlákna jsou tlačena k sobě. Pokud je řez prováděn v této oblasti, bude mít zářez tendenci se během řezání uzavírat. Může dojít k sevření lišty.

Kácení stromu

Viz obrázek 1 - 6.

Při přeřezávání a kácení jsou zapotřebí dvě a více osob současně, kácení by se mělo provádět odděleně od přeřezávání do vzdálenosti alespoň dvojnásobku výšky káceného stromu. Strom se nesmí kácet tak, aby neohrožoval žádné osoby, narážel do jakékoliv technického zařízení nebo způsobil jakékoliv vážné poškození. Pokud se strom dostane do kontaktu s nějakým technickým zařízením, musí se ihned kontaktovat firma, která toto zařízení provozuje.

Pokud má terén sklon, stýjte vždy nahoře na svahu, neboť pokácený strom se může skoulet ze svahu dolů.

Úniková cesta by se měla naplánovat a dle potřeby vyčistit před začátkem řezání. Úniková cesta by měla směřovat dozadu a úhlopříčně k předpokládané dráze pádu.

Než začnete kácet, uvědomte si přirozený náklon stromu, umístění velkých větví a směr větru, abyste posoudili, kterým směrem bude strom padat.

Ze stromu odstraňte nečistoty, kameny, volnou kůru, hřebíky, třmeny a drát.



Nepokoušejte se kácet stromy, které jsou prohnílé nebo poškozené větrem, požárem, bleskem atd.

Je to mimořádně nebezpečné a měli by to provádět pouze profesionálové.

1. Zářez

Viz obrázek 1 - 6.

Proveďte zásek do 1/3 průměru kmenu stromu ze strany, kam bude strom padat. Proveďte nejprve spodní vodorovný řez. Pomáhá to proti sevření buď řetězu pily nebo vodičů lišty, když by se provedl nejprve vodorovný zářez.

2. Hlavní řez

Viz obrázek 1 - 6.

Hlavní řez provádějte minimálně 50 mm (2 palce) nad vodorovným zářezem záseku. Hlavní řez provádějte rovnoběžně s vodorovným řezem záseku. Zajistěte, aby při hlavním řezu zůstal dostatečný nedořez. Nedořez zabraňuje otáčení stromu a pádu nesprávným směrem. Neprořezávejte nedořez.

Jakmile bude hlavní řez blízko nedořezu, měl by strom začít padat. Je-li nějaká možnost, že strom nebude padat požadovaným směrem nebo se nakloní zpět a sevře řetězovou pilu, zastavte řezání před dokončením hlavního řezu a použijte klín ze dřeva, plastu nebo hliníku abyste hlavní řez otevřeli a nechli padnout strom do požadovaného směru.

Jakmile začne strom padat, vyndejte řetězovou pilu z řezu, zastavte motor, položte pilu, pak použijte dříve naplánovanou únikovou cestu. Dávejte si pozor na pád horních větví a sledujte své postavení.

Řezání kořenových náběhů

Viz obrázek 7 - 8.

Kořenový náběh je kořen vedoucí z kmene až k zemi. Než začnete kácet strom, odřežte kořenové náběhy. Proveďte nejdříve vodorovný zářez do kořenového náběhu a poté svislý zářez. Odstraňte odřezané části z pracovní zóny. Po odstranění náběhových kořenů můžete začít s kácením.

Rozřezávání kmene

Viz obrázek 9 - 11.

Rozřezávání kmene je řezání na požadované délky. Je důležité, abyste si zajistili pevné postavení a rovnoměrné rozmístili svou hmotnost na obě nohy. Je-li to možné, nadzvedněte a podepřete kmen pomocí větví, kmenů nebo špalků. Nechte se vést přirozeným směrem pro snadné řezání. Je-li kmen podepřen po celé délce, vedte řez seshora (horní řez).

Je-li kmen podepřen na jednom konci, vedte řez zespodu do 1/3 (zespodu nahoru). Pak proveďte konečný řez seshora, tak abyste se setkali s prvním řezem.

Je-li kmen podepřen na jednom konci, vedte řez shora do 1/3 (shora dolů). Pak proveďte konečný řez zespodu do zbylých 2/3 tak, abyste se setkali s prvním řezem.

Když řezáte na svahu, vždy stůjte na horní straně pokáceného kmene. Při přeřezávání, pro udržení maximální kontroly, uvolněte řezací tlak na konci řezu bez

uvolnění úchopu na rukojetích řetězové pily. Nedovolte, aby řetěz přišel do kontaktu se zemí. Po dokončení řezu počkejte, až se řetěz pily zastaví, pak teprve pilu přesunujte. Před přemístováním od stromu ke stromu vždy zastavujte motor.

Odvětvování stromu

Viz obrázek 12 - 13.

Odvětvování je odstraňování větví z poraženého stromu. Při odvětvování ponechte spodní větev jako podporu kmenu na zemi. Malé větve odstraňujte v jedno řezu. Velké větve pod prutím by se měly ořezávat z horní strany, aby se zabránilo sevření řetězové pily.

Pružina tyče

Viz obrázek 14 - 15.

Šlahoun je větev, pokácený strom nebo část keře, která se ohnula pod vahou dřeva a která se náhle vymršτί, jakmile začnete řezat nebo vyndávat kládu, která tento živý šlahoun drží.

Pokácený strom se může vymršτί do svislé polohy při odřezávání od kmene. Tyto živé překážky jsou nebezpečné.



VAROVÁNÍ!

Živé šlahouny jsou nebezpečné, protože vás mohou udeřit a můžete ztratit kontrolu nad řetězovou pilou. Tyto kritické situace mohou být příčinou vážného úrazu, v některých případech se smrtelnými následky. To mohou provádět pouze zkušení uživatelé.

DOPLŇUJÍCÍ BEZPEČNOSTNÍ UPOZORNĚNÍ K BATERII



VAROVÁNÍ!

Abyste zabránili nebezpečí požáru způsobeného zkratem, poraněním nebo poškozením výrobku, neponořujte nářadí, výměnnou baterii nebo nabíječku do kapalin a zajistěte, aby do zařízení a akumulátorů nevnikly žádné tekutiny. Korodující nebo vodivé kapaliny, jako je slaná voda, určité chemikálie a bělicí prostředky nebo výrobky, které obsahují bělidlo, mohou způsobit zkrat.

ZBYTKOVÁ RIZIKA

Dokonce, i když se výrobek provozuje jak je předepsáno, je stále nemožné zcela eliminovat veškeré zbytkové rizikové faktory. Následující nebezpečí mohou nastat při používání; vyhýbejte se:

■ Poranění způsobené vibracemi

- Vždy používejte správný nástroj pro danou práci. Používejte určené rukojeti. Provozní dobu pily a vystavení vibracím omezujte.

- Vystavování hluku může způsobit poškození sluchu.
 - Noste ochranu sluchu a omezte vystavení.
- zranění z kontaktu s exponovanými zuby pily řetězu
- zranění způsobené odhozenými částmi obrobku (pilinami a třískami)
- Poranění způsobené inhalací prachu a částic
- zranění způsobené při styku pokožky s mazivem nebo olejem

SNÍŽENÍ RIZIKA

Bylo zjištěno, že vibrace z ručních pracovních nástrojů mohou u některých osob přispívat ke stavu tzv. Raynaud's Syndromu (Raynaudovu syndromu). Mezi jeho příznaky patří brnění, necitlivost a zbledení prstů, patrné obvykle po pobytu v chladu. Vědci se domnívají, že k rozvoji těchto příznaků přispívají dědičné faktory, pobyt v chladu a vlhku, strava, kouření a pracovní návyky. Uživateli může omezit případné působení vibrací použitím vhodných opatření:

- Za chladného počasí se teple oblečte. Při práci s nástrojem si navlékněte rukavice, abyste udrželi ruce a zápěstí v teple.
- Během práce si v pravidelných intervalech zacvičte, abyste zvýšili krevní oběh.
- Zařazujte časté pracovní přestávky. Omezte dobu práce za den.
- U profesionálních prodejců řetězových pil jsou k dispozici speciální ochranné rukavice poskytující ochranu, dobrý úchop a rovněž redukuje účinek vibrací rukojeti.

Jakmile pocítíte některý z výše uvedených příznaků tohoto syndromu, okamžitě přerušete práci a vyhledejte lékaře.



VAROVÁNÍ!

Poranění mohou být způsobena, či zhoršena, prodlouženým používáním nástroje. Když používáte jakýkoliv nástroj delší dobu, dělejte pravidelné přestávky.

ZAMÝŠLENÉ POUŽITÍ

Tento výrobek je určen pouze pro venkovní používání. Z bezpečnostních důvodů se musí výrobek vždy řádně obsluhovat oběma rukama.

Řetězová pila je navržena pro řezání větví, kmenů, klád a trámů o průměru stanoveného řezací délkou vodící lišty. Je povoleno pouze řezat do dřeva. Je možné používat pouze pro domácí používání dospělými osobami, které absolvovali odpovídající školení o rizicích a preventivních opatřeních/cinnostech, která mají být přijata během používání pily.

Tento nástroj není určen pro profesionální zpracovávání stromů. Výrobek smí být používán dospělými osobami a

ne dětmi nebo osobami, které nenesou odpovídající osobní ochranné vybavení a oděv.

Nepoužívejte jej k žádným jiným než určeným účelům.



VAROVÁNÍ!

Při používání výrobku musí být dodrženy bezpečnostní předpisy. Pro vaši vlastní bezpečnost a přítomných osob je nutné si přečíst a plně pochopit tyto pokyny před použitím výrobku. Velmi doporučujeme účast na profesionálně organizovaném bezpečnostním kurzu o používání, preventivních opatřeních, první pomoci a údržbě řetězových pil. Tyto pokyny uschovejte pro příští použití.



VAROVÁNÍ!

Řetězové pily jsou velmi nebezpečné nástroje. Nehody způsobené používáním řetězové pily často končí ztrátou končetiny či smrtí. Nejde jen o to, že je pila nebezpečná. Padající větve, kácené stromy i odvalující se polena mohou usmrtit. Napadené nebo shnilé dřevo představuje další nebezpečí. Měli byste zhodnotit své schopnosti k bezpečnému dokončení úkolu. V případě pochyb neváhejte profesionální dřevorubce.

POZNEJTE SVŮJ NÁSTROJ

Viz strana 6-7.

1. Baterie
2. Pojistka proti nechtěnému spuštění nářadí
3. Zadní rukojeť
4. Spínač
5. Kombinovaný klíč
6. Přední rukojeť
7. Uzávěr olejové nádrže
8. Údržba vodící lišty
9. Ostrá část řetězu
10. Vodící lišta
11. Špička nárazníku
12. Úchytka lišty
13. Šroub k nastavení řetězu
14. Kryt řetězu
15. Upevňovací matice lišty
16. Ochranný kryt ruky/bezpečnostní brzda řetězu

BEZPEČNOSTNÍ ZAŘÍZENÍ

Řetěz omezující nebezpečí zpětného vrhu

Slabý zpětný vrh pomáhá redukovat possibility plného zpětného vrhu.

Omezovací zuby pilového řetězu mohou potlačit efekt zpětného vrhu a zamezit tak, aby zuby pily pronikly příliš hluboko do oblasti zpětného vrhu. Používejte pouze náhradní vodící lišty a řetězy doporučené výrobcem.

Po nabroušení řetězu buďte velmi opatrní, při naostření se oslabí ochrana proti zpětnému vrhu. Pro vaši bezpečnost měňte pilový řetěz když se řezací výkon sníží.

Špička nárazníku

Integrovaná špička nárazníku se může používat otočená, když provádíte řez. Pomáhají udržovat stabilitu těla řetězové pily během řezání. Při řezání tlačte nástroj dopředu, dokud se ozubené opěrky nebudou dotýkat okraje dřeva, pak pohybem zadní rukojeti nahoru nebo dolů ve směru řezu může zmírnit fyzickou zátěž řezání.

Vodící lišta

Obecně platí, že vodící lišty s malými poloměry špičky mají nižší potenciál zpětného rázu (vrhu). Měli byste použít vodící lišty a odpovídající řetěz, které jsou dlouhé tak, aby provedly danou práci. Delší lišty zvyšují nebezpečí ztráty kontroly během řezání. Pravidelně kontrolujte napnutí řetězu. Při řezání menších větví (méně než celá délka vodící lišty) je více než pravděpodobné, že nesprávně napnutý řetěz bude odhazován.

Bezpečnostní brzda řetězu

Cílem bezpečnostní brzdy je rychle zastavit řetěz. Řetěz se musí rychle zastavit, jakmile je brzdová páčka/ochranný kryt ruky sklopena dopředu. Brzda řetězu nezabrání efektu zpětného vrhu. Řádné napnutí tedy snižuje riziko poranění obsluhy způsobené řezací lištou při plném zpětném vrhu. Brzda řetězu by se měla kontrolovat před každým použitím na řádnou funkci jak v jejím běhu a brzdných polohách.

Úchytka lišty

Doraz řetězu zabraňuje odletnutí řetězu na obsluhu, pokud se řetěz uvolní nebo poškodí.

POUŽITÍ



VAROVÁNÍ!

Pokud nějaké předměty chybí nebo jsou viditelně poškozeny, nepracujte s tímto výrobkem, dokud se součástí nevymění. Pochybení tak může způsobit vážné osobní poranění.

Instalace bateriového modulu

Viz strana 6.

Vložte akumulátor do produktu. Srovnejte vystouplé pásky na akumulátoru s drážkou v otvoru pro akumulátor sekačky.

Před používáním zajistěte, aby byla baterie zcela správně usazena a západky na baterii byly v aretované poloze.

Držení výrobku

Viz obrázek 1.

Přidržíte produkt pravou rukou za zadní rukojeť a levou rukou za přední rukojeť. Držte řetězovou pilu pevně oběma rukama, palce a prsty musí obepínat rukojeti. Zajistěte, aby levá ruka držela přední rukojeť tak, že je palec dole.

Spuštění výrobku

Viz strana 8.

Před zahájením práce nainstalujte akumulátor do nástroje a ujistěte se, že je brzda řetězu v provozní poloze zatažením brzdy řetězu/krytu ruky k přední rukojeti.

Pro spuštění stiskněte uvolnění spouště a poté stiskněte spínač spouště.

Kontrola a provoz brzdy řetězu

Viz strana 20.

Levou rukou uchopte přední rukojeť pro aktivaci brzdy řetězu. Hřbetem ruky tlačte brzdou řetězu stlačením páčky brzdy řetězu/chrániče ruky směrem k liště, až se začne řetěz rychle otáčet. Vždy mějte na rukojetích pily obě ruce.

Uvolněte brzdou řetězu uchopením a přesunutím páčky brzdy řetězu/chrániče ruky směrem k přední rukojeti. Při uvolnění brzdy lze slyšet cvaknutí.



VAROVÁNÍ!

Pokud brzda řetězu ihned nezastaví řetěz, nebo je třeba brzdou řetězu přidržovat, aby se neseplula sama, před dalším použitím pily nechte pilu zkontrolovat a opravit v autorizovaném servisu.

Seřízení napnutí řetězu

Viz strana 14 - 15.

Před započítím jakékoli práce na fukaru nejdříve vyjměte baterii.

Zkontrolujte, že matice lišty jsou uvolněné na přitažení rukou.

Pro vyšší napětí řetězu otočte napínacím šroubem řetězu doprava a pravidelně kontrolujte napětí řetězu. Pro menší napětí řetězu otočte napínacím šroubem řetězu doleva a pravidelně kontrolujte napětí řetězu.

Řetěz je správně napnut, když je mezera mezi ostřími v řetězu a lištou přibližně 6,5 mm. Zatáhněte řetěz uprostřed spodní strany vodící lišty směrem dolů (od vodící lišty) a změřit vzdálenost mezi vodící lištou a řezným článkem řetězu.

Doplnění mazacího oleje řetězu

Viz strana 16 - 17.



VAROVÁNÍ!

Nikdy nepracujte bez maziva řetězu. Pokud pila běží bez maziva, mohou se vodící lišta i řetěz poškodit. Je proto nezbytné pravidelně kontrolovat hladinu oleje olejovou měrkou často a pokaždé před používáním řetězové pily.

Vyčistěte oblast okolo víka olejové nádrže pro zabránění kontaminace.

Odšroubujte a sundejte víko z olejové nádrže.

EN
FR
DE
ES
IT
NL
PT
DA
SV
FI
NO
RU
PL
CS
HU
RO
LV
LT
ET
HR
SL
SK
BG
UK
TR



Lijte do olejové nádrže olej a sledujte měрку hladiny oleje. Zajistěte, aby se při plnění oleje do olejové nádrže nedostaly žádné nečistoty.

Našroubujte víko olejové nádrže zpět a utáhněte. Setřete veškeré rozlité množství.

TRANSPORT A SKLADOVÁNÍ

Před uskladněním nebo přepravou zařízení zastavte, vyjměte baterii a nechte ho vychladnout.

Odstraňte z výrobku všechny cizí materiál. Ukládejte v chladných, suchých a dobře větraných prostorech, které nejsou přístupné dětem. Nářadí neuskładňujte v blízkosti žiravých látek, jako například v blízkosti zahrádkářských nebo zahradnických chemických přípravků nebo solí na zimní spání komunikací. Neskladujte mimo budovu.

Před skladováním nebo přepravováním vždy naumistujte kryt vodící lišty.

Při transportu výrobku zajistěte proti pohybum nebo pádu, abyste zabránili poranění osob nebo poškozování výrobku.

ÚDRŽBA



VAROVÁNÍ!

Používejte pouze příslušenství ECHO a náhradní díly ECHO. Zanedbání může zapříčinit možné poranění, slabý výkon a může dojít ke ztrátě záruky. Pokud je potřeba vyměnit díly a není to popsáno, obraťte se prosím na naše servisy ECHO.



VAROVÁNÍ!

Údržba vyžaduje extrémní péči a znalosti a měla by být prováděna pouze kvalifikovaným servisním technikem. Pro servis vraťte výrobek do autorizovaného servisního centra. Při údržbě používejte pouze původní náhradní díly výrobce.



VAROVÁNÍ!

Před seřizováním, údržbou a čištěním vyjměte akumulátor. Pochybení tak může způsobit vážné poranění osob.

- Můžete provádět pouze v návodu k obsluze uvedené opravy a seřizení. Další opravy se smí provádět pouze u pověřených servisních prodejců.
- Důsledky nesprávné údržby mohou způsobit, že brzda řetězu a další bezpečnostní prvky nebudou správně fungovat, to znamená možnost vážného poranění. Udržujte svou řetězovou pilu profesionálně udržovanou a bezpečnou.
- Bezpečné ostření řetězu je odborný úkol. Proto výrobce velmi doporučuje opotřebovaný nebo tupý řetěz nahradit novým, který je dostupný u pověřeného

servisního střediska ECHO. Číslo dílu je uvedeno v tabulce specifikací produktu v tomto návodu.

- Postupujte dle pokynů pro mazání, napnutí řetězu, kontrolu a seřizení.
- Po každém použití setřete nástroj měkkým a suchým hadříkem.
- Zkontrolujte všechny šrouby, matice v častých intervalech na řádné utažení, aby se zajistilo, že zařízení bude pracovat v bezpečných pracovních podmínkách. Jákýkoliv poškozovaný díl je nutné správně opravit nebo nechat vyměnit v autorizovaném servisním středisku.

Výměna vodící lišty a řezacího řetězu

Viz strana 10 - 13.

Ujistěte se, že je akumulátor demontován. Použijte ochranné brýle.

Odšroubujte matice lišty přiloženým kombinačním klíčem.

Sejměte kryt řetězu.

Sundejte vodící lištu a řetěz z nástroje.

Umistěte nový řetěz ve správném směru na vodící lištu a ujistěte se, že jsou vodící články řetězu srovnány v držce vodící lišty.

Připevňte lištu k řetězové pile a obtočte řetěz okolo hnacího ozubeného kola.

Vraťte na místo kryt řetězu a matice lišty.

Utáhněte rukou matice lišty. S vodící lištou musí jít hybat, aby bylo možné upravit napnutí řetězu.

Nastavte napnutí řetězu. Přečtěte si informace uvedené v části „Seřizení napnutí řetězu“.

Přidržeťte konec vodící lišty a pevně utáhněte montážní matice.

Kontrola a čištění brzdy řetězu

Viz strana 22.

Mechanismus brzdy řetězu vždy udržujte čistý pomocí kartáče.

Po vyčištění vždy zkontrolujte výkon brzdy řetězu. Další informace najdete v části tohoto manuálu „Kontrola a provozování brzdy řetězu“.

PLÁN ÚDRŽBY

Denní kontroly	
Mazání lišty	Před každým použitím
Napnutí řetězu	Před každým použitím a pravidelně
Ostrost řetězu	Před každým použitím, vizuální kontrola
Poškozované součásti	Před každým použitím
Uvolnění spojovacích prvků	Před každým použitím



Funkce brzdy řetězu	Před každým použitím
Prohlížejte a čistěte:	
Lišta	Před každým použitím
Úplnost pily	po každém použití
Bezpečnostní brzda řetězu	Každých 5 hodin*

*Hodin provozu

NÁHRADNÍ DÍLY

Díl	Číslo příslušenství
Vodící lišta	6000945
Ostrá část řetězu	90PX056X

BATERIE

- Akumulátory, které nebyly nějakou dobu používány, by měly být před použitím dobity.
- Teploty přesahující 50°C (122°F) snižují výkon akumulátoru. Vyvarujte se delšímu vystavení horku nebo slunečnímu svitu (riziko přehřátí).
- Kontakty na nabíječe a baterii musí být vždy čisté.
- Pro optimální životnost by se akumulátory měly po použití plně dobít.
- Chcete-li získat co nejdelší životnost akumulátoru, vyjměte po plném dobití akumulátor z nabíječky.

Pro akumulátory skladované na déle jak 30 dní:

- Akumulátor skladujte tam, kde teplota nepřesáhne 27°C, a mimo vlhkost.
- Akumulátory skladujte při 30%-50% nabití.
- Každých šest měsíců akumulátor klasicky nabijte.

TRANSPORT LITHIOVÝCH BATERÍ

Lithium-iontová baterie podléhá legislativě o nebezpečném zboží.

Přeprava takových baterií musí probíhat podle místních, státních a mezinárodních opatření a předpisů.

- Uživatel může přepravovat baterie po silnici bez dalších požadavků.
- Komerční přeprava akumulátorů lithium-ion třetími stranami podléhá předpisům týkajících se nebezpečného zboží. Přípravu na přepravu a přepravu je výlučně nutné provádět řádně vyškolenými osobami a proces musí být pod dohledem odpovídajících odborníků.

Při přepravě akumulátorů:

- Ujistěte se, že kontakty baterie jsou chráněny a izolovány, aby se zabránilo zkratu.
- Zajistěte, aby akumulátory byly v obalu zajištěny proti pohybu.

- Nepřepravujte prasklé nebo baterie s unikajícím elektrolytem.

Ptejte se u zásilkové společnosti na další radu.

SYMBOLY



Bezpečnostní výstraha



Řádně si návod přečtěte, porozumějte veškerým pokynům a dodržujte všechny bezpečnostní pokyny a bezpečnostní varování.



Používejte ochranu zraku, hlavy a sluchu.



Noste neklouzavou bezpečnostní obuv, když používáte tento výrobek.



Navlékněte si pevné neklouzavé rukavice.



Zabraňte zpětnému vrhu řetězové pily a kontaktu se špičkou vodící lišty.



Nevystavujte dešti nebo nepoužívejte ve vlhkých podmínkách.



Řetězovou pilu držte pevně oběma rukama.



Řetězovou pilu nikdy neobsluhujte jen jednou rukou.



Nastavte brzdu řetězu do polohy RUN.



Nastavte brzdu řetězu do polohy BRAKE.



Zaručená hladina akustického výkonu je 106 dB.



Ukrajinská značka shody



Euroasijská značka shody



Odpad elektrických výrobků se nesmí likvidovat v domovním odpadu. Recyklujte prosím na sběrných místech. Ptejte se u místních úřadů nebo prodejce na postup při recyklaci.



Toto nářadí je v souladu se všemi normami a předpisy platnými v zemi EU, ve které bylo zakoupeno.

Následující signální slova a významy jsou vhodné pro vysvětlení úrovně nebezpečí spojených s tímto výrobkem.



NEBEZPEČÍ

Označuje bezprostředně rizikovou situaci, které je třeba předejít, jinak bude jejím následkem smrt nebo vážné zranění.



VAROVÁNÍ

Označuje možnou rizikovou situaci, které je třeba předejít, jinak jejím následkem může být smrt nebo vážné zranění.



VAROVÁNÍ

Označuje možnou rizikovou situaci, které je třeba předejít, jinak jejím následkem může být smrt nebo vážné zranění.

VAROVÁNÍ

Bez symbolu bezpečnostní výstrahy

Určuje situaci, která může mít za následek vážné poškození.





MŰSZAKI ADATOK

LÁNCFŰRÉSZ

ECCS-58V

Sorozatszám	17402201000001 - 17402201999999
Névleges feszültség	51,1 V, 58 V maximális
Max. rúd hossz	400 mm
Láncolaj tartályának térfogata	177 ml
Tömeg (Akkumulátor nélkül, láncvezetővel, láncsal és üres tartállyal)	4,83 kg
Gépsúly (4,0 Ah-s akkucsomaggal)	6,73 kg
Gépsúly (2,0 Ah-s akkucsomaggal)	6,03 kg
Legnagyobb fordulatszám terhelés nélkül	21 m/s
Hasznos vágáshossz	250 mm
Hangkibocsátási szint (az EN 60745-1, EN 60745-2-13 szerint)	
A-súlyozott hangnyomásszint a kezelő helyén (L_{PA})	94,5 dB(A)
K_{PA} :	2,5 dB(A)
A-súlyozott hangteljesítményszint (L_{WA})	105,5 dB(A)
K_{WA} :	2,5 dB(A)
Vibrációs szint (az EN 60745-1; EN 60745-2-13 szerint) (első/hátsó)	2,1 / 2,8 m/s ² K = 1,5 m/s ²

EN
FR
DE
ES
IT
NL
PT
DA
SV
FI
NO
RU
PL
CS
HU
RO
LV
LT
ET
HR
SL
SK
BG
UK
TR

AKKUMULÁTOR ÉS TÖLTŐ

ECCS-58V

Kompatibilis akkumulátorok	ECBP-58V40 / ECBP-58V20
Kompatibilis töltő	ECBC-58VEU / ECBC-58VUK



FIGYELMEZTETÉS!

Az információs lapon megadott rezgés kibocsátási szintjét az EN 60745 szabványosított vizsgálat segítségével mértük, amelynek segítségével az eszközök egymással összehasonlíthatóak. Alkalmazható a kitétség előzetes felmérésére is.

A megadott rezgés kibocsátási szint az eszköz fő alkalmazásait jelöli. Azonban, ha az eszközt különböző alkalmazásokra használják, eltérő tartozékokkal, vagy ha a karbantartása nem megfelelő, a rezgés kibocsátás változhat. Ez jelentősen növelheti a kitétségi szintet a teljes működési időtartam során.

A rezgésnek való kitétségi szint becslést értékét akkor is figyelembe kell venni, amikor az eszköz ki van kapcsolva, vagy amikor jár, de nem végez tényleges munkát. Ez jelentősen csökkentheti a kitétségi szintet a teljes működési időtartam során.

Annak érdekében, hogy a kezelőt megvédje a rezgés hatásaitól, határozzon meg kiegészítő biztonsági intézkedéseket, például: az eszköz és a tartozékok karbantartása, a kezek melegen tartása, munkarend szervezése.

ÁLTALÁNOS BIZTONSÁGI FIGYELMEZTETÉSEK



FIGYELMEZTETÉS!

Olvassa el az összes biztonsági figyelmeztetést és útmutatást. A figyelmeztetések és utasítások be nem tartása elektromos áramütést, tüzet és/vagy súlyos sérülést eredményezhet.

Őrizze meg ezeket a figyelmeztetéseket és utasításokat a későbbi tájékozódásra is.

A figyelmeztetésekben a „szerszámgép” kifejezés az elektromos hálózatról (kábelrel) működtetett vagy akkumulátorról (kábel nélkül) működtetett gépet jelenti.

MUNKATERÜLET

A munkaterületet tartsa tisztán és jól megvilágítva. A rendetlen vagy sötét munkaterületek balesetekhez vezethetnek.

Az elektromos szerszámgépeket ne működtesse robbanásveszélyes környezetben, mint például robbanásveszélyes folyadékok, gázok vagy porok jelenlétében. Az elektromos gépekben szikrák





keletkeznek, amik begyűjthatják a port vagy a gőzöket.

Az elektromos szerszám gép használatakor a gyerekeket és a kívülállókat tartsa távol. A figyelem elterelődése az irányítás elvesztését okozhatja.

ELEKTROMOS BIZTONSÁG

A szerszám gép dugaszának illeszkednie kell az aljzathoz. Semmilyen módon ne módosítsa a dugaszt. A földelt elektromos gépekhez ne használjon adapter dugaszt. A nem módosított és illeszkedő dugasz csökkenti az áramütés kockázatát.

Kerülje az érintkezést földelt felületekkel, mint például csövekkel, radiátorokkal és hűtőkkel. Megnöveli az áramütés kockázatát, ha a teste földeltté válik.

Ne tegye ki a terméket esőnek vagy nedves környezet hatásának. A szerszám gépekbe kerülő víz növeli az áramütés kockázatát.

Ne rongálja meg a kábelt. A szerszám gép kábelét soha ne használja a szerszám hordozására, húzására vagy kihúzására. A kábelt hőtől, olajtól, éles tárgyaktól vagy mozgó alkatrészekről tartsa távol. A sérült vagy beakadt kábelek növelik az áramütés kockázatát.

Szerszám gépnek a szabadban való működtetésekor kültéri használatra is megfelelő hosszabbító kábelt használjon. Kültéri használatra megfelelő hosszabbító kábel csökkenti az áramütés kockázatát.

Ha a szerszám gép használata nedves környezetben elkerülhetetlen, használjon áram-védőkacsolót (RCD). Az RCD használata csökkenti az áramütés kockázatát.

SEMÉLYI BIZTONSÁG

Elektromos szerszám gép működtetésekor legyen mindig éber, figyeljen arra, amit csinál, és használja a józan esztét. Ne használja a szerszám gépet, ha fáradt vagy alkoholt, gyógyszerrel vagy más tudatmódosító szerek hatása alatt áll. A gép használata közben már egyetlen figyelmen kívül hagyás is súlyos személyi sérüléshez vezethet.

Használjon személyi védelmi eszközöket. Mindig viseljen védőszemüveget. A védelmi felszerelések, mint például a pormaszk, a csúszásmentes biztonsági lábbelik, a védősisak vagy a fülvédő megfelelő használata csökkenti a személyi sérüléseket.

Kerülje el a véletlen bekapcsolást. A szerszám szállítása vagy felemelése, az áramellátás és/vagy akkumulátor csatlakoztatása előtt ellenőrizze, hogy a kapcsoló kikapcsolt állásban van. Szerszám gépek szállítása a kapcsolón tartott ujjal vagy bekapcsolt szerszám gépek áram alá helyezése balesetekhez vezet.

A szerszám gépről bekapcsolás előtt távolítson el minden beállító kulcsot és csavarkulcsot. Egy a szerszám gép forgó alkatrészén maradt beállító kulcs vagy csavarkulcs személyi sérülést eredményezhet.

Ne hajoljon ki túlságosan. Mindig tartson megfelelő testtartást és egyensúlyt. Ez a szerszám gép jobb irányítását teszi lehetővé váratlan szituációkban.

Viseljen megfelelő ruházatot. Ne vegyen fel laza ruhát

vagy ékszereket. A haját, a ruháit és a kesztyűjét tartsa távol a forgó alkatrészekről. A laza ruházat, ékszerek vagy a hosszú haj beakadhatnak a mozgó alkatrészekbe.

Ha a gép el van látva porkivezető vagy -gyűjtő berendezésekkel való csatlakozási lehetőséggel, akkor figyeljen rá, hogy ezeket csatlakoztassák és megfelelően használják. A porfogó használata csökkentheti a porral kapcsolatos veszélyeket.

A SZERSZÁMGÉP HASZNÁLATA ÉS KARBANTARTÁSA

Ne erőltesse a terméket. A feladathoz a megfelelő szerszám gépet használja. A megfelelő szerszám gép jobb teljesítménnyel és sokkal biztonságosabban fog dolgozni olyan körülmények között, amilyenekre azt tervezték.

Ne használja a szerszám gépet, ha a kapcsoló nem kapcsol be és ki. Bármilyen szerszám gép veszélyes, amit a kapcsolóval nem lehet irányítani, ezért azt meg kell javítani.

Bármilyen beállítás, tartozékcsere elvégzése vagy a szerszám gép tárolása előtt húzza ki a szerszám gépet a hálózathoz és/vagy vegye ki az akkumulátort a szerszám gépből. Az ilyen megelőző biztonsági óvintézkedések csökkentik a szerszám gép véletlen bekapcsolódásának kockázatát.

A használaton kívüli gépet gyerekek számára nem elérhető helyen tárolja, és ne hagyja, hogy a szerszám gépet vagy a kézikönyvet nem ismerő személyek használják a szerszám gépet. Gyakorlatlan felhasználók kezében a szerszám gépek veszélyesek.

Tartsa megfelelő állapotban a szerszám gépeket. Ellenőrizze a mozgó alkatrészek akadását vagy helytelen beállítását, az alkatrészek törését és minden más körülményt, ami hatással lehet a szerszám gép működésére. Ha sérült, a szerszám gépet használat előtt meg kell javítani. Sok balesetet a rosszul karbantartott szerszám gépek okoznak.

A vágószerszámok legyenek élesek és tiszták. A megfelelően karbantartott, éles vágóélű vágószerszámok kevésbé akadnak be és könnyebben irányíthatók.

A szerszám gépet, a tartozékokat és a biteket stb. ezen utasításban leírtaknak megfelelően használja, figyelembe véve a munkakörülményeket és az elvégzendő feladatot. A szerszám gép rendeltetésétől eltérő műveletekre való használata veszélyes helyzeteket eredményezhet.

AKKUMULÁTOROS SZERSZÁMGÉP HASZNÁLATA ÉS KARBANTARTÁSA

Csak a gyártó által megadott töltővel töltsen az akkumulátorokat. Egy adott akkumulátortípushoz való töltő egy másik típusú akkumulátorral való használata tűzveszélyes lehet.

A szerszámokat csak a hozzájuk való akkumulátorokkal üzemeltesse. Más akkumulátorok használata tűzveszélyes lehet, és sérüléseket okozhat.

Az akkumulátort használaton kívül tartsa távol más fém tárgyaktól, úgymint gemkapcsoktól, érméktől,





kulcsoktól, szögektől, csavaroktól vagy más kisméretű fém tárgyaktól, amelyek rövidre zárhatják a két érintkezőt. Az akkumulátor érintkezőinek rövidre zárása tüzet vagy égéseket okozhat.

Nem megfelelő körülmények esetén folyadék távozhatsz az akkumulátorból, kerülje az azzal való érintkezést. Ha mégis érintkezik vele, öblítse le vízzel. Ha a folyadék szembe kerül, forduljon orvoshoz. Az akkumulátorból kifolyt folyadék irritációt vagy égéseket okozhat.

KARBANTARTÁS

A szerszámgépet csak szakképzett szervizszakemberrel szervizeltesse, csak azonos cserealkatrészeket használva. Ez biztosítja, hogy a szerszámgép használata továbbra is biztonságos legyen.

TOVÁBBI ÁLTALÁNOS BIZTONSÁGI FIGYELMEZTETÉSEK

Egyes régiókban olyan előírások érvényesek, amelyek korlátozzák a termék használatát. További információért forduljon a helyi önkormányzatához.

Ne hagyja, hogy gyerekek vagy a termék használatát nem ismerő felnőttek használják a terméket. A helyi előírások korlátozhatják a kezelő életkorát.

Minden használat előtt ellenőrizze, hogy az összes kezelőszerv és biztonsági eszköz megfelelően működik. Ne használja a gépet, ha a főkapcsoló nem állítja le a motort.

A termék működtetése közben viseljen teljes szem- és fülvédőt, erős munkakesztyűt valamint fejtvédőt; poros műveletek végzésekor viseljen arcmaszkot.

Ne vegyen fel laza ruhát, rövidnadrágot, illetve semmilyen ékszert.

Ha hosszú a haja, azt a vállvonal felett rögzítse, nehogy beakadjon valamilyen mozgó alkatrészbe.

Figyeljen a kivetett, repülő vagy leeső tárgyakra. A nézelődőket, gyerekeket és a háziállatokat tartsa 15 m távolságban a munkaterülettől.

Ne használja a gépet gyenge megvilágítás esetén. A kezelőnek tiszta rálátással kell rendelkeznie a munkaterületre, hogy azonosíthassa a potenciális veszélyeket.

Fülvédő viseletekor csak korlátozottan hallja a figyelmeztetéseket (riasztást vagy kiáltást). A kezelőnek jobban oda kell figyelnie arra, hogy mi folyik a munkaterületen.

Hasonló gépek egymás közelében történő használata növeli a halláskárosodás veszélyét, valamint annak veszélyét, hogy más személyek lépnek be az Ön munkaterületére.

Stabilan álljon és vegyen fel megfelelő egyensúlyt. Ne hajoljon ki túlságosan. A túlzott kinyúlás egyensúlyvesztést eredményezhet és növelheti a visszarúgás kockázatát.

A testrészeit tartsa távol a mozgó alkatrészekről.

Minden használat előtt vizsgálja át a gépet. Ellenőrizze

az összes kezelőszerv megfelelő működését, beleértve a láncfűrészt is. Keressen meglazult kötőelemeket, ügyeljen rá, hogy minden a védőburkolat és fogantyú megfelelően fel legyen szerelve és rögzítve. Használat előtt cserélje ki az összes sérült alkatrészt.

Semmilyen módon ne módosítsa a gépet vagy használjon a gyártó által nem ajánlott alkatrészeket és tartozékokat.



FIGYELMEZTETÉS!

Ha a gép leesett, erős ütést kapott vagy rendellenesen kezd vibrálni, azonnal állítsa le a gépet, és vizsgálja át sérülések tekintetében vagy azonosítsa a vibráció okát. Minden sérülést hivatalos szervizközpontban kell megjavíttatni vagy kicseréltetni.

Ne dobja a háztartási hulladékok közé és ne égesse el az akkumulátorokat. Környezetünk védelme érdekében az ECHO viszonteladói átveszik a régi akkumulátorokat.

Az akkucsomagot ne tárolja együtt fém tárggyal (rövidzárlat veszélye miatt).

Az akkucsomagok töltéséhez csak ECBC-58VEU/ECBC-58VUK töltőt használjon. Ne használja más rendszerek akkucsomagjait.

Kompatibilis akkumulátorok: ECBP-58V40, ECPB-58V20

Az akkumulátorsav extrém terhelés vagy extrém hőmérsékletek mellett szivároghat a sérült akkumulátorokból. Ha bőre akkumulátorsavval érintkezik, azonnal mossa le szappanos vízzel. Ha szembe kerül, alaposan mossa ki legalább 10 percen át, és azonnal forduljon orvoshoz.

A vezetőlemezt rögzítő két csavar használat közben érzékeny pont lehet elektromos kisülés szempontjából. A felhasználónak ki kell oldania a kapcsolót a termék újraindításához, ha az elektromos kisülés következtében kikapcsol.

LÁNCFŰRÉSZE VONATKOZÓ BIZTONSÁGI FIGYELMEZTETÉSEK

A készülék működtetésekor minden testrészét tartsa távol a fűrészláncról. A láncfűrész beindítása előtt ellenőrizze, hogy a fűrészlánc nem érintkezik semmivel. Egy figyelmetlen pillanat a láncfűrész használata közben a ruházata vagy a teste fűrészláncba való beakadását okozhatja.

A láncfűrész mindig jobb kézzel a hátsó fogantyút, bal kézzel pedig az elülső fogantyút fogva tartsa. A láncfűrész fordított kéz-konfigurációban való tartása növeli a személyi sérülés kockázatát, így használata tilos.

A terméket csak a szigetelt fogófelületnél tartsa meg, mert a fűrészlánc rejtett vezetőkeket tartalmazhat. A fűrészlánc „élő” vezetőekkel való érintkezése következtében a szerszám fém alkatrészei áram alá kerülhetnek, minek következtében a kezelőt áramütés érheti.

Viseljen védőszemüveget és fülvédőt. További fej, kéz, láb és lábfej védőfelszerelés viselete is ajánlott. A megfelelő védőruházat csökkenti a kirepülő hulladékok





okozta személyi sérülés és a fűrészláncsal való véletlen érintkezés kockázatát.

Ne használja a láncfűrész t fára felmászva. A láncfűrész használata fára felmászva személyi sérülést eredményezhet.

Mindig megfelelően támassza meg magát, és csak rögzített, szilárd és sima felületen állva használja a láncfűrész t. Csúszós vagy nem stabil felületek, például a létrák az egyensúly vagy a láncfűrész irányításának elvesztését okozhatják.

Feszülő ág vágásakor figyeljen a visszarugózásra. Ha a fa feszülő rostjai felszabadulnak, a visszarugózó ág eltalálhatja a kezelőt és/vagy megdobhatja a láncfűrész t.

Különleges figyelemmel járjon el a kisebb bozót és facsometék vágásakor. A kisméretű darabok beakadhatnak a fűrészláncba és kivetődhetnek a kezelő felé, vagy kilendíthetik az egyensúlyából.

A láncfűrész t kikapcsolt állapotban és a testétől távol tartva, az elülső fogantyúnál fogva szállítsa. A láncfűrész szállításakor vagy tároláskor mindig helyezze fel a láncvezető védőburkolatát. A láncfűrész megfelelő kezelése csökkenti a mozgó fűrészláncsal való véletlen érintkezés kockázatát.

Tartsa be a kenésre, a láncfeszességre és a tartozékcserere vonatkozó utasításokat. A hibásan megfeszített vagy megkent lánc elszakadhat, és növeli a visszarugás esélyét is.

A fogantyúkat tartsa szárazon, tisztán, olajtól és kenőzsírtól mentesen. A kenőzsíros és olajos fogantyúk csúszósak, és növelik az irányítás elvesztésének kockázatát.

Csak fát vágjon. Ne használja másra a láncfűrész t, mint amire szánták. Például ne használja a láncfűrész t műanyag, kőfal vagy nem fából készült építési anyagok vágására. A láncfűrész rendeltetésétől eltérő műveletekre való használata veszélyes helyzeteket eredményezhet.

A visszarugás okai és a kezelő megóvása:

A szerszám megugorhat, ha a működő gép orr-része valamihez hozzáér, vagy ha a vágás során a láncvezető becsípődik a fába és megszorul.

A hegy érintkezése a munkadarabbal bizonyos esetekben egy hirtelen visszaható reakciót okozhat, ami a láncvezetőt feléle és a kezelő irányába dobja.

A fűrészlánc beszorulása a láncvezető felső részénél a láncvezetőt hirtelen a kezelő felé dobhatja.

Minden ilyen esetben elveszítheti uralmát a láncfűrész felett, és súlyosan megsérülhet. A biztonság tekintetében ne bízson kizárólag a láncfűrész védőelemeiben. Különböző óvintézkedéseket is kell tenni annak érdekében, hogy csökkentsen a balesetek és sérülések veszélyét.

A visszarugás a szerszám helytelen használatának és/vagy a nem megfelelő használati eljárások vagy körülmények eredménye, és megelőzhető a lent megadott utasítások betartásával:

Erős fogást tartson, a hüvelykujja és az ujjai öleljék körbe a láncfűrész fogantyúit, mindkét keze a fűrészben legyen, és úgy helyezze a testét és a karjait, hogy lehetővé tegyék a visszarugás erejének kivédését. A visszarugási erőket a kezelő kontrollálhatja, ha betartja a megfelelő óvintézkedéseket. Ne hagyja, hogy a láncfűrész elszabaduljon.

Ne hajoljon ki túlságosan, és ne vágjon vállmagaság felett. Ezek segítenek megelőzni a hegy véletlen érintkezését és váratlan situációkban a láncfűrész jobb irányíthatóságát teszik lehetővé.

Csak a gyártó által megadott csere láncvezetőt és láncot használjon. Nem megfelelő csere láncvezetők és láncok lántörést és/vagy visszarugást okozhatnak.

Tartsa be a gyártó utasításait a lánc élezését és karbantartását illetően. A mélységbeállító magasságának csökkentése a visszarugás veszélyének megnövekedését okozhatja.

A LÁNCFÜRÉSZRE VONATKOZÓ TOVÁBBI BIZTONSÁGI FIGYELMEZTETÉSEK

Javasolt, hogy a termék első használatakor a rönköket bakon vagy bölcsön vágja.

Ügyeljen rá, hogy az összes védőburkolat, fogantyú és tüskés ütköző megfelelően felszerelt és jó állapotú legyen.

A terméket használó személyeknek jó egészségi állapotban kell lenniük. A készülék nehéz, ezért a kezelőnek fizikailag jó kondícióban kell lennie. A kezelőnek ébernek, jó látással, reflexekkel, egyensúlyérzékkel és kéz ügyességgel kell rendelkeznie. Ha bármilyen gondja van, ne működtesse a terméket.

Ne kezdje meg a termék használatát, amíg meg nem tisztította a munkaterületet, nem vett fel stabil testtartást és nincs meg a tervezett menekülési útvonal a fa dőlése esetére.

Figyeljen a kenőanyagpára és a fűrészpor kibocsátásra. Ha szükséges, viseljen maszkot vagy álarcot.

Ne vágjon szőlőtőkét és/vagy kisméretű bozótot (75 mm-nél kisebb átmérőjűt).

A terméket mindig két kézzel tartva működtesse. Tartsa a láncfűrész t erősen, úgy hogy az ujjai öleljék körül a fogantyúkat. Jobb kézzel a hátsó fogantyút, bal kézzel pedig az elülső fogantyút fogja.

A termék elindítása előtt győződjön meg róla, hogy ne érjen hozzá semmilyen tárgyhoz.

Semmilyen módon ne módosítsa a terméket, illetve ne használja a termék gyártója által nem ajánlott más tartozékok vagy eszközök működtetésére.

A kezelő közelében lennie kell egy elsősegélydoboznak, amelynek nagyméretű kötszert és a figyelemfelhívó eszközt (pl. síp) kell tartalmaznia. Egy nagyobb, átfogóbb készletnek kell a közelben lennie.

A termék használatakor mindig viseljen sisakot. Egy hálós ellenzővel felszerelt sisak segít csökkenteni az arc és a fej sérülési kockázatát, ha visszarugás történik.





Egy nem megfelelően megfeszített lánc leugorhat a láncvezetőről, és súlyos sérülést vagy halált okozhat. A lánc hossza függ a hőmérséklettől. Rendszeresen ellenőrizze a feszességet.

Egy biztonságosan rögzített fadarabon végzett egyszerű vágásokkal szokja meg az új láncfűrész használatát. Bármikor megteheti ezt, ha egy ideje nem használta a fűrész.

A mozgó alkatrészekkel való érintkezés okozta sérülések veszélyének csökkentése érdekében mindig állítsa le a motort, húzza be a láncfékét, vegye ki az akkumulátort, és ellenőrizze, hogy minden mozgó rész megállt, mielőtt:

- tisztítás vagy eltömődés megszüntetése
- a termék felügyelet nélkül hagyása
- felszerelné vagy eltávolítaná a tartozékokat
- ellenőrzi, karbantartja vagy dolgozik a terméken

A munkaterület mérete függ a végrehajtandó munkától, és a fa méretétől, vagy a munkadarab nagyságától. Például, egy fa kidöntéséhez nagyobb terület kell, mint másfajta vágásokhoz, pl. keresztvágásokhoz stb.

A kezelőnek ébernek kell lennie, és oda kell figyelnie mindenre a munkaterületen.

Ne vágjon úgy, hogy a teste egy vonalba kerül a láncvezetővel és a láncsal. Ha visszarúgást észlel, ezzel elkerülheti, hogy a lánc érintkezzen a fejével vagy az arcával.

Ne használjon oda-vissza fűrészelő mozgulatot, hagyja, hogy a lánc végezze a dolgát, tartsa élesen a láncot, és ne próbálja áttolni a láncot a vágáson.

Ne fejtse ki nyomóerőt a láncfűrészre a vágás végén. Legyen készen, hogy átvegye a fűrész súlyát, amint az kiszabadul a vágásból. Ha nem így tesz, súlyos személyi sérülés lehet az eredmény.

Ne állítsa le a fűrész a vágási művelet közepén. Addig működtesse a fűrész, amíg ki nem veszi a vágásból.

Lökő- és húzóerő

A reakcióerő mindig a fűrészlánc forgási irányával ellentétes irányban hat. Ezért a kezelőnek készen kell állnia a gép elhúzásra hajlamosságának kontrollálására (előrefelé mozgás) a láncvezető alsó élével való vágáskor, és a hátranyomás kontrollálására (a kezelő felé mozgás) a láncvezető felső élével való vágáskor.

A fűrész beakadt a vágásba

Állítsa le a láncfűrész, és tegye biztonságossá. Ne próbálja kieroletetni a láncot és a vezetőt a vágásból, mert elszakíthatja a láncot, ami hátracsap és megsérti a kezelőt. Ez a helyzet általában akkor fordul elő, ha a fa nem megfelelően van megtámasztva és a nyomóerő összezárja a vágást, ezáltal összezecsi a láncot. Ha a megtámasztás megváltoztatása nem szabadítja ki a láncvezetőt és a láncot, fa ékek vagy egy emelő segítségével szabadítsa ki a fűrész. Ne próbálja meg beindítani a fűrész, ha a láncvezető még a vágásban vagy a bevágásban van.

Személyi védelmi eszközök

A szakemberek által is használt jó minőségű személyi védelmi eszközök segítenek csökkenteni a kezelő sérülésének kockázatát. A következő eszközöket kell használni a láncfűrész használatakor:

Védősisak

- meg kell felelnie az EN 397 szabványnak, és CE jelöléssel kell rendelkeznie

Fülvédő

- meg kell felelnie az EN 352-1 szabványnak, és CE jelöléssel kell rendelkeznie

Szem- és arcvédő

- CE jelöléssel kell rendelkeznie és meg kell felelnie az EN 166 (a védőszemüvegek esetében) vagy az EN 1731 (hálós arcvédő esetében) szabványnak

Kesztyűk

- meg kell felelnie az EN381-7 szabványnak, és CE jelöléssel kell rendelkeznie

Lábvédelem (vágásálló)

- meg kell felelnie az EN381-5 szabványnak és CE jelöléssel kell rendelkeznie, és teljes körű védelmet kell nyújtania.

Láncfűrész biztonsági lábbelil

- meg kell felelniük az EN ISO 20345:2004 szabványnak és láncfűrész ábrás jelöléssel kell rendelkeznie az EN 381-3 szabványnak való megfelelés igazolására. (Az alkalmi felhasználók használhatnak acél orrmerevítővel ellátott biztonsági lábbelit is lábszárvédőkkel, ami megfelel az EN 381-9 szabványnak, ha a talaj egyenletes és kicsi az aljnövényzetbe való felbukás vagy beakadás esélye)

Láncfűrész kabátok a felsőtest védelméhez

- meg kell felelnie az EN 381-11 szabványnak, és CE jelöléssel kell rendelkeznie

ALAPVETŐ FAKIVÁGÁSI, ÁGÁZÁSI ÉS KERESZTVÁGÁSI TECHNIKÁK

A fára ható erők megértése

Ha megérti a fára ható irányított nyomást és feszültséget, csökkentheti a „becsípődéseket” vagy legalább felkészülhet ezekre a favágásokra. A fában lévő feszültség azt jelenti, hogy a rostokra egymást taszító erő hat, és ha belevág ebbe a területbe a „fűrészjárat” vagy a vágás a szétnyílás felé fog tendálni, ahogy a fűrész áthalad a vágáson. Ha a rönk egy bakon van megtámasztva és a vége támaszték nélkül lóg túl a bakon, a rönk felső része a túlnyúló rész súlyának a rostokra gyakorolt hatás miatt megfeszül. Hasonlóképpen a rönk alsó részére összenyomó erő hat, és a rostok össze fognak nyomódni. Ha ebbe a területbe vág bele, a bevágás a vágás során összezáródás felé fog tendálni. Ez becsípheti a fűrészláncot.





Fakidöntés

Lásd 1 - 6. ábrá.

Amikor a rönkdarabolási és kivágási műveleteket egyszerre két vagy több személy végzi, akkor a kidöntési műveletet a rönkdarabolástól külön kell elvégezni, legalább kétszer olyan távolságra, mint a kivágandó fa magassága. A fákat nem szabad úgy kidönteni, hogy az más személyeket veszélyeztet, bármilyen elektromos vezetékkel találkozhat vagy bármilyen vagyoni kárt okozhat. Ha a fa érintkezett egy elektromos vezetékkel, akkor azonnal értesíteni kell az áramszolgáltatót.

Ha a talaj lejtős, a lejtő felső részén helyezkedjen el, mivel a kivágott fa legurulhat vagy lecsúszhat.

A vágás megkezdése előtt meg kell tervezni a menekülési útvonalat, és szükség esetén meg kell tisztítani. A menekülési útvonalnak hátrafelé és átlósan kell haladnia a várható dőlési vonalhoz képest.

A fakidöntés megkezdése előtt határozza meg a fa természetes dőlését, a nagyobb ágak helyzetét és a szélirányt, hogy eldöntse, merre fog dőlni a fa.

A fáról távolítsa el a koszt, köveket, laza kérget, szegeket, ácskapcsokat és vezetékeket.

Ne próbáljon meg korhadt, illetve a szél, a tűz, a villámlás miatt megsérült fákat kivágni.

Ez ugyanis nagyon veszélyes, és csak profi favágók végezhetik.

1. Bevágó alávágás

Lásd 1 - 6. ábrá.

Készítsen egy ék alakú bevágást a fa 1/3 átmérőjéig, merőlegesen a dőlési irányra. Először az alsó vízszintes vágást készítse el. Ez segít elkerülni a lánccsal vagy a lánccvetető becsípődését a második vágás készítésekor.

2. Visszavágás döntéskor

Lásd 1 - 6. ábrá.

A döntési visszavágást legalább 50 mm-rel (2 in.) magasabban készítse a bevágás vízszintes vágásánál. A döntési visszavágást párhuzamosan végezze a bevágás vízszintes vágásával. Úgy készítse a döntési visszavágást, hogy elég fa maradjon a csuklóhoz. A csukló akadályozza meg a fa rossz irányba csavarodását vagy dőlését. Ne vágja át a csuklót.

Amint a döntő vágás közel kerül a csuklóhoz, a fának el kell kezdenie dőlni. Ha bármi esély van arra, hogy a fa nem a kívánt irányba dől vagy visszalendül és beszorítja a lánccfűrész, akkor döntési visszavágás befejezése előtt állítsa le a vágást, és fa-, műanyag- vagy alumínium ékekkel biztosítsa a vágat nyitva tartását és a fa kívánt irányba való dőlését.

A fa dőlésének kezdetekor vegye ki a lánccfűrész a vágásból, állítsa le a motort, tegye le a lánccfűrész és használja a megtervezett menekülési útvonalat. Figyeljen a feje feletti ágak zuhanására és nézzen a lába elé.

A támasztógyökerek elvágása

Lásd 7 - 8. ábrá.

A támasztógyökér a fa egy vastag gyökere, mely a fatörzsből a talajig hatol. Vágja át ezeket a vastag gyökereket, mielőtt kivágja a fát. Előbb vágjon vízszintesen, majd függőlegesen a támasztógyökérbe. Az így levágott darabot távolítsa el a munkaterületről. A fa kivágását a támasztógyökerek eltávolítása után kezdje meg.

Rönk méretre vágása

Lásd 9 - 11. ábrá.

A rönkvágás egy rönk darabokra vágása. Fontos, hogy stabilan álljon, és testvérját jól ossza el a két lábán. Ha lehetséges, akkor a rönköt ágak, rönkök vagy ékek segítségével fel kell emelni és meg kell támasztani. A könnyű vágás érdekében tartsa be az egyszerű utasításokat. Amikor a rönk teljes hosszában meg van támasztva, akkor felülről kell vágni (felülvágás).

Amikor a rönk csak az egyik végén van megtámasztva, alulról vágjon be az átmérő 1/3-ig (alulvágás). Majd felülvágással fejezze be a vágást úgy, hogy szembe megy az első vágással.

Amikor a rönk mindkét végén meg van támasztva, felülről vágjon be az átmérő 1/3-ig (felülvágás). Majd alulvágással fejezze be a vágást a rönk maradék 2/3-án úgy, hogy szembe megy az első vágással.

Lejtőn való rönkdaraboláskor mindig a rönk felső oldalához álljon. Átvágáskor a teljes irányítás megtartásához ne nyomja a fűrész a vágás végén, de ne engedje el a lánccfűrész fogantyúit. Ne hagyja a talajjal érintkezni a láncot. A vágás befejezése után a lánccfűrész mozgatása előtt várja meg a fűrészlánc megállását. Egyik fától a másikhoz való továbblépéskor mindig állítsa le a motort.

Fa ágazása

Lásd 12 - 13. ábrá.

Az ágazás az ágak eltávolítását jelenti egy kidöntött fáról. Ágazáskor hagyja rajta a nagyobb alsó ágakat a rönkön, hogy megtámasszák azt. Egy vágással távolítsa el az összes kisebb gallyat. A feszültség alatt lévő ágakat alulról felfelé kell vágni, elkerülve ezzel a lánccfűrész beakadását.

Rugós rúd

Lásd 14 - 15. ábrá.

Előfordulhat, hogy egy ág, egy kidőlt fa törzse vagy egy törpefa beszorul egy másik fa alá oly módon, hogy hirtelen felcsapódik, amint a ránehezítő fát fűrészelni vagy elmozdítani kezdjük.

Könnyen előfordulhat, hogy az élő fán lévő kivágott fa törzse elengedi magát és felcsapódik függőleges pozícióba, miközben megpróbáljuk lefűrészelni a rönkről. Vigyázzon ezekkel a beszorult fakkal, mert veszélyesek.





FIGYELMEZTETÉS!

A beszorult fák veszélyesek, mert megüthetik önt, és így elveszítheti uralmát a láncfűrész felett. Ami súlyos vagy akár halálos sérüléseket is okozhat. Ezt a műveletet csak gyakorlott felhasználók végezhetik.

AZ AKKUMULÁTOR KIEGÉSZÍTŐ BIZTONSÁGI FIGYELMEZTETÉSEI



FIGYELMEZTETÉS!

A rövidzárlat általi tűz, sérülések vagy termékkárosodások veszélye elkerülésére ne merítse a szerszámot, a cserélhető akkut vagy a töltőkészüléket folyadékokba, és gondoskodjon arról, hogy ne hatoljanak folyadékok a készülékekbe és az akkukba. A korrozív hatású vagy vezetőképes folyadékok, mint pl. a sós víz, bizonyos vegyi anyagok, fehérítők vagy fehérítő tartalmú termékek, rövidzárlatot okozhatnak.

FENNMARADÓ KOCKÁZAT

Még a termék rendeltetésszerű használata esetén sem lehet teljesen kiküszöbölni minden kockázati tényezőt. A gép használata során a következő veszélyek merülhetnek fel, és a kezelőnek különösen oda kell figyelnie az alábbiak elkerülésére:

- A vibráció sérüléseket okozhat
 - A munkához mindig a megfelelő szerszámot használja. Használja a kijelölt fogantyúkat. Korlátozza a munkaidőt és az expozíciót.
- A zajnak való kitettség halláskárosodást okozhat.
 - Viseljen hallásvédőt és korlátozza a zajnak való kitettséget
- sérülés a lánc szabadon maradt fogaival való érintkezésből
- sérülés a munkadarab kivetett részeitől (faforgács és szilánkok)
- Por és részecskék belélegzése okozta sérülés.
- sérülés a bőrnek a kenőanyaggal vagy olajjal való érintkezése miatt

KOCKÁZATCSÖKKENTÉS

Arról számoltak be, hogy a kéziszerszámok használata során fellépő vibráció bizonyos személyeknél hozzájárulhat az úgynevezett Raynaud-szindróma (Raynaud's Syndrome) nevű állapot kialakulásához. A tünetei lehetnek: az ujjak zsibbadása, elfehéredése, szúrások érzése, amelyek hidegnek kitéve gyakran felerősödnek. Az örökítő tényezők, a hidegnek kitettség és verejtékezés, a diéta, a dohányzás és munka közben alkalmazott fogások valószínűleg mind hozzájárulhatnak ezen tünetek megjelenéséhez. A vibráció hatásainak

csökkentése érdekében a kezelőnek be kell tartani az alábbi óvintézkedéseket:

- Hideg időben tartsa melegen a testét. A gép használatakor viseljen kesztyűt a kéz és a csukló melegen tartásához.
- Bizonyos időtartamú használat után mindig végezzen gyakorlatokat a vérkeringés javításához.
- Gyakran tartson munkaszünetet. Korlátozza a napi munkaidőt.
- Profi láncfűrész-kereskedőtől beszerezhető olyan védőkesztyűk, amelyek kizárólag a láncfűrész használatához lettek kialakítva, védelmet és jó fogást biztosítanak, és még a kéz vibráció hatását is csökkentik.

Ha ezen állapot bármelyik tünetét tapasztalja, azonnal hagyja abba a munkát, és tájékoztassa az orvosát a tünetekről.



FIGYELMEZTETÉS!

Hosszabb használat sérülést okozhat. Ha a gépet hosszú időn át kell használnia, tartson gyakran szünetet.

RENDELTETÉSSZERŰ HASZNÁLAT

A termék kizárólag a szabadban használható. Biztonsági okokból a terméket mindig kétkezes műveletekkel kell irányítani.

A termék a láncvezető vágáshossza által meghatározott átmérőjű ágak, törzsek, rönkök és tönkök vágására alkalmas. Kizárólag fa vágása készült. Csak otthoni alkalmazásra használható olyan felnőttek által, akik megfelelő képzést kaptak a veszélyekről és a használatkor betartandó megelőző utasításokról/műveletekről.

A láncfűrész nem használható professzionális favágási célokra. A terméket nem használhatják gyerekek, illetve megfelelő személyi védelmi eszközöket és ruházatot nem viselő személyek.

A készüléket csak rendeltetési céljának megfelelően használja.



FIGYELMEZTETÉS!

A termék használatakor a biztonsági szabályokat be kell tartani. A saját és mások biztonsága érdekében a termék használata előtt el kell olvasnia és teljesen meg kell értenie ezt az útmutatót. Részt kell vennie egy a láncfűrész használatával, megelőző műveletekkel, elsőséggel és karbantartással kapcsolatos professzionális biztonsági tanfolyamon. Tartsa meg a kézikönyvet, hátha a későbbiekben szüksége lehet rá.



FIGYELMEZTETÉS!

A láncfűrészek potenciálisan veszélyes gépek. A láncfűrészek használatával összefüggő balesetek sokszor végtagvesztést vagy halált okoznak. Nem csak maga a láncfűrész veszélyes. A leeső ágak, kidőlő fák, guruló rönkök is ölhetnek. A beteg vagy rothadó tönkök további veszélyt jelentenek. Minden erejével a feladat biztonságos befejezésére kell összpontosítania. Bármilyen kétség esetén hagyja a munkát egy profi favágóra.

ISMERJE MEG A TERMÉKET

Lásd 6-7. oldal.

1. Akkumulátor
2. Ravasz kireteszelő gomb
3. Hátsó fogantyú
4. Kapcsolókioldó
5. Kombinált kulcs
6. Elülső fogantyú
7. Olajtartály sapka
8. Láncvezető védőburkolata
9. Fűrészlánc
10. Láncvezető
11. Ütközőtüske
12. Lánc visszacsapás gátló
13. Láncfeszítő csavar
14. Láncvédő
15. Vezetőrúd szorítóanyái
16. Elülső kézvédő/biztonsági láncfék

BIZTONSÁGI ESZKÖZÖK

Nehezen megugró lánc

Az alacsony visszarúgású fűrészlánc segít csökkenteni a visszarúgás lehetőségét.

A fogak elején található mélységhatárolók megakadályozzák, hogy a fogak túl mélyre hatoljanak a fába, így csökkentik a megugrás erejét. Csak a gyártó által javasolt csere láncvezető és lánc kombinációt használjon.

Kétszeres óvatossággal járjon el a láncfűrész élesítése után, mivel ez a művelet kevésbé ellenállóvá teszi a láncot a megugrással szemben. A biztonsága érdekében cserélje ki a fűrészláncot, amint a vágóteljesítmény csökken.

Ütközőtüske

A beépített ütközőtüske forgócsapként használható vágás készítése közben. Segít stabilan tartani láncfűrész testét a vágás során. Vágáskor nyomja előre a gépet, amíg a tuskék be nem mélyednek a fa szélébe, ezután a hátsó fogantyú felfelé vagy lefelé mozgatásával a vágásvonal irányába segíthet enyhíteni a vágás fizikai terhelését.

Láncvezető

Általában a kis sugarú hegygel rendelkező láncvezető némileg csökkenti a visszarúgás kockázatát. A munkához elegendően hosszú láncot és láncvezetőt kell használnia. A hosszabb láncvezető növeli az irányítás elvesztésének kockázatát a vágás során. Rendszeresen ellenőrizze a

lánc feszességét. Kisebb (a láncvezető teljes hosszánál rövidebb) ágak vágásakor a lánc nagyobb valószínűséggel dobódik le, ha nem megfelelő a feszessége.

Láncfék

A láncfék arra szolgál, hogy adott esetben gyorsan leállítsa a forgó láncot. A lánc azonnal leáll, amint a láncfék kart/kézvédőt előretolja. A láncfék nem arra szolgál, hogy kivédje a megugrást. Csak csökkent a sérülésveszélyt, amikor a láncvezető érintkezik a kezelő testével egy visszarúgás során. A láncfék megfelelő működését futás és fék állásban is mindig, minden használat előtt tesztelni kell.

Lánc visszacsapás gátló

Egy láncfogó akadályozza meg, hogy a fűrészlánc a meglazulása vagy eltörése esetén a kezelő felé repüljön.

HASZNÁLAT



FIGYELMEZTETÉS!

Ha bármilyen alkatrész megsérült vagy hiányzik, addig ne működtesse a terméket, amíg nem pótolta azokat. Ezen figyelmeztetés figyelmen kívül hagyása súlyos személyi sérülést eredményezhet.

Az akkumulátor behelyezése

Lásd 6. oldal.

Helyezze az akkusomagot a termékbe. Az akkumulátoron lévő kiemelkedő bordákat igazítsa a termék akkumulátornyílásában található vajatokba.

A készülék üzemeltetése előtt ellenőrizze, hogy az akkumulátoron lévő retesz a helyére pattant, és az akkumulátor pontosan a helyére van rögzítve.

A termék tartása

Lásd 1. ábrá.

Tartsa a terméket úgy, hogy a jobb keze a hátsó karon, a bal pedig az elülső karon van. Mindkét kezével fogja a fogantyúkat, a hüvelykujj és az ujjak öleljék körül a fogantyút. Ügyeljen rá, hogy a bal keze úgy legyen az elülső fogantyún, hogy a hüvelykujja alul van.

A termék beindítása

Lásd 8. oldal.

A használat megkezdése előtt helyezze be az akkumulátort a gépbe, és a láncfék kar/kézvédő elülső fogantyú felé húzásával ellenőrizze, hogy a láncfék futás állásban van.

A gép beindításához húzza meg a reteszkioldót, és ezután nyomja meg a gázkart.

A láncfék ellenőrzése és használata

Lásd 20. oldal.

Húzza be a láncfeket úgy, hogy a bal kezét elfordítja az elülső fogantyú körül. A keze hátsó részével nyomja meg



a láncfék kart/kézvédőt a láncvezető felé, miközben a lánc gyorsan forog. Mindig tartsa mindkét kezét a fűrész fogantyúin.

Állítsa vissza Működési pozícióba a láncfékét úgy, hogy a láncfék kar/kézvédő tetejét az elülső fogantyú felé húzza addig, amíg egy kattánót hangot nem hall.



FIGYELMEZTETÉS!

Ha a láncfék azonnal nem állítja meg a láncot vagy a láncfék segítség nélkül nem marad működési pozícióban, akkor használat előtt javítás céljából vegye a fűrészt egy hivatalos szervizközpontba.

A láncfeszesség beállítása

(lásd: 14 - 15 oldal)

A terméken végzett bármilyen munkálat előtt vegye ki az akkumulátort

Biztosítsa, hogy a vezetőrúd rögzítőanyák kézzel csavarható erősségre legyenek lazítva.

A láncfeszesség növeléséhez fordítsa el a láncfeszességet beállító csavart az óramutató járásának megfelelően, és rendszeresen ellenőrizze a láncfeszességet. A láncfeszesség csökkentéséhez fordítsa el a láncfeszességet beállító csavart az óramutató járásával ellenkező irányba, és rendszeresen ellenőrizze a láncfeszességet.

A láncfeszesség akkor megfelelő, ha a láncban levő vágószem és a vezetőrúd közötti távolság körülbelül 6,5 mm (0,256 hüvelyk). Húzza el a láncot a láncvezető alsó részének közepénél lefelé (el a láncvezetőtől), és mérje meg a láncvezető és a lánc vágószemei közötti távolságot.

Lánc kenőolaj betöltése

(lásd: 16 - 17 oldal)



FIGYELMEZTETÉS!

Ne dolgozzon lánc kenőanyag nélkül. Ha a fűrészlánc kenőanyag nélkül fut, a láncvezető és a fűrészlánc károsodhat. Ezért különösen fontos az olajsint gyakori ellenőrzése az olajsint nézőablakban, minden munkakezdés előtt.

A szennyeződés megelőzése érdekében tisztítsa meg az olajtartály fedele körülü területet.

Csavarja ki és távolítsa el az olajtartály fedelét.

Öntse be az olajat az olajtartályba, és figyelje az olaj nívópalcát. Ügyeljen rá, hogy az olaj betöltése közben semmilyen szennyeződés ne kerüljön az olajtartályba.

Tegye vissza az olajtartály fedelét, és húzza be. A kilöttyent olajat törölje le.

SZÁLLÍTÁS ÉS TÁROLÁS

Szállítás vagy tárolás előtt állítsa le a terméket, vegye ki az akkumulátort, és hagyja lehűlni a gépet.

Minden idegen anyagtól tisztítsa meg a terméket. Hűvös, száraz és jól szellőztetett, gyerekektől elzárt helyiségben tárolja. Ne tárolja olyan oxidálószeres közelében, mint pl. kerti munkáknál használatos vegyszerek vagy jégmentesítő sók. Ne tárolja a szabadban.

A gép eltávolítása előtt és szállítás során helyezze fel a láncvezető védőburkolatot.

Szállításkor rögzítse a terméket elmozdulás és leesés ellen, hogy elkerülje a sérüléseket és a termék sérülését.

KARBANTARTÁS



FIGYELMEZTETÉS!

Csak ECHO tartozékokat és ECHO pótalkatrészeket használjon. Ennek figyelmen kívül hagyása gyenge motorteljesítményt, esetleges sérülést és a jótállás elvesztését okozhatja. Ha olyan alkatrészeket kell kicserélni, amelyről nincs leírás, forduljon egy ECHO szervizpartnerhez.



FIGYELMEZTETÉS!

szervizelés különös figyelmet és hozzáértést igényel, és csak szakképzett szerelő végezheti el. A szervizeléshez vegye el a terméket egy hivatalos szervizközpontba. Szervizeléskor csak eredeti, gyártó által előállított cserealkatrészeket használjon.



FIGYELMEZTETÉS!

Beállítás, karbantartás és tisztítás előtt vegye ki az akkumulátort. Ennek elmulasztása súlyos személyi sérülést eredményezhet.

- Ön csak a használati útmutatóban leírt beállításokat és javításokat végezheti el. Az egyéb javításokhoz vegye fel a kapcsolatot a hivatalos szervizzel.
- A nem megfelelő karbantartás miatt előfordulhat, hogy a láncfék és más biztonsági funkciók nem működnek megfelelően, ami növeli a személyi sérülés kockázatát. A láncfűrészét tartsa szakszerűen karbantartott és biztonságos állapotban.
- A lánc biztonságos élezéséhez megfelelő gyakorlat szükséges. Ezért a gyártó kifejezetten javasolja, hogy az elkopott vagy élettlen láncot egy újra cserélje le, amelyet egy hivatalos szervizközpontban szerezhet be. Az alkatrészszám a kézikönyvnek a termék műszaki adatait ismertető részében található meg.
- Tartsa be a kenésre, és a láncfeszesség ellenőrzésre és a beállításra vonatkozó utasításokat.





- Minden egyes használat után egy puha, száraz ruhával tisztítsa meg a terméket.
- Gyakori időközönként ellenőrizze a csavaranyák, csavarok és fejecscsavarok megfelelő meghúzását, hogy a gép biztonságos üzemi állapotban legyen. A sérült alkatrészeket egy hivatalos szervizközpontban kell megjavíttatni vagy kicseréltetni.

A láncvezető és a lánc cseréje

(lásd: 10 - 13 oldal)

Ügyeljen rá, hogy kivegye az akkumulátort a gépből. Viseljen védőkesztyűt.

A mellékelt kombinált csavarkulcs segítségével távolítsa el a vezetőrúd szorítóanyáit.

Vegye le a láncvédőt.

Távolítsa el láncvezetőt és a fűrészláncot a gépről.

Tege fel az új láncot a láncvezetőre a megfelelő irányba, és győződjön meg róla, hogy a lánc hajtószemei illeszkednek a láncvezető vajatába.

Szerelje fel a láncvezetőt a láncfűrészre, és hurkolja át a láncot a meghajtó fogaskeréken.

Cserélje ki a láncvédőt és a vezetőrúd szorítóanyáit.

Kézzel szorítsa meg a vezetőrúd szorítóanyáit. A láncvezetőnek el kell, hogy tudjon mozdulnia a láncfeszesség beállításához.

Állítsa be a láncfeszességet. Lásd „A láncfeszesség beállítása” részt.

Tartsa meg a láncvezető orr-részét, és szorítsa meg erősen a láncvezető rögzítő anyákat.

A láncfék átvizsgálása és tisztítása

Lásd 22. oldal.

A láncfék mechanizmust mindig tartsa tisztán, a rudazatról mindig távolítsa el a szennyeződések.

Tisztítás után mindig tesztelje a láncfék teljesítményét. További információkért tekintse meg a kézikönyv „A láncfék ellenőrzése és használata” szakaszt.

KARBANTARTÁSI ÜTEMTERV

Napi ellenőrzés	
Láncvezető kenése	Minden használat előtt
Láncfeszesség	Minden használat előtt és rendszeresen
Lánc élessége	Minden használat előtt, vizuális ellenőrzés
Sérült alkatrészek	Minden használat előtt
Meglazult csavarok	Minden használat előtt
A láncfék működése	Minden használat előtt
Átvizsgálás és megtisztítás	

Láncvezető	Minden használat előtt
Teljes fűrész	Minden használat után
Láncfék	5 üzemóránként*

*Üzemóránként

CSEREALKATRÉSZEK

Alkatrész	Alkatrész száma
Láncvezető	6000945
Fűrészlánc	90PX056X

AKKUMULÁTOROK

- A hosszabb ideig nem használt akkucsomagokat használat előtt újból fel kell tölteni.
- Az 50 °C (122 °F) feletti hőmérséklet csökkenti az akkucsomag teljesítményét. Kerülje a hőnek vagy napnak való hosszabb kitétséget (túlmelegedési veszély).
- A töltők és akkucsomagok érintkezőit tartsa tisztán.
- Az optimális élettartam érdekében használat után az akkucsomagokat teljesen fel kell tölteni.
- A lehető leghosszabb akkumulátor-élettartam eléréséhez a teljes feltöltéskor távolítsa el a töltőből az akkucsomagot.

Ha az akkumulátort 30 napnál hosszabb ideig tárolja:

- Az akkumulátort olyan helyen tárolja, ahol a hőmérséklet 27°C alatt van, és azt nem érheti nedvesség.
- Az akkumulátort 30%-50%-os töltöttségű állapotban tárolja.
- A tárolás minden hatodik hónapjában töltsse fel az akkumulátort.

LÍTIUM AKKUMULÁTOROK SZÁLLÍTÁSA

A lítium-ion akkumulátor a veszélyes árukra vonatkozó szabályozás hatálya alá tartozik.

Az akkumulátorok szállítását a helyi, nemzeti és nemzetközi előírásokkal és szabályozásokkal összhangban kell végezni.

- A felhasználó közúton külön feltételek teljesítése nélkül szállíthatja az akkumulátorokat.
- A lítiumion akkumulátorok harmadik fél általi kereskedelmi szállítására a veszélyes árucikkek szabályai vonatkoznak. A szállítás előkészítését és a szállítást kizárólag megfelelően képzett személyek végezhetik, és a folyamatot szakértőknek folyamatosan ellenőrizniük kell.

Az akkumulátorok szállításakor:

- Ügyeljen arra, hogy a rövidzárlat elkerülése érdekében az akkumulátor érintkezői védve és szigetelve legyenek.



- A csomagoláson belül biztosítsa az akkucsomagot, hogy ne mozduljon el.
- Ne szállítson repedt vagy szivárgó akkumulátorokat.

További információért vegye fel a kapcsolatot a továbbítást végző céggel.

SZIMBÓLUMOK



Biztonsági figyelmeztetés



A termék használata előtt olvassa el és értse meg a kezelési útmutatóban leírtakat, és tartsa be az összes figyelmeztető és biztonsági utasítást.



Viseljen szem-, fül- és fejevdőt.



A termék használata közben csúszásmentes biztonsági lábbelit viseljen.



Viseljen nem csúszós, nehéz igénybevételre tervezett kesztyűt.



Figyeljen a láncfűrész visszarugására, és kerülje az érintkezést a láncvezető végével.



Ne tegye ki esőnek, és ne használja nedves környezetben.



A láncfűrész két kézzel fogja és használja.



Ne használja a láncfűrész egy kézzel tartva.



A láncfékét állítsa a MŰKÖDÉS helyzetbe.



A láncfékét állítsa a FÉKEZÉS helyzetbe.



A garantált hangteljesítményszint 106 dB.



Ukrajnai megfelelési nyilatkozat



Eurázsiai megfelelési jelzés



A kiselejtezett elektromos termékeket nem szabad a háztartási hulladékkal együtt kidobni. Ezeket újra kell hasznosítani, ha van rá lehetőség. Az újrahasznosítással kapcsolatban érdeklődjön a helyi önkormányzatnál vagy a termék forgalmazójánál.



Ez a szerszám minden, a vásárlás európai uniós országában hatályos szabványnak megfelel.

A következő jelölőszavak és jelölések arra szolgálnak, hogy megmagyarázzák a termékkel kapcsolatos veszélyességi szinteket:



VESZÉLY

Egy bekövetkező veszélyes helyzetet jelez, ami, ha nem előzik meg, halált vagy komoly sérülést eredményez.



FIGYELMEZTETÉS

Egy potenciálisan bekövetkező veszélyes helyzetet jelez, amit, ha nem előznek meg, halált vagy komoly sérülést eredményezhet.



FIGYELEMFELHÍVÁS

Egy potenciálisan veszélyes helyzetet jelez, ami, ha nem előzik meg, kisebb vagy mérsékelt sérülést eredményezhet.

FIGYELEMFELHÍVÁS

Biztonsági figyelmeztető szimbólum nélkül

Egy olyan helyzetet jelez, ami anyagi kárt eredményezhet.



DATE TEHNICE

DRUJĂ

ECCS-58V

Număr de serie	17402201000001 - 17402201999999
Tensiunea nominală	51,1 V, 58 V maximum
Lungimea maximă a barei	400 mm
Capacitate rezervor ulei de lanț	177 ml
Greutate (Fără baterie, cu lamă de ghidare, lanț și rezervor gol)	4,83 kg
Greutate (cu acumulator de 4 A)	6,73 kg
Greutate (cu acumulator de 2 A)	6,03 kg
Viteza maximă în gol	21 m/s
Lungime de tăiere utilizabilă	250 mm
Nivel emisie zgomot (în conformitate cu EN 60745-1, EN 60745-2-13)	
Nivel presiune sunet greutate A la poziția operatorului (L_{pA})	94,5 dB(A)
K_{pA} :	2,5 dB(A)
Nivel de putere acustică ponderată A (L_{WA})	105,5 dB(A)
K_{WA} :	2,5 dB(A)
Nivel de vibrație (în conformitate cu EN 60745-1; EN 60745-2-13) (față/spate)	2,1 / 2,8 m/s ² K = 1,5 m/s ²

BATERIA ȘI ÎNCĂRCĂTORUL

ECCS-58V

Acumulatori compatibili	ECBP-58V40 / ECBP-58V20
Încărcător compatibil	ECBC-58VEU / ECBC-58VUK



AVERTISMENT!

Nivelul de vibrații menționat în această broșură informativă a fost măsurat în conformitate cu standardul EN 60745 și poate fi util pentru compararea uneltelor între ele. Poate fi utilizat pentru evaluarea preliminară a expunerii.

Nivelul de vibrații declarat este relevant pentru domeniul de utilizare a acestei unelte. Totuși, dacă unealta este utilizată în alte scopuri, cu alte accesorii sau este întreținută necorespunzător, nivelul vibrațiilor poate fi diferit. În acest caz, nivelul de expunere total, pe parcursul întregii perioade de lucru, poate crește.

O estimare a nivelului de expunere la vibrații trebuie să țină cont și de numărul de porniri-opriri, precum și de perioada în care unealta funcționează fără să lucreze (în gol). În acest caz, nivelul de expunere total, pe parcursul întregii perioade de lucru, poate fi mai mic.

Identificați măsurile de siguranță suplimentare necesare pentru a proteja operatorul împotriva efectelor vibrațiilor. De exemplu: întrețineți unealta și accesoriile, încălziți-vă mâinile, organizați-vă lucrul.

AVERTISMENTE GENERALE PRIVIND SIGURANȚA



AVERTISMENT!

Citiți toate avertismentele și instrucțiunile de siguranță. Nerespectarea acestor avertismente și instrucțiuni poate conduce la șocuri electrice, incendii și/sau accidente grave.

Păstrați aceste avertismente și instrucțiuni, pentru a le putea consulta ulterior.

Termenul de "unealtă electrică" folosit în avertismente se referă la uneltele electrice alimentate de la rețea (cu cablu) sau cu acumulator (fără cablu).

MEDIUL DE LUCRU

Mențineți curată și bine iluminată zona de lucru. Zonele dezordonate și întunecate prezintă pericol de accidente.

Nu operați cu unealta electrică în atmosfere explozive, precum în prezența lichidelor, gazelor sau a prafului inflamabil(e). Uneltele electrice creează scântei care pot aprinde praful sau vaporii.

Țineți copiii și persoanele din jur la distanță în timpul



operării unei unelte electrice. Distragerea atenției vă poate face să pierdeți controlul.

SIGURANȚĂ ELECTRICĂ

Ștecărele uneltelor electrice trebuie să se potrivească cu priza. Nu modificați niciodată ștecărul în nici un fel. Nu folosiți niciodată adaptoare de ștecăr cu unelte electrice cu împământare. Ștecărele nemodificate și prizele potrivite reduc riscul de electrocutare.

Evitați contactul corpului cu suprafețele conectate la împământare, precum țevi, radiatoare, reșouri, mașini de gătit și frigider. Există un risc crescut de electrocutare când corpul dumneavoastră are contact cu împământarea.

Nu expuneți produsul la ploaie sau condiții de umiditate. Apa care intră într-o unealtă electrică va crește riscul de electrocutare.

Nu forțați cablul. Nu trageți niciodată unealta electrică de cablul de alimentare pentru a o transporta, a o trage sau a scoate ștecărul din priză. Țineți cablul de alimentare departe de căldură, ulei, muchii ascuțite sau piese în mișcare. Cablurile deteriorate sau încărcate cresc riscul de electrocutare.

Atunci când lucrați cu o unealtă electrică în aer liber, folosiți un prelungitor adecvat pentru utilizarea în aer liber. Folosirea unui prelungitor adecvat pentru utilizarea în aer liber reduce riscul de electrocutare.

În cazul în care operarea unei unelte electrice într-o zonă umedă nu poate fi evitată, folosiți o alimentare protejată cu un dispozitiv de curent rezidual (RCD). Utilizarea unui RCD reduce riscul de electrocutare.

SIGURANȚĂ PERSONALĂ

Fiiți vigilenți, fiiți atenți la ceea ce faceți, acționați cu simț practic când operați o unealtă electrică. Nu folosiți unealta electrică în timp ce sunteți obosit sau sub influența drogurilor, a alcoolului sau a medicamentelor. Un moment de neatenție în timpul operării uneltelor electrice poate cauza vătămare personală gravă.

Utilizați echipament personal de protecție. Purtați întotdeauna ochelari de protecție. Echipamentele de protecție, precum masca de praf, încălțămîntea de protecție antiderapantă, casca sau protecția auditivă, folosite în condiții adecvate, vor reduce riscul rănilor.

Prevenirea pornirii neintenționate. Asigurați-vă că comutatorul este în poziția oprit înainte deconectarea la sursa de alimentare și / sau la acumulator, ridicarea sau transportul uneltei. Transportarea uneltelor electrice cu degetul pe comutator sau punerea sub tensiune a uneltelor electrice care au comutatorul în poziția pornit predisune la accidente.

Îndepărtați orice cheie de reglare înainte de a porni unealta. O cheie sau rămasă atașată de o piesă rotativă a uneltei electrice poate cauza vătămări corporale.

Nu vă aplecați excesiv. În timpul operării dispozitivului, păstrați-vă în permanentă echilibrul și stabilitatea. Acest lucru permite un mai bun control al uneltei electrice în situații neașteptate.

Îmbrăcați-vă corespunzător. Nu purtați haine largi sau bijuterii. Mențineți părul, hainele și mânușile departe de piesele în mișcare. Hainele largi, bijuteriile sau părul lung pot fi prinse de piesele aflate în mișcare.

Dacă sunt prevăzute dispozitive pentru conectarea facilităților de extracție și de colectare a prafului, asigurați-vă că acestea sunt conectate și folosite corect. Utilizarea colectării prafului poate reduce riscurile legate de praf.

FOLOSIREA ȘI ÎNTREȚINEREA UNELTEI ELECTRICE

Nu forțați produsul. Folosiți unealta electrică corectă pentru aplicație. Unealta electrică corectă va funcționa mai bine și mai sigur la viteza pentru care a fost proiectată.

Nu folosiți unealta electrică dacă comutatorul nu o poate porni și opri. Orice unealtă electrică, care nu poate fi controlată cu comutatorul este periculoasă și trebuie reparată.

Deconectați ștecărul de la sursa de alimentare și / sau acumulatorul de la unealta electrică înainte de a efectua orice reglaje, a schimba accesorii sau de a stoca unelte electrice. Astfel de măsuri preventive de siguranță reduc riscul de pornire accidentală a uneltei electrice.

Nu lăsați unelte electrice la îndemâna copiilor și nu permiteți persoanelor nefamiliarizate cu unealta electrică sau cu aceste instrucțiuni să folosească unealta. Unelte electrice sunt periculoase în mâinile utilizatorilor neinstruiți.

Întrețineți unelte electrice. Verificați alinierea sau lipirea pieselor în mișcare, spargerea pieselor, precum și orice altă stare care poate afecta funcționarea uneltei electrice. Dacă este deteriorată, solicitați repararea uneltei înainte de utilizare. Multe accidente sunt cauzate de unelte electrice întreținute necorespunzător.

Păstrați unelte de tăiere ascuțite și curate. Unelte de tăiere corect întreținute, cu muchii de tăiere ascuțite au o probabilitate mai redusă de lipire și sunt mai ușor de controlat.

Folosiți unealta electrică, accesoriile și burghiile etc. în conformitate cu aceste instrucțiuni, ținând cont de condițiile de lucru și de lucrarea care urmează să fie efectuată. Utilizarea uneltei electrice pentru alte operații decât cele preconizate poate duce la situații periculoase.

FOLOSIREA ȘI ÎNTREȚINEREA MAȘINII CU ACUMULATOR

Reîncărcați numai cu încărcătorul specificat de producător. Un încărcător destinat unui anumit tip de acumulator este folosit la încărcarea altor acumulatori există pericolul de incendii.

Folosiți unelte electrice numai cu acumulatorii indicați. Utilizarea oricărui altă acumulatori poate crea un risc de vătămare și de incendiu.

Atunci când acumulatorul nu este în uz, păstrați-l departe de alte obiecte metalice, cum ar fi agrafe de birou, monede, chei, cuie, șuruburi sau alte obiecte metalice mici, care pot face o conexiune de la o bornă



la **alta**. Scurtcircuitarea bornelor bateriei poate provoca arsuri sau incendiu.

Ca urmare a folosirii necorespunzătoare, din acumulator se poate scurge lichid; evitați contactul cu acesta. În cazul unui contact accidental, spălați cu apă. În cazul contactului cu ochii, consultați suplimentar un medicul. Lichidul care iese din acumulator poate provoca iritații sau arsuri.

ÎNȚEȚINERE

Solicitați efectuarea lucrărilor de service la **unealta dvs. electrică** numai de către o persoană calificată în reparații, folosind numai piese de schimb identice. Acest lucru va garanta că siguranța uneltei electrice este menținută.

AVERTIZĂRI GENERALE SUPLIMENTARE DE SIGURANȚĂ.

Anumite regiuni au reglementări ce restricționează folosirea produsului. Pentru sfaturi întrebați autoritățile dvs. locale.

Nu permiteți niciodată copiilor sau persoanelor care nu sunt familiarizate cu aceste instrucțiuni să utilizeze produsul. Reglementările locale pot restricționa vârsta operatorului.

Asigurați-vă că înainte de fiecare folosire toate funcțiile de control și dispozitivele de siguranță funcționează corect. Nu folosiți produsul dacă întrerupătorul "oprit" nu oprește motorul.

Purtați protecție completă pentru ochi și pentru auz, mănuși rezistente și puternice precum și protecție a auzului atunci când operați produsul; folosiți o mască de față dacă operațiunea implică praf.

Nu purtați haine largi, pantaloni scurți și bijuterii de niciun fel.

Prindeți părul lung deasupra umerilor pentru a preveni prinderea lui de părțile în mișcare.

Fiți atent la obiectele aruncate, în zbor sau în cădere. Țineți trecătorii, copiii și animalele de companie la 15 metri depărtare de zona de operare.

Nu utilizați în condiții de iluminare necorespunzătoare. Operatorul necesită o panoramă clară a zonei de lucru pentru identificarea potențialelor pericole.

Utilizarea antifoanelor reduce capacitatea de auzi avertismente (alarme sau strigăte). Operatorul trebuie să fie foarte atent la ceea ce se întâmplă în zona de lucru.

Operarea de aparate similare în vecinătate crește atât riscul unei deteriorări a auzului cât și posibilitatea ca alte persoane să intre în zona dvs. de lucru.

Mențineți sprijin ferm pe picioare și echilibru. Nu vă aplecați excesiv. Întinderea prea lungă poate rezulta în pierderea echilibrului și poate crește risc de recul.

Țineți toate părțile corpului la distanță de orice piesă în mișcare.

Inspectați aparatul înainte de fiecare folosire. Verificați ca toate comenzile să funcționeze corect inclusiv frâna lanțului. Verificați să nu existe cleme slăbite, asigurați-vă

că toate apărătorile și mânerul sunt corespunzător și fix prinse. Înlocuiți toate piesele deteriorate înainte de utilizare.

Nu modificați mașina în niciun fel sau să folosiți părți și accesorii ce nu sunt recomandate de către producător.



AVERTISMENT!

Dacă produsul este scăpat, suferă un impact dur sau începe să vibreze anormal, opriți imediat produsul și inspectați dacă este deteriorat sau identificați cauza vibrației. Orice deteriorare trebuie reparată corespunzător sau înlocuită la un centru service autorizat.

Nu aruncați acumulatorii uzați la gunoii menajer sau să-i ardeți. Distribuitorii ECHO se oferă să preia spre reciclare acumulatorii uzați, pentru a proteja mediul.

Nu stocați acumulatorul împreună cu obiecte metalice (risc de scurtcircuit).

Utilizați doar încărcătorul ECBC-58VEU/ECBC-58VUK pentru a încărca acumulatorii. Nu utilizați acumulatorii de la alte unelte/sisteme.

Acumulatorii compatibili: ECBP-58V40, ECBP-58V20

Acidul din acumulatorii defecti se poate scurge în cazul suprasolicitații sau al expunerii la temperaturi ridicate. În cazul contactului direct cu acidul din baterii, spălați-vă imediat cu apă și săpun. În cazul contactului cu ochii, clătiți intens timp de 10 minute și consultați imediat un medic.

Cele două șuruburi care blochează lanțul drujbei sunt puncte sensibile pentru descărcări electrostatice atunci când drujba este utilizată. Utilizatorul trebuie să elibereze comutatorul de activare pentru a reporni drujba dacă aceasta s-a oprit din cauza descărcării electrostatice.

AVERTIZĂRI DE SIGURANȚĂ ASUPRA FERĂSTRĂULUI CU LANȚ.

Păstrați distanța între părțile corpului dvs. și lanțul drujbei atunci când produsul este în funcționare. Înainte de a porni ferăstrăul cu lanț, asigurați-vă că lanțul nu vine în contact cu nimic. Un moment de neatenție în timpul operării ferăstrăului cu lanț ar putea cauza prinderea hainelor sau a corpului dvs la ferăstrăul cu lanț.

Țineți întotdeauna ferăstrăul cu mâna dreaptă de mânerul posterior și cu mâna stângă de mânerul din față. Ținerea ferăstrăului cu o configurație inversă a mâinilor crește riscul vătămării personale și nu trebuie niciodată ținute așa.

Țineți produsul doar de suprafața aderentă izolată, deoarece în timpul lucrului lama poate atinge cabluri ascunse. Ferăstraiele cu lanț ce vin în contact cu fire electrice sub tensiune ar putea face expuse piesele de metal ale sculei electrice "la tensiune" și poate electrocuta operatorul.

Purtați ochelari de protecție și protecție pentru auz. Echipament de protecție suplimentar pentru cap, mâini,





picioare și laba piciorului este recomandat. Hainele de protecție corespunzătoare vor reduce vătămarea personală de resturile aruncate sau de contactul accidental cu ferăstrăul cu lanț.

Nu operați ferăstrăul urcat în copac. Operarea ferăstrăului cu lanț suit în copac poate rezulta în vătămare personală.

Mențineți întotdeauna o poziție sigură și operați ferăstrăul cu lanț doar când stați pe o suprafață fixă, sigură și dreaptă. Suprafețele alunecoase sau nesigure precum scările mobile pot cauza pierderea echilibrului sau a controlului ferăstrăului.

Când tăiați o creangă ce este sub tensiune fiți atent la faptul că revine brusc înapoi. Atunci când tensiunea fibrelor de lemn sunt eliberate, creanga elastică poate să lovească operatorul și/sau să scape ferăstrăul de sub control.

Folosiiți maximă atenție când tăiați tufișuri și puiet. Materialul subțire ar putea prinde ferăstrăul și să se înfășoare în fața dvs sau să vă dezchilbreze.

Transportați ferăstrăul de mânerul frontal și nu în stare de funcționare și țineți-l ferit de corp. Atunci când transportați sau depozitați ferăstrăul montați întotdeauna apărătoarea barei de ghidare. Manipularea corectă a ferăstrăului va reduce posibilitatea contactului accidental cu ferăstrăul în mișcare.

Urmați instrucțiunile privind lubrifierea, tensionarea lanțului și schimbării accesoriilor. Lanțul tensionat sau lubrifiat necorespunzător poate fie să se rupă sau să crească posibilitatea de recul.

Mențineți mânerul uscat, curat și fără urme de ulei și vaselină. Mânerul umed sau oleos poate deveni alunecos, cauzând pierderea controlului.

Tăiați doar lemn. Nu folosiți ferăstrăul pentru alte scopuri decât cel prevăzut. De exemplu, nu folosiți ferăstrăul cu lanț pentru tăierea plasticului, a zidăriei sau a materialelor de construcție ce nu sunt din lemn. Folosirea ferăstrăului pentru operații diferite de cele prevăzute poate rezulta în situație periculoasă.

Cauzele și prevenirea operatorului de recul:

Se poate produce un recul dacă extremitatea ghidului lanțului intră în contact cu un obiect sau dacă lanțul ferăstrăului se agață și se blochează în lemn în timpul tăierii.

Contactul cu vârful în anumite cazuri poate cauza o reacție bruscă înapoi, ridicarea/bascularea barei de ghidare și darea înapoi înspre operator.

Agățarea lanțului de ferăstrău de-a lungul părții superioare a lamei de ghidare poate împinge lama de ghidare rapid înapoi spre operator.

În fiecare din aceste cazuri, puteți pierde controlul ferăstrăului cu lanț și să fiți rănit grav. Nu vă bazați exclusiv pe elementele de protecție ale ferăstrăului cu lanț. Și dumneavoastră trebuie să luați diverse măsuri pentru a evita riscurile de accidente sau de rănire.

Recul este rezultatul folosirii incorecte și/sau procedurii sau condițiilor incorecte de operare a sculei și poate fi evitat luând măsurile de precauție corecte așa cum sunt date mai jos:

Mențineți o prindere fermă, cu degetul mare și degetele înconjurând mânerul ferăstrăului, cu ambele mâini pe ferăstrău și poziția corpului și a brațelor să vă permită să rezistați forțelor reculului. Forețele de recul pot fi controlate de operator, dacă măsurile de precauție corespunzătoare sunt luate. Nu dați drumul ferăstrăului.

Nu vă întindeți prea mult și nu tăiați deasupra înălțimii umerilor. Acest lucru previne contactul neintenționat cu vârful și permite un mai bun control al ferăstrăului în situații neașteptate.

Folosiiți doar bară de schimb și lanțuri specificate de către producător. Bărilor de schimb și lanțurile necorespunzătoare pot cauza ruperea lanțului și/sau recul.

Respectați instrucțiunile producătorului pentru ascuțirea și întreținerea lanțului. Scăderea înălțimii etalonului adâncimii de tăiere poate duce la un recul crescut.

AVERTIZĂRI DE SIGURANȚĂ SUPPLEMENTARĂ PRIVIND FERĂSTRĂUL CU LANȚ

Este recomandat să tăiați bușteni pe o capră sau un cadru când operați produsul pentru prima dată.

Asigurați-vă că toate apărătorile, mânerul și amortizoarele în formă ascuțită sunt corespunzător montate și se află în stare bună.

Persoanele ce folosesc acest produs trebuie să aibă o stare de sănătate bună. Produsul este greu, așadar operatorul trebuie să fie puternic din punct de vedere fizic. Operatorul trebuie să fie prevăzător, să aibă o vedere, mobilitate și echilibru bun și o dexteritate manuală. Dacă există orice dubiu, nu operați produsul.

Nu porniți produsul până când nu aveți o zonă de lucru curată, o poziție sigură, și o cale de retragere planificată față de copacul în cădere.

Fiți atent la emisiile de gaze de lubrifiere și pulberea ferăstrăului. Purtați o mască sau mască protectoare dacă e necesar.

Nu tăiați lujeri și/sau arboret mic (mai mic de 75 mm în diametru)

Atunci când operați produsul, încercați să-l țineți cu ambele mâini. Țineți bine ferăstrăul, cu degetele cuprinzând mânerul. Mâna dreaptă trebuie să fie pe mânerul posterior și mâna stângă pe mânerul frontal.

Înainte de a porni ferăstrăul cu lanț, asigurați-vă că lanțul nu se află în contact cu niciun obiect.

Nu modificați produsul dvs. în niciun fel pentru a alimenta orice accesoriu sau dispozitive nerecomandate de producătorul acestui produs.

Trebuie să existe o cutie de prim ajutor conținând un pansament mare și mijloace de atragere a atenției (de exemplu un fluier) aproape de operator. O cutie mai mare și mai cuprinzătoare trebuie în mod normal să existe în apropiere.





Trebuie să purtați cască de protecție întotdeauna când operați produsul. Cască, echipată cu vizieră cu plasă, poate contribui la reducerea riscului de rănire în zona feței și a capului în cazul unui recul.

Un lanț incorect tensionat poate să sară de pe bara de ghidare și poate cauza vătămare gravă sau deces. Lungimea lanțului depinde de temperatură. Verificați frecvent tensiunea lanțului.

Trebuie să vă obișniți cu noul dvs ferăstrău cu lanț prin efectuarea de tăieri simple pe un lemn prin fix. Daceți acest lucru oricând nu ați operat ferăstrăul o bucată de timp.

Pentru a reduce riscul de vătămare asociat cu contactul părților mobile, opriți întotdeauna motorul, aplicați frâna pentru lanț, scoateți acumulatorul și asigurați-vă că toate piesele în mișcare s-au oprit complet, înainte de:

- curățarea sau eliminarea unui blocaj
- lăsarea produsului fără supraveghere
- instalarea sau îndepărtarea atașamentelor/accesoriilor
- verificarea, întreținerea sau exploatarea produsului

Suprafața zonei de lucru depinde de sarcina care trebuie realizată, în aceeași măsură cu mărimea copacului sau a piesei de prelucrat. De exemplu, pentru a doborî un copac e necesară o zonă mai mare de lucru decât pentru a face alte tăieri, de ex. tăieri mici, etc.

Operatorul trebuie să fie conștient și să aibă controlul la tot ce se întâmplă în această zonă de lucru.

Nu tăiați având corpul dvs în linie cu bara de ghidare și cu lanțul. Dacă aveți parte de reculuri acestea vă va ajuta să preveniți ca lanțul să vină în contact cu capul sau corpul dvs.

Nu folosiți o mișcare de tăiere în față și înapoi, lăsați lanțul să facă treaba, mențineți lanțul ascuțit și nu încercați să împingeți lanțul în porțiunea tăiată.

Nu exercitați presiune asupra ferăstrăului la terminarea tăierii. Fiți gata să preluați din greutatea ferăstrăului pe măsură ce tăietura în lemn este aproape gata. În caz contrar, pot rezulta vătămări corporale grave.

Nu opriți ferăstrăul în mijlocul operațiunii de tăiere. Mențineți ferăstrăul în funcțiune până când este eliberat prin finalizarea tăierii.

Împingerea și tracțiunea

Forța de reacție se exercită întotdeauna în direcția opusă sensului de rotație al lanțului. Astfel, operatorul trebuie să fie pregătit să controleze tendința aparatului de a împinge înainte (mișcare în față) atunci când tăiați la marginea de jos a barei și de a împinge în spate (cître operator) atunci când tăierea este de-a lungul marginii de sus.

Ferăstrăul bolcat în tăietură.

Opriți ferăstrăul și faceți-l sigur. Nu încercați să forțați lanțul și bara să iasă din tăietură întrucît e foarte probabil ca lanțul să se rupă și ar putea să balanseze înapoi și să lovească operatorul. Această situație în mod normal se întâmplă pentru că lemnul este necorespunzător sprijinit și

forțează tăietură să se închidă sub compresie, ca urmare să strângă lama. Dacă reglarea sprijinului nu eliberează bara și lanțul, folosiți pene de lemn sau un levier pentru a deschide tăietura și a elibera ferăstrăul. Nu încercați niciodată să porniți ferăstrăul când bara de ghidare este deja în tăietură sau secțiunea tăiată.

Echipament personal de protecție.

Echipamentul personal de protecție de o bună calitate ca cel folosit de profesioniști va ajuta la reducerea riscului de vătămare a operatorului. Următoarele articole trebuie folosite când operați ferăstrăul dvs cu lanț:

Cască de protecție

- trebuie să fie în conformitate cu EN 397 și marcată CE

Protecție a auzului

- trebuie să fie în conformitate cu EN 352-1 și marcată CE

Protecția ochilor și a feței

- trebuie să fie marcată CE și să fie în conformitate cu EN 166 (pentru ochelarii de protecție) sau EN 1731 (pentru viziere)

Mănuși

- trebuie să fie în conformitate cu EN381-7 și marcată CE

Protecție a picioarelor (ghete de piele)

- trebuie să fie în conformitate cu EN 381-5, să fie marcat CE și să ofere protecție generală

Ghete de protecție pentru ferăstrăul cu lanț

- trebuie să fie în conformitate cu EN ISO 20345:2004, să fie marcat cu o apărătoare înfățișând un ferăstrău cu lanț pentru a arătat conformitatea cu EN 381-3. (Utilizatorii ocazionali pot să folosească ghete de protecție cu bombeu metalic de protecție a degetelor piciorului cu jambiere de protecție ce sunt conforme cu EN381-9 dacă solul este drept și există un risc scăzut de a face pași greșiți sau să fiți prinși de arbuști)

Geci pentru protecția superioară a corpului împotriva ferăstrăului

- trebuie să fie în conformitate cu EN 381-11 și marcată CE

INSTRUCȚIUNI CU PRIVIRE LA TEHNICILE CORESPUNZĂTOARE PENTRU DOBORÂREA, TĂIEREA CRENGILOR ȘI A TĂIERII TRANSVERSEALE.

Înțelegerea forțelor din interiorul lemnului

Atunci când înțelegeți presiunile direcționale și solicitările din interiorul lemnului puteți reduce "strângerea" lemnului sau cel puțin vă așteptați la ea în timpul tăierii. Tensiunea în interiorul lemnului înseamnă că fibrele sunt trase la o parte și dacă tăiați în această zonă "tăietura" va tinde să se deschidă pe măsură ce ferăstrăul înaintează. Dacă un buștean este sprijinit pe o capră iar capătul bușteanului atârna nesprrijinit atunci tensiunea este creată pe suprafața superioară datorită greutateii bușteanului ce întinde fibrele lemnului. Tot așa, partea dedesubt a bușteanului va fi strânsă/comprimată și





fibrelor vor fi împinse împreună. Dacă o tăietură este făcută în această zonă, partea tăiată va avea tendința să se închidă în timpul tăierii. Aceasta ar putea prinde lama.

Doborârea unui copac.

A se vedea figura 1 - 6.

Atunci când sunt îndeplinite operațiunile de tăiere sau doborâre a copacilor simultan de către două sau mai multe persoane, operațiunea de doborâre trebuie să fie separată de cea de tăiere la o distanță de cel puțin două ori înălțimea copacului ce vine doborât. Copacii trebuie doborâți în așa fel încât să nu pună în pericol nicio persoană, să nu lovească nicio linie de serviciu public sau să cauzeze orice distrugere a proprietății. În cazul în care copacul face contact cu o linie de serviciu public, compania trebuie să fie notificată imediat.

Dacă terenul este în pantă, stați întotdeauna în partea de sus a terenului deoarece copacul riscă să se rostogolească sau să alunece în josul pantei după ce este tăiat.

O cale de retragere trebuie întotdeauna planificată și eliberată necesar înainte ca operațiunile de tăiere să înceapă. Calea de retragere trebuie să se înapoi și în diagonală în spatele liniei prevăzute de cădere a copacului.

Înainte ca doborârea să aibă loc, luați în considerare înclinarea naturală a copacului, localizarea crengilor mari și a direcției vântului pentru a judeca felul în care copacul va cădea.

Îndepărtați noroiul, coaja ce stă să se desprindă, cuiele, cârligele și firele din copac.

Nu încercați să doborâți arbori putrezi sau afectați de incendii, vânt, trăsnet etc.

Acest lucru este extrem de periculos și trebuie realizat doar de către tăietori de lemne profesioniști.

1. Tăietura la trunchi

A se vedea figura 1 - 6.

Faceți o tăietură de 1/3 din diametrul copacului perpendiculară pe direcția de cădere. Faceți mai întâi tăietura orizontală la bază. Acest lucru va ajuta la prevenirea prinderii fie a ferăstrăului sau a barei de ghidare atunci când a doua tăietură este făcută.

2. Tăierea finală de doborâre

A se vedea figura 1 - 6.

Faceți tăietura de doborâre la cel puțin 50 mm/2 inci mai sus decât tăietura orizontală de doborâre. Faceți tăietura de doborâre paralelă cu tăietura orizontală. Faceți tăietura de doborâre în așa fel încât să rămână suficient lemn care să acționeze ca o balamă. Balamaua de lemn menține copacul să nu se răsucescă și să cadă în direcția greșită. Nu tăiați prin balamaua de lemn. Pe măsură ce căderea se apropie de balamaua de lemn, copacul ar trebui să înceapă să cadă. Dacă există vreoa posibilitate ca direcția de cădere a copacului să fie una greșită sau să balanseze înapoi și să înțepenească ferăstrăul, opriți tăierea înainte ca tăietura de doborâre să fie completă și folosiți pene de lemn, plastic sau aluminiu pentru a deschide tăietura și să cadă copacul de-a lungul liniei de cădere dorite.

Atunci când copacul începe să cadă îndepărtați ferăstrăul din tăietură, opriți motorul, puneți ferăstrăul jos, apoi retrageți-vă pe calea de retragere planificată. Fiți atenți la căderea crengilor de deasupra capului și priviți unde pașiți.

Tăierea rădăcinilor de contrafort

A se vedea figura 7 - 8.

O rădăcină de contrafort este o rădăcină groasă care pleacă de la trunchiul copacului până la sol. Tăiați rădăcinile groase înainte de a începe doborârea. Efectuați mai întâi o tăietură orizontală în rădăcină, apoi o tăietură verticală. Degajați partea tăiată astfel din zona de lucru. Procedați la doborâre după ce ați îndepărtat rădăcinile de contrafort.

Debitarea unui buștean la dimensiune

A se vedea figura 9 - 11.

Debitarea este tăierea unui buștean la dimensiune. Este important să vă asigurați că poziția dvs este fermă și că greutatea dvs este egal distribuită pe ambele picioare. Atunci când e posibil, bușteanul trebuie să fie ridicat și sprijinit prin folosirea crengilor, a butucilor sau a proptelii. Urmați instrucțiunile simple pentru o tăiere ușoară. Atunci când bușteanul este sprijinit pe întreaga sa lungime, este tăiat din partea de sus (tăiere de deasupra)

Când bușteanul este sprijinit la un capăt, tăiați 1/3 din diametrul pornind de dedesubt (tăiere de dedesubt). Apoi faceți tăietura finală prin tăiere de deasupra pentru a vă întâlni cu prima tăietură.

Atunci când bușteanul este sprijinit la ambele capete, tăiați 1/3 din diametrul cu o tăiere de sus (tăiere de deasupra) Apoi faceți tăietura finală prin tăiere de dedesubt cam 2/3 pentru a vă întâlni cu prima tăietură.

Atunci când debitați bușteanul în pantă stați mereu pe partea de sus a bușteanului. Atunci când faceți o "tăiere completă" pentru a menține complet controlul ferăstrăului eliberați presiunea de tăiere aproape de finalizarea tăierii fără relaxa prinderea fermă a mânerelor ferăstrăului. Nu lăsați lanțul să vină în contact cu solul. După ce tăierea este finalizată, așteptați ca ferăstrăul să se oprească înainte de a-l muta. Opriți întotdeauna motorul înainte de a vă muta de la un copac la altul.

Tăierea crengilor unui copac

A se vedea figura 12 - 13.

Tăierea crengilor reprezintă îndepărtarea crengilor unui copac doborât. Atunci când tăiați crengile lăsați crengile de jos să sprijine bușteanul de sol. Îndepărtarea crengilor mici dintr-o singură tăiere. Crengile tensionate trebuie să fie tăiate de la fund în sus pentru a evita înțepenirea ferăstrăului.

Tijă de suspensie a arcului

A se vedea figura 14 - 15.

O prăjină este o ramură, o buturugă dezrădăcinată sau un arbust care este îndoit de o altă bucată de lemn, astfel încât aceasta se destinde brusc atunci când o tăiați sau când îndepărtați bucată de lemn care o reține.



Buturuga dezrădăcinată a unui copac doborât riscă să se destindă și să revină în poziție verticală în timpul tăierii pentru a o separa de trunchi. Fiți atenți la prăjini, acestea sunt periculoase.



AVERTISMENT!

Prăjinile sunt periculoase pentru că vă pot lovi și să vă facă să pierdeți controlul ferăstrăului cu lanț. Ceea ce poate provoca răni grave sau mortale. Această operațiune trebuie îndeplinită de utilizatori instruiți.

AVERTISMENTE SUPLIMENTARE PRIVIND SIGURANȚA LA UTILIZAREA BATERIILOR



AVERTISMENT!

Pentru a reduce pericolul unui incendiu și evitarea rănilor sau deteriorarea produsului în urma unui scurtcircuit nu imersați scula, acumulatorul de schimb sau încărcătorul în lichide și asigurați-vă să nu pătrundă lichide în aparate și acumulatori. Lichidele corosive sau cu conductibilitate, precum apa sărată, anumite substanțe chimice și înălbitori sau produse ce conțin înălbitori, pot provoca un scurtcircuit.

RISCURI REZIDUALE

Chiar dacă produsul este folosit așa cum a fost prescris, este totuși imposibil să se elimine complet anumiți factori de risc reziduali. Următoarele pericole pot apărea în timpul folosirii și operatorul trebuie să acorde atenție specială pentru a evita următoarele:

- Vătămare cauzată de vibrație
 - Folosiți întotdeauna scula potrivită pentru lucrare. A se utiliza mânerele destinate pentru aceasta. Reduceți timpul de lucru și de expunere.
- Expunerea la zgomot poate cauza vătămarea auzului.
 - Purtați protecție pentru auz și limitați expunerea.
- vătămare de la contactul cu dinții expuși ai ferăstrăului
- vătămare cauzată de părțile aruncate ale piesei de lucru (așchii sau fragmente de lemn)
- Vătămarea cauzată de inhalarea de praf sau particule.
- vătămare cauzată prin contactul cu pielea a lubrifianțului sau uleiului

REDUCEREA RISCULUI

S-a raportat faptul că vibrațiile produse de uneltele manuale pot contribui, la anumite persoane, la o afecțiune denumită Sindromul Raynaud. Simptomele pot include furnicături, amorțeală și albirea degetelor, care apare, de obicei, după

expunerea la frig. Factori ereditari, expunerea la frig și umiditate, dieta, fumatul și practicile de muncă contribuie la dezvoltarea acestor simptome. Există măsurător care pot fi efectuate de către operator pentru a reduce efectele de vibrațiilor:

- Păstrați-vă temperatura corporală ridicată pe vreme rece. Când operați unitatea purtați mănuși pentru a vă menține mâinile și încheieturile la căldură.
- După fiecare perioadă de operare, trebuie făcute exerciții pentru a crește circulația sângelui.
- Trebuie făcute pauze la intervale de timp regulate. Limitați expunerea zilnică.
- Mănușile de protecție disponibile la magazinele profesionale de ferăstraie sunt proiectate în mod special pentru a folosirea ferăstrăului și care oferă protecție, o priză bună și reduc riscul de vibrație a mânerelor.

Dacă sunt experimentate oricare dintre simptomele acestei afecțiuni, trebuie întreruptă utilizarea și consultat un medic.



AVERTISMENT!

Pot fi cauzate sau agravate vătămările de la folosirea prelungită a aparatului. Atunci când folosiți o sculă pentru perioade prelungite, asigurați-vă că luați pauze regulate.

UTILIZARE PREVĂZUTĂ

Acest produs este proiectat doar pentru folosirea în mediu exterior. Pentru motive de siguranță, acest produs trebuie să fie controlat adecvat prin folosirea tot timpul a operațiunilor cu ambele mâini.

Produsul este proiectat să taie crengi, trunchiuri, bușteni și grinzii de un diametru determinat de lungimea de tăiere a barei de ghidare. Este permisă numai tăierea lemnului. Este folosit doar pentru operațiuni casnice de către un adult ce a primit instruirea necesară privind măsurile/acțiunile periculoase și de prevenire ce trebuie a fi luate în timpul folosirii ferăstrăului.

A nu se folosi pentru tăieri profesionale de copaci. Produsul nu trebuie folosit de copii sau persoane ce nu poartă echipamentul și hainele de protecție corespunzătoare.

A nu se utiliza produsul pentru un scop care nu este prevăzut prin proiect.



AVERTISMENT!

Atunci când utilizează produsul, normele de siguranță trebuie să fie respectate. Pentru siguranța dvs și a trecătorilor, trebuie să citiți și să înțelegeți pe deplin aceste instrucțiuni înainte de a opera produsul. Trebuie să urmați un curs profesional organizat de siguranță în folosirea, acțiunile preventive, de prim ajutor și întreținere a ferăstraielei cu lanț. Vă rugăm să păstrați instrucțiunile într-un loc sigur pentru utilizare ulterioară.



AVERTISMENT!

Ferăstraiile sunt scule potențial periculoase. Accidentele implicând folosirea ferăstraielor adesea rezultă în pierderea unui membru sau deces. Nu este doar ferăstrăul principalul pericol. Crengile în cădere, prăbușirea copacilor, buștenii în rostogolire toți pot provoca moartea. Lemnăraia bolnavă sau putrezită reprezintă un pericol suplimentar. Trebuie să evaluați capacitatea dvs de a finaliza sarcină în siguranță. Dacă există orice îndoială, lăsați sarcina unui profesionist în chirurgie a copacilor.

CUNOAȘTEȚI-VĂ PRODUSUL

Vezi paginile 6-7.

1. Acumulator
2. Butonul de deblocare a trăgaciului
3. Mânerul principal
4. Trăgaci declanșator
5. Cheie combinată
6. Mâner anterior
7. Bușonul rezervorului de ulei
8. Apărătoare bară de ghidare
9. Lanțul ferăstrăului
10. Ghidul lanțului
11. Știftul amortizor
12. Dispozitiv de prindere a lanțului
13. Șurub de tensionare a lanțului
14. Capac lanț
15. Piulițe de montare a șinei
16. Apărătoarea-mâinii din față/frâna lanțului

DISPOZITIVE DE SIGURANȚĂ

Lanț cu tendință redusă de recul

Un ferăstrău cu recul redus ajută la reducerea posibilității unui eveniment de recul.

Limitatorii de adâncime situați în fața fiecărui dinte pot reduce forța efectului de recul evitând ca dinții să pătrundă prea adânc în zona de recul. Folosiți doar bară de ghidare și combinații de lanț de schimb recomandate de producător.

Fiți și mai vigilenți după ce ați ascuțit lanțul ferăstrăului, deoarece ascuțirea face ca lanțul să fie mai puțin rezistent la recul. Pentru siguranța dvs, înlocuiți lanțul ferăstrăului atunci când performanța tăierii scade

Știftul amortizor

Știftul integral amortizor poate fi folosit ca articulație atunci când se execută o tăiere. Vă ajută să țineți corpul ferăstrăului stabil în timp ce tăiați. Atunci când tăiați, împingeți în față aparatul până când dinții ferăstrăului crestează în marginea lemnului, apoi mișcând mânerul posterior în sus și în jos în direcția liniei de tăiere poate ajuta la ușurarea solicitării fizice ale tăierii.

Ghidul de lanț

În general, barele de ghidare cu rază mică a vârfului au o aercurm un potențial mai scăzut de recul. Trebuie să folosiți o bară de ghidare și un lanț potrivit care este

îndeajuns de lung pentru lucrare. Barele mai lungi cresc riscul de pierdere a controlului în timpul tăierii. Verificați regulat tensiunea lanțului. Atunci când tăiați crengi mai mici (mai mici decât lungimea totală a barei de ghidare) lanțul este foarte probabil să fie aruncat dacă tensiunea lui nu este corectă.

Frâna lanțului

Frâna lanțului a fost concepută pentru a permite oprirea rapidă a lanțului din rotație. Lanțul trebuie să se oprească imediat atunci când mânerul frânei/apărătoarei mâinii este împins în față. Frâna lanțului nu împiedică efectul de recul. Doar scade riscul de vătămare dacă bara cu lanț vine în contact cu corpul operatorului în timpul unui eveniment de recul. Frâna lanțului trebuie să fie testată înainte de fiecare folosire pentru o corectă operare atât în poziția de funcționare cât și în poziția frână.

Dispozitiv de prindere a lanțului

Protecția de lanț împiedică proiectarea lanțului în spate, către utilizator, în cazul în care lanțul se rupe sau se desprinde de pe fierăstrău.

UTILIZARE



AVERTISMENT!

Dacă orice piesă este deteriorată sau lipsă nu operați acest produs până când piesele nu sunt înlocuite. Nerespectarea acestei avertizări poate provoca vătămări corporale grave.

Instalarea acumulatorului

Vezi pagina 6.

Introduceți acumulatorul în unealtă. Aliniați nervurile de pe acumulator cu canalurile din locașul pentru acumulator al produsului.

Înainte de utilizare, asigurați-vă că siguranțele de fixare ale acumulatorului intră în locașurile corespunzătoare, iar bateria este în locașul său, fixată ferm pe produs.

Ținerea produsului

A se vedea figura 1.

Țineți echipamentul cu mâna dreaptă de mânerul din spate și cu mâna stângă de mânerul din față. Prindeți ambele mâner cu degetul mare și degetele încercuind mânerul. Asigurați-vă că mâna dvs stângă prinde mânerul frontal în așa încât degetul mare să fie dedesubt.

Pornirea produsului

Vezi pagina 8.

Înainte de a începe să lucrați cu ferăstrăul, trebuie să instalați acumulatorul în aparat și asigurați-vă că frâna lanțului este în poziția pornit trăgând levierul frânei lanțului/apărătoarea mâinii înspre mânerul frontal.

Pentru a porni aparatul, țineți de eliberarea trăgaciului și apoi apăsați trăgaciul de accelerație.

Verificarea și operarea frânei lanțului.

Vezi pagina 20.

Angajați frâna lanțului rotind mâna stângă în jurul mânerului frontal. Folosind dosul palmei, împingeți levierul frânei lanțului/apărătoarea mâinii înspre bară în timp ce lanțul se rotește cu rapiditate. Asigurați-vă că permanent țineți ambele mâini pe mânerul ferăstrăului.

Restabiliți înapoi frâna lanțului în poziția Funcționare apucând partea de sus a levierului frânei lanțului/apărătoarea mâinii și trăgând înspre mânerul frontal până când auziți un clic.



AVERTISMENT!

Dacă frâna lanțului nu oprește lanțul imediat, sau dacă frâna nu stă în poziția regim de funcționare fără asistență, duceți drujba la un centru service autorizat pentru a fi reparată înainte de a o folosi din nou.

Reglarea tensiunii lanțului

(vezi pagina 14 - 15)

Decupați acumulatorul înainte de a realiza orice fel de operație de întreținere sau reparație asupra produsului.

Asigurați-vă că piulițele de fixare a barei sunt strânse atât cât ar putea fi strânse bine cu mâna.

Pentru a mări tensiunea lanțului, rotiți șurubul de tensionare a lanțului în sens orar și verificați tensiunea lanțului în mod frecvent. Pentru a reduce tensiunea lanțului, rotiți șurubul de tensionare a lanțului în sens anti-orar și verificați frecvent tensiunea lanțului.

Lanțul este bine întins atunci când golul dintre lama tăietoare din lanț și bară este de aproximativ 6,5 mm (0,256 in). Trageți lanțul la mijlocul marginii inferioare a barei (în afara barei) și măsurați distanța dintre bară și dinții lanțului.

Adăugarea de ulei lubrifiant pentru lanț

(vezi pagina 16 - 17)



AVERTISMENT!

Nu lucrați niciodată fără lubrifiant pentru lanț. Dacă ferăstrăul cu lanț funcționează fără lubrifiant, bara de ghidare și lanțul ferăstrăului pot fi deteriorate. Este esențial să verificați frecvent nivelul uleiului la indicatorul de nivel de ulei și de fiecare dată înainte de a începe să folosiți ferăstrăul.

Curățați suprafața din jurul capacului de ulei pentru a preveni murdărirea.

Deșurubați și îndepărtați capacul de la rezervorul de ulei.

Turnați ulei în rezervorul de ulei și monitorizați indicatorul de nivel al uleiului. Asigurați-vă că nu intrați murdărie în

rezervorul de ulei când turnați ulei.

Puneți înapoi capacul de ulei și strângeți-l. Ștergeți orice scurgere.

TRANSPORTAREA ȘI DEPOZITAREA

Opriti produsul, îndepărtați bateria și lăsați-l să se răcească înainte de depozitare sau transportare.

Curățați toate materialele străine din produs. Depozitați-l într-un loc răcoros, uscat și bine aerisit ce este inaccesibil copiilor. Nu-l depozitați în apropiere de agenți corozivi cum ar fi produși chimici de grădinarit sau săruri antigel. Nu depozitați în aer liber.

Potrivii apărătoarea barei de ghidare înainte de a depozita produsul sau în timpul transportării lui.

Pentru transportare, fixați produsul împotriva mișcării sau căderii pentru a preveni vătămarea persoanelor sau deteriorarea produsului.

ÎNȚREȚINEREA



AVERTISMENT!

Utilizați doar accesorii și piese de schimb ECHO. Neurmarea acestora poate cauza posibilă vătămare, slaba funcționare și ar putea anula garanția. În cazul în care este necesară înlocuirea unor componente despre care nu se discută aici, vă rugăm să contactați unul dintre agenții de service ai ECHO.



AVERTISMENT!

Service-ul necesită atenție și cunoștințe deosebite și trebuie îndeplinit doar de către un tehnician service calificat. Pentru service, duceți produsul la un centru service autorizat. La efectuarea serviciului, folosiți doar piese de schimb originale ale producătorului.



AVERTISMENT!

Îndepărtați acumulatorul înainte de orice lucrare de reglare, întreținere sau curățare. Neîndeplinirea acestui lucru poate rezulta în vătămare personală gravă.

- Puteți face doar reglajele sau reparațiile descrise în acest manual. Pentru alte reparații, contactați agentul service autorizat.
- Consecințele unei întrețineri incorecte poate cauza ca frâna lanțului și alte caracteristici de siguranță să nu funcționeze corect, ca urmare crește potențialul unei vătămări grave. Păstrați ferăstrăul întreținut profesionist și în siguranță.
- Ascuțirea lanțului în siguranță este o sarcină expertă. De aceea producătorul recomandă puternic ca un lanț

bont sau uzat să fie înlocuit cu unul nou, disponibil la centrul dvs de service autorizat. Numărul de piese/părți este disponibil în tabelul cu specificații ale produsului din acest manual.

- Urmați instrucțiunile privind lubrifierea, verificarea și reglarea tensiunii lanțului.
- După fiecare folosire curățați produsul cu o cârpă moale și uscată.
- Verificați toate piulițele, suruburile la intervale frecvente de timp ca să fie corespunzător strânse pentru a vă asigura că echipamentul este în stare de lucru în siguranță. Orice piesă deteriorată trebuie să fie reparată în mod corespunzător sau înlocuită de un service autorizat.

Înlocuirea barei de ghidare și a lanțului ferăstrăului

(vezi pagina 10 - 13)

Asigurați-vă că îndepărtați acumulatorul. Purtați mănuși de protecție.

Scoateți piulițele de montare a barei cu ajutorul cheii combinate furnizate.

Scoateți capacul de pe lanț.

Îndepărtați bara și lanțul ferăstrăului de pe produs.

Puneți noul lanț în direcția corectă pe bară și asigurați-vă că legăturile de acționare sunt aliniate cu șanțul de pe bară.

Atașați bara la ferăstrău și înfășurați lanțul în jurul roții de acționare.

Puneți la loc capacul lanțului și piulițele de fixare a barei.

Strângeți piulițele de montare a barei cu mâna. Ghidul trebuie să se poată mișca pentru a permite reglarea tensiunii lanțului.

Reglarea tensiunii lanțului Consultați secțiunea "Reglarea tensiunii lanțului".

Țineți capătul ghidului de lanț și strângeți bine piulițele de montare ale ghidului.

Inspectarea și curățarea frânei lanțului

Vezi pagina 22.

Mențineți întotdeauna curat mecanismul de frânare a lanțului curățând ușor de mizerie racordurile.

Testați întotdeauna funcționarea frânei lanțului după curățare. Consultați secțiunea „Verificarea și utilizarea frânei de lanț”.

SCHEMA DE ÎNTREȚINERE

Verificare zilnică	
Lubrifierea lamei	Înainte de fiecare folosire
Tensiunea lanțului	Frecvent și înainte de fiecare folosire

Ascuțimea lanțului	Înainte de fiecare folosire, verificați vizual
Dacă sunt piese defecte	Înainte de fiecare folosire
Dacă sunt slăbite dispozitivele de fixare	Înainte de fiecare folosire
Funcția frânei cu lanț	Înainte de fiecare folosire
Inspectați și curățați	
Lamă	Înainte de fiecare folosire
Drujba completă	După fiecare folosire
Frâna lanțului	La fiecare 5 ore*

*Ore de operare

PIESE DE SCHIMB

Part	Număr accesoriu
Ghidul lanțului	6000945
Lanțul ferăstrăului	90PX056X

ACUMULATORI

- Acumulatorii care nu au fost utilizați o perioadă mai lungă de timp trebuie încărcăți înainte de utilizare.

- Temperaturile mai mari de 50°C (122°F) reduc performanțele acumulatorului. Evitați expunerea prelungită la căldură sau lumină solară (risc de supraîncălzire).

- Contactele bateriilor trebuie menținute în permanență curate.

- Pentru o durată de viață cât mai lungă, acumulatorii trebuie încărcăți complet după fiecare utilizare.

- Pentru a obține o durată de viață maximă a acumulatorului, scoateți acumulatorul din încărcător după finalizarea încărcării.

În cazul depozitării acumulatorului pentru un interval mai mare de 30 de zile:

- Depozitați acumulatorul într-un loc cu temperatura mai mică de 27°C și departe de umezeală.

- Depozitați acumulatorii la un nivel de încărcare de 30%-50%.

- La fiecare șase luni de depozitare, încărcăți acumulatorul în mod obișnuit.

TRANSPORTAREA BATERIILOR DE LITIU.

Bateria de litiu-ion este subiect a legislației privind bunurile periculoase.

Transportul acumulatorilor trebuie realizat în concordanță cu prevederile și reglementările locale, naționale și internaționale.

- Utilizatorul poate transporta bateriile pe șosea fără alte reglementări.

- Transportul comercial al acumulatorilor Li-Ion de către terți face obiectul reglementărilor privind bunurile periculoase. Pregătirea transportării și transportarea sunt exclusiv îndeplinite de către persoane instruite corespunzător și procesul trebuie să fie însoțit de experți corespunzători.

Atunci când transportați acumulatori:

- Asigurați-vă că bornele de contact a bateriilor sunt protejate și izolate pentru a preveni scurtcircuitarea lor.
- Asigurați-vă că acumulatorul nu se poate mișca în interiorul ambalajului.
- Nu transportați bateriile ce sunt crăpate sau care au scurgeri.

Verificați cu firma transportatoare pentru recomandări ulterioare.

SIMBOLURI



Avertizare de siguranță



Citiți și înțelegeți toate instrucțiunile înaintea operării produsului, urmați toate avertizările și instrucțiunile de siguranță.



Purtați protecție pentru ochi, auz și cap.



Purtați întotdeauna încălțăminte de siguranță antiderapantă când utilizați acest produs.



Purtați mănuși care nu alunecă, destinate pentru operațiuni grele.



Fiți atent la reculul drujbei și evitați contactul cu vârful barei.



Nu expuneți la ploaie sau umezeală.



Țineți și utilizați ferăstrăul cu ambele mâini.



Se interzice utilizarea ferăstrăului cu lanț ținându-l cu o singură mână.



Setați opritorul de lanț în poziția RUN (Funcționare).



Setați opritorul de lanț în poziția BRAKE (Frână).



Nivelul garantat de putere al sunetului este de 106 dB



Semn de conformitate ucrainean



Marcaj de conformitate EurAsian



Deșeurile produselor electrice nu trebuie să fie eliminate împreună cu deșeurile casnice. Vă rugăm să reciclați acolo unde există facilități. Verificați la autoritatea dvs. locală sau la vânzător pentru sfaturi privind reciclarea.



Acest aparat este conform cu ansamblul normelor reglementare din țara din UE în care a fost cumpărat.

Următoarele cuvinte de semnalizare sunt destinate a explica nivelele de risc asociate cu acest produs.



PERICOL

Indică o situație periculoasă iminentă, care dacă nu este evitată va cauza decesul sau vătămarea gravă.



AVERTISMENT

Indică o situație periculoasă iminentă, care dacă nu este evitată poate rezulta în deces sau vătămare gravă.



ATENȚIE

Indică o situație potențial periculoasă, care dacă nu este evitată poate cauza vătămarea moderată sau ușoară.

ATENȚIE

Fără a simbolul de alertă privind siguranța

Indică o situație care poate duce la pagube materiale.



TEHNISKIE DATI

MOTORIZĀSIS

ECCS-58V

Sērijas numurs	17402201000001 - 17402201999999
Nominālais spriegums	51,1 V, 58 V maksimālais
Maksimālais sliedes garums	400 mm
Ķēdes eļļas tvertnes tilpums	177 ml
Svars (Bez akumulatora, ar sliedi, ķēdi un tukšu tvertni)	4,83 kg
Svars (ar 4,0 Ah akumulatora bloku)	6,73 kg
Svars (ar 2,0 Ah akumulatora bloku)	6,03 kg
Maksimālais ātrums bez slodzes	21 m/s
Izmantojamais griešanas garums	250 mm
Trokšņu emisijas līmenis (saskaņā ar EN 60745-1, EN 60745-2-13)	
Lietotāja pozīcijā ir ar A novērtēts skaņas spiediena līmenis (L_{pA})	94,5 dB(A)
K_{pA} :	2,5 dB(A)
A-līmeņa skaņas jaudas līmenis (L_{WA})	105,5 dB(A)
K_{WA} :	2,5 dB(A)
Vibrācijas līmenis (saskaņā ar EN 60745-1; EN 60745-2-13) (priekša/aizmugure)	2,1 / 2,8 m/s ² K = 1,5 m/s ²

EN
FR
DE
ES
IT
NL
PT
DA
SV
FI
NO
RU
PL
CS
HU
RO
LV
LT
ET
HR
SL
SK
BG
UK
TR

AKUMULATORS UN LĀDĒTĀJS

ECCS-58V

Savietojami akumulatoru komplekti	ECBP-58V40 / ECBP-58V20
Saderīgs lādētājs	ECBC-58VEU / ECBC-58VUK



BRĪDINĀJUMS!

Vibrāciju veidošanās līmenis, kas sniegts šajā informatīvajā lapā ir mērīts saskaņā ar standartizēto pārbaudi, kas noteikta standartā EN 60745, un to var izmantot viena instrumenta salīdzināšanai ar citu. To var izmantot sākotnējai ietekmes novērtēšanai.

Deklarētais vibrāciju veidošanās līmenis atspoguļots galvenajam instrumenta pielietojumam. Tomēr, ja instruments tiek izmantots citam pielietojumam, ar citiem aksesuāriem, vai netiek pienācīgi kopts, vibrāciju līmenis var atšķirties. Tas var būtiski ietekmēt vibrāciju ietekmes līmeni visā darba laikā.

Vibrāciju iedarbības līmeņa noteikšanai jāņem vērā arī laika posmi, kad instruments ir izslēgts, vai arī darbojas, bet ar to netiek veikts darbs. Tas var būtiski samazināt vibrāciju ietekmes līmeni visā darba laikā.

Nosakiet papildus drošības pasākumus, kas aizsargātu lietotāju no vibrācijas ietekmes, kā: uzturiet instrumentu un papildaprīkojumu darba kārtībā, strādājiet ar sītām rokām, veidojiet cikliskas darba kustības.

VISPĀRĪGIE DROŠĪBAS BRĪDINĀJUMI



BRĪDINĀJUMS!

Izlasiet visus drošības brīdinājumus un norādījumus. Brīdinājumu un norādījumu neizpildīšana var izraisīt elektrisko triecienu, aizdegšanos un/vai smagu ievainojumu.

Brīdinājumus un instrukcijas saglabājiet turpmākai uzziņai.

Nosaukums "elektroinstruments" brīdinājumus attiecas

uz jūsu elektrisko (ar vadu) elektroinstrumentu vai ar akumulatoru darbināmo (bez vada) elektroinstrumentu.

DARBA VIETA

Turiet darba vietu tīru un labi apgaismotu. Pārbļīvētas un tumšas vietas izraisa negadījumus.

Nedarbiniet elektroinstrumentus sprādzienbīstamā vidē, piemēram, degošu šķidrums, gāzu vai putekļu klātbūtnē. Elektroinstrumenti rada dzirksteles, kas var aizdedzināt putekļus vai gāzes.

Neļaujiet bērniem un blakusstāvētājiem tuvoties darbā esošiem elektroinstrumentiem. Izklaidības dēļ jūs varat zaudēt kontroli.





ELEKTRODROŠĪBA

Elektroinstrumenta kontaktdakšai jāatbilst kontaktilgzdai. Nekad nepārveidojiet kontaktdakšu. Samazētiem elektroinstrumentiem nelietojiet pārejas līgzdas. Nepārveidotas kontaktdakšas un atbilstošas kontaktilgzdas samazinās elektriskā trieciena risku.

Nepieļaujiet ķermeņa kontaktu ar samazētām virsmām, piemēram, caurulēm, radiatoriem, pavardiem un saldētāvam. Ja jūsu ķermenis ir samazēts, pastāv palielināts elektriskā trieciena risks.

Nepakļaujiet precīzai lietai vai slapjiem apstākļiem. Ūdens iekļūšana elektroinstrumentā palielina elektriskā trieciena risku.

Neizmantojiet kabeli nepareizi. Nekad neizmantojiet vadu, lai nestu, vilktu elektroinstrumentu vai atvienotu kontaktdakšu. Turiet kabeli tālu no siltuma avota, eļļas, asiem priekšmetiem vai kustīgām detaļām. Bojāts vai savērpts kabelis palielina elektriskā trieciena iespēju.

Strādājot ar elektroinstrumentu ārpus telpām, lietojiet āra lietošanai piemērotu pagarinātāju. Elektriskā trieciena risku samazina lietošanai ārpus telpām piemērota kabeļa izmantošana.

Ja elektroinstrumenti ir jālieto mitrās telpās, izmantojiet strāvas noplūdes automātslēdzi (RCD) barošanas vadā. Palielēšanās strāvas ierīces izmantošana samazina elektriskā trieciena risku.

PERSONISKĀ DROŠĪBA

Uzmanieties darba laikā un izmantojiet veselo saprātu, darbojoties ar elektroinstrumentu. Neizmantojiet elektroierīci, ja esat noguris vai narkotisko vielu, alkohola vai medikamentu ietekmē. Neuzmanības brīdis, strādājot ar elektroinstrumentiem, var izraisīt smagus ievainojumus.

Lietojiet personīgo aizsargaprīkojumu. Vienmēr lietojiet aizsargbrilles. Aizsargaprīkojums, piemēram, putekļu maska, neslidoši aizsargapavi, aizsargķivere vai ausu aizsargi, kas lietoti atbilstošos apstākļos, samazina personas ievainojumu iespēju.

Nepieļaujiet nejaūšu iedarbināšanu. Pirms pievienot enerģijas avotam un/vai akumulatoram, pacelt un pārvietot darbarīku, pārliecinieties, ka slēdzis ir izslēgtā stāvoklī. Elektroinstrumentu pārnēsāšana, turot pirkstu uz slēdža vai ieslēgtu elektroinstrumentu pārnēsāšana var izraisīt nelaimes gadījumu.

Noņemiet visas regulēšanas uzgriežņu atslēgas pirms elektroierīces ieslēgšanas. Uzgriežņu atslēga vai atslēga, kas palikusi piestiprināta pie elektroinstrumenta rotējošās detaļas, var izraisīt personas ievainojumu.

Nepersitempkite. Visu laiku stāviet stingri un stabili. Tas ļauj labāk vadīt elektroinstrumentu negaidītās situācijās.

Apģērbieties pareizi. Nevalkājiet vaļīgu apģērbu vai rotaslietas. Turiet savus matus, apģērbu un cimdus tālu no kustīgām detaļām. Vaļīgs apģērbs, rotaslietas vai gari mati var tikt ierauti starp kustīgām detaļām.

Ja ierīce ir aprīkota ar putekļu nosūcēja un savācēja pievienojumu, pārliecinieties, ka tas ir pievienots un tiek pareizi lietots. Putekļu savācēja lietošana var samazināt putekļu izraisītos riskus.

ELEKTROINSTRUMENTU LIETOŠANA UN APRŪPE

Nepielietojiet spēku, izmantojot ražojumu. Izmantojiet savam darbam atbilstošu elektroierīci. Pareizais elektroinstrumenti veiks darbu labāk un drošāk ar ātrumu, kādam ticis konstruēts.

Nelietojiet elektroinstrumentu, ja ar slēdzi to nevar ieslēgt un izslēgt. Ja elektroinstrumentu nevar vadīt ar slēdzi, tas ir bīstams un jāremontē.

Pirms elektroinstrumentu regulēšanas, piederumu maiņas vai uzglabāšanas atvienojiet spraudni no barošanas avota un/vai akumulatora bloku no elektroinstrumenta. Šādi profilakses pasākumi samazina elektroierīces nejaūšas iedarbināšanas iespēju.

Glabājiet neizmantotus elektroinstrumentus bērniem nepieejamās vietās un neļaujiet neapmācītām personām darboties ar elektroinstrumentiem. Elektroinstrumenti ir bīstami neapmācītu personu rokās.

Apkopt elektroinstrumentus. Pārbaudiet kustīgo detaļu savienojumu pareizību, detaļu berzi un citus apstākļus, kas var ietekmēt elektroinstrumenta darbu. Ja elektroinstrumenti ir bojāti, pirms lietošanas veiciet tā remontu. Daudzus negadījumus izraisa slikti apkopti elektroinstrumenti.

Turiet griezējrikus asus un tīrus. Pareizi apkopti griezējinstrumenti ar asām griezējšķautnēm retāk pielīp un ir vieglāk vadāmi.

Izmantojiet elektroierīci, piederumus, darbinstrumentus u.c. saskaņā ar šiem norādījumiem, ņemiet vērā darba apstākļus un veicamo darbu. Elektroinstrumenta izmantošana neparedzētu darbību veikšanai var radīt bīstamu situāciju.

AR AKUMULATORU DARBINĀMU IERĪČU LIETOŠANA UN KOPŠANA

Uzlādējiet tikai ar ražotāja noteikto lādētāju. Lādētājs, kas paredzēts lietošanai ar viena veida akumulatoru, var būt ugunsbīstams, ja to izmanto ar citu akumulatoru.

Lietojiet elektriskos instrumentus tikai ar konkrētajai ierīcei paredzēto akumulatoru. Jebkura cita akumulatora lietošana var radīt ievainojumu un ugunsgrēka risku.

Kad nelietojat akumulatoru, neturiet to citu metāla priekšmetu tuvumā, piemēram: papīra saspaušanas, monētas, atslēgas, naglas, skrūves vai citi sīki metāla priekšmeti, kas var veidot savienojumu starp spailēm. Akumulatora spaiļu īsslēgums var radīt aizdegšanos vai ugunsgrēku.

Nepareizas rīcības gadījumā no akumulatora var izkļūt šķidrums; izvairieties no saskares ar to. Nejaūšas saskares gadījumā skalojiet skarto vietu ar ūdeni. Ja šķidrums nokļūst acīs, nepieciešama arī medicīniskā palīdzība. No akumulatora izkļuvušais šķidrums var izraisīt kairinājumu vai apdegumus.





APKOPE

Vai jūsu elektroinstrumentu apkalpo kvalificēts personāls, izmantojot tikai identiskas rezerves daļas. Tas nodrošinās elektroinstrumenta drošības saglabāšanu.

PAPILDU VISPĀRĪGĀS DROŠĪBAS BRĪDINĀJUMI

Dažos reģionos pastāv noteikumi, kas ierobežo preces lietošanu. Vērsieties pie atbildīgajām amatpersonām pēc padoma.

Neļaujiet šo izstrādājumu lietot bērniem vai cilvēkiem, kuri nav izlasījuši šīs instrukcijas. Vietos īstatymai gali aprīboti jrengimo operatoriaus amžiu.

Pirms katras lietošanas reizes pārlicinieties, ka visas kontroles un drošības sistēmas ir darba kārtībā. Neizmantojiet ierīci, ja izslēgšanas slēdzis neapstādina motoru.

Darbinot ierīci, valkājiet aizsargbrilles un dzirdes aizsargu, lietūrigus cimdus, kā arī galvas aizsargu; putekļu gadījumā izturojiet sejas masku.

Nevalkājiet vaļīgas drēbes, īsas bikses, jebkāda veida rotaslietas.

Nostipriniet garus matus tā, lai tie ir virs plecu līmeņa, lai novērstu sapīšanas kustīgajās daļās.

Uzmanieties no izvaidītiem, lidojošiem vai krītošiem priekšmetiem. Pārlicinieties, ka tuvumā stāvošie -bērni un dzīvnieki ir 15 m attālumā no jūsu darbošanās vietas.

Nelietojiet sliktā apgaismojumā. Lietotājam jābūt pilnai redzamībai pār darba zonu, lai spētu identificēt iespējamus draudus.

Dzirdes aizsargu lietošana mazinās jūsu spēju dzirdēt brīdinājumus (blāvienus vai skaņas signālus). Operatoram jāpievērš sevišķa uzmanība tam, kas notiek darba zonā.


Līdzīgas ierīces izmantošana tuvumā palielina gan risku sabojāt dzirdi, gan iespēju, ka otrs cilvēks ieies jūsu darba zonā.

Visada tvirtai stovēkite ir īšlaikykite pusiausvyra. Nepersitempkite. Cenšoties pārāk tālu aizsniegties, var zaudēt līdzsvaru un palielināt atsitienu risku.

Turiet visas ķermeņa daļas tālu no visām kustīgajām detaļām.

Pirms katras lietošanas reizes pārbaudiet ierīci. Pārbaudiet, kā pareizi jārikojas ar visām vadības ierīcēm, tai skaitā ķēdes bremzi. Pārbaudiet, vai visi stiprinājumi ir vietā, pārlicinieties, ka visi aizsargi un rokturi atbilstoši un droši piestiprināti. Pirms lietošanas nomainiet visas bojātās detaļas.

Nepārveidojiet ierīci un nelietojiet detaļas un aksesuārus, kurus nav ieteicis ražotājs.



BRĪDINĀJUMS!

Ja ierīce tiek nomesta, tā ir saskārusies ar smagu triecienu vai tā sāk nevaldāmi vibrēt, nekavējoties izslēdziet ierīci un centieties atrast bojājumu vai arī cēloni šādi vibrācijai. Jebkāda tehniska apkope ir jāveic tikai autorizētos tehniskās apkopes centros.

Neizmetiet izlietos akumulatorus sadzīves atkritumos un nededziniet tos. ECHO izplatītāji piedāvā nolietoto akumulatoru savākšanu, lai aizsargātu mūsu vidi.

Neļabājiēt akumulatoru bloku kopā ar metāliskiem priekšmetiem (īssavienojuma risks).

Akumulatoru bloku uzlādēšanai izmantojiet tikai ECBC-58VEU/ECBC-58VUK lādētāju. Neizmantojiet akumulatoru blokus citām sistēmām.

Savietojami akumulatoru komplekti: ECBP-58V40, ECBP-58V20

Ekstrēmu slodžu vai ekstrēmu temperatūru gadījumā no akumulatoru blokiem var notikt akumulatoru skābes noplūde. Nonākot saskarsmē ar akumulatoru skābi, nekavējoties to nomazgājiet ar ziepēm un ūdeni. Skābei iekļūstot acīs, rūpīgi, vismaz 10 minūtes skalojiet ar ūdeni un nekavējoties griezieties pēc medicīniskas palīdzības.

Divas ķēdes slīdes fiksācijas skrūves izmantošanas laikā ir paaugstinātas elektrostatiskās izlādes vietas. Lietotājam ir jāatlaiz slēdža mēlīti, lai atiestatītu produktu, ja tas apstājas elektrostatiskās izlādes ietekmē.

ĶĒDES ZĀĢA DROŠĪBAS BRĪDINĀJUMI

Lietošanas laikā turiet visas ķermeņa daļas atstatu no zāģa ķēdes. Pirms iedarbiniet ķēdes zāģi pārlicinieties, ka zāģa ķēde nekam nepieskaras. Mirkļa neuzmanība, darbinot ķēdes zāģi, var novest pie apģērba vai ķermeņa sapīšanās zāģa ķēdē.

Vienmēr turiet ķēdes zāģi, labajai rokai atrodies uz aizmugurējā roktura, bet kreisajai rokai - uz priekšējā roktura. Turot ķēdes zāģi pretēji norādītajai roku pozīcijai, palielinās miesas bojājumu gūšanas risks, un šādi rīkoties nekad nevajadzētu.

Turiet produktu tikai aiz izolētās satveršanas virsmas, jo motorzāģis var saskarties ar iekšējo vadu instalāciju. Zāģa ķēdēm saskaroties ar vadu, kurā plūst elektriskā strāva, strāva var sākt plūst arī caur elektroinstrumenta atklātajām metāla daļām un operators var saņemt elektriskās strāvas triecienu.

Valkājiet aizsargbrilles un dzirdes aizsargu. Ieteicams lietot papildu aizsardzības līdzekļus galvai, rokām, kājām un pēdām. Atbilstošs aizsargapģērbs samazinās miesas bojājumus, ko var gūt no izvaidītiem priekšmetiem vai nejaušas saskarsmes ar zāģa ķēdi.

Nedarbiniet ķēdes zāģi, atrodies kokā. Ķēdes zāģa darbināšana, atrodies kokā, var izraisīt miesas bojājumus.

Vienmēr nodrošiniet stingru atbalstu kājām, un darbiniet ķēdes zāģi tikai tad, ja stāvat uz stabilas, drošas un līdzenas virsmas. Stāvat uz slidenas vai nestabilas virsmas, piemēram, trepēm, var zaudēt līdzsvaru vai kontroli pār ķēdes zāģi.

Zāģējot nospriegotu zaru, ir jāuzmanās no atsitienu riska. Samazinoties koka šķiedru spriegojumam, nospriegotais zars atbrīvojas un var trāpīt operatoram un/ vai izraisīt kontroles zaudēšanu pār ķēdes zāģi.

EN
FR
DE
ES
IT
NL
PT
DA
SV
FI
NO
RU
PL
CS
HU
RO
LV
ET
HR
SL
SK
BG
UK
TR





Zāģējot jaunus krūmus esiet ārkārtīgi uzmanīgs. Nelieli atgriezumi var iestrēgt zāģa ķēdē un izlidot jūsu virzienā, kā rezultātā jūs varat zaudēt līdzsvaru.

Transportējot ķēdes zāģi, turiet to aiz priekšējā roktura, izslēdziet to un turiet tālu no sava ķermeņa. Transportējot vai noliekot ķēdes zāģi glabāšanā, vienmēr ir jāuzstāda sliedes vāks. Pareiza apiešanās ar ķēdes zāģi samazina risku nejausi pieskarties pie kustīgas zāģa ķēdes.

Ievērojiet norādījumus par eļļošanu, ķēdes nospriegošanu un piederumu nomaiņu. Nepareizi nospriegota un ieeļļota ķēde var saplīst vai paaugstināt atsitienu risku.

Turiet rokturus sausus, tīrus un bez eļļas un smērvielām. Taukaini un eļļaini rokturi ir slideni, un tādējādi jūs varat zaudēt kontroli.

Zāģējiet tikai koka materiālus. Nelietojiet ķēdes zāģi neparedzētiem mērķiem. Piemēram, nelietojiet ķēdes zāģi plastmasas, būvmateriālu un citu priekšmetu, kas nav izgatavoti no koka, zāģēšanai. Ķēdes zāģa lietošana neparedzētiem mērķiem var radīt bīstamas situācijas.

Atsitienu iemesli un veidi, kā operators no tiem var izvairīties:

Var notikt tā saucamais motorzāģa prettrieciens, ja ķēdes vadītāks gals uzduras kādam priekšmetam vai ja ķēde zāģēšanas laikā tiek saspiesta un iesprūst kokā.

Sliedes gala nonākšana saskarē ar kādu priekšmetu noteiktos gadījumos var izraisīt tā spēcīgu atmešanu pretējā virzienā, kā rezultātā sliede pārvietojas uz augšu un operatora virzienā.

Ja zāģa ķēde tiek iespiesta vadošās sliedes augšdaļā, tad vadošā sliede var tikt strauji mesta operatora virzienā.

Abos gadījumos jūs varat zaudēt vadību pār motorzāģi un gūt smagus savainojumus. Nepietiek ar to, ka jūs uzticieties tikai šā motorzāģa aizsargierīcēm! Jums ir arī jāievēro vairāki nosacījumi, lai novērstu nelaimes gadījumu izraisīšanos un savainojumu gūšanas iespēju.

Atsitiens rodas ierīces nepareizas lietošanas rezultātā un/vai nepareizu darba procedūru vai darba apstākļu dēļ, un no tā var izvairīties, ievērojot turpmākos piesardzības pasākumus:

Cieši turiet zāģi ar abām rokām tā, lai iekšķis un pārējie pirksti aptvertu ķēdes zāģa rokturus, un novietojiet savu ķermeni un rokas tādā pozīcijā, kas ļaus jums izturēt atsitienu spēku. Operators var kontrolēt atsitienu spēku, ievērojot attiecīgus norādījumus. Neatļaidiet ķēdes zāģi.

Nestiepieties un nezāģējiet virs plecu līmeņa. Tas ļaus izvairīties no nejaušas saskarsmes un ļaus labāk kontrolēt ķēdes zāģi neparedzētās situācijās.

Lietojiet tikai ražotāja norādītās sliedes un ķēdes. Neatbilstošas rezerves sliedes un ķēdes var izraisīt ķēdes plīšanu un/vai atsitienu.

Ievērojiet norādījumus, ko ražotājumzņēmums ir sniedzis par ķēdes asināšanu un apkopi. Zāģēšanas

darbības samazināšana var palielināt atsitienu spēku.

PAPILDU ĶĒDES ZĀĢA DROŠĪBAS BRĪDINĀJUMI

Pirmoreiz darbinot ierīci, balķus ieteicams zāģēt uz stāva.

Nodrošiniet, ka visi aizsargi, rokturi un mizas buferis ir pareizi uzstādīts un ir labā stāvoklī.

Personām, kas lieto ierīci, ir jābūt labam veselības stāvoklim. Produkts ir smags, tāpēc lietotājam jābūt fiziski labā stāvoklī. Operatoram jāpiemīt modrībai, labai redzei, mobilitātei, līdzsvaram un roku veiklībai. Ja pastāv šaubas, nelietojiet ierīci.

Nesāciet izmantot ierīci pirms nav atīrīta darba zona, nestāvat uz drošas pamatnes un neesat izplānojis atkāpšanās ceļu no krītoša koka.

Uzmanieties no eļļas migliņas un zāģskaidu izmešiem. Nepieciešamības gadījumā valkājiet masku vai respiratoru.

Negrieziet vīnogulāju un/vai nelielu pamežu (kas diametrā mazāks par 75 mm).

Strādājot ar produktu, vienmēr turiet to ar abām rokām. Motorzāģis ir jātur stingri, ar pirkstiem aptverot rokturus. Labajai rokai jāatrodas uz aizmugurējā roktura, bet kreisajai uz priekšējā roktura.

Pirms produkta iedarbināšanas pārliecinieties, ka zāģa ķēde nepieskaras nevienam priekšmetam.

Nekādā gadījumā nepārveidojiet ierīci un neizmantojiet to lai darbinātu citu aprīkojumu vai ierīces, kuras neiesaka ierīces ražotājs.

Operatora tuvumā jāatrodas pirmās palīdzības aptieciņai ar lieliem brūču pārsējiem un līdzekļiem, kā pievērst uzmanību (piemēram, svilpei). Pietiekami tuvu jāatrodas arī lielākai, visaptverošai aptieciņai.

Strādājot ar produktu, vienmēr valkājiet aizsargķiveri. Aizsargķivere, kurai ir tīkla nags, var palīdzēt samazināt sejas un galvas traumas risku tad, ja notiek pretsitieni.

Nepareizi nospriegota ķēde var nokrist no sliedes, izraisot nopietnu traumu vai nāvi. Ķēdes garums ir atkarīgs no temperatūras. Bieži pārbaudiet nospriegojumu.

Jums vajadzētu pieradināties lietot jauno ķēdes zāģi, veicot vienkāršus griezumus droši atbalstītā kokā. Ritkojieties tā ikreiz, kad ilgāku laiku neesat darbojies ar zāģi.

Lai samazinātu traumas risku saistībā ar kontaktu ar kustīgam daļām, vienmēr apturiet motoru, ieslēdziet ķēdes bremzi, izņemiet bateriju paketi un pārliecinieties, ka visas kustīgās daļas ir apstājušās, pirms:

- nosprostojumu tīrīšana vai aizvākšana
- izstrādājuma atstāšana bez uzraudzības
- piederumu uzstādīšanas vai noņemšanas
- ierīces pārbaudīšana, apkope vai darbināšana

Bīstamā apgabala plašums ir atkarīgs no veicamā darba, kā arī no koka garuma un no apstrādājamā priekšmeta lieluma. Piemēram, koku gāšanai nepieciešama lielāka darba zona nekā citiem zāģēšanas veidiem, t.i.





sagarumošanai utt.

Operatoram jāapzinās un jākontrolē viss, kas notiek šajā darba zonā.

Zāgēšanas laikā neturiet ķermeni vienā līnijā ar sliedi un ķēdi. Ja tomēr izjutīsiet atsitienu, tas palīdzēs izvairīties no galvas vai ķermeņa kontakta ar ķēdi.

Nevirziet zāģi uz priekšu un atpakaļ, ļaujiet ķēdei veikt savu uzdevumu, uzturiet ķēdi uzasinātu un nemēģiniet ķēdi izstumt caur griezuma vietu.

Zāģējuma beigās motorzāģis vairs nav jāgrūž. Esiet gatavs noturēt zāģa svaru, kad tas pārzāģē koku. Noteikumu neievērošana var izraisīt smagus ievainojumus.

Neapturiet zāģi zāģēšanas darbības laikā. Darbiniet zāģi līdz tas izņemts no griezuma vietas.

Vilkšanas un grūšanas spēks

Uz motorzāģi iedarbojas spēks, kura virziens ir pretējs tam virzienam, kādā kustas ķēde. Līdz ar to operatoram jābūt gatavam kontrolēt mašīnas tendenci parauties uz priekšu (uz priekšu vērsta kustība), zāģējot gar sliedes apakšējo malu, un atrauties atpakaļ (virzienā uz operatoru), zāģējot gar augšējo malu.

Zāģis iestrēdzis griezumā

Apturiet ķēdes zāģi un padariet to drošu. Necentieties ar spēku izvilkāt ķēdi un sliedi no griezuma, jo ķēde var notrūkt un atsities atpakaļ, trāpot operatoram. Šāda situācija parasti notiek tāpēc, ka koks ir nepareizi atbalstīts un piespiež griezuma vietu, tādējādi saspiežot asmeni. Ja, noregulējot atbalstu, netiek atbrīvota sliede un ķēde, izmantojiet koka ķīļus vai sviru, lai atvērtu griezuma vietu un atbrīvotu zāģi. Nekad nemēģiniet ieslēgt ķēdes zāģi, ja sliede jau atrodas griezumā vai izzāģējumā.

Individuālie aizsardzības līdzekļi

Labas kvalitātes individuālie aizsardzības līdzekļi, kādus izmanto profesionāļi, palīdzēs samazināt operatora ievainojumu gūšanas risku. Darbinot ķēdes zāģi, būtu jāvalkā turpmākās lietas:

Aizsargķivere

- jāatbilst standartam EN 397 un jābūt marķētai ar CE zīmi

Dzirdes aizsargs

- jāatbilst standartam EN 352-1 un jābūt marķētai ar CE zīmi

Acu un sejas aizsargs

- jābūt marķētam ar CE zīmi un jāatbilst standartam EN 166 (aizsargbrīļu gadījumā) vai standartam EN 1731 (sieta viziera gadījumā)

Cimdi

- jāatbilst standartam EN381-7 un jābūt marķētai ar CE zīmi

Kāju aizsargi ("chaps" tipa bikses)

- jāatbilst standartam EN381-5, jābūt marķētiem ar CE

zīmi un jānodrošina visaptveroša aizsardzība.

Aizsargzābaki ķēdes zāģa lietošanai

- jāatbilst standartam EN ISO 20345:2004 un jābūt marķētam ar vairogu, uz kura attēlots ķēdes zāģis, demonstrējot atbilstību standartam EN 381-3. (Neregulāri lietotāji var izmantot aizsargzābakus ar tērauda purngalu kopā ar aizsargājošām getrām, kas atbilst standartam EN 381-9, ja zeme ir līdzena un pastāv mazs risks paklupt vai sapīties pamežā)

Jakas ķermeņa augšdaļas aizsardzībai, lietojot ķēdes zāģi

- jāatbilst standartam EN 381-11 un jābūt marķētai ar CE zīmi

NORĀDĪJUMI PAREIZAS METODES IZMANTOŠANAI, VEICOT KOKU GĀŠANU, ATZAROŠANU UN SAGARUMOŠANU

Izpratne par koksnes iekšējiem spēkiem

Izprotot koksnes iekšējo virzienvērsto spiedienu un spriegumu, jūs varat samazināt saspiešanos vai vismaz ar to zāģēšanas laikā rēķināties. Koksnes nosprīgojums nozīmē to, ka šķiedras tiek saplēstas, un, ja šajā zonā tiek veikts "izzāģējums" vai iegriezums, tam būs tendence atvērties, zāģim virzoties cauri. Ja balķis ir atbalstīts uz stāfiva, bet tā gals neatbalstīts karājas pār malu, balķa gala svara dēļ, kas nostiepj šķiedras, augšējā virsma tiek nosprīgota. Līdzīgi tiks saspiesta balķa apakšējā puse, saspiežot kopā šķiedras. Izdarot griezumu šajā zonā, izzāģējumam būs tendence zāģēšanas laikā aizvērties. Šajā gadījumā tiktu saspīests asmens.

Koka gāšana

Skatiet 1 - 6. attēlu.

Ja sagarumošanas un koku gāšanas darbības vienlaicīgi veic divas vai vairākas personas, gāšanas darbības būtu jāveic tādā attālumā no sagarumošanas darbībām, kas ir divreiz lielāks par koka garumu, kas tiek gāzts. Kokus nevajadzētu gāzt tādā veidā, kas var apdraudēt kādu personu, pārraut kādu komunālo tīklu vai radīt bojājumus īpašumam. Ja koks tomēr trāpa kādam komunālajam tīklam, tas nekavējoties jāpaziņo attiecīgajam uzņēmumam.

Ja jūs zāģējat, stāvēdams uz nogāzes, tad vienmēr uzturieties augstāk par koku, jo tas pēc nogāšanas var velties vai slīdēt lejup pa nogāzi.

Pirms uzsākt zāģēšanu jāizplāno atkāpšanās ceļš un tas vajadzības gadījumā jāattīra. Atkāpšanās ceļam jābūt vērstam atpakaļ un diagonāli pret sagaidāmās krišanas līnijas aizmuguri.

Pirms uzsākt koku gāšanu ņemiet vērā koka dabisko liekšanās virzienu, lielāko zaru novietojumu un vēja virzienu, lai spriestu, kurā virzienā kritīs koks.

Attīriet koku no netīrumiem, akmeņiem, vaļīgas mizas, naglām, skavām un vadiem.

Nemēģiniet gāzt kokus, kuri ir satrunējuši vai ar vēja, uguns, zibens vai citiem bojājumiem.

EN
FR
DE
ES
IT
NL
PT
DA
SV
FI
NO
RU
PL
CS
HU
RO
LV
LT
ET
HR
SL
SK
BG
UK
TR





Tas ir ārkārtīgi bīstami, šādu darbu jāveic tikai profesionāliem mežstrādniekiem.

1. Koka aizzāgējums pirms gāšanas

Skatiet 1 - 6. attēlu.

Veiciet 1/3 dziļu iegriezumu koka diametrā, perpendikulāri kritiena virzienam. Vispirms veiciet zemāko horizontālo iegriezumu. Tas palīdzēs izvairīties no zāga ķēdes vai sliedes saspiešanas, veicot otro iegriezumu.

2. Gāšanas zāgējums

Skatiet 1 - 6. attēlu.

Veiciet gāšanas zāgējumu vismaz 50 mm augstāk par horizontālo aizzāgējumu. Gāšanas zāgējumam jābūt paralēlam horizontālajam aizzāgējumam. Veicot gāšanas zāgējumu, atstājiet pietiekami daudz koknes, kas kalpos kā enģe. Koka enģe neļaus kokam pagriezties un nokrist nepareizā virzienā. Nepārgrieziet enģi.

Aizzāgējot līdz enģei, kokam vajadzētu sākt krist. Ja pastāv iespēja, ka koks varētu nekrist vēlamajā virzienā vai varētu šūpoties at muguriski un saspīest zāga ķēdi, pārtrauciet zāgēšanu pirms gāšanas zāgējuma pabeigšanas un, izmantojot koka, plastmasas vai alumīnija ķīļus, atveriet griezumam vietu un nogāziet koku gar vēlamo kritiena līniju.

Kokam sākot krist, izņemiet ķēdes zāgi no griezumam vietas, apturiet motoru, nolieciet ķēdes zāgi un izmantojiet plānoto atkāpšanās ceļu. Uzmanieties no krītošiem zariem un saglabājiet pamatu zem kājām.

Balsta sakņu apzāgēšana

Skatiet 7 - 8. attēlu.

Par balsta sakni sauc lielu koka sakni, kas atiet no stumbra nedaudz virs zemes. Šādas lielas saknes ir jāapzāgē, pirms sākat gāzt koku. Vispirms veidojiet līmenisku zāgējumu balsta saknē, pēc tam statenisku. To, kas nozāgēts, aizvāciet no darba vietas. Kad balsta saknes ir novāktas, ķerieties pie koka gāšanas.

Balņa sagarumošana

Skatiet 9 - 11. attēlu.

Sagarumošana ir balņa sazāgēšana noteiktos garumos. Ir svarīgi pārliecināties, ka stāvat uz stingras pamatnes un jūsu svars ir vienmērīgi sadalīts uz abām kājām. Ja iespējams, balņi vajadzētu pacelt un atbalstīt, izmantojot zarus, balņus vai ķīļus. Ievērojiet vienkāršos norādījumus vieglai zāgēšanai. Ja balņis ir atbalstīts visā tā garumā, to jāzāgē no augšpusēs (sagarumošana no augšas).

Ja balņis ir atbalstīts vienā galā, veiciet 1/3 dziļu iezāgējumu pa diametru no apakšpusēs (sagarumošana no apakšas). Tad pabeidziet zāgēšanu, veicot iezāgējumu no augšas pretī pirmajam griezumam.

Ja balņis ir atbalstīts abos galos, veiciet 1/3 dziļu iezāgējumu pa diametru no augšpusēs (sagarumošana no augšas). Tad pabeidziet zāgēšanu, veicot 2/3 iezāgējumu no apakšas pretī pirmajam griezumam.

Veicot sagarumošanu uz sliņas virsmas, vienmēr stāviet augstāk par balņi. Lai saglabātu pilnīgu kontroli, zāgējot

šķērsām, tuvu zāgēšanas beigām samaziniet zāgēšanas spiedienu, nesamazinot ķēdes zāga rokturu satvērienu. Neļaujiet ķēdei saskarties ar zemi. Kad zāgēšana pabeigta, pirms ķēdes zāga kustināšanas ļaujiet zāga ķēdei apstāties. Vienmēr apturiet motoru pirms uzsākat darbu ar nākamo koku.

Koka atzarošana

Skatiet 12 - 13. attēlu.

Atzarošana ir zaru nozāgēšana kritušam kokam. Atzarošanas laikā atstājiet lielos zemākos zarus balņa atbalstīšanai pret zemi. Nozāgējiet mazākos zarus ar vienu griezienu. Lai izvairītos no ķēdes zāga sapīšanās, nospiertos zarus vajadzētu griezt virzienā no apakšas uz augšu.

Saspringts koks

Skatiet 14 - 15. attēlu.

Par nospirotu balsteni var saukt zaru, izgāztu celmu vai krūmu, kuru ar savu svaru ir saliecis kāds cits koks tā, ka balstenis strauji atbrīvojas no sprieguma, ja pārzāgē vai aizvāc to koku, kas rada balsteņa nospiegumu.

Izgāztam nozāgēta koka celmam, kad to zāgējot atdala no stumbra, ir spēcīga tieksme atbrīvoties no sprieguma un atgriezties stateniskā stāvoklī. Ar nospirotiem balsteņiem ir jārikojas uzmanīgi, jo tie var būt bīstami!



BRĪDINĀJUMS!

Nospiroti balsteņi ir bīstami, jo tie var ar spēku triekties jums virsū un likt jums zaudēt vadību pār motorzāgi. Pat gūt smagus vai nāvējošus savainojumus. To būtu jādarā treniņiem zāga lietotājiem.

PAPILDU AKUMULATORU BLOKA DROŠĪBAS BRĪDINĀJUMI



BRĪDINĀJUMS!

Lai novērstu īssavienojuma izraisītu aizdegšanās, savainojumu vai produkta bojājuma risku, neiegremdējiet instrumentu, maināmo akumulatoru vai uzlādes ierīci šķidrumos un rūpējieties par to, lai ierīcēs un akumulatoros neiekļūtu šķidrumi. Koroziju izraisoši vai vadītspējīgi šķidrumi, piemēram, sālsūdens, noteiktas ķīmikālijas, balinātāji vai produkti, kas satur balinātājus, var izraisīt īssavienojumu.

OBJEKTĪVIE RISKI

Pat ka prece ir lietotā kā noteikts, nav iespējams pilnībā novērst noteiktus riska faktorus. Lietošanas laikā var rasties šādas bīstamas situācijas, un lietotājam ir jāpievērš pastiprināta uzmanība, lai tās novērstu:



- Vibrācijas radīts ievainojums
 - Vienmēr izmantojiet darbam paredzēto instrumentu. Izmantojiet paredzētos rokturus. Ierobežojiet darba laiku un iedarbību.
- Saskarsme ar troksni var radīt dzirdes traucējumus.
 - Valkājiet ausu aizsargu un ierobežojiet saskarsmi.
- savainojumi, kurus var izraisīt saskare ar ķēdes zāģa zobiem
- savainojumi, kurus izraisa apstrādājamā materiāla mestās daļas (skaidas un skabargas)
- Putekļu un sīkdaļiņu ieelpošanas radīts veselības kaitējums
- savainojumi, kurus izraisa ādas saskare ar smērvielu vai eļļu

RISKA SAMAZINĀŠANA

Ir ticis ziņots, ka vibrācijas no rokas instrumentiem atsevišķos cilvēkos var veicināt kaiti, ko sauc par Reino sindromu. Simptomi var ietvert pirkstu tīkšķēšanu, nejutīgumu un nobālēšanu, parasti aukstā laikā. Tiek uzskatīts, ka tradicionālie faktori, aukstums un mitrums, uzturs, smēķēšana un darba prakse sekmē šo simptomu attīstību. Operators var veikt pasākumus, lai iespējami samazinātu vibrācijas efektu:

- Aukstā laikā ķermenim jābūt siltam. Darbinot ierīci, nēsājiet cimdus, lai rokas un plaukstas locītavas būtu siltas.
- Ik pēc laika apturiet darbu un veiciet vingrinājumus, kas uzlabo asins cirkulāciju.
- Strādājot jābūt biežiem pārtraukumiem. Ierobežojiet iedarbības ilgumu dienā.
- Aizsargcimdi, kas pieejami pie profesionāliem ķēdes zāģu mazumtirgotājiem, ir īpaši paredzēti ķēdes zāģa izmantošanai, sniedzot aizsardzību un labu satvērienu, kā arī samazina roktura vibrāciju.

Ja jūs izjūtat kādu no šiem simptomiem, nekavējoties apturiet ierīces lietošanu un sazinieties ar ārstu par šiem simptomiem.



BRĪDINĀJUMS!

Ilgstoša preces lietošana var radīt ievainojumus vai pasliktināt jau esošos. Ilgstoši lietojot jebkuru instrumentu, pārliecinieties, ka tiek veikti regulāri pārtraukumi.

PAREDZĒTAIS LIETOJUMS

Šī ierīce paredzēta izmantošanai tikai ārpus telpām. Drošības apsvērumu dēļ ierīcei vienmēr jābūt pienācīgi kontrolētai, izmantojot abas rokas.

Ierīce ir paredzēta zaru, stumbru, baļķu un apaļkoku

zāģēšanai ar tādu diametru, ko nosaka sliedes griešanas garums. Tas ir paredzēts tikai koka zāģēšanai. Tā ir paredzēta izmantošanai tikai mājas apstākļos pieaugušajiem, kuri ir pienācīgi apmācīti par bīstamību un profilaktiskiem pasākumiem/darbībām, kas jāveic tās lietošanas laikā.

Tā nav paredzēta izmantošanai profesionāliem zāģēšanas pakalpojumu sniedzējiem. Ierīci nedrīkst izmantot bērni vai personas bez atbilstoši individuālajiem aizsardzības līdzekļiem un apģērba.

Neizmantojiet produktu jebkādam nolūkam, kas nav uzskaitīts sadaļā Paredzētais pielietojums.



BRĪDINĀJUMS!

Izmantojot ierīci, izpildiet drošības noteikumus. Jūsu un tuvāk stāvošo cilvēku drošībai, pirms ierīces lietošanas jums ir jāizlasa un pilnībā jāsaprot šīs ierīces instrukcijas. Jums vajadzētu apmeklēt profesionāli organizētus kursus par drošību saistībā ar ķēdes zāģu apkopi, lietošanu, profilaktiskiem pasākumiem un pirmās palīdzības sniegšanu. Lūdzu, glabājiet noteikumus drošā vietā vēlākai izmantošanai.



BRĪDINĀJUMS!

Ķēdes zāģi ir potenciāli bīstamas ierīces. Nelaiemes gadījumi saistībā ar ķēdes zāģu lietošanu bieži noved pie ekstremitāšu zaudēšanas vai nāves. Bīstams ir ne tikai pats ķēdes zāģis. Nogalināt var gan krītoši zari un koki, gan rītoši baļķi. Papildu bīstamību rada slimi vai pūstoši koki. Jums jāizvērtē sava spēja droši pabeigt uzdevumu. Ja pastāv šaubas, uzticiet to koku zāģēšanu profesionāļiem.

PAZĪSTIET SAVU IERĪCI

Skatiet 6.- 7. lpp.

1. Akumulators
2. Slēdža atbloķēšanas poga
3. Aizmugurējais rokturis
4. Slēdža mēlīte
5. Kombinētā uzgriežņu atslēga
6. Priekšējais rokturis
7. Eļļas tvertnes vāciņš
8. Sliedes vāks
9. Zāģēšanas ķēde
10. Ķēdes vadītāla
11. Atsitēja dzelkšņi
12. Ķēdes tvērējs
13. Ķēdes spriegošanas skrūve
14. Ķēdes aizsargs
15. Sliedes montāžās uzgriežņi
16. Priekšējais roksargs jeb ķēdes bremze

DROŠĪBAS IERĪCES

Ķēde ar mazu prettriecienu tieksmi

Zāģa ķēde ar zemu atsitieni palīdz samazināt atsitiena iespējamību.



Pie katra asmeņiša ir dzijuma ierobežotājs, un tas palīdz samazināt prettriecienu spēku, jo neļauj pārāk dziļi iegrimt asmeņišiem, kad tie atrodas vietā, kur izraisās prettrieciens. Lietojiet tikai ražotāja ieteiktās rezerves sliežu un ķēžu kombinācijas.

Esiet divtik modri, kad strādājat ar svaigi uzasinātu ķēdi, jo asināšanas dēļ samazinās ķēdes spēja mazināt prettriecienu. Savas drošības dēļ nomainiet zāģa ķēdes, ja pasliktinās zāģēšanas sniegums.

Atsitēja dzelkšņi

Integrētie atsitēja dzelkšņi var tikt izmantoti kā rotācijas atbalsta punkts veicot zāģēšanu. Tas palīdz zāģēšanas laikā saglabāt ķēdes zāģa stabilitāti. Veicot zāģēšanu, pagrudiet mašīnu uz priekšu līdz mizas buferis ir iedūries koka malā, tad, pavirzot aizmugurējo rokturi uz augšu vai leju griešanas līnijas virzienā, var samazināt zāģēšanas fizisko slodzi.

Ķēdes vadītāja

Parasti vadotnēm ar maza rādiusa uzgaļiem ir mazāks atsitienu risks. Ieteicams izmantot sliedi un atbilstošu ķēdi, kas ir pietiekami gara darba veikšanai. Garākas sliedes palielina risku zāģēšanas laikā zaudēt kontroli. Regulāri pārbaudiet ķēdes nosprīgojumu. Griežot mazākus zarus (īsaķus par sliedes garumu), ja nosprīgojums ir nepareizs, ķēdei pastāv lielāka iespējamība nokrist.


Ķēdes bremze

Ķēdes bremze ir paredzēta tam, lai varētu ātri apturēt ķēdes kustību. Ķēdei ir uzreiz jāapstājas, kad bremzes svira jeb roksargs tiek nospiests uz priekšu. Ķēdes bremze nenovērš prettriecienu. Tas tikai samazina ievainojumu gūšanas risku, ja atsitienu laikā sliede saskaras ar operatora ķermeni. Pirms katras lietošanas reizes jāpārbauda, vai ķēdes bremze pareizi darbojas gan darbības, gan bremzēšanas pozīcijā.

Ķēdes tvērējs

Ķēdes uztvērējs novērš ķēdes mešanu atpakaļ, lietotāja virzienā, ja ķēde nokrīt vai pārplīst.

EKSPLUATĀCIJA



BRĪDINĀJUMS!

Ja kādas detaļas ir bojātas vai iztrūkst, nedarbiniet šo ražojumu līdz visas detaļas ir apmainītas. Šī brīdinājuma neievērošanas rezultātā var rasties nopietni savainojumi.

Akumulatoru komplekta uzstādīšana

Skatīt 6. lappusi

Ievietojiet akumulatoru bloku produktā. Savietojiet izcēltais rievas uz akumulatora ar rievām ierīces bateriju nodalījumā.

Pārliecinieties, ka akumulatoru bloks nofiksējas vietā, tas ir pilnīgi ievietots no nostiprināts, pirms produkta lietošanas sākšanas.

Ierīces turēšana

Skatiet 1. attēlu.

Turiet trimmeri ar labo roku uz aizmugurējā roktura un kreiso roku uz priekšējā roktura. Satveriet abus rokturus tā, lai īkšķi un pirksti aptver rokturus. Pārliecinieties, ka labā roka ir satvērusi priekšējo rokturi, īkšķim atrodoties apakšā.

Ierīces palaišana

Skatīt 8. lappusi

Pirms darba uzsākšanas mašīnai jāuzstāda bateriju pakete un jāpārliecinās, ka ķēdes bremze atrodas darbības pozīcijā, pavelkot ķēdes bremzes sviru/rokas aizsargu uz priekšējā roktura pusi.

Lai iedarbinātu mašīnu, pavelciet sviru un pēc tam nospiediet droseles mēlīti.

Ķēdes bremzes pārbaude un darbināšana

Skatīt 20. lappusi

Ieslēdziet ķēdes bremzi, pagriežot kreiso roku ap priekšējo rokturi. Izmantojot rokas aizmuguri, pastumiet ķēdes bremzes sviru/rokas aizsargu sliedes virzienā, kamēr ķēde strauji rotē. Vienmēr turiet abas rokas uz zāģa rokturiem.

Atiestatiet ķēdes bremzi atpakaļ darbības pozīcijā, satverot ķēdes bremzes sviras/rokas aizsarga virspusi un pavelkot to uz priekšējā roktura pusi līdz atskan klikšķis.



BRĪDINĀJUMS!

Ja ķēdes bremze nekavējoties neaptur ķēdi vai ķēdes bremze nenostāties gaitas pozīcijā bez palīdzības, pirms lietošanas nogādājiet zāģi pilnvarotajā servisa centrā remontam.

Ķēdes nosprīgojuma iestatīšana

(skatīt 14 - 15. lappusi)

Noņemiet akumulatora bloku pirms veikt jebkādas darbus ar pūtēju.

Nodrošiniet, lai stieņa montāžas uzgriežņi ir padarīti vajīgāki un pievilkti tik cieši, kā uzskrūvējot manuāli.

Lai palielinātu ķēdes sprīgojumu, grieziet ķēdes nosprīgošanas skrūvi pulksteņrādītāju kustības virzienā un bieži pārbaudiet ķēdes nosprīgojumu. Lai samazinātu ķēdes sprīgojumu, grieziet ķēdes nosprīgošanas skrūvi preti pulksteņrādītāju kustības virzienam un bieži pārbaudiet ķēdes sprīgojumu.

Ķēdes sprīgojums ir pareizs, kad atstātums starp ķēdes ierīvi un sliedi ir aptuveni 6,5 mm (0,256 collas). Sliedes apakšpuses vidū pavelciet ķēdi uz leju (prom no sliedes) un izmēriet attālumu starp sliedi un ķēdes griezējzobiem.

Ķēdes smērēļļas pievienošana

(skatīt 16 - 17. lappusi)





BRĪDINĀJUMS!

Nekad nedarbiniet zāģi bez smēreļļas. Ja zāģa ķēde tiek darbināta bez smēreļļas, sliede un zāģa ķēde var tikt bojāta. Tāpēc ir būtiski bieži pārbaudīt eļļas līmeņrādi, kā arī katru reizi pirms uzsākt lietot ķēdes zāģi.

Notīriet virsmu ap eļļas uzpildes atveres vāciņu, lai novērstu piesārņojumu.

Atskrūvējiet un noņemiet vāciņu no eļļas tvertnes.

Ielejiet eļļu eļļas tvertnē un pārbaudiet eļļas līmeņrādi. Pārīcinieties, ka eļļas uzpildes laikā eļļas tvertnē neiekļūst netīrumi.

Uzlieciet atpakaļ eļļas uzpildes atveres vāciņu un pievelciet to. Noslaukiet izlijušo eļļu.

TRANSPORTĒŠANA UN UZGLABĀŠANA

Apturiet precī, izņemiet bateriju un ļaujiet tai atdzist pirms noglabāšanas vai transportēšanas.

Notīriet visus svešķermeņus no izstrādājuma. Uzglabājiet to vēsā, sausā un labi vēdinātā vietā, kurai nevar piekļūt bērni. Neglabājiet to vietā, kur tuvumā atrodas korozīvas vielas, piemēram dārza darbos izmantojamās ķīmikālijas vai atsaldēšanai domāta sāls. Neuzglabājiet ārpus telpām.

Pirms ierīces uzglabāšanas vai transportēšanas laikā uzstādiat slīdes vāku.

Transportējot nostipriniet ierīci, lai tā nekustētos un neapgāztos, jo tas var izraisīt miesas bojājumus un ierīces bojājumus.

APKOPE



BRĪDINĀJUMS!

Izmantojiet tikai ECHO papildaprīkojumu un ECHO rezerves daļas. Pretējā gadījumā var tikt radīti ievainojumi un parādīts slikts sniegums, kā arī var tikt anulēta garantija. Ja nepieciešams nomainīt daļas, kuras nav aprakstītas, lūdzu, sazinieties ar vienu no mūsu ECHO servisu pārstāvjiem.



BRĪDINĀJUMS!

Apkopes veikšanai ir nepieciešama piesardzība un pieredze, un to drīkst veikt tikai kvalificēts tehniķis. Lai veiktu remontu, nogādājiet ierīci pilnvarotā servisa centrā. Veicot apkopi, lietojiet tikai oriģinālās ražotāja rezerves daļas.



BRĪDINĀJUMS!

Pirms regulēšanas, apkopes vai tīrīšanas izņemiet bateriju. Pretējā gadījumā var rasties nopietni miesas bojājumi.

- Jūs varat veikt tikai šajā rokasgrāmatā aprakstīto regulēšanu un remontdarbus. Lai veiktu citus remontdarbus, sazinieties ar pilnvarotu servisa darbinieku.
- Nepareiza apkope var novest pie ķēdes bremžu un citu drošības funkciju nepareizas darbības, palielinot nopietnu ievainojumu risku. Uzturiet ķēdes zāģi profesionāli apkoptu un drošu.
- Lai droši uzasinātu zāģa ķēdi, nepieciešamas prasmes. Tāpēc ražotāji stingri iesaka noliegtu vai trulu ķēdi nomainīt ar jaunu, kas pieejama pilnvarotā servisa centrā. Daļas numurs ir norādīts šīs rokasgrāmatas iekārtas specifikāciju tabulā.
- Ievērojiet norādījumus par eļļošanu, ķēdes nosprigojuma pārbaudi un regulēšanu.
- Pēc katras lietošanas reizes notīriet precī ar mīkstu, sausu drāniņu.
- Bieži un regulāri pārbaudiet visu uzgriežņu, bultskrūvju un skrūvju stingrību, lai pārliecinātos, vai aprīkojums ir drošā darba stāvoklī. Jebkura bojāta detaļa jānodod remontam vai nomaīnai pilnvarotā apkopes centrā.

Slīdes un zāģa ķēdes nomaīna

(skatīt 10 - 13. lappusi)

Noteikti izņemiet bateriju. Lietojiet aizsargcimdus.

Noņemiet stieņa montāžas uzgriežņus ar nodrošināto kombinēto atslēgu.

Noņemiet ķēdes pārsegu.

Izņemiet slīdi un zāģa ķēdi no ierīces.

Novietojiet jauno ķēdi uz slīdes pareizajā virzienā un pārliecinieties, ka ķēdes posmi pieguļ slīdes gropēm.

Pievienojiet slīdi ķēdes zāģim un aptiniet ķēdi ap piedziņas zobratu.

Uzlieciet atpakaļ ķēdes pārsegu un stieņa montāžas uzgriežņus.

Manuāli pievelciet stieņa montāžas uzgriežņus. Tagad ir jābūt iespējai kustināt ķēdes vadīklu un tādējādi iestatīt vēlamo ķēdes nosprigojumu.

Noregulējiet ķēdes nosprigojumu. Skatīt sadaļu "Ķēdes nosprigojuma regulēšana".

Noturiet ķēdes vadīklas galu un stingri pievelciet vadīklas nostiprinājuma uzgriežņus.

EN
FR
DE
ES
IT
NL
PT
DA
SV
FI
NO
RU
PL
CS
HU
RO
LV
LT
ET
HR
SL
SK
BG
UK
TR

Kēdes bremzes pārbaude un tīrīšana

Skatīt 22. lappusi

Vienmēr uzturiet kēdes bremzes mehānismu tīru, viegli noslaukot netīrumus no mehānisma.

Pēc tīrīšanas vienmēr pārbaudiet kēdes bremzes veikspēju. Skatiet papildu informāciju šīs rokasgrāmatas sadaļā "Kēdes bremzes pārbaudīšana un izmantošana".

APKOPES GRAFIKS

Ikdienas pārbaude	
Sliedes eļļošanu	Pirms katras lietošanas
Kēdes spriegojumu	Bieži un pirms katras lietošanas reizes
Kēdes asumu	Pirms katras lietošanas reizes, vizuāla pārbaude
Vai nav bojājumu	Pirms katras lietošanas
Vai nav vajīgi stiprinājumi	Pirms katras lietošanas
Kēdes bremzes funkcija	Pirms katras lietošanas
Apskatiet un notīriet	
Sliede	Pirms katras lietošanas
Visu zāģi	Pēc katras lietošanas
Kēdes bremze	Ik pēc 5 stundām*

*Darba stundas

REZERVES DAĻAS

Daļa	Papildaprīkojuma numurs
Kēdes vadītā	6000945
Zāģēšanas kēde	90PX056X

AKUMULATORI

- Akumulatoru blokus, kuri kādu laiku nav bijuši lietošanā, pirms lietošanas nepieciešams uzlādēt.
- Temperatūras, kas pārsniedz 50°C (122°F) samazina akumulatoru bloka veikspēju. Izvairieties no ilgstošas pakļaušanas karstumam vai tiešiem saules stariem (pārkaršanas risks).
- Akumulatoru bloku un lādētāju kontakti ir jāuztur tīri.
- Optimālam darba mūžam akumulatoru bloku pēc lietošanas pilnībā jāuzlādē.
- Lai iegūtu garāko iespējamo akumulatora darba mūžu, izņemiet akumulatoru bloku no lādētāja, kad tas ir līdz galam uzlādēts.

Ja akumulators tiek glabāts ilgāk par 30 dienām:

- Glabājiet akumulatoru vietās, kur temperatūra ir zem 27°C un nav mitruma.
- Glabājiet akumulatorus ar 30%-50% uzlādes līmeni.

- Ik pēc sešiem glabāšanas mēnešiem uzlādējiet akumulatoru normālā režīmā.

LITIJA BATERIJU TRANSPORTĒŠANA

Litija jonu baterija ir pakļauta bīstamo preču likumdošanai.

Šo akumulatoru pārvadāšana ir jāveic saskaņā ar vietējo, valsts un starptautisko likumdošanu un normatīvajiem aktiem.

- Lietotājs var transportēt baterijas pa ceļu bez turpmākām prasībām.
- Uz Litija jonu akumulatoru trešo pušu veiktiem komercpārvadājumiem tiek attiecināti Bīstamo kravu pārvadājumu noteikumi. Transporta sagatavošanu un pārvadāšanu veic attiecīgi apmācītas personas un procesu jāpārtrauga ekspertiem.

Pārvadājot akumulatorus:

- Nodrošiniet, ka baterijas saskares termināļi ir aizsargāti un izolēti, lai novērstu īssavienojumus.
- Nodrošiniet, ka akumulatora bloks iepakojumā ir nekustīgi nostiprināts.
- Netransportējiet ieleplaisājušas baterijas vai baterijas, kurām ir noplūde.

Lūdziet padomu kravu pārvadāšanas uzņēmumam.

APZĪMĒJUMI



Drošības brīdinājums



Pirms preces darbināšanas izlasiet un izprotiet visus norādījumus, ievērojiet visus brīdinājumus un drošības norādījumus.



Izmantojiet acu, ausu un galvas aizsargu.



Kad izmantojat šo izstrādājumu, lietojiet neslīdošus aizsargapavus.



Valkājiet neslīdošus darba cimdus.



Uzmanieties no kēdes zāģa atsitiena un sargieties no stieņa uzgaļa.



Nepakļaujiet lietum vai mitriem apstākļiem.



Strādājot motorzāģi turiet ar abām rokām.



Motorzāģi darba laikā nedrīkst turēt tikai ar vienu roku.



Pārvietojiet ķēdes bremzi RUN (darba) stāvoklī.



Pārvietojiet ķēdes bremzi BRAKE (bremze) stāvoklī.



Garantētais skaņas jaudas līmenis ir 106 dB.



Ukrainas apstiprinājuma zīme



EurAsian atbilstības marķējums



Izlietotie elektroprodukti nedrīkst tikt izmesti kopā ar māsaimniecības atkritumiem. Lūdzu, nododiet tos attiecīgajās atk ār toas izmantošanas vietās. Sazinieties ar savu vietējo varas pārstāvi vai izplatītāju, lai noskaidrotu, kur iespējama atkārtota pārstrāde.



Darbarīks atbilst visām normām ES valstī, kurā tas ir iegādāts.

Šādi signālvārdi un nozīmes ir paredzētas, lai izskaidrotu ar precīzī saistītā riska līmeņus.



BĪSTAMI

Norāda draudošo bīstamo situāciju, kas, ja no tās neizvairās, var novest pie nāves vai nopietnas traumas.



BRĪDINĀJUMS

Norāda potenciālo bīstamo situāciju, kas, ja no tās neizvairās, var novest pie nāves vai nopietnas traumas.



UZMANĪBU

Norāda potenciālo bīstamo situāciju, kas, ja no tās neizvairās, var novest pie nelielas vai vidējas traumas.

UZMANĪBU

Bez drošības brīdinājuma apzīmējuma

Norāda uz situāciju, kas var radīt īpašuma bojājumus.



TECHNINIAI DUOMENYS

GRANDININIS PJŪKLAS

ECCS-58V

Serijinis numeris	17402201000001 - 17402201999999
Nominali įtampa	51,1 V, 58 V maksimali
Maks. juostos ilgis	400 mm
Grandinės alyvos bakelio tūris	177 ml
Svoris (Be akumulatorinės baterijos, su kreiptuvu, grandine ir tuščiu baku)	4,83 kg
Svoris (su 4,0 Ah akumulatoriumi)	6,73 kg
Svoris (su 2,0 Ah akumulatoriumi)	6,03 kg
Maksimalus greitis be apkrovos	21 m/s
Naudojamas pjovimo ilgis	250 mm
Skleidžiamo triukšmo lygis (pagal EN 60745-1, EN 60745-2-13 standartą)	
A svorinis triukšmo slėgio lygis operatoriaus padėtyje (L_{PA})	94,5 dB(A)
K_{PA} :	2,5 dB(A)
A-svertinis akustinis lygis (L_{WA})	105,5 dB(A)
K_{WA} :	2,5 dB(A)
Vibracijos lygis (pagal EN 60745-1; EN 60745-2-13 standartą) (priekis / galas)	2,1 / 2,8 m/s ² K=1,5 m/s ²

AKUMULIATORIUS IR ĮKROVIKLIS

ECCS-58V

Suderinami baterijos paketai	ECBP-58V40 / ECBP-58V20
Suderinamas įkroviklis	ECBC-58VEU / ECBC-58VUK



ĮSPĖJIMAS!

Šiame informaciniame lapelyje nurodyta keliamoji vibracija nustatyta atsižvelgiant į standartinį bandymo metodą, pateiktą EN 60745, todėl ją galima palyginti su kitų elektrinių įrankių keliamoji vibracija. Nurodyta keliamoji vibracija taip pat gali būti naudojama preliminariam vibracijos poveikiui įvertinti.

Nurodytoji vibracija kyla naudojant įrankį pagrindiniams numatytiems darbams. Tačiau, jei šiuo įrankiu atliekami kiti darbai, naudojant kitus priedus arba prastai prižiūrimus priedus, vibracijos emisija gali skirtis. Dėl to gali žymiai padidėti vibracijos poveikis per visą darbo laiką.

Vertinant vibracijos poveikio lygį per tam tikrą darbo laikotarpį, reikia atsižvelgti ne tik į laiką, kai įrankis veikia, bet ir į tą laiką, kai įrankis yra išjungtas ir į laiką, kai jis veikia parengties režimu. Dėl to gali žymiai sumažėti vibracijos poveikis per visą darbo laiką.

Imkitės papildomų saugos priemonių, kad apsisaugotumėte nuo vibracijos poveikio, pavyzdžiui: techniškai prižiūrėkite įrankį ir jo priedus, laikykite rankas šiltais, planuokite darbą.

BENDRIEJI SAUGOS ĮSPĖJIMAI



ĮSPĖJIMAS!

Perskaitykite visus saugos įspėjimus ir visą instrukciją. Įspėjimų ir instrukcijų nesilaikymas gali sukelti elektros smūgį, gaisrą ir (ar) rimtus sužeidimus.

Saugokite šiuos įspėjimus ir nurodymus, kad galėtumėte vadovautis jais vėliau.

Įspėjimuose nurodytas terminas „elektrinis įrankis“ reiškia elektrinio įrankio naudojimą, jį prijungus prie maitinimo tinklo (laidu) arba maitinimo baterijos (belaidis).

DARBO APLINKA

Darbo vieta turi būti švari ir gerai apšviesta. Nelaimingi atsitikimai įvyksta netvarkingose ar tamsiose vietose.

Nenaudokite elektrinių įrankių, jei šalia yra degios ir sprogti galinčios medžiagos (skysčiai, dujos ar dulkės). Elektriniai įrankiai kibirkščiuoja ir gali uždegti dulkes arba garus.





Neleiskite vaikams ir šalia esantiems asmenims būti šalia įjungto elektrinio įrankio. Išsiblaškę galite prarasti kontrolę.

ELEKTROS SAUGA

Elektrinio įrankio kištukai turi atitikti kištukinį lizdą. Niekada nekeiskite kištuko. Su įžemintais (įžeminimo) elektriniais įrankiais niekada nenaudokite kištukų adapterių. Nepakeisti kištukai ir atitinkantys lizdai sumažina elektros smūgio pavojų.

Stenkitės nesiliesti prie įžemintų ar įžeminimo paviršių (vamzdžių, radiatorų, grandinių / viryklių, šaldytuvų). Įžeminti savo kūną, padidės elektros smūgio pavojus.

Gaminio negalima naudoti ar laikyti lietuje ar drėgmėje. Dėl vandens, patekusio į elektrinį įrankį, padidėja elektros smūgio pavojus.

Laidą naudokite pagal jo paskirtį. Niekada jo nenaudokite elektriniams įrankiams pernešti, tempti ar išjungti. Saugokite maitinimo laidą nuo karščio, tepalų, aštrių kampų ir judančių detalių. Pažeisti ar supainioti laidai padidina elektros smūgio galimybę.

Dirbdami su elektriniu įrankiu lauke, naudokite tik lauke naudoti skirtus ilginamuosius laidus. Naudojant tinkamą laukui laidą sumažinama elektros smūgio tikimybė.

Jei būtina naudotis elektriniu įrankiu drėgnomis oro sąlygomis, naudokite liktinių srovės prietaisą (RCD). Naudojant RCD sumažinama elektros smūgio tikimybė.

ASMENINĖ SAUGA

Būkite budrūs ir stebėkite, ką darote, bei sąmoningai naudokite elektrinį įrankį. Nesinaudokite įrankiu, kai esate pavargę ar paveikti narkotinių medžiagų, alkoholio ar vaistų. Neatidumas darbo su elektriniu įrankiu metu gali sukelti sunkius sužeidimus.

Naudokite asmeninės apsaugos įrangą. Visada dėvėkite akių apsaugos priemones. Atitinkamomis sąlygomis naudojamos apsaugos priemonės, pvz. dulkių kaukė, neslystantys apsauginiai batai, šalmas ar apsaugos ausims, sumažina asmeninių sužeidimų pavojų.

Saugokitės, kad įrankis netyčia neįsijungtų. Įsitinkinkite, kad prieš prijungiant įrankį prie maitinimo šaltinio ir (ar) baterijos, pakeliant ar nešant įrankį, jungiklis yra išjungtas. Nešant elektrinį įrankį, uždėjus pirštą ant jungiklio, arba elektrinį įrankį, kurio jungiklis yra įjungtoje padėtyje, gali įvykti nelaimingas atsitikimas.

Prieš įjungiant elektrinį įrankį, išimkite derinimo raktą ar veržliaraktį. Jei juos paliksite pridėtus prie besisukančios įrankio dalies, galite susižaloti.

Nepersitempkite. Visada tvirtai stovėkite ir išlaikykite pusiausvyrą. Tai padės geriau kontroliuoti įrankį netikėtų situacijų metu.

Dėvėkite tik darbui tinkamus drabužius. Nedėvėkite laisvų, nepriglundusių drabužių ir juvelyrinių dirbinių. Saugokite plaukus, drabužius ir pirštines toliau nuo judančių dalių. Laisvi drabužiai, papuošalai ar ilgi plaukai gali įsipainioti į judančias įrankio dalis.

Jeį įrengti dulkių ištraukimo ir surinkimo įrengimai, įsitinkinkite, kad jie prijungti ir naudojami tinkamai. Su dulkeimis susijusiam pavojui sumažinti naudokite dulkių surinkimą.

ELEKTRINIO ĮRANKIO NAUDOJIMAS IR PRIEŽIŪRA

Nenaudokite per didelės jėgos. Pritaikykite tinkamą elektrinį įrankį atliekamam darbui. Naudodami pagal paskirtį pagaminatą tinkamą elektrinį įrankį, darbą atliksite geriau ir saugiau.

Nenaudokite elektrinio įrankio, jei jungiklio negalite įjungti ir išjungti. Jungiklio nevaldomas elektrinis įrankis yra pavojingas ir jį reikia taisyti.

Prieš sureguliuojant įrankį, keičiant atsargines dalis ar sandėliavimą atjunkite laidą nuo maitinimo šaltinio ir (ar) akumulatoriaus. Tokios saugumo priemonės apsaugos nuo atsitiktinio įrankio įsijungimo.

Laikykite elektrinį įrankį vaikams neprieinamoje vietoje ir neleiskite juo naudotis asmenims, kurie nemoka juo naudotis. Neįgudusiems asmenims elektriniai įrankiai yra pavojingi.

Pržiūrėkite elektrinius įrankius. Patikrinkite judančių detalių nesutapimus, sukibimą, ar sumontuotos detalės nesulūžusios bei kitą būklę, kuri gali turėti neigiamos įtakos įrankio veikimui. Jei įrankis sugedęs, prieš naudojimą jį reikia suremontuoti. Nemažai nelaimingų atsitikimų įvyksta dėl netinkamai pržiūrimų elektrinių įrankių.

Įpjovimo įrankius reikia pastoviai galąsti ir valyti. Tinkamai pržiūrėti aštriais ašmenimis įpjovimo įrankiai mažiau stringa ir juos lengviau valdyti.

Naudokite elektrinius įrankius, atsargines detales, grąžtus ir t. t., pagal šias instrukcijas ir atsižvelgdami į darbo sąlygas bei turimą atlikti darbą. Naudokite elektrinį įrankį tik pagal tiesioginę paskirtį, kitaip sukelsite pavojingą situaciją.

ĮRANKIO SU AKUMULIATORIUMI NAUDOJIMAS IR PRIEŽIŪRA

Pakartotinai kraukite prietaisą tik naudodami gamintojo nurodytą kroviklį. Vieno tipo akumulatoriui tinkantis įkroviklis gali kelti gaisro pavojų kitokiam akumulatoriui.

Elektrinius įrankius naudokite tik su jiems skirtais baterijų paketais. Naudojant kitokius akumulatorius, galima susižeisti ar sukelti gaisrą.

Kai akumulatorius nenaudojamas, jį laikykite toliau nuo kitų metalinių daiktų, pavyzdžiui, sąvaržėlių, monetų, raktų, vinių, varžtų ar kitų mažų metalinių daiktų, kurie vieną gnybtą gali sujungti su kitu. Sutrupinus vieną akumulatoriaus gnybtą su kitu, galima nusideginti arba sukelti gaisrą.

Netinkamomis sąlygomis iš akumulatoriaus gali ištėkėti skystis - nelieskite jo. Jei atsitiktinai prisilietėte - nuplaukite vandeniu. Jei skystis pateko į akis, papildomai kreipkitės į gydytoją. Iš akumulatoriaus ištėkėjęs skystis gali nudeginti ar sukelti sudirginimus.





TECHNINIS APTARNAVIMAS

Elektrinį įrankį turi remontuoti tik kvalifikuoti darbuotojai, kurie naudoja identiškas atsargines dalis. Tai užtikrina elektrinio įrankio saugumą.

PAPILDOMI BENDRIEJI SAUGOS ĮSPĖJIMAI

Kai kuriuose regionuose taisyklės riboja įrenginio naudojimą. Kreipkitės patarimo į vietos įstaigą.

Niekada neleiskite naudotis šiuo gaminiu vaikams ar asmenims, nesuspajinusiems su šiomis instrukcijomis. Vietos įstatymai gali apriboti įrengimo operatoriaus amžių.

Prieš kiekvieną naudojimą patikrinkite, ar tinkamai veikia visi valdikliai ir saugos įtaisai. Nenaudokite krūmaprovės, jeigu išjungimo jungikliu nepavyksta sustabdyti variklio.

Naudodamiesi pjūkle, dėvėkite akių ir klausos apsaugos priemones, mūvėkite tvirtas pirštines ir galvos apsaugos priemones; jeigu dirbant kyla daug dulkių, dėvėkite apsauginę veido kaukę.

Negalima dėvėti dukslių drabužių, šortų ir papuošalų.

Ilgus plaukus reikia susėti virš pečių lygio, kad neįsispainiotų į judančias dalis.

Saugokitės išsviedžiamų, išskriejančių ar krintančių objektų. Pašaliniai asmenys, vaikai ir gyvūnai turi būti 15 m atstumu nuo genėjimo vietos.

Dirbkite gerai apšviestoje aplinkoje. Kad pastebėtų galimus pavojus, prietaisu dirbančiam asmeniui turi būti sudarytos gero matomumo sąlygos.

Klausos apsaugos priemonių naudojimas sumažina įspėjamųjų garsų (ryksmų arba pavojaus signalų) girdėjimo galimybę. Operatorius turi atkreipti ypatingą dėmesį, kas vyksta darbo vietoje.


Netoliese naudojant panašius prietaisus padidėja pavojus pakenkti klausą ir galimybė kitiems asmenims patekti į darbo zoną.

Visada tvirtai stovėkite ir išlaikykite pusiausvyrą. Nepersitempkite. Per plačiai užsimojus, galima netekti pusiausvyros ir padidėja atatranksio pavojus.

Stovėkite toliau nuo visų judančių įrankio detalių.

Prieš kiekvieną naudojimą apžiūrėkite krūmaprovę. Patikrinkite, ar tinkamai veikia visi valdymo įtaisai, įskaitant grandininę stabdį. Patikrinkite, ar nėra atsipalaidavusių tvirtinamųjų elementų ir ar rankenos tinkamai ir saugiai pritvirtintos. Prieš naudodami prietaisą pakeiskite visas pažeistas dalis.

Niekaip nemodifikuokite prietaiso ir nemontuokite dalių bei priedų, kurias naudoti nepataria gamintojas.



ĮSPĖJIMAS!

Numetus krūmaprovę, jai stipriai susitrenkus ar pradėjus neįprastai vibruoti, ją reikia nedelsiant sustabdyti ir patikrinti, ar nepakenkta arba nustatyti vibravimo priežastį. Pakenktos dalys turi būti tinkamai sutaisytos arba pakeistos įgaliotame techninio aptarnavimo centre.

Nemeskite panaudotų baterijų bloką kartu su buitinėmis atliekomis ir nedeginkite jų. ECHO platintojai siūlo sugrąžinti senus akumulatorius perdirbimui, kad būtų saugoma gamta.

Nelaikykite akumulatoriaus kartu su metaliniais daiktais (dėl galimo trumpojo jungimo pavojaus).

Akumulatorius kraukite tik krovikliu ECBC-58VEU/ECBC-58VUK. Nenaudokite akumuliatorių iš kitų sistemų.

Suderinami baterijos paketai: ECBP-58V40, ECBP-58V20

Esant ekstremaliai apkrovai ar ekstremaliai temperatūrai, iš pažeisto akumulatoriaus gali pradėti tekėti rūgštis. Jei akumulatoriaus rūgštis patektų ant odos, tuoj pat nuplaukite vandeniu ir muilu. Jei patektų į akis, kruopščiai skalaukite vandeniu mažiausiai 10 minučių ir tuoj pat kreipkitės medicininės pagalbos.

Naudojantis įrenginiu, du grandinės juostos fiksavimo varžtai yra elektromagnetinei iškrovai jautrūs taškai. Naudotojas privalo atleisti gaiduką, kad paleistų įrenginį iš naujo, jei dėl elektromagnetinės iškvos jis suveiktų.

GRANDININIO PJŪKLO SAUGOS ĮSPĖJIMAI

Naudojantis įrenginiu, visos kūno dalys privalo būti atokiai nuo pjūvimo grandinės. Prieš paleisdami grandininį pjūklą, būtinai patikrinkite, ar pjūkle grandinė nesiliečia su jokiais kitais objektais. Pjaunant grandininio pjūkle, nors akimirksnį esant neatidiems, į pjūkle grandinę gali įsivelti drabužiai ar žmogaus kūno dalys.

Grandininį pjūklą laikykite dešiniąja plaštaka paėmę už galinės rankenos, o kairiąja – už priekinės. Grandininį pjūklą laikant priešinga tvarka, padidėja asmens susižeidimo pavojus, todėl būtina elgtis saugiai.

Įrankį laikykite tik už izoliuotos rankenos, nes grandininis pjūklas gali užkliudyti nematomus laidus. Pjūkle grandinei prisilietus prie laidų, kuriais teka elektros srovė, neapsaugotomis metalinėmis elektrinio įrankio dalimis taip pat gali pradėti tekėti srovė ir darbuotojas gali patirti elektros smūgį.

Dėvėkite apsauginius akinius ir klausos apsaugos priemones. Be to, patartina naudoti apsaugines galvos, kojų ir pėdų priemones. Tinkama apsauginė darbo apranga sumažina asmens susižeidimo nuo išskriejančių nuopjovų ar atsitiktinio susilietimo su pjūkle grandine pavojų.

Nepjunkite grandininio pjūkle įsilipę į medį. Pjaunant grandininio pjūkle įsilipus į medį, galima susižeisti.

Būtinai tvirtai atsistokite ir pjaukite grandininio pjūkle tik stovėdami ant tvirto ir lygaus paviršiaus. Stovint ant slidžių ar nestabilių paviršių, pavyzdžiui, ant kopėčių, galima netekti pusiausvyros arba nesuvaldyti grandininio pjūkle.

Pjaudami įtemptą šaką, saugokitės, nes šaka gali atšokti kaip spyruoklė. Kai medienos plaušo įtempimas nuslūgsta, įsitempusi šaka gali atsimušti į darbuotoją ir (arba) grandininis pjūklas gali tapti nevaldomas.





Būkite ypatingai atsargūs pjudami krūmus ir medelius. Laibas kotelis gali įsivelti į pjūklo grandinę ir kaip botagas nuplėkti jus arba išmušti jus iš pusiausvyros.

Išjungtą iš maitinimo grandininį pjūklą neškite paėmę už priekinės rankenos ir atokiai nuo savęs. Transportuojant ar nenaudojamą grandininį pjūklą padedant į sandėlį, būtina uždėti kreipiamosios juostos gaubtą. Tinkamai naudojant grandininį pjūklą, sumažėja tikimybė atsitiktinai susilieti su judančia pjūklo grandine.

Vadovaukitės pjūklo tepimo, grandinė įtempimo ir dalių bei priedų keitimo instrukcijomis. Netinkamai įtempta ar sutepta grandinė gali sutrūkti arba gali padidėti galimybė įvykti atotrūkiai.

Rankenas reikia visada sausai nuvalyti, kad jos nebūtų suteptos alyva ir riebalais. Tepaluotos ir alyva išteptos rankenos slidžios, todėl galima nesuvaldyti gaminio.

Pjaukite tik medieną. Nenaudokite grandininio pjūklo ne pagal paskirtį. Pavyzdžiui, nenaudokite grandininio pjūklo plastiko, mūro ar nemedienos statybinėms medžiagoms pjauti. Grandininį pjūklą naudojant ne pagal paskirtį, gali kilti pavojinga situacija.

Atatranksos priežastys ir darbuotojo prevencija:

Jei pjovimo juosta paliečia kažkokį daiktą arba jei pjovimo grandinė yra suspaudžiama ir užblokuojama medienoje, pjovimo metu, tai gali atsirasti atotrūkimas.

Kai kuriais atvejais, pjūklo galiukai susilietus su kitais paviršiais, gali įvykti staigi atbulinė reakcija: atatranksos jėga gali priversti kreipiamąją juostą pašokti aukštyn ir pasislinkti atgal link darbuotojo asmens.

Grandininio pjūklo kreipiamosios juostos viršaus suspaudimas gali kreiptuvą staiga nukreipti atgal į operatorių.

Kiekvieno atveju jūs galite prarasti grandininio pjūklo kontrolę ir sunkiai susižeisti. Nesitikėkite vien tik apsaugos priemonių, integruotų į jūsų grandininį pjūklą. Taip pat jums reikia imtis kitų priemonių nelaimingų atsitikimų ar sužalojimų rizikai išvengti.

Atatranka įvyksta dėl įrankio netinkamo naudojimo ir (arba) neteisingai atliekamų darbo procedūrų ar netinkamų sąlygų, ir jos galima išvengti ėmusius reikiamų atsargumo priemonių, kaip nurodyta toliau:

Abiem rankomis, visais pirštais tvirtai suimkite ir laikykite grandininio pjūklo rankenas ir atistokite į tokią padėtį, kad kūnas ir ranka atlaikytų atatranksos jėgas. Darbuotojas gali valdyti atatranksos jėgas, jeigu imasi reikiamų atsargumo priemonių. Neleiskite pjūklui laisvai judėti.

Neužsimokite per plačiai ir nepjaukite virš pečių aukščio. Tai padeda apsaugoti nuo netyčinio sąlyčio su pjūklo galiuku ir geriau valdyti grandininį pjūklą kilus nenumatytoms situacijoms.

Juostas ir grandines keiskite tik gamintojo nurodytais analogais. Naudojant netinkamus juostas ir grandines, grandinė gali sutrūkti ir (arba) gali išsivystyti atatranksos jėga.

Laikykitės gamintojo instrukcijų dėl pjovimo grandinės galandimo ir techninio aptarnavimo. Sumažinus gylio matuoklio aukštį, gali padidėti atotranka.

PAPILDOMI GRANDININIO PJŪKLO SAUGOS ĮSPĖJIMAI

Pjūklą naudojant pirmą kartą, rąstus patartina pjauti pasidėjus ant malkų pjovimo ožio arba ant atramos.

Patikrinkite, ar visi apsauginiai įtaisai, rankenos ir smaigčio amortizatorius tinkamai įtaisyti ir geros būklės.

Asmenys, kurie naudojami šiuo gaminiu, turi būti geros sveikatos būklės. Įrenginys yra sunkus, todėl naudotojas privalo būti fiziškai stiprus. Darbuotojas turi būti budrus, pasižymėti geru regėjimu, judrus, gebėti išlaikyti pusiausvyrą ir mikiųjų rankų. Jeigu yra abejonių, gaminio nereikia naudoti.

Nepradėkite naudoti grandininio pjūklo, kol darbo plotas neparuoštas, nesate tvirtai atsistoję ir nenumatę, kaip atsitrauksite nuo medžio kritimo trajektorijos.

Saugokitės nuo tepalų ir pjuvenų sklaidžiamos taršos. Jei reikia, dėvėkite kaukę ar respiratorių.

Nepjaukite vijoklinių ar šliaužiančių augalų ir (arba) nedidelio atžalyno (plonesnių nei 75 mm skersmens stiebų bei kamienų).

Naudodamiesi gaminiu, visada laikykite jį abiem rankomis. Tvirtai laikykite grandininį pjūklą, jūsų pirštams apimant rankenas. Dešinioji plaštaka turi būti uždėta ant galinės rankenos, o kairioji – ant priekinės.

Prieš įjungdami įrankį, įsitikinkite, ar pjūklo grandinė nieko neliečia.

Gaminio negalima modifikuoti ir naudoti su įtaisais ar prietaisais, kurių nerekomenduoja gaminio gamintojas.

Netoli darbuotojo asmens būtina turi būti laikoma pirmosios pagalbos vaistinė su didelių žaizdų tvarstymo priemonėmis bei dėmesį pritraukiančios priemonės (pvz., švilpukas). Didesnė pirmosios pagalbos vaistinė, kurioje daugiau priemonių, taip pat turi būti netoliese.

Naudodamiesi šiuo gaminiu, visada dėvėkite apsauginį šalmą. Atatranksos atveju šalmas su tinkliniu skydeliu gali padėti sumažinti pavojų susižaloti veidą ir galvą.

Netinkamai įtempta grandinė gali nušokti nuo kreipiamosios juostos ir sukelti sunkų ar net mirtiną sužeidimą. Grandinės ilgis priklauso nuo temperatūros. Reguliariai tikrinkite grandinės įtempimą.

Prie darbo nauju grandininio pjūklo reikia pratintis atliekant nesudėtingus pjūvius ant tvirtai atremto medienos ruošinio. Tokį bandomąjį pjovimą taip pat reikia atlikti prieš pradėdami dirbti ilgesnį laiką nenaudojus pjūklo.

Norint sumažinti sužeidimų, kuriuos gali sukelti susilietimas su judamosiomis dalimis, pavojų, būtina sustabdyti variklį, įjungti grandinės stabdį, išimti baterijų paketą ir įsitikinti, ar visos judamosios dalys sustojo prieš:

- valant ar šalinant užsikimšimą
- gaminio palikimas be priežiūros



- Montuojant ar nuimant įtaisus
- krūmapjovės patikra, priežiūra ar naudojimas

Darbo zonos paviršius priklauso tiek pat nuo atliktino darbo, kaip ir nuo medžio aukščio ar apdorotino gabalo. Pavyzdžiui, norint nuleisti medį, darbo plotas turi būti didesnis nei atliekant kitus pjūvius, t. y. pjaunant medžius rąstams ar pan.

Darbuotojas turi žinoti apie viską, kas yra darbo plote ir valdyti visą padėtį.

Nepjaukite stovėdami vienoje linijoje su kreipiamąja juosta ir grandine. Jeigu įvyktų atotrūkis, stovėdami ne vienoje linijoje apsisaugotumėte nuo grandinės smūgio į galvą ar kūną.

Pjaudami nemosuokite pjūklų pirmyn—atgal: visą darbą palikite grandinei; ji turi būti aštri ir nemėginkite jos stumti per įpjovą.

Nespauskite grandininio pjūklų pjovimo pabaigoje. Būkite pasirengę perimti pjūklą svorį, kai jis pjaunant nustoja liestis į medieną. Priešingu atveju, galite sunkiai susižeisti.

Nestabdykite pjūklą per pjovimo operacijos vidurį. Pjūklas turi veikti, kol yra visiškai ištraukiamas iš įpjovos.

Stūmimo jėga ir traukimo jėga

Reakcijos jėga visuomet veikia priešinga kryptimi, nei pjovimo grandinės sukimosi kryptis. Tokiu būdu darbuotojas turi būti pasirengęs valdyti įrankio tendenciją atsiplešti nuo medienos (judesį į priekį) pjaunant ant apatinio juostos krašto ir spausiti atgal (link darbuotojo), pjaunant išilgai viršutinio krašto.

Pjūklui įstrigus įpjovoje

Sustabdykite grandininį pjūklą ir pasirūpinkite, kad jis būtų nepavojingas. Nebandykite jėga traukti grandinės ir juostos iš įpjovos, nes dėl to gali nutrūkti grandinė, susiūbuoti atgal ir atsitrūkti į darbuotoją. Ši situacija paprastai susidaro, nes medis netinkamai atremtas ir reikia užbaigti pjūvį veikiant spaudimui, tuo būdu suspaudžiant ašmenis. Jeigu reguliuojant atramą, juostos ir grandinės nepavyksta išlaisvinti, įkiškite medinius pleištus ar svertą, kad atvertumėte įpjovą ir išlaisvintumėte pjūklą. Jokiu būdu nebandykite paleisti grandininio pjūklą, kai kreipiamoji juosta jau yra įpjovoje ar įrantoje.

Asmeninės apsaugos priemonės

Profesionalams skirtos geros kokybės asmeninės apsaugos priemonės padės sumažinti darbuotojo sužeidimo riziką. Dirbant grandininio pjūklų, reikia naudoti šias apsaugos priemones:

Apsauginį šalną

- turi atitikti EN 397 standartą arba būti paženklintas „CE“

Klausos apsauga

- turi atitikti EN 352-1 standartą arba būti paženklintas „CE“

Akių ir veido apsauga

- turi būti paženklinta „CE“ ir atitikti EN 166 standartą

(apsauginiai akiniai) arba EN 1731 standartą (antveidžiai iš tinklelio)

Pirštinės

- turi atitikti EN381-7 standartą arba būti paženklintas „CE“

Kojų apsaugą (blauzdu)

- turi atitikti EN381-5 standartą, būti paženklinta „CE“ ir apsaugoti koją iš visų pusių.

Darbu grandininio pjūklų skirtus apsauginius batus

- turi atitikti EN ISO 20345:2004 standartą ir būti pažymėti nuo grandininio pjūklų apsaugančio skydo simboliu, rodančiu atitiktį EN 381-3 standartui. (Jeigu žemės paviršius lygus ir nėra pavojaus suklupti ar užkliūti už atžalyno, nenuolatiniai darbuotojai gali mėvėti apsauginiais batais su plieno nosimi ir apsauginėmis blauzdinėmis, atitinkančiomis EN 381-9 standartą)

Darbu grandininio pjūklų skirtas striukes viršutinės kūno dalies apsaugai

- turi atitikti EN 381-11 standartą arba būti paženklintas „CE“

TINKAMŲ ELEMENTARIŲ MEDŽIO NULEIDIMO, ŠAKŲ GENĖJIMO IR SKERSINIŲ PJOVIMO BŪDŲ INSTRUKCIJOS

Supratimas apie medienoje veikiančias jėgas

Turint supratimą apie kryptinius slėgius ir įrašas medienoje, galima sumažinti spaudimu arba bent jau jų tikėtis pjaunant. Įtempis medienoje reiškia, jog plaušai yra draskomi ir pjaunant šiame plote, pjūklui skrodžiant medieną, įranta ar įpjova bus linkusi atsiverti. Jeigu rąstas atremtas ant malkų pjovimo ožio, o jo galas pakibęs neatremtas, dėl išsikišusio rąsto svorio, kuris tempia plaušą, viršutiniame paviršiuje susidaro įtampa. Panašiai, rąsto apatinė pusė bus suspausta ir plaušai stumiami kartu. Jeigu pjūvis daromas tame plote, įranta atliekant pjūvį bus linkusi užsidaryti. Tai suspaustų pjūklą ašmenis.

Medžio nuleidimas

Žr. 1 - 6 pav.

Kai medžių pjovimo malkoms ir nuleidimo darbus vienu metu atlieka du ar daugiau asmenų, medžio nuleidimo darbus reikia atskirti nuo pjovimo malkoms atstumu, kuris yra mažiausiai dukart didesnis už nuleidžiamo medžio aukštį. Medžių negalima nuleisti taip, kad jie keltų pavojų žmonėms, atsitrūktų į elektros perdavimo linijas ar keltų žalą turtui. Medžiui prisilietus prie elektros perdavimo linijos, apie tai būtina nedelsiant pranešti už šią liniją atsakingai įmonei.

Jei žemės sklypas yra nuožulnus, tai visuomet būkite žemės sklypo viršuje, kadangi yra rizika, kad medis po kirtimo nusiris ar nuslys nuo šlaito apačion.

Prieš pradėdamas pjovimo darbus, būtina numatyti ir išvalyti atsitraukimo takelį. Atsitraukimo takelis turi driektis atgal ir įstrižai numatomos medžio kritimo trajektorijos galinėje pusėje.



Prieš pradėdant nuleidimą, reikia apžiūrėti, į kurią pusę medis natūraliai palinkęs, kaip išsidėsčiusios stambesnės šakos ir kokia kryptimi pučia vėjas, kad būtų galima įvertinti, į kurią pusę medis kris.

Nuo pjaunamo medžio pašalinkite nešvarumus, akmenis, atplyšusią žievę, vėnis, kabes ir viela.

Nebandykite leisti medžių, kurie yra supuvę arba sužaloti vėjo, gaisro, žaibo ir pan.

Tai nepaprastai pavojinga ir tokius darbus privalo vykdyti tik profesionalūs medžių genėtojai.

1. Pakirtimas

Žr. 1 - 6 pav.

Statmenai medžio kritimo trajektorijai atlikite 1/3 medžio skersmens dydžio įkirtimą. Pirma atlikite apatinį horizontalų pakirtimą. Tai padės išvengti pjūklo grandinės ar kreipiamosios juostos suspaudimo atliekant antrą įkirtimą.

2. Nuleidimo įpjova

Žr. 1 - 6 pav.

Nuleidimo įpjovą atlikite mažiausiai 50 mm / 2 col. aukščiau nei horizontalus įkirtimas. Nuleidimo įpjova turi būti lygiagreči horizontaliam įkirtimui. Nuleidimo įpjovą darykite tokią, kad liktų pakankamai medienos, kuri atliktų lanksto vaidmenį. Medienos lankstas neleidžia medžiui išlinkti ir nukristi netinkama kryptimi. Nepjunkite per lankstą.

Kai nuleidimas priartėja prie lanksto, medis turėtų pradėti kristi. Jeigu kyla įtarimas, kad nuleidžiant medis gali kristi nepageidaujama kryptimi arba susvyruoti atgal ir suvaržyti pjūklo grandinę, liaukitės pjovę, kol prieš atliekant nuleidimo įpjovą ir įkiškite medienos, plastiko ar aliuminio pleištus, kad atvertumėte įpjovą ir nuleistumėte medį pageidaujama kritimo trajektorija.

Medžiui pradėjus kristi, ištraukite grandininį pjūklą iš įpjovos, sustabdykite variklį, padėkite pjūklą ir atsitraukite numatytu takeliu. Saugokitės iš viršaus krintančių šakų ir būkite atsargūs, kad neužkliūtumėte ir išsilaikytumėte ant kojų.

Atramos šaknų pjovimas

Žr. 7 - 8 pav.

Atramos šaknis yra didelė šaknis, išeinanti iš medžio kamieno ir pasiekianti žemę. Prieš imdamiesi medžio kirtimo, nupjunkite dideles šaknis. Visų pirma atlikite horizontalinę įpjovą atramos šaknyje ir po to vertikalią įpjovą. Pašalinkite taip nupjautą dalį iš darbo ploto. Pašalinę atramos šaknis, imkitės medžio kirtimo.

Rąsto pjovimas

Žr. 9 - 11 pav.

Rąsto pjovimas – tai jo sukopojimas atitinkamo ilgio gabalais. Svarbu, kad tvirtai stovėtumėte ir svoris būtų tolygiai pasiskirstęs ant abiejų kojų. Kai yra galimybė, rąstą reikėtų pakelti ir atremti šakomis, kitais rąstais ar ramsčiais. Vadovaukitės paprastais nesudėtingo pjovimo nurodymais. Kai rąstas atremtas visu ilgiu, jis pjaunamas nuo viršaus (pjovimas iš viršaus).

Kai rąstas atremtas viename gale, pjaukite 1/3 jo skersmens iš apatinės pusės (pjovimas iš apačios). Tada atlikite galutinį pjovimą, pjaudami iš viršaus, kad viršutinis pjūvis susidurtų su apatiniu pjūviu.

Kai rąstas atremtas abiejuose galuose, pjaukite 1/3 jo skersmens iš viršaus (pjovimas iš viršaus). Tada atlikite galutinį pjovimą, 2/3 skersmens pjaudami iš apačios, kad apatinis pjūvis susidurtų su pirma įpjova.

Pjaudami medį rąstams šlaite, būtinai stovėkite įkalnėje. Pjaunant „kiaurai“, tam, kad visiškai valdytumėte padėtį, atleiskite pjovimo spaudimą bebaigdami atlikti įpjovą, tačiau tvirtai laikykite suėmę grandinį pjūklą už rankenų. Neleiskite grandinei susiliesti su žeme. Baigę pjovimą, palaukite, kol pjūklo grandinė visiškai sustos ir tik tada perkelkite grandininį pjūklą į pageidaujama vieta. Prieš pereinant nuo medžio prie medžio, būtina sustabdyti pjūklo variklį.

Medžio genėjimas

Žr. 12 - 13 pav.

Genėjimas – tai šakų nukopojimas nuo nuleisto medžio. Genėdami, stambesnes apatines šakas palikite nenukapotas, kad rąstas nesiremtų tiesiai į žemę. Mažas šakeles nukapokite vienu pjūviu. Įtempio veikiamas šakeles reikia pjauti iš apačios į viršų, kad nesulinktų grandininis pjūklas.

Atšokanti šaka

Žr. 14 - 15 pav.

“Botagas” yra šaka, išrautas kelmas arba medelis, kurį sulenkė kitas medžio gabalas tokiu būdu, kad jis staiga išsitiesia, kai pjaunamas arba nuimamas medžio gabalas, kuris jį sulaiko.

Išrautas nukirsto medžio kelmas kelia didelę riziką išsitiesti ir sugrįžti į vertikalią padėtį pjaunant, kad jis būtų atskirtas nuo kamieno. Dėmesio “botagams” - jie pavojingi.



ĮSPĖJIMAS!

“Botagai” yra pavojingi, nes jie gali trenkti į jus ir priversti prie to, kad jūs prarasite grandinio pjūklo kontrolę. Tai gali sukelti sunkius ar mirtinus sužalojimus. Šį darbą turi atlikti apmokyti darbuotojai.

PAPILDOMI AKUMULATORIAUS SAUGOS ĮSPĖJIMAI



ĮSPĖJIMAS!

Siekdami išvengti trumpojo jungimo sukeltą gaisro pavojų, sužalojimų arba produkto pažeidimų, neikiškite įrankio, keičiamo akumulatoriaus arba įkroviklio į skysčius ir pasirūpinkite, kad į prietaisus arba akumulatorius nepatektų jokių skysčių. Koroziją sukeltiantys arba laidūs skysčiai, pvz., sūrus vanduo, tam tikri chemikalai ir balikliai arba produktai, kurių sudėtyje yra baliklių, gali sukelti trumpąjį jungimą.

EN
FR
DE
ES
IT
NL
PT
DA
SV
FI
NO
RU
PL
CS
HU
RO
LV
LT
ET
HR
SL
SK
BG
UK
TR



ŠALUTINIAI PAVOJAI

Net naudojant gaminį pagal nurodymus, neįmanoma visiškai atmesti visų pavojaus veiksnių. Gali kilti toliau nurodyti pavojai, todėl operatorius turi būti itin dėmesingas, kad išvengtų šių dalykų:

- Vibracijos sukeltas sužalojimas
 - Darbą reikia atlikti naudojant tik tam skirtus įrankius. Naudokitės specialiai laikymui skirtomis rankenomis. Ribokite darbo laiką ir vibracijos poveikį.
- Ilgai būnant triukšme, galima pakenkti klausą.
 - Dėvėkite akių apsaugą ir ribokite poveikio trukmę.
- sužeidimai prisilietus prie atvirų grandinės pjūklo dantų;
- sužeidimai, sukelti ištiškusių nuopjovų (skiedrų ir nuolaužų);
- Sužeidimai, sukelti įkvėpus dulkių ir dalelių
- sužeidimai, sukelti ant odos patekus tepalo ar alyvos.

RIZIKOS MAŽINIMAS

Turime pranešimų, kad vibracija nuo ranka laikomų įrankių kai kuriems asmenims gali turėti neigiamos įtakos vystantis Raynaud sindromui. Šios ligos požymiai yra pirštų dilgčiojimas, nutirpimas ir pabalimas, paprastai pasireiškiantis nuo šalčio. Šie simptomai vystosi dėl paveldimų veiksnių, nesisaugant nuo šalčio ir drėgmės, dėl mitybos, rūkymo ir darbo praktikos. Operatorius gali imtis šių priemonių, kurios gali sumažinti vibracijos poveikį:

- Apsirenkite kuo šilčiau šaltu oru. Dirbant šiuo prietaisu mūvėkite pirštines, kad plaštakos ir riešai būtų laikomi šiltai.
- po darbo kiekvieną kartą pasportuokite, kad pagerėtų kraujo apytaka;
- dažnai darykite darbo pertraukas. Apribokite darbo laikotarpį per dieną.
- Apsauginės pirštinės, kurias galima įsigyti iš mažmenininkų, prekiaujančių profesionaliais grandininiais pjūklais, yra skirtos specialiai dėvėti dirbant grandininio pjūklu ir apsaugo rankas, leidžia gerai suimti pjūklą ir sumažina rankenų vibracijos efektą.

Jei jums pasireiškia kokie nors šios būklės simptomai, nedelsdami nutraukite darbą ir kreipkitės į gydytoją.



ĮSPĖJIMAS!

Ilgiau naudojant, įrankis kelia sužeidimų pavojų ir apsunkina darbą. Ilgiau naudojant įrankius, reikia reguliariai daryti pertraukas.

NAUDOJIMO PASKIRTIS

Grandininis pjūklas skirtas pjauti tik lauke. Saugos sumetimais, gaminytis turi būti tinkamai valdomas visada dirbant abiem rankomis.

Grandininis pjūklas yra skirtas pjauti tokio skersmens šakas, rąstus ir tašus, kokį nustato kreipiamosios juostos pjovimo ilgis. Jis skirtas pjauti tik medieną. Grandininis pjūklas naudojamas tik buities darbams, juo pjaunant tinkamai apmokytiems suaugusiems asmenims, žinantiems, kokie pavojai gali išstikti ir kokių prevencijos priemonių / veiksmų reikia imtis.

Grandininis pjūklas nėra skirtas naudoti atliekant profesionalius medžių kirtimo darbus. Grandininio pjūklo negali naudoti vaikai ar asmenys, nedėvintys atitinkamų asmeninės apsaugos priemonių ir aprangos.

Nenaudokite šio įrenginio jokiems kitiems tikslams, išskyrus išvardintuosius numatytosios naudojimo paskirties skyriuje.



ĮSPĖJIMAS!

Būtina laikytis saugos reikalavimų naudojantis šiuo produktu. Savo bei aplinkinių saugumui turite perskaityti ir gerai suprasti šias instrukcijas, tik tuomet naudoti krūmapjovę. Jums reikėtų dalyvauti profesionaliai organizuotuose saugos kursuose, kuriuose mokoma kaip saugiai naudotis grandininiais pjūklais bei juos prižiūrėti, aiškinama, kokios yra prevencinės bei pirmosios pagalbos priemonės. Išsaugokite šią instrukciją ateičiai.



ĮSPĖJIMAS!

Grandininiai pjūklai yra potencialiai pavojingi įrankiai. Nelaimingi atsitikimai, kurie įvyksta naudojant grandininis pjūklus, dažnai baigiasi galūnių netekimo ar mirties atvejais. Pavojų kelia ne tik patys grandininiai pjūklai. Žūti galima nuo nukritusios šakos, virstančio medžio ar nusiritusio rąsto. Papildomą pavojų kelia ligoti ar supuvę medžiai. Būtina įvertinti savo galimybes saugiai atlikti užduotį. Kilus abejonėi, palikite šiuos darbus atlikti profesionaliam pažeistų medžių kirtėjui.

PAŽINKITE SAVO GRANDININĮ PJŪKLĄ

Žr. 6-7 psl.

1. Baterija
2. Jungiklio deblokavimo mygtukas
3. Galinė rankena
4. Svirtinis jungiklis
5. Daugiafunkcis veržliaraktis
6. Priekinė rankena
7. Alyvos bako dangtelis
8. Kreipiamosios juostos gaubtas
9. Pjovimo grandinė

10. Pjovimo juosta
11. Bamberio smaigas Integruotas bamberio smaigas
12. Grandinės gaudytuvas
13. Grandinės įtempimo varžtas
14. Grandinės gaubtas
15. Juostos montavimo veržlės
16. Priekinis įtaisas rankai apsaugoti/pjovimo grandinės stabdys

SAUGOS ĮTAISAI

Mažo atšokimo grandinė

Mažos atatranks pjūkl grandinė padeda sumažinti galimybę įvykti atatranksai.

Gylio ribotuvi, esantys kiekvieno dantuko priekyje, gali sumažinti atšokimo efektą, vengiant per gilaus dantukų skverbimosi į atšokimo vietą. Keitimui naudokite tik gamintojo rekomenduojamą kreipiamąją juostą ir grandinę.

Išgalandę pjovimo grandinę, padvigubinkite budrumą, kadangi galandimas daro grandinę mažiau atsparią atšokimui. Savo saugumo labui, pakeiskite pjūkl grandines, kai yra mažiau pjovimo darbų.

Bamberio smaigas Integruotas bamberio smaigas

Gali būti naudojamas kaip ašis atliekant pjūvį. Ji padeda išlaikyti pjūkl korpusą stabilų pjaunant. Pjaudami stumkite įrankį į priekį, kol smaigai įsirėš į medienos kraštą, tada stumkite galinę rankeną aukštyn ar žemyn pjovimo linijos kryptimi, kad pjaudami mažiau įsitemptumėte.

Pjovimo juosta

Bendrai, kreipiamieji strypai su nedidelio spindulio antgaliais rečiau atšoka veikiami atatranks jėgos. Reikia naudoti kreipiamąją juostą ir ją atitinkančią grandinę, kuri yra pakankamai ilga pageidaujiamam darbui atlikti. Ilgesnės juostos padidina pavojų pjaunant netekti kontrolės. Reguliariai tikrinkite grandinės įtempimą. Pjaunant mažesnes šakeles (trumpesnes nei visas kreipiamosios juostos ilgis), grandinė gali dažniau nušokti, jeigu yra netinkamai įtempta.

Pjovimo grandinės stabdys

Pjovimo grandinės stabdys skirtas tam, kad būtų galima greitai sustabdyti grandinės sukimąsi. Pjovimo grandinė turi tučiuojau sustoti, kai stabdžio svirtis/įtaisas rankai apsaugoti stumiamas pirmyn. Pjovimo grandinės stabdys netrukdo atšokimo efektui. Tai tik sumažina sužeidimų pavojų per atatranką grandinės juostai susilietus su darbuotojo kūnu. Grandinės stabdį reikia tikrinti kiekvieną kartą prieš naudojant pjūklą: reikia patikrinti, ar stabdys tinkamai veikia pjovimo ir įjungto stabdžio padėtyse.

Grandinės gaudytuvas

Grandinės gaudyklė apsaugo naudotoją, kad galimai nukritusi arba nutrūkus grandinė nebūtų blokšta naudotojo link.

EKSPLOATAVIMAS



ĮSPĖJIMAS!

Nenaudokite prietaiso, jei trūksta detalių ar jos yra apgadintos tol, kol jos nebus pakeistos. Nepaisydami šių įspėjimų, galite sunkiai susižeisti.

Akumulatoriaus tvirtinimas

Žr. 6 psl.

Įdėkite akumuliatorių į įrankį. Akumulatoriaus iškiluosius spastukus sulygiuokite su prietaiso akumulatoriaus gnybto grioveliais.

Prieš pradėdami naudotis įrenginiu, įsitikinkite, ar akumulatoriaus skląstis tinkamai užfiksuotas, o akumulatorius – iki galo įkištas į įrenginį ir pritvirtintas.

Gaminio laikymas

Žr. 1 pav.

Dešiniąją ranka suimkite užpakalinę produkto rankeną, o kairiąją ranka – priekinę rankeną. Abiem plaštakomis, visais pirštais tvirtai suimkite ir laikykite grandininio pjūkl rankenas. Priekinę rankeną būtinai reikia laikyti kairiąją plaštaka, nykščiu apkabinus rankenos apatinę dalį.

Gaminio paleidimas

Žr. 8 psl.

Prieš pradėdami darbą, į grandininį pjūklą reikia įdėti baterijų paketą ir patraukus už grandinės stabdžio sverto / plaštakos apsauginio įtaiso link priekinės rankenos, p atikrinti, ar grandinės stabdys nustatytas į veikimo padėtį.

Norėdami paleisti įrankį, patraukite įjungimo gaiduko atleidimo įtaisą, tada paspauskite droselio gaiduką.

Grandinės stabdžio patikrinimas ir įjungimas

Žr. 20 psl.

Įjunkite grandinės stabdį sukdami kairiąją plaštaka apie priekinę rankeną. Grandinei greitai sukantis, plaštakos gūbriu pastumkite grandinės stabdžio svertą / plaštakos apsauginį įtaisą link juostos. Jokiu būdu neatitraukite nė vienos plaštakos nuo pjūkl rankenų.

Sugriebdami už grandinės stabdžio sverto viršutinės dalies / plaštakos apsauginio įtaiso ir traukdami link priekinės rankenos, kol pasigirs spragtelėjimas, vėl nustatykite grandinės stabdį į veikimo padėtį.



ĮSPĖJIMAS!

Jei grandinės stabdis nesustabdo grandinės staigiai arba jei stabdis neužsifiksuoja veikimo pozicijoje, prieš naudodami prietaisą, nuneškite jį pataisyti į techninio aptarnavimo centrą.

Grandinės įtempimo reguliavimas

(žr. 14 - 15 p.)

Prieš pradėdami bet kokius darbus gaminyje išimkite akumuliatorių bloką.

Išitikinkite, ar juostos montavimo veržlės būtų atlaisvintos tiek, kad jas galima būtų veržti rankomis.

Norėdami padidinti grandinės įtempimą, sukite grandinės įtempimo varžtą pagal laikrodžio rodyklę ir dažnai tikrinkite grandinės įtempimą. Norėdami sumažinti grandinės įtempimą, sukite grandinės įtempimo varžtą prieš laikrodžio rodyklę ir dažnai tikrinkite grandinės įtempimą.

Grandinė yra tinkamai įtempta, jei tarpelis tarp grandinės pjoviklio ir juostos yra maždaug 6,5 mm (0,256 col.). Vidurinėje juostos apatinės pusės dalyje patraukite grandinę į apačią (atokiai nuo juostos) ir išmatuokite atstumą tarp juostos ir grandinės pjoviklio.

Grandinės tepimo alyvos įpylimas

(žr. 16 - 17 p.)



ĮSPĖJIMAS!

Jokiu būdu nenaudokite įrankio, jei nėra įpilta grandinės tepalo. Jeigu pjūklo grandinė veikia nesutepta, kreipiamoji juosta ir pjūklas gali būti pakenkti. Todėl būtina dažnai ir kiekvieną kartą prieš pradėdami naudoti grandininį pjūklą, tikrinti alyvos lygį alyvos lygio matuoklyje.

Išvalykite paviršių apie alyvos bakelio dangtelį, kad neužterštumėte tepalo.

Nusukite ir nuimkite dangtelį nuo alyvos bakelio.

Įpilkite alyvos į bakelį ir stebėkite alyvos lygio matuoklį. Pasirūpinkite, kad pilant į bakelį alyvą, į jį nepatektų jokių nešvarumų.

Vėl uždėkite ir užsukite alyvos bakelio dangtelį. Nušluostykite ištiškusią alyvą.

GABENIMAS IR LAIKYMAS

Prieš padėdami į sandėlį ar transportuojant, gaminį reikia sustabdyti, išimti bateriją ir palikti, kol prietaisą atvės.

Nuo įrankio nuvalykite visas pašalines medžiagas. Laikykite vėsioje, sausoje, gerai vėdinamoje ir vaikams nepasiekiamoje vietoje. Nelaikykite jo arti nuo tokių koroziją sukeliančių reagentų kaip cheminės sodininkystės medžiagos arba druskos, naudojamos prieš apledėjimą. Nelaikykite lauke.

Prieš padėdami įrankį į sandėlį ar paruošdami gabenimui, uždėkite kreipiamosios juostos gaubtą.

Paruošiant gabenimui, gaminį reikia pritvirtinti, kad nejudėtų ir nenukristų, nes priešingu atveju jis gali sužaloti žmones arba sugesti pats.

PRIEŽIŪRA



ĮSPĖJIMAS!

Naudokite tik ECHO priedus ir ECHO atsargines dalis. Neoriginalios dalys gali būti sužeidimų ir įrenginio blogo veikimo priežastis, ir dėl to gali būti anuliuotas garantinis pažymėjimas. Jei reikėtų pakeisti naudojimo instrukcijoje neaprašytus komponentus, kreipkitės į ECHO techninės priežiūros atstovus.



ĮSPĖJIMAS!

Aptarnavimą atlikti būtina itin atidžiai, todėl rekomenduojame, kad techninę apžiūrą vykdytų kvalifikuotas specialistas. Jei reikia atlikti techninio aptarnavimo darbus, nugabenkite gaminį į įgaliotą techninio aptarnavimo centrą. Atlikdami prietaiso techninę priežiūrą, keitimui naudokite tik originalias, prietaiso gamintojo atsargines dalis.



ĮSPĖJIMAS!

Prieš atlikdami grandininio pjūklo reguliavimo, priežiūros ar valymo darbus, išimkite bateriją. Neišėmus baterijos, galima sunkiai susižeisti.

- Gaminį reguliuoti ar taisyti patiems galima tik tiek, kiek aprašyta šiame vadove. Dėl kitų remonto darbų kreipkitės į įgaliotą techninio aptarnavimo centrą.
- Dėl netinkamos priežiūros gali sutrūkti grandinė ir netinkamai veikti kitos saugos funkcijos, taip padidinant sunkaus sužeidimo galimybę. Grandininis pjūklas turi būti profesionaliai prižiūrimas ir saugus.
- Saugiai pagaląsti grandinę gali tik įgudęs specialistas, todėl gamintojas primygtinai rekomenduoja sudilusią ar atšipusią grandinę pakeisti nauja, kurią galima įsigyti iš „ECHO“ techninės priežiūros bei aptarnavimo centro. Dalies numeris nurodytas šiame instrukcijų vadove pateiktoje gaminio specifikacijų lentelėje. Todėl gamintojas primygtinai rekomenduoja sudilusią ar atšipusią grandinę pakeisti nauja, kurią galima įsigyti iš techninės priežiūros bei aptarnavimo centro. Dalies numeris nurodytas šiame instrukcijų vadove pateiktoje gaminio specifikacijų lentelėje.
- Vadovaukitės tepimo bei grandinės įtempimo patikros ir reguliavimo nurodymais.
- Po kiekvieno naudojimo, išvalykite įrenginį sausu švelnaus audinio gabalėliu.
- Dažnai tikrinkite visas veržles, varžtus ir sraigtus, ar jie tvirtai laikosi ir ar įranga yra saugios darbo būklės stovyje. Bet kurią apgadintą detalę leidžiama remontuoti arba keisti tik autorizuotame aptarnavimo centre.

Kreipiamosios juostos ir pjūklo grandinės keitimas

(žr. 10 - 13 p.)

Būtinai išimkite bateriją. Mūvėkite apsauginėmis pirštinėmis.

Pateiktuju kombinuotuju veržliarakčiu atsukite juostos montavimo veržles.

Nuimkite grandinės gaubtą.

Nuimkite nuo įrankio juostą ir pjūklo grandinę.

Naują grandinę uždėkite ant juostos teisinga kryptimi ir patikrinkite, ar pavaros švaistikliai juostos griovelyje sulygiuoti.

Pritvirtinate juostą prie grandininio pjūklo ir uždėkite grandinę ant pavaros grandininio rato.

Vėl uždėkite grandinės gaubtą ir juostos montavimo veržles.

Rankomis užveržkite juostos montavimo veržles. Reikia, kad juostą būtų galima pajudinti grandinės įtempimo reguliavimui įgalinti.

Sureguliuokite grandinės įtempimą. Vadovaukitės skyrelyje „Grandinės įtempimo reguliavimas“ pateiktais nurodymais.

Palaiykite pjovimo juostos galą ir tvirtai priveržkite juostos surinkimo veržles.

Grandinės stabdžio apžiūra ir valymas

Žr. 22 psl.

Grandinės stabdžio mechanizmas turi būti visada švarus: nuo švaistiklių reikia reguliariai šepečiu nubraukti nešvarumus.

Po kiekvieno grandinės stabdžio valymo reikia patikrinti, kaip jis veikia. Papildomos informacijos ieškokite šios naudojimo instrukcijos skyriuje „Grandinės stabdiklio tikrinimas ir naudojimas“.

PRIEŽIŪROS TVARKARAŠTIS

Kasdienė patikra	
Strypo sutepimą	Prieš kiekvieną naudojimą
Grandinės įtempimą	Prieš kiekvieną naudojimą ir dažnai
Grandinės aštrumą	Prieš kiekvieną naudojimą, vizualinė patikra
Ar nėra sugadintų dalių	Prieš kiekvieną naudojimą
Ar nėra atspalaidavusių spaustukų	Prieš kiekvieną naudojimą
Grandinės stabdžio funkcija	Prieš kiekvieną naudojimą
Patikrinkite ir išvalykite	

Apsagas	Prieš kiekvieną naudojimą
Visą pjūklą	Kiekvieną kartą prieš naudojant
Pjovimo grandinės stabdys	Every 5 hours*

*Veikimo valandos

ATSARGINĖS DETALĖS

Dalis	Priedo numeris
Pjovimo juosta	6000945
Pjovimo grandinė	90PX056X

AKUMULIATORIUS

- Ilgai nenaudotus akumulatorius prieš naudojimą privaloma įkrauti.
- Esant aukštesnei nei 50 °C (122 °F) temperatūrai, akumulatoriaus veiksmingumas sumažėja. Saugokite nuo ilgalaikio karščio arba saulėkaitos poveikio (gali kilti perkaitimo pavojus).
- Kroviklių ir akumuliatorių blokų kontaktai turi visada būti švarūs.
- Norint, kad akumulatorius tarnautų optimaliai ilgai, po kiekvieno panaudojimo jį būtina visiškai įkrauti.
- Norint, kad akumulatorius kuo ilgiau tarnautų, atjunkite jį nuo kroviklio, kai tik jis bus visiškai įkrautas.

Jei būtina akumuliatorių laikyti daugiau nei 30 dienų:

- Akumuliatorių laikykite aplinkoje, kurios temperatūra neviršija 27°C ir toliau nuo drėgmės.
- Akumuliatorių padėkite saugoti, kai jis yra įkrautas iki 30%-50%.
- Praėjus šešiesiems mėnesiams nuo saugojimo, akumuliatorių įkraukite, kaip visada.

LIČIO BATERIJŲ TRANSPORTAVIMAS

Ličio-jonų akumuliatoriui taikomi įstatymai dėl pavojingų prekių.

Šie akumulatoriai transportuojami laikantis atitinkamų vietos, nacionalinių ir tarptautinių taisyklių bei reglamentų.

- Baterijų gabenimui sausumos transportu papildomi reikalavimai nekeliama.
- Trečiųjų šalių vykdomam komerciniam ličio jonų akumuliatorių transportavimui taikomos taisyklės dėl pavojingų prekių vežimo. Parengti gabenimui ir gabenti išimtinai gali tik atitinkamai apmokyti asmenys, o visą procesą turi prižiūrėti atitinkami specialistai.

Veždami akumulatorius:

- Baterijų kontaktiniai gnybtai turi būti apsaugoti ir izoliuoti, kad nevyktų trumpasis jungimas.

- Užtikrinkite, kad akumulatorius būtų tvirtai ir saugiai supakuotas.
 - Įskilusių ir tekančių akumuliatorių negabenkite.
- Dėl tolesnių patarimų kreipkitės į transporto įmonę.

ŽENKLAI



Pranešimas apie saugumą



Prieš naudodami įrenginį, atidžiai perskaitykite instrukcijas, laikykitės įspėjimų ir saugos nurodymų.



Dėvėkite akių, ausų ir galvos apsaugą.



Naudodamiesi šiuo gaminiu visada avėkite avalynę neslystančiais padais.



Mūvėkite neslystančias, tvirtas apsaugines pirštines.



Atsargiai – saugokitės grandininio pjūklų atatrunkos ir neprisilieskite prie strypo galo.



Nenaudoti lyjant ar esant drėgnoms sąlygoms.



Laikykite ir naudokite grandininį pjūklą abejomis rankomis.



Nenaudokite savo grandininio pjūklų, laikydami jį viena ranka.



Nustatykite grandinės stabdiklį į veikimo padėtį RUN.



Nustatykite grandinės stabdiklį į stabdymo padėtį BRAKE.



Garantuojama garso galia yra 106 dB



Ukrainos atitikties ženklas



„EurAsian“ atitikties ženklas



Elektrinių produktų atliekos neturi būti metamos kartu su namų ūkio atliekomis. Prašome perdirbkite jas ten, kur yra tokios perdirbimo bazės. Dėl perdirbimo patarimo kreipkitės į savo vietinę savivaldybę ar pardavėją.



Šis prietaisas atitinka visas reglamentuotas normas ES šalies, kur jis buvo nupirktas.

Toliau pateikti signaliniai žodžiai skirti paaikškinti rizikos, susijusios su gaminiu, lygius:



PAVOJUS

Reiškia ypač pavojingą padėtį, kurios neišvengus bus patirti sunkūs ar net mirtini sužeidimai.



ISPĖJIMAS

Reiškia potencialiai pavojingą situaciją, kurios neišvengus galimi sunkūs ar net mirtini sužeidimai.



ATSARGIAI

Reiškia potencialiai pavojingą situaciją, kurios neišvengus galimi lengvi ar vidutinio sunkumo sužeidimai.

ATSARGIAI

Be įspėjamųjų simbolių

Reiškia nuosavybės žalos tikimybę.

**TEHNILISED ANDMED****MOOTORSAAG****ECCS-58V**

Seerianumber	17402201000001 - 17402201999999
Nimipinge	51,1 V, 58 V maksimum
Max lati pikkus	400 mm
Õlipaagi maht	177 ml
Mass (Ilma aku pakita, juhtlatiga, ketiga ja tühja paagiga)	4,83 kg
Mass (koos 4,0 Ah akuga)	6,73 kg
Mass (koos 2,0 Ah akuga)	6,03 kg
Maksimaalne koormuseta kiirus	21 m/s
Kasutatav löike pikkus	250 mm
Helivõimsuse tase (vastavalt standardile EN 60745-1, EN 60745-2-13)	
A-kaalutud helirõhu tase operaatori töökohal (L_{PA})	94,5 dB(A)
K_{PA} :	2,5 dB(A)
A-kaalutud helivõimsuse tase (L_{WA})	105,5 dB(A)
K_{WA} :	2,5 dB(A)
Vibratsioonitase (vastavalt standardile EN 60745-1; EN 60745-2-13) (ees/ taga)	2,1 / 2,8 m/s ² K = 1,5 m/s ²

EN
FR
DE
ES
IT
NL
PT
DA
SV
FI
NO
RU
PL
CS
HU
RO
LV
LT
ET
HR
SL
SK
BG
UK
TR

AKU JA LAADIJA**ECCS-58V**

Ühilduvad akupaketid	ECBP-58V40 / ECBP-58V20
Ühilduv laadija	ECBC-58VEU / ECBC-58VUK

**HOIATUS!**

Käesolevas juhendis toodud vibratsioonitase on mõõdetud standardi EN 60745 kohase mõõtemetodi järgi ja seda saab kasutada tööriistade omavaheliseks võrdlemiseks. See sobib ka vibratsiooni esialgseks hindamiseks.

Toodud vibratsioonitase on tüüpiline tööriista kasutamisel ettenähtud töödeks. Kui aga tööriista kasutatakse muudeks töödeks, rakendatakse teisi tarvikuid või kui tööriista hooldus pole piisav, võib vibratsioonitase kõikuda. See võib vibratsiooni tööperioodi jooksul tunduvalt suurendada.

Vibratsiooni täpseks hindamiseks tuleb arvesse võtta ka aega, mil seade on välja lülitatud või küll sisse lülitatud, kuid tegelikult tööle rakendamata. See võib vibratsiooni tööperioodi jooksul tunduvalt vähendada.

Rakendage tööriista kasutaja kaitsmiseks vibratsiooni mõju eest täiendavaid kaitsemeetmeid, näiteks: hooldage tööriista ja tarvikuid piisavalt, hoidke käed soojas, tagage sujuv töökorraldus.

OHUTUSE ÜLDEESKIRJAD**HOIATUS!**

Lugege kõik ohuhoiatused ja juhised läbi. Hoiatuste ja juhiste eiramisel on oht saada elektrilööki või raskeid kehavigastusi ning/või põhjustada tulekahju.

Hoidke kõik hoiatused ja juhised tulevikus vaatamiseks alles.

Hoiatuses kasutatav termin „elektritööriist“ tähendab mehaanilist tööriista, mis saab toidet elektrivõrgust

(juhtmega) või akust (ilma juhtmeta).

TÖÖKOHT

Hoidke töökoht puhas ja hästi valgustatud. Korrastamata ja pimedas kohas töötamisel võivad juhtuda õnnetused.

Ärge kasutage elektritööriistu plahvatusohtlikes keskkondades, näiteks kergestisüttivate vedelike ja gaaside läheduses ega tolmuses kohas. Elektritööriistad tekitavad sädemeid, mis võivad tolmu või auru süüdata.

Elektritööriistaga töötamisel hoidke lapsed ja kõrvalised isikud eemal. Tähelepanu hajumise korral võib teil kontroll kaduda.





ELEKTRIOHUTUS

Elektritööriistade pistikud peavad pistikupessa sobima. Ärge püüdke pistiku konstruktsiooni mingil moel muuta. Ärge ühendage maanduskontaktiga (kordusmaandusega) elektritööriistu elektrivõrku läbi vahepistikmike. Pistiku ja pistikupesa konstruktsiooni muutmise korral tekib elektrilöögi oht.

Hoiduge kehalisest kontaktist maandatud pindadega, näiteks torud, radiaatorid, elektripliidid ja külmikud. Kehaosade maandamisel suureneb elektrilöögi saamise oht.

Ärge jätke kultivaatorit vihma kätte või märga kohta. Vee sattumisel elektrilise tööriista sisemusse suureneb elektrilöögi saamise oht.

Ärge kasutage toitejuhet mittesihhipäraselt. Ärge kasutage toitejuhet tööriista kandmiseks, vedamiseks või pistikupesast väljatõmbamiseks. Hoidke toitejuhe eemal kuumusest, õlist, teravatest servadest ja liikuvatest osadest. Vigastatud või keerduv toitekaablid suurendavad elektrilöögi ohtu.

Väljas töötamisel kasutage välistingimustes kasutamiseks sobivaid pikendusjuhtmeid. Välistingimustele sobiva pikendusjuhtme kasutamine vähendab elektrilöögi ohtu.

Kui elektritööriistaga töötamine niisketes oludes on vältimatu, siis kasutage rikkevoolu-kaitselülitiga (RCD) kaitsitud vooluvõrku. RCD kasutamine vähendab elektrilöögi ohtu.

ISIKUKAITSE

Mehaanilise tööriistaga töötamisel jälgige tööpiirkonda ja kasutage sealjuures tervet mõistust. Ärge kasutage tööriista siis, kui te olete väsinud, uimastite, alkoholi või ravimite mõju all. Hetkeline tähelepanu hajumine tööriista kasutamise ajal võib põhjustada raske kehavigastuse.

Kasutage isikukaitsevahendeid. Kandke alati silmakaitsevahendeid. Kui tööolud seda nõuavad, tuleb kasutada isikukaitsevahendeid, näiteks tolmutumaski, libisemiskindlaid turvajalatsid, kiivrit ja kuulmiskaitsevahendeid, mis kehavigastuste riski vähendavad.

Vältige tahtmatut käivitumist. Enne toitejuhtme või aku ühendamist, tööriista kättevõtmist või teisaldamist veenduge, et tööriista lüliti on välja lülitatud. Õnnetuste vältimiseks ärge hoidke tööriista kandmise ajal sõrme lülitisnupul ega ühendage tööriista toitevõrku siis, kui lüliti on sisse lülitatud.

Enne tööriista sisselülitamist eemaldage sellelt reguleerivõti või mutrivõti. Elektritööriista külge jäetud reguleerivõti või mutrivõti võivad põhjustada raske kehavigastuse.

Ärge kummardage. Hoidke end pidevalt jalgadel ja tasakaalus. Siis on teil ootamatu olukorra tekkimisel tööriista üle parem kontroll.

Kandke tööks sobivat riietust. Ärge kandke lõtvu riideid ja ehteid. Hoidke juuksed, riietusesemed ja töökindad liikuvatest osadest eemal. Lõdvad riietusesemed, ehted

ja pikad juuksed võivad haakuda liikuvate osade külge.

Kui tööriistal tuleb kasutada tolmu eraldamis- või kogumisseadisi, siis veenduge, et need on ühendatud ja nõuetekohases kasutuses. Tolmukoguri kasutamisega saab vähendada tolmu seotud ohtusid.

ELEKTRITÖÖRIISTA KASUTAMINE JA KORRASHOID

Ärge kasutage töötamisel liigset jõudu. Kasutage tööks sobivat elektritööriista. Õigesti valitud elektritööriist töötab ettenähtud võimsuspiirkonnas paremini ja ohutumalt.

Ärge kasutage elektritööriista, kui lüliti ei lülita seda sisse ja välja. Lülitiga lülitamatu tööriista kasutamine on ohtlik ja see tuleb lasta ära remontida.

Enne tööriista reguleerimist, tarvikute vahetamist või hoiustamist võtke toitejuhe pistikupesast välja ja/või eemaldage aku. Need ennetavad ohutusmeetmed vähendavad tööriista tahtmatu käivitumise riski.

Hoidke kasutuses mitteolevaid elektritööriistu lastele kättesaamatus kohas ja ärge lubage elektritööriista mitte tundvaid või kasutusjuhendiga mitte tutvunud isikuid elektritööriista kasutada. Oskamatu kasutaja käes olev elektritööriist on ohtlik.

Mehaaniliste elektritööriistade hooldus. Kontrollige liikuvate osade mittetsentreeritust ja kinnitumist, osade vigastusi ning tehke kindlaks muud seisundid, mis võivad mõjustada elektritööriista tööd. Kui mõni osa on vigastatud, siis laske elektritööriist enne kasutamist ära parandada. Halvasti hooldatud elektritööriistad põhjustavad palju õnnetusi.

Hoidke lõiketerad teravad ja puhtad. Teravate lõiketeradega ja nõuetekohaselt hooldatud lõikeriistad jäävad harvemini kinni ning neid on kergem kontrolli all hoida.

Tööriistade, tarvikute, otsakute ja muude lisaseadmete kasutamisel juhendige nende kasutusjuhenditest, võttes arvesse tehtavat tööd ja tööolusid. Tööoperatsiooniks mitte ettenähtud tööriista kasutamine võib tekitada ohtliku olukorra.

AKUTÖÖRIISTA KASUTAMINE JA KORRASHOID

Laadige akut ainult tootja poolt ettenähtud laadijaga. Akulaadaja, mis sobib ühele akupaketile võib põhjustada tulekahju, kui seda kasutada teise akupaketiga.

Kasutage akutööriista ainult selleks ettenähtud akudega. Muude akupaketide kasutamine võib põhjustada kehavigastusi või tulekahju.

Sel ajal kui akupakett ei ole kasutusel, hoidke seda eemal metallesemetest nagu kirjaklambrid, mündid, võtmed, naelad, kruvid ja muudest väikestest metallobjektidest, mis võivad akuklemmid lühistada. Aku klemmide lühistamine võib põhjustada põletust või tulekahju.

Aku vale kasutamise korral võib akuedelik välja voolata - vältige sellega kokkupuudet. Akuedeliku nahale sattumisel peske see veega maha. Akuedeliku silma sattumisel pöörduge arsti poole. Väljapritsv akuedelik võib tekitada nahaärritust või -põletust.



TEENINDAMINE

Laske oma elektrilist tööriista hooldada väljaõppinud teenindustöötajal; remontimisel tohib kasutada ainult originaalvaruosi. See tagab elektriseadme ohutuse.

TÄIENDAVAD ÜLDISED OHUTUSJUHISED

Mõnedes piirkondades on seadused, mis piiravad selle toote kasutamist. Lisateavet saate kohalikust omavalitsusest.

Ärge laske toodet kasutada lastel või inimestel, kes ei ole käesoleva juhendiga tutvunud. Kohalikud regulatsioonid võivad seada kasutaja vanusele piiranguid.

Enne seadme kasutamise alustamist veenduge, et kõik juht- ja ohutusseadised töötavad nõuetekohaselt. Kui mootor nupule OFF vajutamisel välja ei lülitu, ärge seadet kasutage.

Kandke seadme kasutamisel silmi täielikult katvaid ja kuulmist kaitsvaid kaitsevahendeid, tugevaid kindaid ja peakaitset; kui töökeskkond on tolmune, kasutage näomaski.

Ärge kandke lõtvu riideid, lühikesi pükse ega mingeid ehteid.

Kinnitage pikad juuksed õlgadest kõrgemale, et vältida nende takerdumist liikuvate osade vahele.

Hoiduge ülespaisatud, lendavate ja kukkuvate esemete eest. Hoidke kõik kõrvalseisjad, lapsed ja lemmikloomad tõalalt vähemalt 15 meetri kaugusele.

Ärge kasutage seadet halva valgustatuse korral. Töötajal peab tööpiirkonnale olema selge väljavaade, et tuvastada võimalikud ohud.

Kuulmiskaitsevahendid takistavad häälohiatuste (hüüded ja helisignaale) kuulmist. Operaator peab seda arvesse võtma ja pöörama täiendavat tähelepanu sellele, mis toimub tema töökohal.

Mitme sarnase seadme töötamisel samas piirkonnas suurendab kuulmiskahjustuse riski töötajal ja inimestel, kes tööpiirkonda sisenevad.

Hoidke kindlat jalgade asendit ja tasakaalu. Ärge kummardage. Liigse ette küünitamine tõttu võite kaotada tasakaalu ja suureneb tagasilöögi oht.

Hoidke kõik kehaosad liikuvatest osadest eemal.

Kontrollige seade iga kord enne kasutamist üle. Kontrollige, et juhtimiseadised, kaasa arvatud ketipidur töötavad nõuetekohaselt. Kontrollige üle lõtvunud kinnitite suhtes ja veenduge, et kõik kaitسد ja käepidemed on õigesti ja ohutult kinnitatud. Enne kasutamist asendage kõik vigastatud koosteosad.

Ärge püüdke seadme konstruktsiooni mingil viisil muuta ega kasutage varuosi või tarvikud, mis pole tootja poolt soovitatud.



HOIATUS!

Kui seade on maha kukkunud, saanud tugeva löögi või hakkab ebanormaalselt vibreerima, seisake seade viivitamatult ja kontrollige see üle vigastuste suhtes. Kõik vigastused tuleb lasta volitatud hooldustöökogas parandada või asendada.

Ärge pange kasutatud akupakette majapidamisjäätmete hulka ega püüdke neid põletada. ECHO müügiesindused võtavad vastu vanu akusid, et kaitsta keskkonda.

Ärge hoiustage akut koos metallesemetega (lühise oht).

Aku laadimiseks kasutage vaid ECBC-58VEU/ECBC-58VUK laadijat. Ärge kasutage ühtegi teist akut.

Ühilduvad akupaketid: ECBP-58V40, ECBP-58V20

Suure koormuse või äärmusliku temperatuuri korral võib akuhape vigastatud akust välja lekida. Akuhappega kokkupuute korral peske kahjustatud kohta otsekohe seebiveega. Kui vedelik satub silma, loputage silma põhjalikult vähemalt 10 minuti jooksul ja pöörduge otsekohe arsti poole.

Kasutamise ajal on laba kaks lukustuskrui elektrostaatilise lahenduse suhtes tundlikud kohad. Kui toode lülitub elektrostaatilise lahenduse tõttu välja, peab kasutaja selle taaskäivitamiseks päästiku vabastama.

SAEKETI OHUHOIATUSED

Tootega töötamise ajal hoidke kõik kehaosad saeketist eemal. Enne kettsae käivitamist veenduge, et saekett ei puutu millegi vastu. Hetkeline tähelepanematus kettsaega töötamise ajal on piisav, et saekett võib jääda teie riietesse või keha külge kinni.

Hoidke kettsaagi alati nii, et teie parem käsi on tagumisel käepidemel ja vasak käsi eesmisel käepidemel. Kettsae hoidmisel vastupidise käte hoiakuga suurendab kehavigastuse ohtu ja nii ei tohi kunagi töötada.

Hoidke tööriista üksnes käepideme isoleeritud pinnast, sest saekett võib tabada varjatud elektrijuhet. Kui kettsaag satub kontakti pingele all olevate juhtmetega, jäävad tööriista isoleerimata metallosad pingele alla ja kasutaja võib saada elektrilöögi.

Kandke kaitseprille ja kuulmiskaitseid. Lisaks sellele soovitatakse kaitsta kaitsevarustusega ka pead, käsi, jalgasääri ja jalalabasid. Õige kaitseriietus vähendab kehavigastuse ohtu, mis on põhjustatud lendavatest jätmetest või juhuslikust kokkupuutest saeketiga.

Ärge töötage kettsaaga puu otsas. Kettsae kasutamine puu otsas võib põhjustada kehavigastuse.

Leidke endale kindel jalgealne ja töötage saega ainult liikumatul, kindlal ja tasasel pinnal. Libedad ja ebakindlad pinnad, näiteks redelil, võivad tingida tasakaalu kaotuse või kontrolli kaotamise kettsae üle.

Pinge all oleva oksa saagimisel olge tähelepanelik tagasilöögi suhtes. Kui puidukiudude pingele vabaneb, siis



võib vetruv oks anda operaatorile löögi ja/või põhjustada saeketi väljumise kontrolli alt.

Olge okste ja puuvõsude saagimisel äärmiselt ettevaatlik. Peened võsud võivad saeketi külge kinni jääda ja lüüa teie suunas või põhjustada tasakaalu kaotuse.

Sae kandmisel hoidke väljalülitatud saagi kinni eesmisest käepidemest ja eemal oma kehast. Ketsae teisaldamisel või hoiustamisel paigaldage juhtlatile alati kaitsekate. Ketsae nõuetekohane käsitsemine vähendab saeketiga juhusliku kokkupuute tõenäosust.

Järgige saeketi määrimise, pingutamise ja tarvikute vahetamise juhiseid. Valesti pingutatud või määritud saekett võib katkeda või suurendada tagasilöögi võimalust.

Hoidke tööriista käepidemed kuivana, puhtana ja ärge laske neile sattuda õli või määret. Määratud või õlised käepidemed on libedad ja tingivad kontrolli kadumise.

Kasutage saagi ainult puudu lõikamiseks. Ärge kasutage tööriista otstarbeks, milleks see ei ole ette nähtud. Näiteks ärge kasutage saagi plastide, seinakivide või muude kui puitmaterjalide saagimiseks. Ketsae kasutamise mitte ettenähtud tööoperatsiooniks võib tekitada ohtliku olukorra.

Tagasilöökide põhjused ja juhised nende vältimiseks:

Tagasilöök võib esineda juhul, kui juhiku ots puudutab mõnd eset või kui saekett puudu sisse kinni jääb.

Otsa kontakt võib mõnel juhul põhjustada ootamatu vastureaktsiooni, lüües juhtlati üles ja operaatori suunas.

Saeketi kinnijäämine juhtlati otsas võib lükata juhtlati kiiresti tagasi operaatori suunas.

Mõlemad nimetatud reaktsioonid võivad lõppeda kontrolli kaotamisega sae üle, mis omakorda võib põhjustada kehavigastusi. Ärge loote ülemäära oma ketsae turvaelementidele. Ketsae kasutajana tuleks Teil võtta tarvitusele mitmeid tööohutusmeetmeid.

Tagasilöök on sae väära kasutamise, ebaõigete töövõtete või tööks mittevastavate töötingimuste tulemus ja seda saab vältida allpool esitatud ettevaatusabinõude rakendamisega.

Hoidke saagi nii, et põidlad ja sõrmed on kindlalt mõlema käepideme ümber ning hoidke oma keha ning käsivarred nii, et saate tagasilöögist tulenevaid jõudusid vastu võtta. Operaatoril on võimalik tagasilöögist tekkivaid jõudusid hallata, kui selleks vastavaid meetmeid võtta. Ärge laske haaret lõtvuda.

Ärge küünitage end liigselt välja ja ärge püüdke saagida ülevalpool oma õlgasid. See aitab vältida soovimatut otsakontakti ja võimaldab ootamatu olukorra tekkimisel tööriista üle kontrolli säilitada.

Kasutage ainult tootja poolt ette nähtud juhtlati ja ketti. Vale juhtlatt ja -kett võib põhjustada keti katkemise ja/või tagasilöögi.

Järgige tootja ettekirjutusi saeketi teritamise ja hoolduse kohta. Vähenenud lõikesügavuse piiraja kõrgus võib suurendada tagasilöögi võimalust.

TÄIENDAVALD KETSAEGA SEOTUD OHUTUSJUHISED

Kui kasutate saagi esimest korda, on soovitatav on saagida ümarmaterjali saepukil või vastaval alusel.

Veenduge, et kõik kaitsekatted, käepidemed ja ogalatt on nõuetekohaselt kinnitatud ning heas seisundis.

Ketsae kasutaja peab olema hea tervise juures. Kuna toode on raske, peab sellega töötaja olema sobivas füüsilises vormis. Kasutaja peab olema valvas, tal peab olema hea väljavaade, vaba liikumisruum, tasakaal ja käeliselt osav. Kui on mingeid kahtlusi, siis ärge ketsaagi kasutage.

Ärge alustage toote kasutamist enne kui tööpiirkond on vaba, teil on kindel jalgealune ja varem plaanitud taganemistee langeva puu eest.

Kaitske end määrdeaineudu ja saepuru eest. Kandke vajadusel maski või respiraatorit.

Ärge saagige väätsid ja/või peenikest alusmetsa (peenemat kui 75 mm).

Tootega töötamise ajal hoidke seda alati mõlema käega. Hoidke käepidemetest tugevasti kinni, nii et põial on ümber käepideme. Parema käega tuleb kinni hoida tagumisest käepidemest ja vasakuga eesmisest käepidemest.

Enne toote käivitamist veenduge, et saekett ei puutu kokku ühegi esemega.

Ärge püüdke seadet mingil moel muuta või kasutada seda mingite seadmete või seadiste käitamiseks, mis ei ole tootja poolt soovitatud.

Sae kasutamisel peab teil olema kättesaadav esmaabikomplekt, milles on suure haava sidumisvahendid ja abikutssevahendid (näiteks vile). Läheduses peab olema suurem esmaabikomplekt.

Tootega töötamise ajal kandke alati kiivrit. Võrkvisiiriga kiiver aitab tagasilöögi korral vähendada näo- ja peavigastuste ohtu.

Valesti pingutatud kett võib juhtlatilt maha tulla ja põhjustada sellega raske kehavigastuse või surma. Keti pikkus sõltub temperatuurist. Kontrollige keti pingust korrapäraselt.

Õppige oma uue ketsaega töötama tehes lihtsaid lõikeid ohutult toetatud puusse. Tehke seda ka siis kui te pole saega töötanud pikka aega.

Pöörlevate osadega kokkupuutumisest tingitud kehavigastuste vältimiseks peatage esmalt mootor, rakendage ketipidur, võtke aku välja ja veenduge liikuvate osade seiskumises, enne kui asute

- puhastamine ja ummistuse kõrvaldamine
- toote jätmisel järelevalveta
- tarvikuid paigaldama või eemaldama.
- seadme kontrollimine, hooldamine või teenindamine

Tööplatsi suurus sõltub töö iseloomust ja puu või muu saetava eseme suurusel. Näiteks puude langetamine nõuab rohkem tööruumi kui seda on vaja muudel lõikamistöimingutel, näiteks järkamisel.





Saagija peab olema ettevaatlik ja jälgima kõike, mis toimub tööpiirkonnas.

Ärge hoidke oma keha samal joonel juhtlatti ja ketiga. Kui te pole harjunud tagasilöögiga, siis aitab see vältida keti liikumist teie pea ja keha suunas.

Ärge liigutage saagi edasi tagasi, laske ketil ise lõigata, hoidke kett terav ja ärge suruge ketile jõuga peale.

Saagimise lõppjärgus ärge avaldage enam survet. Olge valmis hoidma saagi hetkel, kui see läbibast puu. Muidu võite saada raske kehavigastuse.

Ärge peatage saagi saagimisoperatsiooni keskel. Laske sael töötada kuni see on lõikest välja võetud.

Lükkamine ja tõmbamine

Vastasmõju suund on alati vastupidine keti liikumissuunale. Saagija peab olema valmis selleks, et saag võib liikuda eemale (ettepoole) ja kui saete juhtlatti alaservaga võib saag liikuda tagasi (saagija suunas).

Saag on jäänud puusse kinni

Seisake saag ja võtke ohutusmeetmeid. Ärge püüdke ketti ja juhtlatti jõuga lõikekohast välja võtta, sellega võite keti lõhkuda kui see pöörduv tagasi ja annab saagijale löögi. See olukord tekib tavaliselt siis, kui puu on valesti toetatud ja seetõttu surutakse lõikekoht kokku ja saag jääb puusse kinni. Kui toetuspunkti muutmine juhtlatti ja ketti ei vabasta, kasutage puitkiilusid või kangid, et lõige avada ja saag vabastada. Ärge mingil juhul käivitage saagi kui juhtlatti on lõikes või pilus.

Isikukaitsevahendid

Saagija vigastamise riski vähendamiseks kasutage kvaliteetseid isikukaitsevahendeid. Ketsae kasutamisel kasutage järgmisi isikukaitsevahendeid:

Kaitsekiiver

- peab vastama standardi EN 397 nõuetele ja olema CE-märgisega

Kuulmiskaitsevahendid

- peab vastama standardi EN 352-1 nõuetele ja olema CE-märgisega

Silma- ja kuulmiskaitsevahendid

- peavad olema CE-märgisega ja vastama standardi EN 166 nõuetele (turvapriidid) või standardi EN 1731 nõuetele (võrkvisiir)

Kaitsekindad

- peab vastama standardi EN381-7 nõuetele ja olema CE-märgisega

Jalgakaitse (säärised)

- peavad vastama standardi EN381-5 nõuetele, olema CE-märgisega ja tagama üldkaitse.

Saagija turvajalatsid

- peavad vastama standardi EN ISO 20345:2004 nõuetele ja peavad olema markeeritud ketsae

sümboliga, mis näitab vastavust standardile EN 381-3. (Hooajalised kasutajad võivad kasutada terasest ninakaitsete turvasaapaid ja kaitseääriseid, mis vastavad standardi EN 381-9 nõuetele, kui maapind on tasane, kukkumisoht on minimaalne ning puudub alusmets)

Saagija turvajakk

- peab vastama standardi EN 381-11 nõuetele ja olema CE-märgisega

ÜLDISED JUHISED NÕUETEKOHASEKS LANGETAMISEKS, OKSTE LÕIKAMISEKS JA JÄRKAMISEKS

Ohud puidus esinevatest sisepingetest

Kui saate aru puidu sees olevatest jõududest ja pingetest saate vältida kinnikiilumist või vähemalt saate aru pingete toimest. Puidus oleva pinged suruvad puidu kiudusid laiali ja kui sellises kohas teha lõige või pilu, siis on suundumus kiudude avanemisele kui saag puitu läbib. Kui puutüvi on toetatud saepukile ja üleulatav ots on toetamata, siis tekib pinge ülapiinns, mis on tingitud üleulatava tüveosa massist ja kiud satuvad pinge alla. Samuti on tüve alaosa surve all ja puidu kiud surutakse seal kokku. Kui lõige tehakse selles osas, siis on saateel suundumus sulguda. See võib saelati kinni suruda.

Puu langetamine

Vaata joonist 1 - 6.

Kui puude langetamisel ja järkamisel töötab samaaegselt kaks või rohkem töötajat, siis peab langetamine toimuma järkamisest eraldi, sellisel kaugusel, mis minimaalselt võrdub langetatava puu kahe kõrgusega. Puud tuleb langetada sellisel moel, et see ei ohusta ühtegi inimest ega taba õhuline ning ei tekita ainekahju. Kui puu puudutab õhuliini, siis tuleb sellest viivitamatult teavitada õhuliini haldajat.

Saagija peaks hoiduma ülesmäge, kuna pärast langemist veereb puu tõenäoliselt allamäge.

Ohutsoonist lahkumise teekond tuleb ette planeerida ja puhastada enne puu langetamise alustamist. Ohutsoonist lahkumise teekond peab olema langeva puu taga, diagonaalis puu langemise oletatava suunaga.

Enne langetamise alustamist tehke kindlaks puu loomuliku kalde suund, suuremate okste paiknemine ja tuule suund, et hinnata mis võib puu langemist mõjutada.

Eemaldage puult mustus, kivid, lahtine koor, naelad, klambriid ja traat.

Ärge proovige langetada mädanenud puid ega puid, mida on kahjustanud tuul, tuli, äike jne.

See on väga ohtlik ja seda tohivad teha ainult professionaalsed arboristid.

1. Puu sälkamine

Vaata joonist 1 - 6.

Tehke risti langetamise suunale puu sisse sälk, mille sügavus on 1/3 puu läbimõõdust. Esmalt tehke alumine horisontaalne sisselõige. See väldib teise sisselõike tegemise ajal saeketi või juhtlatti kinnijäämist.





2. Langetuslöige

Vaata joonist 1 - 6.

Tehke langetuslöige puusse vähemalt 50 mm võrra säklõikest kõrgemale. Saagige langetuslöige paralleelselt säklõike horisontaallõikega. Tehke langetuslöige sellise sügavusega, et murdekohta jääks alles piisavalt puitu. Murdekohta puit väldib puu pöördumist ja vales suunas langemist. Ärge lõigake murdekohta läbi.

Kui langetuslöige jõuab murdekohale liiga lähedale, siis hakkab puu langema. Kui tekib oht, et puu võib langeda mittesoovitavas suunas või tagasisuunas õõtsuma hakata ja sae kinni kiiluda, ärge tehke langetuslöiget lõpuni ja kasutage puidust, plastist või alumiiniumist kiilusid, et löige avada ning lasta puul langeda soovitud suunas.

Kui puu hakkab langema, võtke saag lõikest välja, seisake mootor, pange saag maha ja lahkuge varem ettevalmistatud tee kaudu. Olge ettevaatlik allalangevate okste suhtes ja jälgige oma jalgealust.

Peajuurte eemaldamine

Vaata joonist 7 - 8.

Peajuur on jäme juur, mis väljub tüvest maapinna kohal. Kõrvaldage suuremad peajuured enne langetamist. Tehke juure sisse esmalt horisontaalne löige, seejärel vertikaalne. Koristage järelejääv lahtine tükk töökohtalt. Pärast peajuurte eemaldamist järgige korrektset puulangetamise korda.

Palgi järkamine

Vaata joonist 9 - 11.

Järkamine tähendab puutüve järkamist soovitud pikkusega palkideks. Järkamisel on tähtis tagada endale kindel jalgealune ja jagada kehakaal mõlemale jalale. Võimaluse korral tuleb tüvi üles tõsta ja toetada harude, puutüvede või kiiludega. Saagimise hõlbustamiseks tuleb järgida järgmisi juhiseid. Kui tüvi on maapinnal kogu oma pikkuses, siis tuleb seda saagida ülemiselt poolelt (ülalõige).

Kui tüvi on toetatud ühes otsas, siis tehke löige 1/3 läbimõõdu ulatuses altpoolt (alllõige). Seejärel tehke ülevalt lõplik löige vastu alllõiget.

Kui tüvi on toetatud mõlemast otsast, siis tehke löige 1/3 läbimõõdu ulatuses ülemiselt poolelt (ülalõige). Seejärel tehke ülevalt lõplik löige 2/3 läbimõõdu ulatuses vastu alllõiget.

Kallakul järkamisel olge tõsupoolsel küljel. Läbilõikamise hetkel hoidke saagi kontrolli all ja ärge lõike lõpus saele suruge, kuid ärge lödvendage haaret sae käepidemete ümber. Ärge laske ketil maapinda puudutada. Pärast lõike lõpetamist laske sael lõplikult seiskuda, enne kui te hakkate saagi teise kohta ümber paigutama. Ühe puu saagimiselt teisele siirdumisel tuleb saag alati seisata.

Okste laasimine

Vaata joonist 12 - 13.

Laasimine tähendab langetatud puult okste äralõikamist. Laasimisel jätke suuremad oksad alles, mis toetavad

puutüve maapinnale. Saagige väiksemad oksad maha ühe lõikega. Pinge all olevad harud tuleb ära lõigata altpoolt üles, et sae kinnijäämist vältida.

Pingestatud puit

Vaata joonist 14 - 15.

Pinge all olev puu on mis tahes palk, oks, känd või võsu, mida mõni teine puu pinge all hoiab ja mis pinge alt vabanedes võib tagasilöögi anda.

Langenud puu juurtega känd võib järkamise tulemusel suure tõenäosusega püstiasendisse liikuda. Olge selliste puudega ettevaatlik; need on ohtlikud.



HOIATUS!

Pinge all olevad puud on ohtlikud ning kasutajat tabades võib saag väljuda kontrolli alt. See võib osutada kasutajale eluohtlikuks. Seda tohivad teha vaid väljaõppe saanud töötajad.

AKU LISAOHUTUSJUHISED



HOIATUS!

Lühisest põhjustatud tuleohtu, vigastuste või toote kahjustuste vältimiseks ärge kastke tööriista, vahetusakut ega laadimiseadet vedelikku ning jälgige, et vedelikke ei tungiks seadmetesse ega akusse. Korrodeeruvad või elektrit juhtivad vedelikud, nagu soolvesi, teatud kemikaalid ja pleegitusained või pleegitusaineid sisaldavad tooted, võivad põhjustada lühisi.

JÄÄKRISKID

Isegi siis, kui kultivaatorit kasutatakse kirjeldatud viisil, ei ole võimalik kõrvaldada kõiki jääkriskide mõjureid. Töötamise ajal võivad tekkida järgmised ohud, millele operaator peab pöörama erilist tähelepanu.

- Vibratsioonist põhjustatud kehavigastus
 - Alati kasutage tööks sobivat tööriista. Kasutage ettenähtud käepidemeid. Piirake tööaega ja kokkupuudet.
- Tugev müra võib põhjustada kuulmiskahjustuse.
 - Kandke kuulmiskaitsevahendeid ja piirake müraga kokkupuudet
- kehavigastus, mis on põhjustatud kokkupuutest keti saehammastega
- kehavigastus, mis on põhjustatud puidu osakeste väljapaiskumisest (saepuru ja pinnud)
- Tolmu ja peenosakeste sisse hingamisest põhjustatud kehavigastus
- kehavigastus, mis on põhjustatud määrded või õli sattumisest nahale



RISKI ALANDAMINE

Teadaolevalt võib käsitööriistade kasutamine põhjustada mõnedel inimestel seisundit, mida nimetatakse Raynaud' sündroomiks. Sümptomidena võib ilmuda sõrmede tuimus ja valkjaks muutumine, mis tavaliselt ilmneb külmas töötamisel. Nende sümptomite puhul tuleb hoiduda külmast ja niiskusest, diidist ning suitsetamisest ja kasutada õigeid töövõtteid. Vibratsiooni mõju vähendamiseks tuleb rakendada järgmisi abinõusid.

- Külma ilmaga hoidke oma keha soe. Kandke kindaid, et hoida oma käed ja randmed soojad.
- Pärast külmas töötamist tehke harjutusi, et verevarustust kiirendada.
- Tehke regulaarselt töövaheaegasid. Piirake tööperioodi pikkust.
- Kaitsekindad, mida on võimalik saada kettsaagide edasimüüjatelt, on toodetud spetsiaalselt kettsaaga töötamiseks ja need tagavad hea haarduvuse ning kaitsevad vibratsiooni eest.

Kui ilmnevad haigustunnused, lõpetage kohe töö ja pöörduge arsti poole.



HOIATUS!

Seadme pikaajalisel kasutamisel võite saada kehavigastusi ja varasemad vigastused võivad süveneda. Seadme kasutamisel pika aja jooksul tuleb teha korralisi vaheaegasid.

OTSTARBEKOHANE KASUTAMINE

See toode on ette nähtud kasutamiseks vaid väljaspool ruume. Ohutuse tagamiseks peab saagi kasutamise ajal kogu aeg hoidma kahe käega.

See kettsaag on ette nähtud okste, kändude, puutüvede ja talade lõikamiseks, mille läbimõõt on ära määratud juhtlatti pikkusega. Saag on ette nähtud vaid puudu saagimiseks. Seda tohivad kasutada vaid täiskasvanud koduses majapidamises ja nad peavad olema saanud ohutuse alase väljaõppe ning rakendama sae kasutamisel ennetavaid meetmeid ja turvatoiminguid.

See saag ei ole ette nähtud kutsealaseks puude langetamiseks. Saagi ei tohi kasutada lapsed ja need inimesed, kes ei kanna nõuetekohast kaitsevarustust ja riietust.

Ärge kasutage toodet ühelgi muul eesmärgil, mida ei ole loetletud sihipärase kasutuse all.



HOIATUS!

Seadme kasutamisel tuleb järgida ohutusreegleid. Teie ja kõrvalseisjatele ohutuse tagamiseks lugege käesolevad juhised enne seadme kasutamist läbi. Kettsaagide kasutamiseks, ohtude vältimiseks, esmaabiks ja hooldamiseks peate läbima professionaalselt korraldatud ohustehnika kursused. Hoidke juhend edaspidiseks kasutamiseks alles.



HOIATUS!

Kettsaed on potentsiaalselt ohtlikud tööriistad. Kettsaaga seotud õnnetused lõpevad tihti jäseme kaotuse või surmaga. Alati ei ole ohud tingimata seotud kettsaaga. Surma võib saada okste langemise, puude ümberkukkumise ja veerevate palkide tõttu. Täiendavat ohtu kujutavad haiged ja mädanenud puud. Hinnake oma võimet tööd ohutult teha. Kui teil on kahtlusi, jätke see kutselistele saagijatele.

ÕPPIGE OMA TOODET TUNDMA

Vaadake lehti 6-7.

1. Aku paketi
2. Päästiku hoob
3. Tagumine käepide
4. Päästik
5. Universaalvõti
6. Eesmine käepide
7. Õlikork
8. Juhtlatti kate
9. Kett
10. Juhik
11. Hambuline tugiraud
12. Keti piiraja.
13. Keti pingutamiskruvi
14. Ketikate
15. Juhtplaadi kinnitusmutrid
16. Eesmine kaitse/Ketipidur

OHUTUST TAGAVAD SEADISED

Nõrga tagasilöögiga saekett

Vähendatud tagasilöögiga saekett loob tingimused, et vähendada tagasilöögi ohtu.

Sügavusmöödikud iga lõiketega ees aitavad tagasilööki vältida, hoides lõiketega liiga sügavale tungimast. Kasutage ainult tootja poolt ette nähtud juhtlatti ja ketti.

Kui saekette teritatakse, võib tagasilööki muutuda tugevamaks ning seega tuleb olla eriti ettevaatlik. Oma ohutuse tagamiseks asendage saekett kui selle saagimisvõime langeb.

Hambuline tugiraud

Külgeehitatud hambulist tugirauda võib kasutada ka sisselõiget tehes pöördepunktina. See aitab hoida saagi töötamise ajal kindlalt kinni. Saagimise ajal suruge saagi ette, kuni tugiplaadi hambad haakuvad puiduga ja seejärel liigutage tagumist käepidet üles ja alla lõikejoone sihisi, see hõlbustab vabastada lõikamisel vallanduvaid pingeid.

Juhikud

Üldiselt kalduvad väiksema otsaraadiusega saelattid vähem tagasilöögile. Saagimisel kasutage piisava pikkusega juhtlatti ja sobivat ketti. Pikemad juhtlatted tõstavad ohtu kontrolli kadumise üles. Kontrollige keti pingust korrapäraselt. Kui lõikate väiksemaid harusid, mis on juhtlatti väiksemad, siis on oht, et kett võib juhtlatti maha tulla kui pingeid ei ole nõuetekohane.



Ketipidur

Ketipidurite ülesanne on keti liikumine kiiresti peatada. Kui ketipiduri hoob/käekaitse juhiku poole lükata, peaks kett otsekohe peatuma. Ketipidur ei hoiä ära tagasilööki. See vaid langetab kehavigastuse ohtu kui juhtlatt peaks sattuma vastulöögi ajal kokkupuutesse saagija kehaga. Ketipidurit tuleb kontrollida toimimise suhtes alati enne iga kasutuskorda nii lukustatud kui lahti lukustatud olekus.

Keti piiraja

Ketipüüdur hoiab ära saeketi paiskumise kasutaja suunas, kui kett tuleb lahti või läheb katki.

KASUTAMINE



HOIATUS!

Kui mõni osa on kahjustunud või puudu, ärge kasutage seda seadet enne, kui vastav osa on asendatud. Selle hoiatuse eiramine võib põhjustada raskeid vigastusi.

Akupaketi paigaldamine

Vt leht 6.

Pange aku tootesse. Ühitage aku külgribid muruniiduki akupesas olevate soontega.

Veenduge, et aku sulgur kinnitub klõpsuga ja enne töö algust on aku tootes korralikult paigal ja turvaliselt kinni.

Sae käeshoidmine

Vaata joonist 1.

Hoidke tööriista tagumisest käepidemest parema käega ja eesmisest käepidemest vasaku käega. Hoidke saagi kahe käega nii, et põidlad ja sõrmed on ümber käepidemete. Veenduge, et hoiate vasaku käega käepidemest nii kinni, et põial on allpool.

Sae käivitamine

Vt leht 8.

Enne töö alustamist tuleb ühendada kettsaele akupakett ja veenduda, et ketipidur on vabastatud pidurihoova/käekaitse ette lükkamisega.

Kettsae käivitamiseks vajutage päästikule selle vabastamiseks ja seejärel vajutage uuesti päästikule.

Ketipiduri kontrollimine ja kasutamine

Vt leht 20.

Rakendage ketipidur oma vasaku käe pööramisega ümber eesmise käepideme. Kasutades oma käeselga, lükake kangi / käekaitset juhtlatti suunas sel ajal kui kett liigub kiiresti. Hoidke kogu aeg sae käepidemetest kahe käega kinni.

Tagastage ketipidur kangi / käekaitse tõmbamisega esikäepideme suunas tööasendisse kuni on kuulda klõpsatust.



HOIATUS!

Kui ketipidur ei peata koheselt ketti või ei püsi ilma lisaabita tööasendis, viige saag enne selle kasutamist volitatud teeninduskeskusesse remondiks.

Keti pinge seadistus

(vt lk 14 - 15)

Enne mistahes tööde tegemist toote kallal võtke aku välja.

Veenduge, et juhtplaadi kinnitusmutrid on vaid nõrgalt kinni.

Keti pingsuse suurendamiseks keerake keti pingutamiskruvi päripäeva ja kontrollige tihti keti pingsust. Keti pingsuse vähendamiseks keerake keti pingutamiskruvi vastupäeva ja kontrollige tihti keti pingsust.

Keti pinge on õige, kui ketihamba ja plaadi vahe on umbes 6,5 mm. Parim viis keti pinguse mõõtmiseks on tõmmata ketti juhtlatti alaosa keskel alla (juhtlatti eemale) ja mõõta seejärel lati ja keti liugpindade vaheline kaugus.

Ketiõli lisamine

(vt lk 16 - 17)



HOIATUS!

Ärge mingil juhul kasutage ketti ilma õlita. Kui saekett liigub ilma õlita, võib juhtlatt vigastada saada. Seetõttu on oluline kontrollida õli taset õli taseme kontrollaknas korrapäraselt ja iga kord enne kettsae käivitamist.

Saastumise vältimiseks pühkige kütusepaagi korgi ümbrus puhtaks.

Keerake õlipaagi kork lahti ja võtke see maha.

Valage õli paaki, jälgides sealjuures taset paagi vaateakna kaudu. Hoolditsege, et õli sissevalamisel ei satuks paaki mustust.

Pange õlipaagi kork oma kohale tagasi ja keerake lõpuni kinni. Pühkige ära kogu mahasattunud õli.

TRANSPORTIMINE JA HOIUSTAMINE

Enne hoiule panekut või teisaldamist seisake mootor, võtke aku välja ja laske jahtuda.

Puhastage seade kõikidest võõrkehadest. Hoidke kuivas ja hästi ventileeritud kohas, mis on lastele juurdepääsmatu. Hoidke kettsaagi eemal söövitavatest ainetest nagu aiakemikaalid ja jäätõrjevahendid. Ärge hoiustage õues.

Enne kettsae hoiule panekut ja transportimist pange juhtlatile kaitsekate.

Vedamise ajal tõkestage kultivaator liikuma hakkamise ja alla kukkumise vastu, et vältida kehavigastusi ja masinaosade kahjustamist.



HOOLDUS



HOIATUS!

Kasutage üksnes ECHO tarvikuid ja ECHO varuosi. Selle nõude eiramine võib põhjustada, kehavigastuse, tootluse languse ja teile antud garantii tühistamise. Kui on vaja asendada osi, mida siin ei ole kirjeldatud, võtke ühendust ECHO hooldusspetsialistiga.



HOIATUS!

Hooldamine nõuab ülimalt korrrashoidu ja teadmisi ning tuleks teostada ainult kvalifitseeritud hooldustehnikute poolt. Hoolduseks andke seade volitatud hoolduskeskusesse. Muruniiduki hooldamisel kasutage ainult tootja originaalvaruosi.



HOIATUS!

Enne reguleerimist, hooldust või puhastamist eemaldage aku. Muidu võite saada raske kehavigastuse.

- Lubatud on teha ainult selles kasutusjuhendis kirjeldatud reguleerimis- ja parandustoiminguid. Muude remonditööde tegemiseks võtke ühendust volitatud hooldajaga.
- Ebapiisava hoolduse tagajärjel võivad ketipiduris ja teistes ohutusfunktsioonides ilmnedä häired ja sellega tekib tõsise kehavigastuse oht. Hoidke kettsaag hooldatud olekus ja turvalisena.
- Saeketi teritamine nõuab professionaalseid oskusi. See tõttu soovib tootja tungivalt kulunud ja nürri saeketi asendada uuega, mis on saadaval ECHO hoolduskeskusest. Toote number on saadaval selle kasutusjuhendi seadme tehniliste andmete tabelis.
- Järgige saeketi määrimise, keti pinguse ja kontrollimise ning reguleerimise juhiseid.
- Pühkige trimmer pärast iga kasutuskorda pehme kuiva lapiga puhtaks.
- Kontrollige kõiki mutreid, polte ja kruvisid sagedaste intervallidega õige pinguloleku suhtes, et vevenduda seadme ohutus töökorras olemises. Vigastatud osad tuleb lasta pädeval hooldajal parandada või asendada.

Juhtlati ja saeketi asendamine

(vt lk 10 - 13)

Eemaldage aku. Kandke kaitsekindaid.

Eemaldage juhtplaadi kinnitusmutrid kaasasoleva kombivõtme abil.

Eemaldage ketikate.

Võtke saelt ära juhtlatt ja saekett.

Pange uus kett juhtlatile õiges suunas ja vevenduge, et juhtülid on juhtlati soone sees.

Kinnitage juhtlatt saele ja pange keti tagaosa ling ümber keti ajamratta.

Pange ketikate ja juhtplaadi kinnitusmutrid tagasi.

Keerake juhtplaadi kinnitusmutrid käega kinni. Juhikul peab olema pinge seadistamiseks ruumi liikuda.

Reguleerige keti pingus välja. Juhinduge osast "Keti pinguse reguleerimine".

Hoidke juhiku otsa õhus ja pingutage kinnitusmutrid tugevalt.

Ketipiduri kontrollimine ja puhastamine

Vt leht 22.

Hoidke ketipiduri mehhanism puhas ja pühkige hoovastik kergelt harjaga puhtaks.

Kontrollige pärast puhastamist ketipiduri toimimist. Lisateabe saamiseks vaadake kasutusjuhendi osa "Ketipiduri kontrollimine ja kasutamine".

HOOLDUSPLAAN

Igapäevane kontrollimine

Saeplaadi määrimine	Enne iga kasutuskorda
Keti pinge	Enne iga kasutuskorda ja korrapäraselt
Keti teravus	Enne iga kasutuskorda, välise vaatluse teel
Kahjustunud osade suhtes	Enne iga kasutuskorda
Lahtiste kinnitite suhtes	Enne iga kasutuskorda
Keti pidurdamise funktsioon	Enne iga kasutuskorda
Kontrollige ja puhastage	
Juhtlatt	Enne iga kasutuskorda
Kogu saag	peale iga kasutuskorda
Ketipidur	Iga 5 töötunni järel*

*Töötunnid

ASENDUSOSAD

Osa	Tarviku number
Juhik	6000945
Kett	90PX056X

AKUD

■ Kui akut ei ole mõnda ECHOa kasutatud, tuleb see enne kasutamist uuesti laadida.

■ Temperatuurid üle 50 °C vähendavad aku jõudlust. Vältige pikaajalist kokkupuudet kuumuse ja päikesega (ülekuumenemise oht).

- Laadijate ja akude kontaktid tuleb hoida puhtana.
- Optimaalse kasutusaja jaoks tuleb aku pärast kasutamist täis laadida.
- Et tagada aku pikim kasutusECHO, eemaldage täislaetud aku laadijast.

Aku hoiustamisel üle 30 päeva tehke järgmist.

- Hoidke akut kuivas kohas temperatuuril alla 27°C.
- Hoiustage akut laadimisolekus 30% - 50%.
- Pärast iga kuue kuu möödumist laadige akud tavalisel viisil.

LIITIUMAKUDE TEISALDAMINE

Liitiumioonakule kehtib ohtlike kaupade seadusandlus.

Nende akude transportimisel peab järgima kohalikke, riiklikke ja rahvusvahelisi sätteid ja määruseid.

- Tavakasutajale ei ole kehtestatud akude maanteetranspordiks erinõudeid.
- Ärilisel eesmärgil toimuvale liitium-ioonakude transpordile kolmandate isikute poolt kohalduvad ohtlike kaupadega seotud eeskirjad. Veoks ettevalmistamist ja vedu tohivad korraldada ainult vastava väljaõppega töötajad pädevate asjatundjate järelevalve all.

Akude transportimisel:

- Veenduge, et aku kontaktklemmid on nii kaitsstud ja isoleeritud, et lühiühendus on vedamise ajal välditud.
- veenduge, et aku ei liiguks pakendis.
- Ärge transportige pragunenud või lekkivaid akusid.

Küsige lisateavet transportettevõttelt.

SÜMBOLID



Ohutusalane teave



Enne seadmega töö alustamist lugege kõik juhised hoolikalt läbi ja pidage kinni hoiatustest ja ohutusega seotud juhistest.



Kandke silma- ja kuulmiskaitsevahendeid ning kiivrit.



Kandke selle toote kasutamisel alati libisemiskindlaid turvajalatsaid.



Kandke libisemiskindlaid, tugevdatud kaitsekindaid.



Hoiduge saeketi tagasilöögi eest ja kokkupuutest saelati otsaga.



Ärge jätke vihma kätte või kasutage niiskes kohas.



Hoidke ja kasutage saagi korralikult mõlema käega.



Ärge kasutage saagi ainult ühe käega.



Seadke ketipidur asendisse RUN.



Seadke ketipidur asendisse BRAKE.



Garanteeritud helivõimsuse tase on 106 dB



Ukraina vastavusmärgis



Euraasia vastavusmärk



Mittekasutatavaid elektritooteid ei tohi visata olmejäätmete hulka. Vaid tuleb viia vastavasse kogumispunkti. Vajadusel küsige sellekohast nõu oma edasimüüjalt või vastavalt kohaliku omavalitsuse institutsioonilt.



Vastab kõigile eeskirjadele EL-i liikmesriigis, kus toode on ostatud.

Järgnevad märksõnad ja selgitused on mõeldud selle toote kasutamisega seotud riskitasemete kirjeldamiseks.



OHT.

Viitab kohe tekkivale ohtlikule situatsioonile, mis, kui ei väldita, lõpeb surma või tõsise vigastusega.



HOIATUS

Viitab võimalikule ohtlikule situatsioonile, mis, kui ei väldita, võib lõppeda surma või tõsise vigastusega.



ETTEVAATUST

Viitab võimalikule ohtlikule situatsioonile, mis, kui ei väldita, võib lõppeda väiksemate või keskmiste vigastusega.

ETTEVAATUST

Ilma hoiatussümbolita

Osutab olukorrale, mis võib põhjustada varakahju.



TEHNIČKI PODACI

MOTORNA PILA

ECCS-58V

Serijski broj	17402201000001 - 17402201999999
Nazivni napon	51,1 V, 58 V maksimalno
Maks. duljina šipke	400 mm
Kapacitet spremnika ulja za lanac	177 ml
Težina (Bez baterije, s vodicom, lancem i praznim spremnikom)	4,83 kg
Težina (s baterijom kapaciteta 4,0 Ah)	6,73 kg
Težina (s baterijom kapaciteta 2,0 Ah)	6,03 kg
Maksimalna brzina bez opterećenja	21 m/s
Korisna duljina vodilice	250 mm
Razina emisija buke (u skladu s EN 60745-1, EN 60745-2-13)	
Ponderirana razina zvučne snage na položaju operatera. (L_{PA})	94,5 dB(A)
K_{PA} :	2,5 dB(A)
Ponderirana razina zvučne snage (L_{WA})	105,5 dB(A)
K_{WA} :	2,5 dB(A)
Razina vibracija (u skladu s EN 60745-1; EN 60745-2-13) (sprijeda/straga)	2,1 / 2,8 m/s ² K = 1,5 m/s ²

EN
FR
DE
ES
IT
NL
PT
DA
SV
FI
NO
RU
PL
CS
HU
RO
LV
LT
ET
HR
SL
SK
BG
UK
TR

BATERIJA I PUNJAČ

ECCS-58V

Kompatibilna pakiranja baterija	ECBP-58V40 / ECBP-58V20
Kompatibilni punjači	ECBC-58VEU / ECBC-58VUK



UPOZORENJE!

Razina emisije vibracija navedena u ovoj tablici s informacijama izmjerena je u skladu sa standardiziranim testom opisanim u normi EN 60745 i može se koristiti za usporedbu jednog alata s drugim. Može se koristiti za preliminarnu procjenu izloženosti.

Deklarirana vrijednost razine emisije vibracija predstavlja glavne primjene alata. Međutim, ako se alat koristi za druge primjene, s različitim dodacima ili ako se loše održava, emisija vibracija se može razlikovati od navedene vrijednosti. Ovo može uzrokovati značajno povećanje razine izloženosti u ukupnom vremenu rada alatom.

Procjena razine izloženosti vibracijama također bi trebala uzeti u obzir i vrijeme u kojem je alat isključen ili radi, ali se ne koristi za obavljanje radnje. Ovo može uzrokovati značajno smanjenje razine izloženosti u ukupnom vremenu rada alatom.

Za zaštitu operatera od djelovanja vibracija odredite dodatne zaštitne mjere, primjerice: održavajte alat i dodatke za alat, održavajte ruke toplima, organizirajte radne uzorke.

OPĆA SIGURNOSNA PRAVILA



UPOZORENJE!

Pročitajte sva sigurnosna upozorenja i sve upute. Nepridržavanje upozorenja i uputa može izazvati strujni udar, požar i/ili ozbiljne ozljede.

Sačuvajte ova upozorenja i upute kako biste ih naknadno mogli konzultirati.

Pojam „električni alat“ u upozorenjima odnosi se na vaš glavni alat (napajanje preko kabela) ili električni alat koji se napaja preko baterije (bez kabela).

RADNA OKOLINA

Držite radni prostor čistim i dobro osvijetljenim. Zatrpani i neosvijetljeni radni prostori izazivaju nezgode.

Nemojte rukovati električnim alatima u eksplozivnim atmosferama u kojima su prisutne zapaljive tekućine, plinovi ili prašina. Električni alati stvaraju iskre koje mogu zapaliti prašinu ili pare.





Tijekom rada s električnim alatom držite podalje djecu i promatrače. Ometanje može dovesti do toga da izgubite kontrolu.

ELEKTRIČNA SIGURNOST

Utikači električnog alata moraju odgovarati utičnici. Nikada nemojte modificirati utikače ni na koji način. Nemojte koristiti nikakve adapter utikače s uzemljenim električnim alatima. Originalni utikači i odgovarajuće utičnice smanjuju opasnost od strujnog udara.

Izbjegavajte kontakt tijela s uzemljenim površinama poput cijevi, radijatora, štednjaka i hladnjaka. Ako je vaše tijelo uzemljeno, povećava se opasnost od strujnog udara.

Nemojte proizvod izlagati kiši ili vlažnim uvjetima. Ulazak vode u električni alat povećava opasnost od strujnog udara.

Nemojte zlorabiti kabel. Nikada nemojte koristiti kabel za nošenje, povlačenje ili isključivanje električnog alata. Držite kabel podalje od topline, ulja, oštih rubova ili pokretnih dijelova uređaja. Oštećeni ili zapleteni kabeli povećavaju opasnost od strujnog udara.

Kada radite s električnim alatom na otvorenom, koristite produžni kabel prikladan za rad na otvorenom. Korištenje kabela prikladnog za rad na otvorenom smanjuje opasnost od strujnog udara.

Ako se ne može izbjeći rad s električnim alatom u vlažnoj lokaciji koristite FID sklopku (RCD uređaj) za zaštitu napajanja. Korištenje RCD uređaja smanjuje opasnost od električnog udara.

OSOBNA SIGURNOST

Budite na oprezu, gledajte to što radite i pri radu s električnim alatom koristite zdrav razum. Nemojte koristiti električni alat kad ste umorni ili pod utjecajem droge, alkohola ili lijekova. Trenutak nepažnje pri radu s električnim alatima može dovesti do teških osobnih ozljeda.

Koristite osobnu zaštitnu opremu. Uvijek nosite zaštitna sredstva za oči. Zaštitna oprema poput maske za prašinu, zaštitna obruca sa zaštitom od klizanja, kaciga ili zaštita za uši koja se koristi u odgovarajućim uvjetima smanjuje osobne ozljede.

Spriječite slučajno pokretanje. Osigurajte da je prije priključivanja na izvor napajanja i/ili baterije, podizanja ili nošenja alata, sklopka u položaju OFF (isključeno). Nošenje električnog alata s vašim prstom na sklopki ili uključivanje električnih alata sa sklopkom postavljenom na položaj on (uključeno) dovodi do nezgoda.

Prije uključivanja električnog alata uklonite sve klinove za podešavanje i ključeve. Ključ ili klin ostavljen priključen na rotirajućem dijelu električnog alata može dovesti do osobne ozljede.

Ne sežite preko određene granice. Cijelo vrijeme držite pravilno uporište i ravnotežu. Ovo u neočekivanim situacijama omogućuje bolju kontrolu nad električnim alatom.

Pravilno se odjenite. Nemojte nositi široku odjeću ili nakit. Kosu, odjeću i rukavice držite podalje od pokretnih dijelova. Široka odjeća, nakit ili dugačka kosa mogu biti zahvaćeni u pokretne dijelove alata.

Ako su uređaji opremljeni s priključkom aparata za odvajanje i prikupljanje prašine, osigurajte da su oni priključeni i pravilno korišteni. Korištenje uređaja za sakupljanje prašine smanjuje opasnosti vezane uz prašinu.

KORIŠTENJE I BRIGA O ELEKTRIČNOM ALATU

Nemojte proizvod koristiti iznad njegovih mogućnosti. Za vašu primjenu koristite točan električni alat. Točan električni alat bolje će i sigurnije uraditi posao u odnosu za što je namijenjen.

Nemojte koristiti električni alat ako ga sklopka pravilno ne uključuje i isključuje. Svaki električni alat koje se ne može kontrolirati pomoću sklopke je opasan i mora se popraviti.

Prije nego što izvršite bilo kakva podešavanja, zamijenite dodatni pribor ili pohranite električne alate, odspojite utikač iz izvora napajanja i/ili bateriju iz električnog alata. Ovakve preventivne sigurnosne mjere smanjuju opasnost od slučajnog pokretanja električnog alata.

Električne alate pohranite u stanju mirovanja izvan dohvata djece i ne dopustite rad s električnim alatom osobama koje nisu upoznate s električnim alatom ili ovim uputama. Električni alati su opasni u rukama nestručnih korisnika.

Održavanje električnih alata. Provjerite radi pogrešnog poravnanja ili savijanja pokretnih dijelova, puknuća dijelova i drugih uvjeta koji mogu utjecati na rad električnog alata. Ako je oštećen, električni alat prije korištenja popravite. Većina nezgoda uzrokovano je od strane električnih alata koji su slabo održavani.

Rezne alate držite oštirim i čistim. Pravilno održavanim reznim alatima s oštirim rubovima za rezanje, manja je vjerojatnost zahvaćanja i lakše se kontroliraju.

Koristite električni alat, pribor i dijelove alata itd., u skladu s ovim uputama i uzevši u obzir radne uvjete i rad koji treba izvršiti. Korištenje električnog alata za radove drugačije od njegove namjene može dovesti do opasne situacije.

KORIŠTENJE I BRIGA O AKU ALATU

Punite samo s punjačem navedenim od proizvođača. Punjač koji je prikladan za jednu vrstu baterija može dovesti do opasnosti od požara kada se koristi s drugom baterijom.

Koristite AKU alate samo s posebno naznačenim baterijama. Korištenje bilo kojih drugih baterija dovodi do opasnosti od ozljeda i požara.

Kada se baterija ne koristi držite je dalje od drugih metalnih predmeta kao što su spajalice za papir, kovanice, ključevi, čavli, vijci ili drugi mali metalni predmeti koji mogu spojiti jedan pol na drugi. Kratki spoj polova baterije može izazvati opekotine ili požar.





Pod uvjetima loma može doći do izbacivanja tekućine iz baterije, izbjegavajte kontakt. Ako dođe do nehotičnog kontakta, isperite to mjesto s vodom. Ako tekućina dospije u oči, dodatno potražite liječničku pomoć. Tekućina koja istječe iz baterije može dovesti do iritacije ili opekotina.

ODRÆAVANJE

Neka vaš električni alat servisira kvalificirana osoba za popravak koristeći samo identične zamjenske dijelove. Ovo će osigurati da se održi sigurnost električnog alata.

DODATNA OPĆA SIGURNOSNA UPOZORENJA

Neke regije imaju pravila koja ograničavaju korištenje proizvoda. Provjerite kod lokalnih tijela za savjet.

Nikada nemojte dopustiti korištenje ovog proizvoda djeci ili osobama koje nisu upoznate s ovim uputama. Moguće je da lokalni propisi propisuju starosnu dob rukovatelja.

Osigurajte prije svakog korištenja da svi upravljački elementi i sigurnosni uređaji pravilno funkcioniraju. Ne koristite proizvod ako sklopka „isključeno“ ne zaustavlja motor.

Nosite punu opremu za zaštitu očiju i sluha, jake čvrste rukavice, kao i zaštitu za glavu dok radite s proizvodom; koristite masku za lice, ako je prašnjav rad.

Nemojte nositi široku odjeću, kratke hlače ili nakit bilo kakve vrste.

Osigurajte dugu kosu na način da je iznad razine ramena kako biste spriječili zahvaćanje u pokretne dijelove.

Čuvajte se odbačenih, letećih ili padajućih predmeta. Držite promatrače, djecu i kućne ljubimce 15 m dalje od područja rada.

Nemojte raditi u slabom osvjetljenju. Operateru treba jasan pogled radnog područja kako bi identificirao potencijalne opasnosti.

Korištenje zaštite za sluh smanjuje vašu mogućnost da čujete upozorenja (viku ili alarme). Rukovatelj mora obratiti posebnu pozornost na to što se događa u radnom području.

Rad u blizini sličnim alatom dovodi do opasnosti povreda sluha i mogućim ulaskom drugih osoba u radno područje.

Zauzmite čvrst stav i ravnotežu. Ne sežite preko određene granice. Naginjanje preko ruba može dovesti do gubitka ravnoteže i može povećati opasnost povratnog udara.

Držite sve dijelove tijela dalje od svih pokretnih dijelova.

Prije korištenja provjerite uređaj. Provjerite ispravnost rada svih kontrola uključujući kočnicu lanca. Provjerite sve olabavljene zatezače, osigurajte da su svi štitnici, deflektori i ručke pravilno i čvrsto priključeni. Prije korištenja zamijenite sve oštećene dijelove.

Nemojte modificirati uređaj ni na koji način ili koristiti dijelove ili dodatni pribor koje nije preporučio proizvođač.



UPOZORENJE!

Ako je proizvod ispao, pretrpio težak udar ili abnormalno vibrira, odmah zaustavite proizvod i provjerite na oštećenje ili identificirajte uzrok vibracija. Svaki oštećeni dio trebao bi pravilno popraviti ili zamijeniti ovlašteni servisni centar.

Ne odlažite iskorištenu bateriju u kućni otpad ili ih spaljivati. Kako bi doprinijeli zaštiti okoliša, distributeri tvrtke ECHO nude mogućnost povrata starih baterija.

Nemojte pohranjivati bateriju uređaja zajedno s metalnim predmetima (opasnost od kratkog spoja).

Za punjenje baterija uređaja koristite isključivo punjač ECBC-58VEU/ECBC-58VUK. Nemojte koristiti baterije s drugih sustava.

Kompatibilna pakiranja baterija: ECBP-58V40, ECBP-58V20

U uvjetima ekstremnog opterećenja ili ekstremnih temperatura može doći do curenja kiseline iz oštećenih baterija. U slučaju dodira s kiselinom iz baterije, mjesto dodira odmah isperite sapunom i vodom. U slučaju dodira kiseline s očima, temeljito ispirite oči 10 minuta i odmah potražite liječničku pomoć.

Dva sigurnosna vijka mača pile su osjetljive točke elektrostatičkog pražnjenja prilikom uporabe. Korisnik treba otpustiti okidač sklopke radi ponovnog pokretanja proizvoda, ako se on zakoči zbog elektrostatičkog pražnjenja.

SIGURNOSNA UPOZORENJA VEZANO ZA PILU

Tijekom rada s proizvodom, sve dijelove tijela držite podalje od lanca pile. Prije pokretanja pile provjerite da lanac pile ne dodiruje ništa. Trenutak nepažnje prilikom rukovanja s pilama može dovesti do zahvaćanja vaše odjeće ili tijela s lancem pile.

Uvijek držite pilu vašom desnom rukom na stražnjoj ručki i vašom lijevom rukom na prednjoj ručki. Držanje pile obrnutim rukama povećava opasnost od osobnih ozljeda i nikada tako ne treba raditi.

Proizvod držite isključivo za izolirane površine za hvatanje, pošto lanac pile može dotaknuti skriveno ožičenje uređaja. Dodirivanje „žive“ žice lancem pile može izložiti metalne dijelove alata električnoj energiji i dovesti do strujnog udara na operatera.

Nosite zaštitne naočale i zaštitu za sluh. Preporuča se dodatna zaštitna oprema za glavu, ruke, noge i stopala. Odgovarajuća zaštitna odjeća smanjit će osobne ozljede od letećih krhovina ili slučajnog dodira s lancem pile.

Nemojte raditi s pilom na stablu. Rad s pilom dok ste na stablu može dovesti do osobnih ozljeda.

Uvijek držite pravilno uporište i radite s pilom samo kada stojite na čvrstoj, sigurnoj i ravnoj površini. Skliska ili nestabilna površina kao što su ljestve, može

EN
FR
DE
ES
IT
NL
PT
DA
SV
FI
NO
RU
PL
CS
HU
RO
LV
LT
ET
HR
SL
SK
BG
UK
TR





dovesti do gubitka ravnoteže ili kontrole pile.

Kada režete granu koja je zategnuta pazite se povratnog udara. Kada je zategnutost vlakana u drvetu otpuštena, zategnuta grana može udariti operatera i/ili nekontrolirano odbaciti pilu.

Poduzmite posebne mjere opreza prilikom rezanja žbunja ili mladica. Tanki materijal može se zahvatiti lancem pile i biti odbačen prema vama ili vas izbaciti iz ravnoteže.

Nosite isključenu pilu držeći je za prednju ručku i dalje od tijela. Kada transportirate ili skladištite pilu uvijek postavite pokrov vodilice lanca. Pravilno rukovanje pilom smanjit će vjerojatnost slučajnog dodira s pokretnim lancem pile.

Slijedite upute za podmazivanje, zatezanje lanca i promjenu dodatnog pribora. Nepravilno zategnut ili podmazan lanac može puknuti ili povećati šansu za povratni udar.

Održavajte ručke suhim, čistim i da na njima nema ulja i masti. Umašćene i nauljene ručke su skliske i mogu dovesti do gubitka kontrole.

Režite samo drva. Nemojte koristiti pilu za svrhe za koje nije namijenjena. Primjerice, nemojte koristiti pilu za rezanje plastike, zidarija ili materijala za gradnju koji nisu od drva. Korištenje pile za radove drugačije od njezine namjene može dovesti do opasne situacije.

Uzroci i mjere operatera za sprečavanje povratnog udara:

Može doći do odskakivanja ako kraj vodilice lanca dođe u dodir s nekim predmetom ili ako se lanac priklješti i blokira u drvetu tijekom rezanja.

Dodir u nekim slučajevima može dovesti do iznenadne povratne reakcije, odbacivanja vodilice lanca prema gore i unatrag prema operateru.

Prignječenje lanca pile uzduž gornje strane vodilice može brzo gumuti vodilicu unatrag prema rukovatelju.

U oba slučaja možete izgubiti nadzor nad motornom pilom i teško se ozlijediti. Nemojte se pouzdati samo u zaštitu koja je integrirana u motornu pilu. Morate poduzeti i dodatne mjere kako biste izbjegli opasnost od nezgoda i ozljeda.

Povratni udar je rezultat nepravilnog korištenja i/ili nepravilnih postupaka rukovanja ili uvjeta i može se izbjeći tako da se poduzmu pravilne mjere opreza navedene u nastavku:

Održavajte čvrsti stisak, s palčevima i prstima koji okružuju ručke pile, s obje ruke na pili i u položaju tijela i ramena koji vam omogućuje otpor silama povratnog udara. Ako su poduzete pravilne mjere opreza sile povratnog udara mogu biti kontrolirane od strane operatera. Nemojte ispustiti pilu.

Nemojte se naginjati preko ruba i nemojte rezati iznad visine ramena. Ovo pomaže u sprečavanju nenamjernih dodira i omogućuje bolju kontrolu pile u neočekivanim situacijama.

Koristite samo zamjenske vodilice i lance navedene od proizvođača. Nepravilna zamjena vodilica ili lanaca može dovesti do puknuća lanca i/ili povratnog udara.

Poštujte upute proizvođača vezane uz brušenje i održavanje lanca. Smanjenje visine limitatora dubine može dovesti do povećanja povratnog udara.

DODATNA SIGURNOSNA UPOZORENJA ZA PILU

Preporučuje se da kada po prvi puta radite s proizvodom trupce režete na konju za rezanje ili postolju.

Osigurajte da su svi štitnici, ručke i šiljci odbojnika pravilno pričvršćeni i da su ispravni.

Osobe koje koriste ovaj proizvod trebaju biti zdrave. Proizvod je težak, stoga rukovatelj mora biti u dobroj tjelesnoj formi. Operater treba biti oprezan, imati dobar vid, pokretljivost, ravnotežu i spretnost. Ako niste sigurni, ne radite s proizvodom.

Ne započinite s radom ako nemate čisto radno područje i planirani put izvlačenja od padajućeg stabla.

Pazite se maglice od sredstva za podmazivanje i prašine od pile. Po potrebi nosite masku ili respirator.

Ne režite vinovu lozu i/ili nisko raslinje (manje od 75 mm u promjeru).

Za vrijeme rada proizvod uvijek držite čvrsto, s obje ruke. Čvrsto držite motornu pilu tako da vaši prsti obujme ručke. Desna ruka mora biti na stražnjoj ručki, a lijeva ruka na prednjoj ručki.

Prije pokretanja proizvoda osigurajte da lanac pile nije u dodiru s okolnim predmetima.

Ne modificirajte proizvod ni na koji način ili ga ne koristite za pokretanje nekih priključaka ili uređaja koje ne preporučuje proizvođač za vaš proizvod.

Pored operatera treba postojati komplet za prvu pomoć koji sadrži velike obloge za rane i sredstvo za prizivanje pomoći (npr. zviždaljka). Mnogo veći, sadržajiji komplet treba biti također blizu.

Cijelo vrijeme dok radite proizvodom obavezno nosite zaštitnu kacigu. Zaštitna kaciga s mrežastim vizorom pomaže u smanjivanju rizika od ozljeda lica i glave u slučaju povratnog udara.

Nepravilno zategnut lanac može iskočiti iz vodilice i dovesti do ozbiljnih ili fatalnih ozljeda. Duljina lanca ovisi o temperaturi. Često provjeravajte zategnutost.

Trebate se naviknuti na rad sa svojom novom pilom radeći jednostavne posjekotine na sigurno podložnom drvetu. Ovo uvijek činite kada neko vrijeme niste radili s pilom.

Za smanjenje opasnosti od povreda povezanih s dodiranjem rotirajućih dijelova, uvijek zaustavite motor, primijenite kočnicu lanca, uklonite bateriju i provjerite da su svi pokretni dijelovi zaustavljeni prije:

- čišćenje i odblokiravanje
- ostavljanje proizvoda bez nadzora
- ugradnje ili uklanjanja priključaka





- provjere, održavanja ili rada na uređaju

Površina zona rada ovisi o poslu koji trebate obaviti kao i o visini drveta ili komada koji obrađujete. Primjerice, padajuća stabla trebaju veće radno područje od drugih rezanja, npr. rezanja na mjeru itd.

Operater treba biti upozoren i imati pod kontrolom sve događaje u području rada.

Nemojte rezati s tijelom u liniji s vodilicom o lancem. Ako dođe do povratnog udara ovo će pomoći spriječiti da lanac dođe u dodir s vašom glavom ili tijelom.

Nemojte koristiti stražnji i prednji pokret rezanja, pustite da lanac radi, održavajte lanac oštirim i ne pokušavajte gurnuti lanac kroz rez.

Ne primjenjujte silu na motornu pilu na kraju rezanja. Spremite se da preuzmete težinu pile kad prođe kroz drvo. Nepoštivanje ove upute može dovesti do mogućih ozbiljnih osobnih ozljeda.

Ne zaustavljate pilu usred rezanja. Neka se pila pokreće iako je već uklonjena iz reza.

Guranje i povlačenje

Reakcijska snaga uvijek se ostvaruje u suprotnom smjeru od smjera okretanja lanca. Dakle, operater mora biti spreman za kontrolu tendencije uređaja povlačenje dalje (prema naprijed) prilikom rezanja na donjem rubu vodilice i pritiska unatrag (prema operateru) prilikom rezanja uz gornji rub.

Zaglavljenje pile u rezu

Zaustavite pilu i osigurajte je. Ne pokušavajte silom izvući lanac i vodilicu iz reza jer će to dovesti do pucanja lanca koji se može okrenuti natrag i udariti operatera. Do ove situacije obično dolazi jer je drvo krivo poduprto i rez se prisiljava da se zatvori pod pritiskom čime štipa oštricu. Ako podešavanje potpornja ne oslobodi vodilicu i lanac, koristite drvene klinove ili polugu za otvaranje reza i oslobađanje pile. Nikada ne pokrećite pilu ako je vodilica već u rezu ili usjeku.

Osobna zaštitna oprema

Kvalitetna, osobna zaštitna oprema kakvu koriste profesionalci pomaže smanjiti opasnost od ozljeda operatera. Sljedeće predmete treba koristiti prilikom korištenja pile:

Sigurnosna kaciga

- treba biti u skladu s EN 397 i označena CE

Zaštita za sluh

- treba biti u skladu s EN EN 352-1 i označena CE

Zaštita za vid i lice

- treba imati oznaku CE i biti u skladu s EN 166 (za sigurnosno staklo) ili EN 1731 (za mrežne vizire)

Rukavice

- treba biti u skladu s EN381-7 i označena CE

Zaštita nogu (navlake preko hlača)

- treba biti u skladu s EN381-5, označena CE i pružati potpunu zaštitu.

Zaštitna obuća za rad s pilom

- treba biti u skladu s EN ISO 20345:2004 i treba biti označena sa prikazom štitnika za pilu kako bi prikazala da je u skladu s EN 381-3. (Povremeni korisnici mogu koristiti čelične zaštitne čizme sa zaštitnim potkoljenicama koje udovoljavaju normi EN 381-9, ako je tlo ravno i mala je opasnost saplitanja ili zahvaćanja raslinja)

Jakne za rad s pilom za zaštitu gornjeg dijela trupa

- treba biti u skladu s EN EN 381-11 i označena CE

UPUTE PODRAZUMIJEVAJU PRAVILNE TEHNIKE OSNOVA OBARANJA, OBREZIVANJA I REZANJA U KOSO

Razumijevanje sila u drvetu

Kada razumijete smjerove tlaka i stresa unutar drveta, možete smanjiti „prignječenja“ ili ih očekivati tijekom rezanja. Naprezanja u drvetu znače da se vlakna razdvajaju te da ako režete u ovom području „usjek“ ili rez se može otvoriti jer pila prolazi kroz njega. Ako je trupac oslonjen na konju za rezanje, a kraj visi neoslonjen preko ruba, dolazi do naprezanja na gornjoj površini jer težina prekomjernog vješanja napreže vlakna trupaca. Isto tako, donja strana trupca će biti pod pritiskom i vlakna se guraju zajedno. Ako režete u ovom području usjek će nastojati da se zatvori tijekom rezanja. Ovo će prignječiti oštricu.

Obaranje stabala

Pogledajte sliku 1 - 6.

Kada se radovi rezanja trupca na određenu duljinu i obaranja istovremeno izvode od strane dvije ili više osoba, radovi obaranja trebaju biti odvojeni od radova rezanja trupca na određenu duljinu na udaljenosti od najmanje dvije duljine visine stabla koje se obara. Stabla se ne smiju obarati na način da dovedu u opasnost bilo koju osobu, udare bilo koju komunalnu uslužnu liniju ili uzrokuju neku štetu na vlasništvu. Ako stablo dođe u kontakt s bilo kojom komunalnom uslužnom linijom, odmah treba obavijestiti nadležnu komunalnu službu.

Ako je teren na padini, uvijek budite na višem dijelu terena jer se stablo može otkotrljati ili skliznuti niz padinu kad se obori.

Put za uzmak treba planirati i po potrebi očistiti prije nego rezanje započne. Put za uzmak treba se protezati unatrag i dijagonalno na stražnju liniju očekivanog pada.

Prije nego obaranje započne, za ocjenu kuda bi stablo moglo pasti uzmite u obzir prirodno naginjanje stabla, lokaciju većih grana i smjer vjetra.

Uklonite blato, kamenje, koru drveta, čavle, spojnice i žicu sa stabla.

Nemojte pokušavati obarati drveće koje je trulo ili oštećeno naletima vjetra, vatre, udarom groma, i sl.

To je iznimno opasno i takve zadaće smiju obavljati samo





profesionalni drvosječe.

1. Urezivanje podsijecanjem

Pogledajte sliku 1 - 6.

Napravite urez od 1/3 promjera stabla okomito na smjer pada. Najprije učinite donji vodoravni urez. Ovo pomaže da kada napravite drugi urez izbjegnute prignječene lanca pile ili vodilice.

2. Stražnji rez za obaranje

Pogledajte sliku 1 - 6.

Učinite stražnji rez za obaranje najmanje 50 mm/2 više od vodoravnog reza urezivanja. Neka stražnji rez za obaranje bude paralelan na vodoravni rez urezivanja. Napravite stražnji rez za obaranje tako da ostane dovoljno drveta da djeluje kao zglob. Drveni zglob stabla drži stablo od uvrtanja i padanja u krivom smjeru. Nemojte rezati kroz zglob.

Kako se rez za obaranje bliži prema zglobu, stablo počinje padati. Ako postoji ikakva šansa da stablo možda ne padne u željenom smjeru ili se možda zaljulja unazad i zahvati lanac pile, prestanite rezati prije završetka stražnjeg reza za obaranje i upotrijebite drvene, plastične ili aluminijske klinove kako biste otvorili rez i pustili stablo uzduž željene linije pada.

Kada stablo počne padati uklonite pilu iz reza, zaustavite motor, odložite pilu i povucite se planiranim putem. Pazite na padajuće grane iznad glave i gledajte gdje stajete.

Rezanje potpornog korijenja

Pogledajte sliku 7 - 8.

Potporno korijenje je veliko korijenje koje viri iz stabla drveta iznad zemlje. Odrežite velike korjene prije nego što počnete s obaranjem. Prvo načinite vodoravni usjek u potpornom korijenu, a zatim okomiti. Oslobodite tako izrezani dio iz zone rada. Nastavite s obaranjem nakon što ste uklonili potporno korijenje.

Rezanje trupca na određenu duljinu

Pogledajte sliku 9 - 11.

Trupci se režu na određene duljine. Vrlo je važno da ste sigurni da je vaše uporište čvrsto i da je vaša težina jednako raspoređena na oba stopala. Kada je to moguće, trupac bi trebalo podignuti i poduprijeti granama, trupcima ili klinovima. Za lakše rezanje slijedite jednostavne upute: Kada je trupac podložen uzduž cijele duljine, reže se s gornje strane (preko trupca).

Kada je trupac podložen s jednog kraja, reže se 1/3 promjera od donje strane (ispod trupca). Potom izvršite završni rez preko trupca kako biste susreli prvi rez.

Kada je trupac podložen s oba kraja, reže se 1/3 promjera od gornje strane (ispod trupca). Potom izvršite završni rez s donje strane manje 2/3 kako biste susreli prvi rez.

Kada režete trupac na kosini, uvijek stanite na gornju stranu trupca. Kada „režete kroz trupac“, za održavanje potpune kontrole otpustite pritisak rezanja blizu kraja reza bez opuštanja zahvata na ručkama pile. Ne dozvolite da lanac dodiruje zemlju. Nakon dovršetka reza pričekajte da se zaustavi lanac pile prije nego maknete pilu. Prije

prebacivanja sa stabla na stablo uvijek zaustavite pilu.

Obrezivanje stabla

Pogledajte sliku 12 - 13.

Obrezivanje je uklanjanje grana s palog stabla. Prilikom obrezivanja ostavite velike niže grane da podupiru trupac sa zemlje. Uklonite male grane u jednom rezu. Grane koje su zategnute treba rezati odozdo prema gore kako bi se izbjeglo zahvaćanje lanca pile.

Našpanovano (zategnuto) drvo

Pogledajte sliku 14 - 15.

Savijeno šiblje je grana, panj bez korijena ili grm koji je savijen zbog nekog drugog komada drveta, tako da se naglo otpušta kad odrežemo ili uklonimo komad tog drveta koji ga drži.

Panj bez korijena oborenog stabla vrlo se lako može odvojiti od debla i vratiti u okomit položaj tijekom rezanja kako bi ga odvojio od trupla. Pazite na savijeno šiblje, opasno je.



UPOZORENJE!

Savijeno šiblje je opasno je jer vas može udariti i možete izgubiti kontrolu nad motornom pilom. Što može dovesti do teških ili smrtonosnih ozljeda. Ovo trebaju vršiti obučeni korisnici.

DODATNA SIGURNOSNA UPOZORENJA ZA BATERIJU



UPOZORENJE!

Zbog izbjegavanja opasnosti od požara jednim kratkim spojem, opasnosti od ozljeda ili oštećenja proizvoda, alat, izmjenjivi akumulator ili napravu za punjenje ne uronjavati u tekućine i pobrinite se za to, da u uređaje ili akumulator ne prodiru nikakve tekućine. Korozirajuće ili vodljive tekućine kao slana voda, određene kemikalije i sredstva za bijeljenje ili proozvodi koji sadrže sredstva bijeljenja, mogu prouzročiti kratak spoj.

OSTALE OPASNOSTI

Čak i kad je proizvod korišten kao što je prethodno opisano, još uvijek nije moguće potpuno isključiti ostale čimbenike opasnosti. Može doći do sljedećih opasnosti prilikom korištenja i operater mora obratiti posebnu pozornost kako bi izbjegao sljedeće:

- Ozljede uzrokovane vibracijom
 - Koristite točan alat za posao. Koristite označene ručke. Ograničite radno vrijeme i izloženost.
- Izlaganje buci može izazvati povredu sluha.
 - Nosite zaštitu za sluh i ograničite izloženost



- povrede od kontakta s izloženim zubima na lancu pile
- povrede uzrokovane odbacivanjem dijelova izratka (drveno iverje i odlomci)
- Ozljede uzrokovane udisanjem prašine ili čestica
- povrede uzrokovane dodiranjem kože sa sredstvom za podmazivanje

SMANJENJE OPASNOSTI

Prijavljeno je da vibracije alata koje se drži u ruci kod određenih pojedinaca mogu doprinijeti stanju pod nazivom Raynaud's Syndrome. Simptomi mogu uključivati trnce, ukočenost i bjelinu prstiju, obično uočljivo po izlaganju hladnoći i vlazi, dijeta, pušenje i radni postupci pridonose razvoju ovih simptoma. Postoje mjere koje operator može poduzeti kako bi smanjio moguće učinke vibracije:

- Održavajte svoje tijelo toplim u hladnim vremenskim uvjetima. Kad radite s uređajem nosite rukavice kako biste ruke i zglobove održavali toplima.
- Nakon svakog perioda rada vježbajte kako biste povećali cirkulaciju krvi.
- Uzimajte česte stanke u radu. Ograničite količinu izlaganja po danu.
- Zaštitne rukavice dostupne od dobavljača opreme profesionalnih pila su posebno dizajnirane za pilu, te pružaju zaštitu, dobro držanje i smanjuju učinak vibracije na ručku.

Ako osjetite neke od simptoma ovog stanja, odmah prekinite korištenje i obratite se svome liječniku vezano uz ove simptome.



UPOZORENJE!

Povrede mogu biti uzrokovane ili zadobivene produljenim korištenjem alata. Kada koristite bilo koji alat dulje vremena, osigurajte da uzimate povremene stanke.

NAMJENA

Uređaj je namijenjen samo za korištenje na otvorenom. Zbog sigurnosnih razloga, proizvod mora biti adekvatno upravljan pomoću dvije ruke u svakom trenutku.

Ovaj proizvod namijenjen je za rezanje grana, stabala, trupaca ili debla do promjera prema duljini vodilice lanca. Namijenjena je samo za rezanje drva. Namijenjena je za korištenje u domaćinstvu od strane odraslih osoba koje su dobile adekvatnu obuku o opasnostima i preventivnim mjerama/radnjama koje treba poduzeti tijekom korištenja.

Nije namijenjen za korištenje u svrhu profesionalne obrade stabala. Proizvod ne smiju koristiti djeca ili osobe koje ne nose odgovarajuću zaštitnu odjeću i obuću.

Proizvod ne koristite ni za kakvu svrhu koja nije navedena u dijelu Predviđena namjena.



UPOZORENJE!

Prilikom korištenja proizvoda moraju se slijediti sigurnosna pravila. Radi vaše i sigurnosti ostalih promatrača, prije rada s proizvodom pažljivo i potpuno pročitajte ove upute. Trebali prisustvovati profesionalno organiziranom tečaju o sigurnosti u korištenju, preventivnim mjerama, prvoj pomoći i održavanju motornih pila. Molimo vas da čuvate ove upute radi kasnijeg korištenja.



UPOZORENJE!

Pile su potencijalno opasni alati. Nesreće koje uključuju korištenje pile često rezultiraju gubitkom uda ili smrću. Nije opasna samo pila. Padajuće grane, debla ili kotrljajući trupci također mogu ubiti. Oronula ili trula stabla također predstavljaju opasnost. Trebate procijeniti svoje mogućnosti sigurnog dovršetka zadatka. Ako imalo sumnjate, ostavite profesionalcima da obrežu stablo.

UPOZNAJTE SVOJ PROIZVOD

Pogledajte stranice 6-7.

1. Baterija
2. Blokada otkopca
3. Stražnja ručica
4. Okidač
5. Kombinirani ključ
6. Prednja ručica
7. Čep spremnika za ulje
8. Pokrov vodilice lanca
9. Lanac
10. Vodilica lanca
11. Odbojni zupci
12. Hvatač lanca
13. Vijak za zatezanje lanca
14. Poklopac lanca
15. Matice za montažu vodilice
16. Prednji štitičnik za ruku/kočnica lanca

SIGURNOSNI UREĐAJI

Lanac sa slabom tendencijom odskakivanja

lanac pile za smanjeni udar pomaže smanjenju mogućnosti povratnog udara.

Limitatori dubine koji se nalaze na prednjoj strani svakog zupca mogu smanjiti snagu odskakivanja te se tako izbjegava da zupci preuboko uđu u zonu odskakivanja. Koristite samo zamjenske vodilice i lance navedene od proizvođača.

Udvostručite oprez nakon što ste naoštrili lanac vaše motorne pile jer brušenje čini lanac manje otpornim na odskakivanje. Iz sigurnosnih razloga, zamijenite lanac pile kada se smanji rezna učinkovitost.

Odbojni zupci

Integralni odbojni zupci mogu se koristiti za navođenje

EN
FR
DE
ES
IT
NL
PT
DA
SV
FI
NO
RU
PL
CS
HU
RO
LV
LT
ET
HR
SL
SK
BG
UK
TR



(središnja točka) kod prvog reza. Pomaže održati tijelo pile stabilnim tijekom rezanja. Prilikom rezanja, gurnite uređaj prema naprijed dok se šiljci ne uđu koru drveta, a zatim pomicanjem stražnje ručke prema gore ili prema dolje u smjeru rezanja pomaže olakšati tjelesni napor rezanja

Vodilica lanca

Općenito, vodilice s malim promjerom vrha imaju više mogućnosti za povratni udar. Trebate koristiti vodilicu i odgovarajući lanac koji su dovoljno dugi za zadatak. Dulja vodilica povećava opasnost od gubitka kontrole tijekom rezanja. Redovito provjeravajte zategnutost lanca. Kada režete manje grane (manje od pune duljine vodilice) lanac će vjerojatno iskočiti ako napetost nije pravilna.


Kočnica lanca

Kočnica lanca osmišljena je kako bi se brzo moglo zaustaviti okretanje lanca. Lanac se treba zaustaviti odmah nakon što se poluga kočnice/štitnik za ruku gurne prema naprijed. Kočnica lanca ne sprječava učinak odskakivanja. To samo smanjuje rizik od ozljede ako lanac dođe u kontakt s tijelom operatera tijekom događaja povratnog udara. Kočnicu lanca treba ispitati prije svakog korištenja za pravilan rad kako u pokrenutom tako i u položaju kočenja.

Hvatač lanca

Hvatač lanca sprječava izbacivanje lanca prema operateru u slučaju opuštanja napetosti ili pucanja lanca.

UPORABA

 **UPOZORENJE!**

Ukoliko je bilo koji dio oštećen ili nedostaje ne koristite ovaj proizvod sve dok se ti dijelovi ne nadomjesti. Nepoštivanje ovog upozorenja može dovesti do ozbiljnih osobnih ozljeda.

Umetanje baterije

Pogledajte stranicu 6.

Postavite bateriju u proizvod. Poravnajte povišene rubove na bateriji s utorima na ulazu za bateriju.

Prije početka rada provjerite je li zasun na baterijskom sklopu škljocnuo na mjestu i je li baterijski sklop sjeo do kraja i sigurno u proizvod.

Držanje proizvoda

Pogledajte sliku 1.

Držite proizvod desnom rukom za stražnju ručku i lijevom rukom za prednju ručku. Uvijek uhvatite obje ručke s palčevima i prstima okružujući ručke pile. Osigurajte da vaša lijeva ruka drži ručku tako da je vaš palac u donjem dijelu.

Pokretanje proizvoda

Pogledajte stranicu 8.

Prije početka rada, trebate ugraditi bateriju u uređaj i provjeriti da je lanac u položaju za pokretanje tako da povučete polugu kočnice lanca/štitnika za ruku prema prednjoj ručki.

Za pokretanje uređaja, otpustite sklopku gasa i potom pritisnite sklopku gasa.

Provjera i rad kočnice lanca

Pogledajte stranicu 20.

Uključite kočnicu lanca zakretanjem lijeve ruke oko prednje ručke. Korištenjem stražnjeg dijela ruke, pritisnite polugu kočnice lanca/štitnik za ruku prema šipki dok se lanac istovremeno brzo okreće. Pazite da cijelo vrijeme obje ruke držite na ručkama pile.

Vratite kočnicu lanca natrag u položaj RUN (Pokreni) hvatanjem gornjeg dijela kočnice lanca/štitnika za ruku i povlačenjem prema prednjoj ručki dok ne čujete klik.



UPOZORENJE!

Ukoliko kočnica lanca odmah ne zaustavi lanac, ili ukoliko se kočnica lanca ne vrati u položaj „run“ (uključeno) bez pomoći, odnesite pilu u ovlaštenu servis radi opravke.

Podešavanje zategnutosti lanca

Pogledajte sliku 14 - 15.

Prije započinjanja bilo kakvih radova na proizvodu uklonite bateriju.

Provjerite jesu li spojne matice vodilice pile olabavljene na ručni moment zatezanja.

Za natezanje lanca okrenite vijak za podešavanje napetosti lanca u smjeru kazaljke na satu i često provjeravajte napetost lanca. Za smanjenje napetosti lanca, vijak za podešavanje napetosti okrećite u smjeru kazaljke na satu i često provjeravajte napetost lanca.

Napetost lanca je pravilna kada zazor između rezača u lancu i šipke iznosi oko 6,5 mm (0,256 in). Povucite lanac na sredini donje strane vodilice prema dolje (dalje od vodilice) i izmjerite udaljenost između vodilice i rezača lanca.

Dodavanje ulja za podmazivanje lanca

Pogledajte sliku 16 - 17.



UPOZORENJE!

Nikada ne radite bez sredstva za podmazivanje lanca. Ako pila radi bez sredstva za podmazivanje, vodilica i lanac mogu biti oštećeni. Stoga je nužno često provjeriti razinu ulja u mjerачu razine ulja i svaki put prije nego što počnete koristiti pilu.

Očistite površinu oko čepa za ulje kako biste spriječili onečišćenje.

Odvijte i uklonite čep sa spremnika za ulje.



Nalijte ulje u spremnik za ulje i pratite mjerač razine ulja. Osigurajte da prilikom punjenja ulja ne ulazi prljavština u spremnik za ulje.

Vratite natrag čep za ulje i pritegnite ga. Obrišite svo proliveno gorivo.

PRIJEVOZ I SKLADIŠTENJE

Zaustavite uređaj, uklonite bateriju i omogućite da se ohladi prije spremanja ili transporta.

Očistite svaki strani materijal s uređaja. Skladištite ga na suhom i dobro ventiliranom mjestu koje nije pristupačno djeci. Nemojte ju ostavljati u blizini korozivnih agenasa kao ni vrtnih kemijskih proizvoda i soli za odmrzavanje. Ne ostavljajte na otvorenom.

Prije spremanja uređaja ili tijekom transporta postavite štitnik vodilice.

Za prijevoz, osigurajte uređaj protiv pomicanja ili pada kako biste spriječili povrede osoba ili oštećenja na uređaju.

ODRŽAVANJE



UPOZORENJE!

Koristite isključivo nastavke, dodatke i rezervne dijelove tvrtke ECHO. Nepoštivanje ovih uputa može dovesti do mogućih ozljeda, loše učinkovitosti i može dovesti do poništenja jamstva. Ako je potrebno zamijeniti komponente koje nisu ovdje opisane, obratite se našem ECHO servisnom agentu.



UPOZORENJE!

Servisiranje iziskuje krajnju pažnju i znanje i treba da ga vrši samo kvalificirani serviser. Radi servisa, donesite proizvod u ovlaštenu servisnu centar. Prilikom servisiranja, koristite samo originalne zamjenske dijelove od proizvođača.



UPOZORENJE!

Prije podešavanja, održavanja ili čišćenja uklonite bateriju. Nepoštivanje ove upute može dovesti do ozbiljnih osobnih ozljeda.

- Možete samo vršiti podešavanje ili popravke opisane u ovom manualu. Za druge popravke, obratite se ovlaštenom servisnom agentu.
- Posljedice nepravilnog održavanja mogu izazvati da kočnica lanca i druge sigurnosne funkcije ne funkcioniraju ispravno, čime se povećava mogućnost ozbiljne ozljede. Održavajte svoju pilu profesionalno i sigurno.
- Oštrenje lanca pile je zahtjevan zadatak. Stoga proizvođač preporučuje da istrošeni ili tupi lanac bude

zamijenjen s novim, koji je dostupan u ovlaštenom servisnom centru ECHO. Broj dijela dostupan je u tablici specifikacija proizvoda u ovom priručniku.

- Slijedite upute za podmazivanje i provjeru zategnutosti i podešavanje lanca.
- Nakon svakog korištenja proizvod obrišite sa suhom mekom krpom.
- Često provjeravajte sve matice i zavrtnje da li su dobro pritegnuti kako biste bili sigurni da je kosilica u sigurnom radnom stanju. Svaki oštećeni dio trebao bi pravilno popraviti ili zamijeniti ovlaštenu servisnu centar.

Zamjena vodilice i lanca pile

Pogledajte sliku 10 - 13.

Uklonite bateriju. Nosite zaštitne rukavice.

Uklonite spojne matice vodilice s pomoću isporučene kombiniranog ključa.

Skinite poklopac lanca.

Uklonite vodilicu i lanac pile s uređaja.

Postavite novi lanac na vodilicu u točnom smjeru i provjerite da li su karike za pogon poravnate u šini vodilice.

Pričvrstite vodilicu na pilu i postavite omču lanca oko pogonskog zupčanika.

Zamijenite poklopac lanca i spojne matice vodilice.

Rukom čvrsto zategnite spojne matice. Vodilicu trebate moći micati kako biste omogućili podešavanje zategnutosti lanca.

Podesite zategnutost lanca. Pogledajte odlomak „Podešavanje nategnutosti lanca“.

Držite kraj vodilice lanca i čvrsto stegnite vijke vodilice.

Provjerite i očistite kočnicu lanca

Pogledajte stranicu 22.

Uvijek održavajte mehanizam kočnice lanca čistim tako da lagano očetkate kanale od prašine.

Uvijek nakon čišćenja provjerite rad kočnice lanca. Za više informacija pogledajte odjeljak „Provjera i rad kočnice lanca“ u ovom priručniku.

PLAN ODRŽAVANJA

Svakodnevna provjera	
Podmazivanje vodilice	Prije svakog korištenja
Zategnutost lanca	Prije svakog korištenja i često
Oština lanca	Prije svakog korištenja, vizualna provjera
Oštećenje pojedinih dijelova	Prije svakog korištenja
Labavi pričvršćivači	Prije svakog korištenja

Funkcija kočnice lanca	Prije svakog korištenja
Pregledati i očistiti	
Vodilica	Prije svakog korištenja
Kompletna pila	nakon svake uporabe
Kočnica lanca	Svakih 5 sati*

*Sati rada

ZAMJENA DIJELOVA

Dio	Broj dodatka
Vodilica lanca	6000945
Lanac	90PX056X

BATERIJE

- Baterije uređaja koje nisu korištene neko vrijeme treba ponovno napuniti prije korištenja.
- Temperature koje prelaze 50 °C (122 °F) smanjuju performanse baterije. Izbjegavajte izlaganje toplini ili sunčevoj svjetlosti (opasnost od pregrijavanja).
- Priklučci baterije i punjača moraju se održavati čistima.
- Za optimalni životni vijek bateriju nakon korištenja ponovno potpuno napunite.
- Kako biste postigli najdulji mogući životni vijek baterije, nakon punjenja bateriju uklonite iz punjača.

Za pohranu baterije dulje od 30 dana:

- Pohranite bateriju na mjestu na kojem je temperatura ispod 27 °C i dalje od vlage.
- Pohranite bateriju napunjenu 30%-50%.
- Svakih šest mjeseci od pohrane, punite bateriju kao obično.

TRANSPORTIRANJE LITIJUMSKIH BATERIJA

Litij ionska baterija je predmet zakona o opasnim tvarima.

Prijevoz tih baterija mora se izvršiti u skladu s lokalnim, nacionalnim i međunarodnim odredbama i propisima.

- Korisnik može transportirati baterije cestom bez dodatnih zahtjeva.
- Komercijalni transport litij-ionskih baterija od strane trećih strana podložno je relevantnim Propisima o opasnoj robi (Dangerous Goods Regulations, DGR). Priprema transporta i transport isključivo provode odgovarajuće obučene osobe i postupak treba uskladiti s odgovarajućim stručnjacima.

Prilikom transporta baterija:

- Osigurajte da su kontaktni terminali baterije zaštićeni i izolirani za sprječavanje kratkog spoja.

- Osigurajte da je baterija u ambalaži učvršćena tako da se spriječi njeno pomicanje.
- Nemojte transportirati baterije koje su polomljene ili cure.

Provjerite kod kompanije koji transportirate za daljnju pomoć.

SIMBOLI



Sigurnosno upozorenje



Pročitajte i razumite sve upute prije rada s proizvodom, slijedite sva upozorenja i sigurnosne upute.



Nosite zaštitu za vid, sluh i glavu



Nosite obuću protiv klizanja prilikom korištenja ovog proizvoda.



Nosite zaštitne rukavice velike debljine koje se ne klišu.



Pazite na povratni udar lanca pile i izbjegavajte kontakta s vrhom vodilice.



Ne izlažite kiši ili vlažnim uvjetima.



Držite i rabite motornu pilu dvijema rukama.



Ne upotrebljavajte motornu pilu držeći je samo s jednom rukom.



Podesite kočnicu lanca u položaj RUN (rad lanca).



Postavite kočnicu lanca u položaj BRAKE (kočenje lanca).



Jamčena razina zvučne snage 106 dB.



Ukrajinska oznaka za sukladnost



EurAsian znak konformnosti



Otpadni električni proizvodi ne treba da se odlažu s otpadom iz domaćinstva. Molimo da recikirate gdje je to moguće. Potražite savjet od lokalnih vlasti ili prodavca kako reciklirati.



Ovaj alat usklađen je sa svim normama i propisima zemlje Europske unije u kojoj je kupljen.

Sljedeće signalne riječi i značenja namijenjeni su objašnjenju razina opasnosti koje su vezane uz ovaj proizvod:



OPASNOST

Ukazuje na neposrednu opasnu situaciju, koja, ukoliko se ne izbjegne, može rezultirati smrću ili opasnim povredama



UPOZORENJE

Ukazuje na moguću opasnu situaciju, koja, ukoliko se ne izbjegne, može rezultirati smrću ili opasnim povredama



UPOZORENJE

Ukazuje na moguću opasnu situaciju, koja, ukoliko se ne izbjegne, može rezultirati manjim ili blažim povredama

UPOZORENJE

Bez sigurnosnog simbola upozorenja

Naznačuje situaciju koja može rezultirati oštećenjem imovine.





TEHNIČNI PODATKI

MOTORNA ŽAGA

ECCS-58V

Serijska številka	17402201000001 - 17402201999999
Nazivna napetost	51,1 V, 58 V največ
Največja dolžina palice	400 mm
Kapaciteta posode za olje verige	177 ml
Teža (Brez baterijskega, z mečem, verigo in praznim rezervoarjem)	4,83 kg
Teža (z baterijo 4,0 Ah)	6,73 kg
Teža (z baterijo 2,0 Ah)	6,03 kg
Najvišja hitrost brez obremenitve	21 m/s
Dolžina uporabne površine za žaganje	250 mm
Raven emisij hrupa (v skladu s standardom EN 60745-1, EN 60745-2-13)	
Z A ovrednotena vrednost zvočnega tlaka pri upravljavcu (L_{PA})	94,5 dB(A)
K_{PA} :	2,5 dB(A)
A-izmerjena raven zvočne moči (L_{WA})	105,5 dB(A)
K_{WA} :	2,5 dB(A)
Nivo vibracij (v skladu s standardom EN 60745-1; EN 60745-2-13) (spredaj/zadaj)	2,1 / 2,8 m/s ² K = 1,5 m/s ²

BATERIJA IN POLNILNIK

ECCS-58V

Združljive baterije	ECBP-58V40 / ECBP-58V20
Združljiv polnilnik	ECBC-58VEU / ECBC-58VUK



OPOZORILO!

Vrednost oddajanja vibracij, navedena v tem informativnem letaku, je bila izmerjena v skladu s standardiziranim preskusom, določenim v standardu EN 60745, in se lahko uporablja za medsebojno primerjavo orodja. Uporablja se lahko za predhodno oceno stopnje izpostavljenosti.

Navedena raven oddajanja vibracij velja za glavne namene uporabe orodja. Vendar, če se orodje uporablja v druge namene, z drugačnimi dodatki ali je slabo vzdrževano, je lahko raven oddajanja vibracij drugačna. S tem se lahko stopnja izpostavljenosti v celotnem delovnem obdobju občutno zviša.

V oceni stopnje izpostavljenosti vibracijam je treba upoštevati tudi obdobja, v katerih je orodje ugasnjeno oziroma teče, vendar ni v dejanski uporabi. S tem se lahko stopnja izpostavljenosti v celotnem delovnem obdobju občutno zniža.

Določite dodatne varnostne ukrepe za zaščito uporabnika pred učinki vibracij, kot so: vzdrževanje orodja in vibracij, vzdrževanje toplih rok, organizacija časovne razporeditve izvajanja dela.

SPLOŠNA VARNOSTNA OPOZORILA



OPOZORILO!

Preberite vsa varnostna opozorila in navodila. Zaradi neupoštevanja opozoril in navodil lahko pride do električnega udara, požara in/ali resnih poškodb.

Shranite vsa opozorila in navodila za kasnejšo uporabo.

Izraz »električno orodje« v opozorilih se nanaša na orodja, ki jih poganja električni tok (žična), ali na akumulatorska

(brezžična) orodja.

DELOVNO OBMOČJE

Delovno območje naj bo čisto in dobro osvetljeno. V neurejenih in temnih območjih se rade zgodijo nesreče.

Električnih orodij ne uporabljajte v eksplozivnih okoljih npr. v bližini vnetljivih tekočin, plinov ali prahu. Električna orodja proizvajajo iskre, ki lahko vnamejo prah ali hlape.

Med uporabo električnega orodja v bližino ne pustite otrok in drugih ljudi. Zaradi zmanjšane koncentracije lahko izgubite nadzor.





ELEKTRIČNA VARNOST

Vtiči električnih orodij se morajo prilegati vtičnicam. Vtiča nikoli in na noben način ne smete spreminjati. Z ozemljenimi električnimi orodji ne uporabljajte adapterjev vtiča. Nespremenjeni vtiči in ustrezne vtičnice zmanjšajo tveganje električnega udara.

Izogibajte se telesnemu stiku z ozemljenimi površinami, kot so cevi, radiatorji, kuhaniki in hladilniki. Če je vaše telo ozemljeno, obstaja povečano tveganje električnega udara.

Izdelka ne izpostavljajte dežju ali vlagi. Voda v električnem orodju znatno poveča tveganje električnega udara.

Kabla ne uporabljajte za neustrezne namene. Kabla nikoli ne uporabljajte za prenašanje, vleko ali izklop električnega orodja. Pazite, da kabel ne pride v stik z vročino, oljem, ostrimi robovi ali gibljivimi deli. Poškodovani ali zapleteni kabli zvišujejo tveganje električnega udara.

Med uporabo električnega orodja na prostem uporabljajte podaljševalni kabel, ki je primeren za zunanjo uporabo. Uporaba kabla, primernega za zunanjo uporabo, znižuje tveganje električnega udara.

Če je delo z električnim orodjem v vlažnem okolju neizogibno, uporabite tokovno zaščitno stikalo (RCD). Uporaba naprave RCD zmanjša tveganje za električni udar.

OSEBNA VARNOST

Med obratovanjem bodite pozorni, spremljajte potek dela in uporabljajte zdrav razum. Električnega orodja ne uporabljajte, ko ste utrujeni oz. pod vplivom drog, alkohola ali zdravil. Trenutek nepazljivosti med uporabo električnega orodja lahko povzroči hude telesne poškodbe.

Uporabljajte osebno zaščitno opremo. Vedno nosite zaščito za oči. Če v različnih okoliščinah nosite ustrezno zaščitno opremo, kot so maska proti prahu, obutev z nestrsečim podplatom, trdno pokrivalo glave in zaščita za sluh, zmanjšate možnost telesnih poškodb.

Preprečite neželen zagon. Preden orodje priključite na vir napajanja, vstavite baterije, ga vzamete v roke ali prenašate, se prepričajte, da je stikalo v izključenem položaju. Prenašanje električnih orodij, tako da prst držite na stikalu, ali dovajanje napajanja električnim orodjem, pri katerih je stikalo v položaju »on (vklop)« poveča tveganje nesreč.

Pred vklopom električnega orodja odstranite morebitne nastavitvene ključce ali izvijače. Izvijač ali ključ, ki ostane pritrjen na vrtljivi del električnega orodja, lahko povzroči telesne poškodbe.

Nesiahajte priliš daleko. Pazite, da stojite stabilno in da imate ravnotežje. To omogoča boljši nadzor nad električnim orodjem v nepričakovanih situacijah.

Bodite primerno oblečeni. Ne nosite ohlapnih oblačil ali nakita. Pazite, da lasje, oblačila in rokavice ne pridejo v bližino gibljivih delov. Ohlapna oblačila, nakit ali dolgi lasje se lahko zapletejo v gibljive dele.

Če so naprave namenjene priključitvi na pripomočke za sesanje in zbiranje prahu, se prepričajte, da so ti priključeni in ustrezno uporabljeni. Uporaba zbiralca prahu lahko zmanjša nevarnosti, povezane s prahom.

UPORABA IN NEGA ELEKTRIČNEGA ORODJA

Izdelka ne preobremenjujte. Uporabite električno orodje, ki ustreza vašemu delu. Ustrezno električno orodje bo nalogo opravilo bolje in varneje v kategoriji, za katero je bilo zasnovano.

Ne uporabljajte električnega orodja, če ga stikalo ne vklopi ali izklopi, kot bi bilo treba. Kakršno koli električno orodje, ki ga ni mogoče nadzirati s stikalom, je nevarno in ga je potrebno popraviti.

Odklopite vtič z vira napajanja in/ali baterije, preden opravljate kakršne koli prilagoditve, menjate dodatke ali shranjujete električno orodje. Tovrstni preventivni varnostni ukrepi zmanjšajo možnost slučajnega zagona električnega orodja.

Električna orodja, ki niso v uporabi, shranjujte izven dosega otrok in ne dovolite, da bi električno orodje uporabljale osebe, ki niso seznanjene z električnim orodjem ali s temi navodili. Električna orodja so v rokah neusposobljenih uporabnikov nevarna.

Električna orodja redno vzdržujte. Preverite, če so gibljivi deli napačno poravnani ali zaskočeni, če so sestavni deli polomljeni ali če obstaja kakršno koli druge stanje, ki lahko vpliva na varno delovanje električnega orodja. Če je električno orodje poškodovano, ga pred ponovno uporabo dajte v popravilo. Številne nesreče zakrivajo neustrezno vzdrževana električna orodja.

Rezalna orodja naj bodo vedno nabrušena in čista. Pravilno vzdrževana rezalna orodja z ostrimi rezili se težje zaskočijo in jih je lažje nadzirati.

Električno orodje, dodatke, nastavke za orodje itd. uporabljajte v skladu s temi navodili ter upoštevajte delovne pogoje in vrsto dela, ki ga boste izvajali. Uporaba električnega orodja za namene, ki so drugačni od tistih, za katere je bilo orodje zasnovano, lahko povzroči nevarne situacije.

UPORABA IN VZDRŽEVANJE BATERIJSKEGA ORODJA

Baterijo polnite le s polnilnikom, ki ga določa proizvajalec. Polnilnik, ki ustreza eni vrsti baterij, morda lahko povzroči požar, če z njim polnite drugo vrsto baterij.

Baterijska orodja uporabljajte samo s predpisano vrsto baterij. Uporaba katerih koli drugih baterij ustvari tveganje poškodb in požara.

Ko baterije ne uporabljajte, pazite, da bo odmaknjena od kovinskih predmetov, kot so papirne sponke, kovanci, ključ, željni, vijaki ali drugih majhni kovinski predmeti, ki bi lahko povzročili povezavo med obema terminaloma. Kratak stik zaradi povezanih terminalov baterije lahko povzroči opekline ali požar.

Ob zlorabi baterije lahko iz nje steče tekočina. Če se po nesreči dotaknete tekočine, mesto dotika sperite z vodo. Če pride tekočina v stik z očmi, poiščite





zdravstveno pomoč. Tekočina, ki izteče iz baterije, lahko povzroči vnetje ali opekline.

SERVISIRANJE

Električno orodje naj servisira usposobljena oseba, uporabljati pa sme le originalne nadomestne dele. To bo zagotovilo vzdrževanje varnostni električnega orodja.

DODATNA SPLOŠNA VARNOSTNA OPOZORILA

Predpisi nekaterih regij omejujejo uporabo tega izdelka. Za nasvet se obrnite na lokalne oblasti.

Izdelka nikoli ne smejo uporabljati otroci ali osebe, ki niso seznanjene z navodili za uporabo. Lokalni predpisi se morda nanašajo tudi na minimalno starost upravitelja.

Pred vsako uporabo zagotovite, da vse kontrole in varnostne naprave delujejo pravilno. Izdelka ne uporabljajte, če stikalo za izklop ne zaustavi motorja.

Pri delu nosite zaščito za oči in sluh, robustne delovne rokavice in čelado; če boste med delom proizvajali veliko prahu, nosite ščitnik za obraz.

Ne nosite ohlapnih oblačil, kratkih hlač ali kakršnega koli nakita.

Dolge lase si spnite nad rameni in tako preprečite njihovo ujetje v premikajoče se dele.

Pazite na izvržene, leteče ali padajoče predmete. Prisotni, otroci in živali naj bodo vsaj 15 m oddaljeni od delovnega območja.

S cepilnikom ne upravljajte pri slabi osvetljavi. Upravljevec mora imeti jasen pregled nad delovnim območjem, da lahko prepozna morebitne nevarnosti.

Zaščita za sluh zmanjša vašo sposobnost, da slišite opozorila (alarme ali klice). Upravljevec mora še bolj paziti na dogajanje v okolici.

Uporaba podobnih orodij v bližini poveča nevarnost za poškodbe sluha in nevarnost, da druge osebe vstopijo v vaše delovno območje.

Pazite na ravnotežje in ne pretiravajte. Nesiahajte priliš daleko. Če se boste preveč iztegnili, lahko izgubite ravnotežje, poleg tega pa se poveča nevarnost odsunka.

Dele telesa držite proč od premikajočih se delov.

Prev vsako uporabo preglejte stroj. Preverite, ali vsi krmilni elementi pravilno delujejo, vključno z zavoro za verigo. Preverite, ali so pritrdila dobro pritrjena, prepričajte se, da so vsa varovala in ročaji pravilno in trdno pritrjeni. Pred uporabo zamenjajte poškodovane dele.

Na noben način ne spreminjajte naprave ter ne uporabljajte delov in dodatkov, ki jih ne priporoča proizvajalec.



OPOZORILO!

Če izdelek pade, močno trči ali začne nenormalno vibrirati, ga nemudoma zaustavite in preverite, ali je poškodovan oziroma poiščite vzrok vibriranja. Vsakršno poškodbo mora ustrezno popraviti ali zamenjati pooblaščen servisni center.

Uporabljenih baterij ne odlagajte med gospodinjske odpadke oziroma jih ne sežigajte. Distributerji družbe ECHO ponujajo prevzem starih baterij z namenom varovanja okolja.

Baterij ne shranjujte skupaj z drugimi kovinskimi predmeti (nevarnost kratkega stika).

Baterije polnite izključno s polnilcem ECBC-58VEU/ECBC-58VUK. Ne uporabljajte baterij, ki pripadajo drugim sistemom.

Združljive baterije: ECBP-58V40, ECBP-58V20

Pri ekstremnih obremenitvah ali ekstremnih temperaturah lahko iz poškodovanih baterij uhaja baterijska kislina. Če se dotaknete baterijske kisline, jo takoj sperite z milom in vodo. V primeru stika z očmi jih temeljito spirajte vsaj 10 minut in nemudoma poiščite zdravniško pomoč.

Varovalna vijaka verižne palice sta točki, ki sta med uporabo občutljivi na elektrostatično praznjenje. Če se izdelek zaustavi zaradi elektrostatičnega praznjenja, mora uporabnik sprostiti sprožilec in izdelek znova zagnati.

VERIŽNA ŽAGA – VARNOSTNA OPOZORILA

Med uporabo izdelka ne približujte delov telesa verigi žage. Pred zagonom verižne žage preverite, da se veriga žage ničesar ne dotika. Trenutek nepazljivosti med upravljanjem verižne žage lahko povzroči, da se z oblačili ali s telesom zapletete v verigo žage.

Verižno žago vedno držite z desno roko za zadnji ročaj, z levo roko pa za sprednjega. Če verižno žago držite obratno, povečate nevarnost za telesne poškodbe, zato tega nikoli ne storite.

Izdelek držite izključno za izolirano držalo, ker se veriga žage lahko dotakne skritih žic. Če se veriga žage dotakne žice, ki je pod električno napetostjo, se lahko izpostavljeni kovinski deli električnega orodja naelektrijo in povzročijo električni udar.

Nosite zaščitna očala in zaščito sluha. Priporočljiva je tudi uporaba zaščitne opreme za glavo, roke, noge in stopala. Ustrezna zaščitna oblačila bodo zmanjšala telesne poškodbe zaradi letečih delcev ali nenamerne stika z verigo žage.

Verižne žage ne uporabljajte na drevesu. Če verižno žago uporabljate, medtem ko ste na drevesu, se lahko poškodujete.

Bodite pozorni na svoje ravnotežje in verižno žago uporabljajte le, kadar stojite na trdni, varni in ravni površini. Zaradi spolzkih ali nestabilnih površin, kot so lestve, lahko izgubite ravnotežje ali nadzor nad verižno žago.

Ko žagate napeto vejo, pazite na možnost povratnega udarca. Ko napetost lesenih vlaken popusti, lahko napeta veja udari delavca in/ali povzroči, da verižna žaga ni več pod nadzorom.





Pri rezanju grmičevja in mladega drevja bodite še posebej previdni. Tanek material se lahko zaplete v verigo žage in vas lahko udari ali vrže iz ravnotežja.

Verižno žago nosite le, ko je izključena, in sicer tako, da jo držite za sprednji ročaj ter proč od telesa. Med transportom ali skladiščenjem verižne žage vedno namestite pokrov za meč žage. Pravilno ravnanje z verižno žago bo zmanjšalo možnost nenamerne kontakta s premikajočo se verigo žage.

Za mazanje in napenjanje verige ter menjanje delov sledite navodilom. Neustrezno napeta ali namazana veriga se lahko strga, ali pa poveča možnost odsunka.

Ročaji naj bodo suhi, čisti in brez madežev olja ali masti. Mastni in naoljeni ročaji so spolzki in lahko povzročijo izgubo nadzora.

Žagajte samo les. Verižne žage ne uporabljajte za neprimerne namene. Na primer, verižne žage ne uporabljajte za žaganje plastike, zidakov oz. kakršnih koli ne-lesenih gradbenih materialov. Če boste verižno žago uporabljali za neustrezne namene, lahko pride do nevarnih situacij.

Vzroki odsunkov in njihovo preprečevanje:

Če se konica meča dotakne predmeta ali če se zapre les in se verižna žaga zagozdi v rezu, lahko pride do odsunka.

Dotik s konico lahko v nekaterih primerih povzroči sunkovito povratno reakcijo, tako da meč sune navzgor in nazaj proti upravljavcu.

Če verigo žage na zgornjem delu žaginega lista stisnete, žagin list lahko hitro sune nazaj proti uporabniku.

Vsaka od teh reakcij lahko povzroči izgubo nadzora nad žago, posledica tega pa so lahko težke telesne poškodbe. Ne zanašajte se izključno na varnostne naprave, vgrajene v žago. Kot uporabnik žage morate izvesti več ukrepov, da pri žaganju ne bi prihajalo do nesreč ali poškodb.

Odsunek je rezultat nepravilne uporabe orodja in/ali nepravilnih delovnih postopkov ali okoliščin in se mu ob ustreznih varnostnih ukrepih, kot so navedeni v nadaljevanju, lahko izogne:

Ohranite čvrst oprijem, tako da s palcem in ostalimi prsti objamete ročaj verižne žage, pri tem pa žago držite z obema rokama in svoje telo ter roke imejte v takem položaju, da boste pripravljeni na morebitne sile odsunkov. Sile odsunkov lahko upravljavec nadzoruje, če upošteva ustrezne varnostne ukrepe. Verižne žage ne izpustite iz rok.

Ne iztegujte se preveč in ne žagajte nad višino ramen. S tem pomagate preprečiti nenameren dotik konice in omogočite boljši nadzor nad verižno žago v nepričakovanih situacijah.

Za zamenjavo uporabljajte le meče in verige, ki jih določa proizvajalec. Neustrezni nadomestni meči in verige lahko povzročijo trganje verige in/ali odsunek.

Upošteвайте navodila proizvajalca glede brušenja in vzdrževanja verige žage. Zmanjšanje višine merilnika globine lahko povzroči več odsunkov.

DODATNA VARNOSTNA OPOZORILA ZA VERIŽNO ŽAGO

Priporočamo, da ob prvi uporabi izdelka polena žagate na kozi ali podobni opori.

Poskrbite, da bodo vse zaščite, ročaji in zobata opora pravilno nameščeni in v dobrem stanju.

Izdelek naj uporabljajo le osebe brez zdravstvenih težav. Izdelek je težak, zato mora biti operater fizično močan. Upravljavac mora biti pozoren in okreten ter imeti brezhiben vid, dobro ravnotežje in spretno roke. Če ste v kakršnih koli dvomih, ne upravljajte izdelka.

Ne začnite uporabljati izdelka, dokler nimate prostega delovnega območja, dobrega ravnotežja in načrtovanega zasilnega umika v primeru padajočega drevesa.

Pazite na emisije meglice maziva in žagovine. Po potrebi nosite ščitnik ali dihalni aparat.

Ne žagajte trte in/ali manjše podrasti (s premerom manj kot 75 mm).

Med upravljanjem izdelka, ga vedno držite z obema rokama. S palcema in prsti vzdržujte trden oprijem ročajev verižne žage. Desno roko imejte na zadnjem ročaju, levo pa na sprednjem.

Pred zagonom izdelka se prepričajte, da veriga žage ni v stiku z nobenim predmetom.

Izdelka ne smete na noben način spreminjati ali ga uporabljati za napajanje priključkov oz. naprav, ki jih ne priporoča proizvajalec izdelka.

V bližini upravljavca naj bo komplet prve pomoči z obvezami za hujše poškodbe ter pripomoček za klic na pomoč (npr. piščalka). Dokaj blizu naj bo tudi večji oz. obširnejši komplet za prvo pomoč.

Med upravljanjem izdelka vedno nosite čelado. Čelada z mrežastim vizirjem v primeru povratnega sunka zmanjša nevarnost za poškodbe obraza in glave.

Nepravilno napeta veriga se lahko sname z meča in povzroči hude poškodbe ali celo smrt. Dolžina verige je odvisna od temperature. Napetost verige redno preverjajte.

Privadite se na svojo novo verižno žago, tako da na dobro podprtem lesu napravite nekaj enostavnih zarez. To storite po vsakem daljšem obdobju neuporabe žage.

Da bi zmanjšali tveganje poškodb zaradi stika z gibljivimi deli, vedno ustavite napravo, aktivirajte zavoro verige, odstranite baterijski vložek in se prepričajte, da so se gibljivi deli ustavili, pred:

- čiščenju ali ko odstranjujete blokado
- pustiti izdelek brez nadzora
- nameščanjem ali odstranjevanjem pripomočkov,
- pregledovanjem, vzdrževanjem ali delu na izdelku

Velikost delovnega območja je odvisna od izvajanega dela pa tudi od velikosti drevesa ali obdelovanca. Podiranje drevesa na primer zahteva večje delovno območje kot druga dela, kot je npr. krojenje ipd.





Upravljevac mora biti pozoren na dogajanje v okolici in imeti nadzor nad njim.

Ne žagajte tako, da boste telo imeli vzporedno z mečem in verigo. Če pride do odsunka, boste tako lažje preprečili stik verige z glavo oz. telesom.

Ne žagajte naprej in nazaj – pustite, da veriga opravi svoje delo; verigo redno brusite in ne poskušajte je potisniti skozi zarezo.

Ne pritiskajte na žago ob zaključku reza. Bodite pripravljeni, da boste lahko zadržali težo žage, ko prežagate skozi les. Neupoštevanje tega nasveta lahko povzroči hude telesne poškodbe.

Ne ustavljajte žage med žaganjem. Žaga naj obratuje, dokler je ne odstranite iz zareze.

Potisni in povleci

Reakcijska sila je vedno nasprotna smeri premikanja verige. Zato mora biti upravljevac pripravljen, da bo zadržal nagnjenost stroja k uhajanju (premikanju naprej) med žaganjem s spodnjim robom meča oz. potiskanju (proti upravljavcu) med žaganjem z zgornjim robom meča.

Zatakajna žaga v zarezi

Ustavite žago in jo zavaruje. Ne poskusite izvleči verige in meča iz zareze, saj boste s tem verjetno polomili verigo, ki lahko zaniha nazaj in udari upravljavca. Do tega običajno pride zaradi nepravilne podpore lesa med žaganjem, kar povzroči zapiranje zareze zaradi stiskanja in s tem ukleščenje meča. Če s prilagajanjem podpore ne sprostite meča in verige, zarezo odprite s pomočjo lesenih klinov ali vzvoda in tako sprostite žago. Nikoli ne poskušajte zagnati verižne žage, kadar je meč že v zarezi ali krajniku.

Osebna varovalna oprema

S kakovostno profesionalno osebno varovalno opremo boste zmanjšali tveganje za poškodbe upravljavca. Pri delu z verižno žago uporabljajte naslednje elemente:

Varnostna čelada

- mora biti skladna z EN 397 in imeti mora oznako CE

Zaščita sluha

- mora biti skladna z EN 352-1 in imeti mora oznako CE

Zaščita oči in obraza

- imeti mora oznako CE ter mora biti skladna z EN 166 (zaščitna očala) oz. EN 1731 (obrazni ščitniki)

Rokavice

- mora biti skladna z EN381-7 in imeti mora oznako CE

Zaščita nog (delovne hlače)

- mora biti skladna z EN381-5, imeti mora oznako CE ter zagotavljati zaščito z vseh strani.

Varovalni škornji za delo z verižno žago

- Morajo biti skladni EN ISO 20345:2004 in imeti morajo oznako s ščitom, v katerem je verižna žaga, kar dokazuje skladnost z EN 381-3. (Občasni uporabniki

lahko uporabljajo varovalne škornje z jekleno kapico in zaščitnimi gamašami, ki so skladni z EN 381-9, če je podlaga enakomerna in je nevarnost zatikanja v podrast nizka.)

Jakne za delo z verižno žago za zaščito zgornjega dela telesa

- mora biti skladna z EN 381 in imeti mora oznako CE

NAVODILA GLEDE PRAVILNIH TEHNIK PODIRANJA, KLEŠČENJA IN KRIZNEGA ŽAGANJA

Razumevanje sil znotraj lesa

Če razumete smeri pritiska in napetosti znotraj lesa, lahko zmanjšate možnosti »ukleščenja« oz. jih med žaganjem vsaj pričakujete. Napetost znotraj lesa pomeni, da vlakna vleče narazen, in če boste zažagali v to območje, se bo zareza oz. krajnik ob pomiku žage mimo razprl. Če imate poleno na kozi tako, da konec gleda preko kože in ni podprt, se na zgornji površini zaradi teže visečega dela polena ustvari napetost, ki razteguje vlakna. Prav tako bo prišlo do stiskanja na spodnji strani debla, zaradi česar bodo vlakna stisnjena skupaj. Če v tem območju napravite zarezo, se bo krajnik med žaganjem zapiral. Tako lahko ukleščite meč.

Podiranje dreves

Glejte sliko 1 - 6.

Če sta pri krojenju in podiranju dreves udeleženi dve osebi ali več hkrati, podiranje dreves ločite od krojenja vsaj v dvakratni razdalji višine drevesa, ki ga podirate. Dreves ne podirajte tako, da bi pri tem ogrozili kogar koli, ali tako, da bi drevo padlo na daljnovod oz. povzročilo kakršno koli materialno škodo. Če drevo pride v stik z daljnovodom, takoj obvestite ustrezno podjetje za oskrbo z energijo.

Delavec z verižno žago naj stoji na gornji strani terena, saj se bo drevo po podiranju po vsaj verjetnosti skotalilo ali zdrsnilo po pobočju navzdol.

Preden začnete z žaganjem, je treba načrtovati in izprazniti pot umika. Pot umika naj bo diagonalno in v nasprotni smeri pričakovanega padca.

Preden začnete s podiranjem, preučite naraven nagib drevesa, položaj večjih vej in smer vetra ter tako ocenite, v katero smer naj bi drevo padlo.

Z drevesa najprej odstranite zemljo, kamne, ohlapne veje, žeblje, sponke in žice.

Ne podirajte gnilih dreves ali dreves, ki jih je poškodovale veter, ogenj, strela itd.

Ta opravila so zelo nevarna in jih lahko izvajajo le poklicni gozdarji.

1. Izdelava zaseka

Glejte sliko 1 - 6.

Naredite zasek pravokotno na smer padca, ki bo globok 1/3 premera drevesa. Najprej ustvarite spodnjo vodoravno zarezo. Tako se boste izognili ukleščenju verige ali meča žage pri ustvarjanju druge zareze.



2. Zadnja zarez za podiranje

Glejte sliko 1 - 6.

Zadnjo zarez za podiranje naredite vsaj 50 mm višje od spodnje vodoravne zारेze. Zadnja zarez naj bo vzporedna spodnji vodoravni zarez. Zadnjo zarez naredite tako, da ostane dovolj lesa, ki deluje kot sklep. Sklepni les omogoča, da se drevo ne zasuče in pade v napačno smer. Sklepa ne prežagajte.

Ko se zadnja zarez približuje sklepu, bi drevo moralo začeti padati. Če obstaja možnost, da drevo ne pade v zeleni smeri, ali da se zaziba nazaj in uklešči žago, prekinite žaganje, preden je zadnja zarez končana, in uporabite lesene, plastične ali aluminijaste kline ter odprite zarez, tako da drevo pade v zeleni smeri.

Ko drevo začne padati, odstranite žago iz zारेze, ugasnite motor, odložite žago in uporabite načrtovano pot umika. Pazite na padajoče veje ter na to, kod stopate.

Odstranjevanje opornih korenin

Glejte sliko 7 - 8.

Oporna korenina je velika korenina, ki sega od debla drevesa nad zemljo. Pred podiranjem odstranite oporne korenine. Najprej naredite vodoraven rez v oporno korenino, nato pa še navpični rez. Nastali odpadni material odstranite z delovnega območja. Potem ko ste odstranili velike oporne korenine, izvajajte pravilni postopek za podiranje drevesa.

Krojenje debla

Glejte sliko 9 - 11.

Krojenje pomeni žaganje debla na krajše kose. Pomembno je, da imate dobro ravnotežje in da je vaša teža enakomerno razporejena na obe nogi. Če je mogoče, deblo dvignite in ga podprite z vejami, drugimi debli ali zagozdami. Sledite preprostim navodilom za enostavno žaganje. Če je deblo podprto po celotni dolžini, ga žagajte zvrha.

Če je deblo podprto na enem koncu, zarezite za 1/3 premera globoko s spodnje strani. Nato rez dokončajte od zgoraj, tako da se reza srečata.

Če je deblo podprto na obeh koncih, zarezite za 1/3 premera globoko z zgornje strani. Nato od spodaj zarezite še 2/3, tako da se reza srečata.

Ko krojite na klancu, vedno stojte na tisti strani debla, kjer je teren višje. Za ohranjanje popolnega nadzora med žaganjem »skozi« deblo proti koncu reza sprostite pritisk, vendar ne popustite prijema verižne žage. Pazite, da veriga ne pride v stik s tlemi. Ko rez zaključite, počakajte, da se veriga ustavi, preden verižno žago premikate. Ko se pomikate od drevesa do drevesa, vedno ugasnite motor.

Kleščenje drevesa

Glejte sliko 12 - 13.

Kleščenje pomeni odstranjevanje vej s padlega drevesa. Pri kleščenju dopustite, da spodnje, večje veje podpirajo deblo in ga držijo nad tlemi. Manjše veje odstranite z enim rezom. Napete veje odžagajte od spodaj navzgor, da se izognete ukleščenju verižne žage.

Mlado vejevje

Glejte sliko 14 - 15.

Odskočno deblo je vsako deblo, veja, ukoreninjen štor ali mlado drevesce, ki je upognjeno pod pritiskom zaradi drugega lesa, tako da odskoči nazaj, če odžagamo ali odstranimo les, ki ga zadržuje.

Pri podrtem drevesu obstaja velika možnost, da med razrezovanjem debla od štora ukoreninjeni štor odskoči nazaj v pokončen položaj. Bodite pozorni na odskočna debila, ker so nevarna.



OPOZORILO!

Odskočna debila so nevarna, saj lahko udarijo delavca ter povzročijo, da izgubi nadzor nad verižno žago. Posledica tega so lahko težke ali usodne poškodbe delavca. Ta opravila naj izvajajo usposobljeni uporabniki.

DODATNA VARNOSTNA OPOZORILA ZA BATERIJO



OPOZORILO!

V izogib, s kratkim stikom povzročene nevarnosti požara, poškodb ali okvar na proizvodu, orodja, izmenljivega akumulatorja ali polnilne naprave ne potaplajte v tekočine in poskrbite, da ne bo prihajalo do vdora tekočin v naprave in akumulatorje. Korozivne ali prevodne tekočine, kot so slana voda, določene kemikalije in belila ali proizvodi, ki le ta vsebujejo, lahko povzročijo kratek stik.

REZIDUALNA TVEGANJA:

Tudi če izdelek uporabljate tako, kot je predpisano, še vedno ne moremo izključiti določenih preostalih dejavnikov tveganja. Med uporabo se lahko pojavijo naslednje nevarnosti, upravljavec pa naj bo pozoren na sledeče:

- Poškodbe zaradi vibracij
 - Pri delu vedno uporabljajte ustrezno orodje. Uporabite namenske ročaje. Omejite trajanje dela in izpostavljenost.
- Izpostavljenost hrupu lahko povzroči poškodbo sluha.
 - Nosite zaščito za sluh in omejite izpostavljenost
- Poškodbe zaradi stika z izpostavljenimi zobni verižne žage
- Poškodbe zaradi izvrženih delcev obdelovanca (leseni okruški in trske)
- Poškodba zaradi vdihavanja prahu in delcev
- Poškodbe zaradi stika kože z mazivom ali oljem



ZMANJŠANJE TVEGANJA

Ugotovljeno je bilo, da lahko pri nekaterih posameznikih vibracije ročnih orodij povzročijo Raynaudov sindrom. Simptomi so lahko mravljinци, otrplost in pobledele prsti, kar je običajno vidno, kadar je oseba izpostavljena mrazu. Dedni dejavniki, izpostavljenost mrazu in vlagi, dieta, kajenje in delovne navade naj bi pripomogle k razvoju teh simptomov. Za zmanjšanje učinkov vibracij lahko upravljavec upošteva naslednja navodila:

- Poskrbite, da bo vaše telo na mrazu toplo. Med upravljanjem nosite rokavice in tako ohranajte toploto vaših dlani in zapestij.
- Po vsakem obdobju upravljanja naprave telovadite in tako pospešite krvni obtok.
- Pogosto si vzemite odmor. Omejite dnevno količino izpostavljenosti.
- Zaščitne rokavice, ki jih lahko kupite v strokovnih trgovinah, kjer prodajajo motorne žage, so zasnovane posebej za uporabo z motorno žago in nudijo zaščito in dober oprijem ter zmanjšajo tresljaje na ročaju.

Če zaznavate kakršne koli simptome takšnega stanja, takoj prenehajte z uporabo naprave in se o simptomih posvetujte z zdravnikom.



OPOZORILO!

Daljša uporaba orodja lahko privede do poškodb ali pa so poškodbe lahko hujše. Kadar orodje uporabljate dalj časa, si večkrat vzemite odmor.

NAMEN UPORABE

Izdelek je namenjen izključno zunanji uporabi. Iz varnostnih razlogov morate izdelek v vsakem trenutku imeti pod nadzorom z obema rokama.

Izdelek je namenjen žaganju vej, debel, hlodov in tramov s premerom, ki ga določa dolžina meča. Namenjena je zgolj za žaganje lesa. Namenjen je le domači uporabi, uporabljajo pa ga lahko odrasle osebe z ustreznim usposabljanjem o nevarnosti in preventivnih ukrepih/dejanjih, ki jih je treba upoštevati pri uporabi.

Izdelek ni namenjen za uporabo v profesionalne namene obdelovanja dreves. Izdelka ne smejo uporabljati otroci ali osebe, ki ne nosijo ustrezne osebne varovalne opreme in oblačil.

Ne uporabljajte izdelka za noben namen, ki ni naveden v razdelku Predvidena uporaba.



OPOZORILO!

Med uporabo stroja upoštevajte varnostna navodila. Preden začnete uporabljati izdelek, morate za vašo varnost in varnost prisotnih v celoti prebrati in razumeti ta navodila. Udeležite se strokovnega varnostnega usposabljanja glede uporabe, preventivnih ukrepov, prve pomoči in vzdrževanja verižnih žag. Prosimo, shranite ta navodila za kasnejšo rabo.



OPOZORILO!

Verižne žage so nevarna orodja. Pri nesrečah z verižno žago si ljudje običajno odrežejo ude ali pa so nesreče celo smrtno. Nevarna pa ni le verižna žaga. Smrtno nevarne so tudi padajoče veje in drevesa ter kotaleči se hlodi. Dodatno nevarnost predstavlja tudi oslABLJENO ali nagnito drevo. Ocenite morate svoje zmožnosti za varno dokončanje dela. Če ste v dvomih, naj vam pomaga strokovnjak.

SPOZNAJTE SVOJ IZDELEK

Glejte stran 6-7.

1. Akumulator
2. Sprožilni gumb
3. Zadnji ročaj
4. Gumb sprožilca
5. Kombinirani ključ
6. Sprednji ročaj
7. Pokrovček olja za verigo
8. Pokrov za meč žage
9. Veriga
10. Meč
11. Meč motorne žage
12. Lovilec verige
13. Napenjalni vijak verige
14. Pokrov verige
15. Montažne matice za vodilo
16. Prednji ščitnik roke/zavora verige

VARNOSTNE NAPRAVE

Veriga žage z nizkim odsunkom

Veriga žage z nizkim odsunkom pomaga preprečevati pojav odsunkov.

Grabilci (vodilni zobje) pred vsakim rezalnim zobom lahko zmanjšajo moč reakcije pri odsunku, tako da preprečijo, da se rezalni zob ne bi zakopal pregloboko na območju odsunka. Uporabljajte le kombinacije mečev in verig, ki jih priporoča proizvajalec.

Pri brušenju verige izgubijo nekaj od svojih lastnosti glede odsunka, zaradi česar je potrebna posebna pozornost. Zaradi varnosti zamenjajte verige, ko se njihova učinkovitost zmanjša.

Meč motorne žage

Vgrajeni meč motorne žage lahko uporabite kot ročico pri rezanju. Pomaga ohraniti stabilnost ohišja motorne žage med žaganjem. Med žaganjem potisnite napravo naprej, da zobata opora zareže v rob lesa, nato pa premikajte zadnji ročaj navzgor oz. navzdol v smeri reza, da zmanjšate fizični napor, ki je potreben za žaganje.

Meči

Na splošno imajo vodila meča s konicami majhnega premera nekoliko manjšo možnost povratnega udarca. Uporabljajte kombinacijo meča in verige, ki je ravno prav dolga za želeno opravilo. Predolgi meči povečajo tveganje za izgubo nadzora med žaganjem. Redno preverjajte





napetost verige. Pri žaganju manjših vej (manj, kot je celotna dolžina meča) je nevarnost snetja veriga v primeru napačne napetosti še večja.

Zavora verige

Zavore verige so zasnovane tako, da hitro zaustavijo vrtenje verige. Ko je vzvod zavore verige/ščitnik roke potisnjen proti meču, se mora veriga takoj zaustaviti. Zavora verige ne prepreči odsunka. Le zniža tveganje za poškodbe v primeru stika meča verige s telesom uporabnika pri odsunku. Pred vsako uporabo preverite, ali zavora za verigo pravilno deluje (tako v blokiranem kot v sproščenem položaju).

Lovilec verige

Lovilec verige prepreči, da bi ohlapna ali strgana veriga poletela proti uporabniku.

DELOVANJE



OPOZORILO!

Če so deli poškodovani ali manjkajo, izdelka ne uporabljajte, dokler deli niso zamenjani. Če tega opozorila ne upoštevate, lahko pride do hudih osebnih poškodb.

Nameščanje baterije

Glejte stran 6.

Vstavite baterijo v izdelek. Jezičke na bateriji poravnajte z tori na priklupu za baterijo izdelka.

Pred začetkom uporabe se prepričajte, da se zapah na baterijskem vložku zaskoči na ustrezno mesto in da je baterijski vložek povsem vstavljen in varno pritrjen v izdelku.

Držanje izdelka

Glejte sliko 1.

Držite výrobek pravou rukou na zadnej rukoväti a ľavou rukou na prednej rukoväti. Primite oba ročaja, tako da ju čvrsto objamete s palcem in z ostalimi prsti. Pazite, da z levo roko držite sprednji ročaj tako, da imate palec spodaj.

Zagon izdelka

Glejte stran 8.

Pred začetkom uporabe v napravo vstavite baterijski vložek in preverite, ali je zavora verige v sproščenem položaju, tako da povlečete ročico zavore verige/zaščito roke proti sprednjemu ročaju.

Za zagon naprave sprožilc najprej spustite, nato pa ga pritisnite.

Preverjanje in delovanje zavore verige

Glejte stran 20.

Zavoro verige aktivirate tako, da levo roko zavrtite okoli sprednjega ročaja. Z zadnjim delom roki potisnite ročico zavore verige/zaščito roke naprej proti meču, medtem ko se veriga še vrti. Roki ves čas imejte na obeh ročajih.

Zavoro verige ponastavite nazaj v položaj za obratovanje, tako da primete zgornji del ročice zavore verige/zaščite roke in povlečete sprednji ročaj, dokler ne klikne.



OPOZORILO!

Če zavora ne ustavi verige takoj ali če zavora verige ne ostane v položaju vklop brez dodatne pomoči, odnesite žago na pooblašeni servis za popravilo pred uporabo.

Nastavitev zategnenosti verige

Glejte stran 14 - 15.

Pred izvajanjem del na pripomočku odstranite akumulatorski vložek.

Prepričajte se, da so matice za namestitev palice privite z navorom, ki ustreza privijanju s prsti.

Za zvečanje napetosti verige zatezni vijak obrnite v desno in pogosto preverjajte napetost verige. Če želite zmanjšati napetost verige, zavrtite napenjalni vijak verige v levo in napetost verige pogosto preverjajte.

Veriga je pravilno napeta, ko je razmik med rezalnim delom verige in palico približno 6,5 mm (0,256 in). Na sredini spodnje strani meča povlecite verigo navzdol (proč od meča) in izmerite razdaljo med mečem in rezili verige.

Dodajanje olja za mazanje verige

Glejte stran 16 - 17.



OPOZORILO!

Nikoli ne opravljajte del brez maziva za verigo. Če veriga obratuje brez maziva, lahko pride do poškodb meča in verige. Zato redno in pred vsakim zagonom motorne žage preverite raven olja s pomočjo merilnika za raven olja.

Očistite površino okoli pokrovčka za olje, da preprečite onesnaženje.

Odvijte in odstranite čep posode za olje.

Dolijte olje v posodo za olje in pri tem spremljajte merilnik ravni olja. Pazite, da med dolivanjem olja v posodo za olje ne pride nesnaga.

Znova namestite čep posode za olje in ga dobro privijte. Obrišite morebitna razlitja.

TRANSPORT IN SHRANJEVANJE

Ustavite napravo, odstranite baterijo in počakajte, da se ohladi, preden ju shranite ali transportirate.

Očistite vse tujke z izdelka. Shranite jo na suhem in dobro



prezračnem mestu, ki ni na dosegu otrok. Hranite proč od jedkih sredstev, kot so kemikalije za vrtnarjenje in soli za odmrzovanje. Ne shranjujte na prostem.

Pred shranjevanjem enote oz. med transportom namestite pokrov za meč.

Za transport zavarujte izdelek pred premiki ali padci, da preprečite poškodbe oseb ali izdelka.

VZDRŽEVANJE



OPOZORILO!

Uporabljajte samo dodatke ECHO in rezervne dele ECHO. V nasprotnem primeru naprava lahko slabo deluje, povzroči poškodbe, garancija pa ne velja več. Če je treba zamenjati dele, ki tukaj niso navedeni, se obrnite na enega od servisov družbe ECHO.



OPOZORILO!

Servisiranje zahteva posebno pozornost in znanje in naj jo zato opravlja samo izurjeni servisni tehnik. Za servisiranje odnesite izdelek na pooblaščen servis. Pri servisiranju uporabljajte samo originalne nadomestne dele.



OPOZORILO!

Pred prilagajanjem, vzdrževanjem ali čiščenjem odstranite baterijo. Neupoštevanje tega nasveta lahko povzroči hude poškodbe.

- Opravite lahko samo tukaj navedene prilagoditve ali popravila. Za ostala popravila se obrnite na pooblaščenega serviserja.
- Posledice nepravilnega vzdrževanja so med drugim lahko napačno delovanje zavore verige in drugih varnostnih funkcij, zaradi česar se poveča tveganje za hude poškodbe. Strokovno vzdržujte in ohranjajte varnost verižne žage.
- Varno brušenje verige zahteva usposobljenost. Zato proizvajalec toplo priporoča, da obrabljene in tope verige zamenjate z novo, ki jo dobite pri pooblaščenem serviserju. Številka dela je navedena v tabeli s specifikacijami izdelka v tem priložniku.
- Sledite navodilom za mazanje ter preverjanje in prilagajanje napetosti verige.
- Po vsaki uporabi izdelek očistite z mehko in suho krpo.
- Pogosto preverjajte, ali so vse matice in vijaki dobro priviti in tako zagotovite varno delovno stanje opreme. Vsak poškodovani del mora ustrezno popraviti ali zamenjati pooblaščen servisni center.

Menjava meča in verige žage

Glejte stran 10 - 13.

Obvezno odstranite baterijo. Nosite zaščitne rokavice.

S priloženim ključem odstranite matice za namestitev palice.

Odstranite pokrov verige.

Z enote odstranite meč in verigo.

Novo verigo namestite na meč v pravilni smeri in poskrbite, da so členi pravilno poravnani v utoru.

Namestite meč na verižno žago in napeljite verigo po verižniku.

Zamenjajte pokrov verige in matice za namestitev palice.

S prsti privijte matice za namestitev palice. Meč se mora prosto gibati zaradi nastavitve napetosti.

Prilagodite napetost verige. Preberite poglavje »Prilagajanje napetosti verige«.

Konic meča držite navzgor in trdno zategnite montažne matice meča.

Preverjanje in čiščenje zavore verige

Glejte stran 22.

Vzdržujte čistočo mehanizma zavore verige, tako da nežno očistite spojne elemente.

Po čiščenju vedno preverite delovanje zavore verige. Za več informacij glejte poglavje »Preverjanje in upravljanje zavore verige« v tem priložniku.

URNIK VZDRŽEVANJA

Dnevno preverjanje	
Mazanje meča	Pred vsako uporabo
Napetost verige	Pred vsako uporabo in ob rednih intervalih
Ostrino verige	Pred vsako uporabo, vizualni pregled
Poškodovanost delov	Pred vsako uporabo
Privitost pritrdil	Pred vsako uporabo
Funkcija zavore verige	Pred vsako uporabo
Preverite in očistite	
Meč	Pred vsako uporabo
Celotno žago	po vsaki uporabi
Zavora verige	Vsaki 5 ur*

*Ure obratovanja

NADOMESTNI DELI

Del	Številka dodatka
Meč	6000945

Veriga	90PX056X
--------	----------

BATERIJE

- Baterije, ki jih nekaj časa niste uporabljali, je treba pred uporabo napolniti.
- Temperature nad 50°C (122°F) zmanjšajo učinkovitost baterij. Preprečite dolgotrajno izpostavljenost toploti ali sončni svetlobi (nevarnost pregretja).
- Kontakti polnilnika in akumulatorskega sklopa morajo biti čisti.
- Za zagotovitev optimalne življenjske dobe baterij jih je treba po uporabi povsem napolniti.
- Za zagotovitev najdaljše možne življenjske dobe baterij jih odstranite iz polnilca, ko so povsem napolnjene.

Za shranjevanje baterije, ki je daljše od 30 dni:

- Baterijo shranite tam, kjer je temperatura pod 27°C in kjer ni vlage.
- Ob shranjevanju naj bodo baterije napolnjene 30-50 %.
- Vsakih šest mesecev shranjevanja baterijo napolnite kot običajno.

PRENAŠANJE LITIJEVIH BATERIJ

Za litij-ionsko baterijo velja zakonodaja o nevarnem blagu.

Prevoz teh baterij je treba izvesti v skladu z lokalnimi, nacionalnimi in mednarodnimi določbami ter predpisi.

- Uporabnik lahko baterije prevaža po cesti brez dodatnih zahtev.
- Za komercialni prevoz litijevih baterij s strani tretjih oseb se uporabljajo predpisi o nevarnem blagu. Priprave za transport in transport mora izvajati ustrezno usposobljeno osebje, proces pa morajo spremljati ustrezni strokovnjaki.

Pri prevozu baterij:

- Zagotovite, da bodo kontakti baterij zaščiteni in izolirani, da ne bo prišlo do kratkega stika.
- poskrbite, da embalaža prepreči premikanje baterij.
- Ne prevažajte poškodovanih baterij oz. baterij, ki puščajo.

Za nadaljnje informacije se obrnite na posredovalno podjetje.

SIMBOLI



Varnostni alarm



Pred uporabo izdelka morate prebrati in razumeti vsa navodila, upoštevati vsa opozorila in varnostne napotke.



Nosite zaščito za oči, ušesa in glavo.



Ko uporabljate izdelek, nosite zaščitno obutev, ki ne drsi.



Nosite si nedrseče, močne delovne zaščitne rokavice.



Pazite na verigo, saj lahko pride do povratnega udara, in se izogibajte dotikanju predmetov s konico meča.



Ne izpostavljajte ga dežju ali vlagi.



Žago uporabljajte tako, da jo trdno držite z obema rokama.



Ne uporabljajte žage tako, da jo držite samo z eno roko.



Nastavite zavoro verige v položaj »RUN«.



Nastavite zavoro verige v položaj »BRAKE«.



Zajamčena raven hrupa je 106 dB.



Ukrajinska oznaka za skladnost



EurAsian oznaka o skladnosti



Odpadne električne izdelke odlagajte skupaj z ostalimi gospodinjstvi odpadki. Reciklažo opravljajte na predpisanih mestih. Za reciklažni nasvet se obrnite na lokalne oblasti.



Ustreza vsem predpisanim standardom v državi članici EU, kjer je bil kupljen izdelek.

Naslednje besedne oznake in njihovi pomeni služijo za razlago stopnje tveganja pri uporabi izdelka.



NEVARNOST

Označuje neizbežno tvegano stanje, ki če se ji ne izognete lahko povzroči smrt ali resno poškodbo.



OPOZORILO

Označuje morebitno tvegano stanje, ki če se ji ne izognete lahko povzroči smrt ali resno poškodbo.



POZOR

Označuje morebitno tvegano stanje, ki če se mu ne izognete lahko povzroči manjšo ali srednje resno poškodbo.

POZOR

Brez simbola za varnostno opozorilo

Prikazuje situacijo, ki lahko povzroči materialno škodo.





TECHNICKÉ ÚDAJE

MOTOROVÁ PÍLA

ECCS-58V

EN
FR
DE
ES
IT
NL
PT
DA
SV
FI
NO
RU
PL
CS
HU
RO
LV
LT
ET
HR
SL
SK
BG
UK
TR

Sériové číslo	17402201000001 - 17402201999999
Menovité napätie	51,1 V, 58 V maximálne
Maximálna dĺžka lišty	400 mm
Kapacita olejovej nádrže reťaze	177 ml
Hmotnosť (Bez batérie, s vodiacou lištou, reťazou a prázdnu nádržou)	4,83 kg
Hmotnosť (so 4,0 Ah akumulátorom)	6,73 kg
Hmotnosť (so 2,0 Ah akumulátorom)	6,03 kg
Maximálna rýchlosť bez záťaže	21 m/s
Využitelná dĺžka rezania	250 mm
Úroveň emisii hluku (podľa normy EN 60745-1; EN 60745-2-13)	
Vážená A hladina akustického tlaku na pozícii obsluhujúcej osoby L_{PA} :	94,5 dB(A)
K_{PA} :	2,5 dB(A)
Vážená A hladina akustického výkonu L_{WA} :	105,5 dB(A)
K_{WA} :	2,5 dB(A)
Úroveň vibrácií (podľa normy EN 60745-1; EN 60745-2-13) (vpredu/vzadu):	2,1 / 2,8 m/s ² K = 1,5 m/s ²

AKUMULÁTOR A NABÍJAČKA

ECCS-58V

Kompatibilné jednotky akumulátorov	ECBP-58V40 / ECBP-58V20
Kompatibilná nabíjačka	ECBC-58VEU / ECBC-58VUK



VAROVANIE!

Úroveň emisii vibrácií uvedená v tejto karte s informáciami bola nameraná v súlade so štandardizovaným testom uvedeným v norme EN 60745 a môže sa používať na porovnanie náradia s inými. Môže sa používať na predbežné posúdenie expozície.

Deklarovaná úroveň emisii vibrácií predstavuje hlavné použitia náradia. No ak sa náradie používa na iné aplikácie, v spojení s iným príslušenstvom alebo je jeho údržba nepostačujúca, emisie vibrácií sa môžu líšiť. To môže značne zvýšiť úroveň expozície počas celkovej pracovnej doby.

Odhad úrovne expozície účinkom vibrácií musí taktiež zohľadniť časy vypnutia náradia alebo ak je spustené, no v skutočnosti prácu nevykonáva. To môže značne znížiť úroveň expozície počas celkovej pracovnej doby.

Stanovte doplnkové bezpečnostné opatrenia na ochranu obsluhy pred účinkami vibrácií, napríklad: vykonávanie údržby náradia a príslušenstva, zohrievanie rúk, organizácia pracovných postupov.



VŠEOBECNÉ BEZPEČNOSTNÉ VÝSTRAHY



VAROVANIE!

Prečítajte si všetky bezpečnostné výstrahy a pokyny. Pri nedodržaní týchto výstrah a pokynov môže dôjsť k úrazu elektrickým prúdom, požiaru a/alebo závažnému poraneniu.

Odložte všetky upozornenia a pokyny použité v budúcnosti.

Pojem „mechanický nástroj“ vo výstrahách sa vzťahuje na váš sieťový (kábový) mechanický nástroj alebo akumulátorový (bezkábový) mechanický nástroj.

PRACOVNÝ PRIESTOR

Pracovisko udržiavajte v čistote a správne osvetlené. Prepchané alebo tmavé miesta zvyšujú pravdepodobnosť nehôd.

Nepracujte s mechanickými nástrojmi vo výbušných atmosférach, napríklad v blízkosti zápalných tekutín, plynov alebo prachu. Mechanické nástroje vytvárajú iskry, ktoré môžu podpáliť takýto prach alebo výpary.

Deti a okolostojaci sa počas práce s mechanickým nástrojom nesmú zdržovať v jeho blízkosti. Použitím môže spôsobiť, že stratíte nad nástrojom kontrolu.

ELEKTRICKÁ BEZPEČNOSŤ

Zástrčky mechanického nástroja musia zodpovedať zásuvke. Zástrčku nikdy žiadnym spôsobom neupravujte. S uzemnenými mechanickými nástrojmi nepoužívajte rozdvojnú zásuvku. Použitím neupravovaných zástrčiek a zodpovedajúcich zásuviek sa znižuje riziko úrazu elektrickým prúdom.

Vyhýbajte sa telesnému kontaktu s uzemnenými povrchmi, napríklad rúrami, radiátormi, sporákmi a chladničkami. Ak je vaše telo uzemnené, hrozí vysoké riziko úrazu elektrickým prúdom.

Nevystavujte produkt dažďu ani mokrému prostrediu. Voda, ktorá vnikne do mechanického nástroja, zvyšuje riziko úrazu elektrickým prúdom.

Kábel nenamáhajte. Nikdy nepoužívajte kábel na prenášanie, ťahanie alebo odpájanie mechanického nástroja. Kábel nedávajte do blízkosti tepla, oleja, ostrých okrajov alebo pohyblivých dielov. Poškodené alebo zamotané káble zvyšujú riziko úrazu elektrickým prúdom.

Pri práci s mechanickým nástrojom v exteriéri používajte predlžovací kábel vhodný pre použitie v exteriéri. S káblom vhodným pre použitie v exteriéri sa znižuje riziko úrazu elektrickým prúdom.

Ak je nevyhnutné pracovať s mechanickým nástrojom vo vlhkom prostredí, použite zdroj chránený zariadením pre zvyškový prúd. Použitie zariadenia pre zvyškový prúd znižuje riziko úrazu elektrickým prúdom.

OSOBNÁ BEZPEČNOSŤ

Pri práci s mechanickým nástrojom buďte ostražití, sledujte, čo robíte a používajte zdravý rozum. Nepoužívajte mechanický nástroj, keď ste unavení alebo pod vplyvom drog, alkoholu alebo liekov. Chvíľa nepozornosti počas práce s mechanickými nástrojmi môže spôsobiť závažné osobné poranenie.

Používajte osobné ochranné pomôcky. Vždy používajte chrániče zraku. Ochranné pomôcky ako protiprachová maska, protišmyková bezpečnostná obuv, pevný klobúk alebo chrániče sluchu, používané pre príslušné podmienky, znižujú riziko vzniku osobného poranenia.

Zabráňte neúmyselnému spusteniu. Pred zapojením zariadenia do siete a/alebo k jednotke akumulátora, zdvíhaním alebo prenášaním nástroja vždy skontrolujte, či je spínač vo vypnutej polohe. Pri prenášaní mechanických nástrojov s prstom položeným na spínači alebo pripájaní mechanických nástrojov so zapnutým spínačom sa zvyšuje riziko úrazu.

Pred zapnutím nástroja odstráňte prípadný nastavovací klin alebo kľúč. Keď necháte kľúč alebo klin nasadený na rotujúci diel mechanického nástroja, môže dôjsť k vážnemu poraneniu osôb.

Nepreceňujte sa. Neustále zachovávajte pevnú oporu nôh a rovnováhu. Tak si zaistíte lepšiu kontrolu nad mechanickým nástrojom v nečakaných situáciách.

Primerane sa oblečte. Nenoste voľný odev ani šperky. Vlasy, odev a rukavice nepribližujte k pohybujúcim sa dielom. Voľný odev, šperky či dlhé vlasy sa môžu zachytiť do pohyblivých častí.

Ak sú zariadenia vybavené pripojením na prostriedky na odsávanie a zber prachu, zaistíte, aby boli správne pripojené a primerane sa používali. Pri použití týchto prostriedkov sa znižujú riziká pochádzajúce z prachu.

POUŽÍVANIE ELEKTRICKÉHO NÁSTROJA A STAROSTLIVOSŤ OŇ

Na nástroj nevyvíjajte silu. Používajte vhodný nástroj pre dané použitie. Správny mechanický nástroj splní svoju úlohu lepšie a bezpečnejšie pri rýchlosti, na ktorú je určený.

Mechanický nástroj nepoužívajte, ak spínač nezapína a nevypína nástroj. Mechanický nástroj, ktorý sa nedá ovládať spínačom, je nebezpečný a musí sa dať opraviť.

Pred vykonaním akýchkoľvek úprav, výmene príslušenstva alebo odložením mechanického nástroja odpojte zástrčku zo sieťovej zásuvky alebo jednotky akumulátora. Takéto preventívne opatrenie znižuje riziko neúmyselného spustenia mechanického nástroja.

Nečinné mechanické nástroje odložte mimo dosahu detí a nedovoľte používať mechanický nástroj osobám neoboznámeným s mechanickým nástrojom alebo týmito pokynmi. Mechanické nástroje sú v rukách netrénovaných osôb nebezpečné.

Na mechanických nástrojoch vykonávajte údržbu. Skontrolujte, či pohyblivé diely nie sú nesprávne nastavené alebo zablokované, či niektoré diely nie



sú poškodené, ako aj akýkoľvek iný stav, ktorý by mohol ovplyvniť činnosť mechanického nástroja. V prípade poškodenia nechajte mechanický nástroj pre použitím opraviť. Veľké množstvo nehôd je spôsobených nedostatočnou údržbou mechanických nástrojov.

Rezacie nástroje udržiavajte ostré a v čistote. Správne udržiavané rezacie nástroje s ostrými ostriami sa menej pravdepodobne zaseknú a ľahšie sa ovládajú.

Mechanický nástroj, príslušenstvo a vrtáky a pod., používajte v súlade s týmto návodom, pričom berte do úvahy pracovné podmienky a úlohu, ktorú chcete vykonať. Pri používaní mechanického nástroja na iné ako určené činnosti môže dôjsť k nebezpečným situáciám.

POUŽÍVANIE AKUMULÁTORA A STAROSTLIVOSŤ OŇ

Nabíjajte len s použitím nabíjačky špecifikovanej výrobcom. Nabíjačka, ktorá je vhodná pre jeden typ jednotky akumulátora, môže pri použití s inou jednotkou akumulátora spôsobiť riziko požiaru.

Používajte len mechanické nástroje so špecificky určenými jednotkami akumulátorov. Pri použití iných jednotiek akumulátora vzniká riziko poranenia a požiaru.

Keď sa jednotka akumulátora nepoužíva, nedávajte ju do blízkosti iných kovových objektov, ako sú papierové sponky, mince, kľúče, klince, skrutky či iné malé kovové predmety, ktoré by mohli skratovať svorky. Pri skratovaní svoriek akumulátora môže dôjsť k popáleninám alebo požiaru.

Za nevhodných podmienok, keď by z batérie vytekala kvapalina, predchádzajte kontaktu s ňou. Pri náhodnom kontakte opláchnite vodou. Ak tekutina zasiahne oči, dodatočne vyhľadajte lekársku pomoc. Tekutina vytečená z akumulátora môže spôsobiť podráždenie alebo popálenie.

OPRAVY

Servis mechanického nástroja prenechajte kvalifikovanému servisnému pracovníkovi s použitím len identických náhradných dielov. Takto zachováte bezpečnosť mechanického nástroja.

ĎALŠIE VŠEOBECNÉ BEZPEČNOSTNÉ VÝSTRAHY

Niektoré regióny majúariadenia, ktoré obmedzujú použitie produktu. Poradte sa s miestnym úradom.

Produkt nikdy nedovoľte používať deťom alebo osobám neoboznámeným s návodom na použitie. Miestne platné predpisy môžu obmedzovať dobu použitia kosačky.

Pred každým použitím skontrolujte, či všetky ovládacie prvky a bezpečnostné zariadenia fungujú správne. Produkt nepoužívajte, ak hlavný spínač nevypína motor.

Pri práci s produktom používajte kompletné chrániče zraku a sluchu, pevné a odolné rukavice a ochranu hlavy. V prašnom prostredí použite tvárovú masku.

Nenoste oblečenie voľného strihu, krátke rukávy ani bižutériu žiadneho druhu.

Dlhé vlasy zaistite, aby boli nad úrovňou pliec a nedošlo tak k ich zamotaniu do pohyblivých dielov.

Pozor na vymrštené, odletujúce alebo padajúce objekty. Okolostojace osoby, deti a domáce zvieratá, musia stáť min. 15 m od pracovného priestoru.

Nepracujte pri nedostatočnom osvetlení. Obsluhujúci musí mať jasný výhľad na pracovný priestor, aby mohol identifikovať potenciálne nebezpečenstvo.

Použitie ochrany sluchu znižuje schopnosť počuť zvukové výstrahy (výkriky alebo alarmy). Operátor musí dávať zvlášť pozor, čo sa deje v pracovnej oblasti.

Pri používaní podobných nástrojov v blízkosti sa zvyšuje riziko poranenia sluchu a potenciál pre ostatné osoby, ktoré vstúpia do pracovného priestoru.

Udržujte bezpečný postoj a rovnováhu. Nepreceňujte sa. Pri siahaní príliš ďaleko môžete stratiť rovnováhu a zvýšiť riziko spätného nárazu.

Žiadnu časť tela nedávajte do blízkosti žiadnej pohybujúcej sa časti.

Pred každým použitím nástroj skontrolujte. Skontrolujte správnu činnosť všetkých ovládacie prvkov vrátane brzdy rezače. Skontrolujte, či nie sú uvoľnené napínadlá a či sú všetky kryty a rukoväte správne a bezpečne nasadené. Pred použitím vymeňte všetky poškodené diely.

Zariadenie žiadnym spôsobom neupravujte ani nepoužívajte diely či príslušenstvo, ktoré neodporúča výrobca.



VAROVANIE!

Ak produkt spadne, utrpí silný náraz alebo začne neštandardne vibrovať, okamžite ho zastavte s skontrolujte, či nedošlo k poškodeniu alebo zistíte príčinu vibrácií. Akékoľvek poškodenie sa musí náležite opraviť alebo vymeniť v autorizovanom servisnom centre.

Použitie akumulátory nevyhadzujte do komunálneho odpadu ani ich nespálajte. Predajcovia výrobkov značky ECHO ponúkajú služby prevzatia starých akumulátorov, aby sa šetrilo naše životné prostredie.

Akumulátor neskladujte spolu s kovovými predmetmi (riziko skratu).

Na nabíjanie akumulátorov používajte len nabíjačku ECBC-58VEU/ECBC-58VUK. Nepoužívajte akumulátory z iných systémov.

Kompatibilné jednotky akumulátorov: ECBP-58V40, ECBP-58V20

Pri vysokom zaťažení alebo extrémnych teplotách môže z poškodených akumulátorov vytekať elektrolyt. V prípade kontaktu s elektrolytom z akumulátora si miesto okamžite umyte mydlom a vodou. V prípade zasiahnutia očí si ich dôkladne aspoň 10 minút vyplachujte vodou a okamžite vyhľadajte zdravotnícku pomoc.

Dve poistné skrutky lišty na rezač sú počas používania citlivými miestami elektrostatického výboja. Používateľ musí uvoľniť prepínač a reštartovať výrobok, ak sa vypne kvôli elektrostatickému výboju.

EN
FR
DE
ES
IT
NL
PT
DA
SV
FI
NO
RU
PL
CS
HU
RO
LV
LT
ET
HR
SK
BG
UK
TR





REŤAZOVÁ PÍLA – BEZPEČNOSTNÉ VÝSTRAHY

Počas prevádzkovania výrobu majte všetky časti tela v bezpečnej vzdialenosti od pílovej reťaze. Pred spustením reťazovej pily skontrolujte, či sa reťazová píla ničoho nedotýka. Chvíľa nepozornosti počas práce s reťazovou pilou môže spôsobiť zapletenie odevu alebo tela do pílovej reťaze.

Reťazovú pílu vždy držte pravou rukou na zadnej rukoväti a ľavou rukou na pravej rukoväti. Pri opačnom držaní reťazovej pily sa zvyšuje riziko osobného poranenia a toto držanie sa nesmie nikdy používať.

Výrobok držte len za izolovaný povrch na uchopenie, pretože pílová reťaz môže prísť do kontaktu so skrytým vedením. Pílová reťaz v kontakte so „živým“ vodičom by mohli spôsobiť, že obnažené kovové diely budú pod prúdom a spôsobiť obsluhujúcemu zásah elektrickým prúdom.

Vždy používajte ochranné okuliare a chrániče sluchu. Odporúčajú sa aj ďalšie ochranné pomôcky na hlavu, ruky, nohy a chodidlá. Primeraný ochranný odev znižuje riziko osobného poranenia od odletujúcich úlomkov alebo následkom náhodného kontaktu s pílovou reťazou.

Nepracujete s reťazovou pilou na strome. Pri práci s reťazovou pilou, keď sa nachádzate na strome, môže dôjsť k osobnému poraneniu.

Neustále zachovávajúce pevnú oporu nôh a pracuje s reťazovou pilou len v stojni na pevnom, bezpečnom a rovnom povrchu. Na klzkých alebo nestabilných povrchoch, napríklad rebríkoch, môže dôjsť k strate rovnováhy alebo kontroly nad reťazovou pilou.

Pri rezaní konára, ktorý je napnutý, dávajte pozor na spätný náraz. Pri uvoľnení prútia vo vláknach dreva môže odpružený konár udrieť obsluhujúceho a/alebo spôsobiť stratu kontroly nad reťazovou pilou.

Pri rezaní kríkov a mladých stromčekov buďte mimoriadne opatrní. Tenký materiál sa môže zachytiť v pílovej reťazi a môže pretrhnúť smerom k vám alebo vás vyvieť z rovnováhy.

Reťazovú pílu prenášajte za prednú rukoväť, pričom reťazová píla je vypnutá a držíte ju ďalej od tela. Pre prenášanie alebo skladovanie reťazovej pily vždy nasadte kryt vodiacej lišty. Pri správnej manipulácii s reťazovou pilou sa znižuje pravdepodobnosť náhodného kontaktu s pohybujúcou sa pílovou reťazou.

Dodržiavajte pokyny na mazanie, napínanie reťaze a výmenu príslušenstva. Nesprávne napnutá alebo namazaná reťaz sa môže pretrhnúť alebo zvýšiť pravdepodobnosť spätného nárazu.

Rukoväte udržiavajte suché a čisté, bez zvyškov oleja či maziva. Zamastené a zaolejšované rukoväte sú klzké a môžu spôsobiť stratu kontroly.

Píľte len drevo. Nepoužívajte reťazovú pílu na iné ako určené účely. Nepoužívajte reťazovú pílu napríklad na pílenie plastov, muriva a iných ako drevených stavebných materiálov. Pri používaní reťazovej pily na

iné ako určené práce môže vzniknúť nebezpečná situácia.

Príčiny spätného nárazu a ako mu možno predchádzať:

Keď sa špička vodiacej lišty dotkne nejakého predmetu alebo keď sa reťaz zakliesni v reze, môže dôjsť k spätnému rázu.

Kontakt hrotu môže v niektorých prípadoch spôsobiť náhlu zvratnú reakciu, odhodiť vodiacu lištu nahor a dozadu smerom k obsluhujúcemu.

Pri zovretí pílovej reťaze pozdĺž horného okraja vodiacej lišty môže prudko postrčiť vodiacu lištu dozadu smerom k obsluhujúcemu.

Obidve tieto reakcie môžu spôsobiť stratu kontroly nad náradím, čo môže viesť k vážnemu zraneniu. Nespoliehajte sa len na bezpečnostné prvky reťazovej pily. Pri obsluhu reťazovej pily je potrebné prijať určité opatrenia na zabránenie vzniku úrazov alebo zranení pri rezacích prácach:

Spätný náraz je výsledok nesprávneho používania nástroja a/alebo nesprávnych prevádzkových postupov a možno mu predchádzať vykonávaním príslušných predbežných opatrení uvedených nižšie:

Udržiavajte pevný úchop, pri ktorom palce a prsty obopínajú rukoväť reťazovej pily a obe ruky sú umiestnené na pile a vaše telo je v polohe, ktorá vám umožní odolávať sile spätného nárazu. Sily spätného nárazu môže kontrolovať obsluhujúci, ak podnikne príslušné predbežné opatrenia. Reťazovú pílu nepúšťajte.

Nesiahajte príliš ďaleko a nepíľte nad výškou pliec. Tak predídete neúmyselnému kontaktu hrotu a zaistíte si lepšiu kontrolu nad reťazovou pilou v neočakávaných situáciách.

Používajte len náhradné lišty a reťaze špecifikované výrobcom. Nesprávne náhradné lišty a reťaze môžu spôsobiť pretrhnutie reťaze a/alebo spätný náraz.

Dodržiavajte pokyny výrobcu na ostrenie a údržbu reťazovej pily. Pri poklese obmedzovacej pätky môže dochádzať k častejšiemu spätnému nárazu.

REŤAZOVÁ PÍLA – ĎALŠIE BEZPEČNOSTNÉ VÝSTRAHY

Pri prvom použití produktu sa odporúča píliť poľená na koze na drevo alebo vidlicu.

Skontrolujte, či sú všetky ochranné kryty, rukoväte a nárazové ostrie správne nasadené a v dobrom stave.

Osoby obsluhujúce produkt musia byť v dobrom zdravotnom stave. Výrobok je ťažký, preto obsluha musí mať dobrú fyzickú kondíciu. Obsluhujúca osoba musí byť v strehu, mať dobrý zrak, pohyblivosť, rovnováhu a byť manuálne zručná. V prípade akýchkoľvek pochybností nepracujte s produktom.

Nepúšťajte sa do práce s produktom, kým nevyčistíte pracovisko, nezaistíte si pevný postoj a nebudete mať naplánovanú únikovú trasu od padajúceho stromu.

Pozor na vyfukovanie oparu maziva a píln. V prípade potreby použite masku alebo respirátor.





Nerežte vinič alebo malý podrast (s priemerom menším ako 75 mm).

Výrobok vždy prevádzkujte držiak ho obomi rukami. Obidve rukoväte uchopte pevne obopnutím palcami a prstami. Pravá ruka musí byť na zadnej rukoväti a ľavá ruka na prednej rukoväti.

Pred spustením výrobku skontrolujte, že sa pílová reťaz nedotýka žiadneho predmetu.

Produkt žiadnym spôsobom nemodifikujte, ani ho nepoužívajte na poháňanie žiadnych nástavcov alebo zariadení, ktoré neodporúčal výrobca produktu.

V blízkosti obsluhujúcej osoby sa musí nachádzať lekárnička obsahujúca dostatok materiálu na obviatanie rany a prostriedky na privolanie pomoci (napr. pištalka). V rozumnom dosahu by mala byť aj väčšia a komplexnejšia súprava.

Pri prevádzkovaní výrobku vždy používajte prilbu. Prilba vybavená so štítom z mriežky môže znížiť riziko poranenia tváre a hlavy v prípade, ak dôjde k spätnému nárazu.

Nesprávne napnutá reťaz môže vyskočiť z vodiacej lišty a spôsobiť závažné poranenie alebo smrť. Dĺžka reťaze závisí od teploty. Pravidelne kontrolujte napnutie.

Mali by ste si navyknúť na novú reťazovú pílu vykonávaním jednoduchých rezov na bezpečne podoprenom dreve. To robte vždy, keď ste pílu nejakú dobu nepoužívali.

Na zníženie rizika poranenia následkom kontaktu s pohyblivými dielmi pred nasledujúcimi činnosťami vždy zastavte motor, aplikujte brzdu reťaze, vyberte jednotku akumulátora a skontrolujte, či sa všetky pohybujúce úplne zastavili:

- čistenie alebo odstránenie upchatia
- ponechanie produktu bez dozoru
- montáž alebo demontáž nástavcov
- kontrola, údržba alebo práca na produkte

Veľkosť pracovnej zóny závisí od vykonávanej práce, ako aj od veľkosti stromu alebo spracovávaného materiálu. Napríklad, padajúci strom vyžaduje väčšie pracovisko ako vykonávanie iných rezov, napr. skracovanie výrezov a pod.

Obsluhujúca osoba si musí uvedomovať a mať kontrolu nad všetkým, čo sa deje na pracovisku.

Nerežte s telom v línii s vodiacou lištou a reťazou. Ak predsa len zaznamenáte spätný náraz, zabránite týmto, aby reťaz prišla do kontaktu s vaším telom alebo hlavou.

Nepoužívajte pílové pohyby vzad a vpred, nechajte pracovať samotnú reťaz, udržiavajte ju ostrú a nesnažte sa tlačiť reťaz cez rez.

V konečnej fáze rezu na pílu netlačte. Buďte pripravení udržať hmotnosť píly, po prepílení dreva. V opačnom prípade môže dôjsť k prípadnému závažnému osobnému poraneniu.

Nezastavujte pílu v strede pílenia. Nechajte ju bežať, kým nevyjde úplne z rezu.

Tlak a ťah

Spätné pôsobenie (reakcia) je vždy v opačnom smere, ako je smer otáčania reťaze. Taktó musí byť obsluhujúca osoba pripravená mať pod kontrolou tendenciu zariadenia odiahnuť sa (pohyb dopredu) pri pílení na spodnom okraji lišty a odstrániť sa dozadu (smerom k obsluhujúcej osobe) pri pílení pozdĺž vrchného okraja.

Píla zaseknutá v reze

Zastavte pílu a zaistite ju. Nevyťahujte nasilu reťaz a lištu von z rezu, inak sa reťaz pravdepodobne pretrhne a následne môže vyletieť dozadu a udrieť obsluhujúcu osobu. Táto situácia bežne nastane, lebo drevo je nesprávne podoprené a dochádza k násilnému uzatvárania rezu pod tlakom, čím dochádza k zovretiu ostria. Ak pri úprave podpery nedôjde k uvoľneniu lišty a reťaze, pomocou drevených klinov alebo páky roztvorte rez a uvoľnite reťaz. Nikdy sa nepokúšajte spustiť reťazovú pílu, keď je vodiaca lišta už v reze alebo záreze.

Osobné ochranné pomôcky

Osobné ochranné prostriedky v dostatočnej kvalite, aké používajú profesionáli, pomôžu znížiť riziko zranenia obsluhujúcej osoby. Pri práci s reťazovou pílou je nevyhnutné používať nasledujúce položky:

Bezpečnostná helma

- musí spĺňať EN 397 a mať označenie CE

Ochrana sluchu

- musí spĺňať EN 352-1 a mať označenie CE

Ochrana zraku a tváre

- musí mať označenie CE a spĺňať EN 166 (pre ochranné okuliare) alebo EN 1731 (pre mriežkové prieryzy)

Rukavice

- musí spĺňať EN381-7 a mať označenie CE

Ochrana nôh (chrániče)

- musia spĺňať EN381-5, mať označenie CE a zabezpečovať všestrannú ochranu.

Bezpečnostné topánky pre reťazovú pílu

- musí spĺňať EN ISO 20345:2004 a mať označenie štítu s vyobrazením reťazovej píly podľa EN 381-3. (Príležitostní používatelia môžu používať bezpečnostné čičmy vybavené oceľovými špičkami s ochrannými gumákmi, ktoré spĺňajú EN 381-9, pokiaľ je terén rovný a existuje len minimálne riziko zakopnutia alebo zachytenia sa o podrast)

Plášte pre reťazové píly na ochranu hornej polovice tela

- musí spĺňať EN 381-11 a mať označenie CE





POKYNY TÝKAJÚCE SA SPRÁVNYCH TECHNÍK PRE ZÁKLADNÉ PORÁŽANIE, ODVETVOVÁVANIE A PRE-REZÁVANIE

Porozumenie silám v dreve

Keď porozumíte smerovým tlakom a pnutiam v dreve, môžete redukovat' výskyt „zovretí“ alebo ich aspoň pri pílení očakávať. Pnutie v dreve znamená, že vlákna sú ťahané od seba a ak pilíte v tejto oblasti, „zárez“ alebo rez, ako píla postupuje ďalej, bude mať tendenciu otvárať sa. Ak je poleno podopierané na koze a jeho koniec vidí bez podpory cez okraj, na hornej ploche vzniká pnutie, lebo hmotnosť prečnievajúceho polena ňaťahuje vlákna. Podobne, spodná strana polena bude stláčaná a vlákna tlačené dokopy. Pri vykonaní rezu v tejto oblasti bude mať zárez tendenciu počas rezania sa uzatvárať. Tým dôjde k zovretiu ostria.

Porážanie stromu

Pozrite si obrázok 1 - 6.

Pri skracovaní a porážaní dvoma alebo viacerými osobami súčasne je potrebné oddeliť porážanie od skracovania vzdialenosťou minimálne dvojnásobku výšky porázaného stromu. Stromy sa nesmú porážať spôsobom, ktorý by ohrozil akúkoľvek osobu, zasiahol akúkoľvek inžiniersku sieť alebo spôsobil škody na majetku. V prípade, že strom predsa zasiahne nejakú inžiniersku sieť, je potrebné bezodkladne upovedomiť príslušnú spoločnosť.

Ak pracujete na teréne so sklonom, stojte vždy s pílou hore na svahu, keďže strom sa môže po spílení šmykať alebo guľať smerom dole.

Pred zahájením pílenia musí byť úniková trasa naplánovaná a vyčistená. Úniková cesta by mala presahovať dozađu a diagonálne po zadnú časť očakávanej línie pádu.

Pred zahájením porážania zhodnotte prirodzené naklonenie stromu, polohu väčších konárov a smer vetra a určite tak pravdepodobný smer pádu stromu.

Zo stromu odstráňte hlinu, kamene, voľnú kôru, kince, strmene a drôty.

Nepokúšajte sa porážať práchnivé stromy ani stromy, ktoré boli poškodené vetrom, požiarom, bleskom atď.

Je to extrémne nebezpečné a takúto činnosť smú vykonávať len profesionálni ošetrovatelia stromov.

1. Podtínací rez

Pozrite si obrázok 1 - 6.

Vykonajte tento rez do 1/3 priemeru stromu kolmo na smer pádu. Najskôr urobte spodný vodorovný podtínací rez. Predídete tak zovretiu pílovej reťaze alebo vodiacej lišty pri vykonávaní druhého zárezu.

2. Zadný podtínací rez

Pozrite si obrázok 1 - 6.

Zadný podtínací rez vykonajte minimálne o 50 mm vyššie ako vodorovný podtínací rez. Zadný podtínací rez vykonajte kolmo na vodorovný podtínací rez. Zadný podtínací rez vykonajte tak, aby ako pánt poslužil dostatok dreva. Drevo slúžiace ako pánt zabráni skrúteniu stromu a jeho pádu nesprávnym smerom.

Cez pánt nepilte.

Ako sa podtínací rez blíži k pántu, strom by mal začať padať. Ak existuje akákoľvek možnosť, že strom nespadne požadovaným smerom alebo sa nakloní opačným smerom a zovrie pílovú reťaz, prestaňte píliť pred dokončením zadného podtínacieho rezu a pomocou klinov z dreva, plastu alebo hliníka otvorte rez a zvalte strom požadovaným smerom pádu.

Keď strom začne padať, vyberte reťazovú pílu z rezu, zastavte motor, spustite reťazovú pílu nadol a potom použite naplánovanú únikovú trasu. Dávajte pozor na padajúce konáre nad hlavou a sledujte, kam stúpate.

Odstraňovanie koreňových nábehov

Pozrite si obrázok 7 - 8.

Koreňový nábeh je veľký koreň, ktorý vychádza z kmeňa stromu nad zemou. Pred spílovaním stromu odstráňte všetky veľké koreňové nábehy. Najprv urobte do koreňového nábehu vodorovný rez a potom zvislý rez. Odstráňte odrezané časti z pracovnej zóny. Po odstránení koreňových nábehov môžete začať spílovať.

Skracovanie guľatiny

Pozrite si obrázok 9 - 11.

Skracovanie je pílenie polien na určité dĺžky. Je dôležité aby ste si zabezpečili pevnú oporu nôh a hmotnosťou rovnomerne rozloženou na oboch nohách. Keď je to možné, guľatinu nadvihnite a podprite pomocou konárov, inej guľatiny alebo klinov. Dodržiavajte jednoduchý návod na jednoduché pílenie. Keď je guľatina podpretá po celej dĺžke, píli sa z vrchu (zhora).

Keď je guľatina podpretá na jednom konci, odpíľte 1/3 priemeru zo spodnej strany (zospodu). Potom vykonajte záverečný rez zospodu, ktorý sa spojí s prvým rezom.

Keď je guľatina podpretá na oboch koncoch, odpíľte 1/3 priemeru z vrchnej strany (zhora). Potom vykonajte záverečný rez spodných 2/3, ktorý sa spojí s prvým rezom.

Pri skracovaní na svahu vždy stojte na hornej strane guľatiny. Aby ste pri prerezávaní udržali maximálnu kontrolu, uvoľnite rezný tlak pri konci rezu, pričom neuvolňujte uchopenie na rukovätiach reťazovej píly. Nedovoľte, aby sa reťaz dotkla zeme. Po dokončení rezu počkajte, kým sa reťaz nezastaví a až potom pohybujte reťazovou pílou. Pred presunom od stromu k stromu vždy zastavte motor.

Odvetvovanie stromu

Pozrite si obrázok 12 - 13.

Odvetvovanie je odstraňovanie konárov z porazeného stromu. Pri odvetvovaní nechajte väčšie spodné konáre, aby držali kmeň nad zemou. Malé konáre odstráňte jedným rezom. Napnuté konáre sa musia rezať zdola nahor, aby nedošlo k zovretiu reťazovej píly.

Pružný konár

Pozrite si obrázok 14 - 15.

Drevo pod pnutím je akékoľvek poleno, vetva, zakorenený



peň alebo mladý strom, ktoré sú ohnuté pod tlakom iného dreva a ktoré sa po odrezaní alebo odstránení vymrštia späť.

U spileného stromu sa môže zakorenený peň vymrštíť smerom hore pri oddeľovaní rezaného kusa od pňa. Dávajte pozor na drevo pod pnutím, je nebezpečné.



VAROVANIE!

Drevo pod pnutím je nebezpečné a môže vás zasiahnuť a spôsobiť stratu kontroly nad náradím. To môže spôsobiť vážne alebo smrteľné zranenie. To musia vykonávať zaškolení používatelia.

DOPLNKOVÉ BEZPEČNOSTNÉ VÝSTRAHY PRE BATÉRIU



VAROVANIE!

Aby ste zabránili nebezpečenstvu požiaru spôsobeného skratom, poraneniam alebo poškodeniam výrobku, neponárajte náradie, výmennú batériu alebo nabíjačku do kvapalín a postarajte sa o to, aby do zariadení a akumulátorov nevnikli žiadne tekutiny. Korodujúce alebo vodivé kvapaliny, ako je slaná voda, určité chemikálie a bieliace prostriedky alebo výrobky, ktoré obsahujú bielidlo, môžu spôsobiť skrat.

ZVYŠKOVÉ RIZIKÁ

Aj keď sa nástroj používa podľa predpisu, nie je možné eliminovať určité zvyškové rizikové faktory. Pri použití vznikajú nasledujúce riziká a obsluhujúca osoba musí venovať zvláštnu pozornosť, aby nedošlo k nasledovnému:

- Zranenie spôsobené vibráciami
 - Vždy používajte správny nástroj pre danú úlohu. Používajte určené rukoväti. Obmedzte dĺžku pracovného času a vystavenie účinkom.
- Vystavovanie hluku môže spôsobiť poranenie sluchu.
 - Používajte ochranu sluchu a obmedzte expozíciu
- zranenie pri kontakte s obnaženými zubami reťaze
- zranenie spôsobené odletujúcimi časťami obrobku (drevené triesky a odštepky)
- Zranenie spôsobené vdýchnutím prachu a častíciek
- zranenie spôsobené kontaktom pokožky s mazivom alebo olejom

OBMEDZENIE RIZIKA

Boli hlásené prípady, kedy vibrácie z ručných nástrojov u niektorých osôb prispeli k stavu nazývanému Raynaudov syndróm. K symptómom patria: tŕpnutie, znečlivenie a blednutie prstov, zvyčajne zjavné po vystavení zime. Je

známe, že k vývoju týchto symptómov prispievajú: dedičné faktory, vystavovanie zime a vlhkosti, diéta, fajčenie a pracovné návyky. Opatrenia, ktoré môže vykonať obsluhujúca osoba na možné zníženie účinkov vibrácií:

- V studenom počasí udržiavajte svoje telo v teple. Pri práci so zariadením noste rukavice, aby ste mali ruky a zápästia v teple.
- Po každom určitom časovom úseku prevádzky cvičte, aby ste zlepšili krvný obeh.
- Počas práce si doprajte časté prestávky. Obmedzte počet vystavení za deň.
- Ochranné rukavice dostupné u profesionálnych predajcov reťazových píl sú určené špeciálne pre použitie s reťazovými pilami a zaisťujú ochranu, dobré uchopenie a tiež znižujú znižujú účinok vibrácií rukoväte.

Ak zistíte ktorýkoľvek zo symptómov tohto stavu, okamžite prerušte používanie zariadenia, navštívte svojho lekára a povedzte mu o symptómoch.



VAROVANIE!

Pri dlhodobom alebo zvýšenom používaní môže dôjsť k zraneniam. Pri používaní nástroja príliš dlhé obdobia si vždy doprajte pravidelné prestávky.

ÚČEL POUŽITIA

Tento produkt je určený len pre použitie v exteriéri. Z bezpečnostných dôvodov sa musí tento produkt primerane ovládať neustále oboma rukami.

Tento produkt je určený na rezanie konárov, kmeňov, polien a trávov s priemerom určenom reznou dĺžkou vodiacej lišty. Je určená len na pílenie dreva. Možno ho používať pri domácich aplikáciách dospelými osobami, ktoré sú primerane zaškolené o rizikách a preventívnych opatreniach/krokoch, ktoré treba pri jeho používaní vykonať.

Nie je určený na používanie v profesionálnych lesníckych službách. Tento produkt nesmú používať deti ani osoby, ktoré nie sú vybavené primeranými osobnými ochrannými pomôckami a odevom.

Tento výrobok nepoužívajte na žiadny účel, ktorý nie je uvedený v časti Určené použitie.



VAROVANIE!

Pri používaní tohto produktu sa musia dodržiavať bezpečnostné zásady. Pre vašu vlastnú bezpečnosť a bezpečnosť okolostojacich osôb si pred použitím produktu musíte prečítať tento návod a porozumieť všetkým jeho pokynom. Odporúčame absolvovať profesionálne organizované bezpečnostné školenie o používaní, preventívnych krokoch, prvej pomoci a údržbe reťazových píl. Odložte si tento návod na neskoršie použitie.



VAROVANIE!

Reťazové píly sú potenciálne nebezpečné nástroje. Nehody pri používaní reťazových píľ často spôsobia stratu končatín alebo smrť. Riziko nepredstavuje len reťazová píla. Padajúce konáre, zvalujúce sa stromy, kotľajúce s brvná – to všetko môže zabiť. Ďalšie riziká predstavuje choré alebo trúchnivejúce drevo. Musíte odhadnúť vlastnú schopnosť bezpečne dokončiť úlohu. Ak máte akékoľvek pochybnosti, prenechajte úlohu profesionálnemu stromovému chirurgovi.

OBOZNÁMTE SA S VAŠÍM PRODUKTOM

Pozrite strany 6-7.

1. Batéria
2. Západka plynovej páčky
3. Zadná rukoväť
4. Vypínač
5. Kombinovaný kľúč
6. Predná rukoväť
7. Uzáver olejovej nádrže
8. Kryt vodiacej lišty
9. Reťaz
10. Vodiaca lišta
11. Tlmiaci klin
12. Zachytávač reťaze
13. Skrutka na nastavenie napnutia reťaze
14. Kryt reťaze
15. Matice na montáž lišty
16. Predný chránič ruky/brzda reťaze

BEZPEČNOSTNÉ ZARIADENIA

Pílová reťaz s nízkou tendenciou k spätnému rázu

Pílová reťaz so slabým spätným nárazom pomáha znižovať pravdepodobnosť, že dôjde k spätnému nárazu.

Výstupky (obmedzovače hĺbky) pred každým rezným zubom minimalizujú silu spätného rázu tým, že bránia rezným zubom príliš hlbokému vniknutiu v zóne spätného rázu. Používajte len kombinácie náhradných vodiacich lišt a reťazí odporúčaných výrobcom.

Po naostrení reťaze buďte veľmi opatrní, pretože ostrením sa znižuje vlastnosť ochrany pred spätným rázom. Pre vašu vlastnú bezpečnosť vymieňajte pílové reťaze pri poklese výkonnosti pílenia.

Tlmiaci klin

Integrovaný tlmiaci klin môže byť použitý ústredný bod pri rezaní. Pomáha udržiavať stabilitu tela reťazovej píly pri rezaní. Pri pílení tlačte zariadenie dopredu, kým sa hroty nezahryznú do okraja dreva, potom pohybom zadnej rukoväte nahor alebo nadol v smere reznej línie pomáhajte zmierňovať fyzické pnutie rezania

Vodiace lišty

Všeobecne majú vodiace lišty s hrotmi a malým polomerom o niečo menší potenciál spätného nárazu. Mali by ste používať vodiacu lištu a zodpovedajúcu reťaz, ktorá je

dostatočne dlhá pre danú úlohu. Dlhšie lišty zvyšujú riziko straty kontroly pri pílení. Pravidelne kontrolujte napnutie reťaze. Pri pílení väčších vetiev (menej ako plná dĺžka vodiacej lišty) je vyššia pravdepodobnosť, že dôjde k odhodneniu reťaze, pokiaľ jej napnutie nie je správne.

Brzda reťaze

Brzdy reťaze sú určené na rýchle zastavenie otáčajúcej sa reťaze. Reťaz sa musí okamžite zastaviť, keď sa páčka brzdy reťaze/chránič ruky zatlačia smerom k lište. Brzda reťaze nezabraňuje spätnému rázu. To len znižuje riziko zranenia, keby došlo ku kontaktu lišty reťaze s telom obsluhujúcej osoby v prípade spätného nárazu. Brzdu reťaze je potrebné pred každým použitím otestovať, či funguje správne v uvoľnenej aj zabrzdenej polohe.

Zachytávač reťaze

Zachytávač reťaze zabraňuje odhodneniu pílovej reťaze smerom k obsluhu, ak sa reťaz uvoľní alebo roztrhne.

PREVÁDZKA



VAROVANIE!

Ak nejaké predmety chýbajú alebo sú viditeľne poškodené, nepracujte s týmto strojom, kým sa súčasť nevymenia. Pri nerešpektovaní tejto výstrahy by mohlo dôjsť k vážnemu poraneniu osôb.

Inštalácia jednotky akumulátora

Pozrite stranu 6.

Do výrobku vložte akumulátor. Zarovnajete vystúpené rebrá na jednotke akumulátora s drážkami v otvore akumulátora zariadenia.

Pred začatím prevádzky musia byť západky na súprave batérií zapadnuté v správnej polohe a súprava batérií musí byť vo výrobku úplne a bezpečne nainštalovaná.

Držanie produktu

Pozrite si obrázok 1.

Držte výrobok pravou rukou na zadnej rukoväti a ľavou rukou na prednej rukoväti. Uchopte obe rukoväte, aby palce a prsty obopínali rukoväte. Dbajte na to, aby vaša ľavá ruka držala prednú rukoväť tak, že palec je zospodu.

Spustenie produktu

Pozrite stranu 8.

Pred zahájením prevádzky musíte do zariadenia nainštalovať jednotku akumulátora a skontrolovať brzdu reťaze v prevádzkovej polohe potiahnutím páčky brzdy reťaze alebo chrániča ruky smerom k prednej rukoväti.

Zariadenie spustíte potiahnutím spínača a následným stlačením regulačného spínača.

Kontrola a obsluha brzdy reťaze

Pozrite stranu 20.

Brzdu reťaze aktivujete tak, že otočíte ľavou rukou okolo prednej rukoväťe. Zadnou stranou ruky potlačíte páčku brzdy reťaze alebo chrániča ruky smerom k lište, kým sa reťaz rýchlo otáča. Dbajte na to, aby ste obe ruky mali neustále na rukovätiach pily.

Znova nastavte brzdu reťaze do polohy RUN – uchopte vrchnú časť páčky brzdy/chrániča ruky a potiahnite smerom k prednej rukoväti.



VAROVANIE!

Ak reťazová brzda nezastaví reťaz okamžite, alebo ak reťazová brzda nezostáva v polohe RUN bez pomoci, pred použitím zoberte pílu do autorizovaného servisného centra na opravu.

Nastavenie napnutia reťaze

Pozrite stranu 14 - 15.

Vyberte sadu batérií pred vykonávaním akýchkoľvek prác na výrobku.

Montážne matice lišty uvoľnite a utiahnite len prstami.

Ak chcete zvýšiť napnutie reťaze, skrutkou na nastavenie napnutia reťaze otáčajte v smere pohybu hodinových ručičiek a napnutie reťaze pravidelne kontrolujte. Ak chcete znížiť napnutie reťaze, skrutkou na nastavenie napnutia reťaze otáčajte proti smeru pohybu hodinových ručičiek a napnutie reťaze pravidelne kontrolujte.

Napnutie reťaze je správne vtedy, keď medzera medzi nožovou hlavou a lištou je približne 6,5 mm (0,256 palca). Potiahnite reťaz v strede spodnej strany nadol (smerom od lišty) a odmerajte vzdialenosť medzi lištou a nožmi reťaze.

Pridávanie mazacieho oleja reťaze

Pozrite stranu 16 - 17.



VAROVANIE!

Nikdy nepracujte bez maziva reťaze! Ak pilová reťaz beží bez maziva, vodiaca lišta a pilová reťaz môžu byť poškodené. Preto je nevyhnutné pravidelne a vždy pred použitím reťazovej pily kontrolovať hladinu oleja v hladinomeri s priezorom.

Vyčistite plochu v okolí olejového viečka, aby nedošlo ku kontaminácii.

Odskrutkujte a odstráňte viečko z olejovej nádržky.

Do olejovej nádržky nalejte olej a sledujte hladinomer oleja. Dbajte na to, aby do olejovej nádržky pri naplňaní nevnikli žiadne nečistoty.

Znova nasadte a utiahnite olejové viečko. Prípadne vyliaty olej utrite.

PREPRAVA A SKLADOVANIE

Pred uskladnením alebo prepravou zastavte produkt, vyberte akumulátor a nechajte ho vychladnúť.

Odstráňte zo zariadenia všetky cudzie materiály. Odložte ho na suché a dobre vetrané miesto, na ktoré nemajú prístup deti. Náradie neuskladňujte v blízkosti žieravých látok, ako napríklad v blízkosti záhradníckych chemických prípravkov alebo solí na zimný posyp komunikácií. Neskladujte v exteriéri.

Predtým, ako zariadenie odložíte alebo počas prepravy nasadte kryt vodiacej lišty.

Pri preprave zaistite produkt pred pohybom alebo pádom, aby nedošlo k poraneniu osôb alebo poškodeniu produktu.

ÚDRŽBA



VAROVANIE!

Používajte len príslušenstvo ECHO a náhradné diely ECHO. V opačnom prípade môže dôjsť k možnému poraneniu, nedostatočnému výkonu a strate platnosti záruky. Ak potrebujete vymeniť súčasti, ktoré tu nie sú opísané, kontaktujte jedného zo servisných zástupcov spoločnosti ECHO.



VAROVANIE!

Údržba vyžaduje extrémnu starostlivosť a znalosti, a musí byť prevádzaná výhradne v autorizovanom servise. Ak chcete vykonať servis, prineste produkt do autorizovaného servisného centra. Pri servise používajte len originálne náhradné diely výrobcu.



VAROVANIE!

Pred úpravami, údržbou alebo čistením vyberte akumulátor. V opačnom prípade môže dôjsť k závažnému poraneniu osôb.

- Môžete vykonávať len úpravy alebo opravy popísané v tejto príručke. Pri ostatných opravách sa obráťte na autorizovaného servisného zástupcu.
- Následkami nesprávnej údržby môže byť nesprávne fungovanie brzdy reťaze a ostatných bezpečnostných funkcií, čím sa zvyšuje potenciál závažného poranenia. Reťazová pílu udržiavajte správnu údržbou a v bezpečí.
- Bezpečné ostrenie reťaze je úloha vyžadujúca určitú zručnosť. Preto výrobca dôrazne odporúča nahradiť opotrebovanú alebo tupú reťaz za novú, ktorá je dostupná v autorizovanom servisnom centre. Číslo dielu nájdete v tabuľke špecifikácií produktu v tomto návode.
- Dodržiavajte pokyny na mazanie a kontrolu a nastavovanie napnutia reťaze.

- Po každom použití vyčistíte produkt mäkkou suchou tkaninou.
- Skontrolujte všetky skrutky, matice v častých intervaloch či sú riadne utiahnuté, aby sa zaistila bezpečná prevádzka stroja. Akýkoľvek poškodený diel sa musí náležite opraviť alebo vymeniť v autorizovanom servisnom centre.

Výmena vodiacej lišty a pílovej reťaze

Pozrite stranu 10 - 13.

Vždy vyberte akumulátor. Používajte ochranné rukavice.

Pomocou dodávaného kombinovaného kľúča odskrutkujte montážne matice lišty.

Demontujte kryt reťaze.

Odstraňte lištu a reťazovú pílu z jednotky.

Položte novú reťaz v správnom smere na lištu a skontrolujte, či vodiace články sú zarovnané v drážke lišty.

Nasadte lištu na reťazovú pílu a obtočte reťaz okolo reťazového kolesa.

Nasadte kryt reťaze a montážne matice lišty.

Montážne matice lišty utiahnite prstami. Lišta sa musí voľne hýbať, aby bolo možné upraviť napnutie reťaze.

Nastavte napnutie reťaze. Pozrite sekciu "Nastavenie napnutia reťaze".

Pridržte špičku vodiacej lišty hore a pevne pritiahnite montážne matice lišty.

Kontrola a čistenie brzdy reťaze

Pozrite stranu 22.

Mechanizmus brzdy reťaze vždy udržiavajte v čistote – jemne okefujte spoje od špiny.

Po čistení vždy skontrolujte výkonnosť brzdy reťaze. Ďalšie informácie nájdete v časti „Kontrola a prevádzka brzdy reťaze“ v tomto návode.

URNÍK VZDRŽEVANJA

Každodenné čistenie	
Mazanje meča	Pred každým použitím
Napetost verige	Pred každým použitím a pravidelne
Ostrino verige	Pred každým použitím, vizuálna kontrola
Poškodovanost delov	Pred každým použitím
Privitost pritrdil	Pred každým použitím
Funkcia brzdy reťaze	Pred každým použitím
Preverite in očistite	
Lišta	Pred každým použitím
Celotno žago	Po vsaki uporabi

Brzda reťaze	Každých 5 hodín*
--------------	------------------

*Ure obratovanja

NÁHRADNÉ DIELY

Diel	Číslo príslušenstva
Vodiaca lišta	6000945
Reťaz	90PX056X

AKUMULÁTORY

- Akumulátory, ktoré ste nejaký čas nepoužívali, treba pred použitím nabiť.
- Teploty nad 50 °C (122 °F) znižujú výkon akumulátora. Zabráňte dlhodobému vystaveniu účinkom tepla alebo snečného žiarenia (riziko prehriatia).
- Je potrebné zachovávať čistou kontaktov nabíjačiek a súprav batérií.
- Na dosiahnutie optimálnej životnosti je nutné akumulátory po použití nabiť.
- Na dosiahnutie najdlhšej možnej životnosti vyberte po úplnom nabití akumulátor z nabíjačky.

Pri skladovaní jednotka akumulátora dlhšie obdobie ako 30 dní:

- Jednotku akumulátora skladujte pri teplotách do 27°C a mimo dosahu vlhkosti.
- Jednotky akumulátora skladujte pri nabití 30%-50%.
- Každých šesť mesiacov skladovania nabite jednotku zvyčajným spôsobom.

PREPRAVA LÍTOVÝCH AKUMULÁTOROV

Lítium-iónový akumulátor podlieha legislatíve pre nebezpečné náklady.

Prepravu týchto batérií treba vykonávať podľa miestnych, štátnych a medzinárodných ustanovení a nariadení.

- Užívateľ môže prepravovať akumulátory po cestných komunikáciách bez ďalších požiadaviek.
- Na komerčnú prepravu lítium-iónových akumulátorov tretími stranami sa vzťahujú nariadenia o nebezpečných tovaroch. Prípravu na prepravu a samotnú prepravu musia vykonávať výlučne primerane zaškolené osoby a tento proces musí byť doprevádzaný zodpovedajúcimi odborníkmi.

Pri preprave akumulátorov:

- Skontrolujte, či sú konektory akumulátorov sú chránené a izolované, aby nedošlo ku skratu.
- Akumulátor v balení zaistte proti pohybu.
- Neprepravujte akumulátory, ktoré sú prasknuté alebo vytekajú.

Ďalšie pokyny zistíte v nasledujúcej spoločnosti.

SYMBOLY



Výstražná značka



Pred použitím produktu si s porozumením prečítajte všetky pokyny a dodržiavajte výstražné a bezpečnostné upozornenia.



Používajte chrániče zraku, sluchu a hlavy.



Pri používaní tohto produktu používajte nešmykľavé obuv.



Používajte protišmykové odolné rukavice.



Dávajte pozor na spätný náraz reťazovej píly a vyhýbajte sa kontaktu s hrotom lišty.



Nevystavujte dažďu ani nepoužívajte vo vlhkom prostredí.



Pri práci držte pílu pevne obidvomi rukami.



Reťazovú pílu nikdy neobsluhujte len jednou rukou.



Brzdu reťaze nastavte do polohy RUN (Chod).



Brzdu reťaze nastavte do polohy BRAKE (Brzda).



Garantovaná hladina akustického výkonu je 106 dB



Ukrajinské označenie zhody



Euroázijská značka zhody



Opatrebované elektrické zariadenia by ste nemali odhadzovať do domového odpadu. Prosíme o recykláciu ak je možné. Kontaktujte miestne úrady, alebo predajcu pre viac informácií ohľadom ekologického spracovania.



Vyhovuje všetkým regulačným normám v krajine EÚ, v ktorej bol výrobok zakúpený.

Nasledujúce signálne slová a významy slúžia na vysvetlenie úrovni rizika súvisiacich s produktom.



NEBEZPEČENSTVO

Označuje bezprostredne nebezpečnú situáciu, ktorá môže vyústiť v smrť, alebo vážne zranenie.



VAROVANIE

Označuje potenciálne nebezpečnú situáciu, ktorá môže vyústiť v smrť, alebo vážne zranenie.



VÝSTRAHA

Označuje potenciálne nebezpečnú situáciu, ktorá môže vyústiť v ľahké, alebo stredne ťažké zranenie.

VÝSTRAHA

Bez symbolu bezpečnostného alarmu

Označuje situáciu, ktorá môže zapríčiniť poškodenie majetku.

EN
FR
DE
ES
IT
NL
PT
DA
SV
FI
NO
RU
PL
CS
HU
RO
LV
LT
ET
HR
SL
SK
BG
UK
TR

**ТЕХНИЧЕСКИ ДАННИ****РЕЖЕЩА ВЕРИГА****ECCS-58V**

Сериен номер	17402201000001 - 17402201999999
Номинален волтаж	51,1 V, 58 V максимална
Максимална дължина на шината	400 mm
Вместимост на резервоара за верижно масло	177 ml
Тегло (Без батерия, с шина, верига и празен резервоар)	4,83 kg
Тегло (с акумулаторна батерия 4,0 Ah)	6,73 kg
Тегло (с акумулаторна батерия 2,0 Ah)	6,03 kg
Максимална скорост без натоварване	21 m/s
Използваема дължина на рязане	250 mm
Ниво на шумовите емисии (в съответствие с EN 60745-1, EN 60745-2-13)	
Ниво на шумово налягане с равнище A на мястото на оператора (L_{PA})	94,5 dB(A)
K_{PA} :	2,5 dB(A)
Ниво на силата на шума с равнище A (L_{WA})	105,5 dB(A)
K_{WA} :	2,5 dB(A)
Ниво на вибрациите (в съответствие с EN 60745-1; EN 60745-2-13) (отпред/отзад)	2,1 / 2,8 m/s ² K = 1,5 m/s ²

БАТЕРИЯ И ЗАРЯДНО УСТРОЙСТВО**ECCS-58V**

Съвместими батерии	ECBP-58V40 / ECBP-58V20
Съвместимо зарядно устройство	ECBC-58VEU / ECBC-58VUK

**ПРЕДУПРЕЖДЕНИЕ!**

Нивото на излъчените вибрации, посочено в този информационен лист, е измерено в съответствие със стандартизиран тест, предоставен в EN 60745, и може да се използва за сравнение на един инструмент с друг. То може да се използва за предварително оценяване на въздействието.

Декларираното ниво на излъчените вибрации представлява основните приложения на инструмента. Въпреки това, ако инструментът се използва за различни приложения, с различни аксесоари или поддръжката му е некачествена, излъчените вибрации могат да се различават. Това може значително да увеличи нивото на излагане през целия срок на работа.

При оценяване на нивото на излагане на вибрации също трябва да се вземе предвид колко пъти инструментът е бил изключван или колко пъти е бил включен, но реално не е използван. Това може значително да намали нивото на излагане през целия срок на работа.

Определете допълнителни мерки за безопасност, за да предпазите оператора от въздействията на вибрациите, като например: поддържайте инструмента и аксесоарите, дръжте ръцете затоплени и създайте организация от рутинни работни процедури.



ОБЩИ ПРЕДУПРЕЖДЕНИЯ ЗА БЕЗОПАСНОСТ



ПРЕДУПРЕЖДЕНИЕ!

Прочетете всички предупреждения относно безопасността и всички инструкции. Неспазването на предупрежденията и инструкциите може да доведе до токов удар, пожар и/или сериозни наранявания.

Съхранявайте всички предупреждения и инструкции за бъдещи справки.

Терминът "електрически инструмент" в предупрежденията се отнася за вашия инструмент - със захранване от електрическата мрежа (с кабел) или на батерия (безжичен).

БЕЗОПАСНОСТ НА РАБОТНАТА ЗОНА

Поддържайте работното пространство чисто и добре осветено. Безпорядъкът или тъмнината в работното пространство са предпоставка за злополуки.

Не използвайте електрически инструменти в експлозивни среди, например в присъствието на запалителни течности, газове или прах. По време на работа електрическите инструменти произвеждат искри, които могат да възпламенят прах или пари.

Дръжте децата и страничните наблюдатели далече, докато боравите с електрически инструмент. Ако вниманието ви бъде отклонено, може да загубите контрола над електрическия инструмент.

ЕЛЕКТРИЧЕСКА БЕЗОПАСНОСТ

Щепселът на електрическия инструмент трябва да е съвместим с контакта. В никакъв случай не внасяйте изменения в конструкцията на щепсела. Когато работите със занулени електрически инструменти, не използвайте адаптери за щепсела. Използването на оригиналните щепсели и контакти намалява риска от токов удар.

Избягвайте допир със заземени повърхности, като тръби, радиатори, печки и хладилници. Когато тялото ви е заземено, рискът от възникване на токов удар е по-голям.

Не излагайте продукта на дъжд или влажни условия. Проникването на вода в електрическия инструмент повишава опасността от токов удар.

Не насилвайте захранващия кабел. Никога не носете, не изключвайте и не дърпайте електрическия инструмент за кабела. Предпазвайте кабела от нагряване, омасляване, допир до остри ръбове или до подвижни звена на машини. Повредените или усукани кабели увеличават риска от токов удар.

Когато работите с електрически инструмент на открито, използвайте само удължителни кабели, предназначени за работа на открито. Използването на удължител, предназначен за работа на открито, намалява риска токов удар.

Ако не можете да избегнете използването на електрически инструмент на влажно място, използвайте RCD (прекъсвач със защитно изключване). Използването на RCD намалява опасността от електрически удар.

ЛИЧНА БЕЗОПАСНОСТ

Бъдете бдителни, внимавайте какво правите и проявявайте благоразумие, когато боравите с електрически инструмент. Не използвайте електрическия инструмент, когато сте уморени или под влиянието на наркотични вещества, алкохол или лекарства. Миг невнимание, докато боравите с електрически инструмент, е достатъчен за получаването на сериозни наранявания.

Използвайте лична защитна екипировка. Винаги носете защитни очила. Защитната екипировка, като маска против прах, пригодени против плъзгане защитни обувки, твърда шапка или антифони, използвани за подходящите условия, ще намали опасността от физически наранявания.

Не допускайте нежелано стартиране. Преди да вдигате или носите инструмента и преди да го включвате в електрическата мрежа и/или батерия, винаги проверявайте дали превключателят е на позиция OFF (изкл.). Носенето на инструмента с пръст върху превключателя или включването му към електричеството, докато превключателят му е на включен, е предпоставка за злополуки.

Махнете всички гаечни или френски ключове за настройка преди да включите инструмента. Помощен инструмент, забравен на въртящ се елемент, може да доведе до физически наранявания.

Не се протягайте, за да работите на трудно достижими места. Винаги стъпвайте стабилно по време на работа и пазете равновесие. Това дава възможност за по-добър контрол над електрическия инструмент в неочаквани ситуации.

Обличайте се целесъобразно. Не носете широки дрехи или украшения. Дръжте косата, дрехите и ръкавиците си на безопасно разстояние от подвижните елементи. Широките дрехи, украшенията, дългите коси могат да бъдат захванати и увлечени от движещи се елементи.

Ако устройствата са оборудвани със съоръжение за издърпване и събиране на прах, уверете се, че е то свързано и функционира правилно. Използването на устройства за събиране на прах ще намали рисковете, свързани с работа в прашни условия.

ИЗПОЛЗВАНЕ И ОБСЛУЖВАНЕ НА ЕЛЕКТРИЧЕСКИЯ ИНСТРУМЕНТ

Не насилвайте продукта. Използвайте електрическия инструмент, съобразно неговото предназначение. Правилно подбраният електрически инструмент ще свърши работата по-добре и по-безопасно в зададения от производителя диапазон на натоварване.

Не използвайте електрически инструменти,



чиито пусков прекъсвач е повреден. Електрически инструмент, който не може да бъде контролиран посредством превключвател, е опасен и трябва да бъде ремонтиран.

Изключете щепсела от източника на захранване и/или батерията от електрическия инструмент, преди да извършвате каквито и да е корекции, да сменяте принадлежностите и преди съхраняване на електрическите инструменти. Тази мярка премахва опасността от задействане на електрическия инструмент по невнимание.

Съхранявайте незаетите електрически инструменти на недостъпни за деца места и не позволявайте на лица, непознати с инструмента или с тези указания, да боравят с него. Когато са в ръцете на неопитни потребители, електрическите инструменти могат да бъдат изключително опасни.

Поддържайте електрическите инструменти в изправност. Проверявайте за неизправности или заклиняване в подвижните елементи, за счупени части или други обстоятелства, които могат да влошат работата на електрическия инструмент. Преди да използвате електрическия инструмент, се погрижете повредите да бъдат отстранени. Много от трудовите злополуки се дължат на недобре поддържани електрически инструменти.

Поддържайте режещите инструменти винаги добре заточени и чисти. Инструменти, за които е полагана правилна грижа и са с добре наточени режещи елементи, се управляват по-лесно и вероятността да заядат е по-малка.

Използвайте електрическите инструменти, принадлежностите и режещите и др. части съобразно тези указания, като се съобразявате с работните условия и с работата, която ще извършвате. Използването на електрически инструменти за различни от предвидените от производителя приложения повишава опасността от възникване на трудови злополуки.

ИЗПОЛЗВАНЕ И ОБСЛУЖВАНЕ НА ИНСТРУМЕНТА С БАТЕРИЯ

Презареждайте единствено със зарядното устройство, посочено от производителя. Зарядно устройство, подходящо за зареждане на един вид батерии, може да предизвика риск от пожар, ако бъде използвано за други батерии.

Използвайте електрически инструменти с батерии единствено със специално предназначение за тях батерии. Използването на всякакви други батерии може да създаде риск от нараняване и пожар.

Когато батерията не се използва, съхранявайте я далеч от други метални обекти, като например кламери, монети, ключове, гвоздеи, гайки или други малки метални обекти, които могат да направят връзка между клемите. Късото съединение от клемите може да доведе до изгаряния или пожар.

При неправилно използване батерията може да отдели течност; избягвайте контакт. Ако случайно

настъпи контакт, промийте с вода. Ако течността влезе в контакт с очите, потърсете допълнително медицинска помощ. Отделената от батерията течност може да причини възпаление или изгаряния.

СЕРВИЗНО ОБСЛУЖВАНЕ

Ремонтът на електрическите инструменти трябва да се извършва само от квалифицирани специалисти и само с използването на оригинални резервни части. По този начин се гарантира поддържането на безопасност при работа с електрическия инструмент.

ДОПЪЛНИТЕЛНИ ОБЩИ ПРЕДУПРЕЖДЕНИЯ ЗА БЕЗОПАСНОСТ

В някои региони действат наредби, които ограничават употребата на продукта. За съвети се обръщайте към местните власти.

Не позволявайте на деца или на лица, непознати с инструкциите да използват продукта. Местните наредби могат да налагат ограничения за възрастта на оператора.

Преди всяка употреба проверявайте дали всички контроли и устройства за безопасност функционират правилно. Не използвайте продукта, ако превключвателят "OFF" ("Изключване") не спира мотора.

При работа с продукта носете предпазни очила, антифони, здрави предпазни ръкавици и защитна каска; използвайте маска за лице, ако дейността е свързана с вдигане на много прах.

Не носете широки дрехи, шорти или каквито и да било бижута.

Дългата коса трябва да бъде прибрана на ниво над раменете, за да се избегне нейното заплитане в движещите се части.

Внимавайте за отхвъркнали, летящи или падащи предмети. Дръжте всички странични наблюдатели, деца и домашни животни на разстояние поне 15 метра от работната зона.

Не използвайте тази машина при слабо осветление. Операторът трябва да има чиста видимост върху работното пространство, за да идентифицира потенциални опасности.

При използване на антифони ще се намали способността да чувате предупреждения (подвиквания или аларми). Операторът трябва да е особено внимателен за това, което се случва в работната зона.

Ако наблизко се работи с подобни уреди, това увеличава както риска от увреждане на слуха, така и вероятността други хора да навлязат във вашето работно пространство.

Заемайте стабилна позиция и пазете баланс. Не се протягайте, за да работите на трудно достижими места. Прекомерното протягане може да доведе до загуба на равновесие и да увеличи опасността от откат.

Дръжте движещите се части на разстояние от тялото си.





Преди всяка употреба проверявайте машината за неизправности. Проверете дали всички части по управлението функционират правилно, включително верижната спирачка. Проверете за разхлабени свръзки и се уверете, че всички предпазители и ръкохватки са стабилно прикрепени. Заменяйте повредените части преди употреба.

Не модифицирайте машината по никакъв начин и не използвайте части и принадлежности, които не са препоръчани от производителя.



ПРЕДУПРЕЖДЕНИЕ!

Ако продуктът бъде изпуснат, претърпи силен удар или започне да вибрира неестествено, незабавно изключете продукта и проверете за повреди или се опитайте да идентифицирате причината за вибрирането. Поправките и замените на части при повреда трябва да се извършват от оторизиран сервизен център.

Не изхвърляйте използваните батерии в битовите отпадъци и не се опитвайте да ги горите. Дистрибуторите на ЕСНО предлагат да приемат обратно стари батерии, за да защитят нашата околна среда.

Не съхранявайте акумулаторната батерия заедно с метални предмети (риск от късо съединение).

За зареждане на акумулаторните батерии използвайте само зарядно устройство ECBC-58VEU/ECBC-58VUK. Не използвайте акумулаторни батерии от други системи.

Съвместими батерии: ECBP-58V40, ECBP-58V20

Киселината може да изтече от повредените батерии при екстремно натоварване или екстремни температури. При контакт с киселина от батерията я изплакнете незабавно със сапун и вода. При контакт с очите промийте обилно в продължение на минимум 10 минути и незабавно потърсете медицинска помощ.

Двата задържащи винта на верижната шина са чувствителни точки за електростатичен разряд, когато се използват. Потребителят трябва да освободи спусъка, за да рестартира продукта, ако се изключи поради електростатичен разряд.

ПРЕДУПРЕЖДЕНИЯ ЗА БЕЗОПАСНА РАБОТА С ВЕРИЖНИЯ ТРИОН

Когато работите с продукта, дръжте всички части на тялото си далеч от режещата верига. Преди да стартирате верижния трион, се уверете, че веригата не допира никъде. Един миг невнимание при работа с верижния трион може да завлече части на облеклото или тялото ви във веригата.

Винаги дръжте верижния трион с дясната ръка за задната ръкохватка и с лявата ръка за предната ръкохватка. Захващането на верижния трион с обратния захват увеличава опасността от нараняване и е забранено.

Дръжте уреда само за изолираната повърхност за хващане, защото режещата верига може да влезе в контакт със скрити кабели. Ако веригата влезе в контакт с открити жици, може да протече ток по металните части на електрическия инструмент, в следствие на което операторът може да претърпи токов удар.

Носете предпазни очила и антифони. Препоръчва се също и използването предпазни средства за главата, ръцете и краката. Подходящото предпазно облекло намалява опасността от нараняване от отхвърчащите отломки, както и от допир по невнимание до режещата верига.

Не работете с верижния трион, качени на дърво. Съществува опасност от нараняване, ако работите с верижния трион, докато сте се качили на дърво.

Стъпвайте винаги стабилно с двата крака и използвайте верижния трион само ако сте стъпили на здрава, сигурна и равна повърхност. При стоене върху хлъзгава и нестабилна повърхност, като например стълба, е възможно да загубите равновесие и контрол над верижния трион.

Когато режете клон, който е обтегнат под напрежение, бъдете в готовност той да отскочи в определена посока. Когато обтегнатите под напрежение влакна на дървото се освободят, клонът може да удари оператора или да предизвика загуба на контрол над верижния трион.

Бъдете особено внимателни при рязане на храсти или млади дървета. Крехкият дървен материал може да се захване за режещата верига и да ви удари или да ви изкара от равновесно положение.

Носете верижния трион, като го дръжте за предната ръкохватка, с изключен мотор и далеч от тялото ви. При транспортиране или при съхраняване на верижния трион винаги поставяйте предпазния капак на водещата шина. Внимателното боравене с верижния трион намалява вероятността от случаен допир до движещата се верига.

Спазвайте указанията за смазване, обтягане на веригата и смяна на допълнителните принадлежности. Неправилно обтегнатата или недостатъчно смазаната верига може да се счупи или да повиши значително опасността от откат.

Поддържайте ръкохватките сухи, чисти и неомаслени. Омаслените ръкохватки са хлъзгави и могат да доведат до загуба на контрол.

Режете само дървен материал. Не използвайте верижния трион за дейности, за които той не е предназначен. Например не използвайте верижния трион за рязане на пластмаса, зидарски или други строителни елементи, които не са от дърво. Използването на верижния трион за дейности, за които не е предназначен, може да доведе до рискови ситуации.





Причини за възникване на откат и начини за избягването му:

Може да се получи откат, ако краят на шината влезе в контакт с даден предмет или ако режещата верига бъде затисната и захваната в дървото по време на рязане.

Понякога допир до предмет с върха на водещата шина може да предизвика неочаквана обратна реакция, при която водещата шина отскача нагоре и назад по посока на оператора.

Заклинването на веригата от горната страна на шината може рязко да отхвърли шината по посока на оператора.

В такива случаи е възможно да загубите контрол над триона и да получите сериозно нараняване. Не разчитайте само на предпазните механизми, които има трионът. Вие също трябва да предприемете различни мерки, за да избегнете риска от злополуки и наранявания.

Откатът е следствие на неправилно използване на електрическия инструмент. Той може да бъде предотвратен с предприемане на подходящи предпазни мерки, които са описани по-долу:

Дръжте верижния трион здраво с двете ръце, като обхващате хубаво ръкохватките му с палците и показалците. Заемайте позицията на тялото и ръцете, при която ще можете да противостоите на евентуално възникнали откатни сили. Ако се вземат подходящи предпазни мерки, при възникване на откат операторът може да овладее възникващите откатни сили. В никакъв случай не пускате верижния трион.

Не се протягайте прекомерно с инструмента и не режете над височина над раменете си. Така предотвратявате нежеланото докосване на предмети с върха на водещата шина и ще имате по-добър контрол над верижния трион при внезапно възникване на неочаквани ситуации.

Винаги използвайте само резервни водещи шини и режещи вериги, посочени от производителя. Неподходящите шини или вериги могат да предизвикат счупване на веригата или възникване на откат.

Спазвайте инструкциите на производителя при заточване и поддръжка на веригата. Твърде ниските ограничители на дълбочината увеличават опасността от възникване на откат.

ДОПЪЛНИТЕЛНИ ОБЩИ ПРЕДУПРЕЖДЕНИЯ ЗА БЕЗОПАСНОСТ

Ако работите с продукта за първи път и режете дънери, е препоръчително да ги поставите върху стенд или „магаре“ за рязане на дърва.

Уверете се, че всички предпазители, ръкохватки и буферни шипове са поставени на мястото им и са в изправност.

Лицата, работещи с продукта, трябва да са в добро здравословно състояние. Продуктът е тежък, така че операторът трябва да бъде физически силен.

Операторът трябва да е бдителен, да има добро зрение, подвижност, баланс и ловкост в ръцете. Ако имате каквито и да са съмнения, не използвайте продукта.

Не започвайте работа с продукта, преди да е осигурена чиста работна зона, стабилен опора и път за оттегляне при падащо дърво.

Внимавайте да не вдихвате пръски от смазочната течност или стърготини. При необходимост носете маска или респиратор.

Не режете асми и/или малки хресталаци (с диаметър под 75 мм).

Когато работите с уреда, винаги го дръжте с двете ръце. Дръжте здраво триона, като пръстите ви трябва да обхващат дръжките. Дясната ви ръка трябва да е на задната ръкохватка, а лявата ръка на предната ръкохватка.

Преди да включите уреда, се уверете, че режещата верига не влиза в контакт с никакви предмети.

Не модифицирайте продукта по никакъв начин и не го използвайте за хранене или задвижване на приставки и устройства, които не са препоръчани от производителя на вашия продукт.

Налице трябва да е аптечка за първа помощ с превързочни материали за големи рани, както и средство за привличане на вниманието на оператора, когато сте близо до него (напр. свирка). В обозрима близост трябва да се намира здравен комплект с повече материали за оказване на помощ.

Когато работите с уреда, винаги носете каска. Каска с мрежест предпазител може да спомогне за намаляване на риска от травма на лицето и главата при възникване на откат.

Неправилно обтегнатата верига може да отскочи от водещата шина, което може да доведе до сериозно нараняване или смърт. Дължината на веригата зависи от температурата. Периодично проверявайте обтегнатостта на веригата.

За да свикнете да използвате своя нов верижен трион, започнете с прости разрези на дървени материали, които са здраво застопорени. Правете това също и когато дълго време не сте работили с верижния трион.

За да намалите риска от нараняване в следствие на допир с движещите се части, винаги спирайте мотора, задействайте верижната спирачка, сваляйте батериите и се уверявайте, че всички движещи се части са спрели напълно, преди да:

- почистване или отстраняване на препятствия
- оставяне на продукта без надзор
- монтирате или демонтирате допълнителни приставки
- проверка, поддръжка или работа по продукта

Площта на работния участък зависи от работата, която ще се извършва, както и от на дървото или от ствола,





който ще се обработва. Например повалянето на дърво изисква по-голяма работна зона от други видове рязане, като например бичене на трупи и др.

Операторът трябва да внимава и да контролира всичко, което се случва в работната зона.

Докато режете, тялото ви не трябва да бъде на една линия с водещата шина и веригата. Ако спазвате това, при евентуален откат веригата няма да влезе в контакт с вашата глава или тяло.

Не използвайте режещи движения напред и назад, а оставете веригата сама да свърши работата. Поддържайте веригата наточена и не се опитвайте да я бутате със сила през прореза.

Не упражнявайте натиск върху триона в края на рязането. Бъдете готови да поемете тежестта на верижния трион, когато той прорезе рязаното дърво и се освободи. Несъобразяването с това предупреждение може да доведе до сериозни контузии.

Не спирайте триона по средата на рязането. Оставете триона да работи, докато не се освободи от прореза.

Натиск и теглене

Противодействащата сила винаги е с посока, обратна на въртенето на веригата. Затова операторът трябва да е готов да контролира тенденцията инструментът да се изплъзва (да се придвижва напред) при рязане с долния ръб на шината и да се придърпва назад (към оператора) при рязане с горния ръб на шината.

Засядане на триона в прореза

Спрете верижния трион и го обезопасете. Не се опитвайте да освободите със сила веригата и шината от прореза, защото това вероятно ще счупи веригата, която може да отхвъркне и да удари оператора. Тази ситуация обикновено възниква, защото рязаното дърво не е поставено на правилна опора и прорязаната част прищипва острието. Ако регулирането на опората не освободи шината и веригата, използвайте дървени клинове или лост, за да разширите прореза и да освободите триона. Никога не опитвайте да стартирате верижния трион, когато водещата шина вече е заседнала в прорез или цепнатина.

Лични предпазни средства

Висококачествените лични предпазни средства, използвани от професионалните работници, намаляват опасността от нараняване на оператора. Следните защитни средства трябва да се използват при работа с верижния трион:

Предпазна каска

- трябва да е в съответствие с EN 397 и да има CE маркировка

Антифони

- трябва да е в съответствие с EN 352-1 и да има CE маркировка

Предпазни средства за очите и лицето

- трябва да имат CE маркировка и да са в съответствие с EN 166 (за защитни очила) или с EN 1731 (за мрежести визьори)

Ръкавици

- трябва да е в съответствие с EN381-7 и да има CE маркировка

Защитни средства за краката (гамаша)

- трябва да са в съответствие с EN381-5, да имат CE маркировка и да предоставят цялостна защита.

Предпазни ботуши за работа с верижни триони

- трябва да са в съответствие с EN ISO 20345:2004 и да са маркирани с щит, изобразяващ верижен трион, който е знак за съответствие с EN 381-3. (Потребителите, които рядко работят с уреда, могат да използват предпазни ботуши със стоманена обшивка на пръстите и със защитни маншони. Тези ботуши са в съответствие с EN 381-9 и могат да бъдат използвани, ако работната зона е равна и съществува минимален риск от спъване или заплитане в наземната растителност)

Якота за защита на горната част на тялото при работа с верижни триони

- трябва да е в съответствие с EN 381-11 и да има CE маркировка

ИНСТРУКЦИИ ОТНОСНО ОСНОВНИТЕ ТЕХНИКИ ЗА ПОВАЛЯНЕ НА ДЪРВЕТА, КАСТРЕНЕ И НАПРЕЧНО РЯЗАНЕ

Разбиране на силите и процесите, протичащи в дървения материал

Когато разберете посоките на оказване на обтягащо напрежение и притискащ натиск в дървения материал, можете да намалите „прищипванията“ на триона или поне да знаете кога да ги очаквате в процеса на рязане. Когато дървеният материал е обтегнат под напрежение, влакната в дървото се раздалечават и при рязане в тази зона „цепнатината“ или прорезът се разширяват след преминаване на триона. Ако използвате „магаре“ за подпора при рязане на дънер, но единият край на дънера виси без подпора, ще се създаде обтягащо напрежение в горната част на дървения материал, защото теглото на висящата част на дънера ще обтегне влакната. Съответно в долната част на дънера ще се създаде притискащ натиск, защото влакната ще бъдат притиснати едно в друго. Ако направите прорез в тази зона, цепнатината ще се опита да се стесни и да се затвори по време на рязането. Това ще преципи острието.

Поваляне на дърво

Виж Фигура 1 - 6.

Ако двама или повече човека едновременно бичат трупи и повалят дърво, между мястото на бичене и дървото за поваляне трябва да има разстояние,





което е поне два пъти по-голямо от височината на поваляното дървото. При поваляне на дървета трябва да се внимава да не бъдат застрашени други лица, електропроводи, водопроводи, газопроводи и други подобни съоръжения, както и да не бъдат нанесени материални щети. Ако поваленото дърво засегне съоръжение на инфраструктурата, незабавно трябва да бъде уведомена съответната организация, стопанисваща съоръжението.

Ако работите по наклонен участък, винаги стойте нависоко, защото съществува опасност при отсичането си дървото да се изтъркаля или плъзне надолу по наклона.

Преди да се започне с повалянето, трябва да бъде набелязан и разчистен път за безопасно оттегляне от работната площадка. Пътят за оттегляне трябва да води косо назад спрямо очакваната линия на падане на дървото.

Преди повалянето трябва да бъдат отчетени естественият наклон на дървото, позицията на поголемите клони и посоката на вятъра, за да бъде преценена възможно най-точно линията на падане на дървото.

Дървото трябва да се почисти от боклуци, камъни, откътвяща се кора, пирони, скоби и тел.

Не се опитвайте да събаряте дървета, които са изгнили или са били повредени от вятър, огън, гръмотевица и т.н.

Това е изключително опасно и трябва да се извършва само от професионални арбористи.

1. Направляващ прорез

Виж Фигура 1 - 6.

Направляващият прорез трябва да е с дълбочина 1/3 от диаметъра на дънера и да е перпендикулярен на желаната посока на падане. Първо направете долния хоризонтален срез на направляващия прорез. Така ще избегнете зацепването на верижния трион или на водещата шина при направата на втория срез на прореза.

2. Повалящ заден срез

Виж Фигура 1 - 6.

Повалящият заден срез трябва да се направи поне 50 мм (2 инча) по-високо от хоризонталния срез на направляващия прорез. Повалящият срез трябва да е успореден на хоризонталния срез на прореза. Направете повалящия срез така, че да остане известна непрекъсната част, която действа като шарнир. Шарнирът предотвратява завъртането и падането на дървото в неправилна посока. Не прерязвайте шарнира.

Когато повалящият срез доближи шарнира, би трябвало дървото само да започне да пада. Ако видите, че има възможност дървото да не падне в желаната посока или да се наклони и да блокира верижния трион, прекъснете разрязването и използвайте клинове от дърво, пластмаса или алуминий за разтваряне на среза и накланяне на дървото в желаната посока.

Когато дървото започне да пада, извадете верижния трион от среза, изключете го, оставете го на земята и напуснете работната площадка по предварително набелязания път за оттегляне. Внимавайте за падащи клони, както и да не се претъпнете.

Изрязване на дебели корени

Виж Фигура 7 - 8.

Това са много големи корени, които излизат от ствола над повърхността. Преди да отсечете дървото, отстранете дебелите корени. Първо направете хоризонтален прорез в корена, след това и вертикален. Махнете изрязаната част от работния участък. След като извадите дебелите корени, пристъпете към отрязване на дървото.

Бичене на дънера

Виж Фигура 9 - 11.

Биченето представлява нарязване на дънера по дължина на трупи. Важно е да стъпвате стабилно и тежестта ви да е разпределена равномерно между двата крака. Ако е необходимо, дънерът трябва да бъде подпрян с клони, греди или клинове. За да разрязвате леко, спазвайте тези прости указания. Когато дънерът е подпрян по цялата му дължина, трябва да се реже от горната му страна (горно бичене).

Когато дънерът е подпрян само от едната му страна, направете разрез от долната страна на дънера с дълбочина 1/3 от диаметъра му (долно бичене). След това направете финалния срез чрез горно бичене, като го свържете с първия разрез.

Когато дънерът е подпрян и от двете му страни, направете разрез от горната страна на дънера с дълбочина 1/3 от диаметъра му (горно бичене). След това направете финалния срез чрез долно бичене, за да срежете останалите 2/3 от диаметъра, като го свържете с първия разрез.

Когато бичите трупи на склон, винаги стойте от горната страна на дънера. За да запазите пълен контрол по време на рязане, постепенно освобождавайте упражнявания от вас натиск при приближаване края на среза, без да отпускате хватата на ръкохватките. Не позволявайте на веригата да докосва земята. След приключване на прореза изчакайте веригата да спре, преди да преместите верижния трион. Винаги изключвайте мотора, преди да преминете към следващото дърво.

Кастрене на дърво

Виж Фигура 12 - 13.

Кастренето представлява премахване на клони от повалено дърво. Когато кастрите дърво, оставете големите клони от долната му страна, за да го подпират. Отрязвайте малките клони с едно режешо движение. Клоните, които са обтегнати под напрежение, трябва да бъдат отрязвани отдолу нагоре, за да се предотврати закрепването на верижния трион.



Пружиниращо дърво

Виж Фигура 14 - 15.

Огънатите клони може да са клони, изкоренени пънове или фиданки, които са огънати от друго дърво, така че рязко ще се изправят, когато ги отрежете или махнете дървото, което ги държи.

Съществува сериозен риск изкорененият пън на отсеченото дърво да се освободи и да застане във вертикално положение при рязане, за да се отдели от ствола. Внимавайте - огънатите клони са опасни.



ПРЕДУПРЕЖДЕНИЕ!

Огънатите клони са опасни, защото могат да ви ударят и да загубите контрол над триона. При което да получите тежки или смъртоносни телесни повреди. Тази дейност трябва да се извършва от обучени потребители.

ДОПЪЛНИТЕЛНИ ПРЕДУПРЕЖДЕНИЯ ЗА БЕЗОПАСНОСТ ЗА БАТЕРИЯТА



ПРЕДУПРЕЖДЕНИЕ!

За да избегнете опасността от пожар, предизвикана от късо съединение, както и нараняванията и повредите на продукта, не потапяйте инструмента, сменяемата акумулаторна батерия или зарядното устройство в течности и се погрижете в уредите и акумулаторните батерии да не попадат течности. Течностите, предизвикващи корозия или провеждащи електричество, като солена вода, определени химикали, избелващи вещества или продукти, съдържащи избелващи вещества, могат да предизвикат късо съединение.

НЕПРЕДВИДЕНИ РИСКОВЕ.

Дори когато продуктът се използва по предназначение, е невъзможно напълно да се ограничи влиянието на определени рискови фактори. Рисковете, описани по-долу, може да възникнат по време на употреба и операторът трябва да внимава за избягването на следното:

- Нараняване, причинено от вибрация
 - Винаги използвайте правилния инструмент за съответната работа. Използвайте предназначенияте ръкохватки. Ограничавайте времето за работа и излагане на вибрации.
- Излагането на шум може да доведе до увреждане на слуха.
 - Носете антифони и ограничете излагането
- нараняване в следствие на контакт с откритите режещи зъбци на веригата
- нараняване в следствие на отхвъркнали части от

разрязвания материал (стърготини или трески)

- Наранявания, причинени от вдихване на прах и частици
- нараняване в следствие на контакт на кожата със смазочните масла

НАМАЛЯВАНЕ НА РИСКА

Известно е, че вибрациите, произведени от ръчни инструменти може да предизвикат у някои индивиди заболяване, наречено Синдром на Рейнолд (Raynaud's Syndrome). Симптомите може да включват изтръпване, схвачане и изbledняване на пръстите, обикновено се забелязват при излагане на студ. Смята се, че наследствените фактори, излагането на студ и влага, диетите, пушенето и някои работни навици допринасят за развитието на тези симптоми. Могат да се вземат някои мерки, които могат да се предприемат от оператора, за да се намалят ефектите от вибрациите:

- Поддържайте телесната температура в студено време. Когато боравите с инструмента, носете ръкавици, за да поддържате ръцете и китките си топли.
- Правете упражнения за активизиране на кръвообращението след всеки работен цикъл.
- Редовно излизайте в почивка. Ограничете излагането на вибрации на ден.
- Предпазните ръкавици, които се предлагат в търговските обекти за професионални верижни триони, са специално предназначени за работа с верижни триони и предоставят защита и добър захват, като същевременно намаляват ефекта от вибрирането на ръкохватките.

При поява на някой от симптомите на това заболяване, незабавно прекратете употребата на инструмента и посетете лекар.



ПРЕДУПРЕЖДЕНИЕ!

Продължителното използване на инструмента може да доведе до наранявания или влошаване. При използване на инструмента за продължителни периоди от време правете чести почивки.

ПРЕДНАЗНАЧЕНИЕ

Продуктът е предназначен за използване само на открито. От съображения за безопасност този продукт трябва по всяко време да бъде управляван и контролиран стабилно с две ръце.

Продуктът е предназначен за рязане на клони, дънери, трупи и греди с диаметър, определен от режещата дължина на водещата шина. Предназначен е за рязане единствено на дърво. Верижният трион е предназначен за извършване на битови дейности от лица, които са преминали адекватно обучение и са запознати с опасностите и превантивните мерки/дейности, свързани с използването на инструмента.

Той не трябва да се използва за професионално

рязане на дърва. Продуктът не трябва да се използва от деца, както и от лица, които не носят подходящи лични предпазни средства и облекло.

Не използвайте продукти за цели, различни от предназначението му.



ПРЕДУПРЕЖДЕНИЕ!

При използване на продукта трябва да се спазват правилата за безопасност. За осигуряване на вашата безопасност и тази на страничните наблюдатели трябва да прочетете тези инструкции, преди да работите с продукта. Трябва да посетите професионално организиран курс по безопасност относно използването, превантивните действия, оказването на първа помощ и поддръжката при работа с верижни триони. Съхранявайте ръководството за експлоатация на сигурно място, за да можете да го ползвате и по-късно.



ПРЕДУПРЕЖДЕНИЕ!

Верижните триони са потенциално опасни инструменти. Инцидентите, свързани с използването на верижни триони, често завършват със загуба на крайници или смърт. Опасността не идва само от самия верижен трион. Падащите клони, повалените дървета и търкалящите се дънери също могат да убият. Нездравият или гниещ дървен материал създава допълнителни опасности. Трябва внимателно да преценявате възможностите си за безопасно справяне със съответната дейност. Ако имате някакви съмнения, оставете работата на професионален лесовъд.

ОПОЗНАЙТЕ ВАШИЯ ПРОДУКТ

Вж. стр. 6-7.

1. Батерия
2. Бутон за блокиране на пусковия лост
3. Задна ръкохватка
4. Спусък
5. Комбиниран гаечен ключ
6. Предна ръкохватка
7. Капачка на резервоара за маслото
8. Капак на водещата шина
9. Режеща верига
10. Шина
11. Буферен шип
12. Ограничител на веригата
13. Винт за регулиране на натягането на веригата
14. Капак на веригата
15. Монтажни гайки на шината
16. Преден предпазител/спирачка на веригата

УСТРОЙСТВА ЗА БЕЗОПАСНОСТ

Верига с ниска склонност към откат

Нискооткатните режещи вериги намаляват вероятността от възникване на откат.

Ограничителите на височината, разположени в предната част на всеки зъб, могат да намалят ефекта от отката, като се предотврати навлизането в дълбочина в зоната на отката. Използвайте само комбинации от резервни водещи шини и режещи вериги, посочени от производителя.

Бъдете двойно по-внимателни след заточване на веригата на триона, тъй като тогава веригата става по-податлива на откат. За ваша безопасност подменяйте веригата винаги когато нейната способност за рязане намалява.

Буферен шип

Неделимия буферен шип може да се използва като опорна точка при рязане. Това помага за по-стабилното боравене с верижния трион по време на рязане. При рязане избухайте инструмента напред, докато шиповете се забият в ръба на дървото, а след това чрез преместване на задната ръкохватка нагоре или надолу по посока на прорезната линия можете да намалите физическото натоварване, съпровождащо процеса на рязане.

Шина

Обикновено използването на водещи шини с малък радиус при върха намалява вероятността от възникване на откат. Трябва да използвате водеща шина и подходяща верига, които да са с точната дължина за извършване на конкретната дейност. По-дългите шини увеличават риска от загуба на контрола по време на рязане. Редовно проверявайте обтегнатостта на веригата. Когато режете малки клони (по-къси от пълната дължина на водещата шина), има по-голяма вероятност веригата да падне или отхвъркне, ако тя не е обтегната както трябва.

Спирачка на веригата

Спирачката на веригата е разработена с цел да спира бързо въртящата се верига. Веригата трябва незабавно да спре, когато натиснете лоста на спирачката/предпазителя напред. Спирачката на веригата не ограничава ефекта от отката. Тя само намалява риска от наранявания, в случай че верижната шина се допре до тялото на оператора при възникване на откат. Изправността на верижната спирачка трябва да бъде тествана преди всяко използване на продукта – както в работеща, така и в спряна позиция на веригата.

Ограничител на веригата

Предпазител за веригата не позволява на веригата на триона да бъде отхвърлена към оператора, ако се разхлаби или счупи.

РАБОТА



ПРЕДУПРЕЖДЕНИЕ!

Ако има липсващи или повредени части, не използвайте този продукт, преди те да бъдат заменени. Несъобразяването с това предупреждение може да доведе до сериозни физически наранявания.

Поставяне на батерията

Вж. страница 6.

Поставете акумулаторната батерия в уреда. Подравнете повдигнатите ръбове на батерията с жлебовете в отвора за батерия на продукта.

Преди да започнете работа, се уверете, че фиксаторът на акумулаторната батерия щраква на място и батерията е напълно поставена и застопорена в продукта.

Правилно държане на продукта

Виж Фигура 1.

Дръжте задната ръкохватка на продукта с дясната си ръка и предната ръкохватка с лявата си ръка. Обхващайте добре ръкохватките, като сключвате палците и останалите си пръсти плътно около тях. Лявата ръка трябва да обхваща предната ръкохватка така, че палецът да е отдолу.

Стартиране на продукта

Вж. страница 8.

Преди започване на работа трябва да поставите батериите в инструмента и да се уверите, че верижната спирачка е в работеща позиция на веригата, като за целта трябва да издърпате лоста на верижната спирачка/предпазителя за ръцете към предната ръкохватка.

За да стартирате инструмента, издърпайте фиксатора на спуська, след което натиснете дроселния спусък.

Проверяване на изправността и използване на верижната спирачка

Вж. страница 20.

За да използвате верижната спирачка, завъртете лявата си ръка около предната ръкохватка. Докато веригата се върти бързо, използвайте задната страна на ръката си, за да избутате лоста на верижната спирачка/предпазителя за ръцете към шината. Помнете, че винаги трябва да поддържате здрав хват с двете ръце върху ръкохватките.

Върнете обратно спирачката в работеща позиция на веригата, като хванете върха на лоста на верижната спирачка/предпазителя за ръцете и го дръпнете в посока към предната ръкохватка, докато се чуе щракване.



ПРЕДУПРЕЖДЕНИЕ!

Ако спирачката не спира моментално веригата или не може да стои в позиция "работи" без намеса, занесете триона в упълномощен сервизен център за поправка, преди да го използвате.

Реглаж на обтягането на веригата

Вж. стр. 14 – 15.

Извадете батерията, преди да започнете каквато и да е работа по уреда.

Проверете дали монтажните гайки на шината са разслабени така, че да могат да се завъртат с пръсти.

За да увеличите натягането на веригата, завъртете винта за регулиране на натягането на веригата по посока на часовниковата стрелка и често проверявайте натягането на веригата. За да намалите натягането на веригата, завъртете винта за регулиране на натягането на веригата по посока, обратна на часовниковата стрелка, и често проверявайте натягането на веригата.

Обтягането на веригата е правилно, когато разстоянието между режещия елемент във веригата и шината е около 6,5 mm (0,256 инча). Най-добре е да дръпнете веригата в средата на шината откъм нейния долен край (от шината навън) и да измерите разстоянието между шината и резците на веригата.

Добавяне на смазочно масло за веригата

Вж. стр. 16 – 17.



ПРЕДУПРЕЖДЕНИЕ!

Никога не работете без смазочно масло за веригата. Ако веригата работи без смазочно масло, нейните резци и тя самата могат да бъдат повредени. Затова е важно да проверявате нивото на маслото редовно и преди всяка употреба на верижния трион.

Почистете повърхността около капачката на маслото, за да предпазите маслото от замърсяване.

Отвинтете и отстранете капачката на резервоара за маслото.

Напълнете масло в резервоара, като своевременно следете маркера за равнището на маслото. Уверете се, че докато наливате масло, не влизат никакви мръсотии в резервоара.

Поставете обратно капачката на резервоара за маслото и я затегнете. Забършете, ако има разлято масло.

ТРАНСПОРТИРАНЕ И СЪХРАНЕНИЕ

Спрете продукта, свалете батерията и изчакайте машината да се охлади, преди да я транспортирате или да я приберете за съхранение.

Почистете продукта от всички чужди частици. Съхранявайте я на хладно, сухо и добре проветрявано място, което е недостъпно за деца. Не го оставяйте в близост до корозивни материали като градински химикали или соли за размразяване. Не съхранявайте на открито.

Поставяйте капака на водещата шина, когато прибирате за съхранение или транспортирате продукта.

Когато транспортирате продукта, го обезопасете така, че да не може да се движи или да падне, защото това може да доведе до евентуални наранявания на хора или повреди по продукта.

ПОДДРЪЖКА



ПРЕДУПРЕЖДЕНИЕ!

Използвайте само аксесоари и резервни части на ЕСНО. В противен случай може да се влоши работата на инструмента или да получите тежки контузии, а гаранцията ви ще стане невалидна. Ако компоненти, които не са описани, трябва да се подменят, се свържете с някой от нашите сервизни представители на ЕСНО.



ПРЕДУПРЕЖДЕНИЕ!

Сервизното обслужване изисква изключително внимание и специфични познания и следва да бъде извършвано само от квалифициран техник. За сервизно обслужване занесете продукта в оторизиран сервизен център. При извършване на сервизни дейности използвайте само оригинални резервни части от производителя.



ПРЕДУПРЕЖДЕНИЕ!

Сваляйте батериите, когато извършвате дейности по регулиране, поддръжка или почистване на инструмента. Несъобразяването с това предупреждение може да доведе до сериозно физическо нараняване.

- Можете да правите само такива настройки и поправки, които са описани в настоящото ръководство. За други поправки се свържете с агент на упълномощения сервиз.
- Неправилната поддръжка на инструмента може да доведе до счупване на веригата или до неизправност в някои от функциите за безопасност, което увеличава опасността от сериозно нараняване. Грижете се професионално за поддръжката и безопасността на своя верижен трион.
- Безопасното заточване на веригата е дейност, която изисква съответните умения. Затова производителят силно препоръчва да подмените износените и затъпени вериги с нови, които можете да намерите във вашия оторизиран сервизен център на ЕСНО. Каталогният номер е поместен в таблицата със спецификациите на продукта в настоящото ръководство.
- Следвайте инструкциите за смазване на веригата, както и за проверяване и регулиране на нейната обтегнатост.

- Всеки път след употреба почиствайте продукта с мека и суха кърпа.
- Периодично проверявайте дали всички гайки, болтове и винтове са правилно затегнати, за да сте сигурни, че оборудването е в изправност. Всяка повредена част трябва да бъде поправена или заменена от упълномощен сервизен център.

Подмяна на водещата шина и режещата верига

Вж. стр. 10 – 13.

Не забравяйте да свалите батерията. Носете защитни ръкавици.

Отстранете монтажните гайки на шината с помощта на предоставения комбиниран гаечен ключ.

Отстранете капака на веригата.

Свалете шината и режещата верига от инструмента.

Поставете новата верига върху шината в правилната позиция и се уверете, че водещите звена на веригата са наместени в канала на шината.

Закрепете шината към верижния трион и преметнете веригата около зъбното колело.

Върнете капака на веригата и монтажните гайки на шината на местата им.

Затегнете с пръсти монтажните гайки на шината. Шината трябва да може да се движи, за да се регулира обтягането на веригата.

Регулирайте обтегнатостта на веригата. Вижте раздела „Регулиране на обтегнатостта на веригата“.

Дръжте края на шината и здраво затегнете нитовете на шината.

Проверка и почистване на верижната спирачка

Вж. страница 22.

Винаги поддържайте механизма на верижната спирачка чист, като леко изчетквайте сглобката му от мръсотия.

След всяко почистване проверявайте изправността на верижната спирачка. За допълнителна информация направете справка с раздел „Проверка и експлоатация на спирачката на веригата“ в това ръководство.

ГРАФИК ЗА ПОДДРЪЖКА

Ежедневна проверка	
Смазване на шината	Преди всяка употреба
Обтягане на веригата	Редовно и преди всяка употреба
Острота на веригата	Преди всяка употреба, визуална проверка
За повредени части	Преди всяка употреба
За разхлабени връзки	Преди всяка употреба

Функция на спирачката на веригата	Преди всяка употреба
Проверка и почистване	
Шина	Преди всяка употреба
Целия трион	след всяка употреба
Спирачка на веригата	На всеки 5 часа*

*Часове работа

РЕЗЕРВНИ ЧАСТИ

Част	Номер на принадлежност
Шина	6000945
Режеща верига	90PX056X

БАТЕРИИ

- Акумулаторните батерии, които не са били използвани известно време, трябва да се презареждат преди употреба.
- Температури над 50°C (122°F) намаляват ефективността на акумулаторната батерия. Избягвайте продължително излагане на топлина или слънчева светлина (риск от прегряване).
- Контактите на зарядните устройства и батериите трябва да се поддържат чисти.
- За да се гарантира оптимален срок на използване на акумулаторните батерии, те трябва да се зареждат напълно след употреба.
- За да гарантирате възможно най-дълъг срок на използване на акумулаторната батерия, я изваждайте от зарядното устройство, след като се зареди напълно.

За съхраняване на батерията над 30 дни:

- Съхранявайте батерията на места, където температурата е под 27°C и липсва влага.
- Съхранявайте батериите при заредено състояние от 30%-50%.
- На всеки шест месеца съхранение, зареждайте батериите по обичайния начин.

ТРАНСПОРТИРАНЕ НА ЛИТИЕВИ БАТЕРИИ

Литиево-йонната батерия подлежи на законодателството за опасни стоки.

Транспортирането на тези батерии трябва да се извършва в съответствие с местните, националните и международните разпоредби и наредби.

- Потребителят може да транспортира батериите по шосе, без да съблюдава допълнителни изисквания.

- Търговският транспорт на литиево-йонни батерии от трети страни е предмет на разпоредбите на нормативната уредба за опасните товари. Подготовката за транспортиране и самото транспортиране следва да се извършват от лица, изрично обучени за тези цели, като тези дейности трябва да се съблюдават от съответните експерти.

При транспортиране на батерии:

- Уверете се, че контактните клеми на батерията са защитени и изолирани, за да се предотврати възникването на късо съединение.
- Уверете се, че акумулаторната батерия е закрепена и не се движи в опаковката.
- Не транспортирайте батерии, които са спукани или текат.

Свържете се със следната компания за допълнителен съвет.

СИМВОЛИ



Предупреждение относно безопасността



Прочетете и осмислете всички указания, преди да започнете работа с продукта; спазвайте всички предупреждения и инструкции за безопасност.



Носете защитни средства за очите, слуха и главата.



Носете непъرزалиящи се защитни обувки, когато използвате продукта.



Носете здрави ръкавици, пригодени против плъзгане.



Внимавайте за откат на верижния трион и избягвайте контакт с върха на шината.



Не излагайте на дъжд и на влажни условия.



Дръжте и работете с триона с двете си ръце.



Не работете с триона, като го държите само с една ръка.



Поставете спирачката на веригата в позиция RUN.



Поставете спирачката на веригата в позиция BRAKE.



Гарантираното ниво на шум е 106 dB.



Украински знак за съответствие



EurAsian знак за съответствие



Електрическите уреди не трябва да се изхвърлят заедно с битовите отпадъци. Рециклирайте, където има възможност. Обърнете се за съвет по рециклирането към местните власти или разпространителите.



Тази машина е в съответствие с нормативната уредба на държавата от ЕС, където е била закупена.

Следните сигнални думи и техните съответни значения обясняват нивата на опасност, свързани с употребата на този продукт:



ОПАСНОСТ

Указва неминуемо опасна ситуация, която ако не бъде избегната, ще доведе до сериозни наранявания или смърт.



ПРЕДУПРЕЖДЕНИЕ

Указва потенциално опасна ситуация, която ако не бъде избегната, може да доведе до сериозни наранявания или смърт.



ВНИМАНИЕ

Указва потенциално опасна ситуация, която ако не бъде избегната, може да доведе до дребни или средни наранявания.

ВНИМАНИЕ

Без предупредителен символ за безопасност

Указва ситуация, която може да доведе до имуществени щети.

**ТЕХНІЧНІ ХАРАКТЕРИСТИКИ****ЛАНЦЮГОВА ПИЛА****ECCS-58V**

Серійного номеру	17402201000001 - 17402201999999
Номінальна напруга	51,1 V, 58 V максимум
Максимальна довжина бруска	400 mm
Об'єм масляного бака ланцюга	177 ml
Вага (без акумулятора, з направляючою штангою, ланцюгом і порожнім баком)	4,83 kg
Вага (з акумулятором на 4,0 А/г)	6,73 kg
Вага (з акумулятором на 2,0 А/г)	6,03 kg
Максимальна швидкість без навантаження	21 m/s
Корисна ріжуча довжина	250 mm
Рівень шуму (відповідно до EN 60745-1, EN 60745-2-13)	
A-зважений рівень звукового тиску на робочому місці оператора (L_{PA})	94,5 dB(A)
K_{PA} :	2,5 dB(A)
A-зважений рівень звукової потужності (L_{WA})	105,5 dB(A)
K_{WA} :	2,5 dB(A)
Рівень вібрації (відповідно до EN 60745-1; EN 60745-2-13) (перед/зад)	2,1 / 2,8 m/s ² K = 1,5 m/s ²

EN
FR
DE
ES
IT
NL
PT
DA
SV
FI
NO
RU
PL
CS
HU
RO
LV
LT
ET
HR
SL
SK
BG
UK
TR

АКУМУЛЯТОР І ЗАРЯДНИЙ ПРИСТРІЙ**ECCS-58V**

Сумісні акумуляторні блоки	ECBP-58V40 / ECBP-58V20
Сумісний зарядний пристрій	ECBC-58VEU / ECBC-58VUK

**Попередження!**

Рівень вібрації, зазначений у цьому інформаційному листку, був розрахований відповідно зі стандартизованим випробуванням, наведеним в EN 60745 і може використовуватися для порівняння одного інструмента з іншим. Він може бути використаний для попередньої оцінки впливу.

Зазначений рівень вібрації представляє основні застосування інструменту. Втім у разі використання інструмента не за призначенням, з іншими аксесуарами або при поганому догляді рівень вібрації може відрізнятися. Це може значно підвищити рівень впливу протягом усього робочого періоду.

При оцінюванні рівня впливу вібрації необхідно також враховувати час, коли інструмент вимкнений або коли він працює, але насправді не виконує ніякої роботи. Це може значно зменшити рівень впливу протягом усього робочого періоду.

Визначте додаткові заходи для захисту оператора від впливу вібрації, наприклад: догляд за інструментом та аксесуарами, зігрівання рук, план виконання робіт.

ЗАГАЛЬНІ ЗАХОДИ БЕЗПЕКИ**Попередження!**

Прочитайте всі правила безпеки та інструкції. Недотримання попереджень та інструкцій може призвести до ураження електричним струмом, пожежі та / або серйозної травми.

Збережіть всі інструкції і вказівки для майбутнього використання.

Термін "електроінструмент" у попереджувальних повідомленнях відноситься до вашого мережевого електроінструменту (дротового) або електроінструменту, що живиться від акумуляторної батареї (бездротового).

БЕЗПЕКА РОБОЧОГО МІСЦЯ

Утримуйте робоче місце в чистоті і добре освітленим. Безлад на робочому місці або темні місця спричиняють аварії.

Не використовуйте продукт у вибухонебезпечних атмосферах, наприклад, у присутності легко





займистих рідин, газів або пилу. Під час роботи косарки виникають іскри, що можуть призвести до займання пилу або парів.

Тримайте дітей та сторонніх осіб подалі під час роботи електроінструментом. Відволікання уваги може призвести до втрати контролю.

ЕЛЕКТРОБЕЗПЕКА

Вилка живлення електроінструменту повинна відповідати розетці. Ніколи не змінюйте вилку. Не використовуйте ніякі вилки-перехідники з заземленими (замкнутими на землю) електроінструментами. Не змініте вилки та відповідні розетки зменшують ризик ураження електричним струмом.

Уникайте контакту тіла з заземленими поверхнями, такими як труби, радіатори, плити та холодильники. Існує підвищений ризик ураження електричним струмом, якщо ваше тіло заземлене.

Не надавайте електроінструменти впливу дощу або вологих умов. Попадання води на пристрій збільшує ризик ураження електричним струмом.

Не зловжуйте шнур. Ніколи не використовуйте шнур живлення для перенесення, переміщення або вилучення вилки з розетки. Тримайте шнур подалі від тепла, масла, гострих кромок або рухомих частин. Пошкоджені або заплутані шнури збільшують ризик ураження електричним струмом.

При роботі з електроінструментом на вулиці, використовуйте подовжувач, відповідний для використання на відкритому повітрі. Використання кабелю, придатного для використання на відкритому повітрі, знижує ризик ураження електричним струмом.

При роботі з електроінструментом у вологому середовищі використовуйте залишковий поточний пристрій (ЗПП) захищеного живлення. Використання ЗПП знижує ризик ураження електричним струмом.

ОСОБИСТА БЕЗПЕКА

Будьте уважні, дивіться, що ви робите, і використовуйте здоровий глузд при експлуатації виробу. Не працюйте з виробом, коли ви втомлені або знаходитесь під дією наркотиків, алкоголю або медикаментів. Найменша необережність при роботі з електроінструментом може призвести до серйозних травм.

Використовуйте персональне захисне обладнання. Завжди одягайте захисні окуляри. Засоби захисту, такі як респіратор, нековзне взуття, каска або засоби захисту органів слуху, що використовуються в належних умовах знизять ризик отримання травми.

Запобігайте випадкового запуску. Переконайтеся, що вимикач знаходиться у вимкненому положенні перед підключенням до джерела живлення та / або акумуляторної батареї, підніманням або переміщенням інструменту. Не переносьте електроінструмент з пальцем на вимикачі або подачею живлення на інструмент, який має перемикач, щоб запобігти нещасного випадку.

Перед включенням електроінструменту знімайте регулювальний або гайковий ключ. Гайковий ключ або регулювальний ключ, залишений на обертаємій частині електроінструменту, може призвести до травми.

Не тягніться. Зберігайте правильну стійку і баланс весь час. Це дозволяє краще контролювати інструмент в несподіваних ситуаціях.

Одягайтеся правильно. Не носіть вільний одяг або прикраси. Тримайте волосся, одяг і рукавички подалі від рухомих частин. Вільний одяг, прикраси або довге волосся можуть потрапити в рухомі частини.

Якщо є пристрої для підключення для збору пилу, переконайтеся, що вони під'єднані і використовуються правильно. Використання пилозбірника знижує небезпеку, пов'язану з запиленістю.

ВИКОРИСТАННЯ ТА ДОГЛЯД ЗА ЕЛЕКТРОІНСТРУМЕНТОМ

Не перевантажуйте електроінструмент. Використовуйте відповідний для вашої потреби електроінструмент. Електроінструмент виконає роботу краще і безпечніше при швидкості, для якої він був розроблений.

Не використовуйте електроінструмент, якщо перемикач не влючас та вимикає його. Будь-який електроінструмент, який не може управлятися за допомогою перемикача, є небезпечним і має бути відремонтований.

Відключіть вилку від джерела живлення та / або від акумулятора електроінструменту, перш ніж робити будь-які регулювання, зміну приладдя або при зберіганні електроінструменту. Такі запобіжні заходи знижують ризик випадкового запуску приладдя.

Зберігайте непрацюючі електроприлади у недоступному для дітей місці і не дозволяйте особам, які не знайомі з інструкціями електричного приладдя або з даними інструкціями, працювати з електроприладами. Електроінструменти небезпечні в руках недосвідчених користувачів.

Обслуговуйте електроінструмент. Перевіряйте рухомі частини на наявність зміщення елементів або некоректного з'єднання, а також поломки та будь-яких інших чинників, які можуть вплинути на роботу електроінструменту. Якщо пошкоджені, відремонтуйте електроінструмент перед використанням. Багато нещасних випадків є наслідком поганого догляду за електроінструментом.

Тримайте ріжучий інструмент гострим і чистим. Добре доглянутий ріжучий інструмент з гострими ріжучими крайками рідше зв'язується і легше контролюється.

Використовуйте електроприлади, приладдя та насадки відповідно до цих інструкцій, урахувавши умови та характер роботи. Використання електричного інструменту для операцій, які відрізняються від призначених, може призвести до небезпечної ситуації.



ВИКОРИСТАННЯ І ДОГЛЯД ІНСТРУМЕНТУ НА БАТА-РЕЙКАХ

Перезаряджати тільки за допомогою зарядного пристрою, зазначеного виробником. Зарядний пристрій, що підходить для одного типу акумуляторів, може створити ризик загоряння при використанні з іншим акумуляторним блоком.

Використовуйте електроінструменти тільки з призначеними для них акумуляторами. Використання будь-яких інших акумуляторів, може створити ризик отримання травми і пожежі.

Коли акумуляторна батарея не використовується, тримайте її подалі від металевих предметів, таких як кліпси, монети, ключі, цвяхи, гвинти або інші невеликі металеві предмети, які можуть замкнути клемами. Коротке замикання контактів акумулятора може призвести до опіків або пожежі.

У важких умовах експлуатації, рідина може бути випущена з батареї; уникайте контакту. При випадковому контакті змийте водою. При потрапленні рідини в очі, зверніться за медичною допомогою. Рідина з акумулятора може викликати роздратування або опіки.

ОБСЛУГОВУВАННЯ

Дозволяйте обслуговувати ваш електроінструмент тільки кваліфікованому персоналу, використовуючи тільки ідентичні запасні частини. Це гарантуватиме безпечну експлуатацію електроінструменту.

ДОДАТКОВІ ЗАГАЛЬНІ ПОПЕРЕДЖЕННЯ ЩОДО БЕЗПЕКИ

У деяких регіонах існують правила, що обмежують використання продукту для деяких операцій. Перевірте з вашим місцевим органом влади для консультацій

Ніколи не дозволяйте дітям або людям, не знайомим з цими інструкціями, використовувати продукт. Місцеве законодавство може обмежувати вік оператора.

Перед кожним використанням переконайтеся, що всі елементи керування і безпеки функціонують правильно. Не використовуйте машину, якщо вимикач "ВИМК" не зупиняє машину.

Носіть повний захист очей і слуху, сильні міцні рукавички, а також захист голови в процесі експлуатації продукту; використовуйте маску, якщо операція пильна.

Не носіть вільний одяг, короткі штани або прикраси будь-якого роду.

Зафіксуйте довге волосся вище рівня плеча, щоб запобігти заплутуванню в будь-яких рухомих частинах.

Остерігайтеся відкинутих, летаючих або падаючих предметів. Тримайте всіх перехожих, дітей, і домашніх тварин, щонайменше на 15 м від робочої зони.

Не використовуйте при поганому освітленні. Оператор потрібне чіткий огляд робочої області, щоб визначити потенційні небезпеки.

Використання захисту органів слуху знижує здатність чути попередження (крики або сигнали тривоги). Оператор повинен звернути особливу увагу на те, що відбувається в робочій зоні.

Операції з аналогічними інструментами неподалік збільшує ризик травми слуху і можливість потраплення інших осіб у робочу зону.

Тримайте міцну опору і рывновагу. Не тягніться. Перенавантаження може призвести до втрати рівноваги і може збільшити ризик віддачі.

Тримайте всі частини вашого тіла подалі від рухомої частини.

Огляньте виріб перед кожним використанням. Перевірте правильність роботи всіх пристроїв управління, включаючи гальма ланцюга. Перевірте надійність кріплення, і т.д. Переконайтеся, що всі захисні огорожі, дефлектори і ручки правильно і надійно закріплені. У разі виявлення пошкоджених частин замініть їх до початку роботи.

Не змінюйте машину будь-яким чином та не використовуйте деталі та приладдя, не рекомендовані виробником.



Попередження!

Якщо продукт впаде, постраждав від важкого впливу або починає вібрувати, негайно зупиніть обладнання та перевірте на наявність пошкоджень або визначте причину вібрації. Будь-яке пошкодження має бути правильно відремонтовано або замінено в авторизованому сервісному центрі.

Не викидайте використані акумуляторні батареї у побутове сміття і не спалюйте їх. ECHO Distributors пропонує послугу забирання старих акумуляторів, щоби захистити довкілля.

Не зберігайте акумулятор разом із металевими предметами (через ризик короткого замикання).

Для заряджання акумуляторів використовуйте тільки зарядний пристрій ECBC-58VEU/ECBC-58VUK. Не використовуйте акумулятори від інших систем.

Сумісні акумуляторні блоки: ECBP-58V40, ECBP-58V20

При надмірному навантаженні або екстремальних температурах акумуляторна кислота може витікати з пошкоджених акумуляторів. У разі контакту з акумуляторною кислотою негайно змийте її водою з милом. У разі потраплення в очі ретельно промийте очі водою щонайменше впродовж 10 хвилин та негайно зверніться до лікаря.

Під час використання пристрою два фіксувальних гвинти для ланцюга чутливі для електростатичного розряду. Користувач повинен випустити тригер перемикача, щоб перезавантажити пристрій, якщо він вимкнеться через електростатичний розряд.



ТЕХНІКА БЕЗПЕКИ ЛАНЦЮГОВОЇ ПИЛИ

Під час експлуатації пристрою, тримайте всі частини тіла якомога далі від ланцюга пилки. Перш ніж запустити ланцюгову пилу, переконайтеся, що ланцюг пили не контактує з чимось. Момент неувважності при роботі з ланцюговими пилами може викликати заплутування вашого одягу або тіла в ланцюг.

Завжди тримайте ланцюгову пилу правою рукою на задній рукоятці і лівою рукою на передній рукоятці. Утримання ланцюгової пили із зворотніми конфігураціями рук збільшує ризик травм і ніколи не повинно виконуватися.

Тримайте виріб тільки за ізольовані поверхні, тому що ланцюг пилки може контактувати із прихованою проводкою. Ланцюг пили, що контактує з проводом "під напругою" може зробити металеві частини електроінструменту "під напругою" і може вдарити оператора.

Носіть захисні окуляри та засоби захисту слуху. Крім того захисне обладнання для голови, рук, ніг і стоп рекомендується. Адекватний захисний одяг знижує травми від летючих уламків або випадкового контакту з ланцюгом.

Не використовуйте ланцюгову пилу на дереві. Робота ланцюговою пилою на дереві може призвести до травми.

Завжди зберігайте рівновагу і управляйте ланцюговою пилою, тільки стоячи на нерухомій, безпечній і рівній поверхні. Слизькі або нестійкі поверхні, такі як сходи можуть призвести до втрати рівноваги або контролю над ланцюговою пилою.

При різанні сучків, які знаходяться під напругою будьте напоготові, щоб отримати віддачу. Коли напруга у волоках відпускає напружений паросток може вдарити оператора та / або вибити бензопилу з-під контролю.

Будьте гранично обережні при різанні хмиза і паростків. Тонкий матеріал може зловити ланцюг пили, вдарити або потягнути вас, порушивши вашу рівновагу.

Переносьте ланцюгову пилу за передню рукоятку вимкнено і подалі від вашого тіла. При зберіганні чи транспортуванні ланцюгової пили завжди встановлюйте кожух на направляючу штангу. Правильне поводження з ланцюговою пилою знизить імовірність випадкового контакту з рухомих пиляльним ланцюгом.

Дотримуйтеся інструкцій по змащенню, натягненню ланцюга і заміні приладдя. Неправильно натягнутий або змащений ланцюг може або зламатися, або збільшити шанси на віддачу.

Тримайте ручки сухими, чистими, і вільними від масла і мастила. Жирні, масляні ручки слизькі та викликають втрату контролю.

Ріжте тільки дерево. Не використовуйте ланцюгову пилу для не призначених цілей. Наприклад, не

використовуйте ланцюгову пилу для різання пластика, кладок і недеревних будівельних матеріалів. Використання ланцюгової пили для операцій, відмінних від призначених може призвести до небезпечної ситуації.

Причини і профілактика оператором віддачі:

Віддача може виникнути коли ніс або кінчик направляючої шини доторкнеться до об'єкту, або коли дерево змикається та зажимає пильний ланцюг.

Контакт з кінчиком в деяких випадках може викликати раптову зворотну реакцію, штовхнувши направляючу штангу вгору і назад до оператора.

Затиснення пиляльного ланцюга у верхній частині направляючої шини може підштовхнути направляючу шину швидко у напрямку оператора.

Будь-яка з цих реакцій може призвести до втрати контролю над пилкою, що може призвести до серйозних травм. Не покладайтеся виключно на запобіжні пристрої, вбудовані в пилу. Як користувач ланцюгової пили, ви повинні зробити кілька кроків, щоб зберегти свої робочі місця для різання вільними від нещасного випадку або травми.

Віддача є результатом неправильного використання інструменту і / або неправильних дій оператора та умов використання, цього можна уникнути за допомогою запобіжних заходів, що зазначено нижче:

Міцно тримайте, обхопивши пальцями ручки бензопили, з обоіми руками на пилці і з положенням тіла і рук, що дозволяє вам протистояти віддачі. Сила віддачі може керуватися за допомогою оператора, якщо виконати відповідні запобіжні заходи. Не відпускайте ланцюгову пилу.

Не перевищуйте та не ріжте вище рівня плечей. Це допомагає запобігти ненавмисному контакту наконечника і дозволяє краще контролювати ланцюгову пилу у неочікуваних ситуаціях.

Використовуйте тільки запасні шини та ланцюги зазначені виробником. Неправильні запасні штанги і ланцюги можуть привести до поломки ланцюга і / або віддачі.

Дотримуйтеся інструкцій із заточування і технічного обслуговування виробника для пиляльного ланцюга. Зменшення глибини висотоміра може призвести до збільшення віддачі.

ДОДАТКОВІ ЗАХОДИ БЕЗПЕКИ ЛАНЦЮГОВОЇ ПИЛИ

Рекомендується розпилувати колоди на лісопилному козлі або рамі, коли використовуєте продукту в перший раз.

Переконайтеся, що всі захисти, ручки і шипований бампер правильно встановлені і знаходяться в доброму стані.

Особи, які використовують продукт повинні бути в доброму здоров'ї. Пристрій важкий, тому оператор повинен мати гарну фізичну форму. Оператор повинен бути напоготові, мати хороший зір, рухливість, рівновагу і спритність. Якщо ви маєте які-небудь сумніви, не





використовуйте продукт.

Не починайте використовувати продукт до тих пір, поки ви не маєте чисту робочу зону, стійке положення, і запланований шлях відступу далеко від падаючого дерева.

Остерігайтеся викиду мастильного туману і тирси. Носіть маску або респіратор, якщо потрібно.

Ніколи не ріжте лозу і / або невеликий підлісок (менше 75 мм в діаметрі).

Завжди тримайте виріб обома руками при роботі. Використовуйте тверде зчеплення з пальцями охопленими ручку ланцюгової пили. Права рука повинна бути на задній рукоятці і ліва рука на передній ручці.

Перед увімкненням виробу переконайтеся, що ланцюг пилки ні до чого не торкається.

Не модифікувати виріб у будь-яким чином або невикористовуйте його для живлення будь-яких вкладень або пристрою, не рекомендовані виробником для вашого продукту.

Близько до оператора повинні бути аптечка, що містить великі пов'язки і засоби, щоб викликати увагу (наприклад, свисток), . Більший, всеосяжний комплект повинен бути досить неподалік.

Носіть шолом постійно під час експлуатації приладу. Шолом, оснащений сітчастим козирком, може допомогти зменшити ризик травми обличчя та голови в разі зворотнього удару.

Неправильно натягнутий ланцюг може зіскочити з направляючої планки і може призвести до серйозних травм або смерті. Довжина ланцюга залежить від температури. Перевірте натяг часто.

Ви повинні звикнути до вашої нової ланцюгової пили, роблячи прості розрізи на надійно підтримуєму дереві. Зробіть це, коли ви не працювали з пилкою протягом деякого часу.

Щоб знизити ризик отримання травми, пов'язаної з контактом з рухомими частинами, завжди зупиняйте двигун, застосовуйте гальма ланцюга, зніміть акумулятор і переконайтеся, що всі рухомі частини прийшли зупинилися перед:

- очищення або розчищення засмічення
- залишенням продукту без нагляду
- встановленням або демонтажем приладдя
- перевірці, технічному обслуговуванні або роботі з виробом.

Розмір робочої області залежить від роботи, що виконується, а також від розміру дерева або заготовки, що беруть участь. Наприклад, вирубка дерева вимагає більшої робочої зони, ніж інші розрізи, тобто розпилювання і т.д.

Оператор повинен бути в курсі, і контролювати все, що відбувається в робочій зоні.

Ніколи не пиляйте, коли ваше тіло на лінії захисного кожуха або ланцюга. Якщо ви відчуваєте віддачу, буде заборонено контакту ланцюга з вашою головою або тілом.

Не використовуйте рухи вперед і назад для розпилювання, нехай ланцюг зробить роботу, тримайте ланцюг гострим і не пробуйте підштовхувати ланцюг через розріз.

Не тисніть на пилку в кінці різання. Будьте готові взяти на себе вагу пили, коли вона розріже деревину. Невиконання цієї вказівки може привести до серйозної травми або пошкодити пристрій.

Не зупиняйте пилку на середині операції різання. Зберігайте пилку працюючою, поки не буде видалена з розрізу.

Натисніть і потягніть

Сила реакції завжди протилежна напрямку руху ланцюга. Таким чином, оператор повинен бути готовий керувати тенденцією машини відриватися (рухатися вперед) при розпилюванні на нижній кромці штанги і натисненням назад (у напрямку оператора) при різанні вздовж верхнього краю.

Пила застрягла в розрізі.

Зупиніть ланцюгову пилу і зробіть її безпечною. Не намагайтеся примушувати ланцюг і штангу через розріз, це може розірвати ланцюг, який може відхитнутися назад і вдарити оператора. Ця ситуація зазвичай виникає через неправильну підтримку деревини і примушенні закриття розрізу при стисненні, тим самим затискаючи лезо. При регульованні підтримки не звільняйте штангу і ланцюг, використовуйте дерев'яні клини або важіль, щоб відкрити розріз і звільнити пилку. Ніколи не намагайтеся запустити ланцюгову пилу, коли напрямна штанга вже в розрізі або пропилі.

Засоби індивідуального захисту

Хорошої якості, засоби індивідуального захисту, які використовуються професіоналами допоможуть знизити ризик отримання травми оператором. Наступні пункти повинні бути використані при роботі з продуктом:

Шолом безпеки

- повинні відповідати EN 397 і мати маркування CE

Захист органів слуху

- повинні відповідати EN 352-1 і мати маркування CE

Засоби захисту органів слуху

- Захист обличчя та очей повинні мати маркування CE і відповідають стандарту EN 166 (для захисних окулярів) або EN 1731 (для сітчастих козирків)

Рукавички

- повинні відповідати EN 381-7 і мати маркування CE

Захист ніг (шкіряні штани)

- повинні відповідати EN381-5, мати маркування CE і забезпечити всебічний захист.





Захисні чоботи для роботи з ланцюговою пилою

- повинні відповідати EN ISO 20345:2004 і відзначатися щитом із зображенням ланцюгової пили, щоб показати відповідність до EN 381-3. (Нюди користувачі можуть використовувати черевики зі стальним носком з захисними гетрами, які відповідають EN 381-9, якщо є невеликий ризик падіння або заплутування у підлісок)

Куртка для ланцюгової пили для захисту верхньої частини тіла

- повинні відповідати EN 381-11 і мати маркування CE

ІНСТРУКЦІЇ, ЩО СТОСУЮТЬСЯ ПРАВИЛЬНИХ МЕТОДІВ ДЛЯ ОСНОВНОЇ РУБКИ, ОБРІЗКИ СУЧКІВ, І РОЗПИЛЮВАННЯ

Розуміння сил в деревині

Коли ви розумієте спрямований тиск і напруження в деревині, можна зменшити "щіпки" або, принаймні, очікувати їх під час різання. Напруга в розрізі означає, що волокна розтягуються, і коли різати в цьому місці "пропил" буде, як правило відкриватися, коли пила проходить скрізь. Якщо колода підтримується на козлі для пиляння і кінець звисає невідтриманим, це створює напугу на верхній частині через нависаючу вагу і розтягування волокон. Деревини. Аналогічним чином, нижня частина деревини буде розрізана а волокна зіштовхнуті разом. Якщо надріз розрізу пропила буде мати тенденцію збільшуватися під час різання. Це може затиснути лезо.

Валка дерева

Див. малюнок 1 - 6.

Коли операції розкрязування і вирубки виконуються за допомогою двох або більше осіб одночасно операції вирубки повинні бути відокремлені від операції подрібнення на відстані принаймні в два рази висоти вирубуемого дерева. Дерева не повинні бути зрубані, щоб поставити під загрозу будь-яку особу, пошкодити комунальні лінії або нанести будь-які збитки. Якщо дерево робить контакт з будь-якою функціональною лінією, компанія повинна бути негайно повідомлена.

Оператору ланцюгової пили слід триматися на горі, бо дерево, швидше за все зкотиться або зковзне вниз по схилу після його падіння.

Шлях відступу повинен плануватися і очищатися перш, ніж починати пиляння. Шлях виходу повинен поширюватися назад і по діагоналі до задньої частини очікуваної лінії падіння.

Перед початком рубки, розгляньте природний нахил дерева, розташування великих гілок і напрям вітру, щоб судити, яким шляхом дерево буде падати.

Видаліть бруд, камені, кору, цвяхи, скоби та дроти з дерева.

Заборонено пиляти дерева, що трухляві, повалені вітром, пошкоджені в наслідок пожежі або удару блискавки та інше.

Це дуже небезпечно та може бути виконано лише професійними садівниками.

1. Надріз мітки

Див. малюнок 1 - 6.

Зробіть виймку 1/3 діаметра дерева, перпендикулярно напрямку падиння. Зробіть нижню горизонтальну насічку в першу чергу. Це допоможе уникнути защемлення, або пиляльного ланцюга або направляючої штанги, коли друга насічка робиться.

2. Насічка для заднього падиння

Див. малюнок 1 - 6.

Зробіть задню вирубку принаймні 50 мм / 2 вище горизонтального розрізу насічки. Зробіть задню насічку, вирізану паралельно горизонтальному різанню. Зробіть задню зарубку достатньою, щоб залишити в якості підвіски. Підвіска дерева зберігає дерево від скручування і падиння в неправильному напрямку. Не прорізайте підвіску.

Коли падиння наближається до підвіски, дерево повинно почати падати. Якщо є якийсь шанс, що дерево не може впасти в потрібному напрямку, або воно може похитнутися назад і зв'язати пиляльний ланцюг, зупиніть пиляння до задньої насічки і використовуйте клини з дерева, пластику або алюмінію, щоб відкрити розріз і дерево впало уздовж бажаної лінії падиння.

Коли дерево починає падати видаліть ланцюгову пилу з розрізу, зупиніть двигун, поставте ланцюгову пилу вниз, та використайте шлях запланованого відступу. Будьте пильні стосовно падиння високих паростей і пильнуйте свою опору.

Видаліть опорне коріння

Див. малюнок 7 - 8.

Опорний корінь, це великий корінь, що простягається від стовбура дерева над землею. Видаліть великі опорні коріння до рубки. Зробіть горизонтальний розріз зпершу в опорний корінь, а потім по вертикалі різання. Уберіть отриманий вільний розділ з робочої зони. Дотримуйтесь правильної процедури вирубки дерев після видалення великого опорного коріння.

Підтримка колоди

Див. малюнок 9 - 11.

Насічка розрізає колоду на потрібну довжину. Важливо переконатися, що ваша опора тверда і ваша вага рівномірно розподіляється на обидві ноги. Коли це можливо, колода повинна бути піднята і підтримуватися за допомогою сучків, колод або чурок. Дотримуйтесь простих інструкцій для зручного розпилювання. Коли колода підтримується по всій її довжині, її розрізають зверху (над козлами).

Коли колода підтримується з одного кінця, спиліть 1/3 діаметра з низу (під козлами). Потім зробіть остаточний розріз над козлами, щоб зустріти перший розріз.

Коли колода підтримується з обох кінців, розпиліть 1/3 діаметра зверху (над козлами). Потім зробіть остаточний розріз під козлами нижньої 2/3, щоб зустріти перший розріз.



При розпилюванні на схилі завжди стійте на верхньому боці колоди. При "прорубуванні", щоб зберегти повний контроль, вивільніть тиск різання ближче до кінця розрізу, не розслабляючи хватку на ручках ланцюгової пили. Не дозволяйте ланцюгу контактувати з землею. Після завершення розпилювання, почекайте поки ланцюг пили зупиниться, перш ніж рухати ланцюгову пилу. Перш ніж перейти від дерева до дерева, завжди зупиняйте двигун.

Обрізання сучків дерева

Див. малюнок 12 - 13.

Обрізання сучків це видалення гілок з дерева, що впало. При обрізанні сучків, залиште більші нижні кінцівки для підтримки колоди над землею. Зрізайте дрібні гілки за один прохід. Гілки під напругою повинні бути зрізані знизу вгору, щоб уникнути зв'язування ланцюгової пили.

Пружні штанги

Див. малюнок 14 - 15.

Пружинячою колодою може бути будь-яка колода, гілка, коренистий пень, або саджанець, які нахилилися під напругою іншого дерева, так що вони спружинять назад, якщо зрізати або видалити тримаючу деревину.

У впавшого дерева, коренистий пень має високий потенціал спружинити назад в вертикальне положення під час розкривання, щоб відокремити стовбур від пня. Стежте за пружинячими колодами - вони небезпечні.



Попередження!

Пружинячі колоди небезпечні і можуть вдарити оператора, в результаті чого оператор втратить контроль над пилкою. Це може призвести до серйозних травм або до смерті оператора. Це має бути зроблено навченими користувачами.

ДОДАТКОВІ ПОПЕРЕДЖЕННЯ З ТЕХНІКИ БЕЗПЕКИ ЩОДО ВИКОРИСТАННЯ АКУМУЛЯТОРІВ



Попередження!

Для запобігання небезпеці пожежі в результаті короткого замикання, травмам і пошкодженню виробів не занурюйте інструмент, змінний акумулятор або зарядний пристрій у рідину і не допускайте потрапляння рідини всередину пристроїв або акумуляторів. Корозійні і струмопровідні рідини, такі як солоний розчин, певні хімікати, вибілювальні засоби або продукти, що їх містять, можуть призвести до короткого замикання.

НЕПЕРЕДБАЧЕНІ РИЗИКИ

Навіть за належного використання інструмента неможливо повністю нейтралізувати певні фактори залишкового ризику. Наступні небезпеки можуть виникати при використанні продукту та оператору слід звернути особливу увагу, щоб уникнути наступного:

- Травми спричинені вібрацією.
 - Завжди використовуйте для роботи правильний інструмент. Використовуйте призначені для цього ручки. Обмежуйте робочий час та вплив.
- Під впливом шуму може виникнути пошкодження слуху.
 - Надягайте захист для органів слуху та лімітуйте вплив.
- травми внаслідок контакту з відкритими пильними зубами ланцюга
- травми внаслідок відкидання частин оброблюваної деревини (трісок та уламків дерева)
- Вдихання пилу та часток під час різання.
- травми внаслідок контакту зі шкірою мастильного матеріалу

ЗНИЖЕННЯ РИЗИКУ

Відомі випадки, коли вібрація від ручних інструментів сприяє появі так званого синдрому Рейно. Симптоми схожі на ті, що з'являються під впливом холоду, включаючи поколювання, оніміння та збліднення пальців. Вважається, що спадкові чинники, вплив холоду і сирості, харчування, куріння і деякі звички роботи сприяють розвитку цих симптомів. Можна прийняти деякі заходи, які можуть бути прийняті оператором, щоб зменшити вплив вібрації:

- Підтримувати температуру тіла в холодну погоду. При використанні інструменту надягайте рукавички, щоб тримати руки та зап'ястки у теплі.
- Вправа для активації кровообігу після кожного запуску.
- Регулярно йдуть на перерву. Лімітуйте кількість роботи на день.
- Захисні рукавички, доступні у професійних продавців ланцюгових пил, вони розроблені спеціально для використання з ланцюговою пилою і дають захист, хороше зчеплення і також зменшують вплив від вібрації ручки.

Якщо ви виявили будь-який з цих симптомів, негайно припиніть використання і зверніться до вашого лікаря згідно цих симптомів.



Попередження!

Тривале використання інструменту може призвести до травмування або загострення існуючої травми. При використанні приладу протягом тривалого періоду часу, часті перерви.

ПЕРЕДБАЧУВАНОМУ ВИКОРИСТАННІ

Цей продукт призначений тільки для використання на відкритому повітрі. З міркувань безпеки продукт повинен належним чином контролюватися за допомогою двох рук.

Продукт призначений для обрізки гілок, стовбурів, деревини і балок з діаметром, обумовленим довжиною ріжучої частини штанги. Тільки призначено для різання деревини. Може бути використана тільки у домашньому застосуванні дорослими, які отримали належну підготовку по небезпекам і профілактичним заходам / діям, що повинні бути прийняті при використанні.

Не повинно використовуватися для професійного спилування дерев. Продукт не призначений для використання дітьми або особами, які не мають відповідних засобів індивідуального захисту та одягу.

Не використовуйте продукт для будь-яких цілей, не зазначених у розділі "Передбачене застосування".



Попередження!

При використанні продукту, потрібно дотримуватися правил безпеки. Для вашої власної безпеки та безпеки перехожих, ви повинні прочитати і повністю зрозуміти ці інструкції перед експлуатацією виробу. Ви повинні відвідати професійно організований курс безпеки використання, профілактичних дій, першої допомоги та обслуговування ланцюгової пили. Будь ласка, збережіть інструкції з безпеки для подальшого використання.



Попередження!

ланцюгова пила потенційно небезпечний інструмент. Нещасні випадки, пов'язані з використанням ланцюгових пил часто призводять до втрати кінцівок або смерті. Це не просто ланцюгова пила, це небезпека. Падаючі гілки, повалені дерева, колоди, що котяться можуть всі вбити. Хвора або гниюча деревина створює додаткові ризики. Ви повинні оцінити ваші можливості безпечно завершення завдання. Якщо є сумніви, залиште це в професійному дроворубу.

ЗНАЙ СВІЙ ПРОДУКТ

Дивіться сторінки 6-7.

1. Акумуляторна батарея
2. Відпущення триггера
3. Задня ручка
4. Курок перемикача
5. Комбінований ключ
6. Передня ручка
7. Кришка мастила ланцюга
8. Кришка направляючої штанги
9. Ланцюг
10. Направляюча штанга
11. Зубчастий бампер
12. Обмежувач ланцюга
13. Гвинт регулювання ланцюга
14. Кришка ланцюга
15. Гайки кріплення бруска
16. Передній захист рук / Гальма ланцюга

ЗАХИСНІ ПРИСТРОЇ

Ланцюг пили з низькою віддачею

Ланцюг пили з низькою віддачею знижує ризик виникнення віддачі.

Сколюючі зуби (глибиноміри) перед кожним різцем можуть звести до мінімуму силу реакції віддачі, запобігаючи врзанню різців занадто глибоко. Використовуйте тільки замінні комбінації направляючої штанги і ланцюга, рекомендовані виробником.

Так як пильні ланцюги заточені, вони втрачають деякі якості низької віддачі та потрібна особлива обережність. Для вашої безпеки, замініть пильні ланцюги при зниженні продуктивності різання.

Зубчастий бампер

Штир цільного бамперу може бути використаний в якості опори при виконанні розрізу. Це допомагає тримати ланцюгову пилу стійкою під час різання. При різанні, штовхайте машину вперед, поки штир не зануриться у край деревини, а потім переміщуючи задню рукоятку вгору або вниз у напрямку лінії розрізу, це може допомогти полегшити фізичне навантаження при розпилюванні.

Направляючі штанги

Як правило, направляючі штанги з кінцівками невеликого радіуса мають деякою мірою нижчий, потенціал віддачі. Ви повинні використовувати направляючу шину та відповідні ланцюги, які достатньо довгі для роботи. Більш довгі шини збільшують ризик втрати контролю під час пилання. Регулярно перевіряйте натяг ланцюга. При різанні дрібних гілок (менших, ніж вся довжина полотнища) ланцюг, швидше за все, буде скинутий, якщо натяг неправильний.

Гальма ланцюга

Гальма ланцюга призначені для швидкої зупинки обертання ланцюга. Коли важіль гальма ланцюга / захисний щиток руки штовхається в напрямку штанги, ланцюг повинен негайно зупинитися. Гальма ланцюга не запобігають віддачі. Це тільки знижує ризик травми,

коли штанга ланцюга контактує з тілом оператора під час віддачі. Гальма ланцюга повинні бути перевірені перед кожним використанням для правильної роботи у робочій і гальмівній позиції.

Обмежувач ланцюга

Обмежувач ланцюга запобігає віддачі у бік оператора, якщо ланцюг пилки вивільнився або пошкодився.

ФУНКЦІОНУВАННЯ



Попередження!

Якщо ован -небудьзамінені або пошкоджені, не використовуйте даний виріб, поки вони здебільшого не будуть замінені. Невиконання цієї вказівки може привести до серйозної травми або пошкодити пристрій.

Установка акумуляторної батареї

Дивіться сторінку 6.

Встановіть акумулятор у виріб. Зіставте підняті ребра на акумуляторній батареї з пазами в порту батареї ланцюгової пилки.

Перед початком роботи переконайтеся, що фіксатори на акумуляторі клацнули та акумулятор прикріплено до приладу.

Тримання продукту

Дивіться малюнок 1.

Тримайте пристрій правою рукою за задню ручку та лівою рукою за передню ручку. Візьміться за обидві ручки з пальцями охопившими ручки. Переконайтеся, що ваша ліва рука тримає передню ручку таким чином, щоб великий палець знаходився знизу.

Запуск продукту

Дивіться сторінку 8.

Перед початком роботи, необхідно встановити акумулятор в машину, і переконайтеся, що гальма ланцюга в робочому положенні, потягнувши важіль гальм ланцюга / захисний щиток руки.

Для запуску приладу: потягніть гачок, а потім натисніть гачок газу.

Перевірка та експлуатація ланцюгового гальма

Дивіться сторінку 20.

Увімкніть ланцюгове гальмо, повертаючи ліву руку навколо передньої рукоятки. Дозвольте задній частині руки натиснути важіль гальма ланцюга / захисний щиток руки до штанги, коли ланцюг швидко обертається. Завжди зберігайте обидві руки на ручках пилки.

Поверніть гальмо ланцюга назад в положення Робота, взявшись за верхню частину важеля гальма ланцюга

/ захисний щиток руки і потягнувши в бік передньої рукоятки до тих пір, поки не почуєте клацання.



Попередження!

Якщо гальма ланцюга не відразу зупиняє ланцюг, або якщо гальма ланцюга не залишаються в робочому положенні без сторонньої допомоги, взяти пилку в авторизований сервісний центр для ремонту до використання.

Регулювання натягу ланцюга

(див. стор. 14 - 15)

Вийміть батарею перед початком ремонту або технічного обслуговування приладу.

Переконайтеся, що гайки кріплення штанги ослаблені для відкручування вручну.

Для збільшення натягу ланцюга поверніть гвинт натягу ланцюга за годинниковою стрілкою та періодично перевіряйте натягнення ланцюга. Щоб зменшити натяг ланцюга, поверніть гвинт натягу ланцюга проти годинникової стрілки та періодично перевіряйте натягнення ланцюга.

Ланцюг натягнутий правильно, коли відстань між ріжучими зубами ланцюга та штангою становить близько 6,5 мм (0,256 дюйма). Потягніть ланцюг в середині нижньої частини штанги вниз (від штанги) і виміряйте відстань між штангою і різцями ланцюга.

Додавання мастила ланцюга

(див. стор. 16 - 17)



Попередження!

Ніколи не працюйте без змащення ланцюга. Якщо ланцюг пилки працює без змащення, направляюча штанга і ланцюг пилки можуть бути пошкоджені. Це важливо, перевіряти рівень масла в індикаторі рівня масла часто і кожен раз, перш ніж почати використовувати пилку.

Очистіть поверхню навколо масляної кришки, щоб запобігти забрудненню.

Відкрутіть і зніміть кришку з масляного резервуару.

Налійте масло в масляний резервуар і контролюйте датчик рівня масла. Переконайтеся, що бруд не потрапляє в масляний бак під час заповнення.

Поставте кришку на місце і затягніть її. Витріть все розлите.

ТРАНСПОРТУВАННЯ ТА ЗБЕРІГАННЯ

Перед зберіганням або транспортуванням зупиніть виріб, видаліть акумуляторну батарею та дайте їм охолонути.

EN
FR
DE
ES
IT
NL
PT
DA
SV
FI
NO
RU
PL
CS
HU
RO
LV
LT
ET
HR
SL
SK
BG
UK
TR

Очистіть всі сторонні матеріали з продукту. Зберігайте його в сухому прохолодному і добре провітрюваному місці, недоступному для дітей. Зберігати подалі від агресивних агентів, таких як садові хімікати і солей проти обледеніння. Не зберігайте на відкритому повітрі.

Завжди кришка направляючої шини потрібна бути встановлена перед зберіганням продукту, або під час транспортування.

Для транспортування, забезпечіть машину від руху або падіння, щоб запобігти травми людей або пошкодження машини.

ТЕХНІЧНЕ ОБСЛУГОВУВАННЯ



Попередження!

Використовуйте лише аксесуари та запасні частини виробництва ЕСНО. Невиконання цієї вимоги може привести до можливої травми, поганої продуктивності та може призвести до втрати гарантії. У разі потреби у заміні компонентів, не описаних в інструкції, звертайтеся до сервісних центрів та агентів ЕСНО.



Попередження!

Обслуговування вимагає крайньої обережності і знання і повинно бути виконане тільки кваліфікованим фахівцем. Для обслуговування, доставте продукт до авторизованого сервісного центру. При технічному обслуговуванні використовуйте тільки ідентичні замініні частини.



Попередження!

Зніміть акумулятор перед регулюванням, технічним обслуговуванням і чисткою. Невиконання цієї вказівки може привести до серйозної травми або пошкодити пристрій.

- Ви можете зробити регулювання та ремонт, описані в цьому посібнику користувача. Для інших ремонтних робіт, зверніться до авторизованого сервісного агента.
- Наслідки неправильного технічного обслуговування можуть призвести до ланцюгової неправильного працювання гальма та інших функцій безпеки, тим самим збільшуючи потенціал для серйозної травми. Тримайте ланцюгову пилу професійно обслугованою і безпечною.
- Заточення ланцюга безпечно є кваліфікованою задачею. Тому виробник настійно рекомендує замінити зношені або тупі ланцюги новими, доступними у авторизованому сервісному центрі. Номер запчастини доступний в таблиці специфікації продукту в керівництві.

- Дотримуйтесь інструкцій по змащенню і перевірці натягу ланцюга і коректуванню.
- Після кожного використання, очистіть виріб м'якою сухою тканиною.
- Перевірте всі гайки, болти і гвинти після короткого проміжка часу на правильну герметичність, щоб забезпечити продукт у безпечному робочому стані. Будь-яка пошкоджена деталь, має бути правильно відремонтована або замінена в авторизованому сервісному центрі.

Заміна направляючої штанги та ланцюга

(див. стор. 10 - 13)

Переконайтеся, що витягли акумулятор. Носіть захисні рукавички.

Відкрутіть гайки кріплення штанги за допомогою комбінованого гайкового ключа.

Зніміть кришку ланцюга.

Зніміть штангу та ланцюг від продукту.

Покладіть новий у правильному напрямку у штангу і переконайтеся, що ведучі ланки вирівняні в розрізі канавки штанги.

Прикріпіть штангу до ланцюгу пилки і обгорніть ланцюг навколо ланцюгового колеса приводу.

Замініть кришку ланцюга та гайки кріплення штанги.

Закрутіть гайки кріплення штанги вручну. Штанга повинна мати можливість вільно переміщатися для регулювання натягу ланцюга.

Відрегулюйте натяг ланцюга. Зверніться до розділу "Регулювання натягу ланцюга".

Утримуючи наконечник напрямної штанги вгору, надійно затягніть гайки кріплення штанги.

Перевірка і очищення гальма ланцюга

Дивіться сторінку 22.

Завжди тримайте механізм гальма ланцюга чистим злегка очистивши з'єднання від бруду.

Завжди перевіряйте працю гальма ланцюга після очищення. Додаткову інформацію див. у розділі "Перевірка та робота гальм ланцюга".

ГРАФІК РОБІТ ПО ОБСЛУГОВУВАННЮ

Щоденна перевірка	
Змащування штанги	Перед кожним використанням
Натяг ланцюга	Перед кожним використанням і часто
Гострість ланцюга	Перед кожним використанням, візуальна перевірка

Для пошкоджених деталей	Перед кожним використанням
Для послабленого кріплення	Перед кожним використанням
Функція ланцюгового гальма	Перед кожним використанням
Огляньте та очистіть	
Штанга	Перед кожним використанням
Пила повністю	Після кожного використання
Гальма ланцюга	Кожні 5 годин*

* Години роботи

ЗАПАСНІ ЧАСТИНИ

Частина	Код приладдя
Направляюча штанга	6000945
Ланцюг	90PX056X

АКУМУЛЯТОРИ

- Якщо акумулятори не використовувалися впродовж певного часу, їх слід підзарядити перед експлуатацією.
- Робота акумуляторів погіршується за температури вище 50°C (122°F). Захищайте виріб від дуже високих температур та прямого сонячного світла (аби запобігти ризику перегріву).
- Контакти зарядного пристрою та акумуляторні батареї повинні зберігатися у чистоті.
- Щоб подовжити термін служби акумуляторів, повністю заряджайте їх перед використанням.
- Щоб термін служби акумуляторів був максимальним, виймайте акумулятор із зарядного пристрою після повного зарядження.

Якщо акумуляторна батарея зберігається більше 30 днів:

- Зберігайте акумуляторну батарею при температурі нижче 27°C та уникайте вологи.
- Зберігайте акумуляторні батареї з рівнем зарядку 30-50%.
- Через кожні шість місяців зберігання заряджайте батарею як звичайно.

ПЕРЕВЕЗЕННЯ ЛІТІЄВИХ БАТАРЕЙ

Lithium-ion batteries are subject to the Dangerous Goods Legislation requirements.

Транспортування цих акумуляторів має здійснюватися згідно з місцевими, національними та міжнародними директивами та правилами.

- The user can transport the batteries by road without further requirements.
- Комерційне перевезення літєво-іонних акумуляторів відбувається з дотриманням правил перевезення небезпечних вантажів. Transport preparation and transport are exclusively to be carried out by appropriately trained persons and the process has to be accompanied by corresponding experts.

При перевезенні акумуляторів:

- Ensure that battery contact terminals are protected and insulated to prevent short circuit.
- Переконайтеся, що акумулятор надійно закріплений у тарі.
- Чи не переносьте акумулятори, тріснуті або бігу.

Зв'язатися з нами для отримання подальших рекомендацій.

СИМВОЛИ



Попередження



Читайте і зрозумійте всі інструкції перед експлуатацією виробу, дотримуйтесь всіх вказівок і попереджень з техніки безпеки.



Носіть захист очей, слуху, і голови.



Носіть нековзне захисне взуття при використанні продукту.



Носіть неслизькі, надміцні рукавички.



Остерігайтеся віддачі ланцюга пили та уникайте контакту з кінцівкою штанги.



Не піддавайте впливу дощу або вогкому стану.



Тримайте і використовуйте пилу правильно обома руками.



Не використовуйте пилку, використовуючи тільки одну руку.



Помістіть гальмівний ланцюг у позицію RUN.



Помістіть гальмівний ланцюг у позицію BRAKE.



Гарантований рівень звукової потужності 106 дБ.



Український знак відповідності



Євразійська знак відповідності.



Не викидати відпрацьовані електричні прилади разом із побутовими відходами Утилізувати у спеціально призначених закладах. За консультацією по утилізації приладу зверніться до органу місцевої влади або дилеру



Відповідає всім нормативним стандартам в країнах ЄС, де виріб було придбано.

Наступні сигнальні слова і змісти призначені для пояснення рівнів ризику, пов'язаних з продуктом.



НЕБЕЗПЕКА

Вказує на неминуче небезпечну ситуацію, яка, якщо її не уникнути, може призвести до смерті або серйозних травм.



Попередження

Вказує на потенційно небезпечну ситуацію, яка, якщо її не уникнути, може призвести до смерті або серйозних травм.



УВАГА

Вказує на потенційно небезпечну ситуацію, яка, якщо її не уникнути, може призвести до легкої або середньої травми.

УВАГА

Без попереджуючих символів

Вказує на ситуацію, яка може призвести до пошкодження майна.



TECHNICAL DATA

MOTORLU TESTERE

ECCS-58V

Seri numarası	17402201000001 - 17402201999999
Nominal voltaj	51,1 V, 58 V maksimum
Azami çubuk boyu	400 mm
Zincir yağ tankı kapasitesi	177 ml
Ağırlık (Batarya hariç. Kılavuz çubuğu ve zincir ve boş depoyla birlikte)	4,83 kg
Ağırlık (4,0 Ah pil paketiyle)	6,73 kg
Ağırlık (2,0 Ah pil paketiyle)	6,03 kg
Azami yüksüz hız	21 m/s
Kullanılabilen kesme uzunluğu	250 mm
Gürültü Emisyonu (EN 60745-1, EN 60745-2-13 uyarınca)	
Kullanıcı pozisyonundaki A ağırlıklı ses basıncı seviyesi (L_{PA})	94,5 dB(A)
K_{PA} :	2,5 dB(A)
A ağırlıklı ses gücü seviyesi (L_{WA})	105,5 dB(A)
K_{WA} :	2,5 dB(A)
Titreşim seviyesi (EN 60745-1; EN 60745-2-13 uyarınca) (ön/arka)	2,1 / 2,8 m/s ² K =1,5 m/s ²

EN
FR
DE
ES
IT
NL
PT
DA
SV
FI
NO
RU
PL
CS
HU
RO
LV
LT
ET
HR
SL
SK
BG
UK
TR

PİL VE ŞARJ CİHAZI

ECCS-58V

Uyumlu pil takımları	ECBP-58V40 / ECBP-58V20
Uyumlu şarj cihazı	ECBC-58VEU / ECBC-58VUK



UYARI!

Bu bilgi sayfasında belirtilen titreşim emisyon seviyesi EN 60745'te belirtilen standart teste göre ölçülmüştür ve aletleri kıyaslamak için kullanılabilir. Ön maruz kalma değerlendirmesi için kullanılabilir.

Belirtilen titreşim emisyon seviyesi aletin ana uygulamaları için geçerlidir. Ancak alet farklı uygulamalar için, farklı aksesuarla kullanılıyorsa ya da bakımı yapılmadıysa titreşim emisyonu farklılık gösterebilir. Bu da toplam çalışma süresindeki maruz kalma seviyesini büyük oranda artırabilir.

Titreşime maruz kalma seviyesine yönelik tahminlerde aletin kapalı olduğu ve kullanılmadığı ancak açık olduğu zamanların da göz önünde bulundurulması gereklidir. Bu da toplam çalışma süresindeki maruz kalma seviyesini büyük oranda azaltabilir.

Kullanıcıyı aşağıda sıralanan titreşimin etkilerinden koruyacak ek emniyet önlemlerini belirleyin: alet ve aksesuarların bakımını yapın, elleri sıcak tutun, çalışma şablonu organizasyonu.

GENEL GÜVENLİK UYARILARI



UYARI!

Tüm güvenlik uyarılarını ve tüm talimatları okuyun. Uyarılara ve talimatlara uymamak elektrik çarpması, yangın ve/veya ciddi yaralanma ile sonuçlanabilir.

İleride başvurmak üzere tüm uyarıları ve talimatları saklayın.

Uyarılarda yer alan "elektrikli alet" terimi şebeke gücüyle çalıştırılan (kablolu) elektrikli aleti veya pille çalıştırılan (kablosuz) elektrikli aleti ifade eder.

ÇALIŞMA ALANI GÜVENLİĞİ

Çalışma alanını temiz tutun ve iyi şekilde aydınlatın. Dağınık veya karanlık alanlar kazaya davetiye çıkarır.

Elektrikli aletleri yanıcı sıvıların, gazların veya tozun mevcut olduğu patlayıcı atmosferlerde kullanmayın. Elektrikli aletler tozu veya buharları ateşleyebilecek kıvılcımlar oluşturur.

Bir elektrikli alet kullanırken çocukları ve çevredeki insanları uzaklaştırın. Dikkat dağınıklığı kontrolü kaybetmenize neden olabilir.



ELEKTRİKSEL GÜVENLİK

Elektrik fişleri prize uygun olmalıdır. Fişi hiçbir zaman hiçbir şekilde değiştirmeyin. Topraklı elektrikli aletlerle birlikte herhangi bir adaptörlü fiş kullanmayın. Üzerinde değişiklik yapılmayan fişler ve uygun prizler elektrik çarpması riskini azaltır.

Vücudunuzla borular, radyatörler, kuzine ve buzdolabı gibi topraklı ürünlere temas etmekten kaçının. Vücudunuz topraklanırsa yüksek elektrik çarpması riski mevcuttur.

Ürünü yağmura veya ıslak koşullara maruz bırakmayın. Elektrikli alete su girmesi elektrik çarpması riskini artırır.

Kabloyu amacı dışında kullanmayın. Kabloyu hiçbir zaman elektrikli aleti taşımak, çekmek veya fişten çıkarmak için kullanmayın. Kabloyu ısıdan, yağdan, keskin kenarlardan veya hareketli parçalardan uzak tutun. Hasarlı veya dolanmış kablolar elektrik çarpması riskini artırabilir.

Bir elektrikli aleti açık alanda kullanırken açık alanda kullanıma uygun bir uzatma kablosu kullanın. Açık alanda kullanıma uygun bir kablo kullanmak elektrik çarpması riskini azaltır.

Eğer bir elektrikli aleti nemli bir yerde kullanmazsanız kaçınılmazsa bir artık akım cihazı (RCD) korumalı kaynak kullanın. Bir RCD kullanmak elektrik çarpması riskini azaltır.

KİŞİSEL GÜVENLİK

Bir elektrikli alet kullanırken dikkatli olun, yaptığınız işe dikkat edin ve sağduyulu olun. Yorgunken veya uyuturucu, alkol veya ilaç etkisi altındayken bir elektrikli alet kullanmayın. Elektrikli aletleri kullanırken bir anlık dikkatsizlik ciddi fiziksel yaralanma ile sonuçlanabilir.

Kişisel koruyucu ekipman kullanın. Koruyucu gözlük takın. Uygun koşullarda kullanılan toz maskesi, kaymaz güvenlik ayakkabıları, kask veya kulak tıkaçı fiziksel yaralanma riskini azaltacaktır.

Kasıtsız başlamayı önleyin. Aleti yerinden alırken veya taşıırken güç kaynağına ve/veya pil takımına bağlamadan önce anahtarın kapalı konumda olduğundan emin olun. Elektrikli aletleri parmağınız anahtarın üzerinden veya anahtarlı elektrikli aletlerin gücü açıkken taşımak tehlikeye davetiye çıkarır.

Elektrikli aleti açmadan önce ayar kamasını veya anahtarını çıkartın. Bir ayar anahtarının veya kamanın elektrikli aletin döner parçasına takılı hâlde bırakılması fiziksel yaralanma ile sonuçlanabilir.

Yukarıya doğru erişmeye çalışmayın. Yere sağlam basın ve dengeni her zaman koruyun. Bu, beklenmedik durumlarda gücün daha iyi kontrol edilmesini sağlar.

Uygun şekilde giyinin. Bol kıyafet giymeyin veya takı takmayın. Saçınızı, kıyafetinizi ve eldivenlerinizi hareketli parçalardan uzak tutun. Bol kıyafetler, takı veya uzun saç hareketli parçalara yakalanabilir.

Eğer toz tahliye ve toplama aparatları için bağlantı cihazları sağlanmışsa bunların doğru şekilde bağlandığından ve kullanıldığından emin olun. Toz

toplama aparatı kullanmak tozdan kaynaklanan tehlikeleri azaltabilir.

ELEKTRİKLİ ALET KULLANIMI VE BAKIMI

Elektrikli aletin kapasitesini zorlamayın. Uygulamanız için doğru elektrikli aleti kullanın. Doğru elektrikli alet tasarlandığı işi daha iyi ve daha güvenli bir şekilde yapacaktır.

Eğer anahtar açılıp kapanmıyorsa makineyi kullanmayın. Anahtarla kontrol edilemeyen her elektrikli alet tehlikelidir ve onarılmalıdır.

Herhangi bir ayar yapmadan, aksesuarları değiştirmeden veya elektrikli aletleri depolamadan önce fişi güç kaynağından ve/veya pil takımını elektrikli aletten ayırın. Bu gibi önleyici güvenlik tedbirleri elektrikli aletin kazara çalışma riskini azaltır.

Boş konumda olan elektrikli aletleri çocukların ulaşamayacağı yerde depolayın ve elektrikli aleti tanımayan veya bu talimatları bilmeyen kişilerin elektrikli aleti kullanmasına izin vermeyin. Elektrikli aletler eğitimsiz kullanıcıların elinde tehlikelidir.

Elektrikli aletlerin bakımını yapın. Hareketli parçaların hıza kaymasını ve bağlantısını, parçaların kırık olup olmadığını ve elektrikli aletin çalışmasını etkileyebilecek diğer durumları kontrol edin. Eğer hasarlıysa elektrikli aleti kullanmadan önce onartın. Pek çok kaza bakımı kötü yapılmış elektrikli aletlerden kaynaklanır.

Kesici aletleri keskin ve temiz tutun. Uygun şekilde bakımı yapılan keskin kesme kenarlarına sahip kesme aletlerinin sıkışma olasılığı daha azdır ve kontrol edilmesi daha kolaydır.

Elektrik aleti, aksesuarları ve alet uçlarını vb. çalışma koşullarını ve yapılacak çalışmayı dikkate alarak bu talimatlara uygun şekilde kullanın. Elektrikli aleti amaçlananlar dışındaki çalışmalar için kullanmak tehlikeli bir durumun oluşmasına yol açabilir.

PİLLİ ALET KULLANIMI VE BAKIMI

Sadece üretici tarafından belirtilen şarj cihazı ile şarj edin. Tek bir pil takımı tipine uygun bir şarj cihazı başka bir pil takımı ile birlikte kullanıldığında yangın riski oluşturabilir.

Elektrikli aletleri sadece özel olarak belirtilmiş pil takımları ile birlikte kullanın. Başka bir pil takımı kullanmak yaralanma ve yangın riski oluşturabilir.

Pil takımı kullanılmadığı zaman ataş, bozuk para, anahtar, çivi, vida ve diğer metal nesnelere gibi bir terminalden diğerine bağlantı oluşturabilecek diğer metal nesnelere uzak tutun. Pil terminalerinin birlikte kısa devre yapması yangına veya yangına neden olabilir.

Kötü koşullarda pilden sıvı boşalabilir; temas etmekten kaçın. Eğer kazara temas ederseniz temas eden yeri suyla yıkayın. Eğer sıvı gözlerinize temas ederse ek olarak tıbbi yardım alın. Pilden boşalan sıvı tahrişe veya yanıklara neden olabilir.

SERVİS

Elektrikli aletinizi sadece aynı yedek parçaları kullanarak nitelikli bir tamirciye onartın. Bu, elektrikli aletin güvenliğinin muhafaza edilmesini sağlar.

EK GENEL GÜVENLİK UYARILARI

Bazı bölgeler ürünün bazı çalışmalarda kullanımına kısıtlama getiren yönetmeliklere sahiptir. Tavsiye için bölgenizdeki yetkili mercie başvurun.

Hiçbir zaman çocukların veya talimatları bilmeyen kişilerin ürünü kullanmasına izin vermeyin. Yerel yönetmelikler kullanıcının yaşına kısıtlama getirebilir.

Her kullanım öncesi tüm kontrollerin ve güvenlik cihazlarının doğru şekilde çalıştığından emin olun. Eğer "kapalı" anahtar ürünü durdurmuyorsa ürünü kullanmayın.

Ürünü kullanırken kaskın yanı sıra tam kapalı kulaklık, güçlü ve eldivenler takın; eğer yapılacak çalışma toz oluşturacaksa bir yüz maskesi kullanın.

Bol kıyafet, kısa pantolon giymeyin veya herhangi bir tür takı takmayın.

Saçlarınız uzunsanız hareketli parçalara dolaşmasını önlemek için omuz seviyesinin üzerinde toplayın.

Fırlatılan, uçan ya da düşen cisimlere dikkat edin. Üçüncü şahısları, özellikle çocukları ve evcil hayvanları çalışma alanından en az 15 m uzakta tutun.

Kötü aydınlatmalı koşullarda kullanmayın. Kullanıcının potansiyel tehlikeleri belirlemesi için çalışma alanını net olarak görmesi gerekir.

Kulak tıkacı kullanımı uyarıları (sesler veya alarmlar) duyma kabiliyetinizi azaltır. Kullanıcı çalışma alanında yapılan işe ekstra dikkat etmelidir.

Yakında benzer aletler kullanmak hem işitme kaybı riskini hem de diğer insanların çalıştığınız alana girme riskini artırır.

Yere sağlam basın ve dengede durun. Yukarıya doğru erişmeye çalışmayın. Yukarıya uzanmak denge kaybıyla sonuçlanabilir ve geri tepme riskini artırabilir.

Vücudunuzun tüm uzuvlarını hareketli parçalardan uzak tutun.

Her kullanım öncesi makineyi inceleyin. Zincir freni de dahil, tüm kumandaların doğru çalışıp çalışmadığını kontrol edin. Gevşek sabitleyicilere karşı kontrol edin, tüm korumaların ve kulpların doğru ve güvenli şekilde takıldığından emin olun. Kullanmadan önce hasarlı parçaları değiştirin.

Üründe herhangi bir değişiklik yapmayın veya üretici tarafından önerilmeyen parçalar ve aksesuarlar kullanmayın.



UYARI!

Eğer ürün düşerse, ağır darbe alırsa veya anormal şekilde titremeye başlarsa ürünü derhal durdurun ve hasara karşı inceleyin veya titreşimin nedenini belirleyin. Her tür hasar yetkili servis merkezi tarafından uygun şekilde onarılmalı veya değiştirilmelidir.

Kullanılmış pil paketlerini ev atıklarına katarak ya da yakarak bertaraf etmeyin. ECHO Distribütörleri çevremizi korumak için eski pilleri geri almayı önerir.

Pil takımını madeni cisimlerle birlikte depolamayın (kısa devre riski).

Pil paketlerinin şarjı için sadece ECBC-58VEU/ECBC-58VUK şarj cihazı kullanın. Başka sistemlerin pil paketlerini kullanmayın.

Uyumlu pil takımları: ECBP-58V40, ECBP-58V20

Hasarlı pil takımları aşırı yük veya aşırı ısılarda pil asidi sızdırabilir. Pil asidiyle temas halinde, zaman geçirmeden sabunlu suyla yıkayın. Göz teması halinde, en az 10 dakika boyunca adamakıllı yıkayın ve zaman geçirmeden tıbbi yardım alın.

İki zincir çubuğu kilitleme vidası kullanım halindeyken elektrostatik deşarj için hassas noktalar. Ürünün elektrostatik deşarj nedeniyle durması halinde, tekrar çalıştırılması için kullanıcının anahtar tetiğini serbest bırakması gerekir.

MOTORLU TESTERE GÜVENLİK UYARILARI

Ürünü çalıştırırken testere zincirinizi bütün vücudunuzdan uzak tutun. Aleti çalıştırmadan önce testere zincirinin herhangi bir nesneye temas etmediğinden emin olun. Motorlu testere çalıştırırken bir anlık dikkatsizlik gıysilerinizin ya da vücudunuzun testere zincirine kapılmasına neden olabilir.

Motorlu testereyi tutarken, her zaman sağ elinizin arka, sol elinizin de ön tutamakta olması gerekir. Motorlu testereyi ters elle tutmak bedensel hasar riskini artıracığından asla yapılmamalıdır.

Testere zinciri gizli tellerle temas edebileceği için, ürünü sadece yalıtılmış kavrana yüzeylerinden tutun. "Akım geçen" tel içeren testere zincirleri elektrikli aletin açıkta kalan metal parçalarının içerisinde "akım geçmesine" ve kullanıcıya elektrik çarpmasına neden olabilir.

Koruyucu gözlük ve kulak tıkacı kullanın. Baş, eller, bacak ve ayaklar için ilave koruyucu donanım kullanmak önerilir. Doğru koruyucu donanım, uçan döküntülerin ya da testere zinciriyle temasın neden olabileceği yaralanma olasılığını düşürür.

Motorlu testereyi ağaç üzerindeyken çalıştırmayın. Ağaç üzerindeyken motorlu testere çalıştırmak bedensel yaralanmayla sonuçlanabilir.

Her zaman yeterli dayanak kullanın ve motorlu testereyi ancak sabit, güvenli ve düz bir yüzey üzerinde durarak çalıştırın. Merdiven gibi kaygan ya da oynak yüzeyler dengeyi ya da motorlu testere kontrolünüzü kaybına neden olabilir.

Gergi altındaki bir dalı keserken, geri tepmeye karşı uyanık davranın. Ağaç elyafındaki gerilim serbest kaldığında, yaylı dal operatöre çarpabilir ve/veya motorlu testerenin kontrolünüzü kaybolmasına neden olabilir.



Çalı ve fidan keserken son derecede dikkatli davranın. İnce malzeme testere zincirine kapılıp size çarpabilir ya da dengenizi kaybettirebilir.

Motorlu testereyi ön tutamağından, testere kapatılmış ve vücudunuzdan uzakta taşıyın. Motorlu testereyi taşıy ya da depolarken her zaman kılavuz çubuğu kapağını takın. Motorlu testerenin doğru kullanılması hareketli testere zinciriyle kazara temas olasılığını azaltır.

Yağlama, zincir germe ve aksesuar değişimi için talimatları uygulayın. Yanlış gerilmiş ya da yağlanmış zincir kopabilir ya da geri tepme olasılığını artırabilir.

Tutamakların kuru, temiz, yağ ve gresten arınmış olmasını sağlayın. Gresli ve yağlı tutamaklar kayar ve kontrol kaybına neden olur.

Sadece ahşap kesin. Amacı dışında kullanmayın. Örneğin: Motorlu testereyi plastik, tuğla ve ya ahşap dışı inşaat malzemesi kesmek için kullanmayın. Elektrikli aleti amaçlananlar dışındaki çalışmalar için kullanmak tehlikeli bir durumun oluşmasına yol açabilir.

Gerri tepme nedenleri ve operatör önlemleri:

Kılavuz gövdenin burnu veya ucu bir nesneye dokunduğunda veya zincir kesim sırasında ağaç testere zincirini sardığında ve sıkıştırdığında geri tepme meydana gelebilir.

Bazı durumlarda ucun temas etmesi kılavuz gövdenin kullanıcıya doğru yukarı ve geri tepmesiyle ani bir ters tepkiye neden olabilir.

Testere zincirinin kılavuz gövdenin üst kısmı boyunca sıkışması kılavuz gövdeyi hızlı bir şekilde kullanıcıya doğru geri itebilir.

Bu tepkilerden biri makinenin kontrolünü kaybetmenize neden olabilir ve ciddi fiziksel yaralanma ile sonuçlanabilir. Yalnızca makinedeki dahili güvenlik cihazlarına güvenmeyin. Ürün kullanıcı olarak kesme işinizin kaza ya da yaralanmaya yol açmaması için bazı önlemler almalısınız.

Gerri tepme aletin hatalı kullanılmasının ve/veya yanlış kullanım prosedürlerinin veya koşullarının bir sonucudur ve aşağıda verilen doğru önlemler alınarak önlenebilir.

Her iki eliniz testerenin üzerinde, parmaklarınızı testere tutamaklarına dolayarak sağlamca kavrayın, kolunuzu ve bedeninizi gerri tepme güçlerine karşı koyacak şekilde konuşturun. Gerri tepme kuvvetleri eğer doğru önlemler alınırsa kullanıcı tarafından kontrol edilebilir. Ürünü bırakmayın.

Uzmayın ve omuz yüksekliği üzerinde kesim yapmayın. Böylelikle ürün ucunun istenmeyen yerlerle temas etmesi önlenir ve beklenmedik durumlarda ürünün daha iyi kontrol edilmesi sağlanır.

Sadece üretici tarafından belirtilen yedek gövdeleri ve zincirleri kullanın. Yanlış yedek gövdeler ve zincirler zincirin kırılmasına ve/veya gerri tepmeye neden olabilir.

Testere zinciri için üreticinin bileme ve bakım talimatlarına uyun. Derinlik mastarı yüksekliğini düşürmek daha güçlü gerri tepmeye neden olabilir.

MOTORLU TESTERE İÇİN EK GÜVENLİK UYARILARI

Ürünü ilk kez kullanırken tomrukları testere tezgahı ya da yatak üzerinde kesmek önerilir.

Bütün korkuluk, tutamak ve çivili tamponların takılı ve iyi durumda olmasını sağlayın.

Motorlu testereyi kullanacak insanların sağlıklı olması gerekir. Ürün ağırdır; bu nedenle operatörün fizik olarak güçlü olması gerekir. Operatörün uyanık olması, iyi görüşe, hareket yeteneğine, denge ve el becerisine sahip olması gerekir. Herhangi bir kuşku halinde, motorlu testereyi kullanmayın.

Çalışma alanını temizleyene, ayağınızı basacağınız güvenli bir yer ve düşen küçük veya ana dallardan uzakta planlı bir gerri çekilme yolu hazırlayana kadar ürünü kullanmaya başlamayın.

Yağ buharı emisyonuna ve bıçkı tozuna dikkat edin. Gerekirse maske ya da respiratör takın.

Bağ kütükleri ve (çapı 75 mm'den az) küçük çalılık kesmeyin.

Çalıştırırken, motorlu testereyi her zaman iki elle tutun. Parmaklarınızı motorlu testere tutamaklarına dolayarak sıkıca kavrayın. Sağ elinizin arka, sol elinizin de ön tutamakta olması gerekir.

Ürünü çalıştırmadan önce, testere zincirinin herhangi bir cisme temas etmediğinden emin olun.

Ürünü hiçbir şekilde modifiye etmeyin ya da üreticinin tavsiye etmediği herhangi bir eklenti ya da cihaza güç vermek için kullanmayın.

Operatörün yakınında büyük yara pansumanı ve dikkat çekme aracı (örn. düdüğü) içeren bir ilk yardım çantası bulunmalıdır. Yine yakında daha büyük ve daha kapsamlı bir kit bulundurmak gerekir.

Ürünü kullanırken her zaman miğfer giyin. Fileli bir siperlikle donatılmış bir miğfer gerri tepme anında yüzün ya da başın yaralanma riskini azaltır.

Yanlış gerilmiş bir zincir kılavuz çubuğunun üzerinden sıçrayıp ciddi yaralanmaya hatta ölüme neden olabilir. Zincirin uzunluğu ısıya bağlıdır. Gerilimi sık sık kontrol edin.

Yeni motorlu testerenize alışmak için sağlam desteklenmiş ahşap üzerinde basit kesim işlemleri yapmalısınız. Bu işlemi testereyi uzunca bir süre kullanmadığınız her sefer yapmalısınız.

Aşağıdaki işlemlerden önce, hareketli aksamla temastan kaynaklanabilecek yaralanma riskini azaltmak için her zaman motoru durdurun, zincir frenini uygulayın, pil paketini çıkarın ve tüm hareketli aksamın tamamen durduğundan emin olun:

- Makine üzerinde temizlik, bakım veya herhangi bir çalışma yapmadan önce
- ürün gözetimsiz bıraktığınızda
- ek parçaları takarken veya sökarken
- motoru durdurun ve buji kablosunu bujiden ayırın.



Çalışma alanının boyutları yapılmakta olan işle birlikte, üzerinde çalışılan ağacın veya çalışma parçasının ebadına bağlıdır. Örneğin, bir ağaç kesmek, örneğin dülgere bıçkı gibi kesim işlemlerinden daha az yer gerektirir.

Operatör çalışma alanındaki her şeyin bilincinde olup denetlemelidir.

Vücudunuz kılavuz çubuğu ve zincirle bir hizadayken kesim yapmayın. Böylelikle, geri tepme halinde zincirin başınıza ya da vücudunuza temas etmesini önlemiş olursunuz.

İleri geri testere hareketi uygulamayın, zincirin kendi hareketine izin verin, zincirin keskin olmasını sağlayın ve zinciri kesişe bastırmayın.

Kesim işleminin sonunda testereye basınç uygulamayın. Ağaçtan kurtulduğu zaman, testerenin ağırlığını karşılamaya hazır olun. Aksi hâlde olası ciddi fiziksel yaralanmaya neden olabilir.

Testereyi bir kesme işleminin ortasında durdurmayın. Kesikten çıkana kadar testerenin çalışmasına izin verin.

İt ve çek

Tepki gücü her zaman zincir hareket yönünün tersine çalışır. Böylelikle, operatör çubuğun alt kenarında kesim yaparken testerenin ileri (operatörden uzağa) çekmesini, üst kenarı boyunca kesim yaparken de geri (operatöre doğru) itmesini kontrol etmeye hazırlıklı olmalıdır.

Zincir kesikte sıkıştı

Motoru durdurun ve emniyete alın. Zinciri ve çubuğu kesikten zorla kurtarmaya çalışmayın; aksi halde zincir kopabilir ve savrulur operatöre çarpabilir. Bu durum genellikle ağaç doğru desteklenmediği ve baskı altında kesiciyi kapatarak zinciri sıkıştırdığı zaman meydana gelir. Desteğin ayarlanması çubuk ve zincirin kurtulması için yeterli olmazsa, kesiciyi açmak ve testereyi kurtarmak için ahşap kamaları kullanın. Kılavuz çubuğu kesik ya da yarık içindeyken motorlu testereyi asla çalıştırmayın.

Kişisel koruyucu ekipmanlar

Uzmanlar tarafından kullanılan iyi kalite kişisel koruyucu ekipmanlar kullanıcının yaralanma riskini azaltacaktır. Ürünü kullanırken aşağıdaki koruyucular kullanılmalıdır:

Emniyet kaskı

- EN 397'ye uygun ve CE işaretli olmalıdır

Kulak tıkacı

- EN 352-1'ye uygun ve CE işaretli olmalıdır

Gözlük ve yüz maskesi

- CE işaretli olmalı ve EN 166 (güvenlik gözlükleri için) veya EN 1731'e (tel örgü vizörler için) uygun olmalıdır

Eldivenler

- EN381-7 uyumlu CE markalı olmalıdır

Bacak koruma (çatlık)

- EN381-5 uyumlu, CE markalı olmalı ve eksiksiz koruma sağlamalıdır.

Motorlu testere emniyet çizmeleri

- EN ISO 20345:2004 ile uyumlu olmalı ve EN 381-3 uyumu belirtmek için motorlu testere gösterir bir plakayla işaretlenmelidir. (Zemin düzse ve tökezlenme ve ağaçaltı çalışlara takılma riski düşüğe, geçici kullanıcılara koruyucu tozluklara sahip, çelik burunlu EN 381-9 uyumlu emniyet çizmesi kullanılabilir)

Üst beden koruması için motorlu testere ceketleri

- EN 381-11'ye uygun ve CE işaretli olmalıdır

TEMEL AĞAÇ KESİMİ, DAL KESİMİ VE SUYUNA DİK KESİM TEKNİKLERİYLE İLGİLİ TALİMATLAR

Ahşap içindeki güçleri anlamak

Ağaç içindeki yönsel basınçları ve gerilimleri anladığınız zaman "çimdikleri" azaltabilir ya da en azından kesim sırasında bekleyebilirsiniz. Ağaç içindeki gerilim liflerin birbirinden uzaklaştırdığı anlamına gelir; bu bölgeyi keserseniz, testere ilerledikçe "yarık" ya da kesik açılma eğilimi gösterir. testere tezgahı üzerinde oturuyor ve ucu desteklenmeden sarkıyorsa, askıdaki tomruğun ağırlığı lifleri gererek üst yüzeyde bir gerilmeye neden olur. Aynı şekilde, tomruğun alt yüzü baskıya maruz kalır ve lifler sıkıştırılır. Bu bölgede kesme işlemi yapılması durumunda, yarık kesim sırasında kapanma eğilimi gösterir. Bu kapanma testereyi sıkıştırır.

Ağaç kesme

Bakınız şekil 1 - 6.

Aynı anda iki veya daha fazla kişi tarafından ağaç kesme ve hızarlama işlemi yapıldığı zaman, ağaç kesme işlemi hızarlama bölgesinden en az kesilecek ağacın yüksekliğinin iki katı mesafede yapılmalıdır. Ağaçların kişileri tehlikeye atacak, bir dağıtım hattına çarpacak ya da bir mülke zarar verecek şekilde kesilmemesi gerekir. Bir ağacın bir dağıtım hattına temas etmesi durumunda, dağıtım kuruluşu derhal durumdan haberdar edilmelidir.

Kesildikten sonra ağacın aşağı doğru yuvarlanması ya da kayması muhtemel olduğundan, motorlu testere operatörünün arazinin yukarı bölümünde durması gerekir.

Kesimler başlamadan önce bir kaçış patikası belirlenip gerektiği gibi temizlenmelidir. Kaçış patikası geriye ve düşme hattının çapraz arkasına doğru uzatılmalıdır.

Kesme işlemine başlamadan önce, ağacın nereye düşeceğini belirlemek için ağacın doğal eğimini, kalın ve uzun dalların yerlerini ve rüzgar yönünü gözden geçirin.

Ağaç üzerindeki toprak, taş, kabuk, çivi, zimba ve tel gibi cisimleri temizleyin.

Çürümüş, rüzgar, yangın, yıldırım vb.'den hasar görmüş ağaçları kesmeyin.

Bu işlem çok tehlikelidir ve yalnızca profesyonel ağaç cerrahları tarafından gerçekleştirilmelidir.

1. Altan kertme

Bakınız şekil 1 - 6.

Ağacın yüzeyine dik olarak, çapının 1/3'ü genişliğinde bir yarık açın. Önce alt yatay yarığı açın. Böylelikle,

ikinci yanık açıldığı zaman testere zincirinin ya da kılavuz çubuğunun sıkışması engellenmiş olur.

2. Arka kesik

Bakınız şekil 1 - 6.

Arka kesliği yatay yarıktan en az 50 mm (2 inç) daha yüksekte açın. Arka kesliğin yatay kertikle paralel olmasını sağlayın. Arka kesliği menteşe olmaya yetecek ağaç kalacak gibi açın. Menteşe ağacın dönmesini ve yanlış yöne düşmesini önler. Menteşeyi kesmeyin.

Kesim menteşeye yaklaştıkça, ağaç düşmeye başlamalıdır. Ağacın istenen yönde düşmemesi ya da sallanıp testere zincirini kilitlemesi gibi bir olasılık halinde menteşe kesimini tamamlamadan durun ve kesliği açmak ve ağacın istenen yöne devrilmesini sağlamak için tahta, plastik ya da alüminyum kamalar kullanın.

Ağaç devrilmeye başladığında, testereyi kesikten çıkarın, motoru durdurun, motorlu testereyi yere bırakın ve planlanan patikadan çekilin. Yüksekten düşen dallara ve ayağınızı bastığınız yere dikkat edin.

Yan köklerin çıkarılması

Bakınız şekil 7 - 8.

Yan kök, ağacın gövdesinden çıkıp toprak üzerinde uzayan bir köktür. Ağaç kesiminden önce büyük yan kökleri uzaklaştırın. Önce yan kökte yatay bir kesik, ardından da dikey bir kesik oluşturun. Böylece kurtulan bölümü çalışma alanından uzaklaştırın. Büyük yan kökleri uzaklaştırdıktan sonra ağacı doğru yöntemle kesin.

Tomruk dilmek

Bakınız şekil 9 - 11.

Dilmek, bir tomruğu belirli boylarda kesmektir. Bu işlemde yere sağlam basmanız ve ağırlığınızı her iki ayağınıza eşit dağıtmanız önemlidir. Mümkünse, tomruk kaldırılmalı ve dallar, başka tomruklar ya da takozlarla desteklenmelidir. Kolay kesim için basit talimatları uygulayın. Tomruk bütün boyunca desteklendiği zaman, üstten kesilmeye başlanır (üstten kesim)

Tomruk sadece bir ucundan destekleniyorsa, alttan, çapının 1/3'ü oranında kesin (alttan kesim). Daha sonra birinci kesikle birleştirmek için üstten kesin .

Tomruk her iki ucundan destekleniyorsa, üstten, çapının 1/3'ü oranında kesin (üstten kesim). Daha sonra birinci kesikle birleştirmek için alttaki 3/3'ü alttan kesin.

Tomruğu bir meyilde dilerken mutlaka tomruğun üst yanında durun. "Tam kesim" yaparken, kontrolü kaybetmemek için sona yaklaştığınızda kesme basıncını azaltın, ancak motorlu testere tutamaklarını aynı güçte kavramayı sürdürün. Zincirin yere değmesine izin vermeyin. Kesme işlemini tamamladıktan sonra, testereyi hareket ettirmeden önce zincirin durmasını bekleyin. Ağaçtan ağaca geçmeden önce motoru mutlaka durdurun.

Ağacın dallarını kesmek

Bakınız şekil 12 - 13.

Burada, kesilip devrilen bir ağacın dallarının kesilmesi anlatılmaktadır. Ağaç dallarını keserken, tomruğu yerden kaldırması için alttaki büyük dalları yerinde bırakın. Küçük

dalları tek bir kesimle kesin. Motorlu testerenin sıkışmasını önlemek için, gerilim altındaki dalların dipten yukarıya kesilmesi gerekir.

Yaylı sap

Bakınız şekil 14 - 15.

Yaylı sap, başka ağaçların baskısıyla bükülen, ancak baskı yapan ağacın kesilmesi ya da kaldırılmasıyla eski konumuna dönen her türlü tomruk, dal, ağaç kökü veya fidandır.

Devrilmiş bir ağaçta, tomruğu kökten ayırmak için yapılan işlem sırasında köklü gövdenin dik konuma dönme ihtimali yüksektir. Yaylı saplara dikkat edin tehlikelidir.



UYARI!

Yaylı saplar tehlikelidir, operatöre çarpıp motorlu testerenin kontrolünü yitirmesine neden olabilir. Bu durum operatörün ciddi veya ölümcül yaralar almasıyla sonuçlanabilir. Bu işlemin eğitilmiş kullanıcılar tarafından yapılması gerekir.

PİL İÇİN EK GÜVENLİK UYARILARI



UYARI!

Bir kısa devreden kaynaklanan yangın, yaralanma veya ürün hasarları tehlikesini önlemek için aleti, güç paketini veya şarj cihazını asla sıvıların içine daldırmayınız ve cihazların ve pillerin içine sıvı girmesini önleyiniz. Tuzlu su, belirli kimyasallar, ağartıcı madde veya ağartıcı madde içeren ürünler gibi korozif veya iletken sıvılar kısa devreye neden olabilir.

ARTIK RİSKLER

Ürün belirtilen şekilde kullanıldığında bile belirli artık risk faktörlerini tamamen ortadan kaldırmak mümkün değildir. Kullanım sırasında aşağıdaki tehlikeler ortaya çıkabilir ve kullanıcının aşağıdaki durumları önlemek için özellikle dikkatli olması gerekir:

- Titreşim nedeniyle yaralanma.
 - İş için her zaman doğru aleti kullanın. Belirlenmiş tutamakları kullanın. Çalışma ve maruz kalma süresini sınırlayın.
- Gürültüye maruz kalma nedeniyle işitme bozuklukları
 - İşitme koruması kullanın ve maruz kalma süresini kısıtlayın.
- zincirin açıktaki testere dişi ile temastan kaynaklanan yaralanma
- çalışma parçasından fırlayan parçalar (odun parçası ve kıymıklar) nedeniyle yaralanma
- Toz ve parçacıklardan kaynaklanan yaralanmalar
- yağlayıcı ya da yağın cilde temasıyla yaralanma

RİSK AZALTMA

El aletlerinden kaynaklanan titreşimlerin belirli kişilerde Raynaud Sendromu adı verilen bir durumu etkilediği bildirilmiştir. Semptomlar içerisinde parmaklarda genellikle soğuğa maruz kaldığında açığa çıkan karıncalanma, hissizlik ve ağarma yer bulunabilir. Kalıtsal faktörler, soğuğa ve neme maruz kalma, diyet, sigara içme ve çalışma uygulamalarının hepsinin bu semptomların gelişimini etkilediği düşünülmektedir. Titreşim etkilerini azaltmak için kullanıcı tarafından alınabilecek önlemler vardır:

- Soğuk havada vücut ısınızızı koruyun. Üniteyi kullanırken ellerinizi ve bileklerinizi sıcak tutmak için eldiven giyin.
- Her kullanım süresinden sonra kan dolaşımını artırmak için egzersiz yapın.
- Sık çalışma molası verin. Günlük maruz kalma miktarını sınırlayın.
- Profesyonel motorlu testere perakendecilerin temin edilebilecek koruyucu eldivenler özel olarak motorlu testere kullanımı için tasarlanmış olup koruma ve yeterli kavrama sağlar ve tutamak titreşiminin etkilerini azaltır.

Eğer bu durumla ilgili herhangi bir semptom görürseniz çalışmayı derhal bırakın ve doktorunuza başvurun.



UYARI!

Ürünün uzun süre kullanılması nedeniyle yaralanmalar meydana gelebilir veya kötüleşebilir. Herhangi bir alet uzun süre kullanıldığında düzenli molalar verdiğinizden emin olun.

KULLANIM AMACI

Bu ürün sadece açık alanda kullanıma yöneliktir. Güvenlik nedenleriyle ürün iki elle kullanılarak uygun şekilde kontrol edilmelidir.

Ürün, kılavuz çubuğunun kesme uzunluğuyla belirlenen bir çaptaki dalları, kütükleri, tomrukları ve kirişleri kesmek üzere geliştirilmiştir. Sadece ahşap kesmek içindir. Sadece tehlikeleri ve kullanırken alınması gerekli önleyici önlemler/ hareketler konusunda yeterli eğitim almış yetişkinler tarafından evsel uygulamalarda kullanılmalıdır.

Profesyonel ağaç hizmetlerinde kullanılmamalıdır. Ürün çocuklar veya uygun kişisel koruyucu ekipman ve kıyafet giymeyen kişiler tarafından kullanılamaz.

Ürünü Kullanım Amacı bölümünde belirtilmeyen hiçbir amaç için kullanmayın.



UYARI!

Bu ürünü kullanırken güvenlik kurallarına uyulmalıdır. Kendi güvenliğiniz ve çevrenizdeki kişilerin güvenliği için ürünü kullanmadan önce bu talimatları tamamen okumalı ve anlamalısınız. Motorlu testerele ilgili kullanım, önleyici eylemler, ilk yardım ve bakım konularında profesyonelle düzenlenmiş bir güvenlik kursuna katılmalısınız. Lütfen bu talimatları daha sonra kullanmak üzere güvenli bir yerde saklayın.



UYARI!

Motorlu testerele tehlikeli olabilecek araçlardır. Motorlu testere kullanımıyla ilgili kazalar çoğu zaman uzuv kaybı ve ölüme sonuçlanır. Tehlike kaynağı sadece motorlu testere değildir. Düşen dallar, devrilen ağaçlar, yuvarlanan tomruklar da ölümcül olabilir. Hastalıklı ya da çürümüş tomruklar ek tehlike oluşturur. Görevi güvenle tamamlama imkanınızı değerlendirmeniz gerekir. Herhangi bir kuşku halinde, işi profesyonel bir ağaç uzmanına bırakın.

ÜRÜNÜNÜZÜ TANIYIN

Bkz. sayfa 6-7.

1. Pil
2. Tetik serbest bırakma düğmesi
3. Arka kulp
4. Düğme tetik
5. Kombine anahtar
6. Ön kulp
7. Zincir yağ kapağı
8. Kılavuz çubuğu kapağı
9. Zincir
10. Kılavuz demir
11. Çivili tampon
12. Zincir tutucu
13. Zincir gergi vidası
14. Zincir kapağı
15. Çubuk montaj somunları
16. Ön el korkuluğu/Zincir freni

GÜVENLİK ÇİHAZLARI

Düşük geri tepmeli testere zinciri

Düşük geri tepmeli bir testere zinciri geri tepme olasılığını azaltır.

Her bıçağın önündeki tırnaklar (derinlik masterları), kesicilerin fazla derine girmesini önleyerek geri tepme gücünün azaltılmasını sağlayabilir. Sadece üretici tarafından tavsiye edilen yedek kılavuz çubuğu ve zincir takımlarını kullanın.

Testere zincirleri bilindikçe düşük geri tepme özelliklerinden bir kısmını yitirdikleri için özel dikkat gerekir. Güvenliğiniz için, kesme performansı gerilediğinde testere zincirinizi değiştirin.

Çivili tampon

Kesme işlemi sırasında, tampon çivisi eksen olarak kullanılabilir. Böylelikle kesim sırasında motorlu testere gövdesinin sabit tutulması sağlanır. Kesim sırasında, çiviler ağacın kenarına batana kadar makineyi itin; daha sonra arka tutamağı kesim çizgisi yönünde yukarı ya da aşağı hareket ettirmek kesme işleminin bedensel ağırlığını azaltır.

Kılavuz çubukları

Küçük çaplı uçlara sahip kılavuz çubukları genellikle biraz daha düşük geri tepme potansiyeline sahiptir. İş yapmak için yeterli uzunluğa sahip bir kılavuz çubuğu ve

uygun zincir kullanmanız gerekir. Daha uzun çubuklar kesim sırasında kontrol kaybı riskini yükseltir. Zincir gergisini düzenli olarak kontrol edin. Daha küçük (kılavuz çubuğunun tam boyundan kısa) dallar keserken, doğru gerilmemiş zincirin yerinden çıkma olasılığı yüksektir.

Zincir freni

Zincir frenleri dönen zinciri hızla durdurmak için kullanılır. Zincir freninin kolu/el korkuluğu çubuğa doğru itildiği zaman, zincirin derhal durması gerekir. Zincir freni geri tepmeyi önlemez. Sadece geri tepme sırasında zincir çubuğunun operatörün vücuduna değmesi halinde yaralanma riskini düşürür. Her kullanımdan önce, zincir freninin hem fren, hem de çalışma konumunda doğru işlev görüp görmediği kontrol edilmelidir.

Zincir tutucu

Zincir yakalayıcı, zincirin gevşemesi ya da kırılması durumunda kullanıcıya doğru fırlamasını engeller.

KULLANIM



UYARI!

Herhangi bir parça eksik ya da hasarlıysa o parçaları değiştirmeden ürünü çalıştırmayın. Bu uyarıya dikkat etmemek ciddi yaralanma ile sonuçlanabilir.

Pil takımının takılması

Bkz. sayfa 6.

Pil takımını motorlu ürüne yerleştirin. Pil takımındaki çıkıntılı dişleri motorlu testerenin pil yuvasındaki oluklarla hizalayın.

İşleme başlamadan önce, pil takımı üzerindeki mandalın yerine geçtiğinden ve pil takımının ürüne tam oturup sabitlendiğinden emin olun.

Ürünün tutulması

Bakınız şekil 1.

Ürünü arka kuldandan sağ elinizle ve ön kuldandan sol elinizle tutun. Parmaklarınızı tutamaklarına dolayarak motorlu testeevi sıkıca kavrayın. Sol eliniz ön tutamağı kavırken, başparmağınızın altta bulunduğundan emin olun.

Ürünü başlatmak

Bkz. sayfa 8.

İşlem için çalıştırmadan önce pil takımını alete yerleştirmeniz ve zincir freni kolunu / el korkuluğunu ön tutamağa doğru çekerek freni çalışma konumuna getirmeniz gerekir.

Makineyi çalıştırmak için, tetik mandalını çekip gaz tetiğine basın.

Motorlu testerenin Kontrolü ve İşletilmesi

Bkz. sayfa 20.

Sol elinizi ön tutamak üzerinde çevirerek zincir frenini devreye alın. Zincir hızla dönerken, elinizle zincir freni kolu/ el korkuluğunu çubuğa doğru itin. Asla ellerinizi testere tutamaklarından ayırmayın.

Zincir freni kolunu / el korkuluğunu üst kısmından kavrayıp bir klik sesi duyana kadar ön tutamağa doğru çekerek zincir frenini Çalışma konumuna getirin.



UYARI!

Zincir freni zinciri derhal durdurmazsa ya da zincir freni yardımcı olmadan çalışma konumunda kalmazsa, kullanmadan önce motorlu testereyi yetkili bir servis merkezine götürün.

Zincir gergisinin ayarlanması

(bkz. sayfa 14 - 15)

Ürün üzerinde herhangi bir çalışma yapmaya başlamadan önce batarya takımını çıkartın.

Çubuk montaj somunlarının parmakla sıkılacak ölçüde gevşetildiğinden emin olun.

Zincir gergisini artırmak için zincir germe vidasını saat yönünde çevirin ve zincir gergisini sık sık kontrol edin. Zincir gergisini azaltmak için zincir germe vidasını saat yönünün aksine çevirin ve zincir gergisini sık sık kontrol edin.

Zincirdeki bıçakla çubuk arasındaki mesafe 6,5 mm (0,256 inç) olduğunda, zincir gergisi uygun demektir. Çubuğun alt kısmının ortasındaki zinciri aşağıya (çubuktan uzağa) doğru çekin ve çubukla zincir bıçakları arasındaki mesafeyi ölçün.

Zincir yağlama yağı eklemek

(bkz. sayfa 16 - 17)



UYARI!

Asla zincir yağı olmadan çalışmayın. Zincirin yağsız çalışması, kılavuz çubuğunun ve zincirin hasar görmesine neden olabilir. Bu nedenle, yağ seviye göstergesinden yağ miktarını sık sık kontrol edin ve motorlu testereyi kullanmadan önce her sefer yağ miktarına bakın.

Kirlenmeyi önlemek için yağ kapağının çevresindeki yüzeyi temizleyin.

Yağ haznesinin kapağını çevirerek çıkarın.

Yağ haznesine yağ doldururken yağ seviye göstergesini izleyin. Dolum sırasında hazneye pislik girmemesini sağlayın.

Hazne kapağını yerine takıp sıkıştırın. Her türlü döküntüyü silerek giderin.

TAŞIMA VE DEPOLAMA

Depolama ya da nakliyeden önce ürünü durdurun, pilini çıkarın ve soğumasını sağlayın

Üründeki tüm yabancı maddeleri temizleyin. Çocukların erişemeyeceği serin, kuru ve iyi havalandırılan bir yerde depolayın. Bahçe kimyasalları ve buz çözücü tuzlar gibi korozif maddelerden uzak tutun. Açık alanda depolamayın.

Ürünü depolamadan önce ya da nakliye sırasında kılavuz çubuğu kapağını takın.

Taşınacağı zaman insanların yaralanmasını veya ürünü zarar görmesini önlemek amacıyla ürünü hareket etmemesi veya düşmemesi için sabitleyin.

BAKIM



UYARI!

Sadece ECHO aksesuarları ve ECHO yedekleri kullanın. Aksi hâlde olası yaralanmalara, zayıf performansla neden olabilir ve garantinizi geçersiz kılabilir. Tanımlanmamış parçaların değiştirilmesi gerektiğinde, lütfen ECHO servis acentelerimizden biriyi iletişime geçin.



UYARI!

Servis çalışması en yüksek düzeyde dikkat ve bilgi gerektirir ve sadece nitelikli bir servis teknisyeni tarafından yapılmalıdır. Servis için ürünü onarım amacıyla size en yakın yetkili servis merkezi'ne göndermenizi öneriyoruz. Servis yapılırken sadece aynı yedek parçaları kullanın.



UYARI!

Ürünü ayarlamadan, bakımını yapmadan ya temizlemeden önce pil takımını çıkarın. Aksi hâlde olası ciddi fiziksel yaralanmaya neden olabilir.

- Sadece bu kılavuzda açıklandığı şekilde ayar veya onarım yapabilirsiniz. Diğer onarımlar için yetkili servis temsilcisini arayın.
- Yetersiz bakım zincir freninin ya da diğer güvenlik özelliklerinin gereken işlevi yapmamasına, böylelikle ciddi yaralanma ihtimalinin artmasına neden olabilir. Motorlu testere için profesyonelce bakım görün güvenli olmasını sağlayın.
- Zincirin güvenli şekilde bilmesi beceri gerektiren bir görevdir. Bu nedenle üretici aşınmış ya da körelmiş zincirin yetkili hizmet merkezinde mevcut yenisiyle değiştirilmesini şiddetle önermektedir. Parça numarası bu kılavuzda ürün teknik özellikleri tablosunda mevcuttur.
- Yağlama ve zincir gerginliği kontrol ve ayar talimatlarına uyun.

- Her kullanım sonrası ürünü yumuşak ve kuru bir bezle temizleyin.
- Ürünün güvenli çalışma durumunda olduğundan emin olmak için tüm somunların, civataların ve vidaların doğru sıklıkta sık aralıklarla takıldığını kontrol edin. Hasarlı her tür parça yetkili servis merkezi tarafından uygun şekilde onarılmalı veya değiştirilmelidir.

Testere zinciri ve kılavuz çubuğunun değiştirilmesi

(bkz. sayfa 10 - 13)

Pil paketini aletten çıkarmayı unutmayın. Koruyucu eldiven kullanın

Teslimat kapsamındaki kombinasyon anahtarını kullanarak çubuk montaj somunlarını çıkarın.

Zincir kapağını çıkarın.

Çubuk ve zinciri üründen sökün.

Yeni zinciri çubuğa doğru yönde yerleştirin ve tahrik bağlantılarının çubuk oluğunda hizalandığından emin olun.

Çubuğu motorlu testereye takın ve zinciri tahrik dişlisine sarın.

Zincir kapağını ve çubuk montaj somunlarını takın.

Çubuk montaj somunlarını elle sıkıştırın. Zincir gergi ayarı için çubuğun serbestçe hareket etmesi gerekir.

Zincir gergisini ayarlayın. "Zincir gergisinin ayarlanması" bölümüne bakın.

Kılavuz çubuğunun ucunu yukarıya doğru tutun ve çubuk montaj somunlarını iyice sıkın.

Zincir freninin kontrolü ve temizlenmesi

Bkz. sayfa 22.

Bağlantılardaki pislikleri hafifçe fırçalayarak zincir fren mekanizmasının her an temiz olmasını sağlayın.

Her temizlikten sonra zincir freni performansını mutlaka kontrol edin. Daha fazla bilgi için bu el kitabındaki "Zincir Freninin Kontrolü ve Çalıştırılması" bölümüne bakın.

BAKIM PLANI

Günlük kontrol	
Gövde yağı	Her kullanım öncesi
Zincir gerginliği	Her kullanım öncesi ve sık sık
Zincir keskinliği	Her kullanım öncesi, görsel kontrol
Hasarlı parçalar	Her kullanım öncesi
Gevşek sabitleyiciler	Her kullanım öncesi
Zincir freni işlevi	Her kullanım öncesi
Her kullanımdan sonra	
Gövde	Her kullanım öncesi

Testerenin tamamı	Her kullanımdan sonra
Zincir freni	Her 5 saatte bir*

*Çalışma saati

YEDEK PARÇA

Bölüm	Aksesuar numarası
Kılavuz demir	6000945
Zincir	90PX056X

BATARYALAR

- Belirli bir süre kullanılmamış pil takımlarının kullanımdan önce şarj edilmeleri gerekir.
- 50°C'yi (122°F) aşkın ısılar pil takımının performansını düşürür. Isıya veya güneş ışığına uzun süre maruz bırakmayın (aşırı ısınma riski).
- Şarj cihazları ve pil paketlerinin temas noktalarının temiz tutulması gerekmektedir.
- Optimal bir ömür için, pil takımlarının kullanımdan sonra yeniden şarj edilmesi gerekir.
- Olası en uzun ömür elde etmek için, şarj olduktan sonra pil takımını şarj aletinden ayırın.

30 günden daha uzun süre depolanacak batarya takımı için:

- Batarya takımını sıcaklığın 27°C'nin altında ve nemden uzak bir yerde depolayın.
- Batarya takımlarını %30-%50 şarjlı hâlde depolayın.
- Depolandıktan sonra her altı ayda bir batarya takımını normal şekilde şarj edin.

LİTYUM BATARYALARIN TAŞINMASI

Lithium-ion batteries are subject to the Dangerous Goods Legislation requirements.

Bu pillerin nakliyesi yerel, ulusal, uluslararası hüküm ve düzenlemelere uygun olarak yapılmalıdır.

- The user can transport the batteries by road without further requirements.
- Lityum-iyon pillerin üçüncü taraflarca ticari nakliyesi Tehlikeli Maddeler düzenlemelerine tabidir. Transport preparation and transport are exclusively to be carried out by appropriately trained persons and the process has to be accompanied by corresponding experts.

Pil taşırken:

- Ensure that battery contact terminals are protected and insulated to prevent short circuit.
- Pil paketinin ambalaj içinde hareket etmeyecek gibi tespit edilmesini sağlayın.
- Çatlak veya sızdıran bataryaları taşımayın.

Ek tavsiye için nakliye şirketi ile birlikte kontrol edin.

SEMBOLLER



Güvenlik ikazı



Ürünü kullanmadan önce tüm talimatları okuyun ve anlayın, tüm uyarılara ve güvenlik talimatlarına uyun.



Kulak tıkacı, gözlük ve kask takın.



Ürünü kullanırken kaymaz güvenli ayakkabısı giyin.



Kaymaz, ağır iş eldiveni giyin.



Testere geri tepmesine dikkat edin ve çubuk ucuna dokunmaktan kaçının.



Ürünü yağmura veya nemli koşullara maruz bırakmayın.



Testereyi iki elle gerektiği gibi tutup kullanın.



Testereyi sadece tek elle kullanmayın.



Zincir frenini RUN (ÇALIŞTIR) konumuna alın.



Zincir frenini BRAKE (FREN) konumuna alın.



Güvenceli ses gücü seviyesi 106 dB'dir.



Ukrayna uygunluk işareti.



EurAsian Uygunluk İşareti



Atık elektrikli ürünler evsel atıklarla birlikte atılmamalıdır. Lütfen tesislerin mevcut olduğu yerlerde geri dönüştürün. Geri dönüşüm tavsiyesi için bölgenizdeki yetkili merciye veya satıcıya başvurun.



Ürünün satın alındığı AB ülkesindeki tüm düzenleyici standartlara uygundur.

Aşağıdaki işaret sözcükler ve anlamları bu ürünle ilişkili risk seviyelerinin açıklanmasına yöneliktir.



TEHLİKE

Önlenmemesi durumunda ölüm veya ciddi yaralanma ile sonuçlanacak ciddi tehlike içeren bir durumu gösterir.



UYARI

Önlenmemesi durumunda ölüm veya ciddi yaralanma ile sonuçlanabilecek potansiyel olarak tehlikeli bir durumu gösterir.



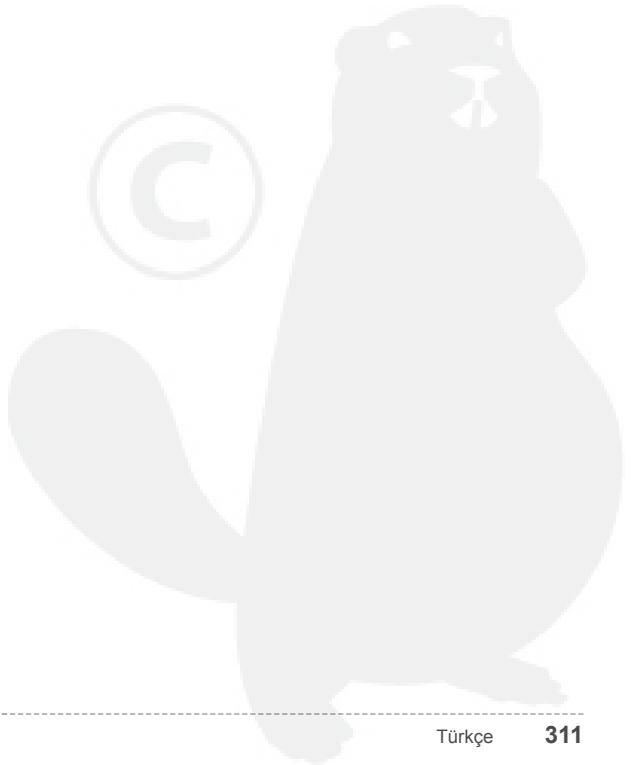
İKAZ

Önlenmemesi durumunda önemsiz veya orta derece yaralanma ile sonuçlanabilecek potansiyel olarak tehlikeli bir durumu gösterir.

İKAZ

Güvenlik uyarısı sembolü olmadığında

Maddi hasarla sonuçlanabilecek bir durumu gösterir.





DECLARATION OF CONFORMITY

The undersigned manufacturer:

YAMABIKO CORPORATION
1-7-2 Suehirocho, Ohme, Tokyo 198-8760
JAPAN

This declaration of conformity is issued under the sole responsibility of the manufacturer.

Declares that the hereunder specified new unit:

CHAINSAW

Brand:

ECHO

Type:

ECCS-58V, ECBP-58V20/ECBP-58V40



Assembled by:

Techtronic Industries (Dongguan) Co., Ltd
No. 1, Chuangke Road, Houjie Town Industrial Park, Houjie Town, Dongguan, Guangdong,
523941, P.R. China

Complies with:

- the requirements of Directive 2006/42/EC (use of harmonized standard EN 60745-1:2009+A11:2010, EN 60745-2-13:2009+A1:2010)
- the requirements of Directive 2014/30/EU (use of harmonized standard EN 55014-1:2017, EN 55014-2:2015)
- the requirements of Directive 2011/65/EU (use of harmonized standard EN 50581:2012)
- the requirements of Directive 2000/14/EC amended by 2005/88/EC
Conformity assessment procedure followed ANNEX V
Measured sound power level: 105.0 dB(A)
Guaranteed sound power level: 106 dB(A)

The notified body involved:

TÜV Rheinland LGA Products GmbH (Notified Body 0197)
Tillystraße 2 D - 90431 Nürnberg, Germany
has carried out EC type approval, and the certificate number is : BM 50404554 0001

ECCS-58V:	Serial number	17402201000001 - 17402201999999
ECBP-58V20:	Serial number	34502001000001 - 34502001999999
ECBP-58V40:	Serial number	34502101000001 - 34502101999999

Tokyo, Apr. 20, 2018

YAMABIKO CORPORATION

The authorized representative in Europe who is authorized to compile the technical file

Company: Certification Experts B.V.

Address: Stationplein 30, 1382AD, Weesp, the Netherlands

Hisashi Kobayashi

Mr. Philip Wicks

Hisashi Kobayashi for Masayuki Kimura
General Manager
Quality Assurance Dept.





DÉCLARATION DE CONFORMITÉ

Le sous-signé fabricant :

YAMABIKO CORPORATION
1-7-2 Suehirocho, Ohme, Tokyo 198-8760
JAPAN

Cette déclaration de conformité est publiée sous la seule responsabilité du fabricant.

déclare que la nouvelle unité spécifiée ci-après :

TRONÇONNEUSE
Marque : ECHO
Type : ECCS-58V, ECBP-58V20/ECBP-58V40



assemblée par :

Techtronic Industries (Dongguan) Co., Ltd
No. 1, Chuangke Road, Houjie Town Industrial Park, Houjie Town, Dongguan, Guangdong,
523941, P.R. China

est conforme aux :

- exigences de la Directive 2006/42/CE (norme harmonisée EN 60745-1:2009+A11:2010, EN 60745-2-13:2009+A1:2010)
- exigences de la Directive 2014/30/EU (norme harmonisée EN 55014-1:2017, EN 55014-2:2015)
- exigences de la Directive 2011/65/EU (norme harmonisée EN 50581:2012)
- exigences de la Directive 2000/14/CE, amendement 2005/88/CE
Procédure d'évaluation de la conformité en observance l'ANNEXE V
Niveau de puissance sonore mesuré: 105,0 dB(A)
Niveau de puissance sonore garanti: 106 dB(A)

L'organisme notifié tipule :

TÜV Rheinland LGA Products GmbH (L'organisme certifié 0197)
Tillystraße 2 D - 90431 Nürnberg, Germany

L'organisme notifié a procédé à l'homologation CE et le numéro du certificat est : BM 50404554 0001

ECCS-58V:	Serial number	17402201000001 - 17402201999999
ECBP-58V20:	Serial number	34502001000001 - 34502001999999
ECBP-58V40:	Serial number	34502101000001 - 34502101999999

Tokyo, Apr. 20, 2018

YAMABIKO CORPORATION

Le représentant agréé en Europe autorisé à compiler le fichier technique

Société : Certification Experts B.V.

Adresse : Stationplein 30, 1382AD, Weesp, the Netherlands

Mr. Philip Wicks

Hisashi Kobayashi pour Masayuki Kimura
Directeur général
Service d'assurance qualité



KONFORMITÄTSERKLÄRUNG

Der unterzeichnete Hersteller:

YAMABIKO CORPORATION
1-7-2 Suehirocho, Ohme, Tokyo 198-8760
JAPAN

Diese Konformitätserklärung wird in alleiniger Verantwortung des Herstellers abgegeben.

erklärt, dass das hiermit spezifizierte neue Gerät:

KETTENSÄGE

Handelsmarke: ECHO

Typ: ECCS-58V, ECBP-58V20/ECBP-58V40



montiert von:

Techtronic Industries (Dongguan) Co., Ltd
No. 1, Chuangke Road, Houjie Town Industrial Park, Houjie Town, Dongguan, Guangdong,
523941, P.R. China

entspricht:

- den Anforderungen der Richtlinie 2006/42/EG (Nutzung der vereinheitlichten Norm EN 60745-1:2009+A11:2010, EN 60745-2-13:2009+A1:2010)
- den Anforderungen der Richtlinie 2014/30/EU (Nutzung der vereinheitlichten Norm EN 55014-1:2017, EN 55014-2:2015)
- den Anforderungen der Richtlinie 2011/65/EU (Nutzung der vereinheitlichten Norm EN 50581:2012)
- den Anforderungen der Richtlinie 2000/14/EG gemäß Änderung 2005/88/EG
Verfahren zur Konformitätserklärung gemäß ANHANG V
Gemessener Schalleistungspegel: 105,0 dB(A)
Garantierter Schalleistungspegel: 106 dB(A)

Benannte Stelle:

TÜV Rheinland LGA Products GmbH (Benannte Stelle 0197)
Tillystraße 2 D - 90431 Nürnberg, Germany

Benannte Stelle hat die EG-Typgenehmigung durchgeführt und die Zertifikatsnummer ist: BM 50404554 0001

ECCS-58V:	Seriennummer	17402201000001 - 17402201999999
ECBP-58V20:	Seriennummer	34502001000001 - 34502001999999
ECBP-58V40:	Seriennummer	34502101000001 - 34502101999999

Tokio, 20. Apr. 2018

YAMABIKO CORPORATION

**Der autorisierte Vertreter in Europa, der zur Zusammenstellung
der technischen Datei autorisiert ist**
Unternehmen: Certification Experts B.V.
Adresse: Stationplein 30, 1382AD, Weesp, the Netherlands

Hisashi.K

Mr. Philip Wicks

Hisashi Kobayashi für Masayuki Kimura
Geschäftsführer
Qualitätssicherungsabteilung



DECLARACIÓN DE CONFORMIDAD

El fabricante abajo firmante:

YAMABIKO CORPORATION

1-7-2 Suehirocho, Ohme, Tokyo 198-8760

JAPAN

La presente declaración de conformidad se emite bajo la responsabilidad exclusiva del fabricante.

declara que la nueva unidad especificada en el presente documento:

MOTOSIERRA

Marca:

ECHO

Tipo:

ECCS-58V, ECBP-58V20/ECBP-58V40



ha sido ensamblada por:

Techtronic Industries (Dongguan) Co., Ltd

No. 1, Chuangke Road, Houjie Town Industrial Park, Houjie Town, Dongguan, Guangdong, 523941, P.R. China

está conforme con:

- los requisitos establecidos en la Directiva 2006/42/CE (uso de la norma armonizada EN 60745-1:2009+A11:2010, EN 60745-2-13:2009+A1:2010)
 - los requisitos establecidos en la Directiva 2014/30/EU (uso de la norma armonizada EN 55014-1:2017, EN 55014-2:2015)
 - los requisitos establecidos en la Directiva 2011/65/EU (uso de la norma armonizada EN 50581:2012)
 - los requisitos establecidos en la Directiva 2000/14/CE, modificada por la Directiva 2005/88/CE
- Procedimiento de evaluación de la conformidad utilizado: ANEXO V
 Nivel de potencia acústica medido: 105,0 dB(A)
 Nivel de potencia acústica garantizado: 106 dB(A)

El organismo notificado implicado:

TÜV Rheinland LGA Products GmbH (El organismo acreditado 0197)

Tillystraße 2 D - 90431 Nürnberg, Germany

El organismo notificado ha realizado las aprobaciones de tipo CE y el número de certificación es : BM 50404554 0001

ECCS-58V: Número de serie 17402201000001 - 17402201999999

ECBP-58V20: Número de serie 34502001000001 - 34502001999999

ECBP-58V40: Número de serie 34502101000001 - 34502101999999

Tokio, 20 de abril de 2018

YAMABIKO CORPORATION

El representante autorizado en Europa que cuenta con la autorización pertinente para la elaboración del archivo técnico

Empresa: Certification Experts B.V.

Dirección: Stationplein 30, 1382AD, Weesp, the Netherlands

Hisashi Kobayashi

Mr. Philip Wicks

Hisashi Kobayashi en lugar de Masayuki Kimura

Director general

Departamento de Control de Calidad





DICHIARAZIONE DI CONFORMITÀ

Il fabbricante sottoscritto:

YAMABIKO CORPORATION
1-7-2 Suehirocho, Ohme, Tokyo 198-8760
JAPAN

La presente dichiarazione di conformità viene emessa sotto la sola responsabilità del fabbricante.

dichiara che la seguente unità nuova specificata:

MOTOSEGA A BATTERIA

Marca:

ECHO

Tipo:

ECCS-58V, ECBP-58V20/ECBP-58V40



assemblata da:

Techtronic Industries (Dongguan) Co., Ltd
No. 1, Chuangke Road, Houjie Town Industrial Park, Houjie Town, Dongguan, Guangdong,
523941, P.R. China

rispetta:

- i requisiti della Direttiva 2006/42/CE (uso delle normative armonizzate EN 60745-1:2009+A11:2010, EN 60745-2-13:2009+A1:2010)
- i requisiti della Direttiva 2014/30/EU (uso delle normative armonizzate EN 55014-1:2017, EN 55014-2:2015)
- i requisiti della Direttiva 2011/65/EU (uso delle normative armonizzate EN 50581:2012)
- i requisiti della Direttiva 2000/14/CE modificata dalla 2005/88/CE
Procedura di valutazione della conformità seguita ALLEGATO V
Livello di potenza acustica misurato: 105,0 dB(A)
Livello di potenza acustica garantito: 106 dB(A)

Ente notificato responsabile:

TÜV Rheinland LGA Products GmbH (L'ente notificato 0197)
Tillystraße 2 D - 90431 Nürnberg, Germany

L'organismo notificato ha eseguito l'omologazione di tipo CE, con certificato numero: BM 50404554 0001

ECCS-58V:	Numero seriale	17402201000001 - 17402201999999
ECBP-58V20:	Numero seriale	34502001000001 - 34502001999999
ECBP-58V40:	Numero seriale	34502101000001 - 34502101999999

Tokyo, 20, 2018 apr.

YAMABIKO CORPORATION

Il rappresentante autorizzato in Europa che è autorizzato a compilare la scheda tecnica

Azienda: Certification Experts B.V.

Indirizzo: Stationplein 30, 1382AD, Weesp, the Netherlands

Mr. Philip Wicks

Hisashi Kobayashi per Masayuki Kimura
Direttore Generale
Ufficio Assicurazione della Qualità



CONFORMITEITSVERKLARING

De ondergetekende fabrikant:

YAMABIKO CORPORATION
1-7-2 Suehirocho, Ohme, Tokyo 198-8760
JAPAN
Deze conformiteitsverklaring wordt uitgegeven onder de uitsluitende verantwoordelijkheid van de fabrikant.

verklaart dat de hieronder gespecificeerde nieuwe unit:

KETTINGZAAG”
Merk: ECHO
Type: ECCS-58V, ECBP-58V20/ECBP-58V40



samengesteld door:

Techtronic Industries (Dongguan) Co., Ltd
No. 1, Chuangke Road, Houjie Town Industrial Park, Houjie Town, Dongguan, Guangdong,
523941, P.R. China

voldoet aan:

- de vereisten van Richtlijn 2006/42/EG (gebruik van de geharmoniseerde norm EN 60745-1:2009+A11:2010, EN 60745-2-13:2009+A1:2010)
- de vereisten van Richtlijn 2014/30/EU (gebruik van de geharmoniseerde norm EN 55014-1:2017, EN 55014-2:2015)
- de vereisten van Richtlijn 2011/65/EU (gebruik van de geharmoniseerde norm EN 50581:2012)
- de vereisten van Richtlijn 2000/14/EG wijzigen tegen 2005/88/EG
Conformiteitsbeoordelingsprocedure volgens BIJLAGE V
Gemeten geluidsniveau: 105,0 dB(A)
Gegarandeerd geluidsniveau: 106 dB(A)

Betrokken aangemelde keuringsinstantie:

TÜV Rheinland LGA Products GmbH (Aangemelde instantie 0197)
Tillystraße 2 D - 90431 Nürnberg, Germany

Aangemelde instantie heeft EC-goedkeuring verkregen en het certificeringsnummer is: BM 50404554 0001

ECCS-58V:	Serienummer	17402201000001 - 17402201999999
ECBP-58V20:	Serienummer	34502001000001 - 34502001999999
ECBP-58V40:	Serienummer	34502101000001 - 34502101999999

Tokyo, Apr. 20, 2018

YAMABIKO CORPORATION

De geautoriseerde vertegenwoordiger in Europa die gemachtigd is om het technische dossier samen te stellen

Bedrijf: Certification Experts B.V.

Adres: Stationplein 30, 1382AD, Weesp, the Netherlands

Mr. Philip Wicks

Hisashi Kobayashi namens Masayuki Kimura
Algemeen manager
Afdeling kwaliteitszorg.

DECLARAÇÃO DE CONFORMIDADE

O fabricante abaixo assinado:

YAMABIKO CORPORATION
1-7-2 Suehirocho, Ohme, Tokyo 198-8760
JAPAN

Esta declaração de conformidade é emitida sob a exclusiva responsabilidade do fabricante.

declara pelo presente documento que a unidade nova especificada:

MOTOSSERRA
Marca: ECHO
Tipo: ECCS-58V, ECBP-58V20/ECBP-58V40



montado por:

Techtronic Industries (Dongguan) Co., Ltd
No. 1, Chuangke Road, Houjie Town Industrial Park, Houjie Town, Dongguan, Guangdong,
523941, P.R. China

cumpre:

- os requisitos da Diretiva 2006/42/EC (utilização da norma harmonizada EN 60745-1:2009+A11:2010, EN 60745-2-13:2009+A1:2010)
- os requisitos da Diretiva 2014/30/EU (utilização da norma harmonizada EN 55014-1:2017, EN 55014-2:2015)
- os requisitos da Diretiva 2011/65/EU (utilização da norma harmonizada EN 50581:2012)
- os requisitos da Diretiva 2000/14/EC atualizada pela 2005/88/EC
Procedimento de avaliação de conformidade seguido ANEXO V
Nível de potência sonora medido: 105,0 dB(A)
Nível de potência sonora garantido: 106 dB(A)

O organismo notificado envolvido:

TÜV Rheinland LGA Products GmbH (O organismo acreditado 0197)
Tillystraße 2 D - 90431 Nürnberg, Germany

A entidade notificada executou a aprovação do tipo CE, com o seguinte número de certificado: BM 50404554 0001

ECCS-58V:	Número de série	17402201000001 - 17402201999999
ECBP-58V20:	Número de série	34502001000001 - 34502001999999
ECBP-58V40:	Número de série	34502101000001 - 34502101999999

Tóquio, 20, de abril de 2018

YAMABIKO CORPORATION

**O representante autorizado na Europa com autorização para
compilar o ficheiro técnico**

Empresa: Certification Experts B.V.

Morada: Stationplein 30, 1382AD, Weesp, the Netherlands

Mr. Philip Wicks

Hisashi Kobayashi para Masayuki Kimura
Diretor geral
Departamento de Garantia de Qualidade

OVERENSSTEMMELSESERKLÆRING

Undertegnede producent:

YAMABIKO CORPORATION
1-7-2 Suehirocho, Ohme, Tokyo 198-8760
JAPAN

Denne overensstemmelseserklæring er udstedt i henhold til producentens eneansvar.

erklærer, at den herunder angivne nye enhed:

Mærke: MOTORSÄV
Type: ECCS-58V, ECBP-58V20/ECBP-58V40



samlet af:

Techtronic Industries (Dongguan) Co., Ltd
No. 1, Chuangke Road, Houjie Town Industrial Park, Houjie Town, Dongguan, Guangdong, 523941,
P.R. China

er i overensstemmelse med:

- kravene i Direktiv 2006/42/EF (brug af harmoniseret standard EN 60745-1:2009+A11:2010, EN 60745-2-13:2009+A1:2010)
- kravene i Direktiv 2014/30/EU (brug af harmoniseret standard EN 55014-1:2017, EN 55014-2:2015)
- kravene i Direktiv 2011/65/EU (brug af harmoniseret standard EN 50581:2012)
- kravene i Direktiv 2000/14/EF ændret af 2005/88/EF
Vurderingsprocedure for overensstemmelse i henhold til TILLÆG V
Målt støjniveau: 105,0 dB(A)
Garanteret støjniveau: 106 dB(A)

Den relevante godkendelsesinstans:

TÜV Rheinland LGA Products GmbH (Bemyndiget organ 0197)
Tillystraße 2 D - 90431 Nürnberg, Germany

Bemyndiget organ har udført EF typogodkendelse, og certifikatnummeret er: BM 50404554 0001

ECCS-58V:	Serienummer	17402201000001 - 17402201999999
ECBP-58V20:	Serienummer	34502001000001 - 34502001999999
ECBP-58V40:	Serienummer	34502101000001 - 34502101999999

Tokyo, den 20, apr.

YAMABIKO CORPORATION

Den autoriserede repræsentant i Europa, der er bemyndiget til at sammensætte den tekniske fil

Selskab: Certification Experts B.V.

Adresse: Stationplein 30, 1382AD, Weesp, the Netherlands

Mr. Philip Wicks

Hisashi Kobayashi til Masayuki Kimura
Direktør
Kvalitetssikringsafdeling

KONFORMITETSDEKLARATION

Undertecknad tillverkare:

YAMABIKO CORPORATION

1-7-2 Suehirocho, Ohme, Tokyo 198-8760

JAPAN

Utfärdandet av denna försäkran om överensstämmelse tillskrivs helt och hållet tillverkarens ansvar.

förklarar att den nedan angivna nya enheten:

MOTORSÅG

Märke: ECHO

Typ: ECCS-58V, ECBP-58V20/ECBP-58V40



monterad av:

Techtronic Industries (Dongguan) Co., Ltd

No. 1, Chuangke Road, Houjie Town Industrial Park, Houjie Town, Dongguan, Guangdong, 523941, P.R. China

är överensstämmande med:

- kraven i direktiv 2006/42/EG (tillämpning av harmoniserade standarder EN 60745-1:2009+A11:2010, EN 60745-2-13:2009+A1:2010)
- kraven i direktiv 2014/30/EU (tillämpning av harmoniserade standarder EN 55014-1:2017, EN 55014-2:2015)
- kraven i direktiv 2011/65/EU (tillämpning av harmoniserade standarder EN 50581:2012)
- kraven i direktiv 2000/14/EG omarbetade 2005/88/EG
Rutin för bedömning av överensstämmelse som följts BILAGA V
Uppmätt ljudeffektsnivå: 105,0 dB(A)
Garanterad ljudeffektsnivå: 106 dB(A)

Meddelandet gällde:

TÜV Rheinland LGA Products GmbH (Reglerande myndighet 0197)

Tillystraße 2 D - 90431 Nürnberg, Germany

Anmält organ har genomfört EG-typgodkännande och certifikatnumret är: BM 50404554 0001

ECCS-58V:	Serienummer	17402201000001 - 17402201999999
ECBP-58V20:	Serienummer	34502001000001 - 34502001999999
ECBP-58V40:	Serienummer	34502101000001 - 34502101999999

Tokyo, april. 20, 2018

YAMABIKO CORPORATION

Auktoriserad representant i Europa med tillstånd att kompilera den tekniska filen

Företag: Certification Experts B.V.

Adress: Stationplein 30, 1382AD, Weesp, the Netherlands

Mr. Philip Wicks

Hisashi Kobayashi för Masayuki Kimura
General Manager
Kvalitetsförsäkringsavdelningen

SÄÄNNÖSTEN NOUDATTAMINEN

Allekirjoittanut valmistaja:

YAMABIKO CORPORATION
1-7-2 Suehirocho, Ohme, Tokyo 198-8760
JAPAN

Tämä vaatimustenmukaisuusvakuutus on annettu valmistajan yksinomaisella vastuulla:

vakuuttaa, että jäljempänä määritelty uusi yksikkö:

AKKUKÄYTTÖINEN MOOTTORISAHA

Tuotemerkki: ECHO

Tyyppi: ECCS-58V, ECBP-58V20/ECBP-58V40



kokoonpanija:

Techtronic Industries (Dongguan) Co., Ltd
No. 1, Chuangke Road, Houjie Town Industrial Park, Houjie Town, Dongguan, Guangdong,
523941, P.R. China

seuraavien säännösten mukainen:

- direktiivin 2006/42/EY vaatimukset (seuraavien yhdenmukaistettujen standardien käyttö: EN 60745-1:2009+A11:2010, EN 60745-2-13:2009+A1:2010)
- direktiivin 2014/30/EU vaatimukset (seuraavien yhdenmukaistettujen standardien käyttö: EN 55014-1:2017, EN 55014-2:2015)
- direktiivin 2011/65/EU vaatimukset (seuraavien yhdenmukaistettujen standardien käyttö: EN 50581:2012)
- direktiivillä 2005/88/EY muutetun direktiivin 2000/14/EY vaatimukset
Vaatimustenmukaisuuden arviointimenetelmä LIITTEEN V mukainen
Mitattu äänenteho: 105,0 dB(A)
Taattu äänenteho: 106 dB(A)

Ilmoituselin:

TÜV Rheinland LGA Products GmbH (Ilmoittava elin 0197)
Tillystraße 2 D - 90431 Nürnberg, Germany

Ilmoitettu tarkastuslaitos on suorittanut EY-tyyppihyväksynnän, ja sertifiointinumero on: BM 50404554 0001

ECCS-58V:	Sarjanumero	17402201000001 - 17402201999999
ECBP-58V20:	Sarjanumero	34502001000001 - 34502001999999
ECBP-58V40:	Sarjanumero	34502101000001 - 34502101999999

Tokiossa Apr. 20, huhtikuuta 2018

YAMABIKO CORPORATION

Tekniset asiakirjat laatimaan valtuutettu edustaja Euroopassa

Yhtiö: Certification Experts B.V.

Osoite: Stationplein 30, 1382AD, Weesp, the Netherlands

Hisashi Kobayashi

Mr. Philip Wicks

Hisashi Kobayashi for Masayuki Kimura
Toimitusjohtaja
Laadunvarmistusosasto

SAMSVARERKLÆRING

Den underskrevne produsenten:

YAMABIKO CORPORATION

1-7-2 Suehirocho, Ohme, Tokyo 198-8760

JAPAN

Denne samsvarserklæringen er utstedt under alene ansvar for produsenten.

erklærer at den herunder spesifiserte enheten:

MOTORSAG

Merke: ECHO

Type: ECCS-58V, ECBP-58V20/ECBP-58V40



Montert av:

Techtronic Industries (Dongguan) Co., Ltd

No. 1, Chuangke Road, Houjie Town Industrial Park, Houjie Town, Dongguan, Guangdong, 523941, P.R. China

Er i samsvar med:

- kravene i direktiv 2006/42/EF (bruk av harmonisert standard EN 60745-1:2009+A11:2010, EN 60745-2-13:2009+A1:2010)
- kravene i direktiv 2014/30/EU (bruk av harmonisert standard EN 55014-1:2017, EN 55014-2:2015)
- kravene i direktiv 2011/65/EU (bruk av harmonisert standard EN 50581:2012)
- kravene i direktiv 2000/14/EF endret ved 2005/88/EF
Samsvarsvurderingsprosedyre fulgte VEDLEGG V
Målt lydeffektnivå: 105,0 dB(A)
Garantert lydeffektnivå: 106 dB(A)

Involvert meddelelsesorgan:

TÜV Rheinland LGA Products GmbH (Teknisk kontrollorgan 0197)

Tillystraße 2 D - 90431 Nürnberg, Germany

Den varslede myndigheten har utført en EC-typegodkjenning. Varslingsnummeret er: BM 50404554 0001

ECCS-58V: Serienummer 17402201000001 - 17402201999999

ECBP-58V20: Serienummer 34502001000001 - 34502001999999

ECBP-58V40: Serienummer 34502101000001 - 34502101999999

Tokyo, Apr. 20, 2018

YAMABIKO CORPORATION

Den autoriserte representanten i Europa som er autorisert til å kompilere den tekniske filen

Selskap: Certification Experts B.V.

Adresse: Stationplein 30, 1382AD, Weesp, the Netherlands

Mr. Philip Wicks

Hisashi Kobayashi for Masayuki Kimura

General Manager

Kvalitetssikringsavd.

ЗАЯВЛЕНИЕ О СООТВЕТСТВИИ ТРЕБОВАНИЯМ СТАНДАРТОВ

Нижеподписавшийся производитель:

YAMABIKO CORPORATION

1-7-2 Suehirocho, Ohme, Tokyo 198-8760

JAPAN

Настоящая декларация о соответствии выдана под личную ответственность производителя.

заявляет, что указанное новое изделие:

АККУМУЛЯТОРНАЯ ПИЛА

Марка: ECHO

Тип: ECCS-58V, ЕСВР-58V20/ЕСВР-58V40



кем собрано:

Techtronic Industries (Dongguan) Co., Ltd

No. 1, Chuangke Road, Houjie Town Industrial Park, Houjie Town, Dongguan, Guangdong, 523941, P.R. China

соответствует:

- требованиям Директивы 2006/42/EC (применение гармонизированного стандарта EN 60745-1:2009+A11:2010, EN 60745-2-13:2009+A1:2010)
- требованиям Директивы 2014/30/EU (применение гармонизированного стандарта EN 55014-1:2017, EN 55014-2:2015)
- требованиям Директивы 2011/65/EU (применение гармонизированного стандарта EN 50581:2012)
- требованиям Директивы 2000/14/EC в редакции 2005/88/EC
Оценка соответствия проведена в соответствии ПРИЛОЖЕНИЕМ V
Измеренный уровень звуковой мощности: 105,0 dB(A)
Гарантируемый уровень звуковой мощности: 106 dB(A)

Уведомляемый участвующий орган:

TÜV Rheinland LGA Products GmbH (Уполномоченным органом 0197)

Tillystraße 2 D - 90431 Nürnberg, Germany

Сертификация типа ЕС проведена аккредитованным органом номер сертификата: BM 50404554 0001

ECCS-58V: Заводской номер 17402201000001 - 17402201999999

ЕСВР-58V20: Заводской номер 34502001000001 - 34502001999999

ЕСВР-58V40: Заводской номер 34502101000001 - 34502101999999

Токио, 20 апр. 2018 г.

YAMABIKO CORPORATION

Уполномоченный представитель в Европе, отвечающий за составление технического файла

Компания: Certification Experts B.V.

Адрес: Stationplein 30, 1382AD, Weesp, the Netherlands



Mr. Philip Wicks

Хисаши Кобаяши для Масаюки Кимуры

Генеральный директор

Департамент контроля качества

DEKLARACJA ZGODNOŚCI

Niżej podpisany producent:

YAMABIKO CORPORATION

1-7-2 Suehirocho, Ohme, Tokyo 198-8760

JAPAN

Niniejsza deklaracja zgodności jest wydawana na wyłączną odpowiedzialność producenta.

oświadcza, że wyszczególnione poniżej nowe urządzenie:

PILARKA ŁAŃCUCHOWA

Marka: ECHO

Typ: ECCS-58V, ECBP-58V20/ECBP-58V40



wykonawca montażu:

Techtronic Industries (Dongguan) Co., Ltd

No. 1, Chuangke Road, Houjie Town Industrial Park, Houjie Town, Dongguan, Guangdong, 523941, P.R. China

jest zgodne z:

- wymaganiami Dyrektywy 2006/42/WE (zastosowano normy zharmonizowane EN 60745-1:2009+A11:2010, EN 60745-2-13:2009+A1:2010)
- wymaganiami Dyrektywy 2014/30/EU (zastosowano normy zharmonizowane EN 55014-1:2017, EN 55014-2:2015)
- wymaganiami Dyrektywy 2011/65/EU (zastosowano normy zharmonizowane EN 50581:2012)
- wymaganiami Dyrektywy 2000/14/WE zmienionej przez 2005/88/WE
Procedurę oceny zgodności zrealizowano według ZAŁĄCZNIKA V
Zmierzony poziom natężenia hałasu: 105,0 dB(A)
Maksymalny poziom natężenia hałasu: 106 dB(A)

Zaangażowany organ do powiadomienia:

TÜV Rheinland LGA Products GmbH (Jednostka notyfikowana 0197)

Tillystraße 2 D - 90431 Nürnberg, Germany

Jednostka notyfikowana dokonała zatwierdzenia typu WE, przyznając certyfikat o następującym numerze: BM 50404554 0001

ECCS-58V: Numer seryjny 17402201000001 - 17402201999999

ECBP-58V20: Numer seryjny 34502001000001 - 34502001999999

ECBP-58V40: Numer seryjny 34502101000001 - 34502101999999

Tokio, dn. Apr. 20, kwietnia 2018 r.

YAMABIKO CORPORATION

Autoryzowany przedstawiciel w Europie, upoważniony do sporządzenia dokumentacji technicznej

Przedsiębiorstwo: Certification Experts B.V.

Adres: Stationplein 30, 1382AD, Weesp, the Netherlands

Hisashi Kobayashi

Mr. Philip Wicks

Hisashi Kobayashi w imieniu Masayukiiego Kimury

Dyrektor generalny

Dział Zapewnienia Jakości

PROHLÁŠENÍ O SHODĚ

Níže podepsaný výrobce:

YAMABIKO CORPORATION
1-7-2 Suehirocho, Ohme, Tokyo 198-8760
JAPAN

Toto prohlášení o shodě vystavuje výrobce na svoji výhradní zodpovědnost.

prohlašuje, že níže uvedený nový výrobek:

Značka: MOTOROVÁ PILA
Typ: ECHO
ECCS-58V, ECBP-58V20/ECBP-58V40



smontoval(a):

Techtronic Industries (Dongguan) Co., Ltd
No. 1, Chuangke Road, Houjie Town Industrial Park, Houjie Town, Dongguan, Guangdong, 523941,
P.R. China

splňuje:

- požadavky směrnice 2006/42/ES (použití harmonizovaných norem EN 60745-1:2009+A11:2010, EN 60745-2-13:2009+A1:2010)
- požadavky směrnice 2014/30/EU (použití harmonizovaných norem EN 55014-1:2017, EN 55014-2:2015)
- požadavky směrnice 2011/65/EU (použití harmonizovaných norem EN 50581:2012)
- požadavky směrnice 2000/14/ES doplněné směrnicí 2005/88/ES
Postup posouzení shody proveden podle přílohy V
Změřená hladina akustického výkonu: 105,0 dB(A)
Zaručená hladina akustického výkonu: 106 dB(A)

Upozorníte patřičný orgán:

TÜV Rheinland LGA Products GmbH (Notifikovaný orgán 0197)
Tillystraße 2 D - 90431 Nürnberg, Germany

Upozorněný subjekt provedl schválení typu EC a číslo certifikátu je: BM 50404554 0001

ECCS-58V:	Výrobní číslo	17402201000001 - 17402201999999
ECBP-58V20:	Výrobní číslo	34502001000001 - 34502001999999
ECBP-58V40:	Výrobní číslo	34502101000001 - 34502101999999

Tokio, Apr. 20, dubna 2018

YAMABIKO CORPORATION

Pověřený zástupce v Evropě, který je oprávněn sestavovat technickou dokumentaci

Společnost: Certification Experts B.V.

Adresa: Stationplein 30, 1382AD, Weesp, the Netherlands

Mr. Philip Wicks

Hisaši Kobajaši v zastoupení ředitele: Masajuki Kimura
Ředitel

Oddělení zajišťování jakosti

MEGFELELŐSÉGI NYILATKOZAT

Alulírott gyártó:

YAMABIKO CORPORATION
1-7-2 Suehirocho, Ohme, Tokyo 198-8760
JAPAN

Ezt a megfelelőségi nyilatkozatot a gyártó kizárólagos felelőssége mellett adják ki.

kijelenti, hogy az alábbiakban megadott új egység:

LÁNCFŰRÉS

Márka:

ECHO

Típus:

ECCS-58V, ECBP-58V20/ECBP-58V40



összeszerelte:

Techtronic Industries (Dongguan) Co., Ltd
No. 1, Chuangke Road, Houjie Town Industrial Park, Houjie Town, Dongguan, Guangdong,
523941, P.R. China

megfelel a következőknek:

- a 2006/42/EK irányelv (harmonizált szabvány használata, EN 60745-1:2009+A11:2010, EN 60745-2-13:2009+A1:2010)
- a 2014/30/EU irányelv (harmonizált szabvány használata, EN 55014-1:2017, EN 55014-2:2015)
- a 2011/65/EU irányelv (harmonizált szabvány használata, EN 50581:2012)
- a 2000/14/EK irányelv 2005/88/EK által módosított változata
a V. MELLÉKLET szerinti megfelelőségértékelési eljárás
Mért hangteljesítményszint: 105,0 dB(A)
Garantált hangteljesítményszint: 106 dB(A)

A közreműködő tanúsító testület:

TÜV Rheinland LGA Products GmbH (Tanúsító testület 0197)

Tillystraße 2 D - 90431 Nürnberg, Germany

Bejelentett szervezet elvégezte az EK-típusjóváahagyást és a tanúsítványszám: BM 50404554 0001

ECCS-58V:	Sorozatszám	17402201000001 - 17402201999999
ECBP-58V20:	Sorozatszám	34502001000001 - 34502001999999
ECBP-58V40:	Sorozatszám	34502101000001 - 34502101999999

Tokió, 2018. április 20.

YAMABIKO CORPORATION

**A meghatalmazott képviselő Európában, aki fel van hatalmazva
a műszaki dokumentáció összeállításával**

Cég: Certification Experts B.V.

Cím: Stationplein 30, 1382AD, Weesp, the Netherlands

Hisashi Kobayashi

Mr. Philip Wicks

Hisashi Kobayashi Masayuki Kimura nevében

Vezérigazgató

Minőségbiztosítási Osztály

DECLARAȚIE DE CONFORMITATE

Subsemnatul producător:

YAMABIKO CORPORATION
1-7-2 Suehirocho, Ohme, Tokyo 198-8760
JAPAN

Această declarație de conformitate este emisă exclusiv pe responsabilitatea producătorului.

declară că noua unitate specificată prin prezenta:

Marca: DRUJBĂ
ECHO
Tip: ECCS-58V, ECBP-58V20/ECBP-58V40



asamblat de:

Techtronic Industries (Dongguan) Co., Ltd
No. 1, Chuangke Road, Houjie Town Industrial Park, Houjie Town, Dongguan, Guangdong,
523941, P.R. China

în conformitate cu:

- cerințele Directivei 2006/42/EC (aplicarea standardului armonizat EN 60745-1:2009+A11:2010, EN 60745-2-13:2009+A1:2010)
- cerințele Directivei 2014/30/EU (aplicarea standardului armonizat EN 55014-1:2017, EN 55014-2:2015)
- cerințele Directivei 2011/65/EU (aplicarea standardului armonizat EN 50581:2012)
- cerințele Directivei 2000/14/EC modificată de 2005/88/EC
Procedura de evaluare a conformității în concordanță cu ANEXA V
Nivelul măsurat al puterii acustice: 105,0 dB(A)
Nivel garantat al puterii acustice: 106 dB(A)

Organismul de notificare implicat:

TÜV Rheinland LGA Products GmbH (Organismul notificat 0197)
Tillystraße 2 D - 90431 Nürnberg, Germany

Organismul notificat a realizat aprobarea de tip CE, iar numărul certificatului este: BM 50404554 0001

ECCS-58V:	Număr de serie	17402201000001 - 17402201999999
ECBP-58V20:	Număr de serie	34502001000001 - 34502001999999
ECBP-58V40:	Număr de serie	34502101000001 - 34502101999999

Tokyo, Apr. 20, 2018

YAMABIKO CORPORATION

**Reprezentantul autorizat în Europa care este autorizat să
completeze fișierul tehnic**
Compania: Certification Experts B.V.
Adresă: Stationplein 30, 1382AD, Weesp, the Netherlands

Hisashi Kobayashi

Mr. Philip Wicks

Hisashi Kobayashi for Masayuki Kimura
Director General
Dep. Asigurarea Calității

ATBILSTĪBAS DEKLARĀCIJA

Apakšā parakstīties ražotājs:

YAMABIKO CORPORATION
1-7-2 Suehirocho, Ohme, Tokyo 198-8760
JAPAN
Šī atbilstības deklarācija ir izsniegta saskaņā tikai ar paša ražotāja atbildību.

ar šo deklarē, ka šeit norādītā jaunā ierīce:

MOTORIZĀĒS
Zīmols: ECHO
Veids: ECCS-58V, ECBP-58V20/ECBP-58V40



salikšanas vieta:

Techtronic Industries (Dongguan) Co., Ltd
No. 1, Chuangke Road, Houjie Town Industrial Park, Houjie Town, Dongguan, Guangdong,
523941, P.R. China

atbilst:

- Direktīvas 2006/42/EK prasībām (izmantots harmonizētais standarts EN 60745-1:2009+A11:2010, EN 60745-2-13:2009+A1:2010)
- Direktīvas 2014/30/EU prasībām (izmantots harmonizētais standarts EN 55014-1:2017, EN 55014-2:2015)
- Direktīvas 2011/65/EU prasībām (izmantots harmonizētais standarts EN 50581:2012)
- Direktīvas 2000/14/EK prasībām, kuru aizstāj Direktīva 2005/88/EK
Atbilstības novērtēšanas procedūra izklāstīta V Pielikumā
Izmērītās skaņas jaudas līmenis: 105,0 dB(A)
Garantētais skaņas intensitātes līmenis: 106 dB(A)

Iesaisītā pilnvarotā iestāde:

TÜV Rheinland LGA Products GmbH (Pilnvarotā iestāde 0197)
Tillystraße 2 D - 90431 Nürnberg, Germany

Paziņotā institūcija ir veikusi EK tipa apstiprinājumu un sertifikāta numurs ir: BM 50404554 0001

ECCS-58V:	Sērijas numurs	17402201000001 - 17402201999999
ECBP-58V20:	Sērijas numurs	34502001000001 - 34502001999999
ECBP-58V40:	Sērijas numurs	34502101000001 - 34502101999999

Tokija, 2018. gada 20. aprīlis

YAMABIKO CORPORATION

Pilnvarotais pārstāvis Eiropā, kas pilnvarots sastādīt tehnisko failu
Uzņēmums: Certification Experts B.V.
Adrese: Stationplein 30, 1382AD, Weesp, the Netherlands

Mr. Philip Wicks

Hisashi Kobayashi priekš Masayuki Kimura
Vadītājs
Kvalitātes nodrošināšanas nodaļa

ATITIKTIES PAREIŠKIMAS

Toliau pasirašęs gamintojas:

YAMABIKO CORPORATION

1-7-2 Suehirocho, Ohme, Tokyo 198-8760

JAPAN

Ši atitikties deklaracija išduota tik gamintojo atsakomybe.

patvirtina, kad toliau nurodytas naujas įrenginys:

GRANDININIS PJŪKLAS

Prekės

ECHO

ženklas:

Tipas:

ECCS-58V, ECBP-58V20/ECBP-58V40



surinktas:

Techtronic Industries (Dongguan) Co., Ltd

No. 1, Chuangke Road, Houjie Town Industrial Park, Houjie Town, Dongguan, Guangdong, 523941, P.R. China

atitinka:

- Direktyvos 2006/42/EB reikalavimus (pagal suderintus standartus EN 60745-1:2009+A11:2010, EN 60745-2-13:2009+A1:2010)
- Direktyvos 2014/30/EU reikalavimus (pagal suderintus standartus EN 55014-1:2017, EN 55014-2:2015)
- Direktyvos 2011/65/EU reikalavimus (pagal suderintus standartus EN 50581:2012)
- Direktyvos 2000/14/EB, iš dalies pakeistos Direktyva 2005/88/EB, reikalavimus Atitikties įvertinimo procedūra atlikta pagal V PRIEDĄ
Išmatuotas akustinis lygis: 105,0 dB(A)
Garantuotas akustinis lygis: 106 dB(A)

Įtraukta notifikuoti jį įstaiga:

TÜV Rheinland LGA Products GmbH (Notifikuoti jį įstaiga 0197)

Tillystraße 2 D - 90431 Nürnberg, Germany

ES tipo patvirtinimas gautas iš paskelbtosios įstaigos; sertifikato numeris yra: BM 50404554 0001

ECCS-58V: Serijinis numeris 17402201000001 - 17402201999999

ECBP-58V20: Serijinis numeris 34502001000001 - 34502001999999

ECBP-58V40: Serijinis numeris 34502101000001 - 34502101999999

Tokijas, 2018 m. balandžio 20 d.

YAMABIKO CORPORATION

Įgaliojasis atstovas Europoje, įgaliojatas sudaryti techninį dokumentą

Kompanija: Certification Experts B.V.

Adresas: Stationplein 30, 1382AD, Weesp, the Netherlands

Hisashi Kobayashi

Mr. Philip Wicks

Hisashi Kobayashi Masayuki Kimura vardu

Generalinis direktorius

Kokybės užtikrinimo skyr.

VASTAVUSDEKLARATSIOON

Allakirjutanud tootja:

YAMABIKO CORPORATION

1-7-2 Suehirocho, Ohme, Tokyo 198-8760

JAPAN

Käesolev vastavusdeklaratsioon on välja antud tootja ainuvastutusel.

teatab, et allpool kirjeldatud uus toode:

MOOTORSAAG

Tootemark:

ECHO

Tüüp:

ECCS-58V, ECBP-58V20/ECBP-58V40



kokku pannud:

Techtronic Industries (Dongguan) Co., Ltd

No. 1, Chuangke Road, Houjie Town Industrial Park, Houjie Town, Dongguan, Guangdong, 523941, P.R. China

on kooskõlas:

- direktiivi 2006/42/EÜ (harmoneeritud standardi EN 60745-1:2009+A11:2010, EN 60745-2-13:2009+A1:2010 kasutamise) nõuetega
- direktiivi 2014/30/EU (harmoneeritud standardi EN 55014-1:2017, EN 55014-2:2015 kasutamise) nõuetega
- direktiivi 2011/65/EU (harmoneeritud standardi EN 50581:2012 kasutamise) nõuetega
- direktiivi 2000/14/EÜ nõuetega (muudetud direktiiviga 2005/88/EÜ)
Järgitud vastavushindamismenetlus LISA V
Mõõdetud helivõimsuse tase: 105,0 dB(A)
Garanteeritud helivõimsuse tase: 106 dB(A)

Kontrolliga seotud teavitatud asutus:

TÜV Rheinland LGA Products GmbH (Tunnustatud asutus 0197)

Tillystraße 2 D - 90431 Nürnberg, Germany

Teavitatud asutus viis läbi EÜ tüübikinnituse ja sertifikaadi number on: BM 50404554 0001

ECCS-58V:	Seerianumber	17402201000001 - 17402201999999
ECBP-58V20:	Seerianumber	34502001000001 - 34502001999999
ECBP-58V40:	Seerianumber	34502101000001 - 34502101999999

Tokyo, 20. aprill 2018

YAMABIKO CORPORATION

Volitatud esindaja Euroopas, kellel on õigus koostada tehniline dokumentatsioon

Ettevõtte: Certification Experts B.V.

Address: Stationplein 30, 1382AD, Weesp, the Netherlands

Hisashi Kobayashi

Mr. Philip Wicks

Hisashi Kobayashi (Masayuki Kimura nimel)

Peadirektor

Kvaliteedi tagamise osakond

IZJAVA O USKLAĐENOSTI

Dolje potpisani proizvođač:

YAMABIKO CORPORATION

1-7-2 Suehirocho, Ohme, Tokyo 198-8760

JAPAN

Ova izjava o sukladnosti izdana je pod isključivom odgovornošću proizvođača.

izjavljuje da dolje navedena nova jedinica:

MOTORNA PILA

Robna marka: ECHO

Vrsta: ECCS-58V, ECBP-58V20/ECBP-58V40



sastavljena u:

Techtronic Industries (Dongguan) Co., Ltd

No. 1, Chuangke Road, Houjie Town Industrial Park, Houjie Town, Dongguan, Guangdong, 523941, P.R. China

u sukladnosti je sa:

- zahtjevima Direktive 2006/42/EZ (uporaba usklađenih normi EN 60745-1:2009+A11:2010, EN 60745-2-13:2009+A1:2010)
 - zahtjevima Direktive 2014/30/EU (uporaba usklađenih normi EN 55014-1:2017, EN 55014-2:2015)
 - zahtjevima Direktive 2011/65/EU (uporaba usklađenih normi EN 50581:2012)
 - zahtjevima Direktive 2000/14/EZ koja je izmijenjena i dopunjena Direktivom 2005/88/EZ
- Postupak procjene sukladnosti slijedio je PRILOG V
Mért hangteljesítményszint: 105,0 dB(A)
Jamčena razina zvučne snage: 106 dB(A)

Uključena oznaka broja tijela:

TÜV Rheinland LGA Products GmbH (Nadzorno tijelo 0197)

Tillystraße 2 D - 90431 Nürnberg, Germany

Prijavljeno tijelo provelo je EZ homologaciju tipa, a broj certifikata je: BM 50404554 0001

ECCS-58V: Serijski broj 17402201000001 - 17402201999999

ECBP-58V20: Serijski broj 34502001000001 - 34502001999999

ECBP-58V40: Serijski broj 34502101000001 - 34502101999999

Tokio, trav. 20 2018.

YAMABIKO CORPORATION

Ovlašteni zastupnik u Europi koji je ovlašten za ispunjavanje tehničke dokumentacije

Tvrtka: Certification Experts B.V.

Adresa: Stationplein 30, 1382AD, Weesp, the Netherlands

Mr. Philip Wicks

Hisashi Kobayashi za Masayuki Kimura

Glavni direktor

Odjel za osig. kvalitete

IZJAVA O SKLADNOSTI

Spodaj podpisani proizvajalec:

YAMABIKO CORPORATION

1-7-2 Suehirocho, Ohme, Tokyo 198-8760

JAPAN

Ta izjava o izpolnjevanju skladnosti je izdana izključno na odgovornost proizvajalca.

izjavlja, da spodaj navedena nova enota:

MOTORNA ŽAGA

Blagovna znamka: ECHO

Tip: ECCS-58V, ECBP-58V20/ECBP-58V40



sestavlja:

Techtronic Industries (Dongguan) Co., Ltd

No. 1, Chuangke Road, Houjie Town Industrial Park, Houjie Town, Dongguan, Guangdong, 523941, P.R. China

je skladen z:

- zahtevami Direktive 2006/42/ES (uporaba usklajenega standarda EN 60745-1:2009+A11:2010, EN 60745-2-13:2009+A1:2010)
- zahtevami Direktive 2014/30/EU (uporaba usklajenega standarda EN 55014-1:2017, EN 55014-2:2015)
- zahtevami Direktive 2011/65/EU (uporaba usklajenega standarda EN 50581:2012)
- zahtevami Direktive 2000/14/ES, spremenjene z 2005/88/ES
Upoštevan postopek ugotavljanja skladnosti v PRILOGI V
Izmerjena raven zvočne moči: 105,0 dB(A)
Zajamčena raven zvočne moči: 106 dB(A)

Priglašeni organ:

Société Nationale de Certification et d'Homologation (Priglašeni organ 0197)

11, rue de Luxembourg L-5230 Sandweiler

Priglašeni organ je izvedel ES-odobritev tipa in številka certifikata je: BM 50404554 0001

ECCS-58V: Serijska številka 17402201000001 - 17402201999999

ECBP-58V20: Serijska številka 34502001000001 - 34502001999999

ECBP-58V40: Serijska številka 34502101000001 - 34502101999999

Tokio, 20. april 2018

YAMABIKO CORPORATION

Pooblaščen zastopnik v Evropi, ki je pooblaščen za pripravo tehnične dokumentacije

Podjetje: Certification Experts B.V.

Naslov: Stationplein 30, 1382AD, Weesp, the Netherlands

Hisashi Kobayashi

Mr. Philip Wicks

Hisashi Kobayashi za Masayuki Kimura

Generalni direktor

Oddelek za zagotavljanje skladnosti

PREHLÁSENIE O ZHODE

Dolupodpísaný výrobca:

YAMABIKO CORPORATION
1-7-2 Suehirocho, Ohme, Tokyo 198-8760
JAPAN

Toto vyhlásenie o zhode bolo vydané v rámci výlučnej zodpovednosti výrobcu.

vyhlasuje, že v tomto dokumente uvádzaná nová jednotka:

MOTOROVÁ PÍLA

Značka:

ECHO

Typ:

ECCS-58V, ECBP-58V20/ECBP-58V40



zostavil:

Techtronic Industries (Dongguan) Co., Ltd
No. 1, Chuangke Road, Houjie Town Industrial Park, Houjie Town, Dongguan, Guangdong,
523941, P.R. China

vyhovuje:

- požiadavkám smernice 2006/42/ES (použitie harmonizovaných noriem EN 60745-1:2009+A11:2010, EN 60745-2-13:2009+A1:2010)
- požiadavkám smernice 2014/30/EU (použitie harmonizovaných noriem EN 55014-1:2017, EN 55014-2:2015)
- požiadavkám smernice 2011/65/EU (použitie harmonizovaných noriem EN 50581:2012)
- požiadavkám smernice 2000/14/ES v znení zmien a doplnení podľa smernice 2005/88/ES
Postup posúdenia zhody podľa PRÍLOHY V
Nameraná úroveň hluku: 105,0 dB(A)
Garantovaná úroveň hluku: 106 dB(A)

K ohlasovaným úradom patria:

Société Nationale de Certification et d'Homologation (Oboznámený orgán 0197)
11, rue de Luxembourg L-5230 Sandweiler

Notifikovaný orgán vykonal schválenie typu EC a číslo certifikátu je: BM 50404554 0001

ECCS-58V: Sériové číslo 17402201000001 - 17402201999999

ECBP-58V20: Sériové číslo 34502001000001 - 34502001999999

ECBP-58V40: Sériové číslo 34502101000001 - 34502101999999

Tokio, 20. apríl 2018

YAMABIKO CORPORATION

**Oprávnený zástupca v Európe, ktorý je oprávnený za zostavenie
technickej dokumentácie**

Spoločnosť: Certification Experts B.V.

Adresa: Stationplein 30, 1382AD, Weesp, the Netherlands

Hisashi Kobayashi

Mr. Philip Wicks

Hisashi Kobayashi za p. Masayuki Kimura

Generálny riaditeľ

Oddelenie zabezpečenia kvality

ДЕКЛАРАЦИЯ ЗА СЪОТВЕТСТВИЕ

Долуподписаният производител:

YAMABIKO CORPORATION
1-7-2 Suehirocho, Ohme, Tokyo 198-8760
JAPAN

Тази декларация за съответствие се публикува изцяло на отговорността на производителя.

декларира, че посоченият тук нов уред:

РЕЖЕЩА ВЕРИГА

Бранд:

ECHO

Тип:

ECCS-58V, ЕСВР-58V20/ЕСВР-58V40



сглобен от:

Techtronic Industries (Dongguan) Co., Ltd
No. 1, Chuangke Road, Houjie Town Industrial Park, Houjie Town, Dongguan, Guangdong, 523941,
P.R. China

съответства на:

- изискванията на Директива 2006/42/ЕО (използване на хармонизирания стандарт EN 60745-1:2009+A11:2010, EN 60745-2-13:2009+A1:2010)
- изискванията на Директива 2014/30/EU (използване на хармонизирания стандарт EN 55014-1:2017, EN 55014-2:2015)
- изискванията на Директива 2011/65/EU (използване на хармонизирания стандарт EN 50581:2012)
- изискванията на Директива 2000/14/ЕО, изменена от 2005/88/ЕО
Спазвана процедура за оценка за съвместимост ПРИЛОЖЕНИЕ V
Измерено ниво на шум: 105,0 dB(A)
Гарантирано ниво на шум: 106 dB(A)

Отговорен нотифициращ орган:

Société Nationale de Certification et d'Homologation (Компетентният орган 0197)
11, rue de Luxembourg L-5230 Sandweiler

Нотифицираният орган е извършил типово одобрение на ЕО, а номерът на удостоверението е: BM 50404554 0001

ECCS-58V:	Сериен номер	17402201000001 - 17402201999999
ЕСВР-58V20:	Сериен номер	34502001000001 - 34502001999999
ЕСВР-58V40:	Сериен номер	34502101000001 - 34502101999999

Токио, 20 април 2018 г.

YAMABIKO CORPORATION

Упълномощен представител в Европа, който има право да
състави техническото досие
Дружество: Certification Experts B.V.
Адрес: Stationplein 30, 1382AD, Weesp, the Netherlands

Hisashi Kobayashi

Mr. Philip Wicks

Хисаши Кобаяши от името на Масаяуки Кимура
Управител
Отдел за гарантиране на качеството

ДЕКЛАРАЦІЯ ПРО ВІДПОВІДНІСТЬ

Нижчепідписаний виробник:

YAMABIKO CORPORATION

1-7-2 Suehirocho, Ohme, Tokyo 198-8760

JAPAN

За цією декларацією про відповідність виробник несе одноосібну відповідальність.

підтверджує, що продукція:

ЛАНЦЮГОВА ПИЛА

Марка: ECHO

Тип: ECCS-58V, ECBP-58V20/ECBP-58V40



складена:

Techtronic Industries (Dongguan) Co., Ltd

No. 1, Chuangke Road, Houjie Town Industrial Park, Houjie Town, Dongguan, Guangdong, 523941, P.R. China

відповідає:

- вимогам Директиви 2006/42 / ЄС (використання гармонізованого стандарту EN 60745-1:2009+A11:2010, EN 60745-2-13:2009+A1:2010).
- вимогам Директиви 2014/30/EU (використання гармонізованого стандарту EN 55014-1:2017, EN 55014-2:2015).
- вимогам Директиви 2011/65/EU (використання гармонізованого стандарту EN 50581:2012).
- вимогам Директиви 2000/14 / ЄС поправка 2005/88 / ЄС
Процедура оцінки відповідності згідно ДОДАТКУ V
Вимірний рівень звукової потужності: 105,0 dB(A)
Гарантований рівень звукової потужності: 106 dB(A)

Вповноважений орган, що приймав участь у оцінюванні відповідності:

Société Nationale de Certification et d'Homologation (Уповноважений орган 0197)
11, rue de Luxembourg L-5230 Sandweiler

Уповноважений орган затвердив сертифікацію ЄС із видачею сертифікату за номером: BM 50404554 0001

ECCS-58V: Серійний номер 17402201000001 - 17402201999999

ECBP-58V20: Серійний номер 34502001000001 - 34502001999999

ECBP-58V40: Серійний номер 34502101000001 - 34502101999999

Токіо, квіт. 20 2018

YAMABIKO CORPORATION

Уповноважений представник у Європі, що має право складати технічні документи

Компанія: Certification Experts B.V.

Адреса: Stationplein 30, 1382AD, Weesp, the Netherlands

Hisashi Kimura

Mr. Philip Wicks

Hisashi Kobayashi для Masayuki Kimura

Головний менеджер

Департ. забезпечення якості

UYGUNLUK BEYANI

Aşağıda imzası bulunan üretici:

YAMABIKO CORPORATION
1-7-2 Suehirocho, Ohme, Tokyo 198-8760
JAPAN
Bu uygunluk beyanı üreticinin yegane sorumluluğu kapsamında yapılmıştır.

aşağıda belirtilen yeni ürünle ilgili olarak beyan eder ki:

MOTORLU TESTERE

Marka:

ECHO

Tip:

ECCS-58V, ECBP-58V20/ECBP-58V40



toplayan:

Techtronic Industries (Dongguan) Co., Ltd
No. 1, Chuangke Road, Houjie Town Industrial Park, Houjie Town, Dongguan, Guangdong,
523941, P.R. China

uyumlu olduğu yönergeler:

- 2006/42/EC Yönergesi (uyumlandırılmış EN EN 60745-1:2009+A11:2010, EN 60745-2-13:2009+A1:2010 standartları kullanımı) gereklilikleri
- 2014/30/EU Yönergesi (uyumlandırılmış EN EN 55014-1:2017, EN 55014-2:2015 standartları kullanımı) gereklilikleri
- 2011/65/EU Yönergesi (uyumlandırılmış EN EN 50581:2012 standartları kullanımı) gereklilikleri
- 2005/88EC ile değiştirilmiş 2000/14/EC Yönergesi gereklilikleri
EX V uyarınca uygunluk değerlendirme prosedürü
Ölçülen ses gücü seviyesi: 105,0 dB(A)
Güvenceli ses gücü seviyesi: 106 dB(A)

İlgili uyarılmış makam:

Société Nationale de Certification et d'Homologation (Onaylı kuruluş 0197)
11, rue de Luxembourg L-5230 Sandweiler

Onaylı kuruluş AB tipi onay işlemlerini yürütmüş olup, sertifika numarası şöyledir: BM 50404554 0001

ECCS-58V:	Seri numarası	17402201000001 - 17402201999999
ECBP-58V20:	Seri numarası	34502001000001 - 34502001999999
ECBP-58V40:	Seri numarası	34502101000001 - 34502101999999

Tokyo, 20 Nisan 2018

YAMABIKO CORPORATION

Teknik dosyayı derlemek için yetkilendirilmiş Avrupa yetkili temsilcisi

Şirket: Certification Experts B.V.

Adres: Stationplein 30, 1382AD, Weesp, the Netherlands

Hisashi Kobayashi

Mr. Philip Wicks

Masayuki Kimura için Hisashi Kobayashi
Genel Müdür
Kalite Güvencesi Bölümü







ECHO®

YAMABIKO CORPORATION
1-7-2 Suehirocho, Ohme,
Tokyo 198-8760 JAPAN

www.echotools.com



Made in China
Fabriqué en Chine
Hergestellt in China
Fabricado en China
Prodotto in Cina
Vervaardigd in China
Fabricado na China
Produceret i Kina
Tillverkad i Kina

Valmistettu Kiinassa
Produseret i Kina
Сделано в Китае
Wyprodukowano w Chinach
Vyrobeno v Číně
Kínában készült
Fabricat în China
Ražots Ķīnā
Pagaminta Kinijoje

Valmistatud Hiinas
Proizvedeno u Kini
Izdelano na Kitajskem
Vyrobené v Číne
Произведено в Китае
Виготовлено в Китаї
Çin mali

961193013-02