

2500386 (82LM61S)

EN | DE | ES | IT | FR | PT | NL | RU | FI | SV | NO | DA | PL | CS | SK | SL | HR |
EL | AR | TR | LT | LV | ET |



cramer.eu





2500386
82LM61S

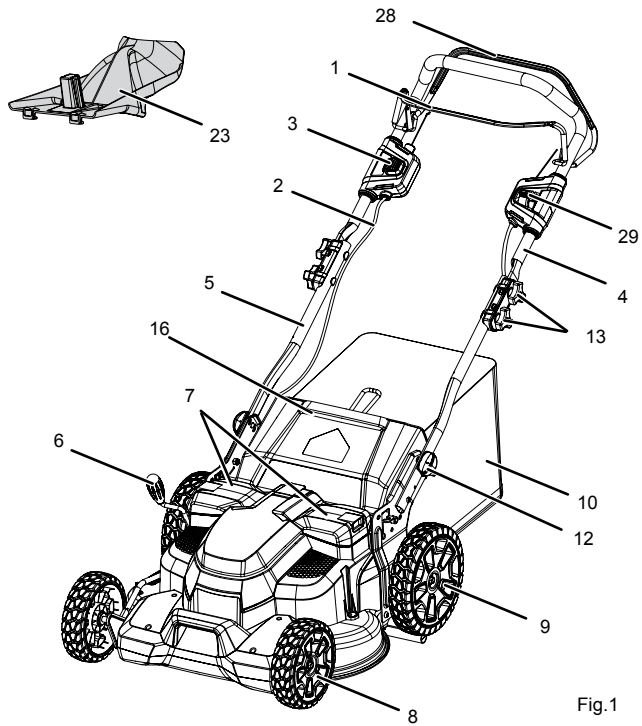


Fig.1

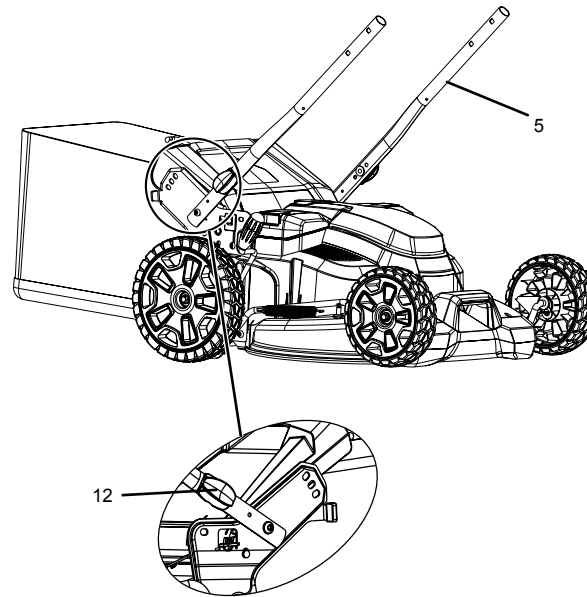


Fig.2

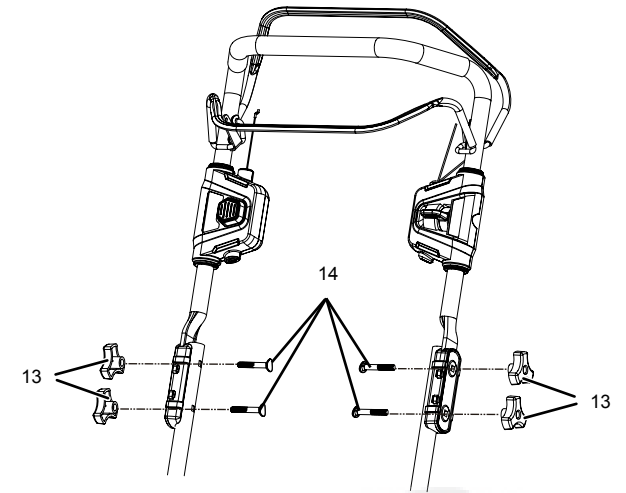


Fig.3

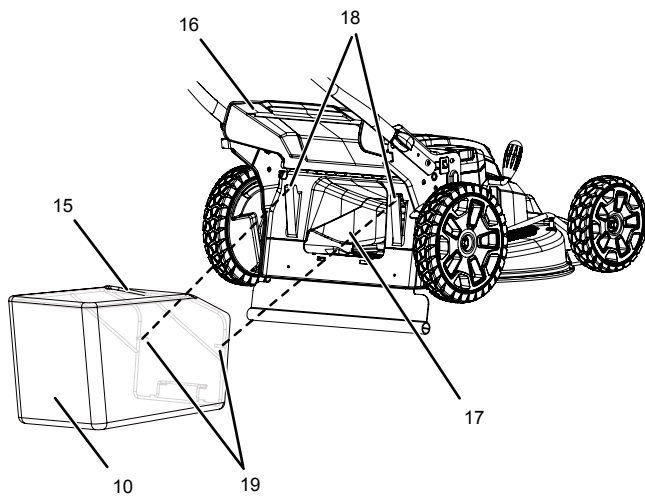


Fig.4

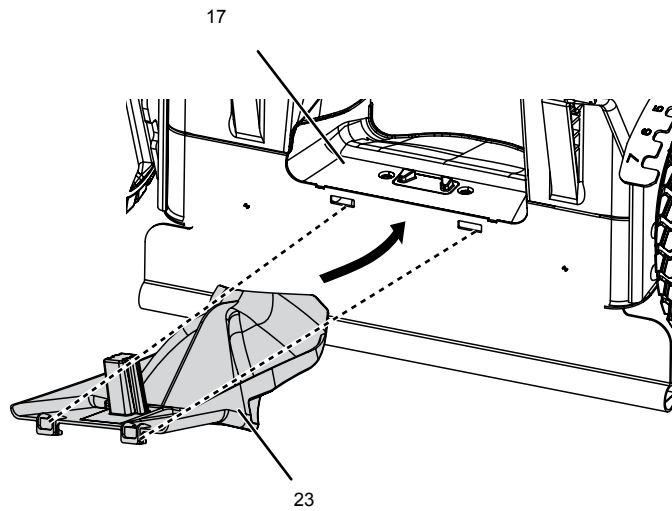


Fig.5

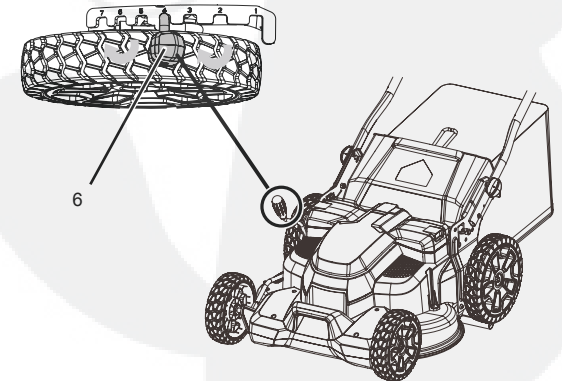


Fig.6



2500386
82LM61S

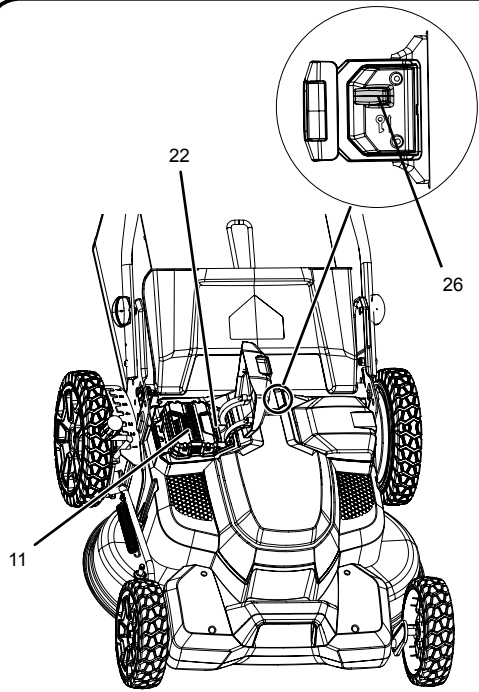


Fig.7

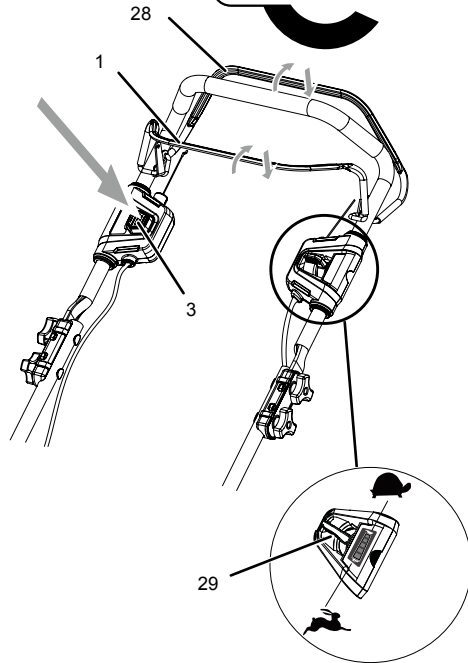


Fig.8



Fig.9

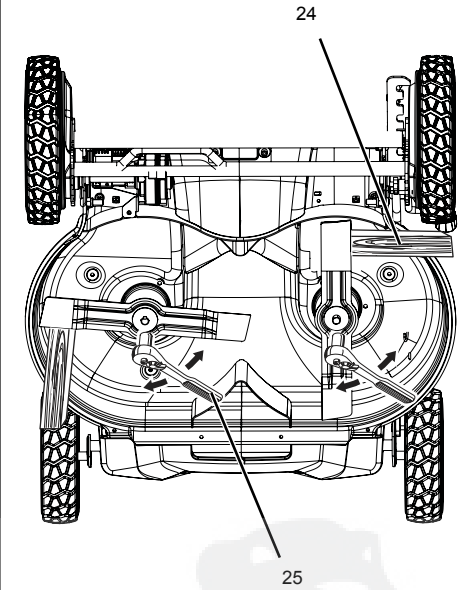


Fig.10

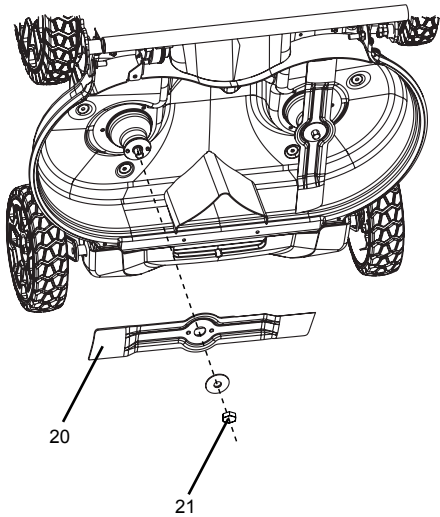


Fig.11

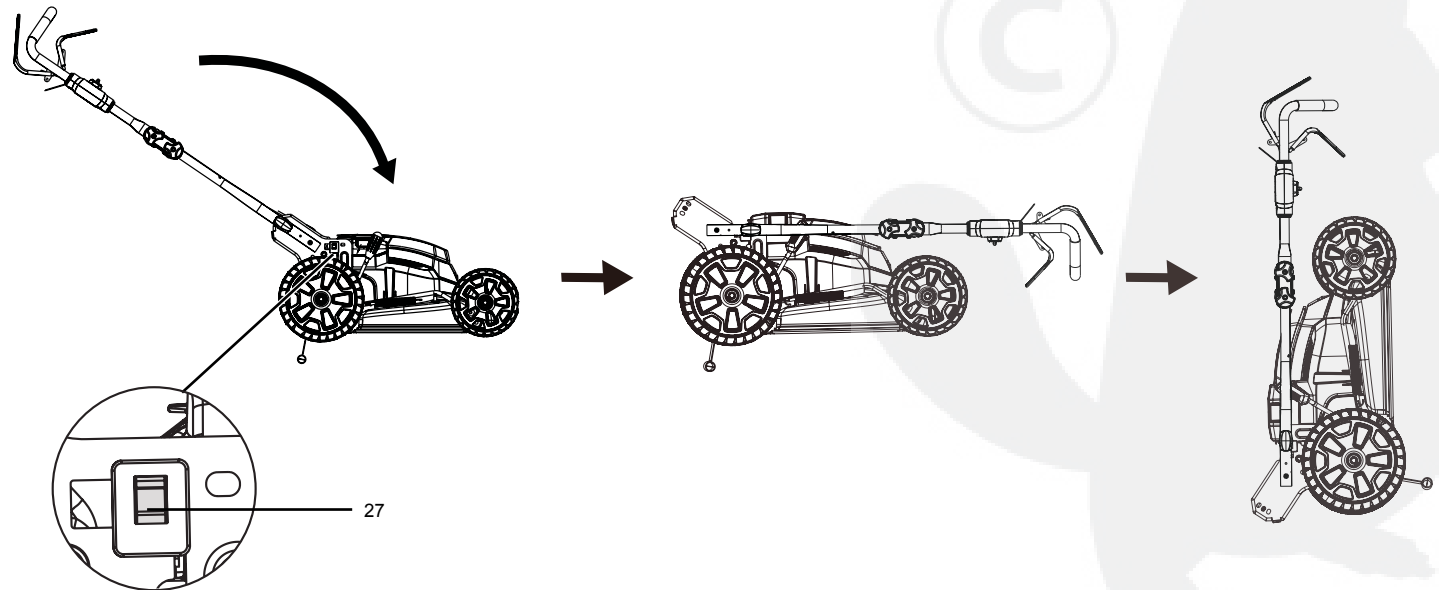


Fig.12

Product Overview

Your machine has been engineered and manufactured to high standard for dependability, ease of operation, and operator safety. When properly cared for, it will give you years of trouble-free performance.

Know your lawn mower

- | | |
|--------------------------------------|--|
| 1 Power lever | 2 Motor control cable |
| 3 Start button | 4 Upper handle |
| 5 Lower handle | 6 Height adjustment lever |
| 7 Battery door | 8 Front wheel |
| 9 Rear wheel | 10 Grassbox |
| 11 Battery (not included) | 12 Handle knob |
| 13 Knob | 14 Bolt |
| 15 Grassbox handle | 16 Rear door |
| 17 Rear discharge opening | 18 Slots |
| 19 Hooks | 20 Blade |
| 21 Blade bolt | 22 Battery release button |
| 23 Mulching plug | 24 Block of wood (not included) |
| 25 Wrench (not included) | 26 Safety key |
| 27 Storage switch | 28 Self propel lever |
| 29 Self-Propel speed controls | |

The recommended ambient temperature range:

ITEM	TEMPERATURE
Mower Storage Temperature Range	14 °F (-10 °C) ~ 140 °F (60 °C)
Mower Operation Temperature Range	23 °F (-5 °C) ~ 104 °F (40 °C)
Battery Charging Temperature Range	41 °F (5 °C) ~ 125.6 °F (52 °C)
Charger Operation Temperature Range	39 °F (4 °C) ~ 104 °F (40 °C)
Battery Storage Temperature Range	1 year: 32 °F (0 °C) ~ 73 °F (23 °C)
	3 month: 32 °F (0 °C) ~ 113 °F (45 °C)
	1 month: 32 °F (0 °C) ~ 140 °F (60 °C)
Battery Discharging Temperature Range	6.8 °F (-14 °C) ~ 149 °F (65 °C)

EN



Safety Precautions

- ① Carefully read all the safety warnings and instructions in this manual before operating these machines. Save this operator's manual for future reference.
- CE These machines conform to CE safety standards and directives concerning electromagnetic compatibility, machines and low voltage.

Training

- Read the instructions carefully. Be familiar with the controls and the correct use of the machine.
- Never allow children or people unfamiliar with these instructions to use the machine. Local regulations can restrict the age of the operator.
- Never operate the machine while people, especially children, or pets are

nearby.

- Keep in mind that the operator or user is responsible for accidents or hazards occurring to other people or their property.

Preparation

- While operating the machine always wear substantial footwear and long trousers. Do not operate the machine when barefoot or wearing open sandals. Avoid wearing clothing that is loose fitting or that has hanging cords or ties.
- Thoroughly inspect the area where the machine is to be used and remove all objects which can be thrown by the machine.
- Before using, always visually inspect to see that the blade, blade bolt and the blade assembly are not worn or damaged. Replace worn or damaged components in sets to preserve balance. Replace damaged or unreadable labels.

Operation

- Operate the machine only in daylight or in good artificial light.
- Avoid operating the machine in wet grass.
- Always be sure of your footing on slopes.
- Walk, never run.
- Mow across the face of slopes, never up and down.
- Exercise extreme caution when changing direction on slopes.
- Do not mow excessively steep slopes.
- Use extreme caution when reversing or pulling the machine towards you.
- Stop the blade(s) if the machine has to be tilted for transportation when crossing surfaces other than grass, and when transporting the machine to and from the area to be used.
- Never operate the machine with defective guards or shields, or without safety devices, for example deflectors and/or grass collector, in place.
- Switch on the motor carefully according to instructions and with feet well away from the blade(s).
- Do not tilt the machine when switching on the motor, except if the machine has to be tilted for starting. In this case, do not tilt it more than absolutely necessary and lift only the part, which is away from the operator.
- Do not start the machine when standing in front of the discharge opening.
- Do not put hands or feet near or under rotating parts. Keep clear of the discharge opening at all times.
- Do not transport the machine while the power source is running.
- Stop the machine, remove the disabling device and battery pack. Make sure that all moving parts have come to a complete stop
 - whenever you leave the machine,

- before clearing blockages or unclogging chute,
- before checking, cleaning or working on the machine;
- after striking a foreign object. Inspect the machine for damage and make repairs before restarting and operating the machine;
- If the machine starts to vibrate abnormally (check immediately),
 - inspect for damage;
 - replace or repair any damaged parts;
 - check for and tighten any loose parts
- Be careful during adjustment of the machine to prevent entrapment of the fingers between moving blades and fixed parts of the machine.
- Always allow the machine to cool down before storing.
- When servicing the blades be aware that, even though the power source is switched off, the blades can still be moved.
- Replace worn or damaged parts for safety. Use only genuine replacement parts and accessories.

Maintenance and Storage

- Keep all nuts, bolts and screws tight to be sure the appliance is in safe working condition.
- Check the grass collector frequently for wear or deterioration
- On machines with multi blade, take care as rotating one blade can cause other blades to rotate.

SAVE THESE INSTRUCTIONS. REFER TO THEM FREQUENTLY AND USE THEM TO INSTRUCT OTHERS WHO MAY USE THIS UNIT. IF YOU LOAN SOMEONE THIS UNIT, LOAN THEM THESE INSTRUCTIONS ALSO.

Disposal



Do not dispose of the power tool with other household waste. Dispose of power tool in return and collection systems designated for environmental safe recycling.



Separate collection of used products and packaging allows materials to be recycled and used again. Re-use of recycled materials helps prevent environmental pollution and reduces the demand for raw materials.



At the end of their useful life, discard batteries with due care for our environment. The battery contains material which is hazardous to you and the environment. It must be removed and disposed of separately at a facility that accepts lithium-ion batteries.

Symbol

SYMBOL	DESCRIPTION/ EXPLANATION
	Read operator's manual.
	Keep bystanders away.
	Beware of sharp blades. Blades continue to rotate after the motor is switched off. Remove safety key before maintenance.
	Do not operate on inclines greater than 15°. Mow across the face of slopes, never up and down.
	Beware of electric shock hazard.
	Wait for all components of machine to have completely stopped before touching them.

Before Operation

The safe use of this product requires an understanding of the features on the product and the information in the operator's manual. Before use of this product, familiarize yourself with all operating features and safety rules.

1. Attach the grassbox

The grassbox collects grass clippings and prevents them from being discharged across your lawn as you mow.

2. Adjust the cutting height

The height adjustment lever provides cutting height adjustments.

3. Safety key and battery

The battery and safety key must be inserted before the mower can be started. Make sure the batteries are fully charged.

4. Mulching Plug

Your mower is equipped with a mulching plug that covers the rear discharge opening, which allows the mower blade to cut and recut for finer clippings.

Assembly



WARNING!

If any parts are damaged or missing do not operate this product until the parts are replaced. Using a product with damaged or missing parts could result in serious personal injury.



WARNING!

Do not attempt to modify this product or create accessories not recommended for use with this product. Any such alteration or modification is misuse and could result in a hazardous condition leading to possible serious personal injury.



WARNING!

Do not insert battery or safety key until assembly is complete and you are ready to mow. Failure to comply could result in accidental starting and possible serious personal injury.



WARNING!

To prevent accidental starting that could cause serious personal injury, always remove the battery pack and safety key from the product when assembling parts.

**WARNING!**

Never operate the mower without the proper safety devices in place and working. Never operate the mower with damaged safety devices. Operation of this product with damaged or missing parts could result in serious personal injury.

Unfolding and Adjusting Lower Handle (see *Figure 2*)

- 1 Pull and rotate the handle knobs 90° on both sides to loosen the lower handles on both sides.
- 2 Move the lower handles to the operating position. You may raise or lower the handle to a position comfortable for you. There are 3 positions for you to choose. Release the handle knobs to lock the lower handle into position.

NOTE: Ensure both sides are set at the same position for proper assembly.

Installing the Upper Handle (see *Figure 3*)

- 1 Align the mounting holes on the upper handle and the lower handle. Insert the carriage bolts and use the knobs to tighten them. Repeat the operation on the other side.

Installing the Grassbox (see *Figure 4*)

- 1 Lift the rear discharge door.
- 2 Lift the grass catcher by its handle and place under the rear discharge door so that the hooks on the grass catcher are seated onto the slots on the mower housing.
- 3 Release the rear discharge door. When installed correctly, the hooks on the grass catcher will extend through the openings on the rear discharge door.

Installing the Mulching Plug (see *Figure 5*)

- 1 Lift and hold up the rear discharge door.
- 2 Hold the mulching plug by the handle and fit it in the rear discharge opening.
- 3 Lower the rear discharge door.

Setting Blade Height (see *Figure 6*)

When shipped, the wheels on the mower are set to a lowcutting position. Before using the mower for the first time, adjust the cutting position to the height best suited for your lawn. The average lawn should be between 38 mm and 51 mm during cool months and between 51 mm and 70 mm during hot months.

To adjust the blade height

- 1 To raise the blade height, grasp the height adjustment lever and move it toward the back of the mower.
- 2 To lower the blade height, grasp the height adjustment lever and move it toward the front of the mower.

Operation

**WARNING!**

Do not allow familiarity with products to make you careless. Remember that a careless fraction of a second is sufficient to inflict serious injury.

**WARNING!**

Always wear eye protection. Failure to do so could result in objects being thrown into your eyes resulting in possible serious injury.

**WARNING!**

Do not use any attachments or accessories not recommended by the manufacturer of this product. The use of attachments or accessories not recommended can result in serious personal injury.

**WARNING!**

Always inspect mower for missing or damaged parts and blade for damage, uneven, or excessive wear prior to use. Using a product with damaged or missing parts could result in serious personal injury.

**WARNING!**

For complete charging instructions, refer to the operator's manual for the battery packs and chargers listed in the specifications section.

To Install Battery Pack (see *Figure 7*)

- 1 Lift and hold up the battery door.
- 2 Align the battery with the mower's battery port.
- 3 Insert the batteries into the two battery compartments to start the mower. This mower is equipped with an automatic switch function which allows the second battery to work when the first battery has run down.
- 4 Make sure the battery release button snaps in place and that battery is fully seated and secure in the mower before beginning operation.
- 5 Insert the safety key.
- 6 If the machine is not going to be used immediately, do not insert the safety key.
- 7 Close the door.

To Remove Battery Pack (see *Figure 7*)

- 1 Release the power lever to stop the product.
- 2 Open the battery door to access the battery compartment.
- 3 Remove the safety key.
- 4 Press the battery release button. This will cause the battery to raise out of the tool slightly.
- 5 Remove battery pack from the product.

Starting/Stopping The Mower (see *Figure 8*)

- 1 Press and hold the safety lock-out button.
- 2 Pull the power lever upward to the handle to start the mower and release the safety lock-out button.
- 3 To stop the mower, release the power lever.

NOTE: A high-pitched noise and sparking may occur as the electric motor decelerates. This is normal.

Automatic boost function

When the mower encounter high grass the rpm is automatically increased in order to maintain a good cutting and collecting results. When going back to normal cutting conditions the rpm automatically goes back to the standard rpm to save run time.

Self-Propelled Mowing (see *Figure 8*)

To engage the self-propelled feature:

- 1 Start the mower.
- 2 Pull the self propel lever upward to meet the handle.

To disengage the self-propelled feature:

- 1 Release the self propel lever.

To adjust the speed of self-propelled feature:

- 1 Pull the variable speed control lever towards the Rabbit Symbol to increase

speed.

- 2 Push the variable speed control lever towards the Turtle Symbol to decrease speed.

Mowing Tips

- Make sure the lawn is clear of stones, sticks, wires, and other objects that could damage the lawn mower blades or motor. Do not mow over property stakes or other metal posts. Such objects could be accidentally thrown by the mower in any direction and cause serious personal injury to the operator and others.
- For a healthy lawn, always cut off one-third or less of the total length of the grass.
- New or thick grass may require a narrower cut or a higher cutting height.
- Clean the underside of the mower deck after each use to remove grass clippings, leaves, dirt, and any other accumulated debris.
- When cutting long grass, reduce walking speed to allow for more effective cutting and a proper discharge of the clippings.

NOTE: Always stop mower, allow blades to completely stop, and remove the battery key before cleaning underneath the mower.

Slope Operation



WARNING!

Slopes are a major factor related to slip and fall accidents that can result in severe injury. Operation on slopes requires extra caution. If you feel uneasy on a slope, do not mow it. For your safety, do not attempt to mow slopes greater than 15 degrees.



WARNING!

Please keep self-propelled at low speed when mowing up to a slope.

- Watch for holes, ruts, rocks, hidden objects, or bumps which can cause you to slip or trip. Tall grass can hide obstacles. Remove all objects such as rocks, tree limbs, etc., which could be tripped over or thrown by the blade.
- A slip and fall can cause serious personal injury. If you feel you are losing your balance, release the power lever immediately.
- Do not mow near drop-offs, ditches, or embankments; you could lose your footing or balance.

Emptying The Grassbox (see *Figure 9*)

- 1 Stop mower, allow blade to completely stop, and remove battery key.
- 2 Lift the rear door.
- 3 Lift the grassbox by its handle to remove from mower.
- 4 Empty grass clippings.
- 5 Lift the rear door and reinstall the grassbox as described earlier in this manual.

Maintenance



WARNING!

Before performing any maintenance, make sure the mower battery and battery key are removed to avoid accidental starting and possible serious personal injury.



WARNING!

To prevent accidental start-up or unauthorized use, the cordless lawn mower is equipped with a removable safety key. To completely disable the mower, the safety key should be removed and kept in a place away from the mower and out of the reach of children.

**WARNING!**

When servicing, use only authorised replacement parts. Use of any other parts may create a hazard or cause product damage.

**WARNING!**

Keep the motor and battery compartments free from grass, leaves or excessive grease. This will help reduce the risk of fire.

General Maintenance

Before each use, inspect the entire product for damaged, missing, or loose parts such as screws, nuts, bolts, caps, etc.

Tighten securely all fasteners and caps and do not operate this product until all missing or damaged parts are replaced. Please call Cramer customer service for assistance. Avoid using solvents when cleaning plastic parts. Most plastics are susceptible to damage from various types of commercial solvents and may be damaged by their use. Use clean cloths to remove dirt, dust, oil, grease, etc.

**WARNING!**

To reduce the risk of damage and danger, never clean the tool with pressure washer or under running water.

**WARNING!**

Store indoors only. Always remove the battery from mower and charger when cleaning or storing the tool.

**WARNING!**

Do not at any time let brake fluids, gasoline, petroleum-based products, penetrating oils, etc., come in contact with plastic parts. Chemicals can damage, weaken, or destroy plastic which may result in serious personal injury.

Periodically check all nuts and bolts for proper tightness to ensure safe operation of the mower.

Wipe the mower clean with a dry cloth occasionally. Do not use water.

Lubrication

All of the bearings in this product are lubricated with a sufficient amount of high grade lubricant for the life of the unit under normal operating conditions. Therefore, no further bearing lubrication is required.

**WARNING!**

Always protect hands by wearing heavy gloves and/or wrapping the cutting edges of the blade with rags and other material when performing blade maintenance. Contact with the blade could result in serious personal injury.

**WARNING!**

Do not lubricate any of the wheel components. Lubrication may cause the wheel components to fail during use, which could result in serious personal injury to the operator and/ or mower or property damage.

Replacing The Cutting Blade (see *Figure 10-11*)

NOTE: Only use authorised replacement blades. Replace worn or damaged blades and bolts in sets to preserve balance.

- 1 Stop the motor and remove the safety key. Allow blade to come to a complete stop.
- 2 Remove the battery pack.
- 3 Turn the mower on its side.
- 4 Wedge a block of wood between the blade and mower deck to prevent the blade from turning.
- 5 Loosen the blade bolt by turning it counterclockwise (as viewed from bottom of mower) using a 27 mm wrench or socket (not provided).
- 6 Remove the blade bolt and blade.
- 7 Place the new blade on the shaft. Ensure blade is properly seated with shaft going through center blade hole and the two blade posts on the fan inserted into their respective holes on the blade. Make sure it is installed with the curved ends pointing up toward the mower deck and not down toward the ground. When seated properly, the blade should be flat against the fan.
- 8 Thread the blade bolt on the shaft and finger tighten.
- 9 Torque the blade bolt down clockwise using a torque wrench (not provided) to ensure the bolt is properly tightened. The recommended torque for the blade bolt is 62.5~71.5 kgfcm (350-400 in.-lb.).

Vertical Storage Function (see *Figure 12*)

- 1 Remove the battery from the mower.
- 2 Remove the grass catcher bag.
- 3 Rotate the handle knobs to the unlocked position.
- 4 Lower the handle assembly and rotate the handle knobs to the locked position.
- 5 Lift the mower by the front end to the vertical position.



WARNING!

Always remove the battery from the mower before placing the unit in the vertical storage position.

Storage Switch

When the handle is rotated into the fully locked storage position, the mower is equipped with a storage switch that will disable the mower from running in the storage position. The storage switch does not replace the need to remove the safety key and battery to prevent accidental start-up or unauthorized use.



Troubleshooting

PROBLEM	PROBABLE CAUSE	SOLUTION
Handle is not in position.	Carriage bolts are not seated properly.	Adjust the height of the handle and make sure the carriage bolts are seated properly.
Mower is not starting.	Battery is low in charge.	Charge the battery.
	Battery is either inoperable or will not take a charge.	Replace the battery.
	The safety key is not inserted.	Insert the safety key.
Mower is cutting grass unevenly.	Lawn is rough or uneven or cutting height not set properly.	Move the wheels to a higher position. All wheels must be placed in the same cutting height for the mower to cut evenly.
Mower is not mulching properly.	Wet grass clippings are sticking to the underside of the deck.	Wait until the grass dries before mowing.
Mower is hard to push.	High grass, rear of mower housing and blade are dragging in heavy grass, or cutting height too low.	Raise the cutting height.

PROBLEM	PROBABLE CAUSE	SOLUTION
Mower is not bagging properly.	Cutting height is set too low.	Raise the cutting height.
	Wet grass clippings are sticking to the underside of the deck.	Wait until the grass dries before mowing.
Mower is vibrating at higher speed.	Blade is unbalanced, excessively or unevenly worn.	Replace the blade.
	Motor shaft is bent.	Stop the motor, remove isolator key and battery, disconnect the power source, and inspect for damage. Have it repaired by an authorised service center before restarting.
Motor stops while cutting.	Cutting height is set too low.	Raise the cutting height.
	Battery has no power.	Charge the battery.

* If the fault is not solved, you must go to your distributor and/or nearest Authorized Technical Service.

Technical Data

PROPERTY	VALUE
Type	Cordless, battery-operated
Voltage	82V
Width of cut	61 cm
Height of cut	25 mm - 80 mm
No-load speed	4000 rpm
Self propelled speed	0.5-1.5 m/s
Grassbox capacity	70 L
Weight (Without Battery)	32.5 kg
Battery Pack	82V220G/82V430G/82V220/82V430
Charger	82C1G/82C2/82C6
Sound pressure level	71.48 dB(A), K_{PA} : 1.70 dB(A)
Measured sound power level	$L_{WA} = 91.48$ dB(A)
Guaranteed sound power level	$L_{WA} = 93.18$ dB(A)
Vibration level	< 2.5 m/s ²

CE Declaration of Conformity

EN

Manufacturer Name: Changzhou Globe Co., Ltd.

Address: No.65 Xinggang Road Zhonglou Zone Changzhou, Jiangsu 213000 P.R.China

Name and address of the person authorised to compile the technical file

Name: Peter Söderström

Address: Propellergatan 1, 211 15 Malmö, Sweden

WE HEREBY DECLARE UNDER OUR OWN RESPONSIBILITY THE MACHINE

Original Instruction	
Type	Cordless mower
Brand	Cramer
Model	82LM61S
Serial No	See product rating label

Has been manufactured in accordance with the standards or regulatory documents:

European harmonised standards	EN 60335-1; EN60335-2-77; EN 62233, EN ISO 3744; EN 55014-1; EN 55014-2; ISO 11094
-------------------------------	--

And conforms to the essential requirements of the following directives:

Machine Directive	2006/42/CE
EMC Directive	2014/30/EU
Noise Emission Directive	2000/14/EC amended by 2005/88/EC)

Ted Qu

Ted Qu Haichao
Quality Director
Changzhou, 22/07/2017

