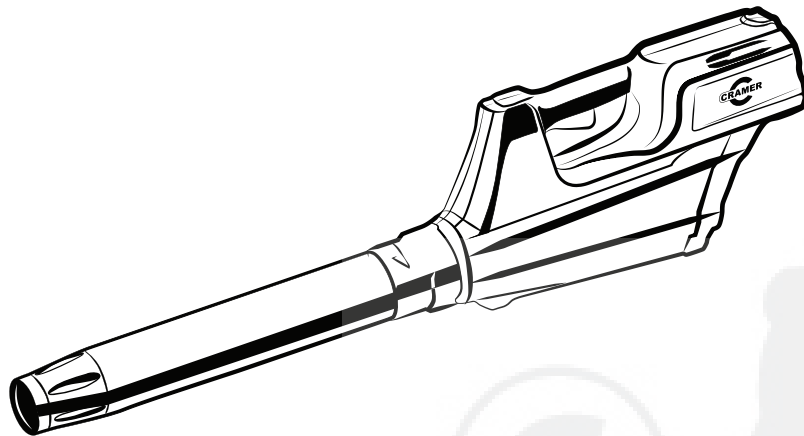


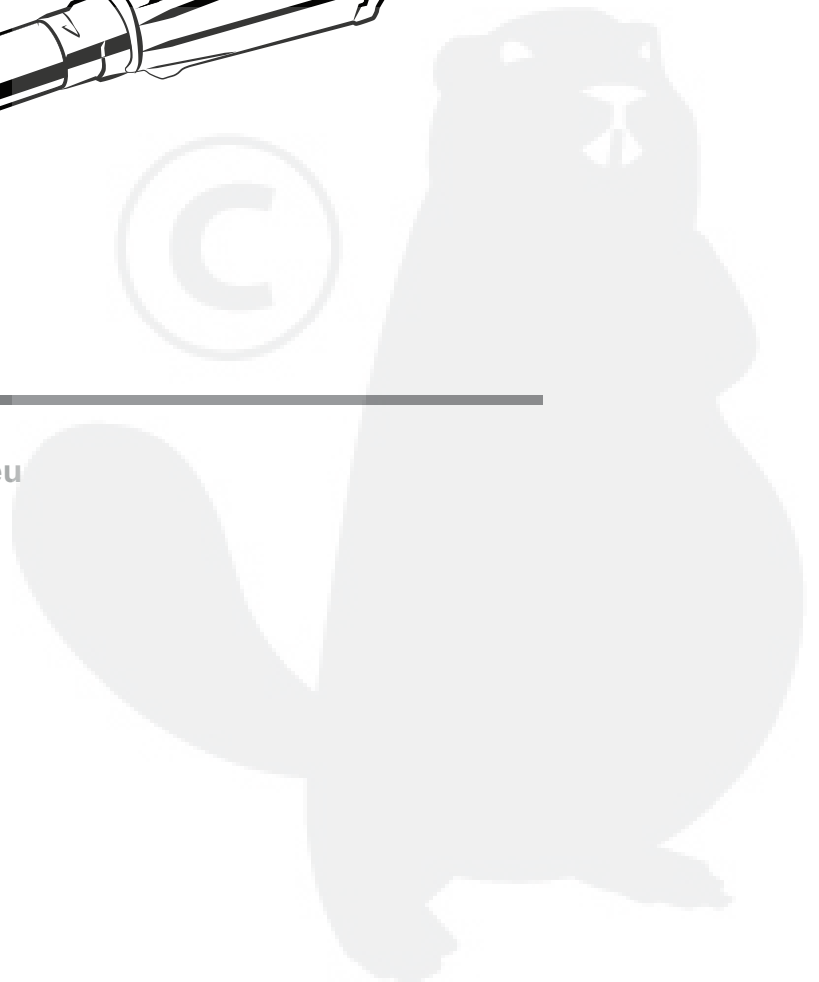


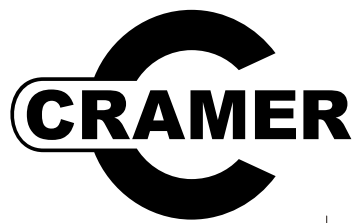
2400086 (82B900)



CE

cramer.eu





82B900
2400086

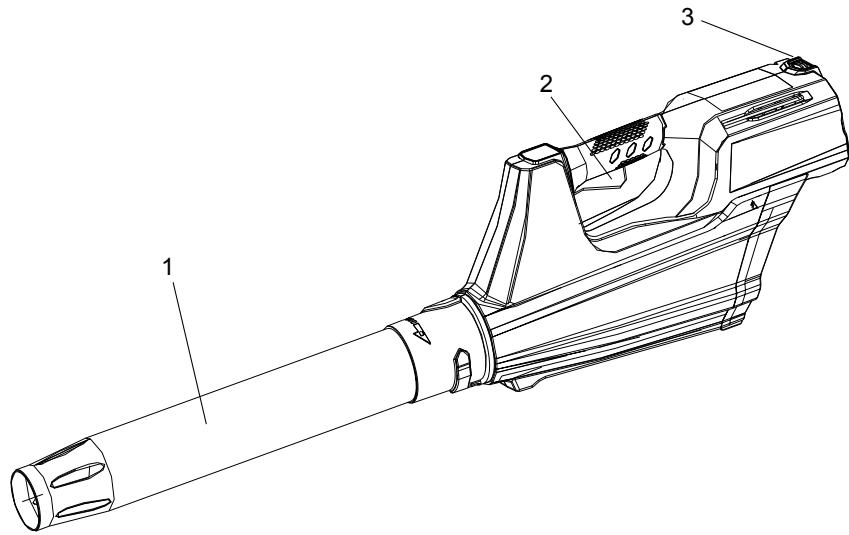


Fig. 1

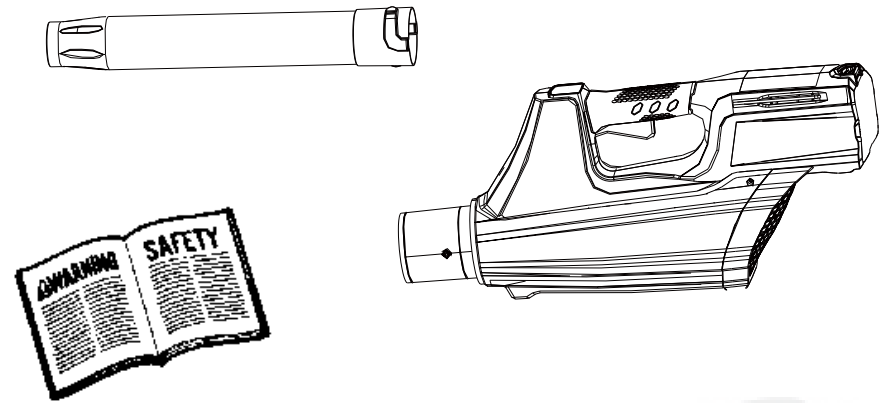


Fig. 2

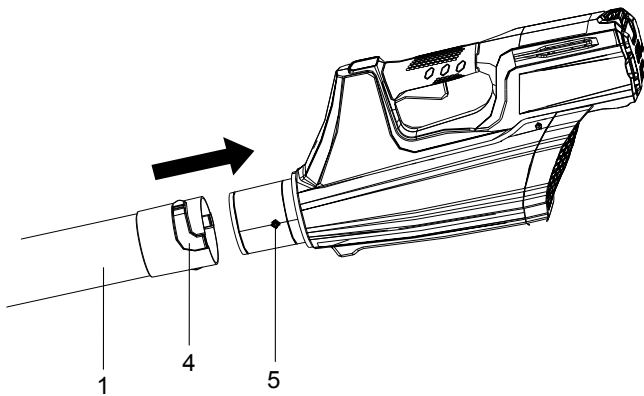


Fig. 3

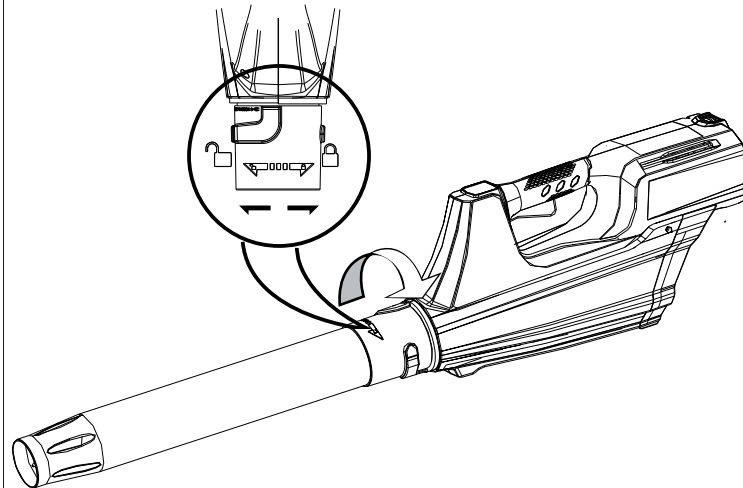


Fig. 4

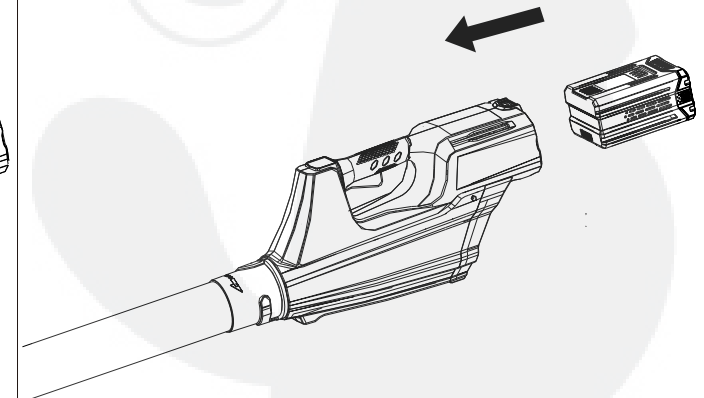


Fig. 5

English (original instructions)

SPECIFICATIONS

Type	82B900
Voltage	82V DC
AIR volume	14.5 m ³ /min
Air speed	200 KM/H
Weight (Without Battery)	2.7 kg
Battery Pack	82V220G/82V430G 82V220/82V430
Charger	82C1G/82C2/82C6
Sound pressure level	88 dB(A), k:3.0 dB(A)
Sound power level	100 dB(A)
Vibration level	Ah: 2.5 m/s ² , k= 1.5 m/s ²
Double-insulated construction.	□

DESCRIPTION

See Figure 1.

1. BLOWER TUBE
2. TRIGGER
3. BATTERY RELEASE BUTTON

ASSEMBLY

UNPACKING

- Carefully remove the product and any accessories from the box.
- Inspect the product carefully to make sure no breakage or damage occurred during shipping.
- Do not discard the packing material until you have carefully inspected and satisfactorily operated the product.
- If any parts are damaged or missing, please call your Cramer service centre for assistance.

PACKING LIST

See Figure 2.

- Blower Tube
- Blower
- Operator's Manual

⚠ WARNING

Do not use this product if any parts on the Packing List are already assembled to your product when you unpack it. Parts on this list are not assembled to the product by the manufacturer and require customer installation. Use of a product that may have been improperly assembled could result in serious personal injury.

ASSEMBLING THE BLOWER TUBE

⚠ WARNING

To prevent accidental starting that could cause serious personal injury, always remove the battery pack from the tool when assembling parts.

- Align either of the grooves (4) in the tube with the tabs (5) on the blower housing. Push the tube into the blower housing until the tab engages the grooves. See Figure 3.
- Turn the tube in the direction of the arrow until both of the tabs slide into the lock positions. See Figure 4.

TO REMOVE/INSTALL BATTERY PACK

See Figure 5.

IMPORTANT! The battery pack is not charged when it is purchased. Before using the blower for the first time, place the battery pack in the battery charger and charge. Make sure to read all safety precautions, and follow the instructions in the Battery Charger manual.

TO REMOVE BATTERY PACK

- Press and hold the battery release button with firm grip.
- Grasp the trigger handle firmly. Pull the battery pack out of the handle.

TO INSTALL BATTERY PACK

- Align the tongue of the battery pack with the cavity in the handle housing.
- Grasp the trigger handle firmly.
- Insert the battery into the battery opening until the battery release button (3) locks into place.
- Push the battery pack into the handle until both sides lock. The latch button will click when locked into place.
- Do not use force when inserting the battery pack. It should slide into place and click.

⚠ WARNING

Follow these instructions in order to avoid injury and to reduce the risk of electric shock or fire:

- Replace the battery pack or the charger immediately if the battery case or charger cord is damaged.
- Verify that the switch is in the OFF position before inserting or removing the battery pack.
- Verify that the battery pack is removed and the switch is in the OFF position before inspecting, adjusting, or performing maintenance on any part of the blower.
- Read, understand, and follow the instructions contained in the section entitled Charging Procedure.

English (original instructions)

⚠ WARNING

The battery pack fits into the backpack snugly in order to prevent accidental dislodging. It may require a strong pull to remove it.

⚠ WARNING

Always take care of your feet, children, or pets around you when pressing the battery release button. Serious injury could result if the battery pack falls. NEVER remove the battery pack when in a high location.

OPERATION

⚠ WARNING

Do not allow familiarity with this product to make you careless. Remember that a careless fraction of a second is sufficient to inflict serious injury.

⚠ WARNING

Always wear eye protection with side shields marked to comply with ANSI Z87.1, along with hearing protection. Failure to do so could result in objects being thrown into your eyes and other possible serious injuries.

⚠ WARNING

Do not use any attachments or accessories not recommended by the manufacturer of this product. The use of attachments or accessories not recommended can result in serious personal injury. Before each use, inspect the entire product for damaged, missing, or loose parts, such as screws, nuts, bolts, caps, etc. Tighten securely all fasteners and caps and do not operate this product until all missing or damaged parts are replaced.

CHARGE BEFORE FIRST USE.

⚠ WARNING

Always remove battery pack from the product when you are assembling parts, making adjustments, cleaning, or when not in use. Removing battery pack will prevent accidental starting that could cause serious personal injury.

STARTING /STOPPING THE BLOWER

Before start-up, make sure that the blower is in perfect condition to guarantee safe operation.

- Ensure that the battery is installed in the blower.
- Squeeze the trigger to start the blower.
- Release the trigger to stop.

⚠ WARNING

To avoid serious personal injury, wear goggles or safety glasses at all times when operating this unit. Wear a face mask or dust mask in dusty locations.

⚠ WARNING

To prevent serious personal injury or damage to the unit, make sure the blower tube is in place before operating the unit.

⚠ WARNING

To avoid serious personal injury, do not wear loose-clothing or articles such as scarves, strings, chains, ties, etc., that could be drawn into the air vents. Tie back long hair to make sure it does not get drawn into the air vents.

OPERATING THE BLOWER

- To keep from scattering debris, blow around the outer edges of a debris pile. Never blow directly into the center of a pile.
- To reduce sound levels, limit the number of pieces of equipment used at any one time.
- Use rakes and brooms to loosen debris before blowing. In dusty conditions, slightly dampen surfaces when water is available.
- Conserve water by using power blowers instead of hoses for many lawn and garden applications, including areas such as gutters, screens, patios, grills, porches, and gardens.
- Watch out for children, pets, open windows, or freshly washed cars, and blow debris safely away.
- After using blowers or other equipment, clean up. Dispose of debris properly.

English (original instructions)

AIR VENTS
 Never cover air vents. Keep them free of obstructions and debris. They must always remain clear for proper motor cooling.

MAINTENANCE

⚠ WARNING

In order to avoid personal injury and the risk of fire and electric shock, remove the battery pack before adjusting, inspecting, or cleaning the blower.

CLEANING
 Remove the battery pack.

- Brush or blow dust and debris out of the air vents using compressed air or a vacuum. Keep the air vents free of obstructions, sawdust, and wood chips. Do not spray, wash, or immerse the air vents in water.
- Wipe off the housing and the plastic components using a moist, soft cloth. Do not use strong solvents or detergents on the plastic housing or plastic components. Certain household cleaners may cause damage, and may cause a shock hazard.

BATTERY PACK

- Store the battery pack charged.
- Once the charging light turns green, remove the battery from the charger and disconnect the charger from the outlet.
- Recharge the battery pack anytime you have notice there is less power. Never let the battery pack become completely discharged.
- After charging, the battery pack may be stored in the charger as long as the charger is not plugged in.

⚠ WARNING

When servicing use only identical replacement parts. Use of any other parts may create a hazard or cause product damage.

Avoid using solvents when cleaning plastic parts. Most plastics are susceptible to damage from various types of commercial solvents and may be damaged by their use. Use clean cloths to remove dirt, dust, oil, grease, etc.

⚠ WARNING

Do not at any time let brake fluids, gasoline, petroleum based products, penetrating oils, etc. come in contact with plastic parts. They contain chemicals that can damage, weaken or destroy plastic.

⚠ WARNING

To avoid serious personal injury, always remove the battery pack from the tool when cleaning or performing any maintenance.

STORING THE BLOWER
 Clean the blower thoroughly before storing. Store the blower in a dry, well-ventilated place that is inaccessible to children. Keep away from corrosive agents such as garden chemicals and de-icing salts.

- Store and charge your batteries in a cool area. Temperatures above or below normal room temperature will shorten battery pack life.
- Once the light on the charger turns solid green, remove the battery from the charger and disconnect the charger from the outlet.
- Do not store the battery pack on the tool.
- Never store batteries in a discharged condition. Wait for battery pack to cool and fully charge immediately.
- All batteries gradually lose their charge. The higher the temperature, the quicker they lose their charge. If you store your unit for long periods of time without using it, recharge the batteries every month or two. This practice will prolong battery pack life.

TROUBLESHOOTING

PROBLEM	POSSIBLE CAUSE	SOLUTION
Motor fails to start when switch is depressed.	Battery is not secure.	Check to ensure the latches are tightly secured into place on the back of the blower and the battery.
	Battery is not charged.	Charge the battery pack according to the instructions included with your battery.
Unit will not start.	Defective speed switch.	Have the defective parts replaced by an authorized service center.
	Defective motor.	
	Defective PCB board.	
Unit will not blow.	Blocked tube.	Clear the blockage.