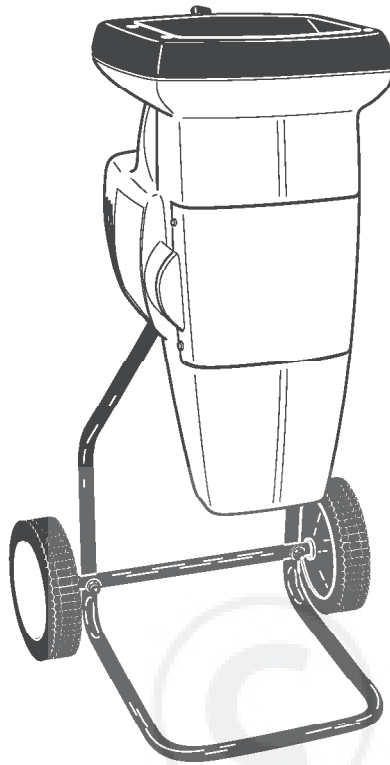
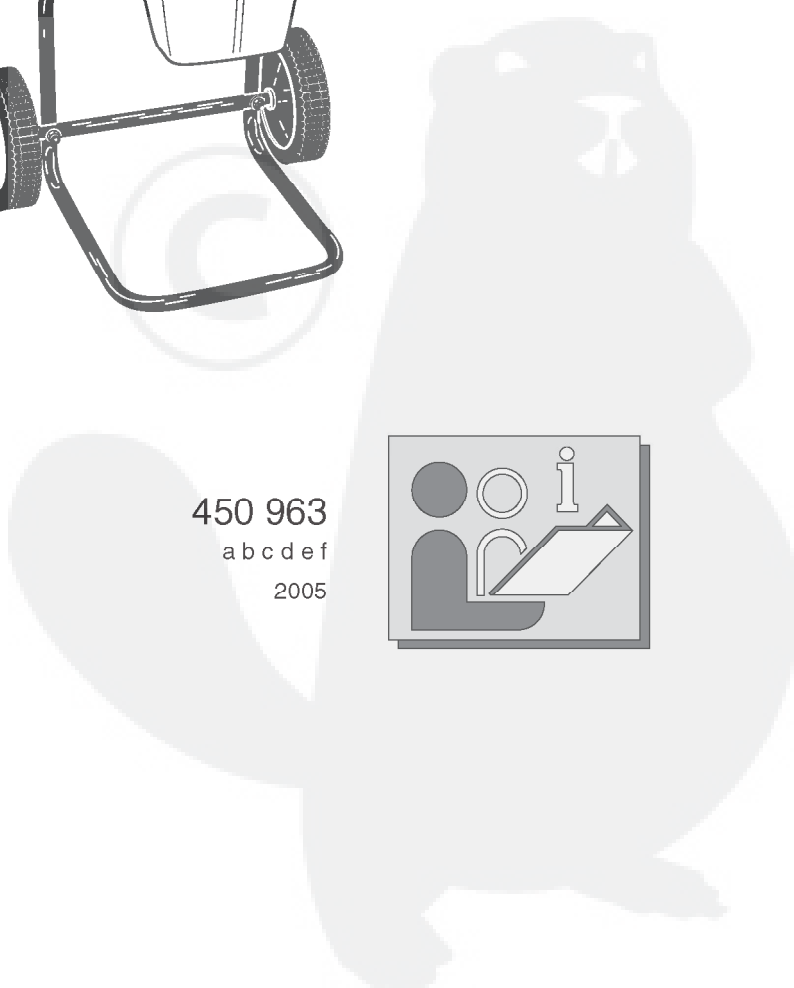
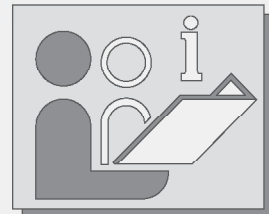


- D
- GB
- F
- I
- NL
- E
- DK
- S
- N



450 963
abcdef
2005



LIST OF CONTENTS

Manufacturer	Safety precautions	15 – 16
List of contents	Assembly	16
Introduction	Power supply	17
Helpful hints for a better understanding of the operating instructions	Operating	18 – 19
Intended use	Instructions for use	19
Meaning of symbols indicated on the mower ..	Maintenance and care	19 – 20
Technical data	Fault – location plan	20
	Guarantee	21

INTRODUCTION

Dear customer,
You have purchased a new machine.
We want to thank you for the trust that you put into our quality products and hope that you will have much pleasure from working with your new machine. Before putting the machine into operation for the first time, familiarize yourself with the content of these operating instructions!

If the machine is operated by unqualified persons inappropriately or not according to the purpose intended, use of the machine may be dangerous. Instructions concerning accident prevention must be adhered to. Please pay attention to the safety directions contained in these operating instructions and to the safety instructions on the machine.

HELPFUL HINTS FOR A BETTER UNDERSTANDING OF THE OPERATING INSTRUCTIONS

For warnings and a better overview, we use the following symbols (pictograms):



This symbol denotes an **immediate danger** to life and health!
Non-observance of these instructions may result in serious damage to health and even fatal injuries!



This symbol gives you important information regarding the **proper handling** of the shredder.



This symbol denotes a **potential danger** to people.
Non-observance of this instructions may have a severe impact on health. It may result in serious or even fatal injuries.



This symbol provides valuable **information to the user** and helpful hints regarding technical requirements! *These hints will ensure that all functions of the shredder can be used optimally.*



This symbol denotes a **potentially dangerous situation**.
Non-compliance with these instructions may lead to slight injuries or to the damage of property!

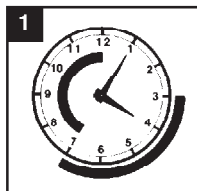


This symbol indicates the necessity of wearing protective gloves!



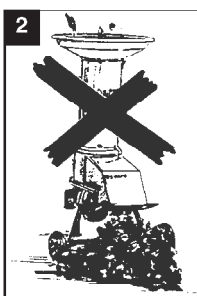
This symbol indicates the necessity of wearing protective goggles.

INTENDED USE



i This garden shredder is only intended for the shredding of organic substances accumulated from the house and garden area. Other use is not permitted.

Persons not allowed to use the shredder: Persons who have not familiarized themselves with the operating instructions, children, young people under the age of 16, and persons who are under the influence of alcohol, drugs or medical preparations must not use the shredder.



It is only designed for private use in accordance with the purpose for which it is intended. A garden shredder for private use is regarded as being one which will be used in the private home and garden, not in public parks, sports grounds or for farming or forestry.

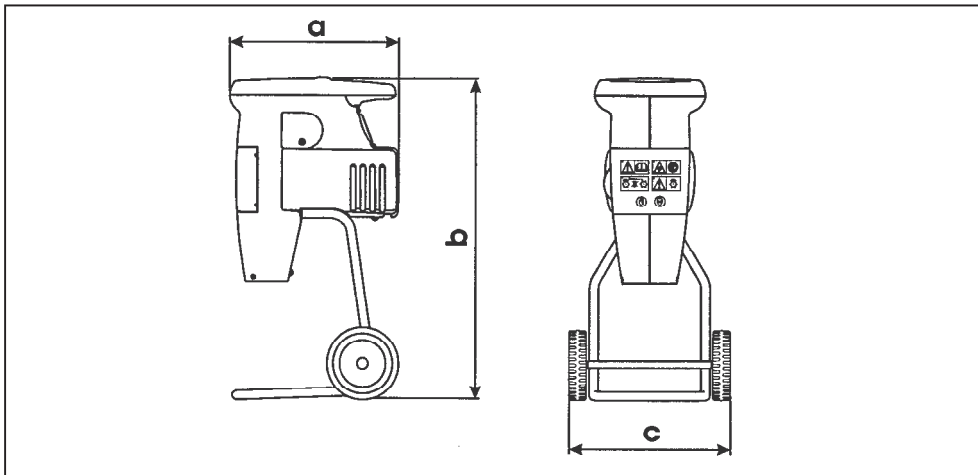
Working hours

1 2 While it is permitted to use a shredder at any time, operators should always show due consideration to others living nearby.

MEANING OF SYMBOLS INDICATED ON THE SHREDDER

	<p>Read the instructions carefully before operating!</p>
	<p>Rotating blades assembly! Blade assembly lags.</p>
	<p>Before working on cutting gear remove the mains plug.</p>
	<p>Danger warning! Rotating cutting gear.</p>
	<p>Wear protective goggles an protective gloves.</p>

TECHNICAL DATA



	Silent Power 3500	Silent Power 4000	Silent Power 5000
Motor	230 V ~ / 50 Hz / 1800 W	230 V ~ / 50 Hz / 2200 W	230 V ~ / 50 Hz / 2500 W
Fuse	10 A slow blow	10 A slow blow	10 A slow blow
Cutting roller speed	39 min ⁻¹	39 min ⁻¹	39 min ⁻¹
Switch-plug combination	with overload cut-out	with overload cut-out	with overload cut-out
Max. branch thickness	approx. 35 mm*	approx. 40 mm*	approx. 40 mm*
Weight	approx. 22 kg	approx. 24 kg	approx. 25 kg
Measured values determined according to RAL UZ 54.			
Noise level L_{WA}	98 dB(A)	98 dB(A)	98 dB(A)
Equivalent continuous noise level in the working place L_{pAeq}	82 dB(A)	82 dB(A)	82 dB(A)
Dimensions in mm (approx.)	a: 470 b: 890 c: 480	a: 470 b: 890 c: 480	a: 470 b: 890 c: 480

SAFETY PRECAUTIONS

1. General Remarks



1.1 Read the Operating Instructions through carefully. Familiarize yourself with the proper use of the machine.



1.2 Do not allow young people under 16 or anyone not familiar with the Operating Instructions to use the machine.



1.3 When operating the shredder, the user should ensure that there are no others, particularly children, in the area. Remember always that you are responsible for the safe operation of your machine vis-a-vis third persons.

1.4 The person using the machine is responsible for accidents involving other people or their property.

1.5 Keep these operating instructions for later use.

2. Preparations



2.1 The mains connection lead should be checked regularly for signs of wear or damage and must only be used in a perfect condition.



2.2 Mains cables must not be lighter than rubber-sheathed type BS 6500/1984 Table 16, with a cross section of at least 1,5 mm². Use only plugs coated with rubber, soft PVC or another thermoplastic material of the same strength.



2.3 Please keep children away from the machine once connected to the mains.



2.4 Before use, always make a visual check to see if blade, fastening bolts or the entire cutting unit are worn or damaged.



2.5 The machine should only be plugged into a mains socket that is fitted with a circuit breaker. The current released should not exceed 30 mA.



2.6 The extension socket on the extension cable must be protected against water spray.



2.7 Before starting up the shredder, check that the feeder funnel is firmly attached. If necessary, tighten up the screws.



2.8 Safety devices must not be removed.



2.9 The power cable must be kept away from the tools.

3. Instructions for use



3.1 During shredding, gloves and protective glasses should be worn.



3.2 During shredding, watch out for foreign bodies, ensuring that no stones, glass, metal, bones or plastics are fed into the shredder.



3.3 Rotating cutting blades!
During operation do not put hands into the feeding and ejection slots of the shredder. Blades continue to revolve when switched off!



3.4 Warning!
Switch off remove plug from the mains before:

- adjusting or cleaning the machine
- checking the mains cable for damage
- removing the funnel
- leaving the machine
- moving the machine



3.5 Ensure the shredder is stood on firm level ground.



3.6 Make sure the shredder is completely empty before switching off the motor. Failure to do so can result in difficulty with re-starting.



3.7 Switch off the motor and disconnect the mains plug prior to moving the shredder.



3.8 In the event of cutters jamming as a result of overfilling or of hard objects (e. g. foreign bodies, excessively thick branches) being fed in through the funnel, the shredder must be

checked over by a skilled mechanic.



3.9 Ensure that nuts and screws are tight.



3.10 Do not leave the machine standing in the rain or use when raining.

4. Instructions for Maintenance and Storage



4.1 Prior to undertaking maintenance or cleaning work on the shredder, the motor must be switched off and the mains plug disconnected.

4.2 Please ensure that proper maintenance is carried out as per operating instructions.



4.3 The shredder may not be cleaned with flowing water, especially under high pressure.



4.4 For safety reasons, worn or damaged parts must be replaced immediately.

4.5 Store your garden shredder in a dry room.

May we point out that, according to the law governing product liability we are not responsible for damages which are caused by our machine as a result of:

a) improper repairs which were not carried out by our authorized service agents

b) or if original spare parts were not used as replacement parts.

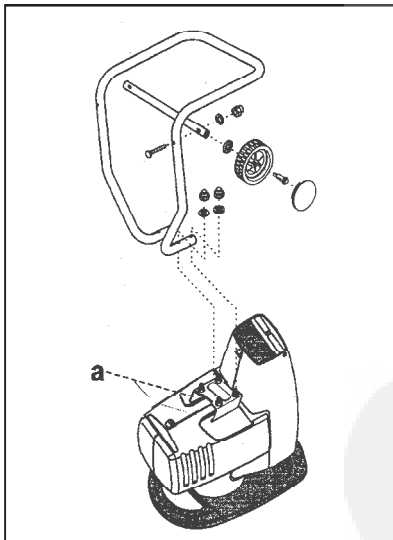
The same applies to accessories.

A service book of our authorized service agents is enclosed with every machine.

We reserve the right to modify design and performance without prior notice. Please quote machine number, model and article number when contacting us with queries or ordering spare parts.

ASSEMBLY

To fit stand



1. Turn machine upside down onto funnel.
2. Remove the transport safety device (a), therefore unscrew nuts (Re-use nuts for the undercarriage).
3. Fix frame to stay bolts on the machine as per diagram and screw tight.
 - 4 x curved washers
 - 4 x M6 nuts
4. Assemble wheel axle onto frame.
 - 2 cup square bolts M6 x 55
 - 2 washers Ø 6
 - 2 nuts M6
5. Assemble wheels onto wheel axle.
 - 2 wheels Ø 200
 - 2 lock washers Ø 8
 - 2 axle bolts
6. Press on wheel cups.

INSTRUCTIONS FOR USE

Operating for the first time



Don't put the shredder into operation before you have completely finished its assembly.
The mains connection lead should be checked regularly for signs of wear or damage and must only be used in a perfect condition.



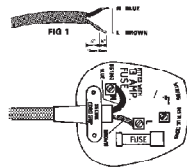
Never use a **damaged connecting lead** as faulty insulation can be lethal.

Power supply

i The machine can be plugged into any 10 Amp mains socket with 240 V.

Only for Great Britain / 240 V

Warning! No cable should be attached to terminal »E«. Never use a faulty power cable. Check the power cable regularly for signs of wear and tear.



Connecting lead

i Use only connecting lead which conforms to the safety requirements specified in point 2.2 (see page 15). The lead must not exceed the recommended lengths (max. 50 m) indicated below otherwise the power from the motor will be reduced. The connecting cables must have a cross section of $3 \times 1,5 \text{ mm}^2$.

Leads are particularly susceptible to insulation damage.

The cause of this can be:

- Cuts caused by running over the lead.
- Crushed points, if the lead has been passed under doors or through windows.
- Cracks in insulation due to ageing.
- Kinks caused by incorrect fixing or laying of the lead.

Damaged leads should never be used as faulty insulation can be extremely dangerous.

Note: Cables, plugs and extension sockets should fulfil the following requirements:

Connecting cables should be rubber insulated. Plugs and extension sockets must be made of rubber.

Only buy cables which meet British Standard specifications.


The leads should not be longer than the recommended length (between socket and machine) shown below:

Cross section: $1,5 \text{ mm}^2$
 maximum length: 50 m

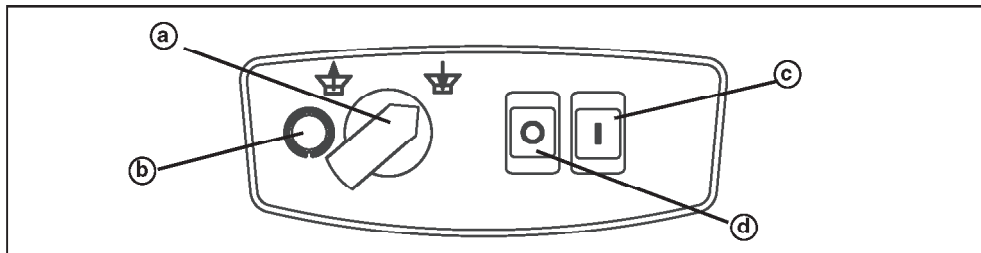
Leads must be checked regularly for damage. To do this, disconnect from the mains. Uncoil lead completely, check for kinks at place where lead enters plug and sockets.

Damage to insulation should not be repaired with tape. The cable can however, be shortened, thereby removing the damaged section.

OPERATION

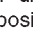
 Due to the functional positioning of the counter roller to the roller blade, there is a clearly audible clanking sound being emitted from all new models.


This noise is perfectly normal and will reduce to a minimum in the course of time.



To start motor


Plug in mains lead.

Rotation direction switch (a) must be in the »right« position on the  setting. Press the green ON-switch (c).


 The filling funnel must be empty when the machine is switched on

To stop motor

Press the red OFF-switch (d).

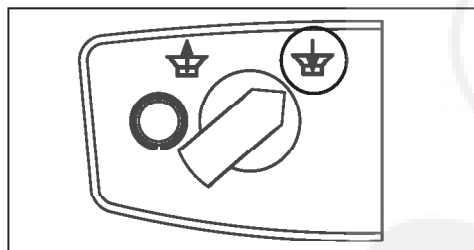
 Once it has been switched off, the machine will continue to run for a few seconds.

The rotation direction change-over switch

 To change the machine's direction of rotation, turn it off and wait until the cutting roller has stopped completely!
The rotational direction change-over switch (a) can only be operated when the unlocking button (b) is pressed.

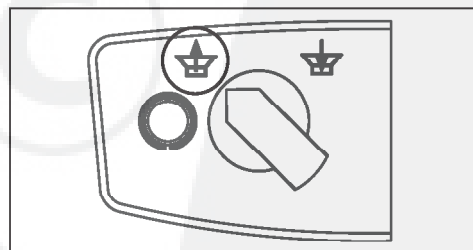
When the unlocking button (b) is pressed, the device is shut off.

To switch on again: Press the green ON button (c).



»Right« switch position 

The cutting roller pulls the material to be shredded into the machine and cuts it.



»Left« switch position 

The cutting roller runs backwards and releases any material which is stuck in the machine.

If the cutting roller suddenly becomes jammed, by foreign bodies, too much waste or branches which are too thick for example, the rotating direction of the cutting roller will in the most of the time automatically change and will release the blockage. (The rotation direction change-over switch will **not** jump to »left«). In this case, switch off the machine (Press the red OFF-Switch) and wait until the cutting roller has stopped completely.

Then switch the machine back on and the rotational direction of the cutting roller will be back to the right.

The machine has a built in safety switch, which switches it off in the machine overloads or the cutting roller becomes blocked.

After removing the cause of the blockage and waiting for the machine to cool down (at least 5 minutes), the motor can be switched back on again.

OPERATING INSTRUCTIONS

Shredding material

Organic substances, when shredded and mixed into the soil, become biological fertilisers and make excellent compost.


Organic substances include e. g.:
branches, twigs, shrubs, flowerstalks, vegetable waste, leaves etc.



DO NOT SHRED:

Roots of any kind with soil and stones attached (will damage the cutters), plastic material, plastic bags, glass, metal objects, bones, box-wood, rags, paper, cardboard etc.

Feeding


 Always switch on the motor prior to feeding material into the shredder.

Do not shred soft waste without solid substance such as kitchen waste. This material should be composted directly.

The following material can be fed in: Organic material of all kinds, as well as branches up to a thickness of:

Shredder type	max. branch thickness
Silent Power 3500	approx. 35 mm
Silent Power 4000	approx. 40 mm
Silent Power 5000	approx. 40 mm

The branch thickness apply to freshly cut wood!

 Tree prunings should be shredded as quickly as possible, as they can become very hard once they dry out. The max. branch diameters should be kept lower accordingly.

CARE AND MAINTENANCE



ELECTRIC POWER may result in serious or even fatal injuries!
All maintenance, service and cleaning work must be carried out only after the mains plug has been disconnected.

For safe and proper working, always keep the machine and the ventilation slots clean.



The shredder should not be cleaned with high pressure cleaners or running water.

Water may destroy the plug/socket combination and damage the electric motor.

Clean the shredder with a hand brush or a cloth. Store your garden shredder in a dry room.

Protect the cutting roller by spraying it with an environmentally friendly, biodegradable oil (with corrosion protection). Only use biodegradable oils which fall within **category 0 for water contamination**.

i Otherwise, the garden shredder is practically maintenance-free. The cutting and counter rollers will both last for several years if used

properly and in accordance with instructions. If material does not separate properly and sticks together in a chain when it comes out of the shredder, both the cutting and counter rollers must be replaced.



Warning: Old or damaged cutting tools (cutting/counter rollers) must be replaced by an authorised professional or at our Customer Care Centre.

It is desirable to have your shredder undergo a Winter inspection.

Plastic parts will be used more and more over the next few years.

For this reason, the exact material used will be indicated on the machine to ensure future recycling.

FAULT-FINDING PLAN

FAULT	POSSIBLE CAUSE	REMEDY
Motor won't start	a) no mains voltage b) mains cable/Plug/coupling faulty	a) check fuse b) check (electrical expert), replace
Material not being drawn into the machine	Cutting roller running backwards	Change direction of rotation
Material not properly separated when it has been shredded	Cutting roller worn out or damaged	Replace cutting and counter rollers – Customer Care Centre
Direction of rotation changes automatically	Material blockage	Switch off, wait until it has stopped completely and then switch it back on again.
Electrical repairs should only be carried out by a qualified electrician or authorized service agent.		

GUARANTEE

During the legal guarantee period, we will remedy any faults due to faulty materials or manufacture at our discretion by repair or by the supply of spare parts.

The guarantee period is subject to the current law of the country in which the machine was purchased.

The guarantee is only valid under the following conditions:

- The machine has been treated properly.
- The operation instructions have been followed.
- Genuine spare parts have been used.

The guarantee is void if:

- Attempts have been made to repair the machine.
- The machine has been altered.
- The machine has been used incorrectly. (e.g. commercial or communal use etc.).

The following items are excluded from the guarantee:

- Paint damage due to normal wear.
- Wearing parts on the spare parts card which are marked with the box **XXX XXX (X)**
- Internal combustion engines – separate guarantee conditions apply to these from the relevant engine manufacturer.

In the event of a claim under the guarantee, please contact your dealer or the nearest authorised customer service centre with this guarantee declaration and a proof of purchase.

The legal guarantee rights of the purchaser in respect of the seller remain unaffected by the terms of this guarantee.

