

Garden + Hobby
QUALITY FOR LIFE

AL-KO



- D
- GB
- F
- I
- PL
- CZ
- SK
- H
- DK
- S
- N
- RUS

INFORMATION | MANUALS | SERVICE

Blower Vac 2200 E Blower Vac 2400 E speed control

Betriebsanleitung



470602_a | 07/2009

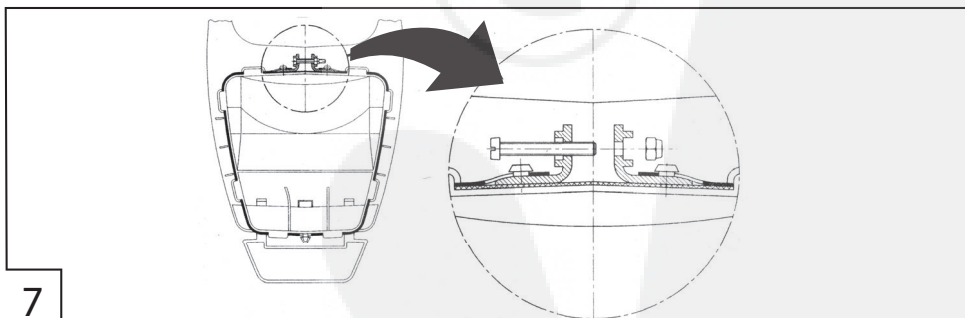
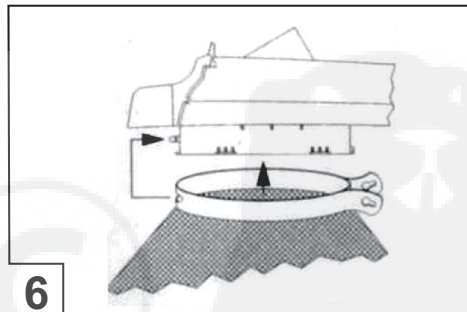
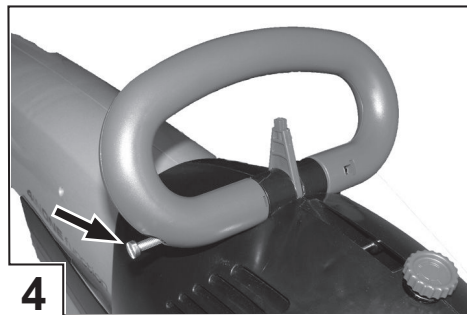
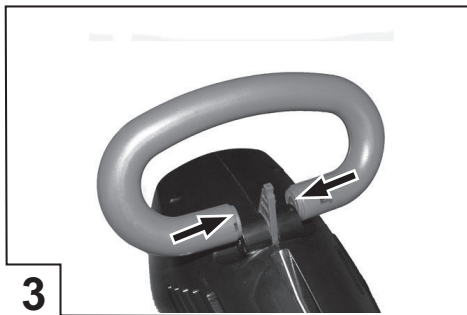


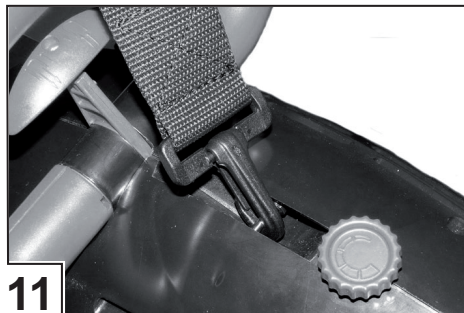
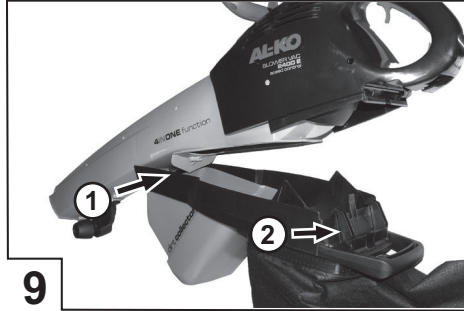
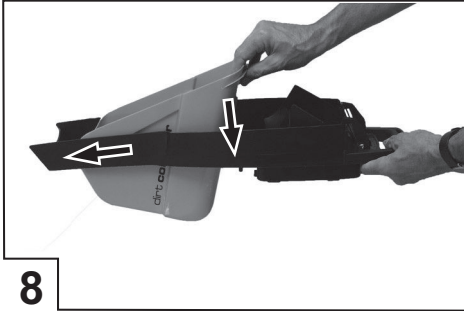
D: Betriebsanleitung.....6	SK: Návod na použitie.....54
GB: Operating Instructions 14	H: Használat.....62
F : Mode d'emploi22	DK: Brugsanvisning 70
I: Libretto di istruzioni.....30	S: Bruksanvisning78
PL: Instrukcja obsługi.....38	N: Bruksanvisning86
CZ: Návod k použití.....46	RUS: Руководство по эксплуатации.....94

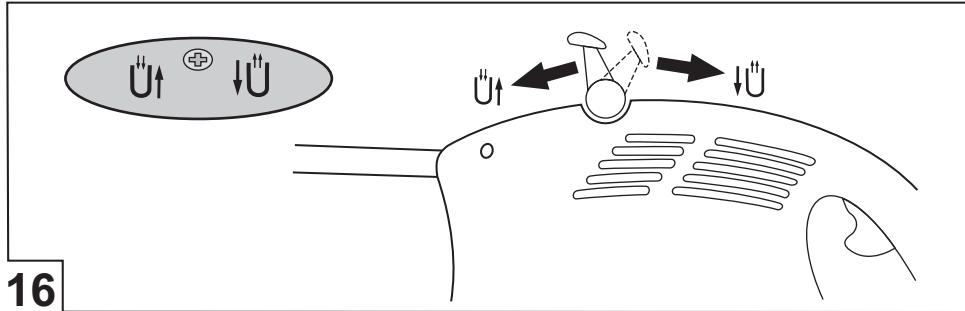
© Copyright 2009

AL-KO Geräte GmbH Kötz, Germany

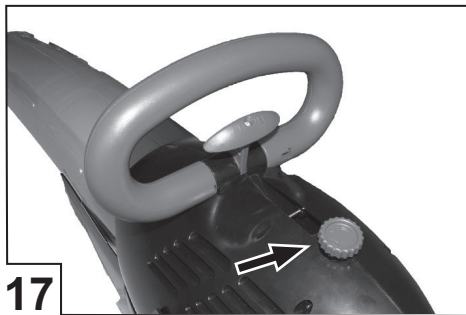
This documentation is allowed to also in excerpts-only with express authorization of the AL-KO Geräte GmbH duplicates or third accessible is done. Technical alterations of influence of the function reservations.



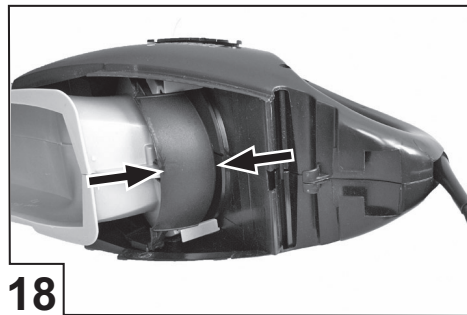




16



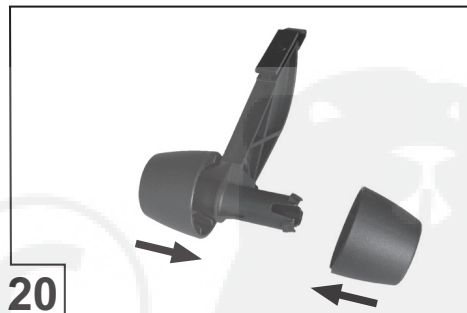
17



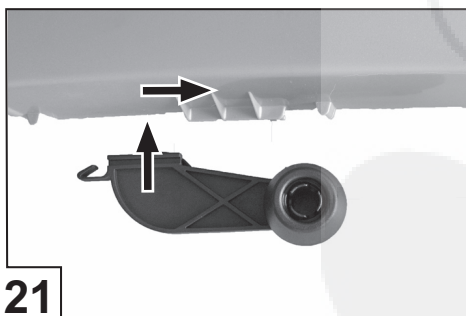
18



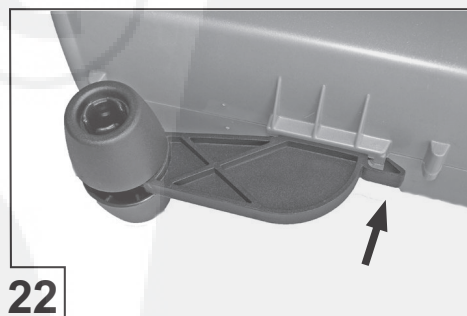
19



20



21





22


About this handbook

- Read through these operating instructions before starting up the machine. This is a prerequisite for safe and trouble-free working.
- Observe the safety and warning signs on the machine.
- You should save these instructions, and also pass them on to any subsequent users.

Pictogram description

 **Caution!**
Following these safety warnings carefully can prevent personal injury and / or material damage.

 Special information for better understanding and handling.

 The camera symbol refers to illustrations

Contents

About this handbook.....	14
Product description.....	14
Safety and protective equipment.....	14
Technical data.....	16
Safety instructions.....	16
Assembly.....	17
Operation.....	18
Maintenance and care.....	19
Storage.....	19
Disposal.....	19
Trouble-shooting.....	20
Warranty.....	20
EC declaration of conformity.....	21

Product description


This documentation describes an electric blower-vac with leaf collection sack.

The machine is fitted with a 0.3 m long power cable. The power cable is fitted with a moulded plug.

Designated use

The following uses comply with the designated use:

- Sucking up and blowing away dry leaves and garden refuse (grass clippings, small twigs, pine cones, scraps of paper)
- The machine is intended for non-commercial use

 Using the machine for any other or additional purpose is considered contrary to its designated use. The manufacturer accepts no liability for the resulting damage!

Instances of improper use

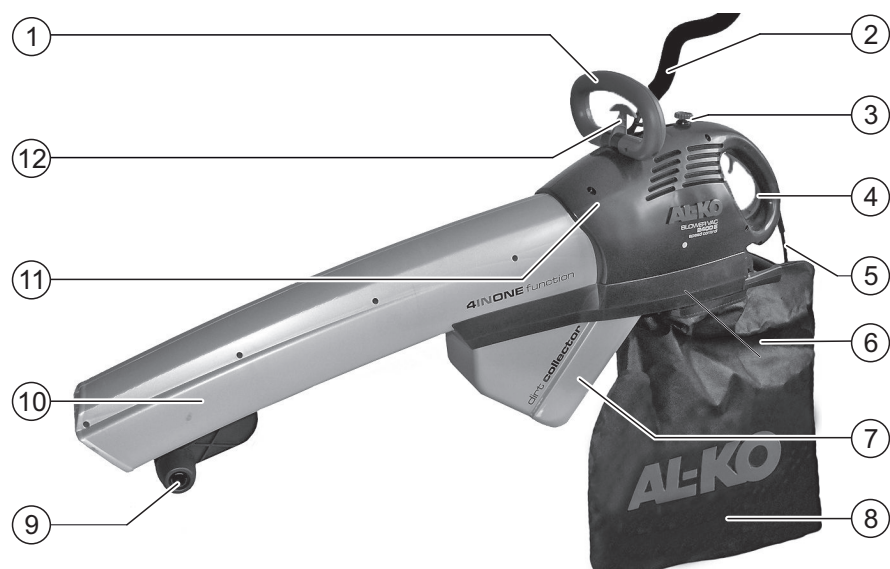
The following uses do not comply with the designated use:

- Bypassing or removing safety equipment
- Sucking up or blowing away burning, flammable or explosive materials
- Sucking up liquids
- Operating the machine when it is raining
- Operating the machine for commercial purposes

Safety and protective equipment

- Safety switch for the sack frame
- Non-latching ON / OFF switch






Product overview



1	Carrying handle	7	Pre-separator
2	Carrying strap	8	Collection sack
3	Speed controller*	9	Rollers
4	ON / OFF switch	10	Sucking / blowing duct
5	Mains power cable	11	Motor housing
6	Sack frame	12	Changeover lever sucking / blowing

* depending on the version

Meaning of symbols on the machine

- 
 Before performing cleaning or maintenance operations, unplug the power cable from the socket and wait until the motor has stopped.
- 
 Read the operating instructions and operate the machine accordingly.
- 
 Keep anyone not involved, especially children, away from the machine.
- 
 Do not use the machine when it is raining, or leave it outdoors.
- 
 Wear safety glasses.

Technical data

Technical data	Blower Vac 2200 E	Blower Vac 2400 E speed control
Power consumption	2 200 W	2 400 W
Suction power	9.7 m ³ / min	5.0 – 10.0 m ³ / min
Blowing speed	205 km / h	170 – 210 km / h
Pre-separator volume	5 l	5 l
Collection sack volume	40 l	40 l
Carrying strap	Yes	Yes, with padding
Speed controller	No	Yes
Reduction in the suction volume	Up to 90%	Up to 90%
Mains voltage, fuse rating	230 V AC / 50 Hz, 10 A	230 V AC / 50 Hz, 10 A
Protection class	□ / II	□ / II
Noise level L _{PA}	93 dB (A)	93 dB(A)
Maximum vibration acceleration avhw	< 2.5 m / s ²	< 2.5 m / s ²
Weight	5.1 kg	5.4 kg

Safety instructions



Warning!

Only use the machine if it is in faultless technical condition!



Warning – risk of injury!

Safety and protective equipment must not be disabled.

Electrical safety

- Use only extension leads designed for use outdoors
- Use only extension leads with a cross-section of at least 3 x 1.5 mm²
- Never use an extension lead that is damaged or brittle
- Take care not to overload extension leads that are rolled up on a cable drum
- Secure extension leads to the strain relief on the machine
- Always keep cables away from the machine working area
- Protect the machine against moisture

Safety instructions for operation



Comply with local regulations regarding operation of the machine.

- The operator or user is personally responsible for any accidents or hazards to other people and their property.
- Children must not be allowed to use the machine
- Persons unfamiliar with these operating instructions must not use the machine
- Use the machine only in daylight or under very good artificial lighting conditions
- Do not use the machine while under the influence of alcohol, drugs or medication
- Do not use the machine while other people, especially children, or pets are nearby.
- Do not leave the machine unattended
- Every time before using the machine, check it for damage – have any damaged parts replaced
- Never start the machine if the sack frame or collection sack is damaged or not fitted

- Wear appropriate working clothes:
 - Safety glasses
 - Protective gloves
 - Ear defenders
 - Face mask for dust protection
 - Sturdy footwear
 - Long trousers
- Keep the following items away from the suction intake:
 - Loose hanging clothing
 - Jewellery
 - Long hair
- Keep all cooling air inlets clear of rubbish.
- Never blow rubbish towards people.

Assembly



Warning!

Do not use the machine until it has been fully assembled.

Fitting the carrying handle

1. Insert the square nut into the carrying handle (📷 2).
2. Push the carrying handle on to the housing (📷 3).
3. Set the carrying handle to the desired position.
4. Insert the bolt (M6×100) into the carrying handle (📷 4).
5. Tighten the carrying handle bolt.

Fitting the changeover lever

1. Place the grip piece in position (📷 5).
2. Insert the bolt (Ø 3.5 × 16) into the grip piece.
3. Tighten the grip piece bolt.

Fitting the collection sack (📷 6)

1. Place the collection sack belt over the support pin on the sack frame and place it around the sack frame collar.
2. Ensure the locking bracket engages in the eye of the collection sack belt (📷 7).
3. Carefully tighten the collection sack belt using the nut and bolt (M4×30) (📷 7).

Fitting the pre-separator

1. Slide the lower edge of the pre-separator into the sack frame (📷 8).
2. Click the upper edge of the pre-separator home in the sack frame (📷 8).

Fitting the sack frame

1. Hook the sack frame on to the suction duct stub (📷 9/1).
2. Pull the sack frame upwards slightly (📷 9/2).
3. Allow the carrying handle to click home into the housing (📷 10).

Fitting the carrying strap

1. Insert the carrying strap carabiner hook into the belt retainer on the machine (📷 11).
2. Adjust the belt length so that the machine can be guided just clear of the ground.
3. Only for Blower Vac 2400 E speed control:
Place the belt padding around the shoulder area of the carrying belt, and close the Velcro fastening.

Fitting the rollers

1. Push the left and right rollers on to the roller carrier until they click home (📷 19, 20).
2. Insert the roller carrier into the slot on the underside of the sucking / blowing duct until it clicks home (📷 21, 22).

Operation

Use for the first time



Warning!

Do not use the machine until it has been fully assembled.

- The plug and socket on extension leads must be made of rubber, plasticized PVC or other thermo-plastic material with the same mechanical strength, or be clad in this material
- The extension lead must not be to a lower specification than:
 - light-duty rubber sheathed cable H05 RN-F to VDE 0282 part 8
 - sheathed cable with polyurethane cladding to VDE 0282 part 10
- Keep children away from the machine whilst it is plugged into the mains
- Plug the machine only into mains sockets that are protected with a residual-current device (RCD) with a triggering current of max. 30 mA
- The plug connectors of extension leads must be splash-proof
- Do not remove any protection devices

Transport



Warning – risk of damage!

Do not unplug the machine by pulling on the power cable.

Unplug it by grasping the plug to withdraw it!

- When carrying the machine always hold it by the handle or carrying strap
- Do not use the rollers for transporting the machine

Operation



Warning – risk of injury!

Do not operate the machine without a collection sack.

Close the zip on the collection sack..



The blower-vac will not work unless the sack frame is attached to the housing (safety switch).

- Regularly check the power cable and extension leads for signs of damage; use them only if they are in faultless condition!
 - If a cable is damaged in use, immediately disconnect it from the mains!
1. Plug the mains plug into the extension lead socket.
 2. Secure extension lead by inserting it into the strain relief (🔧 12, 13).
 3. Plug the extension lead plug into the mains socket.

Switching on

- Press the ON / OFF switch in and keep it pressed.

Switching off

- Release the ON / OFF switch

Selecting the operating mode

The operating mode is selected using the changeover lever:

(🔧 15, 16)

- Move the changeover lever to position $\text{Ü} \uparrow$:
- Sucking mode is selected
- Move the changeover lever to position $\text{Ü} \downarrow$:
- Blowing mode is selected

The operating mode can be selected when the motor is running or when it is stopped.

Setting the sucking / blowing power (🔧 17) (only for Blower Vac 2400 E speed control)

- Turn the speed controller clockwise:
- sucking / blowing power is increased
- Turn the speed controller anti-clockwise:
- sucking / blowing power is decreased

Emptying the collection sack

1. Switch off the machine
2. Unplug it from the mains
3. Open the zip on the collection sack
4. Thoroughly shake out the collection sack
5. Close the zip again

i In order to empty the collection sack it is not necessary to remove it from the sack frame.

Emptying the pre-separator

After coarse material has been sucked up (twigs, pine cones...) the pre-separator must be emptied.

1. Take off the sack frame
2. Empty the pre-separator.
3. Re-attach the sack frame.

i If the blowing operation causes material previously sucked up to be blown out again, the pre-separator needs emptying.

Maintenance and care

Warning
Injury hazard from moving parts.
Unplug from the mains and wait until the machine has stopped.

Warning – risk of damage!
Do not use a high-pressure cleaner or running water to clean the machine.

If the machine develops a fault, have it checked by an authorized specialist or in a customer service workshop.

- Check that all nuts, bolts and pins are secure, so that the machine can safely be operated
- Exchange any worn or damaged parts
- Use only original spare parts and accessories

Changeover lever

Residues of material sucked up can make the changeover lever stiff to operate.

- Immediately after using the machine, clear the changeover lever by moving it back and forth several times

Collection sack

- Frequently check the collection sack for wear or damaged parts
- Thoroughly shake out the collection sack. Brush it out if necessary.

i If the collection sack is heavily soiled it may be washed by hand at 30 °C.
No do use aggressive cleaning agents!

Mains power cable

- Regularly check the mains power cable; if it is damaged, have it exchanged by an authorized specialist or in a customer service workshop.

Extension lead

- Regularly check the extension lead; if it is damaged, exchange it.

Storage

- Unplug the machine from the mains for storage
- Store the machine in a dry condition
- Store the machine out of reach of children and unauthorized persons
- Empty the pre-separator and collection sack

Disposal

Do not dispose of old equipment, batteries or accumulators as household waste!

Machine, packaging, and accessories are made of recyclable materials, and should be disposed of accordingly.

Trouble-shooting

Trouble	Possible cause	Solution
Machine does not work	No power supply	Check fuse / extension lead
	Power cable defective	Contact AL-KO Service Centre
Machine cuts out intermit- tently	Extension lead damaged	Exchange extension lead
	ON / OFF switch defective	Contact AL-KO Service Centre
Reduced sucking / blow- ing power	Pre-separator full	Empty the pre-separator
	Collection sack full	Empty the collection sack
Sucking / blowing power too feeble	Extension lead too long	Limit the extension lead length to a maximum of 50 m
	Extension lead conductor cross- section too small	Use an extension lead with a conductor cross- section of at least 3 x 1.5 mm ²

i For faults not listed in this table, or which you cannot resolve by yourself, please contact our customer service.

Warranty

If any material or manufacturing defects are found during the statutory customer protection period, we will either repair or replace the equipment, whichever we consider the more appropriate. This statutory period may vary according to the legislation in force in the country where the equipment was purchased.

Our warranty is valid only if:

- The equipment has been used properly
- The operating instructions have been followed
- Genuine replacement parts have been used

The warranty is no longer valid if:

- The equipment has been tampered with
- Technical modifications have been made
- The equipment was not used for its intended purpose (for example, used for commercial or communal applications)

The following are not covered by warranty:

- Paint damage due to normal wear
- Wear parts identified by a border XXX XXX (X) on the spare parts list
- Combustion motors – these are covered by a separate warranty from the manufacturer concerned

To make a claim under warranty, please take this statement of warranty and proof of purchase to the nearest authorized customer service centre.

This warranty does not affect the usual statutory rights of the customer relative to the seller.

EC declaration of conformity

We hereby declare that this product, in the form in which it is marketed, meets the requirements of the harmonized EU guidelines, EU safety standards, and the product-specific standards.

Product	Manufacturer	Executive officer
Electric blower-vac	AL-KO Geräte GmbH	Anton Eberle
Serial number	Ichenhauser Str. 14	Ichenhauser Str. 14
G 2512515	D-89359 Kötz	D-89359 Kötz
Model	EU directives	Harmonized standards
Blower Vac 2200 E	98/37/EG (up to 28/12/09)	EN 60335-1
Blower Vac 2400E speed control	2006/42/EG (from 29/12/09)	IEC 60335-2-100
	2006/95/EG 2004/108/EG	
	2002/88/EG	
Sound power level measured / guaranteed	Conformity evaluation	
Blower Vac 2200 E	2000/14/EG, Appendix V	
102 dB(A) / 103 dB(A)		
Blower Vac 2400E speed control		
102 dB(A) / 103 dB(A)		

Kötz, 27.07.2009



Antonio de Filippo, Managing Director

