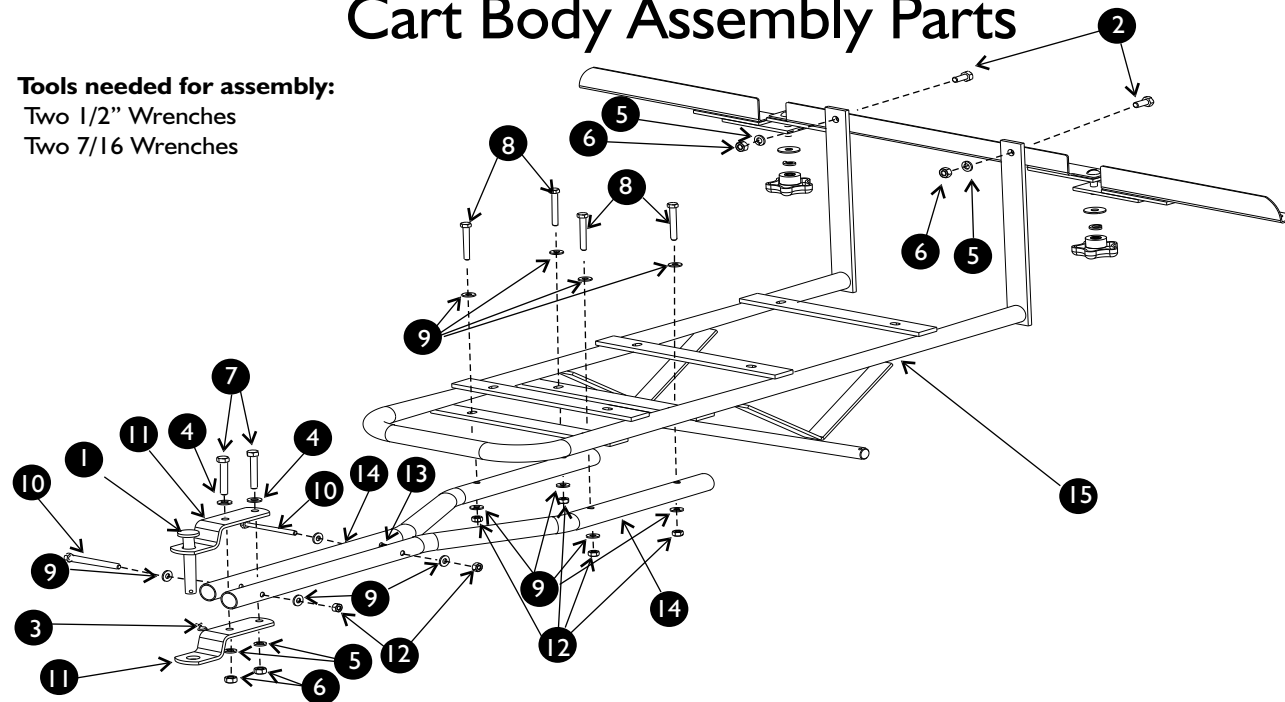


TCT15FB Trailer Sprayer

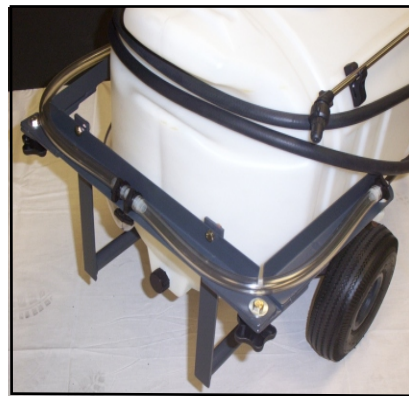
Cart Body Assembly Parts

Tools needed for assembly:
Two 1/2" Wrenches
Two 7/16 Wrenches



ASSEMBLY INSTRUCTIONS & PARTS LIST

03/08



Ref.	Part Description	Part Number	Qty.	Ref.	Part Description	Part Number	Qty.
1	1/2"x 3-1/2" Clevis Pin	4289	1	11	Clevis Plate	4265G	2
2	5/16" x 3/4" Hex Head Bolt	1248	2	12	1/4" Nylock Nut	1558	6
3	# 14 Hitch Pin Clip	1042	1	13	5/16" x 1/4 I.D. Spacer (plastic)	5153	1
4	5/16" Flat Washer	1044	2	14	Tow Bar Tube	5191GY	2
5	5/16" Lock Washer	1276	4	15	TCT Cart Frame	5190GY	1
6	5/16" Hex Nut	1275	4	16	Tube Plug 1" (Not Shown)	3060	2
7	5/16"x 2" Hex Head Bolt	4041	2				
8	1/4" x 2" Hex Head Bolt	1086	4				
9	1/4" Flat Washer	1817	12				
10	1/4" x 3" Hex Head Bolt	2179	2				

Step 1 (Assemble Tow Bar Tubes to Frame) Place the Tow Bar Tubes under the front of TCT Cart Frame (15) as shown above. Take the four 1/4" x 2" Hex Head Bolts (8), place a 1/4" Flat Washer(9) on each bolt, push the bolts through the holes in the frame then through the Tow Bar tubes, add one more 1/4" Flat Washer to each bolt and screw on the four 1/4" Nylock Nuts (12).

Step 2 (Assemble the Tow Bar) You will need the two 1/4" x 3" Hex Head Bolts (10). Place one 1/4" Flat Washer (9) on each bolt. The Bolt at front (where the two clevis plates are) goes through both tubes, then one more 1/4" Flat Washer(9) and then a 1/4" Nylock Nut(12). The other 3" long 1/4" Hex Head Bolt with washer goes through one tube, then add the 5/16" Spacer (13), Push the Bolt through the other tube ,add one more washer plus the other Nylock Nut. (The 5/16" Plastic Spacer should be between the two Tow Bar Tubes)

Step 3 (Assemble the Clevis Plates) Place the two Clevis Plates (11) as shown above, you will need the two 5/16 x 2" Hex Head Bolts (7), two of the 5/16" Flat Washers (4), two of the 5/16" Lock Washers (5), and two of the 5/16" Hex Nuts(6). Place one of the Flat Washers on each of the 5/16" x 2" long Bolts , push the bolts through the holes in the clevis plate and in between the two Tow Bar Tubes with one bolt on each side of the 1/4" bolt you used in Step 2. Line up the holes in the other Clevis Plate and push the bolts through, place one lock washer on each of the bolts then add the Hex Nuts.

Step 4 (Assemble Boom Angle to the Cart Frame) Place Boom Angle as shown above, use two 5/16" x 3/4" Hex Head Bolt (2),push the bolts through the Boom Angle and the holes in the cart frame (15). Place a Lock Washer (5) on each bolt, then screw on a 5/16 Hex Nut (6).

Customer Support At Precision Products, Inc. delivering quality, value and outstanding service is our goal. However, sometimes parts do become damaged or lost during transport from our facilities to the store. **If you have any problems, please do not return this merchandise to the store. Call us and we will take care of any problem you may have with this unit.**

The electric pump on this model has its own warranty. Precision Products, Inc. does not carry a warranty on the pump. Please refer to the parts list and operation manual for the pump included with this model.

Customer Service

When ordering parts, always give model number, part description, & part number.
Send To: Precision Products, Inc.
Parts Division **Phone** (217)735-1590
316 Limit Street **Fax** (217)735-2435
Lincoln, IL 62656
or visit us on the world wide web :www.precisionprodinc.com

LIMITED WARRANTY

This unit is warranted against defects in materials and workmanship to the original purchaser, under normal use and service, for a period of ninety (90) days from date of sale. During the Warranty Period, we will repair or replace at our option free of charge to the original purchaser, any part of the Unit that our examination shows to be defective in workmanship or materials. This Warranty **Does Not** apply to damage caused by misuse, abuse, neglect, accident, normal wear, or alterations by unauthorized persons.

PRECISION PRODUCTS, INC.

Precision

PRECISION PRODUCTS, INC.

MADE IN
☆☆☆☆☆
USA



Assembly Instructions

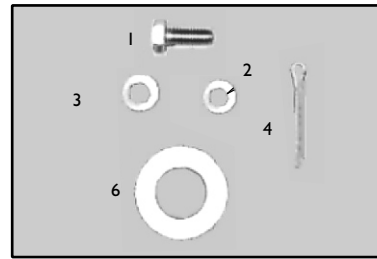
Assembly Hardware

Tools needed for assembly:

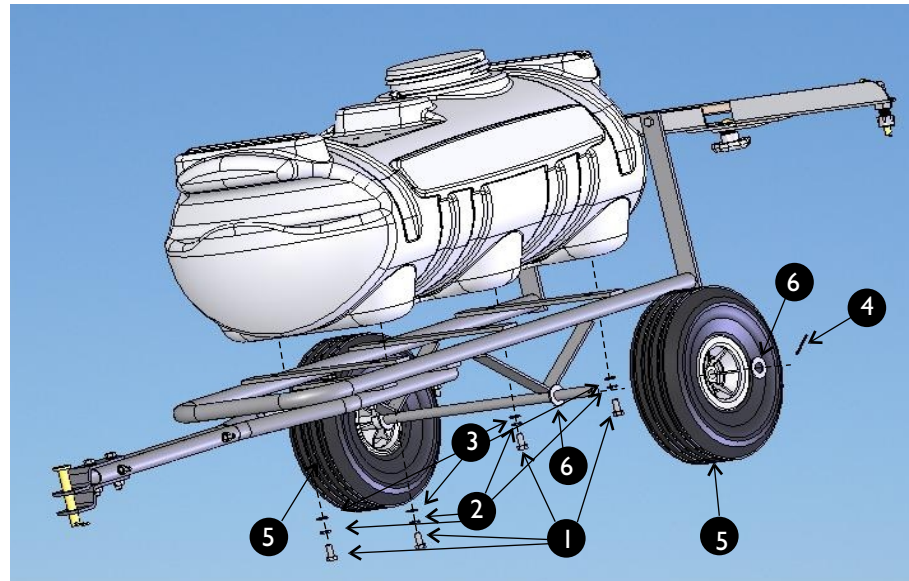
- One 1/2" Wrench
- One Pair Needle Nose Pliers

The tank should be mounted to the frame at the Factory, it will be attached with four 5/16" x 3/4" Hex Head Bolts (1), four 5/16" Lock Washers (2) and four 5/16" Flat Washers (3).

In the Hardware sack you will find four 5/8" Flat Washers (6) and two 1/8" x 3/4" Cotter Pins (4). Slide one Washer over each end of the axle, back to the Frame. Slide a Wheel (5) on each side, add another 5/8" Washer on each side and then put the 1/8" x 3/4" cotter Pin (4) through the holes at the end of the Axle. Spread the end of the Cotter Pins, so they stay in.



Ref. No.	Part No.	Part Description	Hardware Sack Qty.
1	1248	5/16" x 3/4" Hex Head Bolt	4
2	1276	5/16" Lock Washer	4
3	1044	5/16" Flat Washer	4
4	5195	1/8" x 3/4" Cotter Pin	2
5	2029	10" Pneumatic Wheel	2
6	1646	5/8" Flat Washer	4



Introduction

Your sprayer has been manufactured to provide the maximum in dependable efficient use. Proper operation and maintenance will ensure long satisfactory service. Study this manual carefully to become familiar with the operation and maintenance instructions.

Keep your manual in a safe, convenient place for future reference. Always mention the model and part number in any correspondence. To insure correct parts service be sure to use part number and description when ordering.

Operation

Operating power is obtained from a 12 volt direct source. Be sure to connect the red to the positive (+) source and attach the black to the negative (-) source.

IMPORTANT: Before spraying chemicals, fill the tank full of plain water to allow familiarization with the sprayer and to prevent waste of expensive chemicals.

Sprayer Maintenance

A sprayer is a carefully designed and built machine that should provide many years of reliable service if properly cared for. The main rule in caring for any sprayer is: **KEEP IT CLEAN.** Neglect costs dollars in repairs, wasted spray material and premature replacement of the sprayer.

Cleaning & Storage

Most spray materials are highly corrosive. The most important aspect of long dependable service from the sprayer is a thorough cleaning immediately following each use. In addition, the residue of one type of chemical could cause an undesirable effect when a different chemical is used for a different purpose.

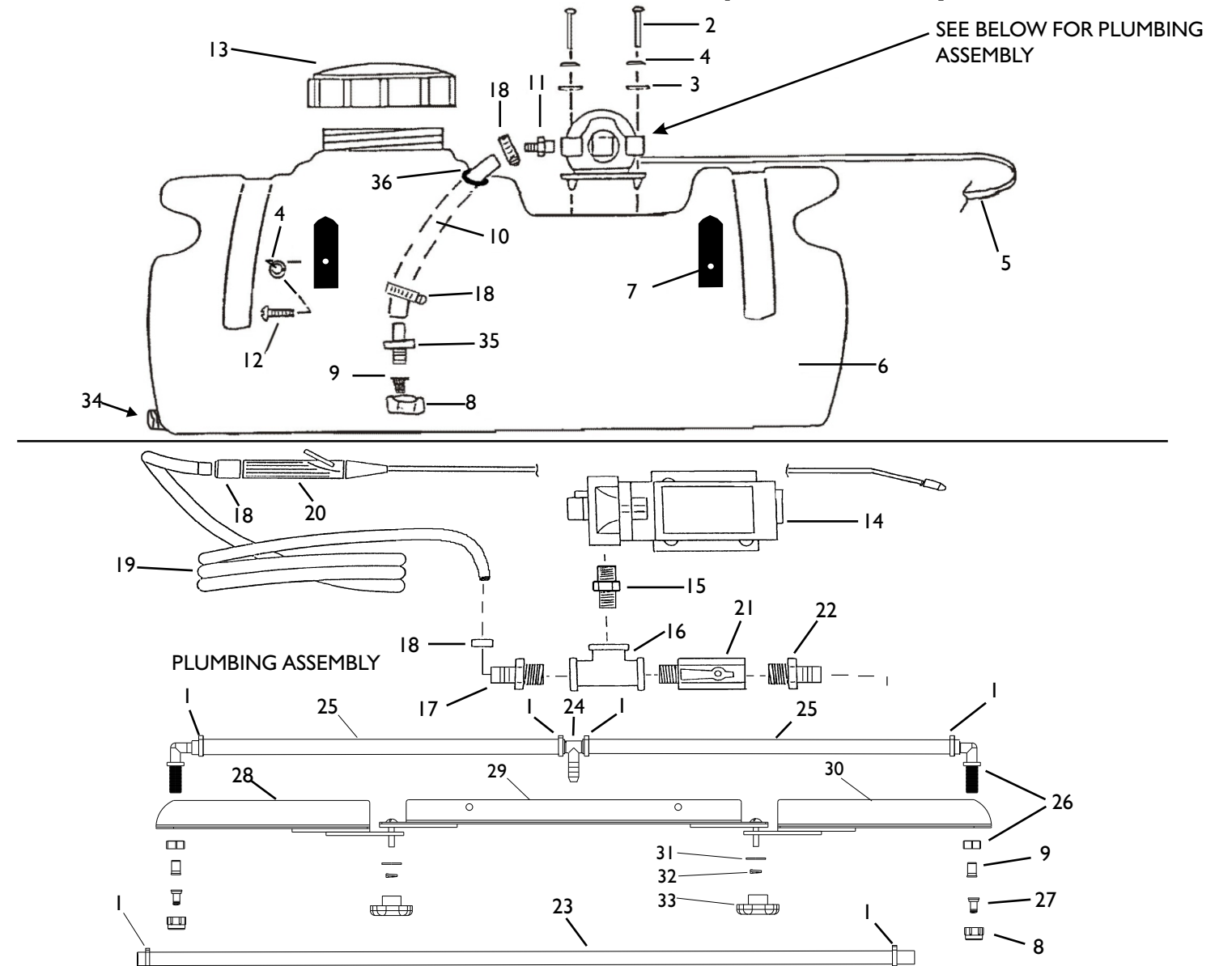
The most effective cleaning method is to pump several rinses of clean water through the tank, pump, hoses, boom, spray gun, etc. A neutralizing agent such as a solution of Nutra-Sol, a detergent or household ammonia as recommended by the chemical manufacturer can assist in removal of a persistent chemical. When the system is thoroughly cleaned drain the tank, suction line, pump, hoses, etc.

The following steps should be followed for the maintenance and storage of your sprayer.

1. Wash and flush out sprayer after completion of each phase of your program. Flush out sprayer when changing chemicals if there is a possibility of the chemicals being incompatible. Use of a detergent is advisable if the chemical manufacturer does not make specific cleaning recommendations. Flush system completely, including nozzles. Never use metal objects to open clogged nozzles.

2. Clean sprayer thoroughly before storing at the end of the spraying season. Permanent type anti-freeze added to the final rinse will leave a rust inhibiting film in parts of the sprayer.

Parts List for Pump Assembly



Ref.	Part Description	Part Number	Qty.	Ref.	Part Description	Part Number	Qty.
1	Hose Clamp .702 - .801 Plastic	3716	6	19	3/8 Rubber Hose 15'	3773	1
2	10-24 x 1-1/4" Round Head Screw	3604	4	20	Spray Wand & Nozzle	3658	1
3	#10 Flat Washer (10FWZP)	3605	4	21	1/4 MPT x 1/4 FPT Valve	3730	1
4	#10 Lock Washer	3636	6	22	1/4 MPT x 1/2 HB Hose Barb	3729	1
5	Wire Harness	3665	1	23	1/2 Clear Hose 40"	3775	1
6	15 Gallon Sprayer Tank	3614	1	24	Nylon Tee, 1/2	3723	1
7	Wand Holder	3784	2	25	1/2 Clear Hose 19-1/2	3776	2
8	Nozzle Cap	3620	3	26	1 1/16 MPS x 1/2 HB ELB HB w/Nut	3725	2
9	Suction Strainer	3619	3	27	Nozzle 2.5 Brown	3719	2
10	3/8 Rubber Hose 24"	3777	1	28	Boom Arm Assy Right	4879	1
11	3/8 MPT x 3/8 HB	3607	1	29	Boom Body Assy.	4881	1
12	10-24 x 1/2 Bolt	3613	2	30	Boom Arm Assy Left	4880	1
13	Tank Lid	3601	1	31	5/16 Fender Washer	2172	2
14	Pump Electric: Check Model Number Models TCT15-12V (1.8 W/ Switch)	3609	1	32	5/16 Lock Washer	1276	2
15	3/8" MPT x 1/4" MPT Nipple	3728	1	33	Control Knob	2158	2
16	Nylon Tee, 1/4"	3718	1	34	Drain Cap W/Washer	3733	1
17	1/4 MPT x 3/8 HB	3731	1	35	1 1/16 MNPS x 3/8 HB	3763	1
18	1/2" Stainless Steel Clamp	3632	4	36	Grommet 5/8 H.D. X 3/8 Thick	3639	1