

# 125LB TOW-BEHIND SPREADER



**Instruction & Assembly**

**SAVE THESE INSTRUCTIONS FOR FUTURE REFERENCE**

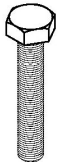
## SAFETY RULES

### READ THE DIRECTIONS BEFORE ASSEMBLY

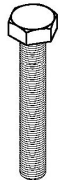
- Read the towing vehicle owners manual and towing vehicle safety rules. Know how to operate your tractor before using the tow-behind spreader.
- Read the chemical label instructions and cautions for handling and applying the chemicals purchased for spreading.
- Wear eye and hand protection when handling and when applying lawn or garden chemicals.
- Never operate tractor and spreader attachment without wearing substantial footwear, and do not allow anyone to ride or sit on spreader attachment frame.
- Never allow children to operate the tractor or spreader attachment, and do not allow adults to operate without proper instructions.
- Always begin with the transmission in first (low) gear and with the engine at low speed, and gradually increase speed as conditions permit.
- When towing spreader do not drive too close to a creek or ditch and be alert for holes and other hazards which could cause you to loose control of the spreader and tractor.
- Before operating vehicle on any grade (hill) refer to the safety rules in the vehicle owner's manual

## REMOVE AND IDENTIFY LOOSE PARTS FROM CARTON AND BAG

Hex Bolt M6x35  
3pcs



Hex Bolt M6x40  
7pcs



Inner Hex Bolt M5x45  
1PC



Cotter Pin Ø 5x35  
1pc



Nylon Lock Nut M5  
1pc



Nylon Lock Nut M6  
10pcs



Nylon Lock Nut M8  
1pc



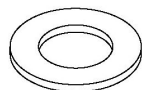
Big Flat Washer Ø 6  
7pcs



Flat Washer Ø8  
1pc



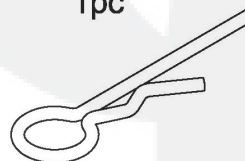
Flat Washer Ø16  
5pcs



Axle Bushing  
2pcs



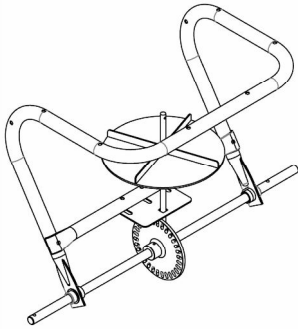
R Pin  
1pc



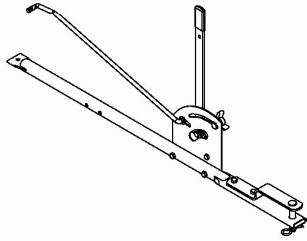
Inner Hex Wrench  
1pc



Frame Tube Assembly  
1 pc



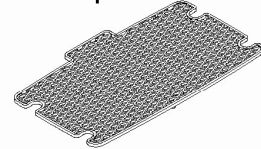
Hitch Tube  
1 pc



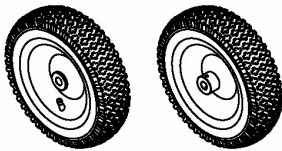
Brace Hitch  
2 pcs



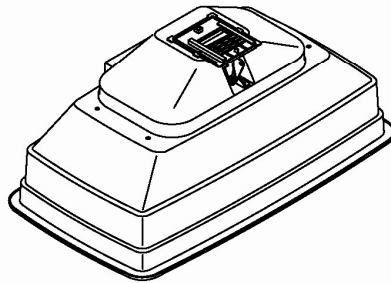
Hopper Screen  
1 pc



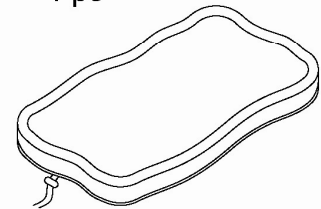
Pneumatic Wheel  
2 pcs



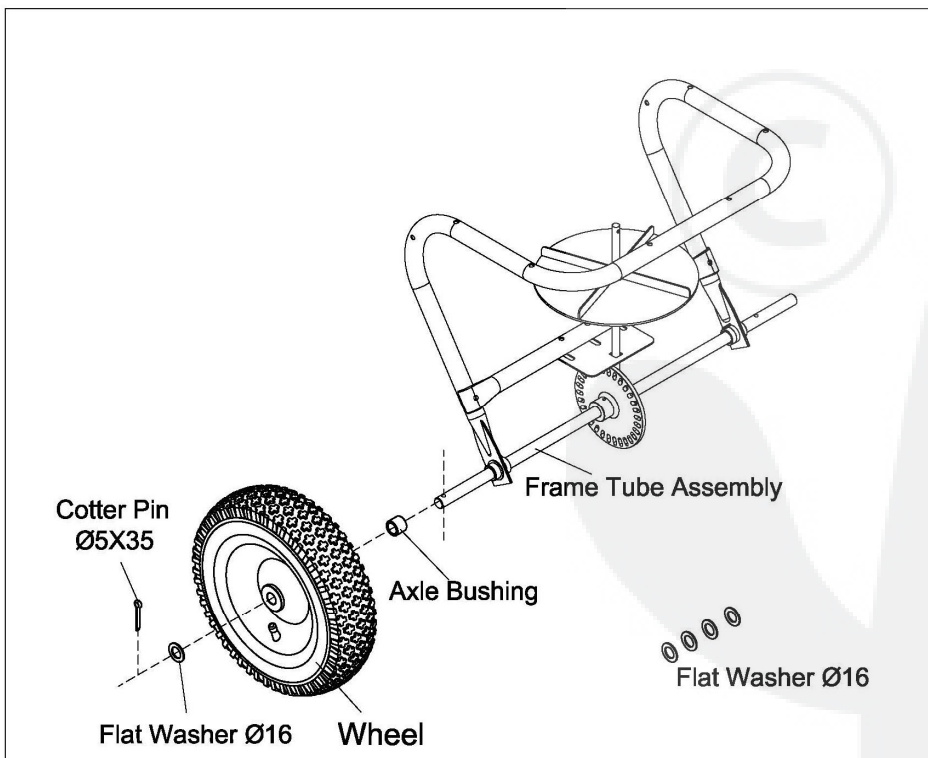
Hopper Assembly  
1 pc



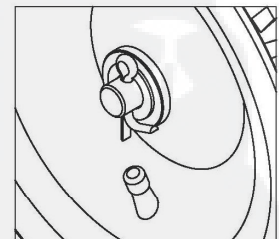
Rain Cover  
1 pc



**STEP 1:** Assemble the wheel to the frame tube assembly. Fix 1pc axle bushing to the wheel axle at one side of the frame tube, insert the wheel to the axle; fix the wheel with 1pc Flat Washer  $\text{\O}16$  and 1pc Cotter Pin  $\text{\O}5 \times 35$ . (There are 4 extra pieces of  $\text{\O}16$  flat washer for adjusting the space between wheel and axle bushing.)

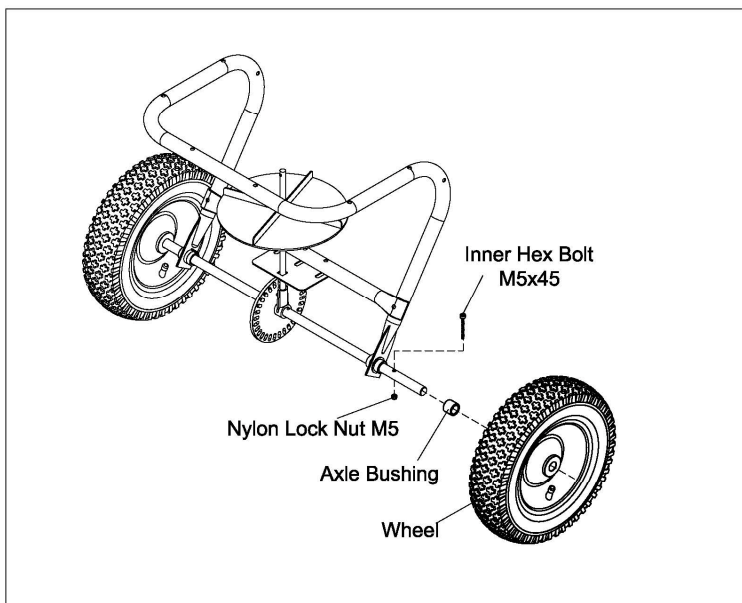


Picture 1

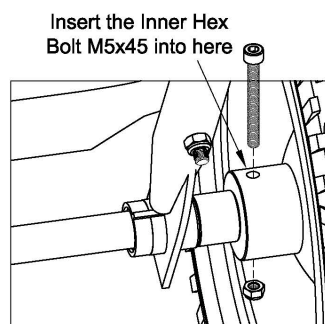


Picture 2

**STEP 2:** Assemble the wheel on the other side of the frame tube assembly. Insert one axle bushing before assemble the wheel to the axle. Fix the wheel by using one inner hex bolt M5x45 and nylon lock nut M5. Make sure the hole on the wheel will be aligning at the hole on the wheel axle, and then secure the wheel by inserting the Inner hex bolt to the holes.

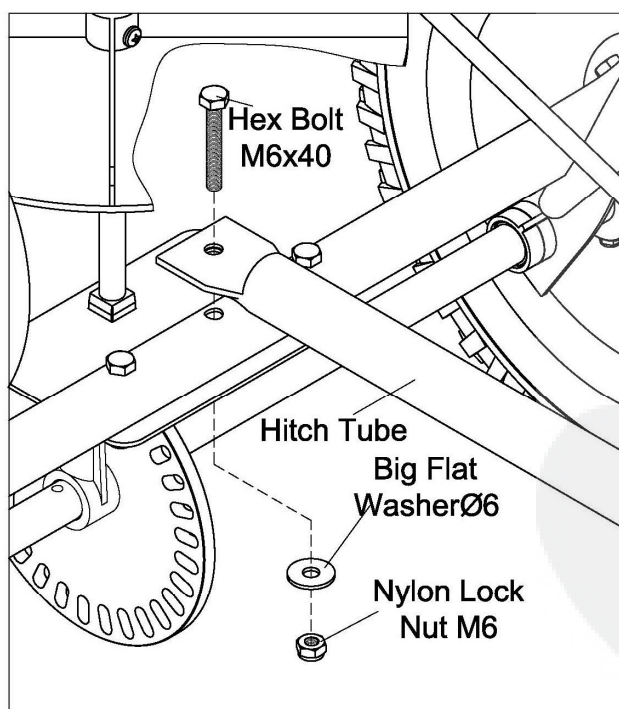


Picture 3

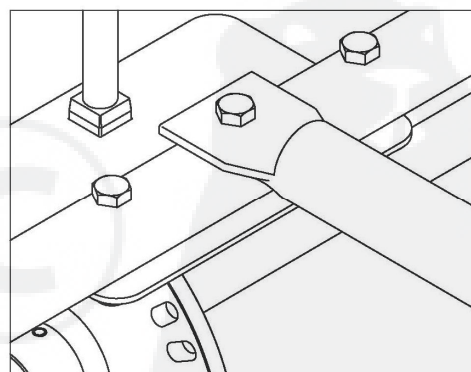


Picture 4

**STEP 3:** Assemble the hitch tube to the middle of the frame tube assembly by using a hex bolt M6x40. Secure the bolt with a big flat washer Ø6 and nylon lock nut M6.

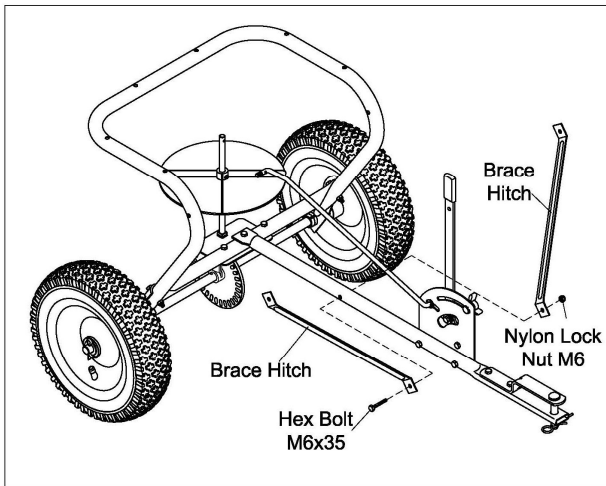


Picture 5

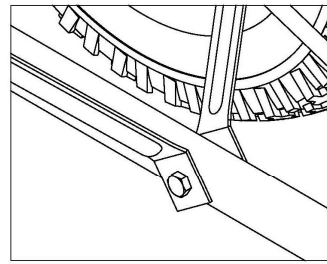


Picture 6

**STEP 4:** Assemble one end of brace hitches to the middle of the hitch tube, secure with a hex bolt M6x35 and nylon lock nut M6.

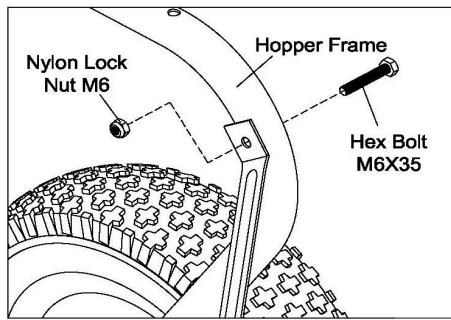


Picture 7

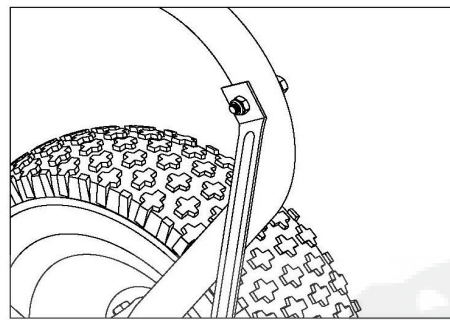


Picture 8

**STEP 5:** Assemble the another end of the brace hitches to the inside of frame tube assembly (Hopper Frame) by using a hex bolt M6x35 and nylon lock nut M6

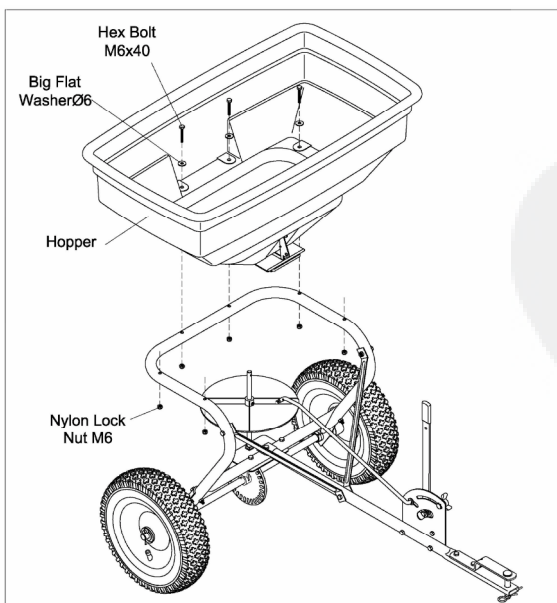


Picture 9

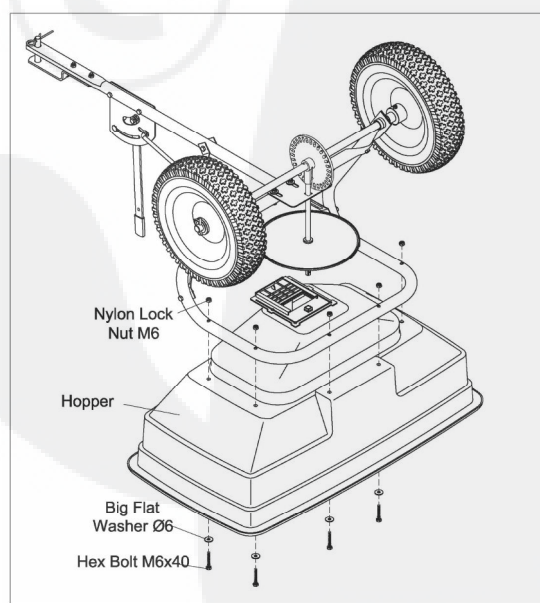


Picture 10

**STEP 6:** Assemble the hopper to the frame tube assembly, make sure the six holes on hopper are align with the holes hopper frame. Fix the hopper to the frame using 6 sets of hex bolt M6x40, big flat washer Ø6 and nylon lock nut M6.

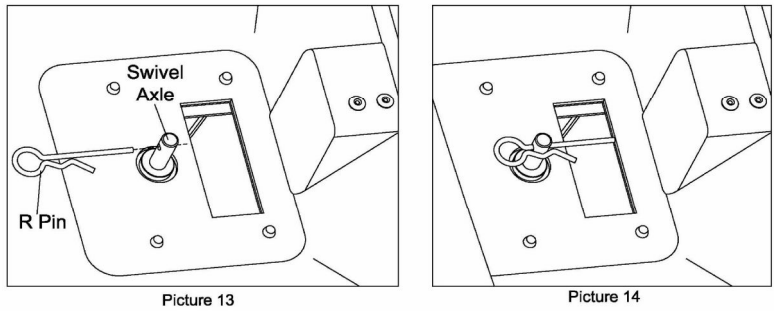


Picture 11

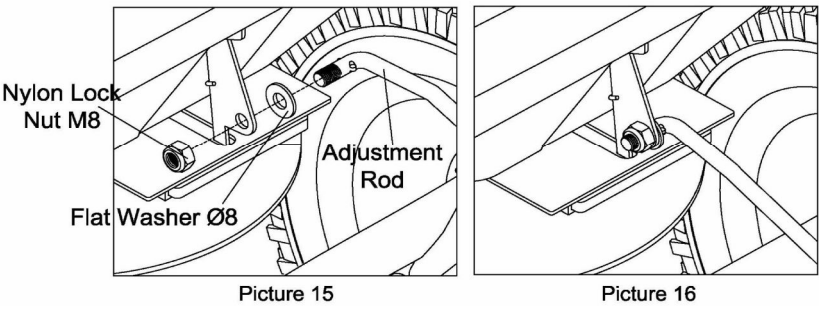


picture 12

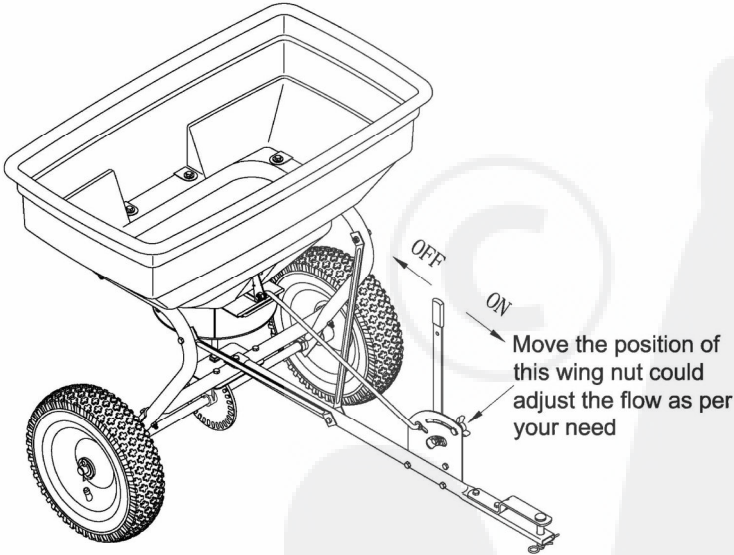
**STEP 7:** Assemble the R Pin to the hole of Swivel Axle in the hopper.



**STEP 8:** Assemble the adjustment rod to the bottom of the hopper. Slip a flat washer Ø8 over the end of the adjustment rod, then insert the adjustment rod into the hole at bottom of hopper and secure the adjustment rod with a nylon lock nut M8.



**STEP 9:** Before operating the tow behind spreader make sure all hardware is securely tighten.



v

<b>SPECIFICATION</b>
Capacity: 125LB / 60L
Dimension of Hopper: 29-1/2in.x16-1/2in.x13-2/5in. (75x42x34cm)
Length of Tow Bar: 31-7/8in. (81cm)
Net Weight: 25.6lb/11.6kg
Overall Size: 41-1/2in.x29-1/2in.x29-1/2in. (105.5x75x75cm)
Wheel Diameter: 12in. (31cm)
Wheel Width: 3in. (8cm)

## **GENERAL WARNINGS**

Operator must read and understand all safety and warning information, operating instructions, maintenance and storage instructions before operating this equipment. Failure to properly operate and maintain the lawn roller could result in serious injury to the operator or bystanders.

### Operation Warnings

- **DO NOT** at any time carry passengers sitting or standing on the lawn roller.
- **DO NOT** allow children to play on, stand upon or climb on the spreader.
- **DO NOT** exceed rated capacity of 125lb
- Replace or repair damaged or worn parts immediately.
- To avoid personal injury and/or equipment damage **DO NOT EXCEED 5 MPH.**
- **ONLY** tow with recommended vehicles (Lawn/Garden Tractors and ATVs).
- **ALWAYS** inspect the spreader before using to assure it is in good working condition.
- **ALWAYS** keep hands and feet clear from moving parts while operating the equipment.
- **DO NOT** use if the spreader is damaged or worn as this may cause injury to the operator or bystanders.
- **ALWAYS** make sure the spreader is secure and locked to the hitch of the approved vehicle before operating.
- **NEVER** add material to the spreader unless it is attached to the tractor.

## Maintenance and Storage

### MAINTENANCE

- After each use clean material out of hopper.
- Rinse/dry inside and outside of the spreader after each use.
- Before operating make sure the tires have the **RECOMMENDED TIRE PRESSURE.**
- Periodically check all fasteners for tightness.
- Annually clean and lightly lubricate parts.
- Use a glossy enamel spray paint to touch up scratched or worn painted metal surfaces.
- Never exceed load capacity rating of 125lbs it will damage the spreader.

### IMPORTANT:

If a part needs replacement, only use parts that meet the manufacturer's specifications. Replacement parts that do not meet specifications may result in a safety hazard or poor operations.

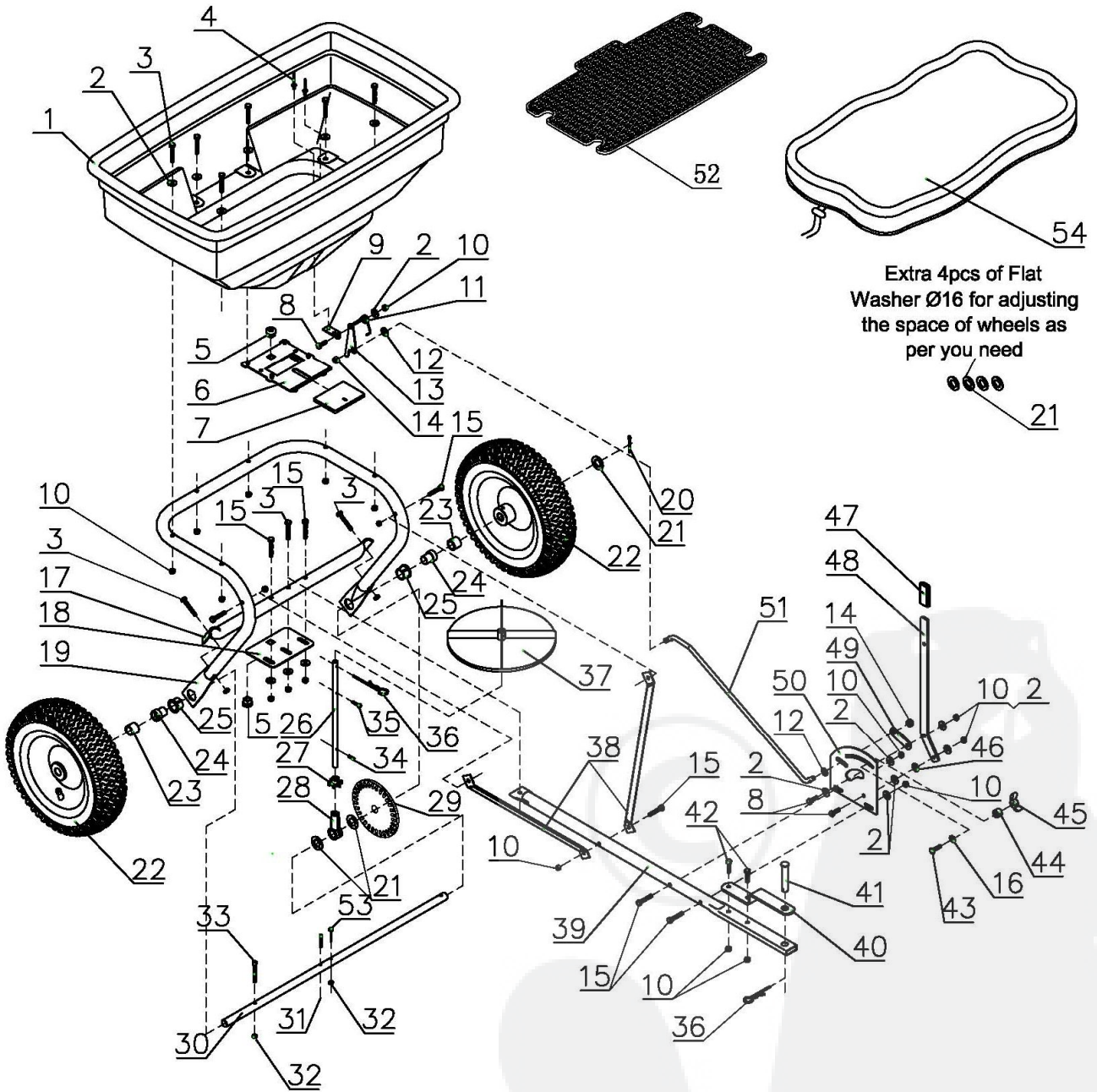
### STORAGE

- Never allow material to remain in the hopper for extended periods of time.
- Before storing make sure the spreader is clean and dry for years of trouble free service.
- Store indoors or protected area during severe weather and winter months.

### **WARNING**

**ALWAYS** maintain the proper tire pressure. **DO NOT** over or under inflate the tires as serious injury may result. **ALWAYS** keep the tires at **25PSI.**

# PARTS DRAWING





## PARTS LIST

Ref#	Description	Qty	Ref#	Description	Qty
1	Hopper Assembly	1	28	Swivel Axle Base	1
2	Big Flat Washer Ø6	16	29	Gear (Driver)	1
3	Hex Bolt M6x40	9	30	Wheel Axle	1
4	Rivet Ø5x10	2	31	Pin Ø4x30	1
5	Swivel Axle Bushing	2	32	Nylon Lock Nut M5	2
6	Fixed Adjustable Plate	1	33	Inner Hex Bolt M5x45	1
7	Active Adjustable Plate	1	34	Pin Ø3x16	1
8	Hex Bolt M6x20	3	35	Screw M4x20	1
9	Base for Torsion Spring	1	36	R Pin Ø3	2
10	Nylon Lock Nut M6	21	37	Impeller	1
11	Torsion Spring	1	38	Brace Hitch	2
12	Flat Washer Ø8	2	39	Hitch Tube	1
13	Fix Plate for Connecting Rod	1	40	Hitch Bracket	1
14	Nylon Lock Nut ,M8	2	41	Pin Ø12x65	1
15	Hex Bolt M6x35	7	42	Hex Bolt M6x25	2
16	Teeth Lock Washer Ø8	1	43	Carriage Bolt M6x25	1
17	Crossover Tube	1	44	Spacer	1
18	Swivel Axle Fix Plate	1	45	Wing Nut	1
19	Frame Tube Assembly	1	46	Nylon washer	1
20	Cotter Pin Ø5x35	1	47	Handle Grip	1
21	Flat Washer Ø16	7	48	Adjustable Handle	1
22	Pneumatic Wheel	2	49	Connect Rod	1
23	Wheel Axle Bushing	2	50	Gauge Plate	1
24	Inner Axle Bushing	2	51	Adjustment Rod	1
25	Outer Axle Bushing	2	52	Hopper Screen	1
26	Swivel Axle	1	53	Hex Bolt M5 x 40	1
27	Pinion Gear	1	54	Rain Cover	1