

80LB SALT SPREADER



Assembly and Operating Instructions

1. HELPFUL HINTS:

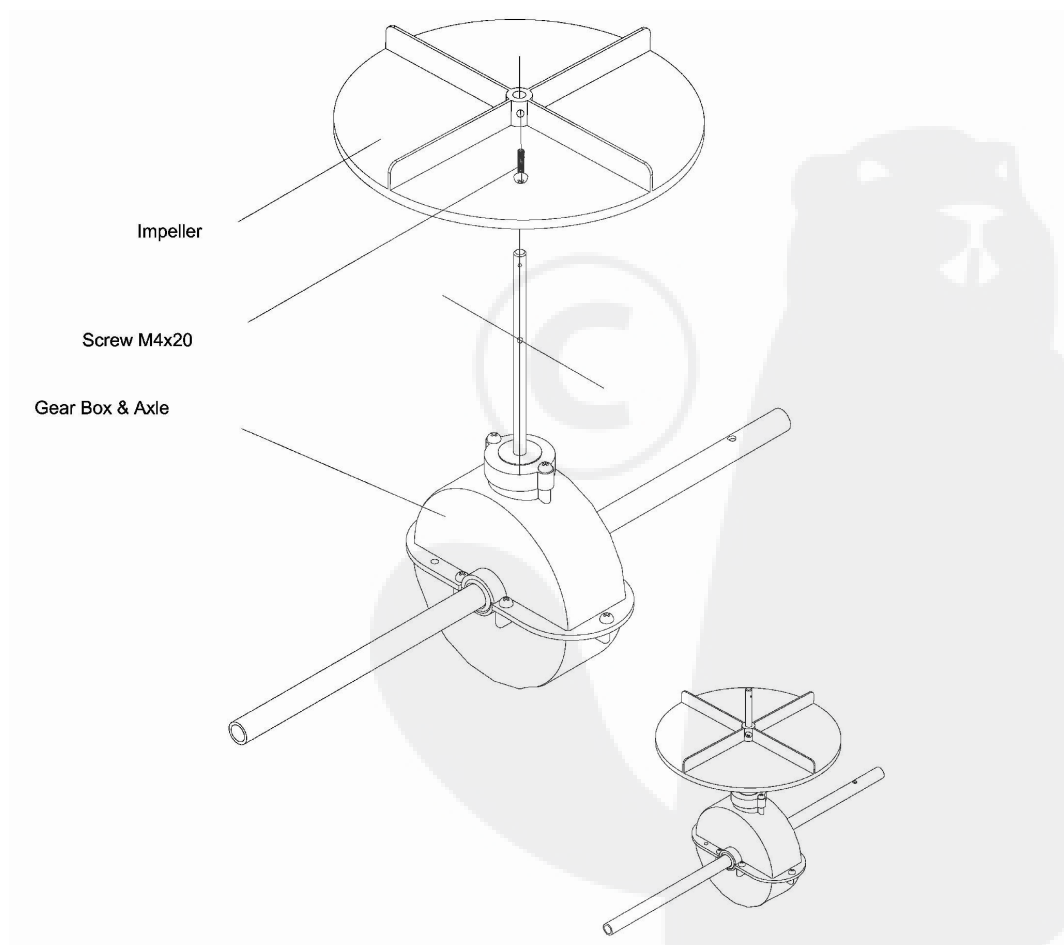
READ THE INSTRUCTIONS BEFORE ASSEMBLY

- If your spreader does not spread evenly, be sure the FRONT on the gear box points to the front of the spreader. The impeller must turn clockwise. Reversing the gear box will cause the impeller to turn counter clockwise. Clean the impeller plate after each use. Fertilizer stuck on the impeller blades will cause uneven spreading.
- Your spreader is designed to be pushed at three miles per hour, which is a brisk walking speed. Slower or faster speeds will change the spread patterns. Wet fertilizer will also change the spread pattern and flow rate. Clean your spreader thoroughly after each use. Wash between the shut off plate and bottom of the hopper.
- Gears are permanently lubricated at the factory. Do not open the gear box or dirt may enter.

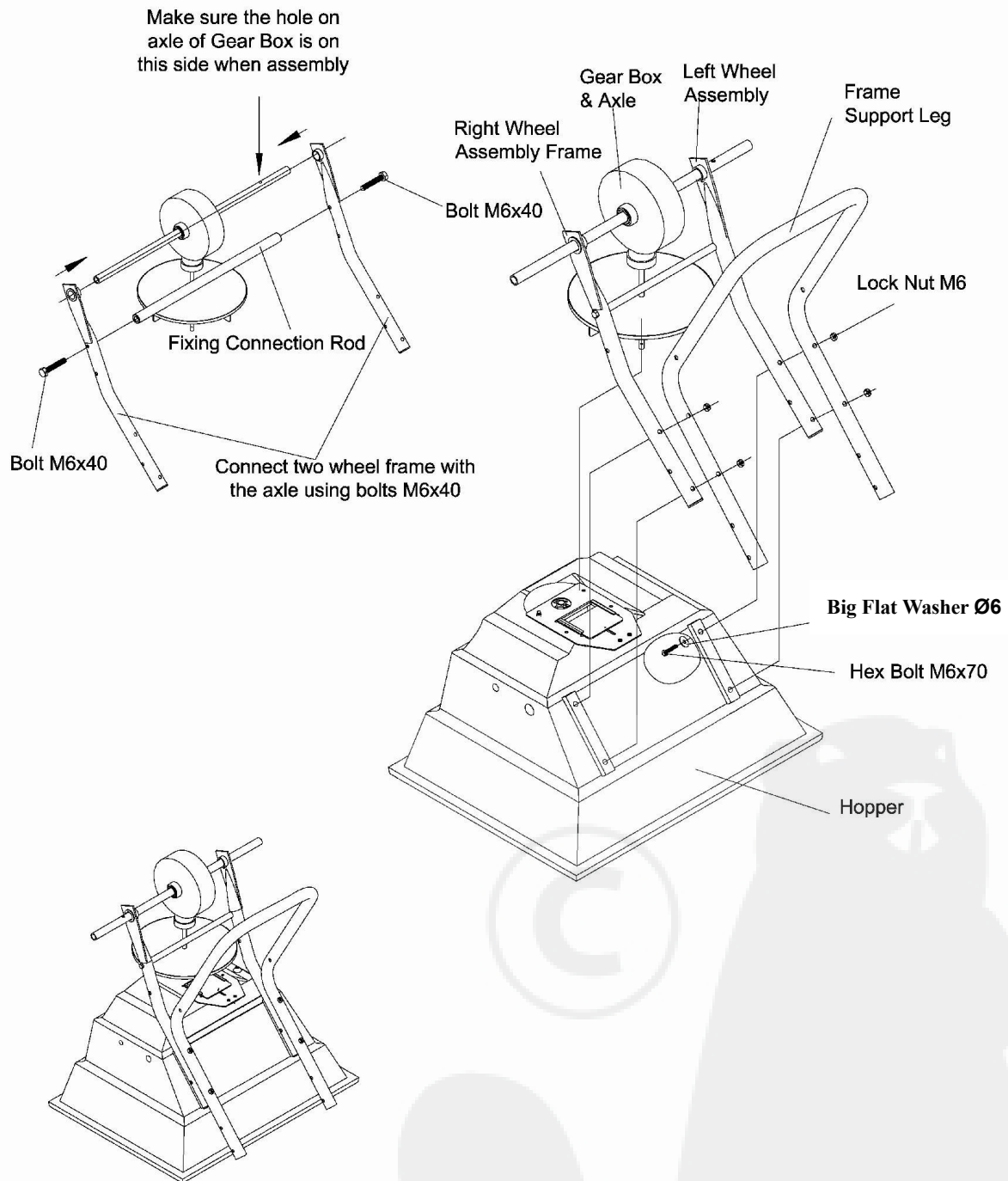




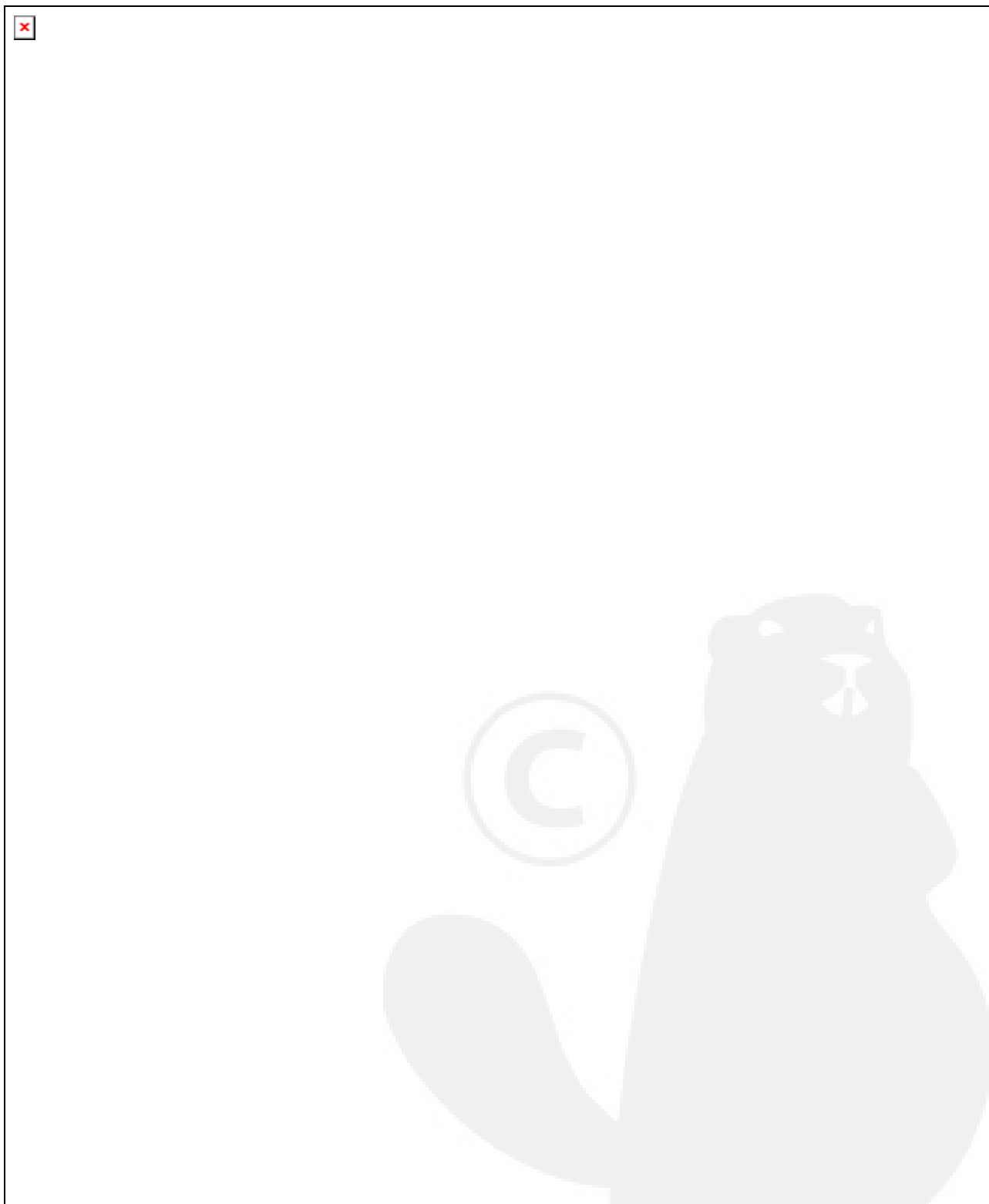
STEP 1: Install impeller onto the Gear Box & Axle Assembly. Insert Screw M4x20 through impeller then through Gear Box Axle.



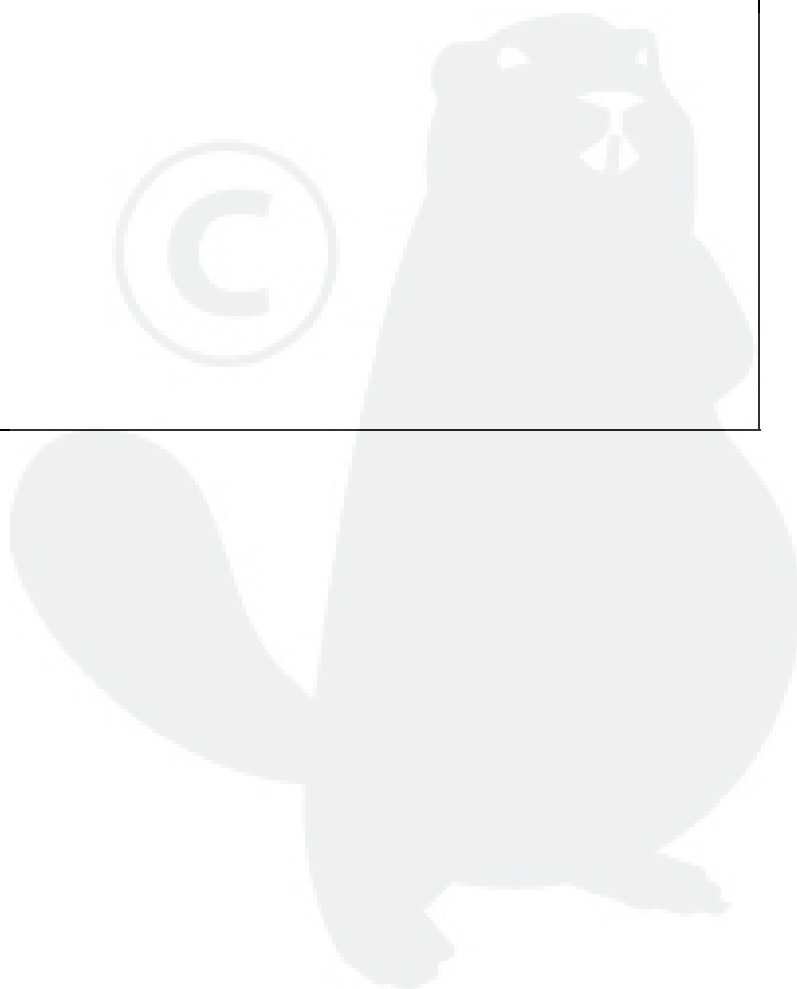
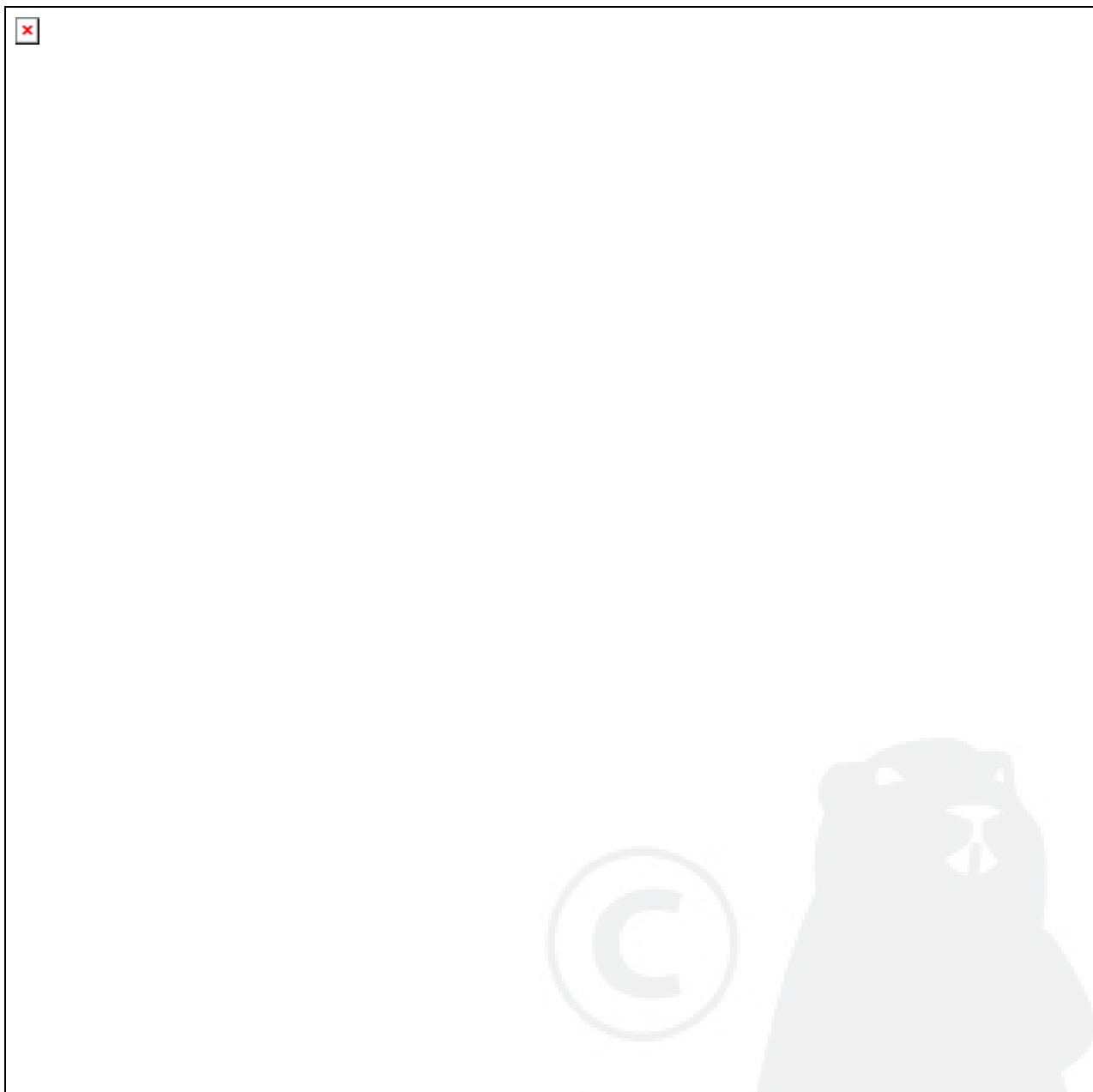
STEP 2: Attach the Wheel Assembly Frame on each side of the Gear Box Axle and Fixing Connecting Rod, insert two bolts M6x40 into the Fixing Connecting Rod through Wheel Assembly Frame. Make sure the hole on Axle of Gear Box is on the right side when assembly as shown. Attach Wheel Assembly Frames and Support Leg onto Hopper using bolts M6x70, lock nuts M6 and Big Flat Washers Ø6. Note: The bolts and nuts needn't be tightened yet.



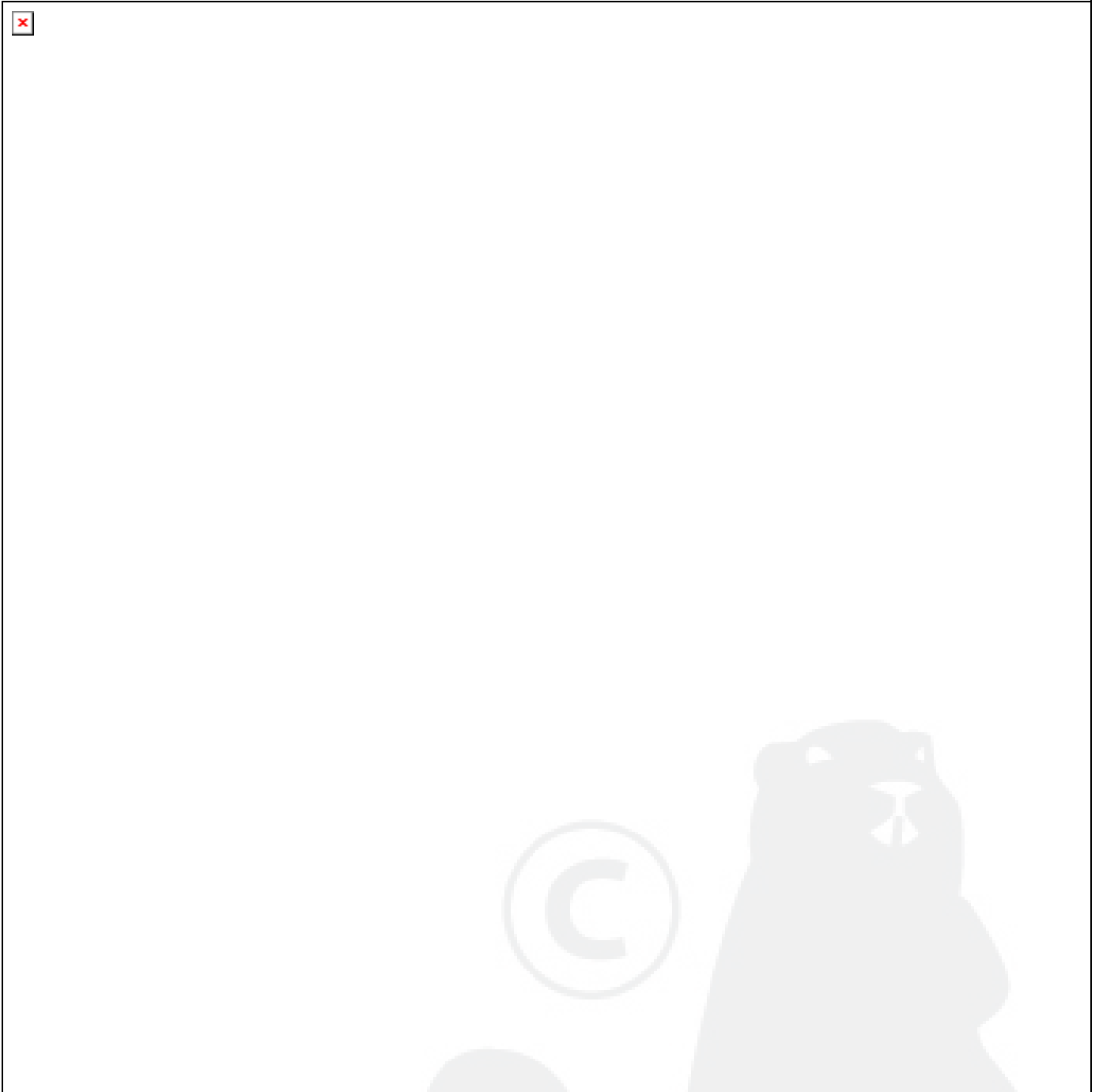
STEP 3: Insert Inner Axle Bushing into Outer Axle Bushing and make sure they are tight neatly. Install right Wheel Assembly to right Axle using bolt M6x60 and lock nut M6, and then install the Cap onto right Axle using a wooden or rubber hammer. Now install left Wheel Assembly to left Axle, put a flat washer Ø16 and install the Cap onto left Axle using a wooden or rubber hammer. Then attach the back deflector to support leg, fasten the Rear Deflector with Hex Bolt M6x40 and Lock Nut M6.



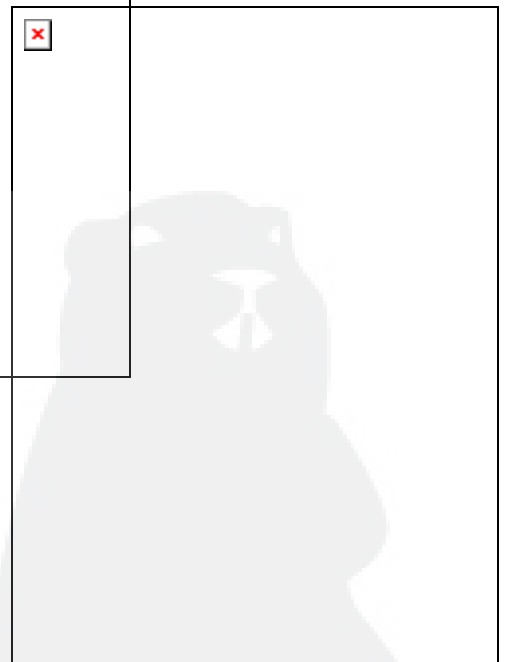
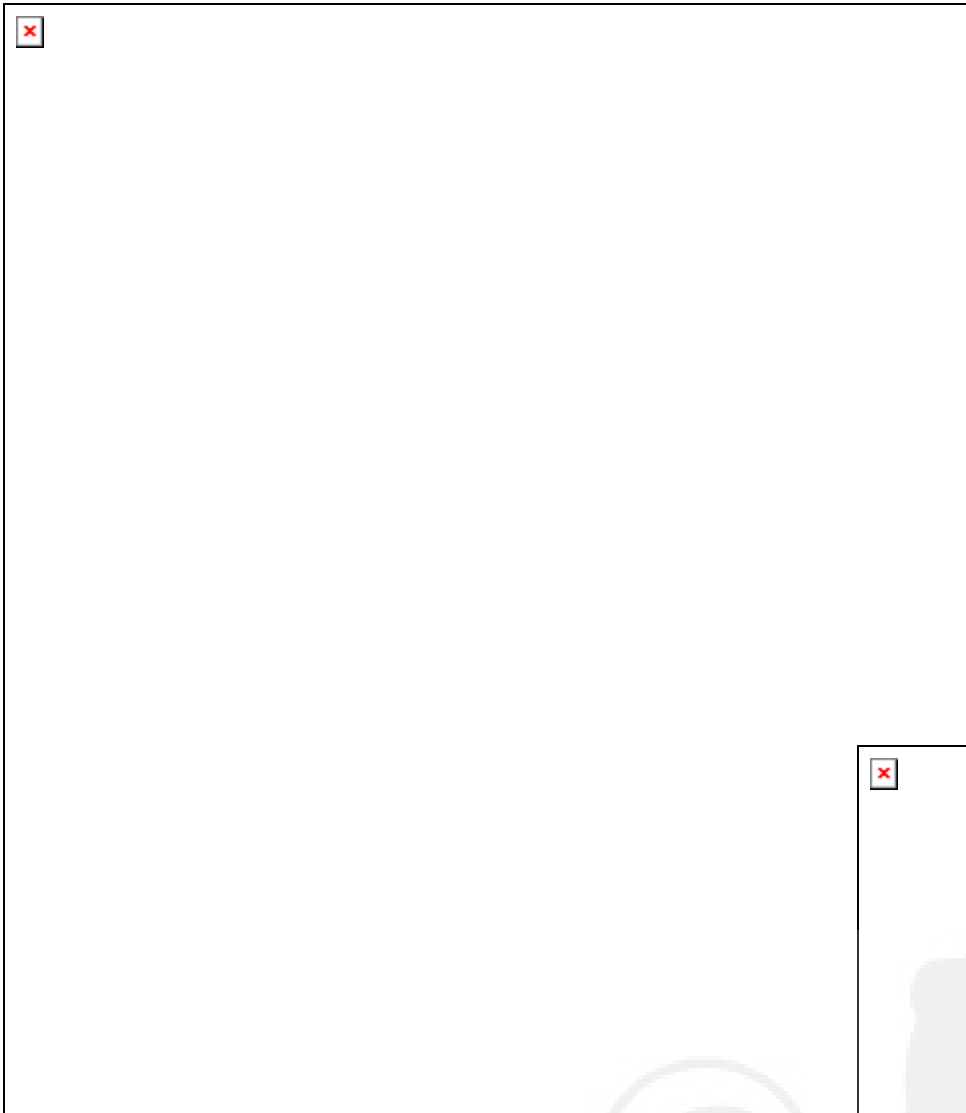
STEP 4: Attach Upper Handle and linkage assembly to the top of the Support Leg using four Hex bolts M6x40 and Lock Nuts M6. **NOW GO BACK AND TIGHTEN ALL NUTS AND BOLTS STARTING WITH FIRST STEP. DO NOT OVER TIGHTEN.**



STEP 5: (1) Insert the steel wire into the adjustable handle pole. (2) Put the cable into the slot of pressure plate.(3)Screw on the bolt. (4) Insert R pin into the hole on small wheel shaft.

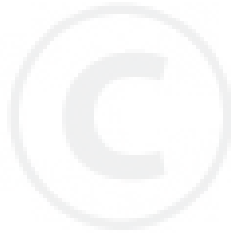


STEP 6: Attach the four Flat Washers Ø6 to four Hex Bolts M6x30, Then insert to hopper, add the Spacer Bushes, then attach the Deflector Assembly to the bottom of the hopper , fasten the bolts with four Lock Nuts M6.



ADJUSTMENTS. When you have finished all above steps, and if you find the holes at the bottom of hopper can be closed and opened completely by using the handle. You don't need to do the following steps. If it cannot be closed and opened completely, you may need to do the following steps. 1) Adjust the two nut M6 on pivot bracket, make the hole on the fixed adjustable plate open completely. 2) To operate this spreader, push the adjust handle to the lowest position (downwards). 3) Push the Adjust Handle Pole to the top position, make the holes on the Fixed adjustable plate closed completely. 4) You may move the position of wing nut on the gauge & lever to adjust the space on the hole between the hopper and the adjustable plate as per your need when spreading.

PARTS DRAWING



PARTS LIST

Ref#	Description	Qty	Ref#	Description	Qty
1	Carriage Bolt M6x25	1	31	Axle End Cover	2
2	External-tooth Washer Ø8	1	32	Inner Axle Bushing	2
3	Gauge and Lever Assembly	1	33	Outer Axle Bushing	2
4	Adjust Handle Pole	1	34	Gear Box & Axle Assembly	1
5	Adjust Handle A	1	35	Screw M4x20	1
6	Adjust Handle B	1	36	Hex Bolt M6x60	1
7	Screw M4x18	1	37	Clamp Plate	2
8	Handle Grip	1	38	Adjustable Control Cable	1
9	Spacer Bush	5	39	Hex Bolt M5x10	2
10	Wing Nut M6	1	40	Nylon Washer	1
11	Hopper	1	41	Big Flat Washer Ø6	5
12	R Pin Ø2.5x80	1	42	Handle	1
13	Center Cover	1	43	Active Adjustable Plate	1
14	Hex Bolt M6x70	4	44	Spring Washer Ø6	1
15	Rivet Ø5X13	4	45	Big End Cover	1
16	Fixed Adjustable Plate	1	46	Small End Cover	2
17	Hex Bolt M5x12	2	47	Fixing Connecting Rod	1
18	Wheel Assembly Frame(Left)	1	48	Rain Cover	1
19	Impeller	1	49	Hopper Screen	1
20	Hex Bolt M6x35	3	50	Flat Washer Ø5	4
21	Hex Lock Nut M5	4	51	Wing Nut M6	6
22	Pivot Bracket	1	52	Carriage Bolt M6x20	10
23	Tube End Cap	4	53	Left Deflector	1
24	Hex Bolt M6x40	8	54	Boom stick	1
25	Lock Nut M6	23	55	Front Deflector	1
26	Support Leg	1	56	Right Deflector	1
27	Wheel Assembly Frame(Right)	1	57	Clevis	4
28	Thin Washer	1	58	Rear Deflector	1
29	Pneumatic Wheel	2	59	Flat Washer Ø6	4
30	Flat Washer Ø16	1	60	Hex Bolt M6x30	4