

---

# 100LB WALK BEHIND SALT SPREADER



## Instruction & Assembly

SAVE THESE INSTRUCTIONS FOR FUTURE REFERENCE

# Table of Contents

General Warnings and Rules .....	3
Hazard Signal Word Definitions.....	4
Controls and Features Identification.....	5
Component & Hardware.....	6, 7
Assembly Instructions .....	8, 9, 10, 11, 12
Operation Instructions .....	13, 14,
Spreading Instructions.....	15, 16
Maintenance and Storage .....	17
Specification.....	17
Parts Drawing & Parts List .....	18, 19
Limited Warranty .....	20



## **GENERAL WARNINGS**

**READ and UNDERSTAND this manual completely before using Salt Spreader.**

Operator must read and understand all safety and warning information, operating instructions, maintenance and storage instructions before operating this equipment. Failure to properly operate and maintain the spreader could result in serious injury to the operator or bystanders.

### **Operation Warnings**

- Do not at any time carry passengers sit or stand on the spreader.
- Do not allow children to play on, stand upon or climb in the spreader.
- Always inspect the spreader before using to assure it is in good working condition.
- Replace or repair damaged or worn parts immediately.
- Always check and tighten hardware and assembled parts before operation.
- Do not exceed equipment maximum load capacity of 100lb.
- Avoid large holes and ditches when transporting loads.
- Be careful when operating on steep grades (hill) the spreader may tip over.
- Do not push close to creeks, ditches and public highways.
- Do not use spreader on windy days when spreading grass seed or herbicides.
- Always use caution when loading and unloading spreader.
- Never tow the spreader with a motorized vehicle.

### **Crush and Cut Hazards**

- Always keep hands and feet clear from moving parts while operating the equipment.
- Always clear and keep work area clean when operating.
- Always wear safety gear, eye protection, gloves and work boots when operating the spreader.

### **WARNING**

The warnings, cautions, and instructions outlined in this instruction manual cannot cover all possible conditions or situations that may occur. It must be understood by the operator that common sense and caution are factors which cannot be built into this product and must be supplied by the operator.






### **PROP 65 WARNING**

This product contains chemicals known to the state of California to cause cancer, birth defects, or other reproductive harm.

### **Assembly Is Required**

This product requires assembly before use. See "Assembly" section for instructions. Because of the weight and/or size of the push spreader, it is recommended that another adult be present to assist with the assembly. **INSPECT ALL COMPONENTS** closely upon receipt to make sure no components are missing or damaged.

# Hazard Signal Word Definitions

	<p>This is the safety alert symbol. It is used to alert you to potential personal injury hazards. Obey all safety messages that follow this symbol to avoid possible injury or death.</p>
	<p><b>DANGER</b> indicates an imminently hazardous situation which, if not avoided, will result in death or serious injury.</p>
	<p><b>WARNING</b> indicates a potentially hazardous situation which, if not avoided, could result in death or serious injury.</p>
	<p><b>CAUTION</b> indicates a potentially hazardous situation which, if not avoided, may result in minor or moderate injury.</p>
	<p><b>CAUTION</b> used without the safety alert symbol indicates a potentially hazardous situation which, if not avoided, may result in property damage.</p>

## ABOUT YOUR SALT SPREADER

This salt spreader is designed to spread a wide range of materials (Rock Salt, Ice Melt, Sand, Seed Mulch and large-size granular material). Materials such as Powders, Manure, Top Soil, and Gravel have the wrong physical characteristics and should not be used with this spreader. Never exceed the rated load capacity of 100lbs when operating the spreader.

Your spreader needs to be pushed at three miles per hour, which is a brisk walking speed. Slower or faster speeds will change the spread patterns. Wet spreading material will also change the spread pattern and flow rate. Clean your spreader thoroughly after each use. Wash between the shut off plate and bottom of the hopper.

Technical specifications on the push spreader are provided in the “Specifications” section of this manual.

# Controls and Features Identification

Read this owner's manual before operating the equipment. Familiarize yourself with the location and function of the controls and features. Save this manual for future reference.



- 1) **Handle** – Pushes and moves the spreader easily.
- 2) **Hopper** – Do not exceed rated load capacity 100lb.
- 3) **3-Flap Deflector Shields** – Controls spreading pattern around sidewalks and near sensitive foliage.
- 4) **Impeller** - Evenly distributes material.
- 5) **Tires / Wheel** – Do not exceed recommended rated 25PSI.
- 6) **Flow Control** – Controls the flow of material being spread.



## CAUTION

Read and follow all instructions for assembly and operation. Failure to properly assemble this equipment could result in serious injury to the user or bystanders, or cause equipment damage.

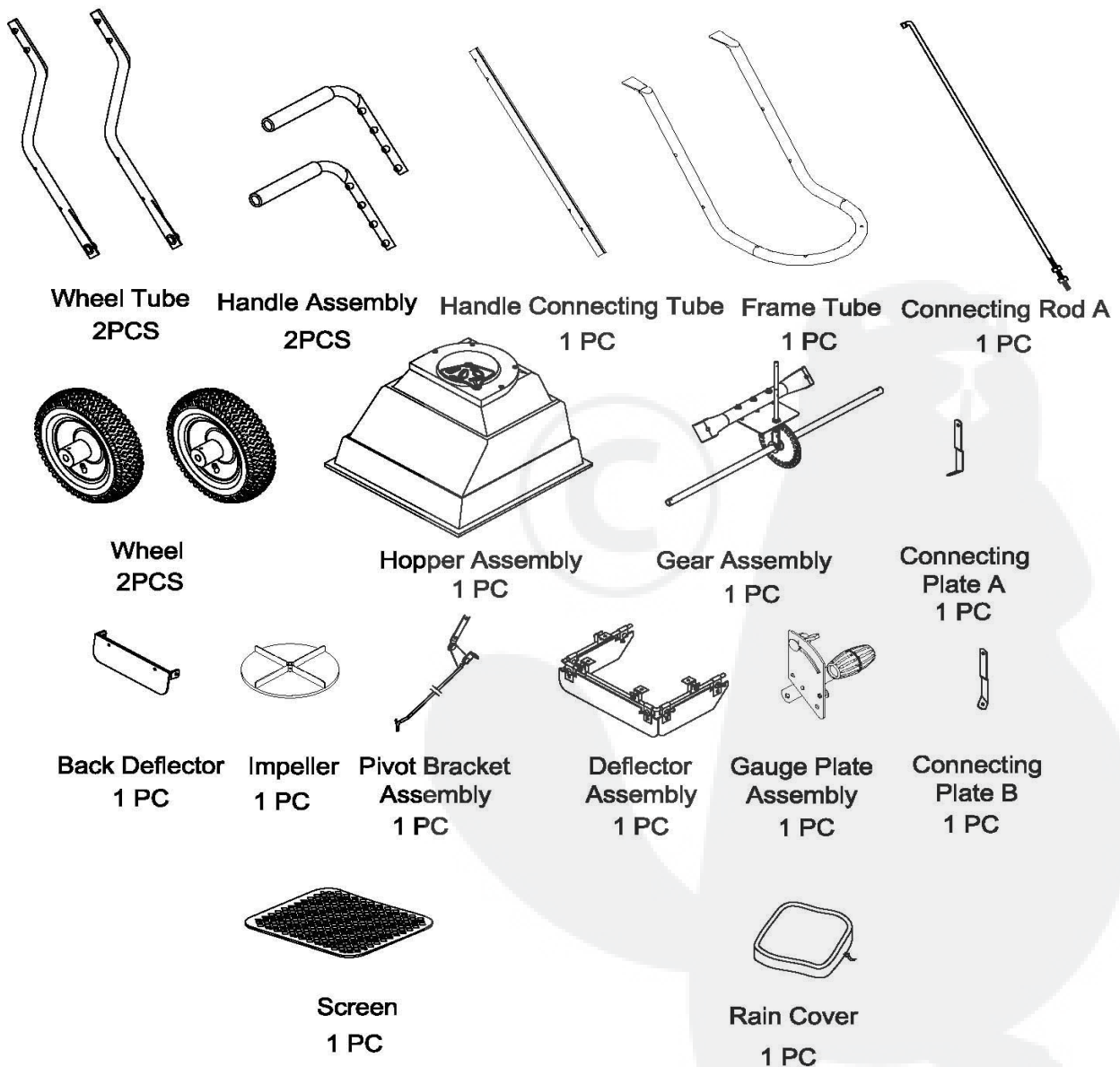
### SALT SPREADER COMPONENT PARTS AND ASSEMBLY

Take all parts out of the shipping crate and inspect components to ensure there are no missing pieces before starting to assemble the push spreader follow steps 1 through 8.

#### TOOLS REQUIRED

- Pliers (2 Each)
- 10mm Wrenches (2 Each)
- Phillips Screw Driver

## Component and Hardware



# Component and Hardware



**Bolt M6X65**  
2 PCS



**Bolt M6X60**  
1 PC



**Bolt M6X55**  
2 PCS



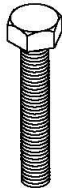
**Bolt M6X50**  
3 PCS



**Bolt M6X45**  
4 PCS



**Bolt M6X35**  
2 PCS



**Bolt M6X40**  
2 PCS



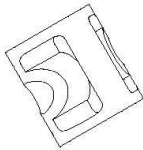
**Bolt M4X20**  
1 PC



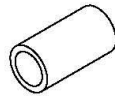
**Lock Nut M6**  
17 PCS



**Big Flat Washer Ø6**  
4 PCS



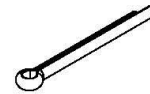
**Handle Connecting Piece**  
1 PC



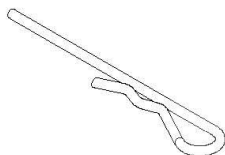
**Wheel Bushing**  
2 PCS



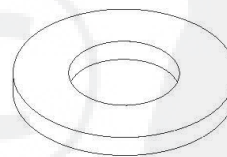
**Flat Washer Ø6**  
3 PCS



**Cotter Pin Ø5x35**  
1 PC



**R Pin**  
1 PC

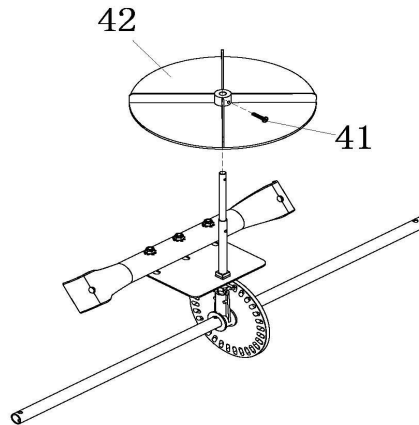


**Flat Washer Ø16**  
5 PCS

# Assembly Instructions

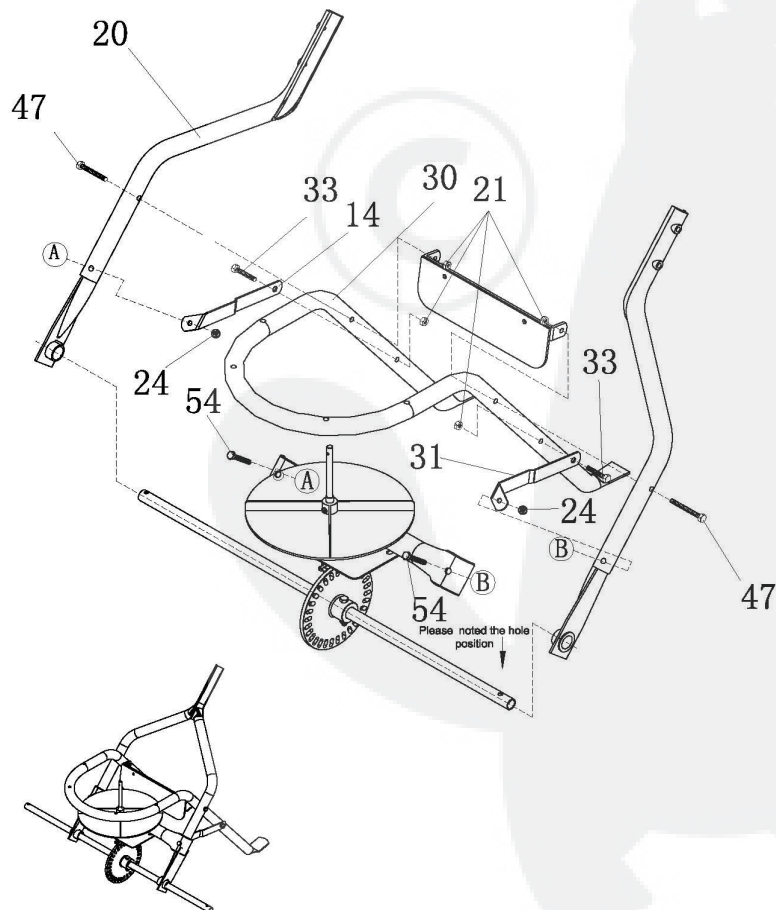
## STEP 1: Attach Impeller to Gear Assembly

1. Attach the impeller (#42) to the gear assembly using M4x20 screws (#41).



## Step 2: Attach Wheel Tube to Gear Assembly

1. Attach the outer wheel tubes (#20) to the gear assembly using the M6x40 bolt (#54); attach the two connecting plates A & B (#31 & #14) to the frame tube (#30) and wheel tubes (#20) using M6x35 bolt (#33) and M6 lock nut (#24). Loosely tighten.
2. Connect the back deflector (#58) to the frame tube (#30) and wheel tube (#20) using M6x65 bolt (#47) and M6 lock nut (#24). Tighten all hardware in steps 1 and 2.



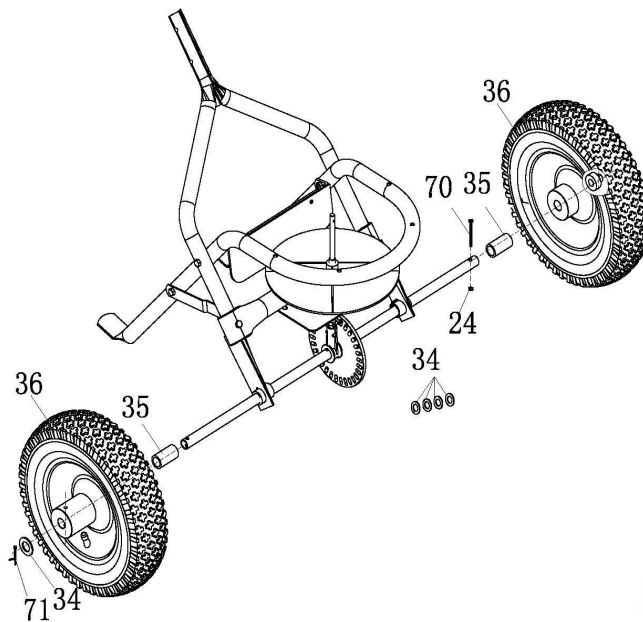


# Assembly Instructions

## STEP 3: Installing the Wheel Bushings and Wheels

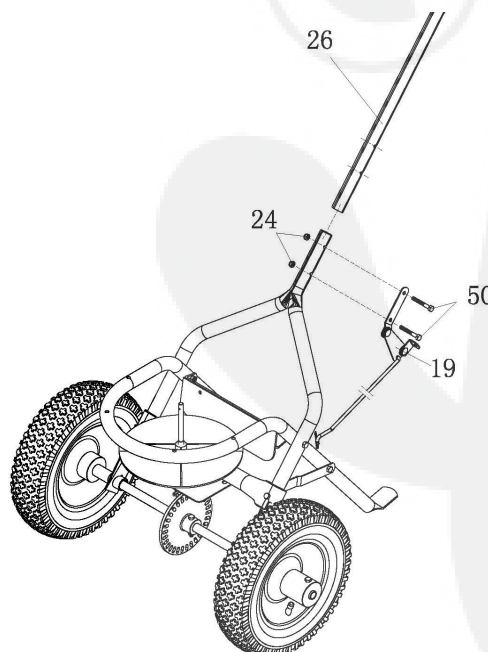
1. On the left side of the axle insert the wheel bushing (#35), wheel (#36), Ø16 flat washer (#34) and secure with the Ø5x35 cotter pin (#71).
2. Insert the wheel bushing (#35), wheel (#36) on the right side and secure using the M6x60 bolt (#70) and M6 lock nut (#24).

**NOTE:** If needed use the extra flat washers (#34) to decrease the gap between the wheels.



## STEP 4: Attach Handle Tube and Pivot Bracket Assembly

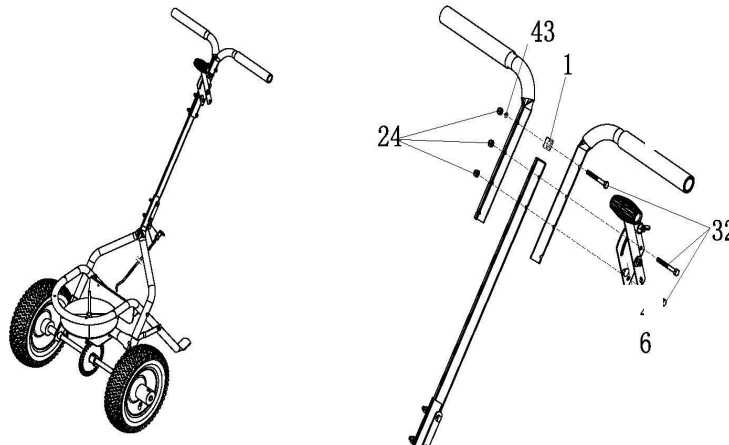
1. Attach handle tube (#26), pivot bracket assembly (#19) to the main frame assembly using M6X55 bolt (#50) and M6 lock nut (#24).



# Assembly Instructions

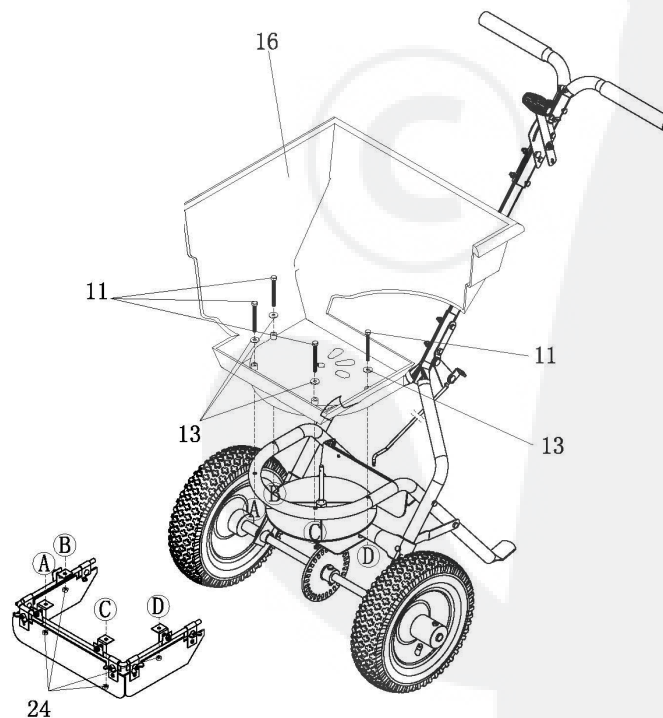
## STEP 5: Connecting Handle and Gauge Plate

1. Put the two handles tubes (#23) together with the handle connecting piece (#1) in the middle and secure using one M6x50 bolt (#32), Ø6 flat washer (#43) and M6 lock nut (#24). Loosely tighten.
2. Put the handle tubes over the post and attach the gauge plate assembly (#4) using M6x50 (#32) and M6 lock nut (#24). Loosely tighten.



## STEP 6: Attach the Hopper and Deflector Assembly

1. Attach the hopper (#16), deflector assembly to the main frame using M6x45 bolt (#11), Ø6 flat washer (#13) and M6 lock nut (#24). Loosely tighten.

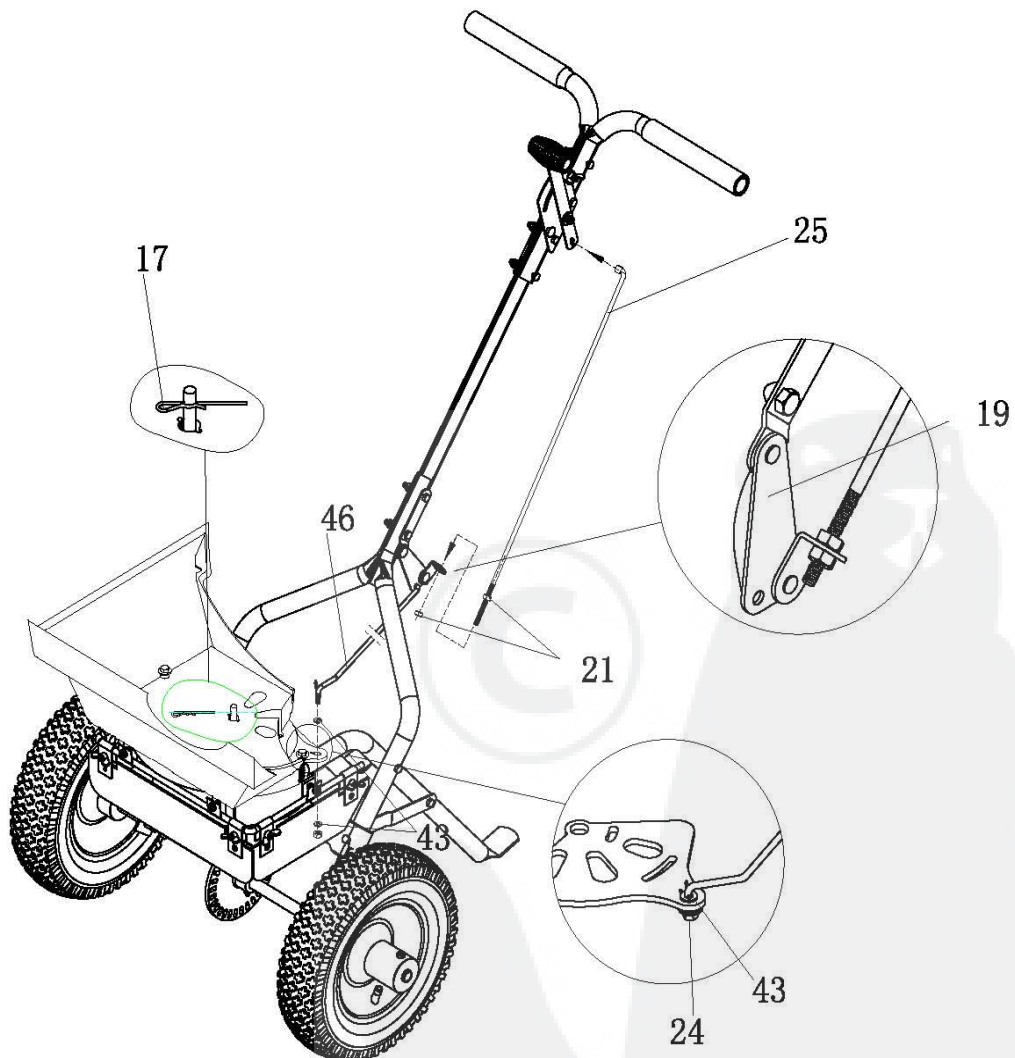


**NOTE:** If gears do not match, loosen the bottom two bolts on the gear plate and adjust.

# Assembly Instructions

## STEP 7: Attaching the Connecting Rods A & B

1. Insert R-pin (#17) into the bottom of the hopper.
2. Attach the ends of the connecting rod (#25) to the pivot bracket assembly (#19) and gauge lever assembly (#4). Remove the nuts at both ends and insert the connecting rod into the gauge and bracket assemblies. Retighten the nuts at both ends.
3. Insert the connecting rod B (#46) and secure using two flat washers (#43) and one M6 lock nut (#24).
4. Tighten all hardware in steps 4, 5 and 6.

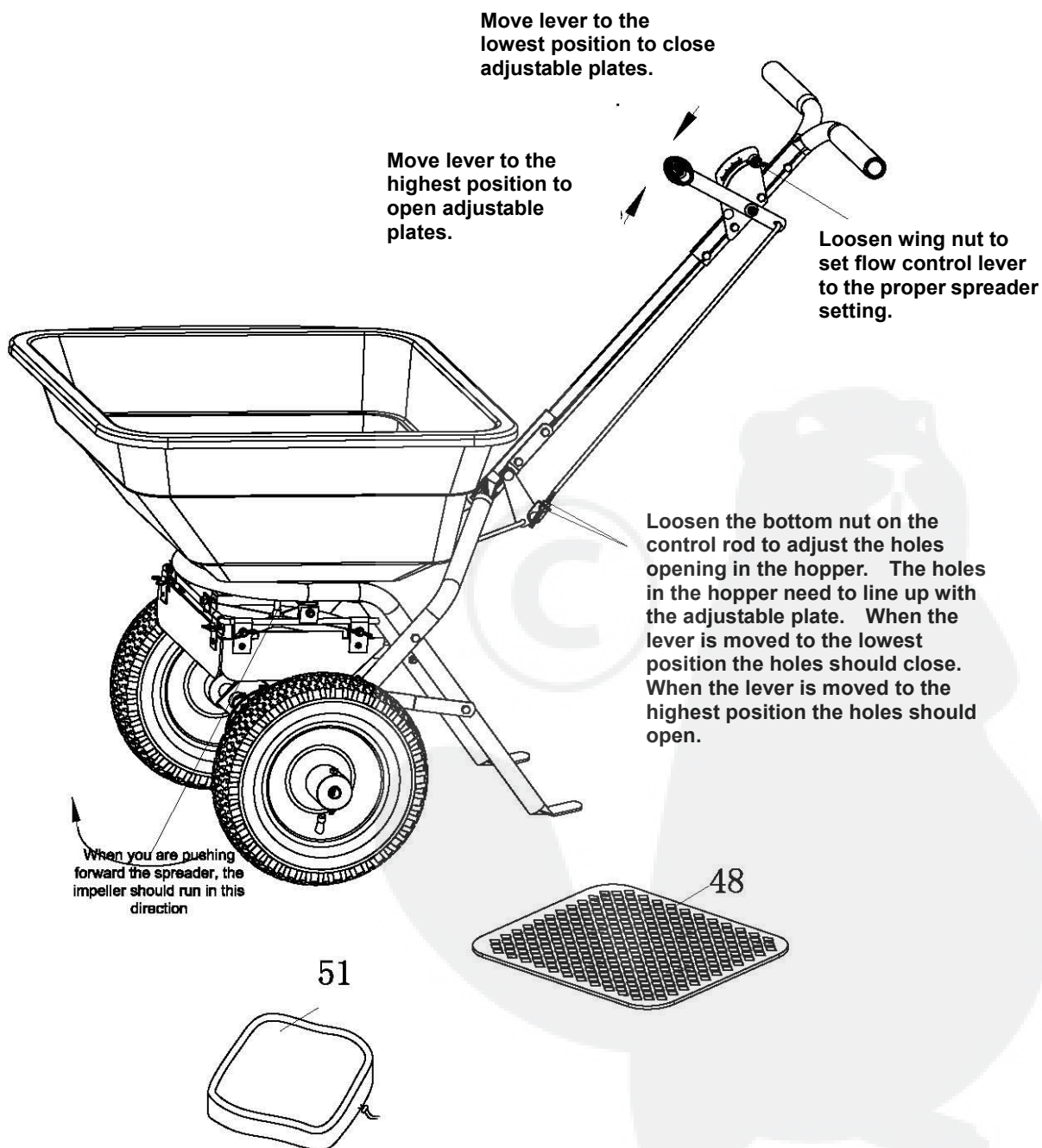


# Assembly Instructions

## STEP 8: Final Spreader Adjustments

1. Loosen the wing nut and move the handle to the lowest position to close adjustable plates.
2. Move the handle to the highest position to open the adjustable plates.
3. If the adjustable plates are not completely open when the lever is in the highest position, loosen the bottom nut on the control rod.
4. Use your hand and match up the holes on the hopper and adjustable plate so they are fully open.
5. Retighten the control rod nut and check to make sure the adjustable plate operates properly when the lever is moved to the lowest and highest positions.
6. Insert the screen (#48) and attach rain cover (#51).
7. Tighten all hardware before operating the spreader.

**NOTE:** The holes in the bottom of the hopper and the adjustable plate need to line up.



# Operation Instructions

## WARNING

Before using the push spreader, review the instructions below and safety information before operating. Failure to follow these instructions may result in property damage or injury to the operator or bystanders.

### USING YOUR SPREADER

1. Inspect your spreader before each use. Make sure the wheels turn easily, and the gearbox moves when the spreader is pushed. The hopper should be clean and free from cracks.
2. Spreader is designed to spread a range of materials (Rock Salt, Ice Melt, Sand, Fertilizer and Grass Seed). Materials such as Powder, Manure, Top Soil and Gravel have the wrong physical characteristics and should not be used with your spreader.
3. Determine approximate square footage of the area to be covered and estimate amount of material required. Please refer to fertilizer manufacturer's recommendation. Break up any lumpy fertilizer as you fill the hopper.
4. Before filling the hopper, make sure that the flow control lever is in the "0" position and the flow control plate is closed.
5. Set the adjustable stop with the flow control lever always in the "0" position. Every time you are ready to stop or turn back, close the flow control plate to stop dispersing the material and continue one more stride. This reduces waste and avoids damaging the lawn with oversaturated product coverage.
6. Follow fertilizer manufacturer's recommended coverage rate for each product.
7. To maintain the same coverage when walking at a different speed, adjust the flow rate. Reduce the flow setting for slower speeds and increase the flow setting for higher speeds.
8. Keep the impeller plate horizontal when operating the spreader. Tilting the spreader will result in uneven coverage.
9. Always start walking prior to opening the closure plate.
10. Always close the flow control plate before turning or stopping the spreader.
11. If spreading material is accidentally deposited too heavily in a small area, soak the area thoroughly with a garden hose or sprinkler to prevent burning of the lawn.
12. To insure consistent coverage, make sure each broadcast pattern slightly overlaps the previous broadcast pattern.
13. When broadcasting spreading material, make sure the broadcast pattern does not hit evergreen trees, flowers or shrubs.
14. Do not over apply spreading material. Follow the recommended coverage rate for each product. Over application will lead to lawn damage and contamination.

# Operation Instructions



## CAUTION

The spreader settings are guidelines only. The spreader should be calibrated prior to application to ensure accuracy.

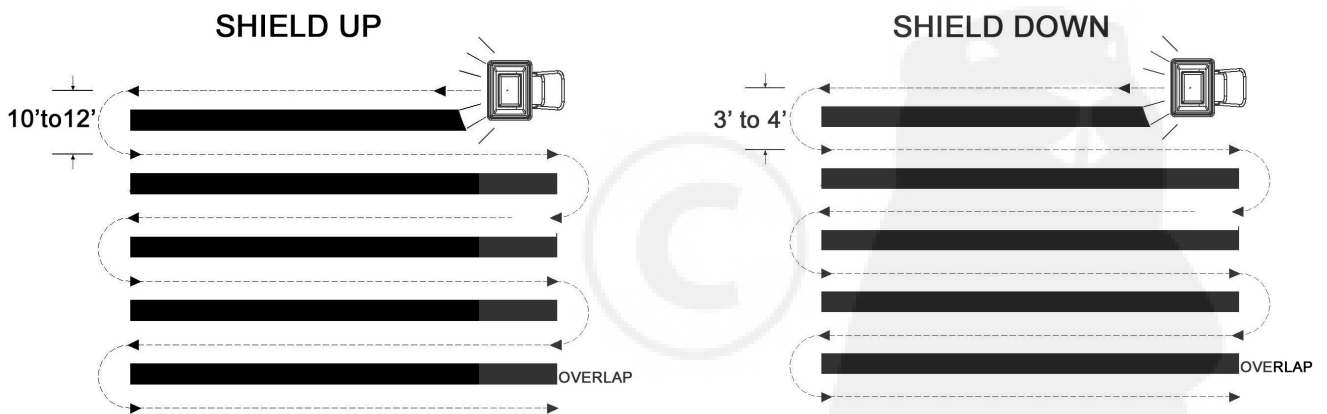
The spreader settings are based on a walking speed of 3 MPH. Walking faster or slower will alter the spread application rate. Exact rates depend upon the spreader itself and the accuracy of the person operating it.

## ADJUSTING THE FLOW

1. For proper material flow settings refer to the spreading instructions section.
2. Move the bolt on flow control assembly to the proper setting and tighten.
3. Pushing the spreader forward at brisk walking speed to ensure consistent coverage of material.
4. To stop, move the flow control lever to the closed position before stopping.

## CONSISTENT COVERAGE

To insure consistent coverage, make sure each broadcast pattern slightly overlaps the previous broadcast pattern as shown in figures below. Your spreader comes with adjustable deflector shields (shield down) to control the flow of Rock Salt or Ice Melt. The approximate broadcast widths for different materials are shown in the application chart.



## WARNING

Do not over apply spreading material. Follow the recommended coverage rate for each product. Over application will lead to damage and contamination. If spreading material accidentally hits or deposits to heavily, soak the area thoroughly with a garden hose or sprinkler to prevent burning.



# Spreading Instructions

## CALCULATING AMOUNT OF MATERIAL NEEDED

To calculate the amount of fertilizer you will need to cover your lawn, divide the coverage amount listed on the label by the weight of the fertilizer bag. For example a 10LB. bag of fertilizer with coverage of 10,000 square feet will distribute 1LB. of fertilizer every 1,000 square feet at full rate or 1/2LB. of fertilizer every 1,000 square feet at half rate. For pre-calculated rates see **Chart A** (Example: 25LB. bag with 15,000 sq. ft. coverage = 1.7LB./1,000 sq. ft.). Use **Chart B** to find the closest spreader setting (Example: 1.7LB./1000 sq. ft. = Spreader Setting of 12).

**Chart A - Square Foot Coverage per Bag\***

Weight of Bag (LBS.)	LBS/1,000 SQ FT		
	5,000 SQ FT COVERAGE	10,000 SQ FT COVERAGE	15,000 SQ FT COVERAGE
5	1.0 LB.	0.5 LB.	0.3 LB.
10	2.0 LB.	1.0 LB.	0.7 LB.
15	3.0 LB.	1.5 LB.	1.0 LB.
20	4.0 LB.	2.0 LB.	1.3 LB.
25	5.0 LB.	2.5 LB.	1.7 LB.
30	6.0 LB.	3.0 LB.	2.0 LB.
35	7.0 LB.	3.5 LB.	2.3 LB.
40	8.0 LB.	4.0 LB.	2.7 LB.
45	9.0 LB.	4.5 LB.	3.0 LB.
50	10.0 LB.	5.0 LB.	3.3 LB.

\*These are only estimates actual amounts may vary.

**Chart B - Spreader Settings/Spread Widths**

MULTI-USAGES	LBS/1,000 SQ FT	SPREADER SETTING	SMALL PARTICLE SPREAD	MEDIUM PARTICLE SPREAD	LARGE PARTICLE SPREAD
ROCK SALT ICEMELT FERTILIZER GRASS SEEDS	1	10	5-6 FT.	6-9 FT.	9-12 FT.
	2	12	5-6 FT.	6-9 FT.	9-12 FT.
	3	14	5-6 FT.	6-9 FT.	9-12 FT.
	4	15	5-6 FT.	6-9 FT.	9-12 FT.
	5	17	5-6 FT.	6-9 FT.	9-12 FT.
	6	18	5-6 FT.	6-9 FT.	9-12 FT.
	7	20	5-6 FT.	6-9 FT.	9-12 FT.
	8	23	5-6 FT.	6-9 FT.	9-12 FT.
	9	25	5-6 FT.	6-9 FT.	9-12 FT.
	10	30	5-6 FT.	6-9 FT.	9-12 FT.

\*These are only estimates actual spreader settings and spread widths may vary depending on material.

# Spreading Instructions

## ADDITIONAL SPREADER SETTING INSTRUCTIONS

For materials that **DO NOT** use a typical 5,000 Sq. Ft, 10,000 Sq. Ft. & 15,000 Sq. Ft. coverage value.

To obtain the proper spreader settings follow the steps below:

- 1) Find the total weight in lbs. of the product from the product label on the bag of material.
- 2) Find the coverage amount in square feet that the product is rated for from the product label on the bag of material.
- 3) Divide the bag weight rated in lbs. by the square feet coverage rated on the bag.
- 4) Take this result and multiply it by 1000.
- 5) This final number is the lbs. of material to be spread per 1000 square feet.
- 6) Use the spreader setting number in Chart B for the proper setting.

**As an example:**

- 1) The fertilizer bag weighs 10 lbs.
- 2) The coverage value is rated at 2000 square feet.
- 3)  $10 \text{ lbs.} / 2000 \text{ square ft.} = 0.005$
- 4)  $0.005 \times 1000 = 5 \text{ lbs. per } 1000 \text{ sq. ft.}$
- 5) Using this number in Chart B, you would obtain a spreader setting of 17.

**Chart B - Spreader Settings/Spread Widths**

MULTI-USAGES	LBS/1,000 SQ FT	SPREADER SETTING	● SMALL PARTICLE SPREAD	● MEDIUM PARTICLE SPREAD	● LARGE PARTICLE SPREAD
ROCK SALT	1	10	5-6 FT.	6-9 FT.	9-12 FT.
	2	12	5-6 FT.	6-9 FT.	9-12 FT.
	3	14	5-6 FT.	6-9 FT.	9-12 FT.
ICEMELT	4	15	5-6 FT.	6-9 FT.	9-12 FT.
FERTILIZER	5	17	5-6 FT.	6-9 FT.	9-12 FT.
	6	18	5-6 FT.	6-9 FT.	9-12 FT.
GRASS SEEDS	7	20	5-6 FT.	6-9 FT.	9-12 FT.
	8	23	5-6 FT.	6-9 FT.	9-12 FT.
	9	25	5-6 FT.	6-9 FT.	9-12 FT.
	10	30	5-6 FT.	6-9 FT.	9-12 FT.

\*These are only estimates actual spreader settings and spread widths may vary depending on material.

**WARNING**

Do not over apply spreading material. Follow the recommended coverage rate for each product. Over application will lead to damage and contamination. If spreading material accidentally hits or deposits to heavily, soak the area thoroughly with a garden hose or sprinkler to prevent burning.



# Maintenance and Storage



## WARNING

Improper maintenance and storage of the push spreader may void your warranty.

### MAINTENANCE

- After each use clean material out of hopper.
- Rinse/dry inside and outside of the spreader after each use.
- Before operating make sure the tires have the RECOMMENDED TIRE PRESSURE 25 PSI.
- Periodically check all fasteners for tightness.
- Annually clean and lightly lubricate parts.
- Never exceed load capacity rating of 100lbs it will damage the spreader.

### IMPORTANT:

If a part needs replacement, only use parts that meet the manufacturer’s specifications. Replacement parts that do not meet specifications may result in a safety hazard or poor operations.

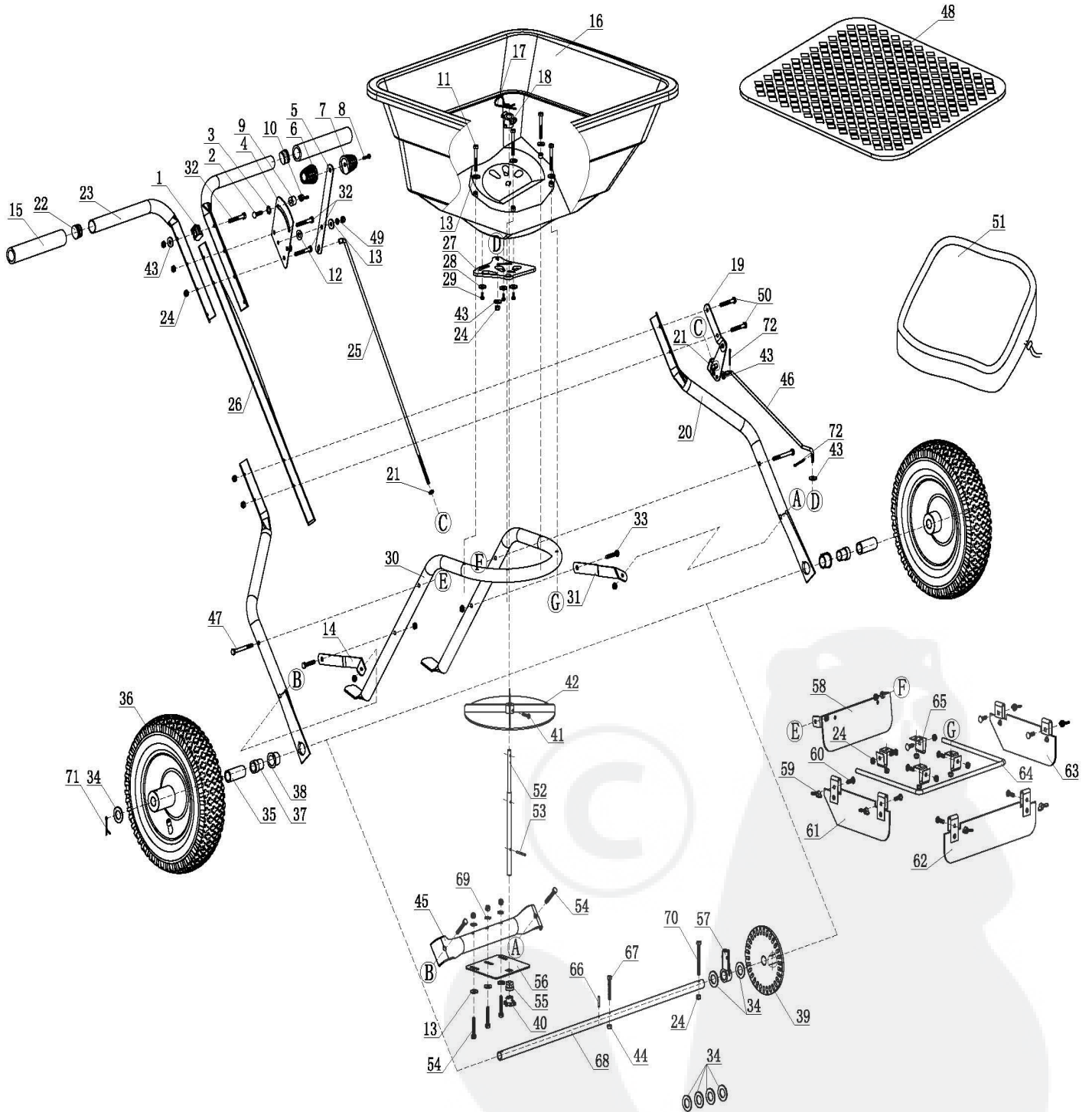
### STORAGE

- Never allow material to remain in the hopper for extended periods of time.
- Before storing make sure the spreader is clean and dry for years of trouble free service.
- Store indoors or protected area during severe weather and winter months.

# Specifications

Load Capacity .....	100lb
Spreader Type.....	Broadcast
Hopper Material .....	Polypropylene
Hopper Dimensions .....	21.5” x 21.5” x 15”
Overall Dimensions.....	45.3” x 22.8” x 39.4”
Wheel size .....	12.5”
Tire Pressure (PSI) .....	25
Unit Weight .....	31.2lb

# Parts Drawing & Parts List



## Parts Drawing & Parts List

Ref#	Description	Qty	Ref#	Description	Qty
1	Handle Connecting Piece	1	37	Inner Axle Bushing	2
2	Semi-Circle Bolt M6X25	1	38	Outer Axle Bushing	2
3	Lock Washer Ø8	1	39	Gear	1
4	Gauge Plate Assembly	1	40	Small Gear	1
5	Adjust Handle	1	41	Screw M4X20	1
6	Adjusting Handle A	1	42	Impeller	1
7	Adjusting Handle B	1	43	Flat Washer Ø6	4
8	Screw Bolt	1	44	Nylon lock nut M5	1
9	Spacer	1	45	Cross Tube	1
10	Wing Nut	1	46	Connecting Rod B	1
11	Bolt M6x45	4	47	Bolt M6X65	2
12	Nylon Washer	1	48	Screen	1
13	Big Flat Washer Ø6	8	49	Spring Washer	1
14	Connecting Plate B	1	50	Bolt M6X55	2
15	Handle Foam	2	51	Rain Cover	1
16	Hopper	1	52	Vertical Axle	1
17	R pin Ø2x60	1	53	Roll Pin Ø3X16	1
18	Middle Spacer	1	54	Bolt M6X40	5
19	Pivot Bracket Assembly	1	55	Vertical Axle Bushing	1
20	Wheel Tube	2	56	Vertical Axle Fixing Plate	1
21	Nut M6	2	57	vertical Axle Fixing base	1
22	End Cap	2	58	Back Deflector	1
23	Handle Tube	2	59	Wing Nut M6	6
24	Nylon Lock Nut M6	25	60	Bolt M6X20	10
25	Connecting Rod A	1	61	Left Deflector	1
26	Handle Connecting Tube	1	62	Front Deflector	1
27	Adjustable Plate	1	63	Night Deflector	1
28	Big Flat Washer Ø4	3	64	Hanging Tube	1
29	Screw Bolt M4X12	3	65	Plate	4
30	Frame Tube	1	66	Roll Pin Ø4x30	1
31	Connecting Plate A	1	67	Bolt M5X40	1
32	Bolt M6x50	3	68	Wheel Axle	1
33	Bolt M6x35	2	69	Lock Washer Ø6	3
34	Flat Washer Ø16	7	70	Bolt M6X60	1
35	Bushing	2	71	Cotter Pin Ø5X35	1
36	Wheel	2	72	Cotter Pin Ø2X10	2