

SB6000RD

Broadcast Spreader

Assembly Instructions & Parts List

12/02



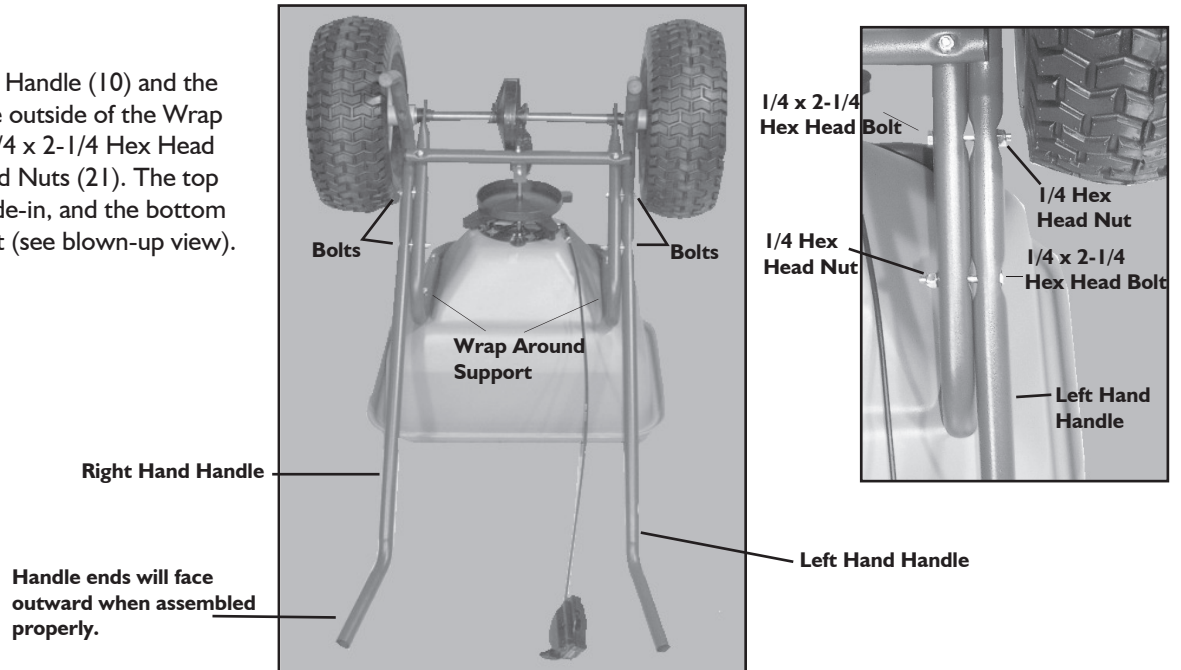
PRECISION PRODUCTS, INC.

ASSEMBLY INSTRUCTIONS FOR THE SB6000RD

ASSEMBLY TIP: Loosely tighten nuts and bolts at first. Fully tighten when the spreader is completely assembled.

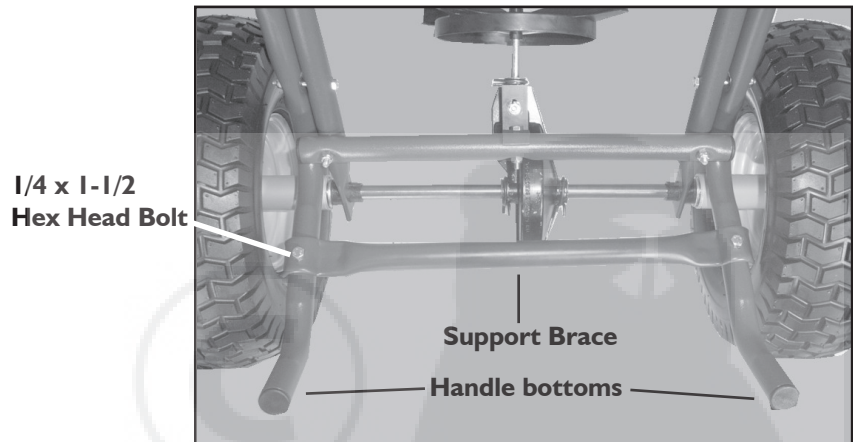
Step 1

Attach both the Right Hand Handle (10) and the Left Hand Handle (4) to the outside of the Wrap Around Support (6) using 1/4 x 2-1/4 Hex Head Bolts (12) and 1/4 Hex Head Nuts (21). The top bolts will go from the outside-in, and the bottom bolts will go from inside-out (see blown-up view).



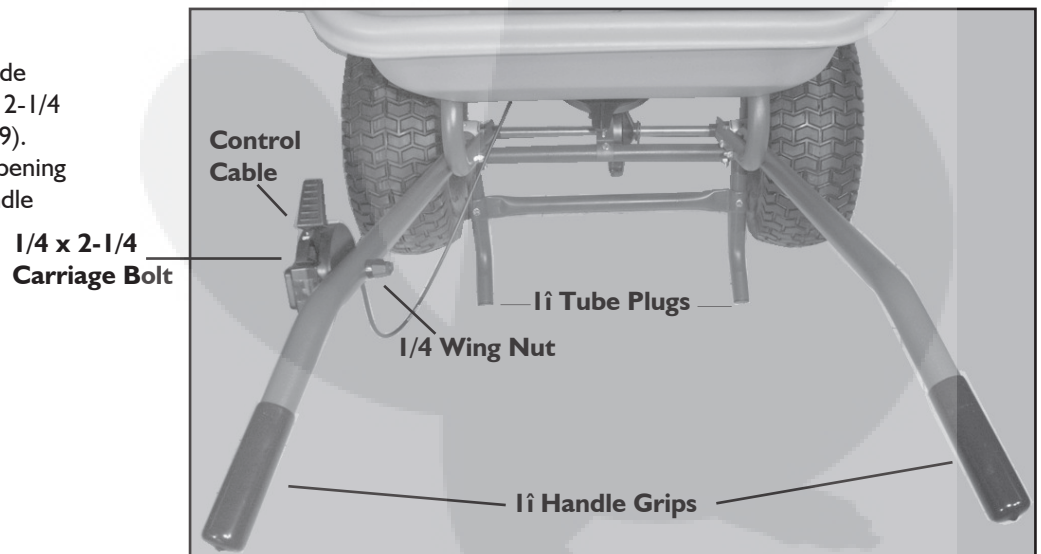
Step 2

Attach the Support Brace (5) to the bottom of the Right Hand Handle (10) and the Left Hand Handle (4) using 1/4 x 1-1/2 Hex Head Bolts (14) and 1/4 Hex Head Nuts (21).



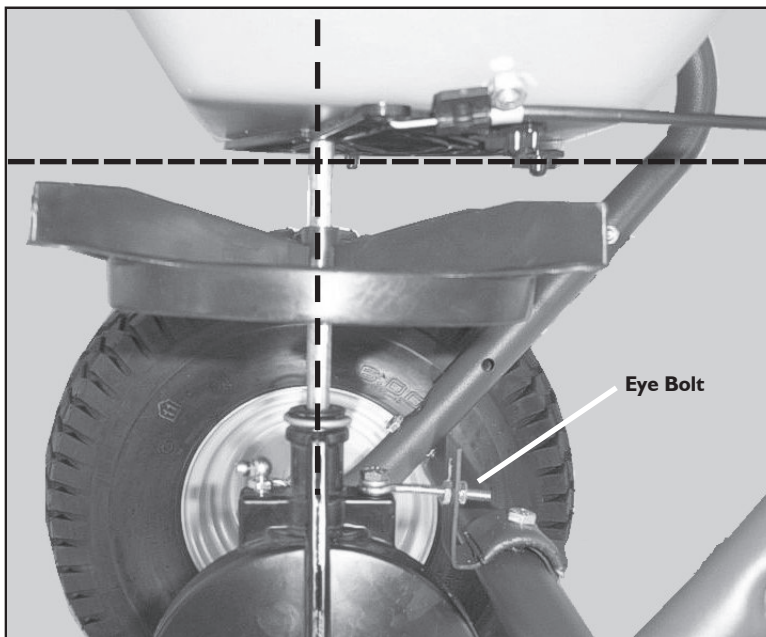
Step 3

Attach the Control Cable (8) to the outside of the Left Hand Handle (4) using a 1/4 x 2-1/4 Carriage Bolt (11) and a 1/4 Wing Nut (19). Insert the 1/2" Tube Plugs (24) inside the opening of both handle bottoms. Place the 1/2" Handle Grips (36) over both handle tops.



Step 4

To ensure proper function of the gear case, make sure the Spinner Shaft is perpendicular to the bottom of the Hopper. Adjustments can be made with the Eye Bolt that connects the Gear Case Bracket to the Gear Case Housing.



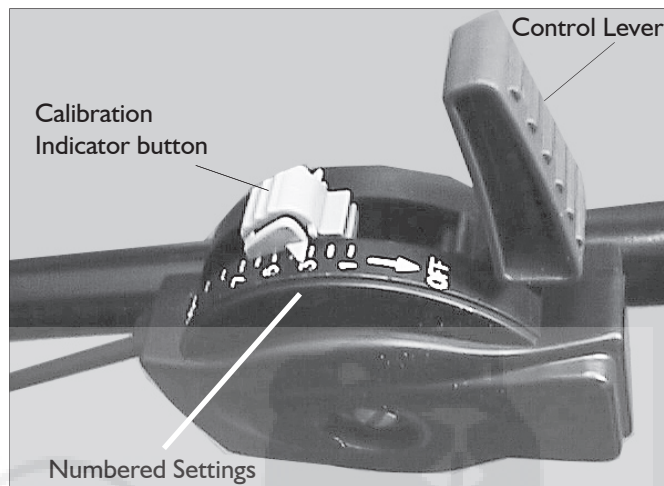
USING YOUR SPREADERS CONTROLLER

Settings are made by pushing down on the Calibration Indicator button and setting to the desired number on the Control Cable assembly.

SEE APPLICATION CHART FOR SETTING INFORMATION.

ON -- Push the Control Lever forward until it stops against Calibration Button.

OFF -- Pull Control Lever back until it stops.



BROADCAST SPREADER OPERATION

1. Always have the control lever in OFF position before filling the hopper.
2. Always push the spreader forward to operate; do not pull backwards.
3. Start moving forward before pushing the control lever to the ON position. Pull the control lever to OFF position before stopping or turning.
DO NOT allow spreader to sit stationary with material in the hopper and control lever in the ON position.

4. Push the spreader at a steady speed.
5. To avoid misses or striping, space each pass across the lawn so approximately 20% of the spread width overlaps onto the previous pass. This provides a feathered overlap to even out distribution over the width of the spread.
CAUTION: care must be taken with any weed killer, pesticide, or combination product. They can be harmful to other plant life in the yard.

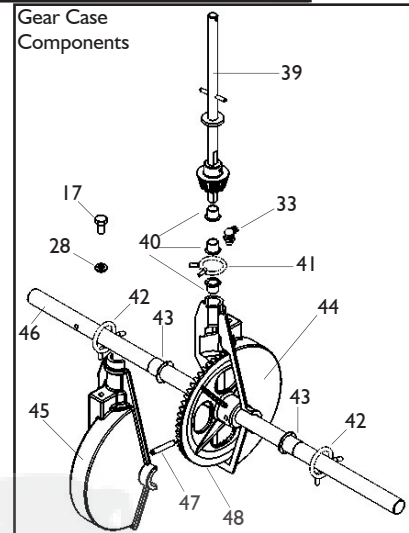
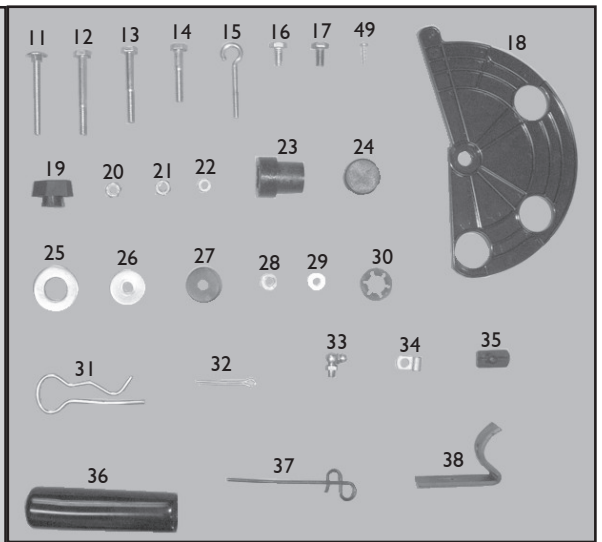
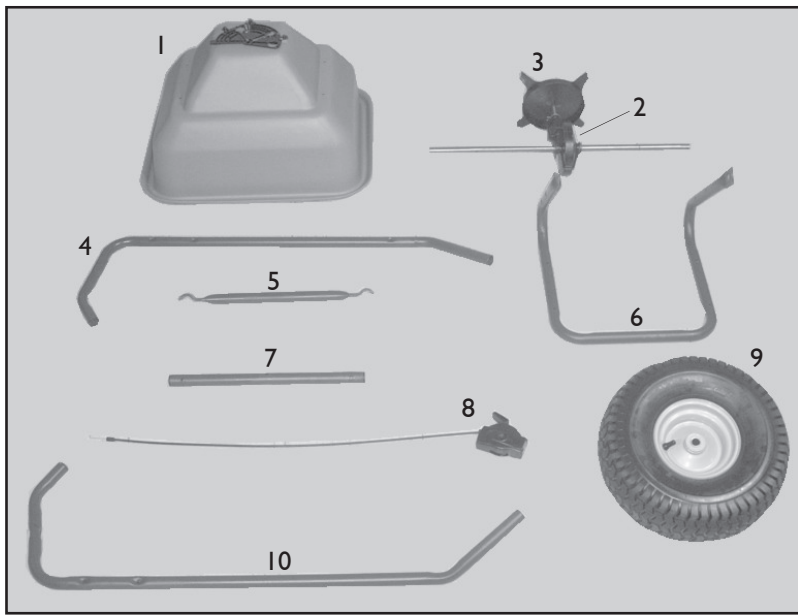
Recommended operating weight ñ 120 lbs.

MAINTENANCE INSTRUCTIONS

1. Empty hopper after each use. Do not store spreader with material left in hopper.
2. Wash spreader thoroughly and wipe dry.
3. Lubricate all moving parts. Use a grease gun to apply grease to the gearbox assembly. **CAUTION:** Use a reasonable amount of grease. **DO NOT** pack gearbox full of grease. Apply oil to spinner shaft (including area shaft extends through hopper), slide plate and where the spinner shaft and axle extend through the gearbox.

LIMITED WARRANTY

This unit is warranted against defects in materials and workmanship to the original purchaser, under normal use and service, for a period of ninety (90) days from date of sale. During the Warranty Period, we will repair or replace at our option free of charge to the original purchaser, any part of the Unit that our examination shows to be defective in workmanship or materials. This Warranty **Does Not** apply to damage caused by transit, misuse, abuse, neglect, accident, normal wear, or alterations by unauthorized persons.



PLEASE DO NOT RETURN THIS MERCHANDISE TO THE STORE. CALL US AND WE WILL TAKE CARE OF ANY PROBLEM YOU MIGHT HAVE WITH THIS PRODUCT. Phone (800) 225 - 5891 EXT. #204

HOW TO ORDER

REPLACEMENT PARTS:

When ordering parts always give model number, part number and part description.

Send To: Parts Division
316 Limit Street
Lincoln, IL 62656

Phone (800) 225-5891
(217) 735-1590 Ext. 204
FAX (217) 735-2435

Ref No	Parts No	Description	Qty	Ref No	Parts No	Description	Qty
1	2969	Hopper	1	27	6127	1/4 Rubber Washer	4
2	INSET	Gear Case Assembly	***	28	1807	1/4 Lock Washer	1
3	2614	Spinner Disc	1	29	2987	3/16 Lock Washer	1
4	7127G	Left Hand Handle	1	30	1008	3/8 Retaining Ring	1
5	7124G	Support Brace	1	31	5060	Drive Wheel Clip	1
6	7156G	Wrap Around Support	1	32	1262	1/8 x 1-1/4 Cotter Pin	1
7	7126G	Cross Brace	1	33	2983	Grease Zerk	1
8	2441	Control Cable	1	34	1098	3/16 Cable Clamp	1
9	2409	Wheel	2	35	5050C	Plastic Clamp	3
10	7125G	Right Hand Handle	1	36	3042	1 1/2 Handle Grip	2
11	1868	1/4 x 2-1/4 Carriage Bolt	1	37	2905	Agitator Pin	1
12	2101	1/4 x 2-1/4 Hex Head Bolt	4	38	2986B	Gear Case Bracket	1
13	1086	1/4 x 2 Hex Head Bolt	2	39	2982A	Spinner Shaft Assembly	1
14	6129	1/4 x 1-1/2 Hex Head Bolt	7	40	2973	3/8 Nylon Bushing	3
15	2985	Eye Bolt	1	41	2978	7/8 Spring Clamp	1
16	1647	1/4 x 1/2 Hex Head Bolt	1	42	2977	15/16 Spring Clamp	2
17	2984	1/4 x 1/2 Hex Head Bolt FT	1	43	2970	5/8 Nylon Bushing	2
18	1307	Slide Plate	1	44	2976	Rear Gear Case Housing	1
19	2828	1/4 Wing Nut	1	45	2975	Front Gear Case Housing	1
20	1558	1/4 Lock Nut	1	46	2599	Axle	1
21	1270	1/4 Hex Nut	13	47	2979	3/16 x 1-1/4 Split Pin	1
22	3618	10-24 Hex Nut	2	48	2971	Drive Gear	1
23	6214	5/8 Wheel Bushing	2	49	6010	#6 1/2 Pan Head Screw	3
24	3060	1 1/2 Tube Plug	2	50	2936B	Strainer (Not Shown)	1
25	1646	5/8 Flat Washer	3	51	2906	Rain Cover (Not Shown)	1
26	6143	1/4 Fender Washer	4				

TIP: Many of these hardware parts can be purchased at your local hardware store.