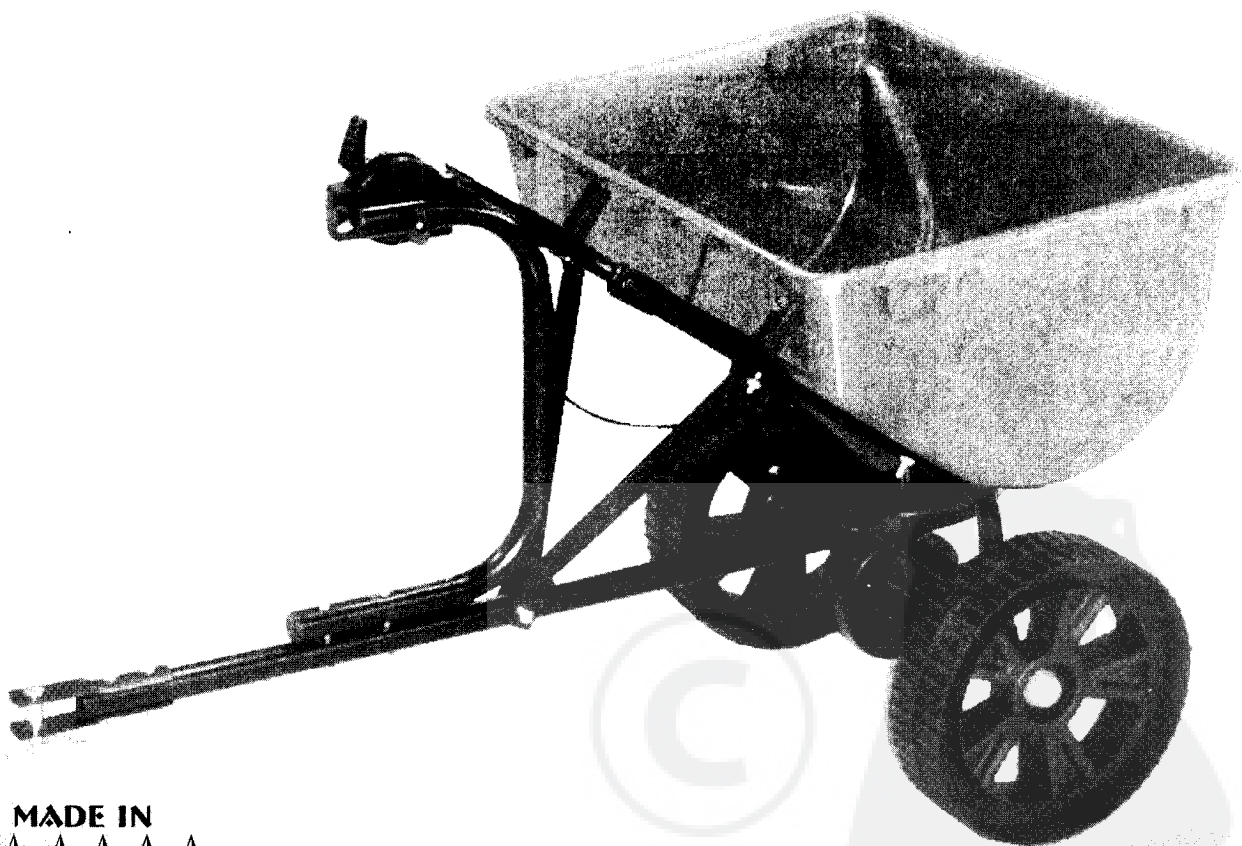


TBS4300RD

Trail Behind Broadcast Spreader

Assembly Instructions & Parts List



MADE IN
☆☆☆☆☆☆
USA



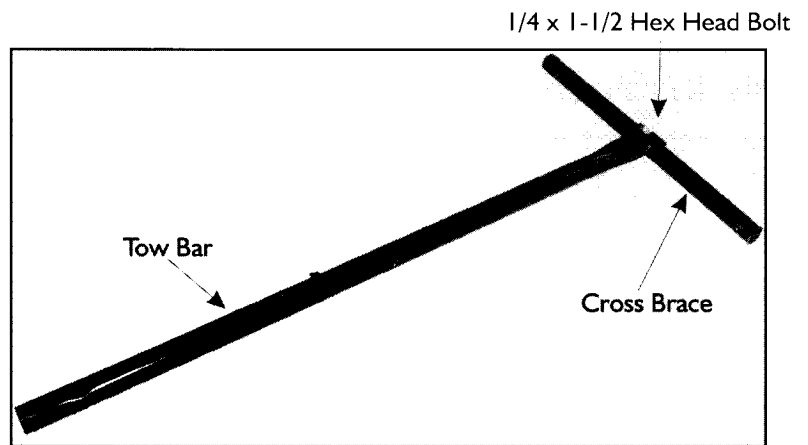
PRECISION PRODUCTS, INC.

ASSEMBLY INSTRUCTIONS FOR THE TBS4300RD

ASSEMBLY TIP: Loosely tighten nuts and bolts at first. Fully tighten when the spreader is completely assembled.

Step 1

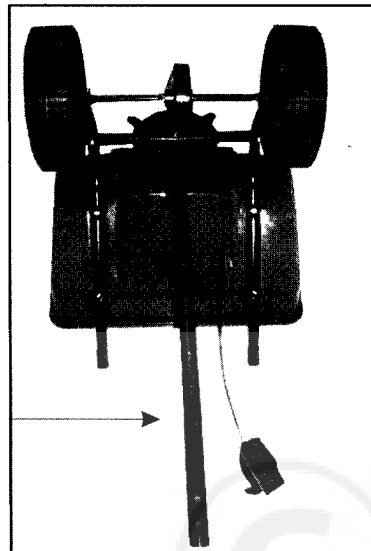
Attach the Tow Bar (9) to the center hole on the Cross Brace (5) using a 1/4 x 1-1/2 Hex Head Bolt (15) and a 1/4 Hex Nut (19).



Step 2

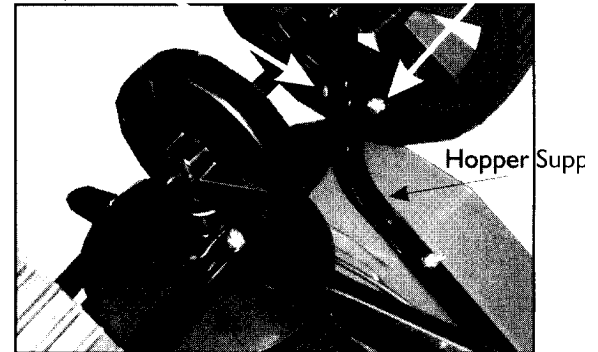
Attach Tow Bar / Cross Brace assembly to the two Hopper Supports (8) using two 1/4 x 1-3/4 Hex Head Bolts (14) and two 1/4 Lock Nuts (19).

Tow Bar / Cross Brace Assembly



1/4 x 1-3/4 Hex Head Bolt

1/4 Lock Nut

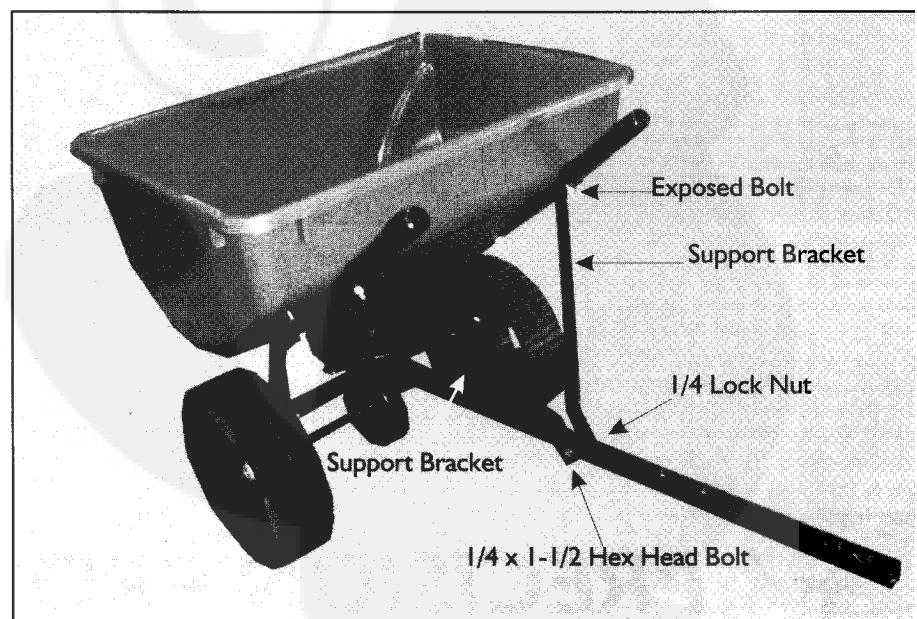


Cross Brace

Step 3

Attach both Support Brackets (11) to the Hopper Supports where the two bolts are exposed towards the top of the hopper. Secure with two 1/4 Lock Nuts (19).

Next, connect the two Support Brackets (11) to the Tow Bar (9) using a 1/4 x 1-1/2 Hex Head Bolt (15) and secure with a 1/4 Lock Nut.

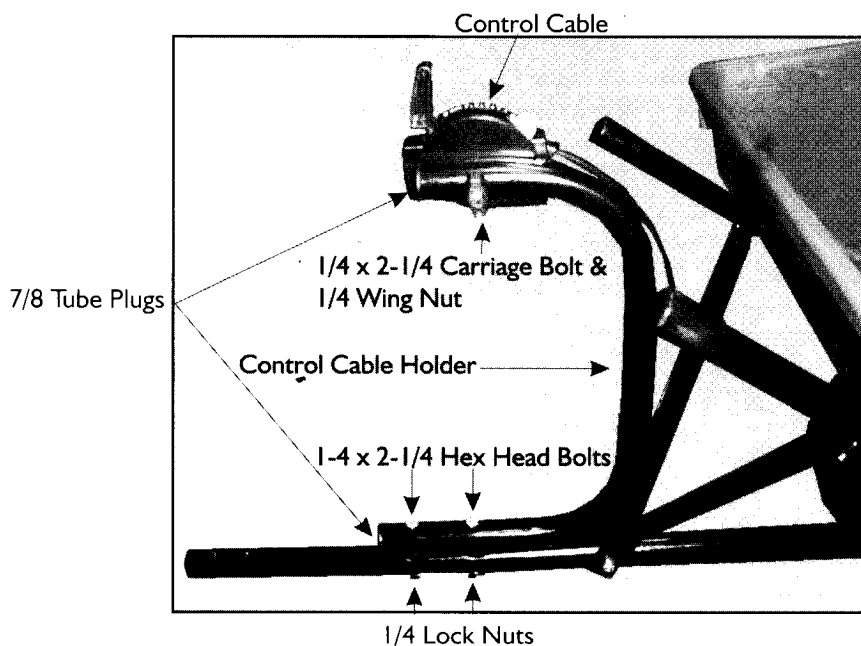


ASSEMBLY INSTRUCTIONS FOR THE TBS4300RD Continued

Step 4

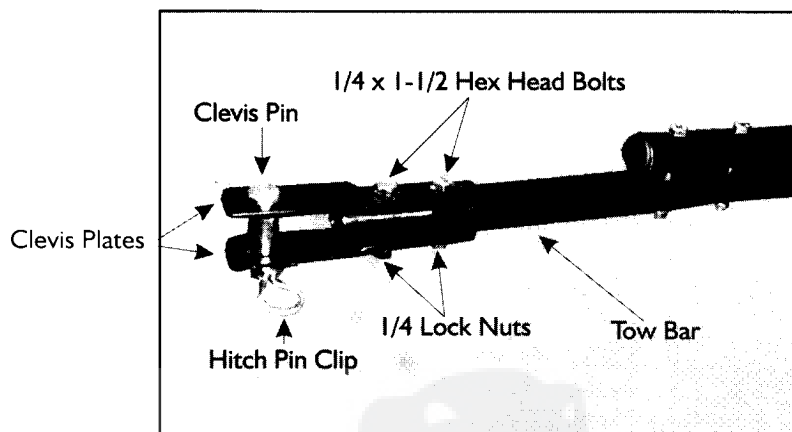
Fasten the Control Cable Holder (3) to the top of the Tow Bar (9) using two 1/4 x 2-1/4 Hex Head Bolts (13) and two 1/4 Lock Nuts (19). Attach the Control Cable (6) to the top of the Control Cable Holder using a 1/4 x 2-1/4 Carriage Bolt (12) and secure with a 1/4 Wing Nut (18).

Using a hammer, gently tap in the two 7/8 Tube Plugs (21) into the open ends of the Control Cable Holder (3) tube.



Step 5

Attach the two Clevis Plates (22) to both sides of the end on the Tow Bar (9) using two 1/4 x 1-1/2 Hex Head Bolts (15) and two 1/4 Lock Nuts (19). Place the Clevis Pin (16) through the open hole in the Clevis Plates (22) and secure with a Hitch Pin Clip (23).



USING YOUR SPREADER

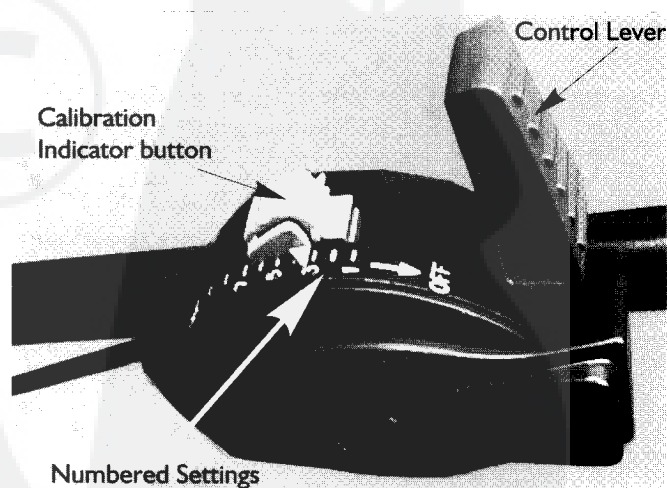
Settings are made by pushing down on the Calibration Indicator button and setting to the desired number on the Control Cable assembly.

SEE APPLICATION CHART FOR SETTING INFORMATION.

To Open -- Push the Control Lever forward until it stops against Calibration Button.

To Close -- Pull Control Lever back until it stops.

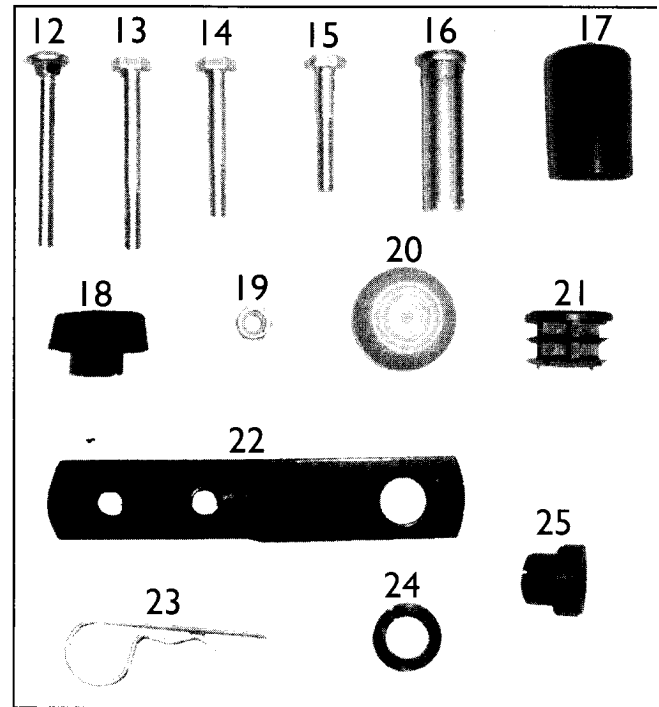
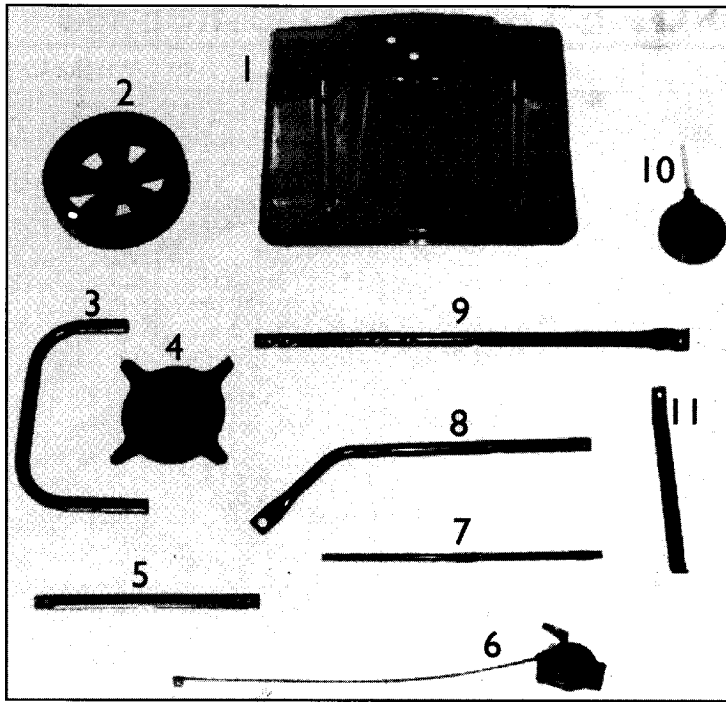
Recommended operating weight – 65 lbs.



MAINTENANCE INSTRUCTIONS

AFTER EACH USE: Wash unit thoroughly and let dry. Lubricate moving parts, including slide plate, axle and spinner shaft.

CAUTION: CARE MUST BE TAKEN WITH ANY WEED KILLER, PESTICIDE, OR COMBINATION PRODUCT. THEY CAN BE HARMFUL TO OTHER PLANT LIFE IN THE YARD.



Retain for future reference **TIP:** Many of these hardware parts can be purchased at your local hardware store.

Ref No	Part No	Description	Qty	Ref No	Part No	Description	Qty
1	2565H	Hopper	1	13	2101	1/4 x 2-1/4 Hex Head Bolt	2
2	2890	Wheel	2	14	1055	1/4 x 1-3/4 Hex Head Bolt	2
3	2282	Control Cable Holder	1	15	6129	1/4 x 1-1/2 Hex Head Bolt	8
4	2614	Spinner Disc	1	16	1840	Clevis Pin	1
5	2280	Cross Brace	1	17	2582	Tube Cap	2
6	2438	Control Cable	1	18	2828	Wing Nut	1
7	2564	Axle	1	19	1558	1/4 Lock Nut	12
8	2892	Hopper Support	2	20	1040R	Hub Cap	2
9	2285	Tow Bar	1	21	1053	7/8 Tube Plug	2
10	2889G	Gear Case Assembly	1	22	1062B	Clevis Plate	2
11	2284B	Support Bracket	2	23	1042	Hitch Pin Clip	2
12	1868	1/4 x 2-1/4 Carriage Bolt	1	24	1060	1/2 Spacer	2
				25	1842	1/2 Wheel Bushing	2

PLEASE DO NOT RETURN THIS MERCHANDISE TO THE STORE. CALL US AND WE WILL TAKE CARE OF ANY PROBLEM YOU MIGHT HAVE WITH THIS PRODUCT. Phone (800) 225-5891 EXT. #204

HOW TO ORDER REPLACEMENT PARTS

When ordering parts always give model number, part number and part description.

Send To: Parts Division
316 Limit Street
Lincoln, IL 62656

Phone (800) 225-5891
(217) 735-1590 Ext. 204
FAX (217) 735-2435

LIMITED WARRANTY

This unit is warranted against defects in materials and workmanship to the original purchaser, under normal use and service, for a period of ninety (90) days from date of sale. During the Warranty Period, we will repair or replace at our option free of charge to the original purchaser, any part of the Unit that our examination shows to be defective in workmanship or materials. This Warranty **Does Not** apply to damage caused by misuse, abuse, neglect, accident, normal wear, or alterations by unauthorized persons.