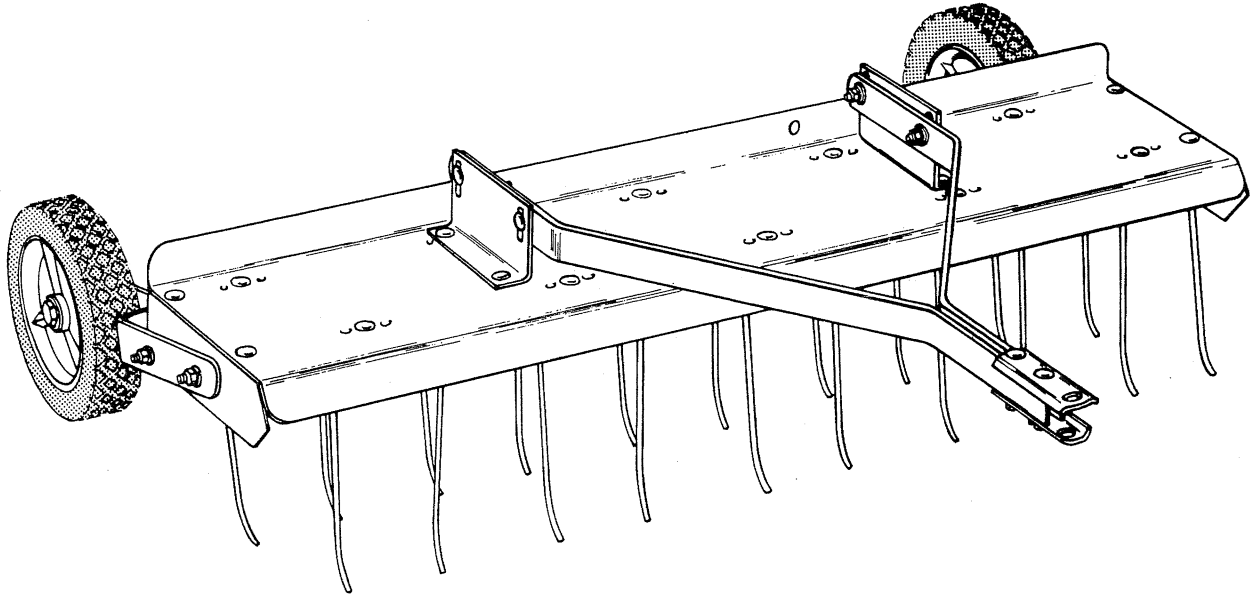


SINCE 1839

BRINLY

OWNER'S MANUAL



DETHATCHER

DT-400 BH

"IMPORTANT: THIS MANUAL CONTAINS INFORMATION FOR THE SAFETY OF PERSONS AND PROPERTY. READ IT CAREFULLY BEFORE ASSEMBLY AND OPERATION OF THE EQUIPMENT!"

LIMITED WARRANTY

Brinly-Hardy Company warrants only to the original retail purchaser that this product will remain free of defects in workmanship and materials under normal use and service for a period of two(2) years (NOTE: ninety (90) days for commercial or rental use) commencing with the date of purchase.

Any parts found to be defective within the warranty period will be replaced, with proof of date of purchase, at Brinly Hardy Company's expense. Our obligation under this warranty is expressly limited to replacement or repair, at our option of parts which are defective in material or workmanship within thirty (30) days of receipt of the parts. This warranty does not apply to damage caused by unreasonable use, including failure to provide necessary maintenance, nor does it apply to any transportation or labor charges.

WE MAKE NO OTHER EXPRESS WARRANTY NOR IS ANYONE AUTHORIZED TO MAKE ANY ON OUR BEHALF. ANY IMPLIED OR STATUTORY WARRANTIES, INCLUDING ANY WARRANTY OF MERCHANTABILITY OR FITNESS FOR A PARTICULAR PURPOSE, ARE LIMITED TO THE DURATION OF THIS WRITTEN WARRANTY. WE SHALL NOT BE LIABLE FOR CONSEQUENTIAL OR INCIDENTAL DAMAGES OF ANY KIND.

BRINLY-HARDY COMPANY (877) 728-8224

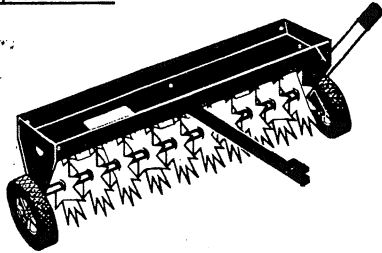
MADE IN U.S.A.

CARING FOR THE QUALITY OF YOUR LAWN

with quality products from
BRINLY-HARDY COMPANY

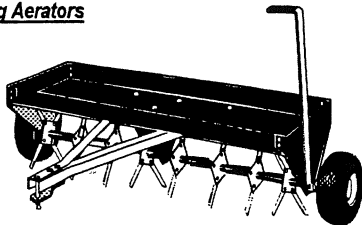
Our Quality Products

Spike Aerators



Our Spiker Aerators allow seed, fertilizer, air, and water to reach the lawn's root system, where they do the most good. This means fewer chemical applications and less frequent watering.

Plug Aerators

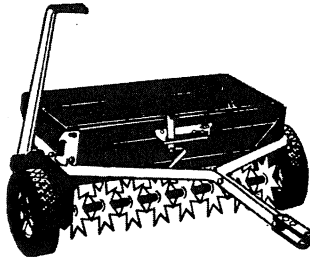


Our Plug-type Aerators are designed for the lawn care enthusiast who demands the ultimate in turf aeration! It actually pulls "plugs" of soil to relieve soil compaction and deposits them on top of the lawn where they're quickly broken down. You, too, can have a healthy looking lawn, once only affordable to golf courses!

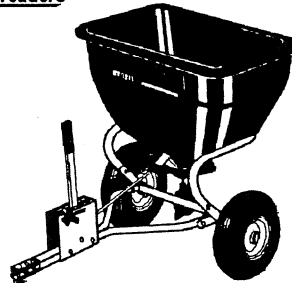
TO ORDER PARTS:
Brinly-Hardy Company
P.O. Box 18
Jeffersonville, IN 47131-0018
(877) 728-8224

Aerator Spreaders

You can actually handle two jobs at once with our Aerator-Spreader! This natural combination allows the 30" Aerator to perforate the soil, and the spreader immediately follows with seed, lime, or fertilizer; putting it INTO the ground so it can't be washed away!



Broadcast Spreaders



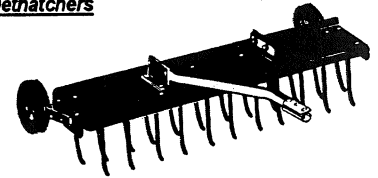
Our Brinly Spreaders handle everything from seed to ice-melters. Equipped with AutoFlow™, the material flow stops and starts when the rider does...no need to worry about "burns" or "streaks" on the lawn. Our gears are fully enclosed, so they'll last and last!

Our larger 2.5 and 3.5 cu. ft. Spreaders offer a unique, Directional Spread Pattern Control that lets you CHOOSE your spread pattern; adjust it to spread to either side or to center. Also, a clear, vinyl cover is included to protect materials from moisture.

About the Company

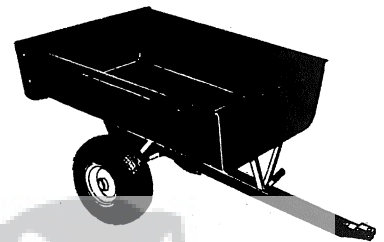
For generations, Brinly-Hardy has been serving the growing needs of farmers, gardeners, lawn professionals, and homeowners. Our first plow was introduced in 1839, and ever since, we have been forging a name in the production of quality-crafted farm, lawn, turf, and garden tools. It's a proud heritage, one you can trust in caring for your lawn.

Dethatchers



If left alone, matted layers of thatch and large grass clippings can form on your lawn which prevents air circulation and breeds disease. Our patented design Dethatcher with spring steel tines gently comb thatch and clippings to the surface where they can be re-mulched, collected, or left exposed to the elements to break down.

Utility Carts



Our Dumping Utility Carts have a patented, rounded corner design which prevents soil, gravel, mulch, sand, etc. from getting trapped along the edges (where they can cause rust), and the bracketless, removable tail-gate has NO obstructions to catch material when dumping. These Utility Carts are built to last with our solid steel axles, heavy steel beds, and our state-of-the-art powder coated paint finish.

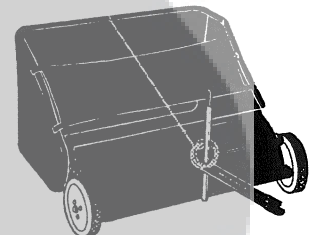
CUT HERE

BRINLY-HARDY COMPANY
P.O. BOX 18
JEFFERSONVILLE, IN
47131-0018

(877) 728-8224

website address: www.brinly.com
e-mail address: brinly@brinly.com

Sweepers

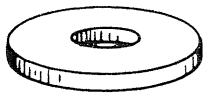


A Brinly-Hardy Sweeper is sure to make your outside chores much easier! Forget the brooms and rakes, you can quickly sweep up grass clippings, leaves, and even debris from the pavement and quickly dump them into compost bins or bags. The spring-loaded Compost Clip makes it a snap!

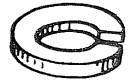
For even more versatility, attach our new Dethatcher Kit to either our 30" or 36" Sweeper, and tackle two jobs at once!

These sweepers are built for all seasons and will last for years and years.

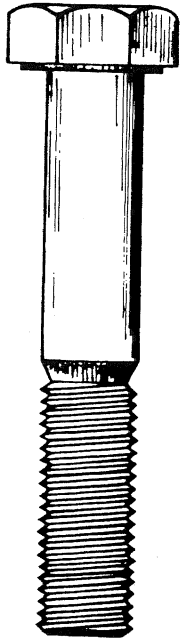
HARDWARE



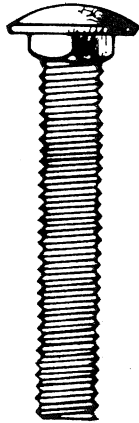
No. 3 - R-618
Special Washer



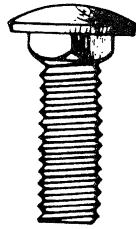
No. 19 - 40M1000P
Lock Washer, 5/16"



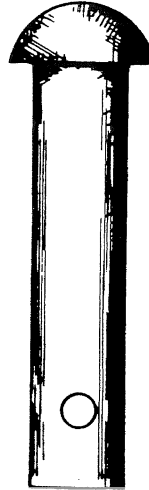
No. 14 - 1M1648P
Hex Head Bolt
1/2" x 3"



No. 15 - 10M1032P
Carriage Bolt
5/16" x 2"



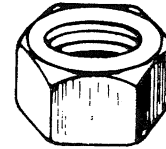
No. 16 - 11M1016P
Carriage Bolt
5/16" x 1"



No. 22-B-3861
Drawbar Pin
1/2" x 2-1/4"



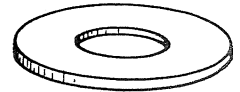
No. 17 - 30M1000P
Hex Nut, 5/16"



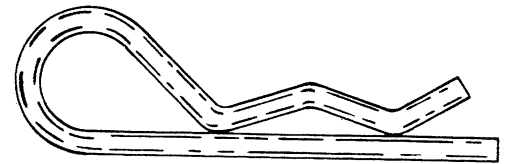
No. 18 - 30M1600P
Hex Nut, 1/2"



No. 20 - 45M1111P
Flat Washer, 5/16"



No. 21 - 45M1717P
Flat Washer, 1/2"



No. 23 D-146P
Hairpin Cotter, 1/8"

INTRODUCTION

Thank you for purchasing this quality product!

Your dethatcher is designed to be towed by most riders and lawn/garden tractors and will effectively dislodge excessive thatch from your lawn.

The regular removal of thatch is critical to the maintenance of a healthy lawn.

Thatch is a layer of stems, clippings, runners, roots, and leaves that have not decayed. Excessive thatch prevents air, water and fertilizer from reaching the roots.

When correctly assembled and with proper care, your dethatcher will provide years of trouble-free service.

TOOLS REQUIRED FOR ASSEMBLY:

- 1 - pair of pliers (slip-joint recommended)
- 1 - screwdriver (flat)
- 2 - medium size adjustable wrenches

or

- 1 - adjustable wrench and set of open-end wrenches

Fold out carton to use as a pad during assembly and arrange each kind of hardware into a group to ease assembly.

NOTE: It is recommended that you carefully read this Owner's Manual BEFORE starting assembly of the unit.



WARNING! Read this manual and the safety rules in the Operator's Manual for your rider/tractor before using the dethatcher. Failure to follow safety precautions could result in loss of control of vehicle, bodily injury or property/equipment damage.



CAUTION! When backing - carefully back straight to avoid jackknifing, which could result in damage to equipment.



WARNING! Only tow your dethatcher behind vehicles for which it was designed - riders and lawn/garden tractors.



CAUTION! Do not stand or ride on dethatcher, bodily injury could result.



CAUTION! To avoid possible personal injury and/or equipment damage, never exceed the recommended operating speed range of 3 to 5 MPH.

ASSEMBLY

NOTE: All references to left and right are made while standing **BEHIND** the dethatcher and facing forward.

Lay the tine tray (5) upside down. The "dimples" will then be projecting upward. The tines must be installed with the "TIPS" facing the front flange.

FIG. 1. Attach the ten tines (2) to the tine tray (5), using 5/16" x 1" carriage bolts (16), special washers (3), 5/16" lock washers (19), and 5/16" hex nuts (17).

NOTE: Leave the **SECOND** Carriage Bolt from **RIGHT SIDE**, near rear of Tine Tray, loose for assembly of Mount Bracket in Fig.2.

IMPORTANT: Make sure the loop between each tine's coils is positioned **BETWEEN** the projections (pair of dimples) on the tray. Now, Securely tighten these fasteners. Insert each of the two safety wires (13) through the coils of each tine and then bend the ends over with pliers as shown in illustration A. Be sure each end is bent completely over the straight portion of the safety wire.



WARNING! Failure to install safety wires can result in personal injury if a tine should disengage from the tine tray.



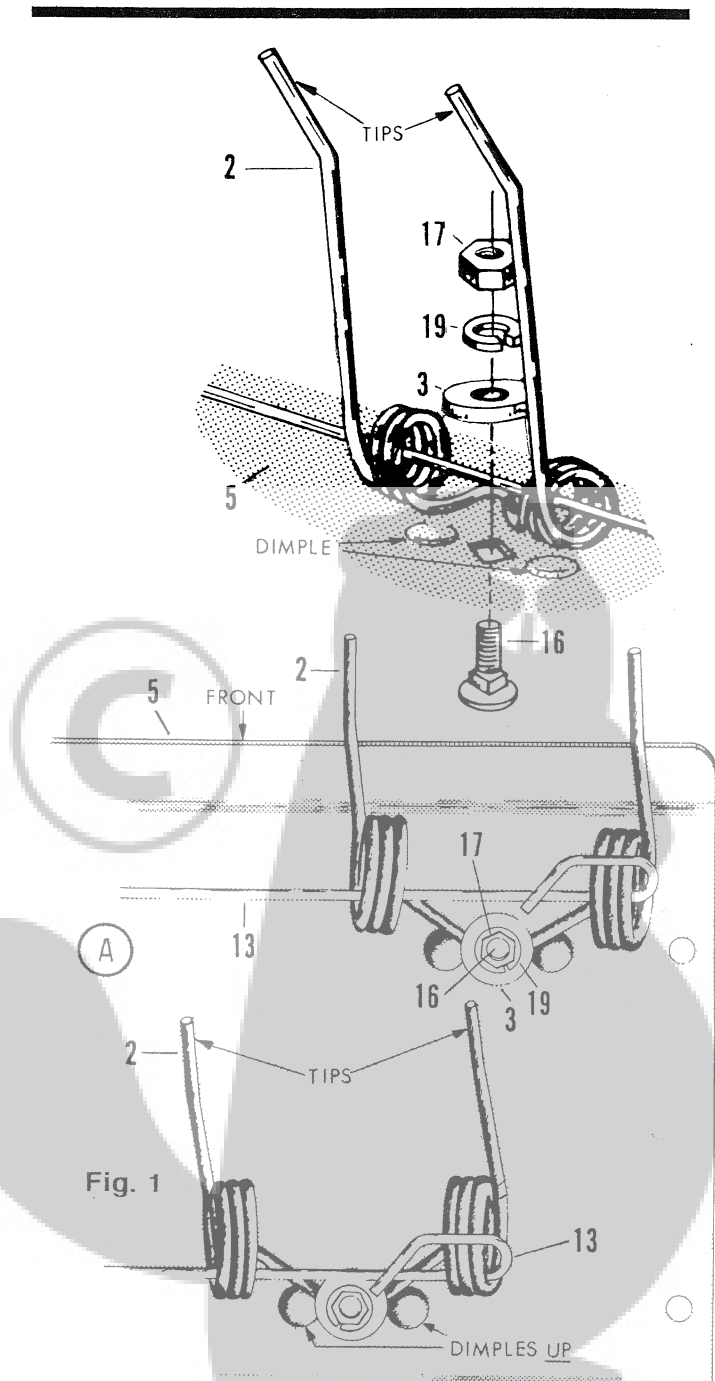
WARNING! Stop engine, remove ignition key, and disconnect the dethatcher from your vehicle before making any repairs, adjustments or inspections or performing any service or equipment cleaning.



WARNING! Keep equipment out of reach of children at all times. Shield tines when storing.



WARNING! Never operate dethatcher without safety wires installed.



Turn the tine tray over (right side up) with the tine tips touching the ground.

FIG. 2. Attach each of the two tray mount brackets (4) to the tine tray (5), with the small flange resting on the tray surface and facing a tray end as shown. Use two 5/16" x 1" carriage bolts (16- see note in Fig. 1 instructions), 5/16" lock washers (19, and 5/16" hex nuts (17) per mount bracket. Securely tighten!

Attach the two pull bars (12) to the INSIDE surface of the tray mount brackets (4) using four 5/16" x 1" carriage bolts (16), 5/16" flat washers (20), 5/16" lock washers (19), and 5/16" hex nuts (17). Assemble both clevis pieces (10) to the front of the pull bars (12), as shown, using two 5/16" x 2" carriage bolts (15), 5/16" lock washers (19), and 5/16" hex nuts (17). Slide clevis pieces (10) forward until front bolt (15) is within 1/4" of the end of pull bars (12) FINGER TIGHTEN THESE FASTENERS!

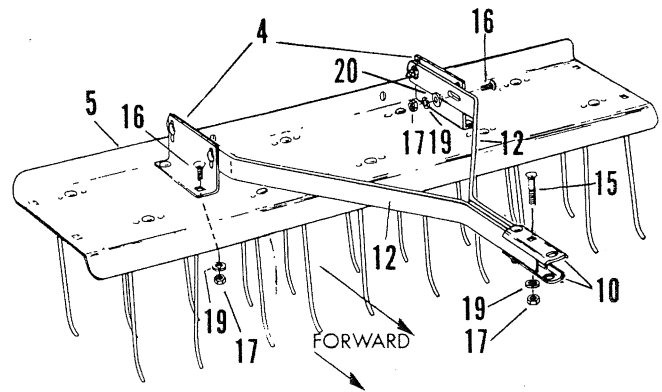


Fig. 2

FIG. 3. The right hand (7) and the left hand (8) end plates are attached to the tine tray (5) ends using two 5/16" x 1" carriage bolts (16), 5/16" lock washers (19), and 5/16" hex nuts (17) per end. Securely tighten these fasteners.

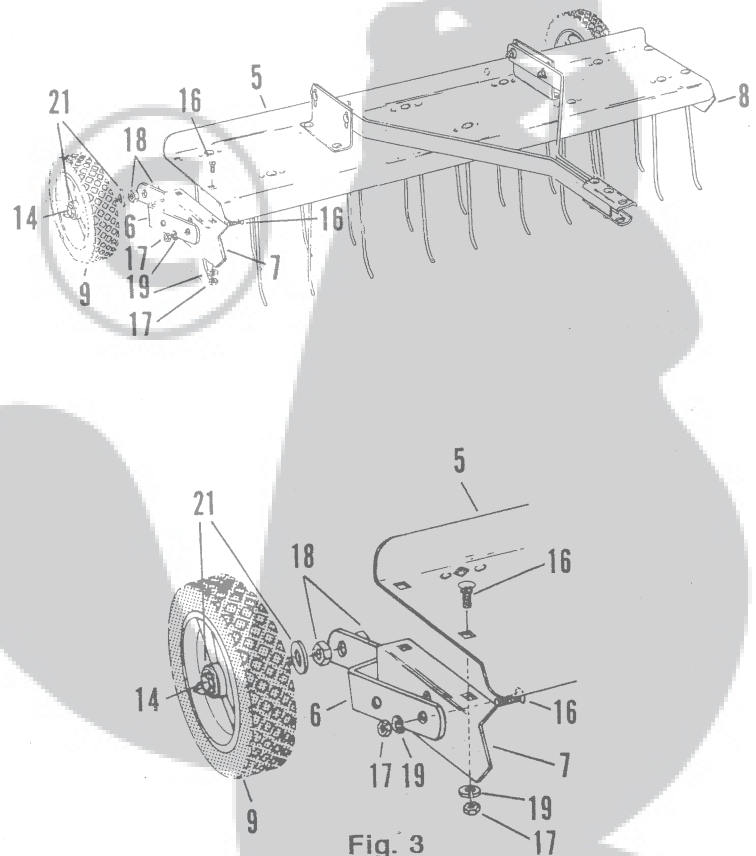
Attach each wheel mount bracket (6) to an end plate as shown. Insert two 5/16" x 1" carriage bolts (16) FROM INSIDE each end plate and secure with 5/16" lock washers (19), and 5/16" hex nuts (17). FINGER TIGHTEN ONLY!

Slip one 1/2" flat washer (21) on each of the two 1/2" x 3" hex head bolts (14), followed by a wheel (9) and then another 1/2" flat washer (21). Be sure each wheel hub is on the threaded end of the bolt, not the "head" end. Now, thread one 1/2" hex nut (18) on each bolt allowing the wheel to rotate freely while keeping the "SIDE PLAY" to a minimum.

Insert both 1/2" x 3" hex bolts (14) into the wheel mount brackets (6) as shown and then secure with 1/2" hex nuts (18).

Securely tighten all fasteners!

Attach the logo decal as shown on the exploded view.



MOUNTING AND ADJUSTMENT

FIG. 4. For most lawns, adjust the dethatcher as follows:

A. Select a smooth flat surface such as a driveway, sidewalk, garage floor, etc. Attach the dethatcher to your rider/tractor.

B. Make adjustments to the pull bars (12) and the wheel mount brackets (6) as necessary, to place the tine "TIPS" about 1/2" above the flat surface when in the FREE position, and to touch the flat surface when manually deflected. Refer to illustration A and **FIG. 5.**

Note: The tray and tines need to be parallel with ground only and not necessarily with pull bars.

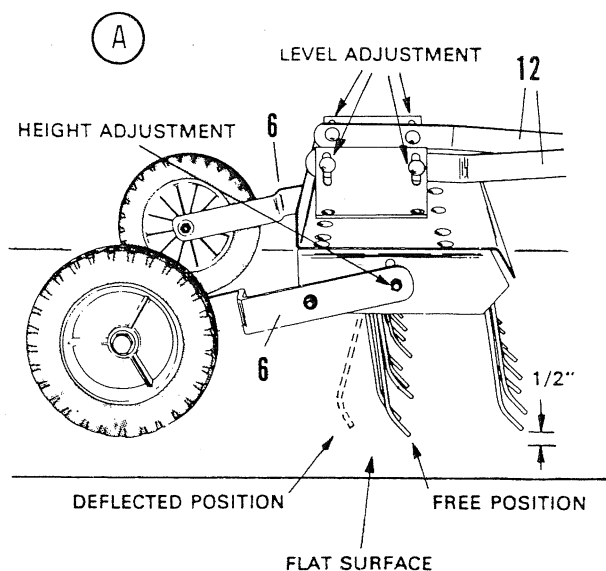


Fig. 4

OPERATION

FIG. 5. - TINE ACTION - Grass should be less than 3" tall for proper tine action. When in use, all tines on the dethatcher should deflect back and "flip" the thach forward, as shown, in Fig. 5. If the tines seem to drag without flipping forward, the tine tray is too low and should be raised. If all the tines stay in the free position, the tray should be lowered. Make adjustments as necessary, up or down, by no more than 1/4" each time, until proper results are achieved.

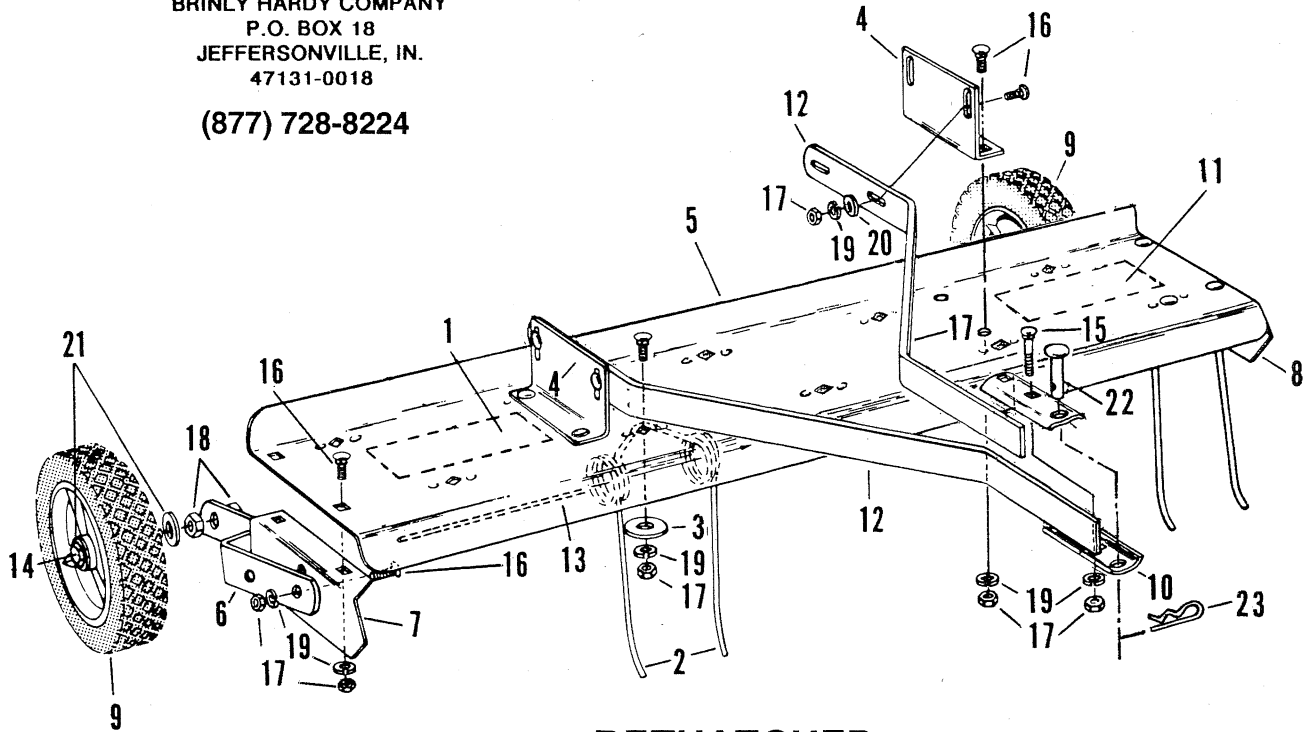


Fig. 5

MAINTENANCE

The dethatcher is essentially maintenance free. However, as with any steel product, it can rust. To prevent or eliminate rust on tines, apply a light coat of oil. Should rust appear on the tray or mounting bars, just sand lightly and then coat with enamel. Always store the dethatcher in a dry area.

TO ORDER PARTS:
 BRINLY HARDY COMPANY
 P.O. BOX 18
 JEFFERSONVILLE, IN.
 47131-0018
 (877) 728-8224



DETHATCHER DT-400 BH

PARTS LIST

REF. NO.	PART NO.	DESCRIPTION	QUANTITY	REF. NO.	PART NO.	DESCRIPTION	QUANTITY
1	B-5925	Logo Decal	1	12	R-1455-10	Pull Bar	2
2	R-616	Tine	10	13	R-1503	Safety Wire	2
3	R-618	Special Washer	10	14	1M1648P	1/2" x 3" Hex Head Bolt	2
4	R-713-10	Tray Mount Bracket	2	15	10M1032P	5/16" x 2" Carriage Bolt	2
5	R-885-10	Tine Tray	1	16	11M1016P	5/16" x 1" Carriage Bolt	26
6	R-887-10	Wheel Mounting Bracket	2	17	30M1000P	5/16" Hex Nut	28
7	R-889-10	End Plate (R.H.)	1	18	30M1600P	1/2" Hex Nut	4
8	R-890-10	End Plate (L.H.)	1	19	40M1000P	5/16" Lock Washer	28
9	R-891	Wheel	2	20	45M1111P	5/16" Flat Washer	4
10	R-892-10	Clevis	2	21	45M1717P	1/2" Flat Washer	4
11	R-1541	Caution Decal	1	22	B-3861	Drawbar Pin 1/2" x 2-1/4"	1
				23	B-146P	Hairpin Cotter, 1/8"	1

L-1383-1

02