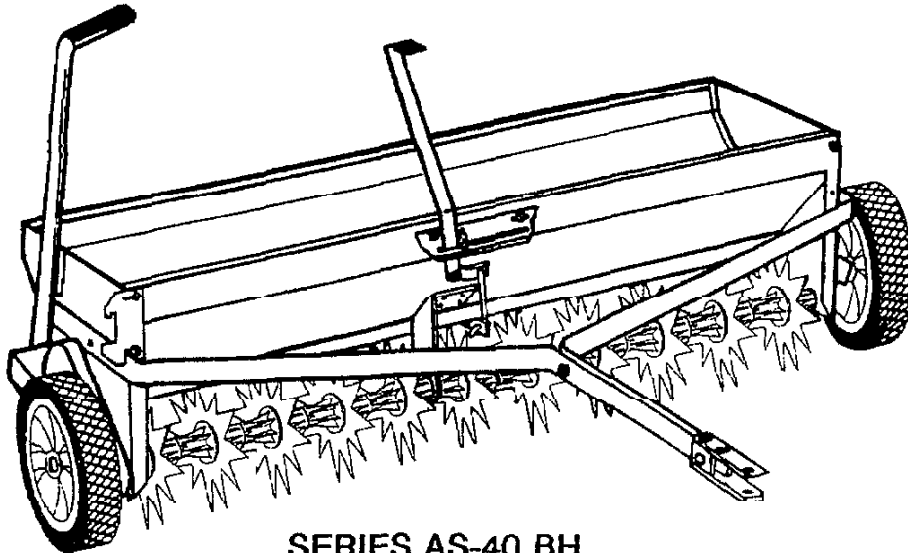


SINCE 1839

BRINLY

OWNER'S MANUAL



SERIES AS-40 BH
AERATOR-SPREADER

MODEL AS-401 BH

"IMPORTANT: THIS MANUAL CONTAINS INFORMATION FOR THE SAFETY OF PERSONS AND PROPERTY. READ IT CAREFULLY BEFORE ASSEMBLY AND OPERATION OF THE EQUIPMENT!"

"CAUTION: USE YOUR AERATOR-SPREADER FOR THE PURPOSES FOR WHICH IT WAS DESIGNED. FAILURE TO DO SO MAY CAUSE PERSONAL INJURY OR EQUIPMENT DAMAGE. CONSULT YOUR RIDER/TRACTOR OPERATOR'S MANUAL AS WELL AS THE OPERATION SECTION OF THIS MANUAL FOR PROPER PROCEDURES.

LIMITED WARRANTY

Brinly-Hardy Company warrants only to the original retail purchaser that this product will remain free of defects in workmanship and materials under normal use and service for a period of two (2) years (NOTE: ninety (90) days for commercial or rental use) commencing with the date of purchase.

Any parts found to be defective within the warranty period will be replaced, with proof of date of purchase, at Brinly-Hardy Company's expense. Our obligation under this warranty is expressly limited to replacement or repair, at our option of parts which are defective in material or workmanship within thirty (30) days of receipt of the parts. This warranty does not apply to damage caused by unreasonable use, including failure to provide necessary maintenance, nor does it apply to any transportation or labor charges.

WE MAKE NO OTHER EXPRESS WARRANTY NOR IS ANYONE AUTHORIZED TO MAKE ANY ON OUR BEHALF. ANY IMPLIED OR STATUTORY WARRANTIES, INCLUDING ANY WARRANTY OF MERCHANTABILITY OR FITNESS FOR A PARTICULAR PURPOSE, ARE LIMITED TO THE DURATION OF THIS WRITTEN WARRANTY. WE SHALL NOT BE LIABLE FOR CONSEQUENTIAL OR INCIDENTAL DAMAGES OF ANY KIND.

BRINLY-HARDY COMPANY (877) 728-8224

MADE IN U.S.A.

CONGRATULATIONS on your purchase of this Brinly Attachment. It has been designed, engineered, and manufactured to give you the best possible dependability and performance.



Please read and retain this manual. The instructions will enable you to assemble and maintain your Attachment properly. Always observe the "SAFETY RULES".

Should the need ever exist for repair parts, order through most any Lawn and Garden dealer, using part number and description.

RULES FOR SAFE OPERATION

- Know controls and how to stop quickly, READ THE OWNER'S MANUAL.
- Do not allow children to operate the vehicle, do not allow adults to operate without proper instruction and without having read the owner's manual.
- Do not carry passengers. Keep children and pets a safe distance away.
- Always wear substantial footwear. Do not wear loose fitting clothing that can get caught in moving parts.
- Keep your eyes and mind on your tractor/attachment and area being covered. Don't let other interests distract you.
- Stay alert for holes in the terrain and other hidden hazards.
- Keep the vehicle and attachment in good operating condition and keep safety devices in place.
- Keep all nuts, bolts and screws tight to be sure the equipment is in safe working condition.
- The vehicle and attachment should be stopped and inspected for damage after striking a foreign object. The damage should be repaired before restarting and operating the equipment.
- See tractor equipment owner's manual for safe operation of the equipment.
- Do not drive close to creeks, ditches and public highways.
- Watch out for traffic when crossing or near roadways.
- When using any attachment, don't allow anyone near the vehicle while in operation.



CAUTION

- To avoid damage to Tines, always engage transport wheels to raise the Tines when crossing concrete or asphalt walks, drives, or roads.
- Use the Aerator-Spreader only on an established lawn, never on newly laid sod.
- To avoid personal injury and/or equipment damage never exceed the recommended operating speed range of 3 to 5 MPH.
- Tines have extremely sharp points. Wear gloves and handle with care.
- Only tow your Aerator-Spreader behind vehicles for which it was designed, riders and lawn/garden tractors.
- Do not stand/ride on Aerator-Spreader, bodily injury could result.
- Never exceed the Hopper weight capacity of 100 pounds.
- Do not attempt to disconnect Aerator from tractor with weight in Hopper.
- When backing - carefully back straight to avoid jack-knifing which could result in damage to equipment.



LOOK FOR THIS SYMBOL TO POINT OUT IMPORTANT SAFETY PRECAUTIONS. IT MEANS - ATTENTION! BECOME ALERT! YOUR SAFETY IS INVOLVED.

CUSTOMER RESPONSIBILITIES

- Read and observe the "SAFETY RULES".
- Follow a regular schedule in maintaining, caring for, and using your Attachment.

TABLE OF CONTENTS

WARRANTY.....	1	OPERATION.....	6-7
SAFETY RULES.....	2	CUSTOMER RESPONSIBILITY.....	7
HARDWARE.....	10	FLOW CONTROL CHART.....	7
ASSEMBLY.....	3-6	REPAIR PARTS.....	8-9

ASSEMBLY

NOTES

- It is recommended that you **CAREFULLY READ** this Owner's Manual **BEFORE STARTING ASSEMBLY OF THE UNIT.**
- Before starting assembly, arrange each kind of hardware into a group to ease assembly.
- Lock Nuts must be used where specified. They have a slightly oblong hole and are domed on one end.
- References to the right and left are made while standing at the rear of the unit and facing forward.

Tow Bar Assembly

Refer to Fig. 1

IMPORTANT: Tow Bars (20) have a long and short formed end- **SHORT ENDS ASSEMBLE TO HOPPER.**

- Insert a 5/16" x 1-1/4" Hex Bolt (32) through hole (closest to bend) in one of the two Tow Bars (20) as shown. Secure with a 5/16" Lock Washer (45) and 5/16 Hex Nut (41). Tighten securely.
- Assemble the other Tow Bar (20), aligning similar hole (closest to bend) in Tow Bars, securing with a 5/16" Lock Washer (45) and 5/16 Hex Nut (41). Do not tighten.
- Assemble the two Clevis straps (30) to front of Tow Bars (20), using two 5/16" x 2" Carriage Bolts (35) - bolts fit between Tow Bars. Secure with 5/16" Lock Washers (45) and 5/16" Hex Nuts (41). Do not tighten.
- Insert a 5/16" x 1-1/4" Hex Bolt (32) through front holes in Tow Bars, positioned between the two Carriage Bolts previously assembled. Secure with a 5/16" Lock Washer (45) and Hex Nut (41). Do not tighten.

TOOLS REQUIRED FOR ASSEMBLY:

- 1 - Pair work gloves
- 1 - Flat blade screwdriver
- 1 - Pair of slip joint pliers
- 1 - 7/16" Wrench
- 2 - 1/2" Wrenches
- 2 - 3/4" Wrenches
- OR
- 2 - 10" Adjustable wrenches

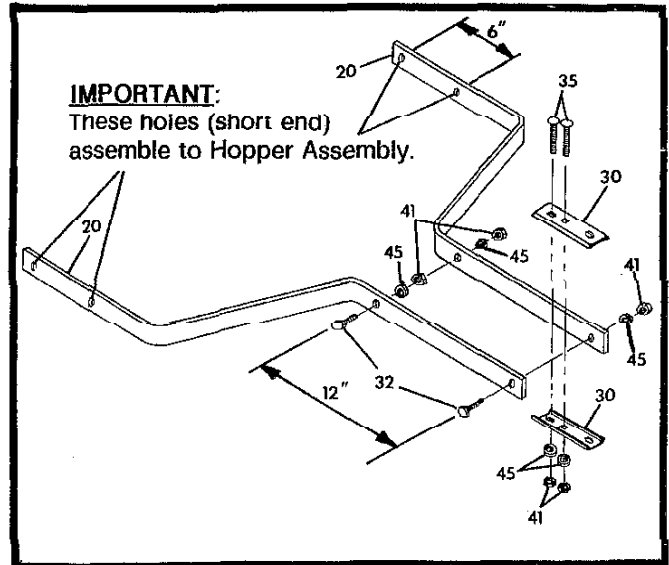


Fig. 1

Wheel Support

Refer to Fig. 2

- First slip one 1/2" Flat Washer (48) on each 1/2" x 2 3/4" Hex Bolt (33) followed by a wheel (28 - through side opposite wheel hub), another 1/2" Flat Washer (48). Thread a 1/2" Hex Jam Nut (42) on each bolt, tightening enough to still allow wheels to turn freely with a minimum amount of side play.
- Insert threaded ends of Wheels into holes on each side of Wheel Support Assembly and secure with a 1/2" Lock Washer (46) and 1/2" Hex Jam Nut (42). Tighten securely. Wheels must turn freely - adjust if necessary.
- Install the Lift Handle (22) to outside of tab (rear hole only) at right side of Wheel Support Assembly (21) as shown, using a 5/16" x 1-1/4" Hex Bolt (32) and two 5/16" Hex Nuts (41).
- Align front hole in Lift Handle (22) with hole in Wheel Support Assembly (21) and tighten bolt (in rear hole) securely.
- Slide the Handle Grip (29) on end of Lift Handle (22).
- Install an additional 5/16" x 1-1/4" Hex Bolt (32) through tab only at left side of Wheel Support Assembly (21) (rear hole). Secure with a 5/16" Lock Washer (45) and two 5/16" Hex Nuts (41) (jam together).

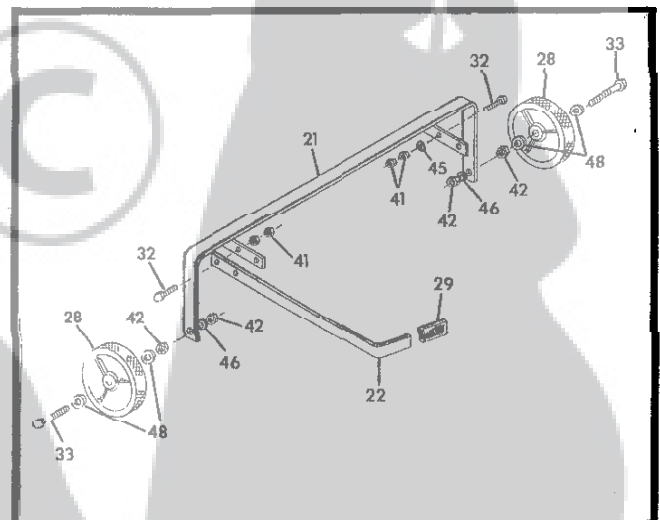


Fig. 2

Hopper and Frame Assembly

Refer to Fig. 3

Slide the previously assembled Tow Bars (20) over the ends of the Hopper Assembly (7) - from the front, lining the holes (closest to bends) in Tow Bars (20) with the front holes in Hopper Assembly. Attach with two 6" x 3/4" Round Head Screws (38 - from INSIDE of Hopper Assembly), Lock Washers (45) and Hex Nuts (41) - through FRONT holes only (at right and left side holes). Do not tighten screws.

Move Tow Bars (20) to align with rear holes in Hopper Assembly (7) and insert a 5/16" x 1-1/4" Hex Bolt (32) through from INSIDE Hopper. Position the previously assembled Wheel Support (21) at rear holes of Hopper Assembly and Tow Bars and push Hex Bolts through from both sides. Secure with a 5/16" Hex Lock Nut (2 - Lock Nuts have oblong hole and an oval top). Tighten both sides until Wheel Support is barely free to rotate.

Tighten all Bolts in the Tow Bar Assembly (20).

NOTE: Make sure Top and Bottom Clevis' are pulled as far forward as possible before tightening.

Assemble the Transport Lock (3 - notch in bottom of straddle previously assembled Tow Bar) to the front of Hopper Assembly (7) as shown, using two 6" x 3/4" Round Head Screws (38), Lock Washers (45) and Hex Nuts (41). Do not tighten.

Move Lift Handle (22) forward and engage it into the Transport Lock (3) previously assembled.

Move Transport Lock (3) against Lift Handle and tighten screws - holding the Transport Lock.

Disengage Lift Handle from Transport Lock by pulling back and out, on handle.

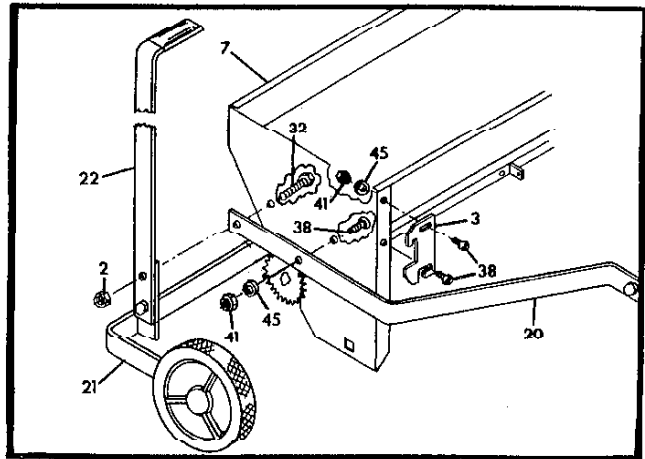


Fig. 3

Flow Control Strap Assembly

Refer to Fig. 4.

Slide small Vinyl Grip (24) over unwelded end of Flow Control Lever (13).

Insert Flow Control Lever (13) through slot in Vibration Plate (12) from BOTTOM (as shown in INSET A).

Position Shutter Link (14) into hole in Flow Control Lever (13) as shown in Insets B & C.

Feed opposite end of Shutter Link (14) through tab on Shutter Assembly (10). Pull up on Flow Control Lever and Shutter Link (14) will position itself as shown in Inset C.

Move Flow Control Lever (13), aligning the mounting eye with hole in Hopper Assembly (7). Fasten with 1/2" x 1" Hex Bolt (39) (from INSIDE of Hopper Assembly), two Washers (1 - at INSIDE and 1 OUTSIDE OF Hopper Assembly), and Flow Control Lever (13). Secure from outside with the 5/16" Hex Lock Nut (2). Tighten until Handle is barely free to move. Push Handle to OFF position.

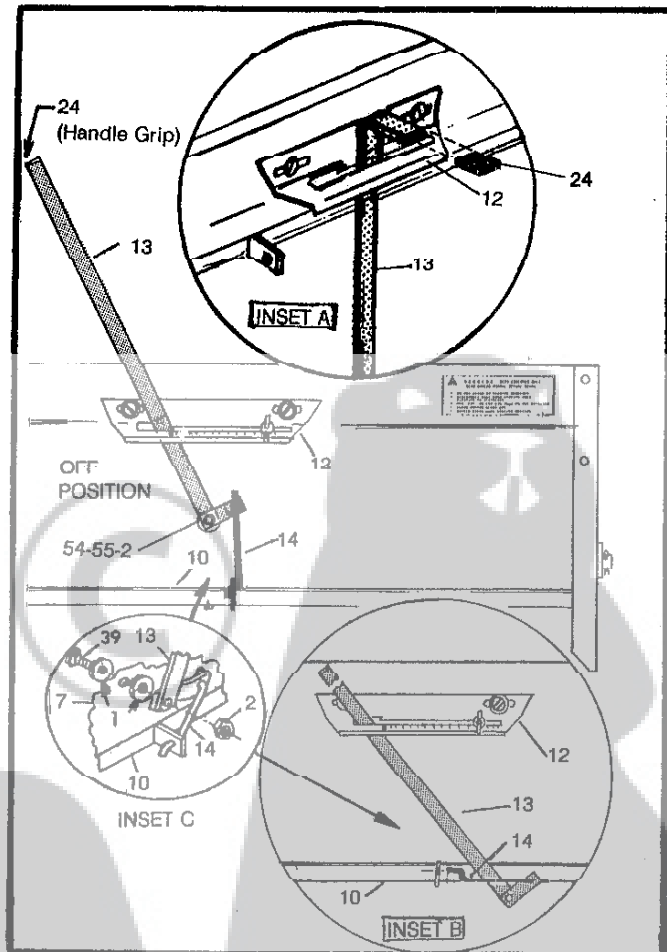


FIG. 4

Tine Shaft Bearings

Refer to Fig. 5.

- Install the three square, Nylon Bearings (23) - one through square holes in each side of Hopper Assembly (7), from inside of Hopper Assembly and one at Center Support on Hopper - square shoulder towards right (Sprocket) side. Secure each Bearing by pushing a 1" (Large) "E" Ring (53) into grooves of Bearings.
- Install a 5/16" x 3/4" Round Head Screw (38) into hole at upper left corner of Hopper and secure with a 5/16" Lock Washer (45) and a 5/16" Hex Nut (41).

Aerator Tine Assembly

Refer to Fig. 6.



Warning!

- Aerator tines are extremely sharp! Wear gloves and use caution when handling them.

Note: Extra 5/8" Washers (26 & 26A) are furnished, if needed, as shims to eliminate any possible side to side movement of Aerator Tines after assembly.

- Slide a 5/8" Thin Washer (26) onto Tine Shaft Assembly (16), against Sprocket.
- Slide the Tine Shaft Assembly (16) through Bearing at Right side (Chain Drive side) of Hopper Assembly (7) to within 4" of Center Brace (50) and Bearing.
- Position all Aerator Tines (5) and Spacer/Bearing Tubes (18) onto Tine Shaft Assembly (16) as follows:
 - Spacer/Bearing Tube, small end first.
 - Aerator Tine.
 - Spacer/Bearing Tube, large flange end first.

IMPORTANT: Round Projections on Spacer/Bearing flanges must fit into small holes in Aerator Tines and into holes of opposite Spacer/Bearing flange.

- Assemble all eleven Aerator Tines and Spacer/Bearings in this manner - five on one side of Center Brace (50) and six on other. Push Tine Shaft Assembly through as Aerator Tines are assembled.

Note: Frame may have to be deflected open slightly in order to assemble all Aerator Tines. **MAKE SURE ALL TINES AND SPACER/BEARINGS INTERLOCK.**

- Push Tine Shaft Assembly through Square Bearings until Sprocket and Washer are against Square Bearing.
- **IMPORTANT:** Tines must not move from side to side inside opening of Hopper Assembly. If looseness exists, add 5/8" Thin Washers (26) inside Hopper to eliminate any side movement.
- With proper Tine clearance and Tine Shaft Assembly pushed through Square Bearing, fill space between Bearing and "E" Ring groove with one or more 5/8" Washer (26 or 26A). Secure by pushing a 5/8" (small) "E" Ring (55) into groove. Axle must be limited to no more than 1/16" side movement.
- Rotate the first two Aerator Tines, at Sprocket side of Hopper Assembly, and align slots in Spacer/Bearing Tubes with the two holes in Tine Shaft. Secure both using Cotter Pins (49), spreading the ends after assembly.

IMPORTANT: COTTER PINS MUST BE ASSEMBLED AS DESCRIBED. THESE TWO AERATOR TINES DRIVE THE AGITATOR SHAFT.

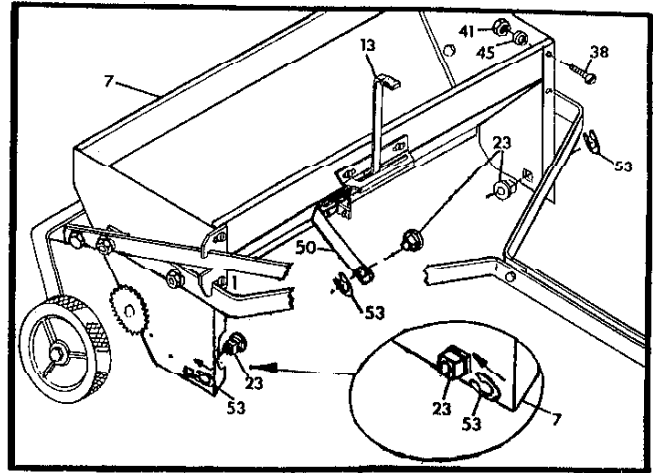


Fig. 5

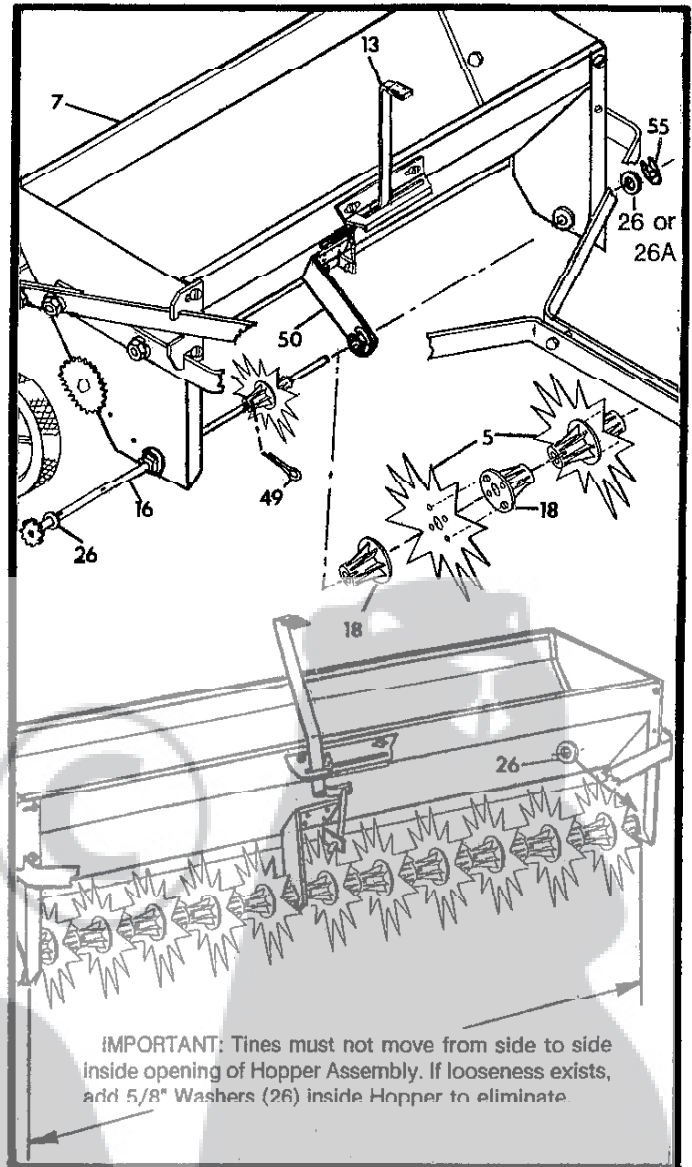


Fig. 6

IMPORTANT: Tines must not move from side to side inside opening of Hopper Assembly. If looseness exists, add 5/8" Washers (26) inside Hopper to eliminate

Drive Chain and Shield

Refer to Fig. 7.

Position the Drive Chain (17) over both sprockets with links together.

Insert connecting link (17A) through ends of Drive Chain (17) and insert connecting bar on connector link, securing with Locking Clip.

Assemble the Chain Shield (19) over the Drive Chain, attaching with two 1/4" x 1/2" Round Head Machine Screws (36), Lock Washers (44), and Hex Nuts (40). Tighten securely.

Apply Logo Decal (2) as shown on parts page (if not already applied).

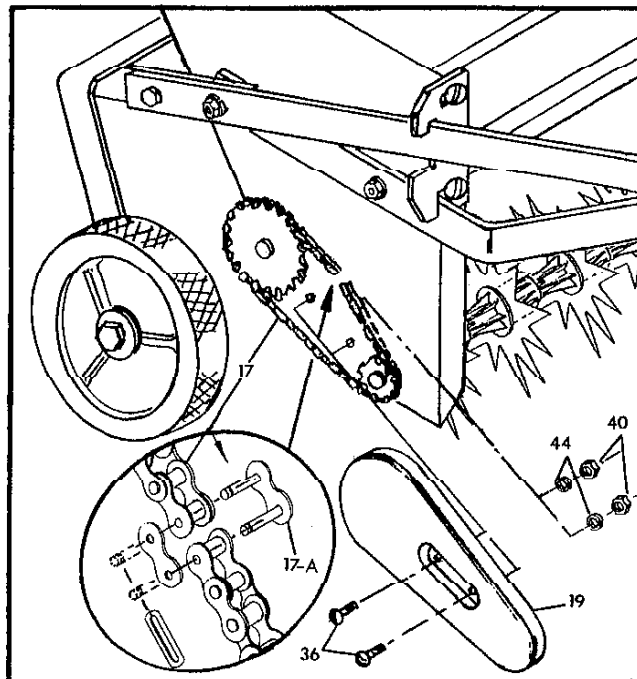


Fig. 7

OPERATION



CAUTION!

- Use the Aerator-Spreader on established lawns only, **NEVER** on newly laid sod.
- Always engage transport wheels to raise the Tines when crossing asphalt or concrete.
- Never exceed the Hopper weight capacity of 100 lbs.

- When backing - carefully back straight to avoid jack-knifing, which could result in damage to equipment.
- **DO NOT** fill Hopper and transport over long distances without dropping material. This will result in packing the material, causing poor or erratic discharge. Fill Hopper only at operation site.

WHEN TO USE

Your Aerator-Spreader should not be used when lawn conditions are too wet or too dry. This can be determined by digging a small amount of soil (about three inches deep) and checking it. If soil appears powdery and brittle - it's too dry. Wait until a later date, after a rainfall. If soil appears damp, roll it up in the palm of your hand - if it forms a ball, it's too wet. Wait until a later date for soil to dry some. Ideally, the soil should fall apart.

NOTE: If soil is too wet, the aerator tines will penetrate too deep and your tractor could lose traction, causing lawn damage. If soil is too dry, the aerator tines will not penetrate soil properly.

MOUNTING & TRANSPORTING

Attach the Aerator-Spreader to your tractor using the 1/2" Drawbar Pin and Hairpin Cotter furnished. Pull transport Handle towards tractor and lock into raised position (transport wheels are engaged).

OPERATING TIPS

- Set the Flow Control to proper setting (see Flow Control Chart) and move the control strap to closed ("0") position.
- Fill Hopper with material to be spread at operating site.
- Break up all lumps of material as you fill the Hopper.
- The recommended operating speed is slightly faster than a brisk walk - 3 to 5 MPH. Set the throttle/gear selector to obtain this speed.
- Drive tractor/mower forward as you open the flow control strap on the calibration plate.



CAUTION!

- Avoid stopping unit with flow control in "OPEN" position - material will continue to flow through hopper opening. If fertilizer is deposited too heavily in a small area, soak down thoroughly with a garden hose to prevent burning of lawn.

- Aerating tines must be in the lowered position in order for Aerator-Spreader to operate. Agitator is driven off of the aerator tines.

FLOW CONTROL ADJUSTMENT

- **Open and Close:** The material flow is shut off by moving Control Lever to the left and locking into "V" notch on calibration plate.
- **Flow Setting:** To set the flow rate, put the Control Lever in the shut-off position (in "V" notch). Determine your required number setting as described below. Loosen the nylon wing nut and slide to the desired number setting and retighten the wing nut. Release the control strap and it will open to the pre-set position.

DETERMINING FLOW CONTROL SETTING NUMBER

NOTE: Fertilizer application rates as described are affected by humidity and the moisture content of the material; therefore, minor setting adjustments may be necessary to compensate for these conditions.

APPLICATION RATE CHART

MATERIAL TYPE	AVERAGE RECOMMENDED USAGE	FLOW CONTROL SETTING
<u>SEEDS:</u>		
●Ky.Bluegrass	1 lb/1000 sq.ft.	4
●Rye	2 lb/1000 sq.ft.	7
●Tall Lawn & #31 Fescue	3 lb/1000 sq.ft.	12
<u>FERTILIZERS:</u>		
●10-10-10	50 lb./5000 sq.ft.	9
●10-18-10(Winter Green 2 Way)	60 lb./20000 sq ft.	5
●Sears Lawn Food(33-3-10)	3.2 lb/1000 sq.ft.	5-1/4
●Sears Weed & Feed (33-3-5)	3.2 lb/1000 sq.ft.	5-1/4

ALTERNATIVE FLOW CONTROL SETTING

To determine the required setting for materials not listed on chart, proceed as follows:

- Determine from material bag, the amount of material to be spread over a designated area. Example: "The contents of this bag (25 lbs.) will cover 5000 square feet."
- Determine the amount of material required to cover 100 square feet as follows:
 - Add two zeros to bag weight. Example: 2500
 - Divide this number by the number of square feet on the bag. Example: 2500 divided by 5000 = .5 pounds of material for 100 square feet. NOTE: To convert this weight to ounces, simply multiply by 16 (16 oz./lb.) Example: .5 lb. x 16 = 8 oz.

- Determine approximate Flow Control Setting by using chart below showing type of material to spread.
- Measure off a distance of 30 feet in your yard. This is the distance your 40" spreader must travel in order to cover 100 square feet.(3.33 ft.(40") x 30 ft. = 100 sq. ft.)
- Set the spreader flow control at the approximate flow control setting.
- Place 5 pounds of material in the Hopper. Weigh the material before and after spreading 100 square feet to determine amount of material used.
- Move unit to measured area, lower aerator tines, open Flow Control Lever. Drive the 30 ft. course, stop unit and close Flow Control Lever.
- Remove and weigh remaining material. Subtract this weight from 5 pounds to determine material used:
 - If too much material is used: Set Flow Control ONE number LOWER and try again.
 - If too little material is used: Set Flow Control ONE number HIGHER and try again.
- After determining proper setting always record the type of material and the setting for future use.

ALTERNATIVE FLOW CONTROL SETTING CHART

MATERIAL COARSENESS	APPROX. COVERAGE	APPROX.FLOW CONTROL SETTING	
	Wt.	Sq. Ft. Cov.	
<u>FERTILIZERS:</u>			
● Very Coarse (large, heavy pellets & gran.)	.5 lb.	100	9
	1.0 lb.	100	12
	1.5 lb.	100	15
● Medium Coarse (Pellets & granules)	.5 lb.	100	7
	1.0 lb.	100	10
	1.5 lb.	100	13
● Light Material (Nitrogen, etc.)	.1 lb.	100	3 1/2
	.2 lb.	100	4 1/2
	.3 lb.	100	5 1/2
<u>SEEDS:</u>			
● Large (Ky. 31 Fescue, etc.)	.3 lb.	100	12
	.5 lb.	100	16
	.7 lb.	100	19
● Medium (Rye, etc.)	.2 lb.	100	7
	.4 lb.	100	11
	.6 lb.	100	14
● Fine (Bluegrass, Lawn Fescue, etc.)	.1 lb.	100	4
	.2 lb.	100	4 1/2
	.3 lb.	100	5

CUSTOMER RESPONSIBILITY

- Should rust appear on any other part of your Aerator-Spreader, sand lightly to remove rust and coat lightly with enamel.
- Apply a drop of lubricating oil to each nylon bearing (aerator tine shaft, agitator shaft, and wheels) before each use.

- Be sure to remove all unused fertilizers from hopper immediately after use and clean with water.
- To prevent rust on aerator tines, apply a light coat of oil on the working areas of tines after each use.
- After each use, service unit as described - and store in a dry area, shielding tines to avoid injury.

TO ORDER PARTS:

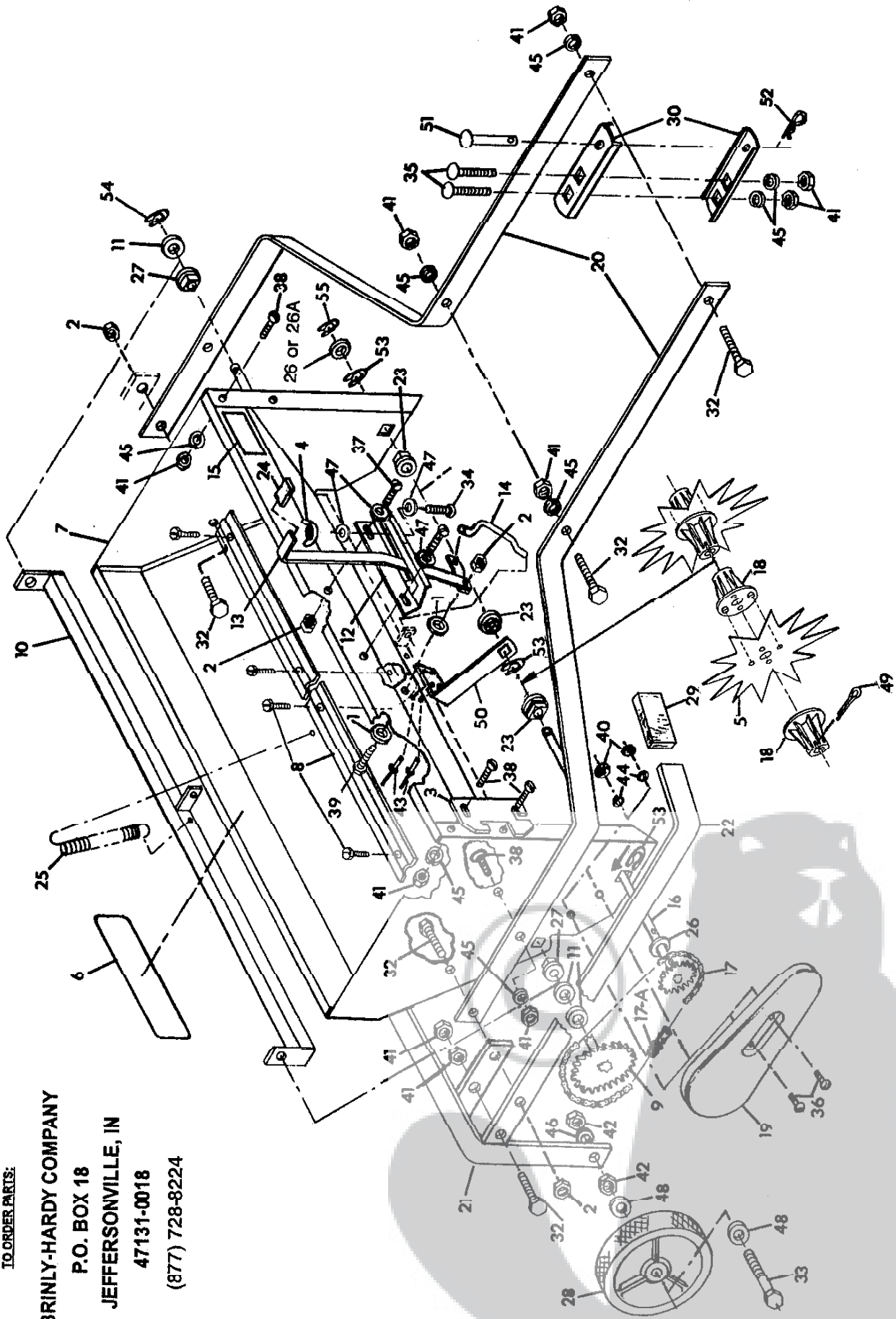
BRINLY-HARDY COMPANY

P.O. BOX 18

JEFFERSONVILLE, IN

47131-0018

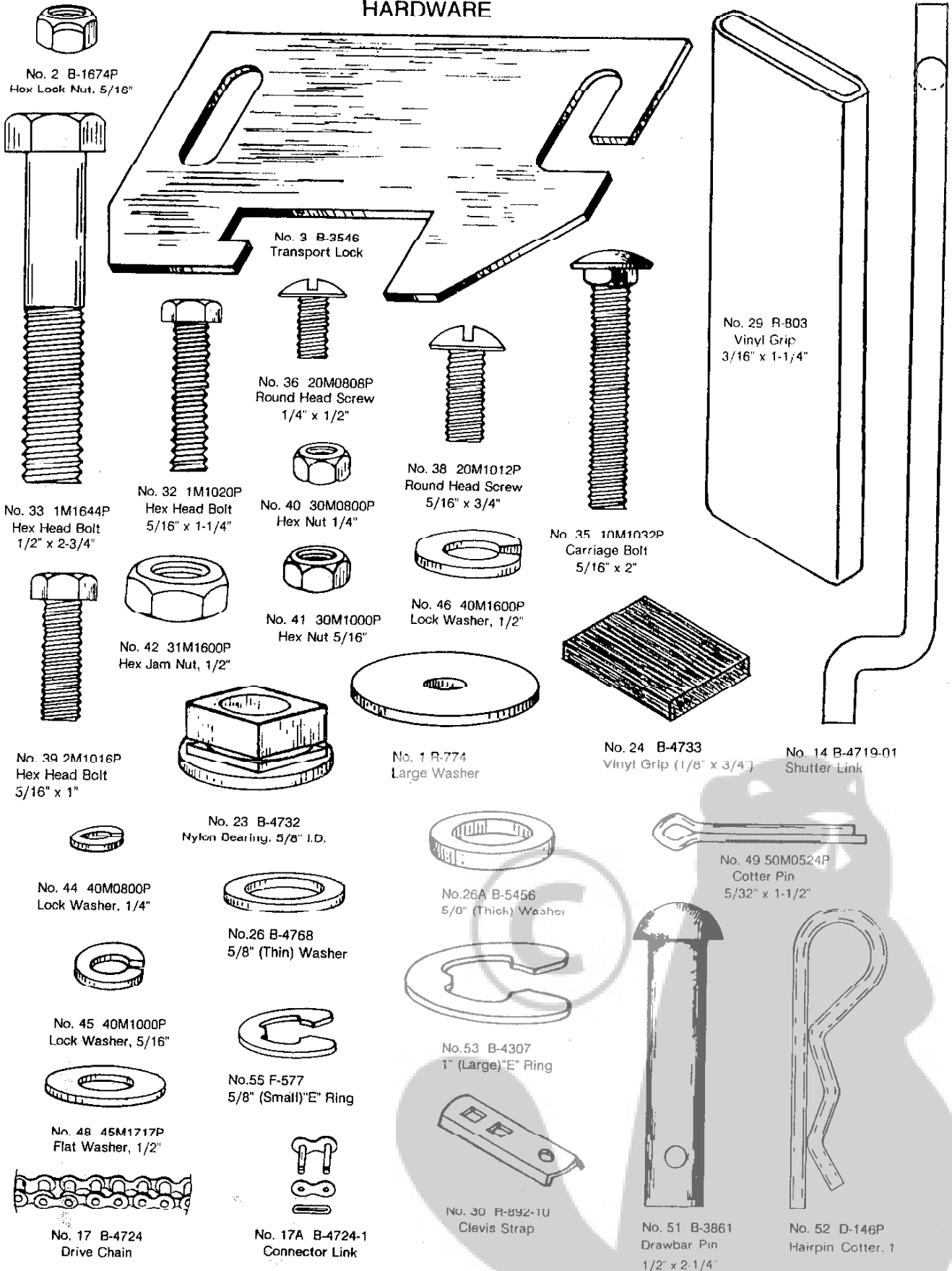
(877) 728-8224



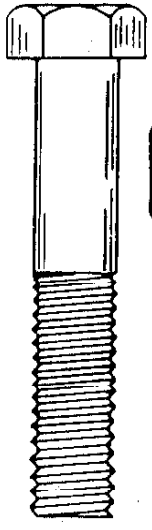
AS-401 BH PARTS LIST

REF. NO.	PART NO.	DESCRIPTION	QTY.	REF. NO.	PART NO.	DESCRIPTION	QTY.
1	R-774	Washer, Large	2	28	F-590	Wheel	2
2	B-1674P	5/16" Hex Lock Nut	3	29	R-803	Hand'e Grip (Large)	1
3	B-3546	Transport Lock	1	30	R-892-10	Clevis Strap	2
4	B-4030	1/4" Wing Nut	1	32	1M1020P	Hex Bolt, 5/16" x 1-1/4"	6
5	B-5423	Aerator Tine	11	33	1M1544P	Hex Bolt, 1/2" x 2-3/4"	2
6	B-5922	Logo Decal	1	34	10MD808P	Carriage Bolt, 1/4" x 1/2"	1
7	B-5718-10	Hopper Assembly	1	35	10M1032P	Carriage Bolt, 5/16" x 2"	2
8	K-654	Agitator Kit (Hwd. Incl.)	2	36	20MD808P	Round Head Screw, 1/4" x 1/2"	2
9	B-5720-10	Agitator Shaft Assembly	1	37	20M1008P	Round Head Screw, 5/16" x 1/2"	2
10	B-5726-10	Shutter Assembly	1	38	20M1012P	Round Head Screw, 5/16" x 3/4"	5
11	B-4713	1/2" Washer	3	39	2M1016P	Hex Bolt, 5/16" x 1"	1
12	B-4715	Calibration Plate	1	40	30MD800P	Hex Nut, 1/4"	2
13	B-4841-10	Flow Control Lever Assembly	1	41	30M1000P	Hex Nut, 5/16"	17
14	B-4719-01	Shutter Link	1	42	31M1600P	Hex Jam Nut, 1/2"	4
15	R-1946	Safety Decal	1	43	V-302P	Pop Rivet (short)	4
16	B-5722	Tine Shaft Assembly	1	44	40MD800P	Lock Washer, 1/4"	2
17	B-4724	Drive Chain	1	45	40M1000P	Lock Washer, 5/16"	14
17A	B-4724-1	Connector Link	1	46	40M1600P	Lock Washer, 1/2"	2
18	B-5425	Spacer/Bearing Tube	22	47	45M1111P	Flat Washer, 5/16"	2
19	B-4726	Chain Shield	1	48	45M1717P	Flat Washer, 1/2"	4
20	B-5468-10	Tow Bar	2	49	50MD524P	Cotter Pin, 5/32" x 1-1/2"	4
21	B-5728-10	Wheel Support Assembly	1	50	B-5521-10	Center Support	2
22	B-4731-10	Lift Handle	1	51	B-3861	Drawbar Pin	1
23	B-4732	5/8" Square Bearing (Large)	3	52	D-146P	Hairpin Cotter	1
24	B-4733	Vinyl Grip (Small)	1	53	B-4307	1" (Large) "E" Ring	1
25	B-4747	Tension Spring	1	54	F-621S	1/2" "E" Ring (Agitator)	3
26	B-4768	5/8" Washer (Thin)	3	55	F-577	5/8" (Small) "E" Ring	1
26A	B-5456	5/8" Washer (Thick)	4				1
27	F-383	1/2" Square Bearing	2				1

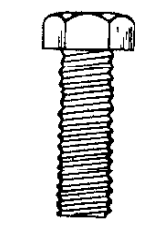
HARDWARE



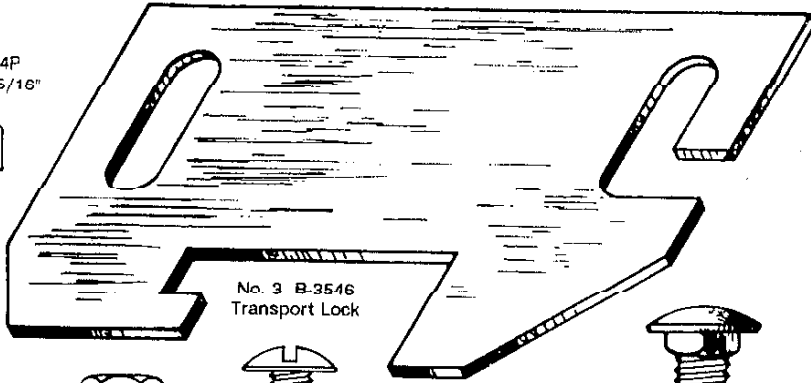
No. 2 B-1674P
Hex Lock Nut, 5/16"



No. 33 1M1644P
Hex Head Bolt
1/2" x 2-3/4"



No. 39 2M1016P
Hex Head Bolt
5/16" x 1"



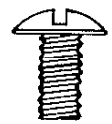
No. 3 B-3546
Transport Lock



No. 32 1M1020P
Hex Head Bolt
5/16" x 1-1/4"



No. 42 31M1600P
Hex Jam Nut, 1/2"



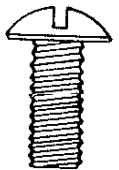
No. 36 20M0808P
Round Head Screw
1/4" x 1/2"



No. 40 30M0800P
Hex Nut 1/4"



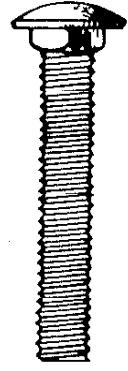
No. 41 30M1000P
Hex Nut 5/16"



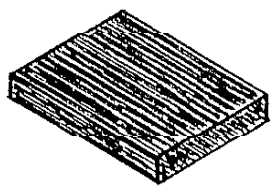
No. 38 20M1012P
Round Head Screw
5/16" x 3/4"



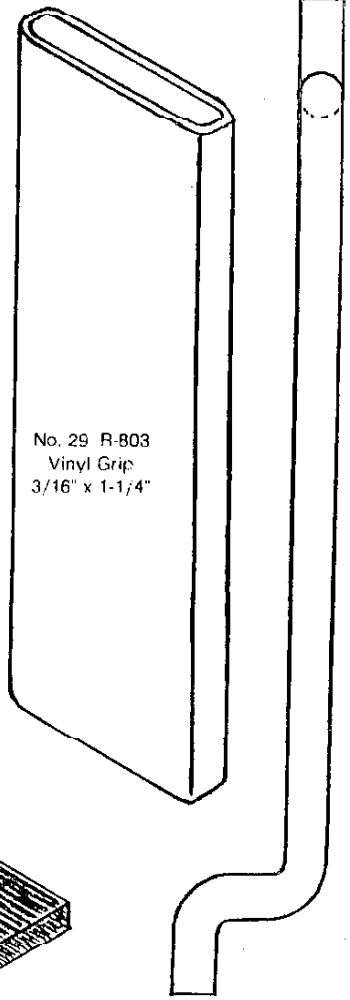
No. 46 40M1600P
Lock Washer, 1/2"



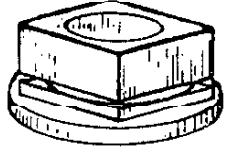
No. 35 10M1032P
Carriage Bolt
5/16" x 2"



No. 24 B-4733
Vinyl Grip (1/8" x 3/4")



No. 14 B-4719-01
Shutter Link



No. 1 B-774
Large Washer



No. 23 B-4732
Nylon Bearing, 5/8" I.D.

No. 44 40M0800P
Lock Washer, 1/4"



No. 26A B-5456
5/8" (Thick) Washer



No. 26 B-4768
5/8" (Thin) Washer

No. 45 40M1000P
Lock Washer, 5/16"



No. 55 F-577
5/8" (Small) "E" Ring



No. 48 45M1717P
Flat Washer, 1/2"



No. 53 B-4307
1" (Large) "E" Ring



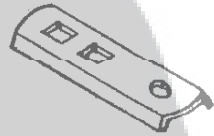
No. 49 50M0524P
Cotter Pin
5/32" x 1-1/2"



No. 17 B-4724
Drive Chain



No. 17A B-4724-1
Connector Link



No. 30 R-892-1U
Clevis Strap



No. 51 B-3861
Drawbar Pin
1/2" x 2-1/4"



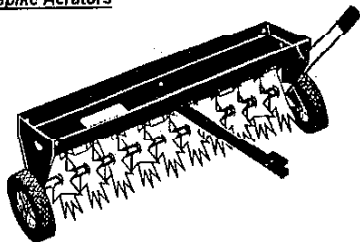
No. 52 D-146P
Hairpin Cotter, 1"

CARING FOR THE QUALITY OF YOUR LAWN

with quality products from
BRINLY-HARDY COMPANY

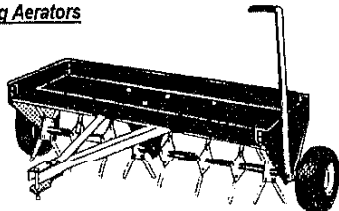
Our Quality Products

Spike Aerators



Our Spiker Aerators allow seed, fertilizer, air, and water to reach the lawn's root system, where they do the most good. This means fewer chemical applications and less frequent watering.

Plug Aerators

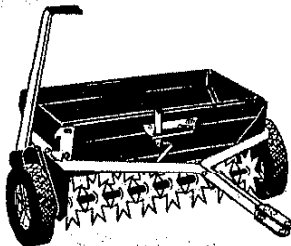


Our Plug-type Aerators are designed for the lawn care enthusiast who demands the ultimate in turf aeration! It actually pulls "plugs" of soil to relieve soil compaction and deposits them on top of the lawn where they're quickly broken down. You, too, can have a healthy looking lawn, once only affordable to golf courses!

TO ORDER PARTS:
Brinly-Hardy Company
P.O. Box 18
Jeffersonville, IN 47131-0018
(877) 728-8224

Aerator Spreaders

You can actually handle two jobs at once with our Aerator-Spreader! This natural combination allows the 30" Aerator to perforate the soil, and the spreader immediately follows with seed, lime, or fertilizer: putting it INTO the ground so it can't be washed away!



Broadcast Spreaders



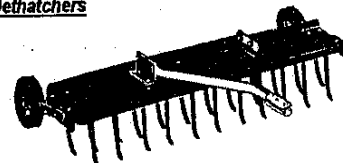
Our Brinly Spreaders handle everything from seed to ice-melters. Equipped with AutoFlow™, the material flow stops and starts when the rider does...no need to worry about "burns" or "streaks" on the lawn. Our gears are fully enclosed, so they'll last and last!

Our larger 2.5 and 3.5 cu. ft. Spreaders offer a unique, Directional Spread Pattern Control that lets you CHOOSE your spread pattern: adjust it to spread to either side or to center. Also, a clear, vinyl cover is included to protect materials from moisture.

About the Company

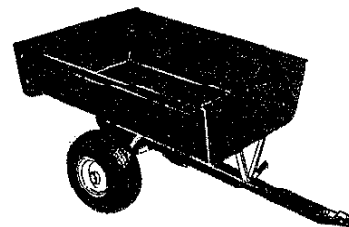
For generations, Brinly-Hardy has been serving the growing needs of farmers, gardeners, lawn professionals, and homeowners. Our first plow was introduced in 1839, and ever since, we have been forging a name in the production of quality-crafted farm, lawn, turf, and garden tools. It's a proud heritage, one you can trust in caring for your lawn.

Dethatchers



If left alone, matted layers of thatch and large grass clippings can form on your lawn which prevents air circulation and breeds disease. Our patented design Dethatcher with spring steel tines gently comb thatch and clippings to the surface where they can be re-mulched, collected, or left exposed to the elements to break down.

Utility Carts



Our Dumping Utility Carts have a patented, rounded corner design which prevents soil, gravel, mulch, sand, etc. from getting trapped along the edges (where they can cause rust), and the bracketless, removable tail-gate has NO obstructions to catch material when dumping. These Utility Carts are built to last with our solid steel axles, heavy steel beds, and our state-of-the-art powder coated paint finish.

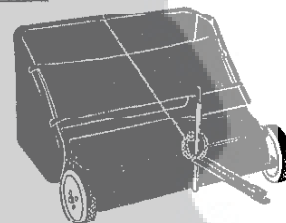
CUT HERE

BRINLY-HARDY COMPANY
P.O. BOX 18
JEFFERSONVILLE, IN
47131-0018

(877) 728-8224

website address: www.brinly.com
e-mail address: brinly@brinly.com

Sweepers

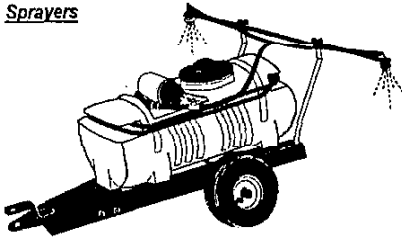


A Brinly-Hardy Sweeper is sure to make your outside chores much easier! Forget the brooms and rakes, you can quickly sweep up grass clippings, leaves, and even debris from the pavement and quickly dump them into compost bins or bags. The spring-loaded Compost Clip makes it a snap!

For even more versatility, attach our new Dethatcher Kit to either our 30" or 36" Sweeper, and tackle two jobs at once!

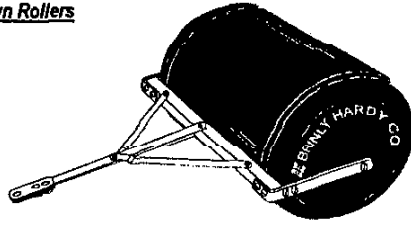
These sweepers are built for all seasons and will last for years and years.

Sprayers



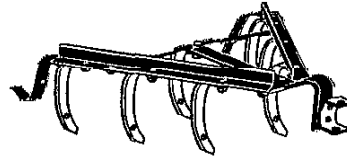
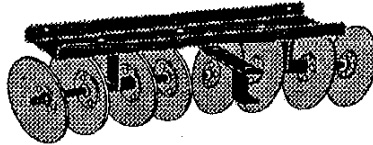
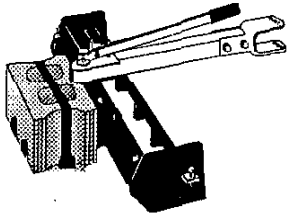
Brinly sprayers are designed to be easy to use, extremely accurate, and long lasting. Our in-line mounted tank design means that even the biggest tank is easy to maneuver and can fit through a garden gate. Each unit comes with a tractor-mounted on/off control.

Poly Lawn Rollers



No more rust or dents with these poly lawn rollers. These units are much easier to deal with than the steel versions. They have rounded end caps that won't tear or gouge the lawn when turning. Erase the harmful effects of front heaving and moles, or pack down newly sown seed or sod.

Garden Tractor Attachments



Brinly's garden tractor items offer the largest selection to turn your garden tractor into a year-round tool. We have box scrapers, blades, cultivators, disk harrows, and even a plow! Remember that a sleeve hitch is required to hook up these items to your garden tractor.

Quality Insurance

Dear Customer,
We are very proud of our quality and endeavor to produce each product to meet high standards. Should your purchase not meet your expectations, we have a Quality Insurance Policy.

If you purchase a product and a part is missing or defective, please inform us of the problem on the "Comments" section of the Warranty Registration Card below. Mail the card to us, or you may call us toll free at (877) 728-8224. We will make every effort to ship a new replacement part to you within 24 hours at no charge.

Thank you,

John J. Brinly
President
Brinly Hardy Company

WARRANTY REGISTRATION CARD

To register your new product for warranty, please complete and return this card.

Name: _____ Phone: _____

Address: _____

City: _____ State: _____ Zip: _____ Country: _____

Product Purchased: _____ Model No.: _____

Packing No. (On Carton): _____

Where Purchased: _____ Date Purchased: _____

Type of Tractor/Rider Owned? Make: _____ Model: _____ HP: _____

Size of Lawn? 1/4 to 1/2 acre 1/2 to 1 acre 1 to 5 acres over 5 acres

Do you garden? Yes No Use a tractor? Use a tiller?

Your occupation: _____

YOUR COMMENTS WILL BE APPRECIATED: _____

Warranty Registration Card

When you complete the Warranty Registration Card, please place it in an envelope and mail to us so we will have a record of your purchase and our comments.

