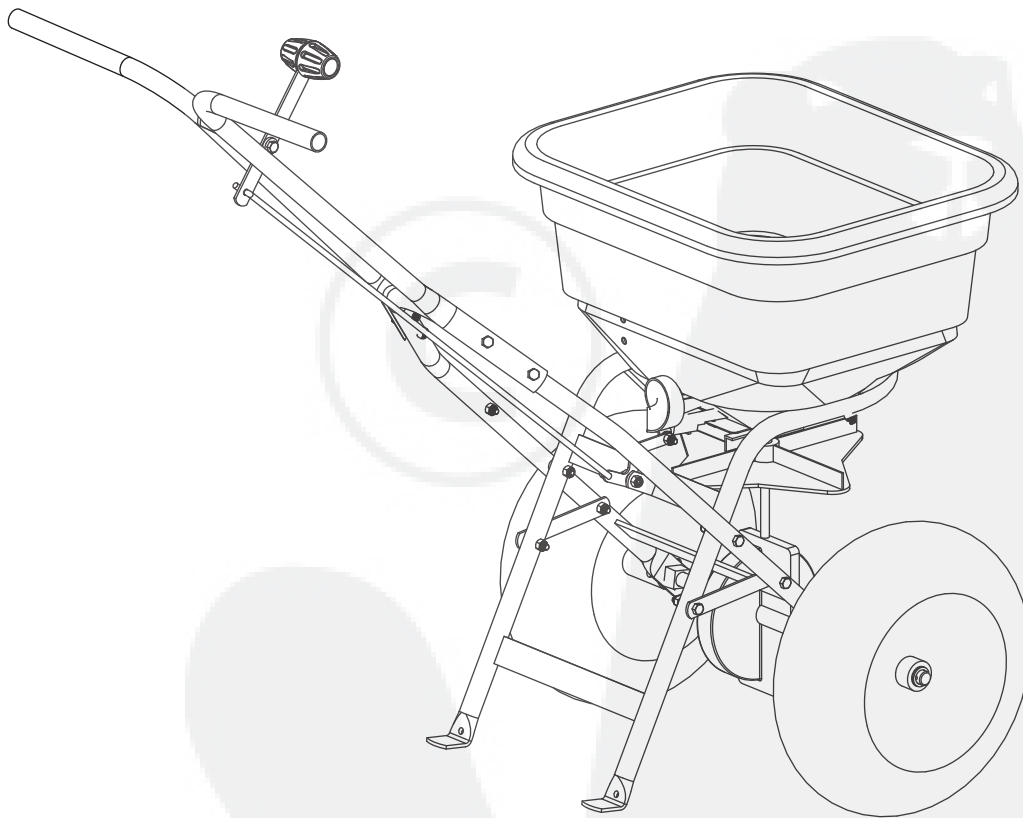




Operator's Manual

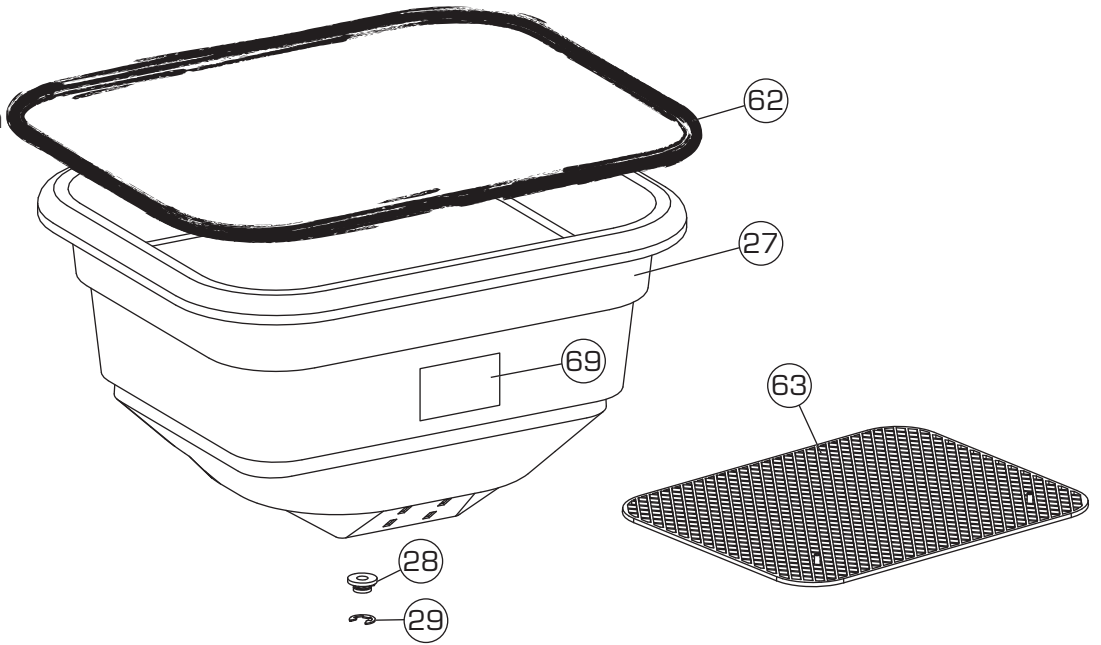
Model P40/S40 Series



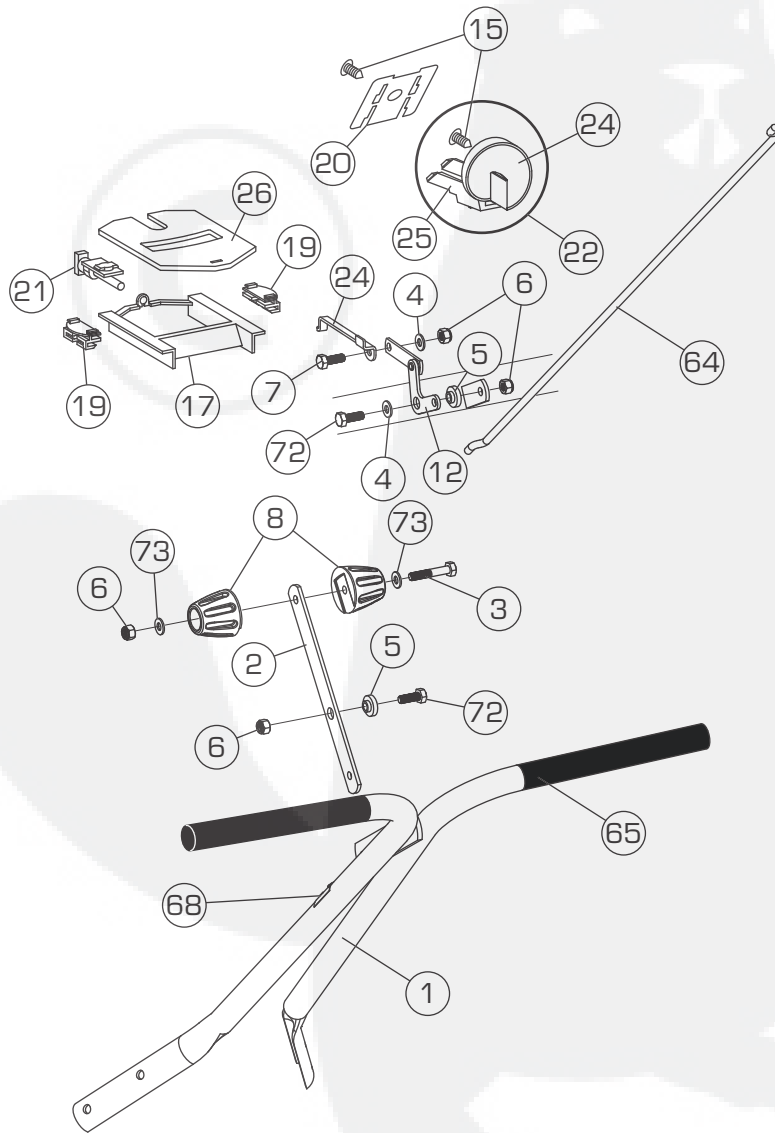
▲IMPORTANT This manual contains information for the safety of persons and property. Read it carefully before assembly and operation of the equipment!

Spyker Spreaders
Contact Us at 800.972.6130

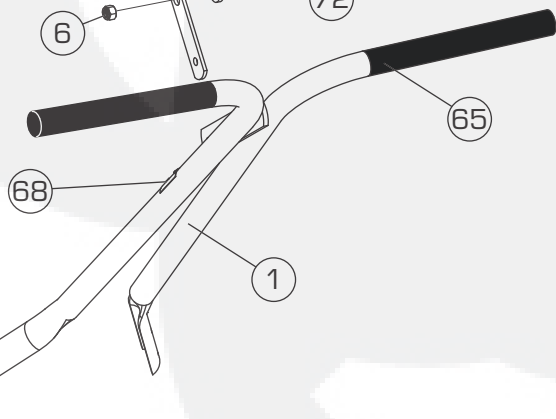
Hopper Explosion



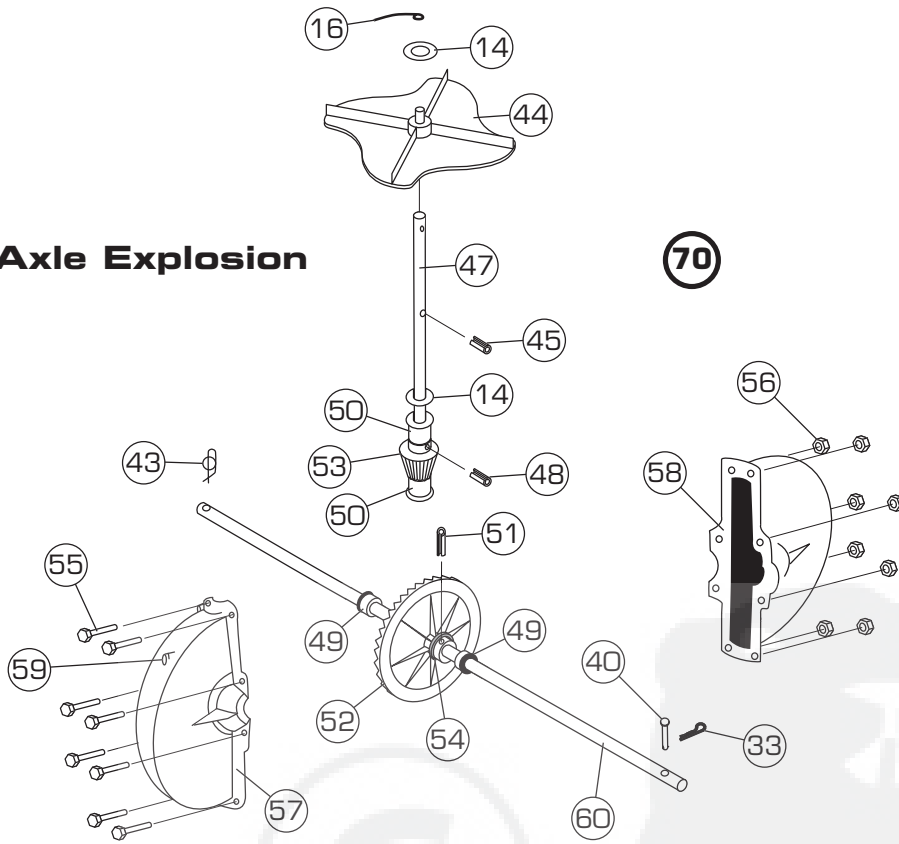
Rate Gate and Deflector Explosion



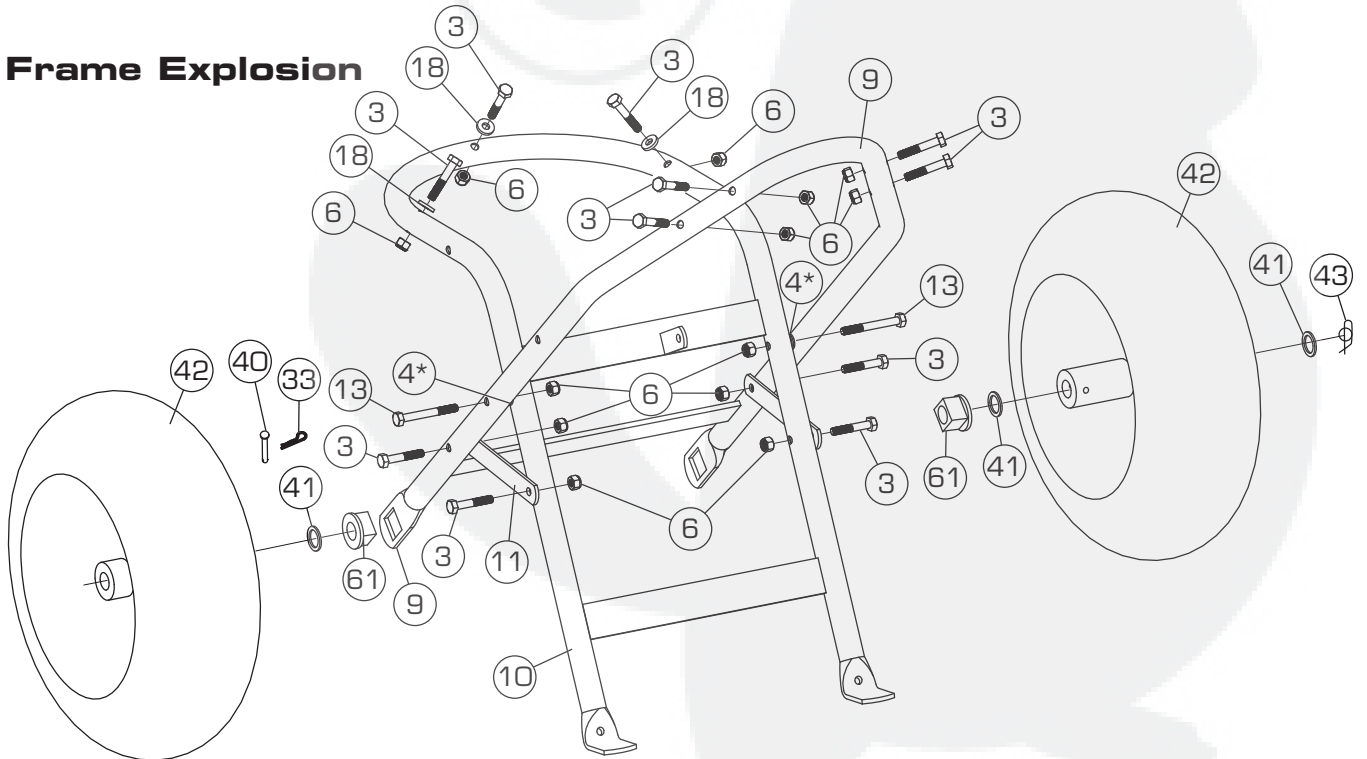
Handle Explosion



Spinner/Axle Explosion



Frame Explosion



*As needed for shimming

Item	Part Number	Qty	Description	Item	Part Number	Qty	Description
1	1007770-01	1	Handle Stainless	35	N/A		Number Not Used
	1008052-10	1	Handle Painted	36	N/A		Number Not Used
2	1007773	1	Control Lever	37	N/A		Number Not Used
3	05-90-0054	12	1/4" x 1-1/2" Bolt, SS	38	N/A		Number Not Used
4	05-92-0008	6	1/4" Washer, SS	39	N/A		Number Not Used
5	05-94-0051	2	Nylon Flange Bushing	40	05-90-0065	1	3/16" x 1-3/4" Clevis Pin
6	SS-91-0004	17	1/4" Nylon Locknut, SS	41	05-92-0004	3	Flat Washer, SS
7	05-90-0121	1	1/4" x 3/4" Bolt, SS	42	05-95-0016-JD	2	Wheel
8	1007828	2	Knob Half	43	05-90-0040	1	Rue Ring Locking Pin
9	1007774-01	1	Axle Support Stainless	44	SS-94-0012	1	Spreading Spinner
	1008055-10	1	Axle Support Painted	45	SS-90-0002	1	1/8" x 7/8" Roll Pin
10	1007777-01	1	Hopper Support Stainless	46	N/A		Number Not Used
	1008058-10	1	Hopper Support Painted	47	05-97-0037	1	Spinner Shaft, SS
11	1007794	2	Cross Brace Stainless	48	SS-90-0001	1	1/8" x 3/4" Roll Pin
	1008061-10	2	Cross Brace Painted	49	05-90-0093	2	5/8" Gearbox Bushing
12	1007811	1	Control Linkage Assembly	50	05-90-0094	2	3/8" Spinner Shaft Bushing
13	1007888	2	1/4" x 2-1/4" Bolt, SS	51	05-90-0096	1	3/16" x 1" Dowel Pin, SS
14	SS-92-0002	2	Felt Washer	52	05-94-0033	1	Bevel Gear
15	05-94-0078	2	Pine Tree Clip	53	05-94-0034	1	Pinion Gear
16	SS-96-0003	1	Agitator Wire	54	05-288-1027	1	Nylon Spacer Retaining Pin
17	05-94-0043	1	Accuway® Diffuser	55	05-90-0097	8	#10 x 5/8" Flanged Head Bolt, SS
18	05-94-0064	5	Nylon Washer	56	05-91-0008	8	#10 Nylon Locknut, SS
19	05-94-0097	2	Rate Gate Guide	57	05-94-0037	1	Gear Box Cover Front
20	05-48-1015	1	Dial Mount Retainer	58	05-94-0038	1	Gear Box Cover Rear
21	05-46-2211-T	1	Accuway® Screw Assembly	59	05-98-0111	1	Grease Zerk
22	05-48-1113-T	1	Rate Gate & Dial Assy	60	1007781	1	Axle
23	SS-94-0006	1	Plastic Dial	61	F-283	2	Axle Bearing
24	1008431-01	1	Rate Gate Link	62	05-94-0065	1	Hopper Cover
25	05-94-0099	1	Dial Mount	63	1008022	1	Screen
26	05-94-0068	1	Rate Gate	64	05-46-1014	1	Control Rod
27	1007847	1	Hopper	65	SS-94-0013	2	Handle Grip
28	F-574	1	Bearing	66	N/A		Number Not Used
29	B1HF577	1	5/8" E-Ring	67	N/A		Number Not Used
30	N/A		Number Not Used	68	05-99-0063	1	On-off Decal
31	N/A		Number Not Used	69	05-93-0075	1	Spyker Accuway® Label
32	N/A		Number Not Used	70	1007818	1	Spinner/Axle Assembly
33	05-90-0102	1	Hairpin Cotter, SS	71	N/A		Number Not Used
34	N/A		Number Not Used	72	1001255	2	1/4" x 1" Bolt, SS
				73	1001554	2	Nylon Washer

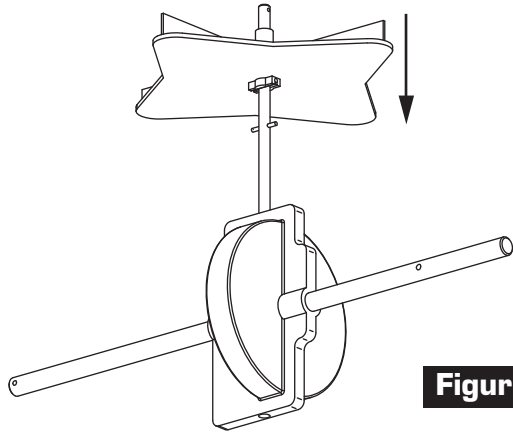


Figure 1

1. Push Spreading Spinner onto Spinner Shaft as shown in Figure 1. Make sure Roll Pin in Spinner Shaft engages with slot in Spinner.
NOTE: You may need to tap the Spinner into position on the Roll Pin.

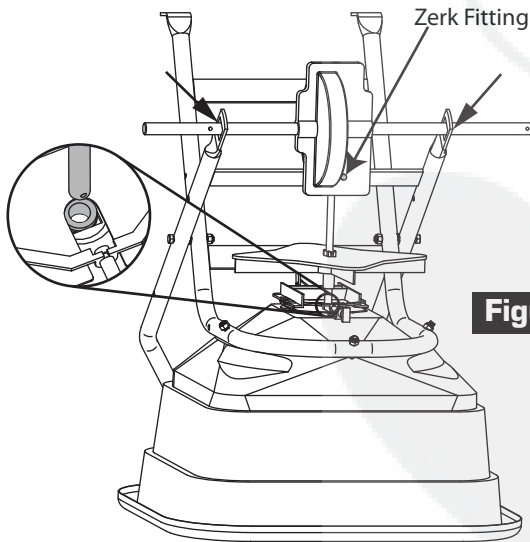


Figure 2

2. Insert Axle Assembly into square holes on the Axle Support as shown in Figure 2.
NOTE: Zerk Grease fitting on Transmission housing must be facing forward. Align Spinner shaft with Spinner Shaft Bearing on bottom of hopper and slide through.

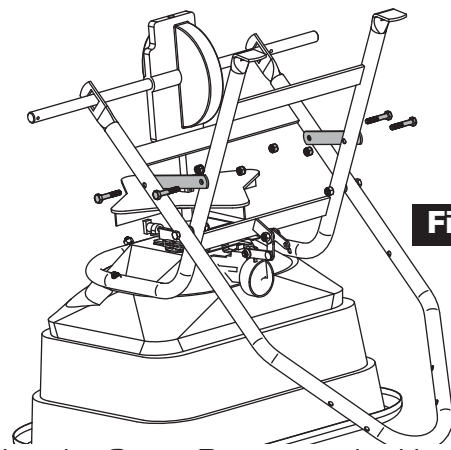


Figure 3

3. Align the Cross Braces to the Hopper and Axle Supports as shown in Figure 3. Using (4) 1-1/2" Bolts and Nylon Locknuts, assemble both Cross Braces. Tighten Cross Brace Bolts securely.

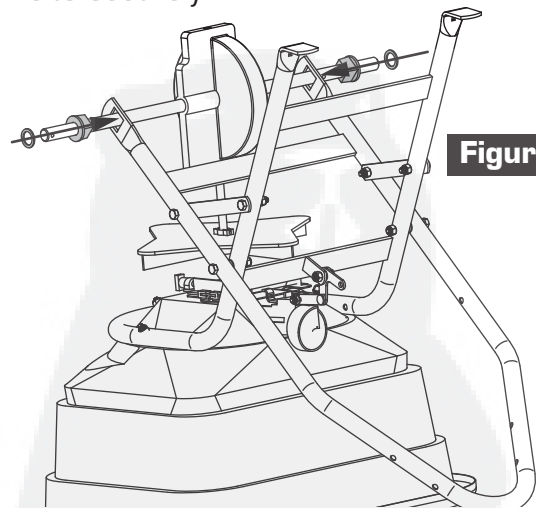


Figure 4

4. Install both Axle Bearings into the square holes as shown in Figure 4. Install one Washer onto each side of Axle.

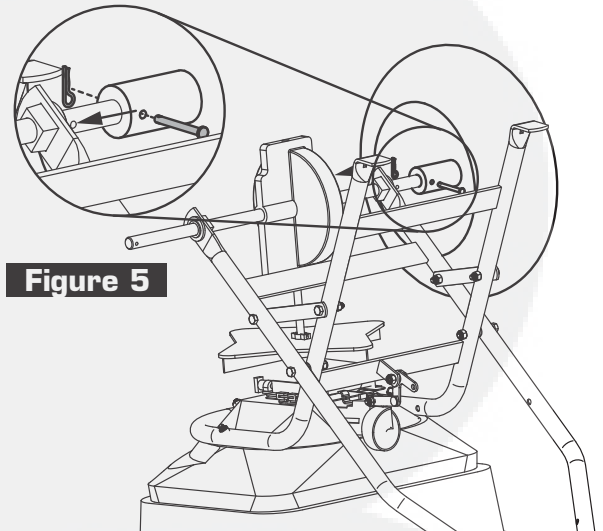


Figure 5

5. Locate the hole on Axle closest to the Axle Bearing and Washer. Install Wheel (valve stem out) onto Axle as shown in Figure 5. Line up the hole on the wheel with hole on the Axle shaft. Push Clevis Pin through the hole and pin in place using the Hair Pin.

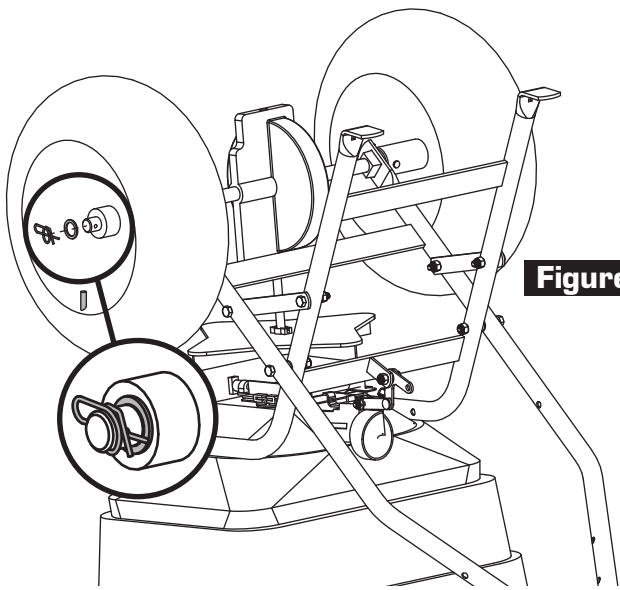


Figure 6

6. Install Wheel on the opposite side of the Axle (valve stem out) until it touches Axle Bearing and Washer. Install Washer onto Axle. Push Rue Ring Locking Pin through Axle hole. **NOTE: Rue Ring Locking Pin will snap into position as shown in Figure 6.** Turn Spreader assembly over and place on ground.

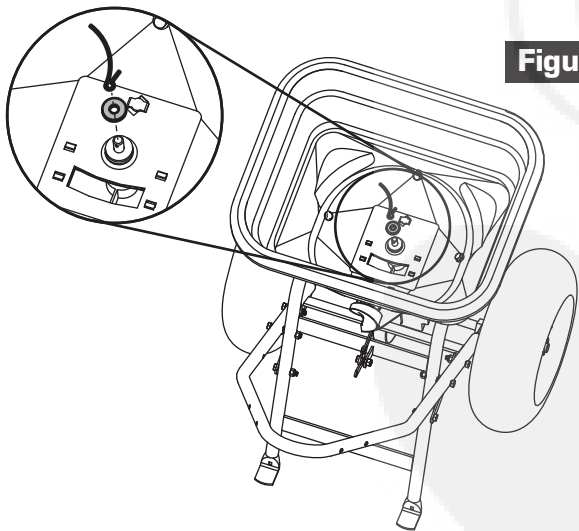


Figure 7

7. Inside the hopper, assemble the Felt Washer and Agitator Wire onto the Spinner Shaft as shown in Figure 7. **NOTE: Notice orientation and sweep of Agitator Wire (Shown in Figure 7).**

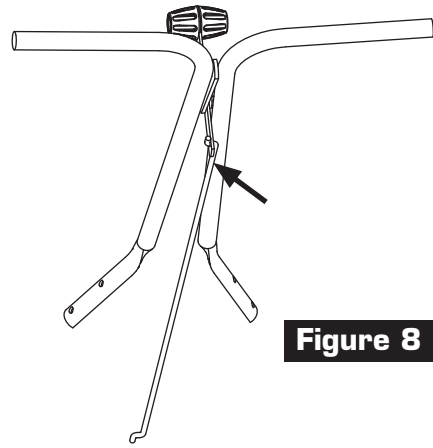


Figure 8

8. Install Linkage to Lever as shown in Figure 8.

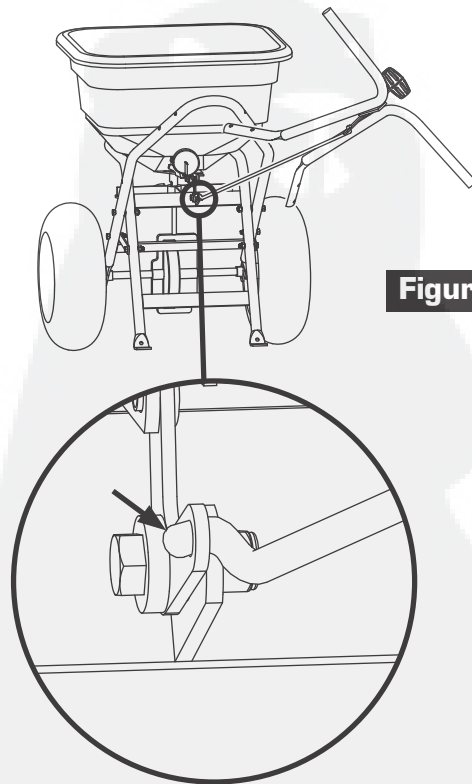


Figure 9

9. Turn Handle Assembly sideways and install Linkage into Rate Gate Lever as shown in Figure 9.

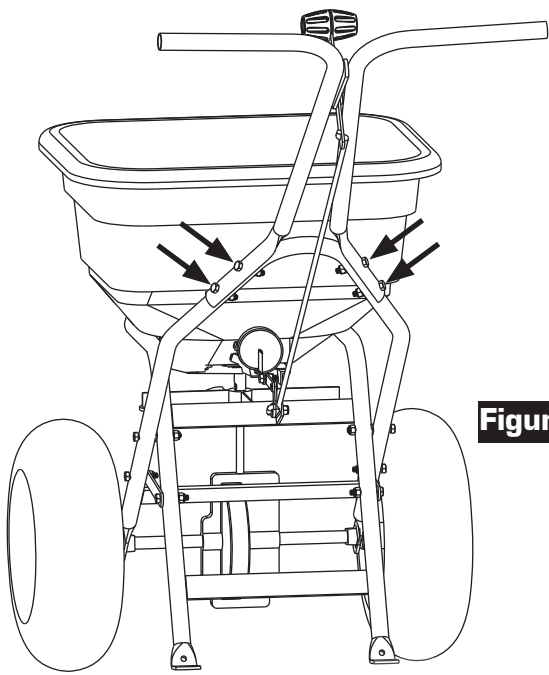


Figure 10

10. Attach Handle Assembly to Frame using (4) 1/4 x 1-1/2" Bolts and 1/4" Nylon Locknuts as shown in Figure 10.

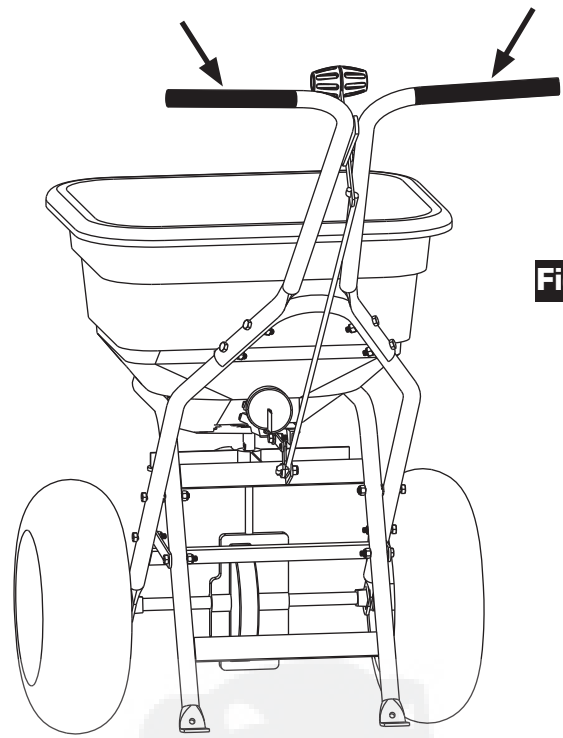


Figure 11

11. Install Handle Grips on Handle of Spreader as shown in Figure 11.

READ BEFORE USING

OPERATE SAFELY

Keep bystanders away when you operate this machine.

Use this machine for intended purpose only.

Do not let children or an untrained person operate machine.

Keep all parts in good condition and properly installed. Fix damaged parts immediately. Replace worn or broken parts.

Do not modify the machine or safety devices. Unauthorized modifications to the machine may impair its function and safety, and void the warranty.

Do not let anyone sit or ride on equipment during operation. Keep riders off attachment.

Wear substantial footwear and long trousers. Do not operate the equipment when barefoot or wearing open sandals.

Do not wear loose fitting clothing that can get caught in moving parts.

Always wear eye protection when operating the equipment.

Stay alert for holes in the terrain and other hidden hazards.

Watch out for traffic when crossing or near roadways.

Before you operate any feature of this machine, observe your surroundings and look for bystanders.

Always wash hands after contact with fertilizers and pesticides.

Keep all nuts, bolts and screws tight to be sure the equipment is in safe working condition.

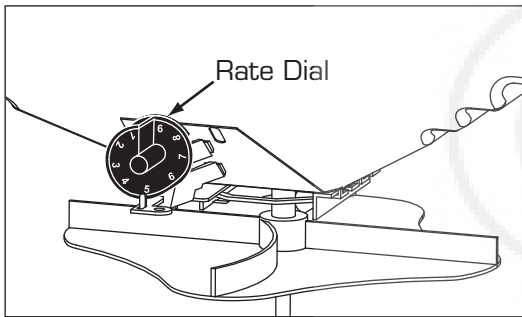
READ BEFORE USING

Become Familiar With The Operation Of The Spreader Before You Put Material In The Hopper

- Practice walking with the spreader, opening and closing the rate gate at the appropriate times.
- Travel at a constant speed and operate the spreader lever position. Remember: Open the rate gate after the spreader is in motion at operating speed (about 3 mph, or at a brisk walking pace).
- Close the rate gate while spreader is still at operational speed.

Dial Setting Information

The RATE DIAL has 9 numbers with 10 stops between each number. This allows for accurate control of the spreading rate. The dial is set with only a turn, it will automatically lock into the set position. LINE UP THE DIAL NUMBER WITH THE DIAL INDICATOR.



- The spread width ranges from 4 - 12 ft. wide depending on the volume/density, particle size of the material, and rate of travel.
- The spread thins or feathers at the outer edges, eliminating sharp, "Edge Of Spread" lines which cause stripes and streaks. Extra coverage can be given under trees and other heavy feeding areas without showing "Edge Of Spread" lines.
- Gaps and double overlaps are less likely. Small errors in travel are forgiven and do not show.

WARNING: When spreading products containing herbicides, exercise extreme caution with respect to careless spreading and to wind-drift.

Contact Of Some Products On Some Plants Can Be Fatal

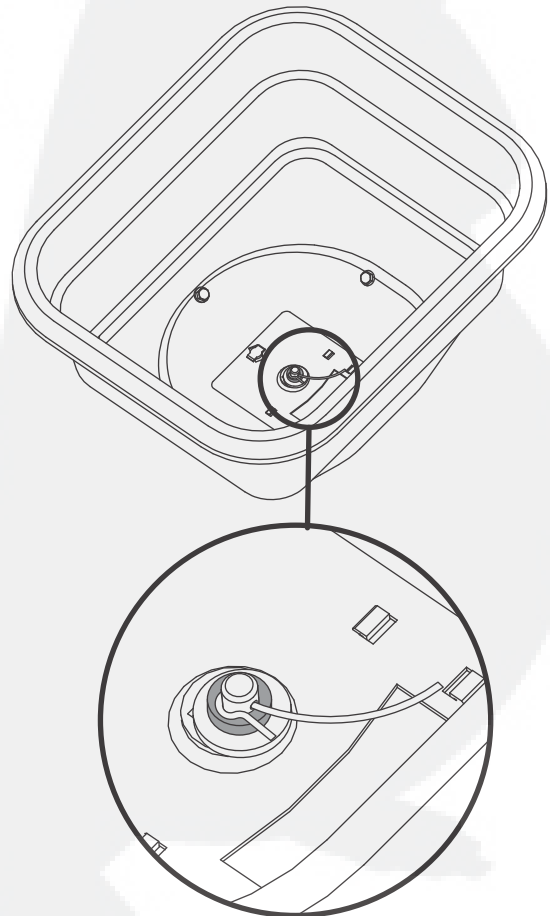
If a dial setting is not found, use the size and weight comparison table found in this manual. Determine a

dial setting on the low side. If the setting proves to be too low, cover the area more than one time. A higher setting can be used when a proven dial setting is established.

Remember: Published dial settings are approximate only. The operation of the spreader, the condition of the material (damp or dry or over-pulverized) and weather conditions, are all contributing factors. For these reasons, it is often a good idea to spread the area 2 times - or one-half rate - in cross directions (SEE INFORMATION ON ONE-HALF RATE DIAL SETTINGS). One-half rate dial settings are highly recommended under damp and humid conditions.

Rotary Agitator

Use the rotary agitator only if needed. Free-flowing, lump-free materials will not require the agitator. The rotary agitator is easily installed or removed. Note the clockwise rotation and sweep. Place felt washer around spinner shaft before inserting agitator.



READ BEFORE USING

Now You Are Ready To Put Material In The Hopper

WARNING: Avoid Injury! Chemicals can be dangerous. Avoid injury to operators or bystanders.

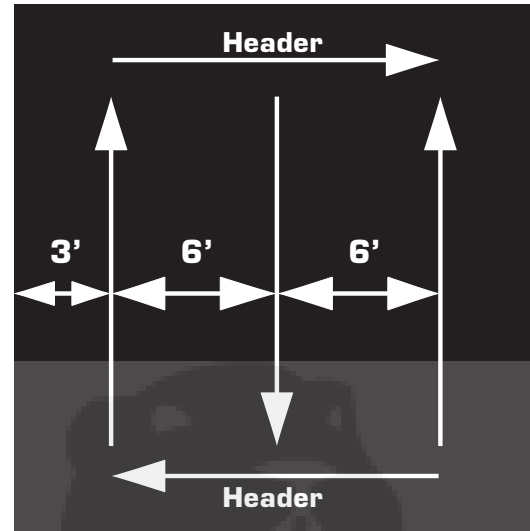
- Make sure the rate gate is in the closed position.
- Read chemical container label for handling instructions. A Material Safety Data Sheet (MSDS) should be supplied by the chemical dealer and provides proper safety information.
- Wear proper clothing and safety equipment while handling or applying chemicals.
- Prohibit all smoking, drinking, and eating around chemicals.
- When spreading products containing herbicides, exercise extreme caution with respect to careless spreading and to wind-drift. Contact Of Some Products On Some Plants Can Be Fatal.
- Fill the spreader on a flat, level surface only. Fill on sidewalk, driveway, cardboard, etc. to avoid material loss.
- When filling hopper with material, always use screen to help break up clumps.

Now You Are Ready To Spread

- Keep spinner blade clean. Excess material build-up can cause an uneven spread pattern.
- Keep the impeller level when spreading.
- DO NOT overload. Maximum capacity is 50 lbs.
- DO NOT use on windy days.
- Spread header strips at the ends of the area OPPOSITE of the direction of spreading. This will provide a "turn-around" area, an area to re-align the spreader for the return spread.
- Example shown is for 6 ft. wide spread. Make the first spread pass at one-half the spread width from the edge of the spreading area or in this case, approximately 3 feet (or one big step).
- Additional spreading passes will be at the full spread width or approximately 6 ft. apart.
- TAKE A SIGHTING AT THE FAR END. Keep your eye on the sighting as you spread. You will not need to wonder where you are or where you have been. Continue until spreading is completed.

- Left over fertilizer can be spread under trees and other high feeding areas without showing "edge of spread" lines.

Tip: When not spreading, and if pushing the spreader some distance, tip the spreader so only the idle wheel is on the ground.



Cleaning The Spreader Is Part Of The Spreading Job

Clean and oil spreader immediately after each use.

Method #1 - Wipe spreader thoroughly with an oily cloth. Oil all bearings and bearing areas.

Method #2 - Wash, rinse, and dry the spreader. Note: Drying takes time. Moisture trapped in bearing areas is slow to go. Immediately after drying - oil all bearings and moving parts. Make certain all operations are thorough.

NOTE: Good "Dry Cleaning" is preferable to poor "Wet Cleaning".

- It is virtually impossible to have rust and corrosion on a clean, dry, oiled surface.
- Again - just before using - oil all bearings and moving parts.
- In storage, ideally the spreader should be hung by the handle. In any case, do not pile weight on the spreader, as excess weight over a period of time can distort the tires.

Oil Bearings And All Moving Parts

Make sure the spreader is running freely!

ACCUWAY® - What It Does

The Accuway® Spread Pattern Equalizer Balances the spread pattern - Bulls Eye - Dead to the Center of the Spreader.

All products. All spreading conditions.

Skewing is eliminated. Does not change the spread width.

ACCUWAY® - How It Works

Accuway® shifts the material placement on the spreader spinner fan. This in turn, balances the pattern heavier to the right or heavier to the left.

Spread pattern can be affected by many variables such as humidity, temperature, wind, spreader condition, speed of travel, material size and weight. Because of these variables, the diffuser must be adjusted for each type of application. Proper adjustment will minimize skewing and uneven coverage.

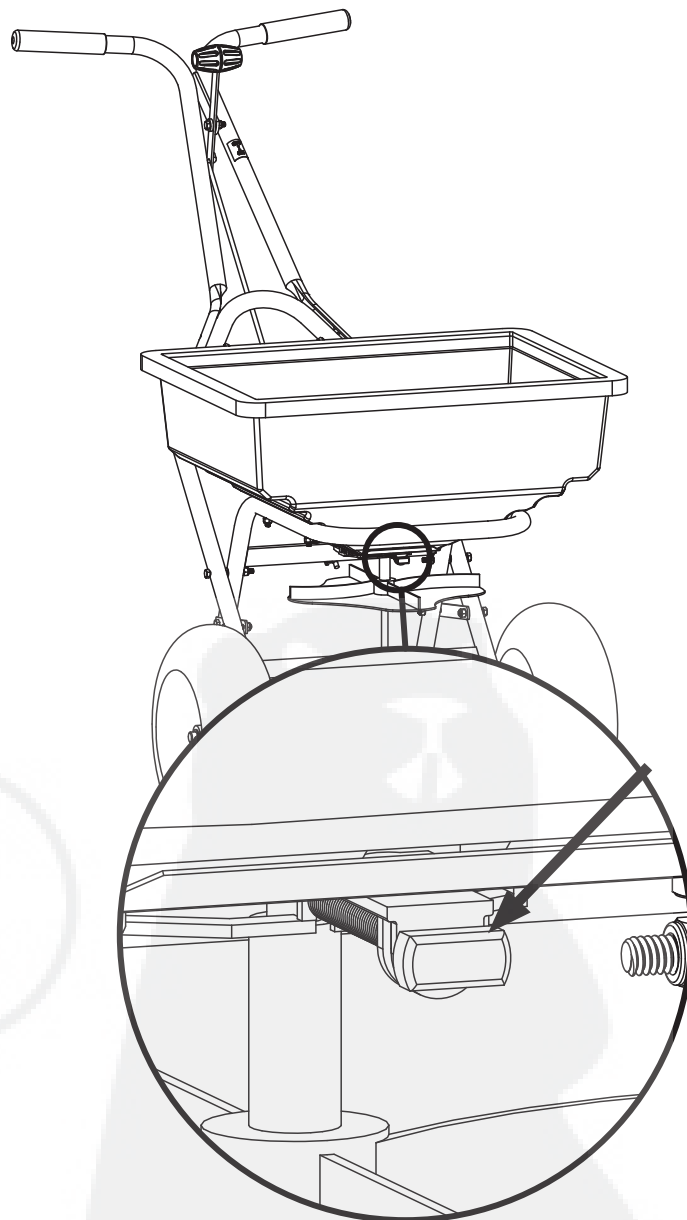
Adjustment is very sensitive. Turning the Accuway® Diffuser Knob just a little will result in a drastic change to the spread pattern.

The Accuway® Diffuser Plate has a front and a rear ramp. Never adjust so that the diffuser plate splits the material flow to both the front and rear ramp at the same time.

If the spreader is spreading to the left of center, turn the diffuser knob counterclockwise fully. Then adjust clockwise until the edge of the diffuser plate centers the spread.

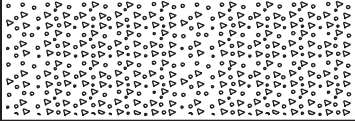
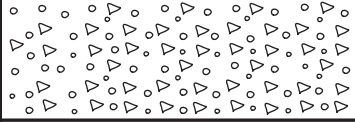
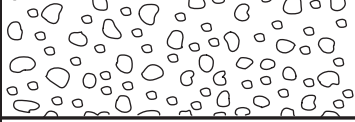



If the spreader is spreading to the right of center, turn the diffuser knob clockwise fully. Adjust counterclockwise until the edge of the diffuser plate centers the spread.

NEVER USE ACCUWAY FRONT AND REAR RAMPS TO SPLIT THE PRODUCT FLOW. Use only the front side or the back side. With proper adjustment you should be able to achieve a balanced spread pattern.



TROUBLESHOOTING

<p>Spreader does not sit flat</p>	<p>The "feet" or the flattened portion of the spreader hopper support tubes are not bent equally.</p>	<p>Using a hammer or pliers, bend the feet to be equal with each other.</p>
<p>Deflector shut off is binding and will not open/close properly</p>	<p>Shut off plate is jammed with debris.</p>	<p>Thoroughly wash out hopper and shut off plates with water. Ensure debris is not stuck between shut off plate and rate gate plate.</p>

NOTE: Dial Settings Are Approximate Only !			Dial Settings		Dial Settings	
Product	Particle Size	Lbs. per 1000 sq. ft.	Full Rate	↑	↓	Half Rate
			Once Over			Twice Over
Fine Pellets		1	3.6			3.1
		2	4.0			3.5
		3	4.2			3.7
Mixed Fine Pellets		2	3.7			3.2
		4	4.7			4.1
		6	5.2			4.5
Small Pellets		2	3			2.2
		4	4.2			3.7
		6	4.5			4
Nitrogen Pellets Medium Size		1	3.5			3
		2	4.2			3.7
		3	4.7			4
Medium Pellets And Granuals		2	3.5			3
		4	4.2			3.8
		6	5.2			4.5
Large Heavy Pellets		2	3.8			3.3
		4	4.9			4.1
		6	5.9			4.9

GRASS SEED SPREADING CHART						
Product	Bag Weight	Sq. Ft. Coverage	Dial Setting Full Rate	Dial Setting Half Rate	Spread Width	
Blue Grass or Red Top	.5 lbs.	1,000	1.25		4	
	1 lbs.	1,000	2.0		4	
	2 lbs.	1,000	2.5		4	
Park, Merion, Delta, or Kentucky Bluegrass	.5 lbs.	1,000	2.5		4	
	1 lbs.	1,000	3.0		4	
	2 lbs.	1,000	3.5		4	
Hulled Bermuda	2 lbs.	1,000	2.75	2.25	6	
	3 lbs.	1,000	3.0	2.5	6	
	4 lbs.	1,000	3.25	2.75	6	
Mixtures Including Coarse Seeds	2 lbs.	1,000	6.0		6	
	4 lbs.	1,000	7.0		6	
	6 lbs.	1,000	7.0		6	
Rye Grasses or Tall Fescue	2 lbs.	1,000	6.0		6	
	4 lbs.	1,000	7.0		6	
	6 lbs.	1,000	7.75		6	
Dichondra	4 oz.	1,000	1.9		8	
	8 oz.	1,000	2.1		8	
	12 oz.	1,000	2.5		8	
Pensacola Bahia	4 lbs.	1,000	4.5	3.75	7	
	5 lbs.	1,000	4.75	4.0	7	
	6 lbs.	1,000	5.0	4.25	7	



1 YEAR LIMITED WARRANTY

This is warranted to the original purchaser only. Spyker will replace parts with defects in materials and workmanship, for a period of one year from the date of purchase.

For Spyker Spreaders—a Brinly-Hardy Company, products employing metal gear systems, pinion and bevel, these metal gears, only, not inclusive of any other parts or materials, are warranted for the life of the spreader, not to be used for replacement or repair past original purchase.

Spyker Spreaders will not be liable for any loss, damage or expense including, but not limited to, consequential or incidental damages, arising from the operation, condition or use of the item. The sole and exclusive remedy against Spyker Spreaders being the replacement of the defective parts. This warranty gives you specific legal rights, and you may also have other rights which vary from state to state.

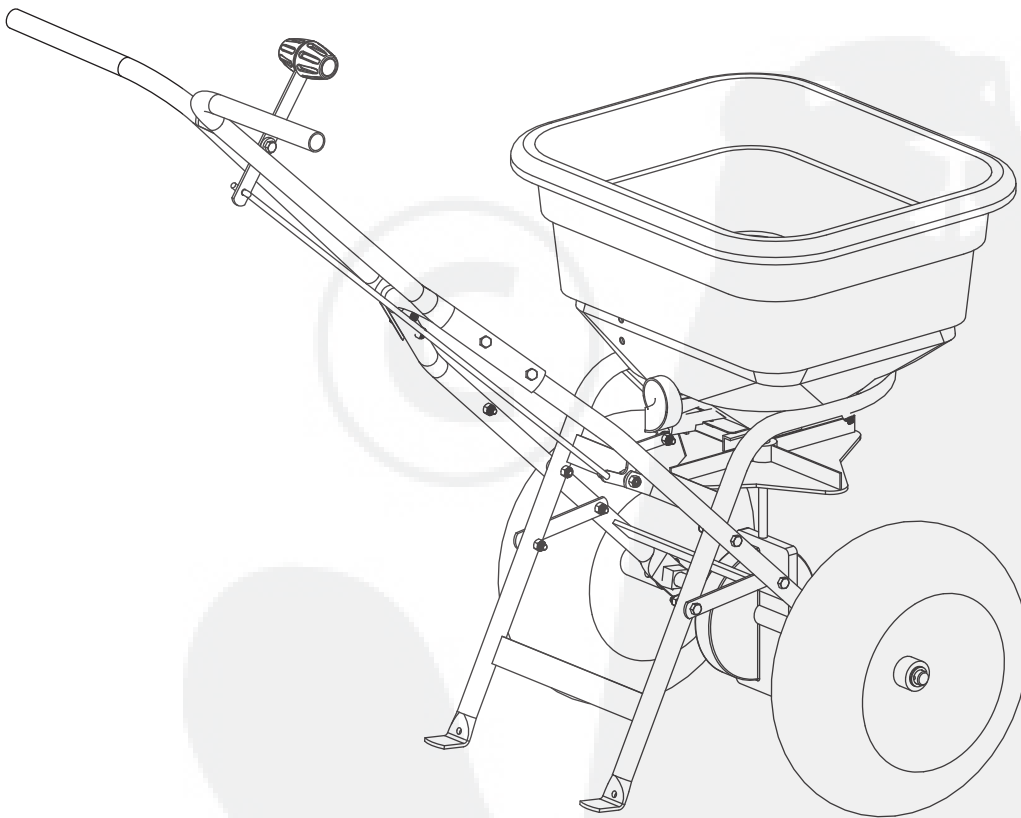
This express warranty, which is applicable only to the original purchase, is in lieu of and excludes all other warranties, whether expressed or implied by operation of law or otherwise, including any warranty of merchantability or fitness for particular purpose.

SPYKER SPREADERS
Jeffersonville, IN 47130 USA
Phone: 800.972.6130



Manual del operador

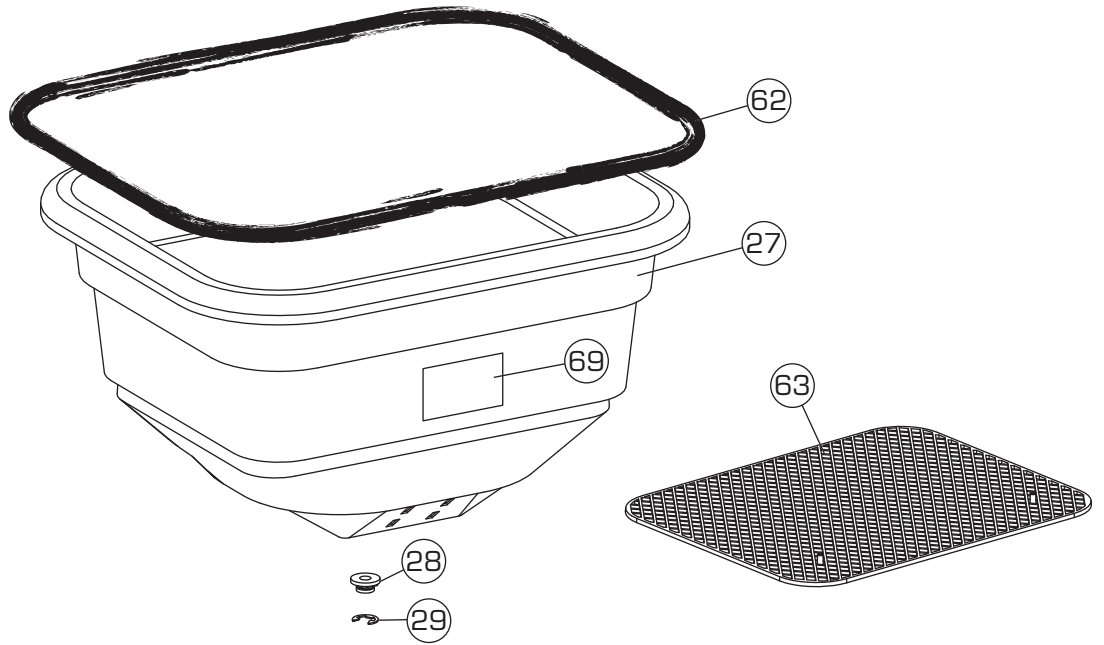
Modelo P40/Serie S40



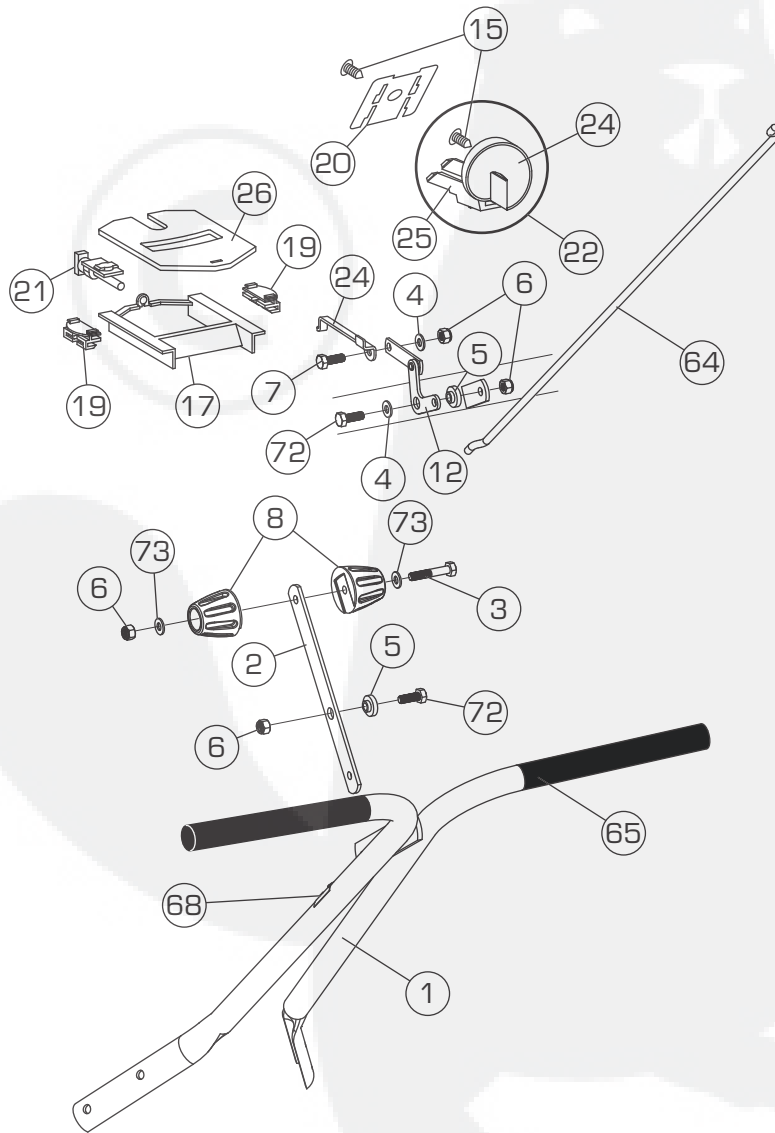
▲ IMPORTANTE Este manual contiene información para la seguridad de las personas y de la propiedad. ¡Léalo atentamente antes del montaje y la operación del equipo!

Spyker Spreaders
Llámenos al 800.972.6130

Ampliación de tolva

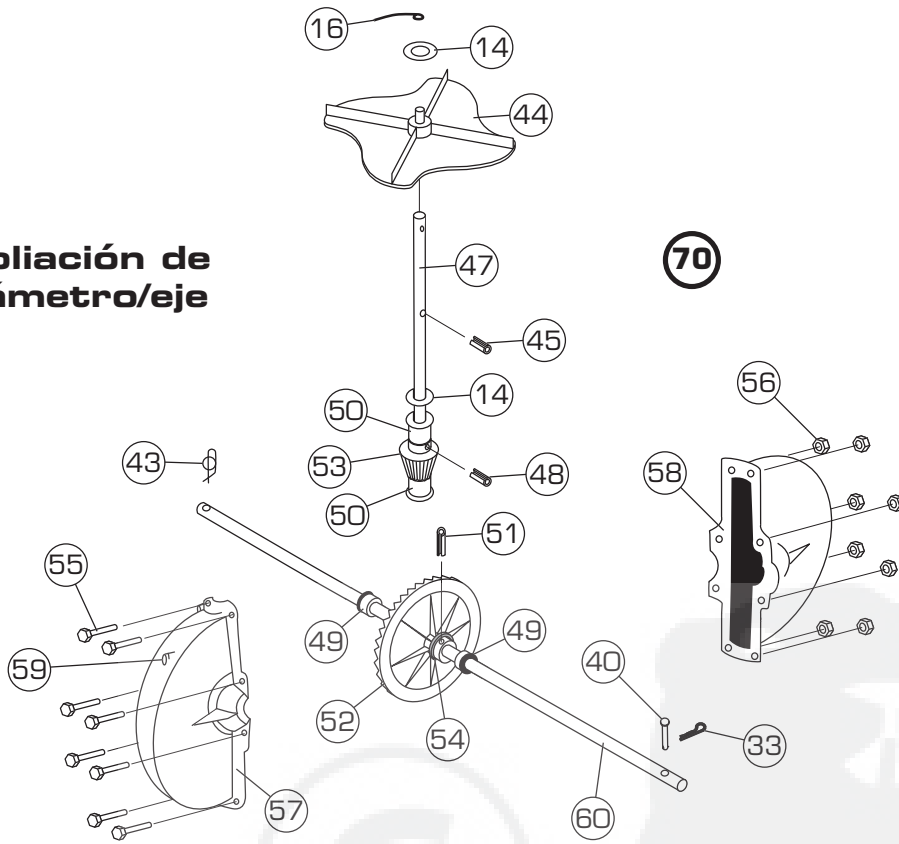


Ampliación de compuerta de aplicación de desviador

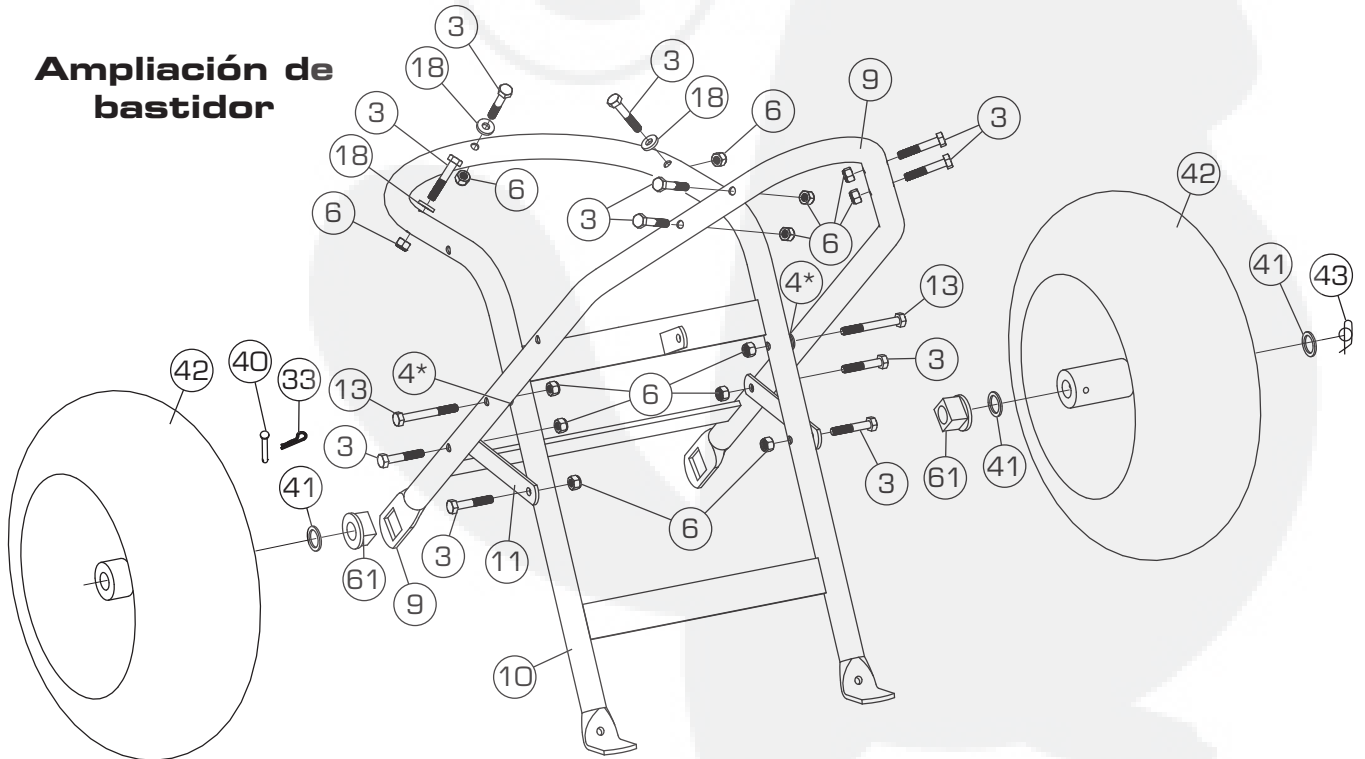


Ampliación de la manija

Ampliación de rotámetro/eje



Ampliación de bastidor



*Lo necesario para compensación

Artículo	Número de pieza	Cant.	Descripción
1	1007770-01	1	Manija inoxidable
	1008052-10	1	Manija pintada
2	1007773	1	Palanca de control
3	05-90-0054	12	Perno de 1/4" x 1-1/2", SS
4	05-92-0008	6	Arandela de 1/4"
5	05-94-0051	2	Casquillo biselado de nylon
6	SS-91-0004	17	Contratuercas de nylon de 1/4", SS
7	05-90-0121	1	Perno de 1/4" x 3/4", SS
8	1007828	2	Media perilla
9	1007774-01	1	Soporte de eje inoxidable
	1008055-10	1	Soporte de eje pintado
10	1007777-01	1	Soporte de tolva inoxidable
	1008058-10	1	Soporte de tolva pintado
11	1007794	2	Riostra transversal inoxidable
	1008061-10	2	Riostra transversal pintada
12	1007811	1	Conjunto de conexión de control
13	1007888	2	Perno de 1/4" x 2-1/4", SS
14	SS-92-0002	2	Arandela de fieltro
15	05-94-0078	2	Pinzas tipo "Pine Tree Clip"
16	SS-96-0003	1	Alambre de agitador
17	05-94-0043	1	Difusor Accuway®
18	05-94-0064	5	Arandela de nylon
19	05-94-0097	2	Guía de compuerta de aplicación
20	05-48-1015	1	Soporte de montaje de selector
21	05-46-2211-T	1	Montaje de tornillo Accuway®
22	05-48-1113-T	1	Conjunto de compuerta de aplicación y selector
23	SS-94-0006	1	Selector plástico
24	1008431-01	1	Enlace de compuerta de aplicación
25	05-94-0099	1	Montaje de selector
26	05-94-0068	1	Compuerta de aplicación
27	1007847	1	Tolva
28	F-574	1	Rodamiento
29	B1HF577	1	Anillo E de 5/8"
30	N/A		No se usa número
31	N/A		No se usa número
32	N/A		No se usa número
33	05-90-0102	1	Pasador de chaveta, SS
34	N/A		No se usa número
35	N/A		No se usa número
36	N/A		No se usa número

Artículo	Número de pieza	Cant.	Descripción
37	N/A		No se usa número
38	N/A		No se usa número
39	N/A		No se usa número
40	05-90-0065	1	Pasador de horquilla de 3/16" x 1-3/4"
41	05-92-0004	3	Arandela plana, SS
42	05-95-0016-JD	2	Rueda
43	05-90-0040	1	Pasador de bloqueo del resorte
44	SS-94-0012	1	Rotámetro de esparcimiento
45	SS-90-0002	1	Pasador de 1/8" x 7/8"
46	N/A		No se usa número
47	05-97-0037	1	Eje del rotámetro, SS
48	SS-90-0001	1	Pasador de 1/8" x 3/4"
49	05-90-0093	2	Caja de engranajes de 5/8"
50	05-90-0094	2	Casquillo del eje del rotámetro de 3/8"
51	05-90-0096	1	Espiga de 3/16" x 1", SS
52	05-94-0033	1	Engranaje cónico
53	05-94-0034	1	Engranaje de piñón
54	05-288-1027	1	Pasador de soporte de espaciador de nylon
55	05-90-0097	8	Perno embreadado hexagonal n.º 10 de 5/8", SS
56	05-91-0008	8	Contratuercas de nylon n.º 10, SS
57	05-94-0037	1	Cubierta frontal de caja de velocidades
58	05-94-0038	1	Cubierta posterior de caja de velocidades
59	05-98-0111	1	Grasa Zerk
60	1007781	1	Eje
61	F-283	2	Cojinete del eje
62	05-94-0065	1	Cubierta de tolva
63	1008022	1	Rejilla
64	05-46-1014	1	Varilla de control
65	SS-94-0013	2	Empuñadura de manija
66	N/A		No se usa número
67	N/A		No se usa número
68	05-99-0063	1	Calcomanía On-off [enc.-apag.]
69	05-93-0075	1	Etiqueta Spyker Accuway®
70	1007818	1	Conjunto Rotámetro/Eje
71	N/A		No se usa número
72	1001255	2	Perno de 1/4" x 1", SS
73	1001554	2	Arandela de nylon

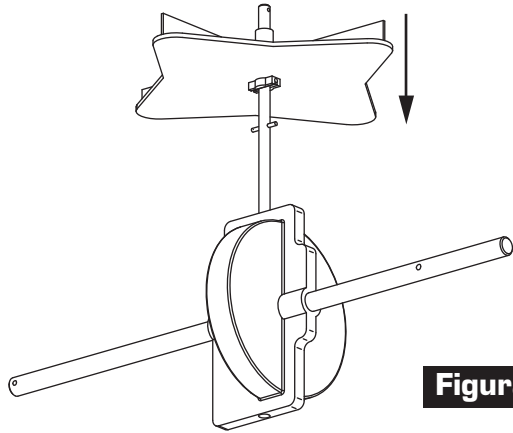


Figura 1

1. Coloque el rotámetro de esparcimiento empujándolo en el eje del rotámetro como se muestra en la Figura 1. Asegúrese de que el pasador se conecte con la ranura en el eje del rotámetro.

NOTA: Es posible que sea necesario dar un pequeño golpe al rotámetro para que se enclave en el pasador.

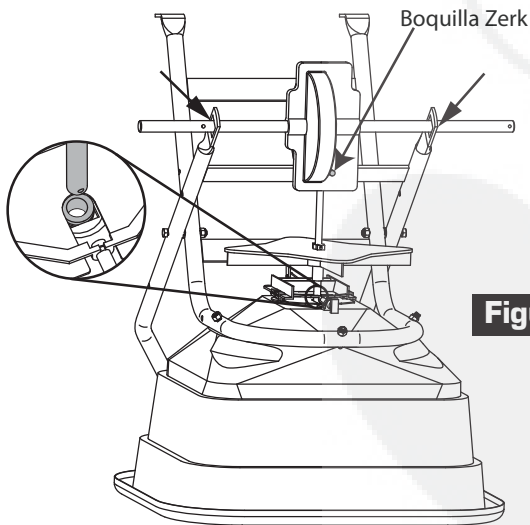


Figura 2

2. Inserte el conjunto del eje en los orificios cuadrados del soporte del eje como se muestra en la Figura 2.

NOTA: La boquilla de grasa Zerk en la carcasa de transmisión debe estar mirando hacia adelante.

Proceda a alinear el eje del rotámetro con el cojinete del eje del rotámetro en la parte inferior de la tolva y deslícelo a través de los cojinetes.

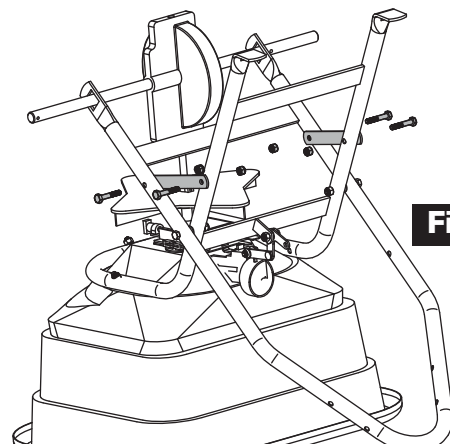


Figura 3

3. Proceda a alinear las riostras transversales con la tolva y el soporte del eje como se muestra en la Figura 3. Con los (4) pernos de 1-1/2" y las contratuercas de nylon, monte las dos riostras transversales. Ajuste firmemente los pernos de las riostras transversales.

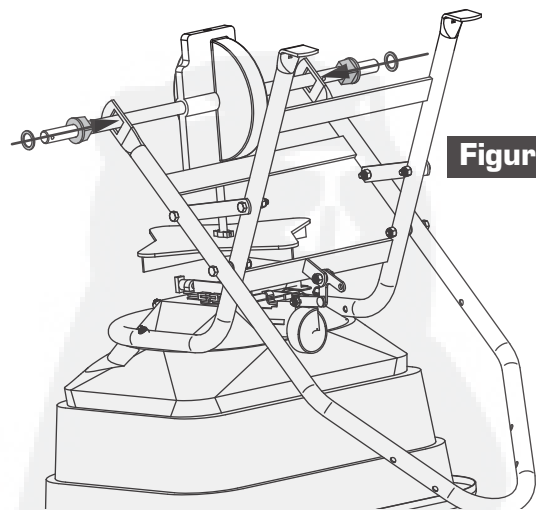


Figura 4

4. Instale los dos cojinetes de eje en los orificios cuadrados como se muestra en la Figura 4. Instale una arandela a cada lado del eje.

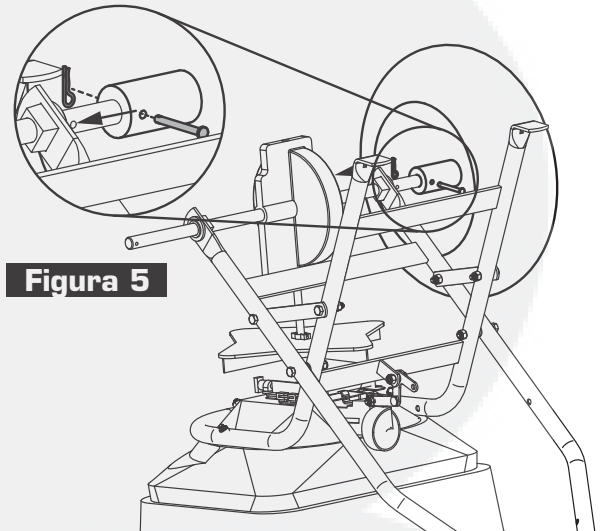


Figura 5

5. Busque el orificio en el eje que esté más próximo al cojinete del eje y la arandela. Instale la rueda (vástago de válvula) en el eje como se muestra en la Figura 5. Proceda a alinear el orificio de la rueda con el semieje. Empuje el pasador de horquilla a través del orificio y colóquelo en su lugar usando el pasador de chaveta.

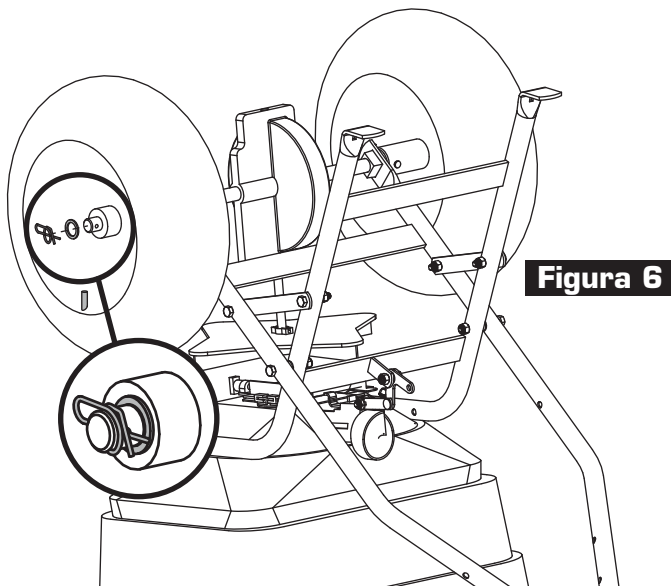


Figura 6

6. Instale la rueda en el lado opuesto del eje (vástago de válvula) hasta que roce el cojinete del eje y la arandela. Instale la arandela en el eje. Empuje el pasador de cierre del resorte a través del orificio del eje.

NOTA: El pasador de cierre del resorte encajará en la posición como se muestra en la Figura 6.

Gire el conjunto del esparcidor y colóquelo sobre el suelo.

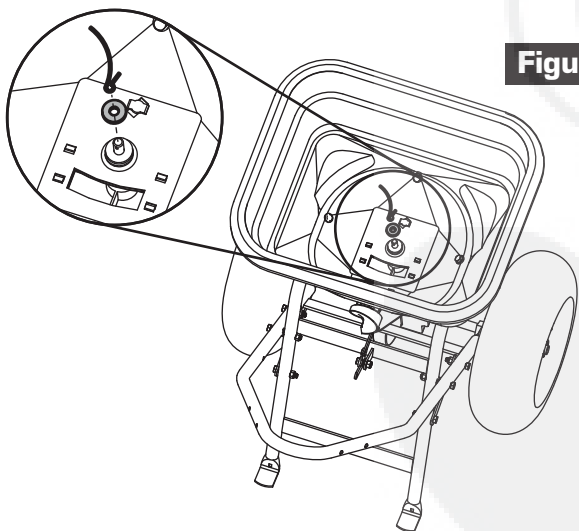


Figura 7

7. Dentro de la tolva, monte la arandela de fieltro y el alambre del agitador en el eje del rotámetro como se muestra en la Figura 7.

NOTA: Tenga en cuenta la orientación y pase el alambre del agitador (como se muestra en la Figura 7).

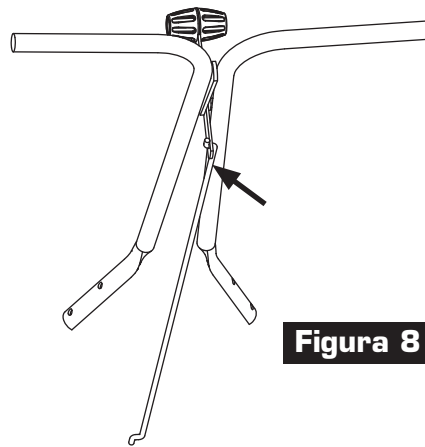


Figura 8

8. Instale la conexión a la palanca como se muestra en la Figura 8.

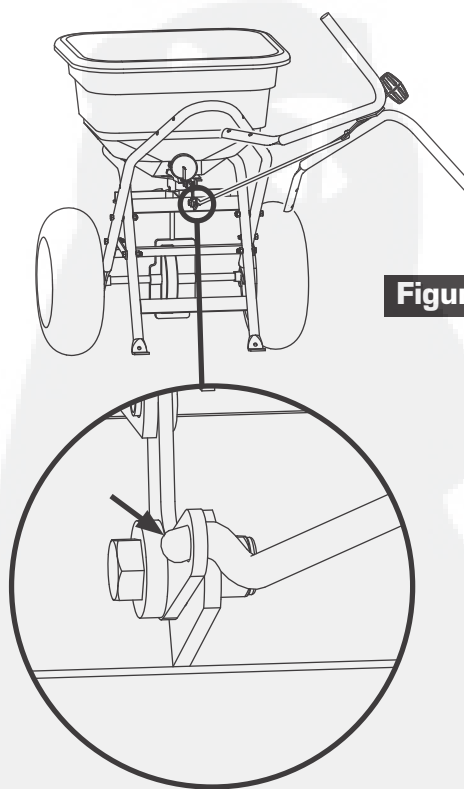


Figura 9

9. Gire el conjunto de la manilla hacia los lados e instale la conexión en la palanca de la compuerta de aplicación como se muestra en la Figura 9.

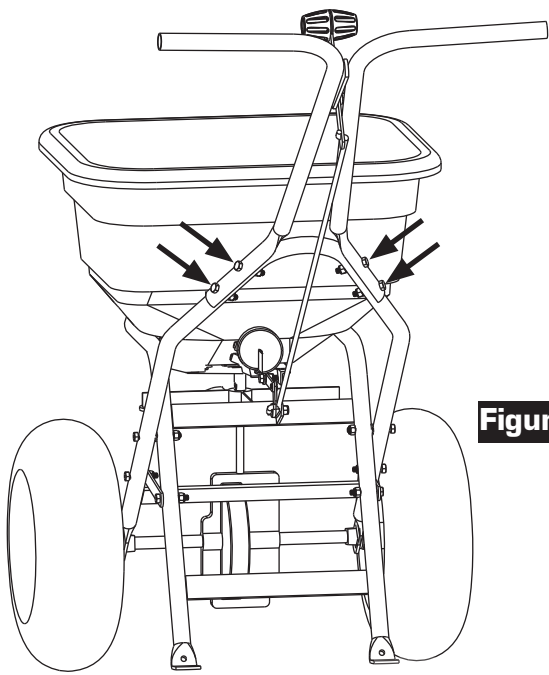


Figura 10

10. Conecte el conjunto de la manilla en el bastidor usando los (4) pernos de 1/4 x 1-1/2" y las contratuercas de nylon de 1/4" como se muestra en la Figura 10.

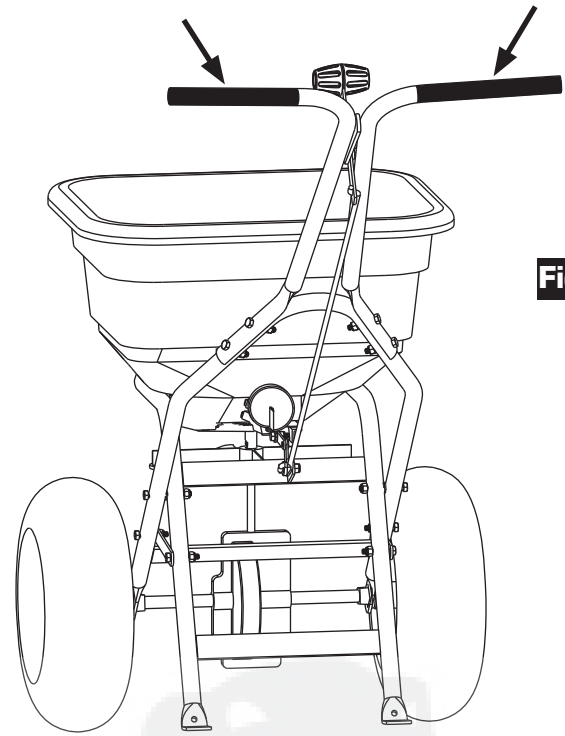


Figura 11

11. Instale las empuñaduras de la manilla en la manilla del esparcidor como se muestra en la Figura 11.

LEER ANTES DE USAR

FUNCIONAMIENTO SEGURO

Mantenga alejados a los transeúntes cuando opere la máquina.

Use esta máquina solo para el fin previsto.

No permita que niños o personas no capacitadas operen la máquina.

Mantenga todas las piezas en buenas condiciones e instaladas correctamente. Repare las partes dañadas inmediatamente. Reemplace todas las piezas desgastadas o rotas.

No modifique la máquina ni los dispositivos de seguridad. Las modificaciones no autorizadas a la máquina podrían afectar su funcionamiento y la seguridad, además de anular la garantía.

No permita que nadie se siente o se suba al equipo mientras esté en funcionamiento. No permita que nadie se suba a la unidad.

Use calzado adecuado y pantalones largos. No opere el equipo descalzo o con sandalias.

No use prendas de vestir holgadas que pudieran quedar atrapadas en las partes móviles.

Utilice siempre protección ocular cuando opere el equipo.

Preste atención a los orificios en el terreno y demás peligros ocultos.

Cuídese del tránsito al cruzar carreteras o al conducir cerca de ellas.

Antes de operar cualquier función de esta máquina, observe si en las cercanías hay personas.

Lávese siempre las manos luego del contacto con fertilizantes y pesticidas.

Verifique el ajuste de todos los tornillos, tuercas y pernos para asegurarse de que el equipo esté en condiciones de trabajo seguras.

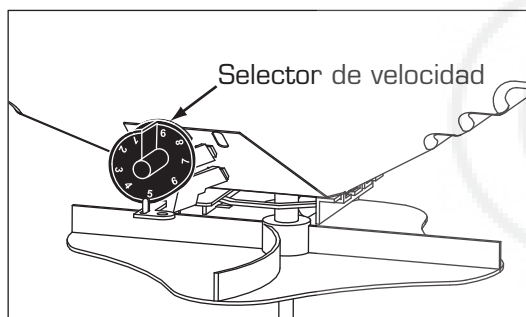
LEER ANTES DE USAR

Familiarícese con el funcionamiento del esparcidor antes de poner material en la tolva.

- Practique caminar con el esparcidor, abriendo y cerrando la compuerta de aplicación en los momentos adecuados.
- Desplácese a una velocidad constante y haga funcionar la posición de la palanca del esparcidor. Recuerde: Abra la compuerta de aplicación después de que el esparcidor se encuentre en movimiento a velocidad de funcionamiento (cerca de 3 MPH o a un paso rápido al caminar).
- Cierre la compuerta de aplicación mientras el esparcidor está quieto a velocidad de funcionamiento.

Información de configuración de selector

El SELECTOR DE VELOCIDAD tiene 9 números con 10 paradas entre cada número. Esto permite un control exacto del rendimiento teórico. El selector se fija con un solo giro y se bloquea automáticamente en la posición establecida. **PROCEDA A ALINEAR EL NÚMERO DEL SELECTOR CON EL INDICADOR DEL SELECTOR.**



- El ancho de esparcido varía de 4 a 12 pies según el volumen y la densidad, el tamaño de partícula de material y la velocidad de desplazamiento.
- Las secciones delgadas del esparcidor o plumas en los bordes exteriores eliminan las líneas "Borde de esparcido" que producen franjas y rayas. Se puede lograr una cobertura adicional debajo de los árboles y otras áreas que requieren mucho material sin que se vean las líneas del borde de esparcido.
- Son menos probables las brechas y los sobrevertidos. Se omiten y no se muestran los pequeños errores en el desplazamiento.

ADVERTENCIA: Cuando se esparcen productos que contienen herbicidas, se debe tener extremo cuidado de no esparcir de manera imprudente y prestar atención al desplazamiento por el viento.

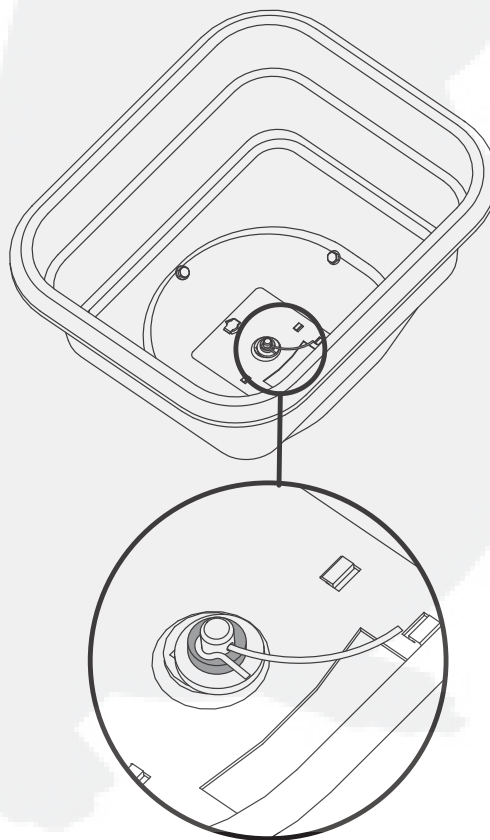
El contacto de ciertos productos con algunas plantas puede ser fatal

Si no se encuentra una configuración de selector, use la tabla de comparación de tamaño y peso de este manual. Determine una configuración de selector en el lado inferior. Si la configuración resulta ser muy baja, cubra la zona más de una vez. Se puede usar una configuración más alta cuando se establezca una configuración de selector probada.

Recuerde: Las configuraciones del selector publicadas son sólo aproximadas. El funcionamiento del esparcidor, la condición del material (húmedo o seco o sobrepulverizado) y del clima son factores coadyuvantes. Debido a este motivo, a menudo resulta buena idea esparcir la zona dos veces, o una vez y media, en direcciones cruzadas (VER LA INFORMACION SOBRE LA CONFIGURACIÓN DE SELECTOR DE UNA VEZ Y MEDIA). La configuración de selector de una vez y media es muy recomendada en condiciones húmedas.

Agitador giratorio

Use el agitador giratorio solo si es necesario. Los materiales que no contengan terrones y fluyan libremente no necesitarán el agitador. El agitador giratorio puede instalarse o retirarse fácilmente. Observe el movimiento de derecha a izquierda y páselo. Coloque la arandela de fieltro alrededor del eje del rotámetro antes de insertar el agitador.



LEER ANTES DE USAR

Ahora ya está listo para colocar material en la tolva

ADVERTENCIA: ¡Evite lesiones! Las sustancias químicas pueden ser peligrosas. Evite lesiones a operadores y transeúntes.

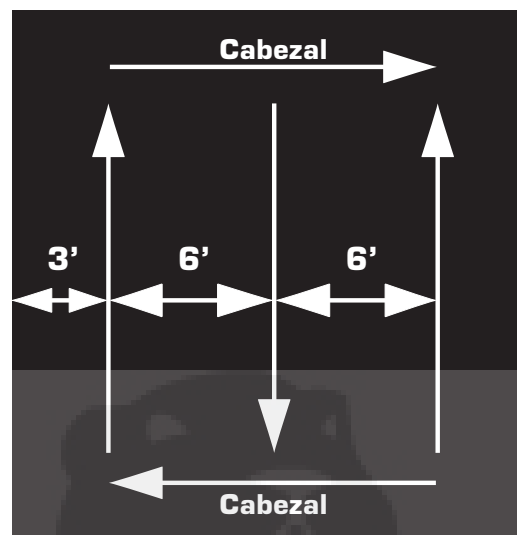
- Asegúrese de que la compuerta de aplicación esté en posición cerrada.
- Lea la etiqueta del envase de la sustancia química para conocer las instrucciones de manipulación. El distribuidor de las sustancias químicas debe entregar una Hoja de datos de seguridad del material (MSDS), así como información de seguridad adecuada.
- Utilice vestimenta adecuada y equipo de seguridad mientras manipula o aplica productos químicos.
- Prohíba fumar, tomar y comer cerca de productos químicos.
- Cuando se realiza el esparcimiento de productos que contienen herbicidas, se debe tener extremo cuidado de no esparcir en forma imprudente y prestar atención al desplazamiento del viento. El contacto de ciertos productos con algunas plantas puede ser fatal.
- Realice el llenado del esparcidor únicamente sobre una superficie plana y nivelada. Realice el llenado en aceras, entradas de automóviles, sobre cartones, etc., para evitar la pérdida de materiales.
- Cuando se llene la tolva con material, use siempre una rejilla para deshacerse de los terrones.

Ahora ya está listo para iniciar el esparcimiento

- Mantenga limpia la hoja del rotámetro. Una excesiva acumulación de material puede causar un patrón de rociado desparejo.
- Mantenga el nivel del impulsor mientras realiza el esparcido.
- NO sobrecargue. La capacidad máxima es de 50 libras.
- NO use en días de mucho viento.
- Realice el esparcimiento en franjas en los extremos de la zona, EN DIRECCIÓN OPUESTA a la dirección del esparcimiento. Esto le permite tener una zona de giro, una zona para volver a alinear el esparcidor para el esparcimiento de retorno.
- El ejemplo que se muestra es de un esparcimiento de 6 pies de ancho. Realice la primera pasada de esparcimiento a un ancho de esparcimiento de la mitad a partir del borde de la zona de esparcimiento o, en este caso, a aproximadamente tres pies (o un paso grande).
- Las pasadas de esparcimiento adicionales se harán a un ancho de esparcimiento completo o a seis pies de separación aproximadamente.
- OBSERVE EL EXTREMO MÁS ALEJADO. Mantenga la vista en la mira mientras realiza el esparcimiento. No será necesario preguntarse dónde se encuentra o por dónde ha pasado. Continúe hasta terminar el esparcimiento.

- Se puede lograr una cobertura adicional bajo los árboles y otras áreas que requieren mucho material sin que se vean las líneas del borde de esparcimiento.

Inclinación: Cuando no esté esparciendo, y si empuja el esparcidor a cierta distancia, incline el esparcidor de modo que solamente la rueda fija quede apoyada sobre la tierra.



La limpieza del esparcidor forma parte del trabajo de esparcimiento

Limpie y aplique aceite al esparcidor inmediatamente después de cada uso.

Método n.º 1: Limpie a fondo el esparcidor usando un paño con aceite. Aplique aceite en todos los cojinetes y áreas de cojinetes.

Método n.º 2: Lave, enjuague y seque el esparcidor. Nota: El secado toma tiempo. La humedad atrapada en las zonas de los cojinetes tarda en desaparecer. Inmediatamente después de secar: aplique aceite en todos los cojinetes y piezas móviles. Verifique que todas las operaciones se realicen con rigurosidad.

NOTA: Es preferible una buena limpieza en seco a una limpieza en húmedo deficiente.

- Es prácticamente imposible que se produzca la formación de óxido y corrosión en una superficie limpia, seca y aceitada.
- Nuevamente, justo antes de usar, aplique aceite en todos los cojinetes y piezas móviles.
- En almacenamiento, el esparcidor se debe colgar, idealmente, de la manija. En cualquier caso, no coloque ningún peso sobre el esparcidor, ya que un exceso de peso durante un período extenso puede deformar los neumáticos.

Aplique aceite en todos los cojinetes y piezas móviles

Asegúrese de que el esparcidor funcione sin obstrucciones.

ACCUWAY® - Qué hace

El ecualizador de patrón de esparcido Accuway® equilibra el patrón de esparcido, apuntando al punto muerto hacia el centro del esparcidor.

Todos los productos. Todas las condiciones de esparcimiento.

Se elimina la oblicuidad. No modifique el ancho de esparcido.

ACCUWAY® - Cómo funciona

Accuway® modifica la colocación de material en el ventilador del rotámetro del esparcidor. Esta acción, por su parte, equilibra el patrón más pesado a la derecha o a la izquierda.

El patrón de esparcido puede resultar afectado por muchas variables, como humedad, temperatura, viento, condiciones del esparcidor, velocidad de desplazamiento, tamaño y peso de material. Debido a estas variables, el difusor se debe ajustar para cada tipo de aplicación. Un ajuste adecuado puede minimizar la oblicuidad y la cobertura desigual.

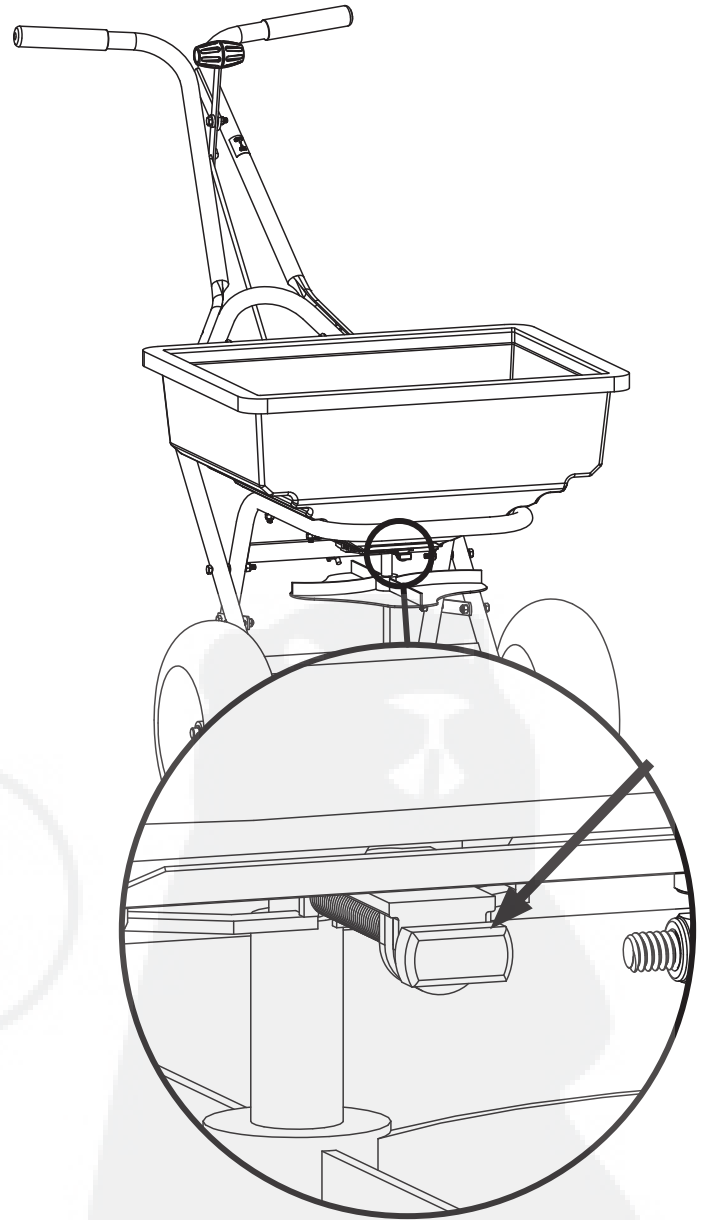
El ajuste es muy sensible. Si se gira solo un poco la perilla del difusor Accuway® se producirá un cambio drástico en el patrón de esparcido.

La placa del difusor Accuway® posee una rampa frontal y una trasera. Nunca ajuste de modo que la placa del difusor divida el flujo de material hacia la rampa frontal y hacia la rampa trasera al mismo tiempo.

Si el esparcidor está esparciendo a la izquierda del centro, gire completamente la perilla del difusor de izquierda a derecha. Luego, ajuste en sentido contrario hasta que el borde de la placa de difusor centre el esparcido.

Si el esparcidor esparce a la derecha del centro, gire completamente la perilla del difusor hacia la izquierda. Luego, ajuste en sentido contrario hasta que el borde de la placa de difusor centre el esparcido.

NUNCA USE LAS RAMPAS FRONTAL Y TRASERA DE ACCUWAY® PARA DIVIDIR EL FLUJO DEL PRODUCTO. Solo use el lado frontal o el posterior. Con un ajuste correcto deberá poder lograr un patrón de esparcido equilibrado.



SOLUCIÓN DE PROBLEMAS

El esparcidor no se queda en posición plana.	El "pie" o la parte plana de la tolva de esparcido admite tubos que no se doblan por igual.	Con un martillo o pinzas, doble el pie para que queden iguales.
El deflector de corte está atascado y no se abre/cierra correctamente.	La placa de corte está atascada con suciedad.	Lave a fondo la tolva y las placas de corte con agua. Asegúrese de que no quede suciedad entre la placa de corte y la placa de la compuerta de aplicación.

NOTA: ¡Las configuraciones del selector publicadas son sólo aproximadas!			Configuraciones del selector Velocidad completa Una vez	↑ ↓	Configuraciones del selector Proporción media Dos veces	← → ↑ ↓
Producto	Tamaño de partícula	Libras por 1000 pies cuadrados.				
Perdigones finos		1	3,6	3,1		
		2	4,0	3,5		
		3	4,2	3,7		
Perdigones finos combinados		2	3,7	3,2		
		4	4,7	4,1		
		6	5,2	4,5		
Perdigones pequeños		2	3	2,2		
		4	4,2	3,7		
		6	4,5	4		
Perdigones de nitrógeno Tamaño mediano		1	3,5	3		
		2	4,2	3,7		
		3	4,7	4		
Perdigones medianos y granulares		2	3,5	3		
		4	4,2	3,8		
		6	5,2	4,5		
Perdigones grandes pesados		2	3,8	3,3		
		4	4,9	4,1		
		6	5,9	4,9		

CUADRO DE ESPARCIDO PARA SEMILLAS DE PASTO					
Producto	Peso en bolsa	Cobertura en pies cuadrados	Configuración de selector: velocidad completa	Configuración de selector: velocidad media	Ancho de esparcido
Blue Grass o Red Top	0,5 libras	1000	1,25		4
	1 libra	1000	2,0		4
	2 libras	1000	2,5		4
Park, Merion, Delta o Bluegrass de Kentucky	0,5 libras	1000	2,5		4
	1 libra	1000	3,0		4
	2 libras	1000	3,5		4
Hulled Bermuda	2 libras	1000	2,75	2,25	6
	3 libras	1000	3,0	2,5	6
	4 libras	1000	3,25	2,75	6
Mezclas que incluyen semillas más gruesas	2 libras	1000	6,0		6
	4 libras	1000	7,0		6
	6 libras	1000	7,0		6
Rye o Tall Fescue	2 libras	1000	6,0		6
	4 libras	1000	7,0		6
	6 libras	1000	7,75		6
Dichondra	4 onzas	1000	1,9		8
	8 onzas	1000	2,1		8
	12 onzas	1000	2,5		8
Pensacola Bahia	4 libras	1000	4,5	3,75	7
	5 libras	1000	4,75	4,0	7
	6 libras	1000	5,0	4,25	7



GARANTÍA LIMITADA DE UN AÑO

Esta garantía se limita al comprador original solamente. Spyker reemplazará las piezas con defectos en materiales y mano de obra por un período de un año a partir de la fecha de compra.

Para Spyker Spreaders, una empresa de Brinly-Hardy Company, los productos que emplean sistemas de engranaje metálico, de piñón y cónico, estos engranajes de metal, solamente, sin incluir ninguna otra pieza o material, están garantizados durante la vida del esparcidor, y no se usarán para cambio o reparación posterior a la compra original.

Spyker Spreaders no será responsable por ninguna pérdida, daño o gasto que incluya, entre otros, daños consecuentes o incidentales de ningún tipo que surjan de la operación, condición o uso del artículo. La única y exclusiva solución para Spyker Spreaders es el cambio de las piezas defectuosas. Esta garantía le concede derechos legales específicos y usted también podría tener otros derechos que varían de un estado a otro.

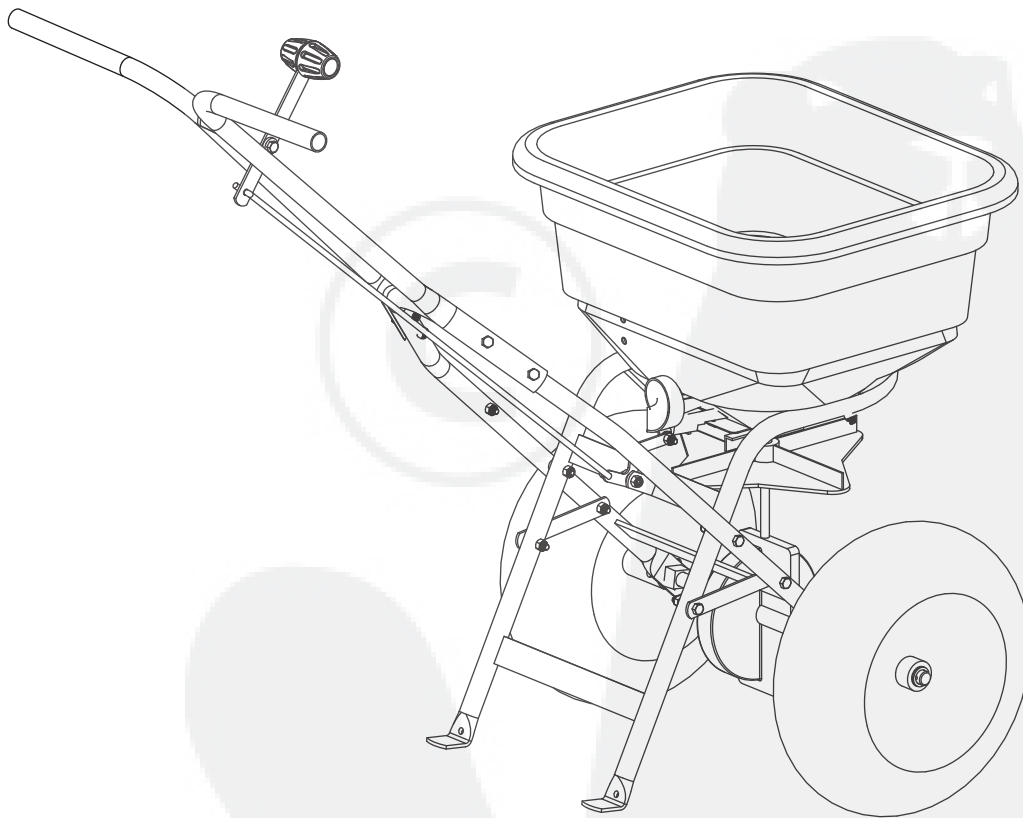
Esta garantía expresa, que es aplicable solamente a la compra original, es compensatoria y no incluye ninguna otra garantía, ya sea expresa o implícita establecida por la ley o similar, incluidas las de comerciabilidad o aptitud para un propósito particular.

**SPYKER SPREADERS
Jeffersonville, IN 47130 USA
Teléfono: 800.972.6130**



Manuel de l'utilisateur

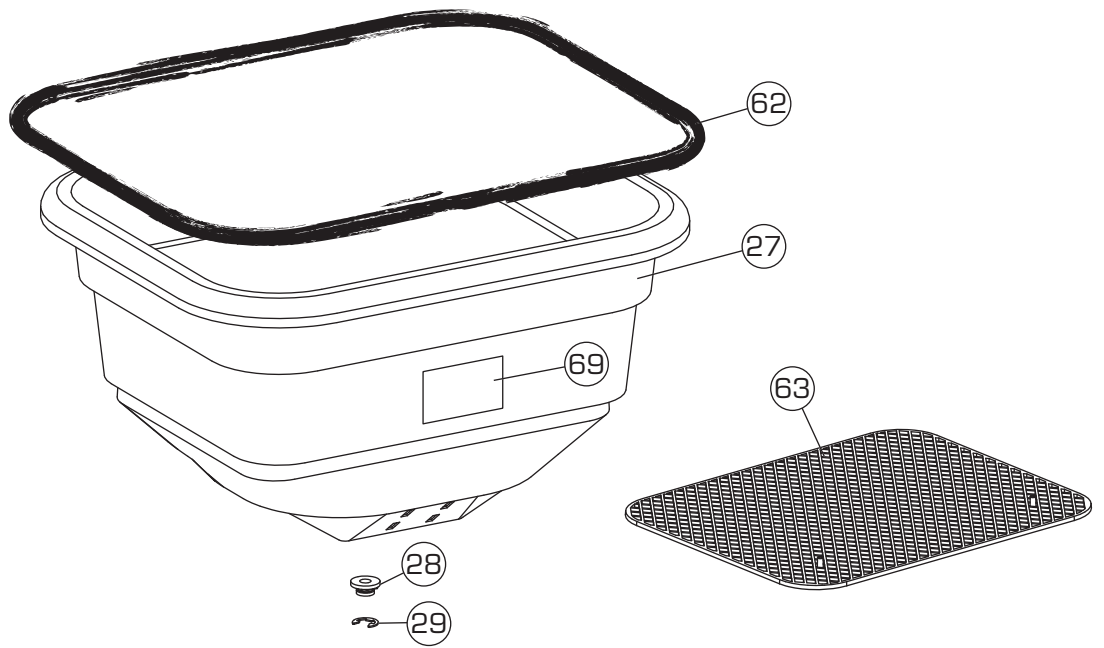
Modèle de la série P40/S40



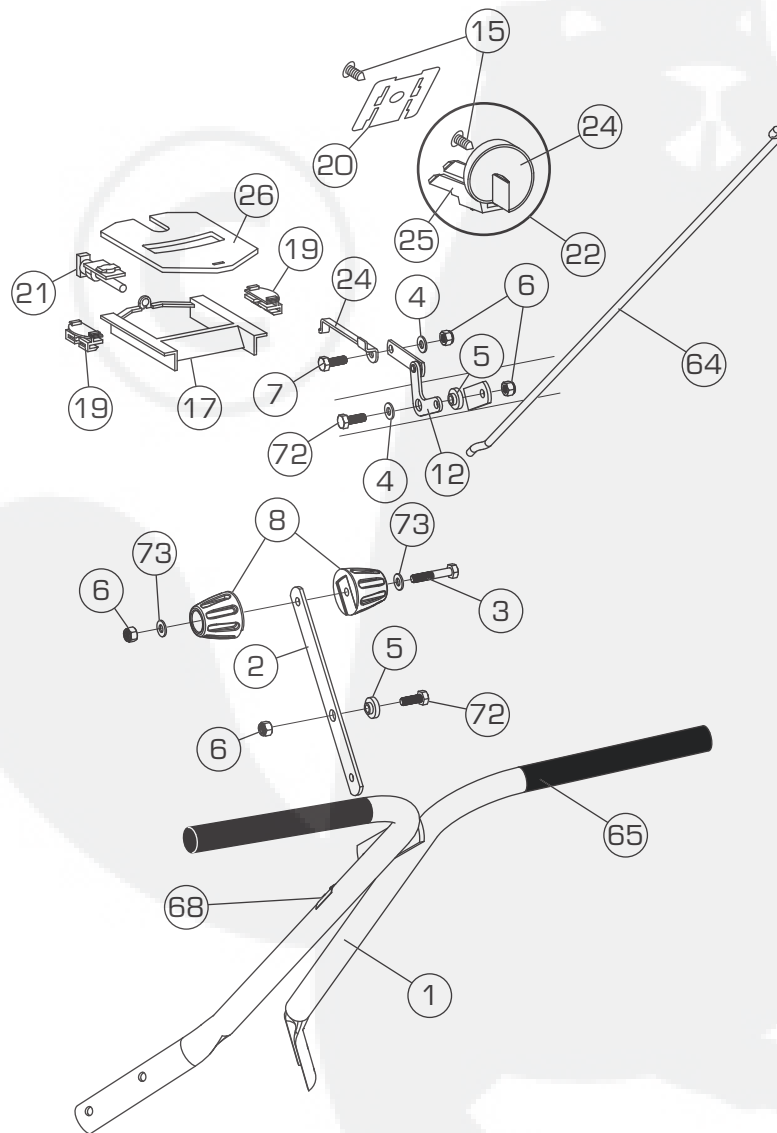
▲ IMPORTANT Ce manuel contient des renseignements relatifs à la sécurité des personnes et des biens. Lisez-le attentivement avant d'assembler et d'utiliser l'équipement!

Spyker Spreaders
Communiquez avec nous au 1.800.972.6130

Vue éclatée de la trémie

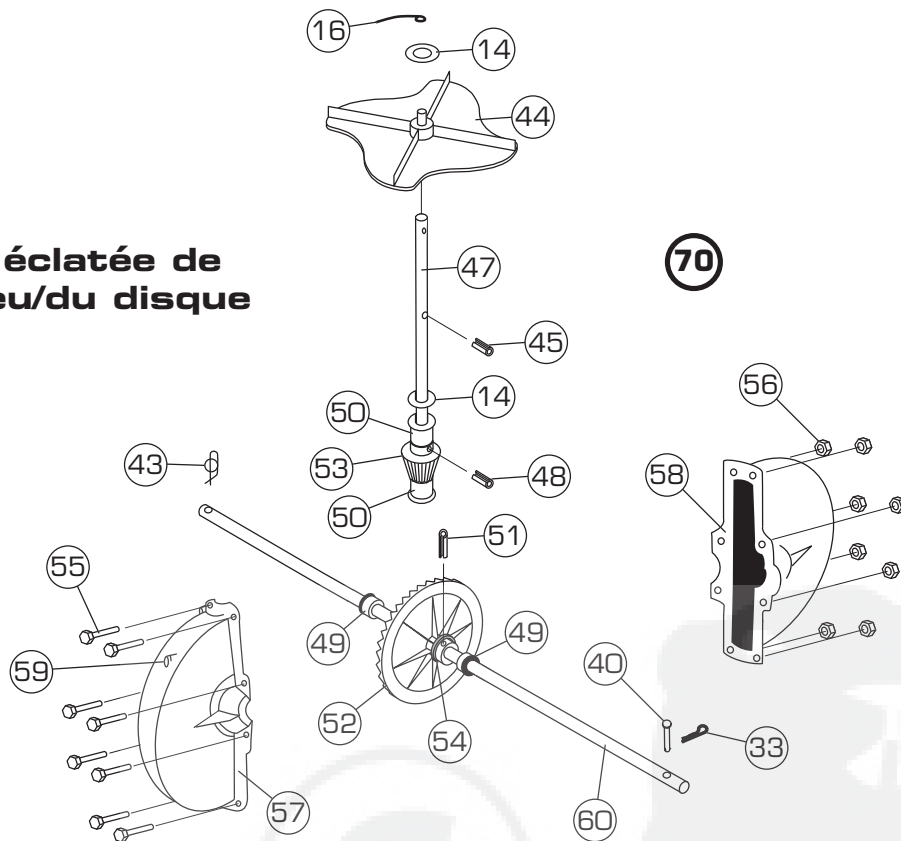


Vues éclatées de la trappe de débit et du déflecteur

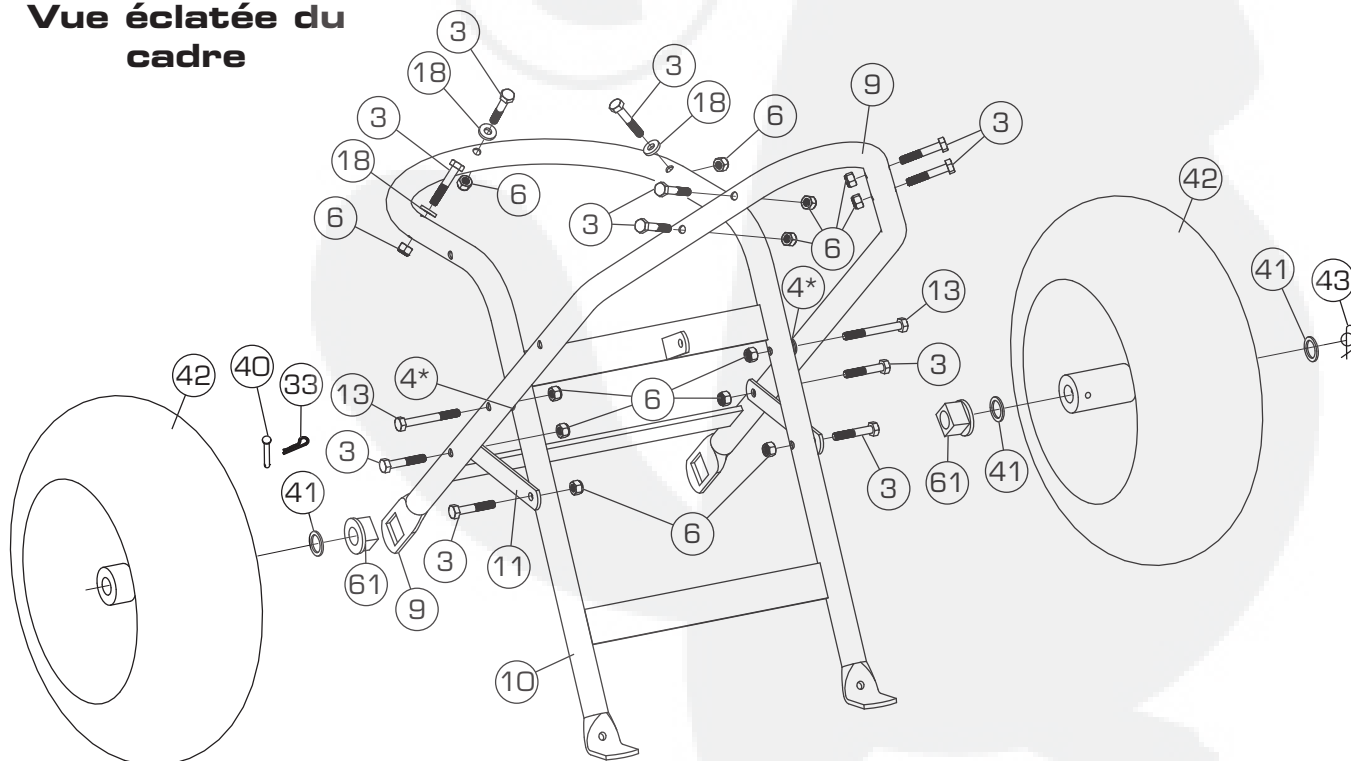


Vue éclatée de la poignée

**Vue éclatée de
l'essieu/du disque**



**Vue éclatée du
cadre**



*En fonction des besoins en calage

Article	Référence	Qté	Description
1	1007770-01	1	Poignée, inox
	1008052-10	1	Poignée, peinte
2	1007773	1	Levier de commande
3	05-90-0054	12	Boulon 1/4 po x 38 mm, inox
4	05-92-0008	6	Rondelle 6,3 mm (1/4 po), inox
5	05-94-0051	2	Bague nylon à bride
6	SS-91-0004	17	Contre-écrou en nylon 1/4 po, inox
7	05-90-0121	1	Boulon 1/4 po x 19 mm, inox
8	1007828	2	Demi-molette
9	1007774-01	1	Support de l'essieu, inox
	1008055-10	1	Support de l'essieu, peint
10	1007777-01	1	Support de trémie, inox
	1008058-10	1	Support de trémie, peint
11	1007794	2	Croisillon, inox
	1008061-10	2	Croisillon, peint
12	1007811	1	Assemblage de la timonerie
13	1007888	2	Boulon 1/4 po x 57,1 mm, inox
14	SS-92-0002	2	Rondelle de feutre
15	05-94-0078	2	Attache Pine Tree Clip
16	SS-96-0003	1	Fil agitateur
17	05-94-0043	1	Diffuseur Accuway ^{MD}
18	05-94-0064	5	Rondelle en nylon
19	05-94-0097	2	Guide de la trappe de débit
20	05-48-1015	1	Dispositif de retenue de cadran
21	05-46-2211-T	1	Assemblage de vis Accuway ^{MD}
22	05-48-1113-T	1	Assemblage de la trappe de débit et du cadran
23	SS-94-0006	1	Cadran en plastique
24	1008431-01	1	Articulation de la trappe de débit
25	05-94-0099	1	Fixation de cadran
26	05-94-0068	1	Trappe de débit
27	1007847	1	Trémie
28	F-574	1	Palier
29	B1HF577	1	Anneau de retenue de 15,9 mm (5/8 po)
30	S. O.		Numéro inutilisé
31	S. O.		Numéro inutilisé
32	S. O.		Numéro inutilisé
33	05-90-0102	1	Goupille fendue, inox
34	S. O.		Numéro inutilisé
35	S. O.		Numéro inutilisé
36	S. O.		Numéro inutilisé
37	S. O.		Numéro inutilisé

Article	Référence	Qté	Description
38	S. O.		Numéro inutilisé
39	S. O.		Numéro inutilisé
40	05-90-0065	1	Axe à épaulement de 4,7 mm x 44,5 mm (3/16 po x 1-3/4 po)
41	05-92-0004	3	Rondelle plate, inox
42	05-95-0016-JD	2	Roue
43	05-90-0040	1	Goupille d'arrêt Rue Ring
44	SS-94-0012	1	Disque d'épandage
45	SS-90-0002	1	Goupille cylindrique 3,2 mm x 22,2 mm (1/8 po x 7/8 po)
46	S. O.		Numéro inutilisé
47	05-97-0037	1	Axe de disque
48	SS-90-0001	1	Goupille cylindrique 3,2 mm x 19 mm (1/8 po x 3/4 po)
49	05-90-0093	2	Bague de boîte d'engrenage 15,9 mm (5/8 po)
50	05-90-0094	2	Bague d'axe de disque 9,5 mm (3/8 po)
51	05-90-0096	1	Goupille 4,7 mm x 25,4 mm (3/16 po x 1 po), inox
52	05-94-0033	1	Pignon conique
53	05-94-0034	1	Engrenage à pignons
54	05-288-1027	1	Goupille de retenue d'entretoise en nylon
55	05-90-0097	8	Boulon à tête hexagonale à épaulement n° 10 x 15,9 mm (5/8 po)
56	05-91-0008	8	Contre-écrou en nylon n° 10, inox
57	05-94-0037	1	Couvercle de boîte d'engrenage avant
58	05-94-0038	1	Couvercle de boîte d'engrenage arrière
59	05-98-0111	1	Embout de graissage
60	1007781	1	Essieu
61	F-283	2	Roulement d'essieu
62	05-94-0065	1	Couvercle de trémie
63	1008022	1	Tamis
64	05-46-1014	1	Tige de commande
65	SS-94-0013	2	Mancheron
66	S. O.		Numéro inutilisé
67	S. O.		Numéro inutilisé
68	05-99-0063	1	Autocollant marche-arrêt
69	05-93-0075	1	Étiquette Spyker Accuway ^{MD}
70	1007818	1	Assemblage disque/essieu
71	S. O.		Numéro inutilisé
72	1001255	2	Boulon 1/4 po x 25,4 mm, inox
73	1001554	2	Rondelle en nylon

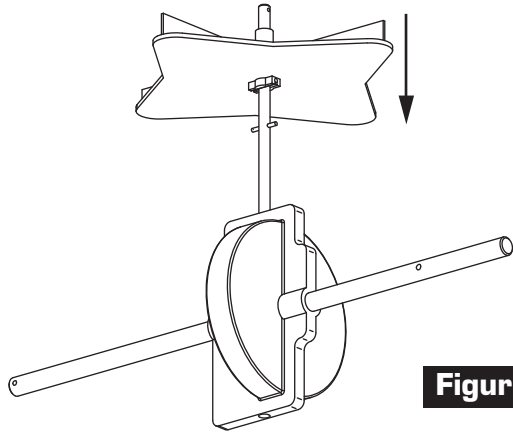


Figure 1

1. Enfoncez le disque d'épandage sur l'axe du disque comme illustré dans la figure 1. Veillez à ce que la goupille cylindrique placée sur l'axe du disque s'engage dans la fente du disque.

REMARQUE : Vous pourriez avoir besoin de tapoter sur le disque pour le mettre en place sur la goupille cylindrique.

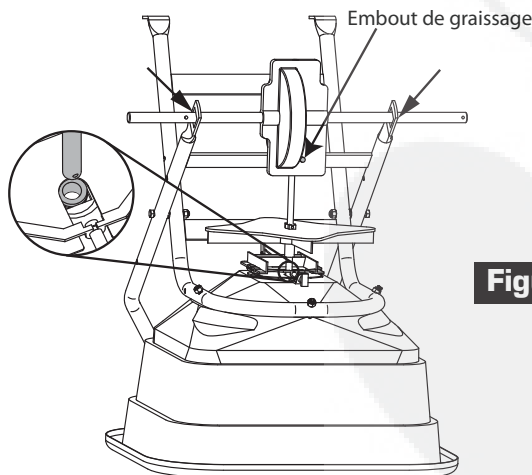


Figure 2

2. Insérez l'assemblage de l'essieu dans les trous carrés du support de l'essieu, comme illustré dans la figure 2.

REMARQUE : L'embout de graissage du carter de transmission doit être orienté vers l'extérieur.

Alignez l'axe du disque avec le palier situé au bas de la trémie, puis faites glisser l'ensemble.

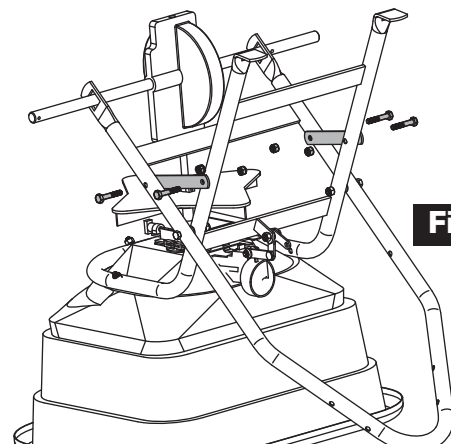


Figure 3

3. Alignez les croisillons avec les supports de l'essieu et de la trémie, comme illustré dans la figure 3. À l'aide de (4) boulons de 38,1 mm (1-1/2 po) et de contre-écrous en nylon, assemblez les deux croisillons. Serrez fermement les boulons.

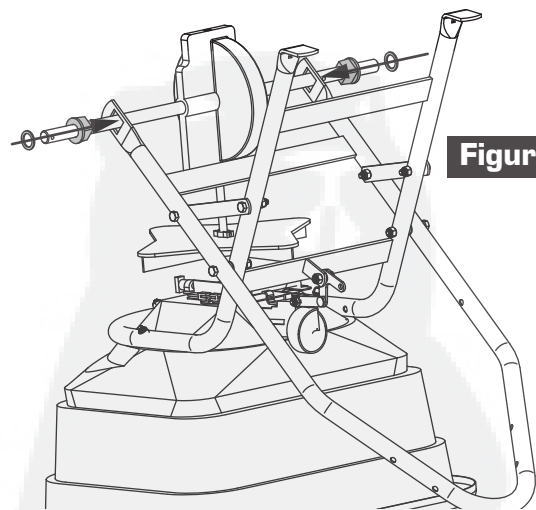


Figure 4

4. Posez les deux roulements de l'essieu dans les trous carrés, comme illustré dans la figure 4. Posez une rondelle de chaque côté de l'essieu.

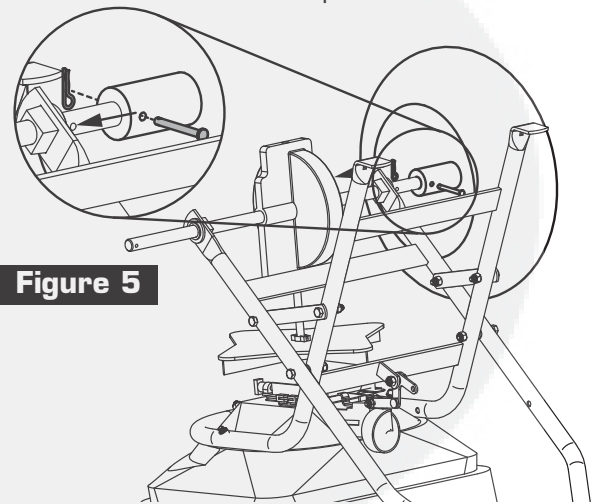


Figure 5

5. Repérez sur l'essieu le trou le plus proche du roulement et de la rondelle. Posez la roue (tubulure de la valve vers l'extérieur) sur l'essieu, comme illustré dans la figure 5. Alignez le trou de la roue avec le trou situé sur l'arbre de l'essieu. Passez l'axe à épaulement par le trou et immobilisez avec la goupille fendue.

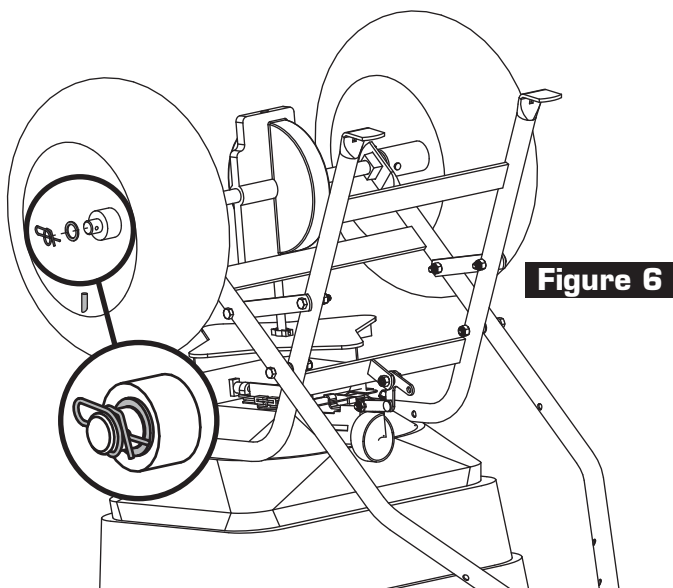


Figure 6

6. Installez la roue du côté opposé de l'essieu (tubulure de la valve vers l'extérieur). Elle doit toucher le roulement de l'essieu et la rondelle. Posez une rondelle sur l'essieu. Enfoncez la goupille d'arrêt Rue Ring^{MC} dans le trou situé sur l'essieu.

REMARQUE : La goupille d'arrêt Rue Ring^{MC} s'enclenchera, comme illustré dans la figure 6. Retournez l'assemblage de l'épandeur et placez-le sur le sol.

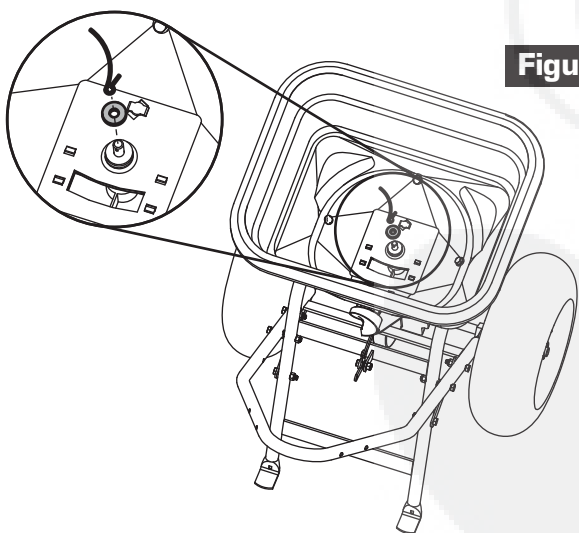


Figure 7

7. À l'intérieur de la trémie, placez la rondelle de feutre et le fil agitateur sur l'axe du disque, comme illustré dans la figure 7.

REMARQUE : Repérez l'orientation et le passage du fil agitateur (illustré dans la figure 7).

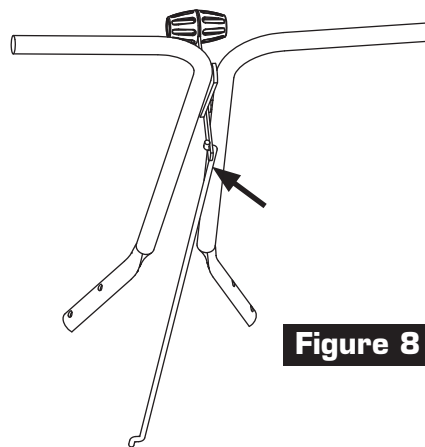


Figure 8

8. Posez la timonerie sur le levier, comme illustré dans la figure 8.

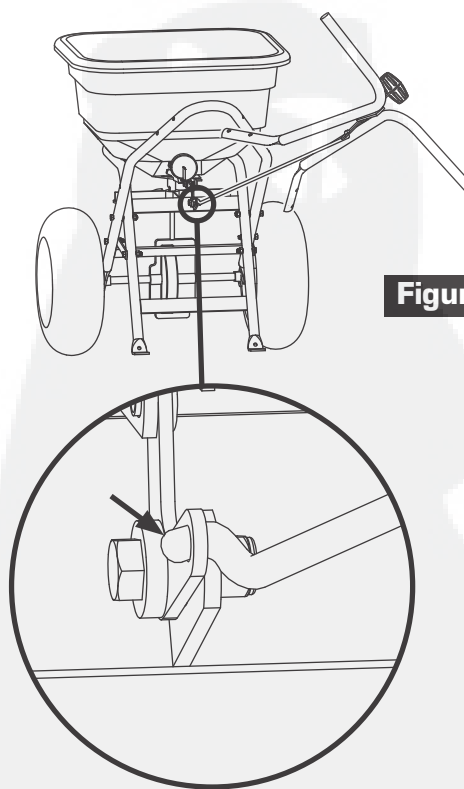


Figure 9

9. Tournez l'assemblage de poignée vers le côté et installez la timonerie sur le levier de la trappe de débit, comme illustré dans la figure 9.

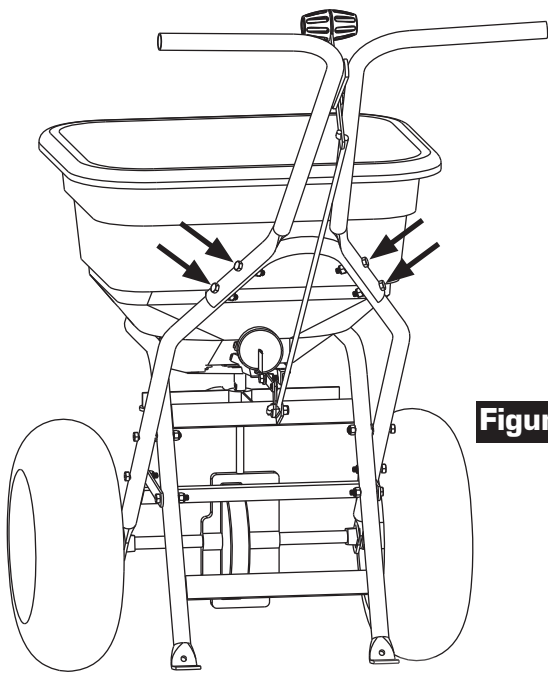


Figure 10

10. Fixez l'assemblage de poignée au cadre à l'aide de (4) boulons 6,3 mm x 38 mm (1/4 po x 1-1/2 po) et de contre-écrous en nylon 6,3 mm (1/4 po), comme illustré dans la figure 10.

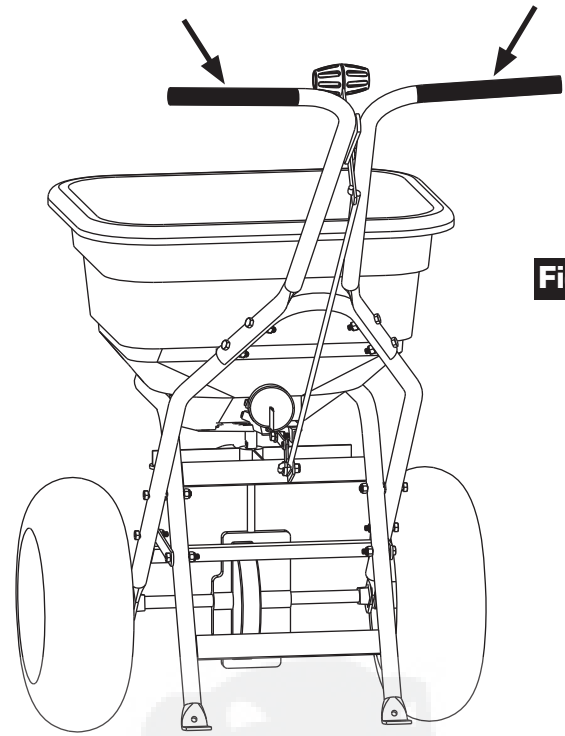


Figure 11

11. Posez les mancherons sur la poignée de l'épandeur, comme illustré dans la figure 11.

À LIRE AVANT USAGE UTILISATION SÉCURITAIRE

Veillez à rester à distance des passants lorsque vous utilisez cette machine.

N'utilisez cette machine que pour l'usage pour lequel elle a été conçue.

Ne laissez pas les enfants ou des personnes sans formation s'en servir.

Maintenez toutes les pièces en bonne condition et correctement installées.
Réparez immédiatement les pièces endommagées.
Remplacez les pièces usées ou endommagées.

Ne modifiez pas la machine ni les dispositifs de sécurité. Les modifications non autorisées sur la machine peuvent compromettre son fonctionnement ainsi que ses dispositifs de sécurité et entraîner l'annulation de la garantie.

Ne laissez personne s'asseoir ou monter sur le matériel lorsqu'il est en fonction. Ne laissez aucun passager monter sur l'accessoire.

Portez des chaussures solides et un pantalon long.

N'utilisez pas le matériel lorsque vous êtes pieds nus ou que portez des sandales ouvertes.

Ne portez pas de vêtements amples qui risquent de s'enchevêtrer dans les pièces mobiles.

Portez toujours une protection pour les yeux lorsque vous utilisez le matériel.

Faites attention aux trous présents sur le terrain et aux autres dangers dissimulés.

Soyez attentif à la circulation lorsque vous traversez une route ou lorsque vous circulez près de l'une d'elles.

Avant l'utilisation de toute fonction de la machine, regardez aux alentours et vérifiez l'absence de passants.

Lavez-vous les mains après tout contact avec des engrais et des pesticides.

Assurez-vous que le matériel est dans un état de fonctionnement sécuritaire en maintenant tous les écrous, boulons et vis bien serrés.

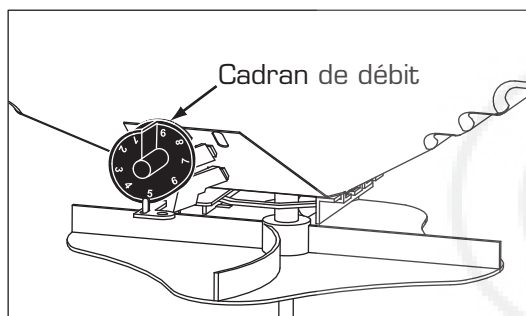
À LIRE AVANT USAGE

Veillez à vous familiariser avec le fonctionnement de l'épandeur avant de placer un produit dans la trémie.

- Entraînez-vous à marcher avec l'épandeur, en ouvrant et en fermant la trappe de débit lorsqu'il le faut.
- Effectuez le déplacement à vitesse constante et actionnez le levier de l'épandeur. N'oubliez pas : Libérez la trappe de débit une fois l'épandeur en mouvement à une vitesse approximative de 4,8 km/h (marche d'un pas vif).
- Fermez la trappe de débit pendant que l'épandeur est encore en déplacement, à sa vitesse d'utilisation.

Renseignements sur le réglage du cadran

Le CADRAN DE DÉBIT présente 9 chiffres, avec 10 positions entre chaque nombre. Ce cadran permet de régler le débit d'épandage avec précision. Le cadran se règle en tournant. Il se bloque automatiquement à la position souhaitée. **ALIGNÉZ LE NOMBRE SUR LE CADRAN AVEC L'AIGUILLE.**



- La largeur du faisceau d'épandage varie de 1,2 à 3,7 m (4 à 12 pi), selon le volume/la densité et la taille des particules du produit ainsi que la vitesse de déplacement.
- Le produit épandu est en plus faible quantité sur les bords extérieurs, ce qui élimine l'effet de rayures et de traînées. Il est ainsi possible d'effectuer un épandage plus important sous les arbres et autres zones nécessitant un apport d'engrais supplémentaire sans courir ce risque.
- Les décalages et les recouvrements sont moins susceptibles de se produire. De légers écarts de pilotage ne se voient pas.

AVERTISSEMENT : Soyez extrêmement prudent lors de l'épandage de produits contenant de l'herbicide en ce qui concerne les écarts et les dérives dues au vent.

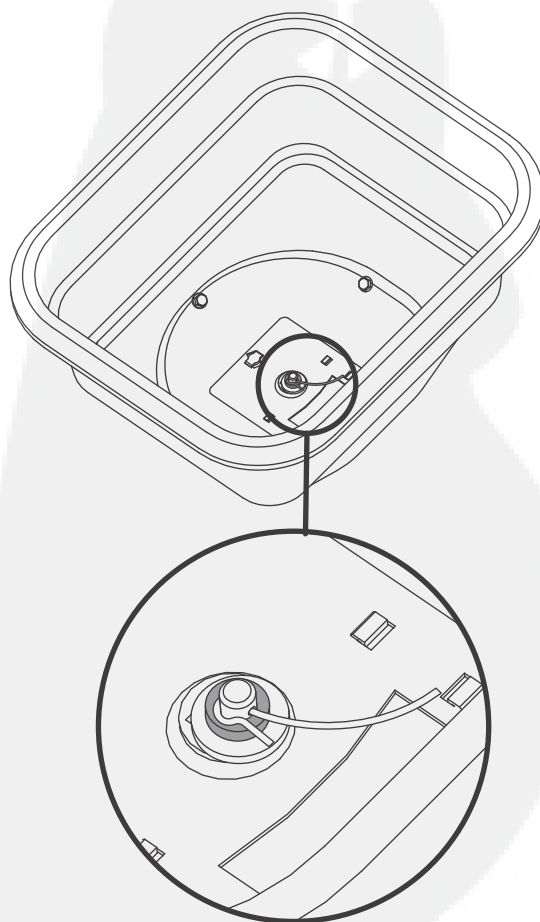
Le contact de certains produits avec des plantes peut leur être fatal

Servez-vous du tableau comparatif de taille et de poids présent dans ce manuel si vous ne trouvez pas le bon réglage de cadran. Utilisez le réglage le plus faible. Si ce réglage s'avère trop faible, passez une nouvelle fois sur la zone. Une fois qu'un réglage est testé avec succès, il sera possible d'en utiliser un supérieur.

N'oubliez pas : Les valeurs affichées ne sont qu'approximatives. L'utilisation de l'épandeur, l'état du produit (humide ou sec, excessivement broyé) ainsi que les conditions climatiques, influent sur le réglage. Pour cette raison, il est conseillé de faire 2 passages croisés sur une zone, ou à une fois et demie le débit (VOIR LES INSTRUCTIONS RELATIVES À UN RÉGLAGE D'UNE FOIS ET DEMIE LE DÉBIT). En présence d'une forte humidité, il est fortement conseillé d'utiliser un débit d'une fois et demie.

Agitateur rotatif

Utilisez l'agitateur rotatif seulement si cela est nécessaire. Lorsque le produit est fluide et exempt de morceaux, il est inutile de l'utiliser. L'agitateur rotatif est facile à installer ou à retirer. Notez la rotation et le balayage dans le sens des aiguilles d'une montre. Placez la rondelle de feutre autour de l'axe de disque avant de poser l'agitateur.



À LIRE AVANT USAGE

Vous êtes maintenant prêt à placer un produit dans la trémie

AVERTISSEMENT : Évitez les blessures! Les produits chimiques peuvent être dangereux. Évitez tout risque de blessure chez les opérateurs ou les passants.

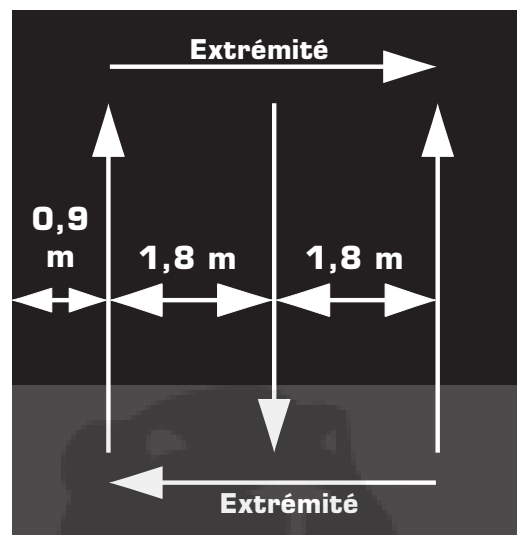
- Veillez à ce que la trappe de débit soit en position fermée.
- Lisez les instructions de manipulation sur la fiche signalétique. Une fiche santé-sécurité devrait vous être remise par le détaillant qui vous a vendu les produits chimiques. Cette fiche renferme les renseignements de sécurité pertinents.
- Portez des vêtements adéquats et un équipement de protection lors de la manipulation ou de l'épandage de produits chimiques.
- Interdisez à toute personne de fumer, de boire et de manger dans les environs des produits chimiques.
- Soyez extrêmement prudent lors de l'épandage de produits contenant de l'herbicide en ce qui concerne les écarts et les dérives dues au vent. Le contact de certains produits avec des plantes peut leur être fatal.
- Remplissez l'épandeur uniquement sur une surface plane et horizontale. Le remplissage doit s'effectuer sur un trottoir, une chaussée, un carton, etc. afin d'éviter le gaspillage du produit.
- Lors du remplissage de la trémie, utilisez toujours le tamis pour briser les blocs.

Vous êtes maintenant prêt pour l'épandage

- La lame du disque doit rester propre. L'accumulation de produit peut entraîner un épandage inégal.
- Les pales doivent rester horizontales lors de l'utilisation de l'appareil.
- NE PAS surcharger. Capacité maximale 22,7 kg (50 lb).
- NE PAS utiliser en cas de vent.
- L'épandage aux extrémités doit se faire dans la zone OPPOSÉE du sens de l'épandage. Ceci offre une zone permettant de tourner et de remettre l'épandeur droit pour le trajet de retour.
- Voir l'exemple pour un épandage de 1,8 m (6 pi). Effectuez le premier passage sur les bords de la zone d'épandage avec une largeur divisée par deux, soit environ 0,9 m dans cet exemple (un grand pas).
- Les passages suivants seront d'une largeur pleine, soit environ 1,8 m.
- VISEZ L'EXTRÉMITÉ. Gardez cette cible lors de l'opération. Vous n'aurez plus à vous préoccuper de votre progression. Poursuivez jusqu'à la fin de l'épandage.
- L'engrais restant peut être épandu sous les arbres

et autres zones nécessitant un apport d'engrais supplémentaire, sans voir l'apparition de lignes « en lisière ».

Astuce : En l'absence d'épandage, si vous devez pousser l'épandeur sur une grande distance, basculez-le pour que seule la roue folle touche le sol.



Le nettoyage de l'épandeur fait partie de la tâche

Nettoyez et huilez l'épandeur immédiatement après usage.

Méthode 1 – Essayez soigneusement l'épandeur avec un chiffon gras. Huilez les roulements et les zones autour des roulements.

Méthode 2 – Lavez, rincez et séchez l'épandeur. Remarque : Le séchage peut être long. L'humidité bloquée dans les zones de roulement disparaît lentement. Immédiatement après le séchage, huilez tous les roulements et toutes les pièces en mouvement. Veillez à effectuer un travail minutieux.

REMARQUE : Un bon nettoyage à sec est préférable à un nettoyage humide médiocre.

- Sur une surface propre, sèche et huilée, l'apparition de rouille et de corrosion est virtuellement impossible.
- Une fois encore, huilez les roulements et les pièces en mouvement avant usage.
- En position d'entreposage, idéalement, l'épandeur doit être suspendu par sa poignée. Dans tous les cas, ne posez aucun poids sur l'épandeur. Sur une période prolongée, cela peut déformer les pneus.

Lubrification de tous les roulements et toutes les pièces en mouvement

L'épandeur doit tourner librement!

ACCUWAY^{MD} - Actions

L'égaliseur de schéma d'épandage Accuway^{MD} permet de bien répartir le schéma d'épandage en œil de bœuf en plein centre de l'épandeur.

Tous les produits, quelles que soient les conditions.

Le décalage est supprimé. La largeur d'épandage n'est pas modifiée.

ACCUWAY^{MD} - Principe

Accuway^{MD} décale le positionnement du produit sur les pales du disque de l'épandeur. Ceci permet d'obtenir une répartition du schéma plus importante sur la gauche ou sur la droite.

Le schéma d'épandage est notamment affecté par l'humidité, la température, le vent, l'état de l'épandeur, la vitesse de déplacement, la taille et le poids du produit. En raison de ces variables, le diffuseur doit être réglé pour chaque type d'application. Un bon réglage permet de minimiser les décalages et les inégalités.

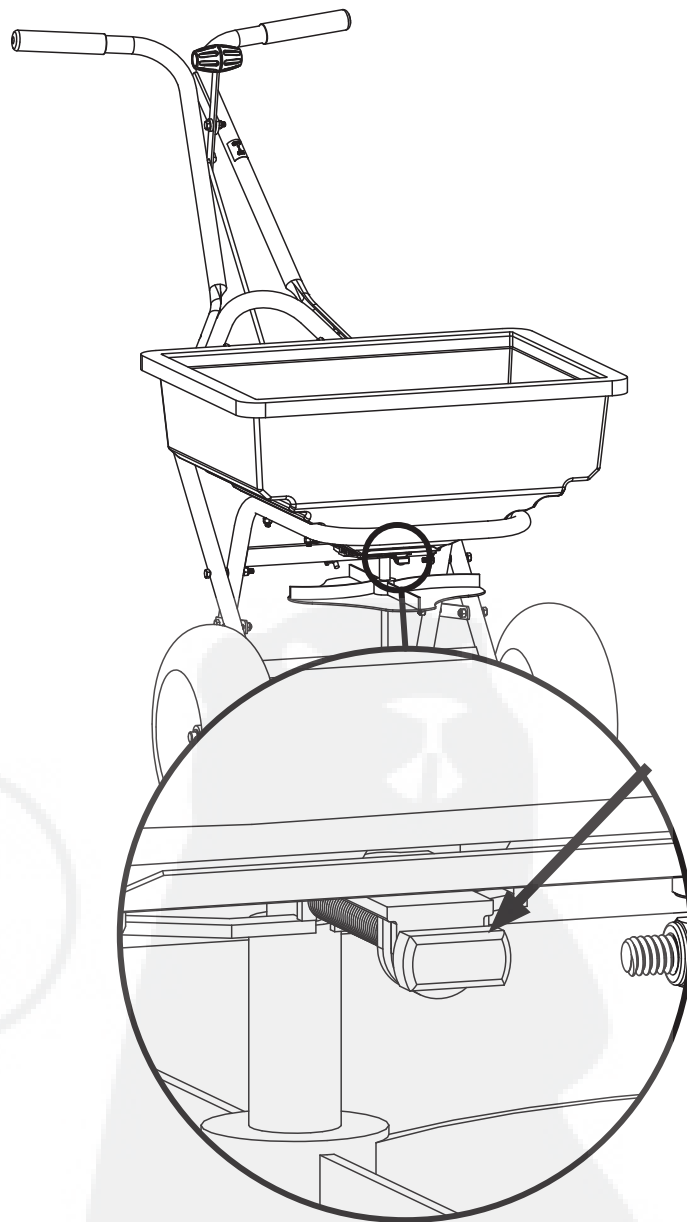
Le réglage est très sensible. Une légère rotation du bouton du diffuseur Accuway^{MD} peut entraîner de fortes variations dans le schéma d'épandage.

La plaque de diffuseur Accuway^{MD} présente une rampe avant et une rampe arrière. Veillez à ne jamais régler la plaque du diffuseur de façon à répartir le produit vers les rampes avant et arrière simultanément.

Si l'épandeur est orienté vers la gauche, à partir du centre, tournez le bouton du diffuseur à fond dans le sens inverse des aiguilles d'une montre. Tournez ensuite dans le sens des aiguilles d'une montre jusqu'à ce que le bord de la plaque de diffuseur permette un épandage centré.

Si l'épandeur est décalé vers la droite, à partir du centre, tournez le bouton du diffuseur à fond dans le sens des aiguilles d'une montre. Tournez ensuite dans le sens inverse des aiguilles d'une montre jusqu'à ce que le bord de la plaque de diffuseur permette un épandage centré.

VEILLES À NE JAMAIS UTILISER SIMULTANÉMENT LES RAMPES AVANT ET ARRIÈRE DU SYSTÈME ACCUWAY^{MD} POUR DIVISER LE FLOT DE PRODUIT. Utilisez uniquement la partie avant ou la partie arrière. Avec un bon réglage, vous obtiendrez un épandage uniforme.



RÉSOLUTION DE PROBLÈMES

L'épandeur n'est pas horizontal.	Les « pieds » ou les portions planes des tubes de soutien de la trémie de l'épandeur ne sont pas courbés de la même façon.	À l'aide d'un marteau ou de pinces, courbez les pieds pour qu'ils aient la même courbure.
Le volet du déflecteur est bloqué et ne s'ouvre/ferme pas correctement.	La plaque du volet est encombrée de débris.	Lavez soigneusement la trémie et les volets avec de l'eau. Veillez à ce qu'aucun débris ne reste coincé entre le volet et la plaque de la trappe de débit.

REMARQUE : Les réglages du cadran ne sont qu'approximatifs!		kg par 4 882 m² (lb par 1 000 pi²)	Valeurs affichées Débit max. À une reprise ↑ ↓	Valeurs affichées Demi-vitesse À deux reprises ↕ ↔
Produit	Taille des particules			
Granulés fins		1	3,6	3,1
		2	4,0	3,5
		3	4,2	3,7
Granulés mi-fins Granulés		2	3,7	3,2
		4	4,7	4,1
		6	5,2	4,5
Granulés de faible taille		2	3	2,2
		4	4,2	3,7
		6	4,5	4
Granulés d'azote Taille moyenne		1	3,5	3
		2	4,2	3,7
		3	4,7	4
Granulés moyens et granules		2	3,5	3
		4	4,2	3,8
		6	5,2	4,5
Grande taille Granulés		2	3,8	3,3
		4	4,9	4,1
		6	5,9	4,9

TABLEAU D'ÉPANDAGE DE SEMENCES DE GAZON

Produit	Poids du sac	Couver- ture au pi²	Valeurs af- fichées en débit plein	Valeurs af- fichées en demi-débit	Largeur d'épandage
Pâturin des prés ou agrostide blanche	0,5 lb	1 000	1,25		4
	1 lb	1 000	2,0		4
	2 lb	1 000	2,5		4
Pâturin du Kentucky, Park, Merion ou Delta	0,5 lb	1 000	2,5		4
	1 lb	1 000	3,0		4
	2 lb	1 000	3,5		4
Cynodon nu	2 lb	1 000	2,75	2,25	6
	3 lb	1 000	3,0	2,5	6
	4 lb	1 000	3,25	2,75	6
Mélanges comprenant semences grossières	2 lb	1 000	6,0		6
	4 lb	1 000	7,0		6
	6 lb	1 000	7,0		6
Faux seigle ou fétuque élevée	2 lb	1 000	6,0		6
	4 lb	1 000	7,0		6
	6 lb	1 000	7,75		6
Dichondra	4 oz	1 000	1,9		8
	8 oz	1 000	2,1		8
	12 oz	1 000	2,5		8
Pensacola Bahia	4 lb	1 000	4,5	3,75	7
	5 lb	1 000	4,75	4,0	7
	6 lb	1 000	5,0	4,25	7



GARANTIE LIMITÉE À UN AN

Cette garantie s'applique uniquement à l'acheteur original. Spyker remplacera toute pièce défectueuse, présentant des vices de matériau ou de fabrication, pendant une période d'un an à compter de la date d'achat.

Pour Spyker Spreaders, une société Brinly-Hardy, sur les équipements utilisant des engrenages, des pignons et des engrenages coniques métalliques, ces pièces métalliques sont garanties pour toute la durée de vie de l'épandeur. Ceci s'applique uniquement à ces pièces métalliques, à l'exclusion de toute autre pièce ou tout autre matériau, si elles n'ont pas été utilisées comme pièces de rechange ou de réparation après la date initiale d'achat.

Spyker Spreaders ne saurait être tenu responsable des pertes, dommages ou dépenses, y compris sans s'y limiter, des dommages accessoires ou indirects, à la suite de l'exploitation, de l'état ou de l'utilisation de l'appareil. Le seul et unique recours contre Spyker Spreaders est le remplacement des pièces défectueuses. La présente garantie vous accorde des droits légaux spécifiques et vous pouvez également avoir d'autres droits qui varient d'un État ou d'une province à l'autre.

La présente garantie expresse, s'appliquant uniquement à l'acheteur initial, tient lieu et exclut toute autre garantie, qu'elle soit expresse ou implicite par application d'une loi ou de toute autre façon, y compris toute garantie de qualité marchande et d'adaptation à un usage particulier.

**SPYKER SPREADERS
Jeffersonville, IN 47130 ÉTATS-UNIS
Téléphone : +1.800.972.6130**