



Operator's Manual

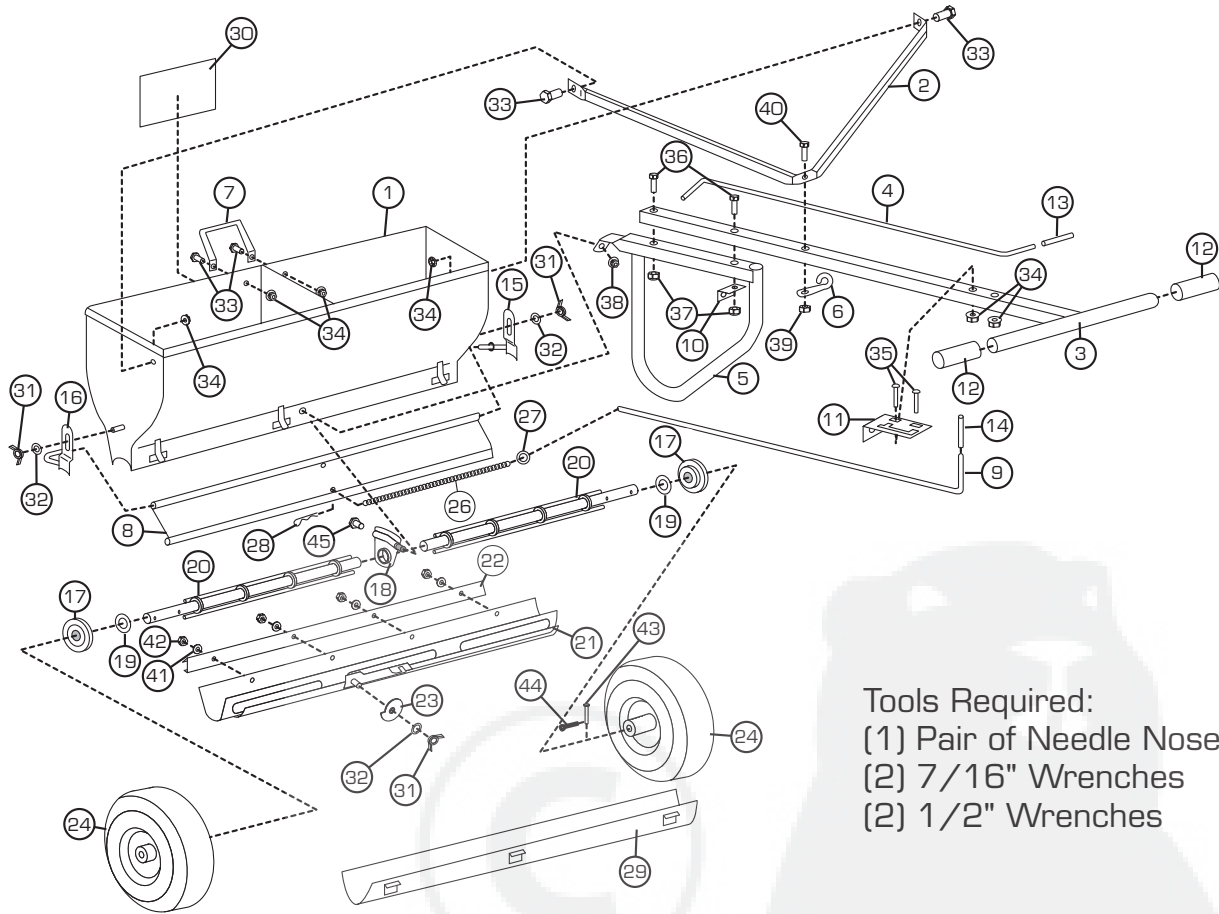
Model P70-12010 36" Professional Drop Spreader



▲IMPORTANTE This manual contains information for the safety of persons and property. Read it carefully before assembly and operation of the equipment!

**Spyker Spreaders
Contact Us at 800.972.6130**

PARTS BREAKDOWN



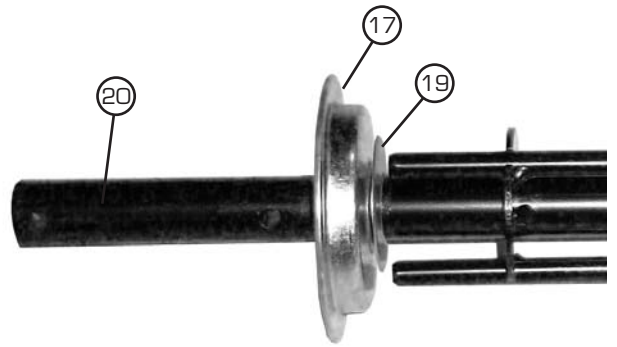
Tools Required:
 (1) Pair of Needle Nose Pliers
 (2) 7/16" Wrenches
 (2) 1/2" Wrenches

ITEM	PART #	DESCRIPTION	QTY
1	N/A	Hopper Body (NOT OFFERED)	1
2	1009430	Handle Brace	1
3	1009431	Handle	1
4	1009432	Rate Adjustment Lever	1
5	1009433	Parking Leg	1
6	1009434	Shutoff Lever Guide	1
7	030952	Lift Handle	1
8	034394	Spread Plate	1
9	030882	Spread Plate Shutoff Lever	1
10	092502	Shutoff Guide	1
11	020148	Lever Lock	1
12	092503	Handle Grip	2
13	017114	Shutoff Grip	1
14	092504	Lever Grip	1
15	030843	End Bearing Retainer LH	1
16	030844	End Bearing Retainer RH	1
17	017117	End Bearing	2
18	017120	Center Bearing	1
19	017118	Rotor End Washer	2
20	017119	Rotor Bar	2
21	017122	Variable Rate Bottom	1
22	017121	Slide Hanger	1

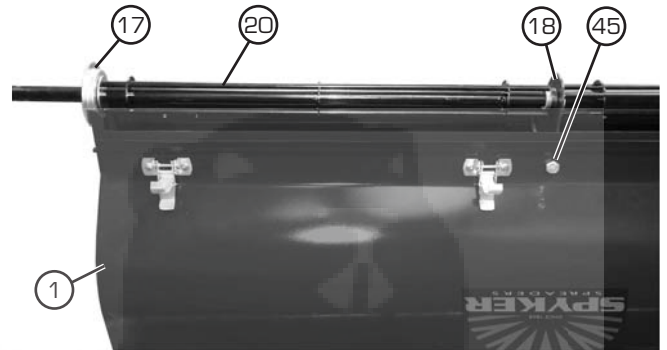
ITEM	PART #	DESCRIPTION	QTY
23	017123	Cam Gauge	1
24	1001607	13" X 5" Pneumatic Wheel	2
26	017127	#50 Sash Chain	1
27	034392	Key Ring	1
28	H-529	Hair Pin Cotter	1
29	017129	Fixed-Rate Bottom	1
30	1009435	Spyker Decal	1
31	1003315	5/16" Wingnut	3
32	45M1111P	5/16" Washer	3
33	1009436	1/4"-20 x 5/8" Hex Bolt	4
34	1004975	1/4"-20 Flange Nut	6
35	11M0824P	1/4"-20 x 1-1/2" Carriage Bolt	2
36	2M1040P	5/16"-18 x 2-1/2" Hex Bolt	2
37	B-4786	5/16"-18 Nylon Lock Nut	2
38	1009437	5/16"-18 Flange Nut	1
39	B-4785	1/4"-20 Nylon Lock Nut	1
40	2M0828SS	1/4"-20 x 1-3/4" Hex Bolt	1
41	1009438	#10 Nylon Washer	4
42	1001308	#10-24 Nylon Locknut	4
43	1009468	0.172" x 1.60" Clevis Pin	2
44		7/64" Cotter Pin	
45	2M1008P	5/16"-18 x 1/2" Bolt	1

ASSEMBLY

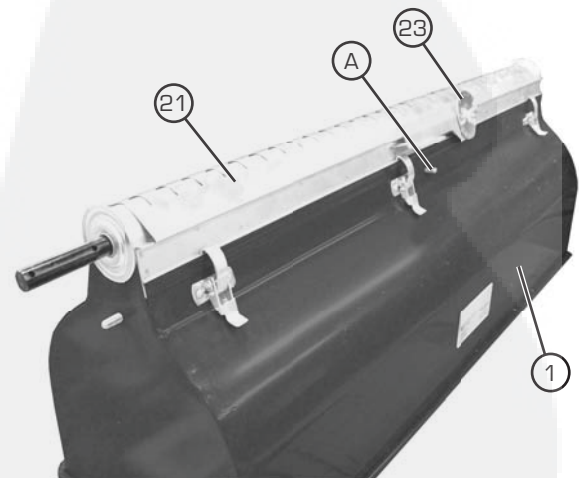
1. Place Hopper Body (1, Not Shown) upside down. Unsnap and remove Variable Rate Bottom (21, Not Shown) assembly.
2. Slide Rotor End Washer (19) and End Bearing (17) on end of Rotor Bar (20) as shown. Repeat for the other Rotor Bar (20).



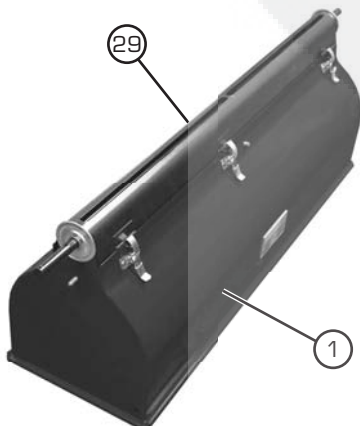
3. Install Rotor Bars (20) into Hopper Body (1), ensuring that the End Bearings (17) rest on the Hopper Body as shown. Turn the Rotor Bars (20) by hand. If one or more Rotor Bars are difficult to turn, loosen the 5/16"-18 x 1/2" Hex Bolt (45) and adjust the angle of the Center Bearing (18) until both Rotor Bars (20) rotate freely, and then tighten the 5/16"-18 x 1/2" Hex Bolt (45) completely.



4. Re-install bottom slide assembly. Note there are two bottom plates provided. One is a Variable Rate Bottom (21) slide assembly and one is a Fixed Rate Bottom (29) assembly. Variable Rate Bottom (21) slide assembly is shown to the right. Fixed Rate Bottom (29) assembly is shown below. **NOTE: Ensure Cam Gauge (23) on Variable Rate Bottom (21) slide is oriented as shown. It is on the same side of the Hopper Body (1) as the handle attachment stud (A).**



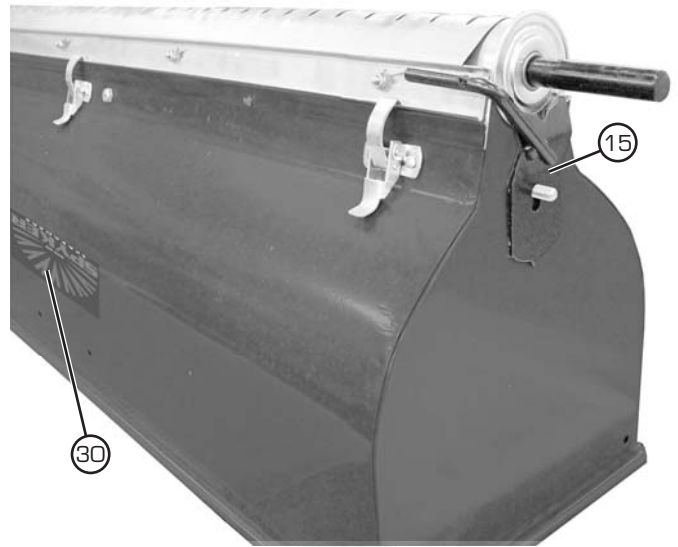
Variable Rate Bottom



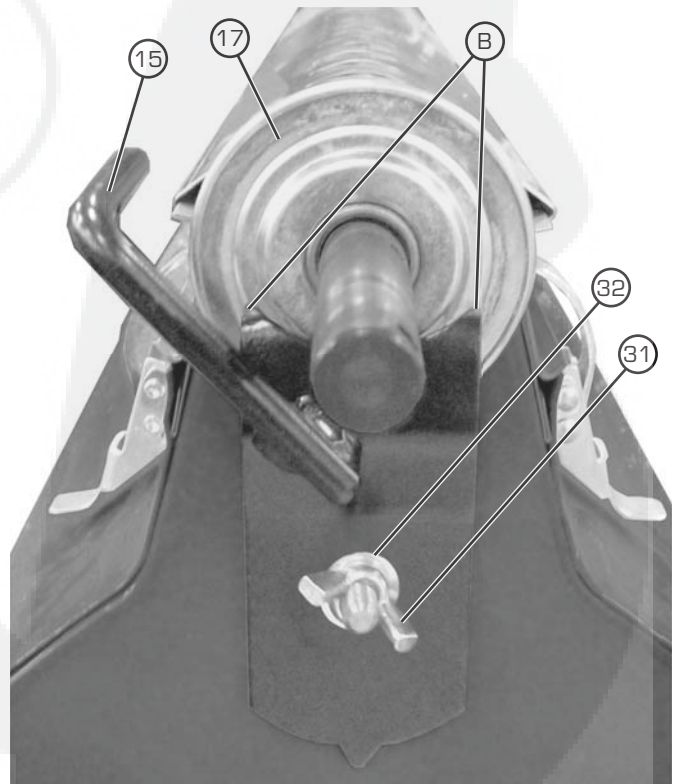
Fixed Rate Bottom

ASSEMBLY

5. Install End Bearing Retainer LH (15) as shown. Note orientation in relationship to Spyker Decal (30).



6. Be sure the prongs (B) of the End Bearing Retainer LH (15) are centered on End Bearing (17) as shown. Secure using 5/16" Washer (32) and 5/16" Wingnut (31). Only install one End Bearing Retainer at this time. You will install the other one later.

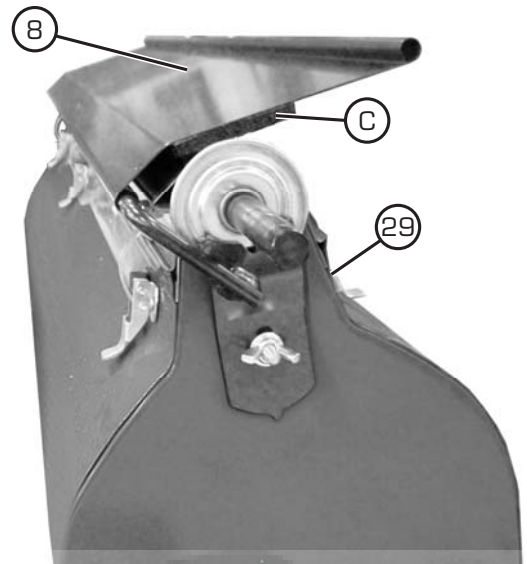


ASSEMBLY

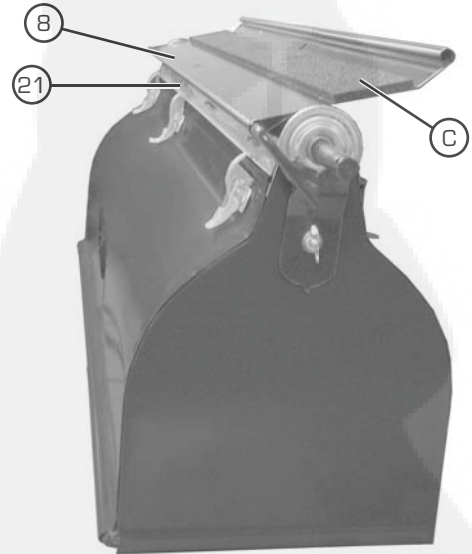
7. If you are using the Fixed Rate Bottom (29), install the Spread Plate (8) as shown ensuring the rubber pad (C) will contact the Fixed Rate Bottom. If using the Variable Rate Bottom (21), install the Spread Plate (8) the opposite way so the rubber pad (C) faces away from the Variable Rate Bottom (21).

NOTE: The orientation of the Spread Plate (8) must match the pictures exactly to ensure proper functionality during use. If the Spread Plate (8) is installed using the incorrect hole, it will be impossible to shut off the flow of material when using the Fixed Rate Bottom (29), and the material will not "slide" off the Rate Plate (8) correctly when using the drop spreader.

8. Install the End Bearing Retainer RH (16, Not Shown) into the free end of the Spread Plate (8) and secure using 5/16" Washer (32, Not Shown) and 5/16" Wingnut (31, Not Shown). Be sure the prongs of the End Bearing Retainer RH (16) are centered on End Bearing (17) (similarly to how it is shown in Step 6).



Slide Orientation for Fixed Rate Bottom



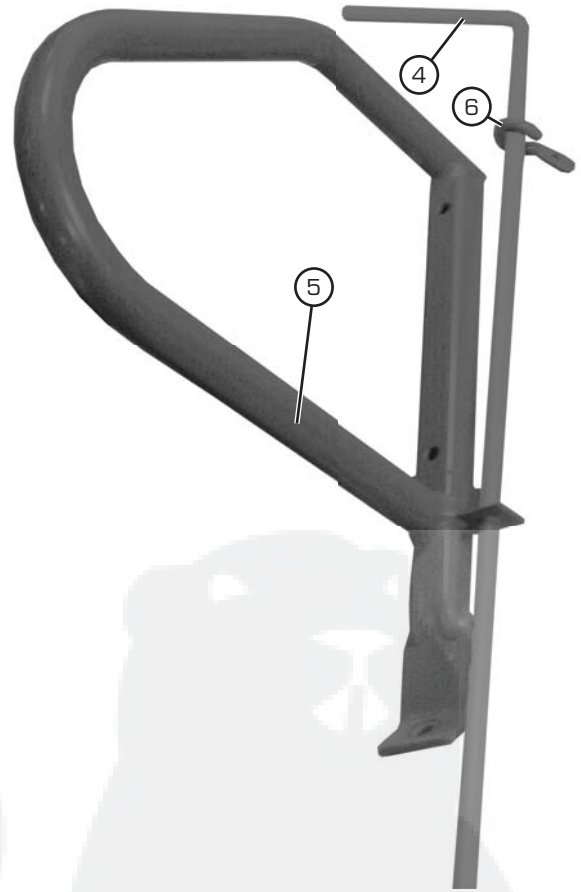
Slide Orientation for Adjustable Rate Bottom

9. Install Pneumatic Wheels (24) onto Rotor Bars (Not Shown) and secure with O.172" x 1.60" Clevis Pin (43) and 7/64" Cotter Pin (44). Use pliers to bend 7/64" Cotter Pin (44) as shown.

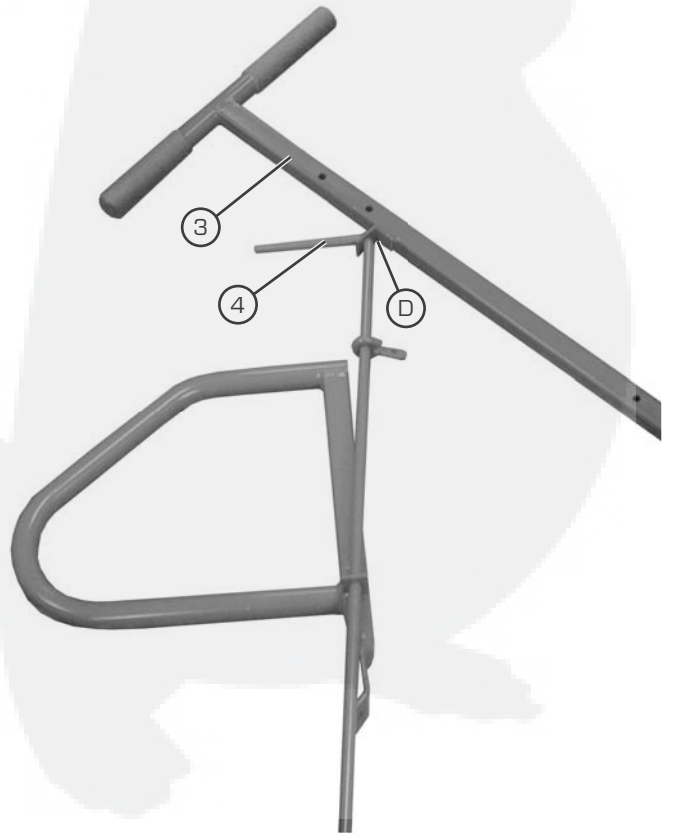


ASSEMBLY

10. Insert the Rate Adjustment Lever (4) into Parking Leg (5) flange as shown. Install Rate Adjustment Lever Guide (6) onto Rate Adjustment Lever (4). NOTE orientation of Rate Adjustment Lever Guide (6). If you install it upside down, you will not be able to attach it to the Handle (3, Not Shown). **NOTE: The Rate Adjustment Lever (4) has bends at both ends.**

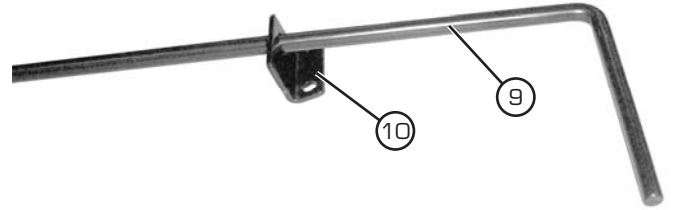


11. Install Rate Adjustment Lever (4) through bracket (3) in Handle (3). (D)

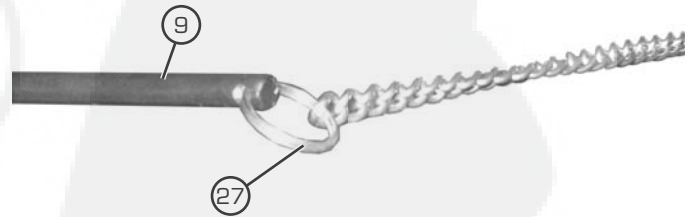


ASSEMBLY

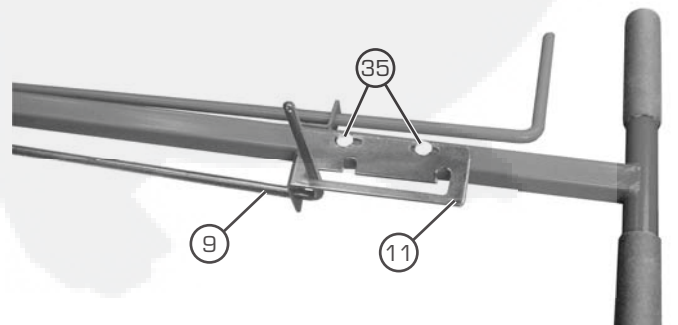
12. Slide Spread Plate Shutoff Lever (9) into Shutoff Guide (10) as shown.



13. Assemble Key Ring (27) assembly to end of the Spread Plate Shutoff Lever (9).

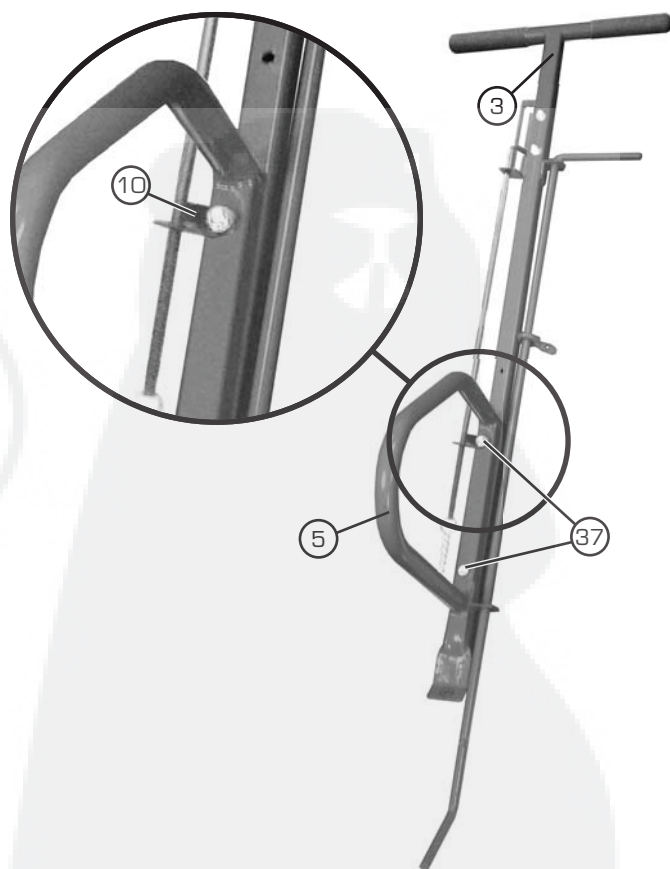


14. Insert Spread Plate Shutoff Lever (9) into Lever Lock (11) as shown, then install Lever Lock (11) as shown using two 1/4"-20 x 1-1/2" Carriage Bolt (35) and two 1/4"-20 Flange Nuts (34, Not Shown).



ASSEMBLY

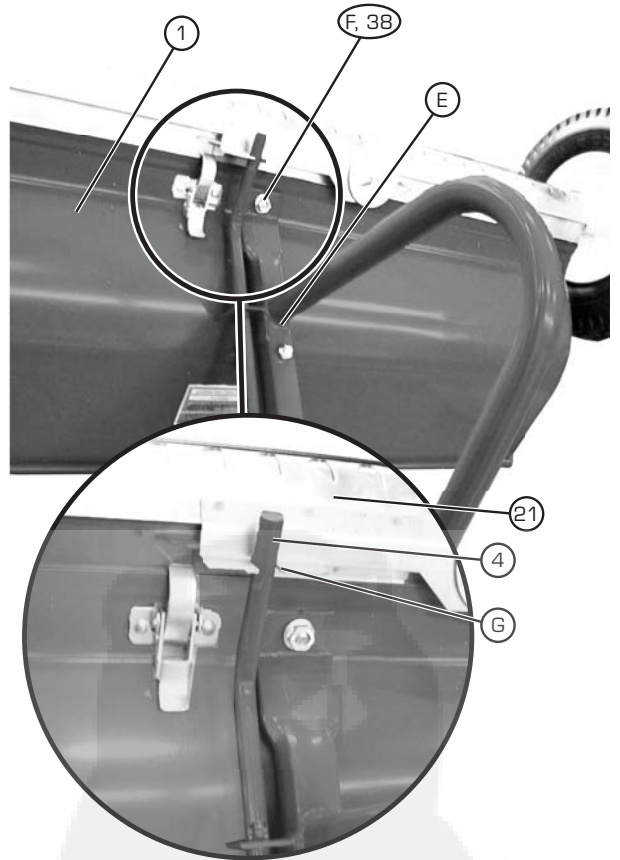
15. Assemble Handle (3) to Parking Leg (5) using two 5/16"-18 x 2-1/2" Hex Bolts (36, Not Shown) and two 5/16"-18 Nylon Lock Nuts (37). Be sure to install Shutoff Guide (10) as shown.



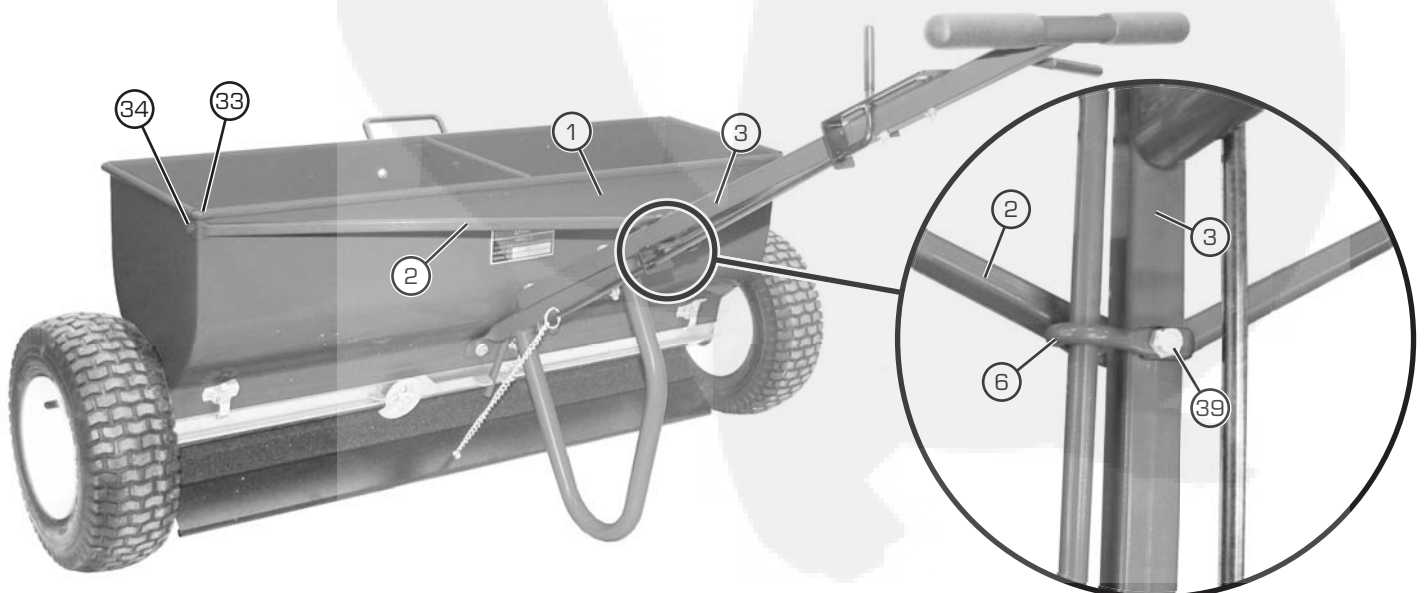
ASSEMBLY

16. Install Handle Assembly (E) to Hopper Body (1) as shown. Install onto Stud (F) and attach with 5/16"-18 Flange Nut (38).

NOTE: Rate Adjustment Lever (4) must sit in Notch (G) when using Variable Rate Bottom (21) as shown.



17. Attach Shutoff Lever Guide (6) and Handle Brace (2) to Handle (3) using 1/4"-20 x 1-3/4" Hex Bolt (40, Not Shown) and 1/4"-20 Lock Nut (39). Attach Handle Brace (2) to Hopper Body (1) as shown using one 1/4"-20 x 1/2" Hex Bolts (33) and one 1/4"-20 Flange Nuts (34) for each end.



Underside of Handle Shown.

ASSEMBLY

For Users of the Fixed Rate Bottom

NOTE: When using the Fixed Rate Bottom (29), The Spread Plate (8) rubber pad should contact the Fixed Rate Bottom as specified in Step 7.

18A. Adjustment of the Spread Plate Shutoff Lever (9):

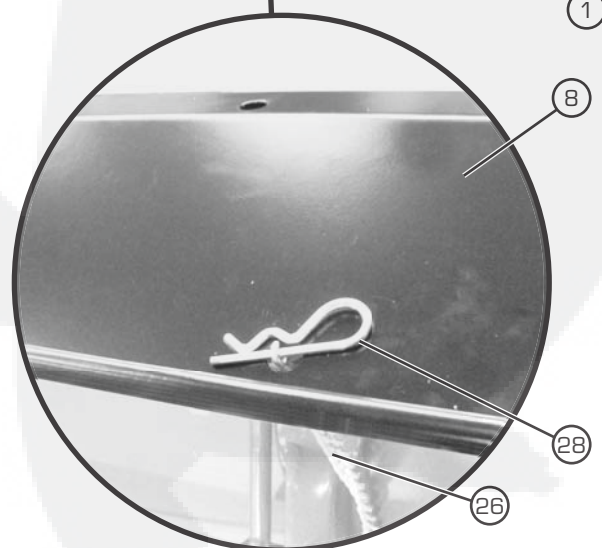
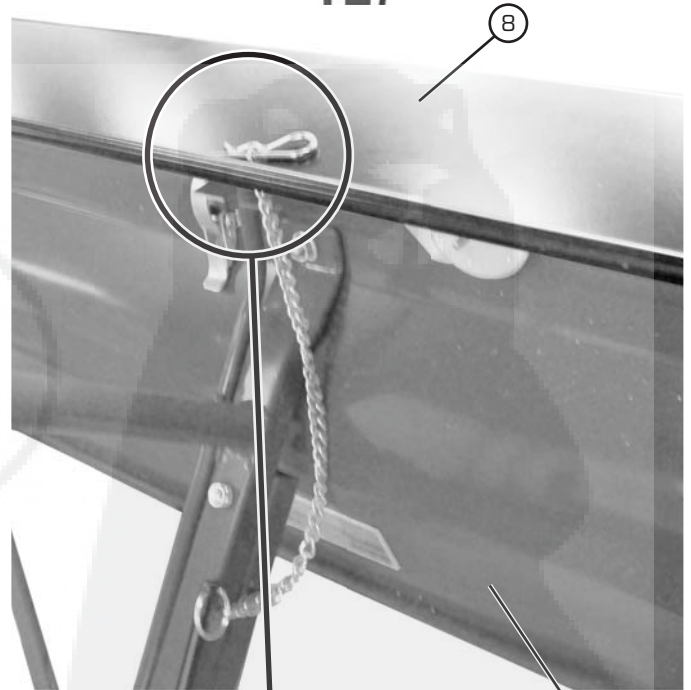
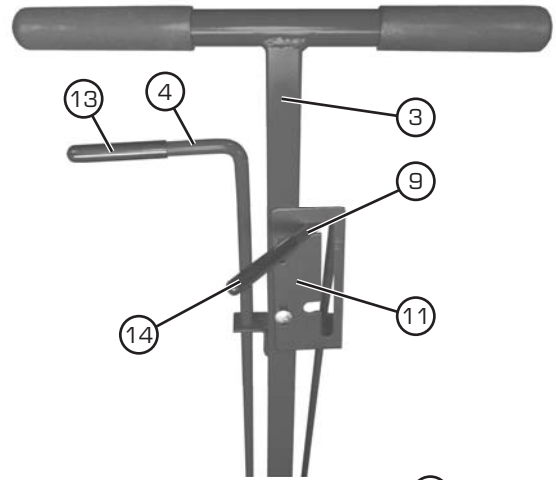
With Spread Plate Shutoff Lever (9) in highest position in the Lever Lock (11), fully lift Spread Plate (8) and install Hair Pin Cotter (28) through #50 Sash Chain (26) to hold the Spread Plate (8) tight against the bottom of the Hopper Body (1). You may need to adjust the Spread Lever Lock (11) on Handle (3) to get a better fit. You may need to install the cotter pin several links up on the chain for proper fit.

For Users of the Variable Rate Bottom

NOTE: When using the Variable Rate Bottom (21), the Spreader Plate (8) rubber pad should face away from the Variable Rate Bottom (21) as specified in Step 7.

18B. Angle of the Spread Plate (8) can be controlled by making adjustments to the position of the Spread Plate Lever (9), Lever Lock (11), Hair Pin Cotter (28) and the #50 Sash Chain (26). Set the Spread Plate (8) so that it is 1/2" off the ground when the drop spreader rests on a flat surface. When you are traveling over terrain, the Spread Plate (8) should just touch the ground. Use the Rate Adjustment Lever (4) to open and close the Variable Rate Bottom.

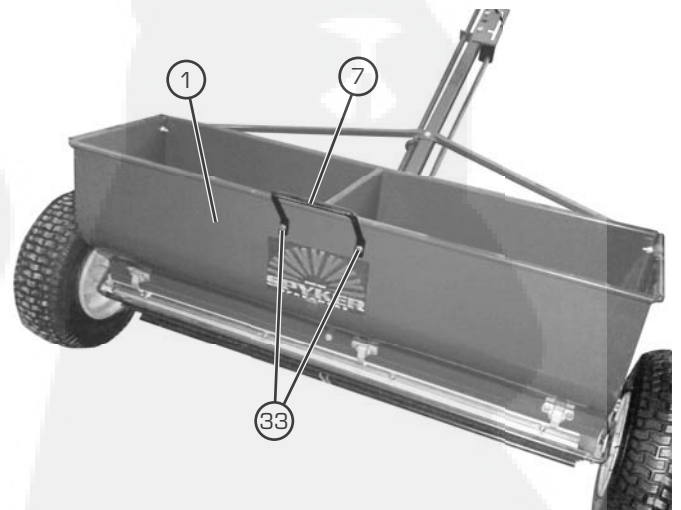
19. Install Shutoff Grip (13) onto Rate Adjustment Lever (4), and install Lever Grip (14) onto Spread Plate Shutoff Lever (9).



NOTE: Spreader shown upside down for clarity.

ASSEMBLY

20. Install Lift Handle (7) to Hopper Body (1) using two 1/4"-20 x 1/2" Hex Bolts (33) and two 1/4"-20 Flange Nuts (34, Not Shown).



MAINTENANCE

Empty When Finished, Remove Hopper Bottom and Rotors

1. After hopper has been emptied, turn hopper over, straighten and remove 7/64" Cotter Pins (44), pull 0.172" x 1.60" Clevis Pins (43) out of Pneumatic Wheels (24), and remove Pneumatic Wheels.
2. Loosen and remove 5/16" Wingnuts (31) securing End Bearing Retainers (15,16). Remove the End Bearing Retainers (15, 16) and the Spread Plate (8).
3. Loosen the latches that secure bottom (21 or 29), and remove bottom. Remove End Bearings (17), Rotor End Washers (19), and Rotor Bars (20).
4. Wipe all parts clean.
5. **Place a few drops of oil on the end and center bearings after each use.** The bearings are oil impregnated and will replenish themselves to their absorption capacity. Some materials have a fine powder in the mixture, so it may be necessary to oil the bearings more often to prevent the powder from working into them.
6. Reassemble.

IF NECESSARY, REMOVE SLIDE FROM HOPPER BOTTOM FOR CLEANING

7. If some materials build up on the hopper bottom, especially when humidity is high, disassemble the slide assembly by removing the #10 Nylon Locknuts (42), #10 Nylon Washers (41) and slide hanger. Wipe clean.
8. Reassemble slide on hopper bottom. For proper slide tension when reassembling slide, gently drive the hanger to the left until the dimple in the slide hanger and bottom match. Secure slide hanger with #10 Nylon Washers (41) and #10 Nylon Locknuts (42).

TO CHANGE HOPPER BOTTOM TYPE:

1. Place spreader upside down.

2. Remove the Hair Pin Cotter (28) that holds the #50 Sash Chain (26) to the Spread Plate (8). Tilt the Spread Plate (8) away from the Hopper Body (1).
3. Unlatch each of the six latches that hold the current bottom in place and lift the bottom piece out of the hopper.
4. Align and press the desired bottom piece into the grooves on the hopper body as specified in the assembly Step 4.
NOTE: Ensure that Rate Adjustment Lever (4) is aligned into notch during reassembly while installing the Variable Rate Bottom.
NOTE: Ensure that Spread Plate (8) is oriented correctly as shown in assembly Step 7.
5. Reattach the Hair Pin Cotter (28) onto the #50 Sash Chain (26) to control the shut off or angle of the Spread Plate (8) as specified in assembly Step 18.

CALIBRATION/ APPLICATION

1. DETERMINE APPLICATION SPEED

Use these distance traveled in one minute:

1 mph 88 ft	2 mph 176 ft	3 mph 264 ft	4 mph 352 ft	5 mph 440 ft
1 km/h 16.67 m	2 km/h 33.34 m	3 km/h 50 m	4 km/h 66.68 m	5 km/h 83.35 m

2. SET GAUGE

Move gauge away from the stop before attempting adjustment. Turn gauge to desired number, using the top surface of the stop as the setting indicator. You can 'fine tune' the gauge with extreme precision. The gauge is marked in increments of one. If you adjust one tenth of one gauge stop, from 27.7 to 27.8, for example, the slide will open approximately on thousandth of an inch more. Check your results as outlined in Step 3 and make adjustments as necessary.

NOTE: Always move the gauge away from the stop before attempting to set the gauge.

3. CHECK RATE

Making a precision application is now simply a matter of filling up the hopper, moving the lever so the gauge is against the stop, walking at your selected speed, and checking your rate.

Check your rate as follows:

1. Empty the hopper of all material.
2. Dump two 50 lb bags (or whatever size is standard for the material you are using) into the hopper-placing one bag into each "half" of the hopper.
3. Treat a known area, such as 1,000 square feet at your desired speed.
4. Empty and weigh the material that is left inside the hopper after treatment.
5. Calculate the rate in lbs/sq.ft by using:

$$\text{Rate} = \frac{\begin{matrix} (\text{Weight} & & (\text{Weight} \\ \text{Before} & - & \text{After} \\ \text{Treatment}) & & \text{Treatment}) \end{matrix}}{\text{Area Treated}}$$

NOTE: Weights are measured in lbs, and Area Treated is measured in sq.ft.

NOTE: When first using the spreader and checking rate, it is best to start with a lower (smaller gate opening) gauge number. Applying product at a higher rate than product specification could damage turf.

It is important that you check your rate to see that the setting you chose is giving you the results you want.

Atmospheric conditions alone can affect the flow of materials.

CAUTION: When applying high potency fertilizer that will burn, be sure to be moving when beginning application.

SPECIFICATIONS

Model	P70-12010 36" Drop Spreader
Hopper Capacity	120 lbs. (1.8 cu.ft.)
Rotor	Three rods spaced uniformly around rotor.
Rotor Bearing	Porous, oil-impregnated, sintered bronze alloy, sleeve type.
Rate Gauge	Precision cam gauge.

Adjustable Rate Bottom and Rate Control Slide	Stainless steel bottom and slide micro-precision mated. Openings uniform for all gauge settings. Snaps off for cleaning.
Fixed Rate Bottom	Powder coated bottom with 1/2" openings for a fixed flowrate.
Shut-Off	Crank lever closes slide of standard variable rate bottom.
Wheel	Rubber-tired 13" molded plastic tire, 5" wide.
Spread Plate	Standard, angle adjusted by chain to produce sheet-like application and act as wind guard.
Extra Equipment	Fixed-rate bottom to replace variable-rate bottom. Applies top dressing or other material through fixed slot.
Shipping Weight	61 lbs.



1 YEAR LIMITED WARRANTY

This is warranted to the original purchaser only. Spyker will replace parts with defects in materials and workmanship, for a period of one year from the date of purchase.

For Spyker Spreaders—a Brinly-Hardy Company, products employing metal gear systems, pinion and bevel, these metal gears, only, not inclusive of any other parts or materials, are warranted for the life of the spreader, not to be used for replacement or repair past original purchase.

Spyker Spreaders will not be liable for any loss, damage or expense including, but not limited to, consequential or incidental damages, arising from the operation, condition or use of the item. The sole and exclusive remedy against Spyker Spreaders being the replacement of the defective parts. This warranty gives you specific legal rights, and you may also have other rights which vary from state to state.

This express warranty, which is applicable only to the original purchase, is in lieu of and excludes all other warranties, whether expressed or implied by operation of law or otherwise, including any warranty of merchantability or fitness for particular purpose.

SPYKER SPREADERS
Jeffersonville, IN 47130 USA
Phone: 800.972.6130



Manual del operador

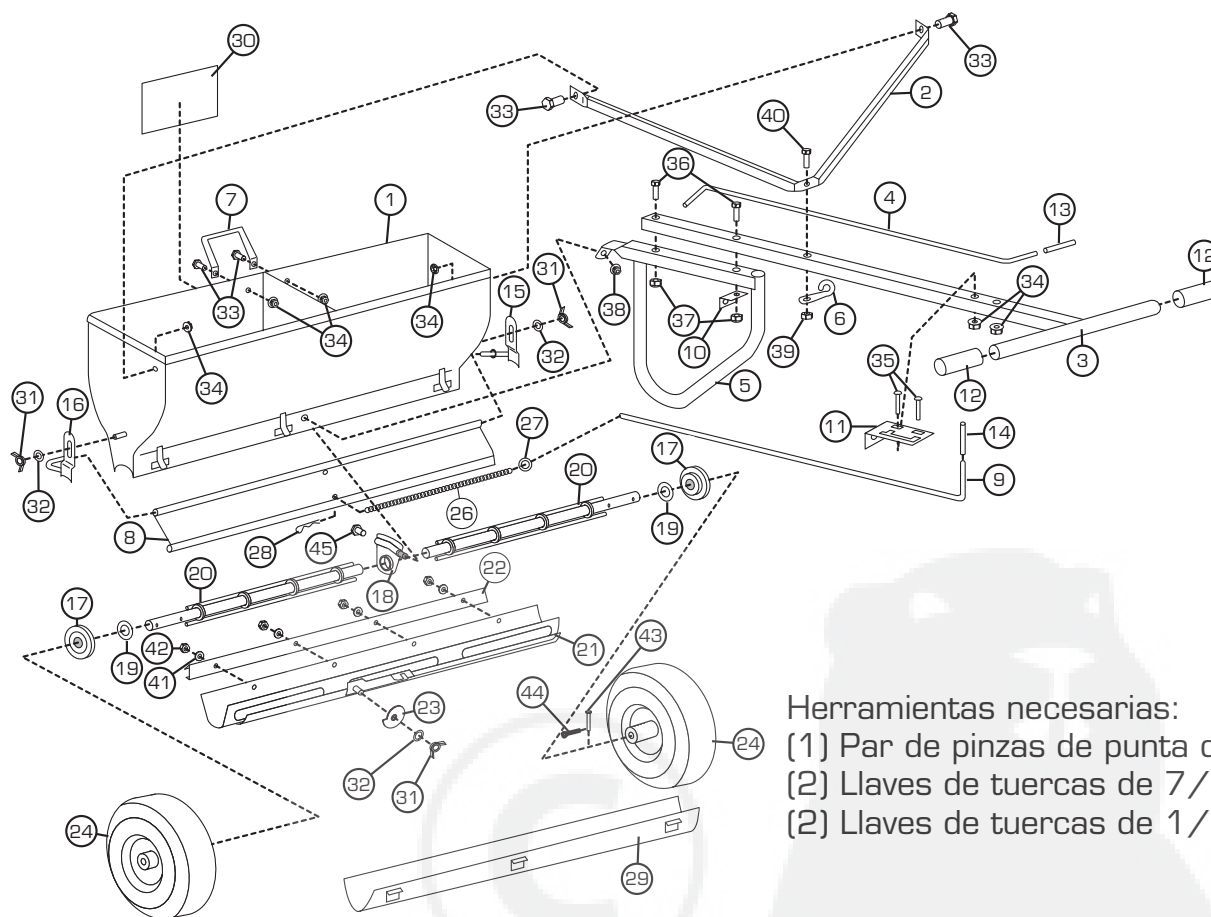
**Esparcidor profesional por goteo de 91.44
cm (36 in)
modelo P70-12010**



▲IMPORTANTE Este manual contiene información para la seguridad de las personas y de la propiedad. ¡Léalas atentamente antes del montaje y la operación del equipo!

Spyker Spreaders
Comuníquese con nosotros al 800.972.6130

DETALLE DE PIEZAS



Herramientas necesarias:

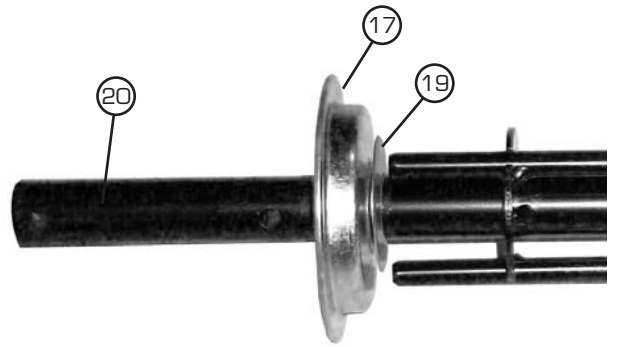
- (1) Par de pinzas de punta de aguja
- (2) Llaves de tuercas de 7/16 in
- (2) Llaves de tuercas de 1/2 in

ARTÍCULO	N.º DE PIEZA	DESCRIPCIÓN	CANT.
1	N/D	Tolva (NO SE OFRECE)	1
2	1009430	Riostra de la manija	1
3	1009431	Manija	1
4	1009432	Palanca de ajuste de aplicación	1
5	1009433	Pie de frenado	1
6	1009434	Guía de palanca de cierre	1
7	030952	Manija de elevación	1
8	034394	Placa de esparcimiento	1
9	030882	Palanca de cierre de placa de esparcimiento	1
10	092502	Guía de cierre	1
11	020148	Bloqueo de palanca	1
12	092503	Empuñadura de la manija	2
13	017114	Empuñadura de cierre	1
14	092504	Empuñadura de palanca	1
15	030843	Retén de cojinete de extremo del lado izquierdo	1
16	030844	Retén de cojinete de extremo del lado derecho	1
17	017117	Cojinete de extremo	2
18	017120	Cojinete central	1
19	017118	Arandela de extremo del rotor	2
20	017119	Barra del rotor	2
21	017122	Fondo de proporción variable	1
22	017121	Soporte colgante del deslizador	1
23	017123	Indicador de leva	1

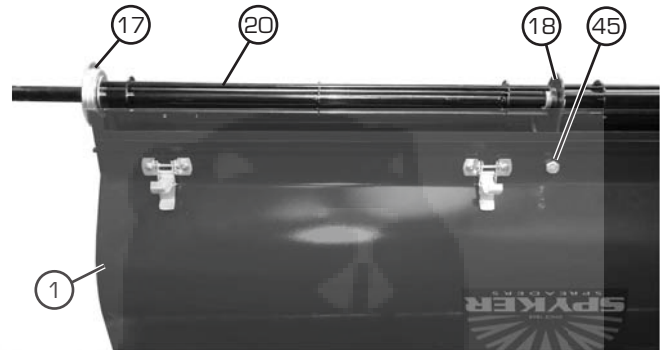
ARTÍCULO	N.º DE PIEZA	DESCRIPCIÓN	CANT.
24	1001607	Rueda neumática de 33 cm x 12.7 cm (13 in x 5 in)	2
26	017127	Cadena para contrapeso n.º 50	1
27	034392	Aro de sujeción	1
28	017125	Chaveta de horquilla	1
29	017129	Fondo de proporción fija	1
30	1009435	Calcomanía de Spyker	1
31	1003315	Tuerca de mariposa de 5/16 in	3
32	45M1111P	Arandela de 0.80 cm (5/16 in)	3
33	1009436	Perno hexagonal de 1/4 in-20 x 5/8 in	4
34	1004975	Tuerca de brida de 1/4 in-20	6
35	11M0824P	Perno de cabeza de hongo de 1/4 in-20 x 1-1/2 in	2
36	2M1040P	Perno hexagonal de 5/16 in-18 x 2-1/2 in	2
37	B-4786	Tuerca de seguridad de nylon de 5/16 in-18	2
38	1009437	Tuerca de brida de 5/16 in-18	1
39	B-4785	Tuerca de seguridad de nylon de 1/4 in-20	1
40	2M0828SS	Perno hexagonal de 1/4 in-20 x 1-3/4 in	1
41	1009438	Arandela de nylon n.º 10	4
42	1001308	Tuerca de seguridad de nylon n.º 10-24	4
43	1009468	Pasador de clavija de 0.44 cm x 4 cm (0.172 in x 1.60 in)	2
44		Pasador de chaveta de 0.28 cm (7/64 in)	
45	2M1008P	Perno de 5/16 in-18 x 1/2 in	1

MONTAJE

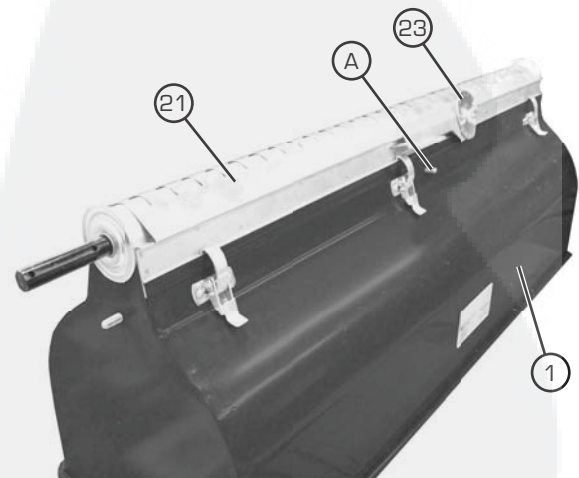
1. Coloque la tolva (1, no se muestra) orientada hacia abajo. Desenganche y retire el fondo de proporción variable (21, no se muestra).
2. Deslice la arandela de extremo del rotor (19) y el cojinete de extremo (17) en el extremo de la barra del rotor (20), como se muestra en la figura. Repita el procedimiento para la otra barra del rotor (20).



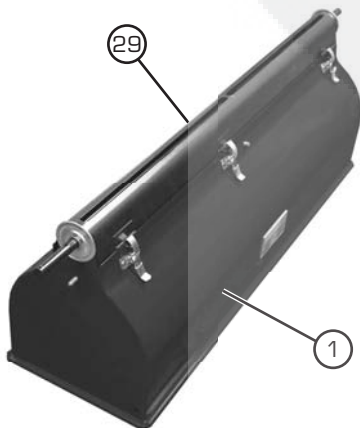
3. Instale las barras del rotor (20) en la tolva (1), asegurándose de que los cojinetes de extremo (17) estén apoyados sobre la tolva, como se muestra en la figura. Gire manualmente las barras del rotor (20). Si le resulta difícil girar una o más barras del rotor, afloje el perno hexagonal de 5/16 in-18 x 1/2 in (45) y ajuste el ángulo del cojinete central (18) hasta que ambas barras del rotor (20) giren libremente y luego, ajuste completamente el perno hexagonal de 5/16 in-18 x 1/2 in (45).



4. Vuelva a instalar el deslizador del fondo. Tenga en cuenta que se proporcionan dos placas de fondo. Una es un deslizador de fondo de proporción variable (21) y el otro es un fondo de proporción fija (29). El deslizador de fondo de proporción variable (21) se muestra a la derecha. El fondo de proporción fija (29) se muestra a continuación. **NOTA: Asegúrese de que el indicador de leva (23) del deslizador de fondo de proporción variable (21) esté orientado de la manera en que se muestra. Se encuentra del mismo lado de la tolva (1) que el espárrago de sujeción de la manija (A).**



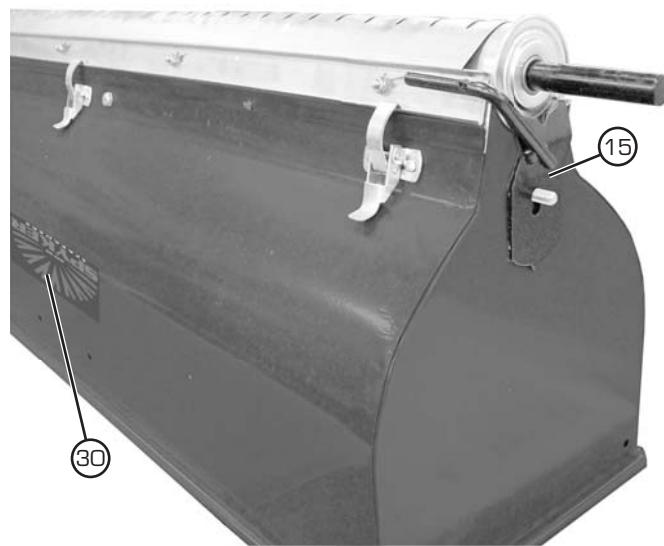
Fondo de proporción variable



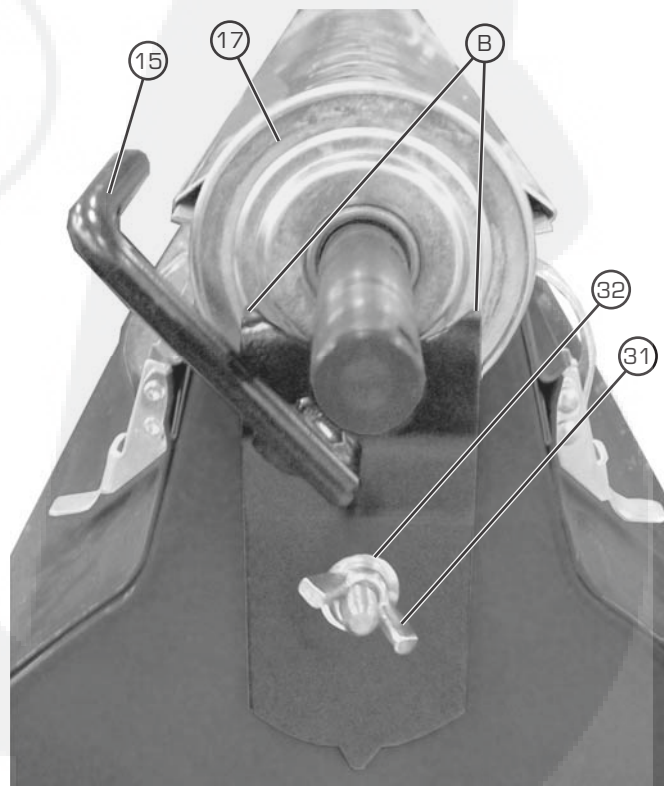
Fondo de proporción fija

MONTAJE

5. Instale el retén del cojinete de extremo del lado izquierdo (15), como se muestra en la figura. Observe la orientación en relación con la calcomanía de Spyker (30).



6. Asegúrese de que las puntas (B) del retén del cojinete de extremo del lado izquierdo (15) estén centradas en el cojinete de extremo (17), como se muestra en la figura. Asegúrelo con la arandela de 0.80 cm (5/16 in) (32) y la tuerca de mariposa de 5/16 in (31). Por el momento, solo coloque un retén de cojinete de extremo. Instalará el otro más tarde.

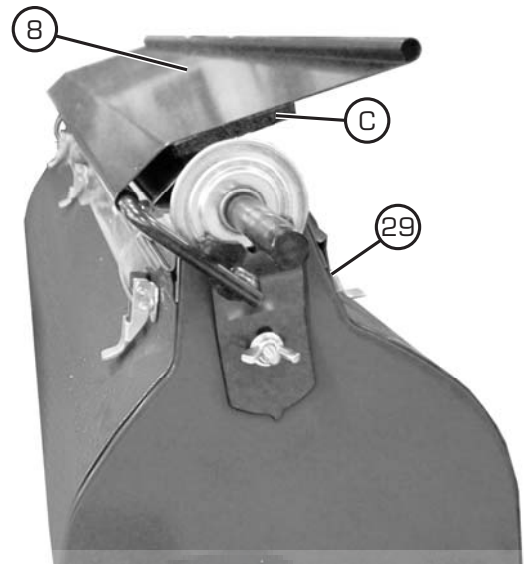


MONTAJE

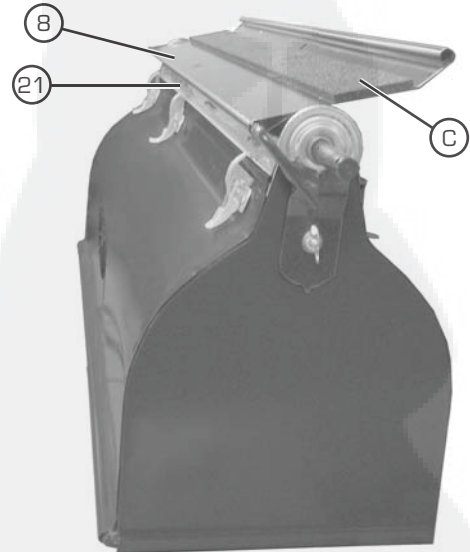
- Si está utilizando el fondo de proporción fija (29), instale la placa de esparcimiento (8) como se muestra en la figura, asegurándose de que la almohadilla de goma (C) esté en contacto con el fondo de proporción fija. Si está utilizando el fondo de proporción variable (21), instale la placa de esparcimiento (8) de la manera contraria para que la almohadilla de goma (C) quede orientada hacia el lado opuesto del fondo de proporción variable (21).

NOTA: La orientación de la placa de esparcimiento (8) debe coincidir exactamente con las figuras para garantizar el funcionamiento correcto durante el uso. Si la placa de esparcimiento (8) se instala utilizando el orificio incorrecto, será imposible detener el flujo de material al utilizar el fondo de proporción fija (29) y el material no se "deslizará" correctamente de la placa de aplicación (8) al utilizar el esparcidor por goteo.

- Instale el retén de cojinete de extremo del lado derecho (16, no se muestra) en el extremo libre de la placa de esparcimiento (8) y asegúrelo con la arandela de 0.80 cm (5/16 in) (32, no se muestra) y la tuerca de mariposa de 5/16 in (31, no se muestra). Asegúrese de que las puntas del retén del cojinete de extremo del lado derecho (16) estén centradas en el cojinete de extremo (17) [similar a como se muestra en el paso 6].

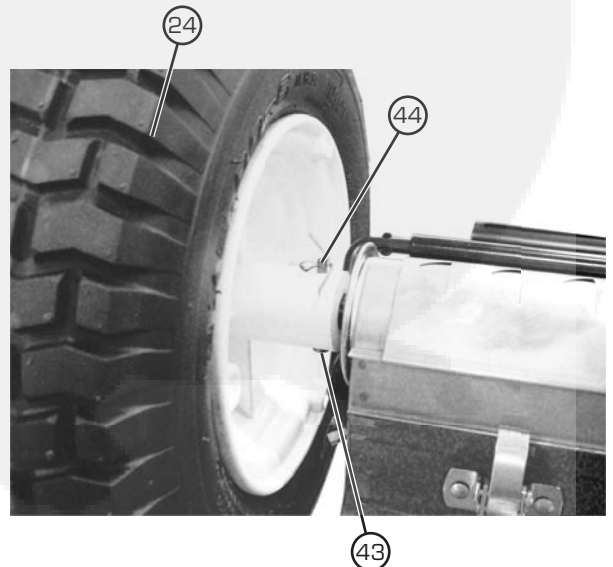


Orientación lateral para el fondo de proporción fija



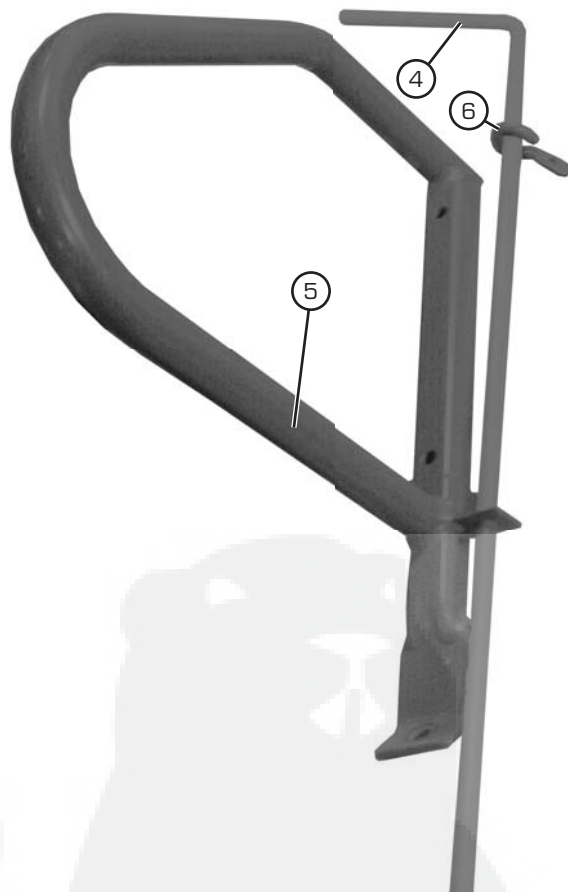
Orientación lateral para el fondo de proporción ajustable

- Instale las ruedas neumáticas (24) en las barras del rotor (no se muestran) y asegúrelas con el pasador de clavija de 0.44 cm x 4 cm (0.172 in x 1.60 in) (43) y el pasador de chaveta de 0.28 cm (7/64 in) (44). Doble con pinzas el pasador de chaveta de 0.28 cm (7/64 in) (44), como se muestra en la figura.

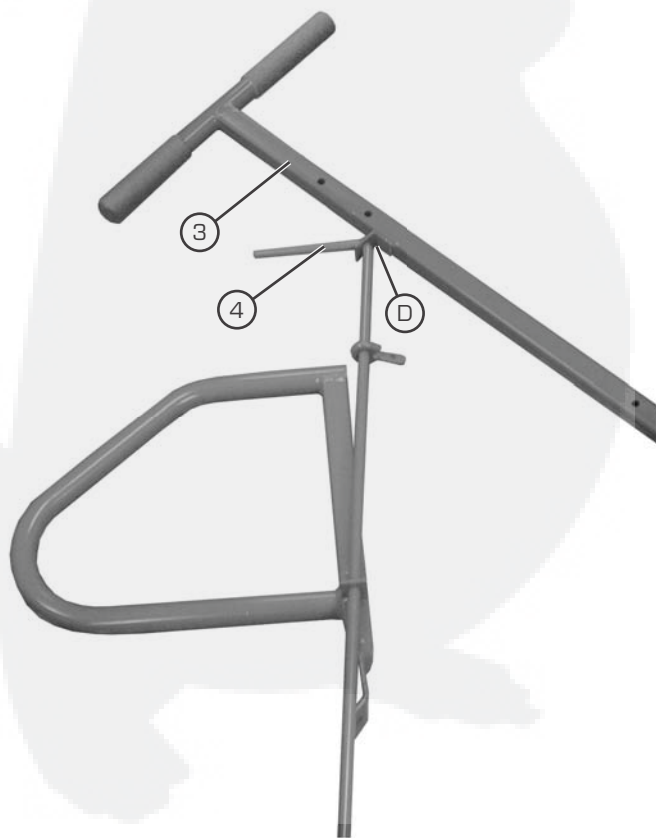


MONTAJE

10. Inserte la palanca de ajuste de aplicación (4) en la brida del pie de frenado (5), como se muestra en la figura. Instale la guía de la palanca de ajuste de aplicación (6) en la palanca de ajuste de aplicación (4). OBSERVE la orientación de la guía de la palanca de ajuste de aplicación (6). Si la instala hacia abajo, no podrá conectarla a la manija (3, no se muestra). **NOTA: La palanca de ajuste de aplicación (4) tiene curvas en ambos extremos.**

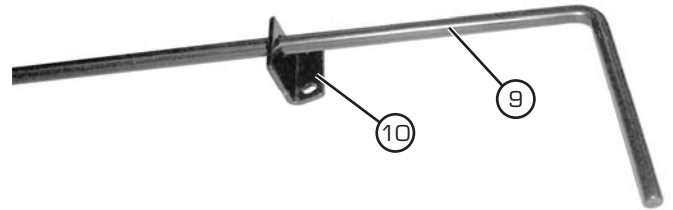


11. Instale la palanca de ajuste de aplicación (4) a través del soporte (D) en la manija (3).

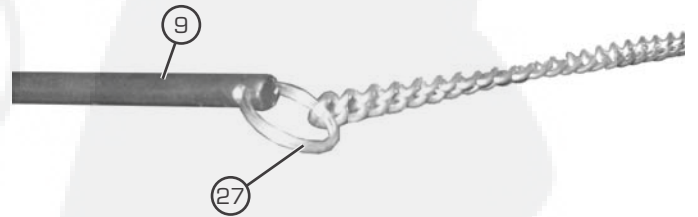


MONTAJE

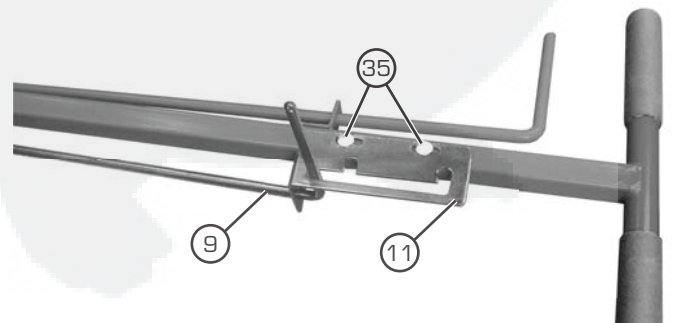
12. Deslice la palanca de cierre de la placa de esparcimiento (9) en la guía de cierre (10), como se muestra en la figura.



13. Monte el aro de sujeción (27) en el extremo de la palanca de cierre de la placa de esparcimiento (9).

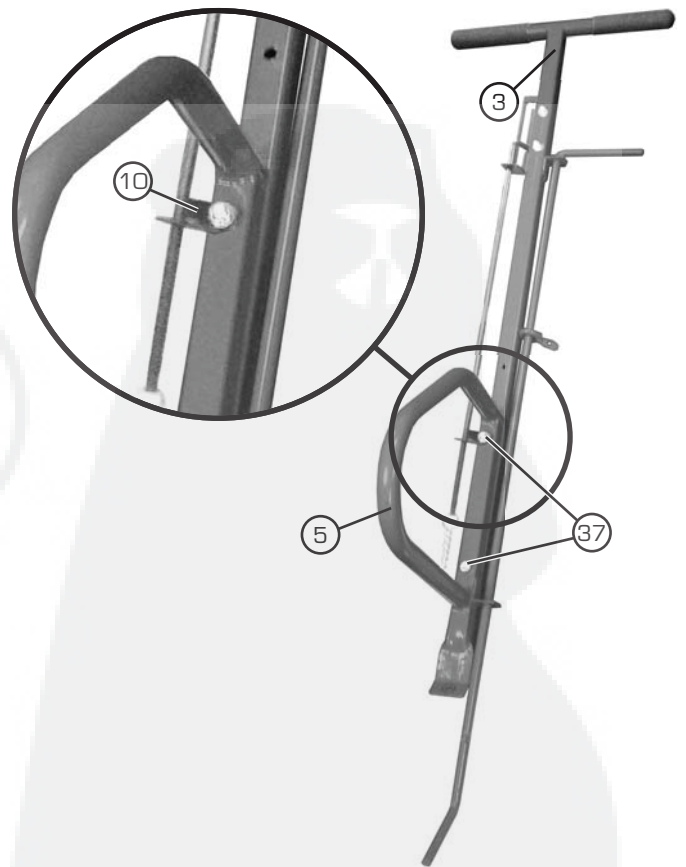


14. Inserte la palanca de cierre de la placa de esparcimiento (9) en el bloqueo de la palanca (11) como se muestra en la figura, y luego instale el bloqueo de la palanca (11) como se muestra, utilizando dos pernos de cabeza de hongo de 1/4 in-20 x 1-1/2 in (35) y dos tuercas de brida de 1/4 in-20 (34, no se muestran).



MONTAJE

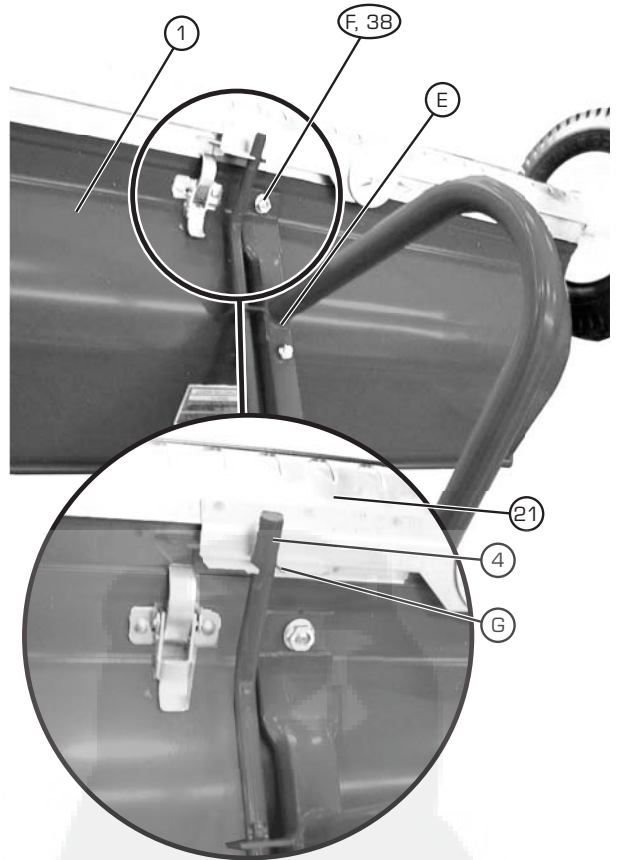
15. Coloque la manija (3) en el pie de frenado (5) utilizando dos pernos hexagonales de 5/16 in-18 x 2-1/2 in (36, no se muestran) y dos tuercas de seguridad de nylon de 5/16 in-18 (37). Asegúrese de instalar la guía de cierre (10) como se muestra en la figura.



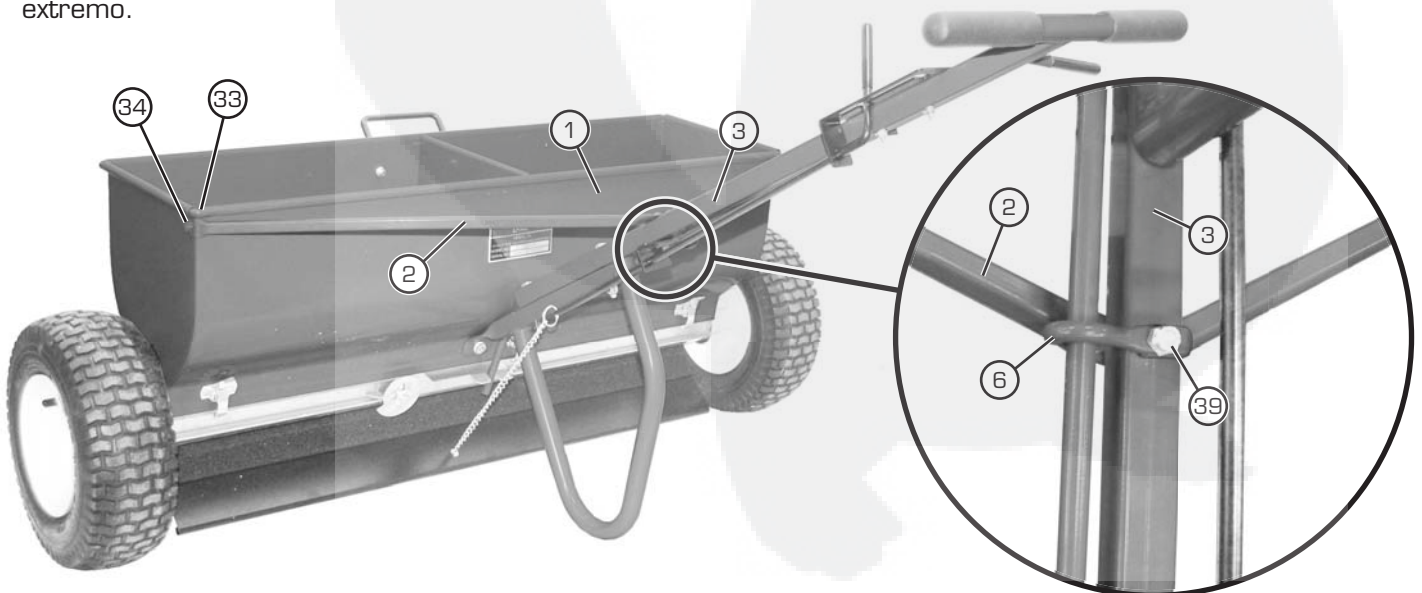
MONTAJE

16. Instale la manija (E) en la tolva (1) como se muestra en la figura. Colóquela sobre el espárrago (F) y sujétela con la tuerca de brida de 5/16 in-18 (38).

NOTA: La palanca de ajuste de aplicación (4) debe asentarse en la muesca (G) al utilizar el fondo de proporción variable (21), como se muestra en la figura.



17. Sujétela la Guía de la palanca de cierre (6) y manejar corsé (2) en la manejar (3) utilizando perno hexagonales de 1/4 in-20 x 1-3/4 in (40, no se muestran), y tuercas de seguridad de 1/4 in-20 (30). Sujétela manejar corsé (2) en la tolva (1) como se muestra en la figura utilizando uno perno hexagonales de 1/4 in-20 x 1/2 in (33) y uno tuerca de brida de 1/4 in-20 (34) para cada extremo.



Se muestra la parte superior de la manija.

MONTAJE

Para usuarios del fondo de proporción fija

NOTA: Al utilizar el fondo de proporción fija (29), la almohadilla de goma de la placa de esparcimiento (8) debe estar en contacto con el fondo de proporción fija, como se especifica en el paso 7.

- 18A. Ajuste de la palanca de cierre de la placa de esparcimiento (9):

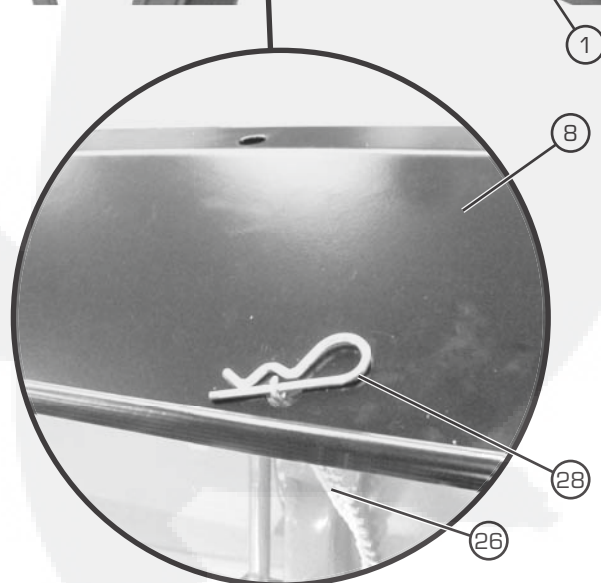
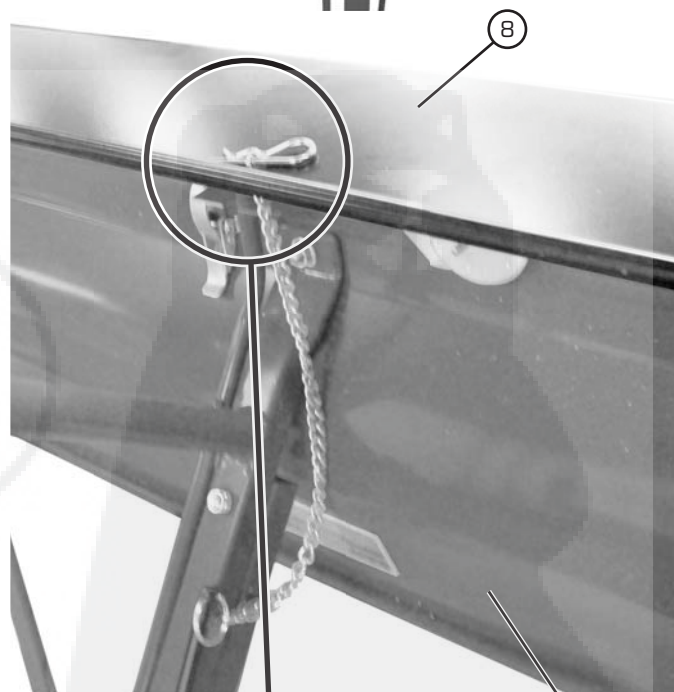
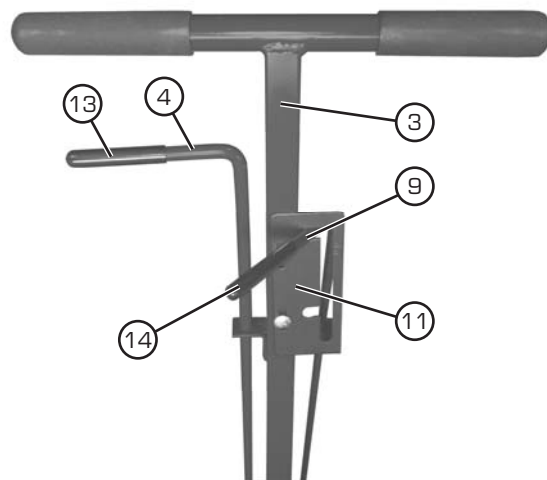
Con la palanca de cierre de la placa de esparcimiento (9) en la posición más alta en el bloqueo de la palanca (11), levante completamente la placa de esparcimiento (8) e instale la chaveta de horquilla (28) a través de la cadena para contrapeso n.º 50 (26) para sujetar firmemente la placa de esparcimiento (8) contra el fondo de la tolva (1). Es posible que deba ajustar el bloqueo de la placa de esparcimiento (11) en la manija (3) para lograr que encaje mejor. Es posible que deba instalar el pasador de chaveta varios enlaces hacia arriba hasta llegar a la cadena para lograr un ajuste adecuado.

Para usuarios del fondo de proporción variable

NOTA: Al utilizar el fondo de proporción variable (21), la almohadilla de goma de la placa de esparcimiento (8) debe estar orientada hacia el lado opuesto del fondo de proporción variable (21), como se especifica en el paso 7.

- 18B. El ángulo de la placa de esparcimiento (8) puede controlarse realizando ajustes en la posición de la palanca de la placa de esparcimiento (9), el bloqueo de la palanca (18), la chaveta de horquilla (28) y la cadena para contrapeso n.º 50 (26). Ajuste la placa de esparcimiento (8) para que quede a 1.27 cm (1/2 in) del suelo cuando el esparcidor por goteo esté apoyado sobre una superficie plana. Cuando se desplace sobre terreno, la placa de esparcimiento (8) apenas debe tocar el suelo. Utilice la palanca de ajuste de aplicación (4) para abrir y cerrar el fondo de proporción variable.

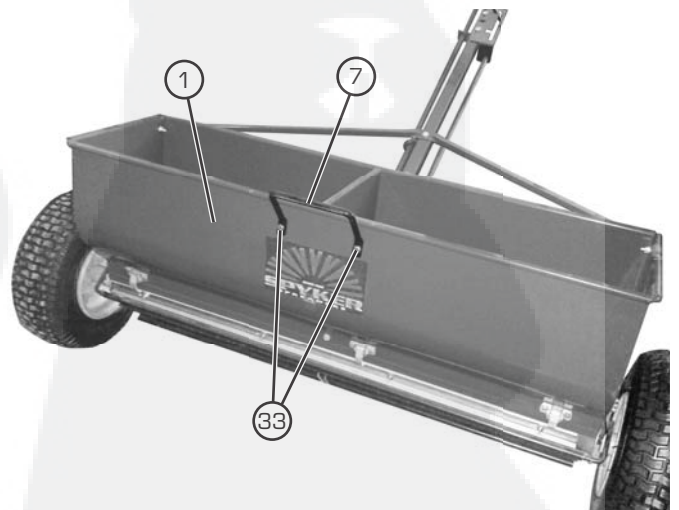
19. Instale la empuñadura de cierre (13) en la palanca de ajuste de aplicación (4) e instale la empuñadura de la palanca (14) en la palanca de cierre de la placa de esparcimiento (9).



NOTA: El esparcidor se muestra orientado hacia abajo para ofrecer mayor claridad.

MONTAJE

20. Instale la manija de elevación (7) en la tolva (1) utilizando dos pernos hexagonales de 1/4 in-20 x 1/2 in (33) y dos tuercas de brida de 1/4 in-20 (34, no se muestran).



MANTENIMIENTO

Vacíe al terminar, quite el fondo de la tolva y los rotores.

1. Una vez vaciada la tolva, dé la vuelta a la tolva, enderece y quite los pasadores de chaveta de 0.28 cm (7/64 in) (44), quite los pasadores de clavija de 0.44 cm x 4 cm (0.172 in x 1.60 in) (43) de las ruedas neumáticas (24) y quite las ruedas neumáticas.
2. Afloje y quite las tuercas de mariposa de 5/16 in (31) que fijan los retenes del cojinete de extremo (15, 16). Quite los retenes del cojinete de extremo (15, 16) y la placa de esparcimiento (8).
3. Afloje los pestillos que aseguran el fondo (21 o 29) y quite el fondo. Quite los cojinetes de extremo (17), las arandelas de extremo del rotor (19) y las barras del rotor (20).
4. Limpie todas las piezas.
- 5. 5. Coloque unas gotas de aceite en los cojinetes central y de extremo después de cada uso.** Los cojinetes se impregnan en aceite y se rellenan automáticamente hasta su capacidad de absorción. Algunos materiales tienen un polvo fino en la mezcla, por lo que puede resultar necesario aceitar más seguido los cojinetes para evitar que ingrese en ellos el polvo.
6. Vuelva a ensamblar los componentes.

SI ES NECESARIO, quite el deslizador del fondo de la tolva para realizar la limpieza

7. Si se acumulan materiales en el fondo de la tolva, especialmente cuando la humedad es alta, desmonte el deslizador quitando las tuercas de seguridad de nylon n.º 10 (42), las arandelas de nylon n.º 10 (41) y el soporte colgante del deslizador. Limpie las piezas.
8. Vuelva a colocar el deslizador en el fondo de la tolva. Para lograr la tensión apropiada del deslizador al volver a montarlo, empuje suavemente el soporte colgante hacia la izquierda hasta que coincidan el hoyuelo del soporte colgante del deslizador y el fondo. Asegure el soporte colgante del deslizador

con arandelas de nylon n.º 10 (41) y tuercas de seguridad de nylon n.º 10 (42).

PARA CAMBIAR EL TIPO DE FONDO DE LA TOLVA, haga lo siguiente:

1. Coloque el esparcidor orientado hacia abajo.
2. Quite la chaveta de horquilla (28) que sujeta la cadena para contrapeso n.º 50 (26) a la placa de esparcimiento (8). Incline la placa de esparcimiento (8) en sentido opuesto a la tolva (1).
3. Desenganche los seis pestillos que sujetan el fondo colocado en su lugar y levante la pieza del fondo para quitarla de la tolva.
4. Alinee y presione la pieza deseada del fondo en las ranuras de la tolva según se especifica en el paso de montaje 4.

NOTA: Asegúrese de que la palanca de ajuste de aplicación (4) esté alineada en la ranura durante el montaje mientras instala el fondo de proporción variable.

NOTA: Asegúrese de que la placa de esparcimiento (8) esté orientada correctamente como se muestra en el paso de montaje 7.

5. Vuelva a colocar la chaveta de horquilla (28) en la cadena para contrapeso n.º 50 (26) para controlar el cierre o el ángulo de la placa de esparcimiento (8) como se especifica en el paso de montaje 18.

CALIBRACIÓN/ APLICACIÓN

1. DETERMINE LA VELOCIDAD DE APLICACIÓN

Utilice estas distancias recorridas en un minuto:

1 mph 88 ft	2 mph 176 ft	3 mph 264 ft	4 mph 352 ft	5 mph 440 ft
1 km/h 16.67 m	2 km/h 33.34 m	3 km/h 50 m	4 km/h 66.68 m	5 km/h 83.35 m

2. CONFIGURE EL INDICADOR

Aleje el indicador del tope antes de intentar realizar ajustes. Gire el indicador hasta llegar al número deseado utilizando la superficie superior del tope como indicador de configuración.

Puede aplicar un "ajuste fino" al indicador con suma precisión. El indicador está marcado en incrementos de uno. Si ajusta un décimo de un tope del indicador, de 27.7 a 27.8, por ejemplo, el deslizador se abrirá aproximadamente una milésima de pulgada más.

Controle los resultados como se detalla en el paso 3 y realice los ajustes necesarios.

NOTA: Siempre aleje el indicador del tope antes de intentar configurar el indicador.

3. CONTROLE LA PROPORCIÓN

Realizar una aplicación precisa es ahora simplemente cuestión de llenar la tolva, mover la palanca para que el indicador quede contra el tope, caminar a la velocidad seleccionada y controlar la proporción. Controle la proporción de la siguiente manera:

1. Quite todo el material de la tolva hasta vaciarla.
2. Vierta dos bolsas de 22.7 kg (50 lb) (o del tamaño estándar para el material que utilice) en la tolva, colocando una bolsa en cada "mitad" de la tolva.
3. Trate un área conocida, por ejemplo, 91 metros cuadrados (1,000 pies cuadrados) a la velocidad deseada.
4. Vacíe y pese el material que quede dentro de la tolva después del tratamiento.
5. Calcule la proporción en libras por pie cuadrado utilizando la siguiente ecuación:

$$\text{Proporción} = \frac{\begin{matrix} (\text{peso antes} & (\text{peso} \\ \text{del} & - \text{después del} \\ \text{tratamiento}) & \text{tratamiento}) \end{matrix}}{\text{área tratada}}$$

NOTA: Los pesos se miden en libras y el área tratada se mide en pies cuadrados.

NOTA: Cuando utilice por primera vez el esparcidor y controle la proporción, resulta

mejor comenzar con un número pequeño del indicador (abertura más pequeña de la compuerta). Aplicar el producto a una proporción más alta que la especificación del producto podría dañar el césped.

Es importante controlar la proporción para verificar que la configuración que eligió le está brindando los resultados que desea.

Las condiciones atmosféricas de por sí pueden afectar el flujo de materiales.

PRECAUCIÓN: Al aplicar un fertilizante de alta potencia que arda, asegúrese de estar moviéndose al comenzar la aplicación.

ESPECIFICACIONES

Modelo	Esparcidor por goteo P70-12010 de 91.44 cm (36 in)
Capacidad de la tolva	54 kg (120 lb) 0.05 metros cúbicos (1.8 cu.ft.)
Rotor	Tres varillas separadas de manera uniforme alrededor del rotor.
Cojinete del rotor	Poroso, impregnado en aceite, aleación de bronce sinterizado, tipo manguito.
Indicador de proporción	Indicador de leva de precisión.
Fondo de proporción ajustable y deslizador de control de proporción	Fondo de acero inoxidable y deslizador acoplado de microprecisión. Aberturas uniformes para todas las configuraciones de indicador. Se desengancha para la limpieza.
Fondo de proporción fija	Fondo de recubrimiento en polvo con aberturas de 12.7 mm (1/2 in) para un caudal fijo.
Cierre	La palanca acodada cierra el deslizador del fondo estándar de proporción variable.
Rueda	Neumático de plástico moldeado de 33 cm (13 in) y de 12.7 cm (5 in) de ancho.
Placa de esparcimiento	Estándar, de ángulo ajustado mediante cadena para producir una aplicación similar a una lámina y actuar como protección contra el viento.
Equipo adicional	Fondo de proporción fija para reemplazar el fondo de proporción variable. Aplica un recubrimiento superior u otro material a través de una ranura fija.
Peso de envío	27.7 kg (61 lb)



GARANTÍA LIMITADA DE 1 AÑO

Esta garantía se limita al comprador original solamente. Spyker reemplazará las piezas con defectos en materiales y mano de obra por un período de un año a partir de la fecha de compra.

Para Spyker Spreaders, una empresa de Brinly-Hardy Company, en los productos que emplean sistemas de engranaje metálico, de piñón y cónico, estos engranajes de metal, solamente, sin incluir ninguna otra pieza o material, están garantizados durante la vida del esparcidor, y no se usarán para cambio o reparación posterior a la compra original.

Spyker Spreaders no será responsable de pérdidas, daños o gastos que incluyan, entre otros, daños consecuentes o incidentales que surjan del funcionamiento, la condición o el uso del artículo. La única y exclusiva solución para Spyker Spreaders es el cambio de las piezas defectuosas. Esta garantía le concede derechos legales específicos y también podría tener otros derechos que varían de un estado a otro.

Esta garantía expresa, que es aplicable solamente a la compra original, es compensatoria y no incluye ninguna otra garantía, ya sea expresa o implícita establecida por la ley o similar, incluidas las de comerciabilidad o aptitud para un propósito particular.

SPYKER SPREADERS
Jeffersonville, IN 47130 USA
Teléfono: 800-972-6130