

English .....	1
Spanish.....	21
French.....	41

**SHINDAIWA OWNER'S/OPERATOR'S MANUAL**

**HT2510 HEDGE TRIMMER**  
**DH2510 HEDGE TRIMMER**



**CE**



**WARNING!**

- Read this manual and familiarize yourself with its contents.
- This machine is designed for trimming hedges. Do not use this machine for other purposes.
- Minimize the risk of injury to yourself and others.
- Do not operate or service this machine unless you clearly understand this manual.
- Keep this manual accessible so that you can reread it whenever you have a question about its use.

**shindaiwa**

Part Number 62601-94310 Rev. 1/06

## Introduction

The Shindaiwa DH2510/HT2510 hedge Trimmer has been designed and built to deliver superior performance and reliability without compromise to quality, comfort, or durability.

Shindaiwa high performance engines represent the leading edge of air-cooled engine technology, delivering exceptionally high power at remarkable low displacement and weight. As an owner/operator, you'll soon discover for yourself why Shindaiwa is simply in a class by itself!

### IMPORTANT!

The information contained in this manual describes units available at the time of publication.

While every attempt has been made to give you the very latest information about your Shindaiwa product, there may be some differences between your DH2510/HT2510 hedge trimmer and what is described here.

Shindaiwa Inc. reserves the right to make changes to products without prior notification, and without obligation to make alterations to units previously manufactured.

## Contents

PAGE

Introduction .....	2
Attention Statements .....	2
General Safety Instructions .....	3
Safety and Equipment Labels .....	4
Specifications.....	5
Unit Description.....	5
Assembly.....	6
Mixing Fuel .....	9
Filling the Fuel Tank .....	9
Starting Procedure .....	10
Adjusting Engine Idle .....	11
Stopping the Engine .....	11
Maintenance and Adjustments .....	12
Long Term Storage.....	15
Troubleshooting Guide .....	16
Declaration of Conformity.....	19

## Attention Statements



### WARNING!

A statement preceded by the triangular Attention Symbol and the word "WARNING" contains information that should be acted upon to prevent serious bodily injury.

### CAUTION!

A statement preceded by the word "CAUTION" contains information that should be acted upon to avoid damaging your unit.

### IMPORTANT!

A statement preceded by the word IMPORTANT is one that possesses special significance.

### NOTE:

A statement preceded by the word "NOTE" contains information that is handy to know and may make your job easier.



Read and follow this manual and make sure anyone using the hedge trimmer does likewise. Failure to do so could result in serious injury or machine failure. Keep this manual for future reference.



Always wear eye and hearing protection during the operation of this hedge trimmer. A hard hat will provide additional security against falling debris.



Sound Power Level (measure in accordance with 2000/14/EC).

### IMPORTANT!

The operational procedures described in this manual are intended to help you get the most from your unit, and to protect you and others from harm. These procedures are guidelines for safe operation under most conditions, and are not intended to replace any safety rules and/or laws that may be in force in your area.

If you have questions regarding your DH2510/HT2510 hedge trimmer, or if you do not understand something in this manual, your Shindaiwa dealer will be glad to assist you. You may also contact Shindaiwa, Inc., at the address printed on the back of this manual.

# General Safety Instructions

## Work Safely


Shindaiwa hedge trimmers operate at very high speeds and can do serious damage or injury if they are misused or abused. *Never allow a person without training or instruction to operate your unit!*

**WARNING!**  
Never make unauthorized attachment installations.

## Stay Alert

You must be physically and mentally fit to operate this unit safely.

**WARNING!**  
Never operate power equipment of any kind if you are tired or if you are under the influence of alcohol, drugs, medication or any other substance that could affect your ability or judgement.



**WARNING!**  
**Minimize the Risk of Fire!**  
**NEVER** smoke or light fires near the engine.  
**ALWAYS** stop the engine and allow it to cool before refueling. Avoid overfilling and wipe off any fuel that may have spilled.  
**ALWAYS** move the unit to a place well away from a fuel storage area or other readily flammable materials before starting the engine.  
**NEVER** place flammable material close to the engine muffler.  
**NEVER** run the engine without the spark arrester screen in place.

## WORK SAFELY!

*Always wear close-fitting clothing. Gloves offer added protection and are strongly recommended. Do not wear clothing or jewelry that could get caught in machinery.*

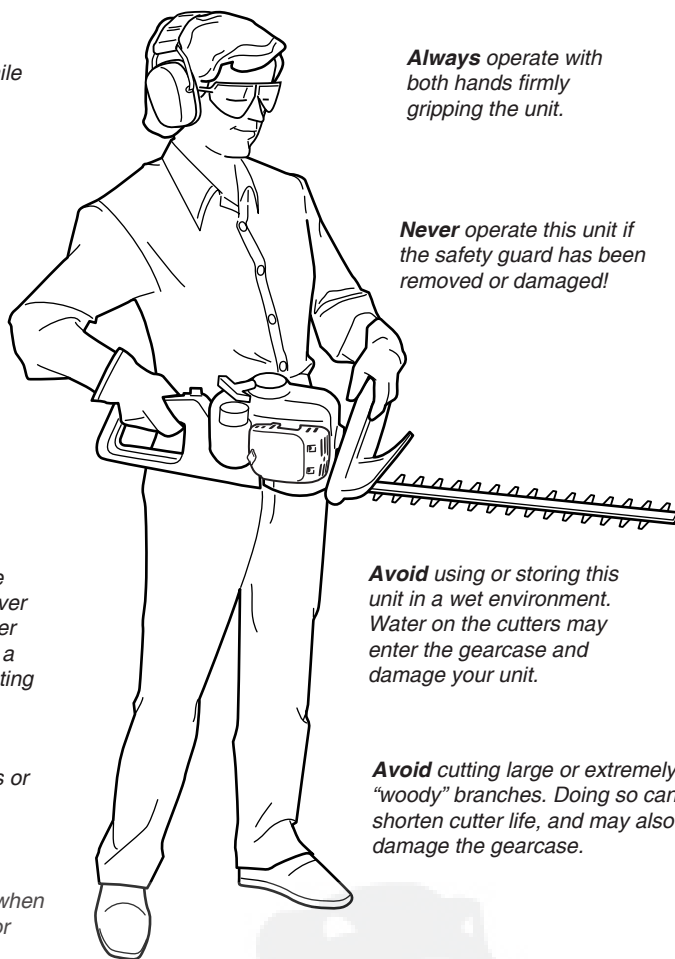
*Never allow children to use the unit. Avoid operating near bystanders.*

*Always wear eye, ear, and hand protection while operating this unit!*

*Always operate with both hands firmly gripping the unit.*

*Always stop the engine before removing branches or debris from the cutters! Never allow the cutters to contact buildings or other hard objects!*

*Never operate this unit if the safety guard has been removed or damaged!*



*Always stop the engine and install the blade cover before moving to another work site, and maintain a firm footing while operating or carrying the trimmer.*

*Avoid using or storing this unit in a wet environment. Water on the cutters may enter the gearcase and damage your unit.*

*Never cut metal objects or wire with the blade.*

*Avoid cutting large or extremely "woody" branches. Doing so can shorten cutter life, and may also damage the gearcase.*

*Use extreme caution when operating near fences or electric wiring.*

*Always keep proper footing and do not overreach. Maintain your balance at all times during operation.*

Figure 1

**WARNING! Use Good Judgment**

**ALWAYS** wear eye protection to shield against thrown objects.  
**ALWAYS** protect yourself from hazards such as thorny brush and flying debris by wearing gloves and close fitting clothing that covers arms and legs. Never wear shorts. Don't wear loose clothing or items such as jewelry that could get caught in machinery or underbrush. Secure long hair so it is above shoulder level.

**NEVER** run the engine when transporting the unit.  
**NEVER** run the engine indoors! Make sure there is always good ventilation. Fumes from engine exhaust can cause serious injury or death.  
**ALWAYS** clear your work area of trash or hidden debris that could be thrown back at you or toward a bystander.  
**ALWAYS** use the proper cutting tool for the job.

**ALWAYS** stop the unit immediately if it suddenly begins to vibrate or shake. Inspect for broken, missing or improperly installed parts or attachments.  
**ALWAYS** hold the unit firmly with both hands when cutting or trimming, and maintain control at all times.  
**ALWAYS** keep the handles clean.  
**ALWAYS** disconnect the spark plug wire before performing any maintenance work.

**WARNING!**  
Inspect front and rear handles for damaged or loose attachments before use.  
**NEVER** operate a hedge trimmer with damaged or loose handles.

# Safety Equipment and Labels

## IMPORTANT!

Caution, Danger, Warning, and Operation Information Labels: Make sure all information labels are undamaged and readable. Immediately replace damaged or missing information labels. New labels are available from your local authorized Shindaiwa dealer.

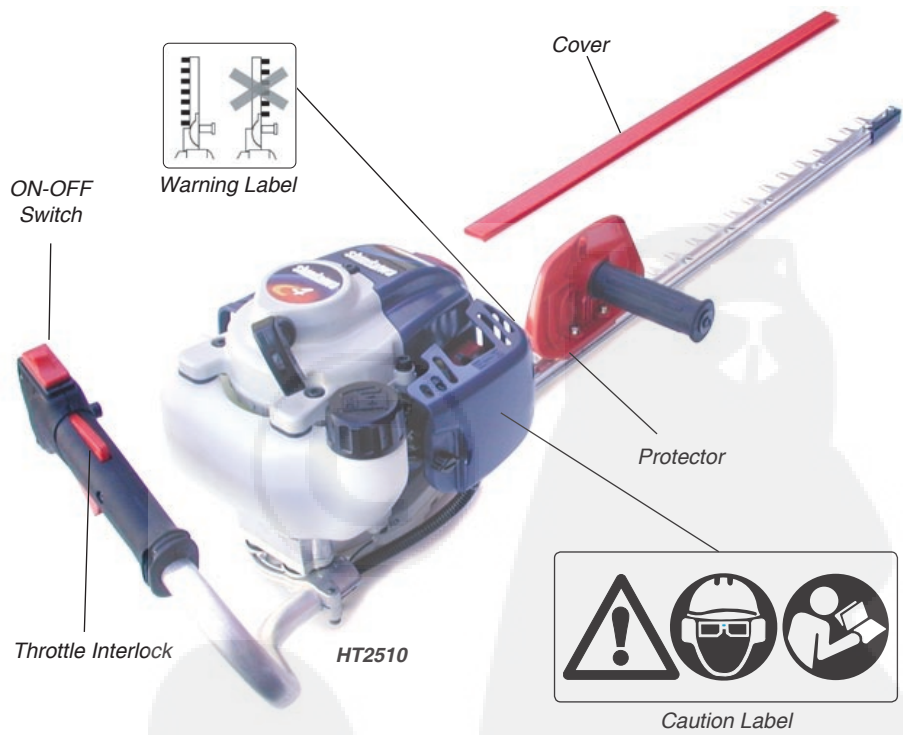
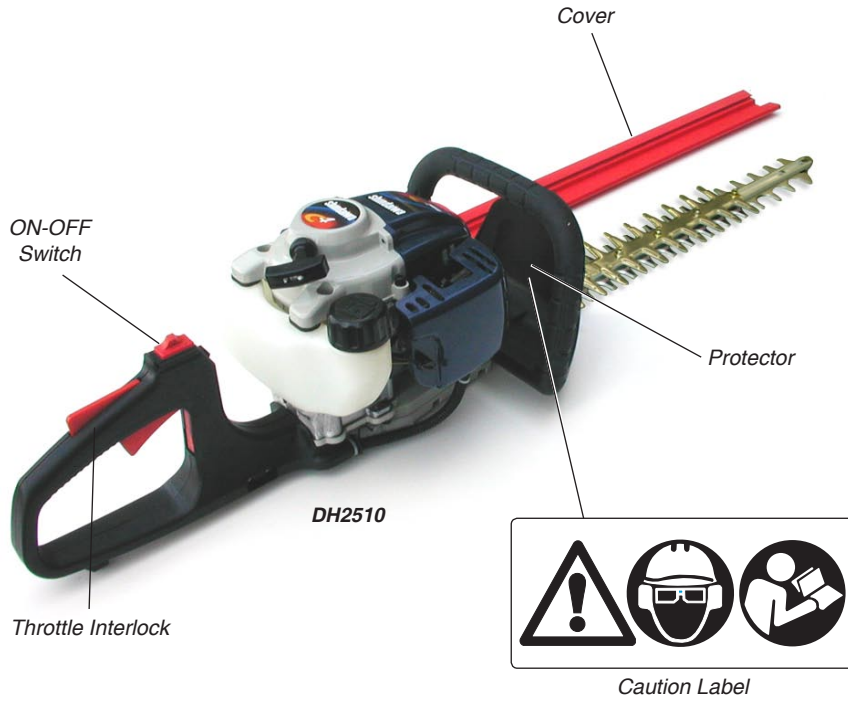


Figure 2



## Specifications

	HT2510/EC2-3   HT2510/EC2-4	DH2510/EC2-2   DH2510/EC2-3
Model Name .....	SHF2510EC2	SHF2510EC2
Engine Model .....	4-cycle, horizontal-cylinder, air-cooled	4-cycle, horizontal-cylinder, air-cooled
Engine Type .....	5.7 kg   6.0 kg	5.9 kg   6.1 kg
Dry Weight (excluding cutting attachment) .....	34 mm x 27 mm	34 mm x 27 mm
Bore x Stroke .....	24.5 cm <sup>3</sup>	24.5 cm <sup>3</sup>
Displacement .....	8,000 min <sup>-1</sup> (RPM)	8,000 min <sup>-1</sup> (RPM)
Engine Speed at Maximum Power Output .....	0.83 kW	0.83 kW
Maximum Power Output .....	3,000 min <sup>-1</sup> (RPM)	3,000 min <sup>-1</sup> (RPM)
Engine Speed at Idling .....	10,500 min <sup>-1</sup> (RPM)	10,500 min <sup>-1</sup> (RPM)
Maximum Engine Speed .....	50:1	50:1
Fuel/Oil Ratio .....	550 cm <sup>3</sup>	550 cm <sup>3</sup>
Fuel Tank Capacity .....	Walbro WYJ, Diaphragm type	Walbro WYJ, Diaphragm type
Carburetor .....	Fully Electronic, program controlled	Fully Electronic, program controlled
Ignition System .....	NGK CMR5H	NGK CMR5H
Spark Plug .....	Non-reversible heavy-duty filter element	Non-reversible heavy-duty filter element
Air Cleaner .....	Recoil Starter	Recoil Starter
Starting Method .....	Slide Switch, grounding type	Slide Switch, grounding type
Stopping Method .....	1100 x 240 x 230 mm	1410 x 240 x 230 mm
Dimensions (L x W x H) .....	72dB (A)	71dB (A)
Sound Pressure Level* .....	Idling	71dB (A)
	Racing	93dB (A)
Sound Power Level* .....	Idling	102dB (A)
	Racing	103dB (A)
Vibration Level (Front/Rear)* .....	Idling	4.8/4.9 m/s <sup>2</sup>
	Racing	7.9/8.9 m/s <sup>2</sup>   13.6/10.7 m/s <sup>2</sup>

Specifications are subject to change without notice.

\* Sound Pressure Level: in accordance with ISO 22868

\* Sound Power Level: in accordance with ISO 3744 and ISO 11094 (average data between at idling and racing)

\* Vibration Level: in accordance with EN 28662-1

## Unit Description

Familiarize yourself with your machine and its various components. Understanding your machine helps ensure top performance, long service life, and safer operation.

### Prior to Assembly

Before assembling this product, please make sure you have all the components required for a complete unit:

- Engine assembly (powerhead)
- Cutter and gearcase assembly
- Rear handle
- Front handle
- Bolt package
- Tool kit including, allen wrenches, combination spark plug/13 mm wrench

Carefully inspect all components for damage.

### IMPORTANT!

The terms “left,” “left-hand,” and “LH”; “right,” “right-hand,” and “RH”; “front” and “rear” refer to directions as viewed by the operator during normal operation of this product.



### WARNING!

Do not make unauthorized modifications or alterations to this machine or any of its components or accessories.

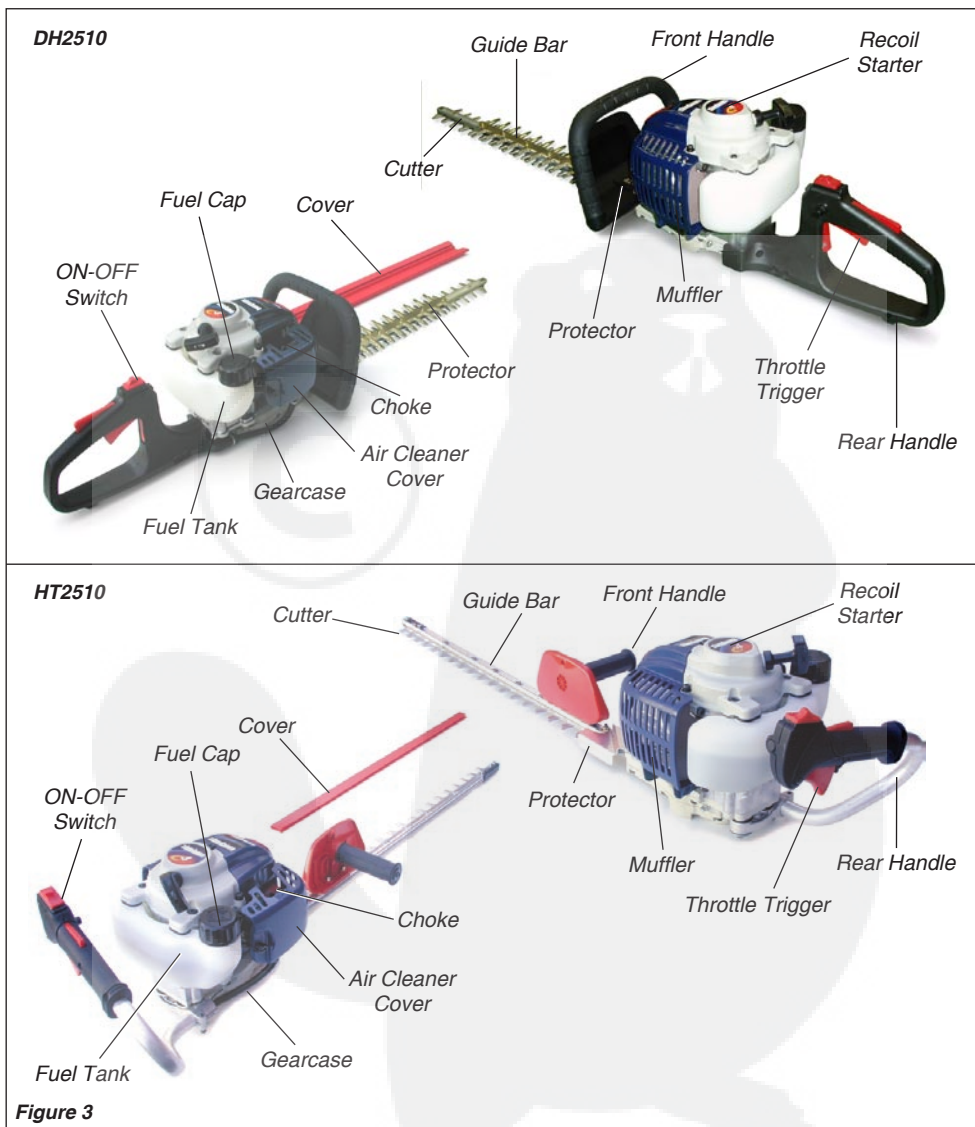
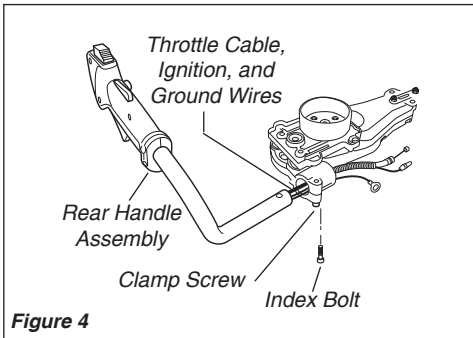


Figure 3

# Assembly HT2510

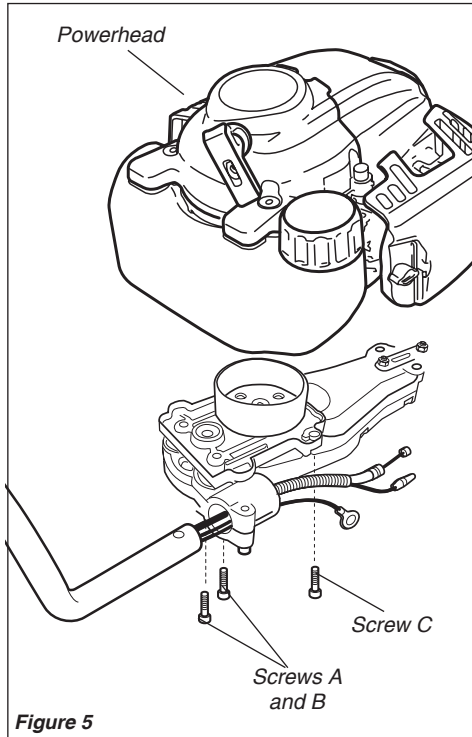
## (1) Attaching the Rear Handle to the Gearcase

1. Temporarily remove the 5 mm x 12 mm index bolt.
2. Loosen, but do not remove, the 5 mm x 25 mm clamp screw.
3. Position the rear handle assembly as shown. Starting from the rear of the trimmer, push the throttle cable, ignition wire, and ground wire through the handle mounting bracket.
4. Slide the rear handle into the handle mounting bracket until it bottoms. Use care to avoid pinching or otherwise damaging the wires and cable.
  - Align the hole in the rear handle with the matching hole in the handle mounting bracket, and then install and firmly tighten the 5 mm x 12 mm index bolt.
  - Tighten the 5 mm x 25 mm clamp screw firmly.



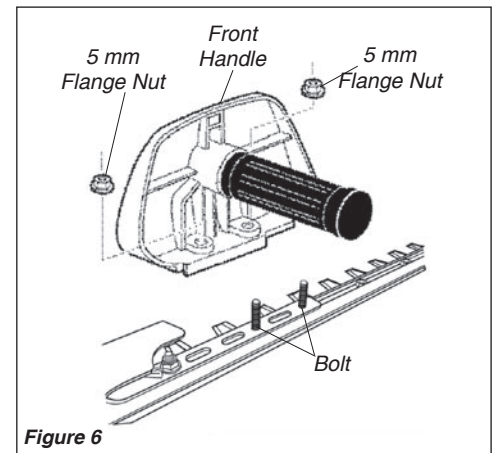
## (2) Installing the Powerhead on the Gearcase

- Orient the gearcase assembly to the powerhead as shown, and secure with the three 6 mm x 16 mm screws.
1. Securely tighten screws A and B.
  2. Push screw C through the eye terminal in the throttle control ground wire, and then install and firmly tighten the screw to the powerhead.



## (3) Install the Front Handle

- The front handle is installed over a 5 mm bolt on the guide bar.
1. Install the 5 mm flange nut over the bolt on the guide bar, and then tighten the nut firmly.



**WARNING!**  
Incorrect assembly could expose the operator to serious injury! Read and follow assembly instructions carefully.

The diagram shows two cross-sections of the front handle assembly. The left side shows the correct assembly method where the handle is pushed onto the bolt. The right side shows an incorrect method where the handle is being forced onto the bolt, which is marked with a large 'X' to indicate it is wrong.

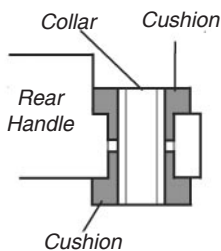
# Assembly DH2510

## (1) Attaching the Rear Handle to the Gearcase Assembly



### WARNING!

**Incorrect assembly could expose the operator to serious injury! Read and follow assembly instructions carefully. Before attaching the rear handle, make sure the rear handle cushions are located correctly.**



1. Slide the rear handle onto the rear flange of the cutter/gearcase assembly. Make sure the throttle cable and ignition and ground wires do not bind during assembly.
2. Make sure the mating holes between the rear handle and the gearcase are aligned, then secure the rear handle using two 6 mm x 35 mm socket head cap screws and washers.

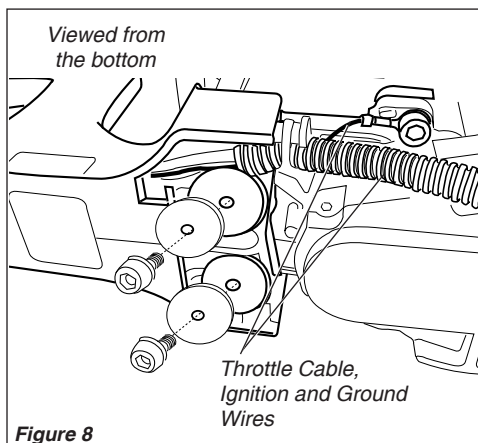


Figure 8

## (2) Install the Front Handle

1. Locate the front handle onto the cutter/gearcase assembly as shown.
2. Secure the handle using two 6 mm x 30 mm socket head cap screws and washers.

## (3) Installing the Powerhead on the Gearcase

- Orient the gearcase assembly and powerhead as shown and secure with the three 6 mm x 16 mm screws (A, B, and C).
1. Securely tighten screws A and B.
  2. Push screw C through the eye terminal in the throttle control ground wire (black), and then install and firmly tighten the screw to the powerhead.

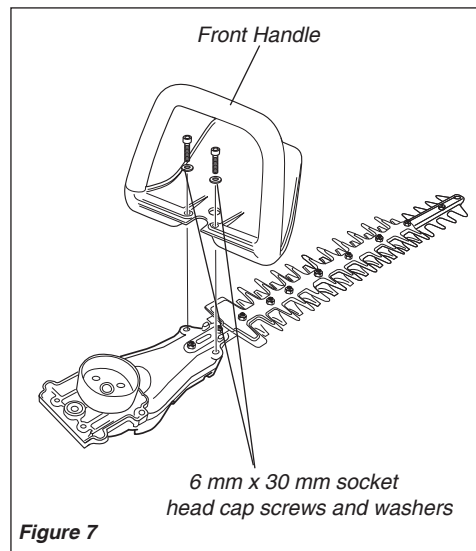


Figure 7

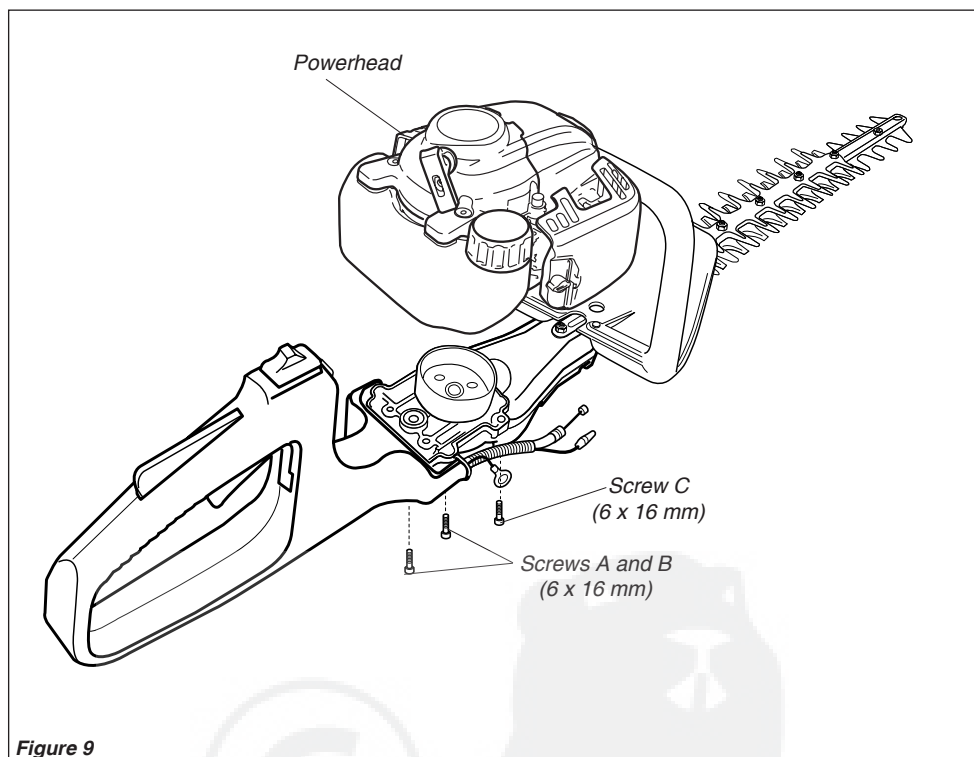


Figure 9

### IMPORTANT!

**The washers used on the front handle and the rear handle are not the same. The washers for the rear handle are black for identification.**

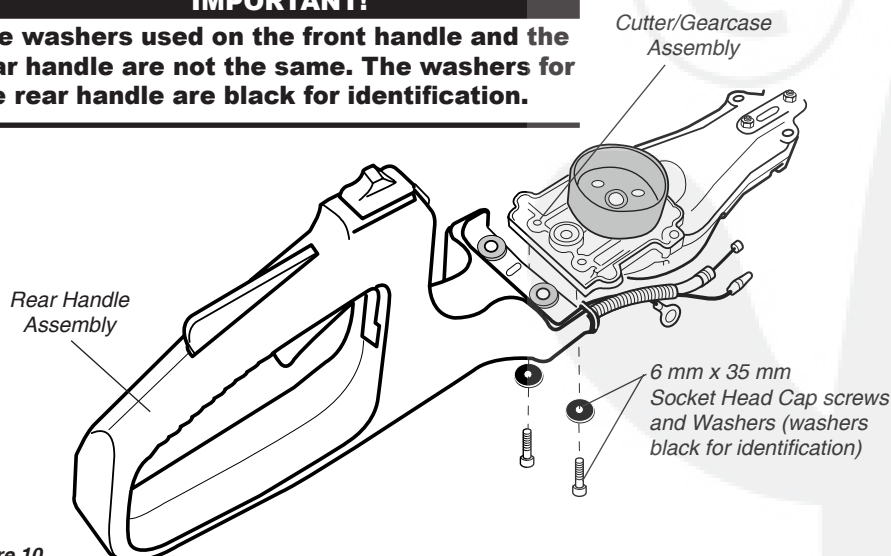


Figure 10

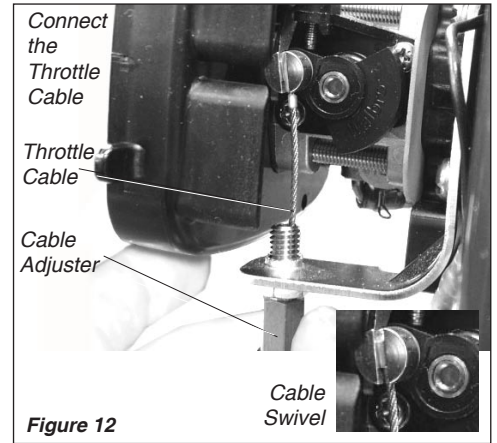
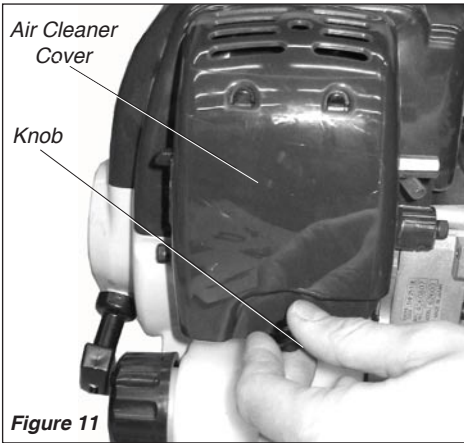
## Assembly and Adjustments Throttle Cable

### Connect the Throttle Cable

1. Loosen the air cleaner cover knob and remove the air cleaner cover. See Figure 11.
2. Slip the throttle cable into the cable adjuster and hook the bullet end of the cable onto the swivel. See Figure 12.

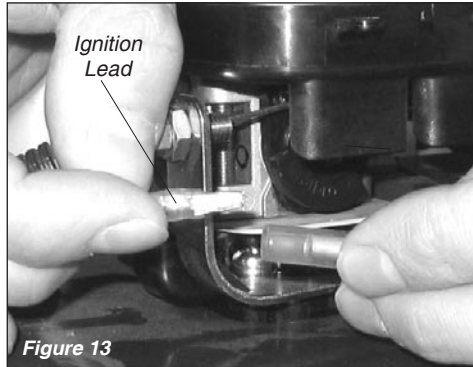
### Connect the Ignition Leads

3. Connect the ignition wires by pushing the bullet connectors together. See Figure 13.
4. Reinstall the air cleaner cover.



### CAUTION!

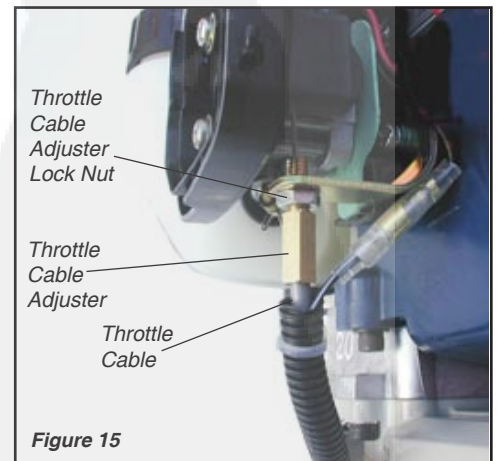
Routing of wiring must not interfere with throttle or choke operation.



## Assembly and Adjustments Throttle Cable Free Play

If the unit does not return to idle speed or doesn't reach full rpm, the throttle lever free play may need to be adjusted as follows:

1. Measure free play at the end of the throttle lever. Throttle lever free play should be approximately 0.2-0.275" (5-7 mm). See Figure 14.
2. If adjustment is necessary, remove the air cleaner cover. Loosen the cable adjuster lock nut and turn the cable adjuster fitting in or out until throttle lever free play is approximately 0.2-0.275" (5-7 mm).
3. Replace the air cleaner cover, and tighten the cover retaining screw securely.





## Mixing Fuel

### CAUTION!

- Some types of gasoline contain alcohol as an oxygenate. Oxygenated gasoline may cause increased operating temperatures. Under certain conditions, alcohol-based gasoline may also reduce the lubricating qualities of some 2-cycle mixing oils.
- Never use any type of gasoline containing more than 10% alcohol by volume! Generic oils and some outboard oils may not be intended for use in high-performance 2-cycle type engines, and should never be used in your Shindaiwa engine.

- Use only fresh, clean unleaded gasoline with a pump octane of 87 or higher.
- Mixed with 50:1 Shindaiwa ISO-L-EGD or JASO FC class 2-cycle mixing oil at a gasoline/ratio of 50:1. Shindaiwa One meets or exceeds these requirements.

Gasoline liters	2-cycle mixing oil milliliters
2.5 l.....	50 ml
5 l.....	100 ml
10 l.....	200 ml
20 l.....	400 ml

### IMPORTANT!

**Mix only enough fuel for your immediate needs! If fuel must be stored longer than 30 days and oil with <sup>shindaiwa</sup>ONE stabilizer is not used, it should first be treated with a fuel stabilizer such as STA-BIL™.**

<sup>shindaiwa</sup>**ONE** Oil is a registered JASO FC classified oil and also meets or exceeds ISO-L-EGD performance requirements. Shindaiwa One is recommended for use in all Shindaiwa low emissions engines. Shindaiwa One also includes a fuel stabilizer.

### CAUTION!

This engine is designed to operate on a 50:1 mixture consisting of unleaded gasoline and ISO-L-EGD or JASO FC class 2-cycle mixing oil only. Use of non-approved mixing oils can lead to excessive carbon deposits.

## Filling the Fuel Tank

### WARNING!

#### Minimize the Risk of Fire!

- STOP the engine before refueling.
- ALWAYS allow the unit to cool before refueling!
- ALWAYS store gasoline in a container approved for flammable liquids.
- Wipe all spilled fuel and move the unit at least 10 feet (3 meters) from the fueling point before restarting!
- NEVER start or operate this unit if there is a fuel leak.
- NEVER start or operate this unit if the carburetor, fuel lines, fuel tank and/or fuel tank cap are damaged.
- NEVER smoke or light any fires near the unit or fuels!
- NEVER place any flammable material near the engine muffler!
- NEVER operate the engine without the muffler and spark arrester in place and properly functioning!

1. Place the unit on a flat, level surface.
2. Clear any dirt or other debris from around the fuel filler cap.
3. Remove the fuel cap, and fill the tank with clean, fresh fuel.
4. Reinstall the fuel filler cap and tighten firmly.



# Starting Procedure

## IMPORTANT!

Engine ignition is controlled by a two-position on-off switch mounted on the throttle body. This switch is typically labeled “I” for ON and “O” for OFF.

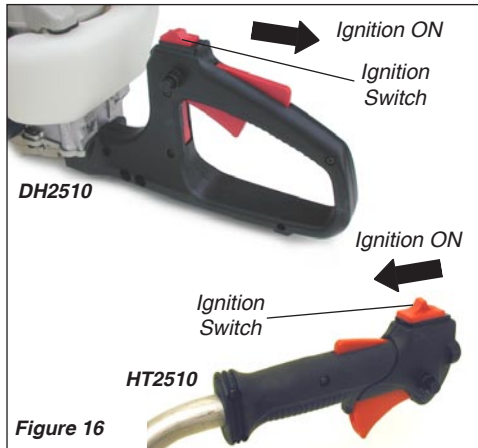


Figure 16

1. Move the ignition stop switch to the rear (towards the grip) to the “I” or ON position. See Figure 16.



Figure 18

2. Set the throttle trigger to the “fast idle” position by performing the following:
  - a. Depress and hold the throttle lock, and then squeeze the throttle trigger.
  - b. Depress and hold the “fast idle” button.
  - c. While depressing the fast idle button, release the throttle lock and throttle trigger.



### WARNING!

KEEP CLEAR OF THE CUTTING ATTACHMENT DURING STARTING OPERATIONS! THE CUTTERS MAY MOVE WHEN THE ENGINE IS STARTED!

- Place the trimmer on the ground during all starting operations.
- Make sure you have a secure footing, and keep a firm grip on the unit as well.
- Keep all bystanders and pets well clear of the trimmer during starting operations.

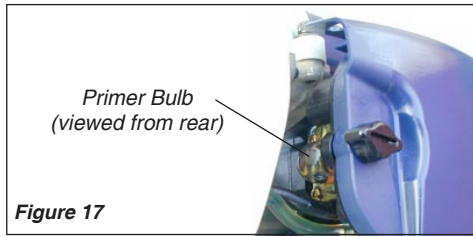


Figure 17

3. Prime the carburetor by repeatedly depressing the carburetor primer bulb until clear fuel can be seen flowing through the transparent primer bulb.

## IMPORTANT!

The primer system only pushes fuel through the carburetor. Repeatedly pressing the primer bulb will not flood the engine with fuel.



Figure 19

4. **(Cold engine only)** Choke the engine by moving the choke lever *forward* to the “closed” position. See Figure 19.

## Cranking the Engine



Figure 20

1. Place the unit on the ground. Grip the engine cover with your left hand and the starter handle with your right hand (shown).
2. Pull the starter handle slowly toward you until you feel the starter mechanism engage.
3. Start the trimmer by pulling the starting handle rapidly outward.

## CAUTION!

The recoil starter can be easily damaged by abuse!

- Always engage the starter before attempting to crank the engine.
- Never pull the starter cord to its full length.
- Always rewind the starter cord slowly.

## When the engine starts or fires—

1. Open the choke by moving the choke lever *backward* (toward the fuel tank).
2. If the engine does not continue to run, repeat the appropriate cranking procedures for a cold or warm engine.
3. When the engine starts, clear excess fuel from the combustion chamber by accelerating the engine several times with the throttle lever.
4. Operating the throttle will automatically disengage the fast idle setting.



### WARNING!

The cutting attachment will move when the engine accelerates!

## Operation

- Squeezing the throttle increases engine speed, causing the clutch to engage and operate the cutters.
- Releasing the throttle decreases engine speed, causing the cutters to slow, and then stop altogether as the clutch disengages.
- Use a sweeping motion when cutting, and vary throttle settings often.
- Avoid cutting material larger than 1.27 cm in diameter.

## If the engine does not start—

- Repeat the appropriate starting procedure for a cold or warm engine.
- If the engine still fails to start, use the procedures for “Starting a flooded engine,” on the next page.

## Starting a Flooded Engine



### WARNING!

Burn danger from hot engine! Allow engine to cool before removing cylinder cover.

1. Disconnect the spark plug lead, and then use the spark plug wrench to loosen and remove the spark plug.
2. If the spark plug is fouled or is soaked with fuel, clean or replace the plug as necessary. For spark plug specifications and gapping procedure, see page 13.
3. With the spark plug removed, crank the engine several times to clear excess fuel from the combustion chamber.

4. Replace the spark plug and tighten it firmly with the spark plug wrench. If a torque wrench is available, torque the spark plug to 170-190 kg cm.
5. Repeat the starting procedures for a warm engine.

### CAUTION!

Incorrect spark plug installation can damage the engine!

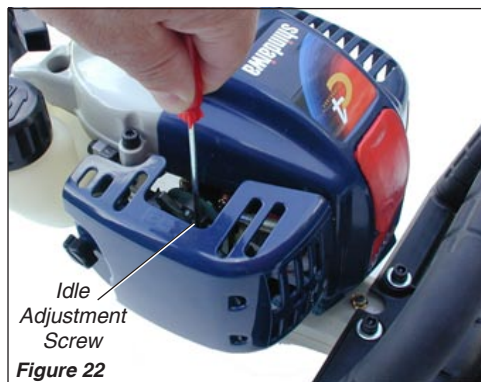
6. If the engine still fails to start or fire, refer to the troubleshooting chart at the end of this manual.



Figure 21

## Adjusting Engine Idle

The engine **must** return to idle speed whenever the throttle lever is released. Idle speed is adjustable, and **must** be set low enough to permit the engine clutch to disengage the cutters.



### Idle Speed Adjustment

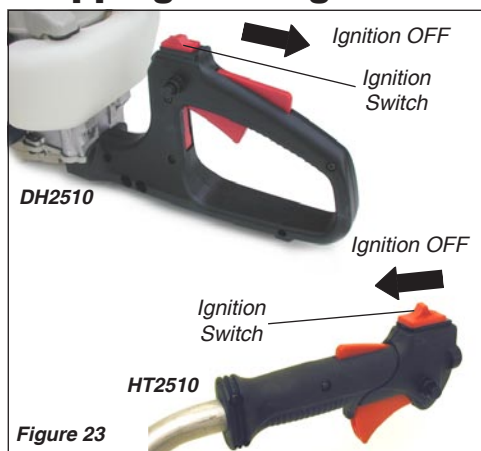
1. Start the engine, and then allow it to idle 2-3 minutes until warm.
2. If the cutters move when the engine is at idle, reduce idle speed by turning the idle adjustment screw counterclockwise.
3. If a tachometer is available, the engine idle speed should be final-adjusted to  $3,000 \pm 250$  rpm ( $\text{min}^{-1}$ ).
4. Carburetor fuel mixture adjustments are preset at the factory and cannot be adjusted or serviced in the field.



### WARNING!

The cutters must NEVER engage at engine idle speeds! If the idle speed cannot be adjusted by the above procedure, return the trimmer to your dealer for inspection.

## Stopping the Engine



1. Cool the engine by allowing it to idle for 2-3 minutes.
2. Move the ignition switch to the "O" or STOP position. See Figure 23.



# Maintenance and Adjustments

## IMPORTANT!

Maintenance, replacement or repair of emission control devices and systems may be performed by any repair establishment or individual; however, warranty repairs must be performed by a dealer or service center authorized by Shindaiwa Kogyo Co., Ltd. The use of parts that are not equivalent in performance and durability to authorized parts may impair the effectiveness of the emission control system and may have a bearing on the outcome of a warranty claim.



### WARNING!

Accidental start-ups can cause severe injury! Before performing any maintenance on this equipment, stop the engine and disconnect the spark plug!

1. Remove all grass clippings and dirt from the hedge trimmer.

- Remove any compacted debris from around the fuel tank and/or muffler.
- Inspect the engine cooling fins for clogging, and clean as necessary.
- Clean under the cylinder cover and around the spark plug.
- Inspect the air filter element for clogging, clean as necessary.

## Daily Maintenance/Inspection

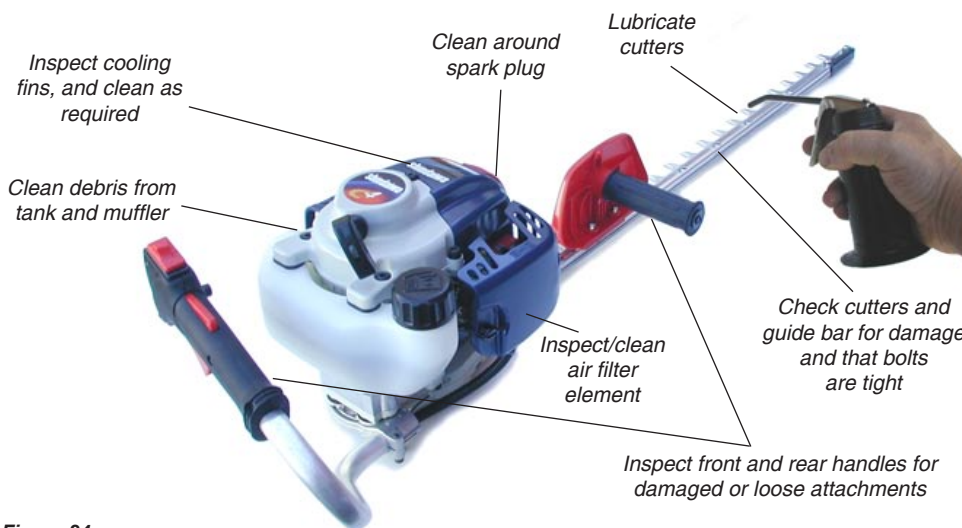


Figure 24



### WARNING!

To reduce fire hazard, keep the engine and muffler free of debris, leaves, or excessive grease.

2. Check for loose, damaged, or missing components, and repair as necessary.
3. Lubricate the cutters with oil before use, and after refueling.
4. Check the cutters for damage and make sure all bolts are tight.

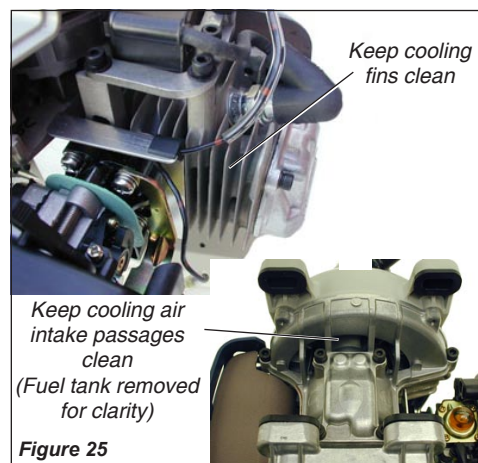


Figure 25

## 10-Hour Maintenance

### CAUTION!

Do not operate the machine if the air cleaner or element is damaged, or if the element is water-soaked.

Every 10 hours of operation, (more frequently in dusty or dirty conditions):

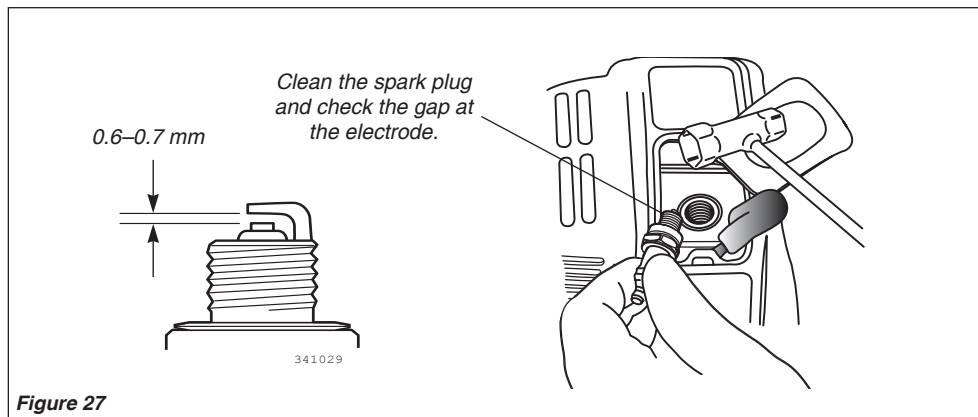
- Remove the air cleaner element from the air cleaner housing and clean it thoroughly with soap and water. Rinse and dry thoroughly. Replace filter element if necessary. See Figure 26.



Figure 26



## 10/15-Hour Maintenance



### Every 10 to 15 hours of operation:

- Remove and clean the spark plug. Adjust the spark plug electrode gap to 0.6 - 0.7 mm. If the spark plug must be replaced, use only an NGK CMR5H or equivalent resistor type spark plug of the correct heat range. See Figure 27.

#### NOTE:

The NGK CMR5H also meets the requirements for electro magnetic compliance (EMC).

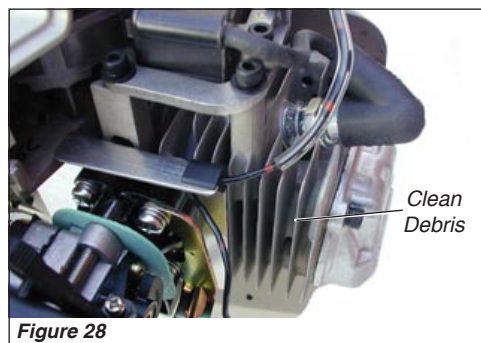
#### CAUTION!

Before removing the spark plug, clean the area around the plug to prevent dirt and debris from getting into the engine's internal parts.

## 50 Hour Maintenance

Every 50 hours of operation (more often in dusty or extreme conditions)

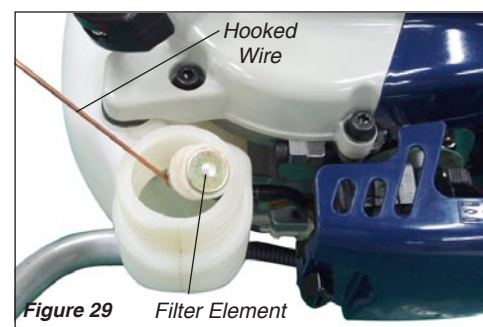
- Remove and clean the cylinder cover and clean grass and dirt from the cylinder fins.



#### CAUTION!

Make sure you do not pierce the fuel line with the end of the hooked wire. The line is delicate and can be damaged easily.

- Use a wire hook to extract the fuel filter from inside the fuel tank. (Figure XX). Inspect the fuel filter element. If it shows signs of contamination from debris, replace it with a genuine Shindaiwa replacement fuel filter element. Before reinstalling the filter, inspect the fuel line. If you discover damage or deterioration, the unit should be removed from service until it can be inspected by a Shindaiwa-trained service technician.

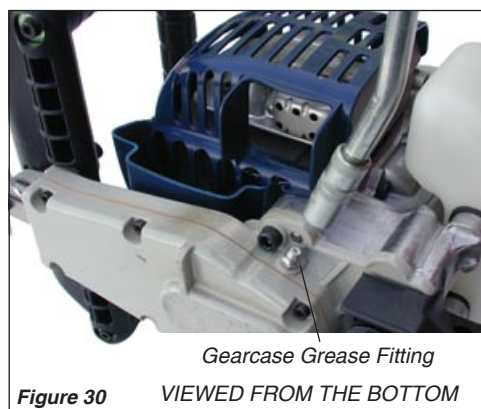


## Gearcase Lubrication

#### CAUTION!

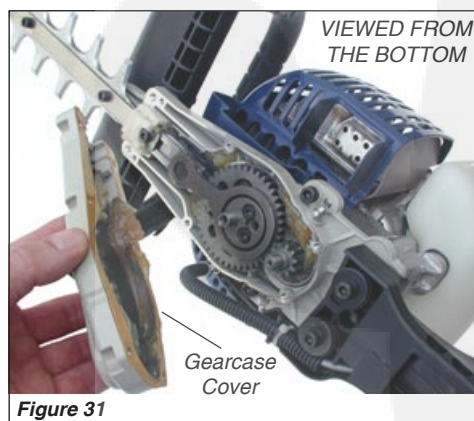
- Over-lubricating may cause the gearcase to run slower than normal, and may also cause leakage from excess grease.

Every 20 Hours



Top off gearcase grease level by using a lever-type grease gun to force 1-2 strokes of high quality lithium-based grease through the gearcase grease fitting.

Every 100 Hours (or before long-term storage)



Remove the gearcase cover, and use solvent and a soft brush to remove all old grease from the gearcase. To refill, hand-pack the gearcase with approximately 40-50 grams of high quality lithium-based grease (50-70% of capacity). DO NOT OVERFILL!

## Blades

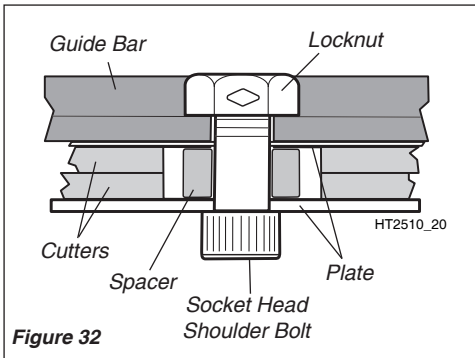


Figure 32

Standard blades require no periodic adjustments. Make sure all blade shoulder bolts are tight and in good condition.

- Clean blades and apply a light coating of oil to all metal surfaces. Vegetable oils may be used to protect sensitive plants from spotting.

## 139-Hour or Annual Maintenance

### Maintenance after first 139-hours, then every 150-hours thereafter.

- Combustion chamber should be decarbonized, and the valve clearance should be adjusted. It is highly recommended that this is done by a Shindaiwa-trained service technician.
- Replace the spark plug annually: Use only NGK CMR5H or equivalent resistor type spark plug of the correct heat range. Set spark plug electrode gap to 0.6 -0.7 mm.

#### NOTE:

The NGK CMR5H also meets the requirements for electro magnetic compliance (EMC).

#### CAUTION!

- Performing a valve adjustment incorrectly may cause hard starting and/or can damage the unit. Refer to the C4 Service Manual for complete valve adjustment procedure and torque specifications.
- If you are unfamiliar with this engine or uncomfortable with this procedure, Consult with an authorized Shindaiwa servicing dealer.

### Valve Adjustment

1. Remove cylinder cover, rocker arm cover, and set piston at TDC-compression.

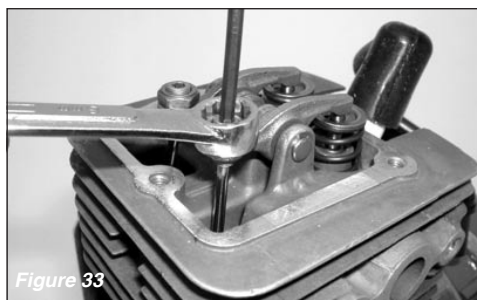


Figure 33

2. Loosen adjuster locknut so that the 2.5 mm Allen socket head adjustment screw can turn freely.

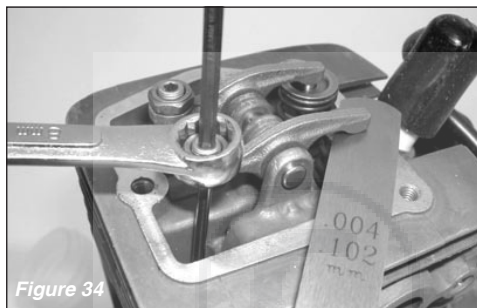


Figure 34

3. Insert feeler gauge .004 (0.10 mm) for both intake and exhaust; between valve stem tip and rocker arm.

4. Turn adjustment screw (clockwise = tighter, counter-clockwise = looser) until feeler gauge is almost snug. Back off just enough to allow gauge to slip out with limited resistance.
5. While holding adjustment screw in place with Allen driver, tighten locknut with wrench.
6. Turn engine over several times, and return to TDC-compression. Recheck with proper feeler gauge to make sure clearance adjustment did not change as a result of tightening locknut. Readjust as necessary.

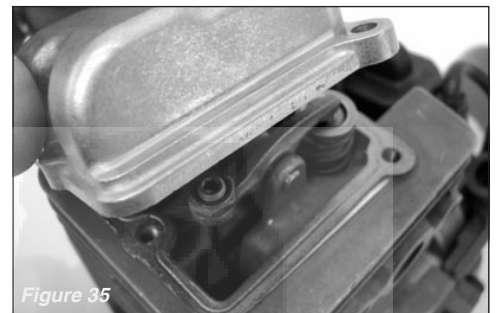


Figure 35

7. Replace rocker arm cover gasket to assure proper sealing and install cover.

#### IMPORTANT!

If new gasket is not available and/or old gasket is not damaged, old gasket may be reused. Never use cracked or damaged gaskets!

## Spark Arrester Screen Maintenance

If the engine becomes sluggish and low on power, check and clean the spark arrester screen.



### WARNING!

Never operate the unit with a damaged or missing muffler or spark arrester! Operating with a missing or damaged spark arrester is a fire hazard and could also damage your hearing.

1. With a 4 mm hex wrench remove the 3 engine cover screws and the engine cover. See Figure 36.
2. With a 4 mm hex wrench remove the 3 muffler bolts and the muffler. See Figure 36.
3. With a small flat bladed screwdriver remove the 2 screws holding the spark arrester screen and cover to the muffler. See Figure 36.
4. Remove the screen and clean it with a stiff bristle brush.
5. Inspect the cylinder exhaust port for any carbon buildup.

### IMPORTANT!

If you note excessive carbon buildup, consult with an authorized Shindaiwa servicing dealer.

6. Reassemble the spark arrester, muffler and engine cover in the reverse order of disassembly.

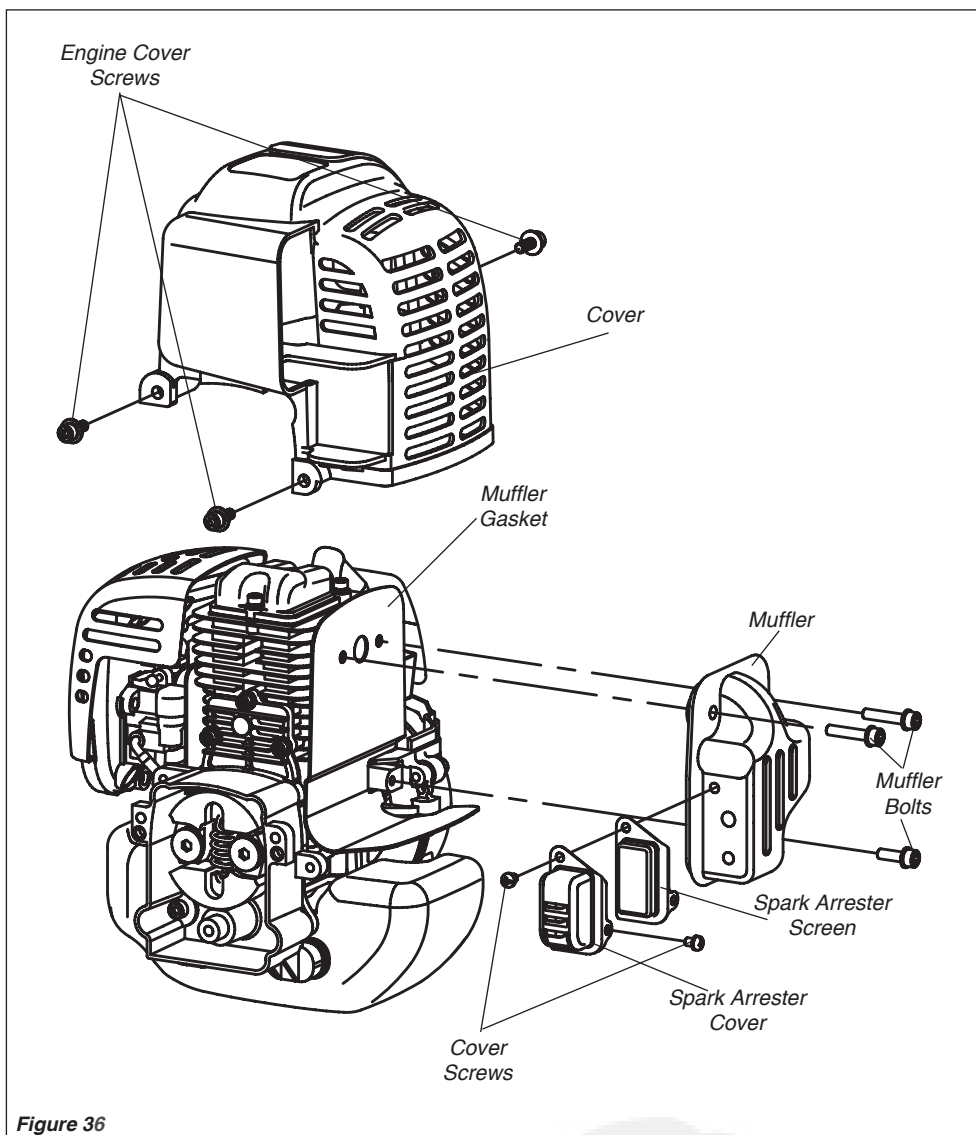



Figure 36

## Long Term Storage

Whenever the unit will not be used for 30 days or longer, use the following procedures to prepare it for storage:

- Clean external parts thoroughly and apply a light coating of oil to all metal surfaces.
- Drain all the fuel from the carburetor and the fuel tank.

### IMPORTANT!

All stored fuels should be stabilized with a fuel stabilizer such as STA-BIL™, if  oil with fuel stabilizer is not used.

Remove the remaining fuel from the fuel lines and carburetor. With the fuel drained from the fuel tank:

1. Prime the primer bulb until no more fuel is passing through.
2. Start and run the engine until it stops running.
3. Repeat steps 1 and 2 until the engine will no longer start.

### CAUTION!

Gasoline stored in the carburetor for extended periods can cause hard starting, and could also lead to increased service and maintenance costs.

- Remove the spark plug and pour about 7.4 ml of 2-cycle mixing oil into the cylinder through the spark plug hole. Slowly pull the recoil starter 2 or 3 times so oil will evenly coat the interior of the engine. Reinstall the spark plug.
- Before storing the unit, repair or replace any worn or damaged parts.
- Remove the air cleaner element from the carburetor and clean it thoroughly with soap and water. Let dry and reassemble the element.
- Store the unit in a clean, dust-free area.

# Troubleshooting Guide

## ENGINE DOES NOT START OR HARD TO START

What To Check	Possible Cause	Remedy
Vaporlock.	Engine hot/heat soaked. Low fuel quality.	Let cool completely and restart. Refill with fresh, clean unleaded gasoline with a pump octane of 87 or higher mixed with a 2-cycle air cooled mixing oil that meets or exceeds ISO-L-EGD and/or JASCO FC classified oils at 50:1 gasoline/oil ratio.
Valve adjustment.	Valve clearance too tight. Valve clearance too loose.	Adjust valves. See page 14.

## ENGINE DOES NOT START

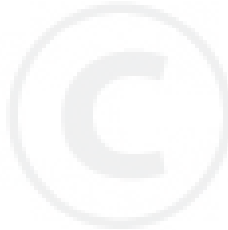
What To Check	Possible Cause	Remedy
Does the engine crank? NO	Faulty recoil starter. Fluid in the crankcase. Internal damage.	Consult with an authorized servicing dealer.
YES		
Good compression? NO	Loose spark plug. Excess wear on cylinder, piston, rings.	Tighten and re-test. Consult with an authorized servicing dealer.
YES		
Does the tank contain fresh fuel of the proper grade? NO	Fuel incorrect, stale, or contaminated; mixture incorrect.	Refill with fresh, clean unleaded gasoline with a pump octane of 87 or higher mixed with a 2-cycle air cooled mixing oil that meets or exceeds ISO-L-EGD and/or JASCO FC classified oils at 50:1 gasoline/oil ratio.
YES		
Is fuel visible and moving in the return line when priming? NO	Check for clogged fuel filter and/or vent.	Clean as required. Restart.
YES		
Is there spark at the spark plug wire terminal? NO	The ignition switch is in "O" (OFF) position. Shorted ignition ground. Faulty ignition unit.	Move switch to "I" (ON) position and re-start. Consult with an authorized servicing dealer.
YES		
Check the spark plug.	If the plug is wet, excess fuel may be in the cylinder. The plug is fouled or improperly gapped. The plug is damaged internally or of the wrong size.	Crank the engine with the plug removed, reinstall the plug, and restart. Clean and regap the plug to 0.6 - 0.7mm. Restart. Replace the spark plug with a NGK CMR5H or equivalent spark plug of the correct heat range. Adjust the spark plug electrode gap to 0.6 - 0.7 mm.



# Troubleshooting Guide (continued)

## LOW POWER OUTPUT

What To Check	Possible Cause	Remedy
Is the engine overheating?	<ul style="list-style-type: none"> <li>Operator is overworking the unit.</li> <li>Carburetor mixture is too lean.</li> <li>Improper fuel ratio.</li> <li>Fan, fan cover, cylinder fins dirty or damaged.</li> <li>Carbon deposits on the piston or in the muffler.</li> </ul>	<ul style="list-style-type: none"> <li>Cut at a slower rate.</li> <li>Consult with an authorized servicing dealer.</li> <li>Refill with fresh, clean unleaded gasoline with a pump octane of 87 or higher mixed with a 2-cycle air cooled mixing oil that meets or exceeds ISO-L-EGD and/or JASCO FC classified oils at 50:1 gasoline/oil ratio.</li> <li>Clean, repair or replace as necessary.</li> <li>Consult with an authorized servicing dealer.</li> </ul>
Engine is rough at all speeds. May also have black smoke and/or unburned fuel at the exhaust.	<ul style="list-style-type: none"> <li>Clogged air cleaner element.</li> <li>Loose or damaged spark plug.</li> <li>Air leakage or clogged fuel line.</li> <li>Water in the fuel.</li> <li>Piston seizure.</li> <li>Faulty carburetor and/or diaphragm.</li> </ul>	<ul style="list-style-type: none"> <li>Service the air cleaner.</li> <li>Tighten or replace. Replace the spark plug with a NGK CMR5H or equivalent spark plug of the correct heat range. Adjust the spark plug electrode gap to 0.6 - 0.7 mm.</li> <li>Repair or replace fuel filter and/or fuel line.</li> <li>Refill with fresh, clean unleaded gasoline with a pump octane of 87 or higher mixed with a 2-cycle air cooled mixing oil that meets or exceeds ISO-L-EGD and/or JASCO FC classified oils at 50:1 gasoline/oil ratio.</li> <li>Consult with an authorized servicing dealer.</li> </ul>
Engine is knocking.	<ul style="list-style-type: none"> <li>Overheating condition.</li> <li>Improper fuel.</li> <li>Carbon deposits in the combustion chamber.</li> </ul>	<ul style="list-style-type: none"> <li>See above.</li> <li>Check fuel octane rating; check for presence of alcohol in the fuel (page 9). Refuel as necessary.</li> <li>Consult with an authorized servicing dealer.</li> </ul>



## Troubleshooting Guide (continued)

### ADDITIONAL PROBLEMS

Symptom	Possible Cause	Remedy
Poor acceleration.	<ul style="list-style-type: none"> <li>Clogged air cleaner element.</li> <li>Clogged fuel filter.</li> <li>Carburetor mixture too lean.</li> <li>Idle speed set too low.</li> </ul>	<ul style="list-style-type: none"> <li>Clean the air cleaner element.</li> <li>Replace the fuel filter.</li> <li>Consult with an authorized servicing dealer.</li> <li>Adjust: 3,000 (±250) RPM (min<sup>-1</sup>).</li> </ul>
Engine stops abruptly.	<ul style="list-style-type: none"> <li>Switch turned off.</li> <li>Fuel tank empty.</li> <li>Clogged fuel filter.</li> <li>Water in the fuel.</li> <li>Shorted spark plug or loose terminal.</li> <li>Ignition failure.</li> <li>Piston seizure.</li> </ul>	<ul style="list-style-type: none"> <li>Reset the switch and re-start.</li> <li>Refuel.</li> <li>Replace fuel filter.</li> <li>Drain and refill with fresh, clean unleaded gasoline with a pump octane of 87 or higher mixed with a 2-cycle air cooled mixing oil that meets or exceeds ISO-L-EGD and/or JASCO FC classified oils at 50:1 gasoline/oil ratio.</li> <li>Clean and replace spark plug, tighten the terminal.</li> <li>Consult with an authorized servicing dealer.</li> </ul>
Engine difficult to shut off.	<ul style="list-style-type: none"> <li>Ground (stop) wire is disconnected, or switch is defective.</li> <li>Overheating due to incorrect spark plug.</li> <li>Overheated engine</li> </ul>	<ul style="list-style-type: none"> <li>Test and replace as required.</li> <li>Replace the spark plug with a NGK CMR5H or equivalent spark plug of the correct heat range. Adjust the spark plug electrode gap 0.6 - 0.7 mm.</li> <li>Idle engine until cool. Refer to page 17. (overheated engine).</li> </ul>
Cutting attachment moves at engine idle.	<ul style="list-style-type: none"> <li>Engine idle too high.</li> <li>Broken clutch spring or worn clutch spring boss.</li> </ul>	<ul style="list-style-type: none"> <li>Set idle: 3,000 (±250) RPM (min<sup>-1</sup>).</li> <li>Replace spring/shoes as required, check idle speed.</li> </ul>
Excessive vibration.	<ul style="list-style-type: none"> <li>Warped or damaged cutters.</li> <li>Loose gearcase.</li> <li>Damaged crankshaft/worn or damaged bushings.</li> </ul>	<ul style="list-style-type: none"> <li>Inspect and repair cutters as required.</li> <li>Tighten gearcase securely</li> <li>Inspect and replace as necessary.</li> </ul>
Cutting attachment will not move.	<ul style="list-style-type: none"> <li>Damaged/worn clutch.</li> <li>Damaged gearcase</li> </ul>	<ul style="list-style-type: none"> <li>Inspect and replace as required</li> <li>Consult with an authorized servicing dealer.</li> </ul>

# DECLARATION OF CONFORMITY

We hereby declare the Shindaiwa Hedge Trimmer,  
Model HT2510 (HT2510/EC2-3, HT2510/EC2-4, DH2510/EC2-2, DH2510/EC2-3).

Meets the following respective requirements.

**Council Directives:**

89/336/EEC as amended  
98/37/EC as amended  
2000/14/EC as amended  
2004/26/EC as amended

**Standard taken:**

EN 292 parts 1&2  
EN 774  
CISPR 12

Measured sound power level: 106dB(A)

Guaranteed sound power level: 107dB(A) (HT2510/EC2-3, HT2510/EC2-4)  
: 108dB(A) (DH2510/EC2-2, DH2510/EC2-3)

Technical documentation is kept by:

K. Maeda DIV. Manager  
Engineering Research and Development DIV.

## **Shindaiwa Kogyo Co.,Ltd.**

Head office : 6-2-11, Ozuka-Nishi, Asaminami-Ku,  
Hiroshima, 731-3167, Japan

TEL:81-82-849-2003 , FAX:81-82-849-2482

3 February, 2006



T. Yoshitomi  
DIV. Manager  
Quality Assurance DIV.

## **Shindaiwa Kogyo Co.,Ltd.**

Head office : 6-2-11, Ozuka-Nishi, Asaminami-Ku,  
Hiroshima, 731-3167, Japan

TEL:81-82-849-2206 , FAX:81-82-849-2481





SHINDAIWA MANUAL DEL PROPIETARIO/OPERADOR

# CORTADORA DE SETOS HT2510 CORTADORA DE SETOS DH2510



  
**¡ADVERTENCIA!**

- Lea detenidamente este manual y familiarícese con su contenido.
- Esta máquina está diseñada para cortar setos. No utilice esta máquina con otro fin.
- Reduzca al mínimo el riesgo de lesiones, tanto a usted mismo como a otras personas.
- No utilice esta máquina ni efectúe trabajos de mantenimiento en ella sin haber comprendido claramente todas las explicaciones de este manual.
- Mantenga el manual a su alcance de modo que pueda consultarlo siempre que le surja alguna duda acerca de su uso.

**shindaiwa**

Número de Parte 62601-94310 Revisado 1/06

## Introducción

La cortadora de setos Shindaiwa serie DH2510/HT2510 ha sido diseñada y construida para suministrar rendimiento superior y seguridad sin comprometer calidad, comodidad o durabilidad.

Los motores de alto rendimiento Shindaiwa representan la tecnología líder en motores de enfriados por aire, de cilindrada y peso notablemente bajos que desarrollan suma potencia. Como dueño/operario, usted muy pronto descubrirá por que Shindaiwa, simplemente, es la única en su clase.

### ¡IMPORTANTE!

!La información contenida en este manual describe las máquinas disponibles en el momento de publicación!

Aunque todo esfuerzo se a hecho para proveerle la más reciente información sobre su producto Shindaiwa, podría haber algunas diferencias entre su cortadora de setos DH2510/HT2510 y las descritas en este manual.

Shindaiwa Inc. se reserva el derecho de hacer cambios a sus productos sin notificación previa y sin obligación alguna de hacer alteraciones a máquinas previamente fabricadas.

## Contenido

PAGINA

Introducción .....	2
Advertencias de Seguridad .....	2
Instrucciones Generales de Seguridad.....	3
Equipo de Seguridad y Etiquetas .....	4
Especificaciones .....	5
Descripción de unidad.....	5
Ensamblaje.....	6
Combustible.....	9
Llenado del Tanque .....	9
Instrucciones de arranque .....	10
Ajuste de Marcha Mínima.....	11
Parada del Motor.....	11
Mantenimientos y Ajustes.....	12
Almacenamiento.....	15
Guía Diagnóstico .....	16
Declaración de Conformidad .....	19

## Advertencias de Seguridad



### ¡ADVERTENCIA!

Una declaración precedida por el símbolo triangular de advertencia y la palabra ¡ADVERTENCIA! contiene información o procedimientos que se deben cumplir para prevenir lesiones graves.

### ¡PRECAUCIÓN!

Una declaración precedida por la palabra ¡PRECAUCIÓN! contiene información o procedimientos que se deben cumplir para evitar dañar la máquina.

### ¡IMPORTANTE!

¡Una declaración precedida por la palabra ¡IMPORTANTE! denota información esencial o especial.

### Nota:

Todo texto precedido por la palabra "NOTA" contiene información práctica que puede facilitar su trabajo.



**Lea y siga las instrucciones de este manual y asegúrese de que todo aquel que vaya a utilizar el cortasetos hace lo mismo. De no hacerlo, se podrían provocar graves lesiones o fallos en la máquina. Conserve este manual para futuras consultas.**



**Protéjase siempre los ojos y los oídos mientras esté utilizando este cortasetos. Un casco le proporcionará seguridad adicional y le protegerá seguridad adicional y le protegerá de las astillas.**



**Nivel de emisión de ruido (conforme a la 2000/14/EC).**

### ¡IMPORTANTE!

La intención de los procedimientos operacionales descritos en este manual es ayudarle a obtener el más alto rendimiento posible de su máquina y proteger a usted y otras personas de sufrir lesiones graves. Estos procedimientos son pautas operativas para operaciones seguras bajo la mayoría de condiciones y no tienen el propósito de substituir las normas vigentes en su área.

Si usted tiene alguna pregunta en relación a su cortadora de setos DH2510/HT2510 o no entiende algo en este manual, su distribuidor Shindaiwa estará muy contento en atenderlo. También puede ponerse en contacto con Shindaiwa Inc. en la dirección impresa al inverso de este manual.

# Instrucciones Generales de Seguridad

## Trabaje con cuidado

Cortadoras de setos operan en altas velocidades y pueden causar daños o lesiones serias si son malusadas o abusadas. Nunca permita que una persona sin entrenamiento o instrucción opere esta unidad!



### ¡ADVERTENCIA!

Nunca instale accesorios de corte no autorizados.

## Mantengase Alerta

Debe de estar física y mentalmente en optimas condiciones para operar esta máquina con seguridad.



### ¡ADVERTENCIA!



No opere esta herramienta si esta cansado, enfermo o ha consumido bebidas que contienen alcohol, drogas o medicamentos.



### ¡ADVERTENCIA!

#### Disminuya El Riesgo de Incendios.

**NUNCA** fume ni encienda fuegos cerca del motor.

**SIEMPRE** pare el motor y permita que se enfríe antes de volver a llenar el tanque. Evite sobre llenar el tanque y limpie cualquier derrame de combustible.

**SIEMPRE** : Inspeccione la máquina por pérdidas de combustible, antes de cada uso. Durante cada llenado, verifique posibles pérdidas alrededor de la tapa o tanque de combustible. Si existen pérdidas de combustible evidentes, pare inmediatamente de utilizar la máquina. Pérdidas de combustible deben de ser reparadas antes de cada uso.

**SIEMPRE** aleje la máquina del área de combustible o de otros materiales inflamables antes de arrancar el motor.

**NUNCA** coloque materiales inflamables cerca del silenciador de la máquina.

**NUNCA** opere el motor sin la malla del guardachispas en su lugar.



### ¡ADVERTENCIA!

Inspeccione el frente y la parte de atrás de los mangos asegurándose que no haya piezas dañadas o flojas. **NUNCA** opere un corta setos con mangos dañados o sueltos.

## TRABAJE CON CUIDADO!

**Use siempre** ropa ceñida al cuerpo. Use guantes de trabajo para incrementar el nivel de protección. No use ropa o joyas que pudieran enredarse en la máquina. Cerciórese de que el cabello no le pase de los hombros.

**Siempre** use protección para los ojos, los oídos y las manos cuando trabaja con esta máquina.

**Siempre** detenga la marcha del motor antes de retirar ramas o residuos de las cuchillas. Nunca permita que las cuchillas hagan contacto con edificaciones u otros objetos sólidos.

**Siempre** detenga la marcha del motor e instale la vaina protectora en las cuchillas antes de llevarla a otra área de trabajo y mantenga su balance sobre el suelo mientras trabaja o lleva la recortadora a mano.

**Nunca** corte objetos metálicos o alambre.

**Ejercer extrema** cautela cuando trabaje en la proximidad de cercas o alambrados electricos.

**Evite** cortar ramas grandes o demasiado "leñosas". De lo contrario, podría acortar la vida útil de las cuchillas y/o dañar la caja de engranajes.

**Nunca** permita que niños usen esta máquina. Evite usarla cerca de transeúntes.

**Nunca** opere esta máquina a velocidad máxima sin carga.

**Nunca** opere esta máquina si el protector para la mano está quebrado.

**Evite** usar o guardar esta máquina en sitios húmedos. El depósito de agua en las cuchillas podría penetrar en la caja de engranaje y dañar su máquina.

**Siempre** manténgase parado sobre tierra firme y no sobre extienda el cuerpo. Mantenga su equilibrio en todo momento que esté operando la máquina.



Figura 1



### ¡ADVERTENCIA! Use Buen Juicio

**SIEMPRE** use protección para los ojos tal como lentes de seguridad para protegerse de objetos lanzados.

Use ropa de su talla para proteger su piernas y brazos. Los guantes siempre proveen protección adicional y son altamente recomendados. No use ropa holgada o joyas que puedan atascarse en la máquina o en la vegetación.

Amárrese el cabello largo de tal forma que esté sobre el nivel de los hombros.

**NUNCA** opere el motor cuando transporte la unidad.

**NUNCA** opere el motor en el interior! Cerciorese que siempre haya buena

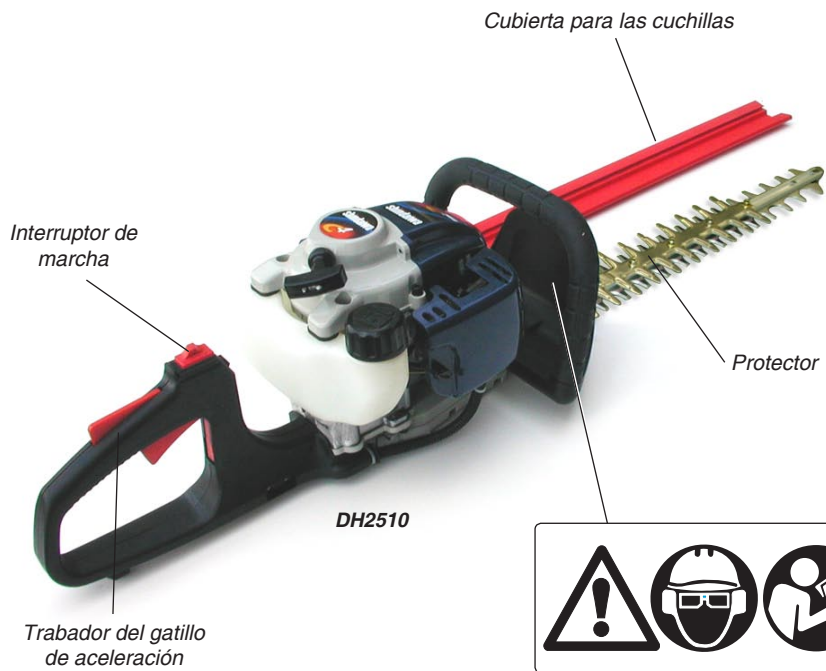
ventilación. El humo o gases del escape del motor pueden causar serias lesiones o la muerte.

**SIEMPRE** pare el motor inmediatamente si repentinamente empieza a vibrar. Inspeccione el accesorio de corte por partes quebradas, faltantes o instaladas incorrectamente.

**SIEMPRE** sujete la máquina firmemente con ambas manos cuando corte o recorte, y mantenga el control en todo momento.

**SIEMPRE** mantenga los mangos limpios.

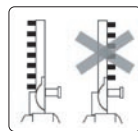
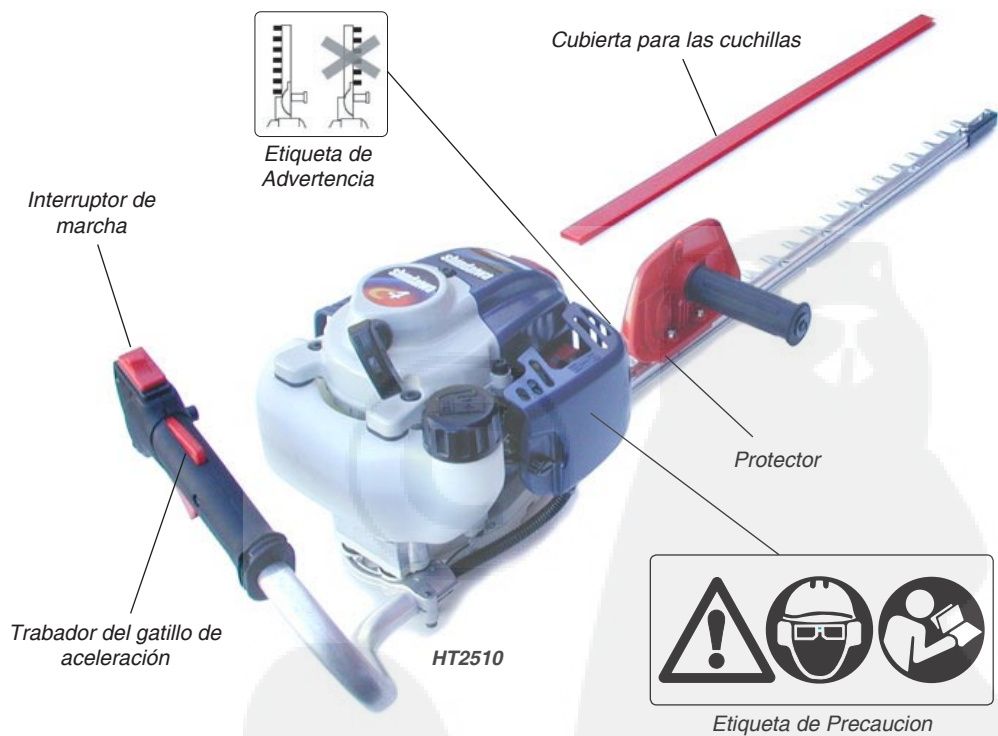
## Equipo de Seguridad y Etiquetas



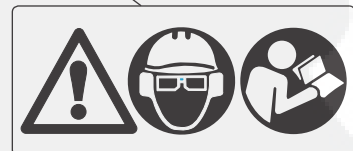
*Etiqueta de Precaucion*

### ¡IMPORTANTE!

Etiquetas de Cuidado, Peligro, Advertencia e Información de Funcionamiento: Asegurese de que todas las etiquetas de información no estén dañadas y que sean legibles. Reemplace inmediatamente cualquier etiqueta de información que falte o que este dañada. Puede obtener etiquetas nuevas de su agente local autorizado Shindaiwa.



*Etiqueta de Advertencia*



*Etiqueta de Precaucion*

**Figura 2**



## Especificaciones

	HT2510/EC2-3   HT2510/EC2-4		DH2510/EC2-2   DH2510/EC2-3	
Nombre de Modelo.....	SHF2510EC2		SHF2510EC2	
Modelo de Motor .....	4-tiempos, cilindro horizontal, refrigerado		4-tiempos, cilindro horizontal, refrigerado	
Tipo de Motor.....	5,7 kg   6,0 kg		5,9 kg   6,1 kg	
Peso Seco (excluyendo los accesorios de corte).....	34 mm x 27 mm		34 mm x 27 mm	
Diámetro x Carrera.....	24,5 cm <sup>3</sup>		24,5 cm <sup>3</sup>	
Cilindrada.....	8.000 min <sup>-1</sup> (RPM)		8.000 min <sup>-1</sup> (RPM)	
Velocidad del Motor a Potencia Máxima.....	0,83 kW		0,83 kW	
Potencia Máxima.....	3.000 min <sup>-1</sup> (RPM)		3.000 min <sup>-1</sup> (RPM)	
Régimen de Giro al Ralenti .....	10.500 min <sup>-1</sup> (RPM)		10.500 min <sup>-1</sup> (RPM)	
Régimen de Giro Máximo.....	50:1		50:1	
Proporción de Combustible.....	550 cm <sup>3</sup>		550 cm <sup>3</sup>	
Capacidad del Depósito de Combustible.....	Walbro WYJ		Walbro WYJ	
Carburador .....	Totalmente electrónico, controlado por transistor		Totalmente electrónico, controlado por transistor	
Sistema de Encendido .....	NGK CMR5H		NGK CMR5H	
Bujía.....	Tipo semihúmedo		Tipo semihúmedo	
Filtro de Aire .....	Arrancador autorretráctil		Arrancador autorretráctil	
Método de Arranque .....	Interruptor deslizante		Interruptor deslizante	
Método de Parada.....	1100 x 240 x 230 mm	1410 x 240 x 230 mm	1100 x 245 x 230 mm	1220 x 245 x 230 mm
Dimensiones (L x An x Al) .....	Ralenti 72dB (A)	71dB (A)	71dB (A)	72dB (A)
Nivel de Presión acústica* .....	Acelerado 94dB (A)	93dB (A)	94dB (A)	97dB (A)
Nivel de Emisión de Ruido* .....	102dB (A)	103dB (A)	102dB (A)	103dB (A)
Nivel de vibración (frontal/trasera)* ...	Ralenti 3,0/3,4 m/s <sup>2</sup>	4,8/4,9 m/s <sup>2</sup>	4,2/6,0 m/s <sup>2</sup>	3,2/5,0 m/s <sup>2</sup>
	Acelerado 7,9/8,9 m/s <sup>2</sup>	13,6/10,7 m/s <sup>2</sup>	9,3/12,4 m/s <sup>2</sup>	10,0/12,7 m/s <sup>2</sup>

Especificaciones sujetas a cambio sin previo aviso.

\* El Nivel sano de la Presión: de acuerdo con ISO 22868

\* El Nivel del Poder del Sonido: de acuerdo con ISO 3744 e ISO 11094 (los datos medios entre en holgazanear y competir)

\* El Nivel de la Vibración: de acuerdo con EN 28662-1

## Descripción de unidad

Familiarícese con la máquina y sus diversos componentes. El conocimiento de su máquina le ayudará a garantizar un rendimiento superior, una vida útil prolongada y un manejo más seguro.

### Antes del ensamblaje

Antes de ensamblar este producto asegúrese de que dispone de todos los componentes necesarios para que la unidad esté completa:

- Conjunto de motor (bloque motor)
- Conjunto de cuchillas y caja de engranajes
- Empuñadura trasera
- Empuñadura frontal
- Paquete de pernos
- Juego de herramientas que incluye: llaves de Allen, combinación de llave de bujía/llave de 13 mm.

Inspeccione con cuidado todos los componentes para comprobar que ninguno esté dañado.

### ¡IMPORTANTE!

Los términos "izquierda", "mano izquierda" y "MI" (en inglés, "LH"), "derecha", "mano derecha" y "MD" (en inglés, "RH"), "delantero" y "trasero", indican direcciones desde el punto de vista del usuario durante la utilización normal de este producto.

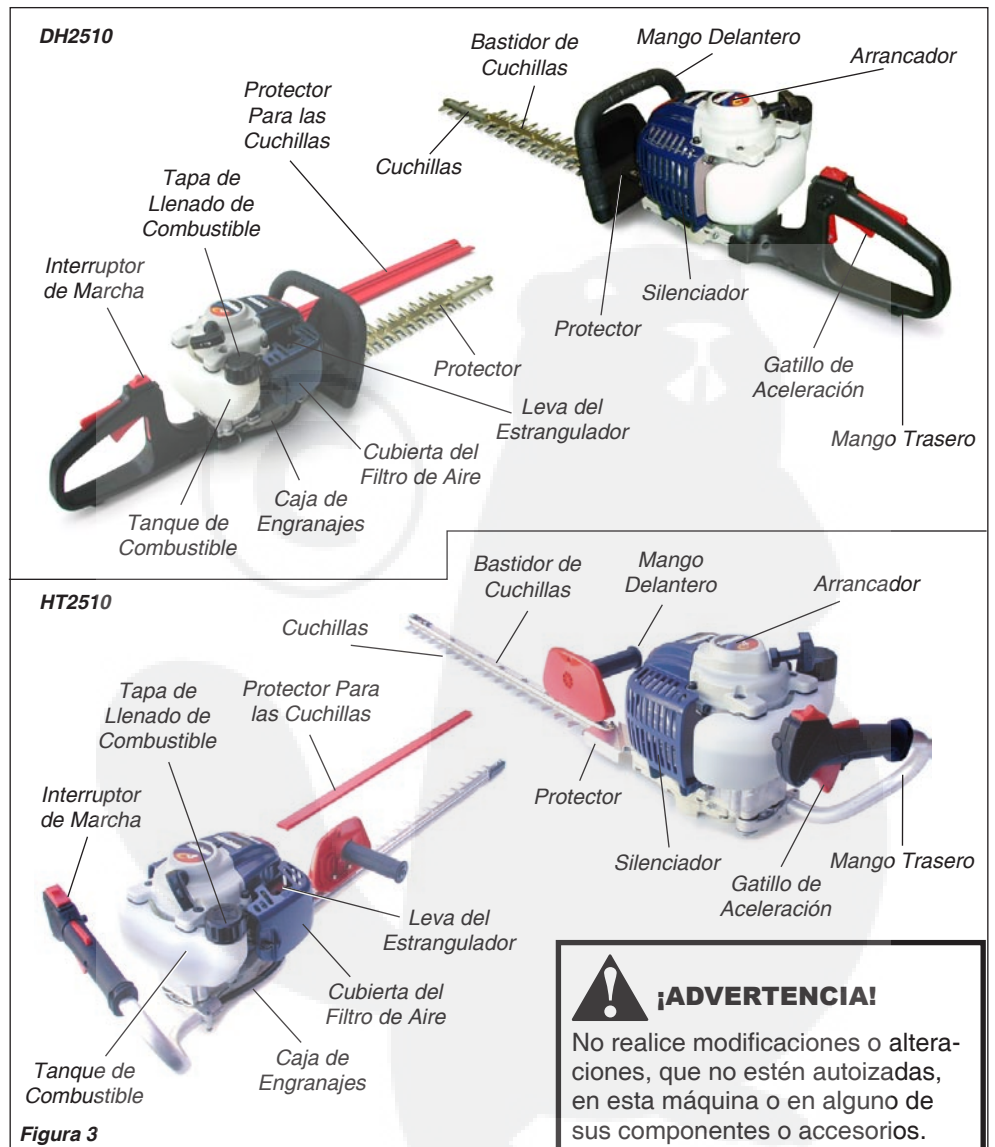


Figura 3



### ¡ADVERTENCIA!

No realice modificaciones o alteraciones, que no estén autoizadas, en esta máquina o en alguno de sus componentes o accesorios.

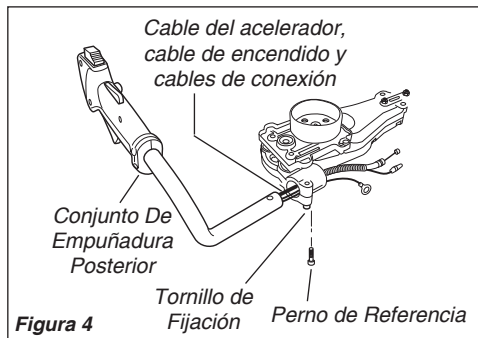
# Conjunto HT 2510

## (1) Acoplar la Empuñadura Posterior a la Caja de Engranajes

1. Retire de forma temporal el perno de referencial de 5 mm x 12mm..
2. Afloje, pero sin retirarlo, el tornillo de fijación de 5 mm x 25 mm.
3. Coloque la empuñadura posterior tal y como se indica. Comenzando desde la parte posterior del cortador, pase el cable del acelerador, el cable de encendido y el cable de conexión a tierra a través de la consola para el montaje de la empuñadura.
4. Deslice al empuñadura posterior dentro de la consola para el montaje hasta que toque el fondo. tenga cuidado de no aprisionar o dañar de algún modo los cable y alambres.

■ Alinee el agujero de la empuñadura posterior con el de la consola para el montaje y luego introduzca el perno de referencia de 5 mm x 12 mm y aprételo.

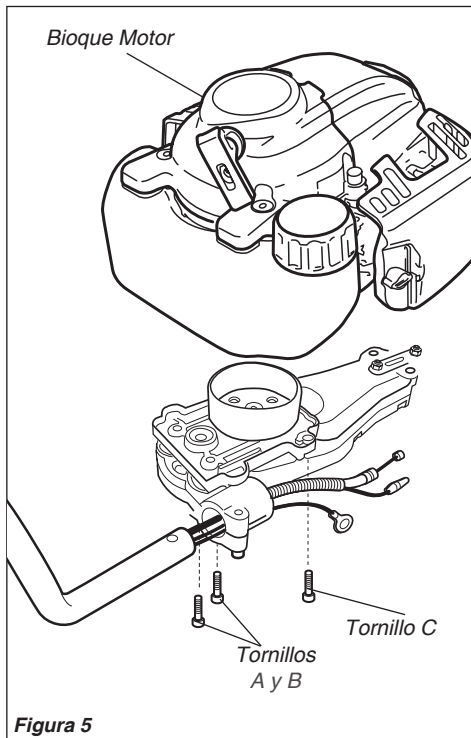
■ Apriete firmemente el tornillo de fijación de 5 mm x 25 mm.



## (2) Instalar el Bloque Motor en la Caja de Engranajes

■ Oriente el conjunto de la caja de engranajes hacia el bloque motor, tal y como se le indica, y asegure los tres tornillos de 6 mm x 16 mm.

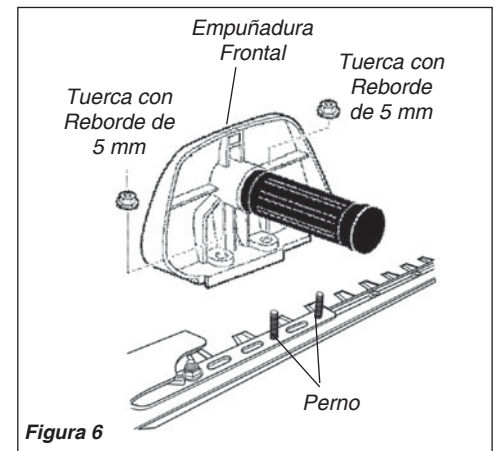
1. Apriete fuertemente los tornillos A y B.
2. Empuje el tornillo C a través del terminal de anillo del cable de conexión a tierra del acelerador y luego coloque el tornillo y fíjelo firmemente al bloque motor.



## (3) Instalar la Empuñadura frontal

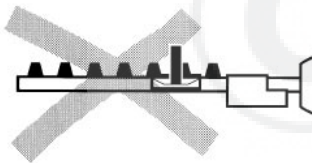
■ La empuñadura frontal se instala mediante un expárrago de 5 mm atornillado.

1. Coloque la tuerca con reborde de 5 mm sobre el expárrago de la espada, a continuación apriete la tuerca firmemente.



### ¡ADVERTENCIA!

Un ensamblaje incorrecto hará que el usuario quede expuesto a lesiones graves. Lea atentamente y siga las instrucciones de ensamblaje.



# Conjunto DH2510

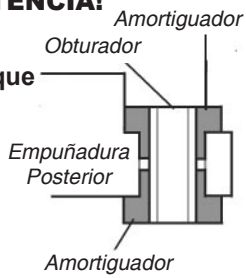
## (1) Acoplar la Empuñadura Posterior al Ensamblaje de la Caja de Engranajes



### ¡ADVERTENCIA!

Un ensamblaje incorrecto hará que el usuario quede expuesto a lesiones graves. Lea atentamente y siga las instrucciones de ensamblaje.

Antes de acoplar la empuñadura posterior, asegúrese de que los amortiguadores correspondientes están correctamente colodados.



1. Deslice la empuñadura posterior sobre la brida posterior del conjunto de cuchillas y caja de engranajes. Asegúrese de que, durante el ensamblaje, el cable del acelerador y los cables de encendido y conexión a tierra no queden aprisionados.
2. Asegúrese de que los agujeros de ajuste de la empuñadura posterior y de la caja de engranajes están alineados, a continuación fije la empuñadura posterior usando dos tornillos de cabeza hueca y arandelas de 6 mm x 35 mm.

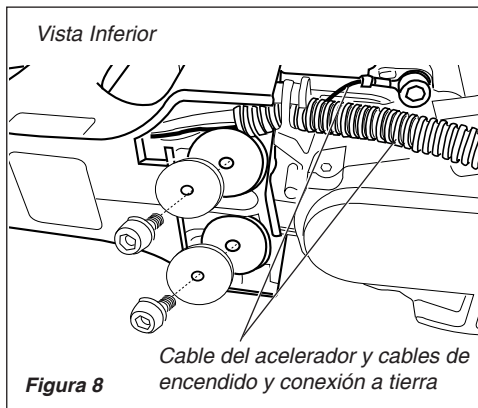


Figura 8

### ¡IMPORTANTE!

Las arandelas que se utilizan para la empuñadura posterior y la empuñadura frontal no son las mismas. Las arandelas para la empuñadura posterior se distinguen por ser de color negro.

## (2) Instalar la Empuñadura Frontal

1. Coloque la empuñadura frontal en el conjunto de cuchillas y caja de engranajes tal y como se indica.
2. Ajuste la empuñadura utilizando dos tornillos de cabeza hueca de 6 mm x 30 mm y arandelas.

## (3) Instalar el Bloque Motor en la Caja de Engranajes

■ Oriente el conjunto de la caja de engranajes y el bloque motor tal y como se indica, y fijelos con los tres tornillos de 6 mm x 16 mm (tornillos A, B, y C).

1. Apriete fuertemente los tornillos A y B.

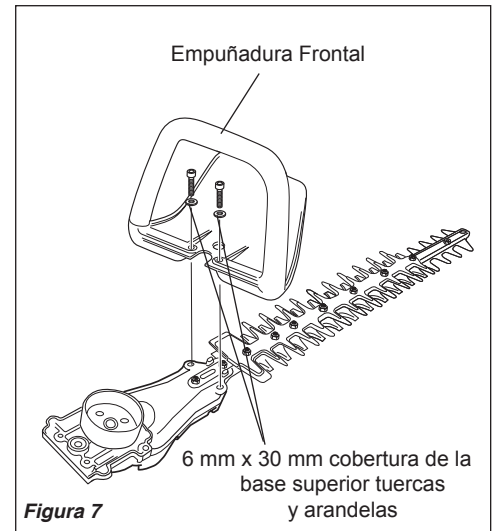


Figura 7

2. Pase el tornillo C a través del terminal de anillo del cable de conexión a tierra del acelerador (negro) y a continuación apriete firmemente el tornillo en el bloque motor.

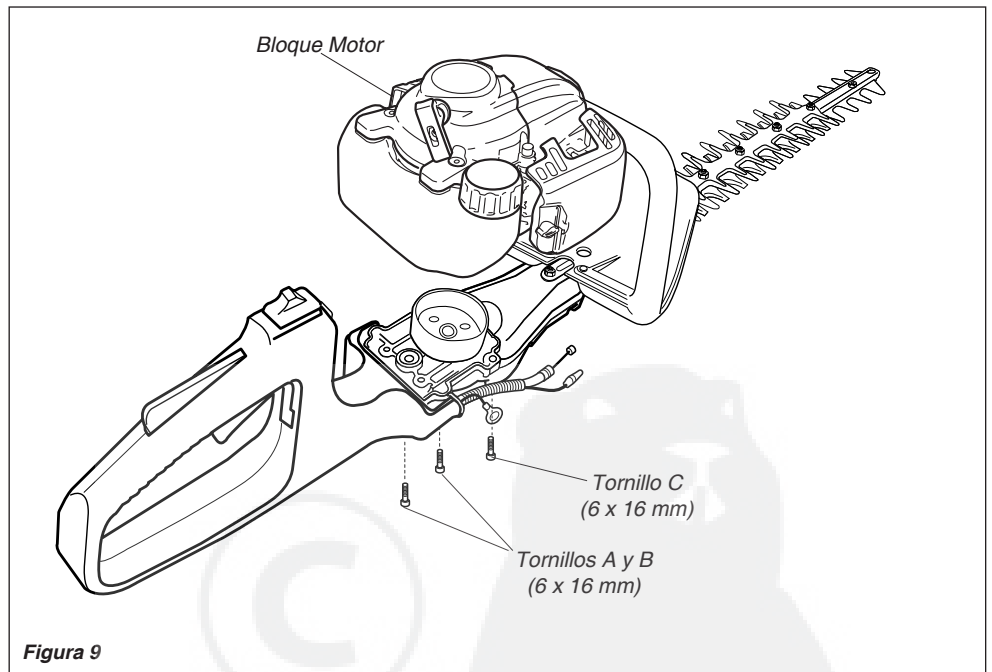


Figura 9

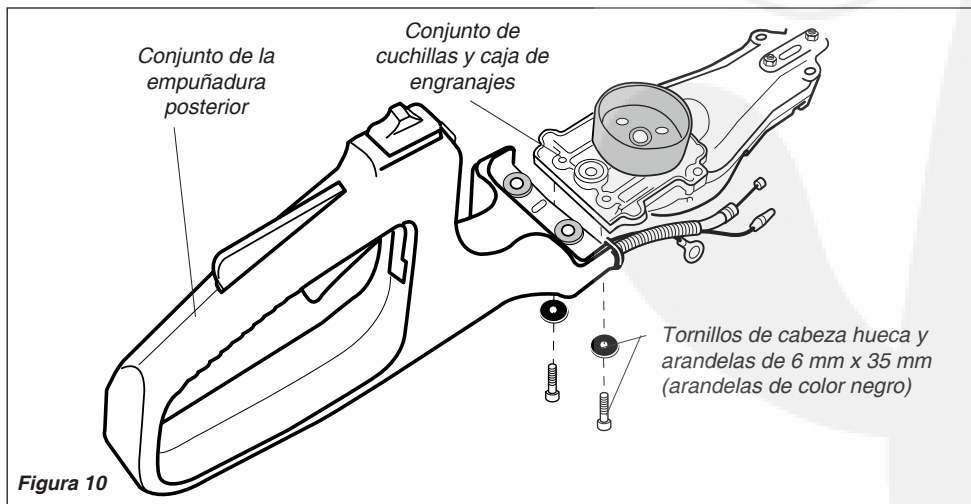


Figura 10



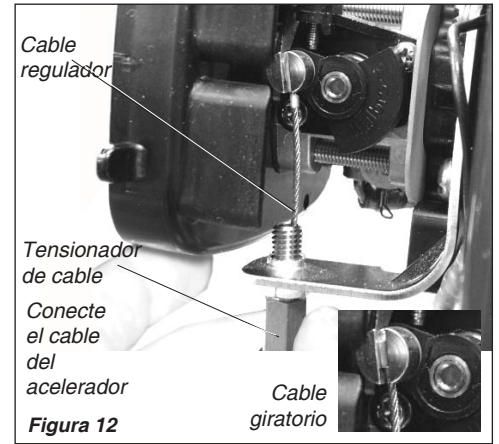
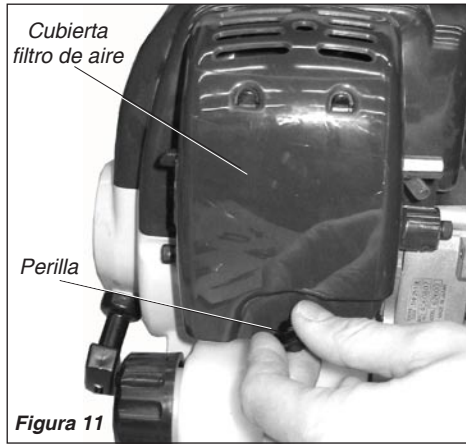
## Ensamblaje y Ajuste del cable de aceleración

### Conecte el Cable

1. Afloje el tornillo del cobertor del filtro de aire y remueva el cobertor. Vea la figura 11.
2. Introduzca el cable entre el ajustador del mismo e introduzca el gancho en la conexión giratoria. Vea la figura 12.

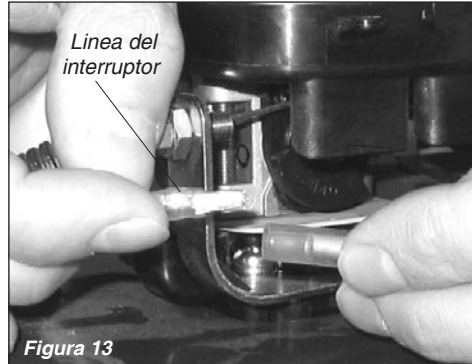
### Conecte línea del interruptor

3. Conecte el cable del interruptor al empujar las balas de conexión juntas. Vea la figura 13.
4. Vuelva a instalar el cobertor del filtro de aire.



### ¡PRECAUCIÓN!

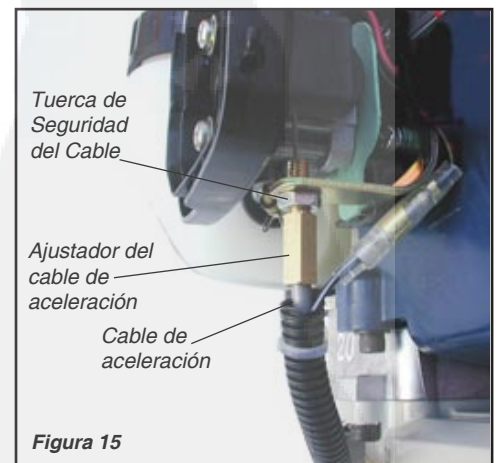
El cable de aceleración no debe de interferir con la operación del acelerador o el cebador.



## Ensamblaje y Ajuste Holgura del gatillo de aceleración

Mida la holgura del gatillo de aceleración. El gatillo debe de tener una holgura de aproximadamente 5 a 7 mm (0,2 a 0,275 pulg.). Si es necesario, ajuste la holgura de acuerdo a las siguientes instrucciones (proxima página).

1. Afloje la tuerca de fijación del adaptador de ajuste. Vea la Figura 14.
2. Enrosque o desenrosque el adaptador para obtener 5 a 7 mm (0,2 a 0,275 pulg.) de holgura en el gatillo de aceleración.
3. Reinstale la cubierta del filtro de aire y apriete el tornillo de sujeción a mano.



## Combustible

### ¡PRECAUCIÓN!

- Algunos tipos de gasolina contienen alcohol como oxigenante. Combustible oxigenante podría llegar a causar temperaturas elevadas durante la operación de la máquina. Bajo ciertas condiciones, combustible con base de gasolina podría también reducir las cualidades de la lubricación de algunos aceites mezclas para motores de 2-tiempos.
- Nunca utilice ningún tipo de gasolina con más de 10% de alcohol por volumen ! Aceites genéricos no deberían ser utilizados para alto rendimiento en motores de 2-tiempos, y nunca deben ser utilizados en motores Shindaiwa.


### ¡PRECAUCIÓN!


Este motor está certificado para funcionar únicamente con una mezcla de combustible compuesta de gasolina sin plomo y aceite de mezclar para motores de 2 tiempos ISO-L-EGD o JASO FC a proporción de 50:1.

- Utilice gasolina sin plomo nueva y limpia, La gasolina debe tener un grado de Octano de 87 o más alto.
- Mezcle combustible con aceite mezcla para motor de 2 tiempos enfriado por air que cumplan o excedan ISO-L-EGD y/o JASO JC a proporción de 50:1.

Gasoline liters	Aceite Mezcala Para Motor de 2-tiempos milliliters	
2,5 l.....		50 ml
5 l.....		100 ml
10 l.....		200 ml
20 l.....		400 ml

### ¡IMPORTANTE!

Mezcle el combustible necesario para uso inmediato. Si tiene que almacenar combustible por más de 30 días agréguele aceite  con aditivo estabilizador como por ejemplo STA-BIL™.

 es un aceite registrado JASO FC que cumple con los requerimientos ISO-L-EGD para mayor rendimiento. Shindaiwa one es recomendado para ser utilizado en forma conjunta con las máquinas de bajas emisiones. Shindaiwa también incluye un estabilizador de combustible.

## Llenado del tanque de combustible

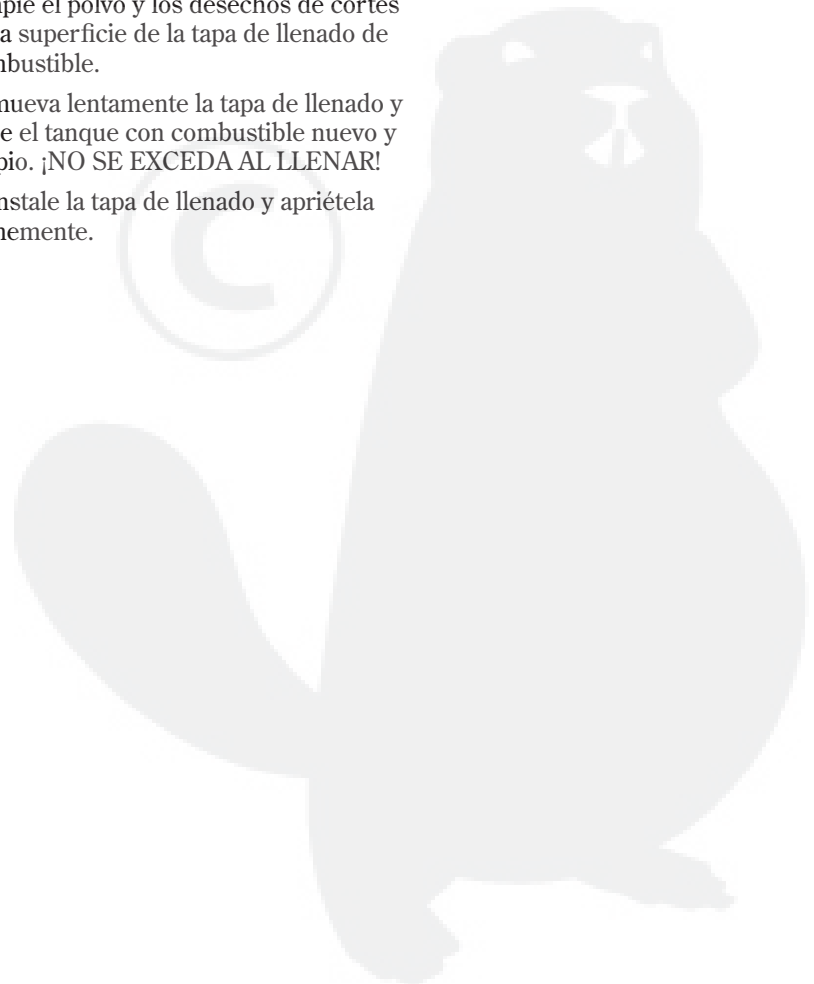


### ¡ADVERTENCIA!

#### ¡Disminuya el riesgo de incendios!

- DETENGA el motor antes de volver a llenar el tanque.
- SIEMPRE deje que el equipo se enfríe antes de cargar combustible.
- SIEMPRE aguarde el combustible en un envase apropiado para líquidos inflamables.
- Limpie todo el combustible derramado y aleje el equipo por lo menos 3 metros (10 pies) del sector de llenado de combustible antes de volver a arrancarlo!
- NUNCA arranque u opere esta unidad si existe una pérdida de combustible.
- NUNCA arranque u opere esta unidad si el carburador, las líneas de combustible, el tanque de combustible y/o la tapa del tanque de combustible están dañados.
- NUNCA fume o encienda fuego cerca del equipo o los combustibles.
- NUNCA coloque materiales inflamables cerca del silenciador del motor.
- NUNCA opere el motor sin el silenciador y el guardachispas en su posición correcta y funcionando adecuadamente.

1. Ponga la cortadora de setos HT2510/DH2510 en el suelo o sobre una superficie plana.
2. Limpie el polvo y los desechos de cortes de la superficie de la tapa de llenado de combustible.
3. Remueva lentamente la tapa de llenado y llene el tanque con combustible nuevo y limpio. ¡NO SE EXCEDA AL LLENAR!
4. Reinstale la tapa de llenado y apriétela firmemente.





## Instrucciones de Arranque

### ¡IMPORTANTE!

El sistema de encendido lo controla un interruptor deslizante de dos contactos. El rotulo STOP aparece grabado en el tope del botón del interruptor.



Figura 16

1. Deslice el botón del interruptor hacia la posición I (encendido). Consulte Figura 4.



Figura 17

2. Trabe el gatillo de aceleración en la posición de marcha acelerada según las siguientes instrucciones.
  - a. Oprima el gatillo de aceleración y el seguro del gatillo de aceleración a la misma vez.
  - b. Oprima el botón trabador y lentamente suelte el gatillo y el seguro del gatillo de aceleración a la misma vez.

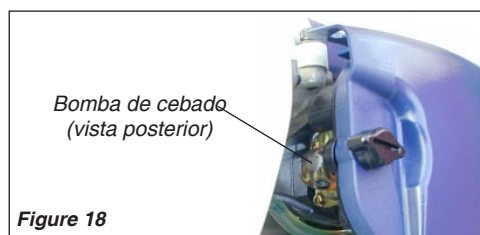


Figura 18

3. Oprima la bomba de cebado varias veces hasta que sienta resistencia y vea combustible fluir por la bomba. Consulte Figura 18.



### ¡ADVERTENCIA!

¡Mantenga las manos y el cuerpo alejados de las cuchillas en todo momento! Las cuchillas se moverán al arrancar el motor.

- Ponga la cortadora de setos sobre el suelo durante todas las operaciones de arranque.
- Cerciórese de estar en posición firme sobre el suelo y sujete la máquina firmemente.
- Mantenga a todos los niños, transeúntes y animales domésticos alejados de la cortadora de setos durante todas las fases de operación.

### ¡IMPORTANTE!

La bomba de cebado solamente empuja combustible a través del carburador. Presionando repetidamente la bomba de cebado no ahogará el motor con combustible.

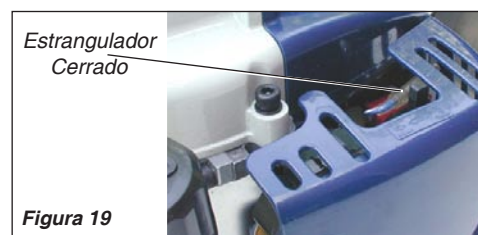


Figura 19

#### 4. (Motor frío)

Mueva la leva del estrangulador hacia adelante ("closed") para cebar el motor. Consulte Figura 19.

#### Arranque del Motor



Figura 20

5. Ponga la máquina en el suelo. Sujete el motor por la cubierta con la mano izquierda y con la mano derecha, empuñe el mango del arrancador. Consulte Figura 8.
6. Jale el mango del arrancador lentamente hacia afuera hasta que sienta el mecanismo de arranque engranar.
7. Jale el mango del arrancador rápidamente hacia afuera para arrancar el motor.

### ¡PRECAUCIÓN!

El arrancador le durará más si se opera de acuerdo a las siguientes recomendaciones.

- **Siempre** engrane el arrancador al comenzar el arranque del motor.
- **Nunca** extienda la cuerda del arrancador hasta el tope.
- **Permita** que la cuerda vuelva enrollar en el arrancador.

#### Cuando el Motor Enciende o Intenta Encender.

1. Mueva la palanca del estrangulador hacia atrás para abrir el estrangulador.
2. Después que el motor arranca accione el acelerador varias veces para eliminar el exceso de combustible de la cámara de combustión.
3. Si el motor se para, repita los procedimientos aplicables para el arranque de un motor frío o un motor caliente.



### ¡ADVERTENCIA!

Las cuchillas se mueven al acelerar el motor. Mantenga las manos y el cuerpo distanciados de las cuchillas.

#### Operación

- Al instante que el operario oprime el gatillo de aceleración, la marcha del motor se acelera. La aceleración de la marcha del motor causa que el embrague acople con la caja de engranajes, la cual acciona el movimiento de las cuchillas.
- La desaceleración de la marcha del motor es inmediata al instante que el operario libera el gatillo de aceleración. La marcha del motor vuelve a caer en marcha mínima y causa que el embrague se desacople de la caja de engranajes, la cual detiene el movimiento de las cuchillas.
- Los cortes se deben de llevar a cabo con movimientos de lado a lado (cortes laterales) o de arriba abajo (cortes verticales) variando la marcha del motor de acuerdo a la clase de seto que corta.
- Siempre se debe de evitar cortar setos que tienen más de 1,3 cm de diámetro.

#### Si el Motor no Enciende—

- Repita las instrucciones aplicables para el arranque de un motor frío o caliente.
- Consulte las instrucciones "Arranque de un motor ahogado."

## Arranque de un Motor Ahogado



### ¡ADVERTENCIA!

¡Riesgo de quemadura por el motor caliente. Permita que el motor enfrie antes de retirar la cubierta del cilindro.

1. Desconecte la bujía dirige, y entonces utiliza la llave inglesa de bujía para aflojar y quitar la bujía.
2. Si la bujía se fouled o es empapada con el combustible, limpia o reemplaza el tapón como sea necesario. Para especificaciones de bujía y procedimiento de gapping, vea página 13.
3. Con la bujía quitada, acodar el motor para vaciar varias veces el combustible del exceso de la cámara de combustión.

4. Reemplace la bujía y lo aprieta firmemente con la llave inglesa de bujía. Si una llave inglesa del momento de torsión está disponible, el momento de torsión la bujía a 170-190 kg cm.

### ¡PRECAUCIÓN!

La instalación incorrecta de la bujía puede dañar el motor.

5. Repita los procedimientos que empiezan para un motor tibio.
6. Si el motor falla todavía empezar o despedir, referirse al gráfico de la localización de fallas a fines de este manual.

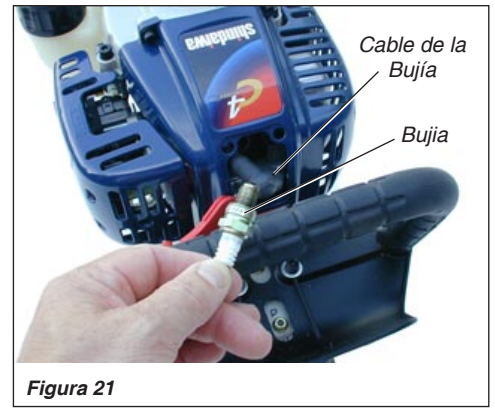


Figura 21

## Ajuste de la Marcha Mínima

La velocidad del motor debe de volver a marcha mínima en todo momento que el gatillo de aceleración se libera. La marcha mínima es regulable y se ajusta, de acuerdo a las especificaciones del motor, para que el motor permita que el embrague centrífugo se desacople de los engranajes.



### Para Ajustar la Marcha Mínima:

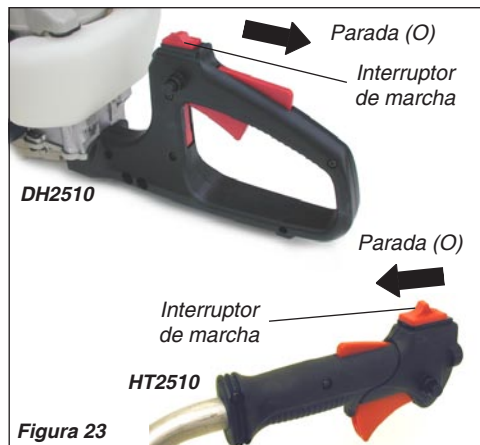
1. Arranque el motor y permita que opere por dos o tres minutos para que alcance la temperatura normal de operación.
2. Si las cuchillas se mueven con el motor operando en marcha mínima, gire el tornillo de ajuste de marcha mínima en sentido contrario a la manecillas del reloj hasta que las cuchillas de detengan.
3. Si tiene disponible un medidor de revoluciones para motores de dos tiempos (tacómetro), ajuste la velocidad de marcha mínima a  $3000 \pm 250$  RPM ( $\text{min}^{-1}$ ).
4. Los tornillos de ajustar la mezcla del carburador tienen calibración de fábrica y no se pueden ajustar.



### ¡ADVERTENCIA!

Las cuchillas NUNCA deben moverse cuando el motor esta operando en marcha mínima. Si la marcha mínima no se puede ajustar de acuerdo a las instrucciones proveidas, consulte con su distribuidor Shindaiwa o centro de reparación autorizado.

## Parada Normal del Motor



1. Permita que el opere en marcha mínima por dos o tres minutos para que la temperatura del motor se estabilice.
2. Mueva el botón del interruptor a la posición O (apagado). Consulte Figura 11.

# Mantenimiento y Ajustes

## ¡IMPORTANTE!

CUALQUIER ESTABLECIMIENTO O TÉCNICO CAPACITADO PODRÁ LLEVAR A CABO EL MANTENIMIENTO, REEMPLAZO O REPARACIÓN DE LOS DISPOSITIVOS Y SISTEMAS DE CONTROL DE EMISIONES; NO OBSTANTE LO ANTERIOR, LAS REPARACIONES CUBIERTAS POR LA GARANTÍA LAS DEBERÁ LLEVAR A CABO UN DISTRIBUIDOR O CENTRO DE SERVICIO AUTORIZADO POR SHINDAIWA KOGYO, CO., LTD. EL USO DE REFACCIONES QUE NO SEAN EQUIVALENTES EN DESEMPEÑO Y DURABILIDAD A LAS REFACCIONES AUTORIZADAS PODRÍA AFECTAR LA EFICACIA DEL SISTEMA DE CONTROL DE EMISIONES. ASIMISMO, PODRÍA AFECTAR LA RESPUESTA DADA A CUALQUIER SOLICITUD DE COBERTURA DE GARANTÍA.



## ¡ADVERTENCIA!

Un arranque accidental puede causar lesiones graves. Antes de llevar a cabo cualquier tarea de mantenimiento a este equipo, detenga la marcha del motor y desconecte la bujía.

1. Limpie todos los residuos de corte y sucio de la cortadora de setos.
- Limpie los residuos de corte acumulados alrededor del tanque de combustible y el silenciador.
- Inspeccione las aletas de enfriamiento del motor y límpielas si es necesario.
- Limpie la superficie interior de la cubierta del motor y el área alrededor de la bujía.
- Inspeccione el elemento del filtro de aire y límpielo según sea necesario.

## Inspección y mantenimiento diario

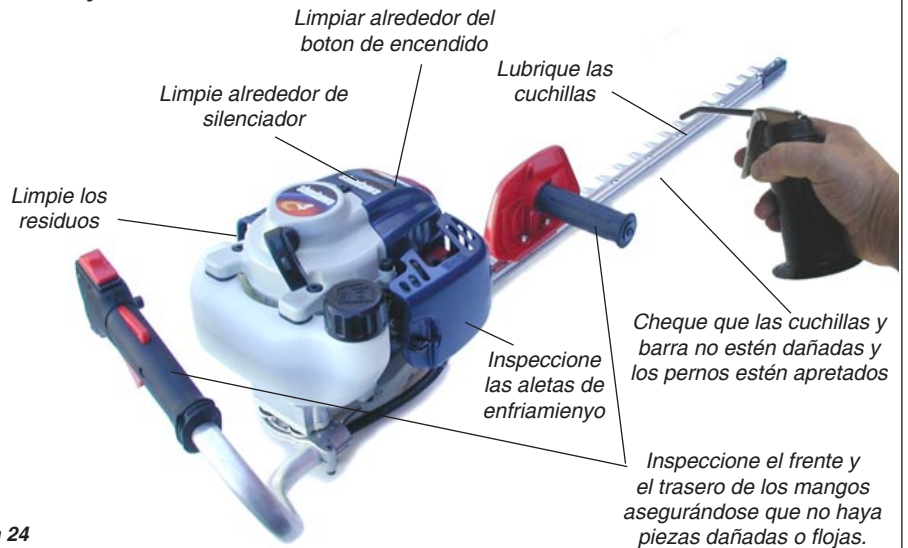


Figura 24



## ¡ADVERTENCIA!

Para reducir el riesgo de incendios, mantenga las superficies del motor y el silenciador libres de residuos, hojas o exceso de grasa.

2. Inspeccione en búsqueda de componentes flojos, dañados o faltantes, y lleve a cabo reparaciones necesarias.
3. Lubrique las cuchillas con aceite de maquinaria de grado fino antes de usar y cada vez que llena el tanque de combustible.
4. Revisar las cuchillas y asegurarse que todas las tuercas están apretadas.

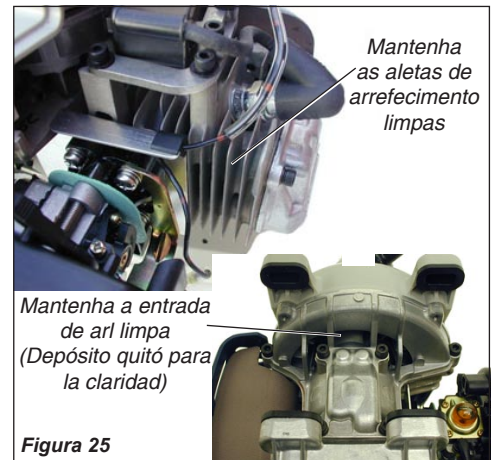


Figura 25

## Mantenimiento Cada 10 Horas

### ¡PRECAUCIÓN!

No opere esta máquina si el filtro de aire está sucio, dañado o si está húmedo.

**Cada 10 horas de operación**(más frecuentemente bajo condiciones sucias o polvorientas):

- Retire el elemento del filtro de aire. Consulte la figura 26. Limpie o reemplace como sea necesario. Para lavar el elemento: Lave meticulosamente con agua y jabón. Deje que seque antes de reinstalarlo.



Figura 26



## Mantenimiento cada 10/15 Horas

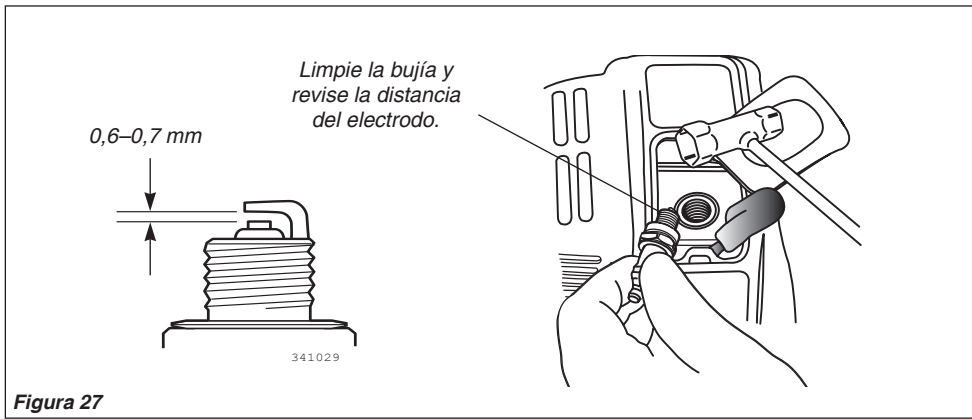


Figura 27

### Cada 10 ó 15 horas de operación

- Retire y limpie la bujía. Ajuste la distancia del electrodo a 0,6-0,7 mm. Si la bujía necesita ser reemplazada, use solamente una bujía NGK CMR5H o una bujía equivalente con resistencia al calor correcta. Consulte la Figura 27.

#### NOTA:

La NGK CMR5H también cumple con los requisitos de la regulación de electro magnéticos (EMC).

#### PRECAUCIÓN!

Antes de retirar la bujía limpie alrededor de la misma para evitar que entre polvo o suciedad a las partes internas del motor.

## Cada 50 Horas

(Más frecuente en condiciones polvorrientas o adversas)

- Retire y limpie la tapa del cilindro y limpie la maleza y la suciedad en lasaletas del cilindro.

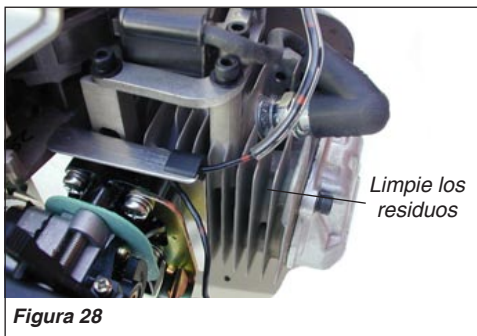


Figura 28

#### PRECAUCIÓN!

Asegure de no perforar la tubería decom bustible con la punta del gancho de alambre, pues esta línea es delicada y se puede dañar fácilmente.

- Use un gancho de alambre para extraer el filtro de combustible del tanque de combustible. Consulte la figura 31. Retire y reemplace el elemento del filtro. Antes de reinstalar el filtro, inspeccione la condición de todos los componentes del sistema de combustible (manguera de alimentación, manguera del ventilador, ventilador, tapa y tanque). Si descubre

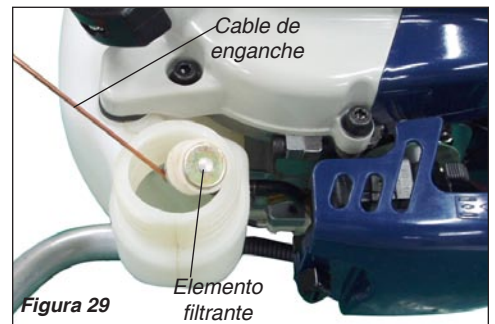


Figura 29

daños, quebraduras o deterioración, retire la unidad de operación hasta que pueda ser inspeccionada o reparada por un técnico de servicio entrenado por Shindaiwa.

## Lubricación de la Caja de Engranaje

#### ¡PRECAUCIÓN!

- ¡El exceso de grasa puede causar que los engranajes giren más despacio y también causar fugas de grasa!

Cada 20 horas

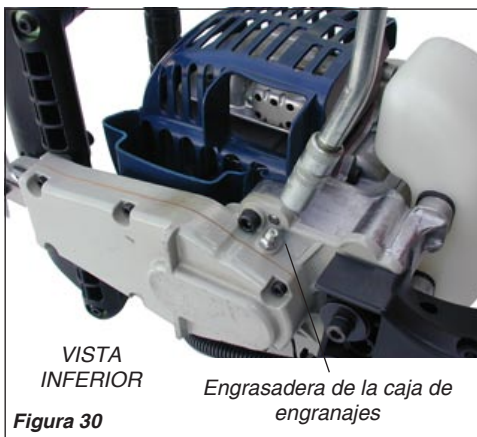


Figura 30

Lubrique la caja de engranajes con una pistola de engrase. Inyecte grasa de alta calidad a base de litio por el accesorio de engrase activando la palanca de la pistola de engrase entre dos y tres veces.

Cada 100 Horas (o antes de almacenaje por largo tiempo)



Figura 31

Limpie la superficie exterior de la caja de engranajes. Retire la tapa de la caja de engranaje y con solvente y una brocha de cerdas finas, limpie toda la grasa en la caja de engranaje. Después de limpiar, lubrique a mano, con aproximadamente 40 a 50 gramos de grasa a base de litio (50-70% de la capacidad). NO SE EXCEDA AL LLENAR. Reinstale la tapa en la caja de engranajes y apriete los tornillos firmemente.

## Cuchillas

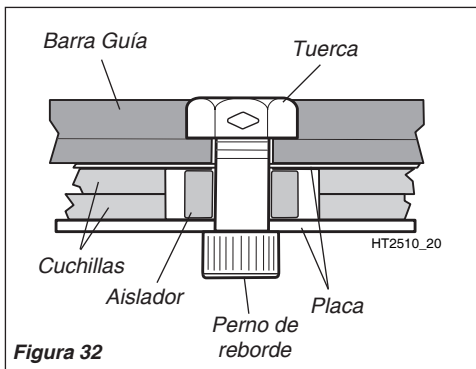


Figura 32

Los Cuchillas estándar no necesitan ajustes periódicos. Asegúrese de que todos los tornillos estén bien apretados y en buena condición.

- Limpie los discos y aplique una capa ligera de aceite a todas las superficies metálicas. Se pueden usar aceites de vegetales para evitar que plantas sensibles se manchen.

## Cada 139 Horas

**Darle mantenimiento después de las primeras 139 horas de operación, después darle mantenimiento cada 150 horas.**

- La cámara de combustión debe de ser descarbonizada y la separación de la válvula ajustada. Es recomendable que esto sea hecho por un técnico entrenado por Shindaiwa.
- Reemplace la bujía anualmente. Use solamente NGK CMR5H o la bujía de resistencia equivalente que tenga el alcance de temperatura correcta. Calibre la bujía con una medida de 0,6-0,7 mm.

### NOTA:

La NGK CMR5H también satisface los requisitos de conformidad electromagnéticas (EMC).

### ¡PRECAUCIÓN!

- El ajustar la válvula incorrectamente puede causar dificultad al arrancar y/o dañar la máquina. Vea el manual de servicio del C4 para instrucciones completas de cómo ajustar las válvulas y las especificaciones correctas de torsión.
- Si no está familiarizado con este motor o no se siente seguro del proceso, consulte con un agente autorizado Shindaiwa.

### Ajuste de la válvula

1. Remueva la tapa del cilindro, la cubierta del balancín, y ajuste el pistón a compresión de TDC.

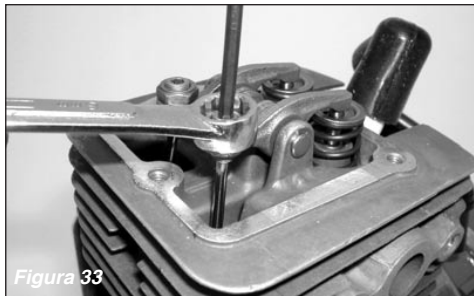


Figura 33

2. Vaya soltando la contratuerca ajustadora para que el tornillo ajustador de la arandela Allen de 2,5 mm pueda dar vueltas sin problemas.

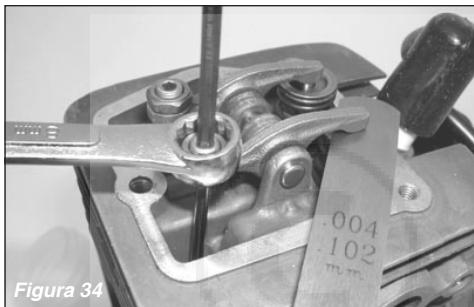


Figura 34

3. Introduzca el calibrador (.003 para consumo; .004 para combustión) en medio de la punta de la válvula y del brazo del balancín.
4. De vuelta al tornillo ajustador (derecha = aprieta, izquierda = afloja)

hasta que el calibrador esté bien ajustado. Quítelo un poco para permitir que el calibrador salga sin mucha resistencia.

5. Mientras sostiene el tornillo ajustador en su lugar con un destornillador Allen, apriete la contratuerca con la llave.
6. Vuelque el motor varias veces y vuelva a ajustar la compresión a TDC. Vuelva a chequear con el calibrador apropiado para asegurarse que el espacio de ajuste no cambió como resultado de haber apretado la contratuerca. Vuelva a ajustarlo si es necesario.



Figura 35

7. Reemplace la cubierta del balancín para asegurarse de que esté sellado apropiadamente e instale la tapa.

### ¡IMPORTANTE!

Si la empaquetadura no está disponible y/o la usada no está dañada, la usada puede volverse a usar. Nunca use empaquetaduras rotas o ¡dañadas!



## Mantenimiento de la Maya Guardachispas

Si el motor se pone pereroso o tiene baja potencia, revise y limpie la maya del guardachispas.



### ¡ADVERTENCIA!

Nunca opere la unidad con un silenciador o guardachispas dañado o faltante! De lo contrario, puede ser un riesgo de incendio y podría también causar daños a sus oídos.

1. Con una llave hexagonal de 3 mm retire los cuatro tornillos de la tapa del motor y la tapa del motor. Consulte la figura 36.
2. Con una llave hexagonal de 3 mm retire los pernos del silenciador y el silenciador. Consulte la figura 36.
3. Con un destornillador de cuchilla plana retire los dos tornillos sosteniendo la maya guardachispas y la tapa del silenciador. Consulte la figura 36.
4. Retire la maya del guardachispas y limpie con un cepillo de cerdas gruesas.
5. Inspeccione el escape del cilindro en busca de acumulación de carbón.

### ¡IMPORTANTE!

Si nota acumulación excesiva de carbón, consulte con su centro de servicio autorizado Shindaiwa.

6. Vuelva a ensamblar el guardachispas, el silenciador y la tapa del motor en forma reversa al orden de desensamblaje.

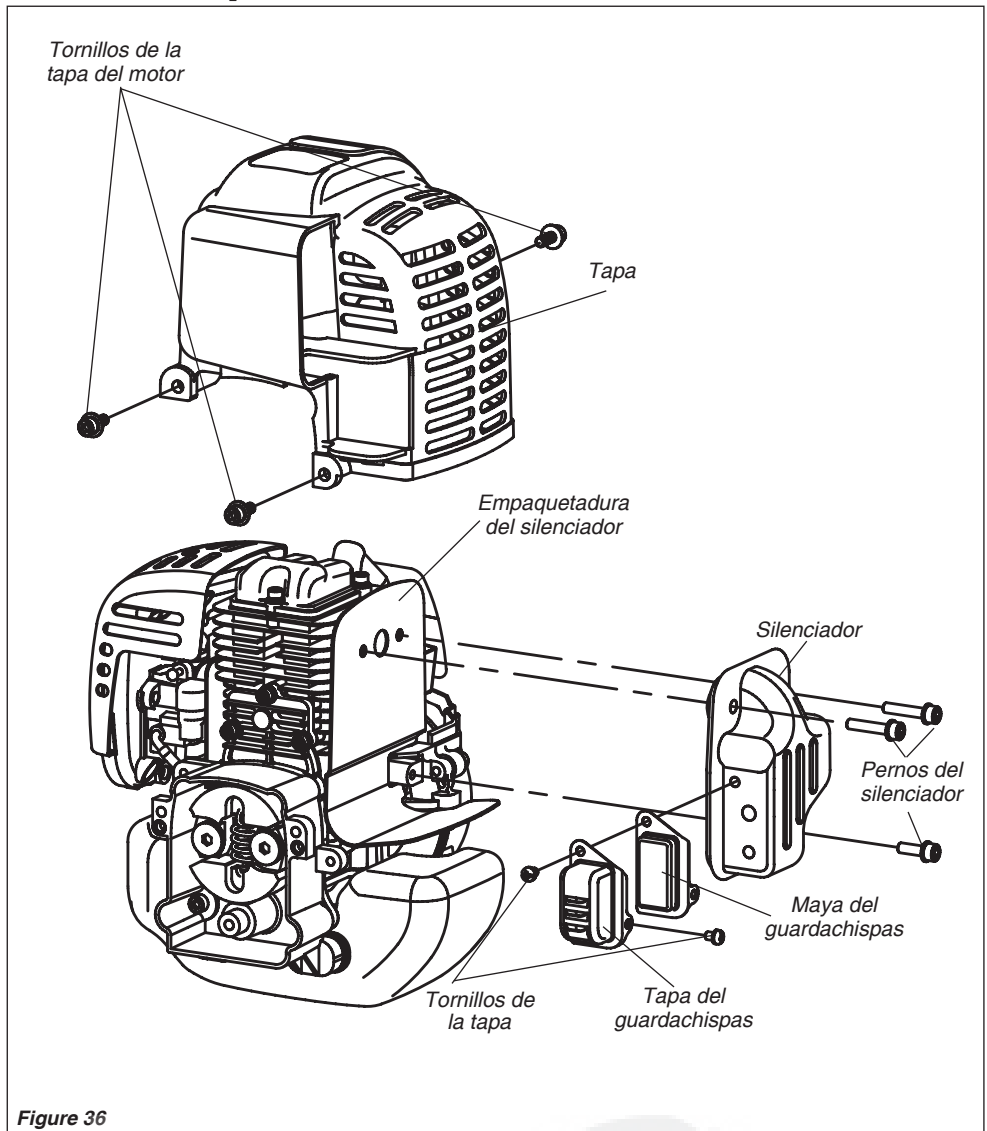


Figure 36

## Almacenamiento

- Limpie bien el exterior de la máquina.
- Limpie todos los residuos de hojas y cortes de las aletas del cilindro y otros componentes según se describe en la sección "Mantenimiento diario".
- Drene todo el combustible en un recipiente aprobado para el almacenamiento de combustible. Encienda el motor y dejelo funcionar hasta que combustible en el carburador, y en la manguera de alimentación se agoten y la marcha del motor se detenga.
- Retire la bujía y vierta aproximadamente 7,4 ml de aceite en el cilindro a través del agujero de la bujía. Antes de volver a instalar la bujía, haga girar el motor con el arrancador para que el aceite lubrique la pared del cilindro.
- Limpie el elemento de aire según se describe en la sección "Mantenimiento diario".
- Repare o cambie cualquier pieza dañada si es necesario.
- Almacene la máquina en un lugar limpio, seco y sin polvo.

### ¡PRECAUCIÓN!

Nunca almacene esta máquina con combustible en el tanque, en las mangueras ni en el carburador. La garantía de esta máquina Shindaiwa no provee cobertura por daños causados por combustible rancio o contaminados.

### ¡IMPORTANTE!

Todo combustible almacenado debe estar estabilizado con un estabilizador de combustible tal como STA-BIL.™

# Guía Diagnóstico

## EL MOTOR NO ENCIENDE O CUESTA QUE ENCIENDA

Que Revisar	Possible Causa	Recomendación
Gasolina sobre calentada en el carburador.	Motor sobrecalentado. Mala calidad del combustible.	Dejar que la maquina se enfríe y volver a encender el motor.  Vuelva a llenar el tanque con octanaje 87 o mejor mezclado con aceite de dos tiempos de enfriamiento de aire que tenga los estándares ISO-LEGD y/o JASCO FC con una mezcla de 50:1.
Ajuste de válvulas.	El ajuste de válvulas esta muy apretado. Valve clearance too loose.	Ajuste las valvulas. Vea la pagina 14.

## EL MOTOR NO ENCIENDE

Que Revisar	Possible Causa	Recomendación
¿El motor gira?	<b>NO</b> Arrancador defectuoso. Fluido en el caja de cigüeñal. Averías internas.	Consulte con su distribuidor Shindaiwa.
<b>SI</b>		
¿Buena compresión?	<b>NO</b> Bujía floja. Desgastes excesivo en cilindro, pistón o los anillos.	Apriete y vuelva a encender el motor. Consulte con su distribuidor Shindaiwa.
<b>SI</b>		
¿Tiene el tanque combustible adecuado y limpio?	<b>NO</b> Llene con gasolina mezclada con aceite (Shindaiwa Premium One ISO-L-EGD or JASO FC class 2-cycle mixing oil; proporción 50:1).	Vuelva a llenar el tanque con octanaje 87 o mejor mezclado con aceite de dos tiempos de enfriamiento de aire que tenga los estándares ISO-LEGD y/o JASCO FC con una mezcla de 50:1.
<b>SI</b>		
¿Se ve combustible fluir y circular por la manguera?	<b>NO</b> Revise las manguera de alimentación y el filtro.	Limpie/cambie como sea necesario.
<b>SI</b>		
¿Tiene buena Chispa en la bujía?	<b>NO</b> El interruptor en la posición (O) apagado. Conexión a tierra defectiva. La energía se va a tierra. Bobina defectiva.	Mueva al la posición de (I) encendido y vuelva a encender el motor. Consulte con su distribuidor Shindaiwa. Haga girar el motor sin la bujía puesta. Vuelva a poner la bujía y vuelva a encender el motor.
<b>SI</b>		
Revisevise la bujía.	Si la bujía esta húmeda, hay exceso de combustible en el cilindro.  Los electrodos pueden estar llenos de carbón o húmedos.  La bujía esta dañada internamente o es del tamaño equivocado.	Limpie y calibre la bujía a 0,6-0,7 mm. Vuelva a encender el motor.  Cambie la bujía. NGK CMR5H. Vuelva encender el motor.  Remplace la bujía por una NGK CMR5H o equivalente bujía que tolere temperatura similar. Ajuste la distancia del electrodo a 0,6 - 0,7 mm.

### Que Comprobar

### Posible Causa

### Recomendación

<p>¿El motor se está recalentando?</p>	<p>El operario está forzando la máquina.</p> <p>El carburador ajustado muy pobre.</p> <p>Relacion del aire y combustible fuera de calibración.</p> <p>Ventilador, cubierta del ventilador, aletas del cilindro sucias o quebradas.</p> <p>Depositos de carbón en el cilindro y/o escape.</p>	<p>  Corte menos forzado.</p> <p>  Consulte con su distribuidor Shindaiwa.</p> <p>  Vuelva a llenar el tanque con octanaje 87 o mejor mezclado con aceite de dos tiempos de enfriamiento de aire que tenga los estándares ISO-LEGD y/o JASCO FC con una mezcla de 50:1.</p> <p>  Limpie, reemplace si es necesario.</p> <p>  Consulte con su distribuidor Shindaiwa.</p>
<p>Mucha brusca en todas las velocidades. Puede haber humo negro y/o combustible líquido saliendo por el escape.</p>	<p>Filtro de aire tapado o sucio.</p> <p>Bujía floja o defectuosa.</p> <p>Fuga de aire o manguera de alimentación tapada o sucio.</p> <p>Agua en el combustible.</p> <p>Pistón fundido.</p> <p>Carburador defectuoso.</p>	<p>  Limpie el filtro aire.</p> <p>  Apriete o cambie la bujía con NGK CMR5H o equivalente bujía que tolere temperatura similar Ajuste la distancia del electrodo a 0,6 - 0,7 mm.</p> <p>  Repare o cambie el filtro y/o la manguera de combustible.</p> <p>  Vuelva a llenar el tanque con octanaje 87 o mejor mezclado con aceite de dos tiempos de enfriamiento de aire que tenga los estándares ISO-LEGD y/o JASCO FC con una mezcla de 50:1</p> <p>  Consulte con su distribuidor Shindaiwa.</p>
<p>Motor con ruidos internos.</p>	<p>Sobrecalentamiento.</p> <p>Combustible de bajo octanaje.</p> <p>Depositos de carbón en la cámara de combustión.</p>	<p>  Vea arriba.</p> <p>  Verifique el índice de octano. Use gasolina nueva y limpia con octanaje de 87 o más alto. (pagina 9)</p> <p>  Consulte con su distribuidor Shindaiwa.</p>



## Guía Diagnóstico (continuación)

### OTROS PROBLEMAS

Síntoma	Posible Causa	Recomendación
Aceleración pobre.	<ul style="list-style-type: none"> <li>Filtro de aire sucio.</li> <li>Filtro de combustible sucio.</li> <li>Carburador calibrado muy pobre.</li> <li>Marcha mínima muy baja.</li> </ul>	<ul style="list-style-type: none"> <li>Limpie el filtro de aire.</li> <li>Cambie el filtro de combustible.</li> <li>Consulte con su distribuidor Shindaiwa.</li> <li>Ajuste: a 3000 (<math>\pm 250</math>) RPM (<math>\text{min}^{-1}</math>).</li> </ul>
El motor se apaga bruscamente.	<ul style="list-style-type: none"> <li>El interruptor está en la posición de apagado.</li> <li>Tanque de combustible vacío.</li> <li>Filtro de combustible obstruido.</li> <li>Agua en el combustible.</li> <li>Bujía en cortocircuito o terminal flojo.</li> <li>Falla en el sistema de encendido.</li> <li>Pistón trabado en el cilindro.</li> </ul>	<ul style="list-style-type: none"> <li>Mueva el botón del interruptor en la posición "I" y vuelva a arrancar el motor.</li> <li>Llene el tanque.</li> <li>Cambie el filtro de aire.</li> <li>Drene y vuelva a llenar el tanque con combustible limpio con octanaje 87 o mejor mezclado con aceite de dos tiempos de enfriamiento de aire que tenga los estándares ISO-LEGD y/o JASCO FC con una mezcla de 50:1.</li> <li>Limpie y reemplace la bujía, apriete la terminal.</li> <li>Consulte con su agente autorizado Shindaiwa.</li> </ul>
Se hace difícil apagar el motor.	<ul style="list-style-type: none"> <li>Cable de conexión a tierra desconectado o el interruptor está defectuoso.</li> <li>Sobrecalentamiento debido a bujía incorrecta.</li> <li>Motor sobrecalentado. Marcha mínima ajustada demasiado alta.</li> </ul>	<ul style="list-style-type: none"> <li>Verifique las conexiones a tierra. Consulte con su agente autorizado Shindaiwa.</li> <li>Apriete o cambie la bujía con NGK CMR5H o equivalente bujía que tolere temperatura similar Ajuste el la distancia del electrodo a 0,6 - 0,7 mm.</li> <li>Haga funcionar el motor en marcha mínima hasta que enfrie un poco. Ajuste marcha mínima 3000 (<math>\pm 250</math>)rpm (<math>\text{min}^{-1}</math>). Refiérase para paginar 17.</li> </ul>
El accesorio de corte gira con el motor en marcha mínima.	<ul style="list-style-type: none"> <li>Las revolutions del motor están muy altas.</li> <li>Los resortes del embrague o los hoyos que los sostienen están desgastados.</li> </ul>	<ul style="list-style-type: none"> <li>Ajuste las revolutions a 3,000(<math>\pm 250</math>) rpm (<math>\text{min}^{-1}</math>).</li> <li>Reemplace los resortes/zapatas que se requieran, verifique las revolutions del motor.</li> </ul>
Vibración excesiva.	<ul style="list-style-type: none"> <li>Los cortadores están envueltos o dañados.</li> <li>Caja de engranaje floja.</li> <li>Cigüeñal dañado/viejo o bujes danados.</li> </ul>	<ul style="list-style-type: none"> <li>Inspeccionar y reparar cuchillas cuando sea necesario.</li> <li>Apriete caja de engranaje fijamente.</li> <li>Inspeccionar y reemplazar cuando sea necesario.</li> </ul>
Conexión de cuchilla no se moverá.	<ul style="list-style-type: none"> <li>Embrague dañado/viejo.</li> <li>Caja de engranaje dañada.</li> </ul>	<ul style="list-style-type: none"> <li>Inspeccionar y reemplazar cuando sea necesario.</li> <li>Consultar con un técnico autorizado de servicio.</li> </ul>



# DECLARACIÓN DE CONFORMIDAD

Por la presente declaamos que el cortasetos de Shindaiwa,  
Modelo HT2510 (HT2510/EC2-3, HT2510/EC2-4, DH2510/EC2-2, DH2510/EC2-3).

Cumple los siguientes requisitos.

Directivas del Consejo:	Estándar utilizado:
89/336/EEC en su forma modificada	EN 292 partes 1y2
98/37/EC en su forma modificada	EN 774
2000/14/EC en su forma modificada	CISPR 12
2004/26/EC en su forma modificada	

Nivel de emisión de ruido medido: 106dB(A)


Nivel de emisión de ruido garantizado: 107dB(A) (HT2510/EC2-3, HT2510/EC2-4)  
: 108db(A) (DH2510/EC2-2, DH2510/EC2-3)

Documentación técnica conservada en:  
K. Maeda DIV. Manager  
Engineering Research and Development DIV.

**Shindaiwa Kogyo Co., Ltd.**

Casa matriz :6-2-11, Ozuka—Nishi, Asaminami—Ku,  
Hiroshima, 731—3167, Japan  
TEL: 81-82-849-2003, FAX: 81-82-849-2482

3 de Febrero de 2006



T. Yoshitomi  
Director de División  
Quality Assurance DIV.

**Shindaiwa Kogyo Co., Ltd.**

Casa matriz : 6-2-11, Ozuka—Nishi, Asaminami—Ku,  
Hiroshima, 731—3167, Japan  
TEL: 81-82-849-2206, FAX: 81-82-849-2481

**NOTAS:**

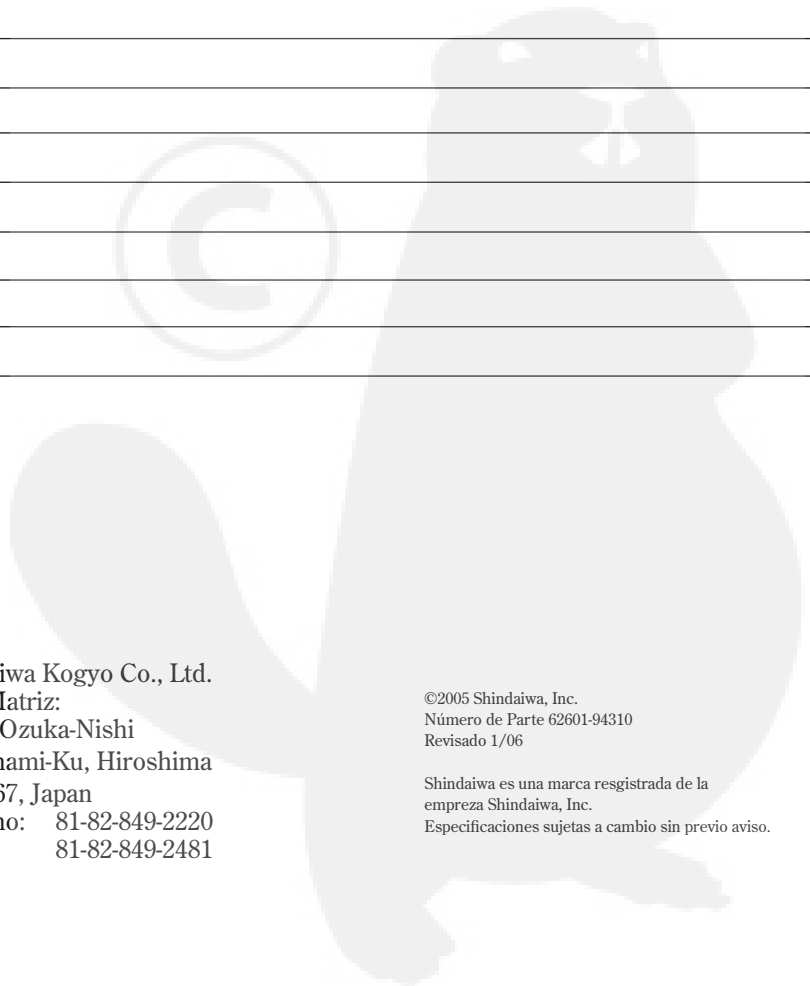
**shindaiwa**

Shindaiwa Inc.  
11975 S.W. Herman Rd.  
Tualatin, Oregon 97062 USA  
Teléfono: 503 692-3070  
Fax: 503 692-6696  
www.shindaiwa.com

Shindaiwa Kogyo Co., Ltd.  
Casa Matriz:  
6-2-11, Ozuka-Nishi  
Asaminami-Ku, Hiroshima  
731-3167, Japan  
Teléfono: 81-82-849-2220  
Fax: 81-82-849-2481

©2005 Shindaiwa, Inc.  
Número de Parte 62601-94310  
Revisado 1/06

Shindaiwa es una marca registrada de la  
empresa Shindaiwa, Inc.  
Especificaciones sujetas a cambio sin previo aviso.



MANUEL D'UTILISATION SHINDAIWA

# TAILLE-HAIE HT2510

# TAILLE-HAIE DH2510



CE



**AVERTISSEMENT !**

- Lire le présent manuel et se familiariser avec son contenu.
- Cet appareil est conçu pour tailler des haies. Ne pas utiliser cet appareil pour d'autres usages.
- Limiter tout risque de blessures, sur soi-même ou sur les autres.
- Ne pas utiliser cet appareil ni procéder à son entretien sans avoir clairement compris le présent manuel.
- Conserver ce manuel à portée de main pour pouvoir le consulter en cas de question sur son utilisation.

**shindaiwa**

Numéro de Référence 62601-94310 Rév. 1/06

## Introduction

Le taille-haie Shindaiwa HT2510/DH2510 a été conçu et fabriqué dans le but d'offrir une performance et une fiabilité supérieures sans compromettre la qualité, le confort ou la durabilité. Les moteurs Shindaiwa sont à la fine pointe de la technologie et offrent un rendement exceptionnel, avec une cylindrée remarquablement basse et une conception des plus légères. Comme propriétaire ou utilisateur, vous comprendrez vite pourquoi Shindaiwa est tout simplement une classe en soi!

### IMPORTANT !

Les renseignements contenus dans le présent manuel décrivent les appareils disponibles au moment de la publication. Malgré tous les efforts déployés pour vous offrir les informations les plus récentes sur votre appareil Shindaiwa, il peut y avoir des différences entre votre appareil et ce qui est décrit dans ce manuel.

Shindaiwa se réserve le droit d'apporter des modifications au produit sans préavis et se dégage de toute obligation d'apporter des modifications aux appareils déjà fabriqués.

## Table des Matières

PAGE

Introduction .....	2
Mises en garde .....	2
Mesures de sécurité générales .....	3
Équipement et	
Étiquettes de sécurité .....	4
Caractéristiques techniques .....	5
Description d'unité.....	5
Assemblage.....	6
Mélange d'essence.....	9
Remplissage du réservoir à essence.....	9
Procédure de démarrage .....	10
Réglage du ralenti.....	11
Arrêt du moteur .....	11
Entretien et réglages .....	12
Remisage à long terme.....	15
Guide de dépannage .....	16
Déclaration de conformité .....	19

## Mises en Garde

Des « mises en garde » spéciales apparaissent tout au long du manuel encadrées et précédées du symbole triangulaire de mise en garde.



### AVERTISSEMENT !

Une mise en garde précédée du symbole triangulaire de mise en garde et du mot « AVERTISSEMENT » contient des informations dont il faut tenir compte pour éviter des blessures graves.

### MISE EN GARDE !

Un énoncé précédé du mot « MISE EN GARDE » contient des informations dont il faut tenir compte pour éviter d'endommager l'appareil.

### IMPORTANT !

Un énoncé précédé du mot « IMPORTANT » contient des informations d'une importance particulière.

### REMARQUE :

Un énoncé précédé du mot « REMARQUE » contient des informations utiles pouvant faciliter votre travail.



Lire et suivre les consignes exposées dans le présent manuel et s'assurer que les utilisateurs de l'appareil font de même à défaut de quoi pourraient s'ensuivre des blessures graves ou une défaillance de l'appareil. Conserver le manuel pour référence ultérieure.



Porter des dispositifs de protection pour les yeux et pour les oreilles à tout moment pendant l'utilisation du taille-haie. Un casque de sécurité fournira une protection supplémentaire contre les chutes d'objets.



Niveau de puissance acoustique (mesuré conformément à la norme 2000 / 14 / EC).

### IMPORTANT !

Les procédures d'utilisation décrites dans ce manuel visent à vous aider à tirer le maximum de votre appareil et à vous protéger (vous-même et les autres) contre les blessures. Ces procédures constituent des lignes directrices pour l'utilisation de l'appareil en toute sécurité dans la plupart des situations mais elles ne remplacent d'aucune façon d'autres mesures de sécurité ni les lois en vigueur dans votre région. Pour toute question sur votre appareil ou pour toute clarification sur les renseignements contenus dans le présent manuel, votre représentant Shindaiwa se fera un plaisir de vous aider.



# Mesures de sécurité générales

## Travailler en toute sécurité

Les taille-haies fonctionnent à très haute vitesse et peuvent causer de sérieux dommages et de sérieuses blessures s'ils sont mal utilisés ou si on en fait un emploi abusif. *Ne jamais laisser une personne non qualifiée qui n'a jamais reçu d'instructions utiliser l'appareil.*



### AVERTISSEMENT !

Ne jamais effectuer des modifications ou poser des accessoires non approuvés.

## Demeurer alerte

Vous devez être physiquement et mentalement alerte pour utiliser cet appareil en toute sécurité.



### AVERTISSEMENT !



Ne jamais utiliser l'appareil si vous êtes fatigué, sous l'influence d'alcool, de drogues ou de toute autre substance qui pourrait nuire à votre concentration ou à votre jugement.



### AVERTISSEMENT !

#### Pour réduire le risque d'incendie

**NE JAMAIS** fumer ou allumer de feu près de l'appareil.

**TOUJOURS** arrêter le moteur et le laisser refroidir avant de remplir le réservoir à essence. Éviter de trop remplir le réservoir et essuyer toute essence qui pourrait s'être répandue ou qui pourrait avoir débordé.

**TOUJOURS** déplacer l'appareil à l'écart de la zone d'entreposage d'essence ou d'autres substances inflammables avant de démarrer le moteur.

**NE JAMAIS** placer de substances inflammables à proximité du silencieux.

**NE JAMAIS** mettre le moteur en marche sans le pare-étincelles.



### AVERTISSEMENT !

#### Faire preuve de prudence.

**TOUJOURS** porter des lunettes de sécurité pour protéger les yeux contre des objets projetés.

**TOUJOURS** porter des gants et des vêtements ajustés qui recouvrent les jambes et les bras pour se prémunir contre des dangers comme des broussailles ou les débris projetés. Ne jamais porter de short. Ne pas porter de vêtements ou de bijoux qui pourraient se coincer dans l'appareil ou dans les broussailles. At-

## TRAVAILLER EN TOUTE SÉCURITÉ

*Porter des vêtements ajustés pour protéger les jambes et les bras. Il est fortement recommandé de porter des gants car ils offrent une sécurité supplémentaire. Ne pas porter de vêtements ou de bijoux qui pourraient facilement se coincer dans l'appareil ou dans les broussailles.*

**Ne jamais** laisser l'appareil entre les mains d'un enfant. Éviter d'utiliser l'appareil à proximité d'observateurs.

**Toujours** porter un dispositif de protection pour les yeux et pour les oreilles ainsi que des gants de travail.

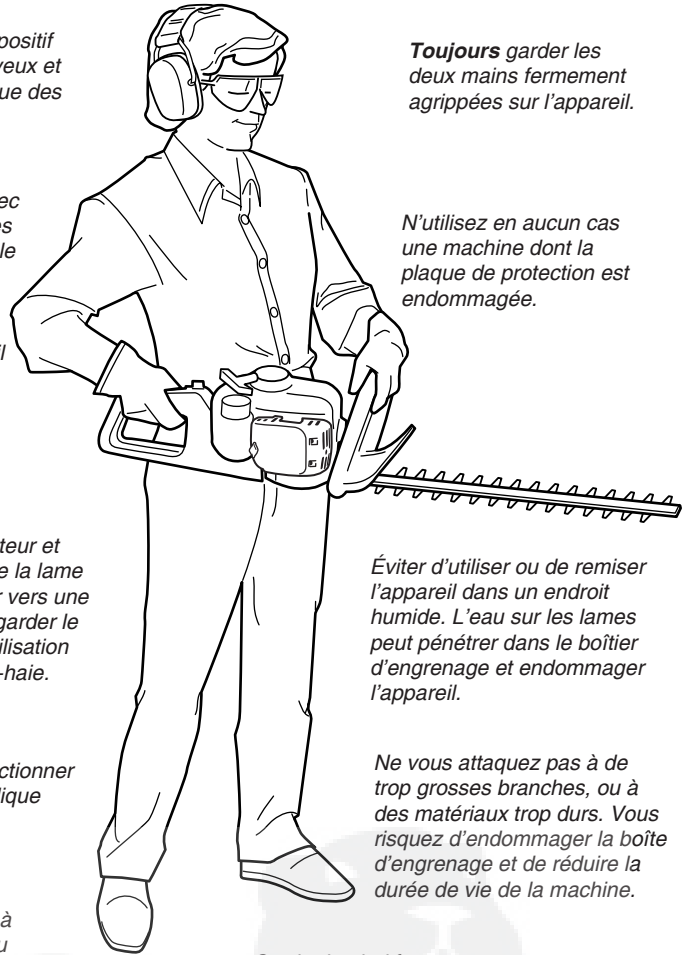
*Éviter que les lames n'entrent en contact avec les immeubles ou autres objets solides pendant le fonctionnement. En cas de coincement de la lame pendant la coupe, arrêter l'appareil immédiatement. Dégager la lame avant de poursuivre.*

**Toujours** arrêter le moteur et installer le protecteur de la lame avant de vous déplacer vers une autre aire de coupe et garder le pied ferme pendant l'utilisation ou le transport du taille-haie.

*Ne tentez jamais de sectionner un fil ou un objet métallique avec le taille-haie.*

*Utiliser l'appareil avec une extrême prudence à proximité de clôtures ou de fils électriques.*

Illustration 1



**Toujours** garder les deux mains fermement agrippées sur l'appareil.

*N'utilisez en aucun cas une machine dont la plaque de protection est endommagée.*

*Éviter d'utiliser ou de remiser l'appareil dans un endroit humide. L'eau sur les lames peut pénétrer dans le boîtier d'engrenage et endommager l'appareil.*

*Ne vous attaquez pas à de trop grosses branches, ou à des matériaux trop durs. Vous risquez d'endommager la boîte d'engrenage et de réduire la durée de vie de la machine.*

*Garder le pied ferme et ne pas s'étirer outre mesure - garder l'équilibre en tout temps.*



### AVERTISSEMENT !

Avant toute utilisation, inspecter les poignées avant et arrière afin de repérer tout accessoire endommagé ou

incorrectement installé. **NE JAMAIS** utiliser un taille-haie dont les poignées sont endommagées ou desserrées.

tacher les cheveux au-dessus du niveau des épaules.

**NE JAMAIS** laisser l'appareil en marche pour le transporter.

**NE JAMAIS** faire fonctionner le moteur à l'intérieur ! S'assurer qu'il y a toujours une bonne ventilation. Les gaz émanant du tuyau d'échappement peuvent causer de graves blessures voire causer la mort.

**TOUJOURS** nettoyer le lieu de travail; enlever tout débris ou déchet qui pourrait être projeté dans votre direction ou celle d'un observateur.

**TOUJOURS** utiliser l'outil de coupe approprié pour le travail à effectuer.

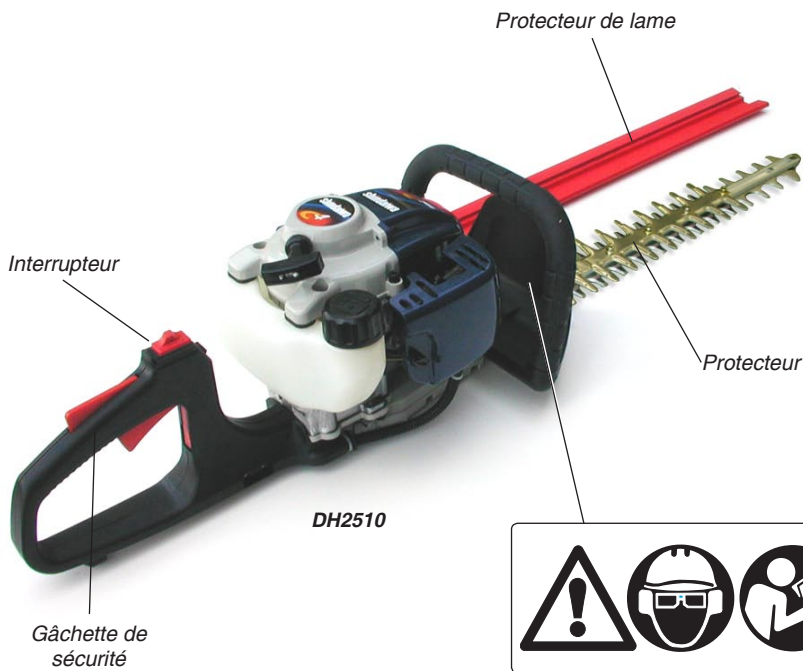
**TOUJOURS** arrêter l'appareil s'il se met à vibrer ou s'il devient instable. Inspecter l'appareil dans le but de trouver les pièces ou les accessoires brisés, mal installés ou manquants.

**TOUJOURS** tenir l'appareil fermement avec les deux mains pour couper ou émonder et garder le contrôle en tout temps.

**TOUJOURS** conserver les poignées propres.

**TOUJOURS** débrancher le fil de bougie avant de faire des travaux d'entretien.

# Équipement et Étiquettes de Sécurité



## IMPORTANT !

Étiquettes de consigne sur le fonctionnement et la sécurité : s'assurer qu'elles restent lisibles. Remplacer immédiatement toute étiquette manquante ou endommagée. On peut obtenir de nouvelles étiquettes en s'adressant au distributeur Shindaiwa autorisé le plus proche.

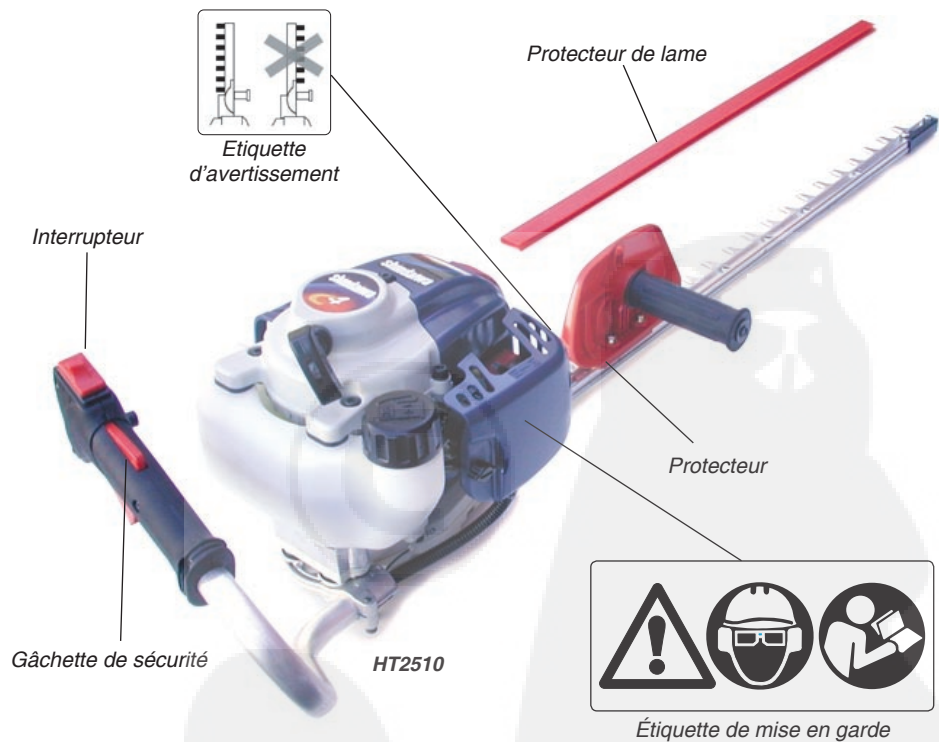


Illustration 2

## Caractéristiques Techniques

	HT2510/EC2-3   HT2510/EC2-4 SHF2510EC2	DH2510/EC2-2   DH2510/EC2-3 SHF2510EC2		
Modèle .....	HT2510/EC2-3   HT2510/EC2-4 SHF2510EC2	DH2510/EC2-2   DH2510/EC2-3 SHF2510EC2		
Modèle du moteur .....	4 temps, cylindre vertical, refroidissement à air	4 temps, cylindre vertical, refroidissement à air		
Type de moteur .....	5,7 kg   6,0 kg	5,9 kg   6,1 kg		
Poids net (sans outil de coupe) .....	34 mm x 27 mm	34 mm x 27 mm		
Alésage x course .....	24,5 cm <sup>3</sup>	24,5 cm <sup>3</sup>		
Cylindrée.....	8.000 tr / min (min <sup>-1</sup> )	8.000 tr / min (min <sup>-1</sup> )		
Régime moteur à la puissance maximale .....	0,83 kW	0,83 kW		
Puissance maximale .....	3.000 tr / min (min <sup>-1</sup> )	3.000 tr / min (min <sup>-1</sup> )		
Régime moteur au ralenti.....	10.500 tr / min (min <sup>-1</sup> )	10.500 tr / min (min <sup>-1</sup> )		
Régime moteur maximal.....	50:1	50:1		
Rapport essence/huile .....	550 cm <sup>3</sup>	550 cm <sup>3</sup>		
Capacité du réservoir à essence.....	Walbro, WYJ	Walbro, WYJ		
Carburateur .....	Entièrement électronique, par transistor	Entièrement électronique, par transistor		
Système d'allumage .....	NGK CMR5H	NGK CMR5H		
Bougie .....	Entièrement électronique, par transistor	Entièrement électronique, par transistor		
Filtre à air.....	NGK CMR5H	NGK CMR5H		
Démarrage.....	Filtre à air industriel non réversible	Filtre à air industriel non réversible		
Arrêt .....	Lanceur à rappel	Lanceur à rappel		
Dimensions (L x I x H) .....	Interrupteur à glissière	Interrupteur à glissière		
Niveau de pression	1100 x 240 x 230 mm	1410 x 240 x 230 mm	1100 x 245 x 230 mm	1220 x 245 x 230 mm
acoustique* .....	72dB (A)	71dB (A)	74dB (A)	72dB (A)
Au ralenti	72dB (A)	71dB (A)	74dB (A)	72dB (A)
A plein régime	94dB (A)	93dB (A)	96dB (A)	97dB (A)
Niveau de puissance	102dB (A)	103dB (A)	84dB (A)	103dB (A)
acoustique* .....	3,0/3,4 m/s <sup>2</sup>	4,8/4,9 m/s <sup>2</sup>	4,2/6,0 m/s <sup>2</sup>	3,2/5,0 m/s <sup>2</sup>
Niveau de vibration	7,9/8,9 m/s <sup>2</sup>	13,6/10,7 m/s <sup>2</sup>	9,3/12,4 m/s <sup>2</sup>	10,0/12,7 m/s <sup>2</sup>
(avant/arrière)* .....	Au ralenti	Au ralenti	Au ralenti	Au ralenti
	A plein régime	A plein régime	A plein régime	A plein régime

Les caractéristiques techniques sont sujettes aux changements sans préavis.

\* La Pression solide Nivelles : conformément à ISO 22868

\* Le Pouvoir Solide Nivelles : conformément à ISO 3744 et ISO 11094 (les données moyennes entre au fonctionnement vide et courant)

\* le Niveau de Vibration : conformément à EN 28662-1

## Description d'unité

Prendre le temps de se familiariser avec l'appareil et ses différents composants. Comprendre l'appareil permet d'obtenir un rendement optimal, de prolonger sa durée de vie et favorise une utilisation plus sûre.

### Avant l'assemblage

Avant d'assembler le produit, s'assurer que tous les composants requis pour l'unité sont présents :

- Ensemble moteur
- Outil de coupe et boîtier d'engrenages
- Poignée arrière
- Poignée avant
- Boulons
- Trousse d'outils comprenant des clés hexagonales (Allen), une clé mixte à bougie de 13 mm

S'assurer qu'aucun composant n'est endommagé.

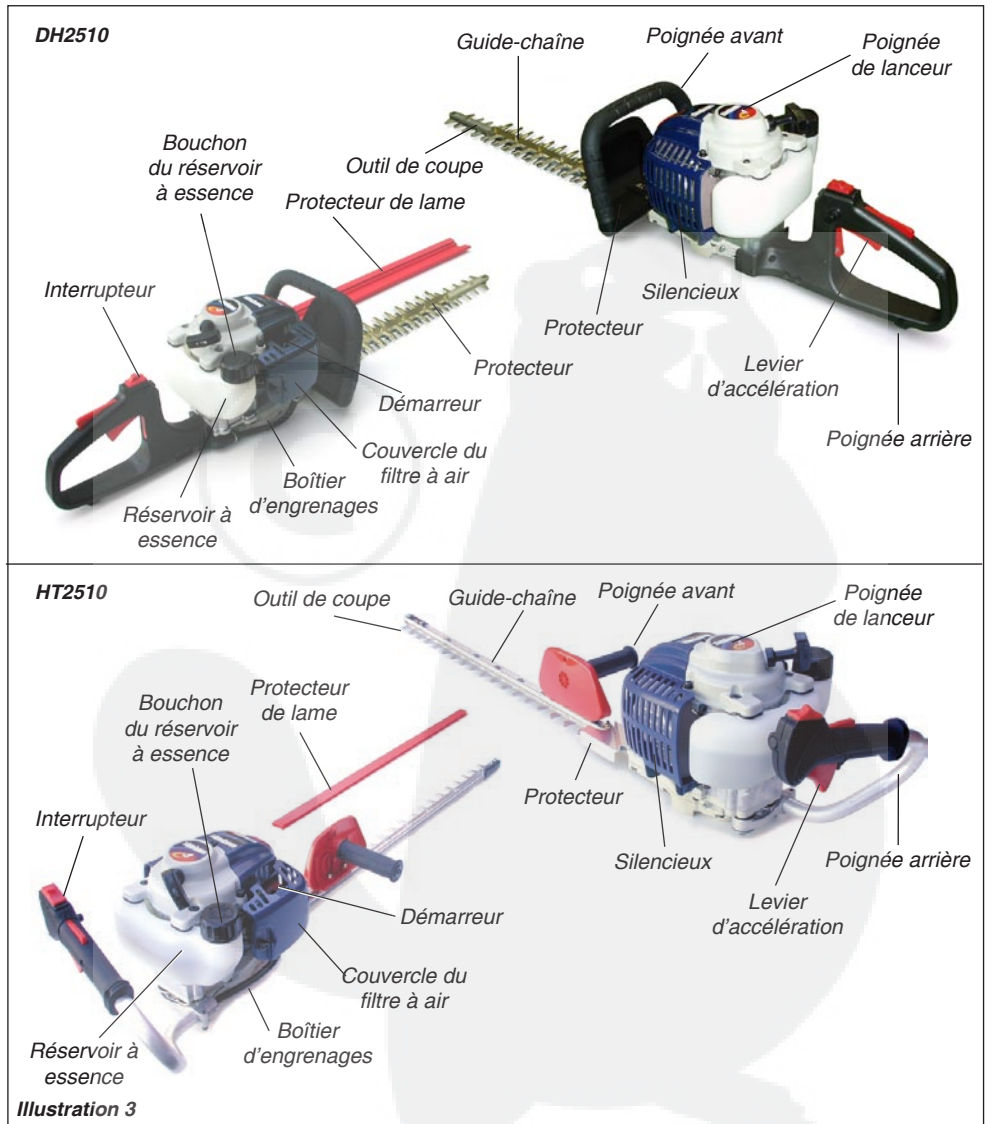
### IMPORTANT !

Les termes « gauche », « à gauche » et « vers la gauche » ; « droite », « à droite » et « vers la droite » ; « avant » et « arrière » font référence à la direction telle que vue par l'opérateur lors d'une utilisation normale de l'appareil.



### AVERTISSEMENT !

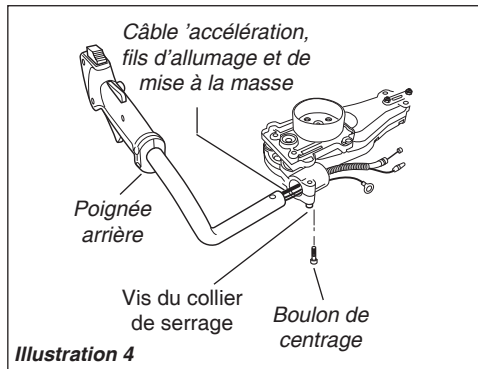
Ne pas modifier ni altérer soi-même l'appareil ou ses composants.



# HT2510 Assemblage

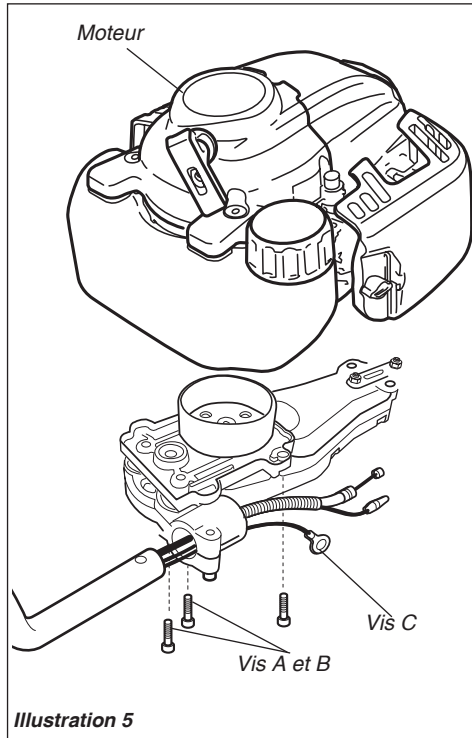
## (1) Fixation de la poignée arrière au boîtier d'engrenages

1. Enlever temporairement le boulon de centrage de 5 mm x 12 mm.
  2. Desserrer, sans l'enlever, la vis du collier de serrage de 5 mm x 25 mm.
  3. Placer la poignée arrière tel qu'illustré. À partir de l'arrière du taille-haie, glisser le câble d'accélération, le fil d'allumage et le fil de mise à la masse dans le support d'attache de la poignée.
  4. Glisser jusqu'au fond la poignée arrière dans le support d'attache de la poignée. Éviter de coincer ou d'endommager les fils et le câble installés à l'étape 3.
- Aligner l'orifice de la poignée arrière avec l'orifice correspondant sur le support d'attache de la poignée, puis installer et serrer fermement le boulon de centrage de 5 mm x 12 mm.
  - Serrer fermement la vis du collier de serrage de 5 mm x 25 mm.



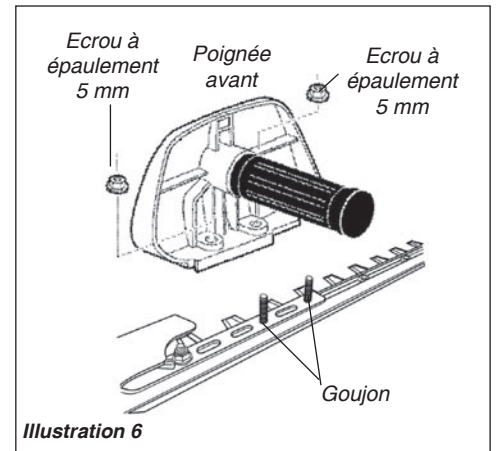
## (2) Installation du moteur sur le boîtier d'engrenages

- Centrer le boîtier d'engrenages sur la tête motorisée tel qu'illustré, puis fixer à l'aide des trois vis de 6 mm x 16 mm.
1. Serrer fermement les vis A et B.
  2. Glisser la vis C dans la cosse du fil de mise à la masse de l'accélérateur, puis installer et serrer fermement la vis reliée au moteur.



## (3) Installation de la poignée avant

- La poignée avant est fixée par des goujons 5 mm sur le guide-chaîne.
1. Installer l'écrou à épaulement de 5 mm sur le boulon du guide-chaîne, puis serrer l'écrou fermement.



**AVERTISSEMENT !**

L'assemblage inapproprié expose l'utilisateur à des blessures graves. Lire et suivre attentivement les consignes d'assemblage.

*Illustration 7*



# DH2510 Assemblage

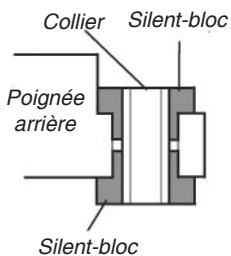
## (1) Fixation de la poignée arrière au boîtier d'engrenages



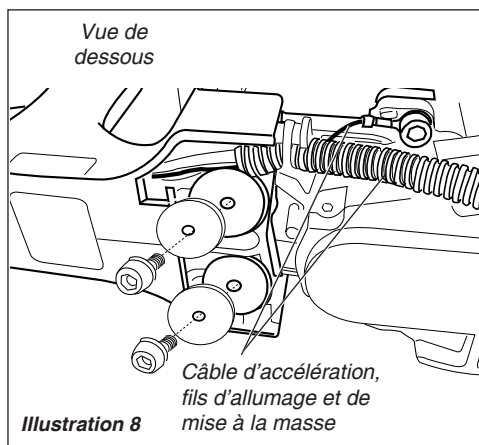
### AVERTISSEMENT !

L'assemblage inapproprié expose l'utilisateur à des blessures graves. Lire et suivre attentivement les consignes d'assemblage.

Avant de fixer la poignée arrière, s'assurer que ses silent-blocs sont correctement positionnés.



1. Glisser la poignée arrière sur la bride arrière de l'ensemble boîtier d'engrenages / outil de coupe. Prendre garde à ne pas coincer le câble d'accélération et les fils d'allumage et de mise à la masse pendant l'assemblage.
2. S'assurer que les trous de la poignée arrière et du boîtier d'engrenages sont alignés, puis fixer la poignée arrière à l'aide de deux vis hexagonales de 6 mm x 35 mm et rondelles.



## (2) Installation de la poignée avant

1. Placer la poignée avant sur l'ensemble boîtier d'engrenages / outil de coupe tel qu'illustré.
2. Fixer la poignée à l'aide de deux vis hexagonales de 6 mm x 30 mm et rondelles.

## (3) Installation du moteur sur le boîtier d'engrenages

■ Centrer le boîtier d'engrenages et le moteur tel qu'illustré, puis fixer à l'aide des trois vis de 6 mm x 16 mm (vis A, B et C).

1. Serrer fermement les vis A et B.
2. Glisser la vis C dans la cosse du fil de mise à la masse de l'accélérateur (noir), puis installer et serrer fermement la vis reliée au moteur.

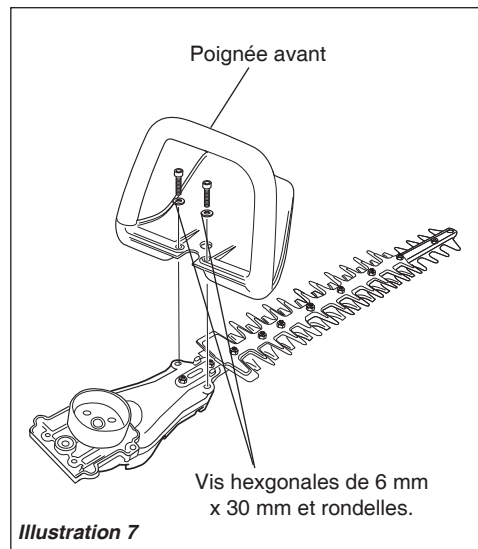


Illustration 7

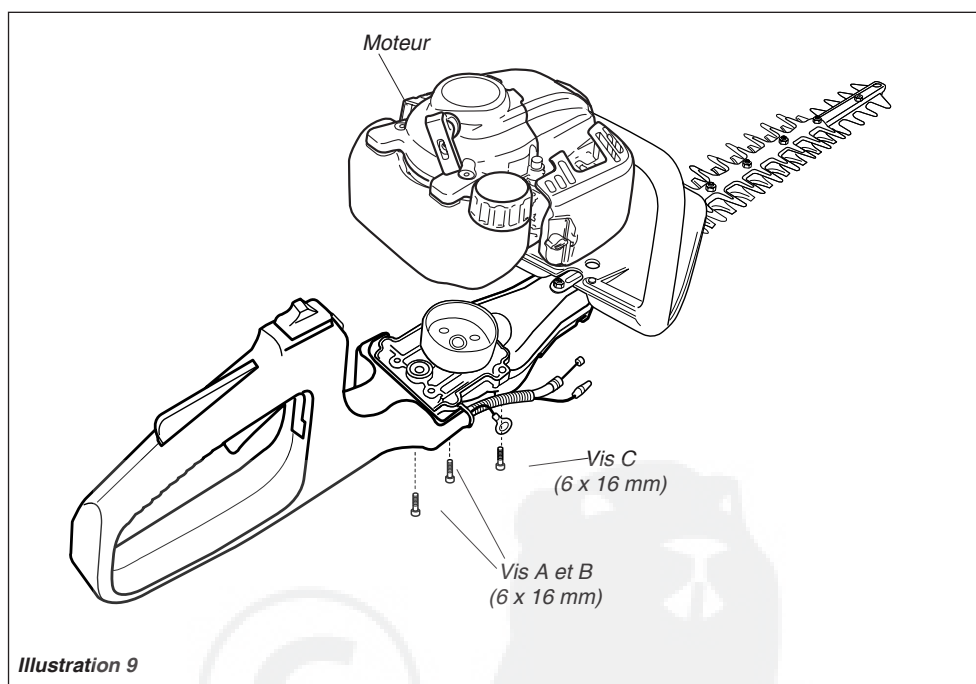


Illustration 9

### IMPORTANT !

Les rondelles utilisées sur les poignées avant et arrière ne sont pas les mêmes. Les rondelles de la poignée arrière sont noires.

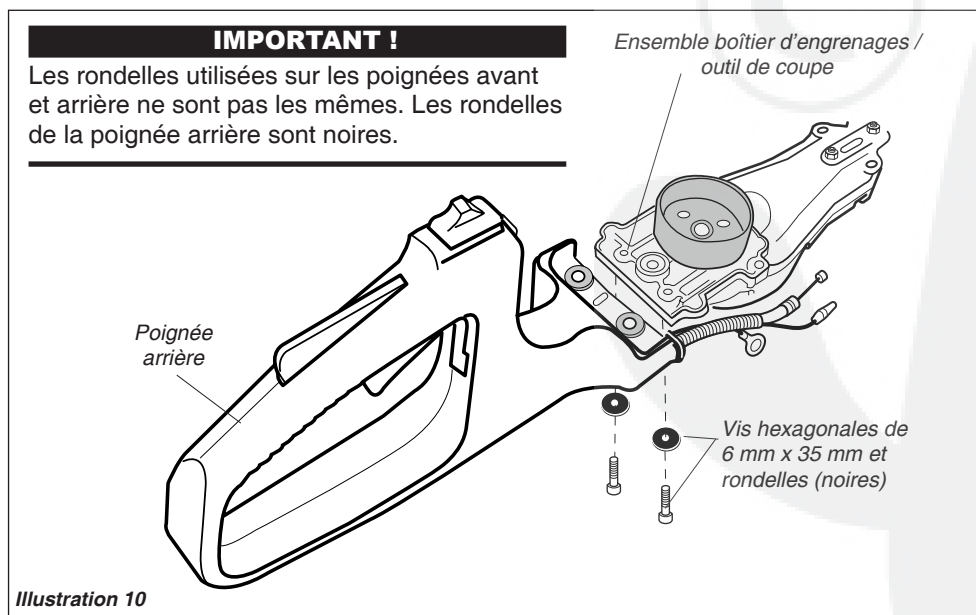


Illustration 10



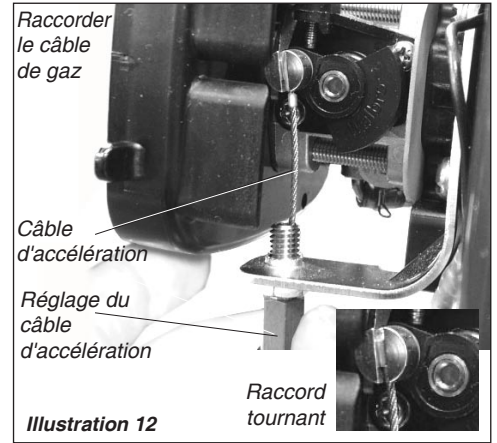
## Assemblage et Reglage Câble d' Accélérateur

### Raccordement du câble de gaz

1. Déposer le couvercle de filtre à air après avoir dévissé le bouton (fig. 11)
2. Faire passer le câble de gaz dans le manchon de réglage, et accrocher la boule d'extrémité du câble dans le raccord tournant (fig. 12)

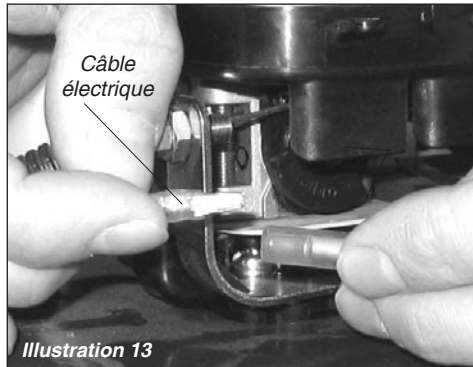
### Raccordement du câble électrique

3. Brancher ensemble les deux cosses des fils électriques (fig. 13)
4. Remettre le couvercle de filtre à air en place.



### MISE EN GARDE !

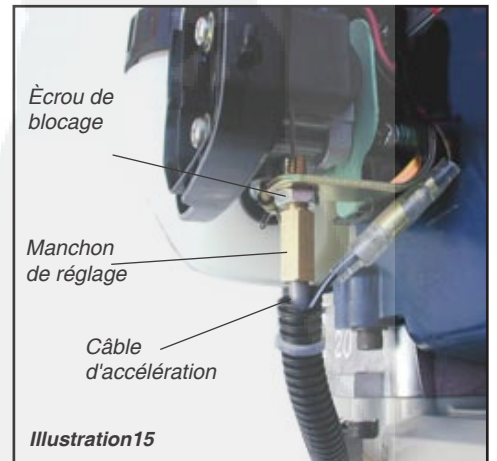
Le câble électrique ne doit pas gêner le fonctionnement de la commande des gaz ou du starter



## Assemblage et Reglage Réglage du jeu du levier d'accélérateur

Si le moteur ne peut pas revenir au ralenti ou ne peut pas atteindre sa vitesse maximum, il est nécessaire de régler le jeu du levier :

1. Le jeu du levier d'accélérateur doit être de 5 à 7 mm (fig. 14)
2. Si un réglage est nécessaire, déposer le couvercle de filtre à air. Desserrer l'écrou de blocage du manchon de réglage, et tourner celui-ci jusqu'à obtenir un jeu correct du levier
3. Remettre le couvercle du filtre à air en place.



## Mélange d'essence


### MISE EN GARDE !


- Certaines essences contiennent de l'alcool comme oxygénant ! Les essences oxygénées peuvent élever la température de fonctionnement du moteur. Dans certaines conditions, les essences à base d'alcool peuvent réduire les propriétés lubrifiantes de certains mélanges d'huile. Ne jamais utiliser d'essence contenant plus de 10 % d'alcool par volume !
- Les huiles génériques et certaines huiles pour moteurs hors-bord risquent de ne pas convenir à l'utilisation dans les moteurs à deux temps à haut rendement refroidis à l'air. Ne jamais les utiliser avec les outils Shindaiwa !

- Utiliser uniquement de l'essence sans plomb neuve et propre dont l'indice d'octane est égal ou supérieur à 87.
- Mélanger le carburant dans un rapport de 50 :1 à de l'huile pour moteur à deux temps refroidi à l'air conforme ou supérieure à la norme ISO-L-EGD et (ou) avec de l'huile JASO FC.

Essence litres	Huile pour mélange pour moteurs 2 temps millilitres
2,5 l.....	50 ml
5 l.....	100 ml
10 l.....	200 ml
20 l.....	400 ml

### IMPORTANT !

Uniquement préparer la quantité dont vous avez besoin dans l'immédiat ! Si l'essence doit être remise plus de 30 jours et vous n'utilisez pas l'huile  contenant un stabilisateur d'essence, il est préférable de la stabiliser à l'aide d'un stabilisateur comme STA-BIL™.

 est une huile de marque déposée JASO FC, conforme ou supérieure à la norme ISO-L-EGD. On recommande d'utiliser l'huile Shindaiwa One dans tous les moteurs munis d'un dispositif antipollution Shindaiwa. Shindaiwa One contient un stabilisateur de carburant.

### MISE EN GARDE !

Le moteur est conçu pour fonctionner avec un mélange d'huile à essence sans plomb dans un rapport 50:1 en utilisant uniquement un mélange d'huile pour moteur à deux temps ISO-L-EGD ou JASO FC classe 2. L'utilisation de mélange d'huile non approuvé risque d'entraîner une accumulation excessive de dépôt de calamine.

## Remplissage du Réservoir à Essence



### AVERTISSEMENT !

#### Réduisez les risques d'incendie !

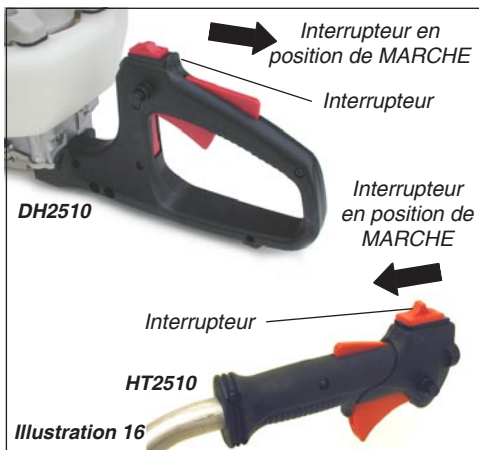
- ARRÊTER le moteur avant de faire le plein.
- TOUJOURS laisser refroidir l'appareil avant de remplir le réservoir à essence !
- TOUJOURS emmagasiner l'essence dans un récipient approuvé pour les liquides inflammables.
- Nettoyer tout déversement d'essence et déplacer l'appareil au moins à 3 mètres (10 pieds) du lieu de remplissage avant de redémarrer !
- NE JAMAIS démarrer ni utiliser cet appareil en cas de fuite d'essence.
- NE JAMAIS démarrer ni utiliser cet appareil si le carburateur, les conduites d'alimentation, le réservoir à essence et (ou) le bouchon du réservoir à essence sont endommagés.
- NE JAMAIS fumer ou allumer de feu à proximité du moteur ou d'une source d'essence !
- NE JAMAIS placer de matière inflammable à proximité du silencieux du moteur !
- NE JAMAIS utiliser le moteur sans le silencieux et le pare-étincelles et sans qu'ils ne fonctionnent correctement !

1. Déposer le l'appareil sur une surface plane.
2. Enlever toute poussière ou toute accumulation autour du bouchon du réservoir à essence.
3. Enlever le bouchon du réservoir et verser le mélange d'essence sans impureté.
4. Remettre et serrer fermement le bouchon du réservoir à essence.

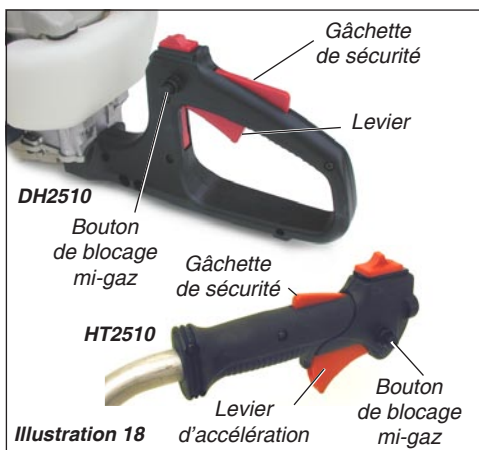
## Procédure de Démarrage

### IMPORTANT !

L'allumage du moteur est commandé par un interrupteur à deux positions (marche / arrêt) monté sur le corps de la poignée. En général, ce bouton porte l'inscription « I » pour DÉMARRAGE et « O » pour ARRÊT.



1. Glisser l'interrupteur vers l'arrière en position « I » (DÉMARRAGE). Voir l'illustration 16.



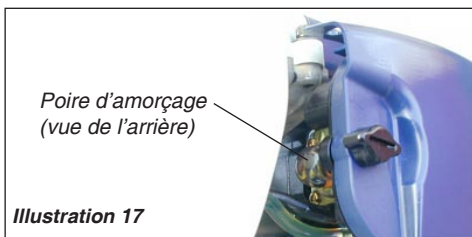
2. Régler le levier d'accélération en position « ralenti rapide » de la façon suivante :
  - a. Maintenir enfoncé e la gâchette de sécurité et appuyer sur le levier d'accélération, et enfoncer le bouton de blocage mi-gaz.
  - b. Relâcher la gâchette de sécurité et le levier d'accélérateur.



### AVERTISSEMENT !

**PRENDRE GARDE À L'OUTIL DE COUPE PENDANT LA PROCÉDURE DE DÉMARRAGE ! LES LAMES PEUVENT SE METTRE EN MOUVEMENT LORSQUE LE MOTEUR EST DÉMARRÉ.**

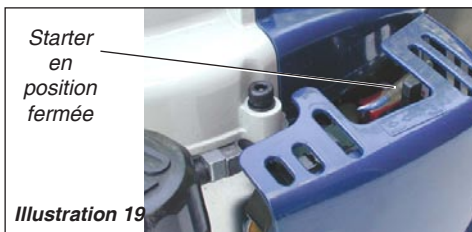
- Pour le démarrage, l'appareil doit reposer sur le sol.
- Adopter une position stable, tout en tenant fermement l'appareil.
- S'assurer qu'aucun observateur ou animal ne se trouve à proximité de l'appareil.



3. Amorcer le carburateur en appuyant sur la poire d'amorçage à 4 ou 5 reprises jusqu'à ce que l'on puisse voir circuler le carburant dans la poire transparente.

### IMPORTANT !

Le système d'amorçage ne fait qu'injecter de l'essence dans le carburateur. La pression répétitive de la pompe d'amorçage ne noiera pas le moteur de carburant.



4. **Moteur froid seulement.** 4. Déplacer le levier de starter *vers l'avant* en position « fermée ». Voir l'illustration 19.

### Démarrage du Moteur



1. Poser l'appareil sur le sol. Tenir le couvercle du moteur de la main gauche et la poignée de lanceur de la main droite.
2. Tirer lentement sur la poignée de lanceur jusqu'à ce que le démarreur s'engage.
3. Démarrer le taille-haie en tirant la poignée de lanceur rapidement vers l'extérieur.

### MISE EN GARDE !

L'utilisation excessive du lanceur à rappel peut facilement l'endommager.

- Toujours engager le lanceur avant de lancer le moteur.
- Ne jamais tirer la corde de démarrage jusqu'au bout.
- Toujours rembobiner la corde de démarrage lentement.

### Dès que le moteur démarre ou fait entendre des bruits d'explosions...

1. Ouvrir le starter en déplaçant le levier vers le réservoir à essence s'il n'est pas déjà ouvert. Voir l'illustration 13.
2. Si le moteur cesse de tourner, répétez la procédure du démarrage pour un moteur chaud ou froid, selon le cas.
3. Après que le moteur a démarré, actionnez plusieurs fois le levier d'accélérateur pour éliminer l'excédent de carburant dans la chambre de combustion.
4. En actionnant la manette des gaz, vous libérez automatiquement le mécanisme du ralenti rapide.



### AVERTISSEMENT !

L'outil de coupe commence à se déplacer dès que le moteur prend de la vitesse !

### Utilisation

- Une pression sur le levier d'accélération augmente le régime du moteur, actionne l'embrayage qui entraîne le mouvement des lames.
- Le relâchement de l'accélérateur réduit le régime du moteur, ce qui désengage l'embrayage et entraîne le ralentissement du mouvement des lames jusqu'à leur arrêt complet.
- Procéder à la coupe en effectuant un mouvement de balayage.
- Éviter de couper des branches dont le diamètre excède 0,127 mm.

### Le moteur ne démarre pas :

- Répéter les étapes du démarrage d'un moteur froid ou chaud, selon le cas.
- Si le moteur ne démarre toujours pas, suivre la procédure « Démarrage d'un moteur noyé ».



## Démarrage d'un Moteur Noyé



### AVERTISSEMENT !

Un moteur chaud peut causer des brûlures. Laisser le moteur refroidir avant d'enlever la bougie.

1. Débrancher l'avance de bougie, et alors utiliser la clé plate de bougie pour desserrer et enlever la bougie.
2. Si la bougie est foudée ou être trempée avec le carburant, nettoyer ou remplacer le bouchon comme nécessaire. Pour les spécifications de bougie et la procédure de gapping, voir la page 13.

3. Avec la bougie enlevée, couder le moteur à plusieurs reprises pour éclaircir le carburant supplémentaire de la chambre de combustion.

### MISE EN GARDE !

Une bougie mal installée risque d'endommager gravement le moteur !

4. Remplacer la bougie et le resserre fermement avec la clé plate de bougie. Si une clé plate de moment de torsion est disponible, le moment de torsion la bougie à 170-190 cm de kg.
5. Répéter les procédures commençant pour un moteur chaud.

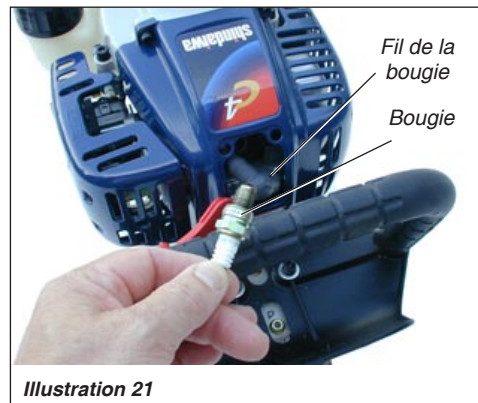


Illustration 21

6. Si le moteur ne commence pas toujours ou vider, se référer au tableau de dépannage à la fin de ce manuel.

## Réglage du Ralenti du Moteur

Le moteur doit retourner au ralenti lorsque le levier d'accélération est relâché. La vitesse de ralenti est réglable et doit être suffisamment basse pour permettre à l'embrayage de désengager les lames.

### Réglage du ralenti

1. Poser l'appareil sur le sol, puis démarrer le moteur et le laisser tourner au ralenti pendant 2 à 3 minutes jusqu'à ce qu'il soit chaud.
2. Si les lames fonctionnent lorsque le moteur tourne au ralenti, réduire la vitesse de ralenti en tournant la vis de réglage du ralenti en sens antihoraire.
3. Si un tachymètre est disponible, régler la vitesse du ralenti à 3000 tr / min ( $\text{min}^{-1}$ ).
4. Les réglages de richesse du carburateur sont réalisés en usine et ne peuvent être modifiés sur le terrain.



### AVERTISSEMENT !

Les lames NE doivent JAMAIS fonctionner lorsque le moteur tourne au ralenti. S'il est impossible de régler la vitesse de ralenti en suivant la procédure indiquée, s'adresser à un agent Shindaiwa.



Illustration 22

## Arrêt du Moteur



Illustration 23

1. Après une séance de travail, laisser tourner le moteur au ralenti 2 à 3 minutes afin qu'il retrouve une température normale.
2. Glisser l'interrupteur en position « O » (ARRÊT). Voir l'illustration 23.

## Entretien et Réglages

### IMPORTANT!

L'entretien, le remplacement ou la réparation d'un dispositif de l'entretien, le remplacement ou l'entretien, le remplacement ou contrôle des échappements et des systèmes peut être effectué par tout établissement de réparation ou individu. Cependant, les réparations couvertes par la garantie doivent être effectuées par un détaillant ou un centre de services autorisé par shindaiwa kogyo co. Ltd. L'utilisation de pièces dont le rendement et la durabilité ne sont pas équivalents aux pièces utilisées peut compromettre l'efficacité du système antipollution et l'acceptation d'une demande de réparation au titre de la garantie.



### AVERTISSEMENT !

Toujours arrêter le moteur et débrancher la bougie avant toute opération d'entretien, de nettoyage ou de réglage de la machine.

1. Nettoyer soigneusement l'appareil :

- Retirer les débris végétaux accumulés autour du réservoir et de l'échappement.
- Nettoyer si nécessaire les ailettes de refroidissement du cylindre.
- Nettoyer la zone de la bougie et le couvercle de cylindre.
- Vérifier la propreté du filtre à air, le nettoyer si nécessaire.

### Entretien Quotidien et Inspection

Inspecter les ailettes de refroidissement et nettoyer au besoin

Nettoyer la zone entourant la bougie

Huiler les lames

Enlever les débris autour du réservoir et du silencieux

Inspecter / nettoyer le filtre à air

Vérifier le réglage et l'état des lames

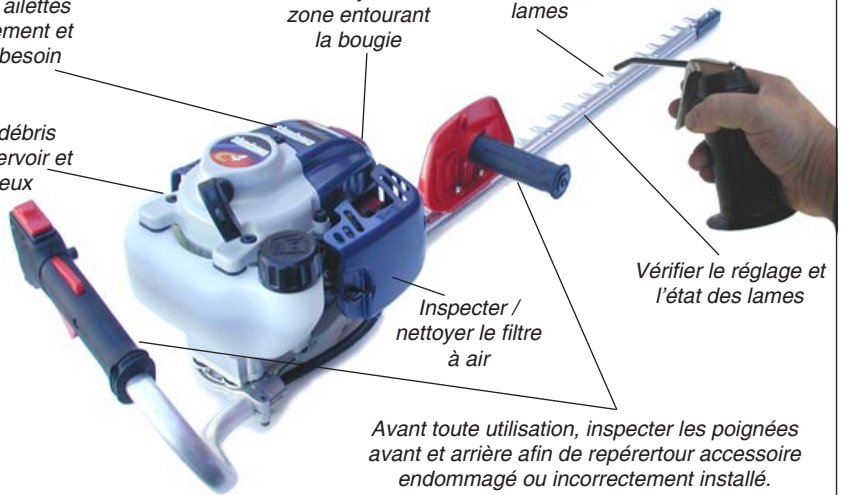


Figure 24

Avant toute utilisation, inspecter les poignées avant et arrière afin de repérer tout accessoire endommagé ou incorrectement installé.



### AVERTISSEMENT !

Pour réduire les risques d'incendie, enlever régulièrement les débris de végétaux, les feuilles et la graisse qui se sont déposés sur le moteur et le silencieux.

2. Vérifier la présence, l'état, la fixation de chaque élément. Réparer si besoin.
3. Lubrifier les lames avant utilisation, et après chaque plein.
4. Vérifier l'état des lames et le serrage des vis.

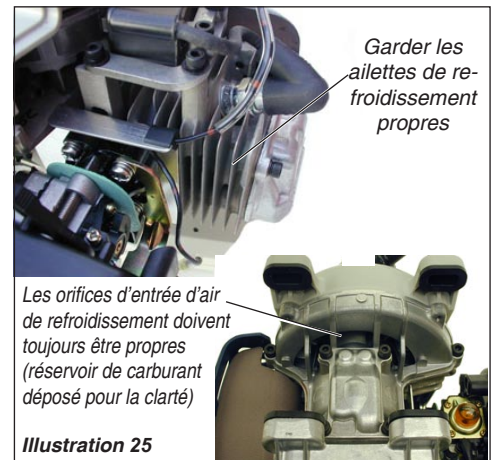


Illustration 25

## Entretien toutes les 10 heures

### AVERTISSEMENT !

Ne jamais utiliser l'appareil si le filtre à air ou son élément est endommagé, ou si l'élément est humide.

Toutes les 10 heures d'utilisation (plus souvent dans des conditions poussiéreuses ou sales) :

- Enlever l'élément du filtre à air et le nettoyer abondamment avec de l'eau savonneuse. Rincer et laisser sécher. Remplacer l'élément de filtre à air si nécessaire (fig. 26).

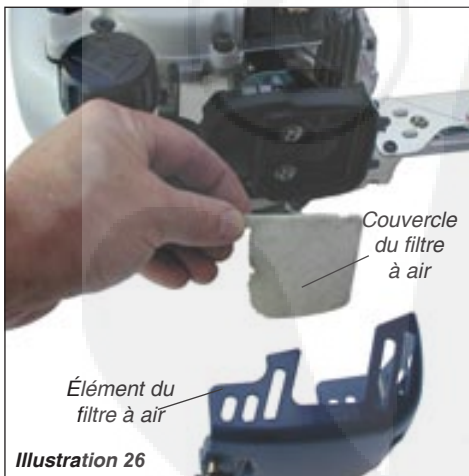
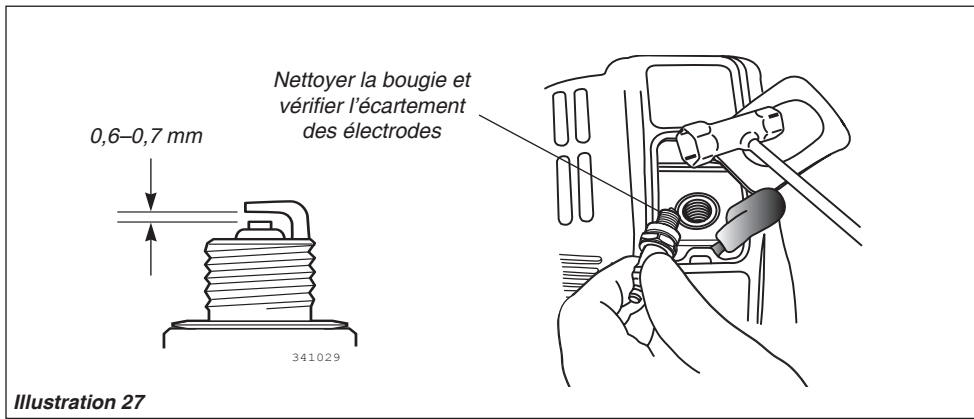


Illustration 26



## Entretien aux 10 à 15 heures



### Entretien toutes les 10 à 15 heures:

- Déposer et nettoyer la bougie. Régler l'écartement des électrodes à 0,6 à 0,7 mm. En cas de remplacement, utiliser exclusivement une bougie NGK CMR5H (fig. 27)

#### REMARQUE :

La bougie NGK CMR5H est conforme aux exigences électro-magnétiques EMC

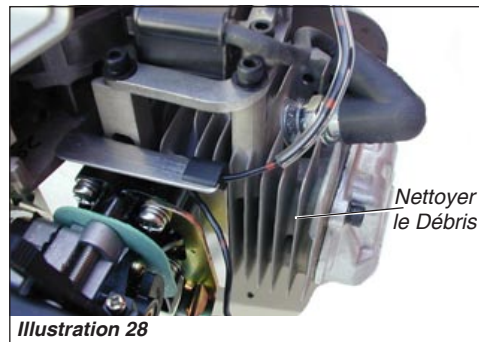
#### MISE EN GARDE !

Nettoyer la zone de la bougie avant de la démonter pour éviter toute entrée d'impuretés dans le moteur

## Entretien aux 50 heures

(plus souvent dans des conditions poussiéreuses ou sales, ou avant le remisage à long terme) :

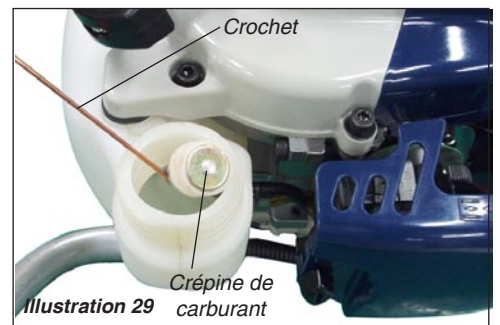
- Enlever et nettoyer la couverture de cylindre et nettoie l'herbe et la terre des nageoires de cylindre.



#### MISE EN GARDE !

Veiller à ne pas percer la conduite d'alimentation avec l'extrémité du fil croché. La conduite est délicate et peut facilement être endommagée.

- Utiliser un crochet de fil pour extraire le filtre de carburant de dans le réservoir de carburant. (Calculer 29). Inspecter l'élément de filtre de carburant. S'il montre des signes de contamination du débris, le remplacer avec un élément de filtre de carburant de remplacement de Shindaiwa authentique. Avant de réinstaller le filtre, inspecter la ligne de carburant. Si vous découvrez des



dommages ou la détérioration, l'unité devrait être enlevée de unité de service il peut être inspecté par un technicien d'entretien Shindaiwa-Entraîné.

## Lubrification du boîtier d'engrenages

#### MISE EN GARDE !

- Un excès de graisse peut gêner le mouvement des engrenages et provoquer des écoulements.

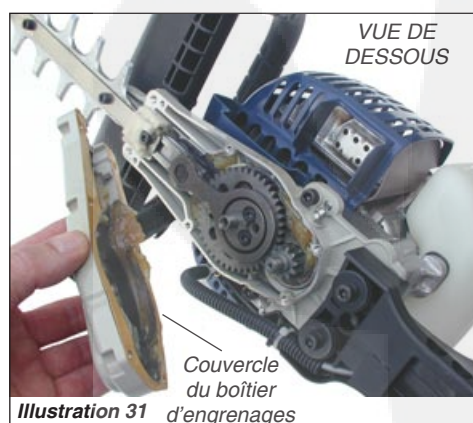
Compléter le niveau de graisse par le graisseur du boîtier à l'aide d'une pompe à levier (1 ou 2 injections). Utiliser de la graisse au lithium de très bonne qualité.

Déposer le couvercle du boîtier d'engrenages et retirer toute la graisse usagée à l'aide d'un pinceau doux et de solvant. Regarnir de graisse neuve sans excès (40 à 50 grammes maxi, soit 50 à 70 % de la capacité du boîtier)

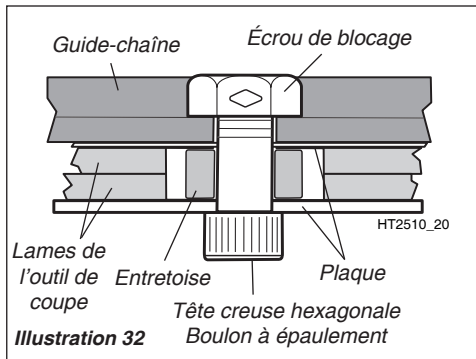
### Toutes les 20 heures



### Après 100 heures d'utilisation (remisage à long terme)



## Lames



Les lames standard ne nécessitent aucun réglage périodique. S'assurer que tous les boulons à épaulement des lames sont correctement serrés et en bon état..

- Nettoyer les lames et appliquer une mince couche d'huile à l'ensemble des surfaces métalliques. Utiliser une huile végétale permet d'éviter la projection de gouttelettes d'huile moteur susceptibles de tacher les plantes fragiles.

## Entretien Annuel ou aux 139 Heures

### Entretien après 139 heures d'opération, puis à toutes les 150 heures par la suite.

- La chambre de combustion doit être décalaminier et le jeu de soupapes doit être ajusté. Il est vivement recommandé de faire exécuter ces tâches par un technicien agréé Shindaiwa.
- Remplacer la bougie sur une base annuelle : utiliser uniquement la bougie NGK CMR5H ou une bougie antiparasite équivalente de plage thermique appropriée. Régler l'espacement de l'électrode de bougie à 0,6-0,7 mm.

#### REMARQUE :

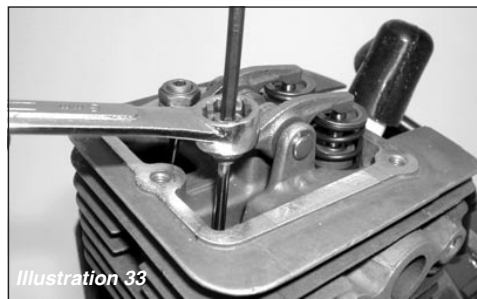
La bougie NGK CMR5H répond également aux exigences en matière de conformité électromagnétique (CEM).

#### MISE EN GARDE !

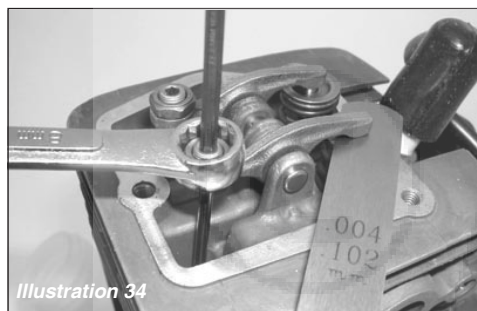
- Un réglage incorrect du jeu des soupapes peut rendre l'appareil difficile à démarrer et/ou risque de l'endommager. Se reporter au manuel d'entretien C4 pour connaître la procédure de réglage du jeu des soupapes et les caractéristiques du couple de serrage.
- Si vous n'êtes pas familier avec ce moteur ou ne vous sentez pas en mesure d'effectuer cette opération, consulter un technicien en réparation autorisé Shindaiwa.

### Réglage du jeu des soupapes

1. Démontez le couvercle de cylindre et le cache-culbuteur, et positionnez le piston en compression au point mort haut.



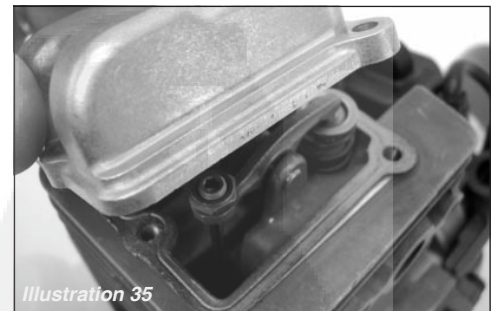
2. Desserrer l'écrou de blocage du système de réglage de manière à ce que la vis de réglage à tête creuse hexagonale (Allen) de 2,5 mm puisse tourner librement.



3. Introduire une jauge d'épaisseur (0,003 pour l'admission; 0,004 pour l'échappement) entre la pointe de la tige de la soupape et le culbuteur.
4. Serrer ou desserrer la vis de réglage (sens horaire = serrage, sens antihor-

aire = desserrage) jusqu'à ce que la jauge d'épaisseur soit presque bloquée. Ensuite, serrer ou desserrer la vis de réglage de manière à pouvoir retirer la jauge en ne rencontrant qu'une résistance limitée.

5. Tout en maintenant la vis de réglage en position à l'aide d'une clé Allen, serrer l'écrou de blocage à l'aide d'une clé.
6. Faire tourner le moteur manuellement à plusieurs reprises, puis repositionner le piston en compression au point mort haut. Contrôler à nouveau à l'aide d'une jauge d'épaisseur adaptée afin de s'assurer que le réglage du jeu n'a pas été modifié lors du serrage de l'écrou de blocage. Régler à nouveau si nécessaire.



7. Reposer le joint du cache-culbuteur afin de garantir une étanchéité parfaite, puis remonter le cache-culbuteur.

#### IMPORTANT !

Si aucun nouveau joint n'est disponible et/ou l'ancien joint n'est pas endommagé, il est possible de réutiliser l'ancien joint. Ne jamais utiliser de joint fissuré ou endommagé!

## Entretien du pare-étincelles

Si le moteur devient lent et bas sur le pouvoir, vérifier et nettoyer l'écran de arrester d'étincelle.



### AVERTISSEMENT !

Ne jamais fonctionner l'unité avec un silencieux endommagé ou de manquer ou arrester d'étincelle ! L'opération avec un manquer ou arrester d'étincelle endommagé constitue un risque d'incendie et pourrait endommager aussi votre audience.

1. Avec un 4 mm la clé plate de sort enlève les 3 vis de couverture de moteur et la couverture de moteur. Voir la Figure 36.
2. Avec un 4 mm la clé plate de sort enlève les 3 boulons de silencieux et le silencieux. Voir la Figure 36.
3. Avec un petit tournevis à lame plat enlève les 2 vis tenant l'écran de arrester d'étincelle et la couverture au silencieux. Voir la Figure 36.
4. Enlever l'écran et le nettoie avec une brosse de soie raide. 5. inspecter le port d'échappement de cylindre pour n'importe quelle accumulation de carbone.

### IMPORTANT!

Si vous notez de l'accumulation excessive de carbone, la consultation avec un Shindaiwa autorisé entretient le négociant.

6. Remonter le arrester d'étincelle, le silencieux et le moteur couvrent dans l'ordre inverse de désassemblage.

La Couverture de moteur Visse

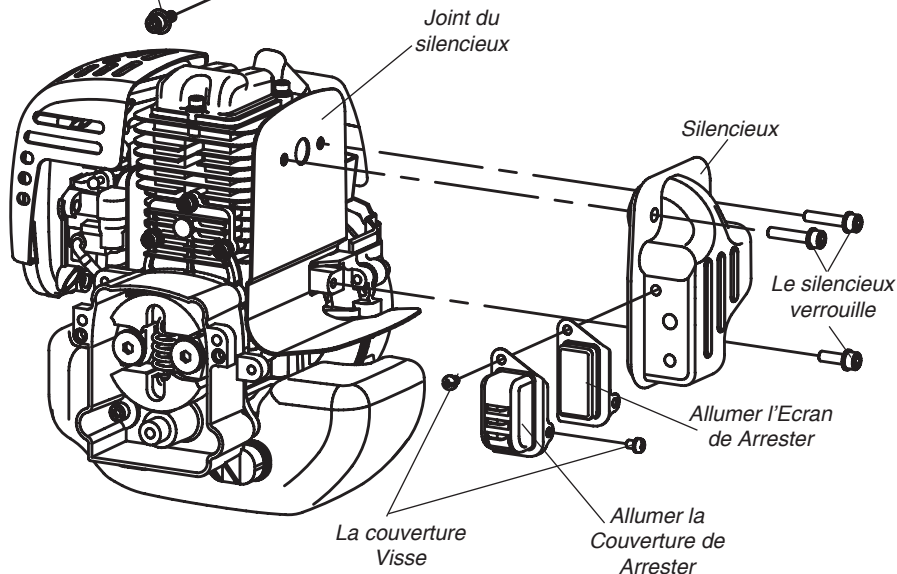
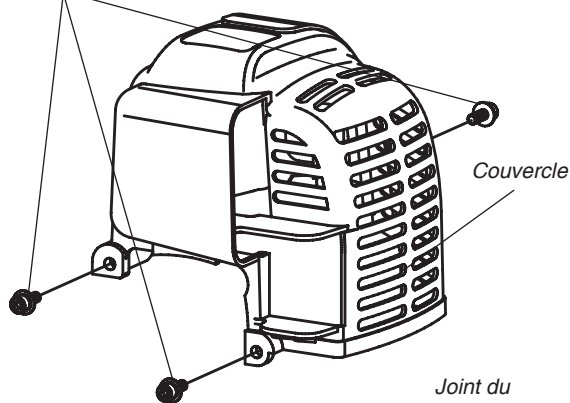


Illustration 36

## Remisage à Long Terme

Si l'appareil doit être remisé pendant 5 semaines ou plus, suivre la procédure suivante pour le préparer au remisage:

- Nettoyer les pièces des parties externes abondamment et appliquer une mince couche d'huile à l'ensemble des surfaces métalliques.
- Évacuez tout le carburant le carburateur et le réservoir de carburant.

### IMPORTANT !

Stabiliser le carburant remisé à l'aide d'un stabilisateur comme STA-BIL™.

Évacuer le carburant des conduites et du carburateur.

1. Presser sur la pompe d'amorçage jusqu'à ce qu'elle ne fasse plus circuler de carburant.
2. Démarrer et laisser fonctionner le moteur jusqu'à ce qu'il s'arrête de lui-même.
3. Répéter les étapes 1 et 2 jusqu'à ce que le moteur ne démarre plus.

### MISE EN GARDE !

L'essence laissée dans le carburateur pendant une période prolongée peut nuire au démarrage et accroître les coûts de service et d'entretien.

- Enlever la bougie et verser environ 7 g d'huile pour moteur à deux temps dans le cylindre, par l'orifice de la bougie. Avant de réinstaller la bougie, tirer lentement sur la poignée de lanceur à deux ou trois reprises pour enduire uniformément la paroi du cylindre.
- Procéder à l'entretien du filtre à air tel que décrit précédemment dans la section « Entretien quotidien » du présent manuel.
- Réparer ou remplacer toute pièce endommagée selon le cas, puis remisier l'appareil dans un endroit propre et sec, exempt de poussières.

# Guide de Dépannage

## LE MOTEUR NE DÉMARRE PAS OU DÉMARRE DIFFICILEMENT

Problème	Cause Probable	Solution
Bouchon de vapeur.	Moteur chaud/noyé. Carburant de mauvaise qualité.	Laisser le moteur refroidir entièrement et redémarrer. Remplir avec de l'essence sans plomb propre dont l'indice d'octane à la pompe est égal ou supérieur à 87, mélangée avec de l'huile pour moteur à 2 temps refroidi à l'air conforme ou supérieure à la norme ISO-L-EGD et (ou) un mélange d'huile et de carburant JASO FC dans un rapport 50:1.
Réglage du jeu des soupapes.	Jeu des soupapes insuffisant. Jeu des soupapes trop important.	Régler le jeu des soupapes. Voir page 14.

## LE MOTEUR NE DÉMARRE PAS

Problème	Cause Probable	Solution
Le moteur démarre-t-il bien ?	Eau à rappel défectueux. Liquide dans le carter de vilebrequin. Bris interne.	Consulter un représentant autorisé Shindaiwa.
Y a-t-il bonne compression ?	Bougie desserrée. Usure excessive du cylindre, du piston, des segments.	Serrer et revérifier. Consulter un représentant autorisé Shindaiwa.
Le réservoir contient-il de l'essence propre de grade approprié ?	Le carburant est ancien ou souillé.	Remplir avec de l'essence sans plomb propre dont l'indice d'octane à la pompe est égal ou supérieur à 87, mélangée avec de l'huile pour moteur à 2 temps refroidi à l'air conforme ou supérieure à la norme ISO-L-EGD et (ou) un mélange d'huile et de carburant JASO FC dans un rapport 50:1.
Le carburant est-il visible dans le tuyau de renvoi lors de l'amorçage ?	Filtre à essence et / ou orifice d'aération encrassés.	Nettoyer ou remplacer le filtre / l'orifice d'aération au besoin. Redémarrer.
Y a-t-il étincelle à la borne du fil de bougie ?	Le commutateur d'allumage est en position d'ARRÊT (« 0 »). Mauvaise mise à la masse. Module électronique défectueux.	Placer le commutateur en position de MARCHÉ (« I ») et redémarrer. Consulter un représentant autorisé Shindaiwa.
Vérifier la bougie.	Si la bougie est humide, il y a peut-être un excédent d'essence dans le cylindre. La bougie est peut-être encrassée ou son écartement incorrect. La bougie peut être brisée ou de catégorie inappropriée.	Lancer le moteur sans la bougie, avec le commutateur d'allumage en position d'arrêt. Remplacer la bougie et redémarrer. Nettoyer et regap le bouchon à 0,6 - 0,7 mm. Remettre en marche. Remplacer la bougie avec un NGK CMR5H ou bougie équivalente de la gamme de chaleur correcte. Ajuster l'écart d'électrode de bougie à 0,6 - 0,7 mm.



Problème	Cause Probable	Solution
Le moteur surchauffe-t-il ?	<p>Surcharge de travail de l'appareil.</p> <p>Le mélange du carburateur est trop pauvre.</p> <p>Rapport essence / huile inapproprié.</p> <p>Ventilateur, boîtier de ventilation, ailettes du cylindre sales ou endommagés.</p> <p>Dépôts de calamine sur le piston ou dans le silencieux.</p>	<p>Ralentir le régime de coupe.</p> <p>Consulter un représentant autorisé Shindaiwa.</p> <p>Remplir avec de l'essence sans plomb propre dont l'indice d'octane à la pompe est égal ou supérieur à 87, mélangée avec de l'huile pour moteur à 2 temps refroidi à l'air conforme ou supérieure à la norme ISO-L-EGD et (ou) un mélange d'huile et de carburant JASO FC dans un rapport 50:1.</p> <p>Nettoyer, réparer ou remplacer selon le cas.</p> <p>Consulter un représentant autorisé Shindaiwa.</p>
Le moteur fonctionne de façon brusque à tous les régimes. Présence éventuelle de fumée d'échappement noire et / ou d'essence non brûlée à l'échappement.	<p>Filtre à air obstrué.</p> <p>Bougie desserrée ou endommagée.</p> <p>Fuite d'air ou conduit d'essence obstrué.</p> <p>Eau dans l'essence.</p> <p>Grippage du piston.</p> <p>Carburateur et / ou diaphragme défectueux.</p>	<p>Nettoyer ou remplacer le filtre à air.</p> <p>Resserrer ou remplacer. Remplacer la bougie avec un NGK CMR5H ou bougie équivalente de la gamme de chaleur correcte. Ajuster l'écart d'électrode de bougie à 0,6 - 0,7 mm.</p> <p>Réparer ou remplacer le filtre et / ou le conduit d'essence.</p> <p>Remplir avec de l'essence sans plomb propre dont l'indice d'octane à la pompe est égal ou supérieur à 87, mélangée avec de l'huile pour moteur à 2 temps refroidi à l'air conforme ou supérieure à la norme ISO-L-EGD et (ou) un mélange d'huile et de carburant JASO FC dans un rapport 50:1.</p> <p>Consulter un représentant autorisé Shindaiwa.</p>
Le moteur cogne.	<p>Surchauffe.</p> <p>Essence inappropriée.</p> <p>Dépôts de calamine dans la chambre de combustion.</p>	<p>Voir la section « Surchauffe » ci-dessus.</p> <p>Vérifier l'octane de carburant évaluant ; le contrôle pour la présence d'alcool dans le carburant (demande 9). Ranimer comme nécessaire.</p> <p>Consulter un représentant autorisé Shindaiwa.</p>





Problème	Cause Probable	Solution
Faible accélération.	<ul style="list-style-type: none"> <li>Filtere à air obstrué.</li> <li>Filtere à essence obstrué.</li> <li>Mélange du carburateur trop pauvre.</li> <li>Vitesse de ralenti trop basse.</li> </ul>	<ul style="list-style-type: none"> <li>  Nettoyer le filtre à air.</li> <li>  Remplacer le filtre à essence.</li> <li>  Consulter un représentant autorisé Shindaiwa.</li> <li>  Régler : 3000 (±250) tr / min (min<sup>-1</sup>)</li> </ul>
Le moteur s'arrête brusquement.	<ul style="list-style-type: none"> <li>Interrupteur en position d'arrêt.</li> <li>Réservoir à essence vide.</li> <li>Filtere à essence obstrué.</li> <li>Eau dans l'essence.</li> <li>Bougie court-circuitée ou cosse mal serrée.</li> <li>Allumage défectueux.</li> <li>Grippage du piston.</li> </ul>	<ul style="list-style-type: none"> <li>  Remettre le contact et redémarrer.</li> <li>  Faire le plein.</li> <li>  Remplacer le filtre.</li> <li>  Remplir avec de l'essence sans plomb propre dont l'indice d'octane à la pompe est égal ou supérieur à 87, mélangée avec de l'huile pour moteur à 2 temps refroidi à l'air conforme ou supérieure à la norme ISO-L-EGD et (ou) un mélange d'huile et de carburant JASO FC dans un rapport 50:1.</li> <li>  Nettoyer et remplacer la bougie, ajuster la cosse.</li> <li>  Consulter un représentant autorisé Shindaiwa.</li> </ul>
Moteur difficile à arrêter.	<ul style="list-style-type: none"> <li>Fil débranché ou commutateur défectueux.</li> <li>Bougie inappropriée entraînant une surchauffe.</li> <li>Surchauffe du moteur.</li> </ul>	<ul style="list-style-type: none"> <li>  Vérifier et remplacer au besoin.</li> <li>  Remplacer la bougie par une bougie NGK CMR5H ou une bougie équivalente de gamme thermique appropriée. Régler l'écartement de l'électrode de la bougie à 0,6 - 0,7 mm.</li> <li>  Laisser refroidir le moteur en le laissant tourner au ralenti. Se référer à demander 17.</li> </ul>
L'outil de coupe fonctionne même si le moteur est au ralenti.	<ul style="list-style-type: none"> <li>Vitesse du ralenti trop élevée.</li> <li>Ressort d'embrayage défectueux ou moyeu usé.</li> </ul>	<ul style="list-style-type: none"> <li>  Régler le ralenti : 3000 (±250) tr / min (min<sup>-1</sup>)</li> <li>  Remplacer le ressort / les masselottes au besoin et vérifier la vitesse de ralenti.</li> </ul>
Vibration excessive.	<ul style="list-style-type: none"> <li>Lames émoussées.</li> <li>Fixation du boîtier desserrée.</li> <li>Vilebrequin ou paliers usés.</li> </ul>	<ul style="list-style-type: none"> <li>  Affiler les lames.</li> <li>  Serrer la vis fermement.</li> <li>  Inspecter et remplacer au besoin.</li> </ul>
L'accessoire de coupe reste immobile.	<ul style="list-style-type: none"> <li>Embrayage endommagé ou usé.</li> <li>Boîtier d'engrenage endommagé.</li> </ul>	<ul style="list-style-type: none"> <li>  Examinez et remplacez au besoin.</li> <li>  Consulter un représentant autorisé Shindaiwa.</li> </ul>

# DÉCLARATION DE CONFORMITÉ

Par le présent document, nous déclarons que le taille-haie Shindaiwa,  
modèle HT2510 (HT2510/EC2-3, HT2510/EC2-4, DH2510/EC2-2, DH2510/EC2-3).

Est conforme aux exigences suivantes :

Directives du Conseil :	Norme Concernée :
89 / 336 / EEC modifiée	EN 292 parties 1 et 2
98 / 37 / EC modifiée	EN 774
2000 / 14 / EC modifiée	CISPR 12
2004 / 26 / EC modifiée	

Niveau sonore mesuré: 106 dB (A)


Niveau sonore garanti : 107 dB (A) (HT2510/EC2-3, HT2510/EC2-4)  
: 108dB (A) (DH2510/EC2-2, DH2510/EC2-3)

Documentation technique conservée par :  
K. Maeda Responsable de division  
Division Recherche et Développement

Shindaiwa Kogyo Co., Ltd.

Siège social : 6-2-11, Ozuka—Nishi, Asaminami—Ku,  
Hiroshima, 731—3167, Japan  
TEL: 81-82-849-2003, FAX: 81-82-849-2482

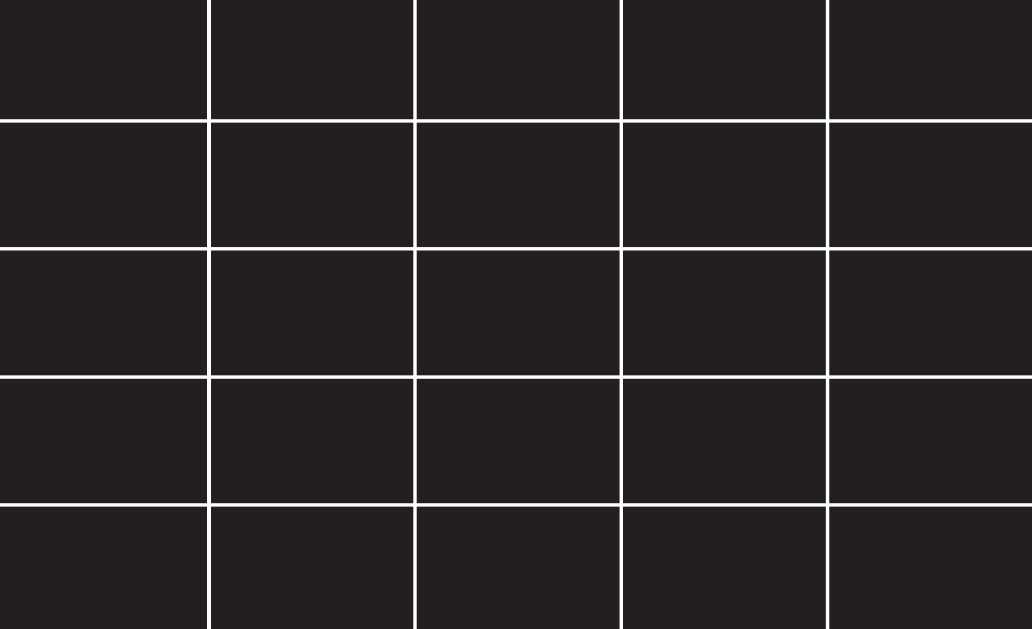
3 Février 2006



T. Yoshitomi  
Responsable de division  
Division Assurance Qualité

Shindaiwa Kogyo Co., Ltd.

Siège social : 6-2-11, Ozuka—Nishi, Asaminami—Ku,  
Hiroshima, 731—3167, Japan  
TEL: 81-82-849-2206, FAX: 81-82-849-2481



# shindaiwa

Shindaiwa Inc.  
11975 S.W. Herman Rd.  
Tualatin, Oregon 97062 USA  
Telephone: 503 692-3070  
Fax: 503 692-6696  
[www.shindaiwa.com](http://www.shindaiwa.com)

Shindaiwa Kogyo Co., Ltd.  
Head Office:  
6-2-11, Ozuka-Nishi  
Asaminami-Ku, Hiroshima  
731-3167, Japan  
Telephone: 81-82-849-2220  
Fax: 81-82-849-2481

©2006 Shindaiwa, Inc.  
Part Number 62601-94310  
Revision 1/06

Shindaiwa is a registered trademark  
of Shindaiwa, Inc.  
Specifications subject to change without notice.

