

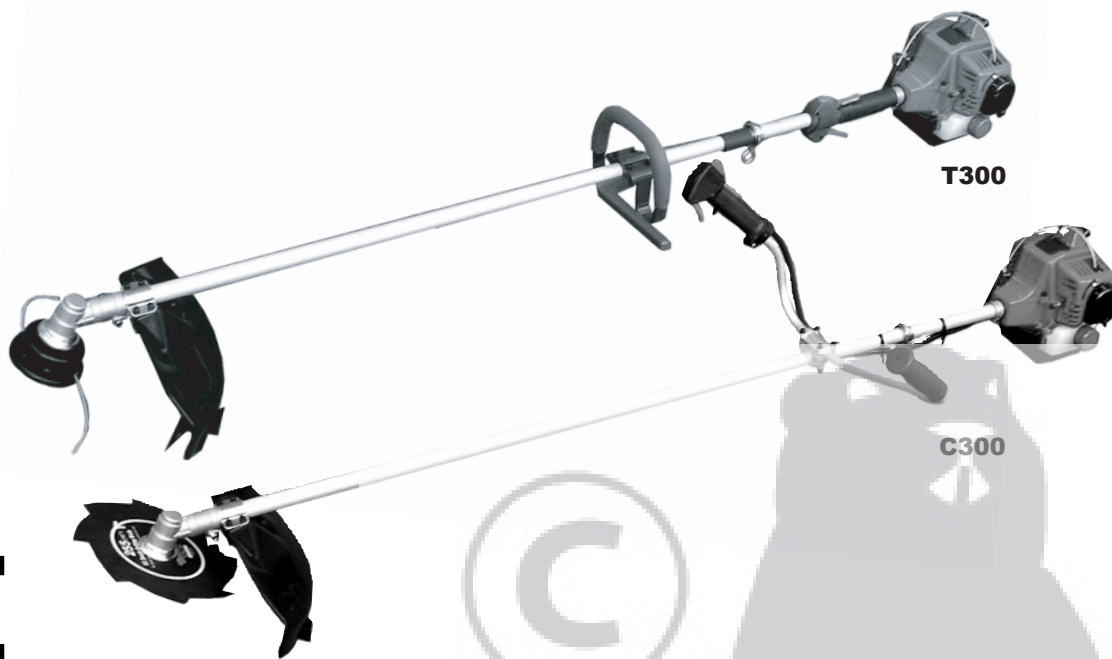
English.....1

Français.....FR_1

Italiano.....IT_1

SHINDAIWA OWNER'S/OPERATOR'S MANUAL

T300 GRASS TRIMMER C300 BRUSHCUTTER



WARNING! Read this manual and familiarize yourself with its contents.



This machine is designed for cutting grass, weed, and bushes. Do not use this machine for other purposes.

Minimize the risk of injury to yourself and others.

Do not operate or service this machine unless you clearly understand this manual.

Keep this manual at a particular place so that you can reread it whenever you have a question about its use.

Part Number 62093-94312 Rev. 10/04

shindaiwa

Contents

PAGE

Attention Statements2

The Properly Equipped Operator.....3

General Safety Instructions4

Product Description.....5

Technical Specifications6

Prior To Assembly6

Before Assembling Outer Tube7

Assembly Of The Outer Tube7

Assembly Of The Handle8

Throttle Cable Adjustment.....8

Debris Shield Assembly9

Installing A Blade.....10

Filling The Fuel Tank10

Starting The Engine11

Stopping The Engine12

Engine Idle Adjustment.....12

Unit Condition Check.....12

Prior To Operation12

To Wear The Strap12

Emergency Release12

Operation13

Recommended Cutting Attachment.....13

Blade Sharpening14

Maintenance14

Daily Maintenance14

10-hour Maintenance15

10/15-hour Maintenance.....15

50-hour Maintenance15

Muffler Maintenance.....15


Long Term Storage16

Troubleshooting Guide16

Declaration Of Conformity.....19

Attention Statements

Throughout this manual are special “attention statements” surrounded by boxes and preceded by the triangular Attention Symbol.

 **WARNING!**
A statement preceded by the triangular attention symbol and the word “WARNING” contains information that should be acted upon to prevent serious bodily injury.

CAUTION!
A statement preceded by the word “CAUTION” contains information that should be acted upon to prevent mechanical damage.

IMPORTANT!
A statement preceded by the word “IMPORTANT” is one that possesses special significance.

NOTE:
A statement preceded by the word “NOTE” contains information that is handy to know and may make your job easier.



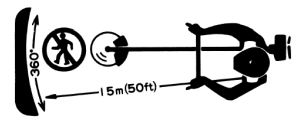
Read and follow the operator’s manual. Failure to do so could result in serious injury.



Wear head, eye and hearing protection during the operation of this machine.



Wear non slip gloves, long trousers and nonskid boots during the operation of this machine.



Make sure no one is within 15 meters (50 feet) of an operating attachment.



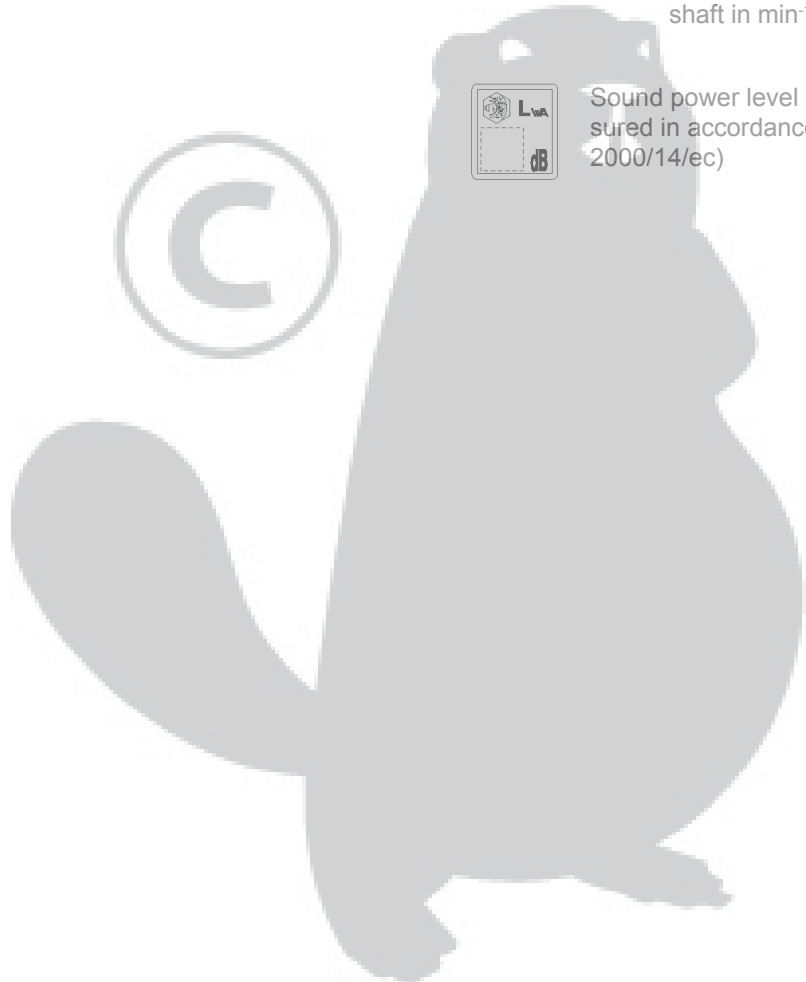
Beware of thrown objects.



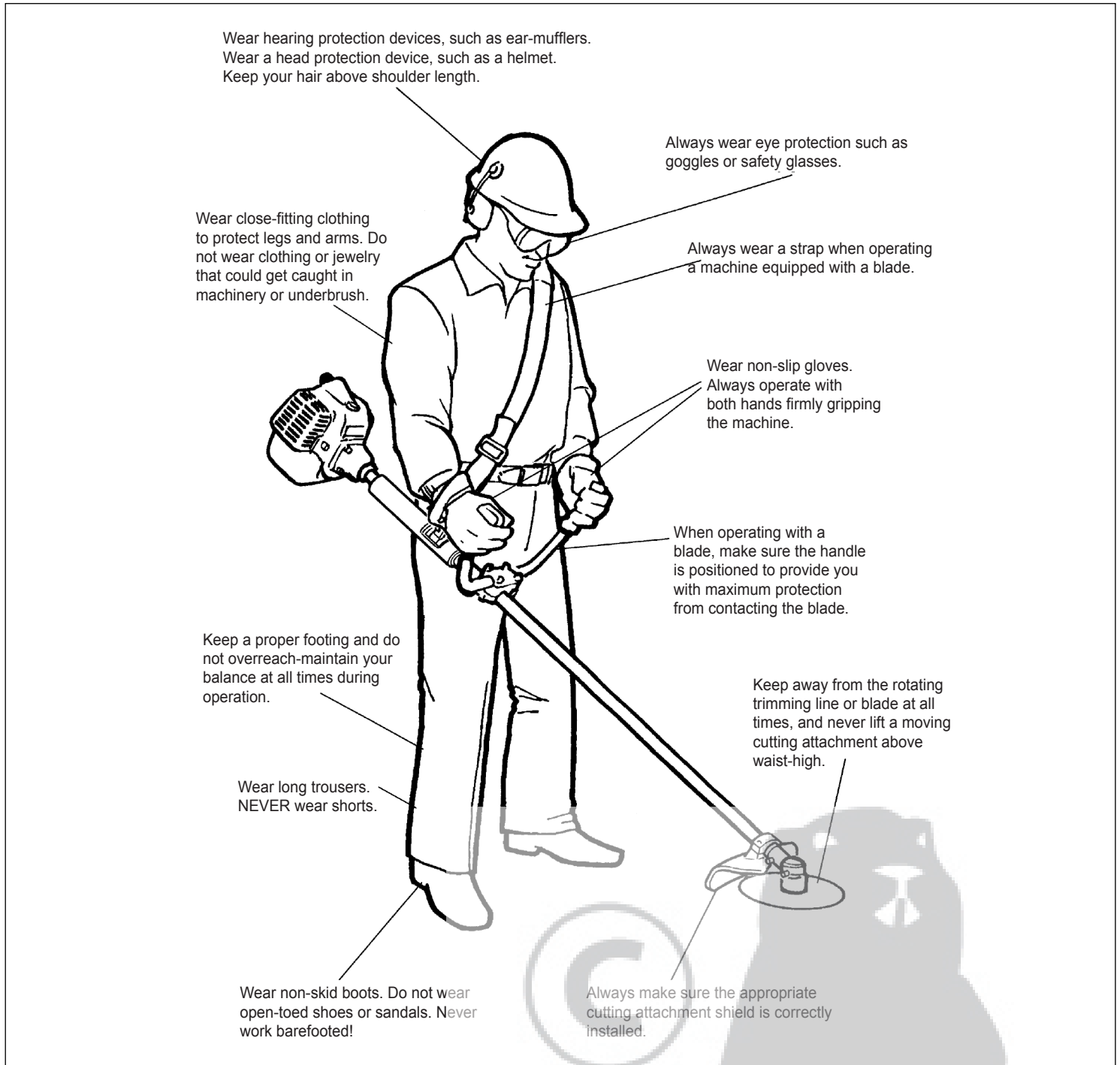
The maximum speed of the cutting attachment shaft in min⁻¹.



Sound power level (measured in accordance with 2000/14/ec)



The Properly Equipped Operator



WARNING!

Use Good Judgment

ALWAYS wear eye protection to shield against thrown objects.

NEVER run the engine when transporting the machine.

NEVER run the engine indoors - make sure there is always good ventilation. Fumes from engine exhaust can cause serious injury or death.

ALWAYS clear your work area of trash or hidden debris that could be thrown back at you or toward a bystander.

ALWAYS use the proper cutting tool for the job.

ALWAYS stop the machine immediately if it suddenly begins to vibrate or shake. Inspect for broken, missing or improperly installed parts or attachments.

NEVER extend trimming line beyond the length specified for your unit.

ALWAYS keep the unit as clean as practical. Keep it free of loose vegetation, mud, etc.

ALWAYS hold the machine firmly with both hands when cutting or trimming, and maintain control at all times.

ALWAYS keep the handles clean.

ALWAYS disconnect the spark plug wire before performing any maintenance work.

ALWAYS, if a blade should bind fast in a cut, shut off the engine immediately. Push the branch or tree to ease the bind and free the blade.

General Safety Instructions

Work Safely

Trimmers and brushcutters run at very high speeds and can do serious damage or injury if they are misused or abused. Never allow a person without training or instruction to operate your machine.



WARNING!

Never make unauthorized attachment installations.

Stay Alert

You must be physically and mentally fit to operate this machine safely.



WARNING!

Never operate power equipment of any kind if you are tired or if you are under the influence of alcohol, drugs, or any other substance that could affect your ability or judgement.



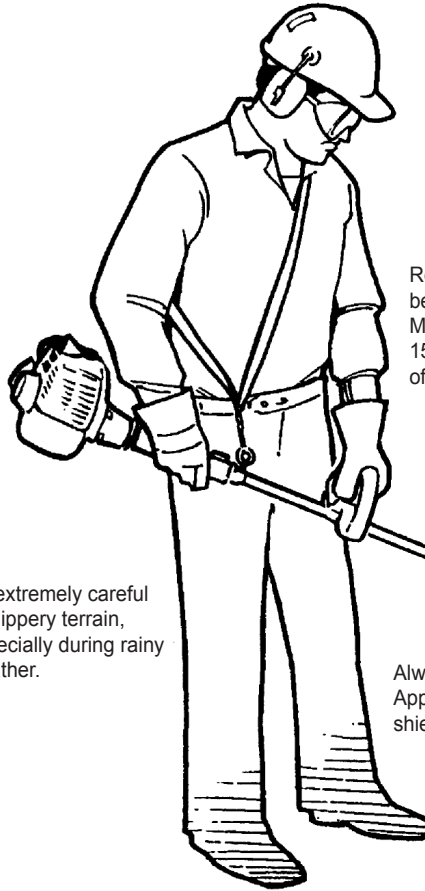
WARNING!

Minimize the Risk of Fire
NEVER smoke or light fires near the trimmer or brushcutter. **ALWAYS** stop the engine and let it cool before refueling. Avoid overfilling and wipe off any fuel that may have spilled. **ALWAYS** move the unit to a place well away from a fuel storage area or other readily flammable materials before starting the engine. **NEVER** place flammable material close to the engine muffler.

Be Aware of the working Environment

Avoid long-term operation in very hot or very cold weather.

Make sure bystanders or observers outside the 15 meters "danger zone" wear eye protection.



Reduce the risk of bystanders being struck by flying debris. Make sure no one is within 15 meters- that's about 16 paces- of an operating attachment.

Be extremely careful of slippery terrain, especially during rainy weather.

Always make sure the appropriate cutting attachment shield is correctly installed.

Beware of a coasting blade when brushcutting. A coasting blade can injure while it continues to spin after the throttle trigger is released or after the engine is stopped.

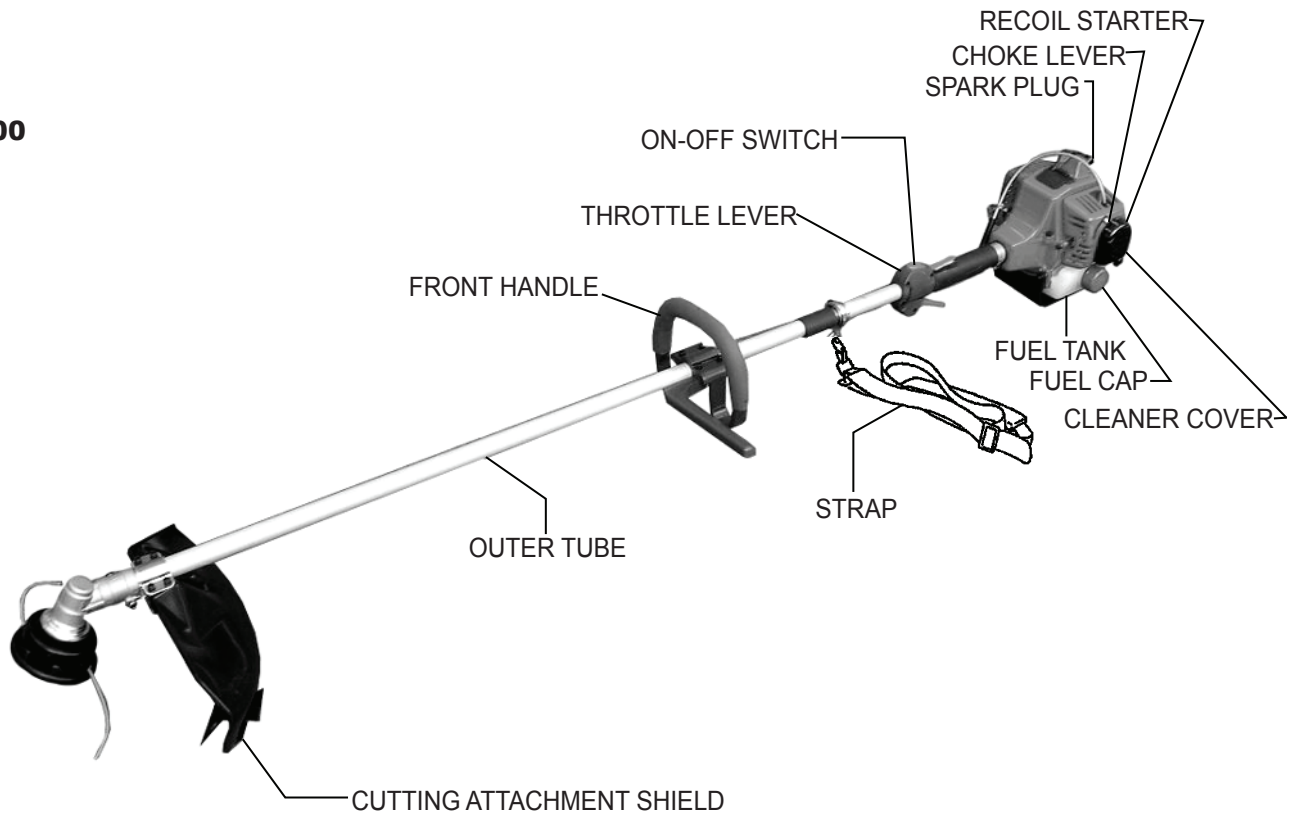
If contact is made with a hard object, stop the engine and inspect the cutting attachment for damage.

When operating in rocky terrain or near electric wires or fences, use extreme caution to avoid contacting such items with the cutting attachment.

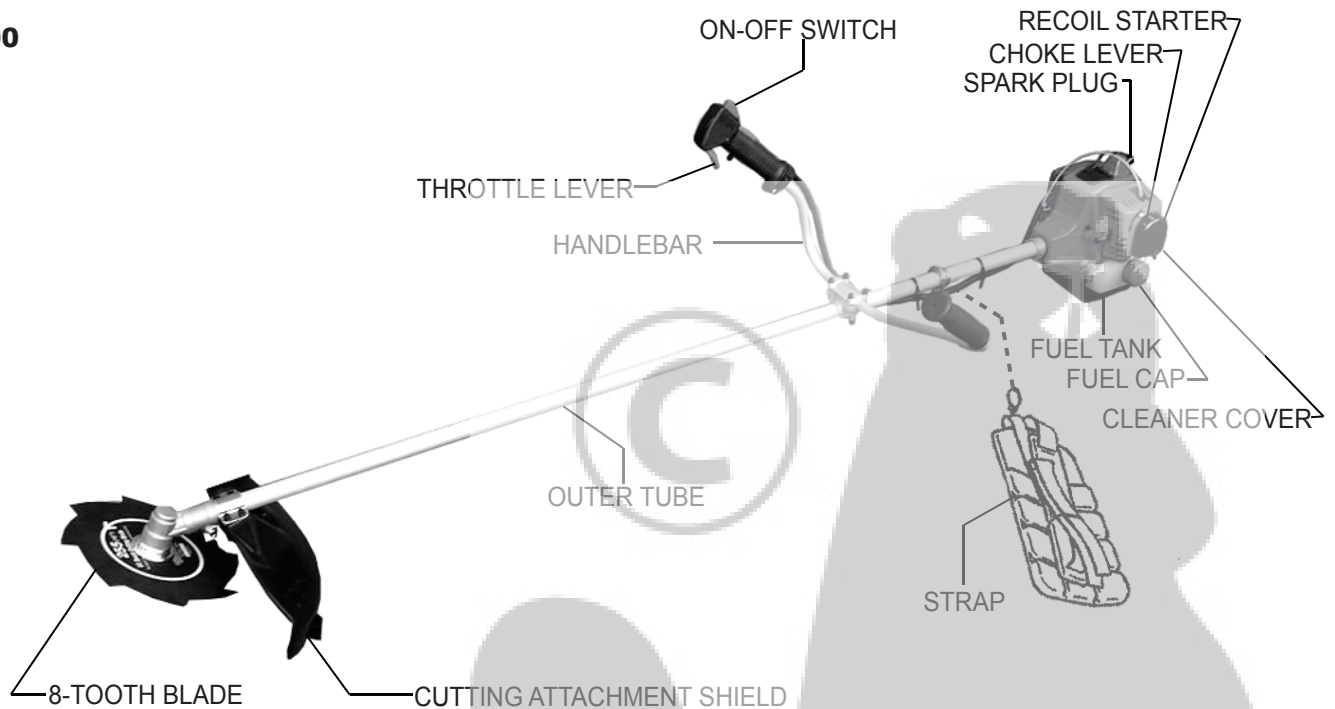
Be constantly alert for objects and debris that could be thrown either from the rotating cutting attachment or bounced from a hard surface.

Product Descriptions

T300



C300



Using the accompanying illustrations as a guide, familiarize yourself with your machine and its various components. Understanding your machine helps ensure top performance, long service life, and safer operation.



WARNING!

The engine exhaust from this product contains chemicals which may cause cancer, birth defects, or other reproductive harm.



WARNING!

Do not make unauthorized modifications or alterations to any of these units or their components.

Technical Specifications

Model Name	T300/EC1 C300/EC1
Engine Model	S270EC
Engine Type	2-cycle, vertical cylinder, air cooled
Dry Weight (Less Attachment)	6.0 kg 6.2 kg
Bore x Stroke	34mm x 30mm
Displacement	27.2 cm ³
Engine Speed at Maximum Power Output	8,000 min ⁻¹ (rpm)
Maximum Power Output	0.95 kW
Engine Speed at Idling	3,000 min ⁻¹ (rpm)
Maximum Engine Speed	11,500 min ⁻¹ (rpm)
Fuel/Oil Ratio	50:1
Fuel Tank Capacity	650 cm ³
Carburetor	TK, DPV10W Diaphragm
Ignition System	Fully Electronic, transistor controlled
Spark Plug	NGK BPMR6A
Air Cleaner	Semi-wet Type
Starting Method	Recoil Starter
Stopping Method	Slide Switch
Handle	
Dimensions	Loop Type Bicycle Type
Sound Pressure Level * (average data between at Idling and at Racing) note.1	1780 x 365 x 290mm 1790 x 575 x 470mm
Sound Power Level * (average data between at Idling and at Racing) note.1	92 dB (A) 91 dB (A)
Vibration Level *, note.1	106 dB (A)
Vibration Level *, note.1	Idling left/right 3.4/2.3m/s ² 2.7/3.3m/s ²
Vibration Level *, note.1	Racing left/right 4.5/6.9m/s ² 4.0/3.7m/s ²
Sound Pressure Level * (average data between at Idling and at WOT) note.2	98 dB (A)
Sound Power Level * (average data between at Idling and at WOT) note.2	109 dB (A)
Vibration Level *, note.2	Idling left/right 3.2/2.2m/s ² 2.7/2.3m/s ²
Vibration Level *, note.2	WOT left/right 7.2/7.5m/s ² 5.0/3.2m/s ²

* Sound Pressure Level: in accordance with EN ISO 11806 and ISO 7917

* Sound Power Level: in accordance with EN ISO 11806 and ISO 10884

* Vibration Level: in accordance with EN ISO 11806 and ISO 7916

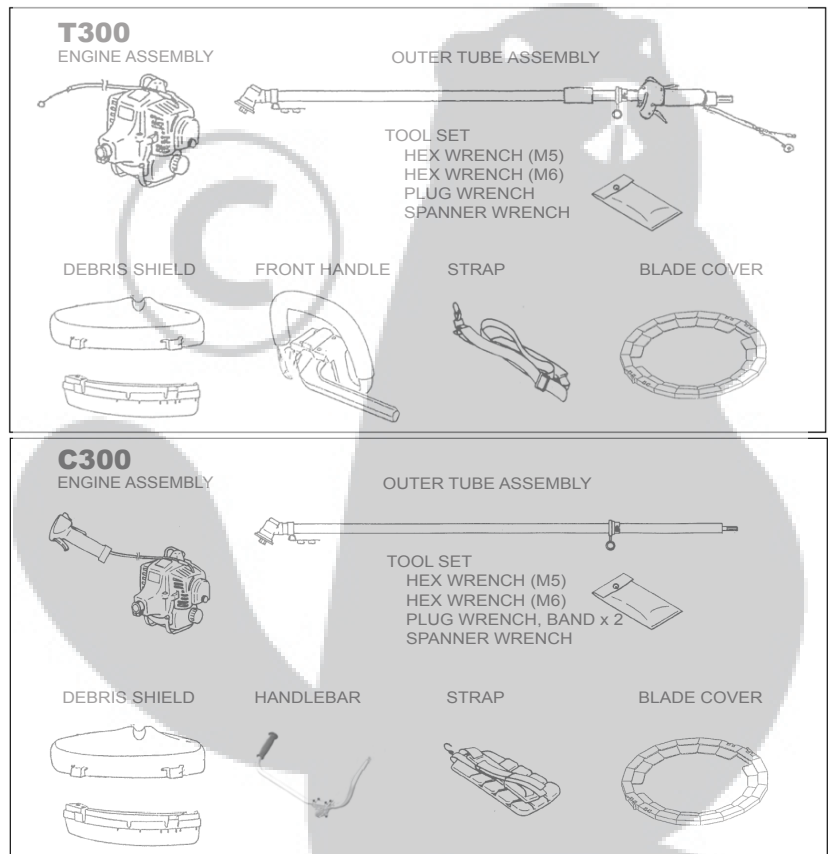
Note 1: 8-tooth blade equipped **Note 2:** Trimmer head equipped

Prior to Assembly

Before assembling, make sure you have all the components required for a complete unit. This machine consists of the following components and accessories. Carefully inspect all components for damage. If you find any damaged or missing items, ask your Shindaiwa dealer for support.

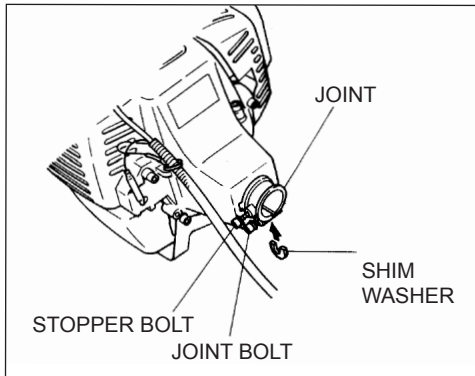
IMPORTANT!

The terms “left,” “left-hand,” and “LH”, “right,” “right-hand,” and “RH”; “front” and “rear” refer to directions as viewed by the operator during normal operation of this product.



Before Assembling the Outer Tube

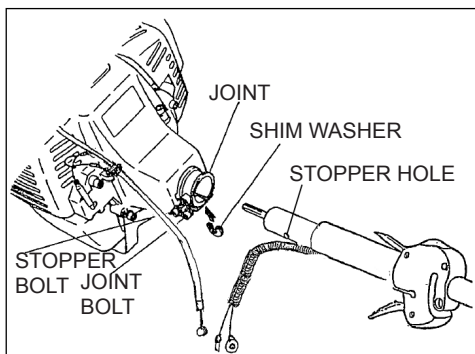
1. Using the hex wrench, loosen the stopper bolt to the end.
2. Loosen the joint bolt. Do not lose the shim washer.



Assembly of the Outer Tube

T300

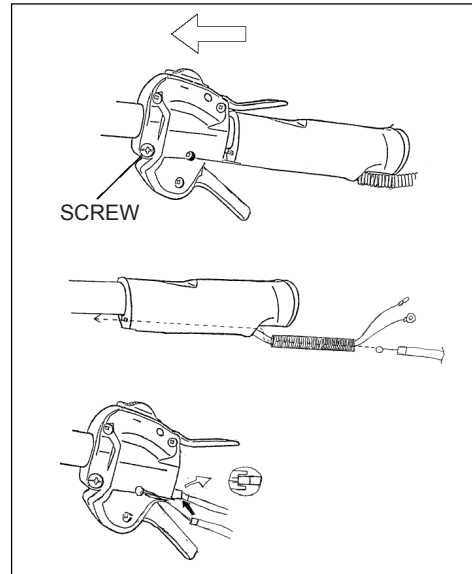
1. Slip the outer tube into the joint until the tube bottoms. The outer tube or gear case shaft may have to be rotated slightly for the splines on the main shaft to fully engage to the engine.
2. Place the D-shaped shim washer with its flat side up in the gap of the joint. Then, tighten the joint bolt securely using the hex wrench.
3. Loosen the screw which tightens the throttle lever to the outer tube. Shift the throttle lever toward the blade.
4. Put the throttle cable into the tube. Push throttle cable through hole in rear grip.
5. Set the throttle cable onto the throttle lever. Use the wrench so that the wire edge goes into the slot of the throttle lever securely.



NOTE:

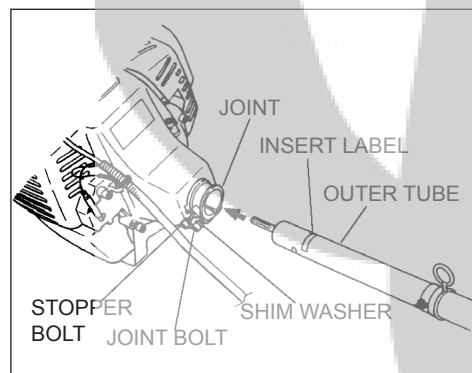
Make sure that the throttle cable is built into the cable guide of the throttle lever.

6. Shift the throttle lever back to original position, pulling the earth cord and throttle cable and tighten the screw securely.
7. Remove the bolt tightening the cylinder cover.
8. Put the bolt through the hole of the earth cord terminal and tighten the bolt.



C300

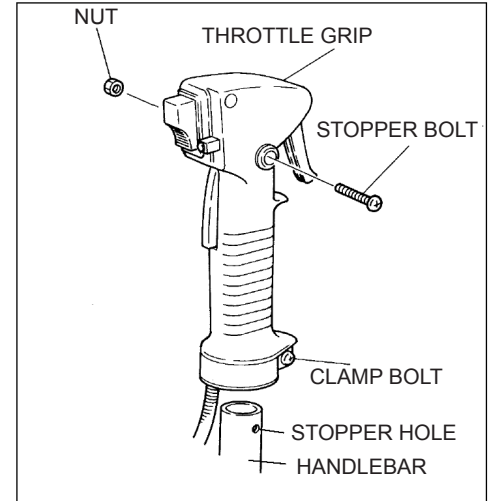
1. Slip the outer tube into the joint until the tube bottoms (up to the insert label). The outer tube or gear case shaft may have to be rotated slightly for the splines on the main shaft to fully engage to the engine.
2. Locate the outer tube so that the stopper bolt can go into the stopper hole. Using the hex wrench, tighten the stopper bolt securely.
3. Place the D-shaped shim washer with its flat side up in the gap of the joint. Then, tighten the joint bolt securely using the hex wrench.



4. Loosen the stopper bolt of the throttle grip. Remove the stopper bolt and nut.
5. Fully loosen the clamp bolt of the throttle grip.

CAUTION!

DO NOT REMOVE THE SHIM WASHER! The shim washer prevents overtightening of the outer tube joint. Overtightening the outer tube joint could damage the outer tube assembly.



6. Slip the right-side handlebar into the throttle grip. Locate the throttle grip so that the stopper bolt can pass through the stopper hole. Securely tighten the stopper bolt and nut.
7. Securely tighten the clamp bolt.

Assembly of the Handle

T300



WARNING!

NEVER operate this machine without the front handle. Operating without the front handle may result in serious injury.

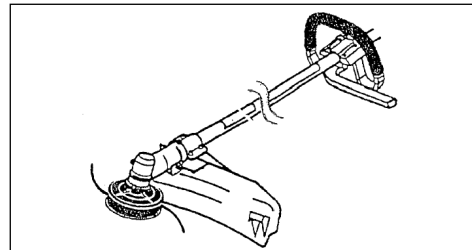
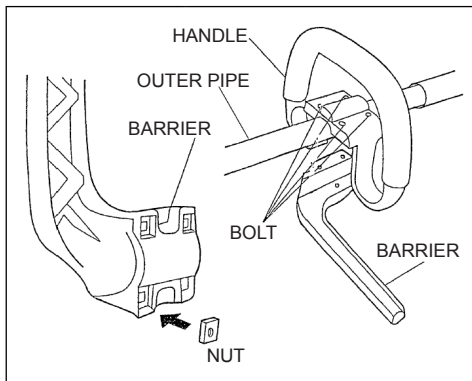
NOTE:

Tighten four bolts diagonally to properly secure the handle.

NOTE:

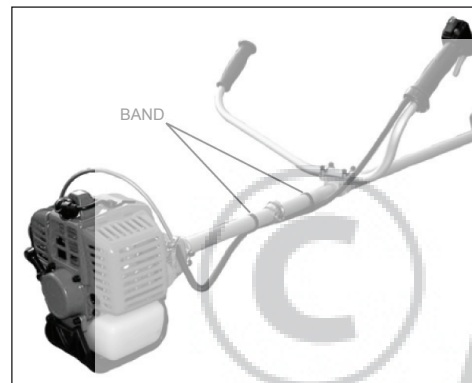
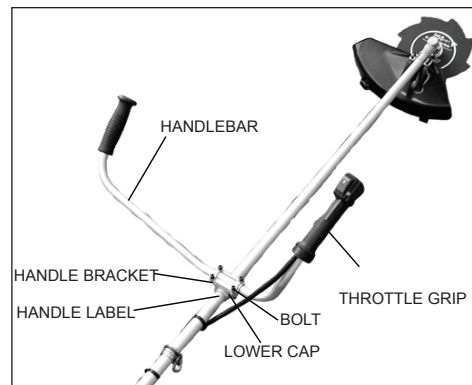
Adjust the handle at the best position for operator comfort.

1. Put four square nuts in the recesses on the underside of the barrier.
2. Fit the handle and barrier over the outer pipe and tighten four bolts.



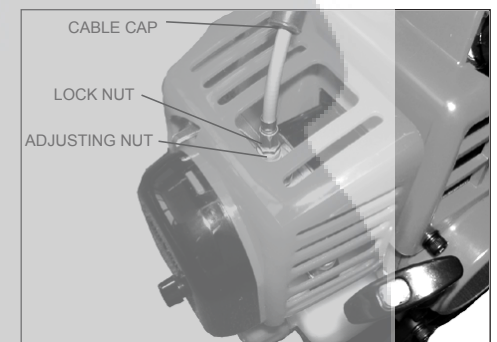
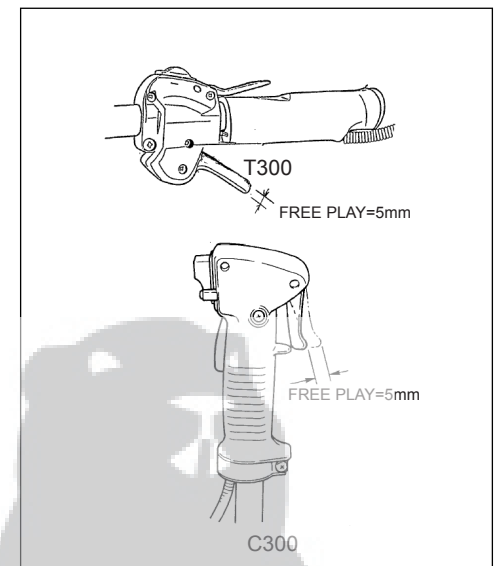
C300

1. Loosen the two bolts of the lower cap and remove the lower cap.
2. Position the handle bracket against the handle label located on the outer tube.
3. Attach the lower cap with the two bolts and tighten the bolts. Make sure the front handle is in position per the illustration.
4. Secure the cable to the outer pipe with the two bands as the illustration shows. The two bands are in the tool bag.



Throttle Cable Adjustment

1. Pull the throttle trigger gently, and check for free-play of approximately 5mm.
2. If free-play is out of specifications:
 - (a) Slide the cable cap toward the muffler side until the adjusting nut and the lock nut appear.
 - (b) Loosen the lock nut slightly.
 - (c) Turn the adjusting nut so that free-play is about 5mm.
 - (d) Then, tighten the lock nut.
 - (e) Slide the cable cap back.



Debris Shield Assembly



WARNING!

NEVER operate this machine without the cutting attachment shield. Operating without the cutting attachment shield may result in serious injury.

Cutting Attachment Shield

1. Insert the cutting attachment shield between the outer tube and the lower clamp. Loosen the nut and bolt which are tightening the lower clamp if the cutting attachment shield does not fit with the lower clamp.

NOTE:

It may be necessary to loosen the lower clamp bolt so that the shield will fit between the tube and clamp.

2. Fit the two spacers and the upper clamp over the outer pipe and tighten with four bolts.

NOTE:

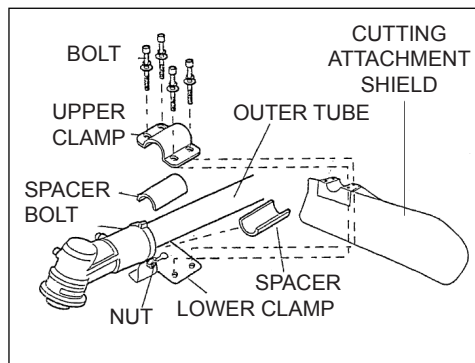
Tighten four bolts a crisscross fashion.

3. Tighten the lower clamp bolt and nut securely.



WARNING!

Carefully inspect the debris shield assembly to make sure it is tightened securely and does not wobble.

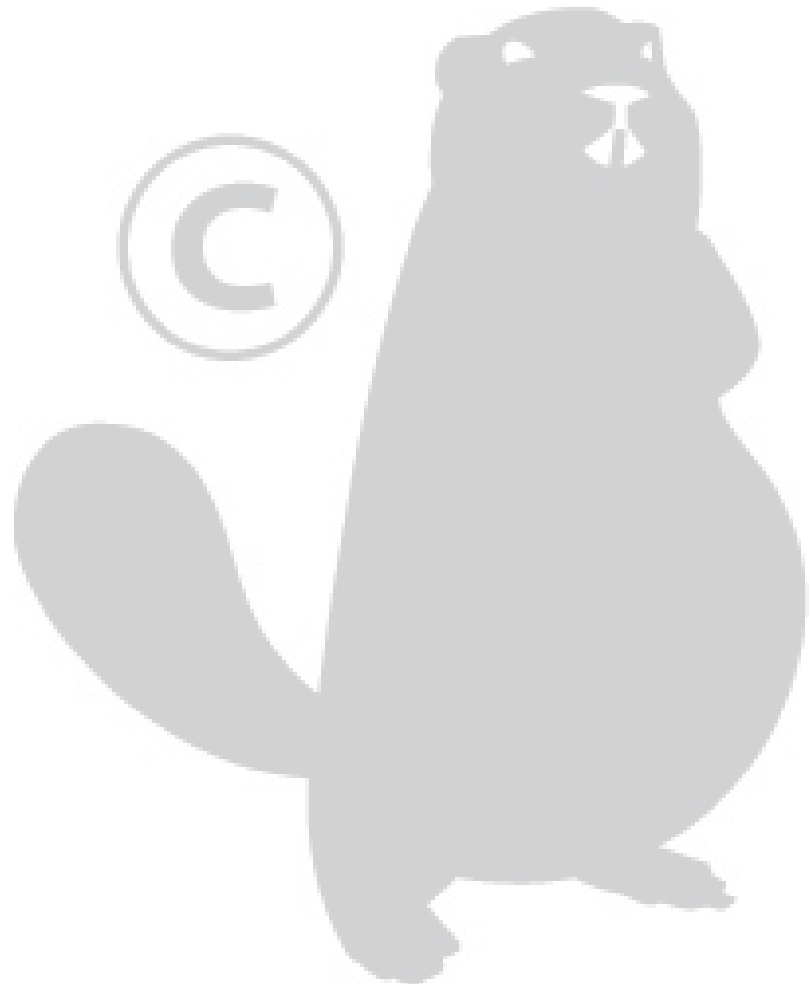
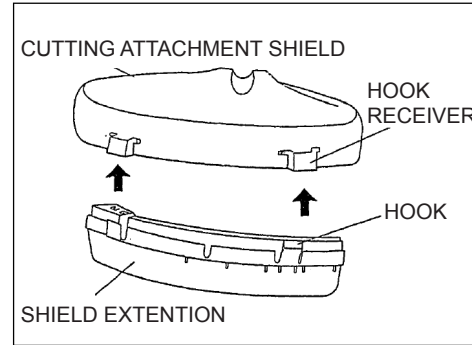


Shield Extension (when trimmer head is in use)

1. Attach the shield extension to the cutting attachment shield.

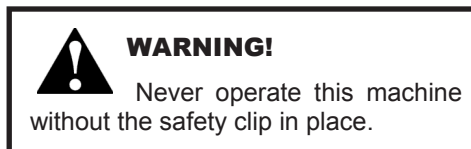
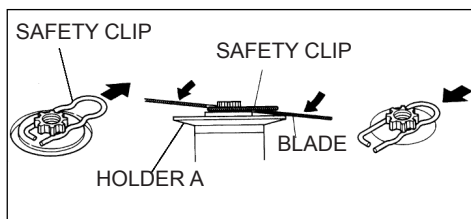
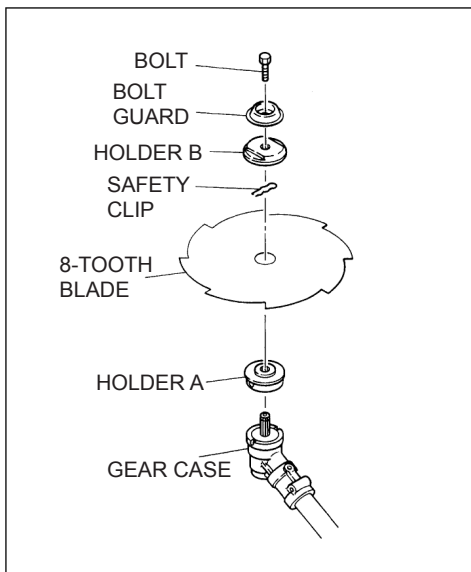
NOTE:

Make sure the shield extension is completely hooked at the hook receiver.

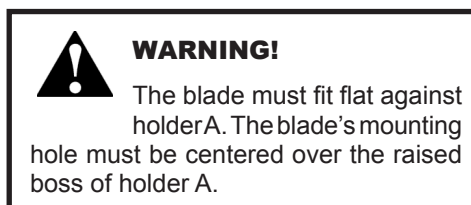


Installing a Blade

1. Make sure the switch is off and the engine is stopped.
2. Wear gloves to protect your hands.
3. Turn the unit over so the saw holder flange extending from the gear case is facing up.
4. Using the small end of the plug wrench, loosen the bolt (turn clockwise) and remove the bolt, bolt guard, and holder B.
5. Slide the safety clip as shown in the illustration.



6. Fit the blade over the safety clip onto holder A. Then, slide the safety clip back to its original position.

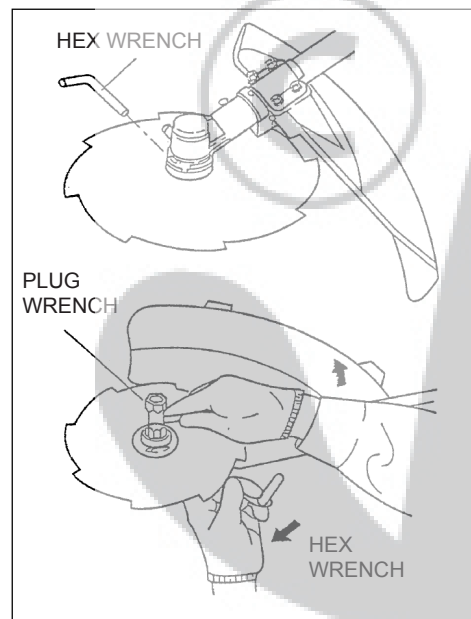
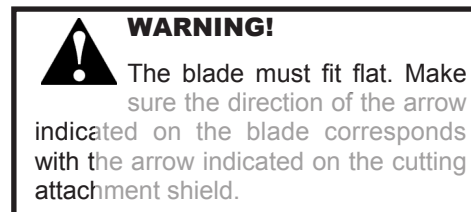
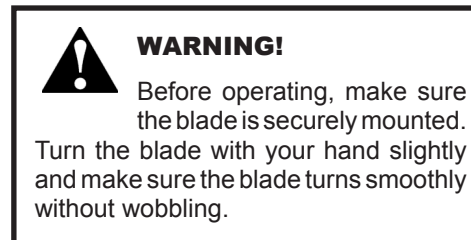


7. Put holder B and bolt guard back and at this time only finger tighten the bolt.

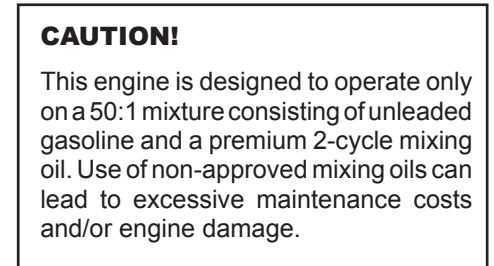
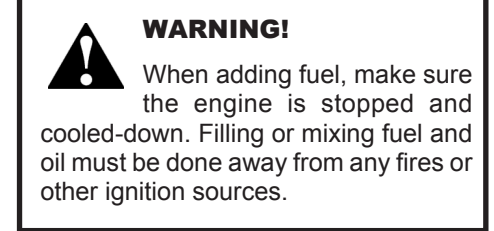
Make sure holder B is flat against the blade and the recess in holder B must face the blade and completely cover the safety clip.

8. Rotate holder A until the hole in its skirt aligns with the hole in the gear case. Insert the hex wrench through both holes (to prevent the shaft from turning).
9. Holding the hex wrench and blade with one hand, tighten the bolt (turn counterclockwise) securely using the small end of the plug wrench.

10. Remove the hex wrench.



Filling the Fuel Tank



1. Turn the fuel cap counterclockwise and take it off.
2. With the fuel cap hanging down from the filler opening, fill the fuel tank with fresh, clean fuel (mixture of fuel and oil) and tighten the fuel cap securely.
3. If there is any fuel spilled on the machine, make sure it is wiped off completely.

Starting the Engine



WARNING!

MAKE SURE THE BLADE IS WELL CLEAR OF ANY INTERFERENCE. Before starting the engine, place unit on clear, level surface. Make sure you have good secure footing and always keep a firm grip on the machine. THE CUTTING ATTACHMENT MAY ROTATE WHEN THE ENGINE STARTS.



WARNING!

Move at least three meters away from the fuel site before starting the engine.



WARNING!

Never operate the engine without the cutting attachment installed.

Starting a Cold Engine and/or Restarting After Refueling.

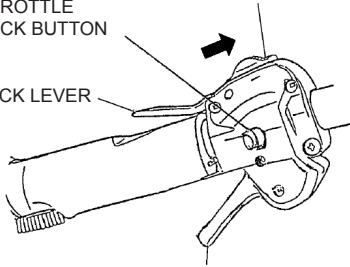
T300

THROTTLE LOCK BUTTON

LOCK LEVER

ON-OFF SWITCH

THROTTLE LEVER



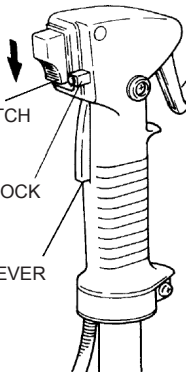
C300

ON-OFF SWITCH

THROTTLE LOCK BUTTON

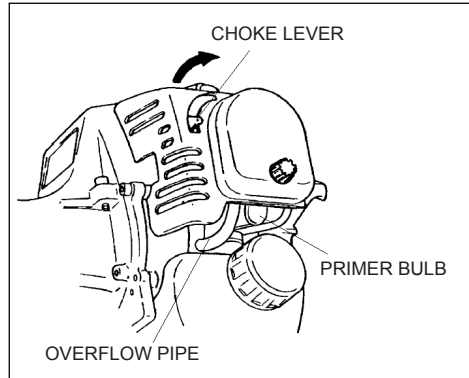
LOCK LEVER

THROTTLE LEVER

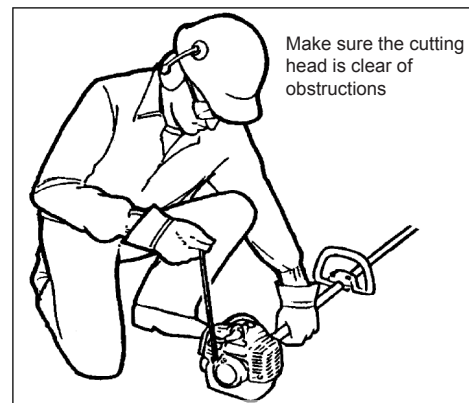


1. Slide the ON-OFF switch to the "I" position.

2. Prime the engine by repeatedly depressing the carburetor primer bulb until fuel can be seen flowing through the transparent overflow return tube:



3. Push the choke lever upward ("I") position.



4. Depressing the lock lever, pull the throttle lever fully and depress the throttle lock button. While depressing the throttle lock button, release the throttle lever and the lock lever. Now the throttle stays at high idle (starting speed).

5. While firmly holding the outer pipe with one hand, pull the recoil starter handle upward with your other hand. Pull slowly at first until you feel the starter engage, then pull quickly to start the engine. Do not pull the starter rope to the end of its travel.

CAUTION!

Pulling the starter rope to the end of its travel may damage the starter mechanism.

IMPORTANT!

Repeated cranking of the engine with the choke CLOSED ("I") will lead to engine flooding. If the engine fails to start after several attempts, move the choke lever to the OPEN position and continue cranking.

6. When the engine first fires, gradually return the choke to OPEN ("I") position if you have not already done so.

- If the engine stops before the choke is fully open, restart with the choke closed.
- If the engine stops after the initial firing, restart with choke closed.

7. When the engine starts and is running, set the engine to idle by tapping the throttle lever to release the throttle lock.



WARNING!

Never start the engine from the operating position.

Starting a Warm Engine

Starting a warm engine involves all of the steps of starting a cold engine.

EXCEPT:

- Do not press the primer bulb, and
- The choke should be in the OPEN position.

If the engine does not start, follow the cold engine starting procedure.

When the Engine Starts

- After the engine starts, disengage the throttle lock and allow the engine to warm-up at idle for 2 or 3 minutes before operating the machine.
- After the engine is warm, pick up the machine and clip-on the strap.
- Advancing the throttle makes the cutting attachment rotate faster; releasing the throttle makes the attachment stop running. If the cutting attachment continues to rotate, carburetor idle speed should be adjusted.

Stopping the Engine

Idle the engine briefly before stopping, then slide the ON-OFF switch to the "O" (for STOP) position.

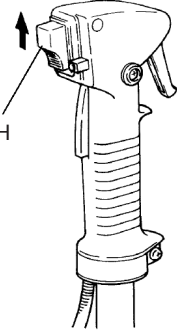


WARNING!

The cutting attachment continues rotating for a while after the switch is turned off.

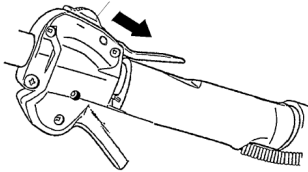
C300

ON-OFF SWITCH



T300

ON-OFF SWITCH



Engine Idle Adjustment

The engine must return to idle speed whenever the throttle lever is released. Idle speed is adjustable, and must be set low enough to permit the engine clutch to disengage the cutting attachment when the throttle is released.



WARNING!

The cutting attachment must NEVER rotate at engine idle! If the idle speed can not be adjusted by the procedure described here, have the unit inspected at an authorized Shindaiwa dealer.



IDLE ADJUST SCREW

1. Place the unit on the ground, then start the engine and allow it to idle for 2-3 minutes until warm.
2. If the attachment rotates when the engine is at idle, reduce the idle speed by turning the idle adjustment screw counterclockwise.

3. If a tachometer is available, the engine idle speed should be adjusted to 3,000 min⁻¹ (rpm).

NOTE:

Carburetor fuel mixture adjustments are preset at the factory on units with emission control systems and cannot be serviced in the field.

Unit Condition Check

NEVER operate the unit with the cutting attachment shield or other protection devices (strap, blade retention clip, etc.) removed.



WARNING!

A cutting attachment shield or other protective device is no guarantee of protection against ricochet. YOU MUST ALWAYS GUARD AGAINST FLYING DEBRIS!

Use only authorized Shindaiwa parts and accessories with this machine. Do not make modifications to the machine without the written approval of Shindaiwa.

ALWAYS make sure the cutting attachment is properly installed and firmly tightened before operation.

NEVER use a cracked or warped cutting attachment: replace it with a serviceable one.

ALWAYS make sure the cutting attachment fits properly into the appropriate cutter holder. If a properly installed attachment vibrates, replace the attachment with new one and recheck.

ALWAYS stop the engine immediately and check for damage if you strike a foreign object or if the machine becomes tangled. Do not operate with broken or damaged equipment.

NEVER operate a machine with worn or damaged fasteners or attachment holders.

NEVER cut with dull blades. Doing so will increase the risk of blade thrust and may also damage your equipment.

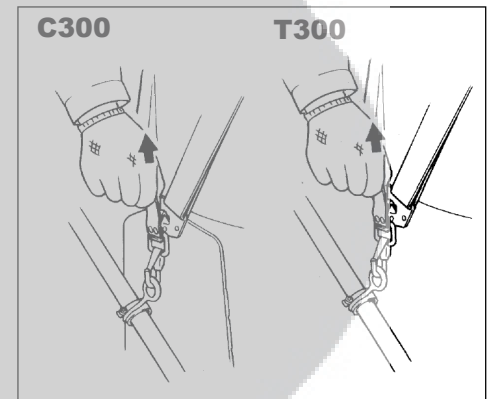
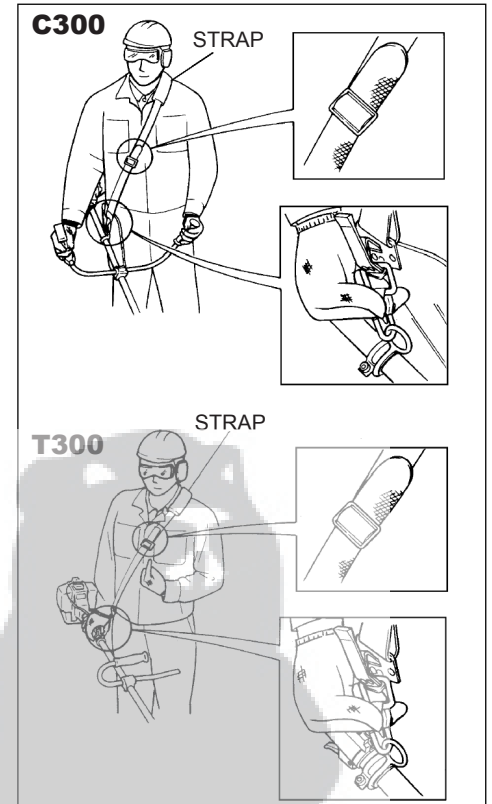
Prior To Operation

To Wear the Strap

1. Attach the strap hook to the hanger on the outer pipe.
2. Wear the strap so that the hook stays at your right side.
3. Adjust the length of the strap so that you can hold and operate the machine comfortably.
4. Make sure the hip pad stays between your hip and outer pipe. (C300 ONLY)

Emergency Release

In case of emergency, firmly pull the white tab at the hook. The machine will release from the strap.



Operation

1. After starting the engine, pull the throttle lever gradually. The engine speed increases and the blade will start rotating.
2. When the throttle lever is released, the engine goes back to idle speed automatically.
3. Operate the machine at full throttle while cutting. Best fuel efficiency is obtained by releasing the throttle when swinging back after cut.
4. The blade rotates counterclockwise. For best performance and to minimize being stuck by debris, move the blade from right to left while advancing on your work.



WARNING!

Position the blade so cuts are made between blade's 8 o'clock and 11 o'clock positions (as viewed from above). DO NOT cut between the 11 o'clock and 5 o'clock positions.



WARNING!

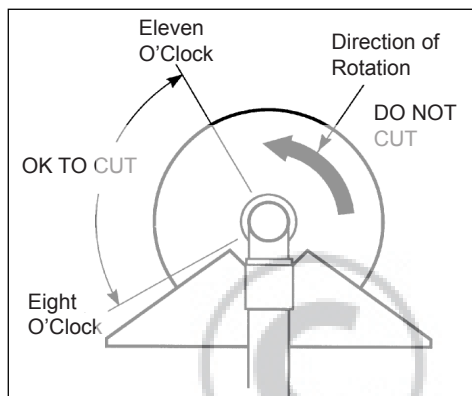
"BLADE THRUST" is a sudden sideway or backward motion of the machine. Such motion may occur when the blade jams or catches on an object such as a sapling tree or tree stump. BE CONSTANTLY ALERT FOR BLADE THRUST AND GUARD AGAINST ITS EFFECTS.

CAUTION!

DO NOT use 2-tooth blades with this machine.

CAUTION!

To prevent possible engine damage, do not allow the machine to run at high speeds without a load. Avoid operating the engine at low speeds. Doing so can lead to rapid clutch wear. In addition, slow-speed operation tends to cause grass and debris to wrap around the cutting attachment.



WARNING!

NEVER strike or slam the spinning blade against the wood.



WARNING!

When transporting, make sure the engine is not running and blade is covered with blade cover.

Recommended Cutting Attachment

Make sure to use the following recommended Shindaiwa cutting attachment with this machine.

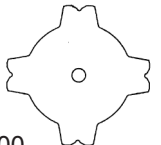
PART NUMBER 60903-98310
8-TOOTH BLADE
INNER BORE: 25.4mm
DIAMETER: 255.0mm
THICKNESS: 2.0mm



PART NUMBER 72430-92142
3-TOOTH BLADE
INNER BORE: 25.4mm
DIAMETER: 255.0mm
THICKNESS: 2.2mm



PART NUMBER 60903-98320
4-TOOTH BLADE
INNER BORE: 25.4mm
DIAMETER: 255.0mm
THICKNESS: 2.0mm



PART NUMBER 78820-04000
TAP & FEED TRIMMER HEAD
BOLT DIAMETER: 8mm
THREAD: LEFT, 1.25mm
PITCH



Blade Sharpening

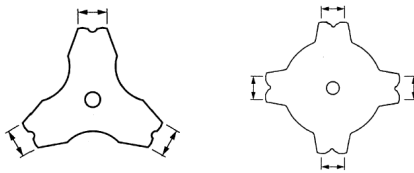
With the file or a grinder, file a blade as follows.



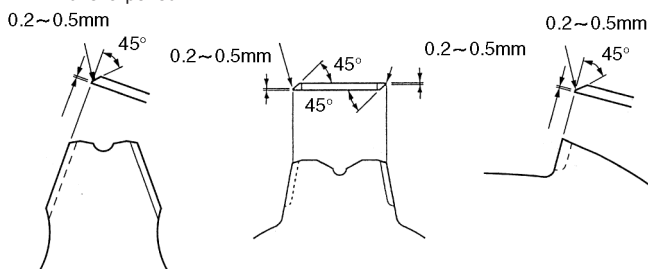
WARNING!

Sharpen only the cutting teeth of a blade. DO NOT alter the contour of the blade in any way. In order to keep the blade in balance, all cutting edges must be sharpened equally. DO NOT file the tips of the teeth too sharp.

Make sure the width of the 3 sides/4 sides is all the same.

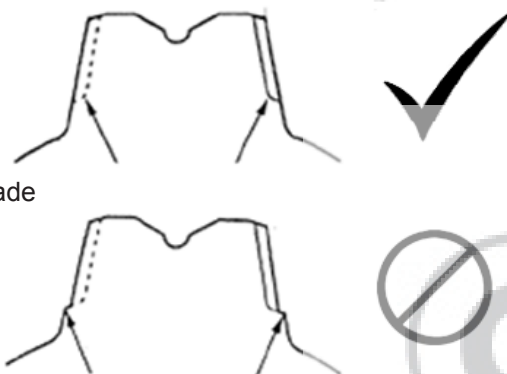


The sharpening angle should be 45° approx.
Do not file the tips of the blade too sharp. Leave 0.2~0.5mm unsharpened.

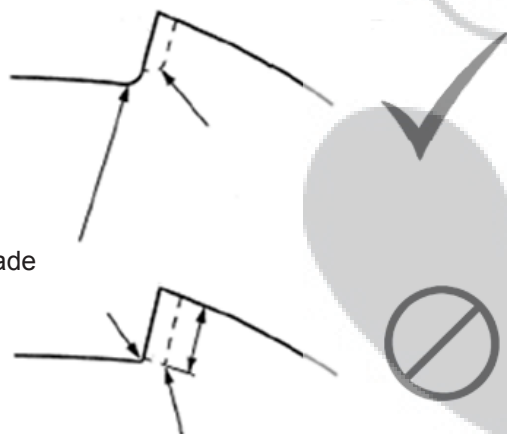


The bottom of each tooth must remain unsharpened.
(Blade as viewed from bottom.)

4-Tooth Blade



8-Tooth Blade



Maintenance



WARNING!

Before performing any maintenance, repair, or cleaning work on the machine, make sure the engine and cutting attachment are completely stopped. Disconnect the spark plug wire before performing service or maintenance work.



WARNING!

Never repair a damaged blade by welding, straightening, or by modifying its shape. An altered blade may break during operation, resulting in serious personal injury.

Daily Maintenance

Prior to each work day, perform the following:

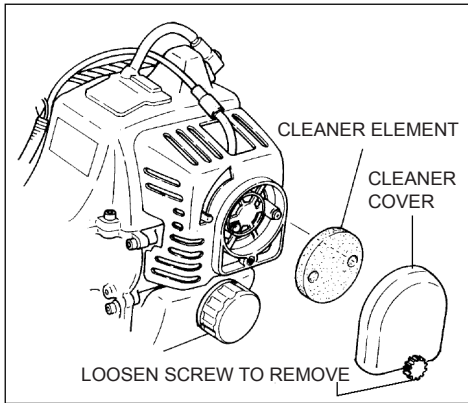
- Remove the dirt and debris from the engine, check the cooling fins and air cleaner for clogging, and clean them as necessary.
- Carefully remove any accumulations of dirt or debris from the muffler and fuel tank. Dirt buildup in these areas can lead to engine overheating, fire, or premature wear.
- Check for loose or missing screws or components. Make sure the cutting attachment is securely fastened.
- Check the machine for leaking fuel or grease.

10 Hour Maintenance

Remove the air cleaner element from the carburetor and clean it thoroughly with soap and water. Squeeze out excess, let dry and reassemble the element.

CAUTION!

Do not operate the machine if the air cleaner or element is damaged, or if the element is water-soaked.

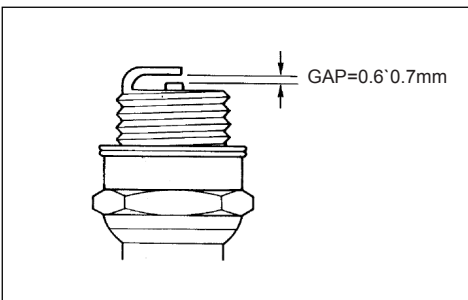


10/15 Hour Maintenance

Remove and clean the spark plug. Adjust the spark plug electrode gap to 0.6 - 0.7mm. If the plug must be replaced, use only NGK, BPMR6A.

CAUTION!

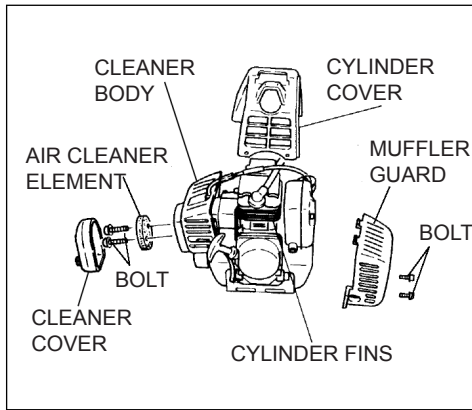
Before removing the spark plug, clean the area around the plug to prevent dirt and dust from getting into the engine's internal parts.



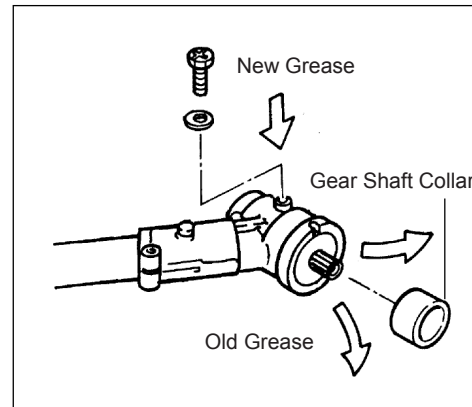
50 Hour Maintenance

Cleaning

Remove and clean the cylinder cover and clean grass and dirt from the cylinder fins.



Remove the cutting attachment and the gear shaft collar, and press new grease into the gear case until the old grease has been pushed out. Use only lithium base grease (such as Shindaiwa Gear Case Lubricant).

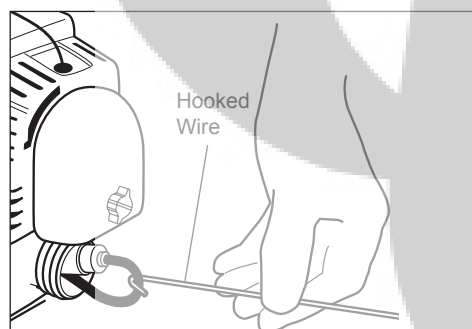


Fuel Filter Maintenance

Use a hooked wire to extract the fuel filter from inside the fuel tank. Remove and replace the filter element. Before reinstalling the filter, inspect the condition of the fuel line. If damage or deterioration are noted, the unit should be removed from service until you can consult with an authorized servicing dealer.

CAUTION!

Make sure you do not pierce the fuel line with the end of the hooked wire. The line is delicate and can be damaged easily.

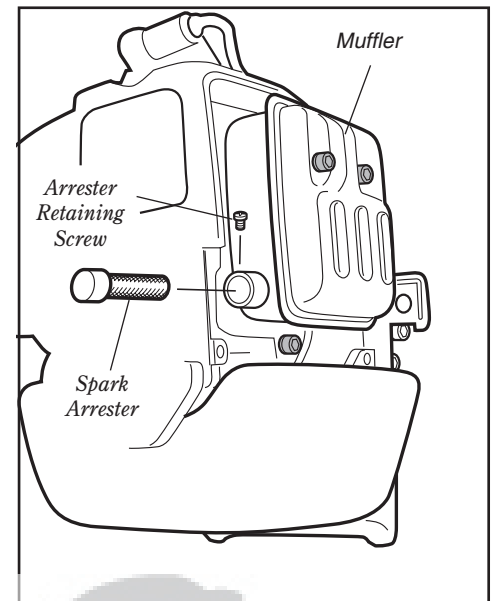


Muffler Maintenance

Hard starting or a gradual loss of performance can be caused by carbon deposits lodged in the muffler's spark arrester screen.

In such cases, performance can usually be restored by removing the spark arrester screen and giving it a thorough cleaning with a stiff bristle brush.

If carbon deposits are severe or if no performance improvement is noted, your unit should be returned to your Shindaiwa dealer for inspection.



WARNING!

Never operate this unit with a damaged or missing muffler or spark arrester! Operating with missing or damaged exhaust components is a fire hazard and may also damage your hearing.

Long Term Storage

Whenever the machine will not be used for 30 days or longer, use the following procedures to prepare it for storage.

- Clean external parts thoroughly and apply a light coating of oil to all metal surfaces.
- Drain all the fuel from the carburetor and the fuel tank.

IMPORTANT!

All stored fuels should be stabilized with a fuel stabilizer such as STABIL®.

CAUTION!

Gasoline stored in the carburetor for a long time will likely cause hard starting and could lead to increased service and maintenance costs.

- Remove the spark plug and pour about 7 grams of oil into the cylinder through the spark plug hole. Slowly pull the recoil starter 2 or 3 times so oil will evenly coat the interior of the engine. Reinstall the spark plug.
- Before storing the machine, repair or replace any worn or damaged parts.
- Remove the air cleaner element from the carburetor and clean it thoroughly with soap and water. Squeeze out the excess, let dry and reassemble the element.
- Store the machine in a clean, dust free area.

Troubleshooting Guide

Engine Does Not Start

What To Check	Possible Cause	Remedy
Does the engine crank? NO	Faulty recoil starter. Fluid in the crankcase. Internal damage.	Consult with an authorized servicing dealer.
YES		
Good compression? NO	Loose spark plug. Excess wear on cylinder, piston, rings.	Tighten and re-test. Consult with an authorized servicing dealer.
YES		
Does the tank contain fresh fuel of the proper grade? NO	Fuel/mixture incorrect, stale or contaminated.	Re-fill with fresh fuel of the correct mixture (gasoline and Shindaiwa Premium 2-cycle Engine Oil (50:1 ratio; page 10).
YES		
Is fuel visible and moving in the return line when priming? NO	Check for clogged fuel filter and/or vent.	Clean as required; re-start.
YES		
Is there spark at the spark plug wire terminal? NO	The ignition switch is in the STOP position (OFF). Shorted ignition wires. Faulty ignition module.	Move switch to START (ON) and re-start. Consult with an authorized servicing dealer.
YES		
Check the spark plug	If the plug is wet, excess fuel may be in the cylinder. The plug may be fouled or improperly gapped. The plug may be damaged internally or of the wrong size.	Crank the engine with the plug removed, replace the plug, and re-start. Clean and re-gap the plug to (0.6~0.7mm). Re-start. Replace the plug with a NGK BPMR6A.

Troubleshooting Guide (Continued)

Low Power Output

What To Check

Is the engine overheating?

Possible Cause

Operator is overworking the machine.

Carburetor mixture is too lean.

Improper fuel ratio.

Fan, fan cover, or cylinder fins dirty or damaged.

Carbon deposits on piston or in the muffler.

Remedy

Shorten trimmer line. Cut at a slower rate.

Consult with an authorized servicing dealer.

Re-fill with fresh fuel of the correct mixture (gasoline and Shindaiwa Premium 2-cycle Engine Oil (50:1 ratio; pg. 10).

Clean, repair or replace as necessary.

Consult with an authorized servicing dealer.

Engine is rough at all speeds. May also have black smoke and/or unburned fuel at the exhaust.

Clogged air filter.

Loose or damaged spark plug.

Air leakage or clogged fuel line.

Water in the fuel.

Piston seizure.

Faulty carburetor and/or diaphragm.

Service the filter.

Tighten or replace.

Repair or replace filter and/or fuel line.

Replace the fuel.

Consult with an authorized servicing dealer.

Engine is knocking.

Overheating condition.

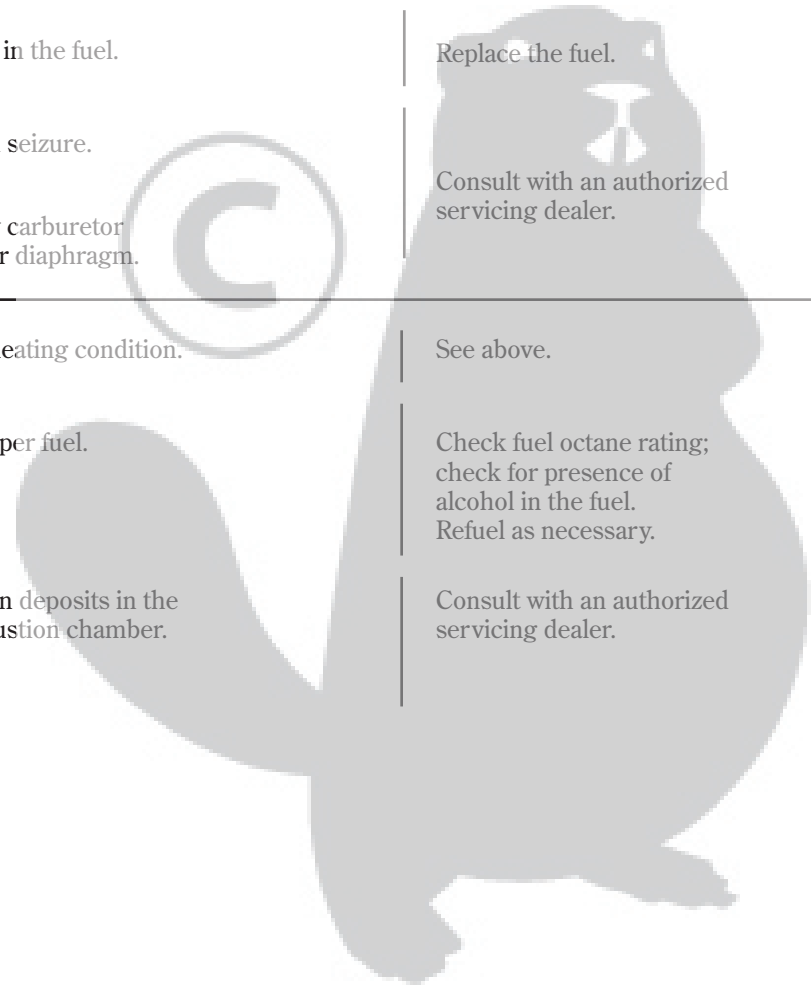
Improper fuel.

Carbon deposits in the combustion chamber.

See above.

Check fuel octane rating; check for presence of alcohol in the fuel. Refuel as necessary.

Consult with an authorized servicing dealer.



Troubleshooting Guide (Continued)

Additional Problems

Symptom	Possible Cause	Remedy
Poor acceleration.	<ul style="list-style-type: none"> Clogged air filter. Clogged fuel filter. Carburetor mixture too lean. Idle speed set too low. 	<ul style="list-style-type: none"> Clean the air filter. Replace the fuel filter. Consult with an authorized servicing dealer. Adjust: 3,000 rpm (min⁻¹) (5250 rpm)
Engine stops abruptly.	<ul style="list-style-type: none"> Switch turned off. Fuel tank empty. Clogged fuel strainer. Water in the fuel. Shorted spark plug or loose terminal. Ignition failure. Piston seizure. 	<ul style="list-style-type: none"> Reset the switch and re-start. Refuel. Replace strainer. Drain; replace with clean fuel. Clean and replace spark plug, tighten the terminal. Consult with an authorized servicing dealer.
Engine is difficult to shut off..	<ul style="list-style-type: none"> Earth (stop) wire is disconnected, or switch is defective. Overheating due to incorrect spark plug. Over heated engine. 	<ul style="list-style-type: none"> Test and replace as required. Clean and regap to 0.024" (0.6mm). Correct plug: NGK BMR6A Idle engine until cool.
Cutting attachment rotates at engine idle.	<ul style="list-style-type: none"> Engine idle too high. Broken clutch spring or worn clutch spring boss. Loose attachment holder. 	<ul style="list-style-type: none"> Set idle: 3,000 rpm (min⁻¹) (5250 rpm) Replace spring/shoes as required, check idle speed. Inspect and re-tighten holders securely.
Excessive vibracion.	<ul style="list-style-type: none"> Warped or damaged attachment. Loose gearcase. Bent main shaft/worn or damaged bushings. 	<ul style="list-style-type: none"> Inspect and replace attachment as required. Tighten gearcase securely. Inspect and replace as necessary.

DECLARATION OF CONFORMITY

We hereby declare the Shindaiwa Engine Brushcutter,
Model R26 (C300/EC1,T300/EC1).

meets the following respective requirements.

Council Directives:

89/336/EEC as amended

98/37/EC as amended

2000/14/EC as amended

2002/88/EC as amended

Standard taken:

EN 292 parts 1&2

EN 11806

CISPR 12

Measured sound power level: 112dB(A)

Guaranteed sound power level: 113dB(A)

Technical documentation is kept by:

K. Maeda DIV. Manager

Engineering Research and Development DIV.


Shindaiwa Corporation

Head office : 6-2-11, Ozuka—Nishi, Asaminami—Ku,
Hiroshima, 731—3167, Japan

TEL: 81-82-849-2003, FAX: 81-82-849-2482

19th August, 2004



T. Yoshitomi

DIV. Manager

Quality Assurance DIV.

Shindaiwa Corporation

Head office : 6-2-11, Ozuka—Nishi, Asaminami—Ku,
Hiroshima, 731—3167, Japan

TEL: 81-82-849-2206, FAX: 81-82-849-2481

NOTES:

shindaiwa

Shindaiwa Inc.
11975 S.W. Herman Rd.
Tualatin, Oregon 97062 USA
Telephone: 503 692-3070
Fax: 503 692-6696

www.shindaiwa.com

Shindaiwa Corporation
Head Office:
6-2-11, Ozuka-Nishi
Asaminami-Ku, Hiroshima
731-3167, Japan
Telephone: 81-82-849-2220
Fax: 81-82-849-2481

©2005 Shindaiwa, Inc.
Part Number 62093-94312

Revision 6/05

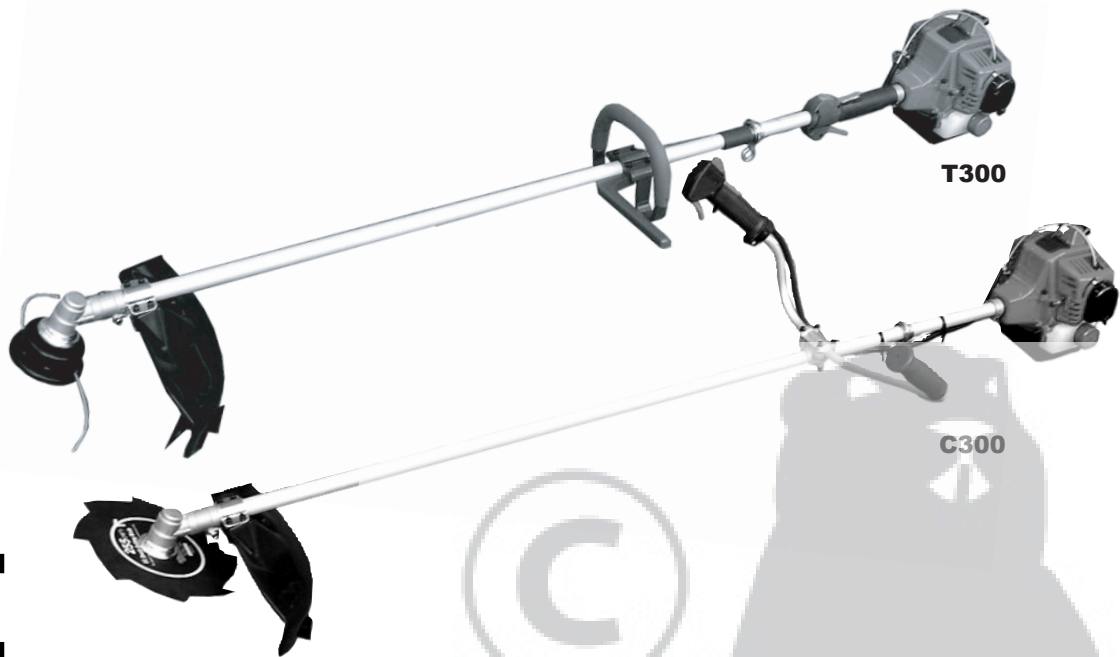
Shindaiwa is a registered trademark
of Shindaiwa, Inc.

Specifications subject to change without notice.



MANUEL D'UTILISATION SHINDAIWA

DÉBROUSSAILLEUSES T300/C300



AVERTISSEMENT ! Lire le présent manuel et se familiariser avec son contenu.



Cet appareil est conçu pour la tonte ou la coupe de gazon, d'herbes, ou de broussailles. Ne pas utiliser cet appareil pour d'autres usages.

Limiter tout risque de blessures, sur soi-même ou sur les autres.

Ne pas utiliser cet appareil ni procéder à son entretien sans avoir clairement compris le présent manuel.

Conserver ce manuel en lieu sûr afin de pouvoir le consulter pour toute question concernant l'utilisation de l'outil.

Numéro de référence 62093-94312 Rév. 10/04

shindaiwa

Table des matières

PAGE

Mises En Garde.....	2
Équipement Complet De L'utilisateur.....	3
Mesures De Sécurité Générales.....	4
Tenir Compte De L'environnement De Travail	4
Description De L'appareil.....	5
Caractéristiques Techniques.....	6
Avant L'assemblage.....	6
Avant D'assembler Le Tube Extérieur.....	7
Assemblage Du Tube Extérieur.....	7
Assemblage De La Poignée	8
Réglage Du Câble D'accélération.....	8
Assemblage De La Défecteur	9
Installation D'une Lame.....	10
Remplissage Du Réservoir À Carburant ...	10
Démarrage Du Moteur.....	11
Arrêt Du Moteur	12
Réglage Du Ralenti Moteur	12
Contrôle De L'état De L'appareil	12
Avant Utilisation	12
Pour Passer Le Harnais.....	12
Détachement Rapide.....	12
Fonctionnement	13
Accessoire De Coupe Recommandé.....	13
Affûtage De La Lame.....	14
Entretien	14
Entretien Quotidien	14
Entretien Aux 10 Heures.....	15
Entretien Aux 10 À 15 Heures.....	15
Entretien Aux 50 Heures.....	15
Entretien Du Silencieux	15
Remisage À Long Terme.....	16
Guide De Dépannage	16
Déclaration De Conformité	19

Mises en garde

Des « mises en garde » spéciales apparaissent tout au long du manuel, encadrées et précédées du symbole triangulaire de mise en garde.



AVERTISSEMENT !

Un énoncé précédé du symbole triangulaire de mise en garde et du mot « AVERTISSEMENT » contient des informations à prendre en compte pour éviter des blessures graves.

MISE EN GARDE !

Un énoncé précédé de la mention « MISE EN GARDE » contient des informations à prendre en compte pour éviter d'endommager l'appareil.

IMPORTANT !

Un énoncé précédé du mot « IMPORTANT » contient des informations d'une importance particulière.

REMARQUE :

Un énoncé précédé du mot « REMARQUE » contient des informations utiles pouvant faciliter votre travail.



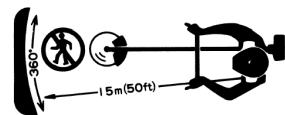
Lire et suivre les consignes du manuel d'utilisation. Le non-respect de ces consignes vous expose à des blessures graves.



Porter des dispositifs de protection pour les yeux et pour les oreilles pendant l'utilisation de cet appareil.



Porter des gants de travail, des chaussures antidérapantes et un vêtement couvrant jusqu'aux pieds pendant l'utilisation de cet appareil.



S'assurer que personne ne se trouve à moins de 15 mètres d'un accessoire en cours d'utilisation.



Attention aux objets projetés.



Vitesse maximale de l'axe de l'accessoire de coupe en min^{-1} .



Niveau de puissance acoustique (mesuré conformément à 2000/14/ec)

Équipement complet de l'utilisateur

Porter un dispositif de protection pour les oreilles.
Porter un dispositif de protection pour la tête, comme un casque de protection.
Attacher les cheveux longs au-dessus du niveau des épaules.

Porter des vêtements ajustés pour protéger vos bras et jambes. Ne pas porter de vêtements ou de bijoux qui pourraient facilement se coincer dans l'appareil ou dans les broussailles.

Garder le pied ferme et ne pas tendre le bras trop loin. Garder l'équilibre à tout moment lors du fonctionnement de l'appareil.

Porter un vêtement couvrant jusqu'aux pieds. NE JAMAIS porter de shorts.

Porter des chaussures antidérapantes. Ne pas porter de sandales ou de chaussures à bouts ouverts. Ne jamais travailler nu-pieds !

Toujours porter un dispositif de protection des yeux comme une visière ou des lunettes de sécurité.

Toujours porter un harnais lors de l'utilisation d'une machine équipée d'une lame.

Porter des gants de travail antidérapants. Toujours garder les deux mains fermement agrippées sur l'appareil.

Lors de l'utilisation d'une machine équipée d'une lame, veiller à ce que la poignée soit positionnée de manière à offrir une protection maximale contre tout contact avec la lame.

Veiller à rester éloigné du fil de coupe ou de la lame en rotation à tout moment, et ne jamais soulever l'accessoire en mouvement plus haut qu'à hauteur de taille.

Toujours s'assurer que le déflecteur de l'accessoire de coupe approprié est correctement installé.



AVERTISSEMENT !

Faire preuve de prudence

TOUJOURS porter un dispositif de protection des yeux pour se protéger contre les objets projetés.

NE JAMAIS faire fonctionner le moteur lors du transport de l'appareil.

NE JAMAIS faire fonctionner le moteur à l'intérieur — s'assurer qu'il y a toujours une bonne ventilation. Les gaz émanant du tuyau d'échappement peuvent causer de graves blessures, voire causer la mort.

TOUJOURS dégager votre espace de travail de tout rebut ou débris dissimulé qui pourrait être projeté sur vous-même ou sur toute personne à proximité.

TOUJOURS utiliser des outils de coupe adéquats pour la tâche à accomplir.

TOUJOURS arrêter l'appareil s'il se met à vibrer ou s'il devient instable. Inspecter l'appareil pour détecter toute pièce ou tous accessoires brisés, mal installés ou manquants éventuels.

NE JAMAIS excéder la longueur du fil de coupe spécifiée pour votre appareil.

TOUJOURS garder l'appareil aussi propre que possible. Enlever toute accumulation d'herbes, terre, etc.

TOUJOURS tenir l'appareil fermement avec les deux mains pour couper ou émonder et garder le contrôle en tout temps.

TOUJOURS garder les poignées propres.

TOUJOURS débrancher le fil de bougie avant de faire des travaux d'entretien.

TOUJOURS arrêter l'appareil immédiatement si la lame se coince pendant la coupe. Pousser la branche ou l'arbre pour décoincer et dégager la lame.

Mesures de sécurité générales

Sécurité au travail

Les débroussailleuses fonctionnent à très haute vitesse et peuvent causer de sérieux dommages et de sérieuses blessures si elles sont mal utilisées ou si on en fait un emploi abusif. Ne jamais laisser l'appareil entre les mains d'une personne qui n'a pas lu les consignes d'utilisation.



AVERTISSEMENT !

Ne jamais installer d'accessoires non approuvés.

Demeurer alerte

Vous devez être physiquement et mentalement vigilant pour utiliser cet appareil en toute sécurité.



AVERTISSEMENT !

Ne jamais utiliser l'appareil si vous êtes fatigué, sous l'influence d'alcool, de drogues ou de toute autre substance qui pourrait nuire à votre concentration ou à votre jugement.



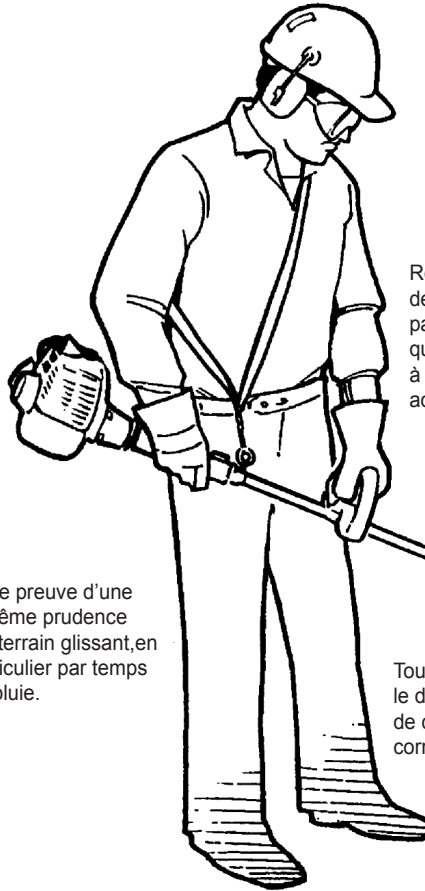
AVERTISSEMENT !

Réduire les risques d'incendie. NE JAMAIS fumer ou allumer de feu près de la débroussailleuse. TOUJOURS arrêter le moteur et le laisser refroidir avant de faire le plein. Éviter de trop remplir le réservoir et essuyer tout carburant qui pourrait avoir débordé. TOUJOURS déplacer l'appareil à bonne distance de l'aire de remplissage ou d'autres substances inflammables avant de démarrer le moteur. NE JAMAIS placer de matière inflammable à proximité du silencieux du moteur.

Tenir compte de l'environnement de travail

Éviter toute utilisation prolongée à température très chaude ou très froide.

S'assurer que les personnes ou observateurs situés à l'extérieur de la « zone de danger » de 15 mètres portent un dispositif de protection pour les yeux.



Réduire les risques de blessures des personnes à proximité par projection de débris. S'assurer que personne ne se trouve à moins de 15 mètres d'un accessoire en cours d'utilisation.

Faire preuve d'une extrême prudence sur terrain glissant, en particulier par temps de pluie.

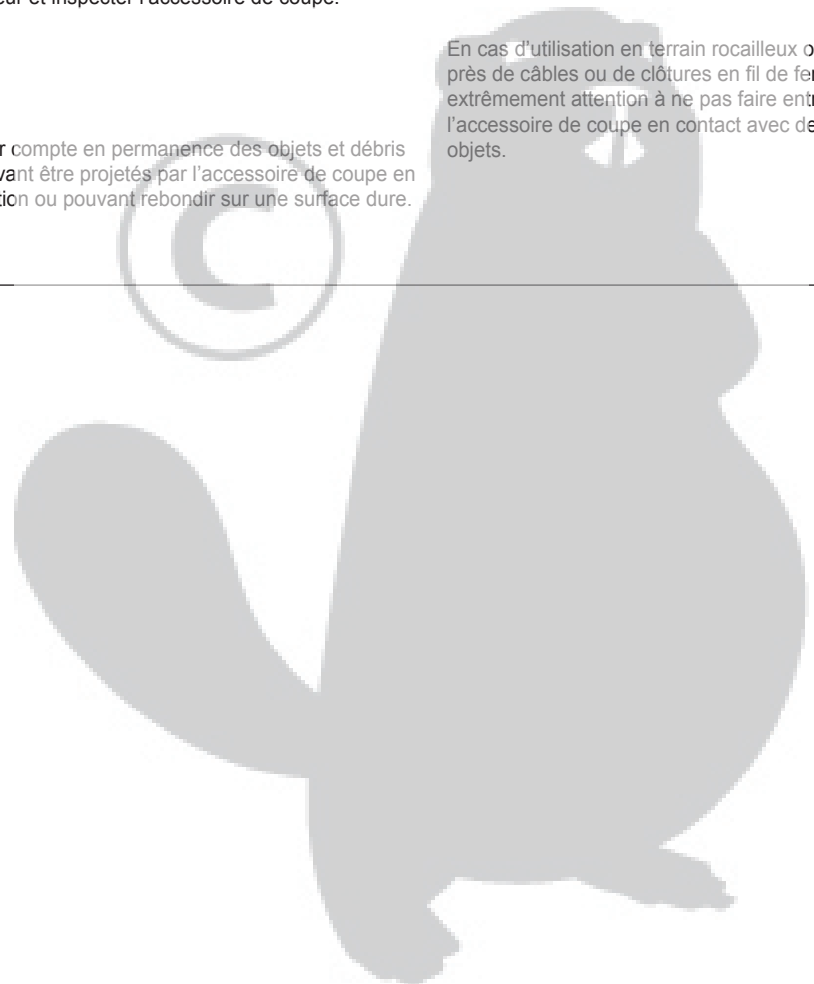
Toujours s'assurer que le déflecteur de l'accessoire de coupe approprié est correctement installé.

En cas de contact avec un objet dur, arrêter le moteur et inspecter l'accessoire de coupe.

Attention à la lame en mouvement en débroussaillant. Une lame en mouvement peut blesser lorsqu'elle continue de tourner, une fois le levier d'accélération relâché ou le moteur arrêté.

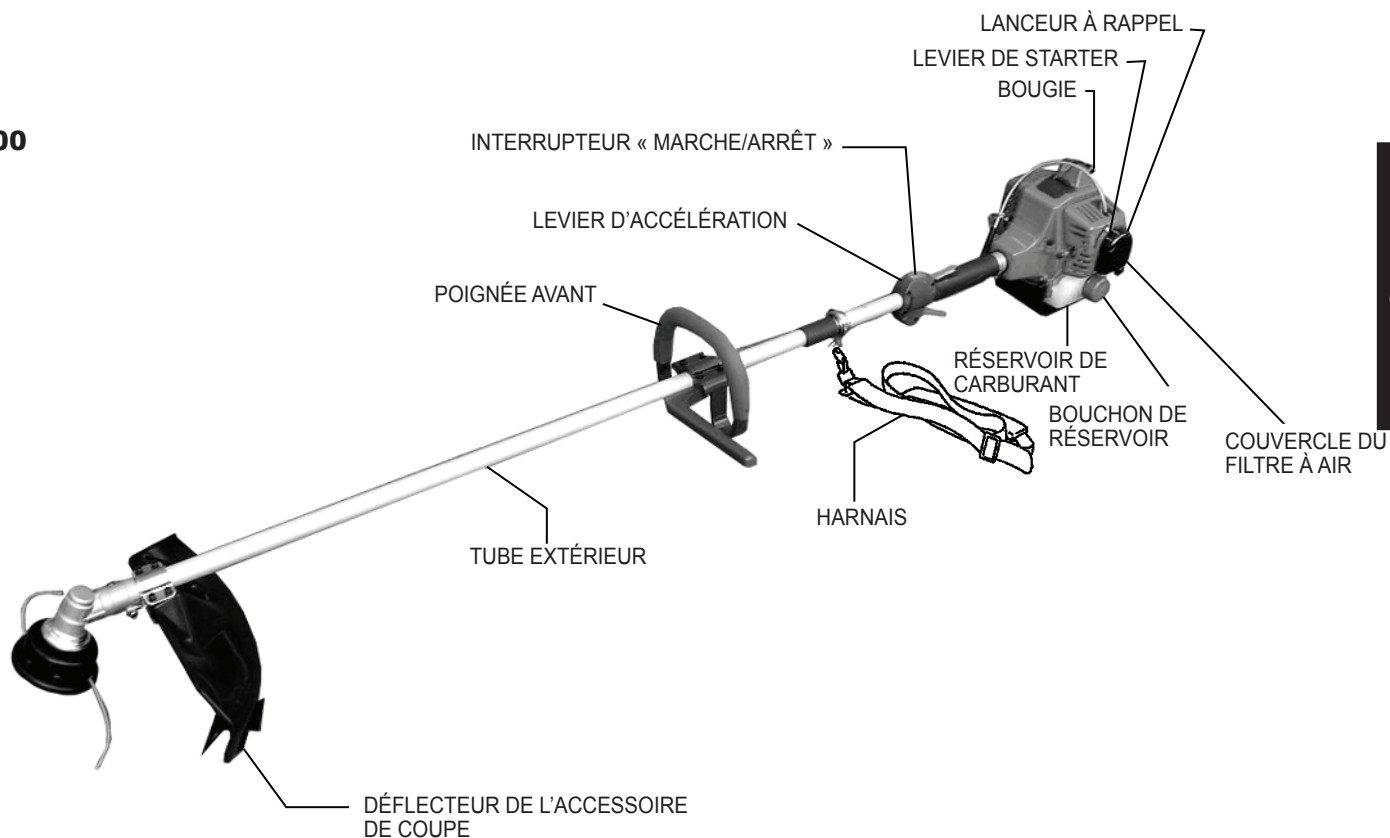
Tenir compte en permanence des objets et débris pouvant être projetés par l'accessoire de coupe en rotation ou pouvant rebondir sur une surface dure.

En cas d'utilisation en terrain rocailleux ou près de câbles ou de clôtures en fil de fer, faire extrêmement attention à ne pas faire entrer l'accessoire de coupe en contact avec de tels objets.

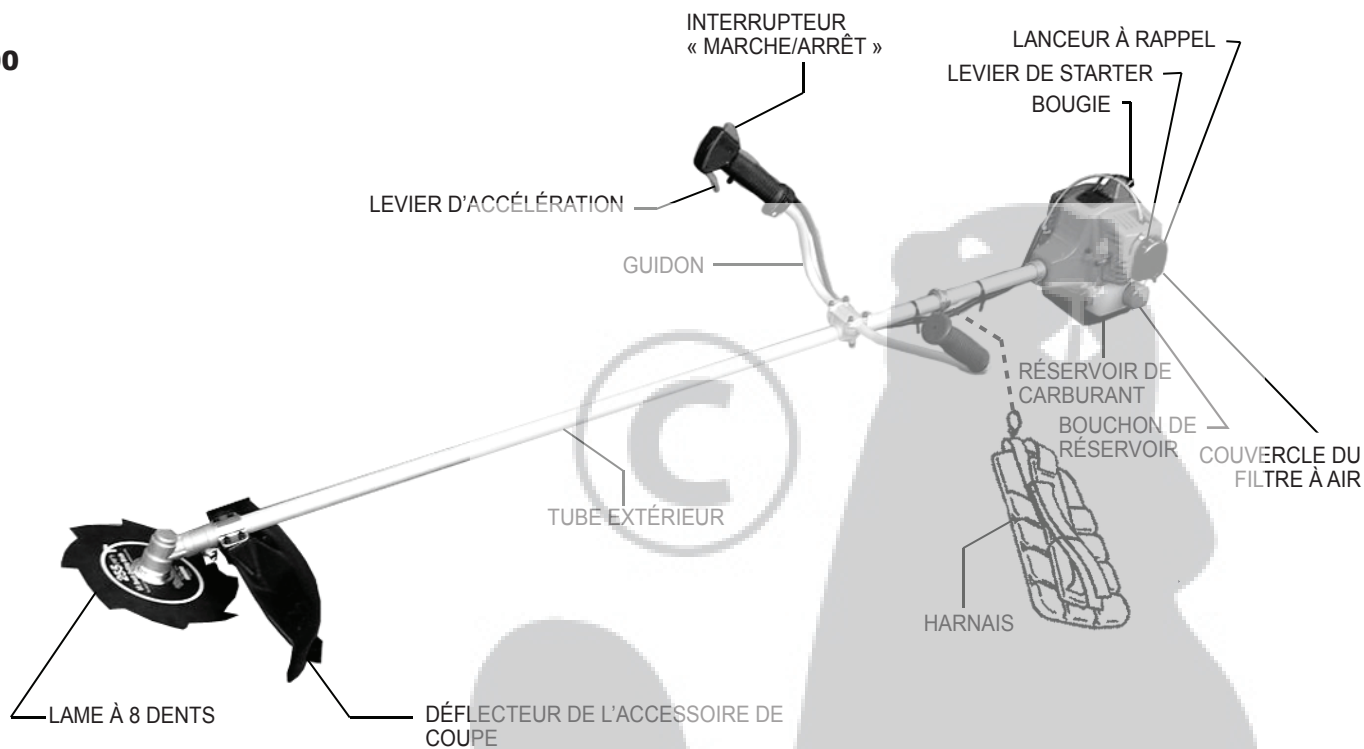


Description de l'appareil

T300



C300



En utilisant les illustrations d'accompagnement comme guide, se familiariser avec l'appareil et ses différentes composantes. Comprendre l'appareil permet d'obtenir une performance optimale, de prolonger sa vie utile et favorise une utilisation plus sûre.



AVERTISSEMENT !

Les gaz d'échappement du moteur de cet appareil contiennent des produits chimiques pouvant entraîner le cancer, des anomalies congénitales et autres troubles de la reproduction.



AVERTISSEMENT !

N'apporter de modifications non autorisées à aucun de ces appareils ou à leurs composantes.

Caractéristiques techniques

Français

Modèle	T300/EC1 C300/EC1
Modèle du moteur.....	S270EC
Type de moteur	deux temps, cylindre vertical, refroidissement à l'air
Poids à sec (sans accessoires).....	6,0 kg 6,2 kg
Alésage x course	34 mm x 30 mm
Cylindrée.....	27,2 cm ³
Régime moteur à la puissance maximale	8 000 tr/min ⁻¹
Puissance maximale.....	0,95 kW
Régime moteur au ralenti.....	3 000 tr/min ⁻¹
Régime moteur maximal	11 500 tr/min ⁻¹
Rapport essence/huile	50:1
Capacité du réservoir à carburant.....	650 cm ³
Carburateur	TK, DPV10W, diaphragme
Système d'allumage	Entièrement électronique, par transistor
Bougie	NGK BPMR6A
Filtre à air.....	semi-humide
Démarrage.....	Lanceur à rappel
Arrêt	Interrupteur
Poignée.....	Type circulaire Type guidon
Dimensions.....	1780 x 365 x 290 mm 1 790 x 575 x 470 mm
Niveau de pression acoustique * (données moyennes entre régime de ralenti et vitesse élevée) note.1....	92 dB (A) 91 dB (A)
Niveau de puissance acoustique * (données moyennes entre régime de ralenti et vitesse élevée) note.1..	106 dB (A)
Niveau de vibration *, note.1	Au ralenti gauche/droite
Niveau de vibration *, note.1	À pleins gaz gauche/droite
Niveau de pression acoustique * (données moyennes entre régime de ralenti et à pleins gaz) note.2.....	98 dB (A)
Niveau de puissance acoustique * (données moyennes entre régime de ralenti et à pleins gaz) note.2.....	109 dB (A)
Niveau de vibration *, note.2	Au ralenti gauche/droite
Niveau de vibration *, note.2	À pleins gaz gauche/droite

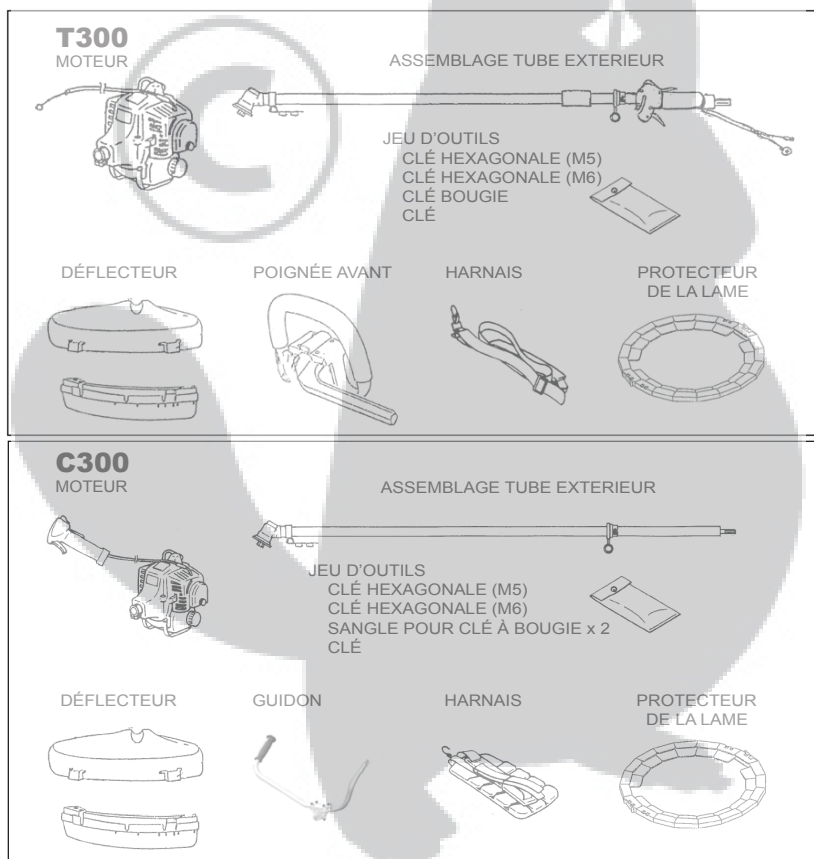
* Niveau de pression acoustique : conformément à EN ISO 11806 et ISO 7917 * Niveau de puissance acoustique : conformément à EN ISO 11806 et ISO 10884
 * Niveau de vibration : conformément à EN ISO 11806 et ISO 7916 **Note 1:** Équipé d'une lame à huit dents **Note 2:** Équipé d'une tête de coupe

Avant l'assemblage

Avant d'assembler l'appareil, s'assurer que toutes les composantes requises pour l'appareil sont présentes. Cet appareil comporte les composantes et accessoires suivants. S'assurer qu'aucune composante n'est endommagée. Si des pièces sont endommagées ou manquantes, contacter votre représentant Shindaiwa pour obtenir de l'aide.

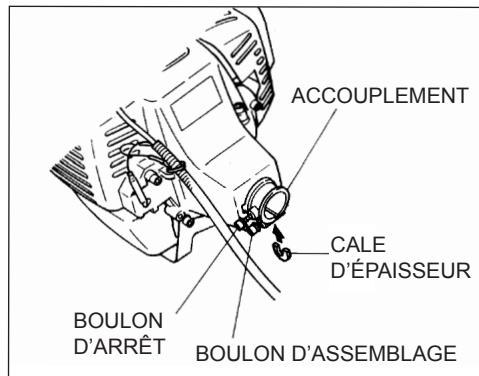
IMPORTANT !

Les termes « gauche », « à gauche » et « vers la gauche » ; « droite », « à droite » et « vers la droite » ; « avant » et « arrière » font référence à la direction telle que vue par l'opérateur lors d'une utilisation normale de l'appareil.



Avant d'assembler le tube extérieur

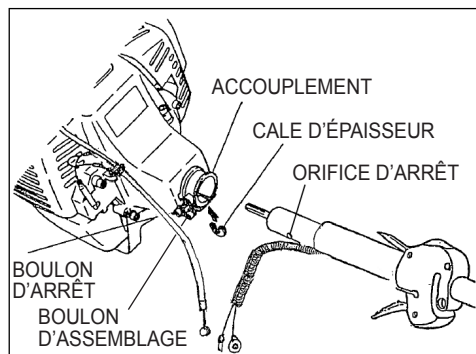
1. À l'aide de la clé hexagonale, desserrer le boulon d'arrêt.
2. Desserrer le boulon d'assemblage. Ne pas perdre les deux cales.



Assemblage du tube extérieur

T300

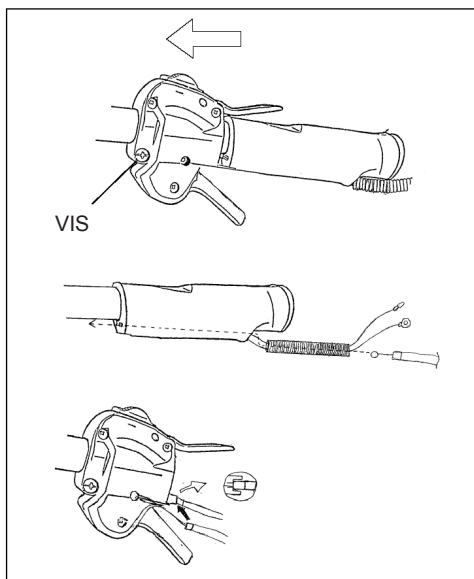
1. Insérer le tube extérieur dans l'orifice d'accouplement jusqu'au bout. Il peut être nécessaire de tourner légèrement l'axe du tube extérieur ou du boîtier d'engrenages pour que les cannelures de l'axe principal s'engagent complètement dans le moteur.
2. Placer la cale d'épaisseur, face plate orientée vers le haut, dans l'orifice du joint. Serrer fermement le boulon d'assemblage à l'aide de la clé hexagonale.
3. Desserrer la vis maintenant le levier d'accélération contre le tube extérieur. Déplacer le levier d'accélération en direction de la lame.
4. Introduire le câble d'accélération dans le tube. Faire passer le câble d'accélération dans l'orifice situé sur la poignée arrière.
5. Installer le câble d'accélération sur le levier d'accélération. Utiliser la clé pour insérer fermement l'extrémité du câble dans l'encoche du levier d'accélération.



REMARQUE :

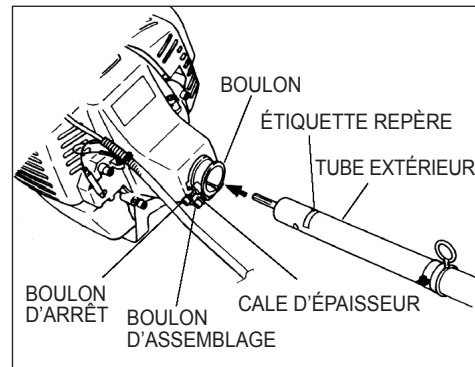
S'assurer que le câble d'accélération est engagé dans le guide de câble du levier d'accélération.

6. Déplacer le levier d'accélération dans sa position d'origine en tirant sur le fil de masse et le câble d'accélération, puis serrer fermement la vis.
7. Retirer le boulon de serrage du couvercle de cylindre.
8. Introduire le boulon dans l'orifice de la borne du fil de masse, puis serrer le boulon.



C300

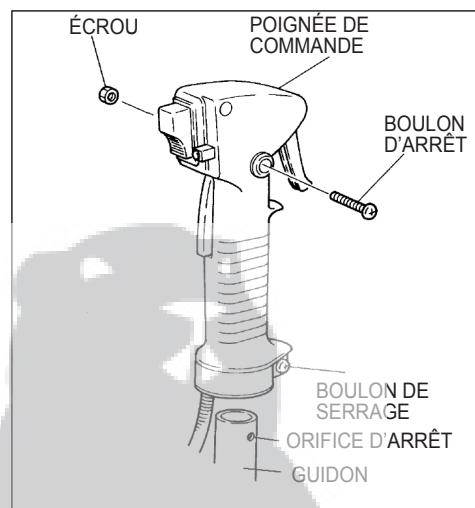
1. Insérer le tube extérieur dans l'orifice d'accouplement jusqu'au bout (jusqu'au niveau de l'étiquette repère). Il peut être nécessaire de tourner légèrement l'axe du tube extérieur ou du boîtier d'engrenages pour que les cannelures de l'axe principal s'engagent complètement dans le moteur.
2. Ajuster le tube extérieur de manière à ce que le boulon d'arrêt puisse s'engager dans l'orifice d'arrêt. En utilisant la clé hexagonale, serrer fermement le boulon d'arrêt.
3. Placer la cale d'épaisseur, face plate orientée vers le haut, dans l'orifice du joint. Serrer fermement le boulon d'assemblage à l'aide de la clé hexagonale.



4. Desserrer le boulon d'arrêt de la poignée de commande. Retirer le boulon d'arrêt et l'écrou.
5. Desserrer entièrement le boulon de serrage de la poignée de commande.

MISE EN GARDE !

NE PAS ÔTER LA CALE D'ÉPAISSEUR!
La cale d'épaisseur empêche que la vis de serrage du tube ne soit trop serrée en cas d'usure. Trop serrer la vis de serrage du tube risque d'endommager l'assemblage du tube extérieur.



6. Insérer le guidon droit dans la poignée de commande. Positionner la poignée de commande de manière à ce que le boulon d'arrêt puisse s'engager dans l'orifice d'arrêt.
7. Serrer fermement le boulon de serrage.

Serrer fermement le boulon d'arrêt et l'écrou.

Assemblage de la poignée

T300



AVERTISSEMENT !

NE JAMAIS utiliser cet appareil sans la poignée avant. L'utilisation de cet appareil sans la poignée avant risque de causer des blessures graves.

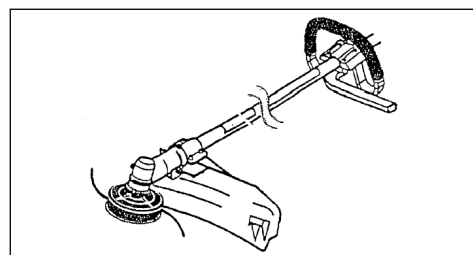
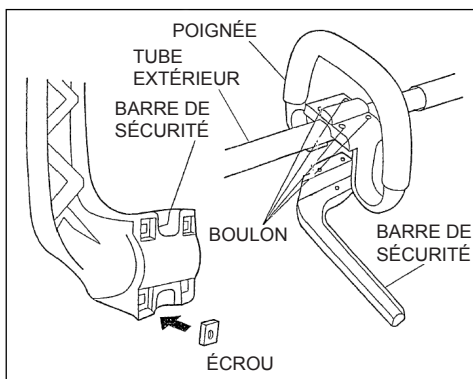
REMARQUE :

Serrer les quatre boulons en diagonale afin de fixer correctement la poignée.

REMARQUE :

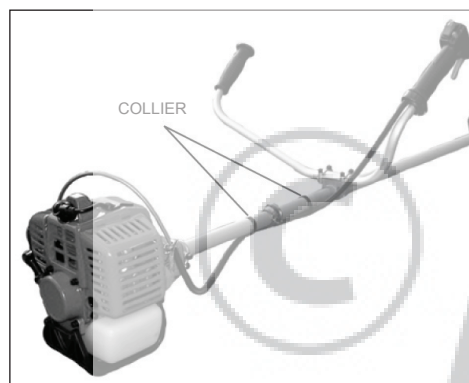
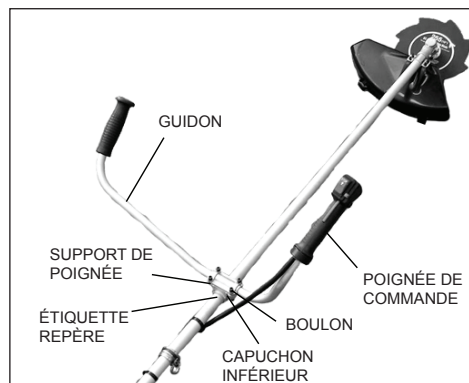
Ajuster la poignée de façon à offrir un confort optimal à l'utilisateur.

1. Insérer quatre écrous carrés dans les encoches situées sur la face inférieure de la barre de sécurité.
2. Disposer la poignée et la barre de sécurité autour du tube extérieur et serrer les 4 écrous.



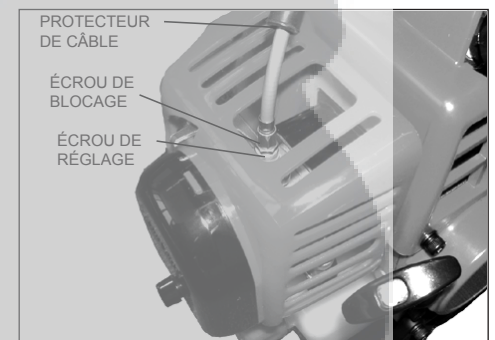
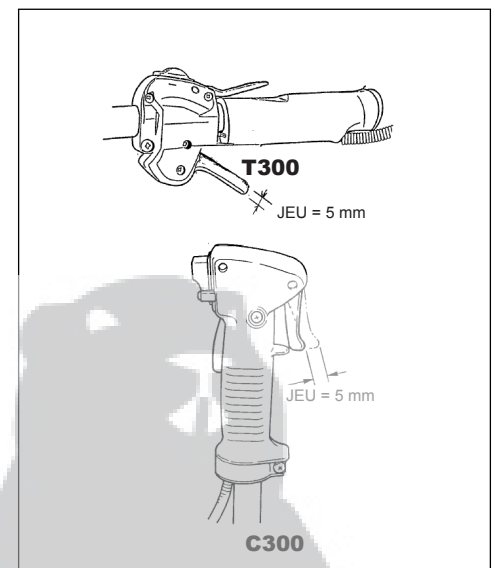
C300

1. Desserrer les deux boulons du capuchon inférieur et retirer le capuchon.
2. Placer le support du guidon au niveau de l'étiquette repère apposée sur le tube extérieur.
3. Installer le capuchon inférieur à l'aide des deux boulons, puis serrer les boulons. S'assurer que le guidon est positionné conformément à l'illustration fournie.
4. Fixer le câble sur le tube extérieur à l'aide des deux colliers, comme indiqué sur l'illustration. Les deux colliers sont fournis dans la trousse à outils.



Réglage du câble d'accélération

1. Appuyer doucement sur la gâchette d'accélération, et contrôler la présence d'un jeu de 5 mm environ.
2. Si le jeu n'est pas conforme aux indications fournies ici :
 - (a) Faire glisser le protecteur de câble vers le silencieux jusqu'à ce que l'écrou de réglage et l'écrou de blocage soient visibles.
 - (b) Desserrer légèrement l'écrou.
 - (c) Serrer ou desserrer l'écrou de réglage jusqu'à obtenir un jeu de 5 mm environ.
 - (d) Ensuite, serrer l'écrou.
 - (e) Ramener le protecteur de câble dans sa position initiale.



Assemblage de la Déflecteur



AVERTISSEMENT !

NE JAMAIS utiliser cet appareil sans le déflecteur de l'accessoire de coupe. L'utilisation de cet appareil sans le déflecteur de l'accessoire de coupe risque de causer des blessures graves.

Déflecteur de l'accessoire de coupe

1. Insérer le déflecteur de l'accessoire de coupe entre le tube extérieur et le collier inférieur. Desserrer l'écrou et le boulon assurant le serrage du collier inférieur si le déflecteur de l'accessoire de coupe ne coïncide pas avec le collier inférieur.

REMARQUE :

Il peut s'avérer nécessaire de desserrer le boulon de serrage inférieur afin que le déflecteur puisse s'insérer correctement entre le tube et le collier.

2. Installer les deux entretoises et le collier supérieur sur le tube extérieur et serrer à l'aide de quatre boulons.

REMARQUE :

Serrer les quatre boulons en diagonale.

3. Serrer fermement l'écrou et le boulon de serrage inférieur.



AVERTISSEMENT !

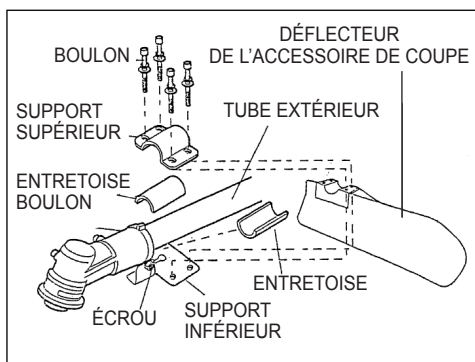
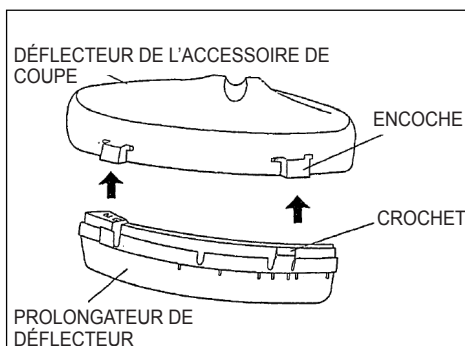
Inspecter attentivement l'assemblage du déflecteur de l'accessoire de coupe pour s'assurer qu'il est fermement serré.

Prolongateur de déflecteur (en cas d'utilisation de la tête nylon)

1. Installer le prolongateur de déflecteur sur le déflecteur.

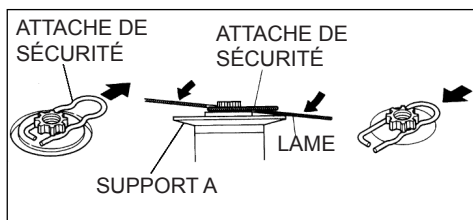
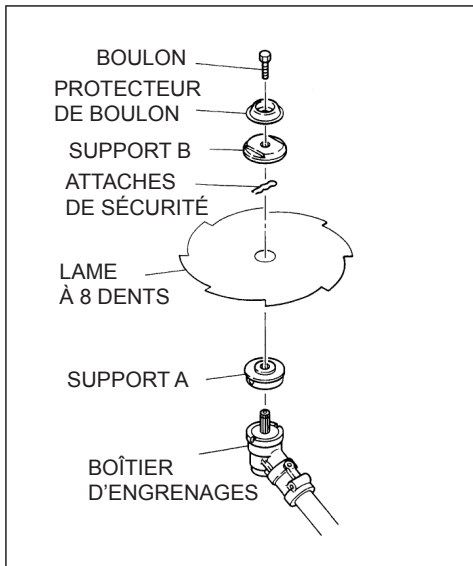
REMARQUE :

S'assurer que le prolongateur de déflecteur est correctement fixé au niveau des encoches.



Installation d'une lame

1. S'assurer que l'interrupteur est en position d'arrêt et que le moteur est arrêté.
2. Porter vos gants pour protéger vos mains.
3. Retourner l'appareil de façon à orienter la bride du support de lame dépassant du boîtier d'engrenages vers le haut.
4. Utiliser l'extrémité la plus petite de la clé à bougie pour desserrer le boulon (tourner dans le sens des aiguilles d'une montre), puis retirer le boulon, le protecteur de boulon et le support B.
5. Faire glisser l'attache de sécurité comme représenté sur l'illustration.



AVERTISSEMENT !
Ne jamais utiliser cet appareil si l'attache de sécurité n'est pas installée !

6. Installer la lame par-dessus l'attache de sécurité sur le support A. Ensuite, glisser l'attache de sécurité dans sa position d'origine.

AVERTISSEMENT !
Le trou de montage de la lame doit être centré sur le bossage rehaussé du support de lame A.

7. Réinstaller le support B et le protecteur de boulon ; cette fois, serrer uniquement le boulon à la main.

S'assurer que le support B est bien en appui contre la lame ; l'encoche située sur le support B doit être orientée face à la lame et couvrir entièrement l'attache de sécurité.

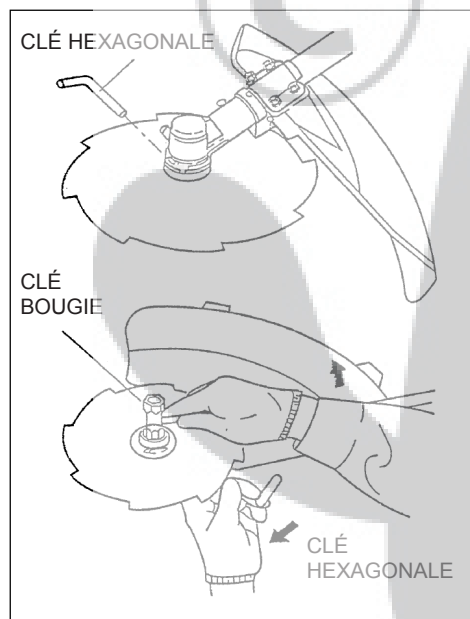
8. Faire pivoter le support A dans l'orifice jusqu'à ce que la collerette soit alignée sur l'orifice situé au niveau du boîtier d'engrenages. Insérer la clé dans les deux orifices (afin d'empêcher toute rotation de l'axe).

9. Tout en maintenant la clé et la lame d'une main, serrer fermement le boulon (tourner dans le sens contraire des aiguilles d'une montre) à l'aide de la clé à bougie.

10. Ôter la clé hexagonale.

AVERTISSEMENT !
Avant d'utiliser l'appareil, s'assurer que la lame est solidement fixée. Tourner la lame à la main et s'assurer que la lame tourne sans à-coups et sans oscillation.

AVERTISSEMENT !
La lame doit être fixée à plat. S'assurer que le sens de la flèche indiqué sur la lame correspond au sens de la flèche indiqué sur le déflecteur de l'accessoire de coupe.



Remplissage du réservoir à carburant

AVERTISSEMENT !
S'assurer que le moteur est arrêté et refroidi avant de remplir le réservoir à carburant. Ne pas effectuer le remplissage ou le mélange d'huile et de carburant à proximité de feu ou toute autre source de chaleur.

MISE EN GARDE !
Ce moteur est conçu pour fonctionner avec un mélange d'essence sans plomb et d'huile pour moteur à deux temps de première qualité seulement, dans un rapport de 50:1. L'utilisation de mélanges d'huile non autorisés risque d'entraîner des coûts d'entretien excessifs et/ou d'endommager le moteur.

1. Ôter le bouchon du réservoir en le faisant tourner dans le sens contraire des aiguilles d'une montre.

2. Le bouchon du réservoir ôté de l'ouverture du réservoir, verser le carburant propre dans le réservoir (mélange d'essence et d'huile) puis resserrer fermement le bouchon du réservoir à carburant.

3. Nettoyer complètement tout déversement de carburant sur l'appareil.

Démarrage du moteur



AVERTISSEMENT !

S'ASSURER QU'AUCUN OBJET NE SE TROUVE SUR LE PÉRIMÈTRE DE LA LAME. Avant de démarrer le moteur, placer l'appareil sur une surface plane et libre de tout objet ou obstacle. Adopter une position stable, et tenir fermement l'appareil à tout moment. IL SE PEUT QUE L'ACCESSOIRE DE COUPE TOURNE AU DÉMARRAGE.



AVERTISSEMENT !

Se placer à au moins trois mètres de l'aire de remplissage en essence avant de démarrer le moteur.

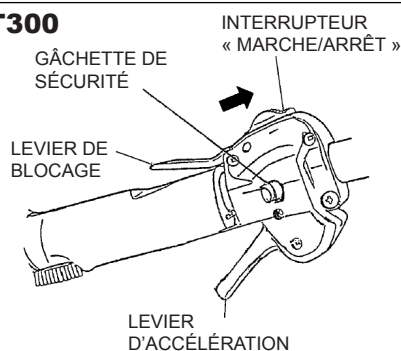


AVERTISSEMENT !

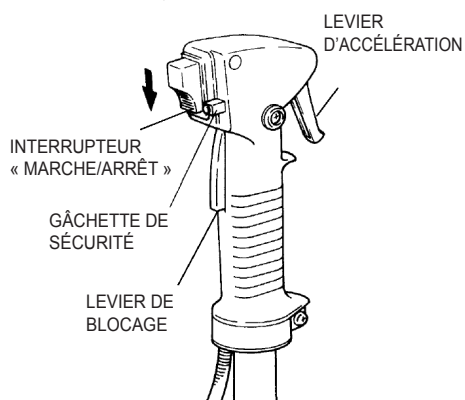
Ne jamais démarrer le moteur si l'accessoire de coupe n'est pas installé.

Démarrage d'un moteur froid et/ou démarrage après un plein.

T300

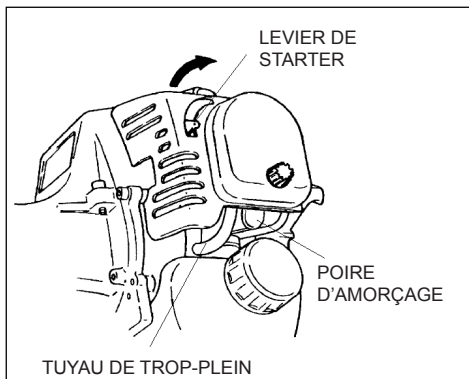


C300

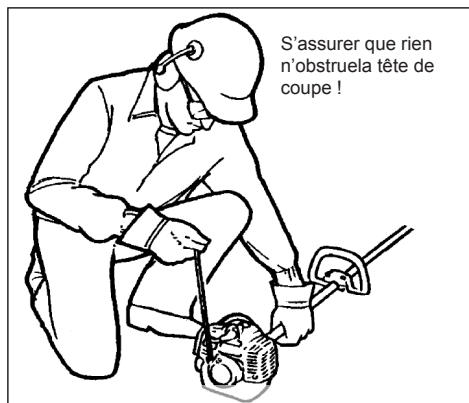


1. Déplacer l'interrupteur « MARCHE/ARRÊT » en position « I ».

2. Amorcer le moteur en appuyant plusieurs fois sur la poire d'amorçage jusqu'à ce que l'on puisse voir circuler l'essence dans le tube de retour transparent :



3. Déplacer le levier du starter vers le haut (position « I+I »).



4. En enfonçant le levier de blocage, tirer complètement le levier d'accélération et enfoncer le bouton de la gâchette de sécurité. En maintenant le bouton demi-gaz, relâcher le levier d'accélération et le levier de blocage. L'accélérateur reste à présent au ralenti (vitesse de démarrage).
5. Tout en maintenant fermement le tube extérieur dans une main, tirer sur la poignée du lanceur à rappel vers le haut avec l'autre main. Tirer lentement tout d'abord jusqu'à l'engagement du démarreur, puis tirer rapidement pour démarrer le moteur. Ne jamais tirer la corde de démarrage à rappel jusqu'au bout.

MISE EN GARDE !

Tirer complètement la corde de démarrage risque d'endommager le démarreur.

IMPORTANT !

Le démarrage répété du moteur alors que le starter est en position FERMÉE (« I/I ») finira par noyer le moteur. Si le moteur ne démarre pas après plusieurs tentatives, déplacer le levier du starter en position OUVERTE et essayer de le démarrer.

6. Au premier allumage du moteur, déplacer progressivement le starter en position OUVERTE (« I+I ») si ce n'est pas déjà fait.

- Si le moteur s'arrête avant que le starter soit complètement ouvert, redémarrer avec le starter fermé.
- Si le moteur s'arrête après le premier allumage, redémarrer avec le starter fermé.

7. Une fois que le moteur démarre et qu'il tourne, le régler sur ralenti en appuyant sur le levier d'accélération pour actionner le levier de blocage.

AVERTISSEMENT !



Ne jamais démarrer l'appareil en position d'utilisation.

Démarrage d'un moteur chaud

Le démarrage d'un moteur chaud comporte toutes les étapes du démarrage d'un moteur froid.

DIFFÉRENCE :

- Ne pas appuyer sur la pompe d'amorçage, et
- Mettre le starter en position OUVERTE.

Si le moteur ne démarre pas, suivre la procédure de démarrage d'un moteur froid.

Lorsque le moteur démarre

- Une fois le moteur démarré, désengager le levier de blocage et laisser le moteur tourner au ralenti 2 à 3 minutes avant d'utiliser l'appareil.
- Une fois le moteur chaud, prendre l'appareil et fixer le harnais.
- Une pression sur le levier d'accélération accélère le mouvement de rotation de l'accessoire de coupe ; le relâchement de l'accélérateur interrompt le mouvement de l'accessoire de coupe. Si l'accessoire de coupe continue de tourner, régler le régime de ralenti du carburateur.

Arrêt du moteur

Laisser tourner le moteur au ralenti quelques instants avant de l'arrêter, puis faire glisser l'interrupteur « MARCHE/ARRÊT » sur la position « O » (ARRÊT).

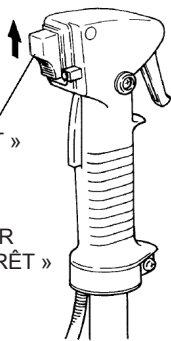


AVERTISSEMENT !

L'accessoire de coupe continue à tourner pendant quelques instants après que l'interrupteur « MARCHE/ARRÊT » ait été placé sur la position « O » (ARRÊT).

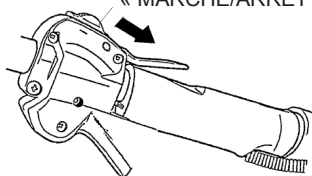
C300

INTERRUPTEUR
« MARCHE/ARRÊT »



T300

INTERRUPTEUR
« MARCHE/ARRÊT »



Réglage du ralenti moteur

Le moteur doit retourner au ralenti lorsque le levier d'accélération est relâché. Le régime de ralenti est réglable ; il doit être réglé assez bas.



AVERTISSEMENT !

L'accessoire de coupe ne doit JAMAIS tourner quand le moteur est au ralenti ! S'il est impossible de régler le régime de ralenti en suivant la procédure indiquée, retourner l'appareil chez un revendeur Shindaiwa.



1. Poser l'appareil sur le sol, puis démarrer le moteur et le laisser tourner au ralenti pendant 2 à 3 minutes jusqu'à ce qu'il soit chaud.
2. Si l'accessoire de coupe tourne lorsque le moteur tourne au ralenti, réduire la vitesse de ralenti en tournant la vis de réglage du ralenti des aiguilles d'une montre.

3. Si un tachymètre est disponible, régler la vitesse du ralenti à 3 000 tr/min (min⁻¹).

REMARQUE :

Les réglages du mélange d'essence du carburateur sont réalisés en usine sur des appareils équipés de systèmes de contrôle des émissions, et ne peuvent être modifiés sur le terrain.

Contrôle de l'état de l'appareil

NE JAMAIS faire fonctionner l'appareil sans le déflecteur de l'accessoire de coupe ou autres dispositifs de protection (harnais, attache de retenue de la lame, etc.).



AVERTISSEMENT !

Un déflecteur d'accessoire de coupe ou tout autre dispositif de protection n'offre pas de garantie de protection contre les ricochets. TOUJOURS PRENDRE GARDE AUX PROJECTIONS DE DÉBRIS !

Utiliser uniquement des pièces et accessoires autorisés Shindaiwa avec cet appareil. Ne pas apporter de modifications à l'appareil sans l'autorisation écrite de Shindaiwa.

TOUJOURS s'assurer que l'accessoire de coupe est correctement installé et fermement serré avant toute utilisation.

NE JAMAIS utiliser un accessoire de coupe fendillé ou voilé : le remplacer par un accessoire de coupe en bon état.

TOUJOURS s'assurer que l'accessoire de coupe se règle correctement sur le support de l'outil de coupe approprié. Si un accessoire installé correctement vibre, le remplacer par un nouvel accessoire et vérifier une nouvelle fois.

TOUJOURS arrêter le moteur immédiatement et vérifier si l'accessoire de coupe est endommagé après avoir percuté un objet solide, ou si l'appareil devient instable. Ne pas utiliser un accessoire de coupe brisé ou endommagé.

NE JAMAIS faire fonctionner un appareil dont les vis ou supports d'accessoire sont usés ou endommagés.

NE JAMAIS utiliser de lames émoussées. Cela augmente le risque de rebond et peut également endommager votre matériel.

Avant utilisation

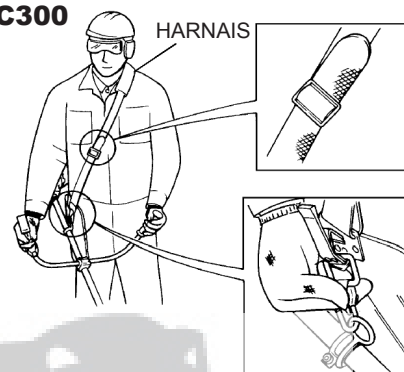
Pour passer le harnais

1. Accrocher le crochet du harnais à l'anneau d'attache situé sur le tube extérieur.
2. Porter le harnais de manière à ce que le crochet se trouve sur votre droite.
3. Ajuster la longueur du harnais de manière à pouvoir utiliser l'appareil confortablement.
4. S'assurer que le coussinet se positionne entre votre hanche et le tube extérieur. (C300 UNIQUEMENT)

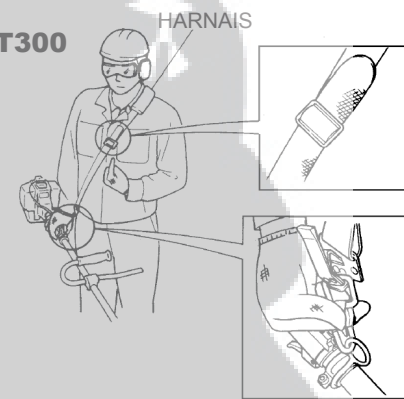
Détachement rapide

En cas d'urgence, tirer fermement sur la languette blanche située au niveau du crochet. L'appareil sera désolidarisé du harnais.

C300

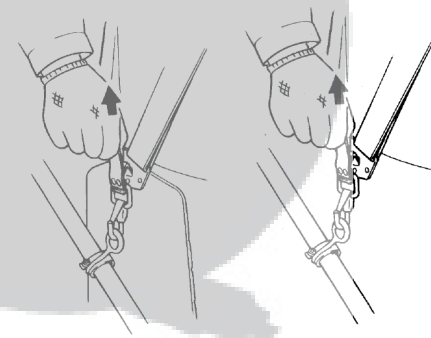


T300



C300

T300



Fonctionnement

1. Une fois le moteur démarré, tirer progressivement sur le levier d'accélération. Le régime moteur augmente et la lame commence à pivoter.
2. Lorsque le levier d'accélération est relâché, le moteur retourne automatiquement au régime de ralenti.
3. Faire tourner l'appareil à plein régime pendant la coupe. Pour limiter la consommation d'essence, relâcher l'accélérateur lors du retour en arrière après une coupe.
4. La lame tourne en sens contraire des aiguilles d'une montre. Pour des performances optimales et pour éviter de percuter des débris, déplacer la lame de droite à gauche dans votre travail.



AVERTISSEMENT !

Positionner la lame de façon à couper entre les positions 8 heures et 11 heures (vue du dessus). NE PAS couper entre les positions 11 heures et 5 heures.



AVERTISSEMENT !

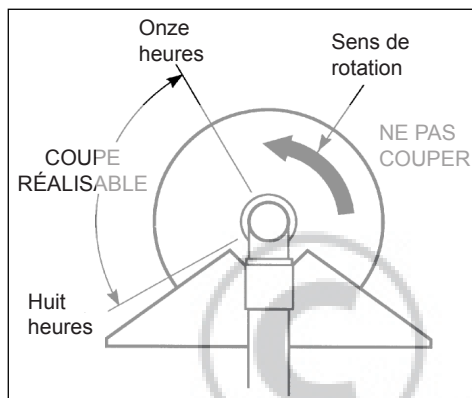
Le « rebond » est un mouvement soudain de l'appareil sur les côtés ou vers l'arrière. Une telle situation peut se produire quand la lame se coince ou entre en contact avec un objet comme un jeune arbre ou la souche d'un arbre. RESTER VIGILANT EN PERMANENCE ET SE PROTÉGER DES EFFETS DU REBOND DE LAME.

MISE EN GARDE !

NE PAS utiliser de lame à deux dents sur cet appareil.

MISE EN GARDE !

Pour éviter tout endommagement du moteur, ne pas faire fonctionner l'appareil à plein régime sans charge. Éviter de faire fonctionner le moteur à bas régime. Cela pourrait endommager l'embrayage rapidement. En outre, l'utilisation à bas régime tend à faire s'enrouler l'herbe et les débris autour de l'accessoire de coupe.



AVERTISSEMENT !

NE JAMAIS percuter ou « cogner » une lame en rotation contre le bois.



AVERTISSEMENT !

Lors du transport de l'appareil, s'assurer que le moteur ne fonctionne pas et que la lame est couverte par le protecteur de lame.

Accessoire de coupe recommandé

S'assurer d'utiliser les accessoires de coupe Shindaiwa recommandés avec cet appareil.

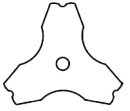
NUMÉRO DE RÉFÉRENCE 60903-98310

LAME À 8 DENTS
ALÉSAGE INTERNE : 25,4 mm
DIAMÈTRE : 255,0 mm
ÉPAISSEUR : 2,0 mm



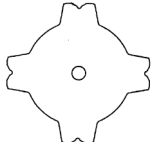
NUMÉRO DE RÉFÉRENCE 72430-92142

LAME À 3 DENTS
ALÉSAGE INTERNE : 25,4 mm
DIAMÈTRE : 255,0 mm
ÉPAISSEUR : 2,2 mm



NUMÉRO DE RÉFÉRENCE 60903-98320

LAME À 4 DENTS
ALÉSAGE INTERNE : 25,4 mm
DIAMÈTRE : 255,0 mm
ÉPAISSEUR : 2,0 mm



NUMÉRO DE RÉFÉRENCE 78820-04000

TÊTE DE COUPE À RÉGLAGE AUTOMATIQUE
DIAMÈTRE DU BOULON : 8 mm
FILET : GAUCHE, PAS DE 1,25 mm



Affûtage de la lame

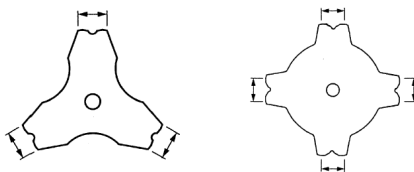
À l'aide d'une lime ou d'une meule, limer la lame comme suit.



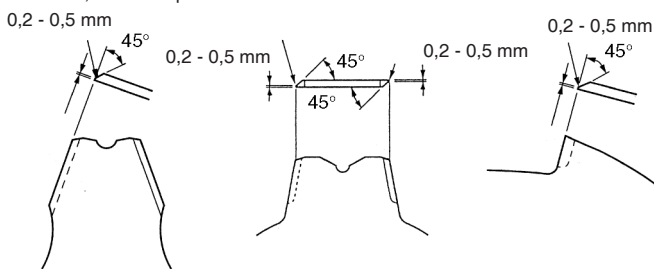
AVERTISSEMENT !

Affûter uniquement les couteaux d'une lame. N'altérer les contours de la lame en aucune façon. Affûter les arêtes tranchantes de la lame uniformément pour que la lame reste équilibrée. NE PAS trop affûter l'extrémité des dents de la lame.

S'assurer que la largeur 3 des 4 côtés est identique.

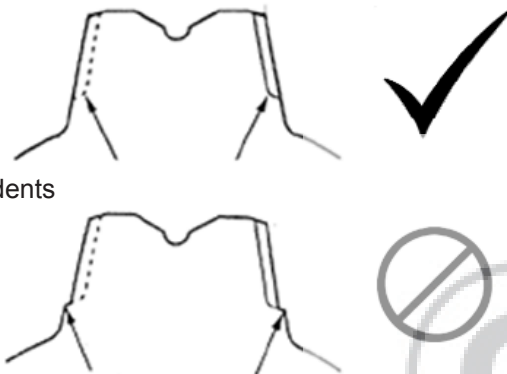


L'angle d'affûtage doit être d'environ 45°. Ne pas trop affûter les extrémités de la lame. Laisser 0,2 à 0,5 mm d'espace non affûté.

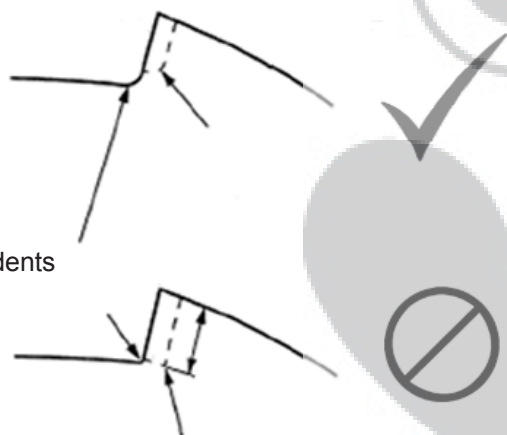


La partie inférieure de chaque dent ne doit pas être affûtée. (Vue de la lame par le dessous.)

Lame à 4 dents



Lame à 8 dents



Entretien



AVERTISSEMENT !

Avant tout travail d'entretien, de réparation ou de nettoyage de l'appareil, s'assurer que le moteur et l'outil de coupe sont entièrement immobiles. Débrancher le fil de la bougie avant tout travail d'entretien ou de réparation.



AVERTISSEMENT !

Ne jamais réparer une lame endommagée en soudant, en redressant ou en modifiant sa forme initiale. Une lame modifiée peut casser pendant l'utilisation et causer des blessures graves.

Entretien quotidien

Suivre la procédure suivante au début de chaque journée de travail :

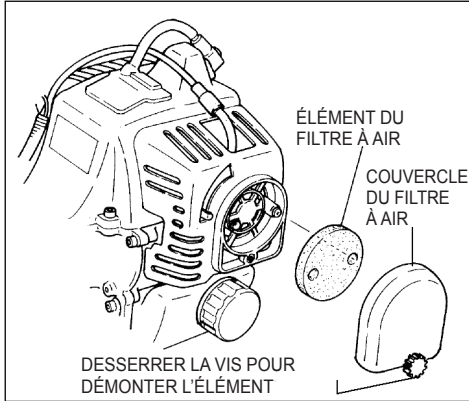
- Enlever la saleté et les débris du moteur, vérifier les ailettes de refroidissement et le filtre à air et les nettoyer au besoin.
- Enlever toute accumulation de saleté ou de débris du silencieux et du réservoir à carburant. Les accumulations de saleté sur ces pièces peuvent causer la surchauffe du moteur, un incendie ou l'usure précoce de l'appareil.
- Vérifier qu'aucune vis ou composante n'est desserrée ou manquante. S'assurer que l'accessoire de coupe est solidement fixé.
- Vérifier qu'il n'y a pas de fuite de carburant ou d'huile.

Entretien aux 10 heures

Enlever le filtre à air du carburateur et le nettoyer abondamment avec de l'eau savonneuse. Sécher et remonter le filtre à air.

MISE EN GARDE !

Ne jamais utiliser l'appareil si le filtre à air ou son élément est endommagé, ou si l'élément est imprégné d'eau.

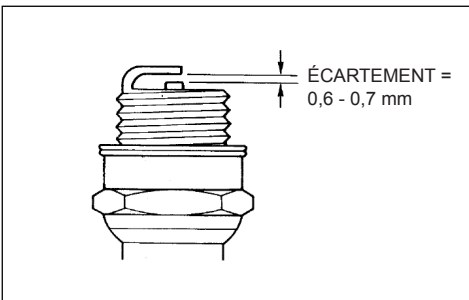


Entretien aux 10 à 15 heures

Enlever et nettoyer la bougie. Ajuster l'écartement de l'électrode de la bougie à 0,6 - 0,7 mm. S'il est nécessaire de changer la bougie, utiliser uniquement une bougie NGK BPMR6A.

MISE EN GARDE !

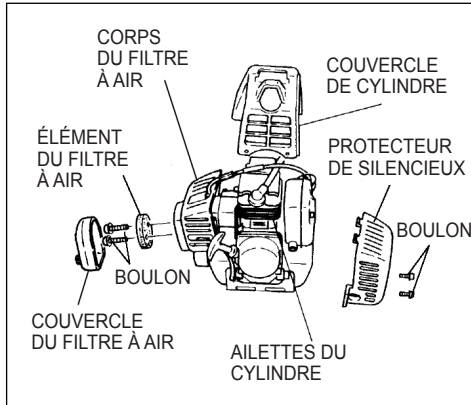
Avant d'enlever la bougie, nettoyer l'aire autour de la bougie afin d'éviter que des saletés ou des poussières ne se logent à l'intérieur du moteur.



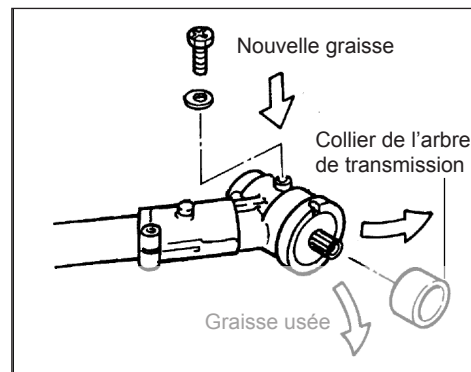
Entretien aux 50 Heures

Nettoyage

Enlever et nettoyer le couvercle du cylindre et enlever les accumulations d'herbe et la saleté logées dans les ailettes du cylindre.



Ôter l'accessoire de coupe et le collier de l'arbre de transmission et introduire la nouvelle graisse dans le boîtier d'engrenages jusqu'à ce que la graisse usée disparaisse de celui-ci. Utiliser uniquement une graisse à base de lithium (telle que le lubrifiant pour boîtier d'engrenages de Shindaiwa).

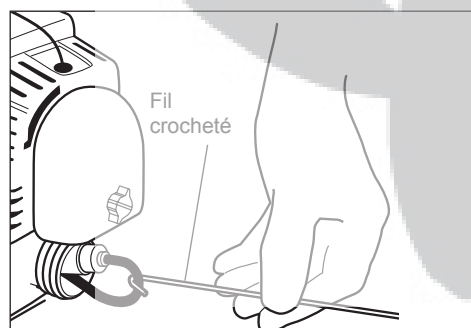


Entretien de la crépine de carburant

Utiliser un fil croché pour extraire la crépine de carburant du réservoir à essence. Enlever et remplacer l'élément du filtre. Avant de réinstaller le filtre, inspecter le conduit d'alimentation. S'il est endommagé ou détérioré, ne pas utiliser l'appareil tant qu'il n'a pas été inspecté par un revendeur Shindaiwa.

MISE EN GARDE !

Veiller à ne pas percer le conduit d'alimentation avec l'extrémité du fil croché. Le conduit est délicat et peut facilement être endommagé.

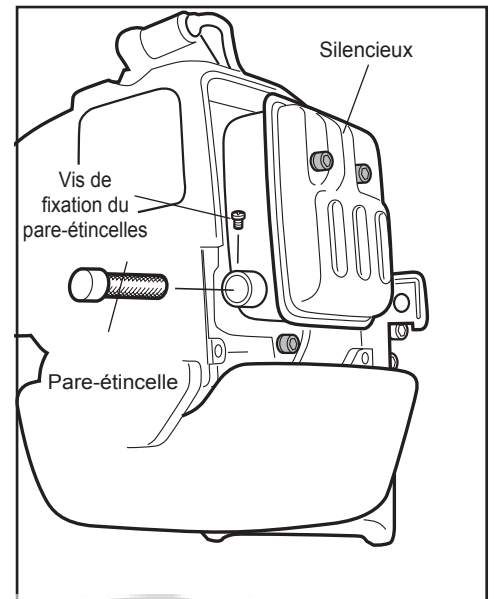


Entretien du silencieux

L'accumulation de calamine dans le pare-étincelles du silencieux peut être à l'origine de difficultés de démarrage ou de la perte graduelle du rendement.

Si un tel cas se présente, ôter le pare-étincelles et le nettoyer à fond avec une brosse à poils durs pour retrouver le rendement initial.

Si les dépôts de carbone sont importants ou si le rendement de l'appareil ne s'améliore pas, il est recommandé de retourner votre appareil au vendeur Shindaiwa pour inspection.



AVERTISSEMENT !



Ne jamais faire fonctionner l'appareil sans silencieux ou sans pare-étincelles ou s'ils sont endommagés ! L'utilisation de cet appareil avec des composantes du système d'échappement manquantes ou endommagées présente un risque d'incendie et peut également causer la perte de l'ouïe.

Remisage à long terme

Si l'appareil doit être remis plus de 30 jours, suivre la procédure suivante pour le préparer au remisage.

- Nettoyer les pièces externes abondamment et appliquer une mince couche d'huile à l'ensemble des surfaces métalliques.
- Vider le carburant du carburateur et du réservoir à carburant.

IMPORTANT !

Stabiliser le carburant remisé à l'aide d'un produit adapté tel que STABIL®.

MISE EN GARDE !

Le carburant laissé dans le carburateur pendant une période prolongée peut nuire au démarrage et accroître les coûts de service et d'entretien.

- Enlever la bougie et verser environ 7 g d'huile dans le cylindre, par l'orifice de la bougie. Tirer lentement sur le lanceur à rappel à deux ou trois reprises pour enduire uniformément les parois du cylindre. Réinstaller la bougie.
- Toujours réparer une pièce endommagée ou usée avant le remisage.
- Enlever le filtre à air du carburateur et le nettoyer abondamment avec de l'eau savonneuse. Extraire l'eau et remonter le filtre à air.
- Remiser l'appareil dans un endroit propre et sans poussière.

Guide de dépannage

Le moteur ne démarre pas

Points à contrôler	Cause probable	Solution
Le moteur démarre-t-il bien ?	NON Lanceur à rappel défectueux. Liquide dans le carter de vilebrequin. Bris interne.	Consulter un revendeur Shindaiwa.
OUI La compression est-elle bonne ?	NON Bougie desserrée. Usure excessive du cylindre, du piston, des segments.	Serrer et vérifier. Consulter un revendeur Shindaiwa.
OUI Le réservoir contient-il du carburant propre, d'un indice approprié ?	NON Carburant souillé éventé ou de mauvaise qualité ; mélange incorrect.	Remplir avec un mélange huile/ carburant récent approprié (essence et huile pour moteur à deux temps Shindaiwa de première qualité (rapport de 50:1 ; voir page 10).
OUI Le carburant est-il visible dans le tuyau de renvoi lors de l'amorçage ?	NON Vérifier si la crépine de carburant et/ou l'orifice d'aération sont encrassés.	Nettoyer au besoin ; redémarrer l'appareil.
OUI Y a-t-il une étincelle à la borne du fil de bougie ?	NON L'interrupteur d'allumage est en position d'ARRÊT. Fils d'allumage court-circuités. Dispositif d'allumage défectueux.	Placer l'interrupteur en position de MARCHE et redémarrer. Consulter un revendeur Shindaiwa.
OUI Vérifier la bougie.	Si la bougie est humide, il y a peut-être un excédent de carburant dans le cylindre. La bougie est peut-être encrassée ou son écartement incorrect. La bougie est peut-être brisée ou de catégorie inappropriée.	Lancer le moteur sans la bougie, remettre la bougie en place et redémarrer. Nettoyer la bougie et réajuster son écartement (0,6 - 0,7 mm). Redémarrer l'appareil. Remplacer la bougie par une bougie NGK BPMR6A.

Points à contrôler

Le moteur surchauffe-t-il ?

Cause probable

Utilisation abusive de l'appareil.

Mélange du carburateur trop pauvre.

Rapport huile/essence inapproprié.

Ventilateur, boîtier de ventilation, ailettes du cylindre sales ou endommagés.

Dépôts de calamine sur le piston ou dans le silencieux.

Solution

Réduire la longueur du fil de coupe. Ralentir la charge de travail.

Consulter un revendeur Shindaiwa.

Remplir avec un mélange huile/carburant récent approprié (essence et huile pour moteur à deux temps Shindaiwa de première qualité - rapport de 50:1 ; voir page 10).

Nettoyer, réparer ou remplacer selon le besoin.

Consulter un revendeur Shindaiwa.

Le moteur fonctionne de façon brusque à tous les régimes. Présence éventuelle de fumée d'échappement noire et/ou de carburant non brûlé à l'échappement.

Filtre à air obstrué.

Bougie desserrée ou endommagée.

Fuite d'air ou conduit d'alimentation obstrué.

Eau dans le carburant.

Grippage du piston.

Carburateur et/ou diaphragme défectueux.

Procéder à l'entretien du filtre à air.

Serrer ou remplacer.

Réparer ou remplacer le filtre et/ou le conduit d'alimentation.

Remplacer le carburant.

Consulter un revendeur Shindaiwa.

Le moteur cogne.

Surchauffe.

Carburant inapproprié.

Dépôts de calamine dans la chambre de combustion.

Voir ci-dessus.

Vérifier l'indice d'octane ; vérifier si le carburant contient de l'alcool. Remplir selon le besoin.

Consulter un revendeur Shindaiwa.

Français

Problème	Cause probable	Solution
Faible accélération.	Filtre à air obstrué.	Nettoyer le filtre à air.
	Crépine de carburant obstruée.	Remplacer la crépine de carburant.
	Mélange du carburateur trop pauvre.	Consulter un revendeur Shindaiwa.
	Régime de ralenti trop bas.	Régler : 3 000 tr/min (min ⁻¹) (5 250 tr/min)
Le moteur s'arrête brusquement.	Interrupteur en position d'arrêt.	Remettre le contact et redémarrer.
	Réservoir à carburant vide.	Faire le plein.
	Filtre à carburant obstrué.	Remplacer le filtre.
	Eau dans le carburant.	Vidanger le réservoir et faire le plein avec du carburant propre.
	Bougie court-circuitée ou mauvaise connexion.	Nettoyer ou remplacer la bougie, resserrer la borne.
	Échec d'allumage.	Consulter un revendeur Shindaiwa.
Moteur difficile à arrêter.	Fil de terre (d'arrêt) débranché, ou interrupteur défectueux.	Vérifier et réinstaller au besoin.
	Bougie inappropriée entraînant une surchauffe.	Nettoyer et régler l'écartement à 0,6 mm (0,024 po). Utiliser une bougie NGK BMR6A
	Surchauffe du moteur.	Laisser refroidir le moteur en le laissant tourner au ralenti.
L'accessoire découpe se déplace même si le moteur est au ralenti.	Régime de ralenti trop élevé.	Régler le ralenti à 3 000 tr/min (min ⁻¹) (5 250 tr/min)
	Ressort d'embrayage cassé ou sabot d'embrayage usé.	Remplacer le ressort/les sabots au besoin et vérifier la vitesse de ralenti.
	Support de l'accessoire de coupe desserré.	Inspecter et resserrer les vis.
Vibration excessive.	Accessoire déformé ou endommagé.	Examiner et remplacer l'accessoire de coupe au besoin.
	Carter renvoi d'angle desserré.	Serrer le carter renvoi d'angle.
	Axe d'entraînement tordu/usé ou coussinets usés.	Examiner et remplacer au besoin.

DÉCLARATION DE CONFORMITÉ

Par le présent document, nous déclarons que la débroussailleuse à moteur Shindaiwa, Modèle R26 (C300/EC1,T300/EC1).

est conforme aux exigences suivantes :

Directives du Conseil :
89/336/EEC modifiée
98/37/EC modifiée
2000/14/EC modifiée
2002/88/EC modifiée

Normes :
EN 292 articles 1 et 2
EN 11806
CISPR 12

Niveau sonore mesuré : 112 dB (A)

Niveau sonore garanti : 113 dB (A)

Documentation technique conservée par :
K. Maeda, Responsable de division
Division Recherche et Développement


Shindaiwa Corporation

Siège social : 6-2-11, Ozuka-Nishi, Asaminami-ku,
Hiroshima, 731-3167, Japon
TÉL : 81-82-849-2003, FAX : 81-82-849-2482

19 août 2004



T. Yoshitomi
Responsable de division
Division Assurance Qualité

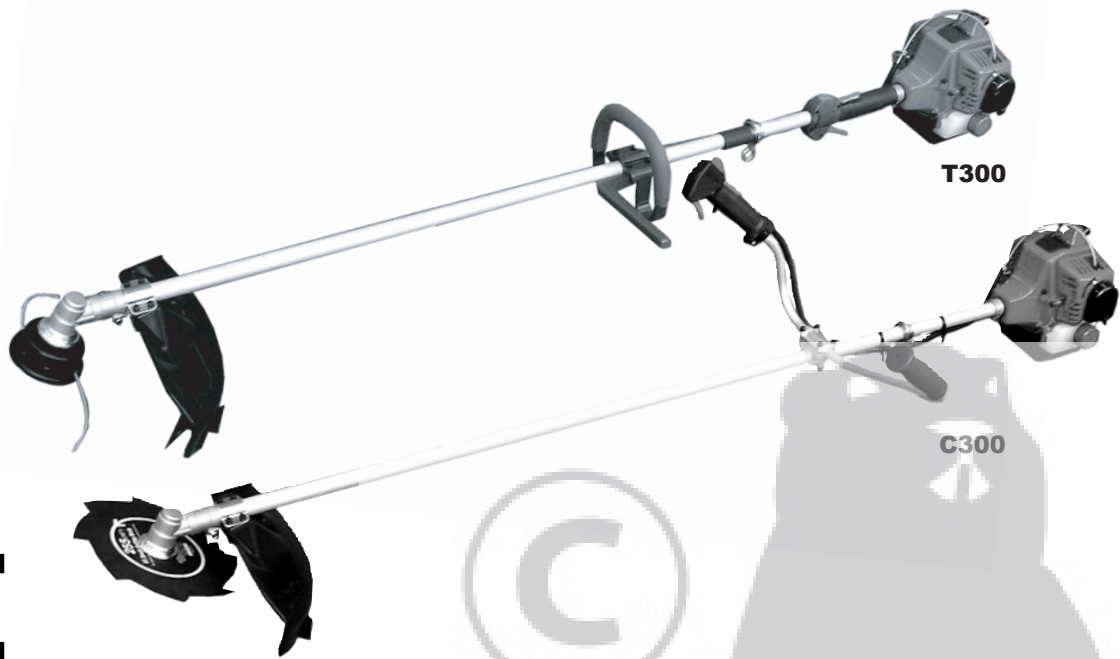
Shindaiwa Corporation

Siège social : 6-2-11, Ozuka-Nishi, Asaminami-ku,
Hiroshima, 731-3167, Japon
TÉL : 81-82-849-2206, FAX : 81-82-849-2481

MANUALE DELL'OPERATORE SHINDAIWA

BORDATORE T300 DECESPUGLIATORE C300

Italiano



AVVERTENZA! Leggere il presente manuale e acquisire familiarità con il contenuto.



Questo attrezzo è progettato per il taglio di erba, erbacce e cespugli. Non utilizzare questo attrezzo per altri scopi.

Ridurre al minimo il rischio di gravi lesioni a se stessi e ad altre persone.

Non utilizzare o riparare questo attrezzo a meno di non aver compreso appieno il contenuto di questo manuale.

Riporre questo manuale in un luogo ove sia facilmente reperibile in modo da poterlo rileggere in caso di dubbi sul funzionamento dell'attrezzo.

Numero di parte 62093-94312 Rev. 10/04

shindaiwa

Messaggi Informativi.....	2
Abbigliamento Appropriato Dell'operatore.....	3
Istruzioni Generali Per La Sicurezza	4
Tenere In Considerazione L'ambiente Di Lavoro.....	4
Descrizione Del Prodotto.....	5
Specifiche Tecniche.....	6
Prima Dell'assemblaggio.....	6
Prima Di Assemblare Il Tubo Esterno.....	7
Assemblaggio Del Tubo Esterno	7
Assemblaggio Dell'impugnatura	8
Regolazione Del Cavo Dell'acceleratore.....	8
Assemblaggio Della Protezione Dai Detriti	9
Installazione Di Una Lama	10
Rifornimento Del Serbatoio	10
Avviamento Del Motore	11
Arresto Del Motore	12
Regolazione Del Minimo Del Motore.....	12
Verifica Delle Condizioni Dell'attrezzo	12
Prima Di Iniziare	12
Per Indossare La Tracolla	12
Rilascio D'emergenza	12
Utilizzo.....	13
Dispositivi Di Taglio Consigliati.....	13
Affilatura Della Lama.....	14
Manutenzione.....	14
Manutenzione Giornaliera	14
Manutenzione Ogni 10 Ore.....	15
Manutenzione Ogni 10-15 Ore.....	15
Manutenzione Ogni 50 Ore.....	15
Manutenzione Della Marmitta Di Scarico.....	15
Rimessaggio Per Lunghi Periodi.....	16
Risoluzione Dei Problemi.....	16
Dichiarazione Di Conformità.....	19

Messaggi informativi

In questo manuale sono contenuti speciali "messaggi informativi" racchiusi in una cornice e preceduti da un simbolo triangolare di avvertenza.



AVVERTENZA!

Un'indicazione preceduta dal simbolo triangolare di attenzione con la parola "AVVERTENZA" contiene informazioni su come evitare seri infortuni.

ATTENZIONE!

Le indicazioni precedute dalla parola "ATTENZIONE" contengono informazioni su come evitare danni meccanici.

IMPORTANTE!

Un'indicazione preceduta dalla parola "IMPORTANTE" ha un contenuto speciale.

NOTA:

Un messaggio preceduto dalla parola "NOTA" contiene informazioni utili e che potrebbero facilitare il proprio lavoro.



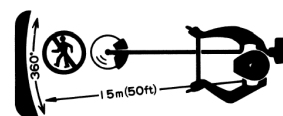
Leggere le istruzioni riportate in questo manuale dell'operatore. In caso contrario, possono verificarsi infortuni gravi.



Indossare accessori per la protezione degli occhi, dell'udito e della testa durante l'utilizzo dell'attrezzo.



Indossare guanti antiscivolo, pantaloni lunghi e scarpe con suola antiscivolo durante l'utilizzo dell'attrezzo.



Accertarsi che non vi siano persone nel raggio di 15 metri da un attrezzo in funzione.



Attenzione agli oggetti scagliati.

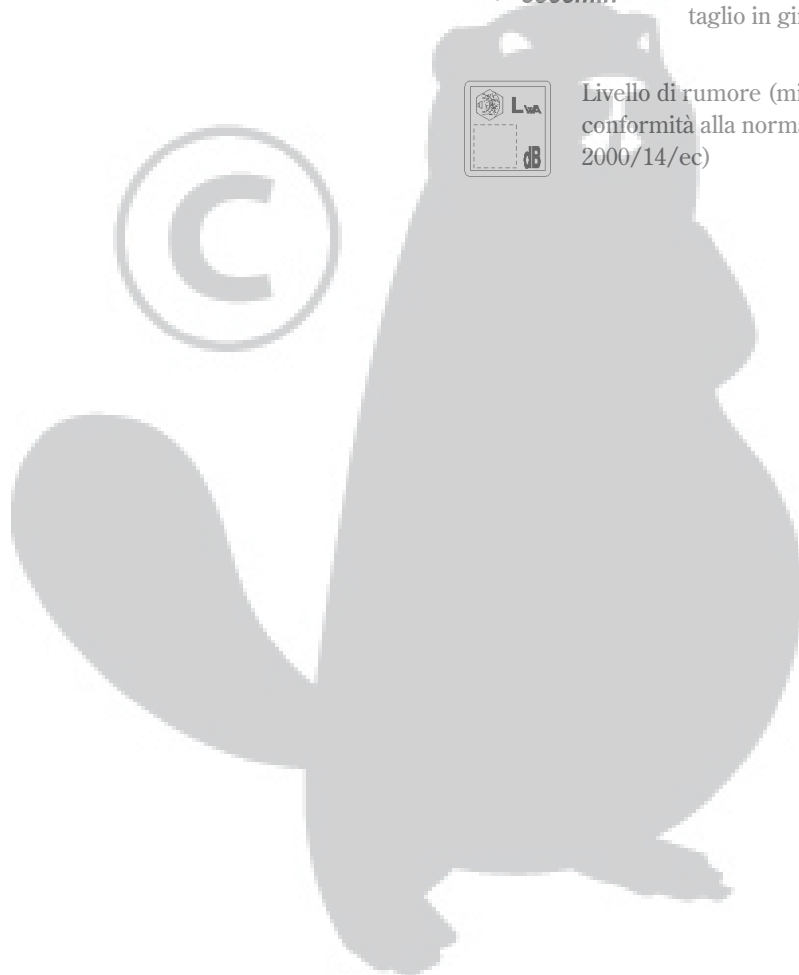


MAX
8500min⁻¹

Numero max di giri dell'albero del dispositivo di taglio in giri/min⁻¹.



Livello di rumore (misurato in conformità alla normativa 2000/14/ec)



Abbigliamento appropriato dell'operatore

Indossare accessori di protezione dell'udito, ad esempio cuffie per proteggere le orecchie.

Indossare accessori di protezione della testa, ad esempio elmetti. Tenere i capelli raccolti al di sopra delle spalle.

Indossare abiti aderenti per proteggere gambe e braccia. Non indossare gioielli o capi di abbigliamento che potrebbero impigliarsi nell'attrezzo o nei rami.

Indossare sempre una protezione per gli occhi, ad esempio occhiali protettivi.

Utilizzare sempre una tracolla quando si utilizza un attrezzo munito di lama.

Indossare guanti antiscivolo. Afferrare sempre l'attrezzo in funzione con entrambe le mani.

Quando si utilizza una lama, accertarsi che l'impugnatura sia posizionata in modo tale da fornire la massima protezione dal contatto con la lama.

Mantenere sempre una posizione corretta e non protendersi in avanti. Mantenere sempre l'equilibrio durante le operazioni.

Mantenersi sempre a distanza dal filo di taglio o dalla lama rotante e non sollevare i dispositivi di taglio in movimento al di sopra della cintola.

Indossare pantaloni lunghi. Non indossare MAI pantaloncini corti.

Indossare scarpe con suola antiscivolo. Non indossare scarpe o sandali che lascino i piedi scoperti. Non lavorare mai a piedi nudi.

Verificare sempre che la schermatura appropriata per il dispositivo di taglio sia correttamente installata.



AVVERTENZE!

Usare buon senso

Proteggere **SEMPRE** gli occhi con occhiali di protezione per evitare che vengano colpiti da oggetti volanti.

Non accendere **MAI** il motore durante il trasporto dell'attrezzo.

Non utilizzare **MAI** il motore in luoghi chiusi. Assicurarsi che l'area di lavoro sia sempre ben ventilata. Gli scarichi del motore possono causare gravi lesioni o la morte.

Tenere **SEMPRE** pulita l'area di lavoro da rifiuti o detriti nascosti che possono colpire l'operatore o persone vicine.

Utilizzare **SEMPRE** lo strumento di taglio adeguato al lavoro in corso.

Arrestare **SEMPRE** il motore dell'attrezzo in caso di vibrazioni o scossoni improvvisi. Verificare che non vi siano parti o componenti rotti, mancanti o non installati correttamente.

Non estendere **MAI** il filo di taglio oltre la lunghezza specificata per l'attrezzo.

Mantenere **SEMPRE** l'attrezzo il più pulito possibile. Tenerlo libero da residui di vegetazione, fango e così via.

Afferrare **SEMPRE** saldamente l'attrezzo con **entrambe** le mani durante le operazioni di taglio o rifilatura e mantenere sempre il controllo.

Tenere **SEMPRE** pulite le impugnature.

Scollegare **SEMPRE** il cavo della candela prima di eseguire qualsiasi lavoro di manutenzione.

Se una lama si blocca durante il taglio, spegnere **SEMPRE** immediatamente il motore. Spingere il ramo o il tronco per allentare il blocco e liberare la lama.

Istruzioni generali per la sicurezza

Sicurezza sul lavoro

I bordatori e i decespugliatori funzionano a velocità molto elevate e possono causare gravi danni o lesioni se utilizzati non correttamente o per altri scopi. Non consentire mai a una persona di utilizzare questo attrezzo senza il necessario addestramento o istruzioni.



AVVERTENZA!

Non installare mai accessori non autorizzati.

Prestare attenzione

Per utilizzare questo attrezzo è necessario essere in buone condizioni fisiche e mentali.



AVVERTENZA!

Non mettere mai in funzione un attrezzo a motore di qualsiasi tipo in caso di stanchezza o sotto l'influenza di alcool, droghe, farmaci o qualsiasi altra sostanza che possa influenzare la capacità o il buon senso dell'operatore.



AVVERTENZA!

Ridurre al minimo il rischio di incendio **NON** fumare o accendere fuochi nelle vicinanze del bordatore o del decespugliatore. Prima di rifornire il serbatoio, spegnere **SEMPRE** il motore e attenderne il raffreddamento. Evitare di riempire troppo il serbatoio e pulire il carburante eventualmente fuoriuscito. Spostare **SEMPRE** l'attrezzo lontano dall'area di immagazzinamento del carburante o da altri materiali facilmente infiammabili prima di avviare il motore. **NON** posizionare materiali infiammabili vicino alla marmitta di scarico del motore.

Tenere in considerazione l'ambiente di lavoro

Evitare di utilizzare a lungo l'attrezzo se la temperatura ambientale è molto alta o molto bassa.

Accertarsi che i presenti o gli osservatori posizionati oltre la "zona di pericolo" di 15 metri indossino occhiali di protezione.



Ridurre il rischio che detriti volanti colpiscano gli osservatori. Accertarsi che non vi siano persone nel raggio di 15 metri (circa 16 passi) da un dispositivo in funzione.

Prestare la massima attenzione su terreni scivolosi, specie quandopiove.

Verificare sempre che la schermata appropriata per il dispositivo di taglio sia correttamente installata.

Ogni volta che si tocca un oggetto solido con la lama, spegnere il motore e ispezionare il dispositivo di taglio per individuare eventuali danni.

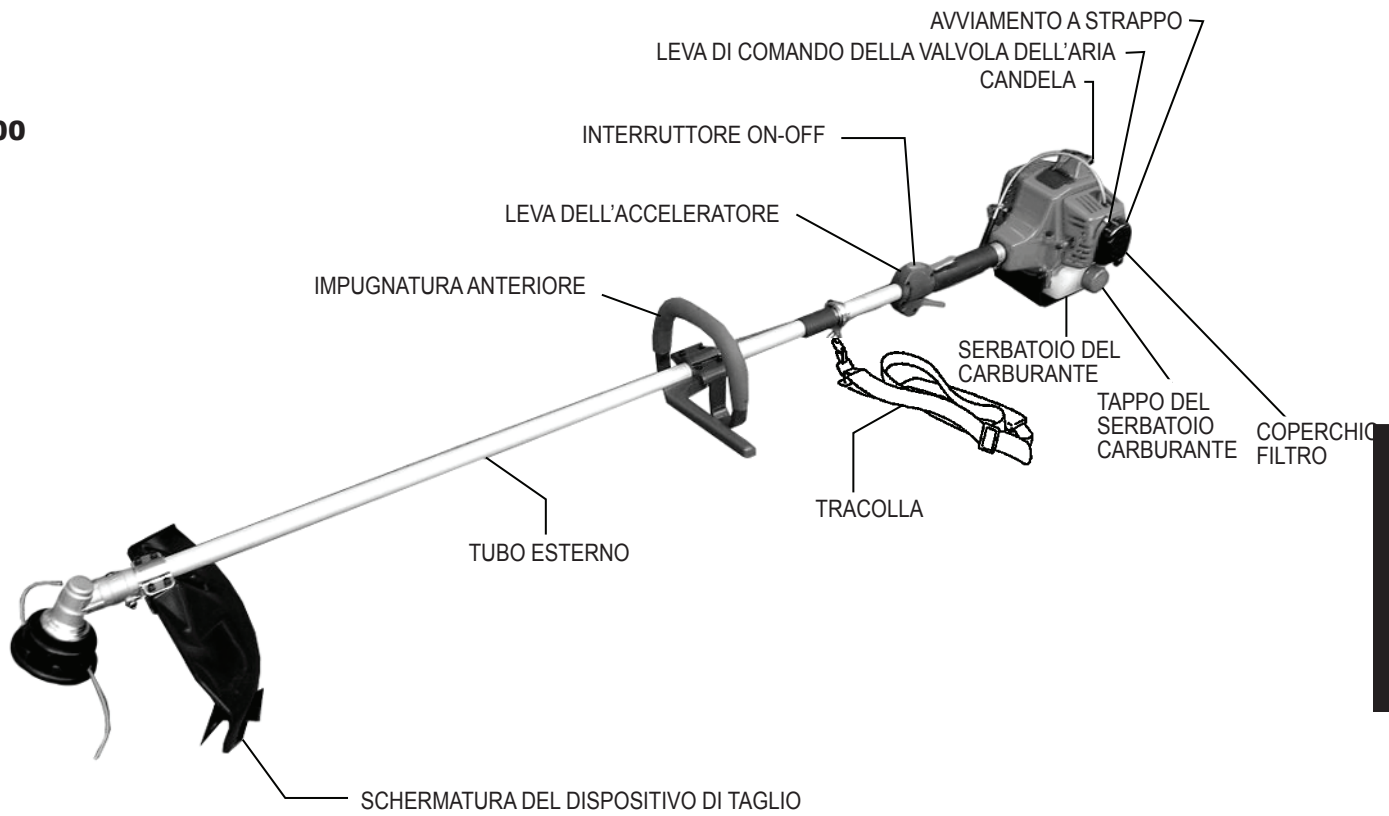
Attenzione all'inerzia della lama durante il taglio di cespugli. L'inerzia della lama può provocare infortuni se la rotazione continua dopo che la leva dell'acceleratore è stata rilasciata oppure dopo che il motore è stato spento.

Prestare costantemente attenzione a oggetti e detriti che potrebbero essere scagliati dal dispositivo di taglio rotante o rimbalzare da una superficie solida.

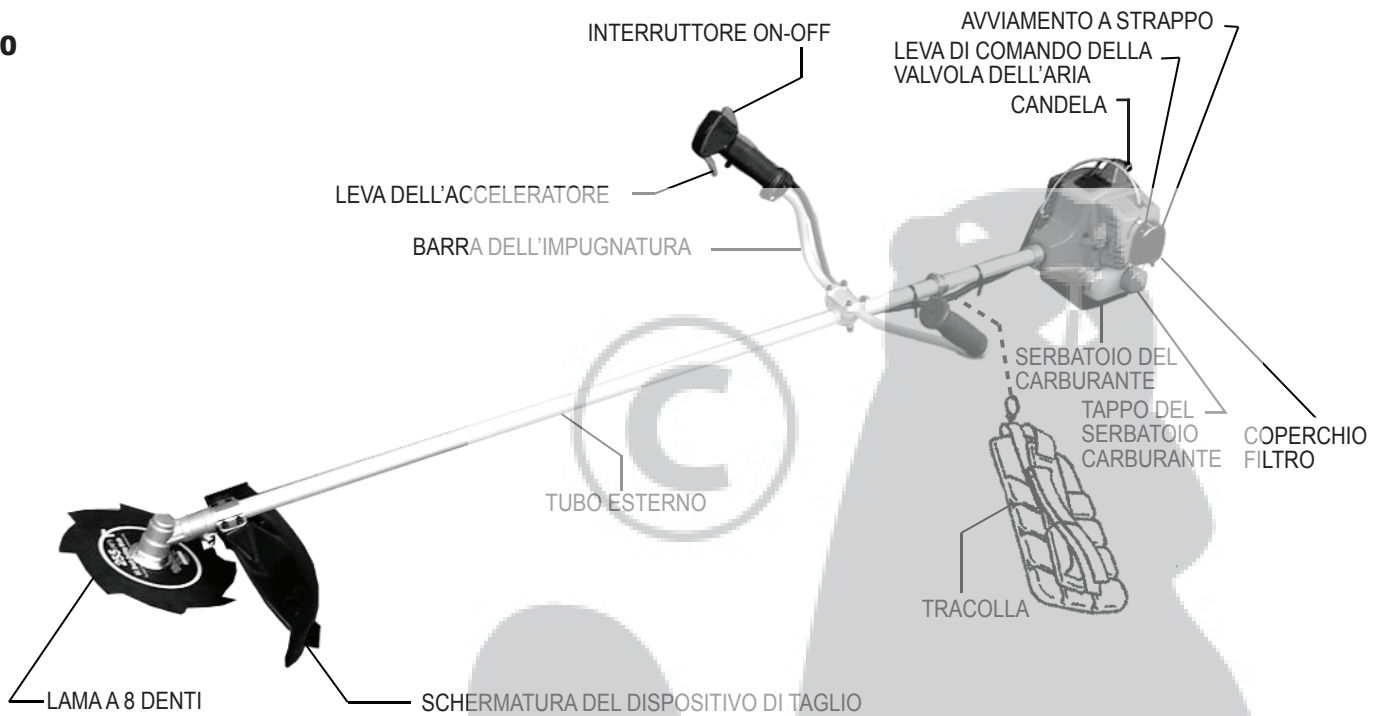
Quando si opera su terreno roccioso o in prossimità di cavi elettrici o steccati, usare estrema prudenza per evitare il contatto del dispositivo di taglio con tali elementi.

Descrizione del prodotto

T300



C300



Utilizzando le illustrazioni allegate come guida, acquisire familiarità con l'attrezzo e i vari componenti. Una migliore comprensione dell'attrezzo consente di ottenere prestazioni migliori, prolungare la vita utile del prodotto e garantire un utilizzo sicuro.



AVVERTENZA!

I gas di scarico del motore di questo prodotto contengono agenti chimici che possono provocare cancro, malformazioni congenite o altri danni all'apparato riproduttivo.



AVVERTENZA!

Non apportare modifiche non autorizzate ad alcuno di questi attrezzi o ai relativi componenti.

Specifiche tecniche

Nome modello	T300/EC1 C300/EC1
Modello motore.....	S270EC
Tipo motore	A due tempi, cilindrico verticale, con raffreddamento ad aria
Peso a secco (senza dispositivi)	6,0 kg 6,2 kg
Alesaggio x corsa	34 mm x 30 mm
Cilindrata.....	27,2 cm ³
Giri motore alla massima potenza.....	8.000 giri/min ⁻¹
Potenza massima	0,95 kW
Giri motore al minimo	3.000 giri/min ⁻¹
Numero massimo di giri motore	11.500 giri/min ⁻¹
Rapporto carburante/olio	50:1
Capacità serbatoio del carburante.....	650 cm ³
Carburatore	TK, DPV10W a membrana
Sistema di accensione.....	Completamente elettronico, controllato a transistor
Candela.....	NGK BPMR6A
Filtro dell'aria	Tipo semiumido
Metodo di avvio	Avviamento a strappo
Metodo di arresto	Interruttore a slitta
Impugnatura	Tipo a passante Tipo a manubrio
Dimensioni.....	1780 x 365 x 290 mm 1790 x 575 x 470 mm
Livello di pressione sonora * (dati medi tra il valore al minimo e in velocità) nota.1.....	92 dB (A) 91 dB (A)
Livello di potenza sonora * (dati medi tra il valore al minimo e in velocità) nota.1.....	106 dB (A)
Livello di vibrazione *, nota.1.....	Minimo sx/dx 3,4/2,3 m/s ² 2,7/3,3 m/s ²
Livello di vibrazione *, nota.1.....	Velocità sx/dx 4,5/6,9 m/s ² 4,0/3,7 m/s ²
Livello di pressione sonora * (dati medi tra il valore al minimo e a tutta velocità) nota.2.....	98 dB (A)
Livello di potenza sonora * (dati medi tra il valore al minimo e a tutta velocità) nota.2.....	109 dB (A)
Livello di vibrazione *, nota.2.....	Minimo sx/dx 3,2/2,2 m/s ² 2,7/2,3 m/s ²
Livello di vibrazione *, nota.2.....	Tutta velocità sx/dx 7,2/7,5 m/s ² 5,0/3,2 m/s ²

* Livello di pressione sonora: in conformità a EN ISO 11806 e ISO 7917

* Livello di vibrazione: in conformità a EN ISO 11806 e ISO 7916

* Livello di potenza sonora: in conformità a EN ISO 11806 e ISO 10884

Nota 1: dotato di lama a 8 denti

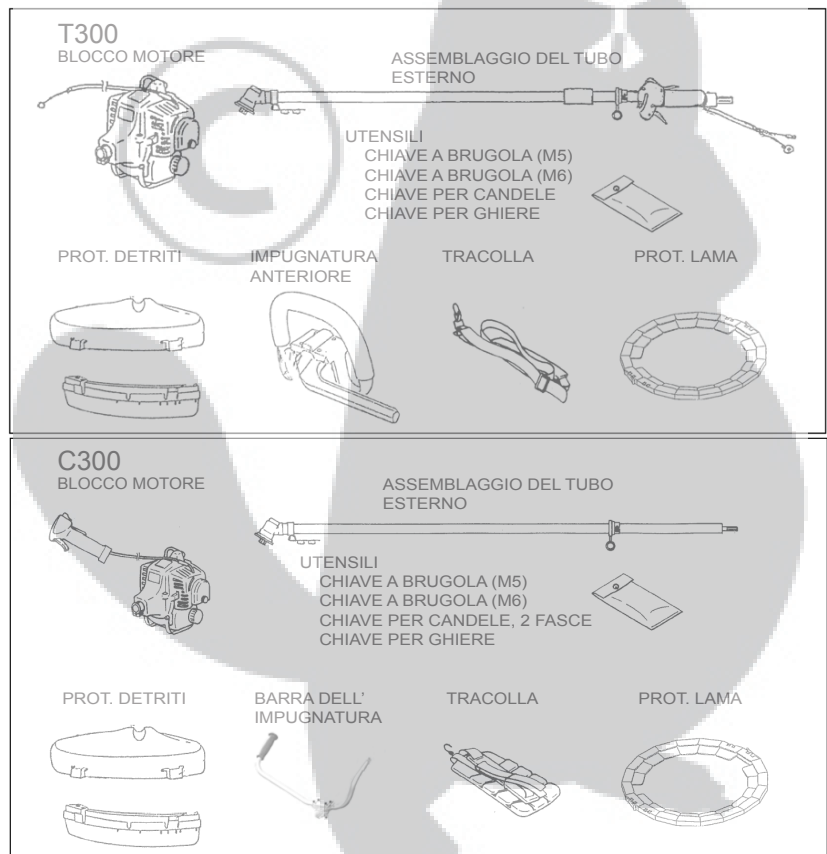
Nota 2: dotato di testina a filo

Prima dell'assemblaggio

Prima del montaggio, assicurarsi di disporre di tutti i componenti necessari per completare l'attrezzo. Questo attrezzo è composto degli accessori e dei componenti descritti di seguito. Verificare che i componenti non siano danneggiati. Nel caso di componenti danneggiati o mancanti, contattare il rivenditore Shindaiwa per l'assistenza.

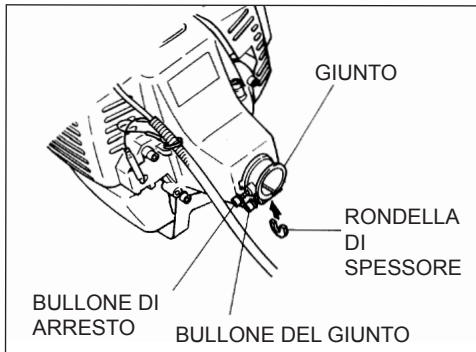
IMPORTANTE!

I termini "sinistra", "mano sinistra" e "MS", "destra", "mano destra" e "MD", "avanti" e "indietro" si riferiscono alla direzione dalla posizione dell'operatore durante il normale utilizzo del prodotto.



Prima di assemblare il tubo esterno

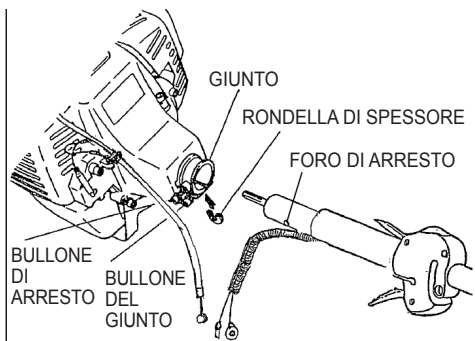
1. Utilizzando la chiave a brugola, allentare il bullone di arresto all'estremità.
2. Allentare il bullone del giunto. Non allentare la rondella di fermo.



Assemblaggio del tubo esterno

T300

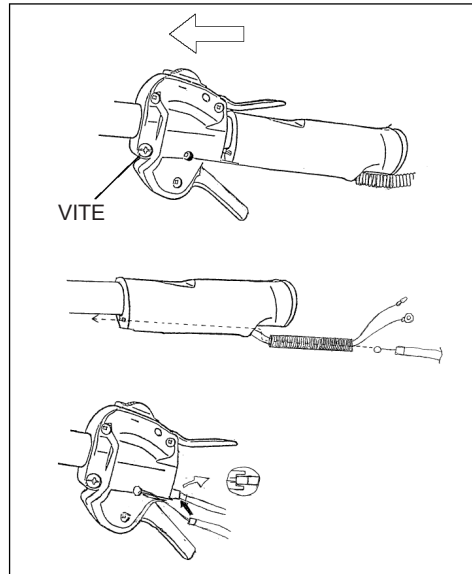
1. Inserire il tubo esterno nel giunto fino a quando non si ferma. Può essere necessario ruotare leggermente l'albero del tubo esterno o della scatola ingranaggi afferrandolo per le linguette per innestarlo sul blocco motore.
2. Posizionare la rondella a D con il lato piatto rivolto verso l'alto nell'apertura del giunto. Quindi, stringere il bullone del giunto utilizzando la chiave a brugola.
3. Allentare la vite che stringe la leva dell'acceleratore al tubo esterno. Spostare la leva dell'acceleratore in direzione della lama.
4. Inserire il cavo dell'acceleratore nel tubo. Spingere il cavo dell'acceleratore nel foro presente sulla parte posteriore dell'impugnatura.
5. Disporre il cavo dell'acceleratore sulla leva dell'acceleratore. Utilizzare la chiave per serrare l'estremità del filo nell'alloggiamento della leva dell'acceleratore.



NOTA:

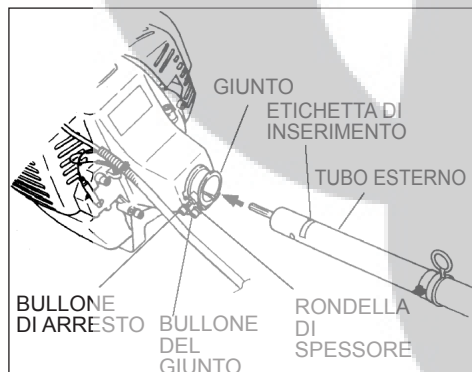
Accertarsi che il cavo dell'acceleratore sia inserito nella guida dei cavi della leva dell'acceleratore.

6. Riportare la leva dell'acceleratore nella posizione originaria, tirando il filo di terra e il cavo dell'acceleratore e serrando la vite.
7. Rimuovere il bullone di fermo del coperchio del cilindro.
8. Inserire il bullone nel foro del terminale del filo di terra e serrare il bullone.



C300

1. Inserire il tubo esterno nel giunto fino a quando non si ferma (fino all'etichetta). Può essere necessario ruotare leggermente l'albero del tubo esterno o della scatola ingranaggi afferrandolo per le linguette per innestarlo sul blocco motore.
2. Posizionare il tubo esterno in modo che il bullone di arresto possa entrare nel foro di arresto. Serrare il bullone di arresto con la chiave a brugola.
3. Posizionare la rondella a D con il lato piatto rivolto verso l'alto nell'apertura del giunto. Quindi, stringere il bullone del giunto utilizzando la chiave a brugola.

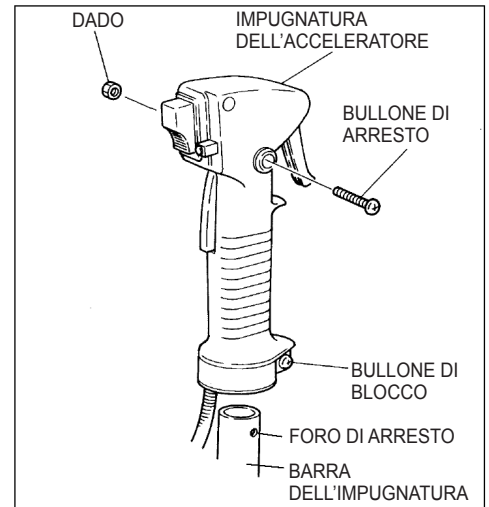


4. Allentare il bullone di arresto dell'impugnatura dell'acceleratore. Rimuovere il bullone e il dado di arresto.
5. Allentare completamente il bullone di blocco dell'impugnatura dell'acceleratore.

ATTENZIONE!

NON RIMUOVERE LA RONDELLA DI FERMO.

La rondella di fermo impedisce il serraggio eccessivo del giunto del tubo esterno. Se infatti si stringe troppo il giunto, potrebbe danneggiarsi il tubo esterno.



6. Inserire la barra dell'impugnatura di destra nell'impugnatura dell'acceleratore. Posizionare l'impugnatura dell'acceleratore in modo che il bullone di arresto possa passare attraverso il foro di arresto. Serrare il bullone e il dado di arresto.
7. Serrare il bullone di blocco.

Assemblaggio dell'impugnatura

T300



AVVERTENZA!

Non attivare MAI l'attrezzo senza l'impugnatura anteriore. Attivare l'attrezzo senza l'impugnatura anteriore può provocare danni gravi.

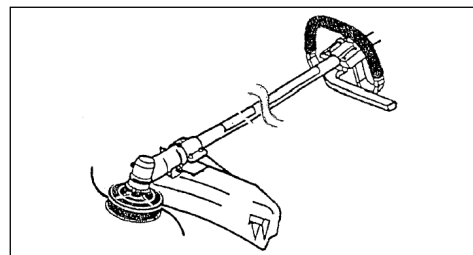
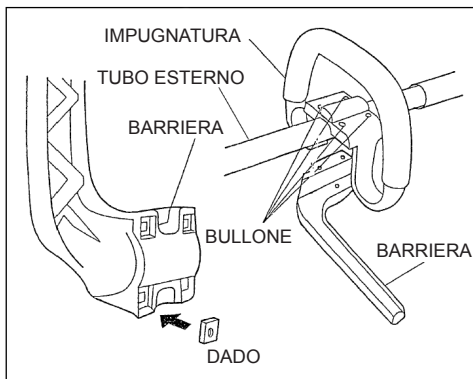
NOTA:

Serrare i quattro bulloni in diagonale per bloccare l'impugnatura.

NOTA:

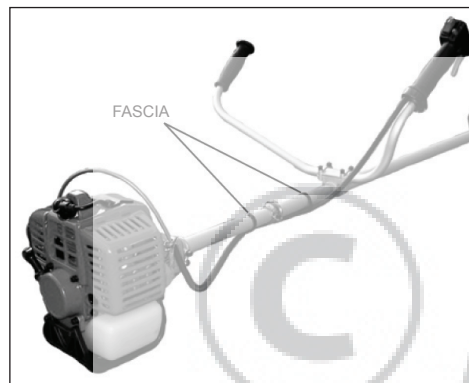
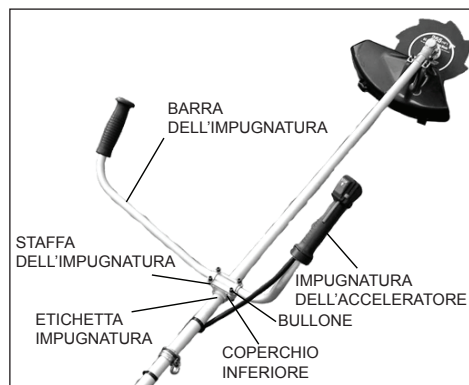
Regolare l'impugnatura nella posizione più comoda per l'operatore.

1. Inserire i quattro dadi quadrati nelle rientranze situate nella parte inferiore della barra protettiva.
2. Fissare l'impugnatura e la barra protettiva sul tubo esterno e stringere i quattro bulloni.



C300

1. Allentare i due bulloni del coperchio inferiore e rimuoverlo.
2. Posizionare la staffa dell'impugnatura sopra la relativa etichetta sul tubo esterno.
3. Fissare il coperchio inferiore con i due bulloni e stringere i bulloni. Accertarsi che l'impugnatura anteriore sia nella posizione riportata nell'illustrazione.
4. Fissare il cavo al tubo esterno con le due fasce, come mostrato nell'illustrazione. Le due fasce sono contenute nella borsa attrezzi.



Regolazione del cavo dell'acceleratore

1. Tirare delicatamente la leva di comando dell'acceleratore, e verificare che il gioco sia di circa 5 mm.

2. Se il gioco non è compreso nei limiti delle specifiche:

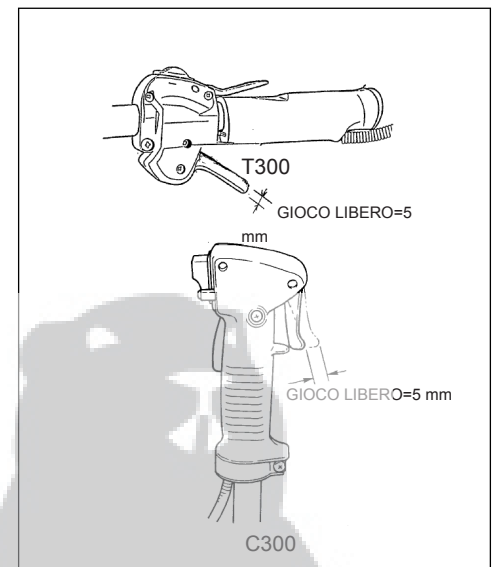
(a) Fare scorrere il coperchio del cavo verso la marmitta di scarico fino a quando il dado di regolazione e il controdado sono visibili.

(b) Allentare leggermente il controdado.

(c) Avvitare il dado di regolazione in modo che il gioco sia di circa 5 mm.

(d) Stringere il controdado.

(e) Riposizionare il coperchio del cavo.



Assemblaggio della protezione dai detriti



AVVERTENZA!

Non attivare MAI l'attrezzo senza la schermatura del dispositivo di taglio. L'attivazione senza la schermatura del dispositivo di taglio può provocare danni gravi.

Schermatura del dispositivo di taglio

1. Inserire la schermatura del dispositivo di taglio tra il tubo esterno e il fermo inferiore. Allentare il dado e il bullone che stringono il fermo inferiore se la schermatura del dispositivo di taglio non è allineata al fermo inferiore.

NOTA:

Può essere necessario allentare il fermo inferiore per inserire la schermatura tra il tubo e il fermo.

2. Inserire i due distanziatori e il fermo superiore sul tubo esterno e stringere utilizzando i quattro bulloni.

NOTA:

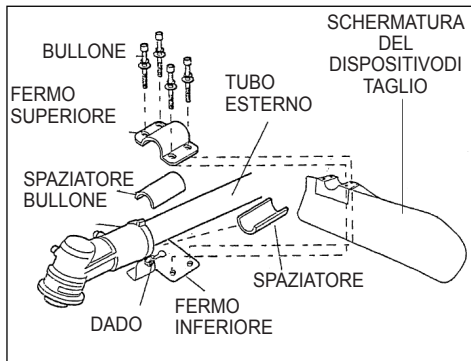
Stringere i quattro bulloni in maniera incrociata.

3. Serrare il bullone e il dado del fermo inferiore.



AVVERTENZA!

Ispezionare accuratamente la schermatura di protezione dai detriti per accertarsi che sia bloccata e non oscilli.

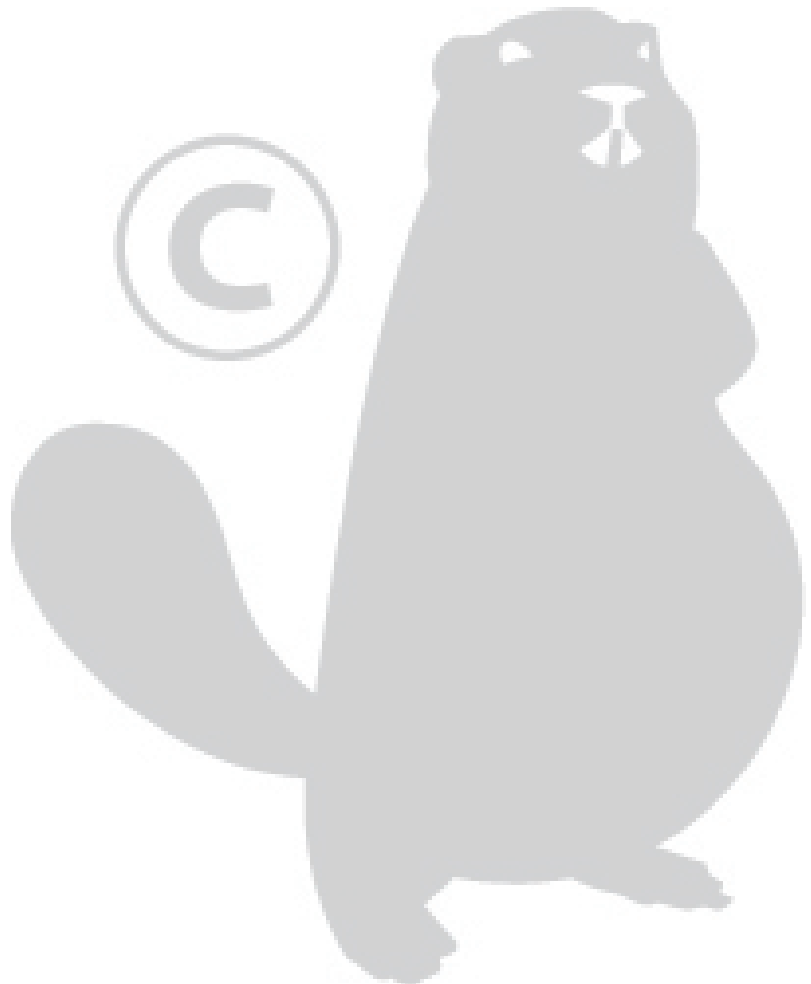
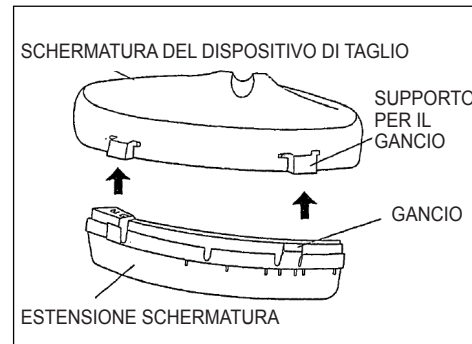


Estensione della schermatura (quando si utilizza una testina a filo)

1. Fissare l'estensione della schermatura alla schermatura del dispositivo di taglio.

NOTA:

Accertarsi che l'estensione della schermatura sia completamente agganciata al supporto per il gancio.

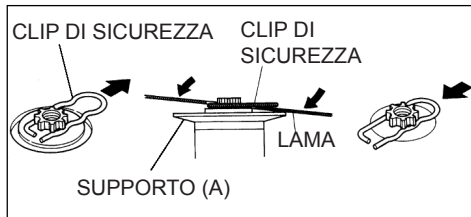
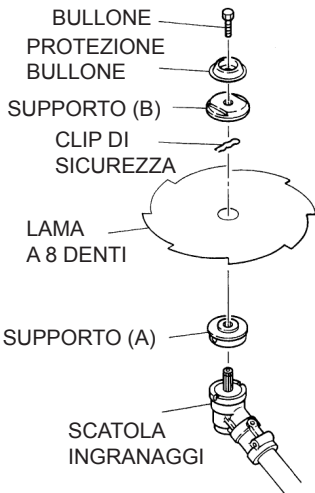


Installazione di una lama

1. Accertarsi che l'interruttore sia spento e che il motore sia fermo.
2. Indossare guanti per proteggere le mani.
3. Capovolgere l'attrezzo in modo che la flangia del supporto della lama che fuoriesce dalla scatola ingranaggi sia rivolta verso l'alto.
4. Utilizzando l'estremità piccola della chiave per candele, allentare il bullone (ruotare in senso orario) e rimuovere il bullone, la protezione bullone e il supporto B.
5. Sfilare la clip di sicurezza come mostrato nell'illustrazione.
7. Riposizionare il supporto B e la protezione bullone e stringere il bullone solo con le dita.

Accertarsi che il supporto B aderisca alla lama; la rientranza del supporto B deve aderire alla lama e coprire completamente la clip di sicurezza.

8. Ruotare il supporto A fino a quando il foro presente sul bordo è allineato al foro presente nella scatola ingranaggi. Inserire la chiave a brugola in entrambi i fori (per evitare la rotazione dell'albero).
9. Tenendo la chiave a brugola e la lama con una mano, serrare il bullone (ruotare in senso antiorario) utilizzando l'estremità più piccola della chiave per candele.
10. Rimuovere la chiave a brugola.



AVVERTENZA!



Prima di utilizzare l'attrezzo, accertarsi che la lama sia montata in modo corretto. Ruotare leggermente la lama con la mano e verificare che giri in maniera uniforme e senza oscillazioni.

AVVERTENZA!



La lama deve essere aderente. Verificare che la direzione della freccia riportata sulla lama corrisponda alla freccia presente sulla schermatura del dispositivo di taglio.

AVVERTENZA!



Non utilizzare mai l'attrezzo senza avere posizionato la clip di sicurezza.

6. Posizionare la lama sulla clip di sicurezza presente sul supporto A, quindi riposizionare la clip di sicurezza nella posizione originaria.

AVVERTENZA!



La lama deve aderire al supporto A. Il foro di montaggio della lama deve essere centrato sul mozzo in rilievo del supporto A.

Rifornimento del serbatoio



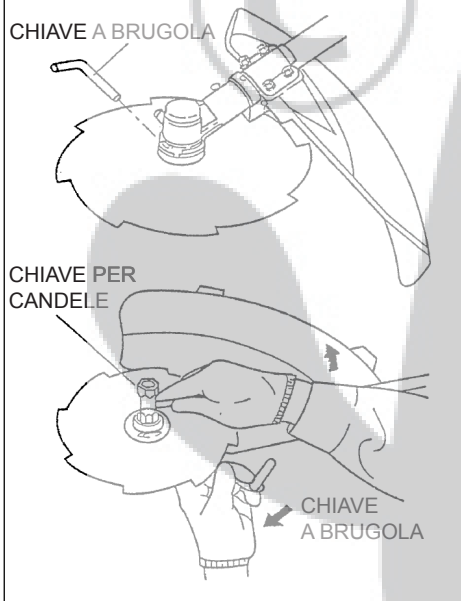
AVVERTENZA!

Durante il rabbocco di carburante, assicurarsi che il motore sia fermo e freddo. Il rabbocco o la miscela di carburante e olio deve essere effettuato lontano da fiamme libere o da altre fonti di combustione.

ATTENZIONE!

Questo motore è certificato per l'utilizzo con un rapporto di miscela di 50:1 consistente esclusivamente di benzina senza piombo e olio da miscela di qualità per motori a due tempi. L'uso di oli da miscela non approvati può condurre a costi di manutenzione eccessivi e/o danni al motore.

1. Ruotare il tappo del serbatoio in senso antiorario e rimuoverlo.
2. Lasciando il tappo appeso all'apertura del serbatoio, riempire il serbatoio con carburante nuovo e pulito (miscela di benzina e olio) e serrare il tappo.
3. Accertarsi di ripulire completamente l'attrezzo da eventuali fuoriuscite di carburante.



Avviamento del motore



AVVERTENZA!

ACCERTARSI CHE LA LAMA SI MUOVA LIBERAMENTE. Prima di avviare il motore, posizionare l'attrezzo su una superficie pulita e livellata. Assicurarsi di avere un punto di appoggio sicuro e tenere sempre saldamente l'attrezzo. IL DISPOSITIVO DI TAGLIO POTREBBE RUOTARE QUANDO IL MOTORE VIENE AVVIATO.



AVVERTENZA!

Spostarsi di almeno tre metri dal sito in cui è riposto il carburante prima di avviare il motore.

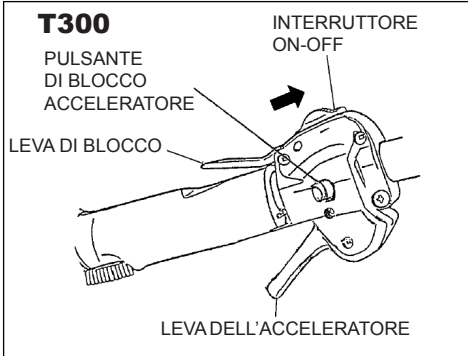


AVVERTENZA!

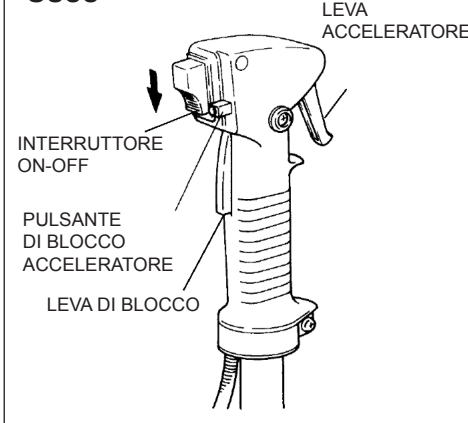
Non avviare mai il motore senza avere installato il dispositivo di taglio.

Avviamento di un motore a freddo e/o riavvio dopo il rifornimento.

T300

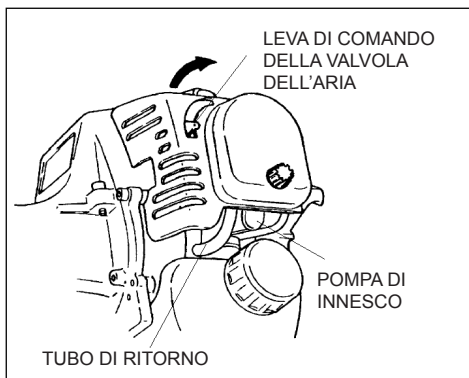


C300



1. Spostare l'interruttore ON-OFF nella posizione "I".

2. Avviare il motore premendo ripetutamente la pompa di innesco del carburatore fino a quando è possibile vedere la benzina fluire nel tubo trasparente di ritorno:



3. Spingere verso l'alto la leva di comando della valvola dell'aria (posizione "I+I").



4. Premendo la leva di blocco, tirare completamente la leva dell'acceleratore e premere il pulsante di blocco dell'acceleratore. Premendo il pulsante di blocco dell'acceleratore, rilasciare la leva dell'acceleratore e la leva di blocco. A questo punto l'acceleratore è al massimo regime (velocità di avviamento).
5. Tenendo fermo il tubo esterno con una mano, tirare l'impugnatura di avviamento verso l'alto con l'altra mano. Tirare delicatamente fino a quando si avverte l'innesto dello starter, quindi tirare rapidamente per avviare il motore. Non tirare la corda dell'avviamento a strappo fino a fine corsa.

ATTENZIONE!

Tirando la corda di avviamento fino a fine corsa possono verificarsi danni al meccanismo di avviamento.

IMPORTANTE!

Continui avviamenti del motore con la valvola dell'aria CHIUSA ("I-I") portano all'ingolfamento del motore. Se il motore non si avvia dopo numerosi tentativi, spostare la leva della valvola dell'aria sulla posizione APERTO e continuare ad avviare il motore.

6. Non appena il motore si mette in moto, riportare gradualmente la valvola dell'aria nella posizione APERTO ("I+I") se non lo si è già fatto.
 - Se il motore si spegne prima dell'apertura completa della valvola dell'aria, riavviarlo con la valvola chiusa.
 - Se il motore si spegne dopo l'accensione iniziale, riavviarlo con la valvola dell'aria chiusa.
7. Con il motore in moto, innestare il minimo toccando la leva dell'acceleratore per rilasciare il relativo blocco.



AVVERTENZA!

Non avviare mai il motore dalla posizione di lavoro.

Avviamento del motore a caldo

L'avviamento del motore a caldo richiede tutti i passaggi necessari per l'avvio a freddo.

FANNO ECCEZIONE LE SEGUENTI OPERAZIONI:

- Non premere la pompa d'innesco e
- Spostare la valvola dell'aria nella posizione APERTO.

Se il motore non si avvia, seguire la procedura relativa all'avviamento a freddo.

Quando il motore si avvia:

- Dopo l'avvio del motore, liberare il blocco dell'acceleratore e lasciare scaldare il motore al minimo dei giri per 2 o 3 minuti prima di utilizzare l'attrezzo.
- Una volta che il motore è caldo, sollevare l'attrezzo e indossare la tracolla.
- Facendo avanzare la leva dell'acceleratore, il dispositivo di taglio ruota più in fretta; rilasciando la leva, invece, ne interrompe la rotazione. Se il dispositivo di taglio continua a ruotare, è necessario regolare la velocità al minimo nel carburatore.

Arresto del motore

Portare il motore alla velocità minima per breve tempo prima di arrestarlo, quindi spostare l'interruttore ON-OFF sulla posizione "O" (ARRESTO).



AVVERTENZA!

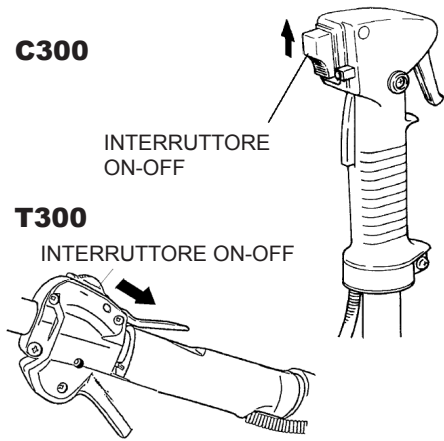
Il dispositivo di taglio continua a ruotare per un po' di tempo dopo avere spento l'interruttore.

C300

INTERRUTTORE ON-OFF

T300

INTERRUTTORE ON-OFF



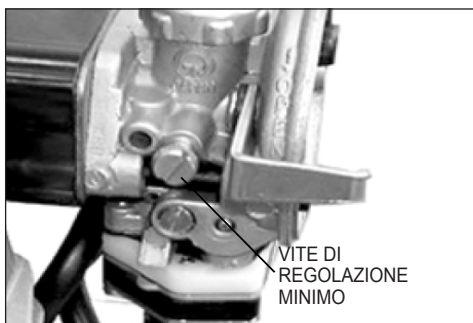
Regolazione del minimo del motore

Prima di rilasciare la leva dell'acceleratore è necessario che il motore ritorni alla velocità minima. La velocità minima è regolabile e deve essere abbastanza bassa da permettere alla frizione di disinnestare il dispositivo di taglio quando si rilascia l'acceleratore.



AVVERTENZA!

Il dispositivo di taglio non deve MAI ruotare quando è impostata la velocità minima del motore. Se non è possibile regolare la velocità al minimo mediante la procedura descritta nel presente manuale, fare esaminare l'attrezzo da un rivenditore autorizzato Shindaiwa.



1. Poggiare l'unità a terra, avviare il motore e lasciarlo al minimo per 2-3 minuti fino a quando si riscalda.
2. Se il dispositivo di taglio si muove quando il motore è a velocità minima, ridurre tale velocità girando la vite di regolazione del minimo in senso antiorario.

3. Se è disponibile un contagiri, la velocità minima del motore deve essere regolata su 3.000 giri/min⁻¹.

NOTA:

Le regolazioni della miscela di carburante del carburatore sono effettuate in fabbrica su apparecchi con sistemi di controllo delle emissioni e possono essere effettuate solo dal rivenditore.

Verifica delle condizioni dell'attrezzo

NON attivare mai l'attrezzo se sono stati rimossi la mascheratura del dispositivo di taglio o altri dispositivi di protezione (tracolla, clip di fermo della lama e così via).



AVVERTENZA!

La schermatura del dispositivo di taglio o altri dispositivi non garantiscono la protezione dal rimbalzo di oggetti. **PROTEGGERSI SEMPRE DAI DETRITI VAGANTI.**

Utilizzare solo parti e accessori autorizzati Shindaiwa con questo attrezzo. Non apportare modifiche all'attrezzo senza approvazione scritta di Shindaiwa.

Accertarsi **SEMPRE** che il dispositivo di taglio sia installato correttamente e serrato prima di attivarlo.

Non utilizzare **MAI** dispositivi di taglio incrinati o piegati: sostituirli con dispositivi nuovi o riparati.

Accertarsi **SEMPRE** che il dispositivo di taglio sia adatto al supporto di taglio corrispondente. Se si riscontrano vibrazioni in un dispositivo di taglio installato correttamente, sostituire il dispositivo con uno nuovo e riprovare.

Spegnere **SEMPRE** il motore immediatamente e controllare la presenza di eventuali danni se si colpisce un oggetto estraneo o se il filo dell'attrezzo si aggroviglia. Non utilizzare l'attrezzo in caso di rottura o danno dell'apparecchiatura.

NON utilizzare l'attrezzo se i dispositivi di chiusura o i supporti sono danneggiati o usurati.

NON eseguire tagli con lame non affilate. In questo modo, aumenta la possibilità che la lama si sposti in modo imprevisto e repentino, con conseguenti danni all'attrezzo.

Prima di iniziare

Per indossare la tracolla

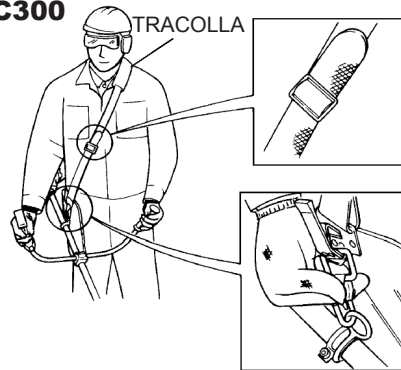
1. Fissare il gancio della tracolla all'attacco presente sul tubo esterno.
2. Indossare la tracolla in modo che il gancio si trovi sul proprio fianco destro.
3. Regolare la lunghezza della tracolla in modo da sostenere e attivare in modo confortevole l'attrezzo.
4. Accertarsi che l'imbottitura di protezione sia tra il fianco e il tubo esterno (SOLO MODELLO C300).

Rilascio d'emergenza

In caso d'emergenza, tirare con forza la linguetta bianca del gancio. L'attrezzo si sgancerà dalla tracolla.

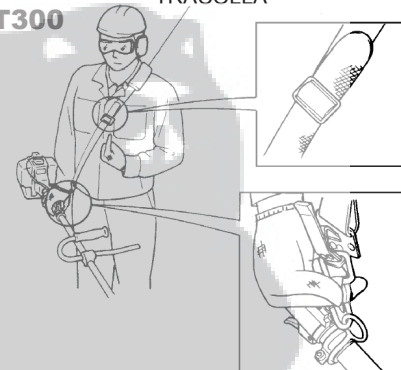
C300

TRACCOLLA



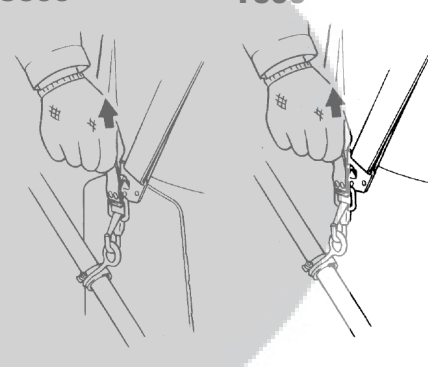
T300

TRACCOLLA



C300

T300



Utilizzo

1. Dopo avere avviato il motore, tirare gradualmente la leva dell'acceleratore. La velocità del motore aumenta e la lama inizia a ruotare.
2. Quando la leva dell'acceleratore viene rilasciata, il motore torna automaticamente al minimo.
3. Utilizzare l'attrezzo alla massima velocità durante il taglio. La migliore resa del carburante si ottiene rilasciando l'acceleratore quando ci si sposta dopo un taglio.
4. La lama ruota in senso antiorario. Per ottenere prestazioni ottimali e ridurre al minimo il rischio di essere colpiti da detriti, muovere la lama da destra a sinistra mentre si avvanza.



AVVERTENZA!

Posizionare la lama in modo che i tagli vengano eseguiti tra le posizioni corrispondenti alle ore 8 e alle ore 11 della lama (vista dall'alto). NON eseguire tagli tra le posizioni corrispondenti alle ore 11 e alle ore 5.



AVVERTENZA!

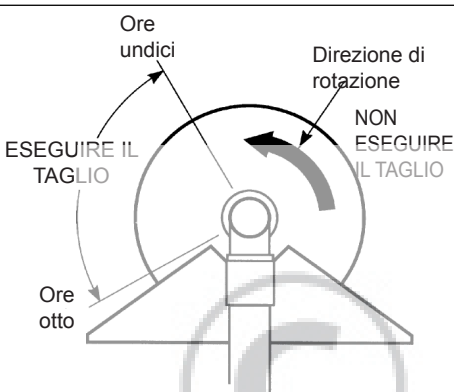
I movimenti imprevisti e repentini della lama comportano lo spostamento improvviso laterale o all'indietro dell'attrezzo. Tali movimenti possono verificarsi quando la lama si blocca o incontra un oggetto come il tronco di un alberello o un ceppo. SI CONSIGLIA DI PRESTARE LA MASSIMA ATTENZIONE AI MOVIMENTI DELLA LAMA E AI POSSIBILI EFFETTI.

ATTENZIONE!

NON utilizzare lame a due denti con questo attrezzo.

ATTENZIONE!

Per impedire danni al motore, non utilizzare l'attrezzo a velocità elevate senza un carico. Non utilizzare il motore a basse velocità. In questo modo, può verificarsi una rapida usura della frizione. Inoltre, alle basse velocità, erba e detriti tendono ad ammassarsi attorno al dispositivo di taglio.



AVVERTENZA!

Non colpire o urtare MAI il legno con la lama in rotazione.



AVVERTENZA!

Durante il trasporto, accertarsi che il motore sia spento e che la lama sia coperta con l'apposita protezione.

Dispositivi di taglio consigliati

Utilizzare i seguenti dispositivi di taglio raccomandati da Shindaiwa con questo attrezzo:

NUMERO PARTE 60903-98310

LAMA A 8 DENTI

ALESAGGIO INTERNO: 25,4 mm

DIAMETRO: 255,0 mm

SPESSORE: 2,0 mm



NUMERO PARTE 72430-92142

LAMA A 3 DENTI

ALESAGGIO INTERNO: 25,4 mm

DIAMETRO: 255,0 mm

SPESSORE: 2,2 mm



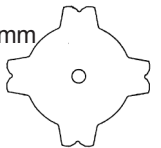
NUMERO PARTE 60903-98320

LAMA A 4 DENTI

ALESAGGIO INTERNO: 25,4 mm

DIAMETRO: 255,0 mm

SPESSORE: 2,0 mm



NUMERO PARTE 78820-04000

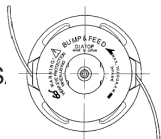
TESTINA A FILO PER CONTATTO E

AVANZAMENTO

DIAMETRO BULLONI: 8 mm

FILETTATURA: SINISTRORS

PASSO 1,25 mm



Affilatura della lama

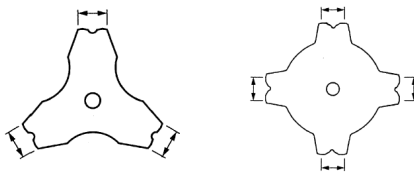
Affilare la lama con una lima o una mola nel modo illustrato di seguito.



AVVERTENZA!

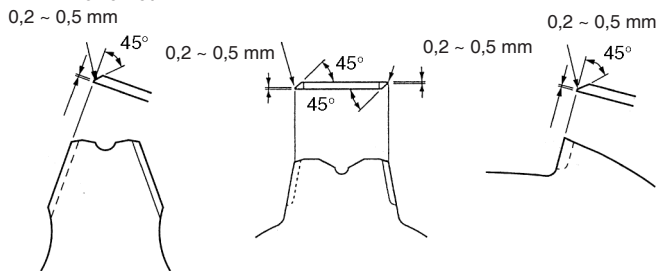
Affilare solo i denti di taglio della lama. **NON** alterare il contorno della lama in nessun modo. Per mantenere la lama bilanciata, tutti le parti taglienti devono essere affilate in maniera omogenea. **NON** affilare troppo le punte dei denti.

Accertarsi che la larghezza dei 3 lati/4 lati sia sempre la stessa.



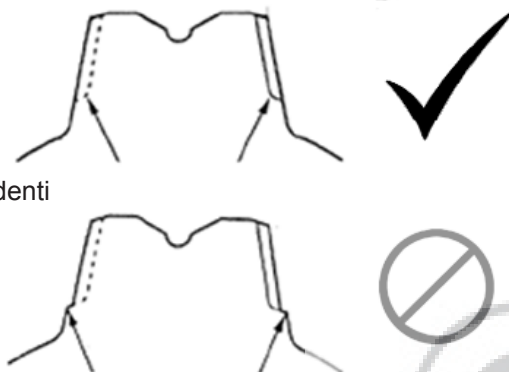
L'angolo di affilatura deve essere di circa 45°.

Non affilare troppo le punte della lama. Lasciare 0,2~0,5 mm non affilati.

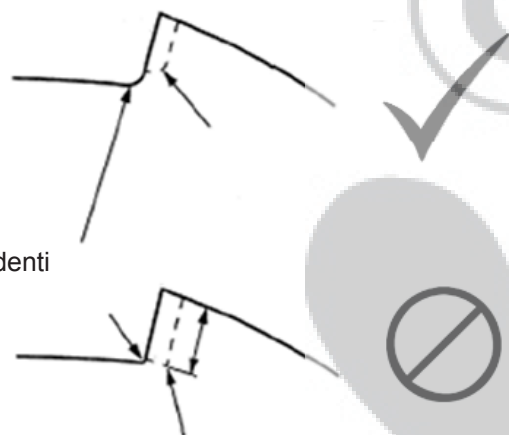


La parte inferiore di ciascun dente deve rimanere non affilata (vista della lama dalla parte inferiore).

Lama a 4 denti



Lama a 8 denti



Manutenzione



AVVERTENZA!

Prima di effettuare qualsiasi lavoro di manutenzione, riparazione o pulizia sull'attrezzo, assicurarsi che il motore e il dispositivo di taglio siano completamente arrestati. Prima di eseguire lavori di manutenzione o riparazione, disconnettere il cavo della candela.



AVVERTENZA!

Non tentare di saldare, raddrizzare o modificare la forma di una lama danneggiata. La lama alterata può spezzarsi durante le operazioni, provocando gravi lesioni personali.

Manutenzione giornaliera

Prima di ogni giornata lavorativa:

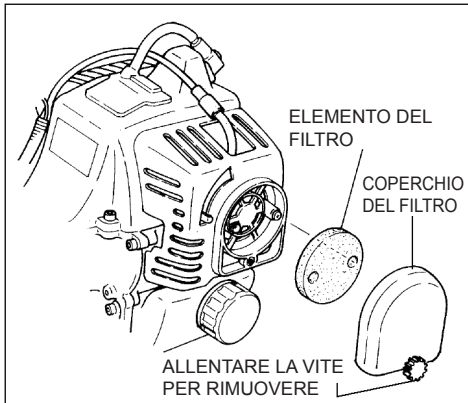
- Rimuovere dal motore lo sporco e i detriti, controllare le alette di raffreddamento e il filtro dell'aria per rilevare l'eventuale presenza di ostruzioni e rimuoverle se necessario.
- Rimuovere con delicatezza l'accumulo di sporco o detriti dalla marmitta di scarico e dal serbatoio del carburante. L'accumulo di sporco in queste aree può causare il surriscaldamento del motore, incendi o usura prematura.
- Verificare che non vi siano viti o componenti allentati o mancanti. Verificare che i dispositivi di taglio siano serrati saldamente.
- Verificare la presenza di perdite di carburante o grasso sull'intero attrezzo.

Manutenzione ogni 10 ore

Rimuovere l'elemento del filtro dell'aria dal carburatore e pulirlo accuratamente con acqua e sapone. Rimuovere il liquido in eccesso, lasciare asciugare e rimontare l'elemento.

ATTENZIONE!

Non utilizzare l'attrezzo se il filtro o un elemento del filtro dell'aria è danneggiato o se l'elemento è bagnato.

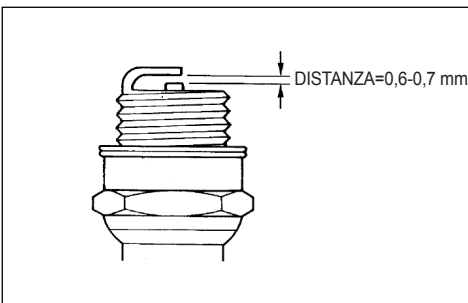


Manutenzione ogni 10-15 ore

Rimuovere e pulire la candela. Regolare la distanza tra gli elettrodi a 0,6 - 0,7 mm. Se è necessario sostituire la candela utilizzare solo candele di tipo NGK BMR6A.

ATTENZIONE!

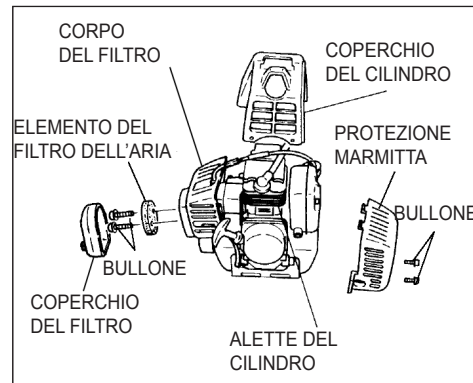
Prima di rimuovere la candela, pulire l'area circostante per prevenire l'immissione di sporco e polvere nelle parti interne del motore.



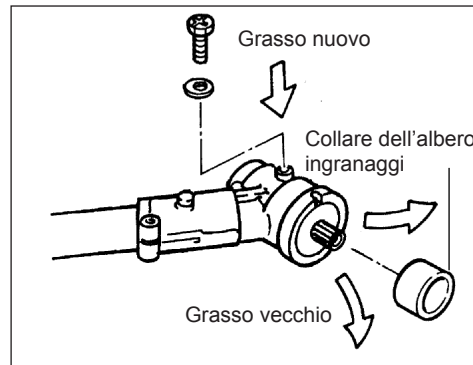
Manutenzione ogni 50 ore

Pulizia

Sollevarlo e pulire il coperchio del cilindro, rimuovendo erba e sporco dalle alette del cilindro.



Rimuovere il dispositivo di taglio e il collare dell'albero ingranaggi e inserire nuovo grasso nella scatola ingranaggi fino a quando il grasso vecchio non viene espulso. Utilizzare solo grasso a base di litio (ad esempio olio lubrificante per scatola di ingranaggi Shindaiwa).

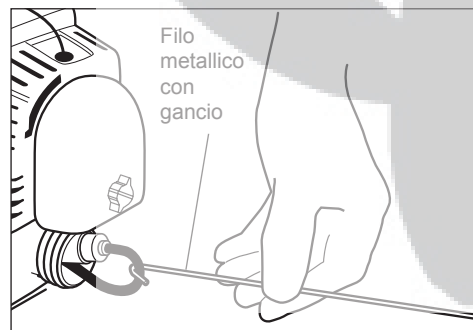


Manutenzione del filtro del carburante

Utilizzare un filo metallico con un gancio a un'estremità per estrarre il filtro del carburante dal serbatoio del carburante. Rimuovere e sostituire l'elemento del filtro. Prima di installare nuovamente il filtro, verificare le condizioni del condotto del carburante. Se si rilevano danni o deterioramenti, l'attrezzo non deve essere utilizzato fino a quando non è possibile consultare un tecnico dell'assistenza autorizzato.

ATTENZIONE!

Fare attenzione a non forare il condotto del carburante con l'estremità del filo con gancio. Il condotto è delicato e può danneggiarsi facilmente.

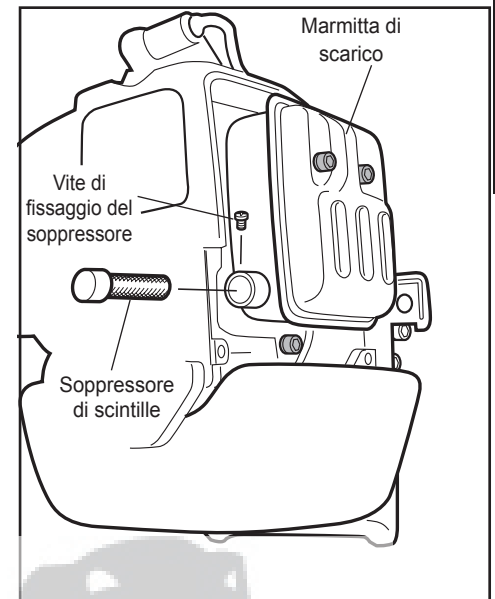


Manutenzione della marmitta di scarico

L'avviamento difficoltoso o la riduzione graduale delle prestazioni può essere causato dai depositi di carbonio nello schermo del soppressore di scintille della marmitta di scarico.

In tali casi, le prestazioni possono essere di solito ripristinate rimuovendo lo schermo del soppressore di scintille e pulendolo con una spazzola di setola dura.

In presenza di forti depositi di carbonio o se non si osserva un miglioramento delle prestazioni, l'attrezzo deve essere restituito per i necessari controlli al rivenditore Shindaiwa.



AVVERTENZA!

Non utilizzare questo attrezzo se la marmitta di scarico o il soppressore di scintille è mancante o danneggiato. L'utilizzo con componenti di scarico consumati o danneggiati può causare incendi e perdita dell'udito.

Rimessaggio per lunghi periodi

Ogni volta che si ritiene di non dover adoperare l'attrezzo per 30 giorni o più, utilizzare le seguenti procedure per prepararlo all'immagazzinaggio:

- Pulire accuratamente le parti esterne e applicare uno strato sottile di olio su tutte le superfici di metallo.
- Svuotare completamente il carburante dal carburatore e dal relativo serbatoio.

IMPORTANTE!

Il carburante conservato deve essere stabilizzato con uno stabilizzatore come STABIL®.

ATTENZIONE!

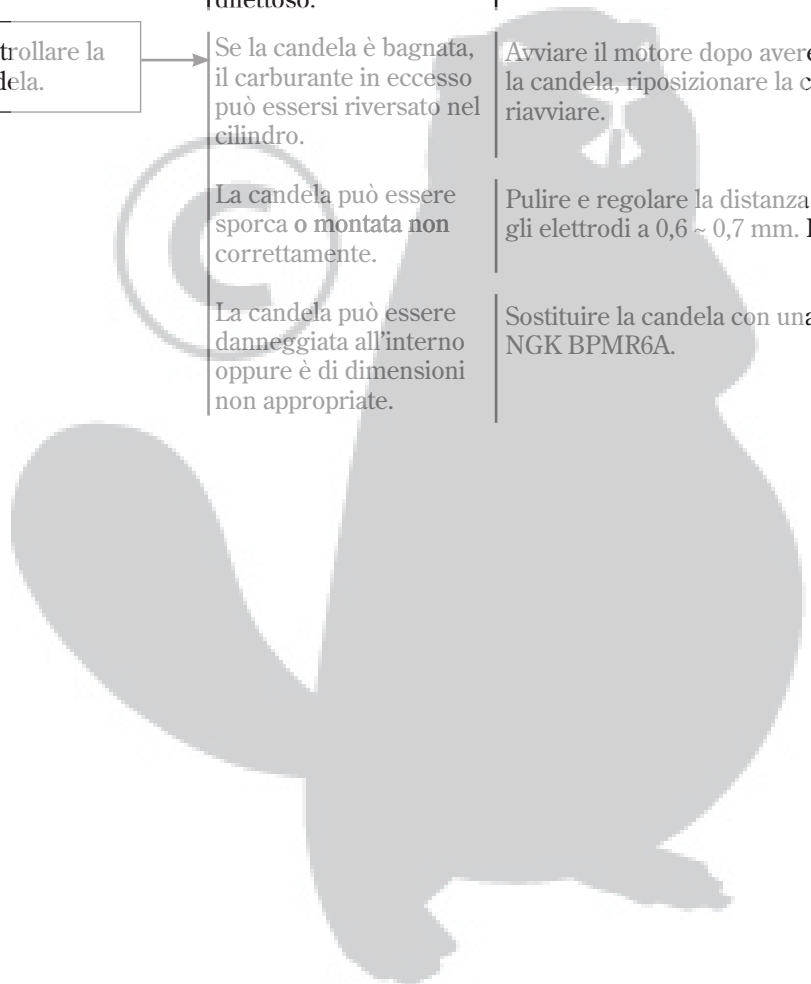
La benzina conservata nel carburatore per lunghi periodi può causare un avviamento difficoltoso e può anche far aumentare i costi di assistenza e manutenzione.

- Rimuovere la candela e versare circa 7 grammi di olio nel cilindro attraverso il foro della candela. Tirare lentamente 2 o 3 volte l'avviamento a strappo in modo che l'olio rivesta l'interno del motore. Rimettere in sede la candela.
- Prima di immagazzinare l'attrezzo, riparare o sostituire tutte le parti usurate o danneggiate.
- Rimuovere l'elemento del filtro dell'aria dal carburatore e pulirlo accuratamente con acqua e sapone. Rimuovere il liquido in eccesso, lasciare asciugare e riassemble l'elemento.
- Immagazzinare l'attrezzo in un ambiente pulito e privo di polvere.

Risoluzione dei problemi

Il motore non si avvia

Verifiche da effettuare	Possibile causa	Soluzione
<p>Il motore si avvia?</p> <p>SÌ</p>	<p>NO → Avviamento a strappo difettoso. Fluido nel carter. Danni interni.</p>	<p>Consultare un rivenditore autorizzato per l'assistenza.</p>
<p>La compressione è sufficiente?</p> <p>SÌ</p>	<p>NO → Candela allentata. Usura del cilindro, del pistone, delle fasce elastiche.</p>	<p>Stringere e riprovare. Consultare un rivenditore autorizzato per l'assistenza.</p>
<p>Il serbatoio contiene carburante recente del grado appropriato?</p> <p>SÌ</p>	<p>NO → Carburante/miscela non corretta, vecchia o contaminata.</p>	<p>Rabboccare con carburante nuovo dalla miscela appropriata (benzina e olio per motori a due tempi Shindaiwa di qualità (proporzione di 50:1; pag. 10).</p>
<p>Si vede il carburante fluire nel condotto di ritorno quando si preme la pompa di innesco?</p> <p>SÌ</p>	<p>NO → Controllare che il filtro del carburante e/o la presa d'aria non siano intasati.</p>	<p>Pulire se necessario; riavviare.</p>
<p>È visibile la scintilla sul terminale del cavo della candela?</p> <p>SÌ</p>	<p>NO → Interruttore di accensione nella posizione di ARRESTO (OFF). Fili dell'accensione in cortocircuito. Modulo di accensione difettoso.</p>	<p>Spostare l'interruttore su ON e riavviare. Consultare un rivenditore autorizzato per l'assistenza.</p>
<p>Controllare la candela.</p>	<p>Se la candela è bagnata, il carburante in eccesso può essersi riversato nel cilindro. La candela può essere sporca o montata non correttamente. La candela può essere danneggiata all'interno oppure è di dimensioni non appropriate.</p>	<p>Avviare il motore dopo avere rimosso la candela, riposizionare la candela e riavviare. Pulire e regolare la distanza tra gli elettrodi a 0,6 ~ 0,7 mm. Riavviare. Sostituire la candela con una candela NGK BPMR6A.</p>



Risoluzione dei problemi (continua)

Potenza insufficiente

Verifiche da effettuare

Il motore si surriscalda?

Possibile causa

L'attrezzo è sottoposto a un **utilizzo** eccessivo.

La miscela del carburatore è troppo povera.

Proporzione benzina/olio non corretta.

Ventola, coperchio della ventola, alette del cilindro sporche o danneggiate.

Sono presenti depositi di carbonio sul pistone o nella marmitta.

Soluzione

Accorciare il filo di taglio. Tagliare a una velocità inferiore.

Consultare un **rivenditore autorizzato** per l'assistenza.

Rabboccare con carburante nuovo dalla miscela appropriata (benzina e olio per motori a due tempi Shindaiwadi qualità (proporzione di 50:1; pag. 10).

Pulire, riparare o sostituire in base alle esigenze.

Consultare un **rivenditore autorizzato** per l'assistenza.

Il motore non funziona correttamente a qualsiasi velocità. Potrebbe anche generare fumo nero e/o scaricare carburante non bruciato dalla marmitta.

Filtro dell'aria ostruito.

Candela non avvitata **correttamente** o danneggiata.

Perdita di aria o condotto del carburante ostruito.

Acqua nel carburante.

Pistone grippato.

Danni al carburatore e/o alla membrana.

Richiedere l'assistenza per il filtro.

Stringere o sostituire.

Riparare o sostituire il filtro e/o il condotto del carburante.

Sostituire il carburante.

Consultare un **rivenditore autorizzato** per l'assistenza.

Il motore batte in testa.

Condizione di surriscaldamento.

Carburante non appropriato.

Depositi di carbonio nella camera di combustione.

Vedere sopra.

Controllare il numero di ottano del carburante; **controllare la presenza di alcoli** nel carburante. Rabboccare se necessario.

Consultare un **rivenditore autorizzato** per l'assistenza.

Risoluzione dei problemi (continua)

Ulteriori problemi

Sintomo	Possibile causa	Soluzione
Accelerazione insufficiente.	Filtro dell'aria ostruito.	Pulire il filtro dell'aria.
	Filtro del carburante ostruito.	Sostituire il filtro del carburante.
	Miscela del carburatore troppo povera .	Consultare un rivenditore autorizzato per l'assistenza.
	Velocità del minimo troppo bassa.	Regolare: 3.000 giri/min (min^{-1}) (5250 giri/min)
Il motore si arresta di colpo.	Interruttore nella posizione OFF.	Spostare nella posizione ON e riavviare.
	Serbatoio del carburante vuoto.	Rifornire di carburante.
	Filtro del carburante ostruito.	Sostituire il filtro.
	Acqua nel carburante.	Svuotare e sostituire con carburante pulito.
	Candela in cortocircuito o cavo allentato .	Pulire e sostituire la candela, avvitare il terminale.
	Problema di accensione.	Consultare un rivenditore autorizzato per l'assistenza.
	Pistone grippato.	
Problemi nell'arrestare il motore.	Filo di massa (arresto) scollato o interruttore difettoso.	Provare e sostituire a seconda dei casi.
	Surriscaldamento provocato da candela di tipo non corretto.	Pulire e impostare la distanza dell'elettrodo su 0,6 mm. Candela da utilizzare: NGK BMR6A
	Motore surriscaldato.	Lasciare il motore al minimo fino al raffreddamento.
I dispositivi di taglio ruotano quando il motore è al minimo.	Minimo del motore troppo elevato.	Impostare il minimo: 3.000 giri/min (min^{-1}) (5250 giri/min)
	Molla della frizione rotta o mozzo della molla della frizione usurato.	Sostituire la molla/mozzo, verificare la velocità minima.
	Portadispositivo allentato.	Ispezionare e stringere di nuovo saldamente i supporti.
Livello di vibrazione eccessivo.	Dispositivo incurvato o danneggiato.	Controllare e sostituire il dispositivo se necessario.
	Scatola ingranaggi allentata.	Stringere saldamente la scatola ingranaggi.
	Albero primario piegato/boccole usurate o danneggiate.	Verificare e sostituire secondo necessità.

DICHIARAZIONE DI CONFORMITÀ

Shindaiwa dichiara che il decespugliatore a motore,
modello R26 (C300/EC1,T300/EC1).

soddisfa i seguenti requisiti.

Direttive del Consiglio d'Europa:
89/336/EEC e correzioni
98/37/EC e correzioni
2000/14/EC e correzioni
2002/88/EC e correzioni

Standard adottati:
EN 292 parti 1 e 2
EN 11806
CISPR 12

Livello di rumore misurato: 112 dB(A)

Livello di rumore garantito: 113 dB(A)

La documentazione tecnica è di proprietà di:
K. Maeda Direttore di reparto
Reparto Ricerca e sviluppo tecnico



Shindaiwa Corporation

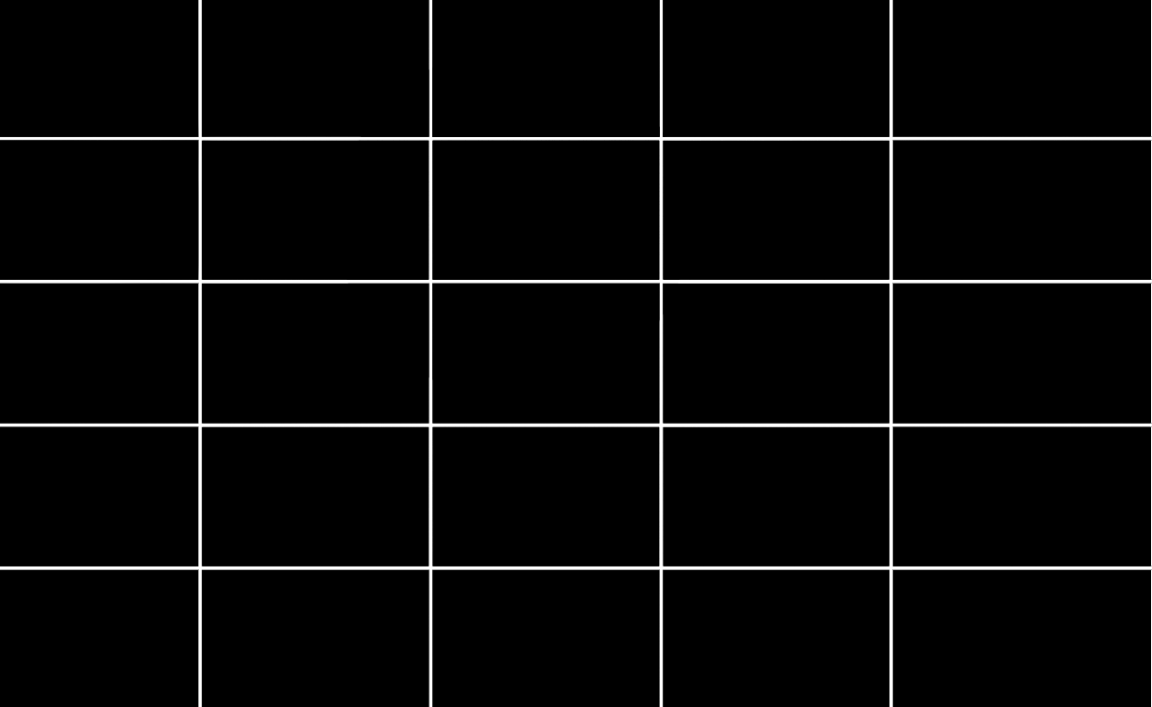
Sede centrale: 6-2-11, Ozuka-Nishi, Asaminami-ku,
Hiroshima, 731-3167, Giappone
TEL: 81-82-849-2003, FAX: 81-82-849-2482

19 agosto 2004

T. Yoshitomi
Direttore di reparto
Reparto Controllo qualità

Shindaiwa Corporation

Sede centrale: 6-2-11, Ozuka-Nishi, Asaminami-ku,
Hiroshima, 731-3167, Giappone
TEL: 81-82-849-2206, FAX: 81-82-849-2481



shindaiwa

Shindaiwa Inc.
11975 S.W. Herman Road
Tualatin, Oregon 97062 USA
Telefono: 503 692-3070
Fax: 503 692-6696
www.shindaiwa.com

Shin-Daiwa Kogyo Co., Ltd.
Sede centrale: 6-2-11 Ozuka
Nishi, Asaminami-ku
Hiroshima, 731-3167, Giappone
Telefono: 81-82-849-2220
Fax: 81-82-849-2481

© 2004 Shindaiwa, Inc.
Numero parte 62093-94312
Revisione 10/04
Stampato in Giappone

Shindaiwa Tornado è un marchio e Shindaiwa è un marchio registrato di Shindaiwa, Inc.
Le specifiche sono soggette a modifiche senza preavviso.

