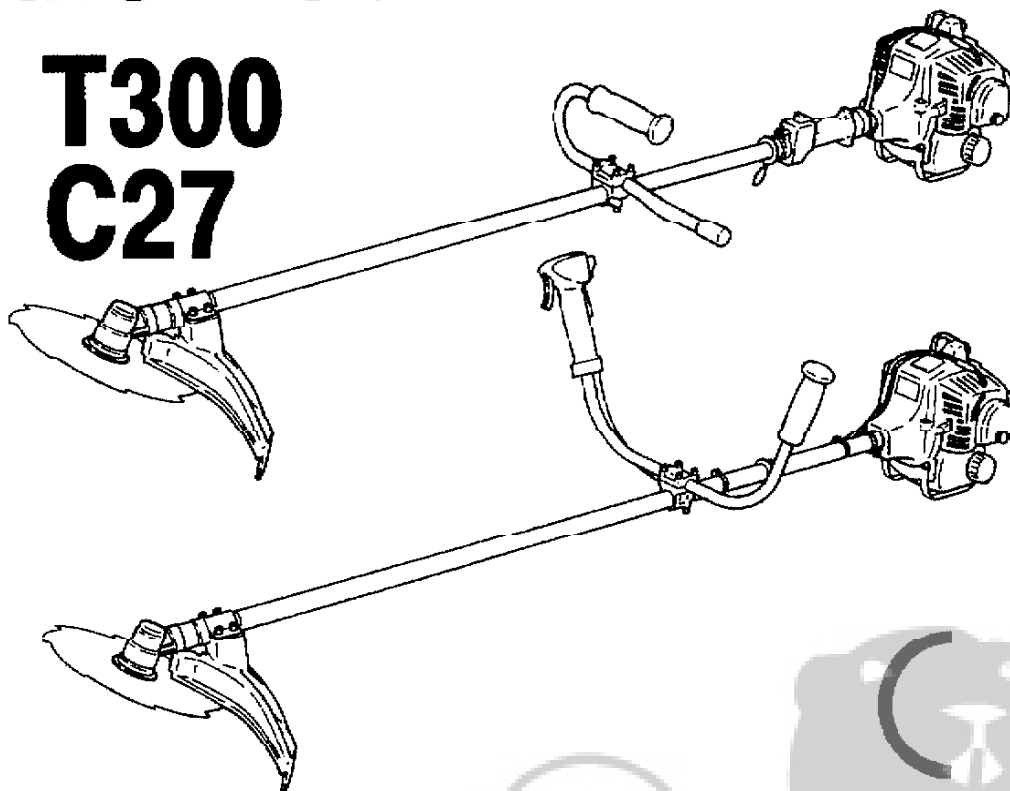


shindaiwa

INSTRUCTION MANUAL

T300
C27



WARNING!



Read this manual and familiarize yourself with its contents.

This machine is designed for cutting grass, weed and bushes. Do not use this machine for other purposes.

Minimize the risk of injury to yourself and others.

Do not operate or service this machine unless you clearly understand this manual.


Keep this manual at a particular place so that you can reread it whenever you have a question about its use.


CONTENTS

1	ATTENTION SYMBOL	2
2	WARNING LABELS	2
3	PRODUCT DESCRIPTION	3
4	TECHNICAL SPECIFICATIONS	4
5	ASSEMBLY PROCEDURE	5
	5-1 Prior to Assembly	5
	5-2 Before Assembling the Outer Pipe	6
	5-3 Assembly of the Outer Pipe	6
	5-4 Assembly of the Handle	8
	5-5 Adjustment of the Throttle Cable	9
	5-6 Assembly of the Safety Guard	9
	5-7 Mounting of the Saw Blade	10
6	STARTING/STOPPING/ADJUSTING THE ENGINE	12
	6-1 Fuel filling	12
	6-2 Starting the Engine	12
	6-3 Stopping the Engine	14
	6-4 Adjusting the Engine	15
7	UNIT CONDITION CHECK	16
8	PRIOR TO OPERATION	17
	8-1 To Wear the Strap	17
	8-2 Emergency Release	17
	8-3 The Property Equipped Operator	18
	8-4 General Safety Instructions	19
	8-5 Be Aware of the Working Environment	20
9	OPERATION	21
10	RECOMMENDED BLADES	22
11	BLADE SHARPENING	23
12	MAINTENANCE	24
	12-1 Daily Maintenance	24
	12-2 10-Hour Maintenance	24
	12-3 10/15-Hour Maintenance	25
	12-4 50-Hour Maintenance	25
	12-5 Long Term Storage	26
13	TROUBLESHOOTING GUIDE	27
	DECLARATION OF CONFORMITY	30

1 ATTENTION SYMBOL

Throughout this manual are special “attention statements” surrounded by boxes and preceded by the triangular Attention Symbol.

	WARNING! A statement preceded by the word “WARNING” contains information that should be acted upon to prevent serious bodily injury.
---	--

	CAUTION! A statement preceded by the word “CAUTION” contains information that should be acted upon to prevent machine damage.
---	---

2 WARNING LABELS

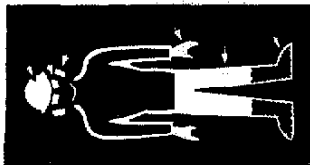
Warning labels stuck to the machine mean as follows.



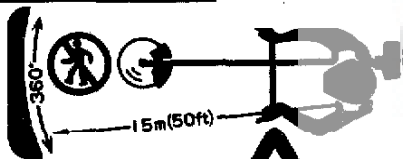
READ AND FOLLOW THE OPERATOR'S MANUAL. FAILURE TO DO SO COULD RESULT IN SERIOUS INJURY.



WEAR HEAD, EYE AND HEARING PROTECTION DURING THE OPERATION OF THIS MACHINE.



WEAR NON-SLIP GLOVES, LONG TROUSERS AND NON-SKID BOOTS DURING THE OPERATION OF THIS MACHINE.



MAKE SURE NO ONE IS WITHIN 15 METERS (50 FEET) OF AN OPERATING ATTACHMENT.



BEWARE OF THROWN OBJECTS.



THE MAXIMUM SPEED OF THE CUTTING ATTACHMENT SHAFT IN RPM (REVOLUTIONS PER MINUTE)

IMPORTANT!

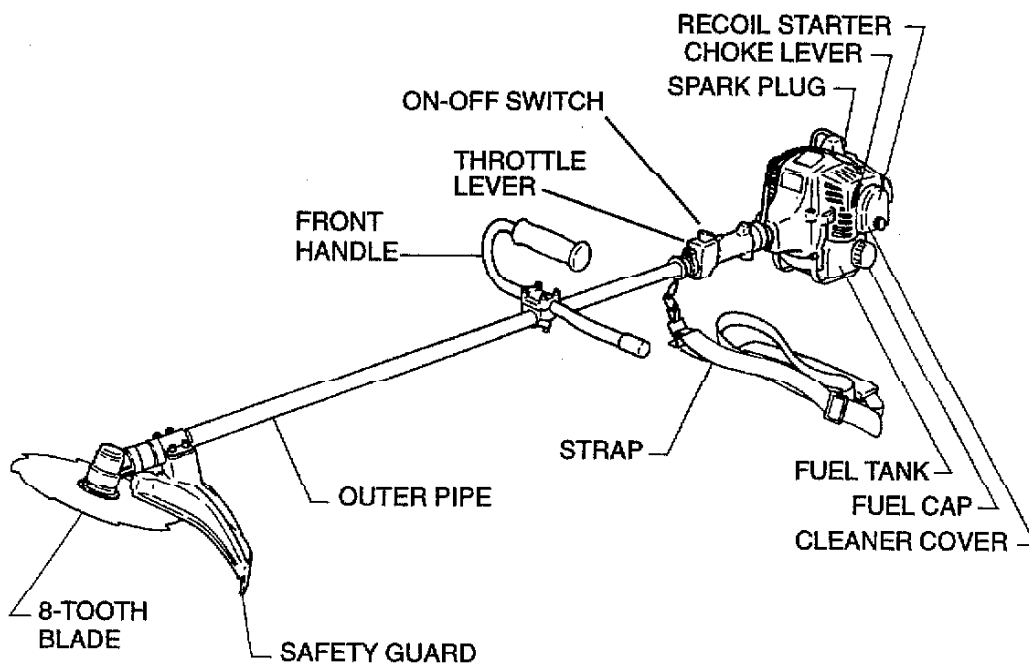
A statement preceded by the word “IMPORTANT” is one that possesses special significance.

NOTE:

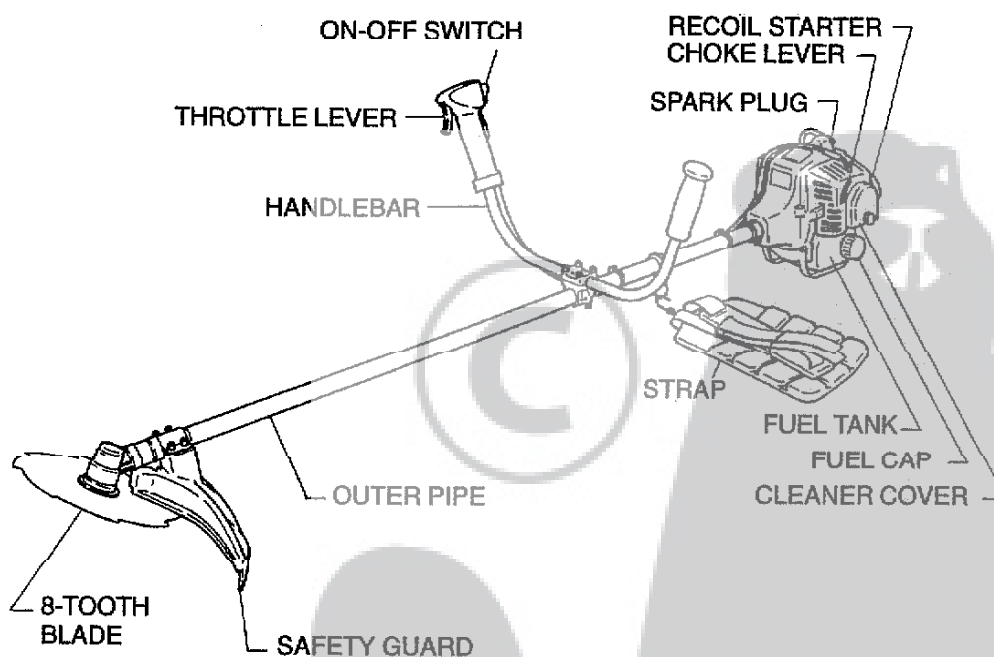
A statement preceded by the word “NOTE” contains information that is handy to know and may make your job easier.

3 PRODUCT DESCRIPTION

T300



C27



Using the accompanying illustrations as a guide, familiarize yourself with your machine and its various components. Understanding your machine helps ensure top performance, long service life, and safer operation.



WARNING!

Do not make unauthorized modifications or alterations to any of these units or their components.

4 TECHNICAL SPECIFICATIONS

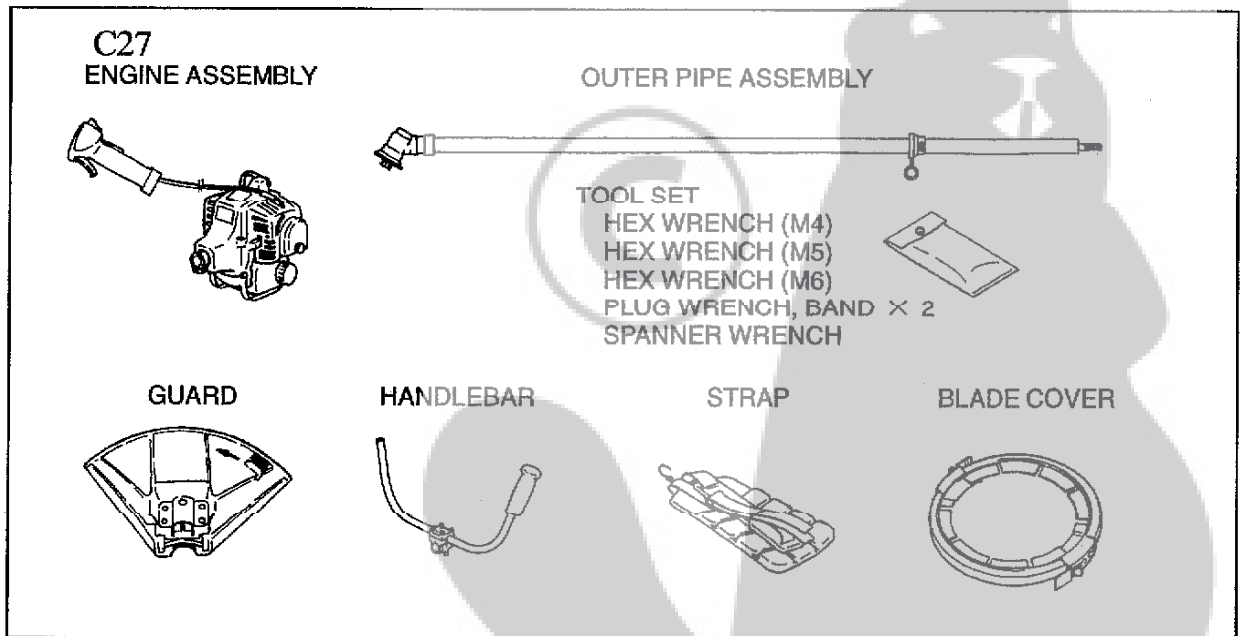
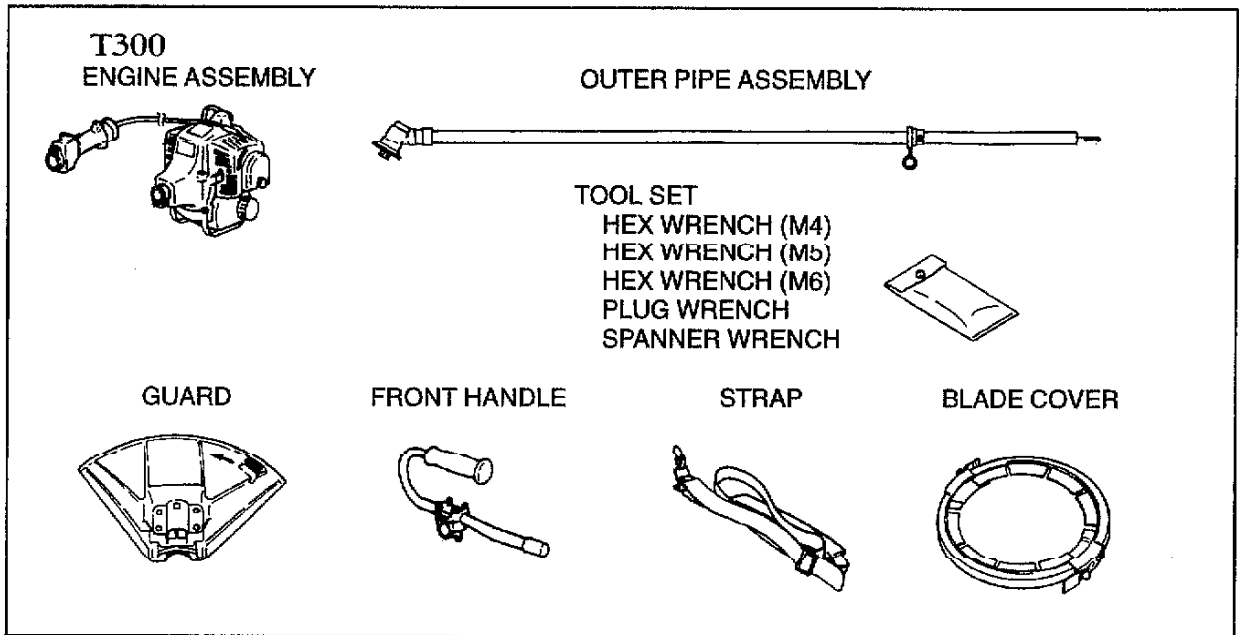
Model Name		T300	C27
Engine Model		Shindaiwa S300-1	Shindaiwa S27-2
Engine Type		2-cycle, vertical-cylinder, air-cooled	
Displacement		27.2 cc	
Bore × Stroke		34mm × 30mm	
rpm at Idle		3,000 rpm	
Maximum rpm		11,500 rpm	
rpm at Max Power Output		8,000 rpm	
Maximum Power Output		1.0 kw	
Ignition		Fully electronic, transistor-controlled	
Spark Plug		NGK, BPMR6A	
Starting Method		Recoil	
Stopping Method		Slide switch	
Air Cleaner Type		Semi-wet	
Fuel/Oil Ratio		25 : 1	
Fuel Tank Capacity		0.65 liter	
Carburetor Type		TK, DPV10W	
Dry Weight without cutting attachment		6.0 kg	6.1 kg
Dimensions		1,790 × 340 × 295mm	1,790 × 605 × 420mm
Sound Pressure Level*	Idling	75.8 dB (A)	
	Racing	96.0 dB (A)	
Sound Power Level*	Idling	85.9 dB (A)	
	Racing	107.2 dB (A)	
Vibration Level*	Idling [front (left)]	4.1/2.9m/s ²	3.5/5.0m/s ²
	Racing [rear (right)]	8.9/5.6m/s ²	6.3/5.4m/s ²
Handle Type		J-Shaped Handle	Bicycle Handlebar

- * Sound Pressure Level: in accordance with prEN 31806 and ISO 7917
 * Sound Power Level: in accordance with prEN 31806 and ISO/DIS 10884.2
 * Vibration Level: in accordance with prEN 31806 and ISO 7916

5 ASSEMBLY PROCEDURE

5-1 Prior to Assembly

Before assembling, make sure you have all the components required for a complete unit. This machine consists of the following components and accessories. Carefully inspect all components for damage. If you find any damage or missing items, ask your Shindaiwa dealer for consultation.

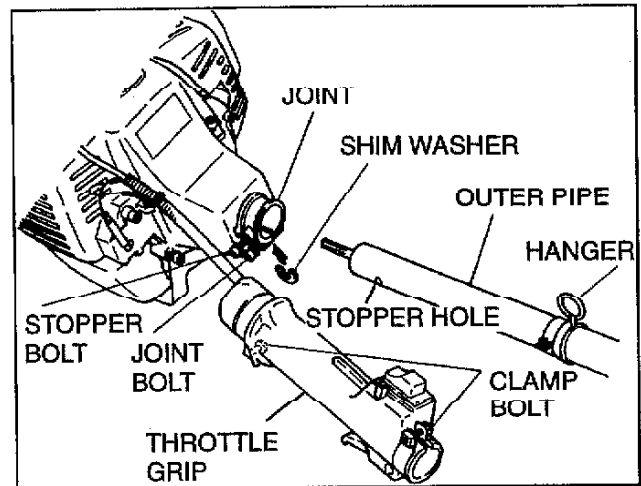
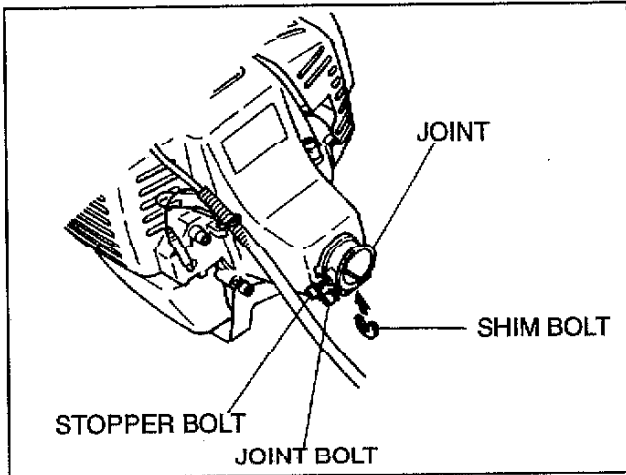


IMPORTANT!

The terms "left", "left-hand", and "LH", "right", "right-hand", and "RH", "front", and "rear" refer to directions as viewed by the operator during normal operation.

5-2 Before Assembling the Outer Pipe

- (1) Using the hex wrench, loosen the stopper bolt to the end.
- (2) Loosen the joint bolt. Do not lose the shim washer.



- (4) Locate the outer pipe so that the stopper bolt can go into the stopper hole. Using the hex wrench, tighten the stopper bolt securely.
- (5) Place the D-shaped shim washer with its flat side up in the gap of the joint. Then, tighten the joint bolt securely using the hex wrench.

5-3 Assembly of the Outer Pipe

(A) T300

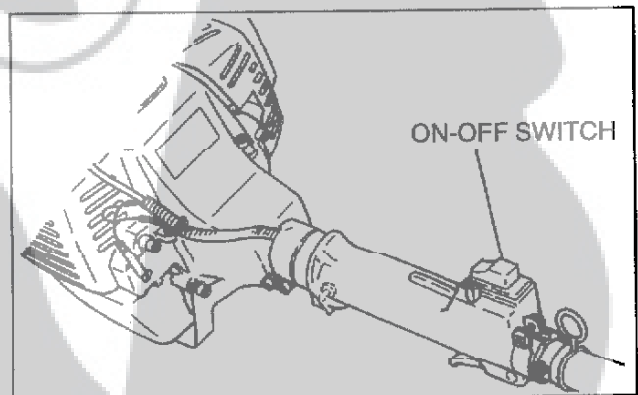
- (1) Loosen the 2 clamp bolts of the throttle grip.
- (2) Slip the outer pipe into the throttle grip up to the hanger.
- (3) Slip the outer pipe into the joint until the pipe bottoms. The outer pipe or gear case shaft may have to be rotated slightly for the splines on the mainshaft to fully engage to the engine.



CAUTION!

DO NOT REMOVE THE SHIM WASHER!

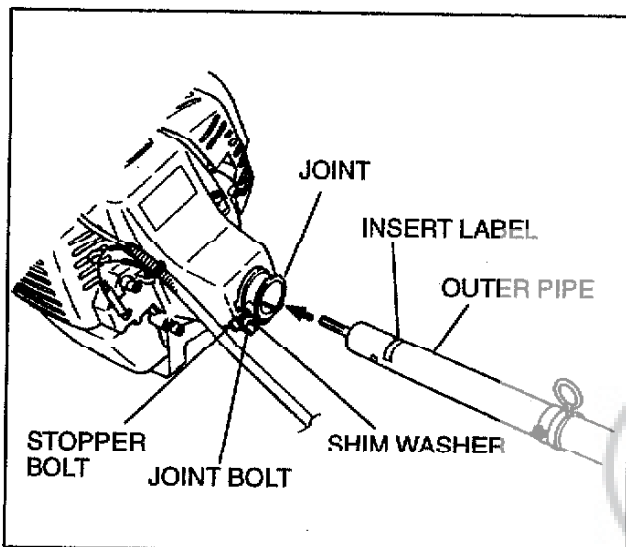
The shim washer prevents over-tightening of the outer pipe joint. Over-tightening the outer pipe joint could damage the outer pipe assembly.



- (6) With the ON-OFF switch on the throttle grip facing up, tighten the 2 clamp bolts securely.

(B) C27

- (1) Slip the outer pipe into the joint until the pipe bottoms (up to the insert label). The outer pipe or gear case shaft may have to be rotated slightly for the splines on the mainshaft to fully engage to the engine.
- (2) Locate the outer pipe so that the stopper bolt can go into the stopper hole. Using the hex wrench, tighten the stopper bolt securely.
- (3) Place the D-shaped shim washer with its flat side up in the gap of the joint. Then, tighten the joint bolt securely using the hex wrench.

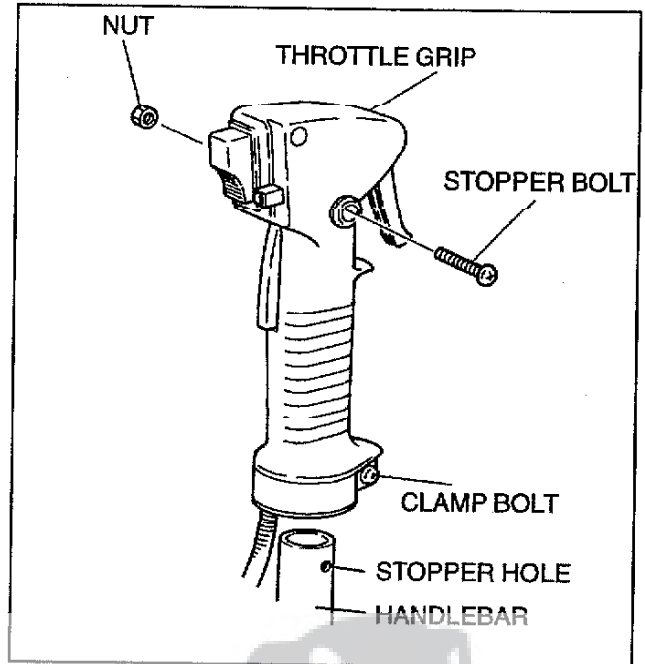


- (4) Loosen the stopper bolt of the throttle grip and remove the stopper bolt and its nut.
- (5) Fully loosen the clamp bolt of the throttle grip.



CAUTION!
DO NOT REMOVE THE SHIM WASHER!

The shim washer prevents over-tightening of the outer pipe joint. Over-tightening the outer pipe joint could damage the outer pipe assembly.



- (6) Slip the right-side handlebar into the throttle grip. Locate the throttle grip so that the stopper bolt can go into the stopper hole. Tighten the stopper bolt together with its nut securely.
- (7) Tighten the clamp bolt securely.

5-4 Assembly of the Handle

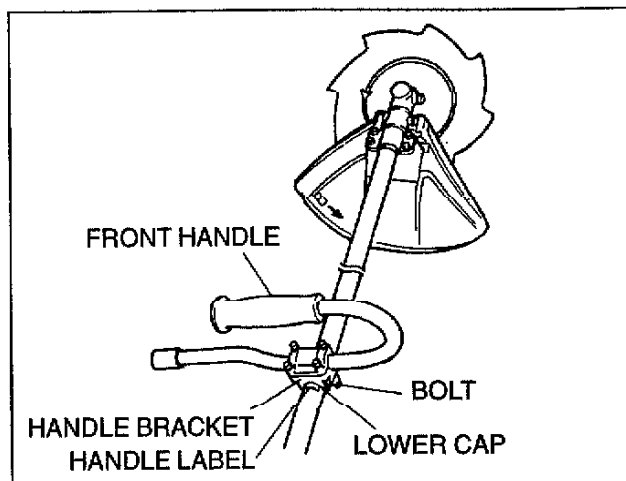
(A) T300



WARNING!

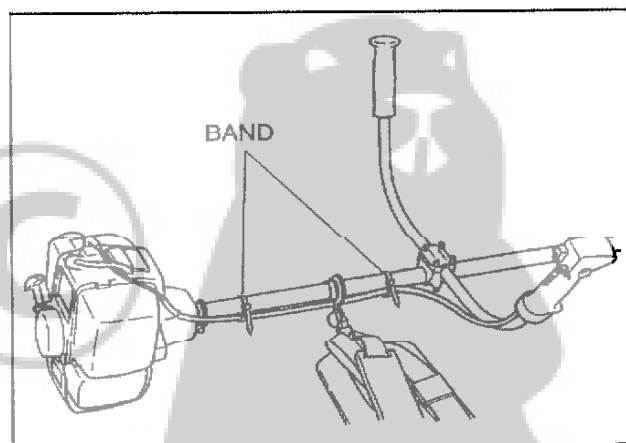
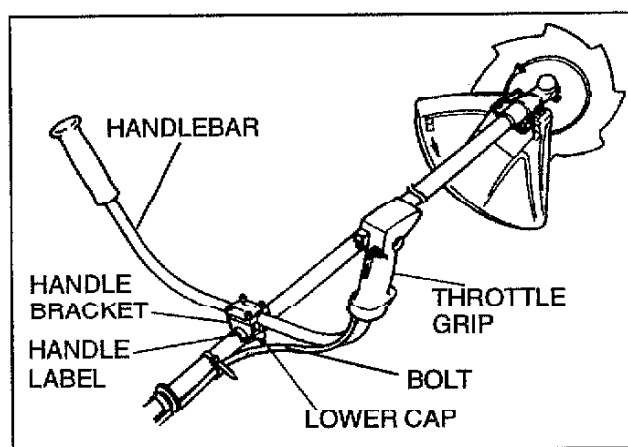
NEVER operate this machine without the front handle. Operating without the front handle may result in serious injury.

- (1) Loosen the 2 bolts of the lower cap and remove the lower cap.
- (2) Position the handle bracket on the handle label stuck to the outer pipe.
- (3) Attach the lower cap with the 2 bolts and tighten the bolts. Make sure the handle stays as the illustration shows.



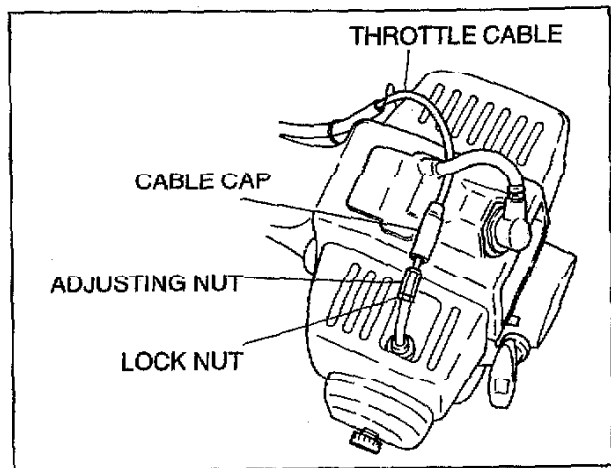
(B) C27

- (1) Loosen the 2 bolts of the lower cap and remove the lower cap.
- (2) Position the handle bracket on the handle label stuck to the outer pipe.
- (3) Attach the lower cap with the 2 bolts and tighten the bolts. Make sure the front handle stays as the illustration shows.
- (4) Secure the cable to the outer pipe with the 2 bands as the illustration shows. The 2 bands are in the tool bag.



5-5 Adjustment of the Throttle Cable

- (1) Pulling the throttle trigger gently, make sure the play is about 5mm.
- (2) If the play is too long or too short.
 - ① Slide the cable cap toward the muffler side until the adjusting nut and the lock nut appear.
 - ② Loosen the lock nut slightly.
 - ③ Turn the adjusting nut so that the play becomes about 5mm.
 - ④ Then, tighten the lock nut.
 - ⑤ Finally, slide the cable cap back.

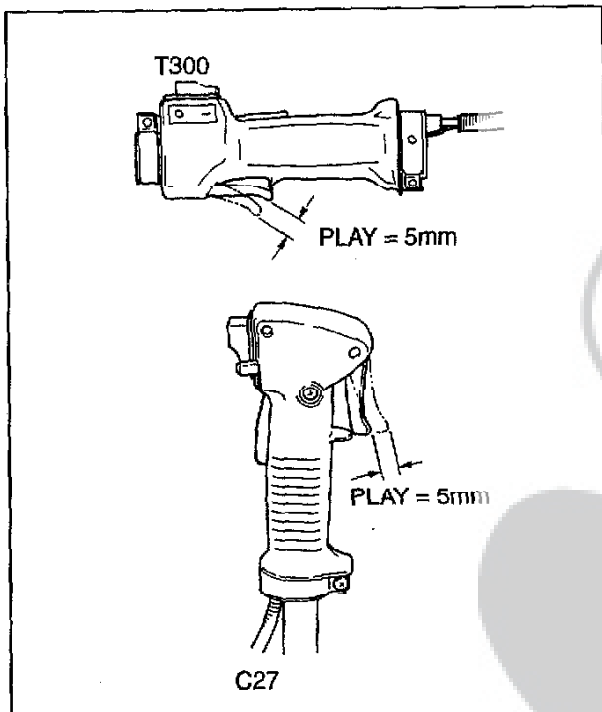


5-6 Assembly of the Safety Guard



WARNING!

NEVER operate this machine without the safety guard. Operating without the safety guard may result in serious injury.

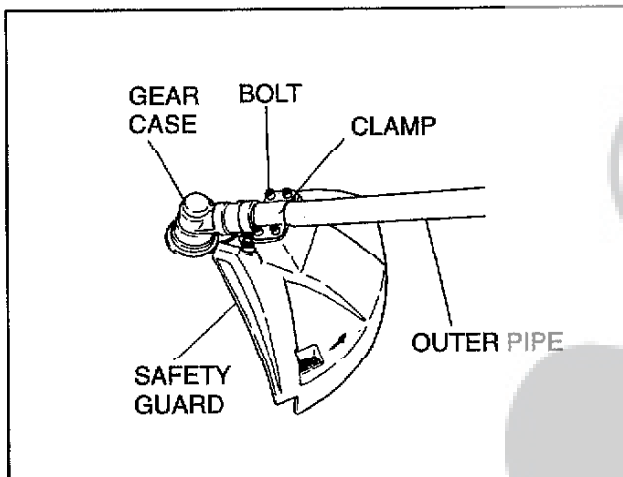
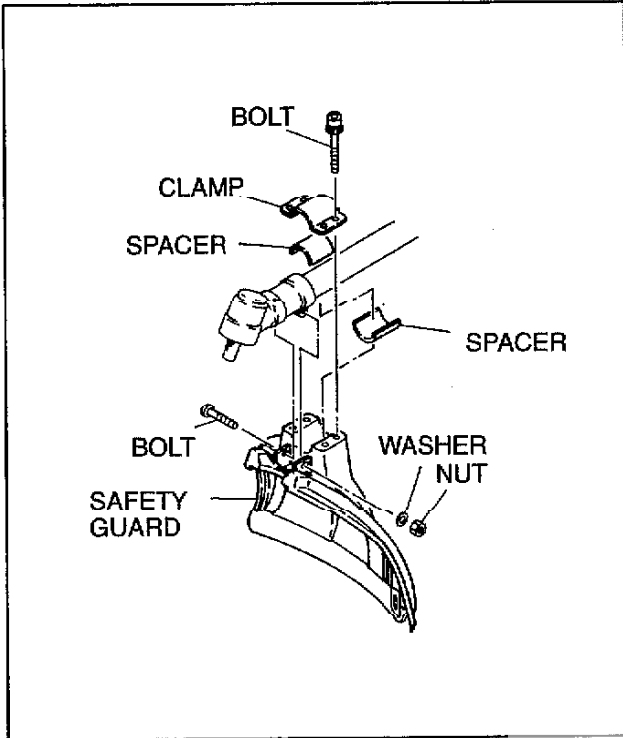


- (1) Putting the 2 spacers between clamp and the guard, attach them to the outer pipe.
- (2) Tighten the 4 bolts provisionally to assemble the clamp and the guard to the outer pipe.
- (3) Assemble the guard to the gear case with the bolt, washer and nut. Tighten the bolt with the hex wrench.
- (4) Now tighten the 4 bolts in the clamp securely with hex wrench.



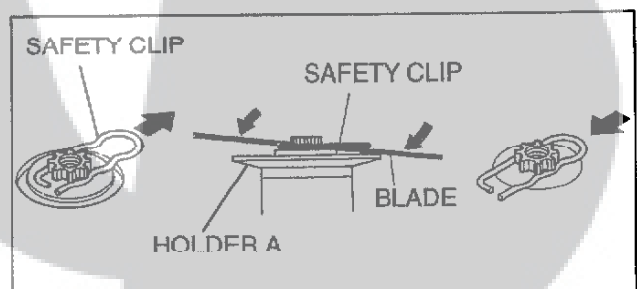
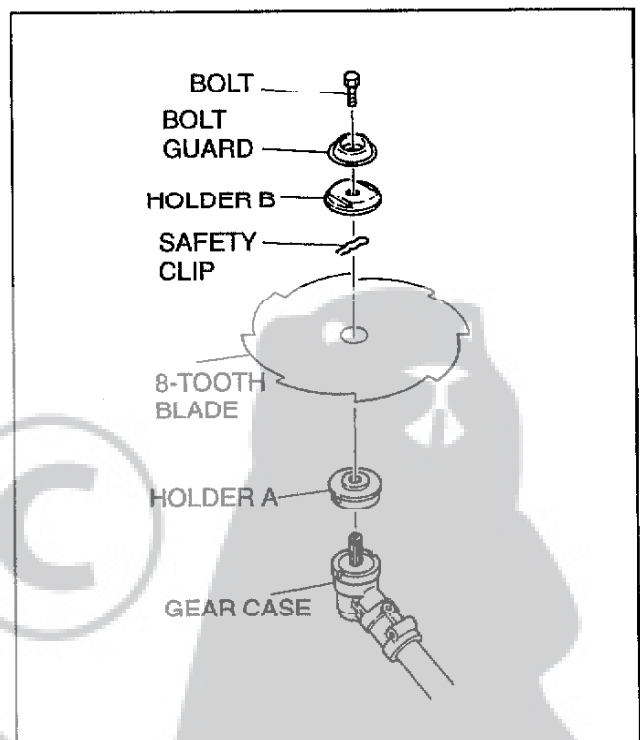
WARNING!

Carefully inspect the safety guard installation to make sure it is tightened securely and does not wobble.



5-7 Mounting of the Saw Blade

- (1) Make sure the switch is off and the engine is stopped.
- (2) Wear gloves to protect your hands.
- (3) Turn the unit over so that the saw holder flange extending from the gear case is facing up.
- (4) Using the small end of the plug wrench, loosen the bolt (turn clockwise) and remove the bolt, bolt guard and holder B.
- (5) Slide the safety clip as the illustration shows.



ENGLISH



WARNING!

Never operate this machine without the safety clip in place.

- (6) Fit the blade over the safety clip and onto the holder A. Then, slide the safety clip back to the original position.



WARNING!

The blade must fit flat against the holder A. The blade's mounting hole must be centered over the raised boss of the holder A.

- (7) Put the holder B and bolt guard back and tighten the bolt finger-tight only at this time. Make sure the holder B is flat against the blade and the recess in the holder B must face the blade and completely cover the safety clip.
- (8) Rotate the holder A until the hole in its skirt aligns with the hole in the gear case. Insert the hex wrench through both holes (to prevent the shaft from turning).
- (9) Holding the hex wrench and the blade with one hand, tighten the bolt (turn counter-clockwise) securely using the small end of the plug wrench.
- (10) Remove the hex wrench.



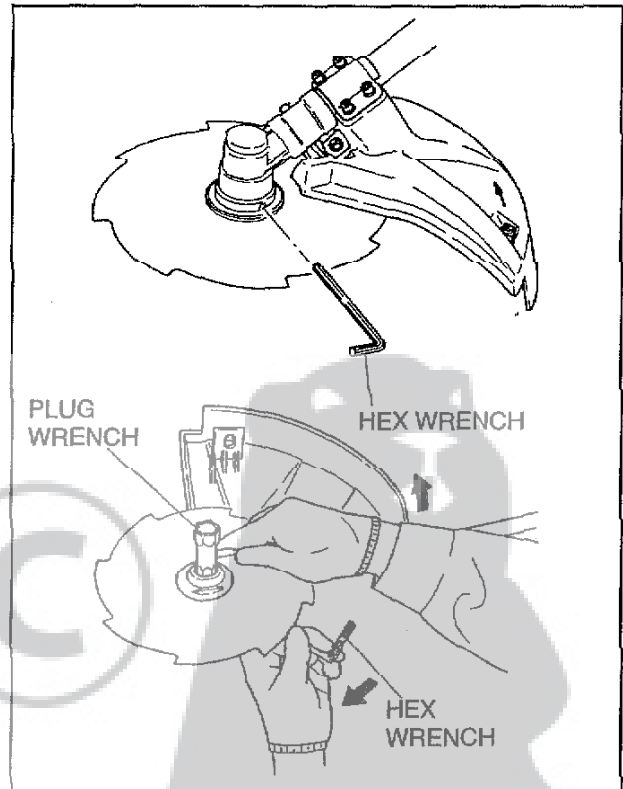
WARNING!

Before operating, make the blade is securely mounted. Turn the blade with your hand slightly and make sure the blade turns smoothly without wobbling.



WARNING!

Make sure the direction of the arrow indicated on the blade corresponds with the arrow indicated on the safety guard.



6 STARTING/STOPPING/ADJUSTING THE ENGINE

6-1 Fuel filling



WARNING!

When filling fuel, make sure the engine is stopped and it is cooled down.

Filling fuel or mixing fuel and oil must be done in a place where there is no fire around.



CAUTION!

Use Shindaiwa Premium 2-cycle Engine Oil mixed for a gasoline/oil ratio of 40:1. If Shindaiwa Premium 2-cycle oil is not available, you may use a fuel that consists of gasoline and 2-cycle mixing oil pre-mixed to a ratio of 25:1.

- (1) Turn the fuel cap counterclockwise and take it off.
- (2) With the fuel cap hanging down from the filler opening, fill the fuel tank with fresh, clean fuel (mixture of fuel and oil) and tighten the fuel cap securely.
- (3) If there is any fuel spilt on the machine, make sure it is wiped off completely.

6-2 Starting the Engine



WARNING!

MAKE SURE THE BLADE IS WELL CLEAR OF ANY INTERFERENCE. Before starting the engine, place the unit on a clean, level surface. Make sure you have good secure footing and always keep a firm grip on the machine. **THE CUTTING ATTACHMENT MAY ROTATE WHEN THE ENGINE STARTS.**



WARNING!

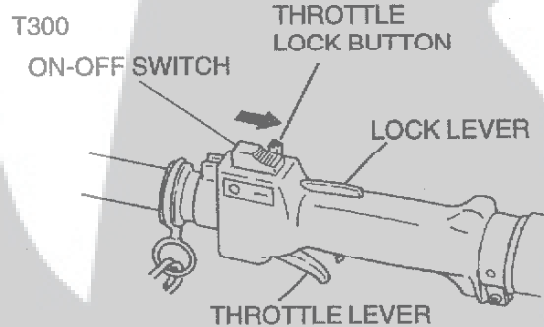
Move at least 3 m away from fueling site before starting the engine.

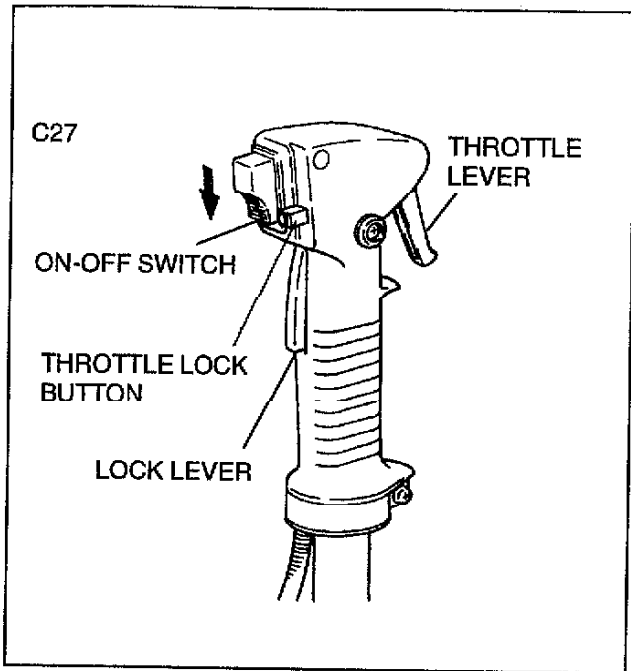


WARNING!

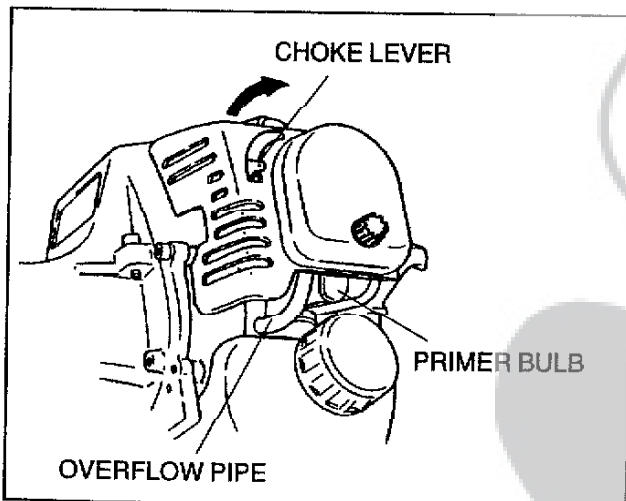
Never operate the engine without the cutting attachment installed.

- (1) Starting a Cold Engine and/or Restarting After Refueling

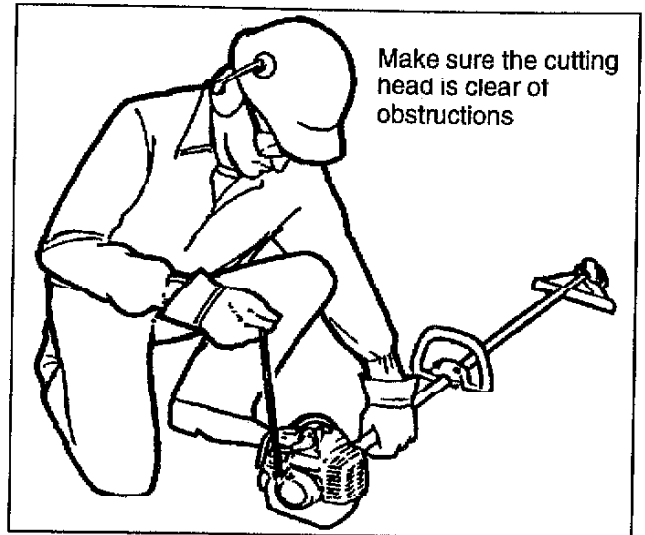




- ① Slide the ON-OFF switch toward the engine ("I" position).
- ② Prime the engine by repeatedly depressing the carburetor primer bulb until fuel can be seen flowing through the transparent overflow return tube:



- ③ Push the choke lever upward ("I" position).



- ④ Depressing the lock lever, pull the throttle lever fully and depress the throttle lock button. While depressing the throttle lock button, release the throttle lever and the lock lever. Now the throttle stays at high-idle (starting speed).
- ⑤ While firmly holding the outer pipe with one hand, pull the recoil starter handle upward with your other hand. Pull slowly at first until you feel the starter engage, then pull quickly to start the engine. Do not pull the starter rope to the end of its travel.



CAUTION!


Pulling the starter rope to the end of its travel can damage the starting mechanism.

IMPORTANT!

Repeated cranking of the engine with the choke CLOSED ("I") will lead to engine flooding. If the engine fails to start after several attempts, move the choke lever to the OPEN position and continue cranking.

- ⑥ When the engine first fires, gradually return the choke to the OPEN (“|H”) position (if have not already done so).
 - If the engine stops before the choke is fully open, restart with the choke closed.
 - If the engine stops after initial firing, restart with choke closed.

- ⑦ When the engine starts and is running, set the engine to idle by tapping the throttle lever to release the throttle lock.



WARNING!
Never start the engine from the operating position.

(2) Starting a Warm Engine

Starting a warm engine involves all the steps of starting a cold engine, EXCEPT:

- DO NOT press the primer bulb, and
- The choke should be in the OPEN position.

If the engine does not start, follow the cold starting procedure.


(3) When the engine starts...

- After the engine starts, disengage the throttle lock and allow the engine to warm up at idle 2 or 3 minutes before operating the machine.
- After the engine is warm, pick up the machine and clip on to the strap.
- Advancing the throttle makes the cutting attachment faster; releasing the throttle makes the attachment stop turning. If the cutting attachment con-

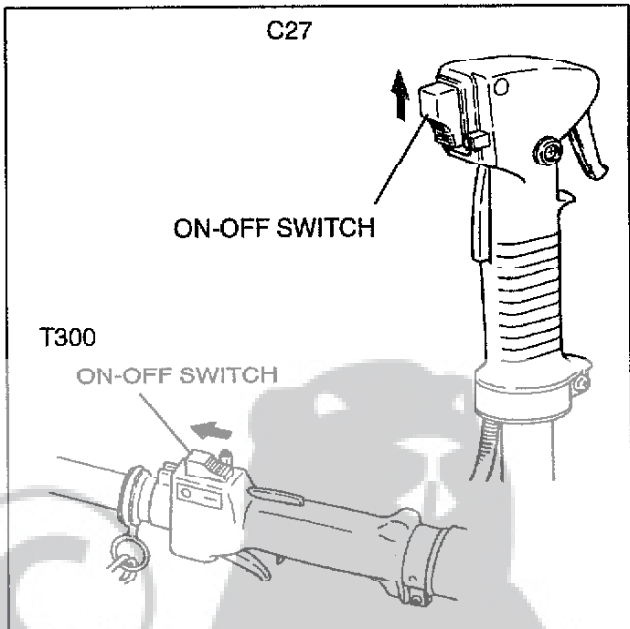
tinues to rotate, carburetor idle speed should be adjusted.

6-3 Stopping the Engine

Idle the engine briefly before stopping, then slide the ON-OFF switch to the “O” (for STOP) position.



WARNING!
The cutting attachment continues rotating for a while after the switch is turned off.



6-4 Adjusting the Engine



WARNING!

When adjusting the engine, the cutting attachment may rotate. Make sure the cutting attachment is well clear of any interference.

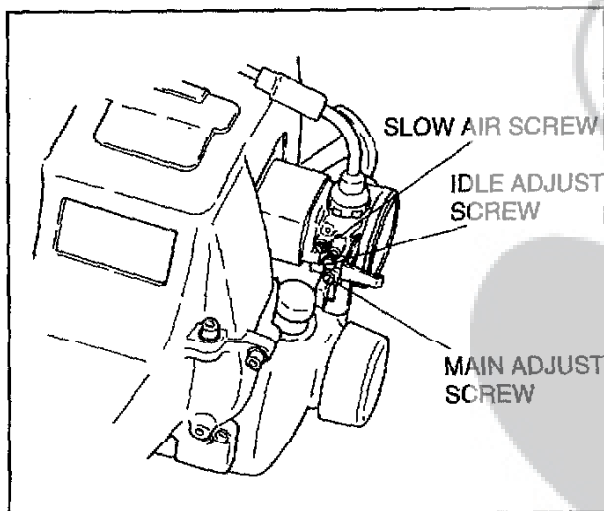
The idle speed should be adjusted so the clutch will disengage at low engine rpm's, causing the cutting attachment to stop rotating.

(1) Check and Adjust Idle Speed

- ① Start the engine and allow it to warm up at low rpm.
- ② If the cutting attachment rotates at engine idle, reduce idle speed by turning the idle adjust screw counterclockwise.

NOTE:

Standard idle speed is 3,000 rpm, +/-250 rpm.



(2) Adjustment of Low and High Speed

Consult your dealer for low and/or high speed adjustment. The following is the standard opening just for your reference.

SCREW	STANDARD OPENING
SLOW AIR SCREW	: 0 TURN
MAIN ADJUST SCREW	: 2 TURNS

NOTE:

Standard opening is the number of turns from the fully closed position.



WARNING!

The cutting attachment should NEVER rotate at engine idle.

7 UNIT CONDITION CHECK

NEVER operate the unit with the safety guard or other protection devices (strap, blade retention clip, etc.) removed.

NEVER cut with dull blades. Doing so will increase the risk of blade thrust and may also damage your equipment.



WARNING!

A safety guard or other protective device is no guarantee of protection against ricochet. **YOU MUST ALWAYS GUARD AGAINST FLYING DEBRIS!**

Use only authorized Shindaiwa parts and accessories with this machine. Do not make modifications to the machine without the written approval of Shindaiwa.

ALWAYS make sure the cutting attachment is properly installed and firmly tightened before operation.

NEVER use a cracked or warped cutting attachment: replace it with a serviceable one.

ALWAYS make sure the cutting attachment fits properly into the appropriate cutter holder. If a properly installed attachment vibrates, replace the attachment with new one and re-check.

ALWAYS stop the engine immediately and check for damage if you strike a foreign object or if the machine becomes tangled. Do not operate with broken or damaged equipment.

NEVER operate a machine with worn or damaged fasteners or attachment holders.



ENGLISH

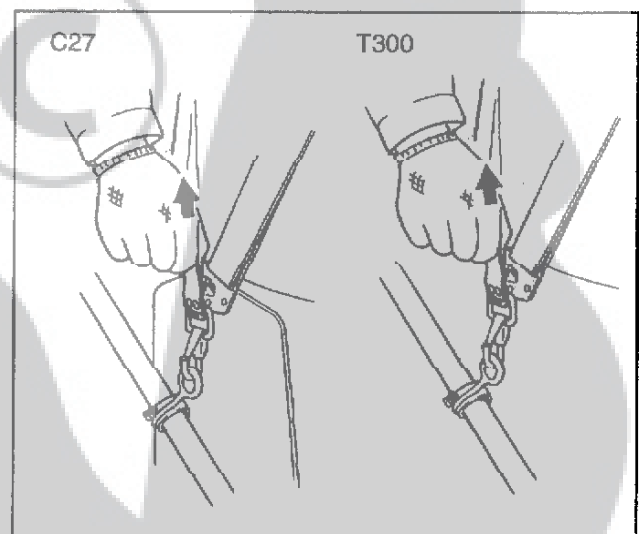
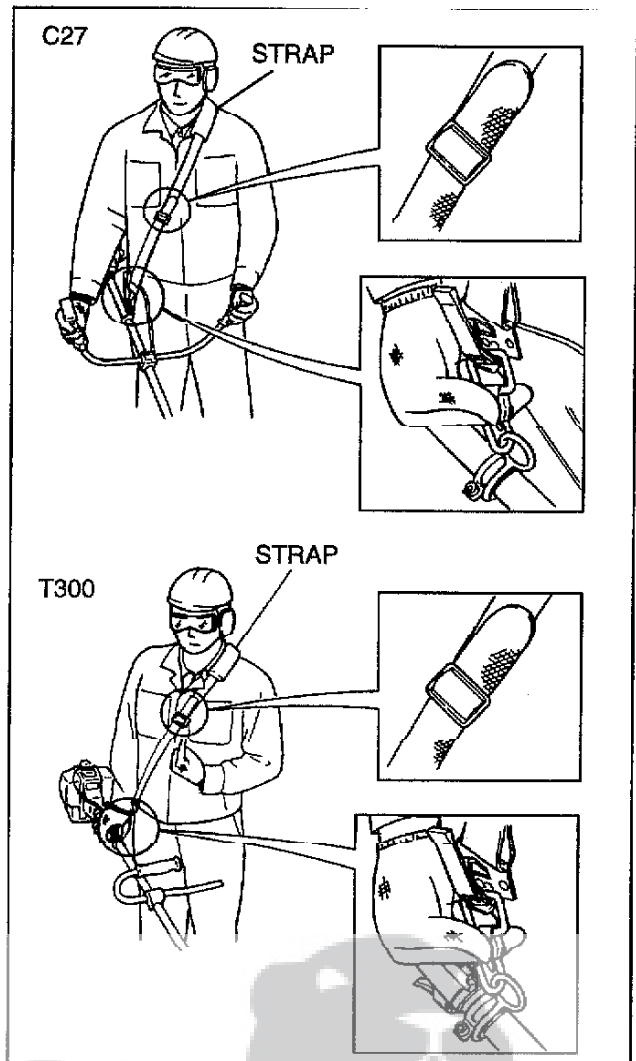
8 PRIOR TO OPERATION

8-1 To Wear the Strap

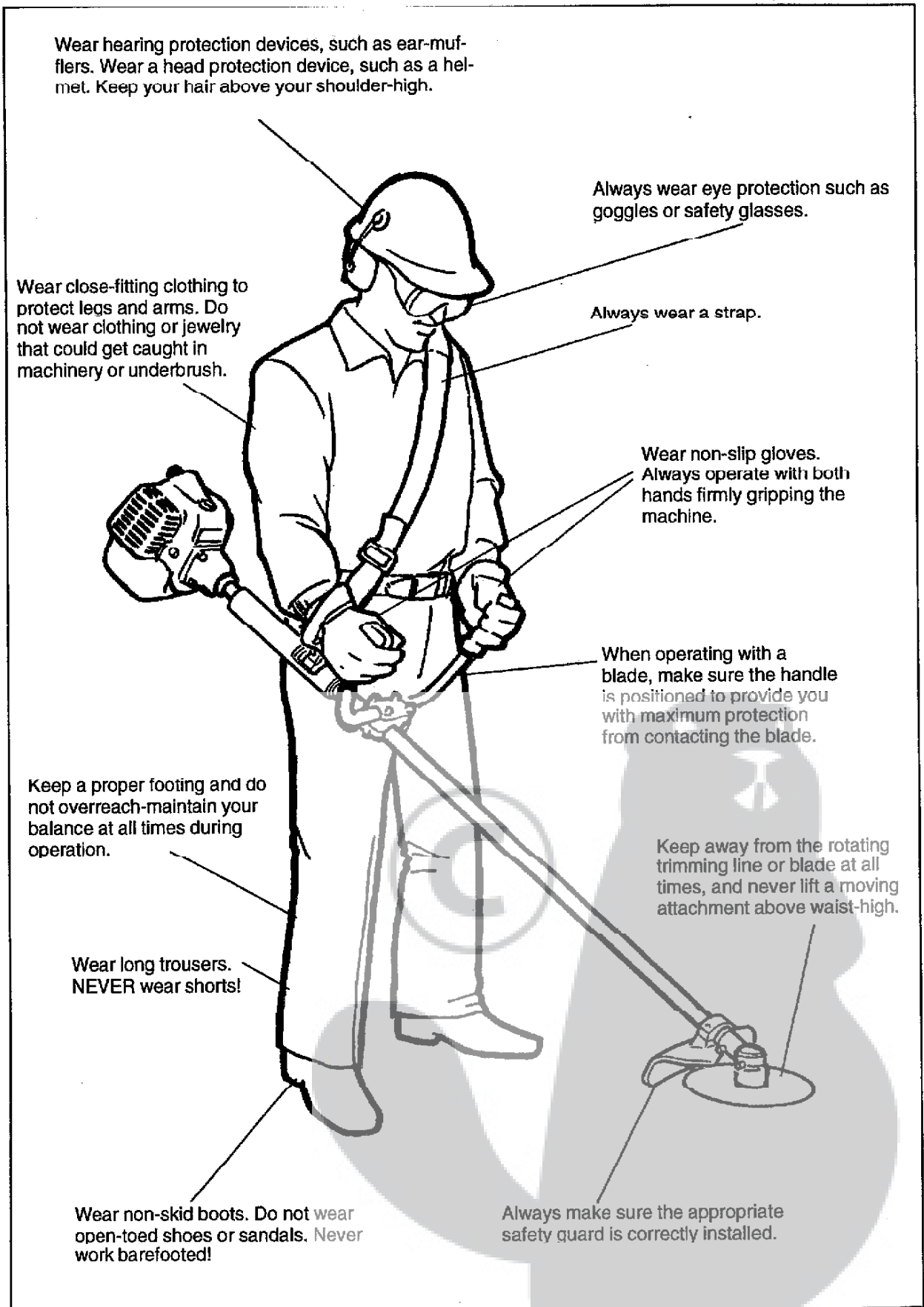
- (1) Hook the strap hook to the hanger on the outer pipe.
- (2) Wear the strap so that the hook stays at your right hand side.
- (3) Adjust the length of the strap so that you can hold and operate the machine comfortably.
- (4) Make sure the hip pad stays between your hip and the outer pipe. (C27 ONLY)

8-2 Emergency Release

In case of emergency, strongly pull the white tab at the hook. The machine will be released from the strap.



8-3 The Properly Equipped Operator



8-4 General Safety Instructions

Work Safely

Trimmers and brushcutters run at very high speeds and can do serious damage or injury if they are misused or abused. Never allow a person without training or instruction to operate your machine.



WARNING!

Never make unauthorized attachment installations.

Stay Alert

You must be physically and mentally fit to operate this machine safely.



WARNING!

Never operate power equipment of any kind if you are tired or if you are under the influence of alcohol, drugs, or any other substance that could affect your ability or judgement.



WARNING!

Minimize the Risk of Fire
NEVER smoke or light fires near the trimmer or brushcutter. **ALWAYS** stop the engine and let it cool before refueling. Avoid overfilling and wipe off any fuel that may have spilled. **ALWAYS** move the unit to a place well away from a fuel storage area or other readily flammable materials before starting the engine. **NEVER** place flammable material close to the engine muffler.



WARNING!

Use Good Judgment

ALWAYS wear eye protection to shield against thrown objects.

NEVER run the engine when transporting the machine.

NEVER run the engine indoors—make sure there is always good ventilation. Fumes from engine exhaust can cause serious injury or death.

ALWAYS clear your work area of trash or hidden debris that could be thrown back at you or toward a bystander.

ALWAYS use the proper cutting tool for the job.

ALWAYS stop the machine immediately if it suddenly begins to vibrate or shake. Inspect for broken, missing or improperly installed parts or attachments.

NEVER extend trimming line beyond the length specified for your unit.

ALWAYS keep the unit as clean as practical. Keep it free of loose vegetation, mud, etc.

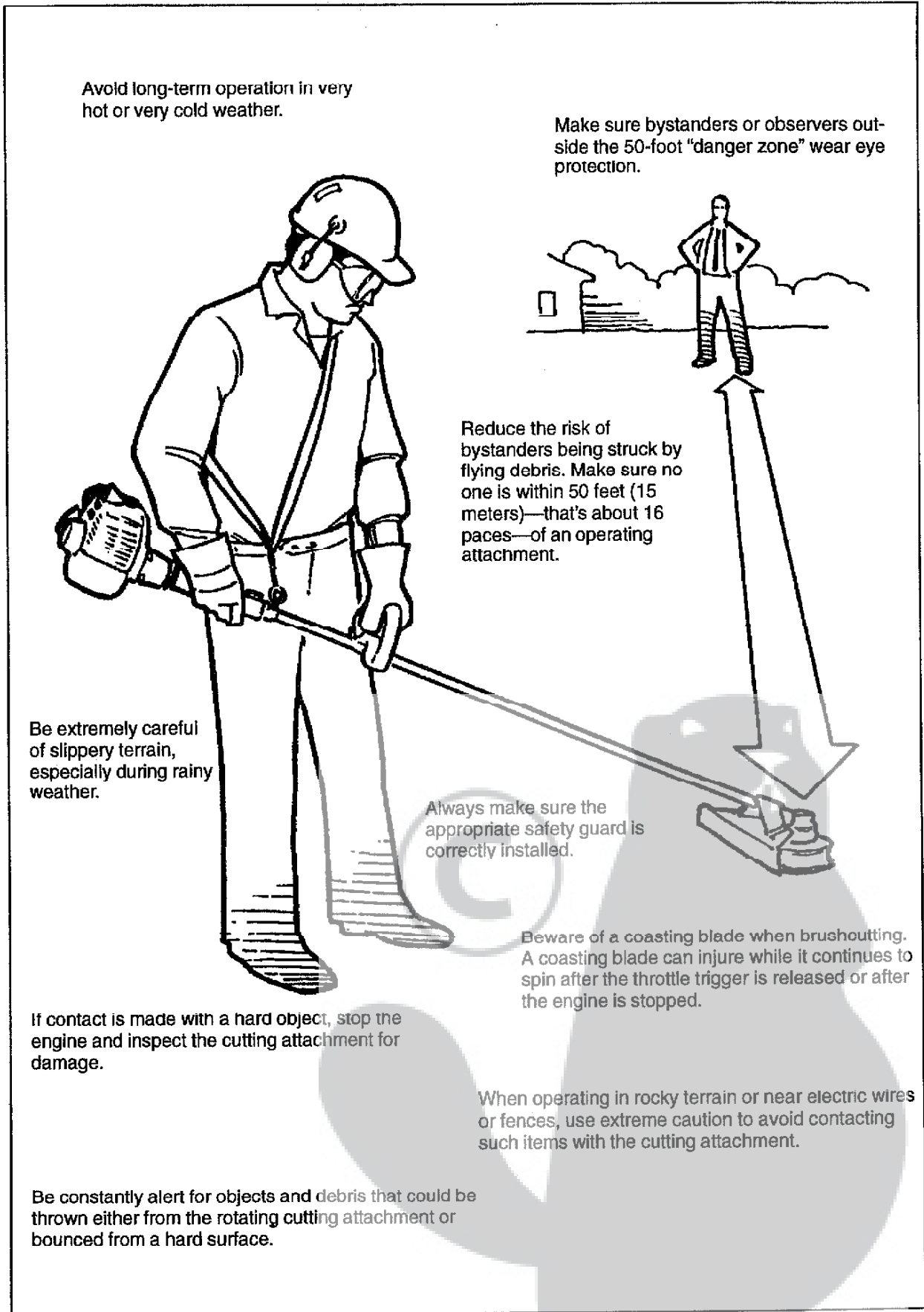
ALWAYS hold the machine firmly with both hands when cutting or trimming, and maintain control at all times.

ALWAYS keep the handles clean.

ALWAYS disconnect the spark plug wire before performing any maintenance work.

ALWAYS, if a saw blade should bind fast in a cut, shut off the engine immediately. Push the branch or tree to ease the bind and free the blade.

8-5 Be Aware of the Working Environment



Avoid long-term operation in very hot or very cold weather.

Make sure bystanders or observers outside the 50-foot "danger zone" wear eye protection.

Reduce the risk of bystanders being struck by flying debris. Make sure no one is within 50 feet (15 meters)—that's about 16 paces—of an operating attachment.

Be extremely careful of slippery terrain, especially during rainy weather.

Always make sure the appropriate safety guard is correctly installed.

Beware of a coasting blade when brushcutting. A coasting blade can injure while it continues to spin after the throttle trigger is released or after the engine is stopped.

If contact is made with a hard object, stop the engine and inspect the cutting attachment for damage.

When operating in rocky terrain or near electric wires or fences, use extreme caution to avoid contacting such items with the cutting attachment.

Be constantly alert for objects and debris that could be thrown either from the rotating cutting attachment or bounced from a hard surface.

ENGLISH

9 OPERATION

- (1) After starting the engine, pull the throttle lever gradually. The engine speed increases and the blade will start rotating.
- (2) When the throttle lever is released, the engine goes back to idle speed automatically.
- (3) Operate the machine at full throttle while cutting. Best fuel efficiency is obtained by releasing the throttle when swinging back after cut.
- (4) The blade rotates counter-clockwise. For best performance and to minimize being stuck by debris, move the blade from right to left while advancing on your work.



WARNING!

Position the blade so cuts are made between blade's 7 o'clock and 10 o'clock positions (as viewed from above). **DO NOT** cut between the 11 o'clock and 5 o'clock positions.



WARNING!

"**BLADE THRUST**" is a sudden sideway or backward motion of the machine. Such motion may occur when the blade jams or catches on an object such as a sapling tree or tree stump. **BE CONSTANTLY ALERT FOR BLADE THRUST AND GUARD AGAINST ITS EFFECTS.**



CAUTION!

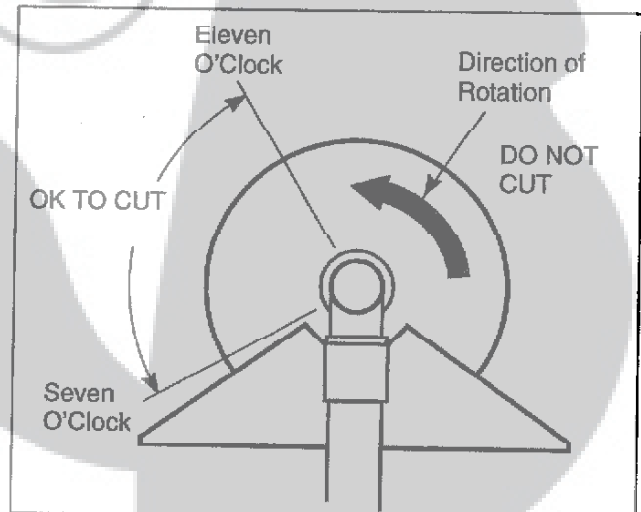
DO NOT use 2-tooth blades with this machine.



CAUTION!

To prevent possible engine damage, do not allow the machine to run at high speeds without a load.

Avoid operating the engine at low speeds. Doing so can lead to rapid clutch wear. In addition, slow-speed operation tends to cause grass and debris wrap around the cutting attachment.





WARNING!
NEVER strike or slam the spinning blade against the wood.



WARNING!
When transporting, make sure the engine is not running and the blade is covered with the blade cover.

10 RECOMMENDED BLADES

Make sure to use the following recommended Shindaiwa blades with this machine.

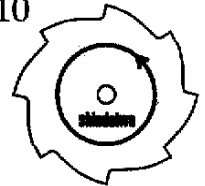
PART NUMBER 72430-92110

8-TOOTH BLADE

INNER BORE: 25.4mm

DIAMETER: 255.0mm

THICKNESS: 2.0mm



PART NUMBER 72430-92140

3-TOOTH BLADE

INNER BORE: 25.4mm

DIAMETER: 255.0mm

THICKNESS: 2.2mm



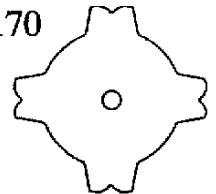
PART NUMBER 72430-92170

4-TOOTH BLADE

INNER BORE: 25.4mm

DIAMETER: 255.0mm

THICKNESS: 2.0mm



11 BLADE SHARPENING

With a file or a grinder, file a blade as follows.



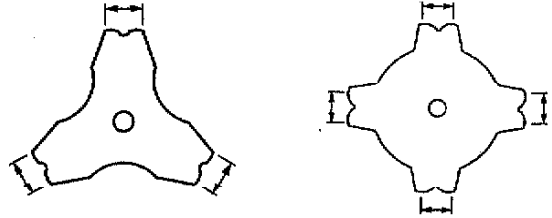
WARNING!

Sharpen only the cutting teeth of a blade. **DO NOT** alter the contour of the blade in any way.

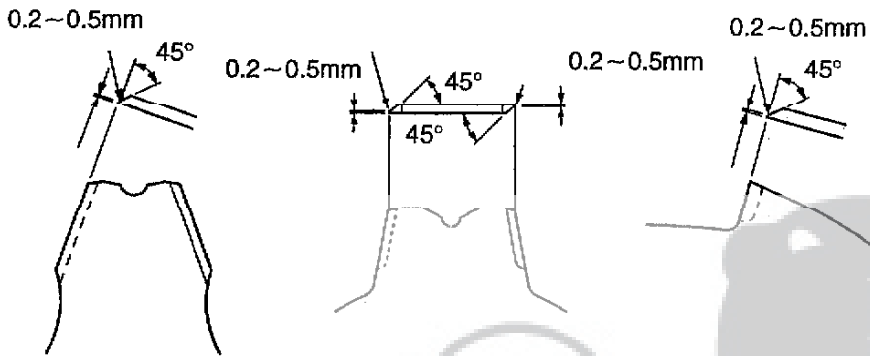
In order to keep the blade in balance, all cutting edges must be sharpened equally.

DO NOT file the tips of the teeth too sharp.

Make sure the width of the 3 sides/4 sides is all the same.



The sharpening angle should be 45° approx.
Do not file the tips of the blade too sharp. Leave 0.2~0.5mm (0.008"~0.02") unsharpened.



The bottom of each tooth must remain unsharpened.



12 MAINTENANCE



WARNING!

Before performing any maintenance, repair, or cleaning work on the machine, make sure the engine and cutting attachment are completely stopped. Disconnect the spark plug wire before performing service or maintenance work.



WARNING!

Never repair a damaged blade by welding, straightening, or by modifying its shape. An altered blade may break during operation, resulting in serious personal injury.

12-1 Daily Maintenance

Prior to each work day, perform the following:

- Remove the dirt and debris from the engine, check the cooling fins and air cleaner for clogging, and clean them as necessary.
- Carefully remove any accumulations of dirt or debris from the muffler and fuel tank. Dirt build-up in these areas can lead to engine overheating, fire, or premature wear.
- Check for loose or missing screws or components. Make sure the cutting attachment is securely fastened.
- Check the machine for leaking fuel or grease.

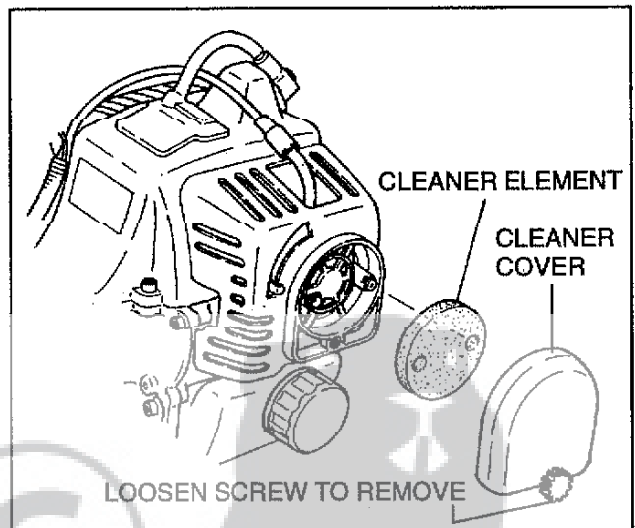
12-2 10-Hour Maintenance

Remove the air cleaner element from the carburetor and clean it thoroughly with neutral solvent or warm soapy water. Squeeze out the fuel and reassemble the element.



CAUTION!

Do not operate the machine if the air cleaner or element is damaged, or if the element is wet or watersoaked.



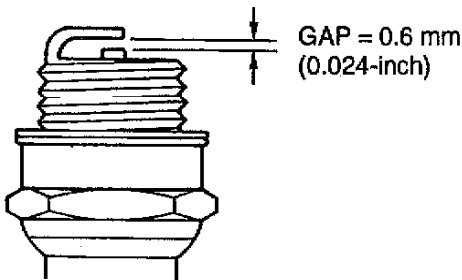
12-3 10/15-Hour Maintenance

Remove and clean the spark plug. Adjust the spark plug electrode gap to 0.024-inch (0.6 mm). If the plug must be replaced, use only an NGK, BPMR6A.



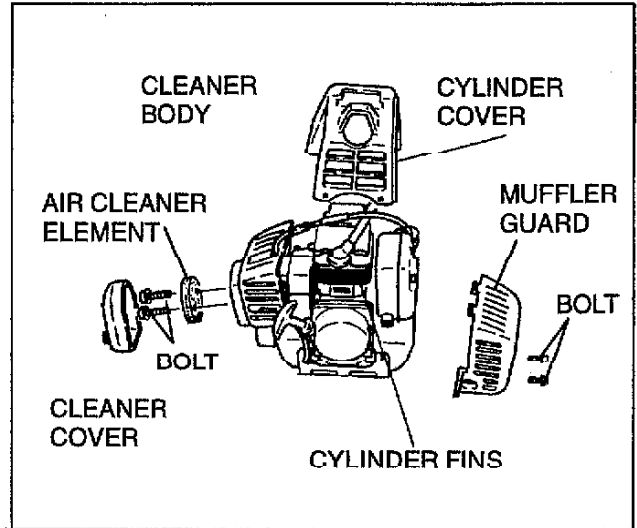
CAUTION!

Before removing the spark plug, clean the area around the plug to prevent dirt and dust from getting into the engine's internal parts.

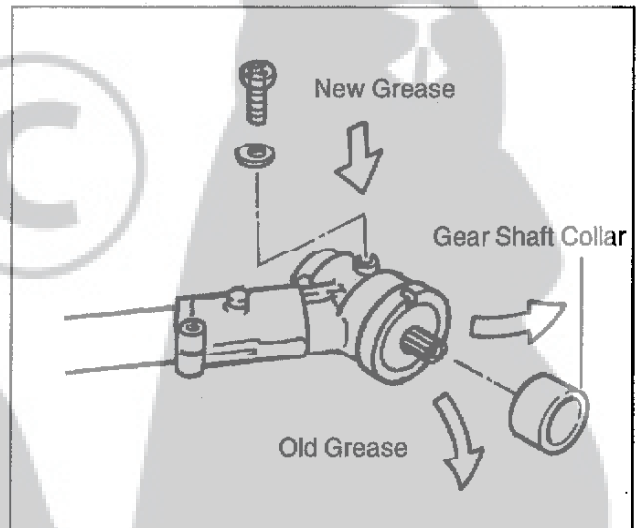


12-4 50-Hour Maintenance

Remove and clean the cylinder cover and clean grass and dirt from the cylinder fins.



Remove the cutting attachment and the gear shaft collar, and press new grease into the gear case until the old grease has been pushed out. Use only lithium-base grease (such as Shindaiwa Gear Case Lubricant).



12-5 Long Term Storage

Whenever the machine will not be used for 30 days or longer, use the following procedures to prepare it for storage.

- Clean external parts thoroughly and apply a light coating of oil to all metal surfaces.
- Drain all the fuel from the carburetor and the fuel tank.

IMPORTANT!

All stored fuels should be stabilized with a fuel stabilizer such as STA-BIL®.



CAUTION!

Gasoline stored in the carburetor for a long time will likely cause hard starting and could lead to increased service and maintenance costs.

- Remove the spark plug and pour about 1/4 ounce of oil into the cylinder through the spark plug hole. Slowly pull the recoil starter 2 or 3 times so oil will evenly coat the interior of the engine. Reinstall the spark plug.
- Before storing the machine, repair or replace any worn or damaged parts.
- Remove the air cleaner element from the carburetor and clean it thoroughly with mixed fuel. Squeeze out the fuel and reassemble the element.
- Store the machine in a clean, dust-free area.

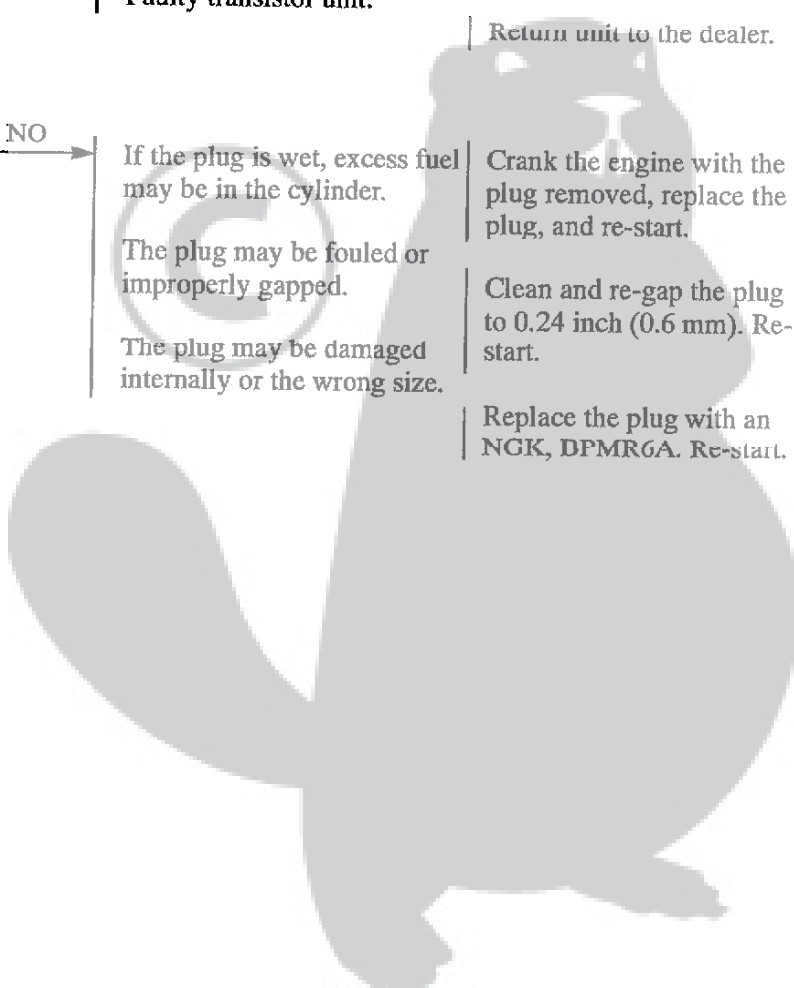


ENGLISH

13 TROUBLESHOOTING GUIDE

ENGINE DOES NOT START

What To Check		Possible Cause	Remedy
Does the engine crank?	NO	Faulty recoil starter. Fluid in the crankcase. Internal damage.	Return unit to the dealer.
↓ YES			
Good compression?	NO	Loose spark plug. Excess wear on cylinder, piston, rings.	Tighten and re-test. Return unit to the dealer.
↓ YES			
Does the tank contain fresh fuel of the proper grade?	NO	Re-fill with fresh fuel of the correct mixture (Shindaiwa Premium 2-cycle Engine Oil and gasoline, 40:1 ratio; other brands-25:1)	Re-start.
↓ YES			
Is fuel visible and moving in the return line when priming?	NO	Check for clogged fuel filter and/or vent. Clean as required.	Re-start.
↓ YES			
Is there spark at the spark plug wire terminal?	NO	Is the ignition switch "ON"? Faulty ignition ground. Faulty transistor unit.	Move switch to "ON" and re-start. Return unit to the dealer.
↓ YES			
Check the spark plug	NO	If the plug is wet, excess fuel may be in the cylinder. The plug may be fouled or improperly gapped. The plug may be damaged internally or the wrong size.	Crank the engine with the plug removed, replace the plug, and re-start. Clean and re-gap the plug to 0.24 inch (0.6 mm). Re-start. Replace the plug with an NGK, DPMR6A. Re-start.



LOW POWER OUTPUT

What To Check	Possible Cause	Remedy
<div style="border: 1px solid black; padding: 5px; width: fit-content;"> Is the engine overheating? </div>	Operator is overworking the machine.	Adjust trimmer line. Cut at a slower rate.
	Carburetor mixture is too lean.	Adjust the carburetor (authorized personnel only).
	Improper fuel ratio.	Re-fill with fresh fuel of the correct mixture (Shindaiwa Premium 2-cycle Engien Oil and gasoline—40:1 ratio; other brands—25:1 ratio).
	Fan, fan cover, cylinder fins dirty or damaged.	Clean, repair or replace as necessary.
	Carbon deposits on pistons or in the muffler.	Decarbonize.
<div style="border: 1px solid black; padding: 5px; width: fit-content;"> Engine is rough at all speeds. May also have black smoke and/or unburned fuel at the exhaust. </div>	Clogged air filter.	Service the filter.
	Loose or damaged spark plug.	Tighten or replace.
	Air leakage or clogged fuel line.	Repair or replace filter and/or fuel line.
	Water in the fuel.	Replace the fuel.
	Piston seizure.	Return unit to the dealer.
	Faulty carburetor and/or diaphragm.	Return unit to the dealer.
<div style="border: 1px solid black; padding: 5px; width: fit-content;"> Engine is knocking. </div>	Overheating condition.	See above.
	Improper fuel.	Check fuel octane rating; check for presence of alcohol in the fuel. Refuel as necessary.
	Carbon deposits in the combustion chamber.	Decarbonize.

ADDITIONAL PROBLEMS

Symptom	Possible Cause	Remedy
<div style="border: 1px solid black; padding: 2px; display: inline-block;">Poor acceleration.</div>	Clogged air filter.	Clean the air filter.
	Clogged fuel filter.	Replace the fuel filter.
	Carburetor mixture too lean.	Adjust carburetor (authorized personnel only)
	Idle speed set too low.	Adjust: 3000 RPM (+/-250)
<div style="border: 1px solid black; padding: 2px; display: inline-block;">Engine stops abruptly.</div>	Switch turned off.	Reset the switch and re-start.
	Fuel tank empty.	Refuel.
	Clogged fuel strainer.	Replace strainer.
	Water in the fuel.	Drain; replace with clean fuel.
	Shorted spark plug or loose terminal.	Clean and replace spark plug, tighten the terminal.
	Ignition failure.	Replace the ignition unit.
	Piston seizure.	Return unit to the dealer.
<div style="border: 1px solid black; padding: 2px; display: inline-block;">Engine difficult to shut off.</div>	Ground (stop) wire is disconnected, or switch is defective.	Test and replace as required.
	Overheating due to incorrect spark plug.	Clean and regap to 0.024". Correct plug: NGK, BPMR6A.
	Overheated engine.	Idle engine until cool.
<div style="border: 1px solid black; padding: 2px; display: inline-block;">Cutting attachment rotates at engine idle.</div>	Engine idle too high.	Set idle: 3000 RPM (+/-250)
	Broken clutch spring or worn clutch spring boss.	Replace spring/shoes as required, check idle speed.
	Loose attachment holder.	Inspect and re-tighten holders securely.
<div style="border: 1px solid black; padding: 2px; display: inline-block;">Excessive vibration</div>	Warped or damaged attachment.	Inspect and replace attachment as required.
	Loose gearcase.	Tighten gearcase securely.
	Bent main shaft/worm or damaged bushings.	Inspect and replace as necessary.

DECLARATION OF CONFORMITY

We hereby declare that the Shindaiwa brushcutter:
Model: T300, C27

meets the following respective requirements

Council Directives:

89/336/EEC

89/392/EEC

91/368/EEC

93/44/EEC

93/68/EEC

Harmonized EN-standards complied with:
EN 292-2

En-standard (draft) taken:
prEN 31806



SHIN-DAIWA KOGYO CO., LTD.


M. Matsumoto
Vice President

ENGLISH



SHIN-DAIWA KOGYO CO., LTD.

Head Office: 35, Shin-Ujigami, Chiyoda-cho,
Yamagata-Gun, Hiroshima, 731-1597
Japan

TEL NO.: 0826 72 6011
FAX NO.: 0826 72 7005

62000-94020 (N)