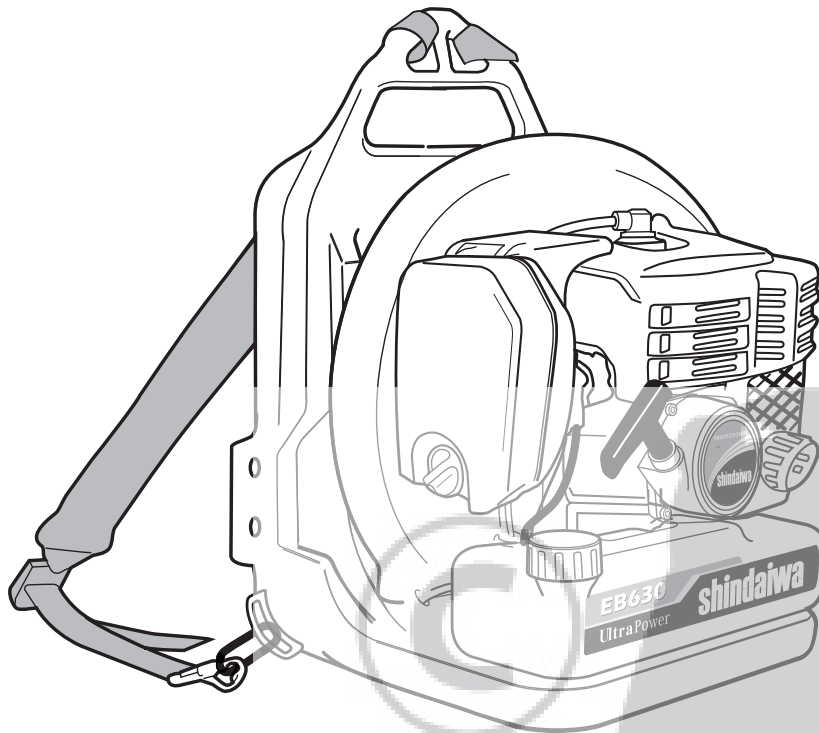


English.....1
French.....FR_1
Italian.....IT_1

SHINDAIWA OWNER'S/OPERATOR'S MANUAL

EB630 BLOWER



WARNING!

Read this manual and familiarize yourself with its contents. Minimize the risk of injury to yourself and others. Do not operate or service this machine unless you clearly understand this manual. Keep this manual at a particular place so that you can reread it whenever you have a question about its use. Always wear eye and hearing protection when operating this unit.

shindaiwa

Part Number 68238-94312 Rev. 1/07

Introduction

CAUTION!
 This blower is equipped with a spark-arresting muffler! Never operate this unit without both the muffler and spark arrester installed and properly functioning!

IMPORTANT!


Before using this unit, consult local regulations concerning noise restrictions and hours of operation!

The Shindaiwa EB630 has been designed and built to deliver superior performance and reliability without compromise to quality, comfort, safety, or durability.

The information contained in this manual describes units available at the time of production. While every attempt has been made to give you the very latest information about your Shindaiwa EB630 blower. There may be some differences between your EB630 blower and what is described here. Shindaiwa Inc. reserves the right to make changes in production without prior notice, and without obligation to make alterations to units previously manufactured.

Attention Statements

Throughout this manual are special "Attention Statements".

 **WARNING!**
 A statement preceded by the triangular Attention Symbol and the word **WARNING!** indicates a potentially hazardous situation which, if not avoided, could result in death or serious injury.

CAUTION!
 A statement preceded by the word **CAUTION!** contains information that should be acted upon to avoid damaging the unit.

IMPORTANT!

A statement preceded by the word **IMPORTANT!** is one that possesses special significance.

NOTE:

A statement preceded by the word "NOTE" contains information that is handy to know and may make your job easier.



Read and follow this manual. Failure to do so could result in serious injury.



Wear eye and hearing protection at all times during the operation of this unit.



Sound Power Level (measured in accordance with 2000/14/EC).

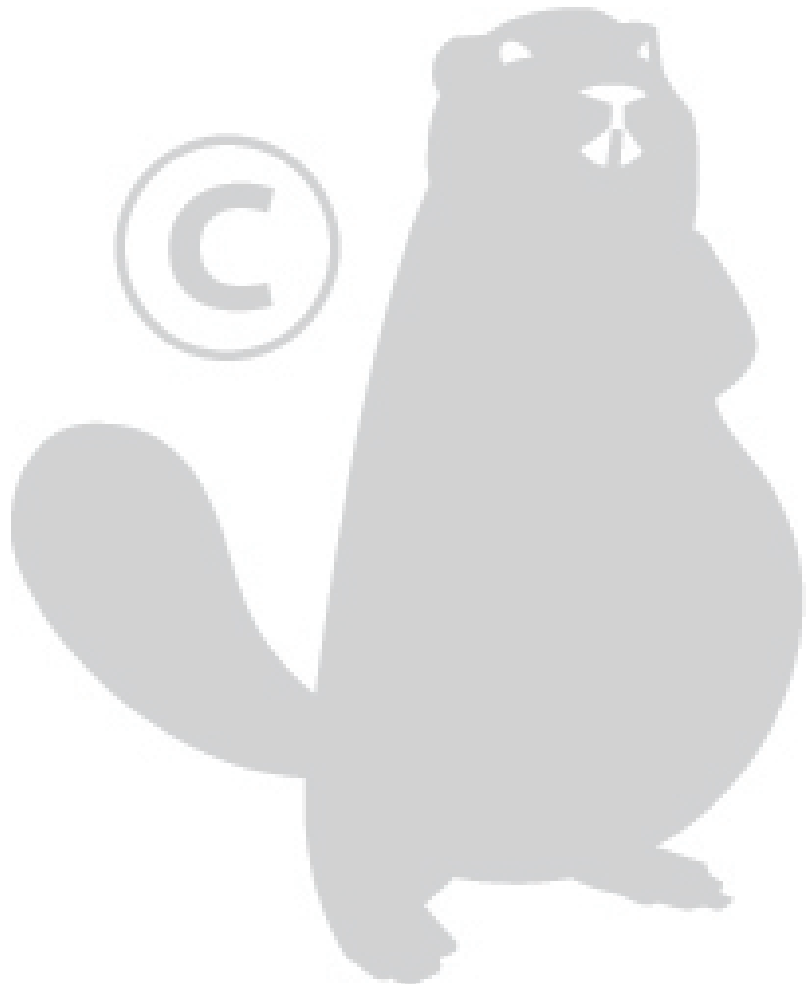
IMPORTANT!

The operational procedures described in this manual are intended to help you get the most from this unit and also to protect you and others from harm. These procedures are general guidelines only, and are not intended to replace any safety rules/laws that may be in force in your area. If you have any questions regarding your EB630 blower, or if you do not understand something in this manual, your Shindaiwa dealer will be glad to assist you. For additional information, you may also contact Shindaiwa Inc. at the address printed on the back of this manual.

Contents

PAGE

Attention Statements	2
General Safety Instructions	3
Unit Description	5
Specifications.....	5
Assembling the Blower	6
Mixing Fuel	7
Filling the Fuel Tank	7
Starting and Stopping the Blower	7
Adjusting Engine Idle Speed.....	8
Adjusting the Harness.....	9
Using the Blower	9
Maintenance	10
Long Term Storage	11
Troubleshooting Guide	12
Delcaration of Conformity.....	15



General Safety Instructions

Work Safely

Blowers operate at a very high speed and can do serious damage or injury if they are misused or abused. *Never allow a person without training or instruction to operate your EB630 Blower!*

Stay Alert

You must be physically and mentally fit to operate this unit safely.



WARNING!

Use Good Judgment

NEVER run the engine when transporting the unit.

NEVER run the engine indoors! Make sure there is always good ventilation. Fumes from engine exhaust can cause serious injury or death.

ALWAYS stop the unit immediately if it suddenly begins to vibrate or shake. Inspect for broken, missing or improperly installed parts.

ALWAYS keep the unit as clean as practical. Keep it free of loose vegetation, mud, etc.

ALWAYS keep the handles clean.

ALWAYS disconnect the spark plug wire before performing any maintenance work.

ALWAYS turn off the engine before putting the unit down. When transporting the unit in a vehicle, properly secure it to prevent the unit from over turning, fuel spillage and damage to the unit.

NEVER insert any foreign objects into the air intake or outlet opening of the blower while in operation.



WARNING!

Never make unauthorized modifications or attachment installations. Never use attachments not approved by Shindaiwa for use on this unit.



WARNING!



Never operate power equipment of any kind if you are tired or if you are under the influence of alcohol, drugs, medication or any other substance that could affect your ability or judgement.



WARNING!

Minimize the Risk of Fire

NEVER smoke or light fires near the unit.

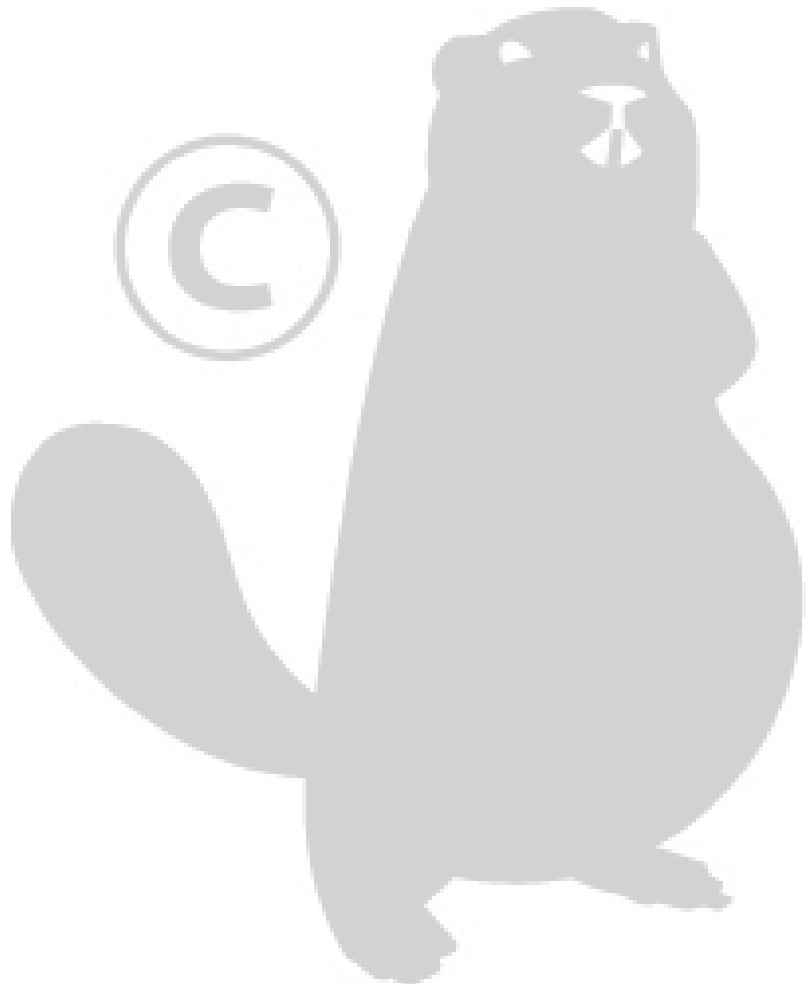
ALWAYS stop the engine and allow it to cool before refueling. Avoid overfilling and wipe off any fuel that may have spilled.

ALWAYS inspect the unit for fuel leaks before each use. During each refill, check that no fuel leaks from around the fuel cap and/or fuel tank. If fuel leaks are evident, stop using the unit immediately. Fuel leaks must be repaired before using the unit.

ALWAYS move the unit to a place well away from a fuel storage area or other readily flammable materials before starting the engine.

NEVER place flammable material close to the engine muffler.

NEVER run the engine without the spark arrester screen in place.



The Properly Equipped Operator

Wear close-fitting clothing to protect legs and arms. Gloves offer added protection and are strongly recommended. Do not wear clothing or jewelry that could get caught in machinery or underbrush. Secure hair so it is above shoulder level. NEVER wear shorts!



Wear hearing protection when operating this unit.

Always wear eye protection such as a face shield or goggles while operating this unit. Never operate the blower when visibility is poor.

Wear a dust mask to reduce the risk of inhalation injuries.

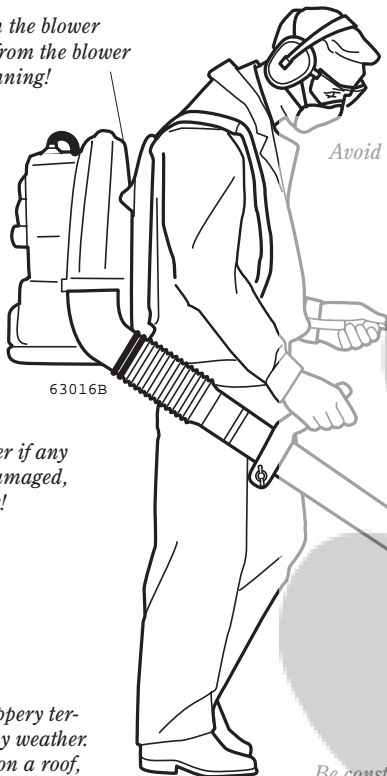
Always be aware of the strength and direction of the blower discharge stream. Never direct the blower discharge stream toward people or animals!

Keep a proper footing and do not overreach. Maintain your balance at all times during operation.

Wear appropriate footwear (non-skid boots or shoes): do not wear open-toed shoes or sandals. Never operate the unit while barefoot!

Be Aware of the Working Environment

Debris sometimes collects on the blower intake. Never clean out debris from the blower while the engine is running!



Avoid long-term operation in very hot or very cold weather.

Make sure bystanders or observers outside the 15 meter "danger zone" wear eye protection.

15
Meters

Never operate the blower if any component parts are damaged, loose, or missing!

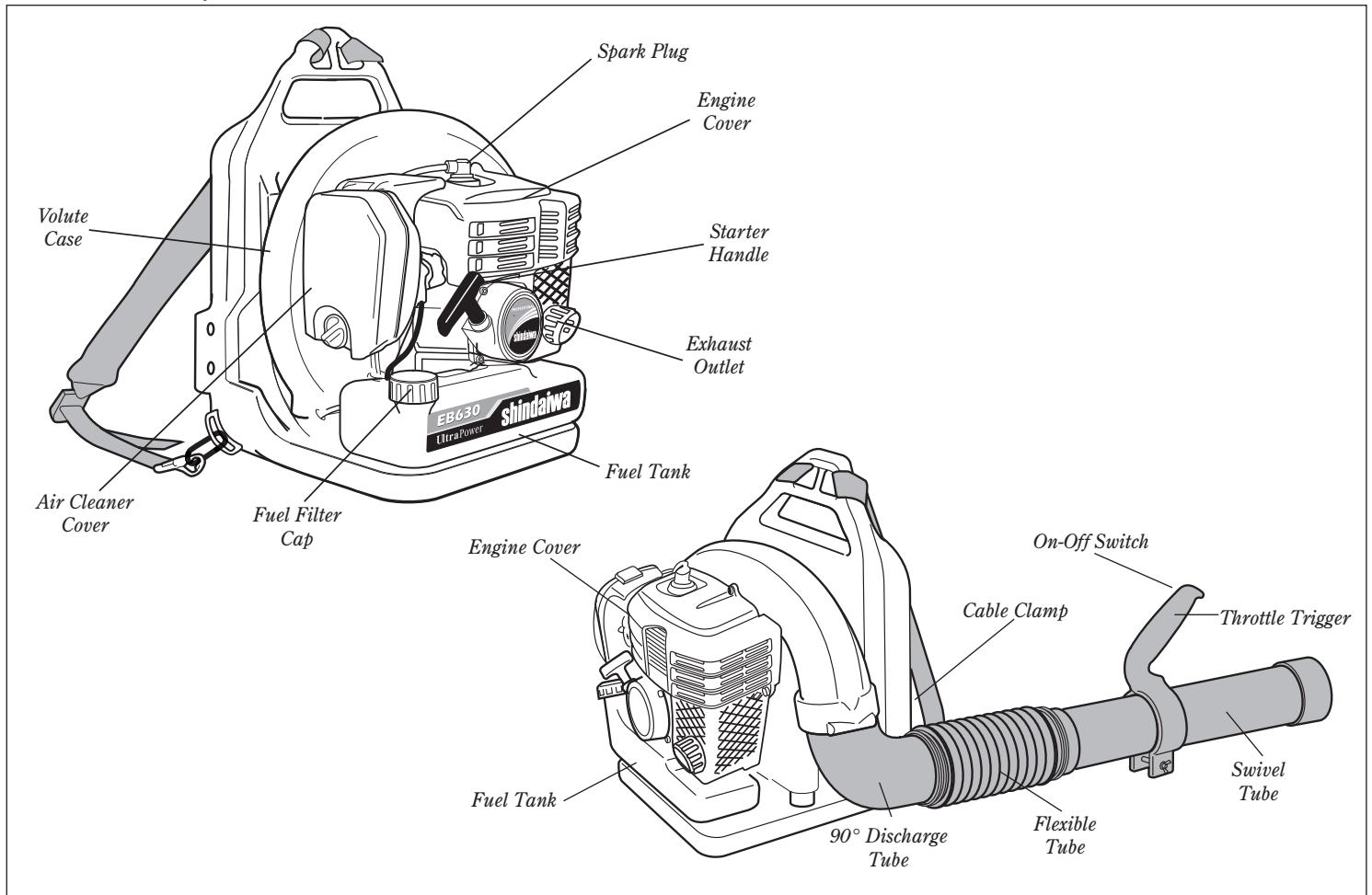
Reduce the risk of bystanders being struck by flying debris. Make sure no one is within 15 meters—that's about 16 paces—of an operating blower.

Be extremely careful of slippery terrain, especially during rainy weather. Never operate this blower on a roof, ledge or ladder.

Be constantly alert for objects and debris that could be thrown from the air blast and bounced from a hard surface.

Do not direct the air blast towards bystanders. The high air flow could blow small objects at great speed causing possible eye injury.

Unit Description



Prior to Assembly

Using the figures above as a guide, familiarize yourself with the blower and its components. Understanding the unit helps ensure top performance, longer service life, and safer operation.

Before assembling the blower, make sure you have all required components.

- Power unit and blower assembly.
- Flexible tube, swivel tube, straight tube, and nozzle.
- Two tube clamps (100 and 85 mm).
- This Owner's/Operator's Manual and a tool kit containing a tool bag, 3 mm-4 mm-5 mm hex wrench, and a combination spark plug wrench.
- Lead wire assembly (anti-static).

Carefully inspect all components for damage.

IMPORTANT!

The terms "left", "left-hand", "LH"; "right", "right-hand", and "RH"; "front" and "rear" refer to directions as viewed by the operator during normal operation.

Specifications

Model	EB630/EC1
Dimensions (LxWxH)	350 x 460 x 495 mm
Engine Type	2 cycle air cooled gasoline engine, vertical cylinder
Bore x Stroke.....	47.5 x 35 mm
Displacement.....	62.0 cm ³
Max Output/min ⁻¹	2.9 kW/ 7,500 min ⁻¹
Maximum Engine Speed.....	7,900 min ⁻¹
Engine Speed at Idling.....	2,200 min ⁻¹
Fuel/Oil Ratio.....	50:1
Carburetor	Walbro rotary-type with primer pump
Ignition	All transistor electronic ignition system
Spark Plug.....	Champion RCJ6Y
Starting.....	Recoil Starter
Stopping EB630.....	Slide Switch
Fuel Tank Capacity	2,000 cm ³
Exhaust	Spark Arrester Muffler
Air Filtration	Dry Element
Dry Weight (without blower tubes)	9.0 kg
Sound Pressure Level (in accordance with ISO 7917)	96 dB (A)
Sound Power Level (in accordance with ISO 10884.2)	108 dB (A)
Vibration Level (in accordance with ISO 7916)	Idling 1.2 m/s ² Racing 2.4 m/s ²
Blow Air Speed.....	86 m/s ²
Blow Air Volume	17.4 m ³ /min

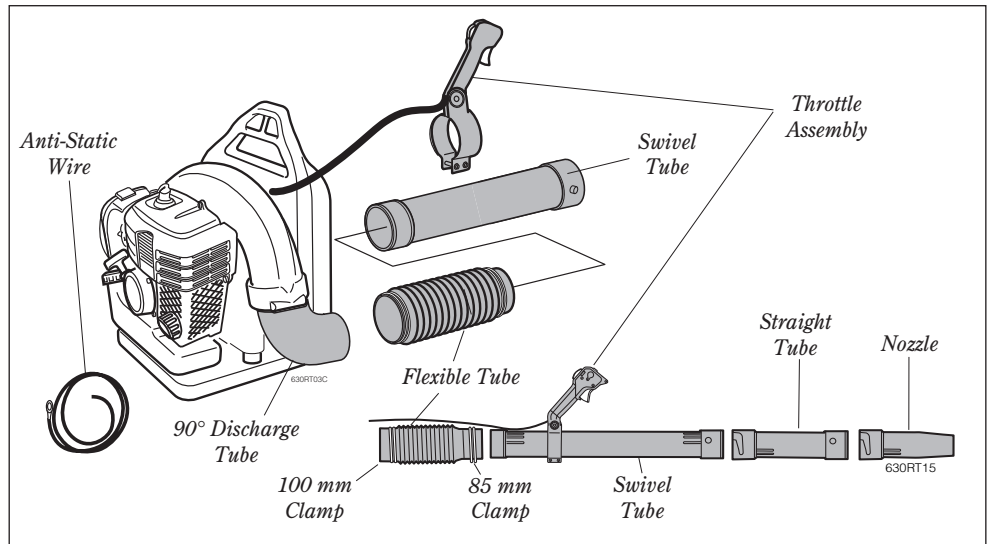
Specifications are subject to change without notice.

Assembling the Blower

IMPORTANT!

This unit is equipped with a static discharge reduction wire. This wire helps direct static buildup into the air stream reducing the felt amount to the operator.

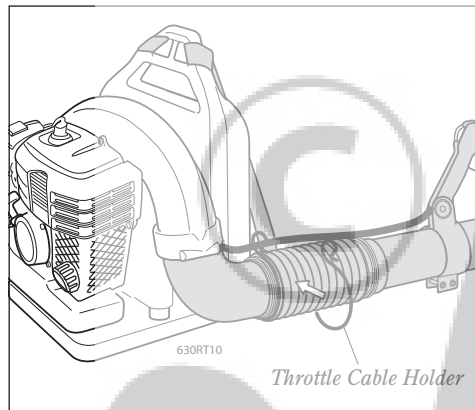
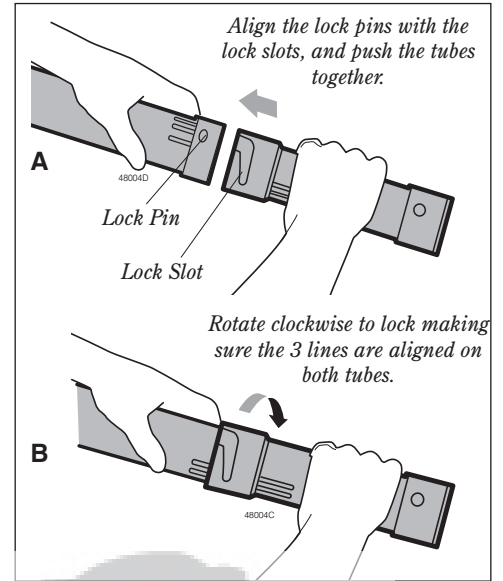
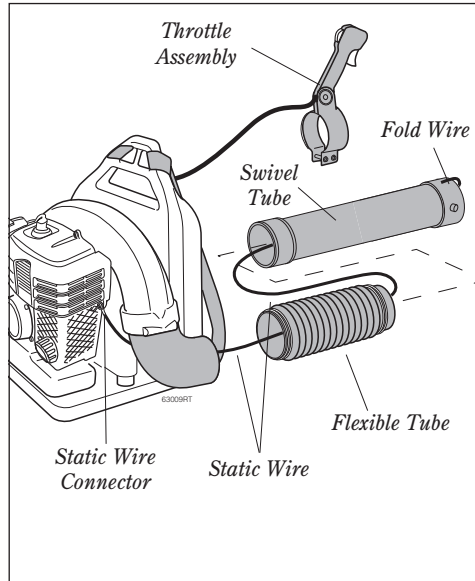
1. Place the blower upright on the ground or a sturdy work surface and note parts orientation as shown.
2. Remove static wire from package and fix eyelet to right hand engine cover screw.
3. Turn the discharge tube out to a right angle and slip anti-static wire through the 100 mm clamp and flexible tube.
4. Slip the flexible tube over the end of the 90° discharge tube, and secure with the 100 mm clamp.



NOTE:

Check to make sure that the 90° discharge tube swivels freely from front to back. If any binding is present, loosen 100 mm clamp and pull wire towards engine to get more slack and recheck for free movement.

5. Slide the throttle assembly over the swivel tube. Do not tighten clamp at this time.
6. Insert the static wire through the swivel tube, then install and tighten the 85 mm clamp over the rotating band on the swivel tube.
7. Fold the end of the static wire back over the connection of the swivel tube.
8. Grasp the straight tube, and push the tube over the swivel tube locking pins securing the static wire.
9. Lock the straight tube to the swivel tube by rotating the straight tube.
10. Grasp the nozzle tube and lock the nozzle to the straight tube noting the alignment marks.
11. Install throttle cable holder just forward of the 100 mm clamp.
12. Adjust throttle assembly for best operator comfort and tighten two socket-head screws.



IMPORTANT!

Blower tube installation affects blower performance! Make sure the tubes and nozzle are correctly assembled per above, and that all connections are tight. Blower tubes may come apart during use unless tubes are aligned and locked into place.



WARNING!
Danger from rotating impeller!

Stop the engine before installing or removing the blower tubes! Never perform any maintenance or assembly procedures on this unit while the engine is running!

Mixing Fuel

CAUTION!

- Some gasolines contain alcohol as an oxygenate! Oxygenated fuels may cause increased operating temperatures. Under certain conditions, alcohol-based fuels may also reduce the lubricating qualities of some mixing oils.
- Never use any fuel containing more than 10% alcohol by volume! Generic oils and some outboard motor oils may not be intended for use in high-performance air cooled 2-cycle engines, and should never be used in your Shindaiwa engine!

CAUTION!

This engine is designed to operate on a 50:1 mixture consisting of unleaded gasoline and a premium 2-cycle mixing oil only. Use of Non-approved mixing oils can lead to excessive maintenance costs and/or engine damage.

IMPORTANT!

Mix only enough fuel for your immediate needs! If fuel must be stored longer than 30-days, it should first be treated with a stabilizer such as STA-BIL™ or equivalent product!

- Use only fresh, clean unleaded gasoline with a pump octane rating of 87 or higher.
- Mix fuel with a Premium 2-cycle mixing oil designed for use with high-performance 2-cycle air-cooled engines.
- Refer to the following examples of 50:1 fuel to oil mix quantities:

Gasoline liters	2-cycle mixing oil milliliters
2.5 l.....	50 ml
5 l.....	100 ml
10 l.....	200 ml
20 l.....	400 ml

Filling the Fuel Tank

WARNING!

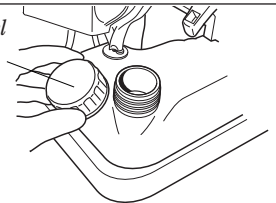


Minimize the risk of fire, burns, and personal injury!

- STOP** engine before refueling.
- ALWAYS** allow the engine to cool before refueling
- ALWAYS** open the fuel cap slowly to allow any pressure build-up in the tank to release fuel vapor slowly.
- ALWAYS** transport and store fuels in an approved container.
- Avoid overfilling and wipe up all spilled fuel. Move the engine at least 3 meters from the fueling point, storage area, and other readily flammable materials before restarting.

- ALWAYS** inspect the unit for fuel leaks before each use. During each refill, make sure there are no fuel leaks around the fuel cap and/or tank. If a fuel leak is evident, stop using the unit immediately. Fuel leaks must be repaired before using the unit.
- NEVER** smoke or light any fires near the engine or fuel source.
- NEVER** place any flammable material near the engine or muffler.
- NEVER** operate the engine without the muffler in good working condition.
- ALWAYS** move the unit to a place well away from a fuel storage area or other readily flammable materials before starting the engine.

Remove the Fuel Filler Cap



CAUTION!

Never attempt to mix fuel in the unit's fuel tank. Always mix all fuels in a clean approved container.

- Place the unit on a flat, level surface, and wipe any debris from around the fuel cap.
- Remove the fuel cap.
- Fill the tank with clean, fresh fuel.
- Replace the cap, and wipe away any spilled fuel before starting the engine.

Starting the Engine

WARNING!



Danger from rotating impeller!

The impeller will rotate whenever the blower is operated! Never operate this blower unless the intake cover and blower tubes are properly installed and in good working order!

WARNING!



Danger from thrown dust or debris!

Always wear eye protection when operating this machine! Never direct the blower stream toward people or animals!

Never operate this blower unless all controls are properly installed and in good working order.

CAUTION!

The recoil starter can be damaged by abuse!

- Never pull the starter cord to its full length!
- Always engage the starter before cranking the engine!
- Always rewind the starter cord slowly!

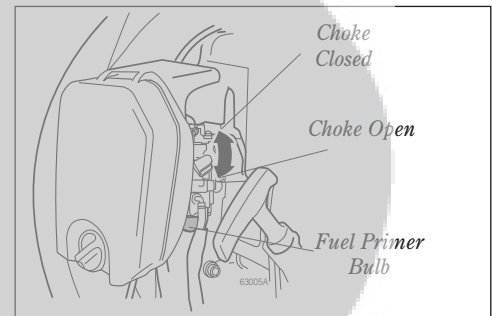
Never operate the blower if blower tubes are missing or damaged!

Starting Procedure

- Place the blower on the ground.
- Prime the fuel system by repeatedly depressing the fuel primer bulb until no air bubbles are visible in the fuel discharge line.

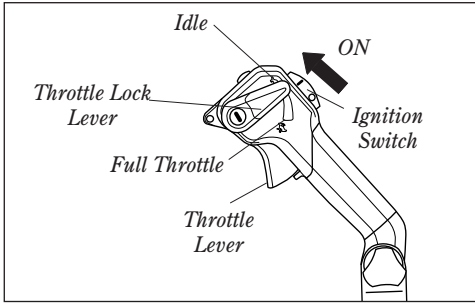
IMPORTANT!

The primer system only pushes fuel through the carburetor. Repeatedly pressing the primer bulb will not flood the engine with fuel.

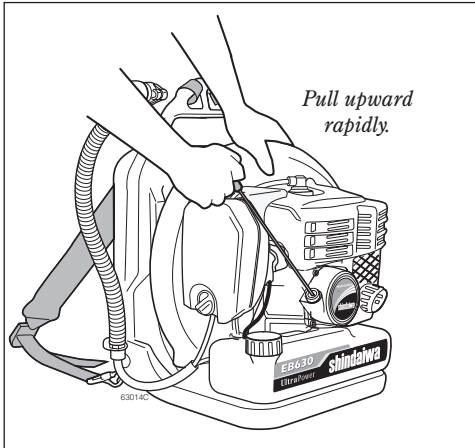


- Cold Engine Only.** Choke the engine by moving the choke lever up (choke is closed).

Starting the Engine (continued)



- Slide the ignition switch to the "I" (ON) position, then depress the throttle lever half way and lock throttle by moving throttle lock lever halfway down.



- Hold the blower firmly with your left hand on the volute case.
- Using your right hand, pull the starter handle slowly until you feel the starter engage.
- As the starter engages, pull the starter handle upward rapidly.
- If necessary, repeat Steps 6 and 7 until the engine starts.

When The Engine Starts—

- Open the choke (if it is not already open) by moving the choke lever down.
- If the engine does not continue to run, repeat the appropriate starting procedures for a cold or warm engine.
- Operate the throttle to reduce engine to idle speed until operating temperature is reached (2–3 minutes).

The blower should now be ready for use.

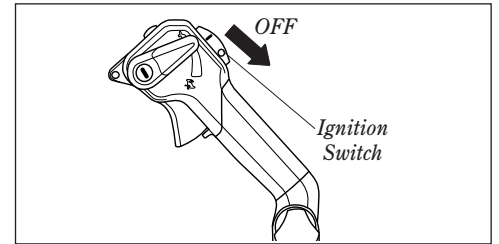
If The Engine Does Not Start—

Repeat the appropriate starting procedures for warm or cold engine. If the engine still will not start, follow the "Starting a Flooded Engine" procedure.

! WARNING!
 Never operate the blower unless all controls are properly installed and in good working order. Never operate the blower if the cylinder cover is missing or damaged!

Starting A Flooded Engine

- Disconnect the spark plug lead, and remove the spark plug (see page 11 for procedures).
- If the spark plug is fouled or is soaked with fuel, clean or replace the plug as required.
- With the spark plug removed, open the choke, put the throttle lever in the full throttle position, then clear excess fuel from the combustion chamber by cranking the engine several times.
- Install and tighten the spark plug, and reconnect the spark plug lead.
- Repeat the starting procedures for a warm engine.
- If the engine still fails to start or fire, refer to the troubleshooting flow chart at the end of this manual.



Stopping The Engine

- Cool the engine by allowing it to run at idle for 2–3 minutes.
- Slide the ignition switch towards the rear to "O" OFF.

Adjusting Engine Idle Speed

IMPORTANT!

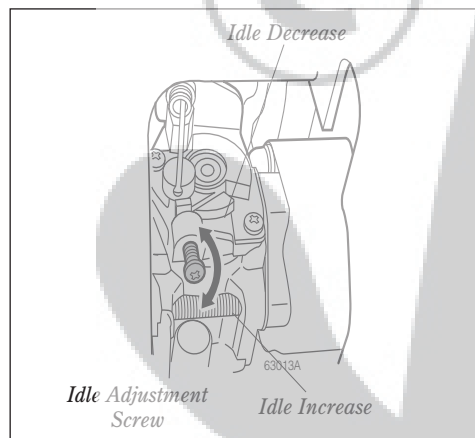
A clean and unrestricted airflow is essential to your blower's engine performance and durability! Before attempting any carburetor adjustments, inspect and clean the engine air filter as described on page 10 of this manual.

IMPORTANT!

Blower tubes and the air cleaner must be in place while adjusting engine idle! Engine idle speed will also be affected if the blower tubes are blocked or incorrectly installed!

- Place the unit on the ground and start the engine, then allow it to idle 2-3 minutes until warm.

- If a tachometer is available, the engine idle speed should be final adjusted to 2,200 (min⁻¹).



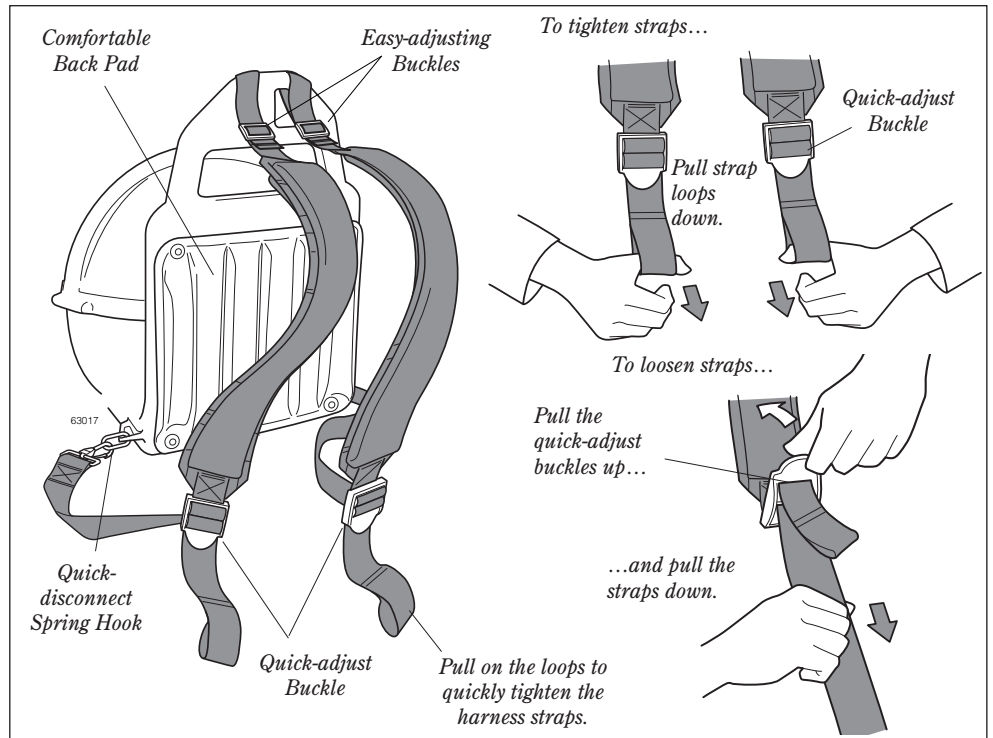
NOTE:

Carburetor fuel mixture adjustments are preset at factory on units with emission control systems and can not be serviced in the field.

Adjusting The Harness

The Shindaiwa EB630 Blower features an advanced harness system that helps ensure maximum operator comfort and ease of operation.

- The shoulder harness is filled with soft padding for reduced operator fatigue.
- The simplified adjustment system makes it easy to match the harness to every body size and type.

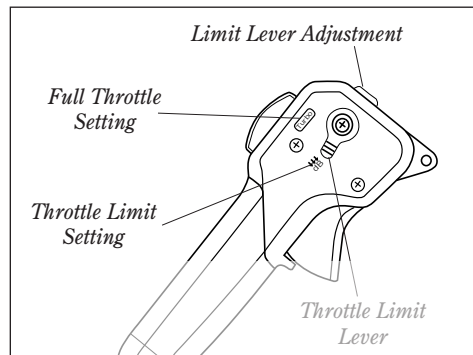


Throttle Limit Function

The EB630 has a throttle limit function that allows the operator to pre-set the maximum full-throttle setting. This is useful for limiting the noise emitted by the blower in sound sensitive areas.

Setting Throttle Limit:

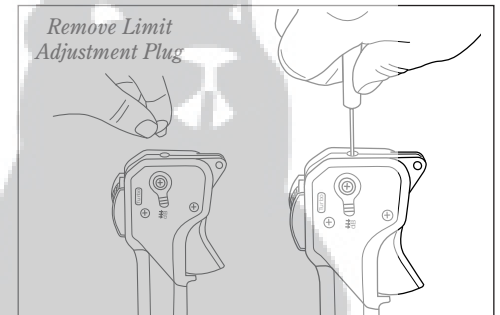
Move the throttle limit lever located on the right hand side of the throttle control to the dB setting.



Adjusting Throttle Limit:

1. Remove the plug located at the top of the throttle assembly.

2. Move the throttle limit lever to the "limit" setting.
3. Using a small Phillips screw driver, Turn the adjustment screw clockwise to decrease limit RPM and counter-clockwise to increase until desired limit RPM is achieved.
4. Reinstall limit plug.



Using the Blower

Operating Tips

In the hands of an experienced operator, the EB630 can efficiently move a wide variety of debris ranging from grass clippings to gravel. As a general rule, operate your blower at the lowest throttle setting required to get the job done:

- Use low throttle settings when clearing lightweight materials from around lawns or shrubbery.
- Use medium to higher throttle settings to move grass or leaves from parking lots or walkways.
- Use full throttle when moving heavy loads such as dirt or snow.

IMPORTANT!

Blower noise increases at higher throttle settings! Always use the lowest throttle setting required to get the job done!

Maintenance



WARNING!

Before performing any maintenance, repair or cleaning work on the unit, make sure the engine is completely stopped. Disconnect the spark plug wire before performing service or maintenance work.



WARNING!

Non-standard parts may not operate properly with your unit and may cause damage and lead to personal injury.

NOTE:

Using non-standard replacement parts could invalidate your Shindaiwa warranty.

Daily Maintenance



WARNING!

To reduce fire hazard, keep the engine and muffler free of dirt, debris, and leaves.

CAUTION!

The engine is cooled by air drawn into the air intake cover on the blower housing. The blower fan then pushes the cooling air through an opening in the fan housing, forcing it past the cylinder cooling fins. Failure to keep the cooling system and its passages clear of debris will likely result in engine overheating, a major cause of serious engine problems that can lead to failure.

Prior to each workday, perform the following:

- Remove all dirt and debris from blower exterior and the engine. Check the cooling fins and air cleaner for clogging and clean as necessary.
- Inspect the engine, tank, and hoses for possible fuel leaks, and repair as necessary.
- Inspect the entire blower for loose, damaged, or missing components, and repair as necessary.
- Carefully remove any accumulations of dirt or debris from the muffler and fuel tank. Dirt build-up in these areas can lead to engine overheating, fire or premature wear.

Every 10 Hours

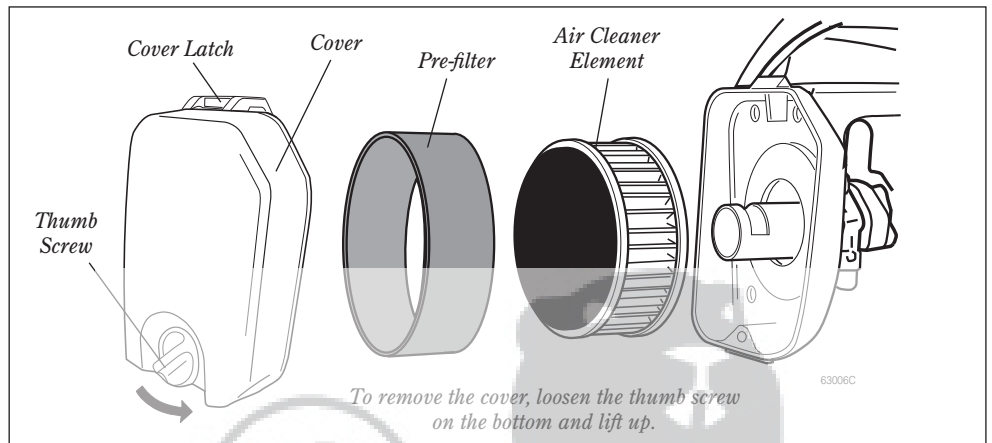
(More frequently in dusty conditions)

1. Remove the air cleaner cover by loosening the thumb screw and lifting up.
2. Remove and inspect the pre-filter. If the pre-filter is torn or otherwise damaged, replace it with a new one.
3. Clean the pre-filter with soap and water. Let dry before reinstalling.
4. Inspect the air cleaner element. If the element is damaged or distorted, replace it with a new one.

IMPORTANT!

The EB630 uses a special high capacity dry-type air filter element. The filter should not be cleaned with a liquid cleaner and must NEVER be oiled!

5. Tap filter gently on a hard surface to dislodge debris from element or use compressed air from the inside to blow debris out and away from the air filter element.



IMPORTANT!

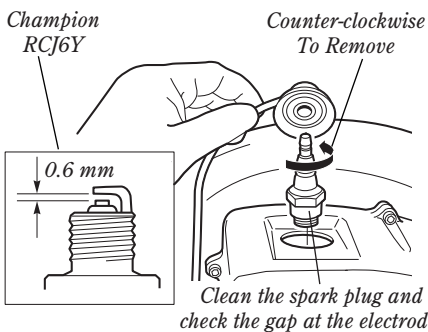
Direct the air stream at the inside face of the filter only!

6. Install the filter element, pre-filter and cover in the reverse order of removal.

CAUTION!

Never operate the blower if the air cleaner assembly is damaged or missing!

Every 10/15 Hours



CAUTION!

Never allow dirt or debris to enter the cylinder bore! Before removing the spark plug, thoroughly clean the spark plug and cylinder head area!

Allow the engine to cool before servicing the spark plug! Cylinder threads can be damaged by tightening or loosening the spark plug while the engine is hot!

1. Use the spark plug wrench to remove the spark plug.
2. Clean and adjust the spark plug gap to 0.6 mm. If the plug must be replaced, use only Champion RCJ6Y or equivalent type plug of the correct heat range.
3. Install the spark plug finger-tight in the cylinder head, then tighten it firmly with the spark plug wrench. If a torque wrench is available, torque the spark plug to 16.7 - 18.6 N-m.

Every 50 Hours

(more frequently if reduced performance is noted)

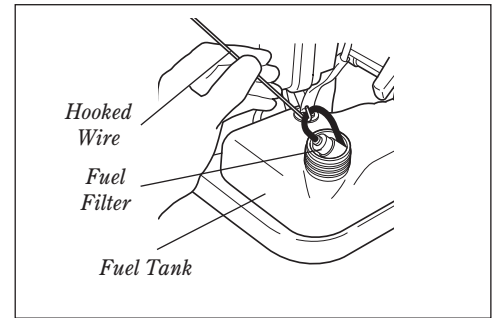
- **INSPECTION** Inspect the entire blower and tubes for damage, including loose or missing components, and repair as necessary.
- **SPARK PLUG** Replace the spark plug with a Champion RCJ6Y (or equivalent), gapped to 0.6 mm.
- **FUEL FILTER** Use a hooked wire to extract the fuel filter from inside the fuel tank.

CAUTION!

Make sure you do not pierce the fuel line with the end of the hooked wire. The line is delicate and can be damaged easily.

- Inspect the filter element for signs of contamination from debris. A contaminated fuel filter should be replaced with a new Shindaiwa replacement element. Before reinstalling the filter, inspect the condition of the fuel line. If you note damage or deterioration, the blower should be removed from service until it can be inspected by a Shindaiwa-trained service technician.

- **COOLING SYSTEM** Use a wood or plastic scraper and a soft brush to remove dirt and debris from the cylinder fins and crankcase.



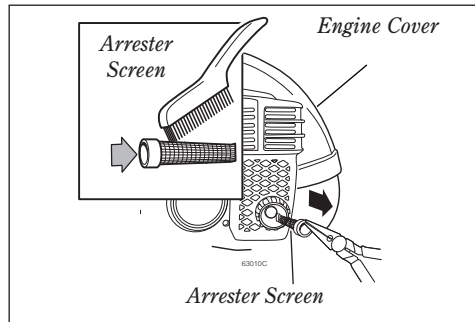
Spark Arrester Maintenance



WARNING!

Never operate this blower with a damaged or missing muffler or spark arrester! Operating with missing or damaged exhaust components is a fire hazard, and can also damage your hearing!

Hard starting or a gradual loss of performance can be caused by carbon deposits lodged in the spark arrester screen. For maximum performance, the spark arrester screen should be periodically cleaned as follows.



1. Use a needle-nose pliers to remove the spark arrester from the exhaust tube. The arrester is press-fit in place; there are no screws to remove.

2. Use a plastic scraper or wire brush to remove carbon deposits from the arrester screen and exhaust tube.
3. Inspect the screen carefully, and replace any screen that has been perforated, distorted, or is otherwise unserviceable.
4. Press the spark arrester into the exhaust tube. A soft mallet may be used to tap the spark arrester home.

If carbon accumulation in the muffler or cylinder are severe, or if you do not notice an improvement in performance after servicing, have the unit inspected by an authorized servicing Shindaiwa dealer.

Long Term Storage

Whenever the unit will not be used for 30 days or longer, use the following procedures to prepare it for storage:

- Clean external parts thoroughly.
- Drain all the fuel from the fuel tank.

IMPORTANT!

All stored fuels should be stabilized with a fuel stabilizer such as STA-BIL™ if Shindaiwa One oil with fuel stabilizer is not used.

To remove the remaining fuel from the fuel lines and carburetor and with the fuel drained from the fuel tank.

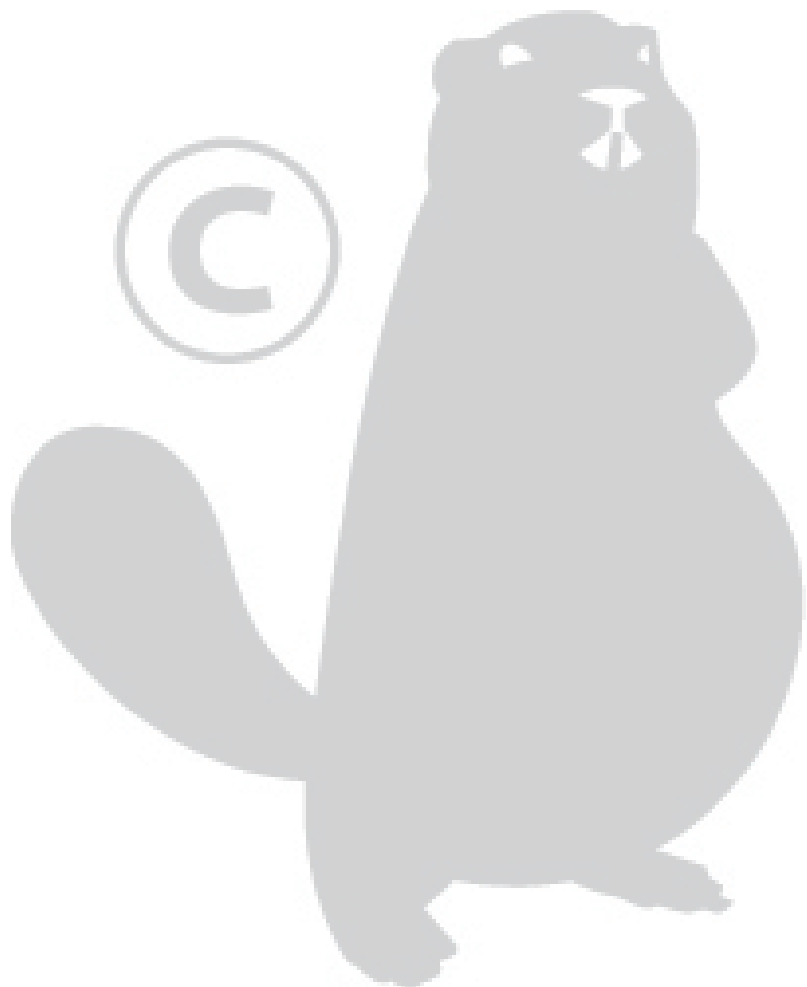
1. Prime the primer bulb until no more fuel is passing through.
2. Start and run the engine until it stops running.
3. Repeat steps 1 and 2 until the engine will no longer start.

CAUTION!

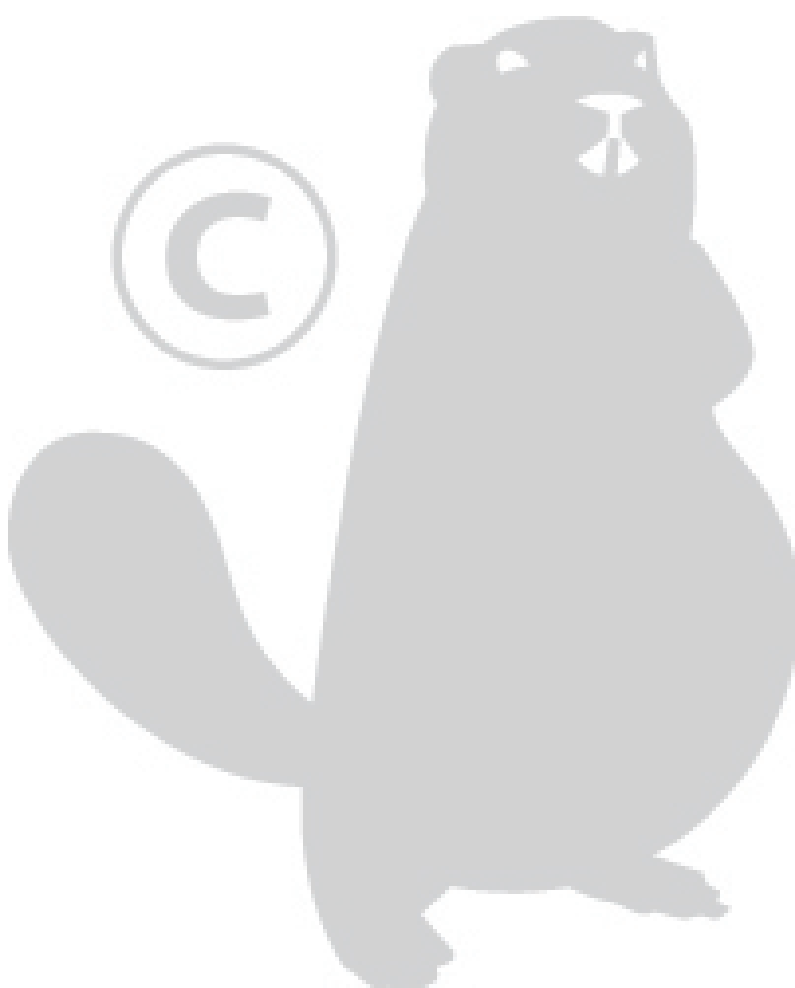
Gasoline stored in the carburetor for extended periods can cause hard starting, and could also lead to increased service and maintenance costs.

- Remove the spark plug and pour about 7 grams of 2-cycle mixing oil into the cylinder through the spark plug hole. Slowly pull the recoil starter 2 or 3 times so oil will evenly coat the interior of the engine. Reinstall the spark plug.
- Before storing the unit, repair or replace any worn or damaged parts.
- Remove the air cleaner element from the unit and clean it as outlined on page 10.
- Store the unit in a clean, dust-free area.

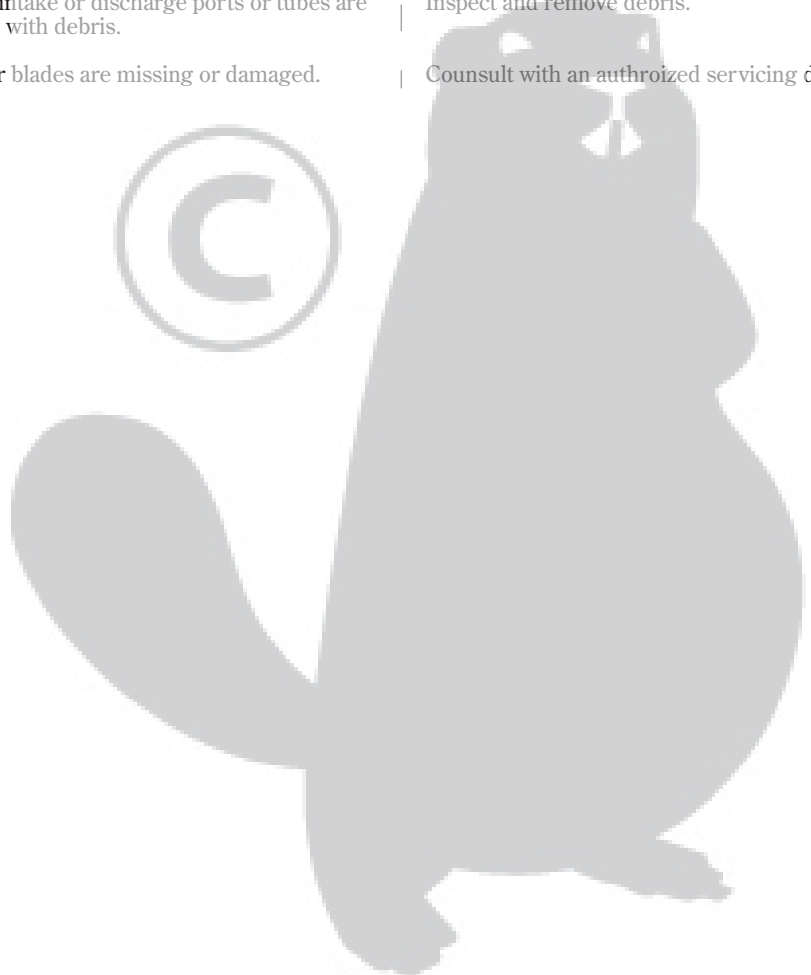
What To Check	Possible Cause	Remedy
Does the engine crank? ↓ YES	NO Faulty recoil starter. Fluid in the crankcase. Internal damage.	Consult with an authorized servicing dealer.
Good compression? ↓ YES	NO Loose spark plug. Excess wear on cylinder, piston, rings.	Tighten and re-test. Consult with an authorized servicing dealer.
Does the tank contain fresh fuel of the proper grade? ↓ YES	NO Fuel incorrect, stale, or contaminated; mixture incorrect.	Refill with clean fresh unleaded gasoline with a pump octane of 87 or higher, mixed with Premium 2-cycle mixing oil at a 50:1 gasoline/oil ratio.
Is fuel visible and moving in the return line when priming? ↓ YES	NO Check for clogged fuel filter and/or vent. Priming pump not functioning properly.	Replace fuel filter or vent as required. Consult with an authorized servicing dealer.
Is there spark at the spark plug wire terminal? ↓ YES	NO The ignition switch is in "O" (OFF) position. Shorted ignition ground. Faulty ignition unit.	Move switch to "I" (ON) position and re-start. Consult with an authorized servicing dealer.
Check the spark plug.	If the plug is wet, excess fuel may be in the cylinder. The plug is fouled or improperly gapped. The plug is damaged internally or of the wrong size.	Crank the engine with the plug removed, replace the plug, and re-start. Clean and re-gap the plug to 0.6 mm. Re-start. Replace the plug with a Champion RCJ6Y or equivalent type spark plug of the correct heat range. Adjust the spark plug electrode gap to 0.6mm; Restart.



What To Check	Possible Cause	Remedy
Is the engine overheating?	Operator is overworking the unit. Carburetor mixture is too lean. Improper fuel ratio. Fallen leaves or debris on intake cover. Fan, fan cover, cylinder fins dirty or damaged. Carbon deposits on the piston or in the muffler.	Use a lower throttle setting. Consult with an authorized servicing dealer. Refill with clean fresh unleaded gasoline with a pump octane of 87 or higher, mixed with Premium 2-cycle mixing oil at a 50:1 gasoline/oil ratio. Clean the intake cover. Clean, repair or replace as necessary. Consult with an authorized servicing dealer.
Engine is rough at all speeds. May also have black smoke and/or unburned fuel at the exhaust.	Clogged air cleaner element. Loose or damaged spark plug. Air leakage or clogged fuel line. Water in the fuel. Piston seizure. Faulty carburetor and/or diaphragm.	Clean or replace the air filter. Tighten or replace the plug with a Champion RCJ6Y or equivalent type spark plug of the correct heat range. Repair or replace fuel filter and/or fuel line. Refill with fresh fuel/oil mixture. Consult with an authorized servicing dealer.
Engine is knocking.	Overheating condition. Improper fuel. Carbon deposits in the combustion chamber.	See above. Check fuel octane rating; check for presence of alcohol in the fuel. Refuel as necessary. Consult with an authorized servicing dealer.



Symptom	Possible Cause	Remedy
<div style="border: 1px solid black; padding: 5px; width: fit-content;">Poor acceleration.</div>	Clogged air element.	Clean or replace the air filter.
	Clogged fuel filter.	Replace the fuel filter.
	Lean fuel/air mixture.	Consult with an authorized servicing dealer.
	Idle speed set too low.	Adjust: 2200 min ⁻¹ .
<div style="border: 1px solid black; padding: 5px; width: fit-content;">Engine stops abruptly.</div>	Ignition switch turned off.	Reset the switch and re-start.
	Fuel tank empty.	Refuel. See page 7.
	Clogged fuel filter.	Replace fuel filter.
	Water in the fuel.	Drain; replace with clean fuel. See page 7.
	Shorted spark plug or loose terminal.	Clean or replace spark plug with a Champion RCJ6Y or equivalent type spark plug of the correct heat range.
Ignition failure.	Replace the ignition unit.	
Piston seizure.	Consult with an authorized servicing dealer.	
<div style="border: 1px solid black; padding: 5px; width: fit-content;">Engine difficult to shut off.</div>	Ground (stop) wire is disconnected, or switch is defective.	Test and replace as required.
	Overheating due to incorrect spark plug.	Clean or replace spark plug with a Champion RCJ6Y or equivalent type spark plug of the correct heat range.
	Overheated engine.	Idle engine until cool.
<div style="border: 1px solid black; padding: 5px; width: fit-content;">Excessive vibration.</div>	Debris build-up in impeller.	Clean debris from impeller as required.
	Loose or damaged impeller.	Inspect and replace impeller as required.
	Loose or damaged engine mounts.	Tighten or replace engine mounts as required.
<div style="border: 1px solid black; padding: 5px; width: fit-content;">Engine overspeeding.</div>	Blower intake or discharge ports or tubes are clogged with debris.	Inspect and remove debris.
	Impeller blades are missing or damaged.	Consult with an authorized servicing dealer.



DECLARATION OF CONFORMITY

We hereby declare the Shindaiwa Blower,
Model EB630 (EB630/EC1).

meets the following respective requirements.

Council Directives:

89/336/EEC as amended

98/37/EC as amended

2000/14/EC as amended

2004/26/EC as amended

Standard taken:

EN 292 parts 1&2

CISPR 12

Measured sound power level: 111dB(A)

Guaranteed sound power level: 112dB(A)

Technical documentation is kept by:

K. Maeda DIV. Manager

Engineering Research and Development DIV.


Shindaiwa Corporation

Head office : 6-2-11, Ozuka—Nishi, Asaminami—Ku,
Hiroshima, 731—3167, Japan

TEL: 81-82-849-2003, FAX: 81-82-849-2482

17th January, 2005



T. Yoshitomi

DIV. Manager

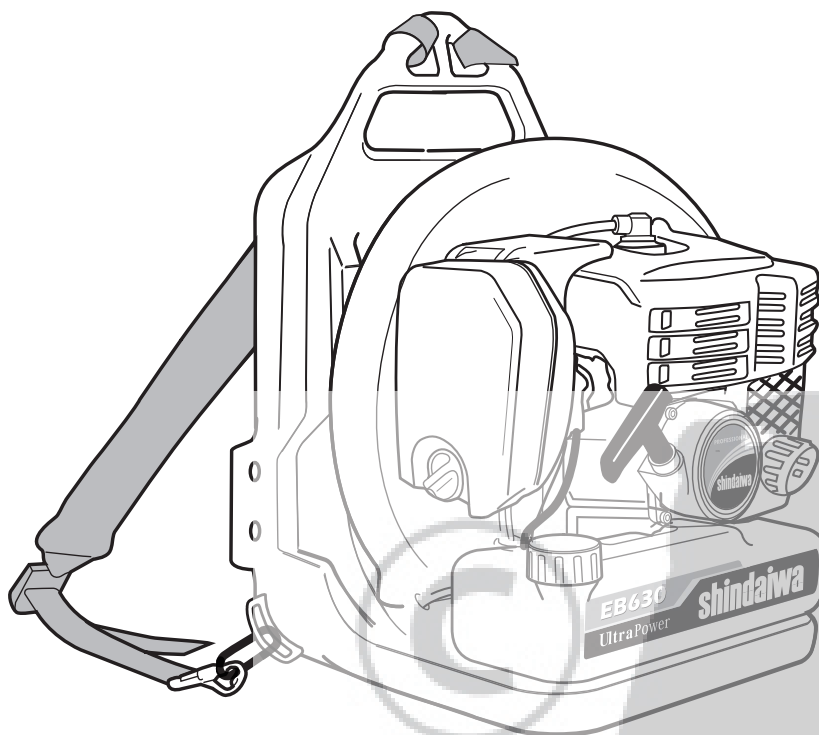
Quality Assurance DIV.

Shindaiwa Corporation

Head office : 6-2-11, Ozuka—Nishi, Asaminami—Ku,
Hiroshima, 731—3167, Japan

TEL: 81-82-849-2206, FAX: 81-82-849-2481

MANUEL D'UTILISATION SHINDAIWA
SOUFFLEUR EB630



AVERTISSEMENT !

Lire le présent manuel et se familiariser avec son contenu. Limiter tout risque de blessures, sur soi-même ou sur les autres. Ne pas utiliser cet appareil ni procéder à son entretien sans avoir clairement compris le présent manuel. Conserver ce manuel en lieu sûr afin de pouvoir le consulter pour toute question concernant l'utilisation de l'outil. Toujours porter un dispositif de protection des yeux et des oreilles pendant l'utilisation de l'appareil.

shindaiwa

Numéro de référence 68238-94312 Rév. 1/07

Introduction

MISE EN GARDE !

Ce souffleur est équipé d'un silencieux et d'un pare-étincelles ! Ne jamais utiliser l'appareil si le silencieux et le pare-étincelles ne sont pas installés et s'ils ne fonctionnent pas correctement !

IMPORTANT !

Avant d'utiliser cet appareil, consulter les réglementations locales concernant les limitations sonores et les heures de fonctionnement.

Le souffleur EB630 Shindaiwa a été conçu et fabriqué dans le but d'offrir des performances et une fiabilité supérieures sans compromettre la qualité, le confort, la sécurité ou la durabilité.

Les informations contenues dans le présent manuel décrivent les appareils disponibles au moment de la fabrication. Malgré tous les efforts déployés pour vous offrir les informations les plus récentes sur le souffleur EB630 Shindaiwa, il peut y avoir des différences entre le souffleur et ce qui est décrit dans le présent manuel. Shindaiwa Inc. se réserve le droit d'apporter des modifications au produit sans préavis et se dégage de toute obligation d'apporter des modifications aux appareils déjà fabriqués.

Table des matières

PAGE

Mises en garde.....	2
Mesures de sécurité générales.....	3
Description de l'appareil.....	5
Caractéristiques techniques	5
Assemblage du souffleur.....	6
Mélange de carburant	7
Remplissage du réservoir de carburant ...	7
Démarrage du souffleur.....	7
Réglage du ralenti du moteur	8
Réglage du harnais	9
Utilisation du souffleur	9
Entretien	10
Remisage à long terme.....	11
Guide de dépannage	12
Déclaration de conformité	15

Mises en garde

Des « mises en garde » spéciales apparaissent tout au long du manuel.



AVERTISSEMENT !

Un symbole triangulaire suivi du mot « AVERTISSEMENT » indique une situation potentiellement dangereuse qui, si elle n'est pas évitée, peut entraîner des blessures graves, voire mortelles.

MISE EN GARDE !

Un énoncé précédé de la mention « MISE EN GARDE » contient des informations à prendre en compte pour éviter d'endommager l'appareil.

IMPORTANT !

Un énoncé précédé du mot « IMPORTANT » contient des informations d'une importance particulière.

REMARQUE :

Un énoncé précédé du mot « REMARQUE » contient des informations utiles pouvant faciliter le travail.



Lire et suivre les consignes de ce manuel. Dans le cas contraire, pourraient s'ensuivre des blessures graves.



Il est recommandé de porter des dispositifs de protection pour les yeux et pour les oreilles à tout moment pendant l'utilisation de l'appareil.



Niveau de puissance acoustique (mesuré conformément à 2000/14/EC).

IMPORTANT !

Les procédures d'utilisation décrites dans ce manuel visent à vous aider à tirer le maximum de l'appareil, et également à vous protéger (vous-même et les autres) contre les blessures. Ces procédures constituent uniquement des lignes directrices et ne remplacent en aucune façon d'autres mesures de sécurité ni les lois en vigueur dans votre région. Pour toute question sur le souffleur EB630 ou pour toute clarification sur les renseignements contenus dans le présent manuel, votre représentant Shindaiwa se fera un plaisir de vous aider. Pour toute information complémentaire, vous pouvez également contacter Shindaiwa Inc. à l'adresse imprimée au verso du manuel.

Mesures de sécurité générales

Sécurité au travail

Les souffleurs fonctionnent à très haute vitesse et peuvent causer de sérieux dommages et de sérieuses blessures s'ils sont mal utilisés ou si on en fait un emploi abusif. *Ne jamais laisser le souffleur EB630 entre les mains d'une personne qui n'a pas lu les consignes d'utilisation.*

Demeurer alerte

Vous devez être physiquement et mentalement alerte pour utiliser cet appareil en toute sécurité.



AVERTISSEMENT !

Faire preuve de prudence

NE JAMAIS faire fonctionner le moteur lors du transport de l'appareil.

NE JAMAIS faire fonctionner le moteur à l'intérieur ! S'assurer qu'il y a toujours une bonne ventilation. Les gaz émanant du tuyau d'échappement peuvent causer des blessures graves, voire mortelles.

TOUJOURS arrêter l'appareil s'il se met à vibrer ou s'il devient instable. Inspecter l'appareil pour détecter toutes pièces ou tous accessoires brisés, mal installés ou manquants éventuels.

TOUJOURS tenir l'appareil aussi propre que possible. Enlever toute accumulation d'herbes, terre, etc.

TOUJOURS garder les poignées propres.

TOUJOURS débrancher le fil de bougie avant de faire des tâches d'entretien.

TOUJOURS arrêter le moteur avant de poser l'appareil. Pour transporter l'appareil dans un véhicule, l'attacher solidement pour empêcher l'appareil de se retourner, éviter tout déversement de carburant ou dommage à l'appareil.

NE JAMAIS introduire d'objets externes dans l'orifice d'entrée d'air ou d'évacuation du souffleur pendant son utilisation.



AVERTISSEMENT !

Ne jamais apporter de modifications ni installer d'accessoires non approuvés. Ne jamais utiliser des accessoires dont l'installation sur cet appareil n'est pas homologué par Shindaiwa.



AVERTISSEMENT !

Ne jamais utiliser un appareil si vous êtes fatigué, sous l'influence d'alcool, de drogues ou de toute autre substance qui pourrait nuire à votre concentration ou à votre jugement.



AVERTISSEMENT !

Réduire les risques d'incendie

NE JAMAIS fumer ou allumer de feu à proximité de l'appareil.

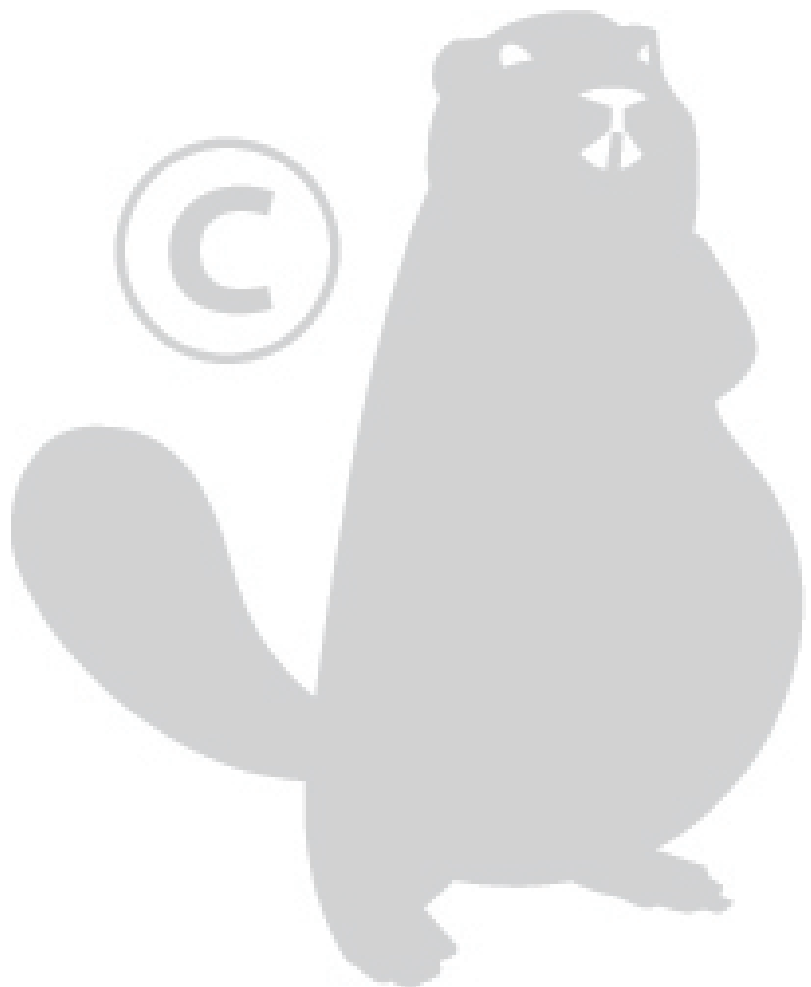
TOUJOURS arrêter le moteur et le laisser refroidir avant de faire le plein. Éviter de trop remplir le réservoir et essuyer tout carburant qui pourrait avoir débordé.

TOUJOURS vérifier les fuites de carburant avant chaque usage. À chaque remplissage, s'assurer que le carburant ne s'écoule pas du bouchon et/ou du réservoir de carburant. En cas de fuite apparente, cesser immédiatement d'utiliser l'appareil. Réparer toute fuite de carburant avant d'utiliser l'appareil.

TOUJOURS déplacer l'appareil à bonne distance de l'aire de remplissage ou d'autres substances inflammables avant de démarrer le moteur.

NE JAMAIS placer de matière inflammable à proximité du silencieux du moteur.

NE JAMAIS utiliser le moteur sans pare-étincelles, et sans que celui-ci ne fonctionne correctement.



Équipement complet de l'utilisateur

Porter des vêtements ajustés pour protéger vos bras et jambes. Les gants assurent une protection supplémentaire des mains. Ne pas porter de vêtements ou de bijoux qui pourraient facilement se coincer dans l'appareil ou dans les broussailles. Attacher les cheveux au-dessus du niveau des épaules. **NE JAMAIS** porter de shorts !

Porter un dispositif de protection pour les oreilles pendant l'utilisation de l'appareil.

Toujours porter un dispositif de protection pour les yeux comme une visière de protection ou des lunettes pendant l'utilisation de l'appareil. Ne jamais utiliser l'appareil si les conditions de visibilité sont mauvaises.

Porter un masque étanche aux poussières afin de réduire le risque de blessures par inhalation.

Toujours tenir compte de la puissance et de la direction du jet de refoulement du souffleur. Ne jamais orienter le jet de refoulement du souffleur vers des personnes ou des animaux !

Garder le pied ferme et ne pas tendre le bras trop loin. Garder l'équilibre à tout moment lors du fonctionnement de l'appareil.

Porter des chaussures appropriées (bottes ou souliers antidérapants) : ne pas porter de sandales ou de chaussures à bouts ouverts. Ne jamais utiliser l'appareil nu-pieds !



Tenir compte de l'environnement de travail

Les débris s'accumulent parfois au niveau de l'entrée d'air du souffleur. Ne jamais enlever les débris du souffleur pendant que le moteur fonctionne !

S'assurer que les personnes ou observateurs situés à l'extérieur de la « zone de danger » de 15 mètres portent un dispositif de protection pour les yeux.

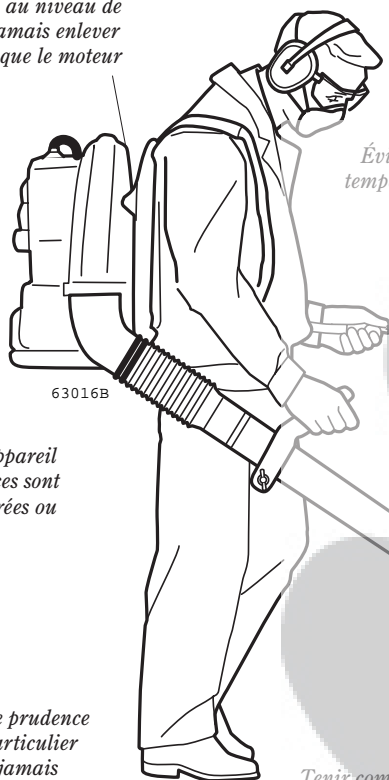
Éviter toute utilisation prolongée à température très chaude ou très froide.

Ne jamais utiliser l'appareil si certaines de ses pièces sont endommagées, desserrées ou manquantes !

Faire preuve d'une extrême prudence sur terrain glissant, en particulier par temps de pluie. Ne jamais utiliser ce souffleur sur un toit, un rebord de fenêtre ou une échelle.

Tenir compte en permanence des objets et débris pouvant être projetés par le souffleur et pouvant rebondir sur une surface dure.

Ne pas orienter le jet d'air vers les observateurs. Le débit d'air important peut entraîner la projection de petits objets à grande vitesse et causer des blessures aux yeux.

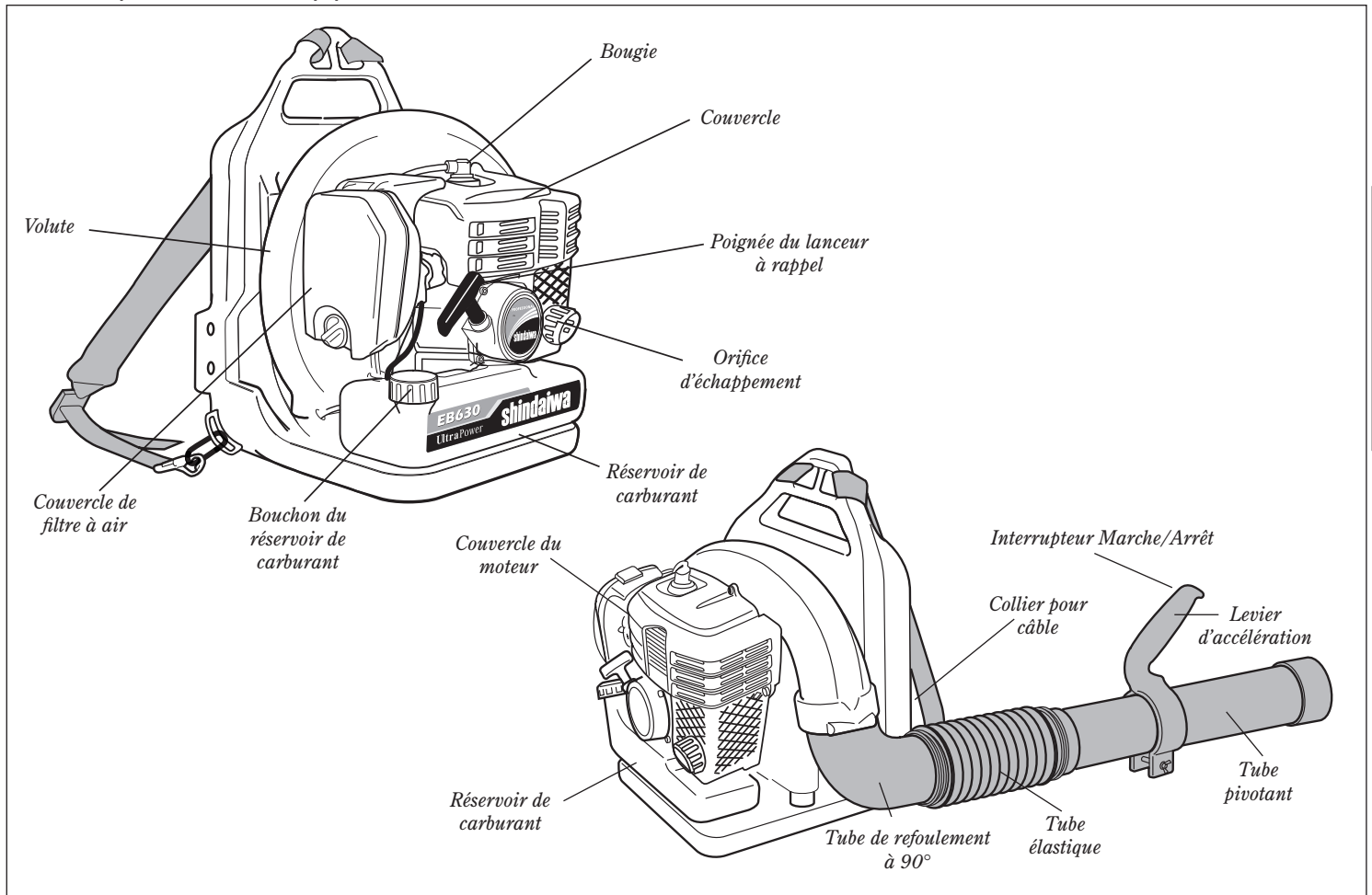


63016B



Réduire les risques de blessures des personnes à proximité par projection de débris. Garder les observateurs à au moins 15 mètres (environ 16 pas) de la zone de travail.

Description de l'appareil



Avant l'assemblage

Se reporter aux figures ci-dessus et prendre le temps de se familiariser avec le souffleur et ses composants. Comprendre l'appareil permet d'obtenir des performances optimales, de prolonger sa durée de vie utile et favorise une utilisation plus sécuritaire.

Avant d'assembler le souffleur, s'assurer que tous les composants requis sont présents :

- Assemblage souffleur et moteur.
- Tube élastique, tube pivotant, tube droit et buse.
- Deux colliers de serrage du tube (100 et 85 mm).
- Ce manuel d'utilisation, une trousse à outils contenant un sac à outils, une clé hexagonale de 3 mm-4 mm-5 mm et une clé à bougie
- Fil (antistatique).

S'assurer qu'aucun composant n'est endommagé.

IMPORTANT !

Les termes « gauche », « à gauche », « vers la gauche », « droite », « à droite » et « vers la droite », « avant » et « arrière » font référence à la direction telle que vue par l'opérateur lors d'une utilisation normale de l'appareil.

Caractéristiques techniques

N° de modèle	EB630/EC1
Dimensions (L x l x H)	350 x 460 x 495 mm
Type de moteur	Essence à deux temps refroidi à l'air, cylindre vertical
Alésage x course	47,5 x 35 mm
Cylindrée.....	62,0 cm ³
Puissance maximale/min ⁻¹	2,9 kW/ 7 500 min ⁻¹
Régime maximal du moteur.....	7 900 min ⁻¹
Régime du moteur au ralenti	2 200 min ⁻¹
Rapport huile/carburant	50:1
Carburateur	Walbro de type rotatif avec pompe d'amorçage
Allumage.....	Système d'allumage entièrement électronique par transistor
Bougie.....	Champion RCJ6Y
Démarreur	Lanceur à rappel
Arrêt du souffleur EB630.....	Interrupteur
Capacité du réservoir	2 000 cm ³
Échappement.....	Silencieux pare-étincelles
Filtrage de l'air	Élément de séchage
Poids à sec (tubes de souffleur exclus)	9,0 kg
Niveau de pression acoustique (conformément à ISO 7917)	96 dB (A)
Niveau de puissance acoustique (conformément à ISO 10884.2).....	108 dB (A)
Niveau de vibration (conformément à ISO 7916)	Au ralenti 1,2 m/s ² À vitesse élevée 2,4 m/s ²
Vitesse de l'air du souffleur	86 m/s ²
Volume d'air du souffleur	17,4 m ³ /min

Les caractéristiques techniques sont susceptibles d'être modifiées sans préavis.

Assemblage du souffleur

IMPORTANT !

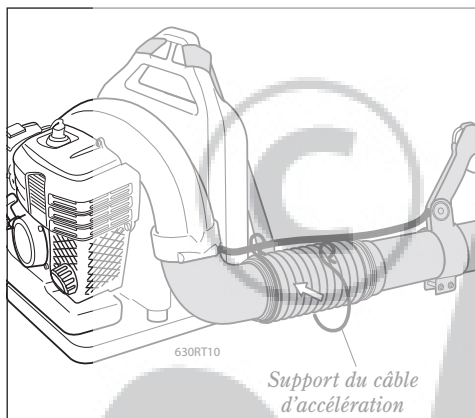
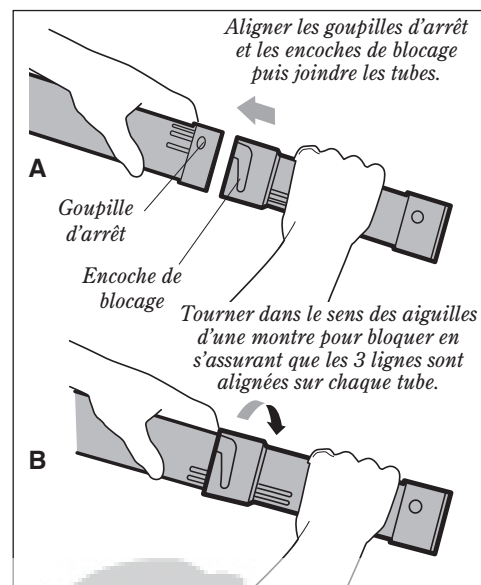
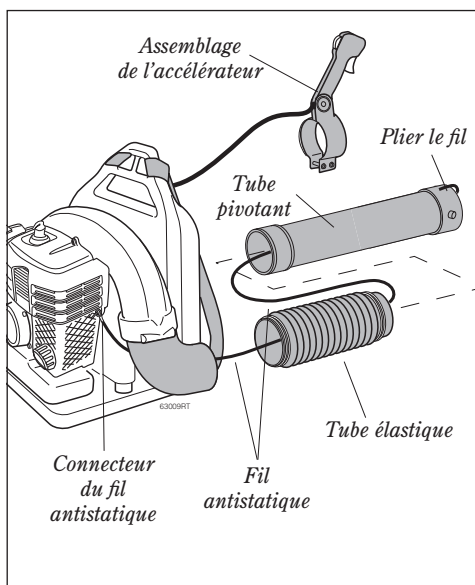
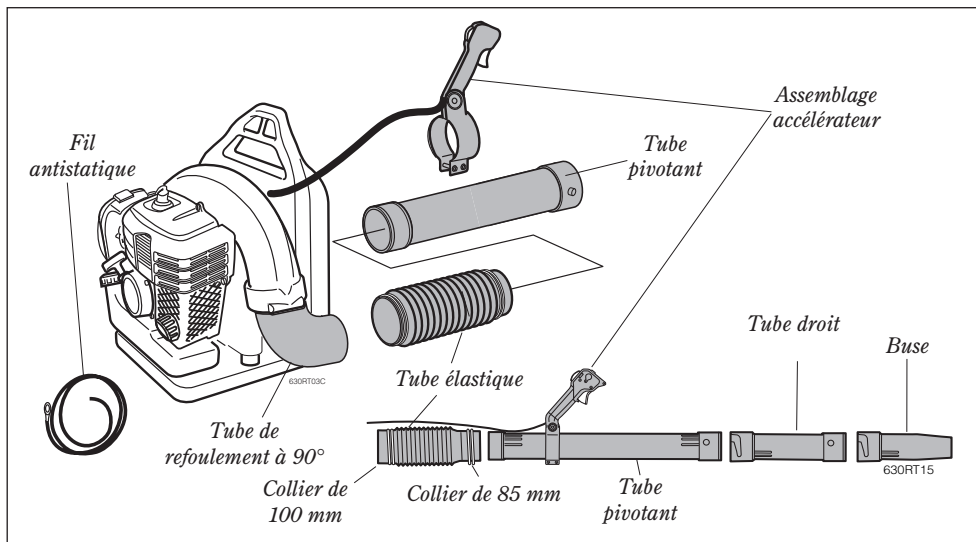
Cet appareil est équipé d'un fil de réduction de décharge d'électricité statique. Ce fil aide à rediriger l'accumulation d'électricité statique dans le courant d'air, réduisant la quantité ressentie par l'utilisateur.

1. Poser le souffleur verticalement sur le sol ou sur un plan de travail robuste et noter l'orientation des pièces tel qu'indiqué.
2. Retirer le fil antistatique de son enveloppe et fixer le passe-câble sur la vis droite du couvercle du moteur.
3. Tourner le tube de refoulement en angle droit et introduire le fil antistatique dans le collier de 100 mm et le tube élastique.
4. Glisser le tube sur l'extrémité du tube de refoulement à 90° et le fixer avec le collier de 100 mm.

REMARQUE :

Vérifier que le tube de refoulement à 90° pivote librement de l'avant vers l'arrière. Si un coincement est ressenti, desserrer le collier de 100 mm et tirer le fil vers le moteur pour obtenir plus de mou puis vérifier la liberté de mouvement.

5. Glisser l'assemblage de l'accélérateur sur le tube pivotant. Ne pas serrer le collier pour le moment.
6. Introduire le fil antistatique dans le tube pivotant, puis installer et serrer le collier de 85 mm sur la bande rotative du tube pivotant.
7. Replier l'extrémité du fil antistatique sur le raccord du tube pivotant.
8. Saisir le tube droit et l'enfoncer sur les goupilles d'arrêt du tube pivotant maintenant le fil antistatique en place.
9. Fixer le tube droit sur le tube pivotant en tournant le tube droit.
10. Saisir le tube de la buse et fixer la buse sur le tube droit en prenant note des repères d'alignement.
11. Installer le support du câble d'accélération juste devant le collier de 100 mm.
12. Régler l'assemblage de l'accélérateur de façon à offrir un confort optimal à l'utilisateur et serrer les deux vis hexagonales.



IMPORTANT !

L'installation du tube du souffleur a des répercussions sur les performances du souffleur ! S'assurer que les tubes et la buse sont correctement installés selon les indications des illustrations ci-dessus et que les raccords sont fermement serrés. Les tubes du souffleur risquent de se séparer en cours d'utilisation s'ils ne sont pas correctement alignés et bloqués.



AVERTISSEMENT !
La roue en rotation peut causer des blessures !

Arrêter le moteur avant d'installer ou de retirer les tubes du souffleur !
Ne jamais effectuer de procédures d'entretien ou d'assemblage sur cet appareil lorsque le moteur fonctionne !

Mélange de carburant

MISE EN GARDE !

- Certains carburants contiennent de l'alcool comme oxygénant ! Les essences oxygénées peuvent élever la température de fonctionnement du moteur. Dans certaines conditions, les carburants à base d'alcool peuvent réduire les propriétés lubrifiantes de certains mélanges d'huile.
- Ne jamais utiliser de carburant contenant plus de 10 % d'alcool par volume ! Les huiles génériques et certaines huiles pour moteurs hors-bord risquent de ne pas convenir à l'utilisation dans les moteurs à deux temps à haut rendement refroidis à l'air. Ne jamais les utiliser avec les outils Shindaiwa !

MISE EN GARDE !

Ce moteur est conçu pour fonctionner avec un mélange d'essence sans plomb et d'huile pour moteur à deux temps de première qualité seulement, dans un rapport de 50:1. L'utilisation de mélanges d'huile non autorisés risque d'entraîner des coûts d'entretien excessifs et/ou d'endommager le moteur.

IMPORTANT !

Préparer uniquement la quantité requise dans l'immédiat ! Si le carburant doit être remis plus de 30 jours, il est préférable de le stabiliser à l'aide d'un produit adapté, tel que STA-BIL™.

- Utiliser uniquement de l'essence sans plomb propre dont l'indice d'octane est égal ou supérieur à 87.
- Mélanger le carburant avec de l'huile pour moteur à deux temps de première qualité, adaptée à l'utilisation dans les moteurs à deux temps à haut rendement refroidis à l'air.
- Se reporter aux exemples de quantités de mélange de carburant à 50:1 :

Essence (litres)	Huile pour moteur à deux temps (millilitres)
2,5 l.....	50 ml
5 l.....	100 ml
10 l.....	200 ml
20 l.....	400 ml

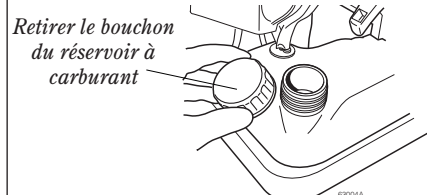
Remplissage du réservoir de carburant



AVERTISSEMENT ! Réduire les risques d'incendie, de brûlures et de blessures.

- **ARRÊTER** le moteur avant de faire le plein.
- **TOUJOURS** laisser refroidir le moteur avant de faire le plein.
- **TOUJOURS** enlever le bouchon du réservoir lentement pour relâcher progressivement la pression accumulée.
- **TOUJOURS** conserver le carburant dans un récipient homologué.
- Éviter de trop remplir le réservoir et essuyer tout déversement de carburant. Déplacer le moteur à au moins 3 mètres du lieu de remplissage, de la zone d'entreposage de carburant ou d'autres substances inflammables avant de le redémarrer.

- **TOUJOURS** vérifier les fuites de carburant avant chaque usage. À chaque remplissage, s'assurer que le carburant ne s'écoule pas du bouchon et/ou du réservoir de carburant. En cas de fuite apparente, cesser immédiatement d'utiliser l'appareil. Réparer toute fuite de carburant avant d'utiliser l'appareil.
- **NE JAMAIS** fumer ou allumer de feu à proximité du moteur ou d'une source de carburant.
- **NE JAMAIS** placer de matière inflammable à proximité du silencieux ou du moteur !
- **NE JAMAIS** faire fonctionner le moteur sans silencieux, et sans que celui-ci ne fonctionne correctement.
- **TOUJOURS** déplacer l'appareil à bonne distance de l'aire de remplissage ou d'autres substances inflammables avant de démarrer le moteur.



MISE EN GARDE !

Ne jamais tenter de réparer une fuite dans le réservoir de carburant. Toujours mélanger le carburant dans un récipient propre et homologué.

1. Placer l'appareil sur une surface plane et stable, puis essuyer toute accumulation de débris autour du bouchon du réservoir.
2. Enlever le bouchon du réservoir.
3. Remplir le réservoir de carburant propre.
4. Remettre le bouchon et essuyer tout débordement de carburant avant de démarrer le moteur.

Démarrage du moteur



AVERTISSEMENT ! La roue en rotation peut causer des blessures !

La roue tourne chaque fois que le souffleur est activé ! S'assurer que le couvercle d'admission et les tubes de souffleur sont correctement installés et en bon état avant toute utilisation !



AVERTISSEMENT ! Les projections de poussières ou de débris peuvent causer des blessures !

Toujours porter un dispositif de protection pour les yeux pendant l'utilisation de l'appareil ! Ne jamais orienter le jet du souffleur vers des personnes ou des animaux !

S'assurer que les commandes sont correctement installées et en bon état avant toute utilisation.

MISE EN GARDE !

Une utilisation excessive peut endommager le lanceur à rappel.

- Ne jamais tirer la corde de démarrage jusqu'au bout !
- Toujours engager le lanceur avant de lancer le moteur !
- Toujours rembobiner la corde de démarrage lentement !

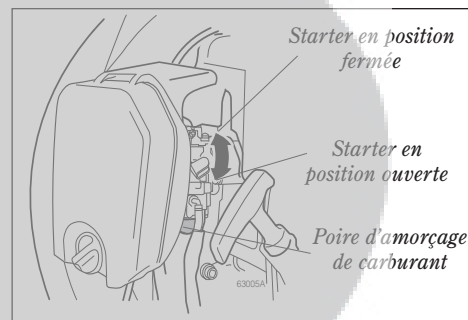
Ne jamais faire fonctionner le souffleur si les tubes de souffleur sont endommagés ou manquants !

Procédure de démarrage

1. Poser le souffleur sur le sol.
2. Amorcer le système d'alimentation en appuyant plusieurs fois sur la poire d'amorçage de carburant jusqu'à ce que plus aucune bulle d'air ne soit visible dans la conduite de refoulement de carburant.

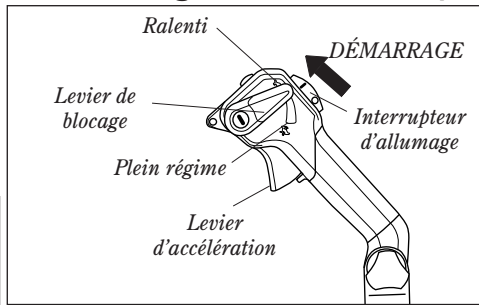
IMPORTANT !

Le système d'amorçage ne fait qu'injecter du carburant dans le carburateur. La pression répétitive de la poire d'amorçage ne noiera pas le moteur de carburant.

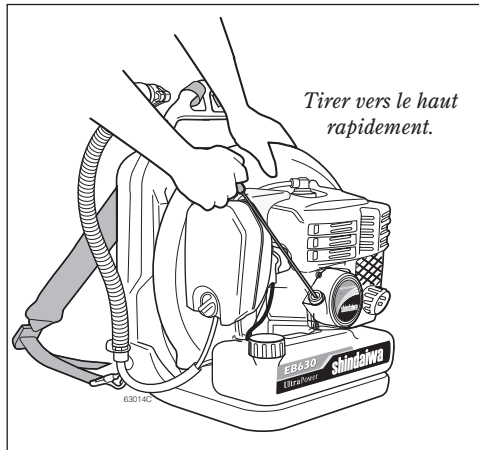


3. **Moteur froid uniquement.** Engorger le moteur en déplaçant le levier de starter vers le haut (starter en position fermée).

Démarrage du moteur (suite)



4. Glisser l'interrupteur d'allumage sur la position « I » (DÉMARRAGE), puis appuyer à moitié sur le levier d'accélération et bloquer l'accélérateur en déplaçant le levier de blocage à mi-chemin vers le bas.



5. Maintenir le souffleur fermement en plaçant la main gauche sur la volute.
6. De la main droite, tirer lentement sur la poignée du lanceur jusqu'à ce qu'il s'engage.
7. Lorsqu'il s'engage, tirer rapidement sur la poignée du lanceur vers le haut.
8. Si nécessaire, répéter les étapes 6 et 7 jusqu'à ce que le moteur démarre.

Lorsque le moteur démarre

1. Ouvrir le starter (si ce n'est déjà fait) en déplaçant le levier de starter vers le bas.
2. Si le moteur cesse de tourner, répéter la procédure de démarrage pour un moteur chaud ou froid, selon le cas.
3. Laisser le moteur tourner au ralenti pendant 2 à 3 minutes jusqu'à ce que le moteur ait atteint sa température de fonctionnement.

Le souffleur est maintenant prêt à fonctionner.

Si le moteur ne démarre pas

Répéter les étapes du démarrage d'un moteur froid ou chaud, selon le cas. Si le moteur ne démarre toujours pas, suivre la procédure « Démarrage d'un moteur noyé ».

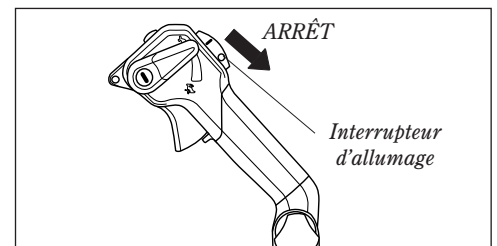


AVERTISSEMENT !

S'assurer que les commandes sont correctement installées et en bon état avant toute utilisation. Ne jamais faire fonctionner le souffleur si le couvercle de cylindre est manquant ou endommagé !

Démarrage d'un moteur noyé

1. Débrancher le fil de la bougie, puis retirer celle-ci (se reporter à la page 11 pour les procédures).
2. Si la bougie est encrassée ou imbibée de carburant, la nettoyer ou la remplacer.
3. Une fois la bougie enlevée, ouvrir le starter, placer le levier d'accélération sur la position de plein régime, puis actionner plusieurs fois le levier d'accélération pour éliminer l'excédent de carburant dans la chambre de combustion.
4. Installer et serrer la bougie, puis rebrancher le fil de bougie.
5. Répéter la procédure de démarrage pour un moteur chaud.
6. Si le moteur refuse de démarrer, consulter le guide de dépannage à la fin du présent manuel.



Arrêt du moteur

1. Après une séance de travail, laisser tourner le moteur au ralenti 2 à 3 minutes afin qu'il retrouve une température normale.
2. Glisser l'interrupteur d'allumage vers l'arrière sur la position « O » (ARRÊT).

Réglage du ralenti du moteur

IMPORTANT !

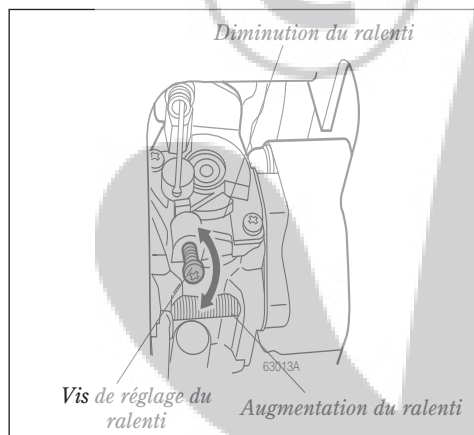
Le rendement et la durée du moteur du souffleur sont conditionnés par la circulation d'air non vicié. Bien inspecter et nettoyer le filtre à air du moteur comme indiqué avant de régler le carburateur, selon les instructions de la page 10 de ce manuel.

IMPORTANT !

Les tubes du souffleur et le filtre à air doivent être installés lors du réglage du ralenti du moteur. Le régime de ralenti du moteur sera également affecté si les tubes du souffleur sont bloqués ou incorrectement installés.

1. Poser l'appareil sur le sol, puis démarrer le moteur et le laisser tourner au ralenti pendant 2 à 3 minutes jusqu'à ce qu'il soit chaud.

2. Si un tachymètre est disponible, régler le régime du ralenti à 2 200 (min⁻¹).



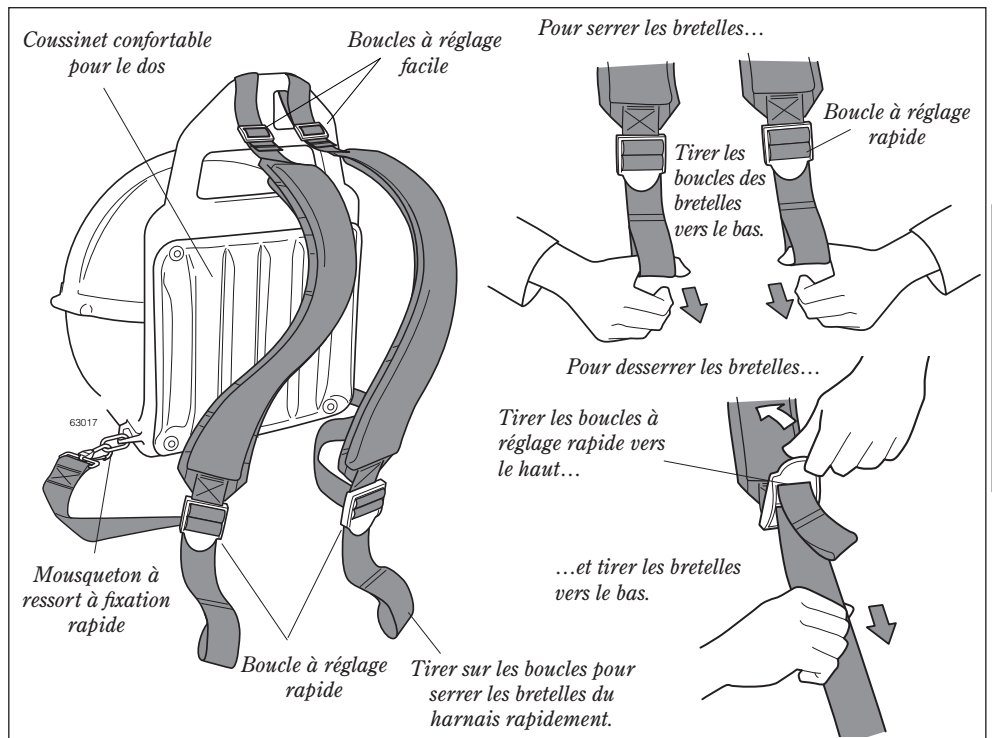
REMARQUE :

Les réglages du mélange d'essence du carburateur sont réalisés en usine sur des appareils équipés de systèmes de contrôle des émissions, et ne peuvent être modifiés sur le terrain.

Réglage du harnais

Le souffleur EB630 Shindaiwa présente un système de harnais avancé pour un confort maximal de l'opérateur et une utilisation aisée.

- Le harnais est rembourré pour réduire la fatigue de l'opérateur.
- Grâce à son système de réglage simplifié, le harnais est facilement ajustable à la taille et la morphologie de l'utilisateur.

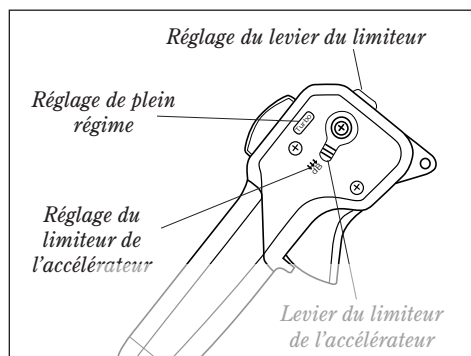


Fonction de limiteur de l'accélérateur

Le souffleur EB630 est doté d'un limiteur de l'accélérateur permettant à l'utilisateur de prédéfinir la puissance maximale du plein régime. Cette fonction permet de réduire le bruit du souffleur dans les zones où le niveau de puissance acoustique autorisé est limité.

Réglage du limiteur de l'accélérateur :

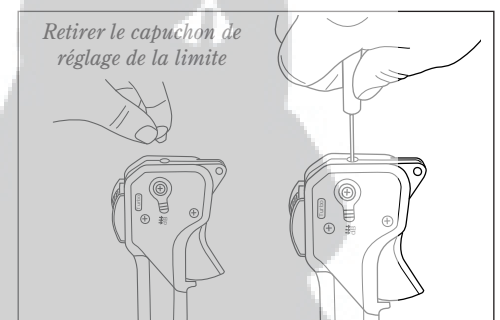
Déplacer le levier du limiteur de l'accélérateur situé sur le côté droit de la commande d'accélération sur le réglage dB.



Réglage du limiteur de l'accélérateur :

1. Retirer le capuchon situé en haut de l'assemblage de l'accélérateur.

2. Déplacer le levier du limiteur de l'accélérateur sur le réglage de la « limite ».
3. À l'aide d'un petit tournevis cruciforme, tourner la vis de réglage dans le sens des aiguilles d'une montre pour diminuer la limite du régime et dans le sens inverse des aiguilles d'une montre pour l'augmenter jusqu'à obtention de la limite de régime souhaitée.
4. Réinstaller le capuchon.



Utilisation du souffleur

Conseils d'utilisation

S'il est utilisé par un utilisateur expérimenté, le souffleur EB630 peut déplacer efficacement un grand nombre de saletés, des tontes de gazon au gravier. En règle générale, utiliser le souffleur au régime moteur le plus bas requis pour effectuer la tâche souhaitée :

- Faire tourner le moteur à bas régime pour dégager des objets légers de pelouses ou de buissons.
- Faire tourner le moteur à régime moyen à plus élevé pour déplacer des tontes de gazon ou des feuilles dans les parkings ou les allées.
- Faire tourner le moteur à plein régime pour déplacer des charges plus lourdes telles que des saletés ou de la neige.

IMPORTANT !

Le souffleur est plus bruyant lorsque le régime moteur est plus élevé ! Toujours utiliser le régime moteur le plus bas nécessaire pour effectuer la tâche souhaitée !

Entretien



AVERTISSEMENT !

Avant tout travail d'entretien, de réparation ou de nettoyage de l'appareil, s'assurer que le moteur est entièrement immobile. Débrancher le fil de la bougie avant tout travail d'entretien ou de réparation.



AVERTISSEMENT !

Les pièces non agréées risquent de ne pas fonctionner correctement et de causer des dommages ou des blessures.

REMARQUE :

L'utilisation de pièces de remplacement non agréées peut annuler la garantie Shindaiwa.

Entretien quotidien



AVERTISSEMENT !

Pour réduire les risques d'incendie, enlever régulièrement les saletés, les débris et les feuilles qui se sont déposés sur le moteur et le silencieux.

MISE EN GARDE !

Le moteur est refroidi par l'air aspiré dans le couvercle d'admission d'air de la cage du souffleur. Le ventilateur du souffleur pousse ensuite l'air de refroidissement vers un orifice du boîtier de ventilation, forçant son passage par les ailettes du cylindre. Les accumulations de saleté au niveau du système de refroidissement et des conduits d'air peuvent provoquer la surchauffe du moteur, cause majeure de problèmes graves du moteur pouvant entraîner une panne.

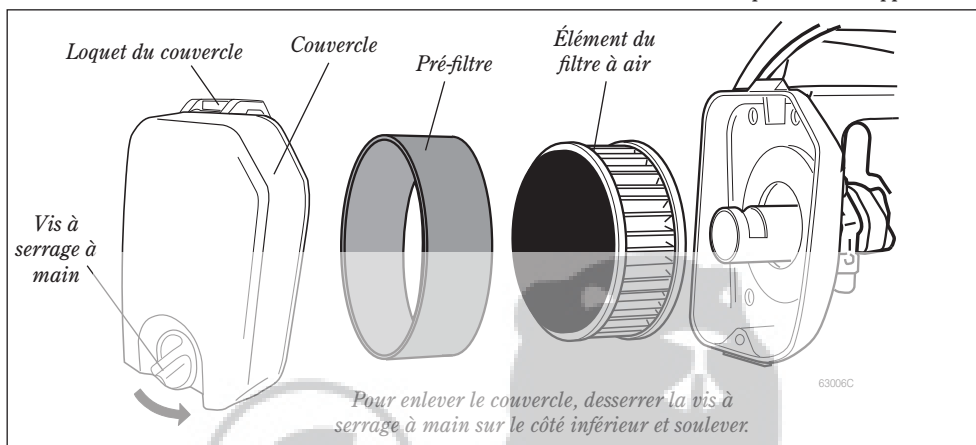
Suivre la procédure suivante au début de chaque journée de travail :

- Enlever toute accumulation de saleté ou de débris de l'extérieur du souffleur et du moteur. Vérifier les ailettes de refroidissement et le filtre à air et les nettoyer au besoin.
- S'assurer que le carburant ne s'écoule pas du moteur, du réservoir et des conduites et réparer au besoin.
- Vérifier si le souffleur est endommagé et s'il y a des pièces manquantes ou desserrées, et réparer au besoin.
- Enlever toute accumulation de saleté ou de débris du silencieux et du réservoir à carburant. Les accumulations de saleté sur ces pièces peuvent causer la surchauffe du moteur, un incendie ou l'usure précoce de l'appareil.

Toutes les 10 heures

(plus souvent dans des conditions difficiles)

1. Retirer le couvercle du filtre à air en desserrant la vis à serrage à main et en le soulevant.
2. Enlever et inspecter le pré-filtre. Si le pré-filtre est tordu ou endommagé, le remplacer par un neuf.
3. Nettoyer le pré-filtre avec de l'eau savonneuse. Laisser sécher avant de le réinstaller.
4. Inspecter l'élément du filtre à air. Si l'élément est tordu ou endommagé, le remplacer par un neuf.



IMPORTANT !

Le souffleur EB630 utilise un élément du filtre à air spécial de type séchage haute capacité. Ne pas nettoyer le filtre avec un nettoyant liquide et ne JAMAIS le graisser !

IMPORTANT !

Diriger le courant d'air vers la face intérieure du filtre seulement !

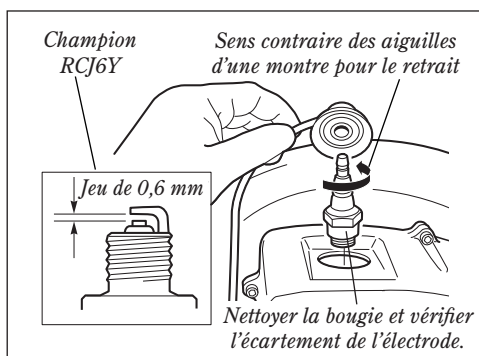
MISE EN GARDE !

Ne jamais faire fonctionner le souffleur si le filtre à air est endommagé ou manquant !

5. Taper doucement le filtre sur une surface dure pour ôter les débris de l'élément ou utiliser un jet d'air comprimé de l'intérieur pour enlever les débris de l'élément du filtre à air.

6. Installer l'élément du filtre, le pré-filtre et le couvercle dans l'ordre inverse à l'ordre de retrait.

Toutes les 10 à 15 heures



MISE EN GARDE !

Ne jamais laisser des saletés ou d'autres débris pénétrer dans le cylindre. Avant d'enlever la bougie, bien nettoyer l'aire autour de la bougie et de la tête du cylindre.

Laisser refroidir le moteur avant de procéder à l'entretien de la bougie. Serrer ou desserrer la bougie lorsque le moteur est encore chaud peut endommager le filetage du cylindre !

1. Retirer la bougie à l'aide de la clé à bougie fournie.
2. Nettoyer et régler l'écartement de l'électrode de la bougie à 0,6 mm. S'il est nécessaire de changer la bougie, utiliser uniquement une bougie Champion RCJ6Y ou une bougie équivalente de plage thermique appropriée.
3. Installer et serrer la bougie à la main dans la tête du cylindre, puis serrer fermement à l'aide de la clé à bougie. Si une clé dynamométrique est disponible, serrer la bougie à 16,7 - 18,6 N. m.

Toutes les 50 heures

(plus souvent si vous notez une détérioration des performances)

- **INSPECTION.** Vérifier si le souffleur et les tubes sont endommagés et s'il y a des pièces manquantes ou desserrées, et réparer au besoin.
- **BOUGIE.** Remplacer la bougie par une bougie Champion RCJ6Y (ou équivalente), en gardant un écartement de 0,6 mm.
- **CRÉPINE DE CARBURANT.** Utiliser un fil croché pour extraire la crépine de carburant du réservoir à carburant.

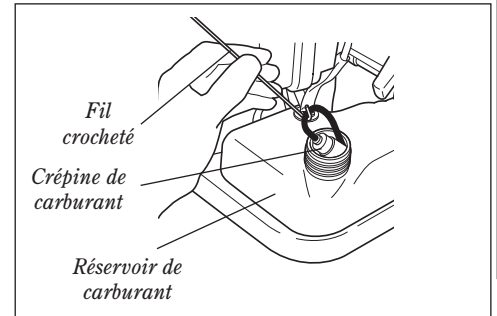
MISE EN GARDE !

Veiller à ne pas percer le conduit de carburant avec l'extrémité du fil croché. Le conduit est fin et peut facilement être endommagé.

- Inspecter l'élément de la crépine de carburant afin d'y déceler toute trace de contamination par des débris. Une crépine de carburant contaminée doit être remplacée par un nouvel élément Shindaiwa. Avant de réinstaller la crépine de carburant, inspecter le conduit d'alimentation. S'il est endommagé ou détérioré, ne pas utiliser le souffleur tant qu'il n'a pas été inspecté par un technicien autorisé Shindaiwa.

■ SYSTÈME DE REFROIDISSEMENT.

Enlever les accumulations de saletés et de débris logées dans les ailettes du cylindre et le carter de vilebrequin à l'aide d'un racleur en bois ou en plastique et d'une brosse douce.



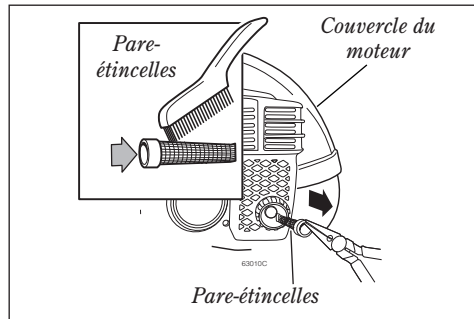
Entretien du pare-étincelles



AVERTISSEMENT !

Ne jamais faire fonctionner ce souffleur sans silencieux ou sans pare-étincelles ou s'ils sont endommagés ! Si les composantes du dispositif d'échappement sont endommagées ou absentes, il est dangereux d'utiliser l'appareil car il pourrait prendre feu ou causer des troubles auditifs.

L'accumulation de calamine dans le pare-étincelles du silencieux peut être à l'origine de difficultés de démarrage ou de la perte graduelle du rendement. Pour un rendement optimal, il est recommandé de nettoyer périodiquement le pare-étincelles comme suit :



1. À l'aide d'une pince à bec effilé, enlever le pare-étincelles du tube d'échappement. Le pare-étincelles est fixé par emmanchement à force ; il n'y a aucune vis à enlever.

2. Utiliser un racleur en plastique ou une brosse métallique pour enlever les dépôts de calamine du pare-étincelles et du tube d'échappement.
3. Inspecter soigneusement le pare-étincelles. Remplacer tout pare-étincelles perforé, tordu ou inutilisable.
4. Enfoncer le pare-étincelles dans le tube d'échappement. Un maillet doux peut être utilisé pour remettre le pare-étincelles en place.

En cas d'accumulation de calamine dans le silencieux ou le cylindre, ou si aucune amélioration n'est constatée après l'entretien, retourner l'appareil au revendeur Shindaiwa pour inspection.

Remisage à long terme

Si l'appareil doit être remis plus de 30 jours, suivre la procédure suivante pour le préparer au remisage :

- Nettoyer les pièces externes abondamment.
- Vider le carburant du carburateur et du réservoir à carburant.

IMPORTANT !

Stabiliser le carburant remis à l'aide d'un produit adapté tel que STA-BIL™ si l'huile Shindaiwa One avec stabilisateur n'est pas utilisée.

Pour enlever l'excédent de carburant des tubes de carburant et du carburateur quand le carburant est drainé du réservoir à carburant :

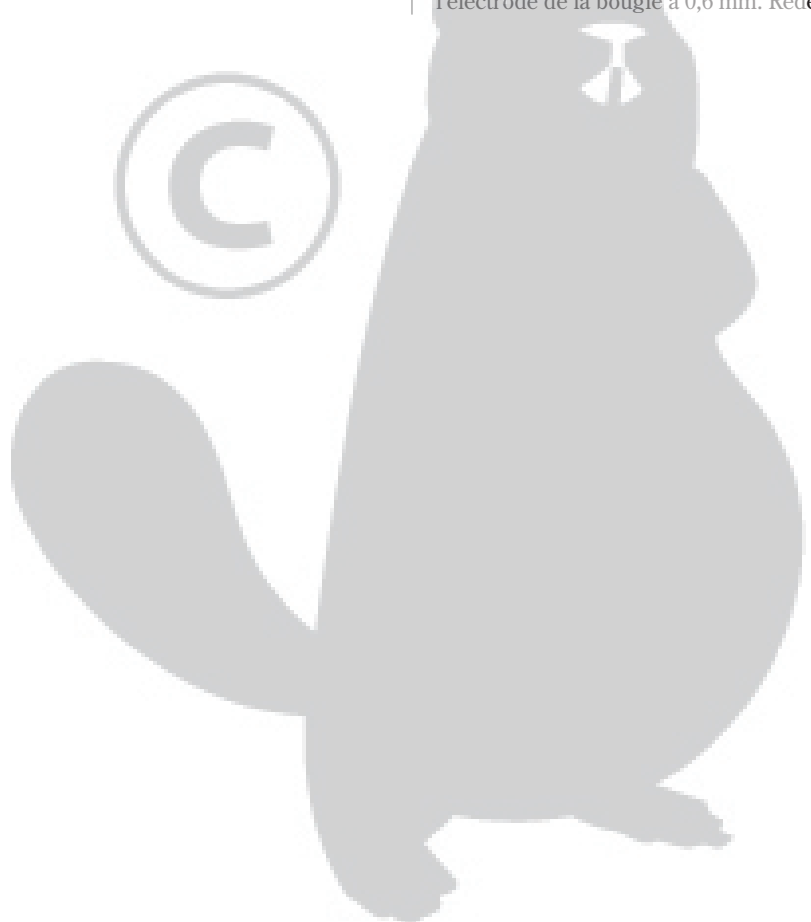
1. Appuyer sur la poire d'amorçage jusqu'à ce qu'elle ne fasse plus circuler de carburant.
2. Démarrer et laisser fonctionner le moteur jusqu'à ce qu'il s'arrête de lui-même.
3. Répéter les étapes 1 et 2 jusqu'à ce que le moteur ne démarre plus.

MISE EN GARDE !

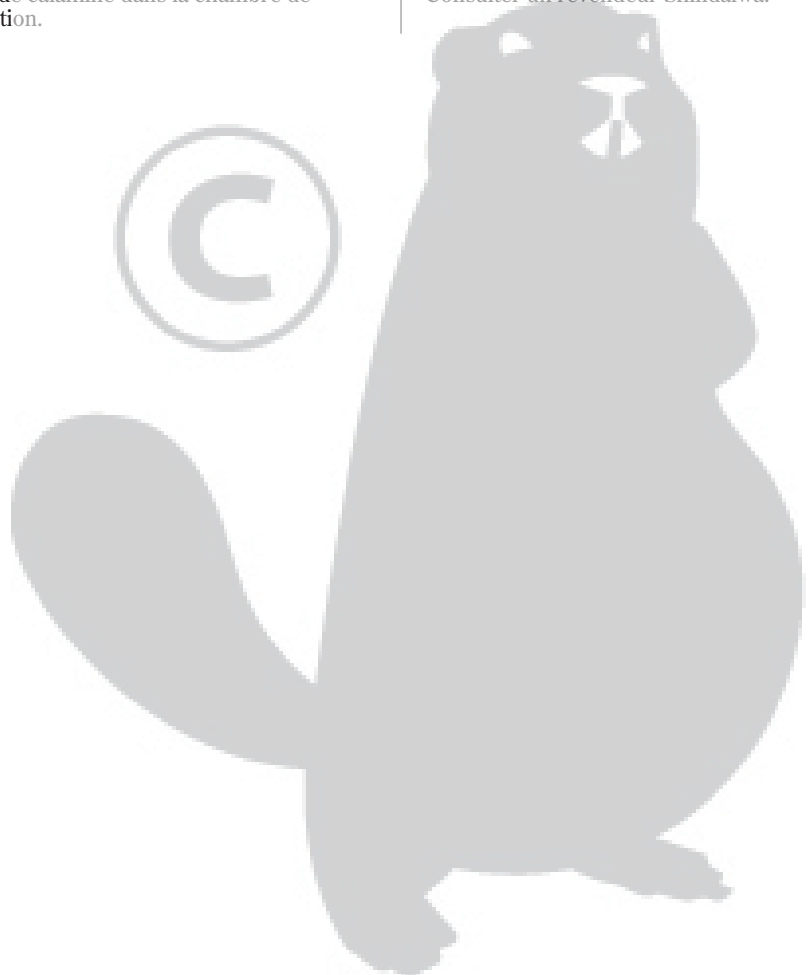
Le carburant laissé dans le carburateur pendant une période prolongée peut nuire au démarrage et accroître les coûts de service et d'entretien.

- Retirer la bougie et verser environ 7 g d'huile pour moteur à deux temps dans le cylindre, par l'orifice de la bougie. Tirer lentement sur le lanceur à rappel à deux ou trois reprises pour enduire uniformément les parois du cylindre. Réinstaller la bougie.
- Toujours réparer une pièce endommagée ou usée avant le remisage.
- Enlever l'élément du filtre à air de l'appareil et le nettoyer selon les instructions à la page 10.
- Remiser l'appareil dans un endroit propre et sans poussière.

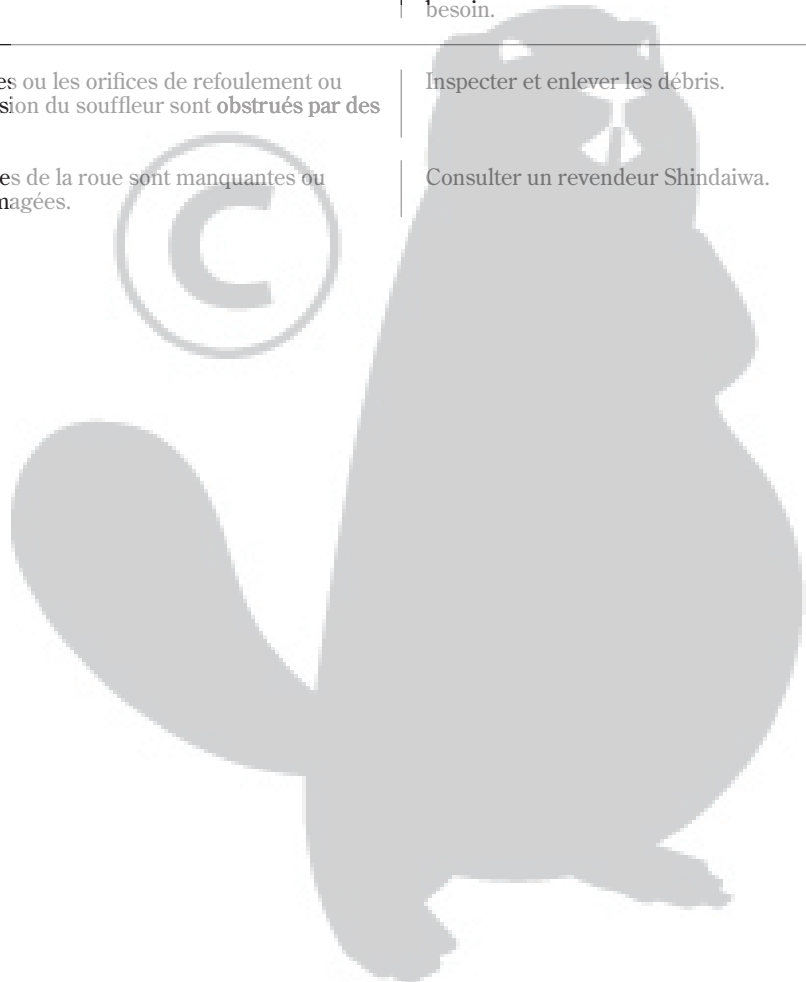
Problème		Cause probable	Solution
Le moteur se lance-t-il bien ?	NON	Lanceur à rappel défectueux. Liquide dans le carter de vilebrequin. Bris interne.	Consulter un revendeur Shindaiwa.
	OUI		
La compression est-elle bonne ?	NON	Bougie desserrée. Usure excessive du cylindre, du piston, des segments.	Serrer et révérier. Consulter un revendeur Shindaiwa.
	OUI		
Le réservoir contient-il du carburant propre, d'un indice approprié ?	NON	Carburant souillé, éventé ou de mauvaise qualité ; mélange incorrect.	Remplir avec de l'essence sans plomb propre dont l'indice d'octane à la pompe est égal ou supérieur à 87, mélangée avec de l'huile pour moteur à deux temps de première qualité selon un rapport de 50:1.
	OUI		
Le carburant est-il visible dans le tube de retour lors de l'amorçage ?	NON	Vérifier si la crépine de carburant et/ou l'orifice d'aération sont encrassés. La pompe d'amorçage ne fonctionne pas correctement.	Remplacer la crépine de carburant ou le reniflard au besoin. Consulter un revendeur Shindaiwa.
	OUI		
Y a-t-il une étincelle à la borne du fil de bougie ?	NON	L'interrupteur est sur la position « O » (ARRÊT). Mauvaise mise à la masse. Système d'allumage défectueux.	Placer l'interrupteur en position « I » (DÉMARRAGE). Consulter un revendeur Shindaiwa.
	OUI		
Vérifier la bougie.		Si la bougie est humide, il y a peut-être un excédent de carburant dans le cylindre. La bougie peut être encrassée ou son écartement incorrect. La bougie peut être brisée ou de catégorie inappropriée.	Lancer le moteur sans la bougie, remettre la bougie en place et redémarrer. Nettoyer la bougie et réajuster son écartement à 0,6 mm. Redémarrer. Remplacer la bougie par une bougie Champion RCJ6Y ou une bougie équivalente de plage thermique appropriée. Ajuster l'écartement de l'électrode de la bougie à 0,6 mm. Redémarrer.



Problème	Cause probable	Solution
<p>Le moteur surchauffe-t-il ?</p>	<p>Utilisation abusive de l'appareil.</p> <p>Mélange du carburateur trop pauvre.</p> <p>Rapport huile/carburant inapproprié.</p> <p>Feuilles ou débris sur le couvercle d'admission.</p> <p>Ventilateur, boîtier de ventilation, ailettes du cylindre sales ou endommagés.</p> <p>Dépôts de calamine sur le piston ou dans le silencieux.</p>	<p>Faire tourner le moteur à un régime inférieur.</p> <p>Consulter un revendeur Shindaiwa.</p> <p>Remplir avec de l'essence sans plomb propre dont l'indice d'octane à la pompe est égal ou supérieur à 87, mélangée avec de l'huile pour moteur à deux temps de première qualité selon un rapport de 50:1.</p> <p>Nettoyer le couvercle d'admission.</p> <p>Nettoyer, réparer ou remplacer selon le cas.</p> <p>Consulter un revendeur Shindaiwa.</p>
<p>Le moteur fonctionne de façon brusque à tous les régimes. Présence éventuelle de fumée d'échappement noire et/ou de carburant non brûlé à l'échappement.</p>	<p>Filtre à air obstrué.</p> <p>Bougie desserrée ou endommagée.</p> <p>Fuite d'air ou conduit de carburant obstrué.</p> <p>Eau dans le carburant.</p> <p>Grippage du piston.</p> <p>Carburateur et/ou membrane défectueux(se).</p>	<p>Nettoyer ou remplacer le filtre à air.</p> <p>Resserrer ou remplacer la bougie avec une bougie Champion RCJ6Y ou une bougie équivalente de plage thermique appropriée.</p> <p>Réparer ou remplacer la crépine et/ou le conduit de carburant.</p> <p>Remplir avec un mélange huile/essence récent.</p> <p>Consulter un revendeur Shindaiwa.</p>
<p>Le moteur cogne.</p>	<p>Surchauffe.</p> <p>Carburant inapproprié.</p> <p>Dépôts de calamine dans la chambre de combustion.</p>	<p>Voir ci-dessus.</p> <p>Vérifier l'indice d'octane, vérifier si l'essence contient de l'alcool. Remplir selon le besoin.</p> <p>Consulter un revendeur Shindaiwa.</p>



Problème	Cause probable	Solution
Faible accélération.	Élément du filtre à air obstrué.	Nettoyer ou remplacer le filtre à air.
	Crépine de carburant obstruée.	Remplacer la crépine de carburant.
	Mélange carburant/air pauvre.	Consulter un revendeur Shindaiwa.
	Régime de ralenti trop bas.	Régler à 2 200 min ¹ .
Le moteur s'arrête brusquement.	Interrupteur d'allumage en position d'arrêt.	Remettre le contact et redémarrer.
	Réservoir de carburant vide.	Faire le plein. Voir page 7.
	Crépine de carburant obstruée.	Remplacer la crépine de carburant.
	Eau dans le carburant.	Vidanger le réservoir et faire le plein avec du carburant propre. Voir page 7.
	Bougie court-circuitée ou mauvaise connexion.	Nettoyer ou remplacer la bougie avec une bougie Champion RCJ6Y ou une bougie équivalente de plage thermique appropriée .
	Échec d'allumage.	Remplacer le système d'allumage.
	Grippage du piston.	Consulter un revendeur Shindaiwa.
Moteur difficile à arrêter.	Fil de masse (d'arrêt) débranché ou interrupteur défectueux .	Vérifier et réinstaller au besoin.
	Bougie inappropriée entraînant une surchauffe.	Nettoyer ou remplacer la bougie avec une bougie Champion RCJ6Y ou une bougie équivalente de plage thermique appropriée .
	Surchauffe du moteur.	Laisser refroidir le moteur en le laissant tourner au ralenti.
Vibration excessive.	Accumulation de débris dans la roue.	Nettoyer les débris de la roue selon le besoin.
	Roue desserrée ou endommagée.	Inspecter et remplacer la roue au besoin.
	Supports de moteur desserrés ou endommagés.	Serrer ou remplacer les supports de moteur au besoin.
Surrégime du moteur.	Les tubes ou les orifices de refoulement ou d'admission du souffleur sont obstrués par des débris .	Inspecter et enlever les débris.
	Les lames de la roue sont manquantes ou endommagées .	Consulter un revendeur Shindaiwa.



DÉCLARATION DE CONFORMITÉ

Par le présent document, nous déclarons que le souffleur Shindaiwa,
Modèle EB630 (EB630/EC1),

est conforme aux exigences suivantes :

Directives du Conseil :
89/336/EEC modifiée
98/37/EC modifiée
2000/14/EC modifiée
2004/26/EC modifiée

Normes observées :
EN 292 parties 1 et 2
CISPR 12

Niveau sonore mesuré : 111 dB (A)

Niveau sonore garanti : 112 dB (A)

Documentation technique conservée par :
K. Maeda Responsable de division
Division Recherche et Développement


Shindaiwa Corporation

Siège social : 6-2-11, Ozuka-Nishi, Asaminami-Ku,
Hiroshima, 731-3167, Japon

TÉL : +81-82-849-2003, FAX : +81-82-849-2482

17 janvier 2005



T. Yoshitomi
Responsable de division
Division Assurance Qualité

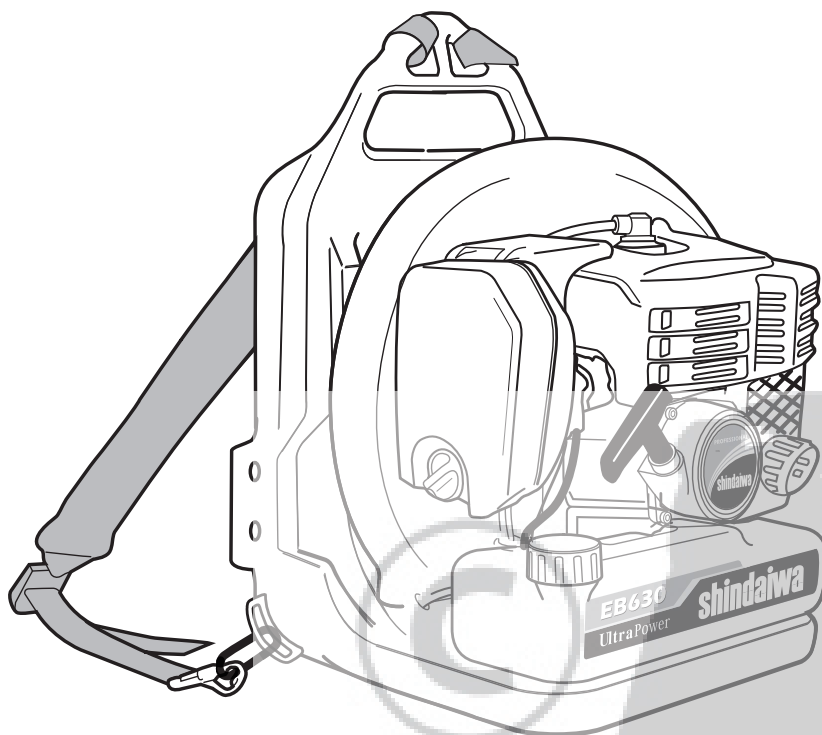
Shindaiwa Corporation

Siège social : 6-2-11, Ozuka-Nishi, Asaminami-Ku,
Hiroshima, 731-3167, Japon

TÉL : +81-82-849-2206, FAX : +81-82-849-2481

MANUALE DELL'OPERATORE SHINDAIWA

SOFFIATORE EB630



AVVERTENZA!

Leggere il presente manuale e acquisire familiarità con il contenuto. Ridurre al minimo il rischio di infortuni per se stessi e per gli altri. Non utilizzare o riparare questo attrezzo a meno di non aver compreso appieno il contenuto di questo manuale. Riporre questo manuale in un luogo ove sia facilmente reperibile in modo da poterlo rileggere in caso di dubbi sul funzionamento dell'attrezzo. Quando si utilizza questo apparecchio, indossare sempre accessori per proteggere gli occhi e l'udito.

shindaiwa

Numero parte 68238-94312 Rev. 1/07

Introduzione

ATTENZIONE!

Questo soffiatore è dotato di marmitta con soppressore di scintille. Non utilizzare mai questo attrezzo senza la marmitta e il soppressore di scintille installati e correttamente in funzione.

IMPORTANTE!

Prima di utilizzare questo attrezzo, consultare le norme locali relative alle limitazioni dei rumori e agli orari in cui è possibile operare.

Il soffiatore Shindaiwa EB630 è progettato e costruito per fornire prestazioni e affidabilità superiori senza compromettere qualità, comodità, sicurezza e durata.

Le informazioni contenute in questo manuale descrivono gli attrezzi disponibili al momento della produzione. Anche se è stato fatto ogni tentativo per fornire agli utenti le informazioni più aggiornate sul soffiatore Shindaiwa EB630, potrebbero esserci delle differenze tra il soffiatore EB630 in uso e quanto descritto in questo manuale. Shindaiwa Inc. si riserva il diritto di modificare la produzione senza preavviso e senza obbligo di alterare gli attrezzi precedentemente prodotti.

Messaggi informativi

In questo manuale sono contenuti speciali "messaggi informativi".



AVVERTENZA!

Un'indicazione preceduta dal simbolo triangolare di attenzione e dalla parola "AVVERTENZA" indica una situazione potenzialmente rischiosa che, se non viene evitata, potrebbe avere come risultato la morte o gravi lesioni.

ATTENZIONE!

Le indicazioni precedute dalla parola "ATTENZIONE" contengono informazioni su come evitare danni meccanici all'attrezzo.

IMPORTANTE!

Un'indicazione preceduta dalla parola "IMPORTANTE" ha un contenuto speciale.

NOTA:

Un messaggio preceduto dalla parola "NOTA" contiene informazioni utili e che potrebbero facilitare il proprio lavoro.



Leggere il presente manuale. In caso contrario, possono verificarsi infortuni gravi.



Quando si utilizza l'attrezzo, indossare sempre accessori per proteggere la vista e l'udito.



Livello di rumore (misurato in conformità alla normativa 2000/14/EC).

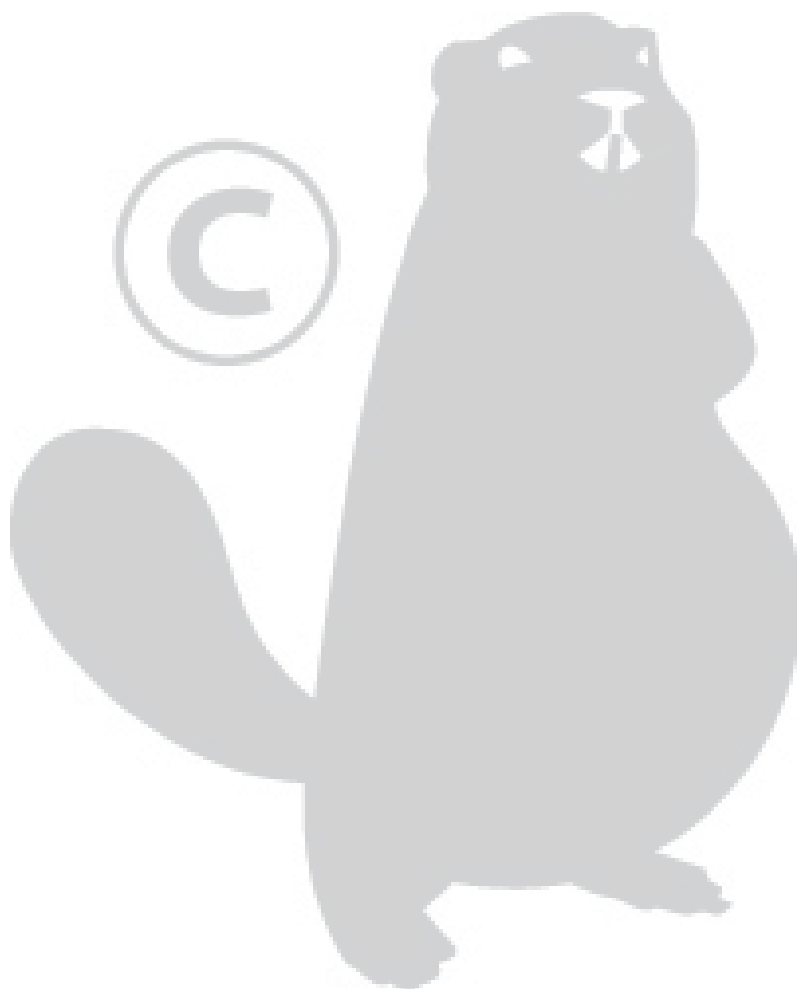
IMPORTANTE!

Le procedure operative descritte in questo manuale sono fornite allo scopo di migliorare l'utilizzo del presente attrezzo e anche di proteggere da lesioni se stessi e altre persone. Queste procedure sono solo linee guida generiche ma non sostituiscono le normative o le leggi sulla sicurezza in vigore nel proprio paese. Per qualsiasi domanda relativa al soffiatore EB630 oppure per chiarimenti sul contenuto di questo manuale, rivolgersi al rivenditore Shindaiwa locale. Per ulteriori informazioni è possibile anche contattare la Shindaiwa Inc. all'indirizzo stampato sul retro del presente manuale.

Sommario

PAGINA

Messaggi informativi.....	2
Istruzioni generali per la sicurezza.....	3
Descrizione dell'attrezzo.....	5
Dati tecnici.....	5
Assemblaggio del soffiatore.....	6
Miscelazione del carburante.....	7
Rifornimento del serbatoio.....	7
Avvio e arresto del soffiatore.....	7
Regolazione del minimo del motore.....	8
Regolazione dell'imbracatura.....	9
Utilizzo del soffiatore.....	9
Manutenzione.....	10
Rimessaggio per lunghi periodi.....	11
Risoluzione dei problemi.....	12
Dichiarazione di conformità.....	15



Istruzioni generali per la sicurezza

Sicurezza sul lavoro

I soffiatori funzionano a velocità molto elevata e possono causare gravi danni o lesioni se utilizzati non correttamente o per altri scopi. *Non consentire mai a una persona di utilizzare il soffiatore EB630 senza il necessario addestramento o istruzioni.*

Prestare attenzione!

Per utilizzare questo prodotto è necessario essere in buone condizioni fisiche e mentali.



AVVERTENZA! Usare buon senso

Non avviare **MAI** il motore durante il trasporto dell'attrezzo.

Non utilizzare **MAI** in moto il motore in luoghi chiusi. Verificare che l'area di lavoro sia sempre ben ventilata. Gli scarichi del motore possono causare gravi lesioni o la morte.

Fermare **SEMPRE** l'attrezzo in caso di vibrazioni o scossoni improvvisi. Verificare che non vi siano parti rotte, mancanti o non installate correttamente.

Mantenere **SEMPRE** l'attrezzo il più pulito possibile. Tenerlo libero da residui di vegetazione, fango, e così via.

Mantenere **SEMPRE** pulite le impugnature.

Rimuovere **SEMPRE** il collegamento con il cavo della candela prima di eseguire qualsiasi lavoro di manutenzione.

Spegnere **SEMPRE** il motore prima di poggiare l'attrezzo a terra. Quando si trasporta l'attrezzo in un veicolo, fissarlo in modo sicuro per impedire capovolgimenti, danni e fuoriuscita di carburante.

Non inserire **MAI** oggetti estranei nella presa d'aria o nell'apertura di sfogo del soffiatore quando è in funzione.



AVVERTENZA!

Non apportare mai modifiche o installare accessori non autorizzati. Non installare mai accessori non approvati da Shindaiwa per l'utilizzo con questo attrezzo.



AVVERTENZA!

Non mettere mai in funzione un'apparecchiatura a motore di qualsiasi tipo in caso di stanchezza o sotto l'influenza di alcol, droghe, farmaci o qualsiasi altra sostanza che possa influenzare la capacità o il buon senso dell'operatore.



AVVERTENZA! Per ridurre al minimo i rischi di incendio

NON fumare o accendere fuochi nelle vicinanze dell'attrezzo.

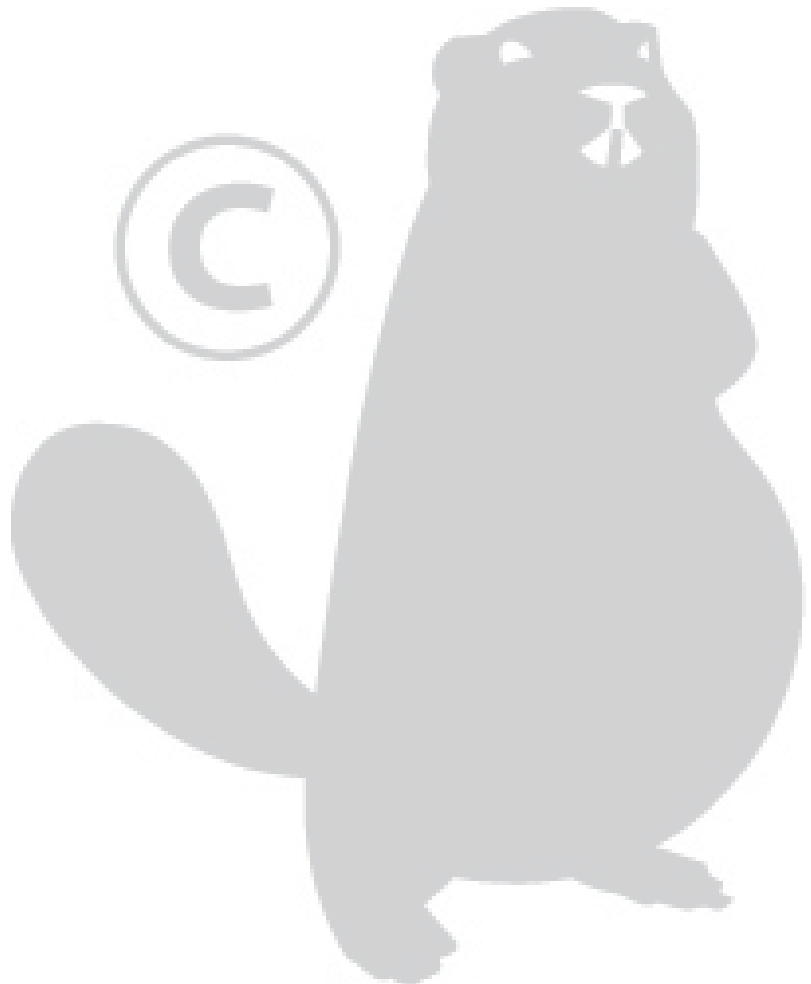
Fermare **SEMPRE** il motore e lasciare che si raffreddi al motore di raffreddarsi prima del rifornimento. Evitare di riempire troppo il serbatoio e pulire il carburante eventualmente fuoriuscito.

Ispezionare **SEMPRE** l'attrezzo per eventuali fuoriuscite di carburante. Durante ciascun rifornimento, verificare che non vi siano perdite di carburante intorno al tappo e/o al serbatoio di carburante. Se c'è un'evidente fuoriuscita di carburante, interrompere immediatamente l'utilizzo dell'attrezzo. Prima di utilizzare l'attrezzo, è necessario risolvere le fuoriuscite di carburante.

Mantenere **SEMPRE** l'attrezzo lontano dall'area di immagazzinamento del carburante o da altri materiali facilmente infiammabili prima di avviare il motore.

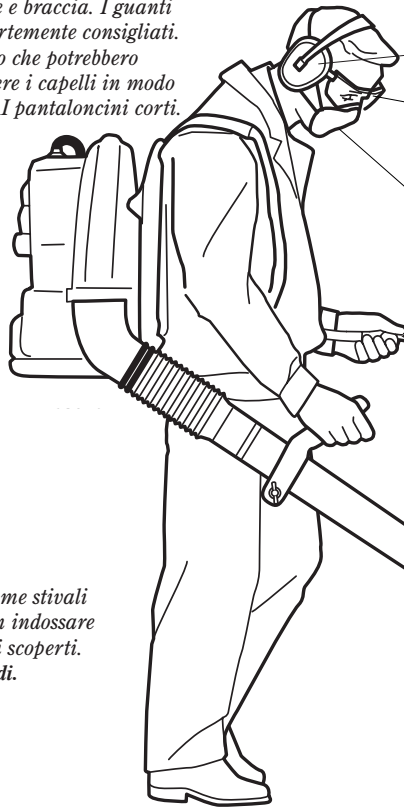
NON posizionare materiali infiammabili vicino alla marmitta di scarico del motore.

NON mettere mai in funzione il motore senza lo schermo del soppressore di scintille in posizione.



Abbigliamento appropriato dell'operatore

Indossare abiti aderenti per proteggere gambe e braccia. I guanti migliorano la protezione delle mani e sono fortemente consigliati. Non indossare gioielli o capi di abbigliamento che potrebbero impigliarsi nell'attrezzo o nei rami. Raccogliere i capelli in modo che non tocchino le spalle. Non indossare MAI pantaloncini corti.



Indossare dispositivi di protezione dell'udito durante l'utilizzo dell'attrezzo.

Indossare sempre dispositivi di protezione della vista, ad esempio occhiali protettivi o uno schermo facciale, durante l'utilizzo dell'attrezzo. Non utilizzare il soffiatore in condizioni di scarsa visibilità.

Indossare una maschera antipolvere per ridurre il rischio di danni da inalazione.

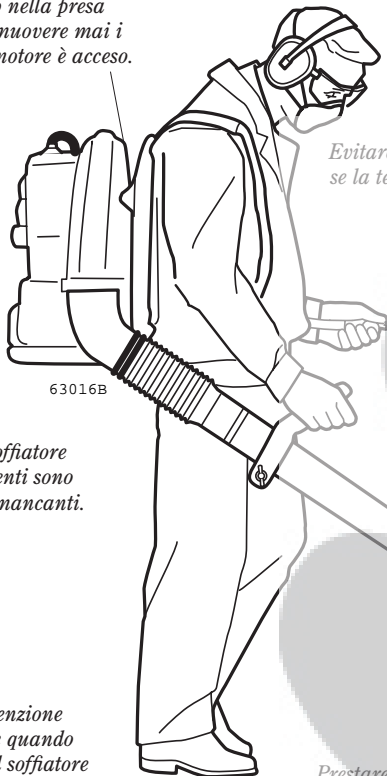
Mantenere sempre una posizione corretta e non protendersi in avanti. Mantenere sempre l'equilibrio durante il funzionamento.

Indossare calzature appropriate come stivali o scarpe con suola antiscivolo. Non indossare scarpe o sandali che lascino i piedi scoperti. Non utilizzare l'attrezzo a piedi nudi.

Tenere sempre in considerazione la potenza e la direzione del flusso d'aria del soffiatore. Non dirigere mai il flusso d'aria del soffiatore verso persone o animali.

Tenere in considerazione l'ambiente di lavoro

A volte i detriti si raccolgono nella presa dell'aria del soffiatore. Non rimuovere mai i detriti dal soffiatore quando il motore è acceso.



Evitare di utilizzare a lungo l'attrezzo se la temperatura ambientale è molto alta o molto bassa.

Accertarsi che i presenti o gli osservatori posizionati oltre la "zona di pericolo" di 15 metri indossino occhiali di protezione.

15 metri

Non utilizzare mai il soffiatore se alcune parti componenti sono danneggiate, allentate o mancanti.

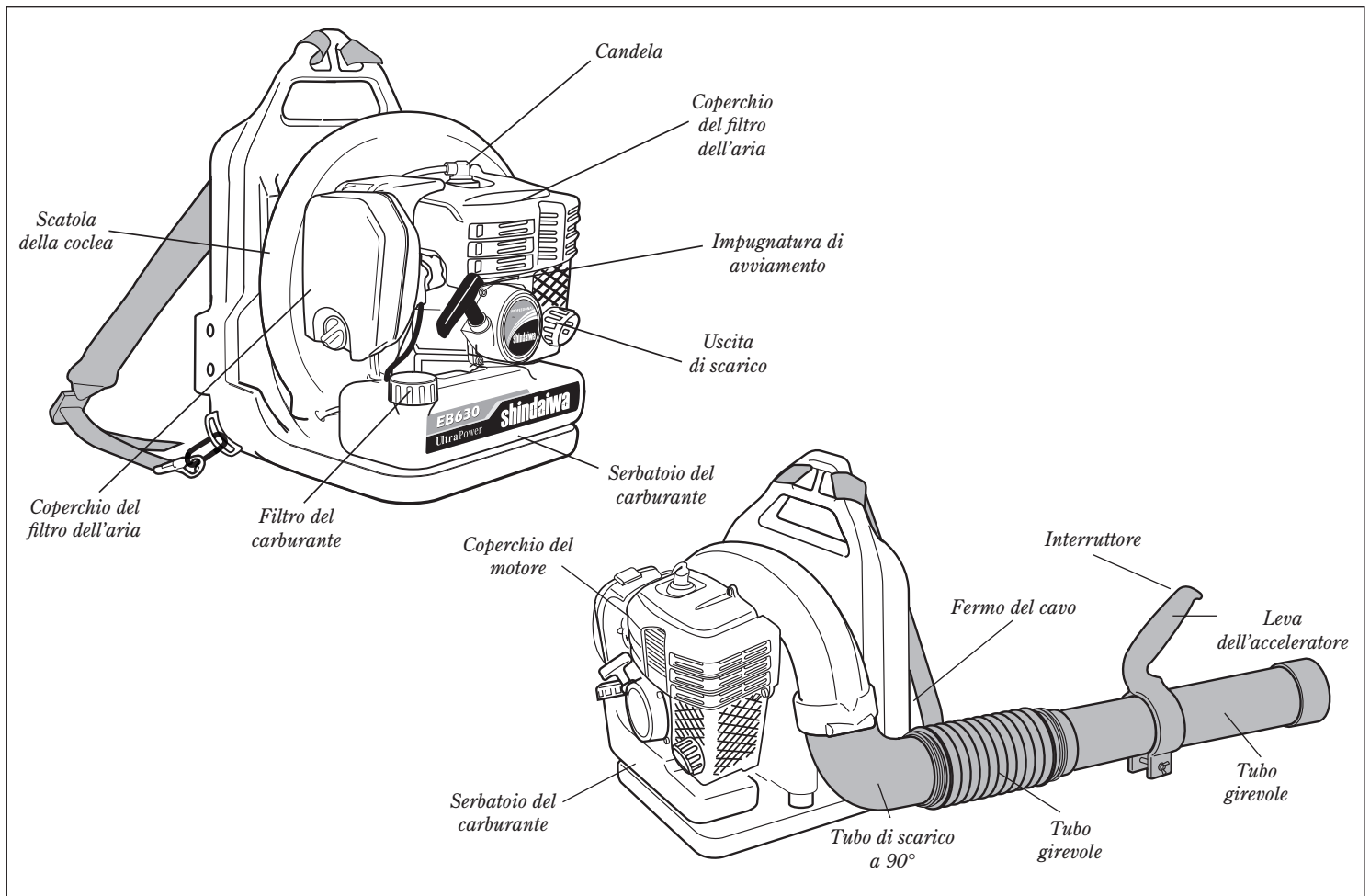
Ridurre il rischio che detriti volanti colpiscano gli osservatori. Accertarsi che non vi siano persone nel raggio di 15 metri (circa 16 passi) da un soffiatore in funzione.

Prestare la massima attenzione su terreni scivolosi, specie quando piove. Non utilizzare mai il soffiatore su tettoie, cornicioni o scale.

Prestare sempre attenzione a oggetti e detriti che potrebbero essere scagliati dal colpo d'aria e rimbalzare da una superficie solida.

Non dirigere il flusso d'aria verso gli osservatori. Il flusso d'aria potrebbe spingere piccoli oggetti ad alta velocità provocando danni alla vista.

Descrizione dell'attrezzo



Prima dell'assemblaggio

Utilizzando le figure precedenti come guida, acquisire familiarità con il soffiatore e i relativi componenti. Una migliore comprensione dell'attrezzo consente di ottenere prestazioni migliori, prolungare maggiormente la vita utile del prodotto e garantire un utilizzo sicuro.

Prima di assemblare il soffiatore, assicurarsi di disporre di tutti i componenti necessari.

- Unità di alimentazione e blocco soffiatore.
- Tubo flessibile, tubo girevole, tubo dirritto e ugello.
- Due fermi per tubi (100 e 85 mm).
- Il presente Manuale dell'operatore e kit composto da una borsa per attrezzi, una chiave a brugola da 3 mm-4 mm-5 mm e una chiave combinata candele.
- Cavo elettrico (antistatico).

Verificare che i componenti non siano danneggiati.

IMPORTANTE!

I termini "sinistra", "mano sinistra", "MS", "destra", "mano destra" e "MD", "avanti" e "indietro" si riferiscono alla direzione dalla posizione dell'operatore durante il normale utilizzo.

Dati tecnici

Modello	EB630/EC1
Dimensioni (Lu x La x A)	350 x 460 x 495 mm
Tipo motore	Motore a benzina a due tempi, a cilindro verticale, con raffreddamento ad aria
Alesaggio x corsa	47,5 x 35 mm
Cilindrata	62,0 cm ³
Potenza massima/min ⁻¹	2,9 kW/ 7.500 giri/min
Numero massimo di giri motore	7.900 giri/min
Giri motore al minimo	2.200 giri/min
Rapporto benzina/olio	50:1
Carburatore	Walbro rotativo con pompa di innesco
Accensione	Sistema di accensione elettronica a transistori
Candela	Champion RCJ6Y
Avviamento	Avviamento a strappo
Arresto del soffiatore EB630	Interruttore a slitta
Capacità serbatoio del carburante	2.000 cm ³
Scarico	Marmitta con soppressore di scintille
Filtro dell'aria	Elemento a secco
Peso a secco (senza tubi del soffiatore)	9,0 kg
Livello di pressione sonora (conforme alla normativa ISO 7917)	96 dB (A)
Livello di rumore (conforme alla normativa ISO 10884.2)	108 dB (A)
Livello di vibrazione (conforme alla normativa ISO 7916)	Al minimo 1,2 m/s ² In velocità 2,4 m/s ²
Velocità aria in uscita	86 m/s ²
Volume aria in uscita	17,4 m ³ /min

Le specifiche sono soggette a modifiche senza preavviso.

Assemblaggio del soffiatore

IMPORTANTE!

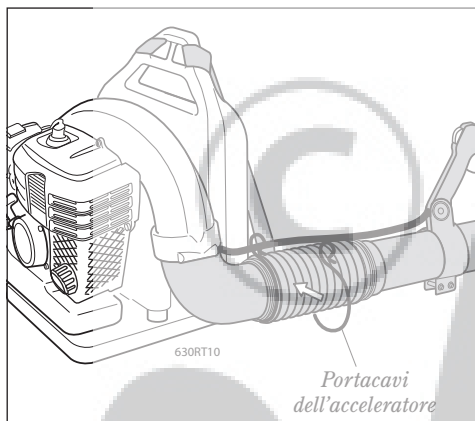
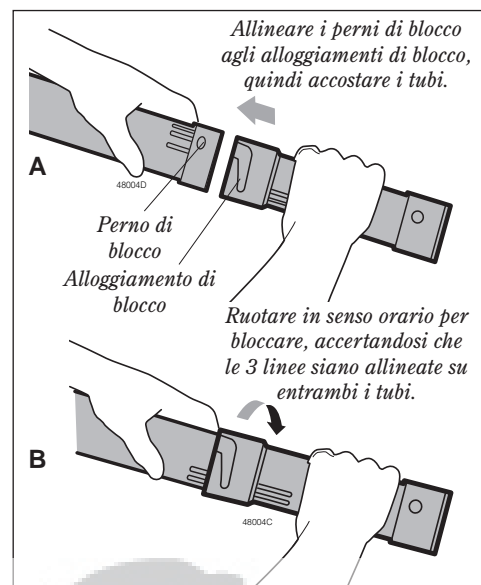
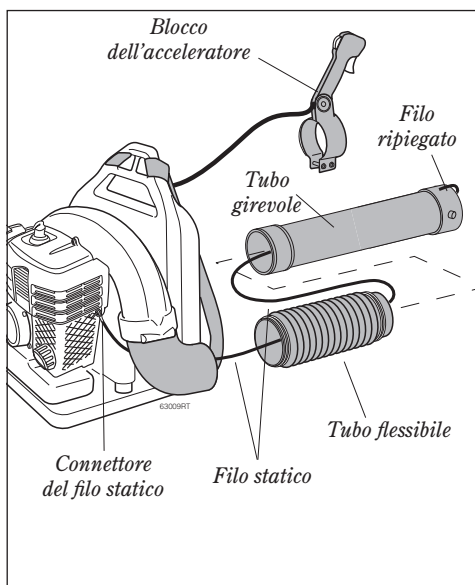
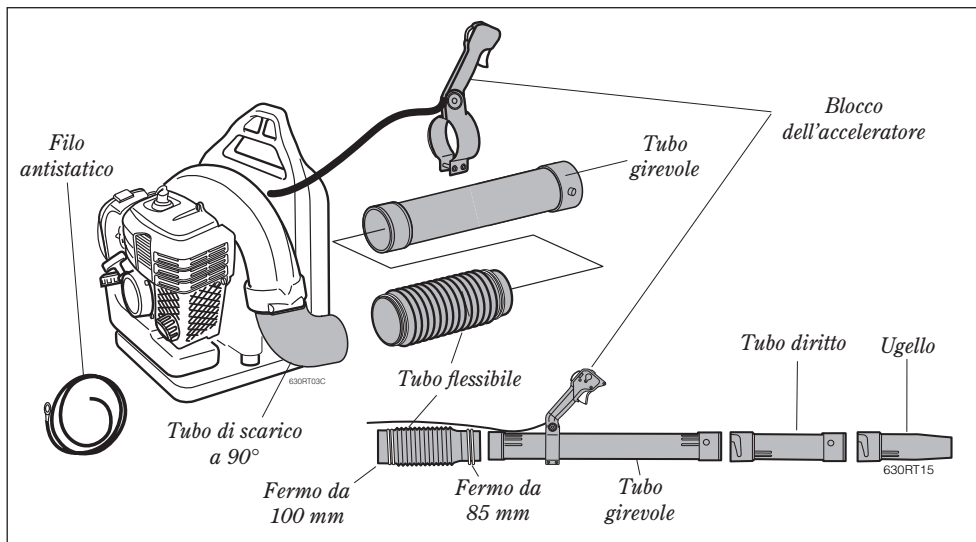
Questo attrezzo è dotato di un filo di riduzione delle scariche statiche. Questo filo consente di dirigere l'accumulo di elettricità statica nel flusso d'aria riducendone la quantità percepita dall'operatore.

1. Posizionare il soffiatore rivolto verso l'alto a terra o su una superficie solida e verificare l'orientamento delle parti mostrato nella figura.
2. Rimuovere il filo statico dall'imballaggio e fissare l'occhiello alla vite del coperchio del motore sul lato destro.
3. Posizionare il tubo di scarico ad angolo retto e far scorrere il filo antistatico attraverso il fermo da 100 mm e il tubo flessibile.
4. Far scorrere il tubo flessibile sull'estremità del tubo di scarico a 90° e serrarlo con il fermo da 100 mm.

NOTA:

Verificare che il tubo di scarico a 90° si sposti liberamente dalla parte anteriore a quella posteriore. Se è presente un blocco, allentare il fermo da 100 mm, tirare il filo verso il motore per ottenere maggiore gioco e verificare nuovamente che lo spostamento sia libero.

5. Fare scorrere il blocco dell'acceleratore sul tubo girevole. Non stringere ancora il fermo.
6. Inserire il filo statico attraverso il tubo girevole, quindi installare e serrare il fermo da 85 mm sulla banda rotante del tubo girevole.
7. Ripiegare l'estremità del filo statico sulla connessione del tubo girevole.
8. Afferrare il tubo diretto e spingerlo sui perni di blocco del tubo girevole bloccando il filo statico.
9. Ruotare il tubo diretto per bloccarlo sul tubo girevole.
10. Afferrare il tubo dell'ugello e bloccare l'ugello sul tubo diretto in corrispondenza delle tacche di allineamento.
11. Installare il portacavi dell'acceleratore in direzione del fermo da 100 mm.
12. Regolare il blocco dell'acceleratore per ottenere la massima comodità dell'operatore e stringere i due bulloni con dadi a testa concava.



IMPORTANTE!

L'installazione del tubo del soffiatore influenza le prestazioni dell'attrezzo. Verificare che i tubi e l'ugello siano assemblati correttamente in base a quanto descritto e che tutte le connessioni siano ben strette. I tubi del soffiatore possono distaccarsi durante l'utilizzo se non allineati e bloccati in posizione.



AVVERTENZA!
La rotazione della ventola è pericolosa.

Spegnere il motore prima di installare o rimuovere i tubi del soffiatore. Non eseguire mai operazioni di manutenzione o assemblaggio dell'attrezzo quando il motore è in funzione.

Miscelazione del carburante

ATTENZIONE!

- Alcuni tipi di benzina contengono alcole come ossigenante. La benzina ossigenata può causare un aumento della temperatura di utilizzo. In determinate condizioni, la benzina contenente alcoli può ridurre le qualità lubrificanti di alcuni oli da miscela.
- Non utilizzare mai benzina contenente più del 10% di alcole per volume. Oli generici e per fuoribordo potrebbero non essere adatti per l'impiego con motori ad alte prestazioni a due tempi raffreddati ad aria e non devono mai essere utilizzati con un motore Shindaiwa.

ATTENZIONE!

Questo motore è certificato per l'utilizzo con una miscela 50:1 consistente esclusivamente di benzina senza piombo e olio da miscela di qualità per motori a due tempi. L'uso di oli da miscela non approvati può condurre a costi di manutenzione eccessivi e/o danni al motore.

IMPORTANTE!

Miscelare solo carburante sufficiente per l'utilizzo immediato. Se il carburante deve essere immagazzinato per più di 30 giorni, deve essere prima trattato con uno stabilizzatore come STA-BIL™ o un prodotto equivalente.

- Utilizzare solo benzina senza piombo recente e pulita e con un numero minimo di ottano alla pompa pari o superiore a 87.
- Mescolare il carburante con un olio da miscela di qualità per motori a due tempi concepito per l'uso con motori ad alte prestazioni a due tempi raffreddati ad aria.
- Fare riferimento ai seguenti esempi di miscele benzina/olio pari a 50:1.

Benzina litri	Olio da miscela per motori a 2 tempi millilitri
2,5 l.....	50 ml
5 l.....	100 ml
10 l.....	200 ml
20 l.....	400 ml

Rifornimento del serbatoio

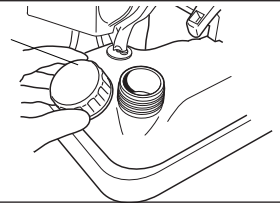
AVVERTENZA!



Ridurre al minimo il rischio di incendio, ustioni e lesioni personali.

- **ARRESTARE** il motore prima del rifornimento.
- Consentire **SEMPRE** al motore di raffreddarsi prima del rifornimento.
- Aprire **SEMPRE** lentamente il tappo del serbatoio per consentire al vapore sotto pressione presente nel serbatoio di uscire lentamente.
- Trasportare e conservare **SEMPRE** il carburante negli appositi contenitori.
- Evitare di riempire troppo il serbatoio e pulire il carburante eventualmente fuoriuscito. Prima di riavviare, allontanare il motore almeno a 3 metri dal punto di rifornimento, dall'area di immagazzinamento e da altri materiali facilmente infiammabili.
- Prima dell'uso, controllare **SEMPRE** l'attrezzo per eventuali fuoriuscite di carburante. Durante ogni rifornimento, accertarsi che non vi siano fuoriuscite di carburante attorno al tappo del serbatoio e/o al serbatoio stesso. Se c'è una evidente fuoriuscita di carburante, interrompere immediatamente l'uso dell'attrezzo. Prima di utilizzare l'attrezzo, è necessario ripararlo per evitare le fuoriuscite di carburante.
- Non fumare **MAI** o accendere fuochi nelle vicinanze del motore o della fonte di combustibile.
- Non appoggiare **MAI** materiali infiammabili vicino al motore o alla marmitta di scarico.
- Non utilizzare **MAI** il motore senza marmitta di scarico in buone condizioni di funzionamento.
- Spostare **SEMPRE** l'attrezzo lontano dall'area di immagazzinamento del carburante o da altri materiali facilmente infiammabili prima di avviare il motore.

Rimuovere il tappo del serbatoio del carburante



ATTENZIONE!

Non cercare mai di mescolare il carburante nel serbatoio dell'apparecchio. Miscelare sempre tutti i carburanti in appositi contenitori puliti.

1. Posizionare l'apparecchio su una superficie piatta e livellata e rimuovere eventuali detriti dal tappo del carburante.
2. Rimuovere il tappo del serbatoio.
3. Rifornire il serbatoio con carburante pulito e recente.
4. Riavvitare il tappo e pulire il carburante eventualmente fuoriuscito prima di avviare il motore.

Avviamento del motore

AVVERTENZA!



La rotazione della ventola è pericolosa.

Azionando il soffiatore la ventola inizia a ruotare. Non azionare mai il soffiatore se il coperchio di aspirazione e i tubi del soffiatore non sono stati installati correttamente e non garantiscono il corretto funzionamento.

AVVERTENZA!



Attenzione alla polvere o ai detriti sollevati dal getto d'aria.

Indossare sempre accessori per proteggere gli occhi quando si utilizza questo attrezzo. Non dirigere mai il flusso d'aria del soffiatore verso persone o animali.

Non azionare mai il soffiatore se tutti i dispositivi non sono stati installati correttamente e non garantiscono il corretto funzionamento.

ATTENZIONE!

L'avviamento a strappo può danneggiarsi per un utilizzo eccessivo.

- Non tirare mai la corda di avviamento alla massima estensione.
- Innestare sempre l'avviamento prima di far girare il motore.
- Riavvolgere sempre la corda di avviamento lentamente.

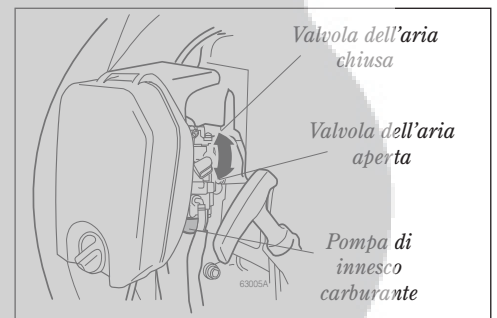
Non azionare mai il soffiatore se i tubi mancano o sono danneggiati.

Procedura di avvio

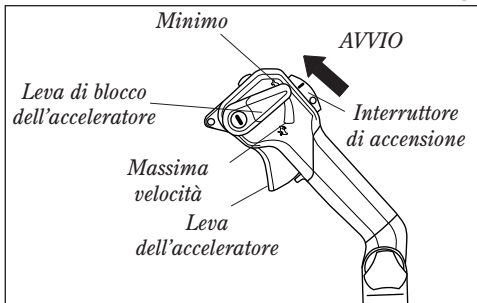
1. Poggiare il soffiatore a terra.
2. Attivare il sistema di alimentazione premendo ripetutamente la pompa di innesco finché non sono più visibili bolle d'aria nel condotto di mandata del carburante.
3. **Solo motore freddo.** Attivare la valvola dell'aria del motore spostando la relativa leva verso l'alto (valvola chiusa).

IMPORTANTE!

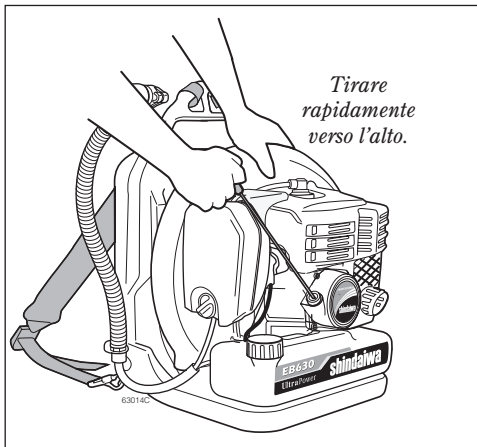
Il sistema d'innesco si limita a spingere il carburante attraverso il carburatore. Premere più volte la pompa d'innesco non fa affluire altro carburante al motore.



Avviamento del motore (continua)



4. Spostare l'interruttore di accensione nella posizione "I" (AVVIO), quindi premere a metà la leva dell'acceleratore e bloccare l'acceleratore spostando a metà la leva di blocco verso il basso.



5. Afferrare saldamente il soffiatore con la mano sinistra per la scatola della coclea.
6. Tirare lentamente la manopola di avviamento con la mano destra fino a quando si avverte l'innesto dell'avviamento.
7. Una volta innestato l'avviamento, tirare rapidamente la manopola di avviamento verso l'alto.
8. Se necessario, ripetere i passaggi 6 e 7 fino a quando il motore non si avvia.

Quando il motore si avvia:

1. Aprire la valvola dell'aria (se non è già aperta) spostando verso il basso la relativa leva.
2. Se il motore si arresta, ripetere le procedure di avvio appropriate per un motore freddo o caldo.
3. Agire sull'acceleratore per far girare il motore alla velocità minima finché non viene raggiunta la temperatura di esercizio (2-3 minuti).

A questo punto, il soffiatore è pronto per essere utilizzato.

Se il motore non si avvia

Ripetere le procedure di avvio appropriate per motore caldo o freddo. Se il motore continua a non avviarsi, seguire la procedura descritta in "Avviamento di un motore ingolfato".



AVVERTENZA!

Non azionare mai il soffiatore se tutti i dispositivi non sono stati installati correttamente e non garantiscono il corretto funzionamento. Non azionare mai il soffiatore se il coperchio del cilindro è mancante o danneggiato.

Avviamento di un motore ingolfato

1. Scollegare il cavo della candela e rimuovere la candela (vedere a pagina 11 per le procedure).
2. Se la candela è sporca o intrisa di carburante, pulire o sostituire la candela a seconda dei casi.
3. Una volta rimossa la candela, aprire la valvola dell'aria, posizionare la leva dell'acceleratore sulla massima velocità, quindi pulire il carburante in eccesso dalla camera di combustione facendo girare il motore diverse volte.
4. Installare e serrare la candela, quindi ricollegare il terminale della candela.
5. Ripetere le procedure di avvio per un motore caldo.
6. Se il motore non si avvia o non si accende, fare riferimento al diagramma per la risoluzione dei problemi alla fine di questo manuale.



Arresto del motore

1. Attendere che il motore si raffreddi lasciandolo al minimo per 2-3 minuti.
2. Far scorrere l'interruttore di accensione verso la parte posteriore su "O" (ARRESTO).

Regolazione del minimo del motore

IMPORTANTE!

Un flusso d'aria pulito e senza limitazioni è fondamentale per le prestazioni e la durata del soffiatore. Prima di effettuare infine qualsiasi regolazione del carburatore, controllare e pulire il filtro dell'aria del motore seguendo la procedura descritta a pagina 10 del presente manuale.

IMPORTANTE!

I tubi del soffiatore e il filtro dell'aria devono essere posizionati quando si regola la velocità minima del motore. La velocità minima del motore è influenzata anche dall'eventuale blocco o dall'installazione non corretta dei tubi del soffiatore.

1. Poggiare l'unità a terra, avviare il motore e lasciarlo al minimo per 2-3 minuti per farlo riscaldare.

2. Se è disponibile un tachimetro, il numero di giri del minimo deve essere regolato su 2.200 (min⁻¹).



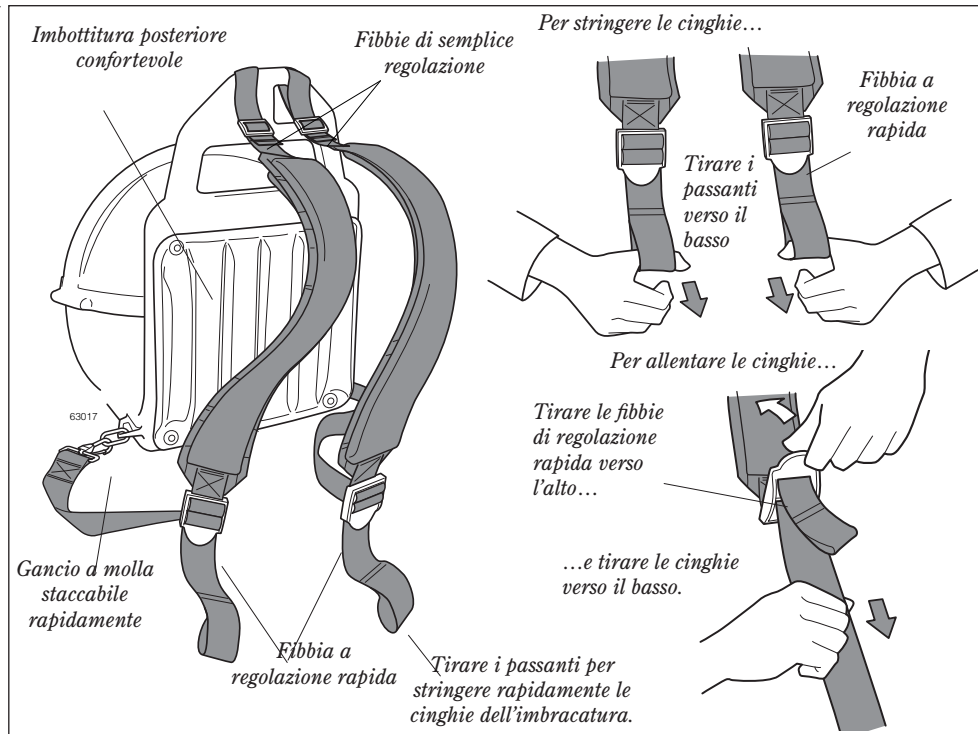
NOTA:

Le regolazioni della miscela di carburante del carburatore sono effettuate in fabbrica su apparecchi con sistemi di controllo delle emissioni e possono essere effettuate solo dal rivenditore.

Regolazione dell'imbracatura

Il soffiatore Shindaiwa EB630 è dotato di un sistema di imbracatura avanzato che consente di ottenere la massima comodità per l'operatore e la massima semplicità di utilizzo.

- L'imbracatura è imbottita per ridurre l'affaticamento dell'operatore.
- Il sistema di regolazione semplificato facilita l'adattamento dell'imbracatura a tutte le taglie corporee.

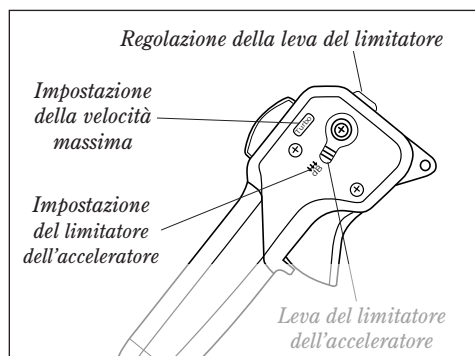


Funzione di limitatore dell'acceleratore

Il soffiatore EB630 è dotato di una funzione di limitatore dell'acceleratore che consente all'operatore di preimpostare la velocità di accelerazione massima. Questa funzione è utile per limitare il rumore prodotto dal soffiatore in aree in cui sono consentiti bassi livelli di rumore.

Impostazione del limitatore dell'acceleratore:

Spostare la leva del limitatore dell'acceleratore posizionata sul lato destro del controllo dell'acceleratore sull'impostazione dB.



2. Spostare la leva del limitatore dell'acceleratore sull'impostazione di limitazione.
3. Servendosi di un cacciavite a stella, girare la vite di regolazione in senso orario per diminuire il numero di giri al minuto e in senso antiorario per aumentare tale numero fino a quando non viene raggiunto il numero di giri al minuto desiderato.
4. Reinstallare il tappo del limitatore.

Regolazione del limitatore dell'acceleratore:

1. Rimuovere il tappo posizionato sulla parte superiore del gruppo dell'acceleratore.



Utilizzo del soffiatore

Suggerimenti per il funzionamento

Se adoperato da mani esperte, il soffiatore EB630 può rimuovere un'ampia gamma di detriti, dai residui di erba alla ghiaia. Come regola generale, far funzionare il soffiatore alla velocità minima necessaria per eseguire l'operazione:

- Impostare la velocità minima quando si eliminano materiali leggeri da giardini o arbusti.
- Utilizzare la velocità media o alta per rimuovere erba o foglie da aree di parcheggio o sentieri.
- Impostare la velocità massima per rimuovere sporco o neve.

IMPORTANTE!

Il rumore del motore del soffiatore aumenta a velocità maggiori. Impostare sempre la velocità minima richiesta per il completamento dell'operazione.

Manutenzione



AVVERTENZA!

Prima di eseguire attività di manutenzione, riparazione o pulizia dell'attrezzo, assicurarsi che il motore sia completamente fermo. Prima di eseguire lavori di manutenzione o riparazione, scollegare il cavo della candela.



AVVERTENZA!

È possibile che ricambi non standard non funzionino correttamente con l'attrezzo e che causino danni e infortuni alle persone.

NOTA:

Utilizzando parti di ricambio non standard la garanzia di Shindaiwa può essere annullata.

Manutenzione giornaliera



AVVERTENZA!

Per ridurre il rischio di incendio, assicurarsi che il motore e la marmitta di scarico siano libere da sporco, detriti e foglie.

ATTENZIONE!

Il motore è raffreddato dall'aria aspirata nel coperchio della presa d'aria dell'alloggiamento del soffiatore. La ventola del soffiatore spinge l'aria di raffreddamento attraverso un'apertura nell'alloggiamento della ventola, forzandola attraverso le alette di raffreddamento del cilindro. Se non si libera il sistema di raffreddamento e i relativi passaggi dai detriti, il motore può essere sottoposto a surriscaldamento, una delle cause principali dei problemi gravi del motore che possono portare a un guasto.

Prima di ogni giornata lavorativa:

- Rimuovere tutto lo sporco e i detriti all'esterno del soffiatore e dal motore. Controllare le alette di raffreddamento e il filtro dell'aria per l'eventuale presenza di ostruzioni e rimuoverle all'occorrenza.
- Verificare che il motore, il serbatoio e i tubi di alimentazione non presentino eventuali fuoriuscite di carburante e rimediare all'occorrenza.
- Verificare che il soffiatore non abbia componenti allentati, danneggiati o mancanti e rimediare all'occorrenza.
- Rimuovere con delicatezza l'accumulo di sporco o detriti dalla marmitta di scarico e dal serbatoio del carburante. L'accumulo di sporco in queste aree può causare il surriscaldamento del motore, incendi o usura prematura.

Ogni 10 ore

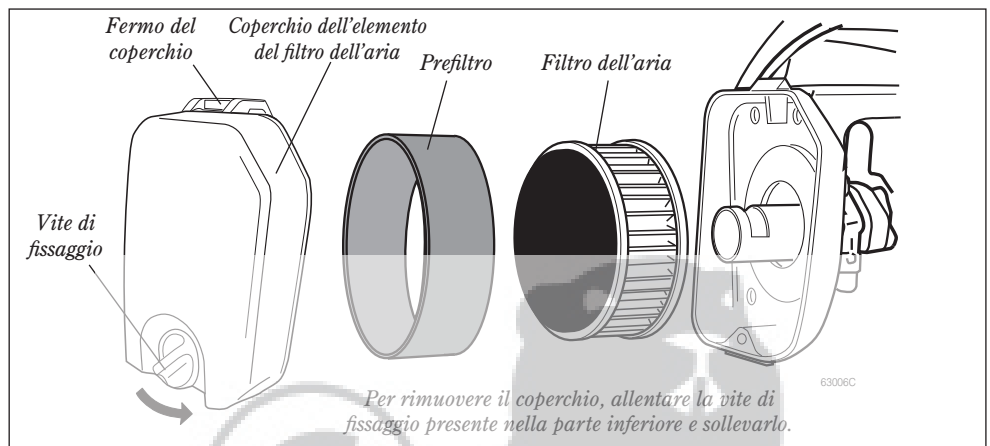
(più frequente in presenza di polvere)

1. Rimuovere il coperchio del filtro dell'aria allentando la vite di fissaggio e sollevandolo.
2. Rimuovere e ispezionare il prefiltro. Se il prefiltro è distorto o danneggiato, sostituirlo con uno nuovo.
3. Pulire il prefiltro con acqua e sapone. Lasciare asciugare prima di reinstallare.
4. Controllare l'elemento del filtro dell'aria. Se l'elemento è distorto o danneggiato, sostituirlo con uno nuovo.

IMPORTANTE!

Il soffiatore EB630 utilizza un elemento del filtro dell'aria di tipo secco ad elevata capacità. Il filtro non deve essere pulito con detergenti liquidi e non deve MAI essere oliato.

5. Scuotere delicatamente il filtro dell'aria su una superficie rigida per staccare i detriti dall'elemento o utilizzare aria compressa dalla parte interna per soffiare via i detriti dall'elemento del filtro.



IMPORTANTE!

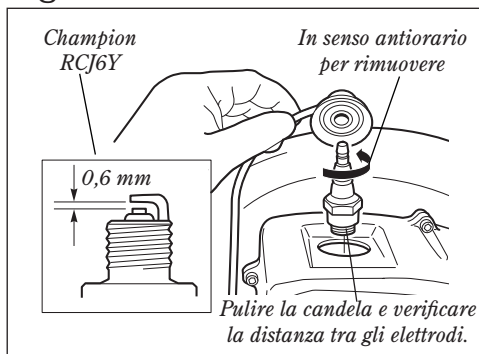
Dirigere il flusso d'aria solo sulla parte interna del filtro.

6. Installare l'elemento del filtro, il prefiltro e il coperchio nell'ordine inverso a quello della rimozione.

ATTENZIONE!

Non azionare mai il soffiatore se il filtro dell'aria è danneggiato o mancante.

Ogni 10-15 ore



ATTENZIONE!

Evitare che sporco o altri detriti entrino nella camera del cilindro. Prima di rimuovere la candela, pulire accuratamente l'area della testa del cilindro e della candela.

Lasciare raffreddare il motore prima di effettuare la manutenzione della candela. La filettatura del cilindro può danneggiarsi se si avvita o si allenta la candela quando il motore è caldo.

1. Utilizzare la chiave per candele per rimuovere la candela.
2. Pulire e regolare la distanza tra gli elettrodi a 0,6 mm. Se è necessario sostituire la candela, utilizzare solo una candela Champion RCJ6Y o una candela equivalente del corretto grado termico.
3. Installare la candela con le dita nella testa del cilindro, quindi serrarla saldamente con la chiave per candele. Se è disponibile una chiave torsionometrica, serrare la candela a 16,7 - 18,6 N-m.

Ogni 50 ore

(più frequente se si nota un calo delle prestazioni)

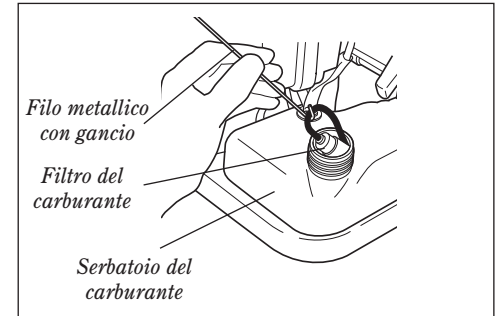
- **ISPEZIONE** Verificare che il soffiatore e i tubi non siano danneggiati e che non ci siano componenti allentati o mancanti e rimediare all'occorrenza.
- **CANDELA** Sostituire la candela con una candela Champion RCJ6Y (o equivalente), con una distanza tra gli elettrodi di 0,6 mm.
- **FILTRO DEL CARBURANTE** Utilizzare un filo metallico con un gancio a un'estremità per estrarre il filtro del carburante dal serbatoio del carburante.

ATTENZIONE!

Fare attenzione a non forare il condotto del carburante con l'estremità del filo con gancio. Il condotto è delicato e può danneggiarsi facilmente.

- Ispezionare l'elemento del filtro per individuare eventuali segni di contaminazione da detriti. Se il filtro del carburante è contaminato, è necessario cambiarlo con un elemento sostitutivo Shindaiwa. Prima di installare nuovamente il filtro, verificare le condizioni del condotto del carburante. Se si rilevano danni o deterioramenti, il soffiatore non può essere utilizzato se non ispezionato da un tecnico specializzato di Shindaiwa.

- **SISTEMA DI RAFFREDDAMENTO** Utilizzare un raschietto di legno o plastica e una spazzola morbida per rimuovere lo sporco e i detriti dalle alette del cilindro e dal carter del motore.



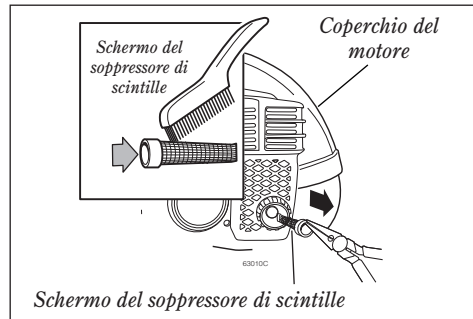
Manutenzione del soppressore di scintille



AVVERTENZA!

Non utilizzare il soffiatore se la marmitta di scarico o il soppressore di scintille è mancante o danneggiato. Componenti mancanti o danneggiati aumentano il rischio di incendi e possono danneggiare l'udito dell'operatore.

L'avviamento difficoltoso o la riduzione graduale delle prestazioni può essere causato dai depositi di carbonio nello schermo del soppressore di scintille. Per ottenere le massime prestazioni, lo schermo del soppressore di scintille deve essere pulito periodicamente nel modo seguente:



1. Utilizzare una pinza a becchi mezzotondi per rimuovere lo schermo del soppressore di scintille dal tubo di scarico. Lo schermo è incastrato, non ci sono viti da rimuovere.

2. Utilizzare un raschietto di plastica o una spazzola metallica per rimuovere i depositi di carbonio dallo schermo del soppressore di scintille e dal tubo di scarico.
3. Ispezionare attentamente lo schermo e sostituirlo se è perforato, distorto o altrimenti inservibile.
4. Inserire lo schermo del soppressore di scintille nel tubo di scarico. Per inserire lo schermo del soppressore di scintille è possibile utilizzare una mazzuola imbottita.

Se l'accumulo di carbonio nella marmitta di scarico o nel cilindro è considerevole o se dopo la manutenzione non si notano miglioramenti nelle prestazioni, far ispezionare il soffiatore da un rivenditore Shindaiwa autorizzato per l'assistenza.

Rimessaggio per lunghi periodi

Ogni qualvolta si ritiene di non dover utilizzare l'attrezzo per 30 giorni o più, utilizzare le seguenti procedure per prepararlo all'immagazzinaggio:

- Pulire accuratamente le parti esterne.
- Svuotare completamente il carburante dal relativo serbatoio.

IMPORTANTE!

Il carburante conservato deve essere stabilizzato con uno stabilizzatore come STA-BIL™ se non si utilizza uno stabilizzatore per carburanti Shindaiwa One.

Per rimuovere il carburante rimanente dai condotti e dal carburatore e svuotare il serbatoio del carburante.

ATTENZIONE!

La benzina conservata nel carburatore per lunghi periodi può causare un avviamento difficoltoso e può anche far aumentare i costi di assistenza e manutenzione.

- Rimuovere la candela e versare circa 7 grammi di olio per miscela a due tempi nel cilindro attraverso il foro della candela. Tirare lentamente 2 o 3 volte l'avviamento a strappo in modo che l'olio rivesta l'interno del motore. Rimettere in sede la candela.
- Prima di immagazzinare l'attrezzo, riparare o sostituire tutte le parti usurate o danneggiate.
- Rimuovere il filtro dell'aria dall'attrezzo e ripulirlo secondo quanto descritto a pagina 10.
- Immagazzinare l'attrezzo in un ambiente pulito e privo di polvere.

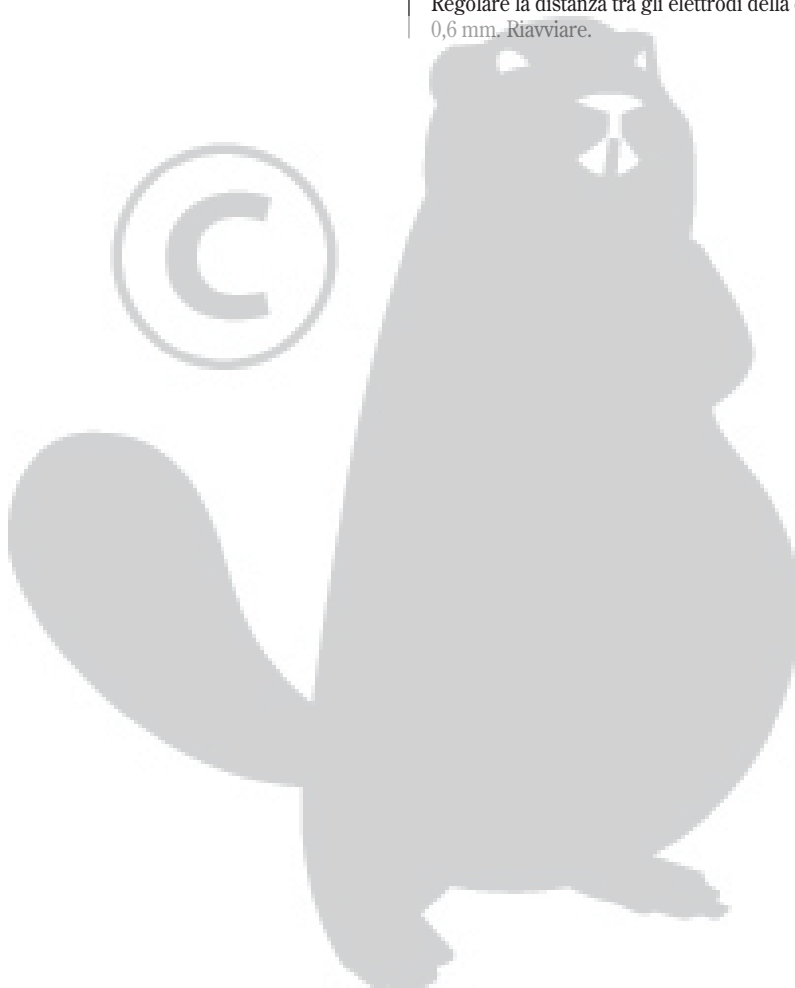
Verifiche da effettuare

Possibile causa

Soluzione

<p>Il motore si avvia?</p>	<p>NO</p>	<p>Avviamento a strappo difettoso. Fluido nel carter. Danni interni.</p>	<p>Consultare un rivenditore autorizzato per l'assistenza.</p>
<p>SÌ</p>			
<p>La compressione è sufficiente?</p>	<p>NO</p>	<p>Candela allentata. Usura del cilindro, del pistone, delle fasce elastiche.</p>	<p>Stringere e riprovare. Consultare un rivenditore autorizzato per l'assistenza.</p>
<p>SÌ</p>			
<p>Il serbatoio contiene carburante recente del grado appropriato?</p>	<p>NO</p>	<p>Carburante non appropriato, vecchio o contaminato; miscela non appropriata.</p>	<p>Rifornire con benzina senza piombo, recente e pulita con un numero di ottano pari a 87 o superiore, miscelata con olio per motori a due tempi di qualità nel rapporto benzina/olio pari a 50:1.</p>
<p>SÌ</p>			
<p>Si vede il carburante fluire nel condotto di ritorno quando si preme la pompetta di innesco?</p>	<p>NO</p>	<p>Controllare che il filtro del carburante e/o la presa d'aria non siano intasati. La pompa di innesco non funziona in modo corretto.</p>	<p>Se necessario, sostituire il filtro del carburante o la presa d'aria. Consultare un rivenditore autorizzato per l'assistenza.</p>
<p>SÌ</p>			
<p>È visibile la scintilla sul terminale del cavo della candela?</p>	<p>NO</p>	<p>Interruttore di accensione nella posizione "0" (ARRESTO). Messa a terra dell'avviamento in cortocircuito. Unità di accensione difettosa.</p>	<p>Spostare l'interruttore sulla posizione "I" (AVVIO) e riavviare il motore. Consultare un rivenditore autorizzato per l'assistenza.</p>
<p>SÌ</p>			
<p>Controllare la candela.</p>		<p>Se la candela è bagnata, il carburante in eccesso può essersi riversato nel cilindro. La candela è sporca o la distanza tra gli elettrodi non è corretta. La candela è internamente danneggiata o la sua dimensione è sbagliata.</p>	<p>Avviare il motore dopo aver rimosso la candela, sostituire la candela e riavviare. Pulire e regolare la distanza tra gli elettrodi su 0,6 mm. Riavviare. Sostituire la candela con una candela Champion RCJ6Y o una candela equivalente del corretto grado termico. Regolare la distanza tra gli elettrodi della candela su 0,6 mm. Riavviare.</p>

Italiano



Verifiche da effettuare

Possibile causa

Soluzione

<p>Il motore si surriscalda?</p>	<p>L'attrezzo è sottoposto a un utilizzo eccessivo.</p> <p>La miscela del carburatore è troppo povera.</p> <p>Rapporto benzina/olio non corretto.</p> <p>Presenza di foglie o detriti nel coperchio della presa d'aria.</p> <p>La ventola, la copertura della ventola, le alette dei cilindri sono sporche o danneggiate.</p> <p>Sono presenti depositi di carbonio sul pistone o nella marmitta.</p>	<p>Impostare una velocità inferiore.</p> <p>Consultare un rivenditore autorizzato per l'assistenza.</p> <p>Rifornire con benzina senza piombo, recente e pulita con un numero di ottano pari a 87 o superiore, miscelata con olio per motori a due tempi di qualità nel rapporto benzina/olio pari a 50:1.</p> <p>Ripulire il coperchio della presa d'aria.</p> <p>Pulire, riparare o sostituire secondo necessità.</p> <p>Consultare un rivenditore autorizzato per l'assistenza.</p>
<p>Il motore non funziona correttamente a qualsiasi velocità. Potrebbe anche generare fumo nero e/o presentare carburante non bruciato dalla marmitta di scarico.</p>	<p>Elemento del filtro dell'aria ostruito.</p> <p>Candela non avvitata correttamente o danneggiata.</p> <p>Perdita di aria o condotto del carburante ostruito.</p> <p>Acqua nel carburante.</p> <p>Pistone grippato.</p> <p>Danni al carburatore e/o alla membrana.</p>	<p>Pulire o sostituire il filtro dell'aria.</p> <p>Stringere o sostituire la candela con una candela Champion RCJ6Y o una candela equivalente del corretto grado termico.</p> <p>Riparare o sostituire il filtro e/o il condotto del carburante.</p> <p>Rifornire con miscela di carburante nuovo e olio.</p> <p>Consultare un rivenditore autorizzato per l'assistenza.</p>
<p>Il motore batte in testa.</p>	<p>Condizione di surriscaldamento.</p> <p>Carburante non appropriato.</p> <p>Depositi di carbonio nella camera di combustione.</p>	<p>Vedere sopra.</p> <p>Controllare il numero di ottano del carburante; controllare la presenza di alcoli nel carburante. Se necessario, rifornire di carburante.</p> <p>Consultare un rivenditore autorizzato per l'assistenza.</p>

Sintomo	Possibile causa	Soluzione
Accelerazione insufficiente.	<ul style="list-style-type: none"> L'elemento del filtro dell'aria è ostruito. Filtro del carburante ostruito. Miscela carburante/aria povera. Velocità del minimo troppo bassa. 	<ul style="list-style-type: none"> Pulire o sostituire il filtro dell'aria. Sostituire il filtro del carburante. Consultare un rivenditore autorizzato per l'assistenza. Regolare: 2.200 giri/min.
Il motore si arresta di colpo.	<ul style="list-style-type: none"> Interruttore nella posizione "O" (ARRESTO). Serbatoio del carburante vuoto. Filtro del carburante ostruito. Acqua nel carburante. Candela in cortocircuito o cavo allentato. Problema di accensione. Pistone grippato. 	<ul style="list-style-type: none"> Spostare nella posizione "I" (AVVIO) e riavviare. Rifornire di carburante. Vedere a pagina 7. Sostituire il filtro. Svuotare e sostituire con carburante pulito. Vedere a pagina 7. Pulire o sostituire la candela con una candela Champion RCJ6Y o una candela equivalente del corretto grado termico. Sostituire l'unità di accensione. Consultare un rivenditore autorizzato per l'assistenza.
Il motore non si arresta correttamente.	<ul style="list-style-type: none"> Il cavo di messa a terra (arresto) è disconnesso o l'interruttore è difettoso. Surriscaldamento provocato da candela di tipo non corretto. Motore surriscaldato. 	<ul style="list-style-type: none"> Provare e sostituire a seconda dei casi. Pulire o sostituire la candela con una candela Champion RCJ6Y o una candela equivalente del corretto grado termico. Lasciare il motore al minimo fino al raffreddamento.
Livello di vibrazione eccessivo.	<ul style="list-style-type: none"> Accumulo di detriti nella ventola. Ventola allentata o danneggiata. Struttura di montaggio del motore allentata o danneggiata. 	<ul style="list-style-type: none"> Rimuovere i detriti dalla ventola a seconda dei casi. Ispezionare e sostituire la ventola a seconda dei casi. Stringere o sostituire la struttura di montaggio del motore a seconda dei casi.
Motore fuori giri.	<ul style="list-style-type: none"> La presa d'aria o le aperture o i tubi di scarico sono intasati da detriti. Le lame della ventola sono mancanti o danneggiate. 	<ul style="list-style-type: none"> Ispezionare il soffiatore e rimuovere i detriti. Consultare un rivenditore autorizzato per l'assistenza.



DICHIARAZIONE DI CONFORMITÀ

Shindaiwa dichiara che il soffiatore Shindaiwa,
Modello EB630 (EB630/EC1)

soddisfa i seguenti requisiti.

Direttive del Consiglio d'Europa:
89/336/EEC e relativi emendamenti
98/37/EC e relativi emendamenti
2000/14/EC e relativi emendamenti
2004/26/EC e relativi emendamenti

Standard adottati:
EN 292 parti 1 e 2
CISPR 12

Livello di rumore misurato: 111dB(A)

Livello di rumore garantito: 112dB(A)

La documentazione tecnica è di proprietà di:
K. Maeda, Manager dipartimentale
Dipartimento tecnico per la ricerca e lo sviluppo

17 gennaio 2005



T. Yoshitomi
Direttore di reparto
Dipartimento qualità

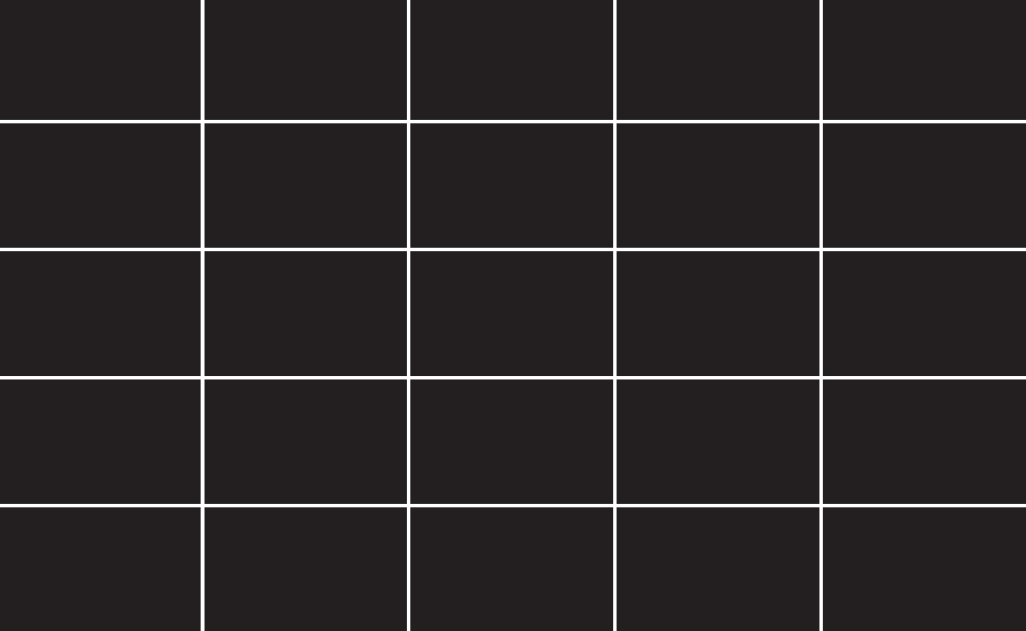


Shindaiwa Corporation

Sede centrale: 6-2-11, Ozuka-Nishi, Asaminami-Ku,
Hiroshima, 731-3167, Giappone
TEL: 81-82-849-2003, FAX: 81-82-849-2482

Shindaiwa Corporation

Sede centrale: 6-2-11, Ozuka-Nishi, Asaminami-Ku,
Hiroshima, 731-3167, Giappone
TEL: 81-82-849-2206, FAX: 81-82-849-2481



shindaiwa

Shindaiwa Inc.
11975 S.W. Herman Rd.
Tualatin, Oregon 97062 USA
Telephone: 503 692-3070
Fax: 503 692-6696
www.shindaiwa.com

Shindaiwa Corporation
Head Office:
6-2-11, Ozuka-Nishi
Asaminami-Ku, Hiroshima
731-3167, Japan
Telephone: 81-82-849-2220
Fax: 81-82-849-2481

©2007 Shindaiwa, Inc.
Part Number 68238-94312
Revision 1/07

Shindaiwa is a registered trademark
of Shindaiwa, Inc.
Specifications subject to change without notice.

