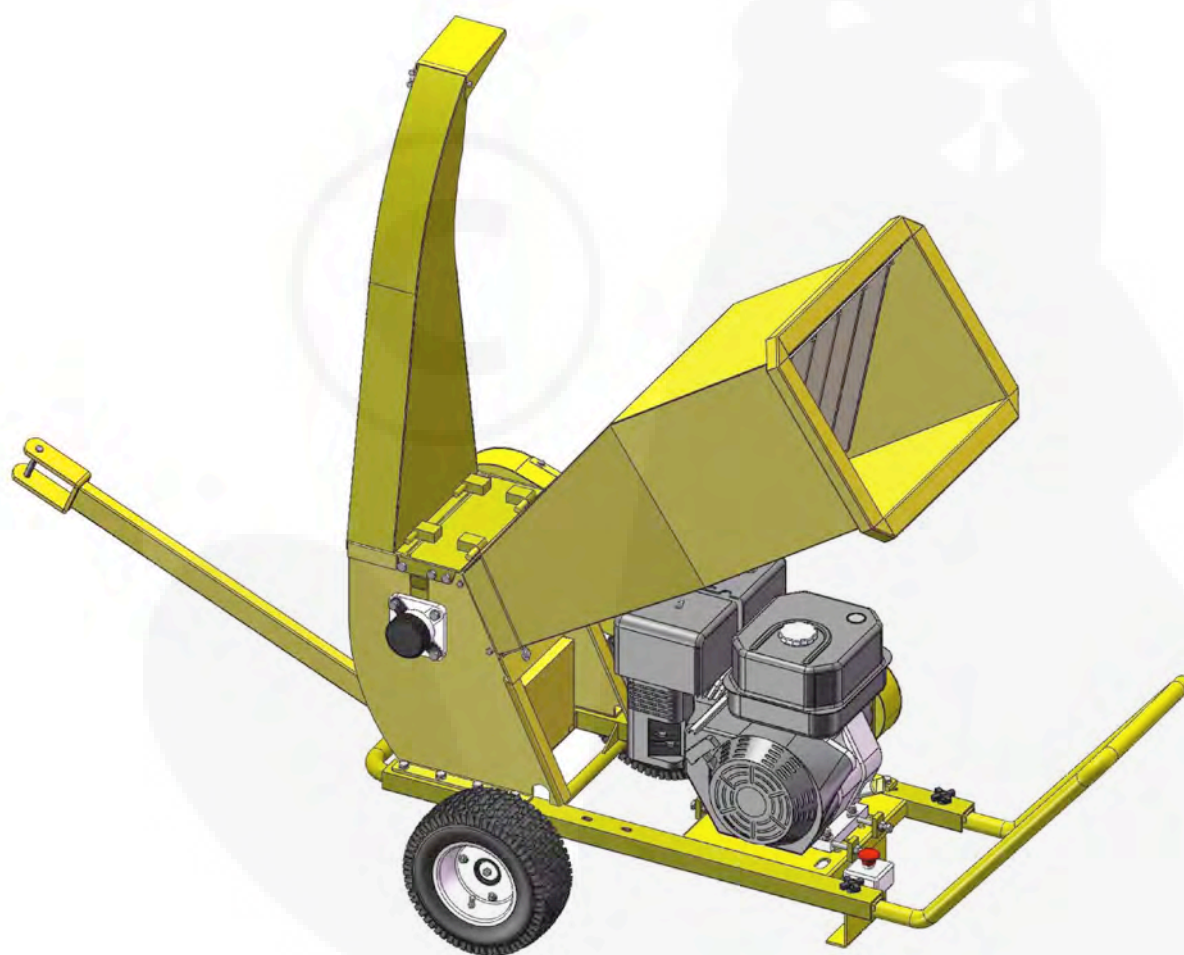


Wood Shredder Chipper Owner's Manual



Contents

General

1. Limitations of use.....	4
2. Specification of use	4
3. Description of the machine.....	4
4. Symbols.....	6

Working with the shredder

1. Safety and technical remarks.....	7
2. Before operating the machine	10
3. Starting and operating the machine.....	10
4. Transportation.....	12

Maintenance and checks.....	12
-----------------------------	----

Problems and solution.....	13
----------------------------	----

Assembly instruction.....	14-16
---------------------------	-------

Technical specifications.....	17
-------------------------------	----

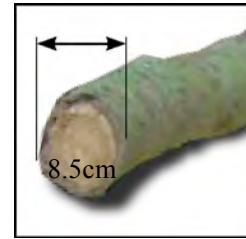
Spare parts drawing.....	18
--------------------------	----

Spare parts list.....	19-20
-----------------------	-------

General

1. Intended use

The shredder is designed solely for shredding/chipping all kind of newly cut tree branches of diameter up to 8.5 cm.



2. Restrictions

You should not use the shredder for shredding/chipping metal, stones, plastics. if you are going to shred tree roots check that the diameter is less than 8.5 cm and remove all earth, sand stones.

Before using the machine for the first time, check the maximum engine speed by screwing in/out the screw which controls the position of the throttle lever so that it is positioned as in the diagram. (fig.3) After the first hour's use check that the bolts of the blades and counter blade are firmly fixed and that the gap between blades and counter blade is 0.5mm(half a millimeter). Adjust in the slots necessary and fix the bolts.(fig.2a,ab)

3. Description of the machine

The shredder is a machine for shredding/chipping newly cut wood. The rotor has 2 blades each with a 30 cm width and is powered by a gasoline engine. Transmission is through two parallel drive belts. The shredded wood or chips are discharged through the output tube by the centrifugal force of the rotor. Because of the angle of the blades and the positioning of the counter blade branches are pulled inside the machine automatically and feeder belt is required.(fig.1)

Fig.1

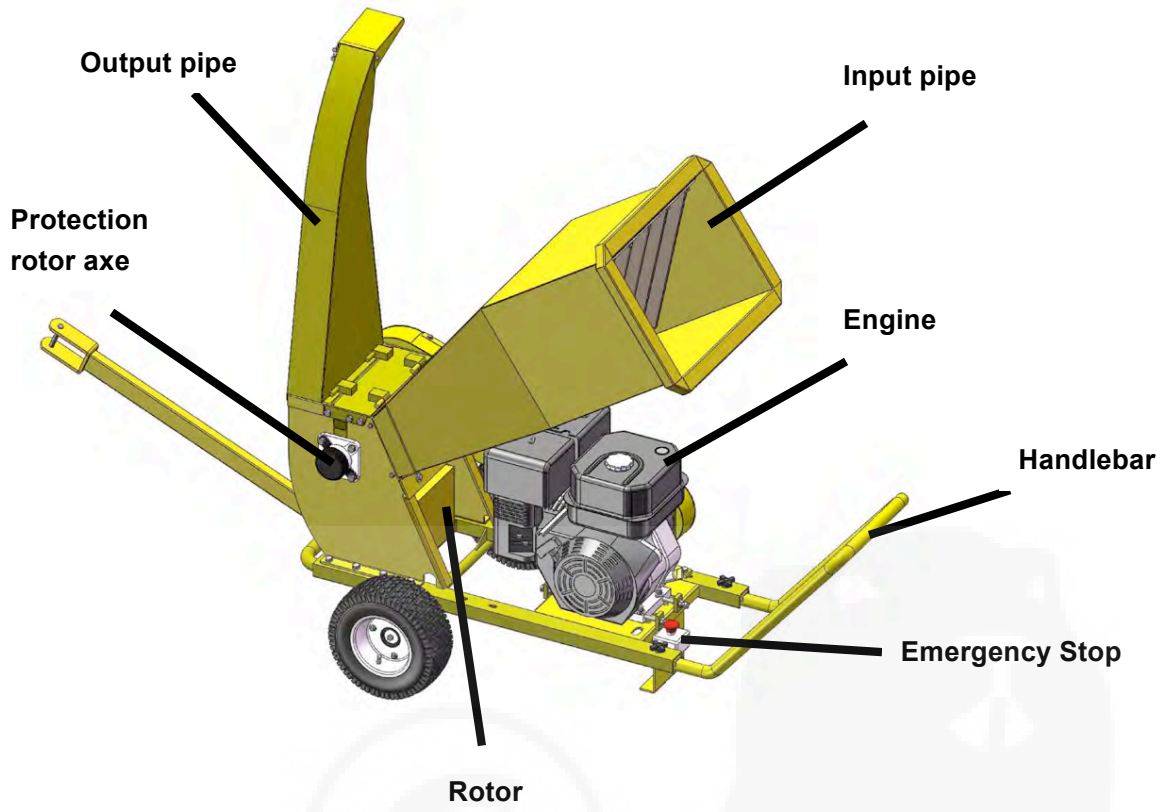


fig. 2a

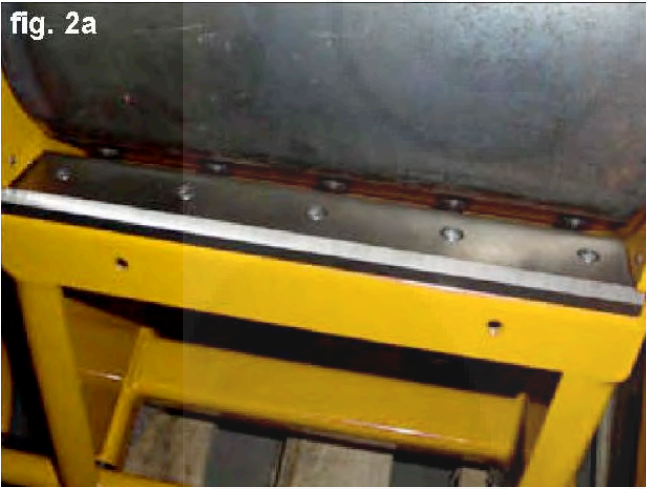


fig. 2b

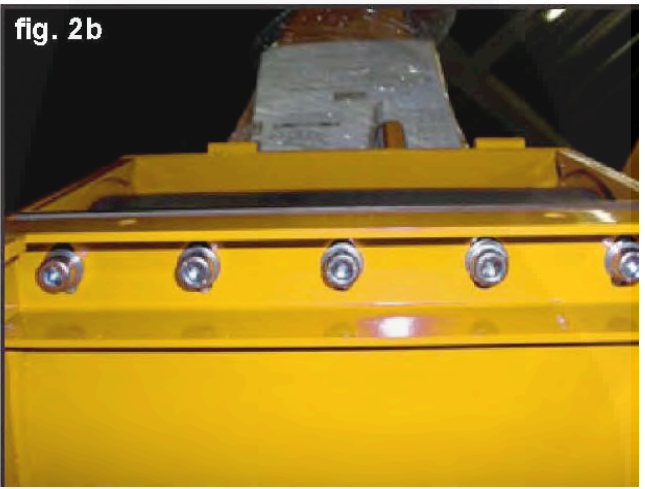
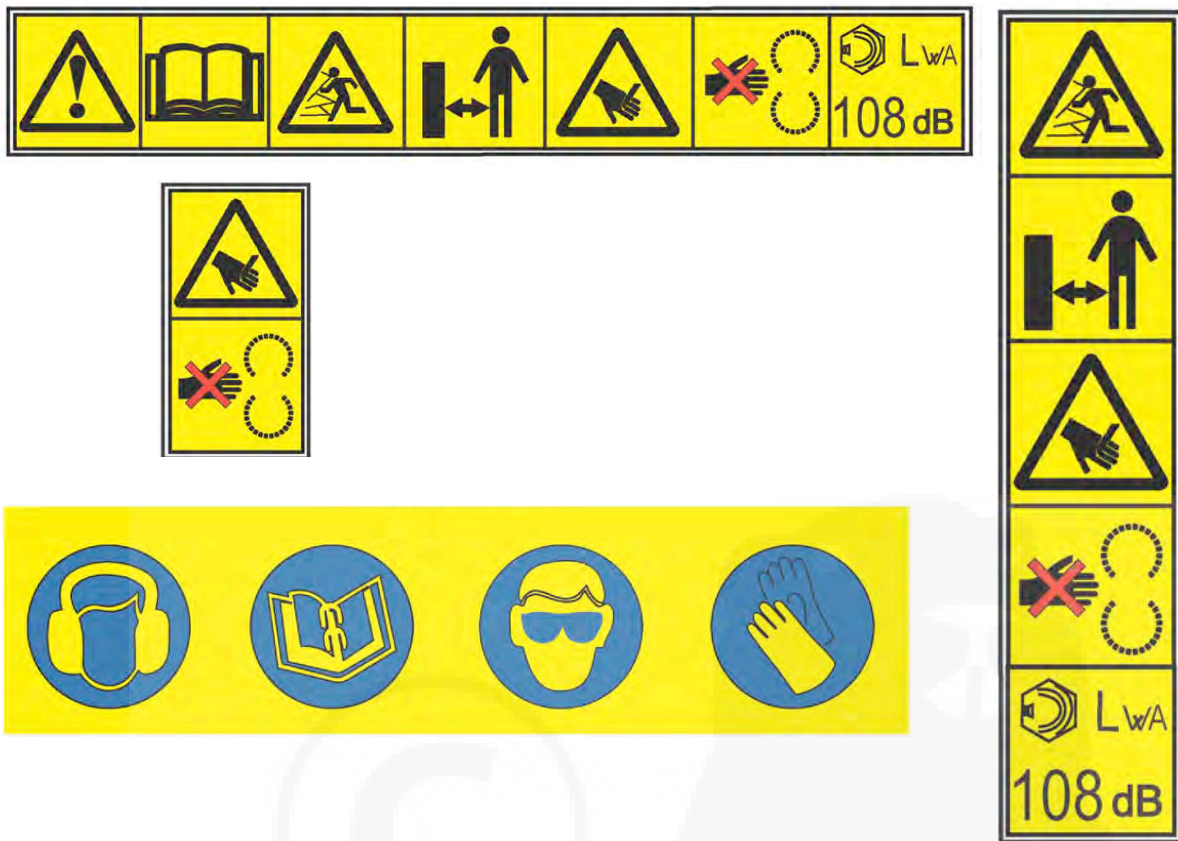


fig. 3



4. Symbols



N.B.: Before use, make sure that the manual has carefully read. Because familiar with the controls so as to use the machine correctly. Obey all safety instructions!

Working with the shredder

1. Safety and technical remarks

- 1.1. The user should be 18 years old or more.
- 1.2. The machine should be positioned on a horizontal. Firm surface.
- 1.3. User must wear safety gloves (not provided with this unit), ear-protection and safety goggles.
(fig.4)
- 1.4. When working in a confined space, always make sure there is sufficient ventilation and lighting, in order to reduce the risk of suffocation and injury.
- 1.5. Only one person at a time should operate the machine.



- 1.6. Pieces jamming the input tube can only be removed safely when the engine is stopped and blocked. If necessary, unbolt and tip the input and output tubes to facilitate access to the rotor. Use a wooden pole to remove pieces stuck in the rotor. Never use your hands.(fig.6-8)
- 1.7. Never leave the machine running unattended.
- 1.8. Changing the blades of the rotor or the counter blade and checking blade bolts should only be done when the engine and rotor are stopped, the spark plug cap is removed and the rotor is blocked.
- 1.9. After one hour of use always check that all bolts and nuts are still tightened properly. If not, tighten them again or bring the machine back to your dealer/service-point.
- 1.10. Use only original parts for maintaining your shredder, otherwise the warranty will be void.
- 1.11. The shredder can only be repaired by a skilled dealer/service-point.
- 1.12. The shredder exceeds 90 dBA during operation. Therefore all users and onlookers must wear ear-protection.
- 1.13. Before use, make secure that the bolts on the fixed blade are firmly fixed. Check after one hour that the bolts still are firmly fixed (just first time).



2. Before operating the machine

Make sure the machine stands firmly on the ground and does not tilt in any way. The danger zone on the output of the machine must be respected, in order to avoid serious injury by chips thrown out of the output tube. chips can be thrown a distance of 12 meters, so onlooker must remain behind the direction of throw or at least 12 meters away from the output tube.

Before using the machine for the first time, check the maximum engine speed by screwing in/out the screw which controls the position of the throttle lever so that it is positioned as in the diagram.

After the first hour's use check that the bolts of the blades and counter blade are firmly fixed and that the gap between blades and counter blade is 0.5mm (half a millimeter). Adjust in the slots if necessary and fix the bolts.

3. Starting and operating the machine

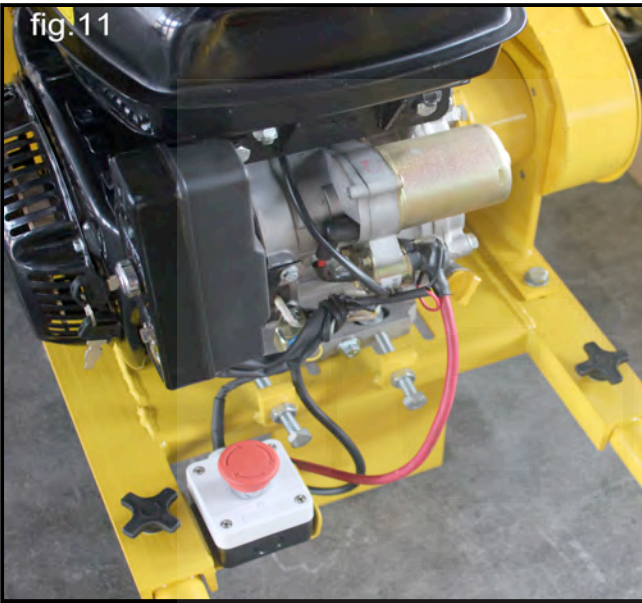
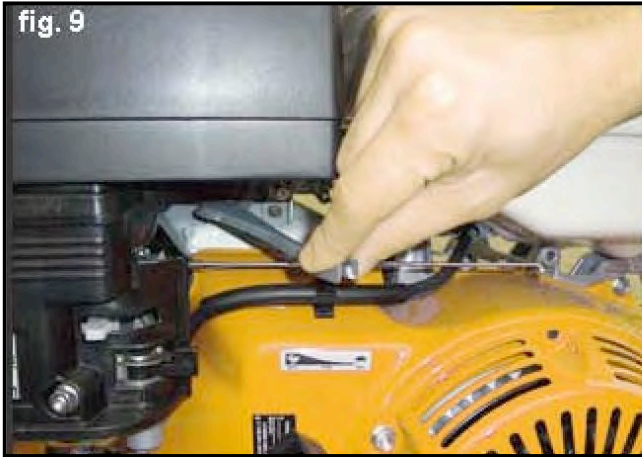
Start the engine at half throttle and let it warm up for about 3 minutes. (for proper use of the engine on should also read the attached manual). Then put the engine on full throttle.(fig.9,10)

Put the branches in the input tube and when you feel they are pulled in by the rotating blades, let the branch go. Do not hang on to the branch, the branch will be pulled in by the machine by itself. Side branches with a diameter exceeding 3 cm should be sawn or cut off and shredded separately.

Warning!

In case of emergency or any doubt, immediately activate the safety switch (red knob) to be found by the engine.(fig.11)

Before starting the engine check that the bolts holding the input and output tubes are fully tightened.(fig.12,13)



4. Transport

Before moving the machine, stop the engine!

Maintenance and checks

All technical check-ups and maintenance should be done with the engine shut off and the spark plug cap removed from the spark plug.

While cleaning the shredder, never spray the bearing with a high pressure washer! It could cause water to enter the bearings which will cause damage to the machine; (this is not covered by warranty). The two grease nipples on the rotor require lubricating once a year or every 500 hours.

Before putting the shredder into storage grease or oil the bearings, blades and rotor to protect against corrosion.

1. Points to be checked
2. Cleaning the machine

For engine maintenance refer to the engine manufacturers engine manual.

Note that the first engine oil change is after 5 hours use.

Attention !

Adjust the belt at good tightness by moving the Engine after every 10 hours use.

Problem & solutions

Problem	Cause	Solution
The shredder does not perform properly: the wood is not pulled in by the machine itself. The chips do not have the same size.	<ul style="list-style-type: none"> -the blades are worn too much -the diameter of the branches inserted into the machine is too large -there is too big a gap between the fixed blade and the counter blade: correct gap is 0.5 mm (half a millimeter) 	<ul style="list-style-type: none"> -change or sharpen the blades and counter-blade. Note that the blades are sharpened on both edges so they can be reversed. -shut the engine off and remove the branch that is too thick -adjust the gap between the blade and the counter-blade in the slots
The engine does not start/ the engine shuts off by itself	<ul style="list-style-type: none"> -electrical problem whit the engine -no fuel -no or not enough oil in the engine (the oil should be level with the threads of the fillr hole.) 	<ul style="list-style-type: none"> Check that -the input tube is correctly fitted and the bolts are tight -put the start-switch of the engine "on" -de-activate the emergency switch (turn the knob) -check oil and fuel levels -contact your dealer <p>Important : screw back the blade bolts.</p>
The rotor jams The engine will not start/ turn because the rotor is jammed.	<ul style="list-style-type: none"> -the diameter of the branch is too big -there are unacceptable materials such as stones or metal in the input tube -a length of branch remains in the rotor remains in the rotor after the engine was last stopped. 	<ul style="list-style-type: none"> -shut off the engine, remove the spark plug cap and turn the rotor counter-clock-wise. Use a wooden stick to turn the rotor and to remove the material from the rotor and input tube. If necessary, remove the cap of the bearing housing and rotate the rotor axle with a spanner. If necessary, remove the input or output tube to facilitate access to the rotor. Check the sharpness of the blades and counter blade and replace them if necessary. <p>Important: screw back the blade bolts.</p>

UNPACKING

When unpacking, check to make sure all the parts shown on the below diagram are included.

#33
Hitch Pin
Ø11x87.5
1pc



#63
Hitch Pin
Ø11x83
1pc



#64
R Pin
2 pcs



#26
Hand Wheel
2 pcs



#67
Hex Bolt M10x65
2 pcs



#49
Flat Washer Ø10
4 pcs



#50
Nylon Lock
Nut M10
2 pcs



#42
Lock Washer Ø10
2 pcs



#53
Hex Bolt M8x25
2 pcs



#54
Lock Washer Ø8
6 pcs



#55
Flat Washer Ø8
2 pcs



#39
Hex Bolt M8x16
2 pcs



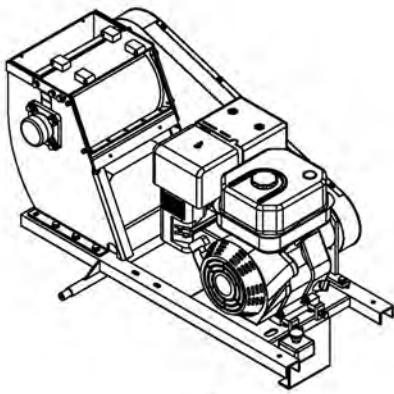
#40
Large Washer Ø8
4 pcs



#75
Hex Bolt M8x20
2 pcs



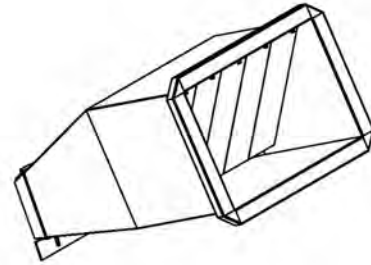
MACHINE COMPONENT DEFINITION



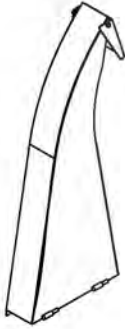
1



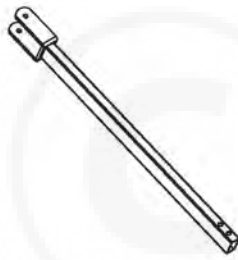
2



3



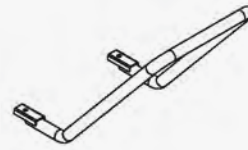
4



5



6

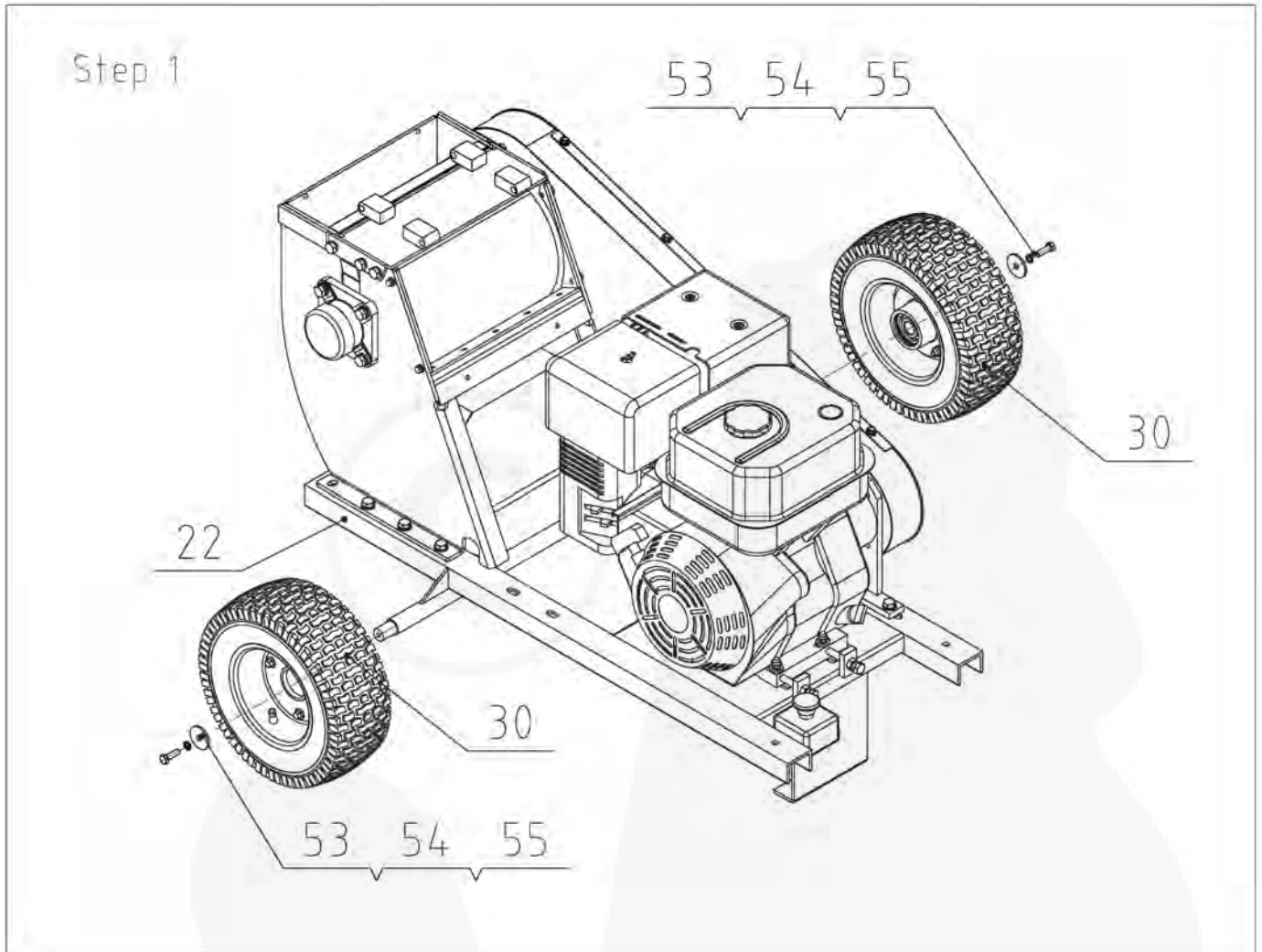


7

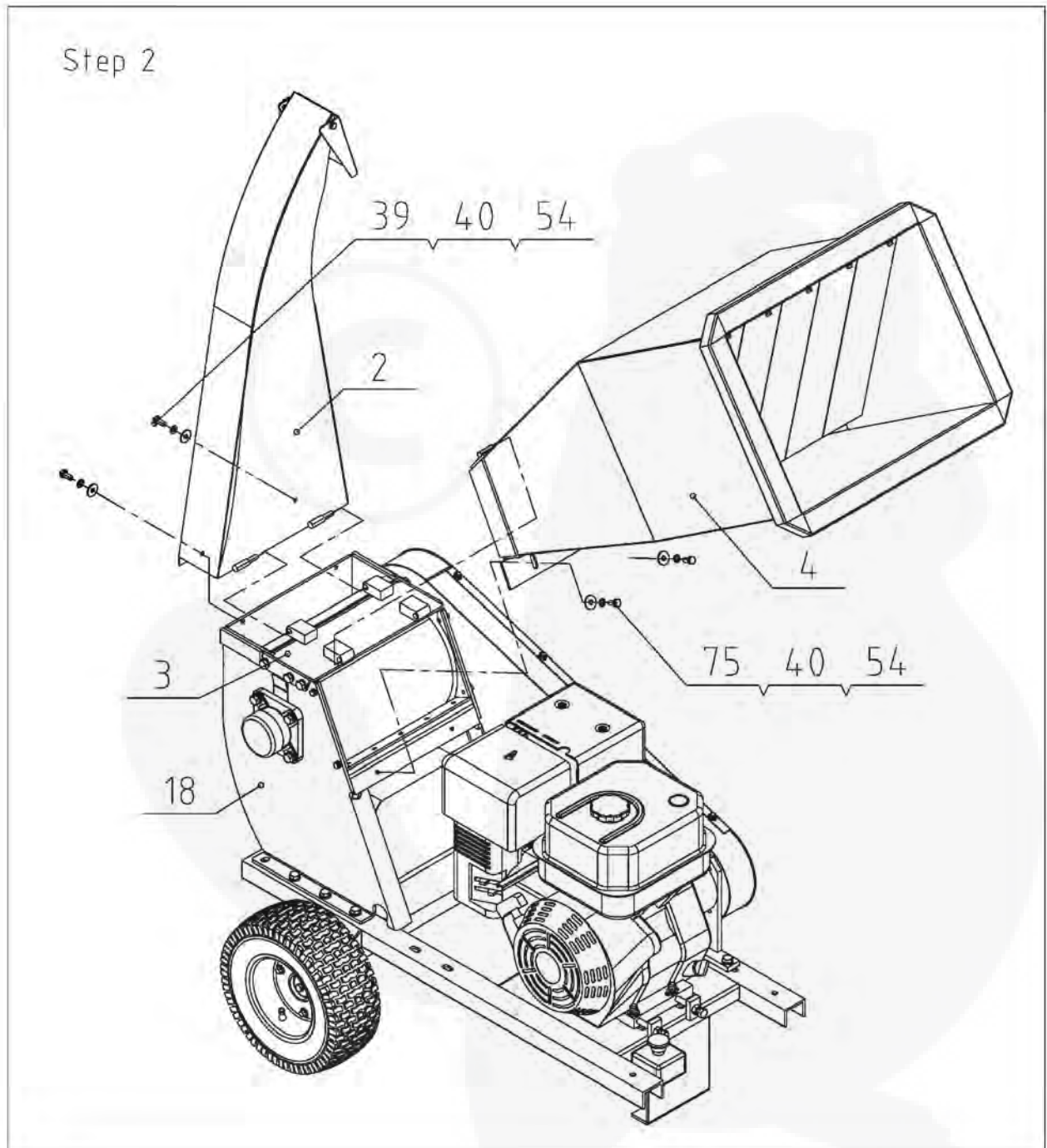
1. Shredder Hopper	1 PC
2. Wheel	2 PCS
3. Inlet Hopper Assembly	1 PC
4. Outlet Hopper Assembly	1 PC
5. Tow Bar	1 PC
6. Handle Connecting Pipe	1 PC
7. Handle	1 PC

ASSEMBLY INSTRUCTION

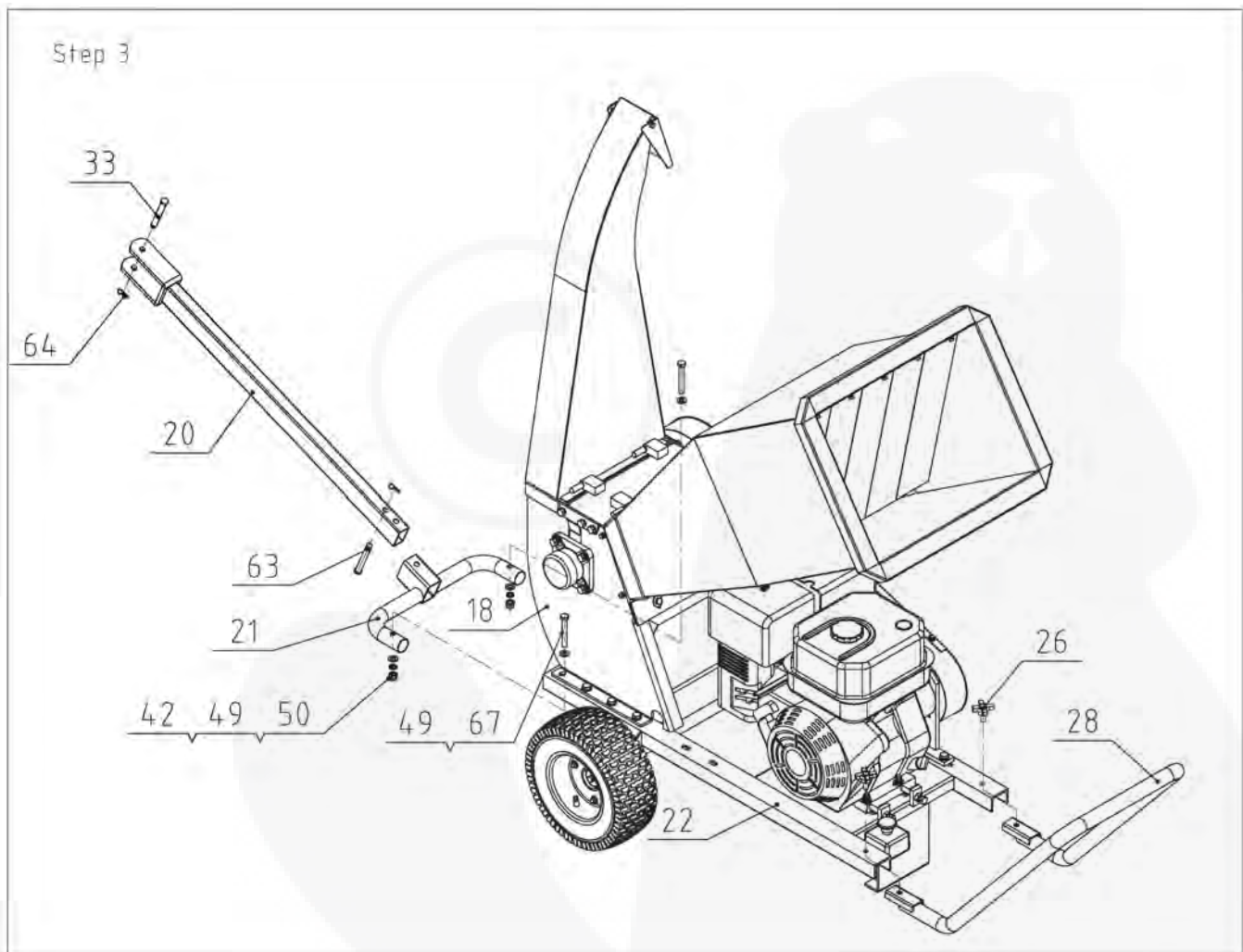
Step 1: Attach and lock the wheel assembly(#30) and base(#22) using hex bolt M8x25(#53),lock washer Ø8(#54) and Flat Washer(#55).



- Step 2:** 1. Secure the inlet hopper assembly(#4) to the roller cover plate assembly (#3) using hex bolt M8x20(#75),lock washer Ø8(#54), big flat washer(#40).
2. Secure the Outlet Hopper Assembly (#2) to the roller cover plate assembly (#3) using hex bolt M8x16(#39),lock washer Ø8(#54), big flat washer(#40).



- Step 3:**
1. Lock hand grip (#21), base (#22), roller base assembly (#18) using hex bolt M10x65 (#67), flat washer $\varnothing 10$ (#49), lock washer $\varnothing 10$ (#42) and nylon lock nut (#50).
 2. Lock hand grip (#28) and base (#22) using hand wheel (#26).
 3. Secure the tow bar (#20) to the hand grip (#21), then secure hitch pin (#63) using R pin (#64), the other side secure hitch pin (#33) using R pin (#64).



Technical specifications

Engine: 4 stroke

Maximum rpm: 3600

Fuel: lead free petrol

Shredding system: 2 blades on rotor and 1 counter-blade on the chassis. Blades are sharpened on both edges so they can be reversed. Gap between blades and

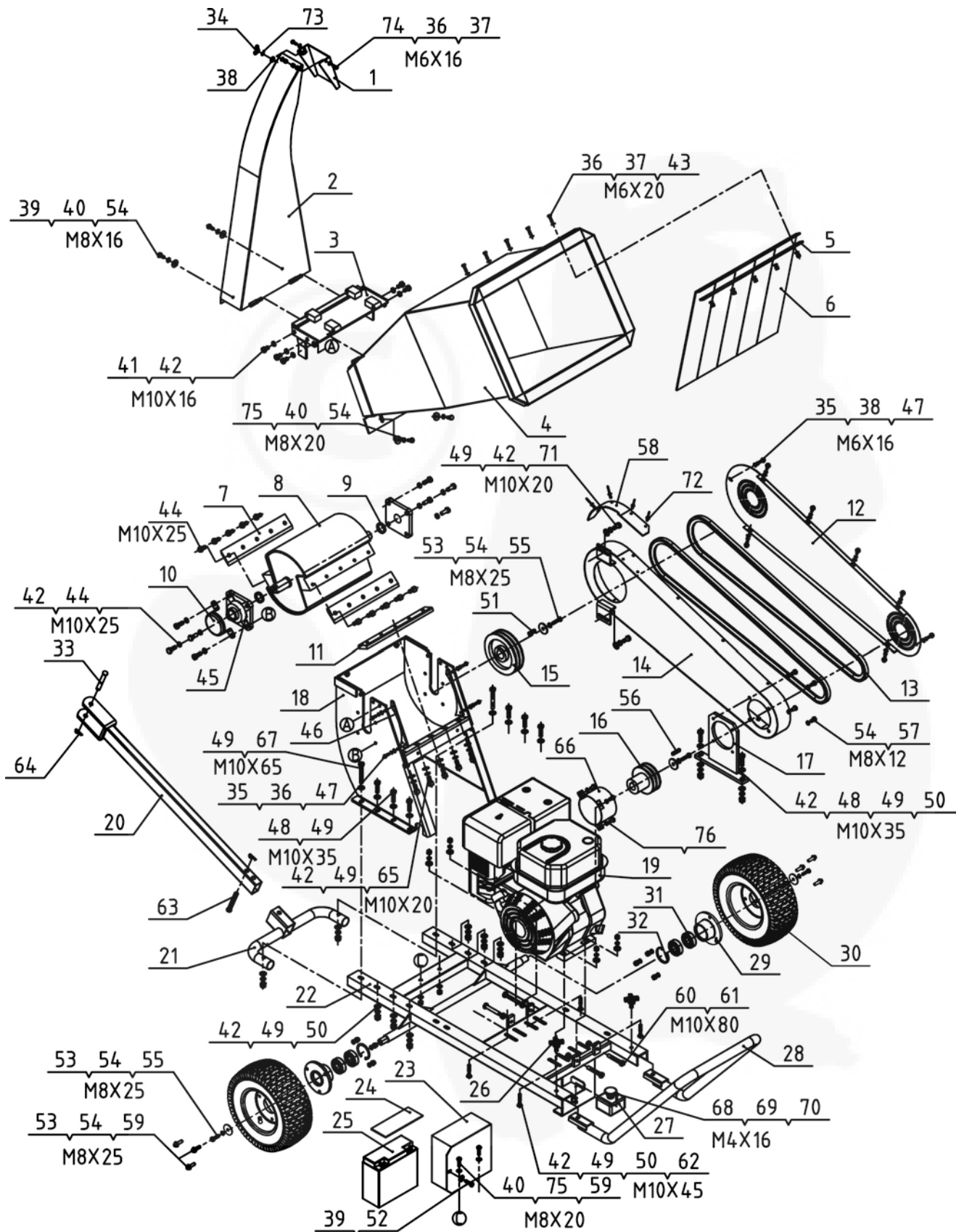
counter-blade : 0.5mm (half a millimeter)

Transmission : twin V belts running in parallel

Dimensions:

- Max. length: 231 cm
- Max. height: 150 cm
- Max. width: 80 cm
- Weight: 171.5 kgs

PARTS DRAWING



PARTS LIST

Ref#	Drawing No.	Description	Qty
1	CPR150-00003	Frame	1
2	CPR150-07000	Outlet Hopper Assembly	1
3	CPR150-03000	Roller Cover plate Assembly	1
4	CPR150-08000	Inlet Hopper Assembly	1
5	CPR150-00008	Mound Layer	1
6	CPR150-00014	Inlet Hopper Rubber	1
7	CPR150-00006	Blade	2
8	CPR150-01000	Roller Assembly	1
9	CPR150-00007	Spacer	2
10	CPR150-00016	End Cap	1
11	CPR150-00005	Striker Plate	1
12	CPR150-00013	Belt Pulley Shroud	1
13	SPA1782	Triangle Belt	2
14	CPR150-06000	Belt Pulley Shroud Assembly	1
15	CPR150-00010	Large Belt Pulley	1
16	CPR150-00012	Small Belt Pulley	1
17	CPR150-10000	Shield Mounting Plate Assembly	1
18	CPR150-02000	Roller Base Assembly	1
19	YQ-JD15AE-H	15HP Engine	1
20	CPR150-05000	Tow Bar	1
21	CPR150-12000	Handle Connecting Pipe	1
22	CPR150-04000	Base	1
23	CPR150-13000	Battery Box	1
24	CPR150-00015	Rubber Cushion	1
25		Battery 12V 18AH	1
26	T251-60000	Hand Wheel	2
27	CPR150-15000	Scram	1
28	CPR150-09000	Hand Grip	1
29	CPR150-00011	Bearing Block	2
30	N030-10000	Wheel Assembly	2
31	9603-6304	Deep Groove Ball Bearing	4
32	9308-52000	Lock Retainer Ring	2

33	CPR150-00002	Hitch Pin	1
34	N510-00019	Wing Nut M6	1
35	9101-06016-DX8.8	Hex Bolt M6x16	12
36	9301-06000-DX	Flat Washer Ø6	18
37	9206-06000-DX	Nylon Lock Bolt M6	7
38	9302-06000-DX	Large Flat Washer Ø6	9

PARTS LIST

Ref#	Drawing No.	Description	Qty
39	9101-08016-DX8.8	Hex Bolt M8x16	3
40	9302-08000-DX	Big Flat Washer Ø8	8
41	9101-10016-DX8.8	Hex Bolt M10x16	5
42	9306-10000-DX	Lock Washer Ø10	34
43	9101-06020-DX8.8	Hex Bolt M6x20	5
44	9101-10025-DX8.8	Hex Bolt M10x25	18
45	GB/T7810-1995	Bearing	2
46	CPR150-00004	Blade Protector	2
47	9306-06000-DX	Lock Washer Ø6	12
48	9101-10035-DX8.8	Hex Bolt M10x35	8
49	9301-10000-DX	Flat Washer Ø10	29
50	9206-10000-DX	Nylon Lock Nut M10	14
51	GB/T1096-2003	Key	1
52	9301-08000-DX	Flat Washer Ø8	1
53	9101-08025-DX8.8	Hex Bolt m8X25	10
54	9306-08000-DX	Lock Flat Ø8	21
55	M010-00009-DX	Flat Washer	4
56	GB/T1096-2003	Key	1
57	9101-08012-DX8.8	Hex Bolt	7
58	CPR150-00009-DX	Baffle	1
59	9206-08000-DX	Nylon Lock Nut m8	8
60	9101-10080-DX8.8	Hex Bolt M10x80	4
61	9201-10000-DX	Hex Nut M10	4
62	9114-10045-DX	Bolt M10x45	4
63	CPR150-00001	Hitch Pin	1
64	N021-00004	R Ring Ø3	2
65	9105-10020-DX8.8	Inner Hex Screw M10x20	5
66	CPR150-14000	Engine Protector Assembly	1
67	9101-10065-DX8.8	Hex Bolt M10x65	2
68	9107-04016-DX	Screw M4X16	2
69	9301-04000-DX	Flat Washer Ø4	2
70	9206-04000-DX	Nylon Lock Nut M4	2

71	9101-10020-DX8.8	Hex Bolt M10x20	2
72	9503-05010-DX	Blind Rivet	4
73	9315-06000-DX	Lock Washer	1
74	9110-06016-DX	Screw M6x16	2
75	9101-08020-DX8.8	Hex Bolt M8x20	4
76	9101-08012-DX8.8	Hex Bolt M8x12	3

