

The limited warranty set forth below is given by Precision Products Inc. with respect to new merchandise purchased and used in the United States, its possessions and territories.

Precision Products Inc. warrants the product(s) listed against defects in material and workmanship, and will at our option, repair or replace, free of charge, any part found to be defective in materials or workmanship. This limited warranty shall only apply if this product has been assembled, operated, and maintained in accordance with the owner's manual furnished with the product, and has not been subject to misuse, abuse, neglect, accident, improper maintenance, alteration, vandalism, theft, fire, water, or damage because of other peril or natural disaster.

Normal wear parts or components thereof are subject to separate terms as follows: All normal wear parts or component failures will be covered on the product for a period of one year. Parts found to be defective within the warranty period will be replaced at our expense. Our obligation under this warranty is expressly limited to the replacement or repair, at our option, of parts found to be defective in material and workmanship.

Contacting Service

Warranty parts replacements are available, ONLY WITH PROOF OF PURCHASE, through our Customer Service Department.

Call **1 (800) 225-5891**

This limited warranty does not provide coverage in the following cases:

1. Routine maintenance items such as lubricants and filters.
2. Normal deterioration of the exterior finish due to use or exposure.
3. Transportation and/or labor charges.

No implied warranty, including any implied warranty of merchantability of fitness for a particular purpose, applies after the applicable period of express written warranty above as to the part as Identified below. No other expressed warranty, whether written or oral, except as mentioned above, given by any person or entity, including a dealer or retailer, with respect to any product, shall bind Precision Products Inc. during the period of the warranty, the exclusive remedy is repair or replacement of the product as set forth above. The provisions as set forth in this warranty provide the sole and exclusive

remedy arising from the purchase.

Precision Products, Inc. will not be liable for incidental or consequential loss or damage including, without limitation, expenses incurred for substitute or replacement lawn care services, or for rental expenses to temporarily replace a warranted product.

Some states do not allow the exclusion or limitation of incidental or consequential damages, or limitations on how long an implied warranty lasts, so the above exclusions or limitations may not apply to you.

During the warranty period, the exclusive remedy is replacement of the part. In no event shall recovery of any kind be greater than the amount of the purchase price of the product sold. Alteration of safety features of the product shall void this warranty. You assume the risk and liability for loss, damage, or injury to you and your property and/or to others and their property arising out of the misuse or inability to use this product.

This limited warranty shall not extend to anyone other than the original purchaser or to the person for whom it was purchased as a gift.

Local Law to this Warranty

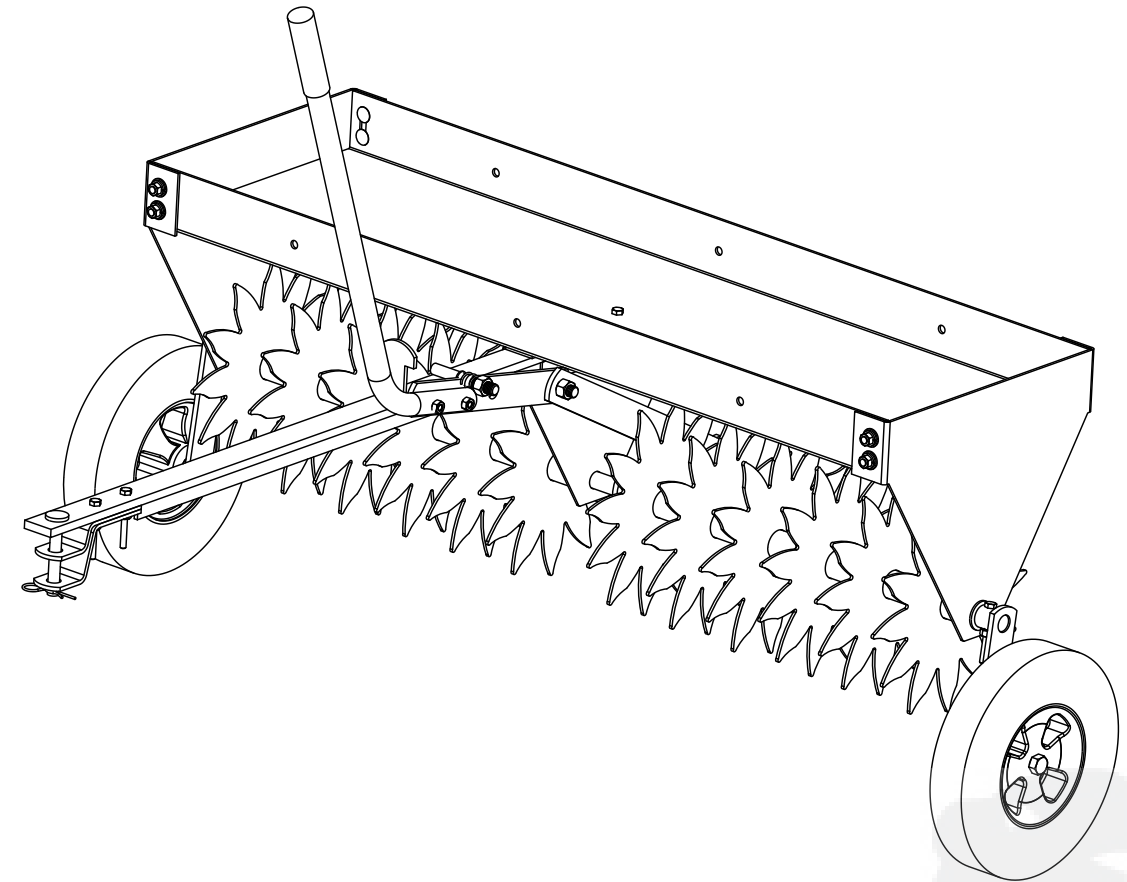
This limited warranty gives you specific legal rights, and you may also have other rights which vary from state to state.

Warranty Period

The warranty period stated below begins with the **Proof of Purchase**. Without the proof of purchase, the warranty period begins from the date of manufacture, determined by the serial number's manufacturing date.

Product Warranty Period

The warranty period for this product is as follows: All parts are covered for 1 year.



Manual Contents

Safety Instructions	2
Assembly.....	4-5
Operation.....	5
Maintenance.....	5
Parts.....	6-7
Warranty.....	8

Your New Spike Aerator

Congratulations on your purchase of a new Precision Products Inc. Spike Aerator. Your aerator has been engineered and built to give you the most dependable and best performing product possible.

If you experience any problem you can not easily resolve, please feel free to contact our knowledgeable and helpful customer service department toll-free at **1 (800) 225-5891**.

Caution: Read all Safety Instructions and Operating Instructions Carefully.

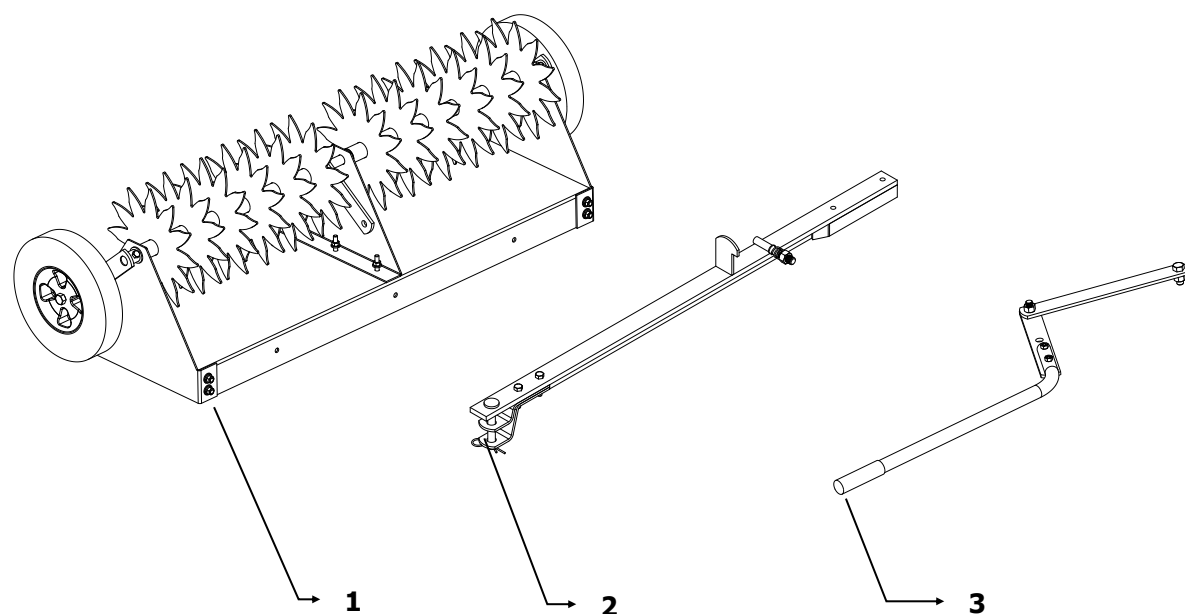
Safety Instructions

All power equipment can cause injury or property damage if operated improperly. Please read and observe the following safety rules and exercise caution at all times when operating equipment.

- Read and understand your vehicle owner's manual and towing safely rules. Know how to operate your tractor before using any attachment.
- Never allow children to operate the towing vehicle. Do not allow adults to operate the vehicle without having read the owner's manual or receiving proper instruction.
- Do not allow anyone to ride or sit on tow behind equipment during operation.
- Keep people, children and animals at a safe distance.
- Always wear substantial footwear. Do not wear loose fitting clothing that may get caught in moving parts.
- This unit may have sharp points. Handle with care.
- Keep your eyes and mind on your vehicle/attachment and area being covered. Do not let yourself be distracted.
- Stay alert for holes in the terrain and other hidden hazards.
- Tractor braking and stability may be affected with the attachment of this unit. Be aware of changing conditions on slopes. Refer to safety rules in your tractor owner's manual concerning safe operation on slopes. **Stay Off of Steep Slopes.**
- Always operate up and down a slope, never across the face of a slope.
- This equipment should be operated at reduced speed(s) on rough terrain, along creeks and ditches and on hillsides, to prevent tipping or loss of control.
- Do not operate close to creeks, ditches or public highways.
- Always begin with the transmission in first (low) gear and engine at low speed, and gradually increase speed as conditions permit.
- Keep the vehicle and attachment in good operating condition and keep safety devices in place.
- Keep all nuts, bolts and screws tight to be sure the equipment is in safe working condition.
- The vehicle and attachment should be stopped and inspected for damage after striking a foreign object. Any damage should be repaired before restarting and operating the equipment.
- Follow the maintenance instructions as outlined in this owner's manual.
- Should not be towed at more than 3-4 miles per hours.

Carton Contents

1. Base Assembly
2. Tow Bar Assembly
3. Handle/Lever Assembly



SA42

Ref No.	Part No.	Qty.	Description
1	4225B	1	Top Plate
2	4226B	2	End Plate
3	4227B	1	Center Plate
4	4233B	1	Axle Assembly
5	4269B	2	Wheel Bracket
6	4234B	12	Star
7	4238B	1	Tow Bar
8	4265B	1	Hitch Plate #1
9	4266B	1	Hitch Plate #2
10	4262B	1	Handle
11	3042	1	Handle Grip
12	4240B	1	Linkage Bar
13	4263B	1	Lever Link
14	3150	2	Wheel 7" Solid Rubber
15	1264	3	3/4 Flat Washer
16	4232	24	Flange Bushing
17	1314	8	5/16 x 3/4" Carriage Bolt
18	2051	2	5/16 x 1 3/4 Hex Head Bolt
19	4014	2	5/16 x 1 1/2 Hex Head Bolt
20	1044	8	5/16 Flat Washer
21	1276	12	5/16 Lock Washer
22	1275	12	5/16 Hex Head Nut
23	1749	2	5/16 Nylock Nut
24	4278	1	1/2 x 1 1/4" Std Hex Head Bolt
25	4271	2	1/2 x 3" Hex Head Bolt
26	1506	5	1/2 Flat Washer
27	4324	2	1/2 Jam Nut
28	4272	1	Compression Spring
29	4289	1	Hitch Pin
30	1042	1	#14 Hitch Pin Clip
31	4327	5	1/2" Nylon Lock Nut
32	3414	2	1/2" Lock Washer

Not all pieces shown.

Parts and Support

 **Please do not return this product to the store prior to contacting Precision.**

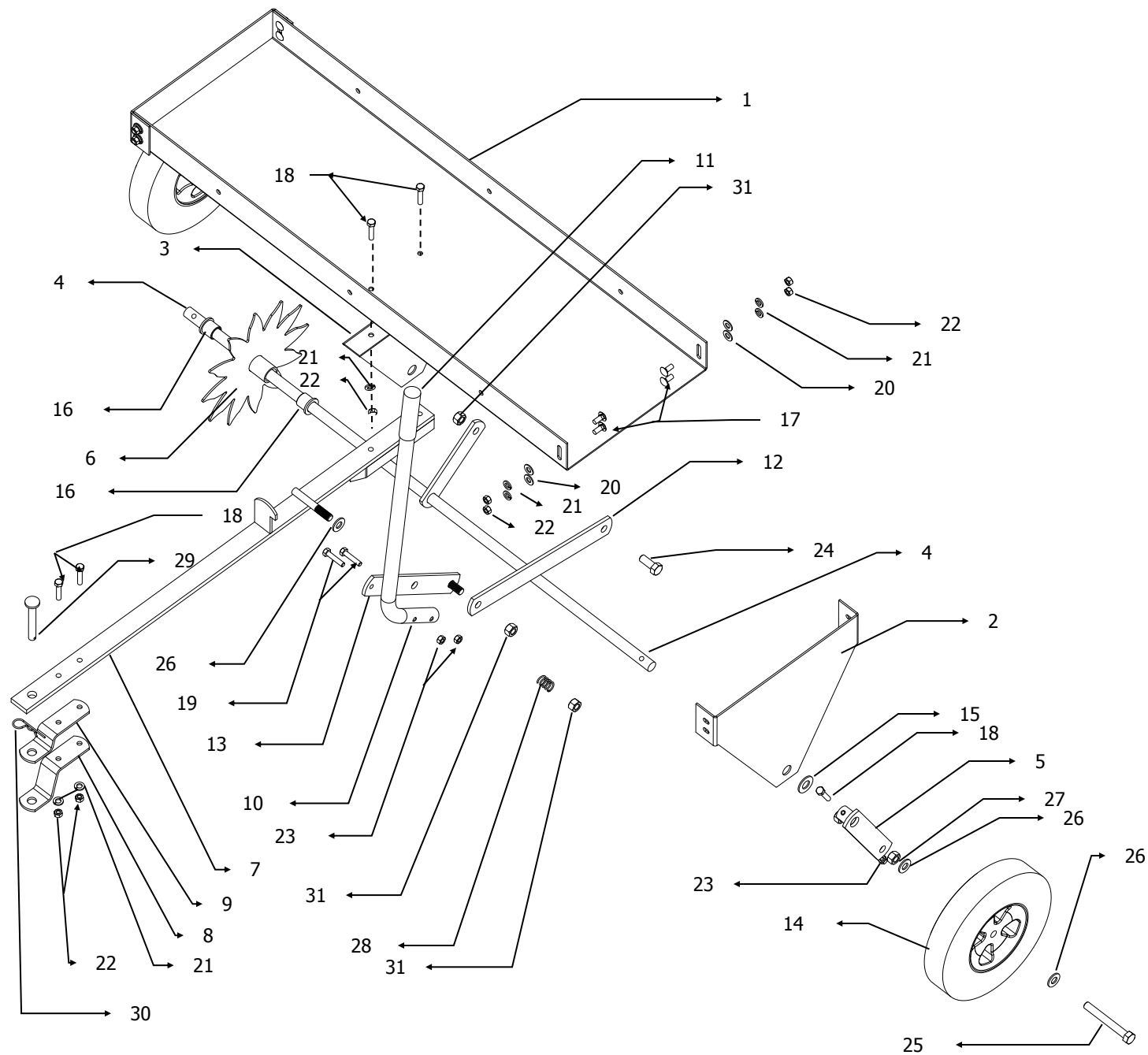
At Precision Products Inc. our goal is to deliver quality, value and outstanding service. If for any reason our product does not meet your expectations, please contact us and we will take care of any problem you may have with this unit.

When ordering replacement parts please have the model number, part description, part number, inspector number and date on box, available so that we can best serve you.

1 (800) 225-5891

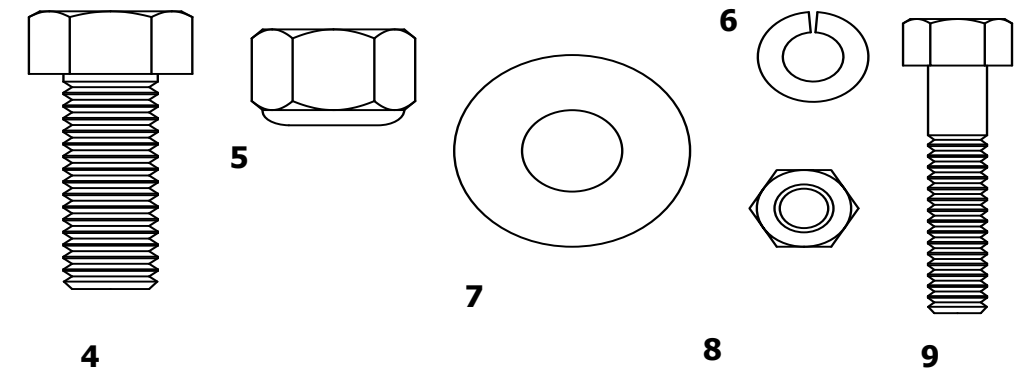
www.precisionprodinc.com

**Precision Products Inc.
316 Limit St.
Lincoln IL 62656**

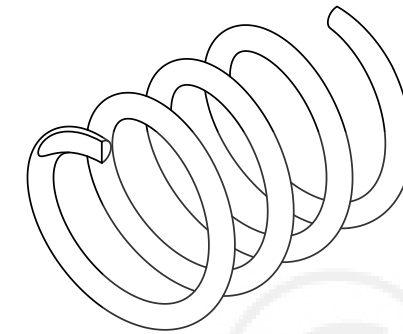


Parts Used During Assembly Parts are attached to unit prior to assembly.

Shown Full Size



Not Shown Full Size



Ref.	Qty.	Description
4	2*	5/16" x 1-1/4" Hex Head Bolt
5	2*	5/16" Hex Head Nut
6	2*	5/16" Lock Washer
7	1*	1/2" Washer
8	2*	1/2" Nylon Lock Nut
9	1	1/2" x 1-1/4" Hex Head Bolt
10	1	Compression Spring

Having Problems?

Installation Questions?

Missing Parts?

Replacement Parts?

STOP *Don't go back to the store!*
Let us help you!

Please call our helpful Customer Service Department
Toll-Free at **(800) 225-5891** We will be happy to assist you.

*Denotes quantity used in assembly.
This is NOT total number of pieces.
See page 7 for full listing.

Assembly Instructions

Tools Required for Assembly

Minimum

- (1) 1/2" Wrench
- (1) 3/4" Wrench
- (1) Adjustable Wrench

Preferred

- (1) 1/2" Wrench
- (1) 1/2" Deep Socket and Driver
- (2) 3/4" Wrenches

Remove from Carton

Remove all parts and hardware packages from the carton. Lay out all parts and hardware and identify them using the illustrations on pages 2 and 3.

1. Position base assembly on back side. See figure 1.

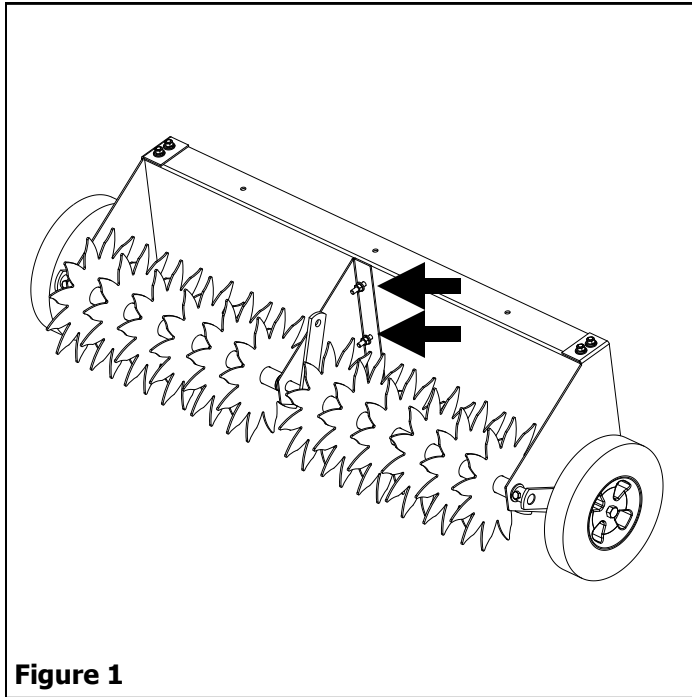


Figure 1

2. Remove 5/16" hex head nuts and 5/16" lock washers from base assembly. See figure 1.
3. Attach tow bar assembly to base plate using the 5/16" hex head nuts and 5/16" lock washers that were removed in step 2. See figure 2.
4. Rotate axle until axle link is pointed towards the back and wheels are in the down position. See figure 3.

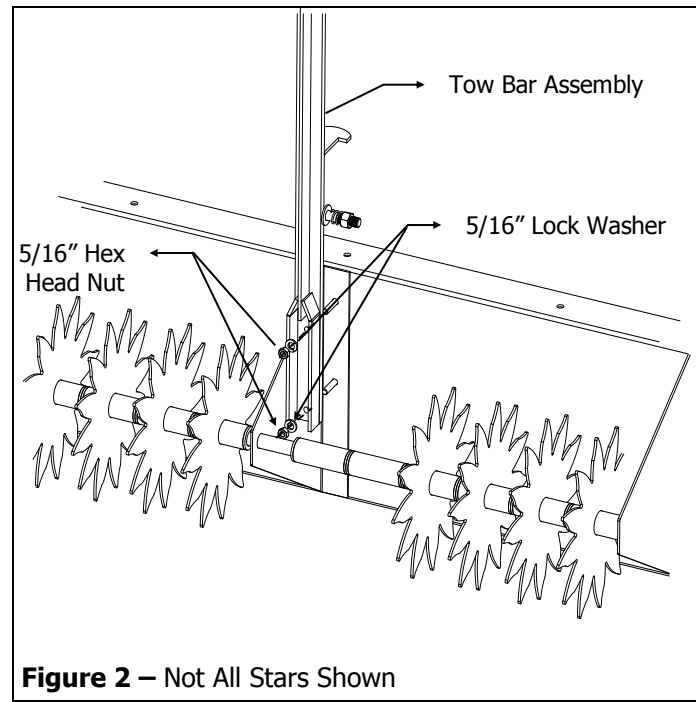


Figure 2 – Not All Stars Shown

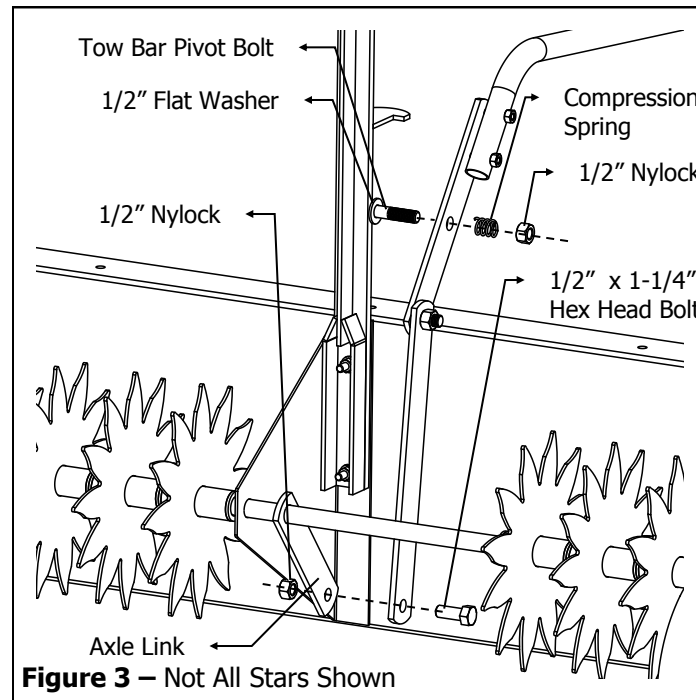


Figure 3 – Not All Stars Shown

5. Remove 1/2" nylock nut and compression spring from the tow bar. See figure 3.
6. Remove 1/2" nylock nut and 1/2" x 1-1/4" hex head bolt from the end of the handle assembly. See figure 3.
7. Attach handle assembly to unit at the tow bar pivot point with the 1/2" nylock nut and compression spring that was removed in step 5. **DO NOT** over tighten handle/lever should pivot. See figure 3.

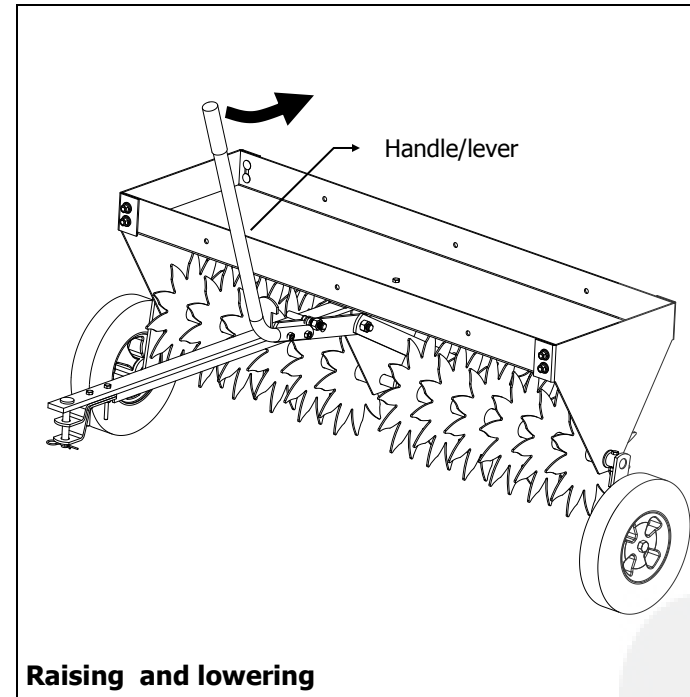
8. Secure axle link to the handle/lever assembly using the 1/2" nylock nut and 1/2" x 1-1/4" hex head bolt that was removed in step 6. Do not over tighten. See figure 3.

9. Flip unit to towing position. Take care when flipping, spikes are sharp. Inspect unit for loose bolts.

Operation

Raising/Lowering your Spike Aerator

1. Attach the unit to your tractor on a level surface using the provided hitch pin and hitch pin clip.
2. Once you enter the grassy surface, to lower the aerator for operation, move the handle to the side and push back to engage the spikes.
3. When complete, pull handle forward and lock to raise the unit and engage the wheels.



Raising and lowering

Using the Spike Aerator

Aerating involves cutting small holes into the soil to create small reservoirs allowing air, fertilizer, and water to reach the grass or plant's roots. The following lawn preparation and aerator operation is recommended for optimal performance.

Mow the lawn and remove grass clippings prior to using the spike aerator. Your spike aerator should be attached to your rider or tractor on a level

surface such as a driveway or garage floor with wheels engaged.

Once you are on the grass, have the tractor in the lowest forward speed and then disengage the wheels by moving the handle out of the locked position. This will allow the spikes to enter the ground. Speed can be increased as conditions permit. On slopes, always operate in an up and down direction only. Overlapping passes can be done to increase the density of the spike point pattern.

DO NOT make sharp turns while the spike points are engaged in the ground as this will damage the lawn. Weight can be placed on the top plate to increase the depth of spike point penetration. Weight may be needed for many applications, but **DO NOT** exceed the maximum weight of 175 lbs. The plate has been designed to hold concrete blocks. Secure the blocks with suitable binding material such as rubber tie down straps or wire. Not for use with Zero Turn Radius Mowers.

Maintenance

1. Before each use, check all nuts and bolts for tightness.
2. Clean after each use to prevent rust. The key to years of trouble-free service is to keep your unit clean and dry.
3. If rust should develop, sand lightly and then paint area with enamel.
4. Periodically check all moving parts for free movement and if necessary, lubricate with oil.
5. Sharpening spike points will allow you to maintain good soil penetration.

Storage

1. Be careful to store your spike aerator with the spikes towards the floor or a wall. Spikes are sharp and can cause considerable damage.
2. Always store your spike aerator in a dry area, and coat exposed metal with light oil when not in use.