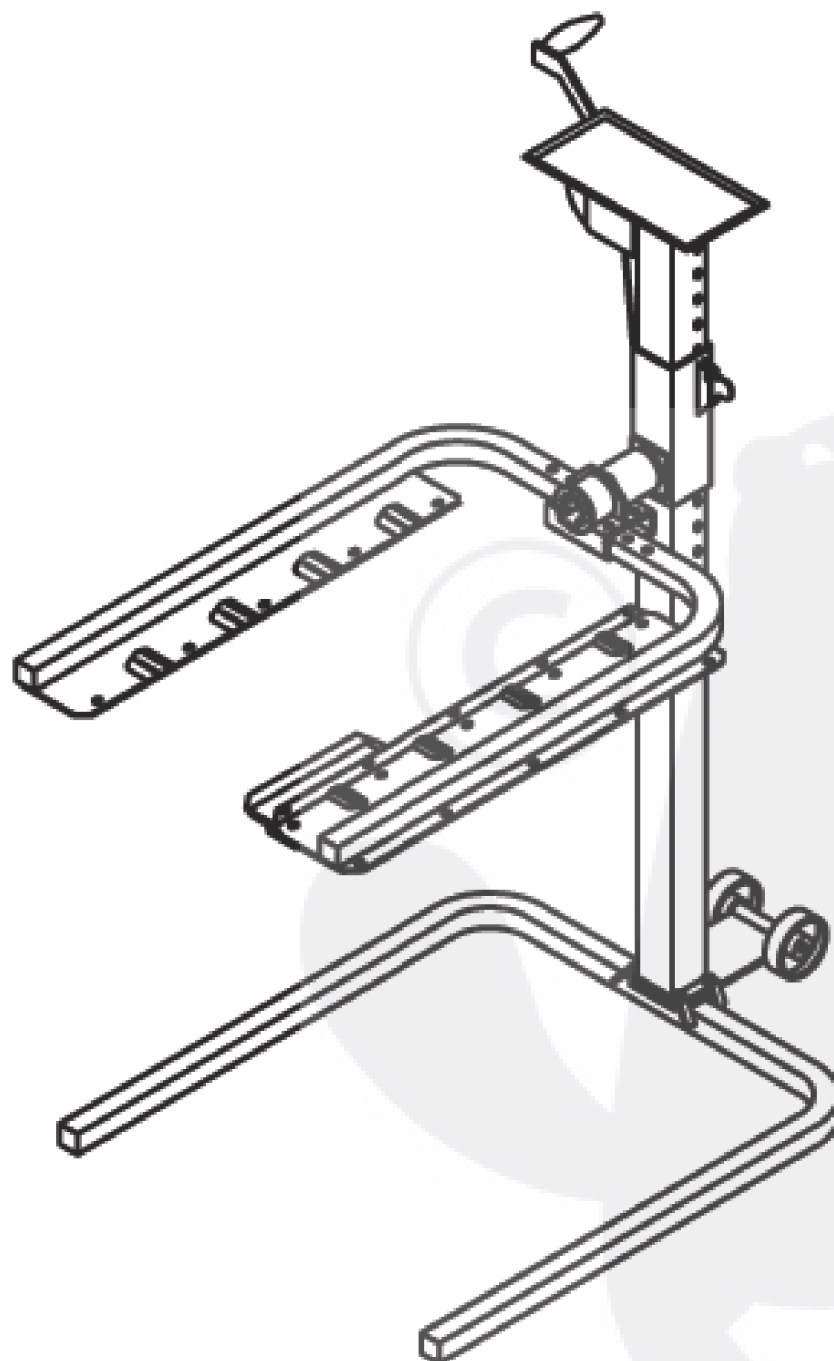


lit'l

**HEFTEE**

**OPERATORS MANUAL**

***MODEL 250***



# TABLE OF CONTENTS

PERFORMANCE GUARANTEE .....	Inside Front Cover
SPECIFICATION .....	3
CHECKLISTS .....	4
GENERAL INFORMATION .....	4
SAFETY INFORMATION .....	5-7
SAFETY DECALS .....	7
ASSEMBLY INSTRUCTIONS .....	8-9
OPERATING INSTRUCTIONS .....	10-11
INDEX TO PARTS .....	12-13
SERVICE INSTRUCTIONS .....	14
FULTON WINCH INSTRUCTIONS .....	F-1 & F-2
SERVICE BRACKETS & HL200 KIT MANUAL .....	In Back
WARRANTY .....	Inside Back Cover

**SAFETY CERTIFICATION:** This service lift does not come within the scope of any safety standard requirements. However, it does meet all of the known applicable requirements of standards relative to safety and that are under the control of the manufacturer. Winch conforms to ASAE S361.3.

Serial Number	Date	Description
	05/94	250# – HL250

# SPECIFICATIONS

## *Lit'L HEFTEE*

RATED LIFT CAPACITY .....	250# .....	91 Kg
OVERALL WIDTH .....	maximum: 37" .....	86 cm
OVERALL HEIGHT (MANUAL WINCH) .....	61" .....	55 CM
DEPTH - FRONT TO BACK (APPROX) .....	48" .....	122 CM
TREAD WIDTH TO OUTSIDE OF WHEELS .....	maximum: 34" .....	86 cm
TREAD WIDTH TO INSIDE OF WHEELS .....	minimum: 13" .....	33 cm
LIFT FRAME WIDTH ADJUSTABLE BY PINS .....	maximum: 37" .....	86 cm
LIFT FRAME WIDTH ADJUSTABLE BY PINS .....	mimum: 20" .....	51 cm
LIFT FRAME FORK LENGTH .....	39" .....	86 CM
LIFT HEIGHT TO BOTTOM OF WHEELS .....	maximum: 49" .....	125 cm
TREAD LENGTH (BETWEEN AXLE CENTERLINE) .....	maximum: 30" .....	76 cm
LIFT CABLE: 1/8" AIRCRAFT .....		32 cm
DROP SAFETY CONTROL SAFETY LOCK: each 1½" down to 21" height .....		
2 TRANSPORT WHEELS - USABLE WHEN UNIT IS TIPPED BACK .....	4" .....	10 cm dia
SHIPPING WEIGHT (BASIC MACHINE) .....	155# .....	64 Kg
SHIPPING BOX SIZE .....	1 BOX 53½ X 32 X 5½" .....	135 X 81 X 14 cm
LOAD TESTED AT: .....	1000 lbs .....	364 Kg
INSTALLATION: NONE REQUIRED FOR STANDARD FLOOR MODEL. USES SUPPORT LEGS.		
WINCH RATIO (EFFECTIVE) .....		APPROX. 1:10
WINCH ACTION: 10 TURNS TO FULL UP (APPROXIMATELY).		
WINCH TYPE: AUTOMATIC BRAKE - HANDLE STOPS WHEN RELEASED, EITHER UP OR DOWN. NO CHANGE REQUIRED. JUST CRANK UP, CRANK DOWN. MEETS ASAE SAFETY STANDARD FOR SAFETY WINCH. ASAE S361.3 SAFETY FOR PORTABLE AGRICULTURAL AUGER CONVEYING EQUIPMENT WHICH INCLUDES WINCH REQUIREMENTS.		

Patent Pending - Subject to change without notice.

**Lit'L HEFTEE**  
**A NEW GENERATION IN SERVICE SAFETY AND CONVENIENCE.**

## CHECK LISTS

### PRE-USE CHECK LIST

Inspect the *Lit'L HEFTEE* thoroughly after assembly to be certain that it is set up properly. The following checklist is a reminder of points to inspect. Check off each item as it is found satisfactory or after proper adjustment is made.

- Check all bolts to make sure that they are tight.  
NOTE: See assembly instructions.
- Be sure safety lock operates freely and snaps into place and hooks and locks properly.
- Be sure rotational safety lock swings into lock position freely.

### GENERAL CHECK LIST BEFORE EACH USE

- Measure and be sure wheels of machine are centered in wheel cups before raising.
- On heavy loads, be sure weight is centered on lift as much as practical.
- Always tie machine to an arm on EACH side before performing any work, rotating, raising, etc.
- Check all bolts to make sure that they are tight.
- Be sure winch cable is wrapped evenly and secured to the lift lug. Also be sure the cable is free of kinks or frayed areas.

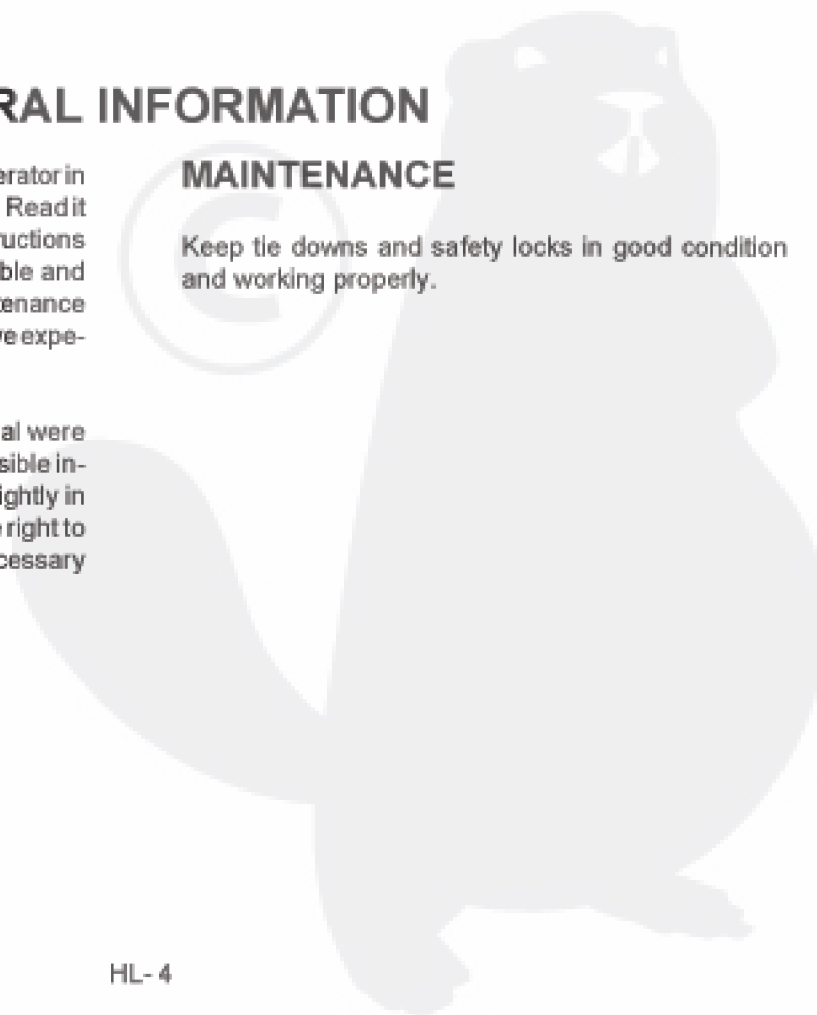
## GENERAL INFORMATION

The purpose of this manual is to assist the operator in maintaining and operating the *Lit'L HEFTEE*. Read it carefully. It furnishes information and instructions that will help you achieve years of dependable and safe performance. These operating and maintenance instructions have been compiled from extensive experience and engineering data.

The illustrations and data used in this manual were current at the time of printing. But due to possible in-line production changes your lift may vary slightly in detail. HEFTEE Industries LLC reserves the right to re-design and change the lift as may be necessary without notification.

### MAINTENANCE

Keep tie downs and safety locks in good condition and working properly.



## TO THE OWNER:

Read this manual before using your *Lit'L HEFTEE*. The information presented will prepare you to do a better, safer job. Keep this manual handy for ready reference and training of future users.

The *Lit'L HEFTEE* you have purchased has been carefully engineered and manufactured to provide dependable and satisfactory use. Like all mechanical products, it will require cleaning and upkeep. Service the *Lit'L HEFTEE* as specified. Observe all safety information in this manual and safety decals on the *Lit'L HEFTEE*.

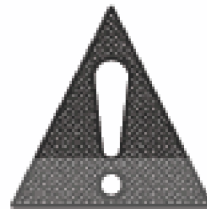
Use only genuine HEFTEE service parts. Substitute parts will void the warranty and may not meet standards required for safe and satisfactory operation. Record the model and serial number of your *Lit'L HEFTEE*.

Model: \_\_\_\_\_ Serial Number: (Located on the slider asy of *Lit'L HEFTEE* frame) \_\_\_\_\_

Throughout this manual, the term **IMPORTANT** is used to indicate that failure to observe can cause damage to equipment. The terms **CAUTION**, **WARNING**, and **DANGER** are used in conjunction with the Safety-Alert Symbol, ( a triangle with an exclamation mark), to indicate the degree of hazard for items of personal safety.

## SAFETY

**TAKE NOTE! THIS SAFETY ALERT SYMBOL FOUND THROUGHOUT THIS MANUAL IS USED TO CALL YOUR ATTENTION TO THE INSTRUCTIONS INVOLVING YOUR PERSONAL SAFETY AND THE SAFETY OF OTHERS. FAILURE TO FOLLOW THESE INSTRUCTIONS CAN RESULT IN INJURY OR DEATH.**





THIS SYMBOL MEANS


**-ATTENTION!**

**-BECOME ALERT!**

**-YOUR SAFETY IS INVOLVED!**

 **CAUTION** Indicates a potentially hazardous situation that, if not avoided, may result in minor or moderate injury. It may also be used to alert against unsafe practices.

 **WARNING** Indicates a potentially hazardous situation that, if not avoided, could result in death or serious injury, and includes hazards that are exposed when guards are removed. It may also be used to alert against unsafe practices.

 **DANGER** Indicates an imminently hazardous situation that, if not avoided, will result in death or serious injury. This signal word is to be limited to the most extreme situations typically for machine components which, for functional purposes, cannot be guarded.

# SAFETY INFORMATION

*The Lit'L HEFTEE has been designed with every possible safety provision known, except a careful operator, but only you can assure proper and safe use.*

## TRAINING

☞ READ this manual especially the safety and operating instructions before using.

☞ Do not allow children to operate or play on machine and do not allow anyone to operate without proper instruction.

☞ Allow no one to be on or under machine while raising or lowering or operating the controls.

## OPERATIONAL SAFETY

### CAUTION

In addition to the design and the configuration of equipment, Hazard control and accident prevention are dependent upon the awareness, concern, prudence and proper training of personnel involved in the operation, transport, maintenance and storage of equipment.

☞ Always wear safety glasses, safety shoes and proper clothing for the job.

☞ Never use drugs or alcoholic beverages when operating any mechanical equipment especially the HEFTEE.

☞ Replace any decals immediately if damaged. Clean area for decal with soap and water. Remove any dirt, grease or remnants of old decal. Re-apply pressure sensitive decal in same location.

☞ Position machine carefully with all wheels centered in wheel cups before raising. On heavy loads keep weight centered as much as feasible and close in to mast.

☞ Do not try to lift over 250# on HL250. If it will not easily raise the load, it is too heavy. Do not try to lift full load on end of arms.

☞ Read and observe all safety decals on the Lit'L HEFTEE.

☞ Never allow anyone on the equipment or under equipment when raising, lowering, or in any way operating control.

☞ Always lower lift onto safety locks before attempting any work and lower to floor before leaving.

☞ Tie machine securely to the lift arms or wheel cups on both sides before attempting any repairs. Use straps provided.

☞ Do not run machine engine while on lift. Disconnect spark plug wire before doing any service work.






# SAFETY INFORMATION

## REMEMBER "ONLY YOU CAN ASSURE A SAFE OPERATOR"


DO NOT EVER run engine while on the lift be sure attachments are disengaged, and machine is tied securely to the arms so it cannot move.

### DANGER

Remove spark plug wire before doing any service work.

-  Keep fire away from fuel.
-  Do not use as a man lift.
-  Hold the arms and load securely when rotating to maintain safe control.
-  If it is used for loading or as a work table, etc., fasten securely to lift arms to avoid tipping or sliding off.
-  Keep all locking devices in place and in good condition.

 Take all possible precautions when leaving *Lit'L HEFTEE* unattended, lower to ground.

 Periodically check the entire *Lit'L HEFTEE* carefully for cracks, bent or worn parts, proper cable adjustment, loose bolts, etc. Do not use until problems have been corrected. Retorque bolts periodically.

 Be sure cable is in good condition with no kinks or frayed areas.

### CAUTION

Do not try to lift heavy load on the END of just one arm as this could cause failure of arm or pivot lock and possibly a falling load. **KEEP LOAD CENTERED.**

## SAFETY DECALS

Replace Immediately If Damaged  
Order By Individual Decal

### WARNING

#### To Avoid Injury Or Death

- \* Lower Loads Before Leaving.
- \* NOT A MAN LIFT, DO NOT ALLOW ANYONE ON LIFT.
- \* Avoid Spilling Gas, Etc.
- \* Keep Feet Away From Lift Legs While Lowering.
- \* REMOVE SPARK PLUG WIRE WHILE ON LIFT.
- \* Do Not Use As A Hand Truck.
- \* Keep Load Close To Column and Centered.

**ANYTHING USED CARELESSLY  
CAN CAUSE AN ACCIDENT,  
EVEN A ROCK.**

HL108

### WARNING

#### To Avoid Injury Or Death

- \* Read Operator's Manual First.
- \* DON'T LIFT OVER 250#.
- \* Keep All Locking Devices In Place and In Good Condition.
- \* Use Only By Qualified Persons, NO CHILDREN. NOT A TOY.
- \* Strap Securely With 2 Straps Before Working On Or Tipping.
- \* NEVER OPERATE WITH A PERSON ON OR UNDER LIFT.
- \* Don't Run Engine While On Lift.
- \* No Smoking Or Fire Near Fuel.

**ANYTHING USED CARELESSLY  
CAN CAUSE AN ACCIDENT,  
EVEN A ROCK.**

HL107



# ASSEMBLY INSTRUCTIONS

## WINCH ASSEMBLY

### PREPARATIONS

Read this manual and refer to parts list & drawing on pages 12-13.

You have already opened the container to view this manual. Read this and safety section.

Open the winch box and remove small parts inside. Open all containers and spread out parts for easy access.

### WARNING

**Only qualified assemblers should work on this. No children. Be very careful. Use hard hats and safety shoes.**

### MAST BASE LEG ASSEMBLY

Rest the base tube assembly on the floor. Position the bottom of the mast tube onto the base tube mounting plate so that the holes line up. When looking into the mast tube and standing between the legs, the row of holes in the side of the mast tube must be on the right side. Refer to Assembly Drawing on page 13.

Insert four (4) 3/8 x 1 bolts downward through the four (4) attaching holes and secure with a flanged nut. Tighten securely. Your machine may be shipped with the slider removed from the mast. If so proceed as follows.

Install the slider down over the mast tube with the safety lock lined up with the holes on the right side. Note: Be sure the four (4) nylon buttons stay in their holes on the inside and do not fall out while installing.

### WINCH – TOOL TRAY ASSEMBLY

Mount the winch onto the mounting angle using four (4) 3/8 x 1" bolts positioned with the heads inward toward the mast and the flange nuts inside the winch. Tighten securely. Be sure the crank handle is positioned towards the rear (away from the legs).

Locate the winch mounting angle onto the two bolts on top of the mast with the winch mount on the side opposite the safety lock holes.

Position the tool tray on top of these bolts and secure with the 1/2" flange lock nuts. Tighten securely.

The hole in one corner of the tool tray is for mounting a trouble light if desired and should normally be positioned towards the legs (front).

Install the winch crank handle onto the pivot shaft and tighten the nut that is provided securely.

If cable is not installed:

Fasten the cable onto the winch drum following the winch instructions provided with the winch (reproduced on pages F1 - F2), so that the cable runs inside of and over the roller tube and downward next to the vertical mast tube. Tighten the cable locking clamps securely.

Slip the loop of the cable up over the lift lug on the side of the slider and crank upward to remove the slack and pull securely.

It is recommended that the lift lug be bent inward slightly, hitting it with a hammer, so that the cable cannot slip off inadvertently.

### WHEEL ASSEMBLY

The wheels are already loosely assembled onto the pivot shaft with washers and cotter pins. Remove a cotter pin, wheel and washers from one end, slide the assembly through the pivot tube on the back of the lift and replace with a washer on each side of each wheel, install the cotter pin and spread the ends to secure.

### LIFT ARM ASSEMBLY

To assemble the lift arm mount assembly merely slip it onto the pivot tube which extends forward from the vertical slide tube. Line the lock lug up with one of the grooves in the index plate, raise the lock lug up and slide the assembly inward until the lock drops down in one of the grooves and locks in front of the index plate to hold the entire assembly in position and prevent from rotation.

The arm mount tubes should be below the pivot tube as shown in the assembly drawing. This positions the arms lower to the floor and more nearly centers the load about the center pivot shaft for easier rotation and better balance.

To rotate the pivot arm assembly merely lift up on the lock lug and rotate until it drops into the desired position slot.



# ASSEMBLY INSTRUCTIONS

**NOTE:** It is not necessary to lubricate the pivot assembly, it will rotate rather hard with a heavy load but this is an advantage in holding it in position as one rotates. Lubricant may be used if desired.

Now slide the lift arms into the square sleeves on the arm mount assembly.

**NOTE:** Be sure the longer lift arm is on the left side as facing the vertical mast tube and the shorter one is on the right. This will put the ends of the arms approximately even. Slide them into desired position and secure with the  $\frac{1}{4}$ " ball lock pins in the desired hole.

When preparing to lift a load, it is desirable to keep the lift arms approximately equally spaced from the center pivot so that the load will be centered.

## WARNING

Tie any load securely on both sides before raising and remove the spark plug wire before servicing. **DO NOT RUN ENGINE ON LIFT.**

Be careful of fuel, oil or acid spillage when rotating and hold securely.

Do not allow fire close to an engine.

Keep all safety locks in place, secure and operating properly

Lower load (keeping feet away from the lift area) before leaving.

Add on wheel cup. The wheel cup extension is a loose piece which may be positioned any place along either side to accommodate a wheel of a machine that has an odd (not evenly spaced) wheel positioning. This is particularly notable on the Lawn Boy, in which case the wheel cup should be positioned to the outer set of holes on the right side to accommodate the right inner rear wheel of the push mower. Bolt it in place with two (2)  $\frac{3}{8}$  x 1" bolts and flange nuts.

## CHECK OUT

The vertical slider should now slide freely up and down the column using the winch handle. It takes ten (10) turns to fully raise or lower.

**NOTE:** It is necessary to hold the safety lock away from the tube while lowering as it will stop in each hole as it lowers past it. The lower area has no holes to ease lowering once the load is out of the normal work range.

No lubrication is required on the vertical slider column. The rollers should roll freely and there will be no significant load on the slider washers except when a load is offset considerably to one side. Machine should now be ready for use.

## CAUTION

Check to make sure that all parts are installed and positioned the same as shown on the parts drawing. Do not exceed 250# load and don't lift it all on one (1) arm.

## CHECK OFF

Check the machine against the drawings and complete the pre-use check list on page 4. Read the operating instructions and check *Lit'L HEFTEE* to be sure all functions operate properly and safely.

## CAUTION

Do not allow anyone on or under lift when operating.

Use *Lit'L HEFTEE* only on a level firm floor.

# OPERATING INSTRUCTIONS

*Everything known has been done to make easy, convenient, and safe operation with a minimum of strain and time. No tools are required for any normal use adjustments or uses, except to bolt on the extension wheel cup if needed.*

## CAUTION

Read the operator's manual. Any lifted load poses a potential hazard and if used carelessly or improperly can cause falling loads and serious injury.

Review the "before operation" check list to make sure that everything is in proper condition, bolts are tight, etc. See page 4. Read and understand all items in safety section.

Position *Lit'L HEFTEE* for convenience in driving machines on or off and providing easy access to the lift controls.

Use *Lit'L HEFTEE* only on a firm level floor.

## WARNING

Do not allow children or unqualified operators to use or work on this lift and do not use alcohol or drugs when using any equipment. Do not attempt to raise loads that exceed 250# and do not lift all of the load on the end of only one arm. Lower to floor before leaving.

## WARNING

Keep all safety locks in place and in good condition. Wear safety shoes and eye protection.

Your *Lit'L HEFTEE* should now be ready to use to elevate a machine. Some general principals will make operation quicker, easier, and safer. As follows:

1. Measure the width of the outside of the machine wheels to be raised. Then position the wheel arms so the wheels of the lifted machine will rest in the center of the channels. Either lift arm may be moved inward or outward by removing the spring ball pin. Lift the end of the arm so it slides freely in its tube and reposition as needed. Be sure and position both arms so that the machine wheels fit securely in the channels and the load is as near centered on the lift as practical.

**NOTE:** Position so that on heavy machines the weight will be centered as well as practical.

**NOTE:** It is a good idea to keep the machine moved in closer to the mast as long as accessibility is not compromised, just to get more rigidity and stability.

2. Now most machines can just be pushed directly onto the *Lit'L HEFTEE* and into the wheel channels.

## WARNING

Do not operate lift with anyone on the machine or under it. Use extra caution if anyone is near.

3. For odd or uneven wheel tread machines it may be necessary to bolt on the extension wheel cup as needed.

4. **TIE DOWN.** It is most practical to raise the machine one to two feet for ease of access. Then tie the machine securely to the wheel channels using the two nylon tie straps provided. The best way usually is to run one strap length ways on each side and route inboard of the push arm mounts, wheels, etc.

If any wheels are to be removed, then tie so that the strap will not be in the way of the wheels nor will it be released when the wheel is removed. This may require tying crossways of the deck or even in an "X" pattern if appropriate.

5. The machine may now be raised to the desired working height and tilted as required.

## MOWER SERVICE

Some mower decks have a fixed discharge which extends out considerably beyond the wheels. In this case it will usually be desirable to lower the wheels (raise the deck) so the chute and deck do not rest on the arm tubes.

# OPERATING INSTRUCTIONS

## DANGER

Always tie down the machine securely on both sides before working on it. Operate and/or rotate carefully and use the standard tie downs always. When rotating be careful of spilling gasoline, oil, battery acid, etc. Do not smoke or allow fire near machine.

If oil and/or gas is to be drained from the machine by rotating or tipping, be very careful in placing the container to avoid spillage. Rotating a heavy machine should only be attempted with two (2) persons to provide control. Be certain the tie straps are tight before attempting any tipping.

## WARNING

Remove the spark plug wire from the engine before attempting any service. AN ENGINE COULD START merely by pulling a blade around in the removal or installation process.

Never attempt to run any engine while on the lift. The opportunities for injury are SEVERE AND OBVIOUS.

When positioning the mower for proper working height, raise to desired level, then lower enough so the safety lock is engaged in the hole. Leave the handle in this position so that the winch is also supporting the load.

**NOTE:** When operating the winch **KEEP CABLE TIGHT**. Any loose cable will cross and twist on the drum. Then when tightened, it may have slack areas which, as the load is lowered, will allow a short dropping of the load as the slack is taken up.

To lower, raise the winch high enough so the safety lock may be swung out of the tube, then, holding the lock raised with the left hand, lower the winch by cranking it counterclockwise with the right hand. There are no latches to reverse or any other action required. The handle will stop wherever released, either going up or down.

## CAUTION

Never try to use the lift as a hand truck. If a mower must be moved on the lift, lower it down near the floor level before tipping backwards on the wheels. Also, operate carefully so it does not roll off sideways. Keep feet away from the base tube

and out from under the lift arms while lowering. Wear safety shoes and other protective clothing as appropriate.

## OTHER USES

The *Lit'L HEFTEE* makes a very convenient lifting platform for raising a load to work on it.

## CAUTION

Do not raise or lower the lift arms with anyone on or under it. Use it for a work table only when the lift has been lowered into the safety locks.

Always use a pallet or other platform that is locked to the arms and under them so that it cannot tip or slip off of the forks.

A simple work platform with stirrups that go around the arms can make a real contribution to safety and productivity by raising such things as engines, tooling, or other hard to handle difficult objects to a level most convenient for working on etc.

## OTHER ATTACHMENTS

The entire lift arm and mount assembly may be slid off of the vertical slider merely by raising the pivot lock in one of the grooves and sliding the assembly off the end of the tube. To use the engine mount, chain saw, or string trimmer brackets, just remove the two (2) lift arms and insert the desired service bracket. The most convenient positions are shown in the brackets drawing.

As can be seen by the great extent to which safety has been considered on this machine, we sincerely hope that no one will ever be injured or hurt. We cannot guarantee that, as anything can cause harm if used improperly, even a rock. Any raised heavy object is a potential hazard if it should fall with someone underneath.

**PLEASE USE WITH CAUTION AND RESTRAINT.**

## CAUTION

Before leaving *Lit'L HEFTEE* always lower it to the ground to discourage unauthorized use by the careless, the unqualified, or children.

# PARTS LIST FOR *Lit'L HEFTEE* MAIN ASSEMBLY

REF. NO.	PART #	NO. REQ.	DESCRIPTION
1	HL129	1	BASE LEG TUBE ASSEMBLY
2	HF285	4	PLASTIC END PLUG
3	HL147	1	LONG LEFT LIFT ARM ASSEMBLY
4	HL146	1	SHORT RIGHT LIFT ARM ASSEMBLY
5	HL165	1	EXTENSION ADD-ON WHEEL CUP
6	HL150	1	ARM MOUNT ASSEMBLY
7	HL113	2	1/4" X 2" BALL SPRING PIN WITH RING
8	HL139	1	SWIVEL LOCK LATCH
9	HL132	1	SLIDER TUBE ASY w/ ROLLERS & BUSHINGS, ETC. COMPLETE
10	HL155	1	SWIVEL LOCK COMPRESSION SPRING
11	MF658	1	1/4 X 3/4 DRILLED PIVOT PIN
12	HL121	4	1-1/8" OD X 1/16 THICK NYLN FLANGE BEARING (SLIDER BUTTON)
OR USE 12" BELOW FOR MODELS AFTER 5-1-95 ~ these are included in HL123			
12*	SH2693	2 + 2-HL121	3/4" OD NYLON BEARING W/ 1/8 THICK FLANGE (used after 5/1/95)
13	HL218	1	1-1/8" OD X 2-7/8" LONG STEEL ROLLER W/BEARINGS (changed 5/98)
13A	HL123	1	SET OF 2 ROLLERS WITH BEARINGS & NYLON SIDE SPACERS
14	HL120	1	WINCH CABLE 1/8 X 62" LONG
15	HL119	1	1 TON SAFETY LOCK WINCH WITH HANDLE AND CABLE ROLLER (NO CABLE)
16	HL163	1	5/8 OD X 3-5/8" STEEL PIPE CABLE ROLLER
16A	HL162	1	7/16 x 3-3/4" FRAME SPACER SLEEVE
18	HL116	1	WINCH HANDLE
19	HL137	1	TOOL TRAY
20	HL143	1	WINCH MOUNT ANGLE
21	HL126	1	VERTICAL MAST TUBE ASSEMBLY
22	MF659	1	5/16 X 1-1/4" DRILLED LOCK PIN
23	HL138	1	SAFETY LOCK DOG
24	HL153	1	SAFETY LOCK TORSION SPRING
25	HL107	1	SAFETY DECAL
26	HL108	1	SAFETY DECAL
27	HL114	2	LIT'L HEFTEE DECAL
28	HL154	2	4" DIA. WHEEL
29	HL159	1	WHEEL AXLE ROD - WELD ON NOW - WAS SEPARATE ON PRIOR MODELS
30	ST151	1	PATENT DECAL
31	HL168	1	DECAL SET
32	HF235	2	NYLON TIE DOWN STRAPS

Always order in pairs

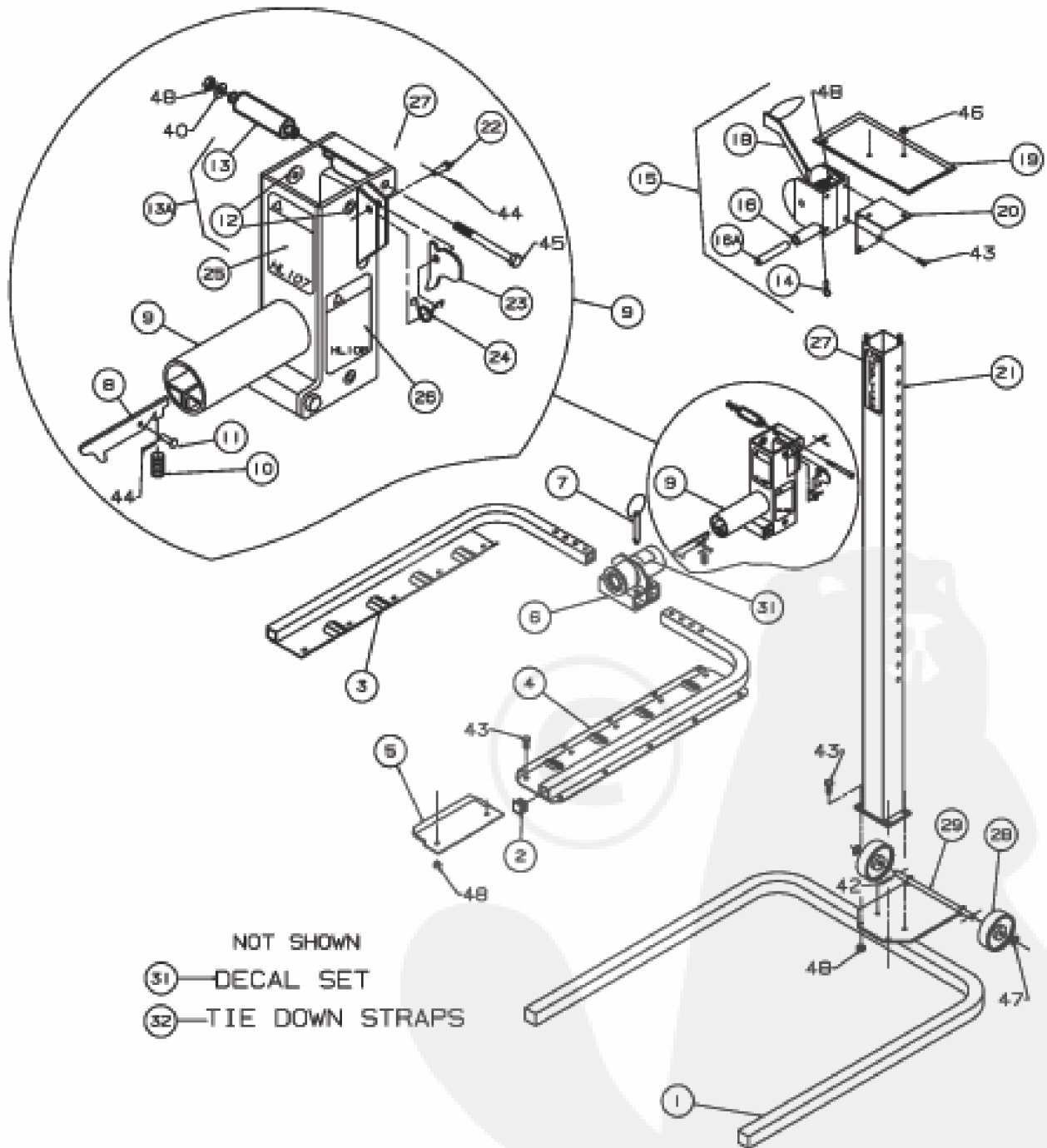
### HARDWARE

40 (early models)	O/L*	8	3/8" FLAT WASHER (used on early machines)
41	O/L*	10	3/8" NC FLANGE HEX LOCK NUT
42	O/L*	2	3/32 X 1-1/4" COTTER PIN
43	O/L*	10	3/8 NC X 1" HEX HEAD CAP SCREW
44	O/L*	2	1/16 X 3/4" COTTER PIN
45	O/L*	2	3/8 X 4-1/2" HEX HEAD CAP SCREW G5
46	O/L*	2	1/2" FLANGE HEX LOCK NUT
47	O/L*	2	1/2" SAE FLAT WASHERS
48	O/L*	6	3/8" FLANGE NON LOCK NUT
49	O/L*	2	3/8" TOP LOCK NUT

O/L\* - OBTAIN LOCALLY

A/R\*\* - AS REQUIRED

# Lit'L HEFTEE MAIN ASSEMBLY





# SERVICE INSTRUCTIONS

## CAUTION

Read the operator's manual before trying to operate or service. Any lifted load poses a potential hazard and if used carelessly or improperly can cause falling loads and serious injury.

## WARNING

Do not allow children or unqualified operators to use or work on this lift and do not use alcohol or drugs when using any equipment. Do not attempt to raise loads greater than it will easily lift. Do not exceed 250#. Lower to floor before leaving.

The *Lit'L HEFTEE* has been designed to minimize service as much as possible. Refer to parts drawings and safety pages before working on *Lit'L HEFTEE*.

## INSPECTION

Periodically check your *Lit'L HEFTEE* carefully for loose bolts, proper cable lay and any sign of cracks, kinks or frayed areas. Replace if found. **DO NOT USE** if any problems are found. Your safety depends on it.

## LUBRICATION

1. The rollers used after 4-98 in the slider are solid steel with bronze busings. These need to be removed or just remove the bolt and squirt grease into the base.
2. The rollers, refer to #16, page 13, on which the cable rods must be removed and insert grease to prevent wear and drag.
3. The arm holder, refer to #6, page 13, will rotate easily if grease is added to the bore.

## MAINTENANCE AND REPAIRS

Proceed as follows.

### SLIDER ROLLER BEARINGS.

If any portion of the slider tube comes within 1/32 of an inch, under load, of the vertical mast tube, it means the rollers or slider washers are worn or damaged and should be replaced. Repair as follows.

First, remove the arm assembly from the slider tube pivot shaft by lifting the rotation lock in one of the grooves and just pulling the assembly off the pivot shaft. It is easier to handle if the lift arms are removed from this assembly first, but may be done either way.

To replace, unhook the cable from the slider tube, this may require bending the tab out slightly as it may have

been bent in after installation. Remove the tool tray and winch from the top of the mast by removing the two (2) 1/2" nuts. Now slide the slider tube assembly off the top of the mast, being careful not to lose the nylon wear buttons or allow them to drop inside the tube.

Check the rollers and pivot bolt for clearance. If loose, floppy, worn, etc., replace these rollers. Merely remove the nut and slide the bolt out, insert new part. Grease the roller and slide the bolt back in and tighten the nut securely. Do not try to tighten it up solid against the rollers. See p. 13 for proper assembly.

To replace, the buttons hold them in place so they do not fall out. You may use silicone glue or grease to help hold in place. Next, lower the slider assembly back onto the vertical mast tube and replace the winch and tool tray, re-attach cable, and lower the slider tube till the cable is tight.

## CAUTION

Always wear safety shoes and safety glasses and proper clothing when doing service work on the *Lit'L HEFTEE* or anything else. Lower into safety locks before working on *Lit'L HEFTEE*.

## WARNING

Do not operate lift with anyone on the machine or under it. Use extra caution if anyone is near.

## CAUTION

Keep all safety locks in place and in good condition.

## SAFETY LOCKS

Check both safety lock pivot pins, springs and mounts to be sure they are in good condition and snap securely into locked position. Repair or replace as needed.

Replace any decals immediately if damaged. Clean area for decal with soap and water. Remove any dirt, grease or remnants of old decal. Reapply pressure sensitive decal in same location.

## WINCH REPAIR

See Fulton page 1-2 for instructions and parts. Order parts from McCans Engineering using Fulton Part Numbers shown.

## WARRANTY

HEFTEE Industries LLC warrants each new product to be free from defects in material, workmanship, or published function in accordance with the provisions stated below.

**WARRANTY PERIODS.** This warranty is applicable only against defects in material or workmanship according to the schedule listed below, starting from the date of shipment of Equipment from the Company to the original Buyer.

Structural components (parts only).....	5 years
Lift forks, lift arms and lift platforms.....	2 years
Power unit (motor & hydraulic pump).....	1 year
Hydraulic cylinder.....	1 year
Hydraulic hoses & fittings, lift chains & pulleys.....	1 year
Accessories including pan, axle & hydraulic jacks; extensions arms; boom; boom brackets; wheels; Deck Kart.....	1 year

Products considered by customer to be defective in material or workmanship within the time periods specified above may be returned freight prepaid for inspection, repair, replacement or credit at the discretion of Heftee Industries. If Heftee Industries' inspection discloses no defect in material or workmanship, repair, replacement or return will be made at customary charges. To activate the warranty the product must be registered with the factory using the supplied warranty registration card. This warranty does not cover diagnostic, removal or reinstallation labor charges.

**LIMITATIONS OF WARRANTY.** Under no circumstances whatsoever, shall the Company be liable for injury or damages of any kind or nature, direct, consequential, or contingent, to person or property, whether based on lost good will; lost profits or revenue; loss of use of the equipment; cost of capital; cost of substitute equipment, facilities or services; loss of time; inconvenience; downtime costs; or claims of customers for such damages, and whether arising out of breach of or delay in performance of this warranty or otherwise.

**REMEDY LIMITS.** The sole remedy under this Warranty is repair or replacement. This express warranty is only extended to the original purchaser for the warranty period specified above from invoice date. Original purchaser means the party who has purchased the new Equipment directly from the Company or directly from the Company's authorized dealer. Problems caused by faulty installation are not covered by this warranty. This warranty applies only if Equipment has been installed, used, and maintained in accordance with Company's Installation, Operating and Service Instructions. This warranty does not cover failure of parts or components due to normal maintenance or adjustments; remedies for routine maintenance; or damage or malfunction which in the judgment of Heftee Industries arose from improper or careless handling, improper or outside storage, faulty installation, overloading, abuse, misuse, mutilation, negligence, careless or improper operation, tampering, or normal wear and tear. This warranty does not cover equipment when unauthorized repairs or alterations have been attempted or made to the product. All such actions cancel this warranty and relieve Heftee Industries of any obligation.

Repair of Equipment or replacement of parts without prior approval of the Company will void payment of the warranty claim in question.

**LEGAL RIGHTS.** This warranty applies only to Equipment installed in the United States of America. Heftee Industries reserves the right to make changes or improvements at any time without obligation to make such changes or improvement to products previously sold.

**THE COMPANY MAKES NO WARRANTIES, EXPRESS, IMPLIED, OR STATUTORY, INCLUDING BUT NOT LIMITED TO ANY IMPLIED WARRANTIES OF MERCHANTABILITY OR FITNESS FOR A PARTICULAR PURPOSE, OTHER THAN THE EXPRESS WARRANTY HEREIN SET FORTH.**

This warranty, its validity, construction and effect shall be governed by and construed under the laws of Illinois and shall be subject to exclusive jurisdiction of the Courts of the State of Illinois in the County of Ogle.

This warranty is subject to any existing conditions of supply that may directly affect our ability to obtain materials or manufacture replacement parts.

**OBLIGATIONS OF PURCHASER.** To make a claim, contact us at 107 South Daysville Road, Oregon, IL (800)-755-7540; identify the product, and follow the instructions that will be provided.

**RETURN POLICY:** Heftee products may not be returned without prior written approval from Heftee Industries. All lift equipment returned under warranty must have the serial number label affixed to the product. The serial number from the affected lift product must be presented to the Heftee Industries customer service representative at the time the Returned Goods Authorization is issued. Warranty parts need to be returned, prepaid, to Heftee Industries for credit; any warranty replacement parts will be returned to customer at Heftee's expense. Equipment must be returned to the recommended national carrier(s). Pre-approved returns must have a Returned Goods Authorization number in plain text on the outside of the return. Unauthorized returns unaccompanied by a Returned Goods Authorization number will be refused and will become the responsibility of the returnee. All non-warranty returns will be subject to a 20% restocking fee, plus any additional charges for record keeping and packaging.

NO ONE is authorized to alter, modify, or enlarge this warranty. All exclusions, limitations, and reservations.