



- GB ENGLISH
- FR FRANÇAIS
- DE DEUTSCH
- IT ITALIANO
- ES ESPAÑOL

# OPERATOR'S MANUAL MANUEL D'UTILISATION BEDIENUNGSANLEITUNG MANUALE PER L'OPERATORE MANUAL DE INSTRUCCIONES

## DPAS-2600

### WARNING



READ THE INSTRUCTIONS CAREFULLY AND FOLLOW THE RULES FOR SAFE OPERATION. FAILURE TO DO SO COULD RESULT IN SERIOUS INJURY.

### AVERTISSEMENT



LIRE ATTENTIVEMENT LES INSTRUCTIONS ET SUIVRE LES RÈGLES DE SÉCURITÉ. LE NON-RESPECT DES RÈGLES DE SÉCURITÉ ENTRAÎNE UN RISQUE DE BLESSURE GRAVE.

### WARNUNG



LESEN SIE DIE BEDIENUNGSANLEITUNG SORGFÄLTIG DURCH, UND BEFOLGEN SIE DIE SICHERHEITSREGELN. ANDERNFALLS BESTEHT DAS RISIKO SCHWERER VERLETZUNGEN.

### AVVERTENZA



LEGGERE E SEGUIRE ATTENTAMENTE LE ISTRUZIONI PER LAVORARE IN CONDIZIONI DI MASSIMA SICUREZZA. LA MANCATA OSSERVANZA DELLE ISTRUZIONI POTREBBE PROVOCARE LESIONI GRAVI.

### ADVERTENCIA



LEA ATENTAMENTE LAS INSTRUCCIONES Y SIGA LAS INDICACIONES PARA UN FUNCIONAMIENTO SEGURO. DE NO HACERLO, PODRÍA SUFRIR LESIONES GRAVES.







ENGLISH  
GB (Original instructions)

# **OPERATOR'S MANUAL**

## **PRO ATTACHMENT SERIES**

### **DPAS-2600**

#### **WARNING**



**READ THE INSTRUCTIONS CAREFULLY AND FOLLOW THE  
RULES FOR SAFE OPERATION.  
FAILURE TO DO SO COULD RESULT IN SERIOUS INJURY.**

# Contents

---

For safe use of your product.....	3
Description.....	7
Before you start .....	8
Packing list .....	8
Charging the battery .....	8
Assembly .....	9
Battery Installation .....	10
Adjusting the shoulder harness .....	11
Operation .....	12
Starting the unit .....	12
Stopping the unit.....	13
Maintenance and care .....	14
Servicing guidelines.....	14
Maintenance and care .....	14
Storage .....	15
Disposal.....	16
Specifications.....	17
Declaration of conformity .....	19

# For safe use of your product

## Important information

### **WARNING**

**Please ensure that you read the operator's manual before using your product.**

#### **About your operator's manual**

- This manual contains necessary information about the assembly, operation, and maintenance of your product. Please read it carefully and absorb its contents.
- Always keep your manual in a place where it is readily accessible.
- If you have lost your manual or it is damaged and no longer readable, please purchase a new one from your dealer.
- The units used in this manual are SI units (International System of Units). Figures in parentheses are reference values, and there may be a slight conversion error in some cases.  
Failure to do so could lead to an accident or serious injury.

#### **Intended use of this product**

- This product is lightweight, high-performance unit designed for using attachment.
- Do not use this unit for any purpose other than aforementioned.
- The content of this manual may be changed without notice for the purpose of upgrades to the product. Some of the illustrations used may differ from the product itself in order to make the explanations clearer.
- Please consult your dealer if anything is unclear or of concern.  
Failure to do so could lead to an accident or serious injury.

#### **Do not modify the product**

- You must not modify the product.  
To do so could lead to an accident or serious injury. Any malfunction resulting from a modification to the product will not be covered by the manufacturer's warranty.

#### **Do not use the product unless it has been checked and maintained**

- You must not use the product unless it has been checked and maintained. Always ensure that the product is checked and maintained on a regular basis.  
Failure to do so could lead to an accident or serious injury.

#### **Loaning or assigning your product**

- When loaning your product to another party, ensure that the person borrowing the product receives the operator's manual along with it.
- If you assign your product to another party, please enclose the operator's manual with the product when handing it over.  
Failure to do so could lead to an accident or serious injury.

#### **Users of the product**

- The product should not be used by:
  - ◆ people who are tired
  - ◆ people who have taken alcohol
  - ◆ people who are on medication
  - ◆ people who are pregnant
  - ◆ people who are in poor physical condition
  - ◆ people who have not read the operator's manual
  - ◆ children
- Keep in mind that the operator or user is responsible for accidents or hazards occurring to other people or their property.  
Failure to observe these instructions could lead to an accident.
- The components of this machine generate an electromagnetic field during operation, which may interfere with some pacemakers. To reduce health risks, we recommend that pacemaker users consult their physician and the pacemaker manufacturer before operating this product.



# For safe use of your product

## **WARNING**

### Vibration and cold

- It is believed that a condition called Raynaud's Phenomenon which affects the fingers of certain individuals may be brought about by exposure to vibration and cold. Exposure to vibration and cold may cause tingling and burning, followed by loss of colour and numbness in the fingers. The following precautions are strongly recommended because the minimum exposure which might trigger the ailment is unknown.
  - ◆ Keep your body warm, especially the head and neck, feet and ankles, and hands and wrists.
  - ◆ Maintain good blood circulation by performing vigorous arm exercises during frequent work breaks, and also by not smoking.
  - ◆ Limit the number of hours of operation. Try to fill each day with jobs where operating the trimmer or other hand-held power equipment is not required.
  - ◆ If you experience discomfort redness and swelling of the fingers, followed by whitening and loss of feeling, consult your physician before exposing yourself further to cold and vibration.

Failure to observe these instructions could result in damage to your health.

### Repetitive stress injuries

- It is believed that over-using the muscles and tendons of the fingers, hands, arms and shoulders may cause soreness, swelling, numbness, weakness and extreme pain to the areas just mentioned. Certain repetitive hand activities may put you at a high risk for developing a repetitive stress injury (RSI). To reduce the risk of RSI, do the following:
  - ◆ Avoid using your wrist in a bent, extended or twisted position.
  - ◆ Take periodic breaks to minimize repetition and rest your hands. Reduce the speed and force in which you do the repetitive movement.
  - ◆ Do exercises to strengthen hand and arm muscles.
  - ◆ See a doctor if you feel tingling, numbness or pain in your fingers, hands, wrists or arms. The sooner RSI is diagnosed, the more likely permanent nerve and muscle damage can be prevented.

Failure to observe these instructions could result in damage to your health.

### Proper training

- Do not permit operation without proper training and protective equipment.
- Be thoroughly familiar with the controls and proper use of unit.
- Know how to stop the unit and switch off the motor.
- Know how to unhook a harnessed unit quickly.
- Never allow anyone to use the unit without proper instruction.

Failure to observe these instructions could result in damage to your health.

### Wear proper clothing.

- Secure hair so it is above shoulder length.
- Do not wear ties, jewellery, or loose, dangling clothing which could be caught in the unit.
- Do not wear open toed footwear, or go bare-foot or barelegged.

Failure to observe these precautions could result in damage to your sight or hearing, or lead to a serious injury.



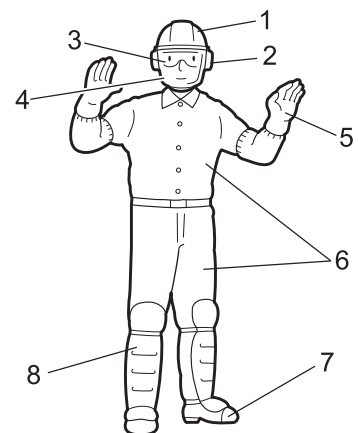
### Wear protective gear

- Always wear the following protective gear.
  1. Head protection (helmet): Protects the head
  2. Ear muffs or ear plugs: Protect the hearing
  3. Safety goggles: Protect the eyes
  4. Face shield: Protects the face
  5. Safety gloves: Protect the hands from cold and vibration
  6. Work clothes that fit (long sleeves, long trousers): Protect the body
  7. Heavy duty, non-slip protective boots (with toecaps) or non-slip work shoes (with toecaps): Protect the feet
  8. Shin guards: Protect the legs

Failure to observe these precautions could result in damage to your sight or hearing, or lead to a serious injury.

- When necessary, please use the protective gear below.

- ◆ Dust mask: Protects the breathing apparatus
- ◆ Bee net: To deal with attacks by bees



# For safe use of your product

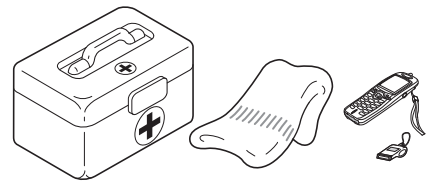
## **WARNING**

### Environment of use and operation

- **Do not use the product:**
  - ◆ in damp or wet locations.
  - ◆ in the rain.
  - ◆ under poor weather conditions.
  - ◆ on steep slopes or in places which give no secure foothold and are thus slippery.
  - ◆ at night or in dark places with poor visibility.
  - ◆ when there is a risk of lightning.
- **When using the product on a gentle slope, work in a level, contour-like motion.**  
A serious injury could result if you fall or slip, or fail to operate the product correctly.
- **For your own health and your safe and comfortable work, operate the machine within the air temperature range of -5°C to 40°C.**  
Failure to observe these instructions could result in damage to your health.


### Being prepared in case of an injury


- **In the unlikely event of an accident or injury, please ensure that you are prepared.**
    - ◆ **First aid kit**
    - ◆ **Towels and wipes (to stop any bleeding)**
    - ◆ **Whistle or mobile phone (for calling outside help)**
- If you are unable to perform first aid or call for outside help, the injury could worsen.




# For safe use of your product


## Warning notices

 <b>DANGER</b>
This symbol accompanied by the word " <b>DANGER</b> " calls attentions to an act or a condition which will lead to serious personal injury or death of operators and bystanders.

 <b>WARNING</b>
This symbol accompanied by the word " <b>WARNING</b> " calls attentions to an act or a condition which can lead to serious personal injury or death of operators and bystanders.

 <b>CAUTION</b>
" <b>CAUTION</b> " indicates a potentially hazardous situation which, if not avoided, may result in minor or moderate injury.






## Other indicators

	Circle and slash symbol means whatever is shown is prohibited.
---	--

<b>NOTE</b>
This enclosed message provides tips for use, care and maintenance of the product.

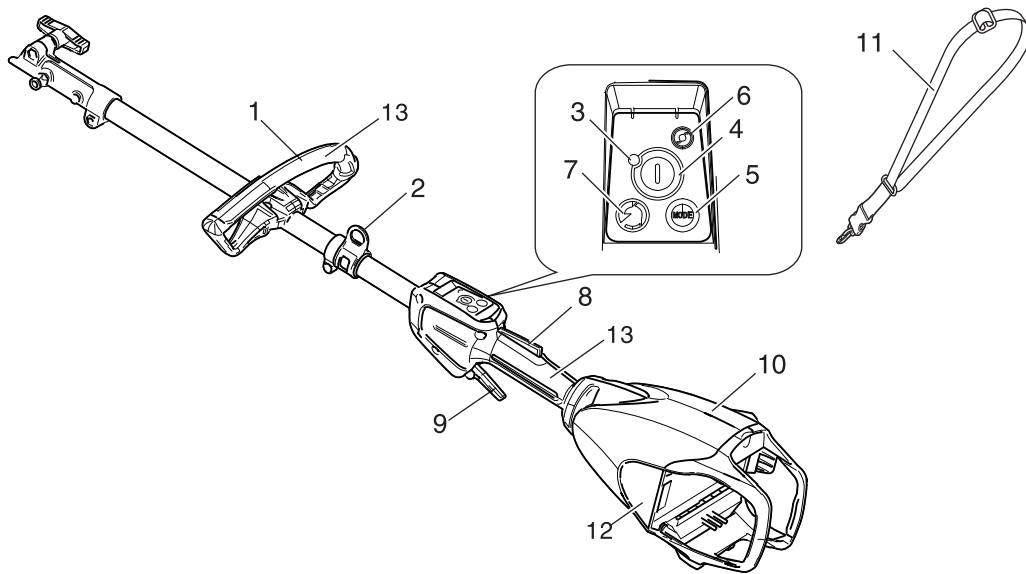
<b>IMPORTANT</b>
Framed text featuring the word " <b>IMPORTANT</b> " contains important information about the use, checking, maintenance and storage of the product described in this manual.

## Symbols

Symbol form/shape	Symbol description/application	Symbol form/shape	Symbol description/application
	Carefully read the operator's manual		Beware of fire
	Safety/Alert		Do not throw electrical appliances in garbage
	Guaranteed sound power level		



# Description

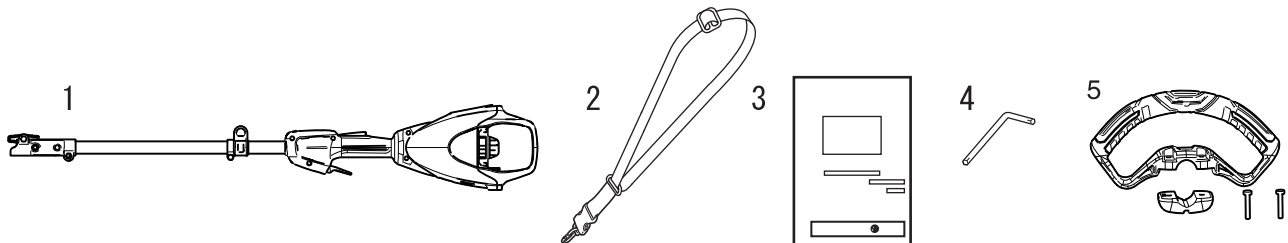


1. **Loop-handle** - Grip for Left Hand.
2. **Suspension point** - Device on which the harness can be hooked.
3. **Power indicator LED** - Remains illuminated when power to unit is turned on. Turns off when power to unit is off.
4. **Power button** - Press once to turn on power to the unit, power indicator LED illuminates. Press once more to turn power off to unit, power indicator LED turns off.
5. **Mode button** - Change the operation mode.
6. **Mode indicator LED**
7. **Speed button** - Change the three step maximum speed.
8. **Trigger switch lockout** - Locks trigger switch in the off position until you have a proper grip with your right hand around the handle.
9. **Trigger switch** - Activated by the operator's finger for turning the motor on.
10. **Power head** – Houses Motor and Battery.
11. **Shoulder harness** - An adjustable strap to suspend unit.
12. **Type and serial number**
13. **Gripping surface**

# Before you start

## Packing list

- ♦ The following parts are packed separately in the packing box.
- ♦ When you have unpacked the box, please check the parts that it contains.
- ♦ Contact your dealer if anything is missing or broken.



1. Motor unit and shaft tube
2. Shoulder harness
3. Operator's manual
4. L-wrench
5. Loop handle

## Charging the battery

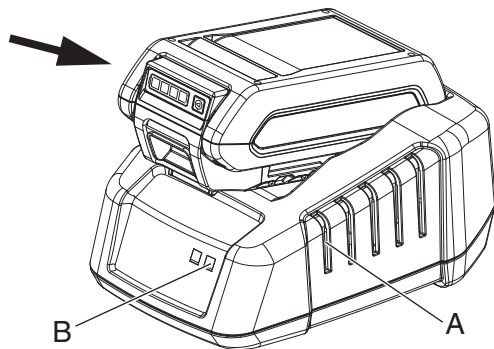
### **⚠ WARNING**

- Always use battery pack LBP-560-100/LBP-560-200 and charge only with LCJQ-560 or LCJU-560 charger.
- Keep charger and battery away from damp conditions and all liquids.
- Do not operate the charger on an easily combustible surface (e.g. paper, textiles) or in an environment with a high risk of fire.
- Do not cover the charger. Covering the charger will prevent it from cooling.
- Do not operate the charger in explosive atmospheres, such as in the presence of flammable liquids, gases or dust. Chargers can produce sparks which may ignite the dust or fumes - there is a risk of explosion.
- Connect the charger only to the mains of voltage and frequency specified on the rating plate.
- Connect the charger only to an easily accessible wall outlet.
- Never insert objects in the battery pack's or charger's cooling slots (A).
- Do not charge or use a defective, damaged or deformed battery pack and charger.
- Do not open, damage or drop the battery pack or the charger.
- Fluid may leak from the battery if it is damaged or not used properly; avoid contact with the skin. In the event of accidental contact, wash the affected areas of the skin with plenty of water and soap. If fluid gets in the eyes, do not rub. Rinse the eyes with plenty of water for at least 15 minutes. Also seek medical assistance.
- Never bridge (short circuit) the battery pack contacts or the charger's terminals with metallic objects.
- Protect from direct sunlight, heat and open flames and never throw battery into fire; there is a risk of explosion.
- In the event of smoke or fire in the charger, disconnect it from the wall outlet immediately.
- If the connecting cord is damaged, immediately disconnect the plug from the power supply to avoid the risk of electric shock.
- Do not expose battery pack to microwaves or high pressure.
- Secure the unit against unintentional startup. Remove the battery pack from the unit before transporting or storing the unit. Do not use metal containers for transporting batteries.
- Do not use the connecting cord for any other purpose, e.g. for carrying or hanging up the charger.
- To reduce the risk of stumbling, position and mark the connecting cord in such a way that it cannot be damaged or endanger others.
- To unplug, grasp the plug, not the cord.

### **NOTE**

- The battery comes partially charged from the factory and needs to be fully charged before first use.
- Charge the battery when it no longer produces sufficient power to operate the unit or when battery lights indicate that the battery is low.

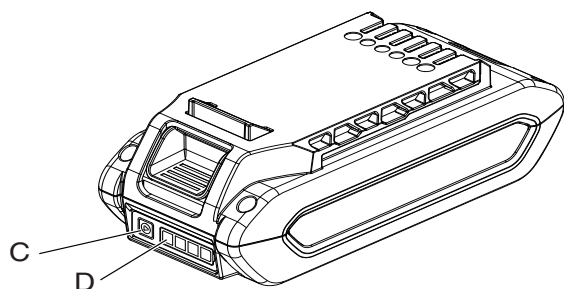
# Before you start



1. Plug charger AC cord in the wall outlet.
2. Align ridges on battery with grooves on charger, and slide battery into charger.
3. During normal charging, the charger LED (B) will blink continuously GREEN.

## IMPORTANT

- If charger detects a problem, LED blinks RED. Remove battery from charger, clear obstructions from contacts and reinstall battery into charger. If battery is outside acceptable temperature range (0°C to 60°C) LED remains RED.



4. When charging is complete, LED will remain GREEN.
5. Verify battery is fully charged by removing battery from charger, then pressing battery charge status button (C), and checking LED display (D).
  - ◆ One green light indicates that the battery has 0-25% charge.
  - ◆ Two green lights indicate that the battery has 25-50% charge.
  - ◆ Three green lights indicate that the battery has 50-75% charge.
  - ◆ Four green lights indicate that the battery has 75-100% charge.
6. Disconnect battery charger from power supply.

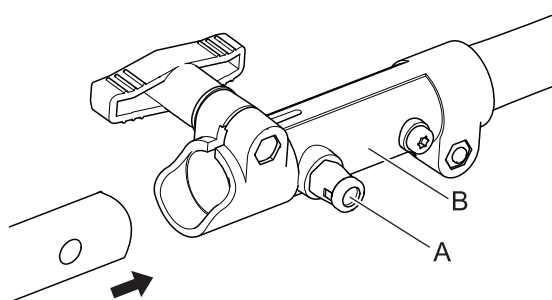
## Assembly

### WARNING

- Read the operator's manual carefully to ensure that you assemble the product correctly. Using a product that has been incorrectly assembled could lead to an accident or serious injury.

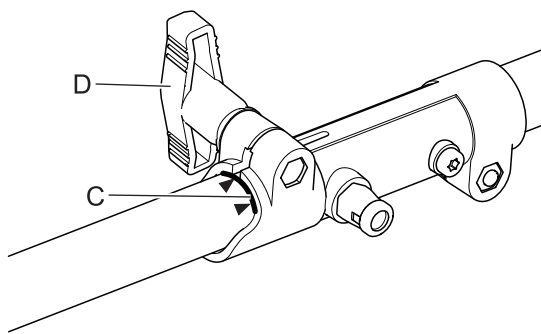


### Attachment shaft assembly



1. Set power head/shaft assembly on a level surface.
2. Pull locator pin (A) out, and turn anticlockwise 1/4 turn to lockout position.
3. Remove vinyl cap from attachment drive shaft.

# Before you start



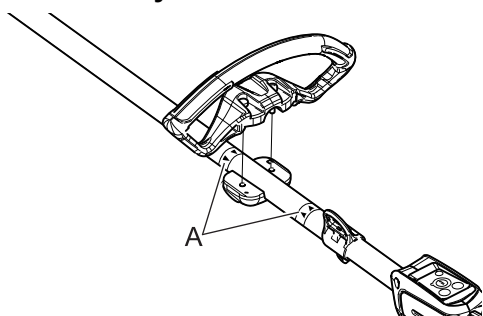
- Carefully fit attachment drive shaft assembly into coupler (B) to decal assembly line (C), making sure that the inner lower drive shaft engages into the square upper drive shaft socket.

## NOTE

Lower bearing housing and head assembly must be in line with the motor unit.

- Rotate locator pin (A) 1/4 turn clockwise to engage lower shaft hole. Insure locator pin is fully engaged by twisting lower drive shaft. Locator pin should snap flush in coupler. Full engagement will prevent further shaft rotation.
- Secure lower shaft assembly to coupler by tightening clamping knob (D).
- To disassemble, reverse assembly instructions.

## Loop handle assembly



Position handle in comfortable operating position and tighten Bolts.

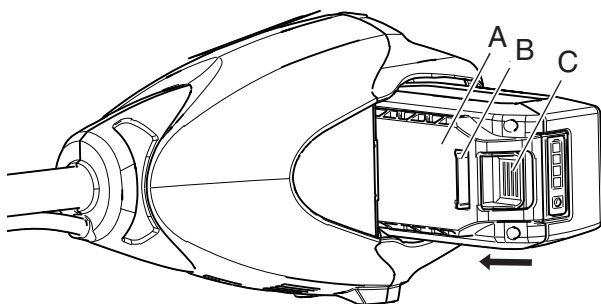
## CAUTION

- Install the handle between the marks (A).

## Battery Installation

## WARNING

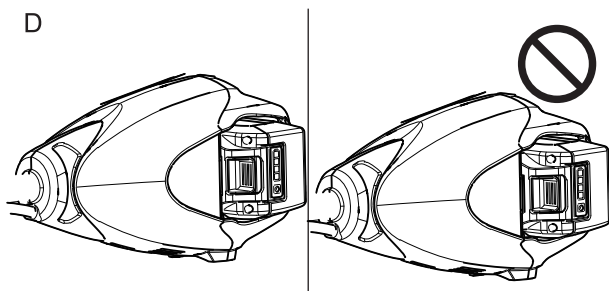
- The attachment will operate when the battery is installed, the power indicator LED is lit, and the trigger and trigger lockout are engaged. Make sure the unit is properly positioned to prevent loss of control and possible serious injury. Keep movable parts of the attachment off the ground and away from objects that could become entangled or thrown.
- Remove the battery when leave the unit.



- Make sure power to unit is turned off.
- Align ridges (A) on battery pack with grooves in power head. Slide battery pack into power head.
- Assure the battery pack latch (B) snaps into place and battery pack is secure before beginning operation.
- To remove battery, depress battery pack latch release (C) slide battery pack out of power head.

## NOTE

- Battery pack latch is in the complete position when battery pack latch is correctly engaged.

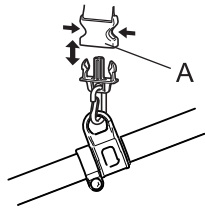
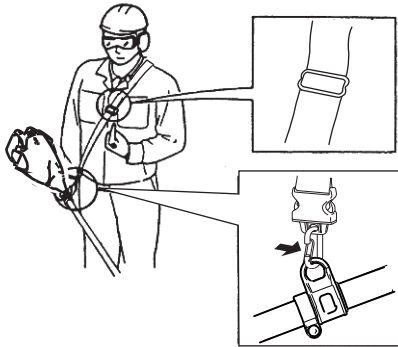


## IMPORTANT

Before using the unit, make sure that battery is set correctly with battery pack latch in the complete position (D).

# Before you start

## Adjusting the shoulder harness



1. Hook the strap hook to the hanger on the outer tube.
2. Wear the shoulder strap so that the hook stays at your right hand side.
3. Adjust the length of the shoulder strap so that you can hold and operate the machine comfortably.

### IMPORTANT

- Make sure all hooks and adjustment devices are secure.

- \* The shoulder harness is fitted with an emergency release function. In case of emergency, pull up on the collar (A) to disconnect the machine from the strap.

# Operation

## DANGER

- All over head electrical conductors and communications wires can have electricity flow with high voltages. This unit is not insulated against electrical current. Never touch wires directly or indirectly, otherwise serious injury or death may result.

## WARNING

- Do not operate the unit in explosive atmospheres, such as in presence of flammable liquids, gases or dust. The unit creates sparks which may ignite the dust or fumes.

Be particularly careful to observe the following precautions when starting the unit:

- Check that none of the nuts and bolts are loose.
- A wrench or locking tool did not leave attached to a rotating part of the unit.
- Leave plenty of space around the product and do not allow people or animals near it.  
Failure to observe the precautions could cause an accident or injury, or even lead to a fatality.

- Check that there are no abnormal vibrations or sounds once the unit starts. Do not use the product if there are abnormal vibrations or sounds. Contact your dealer to have it repaired.  
Accidents involving parts that fall or shatter off can cause wounds or serious injury.

- Always switch off the unit and remove the battery when transporting the unit.

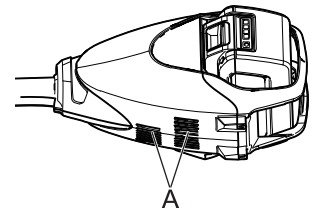
- Do not touch angle transmission and other high temperature components while the product is running or for some time after it stops.  
You could burn yourself if you touch a high temperature component.



- Never operate overreach the unit and to keep the balance at all times, to always be sure of the footing on slopes and to walk, never run.
- Never to operate the unit with defective guards or shields, or without safety devices, or if the cord is damaged or worn.

## IMPORTANT

- Always ventilation slots (A) keep clean.



## NOTE

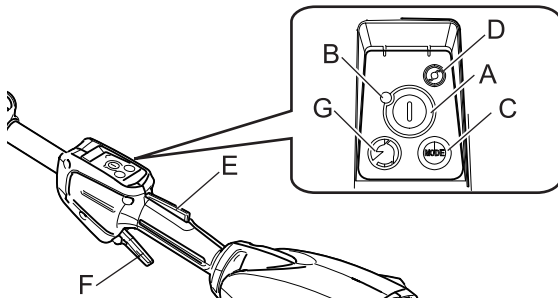
- When you first use this product under low temperature after purchase, it may not operate smoothly in rare instances. This phenomenon does not indicate a product failure. In this case, condition the unit to room temperature (normal temperature), and turn on and off power to the unit repeatedly before use.

## Starting the unit

## WARNING

- The attachment will operate when the battery is installed, the power indicator LED is lit, and the trigger switch and trigger switch lockout are engaged. Make sure the product is properly positioned to prevent loss of control and possible serious injury.

# Operation



1. Check to ensure that the attachment does not come into contact with the surface of the ground or any other impediment using a beam or other such implement.
2. Push power button (A) once to turn on power to unit.
  - \* Power indicator LED (B) illuminates when power to unit is turned on.
3. When you use the trimmer attachment, push mode button (C), illuminates mode indicator LED (D) (trimmer mode). When you use the other attachment, push mode button (C), turn off mode indicator LED (D).
  - \* When in trimmer mode, you can work comfortably at the optimum RPM speed for the trimmer attachment. When not in trimmer mode, you can work comfortably at the wide range of RPM speed with the other attachments.
4. Hold down trigger switch lockout (E) and depress trigger switch (F) to increase RPM to operating speed.
5. To change maximum speed, push speed button (G).
6. The maximum speed changes in the order of low speed, medium speed, high speed, and then returns to low speed after high speed.
7. If you press mode button for one second then keep the speed at that time.
8. Not to keep the speed, push mode button.

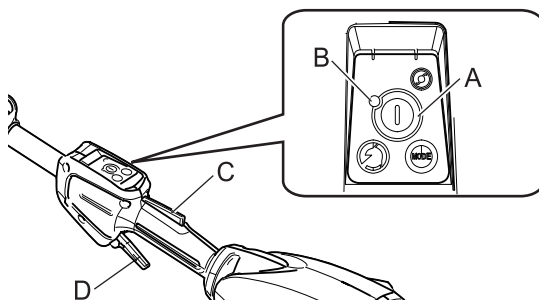
## IMPORTANT

- When power to the unit is turned on:
  - After 90 seconds of inactivity, unit will power itself off.
  - If the LED remains lit, operation is normal.
  - If the LED flashes once per second, the battery needs to be charged.
  - If the LED flashes four times per second, there is a fault within the product. Turn power off to unit. Remove battery. Clear debris from around line head. Install battery. Turn power on to unit. If flashing continues, have your authorized servicing dealer repair the product.

## Stopping the unit

### WARNING

- The attachment continues to run for a short period after the unit is switched off.



1. Release trigger switch and trigger switch lockout, and allow the attachment head to stop.
2. Push power button (A) to turn off power to unit.
  - \* Power indicator LED (B) turns off when power to unit is turned off.
  - \* If the attachment does not stop when the trigger and trigger lockout are released, push power button to turn off and remove the battery to stop the power supply to product. Have your authorized servicing dealer repair power button before using product again.

# Maintenance and care

## ⚠ WARNING

Observe the following precautions when checking and maintaining your product after use:

- Turn power to unit off, remove battery, and make sure all moving parts have come to a complete stop.  
An accident could occur if the product starts unexpectedly.
- Allow unit to cool before performing service.  
You could burn yourself.

- Never service damaged battery packs. Service of battery packs should only be performed by the manufacturer or authorized service providers.

## IMPORTANT

- Checking and maintenance requires specialist knowledge. If you are unable to check and maintain the product or deal with a fault yourself, consult your dealer. Do not attempt to dismantle the product.

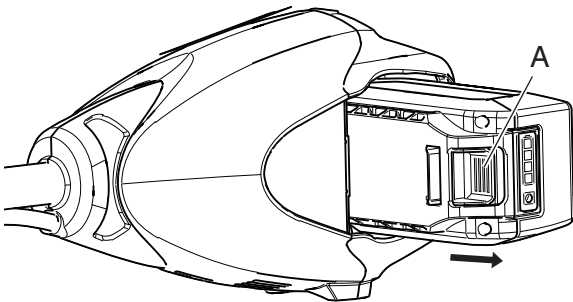
### Servicing guidelines

Area	Maintenance	Page	Before use	Monthly
Battery	Inspect/Clean/Charge	8	•	
Screws, bolts and nuts	Inspect, Tighten/Replace	-	•	

### Maintenance and care

If you have any questions or problems, please contact your dealer.

#### Cleaning battery and battery compartment



## ⚠ WARNING

- Risk of electric shock or fire. Do not use conducting materials to clean battery or battery compartment.

1. Release trigger switch and trigger switch lockout and allow the attachment head to stop.
2. Make sure power indicator LED is not illuminated.
3. Depress battery pack latch release (A) slide battery pack out of power head.
4. Use compressed air or a soft bristle brush to remove debris from battery and battery compartment.

### Troubleshooting table

## IMPORTANT

- For spare parts and consumables, please use only genuine parts and designated products and components. Using parts from other manufacturers or non-designated components may result in a malfunction.



# Maintenance and care

Trouble	Cause	Remedy
Red Charger light flashes or does not light up	<ol style="list-style-type: none"> <li>1. Plug not connected to power outlet</li> <li>2. Battery pack not installed properly</li> <li>3. Obstructed connection</li> <li>4. Fault in the charger</li> <li>5. Fault in the battery pack</li> </ol>	<ol style="list-style-type: none"> <li>1. Plug in the charger</li> <li>2. Check the battery pack installation</li> <li>3. Reinstall battery pack again after removing obstructions from connection.</li> <li>4. Consult your dealer</li> <li>5. Consult your dealer</li> </ol>
Unit will not turn on	<ol style="list-style-type: none"> <li>1. Battery pack not installed properly</li> </ol>	<ol style="list-style-type: none"> <li>1. Check the battery pack installation</li> </ol>
Unit does not run when turned on	<ol style="list-style-type: none"> <li>1. Battery pack discharged</li> <li>2. Battery pack outside acceptable temperature range</li> </ol>	<ol style="list-style-type: none"> <li>1. Charge the battery pack</li> <li>2. Remove the battery pack and allow to cool</li> </ol>
Running time is too short	<ol style="list-style-type: none"> <li>1. Battery pack outside acceptable temperature range</li> <li>2. Unit electronics too hot</li> <li>3. Battery pack discharged</li> </ol>	<ol style="list-style-type: none"> <li>1. Remove the battery pack and allow to cool</li> <li>2. Turn unit off and allow to cool</li> <li>3. Charge the battery pack</li> </ol>

- ♦ Consult your dealer in the event of a problem that is not covered in the table above, or other such concerns.
- ♦ Please contact your dealer in order to dispose of the product or its parts in compliance with national laws.

## Manufacturer:

**YAMABIKO CORPORATION**

1-7-2 Suehirocho, Ohme, Tokyo 198-8760 JAPAN

## Authorized Representative in Europe:

**CERTIFICATION EXPERTS B.V.**

Amerlandseweg 7, 3621 ZC Breukelen, The Netherlands

## Storage

### **WARNING**

- ⓘ Do not store in an enclosure where combustible fumes may accumulate.**  
You could cause a fire.



When storing the product for long periods of time, ensure that the following preparations for storage are carried out.

### Motor unit

1. Turn power to unit off.
2. Remove battery from power head.
3. Remove accumulation of dirt and debris from exterior of unit.
4. Tighten all the screws and nuts.
5. Cover the battery compartment of power head, the battery, and the battery charger.
6. Store unit in a dry, dust-free place, out of the reach of children.

### Battery

1. Remove battery from power head.
2. Store in a dry, dust-free place, out of the reach of children.
3. Store in temperatures between -20°C and 60°C (140°F).
4. If the battery is stored for longer than one year, charge it to approximately 40 - 60% capacity.

### Battery charger

1. Remove battery from battery charger.
2. Disconnect battery charger from power supply.
3. Store in a dry, dust-free place, out of the reach of children.

# Maintenance and care

---

## Disposal



- ♦ Major plastic parts making up the product have codes showing their materials. The codes refer to the following materials; dispose of those plastic parts in accordance with local regulations.

Mark	Material
>PA6-GF<	Nylon 6 - Glass fiber
>PP-GF<	Polypropylene - Glass fiber
>PE-HD<	Polyethylene
>PP<	Polypropylene

- ♦ Please contact your dealer in case you do not know how you should dispose of waste plastic parts.
- ♦ Battery contains lithium. Dispose of only at a designated collection point.
- ♦ Lithium-ion batteries must be recycled or disposed of properly.

# Specifications

<b>DPAS-2600</b>	
<b>External dimensions:</b> Length × Width × Height	1082 × 229 × 186 mm
<b>Mass:</b> Unit without battery and harness Unit with battery and harness	2.4 kg 4.3 kg
<b>Battery:</b> Type Pack voltage Charger type Charger input voltage	Li-ion 56 Volts (rated 50.4 V) CCCV 220 - 240 Volts AC
<b>Battery Charger Lights:</b>	Red LED – Battery is outside charging temperature range Red LED Blinking – Fault Green LED – Battery finished charging Green LED Blinking – Battery is charging normally
<b>Charge Time:</b>	(with LCJQ-560) LBP-560-100 battery: Approximately 42 minutes. LBP-560-200 battery: Approximately 88 minutes.

These specifications are subject to change without notice.

## YAMABIKO approved optional attachments

(Sound pressure level, sound power level and vibration levels)

### **WARNING**

- Use only YAMABIKO approved attachments for Pro Attachment Series models. Serious injury may result from the use of non approved attachment combinations. Read and comply with all safety instructions listed in this manual and attachment manual.
- YAMABIKO will not be responsible for the failure of cutting devices, attachments or accessories which have not been tested and approved by YAMABIKO for use with this Pro Attachment Series unit.

		2006/42/EC				2000/14/EC	
		Sound pressure level [dB(A)]		Sound power level [dB(A)]		Measured sound power level [dB(A)]	Guaranteed sound power level [dB(A)]
Attachment	Standard	L <sub>pA</sub>	Uncertainty K <sub>pA</sub>	L <sub>WA</sub>	Uncertainty K <sub>WA</sub>	L <sub>WA</sub>	L <sub>WA</sub>
HEDGE TRIMMER MTA-DAH	EN62841-4-2	85.5	3.0	93.4	3.0	93	96
POLE PRUNER MTA-DPP	ISO 11680-1 (ISO 22868)	94.4	3.0	105.2	3.0	105*1	108*1
GRASS-TRIMMER/ BRUSHCUTTER MTA-DTB	EN50636-2-91	79.6	3.0	92.0	3.0	91*2	96*2
Sweeper MTA-PS	(ISO22868)	77.3	3.0	90.1	3.0	90 *1	93 *1
Blower MTA-PB	EN50636-2- 100	90.0	3.0	100.3	3.0	100	103
Tiller Cultivator MTA-TC	(ISO22868)	75.2	3.0	91.5	3.0	92 *1	95 *1
Edger MTA-LE	ISO 11789 (ISO22868)	79.3	3.0	93.5	3.0	94	97

\*1: These values are not within the scope of directive 2000/14/EC.

\*2: These values are within the scope of directive 2000/14/EC amended by 2005/88/EC (conformity assessment procedure followed ANNEX VI).

# Specifications

---

		2006/42/EC		
		Vibration Declared values [m/s <sup>2</sup> ]		
Attachment	Standard	Front/Left handle	Rear/Right handle	Uncertainty K
HEDGE TRIMMER MTA-DAH	EN62841-4-2	4.2	2.4	1.5
POLE PRUNER MTA-DPP	ISO 11680-1 (ISO 22867)	4.4	2.1	1.5
GRASS-TRIMMER/ BRUSHCUTTER MTA-DTB	EN50636-2-91	3.8	2.9	1.5
Sweeper MTA-PS	(ISO22867)	2.5	1.3	1.5
Blower MTA-PB	EN50363-2- 100	3.3	1.3	1.5
Tiller Cultivator MTA-TC	(ISO22867)	2.7	1.3	1.5
Edger MTA-LE	ISO 11789 (ISO22867)	3.5	1.8	1.5

The vibration and noise emissions during actual use of the unit can differ from the declared values depending on the ways in which the tool is used especially what kind of workpiece is processed.

# Declaration of conformity

The undersigned manufacturer:

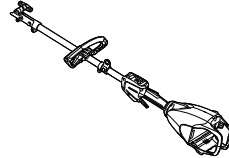
YAMABIKO CORPORATION  
1-7-2 Suehirocho Ohme, Tokyo 198-8760 JAPAN

This declaration of conformity is issued under the sole responsibility of the manufacturer.

declares that the hereunder specified new unit:

## PRO ATTACHMENT SERIES

Brand: ECHO  
Type: DPAS-2600



complies with:

- \* the requirements of Directive **2006/42/EC** (use of harmonized standard **EN 60335-1: 2012, EN 50636-2-91: 2014, EN 50636-2-100: 2014, EN 62841-1: 2015, EN62841-4-2: 2019, EN ISO 11806-1: 2011, EN ISO 11789: 1999 and EN ISO 11680-1: 2011**)
- \* the requirements of Directive **2014/30/EU** (use of harmonized standard **EN 55014-1: 2017 +A11: 2020, EN 55014-2: 2015**)
- \* the requirements of Directive **2000/14/EC** amended by **2005/88/EC**

	Conformity assessment procedure followed	Measured sound power level	Guaranteed sound power level
DPAS-2600 + MTA-DAH	<b>ANNEX V</b>	93 dB(A)	96 dB(A)
DPAS-2600 + MTA-DPP	<b>ANNEX V</b>	105 dB(A)	108 dB(A)
DPAS-2600 + MTA-DTB	<b>ANNEX VI</b> TÜV SÜD Industrie Service GmbH (Notified Body 0036) Westendstraße 199 80686 München Deutschland	91.2 dB(A)	96 dB(A)
DPAS-2600 + MTA-PS	<b>ANNEX V</b>	90 dB(A)	93 dB(A)
DPAS-2600 + MTA-PB	<b>ANNEX V</b>	100 dB(A)	103 dB(A)
DPAS-2600 + MTA-TC	<b>ANNEX V</b>	92 dB(A)	95 dB(A)
DPAS-2600 + MTA-LE/E	<b>ANNEX V</b>	94 dB(A)	97 dB(A)

- \* the requirements of Directive **2011/65/EU** (use of harmonized standard **EN IEC63000: 2018**)

Serial Number U49835000001 to U49835100000

Tokyo, January 27th, 2022

## YAMABIKO CORPORATION

**Hisashi Kobayashi**  
General Manager  
Quality Assurance Dept.

The authorized representative in Europe who is authorized to compile the technical file.

Company: CERTIFICATION EXPERTS B.V.  
Address: Amerlandseweg 7, 3621 ZC Breukelen, The Netherlands

**Mr. Richard Glaser**

**YAMABIKO CORPORATION**  
1-7-2 Suehirocho, Ohme, Tokyo 198-8760 JAPAN  
PHONE: 81-428-32-6118. FAX: 81-428-32-6145.



X750823-0401



FRANÇAIS  
FR (Notice originale)

# MANUEL D'UTILISATION SERIE PRO ATTACHMENT DPAS-2600

## AVERTISSEMENT



LIRE ATTENTIVEMENT LES INSTRUCTIONS ET SUIVRE LES  
RÈGLES DE SECURITÉ.  
LE NON-RESPECT DES RÈGLES DE SÉCURITÉ ENTRAÎNE UN  
RISQUE DE BLESSURE GRAVE.



# Table des matieres

---

Pour utiliser l'appareil en toute sécurité.....	3
Description.....	7
Avant de commencer.....	8
Contenu de l'emballage.....	8
Chargement de la batterie.....	8
Assemblage.....	9
Pose de la batterie.....	10
Réglage du harnais.....	11
Fonctionnement.....	12
Mise en marche de l'appareil.....	12
Arrêt de l'appareil.....	13
Entretien.....	15
Instructions d'entretien de l'appareil.....	15
Entretien.....	15
Remisage.....	16
Mise au rebut.....	17
Caractéristiques.....	18
Déclaration de conformité.....	20



# Pour utiliser l'appareil en toute sécurité

## Information importante

### **⚠ AVERTISSEMENT**

**Lire attentivement le manuel d'utilisation avant d'utiliser l'appareil pour la première fois.**

#### **À propos du manuel d'utilisation**

- Ce manuel contient les informations nécessaires au montage, à l'utilisation et à l'entretien de l'appareil. L'utilisateur doit donc le lire attentivement et intégrer les informations qu'il contient.
- Toujours conserver le manuel à portée de main.
- En cas de perte du manuel ou si ce dernier a été détérioré et n'est plus lisible, s'adresser à un revendeur pour en obtenir un nouveau.
- Les unités utilisées dans ce manuel sont les unités SI (Système international d'unités). Les chiffres indiqués entre parenthèses sont des valeurs de référence. De légères erreurs de conversion peuvent survenir dans certains cas. Le non-respect de cette règle de sécurité entraîne un risque d'accident ou de blessure grave.

#### **Utilisation du produit**

- Ce produit est léger, unité haute performance conçue pour l'utilisation d'outils.
- Ne pas utiliser cet appareil pour d'autres applications que celles mentionnées ci-dessus.
- Le constructeur se réserve le droit de modifier sans préavis le contenu de ce manuel en fonction des améliorations apportées au produit. Il se peut que certains des schémas de ce manuel soient différents du produit. Ces différences ont pour objectif de rendre les explications plus claires.
- En cas de doute, consulter un revendeur. Le non-respect de cette règle de sécurité entraîne un risque d'accident ou de blessure grave.

#### **Ne pas modifier l'appareil**

- Aucune modification ne doit être apportée à l'appareil. Le non-respect de cette règle de sécurité entraîne un risque d'accident ou de blessure grave. Tout dysfonctionnement dû à une modification de l'appareil n'est pas couvert par la garantie du fabricant.

#### **Ne pas utiliser l'appareil avant d'avoir effectué les opérations de vérification et d'entretien nécessaires**

- Il ne faut pas utiliser l'appareil avant d'avoir effectué les opérations de vérification et d'entretien nécessaires. Veiller à ce que l'appareil soit vérifié et entretenu régulièrement. Le non-respect de cette règle de sécurité entraîne un risque d'accident ou de blessure grave.

#### **Prêt ou cession du produit à un tiers**

- Si l'appareil est prêté à un tiers, veiller à lui confier également le manuel d'utilisation fourni avec l'appareil.
- Si le produit est cédé à un tiers, transmettre le manuel d'utilisation fourni avec le produit lors de la vente. Le non-respect de cette règle de sécurité entraîne un risque d'accident ou de blessure grave.

#### **Utilisateurs du produit**

- L'appareil ne doit pas être utilisé si :
  - ◆ l'utilisateur est fatigué ;
  - ◆ l'utilisateur a consommé de l'alcool ;
  - ◆ l'utilisateur prend des médicaments ;
  - ◆ la personne qui souhaite utiliser l'appareil est enceinte ;
  - ◆ l'utilisateur est en mauvaise condition physique ;
  - ◆ l'utilisateur n'a pas lu le manuel d'utilisation ;
  - ◆ la personne qui souhaite utiliser l'appareil est un enfant.
- L'utilisateur est tenu pour responsable en cas d'accidents ou de risques pouvant entraîner des accidents corporels ou des dommages matériels. Le non-respect de ces règles de sécurité constitue un risque d'accident.
- Les composants de cette machine produisent en fonctionnement un champ électromagnétique susceptible d'interférer avec certains stimulateurs cardiaques. Pour réduire les risques pour la santé, nous recommandons aux porteurs d'un stimulateur cardiaque de consulter leur médecin et le fabricant du stimulateur avant d'utiliser cet appareil.



# Pour utiliser l'appareil en toute sécurité

## **⚠ AVERTISSEMENT**

### **Exposition aux vibrations et au froid**

○ Les personnes exposées aux vibrations et au froid peuvent être victimes du phénomène de Raynaud, une affection qui touche les doigts. L'exposition à des vibrations et au froid peut provoquer une sensation de picotement et de brûlure, suivie d'une décoloration et d'un engourdissement des doigts. Il est vivement recommandé de respecter les mesures de précaution suivantes car le seuil d'exposition minimum pouvant provoquer l'apparition de ce phénomène reste inconnu à ce jour.

- ◆ Limiter la perte de chaleur corporelle, en protégeant en priorité la tête, le cou, les pieds, les chevilles, les mains et les poignets.
- ◆ Stimuler la circulation sanguine en interrompant le travail régulièrement pour remuer énergiquement les bras, et éviter de fumer.
- ◆ Limiter le nombre d'heures d'utilisation. Essayer d'intégrer à l'emploi du temps de la journée des tâches ne nécessitant pas l'utilisation de l'appareil ou d'une autre machine portable.
- ◆ En cas d'inconfort, de rougeur et de gonflement au niveau des doigts, suivis d'un blanchissement et d'une perte de sensibilité, consulter un médecin avant de s'exposer à nouveau au froid et aux vibrations.

Le non-respect de ces instructions peut être dangereux pour la santé.

### **Lésions attribuables au travail répétitif**

○ Il apparaît que la sollicitation excessive des muscles et des tendons des doigts, des mains, des bras et des épaules peut provoquer une irritation, un gonflement, un engourdissement, une faiblesse et de fortes douleurs au niveau des membres mentionnés ci-dessus. L'apparition de lésions attribuables au travail répétitif (LATR) est très fréquente chez les personnes pratiquant certaines activités manuelles répétitives. Pour réduire le risque d'apparition de LATR, respecter les mesures de précaution suivantes :

- ◆ Éviter de plier, d'étirer ou de tordre le poignet pendant le travail.
- ◆ Faire des pauses régulières pour réduire l'effet répétitif et pour reposer ses mains. Effectuer le mouvement répétitif plus lentement et en faisant moins d'effort.
- ◆ Faire des exercices de musculation des mains et des bras.
- ◆ En cas de picotements, d'engourdissement ou de douleur dans les doigts, les mains, les poignets ou les bras, consulter un médecin. Plus les LATR sont diagnostiquées précocement, plus les chances d'empêcher les lésions nerveuses et musculaires irréversibles sont grandes.

Le non-respect de ces instructions peut être dangereux pour la santé.

### **Une formation adaptée**

○ Toute personne devant utiliser cet appareil doit obligatoirement avoir reçu une formation et un équipement de protection adaptés.

○ Vous devez avoir une connaissance parfaite des commandes et du fonctionnement de l'appareil.

○ Vous devez savoir comment arrêter l'appareil et couper le moteur.

○ Vous devez savoir comment décrocher la machine du harnais en urgence.

○ Ne laisser personne utiliser l'appareil sans avoir préalablement reçu une formation adaptée.

Le non-respect de ces instructions peut être dangereux pour la santé.

### **Port de vêtements adaptés.**

○ Attacher les cheveux longs au-dessus du niveau de l'épaule.

○ Ne pas porter de cravates, bijoux ou vêtements amples qui pourraient se prendre dans l'appareil.

○ Ne pas porter de chaussures ouvertes, ne pas travailler pieds nus ou jambes nues.

Le non-respect de ces mesures de précaution peut entraîner une dégradation de la vue ou de l'ouïe de l'utilisateur, ainsi qu'un risque de blessure grave.



# Pour utiliser l'appareil en toute sécurité

## **⚠ AVERTISSEMENT**

### **Port d'équipements de protection**

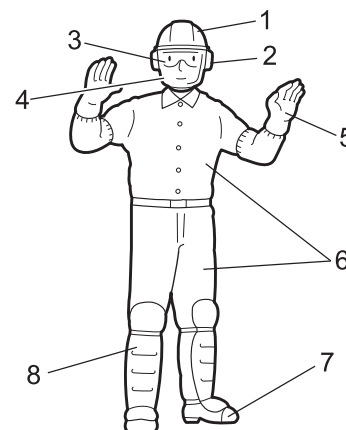
○ Toujours porter les équipements de protection suivant.

1. Protection de la tête (casque) : protège la tête.
2. Casque de protection anti-bruit ou protecteurs d'oreilles : protègent l'ouïe.
3. Lunettes de sécurité : protègent les yeux.
4. Protection du visage : protège le visage.
5. Gants de sécurité : protègent les mains contre le froid et les vibrations.
6. Vêtements de travail adaptés (manches longues, pantalons longs) : protègent le corps.
7. Bottes résistantes avec semelles anti-dérapantes (à bouts renforcés) ou chaussures de travail avec semelles anti-dérapantes (à bouts renforcés) : protègent les pieds.
8. Protège-tibias : protègent les jambes.

Le non-respect de ces mesures de précaution peut entraîner une dégradation de la vue ou de l'ouïe de l'utilisateur, ainsi qu'un risque de blessure grave.

○ Si nécessaire, utiliser les équipements de protection ci-dessous.

- ◆ Masque anti-poussière : protège les voies respiratoires.
- ◆ Voilette de protection : protège contre les piqûres d'abeilles.



### **Environnement d'utilisation et fonctionnement de l'appareil**

○ Ne pas utiliser l'appareil :

- ◆ dans des endroits humides ou mouillés ;
- ◆ sous la pluie ;
- ◆ en cas de mauvaises conditions météo.
- ◆ sur des pentes raides ou sur des surfaces instables et glissantes ;
- ◆ la nuit ou dans des endroits sombres mal éclairés.
- ◆ en cas de risque de foudre.

○ Lorsque vous utilisez l'appareil sur un terrain en pente douce, employez un mouvement régulier et gardez la tête de coupe parallèle au sol.

Toute chute, glissade ou utilisation incorrecte de l'appareil constitue un risque de blessures graves pour l'utilisateur.

○ Afin de préserver votre santé et de travailler dans des conditions de sécurité et de confort optimales, utiliser l'appareil uniquement par des températures comprises entre -5 °C et 40 °C.

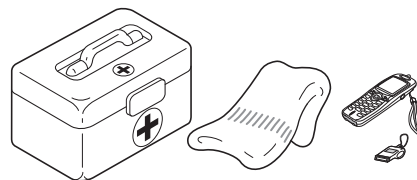
Le non-respect de ces instructions peut être dangereux pour la santé.

### **Savoir réagir en cas de blessure**

○ Même si les cas de blessure ou d'accident restent exceptionnels, l'utilisateur doit savoir réagir à ces situations.


- ◆ Kit de premiers secours
- ◆ Serviettes et lingettes (pour arrêter les saignements)
- ◆ Sifflet ou téléphone portable (pour appeler de l'aide)


Si l'utilisateur n'est pas capable de prodiguer les premiers soins ou d'appeler à l'aide, la blessure peut s'aggraver.




# Pour utiliser l'appareil en toute sécurité


## Etiquettes et symboles d'avertissement

 <b>DANGER</b>
Ce symbole associé au mot « <b>DANGER</b> » signale une action ou une situation présentant un risque de blessure corporelle grave ou d'accident mortel pour l'utilisateur et les personnes à proximité.

 <b>AVERTISSEMENT</b>
Ce symbole associé au mot « <b>AVERTISSEMENT</b> » signale une action ou une situation présentant un risque de blessure corporelle grave ou d'accident mortel pour l'utilisateur et les personnes à proximité.

 <b>ATTENTION</b>
« <b>ATTENTION</b> » signale une situation potentiellement dangereuse qui, si elle n'est pas évitée, peut entraîner une blessure légère à modérée.






## Autres indications

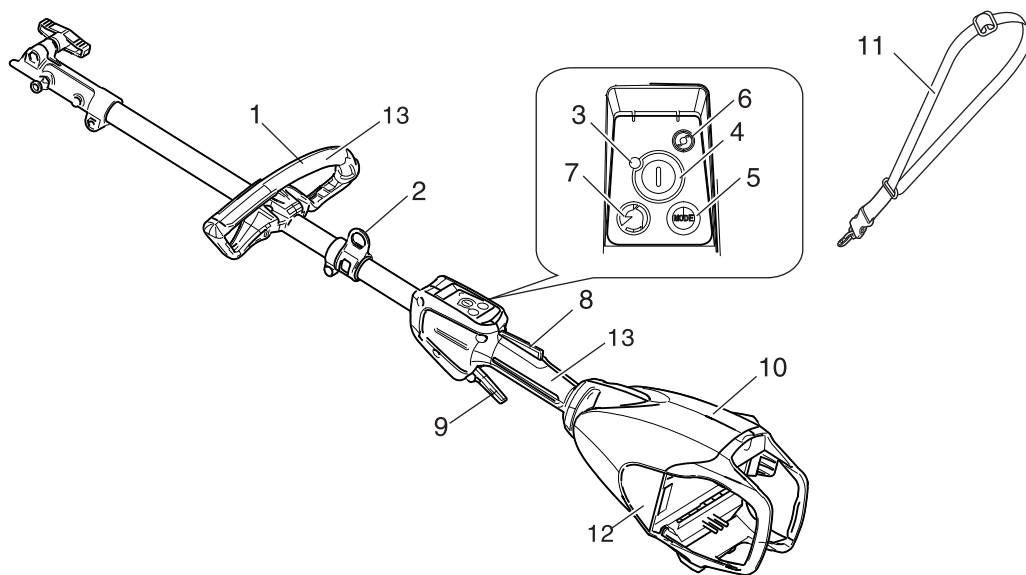
	Le cercle barré indique une interdiction.
---	---

<b>REMARQUE</b>
Ce type de message fournit des conseils relatifs à l'utilisation et à l'entretien de l'appareil.

<b>IMPORTANT</b>
Le texte dans l'encadré où figure le mot « <b>IMPORTANT</b> » donne des informations importantes concernant l'utilisation, la vérification, l'entretien et le remisage de l'appareil décrit dans ce manuel.

## Symboles

Forme des symboles	Description/application des symboles	Forme des symboles	Description/application des symboles
	Lire attentivement le manuel d'utilisation		Attention aux risques d'incendie
	Alerte/sécurité		Ne pas jeter les appareils électriques avec les ordures ménagères.
	Niveau de puissance sonore garanti		

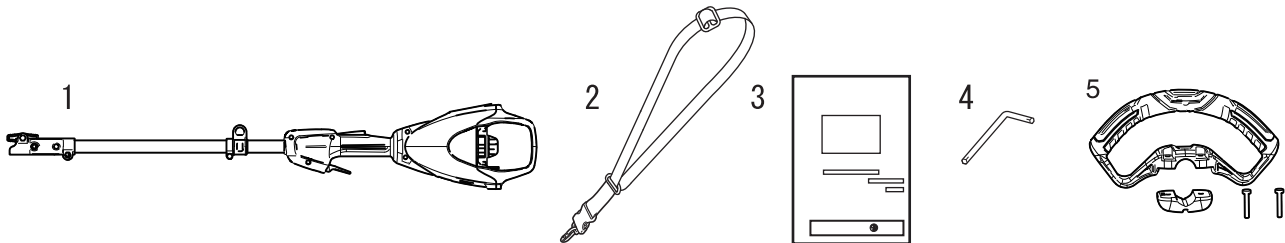


1. **Poignée en boucle** - Poignée pour la main gauche.
2. **Point d'accrochage** - Dispositif sur lequel le harnais peut être accroché.
3. **DEL du témoin d'alimentation** - reste allumée lorsque l'appareil est sous tension. S'éteint lorsque l'appareil est mis hors tension.
4. **Bouton d'alimentation** - un appui bref permet de mettre l'appareil sous tension, la DEL du témoin d'alimentation s'allume. Un nouvel appui met l'appareil hors tension, la DEL du témoin d'alimentation s'éteint.
5. **Bouton mode** - Modifier le mode de fonctionnement.
6. **Indicateur de mode LED**
7. **Bouton vitesse** - Modifiez la vitesse maximale en trois étapes.
8. **Blocage de l'interrupteur à poussoir** - bloque l'interrupteur à poussoir en position d'arrêt jusqu'à ce que l'utilisateur puisse positionner correctement sa main droite sur la poignée.
9. **Interrupteur à poussoir** - activé par le doigt de l'utilisateur pour mettre le moteur en marche.
10. **Tête motrice** – renferme le moteur et la batterie.
11. **Harnais** - lanière réglable pour suspendre l'appareil.
12. **Type et numéro de série**
13. **Surface de préhension**

# Avant de commencer

## Contenu de l'emballage

- ♦ Les pièces suivantes sont conditionnées séparément dans le carton d'emballage.
- ♦ Lors de l'ouverture du carton, passer en revue les pièces qu'il contient.
- ♦ Contacter un revendeur si une pièce est manquante ou endommagée.



1. Moteur et tube de transmission
2. Harnais
3. Manuel d'utilisation
4. Clé coudée
5. Poignée semi-circulaire

## Chargement de la batterie

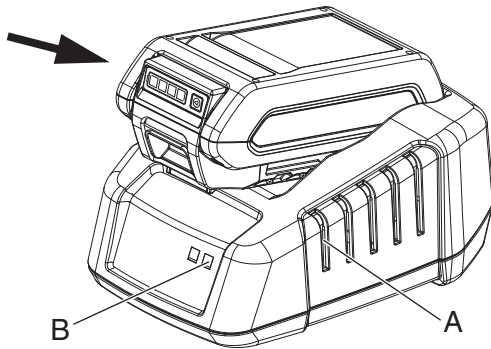
### **⚠ AVERTISSEMENT**

- Toujours utiliser le bloc-batterie LBP-560-100/LBP-560-200 et le charger uniquement avec le chargeur LCJQ-560 ou LCJU-560.
- Garder le chargeur et la batterie à l'abri de l'humidité et de tous les liquides.
- Ne pas utiliser le chargeur sur une surface facilement inflammable (telle que du papier ou du textile) ou dans un environnement présentant un risque d'incendie élevé.
- Ne pas couvrir le chargeur. Couvrir le chargeur l'empêcherait de se refroidir.
- Ne pas utiliser le chargeur dans une atmosphère explosible, par exemple en présence de liquides, gaz ou poussières inflammables. Les chargeurs peuvent produire des étincelles qui peuvent enflammer des poussières ou des vapeurs – il existe un risque d'explosion.
- Brancher le chargeur uniquement sur une alimentation correspondant à la tension et à la fréquence spécifiées sur la plaque signalétique.
- Brancher le chargeur uniquement sur une prise murale aisément accessible.
- Ne jamais insérer d'objet dans les événements de refroidissement du bloc-batterie ou du chargeur (A).
- Ne pas charger ni utiliser un bloc-batterie et un chargeur défectueux, endommagés ou déformés.
- Ne pas ouvrir, endommager ou faire tomber le bloc-batterie ou le chargeur.
- Une batterie endommagée ou mal utilisée risque de fuir ; éviter tout contact avec la peau. En cas de contact accidentel, laver abondamment à l'eau et au savon les parties touchées. Si du liquide pénètre dans l'œil, ne pas frotter. Rincer abondamment les yeux à l'eau pendant au moins 15 minutes. Consulter également un médecin.
- Ne jamais ponter (court-circuiter) les contacts du bloc-batterie ou les bornes du chargeur avec des objets métalliques.
- Protéger d'une exposition directe au soleil, à la chaleur et à toute flamme nue et ne jamais jeter la batterie au feu ; il existe un risque d'explosion.
- Si de la fumée ou des flammes se dégagent du chargeur, débrancher immédiatement celui-ci de la prise murale.
- Si le cordon d'alimentation est endommagé, débrancher immédiatement la fiche de l'alimentation électrique pour éviter tout risque de choc électrique.
- Ne pas exposer le bloc-batterie à des ondes d'hyperfréquence ou à une pression élevée.
- Prendre les mesures requises pour empêcher un démarrage intempestif de l'appareil. Retirer le bloc-batterie de l'appareil avant de transporter ou de ranger celui-ci. Ne pas utiliser un récipient en métal pour transporter les batteries.
- Ne pas utiliser le cordon d'alimentation à d'autres fins, par exemple pour transporter ou suspendre le chargeur.
- Pour réduire le risque de trébuchement, positionner et signaler le cordon d'alimentation de telle manière qu'il ne puisse pas être endommagé et de façon à ce qu'il ne constitue un danger pour personne.
- Pour débrancher, saisir la fiche et non le cordon.

# Avant de commencer

## REMARQUE

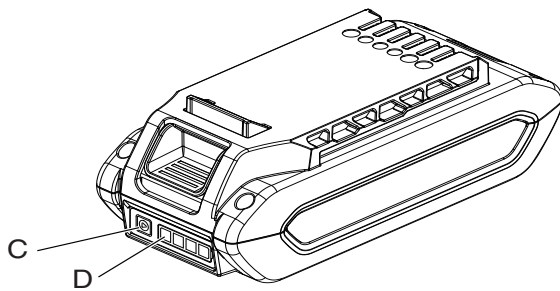
- La batterie est partiellement chargée lorsqu'elle quitte l'usine ; il convient de la charger entièrement avant la première utilisation.
- Charger la batterie lorsqu'elle ne produit plus suffisamment de courant pour faire fonctionner l'appareil ou lorsque les voyants indiquent qu'elle est déchargée.



1. Brancher le cordon secteur du chargeur dans la prise murale.
2. Aligner les nervures de la batterie sur les rainures du chargeur et faire coulisser la batterie dans le chargeur.
3. Durant la charge normale, la DEL (B) du chargeur clignote en continu en VERT.

## IMPORTANT

- Si le chargeur détecte un problème, la DEL clignote en ROUGE. Retirer la batterie du chargeur, nettoyer les contacts et réinstaller la batterie dans le chargeur. Si la batterie n'est pas dans la plage de température acceptable (de 0 à 60 °C), la DEL reste allumée en ROUGE.



4. Lorsque la charge est terminée, la DEL reste allumée en VERT.
5. Vérifier que la batterie est entièrement chargée en la retirant du chargeur et appuyant sur le bouton d'état de charge de la batterie (C). Vérifier les indications données par les DEL (D).
  - ♦ Un voyant vert indique que la batterie est chargée entre 0 et 25 %.
  - ♦ Deux voyants verts indiquent que la batterie est chargée entre 25 et 50 %.
  - ♦ Trois voyants verts indiquent que la batterie est chargée entre 50 et 75 %.
  - ♦ Quatre voyants verts indiquent que la batterie est chargée entre 75 et 100 %.
6. Débrancher le chargeur de batteries de l'alimentation électrique.

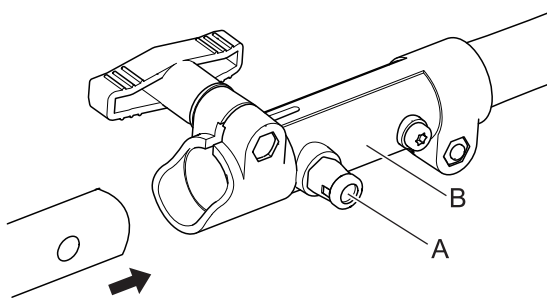
## Assemblage

### ⚠ AVERTISSEMENT

- Lire attentivement le manuel d'utilisation pour s'assurer que l'appareil est monté correctement. L'utilisation d'un appareil monté de façon incorrecte entraîne un risque d'accident ou de blessure grave.

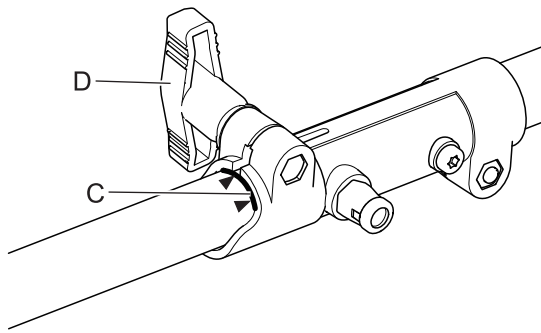


## Assemblage de l'arbre de l'outil



1. Disposer la tête de l'appareil/l'arbre sur une surface plane.
2. Tirer la goupille de positionnement (A) et la tourner d'1/4 de tour dans le sens inverse des aiguilles d'une montre en position de blocage.
3. Retirer la protection en vinyle de l'arbre de transmission de l'outil.

# Avant de commencer



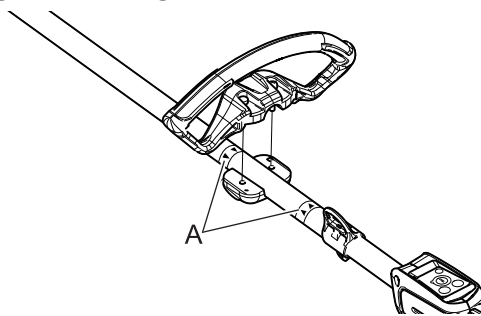
4. Insérer soigneusement l'arbre de transmission de l'outil dans le coupleur (B) jusqu'à la ligne d'assemblage tracée sur l'étiquette (C), en vérifiant que l'arbre de transmission inférieur s'enclenche dans la prise à carré conducteur de l'arbre de transmission supérieur.

## REMARQUE

Le corps de palier inférieur et la tête doivent être alignés avec le moteur.

5. Tourner la goupille de positionnement (A) d'1/4 de tour dans le sens des aiguilles d'une montre pour l'enclencher dans l'orifice de l'arbre inférieur. Vérifier que la goupille de positionnement est bien enclenchée en tournant l'arbre de transmission inférieur. La goupille de positionnement doit parfaitement s'enclencher dans le coupleur. Ainsi, l'arbre ne peut plus tourner.
6. Fixer l'arbre inférieur sur le coupleur en serrant le bouton de serrage (D).
7. Pour le démontage, inverser les instructions de montage.

## Assemblage de la poignée semi-circulaire



Orienter la poignée dans une position d'utilisation confortable, puis serrer les vis.

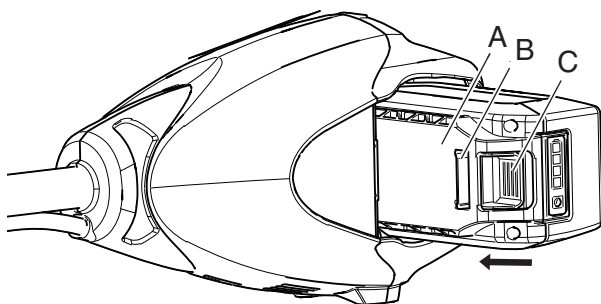
## ⚠ ATTENTION

- Poser la poignée entre les repères (A).

## Pose de la batterie

## ⚠ AVERTISSEMENT

- L'outil de coupe fonctionne lorsque la batterie est installée, la DEL du témoin d'alimentation allumée et le dispositif de déclenchement et le blocage du dispositif de déclenchement engagés. Veiller à positionner l'appareil correctement pour éviter toute perte de contrôle et un éventuel accident grave. Tenir les pièces mobiles au-dessus du sol et à distance des objets susceptibles d'être happés ou projetés.
- Retirer la batterie avant de laisser l'appareil sans surveillance.



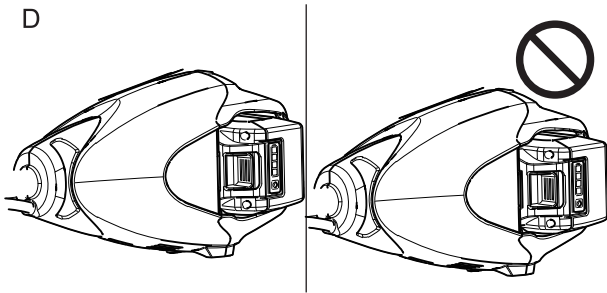
1. S'assurer que l'appareil est hors tension.
2. Aligner les nervures (A) du bloc-batterie sur les rainures de la tête motrice. Faire glisser le bloc-batterie dans la tête motrice.
3. S'assurer que le verrou du bloc-batterie (B) est mis en place et que le bloc-batterie est bien fixé avant de faire fonctionner l'appareil.
4. Pour retirer la batterie, enfoncer le verrou du bloc-batterie (C) et extraire le bloc-batterie de la tête motrice.

## REMARQUE

- ♦ Le verrou du bloc-batterie est en position fermée lorsqu'il est correctement engagé.



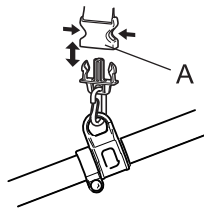
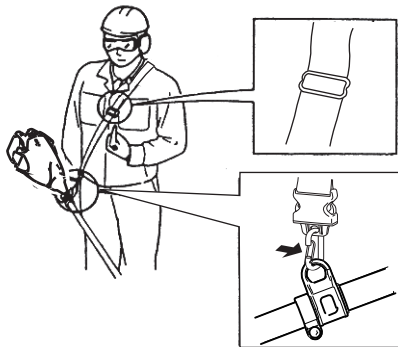
# Avant de commencer



## IMPORTANT

Avant d'utiliser l'appareil, s'assurer que la batterie est correctement mise en place et le verrou du bloc-batterie en position fermée (D).

## Réglage du harnais



1. Accrocher le crochet de la sangle sur la fixation du tube extérieur.
2. Porter le harnais de manière à ce que le crochet reste sur votre côté droit.
3. Ajuster la longueur du harnais d'épaule de manière à pouvoir porter le taille-haies et à pouvoir travailler confortablement avec.

## IMPORTANT

○ S'assurer que tous les crochets et dispositifs de réglage sont bien fixés.

\* Le harnais est doté d'une fonction de décrochage rapide. En cas d'urgence, tirer sur l'entretoise (A) afin de débrancher la machine du harnais.

# Fonctionnement

## DANGER

- Tous les conducteurs électriques aériens et les câbles de télécommunication peuvent avoir une alimentation électrique à haute tension. Cet appareil n'est pas isolé par une protection contre les courants électriques. Ne jamais toucher les câbles directement ou indirectement, au risque de provoquer un accident grave voire mortel.

## AVERTISSEMENT

- Ne pas utiliser l'appareil dans une atmosphère explosible, par exemple en présence de liquides, gaz ou poussières inflammables. L'appareil crée des étincelles qui peuvent enflammer des poussières ou des vapeurs.

Veiller à bien respecter les mesures de précaution suivantes lors de la mise en marche de l'appareil :

- Vérifier que tous les écrous et toutes les vis sont bien serrés.
- Vérifier qu'une clé ou l'outil de blocage n'est pas resté posé sur la partie tournante de l'appareil.
- Établir un périmètre de sécurité autour de l'appareil et s'assurer que personne ni aucun animal ne se trouve à proximité.

Le non-respect de ces mesures de précaution constitue un risque d'accident grave voire mortel.

- Au démarrage de l'appareil, vérifier l'absence de vibrations et de sons anormaux. Ne pas utiliser l'appareil en cas de vibrations ou de sons anormaux. S'adresser à un revendeur pour faire effectuer les réparations nécessaires.

La chute ou la rupture accidentelle de pièces constitue un risque de blessures graves.

- Toujours éteindre l'appareil et retirer la batterie avant de transporter l'appareil.

- Ne pas toucher le renvoi d'angle et autres composants sous haute température lorsque l'appareil fonctionne et pendant la phase qui suit l'arrêt de l'appareil.

Il existe un risque de brûlure en cas de contact avec un composant à haute température.

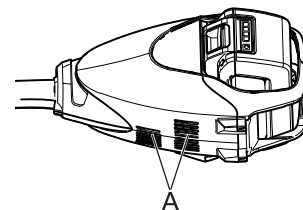


- Ne jamais utiliser l'appareil en se penchant trop en avant et veiller à rester bien en équilibre à tout moment. Veiller à être toujours bien d'aplomb sur les terrains en pente et à marcher ; ne jamais courir.

- Ne jamais utiliser l'appareil si les protections ou les protecteurs d'outil sont défectueux, sans dispositif de sécurité ou lorsque le cordon est endommagé ou usé.

## IMPORTANT

- Toujours garder les fentes de ventilation (A) propres.



## REMARQUE

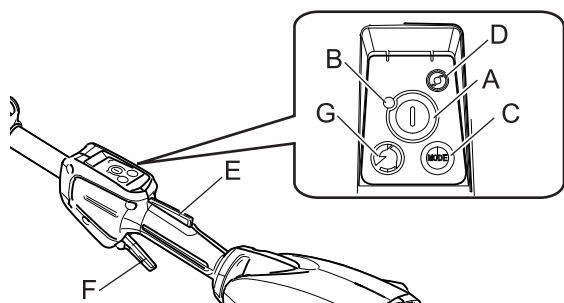
- Lors de la première utilisation de cet appareil à basse température après l'achat, il se peut qu'il ne fonctionne pas correctement dans de rares cas. Ce phénomène n'indique pas une panne du produit. Dans un tel cas, mettre l'appareil à température ambiante (température normale), et le mettre sous tension et hors tension à plusieurs reprises avant l'utilisation.

## Mise en marche de l'appareil

## AVERTISSEMENT

- L'outil de coupe fonctionne lorsque la batterie est installée, la DEL du témoin d'alimentation allumée et l'interrupteur à poussoir et le blocage de l'interrupteur à poussoir engagés. Veiller à positionner l'appareil correctement pour éviter toute perte de contrôle et un éventuel accident grave.

# Fonctionnement



1. Faire en sorte que l'outil ne vienne pas en contact avec le sol ou avec d'autres obstacles, en utilisant une poutre ou un autre objet similaire.
2. Appuyer brièvement sur le bouton d'alimentation (A) pour mettre l'appareil sous tension.
  - \* La DEL du témoin d'alimentation (B) s'allume lorsque l'appareil est sous tension.
3. Lorsque vous utilisez la fixation de coupe, bouton de mode poussoir (C), illumine l'indicateur de mode LED (D) (mode coupe-bordure). Lorsque vous utilisez l'autre pièce jointe, bouton de mode poussoir (C), éteignez l'indicateur de mode LED (D).
  - \* Lorsque vous êtes en mode tondeuse, vous pouvez travailler confortablement à la vitesse de régime optimale pour l'attache de la tondeuse. Lorsqu'il n'est pas en mode tondeuse, vous pouvez travailler confortablement à la large gamme de vitesse rpm avec les autres pièces jointes.
4. Enfoncer le blocage de l'interrupteur à poussoir (E) et appuyer sur l'interrupteur à poussoir (F) de façon à ce que le moteur atteigne la vitesse normale de fonctionnement.
5. Pour changer la vitesse maximale, appuyez sur le bouton de vitesse (G).
6. La vitesse maximale change dans l'ordre de basse vitesse, vitesse moyenne, grande vitesse, puis revient à basse vitesse après grande vitesse.
7. Si vous appuyez sur le bouton de mode pendant une seconde, puis garder la vitesse à ce moment-là.
8. Pour ne pas maintenir cette vitesse, bouton de mode poussoir.

## IMPORTANT

- Lorsque l'appareil est sous tension :
  - Au bout de 90 secondes d'inactivité, il s'éteint tout seul.
  - Si la DEL reste allumée, l'appareil fonctionne normalement.
  - Si la DEL clignote une fois par seconde, la batterie doit être chargée.
  - Si la DEL clignote quatre fois par seconde, l'appareil présente un défaut. Mettre l'appareil hors tension. Retirer la batterie. Enlever les débris autour de la tête de coupe. Installer la batterie. Mettre l'appareil sous tension. Si le clignotement persiste, demander à un technicien agréé de réparer l'appareil.

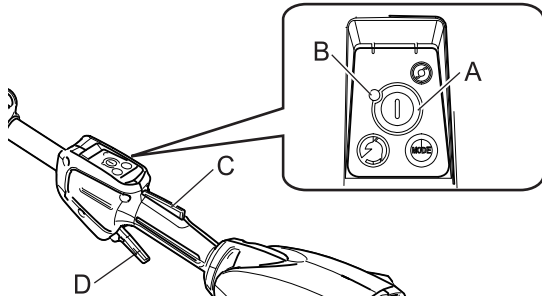
## Arrêt de l'appareil

### AVERTISSEMENT

○ L'outil continue de fonctionner pendant une courte durée une fois l'appareil éteint.

# Fonctionnement

---



1. Relâcher l'interrupteur à poussoir et le blocage de l'interrupteur à poussoir, et laisser la tête d'outil s'arrêter.
2. Appuyer sur le bouton d'alimentation (A) pour mettre l'appareil hors tension.
  - \* La DEL du témoin d'alimentation (B) s'éteint lorsque l'appareil est hors tension.
  - \* Si l'outil ne s'arrête pas lorsque l'interrupteur à poussoir et le blocage de l'interrupteur à poussoir sont relâchés, appuyer sur le bouton d'alimentation pour enclencher la mise hors tension et retirer la batterie afin d'interrompre l'alimentation du produit. Demander à un technicien agréé de réparer le bouton d'alimentation avant d'utiliser à nouveau le produit.

## **⚠ AVERTISSEMENT**

- Respecter les mesures de précaution suivantes lors de la vérification et de l'entretien de l'appareil après utilisation :**
- **Mettre l'appareil hors tension, retirer la batterie et s'assurer que toutes les pièces mobiles sont complètement à l'arrêt.**  
Il existe un risque d'accident en cas de démarrage intempestif de l'appareil.
  - **Laisser l'appareil refroidir avant d'intervenir dessus.**  
Il existe un risque de brûlure.
  - **Ne jamais essayer de réparer des blocs-batteries endommagés. L'entretien des blocs-batteries doit être exclusivement confié au fabricant ou à des agents d'entretien agréés.**

## **IMPORTANT**

- La vérification et l'entretien nécessitent des connaissances spécialisées. Si l'utilisateur ne possède pas les compétences requises pour effectuer les opérations de vérification et d'entretien de l'appareil ou pour remédier à un dysfonctionnement, il doit consulter un revendeur. Ne pas essayer de démonter le produit.

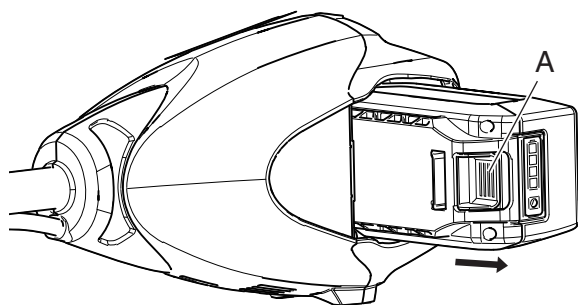
### **Instructions d'entretien de l'appareil**

Pièce	Entretien	Page	Avant utilisation	Tous les mois
Batterie	Contrôler/nettoyer/charger	8	•	
Vis, boulons et écrous	Contrôler, serrer/remplacer	-	•	

### **Entretien**

En cas de questions ou de problèmes, contacter un revendeur.

#### **Nettoyage de la batterie et de son logement**



## **⚠ AVERTISSEMENT**

- **Risque de choc électrique ou d'incendie. Ne pas utiliser de matériaux conducteurs pour nettoyer la batterie ou son logement.**

1. Relâcher l'interrupteur à poussoir et le blocage de l'interrupteur à poussoir et laisser la tête d'outil s'arrêter.
2. S'assurer que la DEL du témoin d'alimentation n'est pas allumée.
3. Appuyer sur le verrou du bloc-batterie (A) et faire glisser le bloc-batterie hors de la tête motrice.
4. Utiliser de l'air comprimé ou une brosse à poils souples pour enlever les débris de la batterie et de son logement.

### **Guide de dépannage**

## **IMPORTANT**

- En ce qui concerne les pièces de rechange et les consommables, utiliser uniquement des pièces d'origine et les produits et composants recommandés.  
L'utilisation de pièces d'autres marques ou de composants inappropriés peut entraîner un dysfonctionnement.

# Entretien

Problème	Cause	Solution
Voyant rouge du chargeur clignotant ou ne s'allumant pas	<ol style="list-style-type: none"><li>1. Fiche non branchée dans la prise d'alimentation</li><li>2. Bloc-batterie mal installé</li><li>3. Connexion obstruée</li><li>4. Défaut du chargeur</li><li>5. Défaut du bloc-batterie</li></ol>	<ol style="list-style-type: none"><li>1. Brancher le chargeur</li><li>2. Contrôler la pose du bloc-batterie</li><li>3. Réinstaller le bloc-batterie après avoir éliminé ce qui empêche la connexion.</li><li>4. Consulter un revendeur</li><li>5. Consulter un revendeur</li></ol>
L'appareil ne se met pas en marche.	<ol style="list-style-type: none"><li>1. Bloc-batterie mal installé</li></ol>	<ol style="list-style-type: none"><li>1. Contrôler la pose du bloc-batterie</li></ol>
L'appareil ne fonctionne pas lorsqu'il est mis en marche.	<ol style="list-style-type: none"><li>1. Bloc-batterie déchargé</li><li>2. Bloc-batterie hors de la plage de température acceptable</li></ol>	<ol style="list-style-type: none"><li>1. Charger le bloc-batterie</li><li>2. Retirer le bloc-batterie et le laisser refroidir</li></ol>
Le temps d'utilisation est trop court.	<ol style="list-style-type: none"><li>1. Bloc-batterie hors de la plage de température acceptable</li><li>2. Module électronique de l'appareil trop chaud</li><li>3. Bloc-batterie déchargé</li></ol>	<ol style="list-style-type: none"><li>1. Retirer le bloc-batterie et le laisser refroidir</li><li>2. Éteindre l'appareil et laisser refroidir.</li><li>3. Charger le bloc-batterie</li></ol>

- ♦ En cas de problème différent de ceux décrits dans le tableau ci-dessus, consulter un revendeur.
- ♦ S'adresser à un revendeur pour la mise au rebut de l'appareil ou de ses composants conformément à la législation nationale en vigueur.

## Fabricant :

**YAMABIKO CORPORATION**

1-7-2 Suehirocho, Ohme, Tokyo 198-8760 JAPON

## Représentant autorisé en Europe :

**CERTIFICATION EXPERTS B.V.**

Amerlandseweg 7, 3621 ZC Breukelen, Pays-Bas

## Remisage

### **AVERTISSEMENT**

- Ne pas remiser dans une enceinte où une accumulation de vapeurs inflammables est susceptible de se produire.**  
Il existe un risque d'incendie.



Si le produit doit être remisé pendant une longue période, respecter les instructions de remisage suivantes.

### Moteur

1. Mettre l'appareil hors tension.
2. Retirer la batterie de la tête motrice.
3. Éliminer la saleté et les débris accumulés à l'extérieur de l'appareil.
4. Serrer l'ensemble des vis et écrous.
5. Couvrir le logement de batterie de la tête motrice, la batterie et le chargeur de batteries.
6. Remiser l'appareil dans un endroit sec, non poussiéreux et hors de portée des enfants.

### Batterie

1. Retirer la batterie de la tête motrice.
2. Remiser dans un endroit sec, non poussiéreux et hors de portée des enfants.
3. Remiser à une température comprise entre -20 (-4 °F) et 60 °C (140 °F).
4. Si la pile est stockée pendant plus d'un an, la charger à environ 40 à 60 % de sa capacité.

### Chargeur de batteries

1. Retirer la batterie du chargeur de batteries.
2. Débrancher le chargeur de batteries de l'alimentation électrique.
3. Remiser dans un endroit sec, non poussiéreux et hors de portée des enfants.

## Mise au rebut



- ♦ Les pièces plastiques principales de l'appareil portent des codes indiquant la nature de leurs matériaux de composition. Ces codes font référence aux matériaux suivants ; procéder à l'élimination de ces pièces plastiques conformément à la législation locale en vigueur.

Code	Matériau
>PA6-GF<	Nylon 6 - Fibre de verre
>PP-GF<	Polypropylène - Fibre de verre
>PE-HD<	Polyéthylène
>PP<	Polypropylène

- ♦ Si vous ne connaissez pas la procédure à suivre pour vous débarrasser des pièces plastiques, contactez votre revendeur.
- ♦ La batterie contient du lithium. Effectuer la mise au rebut uniquement dans un site de ramassage désigné.
- ♦ Recycler ou mettre au rebut les batteries au lithium-ion comme il se doit.

# Caractéristiques

	<b>DPAS-2600</b>
<b>Dimensions externes :</b> longueur × largeur × hauteur	1082 × 229 × 186 mm
<b>Masse :</b> Unité sans batterie et harnais Unité avec batterie et harnais	2,4 kg 4,3 kg
<b>Batterie :</b> Type Tension du bloc Type de chargeur Tension d'entrée du chargeur	Li-ion 56 volts (tension nominale 50,4 V) CCCV 220 - 240 volts CA
<b>Voyants du chargeur de batteries :</b>	DEL rouge – batterie hors de la plage de température de charge DEL rouge clignotante – défaut DEL verte – mise en charge de la batterie terminée DEL verte clignotante – batterie en cours de charge normale
<b>Temps de charge :</b>	(avec LCJQ-560) Batterie LBP-560-100 : environ 42 minutes. Batterie LBP-560-200 : environ 88 minutes.

Ces caractéristiques sont susceptibles d'être modifiées sans préavis.

## **Outils homologués YAMABIKO disponibles en option**

**(Niveau de pression sonore, niveau de puissance sonore et niveaux de vibrations)**

### **AVERTISSEMENT**

- Utiliser uniquement des outils homologués YAMABIKO pour les modèles de la série Pro Attachment. L'utilisation d'outils non approuvés peut entraîner un risque d'accident grave. Lire attentivement et respecter l'ensemble des règles de sécurité décrites dans ce manuel et dans le manuel fourni avec l'outil.
- YAMABIKO décline toute responsabilité en cas de panne d'un dispositif, d'un outil ou d'un accessoire de coupe n'ayant pas été testé et approuvé par YAMABIKO en vue d'être utilisé avec un appareil de la série Pro Attachment.



# Caractéristiques

		2006/42/CE				2000/14/CE	
		Niveau de pression acoustique [dB(A)]		Niveau de puissance acoustique [dB(A)]		Niveau de puissance acoustique mesuré [dB(A)]	Niveau de puissance acoustique garanti [dB(A)]
Outil	Norme	L <sub>pA</sub>	Incertitude K <sub>pA</sub>	L <sub>WA</sub>	Incertitude K <sub>WA</sub>	L <sub>WA</sub>	L <sub>WA</sub>
TAILLE-HAIE MTA-DAH	EN62841-4-2	85,5	3,0	93,4	3,0	93	96
Élagueur MTA-DPP	ISO 11680-1 (ISO 22868)	94,4	3,0	105,2	3,0	105*1	108*1
COUPE-HERBE/DÉ- BROUSSAILLEUSE MTA-DTB	EN50636-2-91	79,6	3,0	92,0	3,0	91*2	96*2
Balai MTA-PS	(ISO22868)	77,3	3,0	90,1	3,0	90 *1	93 *1
Souffleur MTA-PB	EN50636-2- 100	90,0	3,0	100,3	3,0	100	103
Rotoculteur MTA-TC	(ISO22868)	75,2	3,0	91,5	3,0	92 *1	95 *1
Coupe-bordures MTA-LE	ISO 11789 (ISO22868)	79,3	3,0	93,5	3,0	94	97

\*1: Ces valeurs n'entrent pas dans le cadre de la directive 2000/14/CE.

\*2: Ces valeurs s'inscrivent dans le cadre de la directive 2000/14/CE modifiée d'ici 2005/88/CE (procédure d'évaluation de la conformité suivie de l'ANNEXE VI).

		2006/42/CE		
		Valeurs de vibration déclarées [m/s <sup>2</sup> ]		
Outil	Norme	Poignée avant/gauche	Poignée arrière/droite	Incertitude K
TAILLE-HAIE MTA-DAH	EN62841-4-2	4,2	2,4	1,5
POLE PRUNER MTA-DPP	ISO 11680-1 (ISO 22867)	4,4	2,1	1,5
COUPE-HERBE/DÉ- BROUSSAILLEUSE MTA-DTB	EN50636-2-91	3,8	2,9	1,5
Balai MTA-PS	(ISO22867)	2,5	1,3	1,5
Souffleur MTA-PB	EN50363-2- 100	3,3	1,3	1,5
Rotoculteur MTA-TC	(ISO22867)	2,7	1,3	1,5
Coupe-bordures MTA-LE	ISO 11789 (ISO22867)	3,5	1,8	1,5

Les vibrations et émissions sonores pendant l'utilisation réelle de l'appareil peuvent différer des valeurs déclarées selon la façon dont l'outil est utilisé, en particulier en fonction du type de travail effectué.

# Déclaration de conformité

Le fabricant soussigné :

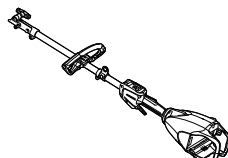
YAMABIKO CORPORATION  
1-7-2 Suehirocho, Ohme, Tokyo 198-8760 JAPON

Cette déclaration de conformité est délivrée sous la seule responsabilité du fabricant.

déclare que l'appareil neuf désigné ci-après :

## SÉRIE PRO ATTACHMENT

Marque : ECHO  
Type : DPAS-2600



est conforme :

- \* aux spécifications de la directive **2006/42/CE** (utilisation de la norme harmonisée **EN 60335-1: 2012, EN 50636-2-91: 2014, EN 50636-2-100: 2014, EN 62841-1: 2015, EN62841-4-2: 2019, EN ISO 11806-1: 2011, EN ISO 11789: 1999, et EN ISO 11680-1: 2011**)
- \* aux spécifications de la directive **2014/30/UE** (utilisation de la norme harmonisée **EN 55014-1: 2017 +A11: 2020, EN 55014-2: 2015**)
- \* aux spécifications de la directive **2000/14/EC** modifié par **2005/88/EC**

	Procédure d'évaluation de la conformité suivie	Niveau de puissance sonore mesuré	Niveau de puissance sonore garanti
DPAS-2600 + MTA-DAH	<b>ANNEXE V</b>	93 dB(A)	96 dB(A)
DPAS-2600 + MTA-DPP	<b>ANNEXE V</b>	105 dB(A)	108 dB(A)
DPAS-2600 + MTA-DTB	<b>ANNEXE VI</b> TÜV SÜD Industrie Service GmbH (Notified Body 0036) Westendstraße 199 80686 München Deutschland	91.2 dB(A)	96 dB(A)
DPAS-2600 + MTA-PS	<b>ANNEXE V</b>	90 dB(A)	93 dB(A)
DPAS-2600 + MTA-PB	<b>ANNEXE V</b>	100 dB(A)	103 dB(A)
DPAS-2600 + MTA-TC	<b>ANNEXE V</b>	92 dB(A)	95 dB(A)
DPAS-2600 + MTA-LE/E	<b>ANNEXE V</b>	94 dB(A)	97 dB(A)

- \* aux spécifications de la directive **2011/65/EU** (utilisation de la norme harmonisée **EN IEC63000: 2018**)

Numéro de série U49835000001 à U49835100000

Tokyo, 27er janvier 2022

**YAMABIKO CORPORATION**

**Hisashi Kobayashi**

**Directeur général**

**Service Assurance qualité**

**Représentant autorisé en Europe, autorisé à constituer le dossier technique.**

Société : CERTIFICATION EXPERTS B.V.

Adresse : Amerlandseweg 7, 3621 ZC Breukelen, Pays-Bas

**M. Richard Glaser**

**Importateur pour la France**

Société : P.P.K.

Adresse : Z.I. du Chemin Vert 10/16 rue de l'Angoumois BP 8002 - 95811 ARGENTEUIL CEDEX, France

## NOTES

## NOTES

## NOTES

**YAMABIKO CORPORATION**  
1-7-2 Suehirocho, Ohme, Tokyo 198-8760 JAPON  
TÉLÉPHONE : 81-428-32-6118. FAX : 81-428-32-6145.



X750823-0401



DEUTSCH  
DE (Original Gebrauchsanleitung)

# **BEDIENUNGSANLEITUNG PRO ATTACHMENT SERIE DPAS-2600**

## **⚠️ WARNUNG**



**LESEN SIE DIE BEDIENUNGSANLEITUNG SORGFÄLTIG DURCH,  
UND BEFOLGEN SIE DIE SICHERHEITSREGELN.  
ANDERNFALLS BESTEHT DAS RISIKO SCHWERER  
VERLETZUNGEN.**



# Inhalt

---

Sichere Verwendung des Produkts .....	3
Beschreibung .....	7
Bevor Sie beginnen .....	8
Packliste .....	8
Laden des Akkus .....	8
Zusammenbau .....	9
Batterieinstallation .....	10
Einstellen des Schultergurts .....	11
Betrieb .....	12
Starten des Geräts .....	12
Stoppen des Geräts .....	13
Wartung und Pflege .....	15
Wartungsrichtlinien .....	15
Wartung und Pflege .....	15
LAGERUNG .....	16
Entsorgung .....	17
Technische Daten .....	18
Konformitätserklärung .....	20



# Sichere Verwendung des Produkts

## Wichtige Informationen

### **⚠️ WARNUNG**

**Lesen Sie unbedingt die Bedienungsanleitung, bevor Sie das Produkt verwenden.**

#### **Allgemeines zu dieser Bedienungsanleitung**

- Diese Bedienungsanleitung enthält wichtige Informationen über Montage, Bedienung und Instandhaltung Ihres Produkts. Bitte lesen Sie sie sorgfältig durch, und machen Sie sich mit dem Inhalt vertraut.
- Bewahren Sie die Anleitung stets an einem schnell zugänglichen Ort auf.
- Sollte die Anleitung verloren gehen oder aufgrund von Beschädigungen nicht mehr lesbar sein, besorgen Sie sich bitte eine neue Anleitung von Ihrem Händler.
- Die in dieser Anleitung verwendeten Einheiten sind SI-Einheiten (Système International d'unités; Internationales Einheitensystem). Zahlenangaben in Klammern sind Referenzwerte, bei denen mitunter geringe Umrechnungsfehler vorliegen können.  
Andernfalls kann es zu Unfällen bzw. schweren Verletzungen kommen.

#### **Bestimmungsgemäßer Gebrauch dieses Produkts**

- Bei diesem Produkt handelt es sich um ein leichtes, leistungsstarkes Gerät mit , das für die Verwendung mit der Vorrichtung ausgelegt ist.
- Verwenden Sie das Gerät nur für den oben angegebenen Zweck.
- Um Weiterentwicklungen des Produkts Rechnung zu tragen, bleiben dem Hersteller Änderungen am Inhalt dieser Anleitung vorbehalten. Einige Abbildungen in dieser Anleitung können vom Produkt abweichen, um Sachverhalte klarer darzustellen.
- Bei Unklarheiten oder Problemen wenden Sie sich bitte an Ihren Händler.  
Andernfalls kann es zu Unfällen bzw. schweren Verletzungen kommen.

#### **Keine Veränderungen am Produkt vornehmen**

- An dem Produkt dürfen keine Veränderungen vorgenommen werden.  
Andernfalls kann es zu Unfällen bzw. schweren Verletzungen kommen. Funktionsfehler, die auf Veränderungen am Produkt zurückzuführen sind, fallen nicht unter die Herstellergarantie.

#### **Produkt nur verwenden, wenn es überprüft und gewartet wurde**

- Das Produkt darf nur verwendet werden, wenn es überprüft und gewartet wurde. Die Überprüfung und Wartung des Produkts muss regelmäßig durchgeführt werden.  
Andernfalls kann es zu Unfällen bzw. schweren Verletzungen kommen.

#### **Verleihen oder Übereignen des Produkts**

- Wenn Sie das Produkt verleihen, muss die ausleihende Person auch die zugehörige Bedienungsanleitung erhalten.
- Wenn Sie das Produkt einer anderen Person übereignen, muss die Bedienungsanleitung zusammen mit dem Produkt ausgehändigt werden.  
Andernfalls kann es zu Unfällen bzw. schweren Verletzungen kommen.

#### **Anwender des Produkts**

- Das Produkt darf von folgenden Personen nicht gebraucht werden:
  - ◆ übermüdete Personen
  - ◆ alkoholisierte Personen
  - ◆ unter Medikamenteneinfluss stehende Personen
  - ◆ schwangere Frauen
  - ◆ Personen in schlechter körperlicher Verfassung
  - ◆ Personen, die die Bedienungsanleitung nicht gelesen haben
  - ◆ Kinder
- Seien Sie sich bewusst, dass der Benutzer für Unfälle bzw. Gefährdungen anderer Personen oder deren Eigentum verantwortlich ist.  
Eine Nichtbefolgung dieser Anweisungen kann zu Unfällen führen.
- Die Bauteile dieser Maschine erzeugen im Betrieb ein elektromagnetisches Feld, das manche Herzschrittmacher stören kann. Um Gesundheitsrisiken zu reduzieren, empfehlen wir, dass Personen mit Herzschrittmachern vor dem Betrieb dieses Produkts ihren Arzt und den Hersteller des Herzschrittmachers konsultieren.



# Sichere Verwendung des Produkts

## **WARNUNG**

### Vibration und Kälte

- Es wird vermutet, dass das Raynaud-Syndrom, das die Finger mancher Menschen befällt, durch stark vibrierende Arbeitsgeräte und das Arbeiten bei Kälte herbeigeführt wird. Durch stark vibrierende Arbeitsgeräte und das Arbeiten bei Kälte kann sich ein Prickeln und Brennen bemerkbar machen, dem sich Farblosigkeit und Gefühllosigkeit der Finger anschließen. Die nachstehend aufgeführten Vorkehrungen werden dringend empfohlen, da die Mindestwerte, bei denen diese Krankheit ausgelöst wird, nicht bekannt sind.
    - ◆ Halten Sie Ihren Körper warm, insbesondere Kopf und Nacken, Füße und Fußgelenke sowie Hände und Handgelenke.
    - ◆ Legen Sie häufige Pausen ein, in deren Verlauf Sie den Kreislauf durch intensive Armübungen anregen, und rauchen Sie nicht.
    - ◆ Begrenzen Sie die Dauerbetriebszeiten auf ein Minimum. Teilen Sie jeden Arbeitstag so ein, dass auch Arbeiten ohne Trimmer oder tragbare motorisierte Geräte verrichtet werden.
    - ◆ Wenn Ihre Finger schmerzen, rot und angeschwollen sind und schließlich bleich und gefühllos werden, müssen Sie einen Arzt aufsuchen, bevor Sie sich weiterhin Kälte und Vibrationen aussetzen.
- Eine Nichtbefolgung dieser Anweisung kann zu gesundheitlichen Schäden führen.

### RSI-Syndrom

- Es wird angenommen, dass eine Überanstrengung der Muskeln und Sehnen der Finger, Hände, Arme und Schultern in den betreffenden Körperteilen Schmerzen, Schwellungen, Gefühllosigkeit, Schwäche und auch akuten Schmerz verursachen kann. Durch bestimmte ständig wiederholte Handbewegungen steigt das Risiko für die Entwicklung eines RSI-Syndroms. Auf folgende Art mindern Sie das Risiko des RSI-Syndroms:
    - ◆ Achten Sie darauf, dass Sie Ihr Handgelenk nicht zu sehr beugen, strecken oder verdrehen.
    - ◆ Legen Sie von Zeit zu Zeit Pausen ein, um wiederholte Bewegungen zu minimieren, und lassen Sie Ihre Hände ruhen. Reduzieren Sie die Geschwindigkeit und den Kraftaufwand, mit denen Sie die Wiederholungsbewegung ausführen.
    - ◆ Führen Sie geeignete Übungen zur Stärkung der Hand- und Armmuskulatur durch.
    - ◆ Suchen Sie einen Arzt auf, wenn Sie ein Prickeln, Gefühllosigkeit oder Schmerzen in Ihren Fingern, Händen, Handgelenken oder Armen bemerken. Je früher das RSI-Syndrom erkannt wird, desto eher lässt sich eine dauerhafte Schädigung von Nerven und Muskeln verhindern.
- Eine Nichtbefolgung dieser Anweisung kann zu gesundheitlichen Schäden führen.

### Angemessene Unterweisung

- Das Gerät darf nicht ohne angemessene Unterweisung bzw. ohne Schutzkleidung bedient werden.
  - Machen Sie sich mit der richtigen Handhabung des Geräts und seiner Bedienelemente vertraut.
  - Sie müssen wissen, wie sich das Gerät stoppen und der Motor abstellen lässt.
  - Zudem müssen Sie lernen, wie das Gerät schnell vom Schultergurt getrennt werden kann.
  - Erlauben Sie niemals einer anderen Person, das Gerät ohne vorherige Unterweisung zu benutzen.
- Eine Nichtbefolgung dieser Anweisung kann zu gesundheitlichen Schäden führen.

### Geeignete Kleidung tragen.

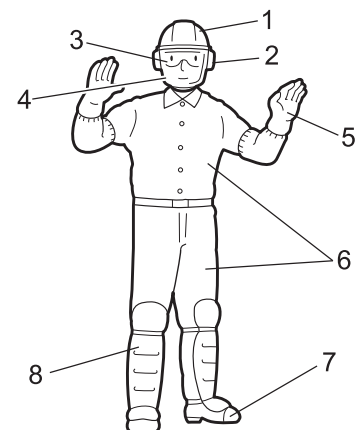
- Ihr Haar sollte maximal schulterlang sein, ansonsten verwenden Sie ein Haarnetz.
- Tragen Sie keine Krawatten, Schmuckstücke oder lose, weite Kleidungsstücke, die sich im Gerät verfangen könnten.
- Tragen Sie keine Schuhe mit freien Zehen, und arbeiten Sie nicht barfuß oder in kurzen Hosen.

Bei Nichtbeachtung dieser Sicherheitsvorkehrungen sind Ihr Augenlicht und Ihr Gehör gefährdet, und es drohen andere schwere Verletzungen.



### Schutzausrüstung tragen

- Tragen Sie stets die nachstehend aufgeführte Schutzausrüstung.
    1. Kopfschutz (Helm): schützt den Kopf
    2. Ohrenschützer oder Ohrenstöpsel: schützen das Gehör
    3. Schutzbrille: schützt die Augen
    4. Gesichtsschutzschild: schützt das Gesicht
    5. Sicherheitshandschuhe: schützen die Hände vor Kälte und Vibration
    6. Eng anliegende Arbeitskleidung (lange Ärmel, lange Hosen): schützt den Körper
    7. Robuste, rutschfeste Stiefel (mit Schutzkappe) oder rutschfeste Schuhe (mit Schutzkappe): schützen die Füße
    8. Schienbeinschützer: schützen die Beine
- Bei Nichtbeachtung dieser Sicherheitsvorkehrungen sind Ihr Augenlicht und Ihr Gehör gefährdet, und es drohen andere schwere Verletzungen.
- Falls erforderlich, verwenden Sie auch folgende Schutzausrüstung:
    - ◆ Staubmaske: schützt das Atmungssystem
    - ◆ Bienennetz: schützt vor angreifenden Bienen



# Sichere Verwendung des Produkts

## **WARNUNG**

### Arbeitsumgebung und Bedienung

○ **Produkt nicht verwenden:**

- ◆ in feuchten oder nassen Umgebungen,
- ◆ bei Regen,
- ◆ unter schlechten Wetterbedingungen,
- ◆ an steilen Abhängen oder auf rutschigem Untergrund ohne ausreichenden Halt,
- ◆ nachts oder bei schlechten Sichtverhältnissen,
- ◆ bei Blitzrisiko.

○ **Arbeiten Sie an leichten Hanglagen in horizontalen, bogenartigen Bewegungen.**

Wenn Sie fallen oder ausrutschen oder das Produkt nicht mehr voll beherrschen, kann dies zu schweren Verletzungen führen.

○ **Aus Gesundheits- und Sicherheitsgründen sollten Sie mit dem Gerät nur bei Lufttemperaturen von -5 °C bis 40 °C arbeiten.**

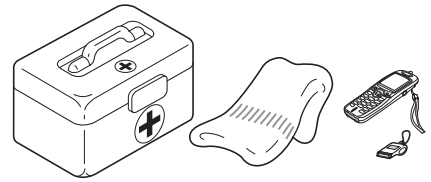
Eine Nichtbefolgung dieser Anweisung kann zu gesundheitlichen Schäden führen.

### Vorsorge für den Fall von Verletzungen

○ **Für den unwahrscheinlichen Fall, dass es dennoch zu Verletzungen kommt, sollten Sie folgende Dinge vorbereitet haben:**




- ◆ **Verbandskasten**
- ◆ **Hand- und Wischtücher (um etwaige Blutungen zu stoppen)**
- ◆ **Trillerpfeife oder Mobiltelefon (um Hilfe rufen zu können)**

Wenn Sie weder erste Hilfe leisten noch Hilfe rufen können, kann sich die Verletzung verschlimmern.




# Sichere Verwendung des Produkts






## Warnhinweise

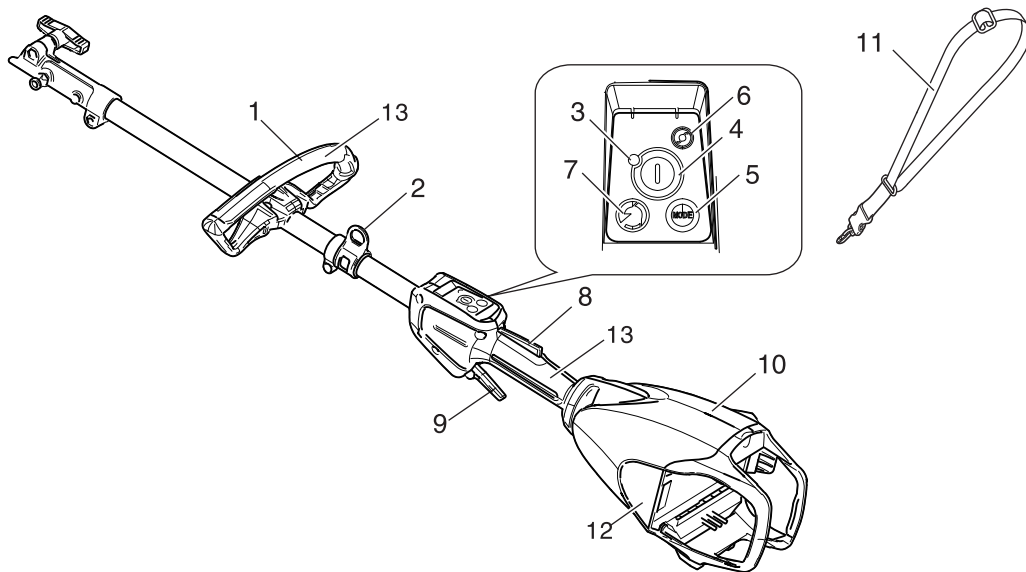
<p style="text-align: center;"> <b>GEFAHR</b></p> <p>Dieses Symbol in Verbindung mit dem Wort „<b>GEFAHR</b>“ macht auf Handlungen oder Bedingungen aufmerksam, die zu schweren Verletzungen oder zum Tod von Bediener und umstehenden Personen führen.</p>	<p style="text-align: center;"> <b>WARNUNG</b></p> <p>Dieses Symbol in Verbindung mit dem Wort „<b>WARNUNG</b>“ macht auf Handlungen oder Bedingungen aufmerksam, die zu schweren Verletzungen oder zum Tod von Bediener und umstehenden Personen führen können.</p>	<p style="text-align: center;"> <b>VORSICHT</b></p> <p>„<b>VORSICHT</b>“ warnt vor einer Gefahrensituation, in der es zu leichten bis mäßigen Verletzungen kommen kann.</p>
--	---	--

## Sonstige Kennzeichnungen

	<p>Kreis mit umgekehrtem Schrägstrich bedeutet, dass das Dargestellte unzulässig ist.</p>	<p style="text-align: center;"><b>HINWEIS</b></p> <p>Hinweise dieser Art enthalten Tipps zur Verwendung, Pflege und Wartung des Produkts.</p>	<p style="text-align: center;"><b>WICHTIG</b></p> <p>Umrahmter Text mit der Überschrift „<b>WICHTIG</b>“ enthält wichtige Informationen zur Verwendung, Überprüfung, Wartung und Lagerung des in dieser Anleitung beschriebenen Produkts.</p>
---	---	---	---

## Symbole

Symbol	Beschreibung des Symbols	Symbol	Beschreibung des Symbols
	<p>Die Bedienungsanleitung sorgfältig lesen</p>		<p>Achtung, Brandgefahr</p>
	<p>Sicherheit / Achtung</p>		<p>Entsorgen Sie elektrische Geräte nicht über den Hausmüll.</p>
	<p>Garantierter Schalleistungspegel</p>		

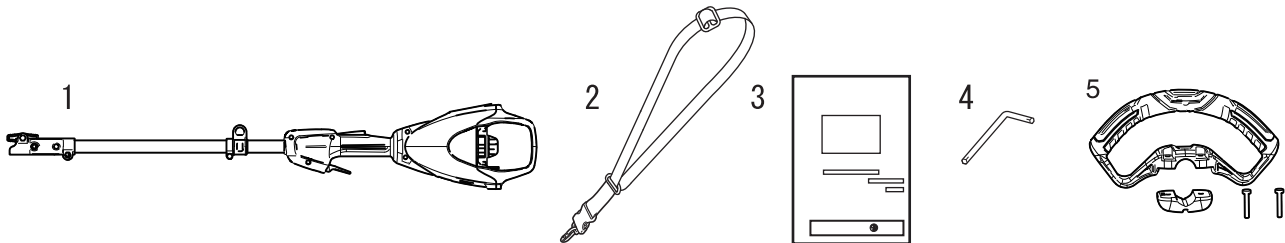


1. **Schlaufengriff** - Griff für die linke Hand.
2. **Trageöse** - Vorrichtung, mit der das Gerät am Schultergurt befestigt wird.
3. **Betriebsanzeige-LED** – Leuchtet, wenn das Gerät Strom erhält. Geht aus, wenn die Stromzufuhr zum Gerät unterbrochen wird.
4. **Ein/Aus-Knopf** – Ein Mal drücken, um die Stromzufuhr zu dem Gerät einzuschalten – die Betriebsanzeige-LED leuchtet. Wieder drücken, um die Stromzufuhr zu dem Gerät auszuschalten – die Betriebsanzeige-LED geht aus.
5. **Modus-Taste** - Ändern Sie den Betriebsmodus.
6. **Modusanzeige LED**
7. **Geschwindigkeitstasten** - Ändern der maximalen Geschwindigkeit von drei Schritten.
8. **Hebelschaltersperre** – Dient zum Arretieren des Hebelschalters in der Aus-Stellung, bis Sie mit der rechten Hand den Griff ganz umgriffen haben.
9. **Hebelschalter** – Schaltet den Motor ein und wird durch den Bediener mit einem Finger betätigt.
10. **Antriebskopf** – Enthält Motor und Akku.
11. **Schultergurt** – Einstellbarer Riemen, an dem das Gerät aufgehängt wird.
12. **Typ und Seriennummer**
13. **Grifffläche**

# Bevor Sie beginnen

## Packliste

- Die nachfolgend aufgeführten Einzelteile sind in der Verpackung enthalten.
- Überprüfen Sie nach dem Auspacken die Vollständigkeit des Inhalts.
- Wenden Sie sich an Ihren Händler, wenn Teile fehlen oder beschädigt sind.



- |  |                |
|--|----------------|
| 1. Motoreinheit und Antriebswellenrohr | 4. L-Schlüssel |
| 2. Schultergurt                        | 5. Rundgriff   |
| 3. Bedienungsanleitung                 |                |

## Laden des Akkus

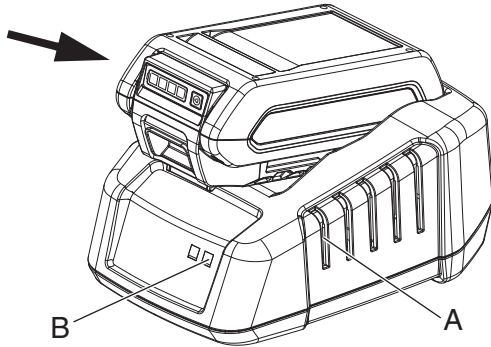
### **WARNUNG**

- Verwenden Sie nur den Akku LBP-560-100/LBP-560-200, und laden Sie diesen nur mit dem Ladegerät LCJQ-560 oder LCJU-560.
- Halten Sie Ladegerät und Akku fern von Feuchtigkeit und allen Flüssigkeiten.
- Verwenden Sie das Ladegerät nicht auf leicht brennbaren Materialien (z. B. Papier, Stoff) und nicht in einer Umgebung mit erhöhter Brandgefahr.
- Bedecken Sie das Ladegerät nicht. Ist das Ladegerät bedeckt, kann es nicht kühlen.
- Verwenden Sie das Ladegerät nicht in explosiven Umgebungen, wie in der Gegenwart von entflammenden Flüssigkeiten, Gasen oder Staub. Ladegeräte können Funken verursachen, die Staub oder Rauch entzünden können - es besteht Explosionsgefahr.
- Schließen Sie das Ladegerät nur an das Netz an, wenn Spannung und Frequenz mit den Angaben auf dem Typenschild übereinstimmen.
- Schließen Sie das Ladegerät nur an eine leicht zugängliche Steckdose an.
- Stecken Sie nie Gegenstände in die Kühlschlitze (A) des Akkus oder des Ladegeräts.
- Defekte, beschädigte oder verformte Akkus oder Ladegeräte dürfen nicht geladen oder verwendet werden.
- Der Akku und das Ladegerät dürfen nicht geöffnet, beschädigt oder fallengelassen werden.
- Aus dem Akku kann Flüssigkeit austreten, wenn er beschädigt ist oder nicht ordnungsgemäß verwendet wird. Den Hautkontakt vermeiden. Bei versehentlichem Kontakt die betroffenen Bereiche der Haut mit viel Wasser und Seife abwaschen. Wenn Flüssigkeit in die Augen gerät, die Augen nicht reiben. Spülen Sie die Augen mindestens 15 Minuten lang mit viel Wasser. Suchen Sie auch einen Arzt auf.
- Überbrücken Sie die Kontakte des Akkus oder die Klemmen des Ladegeräts nie mit Metallgegenständen (Kurzschluss).
- Schützen Sie den Akku vor direkter Sonneneinstrahlung, Hitze und offenem Feuer, und werfen Sie ihn nie in ein Feuer, es besteht Explosionsgefahr.
- Falls Rauch oder Flammen aus dem Ladegerät aufsteigen, ziehen Sie sofort den Stecker aus der Steckdose.
- Ist das Verbindungskabel beschädigt, ziehen Sie unverzüglich den Stecker aus der Steckdose, um Stromschläge zu verhindern.
- Setzen Sie den Akku nie Mikrowellen oder hohem Druck aus.
- Sichern Sie das Gerät gegen unbeabsichtigtes Starten. Nehmen Sie zum Transport und zur Lagerung des Geräts den Akku heraus. Verwenden Sie keine Metallcontainer für den Transport von Akkus.
- Verwenden Sie das Verbindungskabel nicht für andere Zwecke, z. B. um das Ladegerät zu tragen oder aufzuhängen.
- Um die Stolpergefahr zu beschränken, bringen Sie das Verbindungskabel so an und markieren Sie es so, dass es nicht beschädigt werden kann und keine Gefahr für andere darstellt.
- Umgreifen Sie beim Herausziehen den Stecker, nicht das Kabel.

# Bevor Sie beginnen

## HINWEIS

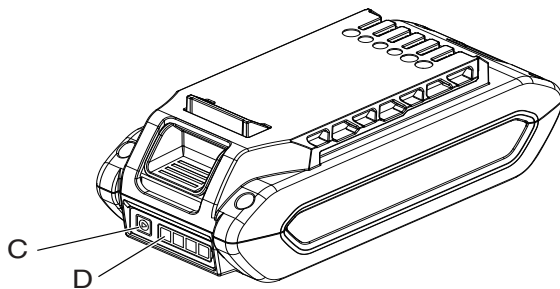
- Der neue Akku wird teilgeladen geliefert und muss vor dem ersten Gebrauch voll geladen werden.
- Laden Sie den Akku, wenn die Leistung nicht mehr für den Betrieb des Geräts ausreicht, oder wenn die Lampen am Akku anzeigen, dass der Akku schwach ist.



1. Stecken Sie das Wechselstromkabel des Ladegeräts in die Netzsteckdose.
2. Richten Sie die Ränder des Akkus an den Nuten am Ladegerät aus und schieben Sie den Akku in das Ladegerät.
3. Während des normalen Aufladevorgangs blinkt die GRÜNE LED (B) auf dem Ladegerät kontinuierlich.

## WICHTIG

- Wenn das Ladegerät ein Problem erkennt, blinkt die LED ROT auf. Entfernen Sie den Akku aus dem Ladegerät, entfernen Sie Schmutz o. ä. von den Kontakten und installieren Sie den Akku wieder im Ladegerät. Wenn der Akku einer Temperatur ausgesetzt ist, die außerhalb des zugelassenen Bereichs (0-60 °C) liegt, bleibt die LED ROT.



4. Nach beendeter Ladung leuchtet die LED konstant grün.
5. Prüfen Sie, ob der Akku vollständig geladen ist, indem Sie den Akku aus dem Ladegerät nehmen, die Akkuladezustand-Taste (C) drücken und die LED-Anzeige beobachten (D).
  - ♦ Ein grünes Licht bedeutet, dass der Akku 0 bis 25 % Ladung hat.
  - ♦ Zwei grüne Lichter bedeuten, dass der Akku 25 bis 50 % Ladung hat.
  - ♦ Drei grüne Lichter bedeuten, dass der Akku 50 bis 75 % Ladung hat.
  - ♦ Vier grüne Lichter bedeuten, dass der Akku 75 bis 100 % Ladung hat.
6. Trennen Sie das Akkuladegerät vom Netz.

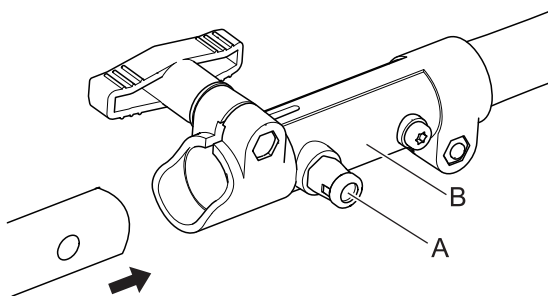
## Zusammenbau

### ⚠ WARNUNG

- Lesen Sie die Bedienungsanleitung aufmerksam durch, um sicherzustellen, dass Sie das Produkt korrekt zusammenbauen.  
Die Verwendung eines falsch zusammengebauten Produkts kann zu Unfällen bzw. schweren Verletzungen führen.

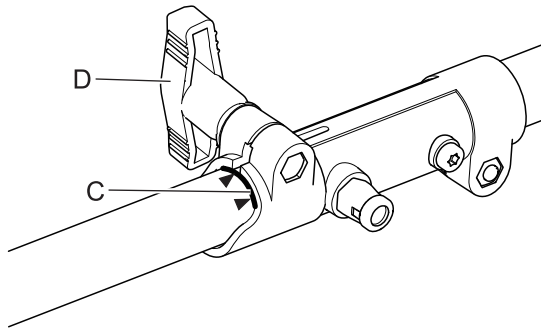


## Montage von Anbauteilen an der Antriebswellenbaugruppe



1. Setzen Sie die Gruppe aus Motorkopf und Schaft auf eine ebene Fläche.
2. Ziehen Sie den Positionierstift (A) heraus, und drehen Sie ihn zur Entriegelung um eine Vierteldrehung nach links.
3. Entfernen Sie die PVC-Kappe vom Antriebsschaft.

# Bevor Sie beginnen



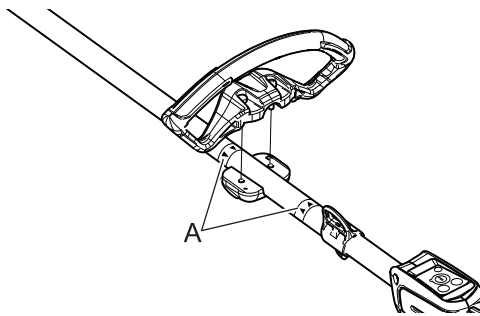
4. Schieben Sie die Antriebsschaftgruppe vorsichtig in das Verbindungselement (B) bis an die Markierungslinie (C). Dabei muss der innere untere Antriebsschaft in der Vierkantaufnahme des oberen Antriebsschafts einrasten.

## HINWEIS

Das untere Lagergehäuse und der Gerätekopf müssen mit der Motoreinheit auf einer Linie liegen.

5. Drehen Sie den Positionierstift (A) um eine Vierteldrehung nach rechts, bis er im Loch des unteren Schaftelements einrastet. Achten Sie darauf, dass der Positionierstift vollständig eingerastet ist, indem Sie versuchen, den unteren Antriebsschaft zu drehen. Der Positionierstift muss im Verbindungselement einschnappen und darf nicht hervorstehen. Durch das vollständige Einrasten wird vermieden, dass sich der Schaft dreht.
6. Befestigen Sie die untere Schaftgruppe am Verbindungselement durch Festziehen des Feststellers (D).
7. Zum Zerlegen die Schritte in umgekehrter Reihenfolge durchführen.

## Befestigung des Rundgriffs



Richten Sie den Griff in eine für das Arbeiten bequeme Position aus, und ziehen Sie die Bolzen fest.

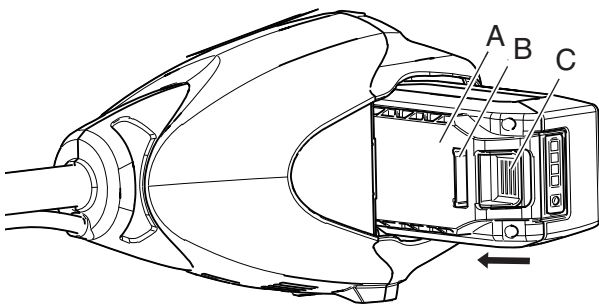
## ⚠ VORSICHT

- Positionieren Sie den Griff zwischen den Markierungen (A).

## Batterieinstallation

### ⚠ WARNUNG

- Die Vorrichtung arbeitet, wenn der Akku eingesetzt ist, die Betriebsanzeige-LED leuchtet und der Hebelschalter und die Hebelschaltersperre betätigt werden. Achten Sie darauf, dass das Gerät richtig positioniert ist, damit Sie nicht die Kontrolle verlieren – es besteht schwere Verletzungsgefahr. Halten Sie die beweglichen Teile der Schneidvorrichtung fern vom Boden und von Gegenständen, die eingezogen oder weggestoßen werden könnten.
- Nehmen Sie den Akku heraus, bevor Sie das Gerät zurücklassen.



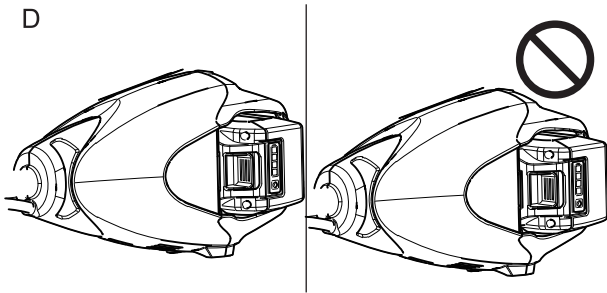
1. Kontrollieren Sie, dass die Stromzufuhr zum Gerät unterbrochen ist.
2. Richten Sie die Ränder (A) des Akkus an den Nuten am Antriebskopf aus. Schieben Sie den Akku in den Antriebskopf.
3. Vergewissern Sie sich vor Betriebsbeginn, dass die Akkuverriegelung (B) einrastet und der Akku fest sitzt.
4. Zum Entnehmen des Akkus drücken Sie auf die Akkuentriegelung (C) und schieben den Akku aus dem Antriebskopf.

## HINWEIS

- ♦ Die Akkuverriegelung rastet ein, wenn der Akku ganz eingeschoben ist.



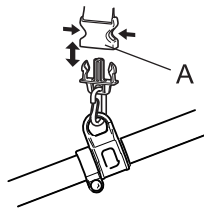
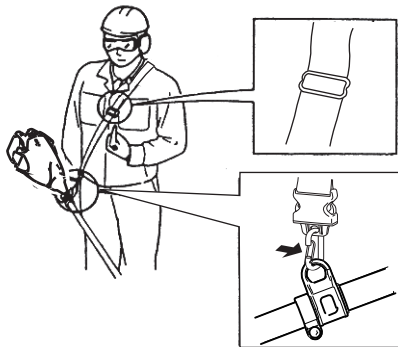
# Bevor Sie beginnen



## WICHTIG

Bevor Sie das Gerät gebrauchen, kontrollieren Sie, dass der Akku ganz eingeschoben und die Akkuverriegelung eingerastet ist (D).

## Einstellen des Schultergurts



1. Haken Sie den Schulterriemen in die Hängescheibe am Außenrohr ein.
2. Positionieren Sie den Schulterriemen so, dass sich der Tragehaken auf Ihrer rechten Körperhälfte befindet.
3. Stellen Sie die Länge des Schulterriemens so ein, dass Sie das Gerät bequem tragen und bedienen können.

## WICHTIG

○ Vergewissern Sie sich, dass sämtliche Haken und Einstellvorrichtungen fest sitzen.

- \* Der Schultergurt ist mit einer Schnelllöseeinrichtung für Notfälle ausgestattet. In einer Notsituation die Manschette (A) hochschieben, um die Maschine vom Gurt zu lösen.

# Betrieb

## GEFAHR

- In allen über Kopf befindlichen elektrischen Leitern und Kommunikationskabeln kann elektrischer Strom mit Hochspannung fließen. Dieses Gerät ist nicht stromisoliert. Vermeiden Sie jede direkte oder indirekte Berührung der Kabel, dies könnte sonst zu schweren Verletzungen oder sogar zum Tod führen.

## WARNUNG

- Verwenden Sie das Gerät nicht in explosionsfähiger Umgebung, wie in Gegenwart von entflammaren Flüssigkeiten, Gasen oder Staub. Das Gerät erzeugt Funken, die Stäube oder Dämpfe entzünden können.

Befolgen Sie beim Starten des Geräts insbesondere die folgenden Sicherheitsregeln:

- Überprüfen Sie, ob alle Bolzen und Muttern fest angezogen sind.
- An drehenden Teilen des Geräts wurde kein Schraubenschlüssel oder Feststellwerkzeug zurückgelassen.
- Sorgen Sie für ausreichenden Abstand rund um das Produkt, und lassen Sie keine Personen oder Tiere in die Nähe. Eine Nichtbefolgung der Sicherheitsregeln kann zu Unfällen, Verletzungen oder sogar zum Tod führen.

- Achten Sie nach dem Starten des Geräts auf ungewöhnliche Vibrationen oder Geräusche. Verwenden Sie das Produkt nicht, wenn Sie ungewöhnliche Vibrationen oder Geräusche feststellen. Wenden Sie sich an Ihren Händler, um es reparieren zu lassen.  
Durch abfallende oder absplittende Teile kann es zu schweren Verletzungen kommen.

- Schalten Sie das Gerät immer aus und entfernen Sie den Akku, wenn Sie das Gerät transportieren.

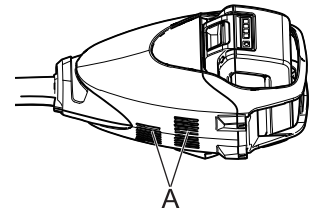
- Winkelgetriebe und andere stark erhitze Teile des Produkts dürfen während des Betriebs und einige Zeit danach nicht berührt werden.  
Beim Berühren heißer Teile können Sie sich Verbrennungen zuziehen.



- Das Gerät darf während des Betriebs nie überlastet und muss immer im Gleichgewicht betrieben werden. Um in abschüssigem Gelände immer sicher zu treten, laufen Sie nie, sondern gehen Sie immer.
- Das Gerät darf nie mit defekten Schützern oder Schutzschildern, ohne Sicherheitsvorrichtungen oder mit beschädigtem oder verschlissenem Kabel betrieben werden.

## WICHTIG

- Halten Sie die Lüftungsschlitze (A) immer sauber.



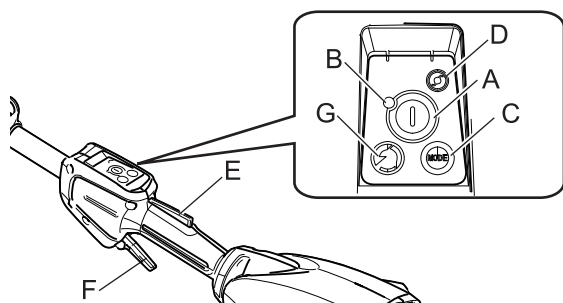
## HINWEIS

- Wenn der erste Einsatz dieses Produkt nach dem Kauf bei niedrigen Temperaturen erfolgt, kann in seltenen Fällen der Betrieb stockend sein. Dieses Phänomen ist kein Produktmangel. Lassen Sie das Gerät in dem Fall Raumtemperatur (normale Temperatur) annehmen, und schalten Sie das Gerät vor dem Einsatz mehrmals ein und aus.

## Starten des Geräts

## WARNUNG

- Die Vorrichtung arbeitet, wenn der Akku eingesetzt ist, die Betriebsanzeige-LED leuchtet und der Hebelschalter und die Hebelschaltersperre betätigt werden. Achten Sie darauf, dass das Produkt richtig positioniert ist, damit Sie nicht die Kontrolle verlieren – es besteht schwere Verletzungsgefahr.



1. Sorgen Sie durch Unterlegen eines Balkens oder eines ähnlichen Hilfsmittels dafür, dass die Vorrichtung weder den Boden noch irgendein Hindernis berührt.
2. Drücken Sie den Ein/Aus-Knopf (A) ein Mal, um die Stromzufuhr zu dem Gerät einzuschalten.
  - \* Die Betriebsanzeige-LED (B) leuchtet, wenn das Gerät Strom erhält.
3. Wenn Sie den Trimmer-Aufsatz verwenden, drücken Sie die Taste (C), leuchtet die Modusanzeige LED (D) (Trimmer-Modus). Wenn Sie den anderen Anhang verwenden, drücken Sie die Taste (C), schalten Sie die Modusanzeige LED (D) aus.
  - \* Im Trimmer-Modus können Sie bequem mit der optimalen Drehzahl für die Trimmerbefestigung arbeiten. Wenn Sie sich nicht im Trimmermodus befinden, können Sie mit den anderen Anbaugeräten bequem mit der breiten Palette der Drehzahl arbeiten.
4. Halten Sie die Hebelschaltersperre (E) unten, und ziehen Sie den Hebelschalter (F), um die Drehzahl auf Betriebsdrehzahl zu bringen..
5. Um die maximale Geschwindigkeit zu ändern, drücken Sie die Geschwindigkeitstaste (G). To change maximum speed, push speed button (G).
6. Die maximale Geschwindigkeit ändert sich in der Reihenfolge der niedrigen Geschwindigkeit, mittlere Geschwindigkeit, hohe Geschwindigkeit, und dann kehrt zu niedriger Geschwindigkeit nach hoher Geschwindigkeit.
7. Wenn Sie die Modustaste für eine Sekunde drücken, dann halten Sie die Geschwindigkeit zu diesem Zeitpunkt.
8. Nicht, um die Geschwindigkeit zu halten, Drücken Sie den Modus-Taste.

## WICHTIG

- Wenn die Stromzufuhr zu dem Gerät eingeschaltet ist:
  - Nach 90 Sekunden Inaktivität schaltet sich das Gerät von selbst aus.
  - Wenn die LED anbleibt, ist der Betrieb normal.
  - Wenn die LED ein Mal pro Sekunde blinkt, ist der Akku ladebedürftig.
  - Wenn die LED vier Mal pro Sekunde blinkt, liegt in dem Produkt eine Störung vor. Schalten Sie die Stromzufuhr zu dem Gerät aus. Entnehmen Sie den Akku. Räumen Sie den Fadenkopf frei. Setzen Sie den Akku ein. Schalten Sie die Stromzufuhr zu dem Gerät ein. Wenn die LED wieder blinkt, lassen Sie das Produkt von Ihrem autorisierten Kundendiensthändler reparieren.

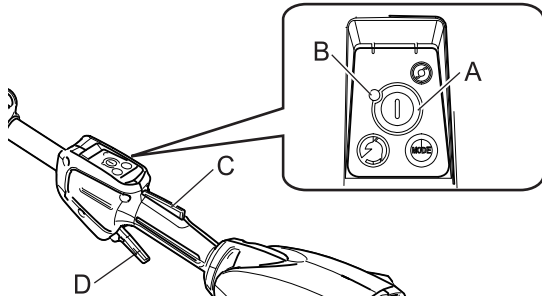
## Stoppen des Geräts

### **WARNUNG**

- Das Anbauteil läuft nach Ausschalten des Geräts für kurze Zeit weiter.

# Betrieb

---



1. Lassen Sie den Hebelschalter und die Hebelschaltersperre los und den Gerätekopf zum Stillstand kommen.
2. Drücken Sie den Ein/Aus-Knopf (A), um die Stromzufuhr zu dem Gerät auszuschalten.
  - \* Die Betriebsanzeige-LED (B) geht aus, wenn die Stromzufuhr zum Gerät unterbrochen wird.
  - \* Wenn das Anbauteil nicht stoppt, wenn Hebelschalter und Hebelschaltersperre gelöst werden, schalten Sie den Ein/Aus-Knopf aus und entfernen Sie den Akku, um das Produkt von der Stromzufuhr zu trennen. Lassen Sie den Ein/Aus-Knopf von Ihrem autorisierten Kundendiensthändler reparieren, bevor Sie das Produkt wieder in Betrieb nehmen.

## ⚠️ WARNUNG

Beachten Sie die folgenden Sicherheitsregeln, wenn Sie das Produkt nach dem Gebrauch überprüfen und warten:

- Schalten Sie das Gerät aus, entfernen Sie den Akku und vergewissern Sie sich, dass alle beweglichen Teile zu einem kompletten Stillstand gekommen sind.

Es besteht Unfallgefahr, wenn das Produkt unerwartet in Bewegung geht.

- Lassen Sie das Gerät abkühlen, bevor Sie Wartungsarbeiten durchführen.

Andernfalls können Sie sich verbrennen.

- Versuchen Sie nicht, schadhafte Akkus instanzzusetzen. Die Instandsetzung von Akkus soll nur durch den Hersteller oder hierfür autorisierte Betriebe erfolgen.

## WICHTIG

- Für die Überprüfung und Wartung sind entsprechende Fachkenntnisse erforderlich. Wenn Sie das Produkt nicht selbst überprüfen, warten oder instand setzen können, wenden Sie sich an Ihren Händler. Versuchen Sie nicht, das Produkt zu zerlegen.

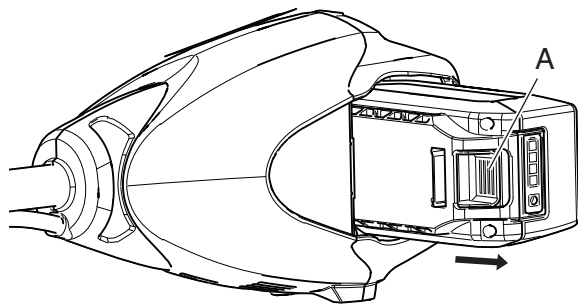
## Wartungsrichtlinien

Komponente	Wartung	Seite	Vor der Verwendung	Monatlich
Akku	Untersuchen / Reinigen / Laden	8	•	
Schrauben, Bolzen und Muttern	Überprüfen, festziehen / ersetzen	-	•	

## Wartung und Pflege

Wenden Sie sich bei Fragen oder Problemen bitte an Ihren Händler.

### Reinigen von Akku und Akkufach



## ⚠️ WARNUNG

- **Stromschlag- und Brandgefahr.** Verwenden Sie zum Reinigen des Akkus und des Akkufachs keine leitenden Materialien.

1. Lassen Sie den Hebelschalter und die Hebelschaltersperre los und den Gerätekopf zum Stillstand kommen.
2. Kontrollieren Sie, dass die Betriebsanzeige-LED aus ist.
3. Drücken Sie auf die Akkuentriegelung (A), und schieben Sie den Akku aus dem Antriebskopf.
4. Entfernen Sie Schmutz von Akku und Akkufach mit Druckluft oder einer weichen Bürste.

## Fehlerbehebung

## WICHTIG

- Verwenden Sie nur Original-Ersatzteile und -Verbrauchsprodukte, die für das Produkt zugelassen sind. Die Verwendung von Teilen anderer Hersteller oder nicht zugelassener Produkte kann zu Fehlfunktionen führen.

# Wartung und Pflege

Problem	Ursache	Abhilfe
Rote Ladegerätlampe blinkt oder Lampe leuchtet nicht auf	<ol style="list-style-type: none"><li>1. Stecker nicht mit der Steckdose verbunden</li><li>2. Akku ist nicht korrekt installiert</li><li>3. Schlechter Kontakt</li><li>4. Fehler im Ladegerät</li><li>5. Fehler im Akku</li></ol>	<ol style="list-style-type: none"><li>1. Stecken Sie das Ladegerät ein.</li><li>2. Prüfen Sie den Einbau des Akkus.</li><li>3. Bauen Sie den Akku mit gereinigten Kontakten wieder ein.</li><li>4. Wenden Sie sich an Ihren Händler.</li><li>5. Wenden Sie sich an Ihren Händler.</li></ol>
Gerät lässt sich nicht einschalten	<ol style="list-style-type: none"><li>1. Akku ist nicht korrekt installiert</li></ol>	<ol style="list-style-type: none"><li>1. Prüfen Sie den Einbau des Akkus.</li></ol>
Gerät läuft nicht, obwohl es eingeschaltet ist	<ol style="list-style-type: none"><li>1. Akku entladen</li><li>2. Akkutemperatur zu hoch oder zu niedrig</li></ol>	<ol style="list-style-type: none"><li>1. Laden Sie den Akku.</li><li>2. Bauen Sie den Akku aus, und lassen Sie den Akku abkühlen.</li></ol>
Laufzeit ist zu kurz	<ol style="list-style-type: none"><li>1. Akkutemperatur zu hoch oder zu niedrig</li><li>2. Geräteelektronik zu heiß</li><li>3. Akku entladen</li></ol>	<ol style="list-style-type: none"><li>1. Bauen Sie den Akku aus, und lassen Sie den Akku abkühlen.</li><li>2. Schalten Sie das Gerät aus, und lassen Sie das Gerät abkühlen.</li><li>3. Laden Sie den Akku.</li></ol>

- Bei Problemen oder Störungen, die nicht in der obigen Tabelle genannt werden, wenden Sie sich an Ihren Händler.
- Informationen zur vorschriftsmäßigen Entsorgung des Produkts oder seiner Einzelteile erhalten Sie bei Ihrem Händler.

## Hersteller:

**YAMABIKO CORPORATION**

1-7-2 Suehirocho, Ohme, Tokio 198-8760 JAPAN

## Bevollmächtigter Vertreter in Europa:

**CERTIFICATION EXPERTS B.V.**

Amerlandseweg 7, 3621 ZC Breukelen, Niederlande

## LAGERUNG

### **WARNUNG**

- **Lagern Sie das Gerät nicht in einem Raum, in dem sich brennbare Dämpfe sammeln können.**  
Es besteht Brandgefahr.



Gehen Sie folgendermaßen vor, wenn Sie das Produkt lange Zeit lagern möchten:

### **Motoreinheit**

1. Schalten Sie die Stromzufuhr zu dem Gerät aus.
2. Entnehmen Sie den Akku aus dem Antriebskopf.
3. Entfernen Sie Ansammlungen von Schmutz und Fremdstoffen außen an dem Gerät.
4. Ziehen Sie alle Schrauben und Muttern fest.
5. Bedecken Sie das Akkufach des Antriebskopfes, den Akku und das Ladegerät.
6. Lagern Sie das Gerät trocken, staubfrei und für Kinder unzugänglich.

### **Akku**

1. Entnehmen Sie den Akku aus dem Antriebskopf.
2. Wählen Sie für die Lagerung einen trockenen, staubfreien und für Kinder unzugänglichen Ort.
3. Die Lagerung soll bei Temperaturen zwischen  $-20\text{ °C}$  und  $60\text{ °C}$  erfolgen.
4. Wenn der Akku länger als ein Jahr nicht verwendet worden ist, laden Sie ihn auf 40 - 60 % auf.

### **Akkuladegerät**

1. Entnehmen Sie den Akku aus dem Akkuladegerät.
2. Trennen Sie das Akkuladegerät vom Netz.
3. Wählen Sie für die Lagerung einen trockenen, staubfreien und für Kinder unzugänglichen Ort.

## Entsorgung



- ♦ Auf den größeren Kunststoffteilen des Produkts befindet sich jeweils eine Kennzeichnung (Code) des Werkstoffs. Diese Codes beziehen sich auf die folgenden Werkstoffe; entsorgen Sie diese Kunststoffteile unter Einhaltung der gesetzlichen Vorschriften Ihres Landes.

Kennzeichnung	Werkstoff
>PA6-GF<	Nylon 6 - Glasfaser
>PP-GF<	Polypropylen - Glasfaser
>PE-HD<	Polyethylen
>PP<	Polypropylen

- ♦ Wenn Sie Fragen zur korrekten Entsorgung von Kunststoffteilen haben, setzen Sie sich bitte mit Ihrem Fachhändler in Verbindung.
- ♦ Batterie enthält Lithium. Nur an den dafür vorgesehenen Sammelstellen entsorgen.
- ♦ Lithium-Ionen-Batterien müssen vorschriftsgemäß recycelt und entsorgt werden.

# Technische Daten

	DPAS-2600
<b>Außenabmessungen:</b> Länge × Breite × Höhe	1082 × 229 × 186 mm
<b>Gewicht:</b> Einheit ohne Batterie und Kabelbaum Einheit mit Batterie und Kabelbaum	2,4 kg 4,3 kg
<b>Akku:</b> Typ Akkuspannung Ladegerättyp Ladegeräteingangsspannung	Li-Ion 56 Volt (Nennspannung 50,4 V) CCCV 220 – 240 Volt WS
<b>Akkuladegerätlampen:</b>	Rote LED – Akku nicht im Ladetemperaturbereich Rote LED blinkt – Fehler Grüne LED – Akku fertig geladen Grüne LED blinkt – Akku lädt normal
<b>Ladezeit:</b>	(mit LCJQ-560) Akku LBP-560-100: Circa 42 Minuten Akku LBP-560-200: Circa 88 Minuten

Änderungen der technischen Daten vorbehalten.

**Von YAMABIKO zugelassene optionale Anbauteile  
(Schalldruckpegel, Schalleistungspegel und Schwingungspegel)**

## **WARNUNG**

- **Verwenden Sie nur von YAMABIKO zugelassene Anbauteile für Modelle aus der Pro Attachment-Serie. Die nicht zugelassene Kombination von Anbauteilen kann zu schweren Verletzungen führen. Lesen und befolgen Sie alle in dieser Bedienungsanleitung und in der Bedienungsanleitung des Anbauteils aufgeführten Sicherheitsanweisungen.**
- **YAMABIKO übernimmt keine Verantwortung für das Versagen von Schneidvorrichtungen, Ersatz- oder Zubehörteilen, die nicht von YAMABIKO geprüft und zugelassen wurden und die für die Verwendung mit diesem Gerät aus der Pro Attachment-Serie nicht geeignet sind.**



# Technische Daten

		2006/42/EG				2000/14/EG	
		Schalldruckpegel [dB(A)]		Schalleistungspegel [dB(A)]		Gemessener Schalleistungspegel [dB(A)]	Garantierter Schalleistungspegel [dB(A)]
Vorrichtung	Standardausführung	L <sub>pA</sub>	Unsicherheit K <sub>pA</sub>	L <sub>WA</sub>	Unsicherheit K <sub>WA</sub>	L <sub>WA</sub>	L <sub>WA</sub>
TRAGBARE MOTORHECKENSCHERE MTA-DAH	EN62841-4-2	85,5	3,0	93,4	3,0	93	96
Baumsäge MTA-DPP	ISO 11680-1 (ISO 22868)	94,4	3,0	105,2	3,0	105*1	108*1
RASENTRIMMER/ MOTORSENSE MTA-DTB	EN50636-2-91	79,6	3,0	92,0	3,0	91*2	96*2
Kehrmaschine MTA-PS	(ISO22868)	77,3	3,0	90,1	3,0	90 *1	93 *1
Gebläse MTA-PB	EN50636-2-100	90,0	3,0	100,3	3,0	100	103
Grubberkultivator MTA-TC	(ISO22868)	75,2	3,0	91,5	3,0	92 *1	95 *1
Kantenstecher MTA-LE	ISO 11789 (ISO22868)	79,3	3,0	93,5	3,0	94	97

\*1: Diese Werte fallen nicht unter die Bestimmungen der Richtlinie 2000/14/EG,

\*2: Diese Werte fallen in den Anwendungsbereich der Richtlinie 2000/14/EG, die bis 2005/88/EG geändert wurde (Konformitätsbewertungsverfahren nach ANHANG VI.

		2006/42/EG		
		Angegebene Vibrationswerte [m/s <sup>2</sup> ]		
Vorrichtung	Standardausführung	Vorderer/ linker Griff	Hinterer/ rechter Griff	Unsicherheit K
TRAGBARE MOTORHECKENSCHERE MTA-DAH	EN62841-4-2	4,2	2,4	1,5
Baumsäge MTA-DPP	ISO 11680-1 (ISO 22867)	4,4	2,1	1,5
RASENTRIMMER/ MOTORSENSE MTA-DTB	EN50636-2-91	3,8	2,9	1,5
Kehrmaschine MTA-PS	(ISO22867)	2,5	1,3	1,5
Gebläse MTA-PB	EN50363-2-100	3,3	1,3	1,5
Grubberkultivator MTA-TC	(ISO22867)	2,7	1,3	1,5
Kantenstecher MTA-LE	ISO 11789 (ISO22867)	3,5	1,8	1,5

Die Vibrations- und Geräuschemissionen während der tatsächlichen Nutzung des Geräts können von den deklarierten Werten abweichen, je nachdem, wie das Werkzeug eingesetzt und insbesondere welche Art von Werkstück bearbeitet wird.

# Konformitätserklärung

Der unterzeichnete Hersteller:

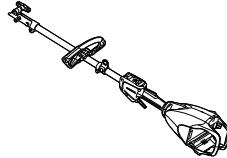
**YAMABIKO CORPORATION**  
1-7-2 Suehirocho Ohme, Tokio 198-8760 JAPAN

Diese Konformitätserklärung wird unter der alleinigen Verantwortung des Herstellers erstellt.

erklärt, dass das nachstehend spezifizierete neue Gerät:

## PRO ATTACHMENT SERIE

**Marke: ECHO**  
**Typ: DPAS-2600**



Folgendem entspricht:

- \* Anforderungen der Richtlinie **2006/42/EG** (Anwendung der harmonisierten Norm **EN 60335-1: 2012, EN 50636-2-91: 2014, EN 50636-2-100: 2014, EN 62841-1: 2015, EN62841-4-2: 2019, EN ISO 11806-1: 2011, EN ISO 11789: 1999, und EN ISO 11680-1: 2011**)
- \* Anforderungen der Richtlinie **2014/30/EU** (Anwendung der harmonisierten Norm **EN 55014-1: 2017 +A11: 2020, EN 55014-2: 2015**)
- \* Anforderungen der Richtlinie **2000/14/EC** geändert durch **2005/88/EC**

	Konformitätsbewertungsverfahren nach	Gemessener Schalleistungspegel	Garantierter Schalleistungspegel
DPAS-2600 + MTA-DAH	<b>ANHANG V</b>	93 dB(A)	96 dB(A)
DPAS-2600 + MTA-DPP	<b>ANHANG V</b>	105 dB(A)	108 dB(A)
DPAS-2600 + MTA-DTB	<b>ANHANG VI</b> TÜV SÜD Industrie Service GmbH (Notified Body 0036) Westendstraße 199 80686 München Deutschland	91.2 dB(A)	96 dB(A)
DPAS-2600 + MTA-PS	<b>ANHANG V</b>	90 dB(A)	93 dB(A)
DPAS-2600 + MTA-PB	<b>ANHANG V</b>	100 dB(A)	103 dB(A)
DPAS-2600 + MTA-TC	<b>ANHANG V</b>	92 dB(A)	95 dB(A)
DPAS-2600 + MTA-LE/E	<b>ANHANG V</b>	94 dB(A)	97 dB(A)

- \* Anforderungen der Richtlinie **2011/65/EU** (Anwendung der harmonisierten Norm **EN IEC63000: 2018**)

Seriennummer U49835000001 bis U49835100000

Tokio, 27. Januar 2022

## YAMABIKO CORPORATION

**Hisashi Kobayashi**  
**Hauptabteilungsleiter**  
**Abteilung Qualitätssicherung**

**Der Dokumentenbevollmächtigte in Europa, welcher autorisiert ist, die technischen Unterlagen zusammenzustellen.**

Unternehmen: CERTIFICATION EXPERTS B.V.  
Adresse: Amerlandseweg 7, 3621 ZC Breukelen, Niederlande

**Herr Richard Glaser**

# NOTIZEN

**YAMABIKO CORPORATION**  
1-7-2 Suehirocho, Ohme, Tokio 198-8760 JAPAN  
TELEFON: 81-428-32-6118. FAX: 81-428-32-6145.



X750823-0401



IT ITALIANO  
(Istruzioni originali)

# MANUALE PER L'OPERATORE

## SERIE PRO ATTACHMENT

### DPAS-2600

#### AVVERTENZA



LEGGERE E SEGUIRE ATTENTAMENTE LE ISTRUZIONI PER LAVORARE IN CONDIZIONI DI MASSIMA SICUREZZA. LA MANCATA OSSERVANZA DELLE ISTRUZIONI POTREBBE PROVOCARE LESIONI GRAVI.



# Contenuto

---

Per un uso sicuro del prodotto .....	3
Descrizione .....	7
Prima di iniziare .....	8
Contenuto della confezione .....	8
Carica della batteria .....	8
Montaggio .....	9
Installazione della batteria .....	10
Regolazione della cinghia a spalla .....	11
Funzionamento .....	12
Avvio dell'unità .....	12
Arresto dell'unità .....	13
Manutenzione e cura .....	14
Guida alla manutenzione .....	14
Manutenzione e cura .....	14
Rimessaggio .....	15
Smaltimento .....	16
Caratteristiche tecniche .....	17
Dichiarazione di conformità .....	19

# Per un uso sicuro del prodotto

## Informazioni importanti

### **⚠ AVVERTENZA**

**Si raccomanda di leggere il manuale per l'operatore prima di utilizzare questo prodotto.**

#### **Informazioni sul manuale per l'operatore**

- Questo manuale contiene informazioni necessarie per l'assemblaggio, il funzionamento e la manutenzione del prodotto. Si raccomanda di leggerlo attentamente e di assimilarne il contenuto.
- Tenere sempre il manuale in un luogo facilmente accessibile.
- Se il manuale viene smarrito o danneggiato e non può essere consultato, acquistarne uno nuovo presso il proprio rivenditore.
- Le unità di misura utilizzate in questo manuale sono espresse in conformità al sistema internazionale. Le cifre riportate tra parentesi sono valori di riferimento e in alcuni casi ci potrebbero essere lievi errori di conversione.  
La mancata osservanza di queste precauzioni potrebbe causare incidenti o lesioni gravi.

#### **Tipologia di impiego del prodotto**

- Questo prodotto consiste in un apparecchio leggero con ad alte prestazioni progettato per l'uso con gli accessori correlati
- Non usare il prodotto per impieghi differenti da quelli specificati sopra.
- Il contenuto di questo manuale può essere modificato senza preavviso per renderlo conforme a eventuali aggiornamenti del prodotto. Al fine di illustrare con maggiore chiarezza le spiegazioni sul prodotto, alcune illustrazioni potrebbero essere differenti da quelle del prodotto reale.
- Per ulteriori chiarimenti, consultare il proprio rivenditore.  
La mancata osservanza di queste precauzioni potrebbe causare incidenti o lesioni gravi.

#### **Non modificare il prodotto**

- Il prodotto non deve essere modificato.  
La mancata osservanza di queste precauzioni potrebbe causare un incidente o lesioni gravi. Qualsiasi guasto causato da modifiche apportate al prodotto non sarà coperto dalla garanzia del produttore.

#### **Non utilizzare il prodotto senza aver effettuato prima il controllo e la manutenzione**

- Non utilizzare il prodotto senza aver effettuato prima il controllo e la manutenzione. Accertarsi sempre che il controllo e la manutenzione vengano eseguiti a scadenze regolari.  
La mancata osservanza di queste precauzioni potrebbe causare incidenti o lesioni gravi.

#### **Prestito o cessione del prodotto**

- In caso di prestito del prodotto, consegnare alla persona che lo riceve anche il manuale dell'operatore.
- Se si cede o vende il prodotto a terzi, consegnare anche il manuale dell'operatore assieme al prodotto.  
La mancata osservanza di queste precauzioni potrebbe causare incidenti o lesioni gravi.

#### **Utenti del prodotto**

- Il prodotto non deve essere utilizzato da:
  - ◆ persone stanche
  - ◆ persone che hanno assunto bevande alcoliche
  - ◆ persone sotto trattamento farmacologico
  - ◆ persone in stato di gravidanza
  - ◆ persone in condizioni fisiche precarie
  - ◆ persone che non hanno letto il manuale dell'utente
  - ◆ bambini
- Tenere presente che l'operatore o l'utente è responsabile di eventuali rischi o incidenti provocati ad altre persone o alle proprietà altrui.  
La mancata osservanza di queste istruzioni potrebbe provocare incidenti.
- I componenti di questa macchina generano un campo elettromagnetico durante l'uso, e ciò potrebbe interferire con alcuni tipi di pacemaker. Per ridurre i rischi per la salute, consigliamo ai portatori di pacemaker di consultare il proprio medico e il produttore del pacemaker prima di utilizzare questo prodotto.



# Per un uso sicuro del prodotto

## AVVERTENZA

### Vibrazioni e freddo

- Si ritiene che la condizione definita fenomeno di Raynaud, che colpisce le dita di alcune persone, sia causata dall'esposizione alle vibrazioni e al freddo. L'esposizione al freddo e alle vibrazioni può causare formicolio e bruciole, seguiti da pallore e intorpidimento delle dita. Dato che non si conosce il livello di esposizione minima che causa i disturbi, si consiglia vivamente di osservare le seguenti precauzioni.
  - ◆ Tenere il corpo caldo, soprattutto testa, collo, piedi, caviglie, mani e polsi.
  - ◆ Mantenere una buona circolazione del sangue facendo vigorosi esercizi con le braccia durante frequenti pause di lavoro, ed evitare di fumare.
  - ◆ Limitare il numero di ore di utilizzo. Cercare di pianificare altri lavori nell'arco della giornata lavorativa, in cui non sia richiesto l'uso del decespugliatore o di altre macchine portatili.
  - ◆ Se si accusano disagi e disturbi e se si riscontrano arrossamenti e gonfiore delle dita seguiti da pallore e perdita di sensibilità, rivolgersi al proprio medico prima di esporsi di nuovo al freddo e alle vibrazioni.

La mancata osservanza di queste istruzioni potrebbe causare danni alla salute.

### Lesioni da sforzi ripetuti

- Si ritiene che l'uso eccessivo dei muscoli e dei tendini di dita, mani, braccia e spalle possa causare dolore, gonfiore, intorpidimento, debolezza e forti dolori nelle zone menzionate. Alcune attività manuali ripetitive possono essere causa di alto rischio per lo sviluppo di lesioni da sforzi ripetitivi (RSI). Per ridurre il rischio di lesioni da sforzi ripetitivi:
  - ◆ Evitare di usare il polso piegato, allungato o girato.
  - ◆ Fare pause a intervalli regolari per ridurre al minimo i movimenti ripetuti e far riposare le mani. Ridurre la velocità e la forza con cui il movimento ripetitivo viene eseguito.
  - ◆ Fare esercizi per rafforzare i muscoli delle mani e delle braccia.
  - ◆ Consultare un medico se si avvertono formicolii, intorpidimenti o dolori delle dita, delle mani, dei polsi o delle braccia. Una tempestiva diagnosi di lesioni da sforzi ripetitivi consente di evitare danni permanenti ai nervi e ai muscoli.

La mancata osservanza di queste istruzioni potrebbe causare danni alla salute.

### Addestramento

- Non permettere a nessuno di azionare l'attrezzo senza idoneo addestramento o attrezzature di protezione adeguate.
- Acquisire dimestichezza con i comandi e il corretto impiego dell'attrezzo.
- Familiarizzare con le procedure di arresto e spegnimento motore dell'attrezzo.
- Imparare a sganciare rapidamente un attrezzo spalleggiato.
- Non permettere a nessuno di utilizzare l'attrezzo senza idoneo addestramento.

La mancata osservanza di queste istruzioni potrebbe causare danni alla salute.

### Indossare indumenti idonei.

- Raccogliere i capelli in modo che non tocchino le spalle.
- Non indossare cravatte, gioielli o vestiti poco aderenti che potrebbero restare impigliati nella macchina.
- Non indossare calzature aperte, non lavorare a piedi nudi o a gambe nude.

La mancata osservanza di queste precauzioni potrebbe causare danni alla vista o all'udito o lesioni gravi.

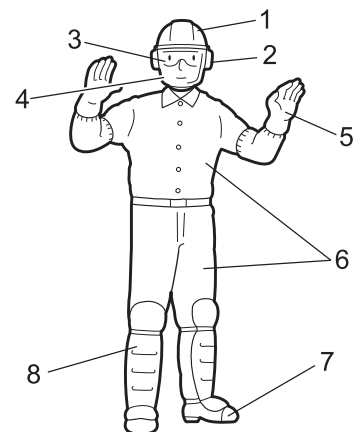


### Indossare indumenti protettivi

- Indossare sempre i seguenti indumenti protettivi.
  1. Casco (elmetto): Protegge la testa
  2. Protezioni acustiche o tappi per le orecchie: Proteggono l'udito
  3. Occhiali di protezione: Proteggono gli occhi
  4. Schermo facciale: Protegge il viso
  5. Guanti protettivi: Proteggono le mani dal freddo e dalle vibrazioni
  6. Indumenti da lavoro aderenti (maniche lunghe e pantaloni lunghi): Proteggono il corpo
  7. Stivali protettivi antiscivolo per lavori pesanti (con protezione delle punte) o scarpe da lavoro antiscivolo (con protezione delle punte): Proteggono i piedi
  8. Parastinchi: Proteggono le gambe

La mancata osservanza di queste precauzioni potrebbe causare danni alla vista o all'udito o lesioni gravi.

- Se necessario, utilizzare anche i seguenti indumenti protettivi.
  - ◆ Mascherina antipolvere: Protegge l'apparato respiratorio
  - ◆ Rete anello di metallo: Per proteggersi dagli attacchi delle api





# Per un uso sicuro del prodotto

## AVVERTENZA

### Ambiente di utilizzo e funzionamento

○ Non utilizzare il prodotto nelle seguenti condizioni:

- ◆ in ambienti umidi o bagnati.
- ◆ sotto la pioggia.
- ◆ in condizioni di cattivo tempo.
- ◆ In pendii ripidi o in luoghi con punti di appoggio non sicuri e quindi scivolosi.
- ◆ Di notte o in luoghi bui con scarsa visibilità.
- ◆ Ove sussistano rischi di fulmini.

○ Quando si utilizza il prodotto su un pendio delicato, lavorare seguendo i contorni del terreno.

Cadute, scivolate o un uso non corretto del prodotto potrebbero causare lesioni gravi.

○ Per un uso salutare, sicuro e confortevole, utilizzare la macchina solo a temperature comprese nell'intervallo da -5 °C a 40°C.

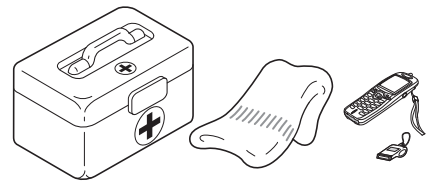
La mancata osservanza di queste istruzioni potrebbe causare danni alla salute.

### Tenersi preparati in caso di infortuni

○ Nell'improbabile evento di incidenti o lesioni, è consigliabile essere preparati.




- ◆ Cassetta di pronto soccorso
- ◆ Asciugamani e fazzoletti (per fermare eventuali emorragie)
- ◆ Fischietto o telefono cellulare (per chiedere aiuto all'esterno)

Se non si è in grado di effettuare un primo soccorso o chiedere aiuto, le lesioni potrebbero peggiorare.




# Per un uso sicuro del prodotto






## Messaggi di avviso

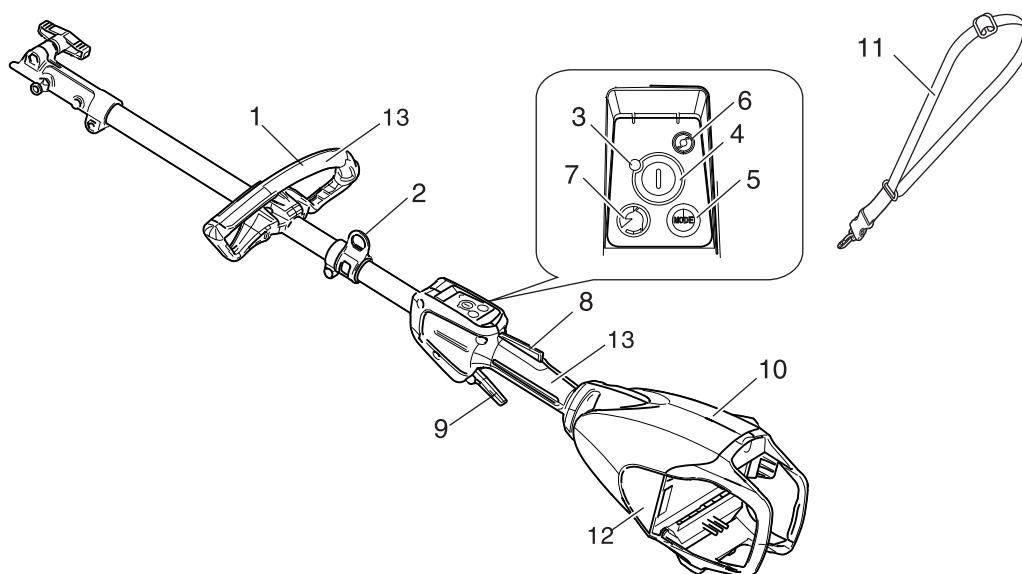
<p> <b>PERICOLO</b></p> <p>Questo simbolo accompagnato dalla parola "<b>PERICOLO</b>" richiama l'attenzione su un'azione o una condizione che potrebbe causare infortuni gravi o la morte di utenti o di persone presenti.</p>	<p> <b>AVVERTENZA</b></p> <p>Questo simbolo accompagnato dalla parola "<b>AVVERTENZA</b>" richiama l'attenzione su un'azione o una condizione che potrebbe causare lesioni gravi o la morte di utenti o di persone presenti.</p>	<p> <b>ATTENZIONE</b></p> <p>"<b>ATTENZIONE</b>" indica una situazione potenzialmente pericolosa che, se non evitata, potrebbe causare lesioni minori o moderate.</p>
---	---	--

## Altri indicatori

<p> Il cerchietto barrato sta ad indicare che quanto è illustrato è proibito.</p>	<p><b>NOTA</b></p> <p>Il messaggio qui riportato fornisce consigli per l'uso, la cura e la manutenzione del prodotto.</p>	<p><b>IMPORTANTE</b></p> <p>Il testo incorniciato, caratterizzato dalla parola "<b>IMPORTANTE</b>", contiene informazioni importanti riguardo l'uso, il controllo, la manutenzione e il rimessaggio del prodotto descritto in questo manuale.</p>
--	---	---

## Simboli

Forma del simbolo	Descrizione/applicazione del simbolo	Forma del simbolo	Descrizione/applicazione del simbolo
	<p>Leggere attentamente il manuale per l'operatore</p>		<p>Attenzione al fuoco</p>
	<p>Protezione/allarme</p>		<p>Non smaltire le apparecchiature elettriche con la spazzatura normale</p>
	<p>Livello di potenza acustica garantito</p>		

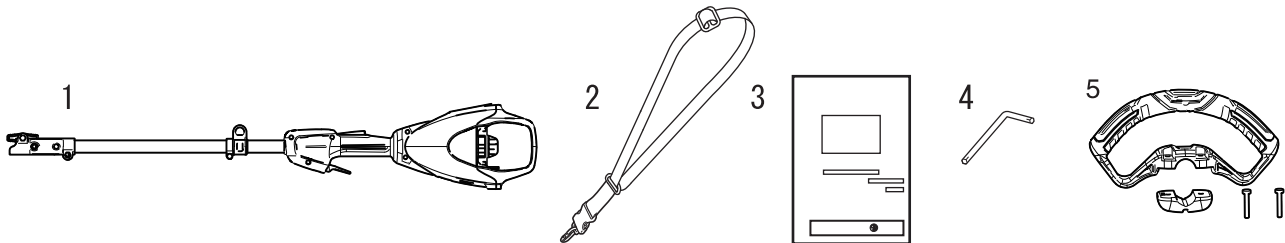


1. **Impugnatura ad anello** - Offre una salda presa per la mano sinistra.
2. **Punto di sospensione** - Dispositivo su cui si aggancia la cintura a bandoliera.
3. **LED di alimentazione** Il LED resta illuminato quando l'unità è alimentata. LED spento quando l'unità viene spenta.
4. **Pulsante di accensione** Premere una volta per accendere l'unità. Il LED di alimentazione si illumina. Premere nuovamente il pulsante per spegnere l'unità. Il LED di alimentazione si spegne.
5. **Pulsante Modalità** - Modificare la modalità operativa.
6. **LED indicatore modalità**
7. **Pulsante velocità** - Modificare la velocità massima dei tre gradini
8. **Fermo interruttore a grilletto** - Blocca l'interruttore a grilletto in posizione OFF fin quando la mano destra non afferra saldamente l'impugnatura.
9. **Interruttore a grilletto** - Azionato dall'operatore con la mano per attivare il motore.
10. **Testa unità** - alloggia motore e batteria.
11. **Cinghia a spalla** - Cinghia regolabile per sostenere l'attrezzo.
12. **Tipo e numero di serie**
13. **Superficie di presa**

# Prima di iniziare

## Contenuto della confezione

- ♦ Le seguenti parti sono state imballate separatamente nella scatola di imballaggio.
- ♦ Dopo aver aperto la confezione, controllare che siano presenti tutte le parti.
- ♦ In caso di parti mancanti o rotte, contattare il rivenditore.



1. Unità motore e tubo dell'albero
2. Cinghia a spalla
3. Manuale per l'operatore
4. Chiave a L
5. Impugnatura ad anello

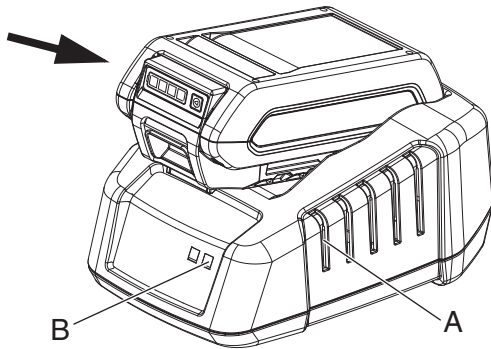
## Carica della batteria

### **⚠ AVVERTENZA**

- Utilizzare sempre batterie di tipo LBP-560-100/LBP-560-200 e ricaricare solo con il caricabatterie LCJQ-560 o LCJU-560.
- Tenere il caricabatterie e la batteria lontane da umidità e liquidi.
- Non azionare il caricabatterie su una superficie facilmente infiammabile (ad es. carta, tessuti) o in un ambiente ad alto rischio di incendio.
- Non coprire il caricabatterie. Se viene coperto, il caricabatterie non sarà in grado di raffreddarsi.
- Non utilizzare il caricabatterie in atmosfere esplosive, come ambienti saturi di liquidi, gas o polveri infiammabili. I caricabatterie possono generare scintille, che possono infiammare polveri o fumi, con il conseguente rischio di esplosioni.
- Collegare il caricabatterie al tipo di alimentazione di rete e alla frequenza di rete indicate sulla targhetta delle specifiche.
- Collegare il caricabatterie solo a una presa a muro facilmente accessibile.
- Non inserire mai oggetti nelle fessure di raffreddamento del pacco batterie o del caricabatterie (A).
- Non caricare o utilizzare un pacco batterie o un caricabatterie difettoso, danneggiato o deformato.
- Non aprire, danneggiare o far cadere il pacco batterie o il caricabatterie.
- Se la batteria è danneggiata o viene utilizzata in modo improprio, potrebbe fuoriuscire del liquido; evitare il contatto con la pelle. In caso di contatto accidentale, sciacquare abbondantemente le aree della pelle interessate con acqua e sapone. In caso di contatto del liquido con gli occhi, non strofinare. Sciacquare abbondantemente gli occhi con acqua per almeno 15 minuti. Richiedere inoltre assistenza medica.
- Non ponticellare (cortocircuitare) i contatti del pacco batteria o i terminali del caricabatterie con oggetti metallici.
- Proteggere dai raggi diretti del sole, calore e fiamme aperte e non gettare mai le batterie nel fuoco; vi è rischio di esplosione.
- In presenza di fumo o incendio nel caricabatterie, scollegarlo immediatamente dalla presa a muro.
- Se il cavo di alimentazione è danneggiato, scollegarlo immediatamente dalla presa, per evitare il rischio di scosse elettriche.
- Non esporre il pacco batterie a microonde o alta pressione.
- Proteggere l'unità da eventuali avviamenti non intenzionali. Rimuovere il pacco batterie dall'unità prima dell'eventuale trasporto o stoccaggio dell'unità. Non utilizzare contenitori metallici per il trasporto delle batterie.
- Non utilizzare il cavo di alimentazione per impieghi differenti da quelli specificati, come per il trasporto o per appendere il caricabatterie.
- Al fine di ridurre il rischio di inciampare, posizionare e marcare il cavo di alimentazione in modo tale che non possa essere danneggiato o che costituisca un rischio per gli altri.
- Per lo scollegamento, afferrare la spina e non il cavo.

## NOTA

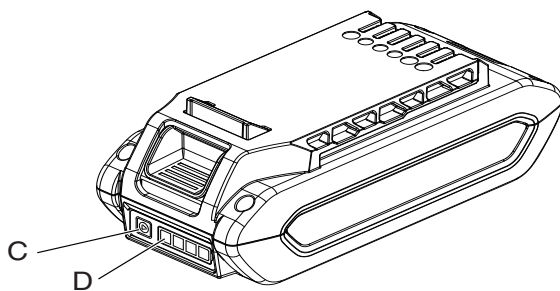
- La batteria viene fornita già parzialmente carica quando l'unità viene spedita dalla fabbrica e deve pertanto essere caricata completamente prima dell'uso.
- Ricaricare la batteria quando questa non è più in grado di generare una potenza sufficiente a far funzionare l'unità, oppure quando la spia della batteria indica una bassa carica residua.



1. Inserire il cavo di alimentazione CA del caricabatterie in una presa di rete.
2. Allineare i bordi della batteria con le scanalature del caricabatterie e quindi inserire la batteria all'interno del caricabatterie.
3. Durante le normali fasi di ricarica, il LED del caricabatterie (B), emetterà un lampeggio continuo di colore VERDE.

## IMPORTANTE

- Se il caricabatterie rileva un problema, il LED emette un lampeggio di colore rosso. In tal caso, rimuovere la batteria dal caricabatterie, eliminare le eventuali ostruzioni dai contatti e reinstallare la batteria nel caricabatterie. Se la batteria sta operando fuori dai limiti di temperatura (da 0 °C a 60 °C), il LED continuerà ad emettere il lampeggio ROSSO.
4. Una volta completata la ricarica, il LED emette una luce VERDE fissa.
  5. Assicurarsi che la batteria sia interamente carica, rimuovendola dal caricabatterie e quindi premendo il pulsante di misurazione dello stato di carica della batteria (C), e verificando lo stato sul relativo indicatore a LED (D).
    - ◆ 1 luce verde indica che la batteria ha una carica residua del 0-25%.
    - ◆ 2 luci verdi indicano che la batteria ha una carica residua del 25-50%.
    - ◆ 3 luci verdi indicano che la batteria ha una carica residua del 50-75%.
    - ◆ 4 luci verdi indicano che la batteria ha una carica residua del 75-100%.
  6. Scollegare il caricabatterie dall'alimentazione di rete.



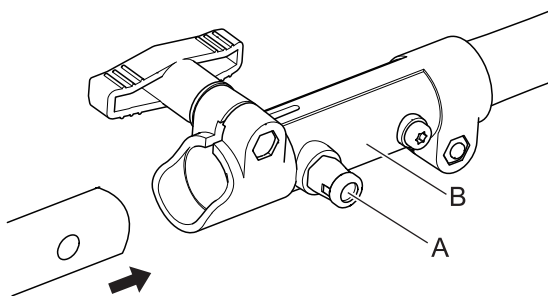
## Montaggio

### **⚠ AVVERTENZA**

- Leggere attentamente il manuale per l'operatore per essere certi di montare correttamente il prodotto. L'uso di un prodotto non montato correttamente potrebbe causare incidenti o lesioni gravi.

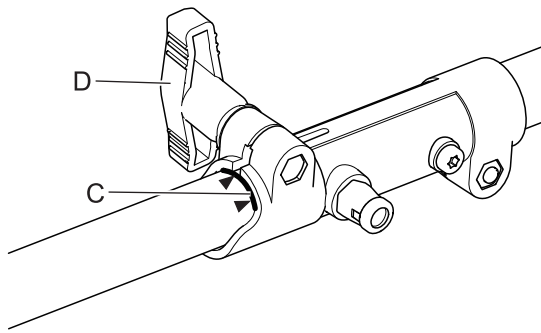


## Montaggio dell'albero dell'accessorio



1. Posizionare il gruppo albero/testa dell'unità su una superficie piana.
2. Tirare il perno di centraggio (A) e ruotarlo di un 1/4 di giro in senso antiorario per bloccarlo in posizione.
3. Rimuovere il tappo in vinile dall'albero dell'accessorio.

# Prima di iniziare



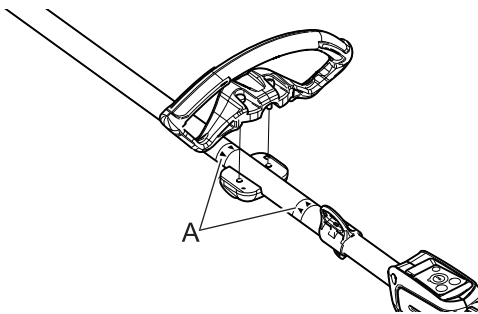
- Innestare con cautela il gruppo albero motore nell'accoppiatore (B) fino alla decalcomania (C), prestando attenzione che l'albero motore inferiore interno si innesti correttamente nell'attacco quadro dell'albero motore superiore.

## NOTA

L'alloggiamento del cuscinetto inferiore e la testa dell'unità devono essere in linea con l'unità.

- Ruotare il perno di centraggio (A) di 1/4 di giro in senso orario per innestarlo nel foro dell'albero inferiore. Accertarsi che il perno di centraggio sia innestato correttamente ruotando l'albero motore inferiore. Il perno di centraggio dovrebbe innestarsi nell'accoppiatore apparendo a filo con la superficie di quest'ultimo. Il completo inserimento dovrebbe impedire la rotazione dell'albero.
- Fissare il gruppo albero inferiore all'accoppiatore serrando la manopola di serraggio (D).
- Per lo smontaggio, invertire la sequenza delle istruzioni di montaggio.

## Montaggio dell'impugnatura ad anello



Collocare l'impugnatura in una posizione comoda e serrare i bulloni.

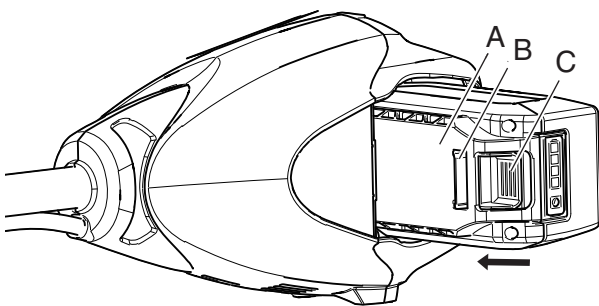
## ⚠ ATTENZIONE

- Installare l'impugnatura tra i contrassegni (A).

## Installazione della batteria

### ⚠ AVVERTENZA

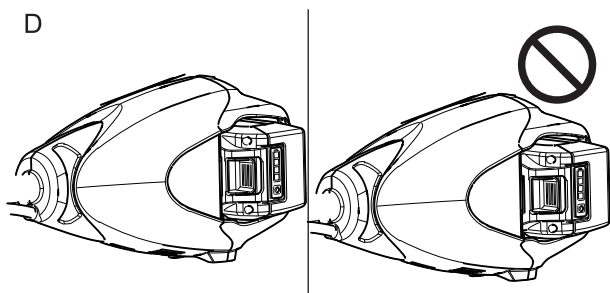
- L'accessorio è in funzione quando la batteria è inserita, il LED di alimentazione è acceso e l'interruttore a grilletto e il relativo fermo dell'interruttore a grilletto sono attivati. Assicurarsi che l'unità sia posizionata correttamente, per evitare di perdere il controllo e scongiurare il rischio di gravi infortuni. Mantenere le parti mobili dell'accessorio sollevate da terra e lontano da oggetti che potrebbero rimanere incastrati o essere lanciati.
- Rimuovere la batteria quando ci si allontana dall'unità.



- Assicurarsi che l'unità sia disalimentata.
- Allineare i bordi (A) del pacco batterie con le scanalature presenti sulla testa dell'unità. Inserire il pacco batterie all'interno della testa dell'unità.
- Prima di azionare l'unità, accertarsi che il fermo sul pacco batterie (B) sia correttamente innestato nella sua sede e che il pacco batterie sia saldamente inserito nel suo alloggiamento.
- Per estrarre la batteria, premere il pulsante di sgancio del pacco batteria (C) e quindi estrarre la batteria dalla testa dell'unità.

## NOTA

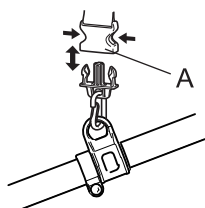
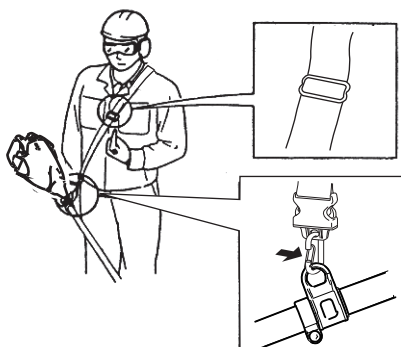
- ♦ Il fermo del pacco batterie è in posizione di blocco quando questo appare correttamente inserito nella sua sede.



## IMPORTANTE

Prima di utilizzare l'unità, assicurarsi che la batteria sia inserita correttamente, con pulsante di sgancio della batteria saldamente fissato nella posizione di blocco (D).

## Regolazione della cinghia a spalla



1. Agganciare il gancio della cinghia alla graffa sul tubo esterno.
2. Indossare la cinghia a bandoliera in modo tale che il gancio si trovi sul lato destro.
3. Regolare la lunghezza della cinghia a bandoliera in modo tale da poter sostenere e utilizzare la macchina comodamente.

## IMPORTANTE

○ Accertarsi che tutti i ganci e i dispositivi di regolazione siano fissati saldamente.

- \* La cinghia a spalla è dotata di una funzione di rilascio di emergenza. In caso di emergenza, tirare il collare verso l'alto (A) per sganciare la macchina dalla cinghia.

# Funzionamento

## PERICOLO

- Le linee elettriche e i cavi aerei per le comunicazioni possono trasportare flussi di corrente con tensioni elevate. Questa unità non è isolata dalla corrente elettrica. Al fine di evitare il rischio di lesioni gravi o mortali, non toccare mai direttamente o indirettamente i cavi.

## AVVERTENZA

- Non utilizzare l'unità in atmosfere esplosive, come ambienti saturi di liquidi, gas o polveri infiammabili. L'unità genera scintille, che possono incendiare polveri o fumi infiammabili.

Prestare particolare attenzione alle seguenti precauzioni quando si avvia l'unità:

- Controllare che non ci siano dadi o bulloni allentati.
  - Non lasciare chiavi o utensili di bloccaggio attaccati alla parte rotante dell'unità.
  - Lasciare sufficiente spazio intorno al prodotto e non permettere a persone o animali di avvicinarsi.
- La mancata osservanza di queste precauzioni può provocare incidenti, lesioni o perfino la morte.

- Quando l'unità è in funzione, assicurarsi che non ci siano vibrazioni o rumori anomali. Non utilizzare il prodotto se ci sono vibrazioni o rumori anomali. Contattare il rivenditore per la riparazione.

Incidenti che provocano la caduta o la rottura di componenti possono causare ferite o lesioni gravi.

- Prima di un eventuale trasporto, spegnere sempre l'unità e rimuovere la batteria.

- Non toccare la trasmissione angolare o altri componenti ad alta temperatura mentre il prodotto è acceso e subito dopo lo spegnimento.

Il contatto con componenti ad alta temperatura potrebbe causare ustioni.

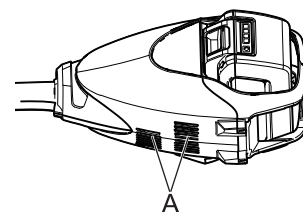


- Non utilizzare mai l'unità sporgendosi e mantenere sempre una posizione che garantisca un equilibrio ottimale; assicurarsi inoltre di avere sempre i piedi saldamente poggiati al suolo mentre si opera su tratti in pendenza o si cammina. Non correre durante l'uso dell'unità.

- Non utilizzare mai l'unità con protezioni o schermature difettose, oppure quando questa è priva di dispositivi di sicurezza, oppure ancora quando il filo è danneggiato o usurato.

## IMPORTANTE

- Mantenere sempre pulite le feritoie di ventilazione (A).



## NOTA

- Se, dopo l'acquisto, l'attrezzo viene utilizzato per la prima volta in ambienti con basse temperature, in talune occasioni potrebbe non funzionare in maniera fluida e omogenea. Questo fenomeno non indica alcun guasto o malfunzionamento dell'attrezzo. In tal caso, sarà sufficiente attendere che l'attrezzo raggiunga la temperatura ambientale (temperatura normale) e quindi accenderlo e spegnerlo ripetutamente prima dell'uso.

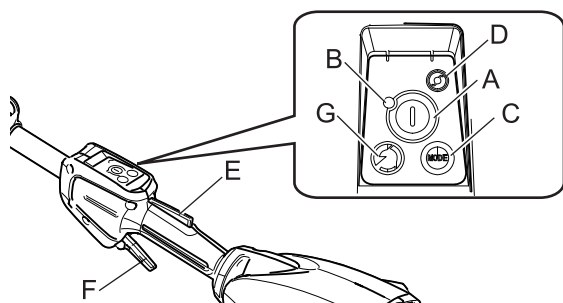
## Avvio dell'unità

## AVVERTENZA

- L'accessorio è in funzione quando la batteria è inserita, il LED di alimentazione è acceso e l'interruttore a grilletto e il relativo fermo dell'interruttore a grilletto sono attivati. Assicurarsi che il prodotto sia posizionato correttamente, per evitare di perdere il controllo e scongiurare il rischio di gravi infortuni.



# Funzionamento



1. Verificare l'accessorio non entri in contatto con la superficie del terreno o con qualsiasi altro impedimento, utilizzando un asse o un attrezzo analogo.
2. Premere il pulsante di accensione (A) una volta, per accendere l'unità.
  - \* Il LED di alimentazione (B) resta illuminato quando l'unità è accesa.
3. Quando si utilizza l'attacco trimmer, il pulsante di modalità di pressione (C), illumina il LED indicatore di modalità (D) (modalità trimmer). Quando si utilizza l'altro attacco, pulsante di modalità di pressione (C), led indicatore modalità di spegnimento (D).
  - \* In modalità trimmer, è possibile lavorare comodamente alla velocità ottimale rpm per l'attacco trimmer. Quando non è in modalità trimmer, è possibile lavorare comodamente all'ampia gamma di velocità RPM con gli altri accessori.
4. Tenere premuto il fermo dell'interruttore a grilletto (E) e premere l'interruttore a grilletto (F) per incrementare il regime di giri fino a raggiungere la corretta velocità di funzionamento
5. Per modificare la velocità massima, premere il pulsante di velocità (G).
6. La velocità massima cambia nell'ordine di bassa velocità, media velocità, alta velocità e quindi ritorna alla bassa velocità dopo l'alta velocità.
7. Se si preme il pulsante modalità per un secondo, mantenere la velocità in quel momento.
8. Per non mantenere la velocità, pulsante di modalità push.

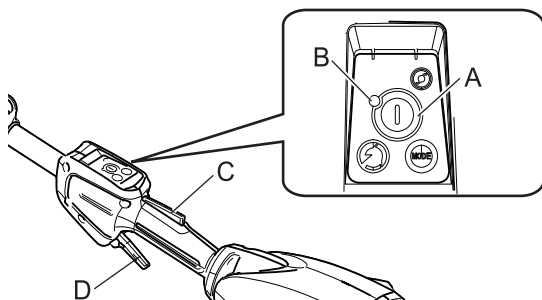
## IMPORTANTE

- Quando l'unità è accesa:
  - Dopo 90 secondi l'unità si spegnerà automaticamente.
  - Se il LED rimane acceso, il funzionamento è normale.
  - Se il LED lampeggia una volta al secondo, è necessario sostituire la batteria.
  - Se il LED lampeggia quattro volte al secondo, significa che l'unità è guasta. Spegner l'unità. Rimuovere la batteria. Rimuovere ogni traccia di residui dalla testina a filo. Reinstallare la batteria. Rialimentare l'unità. Se il LED continua a lampeggiare, recarsi presso un centro di assistenza autorizzato per far riparare il prodotto.

## Arresto dell'unità

### AVVERTENZA

- L'accessorio continua a funzionare per un breve periodo dopo lo spegnimento dell'unità.



1. Rilasciare l'interruttore a grilletto e il fermo dell'interruttore a grilletto, per arrestare la testa di l'accessorio.
2. Premere il pulsante di accensione (A), per spegnere l'unità.
  - \* Il LED di alimentazione (B) resta spento quando l'unità è spenta.
  - \* Se l'accessorio non si arresta quando vengono rilasciati l'interruttore a grilletto e il relativo fermo, premere il pulsante di accensione per spegnere l'unità e quindi rimuovere la batteria per disalimentare totalmente l'unità. Quindi, portare l'unità presso un centro di assistenza autorizzato per far riparare il pulsante di accensione, prima di utilizzare nuovamente prodotto.

# Manutenzione e cura

## **⚠ AVVERTENZA**

Osservare le seguenti precauzioni durante il controllo e la manutenzione del prodotto dopo l'uso:

- Spegner l'unità, rimuovere la batteria e assicurarsi che tutte le parti in movimento si siano completamente arrestate.  
Un avvio imprevisto del prodotto potrebbe causare un incidente.
- Prima di eseguire le operazioni di manutenzione, far raffreddare l'unità.  
L'esecuzione di interventi a motore caldo può causare ustioni.

- Mai effettuare la manutenzione di pacchi batteria danneggiati. La manutenzione dei pacchi batteria deve essere effettuata esclusivamente dal produttore o da addetti all'assistenza autorizzati.

## **IMPORTANTE**

- Il controllo e la manutenzione richiedono competenze specializzate. In caso di problemi o difficoltà durante il controllo o la manutenzione del prodotto o la riparazione in caso di guasto, consultare il proprio rivenditore. Non tentare di smontare il prodotto.

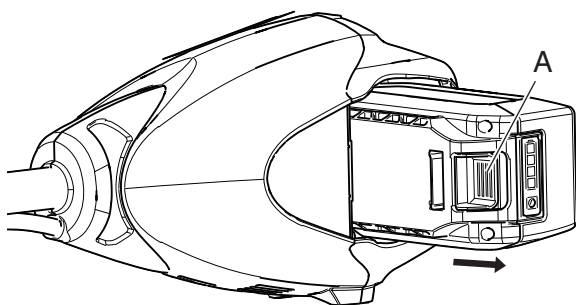
### Guida alla manutenzione

Parte	Manutenzione	Pagina	Prima dell'uso	Mensilmente
Batteria	Ispezionare/pulire/caricare	8	•	
Viti, bulloni e dadi	Ispezionare/serrare/sostituire	-	•	

### Manutenzione e cura

In caso di dubbi o problemi, contattare il rivenditore.

#### Pulitura della batteria e dello scomparto batterie



## **⚠ AVVERTENZA**

- Rischio di scosse elettriche o incendio. Non utilizzare materiali conduttivi per pulire la batteria o lo scomparto batteria.

1. Rilasciare l'interruttore a grilletto e il fermo dell'interruttore a grilletto, per arrestare la testa dell'accessorio.
2. Assicurarsi che il LED di alimentazione non sia illuminato.
3. Premere il pulsante di sgancio del pacco batteria (A) e quindi estrarre la batteria dalla testa dell'unità.
4. Utilizzare aria compressa o una spazzola a setole morbide per rimuovere gli eventuali residui presenti sulla batteria e nello scomparto batteria.

#### Problemi tecnici

## **IMPORTANTE**

- Per i pezzi di ricambio e gli articoli di consumo, utilizzare solo parti originali, prodotti e componenti raccomandati. L'utilizzo di ricambi di altri produttori o componenti non raccomandati potrebbe provocare guasti.

# Manutenzione e cura

Problema	Causa	Rimedio
La spia rossa del caricabatterie lampeggia oppure non si illumina	<ol style="list-style-type: none"><li>1. Spina non collegata alla presa a muro</li><li>2. Pacco batterie non installato correttamente</li><li>3. Collegamento ostruito</li><li>4. Anomalia nel caricabatterie</li><li>5. Anomalia nel pacco batterie</li></ol>	<ol style="list-style-type: none"><li>1. Collegare il caricabatterie all'alimentazione</li><li>2. Controllare l'installazione del pacco batterie</li><li>3. Reinstallare il pacco batterie dopo aver rimosso le ostruzioni dal collegamento.</li><li>4. Consultare il rivenditore</li><li>5. Consultare il rivenditore</li></ol>
L'unità non si accende	<ol style="list-style-type: none"><li>1. Pacco batterie non installato correttamente</li></ol>	<ol style="list-style-type: none"><li>1. Controllare l'installazione del pacco batterie</li></ol>
L'unità non funziona dopo l'accensione	<ol style="list-style-type: none"><li>1. Pacco batterie scarico</li><li>2. La temperatura del pacco batterie è superiore ai valori considerati accettabili</li></ol>	<ol style="list-style-type: none"><li>1. Caricare il pacco batterie</li><li>2. Rimuovere il pacco batteria e farlo raffreddare</li></ol>
Tempo di funzionamento troppo breve	<ol style="list-style-type: none"><li>1. La temperatura del pacco batterie è superiore ai valori considerati accettabili</li><li>2. I componenti elettronici sono surriscaldati</li><li>3. Pacco batterie scarico</li></ol>	<ol style="list-style-type: none"><li>1. Rimuovere il pacco batteria e farlo raffreddare</li><li>2. Spegnerne l'unità e attendere che si raffreddi</li><li>3. Caricare il pacco batterie</li></ol>

- ♦ In caso di problemi non menzionati in tabella sopra, o in presenza di altri problemi, consultare il proprio rivenditore.
- ♦ Contattare il proprio rivenditore per smaltire il prodotto o parti di esso in conformità alle normative nazionali.

## Produttore:

**YAMABIKO CORPORATION**

1-7-2 Suehirocho, Ohme, Tokyo 198-8760 GIAPPONE

## Rappresentante autorizzato in Europa:

**CERTIFICATION EXPERTS B.V.**

Amerlandseweg 7, 3621 ZC Breukelen, Paesi Bassi

## Rimessaggio

### **AVVERTENZA**

- **Non stoccare in un contenitore in cui potrebbero accumularsi fumi infiammabile.**  
Ciò potrebbe provocare un incendio.



Quando si conserva il prodotto per un lungo periodo, assicurarsi di effettuare le seguenti operazioni di preparazione.

### Unità motore

1. Spegnerne l'unità.
2. Rimuovere la batteria dalla testa dell'unità.
3. Rimuovere eventuali accumuli di sporco e detriti dalle parti esterne dell'unità.
4. Serrare tutte le viti e i dadi.
5. Coprire lo scomparto batteria della testa dell'unità, la batteria e il caricabatterie.
6. Conservare l'unità in un luogo asciutto e privo di polvere, lontano dalla portata dei bambini.

### Batteria

1. Rimuovere la batteria dalla testa dell'unità.
2. Conservare in un luogo asciutto e privo di polvere, lontano dalla portata dei bambini.
3. Conservare a temperature comprese tra -20 °C e 60 °C.
4. Se la batteria deve restare inutilizzata per oltre un anno, ricaricarla fino al 40 - 60 % della capacità.

# Manutenzione e cura

---

## Caricabatterie

1. Rimuovere la batteria dal caricabatterie.
2. Scollegare il caricabatterie dall'alimentazione di rete.
3. Conservare in un luogo asciutto e privo di polvere, lontano dalla portata dei bambini.

## Smaltimento



- ♦ I componenti principali di plastica del prodotto presentano dei codici che indicano i materiali che li costituiscono. I codici fanno riferimento ai seguenti materiali; smaltire questi componenti di plastica in conformità alla legislazione locale.

Contrassegno	Materiale
>PA6-GF<	Nylon 6 - Fibra di vetro
>PP-GF<	Polipropilene - Fibra di vetro
>PE-HD<	Polietilene
>PP<	Polipropilene

- ♦ Contattare il proprio concessionario per ottenere informazioni sulle modalità di smaltimento dei componenti in plastica.
- ♦ La batteria contiene litio. Eseguire lo smaltimento soltanto presso uno dei punti di raccolta designati.
- ♦ Le batterie agli ioni di litio devono essere riciclate o smaltite correttamente.

# Caratteristiche tecniche

	DPAS-2600
<b>Dimensioni esterne:</b> Lunghezza × Larghezza × Altezza	1082 × 229 × 186 mm
<b>Massa:</b> Unità senza batteria e imbracatura Unità con batteria e imbracatura	2,4 kg 4,3 kg
<b>Batteria:</b> Tipo Pacco in tensione Tipo caricabatterie Tensione di ingresso caricabatterie	Ioni di litio 56 Volt (nominale, 50,4 V) CCCV 220 - 240 Volt c.a.
<b>Spie del caricabatterie:</b>	LED Rosso: la temperatura della batteria ha superato i valori di temperatura prestabiliti LED Rosso lampeggiante: malfunzionamento LED Verde: ricarica batteria completata LED Verde lampeggiante: la ricarica procede normalmente
<b>Tempo di carica:</b>	(con LCJQ-560) Batteria LBP-560-100: Circa 42 minuti. Batteria LBP-560-200: Circa 88 minuti.

Queste specifiche possono subire modifiche senza preavviso.

## Accessori opzionali approvati da YAMABIKO

(Livello pressione acustica, Livello di potenza acustica e Livelli di vibrazioni)

### **AVVERTENZA**

- Per i modelli della serie Pro Attachment utilizzare esclusivamente accessori approvati da YAMABIKO. L'uso di combinazioni di accessori non approvati può causare lesioni gravi. Leggere e osservare le istruzioni per la sicurezza riportate in questo manuale e nel manuale dell'accessorio.
- YAMABIKO declina qualsiasi responsabilità per guasti a dispositivi di taglio o ad accessori non collaudati e approvati da YAMABIKO per l'uso con le unità della serie Pro Attachment.

# Caratteristiche tecniche

		2006/42/CE				2000/14/CE	
		Livello di pressione acustica [dB(A)]		Livello di potenza acustica [dB(A)]		Livello di potenza acustica misurato [dB(A)]	Livello di potenza acustica garantito [dB(A)]
Accessorio	Standard	L <sub>pA</sub>	Incertezza K <sub>pA</sub>	L <sub>WA</sub>	Incertezza K <sub>WA</sub>	L <sub>WA</sub>	L <sub>WA</sub>
TAGLIASIEPI MTA-DAH	EN62841-4-2	85,5	3,0	93,4	3,0	93	96
Potatore MTA-DPP	ISO 11680-1 (ISO 22868)	94,4	3,0	105,2	3,0	105*1	108*1
DECESPUGLIATORE/BORDATORE MTA-DTB	EN50636-2-91	79,6	3,0	92,0	3,0	91*2	96*2
Spazzatrice MTA-PS	(ISO22868)	77,3	3,0	90,1	3,0	90 *1	93 *1
Soffiatore MTA-PB	EN50636-2-100	90,0	3,0	100,3	3,0	100	103
Motozappa MTA-TC	(ISO22868)	75,2	3,0	91,5	3,0	92 *1	95 *1
Tagliabordi MTA-LE	ISO 11789 (ISO22868)	79,3	3,0	93,5	3,0	94	97

\*1: Questi valori non rientrano nella direttiva 2000/14/EC.

\*2: Tali valori rientrano nel campo di applicazione della direttiva 2000/14/CE modificata dal 2005/88/CE (la procedura di valutazione della conformità ha fatto seguito all'allegato VI).

		2006/42/CE		
		Valore delle vibrazioni dichiarate [m/s <sup>2</sup> ]		
Accessorio	Standard	Front/Left handle	Rear/Right handle	Incertezza K
TAGLIASIEPI MTA-DAH	EN62841-4-2	4,2	2,4	1,5
Potatore MTA-DPP	ISO 11680-1 (ISO 22867)	4,4	2,1	1,5
DECESPUGLIATORE/BORDATORE MTA-DTB	EN50636-2-91	3,8	2,9	1,5
Spazzatrice MTA-PS	(ISO22867)	2,5	1,3	1,5
Soffiatore MTA-PB	EN50363-2-100	3,3	1,3	1,5
Motozappa MTA-TC	(ISO22867)	2,7	1,3	1,5
Tagliabordi MTA-LE	ISO 11789 (ISO22867)	3,5	1,8	1,5

Le vibrazioni e le emissioni rumorose durante l'uso effettivo dell'unità possono variare rispetto ai valori dichiarati a seconda del modo di utilizzo dell'attrezzo e in particolare in base al tipo di pezzo trattato.

# Dichiarazione di conformità

Il produttore sottoscritto:

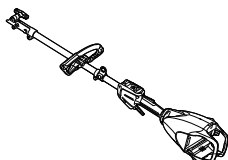
**YAMABIKO CORPORATION**  
1-7-2 Suehirocho Ohme, Tokyo 198-8760 GIAPPONE

La presente dichiarazione di conformità viene rilasciata sotto la responsabilità esclusiva del produttore.

dichiara che la nuova macchina di seguito descritta:

## SERIE PRO ATTACHMENT

**Marchio: ECHO**  
**Tipo: DPAS-2600**



è conforme alle seguenti normative:

- \* i requisiti della **Direttiva 2006/42/CE** (uso della norma armonizzata **ISO 60335-1: 2012, EN 50636-2-91: 2014, EN 50636-2-100: 2014, EN 62841-1: 2015, EN62841-4-2: 2019, EN ISO 11806-1: 2011, EN ISO 11789: 1999, e EN ISO 11680-1: 2011**)
- \* Requisiti richiesti dalla **Direttiva 2014/30/UE** (uso della norma armonizzata **EN 55014-1: 2017 +A11: 2020, EN 55014-2: 2015**)
- \* i requisiti della **2000/14/EC** modificato da **2005/88/EC**

	Conforme alla procedura di accertamento dell'	Livello di potenza acustica misurato	Livello di potenza acustica garantito
DPAS-2600 + MTA-DAH	<b>ALLEGATO V</b>	93 dB(A)	96 dB(A)
DPAS-2600 + MTA-DPP	<b>ALLEGATO V</b>	105 dB(A)	108 dB(A)
DPAS-2600 + MTA-DTB	<b>ALLEGATO VI</b> TÜV SÜD Industrie Service GmbH (Notified Body 0036) Westendstraße 199 80686 München Deutschland	91.2 dB(A)	96 dB(A)
DPAS-2600 + MTA-PS	<b>ALLEGATO V</b>	90 dB(A)	93 dB(A)
DPAS-2600 + MTA-PB	<b>ALLEGATO V</b>	100 dB(A)	103 dB(A)
DPAS-2600 + MTA-TC	<b>ALLEGATO V</b>	92 dB(A)	95 dB(A)
DPAS-2600 + MTA-LE/E	<b>ALLEGATO V</b>	94 dB(A)	97 dB(A)

- \* i requisiti della **2011/65/EU** (uso della norma armonizzata **EN IEC63000: 2018**)

Numero di serie dar U49835000001 a U49835100000

Tokyo, 27 gennaio 2022

## YAMABIKO CORPORATION

**Hisashi Kobayashi**  
**Direttore generale**  
**Reparto Garanzia di qualità**

**Rappresentante autorizzato in Europa a costituire il fascicolo tecnico.**

Azienda: CERTIFICATION EXPERTS B.V.

Indirizzo: Amerlandseweg 7, 3621 ZC Breukelen, Paesi Bassi

**Mr. Richard Glaser**

**YAMABIKO CORPORATION**  
1-7-2 Suehirocho, Ohme, Tokyo 198-8760 GIAPPONE  
TELEFONO: 81-428-32-6118. FAX: 81-428-32-6145.



X750823-0401





ES ESPAÑOL  
(Instrucciones originales)

# MANUAL DE INSTRUCCIONES

## SERIE PRO ATTACHMENT

### DPAS-2600

#### ADVERTENCIA



LEA ATENTAMENTE LAS INSTRUCCIONES Y SIGA LAS INDICACIONES PARA UN FUNCIONAMIENTO SEGURO.  
DE NO HACERLO, PODRÍA SUFRIR LESIONES GRAVES.

# Contenido

---

Para una utilización segura del producto.....	3
Descripción .....	7
Antes de comenzar .....	8
Lista de piezas.....	8
Carga de la batería .....	8
Montaje .....	9
Instalación de la batería .....	10
Ajuste del arnés .....	11
Funcionamiento .....	12
Encendido de la unidad .....	12
Detención de la unidad .....	13
Mantenimiento y cuidados .....	15
Directivas de asistencia .....	15
Mantenimiento y cuidados .....	15
Almacenamiento .....	16
Eliminación .....	17
Características técnicas.....	18
Declaración de conformidad .....	20

# Para una utilización segura del producto

## Información importante

### **⚠ ADVERTENCIA**

**Asegúrese de leer el manual de instrucciones antes de utilizar el producto.**

#### **Acerca del manual de instrucciones**

- Este manual proporciona la información necesaria para el montaje, funcionamiento y mantenimiento de esta máquina. Léalo atentamente y asimile su contenido.
- Mantenga siempre el manual en un lugar fácilmente accesible.
- Si ha extraviado el manual o está dañado y no es posible leerlo, por favor adquiera uno nuevo en su distribuidor.
- Las unidades utilizadas en este manual son unidades SI (sistema internacional de unidades). Las cifras que aparecen entre paréntesis son valores de referencia y, en algunos casos, puede haber un ligero error de conversión. Si no lo hace, podría producirse un accidente o una lesión grave.

#### **Uso al que está destinado este producto**

- Este producto de peso ligero y alto rendimiento funciona ha sido diseñado para el uso de accesorios.
- No utilice este aparato para ningún otro propósito distinto de los mencionados anteriormente.
- El contenido de este manual puede sufrir cambios sin previo aviso debido a actualizaciones del producto. Algunas de las ilustraciones utilizadas pueden ser diferentes al propio producto para hacer más claras las explicaciones.
- Consulte con su distribuidor si hay algo que no esté claro o le preocupe. Si no lo hace, podría producirse un accidente o una lesión grave.

#### **No modifique el producto**

- No debe modificar el producto. De hacerlo, podría provocar un accidente o una lesión grave. Cualquier error resultante de una modificación del producto no estará cubierto por la garantía del fabricante.

#### **No utilice el producto a no ser que haya sido comprobado y se le haya realizado el mantenimiento**

- No debe utilizar el producto a no ser que haya sido comprobado y se le haya realizado el mantenimiento. Asegúrese siempre de comprobar el producto y de realizar regularmente el mantenimiento. Si no lo hace, podría producirse un accidente o una lesión grave.

#### **Préstamo o asignación del producto**

- Cuando preste el producto a una tercera persona, asegúrese de que la persona que toma prestado el producto recibe también el manual de instrucciones.
- Si asigna el producto a una tercera persona, adjunte el manual de instrucciones con el producto cuando haga la entrega. Si no lo hace, podría producirse un accidente o una lesión grave.

#### **Usuarios del producto**

- El producto no podrá ser utilizado por:
  - ◆ personas que estén cansadas
  - ◆ personas que hayan consumido alcohol
  - ◆ personas que estén tomando medicación
  - ◆ mujeres embarazadas
  - ◆ personas que estén en una mala condición física
  - ◆ personas que no hayan leído el manual de instrucciones
  - ◆ niños
- Tenga presente que el operador o usuario es responsable de los accidentes o peligros ocasionados a terceras personas o a su propiedad. Si no sigue estas instrucciones podría provocar un accidente.
- Los componentes de esta máquina generan un campo electromagnético durante su funcionamiento, lo que podría interferir con algunos marcapasos. Para reducir los riesgos para la salud, recomendamos a los usuarios de marcapasos que consulten a su médico y al fabricante del marcapasos antes de utilizar este producto.



# Para una utilización segura del producto

## ADVERTENCIA

### Las vibraciones y el frío

- Se cree que puede contraerse una enfermedad llamada fenómeno de Raynaud, que afecta a los dedos de ciertos individuos, si está expuesto a vibraciones y frío. La exposición a las vibraciones y al frío puede causar cosquilleo y quemazón en los dedos, seguido de pérdida de color y sensación de dedos dormidos. Se recomiendan las siguientes precauciones, ya que se desconoce cuál es la exposición mínima que desencadena esta dolencia.
    - ◆ Mantenga el cuerpo caliente, especialmente la cabeza y el cuello, los pies y los tobillos y las manos y las muñecas.
    - ◆ Mantenga una buena circulación sanguínea realizando vigorosos ejercicios con los brazos durante frecuentes descansos y también no fumando.
    - ◆ Limite el número de horas de trabajo. Intente también hacer cada día trabajos en los que no sea necesario usar el cortabordes u otros equipos eléctricos de sujeción manual.
    - ◆ Si experimenta molestias, rojez o hinchazón de los dedos, seguidos de una pérdida de sensación y emblaquecimiento de los mismos, consulte con su médico antes de volver a exponerse al frío y a las vibraciones.
- Si no tiene en cuenta estas instrucciones podría perjudicar su salud.

### Lesiones por esfuerzos repetitivos

- Se cree que un uso excesivo de los músculos y tendones de los dedos, manos, brazos y hombros puede causar dolores, hinchazones, adormecimiento, entumecimiento, debilidad y dolores extremos en los mismos. Ciertas actividades repetitivas de las manos pueden suponer un alto riesgo para el usuario de desarrollo de lesiones debidas a esfuerzos repetitivos (RSI). Para reducir el riesgo de lesiones por RSI:
    - ◆ Evite colocar la muñeca en posición doblada, extendida o torcida.
    - ◆ Tómese descansos periódicos para minimizar la repetición y deje descansar las manos. Reduzca la velocidad y fuerza con la que hace el movimiento repetitivo.
    - ◆ Haga ejercicios que fortalezcan los músculos de las manos y de los brazos.
    - ◆ Consulte a su médico si siente cosquilleos, adormecimiento o dolor en los dedos, manos, muñecas o brazos. Cuanto antes se diagnostiquen lesiones por RSI, más probabilidades tendrá de prevenir daños permanentes en los nervios y músculos.
- Si no tiene en cuenta estas instrucciones podría perjudicar su salud.

### Formación adecuada

- No permita que nadie utilice este producto sin la formación adecuada ni equipos de protección.
  - Familiarícese al máximo con los controles y el uso adecuado de esta máquina.
  - Aprenda a detener la máquina y a desconectar el motor.
  - Aprenda a desenganchar rápidamente la unidad conectada.
  - No permita bajo ningún concepto que nadie use este producto sin la debida formación.
- Si no tiene en cuenta estas instrucciones podría perjudicar su salud.

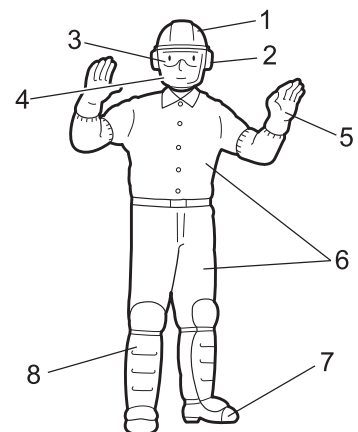
### Utilice indumentaria adecuada.

- Si lleva el pelo largo, recójase por encima de los hombros.
  - No utilice corbatas, joyería o ropa floja o colgante que pueda quedar atrapada en la unidad.
  - No utilice calzado con la puntera abierta ni vaya descalzo o sin perneras.
- Si no tiene en cuenta estas precauciones, podrían derivarse daños en la visión o en la audición o dar lugar a una lesión grave.



### Póngase indumentaria de protección

- Utilice en todo momento la siguiente indumentaria protectora.
    1. Protección para la cabeza (casco): Protege la cabeza
    2. Orejeras o tapones para los oídos: Protegen los oídos
    3. Gafas de seguridad: Protegen los ojos
    4. Careta: Protege la cara
    5. Guantes de seguridad: Protegen las manos del frío y la vibración
    6. Ropa de trabajo ajustada (mangas y pantalones largos): Protege el cuerpo
    7. Botas protectoras antideslizantes y pesadas (con punteras) o zapatos de trabajo antideslizantes (con punteras): Protegen los pies
    8. Protectores para las espinillas: Protegen las piernas
- Si no tiene en cuenta estas precauciones, podrían derivarse daños en la visión o en la audición o dar lugar a una lesión grave.
- En caso necesario, utilice la ropa de protección descrita a continuación.
    - ◆ Mascarilla para el polvo: Protege el aparato respiratorio
    - ◆ Red para abejas: Para hacer frente a ataques de abejas



# Para una utilización segura del producto

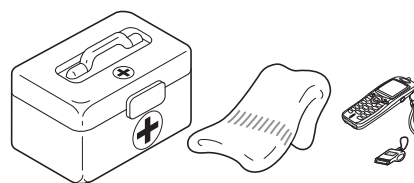
## ADVERTENCIA

### Condiciones de uso y de funcionamiento

- No utilice el producto:
  - ◆ en lugares mojados o húmedos.
  - ◆ si llueve.
  - ◆ en condiciones meteorológicas adversas.
  - ◆ sobre pendientes inclinadas o en lugares en los que no exista un apoyo firme para los pies y el terreno sea resbaladizo.
  - ◆ de noche o en lugares oscuros con mala visibilidad.
  - ◆ si hay riesgo de rayos.
- Cuando utilice el producto en una pendiente suave, trabaje con un movimiento nivelado similar al contorno.  
Si se cae o se resbala podría sufrir una lesión grave, o bien no lograr que el producto funcione correctamente.
- Por cuestiones de salud, seguridad y comodidad del trabajo, trabaje con la máquina en un intervalo de temperatura del aire de -5 °C a 40 °C.  
Si no tiene en cuenta estas instrucciones podría perjudicar su salud.


### Preparación en caso de sufrir una lesión


- En el improbable caso de sufrir un accidente o lesión, asegúrese de estar preparado.
    - ◆ Kit de primeros auxilios
    - ◆ Paños y toallas (para detener cualquier hemorragia)
    - ◆ Silbato o teléfono móvil (para solicitar ayuda externa)
- Si no es capaz de realizar los primeros auxilios o de pedir ayuda externa, la lesión podría empeorar.




# Para una utilización segura del producto


## Avisos de advertencia

 <b>PELIGRO</b>
Este símbolo acompañado por la palabra " <b>PELIGRO</b> " llama la atención sobre una acción o sobre unas condiciones que causarán heridas personales importantes o incluso la muerte al operario y a los transeúntes.

 <b>ADVERTENCIA</b>
Este símbolo acompañado por la palabra " <b>ADVERTENCIA</b> " llama la atención sobre una acción o sobre unas condiciones que pueden causar heridas personales importantes o incluso la muerte al operario y a los transeúntes.

 <b>PRECAUCIÓN</b>
" <b>PRECAUCIÓN</b> " indica una situación potencialmente peligrosa que, si no se evita, puede provocar heridas leves o moderadas.






## Otros indicadores

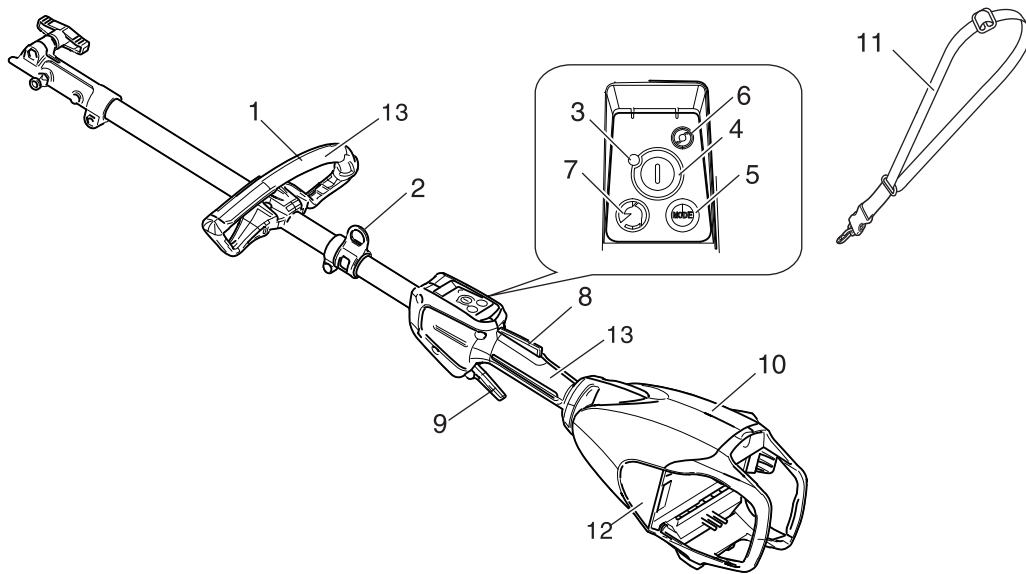
	El círculo con barra oblicua prohíbe la acción o uso de los objetos mostrados.
---	--

<b>NOTA</b>
Este mensaje enmarcado proporciona consejos para el uso, cuidado y mantenimiento del equipo.

<b>IMPORTANTE</b>
El texto enmarcado con la palabra " <b>IMPORTANTE</b> " contiene información importante relativa al uso, comprobación, mantenimiento y almacenamiento del producto descrito en este manual.

## Símbolos

Forma/silueta del símbolo	Descripción/aplicación del símbolo	Forma/silueta del símbolo	Descripción/aplicación del símbolo
	Leer atentamente el manual de instrucciones		Cuidado con el fuego
	Seguridad/Alerta		No tirar los aparatos eléctricos a la basura
	Nivel de potencia acústica garantizado		

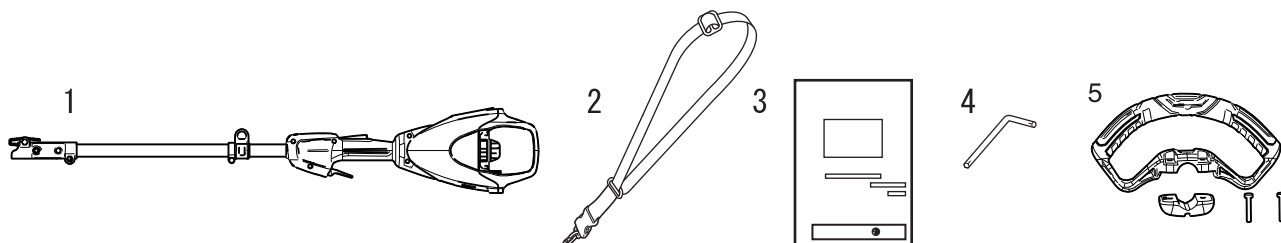


1. **Manillar curvado** - Agarre para la mano izquierda.
2. **Punto de suspensión** - Dispositivo al que puede engancharse el arnés.
3. **Indicador LED de alimentación** - Permanece iluminado cuando la alimentación de la unidad está encendida. Se apaga cuando lo hace la alimentación.
4. **Botón de encendido** - Púlselo una vez para encender la unidad; el indicador LED de alimentación se ilumina. Púlselo una vez más para detener la unidad; el indicador LED de alimentación se apaga.
5. **Botón Modo** - cambie el modo de operación.
6. **Indicador de modo LED**
7. **Botón de velocidad** - Cambiar la velocidad máxima de tres pasos.
8. **Bloqueo del interruptor de gatillo** - Bloquea el gatillo en la posición de apagado, hasta que su mano derecha agarre bien el manillar.
9. **Interruptor de gatillo** - Se acciona con el dedo y sirve para encender el motor.
10. **Cabezal de alimentación** - Alojamiento del motor y la batería.
11. **Arnés** - Una tira ajustable de la que se cuelga el equipo.
12. **Tipo y número de serie**
13. **Superficie de agarre**

# Antes de comenzar

## Lista de piezas

- ♦ En la caja de embalaje están empaquetadas de forma separada las siguientes piezas.
- ♦ Cuando haya desempaquetado la caja, compruebe que contenga las siguientes piezas.
- ♦ Póngase en contacto con su distribuidor si falta alguna o está rota.



1. Motor y tubo del eje
2. Arnés
3. Manual de instrucciones
4. Llave de palanca
5. Manillar único

## Carga de la batería

### **⚠ ADVERTENCIA**

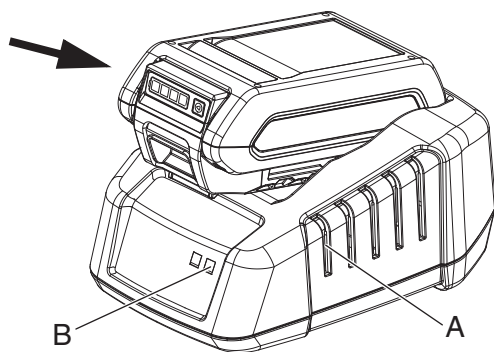
- Utilice siempre los packs de baterías LBP-560-100/LBP-560-200 y cárguelos solo con el cargador LCJQ-560 o LCJU-560.
- Mantenga el cargador y las baterías alejados de la humedad y de todos los líquidos.
- No utilice el cargador en superficies fácilmente combustibles (por ejemplo, papel, textiles) o en entornos combustibles con alto riesgo de incendio.
- No cubra el cargador. Si lo hace, impedirá que se enfríe.
- No utilice el cargador en atmósferas explosivas, como en las que se encuentran líquidos inflamables, gases o polvo. Los cargadores pueden generar chispas que podrían encender el polvo o los gases; existe riesgo de explosión.
- Conecte el cargador solo a la tensión y frecuencia especificadas en la placa de características.
- Conecte el cargador únicamente a una toma de pared de fácil acceso.
- No introduzca objetos en las ranuras de refrigeración del pack de baterías o del cargador (A).
- No cargue o use un pack de baterías y cargador defectuosos, dañados o deformados.
- No abra, dañe ni deje caer el pack de baterías o el cargador.
- Si se daña o no se utiliza correctamente, pueden producirse fugas de líquido de la batería; evite el contacto con la piel. Si se produce un contacto accidental, lave las áreas afectadas de la piel con agua abundante y jabón. Si el líquido entra en contacto con los ojos, no se frote. Lávese los ojos con agua abundante durante un mínimo de 15 minutos. Asimismo, solicite asistencia médica.
- No puentee (cortocircuite) los contactos del pack de baterías o los terminales del cargador con objetos metálicos.
- Proteja de la luz solar directa, el calor y las llamas abiertas. No arroje la batería al fuego; existe riesgo de explosión.
- Si observa humo o fuego en el cargador, desconéctelo de la red inmediatamente.
- Si el cable de conexión está dañado, desenchúfelo inmediatamente de la toma de alimentación para evitar el riesgo de descargas eléctricas.
- No exponga el pack de baterías a microondas o altas presiones.
- Asegúrese de que la unidad no se encienda de forma accidental. Retire el pack de baterías antes de transportar o guardar la unidad. No utilice recipientes metálicos para el transporte de baterías.
- No utilice el cable de conexión para ningún otro fin, por ejemplo, para transportar o colgar el cargador.
- Para reducir el riesgo de tropiezos, coloque y marque el cable de conexión de forma que otras personas no puedan dañarlo ni correr peligro con él.
- Para desconectar, tire del enchufe, no del cable.

### **NOTA**

- La batería se suministra de fábrica parcialmente cargada y debe cargarse completamente antes de su primer uso.
- Cargue la batería cuando deje de producir energía suficiente para accionar la unidad o cuando las luces de la batería indiquen que su carga es baja.



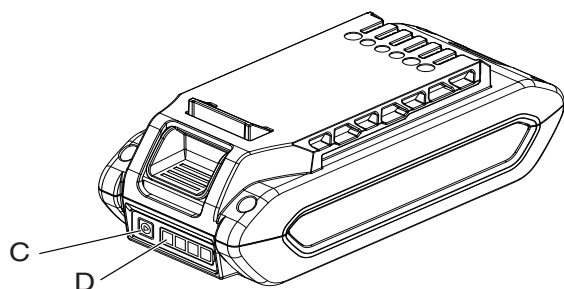
# Antes de comenzar



1. Enchufe el cable de CA del cargador en la toma de pared.
2. Alinee los canales de la batería con las muescas del cargador y deslice la batería dentro de este.
3. Durante la carga normal, el LED (B) del cargador parpadea continuamente en VERDE.

## IMPORTANTE

- Si el cargador detecta un problema, el LED parpadea de color ROJO. Extraiga la batería del cargador, limpie las obstrucciones de los contactos y vuelva a colocar la batería en el cargador. Si la temperatura de la batería está fuera de los límites aceptables (de 0 °C a 60 °C), el LED permanece de color ROJO.



4. Cuando la carga se completa, el LED permanece de color VERDE.
5. Verifique que la batería esté totalmente cargada antes de extraerla del cargador pulsando el botón de estado de carga de la batería (C) y comprobando la pantalla LED (D).
  - ♦ Una luz verde indica que la batería tiene un 0-25% de carga.
  - ♦ Dos luces verdes indican que la batería tiene un 25-50% de carga.
  - ♦ Tres luces verdes indican que la batería tiene un 50-75% de carga.
  - ♦ Cuatro luces verdes indican que la batería tiene un 75-100% de carga.
6. Desconectar el cargador de la batería de la toma de corriente.

## Montaje

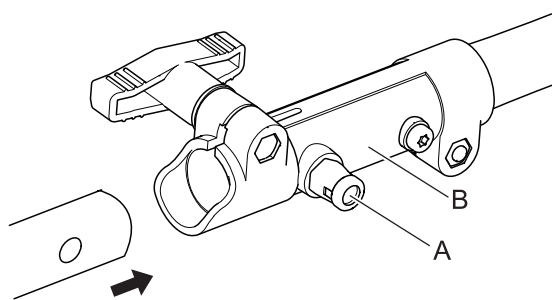
### ⚠ ADVERTENCIA

- Lea atentamente el manual de instrucciones para asegurarse de que monta correctamente el producto.

La utilización de un producto que se haya montado incorrectamente puede ocasionar un accidente o una lesión grave.

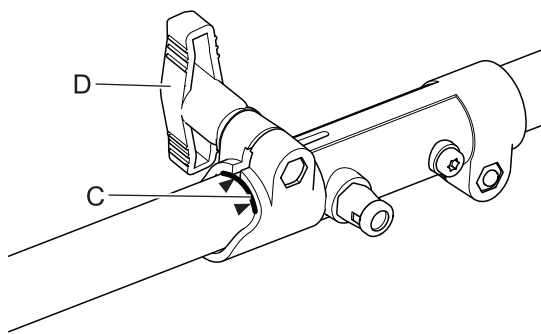


## Conjunto de eje de accesorio



1. Coloque el conjunto de cabezal/eje de potencia sobre una superficie nivelada.
2. Extraiga el pasador de colocación (A) y gire 1/4 de vuelta en el sentido anti horario para bloquear la posición.
3. Desmantele el tapón de vinilo del eje de transmisión del accesorio.

# Antes de comenzar



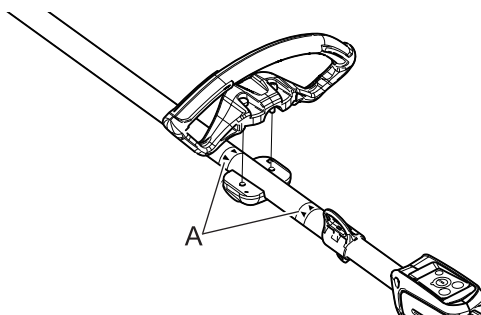
- Coloque con cuidado el conjunto del eje de transmisión en el acoplador (B) para adherir la línea de montaje (C), asegurándose que el eje de transmisión inferior interior se acopla en el casquillo cuadrado del eje de transmisión superior.

## NOTA

El alojamiento del cojinete inferior y el conjunto del cabezal deben estar en línea con el motor.

- Gire el pasador de fijación (A) 1/4 de vuelta en el sentido horario para que se acople al orificio del eje inferior. Asegúrese de que el pasador de fijación está bien acoplado, para ello mueva el eje de transmisión inferior. El pasador de colocación debe ajustarse al ras en el acoplador. El acoplamiento total evitará una posterior rotación del eje.
- Asegure el conjunto del eje inferior al acoplador, para ello apriete el mando de fijación (D).
- Para el desmontaje, siga en orden inverso las instrucciones de montaje.

## Montaje del manillar único



Coloque el manillar en una posición cómoda para su uso y apriete los pernos.

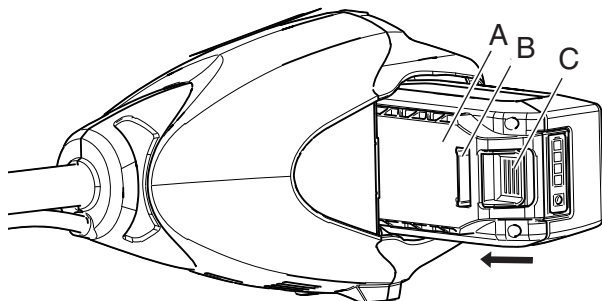
## ⚠ PRECAUCIÓN

- Instale el manillar entre las marcas (A).

## Instalación de la batería

## ⚠ ADVERTENCIA

- El accesorio funcionará cuando la batería esté instalada y el indicador LED de alimentación esté encendido, y cuando se accionen el gatillo y el bloqueo de gatillo. Asegúrese de que la unidad está colocada correctamente para impedir la pérdida de control y posibles lesiones graves. Mantenga las piezas móviles del accesorio alejadas del suelo y de objetos que se puedan enredar o lanzar.
- Extraiga la batería cuando deje la unidad.

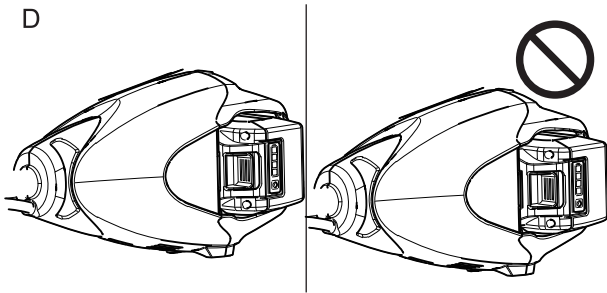


- Asegúrese de que la alimentación de la unidad esté apagada.
- Alinee los canales (A) del pack de baterías con las muescas del cabezal de alimentación. Deslice el pack de baterías para introducirlo en el cabezal de alimentación.
- Asegúrese de que el pestillo del pack de baterías (B) encaje en su sitio y de que el pack esté bien fijado antes de empezar a utilizar el producto.
- Para retirar la batería, presione el pestillo del pack de baterías (C) y deslice la batería para extraerla del cabezal de alimentación.

## IMPORTANTE

Antes de utilizar la unidad, asegúrese de que la batería está colocada correctamente con el pestillo del pack de baterías en su posición (D).

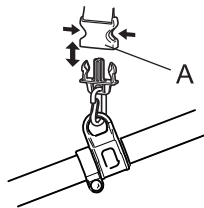
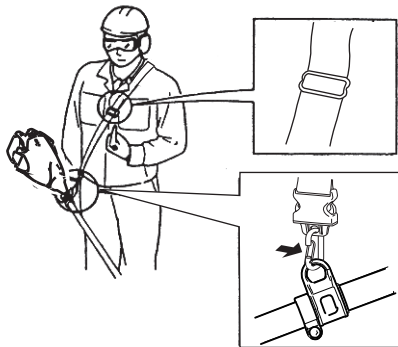
# Antes de comenzar



## NOTA

- ♦ El pack de baterías está en su posición cuando el pestillo del pack de baterías está correctamente enganchado.

## Ajuste del arnés



1. Enganche el gancho de la tira a la anilla del tubo exterior.
2. Utilice la tira de hombro de modo que el gancho quede a su derecha.
3. Ajuste la longitud de la tira para hombro de modo que pueda sujetar y utilizar la máquina cómodamente.

## IMPORTANTE

- Asegúrese de que todos los ganchos y dispositivos de ajuste estén firmes.

- \* El arnés está equipado con una función de liberación de emergencia. En caso de emergencia, tire hacia arriba del casquillo (A) para desconectar la máquina de la tira.

# Funcionamiento

## PELIGRO

- Todos los conductores eléctricos y cables de comunicaciones aéreos tienen alimentación eléctrica de alta tensión. Esta unidad no está aislada contra corrientes eléctricas. No toque los cables directa ni indirectamente; de lo contrario, podría sufrir lesiones graves o mortales.

## ADVERTENCIA

- No utilice la unidad en atmósferas explosivas, como en las que se encuentran líquidos inflamables, gases o polvo. La unidad genera chispas que podrían encender el polvo o los gases.

Tenga especial cuidado de seguir las siguientes precauciones cuando arranque la unidad:

- Compruebe que ninguna tuerca ni perno estén flojos.
- No se ha quedado ninguna llave inglesa o herramienta de bloqueo en alguna pieza giratoria de la unidad.
- Deje suficiente espacio alrededor del producto y no deje que se acerquen personas o animales.  
Si no tiene en cuenta estas precauciones podría sufrir un accidente o lesión o incluso dar lugar a un accidente mortal.

- Compruebe que no haya vibraciones ni sonidos anormales una vez arrancada la unidad. No utilice el producto si hay vibraciones o sonidos anormales. Póngase en contacto con su distribuidor para que lo repare.  
Los accidentes que causen la caída o rotura de las piezas pueden provocar heridas o lesiones graves.

- Para transportar la unidad, apáguela y retire la batería.

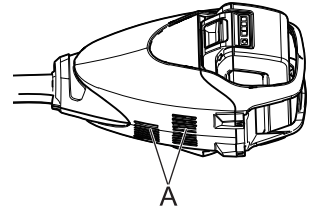
- No toque la transmisión en ángulo ni el resto de componentes que están a alta temperatura mientras el producto está funcionando o cierto tiempo después de detenerse.  
Podría quemarse si toca un componente a temperatura elevada.



- Nunca accione la unidad en situaciones en las que su cuerpo la sobrepase. Mantenga siempre el equilibrio, esté siempre atento a los puntos de apoyo y a las pendientes, nunca corra.
- Nunca accione la unidad con protecciones o escudos defectuosos, ni sin dispositivos de seguridad, ni con el cable dañado o desgastado.

## IMPORTANTE

- Mantenga las ranuras de ventilación (A) siempre limpias.



## NOTA

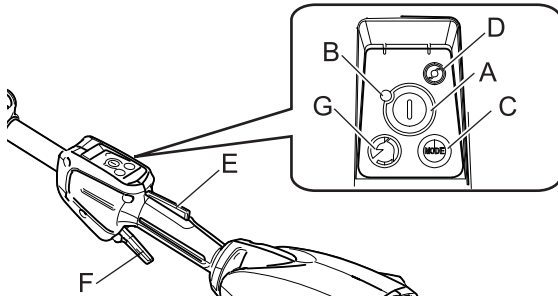
- Es posible que, en casos aislados, el producto no funcione adecuadamente cuando se utiliza a bajas temperaturas por primera vez tras la compra. Este fenómeno no indica un fallo del producto. En este caso, haga que la unidad alcance la temperatura ambiente (temperatura normal), y enciéndala y apáguela varias veces antes de usarla.

## Encendido de la unidad

## ADVERTENCIA

- El accesorio funcionará cuando la batería esté instalada y el indicador LED de alimentación esté encendido, y cuando se accionen el interruptor de gatillo y el bloqueo del interruptor de gatillo. Asegúrese de que el producto está colocado correctamente para impedir la pérdida de control y posibles lesiones graves.

# Funcionamiento



1. Compruebe y asegúrese de que el accesorio no está en contacto con la superficie del suelo o con cualquier otro impedimento utilizando una barra u otra herramienta similar..
2. Pulse una vez el botón de encendido (A) para activar la alimentación de la unidad.
  - \* El indicador LED de alimentación (B) se ilumina cuando la alimentación de la unidad está encendida.
3. Cuando se utiliza el accesorio de recortador, el botón de modo de empuje (C), ilumina el indicador de modo LED (D) (modo recortador). Cuando utilice el otro archivo adjunto, pulse el botón de modo (C), desactive el LED del indicador de modo de apagado (D).
  - \* Cuando está en modo recortador, puede trabajar cómodamente a la velocidad óptima de RPM para el accesorio de la recortadora. Cuando no está en modo recortador, puede trabajar cómodamente a la amplia gama de velocidad RPM con los otros accesorios.
4. Mantenga pulsado el bloqueo del interruptor de gatillo (E) y pulse el interruptor de gatillo (F) para aumentar las RPM a la velocidad de funcionamiento.
5. Para cambiar la velocidad máxima, pulse el botón de velocidad (G).
6. La velocidad máxima cambia en el orden de baja velocidad, velocidad media, alta velocidad, y luego vuelve a la baja velocidad después de la alta velocidad.
7. Si presiona el botón de modo durante un segundo, mantenga la velocidad en ese momento.
8. No para mantener la velocidad, botón de modo de empuje.

## IMPORTANTE

- Cuando se enciende la unidad:
  - Después de 90 segundos de inactividad, la unidad se apagará automáticamente.
  - Si el LED continua encendido, el funcionamiento es normal.
  - Si el LED parpadea una vez por segundo, es necesario cargar la batería.
  - Si el LED parpadea cuatro veces por segundo, el producto tiene una avería. Apague la unidad. Extraiga la batería. Limpie la suciedad del cabezal de hilo. Instale la batería. Encienda la unidad. Si continúa parpadeando, solicite la reparación del producto a su distribuidor de servicio autorizado.

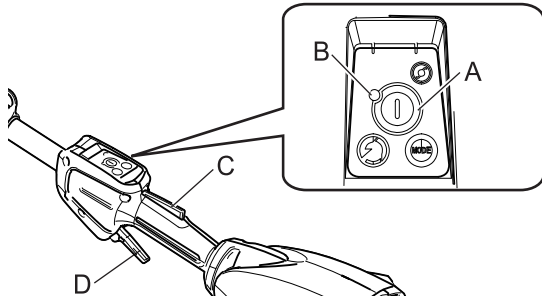
## Detención de la unidad

### **ADVERTENCIA**

- El accesorio continúa funcionando un breve periodo de tiempo tras apagarse la unidad.

# Funcionamiento

---



1. Suelte el interruptor de gatillo y el bloqueo del interruptor de gatillo y permita que el cabezal del accesorio se detenga.
  2. Pulse el botón de encendido (A) para desactivar la alimentación de la unidad.
- \* El indicador LED de alimentación (B) se apaga cuando la alimentación de la unidad está apagada.
  - \* Si el accesorio no se detiene cuando se sueltan el gatillo y el bloqueo de gatillo, pulse el botón de encendido para desactivar y retirar la batería y detener el suministro de alimentación al producto. Antes de volver a utilizar el producto, haga que su distribuidor de servicio autorizado repare el botón de encendido.

# Mantenimiento y cuidados

## **⚠ ADVERTENCIA**

Cuando compruebe o realice el mantenimiento del producto después del uso, tenga en cuenta las siguientes precauciones:

- **Desconecte la alimentación de la unidad, extraiga la batería y asegúrese de que todas las piezas móviles se hayan detenido por completo.**  
Podría producirse un accidente si el producto arranca de forma inesperada.
- **Deje que la unidad se enfríe antes de realizar el mantenimiento.**  
Podría quemarse.
- **No realice nunca el mantenimiento de packs de baterías dañados. El mantenimiento de los packs de baterías solo debe realizarlo el fabricante o un servicio técnico autorizado.**

## **IMPORTANTE**

- Las comprobaciones y el mantenimiento requieren un conocimiento especializado. Si no puede comprobar y realizar el mantenimiento del producto o solventar un problema por su cuenta, consulte con su distribuidor. No intente desmontar el producto.

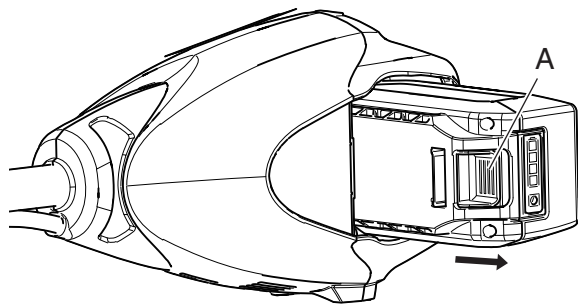
### **Directivas de asistencia**

Área	Mantenimiento	Página	Antes de usar	Mensual
Batería	Inspeccionar/Limpiar/Cargar	8	•	
Tornillos, pernos y tuercas	Inspeccionar, apretar/sustituir	-	•	

### **Mantenimiento y cuidados**

Si tiene cualquier pregunta o problema, póngase en contacto con su distribuidor.

#### **Limpieza de la batería y de su compartimento**



## **⚠ ADVERTENCIA**

- **Riesgo de descargas eléctricas o fuego. No utilice materiales conductores para limpiar la batería ni su compartimento.**

1. Suelte el interruptor de gatillo y el bloqueo del interruptor de gatillo y permita que el cabezal del accesorio se detenga.
2. Asegúrese de que el indicador LED de alimentación no esté encendido.
3. Presione el pestillo del pack de baterías (A) y deslice la batería para extraerla del cabezal de alimentación.
4. Utilice aire comprimido o un cepillo de cerdas suaves para eliminar la suciedad de la batería y de su compartimento.

#### **Tabla de localización de averías**

## **IMPORTANTE**

- Para piezas de repuesto y consumibles, utilice solo piezas originales y los productos y componentes indicados. La utilización de piezas de otros fabricantes o de componentes no indicados puede derivar en un fallo de funcionamiento.

# Mantenimiento y cuidados

Problema	Causa	Solución
La luz roja del cargador parpadea o no se enciende	<ol style="list-style-type: none"><li>1. Enchufe no conectado a la toma</li><li>2. El pack de baterías no se ha instalado correctamente</li><li>3. Conexión obstruida</li><li>4. Fallo en el cargador</li><li>5. Fallo en el pack de baterías</li></ol>	<ol style="list-style-type: none"><li>1. Enchufe el cargador</li><li>2. Compruebe la instalación del pack de baterías</li><li>3. Vuelva a instalar el pack de baterías después de eliminar las obstrucciones de la conexión.</li><li>4. Consulte con su distribuidor</li><li>5. Consulte con su distribuidor</li></ol>
No se enciende la unidad	<ol style="list-style-type: none"><li>1. El pack de baterías no se ha instalado correctamente</li></ol>	<ol style="list-style-type: none"><li>1. Compruebe la instalación del pack de baterías</li></ol>
La unidad no funciona cuando se enciende	<ol style="list-style-type: none"><li>1. Pack de baterías descargado</li><li>2. Pack de baterías a temperatura fuera de los límites aceptables</li></ol>	<ol style="list-style-type: none"><li>1. Cargue el pack de baterías</li><li>2. Extraiga el pack de baterías y permita que se enfríe</li></ol>
El tiempo de funcionamiento es demasiado corto	<ol style="list-style-type: none"><li>1. Pack de baterías a temperatura fuera de los límites aceptables</li><li>2. Componentes electrónicos de la unidad demasiado calientes</li><li>3. Pack de baterías descargado</li></ol>	<ol style="list-style-type: none"><li>1. Extraiga el pack de baterías y permita que se enfríe</li><li>2. Apague la unidad y deje que se enfríe</li><li>3. Cargue el pack de baterías</li></ol>

- Consulte con su distribuidor si se encuentra con un problema que no esté cubierto en la tabla anterior o para cualquier otra consulta.
- Para desechar el producto o sus piezas de acuerdo con las normativas locales, póngase en contacto con su distribuidor.

## Fabricante:

**YAMABIKO CORPORATION**



1-7-2 Suehirocho, Ohme, Tokio 198-8760 JAPÓN

## Representante autorizado en Europa:

**CERTIFICATION EXPERTS B.V.**

Amerlandseweg 7, 3621 ZC Breukelen, Países Bajos

## Almacenamiento

 <b>ADVERTENCIA</b>	
<p>ⓘ <b>No guardar en un lugar cerrado donde puedan acumularse gases combustibles.</b> Podría provocar un incendio.</p>	

Quando almacene el producto durante largos periodos de tiempo, asegúrese de que se realicen los siguientes preparativos para el almacenamiento.

### Motor

1. Apagar la unidad.
2. Extraer la batería del cabezal de alimentación.
3. Eliminar la acumulación de suciedad y desechos del exterior de la unidad.
4. Apretar todos los tornillos y tuercas.
5. Cubrir el compartimento de la batería del cabezal de alimentación, la batería y el cargador de la batería.
6. Guardar la unidad en un lugar seco, libre de polvo y fuera del alcance de los niños.

### Batería

1. Extraer la batería del cabezal de alimentación.
2. Guardar el producto en un lugar seco, libre de polvo y fuera del alcance de los niños.
3. Almacenar a temperaturas entre -20 °C y 60 °C (140 °F).
4. Si va a almacenar la batería durante más de un año, cárguela a aproximadamente un 40 - 60% de su capacidad.



# Mantenimiento y cuidados

## Cargador de la batería

1. Extraer la batería del cargador.
2. Desconecte el cargador de la batería de la toma de corriente.
3. Guardar el producto en un lugar seco, libre de polvo y fuera del alcance de los niños.

## Eliminación



- ♦ Las principales piezas de plástico que componen el producto llevan códigos que indican el material del que están hechas. Los códigos hacen referencia a los siguientes materiales; recicle dichas piezas de plástico según las normativas locales.

Marca	Material
>PA6-GF<	Nylon 6 - Fibra de vidrio
>PP-GF<	Polipropileno - Fibra de vidrio
>PE-HD<	Polietileno
>PP<	Polipropileno


- ♦ Póngase en contacto con su distribuidor si no conoce los procedimientos de eliminación de las piezas plásticas.
- ♦ La batería contiene litio. Elimínela únicamente en un punto de recogida autorizado.
- ♦ Las baterías de ion litio deben reciclarse o eliminarse correctamente.

# Características técnicas

	DPAS-2600
<b>Dimensiones externas:</b> Longitud × Anchura × Altura	1082 × 229 × 186 mm
<b>Peso:</b> Unidad sin batería y arnés Unidad con batería y arnés	2,4 kg 4,3 kg
<b>Batería:</b> Tipo Tensión del pack Tipo de cargador Tensión de entrada del cargador	iones de litio 56 voltios (nominal 50,4 V) CCCV 220 - 240 voltios de CA
<b>Luces del cargador de la batería:</b>	LED rojo - La temperatura de carga de la batería está fuera de los límites LED rojo parpadeando - Fallo LED verde - Fin de carga de la batería LED verde parpadeando - La batería está cargando normalmente
<b>Tiempo de carga:</b>	(con LCJQ-560) Batería LBP-560-100: Aproximadamente 42 minutos. Batería LBP-560-200: Aproximadamente 88 minutos.

Estas características técnicas están sujetas a cambios sin previo aviso.

## Accesorios opcionales homologados por YAMABIKO (Nivel de presión acústica, Nivel de potencia acústica y Niveles de vibración)

 <b>ADVERTENCIA</b>
<ul style="list-style-type: none"><li>○ Utilice únicamente accesorios homologados por YAMABIKO para los modelos de la serie Pro Attachment. Puede producirse una lesión grave como resultado del uso de combinaciones de accesorios no homologados. Lea y cumpla todas las instrucciones de seguridad que se dan en este manual y el manual del propio accesorio.</li><li>○ YAMABIKO no se hará responsable de los fallos del dispositivo de corte, los accesorios o accesorio de corte que no hayan sido probados y homologados por YAMABIKO para su uso con esta unidad de la serie Pro Attachment.</li></ul>

# Características técnicas

		2006/42/CE				2000/14/CE	
		Nivel de presión acústica [dB(A)]		Nivel de potencia acústica [dB(A)]		Nivel de potencia acústica medido [dB(A)]	Nivel de potencia acústica garantizado [dB(A)]
Accesorio	Estándar	L <sub>pA</sub>	Incertidumbre K <sub>pA</sub>	L <sub>WA</sub>	Incertidumbre K <sub>WA</sub>	L <sub>WA</sub>	L <sub>WA</sub>
CORTASETOS MTA-DAH	EN62841-4-2	85,5	3,0	93,4	3,0	93	96
Podadera MTA-DPP	ISO 11680-1 (ISO 22868)	94,4	3,0	105,2	3,0	105*1	108*1
CORTABORDES/ DESBROZADORA MTA-DTB	EN50636-2-91	79,6	3,0	92,0	3,0	91*2	96*2
Barredora MTA-PS	(ISO22868)	77,3	3,0	90,1	3,0	90 *1	93 *1
Soplador MTA-PB	EN50636-2-100	90,0	3,0	100,3	3,0	100	103
Motoazada MTA-TC	(ISO22868)	75,2	3,0	91,5	3,0	92 *1	95 *1
Desbrozadora MTA-LE	ISO 11789 (ISO22868)	79,3	3,0	93,5	3,0	94	97

\*1: Estos valores no se encuentran dentro de los contemplados por la Directiva 2000/14/CE.

\*2: Estos valores están comprendidos en el ámbito de aplicación de la Directiva 2000/14/CE modificada por 2005/88/CE (procedimiento de evaluación de la conformidad seguido del ANEXO VI).

		2006/42/CE		
		Valores de vibración declarados [m/s <sup>2</sup> ]		
Accesorio	Estándar	Manillar delantero/izquierdo	Manillar trasero/derecho	Incertidumbre K
CORTASETOS MTA-DAH	EN62841-4-2	4,2	2,4	1,5
Podadera MTA-DPP	ISO 11680-1 (ISO 22867)	4,4	2,1	1,5
CORTABORDES/ DESBROZADORA MTA-DTB	EN50636-2-91	3,8	2,9	1,5
Barredora MTA-PS	(ISO22867)	2,5	1,3	1,5
Soplador MTA-PB	EN50363-2-100	3,3	1,3	1,5
Motoazada MTA-TC	(ISO22867)	2,7	1,3	1,5
Desbrozadora MTA-LE	ISO 11789 (ISO22867)	3,5	1,8	1,5

La vibración y las emisiones de ruido durante el uso real de la unidad pueden diferir de los valores declarados en función de la manera en que se use la herramienta y, en especial, del tipo de pieza de trabajo que se utilice.

# Declaración de conformidad

El fabricante abajo firmante:

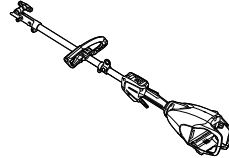
YAMABIKO CORPORATION  
1-7-2 Suehirocho, Ohme, Tokio 198-8760 JAPÓN

Declaración de conformidad publicada bajo la exclusiva responsabilidad del fabricante.

declara que la unidad nueva aquí especificada:

## SERIE PRO ATTACHMENT

Marca: **ECHO**  
Tipo: **DPAS-2600**



cumple con:

- \* los requisitos de la Directiva **2006/42/CE** (aplicación de la norma armonizada **EN 60335-1: 2012, EN 50636-2-91: 2014, EN 50636-2-100: 2014, EN 62841-1: 2015, EN62841-4-2: 2019 EN ISO 11806-1: 2011, EN ISO 11789: 1999, y EN ISO 11680-1: 2011)**
- \* los requisitos de la Directiva **2014/30/UE** (aplicación de la norma armonizada **EN 55014-1: 2017 +A11: 2020, EN 55014-2: 2015)**
- \* los requisitos de la Directiva **2000/14/EC** enmendado por **2005/88/EC**

	Procedimiento de valoración de conformidad según	Nivel de potencia acústica medido	Nivel de potencia acústica garantizado
DPAS-2600 + MTA-DAH	<b>ANEXO V</b>	93 dB (A)	96 dB (A)
DPAS-2600 + MTA-DPP	<b>ANEXO V</b>	105 dB (A)	108 dB (A)
DPAS-2600 + MTA-DTB	<b>ANEXO VI</b> TÜV SÜD Industrie Service GmbH (Notified Body 0036) Westendstraße 199 80686 München Deutschland	91.2 dB (A)	96 dB (A)
DPAS-2600 + MTA-PS	<b>ANEXO V</b>	90 dB (A)	93 dB (A)
DPAS-2600 + MTA-PB	<b>ANEXO V</b>	100 dB (A)	103 dB (A)
DPAS-2600 + MTA-TC	<b>ANEXO V</b>	92 dB (A)	95 dB (A)
DPAS-2600 + MTA-LE/E	<b>ANEXO V</b>	94 dB (A)	97 dB (A)

- \* los requisitos de la Directiva **2011/65/EU** (aplicación de la norma armonizada **EN IEC63000: 2018)**

Número de serie de U49835000001 a U49835100000

Tokio, 27 de enero de 2022

**YAMABIKO CORPORATION**

**Hisashi Kobayashi**  
Director general  
Departamento de Garantía de Calidad

**El representante autorizado en Europa que está autorizado para compilar el expediente técnico.**

Empresa: CERTIFICATION EXPERTS B.V.  
Dirección: Amerlandseweg 7, 3621 ZC Breukelen, Países Bajos

**Richard Glaser**

# MEMORANDO

# YAMABIKO CORPORATION

1-7-2 Suehirocho, Ohme, Tokio 198-8760 JAPÓN  
TELÉFONO: 81-428-32-6118. FAX: 81-428-32-6145.



X750823-0401



# YAMABIKO CORPORATION

1-7-2 Suehirocho, Ohme, Tokyo 198-8760 JAPAN  
PHONE: 81-428-32-6118. FAX: 81-428-32-6145.



X750823-0401

Printed in Japan  
2203A 0084 ES