



- GB ENGLISH
- FR FRANÇAIS
- DE DEUTSCH
- IT ITALIANO
- ES ESPAÑOL

OPERATOR'S MANUAL MANUEL D'UTILISATION BEDIENUNGSANLEITUNG MANUALE PER L'OPERATORE MANUAL DE INSTRUCCIONES

SRM-3610T

WARNING



READ THE INSTRUCTIONS CAREFULLY AND FOLLOW THE RULES FOR SAFE OPERATION. FAILURE TO DO SO COULD RESULT IN SERIOUS INJURY.

AVERTISSEMENT



LIRE ATTENTIVEMENT LES INSTRUCTIONS ET SUIVRE LES RÈGLES DE SÉCURITÉ. LE NON-RESPECT DES RÈGLES DE SÉCURITÉ ENTRAÎNE UN RISQUE DE BLESSURE GRAVE.

WARNUNG



LESEN SIE DIE BEDIENUNGSANLEITUNG SORGFÄLTIG DURCH, UND BEFOLGEN SIE DIE SICHERHEITSREGELN. ANDERNFALLS BESTEHT DAS RISIKO SCHWERER VERLETZUNGEN.

AVVERTENZA



LEGGERE E SEGUIRE ATTENTAMENTE LE ISTRUZIONI PER LAVORARE IN CONDIZIONI DI MASSIMA SICUREZZA. LA MANCATA OSSERVANZA DELLE ISTRUZIONI POTREBBE PROVOCARE LESIONI GRAVI.

ADVERTENCIA



LEA ATENTAMENTE LAS INSTRUCCIONES Y SIGA LAS INDICACIONES PARA UN FUNCIONAMIENTO SEGURO. DE NO HACERLO, PODRÍA SUFRIR LESIONES GRAVES.





ENGLISH
GB (Original instructions)

OPERATOR'S MANUAL

GRASS-TRIMMER/BRUSHCUTTER

SRM-3610T

 **WARNING**



**READ THE INSTRUCTIONS CAREFULLY AND FOLLOW THE
RULES FOR SAFE OPERATION.
FAILURE TO DO SO COULD RESULT IN SERIOUS INJURY.**



Contents

For safe use of your product.....	3
Description.....	8
Before you start	9
Packing list	9
Assembly	10
Loop handle version	10
U-handle version.....	10
Installation of shield	11
Installing nylon line cutting head.....	11
Adjusting the balance	11
Preparing the fuel	12
Engine operation.....	14
Starting the engine	14
Stopping the engine.....	15
Trimming operation.....	16
Using shoulder harness	17
Basic trimming operation with nylon line cutting head	17
Basic trimming operation with metal blade	19
Maintenance and care	20
Servicing guidelines.....	20
Maintenance and care	20
Storage	28
Specifications.....	29
Declaration of conformity	30

For safe use of your product

Important information

WARNING

Please ensure that you read the operator's manual before using your product.

About your operator's manual

- This manual contains necessary information about the assembly, operation, and maintenance of your product. Please read it carefully and absorb its contents.
- Always keep your manual in a place where it is readily accessible.
- If you have lost your manual or it is damaged and no longer readable, please purchase a new one from your dealer.
- The units used in this manual are SI units (International System of Units). Figures in parentheses are reference values, and there may be a slight conversion error in some cases.
Failure to do so could lead to an accident or serious injury.

Intended use of this product

- This product is lightweight, high-performance, petrol engine unit designed for weed control, grass trimming and brush cutting in areas difficult to control by any other means.
- Do not use this unit for any purpose other than aforementioned.
- The content of this manual may be changed without notice for the purpose of upgrades to the product. Some of the illustrations used may differ from the product itself in order to make the explanations clearer.
- Please consult your dealer if anything is unclear or of concern.
Failure to do so could lead to an accident or serious injury.

Do not modify the product

- You must not modify the product.
To do so could lead to an accident or serious injury. Any malfunction resulting from a modification to the product will not be covered by the manufacturer's warranty.

Do not use the product unless it has been checked and maintained

- You must not use the product unless it has been checked and maintained. Always ensure that the product is checked and maintained on a regular basis.
Failure to do so could lead to an accident or serious injury.

Loaning or assigning your product

- When loaning your product to another party, ensure that the person borrowing the product receives the operator's manual along with it.
- If you assign your product to another party, please enclose the operator's manual with the product when handing it over.
Failure to do so could lead to an accident or serious injury.

Users of the product

- The product should not be used by:
 - ◆ people who are tired
 - ◆ people who have taken alcohol
 - ◆ people who are on medication
 - ◆ people who are pregnant
 - ◆ people who are in poor physical condition
 - ◆ people who have not read the operator's manual
 - ◆ children
- Keep in mind that the operator or user is responsible for accidents or hazards occurring to other people or their property.
Failure to observe these instructions could lead to an accident.
- The ignition system of this product generates electromagnetic fields during operation. Magnetic fields can cause pacemaker interference or pacemaker failure. To reduce health risks, we recommend that pacemaker users consult their physician and the pacemaker manufacturer before operating this product.



For safe use of your product

WARNING

Vibration and cold

- It is believed that a condition called Raynaud's Phenomenon which affects the fingers of certain individuals may be brought about by exposure to vibration and cold. Exposure to vibration and cold may cause tingling and burning, followed by loss of colour and numbness in the fingers. The following precautions are strongly recommended because the minimum exposure which might trigger the ailment is unknown.
 - ◆ Keep your body warm, especially the head and neck, feet and ankles, and hands and wrists.
 - ◆ Maintain good blood circulation by performing vigorous arm exercises during frequent work breaks, and also by not smoking.
 - ◆ Limit the number of hours of operation. Try to fill each day with jobs where operating the trimmer or other hand-held power equipment is not required.
 - ◆ If you experience discomfort redness and swelling of the fingers, followed by whitening and loss of feeling, consult your physician before exposing yourself further to cold and vibration.

Failure to observe these instructions could result in damage to your health.

Repetitive stress injuries

- It is believed that over-using the muscles and tendons of the fingers, hands, arms and shoulders may cause soreness, swelling, numbness, weakness and extreme pain to the areas just mentioned. Certain repetitive hand activities may put you at a high risk for developing a repetitive stress injury (RSI). To reduce the risk of RSI, do the following:
 - ◆ Avoid using your wrist in a bent, extended or twisted position.
 - ◆ Take periodic breaks to minimize repetition and rest your hands. Reduce the speed and force in which you do the repetitive movement.
 - ◆ Do exercises to strengthen hand and arm muscles.
 - ◆ See a doctor if you feel tingling, numbness or pain in your fingers, hands, wrists or arms. The sooner RSI is diagnosed, the more likely permanent nerve and muscle damage can be prevented.

Failure to observe these instructions could result in damage to your health.

Proper training

- Do not permit operation without proper training and protective equipment.
- Be thoroughly familiar with the controls and proper use of unit.
- Know how to stop the unit and shut off the engine.
- Know how to unhook a harnessed unit quickly.
- Never allow anyone to use the unit without proper instruction.

Failure to observe these instructions could result in damage to your health.

Wear proper clothing.

- Secure hair so it is above shoulder length.
- Do not wear ties, jewellery, or loose, dangling clothing which could be caught in the unit.
- Do not wear open toed footwear, or go bare-foot or barelegged.

Failure to observe these precautions could result in damage to your sight or hearing, or lead to a serious injury.



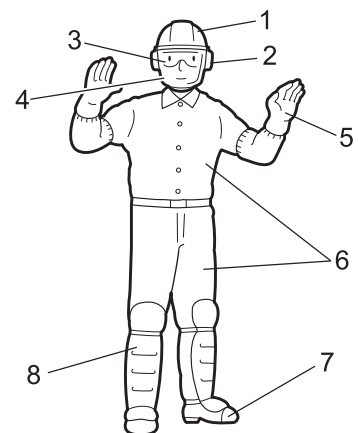
Wear protective gear

- Always wear the following protective gear when working with the trimmer.
 1. Head protection (helmet): Protects the head
 2. Ear muffs or ear plugs: Protect the hearing
 3. Safety goggles: Protect the eyes
 4. Face shield: Protects the face
 5. Safety gloves: Protect the hands from cold and vibration
 6. Work clothes that fit (long sleeves, long trousers): Protect the body
 7. Heavy duty, non-slip protective boots (with toecaps) or non-slip work shoes (with toecaps): Protect the feet
 8. Shin guards: Protect the legs

Failure to observe these precautions could result in damage to your sight or hearing, or lead to a serious injury.

- When necessary, please use the protective gear below.

- ◆ Dust mask: Protects the breathing apparatus
- ◆ Bee net: To deal with attacks by bees



For safe use of your product

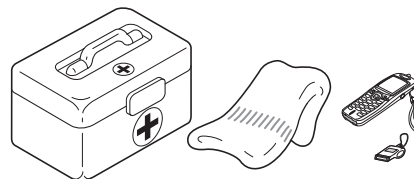
WARNING

Environment of use and operation

- Do not use the product:
 - ◆ under poor weather conditions.
 - ◆ on steep slopes or in places which give no secure foothold and are thus slippery.
 - ◆ at night or in dark places with poor visibility.
- When using the product on a gentle slope, work in a level, contour-like motion.
A serious injury could result if you fall or slip, or fail to operate the product correctly.
- For your own health and your safe and comfortable work, operate the machine within the air temperature range of -5°C to 40°C .
Failure to observe these instructions could result in damage to your health.

Being prepared in case of an injury

- In the unlikely event of an accident or injury, please ensure that you are prepared.
 - ◆ First aid kit
 - ◆ Towels and wipes (to stop any bleeding)
 - ◆ Whistle or mobile phone (for calling outside help)
- If you are unable to perform first aid or call for outside help, the injury could worsen.



Put safety first in the case of fire or smoke

- If fire comes from the engine or smoke appears from any area other than the exhaust vent, first distance yourself from the product to ensure your physical safety.
 - Use a shovel to throw sand or other such material on the fire to prevent it from spreading, or put it out with a fire extinguisher.
- A panicked reaction could result in the fire and other damage becoming more extensive.



Warning notices

DANGER

This symbol accompanied by the word "**DANGER**" calls attentions to an act or a condition which will lead to serious personal injury or death of operators and bystanders.

WARNING

This symbol accompanied by the word "**WARNING**" calls attentions to an act or a condition which can lead to serious personal injury or death of operators and bystanders.

CAUTION

"**CAUTION**" indicates a potentially hazardous situation which, if not avoided, may result in minor or moderate injury.

Other indicators



Circle and slash symbol means whatever is shown is prohibited.




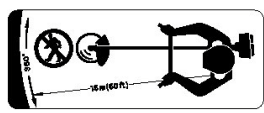
NOTE

This enclosed message provides tips for use, care and maintenance of the product.




















IMPORTANT

Framed text featuring the word "**IMPORTANT**" contains important information about the use, checking, maintenance and storage of the product described in this manual.

Symbols

Symbol form/shape	Symbol description/application	Symbol form/shape	Symbol description/application
	Carefully read the operator's manual		The maximum speed of the cutting attachment shaft in r/min
	Wear eyes, ears and head protection		Keep bystanders away 15 m

For safe use of your product

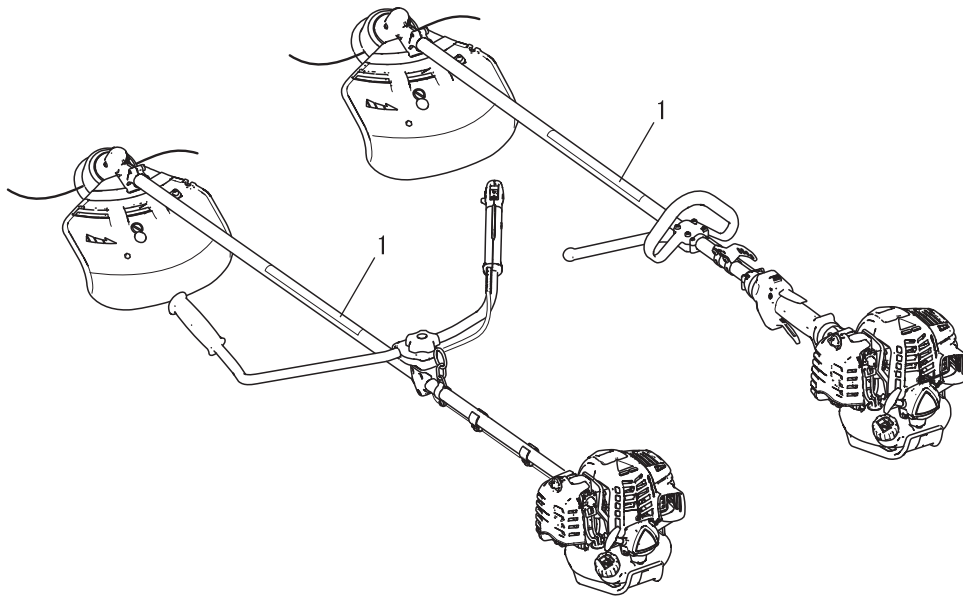
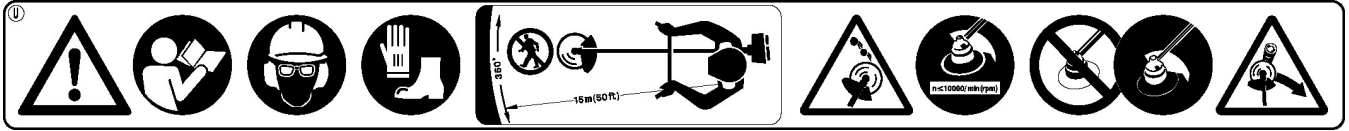
Symbol form/shape	Symbol description/applica- tion	Symbol form/shape	Symbol description/applica- tion
	Wear foot protection and gloves		Petrol and oil mixture
	Emergency stop		Choke Control "Cold Start" Position (Choke Closed)
	Warning! Thrown objects!		Choke Control "Run" Position (Choke Open)
	Warning, side thrust		Carburettor adjustment - Idle speed
	Usage without shield not permitted		U-handle
	Usage of metal blades not permitted		Loop handle
	Usage of nylon line cutting head not permitted		Beware of high-temperature areas
	Do not use the product in places with poor ventilation		Guaranteed sound power level
	Beware of fire		Engine start
	Beware of electric shocks		

For safe use of your product

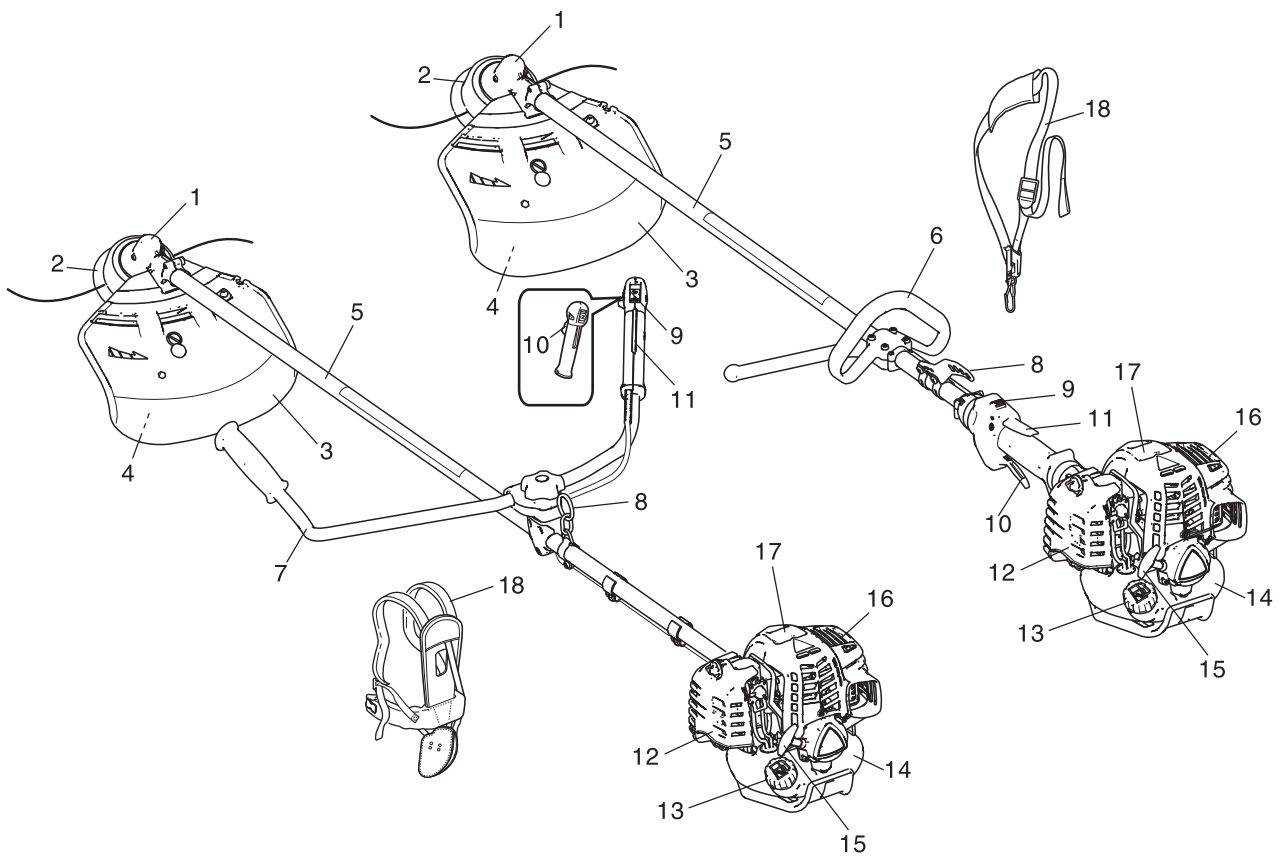
Safety decal(s)

- The safety decal shown below has been attached to the products described in this manual. Ensure that you understand what the decal means before using your product.
- If the decal becomes unreadable due to wear and tear or damage, or peels off and is lost, please purchase a replacement decal from your dealer and attach it in the location shown in the illustrations below. Ensure that the decal is readable at all times.

1. Safety decal (Part number 890617-43130)



Description

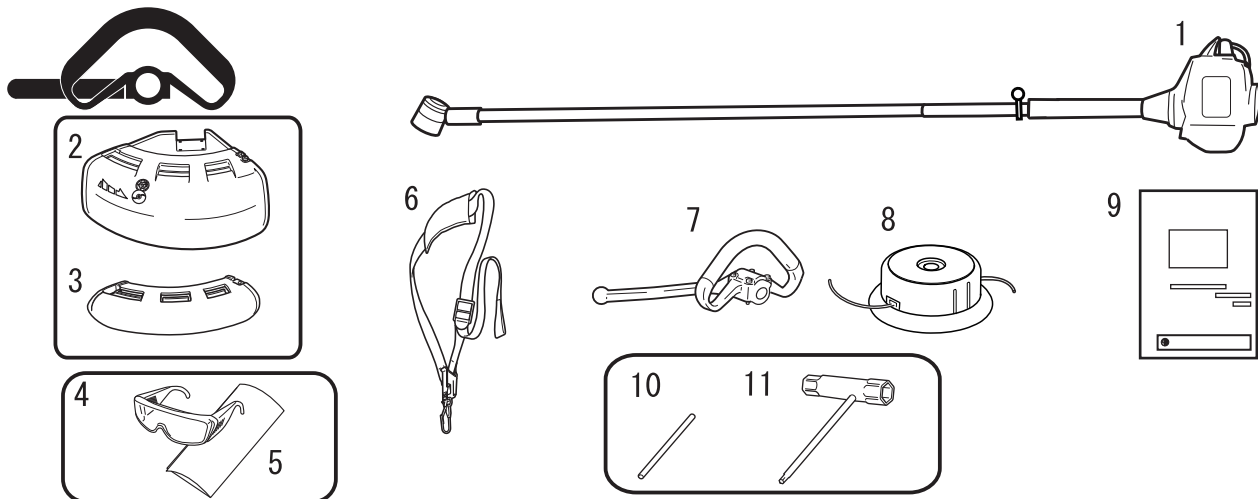


1. **Angle transmission** Having two gears to change the angle of rotating axis.
2. **Cutting attachment** Nylon line cutting head for cutting grass and weed.
3. **Shield** Device to protect the operator from accidental contact with the cutting head and thrown objects.
4. **Cut off knife** Cut nylon line to adjust line length to proper swath.
5. **Shaft tube** Part of the unit that provides a casing for power transmission shaft.
6. **Loop-handle** Light weight, suitable for nylon line trimmer.
7. **U-handle** Having the configuration of a bicycle handle bar to reduce working effort compared to a loop-handle.
8. **Suspension point** Device on which the harness can be hooked.
9. **Ignition switch** "Slide switch" mounted on top of the throttle trigger housing, move switch forward to RUN, backward to STOP position.
10. **Throttle trigger** Activated by the operator's finger for controlling the engine speed.
11. **Throttle trigger lockout** Locks throttle trigger in the idling position until you have a proper grip with your right hand around the handle.
12. **Air cleaner cover** Covers air filter.
13. **Fuel tank cap** For closing the fuel tank.
14. **Fuel tank** Contains fuel and fuel filter.
15. **Starter handle** Pull handle to start the engine.
16. **Silencer cover** Cover the silencer not to make operator touch the hot surface of silencer.
17. **Spark plug**
18. **Shoulder harness** An adjustable strap to suspend unit.

Before you start

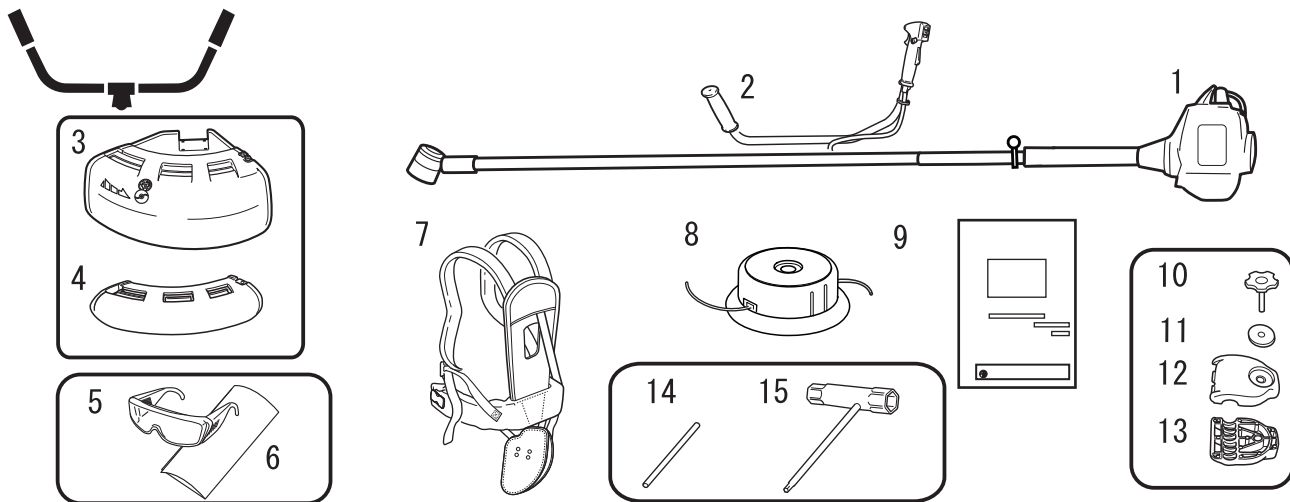
Packing list

- The following parts are packed separately in the packing box.
- When you have unpacked the box, please check the parts that it contains.
- Contact your dealer if anything is missing or broken.



1. Engine and shaft tube
2. Shield (for nylon line cutting head)
3. Shield (for metal blade)
4. Safety goggles (ANSI Z 87.1 compliant)
5. Caution tag
6. Shoulder harness

7. Loop handle
8. Nylon line cutting head
9. Operator's manual
10. Locking tool
11. Socket wrench



1. Engine and shaft tube
2. U-handle
3. Shield (for nylon line cutting head)
4. Shield (for metal blade)
5. Safety goggles (ANSI Z 87.1 compliant)
6. Caution tag
7. Shoulder harness
8. Nylon line cutting head

9. Operator's manual
10. Handle assembling bolt
11. Washer
12. Handle assembling bracket (upper)
13. Handle assembling bracket (lower)
14. Locking tool
15. Socket wrench

Before you start

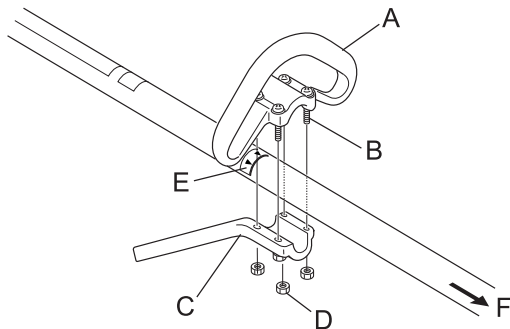
Assembly

⚠ WARNING

○ Read the operator's manual carefully to ensure that you assemble the product correctly. Using a product that has been incorrectly assembled could lead to an accident or serious injury.



Loop handle version Loop handle assembly



Assemble loop handle (A) and bracket (C) to drive shaft assembly.
Position handle in comfortable operating position and tighten Bolts (B).

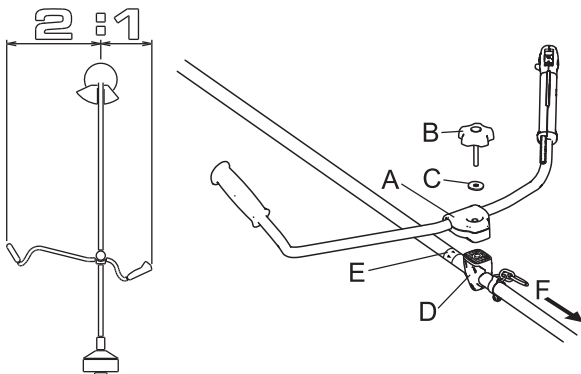
E: Arrow

F: To engine

⚠ CAUTION

○ Install the handle to the engine side from the arrow mark.

U-handle version U-handle assembly



1. Install handle assembling bracket (upper) (A) in handle assembling bracket (lower) (D) and fix handle by tightening handle assembling bolt (8 mm) (B) lightly.
2. Adjust inclination of handle to adequate position (easy to operate) and tighten firmly handle assembling bolt.

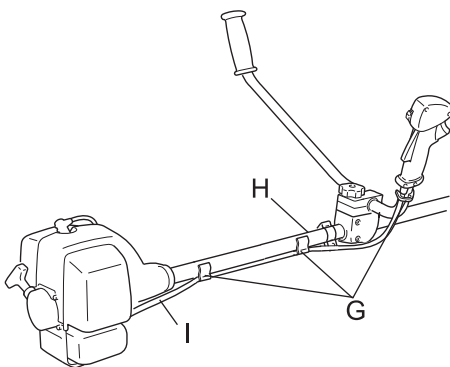
C: Washer

E: Arrow

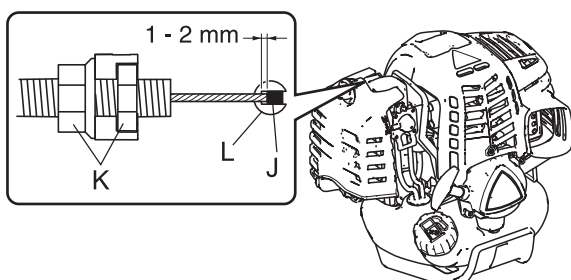
F: To engine

⚠ CAUTION

○ Install the handle so that it does not hide any of the safety decals.



3. To eliminate loosening of throttle wire (I), fix it to shaft tube (H) (2 places) and to right hand U-handle (1 place) with wire fixing clips (G).



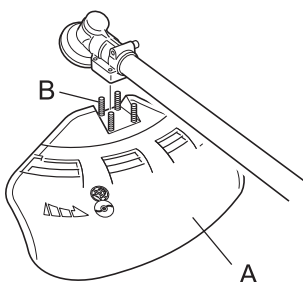
⚠ CAUTION

○ After assembly, adjust the play of wire end (J) on carburettor (L) side to 1 mm - 2 mm.

K: Nuts

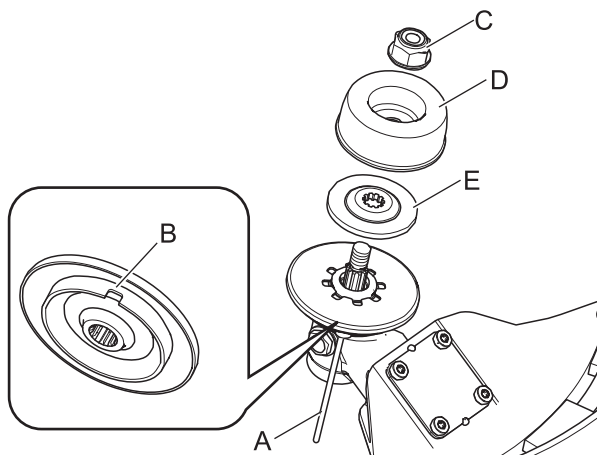
Before you start

Installation of shield



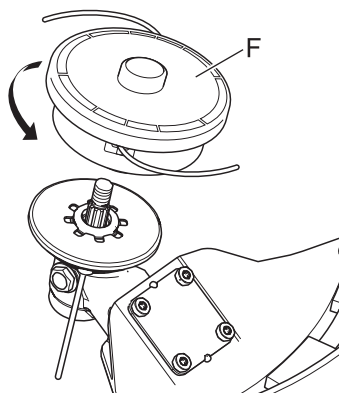
1. Fit shield (A) to mounting portion of angle transmission and tighten 4 bolts (B).

Installing nylon line cutting head



1. Insert locking tool (A) into a hole located on the right side of angle transmission while forcing retainer spring to the left side.
2. Insert locking tool further into blade retainer fixing slot (B) to fix output shaft.
3. Using the socket wrench, remove the nut (C), cup (D), and lower blade retainer (E).

* Nut, cup, and lower blade retainer are not used with a nylon line cutting head.



CAUTION

○ Fix output shaft securely using locking tool in order to prevent it from rotating when nylon cutting head is mounted.

4. Thread nylon line cutting head (F) onto shaft (anticlockwise) until it is tight.
5. Remove locking tool.

Adjusting the balance Adjusting the shoulder harness

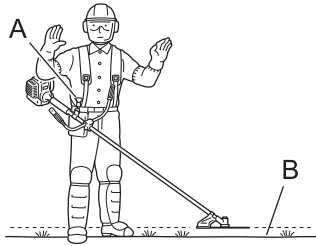
WARNING

○ This product is designed to fit a wide variety of body sizes, but may not be adjustable for extremely tall persons. Do not use the unit if your feet can reach the cutting attachment when the unit is attached to the harness.

IMPORTANT

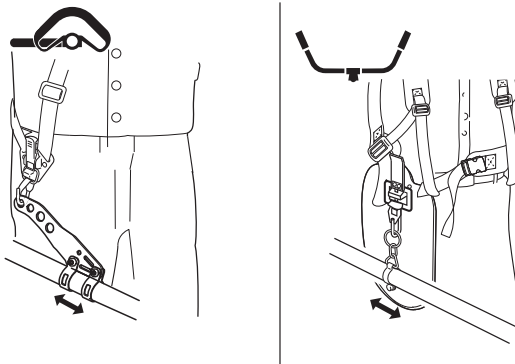
○ A person's size can affect the balancing adjustment. Also the balancing procedure may not work with some units on some persons. If the shoulder harness does not fit you or cannot be adjusted well, please ask your dealer for assistance.

Before you start



- ♦ The accompanying shoulder harness is suitable for people of standard adult physique, who are 150 cm - 195 cm in height and 60 cm - 140 cm in waist size.
- ♦ Use a shoulder harness when provided or when recommended in this manual. Adjust both harness and the suspension point (A) on the unit so the unit hangs with the cutting attachment a few centimetres above ground level (B).
- ♦ The cutting attachment and shield should be level in all directions. Harness the unit on the right side as shown.

Balance tool for a level plane of cutting head rotation



- ♦ Slide suspension point up and down the tube to find the right balance. Rotate the clamp to level the cutting attachment and shield. Lock in position. If the suspension point is a free-spinning type, the unit may tend to roll over sideways, however, you should still level the attachment and shield on the front-to-rear axis.
- ♦ Balancing and levelling, as above, may require relocation of the clamp and readjustment of the harness straps. Also, each type of cutting attachment and shield mounted on the unit may require balancing.

Preparing the fuel

DANGER

- Do not fuel up while the engine is hot or in operation.
 - Do not smoke or hold a flame near when refuelling.
- If you do so, the fuel could ignite and cause fire, leading to burns.



WARNING

- Do not fill fuel tanks indoors. Always fill fuel tanks outdoors over bare ground. Do not refuel the product on the loading platform of a truck, or in other such places.
- Fuel tanks/cans may be under pressure. Always loosen fuel caps slowly allowing pressure to equalize. Otherwise, fuel may get spewed.
- Mop up any fuel that overflows or spills out due to overfilling. Fuel spills can cause fire and burns when ignited.
- After refuelling, always check that there are no leaks or discharges of fuel from the fuel pipe, fuel system grommets, or around the fuel tank cap. If you do find fuel leaks or discharges, stop using the product immediately and contact your dealer to have it repaired. Any fuel leaks could cause fire.
- Keep the refuelling tank in a shaded area away from fire.
- Use an approved fuel container.

IMPORTANT

- Fuel is a mixture of regular grade petrol and an air-cooled 2-stroke engine oil of reputable brand name. Minimum 89 Octane unleaded petrol is recommended. Do not use fuel containing methyl alcohol or more than 10 % of ethyl alcohol.
- Stored fuel ages. Do not mix more fuel than you expect to use in thirty (30) days.

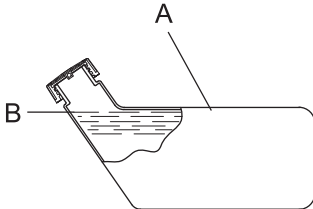
Before you start

Fuel



- ♦ Recommended mixture ratio; 50: 1 (2%) for ISO-L-EGD Standard (ISO/CD 13738), JASO FC,FD grade and ECHO Premium 50: 1 oil.
- ♦ Do not mix directly in engine fuel tank.

Fuel supply



- ♦ Do not add so much fuel that it reaches the mouth of the fuel tank (A). Keep the fuel within the prescribed level (up to the shoulder level (B) of the fuel tank).
- ♦ Tighten the fuel tank cap securely after refuelling.

Engine operation

Starting the engine

WARNING

Be particularly careful to observe the following precautions when starting the engine:

- Move at least 3m from the place where you refuelled.
 - Place the product in a flat, well ventilated place.
 - Check that there are no fuel leaks.
 - Inspect metal blades for cracks.
 - Check that none of the nuts and bolts are loose.
 - Leave plenty of space around the product and do not allow people or animals near it.
 - Start the engine with the throttle trigger in the idle speed position.
 - Hold the product firmly to the ground when starting the engine.
- Failure to observe the precautions could cause an accident or injury, or even lead to a fatality.

- Check that there are no abnormal vibrations or sounds once the engine starts. Do not use the product if there are abnormal vibrations or sounds. Contact your dealer to have it repaired.
- Accidents involving parts that fall or shatter off can cause wounds or serious injury.

- The exhaust fumes from the engine contain toxic gases. Do not operate the product indoors or in other ill ventilated places.

The exhaust fumes could cause poisoning.



- Do not touch silencer, spark plug, angle transmission, and other high temperature components while the product is running or for some time after it stops.

You could burn yourself if you touch a high temperature component.



- Do not touch spark plug, spark plug wire, and other high voltage components while the product is running.

You could receive an electric shock if you touch a high voltage component while the product is running.



- If the cutting attachment rotates even though the throttle trigger is in the idle speed position when the engine is started, adjust the carburettor before using the product.

Failure to observe the precautions could cause an accident or injury, or even lead to a fatality.

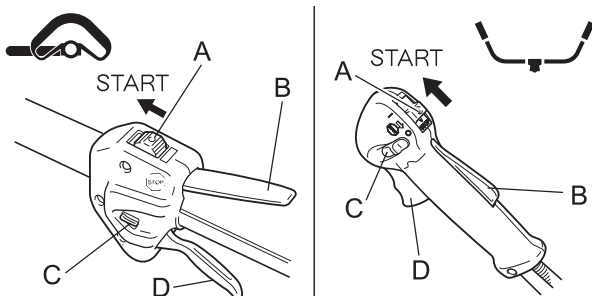
- When starting engine using throttle latch, cutting attachment rotates. After engine starts, pull throttle trigger slightly to release throttle latch immediately. Never use throttle latch for operation.

The rotating blade can cause injury.

NOTE

- Pull out the starter grip gently at first, and then more rapidly. Do not pull the starter rope out to more than 2/3 of its length.
- Do not let go of the starter grip as it returns.

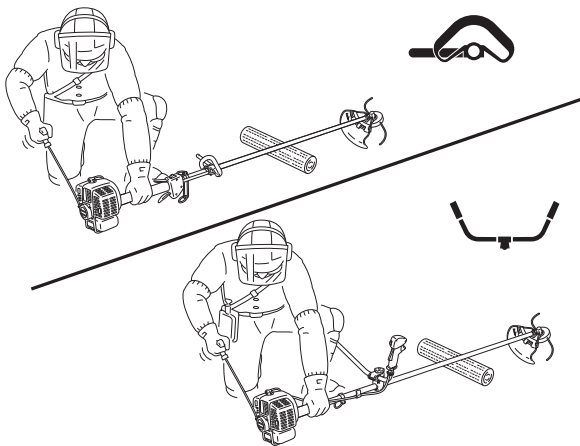
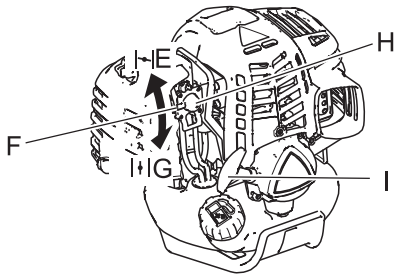
Starting a cold engine



(Connect the spark plug cap if the product has been in storage for a long period of time.)

1. Remove the blade cover.
2. Placing the product on level ground, check to ensure that the cutting attachment does not come into contact with the surface of the ground or any other impediment using a beam or other such implement.
3. Move the ignition switch (A) to the Start position.
4. Make sure that the throttle trigger (D) is at the idle speed position.

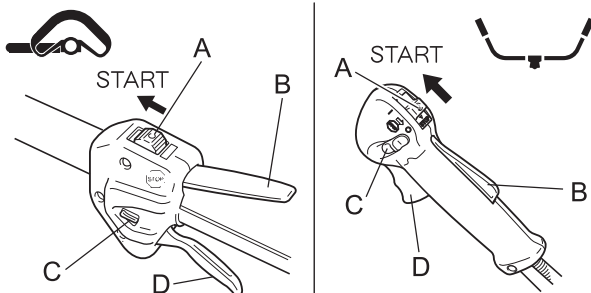
Engine operation



5. Move the choke lever (F) to the "Cold Start" (E) position.
6. Alternately press and release the purge bulb (H) until the fuel is sucked up into it.
7. Checking that the area around you is safe, hold the position closest to the engine firmly as shown in the illustration, pulling several times on the starter grip (I).
8. If you hear an explosion-like sound and the engine stops immediately, move the choke lever to the "Run" (G) position and continue pulling on the starter grip to start the engine.
9. If the engine does not stop, return the choke lever gently to the "Run" position.
10. Leave the engine to warm up at idle speed for a while.

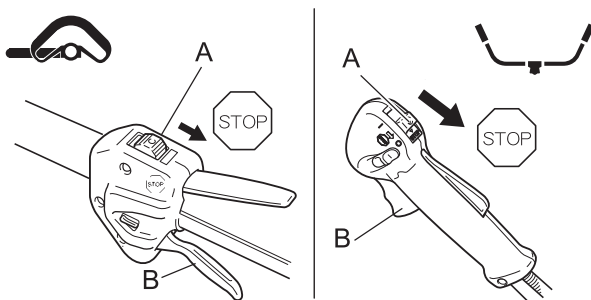
* When engine is hard to start, use throttle latch (C). (Pull throttle trigger fully and lower throttle latch while pressing throttle trigger lockout (B) and release throttle trigger to activate throttle latch. After engine starts, pull throttle trigger slightly to release throttle latch immediately.)

Starting a warm engine



1. Move the ignition switch (A) to the Start position.
2. Make sure that the throttle trigger (D) is at the idle speed position.
3. Check that the choke lever is in the "Run" position.
4. If no fuel is visible in the purge bulb, alternately press and release the purge bulb until the fuel is sucked up into it.
5. Checking that the area around you is safe, pull on the starter grip to start the engine.

Stopping the engine



1. Move the throttle trigger (B) to the idle speed position and set the engine to idling (i.e. low speed).
 2. Move the ignition switch (A) to the Stop position.
 3. In the event of an emergency, stop the engine immediately using the ignition switch.
 4. If the engine fails to stop, move the choke lever to the "Cold Start" position. The engine will stall and come to a halt (an emergency stop).
- * If the engine fails to stop when the ignition switch is used, have the ignition switch checked and repaired by your dealer before you use the product again.
5. Always disconnect the spark plug wire from the spark plug to ensure the engine cannot be started before you work on the unit or leave it unattended.

Trimming operation

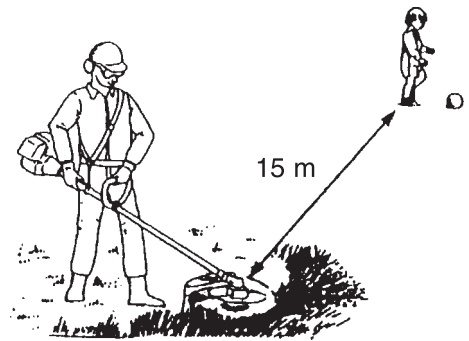
DANGER

- **Always stop the engine when a cutting attachment jam occurs.**
Severe injury can occur if a jam is removed and the cutting attachment suddenly starts.
- **Do not operate the product without the shield in place.**
Any objects that ricochet off the cutting attachment could cause an accident or serious injury.

- **The area within a 15 m radius of the product is a danger zone. Be careful to observe the following precautions while working with the product.**

- ◆ **Do not allow children and other people or pets to enter the danger zone.**
- ◆ **If another person enters the danger zone, turn off the engine to stop the cutting attachment from rotating.**
- ◆ **When approaching the operator, signal to him by, for example, throwing twigs from outside the danger zone, and then check that engine has been switched off and the cutting attachment has stopped turning.**
- ◆ **If more than one person is working with the product, identify the way in which you will signal to each other and work at least 15 m apart.**

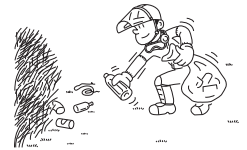
Any objects that ricochet off the cutting attachment, and any contact with the cutting attachment, could cause blindness or a fatal accident.



WARNING

- **Before starting work, check the area where you will be working and remove any small stones and empty cans likely to ricochet off the cutting attachment, as well as any pieces of string or wire that might become twisted around the cutting attachment.**

An accident or serious injury can occur if foreign objects ricochet off the cutting attachment or wire and other materials twisted round the product spring off it.



- **In the following situations, turn off the engine immediately and ensure that the cutting attachments have stopped before checking each area of the product. Replace any damaged parts.**

- ◆ **If the cutting attachment hits a rock, tree, post, or other such obstruction while you work.**
- ◆ **If the product suddenly starts to vibrate abnormally.**

Continuing to use parts when they are damaged could lead to an accident or serious injury.

- **Do not hold the cutting attachment up while you work. You must not work with the cutting attachments raised above knee level.**

Raising the cutting attachment above knee level brings the plane of rotation closer to the face, and any objects that fly off the cutting attachments could cause an accident or serious injury.

Transport of the product

- **When transporting in the situations described below, turn off the engine and ensure that the trimmer blade has stopped rotating, then fit the trimmer blade cover and position the silencer away from yourself.**

- ◆ **Moving to the place where you are working.**
- ◆ **Moving to another area while you are working.**
- ◆ **Leaving the place where you have been working.**

Failure to observe these precautions could cause burns or serious injury.

- **When transporting the product by car, empty the fuel tank, fit the blade cover, and secure the product firmly in place to prevent it from moving around.**

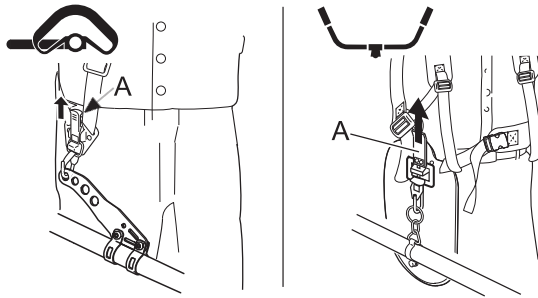
Travelling by car with fuel in the fuel tank could lead to a fire.

- **Never attempt to operate the product with one hand.**
- **Ensure that you hook your thumbs around the grips, wrapping them in your thumb and remaining fingers.**



Trimming operation

Using shoulder harness



Always mount the trimmer correctly using the shoulder harness.

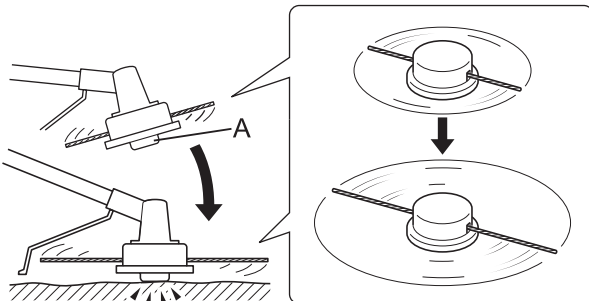
- ♦ Buckle waist belt (U-handle version). Belt should be snug.
- ♦ Attach product to harness.
- ♦ Loop handle version
Place shoulder harness over left shoulder and adjust straps so the quick release pin rests just below the waist.
- ♦ U-handle version
Place shoulder harness over both shoulders and adjust straps so the connecting point latches as shown.
- ♦ Check for correct adjustment by moving cutting attachment along ground.
- ♦ Re-adjust position of suspension point if necessary.
- ♦ The shoulder harness is fitted with an emergency release function. In the event of a fire or other emergency, pull the emergency tab (A) up to release the product from your body.

Basic trimming operation with nylon line cutting head

WARNING

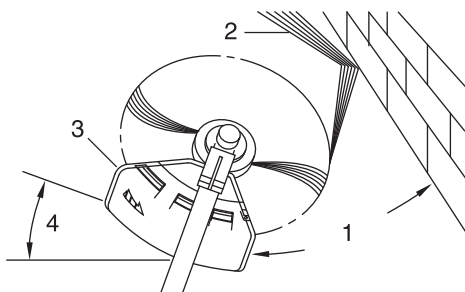
- Serious injury may result from the improper use of cutting attachment. Read and comply with all safety instructions listed in this manual.
- Use only cutting attachments recommended by YAMABIKO Corporation.
- Excessive nylon line beyond cut off knife could fly off when the nylon line cutting head starts rotating after adjustment of nylon line length.
Failure to do so could lead to an accident or serious injury.

Adjusting nylon line



- ♦ Do not rotate the nylon line cutting head at more than 10000 r/min.
- ♦ When releasing nylon line from spool, hit tap knob of spool against the ground surface lightly at rotation speed lower than 4500 r/min.
- ♦ Cut off knife on the shield adjusts cutting swath automatically by cutting nylon lines evenly when attachment starts rotating.
- ♦ When operating with less than maximum cutting swath, cut two nylon lines in equal lengths.
- ♦ When nylon line becomes shortened, hit tap knob (A) of spool against the ground surface lightly and the line is released from spool to come out.

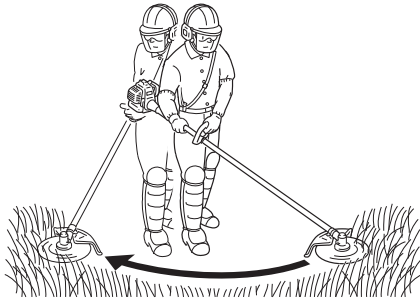
Trimming



- ♦ This is feeding the trimmer carefully into the material you wish to cut. Tilt the head slightly to direct the debris away from you. If cutting up to a barrier such as a fence, wall or tree, approach from an angle where any debris ricocheting off the barrier will fly away from you.
 - ♦ Move the nylon line cutting head slowly until the grass is cut right up to the barrier, but do not jam (overfeed) the line into the barrier. If trimming up wire mesh or chain link fencing, be careful to feed only up to the wire. If you go too far, the line will snap off around the wire.
 - ♦ Trimming can be done to cut through weed stems one at a time. Place the nylon line cutting head near the bottom of the weed never high up, which could cause the weed to chatter and catch the line. Rather than cut the weed right through, just use the very end of the line to wear through the stem slowly.
1. Angle to wall
 2. Debris
 3. Knife side raised
 4. Angle to ground

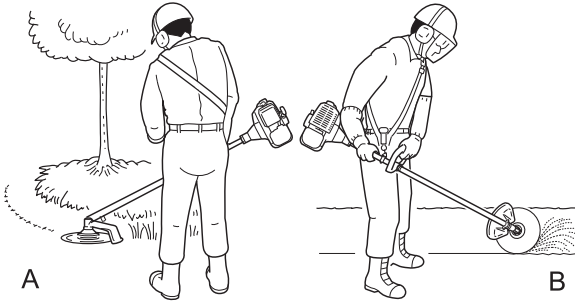
Trimming operation

Scything

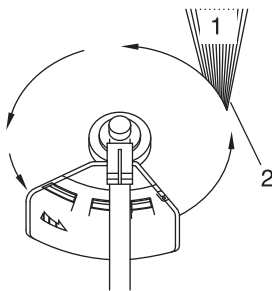


- ♦ This is the cutting or mowing of large grassy areas by sweeping or swinging the trimmer in a level arc. Use a smooth, easy motion. Do not try to hack or chop down the grass. Tilt the nylon line cutting head to direct the debris away from you on the scything stroke. Then return without cutting grass for another stroke. If you are well protected and do not care whether some debris is thrown in your direction, you may scythe in both directions.

Scalping and edging

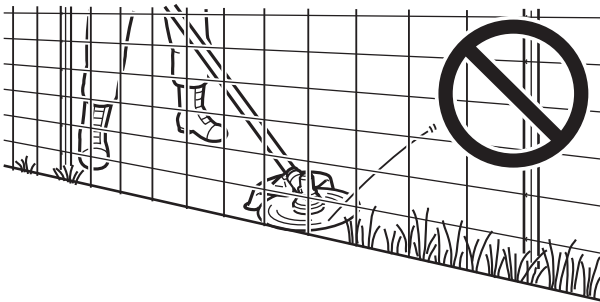


- ♦ Both of these are done with the nylon line cutting head tilted at a steep angle. Scalping (A) is removing top growth, leaving the earth bare. Edging (B) is trimming the grass back where it has spread over a pavement or driveway. During both edging and scalping, hold the unit at a steep angle in a position where the debris, and any dislodged dirt and stone, will not come back towards you even if it ricochets off the hard surface.
- ♦ Although the pictures show how to edge and scalp, every operator must find for himself the angles which suit his body size and cutting situation.

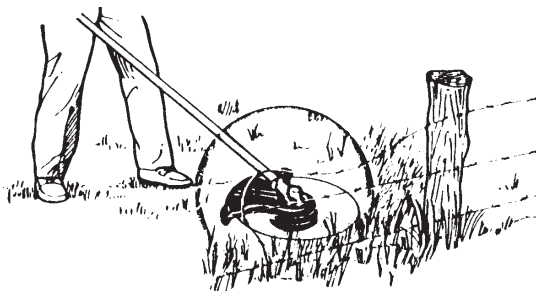


- ♦ For nearly all cutting, it is good to tilt the nylon line cutting head so that contact is made on the part of line circle where the line is moving away from you and the shield (See appropriate picture). This results in the debris being thrown away from you.
- ♦ Tilting the head to the wrong side will shoot the debris toward you. If the nylon line cutting head is held flat to the ground so that cutting occurs on the whole line circle, debris will be thrown at you, drag will slow the engine, and you will use up a lot of line.
- ♦ Nylon line cutting head rotates anticlockwise. The knife will be on the left side of the shield.

1. Debris
2. Cut on this side



- ♦ Do not push the line into tough weeds, trees, or wire fences.
- ♦ Pushing the line into chicken wire, chain link fencing or thick brush can result in snapped-off line ends being hurled back at the operator. The proper way is to cut right up to a barrier, such as any of those mentioned, but never run the line into or through the obstruction. Do not cut closely to obstruction or barrier.



- ♦ Avoid nylon line contact with broken wire fencing. Pieces of wire broken off by the trimmer can be hurled at high speeds.

Trimming operation

Basic trimming operation with metal blade

WARNING

- Please observe the following instructions when trimming.
 - ◆ Check to ensure that the trimmer blade has been tightened securely in place.
 - ◆ Replace the shield if it is damaged or cracked.
 - ◆ Replace the trimmer blade nut when it becomes worn.
 - ◆ Do not cut into the ground with the blade.
 - ◆ Do not operate with a dull, bent, fractured or discoloured blade and worn or damaged nut.
 - ◆ Do not run engine at full throttle without a load.

Failure to do so could lead to an accident or serious injury.

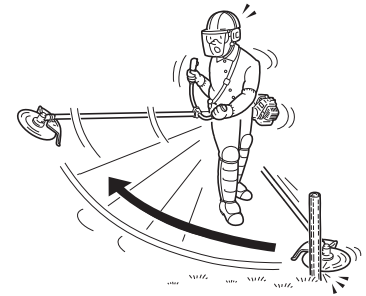
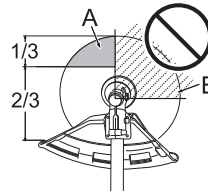


- Use only cutting attachments recommended by YAMABIKO Corporation.
- The type of blade used must be matched to the type and size of material cut. An improper or dull blade can cause serious personal injury. Blades must be sharp. Dull blades increase the chance of kick-out and injury to yourself and bystanders.
 - ◆ Plastic/Nylon Grass/Weed Blades may be used where ever the nylon line head is used. Do not use this blade for heavy weeds or brush.
 - ◆ The 3 cutter blade is designed especially to cut weeds and grass. To avoid injury due to kickback or blade fracture, do not use the 3 cutter blade to cut brush or trees.
 - ◆ 8 Tooth Weed/Grass Blade is designed for grass, garden debris and thick weeds. Do not use this blade for brush or heavy woody growth, 19 mm diameter or larger.
 - ◆ 22 Tooth Clearing Blade is designed for dense thickets and saplings up to 64 mm diameter.
 - ◆ 80 Tooth Brush Blade is designed for cutting brush and woody growth up to 13 mm diameter.

Damaged or shattered blades can cause accidents and serious injury.

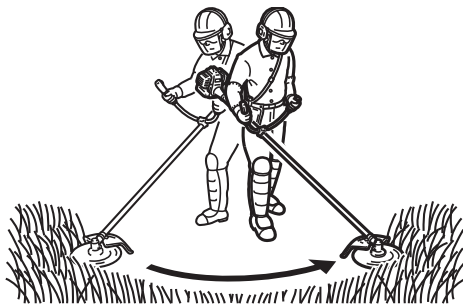
Kickback

- The phenomenon that occurs if the trimmer blade comes into contact with a tree, post, rock or other hard object while rotating at high speed and reacts by recoiling powerfully and instantaneously is known as kickback.
- Causing kickback can result in a loss of control over the product and is highly dangerous.
- In particular, if the front-right quadrant of the trimmer blade (B) strikes a shrub or other such object, the trimmer blade will cause the product to recoil sharply backwards to the right.
- To prevent kickback, do not trim from left to right. Be careful to ensure that the trimmer blade does not strike any hard objects.
- When trimming, ensure that the object you are cutting meets the portion of the blade 1/3 in from the front edge on the left-hand side (A).



Failure to do so could cause an injury or fatal accident.

Scything weeds



- ◆ This is cutting by swinging the cutting attachment in a level arc. It can quickly clear areas of field grass and weeds. Scything should not be used to cut large, tough weeds or woody growths.
- ◆ If a sapling or shrub binds the cutting attachment, do not use the cutting attachment as a lever to free the bind, because this will cause cutting attachment failure.
- ◆ Instead, shut off the engine and push the sapling or shrub to free the blades.

Maintenance and care

WARNING

Observe the following precautions when checking and maintaining your product after use:

- Turn the engine off and do not attempt to check or maintain the product until the engine has cooled.
You could burn yourself.
- Remove the spark plug cap before performing checks and maintenance.
An accident could occur if the product starts unexpectedly.

IMPORTANT

- Checking and maintenance requires specialist knowledge. If you are unable to check and maintain the product or deal with a fault yourself, consult your dealer. Do not attempt to dismantle the product.

Servicing guidelines

Area	Maintenance	Page	Before use	Monthly
Air filter	Clean/Replace	21	•	
Fuel filter	Inspect/Clean/Replace	21	•	
Spark plug	Inspect/Clean/Adjust/Replace	23		•
Carburettor	Adjust/Replace and adjust	21		•
Cooling system	Inspect/Clean	22	•	
Silencer	Inspect/Tighten	22	•	
Silencer	Clean	22		•**
Angle transmission	Grease	23		•*
Starter	Inspect	-	•	
Cut off knife	Inspect/Clean	-	•	
Fuel system	Inspect	21	•	
Screws, bolts and nuts	Inspect, Tighten/Replace	-	•	

* Or 50 hours, whichever occurs first. ** Or 100 hours, whichever occurs first.

Area	Maintenance	
Valve clearance	Adjust	If pulling on the starter grip is difficult or power is low, consult your dealer.

IMPORTANT

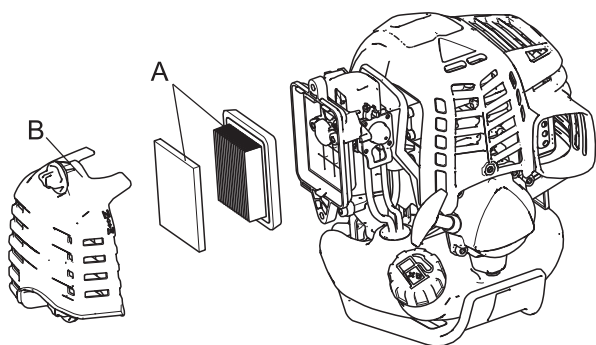
- Time intervals are maximum. Actual use and your experience will determine the frequency of required maintenance.

Maintenance and care

If you have any questions or problems, please contact your dealer.

Maintenance and care

Cleaning air filter

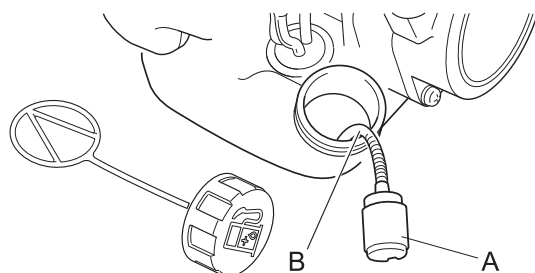


1. Close choke. Loosen air cleaner cover knob and remove air cleaner cover (B).
2. Remove air filter (A) (air filter is located inside air cleaner cover).
3. Brush dirt from filter or clean with compressed air from carburettor side.
4. Reinstall air filter with cover, after installing air filter to cover.
5. Tighten air cleaner cover knob.

NOTE

- When reinstall air filter, fit it in the frame of the cleaner case.

Replacing fuel filter



1. Use a piece of metal wire or the like to pick up fuel filter (A) through fuel tank opening.
2. Pull old filter from fuel line (B).
3. Install new fuel filter.

NOTE

- If filter is excessive dirty or no longer fits properly, replace it.

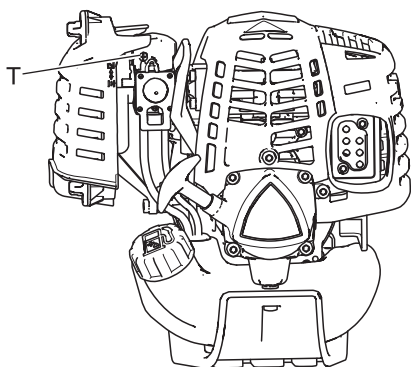
Carburettor adjustment

⚠ WARNING

- YOU MAY ADJUST THE IDLE SPEED ONLY by turning the idle speed adjustment screw (T).
- During carburettor adjustment, the cutting attachment may move. Pay utmost attention and care to the cutting attachment so as not to get injured by the moving cutter.
- When carburettor adjustment is completed, the cutting attachment should not move at idle speed, otherwise serious personal injury may result.
- You must NOT carry out any Carburettor adjustment, other than the idle speed. All other adjustments MUST be performed by an authorized service dealer, or serious personal injury may result due to malfunction of the engine.

⚠ CAUTION

- When there is trouble with the carburettor, contact an authorized service dealer.



Every unit is test run at the factory and the carburettor is fine tuned for maximum performance.

Before adjusting carburettor, clean or replace air filter, start engine and run several minutes to bring it to operating temperature. The engine must return to idle speed whenever the throttle lever is released. Idle speed is adjustable, and must be set low enough to permit the engine clutch to disengage the cutting attachment.

To adjust the carburettor proceed as follow:

1. Place the unit on the ground, then start the engine, and then allow it to idle 2-3 minutes until warm.
2. If the attachment moves when the engine is at idle, reduce the idle speed by turning the idle adjustment screw(T) counter-clockwise.
3. Repeat the process of accelerating to full throttle and return to idle a few times. Check that the cutting attachment stops moving at idle.
4. If a tachometer is available, the engine idle speed should be final adjusted to the settings recommended in the Specifications section.

Maintenance and care

NOTE

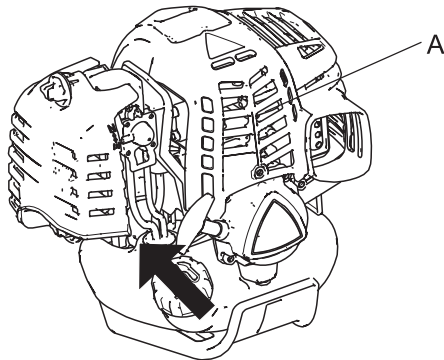
When the carburettor cannot be adjusted properly with the idle speed adjustment screw (T), you must contact an authorized service dealer.

Cooling system maintenance

IMPORTANT

- To maintain proper engine operating temperature, cooling air must pass freely through the cylinder fin area. This flow of air carries combustion heat away from the engine. Overheating and engine seizure can occur when:
 - ◆ Air intakes are blocked, preventing cooling air from reaching the cylinder.
 - ◆ Dust and grass build up on the outside of the cylinder. This build-up insulates the engine and prevents the heat from leaving.

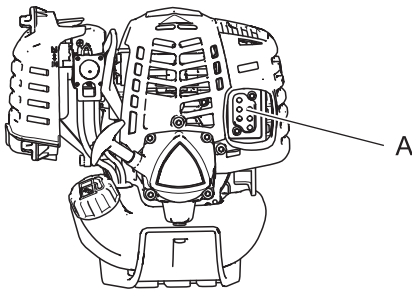
Removal of cooling passage blockages or cleaning of cylinder fins is considered "Normal Maintenance". Any resultant failure attributed to lack of maintenance is not warranted.



Air intake

- ◆ Remove dust and dirt from between fins (A).
- ◆ Before each use, remove accumulated debris from bottom engine intake grille located between the fuel tank and starter.

Cleaning silencer

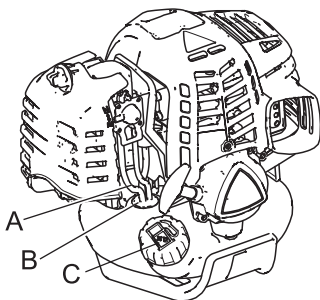


- ◆ Carbon deposits in silencer (A) will cause a drop in engine output and overheating. Spark arrestor screen must be checked periodically. Clean deposits from silencer.

IMPORTANT

Do not remove the silencer cover. If necessary, Please consult your dealer.

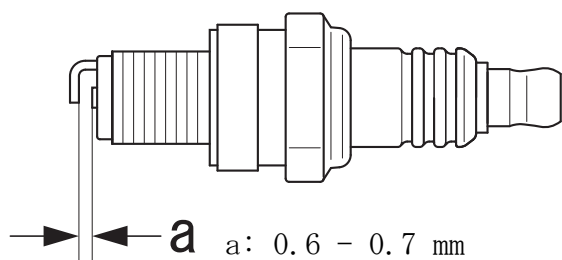
Check fuel system



- ◆ Check before every use.
- ◆ After refuelling, make sure fuel does not leak or exude from around fuel pipe (A), fuel grommet (B) or fuel tank cap (C).
- ◆ In case of fuel leakage or exudation, there is a danger of fire. Stop using the machine immediately and request your dealer to inspect or replace.

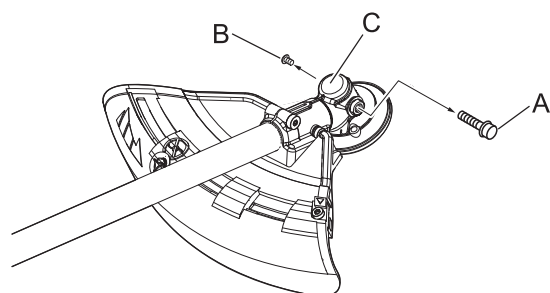
Maintenance and care

Check spark plug



1. Check plug gap. Correct gap is 0.6 mm to 0.7 mm.
 2. Inspect electrode for wear.
 3. Inspect insulator for oil or other deposits.
 4. If the spark plug is dirty, clean it. Do not sandblast to clean. Remaining sand will damage engine.
 5. If the electrodes or terminals are worn, or if there are cracks in the ceramics, replace them with new parts. (see Specifications page 29)
 6. Tighten to 10 N·m - 15 N·m (100kgf·cm to 150 kgf·cm).
- * The spark test (for checking whether the spark plug is sparking) must be carried out by your dealer.

Angle transmission



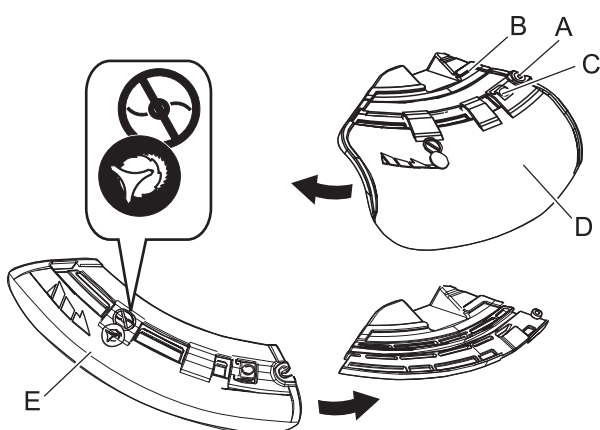
1. Remove the plug (A) and drain screw (B) from the angle transmission (C).
2. Add grease into the transmission until old grease is pushed out. If necessary, use a low pressure pump.

NOTE

- Use good quality lithium multi grease.

3. Reinstall the drain screw and plug.

Method to change shield



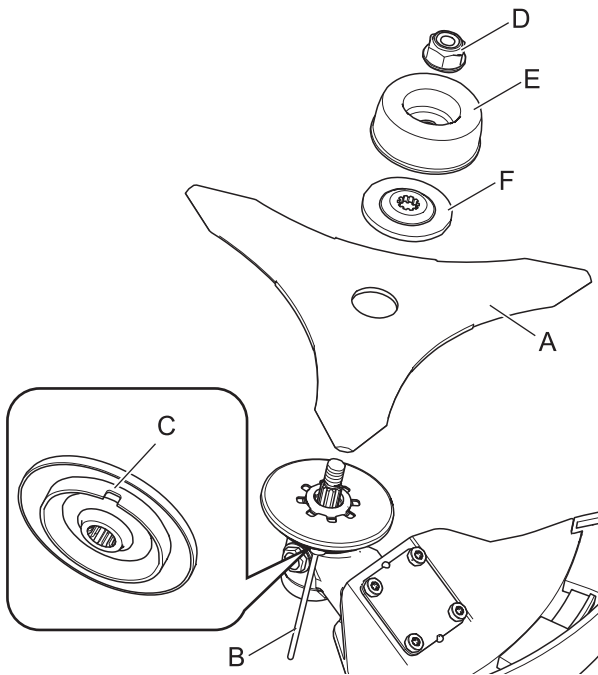
- ♦ There are two types of shields: namely the one used exclusively for nylon line cutting head and the other one used exclusively for metal blade. When metal blade is used, use the shield for metal blade.
1. Fully loosen the bolt (A) on the right side of the bracket (B) to slide the shield. The bolt itself cannot be removed from the bracket.
 2. Pushing the button (C), slide the shield (D) to the left and remove it.
 3. Put shield of other type (E) into groove and slide it to the right until it stops. Be sure to tighten the bolt.

Installing blade (option)

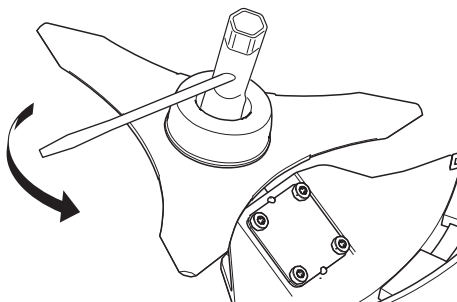
⚠ WARNING

- Wear heavy duty gloves when working with the trimmer blade.
- When replacing the trimmer blade during a trimming task, ensure that the engine is switched off and that the blades have stopped.
- When turning the product over to replace the trimmer blade, ensure that the fuel tank cap is securely in place.
- Do not attempt to fit the trimmer blade with one hand or without using the socket spanner. Fit the trimmer blade accurately using the supplied socket spanner and tighten firmly in position.
- Do not use any tools other than the provided socket spanner to tighten the blade; a pneumatic or electric tool may tighten the blade more than necessary and cause the nut or the output shaft to break.
- If worn nut and cup for blade are used, there is a danger of blade getting loose. Replace them with new one. Failure to do so could lead to an injury or serious accident, or cause a fire.

Maintenance and care



1. Inspect blades (A) before installation. Check for sharpness. Dull blades increase the risk of blade kickback reactions. Small cracks can develop into fractures resulting in a piece of blade flying off during operation. Discard cracked blades no matter how small the crack.
2. Insert locking tool (B) into a hole located on the right side of angle transmission while forcing retainer spring to the left side.
3. Insert locking tool further into blade retainer fixing slot (C) to fix output shaft.
4. Using the socket wrench, remove the nut (D), cup (E), and lower blade retainer (F).
5. Securely tighten the blade, lower blade retainer, cup, and nut by hand.

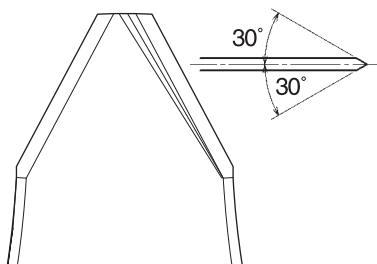
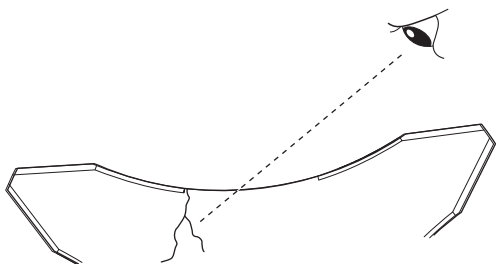


⚠ CAUTION

○ **Fix output shaft securely using locking tool in order to prevent it from rotating when blade is mounted. Otherwise, the blade fastening nut will not be tightened sufficiently.**

6. Tighten the nut (turn anticlockwise) using a socket wrench. Never fasten while applying your weight. Otherwise the thread of nut could be broken.
7. Remove locking tool.

Checking the blade

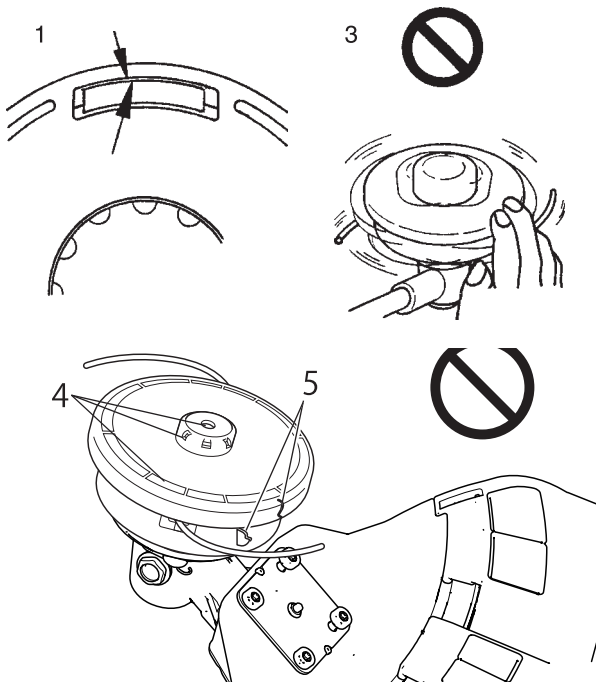


- ♦ Use only blade designated for this model by the manufacturer.
- ♦ When a crack is noticed on the blade, do not use it but replace with a new one.
- ♦ Ensure that the blade is correctly fitted in accordance with the instructions.

- ♦ When the cutting blade becomes dull due to wear reverse it for further use.
- ♦ When chip or bend occurs on the blade, vibration will increase. Replace with new one.
- ♦ When filing the blade file 3 cutting edges evenly using a flat file as shown in the illustration. Otherwise, the balance will be lost and vibration will increase.

Maintenance and care

Checking the nylon line cutting head



1. Make sure each periphery of the 2 retaining pawls of housing spreads almost fully up to the outer periphery of the respective cover window.
2. Check mount of cutting head on trimmer and tighten if it is loose.
3. Check the cutter head for deflection or abnormal noise rotating it by hand. Deflection or abnormal noise can cause abnormal vibration to occur or mount to trimmer to loosen during rotation which is dangerous.
4. Inspect cover and tap knob for wear. When slot appears on bottom of the tap knob or when slot appears on cover bottom close to outlet for nylon line, replace them with new parts without fail.
5. Check the cutting head for crack or chip. Replace parts that show any crack or chip with new ones without fail.

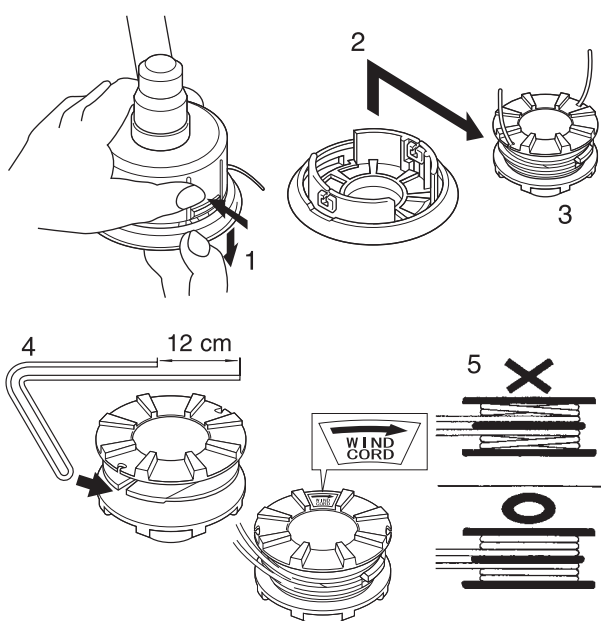
Replacing nylon line

⚠ DANGER

- **Shut down trimmer engine without fail and make sure nylon line cutting head has stopped rotating before starting replacement procedure.**
To do so could lead to an accident or serious injury.

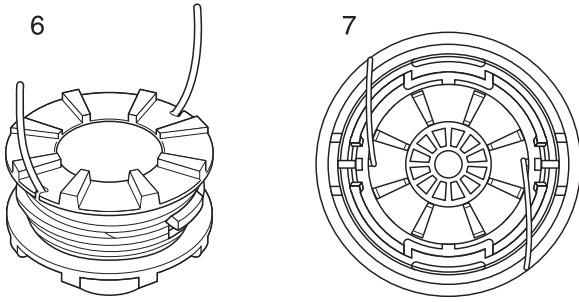
⚠ WARNING

- **Use only flexible, non-metallic line recommended by YAMABIKO Corporation.**
Failure to do so could lead to an accident or serious injury.

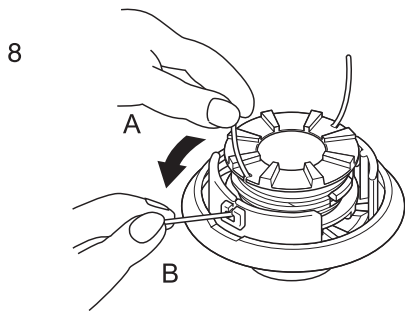


1. Press "retaining pawls" (at two places) inward and remove cover. It is easier to remove one after another.
2. Remove spool.
3. When nylon line on the spool is almost exhausted, remove remaining line from spool and wind "new line" according to the procedures (4) and beyond. When the line on the spool is "melted and stuck" remove the entire line while peeling off the "melted and stuck" portion and wind the "removed line" anew according to procedures (4) and beyond.
4. Bend the line at the point 12 cm away from the middle of whole length and hook the bent portion into the "notch" of the intermediate separator.
5. Wind the line firmly into groove of the spool following "winding direction for the arrow".

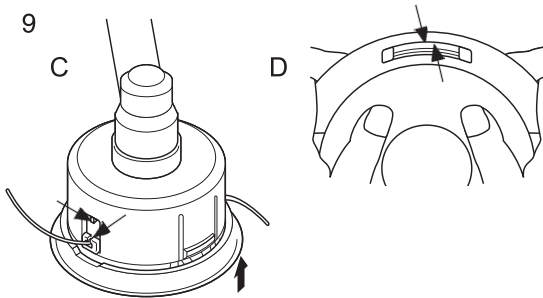
Maintenance and care



6. When the line is wound to the end hook both line ends into respective notch of spool for retaining tentatively the line while leaving line ends approximately 10 cm beyond notch.
7. Align notches of spool for the line with grooves of eyelets and fit spool into cover.



8. Pull out the line from cover. (A) Remove the line from "respective notch of spool", and (B) pass it through "groove of respective eyelet".



9. Fit cover and housing together. (C) Align "eyelets" of cover with "recesses" of housing, and (D) press pawls of housing into respective window of cover until the pawls are firmly fitted into the windows.

DANGER

Make sure each outer periphery of pawls of housing spreads almost fully up to the outer periphery of respective window of cover. If they are loosely fitted and the cutting head is turned, cover or inside components can fly off which is dangerous.

Troubleshooting table

IMPORTANT

- For spare parts and consumables, please use only genuine parts and designated products and components. Using parts from other manufacturers or non-designated components may result in a malfunction.

Maintenance and care

Problem	Diagnosis	Cause	Solution
The engine does not start		<ol style="list-style-type: none"> 1. There is no fuel in the fuel tank 2. The stop switch is in the Stop position 3. Excess fuel suction 4. Electrical fault 5. Carburettor malfunction or internal sticking 6. Internal engine malfunction 	<ol style="list-style-type: none"> 1. Fuel supply 2. Move to the Start position 3. Start the engine after servicing 4. Consult your dealer 5. Consult your dealer 6. Consult your dealer
Engine is difficult to start, fluctuating rotation	Fuel is entering the overflow pipe	<ol style="list-style-type: none"> 1. Fuel degradation 2. Carburettor problem 	<ol style="list-style-type: none"> 1. Replace with new fuel 2. Consult your dealer
	No fuel is entering the overflow pipe	<ol style="list-style-type: none"> 1. Fuel filter is clogged 2. Fuel system is clogged 3. Internal carburettor parts sticking 	<ol style="list-style-type: none"> 1. Clean or replace 2. Consult your dealer 3. Consult your dealer
	The spark plug is dirty or damp	<ol style="list-style-type: none"> 1. Fuel degradation 2. Incorrect electrode gap 3. Carbon deposits 4. Electrical fault 	<ol style="list-style-type: none"> 1. Replace 2. Adjust or replace 3. Clean or replace 4. Consult your dealer
Engine starts but no acceleration is possible		<ol style="list-style-type: none"> 1. Dirty air filter 2. Dirty fuel filter 3. Blocked fuel passage 4. Carburettor adjustment problem 5. Blocked exhaust vent or silencer vent 	<ol style="list-style-type: none"> 1. Clean or replace 2. Clean or replace 3. Consult your dealer 4. Adjust 5. Clean
The engine stops		<ol style="list-style-type: none"> 1. Carburettor adjustment problem 2. Electrical fault 	<ol style="list-style-type: none"> 1. Adjust 2. Consult your dealer
The engine fails to stop		<ol style="list-style-type: none"> 1. Stop switch malfunction 	<ol style="list-style-type: none"> 1. Perform an emergency stop and consult your dealer
Cutting attachment rotates when the engine is idling		<ol style="list-style-type: none"> 1. Carburettor adjustment problem 2. Damaged clutch spring 	<ol style="list-style-type: none"> 1. Adjust 2. Consult your dealer

- ♦ Consult your dealer in the event of a problem that is not covered in the table above, or other such concerns.
- ♦ Please contact your dealer in order to dispose of the product or its parts in compliance with national laws.

Maintenance and care

Manufacturer:

YAMABIKO CORPORATION

7-2 SUEHIROCHO 1-CHOME, OHME, TOKYO 198-8760, JAPAN

Authorized Representative in Europe:

Atlantic Bridge Limited

Atlantic House, PO Box 4800, Earley, Reading RG5 4GB, United Kingdom

Storage

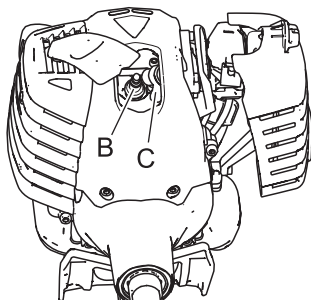
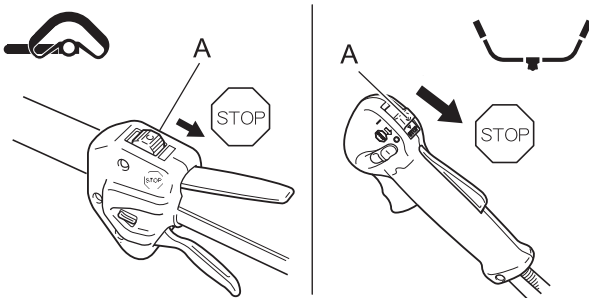
Long-term storage (30 days or more)

WARNING

○ Do not store in sealed locations filled with fuel gas, or close to naked flames or sparks.
You could cause a fire.



When storing the product for long periods of time (30 days or more), ensure that the following preparations for storage are carried out.



1. Remove any fuel from the fuel tank.
2. Alternately press and release the purge bulb a number of times to remove the fuel from the purge bulb.
3. Start the engine and run it at idle speed until it comes to a natural stop.
4. Move the ignition switch (A) to the Stop position.
5. Once the product is sufficiently cool, wipe clean any grease, oil, dust, dirt and other materials on the outside of the trimmer.
6. Perform the periodic checks prescribed in this manual.
7. Check that the screws and nuts are tightened. Tighten up any that are loose.
8. Remove the spark plug (B) and add the appropriate quantity (around 10 mL) of clean, new 2-stroke engine oil to the cylinder via the spark plug hole.
9. Place a piece of clean cloth over the spark plug hole.
10. Pull 2 or 3 times on the starter grip to distribute the engine oil into the cylinder.
11. Observe the piston location through the spark plug hole. Pull the recoil starter handle slowly until the piston reaches the top of its travel and leave it there.
12. Fit the spark plug. (Do not connect the spark plug cap (C).)
13. Fit the blade cover onto the trimmer blade and wrap the engine section in a plastic bag or other covering, and store in a dry, dust-free location out of reach of children.

Specifications

		SRM-3610T	
		L	U
External dimensions: Length × Width × Height		1806 × 340 × 358 mm	1806 × 695 × 525 mm
Mass: Unit without fuel, cutting attachment and harness (ISO11806-1: 2011) Unit with fuel, specified cutting attachment, guard and harness Unit without fuel, cutting attachment, guard and harness		6.8 kg 8.0 kg 6.3 kg	7.1 kg 8.8 kg 6.6 kg
Volume: Fuel tank (full)		850 mL	
Fuel: Gasoline Oil Mixture ratio		Regular grade petrol. Minimum 89 Octane unleaded petrol is recommended. Do not use fuel containing methyl alcohol or more than 10% of ethyl alcohol. Two stroke, air-cooled engine oil. ISO-L-EGD Standard (ISO/CD 13738), JASO FC,FD grade and ECHO Premium 50:1 oil. 50:1 part (2%)	
Cutting attachment: Nylon line cutting head (Cutting swath) Thread Nylon cord size (diameter) Nylon cord length		Z-5 (508 mm) Left-handed thread M10×1.25 pitch 3.0 mm 5.0 m	
Gear Case: Gear ratio and lubrication Rotational direction of output shaft viewed from above maximum rotational frequency of the spindle		1.62 reduction and good quality lithium grease Anticlockwise 6600 r/min	
Engine: Type Carburettor Magneto Spark plug Starter Power transmission Engine displacement Maximum shaft brake power (ISO 8893) Fuel consumption at maximum engine power Recommended maximum engine speed (With STD attachment installed) Recommended engine idling speed		Air cooled two stroke, single cylinder Diaphragm type Flywheel magneto - CDI system NGK CMR5H Recoil starter Automatic centrifugal clutch 36.3 cm ³ 1.43 kW 0.92 L/h 10000 r/min 2900 (2800 - 2900) r/min	
2006/42/EC Vibration (ISO 22867) $a_{hv,eq}$	Left handle Right handle Uncertainty K	5.7 m/s ² 3.2 m/s ² 1.2 m/s ²	5.7 m/s ² 4.1 m/s ² 1.2 m/s ²
Sound pressure level (ISO 22868) L_{pAeq}	Uncertainty K_{pA}	94.5 dB(A) 1.5 dB(A)	93.8 dB(A) 1.5 dB(A)
Sound power level (ISO 22868) L_{WARa}	Uncertainty K_{WA}	106.5 dB(A) 2.1 dB(A)	107.6 dB(A) 2.1 dB(A)

These specifications are subject to change without notice.

Declaration of conformity

The undersigned manufacturer:

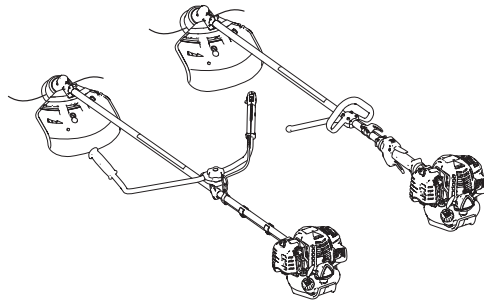
YAMABIKO CORPORATION
7-2 SUEHIROCHO 1-CHOME
OHME; TOKYO 198-8760
JAPAN

This declaration of conformity is issued under the sole responsibility of the manufacturer.

Declares that the hereunder specified new unit:

GRASS-TRIMMER/BRUSHCUTTER

Brand: ECHO
Type: SRM-3610T



Complies with:

- * the requirements of Directive **2006/42/EC** (use of harmonized standard **EN ISO 11806-1: 2011**)
- * the requirements of Directive **2014/30/EU** (use of harmonized standard **EN ISO 14982: 2009**)
- * the requirements of Directive **2000/14/EC**

Conformity assessment procedure followed **ANNEX V**

Measured sound power level: 106 dB(A) loop handle, 108 dB(A) U-handle

Guaranteed sound power level: 109 dB(A) loop handle, 111 dB(A) U-handle

Serial Number 37001001 to 37100000

Tokyo, October 1st 2016

YAMABIKO CORPORATION

Masayuki Kimura

Masayuki Kimura

General Manager

Quality Assurance Dept.

The authorized representative in Europe who is authorized to compile the technical file.

Company: Atlantic Bridge Limited

Address: Atlantic House, PO Box 4800, Earley, Reading RG5 4GB, UK

Mr. Philip Wicks

MEMORANDUM

YAMABIKO CORPORATION

7-2 SUEHIROCHO 1-CHOME, OHME, TOKYO 198-8760, JAPAN

PHONE: 81-428-32-6118. FAX: 81-428-32-6145.



X750-028860

X750283-3501



FRANÇAIS
FR (Notice originale)

MANUEL D'UTILISATION COUPE-HERBE/DÉBROUSSAIL- LEUSE SRM-3610T

AVERTISSEMENT



LIRE ATTENTIVEMENT LES INSTRUCTIONS ET SUIVRE LES
RÈGLES DE SÉCURITÉ.
LE NON-RESPECT DES RÈGLES DE SÉCURITÉ ENTRAÎNE UN
RISQUE DE BLESSURE GRAVE.



Table des matieres

Pour utiliser l'appareil en toute sécurité	3
Description	8
Avant de commencer	9
Contenu de l'emballage	9
Assemblage	10
Version poignée semi-circulaire.....	10
Version brancard en U.....	10
Montage du protecteur d'outil	11
Montage de la tête de coupe à fil nylon	11
Equilibrage.....	11
Préparation du carburant.....	12
Fonctionnement du moteur	14
Démarrage du moteur.....	14
Arrêt du moteur.....	15
Utilisation de l'appareil	16
Utilisation du harnais	17
Utilisation de base de l'appareil avec tête de coupe à fil nylon	17
Utilisation de base de l'appareil avec lame métallique	19
Entretien	21
Instructions d'entretien de l'appareil	21
Entretien	21
Remisage	29
Caractéristiques.....	30
Déclaration de conformité.....	31

Pour utiliser l'appareil en toute sécurité

Information importante

⚠ AVERTISSEMENT

Lire attentivement le manuel d'utilisation avant d'utiliser l'appareil pour la première fois.

À propos du manuel d'utilisation

- Ce manuel contient les informations nécessaires au montage, à l'utilisation et à l'entretien de l'appareil. L'utilisateur doit donc le lire attentivement et intégrer les informations qu'il contient.
- Toujours conserver le manuel à portée de main.
- En cas de perte du manuel ou si ce dernier a été détérioré et n'est plus lisible, s'adresser à un revendeur pour en obtenir un nouveau.
- Les unités utilisées dans ce manuel sont les unités SI (Système international d'unités). Les chiffres indiqués entre parenthèses sont des valeurs de référence. De légères erreurs de conversion peuvent survenir dans certains cas. Le non-respect de cette règle de sécurité entraîne un risque d'accident ou de blessure grave.

Utilisation de l'appareil

- Ces machines sont légères, très performantes, équipées d'un moteur à essence et conçues pour désherber, tondre et débroussailler dans des endroits inaccessibles par d'autres moyens.
- Ne pas utiliser cet appareil pour d'autres applications que celles mentionnées ci-dessus.
- YAMABIKO se réserve le droit de modifier sans préavis le contenu de ce manuel en fonction des améliorations apportées au produit. Il se peut que certains des schémas de ce manuel soient différents de l'appareil. Ces différences ont pour objectif de rendre les explications plus claires.
- En cas de doute, consulter un revendeur.
Le non-respect de cette règle de sécurité entraîne un risque d'accident ou de blessure grave.

Ne pas modifier l'appareil

- Aucune modification ne doit être apportée à l'appareil.
Le non-respect de cette règle de sécurité entraîne un risque d'accident ou de blessure grave. Tout dysfonctionnement dû à une modification de l'appareil n'est pas couvert par la garantie du fabricant.

Ne pas utiliser l'appareil avant d'avoir effectué les opérations de vérification et d'entretien nécessaires

- Il ne faut pas utiliser l'appareil avant d'avoir effectué les opérations de vérification et d'entretien nécessaires. Veiller à ce que l'appareil soit vérifié et entretenu régulièrement.
Le non-respect de cette règle de sécurité entraîne un risque d'accident ou de blessure grave.

Prêt ou cession de l'appareil à un tiers

- Si l'appareil est prêté à un tiers, veiller à lui confier également le manuel d'utilisation fourni avec l'appareil.
- Si l'appareil est cédé à un tiers, transmettre le manuel d'utilisation fourni avec l'appareil lors de la vente.
Le non-respect de cette règle de sécurité entraîne un risque d'accident ou de blessure grave.

Utilisateurs de l'appareil

- L'appareil ne doit pas être utilisé si :
 - ◆ l'utilisateur est fatigué
 - ◆ l'utilisateur a consommé de l'alcool
 - ◆ l'utilisateur prend des médicaments
 - ◆ la personne qui souhaite utiliser l'appareil est enceinte
 - ◆ l'utilisateur est en mauvaise condition physique
 - ◆ l'utilisateur n'a pas lu le manuel d'utilisation
 - ◆ la personne qui souhaite utiliser l'appareil est un enfant
- L'utilisateur est tenu pour responsable en cas d'accidents ou de risques pouvant entraîner des accidents corporels ou des dommages matériels.
Le non-respect de ces règles de sécurité constitue un risque d'accident.
- Le système d'allumage de cet appareil produit des champs électromagnétiques lorsqu'il fonctionne. Les champs magnétiques peuvent provoquer des interférences ou des pannes sur les stimulateurs cardiaques. Pour réduire les risques pour la santé, nous recommandons aux porteurs d'un stimulateur cardiaque de consulter leur médecin et le fabricant du stimulateur avant d'utiliser cet appareil.



Pour utiliser l'appareil en toute sécurité

⚠ AVERTISSEMENT

Exposition aux vibrations et au froid

○ Les personnes exposées aux vibrations et au froid peuvent être victimes du phénomène de Raynaud, une affection qui touche les doigts. L'exposition à des vibrations et au froid peut provoquer une sensation de picotement et de brûlure, suivie d'une décoloration et d'un engourdissement des doigts. Il est vivement recommandé de respecter les mesures de précaution suivantes car le seuil d'exposition minimum pouvant provoquer l'apparition de ce phénomène reste inconnu à ce jour.

- ◆ Limiter la perte de chaleur corporelle, en protégeant en priorité la tête, le cou, les pieds, les chevilles, les mains et les poignets.
- ◆ Stimuler la circulation sanguine en interrompant le travail régulièrement pour remuer énergiquement les bras, et éviter de fumer.
- ◆ Limiter le nombre d'heures d'utilisation. Essayer d'intégrer à l'emploi du temps de la journée des tâches ne nécessitant pas l'utilisation de l'appareil ou d'une autre machine portable.
- ◆ En cas d'inconfort, de rougeur et de gonflement au niveau des doigts, suivis d'un blanchissement et d'une perte de sensibilité, consulter un médecin avant de s'exposer à nouveau au froid et aux vibrations.

Le non-respect de ces instructions peut être dangereux pour la santé.

Lésions attribuables au travail répétitif

○ Il apparaît que la sollicitation excessive des muscles et des tendons des doigts, des mains, des bras et des épaules peut provoquer une irritation, un gonflement, un engourdissement, une faiblesse et de fortes douleurs au niveau des membres mentionnés ci-dessus. L'apparition de lésions attribuables au travail répétitif (LATR) est très fréquente chez les personnes pratiquant certaines activités manuelles répétitives. Pour réduire le risque d'apparition de LATR, respecter les mesures de précaution suivantes :

- ◆ Éviter de plier, d'étirer ou de tordre le poignet pendant le travail.
- ◆ Faire des pauses régulières pour réduire l'effet répétitif et pour reposer ses mains. Effectuer le mouvement répétitif plus lentement et en faisant moins d'effort.
- ◆ Faire des exercices de musculation des mains et des bras.
- ◆ En cas de picotements, d'engourdissement ou de douleur dans les doigts, les mains, les poignets ou les bras, consulter un médecin. Plus les LATR sont diagnostiquées précocement, plus les chances d'empêcher les lésions nerveuses et musculaires irréversibles sont grandes.

Le non-respect de ces instructions peut être dangereux pour la santé.

Une formation adaptée

○ Toute personne devant utiliser cet appareil doit obligatoirement avoir reçu une formation et un équipement de protection adaptés.

○ Vous devez avoir une connaissance parfaite des commandes et du fonctionnement de l'appareil.

○ Vous devez savoir comment arrêter l'appareil et couper le moteur.

○ Vous devez savoir comment décrocher la machine du harnais en urgence.

○ Ne laisser personne utiliser l'appareil sans avoir préalablement reçu une formation adaptée.

Le non-respect de ces instructions peut être dangereux pour la santé.

Port de vêtements adaptés

○ Attacher les cheveux longs au-dessus du niveau de l'épaule.

○ Ne pas porter de cravates, bijoux ou vêtements amples qui pourraient se prendre dans l'appareil.

○ Ne pas porter de chaussures ouvertes, ne pas travailler pieds nus ou jambes nues.

Le non-respect de ces mesures de précaution peut entraîner une dégradation de la vue ou de l'ouïe de l'utilisateur, ainsi qu'un risque de blessure grave.



Pour utiliser l'appareil en toute sécurité

AVERTISSEMENT

Port d'équipements de protection

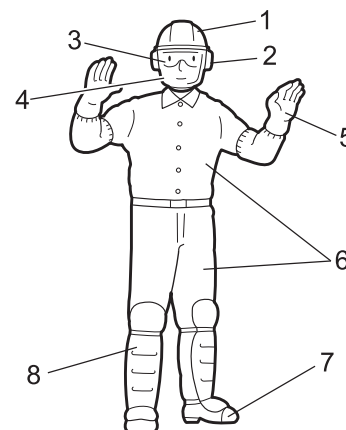
○ Toujours porter les équipements de protection suivants pour utiliser un coupe-herbe.

1. Protection de la tête (casque) : protège la tête.
2. Casque de protection anti-bruit ou protecteurs d'oreilles : protègent l'ouïe.
3. Lunettes de sécurité : protègent les yeux.
4. Protection du visage : protège le visage.
5. Gants de sécurité : protègent les mains contre le froid et les vibrations.
6. Vêtements de travail adaptés (manches longues, pantalons longs) : protègent le corps.
7. Bottes résistantes avec semelles anti-dérapantes (à bouts renforcés) ou chaussures de travail avec semelles anti-dérapantes (à bouts renforcés) : protègent les pieds.
8. Protège-tibias : protègent les jambes.

Le non-respect de ces mesures de précaution peut entraîner une dégradation de la vue ou de l'ouïe de l'utilisateur, ainsi qu'un risque de blessure grave.

○ Si nécessaire, utiliser les équipements de protection ci-dessous.

- ◆ Masque anti-poussière : protège les voies respiratoires
- ◆ Voilette de protection : protège contre les piqûres d'abeilles



Environnement d'utilisation et fonctionnement de l'appareil

○ Ne pas utiliser l'appareil :

- ◆ en cas de mauvaises conditions météo.
- ◆ sur des pentes raides ou sur des surfaces instables et glissantes ;
- ◆ la nuit ou dans des endroits sombres mal éclairés.

○ Lorsque vous utilisez l'appareil sur un terrain en pente douce, employez un mouvement régulier et gardez la tête de coupe parallèle au sol.

Toute chute, glissade ou utilisation incorrecte de l'appareil constitue un risque de blessures graves pour l'utilisateur.

○ Afin de préserver votre santé et de travailler dans des conditions de sécurité et de confort optimales, utiliser l'appareil uniquement par des températures comprises entre -5 °C et 40 °C.

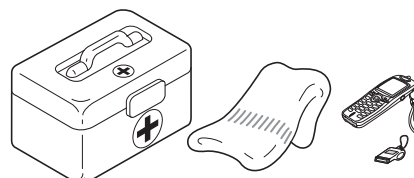
Le non-respect de ces instructions peut être dangereux pour la santé.

Savoir réagir en cas de blessure

○ Même si les cas de blessure ou d'accident restent exceptionnels, l'utilisateur doit savoir réagir à ces situations.

- ◆ Kit de premiers secours
- ◆ Serviettes et lingettes (pour arrêter les saignements)
- ◆ Sifflet ou téléphone portable (pour appeler de l'aide)

Si l'utilisateur n'est pas capable de prodiguer les premiers soins ou d'appeler à l'aide, la blessure peut s'aggraver.



Le bon réflexe en cas d'incendie ou de fumée

○ Si le moteur prend feu ou si de la fumée s'échappe de l'appareil à un autre endroit que la sortie d'échappement, la première chose à faire est de s'éloigner de l'appareil pour éviter tout risque d'accident.

○ À l'aide d'une pelle, jeter du sable ou un autre matériau équivalent sur les flammes pour éviter que l'incendie ne se propage, ou éteindre les flammes avec un extincteur.

Ne pas céder à la panique permet d'éviter que l'incendie ne se propage et donc de limiter l'étendue des dégâts.



Étiquettes et symboles d'avertissement

DANGER

Ce symbole associé au mot « DANGER » signale une action ou une situation présentant un risque de blessure corporelle grave ou d'accident mortel pour l'utilisateur et les personnes à proximité.

AVERTISSEMENT


Ce symbole associé au mot « AVERTISSEMENT » signale une action ou une situation présentant un risque de blessure corporelle grave ou d'accident mortel pour l'utilisateur et les personnes à proximité.

ATTENTION

« ATTENTION » signale une situation potentiellement dangereuse qui, si elle n'est pas évitée, peut entraîner une blessure légère à modérée.

Pour utiliser l'appareil en toute sécurité





Autres indications

	Le cercle barré indique une interdiction.
---	---






REMARQUE
Ce type de message fournit des conseils relatifs à l'utilisation et à l'entretien de l'appareil.

IMPORTANT
Le texte dans l'encadré où figure le mot « IMPORTANT » donne des informations importantes concernant l'utilisation, la vérification, l'entretien et le remisage de l'appareil décrit dans ce manuel.

Symboles

Forme des symboles	Description/application des symboles	Forme des symboles	Description/application des symboles
	Lire attentivement le manuel d'utilisation		Vitesse maximale de l'arbre de l'outil de coupe en tr/min
	Port obligatoire de protections pour les yeux, les oreilles et la tête		Ne laisser personne s'approcher à moins de 15 mètres
	Port obligatoire de chaussures et de gants de protection		Mélange d'essence et d'huile
	Arrêt d'urgence		Commande de starter en position « Démarrage à froid » (starter fermé)
	Avertissement ! Projections !		Commande de starter en position « Marche » (starter ouvert)
	Attention, poussée latérale		Réglage du carburateur - Régime de ralenti
	Ne pas utiliser sans protecteur d'outil		Brancard en U
	Interdiction d'utiliser des lames métalliques		Poignée semi-circulaire
	Interdiction d'utiliser une tête de coupe à fil nylon		Attention aux températures élevées

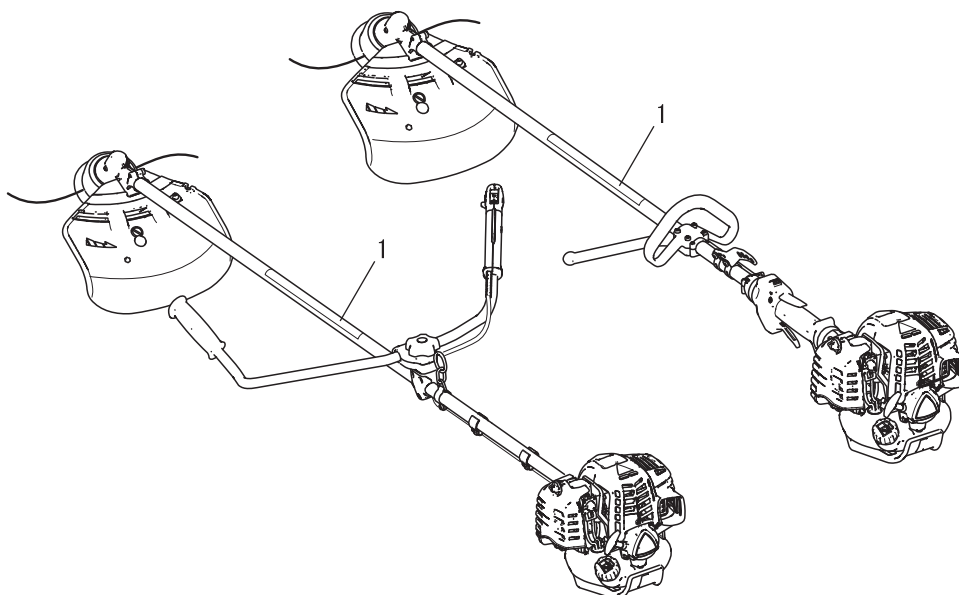
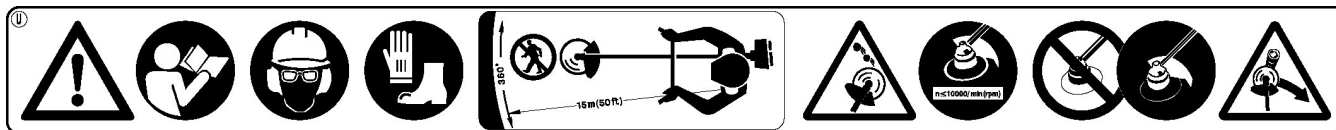
Pour utiliser l'appareil en toute sécurité

Forme des symboles	Description/application des symboles	Forme des symboles	Description/application des symboles
	Ne pas utiliser l'appareil dans des endroits mal aérés		Niveau de puissance sonore garanti
	Attention aux risques d'incendie		Démarrage du moteur
	Attention aux risques de choc électrique		

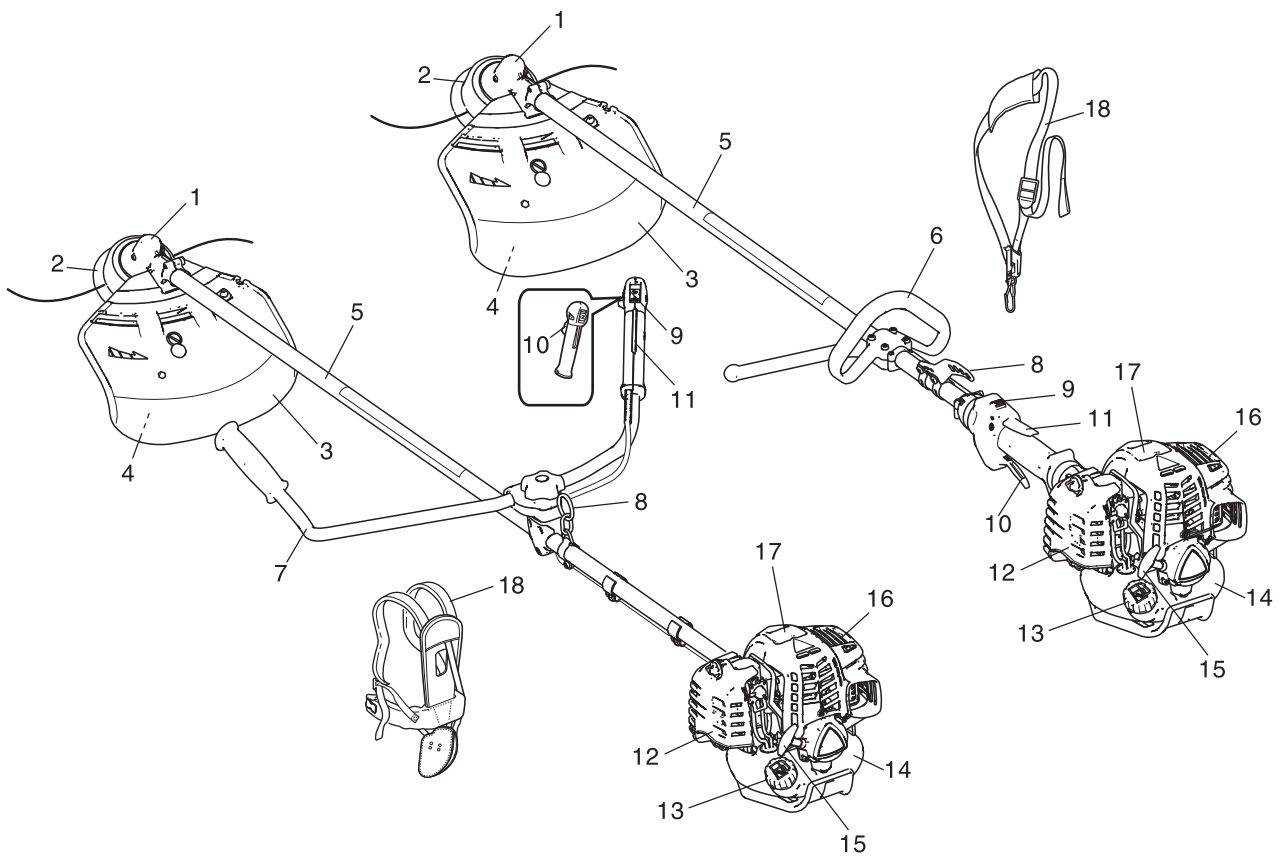
Étiquette(s) de sécurité

- L'étiquette de sécurité ci-dessous figure sur les appareils décrits dans ce manuel. S'assurer de bien comprendre la signification de l'étiquette avant d'utiliser l'appareil.
- Si l'étiquette devient illisible avec le temps ou si elle s'est décollée ou a été déchirée, contacter un revendeur pour obtenir une nouvelle étiquette et la coller à l'emplacement indiqué sur les illustrations ci-dessous. Veiller à ce que l'étiquette soit toujours lisible.

1. Etiquette de sécurité (numéro de pièce 890617-43130)



Description

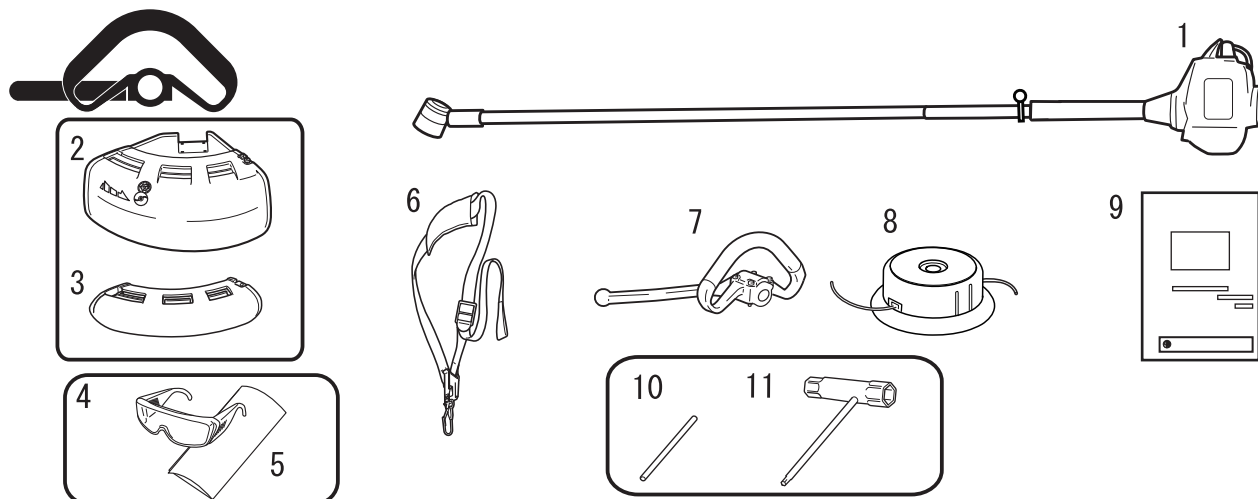


1. **Renvoi d'angle.** Avec deux engrenages pour changer l'angle de l'axe de rotation.
2. **Outil de coupe.** Tête de coupe à fil nylon pour couper l'herbe et les mauvaises herbes.
3. **Protecteur d'outil.** Protège l'utilisateur contre les projections et empêche tout contact accidentel avec la tête de coupe.
4. **Couteau.** Coupe le fil de nylon pour obtenir la longueur de fil appropriée.
5. **Tube de transmission.** Pièce de l'appareil qui protège l'arbre de transmission.
6. **Poignée semi-circulaire.** Légère, adaptée au coupe-herbe à fil nylon.
7. **Brancard en U.** Poignée en forme de guidon de vélo pour moins d'effort lors de l'utilisation, par rapport à une poignée semi-circulaire.
8. **Point d'accrochage.** Dispositif sur lequel le harnais peut être accroché.
9. **Interrupteur marche/arrêt.** « Interrupteur à glissière » monté sur le dessus du boîtier de la gâchette d'accélérateur. Basculer l'interrupteur vers l'avant pour MARCHÉ, vers l'arrière pour ARRÊT.
10. **Gâchette d'accélérateur.** Activée par le doigt de l'utilisateur pour contrôler le régime moteur.
11. **Blocage de la gâchette.** Bloque la gâchette en position de ralenti jusqu'à ce que l'utilisateur puisse positionner correctement sa main droite sur la poignée.
12. **Couvercle de filtre à air.** Recouvre le filtre à air.
13. **Bouchon du réservoir de carburant.** Ferme le réservoir de carburant.
14. **Réservoir de carburant.** Contient le carburant et le filtre à carburant.
15. **Poignée de lanceur.** Tirer sur la poignée pour démarrer le moteur.
16. **Couvercle de silencieux.** Recouvre le silencieux pour empêcher tout contact avec la surface brûlante du silencieux.
17. **Bougie d'allumage**
18. **Harnais.** Lanière réglable pour suspendre l'appareil.

Avant de commencer

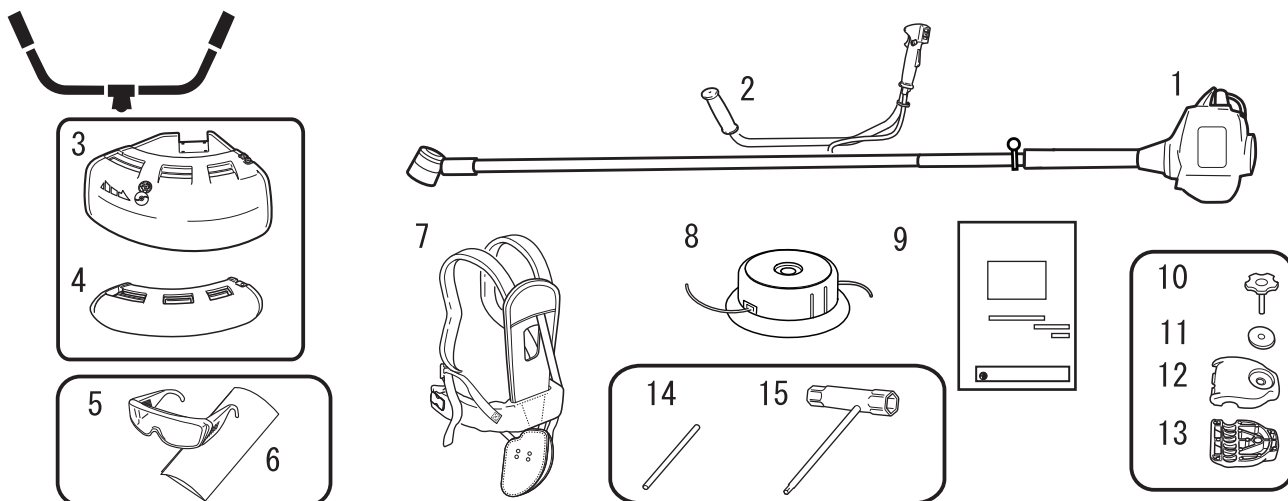
Contenu de l'emballage

- Les pièces suivantes sont conditionnées séparément dans le carton d'emballage.
- Lors de l'ouverture du carton, passer en revue les pièces qu'il contient.
- Contacter un revendeur si une pièce est manquante ou endommagée.



1. Moteur et tube de transmission
2. Protecteur d'outil (pour tête de coupe à fil nylon)
3. Protecteur d'outil (pour lame métallique)
4. Lunettes de sécurité (conformes à la norme ANSI Z 87.1)
5. Etiquette de sécurité
6. Harnais

7. Poignée semi-circulaire
8. Tête de coupe à fil nylon
9. Manuel d'utilisation
10. Outil de blocage
11. Clé à pipe



1. Moteur et tube de transmission
2. Brancard en U
3. Protecteur d'outil (pour tête de coupe à fil nylon)
4. Protecteur d'outil (pour lame métallique)
5. Lunettes de sécurité (conformes à la norme ANSI Z 87.1)
6. Etiquette de sécurité
7. Harnais
8. Tête de coupe à fil nylon

9. Manuel d'utilisation
10. Vis d'assemblage du brancard
11. Rondelle
12. Support d'assemblage du brancard (supérieur)
13. Support d'assemblage du brancard (inférieur)
14. Outil de blocage
15. Clé à pipe

Avant de commencer

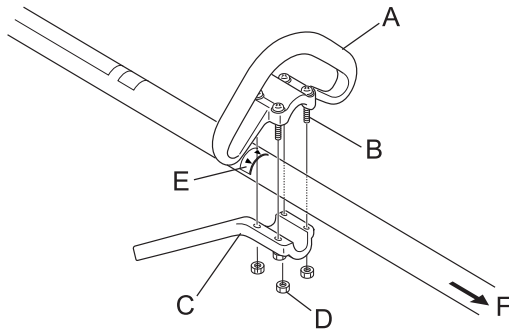
Assemblage

⚠ AVERTISSEMENT

○ Lire attentivement le manuel d'utilisation pour s'assurer que l'appareil est monté correctement.
L'utilisation d'un appareil monté de façon incorrecte entraîne un risque d'accident ou de blessure grave.



Version poignée semi-circulaire Assemblage de la poignée semi-circulaire



Monter la poignée semi-circulaire (A) et le support (C) sur l'arbre de transmission.

Orienter la poignée dans une position d'utilisation confortable, puis serrer les boulons (B).

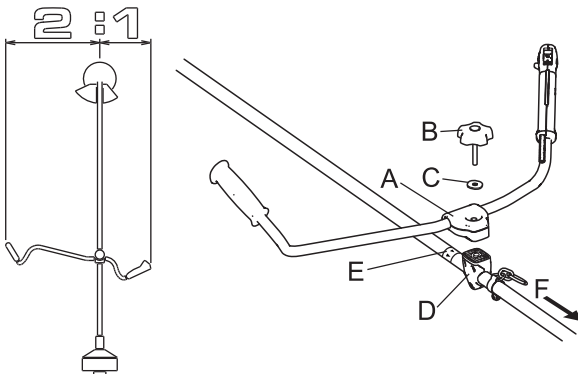
E : Flèche

F : Vers le moteur

⚠ ATTENTION

○ Mettre la poignée en place côté moteur depuis la flèche.

Version brancard en U Assemblage du brancard en U



1. Installer le support d'assemblage supérieur (A) du brancard sur le support inférieur (D) et fixer le brancard en serrant légèrement la vis d'assemblage (8 mm) (B).

2. Régler l'inclinaison du brancard sur la position appropriée (utilisation confortable), puis serrer fermement la vis d'assemblage.

C : Rondelle

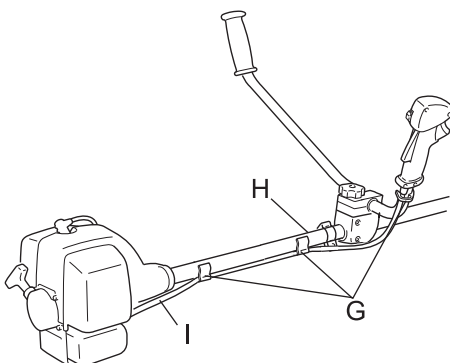
E : Flèche

F : Vers le moteur

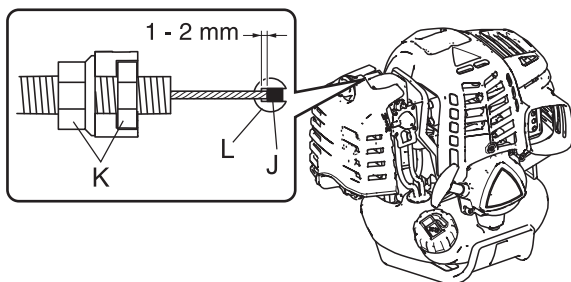
⚠ ATTENTION

○ Monter la poignée de telle sorte que toutes les étiquettes de sécurité restent bien visibles.

3. Pour éviter le flottement du câble d'accélérateur (I), il faut le fixer au tube de transmission (H) (en 2 endroits) et à la branche de droite du brancard en U (à 1 endroit) à l'aide des colliers de fixation (G).



Avant de commencer

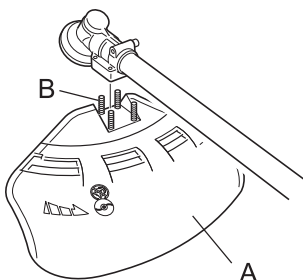


⚠ ATTENTION

○ Après l'assemblage, régler le jeu de l'extrémité du câble (J), côté carburateur (L), entre 1 et 2 mm.

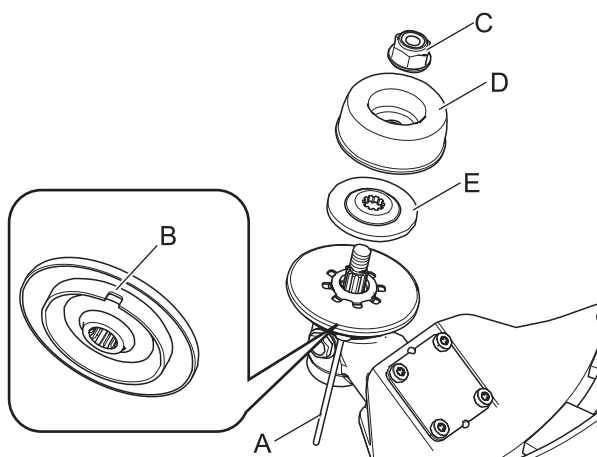
K : Écrous

Montage du protecteur d'outil



1. Placer le protecteur d'outil (A) sur la zone de fixation du renvoi d'angle et serrer 4 boulons (B).

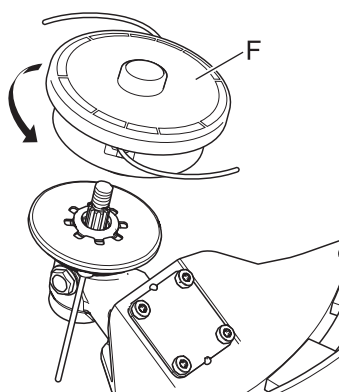
Montage de la tête de coupe à fil nylon



1. Insérer l'outil de blocage (A) dans l'orifice situé sur le côté droit du renvoi d'angle tout en poussant le ressort de retenue vers la gauche.
 2. Enfoncer l'outil de blocage dans le trou de blocage de lame (B) pour fixer l'arbre de sortie.
 3. Se servir d'une clé à pipe pour retirer l'écrou (C), la coupelle (D) et le dispositif de blocage inférieur de la lame (E).
- * L'écrou, la coupelle et le dispositif de blocage inférieur de la lame ne sont pas utilisés avec une tête de coupe à fil nylon.

⚠ ATTENTION

○ Fixer solidement l'arbre de sortie à l'aide de l'outil de blocage pour éviter qu'il ne tourne lors de la pose de la tête de coupe à fil nylon.



4. Visser la tête de coupe à fil nylon (F) sur l'arbre (dans le sens inverse des aiguilles d'une montre) en s'assurant qu'elle est bien serrée.
5. Retirer l'outil de blocage.

Equilibrage Réglage du harnais

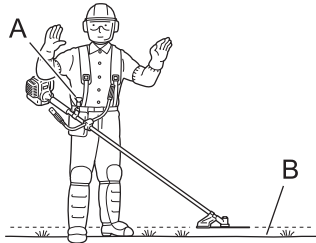
⚠ AVERTISSEMENT

○ Cet appareil est conçu de manière à pouvoir être utilisé par des personnes de tailles différentes ; il se peut néanmoins qu'il ne convienne pas aux personnes de très grande taille. Ne pas utiliser l'appareil si les pieds de l'utilisateur atteignent l'outil de coupe lorsque l'appareil est fixé au harnais.

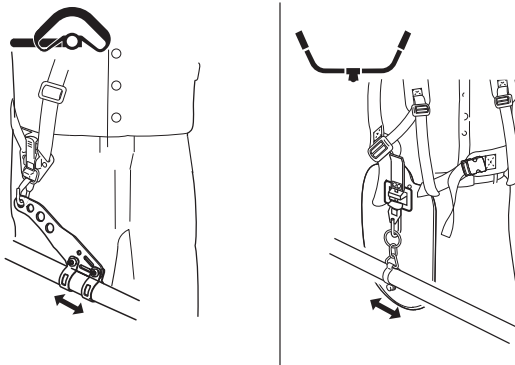
Avant de commencer

IMPORTANT

- La taille de l'utilisateur peut avoir un impact sur l'équilibrage de l'appareil. En outre, il se peut que la procédure d'équilibrage ne fonctionne pas sur certains appareils avec certaines personnes. Si le harnais n'est pas à la taille de l'utilisateur ou ne peut pas être réglé correctement, contacter le revendeur pour obtenir de l'aide.



Équilibrer l'outil de sorte à ce que le plan de rotation de la tête de coupe soit parallèle au sol.



- ♦ Le harnais fourni avec l'appareil convient aux adultes de taille moyenne, mesurant entre 150 et 195 cm de hauteur et entre 60 et 140 cm de tour de taille.
- ♦ Utiliser un harnais lorsque celui-ci est fourni avec l'appareil ou lorsque son utilisation est recommandée dans ce manuel. Régler le harnais et le point d'accrochage (A) de l'appareil sur l'unité de sorte que l'outil de coupe se situe à quelques centimètres au-dessus du sol (B).
- ♦ L'outil de coupe et le protecteur d'outil doivent être parallèles au sol dans toutes les directions. Fixer l'appareil au harnais sur le côté droit, comme indiqué.

- ♦ Faire glisser le point d'accrochage le long du tube pour trouver le point d'équilibre. Tourner la bride pour régler le parallélisme de l'outil de coupe et du protecteur. Verrouiller la position. Si le point d'accrochage est de type à rotation libre, il se peut que l'appareil ait tendance à se retourner sur le côté ; néanmoins, toujours régler l'outil de coupe et le protecteur selon l'axe avant/arrière.
- ♦ Il se peut que l'équilibrage et la mise à niveau, comme indiqués ci-dessus, nécessitent le déplacement de la bride et le réajustement des lanières du harnais. En outre, tous les types d'outil de coupe et de protecteur d'outil montés sur l'appareil doivent être équilibrés.

Préparation du carburant

⚠ DANGER

- Il est interdit de ravitailler l'appareil lorsque le moteur est chaud ou en marche.
- Il est interdit de fumer lors du ravitaillement. Effectuer le ravitaillement à l'écart de toute flamme.
En effet, le carburant risque de s'enflammer et de provoquer un incendie, entraînant ainsi un risque de brûlure.



⚠ AVERTISSEMENT

- **NE JAMAIS** remplir les réservoirs de carburant dans un endroit fermé. **TOUJOURS** remplir les réservoirs de carburant à l'extérieur, à même le sol. Ne jamais ravitailler l'appareil sur la plate-forme de chargement d'un camion ou autre endroit du même type.
- Les bidons/réservoirs de carburant peuvent être sous pression. Toujours desserrer le bouchon du réservoir de carburant de façon progressive pour permettre l'égalisation de la pression.
Dans le cas contraire, le carburant risque de se déverser.
- Essuyer le carburant renversé en cas de débordement ou de trop plein du réservoir.
Tout déversement de carburant, s'il s'enflamme, entraîne un risque d'incendie et de brûlure.
- Après le ravitaillement, toujours vérifier qu'il n'y a pas de fuite ou d'écoulement de carburant au niveau du tuyau de carburant, du passe-tuyau de carburant ou autour du bouchon du réservoir de carburant. En cas de fuite ou d'écoulement de carburant, interrompre immédiatement l'utilisation de l'appareil et contacter un revendeur pour effectuer les réparations nécessaires.
Toute fuite de carburant entraîne un risque d'incendie.
- Entreposer le réservoir de ravitaillement dans un endroit ombragé et loin de toute flamme.
- Utiliser un réservoir de carburant agréé.

Avant de commencer

IMPORTANT

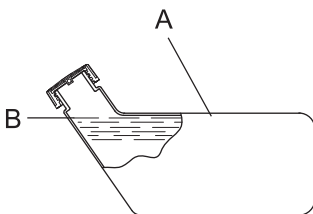
- Le carburant est un mélange d'essence ordinaire et d'une huile moteur de grande marque pour moteur deux temps à refroidissement par air. Il est conseillé d'utiliser de l'essence sans plomb avec un indice d'octane 89 au minimum. Ne pas utiliser de carburant contenant du méthanol ou plus de 10 % d'éthanol.
- Le carburant vieillit lorsqu'il est stocké. Ne préparer qu'une quantité de carburant suffisante pour une consommation de trente (30) jours.

Carburant



- ◆ Richesse du mélange recommandée ; 50 : 1 (2 %) selon la norme ISO-L-EGD (ISO/CD 13738), la norme JASO FC,FD et l'huile ECHO Premium 50 : 1.
- ◆ Ne pas faire le mélange directement dans le réservoir de carburant.

Alimentation en carburant



- ◆ Ne pas remplir le réservoir de carburant (A) jusqu'en haut. Remplir le réservoir jusqu'au niveau recommandé (jusqu'à l'épaulement (B) du réservoir de carburant).
- ◆ Une fois le ravitaillement effectué, revisser fermement le bouchon du réservoir de carburant.

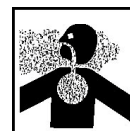
Fonctionnement du moteur

Démarrage du moteur

AVERTISSEMENT

Veiller à bien respecter les mesures de précaution suivantes lors du démarrage du moteur :

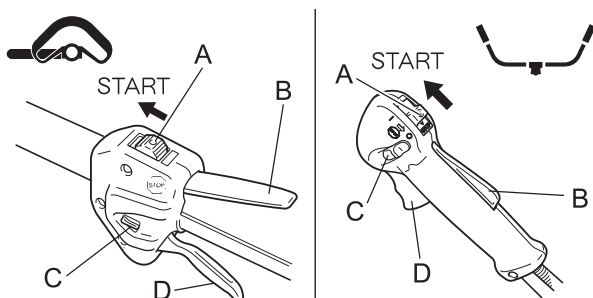
- S'éloigner d'au moins 3 mètres de l'endroit où le ravitaillement a été effectué.
- Placer l'appareil sur une surface plane et dans un endroit bien aéré.
- Vérifier qu'il n'y a pas de fuite de carburant.
- Inspecter les lames métalliques pour repérer les fissures.
- Vérifier que tous les écrous et toutes les vis sont bien serrés.
- Établir un périmètre de sécurité autour de l'appareil et s'assurer que personne ni aucun animal ne se trouve à proximité.
- Pour le démarrage du moteur, mettre la gâchette d'accélérateur en position de régime de ralenti.
- Maintenir fermement l'appareil au sol lors du démarrage du moteur.
Le non-respect de ces mesures de précaution constitue un risque d'accident et de blessures graves voire mortelles.
- Au démarrage du moteur, vérifier l'absence de vibrations et de sons anormaux. Ne pas utiliser l'appareil en cas de vibrations ou de sons anormaux. S'adresser à un revendeur pour faire effectuer les réparations nécessaires.
La chute ou la rupture accidentelle de pièces constitue un risque de blessures graves.
- Les fumées d'échappement du moteur contiennent des gaz toxiques. Ne pas utiliser l'appareil dans un endroit fermé ou mal aéré.
Il existe un risque d'intoxication due aux fumées d'échappement.
- Ne pas toucher le silencieux, la bougie d'allumage, le renvoi de transmission et autres composants sous haute température lors du fonctionnement de l'appareil et pendant la phase qui suit l'arrêt de l'appareil.
Il existe un risque de brûlure en cas de contact avec un composant à haute température.
- Ne pas toucher la bougie d'allumage, le fil de la bougie d'allumage et les composants sous haute tension lorsque l'appareil fonctionne.
Il existe un risque de choc électrique en cas de contact avec un composant sous haute tension pendant le fonctionnement de l'appareil.
- Si une fois le moteur allumé, l'outil de coupe tourne alors que la gâchette d'accélérateur est positionnée sur le régime de ralenti, régler le carburateur avant d'utiliser l'appareil.
Le non-respect de ces mesures de précaution constitue un risque d'accident et de blessures graves voire mortelles.
- Lors du démarrage du moteur à l'aide de la gâchette de sécurité, l'outil de coupe se met à tourner. Une fois le moteur démarré, appuyer légèrement sur la gâchette d'accélérateur pour libérer immédiatement la gâchette de sécurité. Ne jamais utiliser la gâchette de sécurité lorsque l'appareil fonctionne.
Lorsqu'elle tourne, la lame peut entraîner un risque de blessure.



REMARQUE

- Tirer la poignée de lanceur, doucement dans un premier temps, puis plus rapidement. Ne pas tirer la corde de lanceur à plus de 2/3 de sa longueur.
- Ne pas lâcher la poignée de lanceur lorsqu'elle revient.

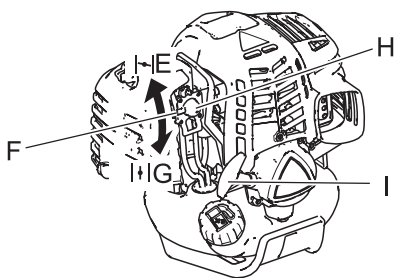
Démarrage du moteur à froid



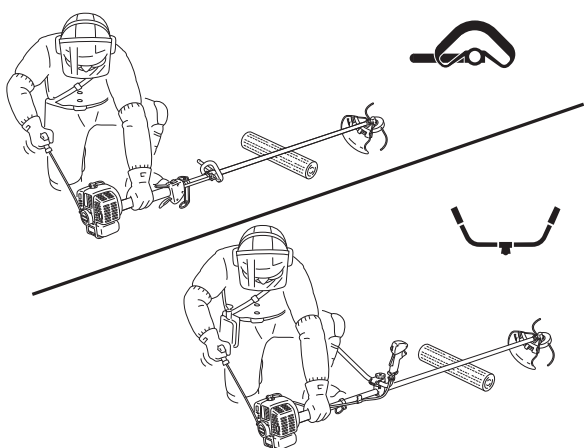
(Connecter le protecteur de bougie si l'appareil n'a pas fonctionné depuis longtemps.)

1. Retirer l'étui protecteur de lame.
2. Après avoir posé l'appareil sur une surface plane, vérifier que l'outil de coupe n'est pas en contact avec le sol ou avec d'autres obstacles, en utilisant une poutre ou un autre objet similaire.
3. Placer l'interrupteur marche/arrêt (A) en position Marche (Start).
4. Veiller à ce que la gâchette d'accélérateur (D) soit en position de régime de ralenti.

Fonctionnement du moteur

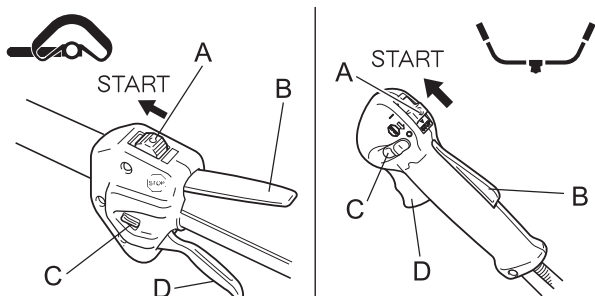


5. Placer la manette de starter (F) en position « Démarrage à froid » (Cold Start) (E).
6. Comprimer et relâcher la pompe d'amorçage (H) jusqu'à ce que le carburant soit aspiré.
7. Après avoir vérifié que la zone entourant l'utilisateur ne présente aucun risque, tenir fermement l'appareil le plus près possible du moteur comme illustré sur l'image et tirer la poignée de lanceur (I) à plusieurs reprises.
8. Si un bruit d'explosion retentit et si le moteur s'arrête aussitôt, basculer la manette de starter en position « Marche » (Run) (G) et continuer à tirer la poignée de lanceur pour démarrer le moteur.
9. Si le moteur ne s'arrête pas, remettre doucement la manette de starter en position « Marche » (Run).
10. Laisser le moteur chauffer en régime de ralenti pendant quelques instants.



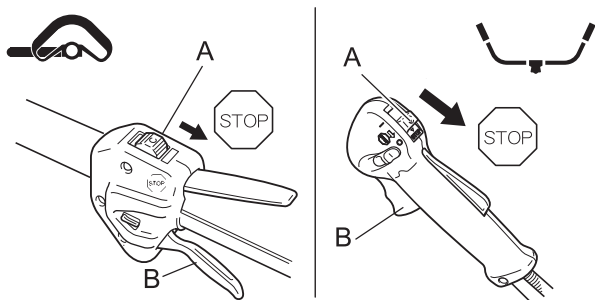
- * Si le moteur a du mal à démarrer, utiliser la gâchette de sécurité (C). (Appuyer à fond sur la gâchette d'accélérateur et abaisser la gâchette de sécurité (B) tout en appuyant sur le blocage de la gâchette d'accélérateur, puis relâcher la gâchette d'accélérateur pour activer la gâchette de sécurité. Une fois le moteur démarré, appuyer légèrement sur la gâchette d'accélérateur pour libérer immédiatement la gâchette de sécurité.)

Démarrage du moteur à chaud



1. Placer l'interrupteur marche/arrêt (A) en position Marche (Start).
2. Veiller à ce que la gâchette d'accélérateur (D) soit en position de régime de ralenti.
3. Vérifier que la manette de starter est en position « Marche ».
4. En cas d'absence de carburant dans la pompe d'amorçage, comprimer et relâcher la pompe jusqu'à ce que le carburant soit aspiré.
5. Après avoir vérifié que la zone entourant l'utilisateur ne présente aucun risque, tenir fermement l'appareil le plus près possible du moteur comme illustré sur l'image et tirer la poignée de lanceur pour démarrer le moteur.

Arrêt du moteur



1. Placer la gâchette d'accélérateur (B) en position régime de ralenti (c.-à-d. à bas régime) et faire tourner le moteur au ralenti.
2. Placer l'interrupteur marche/arrêt (A) en position Arrêt (Stop).
3. En cas d'urgence, couper immédiatement le moteur à l'aide de l'interrupteur marche/arrêt.
4. Si le moteur ne s'arrête pas, placer la manette de starter en position « Démarrage à froid ». Le moteur cale et s'arrête (arrêt d'urgence).

- * Si le moteur ne s'arrête pas à l'aide de l'interrupteur marche/arrêt, demander au revendeur de vérifier et de réparer l'interrupteur avant de réutiliser l'appareil.
5. Toujours déconnecter le fil de la bougie pour empêcher tout démarrage intempestif du moteur lors d'interventions sur l'appareil ou lorsqu'il est laissé sans surveillance.

Utilisation de l'appareil

DANGER

○ **Toujours couper le moteur en cas de blocage de l'outil de coupe.**

Une fois l'objet débloqué, l'outil de coupe redémarrerait soudainement, entraînant ainsi un risque de blessure grave.

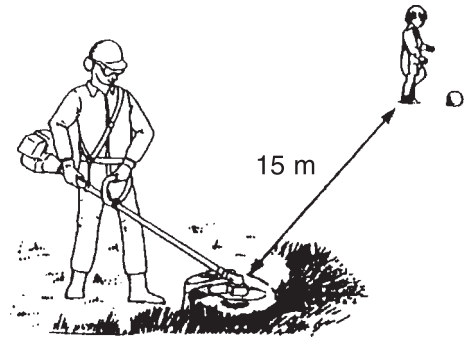
○ **Ne pas utiliser l'appareil sans le protecteur d'outil.**

Il est possible que des objets ricochent sur l'outil de coupe et soient projetés vers l'utilisateur, entraînant ainsi un risque d'accident ou de blessure grave.

○ **La zone comprise dans un rayon de 15 mètres autour de l'appareil est une zone dangereuse. Veillez à bien respecter les mesures de précaution suivantes lors de l'utilisation de l'appareil.**

- ◆ **Ne laisser personne (enfants, animaux ou autres personnes) pénétrer dans cette zone dangereuse.**
- ◆ **Si quelqu'un pénètre dans la zone dangereuse, couper le moteur pour arrêter l'outil de coupe.**
- ◆ **Lorsque vous vous approchez de l'utilisateur, signalez-lui votre présence en lançant des brindilles, par exemple, sans entrer dans la zone dangereuse. Vérifiez ensuite que le moteur est coupé et que l'outil de coupe ne tourne plus.**
- ◆ **Si l'appareil est utilisé par plus d'une personne, convenez entre vous d'un signal et travaillez à plus de 15 mètres les uns des autres.**

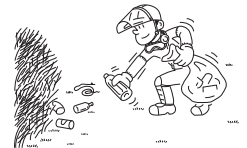
Toute projection d'objet ou tout contact avec l'outil de coupe entraîne un risque d'accident mortel ou pouvant causer la cécité de l'utilisateur.



AVERTISSEMENT

○ **Avant de commencer à travailler, inspecter la zone de travail et retirer tous les cailloux et les bidons vides susceptibles de ricocher sur l'outil de coupe, ainsi que les morceaux de fils ou de câbles qui risquent de s'enrouler autour de l'outil de coupe.**

Un risque de projection pouvant entraîner un accident ou une blessure grave peut survenir lorsqu'un objet ricoche sur l'outil de coupe ou lorsqu'un fil s'enroule autour de ce dernier.



○ **Couper immédiatement le moteur et attendre que l'outil de coupe soit complètement arrêté avant d'inspecter les composants de l'appareil. Remplacer toute pièce endommagée.**

- ◆ **Si l'outil de coupe heurte une pierre, un arbre, un poteau ou tout autre obstacle au cours de son utilisation.**
- ◆ **Si l'appareil se met à vibrer soudainement de façon anormale.**

L'utilisation prolongée de pièces endommagées entraîne un risque d'accident ou de blessure grave.

○ **Ne pas tenir l'outil de coupe vers le haut pendant le travail. Ne pas travailler en tenant l'outil de coupe au-dessus des genoux.**

Si l'outil de coupe est au-dessus des genoux, le plan de rotation est plus proche du visage de l'utilisateur, ce qui entraîne un risque d'accident ou de blessure grave en cas de projections.

Transport de la machine

○ **Dans les exemples de transport de la machine décrits ci-dessous, couper le moteur et s'assurer que la lame ne tourne plus, puis remettre en place l'étui protecteur de lame et se tenir éloigné du silencieux d'échappement.**

- ◆ **Se déplacer vers le lieu de travail.**
- ◆ **Se déplacer vers un autre endroit tout en travaillant.**
- ◆ **Quitter le lieu de travail.**

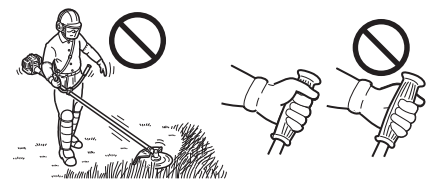
Le non-respect de ces mesures de précaution entraîne un risque de brûlure ou de blessure grave.

○ **Pour transporter l'appareil dans une voiture, vider le réservoir de carburant, remettre en place l'étui protecteur de lame et s'assurer que l'appareil est bien calé pour éviter qu'il se déplace lors du trajet.**

Rouler en voiture avec du carburant dans le réservoir de carburant entraîne un risque d'incendie.

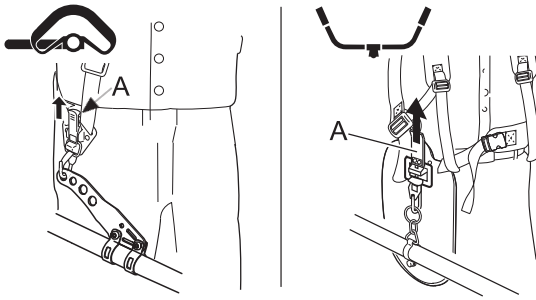
○ **Ne jamais essayer d'utiliser l'appareil d'une seule main.**

○ **Passer les pouces autour de la poignée et saisir la poignée en l'enveloppant avec les autres doigts.**



Utilisation de l'appareil

Utilisation du harnais



Toujours monter correctement le coupe-herbe avec le harnais.

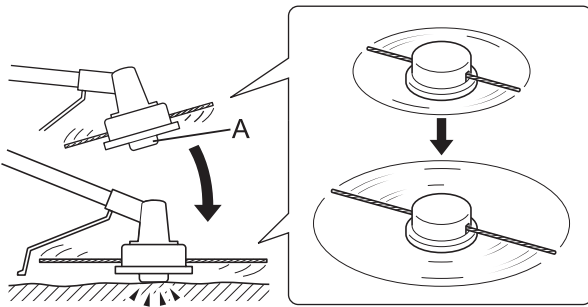
- ♦ Ceinture ventrale avec boucle (version brancard en U). La ceinture doit être bien ajustée.
- ♦ Fixer l'appareil au harnais.
- ♦ Version poignée semi-circulaire
Placer le harnais sur l'épaule gauche et régler les lanières de sorte que l'axe de décrochage rapide se situe juste sous la taille.
- ♦ Version brancard en U
Placer le harnais sur les épaules et régler les courroies pour positionner les points d'accrochage comme indiqué.
- ♦ Pour vérifier que l'appareil est correctement ajusté, déplacer l'outil de coupe au-dessus du sol.
- ♦ Réajuster le point d'accrochage si nécessaire.
- ♦ Le harnais est doté d'une fonction de décrochage rapide. En cas d'incendie ou en cas d'urgence, tirer languette d'urgence (A) vers le haut pour détacher l'appareil.

Utilisation de base de l'appareil avec tête de coupe à fil nylon

⚠ AVERTISSEMENT

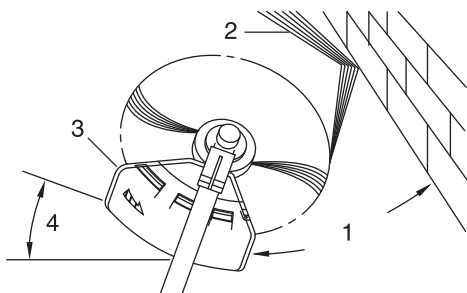
- Une mauvaise utilisation de l'outil de coupe peut entraîner un risque de blessure grave. Lire attentivement et respecter l'ensemble des règles de sécurité décrites dans ce manuel.
- Utiliser uniquement les outils de coupe recommandés par YAMABIKO Corporation.
- Tout excédent de fil nylon dépassant du couteau risque d'être projeté lorsque la tête de coupe à fil nylon commence à tourner après le réglage de la longueur du fil nylon.
Le non-respect de cette règle de sécurité entraîne un risque d'accident ou de blessure grave.

Réglage du fil nylon



- ♦ La vitesse de rotation de la tête de coupe à fil nylon ne doit pas dépasser 10000 tr/min.
- ♦ Pour dérouler le fil nylon, taper légèrement la partie inférieure de la bobine sur le sol à une vitesse de rotation inférieure à 4500 tr/min.
- ♦ Le couteau situé sur le protecteur règle automatiquement la longueur du fil nylon en le coupant de manière uniforme lorsque l'outil de coupe commence à tourner.
- ♦ Pour utiliser l'appareil avec une longueur de fil inférieure à la longueur de coupe maximum, couper deux fils nylon de même longueur.
- ♦ Lorsque le fil nylon est raccourci, taper légèrement la partie inférieure (A) de la bobine sur le sol et le fil se déroulera de la bobine.

Taille



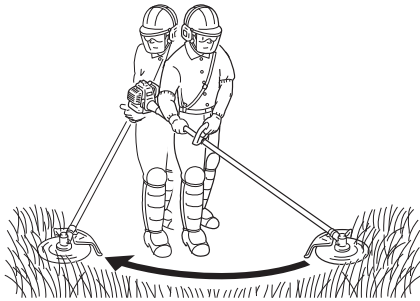
- ♦ La taille consiste à avancer l'appareil avec précaution dans l'objet à couper. Incliner légèrement la tête de coupe pour que les débris soient projetés loin de l'utilisateur. Pour effectuer une opération de taille à proximité d'une barrière, d'un mur ou d'un arbre, approcher l'appareil sous un angle tel que les débris ricochant sur la barrière ne soient pas projetés vers l'utilisateur.
- ♦ Déplacer lentement la tête de coupe à fil nylon jusqu'à ce que l'herbe soit coupée jusqu'au niveau de la barrière, en évitant soigneusement de bloquer le fil dans la barrière. En cas de taille à proximité d'un grillage ou d'une clôture métallique, faire bien attention à ne pas coincer le fil dans le grillage ou la clôture. Si l'appareil est approché trop près, le fil se casse et s'enroule autour du grillage.
- ♦ Pour couper les tiges de mauvaises herbes, procéder tige par tige. Toujours placer la tête de coupe à fil nylon au pied de la plante, jamais en haut, car la plante risque de se briser et de

Utilisation de l'appareil

se prendre dans le fil. Plutôt que d'utiliser toute la longueur du fil pour couper une plante, ne passer que l'extrémité du fil sur la tige afin de la couper progressivement.

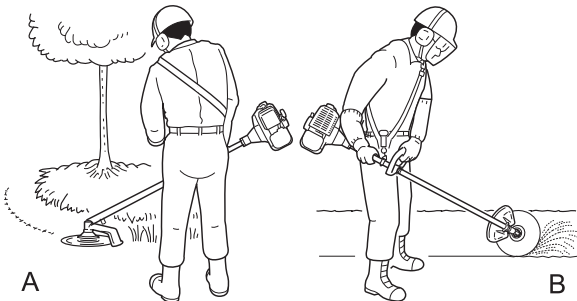
1. Angle par rapport au mur
2. Débris
3. Côté couteau relevé
4. Angle par rapport au sol

Fauchage

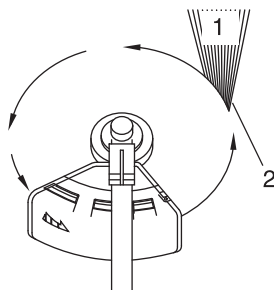


- ♦ Le fauchage consiste à couper ou tondre de grandes surfaces d'herbe en effectuant des mouvements en arc de cercle avec l'appareil. Procéder par mouvements lents et réguliers. Ne pas essayer de hacher l'herbe. Incliner la tête de coupe à fil nylon de sorte que les débris ne soient projetés dans la direction de l'utilisateur durant l'opération de fauchage. Puis retourner au point de départ (sans couper d'herbe) pour recommencer l'opération. Si l'utilisateur est bien protégé et n'est pas gêné par la projection de débris, il peut faucher dans les deux sens.

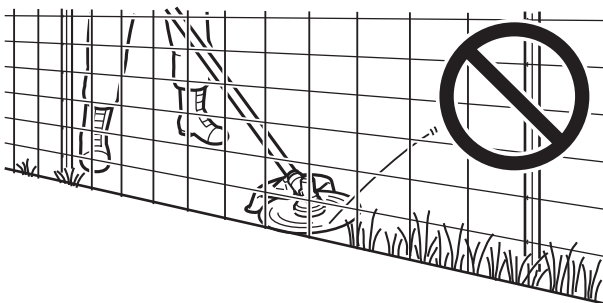
Désherbage et taille des bordures



- ♦ Ces deux opérations sont effectuées à l'aide de la tête de coupe à fil nylon inclinée sous un angle aigu. Le désherbage (A) consiste à retirer les plantes de surface, laissant la terre nue. La taille de bordures (B) consiste à couper l'herbe qui a poussé sur un trottoir ou dans une allée. Lors du désherbage ou de la taille de bordures, maintenir l'appareil sous un angle de coupe aigu de sorte que les débris, pierres et poussières soulevés ne soient pas projetés en direction de l'utilisateur, même s'ils ricochent sur une surface dure.
- ♦ Les images montrent comment désherber et tailler les bordures. Cependant, c'est à l'utilisateur de trouver les angles de coupe les mieux adaptés à sa taille et à l'opération effectuée.
- ♦ Pour la plupart des opérations de coupe, il est recommandé d'incliner la tête de coupe à fil nylon de sorte que le contact se fasse uniquement sur la partie du cercle décrit par le fil la plus éloignée de l'utilisateur (voir l'image correspondante). Ainsi, les débris ne sont pas projetés en direction de l'utilisateur.
- ♦ Si la tête est inclinée du mauvais côté, les débris sont projetés vers l'utilisateur. Si la tête de coupe à fil nylon est maintenue à plat sur le sol et que la coupe s'effectue sur la totalité du cercle décrit par le fil, les débris sont projetés en direction de l'utilisateur, la résistance ralentit le moteur et une grande quantité de fil doit être utilisée.
- ♦ La tête de coupe à fil nylon tourne dans le sens inverse des aiguilles d'une montre. Le couteau se situe sur le côté gauche du protecteur d'outil.

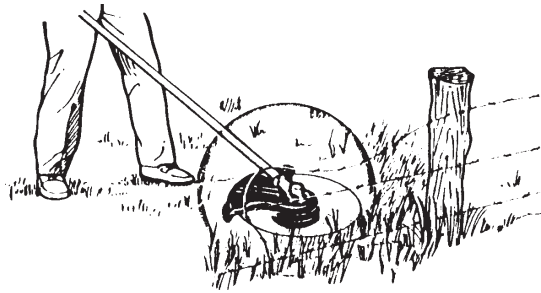


1. Débris
2. Couper de ce côté



- ♦ Ne pas approcher le fil d'herbes drues, d'arbres ou de grillages.
- ♦ Mettre le fil en contact avec du grillage ou avec des broussailles denses peut causer la rupture du fil ; les extrémités du fil risquent alors d'être projetées vers l'utilisateur. La bonne technique consiste à couper l'herbe jusqu'à l'obstacle, mais à ne jamais heurter le fil contre l'obstacle. Ne pas utiliser l'appareil à proximité d'un obstacle ou d'une barrière.

Utilisation de l'appareil



- ♦ Eviter de mettre le fil nylon en contact avec des morceaux de grillage. A haut régime, les morceaux de fils de fer peuvent être projetés.

Utilisation de base de l'appareil avec lame métallique

⚠ AVERTISSEMENT

- Respecter les instructions suivantes lors de l'utilisation de l'appareil.
 - ♦ Vérifier que la lame est bien serrée et maintenue fermement en place.
 - ♦ Remplacer le protecteur d'outil s'il est endommagé ou fissuré.
 - ♦ Remplacer l'écrou de fixation de la lame lorsqu'il est usé.
 - ♦ Ne pas enfoncer la lame dans le sol.
 - ♦ Ne pas utiliser l'appareil si sa lame est émoussée, courbée, fracturée ou décolorée ou si l'écrou de fixation est usé ou endommagé.
 - ♦ Ne pas faire tourner le moteur à plein gaz si l'appareil tourne à vide.

Le non-respect de cette règle de sécurité entraîne un risque d'accident ou de blessure grave.

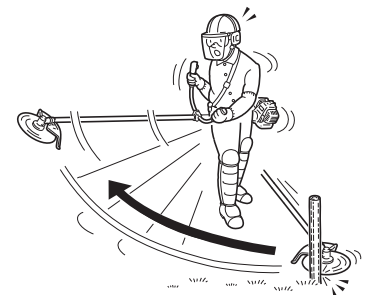
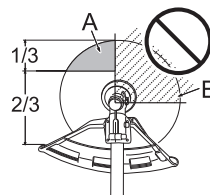
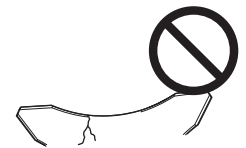
- Utiliser uniquement les outils de coupe recommandés par YAMABIKO Corporation.
- Le type de lame utilisé doit être adapté au type et à la taille du matériau coupé. Une lame incorrecte ou émoussée peut entraîner des blessures graves. Les lames doivent être affûtées. Des lames émoussées augmentent le risque d'éjection de débris et de blessures pour vous-même et les personnes à proximité.
 - ♦ Des lames en plastique/nylon pour herbe/mauvaises herbes peuvent être utilisées chaque fois que la tête de fil nylon est utilisée. Ne pas utiliser cette lame pour des buissons ou de mauvaises herbes épaisses.
 - ♦ La lame à 3 dents est conçue spécialement pour la tonte et le désherbage. Pour éviter le risque de blessure cause par un rebond ou une fracture de la lame, ne pas utiliser la lame à 3 dents pour couper des arbres ou des buissons.
 - ♦ La lame à 8 dents pour herbe/mauvaises herbes est conçue pour l'herbe, les déchets de jardin et les mauvaises herbes épaisses. Ne pas utiliser cette lame pour des buissons ou des arbustes d'un diamètre égal ou supérieur à 19 mm.
 - ♦ La lame de débroussaillage à 22 dents est conçue pour des fourrés denses et de jeunes arbres jusqu'à 64 mm de diamètre.
 - ♦ La lame de débroussaillage à 80 dents est conçue pour couper des broussailles et des arbustes jusqu'à 13 mm de diamètre.

Une lame endommagée ou brisée peut entraîner un risque d'accident ou de blessure grave.

Rebond

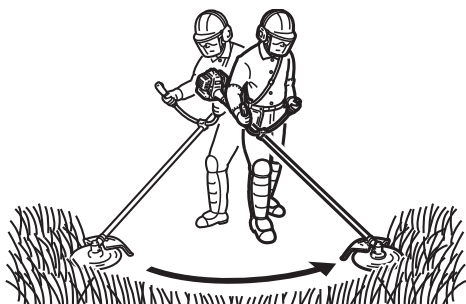
- Lorsque la lame heurte un arbre, un poteau, une pierre ou tout autre objet dur alors qu'elle tourne à une vitesse élevée, elle subit un mouvement de recul violent et instantané. C'est ce que l'on appelle le phénomène de rebond.
- Le phénomène de rebond est très dangereux car il peut provoquer une perte de contrôle de l'appareil.
- Par exemple, si le quadrant avant droit de la lame (B) vient heurter un arbuste ou un objet similaire, l'appareil va subir un mouvement de recul brutal vers la droite.
- Pour prévenir le phénomène de rebond, ne pas tailler de gauche à droite. Veiller à ce que la lame ne heurte aucun objet dur.
- Lors de la taille, couper l'objet avec le tiers avant gauche de la lame (A).

Le non-respect de cette mesure de précaution peut entraîner un risque de blessure ou d'accident mortel.



Utilisation de l'appareil

Fauchage des mauvaises herbes



- ♦ Lors du fauchage, l'utilisateur décrit des arcs de cercle avec l'outil de coupe. Cette méthode permet de désherber rapidement une zone donnée. La technique de fauchage ne doit pas être employée pour couper des plantes hautes et drues ou des arbustes.
- ♦ Si un arbrisseau ou un arbuste bloque l'outil de coupe, ne pas se servir de l'outil de coupe comme levier pour le dégager : l'outil risque d'être endommagé.
- ♦ Dans ce cas, il faut couper le moteur et pousser sur l'arbrisseau ou l'arbuste pour dégager les lames.

AVERTISSEMENT

Respecter les mesures de précaution suivantes lors de la vérification et de l'entretien de l'appareil après utilisation :

- Couper le moteur et attendre qu'il refroidisse avant la vérification ou l'entretien de l'appareil.
Il existe un risque de brûlure.
- Retirer le protecteur de bougie avant d'effectuer les opérations de vérification ou d'entretien.
Il existe un risque d'accident en cas de démarrage intempestif de l'appareil.

IMPORTANT

- La vérification et l'entretien de l'appareil nécessitent des connaissances spécialisées. Si l'utilisateur ne possède pas les compétences requises pour effectuer les opérations de vérification et d'entretien de l'appareil ou pour remédier à un dysfonctionnement, il doit consulter un revendeur. Ne pas essayer de démonter l'appareil.

Instructions d'entretien de l'appareil

Pièce	Entretien	Page	Avant utilisation	Tous les mois
Filtre à air	Nettoyer/remplacer	22	•	
Filtre à carburant	Contrôler/nettoyer/remplacer	22	•	
Bougie d'allumage	Contrôler/nettoyer/régler/remplacer	24		•
Carburateur	Régler/remplacer et régler	22		•
Circuit de refroidissement	Contrôler/nettoyer	23	•	
Silencieux	Contrôler/serrer	23	•	
Silencieux	Nettoyer	23		•**
Renvoi d'angle	Lubrifier	24		•*
Lanceur	Contrôler	-	•	
Couteau	Contrôler/nettoyer	-	•	
Circuit d'alimentation	Contrôler	22	•	
Vis, boulons et écrous	Contrôler, serrer / remplacer	-	•	

* Ou 50 heures, si ce seuil est atteint avant la fin de la période indiquée. ** Ou 100 heures, selon la première échéance.

Pièce	Entretien	
Jeu aux soupapes	Régler	Si tirer sur la poignée du démarreur est difficile ou si l'alimentation est faible, consultez votre revendeur.

IMPORTANT

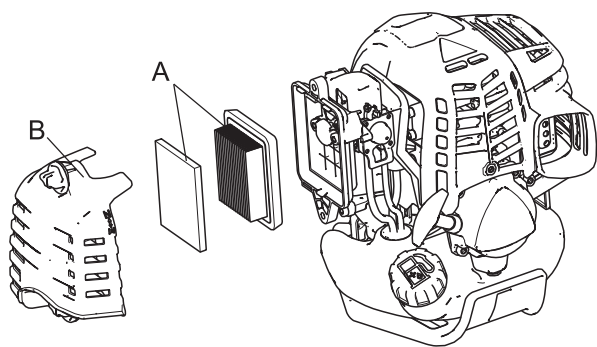
- Les intervalles indiqués sont un maximum. La fréquence des opérations d'entretien varie en fonction de l'utilisation réelle de l'appareil et de l'expérience de l'utilisateur.

Entretien

En cas de questions ou de problèmes, contacter un revendeur.

Entretien

Nettoyage du filtre à air

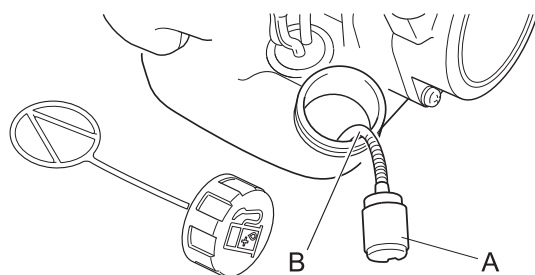


1. Couper le starter. Dévisser le bouton du couvercle de filtre à air et déposer le couvercle du filtre à air (B).
2. Retirer le filtre à air (A) (le filtre à air est situé à l'intérieur du couvercle de filtre à air).
3. Brosser le filtre pour le désencrasser ou le nettoyer à l'air comprimé du côté du carburateur.
4. Remettre le filtre à air et le couvercle en place, après avoir assemblé le filtre à air et le couvercle.
5. Serrer le bouton du couvercle du filtre à air.

REMARQUE

- Lorsque le filtre à air est remis en place, le poser dans le cadre du boîtier de filtre à air.

Remplacement du filtre à carburant



1. Utiliser un fil métallique ou équivalent pour faire sortir le filtre à carburant (A) par l'orifice du réservoir de carburant.
2. Tirer l'ancien filtre hors du tuyau d'alimentation (B).
3. Installer le filtre à carburant neuf.

REMARQUE

- Si le filtre est extrêmement encrassé ou n'est plus correctement ajusté, il faut le remplacer.

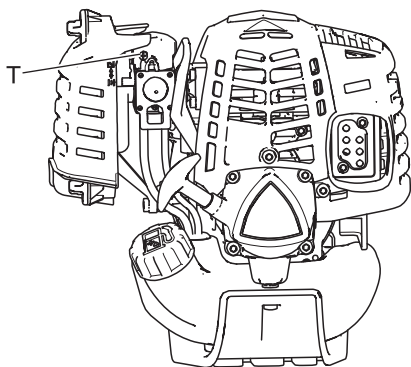
Réglage du carburateur

⚠ AVERTISSEMENT

- VOUS POUVEZ RÉGLER LE RALENTI UNIQUEMENT en tournant la vis de réglage du régime de ralenti (T).
- Pendant le réglage du carburateur, l'outil de coupe peut bouger. Prêter la plus grande attention à l'outil de coupe et agir avec la plus grande prudence de façon à éviter d'être blessé par l'outil en mouvement.
- Une fois le carburateur réglé, l'outil de coupe ne doit plus bouger en régime de ralenti. Dans le cas contraire, il existe un risque de blessure grave.
- Vous ne devez procéder à AUCUN réglage du carburateur en dehors du réglage du régime de ralenti. Tous les autres réglages DOIVENT être effectués par un revendeur-réparateur agréé afin d'éviter tout risque de graves blessures dues à un dysfonctionnement du moteur.

⚠ ATTENTION

- En cas de problème avec le carburateur, s'adresser à un revendeur-réparateur agréé.



Chaque appareil est testé en usine et le carburateur est réglé avec précision pour offrir un niveau de performance optimal. Avant de régler le carburateur, nettoyer ou remplacer le filtre à air, démarrer le moteur et le laisser tourner quelques minutes pour qu'il atteigne sa température de fonctionnement. Le moteur doit retourner au ralenti chaque fois que la poignée d'accélérateur est relâchée. Le ralenti est réglable et doit être réglé assez bas pour permettre à l'embrayage moteur de désenclencher l'outil de coupe.

Pour régler le carburateur, procéder comme suit :

1. Placer l'appareil au sol, puis le démarrer et attendre 2 à 3 minutes au ralenti jusqu'à ce qu'il soit chaud.
2. Si l'outil de coupe bouge lorsque l'appareil est au ralenti, réduisez le régime de ce dernier avec la vis prévue à cet effet (T) en la tournant dans le sens inverse des aiguilles d'une montre.
3. Accélérer à nouveau à fond puis repasser en mode de ralen-

ti à quelques reprises. S'assurer que l'outil de coupe cesse de tourner en régime de ralenti.

- À l'aide d'un tachymètre (si disponible), régler le régime de ralenti en fonction des recommandations indiquées dans la partie Caractéristiques.

REMARQUE

S'il est impossible de régler correctement le carburateur avec la vis de réglage du régime de ralenti (T), s'adresser impérativement à un revendeur-réparateur agréé.

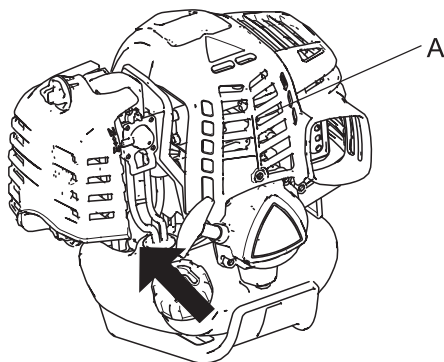
Entretien du système de refroidissement

IMPORTANT

○ Pour maintenir la température de fonctionnement correcte du moteur, l'air de refroidissement doit circuler librement à travers la zone des ailettes du cylindre. Ce flux d'air évacue la chaleur de combustion du moteur. Un risque de surchauffe et de grippage du moteur existe si :

- ♦ L'admission d'air est bloquée, empêchant l'air de refroidissement d'atteindre le cylindre,
- ♦ De la poussière et de l'herbe s'accumulent à l'extérieur du cylindre. Cette accumulation isole le moteur et empêche la chaleur de s'évacuer.

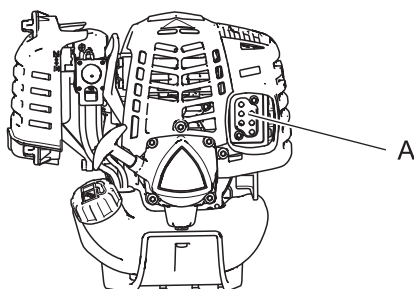
Les opérations de déblocage des canaux de refroidissement ou de nettoyage des ailettes de cylindre sont considérées comme des « Opérations d'entretien normales ». Toute panne due à un mauvais entretien de l'appareil n'est pas couverte par la garantie.



Admission d'air

- ♦ Retirer la poussière et les impuretés entre les ailettes (A).
- ♦ Avant chaque utilisation, retirer les débris qui se sont accumulés sur la grille de prise d'air du moteur située entre le réservoir de carburant et le lanceur.

Nettoyage du silencieux



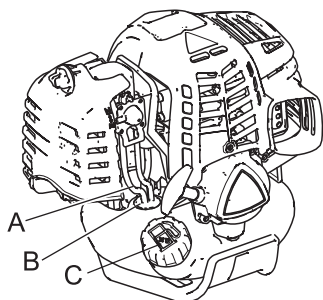
- ♦ Les dépôts de carbone présents dans le silencieux (A) entraînent une perte de puissance et la surchauffe du moteur. L'écran pare-étincelles doit être contrôlé régulièrement. Enlever les dépôts du silencieux.

IMPORTANT

Ne pas déposer le couvercle du silencieux. Si nécessaire, consulter votre concessionnaire.

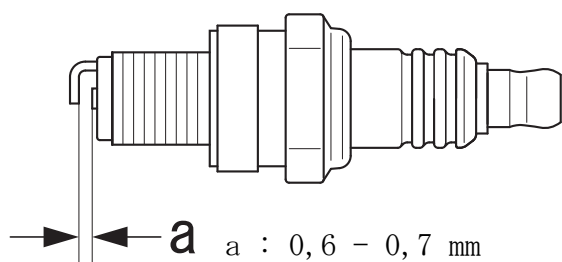
Entretien

Vérifier le circuit d'alimentation



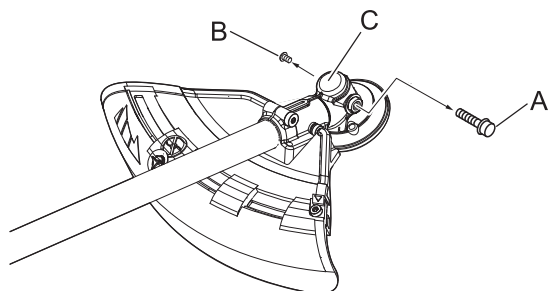
- ♦ Vérifier avant chaque utilisation.
- ♦ Après le ravitaillement, vérifier qu'il n'y a pas de fuite ou d'écoulement de carburant au niveau du tuyau (A), du passe-tuyau de carburant (B) ou du bouchon du réservoir de carburant (C).
- ♦ Toute fuite ou écoulement de carburant constitue un risque d'incendie. Interrompre immédiatement l'utilisation de l'appareil et demander à un revendeur de le contrôler ou de le remplacer.

Vérification de la bougie d'allumage



1. Vérifier l'écartement des bougies. L'écartement correct est compris entre 0,6 mm et 0,7 mm.
 2. Vérifier si l'électrode est usée.
 3. Vérifier s'il y a de l'huile ou d'autres dépôts sur l'isolant.
 4. Si la bougie d'allumage est sale, la nettoyer. Ne pas nettoyer au jet de sable. Les résidus de sable endommageront le moteur.
 5. Si les électrodes ou les bornes sont usées ou si la céramique présente des fissures, procéder au remplacement de ces composants. (voir Caractéristiques page 30)
 6. Serrer selon 10 N·m - 15 N·m (100 kgf·cm à 150 kgf·cm).
- * L'essai de l'étincelle (destiné à vérifier si la bougie d'allumage émet une étincelle) doit être effectué par un revendeur.

Renvoi d'angle



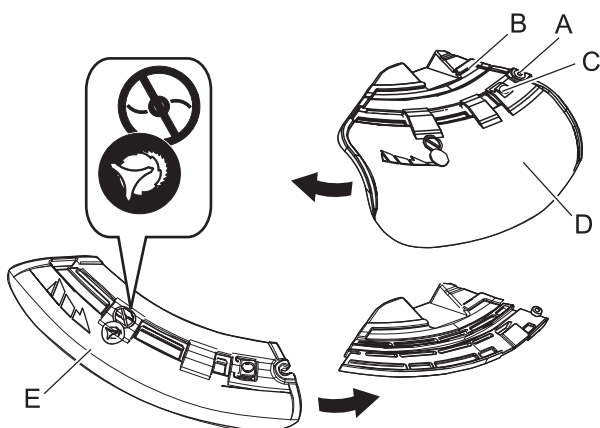
1. Retirer le bouchon (A) et la vis de vidange (B) du renvoi d'angle (C).
2. Ajouter de la graisse dans le renvoi d'angle jusqu'à ce que l'ancienne graisse soit expulsée. Si besoin, utiliser une pompe à basse pression.

REMARQUE

- Utiliser une graisse multi-usage au lithium de bonne qualité.

3. Remettre en place la vis de vidange et le bouchon.

Méthode de remplacement du protecteur d'outil

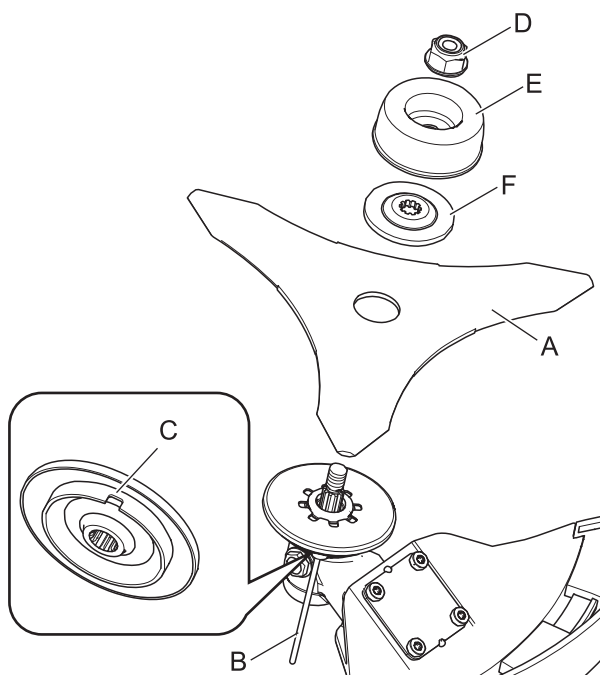


- ♦ Il existe deux types de protecteurs d'outil : le premier est utilisé exclusivement pour les têtes de coupe à fil nylon et le second uniquement pour les lames métalliques. Lorsqu'une lame métallique est utilisée, installer le protecteur d'outil pour lames métalliques.
1. Dévisser entièrement le boulon (A) situé sur le côté droit du support (B) pour faire glisser le protecteur. Le boulon ne s'enlève pas et reste solidaire du support.
 2. Tout en appuyant sur le bouton (C), faire glisser le protecteur (D) vers la gauche et le retirer.
 3. Placer le protecteur d'outil de remplacement (E) dans la rainure et le faire glisser vers la droite jusqu'en butée. Veiller à serrer le boulon.

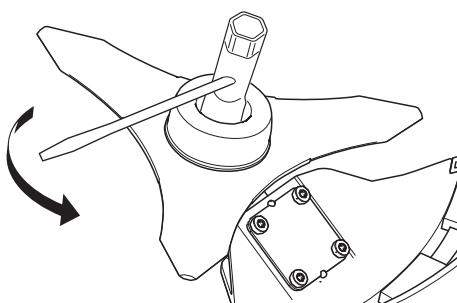
Pose de la lame (en option)

⚠ AVERTISSEMENT

- Porter des gants résistants lorsque la lame doit être manipulée.
- En cas de remplacement de la lame pendant une opération de taille, s'assurer que le moteur est coupé et que les lames ne tournent plus.
- En retournant l'appareil pour remplacer la lame, vérifier que le bouchon du réservoir de carburant est bien vissé.
- Ne pas essayer de poser la lame d'une seule main ou sans utiliser la clé à pipe. Poser la lame avec précision à l'aide de la clé à pipe fournie avec l'appareil et la serrer fermement.
- Ne pas serrer la lame à l'aide d'outils autres que la clé à pipe fournie ; avec un outil pneumatique ou électrique, la lame risquerait d'être serrée de manière excessive, ce qui casserait l'écrou ou l'arbre de sortie.
- Si un écrou et une coupelle usés sont utilisés, la lame risque de se desserrer. Les remplacer par des pièces neuves. Le non-respect de cette instruction peut entraîner un risque de blessure ou d'accident grave, ou encore d'incendie.



1. Examiner les lames (A) avant de les installer. Vérifier leur affûtage. Les lames émoussées augmentent le risque de rebonds. Les lames légèrement fissurées peuvent se fracturer et des morceaux de lame peuvent être projetés pendant l'utilisation de l'appareil. Jeter les lames fissurées, quelle que soit la taille de la fissure.
2. Insérer l'outil de blocage (B) dans l'orifice situé sur le côté droit du renvoi d'angle tout en poussant le ressort de retenue vers la gauche.
3. Enfoncer l'outil de blocage dans le trou de blocage de lame (C) pour fixer l'arbre de sortie.
4. Se servir d'une clé à pipe pour retirer l'écrou (D), la coupelle (E) et le dispositif de blocage inférieur de la lame (F).
5. Serrer solidement à la main la lame, le dispositif de blocage inférieur de la lame, la coupelle et l'écrou.

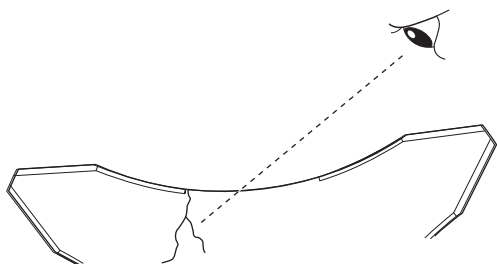


⚠ ATTENTION

- Fixer solidement l'arbre de sortie à l'aide de l'outil de blocage pour éviter qu'il ne tourne lors de la pose de la lame. Sinon, l'écrou de fixation de la lame ne sera pas suffisamment serré.

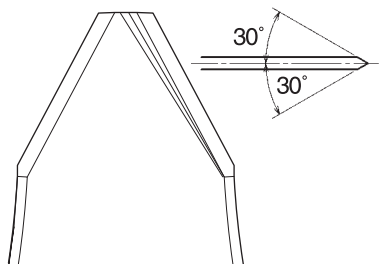
6. Serrer l'écrou (en tournant dans le sens inverse des aiguilles d'une montre) à l'aide d'une clé à pipe. Ne jamais serrer l'écrou en utilisant le poids de votre corps. Dans le cas contraire, le filetage de l'écrou risque de se briser.
7. Retirer l'outil de blocage.

Vérification de la lame



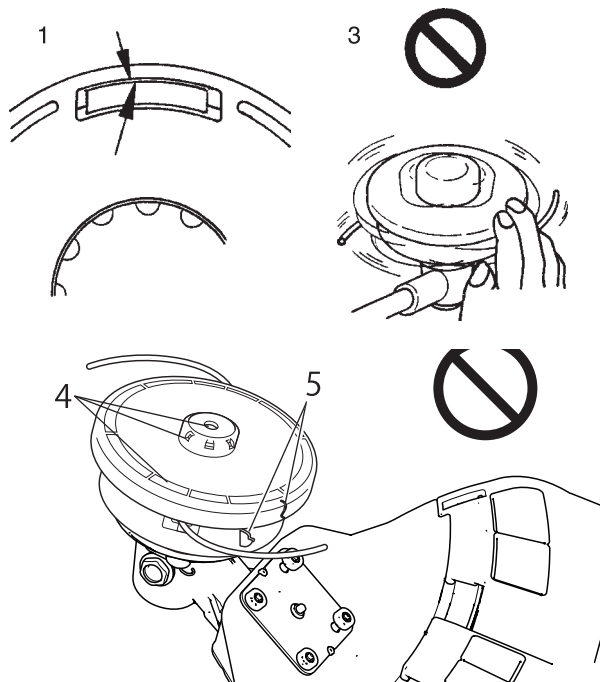
- ♦ Utiliser uniquement une lame recommandée pour ce modèle par le constructeur.
- ♦ En cas de fissure, remplacer la lame.
- ♦ Vérifier que la lame est correctement fixée, conformément aux instructions.

Entretien



- ♦ Lorsque la lame commence à s'émousser, il est possible de continuer à l'utiliser en la retournant.
- ♦ En cas de fêlure ou de déformation de la lame, les vibrations émises par l'appareil augmentent. Procéder au remplacement de la lame.
- ♦ Lors de l'affûtage de la lame, veiller à ce que les 3 tranchants soient uniformément affûtés en utilisant une lime plate, comme indiqué sur l'image. Dans le cas contraire, l'appareil risque d'être déséquilibré et d'émettre plus de vibrations.

Vérification de la tête de coupe à fil nylon



1. S'assurer que le pourtour des 2 ergots de fixation du boîtier corresponde parfaitement au pourtour des ouvertures correspondantes du couvercle.
2. Vérifier que la tête de coupe est bien fixée sur le coupe-herbe et la resserrer le cas échéant.
3. Contrôler la tête de coupe et rechercher toute déformation ou bruit anormal en la faisant tourner manuellement. Une déformation ou un bruit anormal peut provoquer des vibrations anormales ou entraîner le desserrage du coupe-herbe pendant la rotation, ce qui constitue un risque.
4. Vérifier le degré d'usure du couvercle et de la partie inférieure de la bobine. Si une fente apparaît au bas de la partie inférieure de la bobine ou au bas du couvercle, à proximité de la sortie du fil nylon, il faut impérativement remplacer ces pièces.
5. Vérifier si la tête de coupe présente des fissures ou des éclats. Remplacer impérativement toute pièce présentant une fissure ou un éclat.

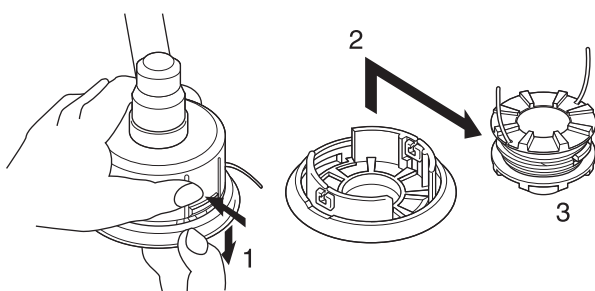
Remplacement du fil nylon

⚠ DANGER

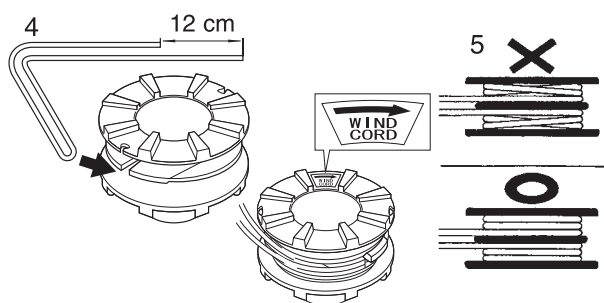
- **Toujours couper le moteur du coupe-herbe et s'assurer que la tête de coupe à fil nylon ne tourne plus avant de procéder au remplacement de la pièce.**
Le non-respect de cette règle de sécurité entraîne un risque d'accident ou de blessure grave.

⚠ AVERTISSEMENT

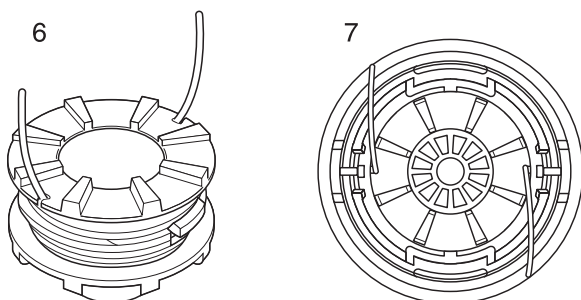
- **Utiliser uniquement un fil de coupe flexible et non métallique recommandé par YAMABIKO Corporation.**
Le non-respect de cette règle de sécurité entraîne un risque d'accident ou de blessure grave.



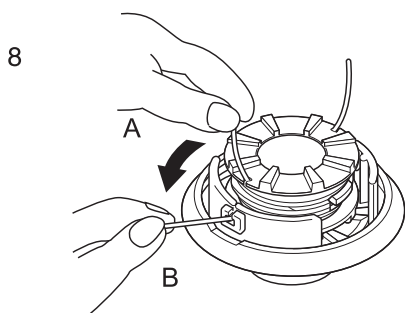
1. Comprimer les « ergots de fixation » (en deux endroits) vers l'intérieur, puis retirer le couvercle. Il est plus facile de les retirer l'un après l'autre.
2. Déposer la bobine.
3. Lorsqu'il n'y a presque plus de fil nylon sur la bobine, retirer le fil restant de la bobine et enrouler le « nouveau fil » en suivant les instructions (4) et suivantes. Lorsque le fil est « collé » sur la bobine, retirer complètement le fil en décollant la partie « collée », puis enrouler le fil ainsi « décollé » en suivant les instructions (4) et suivantes.



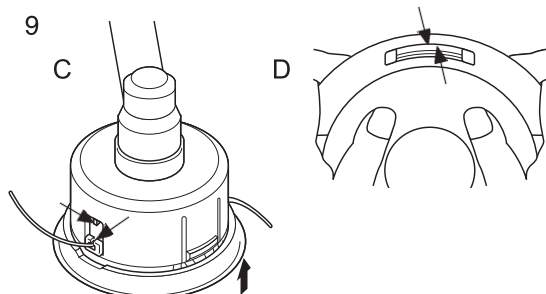
4. Plier le fil à 12 cm du milieu de sa longueur totale et accrocher la partie pliée sur l'« encoche » du séparateur intermédiaire.
5. Enrouler le fil bien tendu dans la rainure de la bobine en suivant « le sens d'enroulement de la flèche ».



6. Lorsque le fil est entièrement enroulé autour de la bobine, accrocher ses deux extrémités dans les encoches correspondantes de la bobine pour le bloquer provisoirement ; laisser environ 10 cm de fil dépasser des encoches.
7. Aligner les encoches de la bobine avec les rainures des œillets, puis emboîter la bobine dans le couvercle.



8. Tirer le fil pour le faire dépasser du couvercle. (A) Retirer le fil des « encoches correspondantes de la bobine », puis (B) le faire passer dans les « rainures des œillets correspondants ».



9. Assembler le couvercle et le boîtier. (C) Aligner les « œillets » du couvercle avec les « renforcements » du boîtier, puis (D) enfoncer les ergots du boîtier dans les ouvertures correspondantes du couvercle jusqu'à ce que les ergots s'encastrent parfaitement.

⚠ DANGER

S'assurer que le pourtour extérieur des ergots du boîtier corresponde parfaitement au pourtour extérieur des ouvertures correspondantes du couvercle. Si les ergots sont mal emboîtés et que la tête de coupe pivote, le couvercle ou des composants internes risquent d'être projetés, ce qui représente un danger potentiel pour l'utilisateur.

Guide de dépannage

IMPORTANT

- En ce qui concerne les pièces de rechange et les consommables, utiliser uniquement des pièces d'origine et les produits et les composants recommandés.
L'utilisation de pièces d'autres marques ou de composants inappropriés peut entraîner un dysfonctionnement de l'appareil.

Entretien

Problème	Diagnostic	Cause	Solution
Le moteur ne démarre pas		<ol style="list-style-type: none"> 1. Il n'y a pas de carburant dans le réservoir de carburant 2. L'interrupteur d'arrêt est en position Arrêt 3. Alimentation en carburant excessive 4. Dysfonctionnement électrique 5. Dysfonctionnement du carburateur ou blocage interne 6. Dysfonctionnement interne du moteur 	<ol style="list-style-type: none"> 1. Alimentation en carburant 2. Basculer en position Marche 3. Démarrer le moteur après révision 4. Consulter un revendeur 5. Consulter un revendeur 6. Consulter un revendeur
Le moteur démarre difficilement, tourne de manière irrégulière	Le carburant pénètre dans le tuyau de trop plein	<ol style="list-style-type: none"> 1. Dégradation du carburant 2. Problème de carburateur 	<ol style="list-style-type: none"> 1. Remplacer le carburant 2. Consulter un revendeur
	Aucun carburant ne pénètre dans le tuyau de trop plein	<ol style="list-style-type: none"> 1. Le filtre à carburant est colmaté 2. Le circuit d'alimentation est colmaté 3. Blocage de pièces internes du carburateur 	<ol style="list-style-type: none"> 1. Nettoyer ou remplacer 2. Consulter un revendeur 3. Consulter un revendeur
	La bougie d'allumage est encrassée ou humide	<ol style="list-style-type: none"> 1. Dégradation du carburant 2. Ecartement incorrect des électrodes 3. Dépôts de calamine 4. Dysfonctionnement électrique 	<ol style="list-style-type: none"> 1. Remplacer 2. Régler ou remplacer 3. Nettoyer ou remplacer 4. Consulter un revendeur
Le moteur démarre mais impossible d'accélérer		<ol style="list-style-type: none"> 1. Filtre à air encrassé 2. Filtre à carburant encrassé 3. Passage de carburant obstrué 4. Problème de réglage du carburateur 5. Blocage de la sortie d'échappement ou de l'échappement de silencieux 	<ol style="list-style-type: none"> 1. Nettoyer ou remplacer 2. Nettoyer ou remplacer 3. Consulter un revendeur 4. Régler 5. Nettoyer
Le moteur s'arrête		<ol style="list-style-type: none"> 1. Problème de réglage du carburateur 2. Dysfonctionnement électrique 	<ol style="list-style-type: none"> 1. Régler 2. Consulter un revendeur
Le moteur ne s'arrête pas		<ol style="list-style-type: none"> 1. Dysfonctionnement de l'interrupteur d'arrêt 	<ol style="list-style-type: none"> 1. Procéder à un arrêt d'urgence et consulter un revendeur
L'outil de coupe tourne alors que le moteur est au ralenti		<ol style="list-style-type: none"> 1. Problème de réglage du carburateur 2. Ressort d'embrayage endommagé 	<ol style="list-style-type: none"> 1. Régler 2. Consulter un revendeur

- ♦ En cas de problème différent de ceux décrits dans le tableau ci-dessus, consulter un revendeur.
- ♦ Contacter un revendeur pour la mise au rebut de l'appareil ou de ses composants conformément à la législation nationale en vigueur.

Fabricant :**YAMABIKO CORPORATION**

7-2 SUEHIROCHO 1-CHOME, OHME, TOKYO 198-8760, JAPON

Représentant autorisé en Europe :**Atlantic Bridge Limited**

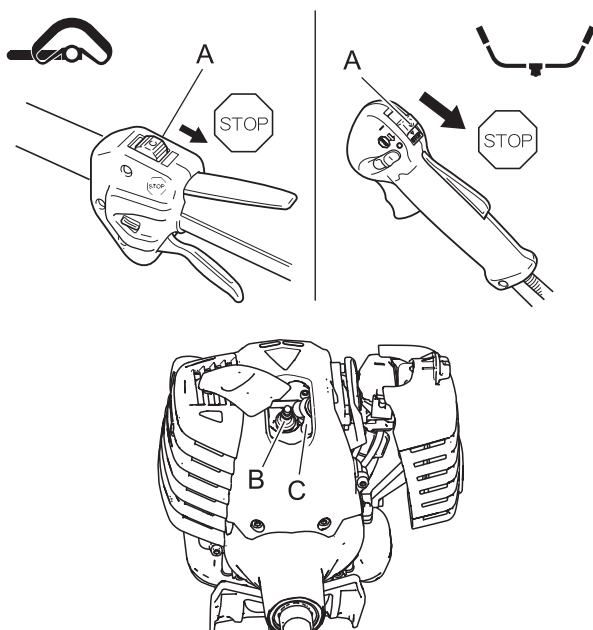
Atlantic House, PO Box 4800, Earley, Reading RG5 4GB, Royaume-Uni

Remisage**Remisage de longue durée (30 jours ou plus)****⚠ AVERTISSEMENT**

○ Ne pas entreposer l'appareil dans un endroit clos contenant des vapeurs de carburant, ou à proximité de sources de flammes ou d'étincelles.
Il existe un risque d'incendie.



Si l'appareil doit être remisé pendant une longue période (30 jours ou plus), respecter les instructions de remisage suivantes.



1. Vider le réservoir de carburant.
2. Comprimer et relâcher la pompe d'amorçage à plusieurs reprises pour évacuer le carburant présent dans la pompe d'amorçage.
3. Démarrer le moteur et le laisser tourner au régime de ralenti jusqu'à ce qu'il s'arrête de lui-même.
4. Placer l'interrupteur marche/arrêt (A) en position Arrêt (Stop).
5. Une fois l'appareil suffisamment froid, nettoyer toute trace de graisse, d'huile, de poussière, d'impureté et toutes les autres substances présentes sur le coupe-herbe.
6. Effectuer les vérifications périodiques conseillées dans ce manuel.
7. Vérifier que tous les écrous et vis sont serrés. Resserrer les écrous et les vis desserrés.
8. Retirer la bougie d'allumage (B) et ajouter la quantité d'huile appropriée (environ 10 ml) d'huile propre pour moteur à 2 temps dans le cylindre via la douille d'installation.
9. Placer un linge propre sur la douille d'installation de la bougie d'allumage.
10. Tirer 2 ou 3 fois la poignée du lanceur pour répartir l'huile dans le cylindre.
11. Observer l'emplacement du piston à travers le trou de bougie. Tirer la poignée de lanceur à rappel automatique jusqu'à ce que le piston atteigne le sommet de sa course et le laisser dans cette position.
12. Installer la bougie d'allumage. (Ne pas connecter le protecteur de bougie (C).)
13. Placer l'étui protecteur de lame sur la lame et envelopper le bloc moteur dans un sac en plastique ou autre. Entreposer l'appareil dans un endroit sec, à l'abri de la poussière et hors de portée des enfants.

Caractéristiques

	SRM-3610T	
	L	U
Dimensions externes : longueur × largeur × hauteur	1806 × 340 × 358 mm	1806 × 695 × 525 mm
Masse :		
Appareil sans carburant, outil de coupe ni harnais (ISO11806-1 : 2011)	6,8 kg	7,1 kg
Appareil avec outil de coupe spécifié, réservoir plein, protection et harnais	8,0 kg	8,8 kg
Appareil sans carburant ni outil de coupe, ni protection ni harnais	6,3 kg	6,6 kg
Volume : réservoir de carburant (plein)	850 mL	
Carburant : essence	Essence ordinaire. Il est conseillé d'utiliser de l'essence sans plomb avec un indice d'octane 89 au minimum. Ne pas utiliser de carburant contenant du méthanol ou plus de 10% d'éthanol.	
Huile	Huile pour moteur 2 temps à refroidissement par air. Norme ISO-L-EGD (ISO/CD 13738), norme JASO FC,FD et huile ECHO Premium 50:1.	
Rapport de mélange	50:1 (2 %)	
Outil de coupe :		
Tête de coupe à fil nylon (largeur de coupe)	Z-5 (508 mm)	
Filetage	Filetage à gauche M10×pas 1,25	
Dimension du fil nylon (diamètre)	3,0 mm	
Longueur du fil nylon	5,0 m	
Carter d'engrenage : rapport de vitesse et lubrification	Réduction de 1,62 et graisse au lithium de bonne qualité	
Sens de rotation de l'arbre de sortie vu du dessus	Sens inverse des aiguilles d'une montre	
Fréquence de rotation maximum de la broche	6600 tr/min	
Moteur : Type	Monocylindre 2 temps à refroidissement par air	
Carburateur	Type à membrane	
Magnéto	Volant magnétique - système CDI	
Bougie d'allumage	NGK CMR5H	
Lanceur	Lanceur à rappel	
Transmission	Embrayage centrifuge automatique	
Cylindrée	36,3 cm ³	
Puissance maximum mesurée au frein (ISO 8893)	1,43 kW	
Consommation de carburant à la puissance moteur maximale	0,92 L/h	
Régime moteur maximum recommandé (avec outil standard monté)	10000 tr/min	
Régime moteur de ralenti recommandé	2900 (2800 - 2900) tr/min	
2006/42/CE		
Vibrations (ISO 22867) $a_{hv,eq}$	Poignée gauche 5,7 m/s ²	5,7 m/s ²
	Poignée droite 3,2 m/s ²	4,1 m/s ²
	Incertitude K 1,2 m/s ²	1,2 m/s ²
Niveau de pression sonore (ISO 22868) L_{pAeq}	94,5 dB(A)	93,8 dB(A)
	Incertitude K_{pA} 1,5 dB(A)	1,5 dB(A)
Niveau de puissance acoustique (ISO 22868)	106,5 dB(A)	107,6 dB(A)
L_{WARa}	Incertitude K_{WA} 2,1 dB(A)	2,1 dB(A)

Ces caractéristiques sont susceptibles d'être modifiées sans préavis.

Déclaration de conformité

Le fabricant soussigné :

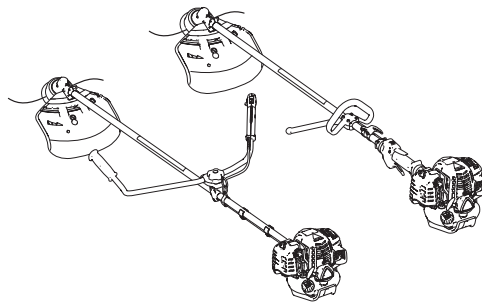
YAMABIKO CORPORATION
7-2 SUEHIROCHO 1-CHOME
OHME ; TOKYO 198-8760
JAPON

Cette déclaration de conformité est délivrée sous la seule responsabilité du fabricant.

Déclare que l'appareil neuf désigné ci-après :

COUPE-HERBE/DÉBROUSSAILLEUSE

Marque : ECHO
Type : SRM-3610T



Est conforme :

- * aux spécifications de la directive **2006/42/CE** (utilisation de la norme harmonisée **EN ISO 11806-1: 2011**)
- * aux spécifications de la directive **2014/30/UE** (utilisation de la norme harmonisée **EN ISO 14982: 2009**)
- * aux spécifications de la directive **2000/14/CE**

Procédure d'évaluation de la conformité suivant l'**ANNEXE V**

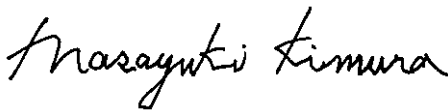
Niveau de puissance sonore mesuré : 106 dB(A) Poignée semi-circulaire, 108 dB(A) Brancard en U

Niveau de puissance sonore garanti : 109 dB(A) Poignée semi-circulaire, 111 dB(A) Brancard en U

Numéro de série 37001001 à 37100000

Tokyo, 1er octobre 2016

YAMABIKO CORPORATION



Masayuki Kimura

Directeur général

Service Assurance qualité

Représentant autorisé en Europe, autorisé à constituer le dossier technique.

Société : Atlantic Bridge Limited

Adresse : Atlantic House, PO Box 4800, Earley, Reading RG5 4GB, Royaume-Uni

M. Philip Wicks

Importateur pour la France

Société : P.P.K.

Adresse : Z.I. du Chemin Vert 10/16 rue de l'Angoumois BP 8002 - 95811 ARGENTEUIL CEDEX, France

YAMABIKO CORPORATION

7-2 SUEHIROCHO 1-CHOME, OHME, TOKYO 198-8760, JAPON

TÉLÉPHONE : 81-428-32-6118. FAX : 81-428-32-6145.



X750-028860

X750283-3501



DEUTSCH
DE (Original Gebrauchsanleitung)

BEDIENUNGSANLEITUNG RASENTRIMMER/MOTORSENSE SRM-3610T

⚠ WARNUNG



**LESEN SIE DIE BEDIENUNGSANLEITUNG SORGFÄLTIG DURCH,
UND BEFOLGEN SIE DIE SICHERHEITSREGELN.
ANDERNFALLS BESTEHT DAS RISIKO SCHWERERER
VERLETZUNGEN.**



Inhalt

Sichere Verwendung des Produkts	3
Beschreibung	8
Bevor Sie beginnen	9
Packliste	9
Zusammenbau	10
Rundgriff-Version	10
U-Griff-Version	10
Montage des Schutzschilds	11
Montage des Nylonfadenkopfs	11
Ausrichten der Balance	11
Bereitstellen des Kraftstoffs	12
Bedienung des Motors	14
Starten des Motors	14
Stoppen des Motors	15
Trimmen	16
Verwendung des Schultergurts	17
Einfaches Trimmen mit dem Nylonfadenkopf	17
Einfaches Trimmen mit Metallmesser	19
Wartung und Pflege	21
Wartungsrichtlinien	21
Wartung und Pflege	21
LAGERUNG	29
Technische Daten	30
Konformitätserklärung	31

Sichere Verwendung des Produkts

Wichtige Informationen

⚠️ WARNUNG

Lesen Sie unbedingt die Bedienungsanleitung, bevor Sie das Produkt verwenden.

Allgemeines zu dieser Bedienungsanleitung

- Diese Bedienungsanleitung enthält wichtige Informationen über Montage, Bedienung und Instandhaltung Ihres Produkts. Bitte lesen Sie sie sorgfältig durch, und machen Sie sich mit dem Inhalt vertraut.
- Bewahren Sie die Anleitung stets an einem schnell zugänglichen Ort auf.
- Sollte die Anleitung verloren gehen oder aufgrund von Beschädigungen nicht mehr lesbar sein, besorgen Sie sich bitte eine neue Anleitung von Ihrem Händler.
- Die in dieser Anleitung verwendeten Einheiten sind SI-Einheiten (Système International d'unités; Internationales Einheitensystem). Zahlenangaben in Klammern sind Referenzwerte, bei denen mitunter geringe Umrechnungsfehler vorliegen können.
Andernfalls kann es zu Unfällen bzw. schweren Verletzungen kommen.

Beabsichtigter Zweck dieses Produkts

- Dieses Produkt ist ein mit Benzinmotor ausgerüstetes Hochleistungsgerät geringen Gewichts, das sich zur Unkrautbekämpfung sowie zum Grasmähen und für leichte Freischneidarbeiten an Stellen eignet, wo andere Methoden unzulänglich sind.
- Verwenden Sie das Gerät nur für den oben angegebenen Zweck.
- Um Weiterentwicklungen des Produkts Rechnung zu tragen, bleiben dem Hersteller Änderungen am Inhalt dieser Anleitung vorbehalten. Einige Abbildungen in dieser Anleitung können vom Produkt abweichen, um Sachverhalte klarer darzustellen.
- Bei Unklarheiten oder Problemen wenden Sie sich bitte an Ihren Händler.
Andernfalls kann es zu Unfällen bzw. schweren Verletzungen kommen.

Keine Veränderungen am Produkt vornehmen

- An dem Produkt dürfen keine Veränderungen vorgenommen werden.
Andernfalls kann es zu Unfällen bzw. schweren Verletzungen kommen. Funktionsfehler, die auf Veränderungen am Produkt zurückzuführen sind, fallen nicht unter die Herstellergarantie.

Produkt nur verwenden, wenn es überprüft und gewartet wurde

- Das Produkt darf nur verwendet werden, wenn es überprüft und gewartet wurde. Die Überprüfung und Wartung des Produkts muss regelmäßig durchgeführt werden.
Andernfalls kann es zu Unfällen bzw. schweren Verletzungen kommen.

Verleihen oder Übereignen des Produkts

- Wenn Sie das Produkt verleihen, muss die ausleihende Person auch die zugehörige Bedienungsanleitung erhalten.
- Wenn Sie das Produkt einer anderen Person übereignen, muss die Bedienungsanleitung zusammen mit dem Produkt ausgehändigt werden.
Andernfalls kann es zu Unfällen bzw. schweren Verletzungen kommen.

Benutzer des Geräts

- Das Gerät darf von folgenden Personen nicht verwendet werden:
 - ◆ übermüdeten Personen
 - ◆ alkoholisierten Personen
 - ◆ unter Medikamenteneinfluss stehenden Personen
 - ◆ schwangeren Frauen
 - ◆ Personen in schlechter körperlicher Verfassung
 - ◆ Personen, die die Bedienungsanleitung nicht gelesen haben
 - ◆ Kindern
- Seien Sie sich bewusst, dass der Benutzer für Unfälle bzw. Gefährdungen anderer Personen oder deren Eigentum verantwortlich ist.
Eine Nichtbefolgung dieser Anweisungen kann zu Unfällen führen.
- Von der Zündanlage dieses Geräts werden bei Betrieb elektromagnetische Felder erzeugt. Magnetfelder können Störungen oder Ausfälle bei Herzschrittmachern verursachen. Um Gesundheitsrisiken zu reduzieren, empfehlen wir, dass Personen mit Herzschrittmachern vor Betrieb dieses Geräts ihren Arzt und den Hersteller des Herzschrittmachers konsultieren.



Sichere Verwendung des Produkts

WARNUNG

Vibration und Kälte

- Es wird vermutet, dass das Raynaud-Syndrom, das die Finger mancher Menschen befällt, durch stark vibrierende Arbeitsgeräte und Arbeiten bei Kälte herbeigeführt wird. Durch stark vibrierende Arbeitsgeräte und dem Arbeiten bei Kälte kann sich ein Prickeln und Brennen bemerkbar machen, dem sich Farblosigkeit und Gefühllosigkeit der Finger anschließen. Die nachstehend aufgeführten Vorsichtsmaßnahmen werden dringend empfohlen, da die Mindestwerte, bei denen diese Krankheit ausgelöst wird, nicht bekannt sind.
 - ◆ Halten Sie Ihren Körper warm, insbesondere Kopf und Nacken, Füße und Fußgelenke sowie Hände und Handgelenke.
 - ◆ Legen Sie häufige Pausen ein, in deren Verlauf Sie den Kreislauf durch intensive Armübungen anregen, und rauchen Sie nicht.
 - ◆ Begrenzen Sie die Dauerbetriebszeiten auf ein Minimum. Teilen Sie jeden Arbeitstag so ein, dass auch Arbeiten ohne Trimmer oder tragbare motorisierte Geräte verrichtet werden.
 - ◆ Wenn Ihre Finger schmerzen, rot und angeschwollen sind und schließlich bleich und gefühllos werden, müssen Sie einen Arzt aufsuchen, bevor Sie sich weiterhin Kälte und Vibrationen aussetzen.
- Eine Nichtbefolgung dieser Anweisung kann zu gesundheitlichen Schäden führen.

RSI-Syndrom

- Es wird angenommen, dass eine Überanstrengung der Muskeln und Sehnen der Finger, Hände, Arme und Schultern in den betreffenden Körperteilen Schmerz, Schwellungen, Gefühllosigkeit, Schwäche und auch akuten Schmerz verursachen kann. Durch bestimmte ständig wiederholte Handbewegungen steigt das Risiko für die Entwicklung eines RSI-Syndroms. Auf folgende Art mindern Sie das Risiko des RSI-Syndroms:
 - ◆ Achten Sie darauf, dass Sie Ihr Handgelenk nicht zu sehr beugen, strecken oder verdrehen.
 - ◆ Legen Sie von Zeit zu Zeit Pausen ein, um wiederholte Bewegungen zu minimieren, und lassen Sie Ihre Hände ruhen. Reduzieren Sie die Geschwindigkeit und den Kraftaufwand, mit denen Sie die Wiederholungsbewegung ausführen.
 - ◆ Führen Sie geeignete Übungen zur Stärkung der Hand- und Armmuskulatur durch.
 - ◆ Suchen Sie einen Arzt auf, wenn Sie ein Prickeln, Gefühllosigkeit oder Schmerzen in Ihren Fingern, Händen, Handgelenken oder Armen bemerken. Je früher das RSI-Syndrom erkannt wird, desto eher lässt sich eine dauerhafte Schädigung von Nerven und Muskeln verhindern.
- Eine Nichtbefolgung dieser Anweisung kann zu gesundheitlichen Schäden führen.

Angemessene Unterweisung

- Das Gerät darf nicht ohne angemessene Unterweisung bzw. ohne Schutzkleidung bedient werden.
 - Machen Sie sich mit der richtigen Handhabung des Geräts und seiner Bedienungselemente vertraut.
 - Sie müssen wissen, wie sich das Gerät stoppen und der Motor abstellen lässt.
 - Zudem müssen Sie lernen, wie das Gerät schnell vom Schultergurt getrennt werden kann.
 - Erlauben Sie niemals einer anderen Person, das Gerät ohne vorherige Unterweisung zu benutzen.
- Eine Nichtbefolgung dieser Anweisung kann zu gesundheitlichen Schäden führen.

Geeignete Schutzkleidung tragen.

- Ihr Haar sollte maximal Schulterlang sein, ansonsten verwenden Sie ein Haarnetz.
- Tragen Sie keine Krawatten, Schmuckstücke oder lose, weite Kleidungsstücke, die sich im Gerät verfangen könnten.
- Tragen Sie keine Schuhe mit freien Zehen, und arbeiten Sie nicht barfuß oder in kurzen Hosen.

Bei Nichtbeachtung dieser Sicherheitsvorkehrungen sind Ihr Augenlicht und Ihr Gehör gefährdet, und es drohen sonstige schwere Verletzungen.



Sichere Verwendung des Produkts

WARNUNG

Schutzausrüstung tragen

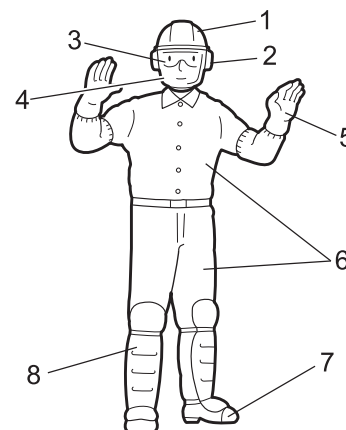
- Tragen Sie beim Arbeiten mit dem Trimmer immer die folgende Schutzausrüstung:

1. **Kopfschutz (Helm):** schützt den Kopf
2. **Gehörschutzbügel oder Ohrenstöpsel:** schützen das Gehör
3. **Schutzbrille:** schützt die Augen
4. **Gesichtsschutzschild:** schützt das Gesicht
5. **Sicherheitshandschuhe:** schützen die Hände vor Kälte und Vibration
6. **Eng anliegende Arbeitskleidung (lange Ärmel, lange Hosen):** schützt den Körper
7. **Robuste, rutschfeste Stiefel (mit Schutzkappe) oder rutschfeste Schuhe (mit Schutzkappe):** schützen die Füße
8. **Schienbeinschützer:** schützen die Beine

Bei Nichtbeachtung dieser Sicherheitsvorkehrungen sind Ihr Augenlicht und Ihr Gehör gefährdet, und es drohen sonstige schwere Verletzungen.

- Falls erforderlich, verwenden Sie auch folgende Schutzausrüstung:

- ◆ **Staubmaske:** schützt das Atmungssystem
- ◆ **Bienennetz:** schützt vor angreifenden Bienen



Arbeitsumgebung und Bedienung

- Produkt nicht verwenden:

- ◆ unter schlechten Wetterbedingungen.
- ◆ an steilen Abhängen oder auf rutschigem Untergrund ohne ausreichenden Halt.
- ◆ nachts oder bei schlechten Sichtverhältnissen.

- Arbeiten Sie an leichten Hanglagen in horizontalen, bogenartigen Bewegungen.

Wenn Sie fallen oder ausrutschen oder das Gerät nicht mehr voll beherrschen, kann dies zu schweren Verletzungen führen.

- Aus Gesundheits- und Sicherheitsgründen sollten Sie mit dem Gerät nur bei Lufttemperaturen von **-5 °C bis 40 °C** arbeiten.

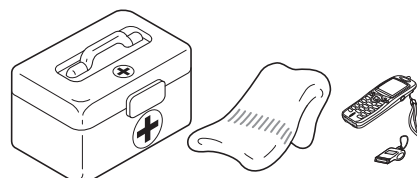
Eine Nichtbefolgung dieser Anweisung kann zu gesundheitlichen Schäden führen.

Vorsorge für den Fall von Verletzungen

- Für den unwahrscheinlichen Fall, dass es dennoch zu Verletzungen kommt, sollten Sie folgende Dinge vorbereitet haben:

- ◆ **Verbandskasten**
- ◆ **Hand- und Wischtücher (um etwaige Blutungen zu stoppen)**
- ◆ **Trillerpfeife oder Mobiltelefon (um Hilfe rufen zu können)**

Wenn Sie weder erste Hilfe leisten noch Hilfe rufen können, kann sich die Verletzung verschlimmern.



Bei Feuer oder Rauch steht Sicherheit an erster Stelle.

- Wenn Flammen aus dem Bereich des Motors kommen oder Rauch aus einem anderen Teil als dem Auspuff austritt, entfernen Sie sich zunächst von dem Produkt, um Ihre eigene körperliche Sicherheit zu gewährleisten.

- Werfen Sie mit einer Schaufel Sand oder ähnliches Material auf das Feuer, um eine Ausbreitung zu verhindern, oder löschen Sie den Brand mit einem Feuerlöscher.

Eine Panikreaktion könnte zu einer Ausbreitung des Feuers oder anderen Schäden führen.



Warnhinweise

GEFAHR

Dieses Symbol in Verbindung mit dem Wort „**GEFAHR**“ macht auf Handlungen oder Bedingungen aufmerksam, die zu schweren Verletzungen oder zum Tod von Bediener und umstehenden Personen führen.

WARNUNG


Dieses Symbol in Verbindung mit dem Wort „**WARNUNG**“ macht auf Handlungen oder Bedingungen aufmerksam, die zu schweren Verletzungen oder zum Tod von Bediener und umstehenden Personen führen können.

VORSICHT

„**VORSICHT**“ warnt vor einer Gefahrensituation, in der es zu leichten bis mäßigen Verletzungen kommen kann.

Sichere Verwendung des Produkts




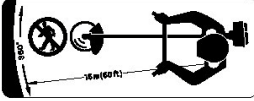














Sonstige Kennzeichnungen

	Kreis mit umgekehrtem Schrägstrich bedeutet, dass das Dargestellte unzulässig ist.
---	--






HINWEIS
Hinweise dieser Art enthalten Tipps zur Verwendung, Pflege und Wartung des Produkts.

WICHTIG
Umrahmter Text mit der Überschrift „ WICHTIG “ enthält wichtige Informationen zur Verwendung, Überprüfung, Wartung und Lagerung des in dieser Anleitung beschriebenen Produkts.

Symbole

Symbol	Beschreibung des Symbols	Symbol	Beschreibung des Symbols
	Lesen Sie die Bedienungsanleitung sorgfältig durch		Maximale Drehzahl der Welle der Schneidvorrichtung in U/min
	Augen-, Gehör- und Kopfschutz tragen		Passanten auf einen Abstand von 15 m halten
	Tragen Sie Schutzhandschuhe und Schutzschuhe		Benzin- und Ölgemisch
	NOTAUS		Choke-Position bei Kaltstart (Choke geschlossen)
	Warnung! Gegenstände werden hochgeschleudert!		Choke-Position bei Betrieb (Choke geöffnet)
	Achtung, Seitenschub!		Justieren des Vergasers - Leerlaufdrehzahl
	Einsatz ohne Schutzschild verboten		U-Griff
	Verwendung von Metallmessern verboten		Rundgriff
	Verwendung von Nylonfadenköpfen verboten		Achtung, heiße Bereiche

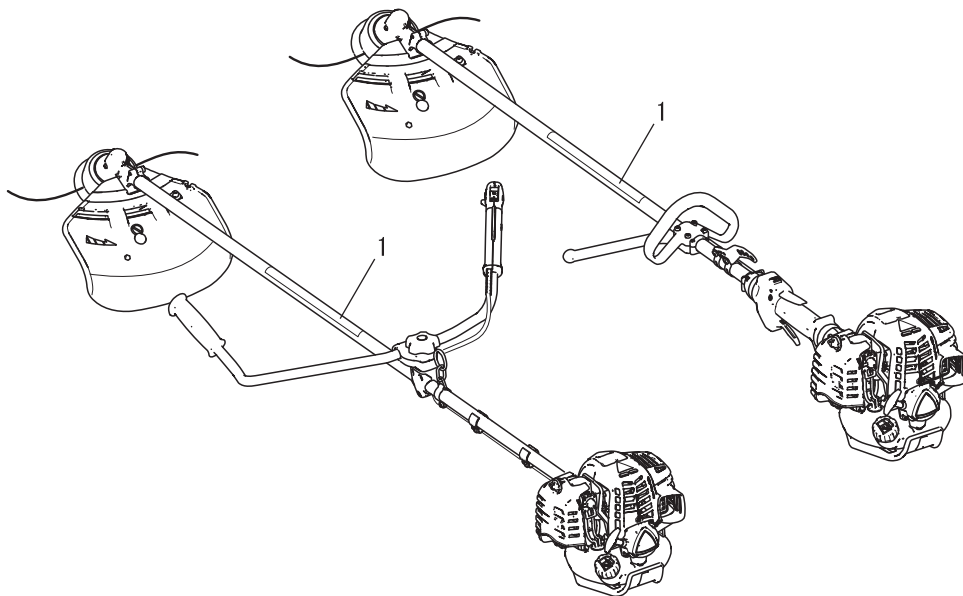
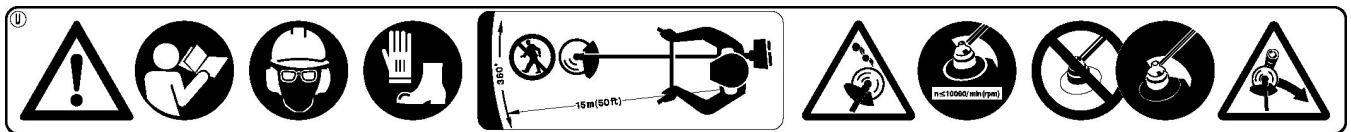
Sichere Verwendung des Produkts

Symbol	Beschreibung des Symbols	Symbol	Beschreibung des Symbols
	Nicht in Räumen mit schlechter Belüftung verwenden		Garantierter Schalleistungspegel
	Achtung, Brandgefahr		Motorstart
	Achtung, Stromschlag-Gefahr		

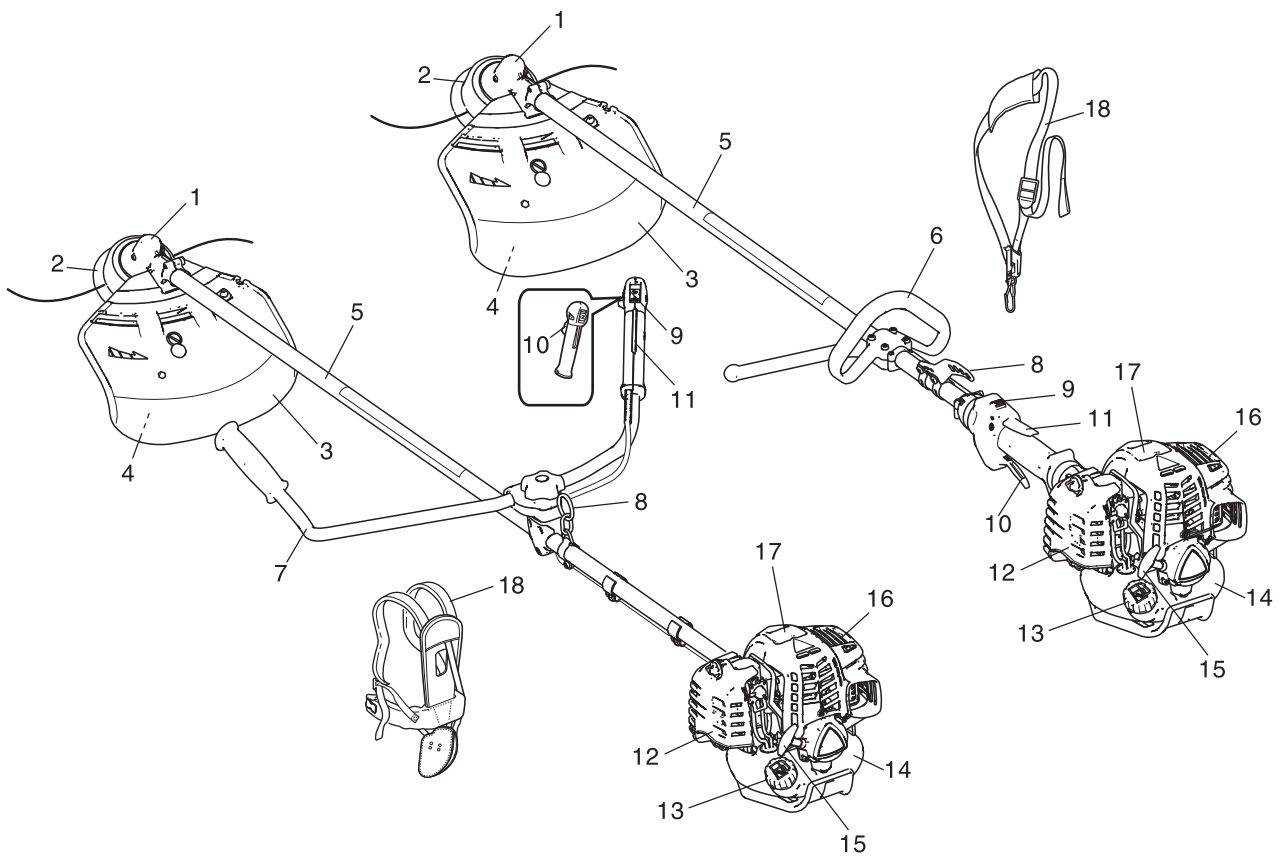
Sicherheitsaufkleber

- Die in dieser Anleitung beschriebenen Produkte sind mit dem unten dargestellten Sicherheitsaufkleber versehen. Machen Sie sich die Bedeutung des Sicherheitsaufklebers bewusst, bevor Sie das Produkt verwenden.
- Falls der Sicherheitsaufkleber aufgrund von Verschleiß oder Beschädigung nicht mehr lesbar ist oder sich abgelöst hat, erwerben Sie bitte einen neuen Sicherheitsaufkleber von Ihrem Händler, und bringen Sie ihn an der nachstehend gezeigten Stelle an. Der Sicherheitsaufkleber muss stets gut lesbar sein.

1. Sicherheitsaufkleber (Teilenummer 890617-43130)



Beschreibung

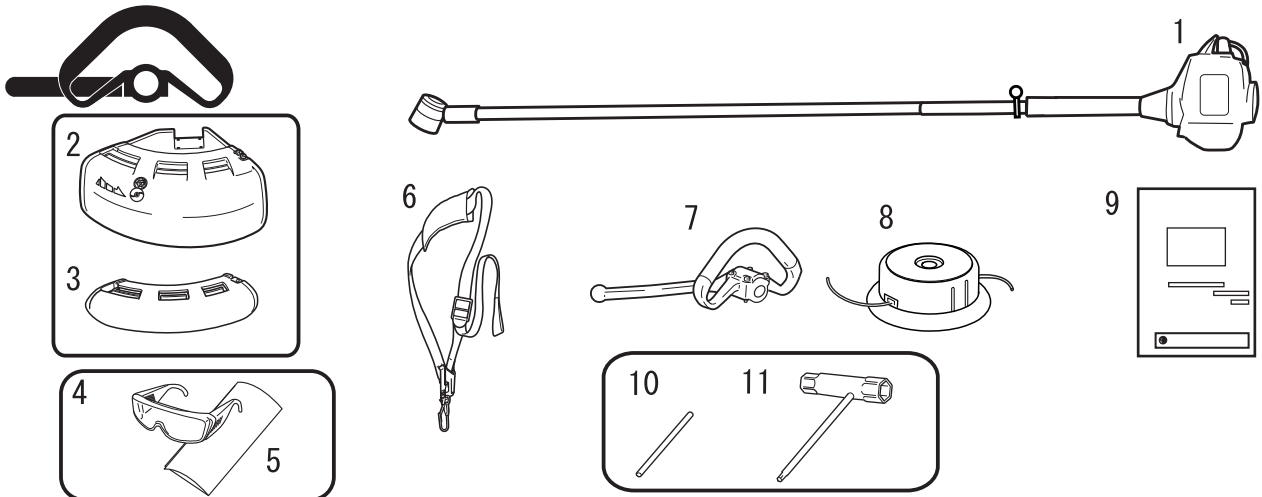


1. **Winkelgetriebe** Ermöglicht es, den Winkel der Rotationsachse zu ändern.
2. **Schneidvorrichtung** Nylonfadenkopf zum Schneiden von Gras und Unkraut.
3. **Schutzschild** Schützt den Bediener vor Kontakt mit dem Schneidkopf und weggeschleuderten Objekten.
4. **Fadenschneidmesser** Schneidet den Nylonfaden auf die richtige Länge ab.
5. **Antriebswellenrohr** Geräteteil, das als Gehäuse für die Antriebswelle dient.
6. **Rundgriff** Griff mit geringem Gewicht, für Nylonfadentrimmer geeignet.
7. **U-Griff** Griff in Form eines Fahrradlenkers. Erfordert weniger Kraftaufwand bei der Bedienung als ein Rundgriff.
8. **Trageöse** Vorrichtung, mit der das Gerät am Schultergurt befestigt wird.
9. **Stopschalter** Schiebeschalter, der oben am Gehäuse des Gashebels montiert ist. Schalter für den Betrieb nach vorn auf „RUN“, zum Stoppen des Motors nach hinten auf „STOP“ stellen.
10. **Gashebel** Regelt die Motordrehzahl und wird durch den Bediener mit einem Finger betätigt.
11. **Gashebelsperre** Dient zum Arretieren des Gashebels im Leerlauf, bis Sie mit der rechten Hand den Griff ganz umgriffen haben.
12. **Luftfilterabdeckung** Deckt den Luftfilter ab.
13. **Kraftstofftankdeckel** Verschließt den Kraftstofftank.
14. **Kraftstofftank** Enthält Kraftstoff und Kraftstofffilter.
15. **Startergriff** Ziehen Sie an diesem Griff, um den Motor zu starten.
16. **Auspuffabdeckung** Dient zum Schutz vor versehentlicher Berührung des heißen Schalldämpfers.
17. **Zündkerze**
18. **Schultergurt** Einstellbarer Riemen, an dem das Gerät aufgehängt wird.

Bevor Sie beginnen

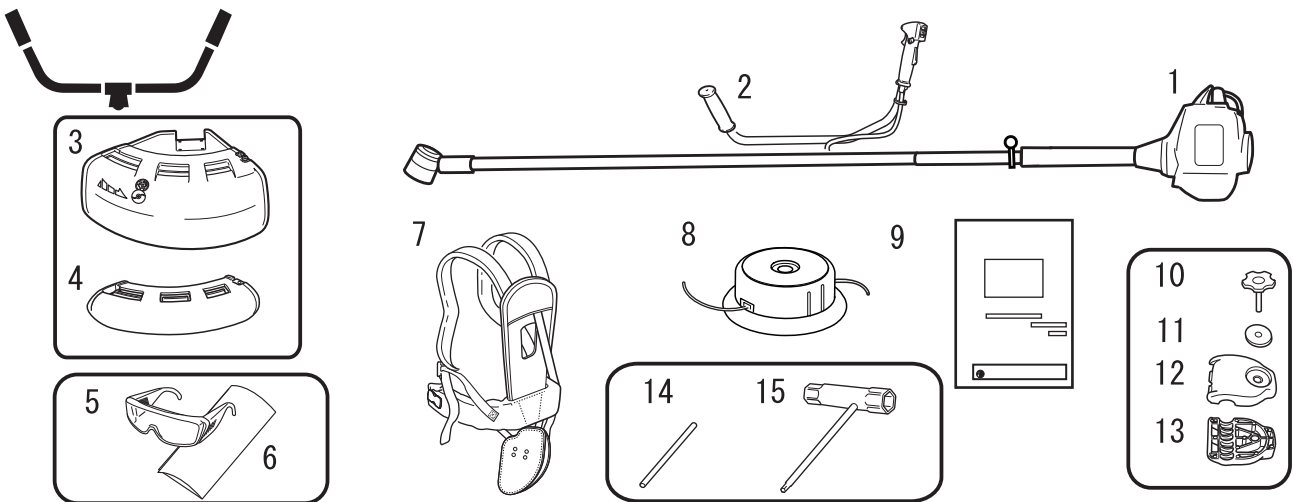
Packliste

- Die nachfolgend aufgeführten Einzelteile sind in der Verpackung enthalten.
- Überprüfen Sie nach dem Auspacken die Vollständigkeit des Inhalts.
- Wenden Sie sich an Ihren Händler, wenn Teile fehlen oder beschädigt sind.



1. Motor und Antriebswellenrohr
2. Schutzschild (für Nylonfadenkopf)
3. Schutzschild (für Metallmesser)
4. Schutzbrille (konform mit ANSI Z 87.1)
5. Vorsichtshinweis
6. Schultergurt

7. Rundgriff
8. Nylonfadenkopf
9. Bedienungsanleitung
10. Arretierwerkzeug
11. Steckschlüssel



1. Motor und Antriebswellenrohr
2. U-Griff
3. Schutzschild (für Nylonfadenkopf)
4. Schutzschild (für Metallmesser)
5. Schutzbrille (konform mit ANSI Z 87.1)
6. Vorsichtshinweis
7. Schultergurt
8. Nylonfadenkopf

9. Bedienungsanleitung
10. Griffhaltebolzen
11. Unterlegscheibe
12. Griffbefestigungsbacken (oben)
13. Griffbefestigungsbacken (unten)
14. Arretierwerkzeug
15. Steckschlüssel

Bevor Sie beginnen

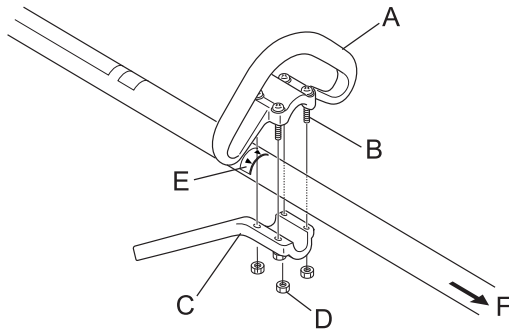
Zusammenbau

⚠️ WARNUNG

- Lesen Sie die Bedienungsanleitung aufmerksam durch, um sicherzustellen, dass Sie das Produkt korrekt zusammenbauen.
Die Verwendung eines falsch zusammengebauten Produkts kann zu Unfällen bzw. schweren Verletzungen führen.



Rundgriff-Version Befestigung des Rundgriffs



Befestigen Sie den Rundgriff (A) und die Halterung (C) am Antriebswellenrohr.

Richten Sie den Griff in eine für das Arbeiten bequeme Position aus, und ziehen Sie die Bolzen (B) fest.

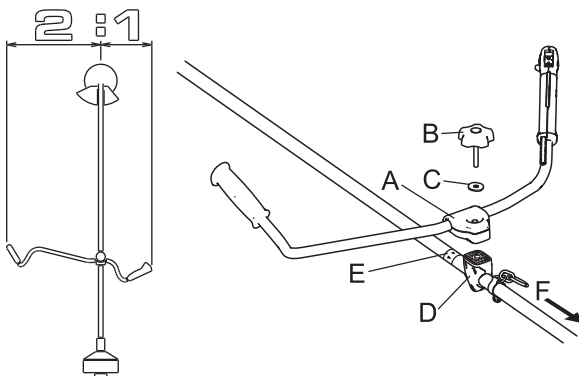
E: Pfeil

F: Zum Motor

⚠️ VORSICHT

- Installieren Sie den Griff an der Motorseite der Pfeilmarkierung.

U-Griff-Version Montage des U-Griffs



1. Setzen Sie den oberen Griffbefestigungsbacken (A) auf den unteren (D), und fixieren Sie den Griff, indem Sie den 8 mm-Griffhaltebolzen (B) leicht anziehen.

2. Stellen Sie die gewünschte Neigung des Griffs ein (so dass er bequem zu bedienen ist), und ziehen Sie dann den Griffhaltebolzen fest.

C: Unterlegscheibe

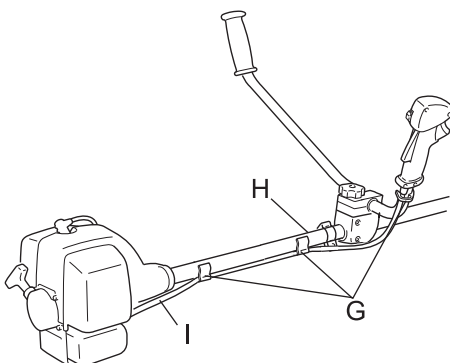
E: Pfeil

F: Zum Motor

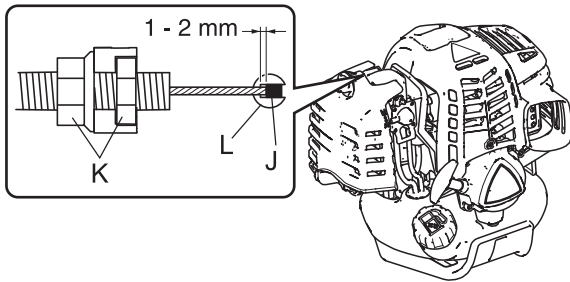
⚠️ VORSICHT

- Montieren Sie den Griff so, dass er die Sicherheitsaufkleber nicht verdeckt.

3. Um zu verhindern, dass sich der Gaszug (I) löst, fixieren Sie ihn mit 2 Kabelklemmen am Antriebswellenrohr (H) und mit 1 Kabelklemme am rechten Griff.



Bevor Sie beginnen

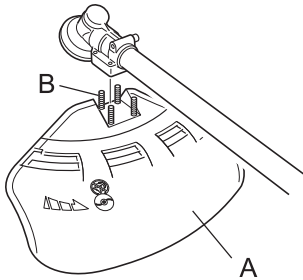


⚠ VORSICHT

○ Nach dem Zusammenbau muss der Gaszug so eingestellt werden, dass das Kabelende (J) am Vergaser (L) 1 bis 2 mm Spiel hat.

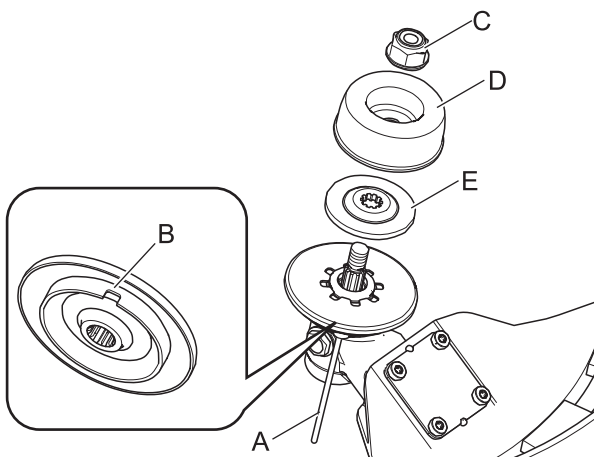
K: Muttern

Montage des Schutzschilds

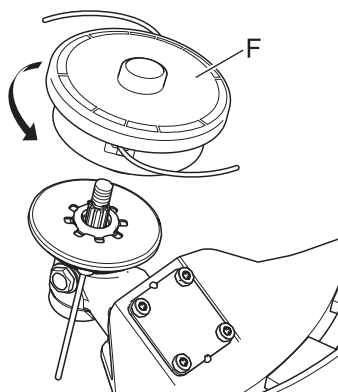


1. Befestigen Sie das Schutzschild (A) am Winkelgetriebe und ziehen Sie die 4 Schrauben (B) fest.

Montage des Nylonfadenkopfs



1. Stecken Sie das Arretierwerkzeug (A) in das Loch auf der rechten Seite des Winkelgetriebes. Drücken Sie dabei die Rückhaltefeder nach links.
 2. Stecken Sie das Arretierwerkzeug in das Arretierungsloch (B) der Fixierplatte, um den Werkzeugaufnahmebolzen zu blockieren.
 3. Bauen Sie die Mutter (C), den Auflageteller (D) und die untere Fixierplatte (E) mit dem Steckschlüssel aus.
- * Mutter, Auflageteller und untere Fixierplatte werden bei einem Nylonfadenkopf nicht verwendet.



⚠ VORSICHT

○ Verhindern Sie mit Hilfe des Arretierwerkzeugs ein Mitdrehen des Werkzeugaufnahmebolzens, bevor Sie den Fadenkopf montieren.

4. Schrauben Sie den Nylonfadenkopf (F) (durch Drehen gegen den Uhrzeigersinn) auf die Welle auf, und ziehen Sie ihn gut fest.
5. Entfernen Sie das Arretierwerkzeug.

Ausrichten der Balance Einstellen des Schultergurts

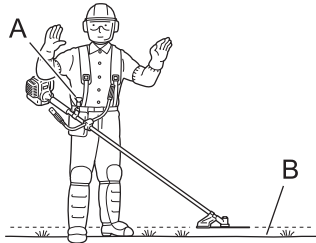
⚠ WARNUNG

○ Dieses Produkt ist für viele verschiedene Körpergrößen ausgelegt, lässt sich aber evtl. nicht für sehr große Personen einstellen. Verwenden Sie das Gerät nicht, wenn Ihre Füße an die Schneidvorrichtung heranreichen, während das Gerät am Schultergurt eingehängt ist.

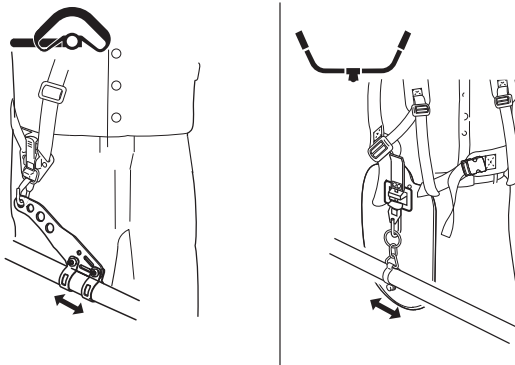
Bevor Sie beginnen

WICHTIG

- Die Körpergröße einer Person kann sich auf das Gerätegleichgewicht auswirken. Manchen Personen ist u. U. nicht möglich, bestimmte Geräte ins Gleichgewicht zu bringen. Fragen Sie Ihren Händler um Rat, wenn es Ihnen nicht gelingt, den Schultergurt an Ihre Körpermaße anzupassen.



Gerät so ausbalancieren, dass der Schneidkopf parallel zum Boden steht



- ♦ Der mitgelieferte Schultergurt ist für Personen mit einer Größe von 150 bis 195 cm und einem Bauchumfang von 60 bis 140 cm geeignet.
- ♦ Tragen Sie den Schultergurt, wenn dies in dieser Bedienungsanleitung empfohlen oder vorgeschrieben wird. Justieren Sie sowohl den Gurt als auch die Trageöse (A) am Gerät so, dass das Gerät mit der Schneidvorrichtung einige Zentimeter über dem Boden (B) hängt.
- ♦ Die Schneidvorrichtung und der Schutzschild müssen sich absolut waagrecht befinden. Bringen Sie den Tragegurt rechts wie abgebildet an.

- ♦ Verstellen Sie die Trageöse entlang des Antriebswellenrohrs, um die richtige Balanceposition zu finden. Drehen Sie die Trageöse so, dass Schneidvorrichtung und Schutzschild parallel zum Boden ausgerichtet sind. Arretieren Sie sie in dieser Position. Wenn es sich um eine frei bewegliche Trageöse handelt, kann sich das Gerät leicht zur Seite neigen. Sie müssen aber dennoch die Schneidvorrichtung und den Schutzschild auf einer Achse von vorn nach hinten nivellieren.
- ♦ Beim oben beschriebenen Ausrichten und Nivellieren ist es u. U. erforderlich, die Trageöse anders zu positionieren und die Schultergurte anders einzustellen. Außerdem kann es sein, dass die verschiedenen Schneidvorrichtungen und Schutzschilde am Gerät einzeln ausgerichtet werden müssen.

Bereitstellen des Kraftstoffs

⚠ GEFAHR

- Niemals betanken, während der Motor heiß ist oder läuft.
- Beim Betanken auf keinen Fall rauchen oder Feuer in die Nähe bringen. Andernfalls könnte sich der Kraftstoff entzünden und zu Verbrennungen führen.



⚠ WARNUNG

- Befüllen Sie Kraftstofftanks niemals in geschlossenen Räumen. Befüllen Sie Kraftstofftanks immer im Freien und auf sicherem Untergrund. Führen Sie die Betankung nicht auf der Ladefläche von Lkws oder an ähnlichen Orten durch.
- Kraftstofftanks und -kanister können unter Druck stehen. Öffnen Sie Kraftstofftankdeckel immer langsam, damit sich der Druck ausgleichen kann. Andernfalls kann es vorkommen, dass Kraftstoff herausspritzt.
- Wischen Sie Kraftstoff, der aufgrund von Überfüllung über- oder ausläuft, sofort auf. Verschütteter Kraftstoff kann sich entzünden und Verbrennungen verursachen.
- Achten Sie nach dem Betanken stets darauf, dass aus der Kraftstoffleitung, an den Kraftstoffdichtungen und rund um den Kraftstofftankdeckel kein Kraftstoff austritt. Sollten Sie feststellen, dass Kraftstoff austritt, stellen Sie sofort die Verwendung des Produkts ein, und wenden Sie sich an Ihren Händler, um es reparieren zu lassen. Ausgetretener Kraftstoff stellt in jedem Fall eine Brandgefahr dar.
- Bewahren Sie den Befüllungskanister an einem schattigen Ort in weiter Entfernung von Brandquellen auf.
- Verwenden Sie nur zugelassene Kraftstoffbehälter.

Bevor Sie beginnen

WICHTIG

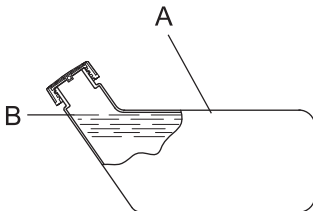
- Der Kraftstoff ist ein Gemisch aus Normalbenzin und hochwertigem Markenöl für luftgekühlte Zweitaktmotoren. Verwenden Sie bleifreies Benzin mit mindestens 89 Oktan. Verwenden Sie keinen Kraftstoff mit Methylalkohol oder mehr als 10 % Ethylalkohol.
- Gelagerter Kraftstoff altert. Mischen Sie nicht mehr Kraftstoff an, als Sie voraussichtlich innerhalb der nächsten dreißig (30) Tage verbrauchen werden.

Kraftstoff



- ◆ Empfohlenes Mischverhältnis: 50 : 1 (**2 %**) Öl nach ISO-L-EGD Standard (ISO/CD 13738), JASO FC, FD und ECHO Premium 50: 1-Öl.
- ◆ Mischen Sie den Kraftstoff nicht direkt im Motor-Kraftstofftank.

Kraftstoffversorgung



- ◆ Befüllen Sie den Tank nicht bis zur Einfüllöffnung (A). Befüllen Sie den Tank nur bis zur vorgeschriebenen Höhe (nur bis zum Ansatz (B) des Einfüllstutzens).
- ◆ Verschließen Sie den Kraftstofftankdeckel nach dem Betanken wieder fest.

Bedienung des Motors

Starten des Motors

WARNUNG

Befolgen Sie beim Starten des Motors unbedingt die folgenden Sicherheitsregeln:

- Entfernen Sie sich mindestens 3 m von der Stelle, an der die Betankung erfolgte.
- Platzieren Sie das Produkt an einem ebenen, gut belüfteten Ort.
- Vergewissern Sie sich, dass nirgendwo Kraftstoff austritt.
- Überprüfen Sie Metallmesser auf Bruchstellen.
- Überprüfen Sie, ob alle Bolzen und Muttern fest angezogen sind.
- Sorgen Sie für ausreichenden Abstand rund um das Produkt, und lassen Sie keine Personen oder Tiere in die Nähe.
- Starten Sie den Motor mit dem Gashebel in der Leerlaufstellung.
- Halten Sie das Produkt beim Starten des Motors auf dem Boden fest.

Eine Nichtbefolgung der Sicherheitsregeln kann zu Unfällen, Verletzungen oder sogar zum Tod führen.

- Vergewissern Sie sich, dass nach dem Starten des Motors keine ungewöhnlichen Vibrationen oder Geräusche wahrzunehmen sind. Verwenden Sie das Produkt nicht, wenn Sie ungewöhnliche Vibrationen oder Geräusche feststellen. Wenden Sie sich an Ihren Händler, um es reparieren zu lassen.

Durch abfallende oder absplittende Teile kann es zu schweren Verletzungen kommen.

- Die Auspuffgase des Motors enthalten giftige Gase. Betreiben Sie das Produkt nicht in geschlossenen Räumen oder an anderen schlecht belüfteten Orten.

Die Auspuffgase können zu Vergiftungen führen.



- Schalldämpfer, Zündkerze, Winkelgetriebe und andere stark erhitzte Teile des Produkts dürfen während des Betriebs und einige Zeit danach nicht berührt werden.

Berührungen solcher stark erhitzter Teile können zu Verbrennungen führen.



- Zündkerze, Zündkabel und andere spannungsführende Teile dürfen während des Betriebs nicht berührt werden.

Sie könnten einen Stromschlag erleiden, wenn Sie während des Betriebs ein spannungsführendes Teil berühren.



- Wenn sich die Schneidvorrichtung beim Starten dreht, obwohl der Gashebel auf Leerlaufdrehzahl eingestellt ist, justieren Sie den Vergaser nach, bevor Sie das Produkt verwenden.

Eine Nichtbefolgung der Sicherheitsregeln kann zu Unfällen, Verletzungen oder sogar zum Tod führen.

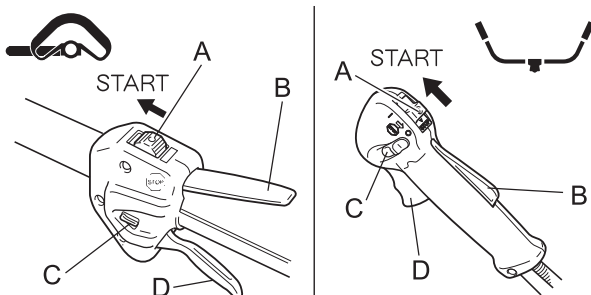
- Wird der Halbgasknopf beim Starten gedrückt, dreht sich das Schneidwerkzeug mit. Sobald der Motor anläuft, drücken Sie leicht auf den Gashebel, um den Halbgasknopf sofort zu lösen. Verwenden Sie den Halbgasknopf niemals während der Arbeit.

Das drehende Messer kann Verletzungen verursachen.

HINWEIS

- Ziehen Sie den Startergriff zuerst langsam und dann allmählich schneller heraus. Ziehen Sie das Starterseil höchstens auf 2/3 seiner Länge heraus.
- Lassen Sie den Startergriff beim Zurückschnellen nicht los.

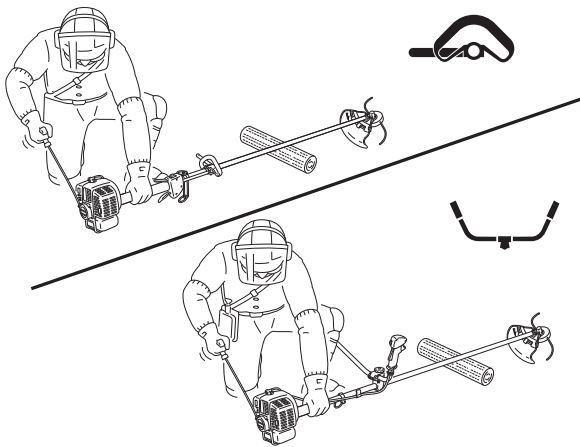
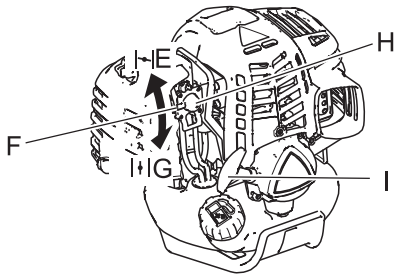
Starten eines kalten Motors



(Stecken Sie den Zündkerzenstecker wieder auf, wenn das Produkt lange Zeit nicht benutzt wurde.)

1. Entfernen Sie die Messerabdeckung.
2. Legen Sie das Produkt flach auf den Boden, und sorgen Sie durch Unterlegen eines Balkens oder eines ähnlichen Hilfsmittels dafür, dass die Schneidvorrichtung nicht den Boden berührt.
3. Stellen Sie den Zündschalter (A) auf „Start“.
4. Stellen Sie sicher, dass sich der Gashebel (D) in der Leerlaufstellung befindet.

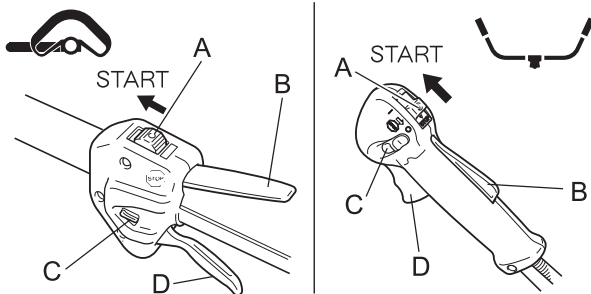
Bedienung des Motors



5. Stellen Sie den Chokehebel (F) auf die Position „Kaltstart“ (E).
6. Betätigen Sie die Kraftstoffpumpe (H) so oft (drücken und loslassen), bis sie Kraftstoff angesaugt hat.
7. Halten Sie das Gerät möglichst nahe am Motor (siehe Abbildung), nachdem Sie die Sicherheit des Ortes überprüft haben, und ziehen Sie mehrmals am Startergriff (I).
8. Falls Sie ein explosionsartiges Geräusch hören und der Motor sofort stillsteht, stellen Sie den Chokehebel auf „Run“ (Betrieb) (G), und ziehen Sie wiederholt am Startergriff, um den Motor zu starten.
9. Falls der Motor weiterläuft, stellen Sie den Chokehebel langsam zurück auf „Run“.
10. Lassen Sie den Motor eine Weile im Leerlauf warmlaufen.

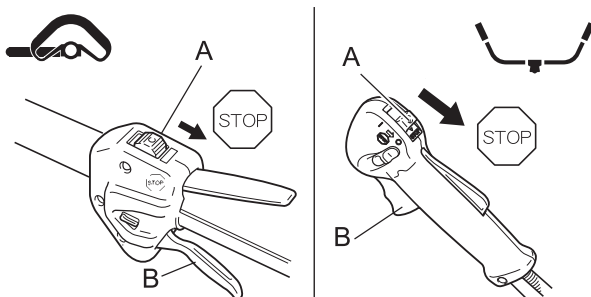
* Verwenden Sie den Halbmaskenknopf (C), wenn sich der Motor schwer starten lässt. (Drücken Sie den Gashebel ganz durch, betätigen Sie den Halbmaskenknopf leicht und drücken Sie dabei die Gashebelsperre (B). Lassen Sie den Gashebel langsam wieder los, so dass der Halbmaskenknopf einrastet. Ziehen Sie leicht am Gashebel, sobald der Motor läuft, um den Halbmaskenknopf sofort zu lösen.)

Starten eines warmen Motors



1. Stellen Sie den Zündschalter (A) auf „Start“.
2. Stellen Sie sicher, dass sich der Gashebel (D) in der Leerlaufstellung befindet.
3. Stellen Sie sicher, dass sich der Chokehebel in der Position „Run“ (Betrieb) befindet.
4. Ist kein Kraftstoff in der Kraftstoffpumpe sichtbar, betätigen Sie die Kraftstoffpumpe so oft (drücken und loslassen), bis sie Kraftstoff angesaugt hat.
5. Halten Sie das Gerät möglichst nahe am Motor, nachdem Sie Ihre unmittelbare Umgebung auf Sicherheit überprüft haben, und ziehen Sie am Startergriff, um den Motor zu starten.

Stoppen des Motors



1. Stellen Sie den Gashebel (B) in die Leerlaufposition, und lassen Sie den Motor bei Leerlaufdrehzahl (niedrige Drehzahl) laufen.
 2. Stellen Sie den Zündschalter (A) auf „Stop“.
 3. Stoppen Sie den Motor im Notfall sofort mit Hilfe des Zündschalters.
 4. Falls der Motor dadurch nicht gestoppt wird, bringen Sie den Chokehebel in die Position „Kaltstart“. Der Motor wird „abgewürgt“ und dadurch angehalten (Not-Aus).
- * Lassen Sie den Zündschalter von Ihrem Händler überprüfen und reparieren, bevor Sie das Produkt erneut verwenden, wenn sich der Motor mit dem Stoppschalter nicht stoppen lässt.
5. Trennen Sie stets das Zündkabel von der Zündkerze, damit der Motor nicht von Unbefugten gestartet werden kann, wenn Sie mit der Arbeit fertig sind oder das Gerät vorübergehend beiseite legen wollen.

Trimmen

GEFAHR

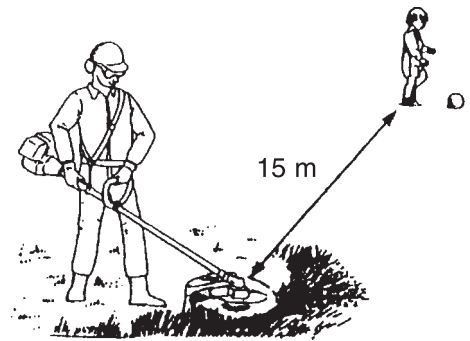
○ **Stellen Sie den Motor sofort ab, wenn die Schneidvorrichtung blockiert wird.**
Wenn die Blockade beseitigt wird und die Schneidvorrichtung plötzlich anläuft, kann es zu schweren Verletzungen kommen.

○ **Verwenden Sie das Produkt niemals ohne den daran befestigten Schutzschild.**
Von der Schneidvorrichtung abprallende Gegenstände können Unfälle mit schweren Verletzungen verursachen.

○ **Der Bereich in einem Radius von 15 m rund um dieses Gerät gilt als Gefahrenzone. Beachten Sie bei der Arbeit mit diesem Gerät folgende Sicherheitsregeln:**

- ◆ Lassen Sie keine Personen (insbesondere Kinder) oder Tiere in die Gefahrenzone.
- ◆ Sollte eine Person in die Gefahrenzone gelangen, stellen Sie den Motor ab, so dass sich die Schneidvorrichtung nicht mehr dreht.
- ◆ Wenn Sie sich dem Bediener nähern möchten, signalisieren Sie ihm Ihre Absicht, indem Sie z. B. Zweige von außerhalb der Gefahrenzone werfen, und warten Sie dann, bis der Motor abgestellt wurde und die Schneidvorrichtung stillsteht.
- ◆ Wenn mehrere Personen mit dem Produkt arbeiten, vereinbaren Sie eine Art der gegenseitigen Kommunikation, und arbeiten Sie mit mindestens 15 m Abstand voneinander.

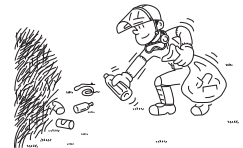
Von der Schneidvorrichtung abprallende Gegenstände und Kontakt mit der Schneidvorrichtung können zu Blindheit oder tödlichen Unfällen führen.



WARNUNG

○ **Bevor Sie mit der Arbeit beginnen, überprüfen Sie den Bereich, in dem Sie arbeiten möchten, und entfernen Sie kleine Steine und leere Dosen, die durch die Schneidvorrichtung weggeschleudert werden könnten, sowie Schnüre oder Drähte, die sich um die Schneidvorrichtung wickeln könnten.**

Wenn Fremdkörper durch die Schneidvorrichtung weggeschleudert werden oder sich Drähte oder andere Materialien um die Schneidvorrichtung wickeln, kann dies zu Unfällen bzw. schweren Verletzungen führen.



○ **Stellen Sie den Motor in den nachfolgend genannten Situationen sofort ab, und vergewissern Sie sich, dass sich die Schneidvorrichtung nicht mehr dreht. Überprüfen Sie dann die einzelnen Bereiche des Produkts. Ersetzen Sie beschädigte Teile durch neue.**

- ◆ Die Schneidvorrichtung trifft beim Arbeiten auf einen Stein, Baum, Pfosten oder ein anderes Hindernis.
- ◆ Das Produkt beginnt plötzlich, ungewöhnlich zu vibrieren.

Wenn beschädigte Teile weiter verwendet werden, kann dies zu Unfällen bzw. schweren Verletzungen führen.

○ **Halten Sie die Schneidvorrichtung während des Arbeitens nicht nach oben. Die Schneidvorrichtung darf nicht über Kniehöhe angehoben werden.**

Durch Anheben der Schneidvorrichtung über Kniehöhe würden Sie die Rotationsebene näher ans Gesicht bringen, und Gegenstände, die von der Schneidvorrichtung weggeschleudert werden, könnten Unfälle bzw. schwere Verletzungen verursachen.

Transport des Geräts

○ **Wenn Sie sich in den unten beschriebenen Situationen an eine andere Stelle bewegen, stellen Sie den Motor ab, und warten Sie, bis sich das Trimmermesser nicht mehr dreht. Bringen Sie dann die Messerabdeckung an, und halten Sie den Schalldämpfer von sich weg.**

- ◆ Sie suchen Ihren Arbeitsbereich auf
- ◆ Sie wechseln im Verlauf der Arbeit den Arbeitsbereich
- ◆ Sie verlassen Ihren bisherigen Arbeitsbereich

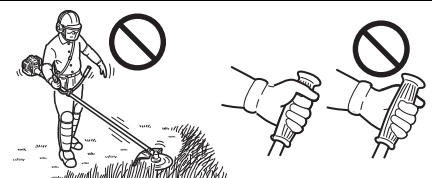
Bei Nichtbeachtung dieser Sicherheitsregeln können Verbrennungen oder andere schwere Verletzungen die Folge sein.

○ **Zum Transport des Produkts in Kraftfahrzeugen entleeren Sie seinen Kraftstofftank, bringen Sie die Messerabdeckung an, und sichern Sie das Produkt so, dass es nicht verrutschen kann.**

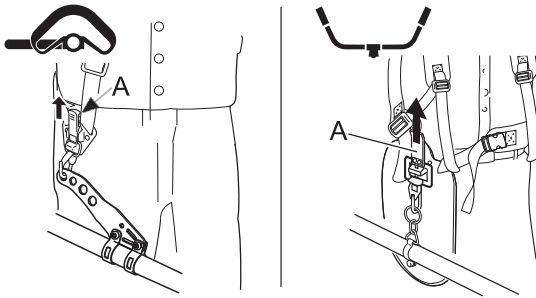
Ein Transport des Produkts mit befülltem Kraftstofftank stellt eine Brandgefahr dar.

○ **Versuchen Sie nie, das Produkt mit nur einer Hand zu bedienen.**

○ **Halten Sie die Griffe immer so, dass sie von Daumen und übrigen Fingern fest umschlossen sind.**



Verwendung des Schultergurts



Hängen Sie den Trimmer immer ordnungsgemäß am Schultergurt auf.

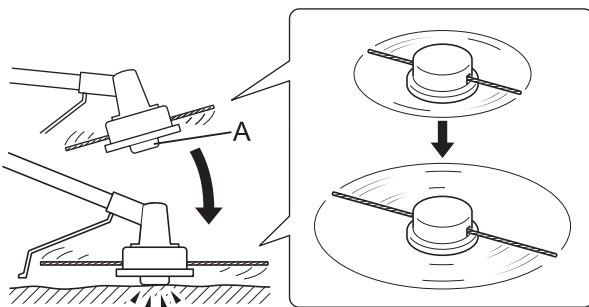
- ♦ Schließen Sie den Hüftgurt (U-Griff-Version). Der Gurt muss eng anliegen.
- ♦ Befestigen Sie das Gerät am Schultergurt.
- ♦ Rundgriff-Version
Legen Sie den Schultergurt über die linke Schulter, und stellen Sie die Riemen so ein, dass sich die Schnelllöseeinrichtung knapp unterhalb der Hüfte befindet.
- ♦ U-Griff-Version
Legen Sie die Schultergurte über beide Schultern, und stellen Sie sie so ein, dass der Verschluss sitzt, wie in der Abbildung gezeigt.
- ♦ Überprüfen Sie die richtige Einstellung, indem Sie das Gerät über den Boden führen.
- ♦ Stellen Sie die Position der Trageöse ggf. nach.
- ♦ Der Schultergurt ist mit einer Schnelllöseeinrichtung für Notfälle ausgestattet. Ziehen Sie bei Bränden oder in anderen Notfällen die Notschleufe (A) nach oben, um das Produkt von Ihrem Körper zu lösen.

Einfaches Trimmen mit dem Nylonfadenkopf

⚠ WARNUNG

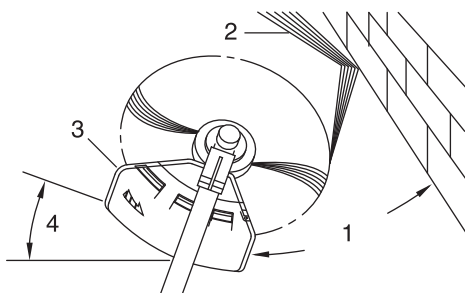
- Bei falscher Verwendung der Schneidvorrichtung drohen schwere Verletzungen. Lesen und befolgen Sie alle Sicherheitsanweisungen in dieser Bedienungsanleitung.
- Verwenden Sie nur von der YAMABIKO Corporation empfohlene Schneidvorrichtungen.
- Nylonfäden, die über das Fadenschneidmesser hinausragen, könnten weggeschleudert werden, wenn sich der Fadenkopf nach der Anpassung der Nylonfadenlänge zu drehen beginnt. Andernfalls kann es zu Unfällen bzw. schweren Verletzungen kommen.

Einstellen der Nylonfadenlänge



- ♦ Verwenden Sie den Nylonfadenkopf nicht mit mehr als 10000 U/min.
- ♦ Zum Nachstellen des Nylonfadens schlagen Sie den Nylonfadenkopf bei unter 4500 U/min leicht gegen den Boden.
- ♦ Das am Schutzschild montierte Fadenschneidmesser begrenzt die Schnittbreite automatisch, indem es die Nylonfäden auf die gleiche Länge abschneidet, nachdem der Fadenkopf zu rotieren beginnt.
- ♦ Wenn Sie mit einer geringeren Schnittbreite (weniger als max. Länge) arbeiten möchten, schneiden Sie die beiden Nylonfäden in gleicher Länge ab.
- ♦ Wenn der Nylonfaden verkürzt ist, schlagen Sie den Nylonfadenknopf (A) leicht gegen den Boden, damit der Faden aus der Spule gelöst wird.

Trimmen



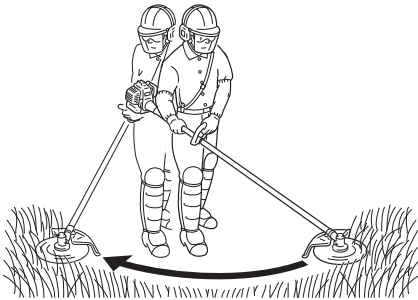
- ♦ Hierbei wird der Trimmer vorsichtig an das zu schneidende Material herangeführt. Stellen Sie den Fadenkopf etwas schräg, damit das Schneidgut von Ihnen weggeleitet wird. Arbeiten Sie sich beim Schneiden in Richtung eines Hindernisses (z. B. Zaun, Mauer oder Baum) in einem Winkel vor, bei dem sichergestellt ist, dass vom Hindernis abprallendes Schneidgut von Ihnen weggeleitet wird.
- ♦ Bewegen Sie den Nylonfadenkopf langsam, bis das Gras bis zum Hindernis abgemäht ist, dabei aber der Faden das Hindernis nicht berührt. Wenn Sie Trimmerarbeiten entlang eines Maschendraht- oder Kettengliedzauns durchführen, so achten Sie darauf, dass Sie das Gerät nur bis zum Zaundraht führen. Ansonsten kann der Faden beim Auftreffen auf den Zaundraht reißen.
- ♦ Beim Trimmen können Unkrauthalme nacheinander

Trimmen

durchgeschnitten werden. Setzen Sie den Nylonfadenkopf immer am unteren Bereich der Pflanze an, da sich die Pflanze sonst evtl. nur beugt und wieder aufrichtet und sich im Nylonfaden verfangen könnte. Anstatt das Unkraut sofort durchzuschneiden, führen Sie das Ende des Nylonfadens allmählich durch den Unkrauthalm.

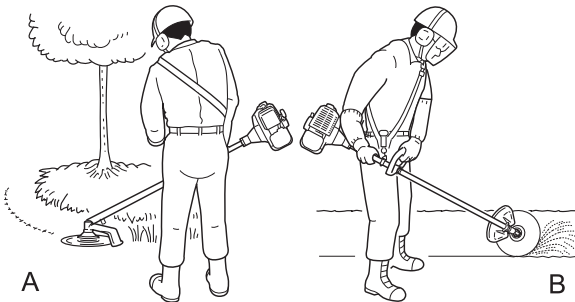
1. Winkel zur Wand
2. Schneidgut
3. Schräg gestellte Schneidvorrichtung
4. Winkel zum Boden

Mähen

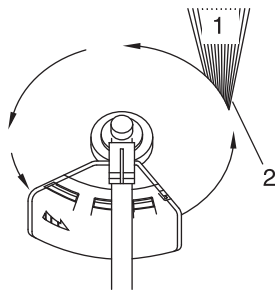


- Hierbei werden große Grasflächen durch Schwingen des Trimmers in einem horizontalen Bogen gemäht. Arbeiten Sie in gleichmäßigen, ruhigen Bewegungen. Versuchen Sie nicht, das Gras durch Hackbewegungen zu schneiden. Kippen Sie den Nylonfadenkopf so, dass das gemähte Gras von Ihnen weg auf die bereits gemähte Fläche geworfen wird. Dann – ohne Gras zu schneiden – das Gerät zurückführen, um den nächsten Bogen auszuführen. Wenn Sie gut geschützt sind und es Ihnen nichts ausmacht, wenn Schneidgut auf Sie zugeschleudert wird, können Sie in beide Richtungen mähen.

Skalpieren und Kantenschneiden



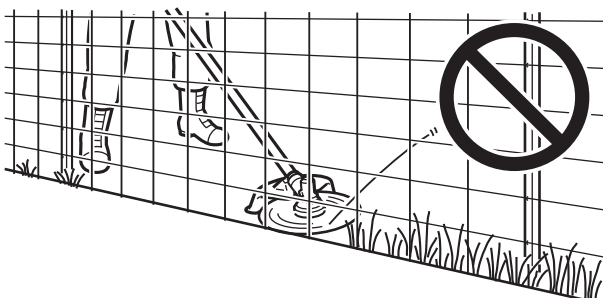
- Beides wird durchgeführt, indem der Nylonfadenkopf steil gekippt wird. Beim Skalpieren (A) wird die Vegetation so weit geschnitten, dass nur der kahle Boden zurückbleibt. Beim Kantenschneiden (B) wird das Gras an Stellen zurückgetrimmt, an denen es über einen Fußgängerweg oder eine Zufahrt gewachsen ist. Sowohl beim Kantenschneiden als auch beim Skalpieren ist das Gerät in einem steilen Winkel so zu halten, dass das Schneidgut sowie sich aus dem Boden lösende Steine und Schmutz nicht auf Sie zugeschleudert werden.
- Wenngleich das Kantenschneiden und Skalpieren hier in einer bestimmten Weise abgebildet sind, muss jeder Bediener für sich selbst gemäß seiner Körpergröße den Winkel herausfinden, in dem er besten arbeiten kann.



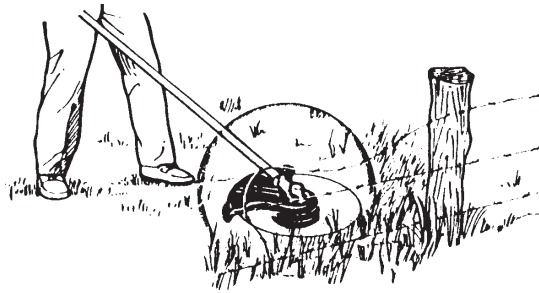
- Bei fast allen Schneidarbeiten empfiehlt es sich, den Nylonfadenkopf so schräg zu stellen, dass der Kontakt in dem Teil des Schneidkreises erfolgt, wo der Nylonfaden sich von Ihnen und dem Schutzschild wegbewegt (siehe Abbildung). Dadurch wird das Schneidgut von Ihnen weggeleitet.
- Wenn Sie den Fadenkopf zur falschen Seite neigen, wird das Schneidgut auf Sie zugeschleudert. Wenn der Nylonfadenkopf flach gegen den Boden gehalten wird, so dass der Schneidvorgang über den gesamten Schneidkreis erfolgt, wird das Schneidgut auf Sie zugeschleudert, die Motordrehzahl durch den Widerstand verringert, und es wird sehr viel mehr Nylonfaden verbraucht.

- Nylonfadenkopf dreht sich gegen den Uhrzeigersinn. Das Fadenschneidmesser befindet sich links am Schutzschild.

1. Schneidgut
2. Auf dieser Seite schneiden



- Lassen Sie den Nylonfadenkopf nicht in zähes Unkraut, Bäume oder Zäune eindringen.
- Wenn der Nylonfaden in Maschendraht, Zäune oder dichtes Gestrüpp eindringt, kann es passieren, dass abgerissene Fadenstücke gegen den Bediener geschleudert werden. Am besten arbeiten Sie sich so weit wie möglich an das jeweilige Hindernis heran, ohne den Nylonfaden in das Hindernis vordringen zu lassen. Schneiden Sie nicht direkt an einem Hindernis.



- ♦ Achten Sie darauf, dass der Nylonfaden nicht mit beschädigtem Zaundraht in Berührung kommt. Durch den Trimmer abgebrochene Drahtstücke können mit hoher Geschwindigkeit durch die Luft geschleudert werden.

Einfaches Trimmen mit Metallmesser

WARNUNG

○ Befolgen Sie beim Trimmen die folgenden Anweisungen:

- ♦ Vergewissern Sie sich, dass die Befestigungsmutter des Messers fest angezogen ist.
- ♦ Wenn der Schutzschild beschädigt oder gerissen ist, ersetzen Sie ihn durch einen neuen.
- ♦ Ersetzen Sie die Befestigungsmutter des Trimmermessers, wenn sie Verschleißspuren aufweist.
- ♦ Lassen Sie das Messer nicht den Erdboden berühren.
- ♦ Arbeiten Sie nicht mit einem stumpfen, verbogenen, gebrochenen oder verfärbten Messer und nicht mit einer verschlissenen oder beschädigten Befestigungsmutter.
- ♦ Lassen Sie den Motor niemals ohne Last mit Vollgas laufen.

Andernfalls kann es zu Unfällen bzw. schweren Verletzungen kommen.

○ Verwenden Sie nur von der YAMABIKO Corporation empfohlene Schneidvorrichtungen.

○ Das Messer muss dem zu schneidenden Material entsprechen. Ein falsches oder stumpfes Messer kann zu Verletzungen führen. Messer müssen scharf sein. Stumpfe Messer erhöhen die Gefahr eines Rückschlags und die Verletzungsgefahr für sich selbst und andere Personen.

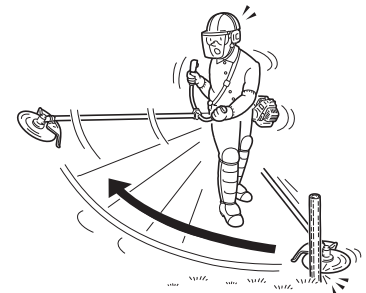
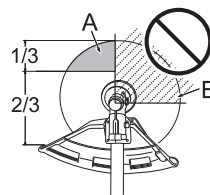
- ♦ Plastik-/Nylonmesser für Gras und Unkraut können da eingesetzt werden, wo der Nylonfadenkopf zum Einsatz kommt. Diese Messer nicht für Buschwerk oder dichtes Unkraut verwenden.
- ♦ Das 3-Zahn-Messer ist speziell zum Schneiden von Unkraut und Gras vorgesehen. Verwenden Sie das 3-Zahn-Messer nicht zum Schneiden von Gestrüpp oder Bäumen, um Verletzungen aufgrund von Rückschlag oder Klingbruch zu vermeiden.
- ♦ Das 8-Zahn-Messer ist zum Schneiden von Gras, Gartenabfällen und Unkraut vorgesehen. Verwenden Sie dieses Messer nicht für Buschwerk oder starke holzhaltige Vegetation mit einem Durchmesser von 19 mm oder mehr.
- ♦ Das 22-Zahn-Messer ist für dichtes Strauchwerk und Trieblinge bis zu einem Durchmesser von 64 mm vorgesehen.
- ♦ Das 80-Zahn-Messer ist für das Schneiden von Gestrüpp und holzhaltiger Vegetation von bis zu 13 mm Durchmesser vorgesehen.

Beschädigte oder gebrochene Messer können Unfälle bzw. schwere Verletzungen verursachen.

Rückschlag

- Wenn das Trimmermesser bei hoher Drehzahl auf einen Baum, Pfosten, Stein oder einen anderen Gegenstand trifft, prallt es urplötzlich heftig zurück. Dieses Phänomen wird als Rückschlag bezeichnet.
- Ein solcher Rückschlag kann bewirken, dass der Bediener die Kontrolle über das Produkt verliert, und ist deshalb höchst gefährlich.
- Insbesondere, wenn das vordere rechte Viertel des Trimmermessers (B) auf einen Busch oder ein anderes Objekt trifft, wird das Produkt heftig nach rechts zurückgeschleudert.
- Um solche Rückschläge zu vermeiden, sollten Sie niemals von links nach rechts trimmen. Achten Sie stets darauf, dass das Trimmermesser nicht auf harte Gegenstände trifft.
- Achten Sie beim Trimmen darauf, dass das zu beschneidende Objekt vom vorderen Drittel der linken Seite des Messers erfasst wird (A).

Andernfalls kann es zu Unfällen bzw. tödlichen Verletzungen kommen.



Trimmen

Unkraut mähen



- ♦ Beim Mähen wird die Schneidvorrichtung in einem horizontalen Bogen geschwungen. Dadurch lassen sich große Bereiche rasch von Gras und Unkraut befreien. Die Sensenmethode eignet sich jedoch nicht zum Mähen von hohem, zähem Unkraut oder holzhaltiger Vegetation.
- ♦ Wenn sich im Messer ein Schößling oder eine Staude verfängt, darf das Gerät nicht als Hebel benutzt werden, um die Pflanze zu entfernen, da die Schneidvorrichtung dadurch beschädigt werden würde.
- ♦ Schalten Sie stattdessen den Motor ab, und entfernen Sie, nachdem das Messer zum Stillstand gekommen ist, den Schößling bzw. die Staude vom Messer.

Wartung und Pflege

WARNUNG

Beachten Sie die folgenden Sicherheitsregeln, wenn Sie das Produkt nach der Verwendung überprüfen bzw. warten:

- Schalten Sie den Motor ab und überprüfen bzw. warten Sie das Produkt erst dann, wenn der Motor abgekühlt ist. Andernfalls können Sie sich verbrennen.
- Entfernen Sie den Zündkerzenstecker, bevor Sie Überprüfungen und Wartungen durchführen. Wenn sich das Produkt unerwarteterweise in Betrieb setzt, kann es zu Unfällen kommen.

WICHTIG

- Für Überprüfung und Wartung sind entsprechende Fachkenntnisse erforderlich. Wenn Sie das Produkt nicht selbst überprüfen, warten oder instand setzen können, wenden Sie sich an Ihren Händler. Versuchen Sie nicht, das Gerät zu zerlegen.

Wartungsrichtlinien

Komponente	Wartung	Seite	Vor der Verwendung	Monatlich
Luftfilter	Reinigen / ersetzen	22	•	
Kraftstofffilter	Überprüfen / reinigen / ersetzen	22	•	
Zündkerze	Überprüfen / reinigen / justieren / ersetzen	24		•
Vergaser	Justieren / ersetzen und justieren	22		•
Kühlsystem	Überprüfen / reinigen	23	•	
Schalldämpfer	Überprüfen/festziehen	23	•	
Schalldämpfer	Reinigen	23		•**
Winkelgetriebe	Schmieren	24		•*
Anlasser	Überprüfen	-	•	
Fadenschneidmesser	Überprüfen / reinigen	-	•	
Kraftstoffsystem	Überprüfen	22	•	
Schrauben, Bolzen und Muttern	Überprüfen, festziehen / ersetzen	-	•	

* oder nach 50 Betriebsstunden (jeweils früherer Zeitpunkt gilt). ** Oder 100 Betriebsstunden (jeweils früherer Zeitpunkt gilt).

Komponente	Wartung	
Ventilspiel	Justieren	Wenn das Ziehen des Chokes schwierig ist odere die Leistung nachlässt, kontaktieren Sie Ihren Händler.

WICHTIG

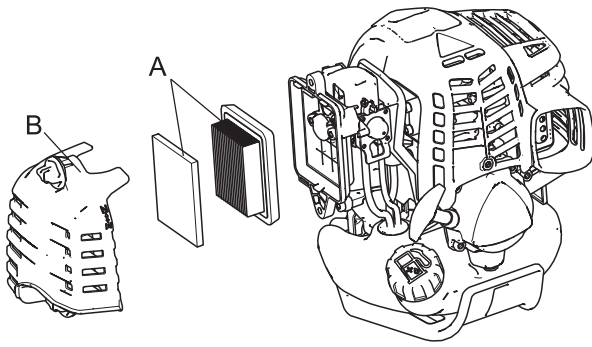
- Angegeben sind die maximalen Zeitabstände. Die Häufigkeit der erforderlichen Wartungsarbeiten richtet sich nach der tatsächlichen Beanspruchung und Ihrer Erfahrung.

Wartung und Pflege

Wenden Sie sich bei Fragen oder Problemen bitte an Ihren Händler.

Wartung und Pflege

Reinigen des Luftfilters

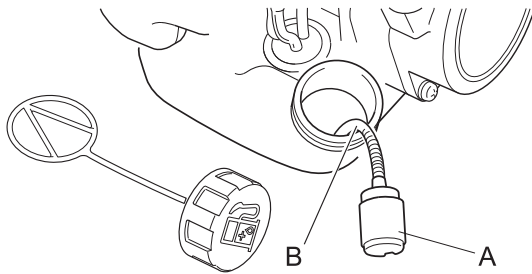


1. Schließen Sie den Choke. Lösen Sie die Verriegelung der Luftfilterabdeckung und entfernen Sie die Luftfilterabdeckung (B).
2. Entfernen Sie den Luftfilter (A) (befindet sich unter der Luftfilterabdeckung).
3. Reinigen Sie den Filter von der Vergaserseite durch Abbürsten oder mittels Druckluft.
4. Bauen Sie nun den Luftfilter wieder ein, und montieren Sie die Abdeckung.
5. Verriegeln Sie die Luftfilterabdeckung.

HINWEIS

- Beim Wiedereinbau des Luftfilters diesen in den Rahmen des Reinigungsgehäuses einsetzen.

Auswechseln des Kraftstofffilters



1. Ziehen Sie den Kraftstofffilter mit Hilfe eines Metalldrahts o. Ä. durch die Tanköffnung heraus.
2. Ziehen Sie den alten Filter von der Kraftstoffleitung (B) ab.
3. Installieren Sie den neuen Filter.

HINWEIS

- Ersetzen Sie den Filter, wenn er stark verschmutzt oder beschädigt ist.

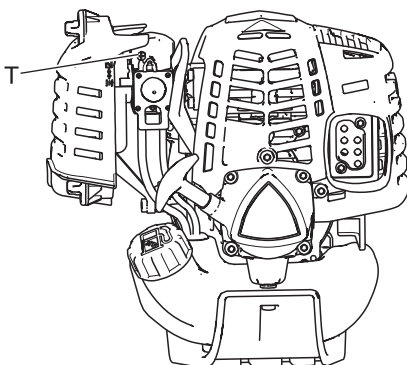
Justieren des Vergasers

⚠ WARNUNG

- SIE KÖNNEN DIE LEERLAUFDREHZAHL NUR EINSTELLEN, indem Sie die Leerlaufanschlagschraube (T) drehen.
- Bei der Vergaserjustierung kann sich die Schneidvorrichtung bewegen. Achten Sie ganz besonders auf die Schneidvorrichtung, um sich nicht durch das sich bewegende Schneidegerät zu verletzen.
- Nach erfolgter Vergaserjustierung darf sich die Schneidvorrichtung nicht mit Leerlaufdrehzahl bewegen; ansonsten besteht die Gefahr schwerer Verletzungen.
- Außer der Drehzahl dürfen Sie KEINE weitere Vergaserjustierung vornehmen. Alle anderen Einstellungen MÜSSEN von einem autorisierten Vertragshändler durchgeführt werden, andernfalls besteht die Gefahr schwerer Verletzungen aufgrund einer Fehlfunktion des Motors.

⚠ VORSICHT

- Wenden Sie sich bei Problemen mit dem Vergaser an einen autorisierten Vertragshändler.



Jedes Gerät wird werkseitig einem Probelauf unterzogen, bei dem der Vergaser auf optimale Leistung eingestellt wird.

Reinigen/wechseln Sie vor der Vergaserjustierung den Luftfilter, starten Sie den Motor, und lassen Sie ihn einige Minuten warmlaufen.

Sobald der Gashebel frei gegeben wird, muss der Motor in den Leerlauf zurückkehren. Die Leerlaufdrehzahl kann eingestellt werden. Sie muss gering genug sein, damit die Kupplung die Schneidvorrichtung vom Motor trennen kann.

So justieren Sie den Vergaser:

1. Legen Sie das Gerät auf den Boden, und lassen Sie den Motor an. Lassen Sie den Motor 2-3 Minuten im Leerlauf warm laufen.
2. Sollte sich die Schneidvorrichtung im Leerlauf in Bewegung setzen, reduzieren Sie die Leerlaufdrehzahl, indem Sie die Leerlaufanschlagschraube (T) gegen den Uhrzeigersinn

- drehen.
3. Lassen Sie den Motor noch mehrmals abwechselnd bei Vollgas und im Leerlauf laufen. Vergewissern Sie sich, dass die Schneidvorrichtung im Leerlauf aufhört, sich zu bewegen.
 4. Wenn Sie einen Drehzahlmesser haben, stellen Sie die Leerlaufanschlagschraube nach den Angaben im Abschnitt „Technische Daten“ ein.

HINWEIS

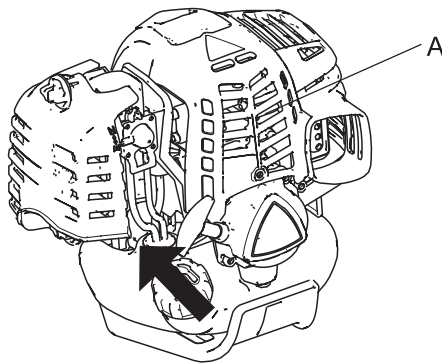
Wenn der Vergaser mit der Leerlaufanschlagschraube (T) nicht korrekt eingestellt werden kann, müssen Sie einen autorisierten Vertragshändler kontaktieren.

Wartung des Kühlsystems

WICHTIG

- Um die richtige Motorbetriebstemperatur aufrechtzuerhalten, muss die Kühlluft ungehindert den Zylinderrippenbereich durchströmen können. Durch diesen Luftstrom wird die Verbrennungswärme vom Motor abgeführt. Unter folgenden Umständen kann es zu Überhitzung und Kolbenfressern im Motor kommen:
- ♦ Die Luftzufuhröffnungen sind verstopft. Dadurch gelangt keine Kühlluft zum Zylinder;
 - ♦ Staub und Gras haben sich außen am Zylinder angesammelt. Durch diese Ansammlung wird der Motor isoliert, und die Wärme kann nicht mehr abgegeben werden.

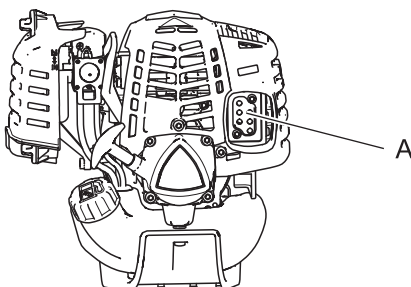
Das Beheben von Verstopfungen von Kühlluft-Durchgängen bzw. die Reinigung der Zylinderrippen gelten als normale Wartungsarbeiten. Störungen auf Grund mangelhafter Wartung und Pflege fallen nicht unter die Garantie.



Luftzufuhröffnung

- ♦ Entfernen Sie Staub und Schmutz aus den Zwischenräumen der Rippen (A).
- ♦ Entfernen Sie vor jeder Verwendung Ansammlungen von Schneidgut vom unteren Ansaugrill zwischen dem Kraftstofftank und dem Starter.

Reinigen des Schalldämpfers



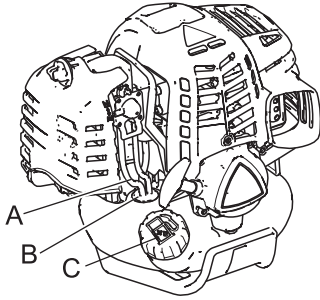
- ♦ Kohlenstoffablagerungen im Schalldämpfer(A) verringern die Motorleistung und führen zu Überhitzung. Das Funkenschutzsieb muss regelmäßig geprüft werden. Ablagerungen vom Schalldämpfer entfernen.

WICHTIG

Die Schalldämpferabdeckung nicht ausbauen. Fragen Sie bei Bedarf bitte Ihren Händler um Rat.

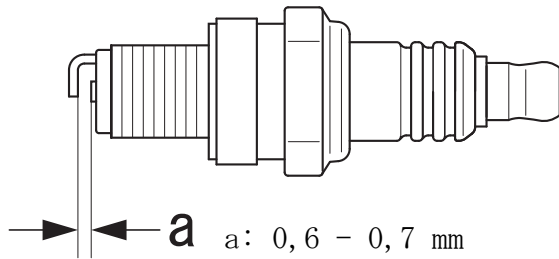
Wartung und Pflege

Überprüfen des Kraftstoffsystems



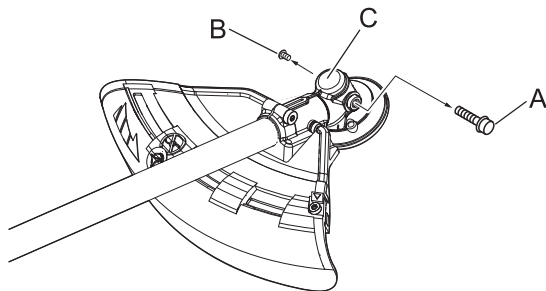
- ♦ Überprüfen Sie diesen Punkt vor jeder Verwendung.
- ♦ Vergewissern Sie sich nach jeder Betankung, dass kein Kraftstoff an den Leitungen (A), Dichtungen (B) oder am Tankdeckel (C) austritt.
- ♦ Wenn Kraftstoff oder Kraftstoffdämpfe austreten, besteht Brandgefahr. Schalten Sie das Gerät in diesem Fall sofort aus, und lassen Sie es von Ihrem Händler überprüfen bzw. austauschen.

Überprüfen der Zündkerze



1. Prüfen Sie den Elektrodenabstand. Der korrekte Abstand beträgt 0,6 bis 0,7 mm.
 2. Prüfen Sie die Elektrode auf Verschleiß.
 3. Prüfen Sie den Isolierkörper auf Öl- oder andere Ablagerungen.
 4. Wenn die Zündkerze schmutzig ist, reinigen. Dafür keinen Sandstrahl verwenden. Durch den verbleibenden Sand wird der Motor beschädigt.
 5. Wenn die Elektroden oder Kontakte verschlissen sind oder die Keramikteile Risse aufweisen, ersetzen Sie sie durch neue Teile. (Siehe Technische Daten Seite 30)
 6. Auf 10 N·m - 15 N·m (100 kgf·cm bis 150 kgf·cm) festziehen.
- * Die Funkenprüfung (zur Feststellung, ob die Zündkerze einen Zündfunken wirft) muss von Ihrem Händler durchgeführt werden.

Winkelgetriebe



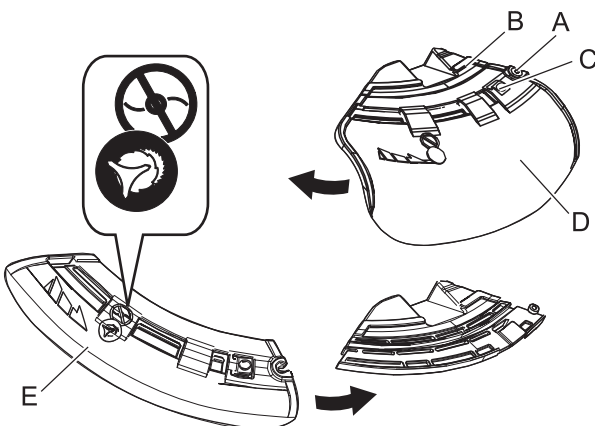
1. Bauen Sie den Stopfen (A) und die Ablassschraube (B) aus dem Winkelgetriebe (C).
2. Füllen Sie das Getriebe mit so viel neuem Schmierfett, bis das alte Schmierfett herausgedrückt wird. Verwenden Sie bei Bedarf eine Niederdruckpumpe.

HINWEIS

- Verwenden Sie ein hochwertiges Lithium-Mehrzweckfett.

3. Bauen Sie die Ablassschraube und den Stopfen wieder ein.

Wechseln des Schutzschildes

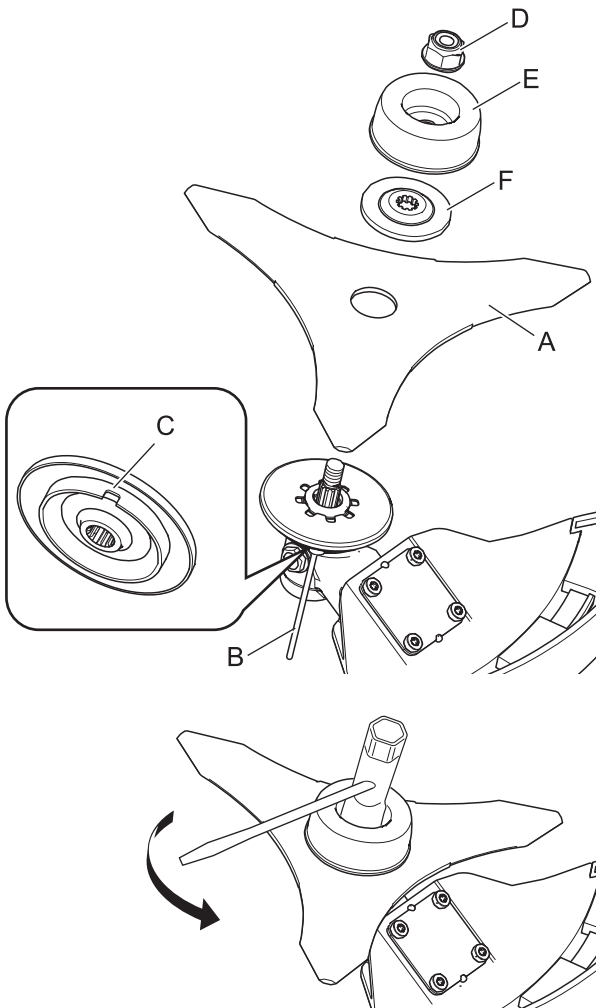


- ♦ Es gibt zwei unterschiedliche Schutzschilder: der eine Schutzschild wird ausschließlich zur Verwendung des Nylonfadenkopfes, der andere ausschließlich zur Verwendung von Metallmessern angebracht. Wenn Sie mit Metallmessern arbeiten, verwenden Sie den Schutzschild für Metallmesser.
1. Lösen Sie die Schraube (A) auf der rechten Seite der Halterung (B) komplett, um das Schutzschild verschieben zu können. Die Schraube selbst kann nicht von der Halterung entfernt werden.
 2. Drücken Sie die Taste (C), schieben Sie das Schutzschild (D) nach links und nehmen es ab.
 3. Ein anderes Schutzschild (E) in die Nut einführen und bis zum Anschlag nach rechts schieben. Die Schraube unbedingt festziehen.

Montage des Messers (option)

⚠️ WARNUNG

- Tragen Sie beim Arbeiten mit dem Trimmermesser robuste Handschuhe.
- Wenn während eines Trimmereinsatzes ein Trimmermesser ausgetauscht werden muss, vergewissern Sie sich, dass der Motor zuvor ausgeschaltet wurde und das Messer zum Stillstand gekommen ist.
- Achten Sie darauf, dass der Kraftstofftankdeckel fest verschlossen ist, wenn Sie das Produkt umdrehen, um das Trimmermesser auszutauschen.
- Versuchen Sie nicht, das Trimmermesser mit einer Hand oder ohne Verwendung des Steckschlüssels zu montieren. Befestigen Sie das Trimmermesser ordnungsgemäß mit dem mitgelieferten Steckschlüssel, und ziehen Sie es in der richtigen Position fest.
- Verwenden Sie zum Festziehen der Schneidmesser ausschließlich den vorgeschriebenen Steckschlüssel. Die Verwendung eines Druckluft- oder elektrisch betriebenen Geräts könnte dazu führen, dass das Schneidmesser übermäßig fest angezogen wird und dass die Mutter oder der Werkzeugaufnahmebolzen brechen.
- Bei Verwendung von verschlissenen Muttern und Auflagetellern zur Befestigung des Messers besteht die Gefahr, dass sich das Messer lockert. Ersetzen Sie diese Teile durch neue. Andernfalls kann es zu Unfällen, schweren Verletzungen oder Bränden kommen.



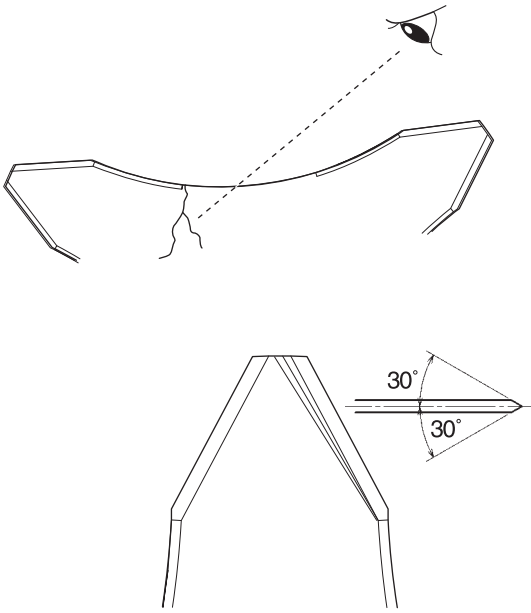
1. Kontrollieren Sie die Messer (A) vor der Montage. Überprüfen Sie die Schärfe. Bei stumpfen Messern erhöht sich das Risiko eines Rückschlags. Kleine Risse können sich zu Brüchen entwickeln, so dass Teile des Messers während des Betriebs weggeschleudert werden. Entsorgen Sie gerissene Messer, egal, wie klein der Riss ist.
2. Stecken Sie das Arretierwerkzeug (B) in das Loch auf der rechten Seite des Winkelgetriebes. Drücken Sie dabei die Rückhaltefeder nach links.
3. Stecken Sie das Arretierwerkzeug in das Arretierungsloch (C) der Fixierplatte, um den Werkzeugaufnahmebolzen zu blockieren.
4. Bauen Sie die Mutter (D), den Auflageteller (E) und die untere Fixierplatte (F) mit dem Steckschlüssel aus.
5. Ziehen Sie das Messer, die untere Fixierplatte, den Auflageteller und die Mutter sicher von Hand fest.

⚠️ VORSICHT

- Verhindern Sie mit Hilfe des Arretierwerkzeugs ein Mitdrehen des Werkzeugaufnahmebolzens, bevor Sie das Messer montieren. Andernfalls kann die Mutter zur Befestigung des Messers nicht ausreichend festgezogen werden.
6. Ziehen Sie die Mutter mit einem Steckschlüssel fest (gegen den Uhrzeigersinn). Niemals mit voller Kraft anziehen. Das Gewinde der Mutter könnte beschädigt werden.
 7. Entfernen Sie das Arretierwerkzeug.

Wartung und Pflege

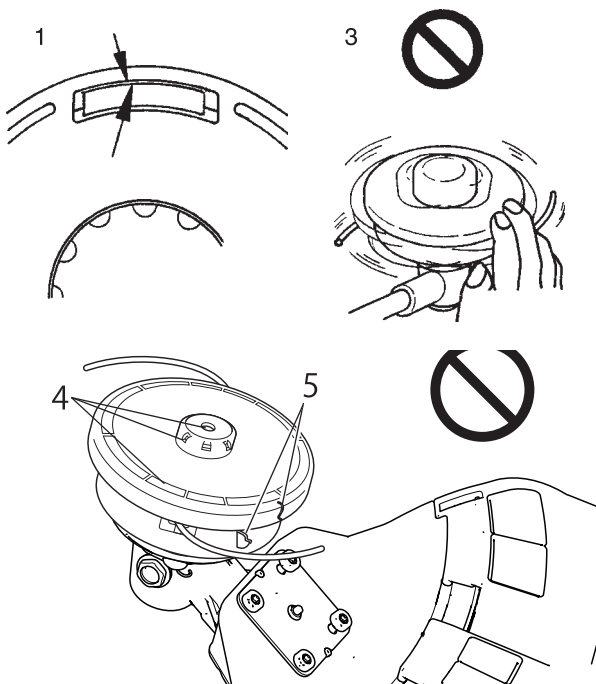
Überprüfen des Messers



- ♦ Verwenden Sie nur Messer, die vom Hersteller für dieses Modell vorgesehen sind.
- ♦ Wenn das Messer einen Riss aufweist, ersetzen Sie es sofort durch ein neues.
- ♦ Achten Sie darauf, dass das Messer gemäß den Anweisungen montiert wird.

- ♦ Wenn das Messer stumpf wird, drehen Sie es um, und benutzen Sie die scharfe Gegenseite.
- ♦ Bei Zersplitterung oder Verformung gerät das Messer in heftigere Vibration. Ersetzen Sie es in diesem Fall sofort.
- ♦ Schärfen Sie das 3-Zahn-Messer mit einer Flachfeile an jeder Schneide gleichmäßig (siehe Abbildung). Anderenfalls entsteht eine Unwucht und die Vibrationen werden verstärkt.

Überprüfen des Nylonfadenkopfs



1. Vergewissern Sie sich, dass jeder der 2 Rückhaltestifte des Gehäuses vollständig in die entsprechenden Aussparungen eingerastet ist.
2. Überprüfen Sie die Montage des Fadenkopfs am Trimmer, und ziehen Sie ihn fest, falls er lose ist.
3. Überprüfen Sie den Fadenkopf durch Drehen per Hand auf unrunder Lauf und ungewöhnliche Geräusche. Bei unrunder Lauf und ungewöhnlichen Geräuschen können Vibrationen auftreten, die sich auf den Trimmer übertragen können. Dadurch können sich Teile lösen und eine Gefahr darstellen.
4. Überprüfen Sie die Abdeckung und den Auslöseknopf auf Abnutzung. Wenn am unteren Bereich des Auslöseknopfs oder in der Nähe des Nylonfadenaustritts ein Spalt zu sehen ist, ersetzen Sie diese Teile umgehend durch neue.
5. Prüfen Sie den Fadenkopf auf Bruch oder Absplitterung. Ersetzen Sie alle Teile, die gebrochen sind oder Absplitterungen aufweisen, umgehend durch neue.

Auswechseln des Nylonfadens

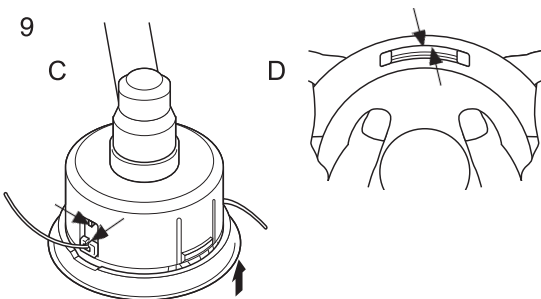
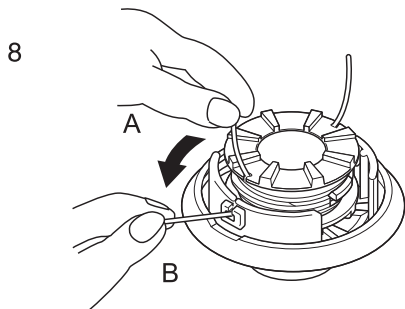
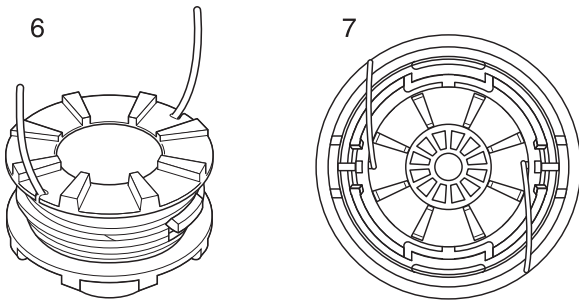
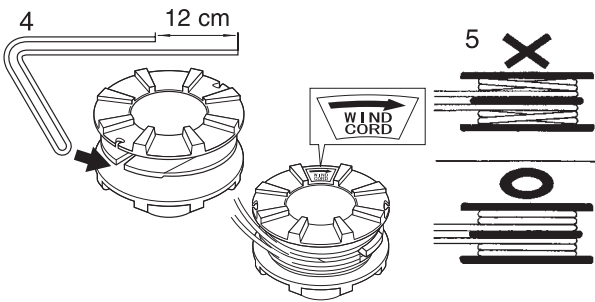
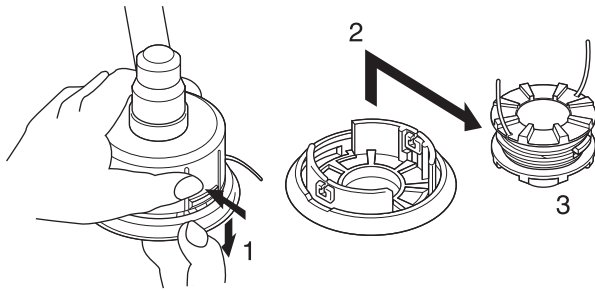
GEFAHR

- **Bevor Sie mit dem Auswechseln des Nylonfadens beginnen, stellen Sie den Motor ab, und warten Sie, bis sich der Nylonfadenkopf nicht mehr dreht.**
Andernfalls kann es zu Unfällen bzw. schweren Verletzungen kommen.

WARNUNG

- **Verwenden Sie nur flexible, nichtmetallische, von der YAMABIKO Corporation empfohlene Nylonfäden.**
Andernfalls kann es zu Unfällen bzw. schweren Verletzungen kommen.

Wartung und Pflege



1. Drücken Sie die Rückhaltestifte (an beiden Seiten) nach innen, und entfernen Sie den Deckel. Es ist leichter, ein Teil nach dem anderen zu entfernen.
2. Entfernen Sie die Fadenspule.
3. Wenn der Nylonfaden auf der Spule aufgebraucht ist, entfernen Sie den Rest des Fadens, und wickeln Sie den neuen Faden gemäß der Anleitung ab Punkt (4) wieder auf. Wenn der Nylonfaden auf der Spule geschmolzen ist und feststeckt, entfernen Sie den Faden vollständig, schneiden Sie das beschädigte Fadenstück ab, und wickeln Sie den verbleibenden Faden gemäß der Anleitung ab Punkt (4) wieder auf.
4. Stecken Sie den Knick des Fadens in den Schlitz der Unterteilung. Beachten Sie dabei, dass ein Ende des Fadens ca. 12 cm länger als das andere ist.
5. Wickeln Sie den Nylonfaden fest in Pfeilrichtung auf die Fadenspule.
6. Wenn Sie beim Aufwickeln des Fadens ans Ende kommen, klemmen Sie die beiden Fadenenden vorläufig so in die Schlitz der Fadenspule ein, dass noch ungefähr 10 cm Faden überstehen.
7. Richten Sie die Schlitz mit dem eingeklemmten Faden so aus, dass sie sich direkt über den Fadendurchführungen befinden, und passen Sie die Spule in den Deckel ein.
8. Ziehen Sie den Faden aus dem Deckel. Lösen Sie (A) den Faden aus den entsprechenden Schlitz der Fadenspule, und führen Sie ihn (B) durch die beiden Fadendurchführungen.
9. Fügen Sie Deckel und Gehäuse zusammen. Ordnen Sie (C) die Fadenösen des Deckels über den Aussparungen in der Fadenspule an, und drücken Sie (D) die beiden Stifte des Gehäuses ganz in die Aussparungen der Fadenspule, bis sie fest in die Fenster einrasten.

GEFAHR

Vergewissern Sie sich, dass die Stifte vollständig in die Fenster der Fadenspule eingerastet sind. Wenn sie nur leicht hineingesteckt sind und sich der Fadenkopf zu drehen beginnt, können sich der Deckel oder innere Teile lösen und davon geschleudert werden, was sehr gefährlich ist.

Wartung und Pflege

Fehlerbehebung

WICHTIG

○ Verwenden Sie nur Original-Ersatzteile und -Verbrauchsprodukte, die für das Gerät zugelassen sind.
Die Verwendung von Teilen anderer Hersteller oder nicht zugelassener Produkte kann zu Fehlfunktionen führen.

Problem	Diagnose	Ursache	Lösung
Der Motor lässt sich nicht starten.		<ol style="list-style-type: none"> 1. Im Kraftstofftank ist kein Kraftstoff 2. Der Aus-Schalter steht auf „Stop“ 3. Es wurde zuviel Kraftstoff angesaugt 4. Elektrischer Defekt 5. Vergaser defekt oder innerlich verklebt 6. Interner Defekt des Motors. 	<ol style="list-style-type: none"> 1. Kraftstoffversorgung 2. Auf „Start“ stellen 3. Motor nach Wartung starten 4. Wenden Sie sich an Ihren Händler. 5. Wenden Sie sich an Ihren Händler. 6. Wenden Sie sich an Ihren Händler.
Motor lässt sich schwer starten, Drehzahl schwankt	Kraftstoff tritt in das Überlaufrohr ein	<ol style="list-style-type: none"> 1. Kraftstoffalterung 2. Vergaserstörung 	<ol style="list-style-type: none"> 1. Kraftstoff durch neuen ersetzen 2. Wenden Sie sich an Ihren Händler.
	In das Überlaufrohr tritt kein Kraftstoff ein.	<ol style="list-style-type: none"> 1. Kraftstofffilter ist verstopft 2. Kraftstoffsystem ist verstopft 3. Innere Vergaserteile sind verklebt 	<ol style="list-style-type: none"> 1. Reinigen oder ersetzen 2. Wenden Sie sich an Ihren Händler. 3. Wenden Sie sich an Ihren Händler.
	Die Zündkerze ist verschmutzt oder feucht.	<ol style="list-style-type: none"> 1. Kraftstoffalterung 2. Falscher Elektrodenabstand 3. Kohlenstoffablagerungen 4. Elektrischer Defekt 	<ol style="list-style-type: none"> 1. Ersetzen 2. Einstellen oder ersetzen 3. Reinigen oder ersetzen 4. Wenden Sie sich an Ihren Händler.
Motor springt an, Drehzahl lässt sich jedoch nicht erhöhen.		<ol style="list-style-type: none"> 1. Verschmutzter Luftfilter 2. Verschmutzter Kraftstofffilter 3. Verstopfte Kraftstoffleitung 4. Falsch justierter Vergaser. 5. Verstopfte Auspuff- oder Schalldämpferöffnung 	<ol style="list-style-type: none"> 1. Reinigen oder ersetzen 2. Reinigen oder ersetzen 3. Wenden Sie sich an Ihren Händler. 4. Justieren 5. Reinigen
Der Motor geht aus		<ol style="list-style-type: none"> 1. Falsch justierter Vergaser. 2. Elektrischer Defekt 	<ol style="list-style-type: none"> 1. Justieren 2. Wenden Sie sich an Ihren Händler.
Der Motor lässt sich nicht ausschalten		<ol style="list-style-type: none"> 1. Aus-Schalter defekt 	<ol style="list-style-type: none"> 1. Not-Halt durchführen und Händler um Rat fragen
Schneidvorrichtung dreht sich, während Motor mit Leerlaufdrehzahl läuft		<ol style="list-style-type: none"> 1. Falsch justierter Vergaser. 2. Beschädigte Kupplungsfeder 	<ol style="list-style-type: none"> 1. Justieren 2. Wenden Sie sich an Ihren Händler.

- ♦ Bei Problemen oder Störungen, die nicht in der obigen Tabelle genannt werden, wenden Sie sich an Ihren Händler.
- ♦ Informationen zur vorschriftsmäßigen Entsorgung des Produkts oder seiner Einzelteile erhalten Sie bei Ihrem Händler.

Hersteller:

YAMABIKO CORPORATION

7-2 SUEHIROCHO 1-CHOME, OHME, TOKIO 198-8760, JAPAN

Autorisierter Repräsentant in Europa:

Atlantic Bridge Limited

Atlantic House, PO Box 4800, Earley, Reading RG5 4GB, Vereingtes Königreich

LAGERUNG

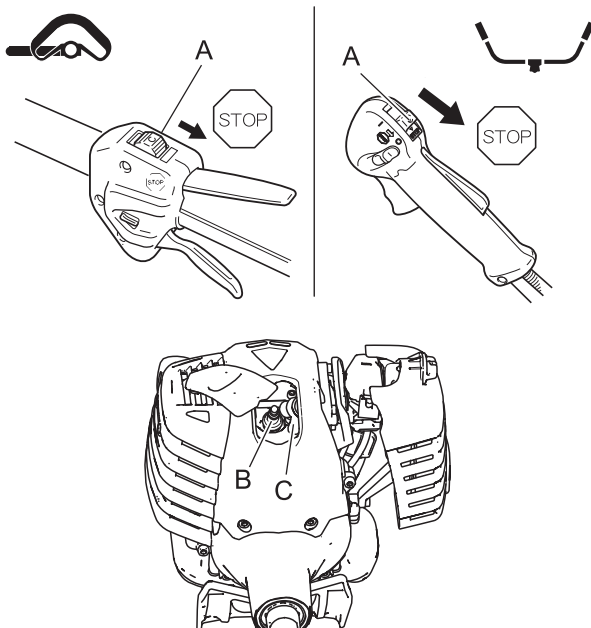
Langfristige Lagerung (30 Tage und länger)

WARNUNG

○ Lagern Sie das Gerät nicht in verschlossenen Räumen, aus denen Kraftstoffverdunstungen nicht entweichen können, und nicht in der Nähe von Flammen oder Funken. Brandgefahr.



Gehen Sie folgendermaßen vor, wenn Sie das Produkt lange Zeit lagern möchten (30 Tage und länger):



1. Entfernen Sie den gesamten Kraftstoff aus dem Kraftstofftank.
2. Entfernen Sie den Kraftstoff aus der Kraftstoffpumpe, indem Sie sie mehrmals drücken und wieder loslassen.
3. Starten Sie den Motor, und lassen Sie ihn mit Leerlaufdrehzahl laufen, bis er von selbst ausgeht.
4. Stellen Sie den Zündschalter (A) auf „Stop“.
5. Wischen Sie Schmierfett, Öl, Staub, Schmutz und andere Ablagerungen außen am Trimmer ab, sobald das Gerät ausreichend abgekühlt ist.
6. Führen Sie die regelmäßigen Überprüfungen durch, die in dieser Bedienungsanleitung beschrieben sind.
7. Vergewissern Sie sich, dass Schrauben und Muttern fest angezogen sind. Ziehen Sie lose Schrauben und Muttern fest.
8. Entfernen Sie die Zündkerze (B) und füllen Sie die erforderliche Menge (ca. 10 ml) frisches Zweitaktmotoröl durch die Zündkerzenöffnung in den Zylinder ein.
9. Legen Sie ein sauberes Tuch über die Zündkerzenöffnung.
10. Ziehen Sie zwei- bis dreimal am Startergriff, um das Motoröl im Zylinder zu verteilen.
11. Beobachten Sie die Lage des Kolbens durch die Zündkerzenöffnung. Ziehen Sie am Griff des Reversierstarters, bis der Kolben den oberen Totpunkt erreicht, und belassen Sie den Griff in dieser Stellung.
12. Bauen Sie die Zündkerze ein (Schließen Sie den Zündkerzenstecker (C) nicht an.)
13. Bringen Sie die Messerabdeckung am Trimmermesser an, umhüllen Sie den Motorbereich mit einem Kunststoffbeutel oder Ähnlichem, und lagern Sie das Gerät an einem trockenen, staubfreien Ort außerhalb der Reichweite von Kindern.

Technische Daten

	SRM-3610T	
	L	U
Außenabmessungen: Länge × Breite × Höhe	1806 × 340 × 358 mm	1806 × 695 × 525 mm
Gewicht: Gerät mit leerem Tank, ohne Schneidvorrichtung und Schultergurt (ISO11806-1: 2011) Gerät mit vollem Tank, vorgeschriebener Schneidvorrichtung, Schutzschild und Schultergurt Gerät mit leerem Tank, ohne Schneidvorrichtung, Schutz und Schultergurt	6,8 kg 8,0 kg 6,3 kg	7,1 kg 8,8 kg 6,6 kg
Fassungsvermögen: Kraftstofftank (voll)	850 mL	
Kraftstoff: Benzin Öl Mischverhältnis	Bleifreies Normalbenzin. Verwenden Sie bleifreies Benzin mit mindestens 89 Oktan. Verwenden Sie keinen Kraftstoff mit Methylalkohol oder mehr als 10 % Ethylalkohol. Motoröl für luftgekühlte Zweitaktmotoren. ISO-L-EGD Standard (ISO/CD 13738), JASO FC,FD und ECHO Premium 50:1 Öl. 50:1 (2 %)	
Schneidvorrichtung: Nylonfaden-Schneidkopf (Schneidbreite) Gewinde Nylonfadenstärke (Durchmesser) Nylonfadenlänge	Z-5 (508 mm) Linksgewinde M10×1,25 3,0 mm 5,0 m	
Messerantrieb: Untersetzungsverhältnis und Schmierung Drehrichtung des Werkzeugaufnahmebolzens von oben gesehen Maximale Rotationsfrequenz der Spindel	Untersetzung 1,62; hochwertiges Lithium-Schmiermittel Gegen den Uhrzeigersinn 6600 U/min	
Motor: Typ Vergaser Zündung / Magnetinduktor Zündkerze Anlasser Kraftübertragung Hubraum Maximale Motorleistung (ISO 8893) Kraftstoffverbrauch bei maximaler Motorleistung Empfohlene maximale Motordrehzahl (mit angebrachter Standardschneidvorrichtung) Empfohlene Leerlaufdrehzahl	Luftgekühlter Zweitakt-Einzylindermotor Membrantyp Schwungradmagnet - CDI-System NGK CMR5H Reversierstarter Automatische Fliehkraftkupplung 36,3 cm ³ 1,43 kW 0,92 L/h 10000 U/min 2900 (2800 - 2900) U/min	
2006/42/EG Vibration (ISO 22867) $a_{hv,eq}$ Schalldruckpegel (ISO 22868) L_{pAeq} Schalleistungspegel (ISO 22868) L_{WARa}	Linker Griff Rechter Griff Unsicherheit K Unsicherheit (K_{pA}) Unsicherheit (K_{WA})	5,7 m/s ² 3,2 m/s ² 1,2 m/s ² 94,5 dB(A) 1,5 dB(A) 106,5 dB(A) 2,1 dB(A)
		5,7 m/s ² 4,1 m/s ² 1,2 m/s ² 93,8 dB(A) 1,5 dB(A) 107,6 dB(A) 2,1 dB(A)

Änderungen der technischen Daten vorbehalten.

Konformitätserklärung

Der unterzeichnete Hersteller:

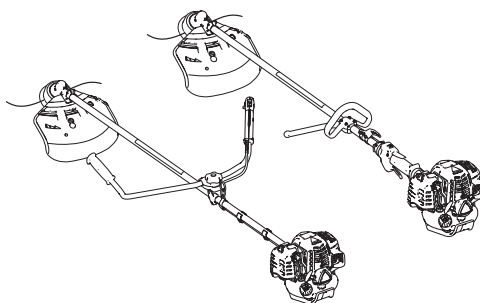
YAMABIKO CORPORATION
7-2 SUEHIROCHO 1-CHOME
OHME, TOKIO 198-8760
JAPAN

Diese Konformitätserklärung wird unter der alleinigen Verantwortung des Herstellers erstellt.

erklärt, dass das nachstehend spezifizierte neue Gerät:

RASENTRIMMER/MOTORSENSE

Marke: ECHO
Typ: SRM-3610T



Folgendes erfüllt:

- * Anforderungen der Richtlinie **2006/42/EG** (Verwendung der harmonisierten Norm **EN ISO 11806-1: 2011**)
- * Anforderungen der Richtlinie **2014/30/EU** (Anwendung der harmonisierten Norm **EN ISO 14982: 2009**)
- * Anforderungen der Richtlinie **2000/14/EG**

Konformitätsbewertungsverfahren nach **ANHANG V**

Gemessener Schalleistungspegel: 106 dB(A) Rundgriff, 108 dB(A) U-Griff

Garantierter Schalleistungspegel: 109 dB(A) Rundgriff, 111 dB(A) U-Griff

Seriennummer 37001001 bis 37100000

Tokio, 1. Oktober 2016

YAMABIKO CORPORATION

Masayuki Kimura

Masayuki Kimura
Hauptabteilungsleiter
Abteilung Qualitätssicherung

Der Dokumentenbevollmächtigte in Europa, welcher autorisiert ist, die technischen Daten zusammenzustellen.

Unternehmen: Atlantic Bridge Limited

Adresse: Atlantic House, PO Box 4800, Earley, Reading RG5 4GB, Vereinigtes Königreich

Herr Philip Wicks

YAMABIKO CORPORATION

7-2 SUEHIROCHO 1-CHOME, OHME, TOKIO 198-8760, JAPAN
TELEFON: 81-428-32-6118. FAX: 81-428-32-6145.



X750-028860

X750283-3501



IT ITALIANO
(Istruzioni originali)

MANUALE PER L'OPERATORE DECESPUGLIATORE/BORDATORE SRM-3610T

AVVERTENZA



LEGGERE E SEGUIRE ATTENTAMENTE LE ISTRUZIONI PER
LAVORARE IN CONDIZIONI DI MASSIMA SICUREZZA.
LA MANCATA OSSERVANZA DELLE ISTRUZIONI POTREBBE
PROVOCARE LESIONI GRAVI.



Contenuto

Per un uso sicuro del prodotto	3
Descrizione	8
Prima di iniziare	9
Contenuto della confezione	9
Montaggio	10
Versione con impugnatura ad anello	10
Versione con impugnatura a U	10
Montaggio della protezione.....	11
Montaggio della testina a filo di nylon.....	11
Regolazione del punto di equilibrio.....	11
Preparazione del carburante	12
Funzionamento del motore	14
Avviamento del motore	14
Arresto del motore	15
Operazioni di taglio	16
Uso della cinghia a spalla	17
Funzionamento base del taglio con testina a filo di nylon	17
Funzionamento base del taglio con disco metallico	19
Manutenzione e cura	20
Guida alla manutenzione	20
Manutenzione e cura	20
Rimessaggio	28
Caratteristiche tecniche	29
Dichiarazione di conformità	30

Per un uso sicuro del prodotto

Informazioni importanti

AVVERTENZA

Si raccomanda di leggere il manuale per l'operatore prima di utilizzare questo prodotto.

Informazioni sul manuale per l'operatore

- Questo manuale contiene informazioni necessarie per l'assemblaggio, il funzionamento e la manutenzione del prodotto. Si raccomanda di leggerlo attentamente e di assimilarne il contenuto.
- Tenere sempre il manuale in un posto facilmente accessibile.
- Se il manuale viene smarrito o danneggiato e non può essere consultato, acquistarne uno nuovo presso il proprio rivenditore.
- Le unità di misura utilizzate in questo manuale sono espresse in conformità al sistema internazionale. Le cifre riportate tra parentesi sono valori di riferimento e in alcuni casi ci potrebbero essere lievi errori di conversione.
La mancata osservanza di queste precauzioni potrebbe causare un incidente o lesioni gravi.

Funzione di questo prodotto

- Questo prodotto è un attrezzo leggero a elevate prestazioni con motore a benzina, realizzato per tenere sotto controllo la crescita delle erbacce, per tagliare i bordi ed eseguire un leggero disboscamento in aree difficili da controllare con altri mezzi.
- Non usare questa macchina per fini diversi da quelli sopra menzionati.
- Il contenuto di questo manuale può essere modificato senza preavviso per renderlo conforme a eventuali aggiornamenti del prodotto. Alcune illustrazioni potrebbero essere diverse dal prodotto per rendere le spiegazioni più chiare.
- Per ulteriori chiarimenti, consultare il proprio rivenditore.
La mancata osservanza di queste precauzioni potrebbe causare un incidente o lesioni gravi.

Non modificare il prodotto

- Non modificare il prodotto.
La mancata osservanza di queste precauzioni potrebbe causare un incidente o lesioni gravi. Qualsiasi guasto causato da modifiche apportate al prodotto non sarà coperta dalla garanzia del produttore.

Non utilizzare il prodotto senza aver effettuato prima il controllo e la manutenzione

- Non utilizzare il prodotto senza aver effettuato prima il controllo e la manutenzione. Accertarsi sempre che il controllo e la manutenzione vengano eseguiti a scadenze regolari.
La mancata osservanza di queste precauzioni potrebbe causare un incidente o lesioni gravi.

Prestito o cessione del prodotto

- In caso di prestito del prodotto, consegnare alla persona che lo riceve anche il manuale dell'operatore.
- Anche in caso di cessione, consegnare il prodotto insieme al manuale per l'operatore.
La mancata osservanza di queste precauzioni potrebbe causare un incidente o lesioni gravi.

Utenti del prodotto

- Il prodotto non deve essere utilizzato da:
 - ◆ persone stanche
 - ◆ persone che hanno assunto bevande alcoliche
 - ◆ persone sotto trattamento farmacologico
 - ◆ persone in stato di gravidanza
 - ◆ persone in condizioni fisiche precarie
 - ◆ persone che non hanno letto il manuale dell'utente
 - ◆ bambini
- Tenere presente che l'operatore o l'utente è responsabile di eventuali rischi o incidenti provocati ad altre persone o alle proprietà altrui.
La mancata osservanza di queste istruzioni potrebbe provocare incidenti.
- Il sistema di accensione di questo prodotto genera campi elettromagnetici durante il funzionamento. I campi magnetici possono causare interferenze con pacemaker o il malfunzionamento di questi ultimi. Per ridurre i rischi per la salute, consigliamo ai portatori di pacemaker di consultare il proprio medico e il produttore del pacemaker prima di utilizzare questo prodotto.



Per un uso sicuro del prodotto

AVVERTENZA

Vibrazioni e freddo

- Si ritiene che una condizione definita fenomeno di Raynaud, che colpisce le dita di alcune persone, sia causata dall'esposizione alle vibrazioni e al freddo. L'esposizione al freddo e alle vibrazioni può causare formicolio e bruciole, seguiti da pallore e intorpidimento delle dita. Si consiglia vivamente di osservare le seguenti precauzioni in quanto non si conosce l'esposizione minima che causa i disturbi.
 - ◆ Tenere il corpo caldo, soprattutto testa, collo, piedi, caviglie, mani e polsi.
 - ◆ Mantenere una buona circolazione del sangue facendo vigorosi esercizi con le braccia durante frequenti pause di lavoro, ed evitare di fumare.
 - ◆ Limitare il numero di ore di impiego. Cercare di pianificare altri lavori nell'arco della giornata lavorativa in cui non sia richiesto l'uso del decespugliatore/bordatore o di altro dispositivo portatile.
 - ◆ Se si accusano disagi e disturbi e se si riscontrano arrossamenti e gonfiore delle dita seguiti da pallore e perdita di sensibilità, rivolgersi al proprio medico prima di esporsi di nuovo al freddo e alle vibrazioni.

La mancata osservanza di queste istruzioni potrebbe causare danni alla salute.

Lesioni da sforzi ripetitivi

- Si ritiene che l'uso eccessivo dei muscoli e dei tendini di dita, mani, braccia e spalle possa causare dolore, gonfiore, intorpidimento, debolezza e fortissimi dolori nelle zone menzionate. Alcune attività manuali ripetitive possono essere causa di alto rischio per lo sviluppo di lesioni da sforzi ripetitivi. Per ridurre il rischio di lesioni da sforzi ripetitivi:
 - ◆ Evitare di usare il polso piegato, allungato o girato.
 - ◆ Fare pause a intervalli regolari per ridurre al minimo i movimenti ripetuti e far riposare le mani. Ridurre la velocità e la forza con cui il movimento ripetitivo viene eseguito.
 - ◆ Fare esercizi per rafforzare i muscoli delle mani e delle braccia.
 - ◆ Consultare un medico se si avverte formicolio, intorpidimento o dolori nelle dita, nelle mani, nei polsi o nelle braccia. Una tempestiva diagnosi di lesioni da sforzi ripetitivi consente di evitare danni permanenti ai nervi e ai muscoli.

La mancata osservanza di queste istruzioni potrebbe causare danni alla salute.

Addestramento

- Non permettere a nessuno di azionare l'attrezzo senza idoneo addestramento o mezzi di protezione adeguati.
- Acquisire dimestichezza con i comandi e il corretto impiego dell'attrezzo.
- Imparare ad arrestare l'attrezzo e a spegnere il motore.
- Imparare a sganciare rapidamente un attrezzo spalleggiato.
- Non permettere a nessuno di utilizzare l'attrezzo senza idoneo addestramento.

La mancata osservanza di queste istruzioni potrebbe causare danni alla salute.

Indossare indumenti idonei.

- Raccogliere i capelli in modo che non tocchino le spalle.
- Non indossare cravatte, gioielli o vestiti poco aderenti che potrebbero restare impigliati nella macchina.
- Non indossare calzature aperte, non lavorare a piedi nudi o a gambe nude.

La mancata osservanza di queste precauzioni potrebbe causare danni alla vista o all'udito o lesioni gravi.



Indossare indumenti protettivi

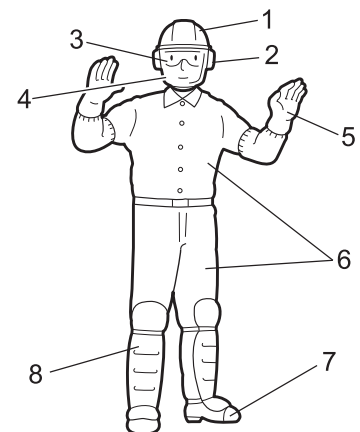
- Indossare sempre i seguenti indumenti protettivi durante il lavoro con il decespugliatore/bordatore.

1. Casco (elmetto): Protegge la testa
2. Protezioni acustiche o tappi per le orecchie: Proteggono l'udito
3. Occhiali di protezione: Proteggono gli occhi
4. Schermo facciale: Protegge il viso
5. Guanti protettivi: Proteggono le mani dal freddo e dalle vibrazioni
6. Indumenti da lavoro aderenti (maniche lunghe e pantaloni lunghi): Proteggono il corpo
7. Stivali protettivi antiscivolo per lavori pesanti (con protezione delle punte) o scarpe da lavoro antiscivolo (con protezione delle punte): Proteggono i piedi
8. Parastinchi: Proteggono gli stinchi

La mancata osservanza di queste precauzioni potrebbe causare danni alla vista o all'udito o lesioni gravi.

- Se necessario, utilizzare anche i seguenti indumenti.

- ◆ Respiratore: Protegge l'apparato respiratorio
- ◆ Rete anello di metallo: Per proteggersi dalle api



Per un uso sicuro del prodotto

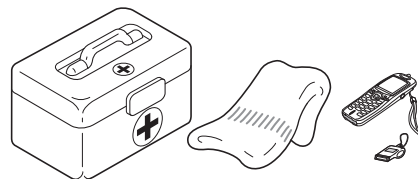
AVVERTENZA

Area di lavoro e funzionamento

- Non utilizzare il prodotto:
 - ◆ in condizioni di cattivo tempo.
 - ◆ in pendii ripidi o in luoghi con punti di appoggio non sicuri e quindi scivolosi.
 - ◆ di notte o in luoghi bui con scarsa visibilità.
- Quando si utilizza il prodotto su un pendio delicato, lavorare seguendo i contorni del terreno.
Cadute, scivolate o un uso non corretto del prodotto potrebbero causare lesioni gravi.
- Per un uso salutare, sicuro e confortevole, utilizzare la macchina solo a temperature comprese nell'intervallo da -5 °C a 40 °C.
La mancata osservanza di queste istruzioni potrebbe causare danni alla salute.

Essere pronti in caso di lesioni

- Nell'improbabile evento di incidenti o lesioni, è consigliabile essere preparati.
 - ◆ Cassetta di pronto soccorso
 - ◆ Asciugamani e fazzoletti (per fermare eventuali emorragie)
 - ◆ Fischietto o telefono cellulare (per chiedere aiuto)
- Se non si è in grado di effettuare un primo soccorso o chiedere aiuto, le lesioni potrebbero peggiorare.



Dare assoluta priorità alla sicurezza in caso di incendio o fumo

- In caso di fuoriuscita di fiamme dal motore o di fumo da qualsiasi area diversa dallo sfiato della marmitta, allontanarsi dal prodotto per evitare lesioni gravi.
 - Utilizzare una pala per lanciare sabbia o altro materiale simile sul fuoco per evitarne l'espansione o spegnerlo con un estintore.
- Evitare di farsi prendere dal panico per non allargare l'incendio o aumentare i danni.



Messaggi di avviso

PERICOLO

Questo simbolo accompagnato dalla parola "**PERICOLO**" richiama l'attenzione su un'azione o una condizione che potrebbe causare infortuni gravi o la morte di utenti o di persone presenti.

AVVERTENZA

Questo simbolo accompagnato dalla parola "**AVVERTENZA**" richiama l'attenzione su un'azione o una condizione che potrebbe causare lesioni gravi o la morte di utenti o di persone presenti.

ATTENZIONE

"**ATTENZIONE**" indica una situazione potenzialmente pericolosa che, se non evitata, potrebbe causare lesioni minori o moderate.

Altri indicatori



Il cerchietto barrato sta ad indicare che quanto è illustrato è proibito.



NOTA

Il messaggio qui riportato fornisce consigli per l'uso, la cura e la manutenzione del prodotto.


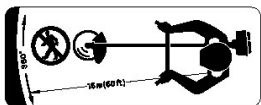





IMPORTANTE

Il testo incorniciato, caratterizzato dalla parola "**IMPORTANTE**", contiene informazioni importanti riguardo l'uso, il controllo, la manutenzione e il rimessaggio del prodotto descritto in questo manuale.

Simboli

Forma del simbolo	Descrizione / applicazione del simbolo	Forma del simbolo	Descrizione / applicazione del simbolo
	Leggere attentamente il manuale per l'operatore		Massima velocità albero dell'accessorio di taglio in giri/min

Per un uso sicuro del prodotto

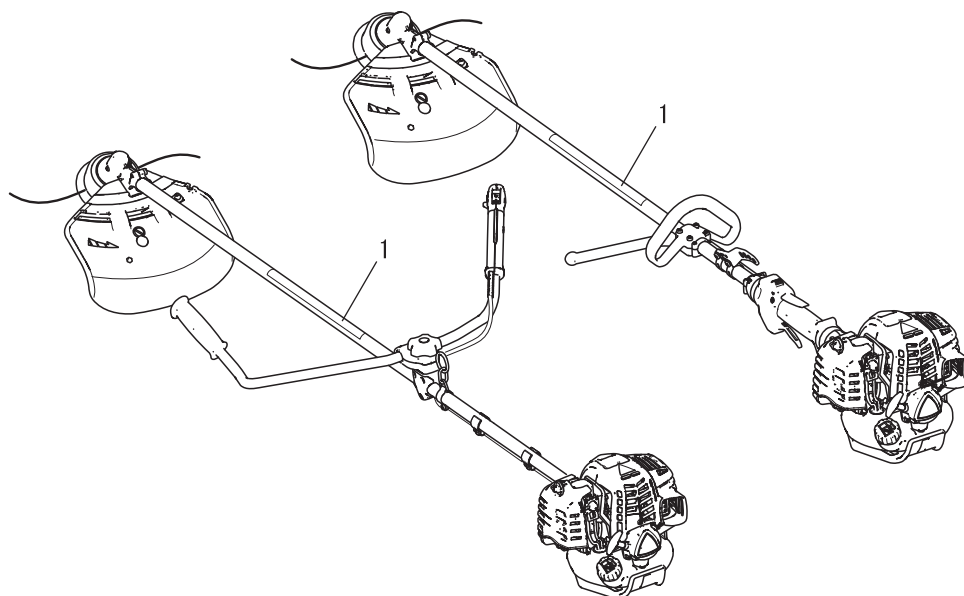
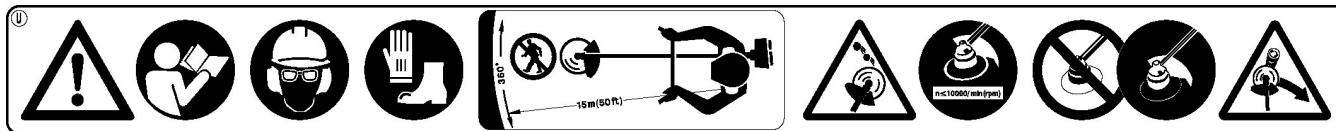
Forma del simbolo	Descrizione / applicazione del simbolo	Forma del simbolo	Descrizione / applicazione del simbolo
	Indossare protezioni per occhi, orecchie e testa		Tenere gli astanti a una distanza di 15 m
	Indossare protezioni per i piedi e guanti		Miscela di benzina e olio
	Arresto di emergenza		Controllo valvola dell'aria Posizione "Avviamento a freddo" (Valvola dell'aria chiusa)
	Avvertenza! Oggetti scagliati!		Controllo valvola dell'aria Posizione "In funzione" (Valvola dell'aria aperta)
	Attenzione, spinta laterale		Regolazione del carburatore - In folle
	Vietato l'uso senza protezione		Impugnatura a U
	Vietato l'uso di dischi metallici		Impugnatura ad anello
	L'uso della testina a filo di nylon non è consentito		Prestare attenzione nelle aree ad alta temperatura
	Non utilizzare il prodotto in luoghi scarsamente ventilati		Livello di potenza acustica garantito
	Attenzione al fuoco		Avvio del motore
	Attenzione alle scosse elettriche		

Per un uso sicuro del prodotto

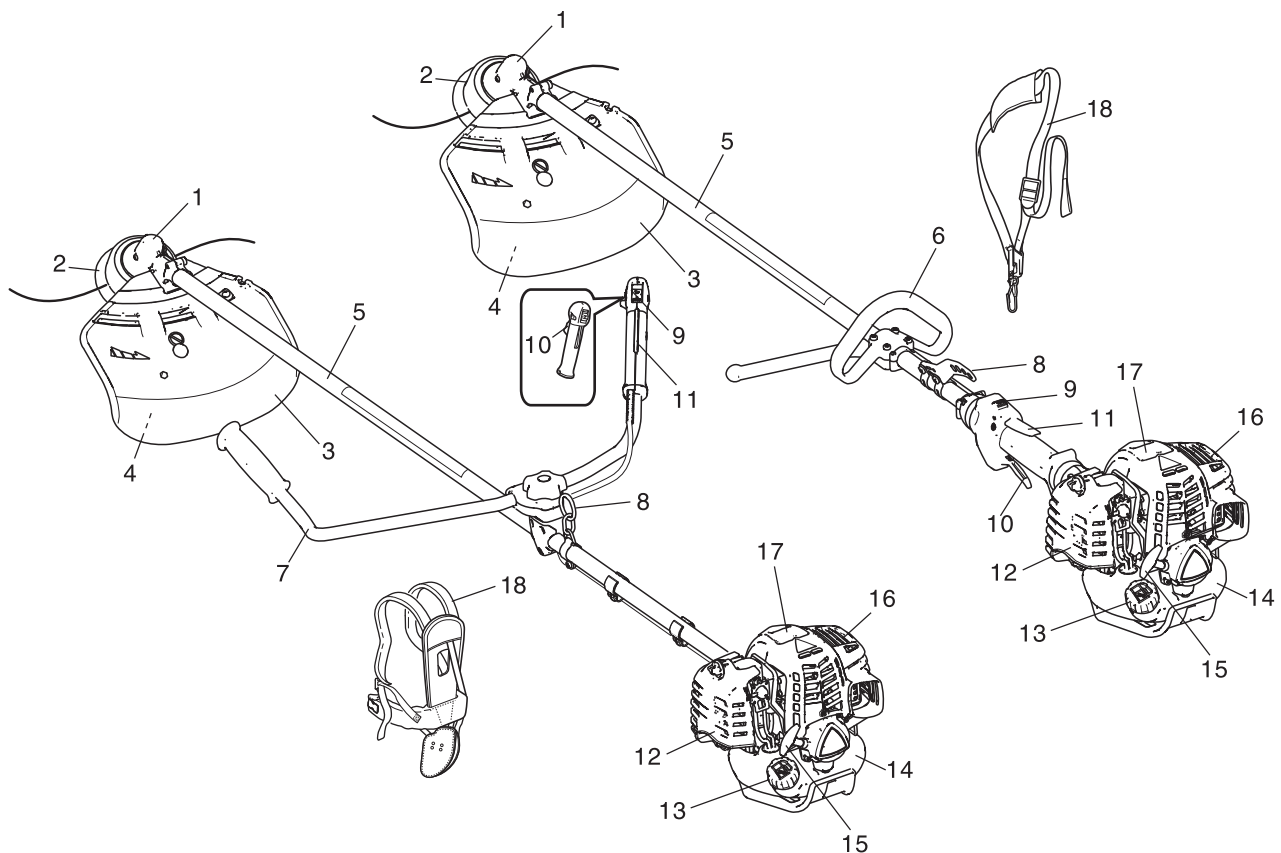
Decalcomania/e

- La decalcomania riportata sotto è stata applicata sui prodotti descritti in questo manuale. Prima di utilizzare il prodotto accertarsi di aver compreso quanto riportato sulla decalcomania.
- Se la decalcomania diventa illeggibile a causa dell'usura, si strappa o si stacca e si perde, acquistarne una di ricambio presso il rivenditore e fissarla nel punto illustrato nella figura in basso. Accertarsi che la decalcomania sia sempre leggibile.

1. Decalcomania (Codice ricambio 890617-43130)



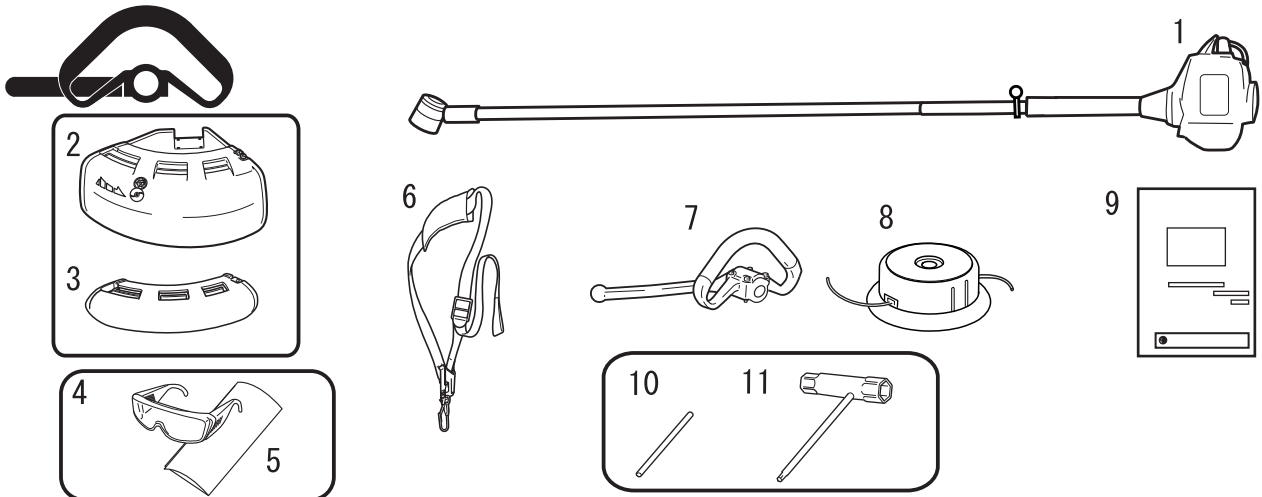
Descrizione



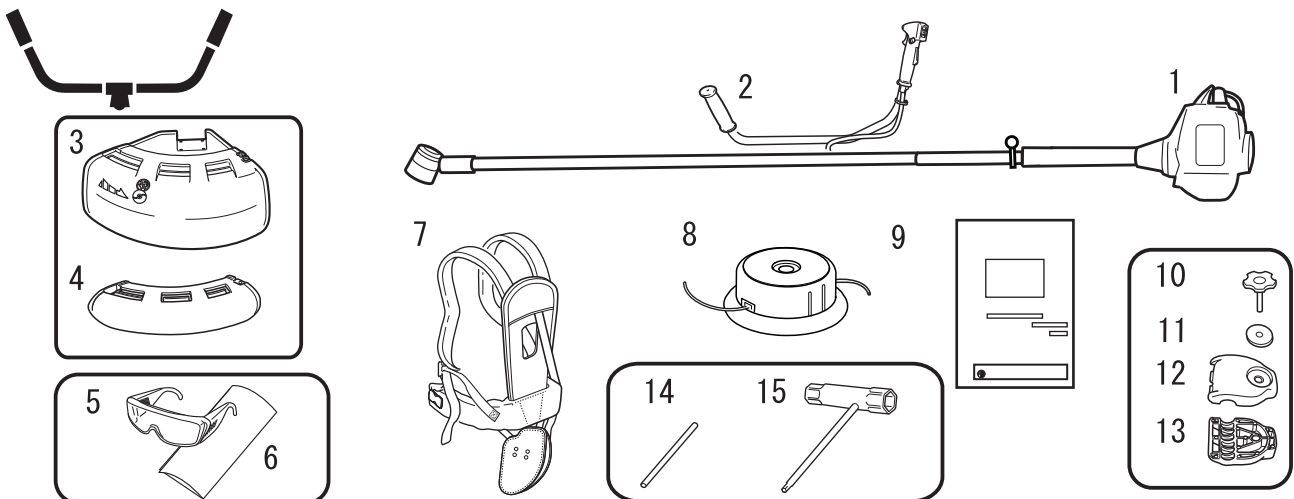
1. **Trasmissione angolare** Due ingranaggi per cambiare l'angolo dell'asse di rotazione.
2. **Accessorio di taglio** Testina a filo di nylon per falciare erba e erbacce.
3. **Protezione** Protegge l'utente dal contatto accidentale con la testina di taglio e con eventuali oggetti lanciati.
4. **Coltello tagliafilo** Taglia il filo di nylon per regolarne la lunghezza proporzionalmente.
5. **Albero** Parte dell'attrezzo che funge da tubo di rivestimento dell'albero di trasmissione.
6. **Impugnatura ad anello** Leggera, adatta per bordatore/decespugliatore con filo di nylon.
7. **Impugnatura a U** Ha la forma del manubrio di una bicicletta, per ridurre la fatica dell'operatore, rispetto all'impugnatura ad anello.
8. **Punto di sospensione** Dispositivo su cui si aggancia la cintura a bandoliera.
9. **Interruttore di accensione** Interruttore "scorrevole" montato sulla sede della leva del gas. Spostare in avanti per AVVIARE e indietro per ARRESTARE.
10. **Leva del gas** Azionata dall'utente con la mano per controllare il regime del motore.
11. **Fermo acceleratore** Blocca la leva del gas in folle fin quando la mano destra non afferra saldamente l'impugnatura.
12. **Coperchio del filtro dell'aria** Copre il filtro dell'aria.
13. **Tappo del serbatoio carburante** Copre e sigilla il serbatoio del carburante.
14. **Serbatoio del carburante** Contiene il carburante e il filtro del carburante.
15. **Impugnatura di avviamento** Tirare l'impugnatura per avviare il motore.
16. **Carter marmitta** Impedisce all'utente di toccare la superficie rovente della marmitta.
17. **Candela**
18. **Cinghia a spalla** Cinghia regolabile per sostenere l'attrezzo.

Contenuto della confezione

- Le seguenti parti sono state imballate separatamente nella scatola di imballaggio.
- Dopo aver aperto la confezione, controllare che siano presenti tutte le parti.
- In caso di parti mancanti o rotte, contattare il rivenditore.



- | | |
|--|----------------------------|
| 1. Motore ed albero | 7. Impugnatura ad anello |
| 2. Protezione (per testina a filo di nylon) | 8. Testina a filo di nylon |
| 3. Protezione (per disco metallico) | 9. Manuale per l'operatore |
| 4. Occhiali di protezione (conformi allo standard ANSI Z 87.1) | 10. Utensile di bloccaggio |
| 5. Etichetta di precauzione | 11. Chiave a tubo |
| 6. Cinghia a spalla | |



- | | |
|--|--|
| 1. Motore ed albero | 9. Manuale per l'operatore |
| 2. Impugnatura a U | 10. Bullone di montaggio del manubrio |
| 3. Protezione (per testina a filo di nylon) | 11. Rondella |
| 4. Protezione (per disco metallico) | 12. Supporto di montaggio del manubrio (superiore) |
| 5. Occhiali di protezione (conformi allo standard ANSI Z 87.1) | 13. Supporto di montaggio del manubrio (inferiore) |
| 6. Etichetta di precauzione | 14. Utensile di bloccaggio |
| 7. Cinghia a spalla | 15. Chiave a tubo |
| 8. Testina a filo di nylon | |

Prima di iniziare

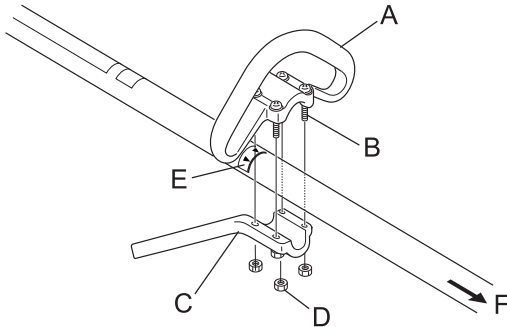
Montaggio

⚠ AVVERTENZA

○ Leggere attentamente il manuale per l'operatore per essere certi di montare correttamente il prodotto.
L'uso di un prodotto non montato correttamente potrebbe causare incidenti o lesioni gravi.



Versione con impugnatura ad anello Montaggio dell'impugnatura ad anello



Assemblare l'impugnatura ad anello (A) e il supporto (C) sul gruppo albero motore.

Collocare l'impugnatura in una posizione comoda e serrare i bulloni (B).

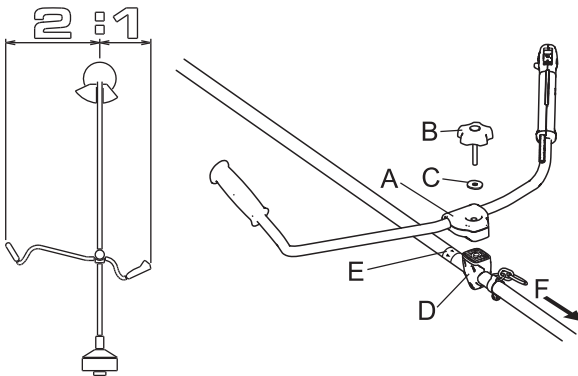
E: Freccia

F: Al motore

⚠ ATTENZIONE

○ Installare l'impugnatura sul lato motore, operando in corrispondenza del contrassegno a forma di freccia.

Versione con impugnatura a U Montaggio dell'impugnatura a U



1. Montare il supporto di montaggio (superiore) (A) del manubrio nel supporto di montaggio (inferiore) (D) del manubrio e fissare il manubrio serrando leggermente il bullone di montaggio (8 mm) (B).

2. Regolare l'inclinazione del manubrio in posizione adeguata (comoda per il lavoro) e serrare a fondo il bullone di montaggio.

C: Rondella

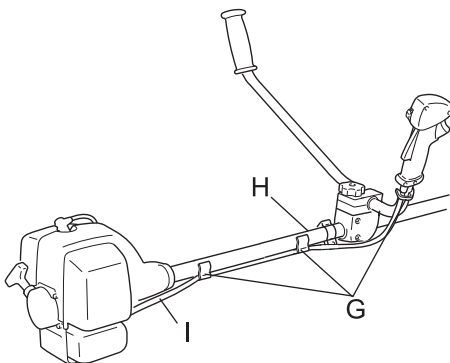
E: Freccia

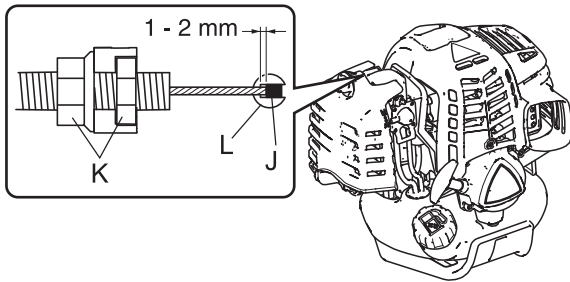
F: Al motore

⚠ ATTENZIONE

○ Montare l'impugnatura in modo da non nascondere nessuna delle decalcomanie.

3. Per evitare che il filo del cavo dell'acceleratore (I) si allenti, fissarlo all'albero (H) (2 punti) e all'impugnatura a U destra (1 punto) con i fermi di fissaggio (G).



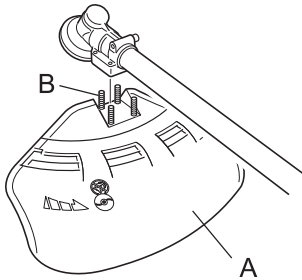


⚠ ATTENZIONE

○ Dopo l'assemblaggio, regolare il gioco dell'estremità del filo (J) sul lato del carburatore (L) a 1 -2 mm.

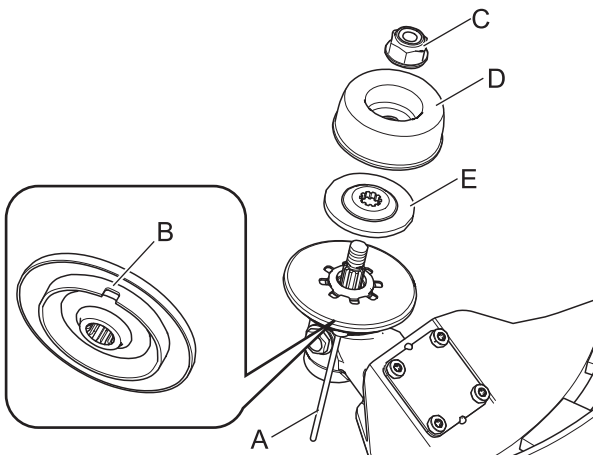
K: Dadi

Montaggio della protezione



1. Montare la protezione (A) alla porzione di supporto della trasmissione angolare e serrare i 4 bulloni (B).

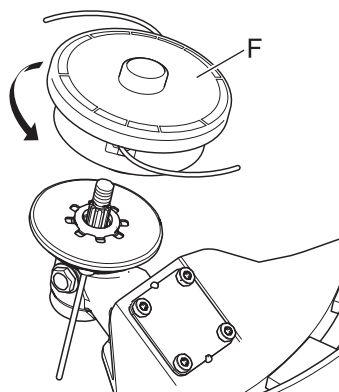
Montaggio della testina a filo di nylon



1. Inserire l'utensile di bloccaggio (A) in un foro situato sul lato destro della trasmissione angolare, forzando al contempo la molla porta disco sul lato sinistro.
 2. Inserire l'utensile di bloccaggio nell'asola per il bloccaggio del fermo della lama (B), per fissare l'alberino di uscita.
 3. Utilizzando la chiave a tubo, rimuovere il dado (C), il sottocoppa (D) e il fermo della lama inferiore (E).
- * Dado, sottocoppa e fermo della lama inferiore non sono utilizzati in presenza di testine con filo di nylon.

⚠ ATTENZIONE

○ Fissare saldamente l'alberino di uscita con l'utensile di bloccaggio per impedire la rotazione dell'alberino di uscita durante il montaggio della testina a filo di nylon.



4. Avvitare la testina a filo di nylon (F) sull'albero (in senso antiorario) fino a quando non è saldamente inserita in sede.
5. Smontare l'utensile di bloccaggio.

Regolazione del punto di equilibrio Regolazione della cinghia a spalla

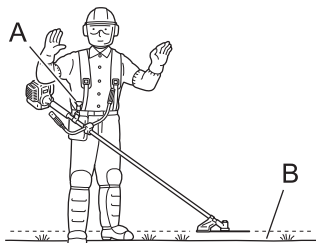
⚠ AVVERTENZA

○ Questo prodotto è progettato per adattarsi a vari tipi di corporature, ma non sempre è regolabile per persone molto alte. Non utilizzare l'attrezzo se i piedi raggiungono l'accessorio di taglio quando l'attrezzo è fissato alla cinghia a spalla.

Prima di iniziare

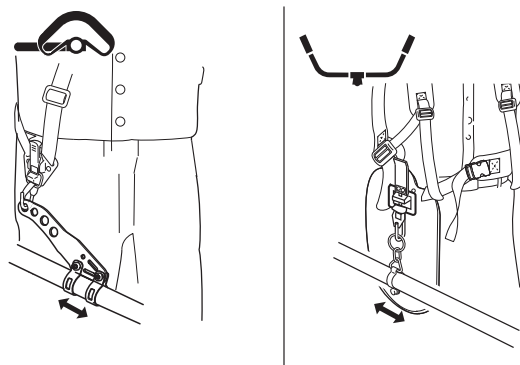
IMPORTANTE

- L'altezza della persona può influire sulla regolazione del punto di equilibrio. Inoltre, la procedura di bilanciamento può non essere valida per alcune unità o per alcune persone. Se la cinghia a spalla non si adatta o non può essere ben regolata, richiedere assistenza al proprio rivenditore.



- ♦ La cinghia a spalla in dotazione è adatta per persone con una corporatura da adulto standard, con un'altezza di 150 - 195 cm e un giro vita di 60 - 140 cm.
- ♦ Utilizzare una cinghia a spalla se in dotazione o se consigliata in questo manuale. Regolare sia la cinghia che il punto di sospensione (A) sull'unità in modo che questa rimanga sospesa con l'accessorio di taglio a pochi centimetri da terra (B).
- ♦ L'accessorio di taglio e la protezione devono essere a livello in tutte le direzioni. Agganciare l'unità sul lato destro come mostrato.

Equilibrare l'attrezzo per un taglio con rotazione livellata



- ♦ Far scorrere il punto di sospensione su e giù lungo l'albero per trovare l'equilibrio adeguato. Ruotare il fermo per portare l'accessorio di taglio a livello con la protezione. Bloccare in posizione. Se il punto di sospensione è di tipo a rotazione libera, l'unità può tendere a sbilanciarsi lateralmente; tuttavia, è necessario livellare ugualmente l'accessorio e la protezione sull'asse anteriore-posteriore.
- ♦ In seguito al bilanciamento e al livellamento può essere necessario riposizionare il fermo e regolare le fascette della cinghia. All'occorrenza riequilibrare l'accessorio di taglio e la protezione montati sull'unità.

Preparazione del carburante

⚠ PERICOLO

- Non effettuare il rifornimento quando il motore è caldo o acceso.
 - Non fumare o accendere fiamme durante il rifornimento.
- In questi casi il carburante potrebbe incendiarsi e causare ustioni.



⚠ AVVERTENZA

- Non riempire mai il serbatoio del carburante in ambienti chiusi. Riempire sempre i serbatoi del carburante all'aperto e su terreno sgombro. Non rifornire il prodotto sulla piattaforma di carico di un autocarro o in altri luoghi analoghi.
- I serbatoi/contenitori di carburante possono essere sotto pressione. Allentare sempre il tappo del carburante lentamente per compensare la pressione. Altrimenti il carburante potrebbe venire versato fuori.
- Pulire il carburante traboccato o versato. Il carburante versato può causare incendi o scottature se infiammato.
- Dopo il rifornimento, controllare sempre che non ci siano perdite o fuoriuscite dal condotto del carburante, dal gommino dell'impianto di alimentazione o intorno al tappo del serbatoio. In caso di perdite o fuoriuscite di carburante, smettere immediatamente di usare il prodotto e contattare il rivenditore per la riparazione. Qualsiasi perdita di carburante può causare incendi.
- Mantenere il serbatoio di rifornimento all'ombra e lontano da fiamme libere.
- Utilizzare un contenitore di carburante approvato.

IMPORTANTE

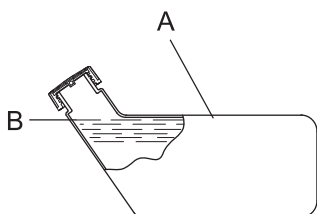
- Il carburante è una miscela di benzina di grado normale e olio per motori a 2 tempi raffreddati ad aria di buona marca. Si consiglia benzina senza piombo a 89 ottani. Non utilizzare carburante contenente alcool metilico o una percentuale di alcool etilico superiore al 10%.
- Il carburante riposto per lungo tempo invecchia. Non miscelare più carburante di quanto si prevede di utilizzare in trenta (30) giorni.

Carburante



- ◆ Percentuale della miscela consigliata 50:1 (2%) per olio standard ISO-L-EGD (ISO/CD 13738), grado JASO FC, FD ed ECHO Premium 50: 1.
- ◆ Non miscelare direttamente nel serbatoio carburante del motore.

Rifornimento carburante



- ◆ Non riempire mai il serbatoio del carburante (A) fino all'imboccatura. Mantenere il carburante entro il livello prescritto (fino al livello massimo (B) del serbatoio).
- ◆ Serrare bene il tappo del serbatoio del carburante dopo il rifornimento.

Funzionamento del motore

Avviamento del motore

WARNING

Prestare particolare attenzione alle seguenti precauzioni quando si avvia il motore:

- Spostarsi di almeno 3 m dal luogo in cui si è ricaricato il serbatoio di carburante.
- Collocare il prodotto su una superficie piana e ben ventilata.
- Verificare che non vi siano perdite di carburante.
- Controllare che i dischi metallici non presentino incrinature.
- Controllare che non ci siano dadi o bulloni allentati.
- Lasciare sufficiente spazio intorno al prodotto e non permettere a persone o animali di avvicinarsi.
- Avviare il motore con la leva del gas in folle.
- Mantenere il prodotto fermo a terra durante l'avvio del motore.

La mancata osservanza di queste precauzioni può provocare incidenti, lesioni o perfino la morte.

- Una volta avviato il motore, verificare che non ci siano vibrazioni o rumori anomali. Non utilizzare il prodotto se ci sono vibrazioni o rumori anomali. Contattare il rivenditore per la riparazione.

Incidenti che provocano la caduta o la rottura di parti possono causare ferite o lesioni gravi.

- I gas di scarico provenienti dal motore contengono gas tossici. Non utilizzare il prodotto in ambienti chiusi o scarsamente ventilati.

I gas di scarico possono provocare avvelenamento.



- Non toccare la marmitta, la candela, la trasmissione angolare e altri componenti ad alta temperatura durante il funzionamento del prodotto e per qualche tempo dopo averlo spento.

Il contatto con componenti ad alta temperatura potrebbe causare ustioni.



- Non toccare la candela, il suo cavo o altri componenti ad alta tensione mentre il prodotto è acceso.

Il contatto con componenti ad alta tensione mentre il prodotto è in moto potrebbe causare scosse elettriche.



- Se all'avviamento del motore l'accessorio di taglio ruota anche se la leva del gas si trova nella posizione di folle, regolare il carburatore prima di utilizzare il prodotto.

La mancata osservanza di queste precauzioni può provocare incidenti, lesioni o perfino la morte.

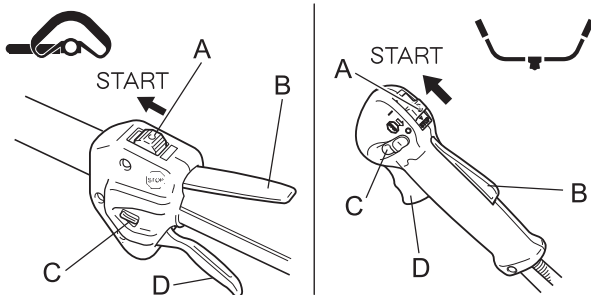
- Quando si avvia il motore utilizzando il fermo acceleratore, l'accessorio di taglio ruota. Dopo l'avviamento del motore, tirare leggermente la leva del gas per rilasciare immediatamente il fermo acceleratore. Non utilizzare mai il fermo acceleratore per l'accensione.

La lama rotante può provocare lesioni.

NOTA

- Tirare la funicella, dapprima delicatamente, quindi con maggiore rapidità. Non estrarre la funicella di avviamento per più di 2/3 della sua lunghezza.
- Non lasciar andare la funicella durante il movimento di ritorno.

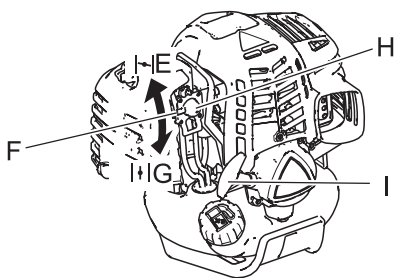
Avviamento di un motore a freddo



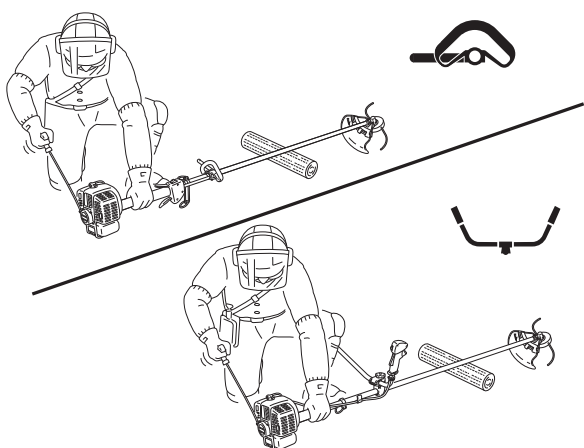
(Se il prodotto è stato conservato per un lungo periodo, collegare il cappuccio candela.)

1. Togliere il coprilama.
2. Collocando il prodotto su una superficie piana, verificare che l'accessorio di taglio non si trovi a contatto con la superficie del terreno o con qualsiasi altro impedimento, servendosi di un asse o attrezzo analogo.
3. Portare l'interruttore di accensione (A) in posizione Start.
4. Assicurarsi che la leva del gas (D) sia in posizione di folle.

Funzionamento del motore

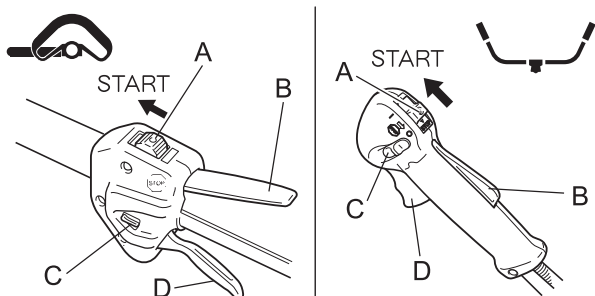


- Portare la leva della valvola dell'aria (F) in posizione "Avviamento a freddo" (E).
- In alternativa, premere e rilasciare il bulbo di spurgo (H) finché il carburante non viene risucchiato al suo interno.
- Dopo aver verificato che l'area circostante è sicura, mantenere fermo il bordatore/decespugliatore con una mano vicina al motore, come mostrato in figura, e con l'altra mano tirare ripetutamente la funicella (I).
- Se si sente un suono di scoppio e il motore si arresta immediatamente, portare la leva della valvola dell'aria in posizione "In funzione" (G) e continuare a tirare la funicella per avviare il motore.
- Se il motore non si spegne, riportare delicatamente la leva della valvola dell'aria nella posizione "In funzione".
- Lasciar scaldare il motore in folle per un breve tempo.



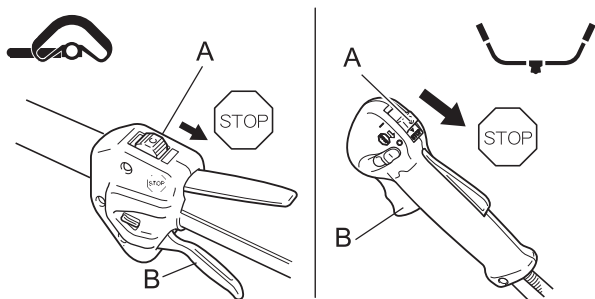
- * In caso di difficoltà di avviamento del motore, utilizzare il fermo acceleratore (C). (Tirare completamente la leva del gas e abbassare il fermo acceleratore premendo il dispositivo di bloccaggio (B) della leva del gas e rilasciando la leva del gas per attivare il fermo acceleratore. Dopo l'avviamento del motore, tirare leggermente la leva del gas per rilasciare immediatamente il fermo acceleratore.)

Avviamento di un motore a caldo



- Portare l'interruttore di accensione (A) in posizione Start.
- Assicurarsi che la leva del gas (D) sia in posizione di folle.
- Controllare che la leva della valvola dell'aria sia nella posizione "In funzione".
- Se nel bulbo di spurgo non c'è carburante, premere e rilasciare il bulbo di spurgo finché il carburante non viene risucchiato al suo interno.
- Dopo aver verificato che l'area circostante è sicura, mantenere fermo il bordatore/decespugliatore con una mano vicina al motore e con l'altra mano tirare la funicella per avviare il motore.

Arresto del motore



- Portare la leva del gas (B) nella posizione di folle e portare il motore al minimo (ossia, bassa velocità).
- Portare l'interruttore di accensione (A) in posizione Stop.
- In caso di emergenza, arrestare immediatamente il motore mediante l'interruttore di accensione.
- Se il motore non si arresta, portare la leva della valvola dell'aria in posizione "Avviamento a freddo". Il motore stalla e si arresta (arresto di emergenza).
- * Se il motore non si arresta azionando l'interruttore di accensione, far controllare e riparare l'interruttore di accensione dal rivenditore prima di utilizzare di nuovo il prodotto.
- Scollegare sempre il cavo dalla candela per evitare che persone non autorizzate possano avviare il motore durante l'assenza dell'operatore.

Operazioni di taglio

PERICOLO

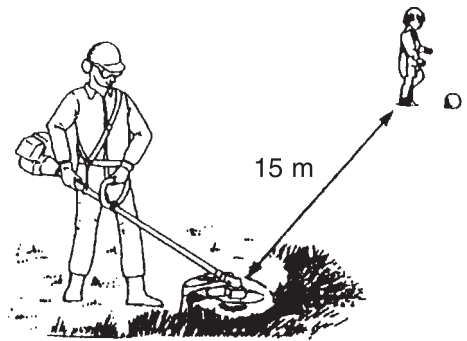
○ **Spegnere sempre il motore quando l'accessorio di taglio si inceppa.**
Se durante la rimozione dell'inceppamento l'accessorio di taglio si avvia improvvisamente può causare gravi lesioni.

○ **Non utilizzare il prodotto senza protezione.**
Qualsiasi oggetto che rimbalza dall'accessorio di taglio può provocare un incidente o lesioni gravi.

○ **L'area nel raggio di 15 m dal prodotto deve essere considerata zona pericolosa. Osservare le seguenti precauzioni mentre si sta lavorando con il prodotto.**

- ◆ **Non permettere a bambini, altre persone o animali di entrare nella zona pericolosa.**
- ◆ **Se altre persone entrano nella zona pericolosa, spegnere il motore per fermare la rotazione dell'accessorio di taglio**
- ◆ **Prima di avvicinarsi all'utente, fargli prima un segnale, per esempio, gettando dei ramoscelli dall'esterno della zona pericolosa, quindi controllare che il motore sia spento e che l'accessorio di taglio sia fermo.**
- ◆ **Se più persone devono lavorare con il prodotto, trovare un modo per comunicare con il collega da una distanza di 15 m.**

Qualsiasi oggetto che rimbalza dall'accessorio di taglio e qualsiasi contatto con l'accessorio di taglio può causare cecità o morte.



AVVERTENZA

○ **Prima di iniziare a lavorare controllare l'area e rimuovere le pietre piccole e i recipienti vuoti che potrebbe rimbalzare dall'accessorio di taglio, e pezzi di lacci o fili che si potrebbero attorcigliare attorno ad esso.**

Corpi estranei rimbalzati dall'accessorio di taglio o fili e altri materiali attorcigliati attorno al prodotto potrebbero causare un incidente o lesioni gravi.



○ **Nelle seguenti situazioni spegnere il motore immediatamente e assicurarsi che l'accessorio di taglio sia fermo prima di controllare qualsiasi parte del prodotto. Sostituire le parti danneggiate.**

- ◆ **Se l'accessorio di taglio urta contro una roccia, un albero, un palo o qualsiasi altra ostruzione mentre si sta lavorando.**
- ◆ **Se il prodotto comincia improvvisamente a vibrare in maniera anomala.**

Continuare a utilizzare parti danneggiate potrebbe provocare un incidente o lesioni gravi.

○ **Non sollevare l'accessorio di taglio durante il lavoro. Non lavorare con l'accessorio di taglio sollevato oltre il livello del ginocchio.**

Sollevando l'accessorio di taglio sopra il livello del ginocchio, il piano di rotazione si avvicinerebbe al viso ed eventuali oggetti potrebbero volare dall'accessorio di taglio causando un incidente o lesioni gravi.

Trasporto del prodotto

○ **Durante il trasporto nelle situazioni descritte qui di seguito, spegnere il motore e assicurarsi che la lama del bordatore sia ferma, quindi montare il coprilama e posizionare la marmitta lontano dal corpo.**

- ◆ **Spostandosi verso il luogo in cui si sta lavorando**
- ◆ **Spostandosi in un altro luogo mentre si sta lavorando**
- ◆ **Lasciando il luogo in cui è stato eseguito il lavoro**

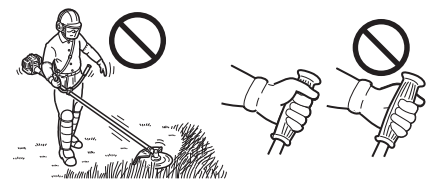
La mancata osservanza di queste precauzioni potrebbe causare scottature o lesioni gravi.

○ **Durante il trasporto in automobile, svuotare il serbatoio del carburante, installare il coprilama e fissare saldamente il prodotto per evitare che si muova durante il viaggio.**

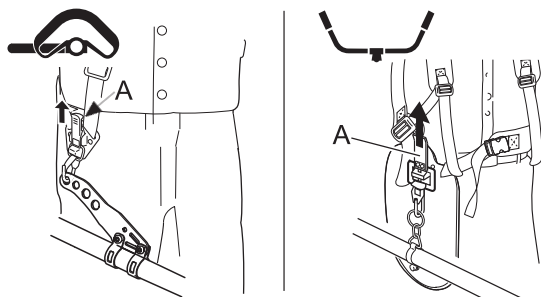
Viaggiare in automobile con carburante all'interno del serbatoio potrebbe provocare un incendio.

○ **Non tentare mai di utilizzare il prodotto con una mano sola.**

○ **Le dita e il pollice di ogni mano devono afferrare saldamente le impugnature.**



Uso della cinghia a spalla



Montare sempre il decespugliatore correttamente utilizzando la cinghia a spalla.

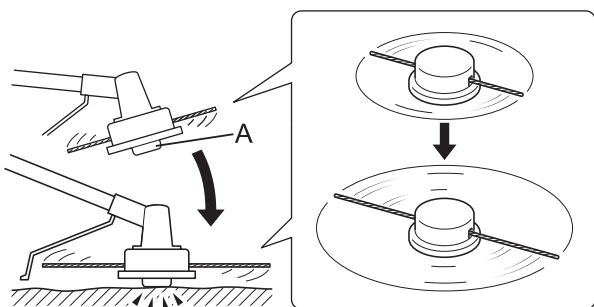
- ◆ Agganciare la cintura (versione con impugnatura a U) Essa deve essere aderente.
- ◆ Agganciare il prodotto alla cinghia a spalla.
- ◆ Versione con impugnatura ad anello
Collocare la cinghia sulla spalla sinistra e regolare le fascette in modo che la spina a sgancio rapido rimanga immediatamente sotto la vita.
- ◆ Versione con impugnatura a U
Collocare la cinghia su entrambe le spalle e regolare le fascette in modo che il punto di connessione si agganci come mostrato in figura.
- ◆ Verificare la corretta regolazione muovendo l'accessorio di taglio sul terreno.
- ◆ Se necessario, regolare nuovamente la posizione del punto di sospensione.
- ◆ La cinghia a spalla è dotata di una funzione di rilascio di emergenza. In caso di incendio o altra emergenza, tirare la linguetta di emergenza (A) per staccare il prodotto dal corpo.

Funzionamento base del taglio con testina a filo di nylon

⚠ AVVERTENZA

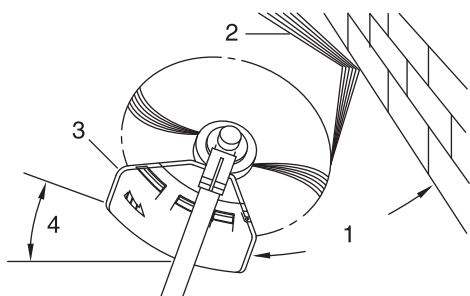
- L'uso improprio dell'accessorio di taglio può causare lesioni gravi. Leggere e osservare le istruzioni per la sicurezza riportate in questo manuale.
- Utilizzare solo accessori di taglio raccomandati da YAMABIKO Corporation.
- In seguito alla regolazione della lunghezza del filo, il filo di nylon superfluo che si estende oltre il coltello tagliafilo potrebbe volare via quando l'accessorio di taglio che lo contiene inizia a girare.
La mancata osservanza di queste precauzioni potrebbe causare un incidente o lesioni gravi.

Regolazione del filo di nylon



- ◆ Non far girare la testina a filo di nylon a più di 10000 giri/min.
- ◆ Per far avanzare il filo della bobina, battere leggermente il pomello di battuta contro la superficie del terreno a una velocità di rotazione inferiore a 4500 giri/min.
- ◆ Il coltello tagliafilo sulla protezione regola automaticamente i fili tagliandoli in modo uniforme quando l'accessorio inizia a ruotare.
- ◆ Quando si lavora con una lunghezza di taglio inferiore alla massima, tagliare i due fili di nylon alla stessa lunghezza.
- ◆ Quando il filo in nylon si accorcia, battere leggermente al suolo il pomello di battuta (A) della bobina, per favorire il rilascio del filo dalla bobina.

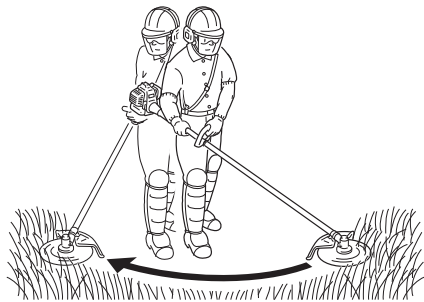
Taglio



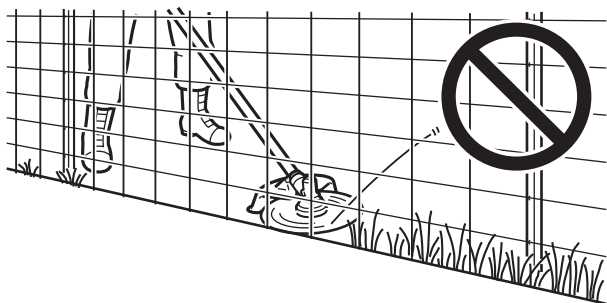
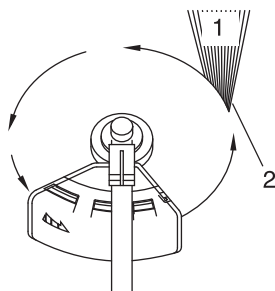
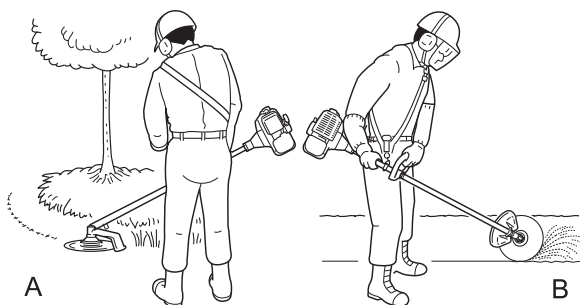
- ◆ Consiste nell'inserimento attento del decespugliatore nel materiale da tagliare. Inclinare leggermente la testa per indirizzare i detriti lontano dal corpo. Se il taglio viene eseguito fino a una barriera, quale una recinzione, un muro o un albero, avvicinarsi da un'angolazione tale per cui i detriti che rimbalzano dall'ostacolo non vengano contro l'utente.
- ◆ Muovere la testina a filo di nylon lentamente finché l'erba non è stata tagliata fino alla barriera, ma non insistere troppo con il filo. Se si esegue il taglio lungo una rete, prestare attenzione a non avvicinarsi troppo. Se il filo è troppo lungo va ad avvolgersi e ad impigliarsi con la rete.
- ◆ Il taglio serve anche per tagliare un gambo di erbacce alla volta. Mettere la testina a filo di nylon accanto alla base del fascio, mai in alto, dove l'erbaccia potrebbe vibrare ed impigliarsi nel filo. Anziché tagliare completamente le erbacce, tagliare lentamente il gambo con la punta del filo.

Operazioni di taglio

Falciatura



Rasatura al suolo e rifilatura



1. Angolo con il muro
2. Detriti
3. Lato lama alzato
4. Angolo con il suolo

- ♦ Si tratta del taglio di aree erbose piuttosto estese, eseguito descrivendo un arco con il decespugliatore. con un movimento lento e uniforme, senza cercare di appiattire o tranciare l'erba. Inclinare leggermente la testina a filo di nylon per indirizzare i detriti lontano dal corpo nella corsa di falciatura. Quindi tornare indietro senza tagliare l'erba e iniziare un'altra corsa. Se si è ben protetti e quindi non ci si deve preoccupare dei detriti ricevuti addosso, è possibile falciare in entrambe le direzioni.

- ♦ Entrambe vengono eseguite con la testina a filo di nylon ad angolo acuto. La rasatura al suolo (A) consente di eliminare la crescita, lasciando solo la base di terra. La rifilatura (B) consiste nell'eliminare la crescita dell'erba da un'area pavimentata o da un vialetto. Durante entrambe le operazioni, tenere l'unità a un angolo acuto in una posizione per cui i detriti ed eventuali rifiuti o pietre scalzati non tornino verso l'utente anche rimbalzando contro la superficie dura.

- ♦ Sebbene le illustrazioni mostrino come radere al suolo e rifinire, ciascun utente deve individuare autonomamente l'inclinazione più adatta al suo corpo e al taglio desiderato.

- ♦ Per quasi ogni tipo di taglio è buona pratica inclinare la testina a filo di nylon in modo che il contatto avvenga sulla sezione del cerchio tracciato dal filo quando si sposta lontano dall'utente e dalla protezione (vedere la figura corrispondente). In questo modo, i detriti vengono scagliati lontano dall'utente.

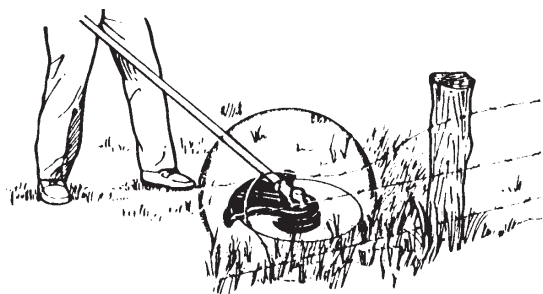
- ♦ Inclinando la testina in direzione errata, l'utente fa volare i detriti verso il proprio corpo. Se la testina a filo di nylon viene tenuta piatta rispetto al suolo in modo che il taglio abbia luogo su tutto il cerchio tracciato, i detriti saranno scagliati verso l'utente, la resistenza farà rallentare il motore e si consumerà molto filo.

- ♦ La testina a filo di nylon ruota in senso antiorario. Il coltello si trova sul lato sinistro della protezione.

1. Detriti
2. Tagliare da questo lato

- ♦ Non spingere il filo tra erbacce robuste, alberi o reti metalliche.
- ♦ Quando si spinge il filo in reti zincate leggere o recinzioni in tessuto metallico o fitta vegetazione, l'utente rischia di venire colpito dalle estremità spezzate del filo. Il metodo corretto consiste nel tagliare fino a un ostacolo come quelli già accennati, senza mai permettere che il filo entri o penetri nell'ostacolo. Non tagliare vicino a ostacoli o barriere.

Operazioni di taglio



- ♦ Evitare che il filo di nylon venga a contatto con la rete metallica. I pezzi di rete spezzata dal decespugliatore possono essere scagliati ad alta velocità.

Funzionamento base del taglio con disco metallico

⚠ AVVERTENZA

○ Durante il taglio, attenersi alle seguenti istruzioni.

- ♦ Verificare che la lama bordatore sia serrata saldamente in posizione.
- ♦ Sostituire la protezione in caso di danni o incrinature.
- ♦ Sostituire il dado delle lame del bordatore se usurato.
- ♦ Non inserire la lama nel suolo.
- ♦ Non lavorare con una lama non affilata, piegata, fratturata o scolorita e un dado usurato o danneggiato.
- ♦ Non far girare il motore alla massima potenza senza carico.

La mancata osservanza di queste precauzioni potrebbe causare un incidente o lesioni gravi.

○ Utilizzare solo accessori di taglio raccomandati da YAMABIKO Corporation.

○ Il tipo di lama utilizzato deve essere adeguato per il tipo e dimensione del materiale da tagliare. Una lama inadatta o poco affilata può causare gravi lesioni personali. Le lame devono essere affilate. Le lame scarsamente affilate comportano un maggiore rischio di contraccolpi e infortuni dell'operatore e di eventuali persone presenti.

- ♦ È possibile usare lame per erba/erbacce di plastica/nylon laddove venga utilizzata la testina a filo di nylon. Non adoperare questa lama per cespugli o erbacce di grandi dimensioni.
- ♦ Il disco a tre lame è stato realizzato appositamente per falciare erbacce ed erba. Per evitare lesioni causate da contraccolpo o dalla rottura del disco non utilizzare il disco a tre lame per segare cespugli o alberi.
- ♦ La lama dentata per l'erba/erbacce è progettata per falciare erba, detriti da giardino ed erbacce di grandi dimensioni. Non usare questa lama per il taglio di cespugli o grossi arbusti legnosi, dal diametro di 19 mm o superiore.
- ♦ La lama a 22 denti è progettata per segare sterpaglia e alberelli, fino a un diametro di 64 mm.
- ♦ La lama a 80 denti è progettata per tagliare cespugli e arbusti legnosi fino a un diametro di 13 mm.

L'utilizzo di lame danneggiate o rovinata può causare incidenti e lesioni gravi.

Contraccolpo

○ Il fenomeno che si verifica se l'accessorio di taglio entra in contatto con un albero, un palo, una roccia o altri oggetti duri mentre sta girando ad alta velocità e reagisce indietreggiando fortemente e all'improvviso, è noto come contraccolpo.

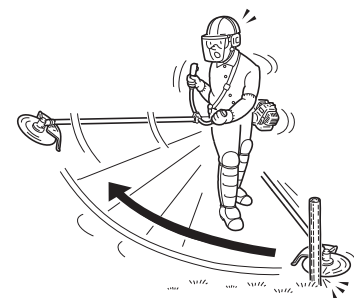
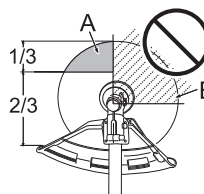
○ Il contraccolpo è estremamente pericoloso perché può provocare la perdita di controllo del prodotto.

○ In particolare, se il quadrante anteriore destro della lama del bordatore (B) colpisce un arbusto o un altro oggetto simile, causa un brusco ritorno all'indietro verso destra.

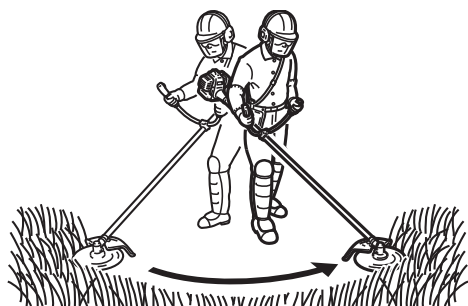
○ Per prevenire i contraccolpi, non tagliare da sinistra verso destra. Evitare di colpire oggetti duri con la lama bordatore.

○ Tagliare l'oggetto impegnando solo 1/3 della superficie complessiva della lama, calcolato dal bordo anteriore sinistro (A).

La mancata osservanza di queste istruzioni potrebbe provocare lesioni o la morte.



Falciatura dell'erba



- ♦ Viene eseguita facendo oscillare l'accessorio di taglio in guisa di arco sul piano orizzontale. Consente di ripulire in tempi brevi erba ed erbacce. La falciatura non è indicata per tagliare erbacce resistenti o di grosso diametro oppure vegetazione legnosa.
- ♦ Se un ramoscello o un arbusto si avvolge intorno all'accessorio di taglio, non utilizzare quest'ultimo come leva per eliminare l'inceppamento, poiché in questo modo si provoca la rottura dell'accessorio.
- ♦ Arrestare invece il motore e spingere il ramoscello o l'arbusto per liberare le lame.

Manutenzione e cura

AVVERTENZA

Osservare le seguenti precauzioni durante il controllo e la manutenzione del prodotto dopo l'uso:

- **Spegnere il motore ed eseguire il controllo o la manutenzione del prodotto solo dopo che il motore si è raffreddato.**
Interventi a motore caldo potrebbero causare ustioni.
- **Prima di eseguire il controllo e la manutenzione rimuovere il cappuccio della candela.**
Un avvio imprevisto del prodotto potrebbe causare un incidente.

IMPORTANTE

- Il controllo e la manutenzione richiedono competenze specialistiche. In caso di problemi o difficoltà durante la manutenzione del prodotto, consultare il proprio rivenditore. Non tentare di smontare il prodotto.

Guida alla manutenzione

Parte	Manutenzione	Pagina	Prima dell'uso	Mensile
Filtro dell'aria	Pulire / sostituire	21	•	
Filtro del carburante	Ispezionare/pulire/sostituire	21	•	
Candela	Ispezionare/pulire/registrare/sostituire	23		•
Carburatore	Regolare / sostituire e regolare	21		•
Impianto di raffreddamento	Ispezionare/pulire	22	•	
Marmitta	Ispezionare/serrare	22	•	
Marmitta	Pulire	22		•**
Trasmissione angolare	Aggiungere del grasso	23		•*
Motorino di avviamento	Ispezionare	-	•	
Coltello tagliafilo	Ispezionare/pulire	-	•	
Impianto di alimentazione	Ispezionare	21	•	
Viti, bulloni e dadi	Ispezionare, serrare / sostituire	-	•	

* o 50 ore, scegliendo l'intervallo inferiore. ** o 100 ore, scegliendo l'intervallo inferiore.

Parte	Manutenzione	
Gioco valvola	Regolare	Qualora tirare la maniglia dell'avviamento a strappo risultasse difficoltoso, oppure se si riscontrano fenomeni di abbassamento della potenza, consultare il rivenditore.

IMPORTANTE

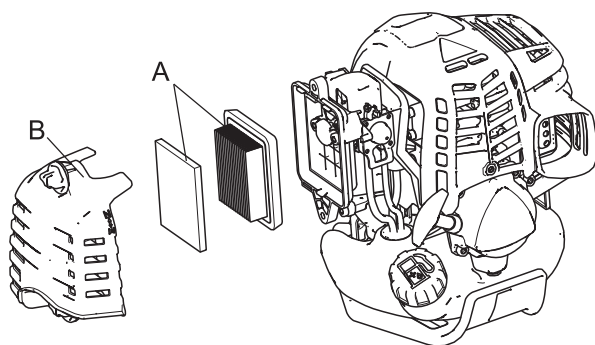
- Gli intervalli di tempo indicati sono quelli massimi. L'uso effettivo e l'esperienza dell'utente determineranno la frequenza degli interventi di manutenzione.

Manutenzione e cura

In caso di dubbi o problemi, contattare il rivenditore.

Manutenzione e cura

Pulizia del filtro dell'aria

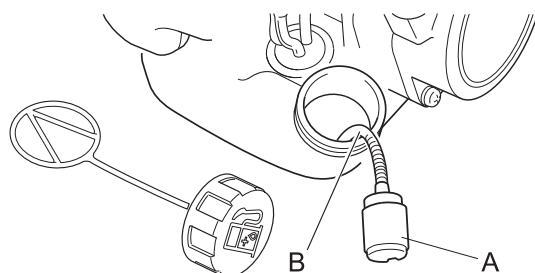


1. Chiudere la valvola dell'aria. Allentare il pomello del coperchio del filtro dell'aria e rimuovere il coperchio del filtro (B).
2. Rimuovere il filtro dell'aria (A) (situato all'interno del coperchio del filtro dell'aria).
3. Rimuovere lo sporco dal filtro con una spazzola o pulire con aria compressa dal lato carburatore.
4. Rimontare il filtro dell'aria dopo averlo installato nel coperchio.
5. Serrare il pomello del coperchio del filtro dell'aria.

NOTA

- Durante la reinstallazione del filtro, installarlo all'interno del telaio dell'alloggiamento del filtro.

Sostituzione del filtro del carburante



1. Sollevare il filtro del carburante (A) attraverso il serbatoio del carburante con un filo metallico o un mezzo simile.
2. Estrarre il vecchio filtro dal condotto del carburante (B).
3. Montare il nuovo filtro.

NOTA

- Se il filtro è eccessivamente sporco o non può essere reinserito in modo appropriato, sostituirlo.

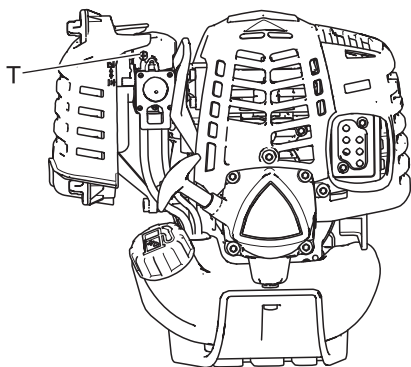
Regolazione del carburatore

⚠ AVVERTENZA

- È POSSIBILE REGOLARE IL REGIME MINIMO ESCLUSIVAMENTE ruotando la vite di regolazione del regime minimo (T).
- Durante la regolazione del carburatore, l'accessorio di taglio potrebbe girare. Prestare la massima attenzione e cura all'accessorio di taglio affinché il dispositivo di taglio in movimento non provochi lesioni.
- Una volta completata la regolazione del carburatore, l'accessorio di taglio non dovrebbe girare con il motore al minimo, poiché si rischiano lesioni gravi.
- NON eseguire la regolazione del carburatore, se non a regime minimo. Tutte le altre regolazioni DEVONO essere eseguite da un rivenditore autorizzato, altrimenti il motore potrebbe danneggiarsi e provocare lesioni personali.

⚠ ATTENZIONE

- In caso di problemi con il carburatore, consultare un rivenditore autorizzato.



Tutte le unità vengono testate in fabbrica e il carburatore viene messo a punto per garantire prestazioni ottimali.

Prima di regolare il carburatore, pulire o sostituire il filtro dell'aria, avviare il motore e farlo girare per alcuni minuti finché non raggiunge la temperatura di esercizio.

Il motore deve tornare a folle quando la leva del gas viene rilasciata. Il regime minimo è regolabile e deve essere impostato sufficientemente basso per permettere alla frizione di disinnestare l'accessorio di taglio.

Per regolare il carburatore, attenersi alle seguenti istruzioni:

1. Collocare l'unità a terra, quindi avviare il motore e lasciarlo girare al minimo per 2-3 minuti per riscaldarlo.
2. Se l'accessorio si muove con il motore al minimo, ridurre il regime ruotando l'apposita vite di regolazione (T) in senso antiorario.
3. Ripetere più volte la procedura di accelerazione alla massima potenza e ritorno in folle. Verificare che l'accessorio di ta-

Manutenzione e cura

- glio non sia più in movimento con il motore in folle.
4. Con un tachimetro è possibile regolare con precisione il regime del minimo in base alle impostazioni consigliate nella sezione delle specifiche tecniche.

NOTA

Se non è possibile regolare correttamente il carburatore tramite la vite di regolazione del regime del minimo (T), contattare un rivenditore autorizzato.

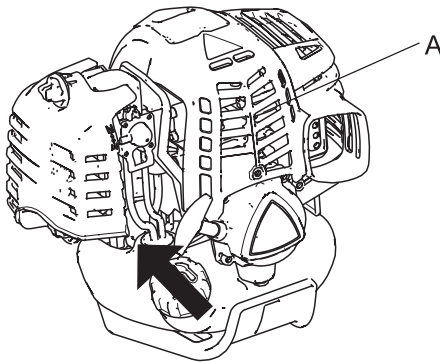
Manutenzione dell'impianto di raffreddamento

IMPORTANTE

○ Per mantenere la giusta temperatura di esercizio del motore, l'aria di raffreddamento deve passare liberamente attraverso le alette del cilindro. Questo flusso d'aria allontana dal motore il calore generato dalla combustione. Il surriscaldamento e il grippaggio del motore possono verificarsi quando:

- ◆ Le prese d'aria sono bloccate e impediscono all'aria di raffreddamento di raggiungere il cilindro,
- ◆ Polvere ed erba si accumulano all'esterno del cilindro. Questo deposito isola il motore e impedisce la dispersione del calore.

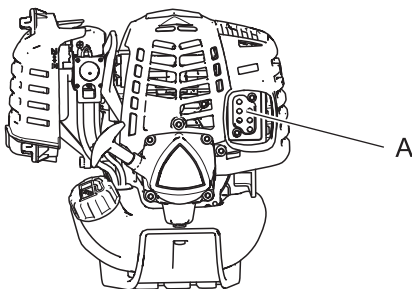
La rimozione delle ostruzioni del passaggio dell'aria di raffreddamento o la pulizia delle alette del cilindro sono considerate "manutenzione ordinaria". Eventuali guasti causati da mancanza di manutenzione sono esclusi dalla garanzia.



Presa d'aria

- ◆ Rimuovere polvere e sporco dalle alette (A).
- ◆ Prima di ogni utilizzo, rimuovere l'erba accumulata nella griglia della presa d'aria inferiore del motore tra il serbatoio del carburante e il motorino d'avviamento.

Pulizia della marmitta

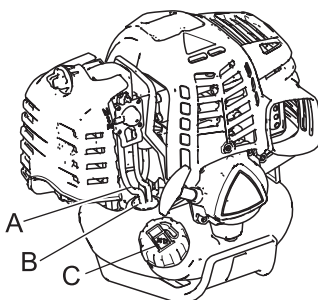


- ◆ I depositi di carbonio nella marmitta (A) provocano la perdita di potenza e il surriscaldamento del motore. Controllare regolarmente la protezione del parascintille. Pulire i depositi dalla marmitta.

IMPORTANTE

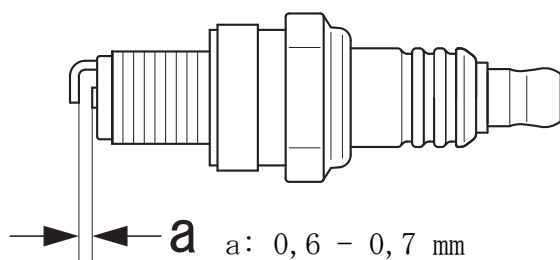
Non rimuovere il coperchio della marmitta. Se necessario, consultare il proprio concessionario.

Controllare l'impianto di alimentazione



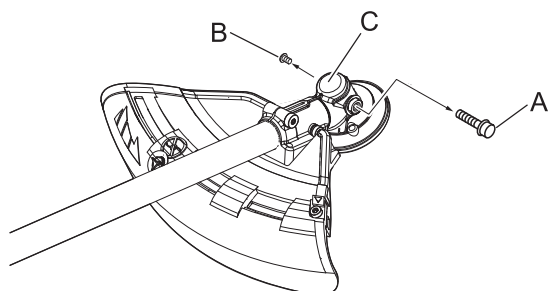
- ◆ Controllare prima di ogni utilizzo.
- ◆ Dopo il rifornimento accertarsi che non ci siano perdite o fuoriuscite di carburante nelle aree circostanti il condotto del carburante (A), il gommino del carburante (B) o il tappo del serbatoio (C).
- ◆ In caso di perdite o trasudamento di carburante c'è rischio di incendio. Smettere immediatamente di usare la macchina e richiedere al proprio rivenditore di ispezionarla o sostituirla.

Controllo della candela



1. Verificare la distanza della candela. La giusta distanza è da 0,6 mm a 0,7 mm.
 2. Verificare l'usura dell'elettrodo.
 3. Verificare se l'isolatore presenta depositi di olio o altro.
 4. Se la candela è sporca, pulirla. Non effettuare la sabbiatura per pulire l'elemento. I residui di sabbia potrebbero causare danni al motore.
 5. Se i terminali degli elettrodi sono usurati o se le parti in ceramica presentano spaccature, sostituirli con componenti nuovi. (vedere Caratteristiche tecniche pagina 29)
 6. Serrare a 10 Nm - 15 Nm (da 100 kgf·cm a 150 kgf·cm).
- * Il test di scintillamento (per verificare se la candela genera scintille) deve essere eseguito dal rivenditore.

Trasmissione angolare



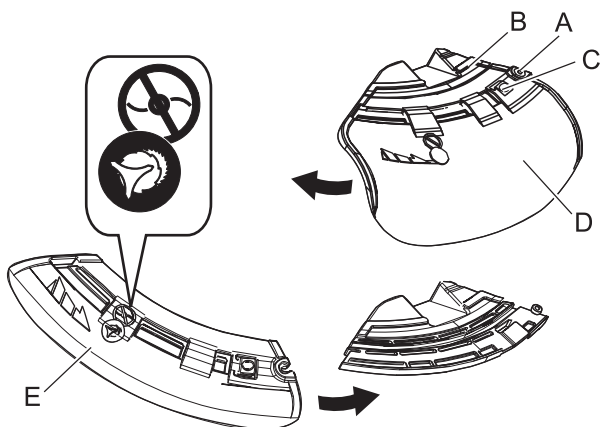
1. Rimuovere il tappo (A) e la vite di scarico (B) dalla trasmissione angolare (C).
2. Aggiungere del grasso nella trasmissione fino a quando quello esausto non inizia ed essere espulso. Se necessario, utilizzare una pompa a bassa pressione.

NOTA

○ Usare grasso multiuso al litio di buona qualità.

3. Applicare nuovamente la vite di scarico e il tappo.

Procedura di sostituzione della protezione



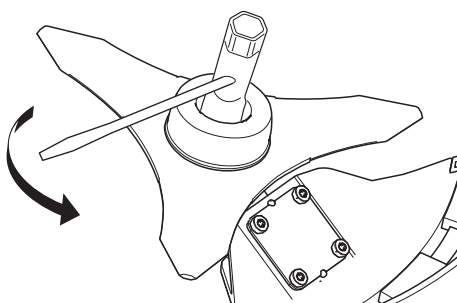
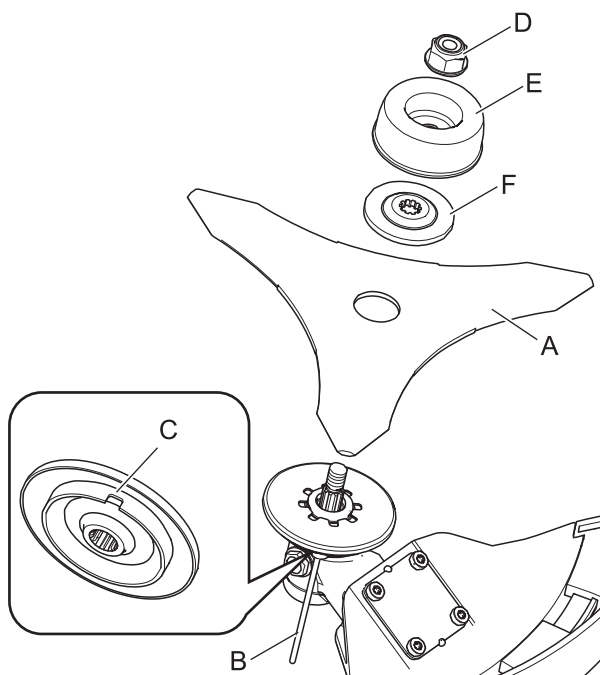
- ♦ Esistono due tipi di protezioni: nella fattispecie, una viene utilizzata esclusivamente per la testina a filo di nylon e l'altra esclusivamente per il disco metallico. Quando si utilizza il disco metallico, servirsi della protezione corrispondente.
1. Allentare completamente il bullone (A) sul lato destro del supporto (B) per far scorrere la protezione. Il bullone stesso non può essere rimosso dal supporto.
 2. Spingendo il pulsante (C), far scorrere la protezione (D) verso sinistra e toglierla.
 3. Collocare la protezione dell'altro tipo (E) nella scanalatura e farla scorrere verso destra fino all'arresto. Non dimenticare di serrare il bullone.

Montaggio della lama (opzione)

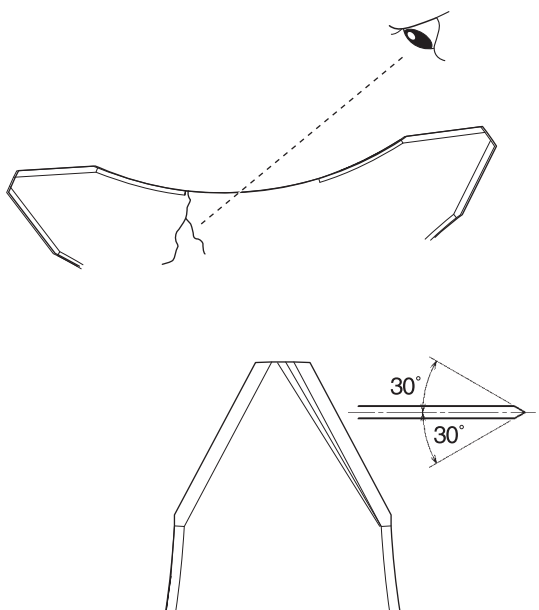
⚠ AVVERTENZA

- Indossare guanti protettivi durante l'uso della lama bordatore.
 - Quando si sostituisce la lama bordatore durante un'operazione di taglio, accertarsi che il motore sia spento e che le lame si siano arrestate.
 - Quando si ribalta il prodotto per sostituire la lama bordatore, accertarsi che il tappo del serbatoio carburante sia saldamente fissato.
 - Non tentare di montare la lama bordatore con una mano o senza utilizzare la chiave a tubo. Montare accuratamente la lama bordatore utilizzando la chiave a tubo in dotazione e serrare saldamente in posizione.
 - Per serrare la lama, non utilizzare altri strumenti se non la chiave a tubo in dotazione; attrezzi elettrici o pneumatici possono serrare eccessivamente la lama e causare la rottura del dado o dell'alberino di uscita.
 - Se si utilizza un dado e una sottocoppa usurati per la lama, questa potrebbe allentarsi. Sostituirli con componenti nuovi.
- In caso contrario, si potrebbero provocare lesioni o incidenti gravi, oppure far scoppiare un incendio.

Manutenzione e cura



Verifica della lama



1. Ispezionare le lame (A) prima del montaggio. Verificare che siano affilate. Un'affilatura scadente aumenta il rischio di reazioni da contraccolpo della lama. Le piccole incrinature possono trasformarsi in rotture, che fanno saltare via una parte della lama durante il funzionamento. Scartare i dischi incrinati a prescindere dalle dimensioni dell'incrinatura.
2. Inserire l'utensile di bloccaggio (B) in un foro situato sul lato destro della trasmissione angolare, forzando al contempo la molla porta disco sul lato sinistro.
3. Inserire l'utensile di bloccaggio nell'asola per il bloccaggio del fermo della lama (C) per fissare l'alberino di uscita.
4. Utilizzando la chiave a tubo, rimuovere il dado (D), il sottocoppa (E) e il fermo della lama inferiore (F).
5. Serrare saldamente la lama, il fermo inferiore della lama, il sottocoppa, e il dado manualmente.

⚠ ATTENZIONE

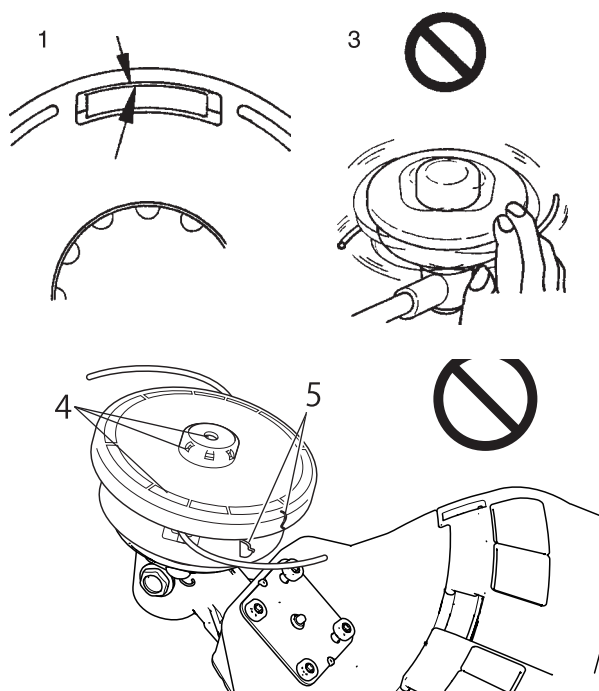
○ Fissare saldamente l'alberino di uscita con l'utensile di bloccaggio per impedire la rotazione dell'alberino di uscita durante il montaggio della lama. Altrimenti, il dado di fissaggio della lama non verrà serrato sufficientemente.

6. Serrare il dado, ruotando in senso antiorario, servendosi di una chiave a tubo. Non serrare mai applicando il proprio peso, per evitare di danneggiare la filettatura del dado.
7. Smontare l'utensile di bloccaggio.

- ♦ Utilizzare solo lame raccomandate per questo modello dal fabbricante.
- ♦ Non usare lame incrinate, ma sostituirle con lame nuove.
- ♦ Verificare che la lama sia correttamente montata in conformità alle istruzioni.

- ♦ Quando la lama perde l'affilatura a causa dell'usura, girarla per poterla usare ancora.
- ♦ Quando la lama è danneggiata o piegata le vibrazioni aumentano. Sostituirla con una nuova.
- ♦ Affilare le tre lame in maniera uniforme utilizzando l'apposita lima piatta come mostrato nell'illustrazione. Altrimenti viene compromesso il bilanciamento e aumentano le vibrazioni.

Verifica della testina a filo di nylon



1. Accertarsi che i due cricchetti che bloccano il coperchio al corpo della testina siano ben fissati e scattino perfettamente nel loro alloggiamento.
2. Verificare che la testina a filo sia montata saldamente sul bordatore/decespugliatore e serrarla ulteriormente se necessario.
3. Controllare che non vi sia deflessione o rumorosità anomala ruotando la testina manualmente. Deflessione o eccessiva rumorosità possono produrre forti vibrazioni o causare un allentamento del sistema di fissaggio al bordatore/decespugliatore durante il funzionamento con conseguenti gravi rischi.
4. Accertarsi che il coperchio del pomello di battuta non sia usurato. Se è evidente la presenza di una fessura all'interno del pomello di battuta o all'interno del coperchio nelle vicinanze dell'apertura dove esce il filo, sostituirli se consumati.
5. Accertarsi che non vi siano incrinature o schegge nella testina. Se si dovessero riscontrare incrinature o schegge sostituire subito le parti danneggiate.

Sostituzione del filo di nylon

⚠ PERICOLO

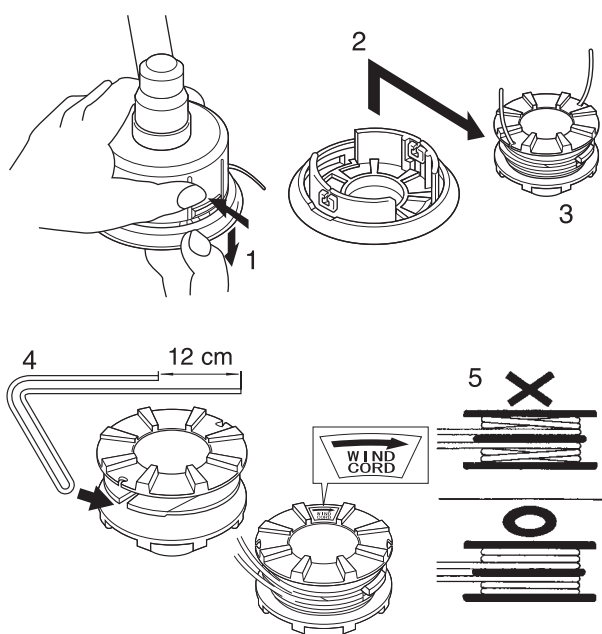
○ **Spegnere il motore del bordatore/decespugliatore e accertarsi che la testina a filo di nylon abbia smesso di ruotare prima di iniziare la procedura di sostituzione.**

La mancata osservanza di queste precauzioni potrebbe causare un incidente o lesioni gravi.

⚠ AVVERTENZA

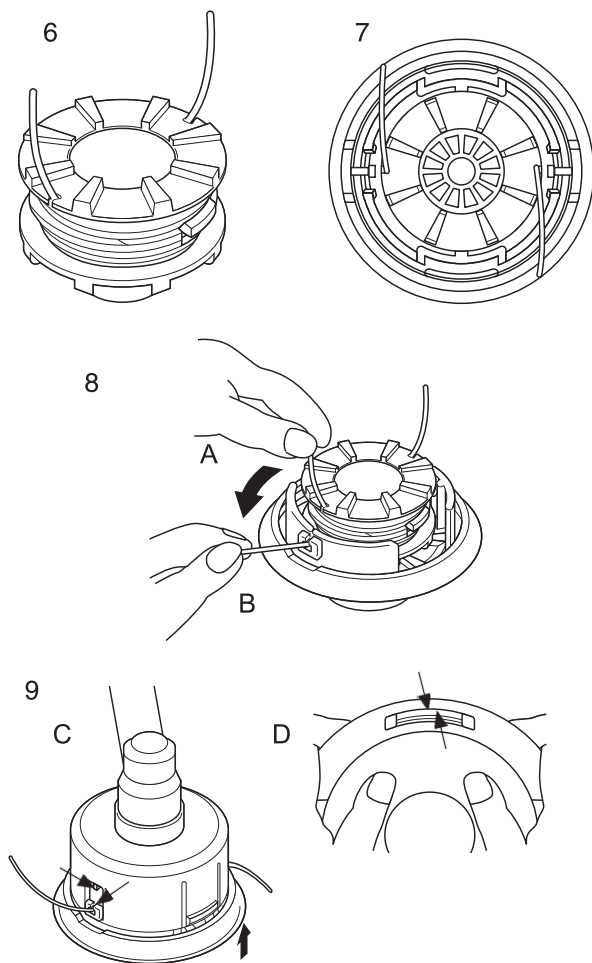
○ **Usare solo filo flessibile non metallico raccomandato da YAMABIKO Corporation.**

La mancata osservanza di queste precauzioni potrebbe causare un incidente o lesioni gravi.



1. Spingere in dentro i "cricchetti di bloccaggio" (in due punti) e smontare il coperchio. La rimozione è più semplice se eseguita in successione.
2. Rimuovere la bobina.
3. Quando il filo di nylon sulla bobina è quasi esaurito, eliminare il filo residuo e avvolgere un filo nuovo attenendosi alle procedure indicate al punto (4) e successive. Quando il filo di nylon sulla bobina è "fuso e incollato", eliminare l'intero filo asportando la porzione "fusa e incollata" e avvolgere nuovamente il "filo rimosso" attenendosi alle procedure indicate al punto (4) e successive.
4. Piegare il filo nel punto a 12 cm di distanza dalla metà dell'intera lunghezza e fissare la porzione piegata nella "feritoia" del separatore intermedio.
5. Avvolgere saldamente il filo nella scanalatura della bobina seguendo la "direzione di avvolgimento indicata dalla freccia".

Manutenzione e cura



6. Quando il filo è avvolto fino alla fine, fissare entrambe le estremità nelle rispettive feritoie della bobina per bloccarle provvisoriamente lasciando le estremità a circa 10 cm oltre la feritoia.
7. Allineare le feritoie della bobina con le scanalature degli occhielli e inserire la bobina nel coperchio.
8. Estrarre il filo dal coperchio. (A) Rimuovere il filo dalla "rispettiva feritoia della bobina" e (B) farlo passare attraverso la "scanalatura del rispettivo occhiello".
9. Assemblare coperchio e alloggiamento. (C) Allineare gli "occhielli" del coperchio con i "recessi" dell'alloggiamento e (D) spingere i cricchetti dell'alloggiamento nelle rispettive aperture del coperchio fino a che non si incastrano saldamente nelle aperture.

PERICOLO

Accertarsi che la parte esterna dei cricchetti dell'alloggiamento si estenda quasi completamente nella parte esterna della rispettiva apertura nel coperchio. Se i cricchetti sono allentati e si aziona la testina, il coperchio o i componenti interni possono saltare fuori, rappresentando un pericolo.

Problemi tecnici

IMPORTANTE

- Per i pezzi di ricambio e gli articoli di consumo, utilizzare solo parti originali, prodotti e componenti raccomandati. L'utilizzo di ricambi di altri produttori o componenti non raccomandati potrebbe provocare guasti.

Manutenzione e cura

Problema	Diagnosi	Causa	Soluzione
Il motore non si avvia		<ol style="list-style-type: none"> 1. Non c'è carburante nel serbatoio 2. L'interruttore di arresto è in posizione di Arresto 3. Eccessiva aspirazione di carburante 4. Guasto elettrico 5. Guasto al carburatore o incollaggio interno 6. Guasto interno al motore 	<ol style="list-style-type: none"> 1. Rifornimento carburante 2. Mettere in posizione di Start 3. Avviare il motore dopo la manutenzione 4. Consultare il rivenditore 5. Consultare il rivenditore 6. Consultare il rivenditore
Il motore stenta ad avviarsi, rotazioni fluttuanti	Il carburante entra nel tubo di trabocco	<ol style="list-style-type: none"> 1. Degradazione del carburante 2. Problema al carburatore 	<ol style="list-style-type: none"> 1. Sostituire con carburante nuovo 2. Consultare il rivenditore
	Il carburante non entra nel tubo di trabocco	<ol style="list-style-type: none"> 1. Filtro del carburante ostruito 2. L'impianto di alimentazione è ostruito 3. Parti interne al carburatore incollate 	<ol style="list-style-type: none"> 1. Pulire o sostituire 2. Consultare il rivenditore 3. Consultare il rivenditore
	La candela è sporca o umida	<ol style="list-style-type: none"> 1. Degradazione del carburante 2. Distanza dell'elettrodo non adeguata 3. Depositi di carbonio 4. Guasto elettrico 	<ol style="list-style-type: none"> 1. Sostituire 2. Regolare o sostituire 3. Pulire o sostituire 4. Consultare il rivenditore
Il motore si avvia ma non è possibile accelerare		<ol style="list-style-type: none"> 1. Filtro dell'aria sporco 2. Filtro del carburante sporco 3. Passaggio del carburante bloccato 4. Problema di regolazione del carburatore 5. Apertura per la ventilazione o sfiato della marmitta bloccati 	<ol style="list-style-type: none"> 1. Pulire o sostituire 2. Pulire o sostituire 3. Consultare il rivenditore 4. Regolare 5. Pulire
Il motore si arresta		<ol style="list-style-type: none"> 1. Problema di regolazione del carburatore 2. Guasto elettrico 	<ol style="list-style-type: none"> 1. Regolare 2. Consultare il rivenditore
Il motore non si arresta		<ol style="list-style-type: none"> 1. Interruttore di arresto guasto 	<ol style="list-style-type: none"> 1. Eseguire un arresto di emergenza del motore e consultare il proprio rivenditore
L'accessorio di taglio gira mentre il motore è in folle		<ol style="list-style-type: none"> 1. Problema di regolazione del carburatore 2. Molla della frizione danneggiata 	<ol style="list-style-type: none"> 1. Regolare 2. Consultare il rivenditore

- ♦ In caso di problemi non menzionati nella tabella consultare il proprio rivenditore.
- ♦ Contattare il proprio rivenditore per smaltire il prodotto o parti di esso in conformità alle leggi nazionali.

Manutenzione e cura

Produttore:

YAMABIKO CORPORATION

7-2 SUEHIROCHO 1-CHOME, OHME, TOKYO 198-8760, GIAPPONE

Rappresentante autorizzato in Europa:

Atlantic Bridge Limited

Atlantic House, PO Box 4800, Earley, Reading RG5 4GB, Regno Unito

Rimessaggio

Rimessaggio per un lungo periodo (oltre 30 giorni)

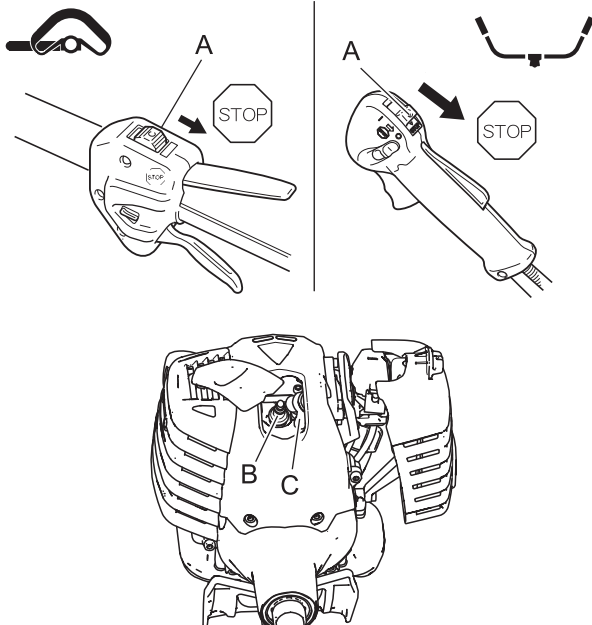
AVVERTENZA

○ **Non conservare l'attrezzo in luoghi chiusi saturi di vapori di carburante o in prossimità di scintille o fiamme scoperte.**

Questo potrebbe provocare un incendio.



Per conservare il prodotto per un lungo periodo (oltre 30 giorni), effettuare le seguenti operazioni.



1. Svotare il serbatoio del carburante.
2. In alternativa, premere e rilasciare il bulbo di spurgo alcune volte per eliminare il carburante al suo interno.
3. Avviare il motore e farlo girare in folle finché non si spegne per mancanza di carburante.
4. Portare l'interruttore di accensione (A) in posizione Stop.
5. Dopo che il prodotto si è raffreddato a sufficienza, togliere grasso, olio, sporco, detriti e altri materiali accumulati sulla parte esterna del bordatore/decespugliatore.
6. Eseguire i controlli periodici prescritti in questo manuale.
7. Verificare che le viti e i dadi siano serrati. Serrare eventuali viti o dadi allentati.
8. Smontare la candela (B) e aggiungere la quantità appropriata (circa 10 mL) di olio per motori a 2 tempi pulito nel cilindro attraverso il foro della candela.
9. Mettere un panno pulito sul foro della candela.
10. Tirare 2 o 3 volte la funicella per distribuire l'olio motore nel cilindro.
11. Osservare la posizione del pistone dal foro della candela. Tirare la leva del motorino di avviamento a rimbalzo fino a quando il pistone non raggiunge la parte superiore della corsa e lasciarla in questa posizione.
12. Montare la candela. (Non collegare il cappuccio della candela (C).)
13. Inserire il coprilama nella lama del bordatore e avvolgere la sezione motore in una busta di plastica o in altro rivestimento, quindi conservare in luogo asciutto e privo di polvere, lontano dalla portata dei bambini.

Caratteristiche tecniche

	SRM-3610T	
	L	U
Dimensioni esterne: Lunghezza × Larghezza × Altezza	1806 × 340 × 358 mm	1806 × 695 × 525 mm
Massa: Unità senza carburante, accessorio di taglio e cinghia (ISO11806-1: 2011)	6,8 kg	7,1 kg
Unità con carburante, accessorio di taglio specificato, protezione e cinghia	8,0 kg	8,8 kg
Unità senza carburante, accessorio di taglio, protezione e cinghia	6,3 kg	6,6 kg
Volume: Serbatoio del carburante (pieno)	850 mL	
Carburante: Benzina Olio Rapporto di miscelazione	Benzina normale. Si consiglia benzina senza piombo ad 89 ottani. Non utilizzare carburante contenente alcol metilico o una percentuale di alcol etilico superiore al 10%. Olio per motori a due tempi raffreddati ad aria. Olio ISO-L-EGD Standard (ISO/CD 13738), classe JASO FC,FD e ECHO Premium 50:1. Parte 50:1 (2%)	
Accessorio di taglio: Testa di taglio linea di nylon (passaggio taglio) Filettatura Dimensioni del filo di nylon (diametro) Lunghezza del filo di nylon	Z-5 (508 mm) Filettatura sinistrorsa M10×1,25 (passo) 3,0 mm 5,0 m	
Carter ingranaggi: Rapporto ingranaggi e lubrificazione Senso di rotazione dell'alberino di uscita visto dall'alto frequenza massima di rotazione del mandrino	1,62 riduzione e grasso al litio di buona qualità Senso antiorario 6600 giri/min	
Motore: Tipo Carburatore Magnete Candela Motorino di avviamento Trasmissione Cilindrata motore Massima potenza freno sulla trasmissione (ISO 8893) Consumo carburante alla massima potenza del motore Regime motore massimo raccomandato (con accessorio STD installato) Regime minimo raccomandato	Monocilindro a 2 tempi raffreddato ad aria Tipo diaframma Magnete del volano - Sistema CDI NGK CMR5H Avviatore a strappo Frizione centrifuga automatica 36,3 cm ³ 1,43 kW 0,92 L/h 10000 giri/min 2900 (2800 - 2900) giri/min	
2006/42/CE Vibrazioni (ISO 22867) $a_{hv,eq}$	Impugnatura sinistra Impugnatura destra Incertezza K	5,7 m/s ² 3,2 m/s ² 1,2 m/s ²
Livello pressione sonora (ISO 22868) L_{pAeq}	Incertezza K_{pA}	94,5 dB(A) 1,5 dB(A)
Livello di potenza acustica (ISO 22868) L_{WARa}	Incertezza K_{WA}	106,5 dB(A) 2,1 dB(A)
		5,7 m/s ² 4,1 m/s ² 1,2 m/s ² 93,8 dB(A) 1,5 dB(A) 107,6 dB(A) 2,1 dB(A)

Queste specifiche possono subire modifiche senza preavviso.

Dichiarazione di conformità

Il produttore sottoscritto:

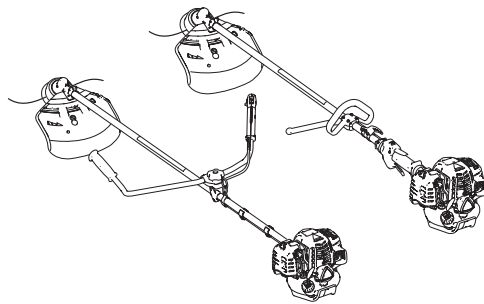
YAMABIKO CORPORATION
7-2 SUEHIROCHO 1-CHOME
OHME; TOKYO 198-8760
GIAPPONE

La presente dichiarazione di conformità viene rilasciata sotto la responsabilità esclusiva del produttore.

Dichiara che la nuova unità di seguito descritta:

DECESPUGLIATORE/BORDATORE

Marchio: ECHO
Tipo: SRM-3610T



È conforme a:

- * i requisiti richiesti dalla Direttiva **2006/42/CE** (uso di norma armonizzata **EN ISO 11806-1: 2011**)
- * i requisiti richiesti dalla Direttiva **2014/30/CE** (uso della norma armonizzata **EN ISO 14982: 2009**)
- * i requisiti richiesti dalla Direttiva **2000/14/CE**

Conforme alla procedura di accertamento dell'**ALLEGATO V**

Livello di potenza acustica misurato: 106 dB(A) Impugnatura ad anello, 108 dB(A) Impugnatura a U

Livello di potenza acustica garantito: 109 dB(A) Impugnatura ad anello, 111 dB(A) Impugnatura a U

Numero di serie da 37001001 a 37100000

Tokyo, 1 ottobre 2016

YAMABIKO CORPORATION

A handwritten signature in black ink, reading "Masayuki Kimura".

Masayuki Kimura

Direttore generale

Reparto Garanzia di qualità

Rappresentante autorizzato in Europa a costituire il fascicolo tecnico.

Azienda: Atlantic Bridge Limited

Indirizzo: Atlantic House, PO Box 4800, Earley, Reading RG5 4GB, Regno Unito

Sig. Philip Wicks

MEMORANDUM

YAMABIKO CORPORATION

7-2 SUEHIROCHO 1-CHOME, OHME, TOKYO 198-8760, GIAPPONE

TELEFONO: 81-428-32-6118. FAX: 81-428-32-6145.



X750-028860

X750283-3501



ES ESPAÑOL
(Instrucciones originales)

MANUAL DE INSTRUCCIONES CORTABORDES/DESBROZADORA SRM-3610T

ADVERTENCIA



LEA ATENTAMENTE LAS INSTRUCCIONES Y SIGA LAS INDICACIONES PARA UN FUNCIONAMIENTO SEGURO.
DE NO HACERLO, PODRÍA SUFRIR LESIONES GRAVES.



Contenido

Para una utilización segura del producto.....	3
Descripción	8
Antes de comenzar	9
Lista de piezas.....	9
Montaje	10
Versión con manillar único.....	10
Versión con manillar doble	10
Instalación del escudo	11
Instalación del cabezal de corte de hilo de nylon	11
Ajuste del equilibrio	11
Preparación del combustible	12
Funcionamiento del motor	14
Arranque del motor	14
Parada del motor	15
Funcionamiento del recorte de bordes	16
Uso del arnés	17
Funcionamiento básico del recorte de bordes con el cabezal de corte de hilo de nylon.....	17
Funcionamiento básico del recorte de bordes con la cuchilla metálica.....	19
Mantenimiento y cuidados	21
Directivas de asistencia	21
Mantenimiento y cuidados	21
Almacenamiento	29
Características técnicas.....	30
Declaración de conformidad	31

Para una utilización segura del producto

Información importante

⚠ ADVERTENCIA

Asegúrese de leer el manual de instrucciones antes de utilizar el producto.

Acerca del manual de instrucciones

- Este manual proporciona la información necesaria para el montaje, funcionamiento y mantenimiento de esta máquina. Léalo atentamente y asimile su contenido.
 - Mantenga siempre el manual en un lugar fácilmente accesible.
 - Si ha extraviado el manual o está dañado y no es posible leerlo, por favor adquiera uno nuevo en su distribuidor.
 - Los aparatos utilizados en este manual son aparatos SI (sistema internacional de unidades). Las imágenes que se encuentran entre paréntesis son valores de referencia y, en algunos casos, puede haber un ligero error de conversión.
- Si no lo hace, podría producirse un accidente o una lesión grave.

Uso al que está destinado este producto

- Este producto es una máquina ligera, de alto rendimiento y con motor de gasolina, diseñada para controlar el crecimiento de las malas hierbas, cortar los bordes y desbrozar en áreas difíciles de controlar con otros medios.
 - No utilice este aparato para ningún otro propósito distinto de los mencionados anteriormente.
 - El contenido de este manual puede sufrir cambios sin previo aviso debido a actualizaciones del producto. Algunas de las ilustraciones utilizadas pueden ser diferentes al propio producto para hacer más claras las explicaciones.
 - Consulte con su distribuidor si hay algo que no esté claro o sobre lo que tenga interés.
- Si no lo hace, podría producirse un accidente o una lesión grave.

No modifique el producto

- No debe modificar el producto.
- De hacerlo, podría provocar un accidente o una lesión grave. Cualquier error resultante de una modificación del producto no estará cubierto por la garantía del fabricante.

No utilice el producto a no ser que haya sido comprobado y se le haya realizado el mantenimiento

- No debe utilizar el producto a no ser que haya sido comprobado y se le haya realizado el mantenimiento. Asegúrese siempre de comprobar el producto y de realizar regularmente el mantenimiento.
- Si no lo hace, podría producirse un accidente o una lesión grave.

Préstamo o asignación del producto

- Cuando preste el producto a una tercera persona, asegúrese de que la persona que toma prestado el producto recibe con él el manual de instrucciones.
 - Si asigna el producto a una tercera persona, adjunte el manual de instrucciones con el producto cuando haga la entrega.
- Si no lo hace, podría producirse un accidente o una lesión grave.

Usuarios del producto

- El producto no podrá ser utilizado por:
 - ◆ personas que estén cansadas
 - ◆ personas que hayan consumido alcohol
 - ◆ personas que estén tomando medicación
 - ◆ mujeres embarazadas
 - ◆ personas que estén en una mala condición física
 - ◆ personas que no hayan leído el manual de instrucciones
 - ◆ niños
 - Tenga presente que el operador o usuario es responsable de los accidentes o peligros ocasionados a terceras personas o a su propiedad.
- Si no sigue estas instrucciones podría provocar un accidente.
- El sistema de encendido de este producto genera campos electromagnéticos durante su funcionamiento. Los campos magnéticos pueden causar interferencias con los marcapasos o hacer que no funcionen correctamente. Para reducir los riesgos para la salud, recomendamos a los usuarios de marcapasos que consulten a su médico y al fabricante del marcapasos antes de utilizar este producto.



Para una utilización segura del producto

ADVERTENCIA

Las vibraciones y el frío

- Se cree que puede contraerse una enfermedad llamada fenómeno de Raynaud, que afecta a los dedos de ciertos individuos, si está expuesto a vibraciones y frío. La exposición a las vibraciones y al frío puede causar el cosquilleo y quemazón de los dedos, seguidos de pérdida de color y sensación de dedos dormidos. Se recomiendan las siguientes precauciones, ya que se desconoce cuál es la exposición mínima que desencadena esta dolencia.
 - ◆ Mantenga el cuerpo caliente, especialmente la cabeza y el cuello, los pies y los tobillos y las manos y las muñecas.
 - ◆ Mantenga una buena circulación sanguínea realizando vigorosos ejercicios con los brazos durante frecuentes descansos y también no fumando.
 - ◆ Limite el número de horas de trabajo. Intente también hacer cada día trabajos en los que no sea necesario usar el cortabordes u otros equipos a motor sujetos con las manos.
 - ◆ Si experimenta molestias, rojez o hinchazón de los dedos, seguidos de una pérdida de sensación y emblaquecimiento de los mismos, consulte con su médico antes de volver a exponerse al frío y a las vibraciones.
- Si no tiene en cuenta estas instrucciones podría perjudicar su salud.

Lesiones por esfuerzos repetitivos

- Se cree que un uso excesivo de los músculos y tendones de los dedos, manos, brazos y hombros puede causar dolores, hinchazones, adormecimiento, entumecimiento, debilidad y dolores extremos en los mismos. Ciertas actividades repetitivas de las manos pueden suponer un alto riesgo para el usuario de desarrollo de lesiones debidas a esfuerzos repetitivos (RSI). Para reducir el riesgo de lesiones por esfuerzos repetitivos (RSI):
 - ◆ Evite colocar la muñeca en posición doblada, extendida o torcida.
 - ◆ Tómese descansos periódicos para minimizar la repetición y deje descansar las manos. Reduzca la velocidad y fuerza con la que hace el movimiento repetitivo.
 - ◆ Haga ejercicios que fortalezcan los músculos de las manos y de los brazos.
 - ◆ Consulte a su médico si siente cosquilleos, adormecimiento o dolor en sus dedos, manos, muñecas o brazos. Cuanto antes se diagnostiquen estas lesiones (RSI), más probabilidades tendrá de prevenir daños permanentes en los nervios y músculos.
- Si no tiene en cuenta estas instrucciones podría perjudicar su salud.

Formación adecuada

- No permita que nadie utilice este producto sin la formación adecuada y / o sin los productos de protección.
 - Familiarícese al máximo con los controles y el uso adecuado de esta máquina.
 - Aprenda a detener la máquina y a parar el motor.
 - Aprenda a desenganchar rápidamente la unidad conectada.
 - No permita bajo ningún motivo que nadie use este producto sin la debida formación.
- Si no tiene en cuenta estas instrucciones podría perjudicar su salud.

Utilice indumentaria adecuada.

- Si lleva el pelo largo, recójase por encima de los hombros.
 - No utilice corbatas, joyería o ropa floja o colgante que pueda quedar atrapada en la unidad.
 - No utilice calzado con la puntera abierta ni vaya descalzo o sin perneras.
- Si no tiene en cuenta estas precauciones, podría derivar en daños en la visión o en la audición o dar lugar a una lesión grave.



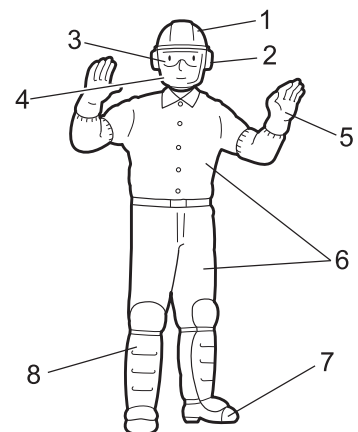
Póngase indumentaria protectora

- Póngase siempre la ropa de protección siguiente cuando trabaje con el cortabordes.

1. Protección para la cabeza (casco): Protege la cabeza
2. Orejeras o tapones para los oídos: Protegen los oídos
3. Gafas de seguridad: Protegen los ojos
4. Careta: Protege la cara
5. Guantes de seguridad: Protegen las manos del frío y la vibración
6. Ropa de trabajo ajustada (mangas y pantalones largos): Protege el cuerpo
7. Botas protectoras no deslizantes y pesadas (con punteras) o zapatos de trabajo no deslizantes (con punteras): Protegen los pies
8. Protectores para las espinillas: Protegen las piernas

Si no tiene en cuenta estas precauciones, podría derivar en daños en la visión o en la audición o dar lugar a una lesión grave.

- En caso necesario, utilice la ropa de protección descrita a continuación.
 - ◆ Mascarilla para el polvo: Protege el aparato respiratorio
 - ◆ Red para abejas: Para hacer frente a ataques de abejas



Para una utilización segura del producto

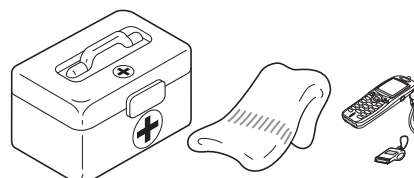
ADVERTENCIA

Condiciones de uso y de funcionamiento

- No utilice el producto:
 - ◆ en condiciones meteorológicas adversas.
 - ◆ sobre pendientes inclinadas o en lugares en los que no exista un apoyo firme para los pies y el terreno sea resbaladizo.
 - ◆ de noche o en lugares oscuros con mala visibilidad.
- Cuando utilice el producto en una pendiente suave, trabaje con un movimiento nivelado similar al contorno. Si se cae o se resbala podría sufrir una lesión grave, o bien no lograr que el producto funcione correctamente.
- Por cuestiones de salud, seguridad y comodidad del trabajo, trabaje con la máquina en un intervalo de temperatura del aire de -5 °C a 40 °C. Si no tiene en cuenta estas instrucciones podría perjudicar su salud.

Preparación en caso de sufrir una lesión

- En el improbable caso de sufrir un accidente o lesión, asegúrese de que esté preparado.
 - ◆ Kit de primeros auxilios
 - ◆ Paños y toallas (para detener cualquier hemorragia)
 - ◆ Silbato o teléfono móvil (para solicitar ayuda externa)
 Si no es capaz de realizar los primeros auxilios o de pedir ayuda externa, la lesión podría empeorar.






En caso de incendio o humo, anteponga la seguridad


- Si el fuego proviene del motor o bien el humo aparece en otra zona distinta del tubo de escape, en primer lugar aléjese del producto para asegurar su integridad física.
- Utilice una pala para arrojar arena u otro material similar sobre el fuego a fin de evitar su propagación o bien apáguelo utilizando un extintor de incendios. Una reacción de pánico podría provocar que el fuego y los demás daños sean más importantes.





Avisos de advertencia

 PELIGRO	 ADVERTENCIA	 PRECAUCIÓN
Este símbolo acompañado por la palabra " PELIGRO " llama la atención sobre una acción o sobre unas condiciones que causarán heridas personales importantes o incluso la muerte al operario y a los transeúntes.	Este símbolo acompañado por la palabra " ADVERTENCIA " llama la atención sobre una acción o sobre unas condiciones que pueden causar heridas personales importantes o incluso la muerte al operario y a los transeúntes.	" PRECAUCIÓN " indica una situación potencialmente peligrosa que, si no se evita, puede provocar heridas leves o moderadas.




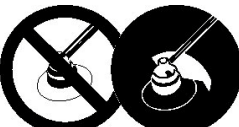



Otros indicadores

	El círculo con barra oblicua prohíbe la acción o uso de los objetos mostrados.	NOTA	IMPORTANTE
		Este mensaje enmarcado proporciona consejos para el uso, cuidado y mantenimiento del equipo.	El texto enmarcado con la palabra " IMPORTANTE " contiene información importante relativa al uso, comprobación, mantenimiento y almacenamiento del producto descrito en este manual.

Símbolos

Forma y silueta del símbolo	Descripción / aplicación del símbolo	Forma y silueta del símbolo	Descripción / aplicación del símbolo
	Lea atentamente el manual de instrucciones.		La velocidad máxima del eje del accesorio de corte en r/min

Para una utilización segura del producto

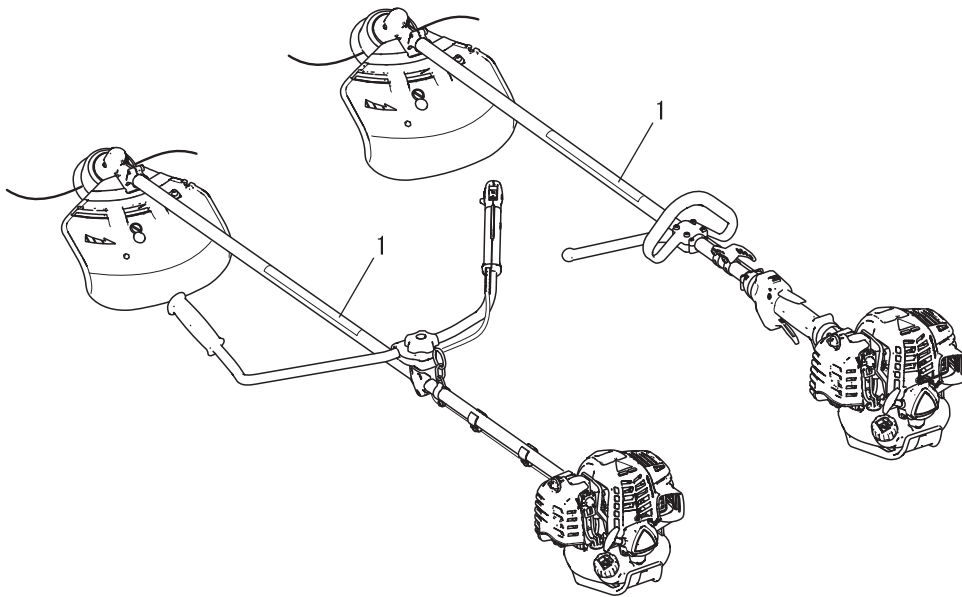
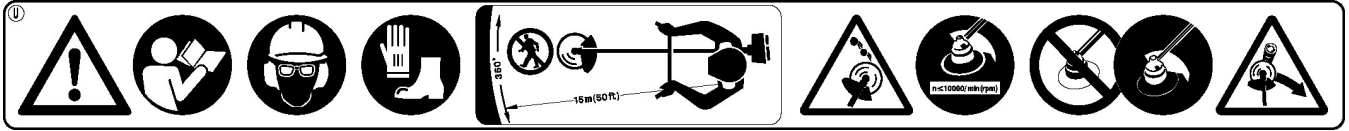
Forma y silueta del símbolo	Descripción / aplicación del símbolo	Forma y silueta del símbolo	Descripción / aplicación del símbolo
	Utilice siempre protección para los ojos, oídos y cabeza.		Mantener a los transeúntes a una distancia de 15 m
	Utilice calzado y guantes de protección		Mezcla de gasolina y aceite
	Parada de emergencia		Control del estrangulador, posición de "Arranque en frío" (Estrangulador cerrado)
	¡Advertencia! ¡Objetos expulsados!		Control del estrangulador, posición de "Funcionamiento" (Estrangulador abierto)
	¡Atención! Empuje hacia el lado.		Ajuste del carburador -Velocidad de ralentí
	Prohibido el uso sin escudo protector		Manillar doble
	Prohibido el uso de cuchillas metálicas		Manillar único
	Prohibido el uso de cabezales de corte de hilo de nylon		Tenga precaución con las zonas a alta temperatura
	No utilice este producto en zonas con ventilación escasa		Nivel de potencia acústica garantizada
	Tenga cuidado no se incendie		Arranque del motor
	Tenga cuidado de no sufrir descargas eléctricas		

Para una utilización segura del producto

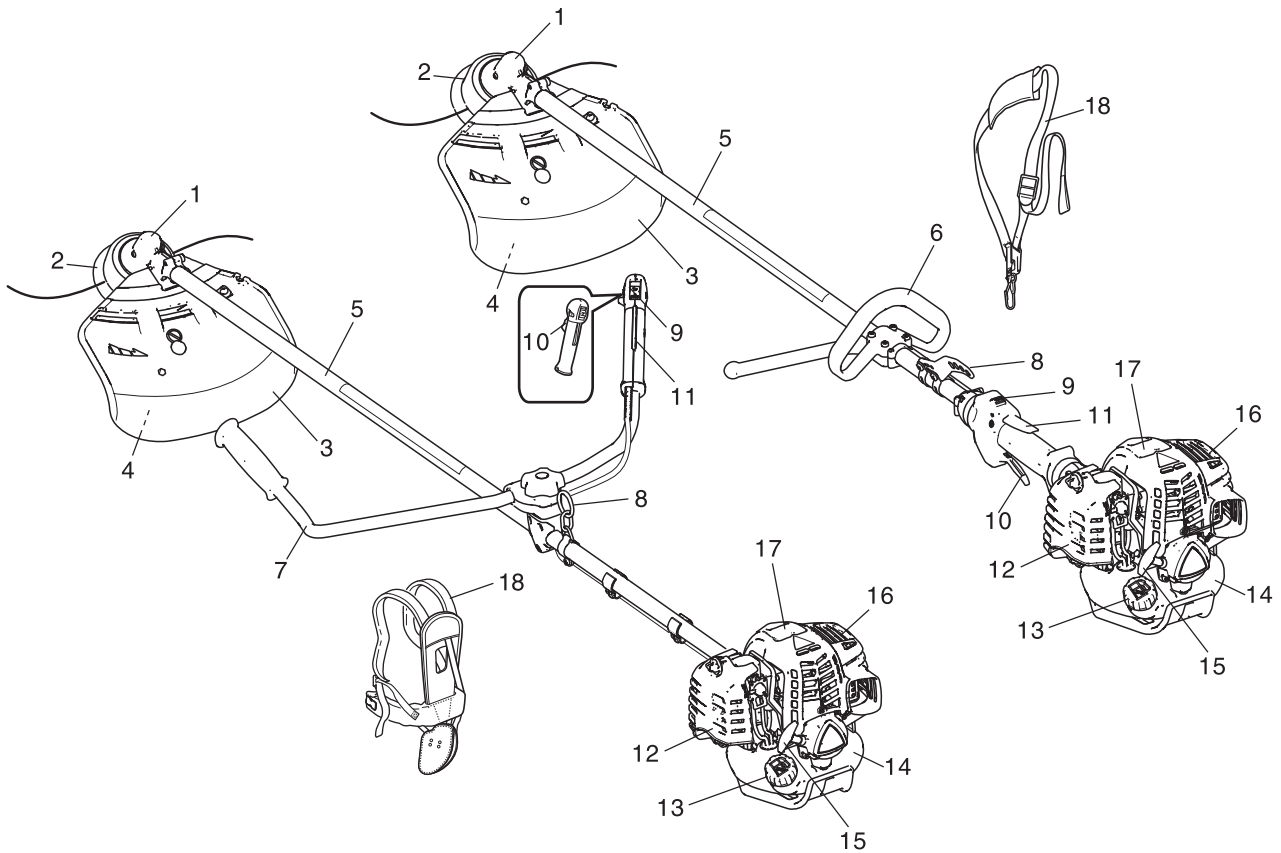
Adhesivo(s) de seguridad

- Los productos descritos en este manual incorporan el adhesivo de seguridad mostrado a continuación. Asegúrese de comprender el significado del adhesivo antes de utilizar el producto.
- Si el adhesivo se ha deteriorado debido al desgaste, está dañado o se ha despegado y perdido, adquiera un adhesivo de reemplazo en su distribuidor y colóquelo en la ubicación mostrada en las ilustraciones que aparecen a continuación. Asegúrese de que el adhesivo sea siempre legible.

1. Adhesivo de seguridad (Número de pieza 890617-43130)



Descripción

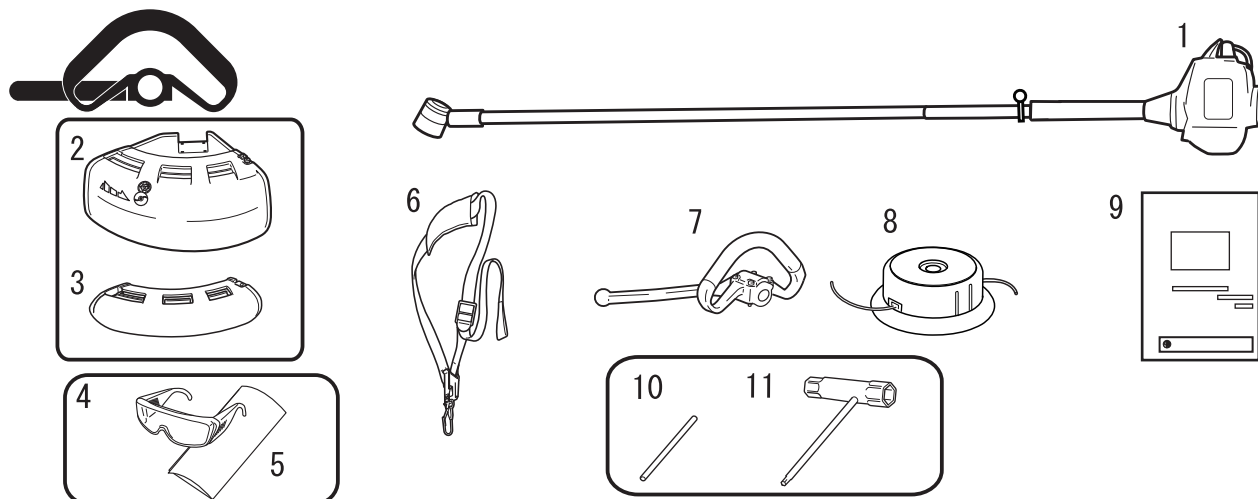


1. **Transmisión en ángulo** Con dos engranajes para cambiar el ángulo del eje giratorio.
2. **Accesorio de corte** Cabezal con hilo de nylon para cortar césped y malas hierbas.
3. **Escudo** Dispositivo para proteger al usuario de un contacto accidental con el cabezal de corte o con los objetos lanzados por el mismo.
4. **Cuchillo de corte** Corta el hilo de nylon para ajustar la longitud del mismo.
5. **Tubo del eje** Pieza del equipo que contiene el eje de transmisión de potencia.
6. **Manillar único** Ligero y adecuado sólo para el equipo con cabezal de hilo de nylon.
7. **Manillar doble** Tiene la configuración de un manillar de bicicleta, reduciendo el esfuerzo de trabajo si se le compara con el manillar único.
8. **Punto de suspensión** Dispositivo al que puede engancharse el arnés.
9. **Interruptor de encendido** "Interruptor deslizable" montado en la parte superior de la caja del gatillo del acelerador. Deslícelo hacia adelante para ARRANCAR el motor y hacia atrás para PARARLO.
10. **Gatillo del acelerador** Se acciona con el dedo y sirve para controlar la velocidad del motor.
11. **Bloqueo del gatillo del acelerador** Bloquea el gatillo en la posición de ralentí, hasta que su mano derecha agarre bien el manillar.
12. **Tapa del filtro de aire** Recubre y protege el filtro de aire.
13. **Tapón del depósito de combustible** Para cerrar el depósito de combustible.
14. **Depósito de combustible** Contiene el combustible y el filtro de combustible.
15. **Tirador del estarter** Tire de este tirador para arrancar el motor.
16. **Tapa del silenciador** Cubre el silenciador para que el usuario no toque la superficie caliente del mismo.
17. **Bujía**
18. **Arnés** Tiras ajustables de las que se cuelga el equipo.

Antes de comenzar

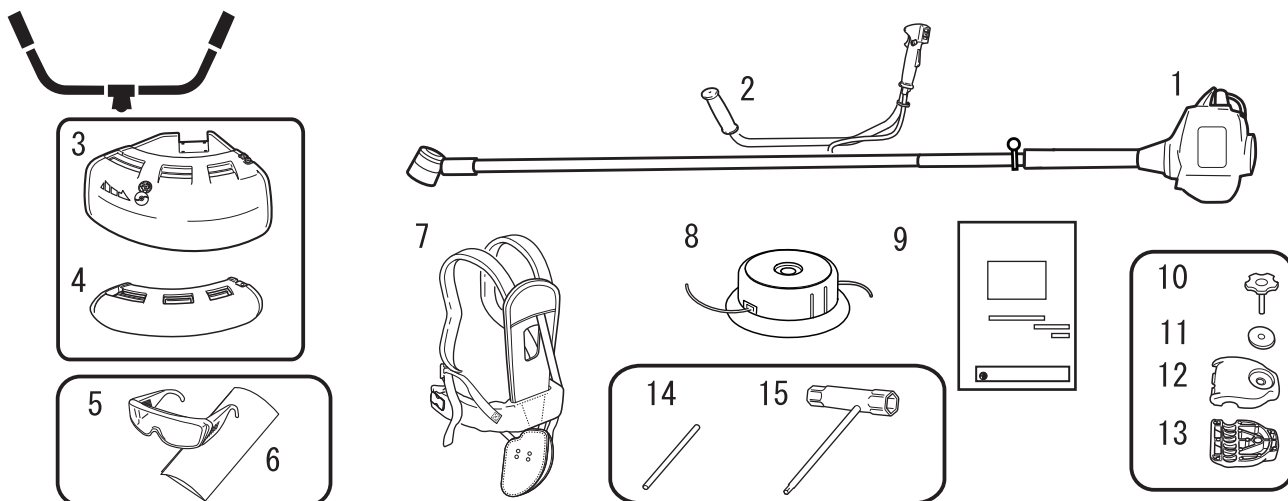
Lista de piezas

- En la caja de embalaje están empaquetadas de forma separada las siguientes piezas.
- Cuando haya desempaquetado la caja, compruebe que contenga las siguientes piezas.
- Póngase en contacto con su distribuidor si falta alguna o está rota.



1. Conducto de eje y motor
2. Escudo (para el cabezal de corte de hilo de nylon)
3. Escudo (para la cuchilla metálica)
4. Gafas de seguridad (cumplen ANSI Z 87.1)
5. Etiqueta de precaución
6. Arnés

7. Manillar único
8. Cabezal de corte de hilo de nylon
9. Manual de instrucciones
10. Herramienta de bloqueo
11. Llave tubular



1. Conducto de eje y motor
2. Manillar doble
3. Escudo (para el cabezal de corte de hilo de nylon)
4. Escudo (para la cuchilla metálica)
5. Gafas de seguridad (cumplen ANSI Z 87.1)
6. Etiqueta de precaución
7. Arnés
8. Cabezal de corte de hilo de nylon

9. Manual de instrucciones
10. Perno de montaje del manillar
11. Arandela
12. Soporte de montaje del manillar (superior)
13. Soporte de montaje del manillar (inferior)
14. Herramienta de bloqueo
15. Llave tubular

Antes de comenzar

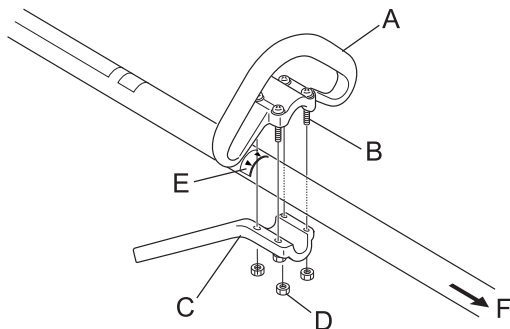
Montaje

⚠ ADVERTENCIA

○ Lea atentamente el manual de instrucciones para asegurarse de que monta correctamente el producto. La utilización de un producto que se haya montado incorrectamente puede ocasionar un accidente o una lesión grave.



Versión con manillar único Montaje del manillar único



Monte el manillar único (A) y el soporte (C) en el conjunto del árbol de transmisión.

Coloque el manillar en una posición cómoda para su uso y apriete los pernos (B).

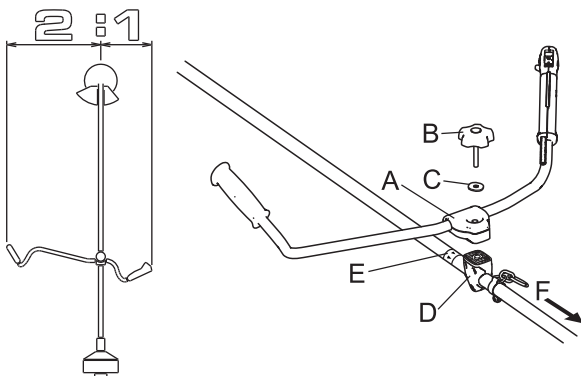
E: Flecha

F: Al motor

⚠ PRECAUCIÓN

○ Instale el manillar hacia el lado del motor a partir de la marca de flecha.

Versión con manillar doble Versión con manillar doble



1. Coloque el soporte de montaje del manillar superior (A) sobre el soporte de montaje del manillar inferior (D) y júntelos apretando ligeramente el perno de montaje (8 mm) (B) del manillar.

2. Ajuste la inclinación del manillar y colóquelo en la posición adecuada (la que le facilite el uso de la unidad) y apriete firmemente el perno de montaje del manillar.

C: Arandela

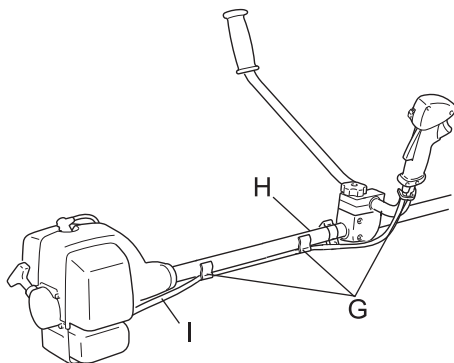
E: Flecha

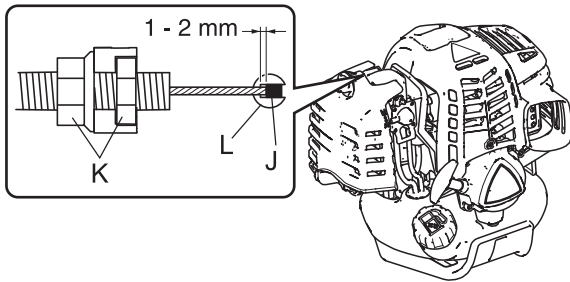
F: Al motor

⚠ PRECAUCIÓN

○ Instale el manillar de forma que no oculte ninguno de los adhesivos de seguridad.

3. Para evitar que el cable del acelerador (I) quede suelto, sujételo en el tubo del eje (H) (en dos sitios) y en la parte derecha del manillar doble (1 sitio) con clips para la fijación de cables (G).



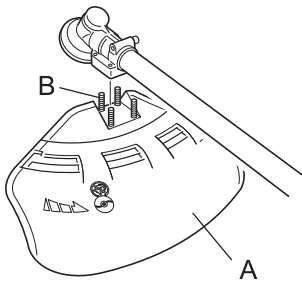


⚠ PRECAUCIÓN

- Después del montaje, ajuste la holgura del extremo del cable (J) en el lado del carburador (L) para que sea de 1 a 2 mm.

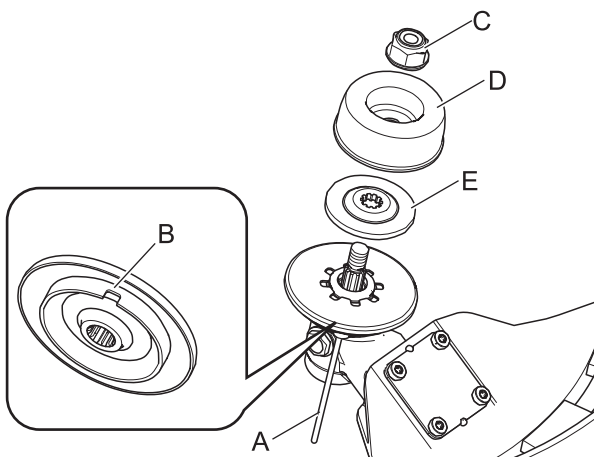
K: Tuercas

Instalación del escudo



1. Instale el escudo (A) en la parte de montaje de la transmisión en ángulo y apriete los 4 pernos (B).

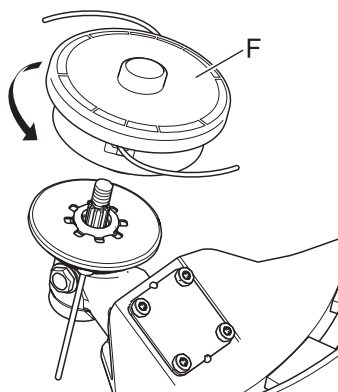
Instalación del cabezal de corte de hilo de nylon



1. Introduzca la herramienta de bloqueo (A) en el orificio ubicado en el lado derecho de la transmisión en ángulo forzando al mismo tiempo el muelle de retén hacia el lado izquierdo.
 2. Introduzca aún más la herramienta de bloqueo en la ranura de fijación (B) del retén de la cuchilla para fijar el eje de salida.
 3. Utilizando la llave de boca tubular, retire la tuerca (C), la copa (D) y el retén de la cuchilla inferior (E).
- * La tuerca, la copa y el retén de la cuchilla inferior no se utilizan con el cabezal de corte de nylon.

⚠ PRECAUCIÓN

- Fije el eje de salida con seguridad usando la herramienta de bloqueo para prevenir que gire cuando se monta el cabezal de corte de nylon.



4. Enrosque el cabezal de corte (F) en el eje (en sentido contrario a las agujas del reloj) hasta que esté bien apretado.
5. Extraiga la herramienta de bloqueo.

Ajuste del equilibrio Ajuste del arnés

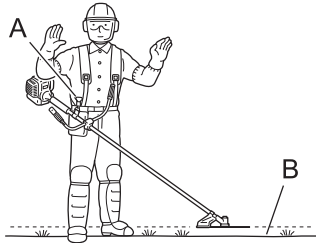
⚠ ADVERTENCIA

- Este producto está diseñado para adaptarse a una amplia variedad de tamaños corporales, pero no puede ajustarse para personas extremadamente altas. No utilice esta unidad si sus pies pueden tocar el accesorio de corte cuando la unidad esté fijada al arnés.

Antes de comenzar

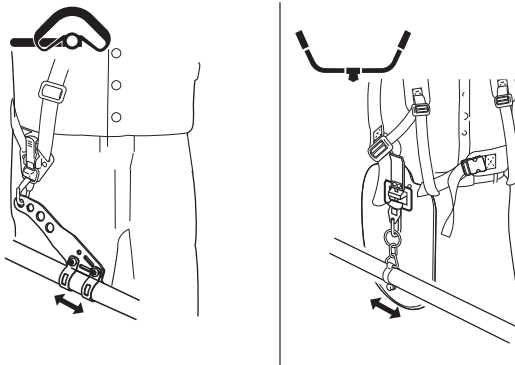
IMPORTANTE

- El tamaño de la persona puede afectar al ajuste del equilibrio. Por otro lado, el procedimiento de equilibrio de algunos equipos puede que no sirva para algunas personas. Si no le encaje el arnés o no puede ajustarlo bien, consulte con su distribuidor.



- ♦ El arnés que se adjunta es adecuado para gente con una complexión física adulta estándar, con una altura entre 150 cm y 195 cm y una cintura entre 60 cm y 140 cm.
- ♦ Utilice el arnés cuando se proporcione o recomiende en este manual. Ajuste tanto el arnés como el punto de suspensión (A) del equipo, de modo que éste cuelgue con el cabezal de corte unos pocos centímetros sobre el nivel del suelo (B).
- ♦ El accesorio de corte y la protección deben quedar nivelados en todas las direcciones. Sitúe el equipo en el lado derecho tal como se muestra.

Equilibre la herramienta para que el cabezal de corte gire en un plano llano.



- ♦ Deslice el punto de suspensión arriba y abajo del tubo hasta encontrar el equilibrio correcto. Gire la abrazadera para nivelar el accesorio de corte y la protección. Bloquéelo en posición. Si el punto de suspensión es de tipo de giro libre, puede que la unidad tienda a desplazarse lateralmente, pero aún así, deberá nivelar el accesorio y la protección en el eje delantero / trasero.
- ♦ El equilibrado y nivelado, como se describe aquí arriba, puede requerir la reubicación de la abrazadera y el reajuste de las tiras del arnés. Observe también que cada tipo de accesorio de corte y de protección montados en el equipo pueden necesitar equilibrado.

Preparación del combustible

⚠ PELIGRO

- No reposte el combustible con el motor caliente o en funcionamiento.
- No fume ni sujete una llama cerca cuando esté realizando el repostaje.
Si lo hace, el combustible podría incendiarse y provocar un fuego dando lugar a quemaduras.



⚠ ADVERTENCIA

- No llene los depósitos de combustible bajo techo. Llene siempre los depósitos de combustible en el exterior y sobre suelo descubierto. No reposte el producto sobre la plataforma de carga de un camión o en otro lugar similar.
- Los depósitos/latas de combustible pueden estar a presión. Afloje siempre los tapones del combustible lentamente para permitir que se iguale la presión.
En caso contrario, el combustible podría salirse.
- Limpie cualquier resto de combustible que se desborde o que se derrame debido a un llenado excesivo.
Las salpicaduras de combustible pueden provocar un incendio y quemarse cuando se inflamen.
- Una vez realizado el repostaje, compruebe siempre que no haya fugas o descargas de combustible en el conducto del combustible, en las arandelas aislantes del sistema de combustible o alrededor de la tapa del depósito de combustible. Si las hubiera, deje de utilizar inmediatamente el producto y póngase en contacto con su distribuidor para que lo repare.
Cualquier fuga de combustible puede provocar un fuego.
- Mantenga el depósito de repostaje en un lugar oscuro alejado del fuego.
- Utilizar un depósito de combustible aprobado.

IMPORTANTE

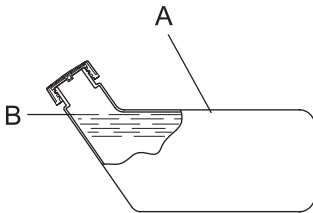
- El combustible es una mezcla de gasolina normal y aceite para motor de 2 tiempos refrigerado por aire y de marca reconocida. Se recomienda gasolina normal, sin plomo y mínimo de 89 octanos. No utilice combustible que contenga alcohol metílico o más de 10 % de alcohol etílico.
- El combustible almacenado envejece. No mezcle más combustible del que espera usar en treinta (30) días.

Combustible



- ◆ Relación de mezcla recomendada: 50 : 1 (2 %) para ISO-L-EGD Standard (ISO/CD 13738), para aceite JASO FC, FD y ECHO Premium 50 : 1.
- ◆ No haga la mezcla directamente en el depósito de combustible del motor.

Suministro de combustible



- ◆ No añada demasiado combustible a fin de que no alcance la boca del depósito de combustible (A). Mantenga el combustible dentro del nivel indicado (hasta el nivel [B] de la pared del depósito de combustible).
- ◆ Apriete firmemente la tapa de seguridad una vez finalizado el repostaje.

Funcionamiento del motor

Arranque del motor

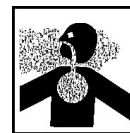
⚠ ADVERTENCIA

Tenga especial cuidado de seguir las siguientes precauciones cuando arranque el motor:

- Muévase por lo menos 3m del lugar en donde ha repostado.
 - Coloque el producto en un lugar plano y bien ventilado.
 - Compruebe que no haya fugas de combustible.
 - Inspeccione las cuchillas metálicas por si muestran grietas.
 - Compruebe que ninguna tuerca ni perno estén flojos.
 - Deje suficiente espacio alrededor del producto y no deje que se acerquen personas o animales.
 - Arranque el motor con el gatillo del acelerador en la posición de velocidad de ralentí.
 - Mantenga el producto firmemente en el suelo al arrancar el motor.
- Si no tiene en cuenta estas precauciones podría sufrir un accidente o lesión o incluso dar lugar a un accidente mortal.

- Compruebe que no haya vibraciones ni sonidos anormales una vez arrancado el motor. No utilice el producto si hay vibraciones o sonidos anormales. Póngase en contacto con su distribuidor para que lo repare.
Los accidentes que causen la caída o rotura de las piezas pueden provocar heridas o lesiones graves.

- Los humos de escape del motor contienen gases tóxicos. No utilice el producto en interiores o en otros lugares mal ventilados.
Los humos de escape podrían provocar envenenamiento.



- No toque el silenciador, la bujía, la transmisión en ángulo y demás componentes a alta temperatura mientras el producto está funcionando durante cierto tiempo después de detenerse.
Podría quemarse si toca un componente a elevada temperatura.



- No toque la bujía, el cable de la bujía y demás componentes de alto voltaje mientras el producto está funcionando.
Podría recibir una descarga eléctrica si toca un componente de alta tensión mientras el producto esté en marcha.



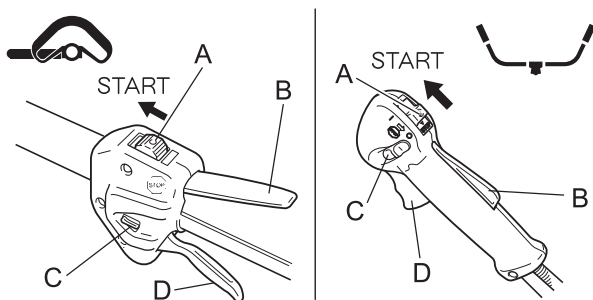
- Si cuando se arranque el accesorio de corte gira aunque el gatillo del acelerador se encuentre en posición de velocidad de ralentí, ajuste el carburador antes de utilizar el producto.
Si no tiene en cuenta estas precauciones podría sufrir un accidente o lesión o incluso dar lugar a un accidente mortal.

- Cuando arranque el motor utilizando el bloqueo del acelerador, el accesorio de corte gira. Una vez arrancado el motor, tire ligeramente del gatillo del acelerador para liberar inmediatamente el bloqueo de acelerador. No utilice nunca el bloqueo del acelerador para el funcionamiento.
La rotación de la cuchilla puede provocar una lesión.

NOTA

- Tire suavemente en primer lugar del puño del arranque y, a continuación, más rápidamente. No tire hacia fuera de la cuerda del arranque a más de 2/3 de su longitud.
- No la deje llegar hasta el puño del arranque cuando vuelva.

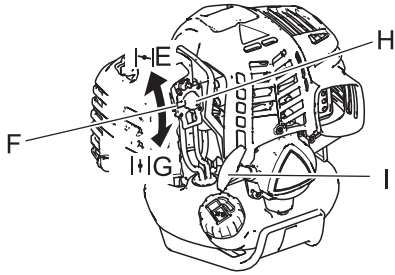
Arranque de un motor frío



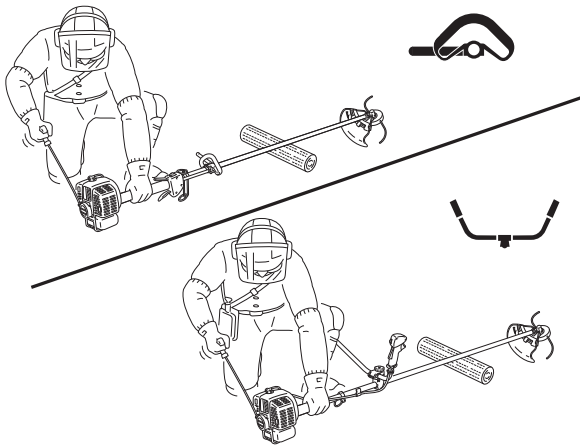
(Conecte el tapón de bujías en caso de que el producto haya estado guardado durante un largo periodo de tiempo.)

1. Extraiga la tapa de la cuchilla.
2. Colocando el producto sobre un suelo nivelado, compruebe y asegúrese de que el accesorio de corte no está en contacto con la superficie de la tierra o con cualquier otro impedimento utilizando una barra u otra herramienta similar.
3. Desplace el interruptor de encendido (A) a la posición de inicio.
4. Asegúrese de que el disparador del acelerador (D) está en posición de ralentí.

Funcionamiento del motor

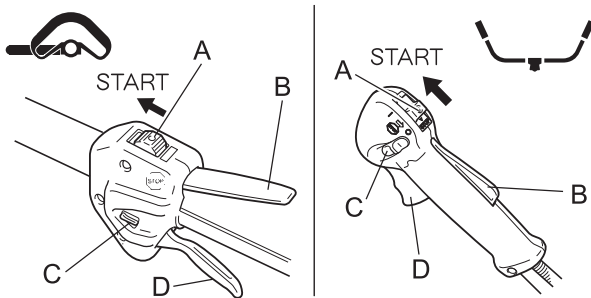


- Mueva la palanca del estrangulador (F) a la posición de "Arranque en frío" (E).
- Pulse y libere alternativamente el cebador (H) hasta que succione combustible.
- Comprobando que el área que tiene alrededor sea segura, mantenga la posición más cercana al motor firmemente tal como se muestra en la ilustración y tire varias veces del puño del arranque (I).
- Si escucha un sonido como de explosión y se detiene el motor de forma inmediata, mueva la palanca del estrangulador a la posición de "Trabajo" (G) y continúe tirando del puño del arranque para arrancar el motor.
- Si el motor no se detiene, retorne la palanca del estrangulador suavemente a la posición de "Trabajo".
- Deje calentar el motor durante unos instantes en la velocidad de ralentí.



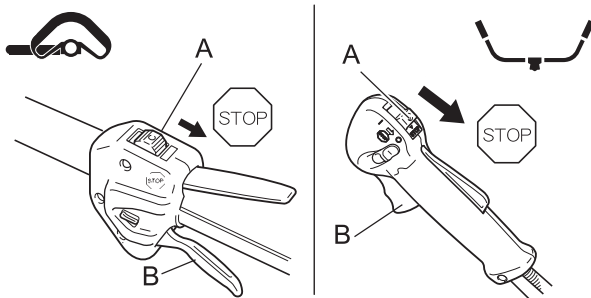
- * Cuando sea difícil arrancar el motor, utilice el bloqueo del acelerador (C). (Tire totalmente del gatillo del acelerador y baje el bloqueo del acelerador mientras presiona el bloqueo del gatillo del acelerador (B) y suelte el gatillo para activar el bloqueo del acelerador. Una vez arrancado el motor, tire ligeramente del gatillo del acelerador para liberar inmediatamente el bloqueo de acelerador.)

Arranque de un motor caliente



- Desplace el interruptor de encendido (A) a la posición de inicio.
- Asegúrese de que el disparador del acelerador (D) está en posición de ralentí.
- Compruebe que la palanca del estrangulador esté en la posición de "Trabajo".
- Si no puede verse combustible en el cebador, pulse y libere de forma alternativa el cebador hasta que éste succione el combustible.
- Comprobando que el área que tiene alrededor sea segura, mantenga la posición más cercana al motor y tire del puño del estérter para arrancar el motor.

Parada del motor



- Desplace el gatillo del acelerador (B) a la posición de velocidad de ralentí y coloque el motor en ralentí (es decir, a baja velocidad).
- Desplace el interruptor de encendido (A) a la posición de parada.
- En caso de emergencia, pare el motor inmediatamente utilizando el interruptor de encendido.
- Si el motor no se para, desplace la palanca del estrangulador a la posición de "Arranque en frío". El motor se calará y se detendrá (una parada de emergencia).

- * Si no se detiene el motor cuando se utiliza el interruptor de encendido, haga que un distribuidor compruebe y repare el interruptor de encendido antes de volver a utilizar el producto.
- Desconecte siempre el cable de la bujía para asegurarse de que el motor no pueda arrancar mientras Ud. no necesite el equipo o cuando lo deje solo.

Funcionamiento del recorte de bordes

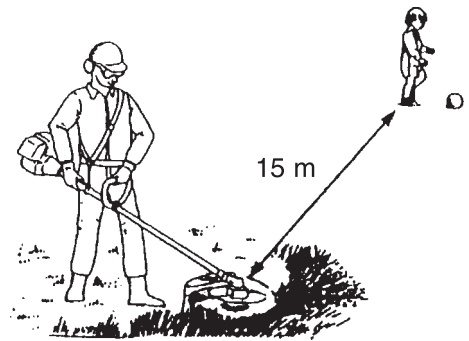
PELIGRO

○ **Pare siempre el motor cuando se produzca una obstrucción del accesorio de corte.**
En caso contrario, al eliminar la obstrucción, el accesorio de corte podría arrancar de repente y causarle heridas.

○ **No trabaje con el producto sin el escudo protector en su lugar.**
Cualquier objeto que rebote en el accesorio de corte podría provocar un accidente o una lesión grave.

○ **El área dentro de un radio de 15 metros del producto es una zona peligrosa. Tenga cuidado de cumplir estas precauciones cuando trabaje con el producto.**

- ◆ **No permite que niños, otras personas o mascotas entren en la zona de peligro.**
- ◆ **Si entra otra persona en la zona de peligro, apague el motor para detener la rotación del accesorio de corte**
- ◆ **Cuando se acerque al operario, hágale una señal, por ejemplo, arrojándole ramitas desde el exterior de la zona de peligro y, a continuación, compruebe que el motor se haya desconectado y que el accesorio de corte haya dejado de girar**
- ◆ **Si hay más de una persona trabajando con el producto, identifique la forma en la que se avisarán y trabajen a una distancia mínima de 15 metros de distancia.**



Cualquier objeto que rebote en el accesorio de corte o que entre en contacto con el mismo, podría causar ceguera o un accidente fatal.

ADVERTENCIA

○ **Antes de comenzar a trabajar, compruebe el área en la que va a trabajar y elimine cualquier piedra pequeña y latas vacías que probablemente puedan rebotar en el accesorio de corte, así como cualquier trozo de cuerda o cable que puede enrollarse alrededor del accesorio de corte.**

Puede producirse un accidente o lesión grave si sustancias extrañas rebotan en el accesorio de corte o si salta un cable u otro material enrollado alrededor del producto.



○ **En las situaciones que se describen a continuación, apague inmediatamente el motor y asegúrese de que los accesorios de corte se hayan detenido antes de comprobar cada área del producto. Sustituya cualquier pieza dañada.**

- ◆ **Si el accesorio de corte golpea una roca, árbol, poste u otro tipo de obstáculo mientras está trabajando.**
- ◆ **Si el producto comienza a vibrar anormalmente de forma repentina.**

El uso continuado de las piezas cuando estén dañadas puede provocar un accidente o una lesión grave.

○ **No sujete el accesorio de corte mientras está trabajando. No debe trabajar con los accesorios de corte por encima del nivel de la rodilla.**

La elevación del accesorio de corte por encima del nivel de la rodilla acerca el plano de rotación a la cara y cualquier objeto proyectado por los accesorios de corte podría provocar un accidente o una lesión grave.

Transporte del producto

○ **Cuando se transporta en las situaciones descritas a continuación, apague el motor y asegúrese de que la cuchilla de corte se haya detenido y, a continuación, coloque la tapa de la cuchilla de corte y aleje el silenciador de usted.**

- ◆ **Traslado a otro lugar cuando esté trabajando.**
- ◆ **Traslado a otra zona mientras está trabajando.**
- ◆ **Abandono del lugar en el que ha estado trabajando.**

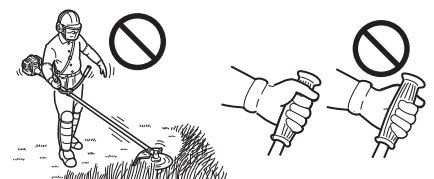
Si no cumple estas precauciones podría sufrir quemaduras o una lesión grave.

○ **Cuando transporte el producto en coche, vacíe el depósito de combustible, coloque la tapa de la cuchilla de corte y asegure firmemente el producto en su lugar para evitar que se mueva.**

Los viajes en coche con combustible en el depósito podrían provocar un incendio.

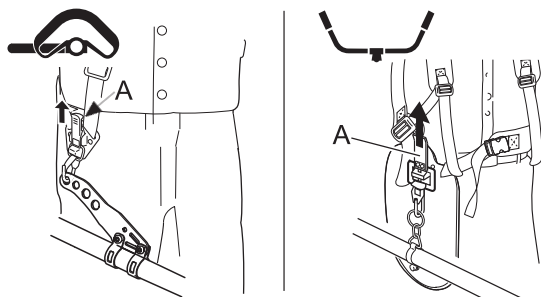
○ **En ningún caso utilice el equipo con una sola mano.**

○ **Asegúrese de enganchar los pulgares alrededor de los puños envolviéndolos con el pulgar y los demás dedos.**



Funcionamiento del recorte de bordes

Uso del arnés



Coloque siempre correctamente el cortabordes utilizando el arnés.

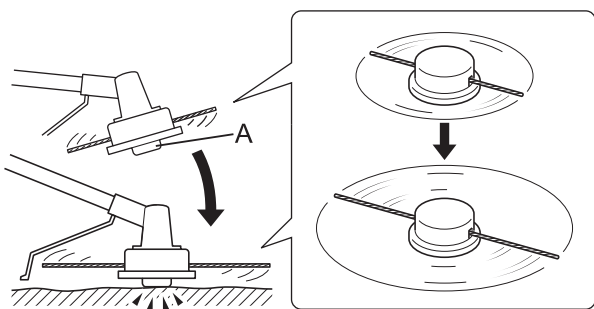
- ♦ Abróchese el cinturón (versión con manillar doble). El cinturón debe quedar ceñido.
- ♦ Coloque el dispositivo en el arnés.
- ♦ Versión con manillar único
Coloque el arnés sobre su hombro izquierdo y ajuste las tiras de modo que el pasador de liberación rápida quede justo debajo de su cintura.
- ♦ Versión con manillar doble
Coloque el arnés sobre ambos hombros y ajuste las tiras para los bloqueos del punto de conexión tal como se muestra.
- ♦ Compruebe el ajuste correcto moviendo el accesorio de corte a lo largo del suelo.
- ♦ Reajuste la posición del punto de suspensión si fuera necesario.
- ♦ El arnés está equipado con una función de liberación de emergencia. En caso de incendio u otra emergencia, tire del Lengüeta de emergencia (A) del arnés para soltar el producto de su cuerpo.

Funcionamiento básico del recorte de bordes con el cabezal de corte de hilo de nylon

⚠ ADVERTENCIA

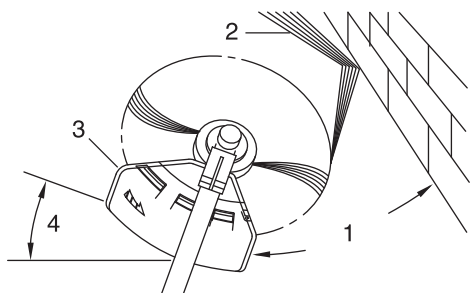
- Puede producirse una lesión grave como resultado del uso inadecuado del accesorio de corte. Lea y cumpla todas las instrucciones de seguridad que se dan en este manual.
- Use sólo accesorios de corte recomendados por YAMABIKO Corporation.
- Después de regular la longitud del hilo, el hilo superfluo sobrante que queda después de cortar con el cuchillo, podría salir proyectado hacia ud. cuando el accesorio de corte que lo contiene empiece a girar. Si no lo hace, podría producirse un accidente o una lesión grave.

Ajuste del hilo de nylon



- ♦ No haga girar el cabezal de corte de hilo de nylon a más de 10000 rpm.
- ♦ Cuando suelte el hilo de nylon del carrete, golpee el botón del carrete ligeramente contra la superficie del suelo a una velocidad de rotación inferior a las 4500 rpm.
- ♦ El cuchillo de corte del escudo ajusta la franja de corte automáticamente cortando los hilos de nylon por igual cuando el accesorio de corte empiece a girar.
- ♦ Cuando deba trabajar con una franja de corte menor que la máxima, corte por igual los dos hilos de nylon a la longitud deseada.
- ♦ Cuando el hilo de nylon se acorte, golpee el botón (A) del carrete ligeramente contra la superficie del suelo para que el hilo se suelte del carrete.

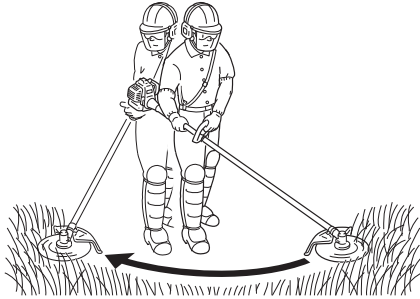
Recorte de bordes contra barrera



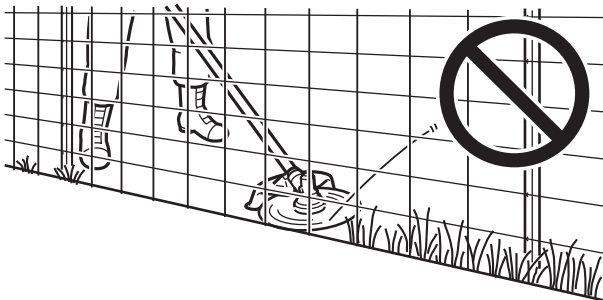
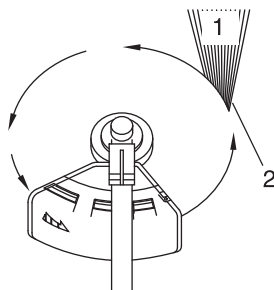
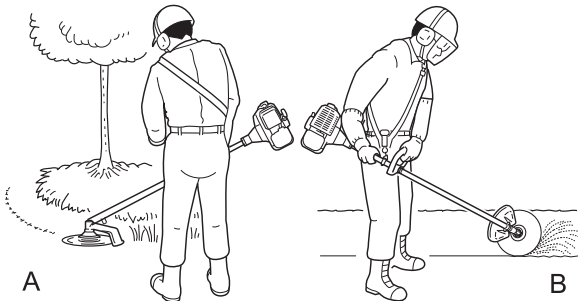
- ♦ Se trata de acercar el cortador cuidadosamente hacia el material que desee cortar. Incline el cabezal ligeramente para alejar de Ud. los desechos. Si recorta contra una pared, valla o árbol, acerquese desde un ángulo desde el que los desechos lanzados por el equipo se alejen de Ud.
- ♦ Mueva el cabezal con el hilo o el disco con el hilo despacio hasta cortar la hierba justo hasta la barrera, pero no deje que el hilo toque demasiado a la misma. Si recorta contra una valla de alambre o eslabonada, ponga atención en que el hilo no toque el alambre. ya que de lo contrario el hilo podría enredarse en el alambre de la valla.
- ♦ Puede recortar de tal manera que corte los tallos de las malas hierbas de uno en uno. Coloque el cortador con hilo de nylon cerca de la parte inferior de la hierba, nunca en la parte superior ya que podría enredarse. En vez de cortar la hierba direc-

Funcionamiento del recorte de bordes

Siega



Desbroce y recorte de bordes



tamente de una vez, use el extremo del hilo para que corte despacio y paulatinamente el tallo.

1. Ángulo con la pared
2. Desechos
3. Lado de cuchilla elevado
4. Ángulo con el suelo

- ♦ Consiste en el corte o siega de grandes áreas con hierbas, barriendo con el cortador o haciéndolo oscilar en un arco llano. Utilice un movimiento suave y fácil. No intente cortar a "hachazos". Incline el cabezal o disco con el hilo de tal modo que los desechos lanzados se alejen de Ud. en todo el recorrido del equipo. Luego vuelva a la posición original, sin cortar hierba, para iniciar otro recorrido. Si Ud. está bien protegido y no le preocupa el que algunos desechos sean lanzados hacia Ud., podrá segar en ambas direcciones.

- ♦ Ambas actividades se realizan con el cabezal con hilo inclinado un gran ángulo. El desbroce (A) consiste en cortar las malas hierbas dejando el suelo raso. El recorte de bordes (B) consiste en cortar la hierba en aquellos lugares en los que se ha extendido hacia el pavimento o el camino. Tanto en el recorte de bordes como en el desbroce, sujete el equipo inclinado en un gran ángulo en una posición tal que los desechos, y cualesquiera piedras y materiales, no se dirijan hacia Ud. aun en el caso de que reboten contra una superficie dura.

- ♦ Aunque las ilustraciones muestran cómo desbrozar y recortar bordes, cada profesional debe encontrar por sí mismo los ángulos que mejor se adecuen a su tamaño corporal y al corte en concreto.

- ♦ Para casi todos los tipos de corte, convendrá inclinar el cortador con hilo de nylon de tal modo que haga contacto con la parte del círculo en la que el hilo se aleja de Ud. y del escudo. (Mire la ilustración). De este modo los desechos se lanzan lejos de Ud.

- ♦ Si se inclina el cabezal hacia el lado erróneo, los desechos se dirigirán hacia Ud. Si el cortador de hilo de nylon se mantiene llano con respecto al suelo de modo que el corte tenga lugar en todo el círculo que traza el hilo, los desechos se dirigirán hacia Ud., la resistencia ralentizará el motor y necesitará gran cantidad de hilo.

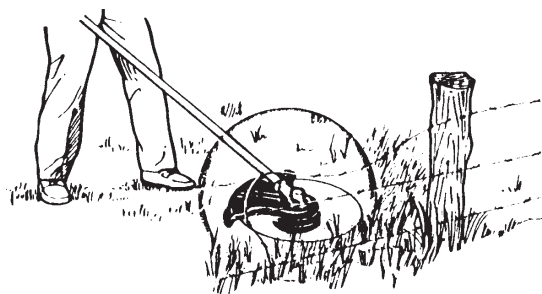
- ♦ El cabezal de hilo de nylon gira en sentido contrario a las agujas del reloj. El cuchillo de corte de hilo está en el lado izquierdo del escudo.

1. Desechos
2. Corte en este lado

- ♦ No lleve el hilo hacia plantas fuertes, árboles o vallas de metal o alambre.

- ♦ Si lleva el hilo hacia alambradas de corral, cercado eslabonado o arbustos grandes, puede que se rompan los extremos del hilo y que salgan proyectados hacia el usuario. El método correcto consiste en cortar justo hasta la barrera, pero nunca llevar el hilo hasta la obstrucción o a través de ella. No cortar demasiado cerca de la obstrucción o barrera.

Funcionamiento del recorte de bordes



- ♦ Evite el contacto del hilo de nylon con vallas de alambre de espino roto. Los trozos de alambre rotos por el cortador podrían salir proyectados hacia Ud. a alta velocidad.

Funcionamiento básico del recorte de bordes con la cuchilla metálica

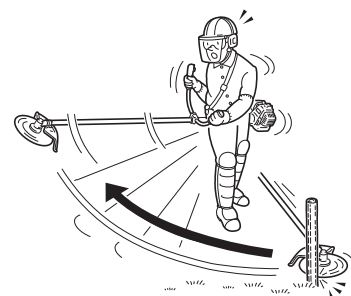
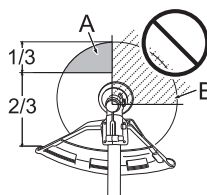
⚠ ADVERTENCIA

- Cuando recorte bordes, tenga en cuenta las siguientes instrucciones.
 - ♦ Compruebe y asegúrese de que la cuchilla del cortabordes está bien apretada en su sitio.
 - ♦ Sustituya el escudo si está dañado o roto.
 - ♦ Sustituya la tuerca de la cuchilla del cortabordes cuando esté gastada.
 - ♦ No toque el terreno con la cuchilla.
 - ♦ No haga funcionar el equipo con una cuchilla roma, doblada, fracturada u oxidada, o con la tuerca gastada o dañada.
 - ♦ No haga funcionar el motor a toda velocidad cuando no tenga carga.
Si no lo hace, podría producirse un accidente o una lesión grave.
- Use sólo accesorios de corte recomendados por YAMABIKO Corporation.
- El tipo de cuchilla usada debe coincidir con el tipo y tamaño del corte material. Una cuchilla inadecuada o desafilada puede causar heridas personales importantes. Las cuchillas deben estar bien afiladas. Las cuchillas desafiladas incrementan la posibilidad de causar contragolpe y heridas a usted y a los transeúntes.
 - ♦ Las cuchillas para hierba / malas hierbas de plástico / nylon pueden ser usadas siempre que se use el cabezal de hilo de nylon. No use esta cuchilla para cortar malas hierbas o arbustos grandes.
 - ♦ La cuchilla de 3 cortadores está especialmente diseñada para cortar césped y malas hierbas. Para evitar heridas provocadas por el contragolpe o por la fractura de la cuchilla, no use la cuchilla de 3 cortadores para cortar arbustos o árboles.
 - ♦ La cuchilla para malas hierbas / hierba de 8 dientes está diseñada para cortar césped, desechos de jardín y arbustos grandes. No use esta cuchilla para cortar arbustos o ramas de madera con un diámetro de 19 mm o mayor.
 - ♦ La cuchilla de despejar de 22 dientes está diseñada para cortar matorrales densos y árboles jóvenes con un diámetro de hasta 64 mm.
 - ♦ La cuchilla de desbroce está diseñada para cortar arbustos y ramas de madera con un diámetro de hasta 13 mm. Las cuchillas dañadas o destrozadas pueden provocar accidentes y heridas graves.



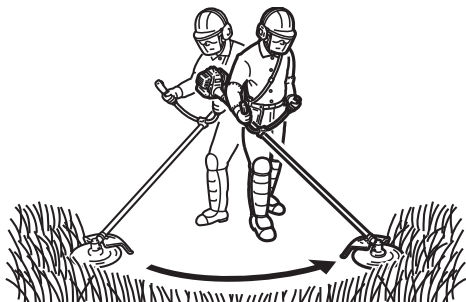
Contragolpe

- El fenómeno que se produce si la cuchilla del cortabordes contacta con un árbol, poste, roca u otro objeto duro cuando está girando a alta velocidad y reacciona saltando hacia atrás con fuerza y de forma instantánea se conoce como contragolpe.
- El contragolpe puede provocar una pérdida de control sobre el producto y es muy peligrosa.
- En particular, si el cuadrante delantero derecho de la cuchilla del cortabordes (B) golpea un arbusto u otro objeto similar, la cuchilla del cortabordes hará que el producto salte hacia atrás de forma abrupta de atrás hacia la derecha.
- Para evitar el contragolpe, no corte de izquierda a derecha. Tenga cuidado de asegurarse de que la cuchilla del cortabordes no golpee ningún objeto duro.
- Cuando corte, asegúrese de que el objeto que está cortando esté dentro de la parte de 1/3 de la cuchilla del borde delantero del lateral izquierdo (A).
Si no lo hace, podría provocar una lesión o accidente fatal.



Funcionamiento del recorte de bordes

La siega de malas hierbas



- ♦ Consiste en el corte realizado haciendo oscilar el accesorio de corte en un arco llano. Puede limpiar rápidamente áreas de malas hierbas y césped. Este tipo de corte no debe utilizarse para cortar malas hierbas grandes y duras o ramas de madera.
- ♦ Si un árbol joven o un arbusto traba el accesorio de corte, no intente usar el mismo como palanca para destrabarlo, ya que esto causaría un mal funcionamiento del accesorio de corte.
- ♦ En vez de ello, pare el motor y empuje el árbol o arbusto para liberar las cuchillas.

Mantenimiento y cuidados

ADVERTENCIA

Quando compruebe o realice el mantenimiento del producto después del uso, tenga en cuenta las siguientes precauciones:

- Apague el motor y no intente realizar ninguna comprobación ni mantenimiento del producto hasta que el motor se haya enfriado.
Podría quemarse.
- Retire el tapón de la bujía antes de realizar comprobaciones y operaciones de mantenimiento.
Podría producirse un accidente si el producto se arranca inesperadamente.

IMPORTANTE

- Las comprobaciones y el mantenimiento requieren un conocimiento especializado. Si no puede comprobar y realizar el mantenimiento del producto o dar con un problema usted sólo, consulte con su distribuidor. No intente desmontar el producto.

Directivas de asistencia

Área	Mantenimiento	Página	Antes de usar	Mensual
Filtro de aire	Limpiar / sustituir	22	•	
Filtro de combustible	Inspeccionar / limpiar / sustituir	22	•	
Bujía	Inspeccionar / limpiar / ajustar / sustituir	24		•
Carburador	Ajustar / sustituir y ajustar	22		•
Sistema de enfriamiento	Inspeccionar / limpiar	23	•	
Silenciador	Inspeccionar/apretar	23	•	
Silenciador	Limpiar	23		•**
Transmisión en ángulo	Engrasar	24		•*
Estárter	Inspeccionar	-	•	
Cuchillo de corte	Inspeccionar / limpiar	-	•	
Sistema de combustible	Inspeccionar	22	•	
Tornillos, pernos y tuercas	Inspeccionar, apretar / sustituir	-	•	

* O 50 horas, lo que primero tenga lugar. ** O 100 horas, lo que primero tenga lugar.

Área	Mantenimiento	
Holgura de las válvulas	Ajustar	Si le cuesta tirar del tirador de arranque o la potencia es baja, consulte con su distribuidor.

IMPORTANTE

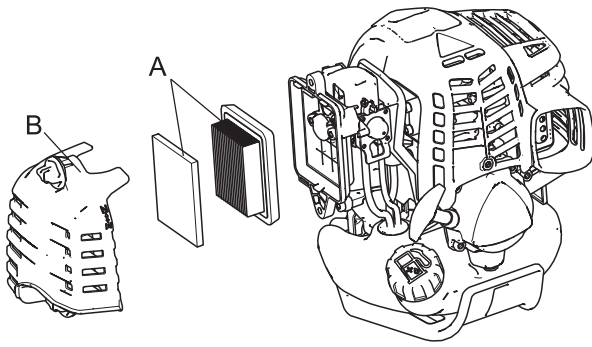
- Los intervalos de tiempo son los máximos. El uso real y su experiencia determinarán la frecuencia del mantenimiento necesario.

Mantenimiento y cuidados

Si tiene cualquier pregunta o problema, póngase en contacto con su distribuidor.

Mantenimiento y cuidados

Limpeza del filtro de aire

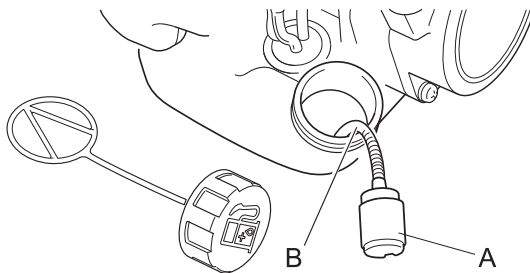


1. Cierre el estrangulador. Afloje el botón de la tapa del filtrador de aire y retire la tapa del filtrador de aire (B).
2. Saque el filtro de aire (A) (el filtro de aire está ubicado dentro de la tapa del filtrador de aire).
3. Limpie la suciedad del filtro cepillándolo o límpielo con aire comprimido desde el lado del carburador.
4. Vuelva a montar el filtro de aire con su tapa.
5. Apriete el botón de la tapa del filtrador de aire.

NOTA

- Cuando vuelva a instalar el filtro de aire, encájelo en el marco de la caja del filtrador.

Sustitución del filtro de combustible



1. Use un trozo de cable de acero o similar para recoger el filtro de combustible (A) a través de la apertura del depósito de combustible.
2. Tire del viejo filtro y sáquelo del tubo de combustible (B).
3. Instale el nuevo filtro de combustible.

NOTA

- Si el filtro estuviera excesivamente sucio o ya no encajara bien, sustitúyalo.

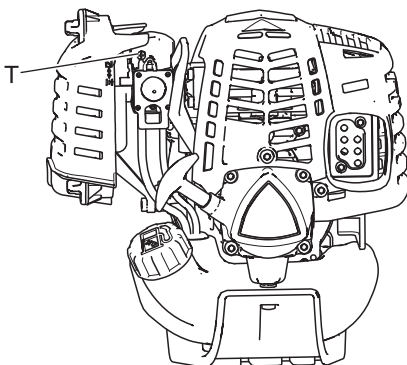
Ajuste del carburador

⚠ ADVERTENCIA

- LA VELOCIDAD DE RALENTÍ SE PUEDE AJUSTAR SÓLO girando el tornillo de ajuste de velocidad de ralentí (T).
- Durante el ajuste del carburador, puede moverse el accesorio de corte. Ponga la máxima atención y cuidado con el accesorio de corte, para no sufrir lesiones por la máquina en movimiento.
- Cuando haya finalizado el ajuste del carburador, no deberá mover el accesorio de corte al ralentí, ya que podría sufrir una lesión personal grave.
- NO realice ningún ajuste en el carburador, excepto la velocidad de ralentí. Los restantes ajustes DEBEN ser realizados por un servicio técnico autorizado; de lo contrario, podría sufrir lesiones graves debidas a fallos de funcionamiento del motor.

⚠ PRECAUCIÓN

- Si hay algún problema con el carburador, póngase en contacto con un servicio técnico autorizado.



Todas las unidades se prueban en la fábrica y se ajusta el carburador para proporcionar un rendimiento máximo.

Antes de ajustar el carburador, limpie o sustituya el filtro de aire, arranque el motor y déjelo en marcha varios minutos para que alcance la temperatura de funcionamiento.

El motor debe volver a su velocidad de ralentí siempre que se suelte la palanca del acelerador. La velocidad de ralentí es regulable, pero debe ser lo suficientemente baja como para que el embrague del motor libere el accesorio de corte.

Para ajustar el carburador, proceda como sigue:

1. Ponga la unidad sobre el suelo, arranque el motor y déjelo al ralentí entre 2 y 3 minutos, hasta que se haya calentado.
2. Si el accesorio se mueve con el motor al ralentí, reduzca la velocidad de ralentí girando el tornillo de ajuste del ralentí (T) en sentido contrario a las agujas del reloj.
3. Repita varias veces el proceso de acelerar el motor hasta el régimen máximo y regresar a la velocidad de ralentí. Compruebe si el accesorio de corte se detiene en ralentí.

Mantenimiento y cuidados

- Si dispone de un tacómetro, la velocidad de ralentí del motor debería ajustarse al final con el valor recomendado en la sección de Especificaciones.

NOTA

Cuando no pueda ajustar correctamente el carburador con el tornillo de ajuste de la velocidad de ralentí (T), deberá ponerse en contacto con un servicio técnico autorizado.

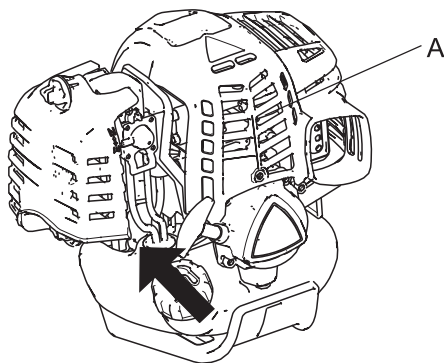
Mantenimiento del sistema de enfriamiento

IMPORTANTE

○ Para mantener la temperatura adecuada de funcionamiento del motor, el aire de enfriamiento debe pasar libremente a través del área de aletas del cilindro. Este flujo de aire disipa el calor de combustión del motor. Puede tener lugar un sobrecalentamiento y agarrotamiento del motor cuando:

- Las entradas de aire estén bloqueadas, impidiendo que el aire de enfriamiento alcance el cilindro,
- Se hayan acumulado polvo y hierbas en el lado exterior del cilindro. Esta acumulación aísla el motor e impide que se disipe el calor.

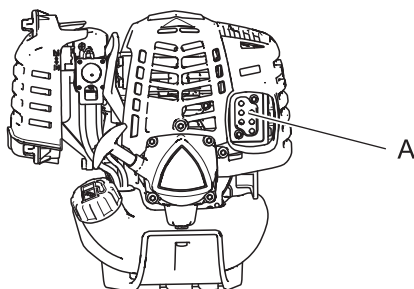
La extracción de depósitos que bloquean el paso del aire o la limpieza de las aletas se considera parte del "mantenimiento normal". Cualquier fallo resultante atribuible a la falta de mantenimiento no entra en garantía.



Entrada de aire

- Elimine el polvo y suciedad que haya entre las aletas (A).
- Antes de cada uso, elimine los desechos acumulados en la parrilla inferior de admisión del motor ubicada entre el depósito de combustible y el estérter.

Limpieza del silenciador

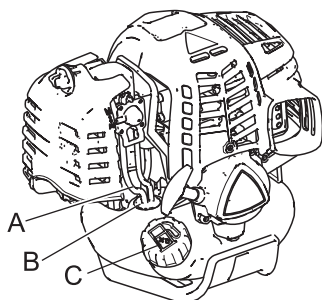


- Los depósitos de carbonilla en el silenciador (A) provocarán una reducción de la potencia del motor y su sobrecalentamiento. La pantalla protectora del apaga chispas debe revisarse periódicamente. Limpie cualquier depósito que se acumule en el silenciador.

IMPORTANTE

No desmonte la tapa del silenciador. Si fuera necesario, no dude en consultar a su distribuidor.

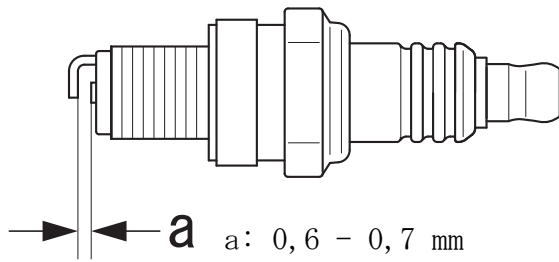
Comprobación del sistema de combustible



- Compruébelo después de cada uso.
- Una vez repostado, asegúrese de que no haya fugas ni transpiraciones alrededor del tubo de combustible (A), de la arandela aislante del combustible (B) ni del tapón del depósito de combustible (C).
- En caso de fugas o transpiraciones de combustible, existe peligro de incendio. Deje de utilizar la máquina inmediatamente y solicite al distribuidor que lo inspeccione o sustituya.

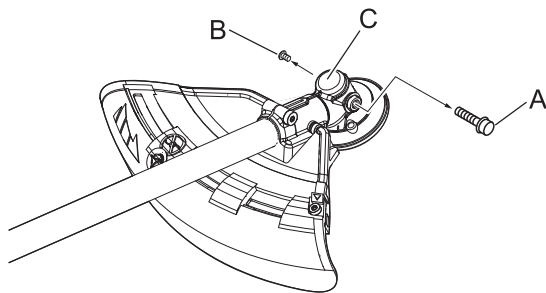
Mantenimiento y cuidados

Comprobación de la bujía



1. Compruebe la distancia entre electrodos de la bujía. La distancia correcta está entre 0,6 mm y 0,7 mm.
 2. Inspeccione la bujía por si tuviera los electrodos gastados.
 3. Inspeccione el aislante por si tuviera aceite u otros depósitos.
 4. Si la bujía está sucia, límpiela. No utilice un método de arenado para la limpieza. La arena restante causará daños en el motor.
 5. Si los electrodos o terminales están desgastados o si hay roturas en los elementos cerámicos, sustitúyalos por otros nuevos. (ver Características técnicas página 30)
 6. Apriete a 10 N·m - 15 N·m (100 kgf·cm a 150 kgf·cm).
- * La prueba de chispas (para comprobar si la bujía está emitiendo chispas) debe ser realizada por su distribuidor.

Transmisión en ángulo



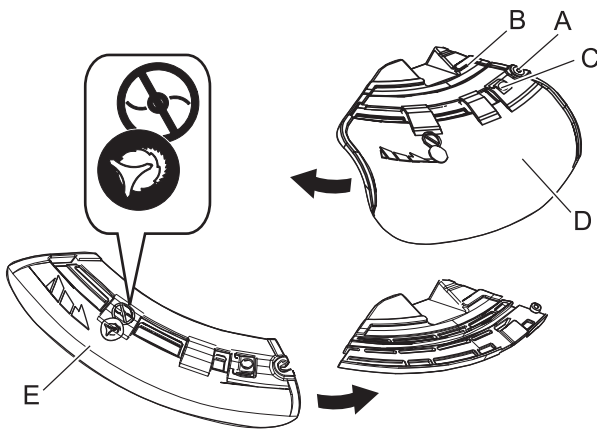
1. Saque el tapón (A) y el tornillo de vaciado (B) de la transmisión en ángulo (C).
2. Añada grasa en la transmisión hasta que salga la grasa anterior. En caso necesario, utilice una bomba de baja presión.

NOTA

- Utilice grasa multiuso de litio de alta calidad.

3. Vuelva a colocar el tornillo de vaciado y el tapón.

Cómo cambiar el protector



- ♦ Hay dos tipos de escudos: a saber, uno que se usa exclusivamente para el hilo de nylon y otro que se usa exclusivamente para la cuchilla metálica. Cuando emplee la cuchilla metálica, use el escudo para dicha cuchilla.
1. Afloje por completo el perno (A) a la derecha del soporte (B) para deslizar el escudo. El propio perno no puede ser extraído del soporte.
 2. Pulse el botón (C), deslice el escudo (D) a la izquierda y extráigalo.
 3. Ponga el escudo del otro tipo (E) en la ranura y deslícelo a la derecha hasta que se detenga. Asegúrese de apretar el perno.

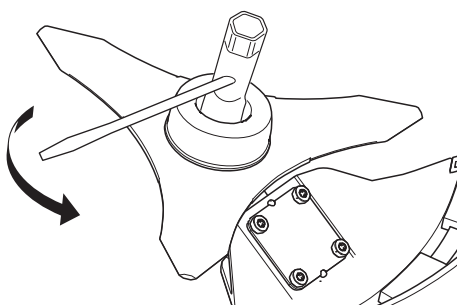
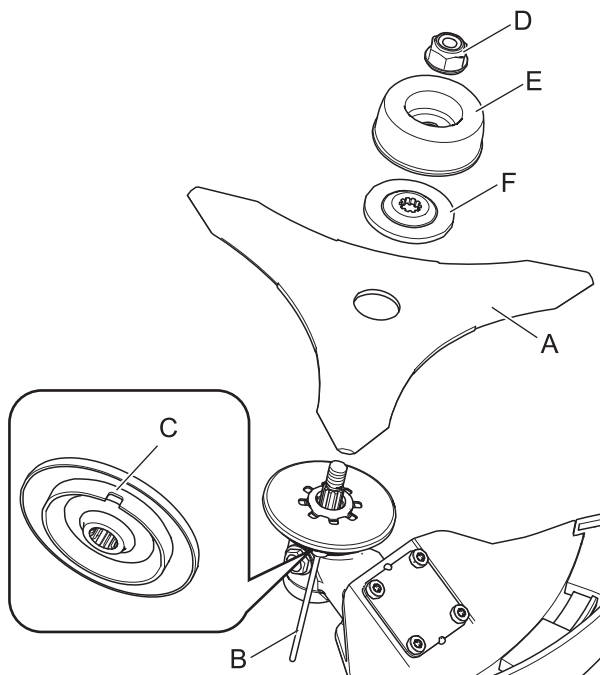
Instalación de la cuchilla (opcional)

⚠ ADVERTENCIA

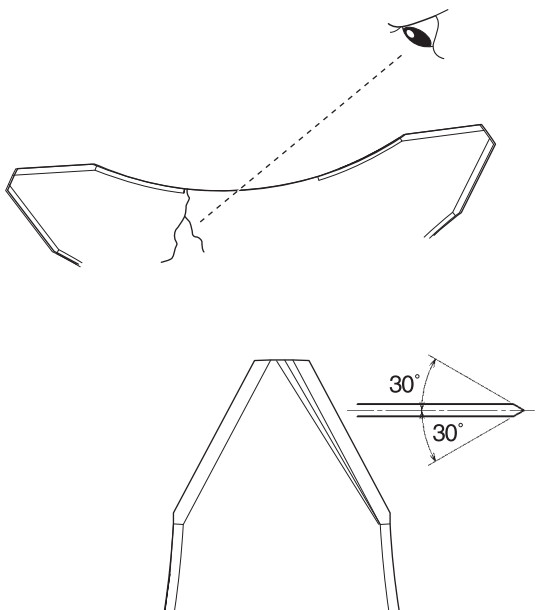
- Utilice guantes de alta resistencia cuando trabaje con la cuchilla del cortabordes.
- Cuando sustituya la cuchilla del cortabordes durante un trabajo de corte, asegúrese de que el motor esté apagado y de que se han detenido las cuchillas.
- Cuando dé la vuelta al producto para sustituir la cuchilla del cortabordes, asegúrese de que el tapón del depósito de combustible esté bien colocado en su sitio.
- No intente colocar la cuchilla del cortabordes con una mano o sin utilizar la llave tubular. Coloque con precisión la cuchilla del cortabordes utilizando la llave tubular suministrada y apriétela firmemente en su sitio.
- No utilice otra herramienta que no sea la llave tubular incluida para apretar la cuchilla; las herramientas neumáticas o eléctricas pueden apretar excesivamente la cuchilla y, por consiguiente, pueden romper la tuerca o el eje de salida.
- Si se usaran una tuerca y copa desgastadas para la cuchilla, existe el peligro de que ésta se afloje. Sustitúyalas siempre por unas nuevas.

En caso contrario, podría producirse una lesión o accidente grave o provocarse un incendio.

Mantenimiento y cuidados



Comprobación de la cuchilla



1. Inspeccione las cuchillas (A) antes de su instalación. Compruebe también que estén afiladas. Las cuchillas romas aumentan el riesgo de contragolpes de la cuchilla. Las grietas pequeñas pueden convertirse en fracturas y, durante el uso, podrían salir volando trozos de cuchilla con el consiguiente peligro. Deseche las cuchillas agrietadas sin tener en cuenta lo pequeñas que puedan ser las grietas.
2. Introduzca la herramienta de bloqueo (B) en el orificio ubicado en el lado derecho de la transmisión en ángulo forzando al mismo tiempo el muelle de retén hacia el lado izquierdo.
3. Introduzca aún más la herramienta de bloqueo en la ranura de fijación (C) del retén de la cuchilla para fijar el eje de salida.
4. Utilizando la llave de boca tubular, retire la tuerca (D), la copa (E) y el retén de la cuchilla inferior (F).
5. Apriete a mano firmemente la cuchilla, el retén de la cuchilla inferior, la copa y la tuerca.

⚠ PRECAUCIÓN

○ Fije el eje de salida con seguridad usando la herramienta de bloqueo para prevenir que gire cuando se monta la cuchilla. De lo contrario, la tuerca de sujeción de la cuchilla no será apretada lo suficiente.

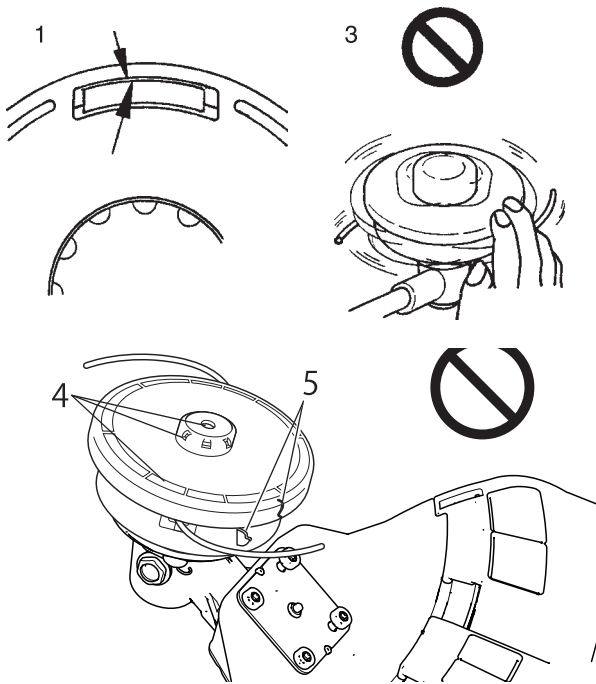
6. Apriete la tuerca (girándola en sentido contrario a las agujas del reloj) usando una llave de boca tubular. Nunca apriete mientras está aplicando su peso. En caso contrario podría romperse la rosca de la tuerca.
7. Extraiga la herramienta de bloqueo.

- ♦ Use sólo la cuchilla designada por el fabricante para este modelo.
- ♦ Sustituya la cuchilla por una nueva si ve alguna grieta. No use en ningún caso una cuchilla agrietada.
- ♦ Asegúrese de que la cuchilla está colocada correctamente según las instrucciones.

- ♦ Cuando la cuchilla de corte deje de estar afilada debido al desgaste, déle la vuelta y podrá seguir usándola.
- ♦ Cuando la cuchilla se melle o doble aumentarán las vibraciones. En ese caso, sustitúyala por una nueva.
- ♦ Cuando lime la cuchilla, lime los 3 bordes de corte uniformemente usando una lima plana tal como se muestra en la ilustración. De otro modo, se perdería el equilibrio y aumentarían las vibraciones.

Mantenimiento y cuidados

Comprobación del cabezal de corte de hilo de nylon



1. Asegúrese de que la periferia de los dos trinquetes de retención de la caja salen completamente hasta el borde de la periferia exterior de las respectivas ventanas de la tapa.
2. Compruebe la colocación del cabezal de corte en el cortabordes y apriételo si fuera necesario.
3. Compruebe el cabezal de corte por si hubiera flexión o hiciera ruidos anormales al girarlo con la mano. La flexión o los ruidos anormales podrían causar vibraciones anormales o un aflojamiento de la colocación en el cortabordes durante el giro, lo cual sería peligroso.
4. Inspeccione la tapa y el botón por si estuvieran desgastados. Cuando aparezca la ranura en la parte inferior del botón o cuando la ranura que aparece sobre la tapa inferior cierre la salida del hilo de nylon, sustitúyalas por piezas nuevas sin falta.
5. Compruebe el cabezal de corte por si estuviera mellado o agrietado. Sustituya aquellas piezas que muestren mellas o grietas por piezas nuevas sin demora.

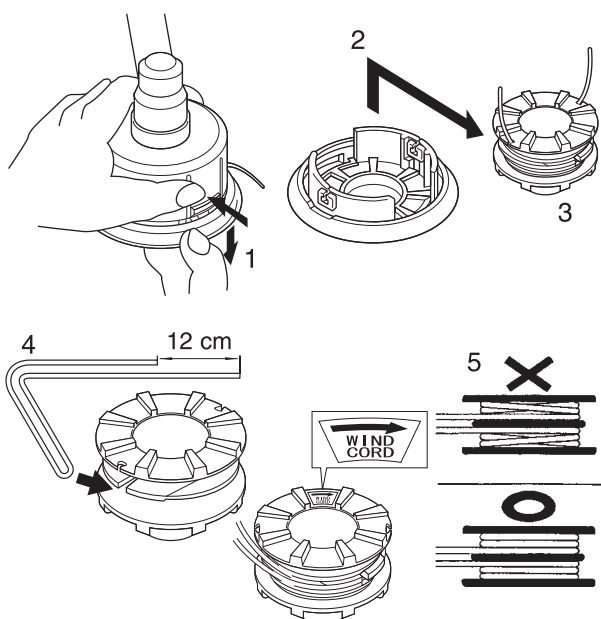
Substitución del hilo de corte

⚠ PELIGRO

- Para sin falta el motor. Asegúrese de que el cabezal de corte se haya parado antes de empezar los procedimientos para la substitución del hilo. De hacerlo, podría provocar un accidente o una lesión grave.

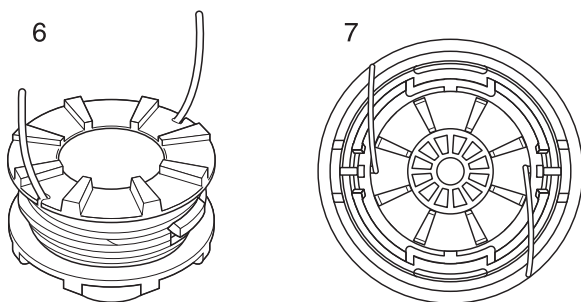
⚠ ADVERTENCIA

- Utilice sólo hilo flexible y no metálico recomendado por YAMABIKO Corporation. Si no lo hace, podría producirse un accidente o una lesión grave.

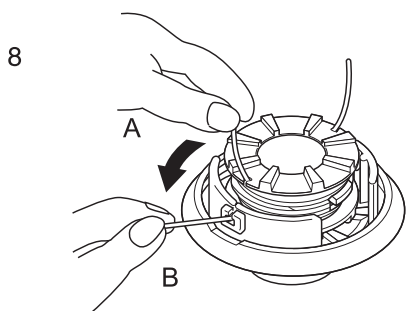


1. Apriete los dos "trinquetes retén" (en dos lados) hacia dentro y saque la tapa. Es más fácil sacar uno y luego el otro.
2. Saque el carrete.
3. Cuando casi se haya acabado el hilo de nylon del carrete, saque el hilo restante del mismo y enrosque el "hilo nuevo" según los procedimientos descritos en (4) y siguientes. Cuando el hilo del carrete esté "fundido y pegado", saque todo el hilo y pele la parte fundida y pegada y enrosque el "hilo extraído" de nuevo según los procedimientos descritos en (4) y siguientes.
4. Doble el hilo de tal modo que una de las puntas esté alejada 12 cm de la otra punta cuando todo el hilo esté doblado por la mitad, y enganche el punto medio doblado en la "ranura" del separador intermedio.
5. Enrosque todo el hilo firmemente en la ranura del carrete siguiendo "la dirección de enrosque marcada por la flecha".

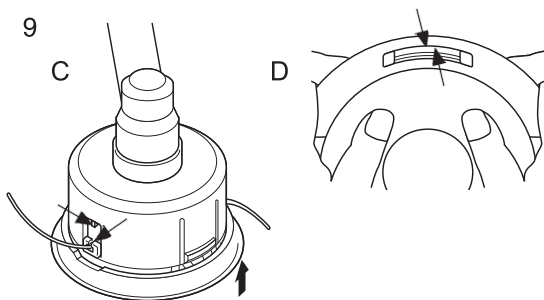
Mantenimiento y cuidados



6. Cuando se haya enroscado todo el hilo, enganche ambos extremos del mismo en las ranura respectivas del carrete para retener el hilo dejando los extremos del hilo aproximadamente a unos 10 cm más allá de la ranura.
7. Alinee las muescas del carrete para el hilo con las ranuras de los ojales y encaje el carrete en la tapa.



8. Saque el hilo de la tapa. (A) Saque el hilo de su "ranura respectiva del carrete" y (B) páselo a través de la "ranura del ojal respectivo".



9. Junte y encaje la tapa y la caja. (C) Alinee los "ojales" de la tapa con los "huecos" de la caja y (D) presione los trinquetes de la caja en las ventanas respectivas de la tapa hasta que los trinquetes queden firmemente encajados en las ventanas.

PELIGRO

Asegúrese de que la parte exterior de los trinquetes de la caja sobresale casi del todo por la parte exterior de la ventana respectiva de la caja. Si quedaran sueltos y el cabezal de corte girara, podrían salir volando la tapa o los componentes internos, y ello podría ser muy peligroso.

Tabla de localización de averías

IMPORTANTE

- Para piezas de repuesto y consumibles, utilice sólo piezas auténticas y productos y componentes indicados. La utilización de piezas de otros fabricantes o de componentes no indicados pueden derivar en un fallo de funcionamiento.

Mantenimiento y cuidados

Problema	Diagnóstico	Causa	Remedio
El motor no arranca		<ol style="list-style-type: none"> 1. No hay combustible en el depósito de combustible 2. El interruptor de paro está en la posición PARO 3. Succión excesiva de combustible 4. Fallo eléctrico 5. Error del carburador o agarrotamiento interno 6. Error interno del motor 	<ol style="list-style-type: none"> 1. Suministro de combustible 2. Mueva a la posición de arranque 3. Arranque el motor después de la asistencia técnica 4. Consulte con su distribuidor 5. Consulte con su distribuidor 6. Consulte con su distribuidor
Es difícil arrancar el motor, rotación fluctuante	Está entrando combustible en el tubo de drenaje	<ol style="list-style-type: none"> 1. Degradación del combustible 2. Problema en el carburador 	<ol style="list-style-type: none"> 1. Sustitúyalo por combustible nuevo 2. Consulte con su distribuidor
	No está entrando combustible en el tubo de drenaje	<ol style="list-style-type: none"> 1. El filtro de combustible está obstruido 2. El sistema de alimentación de combustible está obstruido 3. Hay piezas internas del carburador adheridas 	<ol style="list-style-type: none"> 1. Limpiar o sustituir 2. Consulte con su distribuidor 3. Consulte con su distribuidor
	La bujía está sucia o húmeda	<ol style="list-style-type: none"> 1. Degradación del combustible 2. Separación de electrodos incorrecta 3. Depósitos de carbón 4. Fallo eléctrico 	<ol style="list-style-type: none"> 1. Sustituir 2. Ajustar o sustituir 3. Limpiar o sustituir 4. Consulte con su distribuidor
El motor arranca pero no es posible acelerar		<ol style="list-style-type: none"> 1. Filtro de aire sucio 2. Filtro de combustible sucio 3. Paso de combustible bloqueado 4. Problema de ajuste del carburador 5. Respiradero de escape o del silenciador bloqueados 	<ol style="list-style-type: none"> 1. Limpiar o sustituir 2. Limpiar o sustituir 3. Consulte con su distribuidor 4. Ajustar 5. Limpiar
El motor se para		<ol style="list-style-type: none"> 1. Problema de ajuste del carburador 2. Fallo eléctrico 	<ol style="list-style-type: none"> 1. Ajustar 2. Consulte con su distribuidor
El motor no se para		<ol style="list-style-type: none"> 1. Fallo del interruptor de paro 	<ol style="list-style-type: none"> 1. Realice una parada de emergencia y consulte a su distribuidor
El accesorio de corte gira cuando el motor está al ralentí		<ol style="list-style-type: none"> 1. Problema de ajuste del carburador 2. Resorte de embrague dañado 	<ol style="list-style-type: none"> 1. Ajustar 2. Consulte con su distribuidor

- Consulte con su distribuidor si se encuentra con un problema que no esté cubierto en la tabla anterior o para cualquier otra consulta.
- Para desechar el producto o sus piezas de acuerdo las normativas locales, póngase en contacto con su distribuidor.

Mantenimiento y cuidados

Fabricante:

YAMABIKO CORPORATION

7-2 SUEHIROCHO 1-CHOME, OHME, TOKIO 198-8760, JAPÓN

Representante autorizado en Europa:

Atlantic Bridge Limited

Atlantic House, PO Box 4800, Earley, Reading RG5 4GB, Reino Unido

Almacenamiento

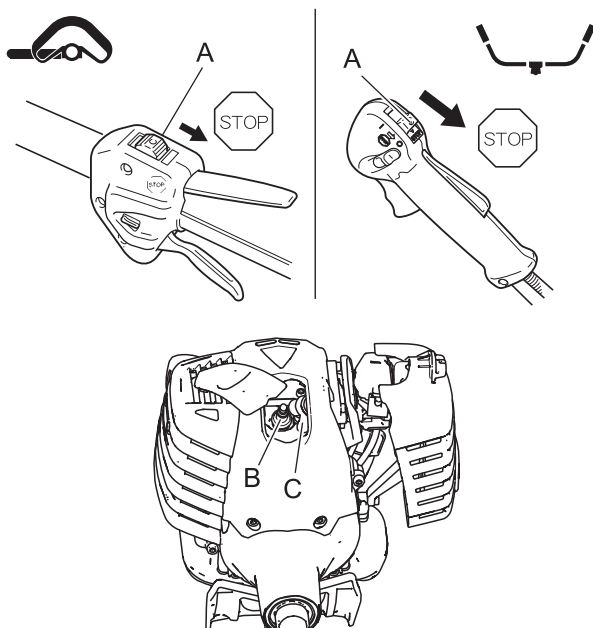
Almacenamiento durante un largo periodo (30 días o más)

ADVERTENCIA

○ **No almacene el equipo en ubicaciones cerradas lleno de combustible o cerca llamas chispas.**
Podría provocar un incendio.



Cuando almacene el producto durante largos periodos de tiempo (30 días o más), asegúrese de que se realicen los siguientes preparativos para el almacenamiento.



1. Vacíe cualquier resto de combustible del depósito de combustible.
2. Pulse y suelte alternativamente el cebador varias veces para extraer el combustible del mismo.
3. Arranque el motor y déjelo funcionar a velocidad de ralentí hasta que se detenga de forma natural.
4. Desplace el interruptor de encendido (A) a la posición de parada.
5. Una vez que el producto esté suficientemente frío, elimine las acumulaciones de grasa, aceite, polvo, suciedad y otros materiales que pueda haber en el exterior del cortabordes.
6. Realice las comprobaciones periódicas descritas en esta manual.
7. Compruebe que los tornillos y tuercas estén apretados. Apriete cualquiera que esté flojo.
8. Saque la bujía (B) y añada la cantidad adecuada de aceite (aproximadamente 10 mL) limpio y nuevo para motor de dos tiempos en el cilindro a través del zócalo de instalación.
9. Coloque un trapo limpio sobre el zócalo de instalación de la bujía.
10. Tire dos o tres veces del puño del arranque para distribuir el aceite dentro del motor.
11. Observe la posición del pistón a través del orificio de la bujía. Tire lentamente del dispositivo de arranque por retroceso hasta que el pistón alcance la parte superior de su recorrido y déjelo allí.
12. Instale la bujía. (No conecte el tapón de la bujía (C))
13. Ajuste la funda de la cuchilla en la cuchilla del cortabordes y envuelva la sección del motor en una bolsa de plástico o similar y guárdelo en un lugar seco y sin polvo fuera del alcance de los niños.

Características técnicas

	SRM-3610T	
	L	U
Dimensiones externas: Longitud × Anchura × Altura	1806 × 340 × 358 mm	1806 × 695 × 525 mm
Peso: Unidad sin combustible, accesorio de corte y arnés (ISO11806-1: 2011) Unidad con combustible, el accesorio de corte especificado, la protección y el arnés Unidad sin combustible, accesorio de corte, protección y arnés	6,8 kg 8,0 kg 6,3 kg	7,1 kg 8,8 kg 6,6 kg
Capacidad: Depósito de combustible (lleno)	850 mL	
Combustible: Gasolina Aceite Relación de mezcla	Gasolina de grado normal. Se recomienda gasolina normal, sin plomo y mínimo de 89 octanos. No utilice combustible que contenga alcohol metílico o más de 10% de alcohol etílico. Aceite para motor de 2 tiempos refrigerado por aire. Aceite ISO-L-EGD Standard (ISO/CD 13738), JASO FC, FD y ECHO Premium 50:1. Proporción 50:1 (2%)	
Accesorio de corte: Cabezal de corte de línea de nailon (franja de corte) Rosca Tamaño de la cuerda de nailon (diámetro) Longitud de cuerda de nailon	Z-5 (508 mm) Rosca a la izquierda, paso M10×1,25 3,0 mm 5,0 m	
Caja de engranajes: Relación de engranajes y lubricación Dirección de giro del eje de salida visto desde arriba frecuencia máxima de giro del eje	Reducción 1,62 y grasa de litio de buena calidad En sentido contrario a las agujas del reloj 6600 rpm	
Motor: Tipo Carburador Magneto Bujía Estárter Transmisión de potencia Cilindrada Potencia máxima de frenado del eje (ISO 8893) Consumo de combustible a máxima potencia del motor Velocidad máxima recomendada del motor (con accesorio estándar instalado) Velocidad de ralentí del motor recomendada	Cilindro simple de dos tiempos refrigerado por aire Tipo de diafragma Imán del volante de inercia - Sistema CDI NGK CMR5H Estárter por retroceso Embrague centrífugo automático 36,3 cm ³ 1,43 kW 0,92 L/h 10.000 rpm 2900 (2800 - 2900) r/min	
2006/42/CE Vibración (ISO 22867) $a_{hv,eq}$ Nivel de presión acústica (ISO 22868) L_{pAeq} Nivel de potencia acústica (ISO 22868) L_{WARa}	Manillar izquierdo Manillar derecho Incertidumbre K Incertidumbre K_{pA} Incertidumbre K_{WA}	5,7 m/s ² 3,2 m/s ² 1,2 m/s ² 94,5 dB(A) 1,5 dB(A) 106,5 dB(A) 2,1 dB(A)
		5,7 m/s ² 4,1 m/s ² 1,2 m/s ² 93,8 dB(A) 1,5 dB(A) 107,6 dB(A) 2,1 dB(A)

Estas características técnicas están sujetas a cambios sin previo aviso.

Declaración de conformidad

El fabricante abajo firmante:

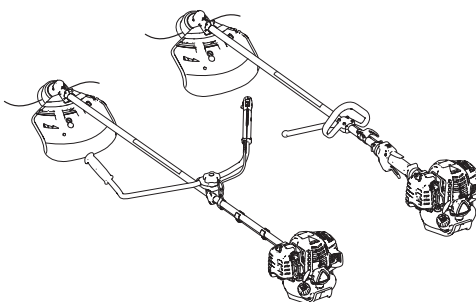
YAMABIKO CORPORATION
7-2 SUEHIROCHO 1-CHOME
OHME; TOKIO 198-8760
JAPÓN

Declaración de conformidad publicada bajo la exclusiva responsabilidad del fabricante.

Declara que la unidad nueva aquí especificada:

CORTABORDES/DESBROZADORA

Marca: ECHO
Tipo: SRM-3610T



Cumple con:

- * los requisitos de la Directiva **2006/42/CE** (aplicación de la norma armonizada **EN ISO 11806-1: 2011**)
- * los requisitos de la Directiva **2014/30/UE** (aplicación de la norma armonizada **EN ISO 14982: 2009**)
- * los requisitos de la Directiva **2000/14/CE**

Procedimiento de valoración de conformidad según **ANEXO V**

Nivel de potencia acústica medido: 106 dB(A) Manillar único, 108 dB(A) Manillar doble

Nivel de potencia acústica garantizado: 109 dB(A) Manillar único, 111 dB(A) Manillar doble

Número de serie de 37001001 a 37100000

Tokio, 1 de octubre de 2016

YAMABIKO CORPORATION

Masayuki Kimura

Masayuki Kimura

Director general

Departamento de Garantía de Calidad

El representante autorizado en Europa que esta autorizado para compilar el expediente técnico.

Empresa: Atlantic Bridge Limited

Dirección: Atlantic House, PO Box 4800, Earley, Reading RG5 4GB, Reino Unido

Sr. Philip Wicks

YAMABIKO CORPORATION

7-2 SUEHIROCHO 1-CHOME, OHME, TOKIO 198-8760, JAPÓN
TELÉFONO: 81-428-32-6118. FAX: 81-428-32-6145.



X750-028860

X750283-3501

YAMABIKO CORPORATION

7-2 SUEHIROCHO 1-CHOME, OHME, TOKYO 198-8760, JAPAN

PHONE: 81-428-32-6118. FAX: 81-428-32-6145.



X750-028860

X750283-3501

Printed in Japan
1712E 0915 ES