



- GB ENGLISH
- FR FRANÇAIS
- DE DEUTSCH
- IT ITALIANO
- ES ESPAÑOL

OPERATOR'S MANUAL MANUEL D'UTILISATION BEDIENUNGSANLEITUNG MANUALE PER L'OPERATORE MANUAL DE INSTRUCCIONES

DSRM-300

WARNING



READ THE INSTRUCTIONS CAREFULLY AND FOLLOW THE RULES FOR SAFE OPERATION. FAILURE TO DO SO COULD RESULT IN SERIOUS INJURY.

AVERTISSEMENT



LIRE ATTENTIVEMENT LES INSTRUCTIONS ET SUIVRE LES RÈGLES DE SÉCURITÉ. LE NON-RESPECT DES RÈGLES DE SÉCURITÉ ENTRAÎNE UN RISQUE DE BLESSURE GRAVE.

WARNUNG



LESEN SIE DIE BEDIENUNGSANLEITUNG SORGFÄLTIG DURCH, UND BEFOLGEN SIE DIE SICHERHEITSREGELN. ANDERNFALLS BESTEHT DAS RISIKO SCHWERER VERLETZUNGEN.

AVVERTENZA



LEGGERE E SEGUIRE ATTENTAMENTE LE ISTRUZIONI PER LAVORARE IN CONDIZIONI DI MASSIMA SICUREZZA. LA MANCATA OSSERVANZA DELLE ISTRUZIONI POTREBBE PROVOCARE LESIONI GRAVI.

ADVERTENCIA



LEA ATENTAMENTE LAS INSTRUCCIONES Y SIGA LAS INDICACIONES PARA UN FUNCIONAMIENTO SEGURO. DE NO HACERLO, PODRÍA SUFRIR LESIONES GRAVES.





ENGLISH
GB (Original instructions)

OPERATOR'S MANUAL

GRASS-TRIMMER

DSRM-300

 **WARNING**



**READ THE INSTRUCTIONS CAREFULLY AND FOLLOW THE
RULES FOR SAFE OPERATION.
FAILURE TO DO SO COULD RESULT IN SERIOUS INJURY.**

Contents

For safe use of your product.....	3
Description.....	8
Before you start	9
Packing list	9
Charging the battery	10
Assembly	11
Loop handle version	11
Adjusting the balance	12
Battery Installation	13
Operation	14
Starting the unit	15
Stopping the unit.....	15
Using shoulder harness	16
Basic trimming operation with nylon line cutting head	16
Maintenance and care	18
Servicing guidelines.....	18
Maintenance and care	18
Storage	21
Disposal.....	21
Specifications.....	22
Declaration of conformity	23

For safe use of your product

Important information

WARNING

Please ensure that you read the operator's manual before using your product.

About your operator's manual

- This manual contains necessary information about the assembly, operation, and maintenance of your product. Please read it carefully and absorb its contents.
- Always keep your manual in a place where it is readily accessible.
- If you have lost your manual or it is damaged and no longer readable, please purchase a new one from your dealer.
- The units used in this manual are SI units (International System of Units). Figures in parentheses are reference values, and there may be a slight conversion error in some cases.
Failure to do so could lead to an accident or serious injury.

Intended use of this product

- This product is lightweight, high-performance unit designed for weed control and grass trimming in areas difficult to control by any other means.
- Do not use this unit for any purpose other than aforementioned.
- The content of this manual may be changed without notice for the purpose of upgrades to the product. Some of the illustrations used may differ from the product itself in order to make the explanations clearer.
- Please consult your dealer if anything is unclear or of concern.
Failure to do so could lead to an accident or serious injury.

Do not modify the product

- You must not modify the product.
To do so could lead to an accident or serious injury. Any malfunction resulting from a modification to the product will not be covered by the manufacturer's warranty.

Do not use the product unless it has been checked and maintained

- You must not use the product unless it has been checked and maintained. Always ensure that the product is checked and maintained on a regular basis.
Failure to do so could lead to an accident or serious injury.

Loaning or assigning your product

- When loaning your product to another party, ensure that the person borrowing the product receives the operator's manual along with it.
- If you assign your product to another party, please enclose the operator's manual with the product when handing it over.
Failure to do so could lead to an accident or serious injury.

Users of the product

- The product should not be used by:
 - ◆ people who are tired
 - ◆ people who have taken alcohol
 - ◆ people who are on medication
 - ◆ people who are pregnant
 - ◆ people who are in poor physical condition
 - ◆ people who have not read the operator's manual
 - ◆ children
- Keep in mind that the operator or user is responsible for accidents or hazards occurring to other people or their property.
Failure to observe these instructions could lead to an accident.
- The components of this machine generate an electromagnetic field during operation, which may interfere with some pacemakers. To reduce health risks, we recommend that pacemaker users consult their physician and the pacemaker manufacturer before operating this product.



For safe use of your product

WARNING

Vibration and cold

- It is believed that a condition called Raynaud's Phenomenon which affects the fingers of certain individuals may be brought about by exposure to vibration and cold. Exposure to vibration and cold may cause tingling and burning, followed by loss of colour and numbness in the fingers. The following precautions are strongly recommended because the minimum exposure which might trigger the ailment is unknown.
 - ◆ Keep your body warm, especially the head and neck, feet and ankles, and hands and wrists.
 - ◆ Maintain good blood circulation by performing vigorous arm exercises during frequent work breaks, and also by not smoking.
 - ◆ Limit the number of hours of operation. Try to fill each day with jobs where operating the trimmer or other hand-held power equipment is not required.
 - ◆ If you experience discomfort redness and swelling of the fingers, followed by whitening and loss of feeling, consult your physician before exposing yourself further to cold and vibration.

Failure to observe these instructions could result in damage to your health.

Repetitive stress injuries

- It is believed that over-using the muscles and tendons of the fingers, hands, arms and shoulders may cause soreness, swelling, numbness, weakness and extreme pain to the areas just mentioned. Certain repetitive hand activities may put you at a high risk for developing a repetitive stress injury (RSI). To reduce the risk of RSI, do the following:
 - ◆ Avoid using your wrist in a bent, extended or twisted position.
 - ◆ Take periodic breaks to minimize repetition and rest your hands. Reduce the speed and force in which you do the repetitive movement.
 - ◆ Do exercises to strengthen hand and arm muscles.
 - ◆ See a doctor if you feel tingling, numbness or pain in your fingers, hands, wrists or arms. The sooner RSI is diagnosed, the more likely permanent nerve and muscle damage can be prevented.

Failure to observe these instructions could result in damage to your health.

Proper training

- Do not permit operation without proper training and protective equipment.
- Be thoroughly familiar with the controls and proper use of unit.
- Know how to stop the unit and switch off the motor.
- Know how to unhook a harnessed unit quickly.
- Never allow anyone to use the unit without proper instruction.

Failure to observe these instructions could result in damage to your health.

Wear proper clothing.

- Secure hair so it is above shoulder length.
- Do not wear ties, jewellery, or loose, dangling clothing which could be caught in the unit.
- Do not wear open toed footwear, or go bare-foot or barelegged.

Failure to observe these precautions could result in damage to your sight or hearing, or lead to a serious injury.



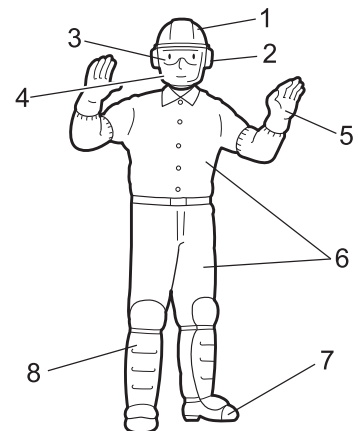
Wear protective gear

- Always wear the following protective gear when working with the trimmer.
 1. Head protection (helmet): Protects the head
 2. Ear muffs or ear plugs: Protect the hearing
 3. Safety goggles: Protect the eyes
 4. Face shield: Protects the face
 5. Safety gloves: Protect the hands from cold and vibration
 6. Work clothes that fit (long sleeves, long trousers): Protect the body
 7. Heavy duty, non-slip protective boots (with toecaps) or non-slip work shoes (with toecaps): Protect the feet
 8. Shin guards: Protect the legs

Failure to observe these precautions could result in damage to your sight or hearing, or lead to a serious injury.

- When necessary, please use the protective gear below.

- ◆ Dust mask: Protects the breathing apparatus
- ◆ Bee net: To deal with attacks by bees



For safe use of your product

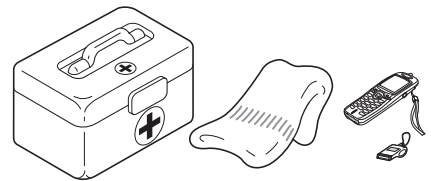
WARNING

Environment of use and operation




- Do not use the product:
 - ◆ in damp or wet locations.
 - ◆ in the rain.
 - ◆ under poor weather conditions.
 - ◆ on steep slopes or in places which give no secure foothold and are thus slippery.
 - ◆ at night or in dark places with poor visibility.
 - ◆ when there is a risk of lightning.
- When using the product on a gentle slope, work in a level, contour-like motion.
A serious injury could result if you fall or slip, or fail to operate the product correctly.
- For your own health and your safe and comfortable work, operate the machine within the air temperature range of -5°C to 40°C .
Failure to observe these instructions could result in damage to your health.

Being prepared in case of an injury


- In the unlikely event of an accident or injury, please ensure that you are prepared.
 - ◆ First aid kit
 - ◆ Towels and wipes (to stop any bleeding)
 - ◆ Whistle or mobile phone (for calling outside help)
- If you are unable to perform first aid or call for outside help, the injury could worsen.





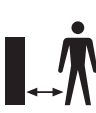

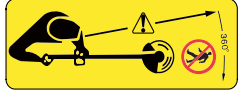
Warning notices

 DANGER	 WARNING	 CAUTION
This symbol accompanied by the word " DANGER " calls attentions to an act or a condition which will lead to serious personal injury or death of operators and bystanders.	This symbol accompanied by the word " WARNING " calls attentions to an act or a condition which can lead to serious personal injury or death of operators and bystanders.	" CAUTION " indicates a potentially hazardous situation which, if not avoided, may result in minor or moderate injury.













Other indicators

	Circle and slash symbol means whatever is shown is prohibited.	NOTE	IMPORTANT
		This enclosed message provides tips for use, care and maintenance of the product.	Framed text featuring the word " IMPORTANT " contains important information about the use, checking, maintenance and storage of the product described in this manual.

Symbols

Symbol form/shape	Symbol description/application	Symbol form/shape	Symbol description/application
	Carefully read the operator's manual	 	Keep bystanders away
	Wear eye protection		Keep bystanders away 15 m

For safe use of your product

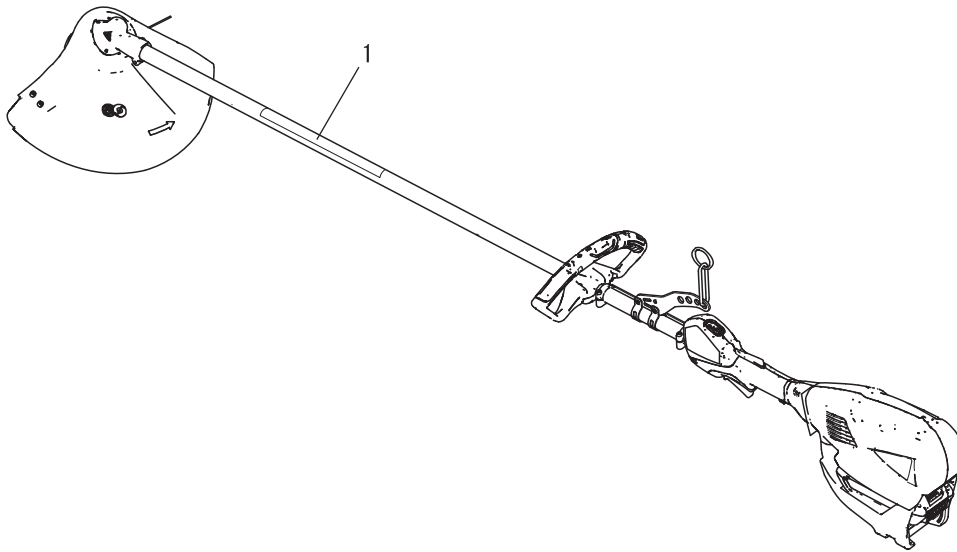
Symbol form/shape	Symbol description/application	Symbol form/shape	Symbol description/application
	Wear ears protection		Wear foot protection and gloves
	Safety/Alert		Beware of high-temperature areas
	Warning! Thrown objects!		Guaranteed sound power level
	Usage without shield not permitted		Never use in the rain or at damp locations
	Usage of metal blades not permitted		Beware of electric shocks
	Beware of fire		Do not throw electrical appliances in garbage

For safe use of your product

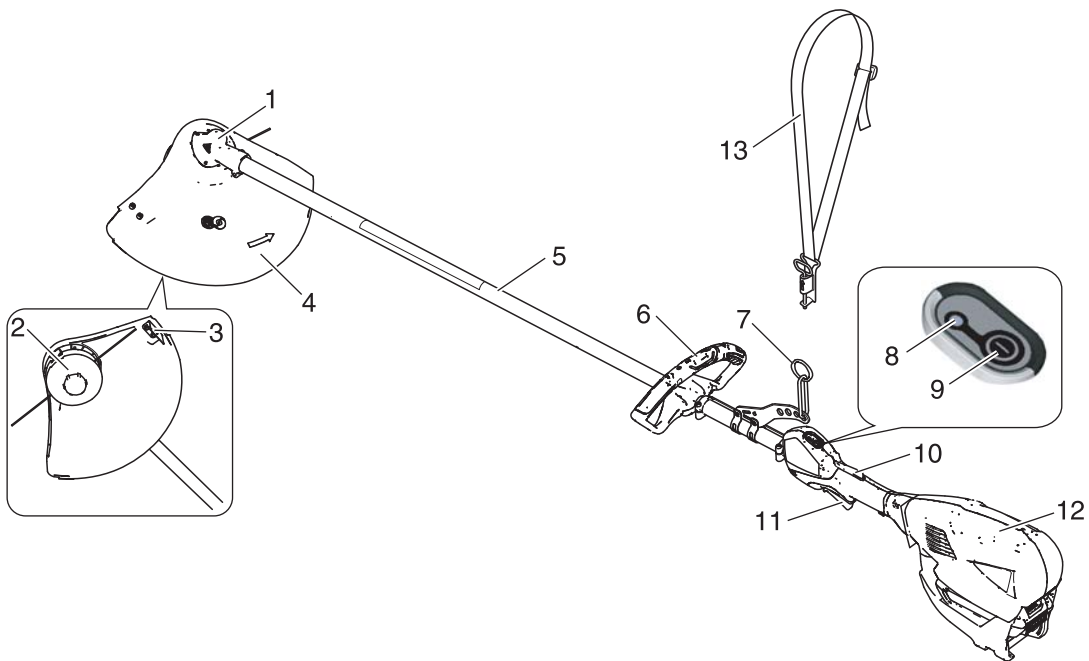
Safety decal(s)

- ♦ The safety decal shown below has been attached to the products described in this manual. Ensure that you understand what the decal means before using your product.
- ♦ If the decal becomes unreadable due to wear and tear or damage, or peels off and is lost, please purchase a replacement decal from your dealer and attach it in the location shown in the illustrations below. Ensure that the decal is readable at all times.

1. Safety decal (Part number X505-008900)



Description

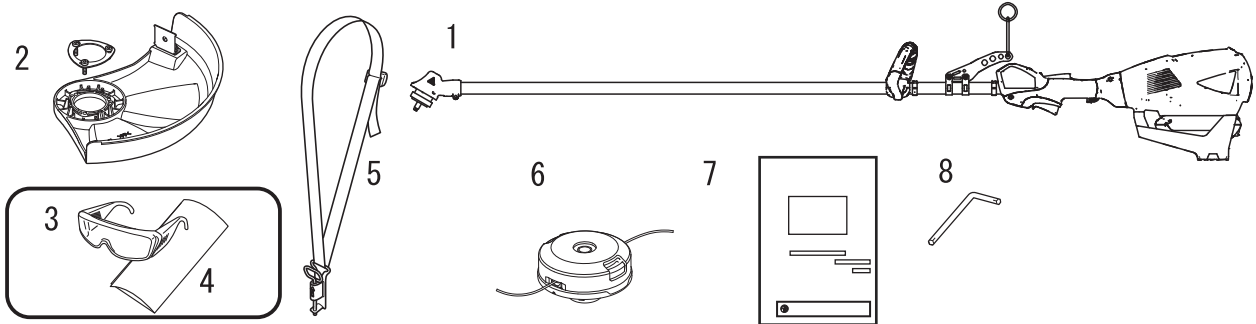


1. **Angle transmission** - Having two gears to change the angle of rotating axis.
2. **Cutting attachment** - Nylon line cutting head for cutting grass and weed.
3. **Cut off knife** - Cut nylon line to adjust line length to proper swath.
4. **Shield** - Device to protect the operator from accidental contact with the cutting head and thrown objects.
5. **Shaft tube** - Part of the unit that provides a casing for power transmission shaft.
6. **Loop-handle** - Grip for Left Hand.
7. **Suspension point** - Device on which the harness can be hooked.
8. **Power indicator LED** - Remains illuminated when power to unit is turned on. Turns off when power to unit is off.
9. **Power button** - Press once to turn on power to the unit, power indicator LED illuminates. Press once more to turn power off to unit, power indicator LED turns off.
10. **Trigger switch lockout** - Locks trigger switch in the off position until you have a proper grip with your right hand around the handle.
11. **Trigger switch** - Activated by the operator's finger for turning the motor on.
12. **Power head** - Houses Motor and Battery.
13. **Shoulder harness** - An adjustable strap to suspend unit.

Before you start

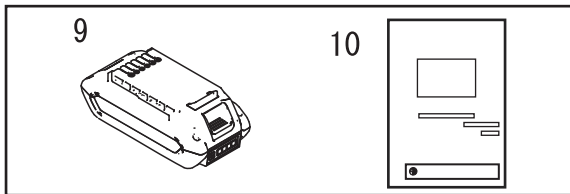
Packing list

- ♦ The following parts are packed separately in the packing box.
- ♦ When you have unpacked the box, please check the parts that it contains.
- ♦ Contact your dealer if anything is missing or broken.

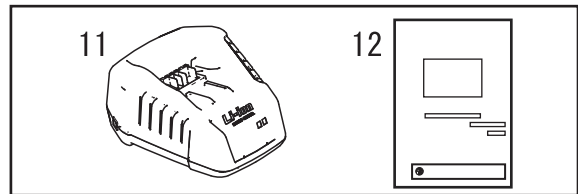


1. Motor unit and shaft tube
2. Shield
3. Safety goggles
4. Caution tag

5. Shoulder harness
6. Nylon line cutting head
7. Operator's manual
8. L-wrench



9. Battery pack
10. Operator's manual



11. Charger
12. Operator's manual

Before you start

Charging the battery

⚠ WARNING

- Always use battery pack LBP-560-100/LBP-560-200 and charge only with LCJQ-560 charger.
- Keep charger and battery away from damp conditions and all liquids.
- Do not operate the charger on an easily combustible surface (e.g. paper, textiles) or in an environment with a high risk of fire.
- Do not cover the charger. Covering the charger will prevent it from cooling.
- Do not operate the charger in explosive atmospheres, such as in the presence of flammable liquids, gases or dust. Chargers can produce sparks which may ignite the dust or fumes - there is a risk of explosion.
- Connect the charger only to the mains of voltage and frequency specified on the rating plate.
- Connect the charger only to an easily accessible wall outlet.
- Never insert objects in the battery pack's or charger's cooling slots (A).
- Do not charge or use a defective, damaged or deformed battery pack and charger.
- Do not open, damage or drop the battery pack or the charger.
- Fluid may leak from the battery if it is damaged or not used properly; avoid contact with the skin. In the event of accidental contact, wash the affected areas of the skin with plenty of water and soap. If fluid gets in the eyes, do not rub. Rinse the eyes with plenty of water for at least 15 minutes. Also seek medical assistance.
- Never bridge (short circuit) the battery pack contacts or the charger's terminals with metallic objects.
- Protect from direct sunlight, heat and open flames and never throw battery into fire; there is a risk of explosion.
- In the event of smoke or fire in the charger, disconnect it from the wall outlet immediately.
- If the connecting cord is damaged, immediately disconnect the plug from the power supply to avoid the risk of electric shock.
- Do not expose battery pack to microwaves or high pressure.
- Secure the unit against unintentional startup. Remove the battery pack from the unit before transporting or storing the unit. Do not use metal containers for transporting batteries.
- Do not use the connecting cord for any other purpose, e.g. for carrying or hanging up the charger.
- To reduce the risk of stumbling, position and mark the connecting cord in such a way that it cannot be damaged or endanger others.
- To unplug, grasp the plug, not the cord.

NOTE

- The battery comes partially charged from the factory and needs to be fully charged before first use.
- Charge the battery when it no longer produces sufficient power to operate the unit or when battery lights indicate that the battery is low.

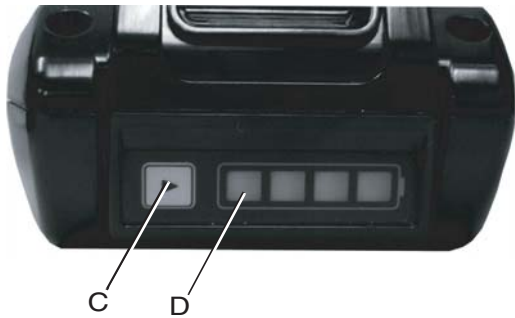


1. Plug charger AC cord in the wall outlet.
2. Align ridges on battery with grooves on charger, and slide battery into charger.
3. During normal charging, the charger LED (B) will blink continuously GREEN.

IMPORTANT

- If charger detects a problem, LED blinks RED. Remove battery from charger, clear obstructions from contacts and reinstall battery into charger. If battery is outside acceptable temperature range (0°C to 60°C) LED remains RED.

Before you start



- When charging is complete, LED will remain GREEN.
 - * A fully discharged battery pack will charge in about 42 minutes.
- Verify battery is fully charged by removing battery from charger, then pressing battery charge status button (C), and checking LED display (D).
 - ♦ One green light indicates that the battery has 0-25% charge.
 - ♦ Two green lights indicate that the battery has 25-50% charge.
 - ♦ Three green lights indicate that the battery has 50-75% charge.
 - ♦ Four green lights indicate that the battery has 75-100% charge.
- Disconnect battery charger from power supply.

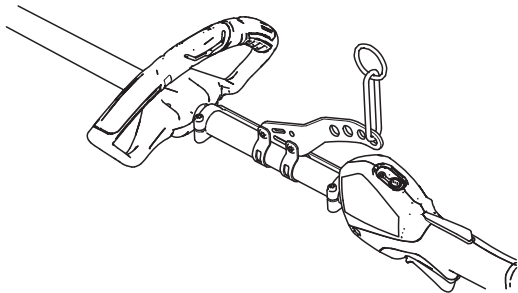
Assembly

WARNING

- Read the operator's manual carefully to ensure that you assemble the product correctly. Using a product that has been incorrectly assembled could lead to an accident or serious injury.



Loop handle version Loop handle assembly

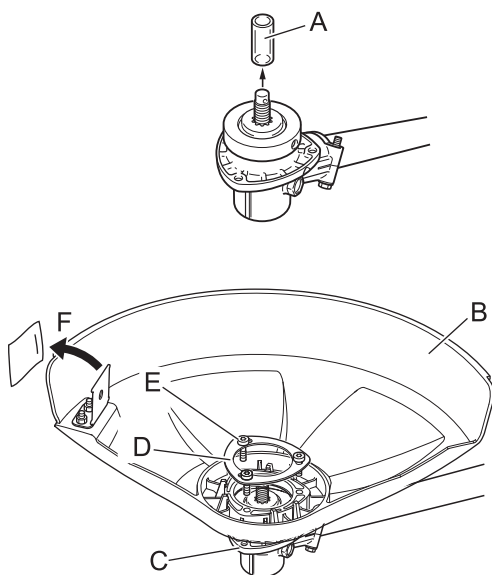


Position handle in comfortable operating position and tighten Bolts.

CAUTION

- Install the handle so that it does not hide any of the safety decals.

Installation of shield



WARNING

- The cut off knife on the debris shield has sharp edges. Avoid contact when installing or removing the line head.

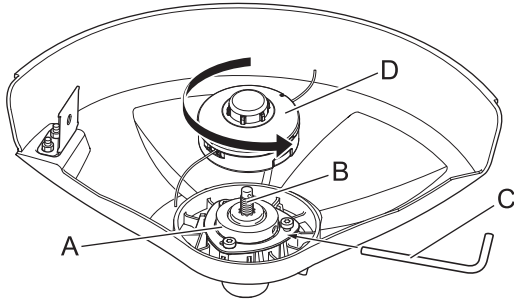
- Remove the plastic sleeve (A) from the output shaft.
- Install the shield (B) on the bottom of the angle transmission flange (C).
- Place the shield plate (D) on the shield, align holes and install the three bolts (E).
- Tighten firmly the three bolts.
- Remove the packing (F).

NOTE

- The shield is for use with the nylon line head only.

Before you start

Installing nylon line cutting head



⚠ CAUTION

○ Fix the output shaft securely using the locking tool in order to prevent it from rotating when mounting the nylon line head.

1. Be sure the blade retainer (A) remains on the output shaft (B).
2. Align the locking hole in the blade retainer with a notch at the edge of the angle transmission and insert the locking tool (C).
3. Install the line head (D) onto the output shaft by turning it anticlockwise until the head is tight against the blade retainer.
4. Remove the locking tool.

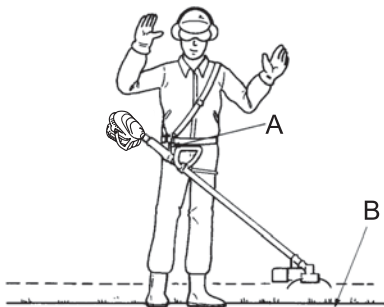
Adjusting the balance Adjusting the shoulder harness

⚠ WARNING

○ This product is designed to fit a wide variety of body sizes, but may not be adjustable for extremely tall persons. Do not use the unit if your feet can reach the cutting attachment when the unit is attached to the harness.

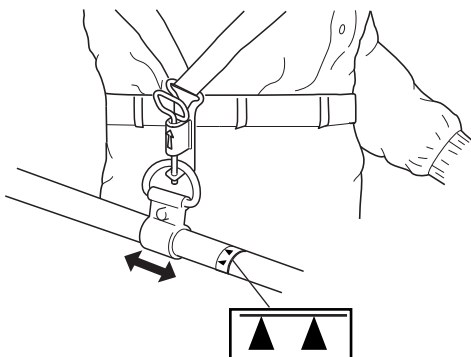
IMPORTANT

○ A person's size can affect the balancing adjustment. Also the balancing procedure may not work with some units on some persons. If the shoulder harness does not fit you or cannot be adjusted well, please ask your dealer for assistance.



Balance tool for a level plane of cutting head rotation

- ♦ The accompanying shoulder harness is suitable for people of standard adult physique, who are 150 cm - 195 cm in height and 60 cm - 140 cm in waist size.
- ♦ Use a shoulder harness when provided or when recommended in this manual. Adjust both harness and the suspension point (A) on the unit so the unit hangs with the cutting attachment a few centimetres above ground level (B).
- ♦ The cutting attachment and shield should be level in all directions. Harness the unit on the right side as shown.



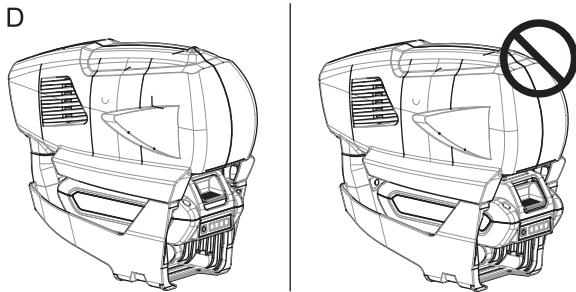
- ♦ Slide suspension point up and down the tube to find the right balance. Rotate the clamp to level the cutting attachment and shield. Lock in position. If the suspension point is a free-spinning type, the unit may tend to roll over sideways, however, you should still level the attachment and shield on the front-to-rear axis.
- ♦ Balancing and levelling, as above, may require relocation of the clamp and readjustment of the harness straps. Also, each type of cutting attachment and shield mounted on the unit may require balancing.

⚠ CAUTION

○ Do not install the suspension point to be located farther from you than the arrow mark (▲).

Before you start

Battery Installation



WARNING

○ The attachment will operate when the battery is installed, the power indicator LED is lit, and the trigger and trigger lockout are engaged. Make sure the trimmer is properly positioned to prevent loss of control and possible serious injury. Keep movable parts of the attachment off the ground and away from objects that could become entangled or thrown.

1. Make sure power to unit is turned off.
2. Align ridges (A) on battery pack with grooves in power head. Slide battery pack into power head.
3. Assure the battery pack latch (B) snaps into place and battery pack is secure before beginning operation.
4. To remove battery, depress battery pack latch release (C) slide battery pack out of power head.

IMPORTANT

Before using the hedge trimmer, make sure that battery is set correctly with battery pack latch in the complete position (D).

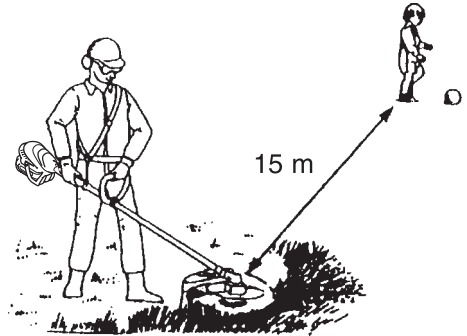
NOTE

- ◆ Battery pack latch is in the complete position when battery pack latch is correctly engaged.

Operation

DANGER

- All over head electrical conductors and communications wires can have electricity flow with high voltages. This unit is not insulated against electrical current. Never touch wires directly or indirectly, otherwise serious injury or death may result.
- Always stop the unit when a cutting attachment jam occurs.
Severe injury can occur if a jam is removed and the cutting attachment suddenly starts.
- Do not operate the product without the shield in place.
Any objects that ricochet off the cutting attachment could cause an accident or serious injury.
- The area within a 15 m radius of the product is a danger zone. Be careful to observe the following precautions while working with the product.
 - ◆ Do not allow children and other people or pets to enter the danger zone.
 - ◆ If another person enters the danger zone, switch off the unit to stop the cutting attachment from rotating.
 - ◆ When approaching the operator, signal to him by, for example, throwing twigs from outside the danger zone, and then check that unit has been switched off and the cutting attachment has stopped turning.
 - ◆ If more than one person is working with the product, identify the way in which you will signal to each other and work at least 15 m apart.Any objects that ricochet off the cutting attachment, and any contact with the cutting attachment, could cause blindness or a fatal accident.



WARNING

- Be particularly careful to observe the following precautions when starting the unit:
- Check that none of the nuts and bolts are loose.
 - Leave plenty of space around the product and do not allow people or animals near it.
Failure to observe the precautions could cause an accident or injury, or even lead to a fatality.
 - Check that there are no abnormal vibrations or sounds once the unit starts. Do not use the product if there are abnormal vibrations or sounds. Contact your dealer to have it repaired.
Accidents involving parts that fall or shatter off can cause wounds or serious injury.
 - Always switch off the unit and remove the battery when transporting the unit.
 - Do not touch angle transmission and other high temperature components while the product is running or for some time after it stops.
You could burn yourself if you touch a high temperature component.
 - Before starting work, check the area where you will be working and remove any small stones and empty cans likely to ricochet off the cutting attachment, as well as any pieces of string or wire that might become twisted around the cutting attachment.
An accident or serious injury can occur if foreign objects ricochet off the cutting attachment or wire and other materials twisted round the product spring off it.
 - In the following situations, switch off the unit immediately and ensure that the cutting attachments have stopped before checking each area of the product. Replace any damaged parts.
 - ◆ If the cutting attachment hits a rock, tree, post, or other such obstruction while you work.
 - ◆ If the product suddenly starts to vibrate abnormally.Continuing to use parts when they are damaged could lead to an accident or serious injury.
 - Do not hold the cutting attachment up while you work. You must not work with the cutting attachments raised above knee level.
Raising the cutting attachment above knee level brings the plane of rotation closer to the face, and any objects that fly off the cutting attachments could cause an accident or serious injury.



WARNING

- Never attempt to operate the product with one hand.
- Ensure that you hook your thumbs around the grips, wrapping them in your thumb and remaining fingers.

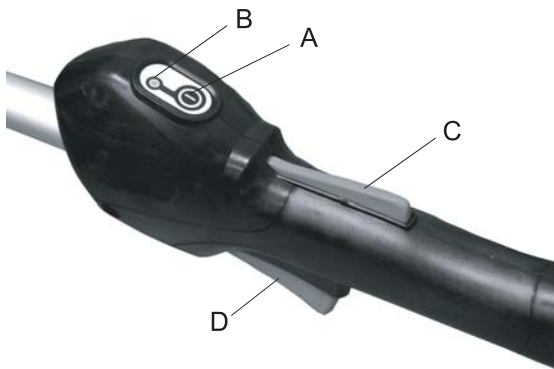


- Never operate overreach the unit and to keep the balance at all times, to always be sure of the footing on slopes and to walk, never run.
- Never to operate the unit with defective guards or shields, or without safety devices, or if the cord is damaged or worn.

Starting the unit

WARNING

- The attachment will operate when the battery is installed, the power indicator LED is lit, and the trigger switch and trigger switch lockout are engaged. Make sure the product is properly positioned to prevent loss of control and possible serious injury.



1. Push power button (A) once to turn on power to unit.
 - * Power indicator LED (B) illuminates when power to unit is turned on.
2. Hold down trigger switch lockout (C) and depress trigger switch (D) to increase RPM to operating speed.

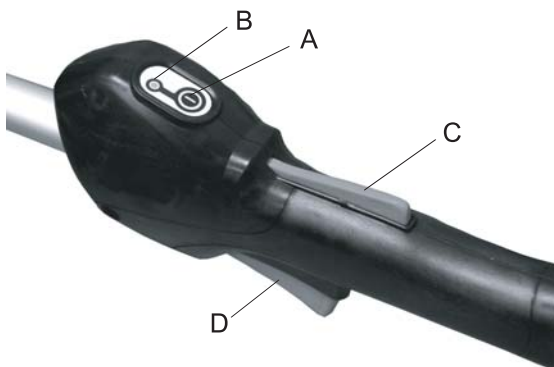
IMPORTANT

- When power to the unit is turned on:
 - ◆ After one minute of inactivity, unit will power itself off.
 - ◆ If the LED remains lit, operation is normal.
 - ◆ If the LED flashes once per second, the battery needs to be charged.
 - ◆ If the LED flashes four times per second, there is a fault within the product. Turn power off to unit. Remove battery. Clear debris from around line head. Install battery. Turn power on to unit. If flashing continues, have your authorized servicing dealer repair the product.

Stopping the unit

WARNING

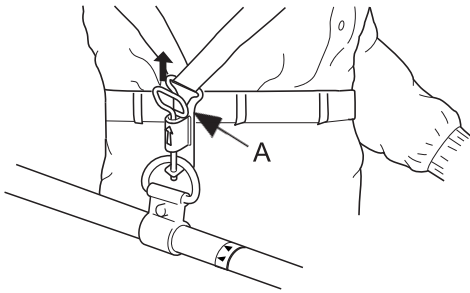
- The cutting attachment continues to run for a short period after the unit is switched off.



1. Release trigger switch and trigger switch lockout, and allow trimmer head to stop.
2. Push power button (A) to turn off power to unit.
 - * Power indicator LED (B) turns off when power to unit is turned off.
 - * If the trimmer head does not stop when the trigger and trigger lockout are released, push power button to turn off and remove the battery to stop the power supply to product. Have your authorized servicing dealer repair power button before using product again.

Operation

Using shoulder harness



Always mount the trimmer correctly using the shoulder harness.

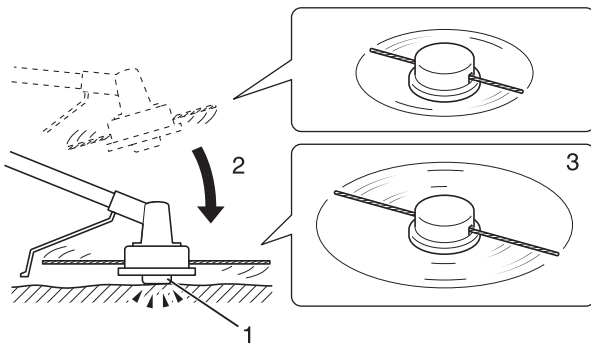
- ♦ Attach product to harness.
- ♦ Place shoulder harness over left shoulder and adjust straps so the quick release pin rests just below the waist.
- ♦ Check for correct adjustment by moving cutting attachment along ground.
- ♦ Re-adjust position of suspension point if necessary.
- ♦ The shoulder harness is fitted with an emergency release function. In the event of a fire or other emergency, pull the quick release pin (A) up to release the product from your body.

Basic trimming operation with nylon line cutting head

⚠ WARNING

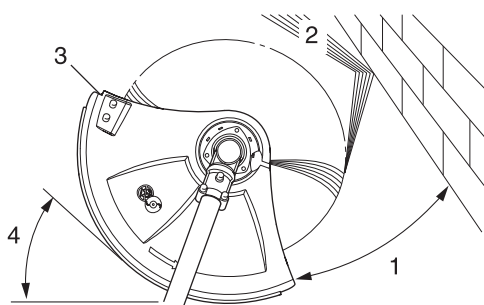
- Serious injury may result from the improper use of cutting attachment. Read and comply with all safety instructions listed in this manual.
- Use only cutting attachments recommended by YAMABIKO CORPORATION.
- Excessive nylon line beyond cut off knife could fly off when the nylon line cutting head starts rotating after adjustment of nylon line length.
Failure to do so could lead to an accident or serious injury.

Adjusting nylon line



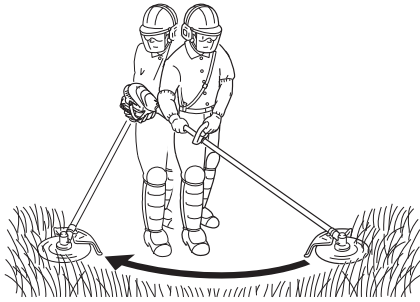
- ♦ Do not rotate the nylon line cutting head at more than 10000 r/min.
 - ♦ When releasing nylon line from spool, hit tap knob of spool against the ground surface lightly at rotation speed lower than 4500 r/min.
 - ♦ Cut off knife on the shield adjusts cutting swath automatically by cutting nylon lines evenly when attachment starts rotating.
 - ♦ When operating with less than maximum cutting swath, cut two nylon lines in equal lengths.
1. Tap knob
 2. Hit knob against the ground surface lightly
 3. Nylon line comes out

Trimming



- ♦ This is feeding the trimmer carefully into the material you wish to cut. Tilt the head slightly to direct the debris away from you. If cutting up to a barrier such as a fence, wall or tree, approach from an angle where any debris ricocheting off the barrier will fly away from you.
 - ♦ Move the nylon line cutting head slowly until the grass is cut right up to the barrier, but do not jam (overfeed) the line into the barrier. If trimming up wire mesh or chain link fencing, be careful to feed only up to the wire. If you go too far, the line will snap off around the wire.
 - ♦ Trimming can be done to cut through weed stems one at a time. Place the nylon line cutting head near the bottom of the weed never high up, which could cause the weed to chatter and catch the line. Rather than cut the weed right through, just use the very end of the line to wear through the stem slowly.
1. Angle to wall
 2. Debris
 3. Knife side raised
 4. Angle to ground

Scything

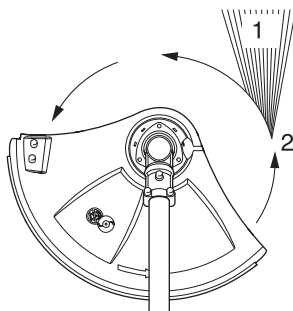


- ♦ This is the cutting or mowing of large grassy areas by sweeping or swinging the trimmer in a level arc. Use a smooth, easy motion. Do not try to hack or chop down the grass. Tilt the nylon line cutting head to direct the debris away from you on the scything stroke. Then return without cutting grass for another stroke. If you are well protected and do not care whether some debris is thrown in your direction, you may scythe in both directions.

Scalping and edging

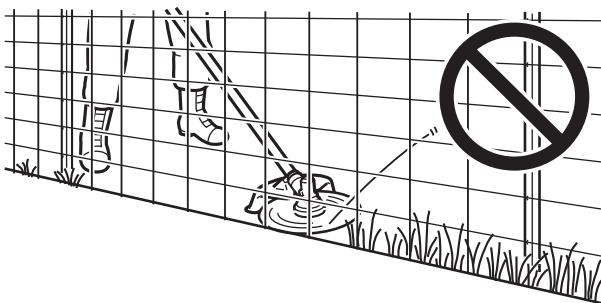


- ♦ Both of these are done with the nylon line cutting head tilted at a steep angle. Scalping (A) is removing top growth, leaving the earth bare. Edging (B) is trimming the grass back where it has spread over a pavement or driveway. During both edging and scalping, hold the unit at a steep angle in a position where the debris, and any dislodged dirt and stone, will not come back towards you even if it ricochets off the hard surface.
- ♦ Although the pictures show how to edge and scalp, every operator must find for himself the angles which suit his body size and cutting situation.

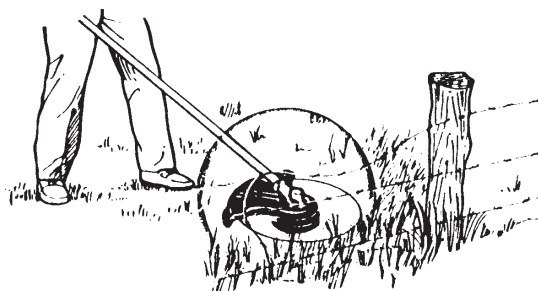


- ♦ For nearly all cutting, it is good to tilt the nylon line cutting head so that contact is made on the part of line circle where the line is moving away from you and the shield (See appropriate picture). This results in the debris being thrown away from you.
- ♦ Tilting the head to the wrong side will shoot the debris toward you. If the nylon line cutting head is held flat to the ground so that cutting occurs on the whole line circle, debris will be thrown at you, drag will slow the unit, and you will use up a lot of line.
- ♦ Nylon line cutting head rotates anticlockwise. The knife will be on the left side of the shield.

1. Debris
2. Cut on this side



- ♦ Do not push the line into tough weeds, trees, or wire fences.
- ♦ Pushing the line into chicken wire, chain link fencing or thick brush can result in snapped-off line ends being hurled back at the operator. The proper way is to cut right up to a barrier, such as any of those mentioned, but never run the line into or through the obstruction. Do not cut closely to obstruction or barrier.



- ♦ Avoid nylon line contact with broken wire fencing. Pieces of wire broken off by the trimmer can be hurled at high speeds.

Maintenance and care

⚠ WARNING

Observe the following precautions when checking and maintaining your product after use:

- Turn power to unit off, remove battery, and make sure all moving parts have come to a complete stop.
An accident could occur if the product starts unexpectedly.
- Allow unit to cool before performing service.
You could burn yourself.

IMPORTANT

- Checking and maintenance requires specialist knowledge. If you are unable to check and maintain the product or deal with a fault yourself, consult your dealer. Do not attempt to dismantle the product.

Servicing guidelines

Area	Maintenance	Page	Before use	Monthly
Battery	Inspect/Clean/Charge	10	•	
Nylon line cutting head	Inspect	18	•	
Cut off knife	Inspect/Clean	-	•	
Screws, bolts and nuts	Inspect, Tighten/Replace	-	•	

Maintenance and care

If you have any questions or problems, please contact your dealer.

Cleaning battery and battery compartment

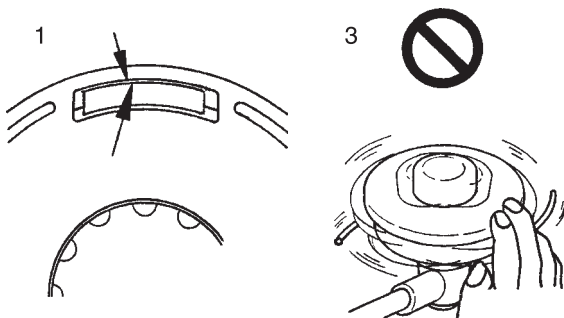


⚠ WARNING

- Risk of electric shock or fire. Do not use conducting materials to clean battery or battery compartment.

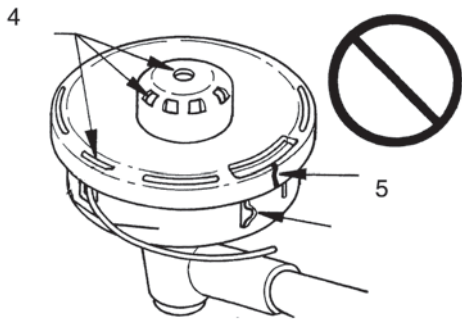
1. Release trigger switch and trigger switch lockout and allow trimmer head to stop.
2. Make sure power indicator LED is not illuminated.
3. Depress battery pack latch release (A) slide battery pack out of power head.
4. Use compressed air or a soft bristle brush to remove debris from battery and battery compartment.

Checking the nylon line cutting head



1. Make sure each periphery of the 2 retaining pawls of housing spreads almost fully up to the outer periphery of the respective cover window.
2. Check mount of cutting head on trimmer and tighten if it is loose.
3. Check the cutter head for deflection or abnormal noise rotating it by hand. Deflection or abnormal noise can cause abnormal vibration to occur or mount to trimmer to loosen during rotation which is dangerous.

Maintenance and care



4. Inspect cover and tap knob for wear. When slot appears on bottom of the tap knob or when slot appears on cover bottom close to outlet for nylon line, replace them with new parts without fail.
5. Check the cutting head for crack or chip. Replace parts that show any crack or chip with new ones without fail.

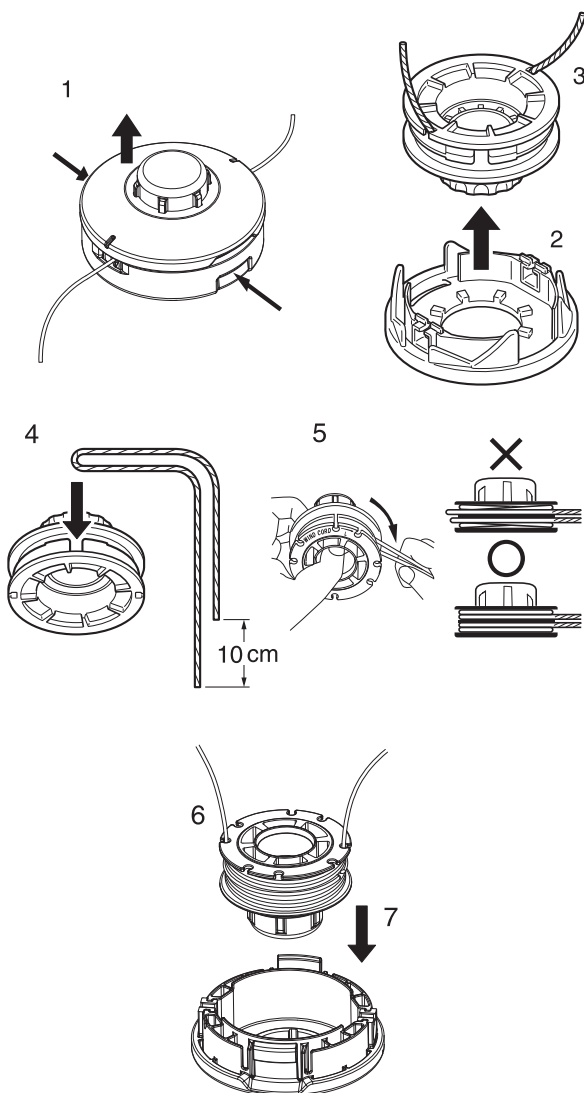
Replacing nylon line

⚠ DANGER

- **Shut down the unit without fail and make sure nylon line cutting head has stopped rotating before starting replacement procedure.**
To do so could lead to an accident or serious injury.

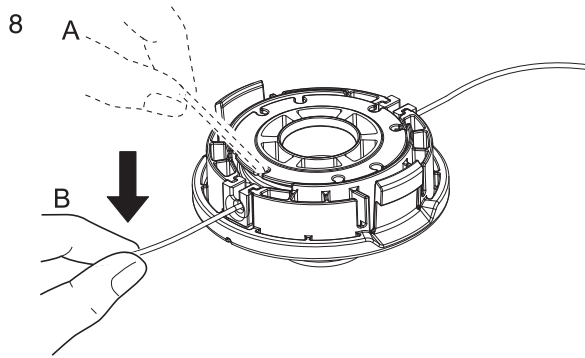
⚠ WARNING

- **Use only flexible, non-metallic line recommended by YAMABIKO CORPORATION.**
Failure to do so could lead to an accident or serious injury.

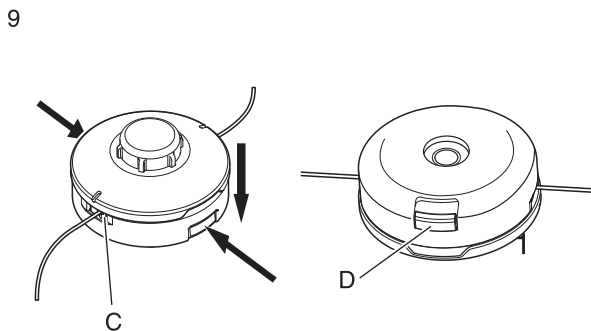


1. Press "retaining pawls" (at two places) inward and remove cover. It is easier to remove one after another.
2. Remove spool.
3. When nylon line on the spool is almost exhausted, remove remaining line from spool and wind "new line" according to the procedures (4) and beyond. When the line on the spool is "melted and stuck" remove the entire line while peeling off the "melted and stuck" portion and wind the "removed line" anew according to procedures (4) and beyond.
4. Bend the line at the point 10 cm away from the middle of whole length and hook the bent portion into the "notch" of the intermediate separator.
5. Wind the line firmly into groove of the spool following "winding direction for the line L".
6. When the line is wound to the end hook both line ends into respective notch of spool for retaining tentatively the line while leaving line ends approximately 10 cm beyond notch.
7. Align notches of spool for the line with grooves of eyelets and fit spool into cover.

Maintenance and care



8. Pull out the line from cover. (A) Remove the line from "respective notch of spool", and (B) pass it through "groove of respective eyelet".



9. Fit cover and housing together. (C) Align "eyelets" of cover with "recesses" of housing, and (D) press pawls of housing into respective window of cover until the pawls are firmly fitted into the windows.

⚠ DANGER

Make sure each outer periphery of pawls of housing spreads almost fully up to the outer periphery of respective window of cover. If they are loosely fitted and the cutting head is turned, cover or inside components can fly off which is dangerous.

Troubleshooting table

IMPORTANT

- For spare parts and consumables, please use only genuine parts and designated products and components. Using parts from other manufacturers or non-designated components may result in a malfunction.

Trouble	Cause	Remedy
Red Charger light flashes or does not light up	<ol style="list-style-type: none"> 1. Plug not connected to power outlet 2. Battery pack not installed properly 3. Obstructed connection 4. Fault in the charger 5. Fault in the battery pack 	<ol style="list-style-type: none"> 1. Plug in the charger 2. Check the battery pack installation 3. Reinstall battery pack again after removing obstructions from connection. 4. Consult your dealer 5. Consult your dealer
Unit will not turn on	<ol style="list-style-type: none"> 1. Battery pack not installed properly 	<ol style="list-style-type: none"> 1. Check the battery pack installation
Unit does not run when turned on	<ol style="list-style-type: none"> 1. Battery pack discharged 2. Line head obstructed 3. Battery pack outside acceptable temperature range 	<ol style="list-style-type: none"> 1. Charge the battery pack 2. Turn off the unit and clean the cutting attachment 3. Remove the battery pack and allow to cool
Running time is too short	<ol style="list-style-type: none"> 1. Battery pack outside acceptable temperature range 2. Unit electronics too hot 3. Battery pack discharged 	<ol style="list-style-type: none"> 1. Remove the battery pack and allow to cool 2. Turn unit off and allow to cool 3. Charge the battery pack
Line won't feed	<ol style="list-style-type: none"> 1. Not enough line on the spool 2. Line tangled in the spool 	<ol style="list-style-type: none"> 1. Rewind with new line 2. Unwind and rewind the line
Line fails to cut off	<ol style="list-style-type: none"> 1. Cut off knife in the shield is damaged or missing 	<ol style="list-style-type: none"> 1. Consult your dealer

- ◆ Consult your dealer in the event of a problem that is not covered in the table above, or other such concerns.
- ◆ Please contact your dealer in order to dispose of the product or its parts in compliance with national laws.

Maintenance and care

Storage

WARNING

- Do not store in an enclosure where combustible fumes may accumulate.
You could cause a fire.



When storing the product for long periods of time, ensure that the following preparations for storage are carried out.

Electric trimmer

1. Turn power to unit off.
2. Remove battery from power head.
3. Remove accumulation of dirt and debris from exterior of unit.
4. Tighten all the screws and nuts.
5. Cover the battery compartment of power head, the battery, and the battery charger.
6. Store unit in a dry, dust-free place, out of the reach of children.

Battery

1. Remove battery from power head.
2. Store in a dry, dust-free place, out of the reach of children.
3. Store in temperatures between -20°C and 60°C (140°F).
4. If the battery is stored for longer than one year, charge it to approximately 40 - 60% capacity.

Battery charger

1. Remove battery from battery charger.
2. Disconnect battery charger from power supply.
3. Store in a dry, dust-free place, out of the reach of children.

Disposal



- ♦ Major plastic parts making up the product have codes showing their materials. The codes refer to the following materials; dispose of those plastic parts in accordance with local regulations.

Mark	Material
>PA6-GF<	Nylon 6 - Glass fiber
>PP-GF<	Polypropylene - Glass fiber
>PE-HD<	Polyethylene
>PP<	Polypropylene

- ♦ Please contact your dealer in case you do not know how you should dispose of waste plastic parts.
- ♦ Battery contains lithium. Dispose of only at a designated collection point.
- ♦ Lithium-ion batteries must be recycled or disposed of properly.

Specifications

	DSRM-300
External dimensions: Length x Width x Height	1830 x 350 x 280 mm
Mass: Unit without cutting attachment, harness battery pack and guard Unit with cutting attachment, harness battery pack and guard	3.6 kg 5.3 kg
Cutting attachment: Nylon line cutting head Line diameter Line length Thread Cutting width	G138 2.0 mm 2 x 1 m line Left-handed M10 x 1.25 350 mm
Gear ratio	2.93
Rotational direction of output shaft seen from above:	Anticlockwise
Battery: Type Pack voltage Charger type Charger input voltage	Li-ion 56 Volts (rated 50.4 V) CCCV 230 - 240 Volts AC
Battery Charger Lights:	Red LED – Battery is outside charging temperature range Red LED Blinking – Fault Green LED – Battery finished charging Green LED Blinking – Battery is charging normally
Charge Time:	LBP-560-100 battery: Approximately 42 minutes. LBP-560-200 battery: Approximately 88 minutes.
Vibration levels: (EN50636-2-91)	Front handle 1.6 m/s ² Rear handle 1.4 m/s ² Uncertainty 1.5 m/s ²
Sound pressure level: (EN50636-2-91) Sound power level: (EN50636-2-91) Uncertainty	80.9 dB(A) 92.4 dB(A) 3.0 dB(A)
Guaranteed sound power level: (2000/14/EC, amended by 2005/88/EC)	96 dB(A)

These specifications are subject to change without notice.

Declaration of conformity

The undersigned manufacturer:

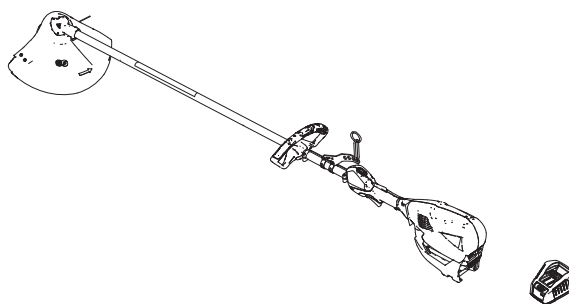
YAMABIKO CORPORATION
7-2 SUEHIROCHO 1-CHOME
OHME; TOKYO 198-8760
JAPAN

This declaration of conformity is issued under the sole responsibility of the manufacturer.

declares that the hereunder specified new unit:

GRASS-TRIMMER, BATTERY CHARGER

Brand: ECHO
Type: DSRM-300, LCJQ-560



assembled by:

ECHO, INCORPORATED
400 OAKWOOD ROAD
LAKE ZURICH, ILLINOIS 60047-1564
U.S.A.

complies with:

- * the requirements of Directive **2006/42/EC** (use of harmonized standard **EN 60335-1: 2012, EN 50636-2-91: 2014**)
- * the requirements of Directive **2014/30/EU** (use of harmonized standard **EN 55014-1: 2006, EN 55014-2: 1997, EN 61000-3-2: 2006, and EN 61000-3-3: 2008**)
- * the requirements of Directive **2014/35/EU** (use of harmonized standard **EN 60335-1: 2012, EN 60335-2-29: 2004, and EN 62233: 2008**)
- * the requirements of Directive **2000/14/EC**
Conformity assessment procedure followed **ANNEX V**
- * the requirements of Directive **2011/65/EU** (use of harmonized standard **EN 50581: 2012**)
Measured sound power level: 93 dB(A), Guaranteed sound power level: 96 dB(A)

DSRM-300: Serial Number 35000001 and up, **LCJQ-560:** Serial Number 35001001 and up
Tokyo, May 1st 2016

YAMABIKO CORPORATION

A handwritten signature in black ink that reads "Masayuki Kimura".

Masayuki Kimura
General Manager
Quality Assurance Dept.

The authorized representative in Europe who is authorized to compile the technical file.

Company: Atlantic Bridge Limited
Address: Atlantic House, PO Box 4800, Earley, Reading RG5 4GB, UK

Mr. Philip Wicks

YAMABIKO CORPORATION

7-2 SUEHIROCHO 1-CHOME, OHME, TOKYO 198-8760, JAPAN

PHONE: 81-428-32-6118. FAX: 81-428-32-6145.



X750-027380

X750816-2101



FRANÇAIS
FR (Notice originale)

MANUEL D'UTILISATION COUPE-HERBE DSRM-300

AVERTISSEMENT



LIRE ATTENTIVEMENT LES INSTRUCTIONS ET SUIVRE LES RÈGLES DE SECURITÉ.

LE NON-RESPECT DES RÈGLES DE SÉCURITÉ ENTRAÎNE UN RISQUE DE BLESSURE GRAVE.



Table des matieres

Pour utiliser l'appareil en toute sécurité.....	3
Description.....	8
Avant de commencer.....	9
Contenu de l'emballage.....	9
Chargement de la batterie.....	10
Assemblage.....	11
Version poignée semi-circulaire.....	11
Equilibrage.....	12
Pose de la batterie.....	13
Fonctionnement.....	14
Mise en marche de l'appareil.....	15
Arrêt de l'appareil.....	15
Utilisation du harnais.....	16
Utilisation de base de l'appareil avec tête de coupe à fil nylon.....	16
Entretien.....	19
Instructions d'entretien de l'appareil.....	19
Entretien.....	19
Remisage.....	22
Mise au rebut.....	22
Caractéristiques.....	23
Déclaration de conformité.....	24

Pour utiliser l'appareil en toute sécurité

Information importante

⚠ AVERTISSEMENT

Lire attentivement le manuel d'utilisation avant d'utiliser l'appareil pour la première fois.

À propos du manuel d'utilisation

- Ce manuel contient les informations nécessaires au montage, à l'utilisation et à l'entretien de l'appareil. L'utilisateur doit donc le lire attentivement et intégrer les informations qu'il contient.
- Toujours conserver le manuel à portée de main.
- En cas de perte du manuel ou si ce dernier a été détérioré et n'est plus lisible, s'adresser à un revendeur pour en obtenir un nouveau.
- Les unités utilisées dans ce manuel sont les unités SI (Système international d'unités). Les chiffres indiqués entre parenthèses sont des valeurs de référence. De légères erreurs de conversion peuvent survenir dans certains cas. Le non-respect de cette règle de sécurité entraîne un risque d'accident ou de blessure grave.

Utilisation de l'appareil

- Ces machines sont des machines légères, très performantes, et conçues pour désherber et tondre dans des endroits inaccessibles par d'autres moyens.
- Ne pas utiliser cet appareil pour d'autres applications que celles mentionnées ci-dessus.
- Le constructeur se réserve le droit de modifier sans préavis le contenu de ce manuel en fonction des améliorations apportées au produit. Il se peut que certains des schémas de ce manuel soient différents de l'appareil. Ces différences ont pour objectif de rendre les explications plus claires.
- En cas de doute, consulter un revendeur.
Le non-respect de cette règle de sécurité entraîne un risque d'accident ou de blessure grave.

Ne pas modifier l'appareil

- Aucune modification ne doit être apportée à l'appareil.
Le non-respect de cette règle de sécurité entraîne un risque d'accident ou de blessure grave. Tout dysfonctionnement dû à une modification de l'appareil n'est pas couvert par la garantie du fabricant.

Ne pas utiliser l'appareil avant d'avoir effectué les opérations de vérification et d'entretien nécessaires

- Il ne faut pas utiliser l'appareil avant d'avoir effectué les opérations de vérification et d'entretien nécessaires. Veiller à ce que l'appareil soit vérifié et entretenu régulièrement.
Le non-respect de cette règle de sécurité entraîne un risque d'accident ou de blessure grave.

Prêt ou cession de l'appareil à un tiers

- Si l'appareil est prêté à un tiers, veiller à lui confier également le manuel d'utilisation fourni avec l'appareil.
- Si l'appareil est cédé à un tiers, transmettre le manuel d'utilisation fourni avec l'appareil lors de la vente.
Le non-respect de cette règle de sécurité entraîne un risque d'accident ou de blessure grave.

Utilisateurs de l'appareil

- L'appareil ne doit pas être utilisé si :
 - ◆ l'utilisateur est fatigué ;
 - ◆ l'utilisateur a consommé de l'alcool ;
 - ◆ l'utilisateur prend des médicaments ;
 - ◆ la personne qui souhaite utiliser l'appareil est enceinte ;
 - ◆ l'utilisateur est en mauvaise condition physique ;
 - ◆ l'utilisateur n'a pas lu le manuel d'utilisation ;
 - ◆ la personne qui souhaite utiliser l'appareil est un enfant.
- L'utilisateur est tenu pour responsable en cas d'accidents ou de risques pouvant entraîner des accidents corporels ou des dommages matériels.
Le non-respect de ces règles de sécurité constitue un risque d'accident.
- Les composants de cette machine produisent en fonctionnement un champ électromagnétique susceptible d'interférer avec certains stimulateurs cardiaques. Pour réduire les risques pour la santé, nous recommandons aux porteurs d'un stimulateur cardiaque de consulter leur médecin et le fabricant du stimulateur avant d'utiliser cet appareil.



Pour utiliser l'appareil en toute sécurité

AVERTISSEMENT

Exposition aux vibrations et au froid

- Les personnes exposées aux vibrations et au froid peuvent être victimes du phénomène de Raynaud, une affection qui touche les doigts. L'exposition à des vibrations et au froid peut provoquer une sensation de picotement et de brûlure, suivie d'une décoloration et d'un engourdissement des doigts. Il est vivement recommandé de respecter les mesures de précaution suivantes car le seuil d'exposition minimum pouvant provoquer l'apparition de ce phénomène reste inconnu à ce jour.
 - ◆ Limiter la perte de chaleur corporelle, en protégeant en priorité la tête, le cou, les pieds, les chevilles, les mains et les poignets.
 - ◆ Stimuler la circulation sanguine en interrompant le travail régulièrement pour remuer énergiquement les bras, et éviter de fumer.
 - ◆ Limiter le nombre d'heures d'utilisation. Essayer d'intégrer à l'emploi du temps de la journée des tâches ne nécessitant pas l'utilisation de l'appareil ou d'une autre machine portable.
 - ◆ En cas d'inconfort, de rougeur et de gonflement au niveau des doigts, suivis d'un blanchissement et d'une perte de sensibilité, consulter un médecin avant de s'exposer à nouveau au froid et aux vibrations.
- Le non-respect de ces instructions peut être dangereux pour la santé.

Lésions attribuables au travail répétitif

- Il apparaît que la sollicitation excessive des muscles et des tendons des doigts, des mains, des bras et des épaules peut provoquer une irritation, un gonflement, un engourdissement, une faiblesse et de fortes douleurs au niveau des membres mentionnés ci-dessus. L'apparition de lésions attribuables au travail répétitif (LATR) est très fréquente chez les personnes pratiquant certaines activités manuelles répétitives. Pour réduire le risque d'apparition de LATR, respecter les mesures de précaution suivantes :
 - ◆ Éviter de plier, d'étirer ou de tordre le poignet pendant le travail.
 - ◆ Faire des pauses régulières pour réduire l'effet répétitif et pour reposer ses mains. Effectuer le mouvement répétitif plus lentement et en faisant moins d'effort.
 - ◆ Faire des exercices de musculation des mains et des bras.
 - ◆ En cas de picotements, d'engourdissement ou de douleur dans les doigts, les mains, les poignets ou les bras, consulter un médecin. Plus les LATR sont diagnostiquées précocement, plus les chances d'empêcher les lésions nerveuses et musculaires irréversibles sont grandes.
- Le non-respect de ces instructions peut être dangereux pour la santé.

Une formation adaptée

- Toute personne devant utiliser cet appareil doit obligatoirement avoir reçu une formation et un équipement de protection adaptés.
 - Vous devez avoir une connaissance parfaite des commandes et du fonctionnement de l'appareil.
 - Vous devez savoir comment arrêter l'appareil et couper le moteur.
 - Vous devez savoir comment décrocher la machine du harnais en urgence.
 - Ne laisser personne utiliser l'appareil sans avoir préalablement reçu une formation adaptée.
- Le non-respect de ces instructions peut être dangereux pour la santé.

Port de vêtements adaptés.

- Attacher les cheveux longs au-dessus du niveau de l'épaule.
 - Ne pas porter de cravates, bijoux ou vêtements amples qui pourraient se prendre dans l'appareil.
 - Ne pas porter de chaussures ouvertes, ne pas travailler pieds nus ou jambes nues.
- Le non-respect de ces mesures de précaution peut entraîner une dégradation de la vue ou de l'ouïe de l'utilisateur, ainsi qu'un risque de blessure grave.



Pour utiliser l'appareil en toute sécurité

AVERTISSEMENT

Port d'équipements de protection

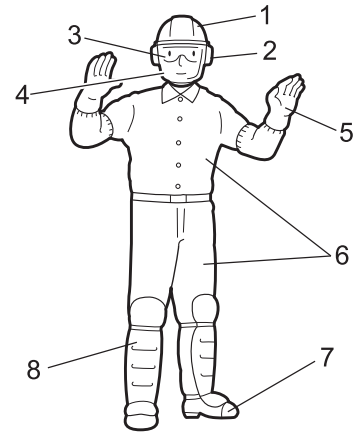
○ Toujours porter les équipements de protection suivants pour utiliser un taille-haies.

1. Protection de la tête (casque) : protège la tête.
2. Casque de protection anti-bruit ou protecteurs d'oreilles : protègent l'ouïe.
3. Lunettes de sécurité : protègent les yeux.
4. Protection du visage : protège le visage.
5. Gants de sécurité : protègent les mains contre le froid et les vibrations.
6. Vêtements de travail adaptés (manches longues, pantalons longs) : protègent le corps.
7. Bottes résistantes avec semelles anti-dérapantes (à bouts renforcés) ou chaussures de travail avec semelles anti-dérapantes (à bouts renforcés) : protègent les pieds.
8. Protège-tibias : protègent les jambes.

Le non-respect de ces mesures de précaution peut entraîner une dégradation de la vue ou de l'ouïe de l'utilisateur, ainsi qu'un risque de blessure grave.

○ Si nécessaire, utiliser les équipements de protection ci-dessous.

- ◆ Masque anti-poussière : protège les voies respiratoires.
- ◆ Voilette de protection : protège contre les piqûres d'abeilles.



Environnement d'utilisation et fonctionnement de l'appareil

○ Ne pas utiliser l'appareil :

- ◆ dans des endroits humides ou mouillés ;
- ◆ sous la pluie ;
- ◆ en cas de mauvaises conditions météo ;
- ◆ sur des pentes raides ou sur des surfaces instables et glissantes ;
- ◆ la nuit ou dans des endroits sombres mal éclairés.
- ◆ en cas de risque de foudre.

○ Lorsque vous utilisez l'appareil sur un terrain en pente douce, employez un mouvement régulier et gardez la tête de coupe parallèle au sol.

Toute chute, glissade ou utilisation incorrecte de l'appareil constitue un risque de blessures graves pour l'utilisateur.

○ Afin de préserver votre santé et de travailler dans des conditions de sécurité et de confort optimales, utiliser l'appareil uniquement par des températures comprises entre -5 °C et 40 °C.

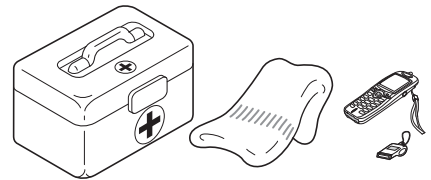
Le non-respect de ces instructions peut être dangereux pour la santé.

Savoir réagir en cas de blessure

○ Même si les cas de blessure ou d'accident restent exceptionnels, l'utilisateur doit savoir réagir à ces situations.

- ◆ Kit de premiers secours
- ◆ Serviettes et lingettes (pour arrêter les saignements)
- ◆ Sifflet ou téléphone portable (pour appeler de l'aide)

Si l'utilisateur n'est pas capable de prodiguer les premiers soins ou d'appeler à l'aide, la blessure peut s'aggraver.



Etiquettes et symboles d'avertissement

DANGER

Ce symbole associé au mot « **DANGER** » signale une action ou une situation présentant un risque de blessure corporelle grave ou d'accident mortel pour l'utilisateur et les personnes à proximité.

AVERTISSEMENT


Ce symbole associé au mot « **AVERTISSEMENT** » signale une action ou une situation présentant un risque de blessure corporelle grave ou d'accident mortel pour l'utilisateur et les personnes à proximité.

ATTENTION

« **ATTENTION** » signale une situation potentiellement dangereuse qui, si elle n'est pas évitée, peut entraîner une blessure légère à modérée.

Pour utiliser l'appareil en toute sécurité

Autres indications

	Le cercle barré indique une interdiction.
---	---

REMARQUE
Ce type de message fournit des conseils relatifs à l'utilisation et à l'entretien de l'appareil.

IMPORTANT
Le texte dans l'encadré où figure le mot « IMPORTANT » donne des informations importantes concernant l'utilisation, la vérification, l'entretien et le remisage de l'appareil décrit dans ce manuel.

Symboles

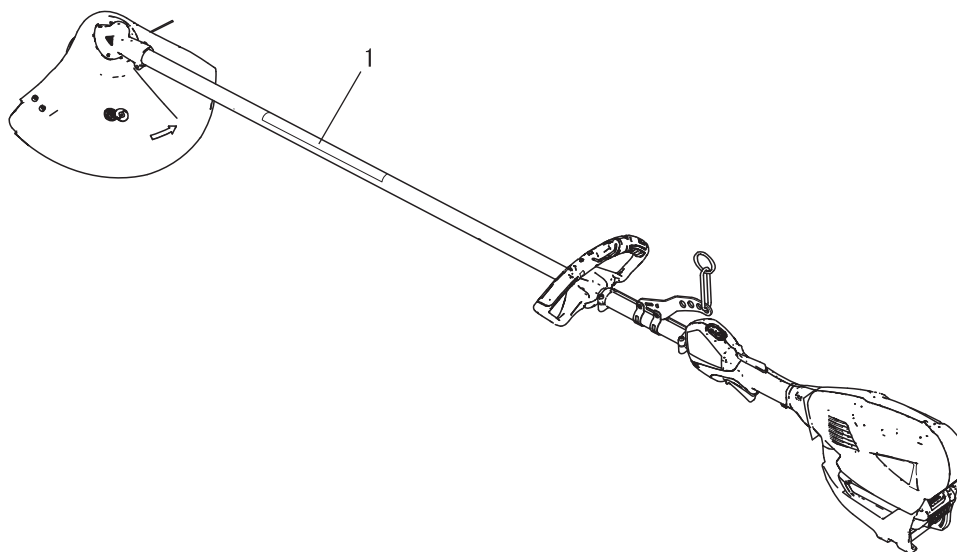
Forme des symboles	Description/application des symboles	Forme des symboles	Description/application des symboles
	Lire attentivement le manuel d'utilisation	 	Ne laisser personne s'approcher
	Porter des lunettes de protection		Ne laisser personne s'approcher à moins de 15 mètres
	Porter des protections auditives		Port obligatoire de chaussures et de gants de protection
	Alerte/sécurité		Attention aux températures élevées
	Avertissement ! Projections !		Niveau de puissance sonore garanti
	Ne pas utiliser sans protecteur d'outil		Ne jamais utiliser cet appareil lorsqu'il pleut ou dans des endroits humides
	Interdiction d'utiliser des lames métalliques		Attention aux risques de choc électrique
	Attention aux risques d'incendie		Ne pas jeter les appareils électriques avec les ordures ménagères.

Pour utiliser l'appareil en toute sécurité

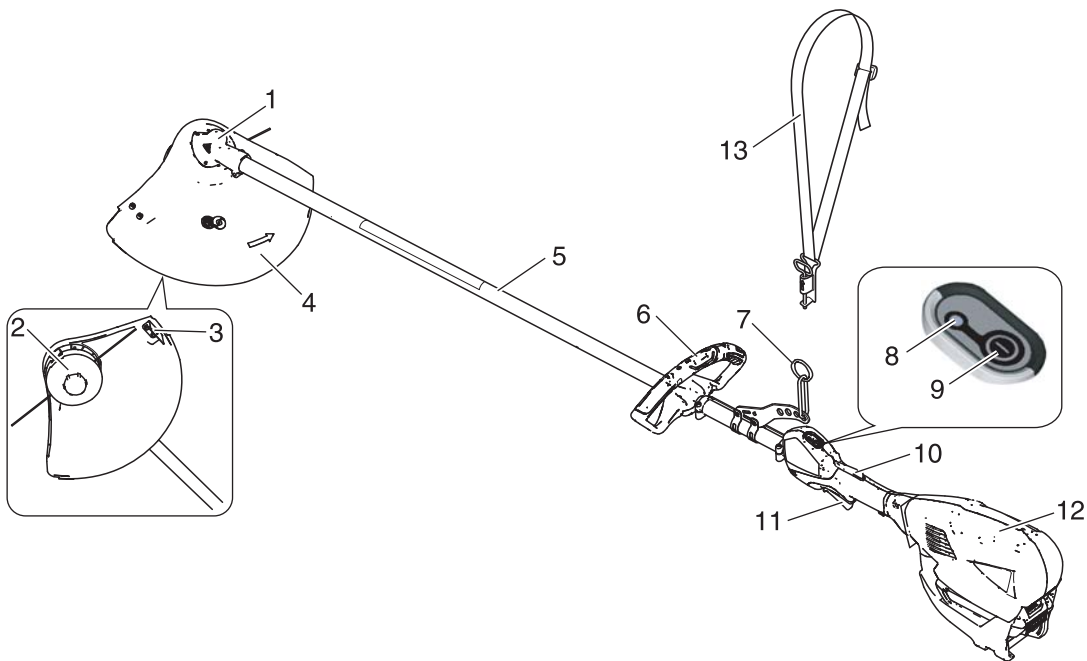
Étiquette(s) de sécurité

- L'étiquette de sécurité ci-dessous figure sur les appareils décrits dans ce manuel. S'assurer de bien comprendre la signification de l'étiquette avant d'utiliser l'appareil.
- Si l'étiquette devient illisible avec le temps ou si elle s'est décollée ou a été déchirée, contacter un revendeur pour obtenir une nouvelle étiquette et la coller à l'emplacement indiqué sur les illustrations ci-dessous. Veiller à ce que l'étiquette soit toujours lisible.

1. Autocollant de sécurité (référence X505-008900)



Description

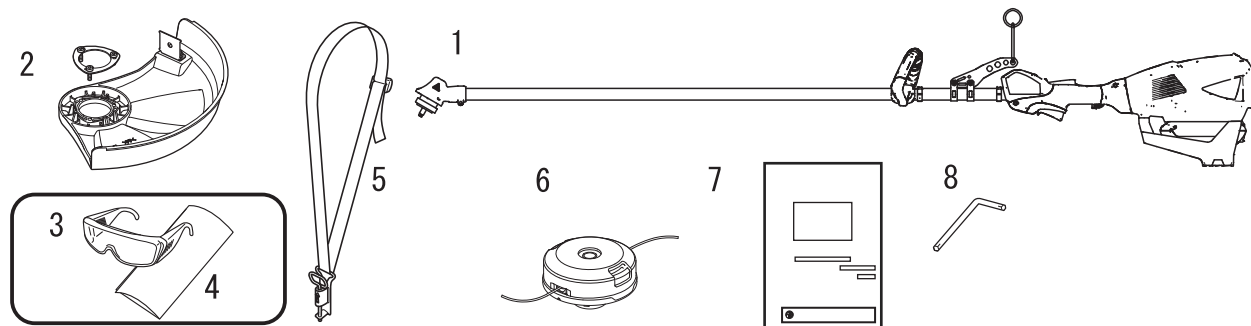


1. **Renvoi d'angle** - Avec deux engrenages pour changer l'angle de l'axe de rotation.
2. **Outil de coupe.** - Tête de coupe à fil nylon pour couper l'herbe et les mauvaises herbes.
3. **Couteau.** - Coupe le fil de nylon pour obtenir la longueur de fil appropriée.
4. **Protecteur d'outil.** - Protège l'utilisateur contre les projections et empêche tout contact accidentel avec la tête de coupe.
5. **Tube de transmission** - Pièce de l'appareil qui protège l'arbre de transmission.
6. **Poignée en boucle** - Poignée pour la main gauche.
7. **Point d'accrochage** - Dispositif sur lequel le harnais peut être accroché.
8. **DEL du témoin d'alimentation** - Reste allumée lorsque l'appareil est sous tension. S'éteint lorsque l'appareil est mis hors tension.
9. **Bouton d'alimentation** - Un appui bref permet de mettre l'appareil sous tension, la DEL du témoin d'alimentation s'allume. Un nouvel appui met l'appareil hors tension, la DEL du témoin d'alimentation s'éteint.
10. **Blocage de l'interrupteur à poussoir** - Bloque l'interrupteur à poussoir en position d'arrêt jusqu'à ce que l'utilisateur puisse positionner correctement sa main droite sur la poignée.
11. **Interrupteur à poussoir** - Activé par le doigt de l'utilisateur pour mettre le moteur en marche.
12. **Tête motrice** - Renferme le moteur et la batterie.
13. **Harnais** - Lanière réglable pour suspendre l'appareil.

Avant de commencer

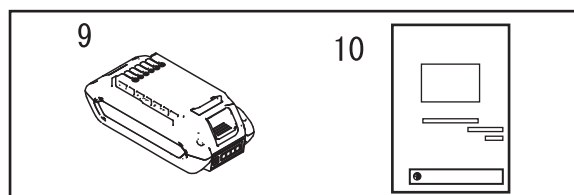
Contenu de l'emballage

- ♦ Les pièces suivantes sont conditionnées séparément dans le carton d'emballage.
- ♦ Lors de l'ouverture du carton, passer en revue les pièces qu'il contient.
- ♦ Contacter un revendeur si une pièce est manquante ou endommagée.

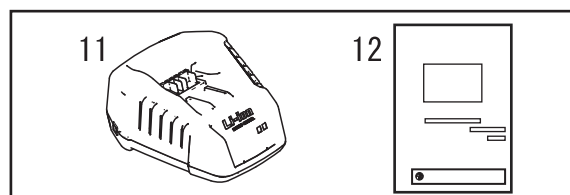


1. Moteur et tube de transmission
2. Protecteur d'outil
3. Lunettes de sécurité
4. Étiquette de sécurité

5. Harnais
6. Tête de coupe à fil nylon
7. Manuel d'utilisation
8. Clé coudée



9. Bloc-batterie
10. Manuel d'utilisation



11. Chargeur
12. Manuel d'utilisation

Avant de commencer

Chargement de la batterie

⚠ AVERTISSEMENT

- Toujours utiliser le bloc-batterie LBP-560-100/LBP-560-200 et le charger uniquement avec le chargeur LCJQ-560.
- Garder le chargeur et la batterie à l'abri de l'humidité et de tous les liquides.
- Ne pas utiliser le chargeur sur une surface facilement inflammable (telle que du papier ou du textile) ou dans un environnement présentant un risque d'incendie élevé.
- Ne pas couvrir le chargeur. Couvrir le chargeur l'empêcherait de se refroidir.
- Ne pas utiliser le chargeur dans une atmosphère explosible, par exemple en présence de liquides, gaz ou poussières inflammables. Les chargeurs peuvent produire des étincelles qui peuvent enflammer des poussières ou des vapeurs – il existe un risque d'explosion.
- Brancher le chargeur uniquement sur une alimentation correspondant à la tension et à la fréquence spécifiées sur la plaque signalétique.
- Brancher le chargeur uniquement sur une prise murale aisément accessible.
- Ne jamais insérer d'objet dans les événements de refroidissement du bloc-batterie ou du chargeur (A).
- Ne pas charger ni utiliser un bloc-batterie et un chargeur défectueux, endommagés ou déformés.
- Ne pas ouvrir, endommager ou faire tomber le bloc-batterie ou le chargeur.
- Une batterie endommagée ou mal utilisée risque de fuir ; éviter tout contact avec la peau. En cas de contact accidentel, laver abondamment à l'eau et au savon les parties touchées. Si du liquide pénètre dans l'œil, ne pas frotter. Rincer abondamment les yeux à l'eau pendant au moins 15 minutes. Consulter également un médecin.
- Ne jamais ponter (court-circuiter) les contacts du bloc-batterie ou les bornes du chargeur avec des objets métalliques.
- Protéger d'une exposition directe au soleil, à la chaleur et à toute flamme nue et ne jamais jeter la batterie au feu ; il existe un risque d'explosion.
- Si de la fumée ou des flammes se dégagent du chargeur, débrancher immédiatement celui-ci de la prise murale.
- Si le cordon d'alimentation est endommagé, débrancher immédiatement la fiche de l'alimentation électrique pour éviter tout risque de choc électrique.
- Ne pas exposer le bloc-batterie à des ondes d'hyperfréquence ou à une pression élevée.
- Prendre les mesures requises pour empêcher un démarrage intempestif de l'appareil. Retirer le bloc-batterie de l'appareil avant de transporter ou de ranger celui-ci. Ne pas utiliser un récipient en métal pour transporter les batteries.
- Ne pas utiliser le cordon d'alimentation à d'autres fins, par exemple pour transporter ou suspendre le chargeur.
- Pour réduire le risque de trébuchement, positionner et signaler le cordon d'alimentation de telle manière qu'il ne puisse pas être endommagé et de façon à ce qu'il ne constitue un danger pour personne.
- Pour débrancher, saisir la fiche et non le cordon.

REMARQUE

- La batterie est partiellement chargée lorsqu'elle quitte l'usine ; il convient de la charger entièrement avant la première utilisation.
- Charger la batterie lorsqu'elle ne produit plus suffisamment de courant pour faire fonctionner l'appareil ou lorsque les voyants indiquent qu'elle est déchargée.

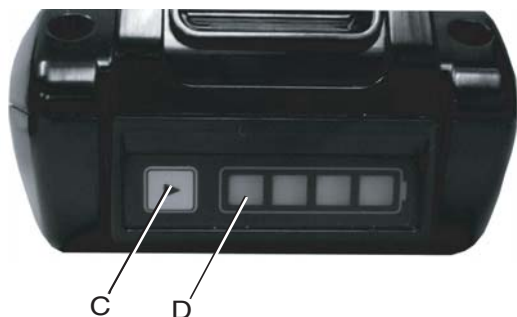


1. Brancher le cordon secteur du chargeur dans la prise murale.
2. Aligner les nervures de la batterie sur les rainures du chargeur et faire coulisser la batterie dans le chargeur.
3. Durant la charge normale, la DEL (B) du chargeur clignote en continu en VERT.

IMPORTANT

- Si le chargeur détecte un problème, la DEL clignote en ROUGE. Retirer la batterie du chargeur, nettoyer les contacts et réinstaller la batterie dans le chargeur. Si la batterie n'est pas dans la plage de température acceptable (de 0 à 60 °C), la DEL reste allumée en ROUGE.

Avant de commencer



- Lorsque la charge est terminée, la DEL reste allumée en VERT.
 - * Un bloc-batterie complètement déchargé se chargera en 42 minutes environ.
- Vérifier que la batterie est entièrement chargée en la retirant du chargeur et appuyant sur le bouton d'état de charge de la batterie (C). Vérifier les indications données par les DEL (D).
 - ♦ Un voyant vert indique que la batterie est chargée entre 0 et 25 %.
 - ♦ Deux voyants verts indiquent que la batterie est chargée entre 25 et 50 %.
 - ♦ Trois voyants verts indiquent que la batterie est chargée entre 50 et 75 %.
 - ♦ Quatre voyants verts indiquent que la batterie est chargée entre 75 et 100 %.
- Débrancher le chargeur de batteries de l'alimentation électrique.

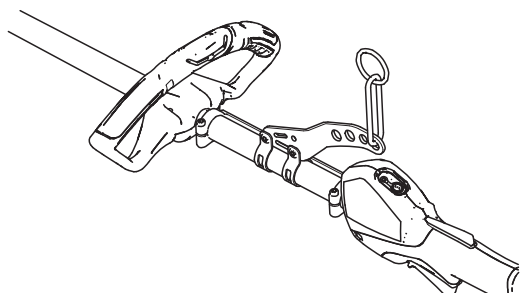
Assemblage

⚠ AVERTISSEMENT

- Lire attentivement le manuel d'utilisation pour s'assurer que l'appareil est monté correctement. L'utilisation d'un appareil monté de façon incorrecte entraîne un risque d'accident ou de blessure grave.



Version poignée semi-circulaire Assemblage de la poignée semi-circulaire

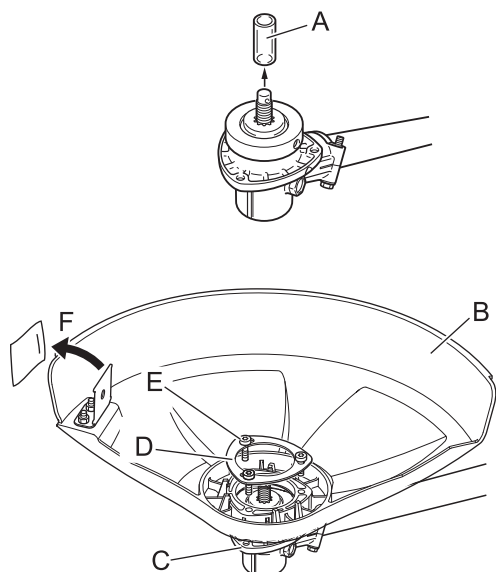


Orienter la poignée dans une position d'utilisation confortable, puis serrer les boulons.

⚠ ATTENTION

- Monter la poignée de telle sorte que toutes les étiquettes de sécurité restent bien visibles.

Montage du protecteur d'outil



⚠ AVERTISSEMENT

- Les arêtes du couteau monté sur le protecteur d'outil anti-projection sont tranchantes. Éviter tout contact lors de la pose ou de la dépose de la tête de coupe à fil.

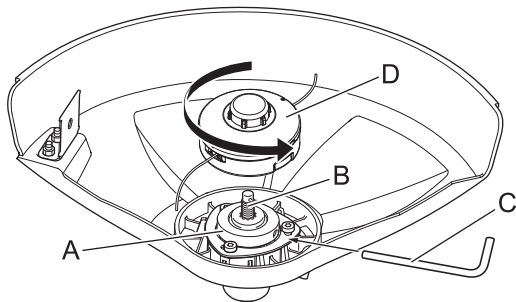
- Déposer le manchon en plastique (A) de l'arbre de sortie.
- Poser le protecteur d'outil (B) sur la base de la bride de renvoi d'angle (C).
- Placer la plaque de protecteur d'outil (D) sur le protecteur, aligner les trous et poser les trois boulons (E).
- Bien serrer les trois boulons.
- Retirer la garniture (F).

REMARQUE

- Le protecteur d'outil est conçu pour être utilisé uniquement avec la tête de coupe à fil nylon.

Avant de commencer

Montage de la tête de coupe à fil nylon



⚠ ATTENTION

○ Fixer solidement l'arbre de sortie à l'aide de l'outil de blocage pour éviter qu'il ne tourne lors de la pose de la tête de coupe à fil nylon.

1. Veiller à ce que le flasque (A) reste sur l'arbre de sortie (B).
2. Aligner l'orifice de blocage du flasque sur une entaille située sur le bord du renvoi d'angle et insérer l'outil de blocage (C).
3. Poser la tête de coupe (D) sur l'arbre de sortie en la tournant dans le sens contraire des aiguilles d'une montre, jusqu'à ce que la tête soit bien ajustée contre le flasque.
4. Retirer l'outil de blocage.

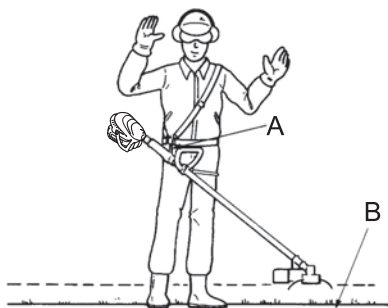
Equilibrage Réglage du harnais

⚠ AVERTISSEMENT

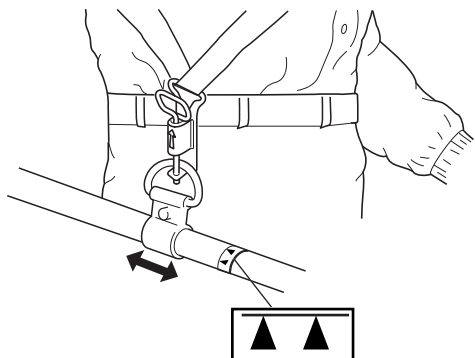
○ Cet appareil est conçu de manière à pouvoir être utilisé par des personnes de tailles différentes ; il se peut néanmoins qu'il ne convienne pas aux personnes de très grande taille. Ne pas utiliser l'appareil si les pieds de l'utilisateur atteignent l'outil de coupe lorsque l'appareil est fixé au harnais.

IMPORTANT

○ La taille de l'utilisateur peut avoir un impact sur l'équilibrage de l'appareil. En outre, il se peut que la procédure d'équilibrage ne fonctionne pas sur certains appareils avec certaines personnes. Si le harnais n'est pas à la taille de l'utilisateur ou ne peut pas être réglé correctement, contacter le revendeur pour obtenir de l'aide.



Equilibrer l'outil de sorte à ce que le plan de rotation de la tête de coupe soit parallèle au sol.



- ♦ Le harnais fourni avec l'appareil convient aux adultes de taille moyenne, mesurant entre 150 et 195 cm de hauteur et entre 60 et 140 cm de tour de taille.
- ♦ Utiliser un harnais lorsque celui-ci est fourni avec l'appareil ou lorsque son utilisation est recommandée dans ce manuel. Régler le harnais et le point d'accrochage (A) de l'appareil sur l'unité de sorte que l'outil de coupe se situe à quelques centimètres au-dessus du sol (B).
- ♦ L'outil de coupe et le protecteur d'outil doivent être parallèles au sol dans toutes les directions. Fixer l'appareil au harnais sur le côté droit, comme indiqué.

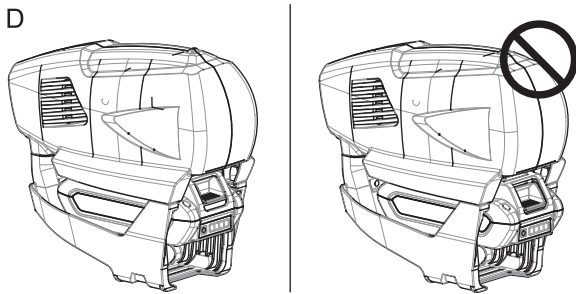
- ♦ Faire glisser le point d'accrochage le long du tube pour trouver le point d'équilibre. Tourner la bride pour régler le parallélisme de l'outil de coupe et du protecteur. Verrouiller la position. Si le point d'accrochage est de type à rotation libre, il se peut que l'appareil ait tendance à se retourner sur le côté ; néanmoins, toujours régler l'outil de coupe et le protecteur selon l'axe avant/arrière.
- ♦ Il se peut que l'équilibrage et la mise à niveau, comme indiqués ci-dessus, nécessitent le déplacement de la bride et le réajustement des lanières du harnais. En outre, tous les types d'outil de coupe et de protecteur d'outil montés sur l'appareil doivent être équilibrés.

⚠ ATTENTION

○ Le point d'accrochage ne doit pas être situé plus loin que le repère en forme de flèche (▲).

Avant de commencer

Pose de la batterie



⚠ AVERTISSEMENT

○ L'outil de coupe fonctionne lorsque la batterie est installée, la DEL du témoin d'alimentation allumée et le dispositif de déclenchement et le blocage du dispositif de déclenchement engagés. Veiller à positionner le coupeherbe correctement pour éviter toute perte de contrôle et un éventuel accident grave. Tenir les pièces mobiles au-dessus du sol et à distance des objets susceptibles d'être happés ou projetés.

1. S'assurer que l'appareil est hors tension.
2. Aligner les nervures (A) du bloc-batterie sur les rainures de la tête motrice. Faire glisser le bloc-batterie dans la tête motrice.
3. S'assurer que le verrou du bloc-batterie (B) est mis en place et que le bloc-batterie est bien fixé avant de faire fonctionner l'appareil.
4. Pour retirer la batterie, enfoncer le verrou du bloc-batterie (C) et extraire le bloc-batterie de la tête motrice.

IMPORTANT

Avant d'utiliser le taille-haie, s'assurer que la batterie est correctement mise en place et le verrou du bloc-batterie en position fermée (D).

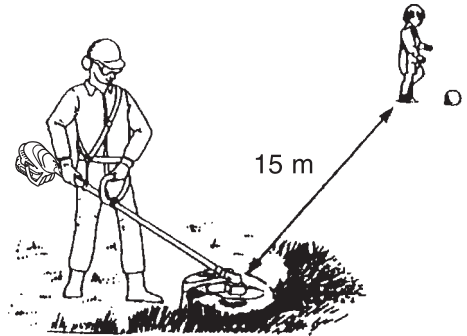
REMARQUE

- ♦ Le verrou du bloc-batterie est en position fermée lorsqu'il est correctement engagé.

Fonctionnement

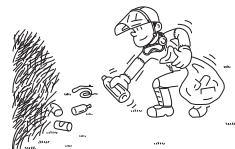
DANGER

- **Tous les conducteurs électriques aériens et les câbles de télécommunication peuvent avoir une alimentation électrique à haute tension. Cet appareil n'est pas isolé par une protection contre les courants électriques. Ne jamais toucher les câbles directement ou indirectement, sous risque de blessures graves ou de mort.**
- **Toujours couper le fonctionnement de l'appareil en cas de blocage de l'outil de coupe.**
Une fois l'objet débloqué, l'outil de coupe redémarrerait soudainement, entraînant ainsi un risque de blessure grave.
- **Ne pas utiliser l'appareil sans le protecteur d'outil.**
Il est possible que des objets ricochent sur l'outil de coupe et soient projetés vers l'utilisateur, entraînant ainsi un risque d'accident ou de blessure grave.
- **La zone comprise dans un rayon de 15 mètres autour de l'appareil est une zone dangereuse. Veillez à bien respecter les mesures de précaution suivantes lors de l'utilisation de l'appareil.**
 - ◆ **Ne laisser personne (enfants, animaux ou autres personnes) pénétrer dans la zone dangereuse.**
 - ◆ **Si quelqu'un pénètre dans la zone dangereuse, couper le fonctionnement de l'appareil pour arrêter l'outil de coupe.**
 - ◆ **Lorsque vous vous approchez de l'utilisateur, signalez-lui votre présence en lançant des brindilles, par exemple, sans entrer dans la zone dangereuse. Vérifiez ensuite que le fonctionnement de l'appareil est coupé et que l'outil de coupe ne tourne plus.**
 - ◆ **Si l'appareil est utilisé par plus d'une personne, convenez entre vous d'un signal et travaillez à plus de 15 mètres les uns des autres.**Toute projection d'objet ou tout contact avec l'outil de coupe entraîne un risque d'accident mortel ou pouvant causer la cécité de l'utilisateur.



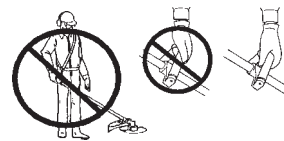
AVERTISSEMENT

- Veiller à bien respecter les mesures de précaution suivantes lors de la mise en marche de l'appareil :**
- **Vérifier que tous les écrous et toutes les vis sont bien serrés.**
 - **Établir un périmètre de sécurité autour de l'appareil et s'assurer que personne ni aucun animal ne se trouve à proximité.**
Le non-respect de ces mesures de précaution constitue un risque d'accident et de blessures graves voire mortelles.
 - **Au démarrage de l'appareil, vérifier l'absence de vibrations et de sons anormaux. Ne pas utiliser l'appareil en cas de vibrations ou de sons anormaux. S'adresser à un revendeur pour faire effectuer les réparations nécessaires.**
La chute ou la rupture accidentelle de pièces constitue un risque de blessures graves.
 - **Toujours éteindre l'appareil et retirer la batterie avant de transporter l'appareil.**
 - **Ne pas toucher le renvoi d'angle et autres composants sous haute température lorsque l'appareil fonctionne et pendant la phase qui suit l'arrêt de l'appareil.**
Il existe un risque de brûlure en cas de contact avec un composant à haute température.
 - **Avant de commencer à travailler, inspecter la zone de travail et retirer tous les cailloux et les canettes vides susceptibles de ricocher sur l'outil de coupe, ainsi que les morceaux de fils ou de câbles qui risquent de s'enrouler autour de l'outil de coupe.**
Un risque de projection pouvant entraîner un accident ou une blessure grave peut survenir lorsqu'un objet ricoche sur l'outil de coupe ou lorsqu'un fil s'enroule autour de ce dernier.
 - **Couper immédiatement le fonctionnement de l'appareil et attendre que l'outil de coupe soit complètement arrêté avant d'inspecter les composants de l'appareil. Remplacer toute pièce endommagée.**
 - ◆ **Si l'outil de coupe heurte une pierre, un arbre, un poteau ou tout autre obstacle au cours de son utilisation.**
 - ◆ **Si l'appareil se met à vibrer soudainement de façon anormale.**L'utilisation prolongée de pièces endommagées entraîne un risque d'accident ou de blessure grave.
 - **Ne pas tenir l'outil de coupe vers le haut pendant le travail. Ne pas travailler en tenant l'outil de coupe au-dessus des genoux.**
Si l'outil de coupe est au-dessus des genoux, le plan de rotation est plus proche du visage de l'utilisateur, ce qui entraîne un risque d'accident ou de blessure grave en cas de projections.



⚠ AVERTISSEMENT

- Ne jamais essayer d'utiliser l'appareil d'une seule main.
- Passer les pouces autour de la poignée et saisir la poignée en l'enveloppant avec les autres doigts.

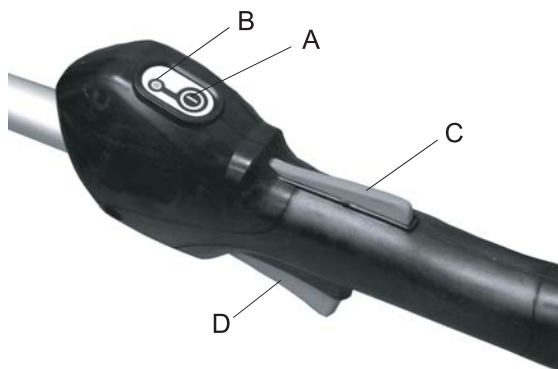


- Ne jamais utiliser l'appareil en se penchant trop en avant et veiller à rester bien en équilibre à tout moment. Veiller à être toujours bien d'aplomb sur les terrains en pente et à marcher ; ne jamais courir.
- Ne jamais utiliser l'appareil si les protections ou les protecteurs d'outil sont défectueux, sans dispositif de sécurité ou lorsque le cordon est endommagé ou usé.

Mise en marche de l'appareil

⚠ AVERTISSEMENT

- L'outil de coupe fonctionne lorsque la batterie est installée, la DEL du témoin d'alimentation allumée et l'interrupteur à poussoir et le blocage de l'interrupteur à poussoir engagés. Veiller à positionner le produit correctement pour éviter toute perte de contrôle et un éventuel accident grave.



1. Appuyer brièvement sur le bouton d'alimentation (A) pour mettre l'appareil sous tension.
 - * La DEL du témoin d'alimentation (B) s'allume lorsque l'appareil est sous tension.
2. Enfoncer le blocage de l'interrupteur à poussoir (C) et appuyer sur l'interrupteur à poussoir (D) de façon à ce que le moteur atteigne la vitesse normale de fonctionnement.

IMPORTANT

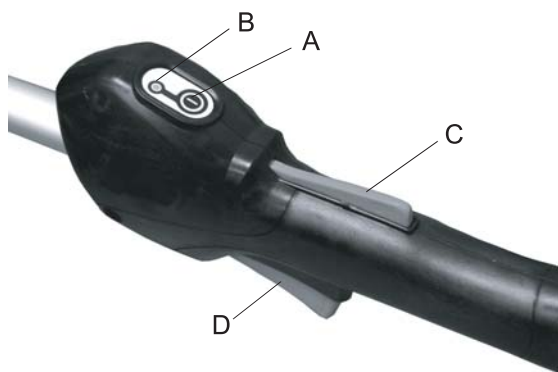
- Lorsque l'appareil est sous tension :
 - Au bout d'une minute d'inactivité, il s'éteint tout seul.
 - Si la DEL reste allumée, l'appareil fonctionne normalement.
 - Si la DEL clignote une fois par seconde, la batterie doit être chargée.
 - Si la DEL clignote quatre fois par seconde, l'appareil présente un défaut. Mettre l'appareil hors tension. Retirer la batterie. Enlever les débris autour de la tête de coupe. Installer la batterie. Mettre l'appareil sous tension. Si le clignotement persiste, demander à un technicien agréé de réparer l'appareil.

Arrêt de l'appareil

⚠ AVERTISSEMENT

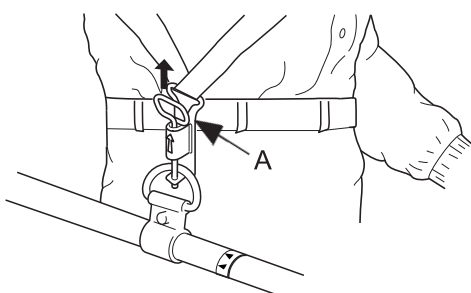
- L'outil de coupe continue de fonctionner pendant une courte durée une fois l'appareil éteint.

Fonctionnement



1. Relâcher l'interrupteur à poussoir et le blocage de l'interrupteur à poussoir, et laisser le taille-haie s'arrêter.
2. Appuyer sur le bouton d'alimentation (A) pour mettre l'appareil hors tension.
 - * La DEL du témoin d'alimentation (B) s'éteint lorsque l'appareil est hors tension.
 - * Si le taille-haie ne s'arrête pas lorsque l'interrupteur à poussoir et le blocage de l'interrupteur à poussoir sont relâchés, appuyer sur le bouton d'alimentation pour enclencher la mise hors tension et retirer la batterie afin d'interrompre l'alimentation du produit. Demander à un technicien agréé de réparer le bouton d'alimentation avant d'utiliser à nouveau le produit.

Utilisation du harnais



Toujours monter correctement le coupe-herbe avec le harnais.

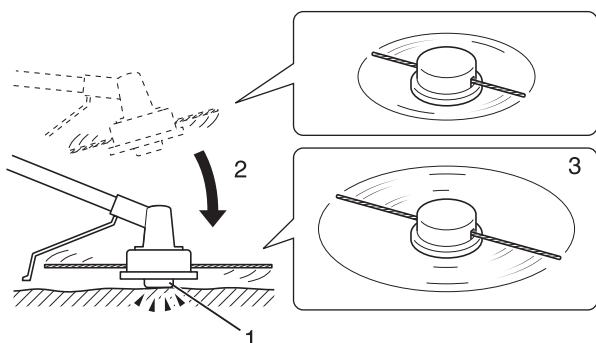
- ♦ Fixer l'appareil au harnais.
- ♦ Placer le harnais sur l'épaule gauche et régler les lanières de sorte que l'axe de décrochage rapide se situe juste sous la taille.
- ♦ Pour vérifier que l'appareil est correctement ajusté, déplacer l'outil de coupe au-dessus du sol.
- ♦ Réajuster le point d'accrochage si nécessaire.
- ♦ Le harnais est doté d'une fonction de décrochage rapide. En cas d'incendie ou en cas d'urgence, tirer l'axe de décrochage rapide (A) vers le haut pour détacher l'appareil.

Utilisation de base de l'appareil avec tête de coupe à fil nylon

AVERTISSEMENT

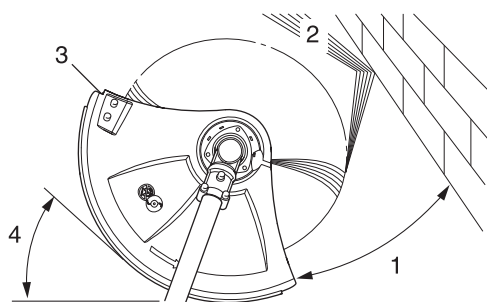
- Une mauvaise utilisation de l'outil de coupe peut entraîner un risque de blessure grave. Lire attentivement et respecter l'ensemble des règles de sécurité décrites dans ce manuel.
- Utiliser uniquement les outils de coupe recommandés par YAMABIKO CORPORATION.
- Tout excédent de fil nylon dépassant du couteau risque d'être projeté lorsque la tête de coupe à fil nylon commence à tourner après le réglage de la longueur du fil nylon.
Le non-respect de cette règle de sécurité entraîne un risque d'accident ou de blessure grave.

Réglage du fil nylon



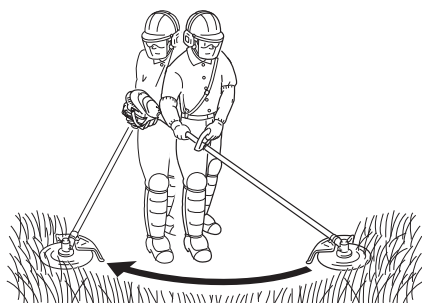
- ♦ La vitesse de rotation de la tête de coupe à fil nylon ne doit pas dépasser 10000 tr/min.
 - ♦ Pour dérouler le fil nylon, taper légèrement la partie inférieure de la bobine sur le sol à une vitesse de rotation inférieure à 4500 tr/min.
 - ♦ Le couteau situé sur le protecteur règle automatiquement la longueur du fil nylon en le coupant de manière uniforme lorsque l'outil de coupe commence à tourner.
 - ♦ Pour utiliser l'appareil avec une longueur de fil inférieure à la longueur de coupe maximum, couper deux fils nylon de même longueur.
1. Partie inférieure de la bobine
 2. Taper légèrement la bobine sur le sol
 3. Le fil de nylon se déroule

Taille



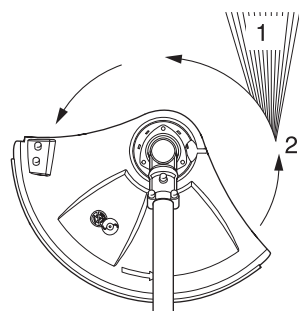
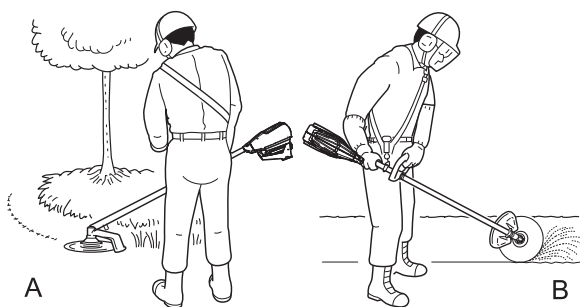
- ♦ La taille consiste à avancer l'appareil avec précaution dans l'objet à couper. Incliner légèrement la tête de coupe pour que les débris soient projetés loin de l'utilisateur. Pour effectuer une opération de taille à proximité d'une barrière, d'un mur ou d'un arbre, approcher l'appareil sous un angle tel que les débris ricochant sur la barrière ne soient pas projetés vers l'utilisateur.
 - ♦ Déplacer lentement la tête de coupe à fil nylon jusqu'à ce que l'herbe soit coupée jusqu'au niveau de la barrière, en évitant soigneusement de bloquer le fil dans la barrière. En cas de taille à proximité d'un grillage ou d'une clôture métallique, faire bien attention à ne pas coincer le fil dans le grillage ou la clôture. Si l'appareil est approché trop près, le fil se casse et s'enroule autour du grillage.
 - ♦ Pour couper les tiges de mauvaises herbes, procéder tige par tige. Toujours placer la tête de coupe à fil nylon au pied de la plante, jamais en haut, car la plante risque de se briser et de se prendre dans le fil. Plutôt que d'utiliser toute la longueur du fil pour couper une plante, ne passer que l'extrémité du fil sur la tige afin de la couper progressivement.
1. Angle par rapport au mur
 2. Débris
 3. Côté couteau relevé
 4. Angle par rapport au sol

Fauchage



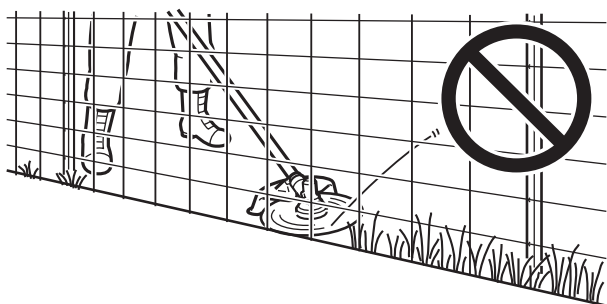
- ♦ Le fauchage consiste à couper ou tondre de grandes surfaces d'herbe en effectuant des mouvements en arc de cercle avec l'appareil. Procéder par mouvements lents et réguliers. Ne pas essayer de hacher l'herbe. Incliner la tête de coupe à fil nylon de sorte que les débris ne soient projetés dans la direction de l'utilisateur durant l'opération de fauchage. Puis retourner au point de départ (sans couper d'herbe) pour recommencer l'opération. Si l'utilisateur est bien protégé et n'est pas gêné par la projection de débris, il peut faucher dans les deux sens.

Désherbage et taille des bordures



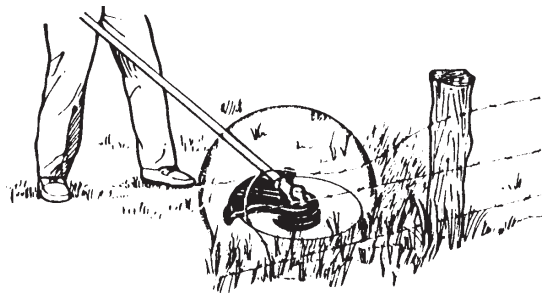
- ♦ Ces deux opérations sont effectuées à l'aide de la tête de coupe à fil nylon inclinée sous un angle aigu. Le désherbage (A) consiste à retirer les plantes de surface, laissant la terre nue. La taille de bordures (B) consiste à couper l'herbe qui a poussé sur un trottoir ou dans une allée. Lors du désherbage ou de la taille de bordures, maintenir l'appareil sous un angle de coupe aigu de sorte que les débris, pierres et poussières soulevés ne soient pas projetés en direction de l'utilisateur, même s'ils ricochent sur une surface dure.
 - ♦ Les images montrent comment désherber et tailler les bordures. Cependant, c'est à l'utilisateur de trouver les angles de coupe les mieux adaptés à sa taille et à l'opération effectuée.
 - ♦ Pour la plupart des opérations de coupe, il est recommandé d'incliner la tête de coupe à fil nylon de sorte que le contact se fasse uniquement sur la partie du cercle décrit par le fil la plus éloignée de l'utilisateur (voir l'image correspondante). Ainsi, les débris ne sont pas projetés en direction de l'utilisateur.
 - ♦ Si la tête est inclinée du mauvais côté, les débris sont projetés vers l'utilisateur. Si la tête de coupe à fil nylon est maintenue à plat sur le sol et que la coupe s'effectue sur la totalité du cercle décrit par le fil, les débris sont projetés en direction de l'utilisateur, la résistance ralentit l'appareil et une grande quantité de fil doit être utilisée.
 - ♦ La tête de coupe à fil nylon tourne dans le sens inverse des aiguilles d'une montre. Le couteau se situe sur le côté gauche du protecteur d'outil.
1. Débris

Fonctionnement



2. Couper de ce côté

- ♦ Ne pas approcher le fil d'herbes drues, d'arbres ou de grillages.
 - ♦ Mettre le fil en contact avec du grillage ou avec des broussailles denses peut causer la rupture du fil ; les extrémités du fil risquent alors d'être projetées vers l'utilisateur. La bonne technique consiste à couper l'herbe jusqu'à l'obstacle, mais à ne jamais heurter le fil contre l'obstacle. Ne pas utiliser l'appareil à proximité d'un obstacle ou d'une barrière.
-
- ♦ Éviter de mettre le fil nylon en contact avec des morceaux de grillage. À haut régime, les morceaux de fils de fer peuvent être projetés.



⚠ AVERTISSEMENT

Respecter les mesures de précaution suivantes lors de la vérification et de l'entretien de l'appareil après utilisation :

- **Mettre l'appareil hors tension, retirer la batterie et s'assurer que toutes les pièces mobiles sont complètement à l'arrêt.**
Il existe un risque d'accident en cas de démarrage intempestif de l'appareil.
- **Laisser l'appareil refroidir avant tout entretien.**
Il existe un risque de brûlure.

IMPORTANT

○ La vérification et l'entretien de l'appareil nécessitent des connaissances spécialisées. Si l'utilisateur ne possède pas les compétences requises pour effectuer les opérations de vérification et d'entretien de l'appareil ou pour remédier à un dysfonctionnement, il doit consulter un revendeur. Ne pas essayer de démonter l'appareil.

Instructions d'entretien de l'appareil

Pièce	Entretien	Page	Avant utilisation	Tous les mois
Batterie	Contrôler/nettoyer/charger	10	•	
Tête de coupe à fil nylon	Contrôler	19	•	
Couteau	Contrôler/nettoyer	-	•	
Vis, boulons et écrous	Contrôler, serrer/remplacer	-	•	

Entretien

En cas de questions ou de problèmes, contacter un revendeur.

Nettoyage de la batterie et de son logement

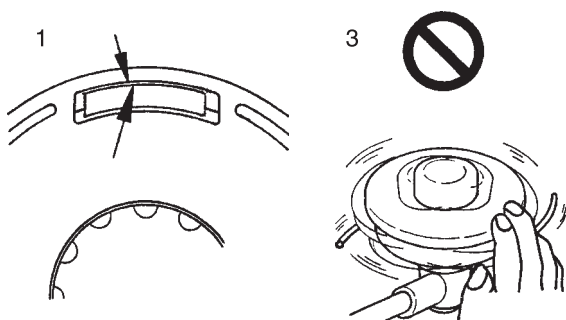


⚠ AVERTISSEMENT

○ **Risque de choc électrique ou d'incendie. Ne pas utiliser de matériaux conducteurs pour nettoyer la batterie ou son logement.**

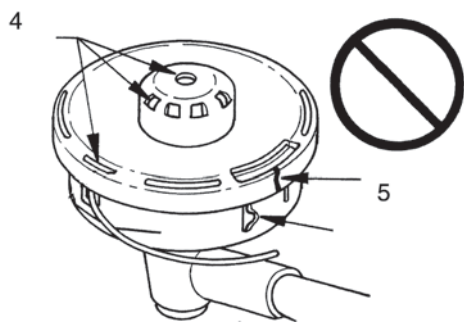
1. Relâcher l'interrupteur à poussoir et le blocage de l'interrupteur à poussoir et laisser le taille-haie s'arrêter.
2. S'assurer que la DEL du témoin d'alimentation n'est pas allumée.
3. Appuyer sur le verrou du bloc-batterie (A) et faire glisser le bloc-batterie hors de la tête motrice.
4. Utiliser de l'air comprimé ou une brosse à poils souples pour enlever les débris de la batterie et de son logement.

Vérification de la tête de coupe à fil nylon



1. S'assurer que le pourtour des 2 ergots de fixation du boîtier correspond parfaitement au pourtour des ouvertures correspondantes du couvercle.
2. Vérifier que la tête de coupe est bien fixée sur le coupe-herbe et la resserrer le cas échéant.
3. Contrôler la tête de coupe et rechercher toute déformation ou bruit anormal en la faisant tourner manuellement. Une déformation ou un bruit anormal peut provoquer des vibrations anormales ou entraîner le desserrage du coupe-herbe pendant la rotation, ce qui constitue un risque.

Entretien



4. Vérifier le degré d'usure du couvercle et de la partie inférieure de la bobine. Si une fente apparaît au bas de la partie inférieure de la bobine ou au bas du couvercle, à proximité de la sortie du fil nylon, il faut impérativement remplacer ces pièces.
5. Vérifier si la tête de coupe présente des fissures ou des éclats. Remplacer impérativement toute pièce présentant une fissure ou un éclat.

Remplacement du fil nylon

DANGER

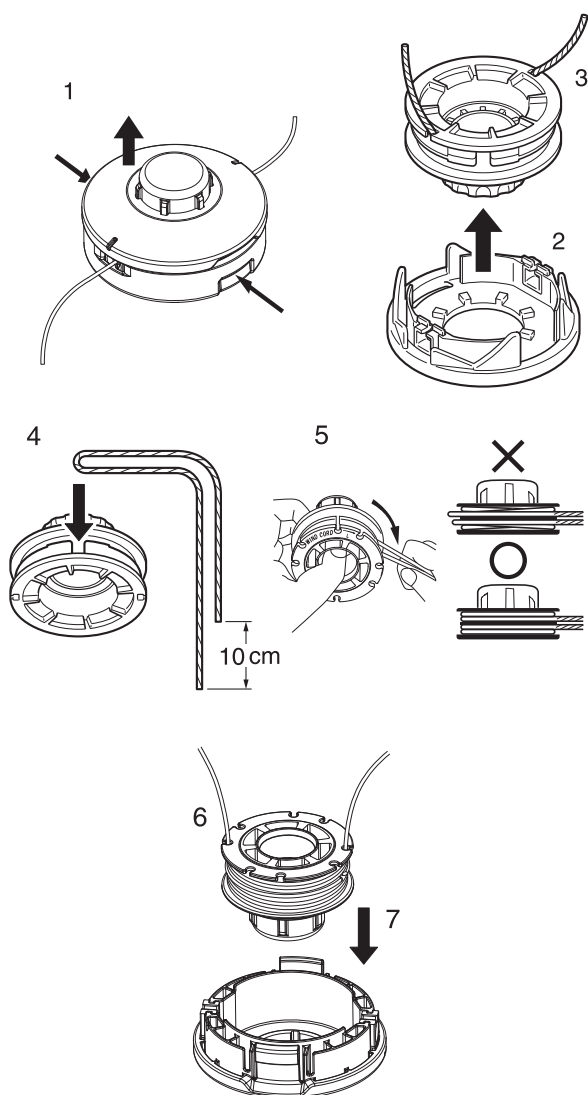
○ **Toujours couper le fonctionnement de l'appareil et s'assurer que la tête de coupe à fil nylon ne tourne plus avant de procéder au remplacement de la pièce.**

Le non-respect de cette règle de sécurité entraîne un risque d'accident ou de blessure grave.

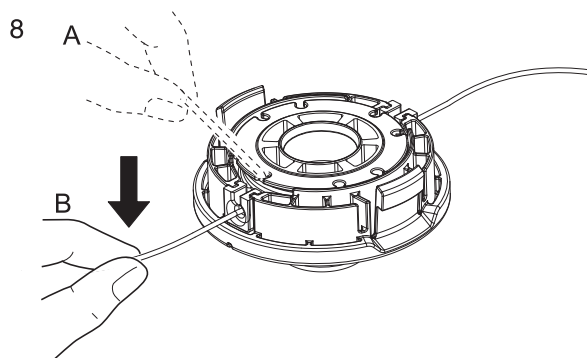
AVERTISSEMENT

○ **Utiliser uniquement un fil de coupe flexible et non métallique recommandé par YAMABIKO CORPORATION.**

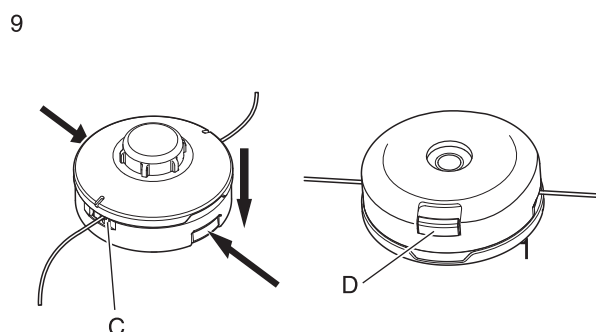
Le non-respect de cette règle de sécurité entraîne un risque d'accident ou de blessure grave.



1. Comprimer les « ergots de fixation » (en deux endroits) vers l'intérieur, puis retirer le couvercle. Il est plus facile de les retirer l'un après l'autre.
2. Déposer la bobine.
3. Lorsqu'il n'y a presque plus de fil nylon sur la bobine, retirer le fil restant de la bobine et enrouler le « nouveau fil » en suivant les instructions (4) et suivantes. Lorsque le fil est « collé » sur la bobine, retirer complètement le fil en décollant la partie « collée », puis enrouler le fil ainsi « décollé » en suivant les instructions (4) et suivantes.
4. Plier le fil à 10 cm du milieu de sa longueur totale et accrocher la partie pliée sur l'« encoche » du séparateur intermédiaire.
5. Enrouler le fil bien tendu dans la rainure de la bobine en suivant « le sens d'enroulement du fil à gauche ».
6. Lorsque le fil est entièrement enroulé autour de la bobine, accrocher ses deux extrémités dans les encoches correspondantes de la bobine pour le bloquer provisoirement ; laisser environ 10 cm de fil dépasser des encoches.
7. Aligner les encoches de la bobine avec les rainures des œillets, puis emboîter la bobine dans le couvercle.



8. Tirer le fil pour le faire dépasser du couvercle. (A) Retirer le fil des « encoches correspondantes de la bobine », puis (B) le faire passer dans les « rainures des œillets correspondants ».



9. Assembler le couvercle et le boîtier. (C) Aligner les « œillets » du couvercle avec les « renforcements » du boîtier, puis (D) enfoncer les ergots du boîtier dans les ouvertures correspondantes du couvercle jusqu'à ce que les ergots s'encastrent parfaitement.

⚠ DANGER

S'assurer que le pourtour extérieur des ergots du boîtier corresponde parfaitement au pourtour extérieur des ouvertures correspondantes du couvercle. Si les ergots sont mal emboîtés et que la tête de coupe pivote, le couvercle ou des composants internes risquent d'être projetés, ce qui représente un danger potentiel pour l'utilisateur.

Guide de dépannage

IMPORTANT

- En ce qui concerne les pièces de rechange et les consommables, utiliser uniquement des pièces d'origine et les produits et composants recommandés.
L'utilisation de pièces d'autres marques ou de composants inappropriés peut entraîner un dysfonctionnement de l'appareil.

Problème	Cause	Solution
Voyant rouge du chargeur clignotant ou ne s'allumant pas	<ol style="list-style-type: none"> 1. Fiche non branchée dans la prise d'alimentation 2. Bloc-batterie mal installé 3. Connexion obstruée 4. Défaut du chargeur 5. Défaut du bloc-batterie 	<ol style="list-style-type: none"> 1. Brancher le chargeur 2. Contrôler la pose du bloc-batterie 3. Réinstaller le bloc-batterie après avoir éliminé ce qui empêche la connexion 4. Consulter un revendeur 5. Consulter un revendeur
L'appareil ne se met pas en marche	<ol style="list-style-type: none"> 1. Bloc-batterie mal installé 	<ol style="list-style-type: none"> 1. Contrôler la pose du bloc-batterie
L'appareil ne fonctionne pas lorsqu'il est mis en marche	<ol style="list-style-type: none"> 1. Bloc-batterie déchargé 2. Tête de coupe obstruée 3. Bloc-batterie hors de la plage de température acceptable 	<ol style="list-style-type: none"> 1. Charger le bloc-batterie 2. Arrêter l'appareil et nettoyer l'outil de coupe 3. Retirer le bloc-batterie et le laisser refroidir
Le temps d'utilisation est trop court	<ol style="list-style-type: none"> 1. Bloc-batterie hors de la plage de température acceptable 2. Module électronique de l'appareil trop chaud 3. Bloc-batterie déchargé 	<ol style="list-style-type: none"> 1. Retirer le bloc-batterie et le laisser refroidir 2. Éteindre l'appareil et laisser refroidir 3. Charger le bloc-batterie
Avance du fil impossible	<ol style="list-style-type: none"> 1. Quantité insuffisante de fil sur la bobine 2. Fil emmêlé dans la bobine 	<ol style="list-style-type: none"> 1. Rembobiner à l'aide de fil neuf 2. Débobiner puis rebobiner le fil
Le fil ne se coupe pas	<ol style="list-style-type: none"> 1. Couteau placé dans le protecteur d'outil endommagé ou manquant 	<ol style="list-style-type: none"> 1. Consulter un revendeur

Entretien

- ♦ En cas de problème différent de ceux décrits dans le tableau ci-dessus, consulter un revendeur.
- ♦ S'adresser à un revendeur pour la mise au rebut de l'appareil ou de ses composants conformément à la législation nationale en vigueur.

Remisage

AVERTISSEMENT

- **Ne pas remisage dans une enceinte où une accumulation de vapeurs inflammables est susceptible de se produire.**
Il existe un risque d'incendie.



Si l'appareil doit être remisage pendant une longue période, respecter les instructions de remisage suivantes.

Taille-haie électrique

1. Mettre l'appareil hors tension.
2. Retirer la batterie de la tête motrice.
3. Éliminer la saleté et les débris accumulés à l'extérieur de l'appareil.
4. Serrer l'ensemble des vis et écrous.
5. Couvrir le logement de batterie de la tête motrice, la batterie et le chargeur de batteries.
6. Remisage l'appareil dans un endroit sec, non poussiéreux et hors de portée des enfants.

Batterie

1. Retirer la batterie de la tête motrice.
2. Remisage dans un endroit sec, non poussiéreux et hors de portée des enfants.
3. Remisage à une température comprise entre -20 (-4 °F) et 60 °C (140 °F).
4. Si la pile est stockée pendant plus d'un an, la charger à environ 40 à 60 % de sa capacité.

Chargeur de batteries

1. Retirer la batterie du chargeur de batteries.
2. Débrancher le chargeur de batteries de l'alimentation électrique.
3. Remisage dans un endroit sec, non poussiéreux et hors de portée des enfants.

Mise au rebut



- ♦ Les pièces plastiques principales de l'appareil portent des codes indiquant la nature de leurs matériaux de composition. Ces codes font référence aux matériaux suivants ; procéder à l'élimination de ces pièces plastiques conformément à la législation locale en vigueur.

Code	Matériau
>PA6-GF<	Nylon 6 - Fibre de verre
>PP-GF<	Polypropylène - Fibre de verre
>PE-HD<	Polyéthylène
>PP<	Polypropylène

- ♦ Si vous ne connaissez pas la procédure à suivre pour vous débarrasser des pièces plastiques, contactez votre revendeur.
- ♦ La batterie contient du lithium. Effectuer la mise au rebut uniquement dans un site de ramassage désigné.
- ♦ Recycler ou mettre au rebut les batteries au lithium-ion comme il se doit.

Caractéristiques

	DSRM-300
Dimensions externes : Longueur x Largeur x Hauteur	1830 x 350 x 280 mm
Masse : Appareil sans l'outil de coupe, le bloc-batterie et la protection du harnais Appareil avec l'outil de coupe, le bloc-batterie et la protection du harnais	3,6 kg 5,3 kg
Outil de coupe : Tête de coupe à fil nylon Diamètre du fil Longueur du fil Filetage Largeur de coupe	G138 2,0 mm Fil de 2 x 1 m À gauche M10 x 1,25 350 mm
Rapport de vitesse	2,93
Sens de rotation de l'arbre de sortie vu du dessus :	Sens inverse des aiguilles d'une montre
Batterie : Type Tension du bloc Type de chargeur Tension d'entrée du chargeur	Li-ion 56 volts (puissance 50,4 V) CCCV 230 - 240 volts CA
Voyants du chargeur de batteries :	DEL rouge – batterie hors de la plage de température de charge DEL rouge clignotante – défaut DEL verte – mise en charge de la batterie terminée DEL verte clignotante – batterie en cours de charge normale
Temps de charge :	Batterie LBP-560-100 : environ 42 minutes. Batterie LBP-560-200 : environ 88 minutes.
Niveaux de vibrations : (EN50636-2-91)	Poignée avant 1,6 m/s ² Poignée arrière 1,4 m/s ² Incertitude 1,5 m/s ²
Niveau de pression sonore : (EN50636-2-91) Niveau de puissance sonore : (EN50636-2-91) Incertitude	80,9 dB(A) 92,4 dB(A) 3,0 dB(A)
Niveau de puissance sonore garanti : (2000/14/CE, amendé par 2005/88/CE)	96 dB(A)

Ces caractéristiques sont susceptibles d'être modifiées sans préavis.

Déclaration de conformité

Le fabricant soussigné :

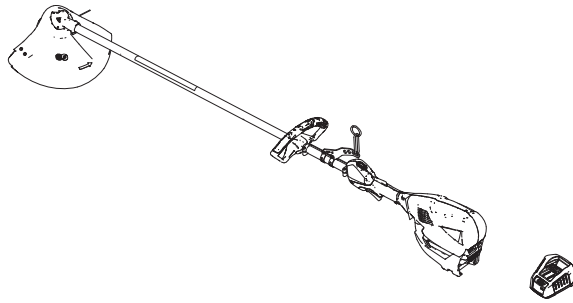
YAMABIKO CORPORATION
7-2 SUEHIROCHO 1-CHOME
OHME ; TOKYO 198-8760
JAPON

Cette déclaration de conformité est délivrée sous la seule responsabilité du fabricant.

déclare que l'appareil neuf désigné ci-après :

COUPE-HERBE, CHARGEUR DE BATTERIES

Marque : ECHO
Type : DSRM-300, LCJQ-560



assemblé par :

ECHO, INCORPORATED
400 OAKWOOD ROAD
LAKE ZURICH, ILLINOIS 60047-1564
États-Unis

est conforme :

- * aux exigences de la directive **2006/42/CE** (utilisation des normes harmonisées **EN 60335-1: 2012, EN 50636-2-91: 2014**)
- * aux exigences de la directive **2014/30/UE** (utilisation des normes harmonisées **EN 55014-1: 2006, EN 55014-2: 1997, EN 61000-3-2: 2006 et EN 61000-3-3: 2008**)
- * aux exigences de la directive **2014/35/UE** (utilisation des normes harmonisées **EN 60335-1: 2012, EN 60335-2-29: 2004 et EN 62233: 2008**)

- * spécifications de la directive **2000/14/CE**

Procédure d'évaluation de la conformité suivant l'**ANNEXE V**

- * aux exigences de la directive **2011/65/UE** (utilisation de la norme harmonisée **EN 50581: 2012**)

Niveau de puissance sonore mesuré : 93 dB(A), niveau de puissance sonore garanti : 96 dB(A)

DSRM-300 : Numéro de série 35000001 et suivants, **LCJQ-560** : Numéro de série 35001001 et suivants

Tokyo, le 1er mai 2016

YAMABIKO CORPORATION

A handwritten signature in black ink that reads "Masayuki Kimura".

Masayuki Kimura

Directeur général

Service Assurance qualité

Représentant autorisé en Europe, autorisé à constituer le dossier technique.

Société : Atlantic Bridge Limited

Adresse : Atlantic House, PO Box 4800, Earley, Reading RG5 4GB, Royaume-Uni

M. Philip Wicks

NOTES

YAMABIKO CORPORATION

7-2 SUEHIROCHO 1-CHOME, OHME, TOKYO 198-8760, JAPON
TÉLÉPHONE : 81-428-32-6118. FAX : 81-428-32-6145.



X750-027380

X750816-2101



DEUTSCH
DE (Original Gebrauchsanleitung)

BEDIENUNGSANLEITUNG

RASENTRIMMER

DSRM-300

WARNUNG



LESEN SIE DIE BEDIENUNGSANLEITUNG SORGFÄLTIG DURCH,
UND BEFOLGEN SIE DIE SICHERHEITSREGELN.
ANDERNFALLS BESTEHT DAS RISIKO SCHWERER
VERLETZUNGEN.



Inhalt

Sichere Verwendung des Produkts	3
Beschreibung	8
Bevor Sie beginnen	9
Packliste	9
Laden des Akkus	10
Zusammenbau	11
Rundgriff-Version	11
Ausrichten der Balance	12
Batterieinstallation	13
Betrieb	14
Starten des Geräts	15
Stoppen des Geräts	15
Verwendung des Schultergurts	16
Einfaches Trimmen mit dem Nylonfadenkopf	16
Wartung und Pflege	19
Wartungsrichtlinien	19
Wartung und Pflege	19
LAGERUNG	22
Entsorgung	22
Technische Daten	23
Konformitätserklärung	24

Sichere Verwendung des Produkts

Wichtige Informationen

⚠️ WARNUNG

Lesen Sie unbedingt die Bedienungsanleitung, bevor Sie das Produkt verwenden.

Allgemeines zu dieser Bedienungsanleitung

- Diese Bedienungsanleitung enthält wichtige Informationen über Montage, Bedienung und Instandhaltung Ihres Produkts. Bitte lesen Sie sie sorgfältig durch, und machen Sie sich mit dem Inhalt vertraut.
- Bewahren Sie die Anleitung stets an einem schnell zugänglichen Ort auf.
- Sollte die Anleitung verloren gehen oder aufgrund von Beschädigungen nicht mehr lesbar sein, besorgen Sie sich bitte eine neue Anleitung von Ihrem Händler.
- Die in dieser Anleitung verwendeten Einheiten sind SI-Einheiten (Système International d'unités; Internationales Einheitensystem). Zahlenangaben in Klammern sind Referenzwerte, bei denen mitunter geringe Umrechnungsfehler vorliegen können.

Andernfalls kann es zu Unfällen bzw. schweren Verletzungen kommen.

Bestimmungsgemäßer Gebrauch dieses Produkts

- Dieses Produkt ist ein Hochleistungsgerät geringen Gewichts, das sich zur Unkrautbekämpfung sowie zum Rasentrimmen an Stellen eignet, wo andere Methoden unzulänglich sind.
- Verwenden Sie das Gerät nur für den oben angegebenen Zweck.
- Um Weiterentwicklungen des Produkts Rechnung zu tragen, bleiben dem Hersteller Änderungen am Inhalt dieser Anleitung vorbehalten. Einige Abbildungen in dieser Anleitung können vom Produkt abweichen, um Sachverhalte klarer darzustellen.
- Bei Unklarheiten oder Problemen wenden Sie sich bitte an Ihren Händler.

Andernfalls kann es zu Unfällen bzw. schweren Verletzungen kommen.

Keine Veränderungen am Produkt vornehmen

- An dem Produkt dürfen keine Veränderungen vorgenommen werden.

Andernfalls kann es zu Unfällen bzw. schweren Verletzungen kommen. Funktionsfehler, die auf Veränderungen am Produkt zurückzuführen sind, fallen nicht unter die Herstellergarantie.

Produkt nur verwenden, wenn es überprüft und gewartet wurde

- Das Produkt darf nur verwendet werden, wenn es überprüft und gewartet wurde. Die Überprüfung und Wartung des Produkts muss regelmäßig durchgeführt werden.

Andernfalls kann es zu Unfällen bzw. schweren Verletzungen kommen.

Verleihen oder Übereignen des Produkts

- Wenn Sie das Produkt verleihen, muss die ausleihende Person auch die zugehörige Bedienungsanleitung erhalten.
- Wenn Sie das Produkt einer anderen Person übereignen, muss die Bedienungsanleitung zusammen mit dem Produkt ausgehändigt werden.

Andernfalls kann es zu Unfällen bzw. schweren Verletzungen kommen.

Anwender des Produkts

- Das Produkt darf von folgenden Personen nicht gebraucht werden:

- ◆ übermüdete Personen
- ◆ alkoholisierte Personen
- ◆ unter Medikamenteneinfluss stehende Personen
- ◆ schwangere Frauen
- ◆ Personen in schlechter körperlicher Verfassung
- ◆ Personen, die die Bedienungsanleitung nicht gelesen haben
- ◆ Kinder

- Seien Sie sich bewusst, dass der Benutzer für Unfälle bzw. Gefährdungen anderer Personen oder deren Eigentum verantwortlich ist.

Eine Nichtbefolgung dieser Anweisungen kann zu Unfällen führen.

- Die Bauteile dieser Maschine erzeugen im Betrieb ein elektromagnetisches Feld, das manche Herzschrittmacher stören kann. Um Gesundheitsrisiken zu reduzieren, empfehlen wir, dass Personen mit Herzschrittmachern vor dem Betrieb dieses Produkts ihren Arzt und den Hersteller des Herzschrittmachers konsultieren.



Sichere Verwendung des Produkts

WARNUNG

Vibration und Kälte

- Es wird vermutet, dass das Raynaud-Syndrom, das die Finger mancher Menschen befällt, durch stark vibrierende Arbeitsgeräte und Arbeiten bei Kälte herbeigeführt wird. Durch stark vibrierende Arbeitsgeräte und das Arbeiten bei Kälte kann sich ein Prickeln und Brennen bemerkbar machen, dem sich Farblosigkeit und Gefühllosigkeit der Finger anschließen. Die nachstehend aufgeführten Vorsichtsmaßnahmen werden dringend empfohlen, da die Mindestwerte, bei denen diese Krankheit ausgelöst wird, nicht bekannt sind.
 - ◆ Halten Sie Ihren Körper warm, insbesondere Kopf und Nacken, Füße und Fußgelenke sowie Hände und Handgelenke.
 - ◆ Legen Sie häufige Pausen ein, in deren Verlauf Sie den Kreislauf durch intensive Armübungen anregen, und rauchen Sie nicht.
 - ◆ Begrenzen Sie die Dauerbetriebszeiten auf ein Minimum. Teilen Sie jeden Arbeitstag so ein, dass auch Arbeiten ohne Trimmer oder tragbare motorisierte Geräte verrichtet werden.
 - ◆ Wenn Ihre Finger schmerzen, rot und angeschwollen sind und schließlich bleich und gefühllos werden, müssen Sie einen Arzt aufsuchen, bevor Sie sich weiterhin Kälte und Vibrationen aussetzen.
- Eine Nichtbefolgung dieser Anweisung kann zu gesundheitlichen Schäden führen.

RSI-Syndrom

- Es wird angenommen, dass eine Überanstrengung der Muskeln und Sehnen der Finger, Hände, Arme und Schultern in den betreffenden Körperteilen Schmerz, Schwellungen, Gefühllosigkeit, Schwäche und auch akuten Schmerz verursachen kann. Durch bestimmte ständig wiederholte Handbewegungen steigt das Risiko für die Entwicklung eines RSI-Syndroms. Auf folgende Art mindern Sie das Risiko des RSI-Syndroms:
 - ◆ Achten Sie darauf, dass Sie Ihr Handgelenk nicht zu sehr beugen, strecken oder verdrehen.
 - ◆ Legen Sie von Zeit zu Zeit Pausen ein, um wiederholte Bewegungen zu minimieren, und lassen Sie Ihre Hände ruhen. Reduzieren Sie die Geschwindigkeit und den Kraftaufwand, mit denen Sie die Wiederholungsbewegung ausführen.
 - ◆ Führen Sie geeignete Übungen zur Stärkung der Hand- und Armmuskulatur durch.
 - ◆ Suchen Sie einen Arzt auf, wenn Sie ein Prickeln, Gefühllosigkeit oder Schmerzen in Ihren Fingern, Händen, Handgelenken oder Armen bemerken. Je früher das RSI-Syndrom erkannt wird, desto eher lässt sich eine dauerhafte Schädigung von Nerven und Muskeln verhindern.
- Eine Nichtbefolgung dieser Anweisung kann zu gesundheitlichen Schäden führen.

Angemessene Unterweisung

- Das Gerät darf nicht ohne angemessene Unterweisung bzw. ohne Schutzkleidung bedient werden.
 - Machen Sie sich mit der richtigen Handhabung des Geräts und seiner Bedienungselemente vertraut.
 - Sie müssen wissen, wie sich das Gerät stoppen und der Motor abstellen lässt.
 - Zudem müssen Sie lernen, wie das Gerät schnell vom Schultergurt getrennt werden kann.
 - Erlauben Sie niemals einer anderen Person, das Gerät ohne vorherige Unterweisung zu benutzen.
- Eine Nichtbefolgung dieser Anweisung kann zu gesundheitlichen Schäden führen.

Geeignete Kleidung tragen.

- Ihr Haar sollte maximal schulterlang sein, ansonsten verwenden Sie ein Haarnetz.
- Tragen Sie keine Krawatten, Schmuckstücke oder lose, weite Kleidungsstücke, die sich im Gerät verfangen könnten.
- Tragen Sie keine Schuhe mit freien Zehen, und arbeiten Sie nicht barfuß oder in kurzen Hosen.

Bei Nichtbeachtung dieser Sicherheitsvorkehrungen sind Ihr Augenlicht und Ihr Gehör gefährdet, und es drohen andere schwere Verletzungen.



Sichere Verwendung des Produkts

WARNUNG

Schutzausrüstung tragen

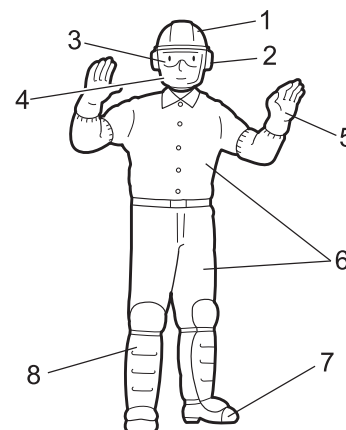
- Tragen Sie beim Arbeiten mit dem Trimmer immer die folgende Schutzausrüstung:

1. **Kopfschutz (Helm):** schützt den Kopf
2. **Ohrenschützer oder Ohrenstöpsel:** schützen das Gehör
3. **Schutzbrille:** schützt die Augen
4. **Gesichtsschutzschild:** schützt das Gesicht
5. **Sicherheitshandschuhe:** schützen die Hände vor Kälte und Vibration
6. **Eng anliegende Arbeitskleidung (lange Ärmel, lange Hosen):** schützt den Körper
7. **Robuste, rutschfeste Stiefel (mit Schutzkappe) oder rutschfeste Schuhe (mit Schutzkappe):** schützen die Füße
8. **Schienbeinschützer:** schützen die Beine

Bei Nichtbeachtung dieser Sicherheitsvorkehrungen sind Ihr Augenlicht und Ihr Gehör gefährdet, und es drohen andere schwere Verletzungen.

- Falls erforderlich, verwenden Sie auch folgende Schutzausrüstung:

- ◆ **Staubmaske:** schützt das Atmungssystem
- ◆ **Bienennetz:** schützt vor angreifenden Bienen



Arbeitsumgebung und Bedienung

- Produkt nicht verwenden:

- ◆ an feuchten oder nassen Orten,
- ◆ im Regen,
- ◆ unter schlechten Wetterbedingungen,
- ◆ an steilen Abhängen oder auf rutschigem Untergrund ohne ausreichenden Halt,
- ◆ nachts oder bei schlechten Sichtverhältnissen,
- ◆ bei Blitzrisiko.

- Arbeiten Sie an leichten Hanglagen in horizontalen, bogenartigen Bewegungen.

Wenn Sie fallen oder ausrutschen oder das Produkt nicht mehr voll beherrschen, kann dies zu schweren Verletzungen führen.

- Aus Gesundheits- und Sicherheitsgründen sollten Sie mit dem Gerät nur bei Lufttemperaturen von -5 °C bis 40 °C arbeiten.

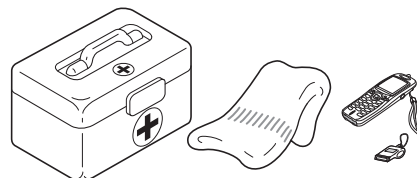
Eine Nichtbefolgung dieser Anweisung kann zu gesundheitlichen Schäden führen.

Vorsorge für den Fall von Verletzungen

- Für den unwahrscheinlichen Fall, dass es dennoch zu Verletzungen kommt, sollten Sie folgende Dinge vorbereitet haben:

- ◆ **Verbandskasten**
- ◆ **Hand- und Wischtücher (um etwaige Blutungen zu stoppen)**
- ◆ **Trillerpfeife oder Mobiltelefon (um Hilfe rufen zu können)**

Wenn Sie weder erste Hilfe leisten noch Hilfe rufen können, kann sich die Verletzung verschlimmern.



Warnhinweise

GEFAHR

Dieses Symbol in Verbindung mit dem Wort „**GEFAHR**“ macht auf Handlungen oder Bedingungen aufmerksam, die zu schweren Verletzungen oder zum Tod von Bediener und umstehenden Personen führen.

WARNUNG


Dieses Symbol in Verbindung mit dem Wort „**WARNUNG**“ macht auf Handlungen oder Bedingungen aufmerksam, die zu schweren Verletzungen oder zum Tod von Bediener und umstehenden Personen führen können.

VORSICHT

„**VORSICHT**“ warnt vor einer Gefahrensituation, in der es zu leichten bis mäßigen Verletzungen kommen kann.

Sichere Verwendung des Produkts

Sonstige Kennzeichnungen

	Kreis mit umgekehrtem Schrägstrich bedeutet, dass das Dargestellte unzulässig ist.
---	--

HINWEIS
Hinweise dieser Art enthalten Tipps zur Verwendung, Pflege und Wartung des Produkts.

WICHTIG
Umräumter Text mit der Überschrift „ WICHTIG “ enthält wichtige Informationen zur Verwendung, Überprüfung, Wartung und Lagerung des in dieser Anleitung beschriebenen Produkts.

Symbole

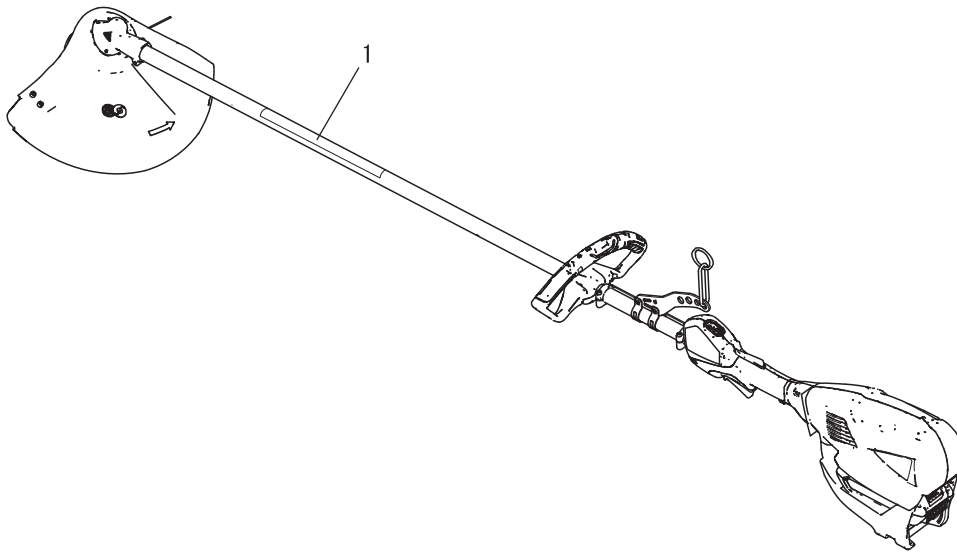
Symbol	Beschreibung des Symbols	Symbol	Beschreibung des Symbols
	Lesen Sie die Bedienungsanleitung sorgfältig durch	 	Passanten auf Abstand halten
	Tragen Sie Augenschutz		Passanten auf einen Abstand von 15 m halten
	Tragen Sie Ohrenschutz		Tragen Sie Schutzhandschuhe und Schutzschuhe
	Sicherheit/Alarm		Achtung, heiße Bereiche
	Warnung! Gegenstände werden hochgeschleudert!		Garantierter Schalleistungspegel
	Einsatz ohne Schutzschild verboten		Nie im Regen oder an feuchten Orten betreiben
	Verwendung von Metallmessern verboten		Achtung, Stromschlag-Gefahr
	Achtung, Brandgefahr		Entsorgen Sie elektrische Geräte nicht über den Hausmüll.

Sichere Verwendung des Produkts

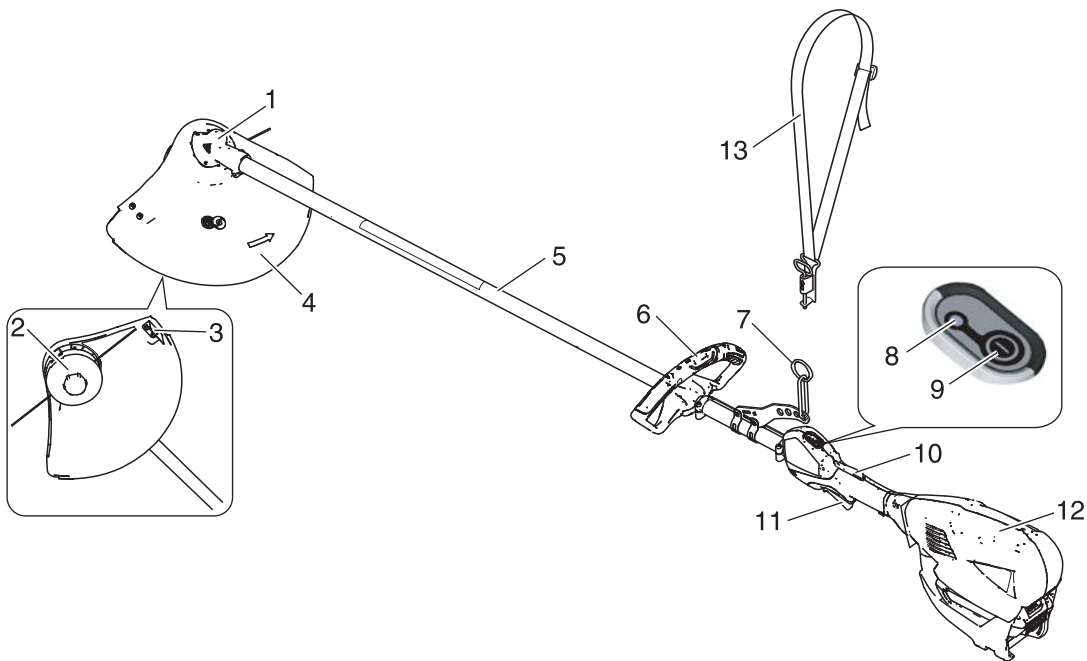
Sicherheitsaufkleber

- Die in dieser Anleitung beschriebenen Produkte sind mit dem unten dargestellten Sicherheitsaufkleber versehen. Machen Sie sich die Bedeutung des Sicherheitsaufklebers bewusst, bevor Sie das Produkt verwenden.
- Falls der Sicherheitsaufkleber aufgrund von Verschleiß oder Beschädigung nicht mehr lesbar ist oder sich abgelöst hat, erwerben Sie bitte einen neuen Sicherheitsaufkleber von Ihrem Händler, und bringen Sie ihn an der nachstehend gezeigten Stelle an. Der Sicherheitsaufkleber muss stets gut lesbar sein.

1. Sicherheitsaufkleber (Teilenummer X505-008900)



Beschreibung

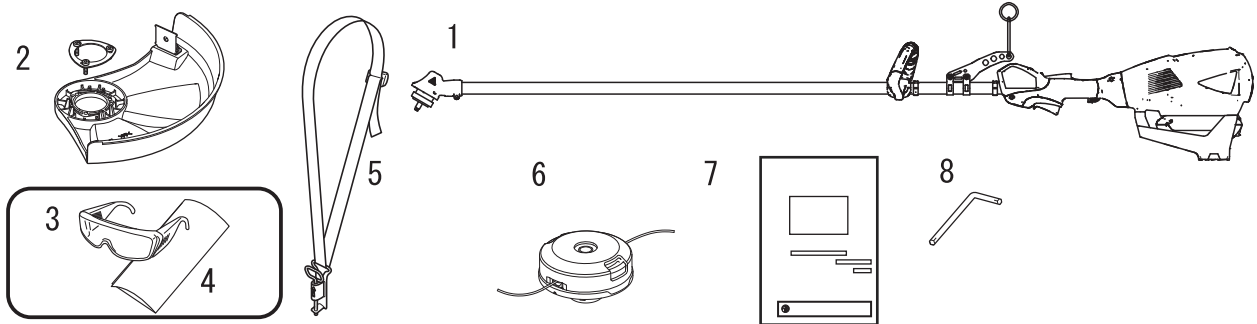


1. **Winkelgetriebe** - Ermöglicht es, den Winkel der Rotationsachse zu ändern.
2. **Schneidvorrichtung** - Nylonfadenkopf zum Schneiden von Gras und Unkraut.
3. **Fadenschneidmesser** - Schneidet den Nylonfaden auf die richtige Länge ab.
4. **Schutzschild** - Schützt den Bediener vor Kontakt mit dem Schneidkopf und weggeschleuderten Objekten.
5. **Antriebswellenrohr** - Geräteteil, das als Gehäuse für die Antriebswelle dient.
6. **Schlaufengriff** - Griff für die linke Hand.
7. **Trageöse** - Vorrichtung, mit der das Gerät am Schultergurt befestigt wird.
8. **Betriebsanzeige-LED** - Leuchtet, wenn das Gerät Strom erhält. Geht aus, wenn die Stromzufuhr zum Gerät unterbrochen wird.
9. **Ein/Aus-Knopf** - Ein Mal drücken, um die Stromzufuhr zu dem Gerät einzuschalten – die Betriebsanzeige-LED leuchtet. Wieder drücken, um die Stromzufuhr zu dem Gerät auszuschalten – die Betriebsanzeige-LED geht aus.
10. **Hebelschaltersperre** - Dient zum Arretieren des Hebelschalters in der Aus-Stellung, bis Sie mit der rechten Hand den Griff ganz umgriffen haben.
11. **Hebelschalter** - Schaltet den Motor ein und wird durch den Bediener mit einem Finger betätigt.
12. **Antriebskopf** – Enthält Motor und Akku.
13. **Schultergurt** - Einstellbarer Riemen, an dem das Gerät aufgehängt wird.

Bevor Sie beginnen

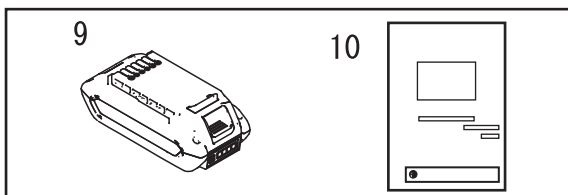
Packliste

- ♦ Die nachfolgend aufgeführten Einzelteile sind in der Verpackung enthalten.
- ♦ Überprüfen Sie nach dem Auspacken die Vollständigkeit des Inhalts.
- ♦ Wenden Sie sich an Ihren Händler, wenn Teile fehlen oder beschädigt sind.

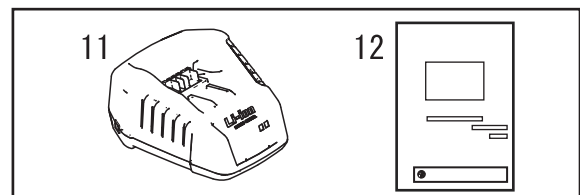


1. Motoreinheit und Antriebswellenrohr
2. Schutzschild
3. Schutzbrille
4. Vorsichtshinweis

5. Schultergurt
6. Nylonfadenkopf
7. Bedienungsanleitung
8. L-Schlüssel



9. Akku
10. Bedienungsanleitung



11. Ladegerät
12. Bedienungsanleitung

Bevor Sie beginnen

Laden des Akkus

⚠️ WARNUNG

- Verwenden Sie nur den Akku LBP-560-100/LBP-560-200, und laden Sie diesen nur mit dem Ladegerät LCJQ-560.
- Halten Sie Ladegerät und Akku fern von Feuchtigkeit und allen Flüssigkeiten.
- Verwenden Sie das Ladegerät nicht auf leicht brennbaren Materialien (z. B. Papier, Stoff) und nicht in einer Umgebung mit erhöhter Brandgefahr.
- Bedecken Sie das Ladegerät nicht. Ist das Ladegerät bedeckt, kann es nicht kühlen.
- Verwenden Sie das Ladegerät nicht in explosiven Umgebungen, wie in der Gegenwart von entflammenden Flüssigkeiten, Gasen oder Staub. Ladegeräte können Funken verursachen, die Staub oder Rauch entzünden können - es besteht Explosionsgefahr.
- Schließen Sie das Ladegerät nur an das Netz an, wenn Spannung und Frequenz mit den Angaben auf dem Typenschild übereinstimmen.
- Schließen Sie das Ladegerät nur an eine leicht zugängliche Steckdose an.
- Stecken Sie nie Gegenstände in die Kühlschlitze (A) des Akkus oder des Ladegeräts.
- Defekte, beschädigte oder verformte Akkus oder Ladegeräte dürfen nicht geladen oder verwendet werden.
- Der Akku und das Ladegerät dürfen nicht geöffnet, beschädigt oder fallengelassen werden.
- Aus dem Akku kann Flüssigkeit austreten, wenn er beschädigt ist oder nicht ordnungsgemäß verwendet wird. Den Hautkontakt vermeiden. Bei versehentlichem Kontakt die betroffenen Bereiche der Haut mit viel Wasser und Seife abwaschen. Wenn Flüssigkeit in die Augen gerät, die Augen nicht reiben. Spülen Sie die Augen mindestens 15 Minuten lang mit viel Wasser. Suchen Sie auch einen Arzt auf.
- Überbrücken Sie die Kontakte des Akkus oder die Klemmen des Ladegeräts nie mit Metallgegenständen (Kurzschluss).
- Schützen Sie den Akku vor direkter Sonneneinstrahlung, Hitze und offenem Feuer, und werfen Sie ihn nie in ein Feuer, es besteht Explosionsgefahr.
- Falls Rauch oder Flammen aus dem Ladegerät aufsteigen, ziehen Sie sofort den Stecker aus der Steckdose.
- Ist das Verbindungskabel beschädigt, ziehen Sie unverzüglich den Stecker aus der Steckdose, um Stromschläge zu verhindern.
- Setzen Sie den Akku nie Mikrowellen oder hohem Druck aus.
- Sichern Sie das Gerät gegen unbeabsichtigtes Starten. Nehmen Sie zum Transport und zur Lagerung des Geräts den Akku heraus. Verwenden Sie keine Metallcontainer für den Transport von Akkus.
- Verwenden Sie das Verbindungskabel nicht für andere Zwecke, z. B. um das Ladegerät zu tragen oder aufzuhängen.
- Um die Stolpergefahr zu beschränken, bringen Sie das Verbindungskabel so an und markieren Sie es so, dass es nicht beschädigt werden kann und keine Gefahr für andere darstellt.
- Umgreifen Sie beim Herausziehen den Stecker, nicht das Kabel.

HINWEIS

- Der neue Akku wird teilgeladen geliefert und muss vor dem ersten Gebrauch voll geladen werden.
- Laden Sie den Akku, wenn die Leistung nicht mehr für den Betrieb des Geräts ausreicht, oder wenn die Lampen am Akku anzeigen, dass der Akku schwach ist.

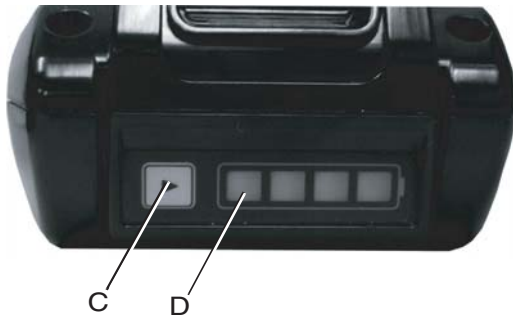


1. Stecken Sie das Wechselstromkabel des Ladegeräts in die Netzsteckdose.
2. Richten Sie die Ränder des Akkus an den Nuten am Ladegerät aus und schieben Sie den Akku in das Ladegerät.
3. Während des normalen Aufladevorgangs blinkt die GRÜNE LED (B) auf dem Ladegerät kontinuierlich.

WICHTIG

- Wenn das Ladegerät ein Problem erkennt, blinkt die LED ROT auf. Entfernen Sie den Akku aus dem Ladegerät, entfernen Sie Schmutz o. ä. von den Kontakten und installieren Sie den Akku wieder im Ladegerät. Wenn der Akku einer Temperatur ausgesetzt ist, die außerhalb des zugelassenen Bereichs (0-60 °C) liegt, bleibt die LED ROT.

Bevor Sie beginnen



4. Nach beendeter Ladung leuchtet die LED konstant grün.
 - * Ein vollständig entladener Akku lädt in etwa 42 Minuten.
5. Prüfen Sie, ob der Akku vollständig geladen ist, indem Sie den Akku aus dem Ladegerät nehmen, die Akkuladestatus-Taste (C) drücken und die LED-Anzeige beobachten (D).
 - ♦ Ein grünes Licht bedeutet, dass der Akku 0 bis 25 % Ladung hat.
 - ♦ Zwei grüne Lichter bedeuten, dass der Akku 25 bis 50 % Ladung hat.
 - ♦ Drei grüne Lichter bedeuten, dass der Akku 50 bis 75 % Ladung hat.
 - ♦ Vier grüne Lichter bedeuten, dass der Akku 75 bis 100 % Ladung hat.
6. Trennen Sie das Akkuladegerät vom Netz.

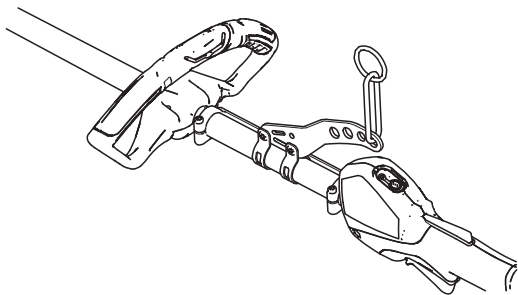
Zusammenbau

⚠ WARNUNG

- Lesen Sie die Bedienungsanleitung aufmerksam durch, um sicherzustellen, dass Sie das Produkt korrekt zusammenbauen.
Die Verwendung eines falsch zusammengebauten Produkts kann zu Unfällen bzw. schweren Verletzungen führen.



Rundgriff-Version Befestigung des Rundgriffs

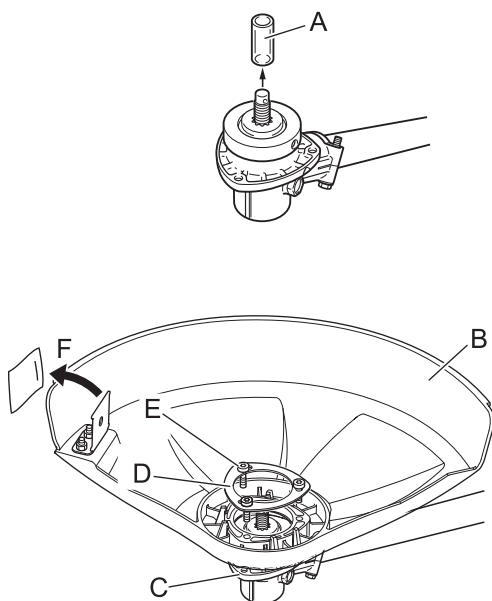


Richten Sie den Griff in eine für das Arbeiten bequeme Position aus, und ziehen Sie die Bolzen fest.

⚠ VORSICHT

- Montieren Sie den Griff so, dass er die Sicherheitsaufkleber nicht verdeckt.

Montage des Schutzschildes



⚠ WARNUNG

- Das Fadenschneidmesser des Schutzschildes ist scharfkantig. Vermeiden Sie Kontakt beim Ein- oder Ausbau des Fadenskopfs.

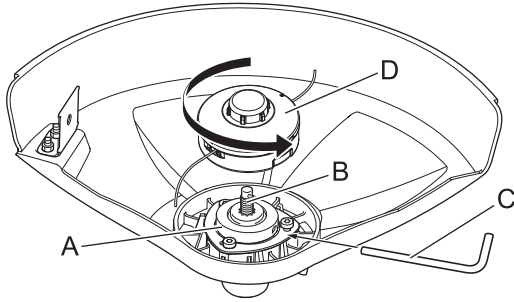
1. Entfernen Sie die Kunststoffhülse (A) von der Ausgangswelle.
2. Installieren Sie den Schutzschild (B) unten am Winkeltriebeflansch (C).
3. Positionieren Sie die Platte (D) auf den Schild, richten Sie die Öffnungen aus und drehen Sie die drei Schrauben ein(E).
4. Ziehen Sie die drei Bolzen fest an.
5. Entfernen Sie die Dichtung (F).

HINWEIS

- Der Schutzschild ist ausschließlich für den Gebrauch mit dem Nylonfadenskopf vorgesehen.

Bevor Sie beginnen

Montage des Nylonfadenkopfs



⚠ VORSICHT

○ Verhindern Sie mit Hilfe des Arretierwerkzeugs ein Mitdrehen des Werkzeugaufnahmebolzens, bevor Sie den Nylonfadenkopf montieren.

1. Achten Sie darauf, dass die obere Druckplatte (A) auf dem Werkzeugaufnahmebolzen (B) bleibt.
2. Richten Sie die Verriegelungsöffnung in der oberen Druckplatte an der Kerbe der Winkelgetriebekante aus und setzen Sie das Arretierwerkzeug (C) ein.
3. Installieren Sie den Fadenkopf (D) auf dem Werkzeugaufnahmebolzen, indem Sie ihn gegen den Uhrzeigersinn drehen, bis der Kopf fest gegen die obere Druckplatte sitzt.
4. Entfernen Sie das Arretierwerkzeug.

Ausrichten der Balance Einstellen des Schultergurts

⚠ WARNUNG

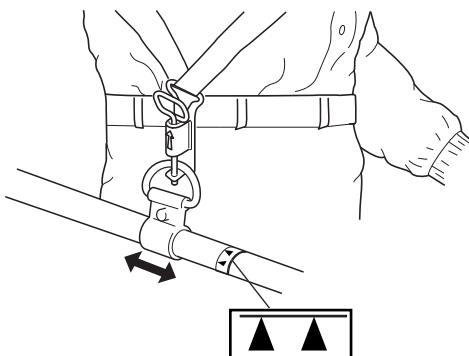
○ Dieses Produkt ist für viele verschiedene Körpergrößen ausgelegt, lässt sich aber evtl. nicht für sehr große Personen einstellen. Verwenden Sie das Gerät nicht, wenn Ihre Füße an die Schneidvorrichtung heranreichen, während das Gerät am Schultergurt eingehängt ist.

WICHTIG

○ Die Körpergröße einer Person kann sich auf das Gerätegleichgewicht auswirken. Manchen Personen ist u. U. nicht möglich, bestimmte Geräte ins Gleichgewicht zu bringen. Fragen Sie Ihren Händler um Rat, wenn es Ihnen nicht gelingt, den Schultergurt an Ihre Körpermaße anzupassen.



Gerät so ausbalancieren, dass der Schneidkopf parallel zum Boden steht



- ♦ Der mitgelieferte Schultergurt ist für Personen mit einer Größe von 150 bis 195 cm und einem Bauchumfang von 60 bis 140 cm geeignet.
- ♦ Tragen Sie den Schultergurt, wenn dies in dieser Bedienungsanleitung empfohlen oder vorgeschrieben wird. Justieren Sie sowohl den Gurt als auch die Trageöse (A) am Gerät so, dass das Gerät mit der Schneidvorrichtung einige Zentimeter über dem Boden (B) hängt.
- ♦ Die Schneidvorrichtung und der Schutzschild müssen sich in jeder Richtung auf einer Ebene befinden. Bringen Sie den Tragegurt rechts wie abgebildet an.

- ♦ Verstellen Sie die Trageöse entlang des Antriebswellenrohrs, um die richtige Balanceposition zu finden. Drehen Sie die Trageöse so, dass Schneidvorrichtung und Schutzschild parallel zum Boden ausgerichtet sind. Arretieren Sie sie in dieser Position. Wenn es sich um eine frei bewegliche Trageöse handelt, kann sich das Gerät leicht zur Seite neigen. Sie müssen aber dennoch die Schneidvorrichtung und den Schutzschild auf einer Achse von vorn nach hinten nivellieren.
- ♦ Beim oben beschriebenen Ausrichten und Nivellieren ist es u. U. erforderlich, die Trageöse anders zu positionieren und die Schultergurte anders einzustellen. Außerdem kann es sein, dass die verschiedenen Schneidvorrichtungen und

Bevor Sie beginnen

Schutzschilder am Gerät einzeln ausgerichtet werden müssen.

⚠ VORSICHT

- Montieren Sie die Trageöse so, dass sie nicht weiter von Ihnen entfernt ist als die Pfeilmarkierung (▲).

Batterieinstallation

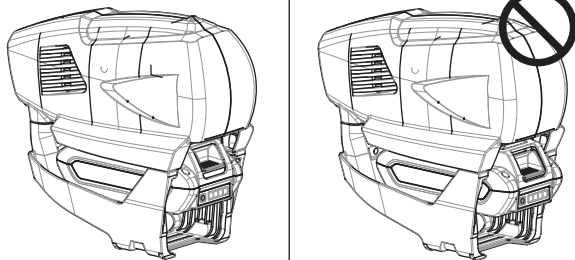


⚠ WARNUNG

- Die Vorrichtung arbeitet, wenn der Akku eingesetzt ist, die Betriebsanzeige-LED leuchtet und der Hebelschalter und die Hebelschaltersperre betätigt werden. Achten Sie darauf, dass die Heckenschere richtig positioniert ist, damit Sie nicht die Kontrolle verlieren – es besteht schwere Verletzungsgefahr. Halten Sie die beweglichen Teile des Geräts fern vom Boden und von Gegenständen, die eingezogen oder weggestoßen werden könnten.

1. Kontrollieren Sie, dass die Stromzufuhr zum Gerät unterbrochen ist.
2. Richten Sie die Ränder (A) des Akkus an den Nuten am Antriebskopf aus. Schieben Sie den Akku in den Antriebskopf.
3. Vergewissern Sie sich vor Betriebsbeginn, dass die Akkuverriegelung (B) einrastet und der Akku fest sitzt.
4. Zum Entnehmen des Akkus drücken Sie auf die Akkuverriegelung (C) und schieben den Akku aus dem Antriebskopf.

D



WICHTIG

Bevor Sie die Heckenschere gebrauchen, kontrollieren Sie, dass der Akku ganz eingeschoben und die Akkuverriegelung eingerastet ist (D).

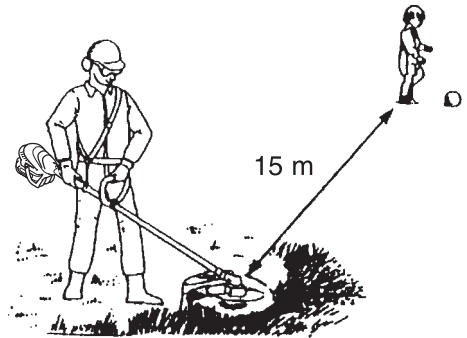
HINWEIS

- ◆ Die Akkuverriegelung rastet ein, wenn der Akku ganz eingeschoben ist.

GEFAHR

- In allen über Kopf befindlichen elektrischen Leitern und Kommunikationskabeln kann elektrischer Strom mit Hochspannung fließen. Dieses Gerät ist nicht stromisoliert. Vermeiden Sie jede direkte oder indirekte Berührung der Kabel, dies könnte sonst zu schweren Verletzungen oder sogar zum Tod führen.
- Stellen Sie den Motor sofort ab, wenn die Schneidvorrichtung blockiert wird.
Wenn die Blockade beseitigt wird und die Schneidvorrichtung plötzlich anläuft, kann es zu schweren Verletzungen kommen.
- Verwenden Sie das Produkt niemals ohne den daran befestigten Schutzschild.
Von der Schneidvorrichtung abprallende Gegenstände können Unfälle mit schweren Verletzungen verursachen.
- Der Bereich in einem Radius von 15 m rund um dieses Gerät gilt als Gefahrenzone. Beachten Sie bei der Arbeit mit diesem Gerät folgende Sicherheitsregeln:
 - ◆ Lassen Sie keine Personen (insbesondere Kinder) oder Tiere in die Gefahrenzone.
 - ◆ Sollte eine Person in die Gefahrenzone gelangen, stellen Sie den Motor ab, so dass sich die Schneidvorrichtung nicht mehr dreht.
 - ◆ Wenn Sie sich dem Bediener nähern möchten, signalisieren Sie ihm Ihre Absicht, indem Sie z. B. Zweige von außerhalb der Gefahrenzone werfen, und warten Sie dann, bis der Motor abgestellt wurde und die Schneidvorrichtung stillsteht.
 - ◆ Wenn mehrere Personen mit dem Produkt arbeiten, vereinbaren Sie eine Art der gegenseitigen Kommunikation, und arbeiten Sie mit mindestens 15 m Abstand voneinander.

Von der Schneidvorrichtung abprallende Gegenstände und Kontakt mit der Schneidvorrichtung können zu Blindheit oder tödlichen Unfällen führen.



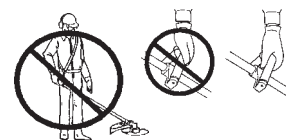
WARNUNG

- Befolgen Sie beim Starten des Geräts insbesondere die folgenden Sicherheitsregeln:**
- Überprüfen Sie, ob alle Bolzen und Muttern fest angezogen sind.
 - Sorgen Sie für ausreichenden Abstand rund um das Produkt, und lassen Sie keine Personen oder Tiere in die Nähe.
Eine Nichtbefolgung der Sicherheitsregeln kann zu Unfällen, Verletzungen oder sogar zum Tod führen.
 - Achten Sie nach dem Starten des Geräts auf ungewöhnliche Vibrationen oder Geräusche. Verwenden Sie das Produkt nicht, wenn Sie ungewöhnliche Vibrationen oder Geräusche feststellen. Wenden Sie sich an Ihren Händler, um es reparieren zu lassen.
Durch abfallende oder absplittende Teile kann es zu schweren Verletzungen kommen.
 - Schalten Sie das Gerät immer aus und entfernen Sie den Akku, wenn Sie das Gerät transportieren.
 - Winkelgetriebe und andere stark erhitze Teile des Produkts dürfen während des Betriebs und einige Zeit danach nicht berührt werden.
Beim Berühren heißer Teile können Sie sich Verbrennungen zuziehen.
 - Bevor Sie mit der Arbeit beginnen, überprüfen Sie den Bereich, in dem Sie arbeiten möchten, und entfernen Sie kleine Steine und leere Dosen, die durch die Schneidvorrichtung weggeschleudert werden könnten, sowie Schnüre oder Drähte, die sich um die Schneidvorrichtung wickeln könnten.
Wenn Fremdkörper durch die Schneidvorrichtung weggeschleudert werden oder sich Drähte oder andere Materialien um die Schneidvorrichtung wickeln, kann dies zu Unfällen bzw. schweren Verletzungen führen.
 - Stellen Sie den Motor in den nachfolgend genannten Situationen sofort ab, und vergewissern Sie sich, dass sich die Schneidvorrichtung nicht mehr dreht. Überprüfen Sie dann die einzelnen Bereiche des Produkts. Ersetzen Sie beschädigte Teile durch neue.
 - ◆ Die Schneidvorrichtung trifft beim Arbeiten auf einen Stein, Baum, Pfosten oder ein anderes Hindernis.
 - ◆ Das Produkt beginnt plötzlich, ungewöhnlich zu vibrieren.Wenn beschädigte Teile weiter verwendet werden, kann dies zu Unfällen bzw. schweren Verletzungen führen.
 - Halten Sie die Schneidvorrichtung während des Arbeitens nicht nach oben. Die Schneidvorrichtung darf nicht über Kniehöhe angehoben werden.
Durch Anheben der Schneidvorrichtung über Kniehöhe würden Sie die Rotationsebene näher ans Gesicht bringen, und Gegenstände, die von der Schneidvorrichtung weggeschleudert werden, könnten Unfälle bzw. schwere Verletzungen verursachen.



! WARNUNG

- Versuchen Sie nie, das Produkt mit nur einer Hand zu bedienen.
- Halten Sie die Griffe immer so, dass sie von Daumen und übrigen Fingern fest umschlossen sind.

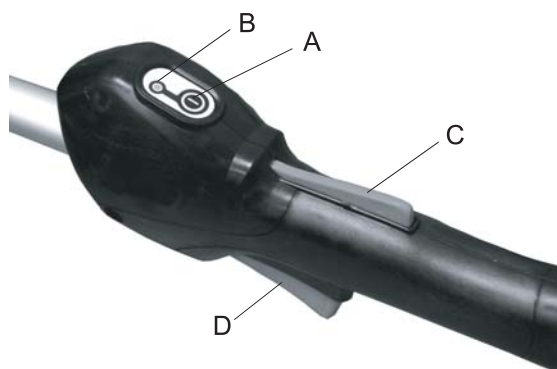


- Das Gerät darf während des Betriebs nie überlastet und muss immer im Gleichgewicht betrieben werden. Um in abschüssigem Gelände immer sicher zu treten, laufen Sie nie, sondern gehen Sie immer.
- Das Gerät darf nie mit defekten Schützern oder Schutzschildern, ohne Sicherheitsvorrichtungen oder mit beschädigtem oder verschlissenen Kabel betrieben werden.

Starten des Geräts

! WARNUNG

- Die Vorrichtung arbeitet, wenn der Akku eingesetzt ist, die Betriebsanzeige-LED leuchtet und der Hebelschalter und die Hebelschaltersperre betätigt werden. Achten Sie darauf, dass das Produkt richtig positioniert ist, damit Sie nicht die Kontrolle verlieren – es besteht schwere Verletzungsgefahr.



1. Drücken Sie den Ein/Aus-Knopf (A) ein Mal, um die Stromzufuhr zu dem Gerät einzuschalten.
 - * Die Betriebsanzeige-LED (B) leuchtet, wenn das Gerät Strom erhält.
2. Halten Sie die Hebelschaltersperre (C) unten, und ziehen Sie den Hebelschalter (D), um die Drehzahl auf Betriebsdrehzahl zu bringen.

WICHTIG

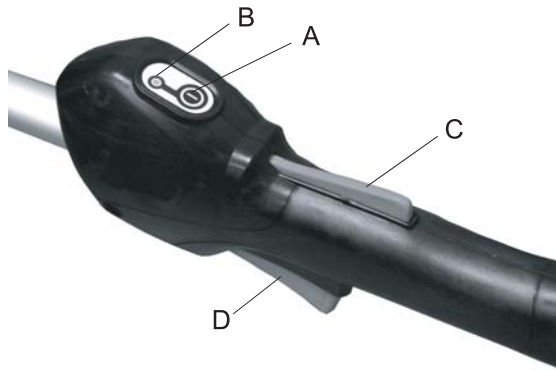
- Wenn die Stromzufuhr zu dem Gerät eingeschaltet ist:
 - Nach einer Minute Inaktivität schaltet sich das Gerät von selbst aus.
 - Wenn die LED anbleibt, ist der Betrieb normal.
 - Wenn die LED ein Mal pro Sekunde blinkt, ist der Akku ladebedürftig.
 - Wenn die LED vier Mal pro Sekunde blinkt, liegt in dem Produkt eine Störung vor. Schalten Sie die Stromzufuhr zu dem Gerät aus. Entnehmen Sie den Akku. Räumen Sie den Fadenkopf frei. Setzen Sie den Akku ein. Schalten Sie die Stromzufuhr zu dem Gerät ein. Wenn die LED wieder blinkt, lassen Sie das Produkt von Ihrem autorisierten Kundendiensthändler reparieren.

Stoppen des Geräts

! WARNUNG

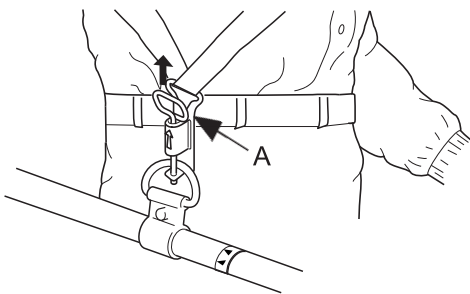
- Die Schneidvorrichtung muss nach Ausschalten des Geräts für kurze Zeit weiterlaufen.

Betrieb



1. Lassen Sie den Hebelschalter und die Hebelschaltersperre los und den Scherenkopf zum Stillstand kommen.
2. Drücken Sie den Ein/Aus-Knopf (A), um die Stromzufuhr zu dem Gerät auszuschalten.
 - * Die Betriebsanzeige-LED (B) geht aus, wenn die Stromzufuhr zum Gerät unterbrochen wird.
 - * Wenn der Scherenkopf nicht stoppt, wenn Hebelschalter und Hebelschaltersperre gelöst werden, schalten Sie den Ein/Aus-Knopf aus und entfernen Sie den Akku, um das Produkt von der Stromzufuhr zu trennen. Lassen Sie den Ein/Aus-Knopf von Ihrem autorisierten Kundendiensthändler reparieren, bevor Sie das Produkt wieder in Betrieb nehmen.

Verwendung des Schultergurts



Hängen Sie den Trimmer immer ordnungsgemäß am Schultergurt auf.

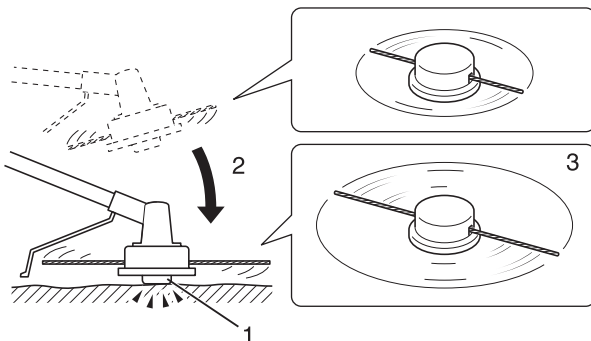
- ♦ Befestigen Sie das Gerät am Schultergurt.
- ♦ Legen Sie den Schultergurt über die linke Schulter, und stellen Sie die Riemen so ein, dass sich die Schnellöseeinrichtung knapp unterhalb der Hüfte befindet.
- ♦ Überprüfen Sie die richtige Einstellung, indem Sie das Gerät über den Boden führen.
- ♦ Stellen Sie die Position der Trageöse ggf. nach.
- ♦ Der Schultergurt ist mit einer Schnellöseeinrichtung für Notfälle ausgestattet. Ziehen Sie bei Bränden oder in anderen Notfällen die Schnellöseeinrichtung (A) nach oben, um das Produkt von Ihrem Körper zu lösen.

Einfaches Trimmen mit dem Nylonfadenkopf

! WARNUNG

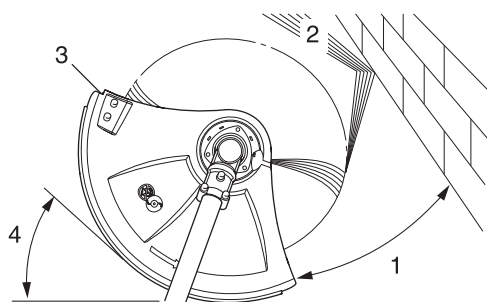
- Bei falscher Verwendung der Schneidvorrichtung drohen schwere Verletzungen. Lesen und befolgen Sie alle Sicherheitsanweisungen in dieser Bedienungsanleitung.
- Verwenden Sie nur von der YAMABIKO CORPORATION empfohlene Schneidvorrichtungen.
- Nylonfäden, die über das Fadenschneidmesser hinausragen, könnten weggeschleudert werden, wenn sich der Fadenkopf nach der Anpassung der Nylonfadenlänge zu drehen beginnt. Andernfalls kann es zu Unfällen bzw. schweren Verletzungen kommen.

Einstellen der Nylonfadenlänge



- ♦ Verwenden Sie den Nylonfadenkopf nicht mit mehr als 10000 U/min.
 - ♦ Zum Nachstellen des Nylonfadens schlagen Sie den Nylonfadenkopf bei unter 4500 U/min leicht gegen den Boden.
 - ♦ Das am Schutzschild montierte Fadenschneidmesser begrenzt die Schnittbreite automatisch, indem es die Nylonfäden auf die gleiche Länge abschneidet, nachdem der Fadenkopf zu rotieren beginnt.
 - ♦ Wenn Sie mit einer geringeren Schnittbreite (weniger als max. Länge) arbeiten möchten, schneiden Sie die beiden Nylonfäden in gleicher Länge ab.
1. Auslöseknopf
 2. Schlagen Sie den Auslöseknopf leicht gegen den Boden
 3. Nylonfaden tritt aus

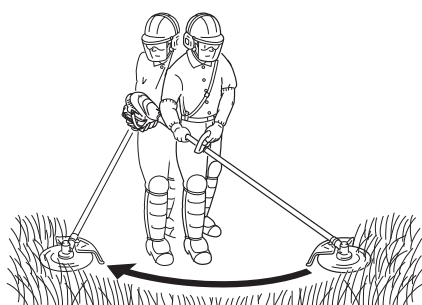
Trimmen



- Hierbei wird der Trimmer vorsichtig an das zu schneidende Material herangeführt. Stellen Sie den Fadenkopf etwas schräg, damit das Schneidgut von Ihnen weggeleitet wird. Arbeiten Sie sich beim Schneiden in Richtung eines Hindernisses (z. B. Zaun, Mauer oder Baum) in einem Winkel vor, bei dem sichergestellt ist, dass vom Hindernis abprallendes Schneidgut von Ihnen weggeleitet wird.
- Bewegen Sie den Nylonfadenkopf langsam, bis das Gras bis zum Hindernis abgemäht ist, dabei aber der Faden das Hindernis nicht berührt. Wenn Sie Trimmerarbeiten entlang eines Maschendraht- oder Kettengliedzauns durchführen, so achten Sie darauf, dass Sie das Gerät nur bis zum Zaundraht führen. Ansonsten kann der Faden beim Auftreffen auf den Zaundraht reißen.
- Beim Trimmen können Unkrauthalme nacheinander durchgeschnitten werden. Setzen Sie den Nylonfadenkopf immer am unteren Bereich der Pflanze an, da sich die Pflanze sonst evtl. nur beugt und wieder aufrichtet und sich im Nylonfaden verfangen könnte. Anstatt das Unkraut sofort durchzuschneiden, führen Sie das Ende des Nylonfadens allmählich durch den Unkrauthalm.

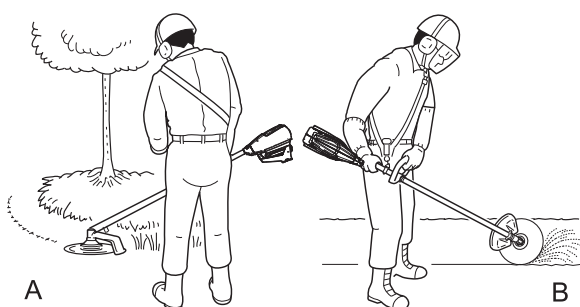
1. Winkel zur Wand
2. Schneidgut
3. Schräg gestellte Schneidvorrichtung
4. Winkel zum Boden

Mähen

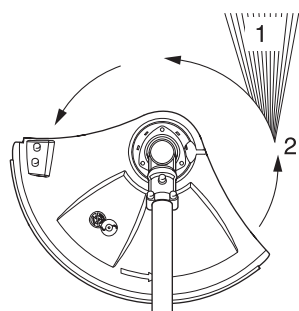


- Hierbei werden große Grasflächen durch Schwingen des Trimmers in einem horizontalen Bogen gemäht. Arbeiten Sie in gleichmäßigen, ruhigen Bewegungen. Versuchen Sie nicht, das Gras durch Hackbewegungen zu schneiden. Kippen Sie den Nylonfadenkopf so, dass das gemähte Gras von Ihnen weg auf die bereits gemähte Fläche geworfen wird. Dann – ohne Gras zu schneiden – das Gerät zurückführen, um den nächsten Bogen auszuführen. Wenn Sie gut geschützt sind und es Ihnen nichts ausmacht, wenn Schneidgut auf Sie zugeschleudert wird, können Sie in beide Richtungen mähen.

Skalpieren und Kantenschneiden

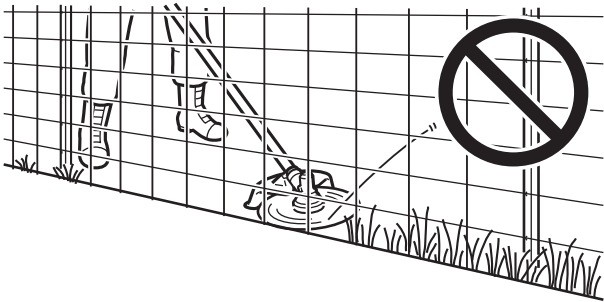


- Beides wird durchgeführt, indem der Nylonfadenkopf steil gekippt wird. Beim Skalpieren (A) wird die Vegetation so weit geschnitten, dass nur der kahle Boden zurückbleibt. Beim Kantenschneiden (B) wird das Gras an Stellen zurückgetrimmt, an denen es über einen Fußgängerweg oder eine Zufahrt gewachsen ist. Sowohl beim Kantenschneiden als auch beim Skalpieren ist das Gerät in einem steilen Winkel so zu halten, dass das Schneidgut sowie sich aus dem Boden lösende Steine und Schmutz nicht auf Sie zugeschleudert werden.
- Wenngleich das Kantenschneiden und Skalpieren hier in einer bestimmten Weise abgebildet sind, muss jeder Bediener für sich selbst gemäß seiner Körpergröße den Winkel herausfinden, in dem er besten arbeiten kann.

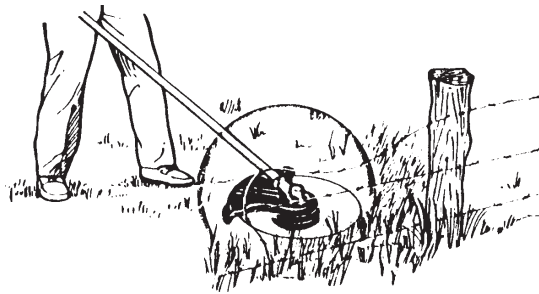


- Bei fast allen Schneidarbeiten empfiehlt es sich, den Nylonfadenkopf so schräg zu stellen, dass der Kontakt in dem Teil des Schneidkreises erfolgt, wo der Nylonfaden sich von Ihnen und dem Schutzschild wegbewegt (siehe Abbildung). Dadurch wird das Schneidgut von Ihnen weggeleitet.
- Wenn Sie den Fadenkopf zur falschen Seite neigen, wird das Schneidgut auf Sie zugeschleudert. Wenn der Nylonfadenkopf flach gegen den Boden gehalten wird, so dass der Schneidvorgang über den gesamten Schneidkreis erfolgt, wird das Schneidgut auf Sie zugeschleudert, das Gerät durch den Widerstand verlangsamt, und es wird sehr viel mehr Nylonfaden verbraucht.

- ♦ Nylonfadenkopf dreht sich gegen den Uhrzeigersinn. Das Fadenschneidmesser befindet sich links am Schutzschild.
 1. Schneidgut
 2. Auf dieser Seite schneiden



- ♦ Lassen Sie den Nylonfadenkopf nicht in zähes Unkraut, Bäume oder Zäune eindringen.
- ♦ Wenn der Nylonfaden in Maschendraht, Zäune oder dichtes Gestrüpp eindringt, kann es passieren, dass abgerissene Fadenstücke gegen den Bediener geschleudert werden. Am besten arbeiten Sie sich so weit wie möglich an das jeweilige Hindernis heran, ohne den Nylonfaden in das Hindernis vordringen zu lassen. Schneiden Sie nicht direkt an einem Hindernis.



- ♦ Achten Sie darauf, dass der Nylonfaden nicht mit beschädigtem Zaundraht in Berührung kommt. Durch den Trimmer abgebrochene Drahtstücke können mit hoher Geschwindigkeit durch die Luft geschleudert werden.

⚠️ WARNUNG

Beachten Sie die folgenden Sicherheitsregeln, wenn Sie das Produkt nach dem Gebrauch überprüfen und warten:

- Um das Gerät auszuschalten, entfernen Sie den Akku und vergewissern Sie sich, dass alle beweglichen Teile zu einem kompletten Stillstand gekommen sind.

Wenn sich das Produkt unerwarteterweise in Betrieb setzt, kann es zu Unfällen kommen.

- Lassen Sie das Gerät abkühlen, bevor Sie Wartungsarbeiten durchführen.

Andernfalls können Sie sich verbrennen.

WICHTIG

- Für die Überprüfung und Wartung sind entsprechende Fachkenntnisse erforderlich. Wenn Sie das Produkt nicht selbst überprüfen, warten oder instand setzen können, wenden Sie sich an Ihren Händler. Versuchen Sie nicht, das Produkt zu zerlegen.

Wartungsrichtlinien

Komponente	Wartung	Seite	Vor der Verwendung	Monatlich
Akku	Überprüfen/reinigen/laden	10	•	
Nylonfadenkopf	Überprüfen	19	•	
Fadenschneidmesser	Überprüfen / reinigen	-	•	
Schrauben, Bolzen und Muttern	Überprüfen, festziehen / ersetzen	-	•	

Wartung und Pflege

Wenden Sie sich bei Fragen oder Problemen bitte an Ihren Händler.

Reinigen von Akku und Akkufach

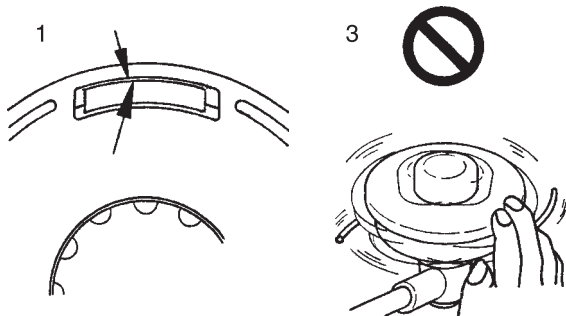


⚠️ WARNUNG

- **Stromschlag- und Brandgefahr.** Verwenden Sie zum Reinigen des Akkus und des Akkufachs keine leitenden Materialien.

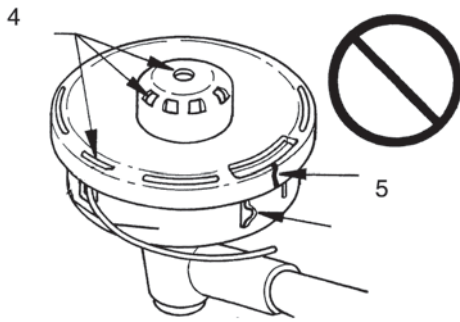
1. Lassen Sie den Hebelschalter und die Hebelschaltersperre los und den Scherenkopf zum Stillstand kommen.
2. Kontrollieren Sie, dass die Betriebsanzeige-LED aus ist.
3. Drücken Sie auf die Akkuentriegelung (A), und schieben den Akku aus dem Antriebskopf.
4. Entfernen Sie Schmutz von Akku und Akkufach mit Druckluft oder einen weichen Bürste.

Überprüfen des Nylonfadenkopfs



1. Vergewissern Sie sich, dass jeder der 2 Rückhaltestifte des Gehäuses vollständig in die entsprechenden Aussparungen eingerastet ist.
2. Überprüfen Sie die Montage des Fadenkopfs am Trimmer, und ziehen Sie ihn fest, falls er lose ist.
3. Überprüfen Sie den Fadenkopf durch Drehen per Hand auf unrunder Lauf und ungewöhnliche Geräusche. Bei unrunder Lauf und ungewöhnlichen Geräuschen können Vibrationen auftreten, die sich auf den Trimmer übertragen können. Dadurch können sich Teile lösen und eine Gefahr darstellen.

Wartung und Pflege



4. Überprüfen Sie die Abdeckung und den Auslöseknopf auf Abnutzung. Wenn am unteren Bereich des Auslöseknopfs oder in der Nähe des Nylonfadenaustritts ein Spalt zu sehen ist, ersetzen Sie diese Teile umgehend durch neue.
5. Prüfen Sie den Fadenkopf auf Bruch oder Absplinterung. Ersetzen Sie alle Teile, die gebrochen sind oder Absplinterungen aufweisen, umgehend durch neue.

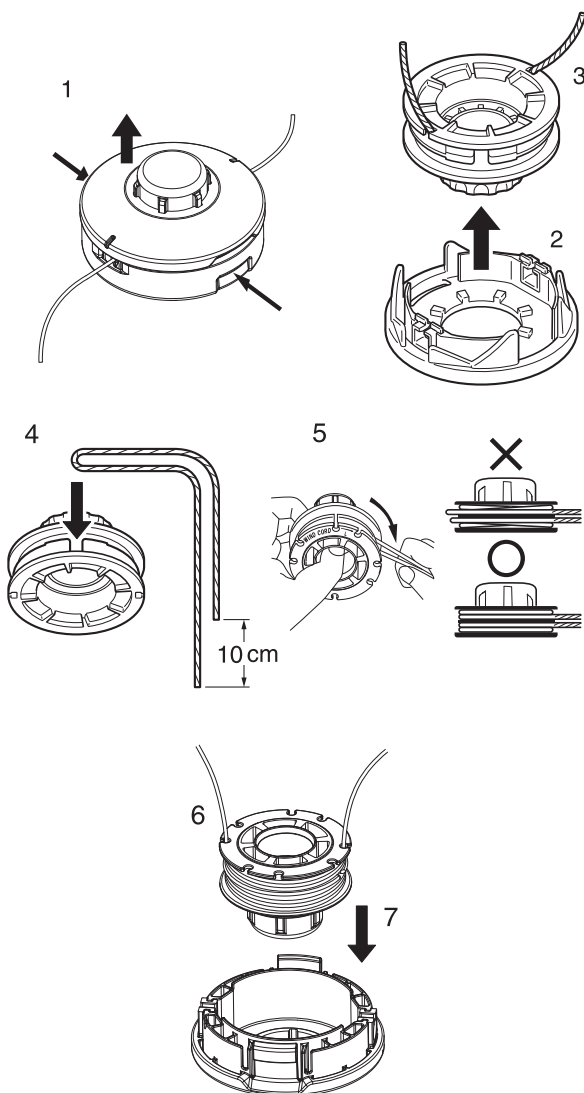
Auswechseln des Nylonfadens

⚠ GEFAHR

- **Bevor Sie mit dem Auswechseln des Nylonfadens beginnen, stellen Sie das Gerät ab, und warten Sie, bis sich der Nylonfadenkopf nicht mehr dreht.**
Andernfalls kann es zu Unfällen bzw. schweren Verletzungen kommen.

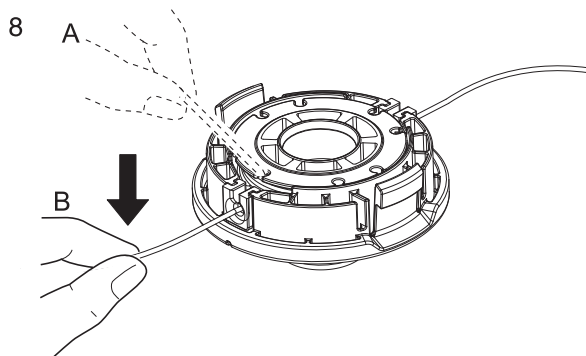
⚠ WARNUNG

- **Verwenden Sie nur flexible, nichtmetallische, von der YAMABIKO CORPORATION empfohlene Nylonfäden.**
Andernfalls kann es zu Unfällen bzw. schweren Verletzungen kommen.

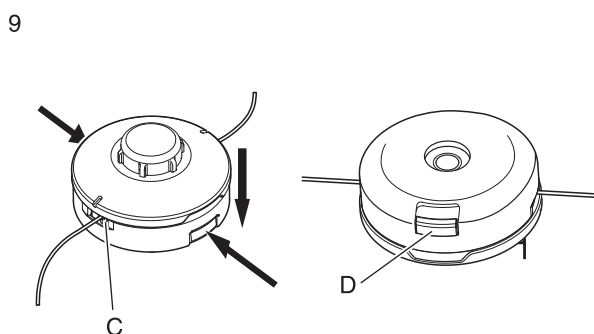


1. Drücken Sie die Rückhaltestifte (an beiden Seiten) nach innen, und entfernen Sie den Deckel. Es ist leichter, ein Teil nach dem anderen zu entfernen.
2. Entfernen Sie die Fadenspule.
3. Wenn der Nylonfaden auf der Spule aufgebraucht ist, entfernen Sie den Rest des Fadens, und wickeln Sie den neuen Faden gemäß der Anleitung ab Punkt (4) wieder auf. Wenn der Nylonfaden auf der Spule geschmolzen ist und feststeckt, entfernen Sie den Faden vollständig, schneiden Sie das beschädigte Fadenstück ab, und wickeln Sie den verbleibenden Faden gemäß der Anleitung ab Punkt (4) wieder auf.
4. Stecken Sie den Knick des Fadens in den Schlitz der Unterteilung. Beachten Sie dabei, dass ein Ende des Fadens ca. 10 cm länger als das andere ist.
5. Wickeln Sie den Nylonfaden fest in Wickelrichtung (nach rechts) auf die Fadenspule „L“.
6. Wenn Sie beim Aufwickeln des Fadens ans Ende kommen, klemmen Sie die beiden Fadenenden vorläufig so in die Schlitz der Fadenspule ein, dass noch ungefähr 10 cm Faden überstehen.
7. Richten Sie die Schlitz mit dem eingeklemmten Faden so aus, dass sie sich direkt über den Fadendurchführungen befinden, und passen Sie die Spule in den Deckel ein.

Wartung und Pflege



8. Ziehen Sie den Faden aus dem Deckel. Lösen Sie (A) den Faden aus den entsprechenden Schlitzen der Fadenspule, und führen Sie ihn (B) durch die beiden Fadendurchführungen.



9. Fügen Sie Deckel und Gehäuse zusammen. Ordnen Sie (C) die Fadenösen des Deckels über den Aussparungen in der Fadenspule an, und drücken Sie (D) die beiden Stifte des Gehäuses ganz in die Aussparungen der Fadenspule, bis sie fest in die Fenster einrasten.

⚠ GEFAHR

Vergewissern Sie sich, dass die Stifte vollständig in die Fenster der Fadenspule eingerastet sind. Wenn sie nur leicht hineingesteckt sind und sich der Fadenkopf zu drehen beginnt, können sich der Deckel oder innere Teile lösen und davon geschleudert werden, was sehr gefährlich ist.

Fehlerbehebung

WICHTIG

○ Verwenden Sie nur Original-Ersatzteile und -Verbrauchsprodukte, die für das Produkt zugelassen sind. Die Verwendung von Teilen anderer Hersteller oder nicht zugelassener Produkte kann zu Fehlfunktionen führen.

Problem	Ursache	Abhilfe
Rote Ladegerätlampe blinkt oder Lampe leuchtet nicht auf	<ol style="list-style-type: none"> 1. Stecker nicht mit der Steckdose verbunden 2. Akku ist nicht korrekt installiert 3. Schlechter Kontakt 4. Fehler im Ladegerät 5. Fehler im Akku 	<ol style="list-style-type: none"> 1. Stecken Sie das Ladegerät ein. 2. Prüfen Sie den Einbau des Akkus. 3. Bauen Sie den Akku mit gereinigten Kontakten wieder ein. 4. Wenden Sie sich an Ihren Händler. 5. Wenden Sie sich an Ihren Händler.
Gerät lässt sich nicht einschalten	<ol style="list-style-type: none"> 1. Akku ist nicht korrekt installiert 	<ol style="list-style-type: none"> 1. Prüfen Sie den Einbau des Akkus.
Gerät läuft nicht, obwohl es eingeschaltet ist	<ol style="list-style-type: none"> 1. Akku entladen 2. Fadenkopf verschmutzt 3. Akkutemperatur zu hoch oder zu niedrig 	<ol style="list-style-type: none"> 1. Laden Sie den Akku. 2. Schalten Sie das Gerät aus und reinigen Sie die Schneidvorrichtung 3. Bauen Sie den Akku aus, und lassen Sie den Akku abkühlen.
Laufzeit ist zu kurz	<ol style="list-style-type: none"> 1. Akkutemperatur zu hoch oder zu niedrig 2. Geräteelektronik zu heiß 3. Akku entladen 	<ol style="list-style-type: none"> 1. Bauen Sie den Akku aus, und lassen Sie den Akku abkühlen. 2. Schalten Sie das Gerät aus, und lassen Sie das Gerät abkühlen. 3. Laden Sie den Akku.
Faden ist nicht lang genug	<ol style="list-style-type: none"> 1. Es ist nicht genug Faden auf der Spule 2. Faden ist in der Spule verfangen 	<ol style="list-style-type: none"> 1. Mit neuem Kabel neu aufwickeln 2. Faden ab- und wieder aufwickeln
Faden wird nicht abgeschnitten	<ol style="list-style-type: none"> 1. Das Schneidmesser im Schutzschild ist beschädigt oder es fehlt 	<ol style="list-style-type: none"> 1. Wenden Sie sich an Ihren Händler.

- ♦ Bei Problemen oder Störungen, die nicht in der obigen Tabelle genannt werden, wenden Sie sich an Ihren Händler.
- ♦ Informationen zur vorschriftsmäßigen Entsorgung des Produkts oder seiner Einzelteile erhalten Sie bei Ihrem Händler.

Wartung und Pflege

LAGERUNG

WARNUNG

○ Lagern Sie das Gerät nicht in einem Raum, in dem sich brennbare Dämpfe sammeln können.
Es besteht Brandgefahr.



Gehen Sie folgendermaßen vor, wenn Sie das Produkt lange Zeit lagern möchten:

Elektrischer Scherenkopf

1. Schalten Sie die Stromzufuhr zu dem Gerät aus.
2. Entnehmen Sie den Akku aus dem Antriebskopf.
3. Entfernen Sie Ansammlungen von Schmutz und Fremdstoffen außen an dem Gerät.
4. Ziehen Sie alle Schrauben und Muttern fest.
5. Bedecken Sie das Akkufach des Antriebskopfes, den Akku und das Ladegerät.
6. Lagern Sie das Gerät trocken, staubfrei und für Kinder unzugänglich.

Akku

1. Entnehmen Sie den Akku aus dem Antriebskopf.
2. Wählen Sie für die Lagerung einen trockenen, staubfreien und für Kinder unzugänglichen Ort.
3. Die Lagerung soll bei Temperaturen zwischen -20 °C und 60 °C erfolgen.
4. Wenn der Akku länger als ein Jahr nicht verwendet worden ist, laden Sie ihn auf 40 - 60 % auf.

Akkuladegerät

1. Entnehmen Sie den Akku aus dem Akkuladegerät.
2. Trennen Sie das Akkuladegerät vom Netz.
3. Wählen Sie für die Lagerung einen trockenen, staubfreien und für Kinder unzugänglichen Ort.

Entsorgung



- ♦ Auf den größeren Kunststoffteilen des Produkts befindet sich jeweils eine Kennzeichnung (Code) des Werkstoffs. Diese Codes beziehen sich auf die folgenden Werkstoffe; entsorgen Sie diese Kunststoffteile unter Einhaltung der gesetzlichen Vorschriften Ihres Landes.

Kennzeichnung	Werkstoff
>PA6-GF<	Nylon 6 - Glasfaser
>PP-GF<	Polypropylen - Glasfaser
>PE-HD<	Polyethylen
>PP<	Polypropylen

- ♦ Wenn Sie Fragen zur korrekten Entsorgung von Kunststoffteilen haben, setzen Sie sich bitte mit Ihrem Fachhändler in Verbindung.
- ♦ Batterie enthält Lithium. Nur an den dafür vorgesehenen Sammelstellen entsorgen.
- ♦ Lithium-Ionen-Batterien müssen vorschriftsgemäß recycelt und entsorgt werden.

Technische Daten

	DSRM-300
Außenabmessungen: Länge x Breite x Höhe	1830 x 350 x 280 mm
Gewicht: Gerät ohne Schneidvorrichtung, Gurtakku und Schützer Gerät mit Schneidvorrichtung, Gurtakku und Schützer	3,6 kg 5,3 kg
Schneidvorrichtung: Nylonfadenkopf Fadendurchmesser Fadenlänge Gewinde Schnittbreite	G138 2,0 mm 2 x 1 m-Faden Linksgewinde M10 x 1,25 350 mm
Untersetungsverhältnis	2,93
Drehrichtung des Werkzeugaufnahmebolzens von oben gesehen:	Gegen den Uhrzeigersinn
Akku: Typ Akkuspannung Ladegerättyp Ladegeräteingangsspannung	Li-Ion 56 Volt (Nennspannung 50,4 V) CCCV 230 - 240 Volt WS
Akkuladegerätlampen:	Rote LED - Akku befindet sich außerhalb des Ladetemperaturbereichs Rote LED blinkt - Fehler Grüne LED - Akku ist aufgeladen Grüne LED blinkt – Akku lädt normal
Ladezeit:	Akku LBP-560-100: Circa 42 Minuten Akku LBP-560-200: Circa 88 Minuten
Schwingungspegel: (EN50636-2-91)	Vorderer Griff 1,6 m/s ² Hinterer Griff 1,4 m/s ² Unsicherheit 1,5 m/s ²
Schalldruckpegel: (EN50636-2-91) Schalleistungspegel: (EN50636-2-91) Unsicherheit	80,9 dB(A) 92,4 dB(A) 3,0 dB(A)
Garantierter Schalleistungspegel: (2000/14/EG, geändert durch 2005/88/EG)	96 dB(A)

Änderungen der technischen Daten vorbehalten.

Konformitätserklärung

Der unterzeichnete Hersteller:

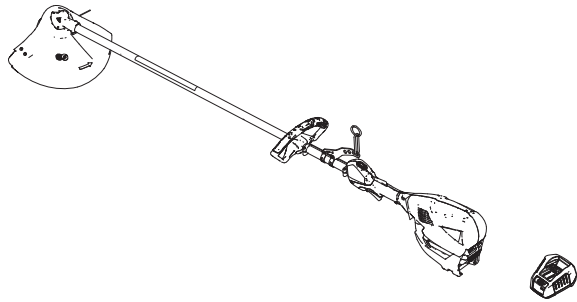
YAMABIKO CORPORATION
7-2 SUEHIROCHO 1-CHOME
OHME, TOKIO 198-8760
JAPAN

Diese Konformitätserklärung wird unter der alleinigen Verantwortung des Herstellers erstellt.

erklärt, dass das nachstehend spezifizierte neue Gerät:

RASENTRIMMER, AKKULADEGERÄT

Marke: ECHO
Typ: DSRM-300, LCJQ-560



montiert durch:

ECHO, INCORPORATED
400 OAKWOOD ROAD
LAKE ZURICH, ILLINOIS 60047-1564
USA

Folgendem entspricht:

- * den Anforderungen der Richtlinie **2006/42/EG** (Anwendung der harmonisierten Norm **EN 60335-1: 2012, EN 50636-2-91: 2014**)
- * Anforderungen der Richtlinie **2014/30/EWG** (Verwendung der harmonisierten Normen **EN 55014-1: 2006, EN 55014-2: 1997, EN 61000-3-2: 2006 und EN 61000-3-3: 2008**)
- * Anforderungen der Richtlinie **2014/35/EWG** (Verwendung der harmonisierten Normen **EN 60335-1: 2012, EN 60335-2-29: 2004 und EN 62233: 2008**)
- * Anforderungen der Richtlinie **2000/14/EG**
Konformitätsbewertung nach **ANHANG V**
- * Anforderungen der Richtlinie **2011/65/EU** (Verwendung der harmonisierten Norm **EN 50581: 2012**)
Gemessener Schallleistungspegel: 93 dB(A) Garantierter Schallleistungspegel: 96 dB(A)

DSRM-300: Seriennummer ab 35000001, **LCJQ-560:** Seriennummer 35001001 und höher

Tokio, den 1. Mai 2016

YAMABIKO CORPORATION



Masayuki Kimura
Hauptabteilungsleiter
Abteilung Qualitätssicherung

Der Dokumentenbevollmächtigte in Europa, welcher autorisiert ist, die technischen Daten zusammenzustellen.
Unternehmen: Atlantic Bridge Limited
Adresse: Atlantic House, PO Box 4800, Earley, Reading RG5 4GB, Vereinigtes Königreich

Herr Philip Wicks

NOTIZEN

YAMABIKO CORPORATION

7-2 SUEHIROCHO 1-CHOME, OHME, TOKIO 198-8760, JAPAN
TELEFON: 81-428-32-6118. FAX: 81-428-32-6145.



X750-027380

X750816-2101



IT ITALIANO
(Istruzioni originali)

MANUALE PER L'OPERATORE DECESPUGLIATORE DSRM-300

AVVERTENZA



LEGGERE E SEGUIRE ATTENTAMENTE LE ISTRUZIONI PER
LAVORARE IN CONDIZIONI DI MASSIMA SICUREZZA.
LA MANCATA OSSERVANZA DELLE ISTRUZIONI POTREBBE
PROVOCARE LESIONI GRAVI.



Contenuto

Per un uso sicuro del prodotto	3
Descrizione	8
Prima di iniziare	9
Contenuto della confezione	9
Carica della batteria	10
Montaggio	11
Versione con impugnatura ad anello	11
Regolazione del punto di equilibrio	12
Installazione della batteria	13
Funzionamento	14
Avvio dell'unità	15
Arresto dell'unità	15
Uso della cinghia a spalla	16
Funzionamento base del taglio con testina a filo di nylon	16
Manutenzione e cura	19
Guida alla manutenzione	19
Manutenzione e cura	19
Rimessaggio	22
Smaltimento	22
Caratteristiche tecniche	23
Dichiarazione di conformità	24

Per un uso sicuro del prodotto

Informazioni importanti

AVVERTENZA

Si raccomanda di leggere il manuale per l'operatore prima di utilizzare questo prodotto.

Informazioni sul manuale per l'operatore

- Questo manuale contiene informazioni necessarie per l'assemblaggio, il funzionamento e la manutenzione del prodotto. Si raccomanda di leggerlo attentamente e di assimilarne il contenuto.
- Tenere sempre il manuale in un luogo facilmente accessibile.
- Se il manuale viene smarrito o danneggiato e non può essere consultato, acquistarne uno nuovo presso il proprio rivenditore.
- Le unità di misura utilizzate in questo manuale sono espresse in conformità al sistema internazionale. Le cifre riportate tra parentesi sono valori di riferimento e in alcuni casi ci potrebbero essere lievi errori di conversione.
La mancata osservanza di queste precauzioni potrebbe causare incidenti o lesioni gravi.

Tipologia di impiego del prodotto

- Questo prodotto è un attrezzo leggero a elevate prestazioni con motore a benzina, realizzato per tenere sotto la crescita delle erbacce e il taglio dell'erba in aree difficili da controllare con altri mezzi.
- Non usare il prodotto per impieghi differenti da quelli specificati sopra.
- Il contenuto di questo manuale può essere modificato senza preavviso per renderlo conforme a eventuali aggiornamenti del prodotto. Al fine di illustrare con maggiore chiarezza le spiegazioni sul prodotto, alcune illustrazioni potrebbero essere differenti da quelle del prodotto reale.
- Per ulteriori chiarimenti, consultare il proprio rivenditore.
La mancata osservanza di queste precauzioni potrebbe causare incidenti o lesioni gravi.

Non modificare il prodotto

- Il prodotto non deve essere modificato.
La mancata osservanza di queste precauzioni potrebbe causare un incidente o lesioni gravi. Qualsiasi guasto causato da modifiche apportate al prodotto non sarà coperto dalla garanzia del produttore.

Non utilizzare il prodotto senza aver effettuato prima il controllo e la manutenzione

- Non utilizzare il prodotto senza aver effettuato prima il controllo e la manutenzione. Accertarsi sempre che il controllo e la manutenzione vengano eseguiti a scadenze regolari.
La mancata osservanza di queste precauzioni potrebbe causare incidenti o lesioni gravi.

Prestito o cessione del prodotto

- In caso di prestito del prodotto, consegnare alla persona che lo riceve anche il manuale dell'operatore.
- Se si cede o vende il prodotto a terzi, consegnare anche il manuale dell'operatore assieme al prodotto.
La mancata osservanza di queste precauzioni potrebbe causare incidenti o lesioni gravi.

Utenti del prodotto

- Il prodotto non deve essere utilizzato da:
 - ◆ persone stanche
 - ◆ persone che hanno assunto bevande alcoliche
 - ◆ persone sotto trattamento farmacologico
 - ◆ persone in stato di gravidanza
 - ◆ persone in condizioni fisiche precarie
 - ◆ persone che non hanno letto il manuale dell'utente
 - ◆ bambini
- Tenere presente che l'operatore o l'utente è responsabile di eventuali rischi o incidenti provocati ad altre persone o alle proprietà altrui.
La mancata osservanza di queste istruzioni potrebbe provocare incidenti.
- I componenti di questa macchina generano un campo elettromagnetico durante l'uso, e ciò potrebbe interferire con alcuni tipi di pacemaker. Per ridurre i rischi per la salute, consigliamo ai portatori di pacemaker di consultare il proprio medico e il produttore del pacemaker prima di utilizzare questo prodotto.



Per un uso sicuro del prodotto

AVVERTENZA

Vibrazioni e freddo

- Si ritiene che la condizione definita fenomeno di Raynaud, che colpisce le dita di alcune persone, sia causata dall'esposizione alle vibrazioni e al freddo. L'esposizione al freddo e alle vibrazioni può causare formicolio e brucio-re, seguiti da pallore e intorpidimento delle dita. Dato che non si conosce il livello di esposizione minima che causa i disturbi, si consiglia vivamente di osservare le seguenti precauzioni.
 - ◆ Tenere il corpo caldo, soprattutto testa, collo, piedi, caviglie, mani e polsi.
 - ◆ Mantenere una buona circolazione del sangue facendo vigorosi esercizi con le braccia durante frequenti pause di lavoro, ed evitare di fumare.
 - ◆ Limitare il numero di ore di impiego. Cercare di pianificare altri lavori nell'arco della giornata lavorativa, in cui non sia richiesto l'uso del decespugliatore o di altre macchine portatili.
 - ◆ Se si accusano disagi e disturbi e se si riscontrano arrossamenti e gonfiore delle dita seguiti da pallore e perdita di sensibilità, rivolgersi al proprio medico prima di esporsi di nuovo al freddo e alle vibrazioni.

La mancata osservanza di queste istruzioni potrebbe causare danni alla salute.

Lesioni da sforzi ripetuti

- Si ritiene che l'uso eccessivo dei muscoli e dei tendini di dita, mani, braccia e spalle possa causare dolore, gonfiore, intorpidimento, debolezza e fortissimi dolori nelle zone menzionate. Alcune attività manuali ripetitive possono essere causa di alto rischio per lo sviluppo di lesioni da sforzi ripetitivi. Per ridurre il rischio di lesioni da sforzi ripetitivi:
 - ◆ Evitare di usare il polso piegato, allungato o girato.
 - ◆ Fare pause a intervalli regolari per ridurre al minimo i movimenti ripetuti e far riposare le mani. Ridurre la velocità e la forza con cui il movimento ripetitivo viene eseguito.
 - ◆ Fare esercizi per rafforzare i muscoli delle mani e delle braccia.
 - ◆ Consultare un medico se si avverte formicolio, intorpidimento o dolori nelle dita, nelle mani, nei polsi o nelle braccia. Una tempestiva diagnosi di lesioni da sforzi ripetitivi consente di evitare danni permanenti ai nervi e ai muscoli.

La mancata osservanza di queste istruzioni potrebbe causare danni alla salute.

Addestramento

- Non permettere a nessuno di azionare l'attrezzo senza idoneo addestramento o attrezzature di protezione adeguate.
- Acquisire dimestichezza con i comandi e il corretto impiego dell'attrezzo.
- Familiarizzare con le procedure di arresto e spegnimento motore dell'attrezzo.
- Imparare a sganciare rapidamente un attrezzo spalleggiato.
- Non permettere a nessuno di utilizzare l'attrezzo senza idoneo addestramento.

La mancata osservanza di queste istruzioni potrebbe causare danni alla salute.

Indossare indumenti idonei.

- Raccogliere i capelli in modo che non tocchino le spalle.
- Non indossare cravatte, gioielli o vestiti poco aderenti che potrebbero restare impigliati nella macchina.
- Non indossare calzature aperte, non lavorare a piedi nudi o a gambe nude.

La mancata osservanza di queste precauzioni potrebbe causare danni alla vista o all'udito o lesioni gravi.



Indossare indumenti protettivi

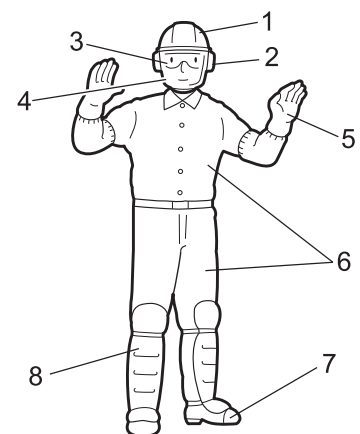
- Indossare sempre i seguenti indumenti protettivi durante il lavoro con il decespugliatore.

1. Casco (elmetto): Protegge la testa
2. Protezioni acustiche o tappi per le orecchie: Proteggono l'udito
3. Occhiali di protezione: Proteggono gli occhi
4. Schermo facciale: Protegge il viso
5. Guanti protettivi: Proteggono le mani dal freddo e dalle vibrazioni
6. Indumenti da lavoro aderenti (maniche lunghe e pantaloni lunghi): Proteggono il corpo
7. Stivali protettivi antiscivolo per lavori pesanti (con protezione delle punte) o scarpe da lavoro antiscivolo (con protezione delle punte): Proteggono i piedi
8. Parastinchi: Proteggono gli stinchi

La mancata osservanza di queste precauzioni potrebbe causare danni alla vista o all'udito o lesioni gravi.

- Se necessario, utilizzare anche i seguenti indumenti protettivi.

- ◆ Respiratore: Protegge l'apparato respiratorio
- ◆ Rete antiapi: Per proteggersi dalle api



Per un uso sicuro del prodotto

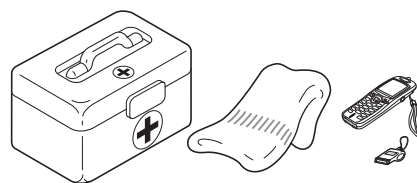
AVVERTENZA

Ambiente di utilizzo e funzionamento

- Non utilizzare il prodotto:
 - ◆ In ambienti umidi.
 - ◆ Sotto la pioggia.
 - ◆ In condizioni di cattivo tempo.
 - ◆ In pendii ripidi o in luoghi con punti di appoggio non sicuri e quindi scivolosi.
 - ◆ Di notte o in luoghi bui con scarsa visibilità.
 - ◆ Ove sussistano rischi di fulmini.
- Quando si utilizza il prodotto su un pendio delicato, lavorare seguendo i contorni del terreno.
Cadute, scivolate o un uso non corretto del prodotto potrebbero causare lesioni gravi.
- Per un uso salutare, sicuro e confortevole, utilizzare la macchina solo a temperature comprese nell'intervallo da -5 °C a 40°C.
La mancata osservanza di queste istruzioni potrebbe causare danni alla salute.

Essere pronti in caso di lesioni

- Nell'improbabile evento di incidenti o lesioni, è consigliabile essere preparati.
 - ◆ Cassetta di pronto soccorso
 - ◆ Asciugamani e fazzoletti (per fermare eventuali emorragie)
 - ◆ Fischiotto o telefono cellulare (per chiedere aiuto)
 Se non si è in grado di effettuare un primo soccorso o chiedere aiuto, le lesioni potrebbero peggiorare.



Messaggi di avviso

PERICOLO

Questo simbolo accompagnato dalla parola "PERICOLO" richiama l'attenzione su un'azione o una condizione che potrebbe causare infortuni gravi o la morte di utenti o di persone presenti.

AVVERTENZA

Questo simbolo accompagnato dalla parola "AVVERTENZA" richiama l'attenzione su un'azione o una condizione che potrebbe causare lesioni gravi o la morte di utenti o di persone presenti.

ATTENZIONE

"ATTENZIONE" indica una situazione potenzialmente pericolosa che, se non evitata, potrebbe causare lesioni minori o moderate.

Altri indicatori



Il cerchietto barrato sta ad indicare che quanto è illustrato è proibito.


NOTA

Il messaggio qui riportato fornisce consigli per l'uso, la cura e la manutenzione del prodotto.













IMPORTANTE

Il testo incorniciato, caratterizzato dalla parola "IMPORTANTE", contiene informazioni importanti riguardo l'uso, il controllo, la manutenzione e il rimessaggio del prodotto descritto in questo manuale.

Simboli

Forma del simbolo	Descrizione / applicazione del simbolo	Forma del simbolo	Descrizione / applicazione del simbolo
	Leggere attentamente il manuale per l'operatore		Tenere gli astanti a distanza di sicurezza
	Indossare protezioni per gli occhi		Tenere gli astanti a una distanza di 15 m

Per un uso sicuro del prodotto

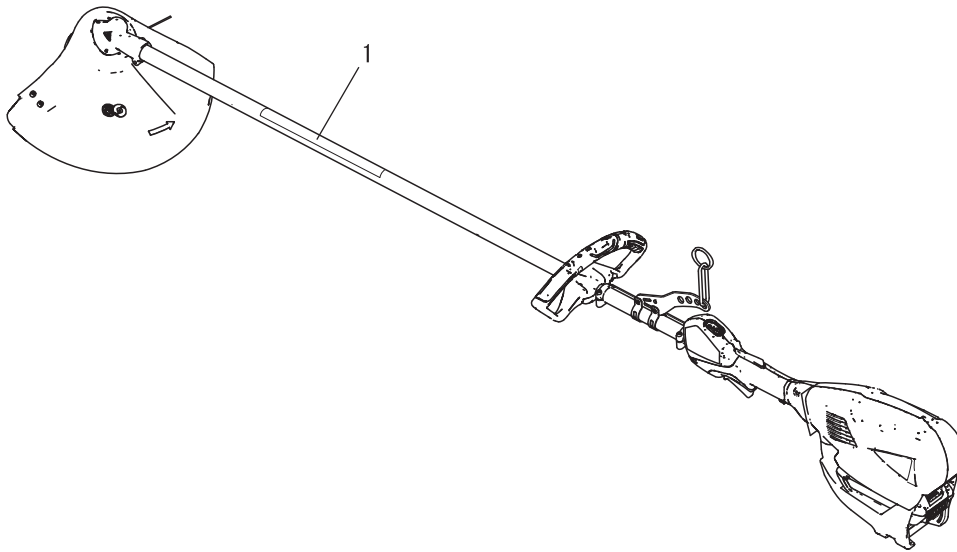
Forma del simbolo	Descrizione / applicazione del simbolo	Forma del simbolo	Descrizione / applicazione del simbolo
	Indossare protezioni per le orecchie		Indossare protezioni per i piedi e guanti
	Protezione/allarme		Prestare attenzione nelle aree ad alta temperatura
	Avvertenza! Oggetti scagliati!		Livello di potenza acustica garantito
	Vietato l'uso senza protezione		Non utilizzare mani sotto la pioggia o in ambienti umidi
	Vietato l'uso di dischi metallici		Attenzione alle scosse elettriche
	Attenzione al fuoco		Non smaltire le apparecchiature elettriche con la spazzatura normale

Per un uso sicuro del prodotto

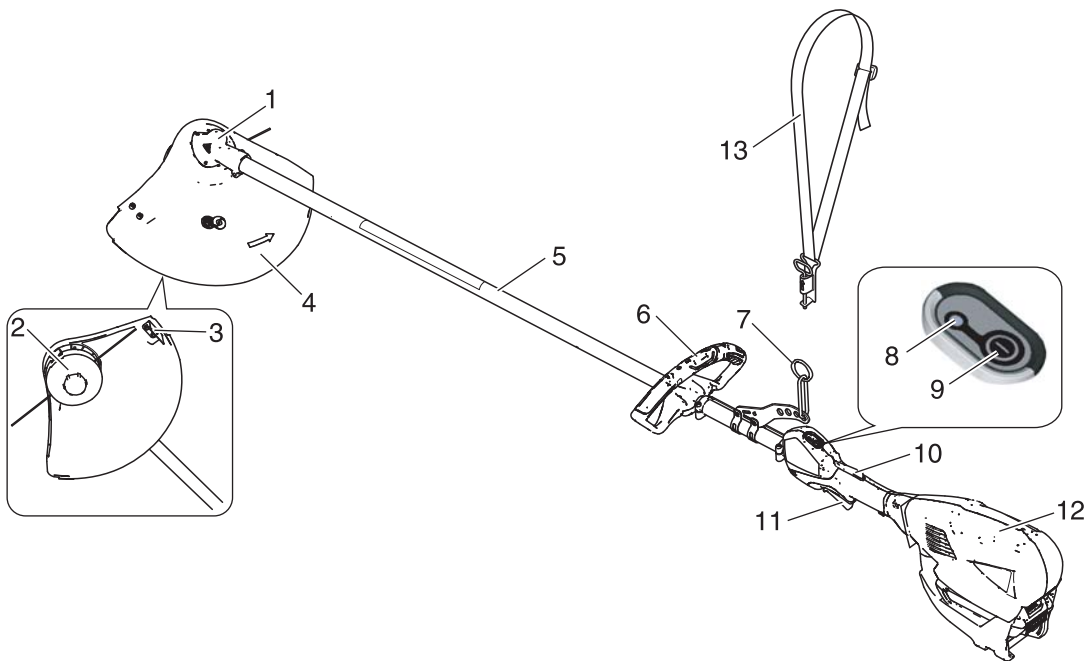
Decalcomania/e

- ♦ La decalcomania riportata sotto è stata applicata sui prodotti descritti in questo manuale. Prima di utilizzare il prodotto accertarsi di aver compreso quanto riportato sulla decalcomania.
- ♦ Se la decalcomania diventa illeggibile a causa dell'usura, si strappa o si stacca e si perde, acquistarne una di ricambio presso il rivenditore e fissarla nel punto illustrato nella figura in basso. Accertarsi che la decalcomania sia sempre leggibile.

1. Decalcomania (Codice ricambio X505-008900)



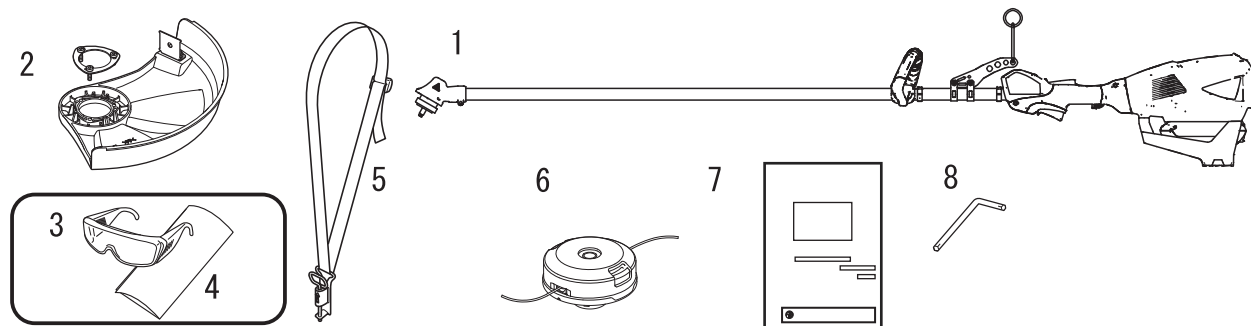
Descrizione



1. **Trasmissione angolare** - Due ingranaggi per cambiare l'angolo dell'asse di rotazione.
2. **Accessorio di taglio** - Testina a filo di nylon per falciare erba e erbacce.
3. **Coltello tagliafilo** - Taglia il filo di nylon per regolarne la lunghezza proporzionalmente.
4. **Protezione** - Protegge l'utente dal contatto accidentale con la testina di taglio e con eventuali oggetti espulsi.
5. **Tubo dell'albero** - Parte dell'attrezzo che funge da tubo di rivestimento dell'albero di trasmissione.
6. **Impugnatura ad anello** - Offre una salda presa per la mano sinistra.
7. **Punto di sospensione** - Dispositivo su cui si aggancia la cintura a bandoliera.
8. **LED di alimentazione** Il LED resta illuminato quando l'unità è alimentata. Il LED si spegne quando l'unità viene spenta.
9. **Pulsante di accensione** Premere una volta per accendere l'unità. Il LED di alimentazione si illumina. Premere nuovamente il pulsante per spegnere l'unità. Il LED di alimentazione si spegne.
10. **Fermo interruttore a grilletto** - Blocca l'interruttore a grilletto in posizione OFF fin quando la mano destra non afferra saldamente l'impugnatura.
11. **Interruttore a grilletto** - Azionato dall'operatore con la mano per attivare il motore.
12. **Testa unità** - alloggia motore e batteria.
13. **Cinghia a spalla** - Cinghia regolabile per sostenere l'attrezzo.

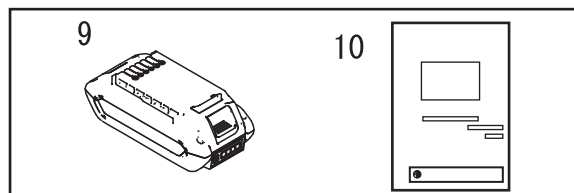
Contenuto della confezione

- ♦ Le seguenti parti sono state imballate separatamente nella scatola di imballaggio.
- ♦ Dopo aver aperto la confezione, controllare che siano presenti tutte le parti.
- ♦ In caso di parti mancanti o rotte, contattare il rivenditore.

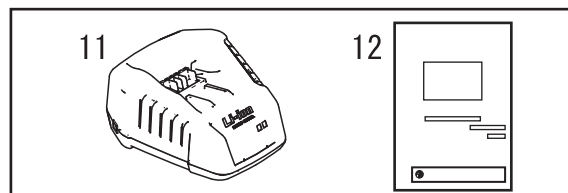


1. Unità motore e tubo dell'albero
2. Protezione
3. Occhiali di protezione
4. Etichetta di precauzione

5. Cinghia a spalla
6. Testina a filo di nylon
7. Manuale per l'operatore
8. Chiave a L



9. Pacco batterie
10. Manuale per l'operatore



11. Caricabatterie
12. Manuale per l'operatore

Prima di iniziare

Carica della batteria

⚠ AVVERTENZA

- Utilizzare sempre batterie di tipo LBP-560-100/LBP-560-200 e ricaricare solo con il caricabatterie LCJQ-560.
- Tenere il caricabatterie e la batteria lontane da umidità e liquidi.
- Non azionare il caricabatterie su una superficie facilmente infiammabile (ad es. carta, tessuti) o in un ambiente ad alto rischio di incendio.
- Non coprire il caricabatterie. Se viene coperto, il caricabatterie non sarà in grado di raffreddarsi.
- Non utilizzare il caricabatterie in atmosfere esplosive, come ambienti saturi di liquidi, gas o polveri infiammabili. I caricabatterie possono generare scintille, che possono infiammare polveri o fumi, con il conseguente rischio di esplosioni.
- Collegare il caricabatterie al tipo di alimentazione di rete e alla frequenza di rete indicate sulla targhetta delle specifiche.
- Collegare il caricabatterie solo a una presa a muro facilmente accessibile.
- Non inserire mai oggetti nelle fessure di raffreddamento del pacco batterie o del caricabatterie (A).
- Non caricare o utilizzare un pacco batterie o un caricabatterie difettoso, danneggiato o deformato.
- Non aprire, danneggiare o far cadere il pacco batterie o il caricabatterie.
- Se la batteria è danneggiata o viene utilizzata in modo improprio, potrebbe fuoriuscire del liquido; evitare il contatto con la pelle. In caso di contatto accidentale, sciacquare abbondantemente le aree della pelle interessate con acqua e sapone. In caso di contatto del liquido con gli occhi, non strofinare. Sciacquare abbondantemente gli occhi con acqua per almeno 15 minuti. Richiedere inoltre assistenza medica.
- Non ponticellare (cortocircuitare) i contatti del pacco batteria o i terminali del caricabatterie con oggetti metallici.
- Proteggere dai raggi diretti del sole, calore e fiamme aperte e non gettare mai le batterie nel fuoco; vi è rischio di esplosione.
- In presenza di fumo o incendio nel caricabatterie, scollegarlo immediatamente dalla presa a muro.
- Se il cavo di alimentazione è danneggiato, scollegarlo immediatamente dalla presa, per evitare il rischio di scosse elettriche.
- Non esporre il pacco batterie a microonde o alta pressione.
- Proteggere l'unità da eventuali avviamenti non intenzionali. Rimuovere il pacco batterie dall'unità prima dell'eventuale trasporto o stoccaggio dell'unità. Non utilizzare contenitori metallici per il trasporto delle batterie.
- Non utilizzare il cavo di alimentazione per impieghi differenti da quelli specificati, come per il trasporto o per appendere il caricabatterie.
- Al fine di ridurre il rischio di inciampare, posizionare e marcare il cavo di alimentazione in modo tale che non possa essere danneggiato o che costituisca un rischio per gli altri.
- Per lo scollegamento, afferrare la spina e non il cavo.

NOTA

- La batteria viene fornita già parzialmente carica quando l'unità viene spedita dalla fabbrica e deve pertanto essere caricata completamente prima dell'uso.
- Ricaricare la batteria quando questa non è più in grado di generare una potenza sufficiente a far funzionare l'unità, oppure quando la spia della batteria indica una bassa carica residua.

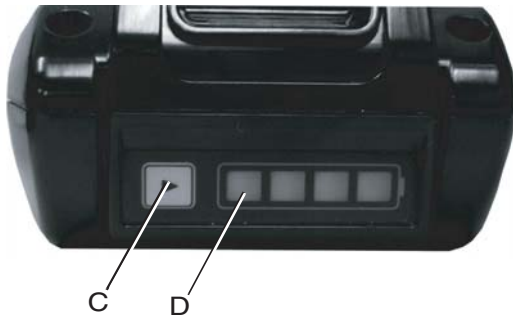


1. Inserire il cavo di alimentazione CA del caricabatterie in una presa di rete.
2. Allineare i bordi della batteria con le scanalature del caricabatterie e quindi inserire la batteria all'interno del caricabatterie.
3. Durante le normali fasi di ricarica, il LED del caricabatterie (B), emetterà un lampeggio continuo di colore VERDE.

IMPORTANTE

- Se il caricabatterie rileva un problema, il LED emette un lampeggio di colore rosso. In tal caso, rimuovere la batteria dal caricabatterie, eliminare le eventuali ostruzioni dai contatti e reinstallare la batteria nel caricabatterie. Se la batteria sta operando fuori dai limiti di temperatura (da 0 °C a 60 °C), il LED continuerà ad emettere il lampeggio ROSSO.

Prima di iniziare



- Una volta completata la ricarica, il LED emette una luce VERDE fissa.
 - * Un pacco batterie completamente scarico può essere ricaricato in circa 42 minuti.
- Assicurarsi che la batteria sia interamente carica, rimuovendola dal caricabatterie e quindi premendo il pulsante di misurazione dello stato di carica della batteria (C), e verificando lo stato sul relativo indicatore a LED (D).
 - ♦ 1 luce verde indica che la batteria ha una carica residua del 0-25%.
 - ♦ 2 luci verdi indicano che la batteria ha una carica residua del 25-50%.
 - ♦ 3 luci verdi indicano che la batteria ha una carica residua del 50-75%.
 - ♦ 4 luci verdi indicano che la batteria ha una carica residua del 75-100%.
- Scollegare il caricabatterie dall'alimentazione di rete.

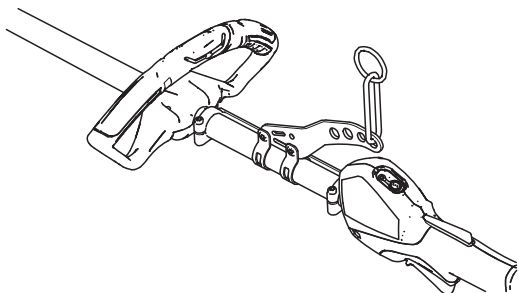
Montaggio

⚠ AVVERTENZA

○ Leggere attentamente il manuale per l'operatore per essere certi di montare correttamente il prodotto. L'uso di un prodotto non montato correttamente potrebbe causare incidenti o lesioni gravi.



Versione con impugnatura ad anello Montaggio dell'impugnatura ad anello

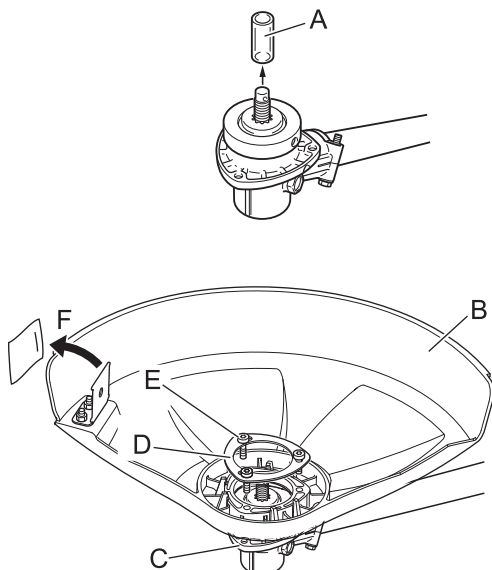


Collocare l'impugnatura in una posizione comoda e serrare i bulloni.

⚠ ATTENZIONE

○ Montare l'impugnatura in modo da non nascondere nessuna delle etichette di sicurezza.

Montaggio della protezione



⚠ AVVERTENZA

○ Il coltello tagliafilo montato sulla protezione dai detriti ha i bordi taglienti. Evitare di toccarlo durante il montaggio o lo smontaggio della testina a filo di nylon.

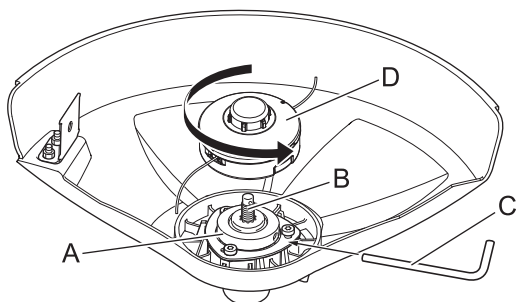
- Smontare il manicotto di plastica (A) dall'alberino di uscita.
- Installare la protezione (B) sulla parte inferiore della flangia della trasmissione angolare (C).
- Posizionare la piastra sulla protezione (D), allineare i fori e installare i tre bulloni (E).
- Serrare saldamente i tre bulloni.
- Rimuovere le guarnizioni (F).

NOTA

○ La protezione deve essere usata solo con la testina a filo di nylon.

Prima di iniziare

Montaggio della testina a filo di nylon



⚠ ATTENZIONE

○ Fissare saldamente l'alberino di uscita con l'utensile di bloccaggio per impedirne la rotazione durante il montaggio della testina a filo di nylon.

1. Accertarsi che il fermo della lama (A) rimanga sull'alberino di uscita (B).
2. Allineare il foro di bloccaggio nel fermo della lama con un intaglio sul bordo della trasmissione angolare e inserire l'utensile di bloccaggio (C).
3. Installare la testina a filo (D) sull'alberino di uscita ruotandola in senso antiorario fino al serraggio della testina sul fermo della lama.
4. Smontare l'utensile di bloccaggio.

Regolazione del punto di equilibrio Regolazione della cinghia a spalla

⚠ AVVERTENZA

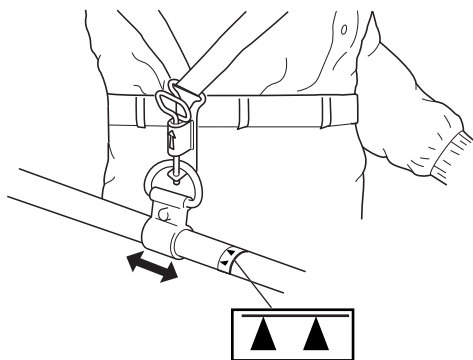
○ Questo prodotto è progettato per adattarsi a vari tipi di corporature, ma non sempre è regolabile per persone molto alte. Non utilizzare l'attrezzo se i piedi raggiungono l'accessorio di taglio quando l'attrezzo è fissato alla cinghia a spalla.

IMPORTANTE

○ L'altezza della persona può influire sulla regolazione del punto di equilibrio. Inoltre, la procedura di bilanciamento può non essere valida per alcune unità o per alcune persone. Se la cinghia a spalla non si adatta o non può essere ben regolata, richiedere assistenza al proprio rivenditore.



Equilibrare l'attrezzo per un taglio con rotazione livellata



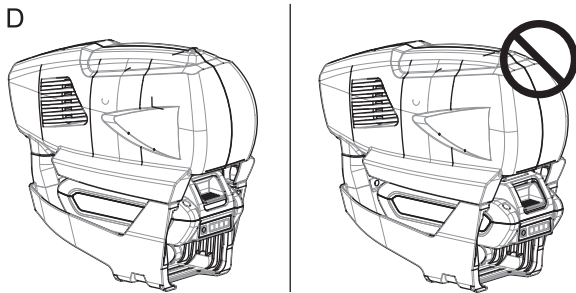
- ♦ La cinghia a spalla in dotazione è adatta per persone con una corporatura da adulto standard, con un'altezza di 150 - 195 cm e un giro vita di 60 - 140 cm.
- ♦ Utilizzare una cinghia a spalla se in dotazione o se consigliata in questo manuale. Regolare sia la cinghia che il punto di sospensione (A) sull'unità in modo che questa rimanga sospesa con l'accessorio di taglio a pochi centimetri da terra (B).
- ♦ L'accessorio di taglio e la protezione devono essere a livello in tutte le direzioni. Agganciare l'unità sul lato destro come mostrato.

- ♦ Far scorrere il punto di sospensione su e giù lungo l'albero per trovare l'equilibrio adeguato. Ruotare il fermo per portare l'accessorio di taglio a livello con la protezione. Bloccare in posizione. Se il punto di sospensione è di tipo a rotazione libera, l'unità può tendere a sbilanciarsi lateralmente; tuttavia, è necessario livellare ugualmente l'accessorio e la protezione sull'asse anteriore-posteriore.
- ♦ In seguito al bilanciamento e al livellamento può essere necessario riposizionare il fermo e regolare le fascette della cinghia. All'occorrenza riequilibrare l'accessorio di taglio e la protezione montati sull'unità.

⚠ ATTENZIONE

○ Non montare il punto di sospensione a una distanza dal corpo superiore a quella indicata dalla freccia (▲).

Installazione della batteria



⚠ AVVERTENZA

○ L'accessorio è in funzione quando la batteria è inserita, il LED di alimentazione è acceso e l'interruttore a grilletto e il relativo fermo dell'interruttore a grilletto sono attivati. Assicurarsi che il decespugliatore sia posizionato correttamente, per evitare di perdere il controllo e scongiurare il rischio di gravi infortuni. Mantenere le parti mobili dell'accessorio sollevate da terra e lontano da oggetti che potrebbero rimanere incagliati o essere lanciati.

1. Assicurarsi che l'unità sia disalimentata.
2. Allineare i bordi (A) del pacco batterie con le scanalature presenti sulla testa dell'unità. Inserire il pacco batterie all'interno della testa dell'unità.
3. Prima di azionare l'unità, accertarsi che il fermo sul pacco batterie (C) sia correttamente innestato nella sua sede e che il pacco batterie sia saldamente inserito nel suo alloggiamento.
4. Per estrarre la batteria, premere il pulsante di sgancio della batteria (C) e quindi estrarre la batteria dalla testa dell'unità.

IMPORTANTE

Prima di utilizzare il tagliaerba, assicurarsi che la batteria sia inserita correttamente, con il fermo saldamente fissato nella posizione di blocco (D).

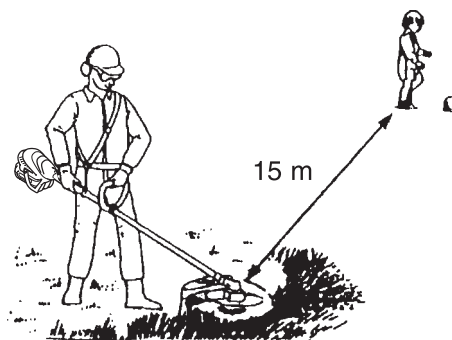
NOTA

- ◆ Il fermo della batteria è in posizione di blocco quando questo appare correttamente inserito nella sua sede.

Funzionamento

PERICOLO

- Le linee elettriche e i cavi aerei per le comunicazioni possono trasportare flussi di corrente con tensioni elevate. Questa unità non è isolata dalla corrente elettrica. Al fine di evitare il rischio di lesioni gravi o mortali, non toccare mai direttamente o indirettamente i cavi.
- Spegnerne sempre l'unità quando l'accessorio di taglio si inceppa.
Se durante la rimozione dell'inceppamento l'accessorio di taglio si avvia improvvisamente può causare gravi lesioni.
- Non utilizzare il prodotto senza protezione.
Qualsiasi oggetto che rimbalza dall'accessorio di taglio può provocare un incidente o lesioni gravi.
- L'area nel raggio di 15 m dal prodotto deve essere considerata zona pericolosa. Osservare le seguenti precauzioni mentre si sta lavorando con il prodotto.
 - ◆ Non permettere a bambini, altre persone o animali di entrare nella zona pericolosa.
 - ◆ Qualora nell'area di utilizzo dell'attrezzo siano presenti soggetti terzi non autorizzati, spegnere l'unità per arrestare la rotazione dell'accessorio di taglio.
 - ◆ Prima di avvicinarsi all'utente, fargli prima un segnale, per esempio, gettando dei ramoscelli dall'esterno della zona pericolosa, quindi controllare che l'unità sia spenta e che l'accessorio di taglio sia fermo.
 - ◆ Se più persone devono lavorare con il prodotto, trovare un modo per comunicare con il collega da una distanza di 15 m.Qualsiasi oggetto che rimbalza dall'accessorio di taglio e qualsiasi contatto con l'accessorio di taglio può causare cecità o morte.



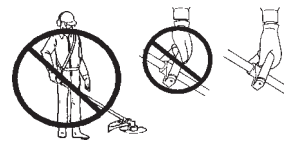
AVVERTENZA

- Prestare particolare attenzione alle seguenti precauzioni quando si avvia l'unità:**
- Controllare che non ci siano dadi o bulloni allentati.
 - Lasciare sufficiente spazio intorno al prodotto e non permettere a persone o animali di avvicinarsi.
La mancata osservanza di queste precauzioni può provocare incidenti, lesioni o perfino la morte.
 - Quando l'unità è in funzione, assicurarsi che non ci siano vibrazioni o rumori anomali. Non utilizzare il prodotto se ci sono vibrazioni o rumori anomali. Contattare il rivenditore per la riparazione.
Incidenti che provocano la caduta o la rottura di parti possono causare ferite o lesioni gravi.
 - Prima di un eventuale trasporto, spegnere sempre l'unità e rimuovere la batteria.
 - Non toccare la trasmissione angolare o altri componenti ad alta temperatura mentre il prodotto è acceso e subito dopo lo spegnimento.
Il contatto con componenti ad alta temperatura potrebbe causare ustioni.
 - Prima di iniziare a lavorare controllare l'area e rimuovere le pietre piccole e i recipienti vuoti che potrebbe rimbalzare dall'accessorio di taglio, e pezzi di lacci o fili che si potrebbero attorcigliare attorno ad esso.
Corpi estranei rimbalzati dall'accessorio di taglio o fili e altri materiali attorcigliati attorno al prodotto potrebbero causare un incidente o lesioni gravi.
 - Nelle seguenti situazioni arrestare immediatamente l'unità e assicurarsi che l'accessorio di taglio sia fermo prima di procedere ad effettuare l'ispezione di qualunque parte del prodotto. Sostituire le parti danneggiate.
 - ◆ Se l'accessorio di taglio urta contro una roccia, un albero, un palo o qualsiasi altra ostruzione mentre si sta lavorando.
 - ◆ Se il prodotto comincia improvvisamente a vibrare in maniera anomala.Continuare a utilizzare parti danneggiate potrebbe provocare un incidente o lesioni gravi.
 - Non sollevare l'accessorio di taglio durante il lavoro. Non lavorare con l'accessorio di taglio sollevato oltre il livello del ginocchio.
Sollevando l'accessorio di taglio sopra il livello del ginocchio, il piano di rotazione si avvicinerebbe al viso ed eventuali oggetti potrebbero volare dall'accessorio di taglio causando un incidente o lesioni gravi.



⚠ AVVERTENZA

- Non tentare mai di utilizzare il prodotto con una mano sola.
- Le dita e il pollice di ogni mano devono afferrare saldamente le impugnature.

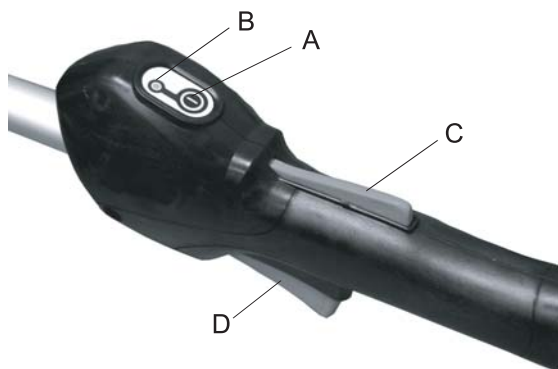


- Non utilizzare mai l'unità sporgendosi e mantenere sempre una posizione che garantisca un equilibrio ottimale; assicurarsi inoltre di avere sempre i piedi saldamente poggiati al suolo mentre si opera su tratti in pendenza o si cammina. Non correre durante l'uso dell'unità.
- Non utilizzare mai l'unità con protezioni o schermature difettose, oppure quando questa è priva di dispositivi di sicurezza, oppure ancora quando il filo è danneggiato o usurato.

Avvio dell'unità

⚠ AVVERTENZA

- L'accessorio è in funzione quando la batteria è inserita, il LED di alimentazione è acceso e l'interruttore a grilletto e il relativo fermo dell'interruttore a grilletto sono attivati. Assicurarsi che il prodotto sia posizionato correttamente, per evitare di perdere il controllo e scongiurare il rischio di gravi infortuni.



1. Premere il pulsante di accensione (A) una volta, per accendere l'unità.
 - * Il LED di alimentazione (B) resta illuminato quando l'unità è accesa.
2. Tenere premuto il fermo dell'interruttore a grilletto (C) e premere l'interruttore a grilletto (D) per incrementare il regime di giri fino a raggiungere la corretta velocità di funzionamento.

IMPORTANTE

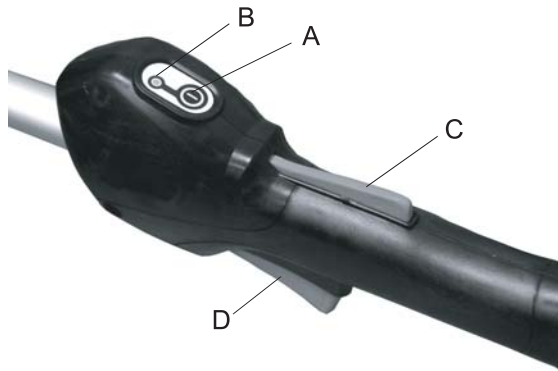
- Quando l'unità è accesa:
 - Dopo un minuto di inutilizzo l'unità si spegnerà automaticamente.
 - Se il LED rimane acceso, il funzionamento è normale.
 - Se il LED lampeggia una volta al secondo, è necessario sostituire la batteria.
 - Se il LED lampeggia quattro volte al secondo, significa che l'unità è guasta. Disalimentare l'unità. Rimuovere la batteria. Rimuovere ogni traccia di residui dalla testina a filo. Reinstallare la batteria. Rialimentare l'unità. Se il LED continua a lampeggiare, recarsi presso un centro di assistenza autorizzato per far riparare il prodotto.

Arresto dell'unità

⚠ AVVERTENZA

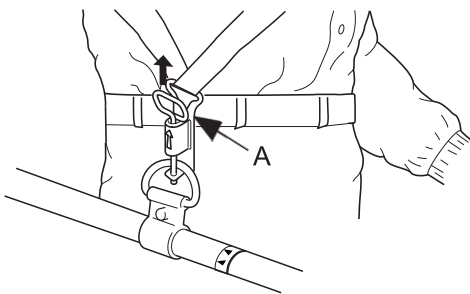
- L'accessorio di taglio continua a funzionare per un breve periodo dopo lo spegnimento dell'unità.

Funzionamento



1. Rilasciare l'interruttore a grilletto e il fermo dell'interruttore a grilletto, per arrestare la testa di taglio.
2. Premere il pulsante di accensione (A), per spegnere l'unità.
 - * Il LED di alimentazione (B) resta spento quando l'unità è spenta.
 - * Se la testa di taglio non si arresta quando vengono rilasciati l'interruttore a grilletto e il relativo fermo, premere il pulsante di accensione per spegnere l'unità e quindi rimuovere la batteria per disalimentare totalmente l'unità. Quindi, portare l'unità presso un centro di assistenza autorizzato per far riparare il pulsante di accensione, prima di utilizzare nuovamente prodotto.

Uso della cinghia a spalla



Montare sempre il decespugliatore correttamente utilizzando la cinghia a spalla.

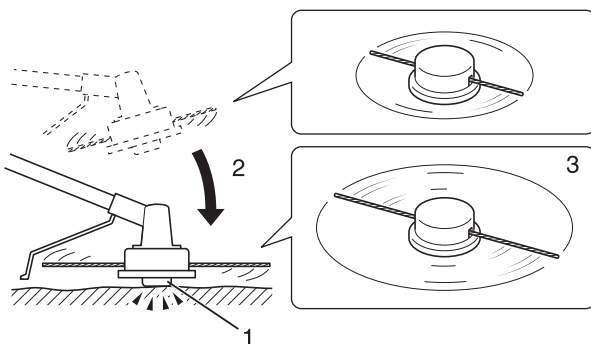
- ◆ Agganciare il prodotto alla cinghia a spalla.
- ◆ Collocare la cinghia sulla spalla sinistra e regolare le fascette in modo che la spina a sgancio rapido rimanga immediatamente sotto la vita.
- ◆ Verificare la corretta regolazione muovendo l'accessorio di taglio sul terreno.
- ◆ Se necessario, regolare nuovamente la posizione del punto di sospensione.
- ◆ La cinghia a spalla è dotata di una funzione di rilascio di emergenza. In caso di incendio o altra emergenza, tirare la spina a sgancio rapido (A) per staccare il prodotto dal corpo.

Funzionamento base del taglio con testina a filo di nylon

AVVERTENZA

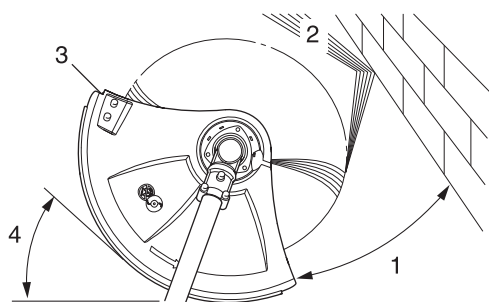
- L'uso improprio dell'accessorio di taglio può causare lesioni gravi. Leggere e osservare le istruzioni per la sicurezza riportate in questo manuale.
- Utilizzare solo accessori di taglio raccomandati da YAMABIKO CORPORATION.
- In seguito alla regolazione della lunghezza del filo, il filo di nylon superfluo che si estende oltre il coltello tagliafilo potrebbe volare via quando l'accessorio di taglio che lo contiene inizia a girare.
La mancata osservanza di queste precauzioni potrebbe causare un incidente o lesioni gravi.

Regolazione del filo di nylon



- ◆ Non far girare la testina a filo di nylon a più di 10000 giri/min.
 - ◆ Per far avanzare il filo della bobina, battere leggermente il pomello di battuta contro la superficie del terreno a una velocità di rotazione inferiore a 4500 giri/min.
 - ◆ Il coltello tagliafilo sulla protezione regola automaticamente i fili tagliandoli in modo uniforme quando l'accessorio inizia a ruotare.
 - ◆ Quando si lavora con una lunghezza di taglio inferiore alla massima, tagliare i due fili di nylon alla stessa lunghezza.
1. Pomello di battuta
 2. Battere leggermente il pomello contro la superficie del terreno
 3. Il filo di nylon fuoriesce

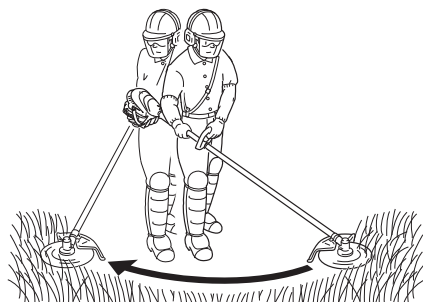
Taglio



- ♦ Consiste nell'inserimento attento del decespugliatore nel materiale da tagliare. Inclinare leggermente la testa per indirizzare i detriti lontano dal corpo. Se il taglio viene eseguito fino a una barriera, quale una recinzione, un muro o un albero, avvicinarsi da un'angolazione tale per cui i detriti che rimbalzano dall'ostacolo non vengano contro l'utente.
- ♦ Muovere la testina a filo di nylon lentamente finché l'erba non è stata tagliata fino alla barriera, ma non insistere troppo con il filo. Se si esegue il taglio lungo una rete, prestare attenzione a non avvicinarsi troppo. Se il filo è troppo lungo va ad avvolgersi e ad impigliarsi con la rete.
- ♦ Il taglio serve anche per tagliare un gambo di erbacce alla volta. Mettere la testina a filo di nylon accanto alla base del fascio, mai in alto, dove l'erbaccia potrebbe vibrare ed impigliarsi nel filo. Anziché tagliare completamente le erbacce, tagliare lentamente il gambo con la punta del filo.

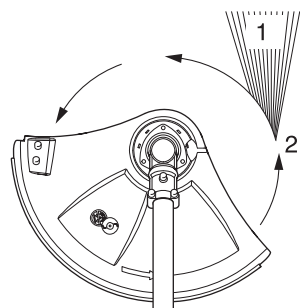
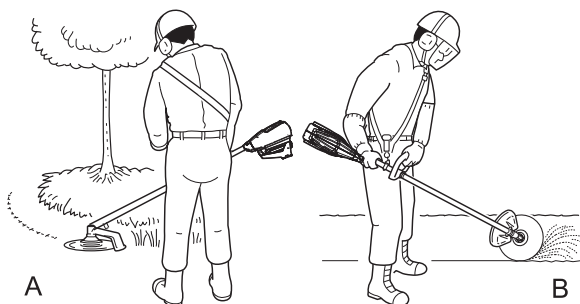
1. Angolo con il muro
2. Detriti
3. Lato lama alzato
4. Angolo con il suolo

Falciatura



- ♦ Si tratta del taglio di aree erbose piuttosto estese, eseguito descrivendo un arco con il decespugliatore con un movimento lento e uniforme, senza cercare di appiattare o tranciare l'erba. Inclinare leggermente la testina a filo di nylon per indirizzare i detriti lontano dal corpo nella corsa di falciatura. Quindi tornare indietro senza tagliare l'erba e iniziare un'altra corsa. Se si è ben protetti e quindi non ci si deve preoccupare dei detriti ricevuti addosso, è possibile falciare in entrambe le direzioni.

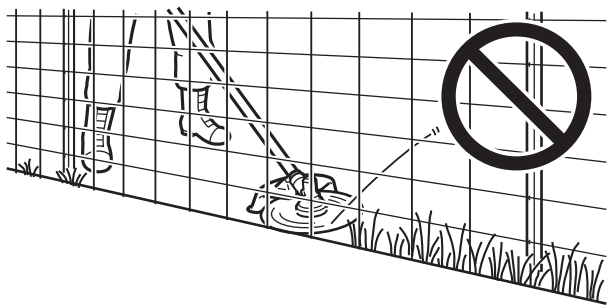
Rasatura al suolo e rifilatura



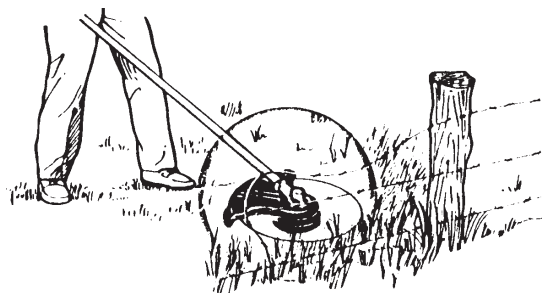
- ♦ Entrambe vengono eseguite con la testina a filo di nylon ad angolo acuto. La rasatura al suolo (A) consente di eliminare la crescita, lasciando solo la base di terra. La rifilatura (B) consiste nell'eliminare la crescita dell'erba da un'area pavimentata o da un vialetto. Durante entrambe le operazioni, tenere l'unità a un angolo acuto in una posizione per cui i detriti ed eventuali rifiuti o pietre scalzati non tornino verso l'utente anche rimbalzando contro la superficie dura.
- ♦ Sebbene le illustrazioni mostrino come radere al suolo e rifinire, ciascun utente deve individuare autonomamente l'inclinazione più adatta al suo corpo e al taglio desiderato.
- ♦ Per quasi ogni tipo di taglio è buona pratica inclinare la testina a filo di nylon in modo che il contatto avvenga sulla sezione del cerchio tracciato dal filo quando si sposta lontano dall'utente e dalla protezione (vedere la figura corrispondente). In questo modo, i detriti vengono scagliati lontano dall'utente.
- ♦ Inclinando la testina in direzione errata, l'utente fa volare i detriti verso il proprio corpo. Se la testina a filo di nylon viene tenuta piatta rispetto al suolo in modo che il taglio abbia luogo su tutto il cerchio tracciato, i detriti saranno scagliati verso l'utente, la resistenza farà rallentare l'unità con un elevato consumo di filo.
- ♦ La testina a filo di nylon ruota in senso antiorario. Il coltello si trova sul lato sinistro della protezione.

1. Detriti
2. Tagliare da questo lato

Funzionamento



- ♦ Non spingere il filo tra erbacce robuste, alberi o reti metalliche.
- ♦ Quando si spinge il filo in reti zincate leggere o recinzioni in tessuto metallico o fitta vegetazione, l'utente rischia di venire colpito dalle estremità spezzate del filo. Il metodo corretto consiste nel tagliare fino a un ostacolo come quelli già accennati, senza mai permettere che il filo entri o penetri nell'ostacolo. Non tagliare vicino a ostacoli o barriere.



- ♦ Evitare che il filo di nylon venga a contatto con la rete metallica. I pezzi di rete spezzata dal decespugliatore possono essere scagliati ad alta velocità.

⚠ AVVERTENZA

Osservare le seguenti precauzioni durante il controllo e la manutenzione del prodotto dopo l'uso:

○ **Spegnere l'unità, rimuovere la batteria e assicurarsi che tutte le parti in movimento si siano completamente arrestate.**

Un avvio imprevisto del prodotto potrebbe causare un incidente.

○ **Prima di eseguire le operazioni di manutenzione, far raffreddare l'unità.**

L'esecuzione di interventi a motore caldo può causare ustioni.

IMPORTANTE

○ Il controllo e la manutenzione richiedono competenze specialistiche. In caso di problemi o difficoltà durante il controllo o la manutenzione del prodotto o la riparazione in caso di guasto, consultare il proprio rivenditore. Non tentare di smontare il prodotto.

Guida alla manutenzione

Parte	Manutenzione	Pagina	Prima dell'uso	Mensilmente
Batteria	Ispezionare / pulire / caricare	10	•	
Testina a filo di nylon	Ispezionare	19	•	
Coltello tagliafilo	Ispezionare/pulire	-	•	
Viti, bulloni e dadi	Ispezionare, serrare / sostituire	-	•	

Manutenzione e cura

In caso di dubbi o problemi, contattare il rivenditore.

Pulitura della batteria e dello scomparto batterie

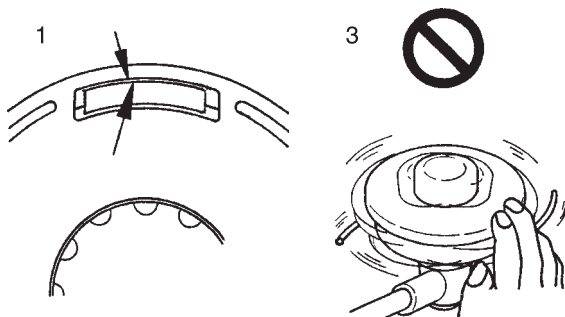


⚠ AVVERTENZA

○ **Rischio di scosse elettriche o incendio. Non utilizzare materiali conduttivi per pulire la batteria o lo scomparto batterie.**

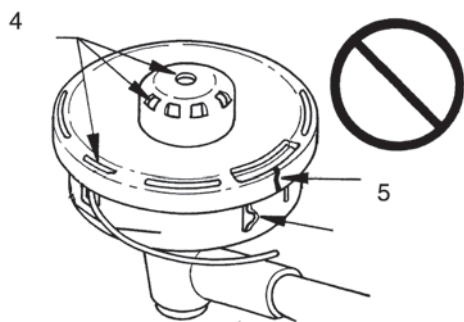
1. Rilasciare l'interruttore a grilletto e il fermo dell'interruttore a grilletto, per arrestare la testa di taglio.
2. Assicurarsi che il LED di alimentazione non sia illuminato.
3. Premere il pulsante di sgancio della batteria (A) e quindi estrarre la batteria dalla testa dell'unità.
4. Utilizzare aria compressa o una spazzola a setole morbide per rimuovere gli eventuali residui presenti sulla batteria e nello scomparto batteria.

Verifica della testina a filo di nylon



1. Accertarsi che i due cricchetti che bloccano il coperchio al corpo della testina siano ben fissati e scattino perfettamente nel loro alloggiamento.
2. Verificare che la testina a filo sia montata saldamente sul bordatore/decespugliatore e serrarla ulteriormente se necessario.
3. Controllare che non vi sia deflessione o rumorosità anomala ruotando la testina manualmente. Deflessione o eccessiva rumorosità possono produrre forti vibrazioni o causare un allentamento del sistema di fissaggio al bordatore/decespugliatore durante il funzionamento con conseguenti gravi rischi.

Manutenzione e cura



4. Accertarsi che il coperchio del pomello di battuta non sia usurato. Se è evidente la presenza di una fessura all'interno del pomello di battuta o all'interno del coperchio nelle vicinanze dell'apertura dove esce il filo, sostituirli se consumati.
5. Accertarsi che non vi siano incrinature o schegge nella testina. Se si dovessero riscontrare incrinature o schegge sostituire subito le parti danneggiate.

Sostituzione del filo di nylon

⚠ PERICOLO

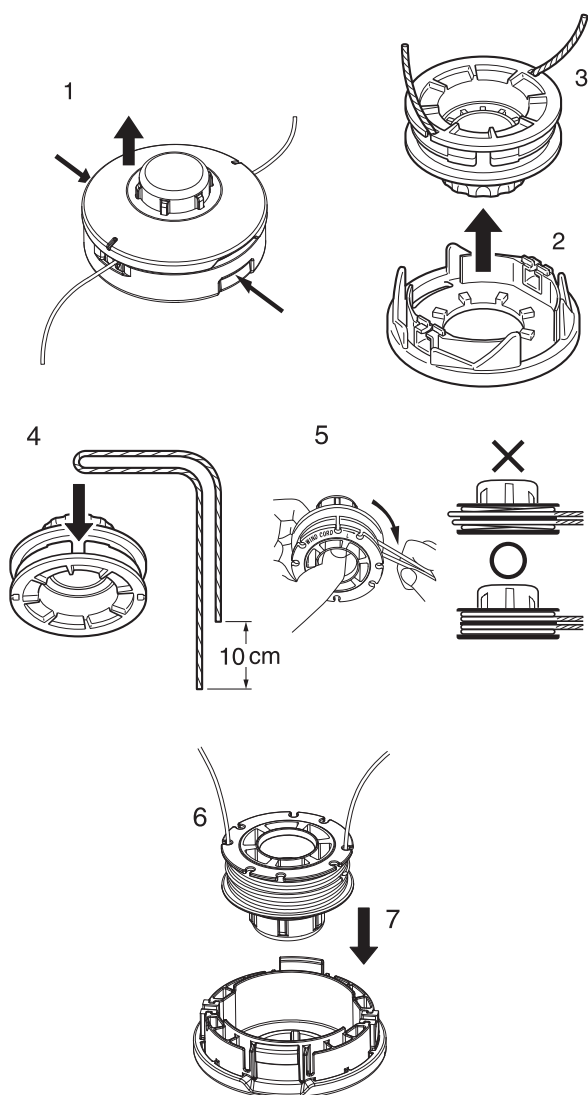
- **Spegnere l'unità e accertarsi che la testina a filo di nylon abbia smesso di ruotare, prima di iniziare la procedura di sostituzione.**

La mancata osservanza di queste precauzioni potrebbe causare un incidente o lesioni gravi.

⚠ AVVERTENZA

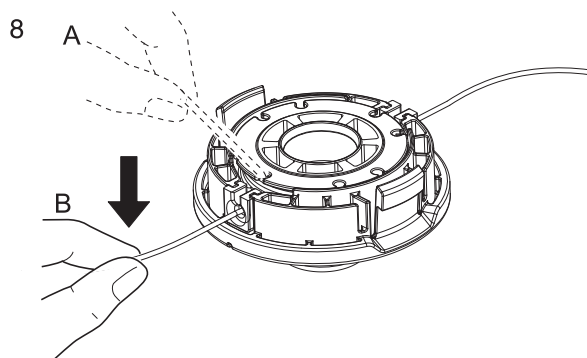
- **Usare solo filo flessibile non metallico raccomandato da YAMABIKO CORPORATION.**

La mancata osservanza di queste precauzioni potrebbe causare incidenti o lesioni gravi.

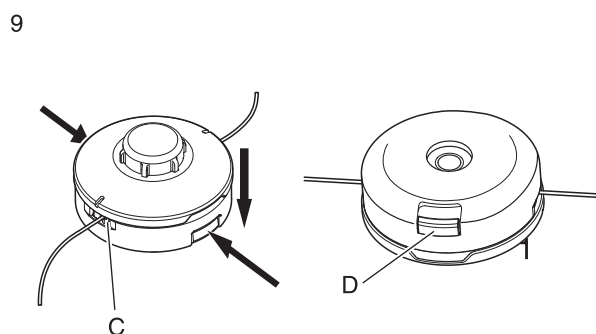


1. Spingere in dentro i "cricchetti di bloccaggio" (in due punti) e smontare il coperchio. La rimozione è più semplice se eseguita in successione.
2. Rimuovere la bobina.
3. Quando il filo di nylon sulla bobina è quasi esaurito, eliminare il filo residuo e avvolgere un filo nuovo attenendosi alle procedure indicate al punto (4) e successive. Quando il filo di nylon sulla bobina è "fuso e incollato", eliminare l'intero filo asportando la porzione "fusa e incollata" e avvolgere nuovamente il "filo rimosso" attenendosi alle procedure indicate al punto (4) e successive.
4. Piegarlo nel punto a 10 cm di distanza dalla metà dell'intera lunghezza e fissare la porzione piegata nella "feritoia" del separatore intermedio.
5. Avvolgere saldamente il filo nella scanalatura della bobina seguendo la "direzione di avvolgimento per il filo L".
6. Quando il filo è avvolto fino alla fine, fissare entrambe le estremità nelle rispettive feritoie della bobina per bloccarle provvisoriamente lasciando le estremità a circa 10 cm oltre la feritoia.
7. Allineare le feritoie della bobina con le scanalature degli occhielli e inserire la bobina nel coperchio.

Manutenzione e cura



8. Estrarre il filo dal coperchio. (A) Rimuovere il filo dalla "rispettiva feritoia della bobina" e (B) farlo passare attraverso la "scanalatura del rispettivo occhiello".



9. Assemblare coperchio e alloggiamento. (C) Allineare gli "occhielli" del coperchio con i "recessi" dell'alloggiamento e (D) spingere i cricchetti dell'alloggiamento nelle rispettive aperture del coperchio fino a che non si incastrano saldamente nelle aperture.

⚠ PERICOLO

Accertarsi che la parte esterna dei cricchetti dell'alloggiamento si estenda quasi completamente nella parte esterna della rispettiva apertura nel coperchio. Se i cricchetti sono allentati e si aziona la testina, il coperchio o i componenti interni possono saltare fuori, rappresentando un pericolo.

Problemi tecnici

IMPORTANTE

○ Per i pezzi di ricambio e gli articoli di consumo, utilizzare solo parti originali, prodotti e componenti raccomandati. L'utilizzo di ricambi di altri produttori o componenti non raccomandati potrebbe provocare guasti.

Problema	Causa	Rimedio
La spia rossa del caricabatterie lampeggia oppure non si illumina	<ol style="list-style-type: none"> 1. Spina non collegata alla presa muro 2. Pacco batterie non installato correttamente 3. Collegamento ostruito 4. Anomalia nel caricabatterie 5. Anomalia nel pacco batterie 	<ol style="list-style-type: none"> 1. Collegare il caricabatterie all'alimentazione 2. Controllare l'installazione del pacco batterie 3. Reinstallare il pacco batterie dopo aver rimosso le ostruzioni dal collegamento. 4. Consultare il rivenditore 5. Consultare il rivenditore
L'unità non si accende	<ol style="list-style-type: none"> 1. Pacco batterie non installato correttamente 	<ol style="list-style-type: none"> 1. Controllare l'installazione del pacco batterie
L'unità non funziona dopo l'accensione	<ol style="list-style-type: none"> 1. Pacco batterie scarico 2. La testina a filo è ostruita 3. La temperatura del pacco batterie è superiore ai valori considerati accettabili 	<ol style="list-style-type: none"> 1. Caricare il pacco batterie 2. Spegnerne l'unità e pulire l'accessorio di taglio 3. Rimuovere il pacco batterie e farlo raffreddare
Tempo di funzionamento troppo breve	<ol style="list-style-type: none"> 1. La temperatura del pacco batterie è superiore ai valori considerati accettabili 2. I componenti elettronici sono surriscaldati 3. Pacco batterie scarico 	<ol style="list-style-type: none"> 1. Rimuovere il pacco batterie e farlo raffreddare 2. Spegnerne l'unità e attendere che si raffreddi 3. Caricare il pacco batterie
Il filo non si inserisce	<ol style="list-style-type: none"> 1. Filo insufficiente sulla bobina 2. Filo impigliato nella bobina 	<ol style="list-style-type: none"> 1. Riavvolgere con un filo nuovo 2. Svolgere e riavvolgere il filo
Il filo non riesce a tagliare	<ol style="list-style-type: none"> 1. Il coltello tagliafilo nella protezione è danneggiato o mancante 	<ol style="list-style-type: none"> 1. Consultare il rivenditore

Manutenzione e cura

- ♦ In caso di problemi non menzionati nella tabella consultare il proprio rivenditore.
- ♦ Contattare il proprio rivenditore per smaltire il prodotto o parti di esso in conformità alle leggi nazionali.

Rimessaggio

AVVERTENZA

- **Non stoccare in un contenitore in cui potrebbero accumularsi fumi infiammabile.**
Questo potrebbe provocare un incendio.



Quando si conserva il prodotto per un lungo periodo, assicurarsi di effettuare le seguenti operazioni di preparazione.

Tagliasiepi elettrico

1. Spegnerne l'unità.
2. Rimuovere la batteria dalla testa dell'unità.
3. Rimuovere eventuali accumuli di sporco e detriti dalle parti esterne dell'unità.
4. Serrare tutte le viti e i dadi.
5. Coprire lo scomparto batteria della testa dell'unità, la batteria e il caricabatterie.
6. Conservare l'unità in un luogo asciutto e privo di polvere, lontano dalla portata dei bambini.

Batteria

1. Rimuovere la batteria dalla testa dell'unità.
2. Conservare in un luogo asciutto e privo di polvere, lontano dalla portata dei bambini.
3. Conservare a temperature comprese tra -20 °C e 60 °C.
4. Se la batteria deve restare inutilizzata per oltre un anno, ricaricarla fino al 40 - 60 % della capacità.

Caricabatterie

1. Rimuovere la batteria dal caricabatterie.
2. Scollegare il caricabatterie dall'alimentazione di rete.
3. Conservare in un luogo asciutto e privo di polvere, lontano dalla portata dei bambini.

Smaltimento



- ♦ I componenti principali di plastica del prodotto presentano dei codici che indicano i materiali che li costituiscono. I codici fanno riferimento ai seguenti materiali; smaltire questi componenti di plastica in conformità alla legislazione locale.

Contrassegno	Materiale
>PA6-GF<	Nylon 6 - Fibra di vetro
>PP-GF<	Polipropilene - Fibra di vetro
>PE-HD<	Polietilene
>PP<	Polipropilene

- ♦ Contattare il proprio concessionario per ottenere informazioni sulle modalità di smaltimento dei componenti in plastica.
- ♦ La batteria contiene litio. Eseguire lo smaltimento soltanto presso uno dei punti di raccolta designati.
- ♦ Le batterie agli ioni di litio devono essere riciclate o smaltite correttamente.

Caratteristiche tecniche

	DSRM-300
Dimensioni esterne: Lunghezza x Larghezza x Altezza	1830 x 350 x 280 mm
Massa: Unità senza accessorio di taglio, pacco batterie e protezione Unità con accessorio di taglio, pacco batterie e protezione	3,6 kg 5,3 kg
Accessorio di taglio: Testina a filo di nylon Diametro filo di nylon Lunghezza filo di nylon Filettatura Larghezza di taglio	G138 2,0 mm Filo 2 x1 m Sinistrorsa M10 x 1,25 350 mm
Rapporto ingranaggi	2,93
Senso di rotazione dell'alberino di uscita visto dall'alto:	Senso antiorario
Batteria: Tipo Pacco in tensione Tipo caricabatterie Tensione di ingresso caricabatterie	Ioni di litio 56 Volt (nominale, 50,4 V) CCCV 230 - 240 Volt c.a.
Spie del caricabatterie:	LED Rosso: la temperatura della batteria ha superato i valori di temperatura prestabiliti LED Rosso lampeggiante: malfunzionamento LED Verde: ricarica batteria completata LED Verde lampeggiante: la ricarica procede normalmente
Tempo di carica:	Batteria LBP-560-100: Circa 42 minuti. Batteria LBP-560-200: Circa 88 minuti.
Livelli di vibrazioni: (EN50636-2-91)	Impugnatura anteriore 1,6 m/s ² Impugnatura posteriore 1,4 m/s ² Incertezza 1,5 m/s ²
Livello pressione acustica: (EN50636-2-91) Livello potenza acustica: (EN50636-2-91) Incertezza	80,9 dB(A) 92,4 dB(A) 3,0 dB(A)
Livello di potenza acustica garantito: (2000/14/CE, emendato dalla norma 2005/88/CE)	96 dB(A)

Queste specifiche possono subire modifiche senza preavviso.

Dichiarazione di conformità

Il produttore sottoscritto:

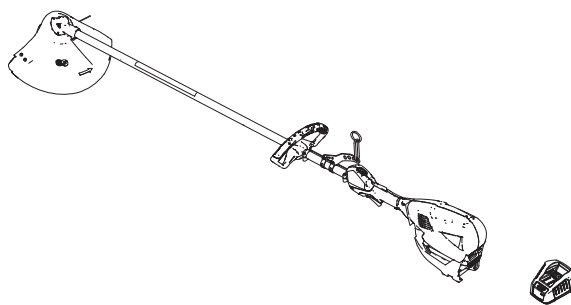
YAMABIKO CORPORATION
7-2 SUEHIROCHO 1-CHOME
OHME; TOKYO 198-8760
GIAPPONE

La presente dichiarazione di conformità viene rilasciata sotto la responsabilità esclusiva del produttore.

dichiara che la nuova macchina di seguito descritta:

DECESPUGLIATORE - CARICABATTERIE

Marchio: ECHO
Tipo: DSRM-300, LCJQ-560



assemblato da:

ECHO, INCORPORATED
400 OAKWOOD ROAD
LAKE ZURICH, ILLINOIS 60047-1564
U.S.A.

è conforme a:

- * Requisiti della Direttiva **2006/42/CE** (applicazione degli standard armonizzati **EN 60335-1: 2012, EN 50636-2-91: 2014**)
- * i requisiti richiesti dalla Direttiva **2014/30/CE** (applicazione degli standard armonizzati **EN 55014-1: 2006, EN 55014-2: 1997, EN 61000-3-2: 2006, e EN 61000-3-3: 2008**)
- * i requisiti richiesti dalla Direttiva **2014/35/CE** (applicazione degli standard armonizzati **EN 60335-1: 2012, EN 60335-2-29: 2004, e EN 62233: 2008**)
- * i requisiti richiesti dalla Direttiva **2000/14/CE**

Conforme alla procedura di accertamento dell'**ALLEGATO V**

- * i requisiti richiesti dalla Direttiva **2011/65/CE** (uso della norma armonizzata **EN 50581: 2012**)

Livello di potenza acustica misurato: 93 dB(A) Livello di potenza acustica garantito: 96 dB(A)

DSRM-300: Numero di serie 35000001 e superiori, **LCJQ-560:** Numero di serie 35001001 e superiori

Tokyo, 1 maggio 2016

YAMABIKO CORPORATION

A handwritten signature in black ink, reading "Masayuki Kimura".

Masayuki Kimura

Direttore generale
Reparto Garanzia di qualità

Rappresentante autorizzato in Europa a costituire il fascicolo tecnico.

Azienda: Atlantic Bridge Limited
Indirizzo: Atlantic House, PO Box 4800, Earley, Reading RG5 4GB, Regno Unito

Sig. Philip Wicks

MEMORANDUM

YAMABIKO CORPORATION

7-2 SUEHIROCHO 1-CHOME, OHME, TOKYO 198-8760, GIAPPONE

TELEFONO: 81-428-32-6118. FAX: 81-428-32-6145.



X750-027380

X750816-2101



ES ESPAÑOL
(Instrucciones originales)

MANUAL DE INSTRUCCIONES CORTABORDES DSRM-300

ADVERTENCIA



LEA ATENTAMENTE LAS INSTRUCCIONES Y SIGA LAS INDICACIONES PARA UN FUNCIONAMIENTO SEGURO.
DE NO HACERLO, PODRÍA SUFRIR LESIONES GRAVES.

Contenido

Para una utilización segura del producto.....	3
Descripción	8
Antes de comenzar	9
Lista de piezas.....	9
Carga de la batería	10
Montaje	11
Versión con manillar único.....	11
Ajuste del equilibrio	12
Instalación de la batería	13
Funcionamiento	14
Encendido de la unidad	15
Detención de la unidad	15
Uso del arnés	16
Funcionamiento básico del recorte de bordes con el cabezal de corte de hilo de nylon16	16
Mantenimiento y cuidados	19
Directivas de asistencia	19
Mantenimiento y cuidados	19
Almacenamiento	22
Eliminación	22
Características técnicas.....	23
Declaración de conformidad	24

Para una utilización segura del producto

Información importante

ADVERTENCIA

Asegúrese de leer el manual de instrucciones antes de utilizar el producto.

Acerca del manual de instrucciones

- Este manual proporciona la información necesaria para el montaje, funcionamiento y mantenimiento de esta máquina. Léalo atentamente y asimile su contenido.
- Mantenga siempre el manual en un lugar fácilmente accesible.
- Si ha extraviado el manual o está dañado y no es posible leerlo, por favor adquiera uno nuevo en su distribuidor.
- Las unidades utilizadas en este manual son unidades SI (sistema internacional de unidades). Las cifras que aparecen entre paréntesis son valores de referencia y, en algunos casos, puede haber un ligero error de conversión. Si no lo hace, podría producirse un accidente o una lesión grave.

Uso al que está destinado este producto

- Este producto es una máquina ligera de alto rendimiento, diseñada para controlar el crecimiento de las malas hierbas y cortar los bordes en áreas difíciles de controlar con otros medios.
- No utilice este aparato para ningún otro propósito distinto de los mencionados anteriormente.
- El contenido de este manual puede sufrir cambios sin previo aviso debido a actualizaciones del producto. Algunas de las ilustraciones utilizadas pueden ser diferentes al propio producto para hacer más claras las explicaciones.
- Consulte con su distribuidor si hay algo que no esté claro o le preocupe. Si no lo hace, podría producirse un accidente o una lesión grave.

No modifique el producto

- No debe modificar el producto. De hacerlo, podría provocar un accidente o una lesión grave. Cualquier error resultante de una modificación del producto no estará cubierto por la garantía del fabricante.

No utilice el producto a no ser que haya sido comprobado y se le haya realizado el mantenimiento

- No debe utilizar el producto a no ser que haya sido comprobado y se le haya realizado el mantenimiento. Asegúrese siempre de comprobar el producto y de realizar regularmente el mantenimiento. Si no lo hace, podría producirse un accidente o una lesión grave.

Préstamo o asignación del producto

- Cuando preste el producto a una tercera persona, asegúrese de que la persona que toma prestado el producto recibe también el manual de instrucciones.
- Si asigna el producto a una tercera persona, adjunte el manual de instrucciones con el producto cuando haga la entrega. Si no lo hace, podría producirse un accidente o una lesión grave.

Usuarios del producto

- El producto no podrá ser utilizado por:
 - ◆ personas que estén cansadas
 - ◆ personas que hayan consumido alcohol
 - ◆ personas que estén tomando medicación
 - ◆ mujeres embarazadas
 - ◆ personas que estén en una mala condición física
 - ◆ personas que no hayan leído el manual de instrucciones
 - ◆ niños
- Tenga presente que el operador o usuario es responsable de los accidentes o peligros ocasionados a terceras personas o a su propiedad. Si no sigue estas instrucciones podría provocar un accidente.
- Los componentes de esta máquina generan un campo electromagnético durante su funcionamiento, lo que podría interferir con algunos marcapasos. Para reducir los riesgos para la salud, recomendamos a los usuarios de marcapasos que consulten a su médico y al fabricante del marcapasos antes de utilizar este producto.



Para una utilización segura del producto

ADVERTENCIA

Las vibraciones y el frío

- Se cree que puede contraerse una enfermedad llamada fenómeno de Raynaud, que afecta a los dedos de ciertos individuos, si está expuesto a vibraciones y frío. La exposición a las vibraciones y al frío puede causar cosquilleo y quemazón en los dedos, seguido de pérdida de color y sensación de dedos dormidos. Se recomiendan las siguientes precauciones, ya que se desconoce cuál es la exposición mínima que desencadena esta dolencia.
 - ◆ Mantenga el cuerpo caliente, especialmente la cabeza y el cuello, los pies y los tobillos y las manos y las muñecas.
 - ◆ Mantenga una buena circulación sanguínea realizando vigorosos ejercicios con los brazos durante frecuentes descansos y también no fumando.
 - ◆ Limite el número de horas de trabajo. Intente también hacer cada día trabajos en los que no sea necesario usar el cortabordes u otros equipos eléctricos de sujeción manual.
 - ◆ Si experimenta molestias, rojez o hinchazón de los dedos, seguidos de una pérdida de sensación y emblanquecimiento de los mismos, consulte con su médico antes de volver a exponerse al frío y a las vibraciones.
- Si no tiene en cuenta estas instrucciones podría perjudicar su salud.

Lesiones por esfuerzos repetitivos

- Se cree que un uso excesivo de los músculos y tendones de los dedos, manos, brazos y hombros puede causar dolores, hinchazones, adormecimiento, entumecimiento, debilidad y dolores extremos en los mismos. Ciertas actividades repetitivas de las manos pueden suponer un alto riesgo para el usuario de desarrollo de lesiones debidas a esfuerzos repetitivos (RSI). Para reducir el riesgo de lesiones por RSI:
 - ◆ Evite colocar la muñeca en posición doblada, extendida o torcida.
 - ◆ Tómese descansos periódicos para minimizar la repetición y deje descansar las manos. Reduzca la velocidad y fuerza con la que hace el movimiento repetitivo.
 - ◆ Haga ejercicios que fortalezcan los músculos de las manos y de los brazos.
 - ◆ Consulte a su médico si siente cosquilleos, adormecimiento o dolor en los dedos, manos, muñecas o brazos. Cuanto antes se diagnostiquen lesiones por RSI, más probabilidades tendrá de prevenir daños permanentes en los nervios y músculos.
- Si no tiene en cuenta estas instrucciones podría perjudicar su salud.

Formación adecuada

- No permita que nadie utilice este producto sin la formación adecuada ni equipos de protección.
 - Familiarícese al máximo con los controles y el uso adecuado de esta máquina.
 - Aprenda a detener la máquina y a desconectar el motor.
 - Aprenda a desenganchar rápidamente la unidad conectada.
 - No permita bajo ningún concepto que nadie use este producto sin la debida formación.
- Si no tiene en cuenta estas instrucciones podría perjudicar su salud.

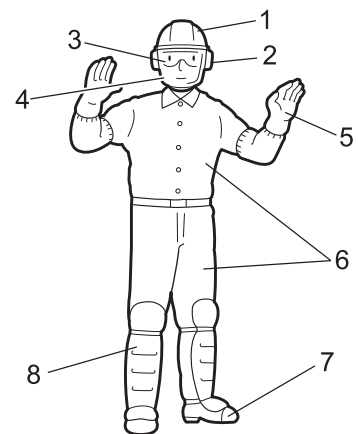
Utilice indumentaria adecuada.

- Si lleva el pelo largo, recójase por encima de los hombros.
 - No utilice corbatas, joyería o ropa floja o colgante que pueda quedar atrapada en la unidad.
 - No utilice calzado con la puntera abierta ni vaya descalzo o sin perneras.
- Si no tiene en cuenta estas precauciones, podrían derivarse daños en la visión o en la audición o dar lugar a una lesión grave.



Póngase indumentaria de protección

- Póngase siempre la ropa de protección siguiente cuando trabaje con el cortabordes.
 1. Protección para la cabeza (casco): Protege la cabeza
 2. Orejeras o tapones para los oídos: Protegen los oídos
 3. Gafas de seguridad: Protegen los ojos
 4. Careta: Protege la cara
 5. Guantes de seguridad: Protegen las manos del frío y la vibración
 6. Ropa de trabajo ajustada (mangas y pantalones largos): Protege el cuerpo
 7. Botas protectoras antideslizantes y pesadas (con punteras) o zapatos de trabajo antideslizantes (con punteras): Protegen los pies
 8. Protectores para las espinillas: Protegen las piernas
- Si no tiene en cuenta estas precauciones, podrían derivarse daños en la visión o en la audición o dar lugar a una lesión grave.
- En caso necesario, utilice la ropa de protección descrita a continuación.
 - ◆ Mascarilla para el polvo: Protege el aparato respiratorio
 - ◆ Red para abejas: Para hacer frente a ataques de abejas



Para una utilización segura del producto

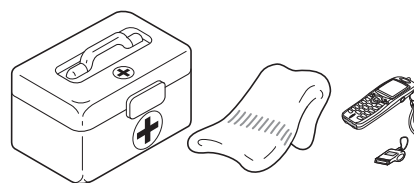
ADVERTENCIA

Condiciones de uso y de funcionamiento


- No utilice el producto:
 - ◆ en lugares mojados o húmedos.
 - ◆ si llueve.
 - ◆ en condiciones meteorológicas adversas.
 - ◆ sobre pendientes inclinadas o en lugares en los que no exista un apoyo firme para los pies y el terreno sea resbaladizo.
 - ◆ de noche o en lugares oscuros con mala visibilidad.
 - ◆ si hay riesgo de rayos.
- Cuando utilice el producto en una pendiente suave, trabaje con un movimiento nivelado similar al contorno. Si se cae o se resbala podría sufrir una lesión grave, o bien no lograr que el producto funcione correctamente.
- Por cuestiones de salud, seguridad y comodidad del trabajo, trabaje con la máquina en un intervalo de temperatura del aire de -5 °C a 40 °C.
Si no tiene en cuenta estas instrucciones podría perjudicar su salud.

Preparación en caso de sufrir una lesión


- En el improbable caso de sufrir un accidente o lesión, asegúrese de estar preparado.
 - ◆ Kit de primeros auxilios
 - ◆ Paños y toallas (para detener cualquier hemorragia)
 - ◆ Silbato o teléfono móvil (para solicitar ayuda externa)
- Si no es capaz de realizar los primeros auxilios o de pedir ayuda externa, la lesión podría empeorar.




Avisos de advertencia

 PELIGRO

Este símbolo acompañado por la palabra "**PELIGRO**" llama la atención sobre una acción o sobre unas condiciones que causarán heridas personales importantes o incluso la muerte al operario y a los transeúntes.


 ADVERTENCIA

Este símbolo acompañado por la palabra "**ADVERTENCIA**" llama la atención sobre una acción o sobre unas condiciones que pueden causar heridas personales importantes o incluso la muerte al operario y a los transeúntes.

 PRECAUCIÓN

"**PRECAUCIÓN**" indica una situación potencialmente peligrosa que, si no se evita, puede provocar heridas leves o moderadas.

Otros indicadores



El círculo con barra oblicua prohíbe la acción o uso de los objetos mostrados.





NOTA

Este mensaje enmarcado proporciona consejos para el uso, cuidado y mantenimiento del equipo.



IMPORTANTE

El texto enmarcado con la palabra "**IMPORTANTE**" contiene información importante relativa al uso, comprobación, mantenimiento y almacenamiento del producto descrito en este manual.

Símbolos

Forma y silueta del símbolo	Descripción/aplicación del símbolo	Forma y silueta del símbolo	Descripción/aplicación del símbolo
	Leer atentamente el manual de instrucciones		Mantener a los transeúntes alejados
	Utilizar protección ocular		Mantener a los transeúntes a una distancia de 15 m

Para una utilización segura del producto

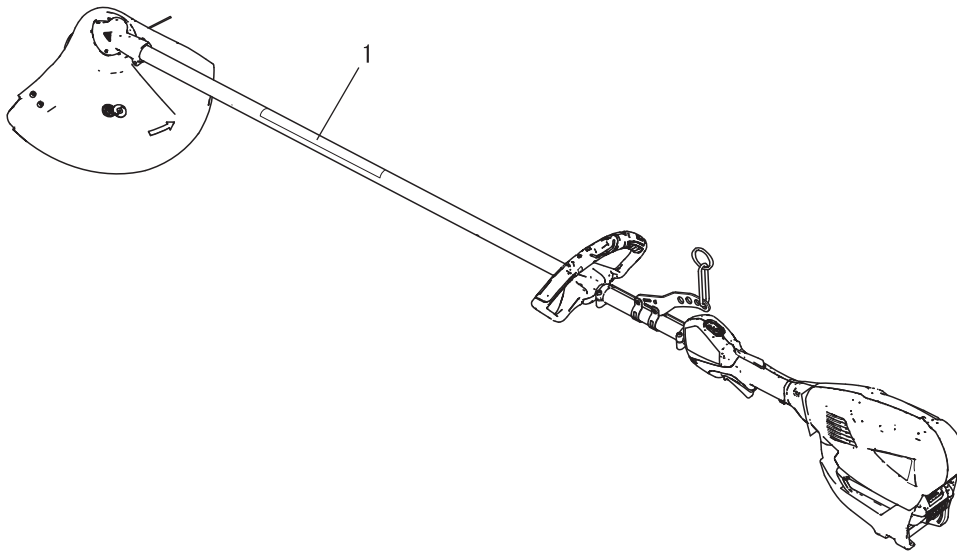
Forma y silueta del símbolo	Descripción/aplicación del símbolo	Forma y silueta del símbolo	Descripción/aplicación del símbolo
	Llevar protecciones para los oídos		Utilizar calzado y guantes de protección
	Seguridad / Alerta		Precaución con las zonas a alta temperatura
	¡Advertencia! ¡Objetos expulsados!		Nivel de potencia acústica garantizado
	Prohibido el uso sin escudo protector		No utilizar si llueve o en lugares húmedos
	Prohibido el uso de cuchillas metálicas		Cuidado con las descargas eléctricas
	Cuidado con los incendios		No tirar los aparatos eléctricos a la basura

Para una utilización segura del producto

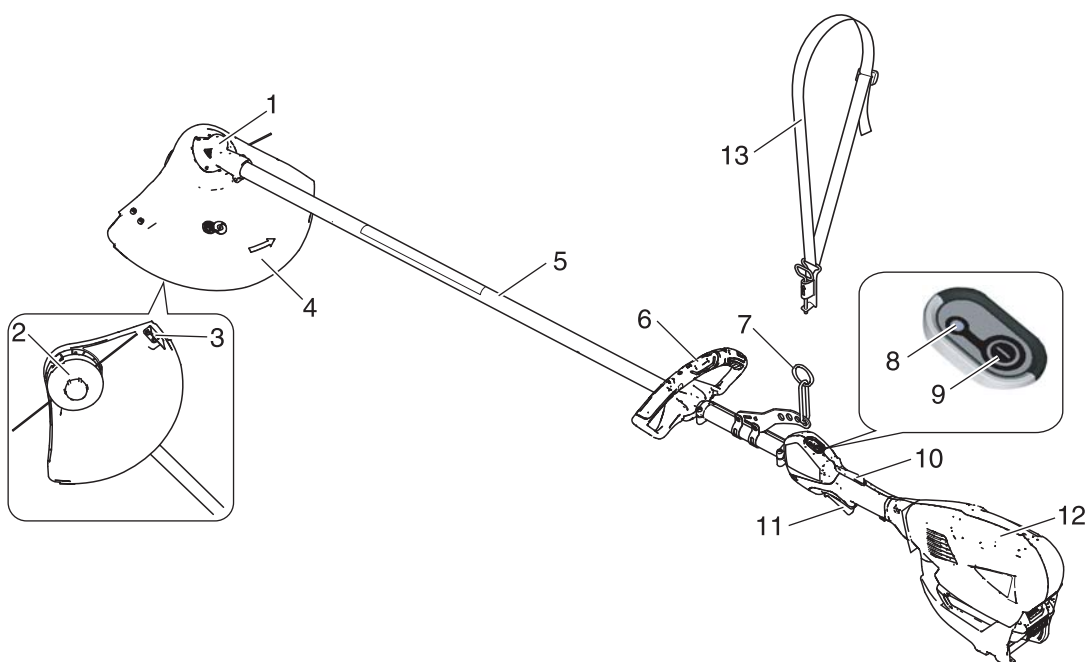
Adhesivo(s) de seguridad

- ♦ Los productos descritos en este manual incorporan el adhesivo de seguridad mostrado a continuación. Asegúrese de comprender el significado del adhesivo antes de utilizar el producto.
- ♦ Si el adhesivo se ha deteriorado debido al desgaste, está dañado o se ha despegado y perdido, adquiera un adhesivo de reemplazo en su distribuidor y colóquelo en la ubicación mostrada en las ilustraciones que aparecen a continuación. Asegúrese de que el adhesivo sea siempre legible.

1. Adhesivo de seguridad (Número de pieza X505-008900)



Descripción

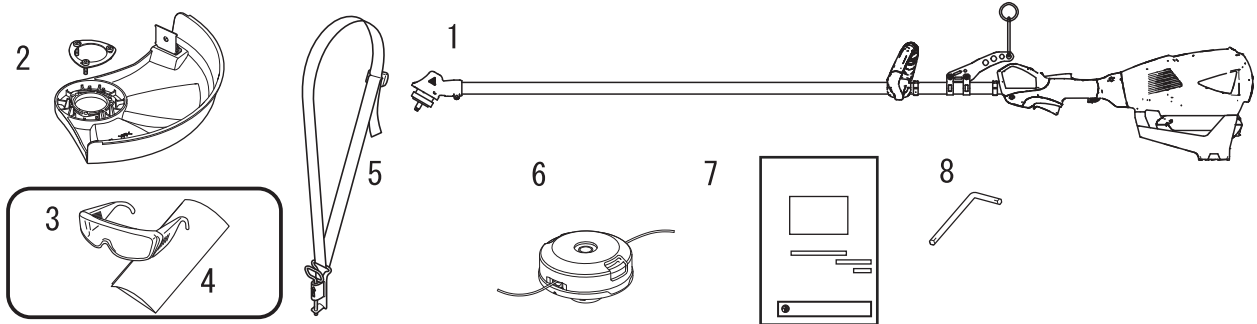


1. **Transmisión en ángulo** - Con dos engranajes para cambiar el ángulo del eje giratorio.
2. **Accesorio de corte** - Cabezal de corte de hilo de nylon para cortar césped y malas hierbas.
3. **Cuchillo de corte** - Corta el hilo de nylon para ajustar la longitud del mismo.
4. **Escudo** - Dispositivo para proteger al usuario de un contacto accidental con el cabezal de corte o con los objetos lanzados por el mismo.
5. **Tubo del eje** - Pieza del equipo que contiene el eje de transmisión de potencia.
6. **Manillar curvado** - Agarre para la mano izquierda.
7. **Punto de suspensión** - Dispositivo al que puede engancharse el arnés.
8. **Indicador LED de alimentación** - Permanece iluminado cuando la alimentación de la unidad está encendida. Se apaga cuando lo hace la alimentación.
9. **Botón de encendido** - Púlselo una vez para encender la unidad; el indicador LED de alimentación se ilumina. Púlselo una vez más para detener la unidad; el indicador LED de alimentación se apaga.
10. **Bloqueo del interruptor de gatillo** - Bloquea el gatillo en la posición de apagado, hasta que su mano derecha agarre bien el manillar.
11. **Interruptor de gatillo** - Se acciona con el dedo y sirve para encender el motor.
12. **Cabezal de alimentación** - Alojamiento del motor y la batería.
13. **Aarnés** - Una tira ajustable de la que se cuelga el equipo.

Antes de comenzar

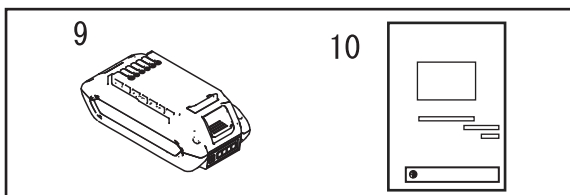
Lista de piezas

- ♦ En la caja de embalaje están empaquetadas de forma separada las siguientes piezas.
- ♦ Cuando haya desempaquetado la caja, compruebe que contenga las siguientes piezas.
- ♦ Póngase en contacto con su distribuidor si falta alguna o está rota.

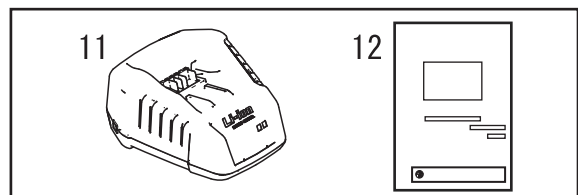


1. Motor y tubo del eje
2. Escudo
3. Gafas de seguridad
4. Etiqueta de precaución

5. Arnés
6. Cabezal de corte de hilo de nylon
7. Manual de instrucciones
8. Llave de palanca



9. Pack de baterías
10. Manual de instrucciones



11. Cargador
12. Manual de instrucciones

Antes de comenzar

Carga de la batería

⚠ ADVERTENCIA

- Utilice siempre los packs de baterías LBP-560-100/LBP-560-200 y cárguelos solo con el cargador LCJQ-560.
- Mantenga el cargador y las baterías alejados de la humedad y de todos los líquidos.
- No utilice el cargador en superficies fácilmente combustibles (por ejemplo, papel, textiles) o en entornos combustibles con alto riesgo de incendio.
- No cubra el cargador. Si lo hace, impedirá que se enfríe.
- No utilice el cargador en atmósferas explosivas, como en las que se encuentran líquidos inflamables, gases o polvo. Los cargadores pueden generar chispas que podrían encender el polvo o los gases; existe riesgo de explosión.
- Conecte el cargador solo a la tensión y frecuencia especificadas en la placa de características.
- Conecte el cargador únicamente a una toma de pared de fácil acceso.
- No introduzca objetos en las ranuras de refrigeración del pack de baterías o del cargador (A).
- No cargue o use un pack de baterías y cargador defectuosos, dañados o deformados.
- No abra, dañe ni deje caer el pack de baterías o el cargador.
- Si se daña o no se utiliza correctamente, pueden producirse fugas de líquido de la batería; evite el contacto con la piel. Si se produce un contacto accidental, lave las áreas afectadas de la piel con agua abundante y jabón. Si el líquido entra en contacto con los ojos, no se frote. Lávese los ojos con agua abundante durante un mínimo de 15 minutos. Asimismo, solicite asistencia médica.
- No puentee (cortocircuite) los contactos del pack de baterías o los terminales del cargador con objetos metálicos.
- Proteja de la luz solar directa, el calor y las llamas abiertas. No arroje la batería al fuego; existe riesgo de explosión.
- Si observa humo o fuego en el cargador, desconéctelo de la red inmediatamente.
- Si el cable de conexión está dañado, desenchúfelo inmediatamente de la toma de alimentación para evitar el riesgo de descargas eléctricas.
- No exponga el pack de baterías a microondas o altas presiones.
- Asegúrese de que la unidad no se encienda de forma accidental. Retire el pack de baterías antes de transportar o guardar la unidad. No utilice recipientes metálicos para el transporte de baterías.
- No utilice el cable de conexión para ningún otro fin, por ejemplo, para transportar o colgar el cargador.
- Para reducir el riesgo de tropiezos, coloque y marque el cable de conexión de forma que otras personas no puedan dañarlo ni correr peligro con él.
- Para desconectar, tire del enchufe, no del cable.

NOTA

- La batería se suministra de fábrica parcialmente cargada y debe cargarse completamente antes de su primer uso.
- Cargue la batería cuando deje de producir energía suficiente para accionar la unidad o cuando las luces de la batería indiquen que su carga es baja.

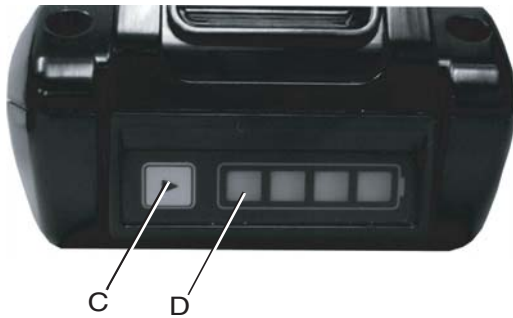


1. Enchufe el cable de CA del cargador en la toma de pared.
2. Alinee los canales de la batería con las muescas del cargador y deslice la batería dentro de este.
3. Durante la carga normal, el LED (B) del cargador parpadea continuamente en VERDE.

IMPORTANTE

- Si el cargador detecta un problema, el LED parpadea de color ROJO. Extraiga la batería del cargador, limpie las obstrucciones de los contactos y vuelva a colocar la batería en el cargador. Si la temperatura de la batería está fuera de los límites aceptables (de 0 °C a 60 °C), el LED permanece de color ROJO.

Antes de comenzar



4. Cuando la carga se completa, el LED permanece de color VERDE.
 - * Un pack de baterías descargado completamente se cargará en, aproximadamente, 42 minutos.
5. Verifique que la batería esté totalmente cargada antes de extraerla del cargador pulsando el botón de estado de carga de la batería (C) y comprobando la pantalla LED (D).
 - ♦ Una luz verde indica que la batería tiene un 0-25% de carga.
 - ♦ Dos luces verdes indican que la batería tiene un 25-50% de carga.
 - ♦ Tres luces verdes indican que la batería tiene un 50-75% de carga.
 - ♦ Cuatro luces verdes indican que la batería tiene un 75-100% de carga.
6. Desconectar el cargador de la batería de la toma de corriente.

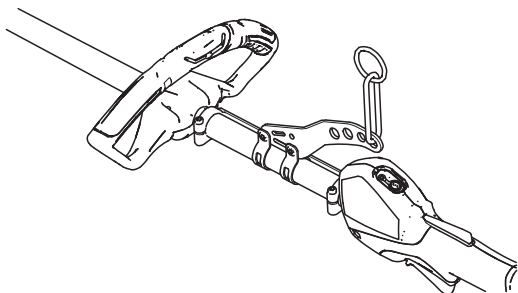
Montaje

⚠ ADVERTENCIA

○ Lea atentamente el manual de instrucciones para asegurarse de que monta correctamente el producto. La utilización de un producto que se haya montado incorrectamente puede ocasionar un accidente o una lesión grave.



Versión con manillar único Montaje del manillar único

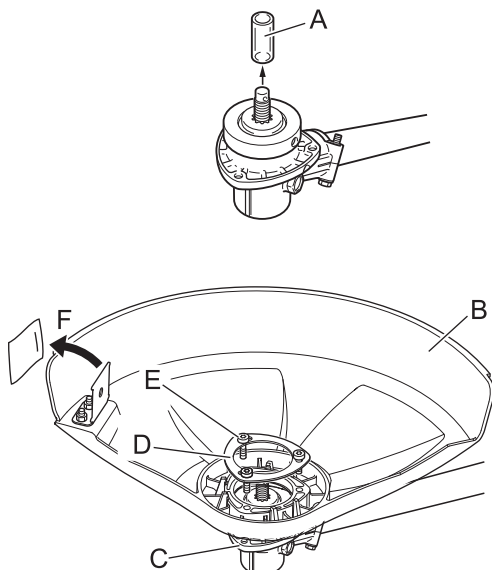


Coloque el manillar en una posición cómoda para su uso y apriete los pernos.

⚠ PRECAUCIÓN

○ Instale el manillar de forma que no oculte ninguno de los adhesivos de seguridad.

Instalación del escudo



⚠ ADVERTENCIA

○ El cuchillo de corte en el protector contra desechos tiene los bordes afilados. Evite el contacto al instalar o retirar el cabezal de hilo.

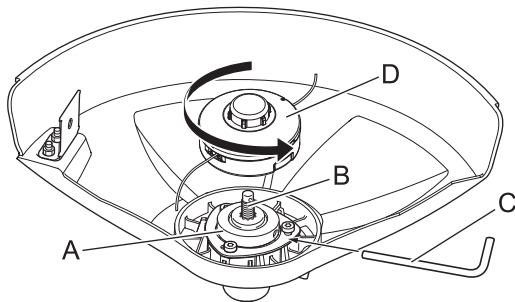
1. Retire el manguito de plástico (A) del eje de salida.
2. Instale el protector (B) en la parte inferior de la brida de transmisión en ángulo (C).
3. Coloque la placa protectora (D) en el escudo, alinee los orificios y coloque los tres pernos (E).
4. Apriete con fuerza los tres pernos.
5. Retire la empaquetadura (F).

NOTA

○ El protector se utiliza solo con el cabezal de hilo de nylon.

Antes de comenzar

Instalación del cabezal de corte de hilo de nylon



⚠ PRECAUCIÓN

○ Fije el eje de salida firmemente usando la herramienta de bloqueo para prevenir que gire cuando se monta el cabezal de corte de nylon.

1. Asegúrese que el retén de la cuchilla (A) permanece en el eje de salida (B).
2. Alinee el orificio de bloqueo del retén de la cuchilla con una muesca en el borde de la transmisión en ángulo e inserte la herramienta de bloqueo (C).
3. Instale el cabezal de hilo (D) en el eje de salida; para ello gírelo en sentido antihorario hasta que el cabezal quede bien sujeto contra el retén de la cuchilla.
4. Extraiga la herramienta de bloqueo.

Ajuste del equilibrio Ajuste del arnés

⚠ ADVERTENCIA

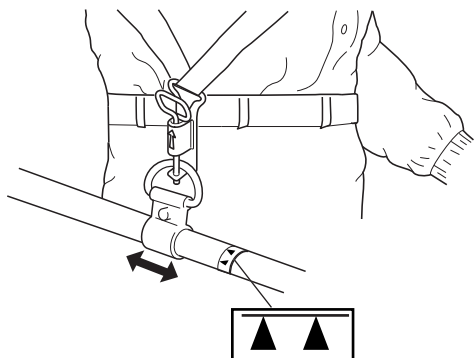
○ Este producto está diseñado para adaptarse a una amplia variedad de tamaños corporales, pero no puede ajustarse para personas extremadamente altas. No utilice esta unidad si sus pies pueden tocar el accesorio de corte cuando la unidad esté fijada al arnés.

IMPORTANTE

○ El tamaño de la persona puede afectar al ajuste del equilibrio. Por otro lado, el procedimiento de equilibrio de algunos equipos puede que no sirva para algunas personas. Si no le encaja el arnés o no puede ajustarlo bien, consulte con su distribuidor.



Equilibre la herramienta para que el cabezal de corte gire en un plano llano.



- ♦ El arnés que se adjunta es adecuado para gente con una complejión física adulta estandar, con una altura entre 150 cm y 195 cm y una cintura entre 60 cm y 140 cm.
- ♦ Utilice el arnés cuando se proporcione o recomiende en este manual. Ajuste tanto el arnés como el punto de suspensión (A) del equipo, de modo que éste cuelgue con el cabezal de corte unos pocos centímetros sobre el nivel del suelo (B).
- ♦ El accesorio de corte y la protección deben quedar nivelados en todas las direcciones. Sitúe el equipo en el lado derecho tal como se muestra.

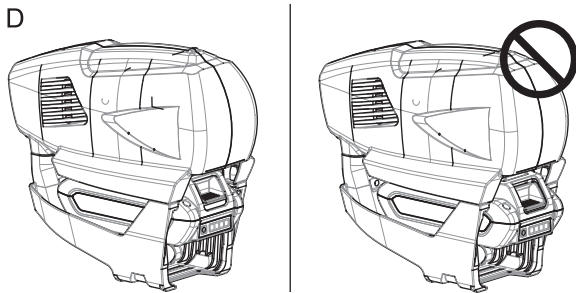
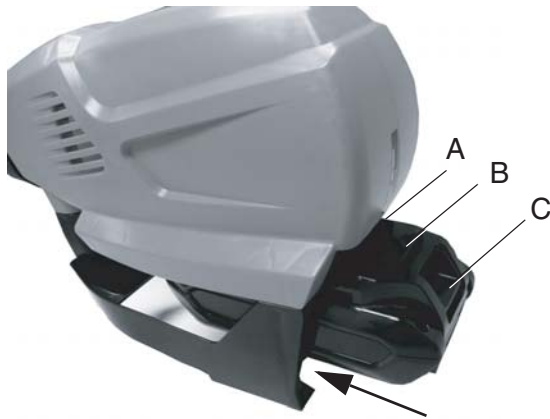
- ♦ Deslice el punto de suspensión arriba y abajo del tubo hasta encontrar el equilibrio correcto. Gire la abrazadera para nivelar el accesorio de corte y la protección. Bloquéelo en posición. Si el punto de suspensión es de tipo de giro libre, puede que la unidad tienda a desplazarse lateralmente, pero aún así, deberá nivelar el accesorio y la protección en el eje delantero / trasero.
- ♦ El equilibrado y nivelado, como se describe aquí arriba, puede requerir la reubicación de la abrazadera y el reajuste de las tiras del arnés. Observe también que cada tipo de accesorio de corte y de protección montados en el equipo pueden necesitar equilibrado.

⚠ PRECAUCIÓN

○ No instale el punto de suspensión de forma que se encuentre más allá que usted de la marca de flecha (▲).

Antes de comenzar

Instalación de la batería



⚠ ADVERTENCIA

○ El accesorio funcionará cuando la batería esté instalada y el indicador LED de alimentación esté encendido, y cuando se accionen el gatillo y el bloqueo de gatillo. Asegúrese de que el cortabordes está colocado correctamente para impedir la pérdida de control y posibles lesiones graves. Mantenga las piezas móviles del accesorio alejadas del suelo y de objetos que se puedan enredar o lanzar.

1. Asegúrese de que la alimentación de la unidad esté apagada.
2. Alinee los canales (A) del pack de baterías con las muescas del cabezal de alimentación. Deslice el pack de baterías para introducirlo en el cabezal de alimentación.
3. Asegúrese de que el pestillo del pack de baterías (B) encaje en su sitio y de que el pack esté bien fijado antes de empezar a utilizar el producto.
4. Para retirar la batería, presione el pestillo del pack de baterías (C) y deslice la batería para extraerla del cabezal de alimentación.

IMPORTANTE

Antes de utilizar el cortasetos, asegúrese de que la batería está colocada correctamente con el pestillo del pack de baterías en su posición (D).

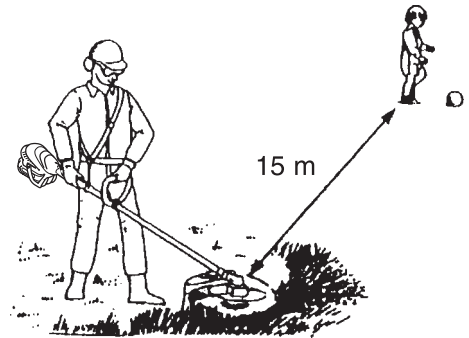
NOTA

- ♦ El pack de baterías está en su posición cuando el pestillo del pack de baterías está correctamente enganchado.

Funcionamiento

PELIGRO

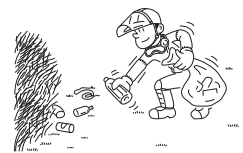
- **Todos los conductores eléctricos y cables de comunicaciones aéreos tienen alimentación eléctrica de alta tensión. Esta unidad no está aislada contra corrientes eléctricas. No toque los cables directa ni indirectamente; de lo contrario, podría sufrir lesiones graves o mortales.**
- **Pare siempre la unidad cuando se produzca una obstrucción del accesorio de corte.**
En caso contrario, al eliminar la obstrucción, el accesorio de corte podría arrancar de forma repentina y causarle heridas.
- **No trabaje con el producto sin el escudo protector en su sitio.**
Cualquier objeto que rebote en el accesorio de corte podría provocar un accidente o una lesión grave.
- **El área dentro de un radio de 15 metros del producto es una zona peligrosa. Tenga cuidado de cumplir estas precauciones cuando trabaje con el producto.**
 - ◆ **No permite que niños, otras personas o mascotas entren en la zona de peligro.**
 - ◆ **Si entra otra persona en la zona de peligro, desconecte la unidad para detener la rotación del accesorio de corte.**
 - ◆ **Cuando se acerque al operario, hágale una señal, por ejemplo, arrojándole ramitas desde el exterior de la zona de peligro y, a continuación, compruebe que la unidad se haya desconectado y que el accesorio de corte haya dejado de girar.**
 - ◆ **Si hay más de una persona trabajando con el producto, identifique la forma en la que se avisarán y trabajen a una distancia mínima de 15 metros de distancia.**



Cualquier objeto que rebote en el accesorio de corte o que entre en contacto con el mismo, podría causar ceguera o un accidente fatal.

ADVERTENCIA

- Tenga especial cuidado de seguir las siguientes precauciones cuando arranque la unidad:**
- **Compruebe que ninguna tuerca ni perno estén flojos.**
 - **Deje suficiente espacio alrededor del producto y no deje que se acerquen personas o animales.**
Si no tiene en cuenta estas precauciones podría sufrir un accidente o lesión o incluso dar lugar a un accidente mortal.
 - **Compruebe que no haya vibraciones ni sonidos anormales una vez arrancada la unidad. No utilice el producto si hay vibraciones o sonidos anormales. Póngase en contacto con su distribuidor para que lo repare.**
Los accidentes que causen la caída o rotura de las piezas pueden provocar heridas o lesiones graves.
 - **Para transportar la unidad, apáguela y retire la batería.**
 - **No toque la transmisión en ángulo ni el resto de componentes que están a alta temperatura mientras el producto está funcionando o cierto tiempo después de detenerse.**
Podría quemarse si toca un componente a elevada temperatura.
 - **Antes de comenzar a trabajar, compruebe el área en la que vaya a trabajar y elimine las piedras pequeñas y latas vacías que probablemente puedan rebotar en el accesorio de corte, así como cualquier trozo de cuerda o cable que puede enrollarse alrededor del accesorio de corte.**
Puede producirse un accidente o lesión grave si sustancias extrañas rebotan en el accesorio de corte o si salta un cable u otro material enrollado alrededor del producto.
 - **En las situaciones que se describen a continuación, desconecte inmediatamente la unidad y asegúrese de que los accesorios de corte se hayan detenido antes de comprobar cada área del producto. Sustituya cualquier pieza dañada.**
 - ◆ **Si el accesorio de corte golpea una roca, árbol, poste u otro tipo de obstáculo mientras esté trabajando.**
 - ◆ **Si el producto comienza a vibrar anormalmente de forma repentina.**El uso continuado de las piezas cuando estén dañadas puede provocar un accidente o una lesión grave.
 - **No sujete el accesorio de corte mientras esté trabajando. No debe trabajar con los accesorios de corte por encima del nivel de la rodilla.**
La elevación del accesorio de corte por encima del nivel de la rodilla acerca el plano de rotación a la cara y cualquier objeto proyectado por los accesorios de corte podría provocar un accidente o una lesión grave.



ADVERTENCIA

- No utilice el equipo con una sola mano en ningún caso.
- Asegúrese de enganchar los pulgares alrededor de los puños, envolviéndolos con el pulgar y los demás dedos.

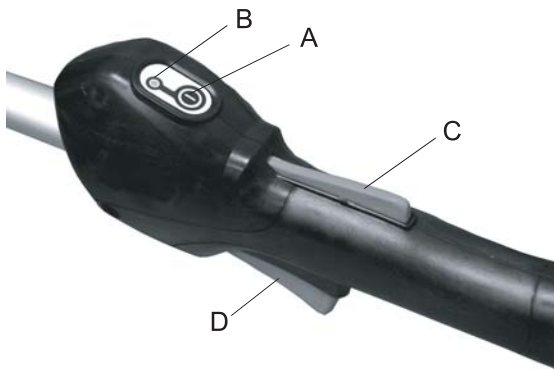


- Nunca accione la unidad en situaciones en las que su cuerpo la sobrepase. Mantenga siempre el equilibrio, esté siempre atento a los puntos de apoyo y a las pendientes, nunca corra.
- Nunca accione la unidad con protecciones o escudos defectuosos, ni sin dispositivos de seguridad, ni con el cable dañado o desgastado.

Encendido de la unidad

ADVERTENCIA

- El accesorio funcionará cuando la batería esté instalada y el indicador LED de alimentación esté encendido, y cuando se accionen el interruptor de gatillo y el bloqueo del interruptor de gatillo. Asegúrese de que el producto está colocado correctamente para impedir la pérdida de control y posibles lesiones graves.



1. Pulse una vez el botón de encendido (A) para activar la alimentación de la unidad.
 - * El indicador LED de alimentación (B) se ilumina cuando la alimentación de la unidad está encendida.
2. Mantenga pulsado el bloqueo del interruptor de gatillo (C) y pulse el interruptor de gatillo (D) para aumentar las RPM a la velocidad de funcionamiento.

IMPORTANTE

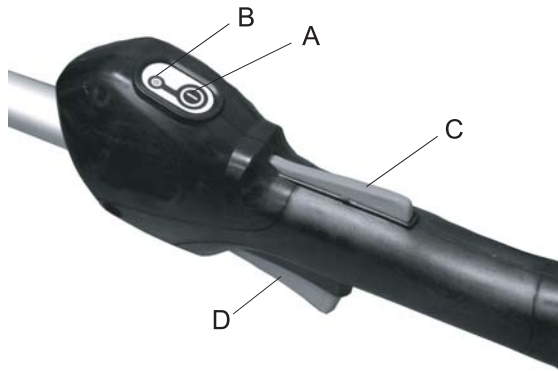
- Cuando se enciende la unidad:
 - Después de un minuto de inactividad, la unidad se apagará automáticamente.
 - Si el LED continua encendido, el funcionamiento es normal.
 - Si el LED parpadea una vez por segundo, es necesario cargar la batería.
 - Si el LED parpadea cuatro veces por segundo, el producto tiene una avería. Apague la unidad. Extraiga la batería. Limpie la suciedad del cabezal de hilo. Instale la batería. Encienda la unidad. Si continúa parpadeando, solicite la reparación del producto a su distribuidor de servicio autorizado.

Detención de la unidad

ADVERTENCIA

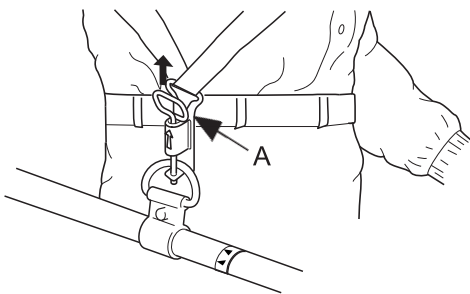
- El accesorio de corte continúa funcionando un breve periodo de tiempo tras apagarse la unidad.

Funcionamiento



1. Suelte el interruptor de gatillo y el bloqueo del interruptor de gatillo y permita que el cabezal de corte se detenga.
2. Pulse el botón de encendido (A) para desactivar la alimentación de la unidad.
 - * El indicador LED de alimentación (B) se apaga cuando la alimentación de la unidad está apagada.
 - * Si el cabezal de corte no se detiene cuando se sueltan el gatillo y el bloqueo de gatillo, pulse el botón de encendido para desactivar y retirar la batería y detener el suministro de alimentación al producto. Antes de volver a utilizar el producto, haga que su distribuidor de servicio autorizado repare el botón de encendido.

Uso del arnés



Coloque siempre correctamente el cortabordes utilizando el arnés.

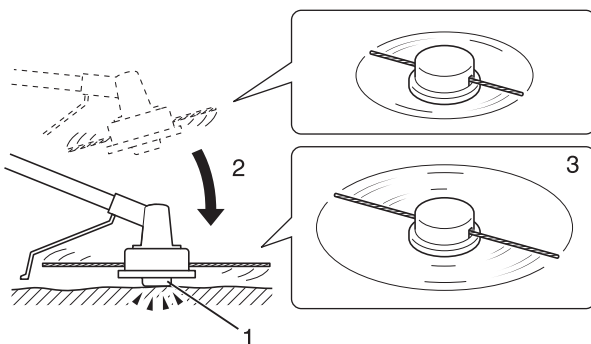
- ♦ Coloque el dispositivo en el arnés.
- ♦ Coloque el arnés sobre su hombro izquierdo y ajuste las tiras de modo que el pasador de liberación rápida quede justo debajo de su cintura.
- ♦ Compruebe el ajuste correcto moviendo el accesorio de corte a lo largo del suelo.
- ♦ Reajuste la posición del punto de suspensión si fuera necesario.
- ♦ El arnés está equipado con una función de liberación de emergencia. En caso de incendio u otra emergencia, tire del pasador de liberación rápida (A) del arnés para soltar el producto de su cuerpo.

Funcionamiento básico del recorte de bordes con el cabezal de corte de hilo de nylon

⚠ ADVERTENCIA

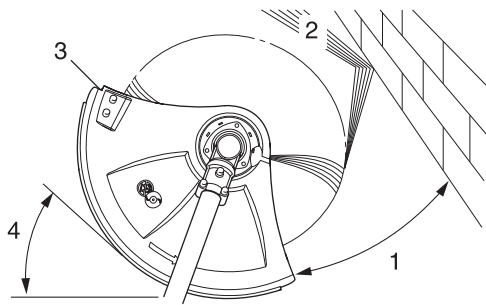
- Puede producirse una lesión grave como resultado del uso inadecuado del accesorio de corte. Lea y cumpla todas las instrucciones de seguridad que se dan en este manual.
- Use sólo accesorios de corte recomendados por YAMABIKO CORPORATION.
- Después de regular la longitud del hilo, el hilo superfluo sobrante que queda después de cortar con el cuchillo, podría salir proyectado hacia ud. cuando el accesorio de corte que lo contiene empiece a girar.
Si no lo hace, podría producirse un accidente o una lesión grave.

Ajuste del hilo de nylon



- ♦ No haga girar el cabezal de corte de hilo de nylon a más de 10000 rpm.
 - ♦ Cuando suelte el hilo de nylon del carrete golpee el botón del carrete ligeramente contra la superficie del suelo a una velocidad de rotación inferior a las 4500 r/min.
 - ♦ El cuchillo de corte del escudo ajusta la franja de corte automáticamente cortando los hilos de nylon por igual cuando el accesorio de corte empiece a girar.
 - ♦ Cuando deba trabajar con una franja de corte menor que la máxima, corte por igual los dos hilos de nylon a la longitud deseada.
1. Botón
 2. Golpee ligeramente el botón contra la superficie del suelo
 3. El hilo de nylon sale fuera.

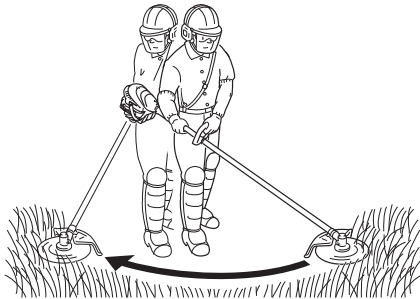
Recorte



- ♦ Se trata de acercar el cortador cuidadosamente hacia el material que desee cortar. Incline el cabezal ligeramente para alejar de Ud. los desechos. Si recorta contra una pared, valla o árbol, acerquese desde un ángulo desde el que los desechos lanzados por el equipo se alejen de Ud.
- ♦ Mueva el cabezal con el hilo o el disco con el hilo despacio hasta cortar la hierba justo hasta la barrera, pero no deje que el hilo toque demasiado a la misma. Si recorta contra una valla de alambre o eslabonada, ponga atención en que el hilo no toque el alambre. ya que de lo contrario el hilo podría enredarse en el alambre de la valla.
- ♦ Puede recortar de tal manera que corte los tallos de las malas hierbas de uno en uno. Coloque el cortador con hilo de nylon cerca de la parte inferior de la hierba, nunca en la parte superior ya que podría enredarse. En vez de cortar la hierba directamente de una vez, use el extremo del hilo para que corte despacio y paulatinamente el tallo.

1. Ángulo con la pared
2. Desechos
3. Lado de cuchilla elevado
4. Ángulo con el suelo

Siega



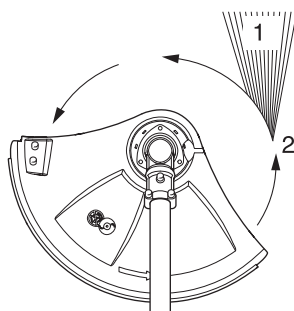
- ♦ Consiste en el corte o siega de grandes áreas con hierbas, barriendo con el cortador o haciéndolo oscilar en un arco llano. Utilice un movimiento suave y fácil. No intente cortar a "hachazos". Incline el cabezal o disco con el hilo de tal modo que los desechos lanzados se alejen de Ud. en todo el recorrido del equipo. Luego vuelva a la posición original, sin cortar hierba, para iniciar otro recorrido. Si Ud. está bien protegido y no le preocupa el que algunos desechos sean lanzados hacia Ud., podrá segar en ambas direcciones.

Desbroce y recorte de bordes



- ♦ Ambas actividades se realizan con el cabezal de corte de hilo de nylon inclinado a un gran ángulo. El desbroce (A) consiste en cortar las malas hierbas dejando el suelo raso. El recorte de bordes (B) consiste en cortar la hierba en aquellos lugares en los que se ha extendido hacia el pavimento o el camino. Tanto en el recorte de bordes como en el desbroce, sujete el equipo inclinado en un ángulo pronunciado y en una posición tal que los desechos, así como las piedras y otros materiales, no se dirijan hacia usted incluso si rebotan contra una superficie dura.

- ♦ Aunque las ilustraciones muestran cómo desbrozar y recortar bordes, cada profesional debe encontrar por sí mismo los ángulos más adecuados a su tamaño corporal y al corte en concreto.



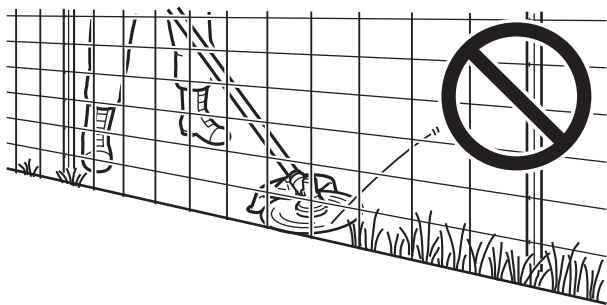
- ♦ Para casi todos los tipos de corte, convendrá inclinar el cabezal de corte de hilo de nylon de tal modo que haga contacto con la parte del círculo en la que el hilo se aleja de usted y del escudo (mire la ilustración). De este modo los desechos se lanzan lejos de usted.

- ♦ Si se inclina el cabezal hacia el lado erróneo, los desechos se dirigirán hacia usted. Si el cabezal de corte de hilo de nylon se mantiene llano con respecto al suelo de modo que el corte tenga lugar en todo el círculo que traza el hilo, los desechos se dirigirán hacia usted, la resistencia ralentizará la unidad y necesitará gran cantidad de hilo.

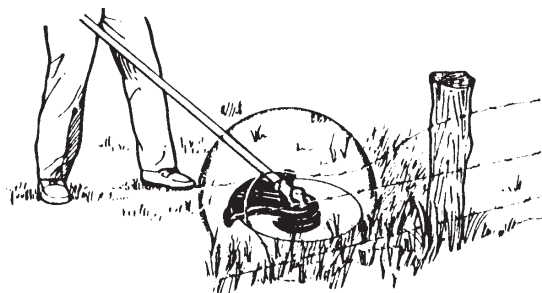
- ♦ El cabezal de corte de hilo de nylon gira en sentido contrario a las agujas del reloj. El cuchillo de corte de hilo está en el lado izquierdo del escudo.

1. Desechos
2. Corte en este lado

Funcionamiento



- ♦ No lleve el hilo hacia plantas fuertes, árboles o vallas de metal o alambre.
- ♦ Si lleva el hilo hacia alambradas de corral, cercado eslabonado o arbustos grandes, puede que se rompan los extremos del hilo y que salgan proyectados hacia el usuario. El método correcto consiste en cortar justo hasta la barrera, pero nunca llevar el hilo hasta la obstrucción o a través de ella. No cortar demasiado cerca de la obstrucción o barrera.



- ♦ Evite el contacto del hilo de nylon con vallas de alambre de espino roto. Los trozos de alambre rotos por el cortabordes podrían salir proyectados hacia usted a alta velocidad.

Mantenimiento y cuidados

⚠ ADVERTENCIA

Cuando compruebe o realice el mantenimiento del producto después del uso, tenga en cuenta las siguientes precauciones:

- **Desconecte la alimentación de la unidad, extraiga la batería y asegúrese de que todas las piezas móviles se hayan detenido por completo.**
Podría producirse un accidente si el producto arranca de forma inesperada.
- **Deje que la unidad se enfríe antes de realizar el mantenimiento.**
Podría quemarse.

IMPORTANTE

- Las comprobaciones y el mantenimiento requieren un conocimiento especializado. Si no puede comprobar y realizar el mantenimiento del producto o solventar un problema usted solo, consulte con su distribuidor. No intente desmontar el producto.

Directivas de asistencia

Área	Mantenimiento	Página	Antes de usar	Mensual
Batería	Inspeccionar/Limpiar/Cargar	10	•	
Cabezal de corte de hilo de nylon	Inspeccionar	19	•	
Cuchillo de corte	Inspeccionar/Limpiar	-	•	
Tornillos, pernos y tuercas	Inspeccionar, apretar/sustituir	-	•	

Mantenimiento y cuidados

Si tiene cualquier pregunta o problema, póngase en contacto con su distribuidor.

Limpieza de la batería y de su compartimento

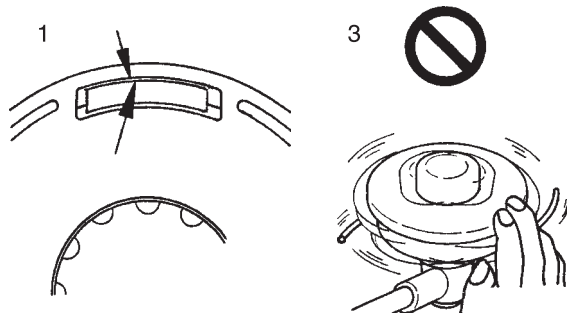


⚠ ADVERTENCIA

- **Riesgo de descargas eléctricas o fuego. No utilice materiales conductores para limpiar la batería ni su compartimento.**

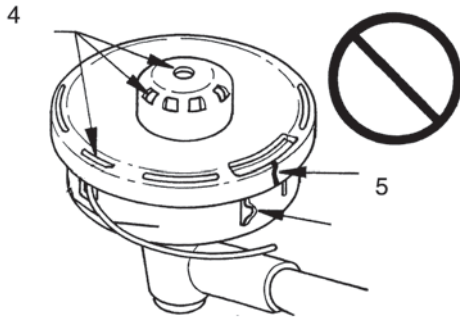
1. Suelte el interruptor de gatillo y el bloqueo del interruptor de gatillo y deje que el cabezal de corte se detenga.
2. Asegúrese de que el indicador LED de alimentación no esté encendido.
3. Presione el pestillo del pack de baterías (A) y deslice la batería para extraerla del cabezal de alimentación.
4. Utilice aire comprimido o un cepillo de cerdas suaves para eliminar la suciedad de la batería y de su compartimento.

Comprobación del cabezal de corte de hilo de nylon



1. Asegúrese de que la periferia de los dos trinquetes de retención de la caja salen completamente hasta el borde de la periferia exterior de las respectivas ventanas de la tapa.
2. Compruebe la colocación del cabezal de corte en el cortabordes y apriételo si fuera necesario.
3. Compruebe el cabezal de corte por si hubiera flexión o hiciera ruidos anormales al girarlo con la mano. La flexión o los ruidos anormales podrían causar vibraciones anormales o un aflojamiento de la colocación en el cortabordes durante el giro, lo cual sería peligroso.

Mantenimiento y cuidados



4. Inspeccione la tapa y el botón por si estuvieran desgastados. Cuando aparezca la ranura en la parte inferior del botón o cuando la ranura que aparece sobre la tapa inferior cierre la salida del hilo de nylon, sustitúyalas por piezas nuevas sin falta.
5. Compruebe el cabezal de corte por si estuviera mellado o agrietado. Sustituya aquellas piezas que muestren mellas o grietas por piezas nuevas sin demora.

Substitución del hilo de corte

⚠ PELIGRO

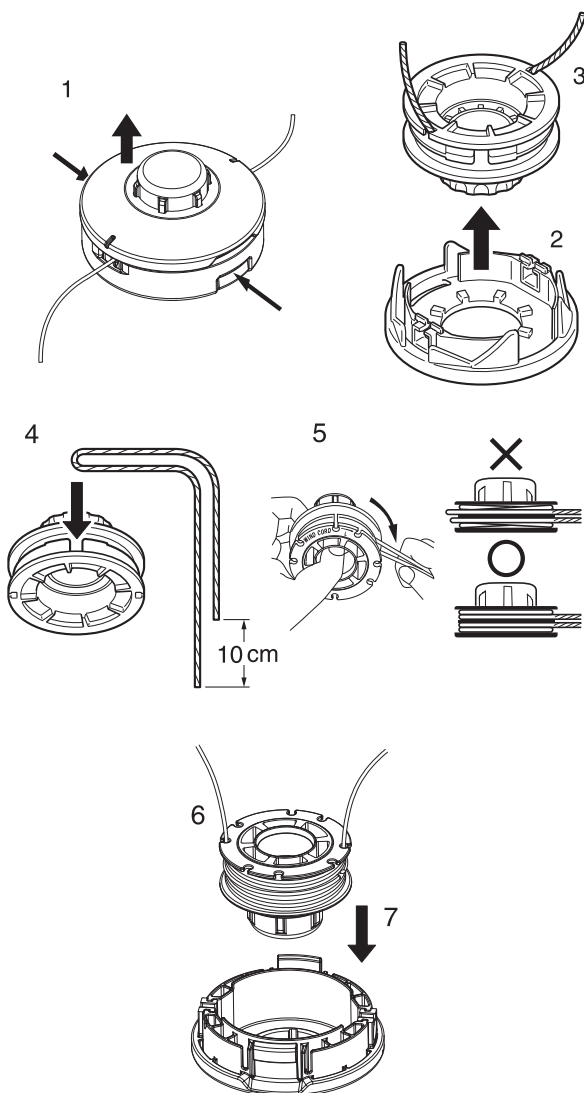
○ **Detenga la unidad sin falta. Asegúrese de que el cabezal de corte de hilo de nylon se haya parado antes de iniciar el procedimiento de sustitución.**

De hacerlo, podría provocar un accidente o una lesión grave.

⚠ ADVERTENCIA

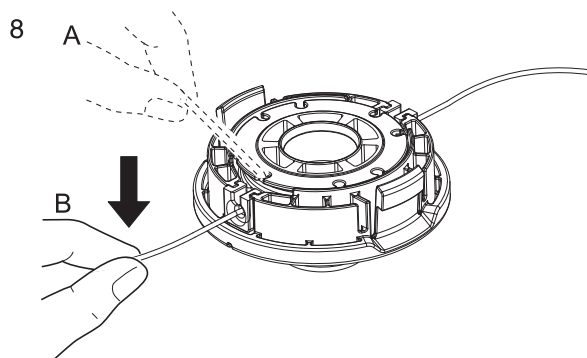
○ **Utilice solo hilo flexible y no metálico recomendado por YAMABIKO CORPORATION.**

Si no lo hace, podría producirse un accidente o una lesión grave.

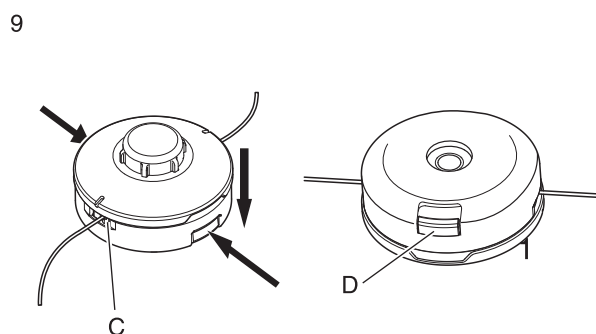


1. Apriete los dos "trinquetes retén" (en dos lados) hacia dentro y saque la tapa. Es más fácil sacar uno y luego el otro.
2. Saque el carrete.
3. Cuando casi se haya acabado el hilo de nylon del carrete, saque el hilo restante del mismo y enrosque el "hilo nuevo" según los procedimientos descritos en (4) y siguientes. Cuando el hilo del carrete esté "fundido y pegado", saque todo el hilo y pele la parte fundida y pegada y enrosque el "hilo extraído" de nuevo según los procedimientos descritos en (4) y siguientes.
4. Doble el hilo de tal modo que una de las puntas esté alejada 10 cm de la otra punta cuando todo el hilo esté doblado por la mitad, y enganche el punto medio doblado en la "ranura" del separador intermedio.
5. Enrosque todo el hilo firmemente en la ranura del carrete siguiendo la dirección de enrosque para el hilo "L".
6. Cuando se haya enroscado todo el hilo, enganche ambos extremos del mismo en las ranuras respectivas del carrete para retener el hilo dejando los extremos del hilo aproximadamente a unos 10 cm más allá de la ranura.
7. Alinee las muescas del carrete para el hilo con las ranuras de los ojales y encaje el carrete en la tapa.

Mantenimiento y cuidados



8. Saque el hilo de la tapa. (A) Saque el hilo de su "ranura respectiva del carrete" y (B) páselo a través de la "ranura del ojal respectivo".



9. Junte y encaje la tapa y la caja. (C) Alinee los "ojales" de la tapa con los "huecos" de la caja y (D) presione los trinquetes de la caja en las ventanas respectivas de la tapa hasta que los trinquetes queden firmemente encajados en las ventanas.

⚠ PELIGRO

Asegúrese de que la parte exterior de los trinquetes de la caja sobresale casi del todo por la parte exterior de la ventana respectiva de la caja. Si quedaran sueltos y el cabezal de corte girara, podrían salir volando la tapa o los componentes internos, y ello podría ser muy peligroso.

Tabla de localización de averías

IMPORTANTE

○ Para piezas de repuesto y consumibles, utilice solo piezas originales y los productos y componentes indicados. La utilización de piezas de otros fabricantes o de componentes no indicados puede derivar en un fallo de funcionamiento.

Problema	Causa	Solución
La luz roja del cargador parpadea o no se enciende	<ol style="list-style-type: none"> 1. Enchufe no conectado a la toma 2. El pack de baterías no se ha instalado correctamente 3. Conexión obstruida 4. Fallo en el cargador 5. Fallo en el pack de baterías 	<ol style="list-style-type: none"> 1. Enchufe el cargador 2. Compruebe la instalación del pack de baterías 3. Vuelva a instalar el pack de baterías después de eliminar las obstrucciones de la conexión. 4. Consulte con su distribuidor 5. Consulte con su distribuidor
No se enciende la unidad	<ol style="list-style-type: none"> 1. El pack de baterías no se ha instalado correctamente 	<ol style="list-style-type: none"> 1. Compruebe la instalación del pack de baterías
La unidad no funciona cuando se enciende	<ol style="list-style-type: none"> 1. Pack de baterías descargado 2. Cabezal de hilo obstruido 3. Pack de baterías a temperatura fuera de los límites aceptables 	<ol style="list-style-type: none"> 1. Cargue el pack de baterías 2. Apague la unidad y limpie el accesorio de corte 3. Extraiga el pack de baterías y permita que se enfríe
El tiempo de funcionamiento es demasiado corto	<ol style="list-style-type: none"> 1. Pack de baterías a temperatura fuera de los límites aceptables 2. Componentes electrónicos de la unidad demasiado calientes 3. Pack de baterías descargado 	<ol style="list-style-type: none"> 1. Extraiga el pack de baterías y permita que se enfríe 2. Apague la unidad y deje que se enfríe 3. Cargue el pack de baterías
No se alimenta hilo de corte	<ol style="list-style-type: none"> 1. No hay suficiente hilo en el carrete 2. Hilo atascado en el carrete 	<ol style="list-style-type: none"> 1. Recoja con hilo nuevo 2. Recoja y desenrolle el hilo
No se corta el hilo	<ol style="list-style-type: none"> 1. El cuchillo de corte del escudo está dañado o no está 	<ol style="list-style-type: none"> 1. Consulte con su distribuidor

Mantenimiento y cuidados

- ♦ Consulte con su distribuidor si se encuentra con un problema que no esté cubierto en la tabla anterior o para cualquier otra consulta.
- ♦ Para desechar el producto o sus piezas de acuerdo con las normativas locales, póngase en contacto con su distribuidor.

Almacenamiento

ADVERTENCIA

- **No guardar en un lugar cerrado donde puedan acumularse gases combustibles.**
Podría provocar un incendio.



Cuando almacene el producto durante largos periodos de tiempo, asegúrese de que se realicen los siguientes preparativos para el almacenamiento.

Cortabordes eléctrico

1. Apagar la unidad.
2. Extraer la batería del cabezal de alimentación.
3. Eliminar la acumulación de suciedad y desechos del exterior de la unidad.
4. Apretar todos los tornillos y tuercas.
5. Cubrir el compartimento de la batería del cabezal de alimentación, la batería y el cargador de la batería.
6. Guardar la unidad en un lugar seco, libre de polvo y fuera del alcance de los niños.

Batería

1. Extraer la batería del cabezal de alimentación.
2. Guardar en un lugar seco, libre de polvo y fuera del alcance de los niños.
3. Almacenar a temperaturas entre -20 °C y 60 °C (140 °F).
4. Si va a almacenar la batería durante más de un año, cárguela a aproximadamente un 40 - 60% de su capacidad.

Cargador de la batería

1. Extraer la batería del cargador.
2. Desconectar el cargador de la batería de la toma de corriente.
3. Guardar en un lugar seco, libre de polvo y fuera del alcance de los niños.

Eliminación



- ♦ Las principales piezas de plástico que componen el producto llevan códigos que indican el material del que están hechas. Los códigos hacen referencia a los siguientes materiales; recicle dichas piezas de plástico según las normativas locales.

Marca	Material
>PA6-GF<	Nylon 6 - Fibra de vidrio
>PP-GF<	Polipropileno - Fibra de vidrio
>PE-HD<	Polietileno
>PP<	Polipropileno

- ♦ Póngase en contacto con su distribuidor si no conoce los procedimientos de eliminación de las piezas plásticas.
- ♦ La batería contiene litio. Elimínela únicamente en un punto de recogida autorizado.
- ♦ Las baterías de ion litio deben reciclarse o eliminarse correctamente.

Características técnicas

	DSRM-300
Dimensiones externas: Longitud x Anchura x Altura	1830 x 350 x 280 mm
Peso: Unidad sin el accesorio de corte, el pack de baterías del arnés y la protección Unidad con el accesorio de corte, el pack de baterías del arnés y la protección	3,6 kg 5,3 kg
Accesorio de corte: Cabezal de corte de hilo de nylon Diámetro del hilo Longitud del hilo Rosca Anchura del corte	G138 2,0 mm 2 x 1 m de hilo M10 x 1,25 Rosca izquierda 350 mm
Relación de engranajes	2,93
Dirección de giro del eje de salida visto desde arriba:	En sentido contrario a las agujas del reloj
Batería: Tipo Tensión del pack Tipo de cargador Tensión de entrada del cargador	Ion-litio 56 voltios (nominal 50,4 V) CCCV 230 - 240 voltios de CA
Luces del cargador de la batería:	LED rojo - La temperatura de carga de la batería está fuera de los límites LED rojo parpadeando - Fallo LED verde - Fin de carga de la batería LED verde parpadeando - La batería está cargando normalmente
Tiempo de carga:	Batería LBP-560-100: Aproximadamente 42 minutos. Batería LBP-560-200: Aproximadamente 88 minutos.
Niveles de vibración: (EN50636-2-91)	Asidero delantero 1,6 m/s ² Asidero trasero 1,4 m/s ² Tolerancia 1,5 m/s ²
Nivel de presión acústica: (EN50636-2-91) Nivel de potencia acústica: (EN50636-2-91) Tolerancia	80,9 dB(A) 92,4 dB(A) 3,0 dB(A)
Nivel de potencia acústica garantizado: (2000/14/CE, modificada por 2005/88/CE)	96 dB(A)

Estas características técnicas están sujetas a cambios sin previo aviso.

Declaración de conformidad

El fabricante abajo firmante:

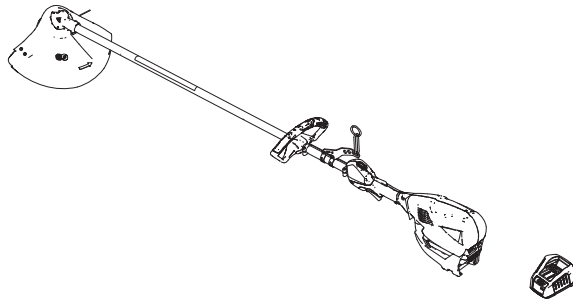
YAMABIKO CORPORATION
7-2 SUEHIROCHO 1-CHOME
OHME; TOKIO 198-8760
JAPÓN

Declaración de conformidad publicada bajo la exclusiva responsabilidad del fabricante.

declara que la unidad nueva aquí especificada:

CORTABORDES, CARGADOR DE BATERÍA

Marca: ECHO
Tipo: DSRM-300, LCJQ-560



montado por:

ECHO, INCORPORATED
400 OAKWOOD ROAD
LAKE ZURICH, ILINOIS 60047-1564
EE.UU.

cumple con:

- * los requisitos de la Directiva **2006/42/CE** (aplicación de la norma armonizada **EN 60335-1: 2012, EN 50636-2-91: 2014**)
- * los requisitos de la Directiva **2014/30/UE** (aplicación de la norma armonizada **EN 55014-1: 2006, EN 55014-2: 1997, EN 61000-3-2: 2006 y EN 61000-3-3: 2008**)
- * los requisitos de la Directiva **2014/35/UE** (aplicación de la norma armonizada **EN 60335-1: 2012, EN 60335-2-29: 2004 y EN 62233: 2008**)
- * los requisitos de la Directiva **2000/14/CE**
Procedimiento de valoración de conformidad según **ANEXO V**
- * los requisitos de la Directiva **2011/65/UE** (aplicación de la norma armonizada **EN 50581: 2012**)

Nivel de potencia acústica medido: 93 dB(A); Nivel de potencia acústica garantizado: 96 dB(A)

DSRM-300: Número de serie 35000001 y posteriores, **LCJQ-560:** Número de serie 35001001 y posteriores

Tokio, 1 de mayo de 2016

YAMABIKO CORPORATION



Masayuki Kimura
Director general
Departamento de Garantía de Calidad

El representante autorizado en Europa que esta autorizado para compilar el expediente técnico.

Empresa: Atlantic Bridge Limited
Dirección: Atlantic House, PO Box 4800, Earley, Reading RG5 4GB, Reino Unido

Sr. Philip Wicks

MEMORANDO

YAMABIKO CORPORATION

7-2 SUEHIROCHO 1-CHOME, OHME, TOKIO 198-8760, JAPÓN
TELÉFONO: 81-428-32-6118. FAX: 81-428-32-6145.



X750-027380

X750816-2101

YAMABIKO CORPORATION

7-2 SUEHIROCHO 1-CHOME, OHME, TOKYO 198-8760, JAPAN

PHONE: 81-428-32-6118. FAX: 81-428-32-6145.



X750-027380

X750816-2101

