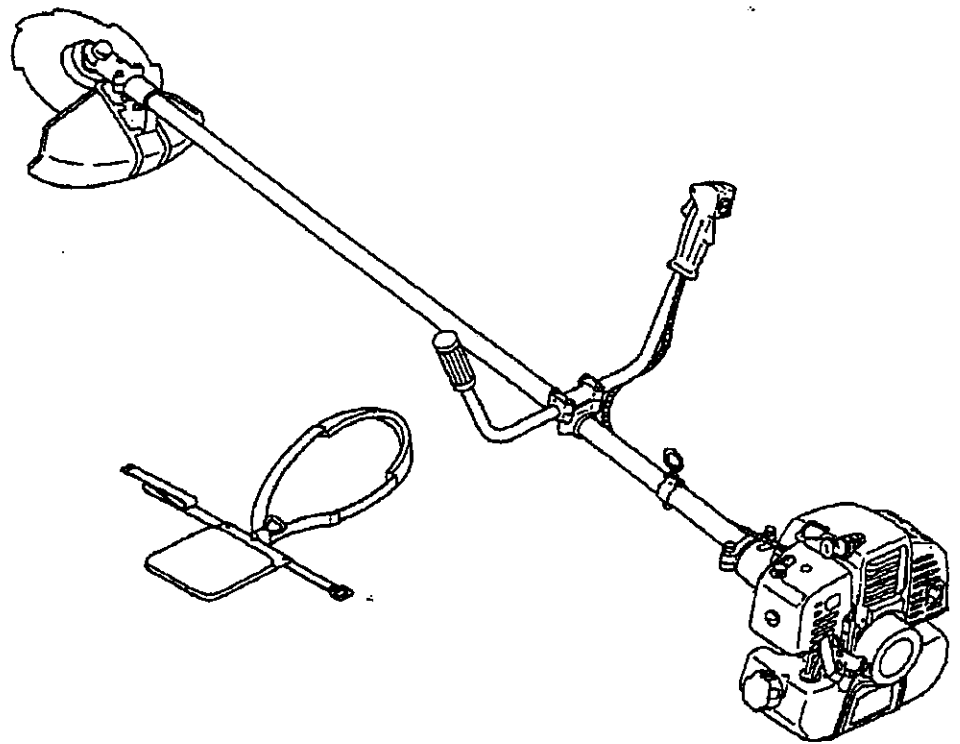


**ECHO**



# OPERATOR'S MANUAL

## ECHO GRASS TRIMMER/ BRUSHCUTTER SRM-2450

U-handle version



CE

### WARNING DANGER

READ INSTRUCTIONS CAREFULLY AND  
FOLLOW RULES FOR SAFE OPERATION.  
FAILURE TO DO SO COULD RESULT IN  
SERIOUS INJURY.

## INTRODUCTION

ECHO Grass Trimmers/brushcutters are light-weight, high-performance, petrol engined units designed for weed control, grass trimming and brush cutting in areas difficult to control by any other means.

This Manual provides the information necessary for assembly, operation and maintenance. You must read this Manual to understand the safe and effective operation of your ECHO product.

### NOTE

This manual is for U-HANDLE VERSION of SRM-2450.

## CONTENTS

INTRODUCTION .....	1
RULES FOR SAFE OPERATION .....	2
DESCRIPTION .....	10
ASSEMBLING .....	12
OPERATION .....	15
MAINTENANCE AND CARE .....	17
TROUBLE SHOOTING .....	22
NYLON LINE CUTTING ATTACHMENT (OPTION) .....	23
STORAGE .....	26
SPECIFICATIONS .....	27
DECALS AND SYMBOLS .....	28
DECLARATION OF CONFORMITY .....	29

Specifications, descriptions and illustrative material in this literature are as accurate as known at the time of publication, but are subject to change without notice. Illustrations may include optional equipment and accessories, and may not include all standard equipment.

Engine and drive shaft components of this model are shipped separately, some assembling works are required.

### WARNING DANGER

FOR SAFE OPERATION READ INSTRUCTIONS CAREFULLY. OPERATOR'S MANUAL MUST BE READ FOR PROPER AND SAFE OPERATION.



THIS SYMBOL ACCOMPANIED BY THE WORDS WARNING AND DANGER CALLS ATTENTIONS TO AN ACT OR A CONDITION WHICH CAN LEAD TO SERIOUS PERSONAL INJURY OR DEATH.



Circle and slash symbol means whatever is shown is prohibited.

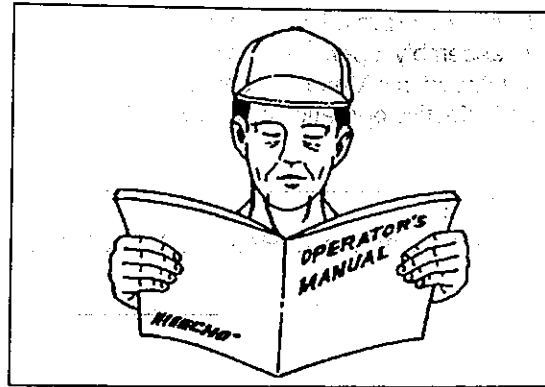
### CAUTION

CAUTION indicates a potentially hazardous situation, if you avoided, may result in minor or moderate injury.


### NOTE

This enclosed message provides tips for use, care and maintenance of the unit.

## RULES FOR SAFE OPERATION



### TRAINING

**WARNING**  **DANGER**  
GRASS TRIMMERS AND BRUSHCUTTERS CAN THROW SMALL GRAVEL, STONE, GLASS, METAL OR PLASTIC OBJECTS AS WELL AS THE MATERIAL BEING CUT. READ THESE "RULES FOR SAFE OPERATION" WITH CARE. FOLLOW INSTRUCTIONS IN THE OPERATOR'S MANUAL.

Read the operator's manual carefully. Be thoroughly familiar with the controls and proper use of the unit. Know how to stop the unit and shut off the engine. Know how to unhook a harnessed unit quickly.

Never allow anyone to use the unit without proper instruction. Be sure the operator wears the foot, leg, eye and hearing protection and has read this Manual.

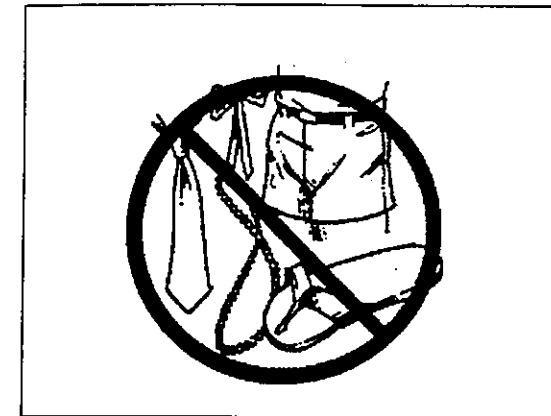
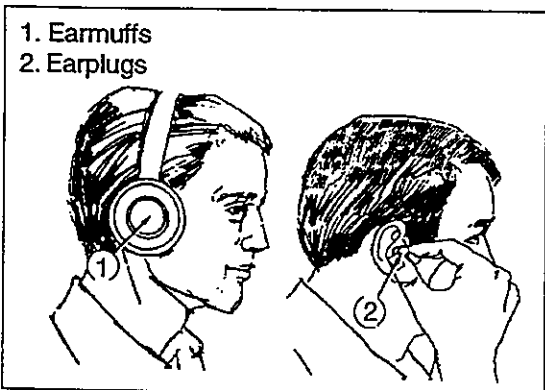
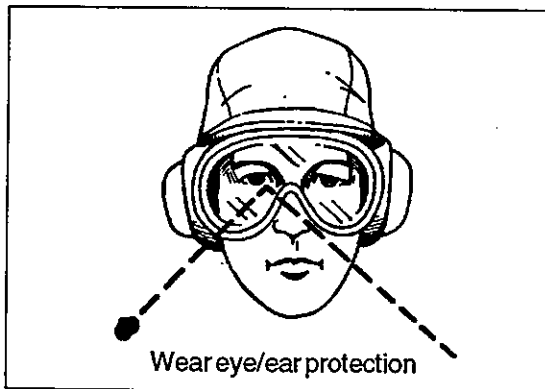
### EYE PROTECTION

The operator must wear eye protection not only against objects thrown by the unit, but also because eye infections can be caused by airborne dust, seeds and pollen. Prescription glasses may be worn under the safety goggles. Eye protection should also be worn by persons in the risk zone which extends beyond the danger zone.

### HEARING AND EAR PROTECTION

Prolonged exposure to loud noise can cause impairment or loss of hearing.

Wear suitable hearing protective devices such as earmuff or earplugs to protect against objectionable or uncomfortable loud noises.



### PROTECTIVE CLOTHING


Choose trousers, shirts and jackets that fit trimly and have no strings, frills or dangling straps which could catch on the unit or the underbrush. Do not wear ties, loose clothing or jewelry. Keep clothing buttoned or zipped up and shirt tails tucked in. Secure hair so it is above shoulder length. The wearing of gloves offers some protection against contact with skin irritants such as poison ivy. Soft leather work gloves may also improve your grip.

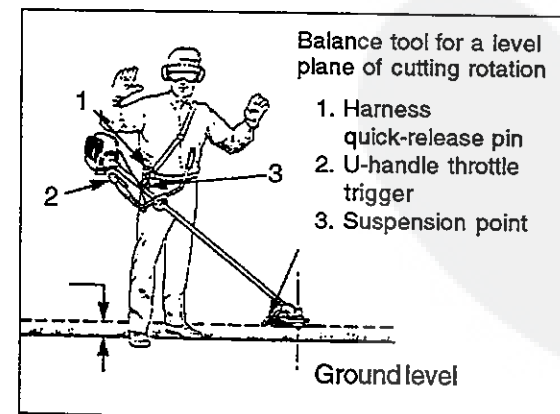
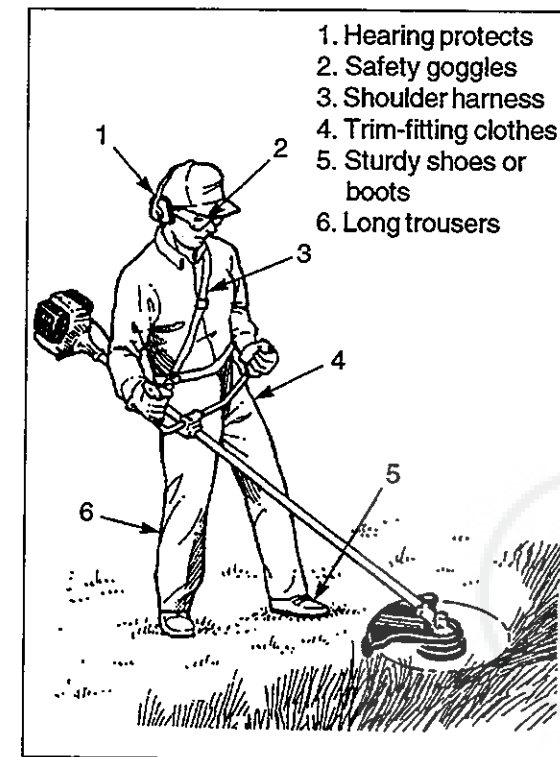
### FOOT AND LEG PROTECTION

Long trousers and sturdy shoes with non-slip soles are generally acceptable protection against objects thrown by a grass trimmer head. For heavy brush cutting with metal blades, logger's trousers or leg chaps with protective inserts are an added consideration.

### ADDITIONAL PROTECTION

Hay fever (rhinitis) sufferers may purchase disposable masks at hardware or medical supply stores to help reduce the intake of allergenic particles.

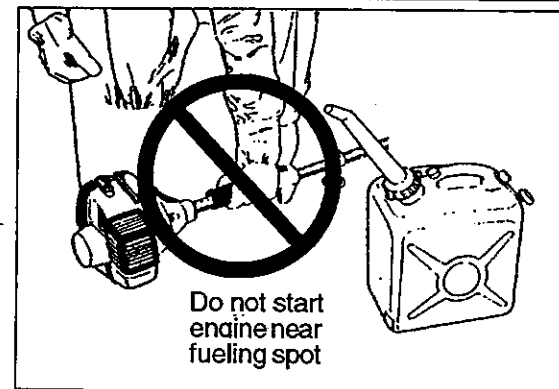
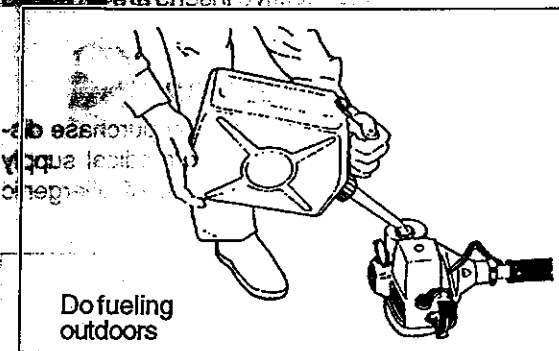
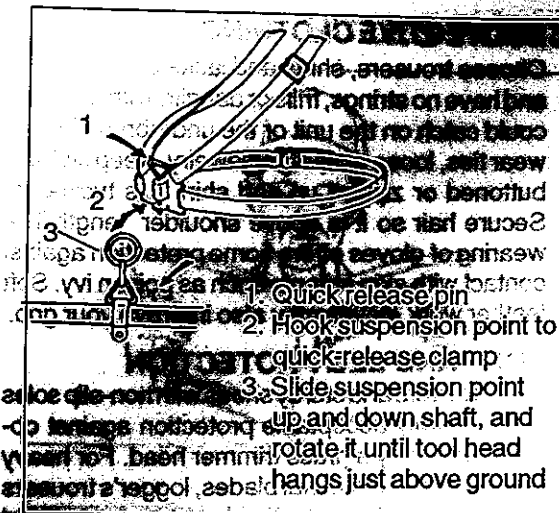
**WARNING**  **DANGER**  
IN ADDITION TO HEAD, EYE AND EAR PROTECTION WEAR PROTECTIVE CLOTHES AND SHOES TO PROTECT YOUR FEET FROM THROWN OBJECTS, AND IMPROVE YOUR FOOTING ON SLIPPERY SURFACES. DO NOT WEAR TIES, JEWELRY, OR LOOSE, DANGLING CLOTHING WHICH COULD BE CAUGHT IN THE UNIT. DO NOT WEAR OPEN-TOED FOOTWEAR, OR GO BAREFOOT OR BARELEGGED, IN CERTAIN SITUATIONS. YOU MUST ASSESS WHETHER TOTAL FACE AND HEAD PROTECTION MAY BE REQUIRED.



### PREPARATION

Use a shoulder harness. Adjust both harness and the suspension point on the unit so the unit hangs with the cutting attachment a few centimeters above ground level. The cutting attachment and guard should be level in all directions. Harness the unit on the right side as shown.

- Slide suspension point up and down the tube to find the right balance. Rotate the clamp to level the cutting attachment and guard. Lock in position. If the suspension point is a free-spinning type, the unit may tend to roll over sideways, however, you should still level the attachment and guard on the front-to-rear axis.



b) Balancing and leveling, as above, may require relocation of the clamp and readjustment of the harness straps. Also, each type of cutting attachment and guard mounted on the unit may require balancing.

**NOTE**

A person's size can affect the balancing adjustment. Also the balancing procedure may not work with some ECHO units on some persons. If the procedure does not work for you, please ask your ECHO servicing dealer for assistance.

**WARNING DANGER**  
**ECHO TRIMMERS AND BRUSHCUTTERS ARE DESIGNED TO FIT A WIDE VARIETY OF BODY SIZES, BUT MAY NOT BE ADJUSTABLE FOR EXTREMELY TALL PERSONS. DO NOT USE THE UNIT IF YOUR FEET CAN REACH THE CUTTING ATTACHMENT WHEN THE UNIT IS ATTACHED TO THE HARNESS.**

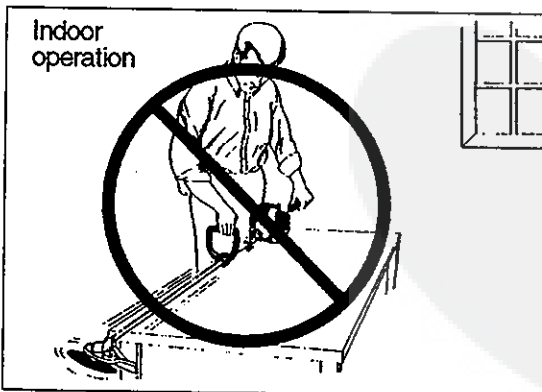
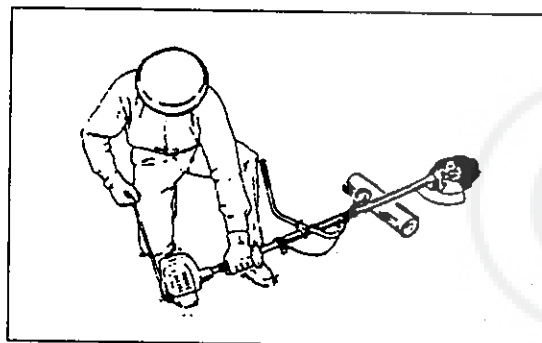
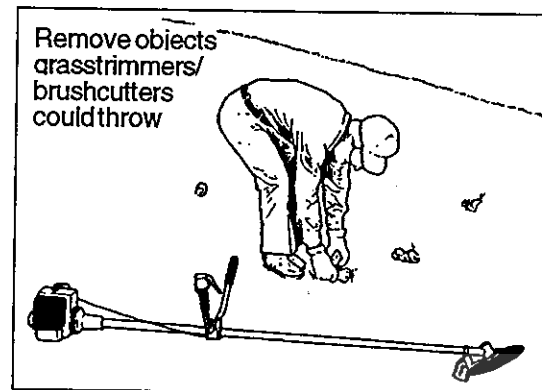
Handle fuel with care. It is highly flammable.

- a) Use an appropriate fuel container.
- b) Do not smoke or bring flame or sparks near fuel supplies.
- c) The fuel tank may be under pressure. Always loosen the fuel cap and wait for pressure to be equalized before removing the cap.
- d) Fill the fuel tank outdoors over bare ground and install the fuel cap securely. Do not pour fuel indoors.
- e) Wipe any spilled fuel off the unit. Then move at least 3 meters (10 feet) from the fueling spot before starting the engine.
- f) Never refuel while the engine is still hot, or fuel a running engine.
- g) Do not store the unit with fuel in its tank, because a fuel leak could start a fire.

You should be in good mental and physical health. Do not operate if you are under the influence of alcohol or any medication or substance which could affect your vision, dexterity or judgement.

Inspect the area before using the unit. Remove objects the unit could throw. Remember where there are obstructions to be avoided.

Inspect the unit before using it. Perform only maintenance or adjustments for which the operator's manual gives instruction. Do not try to repair the unit without proper instruction. The unit should be serviced only by trained ECHO dealer servicemen with the proper tools.



Be sure that:

- a) Engine does not leak fuel.
- b) Fasteners are tight, and none are missing.
- c) Silencer is in good condition.
- d) The unit has the proper equipment-guard, handles, harness, etc. -for the cutting attachment to be used.
- e) If used on the unit, the cutting attachment is properly retained with a split pin and nut, is in sharp condition, and has no stress cracks.

**WARNING DANGER**  
**IMPROPER FIT WILL RESULT FLY OFF THE CUTTING ATTACHMENT. NEVER START THE ENGINE IF THE POWER TRANSMISSION SHAFT IS NOT IN PLACE TO PREVENT THE ENGINE FROM OVERSPEEDING OR THE CLUTCH FROM FLYING APART.**

**GENERAL OPERATION**

Do not run the engine indoors, or where there is poor ventilation. Engine fumes contain deadly poisonous carbon monoxide.

Lay the unit down on a clear area and set the controls for starting. Be sure the cutting attachment cannot contact the ground or any obstruction.

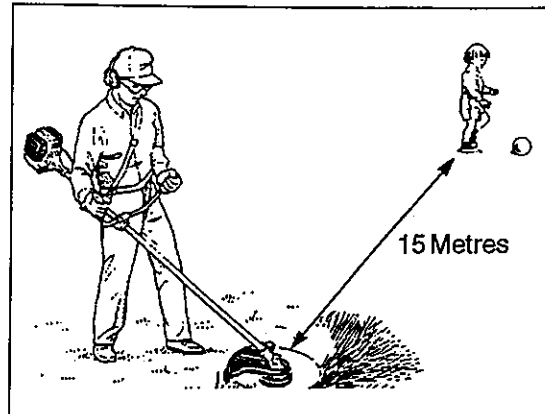
Hold the unit firmly down so you will not lose control during starting. Do not start the unit in the air, or from the harness. The unit could swing into your leg or an obstruction if you lose control.

Do not raise the cutting attachment above knee height. If raised higher, the cutting attachment will be more directly in line with your face. Thrown objects may hit your face and eyes.

Wear the recommended foot, leg, head, eye and hearing protection at all times during operation. Also assess the job to be done, and whether other types of protection may be necessary.

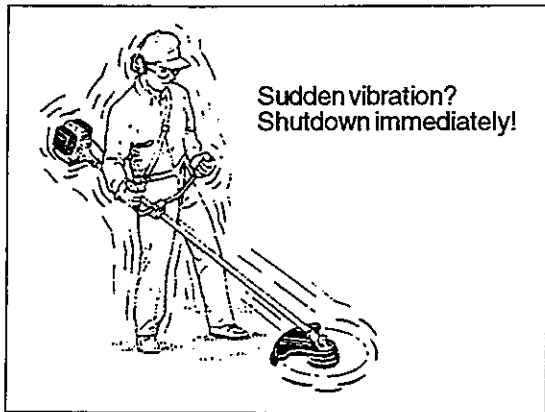
Never operate the unit without the proper guards and other protective devices.

Never operate the unit without good visibility and light.



Do not allow anyone to enter the operating **DANGER ZONE** with you. The danger zone is an area of 15 meters (50 feet) in radius.

Insist that persons in the **RISK ZONE** beyond the danger zone wear eye protection from thrown objects. If the unit must be used where there are unprotected people, operate at a low throttle speed to reduce the risk. Ensure that there are no children, bystanders, and pets in the work area. Keep all children, bystanders and helpers outside 15 meters (50 feet) radius for brushcutters/grasstrimmers.



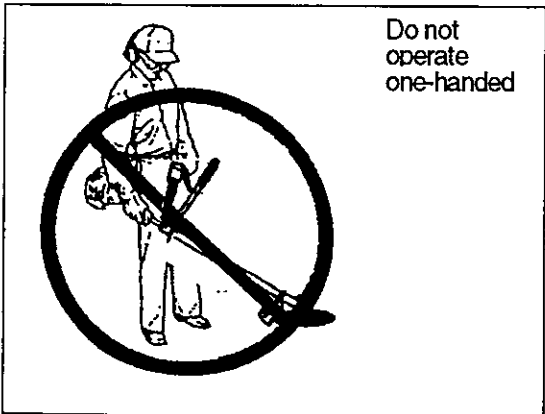
If you are approached, stop the engine and cutting attachment immediately. Keep your hands and body away from silencer to prevent heat injury while the engine is hot.

Shut down immediately if the unit starts to shake or vibrate.

A sudden vibration is a sign there may be dangerous trouble, such as a broken flywheel, clutch or cutting attachment, or loose parts.

Do not use the unit until the problem has been properly diagnosed and corrected.

When the unit is turned off, make sure the cutting attachment has stopped before the unit is set down. A blade can injure while it continues to spin after the engine is stopped or throttle control is released.



If the cutting attachment rotates after the engine returns to idle, carburettor adjustment is required. You can follow this operator's manual to make the adjustment yourself, or have the carburettor adjusted by your ECHO dealer.

All maintenance and adjustments given in the operator's manual should be performed by you or your ECHO servicing dealer on a timely basis.

All required service or repairs must be done only by the ECHO servicing dealer. Never attempt to use an incomplete machine or one fitted with unauthorized modification.

Always use both hands on the handles. Do not operate one-handed.

Always hold the unit with the fingers and thumbs encircling the handles.

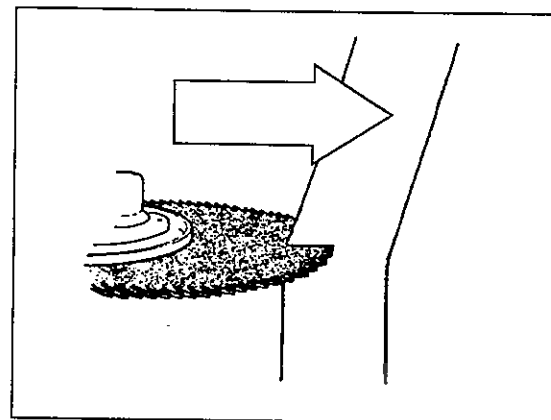



**SCYTHING WEEDS.** This is cutting by swinging the cutting attachment in a level arc. It can quickly clear areas of field grass and weeds. Scything should not be used to cut large, tough weeds or woody growths.

If a sapling or shrub binds the cutting attachment, do not use the cutting attachment as a lever to free the bind, because this will cause cutting attachment failure.

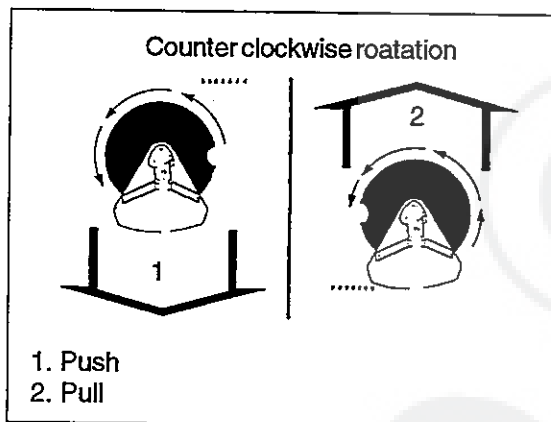
Instead, shut off the engine and push the sapling or shrub to free the blades.


Do not use a cracked or damaged blade.



**WARNING**  **DANGER**  
ALWAYS STOP THE ENGINE WHEN A CUTTING ATTACHMENT JAM OCCURS. DO NOT ATTEMPT TO REMOVE AN OBJECT CAUSING A JAM IF THE ENGINE IS RUNNING. SEVERE INJURY CAN OCCUR IF A JAM IS REMOVED AND THE CUTTING ATTACHMENT STARTS.

#### REACTION FORCES

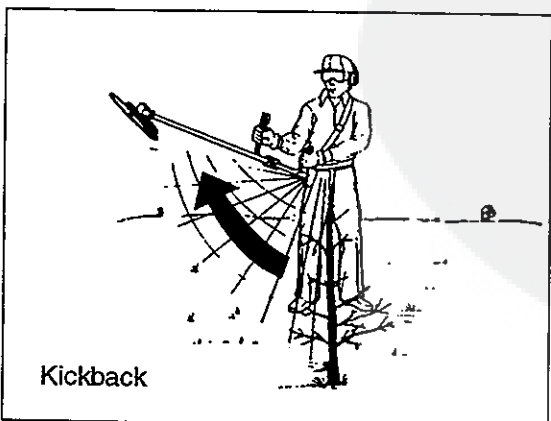


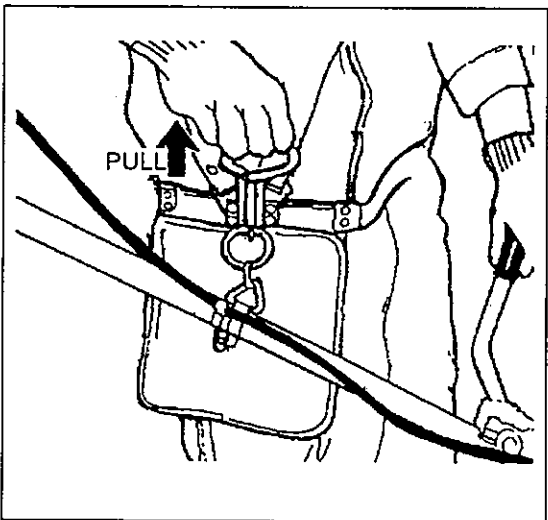
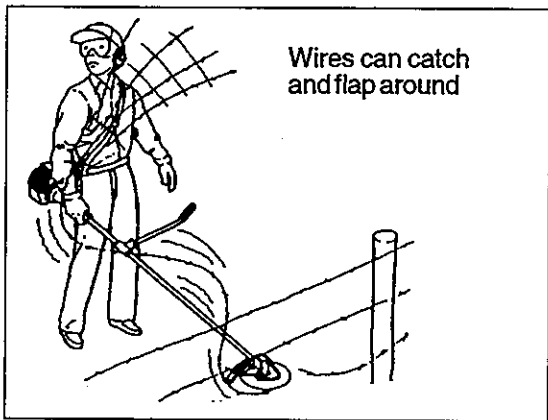
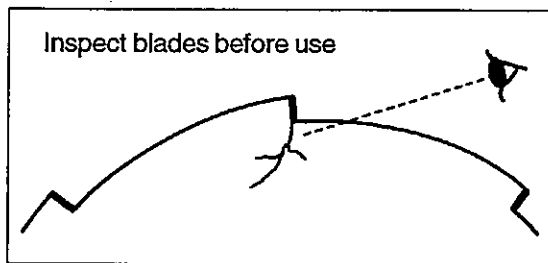
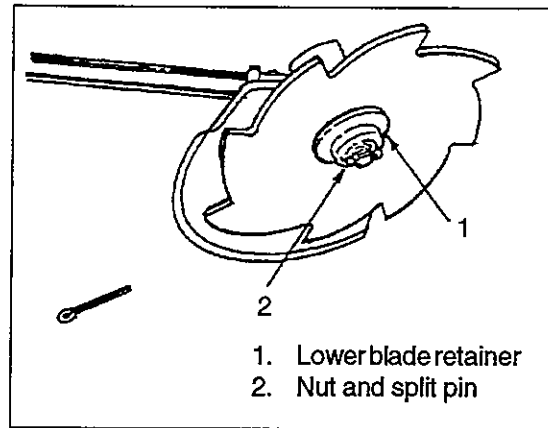
**WARNING**  **DANGER**  
BE SURE YOU UNDERSTAND THE REACTION FORCES OF PUSH AND PULL, AND KICK-BACK DESCRIBED IN THIS MANUAL, AND HOW THESE FORCES MAY AFFECT YOUR BALANCE IN THE OPERATION OF AN UNIT.

**PUSH.** The operator feels the unit push toward him when he tries to saw with the blade on the side where the teeth are moving away from him. If he cannot hold the blade in the cut, a kick-back may occur when the blade is pushed out to where the teeth at the outside furthest point from the operator are cutting. The blade will "kick-back" sideways.

**KICK-BACK.** This may occur when the moving blade at the front of the blade circle contacts strong brush or trees. The force that occurs pushes the entire unit and blade violently away in an arc. Kick-back is a danger to a bystander and also a jolting force to the operator.

**PULL.** The opposite of push. When the part of the blade where the teeth are moving towards the operator is used for cutting, the reaction is a pull away from the operator. Although this pull type of cutting may cause sawdust to be thrown back at the operator, it is recommended for sawing off heavy brush because the cutting is smoother and more stable than when the unit pushes.





### USE CORRECT BLADE

#### WARNING DANGER

- **SERIOUS INJURY MAY RESULT FROM THE IMPROPER USE OF BLADES. READ AND COMPLY WITH ALL SAFETY INSTRUCTIONS LISTED IN THIS MANUAL.**
- **THE EIGHT-TOOTH BLADE IS DESIGNED ESPECIALLY TO CUT WEEDS AND GRASS. TO AVOID INJURY DUE TO KICK-BACK OR BLADE FRACTURE, DO NOT USE THE EIGHT-TOOTH BLADE TO CUT BRUSH OR TREES. USE CIRCULAR SAW BLADE TO CUT BRUSH OR SMALL TREES.**
- **USE ONLY CUTTING ATTACHMENTS RECOMMENDED BY ECHO.**

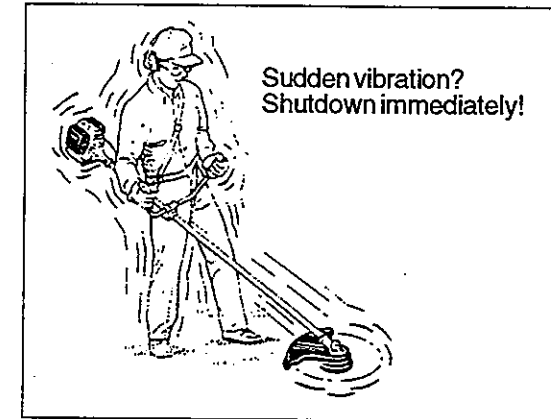
#### WARNING DANGER

**PIECES FROM A CRACKED METAL BLADE CAN FLY OFF DURING OPERATION. INSPECT METAL BLADES FOR CRACKS BEFORE EACH USE. DISCARD CRACKED BLADES NO MATTER HOW SMALL THE CRACK. CRACKED BLADES CAN BE THE RESULT OF MISUSE OR IMPROPER SHARPENING.**

- Always use the blade suited for the job.
- Do not hit rocks, stones, tree stumps, and other foreign objects with the blade.
- Do not cut into the ground with the blade.
- If blade strikes an obstruction, stop engine immediately and inspect blade for damage.
- Do not operate with a dull, bent, fractured or discoloured blade and worn or damaged nut.
- Do not run engine at full throttle without a load.
- Remove all foreign objects from work area.
- Do not operate brushcutter without shoulder harness and guard.
- In case of an emergency, use quick-release pin on harness to free yourself from unit.
- Keep bystanders 15 meters (50 feet) from operator.
- Always carry unit with the engine stopped and the HOT silencer away from your body.
- Always stop the unit when transporting, storing and servicing the unit.

#### WARNING DANGER

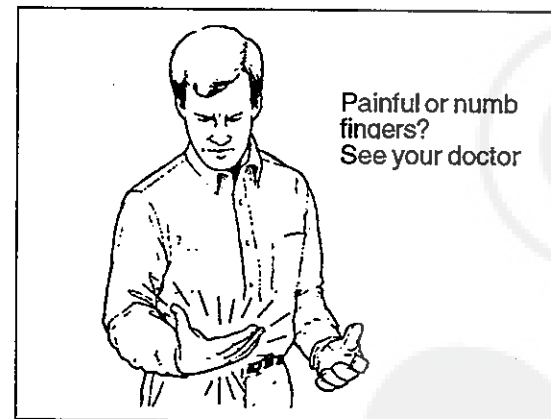
**BEYOND THE 15 METERS (50 FEET) DANGER ZONE THERE STILL MAY BE RISK OF EYE INJURY FROM THROWN OBJECTS. THE RISK DIMINISHES WITH DISTANCE. BUT EYE PROTECTION SHOULD BE CONSIDERED FOR EVERYONE IN THE ZONE OF RISK.**



### VIBRATION AND COLD

It is believed that a condition called Raynaud's Phenomenon which affects the fingers of certain individuals may be brought about by exposure to vibration and cold. Exposure to vibration and cold may cause tingling and burning, followed by loss of colour and numbness in the fingers. The following precautions are strongly recommended because the minimum exposure which might trigger the ailment is unknown.

- Keep your body warm, especially the head and neck, feet and ankles, and hands and wrists.
- Maintain good blood circulation by performing vigorous arm exercises during frequent work breaks, and also by not smoking.
- Limit the number of hours of operation. Try to fill each day with jobs where operating the trimmer or other hand-held power equipment is not required.
- If you experience discomfort, redness and swelling of the fingers, followed by whitening and loss of feeling, consult your physician before exposing yourself further to cold and vibration.



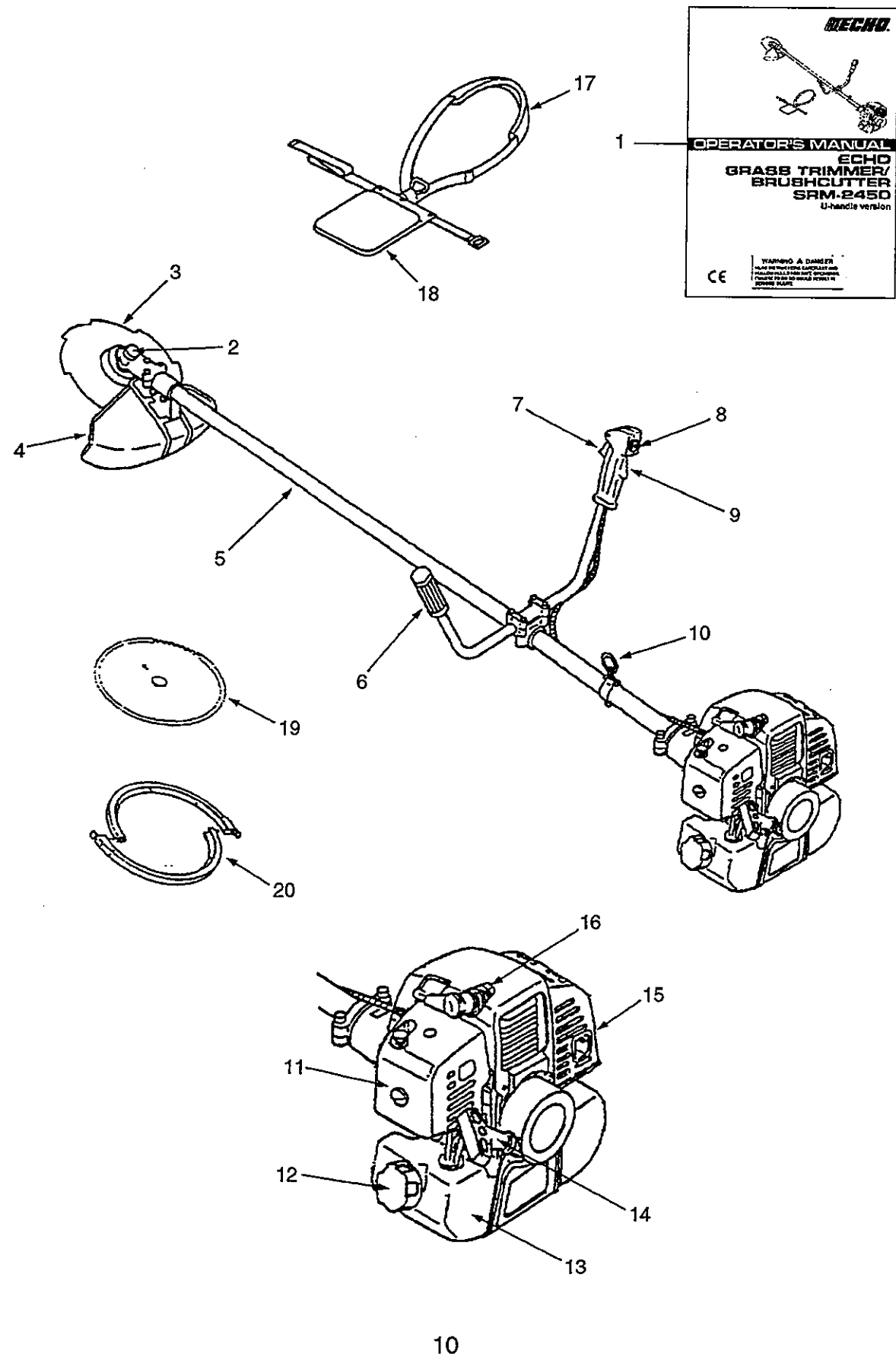
### REPETITIVE STRESS INJURIES

It is believed that overusing the muscles and tendons of the fingers, hands, arms and shoulders may cause soreness, swelling, numbness, weakness and extreme pain to the areas just mentioned. Certain repetitive hand activities may put you at a high risk for developing a repetitive stress injury (RSI).

To reduce the risk of RSI, do the following:

- Avoid using your wrist in a bent, extended or twisted position.
- Take periodic breaks to minimize repetition and rest your hands. Reduce the speed and force in which you do the repetitive movement.
- Do exercises to strengthen hand and arm muscles.
- See a doctor if you feel tingling, numbness or pain in your fingers, hands, wrists or arms. The sooner RSI is diagnosed, the more likely permanent nerve and muscle damage can be prevented.

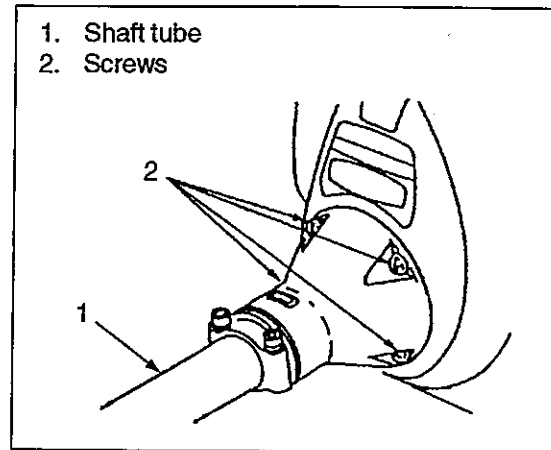
## DESCRIPTION



## DESCRIPTION

- 1 **OPERATOR'S MANUAL** Included with unit. Read before operation and keep for future reference to learn proper, safe operating techniques.
- 2 **ANGLE TRANSMISSION** Having two gears to change the angle of rotating axis.
- 3 **CUTTING ATTACHMENT (8 TOOTH)** 8 tooth blade for cutting grass, garden debris and weeds.
- 4 **CUTTING ATTACHMENT GUARD** Device with the purpose to protect the operator from unintentional contact with the cutting attachment and thrown objects.
- 5 **SHAFT TUBE** Part of the unit that provides a casing for power transmission shaft.
- 6 **U-HANDLE** Has the configuration of a bicycle handle bar to reduce working effort compared to a loop-handle.
- 7 **THROTTLE TRIGGER** Activated by the operator's finger for controlling the engine speed.
- 8 **IGNITION SWITCH** "Slide Switch" mounted on top of the Throttle Trigger Housing, move switch forward to RUN, backward to STOP.
- 9 **THROTTLE TRIGGER LOCKOUT** Locks throttle trigger in the idling position until you have a proper grip with your right hand around the handle.
- 10 **SUSPENSION POINT** Device on which the harness can be hooked.
- 11 **AIR CLEANER COVER** Covers and seals air filter.
- 12 **FUEL TANK CAP** Covers and seals fuel tank.
- 13 **FUEL TANK** Contains fuel and fuel filter.
- 14 **STARTER HANDLE** Pull handle to start the engine.
- 15 **SILENCER COVER** Cover the silencer not to make operator touch to hot surface of silencer.
- 16 **SPARKPLUG**
- 17 **SHOULDER HARNESS** An adjustable straps to suspend unit.
- 18 **HIP PAD** To protect hip/leg and clothing.
- 19 **CUTTING ATTACHMENT (CIRCULAR SAW)** Circular saw for sawing heavy brush and small trees.
- 20 **BLADE COVER** When transporting the unit, use the appropriate metal blade cover.

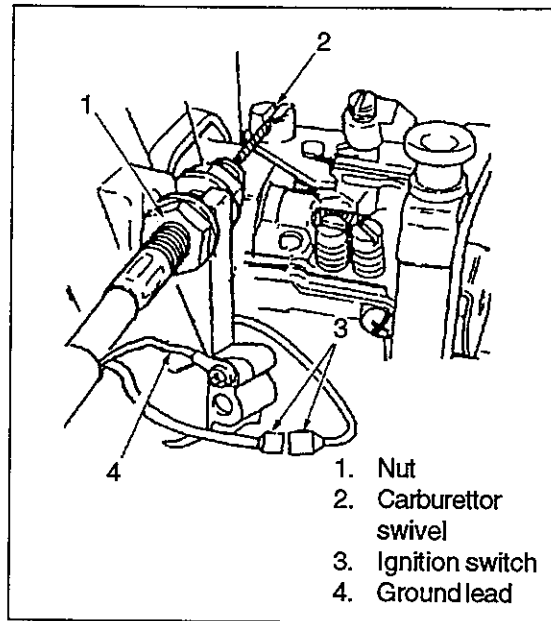
## ASSEMBLING



1. Shaft tube
2. Screws

### SHAFT TUBE

1. Stand engine upright on a level surface.
2. Fit shaft tube assembly to the engine.
3. Rotate the shaft tube assembly until angle transmission is in line with the engine.
4. Secure shaft tube assembly to engine with screws.



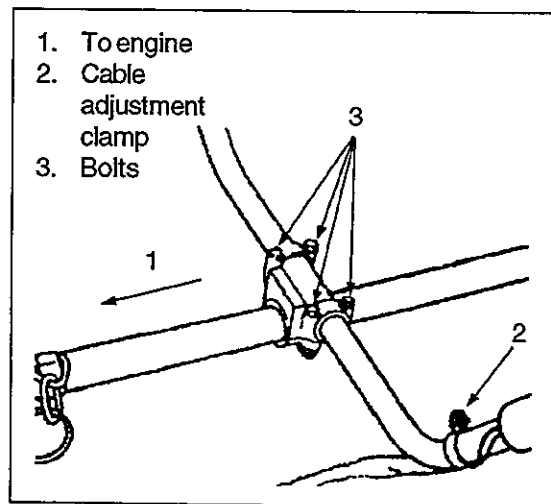
### THROTTLE CABLE AND IGNITION LEADS

1. Close choke and remove air cleaner cover.
2. Loosen nut and place threaded cable housing in bracket slot. If there are flat washers between the two nuts, place one on each side of the bracket. Finger tighten nut.
3. Place inner cable in slot of carburettor swivel and tighten nut.
4. Check to make sure throttle operates freely, opens completely and returns to idle.
5. Connect ignition leads. This unit has two spade terminal pair.
6. Reinstall air cleaner cover.

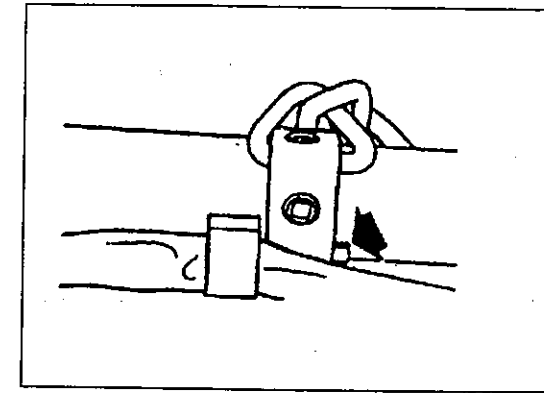
1. Nut
2. Carburettor swivel
3. Ignition switch
4. Ground lead

### U-HANDLE

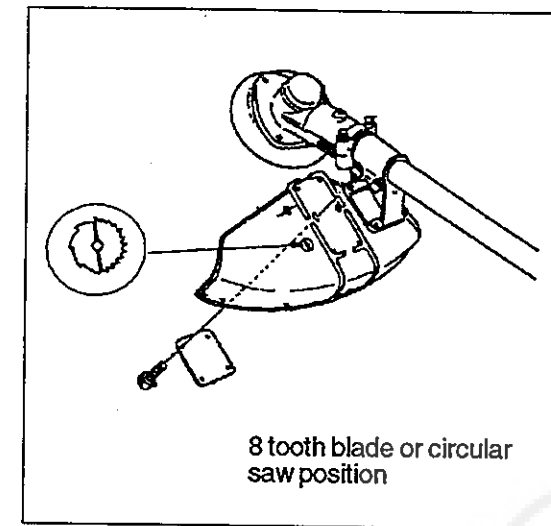
- Install handles in bracket and tighten bolts securely.



1. To engine
2. Cable adjustment clamp
3. Bolts



Secure throttle cable and leads to shaft tube by sliding wedge under harness suspension point.



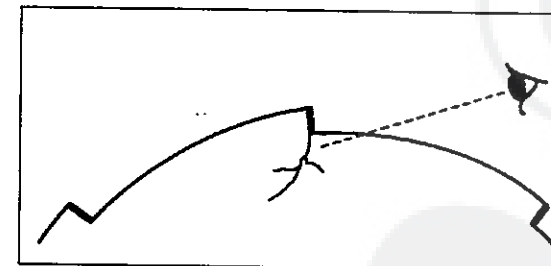
### INSTALLATION OF GUARD

Align the bracket with 8 tooth blade/circular saw position mark on the guard.

Fit the guard on the bracket and tighten four 5x18 screws.

For safe operation, never use the unit without guard.

8 tooth blade or circular saw position



### INSTALLING BLADE

Inspect blades before installation. Check for sharpness.

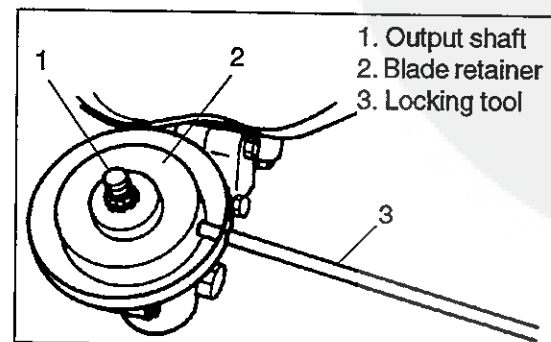
Dull blades increase the risk of blade kick-back reactions.

Small cracks can develop into fractures resulting in a piece of blade flying off during operation.

Discard cracked blades no matter how small the crack.

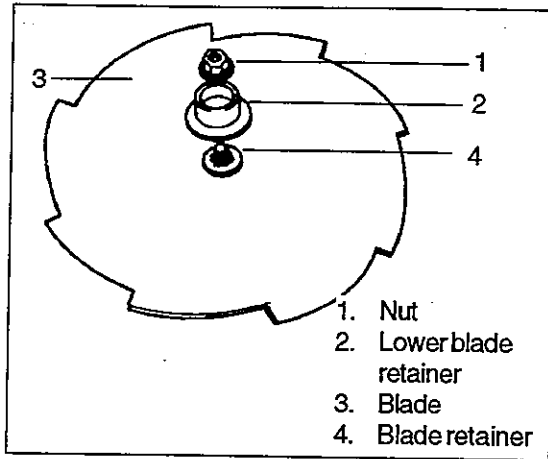
Use a locking tool to prevent the output shaft from turning during blade installation.

Install blade retainer, blade, lower blade retainer and nut finger tight.



1. Output shaft
2. Blade retainer
3. Locking tool



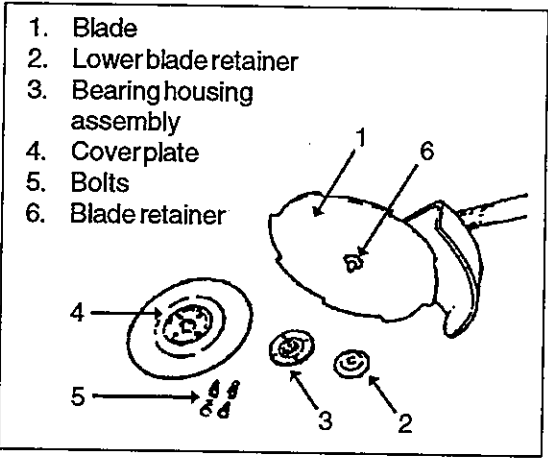


**NOTE**  
Check to be sure the locking tool is fully engaged to prevent the output shaft from turning.

Tighten the nut (turn counterclockwise) using a socket wrench.

Secure the nut using a new split pin.

**CAUTION**  
Wear gloves to reduce the risk of injury caused by unintentional contact with the blade.

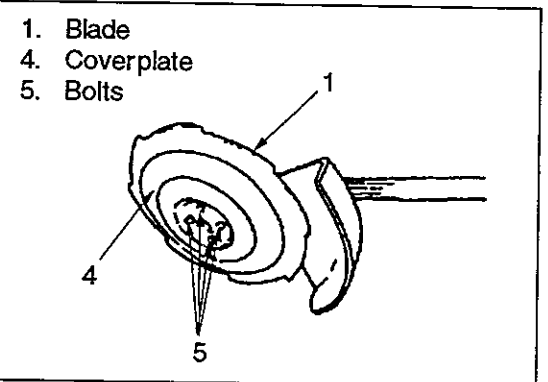


**INSTALLING COVER PLATE FOR CUTTER BLADE**

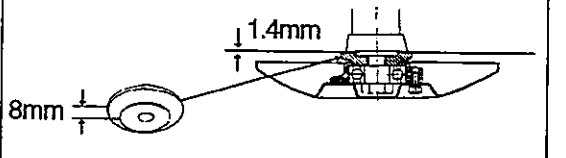
- Fit the blade onto the blade retainer, fit the lower blade retainer and secure by tightening the nut with bearing housing assembly.

**CAUTION**  
It will not be possible to fit the split pin with the cover plate in use.

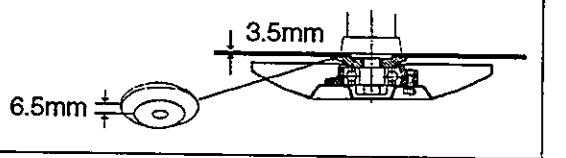
- Offer the cover plate up to the bearing housing assembly and secure with the four bolts.
- Ensure the cover plate can be rotated freely by hand.



**CAUTION**  
Use this lower blade retainer together with 1.4 mm cutting blade and cover plate assembly.



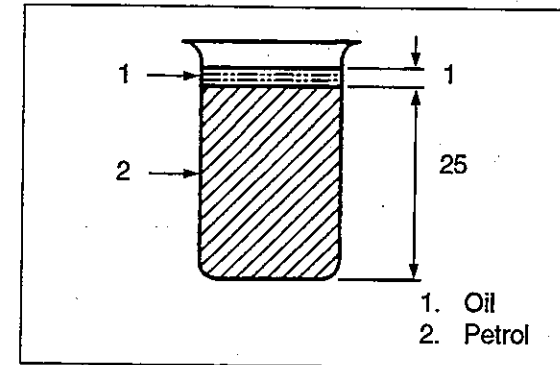
**CAUTION**  
Use this lower blade retainer together with 3.5 mm cutting blade and cover plate assembly.



**OPERATION**

**FUEL**

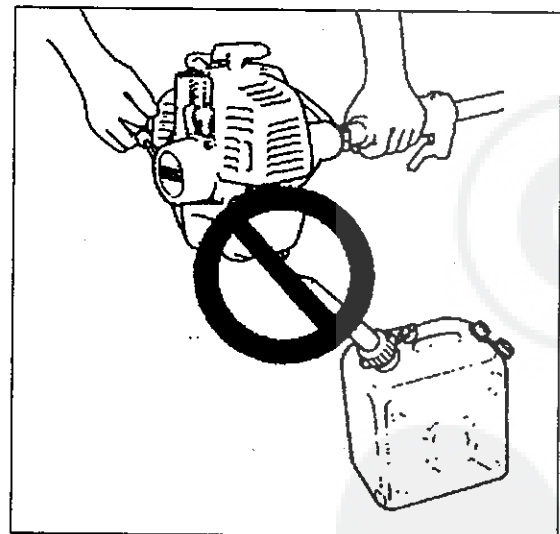
- Fuel used for this model is a mixture of Regular grade petrol and an air cooled two stroke engine oil of a reputable brandname.
- Mixture ratio is petrol 25 parts : oil 1 part.
- Fuel mixture at the ratio other than 25 : 1 may cause malfunction of the engine.
- Ensure mixture ratio is correct.



**CAUTION**  
Stored fuel ages. Do not mix more fuel than you expect to use in thirty (30) days. Do not mix directly in fuel tank.

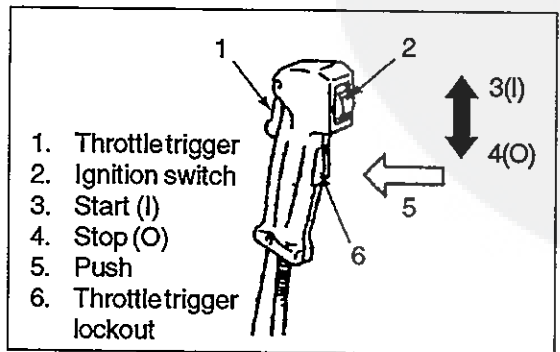
Fuel Mix Chart

Metric		Imperial	
Petrol	Oil	Petrol	Oil
Liters	C.C.	Gal.	Fl. Oz.
4	160	1	6.4
8	320	2	12.8
20	800	5	32.0



**HANDLING FUEL**

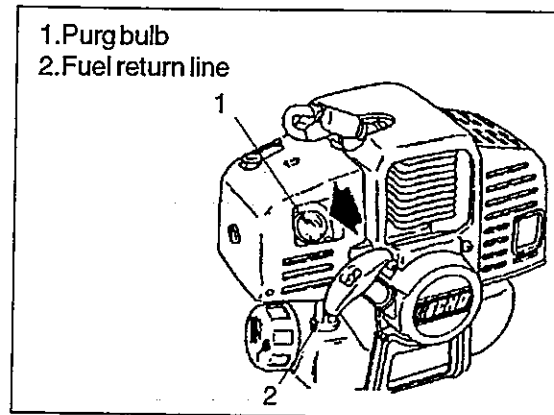
- Never smoke or allow flame or sparks near fuel.
- Always fill the fuel tank outdoors.
- Never pour fuel indoors.
- Never refuel the engine when it is hot or running.
- Always use an approved, safe fuel container.
- After fueling, always wipe away spilled fuel.
- Always move at least 3 metres (10 feet) away from the fueling spot before starting the engine.
- Never store the unit with fuel in the tank a fuel leak could start a fire.



**STARTING COLD ENGINE**

**WARNING** **DANGER**  
WHEN ENGINE STARTS, THE CUTTING ATTACHMENT MAY ROTATE, EVEN WITH THROTTLE TRIGGER IN LOW-SPEED POSITION.

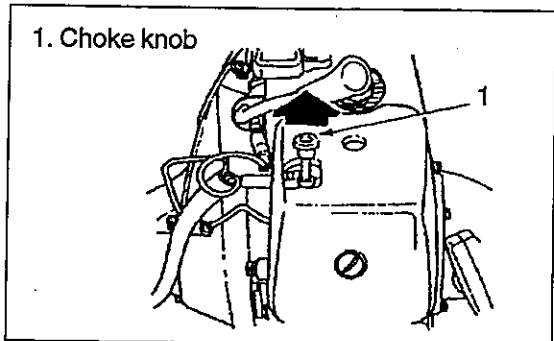
- Turn ignition switch to "I" position.



- Push purge bulb until fuel is visible in clear fuel return line.
- Pull choke knob up to CLOSED position.
- Pull starter handle until the first firing sound.
- Push choke knob down to OPEN position.
- Restart engine and allow to warm up.

**NOTE**

- Check unit for loose nuts, bolts and screws before starting.
- Always clear work area of debris before starting operation.
- Always hold the unit firmly on the ground.
- When pulling starter handle, use short pulls, 1/2 to 2/3 of rope length.
- Do not allow the starter handle to snap back against the housing.



**STARTING WARM ENGINE**

- Turn ignition switch to "I" position.
- Move choke lever to OPEN position.
- If the tank is not empty, pull starter handle.
- If fuel tank is empty, after refilling, push the purge bulb (until fuel is visible in clear fuel return line).
- Pull starter handle.

**NOTE**

If engine does not start after 4 pulls, use Cold Starting Procedure.

**STOPPING ENGINE**

- Release throttle trigger and allow engine to idle.
- Turn ignition switch to "O" position.

**WARNING** **DANGER**  
IF ENGINE DOES NOT STOP, CLOSE CHOKE TO STALL ENGINE. HAVE YOUR ECHO DEALER INSPECT AND REPAIR IGNITION SWITCH BEFORE USING THE UNIT.

Always disconnect spark plug lead from the spark plug to ensure that the engine cannot be started before you work on the unit or leave it unattended.

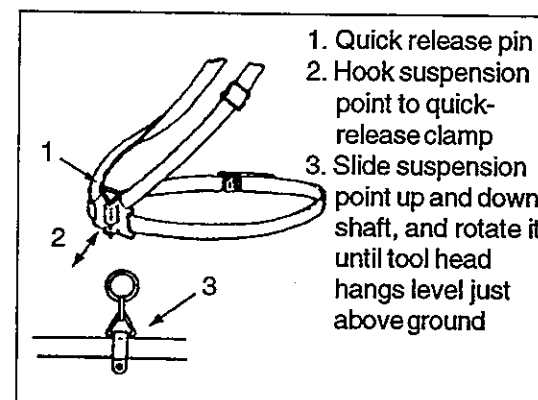


**OPERATING THE UNIT**

Spectators and fellow workers must be warned and children and animals prevented from coming near than 15 meters (50 feet) while the grasstrimmer/brushcutter is in use.

**USING SHOULDER HARNESS**

Place shoulder harness over left shoulder and adjust straps so the quick-release pin rests just below the waist. Buckle waist belt. Belt should be snug. Attach Grasstrimmer/Brushcutter to harness. Check for correct adjustment by moving cutting attachment along ground. See Rules for Safe Operation for proper adjustment (Page 3). Re-adjust bracket if necessary.



**WARNING** **DANGER**  
IN CASE OF AN EMERGENCY, PULL UP ON THE QUICK-RELEASE PIN ON HARNESS TO FREE YOURSELF FROM UNIT.

**MAINTENANCE AND CARE**

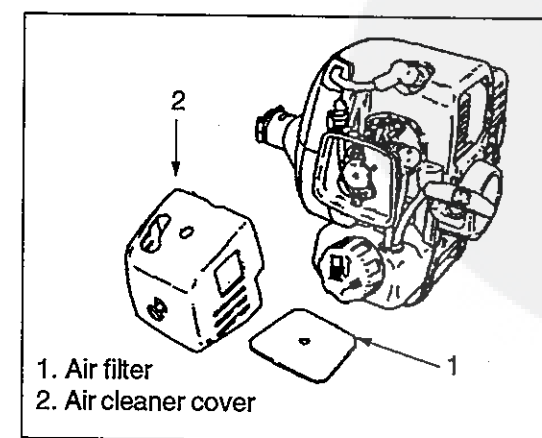
**CLEANING AIR FILTER**

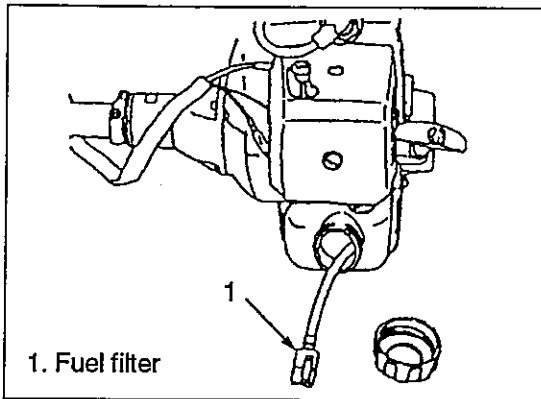
- Close choke. Loosen screw and remove air filter cover.
- Remove air filter.

**NOTE**

If filter is excessive dirty or no longer fits properly, replace it.

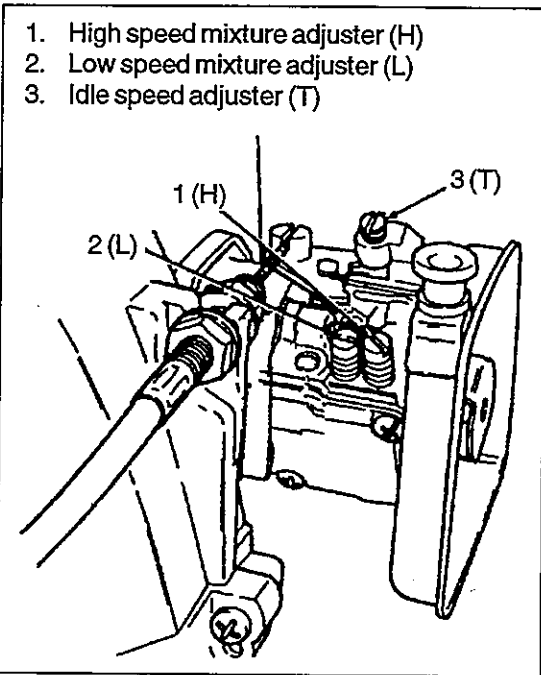
- Brush dirt from filter or wash it in a suitable cleaner.
- Reinstall filter.
- Reinstall cover and tighten screw.





### REPLACING FUEL FILTER

- Use a piece of steel wire or the like to pick up fuel filter through fuel tank opening.
- Pull old filter from fuel line.
- Install new fuel filter.



### CARBURETTOR ADJUSTMENT

Every unit is test run at the factory and the carburettor is fine tuned for maximum performance.

Any change from this setting should be performed only with the aid of an accurate tachometer (see Specification for RPM setting). If carburettor adjustment is performed without a tachometer, only the Basic Setting adjustment is recommended.

Before adjusting carburettor, clean or replace air filter, start engine and run several minutes to bring it to operating temperature. Extend nylon line to cut off knife.

### IDLE SPEED ADJUSTMENT

Turn "idle" speed adjuster clockwise until cutting attachment begins to turn, then turn screw out counterclockwise until cutting attachment stops turning.

Turn screw out, counterclockwise and additional 1/4 turn.

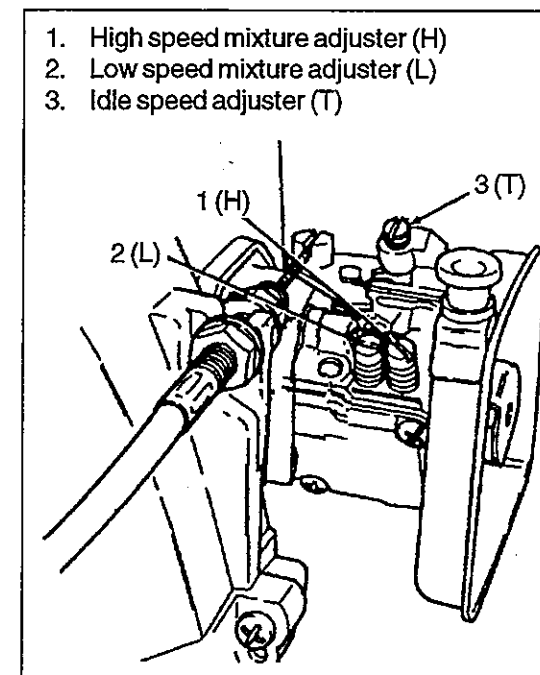
**CAUTION**  
Cutting attachment must not turn when unit is idling.

### BASIC SETTING

1. Stop engine and turn both low (L) and high (H) speed mixture adjusters in, clockwise until they stop and are lightly seated.

**CAUTION**  
DO NOT overtighten (L)/(H) adjusters. Forcing them to tighten will damage the carburettor.

2. Turn low speed mixture adjuster (L) out, counterclockwise 1-1/2 turn. Turn high speed mixture adjuster (H) out counterclockwise 1-1/2 turn.



### FINE TUNING (Requires Accurate Tachometer)

1. Start engine and allow to run at high idle until warm.
2. Adjust idle speed if necessary (2500-3000 RPM).
3. Always begin fine tuning with low speed mixture adjuster (L).
4. Slowly turn (L) adjuster clockwise, try to reach maximum idle speed.
5. Turn (L) adjuster counterclockwise 1/8-1/4 turn.
6. Turn idle speed adjuster clockwise until cutting attachment begins to turn.
7. Turn idle speed adjuster counterclockwise 1/2 turn or until cutting attachment stops.

### HIGH SPEED ADJUSTMENT

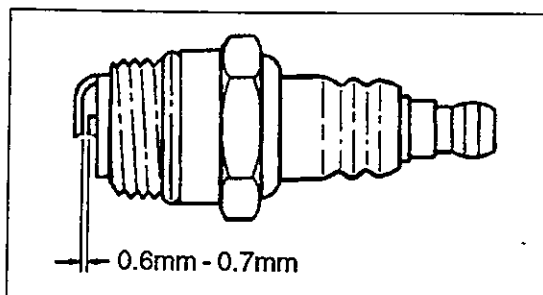
**CAUTION**  
Improper high speed mixture adjustment can result in lean operation and consequent severe engine damage.

1. While running the engine at full throttle, turn (H) adjuster slowly clockwise until engine runs smoothly under no load.

**CAUTION**  
Do not run engine on full throttle longer than 5-6 seconds during high speed mixture adjuster adjustment (H) to avoid damage to engine.

2. Turn (H) adjuster counterclockwise 1/8 turn to obtain optimum fuel for full power under the load conditions.
3. After the high speed adjustment has been completed, and should the engine hesitate during acceleration from idle to full throttle, turn (H) adjuster counterclockwise additional to get smooth acceleration. Make sure the final RPM is not exceeding 9,000 rpm.

**CAUTION**  
The engine will overheat when the high speed mixture adjuster (H) is adjusted to the lean condition reducing engine life.



### CHECK SPARK PLUG

- Check plug gap. Correct gap is 0.6 - 0.7 mm (0.024-0.028 in).
- Inspect electrode for wear.
- Inspect insulator for oil or other deposits.
- Replace plug if needed, tighten to 145-155 kgf cm (125-135 in, lb).

### COOLING SYSTEM MAINTNANCE

#### CAUTION

To maintain proper engine operating temperature, cooling air must pass freely through the cylinder fin area. This flow of air carries combustion heat away from the engine.

Overheating and engine seizure can occur when:

- Air intakes are blocked, preventing cooling air from reaching the cylinder, or
- Dust and grass build up on the outside of the cylinder. This build-up insulates the engine and prevents the heat from leaving.

Removal of cooling passage blockages or cleaning of cylinder fins is considered "Normal Maintenance". Any resultant failure attributed to lack of maintenance is not warranted.

- Remove dust and dirt from between fins.
- Before each use, remove accumulated debris from bottom engine intake grille located between the fuel tank and starter.

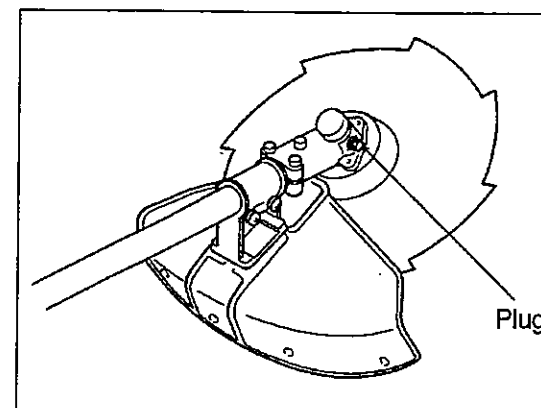
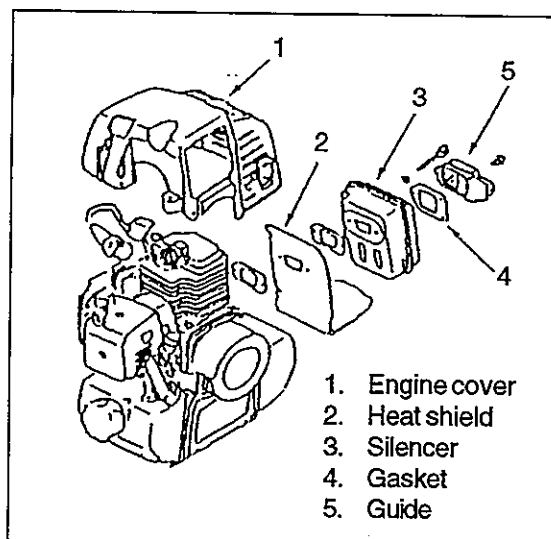
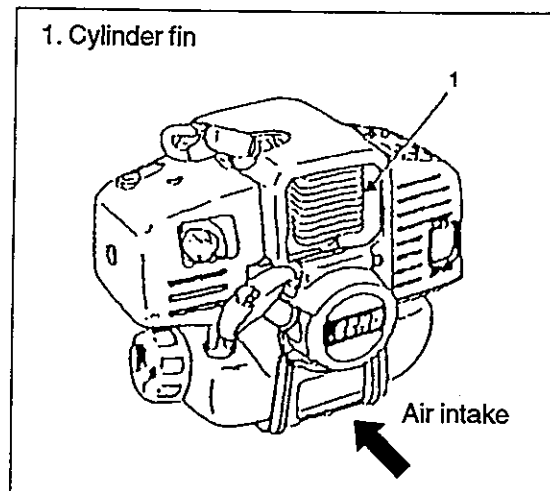
### CLEANING SILENCER AND EXHAUST PORT

- Remove spark plug lead from spark plug, and throttle cable from carburettor swivel.
- Remove the four screws which secure engine cover.
- Remove engine cover.
- Remove silencer and heat shield.
- Place piston at top dead center. Clean deposits from silencer and cylinder exhaust port.

#### NOTE

Be careful not to scratch the cylinder or piston when cleaning the cylinder exhaust port.

- Inspect gasket, replace if damaged.
- Install heat shield and silencer.
- Install silencer lid.
- Install engine cover and spark plug lead.



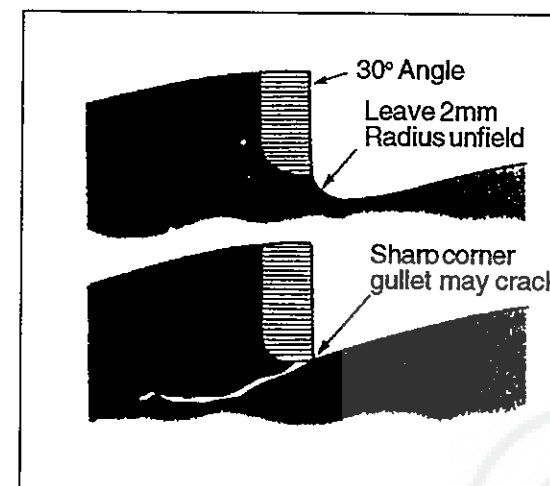
### ANGLE TRANSMISSION AND SHAFT TUBE

- Remove plug from angle transmission.
- Add grease, if necessary, using low pressure pump.

#### NOTE

Use good quality lithium multi grease. DO NOT overfill housing.

- Reinstall plug.



### SHARPENING THE 8-TOOTH BLADE

- Use only the blade designately for this model by the manufacture.
- The blade has to be well levelled and sharpened, the root of the tooth should be filed to a 2mm radius.
  - Radius the root of the tooth by 1-2mm in order to prevent cracking, using a half round file or a round file and flat file.
  - The radiused part is not to be sharpened.
  - Sharpen each cutter equally so as to retain the balance of the blade.
  - When sharpening with a grinde, do not cool the cutter abruptly by immersing it in water.
- When a crack is noticed on the blade, do not use it but replace with the new one.
- Ensure that the blade is correctly fitted in accordance with the instructions.
- The sharpening of the blade is a specialized operation and should be referred to your local blade repair shop.

#### NOTE

Sharpen each cutter equally.

#### NOTE

If using a grinding machine, do not cool blade abruptly by immersing it in water.

## SERVICE GUIDE

AREA	MAINTENANCE	PAGE	BEFORE USE	MONTHLY	YEARLY
Air Filter	Clean/Replace	17	•		
Fuel Filter	Inspect/Replace	18	•		
Spark Plug	Inspect/Clean	20		•	
Carburettor	Adjust/Replace Adjust	18		• •	
Cooling System	Inspect/Clean	20			•
Silencer	Inspect/Clean	20	•		
Shaft Tube	Grease	21		•	
Angle Transmission	Grease	21			• *
Starter Rope	Inspect/Replace	-		•	
Fuel System	Inspect/Repair	-	•		
Screw, Bolts & Nuts	Inspect, Tighten/Replace	-	•		


### IMPORTANT

Time intervals are maximum. Actual use and your experience will determine the frequency of required maintenance.

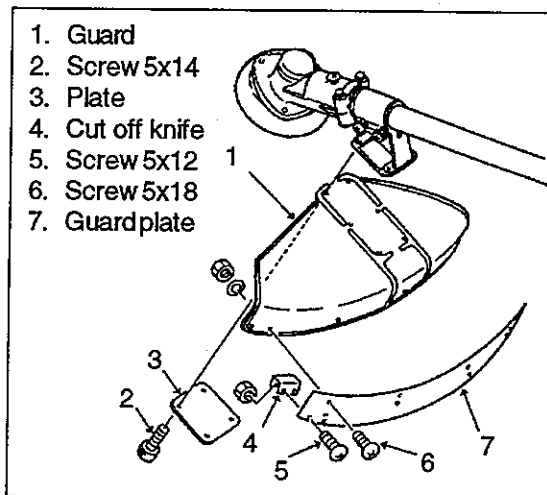
\* Or 50 hours, whichever occurs first.

## TROUBLESHOOTING

Trouble		Cause	Remedy
Engine	- starts hard - does not start		
Engine cranks	Fuel at carburettor → No fuel at carburettor	<ul style="list-style-type: none"> <li>• Fuel strainer clogged</li> <li>• Fuel line clogged</li> <li>• Carburettor</li> </ul>	<ul style="list-style-type: none"> <li>• Clean</li> <li>• Clean</li> <li>• See your Echo dealer</li> </ul>
	Fuel at cylinder → No fuel at cylinder	• Carburettor	• See your Echo dealer
	↓ Silencer wet with fuel	• Fuel mixture is too rich	<ul style="list-style-type: none"> <li>• Open choke</li> <li>• Clean/replace air filter</li> <li>• Adjust carburettor</li> <li>• See your Echo dealer</li> </ul>
	Spark at end of plug wire → No spark at end of plug wire	<ul style="list-style-type: none"> <li>• Ignition switch off</li> <li>• Electrical problem</li> </ul>	<ul style="list-style-type: none"> <li>• Turn switch on</li> <li>• See your Echo dealer</li> </ul>
	Spark at plug → No spark at plug	<ul style="list-style-type: none"> <li>• Spark gap incorrect</li> <li>• Covered with carbon</li> <li>• Fouled with fuel</li> <li>• Spark plug defective</li> </ul>	<ul style="list-style-type: none"> <li>• Adjust 0.6-0.7 mm (0.024-0.028 in)</li> <li>• Clean or replace</li> <li>• Clean or replace</li> <li>• Replace plug</li> </ul>
Engine does not crank		• Internal engine problem	• See your Echo dealer
Engine runs	Dies or accelerates poorly	<ul style="list-style-type: none"> <li>• Air filter dirty</li> <li>• Fuel filter dirty</li> <li>• Fuel vent plugged</li> <li>• Spark plug</li> <li>• Carburettor</li> <li>• Cooling system plugged</li> <li>• Exhaust port/silencer lid plugged</li> </ul>	<ul style="list-style-type: none"> <li>• Clean or replace</li> <li>• Replace</li> <li>• Clean</li> <li>• Clean and adjust/replace</li> <li>• Adjust</li> <li>• Clean</li> <li>• Clean</li> </ul>

**WARNING**  **DANGER**  
ALL TRIMMER SERVICING, OTHER THAN THE ITEMS LISTED IN THE OPERATOR'S MANUAL SHOULD BE PERFORMED BY COMPETENT TRIMMER SERVICE PERSONNEL.

## NYLON LINE CUTTING ATTACHMENT (OPTION)



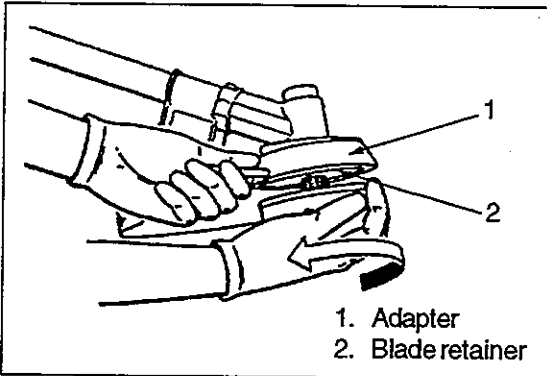
This machine SRM-2450 U-handle Version is available for Nylon line cutting use.

### INSTALLING GUARD

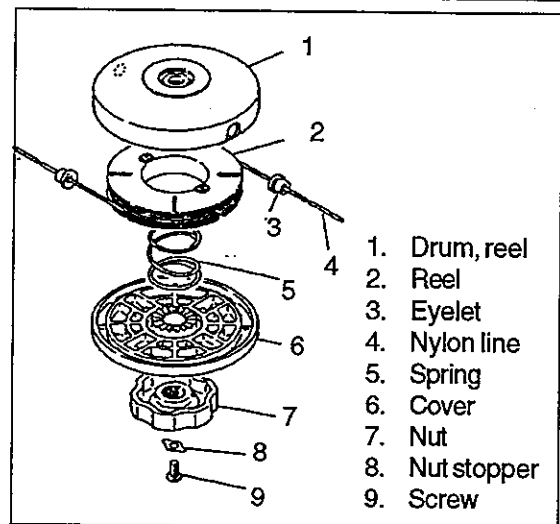
- Move guard backward (towards the operator) to align the bracket with nylon line cutter position mark on the guard.
- Fit guard plate on the guard and tighten four M 5 x14 screws and nuts. Use top holes of guard plate to have maximum guard height.
- Fit cut off knife on the guard plate and tighten two M 5 x 12 screws and nuts.

### INSTALLING NYLON LINE CUTTING ATTACHMENT

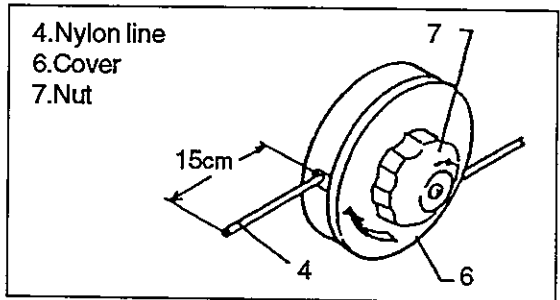
1. Align hole in adapter plate with hole in blade retainer and install locking tool.
2. Thread cutting attachment onto shaft (turning it counterclockwise) until it is tight.
3. Remove locking tool.



1. Adapter  
2. Blade retainer



1. Drum, reel  
2. Reel  
3. Eyelet  
4. Nylon line  
5. Spring  
6. Cover  
7. Nut  
8. Nut stopper  
9. Screw



4. Nylon line  
6. Cover  
7. Nut

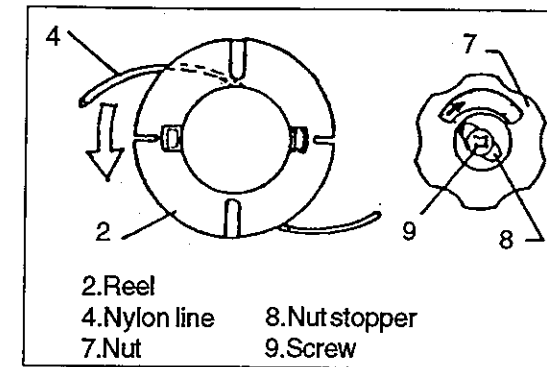
### NYLON LINE CUTTING ATTACHMENT

Type : SRAH-200

Thread: Left-hand thread M 10 X 1.25 pitch

### ADJUSTING NYLON LINE

- Loosen nut (7) about 1 or 1/2 turn clockwise as shown.
- Pull nylon line (4) out about 15 cm.
- Turn cover (6) clockwise to rewind nylon line if necessary.
- After adjusting nylon line length, tighten nut (7) securely clockwise.
- Cut of knife on the guard adjusts cutting swath to 40 cm automatically by cutting nylon lines evenly when attachment starts rotating.
- When operating with less than maximum cutting swath (40cm), cut two nylon lines in equal length.



2. Reel  
4. Nylon line  
7. Nut  
8. Nut stopper  
9. Screw

### INSTALLING NEW NYLON LINE

- Remove screw (standard thread) (9) and nut stop (8).
- Remove nut (7).
- Take out reel (2).
- Insert the end into fixing hole and wind nylon line (4) counterclockwise as shown.
- Assemble removed parts backwards of the above steps.

### CAUTION

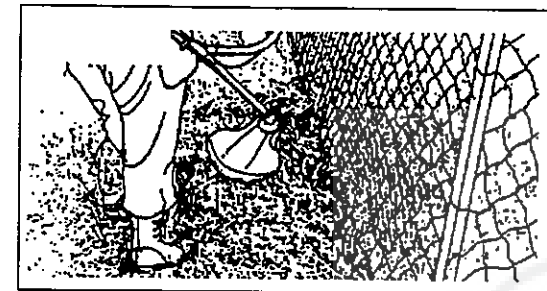
Use only flexible, non-metallic line recommended by Echo.

### OPERATING NYLON LINE CUTTING ATTACHMENT

#### TRIMMING

The nylon line will allow you to trim along walls and fence lines.

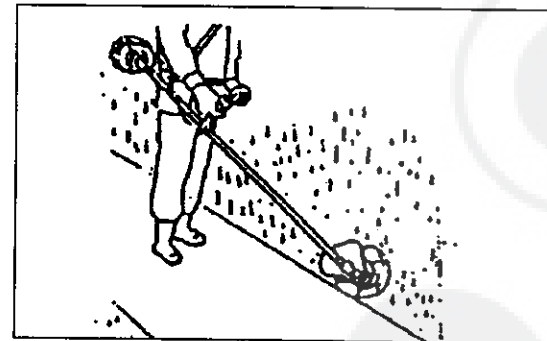
Always try to trim from right to left, walking behind the unit and parallel to the wall or fence, thus deflecting debris away from the operator.



#### EDGING

The nylon line is intended only to cut grass and should not be used to cut a normal edging trench along stone or concrete driveways etc.

Tilt the unit vertically as illustrated and use only the line tip to remove unwanted growth.

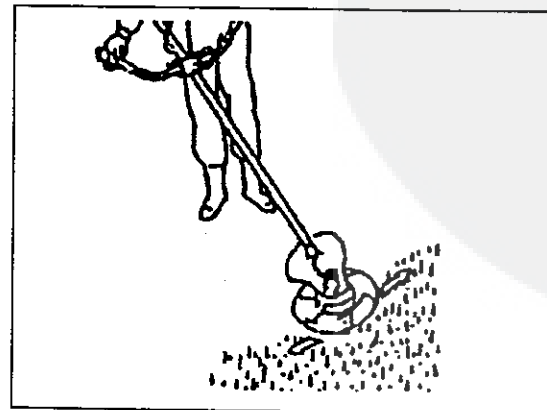


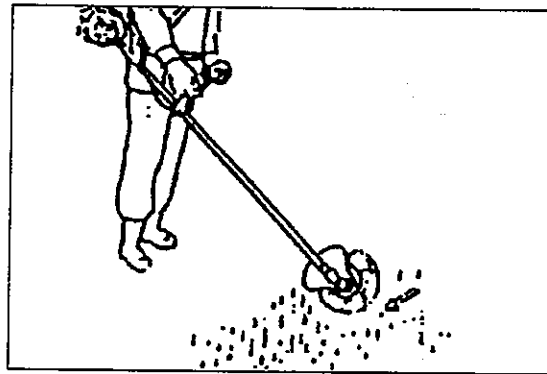
#### MOWING

The nylon line will effectively mow large areas of heavy grass and/or weeds.

Use the standard 13-15 cm of line and operate at full throttle.

When mowing cultivated areas such as lawns hold the cutter head parallel to the ground to avoid scalping.

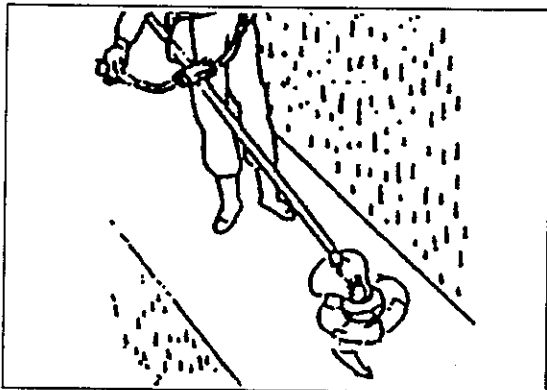




### SCALPING

The cleaning of weeds and grass down to the earth can be accomplished very easily with the nylon line.

Scalping around trees and bushes is particularly effective, but care should be exercised not to bruise the bark of young and sensitive growth. In flower beds, always remember that the nylon line will cut in a complete circle to avoid cutting flowers instead of weeds.



### SWEEPING

Sweeping grass and other debris from a hard surface can be done very quickly.

## STORAGE

### LONG TERM STORAGE (Over 60 Days)

Do not store your unit for a prolonged period of time (60 days or longer) without performing protective storage maintenance which includes the following:

1. Store unit in a dry, dust free place, out of the reach of children.

**WARNING DANGER**  
DO NOT STORE IN ENCLOSURE WHERE  
FUEL FUMES MAY ACCUMULATE OR  
REACH AN OPEN FLAME OR SPARK.

2. Slide the ignition switch in "0" position.
3. Remove accumulation of grease, oil, dirt and debris from exterior of unit.
4. Perform all periodic lubrication and services that are required.

5. Tighten all the screws and nuts.
6. Drain the fuel tank completely and pull the starter handle several times to remove fuel from the carburettor.
7. Remove the spark plug and pour 1/2 tablespoon of fresh, clean, two-stroke engine oil into the cylinder through the spark plug hole.
  - A. Place a clean cloth over the spark plug hole.
  - B. Pull the recoil starter handle 2-3 times to distribute the oil inside the engine.
  - C. Observe the piston location through the spark plug hole. Pull the recoil handle slowly until the piston reaches the top of its travel and leave it there.
8. Install the spark plug (do not connect ignition cable).

### NOTE

For future reference, you should keep this operator's manual.

## SPECIFICATIONS

		SRM-2450(U)
Masses	unit without cutting attachment, empty tank	kg 5.3
	unit with specified cutting attachment, empty tank	kg 5.7
	unit with specified cutting attachment, full tank	kg 6.0
Volume fuel tank	ℓ	0.4
Cutting attachment	usable cutting depth specified cutting attachment	mm 8
	specified blade diameter	mm 230
	specified blade thickness	mm 1.4
	number of cutting teeth	8
	blade centre hole diameter	mm 25
	blade rotational speed at maximum allowable engine speed	min <sup>-1</sup> 10,000
Gear ratio gear ratio and lubrication		1 : 1.36 reduction and Shell deipena
Rotational direction of output shaft seen from above		Counterclockwise
External dimensions	length x width x height	mm 1,760 x 600 x 440
	Engine type	air cooled two stroke single cylinder
engine displacement	cm <sup>3</sup> 23.6	
maximum shaft brake power, measured in accordance with ISO 8893	kW 0.74	
engine speed at maximum engine power	min <sup>-1</sup> 7,000	
recommended maximum engine speed	min <sup>-1</sup> 10,000	
recommended engine idling speed	min <sup>-1</sup> 2,800	
engine speed at beginning of clutch engagement	min <sup>-1</sup> 3,500	
carburettor		ZAMA diaphragm type
ignition		Flywheel magneto : CDI system
spark plug		CHAMPION RCJ-7Y
starter		recoil starter
clutch		automatic centrifugal clutch
Fuel consumption fuel		Regular grade petrol 25 parts : ECHO brand two stroke engine oil (or an air cooled two stroke engine oil of a reputable brand name) 1 part (4%)
fuel consumption at maximum engine power	ℓ/h 0.74	
specified fuel consumption at maximum engine power	g/kWh 709	
Sound pressure level		
$L_{PAav}$	dB(A)	89.2
Sound power level		
$L_{WAav}$	dB(A)	105
Vibration levels	idling	m/s <sup>2</sup> 3.69
	racing	m/s <sup>2</sup> 6.69

### DECALS AND SYMBOLS

Symbol form / shape	Symbol description / application	Symbol form / shape	Symbol description / application
	Carefully read the operator's manual		Fuel and oil mixture
	Wear eyes, ears and head protection		Attention (Warning)
	Emergency stop	<b>L</b>	Carburettor adjustment - Low speed mixture
	Warning! Thrown objects!	<b>H</b>	Carburettor adjustment - High speed mixture
	Usage without guard not permitted	<b>T</b>	Carburettor adjustment - Idle speed
	Usage of metal blades not permitted		The maximum speed of the cutting attachment shaft in rev/min
	Warning side thrust		Circle and slash symbol means whatever is shown is prohibited
			Keep bystanders away 15 meters (50 feet)

### DECLARATION "CE" OF CONFORMITY

The undersigned manufacturer:

**KIORITZ CORPORATION**  
**7-2 SUEHIROCHO 1-CHOME**  
**OHME ; TOKYO 198**  
**JAPAN**

declares that the hereunder specified new unit:

**GRASS-TRIMMER**

Brand : **ECHO**  
 Type : **SRM-2450**

complies with:

- \* the requirements of Directive 89/392/EEC (use of harmonized standard pr EN 31806).
- \* the requirements of Directive 89/336/EEC (use of harmonized standards EN 50081-1, EN 50082-1, EN 55014 & EN 55022).

Tokyo,  
 September, 1st 1995

**KIORITZ CORPORATION**

**N. WATANABE, DIRECTOR**

(GB)





**KIORITZ CORPORATION**

72 SUEHIROCHO 1-CHOME, OHME, TOKYO 198,  
JAPAN  
PHONE: 81-428-326118. FAX: 81-428-32-6145.  
TELEX: 2852070 KIORIT J



**ECHO**



898615-52133  
X753227-4602

Printed in Japan  
9607B 518 ES