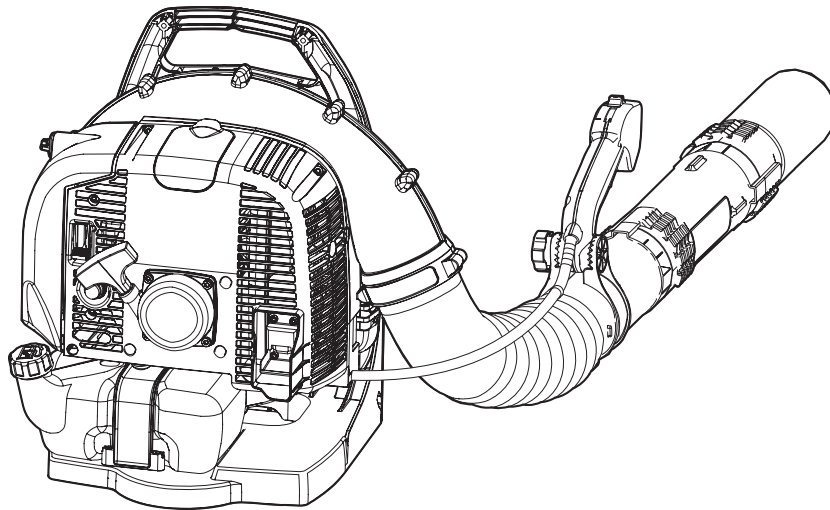




GB ENGLISH
(Original instructions)



OPERATOR'S MANUAL

PB-770

WARNING

READ THE INSTRUCTIONS CAREFULLY AND FOLLOW THE RULES FOR SAFE OPERATION.
FAILURE TO DO SO COULD RESULT IN SERIOUS INJURY.



Important information

Please ensure that you read the operator's manual before using your product.

○ Intended use of this product

- ♦ ECHO Power Blowers are designed for blowing away dust of various sorts, including fallen leaves.
- ♦ Do not use this unit for any purpose other than aforementioned.

○ Users of the product

- ♦ You should not use this product until you have read the operator's manual carefully and fully absorbed its content.
- ♦ This product should not be used by anyone who has failed to read the operator's manual properly, is suffering from a cold, tiredness or otherwise in poor physical condition, or children.
- ♦ Keep in mind that the operator or user is responsible for accidents or hazards occurring to other people or their property.

○ About your operator's manual

- ♦ This manual contains necessary information about the assembly, operation, and maintenance of your product. Please read it carefully and absorb its contents.
- ♦ Always keep your manual in a place where it is readily accessible.
- ♦ If you have lost your manual or it is damaged and no longer readable, please purchase a new one from your ECHO DEALER.
- ♦ The units used in this manual are SI units (International System of Units). Figures in parentheses are reference values, and there may be a slight conversion error in some cases.

○ Loaning or assigning your product

- ♦ When loaning the product described in this manual to another party, ensure that the person borrowing and working with the product receives the operator's manual along with the product. If you assign your product to another party, please enclose the operator's manual with the product when handing it over.

○ Enquiries

- ♦ Please contact your ECHO DEALER for requests regarding information about your product, the purchase of consumables, repairs, and other such enquiries.

○ Notices

- ♦ The content of this manual may be changed without notice for the purpose of upgrades to the product. Some of the illustrations used may differ from the product itself in order to make the explanations clearer.
- ♦ This product requires the assembly of some parts.
- ♦ Please consult your ECHO DEALER if anything is unclear or of concern.

Manufacturer

YAMABIKO CORPORATION

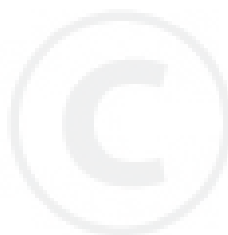
7-2 SUEHIROCHO 1-CHOME, OHME, TOKYO 198-8760, JAPAN

Authorized Representative in Europe

Atlantic Bridge Limited

Atlantic House, PO Box 4800, Earley, Reading RG5 4GB, United Kingdom

For safe use of your product.....	4
Warning notices	4
Other indicators	4
Symbols.....	4
Location in which the safety decal is attached.....	6
Handling fuel.....	7
Handling the engine.....	8
Handling the product	9
Packing list.....	12
Description.....	13
Before you start	14
Assembly	14
Preparing the fuel	15
Engine operation.....	16
Starting the engine	16
Stopping the engine.....	18
Operation	19
Operating blower	19
Maintenance and care	20
Servicing guidelines.....	20
Maintenance and care	20
Troubleshooting table	24
Long-term storage(30 days or more).....	25
Specifications.....	26
Declaration of conformity	27



For safe use of your product

Be careful to read this section before using your product.




○ The precautions described in this section contain important safety information. Please observe them carefully.

○ You must also read the precautions that appear in the body of the manual itself.

Text following a [diamond mark] mark describes the potential consequences of failing to observe the precaution.


Warning notices

Situations where there is a risk of physical injury to the operator and other people are indicated in this manual and on the product itself by the following warning notices. Always read and observe them carefully in order to ensure safe operation.

 DANGER	 WARNING	 CAUTION
This symbol accompanied by the word " DANGER " calls attentions to an act or a condition which will lead to serious personal injury or death of operators and bystanders.	This symbol accompanied by the word " WARNING " calls attentions to an act or a condition which can lead to serious personal injury or death of operators and bystanders.	" CAUTION " indicates a potentially hazardous situation which, if not avoided, may result in minor or moderate injury.








Other indicators

As well as warning notices, this manual uses the following explanatory symbols:









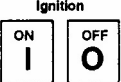


	Circle and slash symbol means whatever is shown is prohibited.	NOTE	This enclosed message provides tips for use, care and maintenance of the product.	IMPORTANT	Framed text featuring the word " IMPORTANT " contains important information about the use, checking, maintenance and storage of the product described in this manual.
---	--	-------------	---	------------------	--

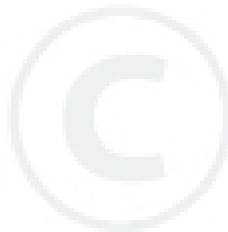
Symbols

In this manual and on the product itself, a series of explanatory symbols is used. Please make sure that you fully understand what each symbol means.

Symbol form/shape	Symbol description/application	Symbol form/shape	Symbol description/application
	Carefully read the operator's manual		Petrol and oil mixture
	Wear eyes, ears and head protection		Purge bulb (Primer)
	Safety / Alert	L	Carburettor adjustment - Low speed mixture
	Emergency stop	H	Carburettor adjustment - High speed mixture
	Finger Severing	T	Carburettor adjustment - Idle speed

For safe use of your product

Symbol form/shape	Symbol description/applica- tion	Symbol form/shape	Symbol description/applica- tion
	Do not use the product in plac- es with poor ventilation		Choke Control "Cold Start" Position (Choke Closed)
	Beware of fire		Choke Control "Run" Position (Choke Open)
	Beware of electric shocks		Idle speed
	Guaranteed sound power lev- el		Fast speed
	Ignition ON / OFF		Beware of high-temperature areas
	Engine start		



For safe use of your product

Location in which the safety decal is attached

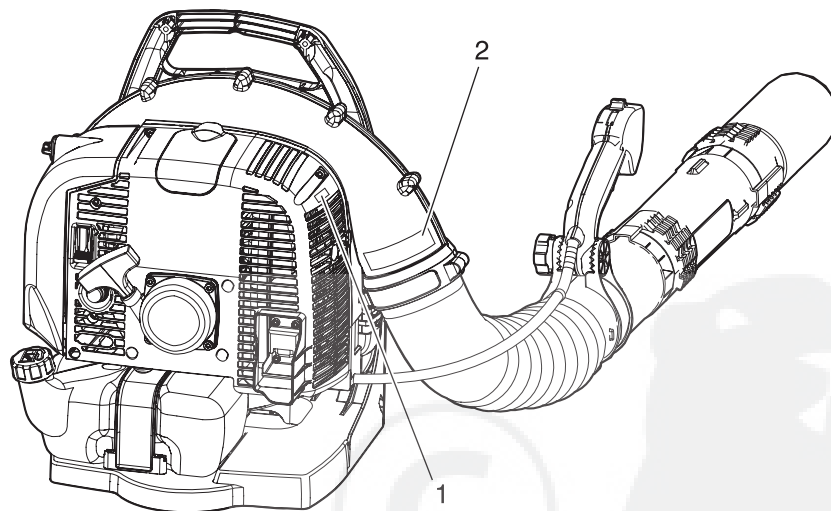
- ♦ The safety decal shown below has been attached to the product described in this manual. Ensure that you understand what the decal means before using your product.
- ♦ If the decal becomes unreadable due to wear and tear or damage, or peels off and is lost, please purchase a replacement decal from your ECHO DEALER and attach it in the location shown in the illustrations below. Ensure that the decal is readable at all times.



1. Safety decal (Part number X505002310)



2. Safety decal (Part number 89016009461)



Handling fuel

DANGER

Always keep well away from fire when refuelling

Fuel is highly inflammable and leads to a risk of fire if mishandled. Use extreme care when mixing, storing or handling or serious personal injury may result. Be careful to observe the following instructions.

- Do not smoke or hold a flame near when refuelling.
- Do not fuel up while the engine is hot or in operation.
- ◆ If you do so, the fuel could ignite and cause fire, leading to burns.



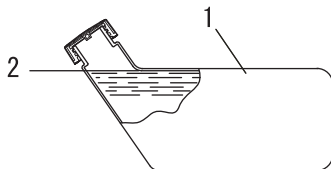
About the container and refuelling place

- Use an approved fuel container.
- Fuel tanks/cans may be under pressure.
Always loosen fuel caps slowly allowing pressure to equalize.
- DO NOT fill fuel tanks indoors.
ALWAYS fill fuel tanks outdoors over bare ground.

Fuel spills can cause fire

Observe the following precautions when refuelling:

- Do not add so much fuel that it reaches the mouth of the fuel tank. Keep the fuel within the prescribed level (up to the shoulder level of the fuel tank).
- Mop up any fuel that overflows or spills out due to over-filling.
- Tighten the fuel tank cap securely after refuelling.
- ◆ Fuel spills can cause fire and burns when ignited.

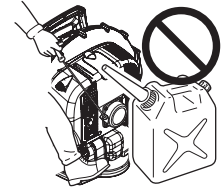


- 1. Fuel tank
- 2. Shoulder level

Do not start the engine in the area where you refueled

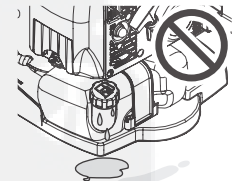
- You must not start the engine in the place where you carried out the refuelling. Move at least 3m from the place where you refueled before starting the engine.

- ◆ Fuel leaks that occur while refuelling can cause fire if ignited.



Fuel leaks cause fire

- After refuelling, always check that there are no leaks or discharges of fuel from the fuel pipe, fuel system grommets, or around the fuel tank cap.
- If you do find fuel leaks or discharges, stop using the product immediately and contact your ECHO DEALER to have it repaired.
- ◆ Any fuel leaks could cause fire.



For safe use of your product

Handling the engine

WARNING

Starting the engine

Be particularly careful to observe the following precautions when starting the engine:

- Check that none of the nuts and bolts are loose
- Check that there are no fuel leaks
- Do not try to start the engine with the product shouldered
- Place the product in a flat, well ventilated place
- Leave plenty of space around the product and do not allow people or animals near it
- Remove obstructions, if any
- Start the engine with the throttle lever in the start/operation position
- Hold the product firmly to the ground when starting the engine
- ◆ Failure to observe the precautions could cause an accident or injury, or even lead to a fatality.

Once the engine has started, check for abnormal vibrations and sounds

- Check that there are no abnormal vibrations or sounds once the engine starts. Do not use the product if there are abnormal vibrations or sounds. Contact your ECHO DEALER to have it repaired.
- ◆ Accidents involving parts that fall or shatter off can cause wounds or serious injury.

Do not touch high temperature or high voltage components while the product is running

Do not touch the following high temperature or high voltage components while the product is running or for some time after it stops.

- Silencer, cylinder, and other high temperature components
- ◆ You could burn yourself if you touch a high temperature component.
- Spark plug, spark plug wire, and other high voltage components
- ◆ You could receive an electric shock if you touch a high voltage component while the product is running.



Put safety first in the case of fire or smoke

- If fire comes from the engine or smoke appears from any area other than the exhaust vent, first distance yourself from the product to ensure your physical safety.
- Use a shovel to throw sand or other such material on the fire to prevent it from spreading, or put it out with a fire extinguisher.
- ◆ A panicked reaction could result in the fire and other damage becoming more extensive.



Exhaust fumes are toxic

- The exhaust fumes from the engine contain toxic gases. Do not operate the product indoors or in a plastic greenhouse or in other ill ventilated places.
- ◆ The exhaust fumes could cause poisoning.



Turn off the engine when checking or maintaining the product

Observe the following precautions when checking and maintaining your product after use:

- Turn the engine off and do not attempt to check or maintain the product until the engine has cooled
- ◆ You could burn yourself.
- Remove the spark plug cap before performing checks and maintenance
- ◆ An accident could occur if the product starts unexpectedly.

Checking the spark plug

Observe the following precautions when checking the spark plug.

- If the electrodes or terminals are worn, or if there are cracks in the ceramics, replace them with new parts.
- The spark test (for checking whether the spark plug is sparking) must be carried out by a professional. Please ask your ECHO DEALER.
- The spark test must not be carried out in proximity of the spark plug hole.
- The spark test must not be performed in places where there are fuel spills or inflammable gases
- You must not touch the metal parts of the spark plug
- ◆ The spark plug could ignite a fire or give you an electric shock.



For safe use of your product

Handling the product General precautions

WARNING

Operator's manual

- Be careful to read the operator's manual properly before using your product in order to ensure correct operation.
- ◆ Failure to do so could lead to an accident or serious injury.



Do not use the product for anything other than its intended purpose

- You must not use the product for any purpose other than those described in the operator's manual.
- ◆ To do so could lead to an accident or serious injury.

Do not modify the product

- You must not modify the product.
- ◆ To do so could lead to an accident or serious injury. Any malfunction resulting from a modification to the product will not be covered by the manufacturer's warranty.

Do not use the product unless it has been checked and maintained

- You must not use the product unless it has been checked and maintained. Always ensure that the product is checked and maintained on a regular basis.
- ◆ Failure to do so could lead to an accident or serious injury.

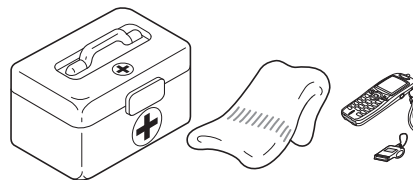
Loaning or assigning your product

- When loaning your product to another party, ensure that the person borrowing the product receives the operator's manual along with it.
- If you assign your product to another party, please enclose the operator's manual with the product when handing it over.
- ◆ Failure to do so could lead to an accident or serious injury.

Being prepared in case of an injury

In the unlikely event of an accident or injury, please ensure that you are prepared.

- First aid kit
- Towels and wipes (to stop any bleeding)
- Whistle or mobile phone (for calling outside help)
- ◆ If you are unable to perform first aid or call for outside help, the injury could worsen.



For safe use of your product

Precautions for use

WARNING

Users of the product

The product should not be used by:

- people who are tired
- people who have taken alcohol
- people who are on medication
- people who are pregnant
- people who are in poor physical condition
- people who have not read the operator's manual
- children
- ◆ Failure to observe these instructions could lead to an accident.



Environment of use and operation

Do not use the product:

- when it is raining, thundering, or lightning strikes are likely to occur.
- on steep slopes or in place which give no secure foothold and are thus slippery.
- at night or in places with poor visibility.
- ◆ A serious injury could result if you fall or slip, or fail to operate the product correctly.

Using the product

When using the product, pay special attention to observe the following precautions.

- Do not allow people who are irrelevant to the work conducted or animals to be in the worksite.
- Do not point the blower pipe at people or animals.
- Do not use the product in places where there is no sure foothold.
- Hold the arm tightly.
- Avoid using the product late at night or early in the morning so that the neighbors will not be disturbed by noise.
- ◆ Failure to observe these instructions could lead to an accident or injury.

Turn off the engine when moving around

When moving around in the situations described below, turn off the engine and move with the product shouldered.

- Moving to the place where you are working
- Moving to another area while you are working
- Leaving the place where you have been working
- ◆ Failure to observe these precautions could cause burns or serious injury.
- When transporting the product by car, empty the fuel tank, put the product in the upright position, and secure it firmly in place to prevent it from moving around.
- ◆ Travelling by car with fuel in the fuel tank could lead to a fire.

Be careful not to get caught in the fan

- Be careful not to get your hair caught in the fan.
- Never put your hand in between the engine and the backpack frame when the product is in operation.
- ◆ The wind pressure from the fan could make your hand get caught in the fan, resulting in a serious injury.

Vibration and cold

It is believed that a condition called Raynaud's Phenomenon which affects the fingers of certain individuals may be brought about by exposure to vibration and cold. Exposure to vibration and cold may cause tingling and burning, followed by loss of colour and numbness in the fingers. The following precautions are strongly recommended because the minimum exposure which might trigger the ailment is unknown.

- Keep your body warm, especially the head and neck, feet and ankles, and hands and wrists.
- Maintain good blood circulation by performing vigorous arm exercises during frequent work breaks, and also by not smoking.
- Limit the number of hours of operation.
Try to fill each day with jobs where operating the blower or other hand-held power equipment is not required.
- If you experience discomfort redness and swelling of the fingers, followed by whitening and loss of feeling, consult your physician before exposing yourself further to cold and vibration.
- ◆ Failure to observe these instructions could result in damage to your health.

For safe use of your product

WARNING

Repetitive stress injuries

It is believed that over-using the muscles and tendons of the fingers, hands, arms and shoulders may cause soreness, swelling, numbness, weakness and extreme pain to the areas just mentioned. Certain repetitive hand activities may put you at a high risk for developing a repetitive stress injury (RSI).

To reduce the risk of RSI, do the following:

- Avoid using your wrist in a bent, extended or twisted position.
- Take periodic breaks to minimize repetition and rest your hands. Reduce the speed and force in which you do the repetitive movement.
- Do exercises to strengthen hand and arm muscles.
- See a doctor if you feel tingling, numbness or pain in your fingers, hands, wrists or arms. The sooner RSI is diagnosed, the more likely permanent nerve and muscle damage can be prevented.
- ◆ Failure to observe these instructions could result in damage to your health.

Turn off the engine immediately if anything goes wrong

- Turn off the engine immediately if the product suddenly starts to emit abnormal sounds or vibrate abnormally. The product cannot be used when it suffers from abnormal vibration or sounds. Contact your ECHO DEALER for repair.
- ◆ Continuing to use parts when they are damaged could lead to an accident or serious injury.

Protective gear

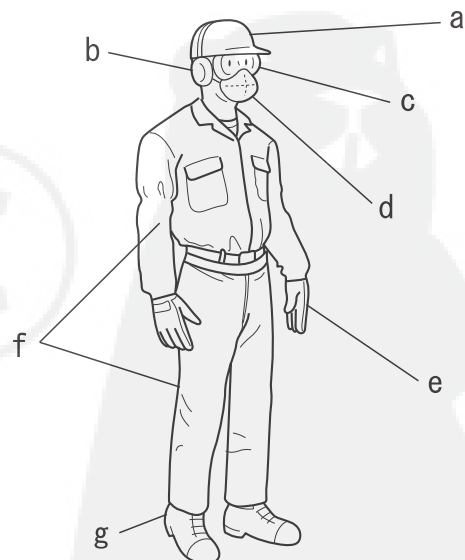
WARNING

Wear protective gear

- Wear appropriate work clothes and protective gear when working with the power blower. Above all, make sure to wear safety goggles, a dust mask, and ear muffs at all times while working.

◆ Without the protective gear, you could inhale the debris or dust blown away or get them in your eyes, which could lead to an accident or injury.

- a **Head protection (helmet):** Protects the head
 - b **Ear muffs or ear plugs:** Protect the hearing
 - c **Safety goggles:** Protect the eyes
 - d **Dust mask**
 - e **Safety gloves:** Protect the hands from cold and vibration
 - f **Work clothes that fit (long sleeves, long trousers):** Protect the body
 - g **Heavy duty, non-slip protective boots (with toecaps) or non-slip work shoes (with toecaps):** Protect the feet
- ◆ Failure to observe these precautions could result in damage to your sight or hearing, or lead to a serious injury.



Wear proper clothing

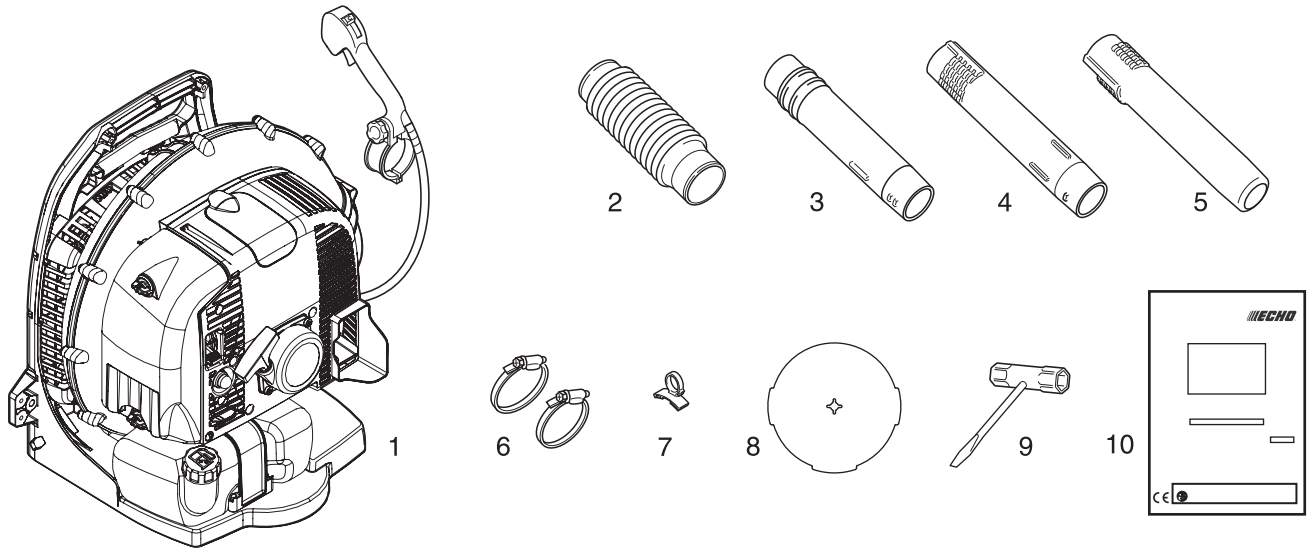
Do not wear ties, jewellery, or loose, dangling clothing which could be caught in the unit. Do not wear open toed footwear, or go bare-foot or barelegged. In certain situations, total face and head protection may be required.

- ◆ Failure to observe these precautions could result in damage to your sight or hearing, or lead to a serious injury.



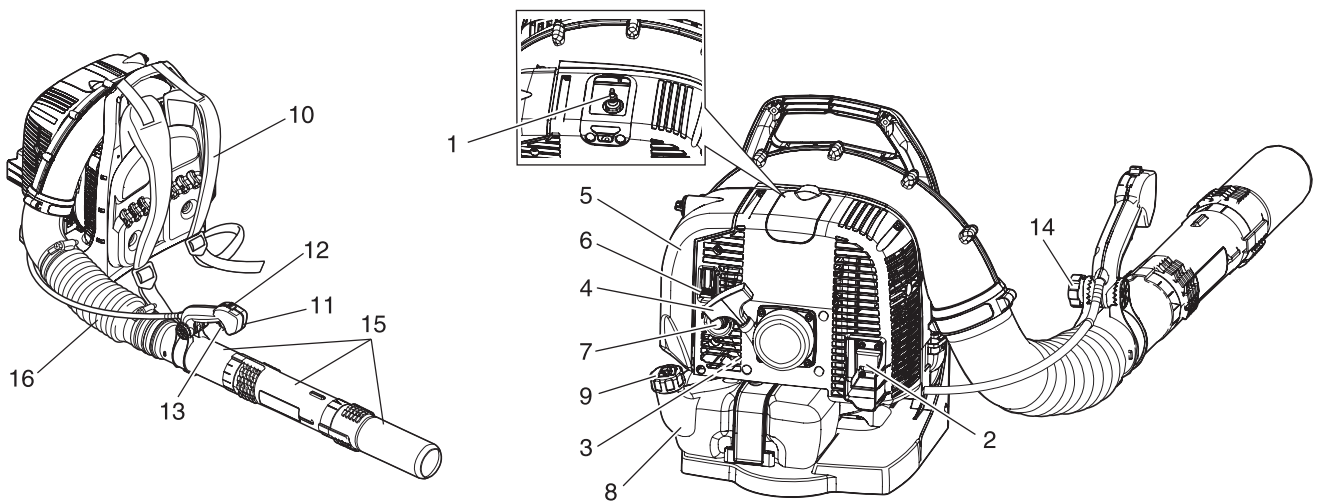
Packing list

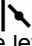
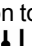
- ♦ The following parts are packed separately in the packing box.
- ♦ When you have unpacked the box, please check the parts that it contains.
- ♦ Contact your ECHO DEALER if anything is missing or broken.



Number	Part name	Quantity	Number	Part name	Quantity
(1)	Power Head	1	(6)	Clamps w/screws	2
(2)	Flex Pipe	1	(7)	Guide Loop	1
(3)	Swivel Pipe	1	(8)	Intake cover	1
(4)	Straight Pipe	1	(9)	T-Wrench	1
(5)	Straight Pipe	1	(10)	Operator's Manual	1





1. **Spark plug** Provides spark to ignite fuel mixture.
2. **Spark arrester - Catalytic silencer / Silencer** The silencer or catalytic silencer controls exhaust noise and emission. The spark arrester screen prevents hot, glowing particles of carbon from leaving the silencer. Keep exhaust area clear of flammable debris.
3. **Serial number label** Lists model number and serial number of unit.
4. **Starter handle** Pull recoil handle slowly until recoil starter engages, then quickly and firmly. When engine starts, return handle slowly. DO NOT let handle snap back or damage to unit will occur.
5. **Air cleaner** Contains replaceable air filter element.
6. **Choke** Choke is located on the side of the air cleaner. Move choke lever to  position to close choke for cold starting. Move choke lever to  position to open choke.
7. **Purge bulb** Pumping purge bulb before starting engine draws fresh fuel from the fuel tank, purging air from the carburettor. Pump purge bulb until fuel is visible. Pump purge bulb an additional 4 or 5 times.
8. **Fuel tank** Contains fuel and fuel filter.
9. **Fuel tank cap** Covers and seals fuel tank.
10. **Shoulder harness** Used to support unit on operator's back. The straps are adjustable.
11. **Handle** Used by operator to direct and control air flow.
12. **Combination Throttle Position / Stop Switch Button** Controls engine speed and turns ignition on or off. Forward position - STOP. First detent position - IDLE. Move button back to increase speed, forward to decrease speed. Use throttle position button to set and hold blower speed for continuous operation.
13. **Throttle trigger** Spring-loaded throttle trigger controls engine speed. Releasing trigger returns engine to speed set by Throttle Position / Stop Switch Button. Always release trigger and allow engine to return to idle before shutting off with Throttle Position / Stop Switch Button. Use throttle trigger to vary blower speed settings for intermittent operation.
14. **Locking knob** Allows operator to adjust handle position for optimum comfort and control.
15. **Blower pipes** Exclusive positive locking system.
16. **Flexible pipe** Allows for full range of movement.

Before you start

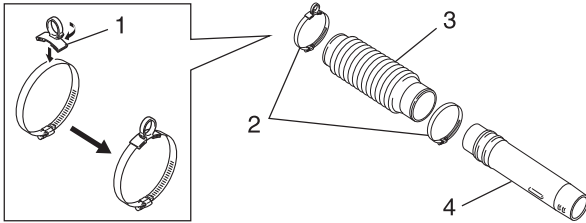
Assembly

WARNING

- Read the operator's manual carefully to ensure that you assemble the product correctly.
- Never perform maintenance or assembly procedures with engine running.
- ◆ Using a product that has been incorrectly assembled could lead to an accident or serious injury.



Install blower pipes

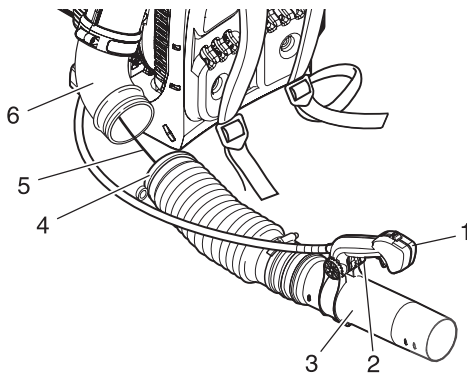


- 1. Guide loop
- 2. Two clamps
- 3. Flexible pipe
- 4. Swivel pipe

1. Place guide loop across elbow clamp, and turn until clip fully engages clamp band.
2. Assemble clamps onto both ends of flexible pipe.

NOTE

Clamp with cable guide loop fits elbow end of flexible pipe.



- 1. Handle
- 2. Knob
- 3. Swivel pipe
- 4. Clamp
- 5. Anti-static wire
- 6. Elbow

3. Assemble swivel pipe into flexible pipe and tighten clamp.

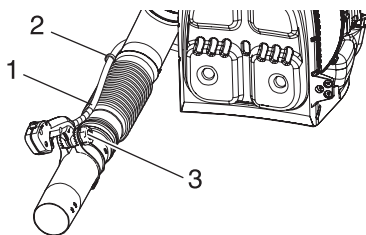
4. Loosen knob on handle. Align notch in handle with tabs. Install onto swivel pipe past long ridges in pipe.
5. Insert anti-static wire through flexible pipe.
6. Assemble flexible pipe to elbow on blower. Position guide loop on outside of flexible pipe (away from blower) and tighten clamp.

NOTE

A light lubricant may be used to ease assembly of flexible pipe to blower elbow.

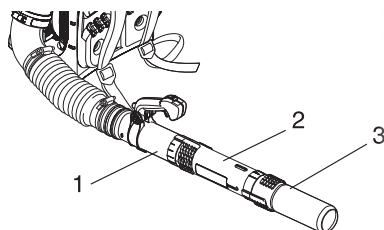
NOTE

Hang handle freely from blower to assure throttle cable is not twisted before installing handle.



- 1. Throttle cable
- 2. Guide loop
- 3. Knob

7. Clip throttle cable into throttle cable guide loop.
8. Position handle for comfortable operation, and tighten knob hand tight.



- 1. Swivel pipe
- 2. Straight pipe
- 3. Straight pipe

9. Assemble straight pipe onto swivel pipe, until you feel light resistance. Do not force connection. Hold swivel pipe and turn straight pipe clockwise, engaging positive locking channels, until connection is firm. Do not force connection.
10. Assemble straight pipe with decal to straight pipe as in step 9.

NOTE

Blower use will eventually loosen pipe connections. Exclusive positive locking system allows pipes to be tightened. If loosening occurs, remove two straight pipes and install according to instructions 9 & 10.

Preparing the fuel

DANGER

- Fuel is highly inflammable and there is a risk of fire if it is handled incorrectly. Carefully read and observe the precautions in the section of this manual titled "For safe use of your product".
- Once the refuelling is complete, securely tighten the fuel tank cap and do not forget to check that there are no leaks or discharges of fuel from the fuel pipe, fuel system grommets, or around the fuel tank cap. If you do find fuel leaks or discharges, stop using the product immediately and contact your ECHO DEALER to have it repaired.
- ◆ If the fuel ignites, it could cause burns and fire.



CAUTION

- There is difference in pressure between the fuel tank and the outside air. When refuelling, loosen the fuel tank cap slightly to eliminate the difference in pressure.
- ◆ Otherwise, fuel may get spewed.

NOTE

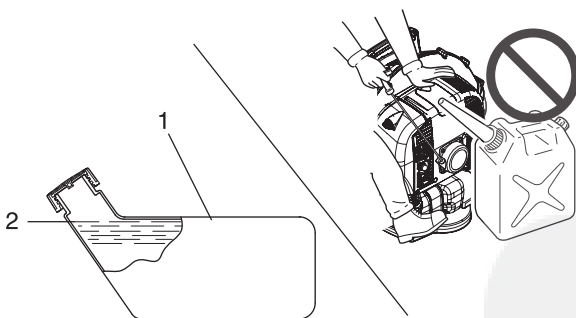
Stored fuel ages. Do not mix more fuel than you expect use in thirty (30) days. Do not mix directly in fuel tank.

Fuel



- ◆ Fuel is a mixture of regular grade petrol and an air-cooled 2-stroke engine oil of reputable brand name. Minimum 89 Octane unleaded petrol is recommended. Do not use fuel containing methyl alcohol or more than 10 % of ethyl alcohol.
- ◆ Recommended mixture ratio; 50 : 1 (2 %) for ISO-L-EGD Standard (ISO/CD 13738), JASO FC,FD grade and ECHO Premium 50 : 1 oil.
 - Do not mix directly in engine fuel tank.
 - Avoid spilling petrol or oil. Spilled fuel should always be wiped up.
 - Handle petrol with care, it is highly inflammable.
 - Always store fuel in approved container.

Fuel supply



1. Fuel tank

2. Shoulder level

- ◆ Always refuel in a well ventilated location. Do not pour fuel indoors.
- ◆ Place the product and the refuelling tank on the ground when performing the refuelling operation. Do not refuel the product on the loading platform of a truck, or in other such places.
- ◆ Always ensure that the fuel level remains below the shoulder level of the fuel tank when refuelling.
- ◆ There is a difference in pressure between the fuel tank and the outside air. When refuelling, loosen the fuel tank cap slightly to eliminate the difference in pressure.
- ◆ Always wipe up any fuel spills.
- ◆ Move at least 3m away from where you refueled before you start the engine.
- ◆ Keep the refuelling tank in a shaded area away from fire.

Engine operation

Starting the engine

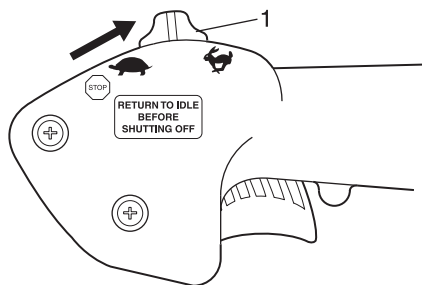
WARNING

- When starting the engine, observe the precautions described from Page 4 in the section "For safe use of your product" to ensure that you operate the product correctly.
- ◆ Failure to observe the precautions could cause an accident or injury, or even lead to a fatality.

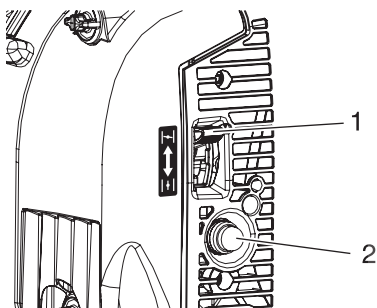
NOTE

- ◆ Pull out the starter grip gently at first, and then more rapidly. Do not pull the starter rope out to more than 2/3 of its length.
- ◆ Do not let go of the starter grip as it returns.
- ◆ To start the engine, return the choke knob when you hear the first explosion-like sound and pull on the starter grip again. Be careful not to miss the first explosion-like sound.

Starting a cold engine

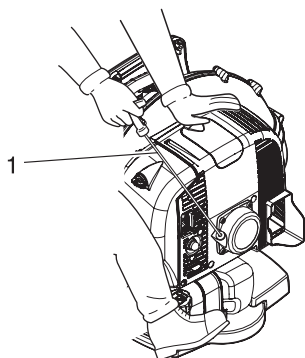


1. Throttle Position / Stop Switch Button



1. Choke

2. Purge bulb



1. Recoil starter handle


- ◆ Recoil starter: Use short pulls - only 1/2-2/3 of rope length for starting. Do not allow the rope to snap back in. Always hold the unit firmly.

1. *Throttle Position / Stop Switch Button*
Slide Throttle Position / Stop Switch Button back to idle position (first detent away from stop position).

2. *Choke*
Move choke lever to  position.

3. *Purge Bulb*
Pump purge bulb until fuel is visible.

4. *Recoil Starter*
Pull recoil starter handle until engine fires, or maximum 5 pulls.

5. *Choke*
Move choke lever to  position and if necessary, restart engine.

NOTE

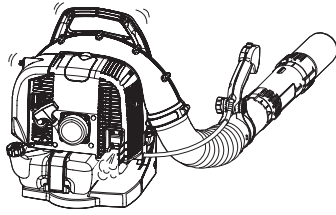
If engine does not start after 5 pulls, repeat instructions 2-5.

NOTE

Allow engine to warm up before use.

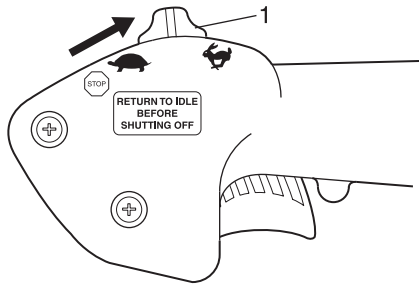
Engine operation

Engine warm-up



1. Once the engine starts, allow it to warm up for 2 to 3 minutes at idling (i.e. low speed).
2. Warming the engine helps to lubricate its internal workings more smoothly. Allow the engine to warm up fully, especially when it is cold.
3. Never run the engine without the blower pipes fitted.

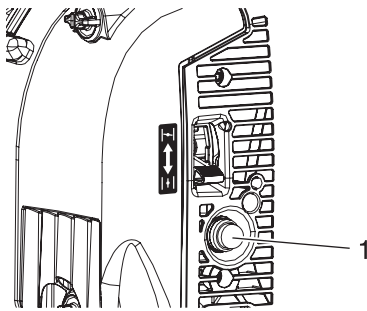
Starting a warm engine



- ♦ The starting procedure is the same as Cold Start except DO NOT close the choke.

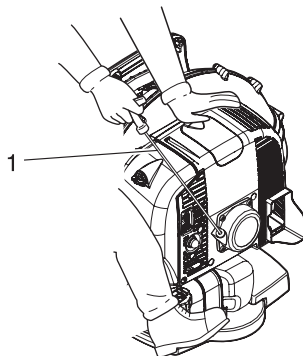
1. *Throttle Position / Stop Switch Button*
Slide Throttle Position / Stop Switch Button back to idle position (first detent away from stop position).

1. Throttle Position / Stop Switch Button



2. *Purge Bulb*
Pump purge bulb until fuel is visible.

1. Purge bulb



3. *Recoil Starter*
Pull recoil starter handle and engine should start.

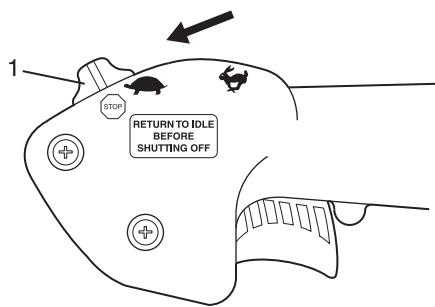
1. Recoil starter handle

NOTE


If engine does not start after 5 pulls, use cold start procedures.

Engine operation


Stopping the engine

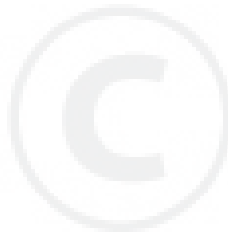


1. Throttle Position / Stop Switch Button

1. *Throttle Position / Stop Switch Button*
Release throttle trigger. Move Throttle Position / Stop Switch Button forward to idle position (first detent away from stop position) and allow engine to return to idle before shutting off engine.
2. *Throttle Position / Stop Switch Button*
Move Throttle Position / Stop Switch Button all the way forward to  (Stop) position.

WARNING

If engine does not stop when Throttle Position / Stop Switch Button is moved to STOP position, close choke -  position - to stall engine. Have your ECHO dealer repair stop switch before using blower again.



Operating blower

WARNING

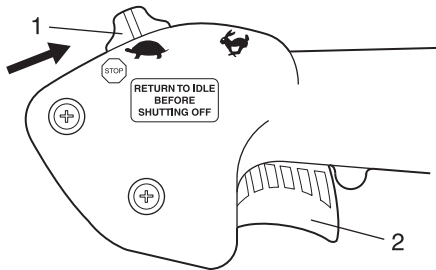
Always wear safety glasses, hearing protection, face filter mask and take all safety precautions or serious personal injury may result. Do not point the blower pipe in the direction of people or pets.

IMPORTANT

To avoid engine damage due to over revving, do not block blower pipe opening.

NOTE

Never use a higher speed setting than necessary to perform a task. Remember, the higher the engine speed, the louder the blower noise. Minimize dust by using blower at lower speeds and by dampening material with water/mist when necessary. Keep debris on your property. Be Smart - be a good neighbor.

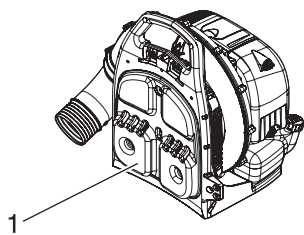


1. Throttle Position / Stop Switch Button 2. Throttle trigger

♦ Read the Safety Section carefully.

1. Use only during appropriate hours.
2. Allow the engine to warm up at a fast idle for a few minutes.
3. Control engine speed with throttle trigger, or for continuous use, set engine speed with Throttle Position / Stop Switch Button.
4. Use lower speed to blow dry grass and leaves from walks, patios and drives.
5. Additional speed may be necessary to clean leaves from a lawn or flowerbed.
6. Higher speed may be necessary to move gravel, dirt, snow, bottles or cans from a driveway, street, parking lot or stadium.
7. Always stop unit using stop engine procedure.

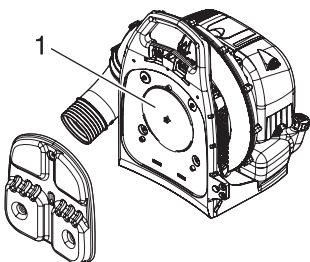
Cold weather operation



1. Back cushion

♦ Install intake cover when you feel cold on your back.

1. Remove back cushion from frame.



1. Intake cover

2. Install intake cover on frame over air intake.
3. Install back cushion to frame over intake cover.

NOTE

Blower performance may be reduced slightly.

Maintenance and care

Servicing guidelines

Area	Maintenance	Page	Before use	Monthly
Air filter	Inspect/Clean/Replace	20	•	
Fuel filter	Inspect/Replace	21	•	
Spark plug	Inspect/Clean/Adjust/Replace	23		•
Carburettor	Inspect	21		•
Cooling system	Inspect/Clean	22	•	
Exhaust system	Inspect/Tighten/Clean	22	•	
Starter	Inspect	-	•	
Fuel system	Inspect	-	•	
Screws, bolts and nuts	Inspect/Tighten/Replace	-	•	

IMPORTANT

Time intervals are maximum. Actual use and your experience will determine the frequency of required maintenance.

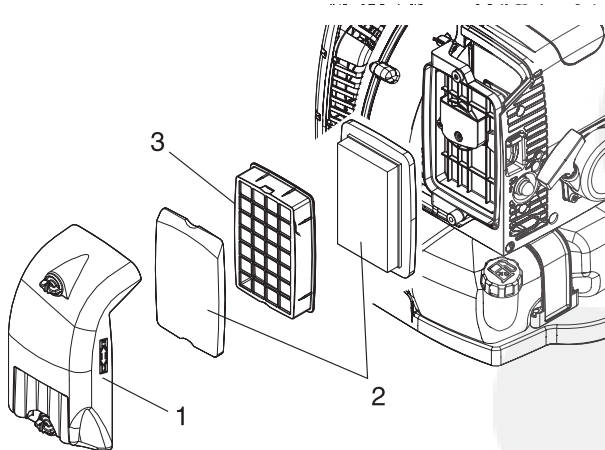
Maintenance and care

If you have any questions or problems, please contact your ECHO DEALER.

Cleaning air filter




Tools required: 25-50 mm (1-2 in.) Cleaning brush
Parts required: Air filter



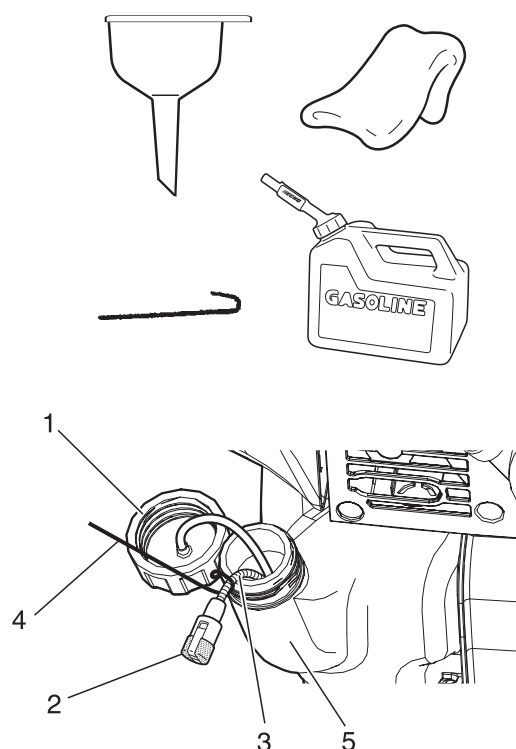
1. Air filter cover
3. Element plate

2. Air filter

1. Move choke lever to  position. This prevents dirt from entering the carburettor throat when the air filter is removed. Brush accumulated dirt from air cleaner area.
2. Remove air filter cover. Brush dirt from inside cover.
3. Remove air filter and element plate, and then lightly brush debris from them. Replace filter if it is damaged, fuel soaked, very dirty, or the rubber sealing edges are deformed.
4. If filter can be reused, be certain it:
 - ◆ Fits tightly in the air filter cavity.
 - ◆ Is installed with the original side out.
5. Install air filter cover.

Maintenance and care

Replacing fuel filter



1. Fuel cap
2. Fuel filter
3. Fuel line
4. Fuel line hook
5. Fuel tank

Tools required: 200-250 mm (8-10 in.) length of wire with one end bent into a hook, clean rag, funnel, and an approved fuel container
Parts required: Fuel line and filter

⚠ DANGER

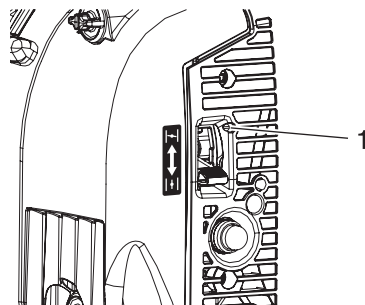
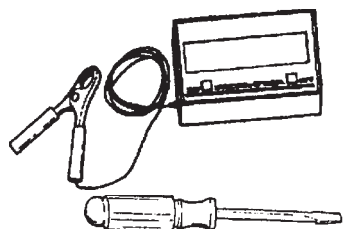
Fuel is **VERY** flammable. Use extreme care when mixing, storing or handling.

NOTE

If filter is excessive dirty or no longer fits properly, replace it.

1. Use a clean rag to remove loose dirt from around fuel cap and empty fuel tank.
2. Use the "fuel line hook" to pull the fuel line and filter from the tank.
3. Remove the filter from the line and install the new filter.

Carburettor adjustment



1. Screw

Tools required: Screwdriver, tachometer (Echo P/N 99051130017)
Parts required: None

NOTE

Every unit is run at the factory and the carburettor is set in compliance with Emission Regulations. This carburettor does not have acceleration and high speed adjustment needles. Do not attempt to use carburettor adjustment procedures provided in the Warranty Emissions Booklet.

Before Adjustment

Check that:

- Air filter is clean and properly installed.
- Spark arrester screen and silencer are free of carbon.
- Blower pipes are installed.

1. Start engine, run at idle for one minute.
2. Complete warm up by running at full throttle for 5 minutes, operating choke twice to clear air from carburettor chambers.
3. Check idle speed and reset if necessary. If a tachometer is available, idle speed screw should be set to the specifications found on Page 26 "Specifications" of this manual. Turn idle screw clockwise to increase idle speed; anticlockwise to

Maintenance and care

decrease idle speed.

Cooling system maintenance

IMPORTANT

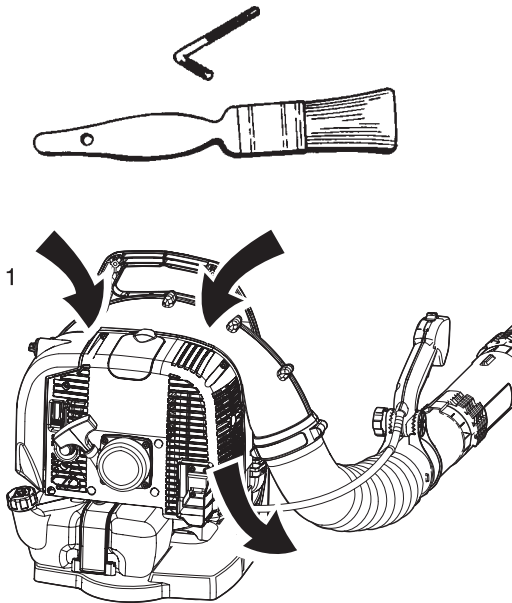
To maintain proper engine operating temperature, cooling air must pass freely through the cylinder fin area. This flow of air carries combustion heat away from the engine.

Overheating and engine seizure can occur when:

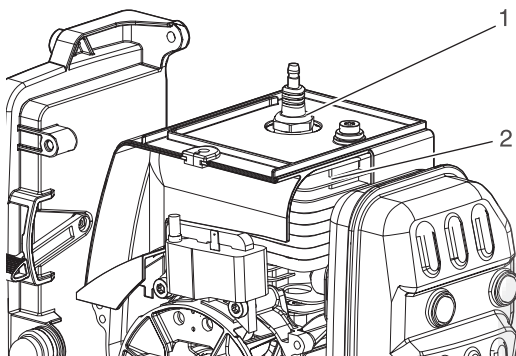
- ♦ Air intakes are blocked, preventing cooling air from reaching the cylinder,

or

- ♦ Dust and grass build up on the out side of the cylinder. This build-up insulates the engine and prevents the heat from leaving. Removal of cooling passage blockages or cleaning of cylinder fins is considered "Normal Maintenance". Any resultant failure attributed to lack of maintenance is not warranted.



1. Air intake



1. Spark plug

2. Cylinder fins

Tools required: Torx L-Wrench T27, Cleaning brush

Parts required: None, if you are careful.

Cleaning Grill and Cylinder Fins

1. Remove accumulated debris from intake grill between backpack frame and blower housing.
2. Disconnect spark plug lead from spark plug.
3. Remove air filter cover.
4. Remove engine cover (10 screws).
5. Clean cylinder fins to allow cooling air to pass freely.
6. Reassemble parts in reverse order.

IMPORTANT

Do not over-tighten screws, otherwise mounting holes may become stripped.

Exhaust system

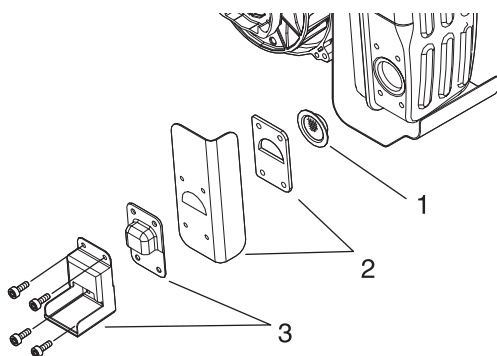


Spark Arrester Screen

Tools required: Torx L-Wrench T27, Soft metal brush

Parts required: Spark arrester screen, Gasket

Maintenance and care



1. Spark arrester screen
2. Gasket
3. Spark arrester cover

IMPORTANT

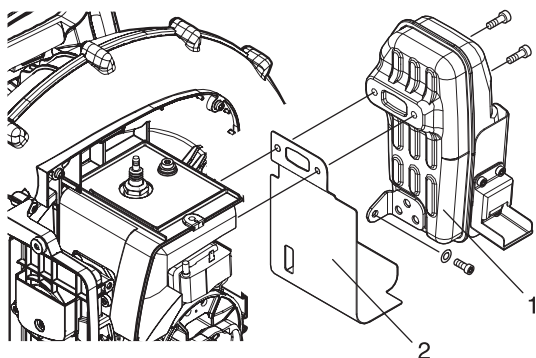
Carbon deposits in silencer will cause a drop in engine output and overheating. Spark arrester screen must be checked periodically.

1. Disconnect spark plug lead from spark plug.
2. Remove spark arrester cover, gasket, and spark arrester screen from silencer. Replace screen if plugged with carbon deposits.
3. Install spark arrester screen, gaskets, and cover.
4. Connect spark plug lead.

Silencer and Exhaust Port

Tools required: Torx L-Wrench T27, Wooden or plastic scraper

Parts required: Gasket



1. Silencer
2. Gasket

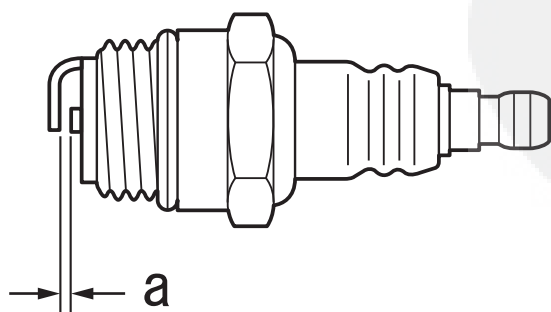
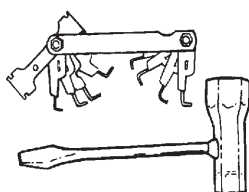
IMPORTANT

Carbon deposits in cylinder exhaust port and silencer will cause a drop in engine output and overheating. Silencer exhaust port must be checked periodically. Be careful not to scratch the cylinder or piston when cleaning the cylinder exhaust port.

1. Disconnect spark plug lead from spark plug.
2. Remove engine cover (10 screws).
3. Remove silencer and gasket.
4. Clean cylinder exhaust port being careful not to scratch cylinder or piston, using a wooden or plastic scraper.
5. Install gasket and silencer.
6. Install engine cover.

Tools required: T-Wrench, Feeler gauge
Parts required: Spark plug

Check spark plug



a: 0.6 - 0.7 mm

IMPORTANT

Use only NGK BPMR8Y spark plug otherwise severe engine damage may occur.

1. Check plug gap. Correct gap is 0.6 mm to 0.7 mm.
2. Inspect electrode for wear.
3. Inspect insulator for oil or other deposits.
4. Replace plug if needed and tighten to 15 N·m - 17 N·m (150 kgf·cm to 170 kgf·cm).

Maintenance and care

Troubleshooting table

Problem	Diagnosis	Cause	Solution
Engine is difficult to start, fluctuating rotation or The engine does not start	No fuel is entering the over-flow pipe	Fuel filter is clogged Fuel system is clogged Internal carburettor parts sticking	Clean or replace Clean Consult your ECHO DEALER
	Fuel is entering the over-flow pipe	Fuel degradation Carburettor problem	Replace with new fuel Consult your ECHO DEALER
	The crankshaft does not rotate	Internal engine malfunction	Consult your ECHO DEALER
	The spark plug is dirty or damp	Fuel degradation Incorrect electrode gap Carbon deposits Electrical fault	Replace with new fuel Adjust or Replace Clean or Replace Consult your ECHO DEALER
Engine starts but no acceleration is possible		Dirty air filter Dirty fuel filter Blocked fuel passage Carburettor adjustment problem Spark plug problem Blocked exhaust vent or silencer vent Spark arrester screen plugged or normal wear	Clean or replace Clean or replace Consult your ECHO DEALER Consult your ECHO DEALER Clean, Adjust or Replace Clean Clean or replace

- Checking and maintenance requires specialist knowledge. If you are unable to check and maintain the product or deal with a fault yourself, consult your ECHO DEALER. Do not attempt to dismantle the product.
- Consult your ECHO DEALER in the event of a problem that is not covered in the table above, or other such concerns.
- For spare parts and consumables, please use only genuine parts and designated products and components. Using parts from other manufacturers or non-designated components may result in a malfunction.

Maintenance and care

Long-term storage(30 days or more)

WARNING

During operation the silencer - catalytic silencer and surrounding cover become hot. Always keep exhaust area clear of flammable debris during transportation or when storing, otherwise serious property damage or personal injury may result.

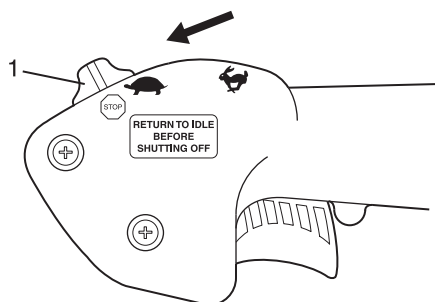


Do not store your unit for a prolonged period of time (30 days or longer) without performing protective storage maintenance which includes the following:


1. Store unit in a dry, dust free place, out of the reach of children.

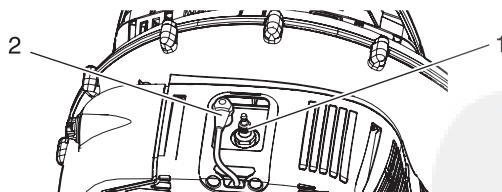
WARNING

Do not store where fuel fumes may accumulate or reach an open flame or spark.



1. Throttle Position / Stop Switch Button

2. Place the Throttle Position / Stop Switch Button in the  (Stop) position.
3. Remove accumulation of grease, oil, dirt and debris from exterior of unit.
4. Perform all periodic lubrication and services that are required.
5. Tighten all screws and nuts.
6. Drain the fuel tank completely and pull the recoil starter handle several times to remove fuel from the carburettor.
7. Remove the spark plug and pour 10mL of fresh, clean ECHO 2-stroke engine oil into the cylinder through the spark plug hole.
 - A. Place a clean cloth over the spark plug hole.
 - B. Pull the recoil starter handle 2-3 times to distribute the oil inside the engine.
 - C. Observe the piston location through the spark plug hole. Pull the recoil handle slowly until the piston reaches the top of its travel and leave it there.
8. Fit the spark plug. (Do not connect the spark plug cap.)
9. Remove blower pipe assembly from unit.



1. Spark plug

2. Spark plug cap

Please contact your ECHO DEALER in order to dispose of the product or its parts in compliance with national laws.

Specifications

		PB-770
Mass:	kg	9.8
External dimensions:		
Length	mm	375
Width	mm	490
Height	mm	475
Engine:		
Type		Air cooled 2-stroke single cylinder
Engine displacement	mL (cm ³)	63.3
Maximum power	kW	2.85
Engine speed at maximum engine power	r/min	6900
Recommended maximum engine speed	r/min	6900
Recommended engine idling speed	r/min	2500
Carburettor		Diaphragm type
Ignition		Flywheel magneto - CDI system
Spark plug		NGK BPMR8Y
Starter		Automatic recoil system
Air Volume with straight pipe:	m ³ /min	21.7
Fuel:		
Oil		Regular grade petrol. Minimum 89 Octane unleaded petrol is recommended. Do not use fuel containing methyl alcohol or more than 10 % of ethyl alcohol. Two stroke, air-cooled engine oil. ISO-L-EGD Standard (ISO/CD 13738), JASO FC,FD grade and ECHO Premium 50 : 1 oil.
Ratio		50 : 1 (2%)
Tank Capacity:	L	2.02
Sound pressure level: (ISO 22868) LpAeq =	dB(A)	97.7
Guaranteed sound power level: (2000/14/EC) L _{WA} =	dB(A)	112
Vibration levels: (ISO 22867)	m/s ²	2.1

These specifications are subject to change without notice.

Declaration of conformity

The undersigned manufacturer:

YAMABIKO CORPORATION
7-2 SUEHIROCHO 1-CHOME
OHME; TOKYO 198-8760
JAPAN

declares that the hereunder specified new unit:

POWER BLOWER

Brand: ECHO
Type: PB-770

complies with:

- * the requirements of Directive **98/37/EC (1998)** (and **2006/42/EC**: from 29th December 2009)
- * the requirements of Directive **2004/108/EC**
(use of harmonized standard **EN ISO 14982**)
- * the requirements of Directive **2002/88/EC**
- * the requirements of Directive **2000/14/EC**

Conformity assessment procedure followed **ANNEX V**

Measured sound power level : **109dB(A)**

Guaranteed sound power level : **112dB(A)**

PB-770 Serial Number 37001016 and up

Tokyo,
October 1st 2009

YAMABIKO CORPORATION

Kazushige Oyuri

K. OYURI General Manager

**The authorized representative in Europe
who is authorized to compile the technical file.**

Company: Atlantic Bridge Limited

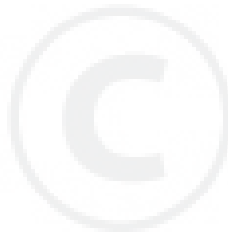
Address: Atlantic House, PO Box 4800,
Earley, Reading RG5 4GB, United Kingdom

Mr. Philip Wicks

YAMABIKO CORPORATION

7-2 SUEHIROCHO 1-CHOME, OHME, TOKYO 198-8760, JAPAN
PHONE: 81-428-32-6118. FAX: 81-428-32-6145.

ECHO®



X753-003 83 1

X753 112-400 1