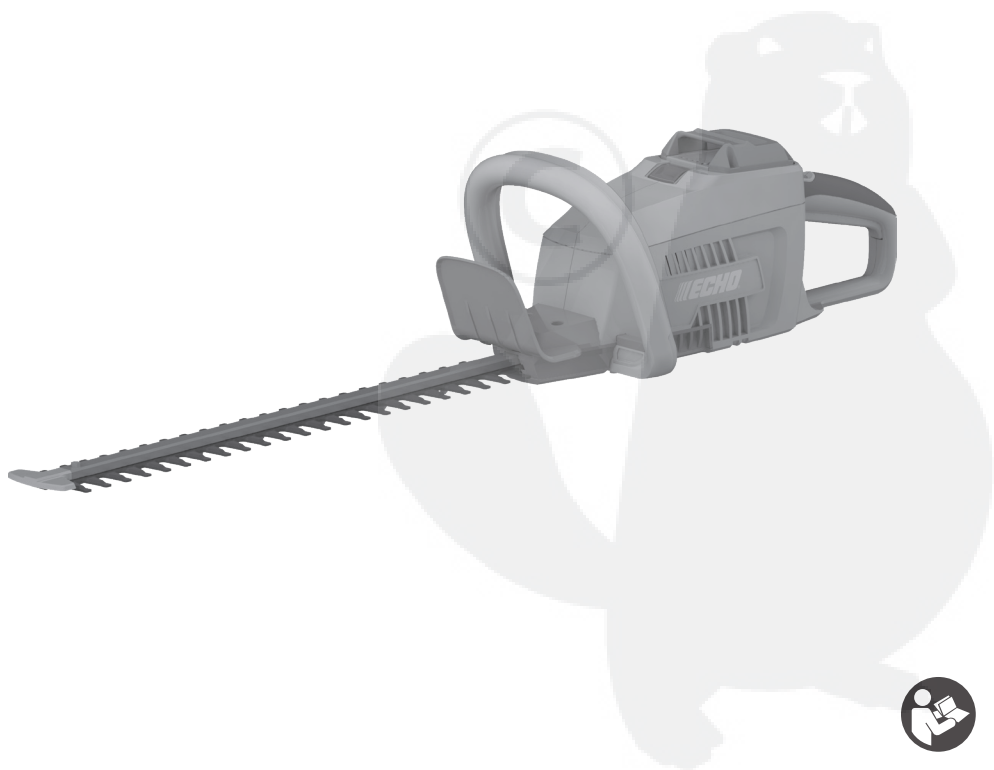


ECHO®

ECHT-58V

Original instructions
Traduction des instructions originales
Übersetzung der originalanleitung
Traducción de las instrucciones originales
Traduzione delle istruzioni originali
Vertaling van de originele instructies
Tradução das instruções originais
Oversættelse af de originale instruktioner
Översättning av de ursprungliga instruktionerna
Alkuperäisten ohjeiden suomennos
Oversettelse av de originale instruksjonene
Перевод оригинальных инструкций
Tłumaczenie instrukcji oryginalnej
Překlad originálních pokynů
Az eredeti útmutató fordítása
Traducerea instrucțiunilor originale
Tulkots no oriģinālās instrukcijas
Originalių instrukcijų vertimas
Originaaljuhendi tõlge
Prijevod originalnih uputa
Prevod originalnih navodil
Preklad originálnych pokynov
Превод от оригиналните инструкции
Переклад оригінальних інструкцій
Orijinal talimatların çevirileri

EN
FR
DE
ES
IT
NL
PT
DA
SV
FI
NO
RU
PL
CS
HU
RO
LV
LT
ET
HR
SL
SK
BG
UK
TR



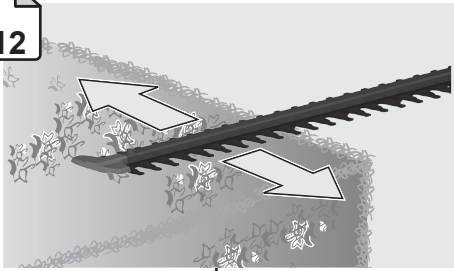




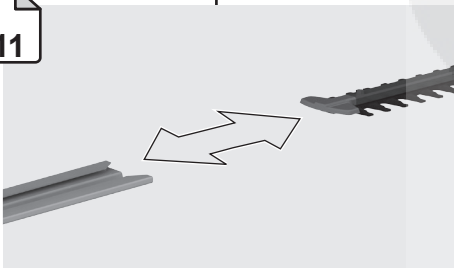
Important!	It is essential that you read the instructions in this manual before assembling, operating and maintaining the product. Subject to technical modification.
Attention!	Il est essentiel que vous lisiez les instructions contenues dans ce manuel avant d'assembler, d'entretenir et d'utiliser le produit. Sous réserve de modifications techniques.
Achtung!	Es ist wichtig, dass Sie vor Zusammenbau, Wartung und Benutzung des Produktes die Anweisungen in dieser Anleitung lesen. Technische Änderungen vorbehalten.
¡Atención!	Resulta fundamental que lea este manual de instrucciones antes de realizar el montaje, el mantenimiento y de utilizar este producto. Bajo reserva de modificaciones técnicas.
Attenzione!	E' importante leggere le istruzioni contenute nel presente manuale prima di montare il prodotto, svolgere le operazioni di manutenzione sullo stesso e metterlo in funzione. Con riserva di eventuali modifiche tecniche.
Let op!	Het is van essentieel belang dat u de instructies in deze gebruiksaanwijzing leest voor u het product monteert, onderhoudt en gebruikt. Technische wijzigingen voorbehouden.
Atenção!	É fundamental que leia as instruções deste manual antes da montagem, manutenção e operação do aparelho. Com reserva de modificações técnicas.
OBS!	Det er vigtigt, at man læser instrukserne i denne brugsanvisning, inden man samler, vedligeholder og betjener produktet. Med forbehold for tekniske ændringer.
Observera!	Det är viktigt att du läser instruktionerna i manualen före montering, användning och underhåll av produkten. Med förbehåll för tekniska ändringar.
Huomio!	On tärkeää, että luet tämän käsikirjan ohjeet ennen tuotteen kokoamista, huoltoa ja käyttöä. Tekniset muutokset varataan.
Advarsel!	Det er vigtigt at du leser instruksjonene i denne manualen før sammensetning, vedlikehold og bruk av produktet. Med forbehold om tekniske endringer.
Внимание!	Необходимо прочитать инструкции в данном руководстве перед сборкой, обслуживанием и эксплуатацией этого изделия. могут быть внесены технические изменения.
Uwaga!	Koniecznle należy przeczytać instrukcje zawarte w tym podręczniku przed montażem, obsługą oraz konserwacją produktu. Z zastrzeżeniem modyfikacji technicznych.
Důležitý upozornění!	Neinstalujte, neprovádějte údržbu ani nepoužívejte tento výrobek dříve, než si přečtete pokyny uvedené v tomto návodu. Změny technických údajů vyhrazeny.
Figyelem!	Fontos, hogy a termék összeszerelése, karbantartása és használata előtt elolvassa a kézikönyvben található utasításokat. A műszaki módosítás jogát fenntartjuk.
Atenție!	Este esențial să citiți instrucțiunile din acest manual înainte de asamblare, efectuarea întreținerii și operarea produsului. Sub rezerva modificărilor tehnice.
Uzmanību!	Ir svarīgi izlasīt šīs rokasgrāmatas instrukcijas pirms uzstādīšanas, apkopes un precas darbināšanas. Paturam tiesības mainīt tehniskos raksturlielumus.
Dėmesio!	Prieš surenkant, prižiūrint ir naudojant gaminį, būtina perskaityti šiam vadove pateiktus nurodymus. Pasiliekan teisę daryti techninius pakeitimus.
Tähtis!	Enne masina kokkupanekut, hooldamist ja kasutama hakkamist tuleb kaesolevas juhendis esitatud juhised kindlasti läbi lugeda. Tehnilised muudatused võimalikud.
Upozorenje!	Vrlo je važno da ste prije sklapanja, održavanja i rada s ovim proizvodom pročitali upute u ovom priručniku. Podložno tehničkim promjenama.
Pomembno!	Pomembno je da pred montažo vzdrževanjem in uporabo tega izdelka preberete navodila v tem priločniku. Tehnične spremembe dopuščene.
Upozornenie!	Je dôležité, aby ste si pred montážou, údržbou a obsluhou produktu prečítali pokyny v tomto návode. Právo na technické zmeny je vyhradené.
Важно!	Исключительно важно е да прочетете инструкциите в настоящото ръководство, преди да преминете към сглобяване, поддръжка или работа с продукта. Подлежи на технически модификации.
Важливо!	Дуже важливо, щоб ви прочитали інструкції в цьому керівництві перед складанням, обслуговуванням та експлуатацією цієї машини. Є об'єктом для технічних змін.
Önemli!	Ürünü monte etmeden, kullanmadan ve bakımını yapmadan önce bu kılavuzdaki talimatları okumanız önemlidir. Teknik değişikliklere tabidir.



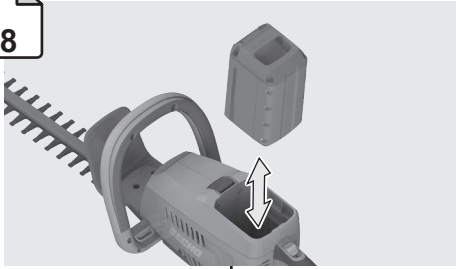
12



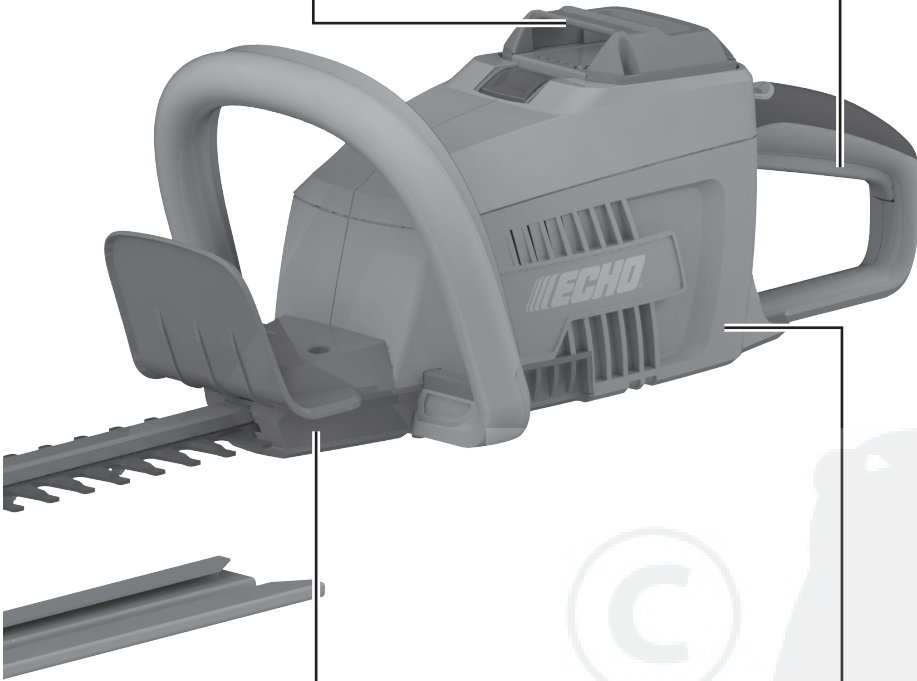
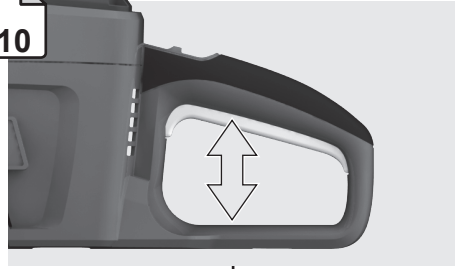
11



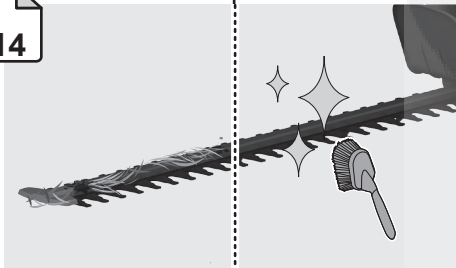
8



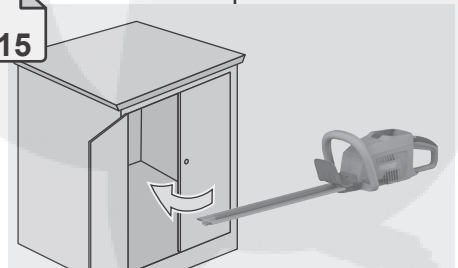
10



14



15



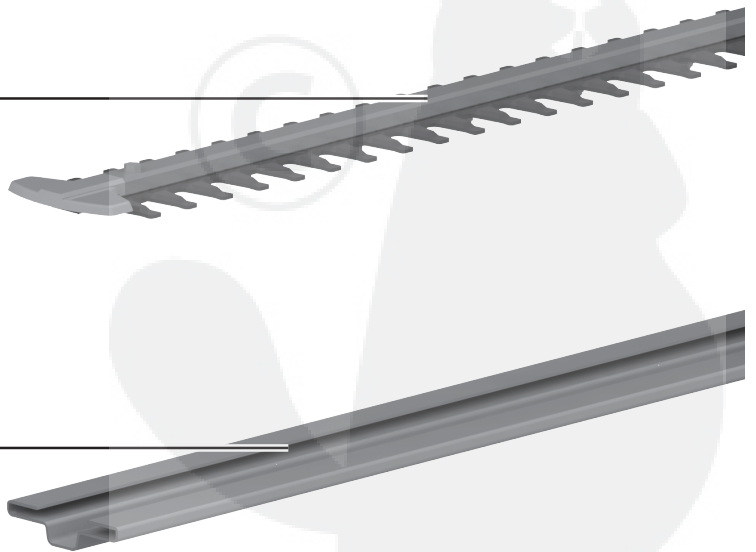


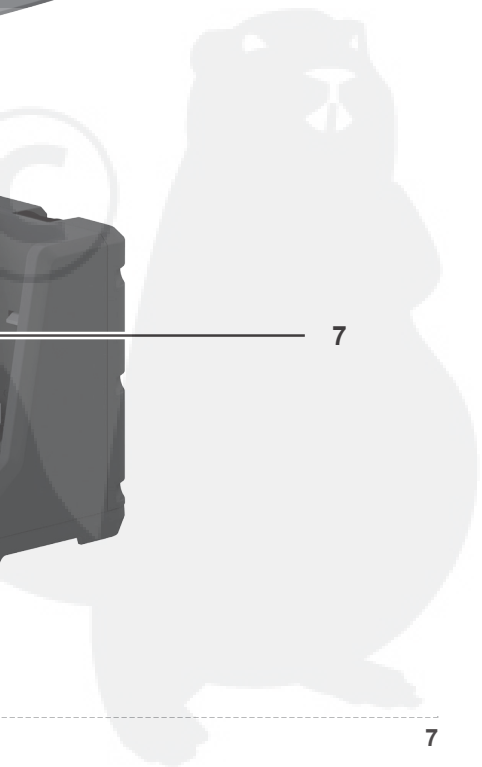
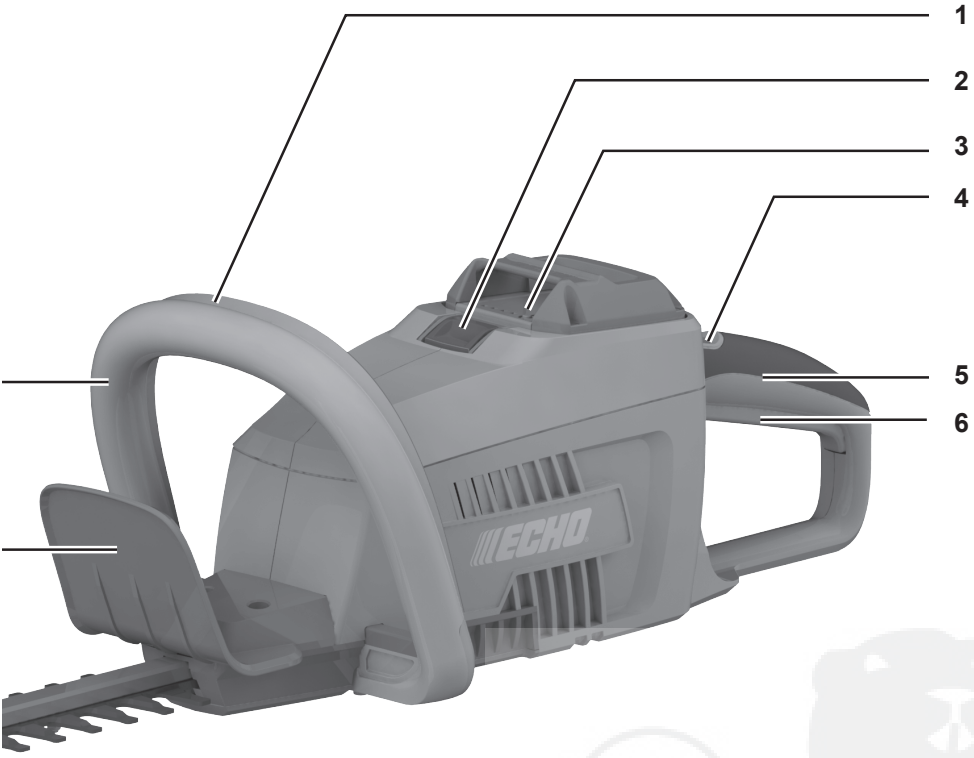
11 _____

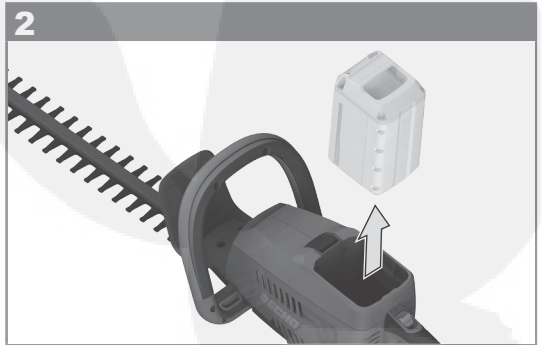
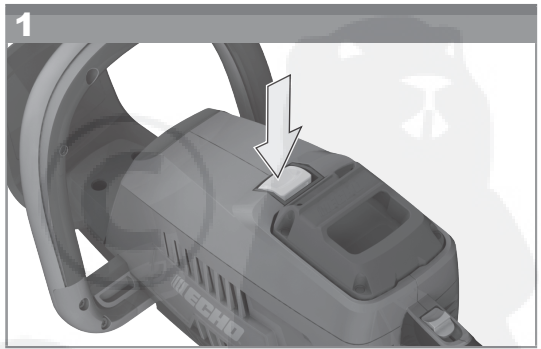
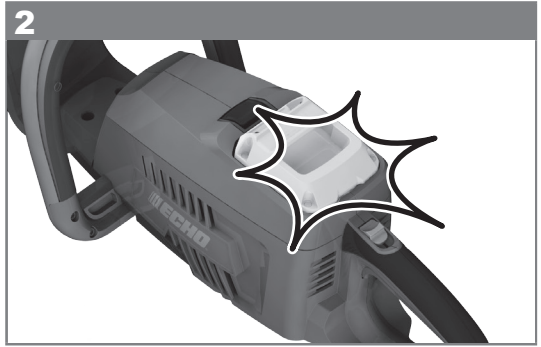
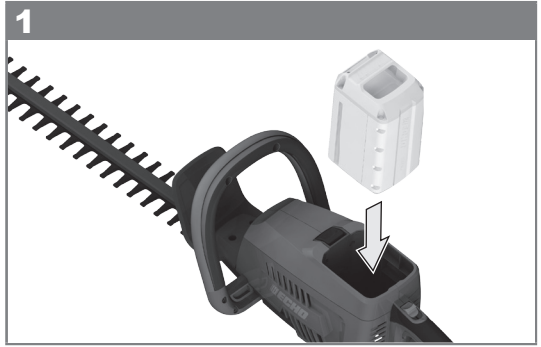
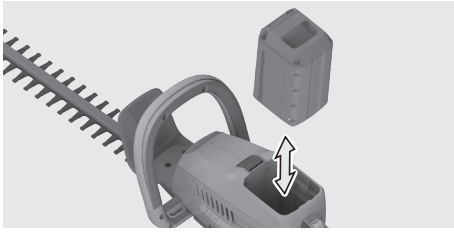
10 _____

9 _____

8 _____







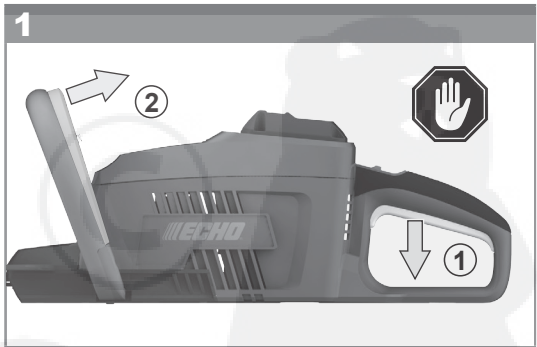
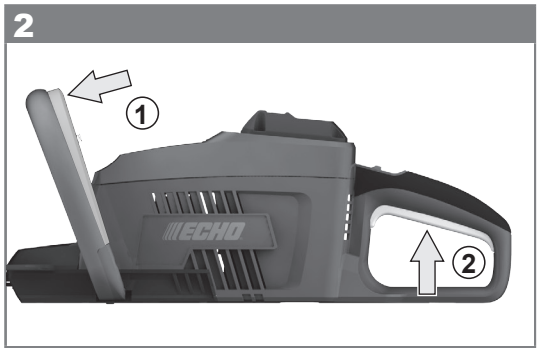
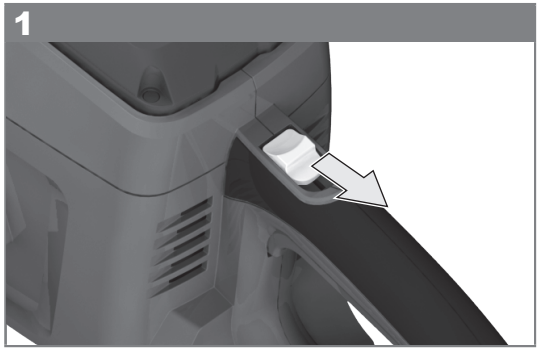
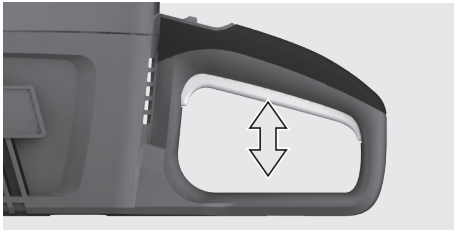


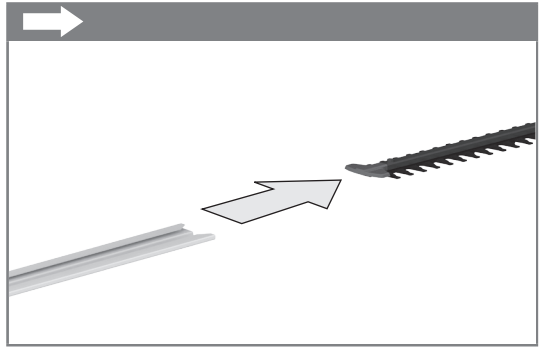
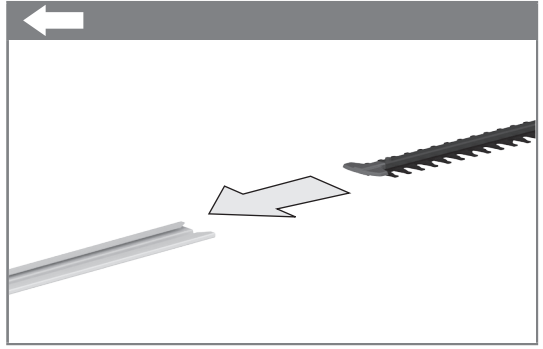
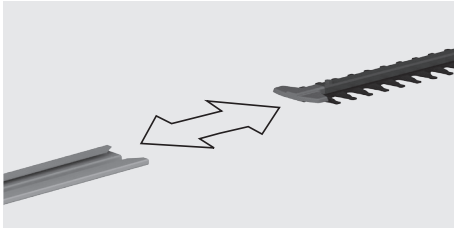
The legend consists of four rows, each representing a different battery charge level. Each row includes a set of square icons with radiating lines (representing LEDs) and a battery level indicator. The battery level indicator is a vertical rectangle with a shaded portion at the bottom, and a percentage label to its right. A large black arrow points from the 0-25% row to an inset image on the right. The inset image shows a grey rectangular device being inserted into a larger black unit, with a white arrow pointing downwards.

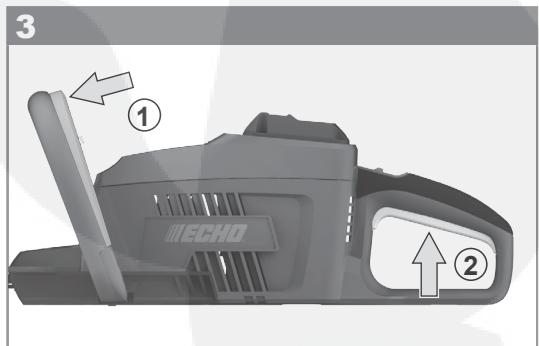
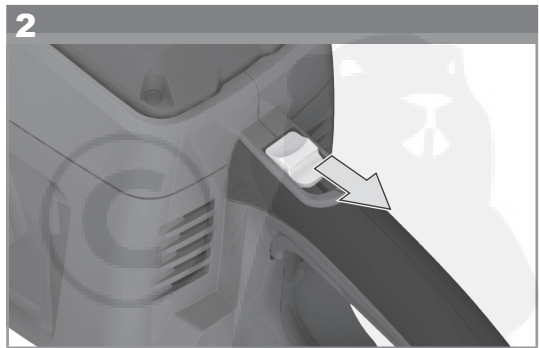
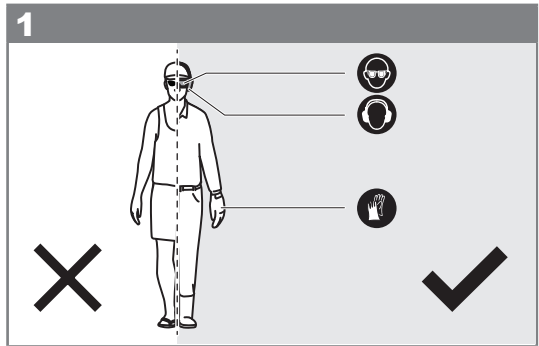
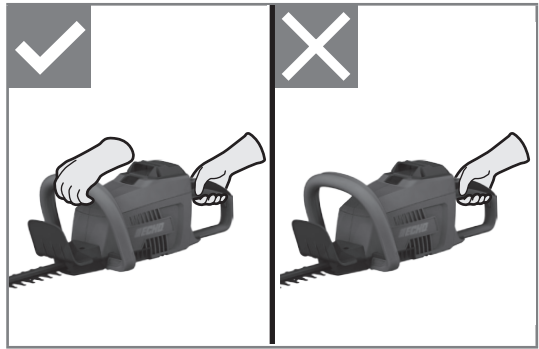
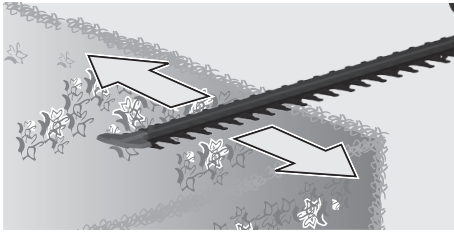
4 illuminated square icons	Battery icon with 75-100% charge	75-100 %
3 illuminated square icons and 1 dimmed square icon	Battery icon with 50-75% charge	50-75 %
2 illuminated square icons and 2 dimmed square icons	Battery icon with 25-50% charge	25-50 %
1 illuminated square icon and 3 dimmed square icons	Battery icon with 0-25% charge	0-25 %

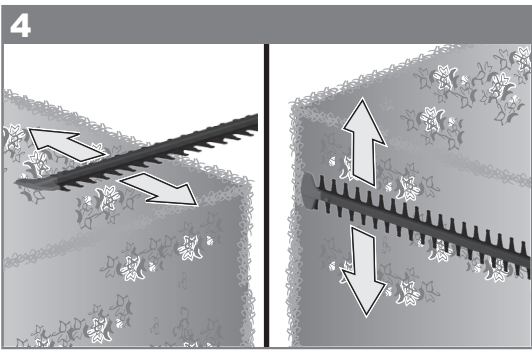
→

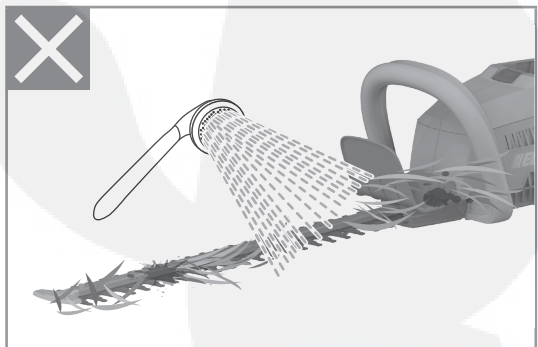
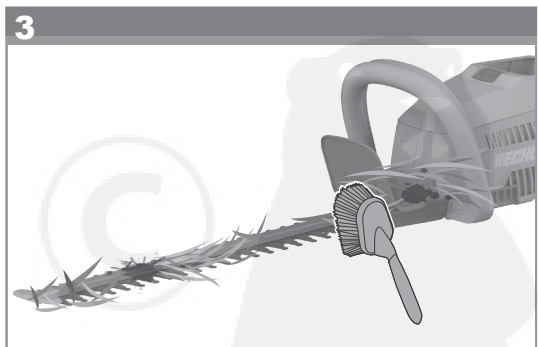
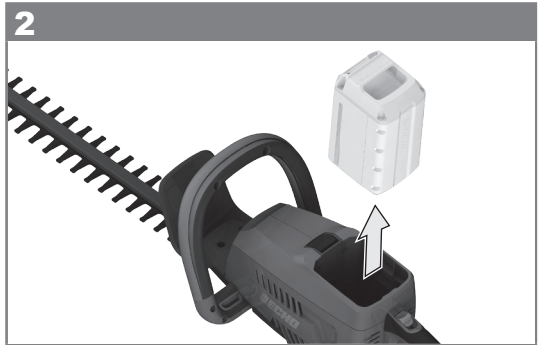
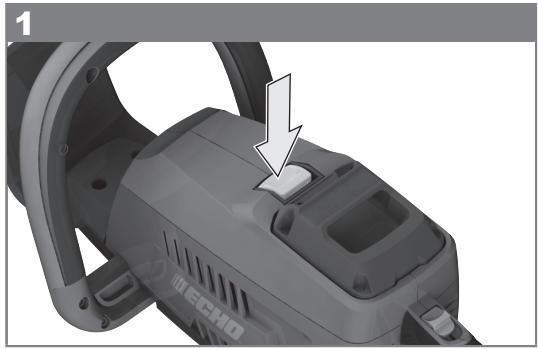
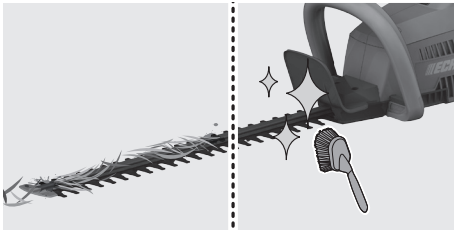
The inset image shows a grey rectangular device being inserted into a larger black unit. A white arrow points downwards from the grey device towards the black unit, indicating the direction of insertion.



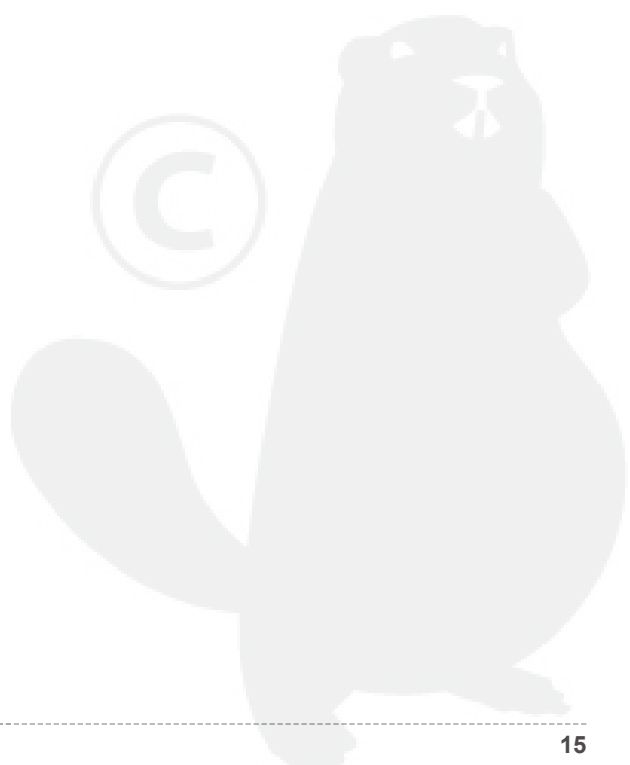
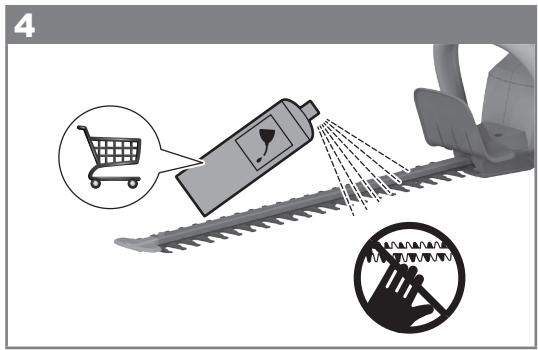


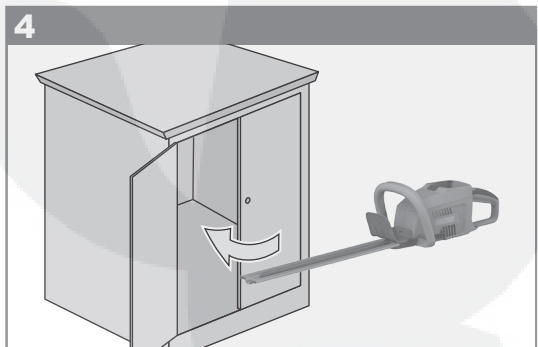
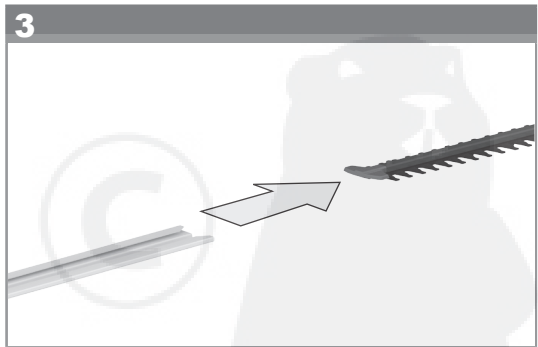
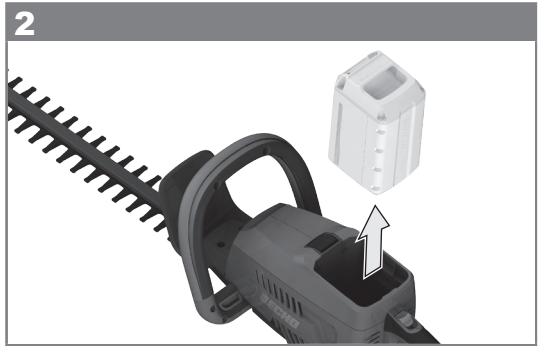
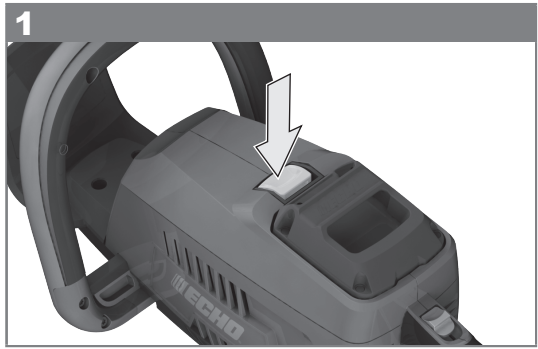
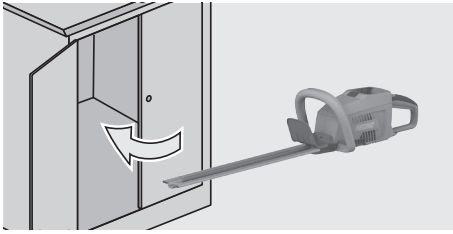






4







TECHNICAL DATA

HEDGE TRIMMER

ECHT-58V

EN
FR
DE
ES
IT
NL
PT
DA
SV
FI
NO
RU
PL
CS
HU
RO
LV
LT
ET
HR
SL
SK
BG
UK
TR

Serial number	94501401000001 - 94501401999999
No-load speed	3400 min ⁻¹
Blade length	610 mm
Cutting length	563 mm
Battery voltage	51.1V, 58V MAX
Weight (with 2.0 Ah battery pack)	5.5 kg
Weight (with 4.0 Ah battery pack)	6.1 kg
Weight without battery pack	4.3 kg

Noise/vibration information (measured values determined according to EN 60745-1, EN 60745-2-15).

A-weighted noise levels:

Sound pressure level	$L_{pA} = 79.0$ dB(A)
Uncertainty	K= 3.0 dB
Sound power level	$L_{WA} = 90.0$ dB(A)
Uncertainty	K= 2.3 dB

Always wear ear protectors!

Total vibration values (vector sum in the three axes) determined according to EN 60745-1, EN 60745-2-15.

Vibration emission value (ah)

Rear handle	ah = 3.4 m/s ²
Front handle	ah = 2.6 m/s ²
Uncertainty	K = 1.5 m/s

***SPM (strikes per minutes) is the number of strokes the connecting rod completes in one minute.**

BATTERY AND CHARGER

ECHT-58V

Compatible battery packs	ECBP-58V20 / ECBP-58V40
Compatible chargers	ECBC-58VEU and ECBC-58VUK



WARNING!

The vibration emission level given in this information sheet has been measured in accordance with a standardised test method and may be used to compare one tool with another. It may be used for a preliminary assessment of exposure.

The declared vibration emission level represents the main applications of the tool. However, if the tool is used for different applications, with different accessories or poorly maintained, the vibration emission may differ. This may significantly increase the exposure level over the total working period.

An estimation of the level of exposure to vibration should also take into account the times when the tool is switched off or when it is running but not actually doing the job. This may significantly reduce the exposure level over the total working period.

Identify additional safety measures to protect the operator from the effects of vibration such as: maintain the tool and the accessories, keep the hands warm, organisation of work patterns.





WARNING!

Read all safety warnings and all instructions. Failure to follow the warnings and instructions may result in electric shock, fire and/or serious injury.

Save all warnings and instructions for future reference.

The term "power tool" in the warnings refers to your mains-operated (corded) power tool or battery-operated (cordless) power tool.

GENERAL SAFETY WARNINGS

WORK AREA SAFETY

- **Keep work area clean and well lit.** Cluttered or dark areas invite accidents.
- **Do not operate power tools in explosive atmospheres, such as in the presence of flammable liquids, gases or dust.** Power tools create sparks which may ignite the dust or fumes.
- **Keep children and bystanders away while operating a power tool.** Distractions can cause you to lose control.

ELECTRICAL SAFETY

- **Power tool plugs must match the outlet. Never modify the plug in any way. Do not use any adapter plugs with earthed (grounded) power tools.** Unmodified plugs and matching outlets will reduce risk of electric shock.
- **Avoid body contact with earthed or grounded surfaces, such as pipes, radiators, ranges and refrigerators.** There is an increased risk of electric shock if your body is earthed or grounded
- **Do not expose power tools to rain or wet conditions.** Water entering a power tool will increase the risk of electric shock.
- **Do not abuse the cord. Never use the cord for carrying, pulling or unplugging the power tool. Keep cord away from heat, oil, sharp edges or moving parts.** Damaged or entangled cords increase the risk of electric shock.
- **When operating a power tool outdoors, use an extension cord suitable for outdoor use.** Use of a cord suitable for outdoor use reduces the risk of electric shock
- **If operating a power tool in a damp location is unavoidable, use a residual current device (RCD) protected supply.** Use of an RCD reduces the risk of electric shock.

PERSONAL SAFETY

- **Stay alert, watch what you are doing and use common sense when operating a power tool. Do not use a power tool while you are tired or under the influence of drugs, alcohol or medication.** A

moment of inattention while operating power tools may result in serious personal injury.

- **Use personal protective equipment. Always wear eye protection.** Protective equipment such as dust mask, non-skid safety shoes, hard hat, or hearing protection used for appropriate conditions will reduce personal injury.
- **Prevent unintentional starting. Ensure the switch is in the off-position before connecting to power source and/or battery pack, picking up or carrying the tool.** Carrying power tools with your finger on the switch or energising power tools that have the switch on invites accidents.
- **Remove any adjusting key or wrench before turning the power tool on.** A wrench or a key left attached to a rotating part of the power tool may result in personal injury.
- **Do not overreach. Keep proper footing and balance at all times.** This enables better control of the power in unexpected situations.
- **Dress properly. Do not wear loose clothing or jewellery. Keep your hair, clothing and gloves away from moving parts.** Loose clothes, jewellery or long hair can be caught in moving parts.
- **If devices are provided for the connection of dust extraction and collection facilities, ensure these are connected and properly used.** Use of dust collection can reduce dust-related hazards.
- **Do not let familiarity gained from frequent use of tools allow you to become complacent and ignore tool safety principles.** A careless action can cause severe injury within a fraction of a second.

POWER TOOL USE AND CARE

- **Do not force the power tool. Use the correct power tool for your application.** The correct power tool will do the job better and safer at the rate for which it was designed.
- **Do not use the power tool if the switch does not turn it on and off.** Any power tool that cannot be controlled with switch is dangerous and must be repaired.
- **Disconnect the plug from the power source and/or the battery pack from the power tool before making any adjustments, changing accessories, or storing power tools.** Such preventive safety measures reduce the risk of starting the power tool accidentally.
- **Store idle power tools out of the reach of children and do not allow persons unfamiliar with the power tool or these instructions to operate the power tool.** Power tools are dangerous in the hands of untrained users.
- **Maintain power tools. Check for misalignment or binding of moving parts, breakage of parts and any other condition that may affect the power tool's operation. If damaged, have the power tool repaired before use.** Many accidents are caused by poorly maintained power tools.



- **Keep cutting tools sharp and clean.** Properly maintained cutting tools with sharp cutting edges are less likely to bind and are easier to control.
- **Use the power tool, accessories and tool bits etc. in accordance with these instructions, taking into account the working conditions and the work to be performed.** Use of the power tool for operations different from those intended could result in a hazardous situation.
- **Keep handles and grasping surfaces dry, clean and free from oil and grease.** Slippery handles and grasping surfaces do not allow for safe handling and control of the tool in unexpected situations.

BATTERY TOOL USE AND CARE

- **Recharge only with the charger specified by the manufacturer.** A charger that is suitable for one type of battery pack may create a risk of fire when used with another battery pack.
- **Use power tools only with specifically designated battery packs.** Use of any other battery packs may create a risk of injury and fire
- **When battery pack is not in use, keep it away from other metal objects, like paper clips, coins, keys, nails, screws or other small metal objects that can make a connection from one terminal to another.** Shorting the battery terminals together may cause burns or a fire.
- **Under abusive conditions, liquid may be ejected from the battery; avoid contact. If contact accidentally occurs, flush with water. If liquid contacts eyes, additionally seek medical help.** Liquid ejected from the battery may cause irritation or burns.
- **Do not use a battery pack or tool that is damaged or modified.** Damaged or modified batteries may exhibit unpredictable behaviour resulting in fire, explosion or risk of injury.
- **Do not expose a battery pack or tool to fire or excessive temperature.** Exposure to fire or temperature above 130 °C may cause explosion.
- **Follow all charging instructions and do not charge the battery pack or tool outside the temperature range specified in the instructions.** Charging improperly or at temperatures outside the specified range may damage the battery and increase the risk of fire.

SERVICE

- **Have your power tool serviced by a qualified repair person using only identical replacement parts.** This will ensure that safety of the power tool is maintained.
- **Never service damaged battery packs.** Service of battery packs should only be performed by the manufacturer or authorized service providers.

HEDGE TRIMMER SAFETY WARNINGS

- **Keep all parts of the body away from the cutter blade. Do not remove the cut material or hold the material to be cut when blades are moving. Make sure the switch is off when clearing jammed materials.** A moment of inattention while operating the hedge trimmer may result in serious personal injury.
- **Carry the hedge trimmer by the handle with cutter blade stopped. When transporting or storing the hedge trimmer always fit the cutting device cover.** Proper handling of the hedge trimmer reduces possible personal injury from the cutter blades.
- **Hold the power tool by insulated gripping surfaces only, because the cutter blade may contact hidden wiring or its own cord.** Cutter blades contacting a "live" wire may make exposed metal parts of the power tool "live" and could give the operator an electric shock.

ADDITIONAL SAFETY WARNINGS

- Some regions have regulations that restrict the use of the product to some operations. Check with your local authority for advice. Read all instructions.
- Clear the work area before each use. Remove all objects, such as cords, lights, wires, or strings which can be thrown or become entangled in the cutting means.
- Check the hedge for foreign objects, such as wire fences.
- Exercise additional caution when using the product near posts, buildings, or other immovable objects.
- Beware of thrown objects; keep all bystanders, children, and pets at least 15 m away from work area.
- Do not allow children or untrained individuals to use the product.
- Do not operate in poor lighting. The operator requires a clear view of the work area to identify potential hazards.
- Ensure all handles and guards are fitted when using the hedge trimmer. Never attempt to use an incomplete hedge trimmer or one fitted with an unauthorised modification.
- Ensure before each use that all controls and safety devices function correctly. Do not use the product if the "off" switch does not stop the product.
- Inspect the product before each use. Check for loose fasteners. Make sure all guards and handles are properly and securely attached. Replace any damaged parts before use. Check for battery pack leaks.
- Do not modify the product in any way.
- Wear full eye and hearing protection while operating the product. If working in an area where there is a risk of falling objects, head protection must be worn.
- Wear heavy, long trousers, boots, and gloves. Do not



wear loose fitting clothing, short trousers, jewellery of any kind, or use with bare feet.

- Secure long hair so it is above shoulder level to prevent entanglement in moving parts.
- Use of hearing protection reduces the ability to hear warnings (shouts or alarms). The operator must pay extra attention to what is going on in the working area.
- Operating similar tools nearby increases both the risk of hearing injury and the potential for other persons to enter your working area.
- Do not use the product when you are tired, ill, or under the influence of alcohol, drugs, or medication.
- Keep firm footing and balance. Do not overreach. Overreaching can result in loss of balance and can result in serious injury.
- Keep all parts of your body away from any moving part.
- Before starting the product, make sure the cutting blades will not come in contact with anything.
- While operating the hedge trimmer, always hold it firmly with both hands by the two handles. Ensure that the operating position is safe and secure. The manufacturer does not recommend the use of steps or ladders. If higher trimming is required, use an extended-reach tool.
- Blades are sharp. When handling the blade assembly, wear non-slip, heavy duty, protective gloves. Do not place your hand or fingers between blades or in any position where they could get pinched or cut. Never touch the blade or service the product unless the battery pack is removed.
- Switch off and remove the battery pack. Make sure all move parts have come to a complete stop:
 - before leaving the product unattended
 - before cleaning or clearing a blockage
 - before adjusting the working position of the cutting means
 - before checking, conducting maintenance, or working on the product
- Do not force the product through heavy shrubbery. This can cause the blades to bind and slow down. If the blades slow down, reduce the pace.
- Do not attempt to cut stems or twigs that are larger than 17 mm thick, or those obviously too large to feed into the cutting blade. Use a non-powered hand saw or pruning saw to trim large stems.
- Do not operate the product with damaged or excessively worn blades.
- Do not let familiarity gained from frequent use of tools allow you to become complacent and ignore tool safety principals. A careless action can cause severe injury within a fraction of a second.
- Battery product should be charged in a location where the temperature is more than 10°C but less than 38°C

to reduce the risk of serious personal injury, do not store outside or in vehicles.

WARNING!

If the product is dropped, suffers heavy impact, or begins to vibrate abnormally, immediately stop the product and inspect for damage or identify the cause of the vibration. Any damage should be properly repaired or replaced by an authorised service centre.

Remove the battery pack before starting any work on the product.

Do not dispose of used battery packs in the household refuse or by burning them. ECHO Distributors offer to retrieve old batteries to protect our environment.

Do not store the battery pack together with metal objects (short circuit risk).

Use only ECBC-58VEU and ECBC-58VUK charger for charging battery packs.

Do not use battery packs from other systems.

Compatible battery packs: ECBP-58V20, ECBP-58V40

Battery acid may leak from damaged batteries under extreme load or extreme temperatures. In case of contact with battery acid, wash it off immediately with soap and water. In case of eye contact, rinse thoroughly for at least 10 minutes and immediately seek medical attention.

ADDITIONAL BATTERY SAFETY WARNINGS

WARNING!

To reduce the risk of fire, personal injury, and product damage due to a short circuit, never immerse your tool, battery pack or charger in fluid or allow a fluid to flow inside them. Corrosive or conductive fluids, such as seawater, certain industrial chemicals, and bleach or bleach-containing products, etc., can cause a short circuit.

RESIDUAL RISKS

Even when the product is used as prescribed, it is still impossible to completely eliminate certain residual risk factors. The following hazards may arise in use and the operator should pay special attention to avoid the following:

- injury caused by the blade.
 - The blade cannot be guarded while cutting. Keep the blade away from yourself and others. Cover it with the blade protector when the product is not in use.
- injury caused by vibration.
 - Always use the right tool for the job, use designated handles, and restrict working time and exposure.

- hearing injury caused by exposure to noise.
 - Wear ear protection and limit exposure.

8. Blade cover
9. Blade
10. Guard
11. Front handle

RISK REDUCTION

It has been reported that vibrations from handheld tools may contribute to a condition called Raynaud's Syndrome. Symptoms may include tingling, numbness, and blanching of the fingers, usually apparent upon exposure to cold. Hereditary factors, exposure to cold and dampness, diet, smoking, and work practices are all thought to contribute to the development of these symptoms. There are measures that can be taken by the operator to possibly reduce the effects of vibration:

- Keep your body warm in cold weather. When using the product, wear gloves to keep the hands and wrists warm. It is reported that cold weather is a major factor contributing to Raynaud's Syndrome.
- After each period of operation, exercise to increase blood circulation.
- Take frequent work breaks. Limit the amount of exposure per day.

If you experience any of the symptoms of this condition, immediately discontinue use and see your physician.



WARNING!

Injuries may be caused, or aggravated, by prolonged use of a tool. When using any tool for prolonged periods, ensure you take regular breaks.

SPECIFIED CONDITIONS OF USE

The cordless hedge trimmer is only intended for use outdoors. For safety reasons the product must be adequately controlled by using two-handed operation.

The product is designed for home or domestic use. It is intended to cut and trim hedges, shrubs, and similar vegetation.

It should be used in dry, well illuminated conditions.

It is not intended to cut grass, trees, or branches. It should not be used for any other purpose than hedge trimming.

Do not use the product for any purpose not listed in the Specified Conditions of Use.

KNOW YOUR PRODUCT

See pages 6-7.

1. Operator presence switch
2. Battery latch button
3. Battery
4. Throttle trigger lock
5. Rear handle
6. Throttle trigger
7. Charger

TRANSPORTATION AND STORAGE

- Stop the product, remove the battery, and allow both to cool before storing or transporting.
- Clean all foreign material from the product. Store it in a cool, dry, and well-ventilated place that is inaccessible to children. For extra safety, store the battery separately from the hedge trimmer. Keep away from corrosive agents such as garden chemicals and de-icing salts. Do not store outdoors.
- Cover the blade with the blade protector before storing the product, or during transportation.
- For transportation in a vehicle, secure the product against movement or falling to prevent injury to persons or damage to the product.

MAINTENANCE



WARNING!

Use only ECHO accessories and ECHO spare parts. Failure to do so can cause possible injury, contribute to poor performance, and may void your warranty. Should components need to be replaced, which have not been described, please contact one of our ECHO service agents.



WARNING!

Servicing requires extreme care and knowledge and should be performed only by a qualified service technician. For service, bring the product to an authorised service centre for repair. When servicing, use only original replacement parts.



WARNING!

The blades are extremely sharp. To prevent personal injury, exercise extreme caution when cleaning, lubricating, and fitting or removing the blade protector. Switch off and remove the battery pack before conducting any maintenance or cleaning work.

- Remove the battery before adjusting, maintaining, or cleaning the product.
- You may only make adjustments and repairs described in this manual. For other repairs, contact an authorised service agent.
- After each use, clean the body and handles of the product with a soft, dry cloth.

- After each use, clean the debris from the blades with a stiff brush, and then carefully apply a rust preventative lubricant before refitting the blade protector. The manufacturer recommends you to use a rust-preventative lubricant spray to apply an even distribution and reduce the risk of personal injury from contact with the blades. For information about suitable spray product, check with an authorised service centre.
- Lubricate the blades lightly before use if necessary using the above method.
- Check all nuts, bolts, and screws at frequent intervals for proper tightness to ensure the product is in safe working condition. Any part that is damaged should be properly repaired or replaced by an authorised service centre.

BATTERIES

- Battery packs, which have not been used for some time should be recharged before use.
- Temperatures in excess of 50°C (122°F) reduce the performance of the battery pack. Avoid extended exposure to heat or sunshine (risk of overheating).
- The contacts of chargers and battery packs must be kept clean.
- For an optimum lifetime, the battery packs have to be fully charged after use.
- To obtain the longest possible battery life, remove the battery pack from the charger once it is fully charged.

For battery pack storage longer than 30 days:

- Store the battery pack where the temperature is below 27°C and away from moisture.
- Store the battery pack in a 30% - 50% charged condition.
- Every six months of storage, charge the pack as normal.
- Follow all charging instructions and do not charge the battery pack or tool outside the temperature range specified in the instructions. Charging improperly or at temperatures outside the specified range may damage the battery and increase the risk of fire.

TRANSPORTING LITHIUM BATTERIES

Lithium-ion batteries are subject to the Dangerous Goods Legislation requirements.

Transportation of those batteries has to be done in accordance with local, national and international provisions and regulations.

- The user can transport the batteries by road without further requirements.
- Commercial transport of lithium-ion batteries by third parties is subject to Dangerous Goods regulations. Transport preparation and transport are exclusively to be carried out by appropriately trained persons and

the process has to be accompanied by corresponding experts.

When transporting batteries:

- Ensure that battery contact terminals are protected and insulated to prevent short circuit.
- Ensure that the battery pack is secured against movement within packaging.
- Do not transport batteries that are cracked or leak.

Check with forwarding company for further advice.

SYMBOLS



Safety alert



Read and understand all instructions before operating the product, follow all warnings and safety instructions.



Wear ear protection.



Wear eye protection.



Always hold the hedge trimmer with both hands when operating.



To prevent serious injury, do not touch cutting blades.



Wear non-slip, heavy-duty gloves.



Do not expose to rain or damp condition.



Beware of thrown or flying objects. Keep all bystanders, especially children and pets, at least 15 m away from the operating area.



Ukrainian mark of conformity



EurAsian Conformity Mark



Waste electrical products should not be disposed of with household waste. Please recycle where facilities exist. Check with your local authority or retailer for recycling advice.



Conforms to all regulatory standards in the country in the EU where the product is purchased.



The guaranteed sound power level is 93 dB.

The following signal words and meanings are intended to explain the levels of risk associated with this product.

⚠ DANGER

Indicates an imminently hazardous situation, which, if not avoided, will result in death or serious injury.

⚠ WARNING

Indicates a potentially hazardous situation, which, if not avoided, could result in death or serious injury.

⚠ CAUTION

Indicates a potentially hazardous situation, which, if not avoided, may result in minor or moderate injury.

CAUTION

Without safety alert symbol

Indicates a situation that may result in property damage





DONNÉES TECHNIQUES

TAILLE-HAIES

ECHT-58V

Numéro de série	94501401000001 - 94501401999999
Vitesse de rotation à vide	3400 min ⁻¹
Longueur de la lame	610 mm
Longueur de coupe	563 mm
Tension de batterie	51,1V, 58V MAX
Poids (avec pack de batterie 2,0 Ah)	5,5 kg
Poids (avec pack de batterie 4,0 Ah)	6,1 kg
Poids (sans batterie)	4,3 kg

Information de bruit/vibration (selon EN 60745-1, EN 60745-2-15)

Niveaux sonores pondérés A :

Niveau de pression sonore	$L_{pA} = 79,0 \text{ dB(A)}$
Incertitude	$K = 3,0 \text{ dB}$
Niveau de puissance sonore	$L_{WA} = 90,0 \text{ dB(A)}$
Incertitude	$K = 2,3 \text{ dB}$

Portez toujours des protections auditives !

Valeurs de vibration totale (somme vectorielle dans les trois axes) déterminées selon la norme EN 60745-1, EN 60745-2-15.

Valeur d'émission de vibration (ah)

Poignée arrière	$a_h = 3,4 \text{ m/s}^2$
Poignée avant	$a_h = 2,6 \text{ m/s}^2$
Incertitude	$K = 1,5 \text{ m/s}$

***Le nombre de frappes par minute (SPM) correspond au nombre d'impacts de la tige de connexion en une minute.**

BATTERIE ET CHARGEUR

ECHT-58V

Packs batterie compatibles	ECBP-58V20 / ECBP-58V40
Chargeur compatible	ECBC-58VEU and ECBC-58VUK



AVERTISSEMENT!

Le niveau d'émission des vibrations donné dans cette fiche d'information a été mesuré selon une méthode de test normalisée et peut servir de référence pour comparer les outils entre eux. Il peut servir d'évaluation préliminaire à l'exposition.

Le niveau d'émission de vibration déclaré représente les principales applications de l'outil. Toutefois, si l'outil est utilisé pour des applications différentes, avec des accessoires différents ou mal entretenus, les vibrations émises peuvent varier. Cela peut augmenter de façon significative le niveau d'exposition sur la durée totale d'utilisation.

Une estimation du niveau d'exposition aux vibrations doit aussi prendre en compte les périodes durant lesquelles l'outil est éteint ou lorsqu'il est en marche sans vraiment effectuer de tâches. Cela peut diminuer de façon significative le niveau d'exposition sur la durée totale d'utilisation.

Identifier les mesures de sécurité supplémentaires afin de protéger l'opérateur des effets des vibrations, par exemple : entretenir l'outil et les accessoires, garder les mains chaudes, organiser les méthodes de travail.





AVERTISSEMENT!

Lisez tous les avertissements et indications. Le non-respect des avertissements et instructions peut entraîner un décharge électrique, un incendie et/ou de graves blessures.

Bien garder tous les avertissements et instructions.

La notion d'« outil électroportatif » mentionnée dans les avertissements se rapporte à des outils électriques raccordés au secteur (avec câble de raccordement) et à des outils électriques à accu (sans câble de raccordement).

AVERTISSEMENTS GÉNÉRAUX DE SÉCURITÉ

SÉCURITÉ DANS LA ZONE DE TRAVAIL

- **Maintenez l'endroit de travail propre et bien éclairé.** Un lieu de travail en désordre ou mal éclairé augmente le risque d'accidents.
- **N'utilisez pas l'outil électroportatif dans un environnement présentant des risques d'explosion et où se trouvent des liquides, des gaz ou poussières inflammables.** Les outils électroportatifs génèrent des étincelles risquant d'enflammer les poussières ou les vapeurs.
- **Tenez les enfants et autres personnes éloignés durant l'utilisation de l'outil électroportatif.** En cas d'inattention vous risquez de perdre le contrôle sur l'appareil.

SÉCURITÉ RELATIVE AU SYSTÈME ÉLECTRIQUE

- **La fiche de secteur de l'outil électroportatif doit être appropriée à la prise de courant. Ne pas modifier en aucun cas la fiche. Ne pas utiliser de fiches d'adaptateur avec des outils électroportatifs avec mise à la terre.** Les fiches non modifiées et les prises de courant appropriées réduisent le risque de choc électrique.
- **Eviter le contact physique avec des surfaces mises à la terre tels que tuyaux, radiateurs, fours et réfrigérateurs.** Il y a un risque accru de décharge électrique si votre corps est relié à la terre.
- **Ne pas exposer l'outil électroportatif à la pluie ou à l'humidité.** La pénétration d'eau dans un outil électroportatif augmente le risque d'un choc électrique.
- **Ne malmenez pas le câble d'alimentation. Ne jamais utiliser le cordon pour porter, tirer ou débrancher l'outil. Maintenir le câble éloigné des sources de chaleur, des parties grasses, des bords tranchants ou des parties de l'appareil en rotation.** Un câble endommagé ou torsadé augmente le risque d'un choc électrique.
- **Au cas où l'outil électroportatif serait utilisé à l'extérieur, utiliser une rallonge appropriée pour les applications extérieures.** L'utilisation d'une rallonge électrique appropriée pour les applications extérieures

réduit le risque d'un choc électrique.

- **Si une utilisation de l'outil électroportatif dans un environnement humide ne peut pas être évitée, utiliser un disjoncteur différentiel.** Un disjoncteur différentiel réduit le risque d'un choc électrique.

SÉCURITÉ DES PERSONNES

- **Rester vigilant, surveiller ce que vous faites. Faire preuve de bon sens en utilisant l'outil électroportatif. Ne pas utiliser un outil électroportatif lorsqu'on est fatigué ou après avoir consommé de l'alcool, des drogues ou avoir pris des médicaments.** Un moment d'inattention lors de l'utilisation de l'outil électroportatif peut entraîner de graves blessures sur les personnes.
- **Porter des équipements de protection. Porter toujours des lunettes de protection.** Les équipements de sécurité tels que les masques contre les poussières, les chaussures de sécurité antidérapantes, les casques ou les protections acoustiques utilisés pour les conditions appropriées réduiront les blessures de personnes.
- **Eviter toute mise en service accidentelle. Assurez-vous que l'interrupteur est en position "arrêt" avant la connexion au secteur et/ou l'insertion de la batterie, ainsi qu'avant de saisir ou de transporter l'outil.** Le transport d'un outil électrique avec votre doigt sur l'interrupteur ou la mise sous tension d'un outil dont l'interrupteur est en position "marche" est propice aux accidents.
- **Enlever tout outil de réglage ou toute clé avant de mettre l'outil électroportatif en fonctionnement. Une clé ou un outil se trouvant sur une partie en rotation peut causer des blessures.** Le fait de porter l'outil électroportatif avec le doigt sur l'interrupteur ou de le brancher sur la source de courant lorsque l'outil électroportatif est en fonctionnement, peut entraîner des accidents.
- **Ne pas se précipiter. Gardez une position et un équilibre adaptés à tout moment.** Cela permet un meilleur contrôle de l'outil dans des situations inattendues.
- **Portez des vêtements appropriés. Ne pas porter de vêtements amples ni de bijoux. Maintenir cheveux, vêtements et gants éloignés des parties de l'appareil en rotation.** Des vêtements amples, des bijoux ou des cheveux longs peuvent être happés par des pièces en mouvement.
- **Si des dispositifs servant à aspirer ou à recueillir les poussières doivent être utilisés, vérifier que ceux ci soient effectivement raccordés et qu'ils sont correctement utilisés.** L'utilisation d'un dispositif d'aspiration des poussières peut réduire les dangers dus aux poussières.
- **Ne pas relâcher sa vigilance en cas d'utilisation fréquente de certains outils et ne pas ignorer les principes de sécurité des outils.** Une action imprudente peut entraîner de graves blessures en une fraction de seconde.



UTILISATION ET EMPLOI SOIGNEUX D'OUTILS ÉLECTROPORTATIFS

- **Ne pas surcharger l'appareil. Utiliser l'outil électroportatif approprié au travail à effectuer.** Avec l'outil électroportatif approprié, vous travaillerez mieux et avec plus de sécurité à la vitesse pour laquelle il est prévu.
- **Ne pas utiliser un outil électroportatif dont l'interrupteur est défectueux.** Tout outil qui ne peut pas être commandé par l'interrupteur est dangereux et il faut le réparer.
- **Retirer la fiche de la prise de courant et/ou enlever l'accu avant d'effectuer des réglages sur l'appareil, de changer les accessoires, ou de ranger l'appareil.** Cette mesure de précaution empêche une mise en fonctionnement de l'outil électroportatif par mégarde.
- **Conserver les outils à l'arrêt hors de la portée des enfants et ne pas permettre à des personnes ne connaissant pas l'outil ou les présentes instructions de le faire fonctionner.** Les outils sont dangereux entre les mains d'utilisateurs novices.
- **Prendre soin de l'outil électroportatif. Vérifier que les parties en mouvement fonctionnent correctement et qu'elles ne soient pas coincées, et contrôler si des parties sont cassées ou endommagées de telle sorte que le bon fonctionnement de l'outil électroportatif s'en trouve entravé. Faire réparer ces parties endommagées avant d'utiliser l'appareil.** De nombreux accidents sont dus à des outils électroportatifs mal entretenus.
- **Maintenir les outils de coupe aiguisés et propres.** Des outils soigneusement entretenus avec des bords tranchants bien aiguisés se coincent moins souvent et peuvent être guidés plus facilement.
- **Utiliser l'outil, les accessoires et les lames etc., conformément à ces instructions, en tenant compte des conditions de travail et du travail à réaliser.** L'utilisation des outils électroportatifs à d'autres fins que celles prévues peut entraîner des situations dangereuses.
- **Gardez les poignées et les surfaces de préhension sèches, propres et exemptes d'huile et de graisse.** Des poignées et des surfaces de préhension glissantes ne permettent pas une manipulation et un contrôle de l'outil en toute sécurité en cas de situation imprévue.

UTILISATION ET EMPLOI SOIGNEUX DES OUTILS ÉLECTRIQUES SANS FIL

- **Ne chargez les blocs de batteries que dans des chargeurs recommandés par le fabricant.** Un chargeur approprié à un type spécifique de batterie peut engendrer un risque d'incendie lorsqu'il est utilisé avec une autre batterie.
- **Dans les outils électriques, n'utilisez que les blocs de batteries spécialement prévus pour ceux-ci.** L'utilisation de tout autre bloc de batterie peut entraîner des blessures et des risques d'incendie.

- **Lorsqu'un bloc de batterie n'est pas utilisé, le maintenir à l'écart de tout autre objet métallique, par exemple trombones, pièces de monnaie, clés, clous, vis ou autres objets de petite taille qui peuvent donner lieu à une connexion d'une borne à une autre.** Un court-circuit entre les contacts de batterie peut provoquer des brûlures ou un incendie.
- **En cas d'utilisation abusive, du liquide peut sortir du bloc de batterie. Évitez tout contact avec ce liquide. En cas de contact accidentel, rincez soigneusement avec de l'eau. En cas de contact avec les yeux, consultez également un médecin.** Le liquide qui sort du bloc de batterie peut entraîner des irritations de la peau ou causer des brûlures.
- **Ne pas utiliser un outil ou un pack de batterie endommagé ou modifié.** Des batteries endommagées ou modifiées peuvent présenter un comportement imprévisible pouvant causer un incendie, une explosion ou un risque de blessure.
- **Ne pas exposer un outil ou un pack de batterie au feu ou à des températures excessives.** L'exposition au feu ou à des températures excessives supérieures à 130 °C peut provoquer une explosion.
- **Suivre toutes les instructions de chargement et ne pas charger l'outil ou le pack de batterie en dehors de la plage de températures spécifiée dans les instructions.** Un chargement incorrect ou à des températures en dehors de la plage spécifiée peut endommager la batterie et augmenter le risque d'incendie.

TRAVAUX D'ENTRETIEN

- **Ne faire réparer l'outil électroportatif que par un personnel qualifié et seulement avec des pièces de rechange d'origine.** Cela assurera que la sécurité de l'outil est maintenue.
- **Ne jamais procéder à l'entretien des packs de batterie endommagés.** L'entretien des packs de batterie ne peut être effectué que par le fabricant ou des prestataires agréés.

AVERTISSEMENTS DE SÉCURITÉ RELATIFS AU TAILLE-HAIES

- **Maintenez toutes les parties de votre corps éloignées de la lame de coupe. Ne tentez pas de retirer des matériaux coupés ou de maintenir un élément à couper lorsque les lames sont en mouvement. Assurez-vous que l'interrupteur est en position off (arrêt) lorsque vous enlevez les éléments responsables du blocage.** Un moment d'inattention lors de l'utilisation du produit peut provoquer de graves blessures.
- **Transportez le taille-haies par sa poignée avec les lames arrêtées. Mettez toujours le protège-lame en place lorsque vous transportez ou rangez le taille-haies.** Une manipulation correcte du taille-haies réduira les risques de blessures dues aux lames de coupe.





- **Ne tenez l'outil électrique que par ses surfaces de préhension isolées, car les lames de coupe sont susceptibles d'entrer en contact avec des câbles électriques cachés ou avec le câble d'alimentation de l'outil.** Des lames de coupe qui entreraient en contact avec un câble "sous tension" pourrait véhiculer cette tension électrique vers les parties métalliques de l'outil et exposer l'opérateur à une décharge électrique.

INSTRUCTIONS DE SÉCURITÉ ADDITIONNELLES

- La législation de certaines régions restreint l'utilisation du produit à certaines opérations. Contactez les autorités locales pour obtenir des conseils. Lisez toutes les instructions.
- Dégagez la zone de travail avant chaque utilisation. Retirez tous les objets tels que câbles, éléments d'éclairage, fils électriques ou ficelles qui pourraient se voir projetés ou s'emmêler dans les éléments de coupe.
- Vérifiez l'absence d'objets étrangers dans la haie, tels que les fils de clôture.
- Employer une prudence supplémentaire en cas d'utilisation du produit près de clôtures, de poteaux, de bâtiments ou d'autres objets fixes.
- Prenez garde à la projection d'objets, gardez tous les passants, en particulier les enfants et les animaux, éloignés d'au moins 15 m de distance de la zone de travail.
- Ne laissez pas des enfants ou des personnes inexpérimentées utiliser ce produit.
- N'utilisez pas cet outil dans une zone mal éclairée. L'opérateur doit avoir une bonne vue d'ensemble de la zone de travail pour identifier les dangers éventuels.
- Assurez-vous toujours que toutes les poignées et protections sont en place lorsque vous utilisez la machine. Ne tentez jamais d'utiliser un produit incomplet ou enclenché avec une modification non autorisée.
- Avant chaque utilisation assurez-vous que toutes les commandes et tous les organes de sécurité fonctionnent correctement. N'utilisez pas le produit si son interrupteur "arrêt" est inopérant à arrêter le moteur.
- Vérifiez la machine avant chaque utilisation. Vérifiez le bon serrage des attaches. Assurez-vous que toutes les protections et toutes les poignées sont bien en place et bien verrouillés. Remplacez toute pièce endommagée avant utilisation. Vérifiez l'absence de fuite du pack batterie.
- Ne modifiez pas le produit de quelque manière que ce soit.
- Portez une protection auditive et oculaire totale lorsque vous utilisez ce produit. Si vous travaillez dans une zone qui comporte des risques de chute d'objets, il est nécessaire que vous portiez un casque de chantier.

- Portez des pantalons longs et épais, des bottes et des gants. Ne portez pas de vêtements amples, de shorts ou de bijoux quels qu'ils soient, et ne travaillez pas pieds nus.
- Attachez les cheveux longs au-dessus du niveau des épaules afin d'éviter qu'ils ne se prennent dans les parties en mouvement.
- L'utilisation d'une protection auditive réduit la capacité à entendre les avertissements (cris ou alarmes). L'utilisateur doit redoubler d'attention par rapport aux événements survenant dans la zone de travail.
- L'utilisation d'outils similaires alentour augmente le risque d'atteinte à l'audition ainsi que le risque que d'autres personnes entrent dans la zone de travail.
- N'utilisez pas ce produit lorsque vous êtes fatigué, malade, ou sous l'influence de l'alcool, de drogues ou de médicaments.
- Gardez un bon appui et un bon équilibre. Ne pas se précipiter. Un travail en extension excessive peut entraîner une perte d'équilibre et provoquer de graves blessures.
- Maintenez toutes les parties de votre corps éloignées des parties en mouvement.
- Avant de mettre la machine en marche, assurez-vous que les lames de coupe ne sont en contact avec rien.
- Au cours de l'utilisation du taille-haies, tenez-le toujours fermement des deux mains à l'aide de ses deux poignées et assurez-vous que votre position de travail est sûre et stable. Le fabricant ne recommande pas l'utilisation d'escabeaux ou d'échelles. Si vous devez tailler à une plus grande hauteur, utilisez un outil ayant une plus grande élévation.
- Les lames sont très coupantes. Lorsque vous manipulez les lames, portez des gants de protection solides et antidérapants. Ne mettez pas votre main ou vos doigts entre les lames ni à tout autre endroit où ils pourraient être pincés ou coupés. Ne touchez jamais la lame et n'effectuez aucune opération d'entretien sur l'appareil sans en avoir préalablement retiré le pack batterie.
- Éteignez l'appareil et retirez le bloc de batterie. Assurez-vous que tous les éléments en mouvement se sont bien arrêtés:
 - avant de laisser le produit sans surveillance
 - avant de nettoyer ou de dégager la cause d'un blocage
 - avant d'ajuster la position de fonctionnement des éléments coupants
 - avant de travailler sur le produit, de le vérifier ou de l'entretenir
- Ne pas forcer le produit dans des buissons épais. Les lames pourraient forcer et ralentir. Si les lames ralentissent, réduisez votre vitesse de progression.
- Ne tentez pas de couper des tiges ou des branchettes d'un diamètre supérieur à 17 mm, ou qui sont

EN
FR
DE
ES
IT
NL
PT
DA
SV
FI
NO
RU
PL
CS
HU
RO
LV
LT
ET
HR
SL
SK
BG
UK
TR



visiblement trop grosses pour pénétrer dans la lame. Coupez les grosses branches à l'aide d'une scie à main ou d'un élagueur.

- Ne pas utiliser le produit avec des lames endommagées ou très usées.
- Ne pas relâcher sa vigilance en cas d'utilisation fréquente de certains outils et ne pas ignorer les principes de sécurité des outils. Une action imprudente peut entraîner de graves blessures en une fraction de seconde.
- Pour de meilleurs résultats, votre outil alimenté par batterie doit être rechargé en un lieu où la température ambiante se situe entre 10 °C et 38 °C. Pour réduire le risque de graves blessures, ne le rangez pas à l'extérieur ou dans un véhicule.



AVERTISSEMENT!

Si le produit est tombé, a subi un choc important ou se met à vibrer de façon anormale, arrêtez-le immédiatement et recherchez les dommages éventuels ou identifiez la cause des vibrations. Toute pièce endommagée doit être correctement remplacée ou réparée par un service après-vente agréé.

Retirez le bloc de batterie avant de commencer un quelconque travail sur le produit.

Ne jetez pas les packs batterie usagés avec les ordures ménagères et ne les jetez pas au feu. Les distributeurs ECHO proposent de reprendre les anciennes batteries afin de préserver l'environnement.

Ne pas entreposer le pack de batterie avec des objets métalliques (risque de court-circuit).

Utiliser uniquement le chargeur ECHO BL1218 pour recharger les packs de batterie.

Ne pas utiliser de packs de batterie provenant d'autres systèmes.

Packs batterie compatibles: ECBP-58V20, ECBP-58V40

L'acide de la batterie peut fuir des batteries endommagées sous une charge extrême ou des températures extrêmes. En cas de contact avec l'acide de la batterie, laver immédiatement à l'eau et au savon. En cas de contact oculaire, rincer avec soin pendant au moins 10 minutes et se rendre immédiatement chez un médecin.

MISES EN GARDE DE SÉCURITÉ SUPPLÉMENTAIRES CONCERNANT LA BATTERIE



AVERTISSEMENT!

Pour réduire le risque d'incendie, de blessures corporelles et de dommages causés par un court-circuit, ne jamais immerger l'outil, le bloc-piles ou le chargeur dans un liquide ou laisser couler un fluide à l'intérieur de celui-ci. Les fluides corrosifs ou conducteurs, tels que l'eau de mer, certains produits chimiques industriels, les produits de blanchiment ou de blanchiment, etc., peuvent provoquer un court-circuit.

RISQUES RÉSIDUELS

Même lorsque le produit est utilisé selon les prescriptions, il reste impossible d'éliminer totalement certains facteurs de risque résiduels. Les dangers suivants risquent de se présenter en cours d'utilisation et l'utilisateur doit prêter particulièrement garde à ce qui suit :

- blessures dues à l'entrée en contact avec les lames de coupe
 - Les lames ne peuvent pas être protégées en cours de coupe. Gardez la lame éloignée des autres personnes et de vous-même. Assurez-vous que les protections des lames sont en place lorsque le produit n'est pas utilisé.
- Blessures dues aux vibrations.
 - Utilisez toujours un outil adapté au travail à effectuer, servez-vous des poignées appropriées et limitez le temps de travail et d'exposition.
- Perte d'audition provoquée par l'exposition au bruit.
 - Portez une protection auditive et limitez le temps d'exposition.

RÉDUCTION DES RISQUES

Il a été reporté que les vibrations engendrées par les outils tenus à la main peuvent contribuer à l'apparition d'un état appelé le syndrome de Raynaud chez certaines personnes. Les symptômes peuvent comprendre des fourmillements, un engourdissement et un blanchiment des doigts, généralement par temps froid. Des facteurs héréditaires, l'exposition au froid et à l'humidité, le régime alimentaire, le tabagisme et les habitudes de travail peuvent contribuer au développement de ces symptômes. Certaines mesures peuvent être prises par l'utilisateur pour aider à réduire les effets des vibrations:

- Gardez votre corps au chaud par temps froid. Lorsque vous utilisez le produit, portez des gants afin de garder vos mains et vos poignets au chaud. Le temps froid est considéré comme un facteur contribuant très largement à l'apparition du Syndrome de Raynaud.

- Après chaque session de travail, pratiquez des exercices qui favorisent la circulation sanguine.
- Faites des pauses fréquentes. Limitez la quantité d'exposition journalière.

Si vous ressentez l'un des symptômes associés à ce syndrome, arrêtez immédiatement le travail et consultez votre médecin pour lui en faire part.



AVERTISSEMENT!

L'utilisation prolongée d'un outil est susceptible de provoquer ou d'aggraver des blessures. Assurez-vous de faire des pauses de façon régulière lorsque vous utilisez tout outil de façon prolongée.

UTILISATION PRÉVUE

Le taille-haies sur perche sans fil est uniquement destiné à une utilisation en extérieur. Pour des raisons de sécurité, l'appareil doit être manipulé de manière appropriée, en utilisant les deux mains.

Ce produit est destiné à un usage domestique ou privé. Il a été conçu pour la coupe et la taille des haies, des arbustes et autres végétaux similaires.

Il doit être utilisé dans un environnement sec et bien éclairé.

Il n'a PAS été conçu pour la coupe d'herbe, d'arbres ou de branches. Il doit être uniquement utilisé pour la taille des haies.

Ne pas utiliser le produit à des fins non spécifiées à la rubrique Usage prévu.

APPRENEZ À CONNAÎTRE VOTRE PRODUIT

Voir pages 6 - 7.

1. Contacteur de présence de l'utilisateur
2. Bouton de verrouillage de la batterie
3. Batterie
4. Verrou de la commande d'accélération
5. Poignée arrière
6. Gâchette des gaz
7. Chargeur
8. Protection de la lame
9. Lame
10. Carter de protection
11. Poignée avant

TRANSPORT ET STOCKAGE

- Arrêtez le produit, retirez la batterie, et laissez-les refroidir avant de les ranger ou de les transporter.
- Débarrassez l'appareil de tous les corps étrangers. Rangez la en un endroit frais, sec et correctement ventilé, hors de portée des enfants. Pour plus de sécurité, rangez la batterie séparément du taille-haies. Ne le rangez pas à proximité d'agents corrosifs tels que

des produits chimiques de jardinage ou des sels de dégel. Ne rangez pas à l'extérieur.

- Recouvrez la lame avec sa protection avant de ranger l'appareil, ou au cours de son transport.
- Pour le transport, attachez le produit pour l'empêcher de bouger ou de tomber, afin d'éviter toute blessure et tout dommage matériel.

ENTRETIEN



AVERTISSEMENT!

Utiliser uniquement des accessoires ECHO et des pièces de rechange ECHO. Le non-respect de cette précaution peut entraîner de mauvaises performances, des blessures, et annuler votre garantie. Si vous devez remplacer des composants qui n'ont pas été décrits, veuillez contacter un de nos agents du service clientèle ECHO.



AVERTISSEMENT!

Les réparations demandent un soin et des connaissances extrêmes et ne doivent être effectuées que par un réparateur qualifié. Pour l'entretien et les réparations, apportez le produit à un service après-vente agréé. N'utilisez que des pièces détachées d'origine constructeur pour les opérations d'entretien.



AVERTISSEMENT!

Les lames sont très affûtées. Pour éviter toute blessure, soyez extrêmement prudent lors des opérations de nettoyage, de lubrification, et lors de la mise en place et du retrait du protège-lame. Coupez l'alimentation et retirez le bloc de la batterie avant d'effectuer toute opération de maintenance ou de nettoyage.

- Retirez la batterie avant tout réglage et toute opération d'entretien ou de nettoyage.
- Vous n'êtes autorisé à effectuer que les réglages ou réparations décrits dans ce manuel. Pour les autres réparations, contactez un service après-vente agréé.
- Après chaque utilisation, utilisez un chiffon propre et sec pour nettoyer le corps et les poignées du produit.
- Après chaque utilisation, retirez les débris des lames à l'aide d'une brosse dure, puis appliquez délicatement un lubrifiant anti-rouille avant de remettre en place le protège-lame. Le fabricant vous recommande de déposer une couche régulière d'un aérosol lubrifiant et anti-rouille sur les lames pour réduire les risques de vous blesser en entrant en contact avec ces lames. Pour obtenir des informations sur un aérosol adapté, contactez votre service après-vente agréé local.

- Vous pouvez également légèrement lubrifier les lames avant utilisation, au besoin, à l'aide de la méthode décrite ci-dessus.
- Vérifiez régulièrement le bon serrage des écrous, vis et boulons pour vous assurer que le produit soit toujours en bon état de fonctionnement. Toute pièce endommagée doit être correctement remplacée ou réparée par un service après-vente agréé.

BATTERIES

- Les packs de batterie n'ayant pas été utilisés depuis un moment doivent être rechargés avant emploi.
- Une température supérieure à 50 °C (112 °F) réduit les performances du pack de batterie. Éviter toute exposition prolongée à la chaleur ou aux rayons du soleil (risque de surchauffe).
- Tenir propres les contacts des accus et des chargeurs.
- Pour une durée de vie optimale, les packs de batterie doivent être complètement rechargés après usage.
- Pour obtenir la plus longue durée de vie possible, retirer le pack de batterie du chargeur une fois qu'il est totalement chargé.

Pour un stockage du pack batterie supérieur à 30 jours:

- Stockez le pack batterie en un lieu où la température est inférieure à 27°C, à l'abri de l'humidité.
- Stockez les packs batterie avec un niveau de charge de 30%-50%.
- Tous les six mois de stockage, rechargez le pack de façon normale.
- Suivre toutes les instructions de chargement et ne pas charger l'outil ou le pack de batterie en dehors de la plage de températures spécifiée dans les instructions. Un chargement incorrect ou à des températures en dehors de la plage spécifiée peut endommager la batterie et augmenter le risque d'incendie.

TRANSPORT DES BATTERIES AU LITHIUM

La batterie lithium ion est susceptible d'être concernée par la législation concernant les marchandises dangereuses.

Le transport de ces batteries doit être réalisé conformément aux dispositions et réglementations en vigueur au niveau local, national et international.

- L'utilisateur peut transporter les batteries par la route sans dispositions supplémentaires.
- Le transport commercial des batteries Lithion-Ion par des tiers parties est soumis aux réglementations relatives aux marchandises dangereuses. Les préparatifs du transport et le transport doivent être effectués exclusivement par des personnes ayant reçu une formation adéquate, et le processus doit être accompagné par les experts correspondants.

Lors du transport des batteries :

- Assurez-vous que les bornes des batteries sont protégées et isolées afin d'empêcher tout court-circuit.
- Veiller à la bonne fixation du pack de batterie pour éviter tout mouvement dans l'emballage.
- Ne transportez pas une batterie qui serait fendue ou qui fuirait.

Demandez conseil au transporteur pour de plus amples informations.

SYMBOLES



Alerte de sécurité



Lisez et comprenez toutes les instructions avant d'utiliser le produit, respectez tous les avertissements et toutes les instructions de sécurité.



Portez une protection auditive.



Portez une protection oculaire.



Tenez toujours le taille-haies des deux mains lorsque vous l'utilisez.



Ne touchez pas les lames afin d'éviter toute blessure grave.



Portez des gants de protection résistants et antidérapants.



N'exposez pas ce produit à la pluie ou à des conditions humides.



Prenez garde à la projection d'objets au sol et dans les airs. Gardez tous les passants, en particulier les enfants et les animaux, éloignés d'au moins 15 m de distance de la zone de travail.



Marque de conformité ukrainienne



Marque de conformité d'Eurasie



Les produits électriques hors d'usage ne doivent pas être jetés avec les ordures ménagères. Recyclez-les par l'intermédiaire des structures disponibles. Contactez les autorités locales ou votre distributeur pour vous renseigner sur les conditions de recyclage.



Cet outil est conforme à l'ensemble des normes réglementaires du pays de l'UE où il a été acheté.



Le niveau de puissance acoustique garanti indiqué sur cette étiquette est de 93 dB.

Les symboles suivants, et les noms qui leur sont associés, permettent d'expliquer les différents niveaux de risques liés à l'utilisation de cet outil.

⚠ DANGER

Imminence d'un danger qui, si l'on n'y prend garde, peut entraîner la mort ou des blessures graves.

⚠ AVERTISSEMENT

Situation potentiellement dangereuse qui, si l'on n'y prend garde, peut entraîner la mort ou des blessures graves.

⚠ ATTENTION

Situation potentiellement dangereuse qui, si l'on n'y prend garde, peut entraîner des blessures moyennes ou légères.

ATTENTION

Sans symbole d'alerte de sécurité

Indique une situation pouvant entraîner des dommages matériels.

EN
FR
DE
ES
IT
NL
PT
DA
SV
FI
NO
RU
PL
CS
HU
RO
LV
LT
ET
HR
SL
SK
BG
UK
TR





TECHNISCHE DATEN

HECKENSCHERE

ECHT-58V

Seriennummer	94501401000001 - 94501401999999
Leerlaufgeschwindigkeit	3400 min ⁻¹
Messerlänge	610 mm
Schnittlänge	563 mm
Batteriespannung	51,1V, 58V MAX
Gewicht (mit 2,0 Ah Akkupack)	5,5 kg
Gewicht (mit 4,0 Ah Akkupack)	6,1 kg
Gewicht (Ohne Akku)	4,3 kg

Geräusch-/Schwingungsinformationen (gemäß EN 60745-1, EN 60745-2-15)

Schallpegel mit A-Bewertung:

Schalldruckpegel	$L_{pA} = 79,0 \text{ dB(A)}$
Unsicherheit	$K = 3,0 \text{ dB}$
Schalleistungspegel	$L_{WA} = 90,0 \text{ dB(A)}$
Unsicherheit	$K = 2,3 \text{ dB}$

Tragen Sie immer einen Gehörschutz!

Gesamtschwingungswerte (Vektorsumme in den drei Achsen) bestimmt nach EN 60745-1, EN 60745-2-15.

Schwingungsemissionswert (ah)

Hinterer Handgriff	$ah = 3,4 \text{ m/s}^2$
Vorderer Haltegriff	$ah = 2,6 \text{ m/s}^2$
Unsicherheit	$K = 1,5 \text{ m/s}$

***SPM (Strikes pro Minute) ist die Anzahl der Schläge der Verbindungsstange innerhalb einer Minute.**

AKKU UND LADEGERÄT

ECHT-58V

Kompatible Akkus	ECBP-58V20 / ECBP-58V40
Kompatible Ladegeräte	ECBC-58VEU and ECBC-58VUK



WARNUNG!

Der in diesem Merkblatt angegebene Schwingungsemissionspegel wurde gemäß einer standardisierten Testmethode gemessen und kann verwendet werden, um Werkzeuge miteinander zu vergleichen. Er kann für eine vorläufige Beurteilung der Belastung verwendet werden.

Der deklarierte Schwingungsemissionspegel trifft auf die Hauptanwendung des Werkzeugs zu. Wenn jedoch das Werkzeug für verschiedene Anwendungen genutzt wird, mit unterschiedlichem Zubehör oder schlecht gewartet, kann die Schwingungsemission variieren. Dies kann das Belastungsniveau über die gesamte Arbeitszeit deutlich erhöhen.

Eine Schätzung der Schwingungsbelastung sollte auch die Zeiten berücksichtigen, in denen das Werkzeug zwar läuft, aber nicht im Einsatz ist und wenn es ausgeschaltet ist. Dies kann das Belastungsniveau über die gesamte Arbeitszeit deutlich reduzieren.

Legen Sie zusätzliche Sicherheitsmaßnahmen fest, um den Bediener vor den Auswirkungen der Schwingungen zu schützen, wie z. B: Wartung des Werkzeugs und Zubehörs, Hände warm halten, Strukturieren der Arbeitsabläufe.





WARNUNG!

Lesen Sie alle Sicherheitshinweise und Anweisungen. Versäumnisse bei der Einhaltung der Sicherheitshinweise und Anweisungen können elektrischen Schlag, Brand und/oder schwere Verletzungen verursachen.

Bewahren Sie alle Sicherheitshinweise und Anweisungen für die Zukunft auf.

Der in den Sicherheitshinweisen verwendete Begriff „Elektrowerkzeug“ bezieht sich auf netzbetriebene Elektrowerkzeuge (mit Netzkabel) und auf akkubetriebene Elektrowerkzeuge (ohne Netzkabel).

ALLGEMEINE SICHERHEITSWARNUNGEN

ARBEITSPLATZSICHERHEIT

- **Halten Sie Ihren Arbeitsbereich sauber und gut beleuchtet.** Unordnung oder unbeleuchtete Arbeitsbereiche können zu Unfällen führen.
- **Arbeiten Sie mit dem Elektrowerkzeug nicht in explosionsgefährdeter Umgebung, in der sich brennbare Flüssigkeiten, Gase oder Stäube befinden.** Elektrowerkzeuge erzeugen Funken, die den Staub oder die Dämpfe entzünden können.
- **Halten Sie Kinder und andere Personen während der Benutzung des Elektrowerkzeugs fern.** Bei Ablenkung können Sie die Kontrolle über das Gerät verlieren.

ELEKTRISCHE SICHERHEIT

- **Der Anschlussstecker des Elektrowerkzeuges muss in die Steckdose passen. Der Stecker darf in keiner Weise verändert werden. Verwenden Sie keine Adapterstecker gemeinsam mit schutzgeerdeten Elektrowerkzeugen.** Unveränderte Stecker und passende Steckdosen verringern das Risiko eines elektrischen Schlages!
- **Vermeiden Sie Körperkontakt mit geerdeten Oberflächen wie von Rohren, Heizungen, Herden und Kühlschränken.** Es besteht ein erhöhtes Risiko durch elektrischen Schlag, wenn Ihr Körper geerdet ist.
- **Halten Sie Elektrowerkzeuge von Regen oder Nässe fern.** Das Eindringen von Wasser in ein Elektrowerkzeug erhöht das Risiko eines elektrischen Schlages.
- **Zweckentfremden Sie das Kabel nicht, um das Elektrowerkzeug zu tragen, aufzuhängen oder um den Stecker aus der Steckdose zu ziehen.** Halten Sie das Kabel fern von Hitze, Öl, scharfen Kanten, oder sich bewegenden Geräteteilen. Beschädigte oder verwickelte Kabel erhöhen das Risiko eines elektrischen Schlages.
- **Wenn Sie mit einem Elektrowerkzeug im Freien arbeiten, verwenden Sie nur Verlängerungskabel, die auch für den Außenbereich geeignet sind.** Die

Anwendung eines für den Außenbereich geeigneten Verlängerungskabels verringert das Risiko eines elektrischen Schlages.

- **Wenn der Betrieb des Elektrowerkzeuges in feuchter Umgebung nicht vermeidbar ist, verwenden Sie einen Fehlerstromschutzschalter.** Der Einsatz eines Fehlerstromschutzschalters vermindert das Risiko eines elektrischen Schlages.

SICHERHEIT VON PERSONEN

- **Seien Sie aufmerksam, achten Sie darauf, was Sie tun und gehen Sie mit Vernunft an die Arbeit mit einem Elektrowerkzeug. Benutzen Sie kein Elektrowerkzeug, wenn Sie müde sind oder unter dem Einfluss von Drogen, Alkohol oder Medikamenten stehen.** Ein Moment der Unachtsamkeit beim Gebrauch des Elektrowerkzeuges kann zu ernsthaften Verletzungen führen.
- **Tragen Sie persönliche Schutzausrüstung und immer eine Schutzbrille.** Das Tragen persönlicher Schutzausrüstung, wie Staubmaske, rutschfeste Sicherheitsschuhe, Schutzhelm oder Gehörschutz, je nach Art und Einsatz des Elektrowerkzeuges, verringert das Risiko von Verletzungen.
- **Vermeiden Sie eine unbeabsichtigte Inbetriebnahme. Vergewissern Sie sich, dass das Elektrowerkzeug ausgeschaltet ist, bevor Sie es an die Stromversorgung und/oder den Akku anschließen, es aufnehmen oder tragen.** Wenn Sie beim Tragen des Elektrowerkzeuges den Fingern am Schalter haben oder das Gerät eingeschaltet an die Stromversorgung anschließen, kann dies zu Unfällen führen.
- **Entfernen Sie Einstellwerkzeuge oder Schraubenschlüssel, bevor Sie das Elektrowerkzeug einschalten.** Ein Werkzeug oder Schlüssel, der sich in einem drehenden Geräteteil befindet, kann zu Verletzungen führen.
- **Vermeiden Sie eine abnormale Körperhaltung. Sorgen Sie für einen sicheren Stand und halten Sie jederzeit das Gleichgewicht.** Dadurch können Sie das Elektrowerkzeug in unerwarteten Situationen besser kontrollieren.
- **Tragen Sie geeignete Kleidung. Tragen Sie keine locker sitzende Kleidung oder Schmuck. Halten Sie Haare, Kleidung und Handschuhe fern von sich bewegenden Teilen.** Lockere Kleidung, Schmuck oder lange Haare können von sich bewegenden Teilen erfasst werden.
- **Wenn Staubabsaug- und -auffangeinrichtungen montiert werden können, vergewissern Sie sich, dass diese angeschlossen sind und richtig verwendet werden.** Verwendung einer Staubabsaugung kann Gefährdungen durch Staub verringern.
- **Wiegen Sie sich nicht in falscher Sicherheit und setzen Sie sich nicht über die Sicherheitsregeln für Elektrowerkzeuge hinweg, auch wenn sie nach vielfachem Gebrauch mit dem Elektrowerkzeug**

vertraut sind. Achtloses Handeln kann binnen Sekunden zu schweren Verletzungen führen.

VERWENDUNG UND BEHANDLUNG DES ELEKTROWERKZEUGES

- **Überlasten Sie das Gerät nicht. Verwenden Sie für Ihre Arbeit das dafür bestimmte Elektrowerkzeug.** Mit dem passenden Elektrowerkzeug arbeiten Sie besser und sicherer im angegebenen Leistungsbereich.
- **Benutzen Sie kein Elektrowerkzeug, dessen Schalter defekt ist.** Ein Elektrowerkzeug, das sich nicht mehr ein- oder ausschalten lässt, ist gefährlich und muss repariert werden.
- **Ziehen Sie den Stecker aus der Steckdose und/oder entfernen Sie den Akku, bevor Sie Geräteeinstellungen vornehmen, Zubehörteile wechseln oder das Gerät weglegen.** Diese Vorsichtsmaßnahme verhindert den unbeabsichtigten Start des Elektrowerkzeuges.
- **Bewahren Sie unbenutzte Elektrowerkzeuge außerhalb der Reichweite von Kindern auf. Lassen Sie Personen das Gerät nicht benutzen, die mit diesem nicht vertraut sind oder diese Anweisungen nicht gelesen haben.** Elektrowerkzeuge sind gefährlich, wenn sie von unerfahrenen Personen benutzt werden
- **Pflegen Sie Elektrowerkzeuge mit Sorgfalt. Kontrollieren Sie, ob bewegliche Teile einwandfrei funktionieren und nicht klemmen, ob Teile gebrochen oder so beschädigt sind, dass die Funktion des Elektrowerkzeuges beeinträchtigt ist. Lassen Sie beschädigte Teile vor dem Einsatz des Gerätes reparieren.** Viele Unfälle haben ihre Ursache in schlecht gewarteten Elektrowerkzeugen.
- **Halten Sie Schneidwerkzeuge scharf und sauber.** Sorgfältig gepflegte Schneidwerkzeuge mit scharfen Schneidkanten verklemmen sich weniger und sind leichter zu führen.
- **Verwenden Sie Elektrowerkzeug, Zubehör, Einsatzwerkzeuge usw. entsprechend diesen Anweisungen. Berücksichtigen Sie dabei die Arbeitsbedingungen und die auszuführende Tätigkeit.** Der Gebrauch von Elektrowerkzeugen für andere als die vorgesehenen Anwendungen kann zu gefährlichen Situationen führen.
- **Halten Sie Griffe und Griffflächen trocken, sauber und frei von Öl und Fett.** Rutschige Griffe und Griffflächen erlauben keine sichere Bedienung und Kontrolle des Elektrowerkzeuges in unvorhergesehenen Situationen.

VERWENDUNG UND BEHANDLUNG DES AKKUWERKZEUGES

- **Laden Sie die Akkus nur in Ladegeräten auf, die vom Hersteller empfohlen werden.** Für ein Ladegerät, das für eine bestimmte Art von Akkus geeignet ist, besteht Brandgefahr, wenn es mit anderen Akkus verwendet wird.

- **Verwenden Sie nur die dafür vorgesehenen Akkus in den Elektrowerkzeugen.** Der Gebrauch von anderen Akkus kann zu Verletzungen und Brandgefahr führen.
- **Halten Sie den nicht benutzten Akku fern von Büroklammern, Münzen, Schlüsseln, Nägeln, Schrauben oder anderen kleinen Metallgegenständen, die eine Überbrückung der Kontakte verursachen könnten.** Ein Kurzschluss zwischen den Akkukontakten kann Verbrennungen oder Feuer zur Folge haben.
- **Bei falscher Anwendung kann Flüssigkeit aus dem Akku austreten. Vermeiden Sie den Kontakt damit. Bei zufälligem Kontakt mit Wasser abspülen. Wenn die Flüssigkeit in die Augen kommt, nehmen Sie zusätzlich ärztliche Hilfe in Anspruch.** Austretende Akkufflüssigkeit kann zu Hautreizungen oder Verbrennungen führen.
- **Benutzen Sie keinen beschädigten oder veränderten Akku.** Beschädigte oder veränderte Akkus können sich unvorhersehbar verhalten und zu Feuer, Explosion oder Verletzungsgefahr führen.
- **Setzen Sie einen Akku keinem Feuer oder zu hohen Temperaturen aus.** Feuer oder Temperaturen über 130 °C können eine Explosion hervorrufen.
- **Befolgen Sie alle Anweisungen zum Laden und laden Sie den Akku oder das Akkuwerkzeug niemals außerhalb des in der Betriebsanleitung angegebenen Temperaturbereichs.** Falsches Laden oder Laden außerhalb des zugelassenen Temperaturbereichs kann den Akku zerstören und die Brandgefahr erhöhen.

SERVICE

- **Lassen Sie Ihr Elektrowerkzeug nur von qualifiziertem Fachpersonal und nur mit Original-Ersatzteilen reparieren.** Damit wird sichergestellt, dass die Sicherheit des Elektrowerkzeuges erhalten bleibt.
- **Warten Sie niemals beschädigte Akkus.** Sämtliche Wartung von Akkus sollte nur durch den Hersteller oder bevollmächtigte Kundendienststellen erfolgen.

SICHERHEITSHINWEISE FÜR HECKENSCHEREN

- **Halten Sie alle Körperteile von dem Schneidmesser fern. Versuchen Sie nicht, bei laufendem Messer Schnittgut zu entfernen oder zu schneidendes Material festzuhalten. Entfernen Sie bei eingeklemmtes Schnittgut nur bei ausgeschaltetem Gerät.** Ein Moment der Unachtsamkeit bei der Benutzung einer Heckenschere kann zu schweren Verletzungen führen.
- **Tragen Sie die Heckenschere am Griff bei stillstehendem Messer. Bei Transport oder Aufbewahrung der Heckenschere stets die Schutzabdeckung aufziehen.** Sorgfältiger Umgang

mit dem Gerät verringert die Verletzungsgefahr durch das Messer.

- **Halten Sie das Elektrowerkzeug nur an den Griffflächen, da das Schneidmesser in Berührung mit verborgenen Stromleitungen oder dem eigenen Netzkabel kommen kann.** Der Kontakt des Schneidmessers mit einer spannungsführenden Leitung kann metallene Geräteteile unter Spannung setzen und zu einem elektrischen Schlag führen.

ZUSÄTZLICHE SICHERHEITSWARNUNGEN

- Einige Regionen können Vorschriften haben, die die Benutzung dieses Produktes auf bestimmte Tätigkeiten beschränken. Lassen Sie sich von Ihrer örtlichen Behörde beraten. Lesen Sie alle Anweisungen.
- Untersuchen Sie vor jeder Benutzung den Arbeitsbereich. Entfernen Sie alle Gegenstände, wie Kabel, Lampen, Draht oder Schnur, die geschleudert werden könnten oder in der Schneidvorrichtung verwickelt werden könnten.
- Überprüfen Sie die Hecke auf Fremdkörper, wie Drahtzäune.
- Seien Sie besonders vorsichtig wenn Sie in der Nähe von Zäunen, Pfählen, Gebäuden oder anderen unbeweglichen Objekten arbeiten.
- Achten Sie auf geschleuderte Gegenstände; halten Sie alle Zuschauer, Kinder und Haustiere mindestens 15 m von dem Arbeitsbereich fern.
- Erlauben Sie Kindern oder ungeschulten Personen nicht den Gebrauch des Produktes.
- Nicht bei schlechter Beleuchtung verwenden. Der Benutzer braucht einen ungehinderten Blick auf den Arbeitsbereich, um mögliche Gefahren zu erkennen.
- Vergewissern Sie sich beim Einsatz des Produkts immer, dass alle Griffe und Schutzvorrichtungen angebracht sind. Versuchen Sie niemals ein unvollständiges, oder mit unautorisierten Modifikationen ausgestattetes Gerät zu benutzen.
- Stellen Sie vor jeder Benutzung sicher, dass alle Bedienelemente und Sicherheitsvorrichtung ordnungsgemäß funktionieren. Benutzen Sie das Produkt nicht, wenn der "Aus" -Schalter den Motor nicht stoppt.
- Untersuchen Sie das Produkt vor jeder Benutzung. Überprüfen Sie auf lockere Verschlüsse. Stellen Sie sicher, dass alle Schutzvorrichtungen und Griffe ordnungsgemäß und sicher befestigt sind. Ersetzen Sie vor der Benutzung jegliche beschädigten Teile. Überprüfen Sie den Akku auf undichte Stellen.
- Verändern Sie das Produkt nicht in irgendeiner Weise.
- Tragen Sie bei Einsatz dieses Geräts vollen Augen- und Gehörschutz. Bei Arbeiten in Bereichen, wo die Gefahr herabfallender Objekte besteht, muss Kopfschutz

getragen werden.

- Tragen Sie lange, schwere Hosen, Stiefel und Handschuhe. Tragen Sie keine locker sitzende Kleidung, kurze Hosen und keinen Schmuck. Gehen Sie nicht barfuß.
- Binden Sie lange Haare zurück, so dass diese sich über Schulterhöhe befinden, um zu verhindern, dass sie sich in beweglichen Teilen verfangen.
- Das Tragen von Gehörschutz verringert Ihre Fähigkeit, Warnungen zu hören (Warnungen oder Zurufe). Der Benutzer muss dem, was im Arbeitsbereich vor sich geht, ganz besondere Beachtung schenken.
- Der Betrieb ähnlicher Werkzeuge in der Umgebung erhöht das Risiko von Gehörschäden und die Wahrscheinlichkeit, dass andere Personen Ihren Arbeitsbereich betreten.
- Arbeiten Sie mit diesem Produkt nicht, wenn Sie müde oder krank sind, oder unter dem Einfluss von Alkohol, Drogen oder Medikamenten stehen.
- Sorgen Sie für einen sicheren Stand und halten Sie das Gleichgewicht. Vermeiden Sie eine abnormale Körperhaltung. Eine abnormale Körperhaltung kann zu einem Verlust des Gleichgewichts führen und schwere Verletzungen verursachen.
- Halten Sie alle Körperteile von den sich bewegenden Teilen fern.
- Vergewissern Sie sich vor dem Starten des Produkts, dass die Schneidwerkzeuge mit nichts in Kontakt geraten können.
- Halten Sie das Produkt bei der Benutzung immer fest mit beiden Händen an den beiden Griffen und stellen sicher, dass die Betriebsposition sicher und geschützt ist. Der Hersteller empfiehlt die Benutzung von Trittleitern oder Leitern nicht. Benutzen Sie ein Werkzeug mit Verlängerung, wenn Schneiden in größerer Höhe erforderlich ist.
- Schneidwerkzeuge sind scharf! Tragen Sie beim Umgang mit den Schneidwerkzeugen rutschfeste und schwere Schutzhandschuhe. Bringen Sie Hand oder Finger nicht zwischen das Schneidwerkzeug oder in eine Position, in der Sie gequetscht oder geschnitten werden könnten. Berühren Sie niemals das Messer oder warten das Gerät, außer der Akkupack wurde entfernt.
- Schalten Sie das Gerät aus und entfernen Sie den Akku-Pack. Stellen Sie sicher, dass alle bewegenden Teile vollständig angehalten sind:
 - bevor Sie das Produkt unbeaufsichtigt zurücklassen
 - vor dem Reinigen oder Entfernen einer Blockierung.
 - bevor die Arbeitsstellung des Schneidwerkzeugs eingestellt wird
 - bevor Sie das Produkt prüfen, warten oder daran arbeiten,
- Führen Sie das Produkt nicht mit Gewalt durch dichtes Strauchwerk. Dies kann dazu führen, dass das

Schneidwerkzeug blockieren und dadurch langsamer werden. Sollte die Schneidwerkzeuge langsamer werden, verringern Sie die Arbeitsgeschwindigkeit.

- Versuchen Sie nicht, Äste oder Zweige mit einem Durchmesser von mehr als 17 mm zu schneiden, oder Äste oder Zweige zu schneiden, die offensichtlich zu groß sind, um zwischen die Schneidwerkzeuge zu passen. Verwenden Sie eine Hand- oder Astsäge ohne Motor, um größere Äste und Stämme zu schneiden.
- Benutzen Sie das Produkt nicht mit beschädigten oder übermäßig abgenutzten Schneidwerkzeuge.
- Wiegen Sie sich nicht in falscher Sicherheit und setzen Sie sich nicht über die Sicherheitsregeln für Elektrowerkzeuge hinweg, auch wenn sie nach vielfachem Gebrauch mit dem Elektrowerkzeug vertraut sind. Achtloses Handeln kann binnen Sekunden zu schweren Verletzungen führen.
- Für optimale Resultate sollte Ihr akkubetriebenes Werkzeug an einem Ort aufgeladen werden, an dem die Temperatur höher als 10 °C liegt, aber weniger als 38 °C beträgt. Zur Verringerung des Risikos schwerer Verletzungen, lagern Sie das Produkt nicht im Freien oder in Fahrzeugen.



WARNUNG!

Wenn das Produkt fallen gelassen wurde oder einen schweren Schlag erhielt oder anfängt, ungewöhnlich zu vibrieren, stoppen Sie das Produkt sofort und überprüfen es auf Schäden oder identifizieren Sie die Ursache der Vibration. Jeder Schaden sollte durch den autorisierten Kundendienst ordnungsgemäß repariert oder ausgetauscht werden.

Entfernen Sie den Akku, bevor Sie mit Arbeiten an dem Produkt beginnen.

Entsorgen Sie benutzte Akkus nicht im Hausabfall oder durch Verbrennen. ECHO-Vertriebspartner bieten an, alte Akkus zum Schutz unserer Umwelt wieder herzustellen.

Lagern Sie den Akku nicht zusammen mit Metallgegenständen (Kurzschlussrisiko).

Verwenden Sie nur das Ladegerät ECBC-58VEU/ECBC-58VUK zum Aufladen der Akkus.

Verwenden Sie keine Akkus aus anderen Systemen.

Kompatible Akkus: ECBP-58V20, ECBP-58V40

Batteriesäure kann bei extremer Belastung oder extremen Temperaturen aus beschädigten Akkus austreten. Bei Kontakt mit Batteriesäure sofort mit Seife und Wasser abwaschen. Bei Augenkontakt ca. 10 Minuten lang gründlich ausspülen und sofort ärztlichen Rat einholen.

WEITERE SICHERHEITSHINWEISE ZUM AKKU



WARNUNG!

Um die durch einen Kurzschluss verursachte Gefahr eines Brandes, von Verletzungen oder Produktbeschädigungen zu vermeiden, tauchen Sie das Werkzeug, den Wechselakku oder das Ladegerät nicht in Flüssigkeiten ein und sorgen Sie dafür, dass keine Flüssigkeiten in die Geräte und Akkus eindringen. Korrodierende oder leitfähige Flüssigkeiten, wie Salzwasser, bestimmte Chemikalien und Bleichmittel oder Produkte, die Bleichmittel enthalten, können einen Kurzschluss verursachen.

RESTRISIKEN

Sogar wenn das Produkt wie vorgeschrieben benutzt wird, ist es unmöglich ein gewisses Restrisiko vollständig zu beseitigen. Die folgenden Gefahren können bei der Benutzung entstehen, und der Benutzer sollte besonders auf folgende Punkte achten:

- Durch Kontakt mit dem Schneidwerkzeug verursachte Verletzung
 - Die Schneidwerkzeuge können beim Schneiden nicht geschützt werden. Halten Sie die Schneidwerkzeuge fern von Ihnen und anderen. Stellen Sie sicher, dass der Transportschutz montiert ist, wenn das Produkt nicht benutzt wird.
- Durch Vibrationen verursachte Verletzungen.
 - Benutzen Sie immer das richtige Werkzeug für die Aufgabe; benutzen Sie die vorgesehenen Griffe und schränken die Arbeitszeit und Exposition ein.
- Lärm kann zu Gehörschaden führen.
 - Tragen Sie einen Gehörschutz und schränken Sie die Belastung ein.

RISIKOVERRINGERUNG

Vibrationen von in der Hand gehaltenen Werkzeugen können bei einigen Personen zu einem Zustand, der Raynaud-Syndrom genannt wird, führen. Symptome sind u.a. Kribbeln, Taubheitsgefühl und episodische Weißfärbung der Finger und treten normalerweise bei Kälte auf. Man geht davon aus, dass ererbte Faktoren, Kälte und Feuchtigkeit, Essgewohnheiten, Rauchen und Arbeitsweise zur Entwicklung dieser Symptome beitragen. Der Anwender kann Maßnahmen ergreifen, um die Auswirkungen der Vibrationen möglicherweise zu verringern:

- Halten Sie den Körper bei Kälte warm. Tragen Sie beim Betrieb des Gerätes Handschuhe, um Hände und Handgelenke warm zu halten. Berichten zu Folge ist kaltes Wetter ein wesentlicher Faktor, der zum Raynaud Syndrom beiträgt.

- Betätigen Sie sich nach jedem Einsatz körperlich, um den Blutkreislauf zu steigern.
- Machen Sie regelmäßig Pausen. Beschränken Sie die Beanspruchung pro Tag.

Sollten bei Ihnen Symptome dieses Zustands auftreten, stellen Sie unverzüglich den Betrieb ein und suchen Sie in Hinsicht auf die Symptome einen Arzt auf.



WARNUNG!

Verletzungen können durch lange Benutzung eines Werkzeugs entstehen oder verschlimmert werden. Machen Sie regelmäßig Pause, wenn Sie ein Werkzeug für lange Zeit benutzen.

BESTIMMUNGSGEMÄSSE VERWENDUNG

Die Akku-Heckenschere ist nur zum Einsatz im Freien vorgesehen. Aus Sicherheitsgründen muss das Produkt durch die Benutzung immer mit beiden Händen immer ausreichend kontrolliert werden.

Dieses Produkt wurde für den Hausgebrauch entwickelt. Es ist vorgesehen um Hecken, Büsche und ähnliche Pflanzen zu schneiden.

Es darf nur in trockener, gut beleuchteter Umgebung benutzt werden.

Es ist nicht vorgesehen um Gras, Bäume oder Äste zu schneiden. Es sollte für keine andere Aufgabe, als das Schneiden von Hecken benutzt werden.

Verwenden Sie das Produkt nicht für andere, als die bestimmungsgemäße Verwendung.

MACHEN SIE SICH MIT IHREM PRODUKT VERTRAUT

Siehe Seite 6-7.

1. Bedieneranwesenheitsschalter
2. Knopf der Akkulasche
3. Akku
4. Startgasarretierer
5. Hinterer Handgriff
6. Gasdrücker
7. Ladegerät
8. Schutzabdeckung
9. Sägeblatt
10. Schutzvorrichtung
11. Vorderer Haltegriff

TRANSPORT UND LAGERUNG

- Stoppen Sie das Produkt, entfernen Sie den Akku und lassen es abkühlen, bevor Sie es lagern oder transportieren.
- Entfernen Sie alle Fremdkörper vom Produkt. Lagern Sie das Gerät an einem kühlen, trockenen und gut belüfteten Ort, der Kindern keinen Zugang bietet. Lagern Sie den Akku für zusätzliche Sicherheit getrennt von der Heckenschere. Von korrodierend wirkenden

Stoffen, wie Gartenchemikalien und Enteisungssalzen, fernhalten. Nicht im Freien lagern.

- Decken Sie das Schneidwerkzeug mit dem Transportschutz ab, bevor Sie das Produkt lagern oder während des Transports.
- Sichern Sie das Produkt beim Transport in einem Fahrzeug gegen Bewegung oder Herunterfallen, um Verletzungen an Personen und Beschädigung des Produkts zu verhindern.

WARTUNG UND PFLEGE



WARNUNG!

Verwenden Sie nur Zubehör und Ersatzteile von ECHO. Nichtbefolgung kann mögliche Verletzungen oder schlechte Leistung verursachen und Ihre Garantie ungültig machen. Sollten Komponenten ersetzt werden, die noch nicht beschrieben wurden, wenden Sie sich bitte an einen unserer ECHO-Kundendienstmitarbeiter.



WARNUNG!

Service und Wartung des Gerätes erfordert besonderen Sorgfalt und Kenntnisstand und sollte nur durch qualifiziertes Personal durchgeführt werden. Bringen Sie das Produkt zur Wartung zu einem autorisierten Kundendienst. Beim Service sollten Sie nur originale Ersatzteile benutzen.



WARNUNG!

Die Schneidwerkzeuge sind scharf. Seien Sie bei der Reinigung, dem Ölen und Anbringen oder Entfernen des Transportschutzes extrem vorsichtig, um Verletzungen zu vermeiden. Schalten Sie das Gerät aus und entfernen Sie den Akku vor der Durchführung von Wartungs- oder Reinigungsarbeiten.

- Entfernen Sie vor Einstellungen, Wartung oder Reinigung den Akku.
- Sie dürfen nur die in dieser Bedienungsanleitung beschriebenen Einstellungen oder Reparaturen durchführen. Kontaktieren Sie Ihren autorisierten Kundendienst für andere Reparaturen.
- Reinigen Sie das Gehäuse und die Griffe nach jeder Benutzung des Produktes mit einem weichen, trockenen Lappen.
- Reinigen Sie nach jeder Benutzung das Schneidwerkzeug von Schmutz mit einer harten Bürste und tragen dann vorsichtig ein Öl als Rostschutz auf, bevor Sie den Transportschutz wieder anbringen. Benutzen Sie das empfohlene Spray als Rostschutz und zum Ölen, um eine gleichmäßige Verteilung zu gewährleisten und die Gefahr einer Verletzung durch Berührung des Schneidwerkzeugs zu verringern.

Fragen Sie Ihren autorisierten Kundendienst nach ein geeignetes Spray-Produkt.

- Sie können die Schneidwerkzeuge vor jeder Benutzung auf die oben genannte Weise leicht einölen.
- Überprüfen Sie Bolzen, Muttern und Schrauben in regelmäßigen Abständen, ob sie alle fest angezogen sind, um somit sicherzustellen, dass das Produkt in einem sicheren Zustand ist. Jedes beschädigte Teil muss durch den autorisierten Kundendienst ordnungsgemäß repariert oder ausgetauscht werden.

AKKUS

- Akkupacks, die seit einiger Zeit nicht benutzt wurden, sollten vor Gebrauch wieder aufgeladen werden.
- Temperaturen über 50 °C (122 °F) reduzieren die Leistung des Akkupacks. Vermeiden Sie eine ausgedehnte Hitzeeinwirkung oder Sonneneinstrahlung (Überhitzungsgefahr).
- Die Anschlusskontakte an Ladegerät und Akku sauber halten.
- Für eine optimale Lebensdauer müssen die Akkupacks nach dem Gebrauch voll aufgeladen werden.
- Um eine möglichst lange Akkuliebensdauer zu erreichen, entfernen Sie den Akku aus dem Ladegerät, sobald er vollständig aufgeladen ist.

Bei Lagerung von Akkus für länger als 30 Tage:

- Lagern Sie den Akku trocken und bei einer Temperatur von weniger als 27°C.
- Lagern Sie Akkus mit einem Ladezustand von 30%-50%.
- Laden Sie den Akku während der Lagerung alle sechs Monate normal auf.
- Befolgen Sie alle Anweisungen zum Laden und laden Sie den Akku oder das Akkuwerkzeug niemals außerhalb des in der Betriebsanleitung angegebenen Temperaturbereichs. Falsches Laden oder Laden außerhalb des zugelassenen Temperaturbereichs kann den Akku zerstören und die Brandgefahr erhöhen.

TRANSPORT VON LITHIUM-IONEN- AKKUS

Der Lithium-Ionen Akku unterliegt der Gesetzgebung für gefährliche Waren.

Der Transport dieses Akkus muss in Übereinstimmung mit den örtlichen, nationalen und internationalen Bestimmungen und Vorschriften erfolgen.

- Der Benutzer darf die Akkus auf der Straße ohne weitere Anforderungen transportieren.
- Der kommerzielle Transport von Lithium-Ionen-Akkus durch Dritte unterliegt den Gefahrgutvorschriften. Die Transportvorbereitungen und der Transport dürfen ausschließlich von angemessenen ausgebildeten

Personen durchgeführt werden, und der Vorgang muss von den entsprechenden Experten begleitet werden.

Beim Transport von Akkus:

- Stellen Sie sicher, dass die Akkupole geschützt und isoliert sind, um Kurzschlüsse zu verhindern.
- Vergewissern Sie sich, dass der Akku in der Verpackung gegen Verrutschen und Wackeln gesichert ist.
- Beschädigte oder auslaufende Akkus dürfen nicht transportiert werden.

Weitere Informationen erhalten Sie bei Ihrem Transportunternehmen.

SYMBOLE



Sicherheitswarnung



Lesen und verstehen Sie alle Anweisungen, bevor Sie das Produkt benutzen, befolgen Sie alle Warnungen und Sicherheitsanweisungen.



Tragen Sie einen Gehörschutz.



Tragen Sie einen Augenschutz.



Halten Sie die Heckenschere beim Betrieb immer mit beiden Händen.



Berühren Sie zur Vermeidung von Verletzungen nicht die Schnittklingen.



Tragen Sie rutschfeste, strapazierfähige Schutzhandschuhe.



Nicht Regen oder feuchten Bedingungen aussetzen.



Achten Sie auf geschleuderte oder fliegende Objekte. Halten Sie unbeteiligte Personen (insbesondere Kinder und Tiere) mindestens 15m vom Arbeitsbereich fern.



Ukrainisches Prüfzeichen



EurAsian Konformitätszeichen



Elektrische Geräte sollten nicht mit dem übrigen Müll entsorgt werden. Bitte entsorgen Sie diese an den entsprechenden Entsorgungsstellen. Wenden Sie sich an die örtliche Behörde oder Ihren Händler, um Auskunft über die Entsorgung zu erhalten.



Dieses Gerät entspricht allen gesetzlichen Normen des Landes der Europäischen Union, in dem es gekauft wurde.



Der auf diesem Etikett angegebene garantierte Schalldruckpegel beträgt 93 dB.

Mit den folgenden Symbolen wird die Bedeutung der verschiedenen Risikostufen, die mit dem Produkt einhergehen, dargestellt.

⚠ GEFAHR

Weist auf eine unmittelbare gefährliche Situation hin, die, falls nicht vermieden, zu Tod oder ernsthafter Verletzung führen kann.

⚠ WARNUNG

Weist auf eine mögliche gefährliche Situation hin, die, falls nicht vermieden, zu Tod oder ernsthafter Verletzung führen kann.

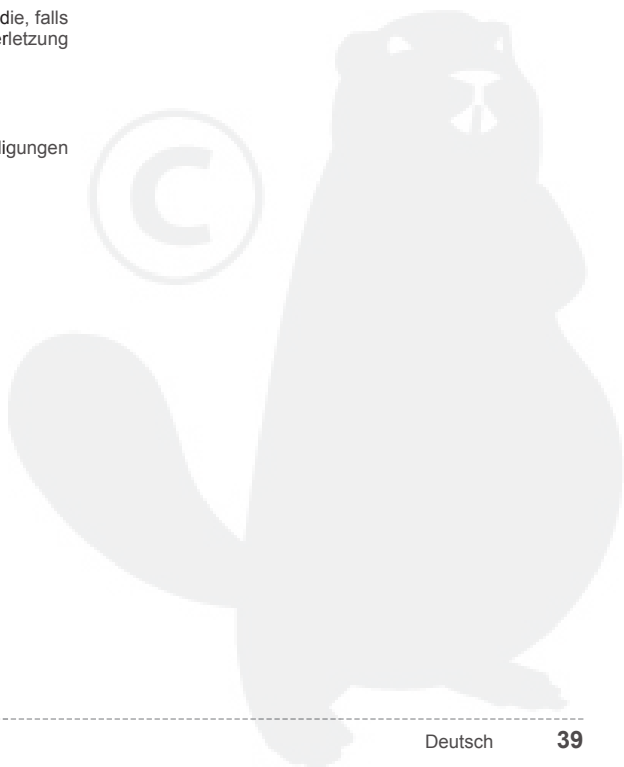
⚠ VORSICHT

Weist auf eine mögliche gefährliche Situation hin, die, falls nicht vermieden, zu einer leichten oder mittleren Verletzung führen kann.

VORSICHT

Ohne Sicherheitswarnsymbol

Bezeichnet eine Situation die zu Sachbeschädigungen führen kann.





DATOS TÉCNICOS

CORTASETOS

ECHT-58V

Número de serie	94501401000001 - 94501401999999
Velocidad sin carga	3400 min ⁻¹
Longitud de la cuchilla	610 mm
Longitud de corte	563 mm
Voltaje de la batería	51,1V, 58V MAX
Peso (con batería de 2,0 Ah)	5,5 kg
Peso (con batería de 4,0 Ah)	6,1 kg
Peso (sin la batería)	4,3 kg

Información de ruido/vibración (según EN 60745-1, EN 60745-2-15)

Niveles de ruido ponderados A:

Nivel de presión sonora	$L_{pA} = 79,0$ dB(A)
Incertidumbre	K= 3,0 dB
Nivel de potencia acústica	$L_{WA} = 90,0$ dB(A)
Incertidumbre	K= 2,3 dB

¡Lleve siempre protectores acústicos!

Valores totales de vibración (suma vectorial de los tres ejes) determinados conforme a EN 60745-1, EN 60745-2-15.

Valor de emisión de vibración en (ah)

Mango trasero	ah = 3,4 m/s ²
Mango delantero	ah = 2,6 m/s ²
Incertidumbre	K = 1,5 m/s

*CPM (carreras por minuto) es el número de carreras que la biela completa en un minuto.

BATERÍA Y CARGADOR

ECHT-58V

Paquetes de batería compatibles	ECBP-58V20 / ECBP-58V40
Cargador compatible	ECBC-58VEU and ECBC-58VUK



ADVERTENCIA!

El nivel de emisión de vibración indicado en esta ficha técnica se ha calculado según lo establecido en un método de prueba estandarizado y podría utilizarse para comparar una herramienta con otra. Podría utilizarse para una evaluación preliminar de exposición.

El nivel de emisión de vibración declarado representa las aplicaciones principales de la herramienta. No obstante, si la herramienta se utiliza para diferentes aplicaciones, con distintos accesorios o con un mantenimiento deficiente, el nivel de vibración podría diferir. Esto podría aumentar significativamente el nivel de exposición sobre el periodo de funcionamiento total.

Una estimación del nivel de exposición a la vibración debería también tenerse en cuando la herramienta está apagada o cuando está en funcionamiento pero no hace su función. Esto podría reducir significativamente el nivel de exposición sobre el periodo de funcionamiento total.

Identificar las medidas de seguridad adicionales para proteger al operario de los efectos de la vibración como: conservar la herramienta y los accesorios, mantener las manos calientes, organización de las pautas de trabajo.





ADVERTENCIA!

Lea todas las advertencias de peligro e instrucciones. El incumplimiento de las advertencias e instrucciones puede provocar descargas eléctricas, incendios y/o lesiones graves.

Conserve estas advertencias e instrucciones para poder consultarlas posteriormente.

El término "herramienta eléctrica" que aparece en las advertencias se refiere a su herramienta eléctrica (con cable) o con batería (sin cables).

ALERTA DE SEGURIDAD GENERAL

ZONA DE TRABAJO

- Mantenga el área de trabajo limpia y bien iluminada. Las zonas oscuras o poco despejadas pueden provocar accidentes.
- No utilice herramientas eléctricas en entornos inflamables, como puede ser en presencia de líquidos inflamables, gases o polvo. Las herramientas eléctricas crean chispas que pueden inflamar el polvo o el humo.
- Mantenga a los niños y personas ajenas alejadas de la zona en la que está utilizando la herramienta eléctrica. Las distracciones pueden hacer que pierda el control de la herramienta.

SEGURIDAD ELÉCTRICA

- Las conexiones de la herramienta eléctrica deben corresponder a los de la toma de corriente. No modifique el enchufe de ninguna manera. No utilice ningún adaptador con herramientas eléctricas conectadas a tierra. Utilizar enchufes sin modificar y tomas correspondientes reducirán el riesgo de descargas eléctricas.
- Evite el contacto corporal con superficies conectadas a tierra, como tuberías, radiadores, estufas y refrigeradores. Existe un mayor riesgo de descargas eléctricas si su cuerpo está conectado a tierra.
- No exponga este producto a la lluvia o humedad. Si entra agua en una herramienta eléctrica podría aumentar el riesgo de descargas eléctricas.
- Utilice correctamente el cable. No utilice el cable para llevar, tirar o desconectar el cable de la herramienta. Mantenga el cable lejos del calor, aceite, bordes afilados o partes móviles. Los cables dañados o enredados aumentan el riesgo de descargas eléctricas.
- A la hora de utilizar herramientas eléctricas al aire libre, utilice un alargador adecuado para uso en exteriores. El uso de un cable adecuado para uso en exteriores reduce el riesgo de descargas eléctricas.
- Si es inevitable utilizar una herramienta eléctrica en

un lugar húmedo, utilice un dispositivo de corriente residual (RCD) como protección. El uso de un RCD reduce el riesgo de descargas eléctricas.

SEGURIDAD PERSONAL

- Manténgase alerta y atento a lo que está haciendo y utilice el sentido común al utilizar una herramienta eléctrica. No utilice una herramienta eléctrica cuando esté cansado o bajo la influencia de drogas, alcohol o medicamentos. En un momento de descuido, mientras utiliza herramientas eléctricas podrían ocurrir lesiones personales graves.
- Utilice un equipo de protección personal. Utilice siempre dispositivos de protección ocular. El equipo de protección como las máscaras de polvo, calzado antideslizante de seguridad, cascos rígidos o unas condiciones adecuadas reducirán los daños corporales.
- Evite la puesta en marcha accidental de la herramienta. Asegúrese de que el interruptor está en posición OFF antes de conectar la herramienta a una toma de corriente y/o batería, y levantar o transportar la herramienta. El transporte de herramientas con el dedo sobre el interruptor o la conexión de herramientas eléctricas con el interruptor en ON puede causar accidentes.
- Extraiga cualquier llave de ajuste antes de encender la herramienta eléctrica. Una llave que se encuentra conectada a una pieza de rotación puede resultar en lesiones personales.
- No se extienda demasiado. Afírmese bien en sus piernas y no extienda demasiado el brazo. Esto permite un mejor control de la herramienta eléctrica en situaciones inesperadas.
- Lleve ropa adecuada. No use ropa holgada o joyas. Mantenga su cabello, ropa y guantes lejos de las piezas móviles. La ropa suelta, joyas o el cabello largo pueden quedar atrapados en las piezas móviles.
- Si existen dispositivos para la conexión de accesorios de recogida y extracción de polvo, asegúrese de que están conectados y que se utilizan adecuadamente. El uso de accesorios de recogida de polvo puede reducir riesgos relacionados con el polvo.
- Aunque se familiarice con el uso de la herramienta, no se relaje e ignore los principios de seguridad. Una acción imprudente puede provocar lesiones graves en una fracción de segundo.

USO Y CUIDADO DE LA HERRAMIENTA ELÉCTRICA

- No fuerce el producto. Utilice la herramienta correcta para su aplicación. La herramienta correcta hará un trabajo más seguro y mejor para el que ha sido diseñada.
- No utilice la herramienta eléctrica si el interruptor de encendido no responde. Cualquier herramienta que no puede ser controlada con el interruptor de encendido es peligrosa y debe ser reparada.



- **Desconecte el enchufe de la fuente de alimentación y/o extraiga la batería de la herramienta eléctrica antes de hacer cualquier ajuste, cambiar accesorios o almacenar herramientas eléctricas.** Estas medidas preventivas de seguridad reducen el riesgo de arranque accidental de la herramienta.
- **Coloque las herramientas eléctricas a ralentí fuera del alcance de los niños y no permita que personas no familiarizadas con la herramienta o con estas instrucciones la utilicen.** Las herramientas eléctricas son peligrosas en manos de personas no capacitadas.
- **Realice labores de mantenimiento de las herramientas eléctricas. Compruebe la alineación o unión de las piezas móviles, si existe rotura de piezas o cualquier otro problema que pueda afectar al funcionamiento de la herramienta. Si alguna pieza está dañada, la herramienta eléctrica debería repararse antes de volver a utilizarla.** Muchos accidentes son causados por un mantenimiento deficiente.
- **Mantenga las herramientas de corte bien afiladas y limpias.** Las herramientas de corte con bordes de corte afilados que tienen un mantenimiento adecuado reducen su deterioro y son más fáciles de controlar.

- **Utilice la herramienta, accesorios, partes eléctricas, etc., de acuerdo con estas instrucciones, teniendo en cuenta las condiciones de trabajo y el trabajo que se va a realizar.** Utilizar la herramienta eléctrica para realizar trabajos diferentes a los que esta herramienta está destinada podría dar como resultado una situación peligrosa.

- **Mantenga los mangos y las superficies de agarre secos, limpios y libres de aceite o grasa.** Los mangos y superficies de sujeción resbaladizas no le permiten una sujeción y un control seguro de la herramienta en situaciones inesperadas.

USO Y CUIDADO DE LA HERRAMIENTA

- **Recargue la unidad solamente con el cargador especificado por el fabricante.** Podría haber un riesgo de incendio cuando se utilice un cargador con una batería para la que no está diseñado.
- **Utilice sólo herramientas eléctricas específicamente diseñadas para ellos.** Utilizar cualquier otro tipo de baterías puede causar lesiones o un riesgo de incendio.
- **Cuando la batería no está en uso, manténgala alejada de otros objetos metálicos como clips, monedas, llaves, clavos, tornillos u otros objetos metálicos pequeños que puedan crear una conexión desde una terminal a otra.** Causar un cortocircuito en los terminales de la batería puede causar quemaduras o un incendio.
- **En condiciones abusivas, podría salir expulsado líquido de la batería, por lo que debería evitar el contacto con éste. Si se produce un contacto accidental, enjuáguese las manos con agua. Si el líquido entra en contacto con los ojos, acuda inmediatamente al médico.** Si el líquido es expulsado de la batería y entra en contacto con él, podría causar

irritación o quemaduras.

- **No utilice un paquete de baterías o una herramienta que esté dañado o modificado.** Las baterías dañadas o modificadas pueden presentar un comportamiento impredecible y provocar fuego, explosión o riesgo de lesión.
- **No esponga el paquete de baterías o la herramienta al fuego o a temperaturas excesivas.** La exposición al fuego o a una temperatura excesiva superior a 130 °C puede provocar una explosión.
- **Siga todas las instrucciones de carga y no cargue el paquete de baterías o la herramienta fuera del rango de temperatura especificado en las instrucciones.** La carga inadecuada o a temperaturas fuera del rango especificado puede dañar la batería e incrementar el riesgo de fuego.

MANTENIMIENTO

- **Su herramienta eléctrica debería ser reparada por personas calificadas, que deberían utilizar únicamente piezas de repuesto idénticas.** Esto garantizará la seguridad a la hora de utilizar la herramienta eléctrica.
- **Nunca arregle baterías dañadas.** Solo el fabricante o proveedores homologados deberían reparar las baterías.

ADVERTENCIAS DE SEGURIDAD DEL CORTASETOS

- **Mantenga todas las partes del cuerpo alejadas de la cuchilla. No extraiga material de corte ni sujete el material que va a cortar cuando las cuchillas estén en movimiento. Asegúrese de que el interruptor está apagado cuando limpie cualquier material atascado.** En un momento de descuido, mientras utiliza el producto podrían ocurrir lesiones personales graves.
- **Lleve el cortasetos por el mango con la cuchilla de corte parada. Al transportar o almacenar el cortasetos, coloque siempre la tapa del dispositivo de corte.** El manejo adecuado del cortasetos reducirá posibles lesiones personales debido a las cuchillas.
- **Sostenga la herramienta sólo por las superficies de agarre, ya que la cuchilla de corte puede entrar en contacto con el cableado oculto o su propio cable.** Las cuchillas en contacto con un cable con corriente pueden dejar expuestas las partes metálicas de la herramienta conectada, lo que podría provocar una descarga eléctrica al operario.

AVISOS DE SEGURIDAD ADICIONALES

- **Algunas regiones tienen normativas que restringen el uso del producto para algunas operaciones. Consulte con su autoridad local para obtener información. Lea todas las instrucciones.**





- Limpie el área de trabajo antes de cada uso. Retire todos los objetos, cables, luces, alambres o cadenas que puedan lanzar o engancharse en las partes cortantes.
- Compruebe que no hay objetos extraños en el seto, como alambradas.
- Tenga especial cuidado al usar el producto cerca de vallados, postes, edificios u otros objetos inamovibles.
- Tenga cuidado con los objetos que salen despedidos; mantenga a todos los transeúntes, niños y animales alejados al menos 15 m de la zona de trabajo.
- No permita que niños o individuos sin experiencia utilicen este producto.
- No trabaje con esta herramienta en una zona mal iluminada. El operador debe tener una visión clara de la zona de trabajo para identificar peligros potenciales.
- Asegúrese siempre de que todas las protecciones y mangos estén correctamente acoplados en el equipo. Nunca intente utilizar un producto incompleto o uno equipado con una modificación no autorizada.
- Antes de cada uso, asegúrese de que todos los controles y dispositivos de seguridad funcionan correctamente. No utilice el aparato si el interruptor "off" no para el motor.
- Inspeccione la máquina antes de cada uso. Revise si hay fijaciones sueltas. Asegúrese de que todas las protecciones y mangos están unidos de forma correcta y segura. Sustituya cualquier pieza dañificada antes de su utilización. Compruebe si hay fugas en la batería.
- No modifique el producto en modo alguno.
- Use gafas de protección total para los ojos y oídos al utilizar este producto. Si trabaja en un área donde existe un riesgo de caída de objetos, deberá utilizar casco.
- Use guantes, botas y pantalones resistentes. No utilice ropa ancha, pantalones cortos, joyas ni lo utilice con los pies descalzos.
- Recoja el cabello largo para que quede por encima del nivel de los hombros y evitar así que se enmarañe en cualquier pieza móvil.
- El uso de dispositivos de protección auditiva reducirá su capacidad para oír posibles advertencias (gritos o alarmas). El operador debe prestar atención extra a lo que está sucediendo en el área de trabajo.
- Utilizar herramientas similares a poca distancia aumenta tanto el riesgo de lesión auditiva como el riesgo potencial de que otras personas accedan a su área de trabajo.
- No utilice este producto si está cansado o si se encuentra bajo la influencia de drogas, alcohol o medicamentos.
- Mantenga su pisada firme y su equilibrio. No se extienda demasiado. Un sobreesfuerzo puede dar lugar a la pérdida del equilibrio y a lesiones graves.
- Mantenga las piezas en movimiento alejadas de su cuerpo.
- Antes de arrancar la máquina, asegúrese de que las hojas de corte no entran en contacto con ningún objeto.
- Cuando manipule un cortasetos, sujételo firmemente con ambas manos mediante los dos asas y asegúrese de que la posición de funcionamiento sea segura. El fabricante no recomienda el uso de escalones o escaleras. Si hay que recortar desde una posición más alta, utilice una herramienta de alcance extensible.
- Las cuchillas son afiladas. Al utilizar el conjunto de cuchillas, utilice guantes de protección resistentes y antideslizantes. No coloque la mano o los dedos entre las cuchillas o en cualquier posición en la que pueda cortarse o pincharse. No toque la cuchilla ni realice operaciones de servicio a la unidad a menos que haya retirado la batería.
- Apague la unidad y retire la batería. Asegúrese de que todas las partes móviles se han detenido por completo:
 - antes de dejar el producto sin vigilancia
 - antes de limpiar o despejar una obstrucción
 - antes de ajustar la posición de trabajo del sistema de corte
 - antes de inspeccionar, mantener o trabajar con el producto
- No fuerce el producto a través de arbustos densos. Esto puede hacer que las cuchillas se doblen y se ralenticen. Si las cuchillas se ralentizan, reduzca el ritmo de corte.
- No intente cortar tallos o ramas de más de 17 mm de grosor, o los que, obviamente, sean demasiado grandes para la cuchilla de corte. Utilice una sierra de mano no motorizada o una sierra escamondadora para poder tallos largos.
- No utilice el producto con las cuchillas dañadas o excesivamente desgastadas.
- Aunque se familiarice con el uso de la herramienta, no se relaje e ignore los principios de seguridad. Una acción imprudente puede provocar lesiones graves en una fracción de segundo.
- Para obtener mejores resultados, el cargador y la batería deberán colocarse en un lugar donde la temperatura sea superior a 10 °C, pero inferior a 38 °C. Para reducir el riesgo de lesiones personales graves, no almacene la unidad en el exterior o en vehículos.



ADVERTENCIA!

Si el aparato se cae, sufre un impacto fuerte o empieza a vibrar de manera anormal, párelo inmediatamente y compruebe si está dañado o identifique el motivo de la vibración. La reparación de daños y la sustitución de piezas deben ser realizadas por un centro de servicio autorizado.

Quite las baterías antes de empezar ningún trabajo con el producto.





Al desechar baterías usadas, no deben tirarse con los residuos domésticos ni quemarse. Los distribuidores de ECHO se ofrecen a recuperar baterías viejas para proteger el medioambiente.

No almacene las baterías junto con objetos de metal (riesgo de cortocircuito).

Use exclusivamente un cargador ECBC-58VEU/ECBC-58VUK para cargar la batería.

No utilice baterías de otros sistemas.

Paquetes de batería compatibles: ECBP-58V20, ECBP-58V40

Podría filtrarse ácido de las baterías dañadas en caso de cargas o temperaturas extremas. En caso de entrar en contacto con el ácido de la batería, lávese inmediatamente con jabón y agua. En caso de que le entre en un ojo, aclare abundantemente con agua durante al menos durante 10 minutos y solicite inmediatamente asistencia médica.

ADVERTENCIAS DE SEGURIDAD DE LA BATERÍA ADICIONAL



ADVERTENCIA!

Para reducir el riesgo de incendio, lesión personales y daños al producto debido a un cortocircuito, no sumerja nunca la herramienta, el paquete de baterías o el cargador en líquido ni permita que fluya un fluido dentro de ellos. Los fluidos corrosivos o conductivos, como el agua de mar, ciertos productos químicos industriales y blanqueadores o lejías que contienen, etc., Pueden causar un cortocircuito.

REDUCCIÓN DEL RIESGO

Se ha informado de que las vibraciones de las herramientas de mano puede contribuir a una condición llamada síndrome de Raynaud en ciertos individuos. Los síntomas pueden incluir hormigueo, entorpecimiento y decoloración de los dedos, generalmente aparentes cuando tiene lugar una exposición al frío. Se considera que los factores hereditarios, exposición al frío y a la humedad, dieta, tabaquismo y prácticas de trabajo contribuyen al desarrollo de estos síntomas. Existen medidas que pueden ser tomadas por el operador para reducir los efectos de vibración:

- Mantenga su cuerpo caliente durante el tiempo frío. Al manipular el producto, utilice guantes para mantener las manos y las muñecas calientes. Hay informes que indican que el tiempo frío es un gran factor que contribuye al síndrome de Raynaud.
- Después de cada período de funcionamiento, realice ejercicios para aumentar la circulación sanguínea.
- Haga pausas de trabajo frecuentes. Limite la cantidad de exposición por día.

Si siente alguno de los síntomas de esta enfermedad, interrumpa inmediatamente el uso y consulte a su médico estos síntomas.



ADVERTENCIA!

El uso prolongado de una herramienta puede causar o agravar lesiones. Al utilizar cualquier herramienta durante periodos prolongados asegúrese de tomar descansos regulares.

RIESGOS RESIDUALES

Incluso cuando se utiliza el producto según las instrucciones, sigue siendo imposible eliminar por completo ciertos factores de riesgo residuales. Los siguientes peligros pueden surgir en el uso y el operador debe prestar especial atención para evitar lo siguiente:

- daño producido por contacto con las cuchillas
 - Las cuchillas no pueden estar protegidas mientras están cortando. Mantenga la cuchilla alejada de usted mismo y de los demás. Asegúrese de que los protectores de las cuchillas están colocados cuando no se use el producto.
- Lesiones por vibración.
 - Utilice siempre la herramienta adecuada para el trabajo, utilice los mangos pertinentes y limite el tiempo de trabajo y de exposición.
- Daños auditivos causados por la exposición al ruido.
 - Use protección para los oídos y limite el tiempo de exposición.

USO PREVISTO

El cortasetos híbrido se debe utilizar exclusivamente en el exterior. Por razones de seguridad, es necesario controlar el producto correctamente utilizando las dos manos.

El producto está diseñado para uso doméstico. Está diseñada para cortar y recortar setos, arbustos y vegetación similar.

Debe utilizarse en un lugar seco y bien iluminado.

NO está diseñada para cortar el césped, árboles o ramas. No debe utilizarse para un propósito diferente a cortar setos.

No utilice el producto para ningún fin que no aparezca indicado en el apartado Uso previsto.

CONOZCA SU PRODUCTO

Ver páginas 6-7.

1. Interruptor de presencia del operador
2. Botón de sujeción de la batería
3. Batería
4. Bloqueo del gatillo del acelerador
5. Mango trasero



6. Gatillo del acelerador
7. Cargador
8. Cubierta de la cuchilla
9. Hoja
10. Pantalla protectora
11. Mango delantero

TRANSPORTE Y ALMACENAMIENTO

- Detenga el producto, retire la batería y deje que ambos se enfríen antes de guardarlos o transportarlos.
- Limpie todo el material extraño que pueda permanecer en el producto. Guarde en una zona seca y bien ventilada, a la que no puedan acceder los niños. Para mayor seguridad, guarde la batería y el cortasetos por separado. Evite el contacto con agentes corrosivos tales como productos químicos de jardinería o sales descongelantes. No almacenar al aire libre.
- Cubra la lámina con la debida protección antes de guardarla, o durante el transporte de la misma.
- Para transportar el producto, sujételo de modo que no se mueva ni se caiga para evitar lesiones personales o daños al producto.

MANTENIMIENTO



ADVERTENCIA!

Utilice exclusivamente accesorios ECHO y piezas de recambio ECHO. Si no lo hace podría ocurrir un mal funcionamiento, podrían producirse daños o podría quedar anulada la garantía. Si es necesario sustituir algún componente que no se haya descrito, contacte con nuestro agente de servicio de ECHO.



ADVERTENCIA!

Las reparaciones requieren tener mucho cuidado y conocimiento y sólo debe realizarse por un técnico de servicio calificado. Para operaciones de servicio, lleve el producto a un centro de servicio autorizado. Utilice solo recambios originales del fabricante para las operaciones de mantenimiento.



ADVERTENCIA!

Las cuchillas son muy afiladas. Para evitar lesiones físicas, tenga mucho cuidado al limpiar, lubricar y montar o desmontar el protector de la cuchilla. Apague y quite la batería antes de realizar ninguna labor de mantenimiento ni de limpieza.

- Extraiga la batería antes de realizar operaciones de ajuste, mantenimiento o limpieza.
- Usted solo puede realizar los ajustes o reparaciones descritos en este manual. Para otro tipo de reparaciones póngase en contacto con un agente de

servicios autorizado.

- Después de cada uso, limpie la estructura y los mangos del aparato con un paño seco y suave.
- Después de cada uso, limpie los restos de las láminas con un cepillo duro y, a continuación, aplique cuidadosamente un lubricante que prevenga el óxido antes de volver a colocar el protector de la lámina. El fabricante recomienda usar un pulverizador lubricante y preventivo del óxido, aplicándolo de forma uniforme y reduciendo así el riesgo de lesiones debido al contacto con las cuchillas. Para más información sobre el producto pulverizador apropiado, consulte a su centro de asistencia autorizado local.
- Podría lubricar las láminas ligeramente antes de usar el aparato, si fuera necesario, aplicando el método anterior.
- Verifique a intervalos frecuentes si todas las tuercas, pernos y tornillos están apretados apropiadamente para asegurarse de que el producto esté en buenas condiciones de trabajo. Cualquier pieza dañada debe ser sustituida o reparada adecuadamente por un centro de servicio autorizado.

BATERÍAS

- Las baterías que no se han utilizado durante un tiempo deberían recargarse antes de su uso.
- Las temperaturas superiores a los 50 °C (122 °F) reducen el rendimiento de la batería. Evite la exposición continuada al calor o la luz solar (riesgo de sobrecalentamiento).
- Se deben mantener limpios los contactos de los cargadores y las baterías.
- Para una duración óptima, la batería se tiene que cargar completamente después de usar.
- Para aprovechar al máximo la duración de la batería, desenchúfela del cargador cuando esté cargada del todo.

Para el almacenamiento de la batería durante más de 30 días:

- Guarde las baterías con una temperatura inferior a 27°C, y lejos de la humedad.
- Guarde la batería con un 30%-50% de carga.
- Cada seis meses de almacenamiento, cargue la batería de forma habitual.
- Siga todas las instrucciones de carga y no cargue el paquete de baterías o la herramienta fuera del rango de temperatura especificado en las instrucciones. La carga inadecuada o a temperaturas fuera del rango especificado puede dañar la batería e incrementar el riesgo de fuego.

TRANSPORTE DE BATERÍAS DE LITIO

La batería de ión-litio está sujeta a la legislación sobre mercancías peligrosas.

El transporte de las baterías se tiene que realizar conforme a las provisiones y regulaciones locales, nacionales e internacionales.

- El usuario puede transportar las baterías por carretera sin requisitos adicionales.
- El transporte comercial de baterías de ion-litio por parte de terceros está sujeto a las regulaciones de bienes peligrosos. La preparación del transporte y el transporte sólo deben ser realizados por personal con la formación adecuada y el proceso debe ser supervisado por los correspondientes expertos.

Al transportar baterías:

- Asegúrese de que los terminales de contacto de la batería están protegidos y aislados para evitar cortocircuitos.
- Compruebe que la batería esté asegurada dentro del embalaje para que no se dañe con el movimiento.
- No transporte baterías que tengan grietas o fugas.

Consulte a la empresa de transporte para obtener más asesoramiento.



Marca de conformidad ucraniana



Certificado EAC de conformidad



Los productos eléctricos de desperdicio no deben desecharse con desperdicios caseros. Por favor recíclelos donde existan dichas instalaciones. Compruebe con su autoridad local o minorista para reciclar.



Esta herramienta responde a todas las normas reglamentarias del país de la UE donde se ha comprado.



El nivel de potencia acústica garantizado mostrado en esta etiqueta es de 93 dB.

SÍMBOLOS



Advertencia



Lea y comprenda todas las instrucciones antes de manipular el producto, respete las advertencias y las instrucciones de seguridad.



Use protección auditiva.



Utilice protección ocular.



Sujete siempre el cortasetos con ambas manos cuando lo esté utilizando.



Para evitar lesiones graves, no toque las cuchillas.



Utilice guantes protectoras antideslizantes resistentes.



No la exponga a la lluvia o a lugares húmedos.



Tenga cuidado con los objetos volátiles o lanzados. Mantenga a todos los espectadores, especialmente a los niños y las mascotas, por lo menos a 15 metros de la zona de trabajo.

Los siguientes símbolos y palabras detallan los niveles de cuidado necesarios para usar este producto.

⚠ PELIGRO

Indica una situación potencialmente peligrosa que, de no evitarse, puede ocasionar la muerte o heridas de gravedad.

⚠ ADVERTENCIA

Indica una situación peligrosa que, de no evitarse, puede ocasionar la muerte o heridas de gravedad.

⚠ ADVERTENCIA

Indica una situación potencialmente peligrosa que, de no evitarse, puede ocasionar heridas leves.

ADVERTENCIA

Sin símbolo de alerta de seguridad

Indica una situación que puede causar daños en las cosas.



DATI TECNICI

DECESPUGLIATORE

ECHT-58V

EN
FR
DE
ES
IT
NL
PT
DA
SV
FI
NO
RU
PL
CS
HU
RO
LV
LT
ET
HR
SL
SK
BG
UK
TR

Numero seriale	94501401000001 - 94501401999999
Velocità senza carico	3400 min ⁻¹
Lunghezza lama	610 mm
Lunghezza di taglio	563 mm
Tensione batteria	51,1V, 58V MAX
Peso (con batteria da 2,0 Ah)	5,5 kg
Peso (con batteria da 4,0 Ah)	6,1 kg
Peso (senza batteria)	4,3 kg

Informazioni su rumori/vibrazioni (conforme con lo standard EN 60745-1, EN 60745-2-15)

Livelli di rumorosità ponderati su A:

Livello pressione sonora	$L_{pA} = 79,0 \text{ dB(A)}$
Incertezza	$K = 3,0 \text{ dB}$
Livello potenza sonora	$L_{WA} = 90,0 \text{ dB(A)}$
Incertezza	$K = 2,3 \text{ dB}$

Indossare sempre le protezioni per le orecchie!

Valori di vibrazione totali (somma vettoriale sui tre assi) determinati secondo EN 60745-1, EN 60745-2-15.

Valore di emissione vibrazioni (ah)

Manico posteriore	$ah = 3,4 \text{ m/s}^2$
Manico anteriore	$ah = 2,6 \text{ m/s}^2$
Incertezza	$K = 1,5 \text{ m/s}$

***SPM (colpi al minuto) è il numero di colpi al minuto dell'asta di collegamento.**

BATTERIA E CARICATORE

ECHT-58V

Gruppo batterie compatibili	ECBP-58V20 / ECBP-58V40
Caricatore compatibile	ECBC-58VEU and ECBC-58VUK



AVVERTENZA!

Il livello di emissione di vibrazioni riportato in questa scheda informativa è stato misurato con un metodo di prova standardizzato ed è utilizzabile per confrontare gli utensili fra di loro. Può essere usato per una valutazione preliminare dell'esposizione.

Il livello di emissione vibrazioni dichiarato è rappresentativo delle principali applicazioni dell'utensile. Tuttavia, se l'utensile viene utilizzato in applicazioni differenti, con differenti accessori o con scarsa manutenzione, l'emissione di vibrazioni può essere diversa. Ciò può significativamente aumentare il livello di esposizione nel periodo di lavoro totale.

Una stima del livello di esposizione alle vibrazioni va presa in considerazione anche quando l'utensile viene spento oppure è in funzione senza svolgere alcun lavoro. Ciò può significativamente ridurre il livello di esposizione nel periodo di lavoro totale.

Identificare ulteriori misure di sicurezza per proteggere l'operatore dagli effetti delle vibrazioni, come: sottoporre a manutenzione l'utensile e gli accessori, mantenere calde le mani, organizzare le modalità di lavoro.





AVVERTENZA!

Leggere tutte le avvertenze di sicurezza e le istruzioni. La mancata osservanza di tutte le istruzioni potrà causare scosse elettriche, incendi e/o gravi lesioni personali.

Conservare le presenti avvertenze ed istruzioni per poterle consultare in seguito.

Il termine "elettroutensile" nelle avvertenze fa riferimento a un elettroutensile che funziona con una spina (con cavo) o a batterie (senza cavo).

AVVERTENZE GENERALI DI SICUREZZA

AMBIENTE DI LAVORO

- **Mantenere l'area di lavoro pulita e ben illuminata.** Aree di lavoro disordinate o non illuminate adeguatamente potranno causare incidenti.
- **Non mettere in funzione gli elettroutensili in atmosfere esplosive, come in presenza di liquidi infiammabili, gas o polvere.** Gli elettroutensili creano scintille che possono causare incendi a contatto con polveri e fumi.
- **Tenere bambini ed eventuali osservatori lontani mentre si mette in funzione l'elettroutensile.** Eventuali distrazioni potranno causare una perdita di controllo.

SICUREZZA ELETTRICA

- **La spina dell'elettroutensile deve corrispondere alla presa. Non modificare la spina in alcun modo. Non utilizzare spine adattatrici con elettroutensili con messa a terra (presa di terra).** Spine non modificate e prese corrispondenti ridurranno il rischio di scosse elettriche.
- **Evitare il contatto del corpo con superfici con messa a terra come tubi, radiatori, piani cottura e refrigeratori.** Rischio aumentato di scosse elettriche se il corpo viene collegato con messa a terra.
- **Non esporre il prodotto a pioggia o umidità.** Nel caso in cui dell'acqua entrerà nell'elettroutensile il rischio di scosse elettriche aumenterà.
- **Non sottoporre a sforzi il cavo dell'alimentazione. Non trasportare né tirare o scollegare l'elettroutensile dal cavo. Tenere il cavo lontano da calore, olio, angoli appuntiti o parti in movimento.** Cavi danneggiati o intrecciati potranno far aumentare il rischio di scosse elettriche.
- **Quando si mette in funzione un elettroutensile all'esterno, utilizzare una prolunga adatta all'esterno.** Utilizzare un cavo adatto agli esterni per ridurre il rischio di scosse elettriche.
- **Nel caso in cui non si possa fare a meno di mettere in funzione un elettroutensile in un luogo umido, utilizzare un dispositivo di corrente residua (RCD).**

Utilizzare un RCD ridurrà il rischio di scosse elettriche.

SICUREZZA PERSONALE

- **Mantenere sempre l'attenzione e utilizzare buon senso quando si utilizza un elettroutensile. Non utilizzare un elettroutensile se stanchi o sotto l'influenza di droghe, alcool o farmaci.** Un momento di disattenzione durante le operazioni potrà risultare in gravi lesioni personali.
 - **Utilizzare equipaggiamento di protezione personale. Indossare sempre occhiali di protezione.** Utilizzare sempre equipaggiamento di protezione come maschere per la polvere, calzature antiscivolo, caschi o cuffie di protezione per ridurre rischi di lesioni alla persona.
 - **Prevenire l'avvio accidentale. Assicurarsi che l'interruttore sia sulla posizione off (spento) prima di collegare l'utensile all'alimentazione e/o al gruppo batterie, o prima di afferre e trasportare l'utensile.** Trasportare elettroutensili tenendo un dito sull'interruttore o con l'elettroutensile acceso potrà causare incidenti.
 - **Rimuovere eventuali chiavi o dispositivi di regolazione prima di accendere l'elettroutensile.** Una chiave o un dispositivo di blocco collegato a una parte rotante dell'utensile potrà risultare in gravi lesioni personali.
 - **Non protendersi. Rimanere bene in equilibrio sulle gambe e non distendere troppo lontano le braccia.** Ciò permetterà un miglior controllo dell'elettroutensile in situazioni inaspettate.
 - **Indossare un abbigliamento adatto. Non utilizzare abiti con parti svolazzanti o gioielli. Tenere capelli, vestiti e guanti lontani dalle parti in movimento.** Abiti con parti svolazzanti, gioielli o capelli lunghi potranno rimanere impigliati nelle parti in movimento.
 - **Nel caso in cui vengano forniti dispositivi per l'estrazione e la raccolta della polvere, assicurarsi che gli stessi siano collegati e utilizzati correttamente.** Utilizzare il sacchetto di raccolta della polvere può ridurre rischi collegati alla polvere.
 - **Non consentire che la familiarità conseguita con l'uso frequente degli utensili faccia diventare disinvolti al punto di ignorare i principi di sicurezza.** Eventuali disattenzioni potranno causare gravi lesioni in una frazione di un secondo.
- ### UTILIZZO E MANUTENZIONE ELETTROUTENSILI
- **Non forzare il prodotto. Utilizzare l'elettroutensile corretto per il proprio lavoro.** L'elettroutensile corretto svolgerà in maniera migliore e più sicura il lavoro per il quale è stato progettato.
 - **Non utilizzare l'elettroutensile se l'interruttore non si accende e spegne.** Un elettroutensile che non può essere controllato dall'interruttore è pericoloso e deve essere riparato.
 - **Scollegare la presa dall'alimentazione e/o il gruppo batterie dall'elettroutensile prima di fare le adeguate**



regolazioni, cambiare gli accessori o riporre gli elettrodomestici. Queste misure di sicurezza preventive ridurranno il rischio di avvio dell'elettrodomestico.

- **Riporre elettrodomestici lontano dalla portata dei bambini e non permettere a persone che non conoscano il funzionamento dell'elettrodomestico o queste istruzioni di metterlo in funzione.** Gli elettrodomestici possono essere pericolosi se utilizzati da personale non preparato.
- **Svolgere sempre le operazioni di manutenzione sull'elettrodomestico. Controllare l'eventuale allineamento scorretto o blocco delle parti in movimento, la rottura di parti e qualsiasi altra condizione che potrà influenzare il funzionamento dell'elettrodomestico. In caso di danni far riparare l'elettrodomestico prima di utilizzarlo.** Elettrodomestici sui quali non sono state svolte le dovute operazioni di manutenzione possono essere causa di incidenti.
- **Mantenere tutti gli utensili affilati e appuntiti.** Utensili per operazioni di taglio con parti taglienti sui quali sono state svolte le corrette operazioni di manutenzione non si bloccheranno e saranno più facili da controllare.
- **Utilizzare l'elettrodomestico, i suoi accessori, le punte ecc. assieme a queste istruzioni tenendo conto delle condizioni di lavoro e del lavoro da svolgere.** Utilizzare l'elettrodomestico per operazioni diverse da quelle indicate potrà causare situazioni pericolose.
- **Tenere manici e superfici da ancoraggio asciutte, pulite, e libere da olio e grasso.** Impugnature o manici scivolosi non permetteranno di controllare e gestire in maniera sicura l'utensile in situazioni inaspettate.

UTILIZZO E MANUTENZIONE DI UN UTENSILE A BATTERIE

- **Ricaricare solo con il caricatore indicato dalla ditta produttrice.** Un caricatore adatto per un tipo di batterie potrà creare un rischio di incendio se utilizzato con un altro gruppo batterie.
- **Utilizzare elettrodomestici solo con i gruppi batteria indicati.** L'utilizzo di gruppi batteria diversi da quelli indicati potrà causare rischi di lesioni e incendi.
- **Quando il gruppo batterie non viene utilizzato, tenerlo lontano da oggetti in metallo come fermagli, monete, chiavi, chiodi, viti o altri piccoli oggetti che potranno fare da tramite da un terminale all'altro.** Cortocircuitare i terminali della batteria assieme potrà causare scottature o incendi.
- **Se sottoposto a stress, la batteria potrà perdere dei liquidi; evitare il contatto. Se si entra accidentalmente in contatto con tali liquidi, lavarsi immediatamente con acqua. Se il liquido entra negli occhi, rivolgersi a un medico.** Il liquido espulso dalla batteria potrà causare irritazioni o scottature.
- **Non utilizzare batterie o strumenti danneggiati o alterati.** Le batterie danneggiate o alterate potrebbero avere un comportamento imprevedibile e causare incendi, esplosioni o rischio di lesioni.

- **Non esporre le batterie o gli utensili a temperature eccessive.** L'esposizione al fuoco o a temperature eccessive oltre i 130 °C potrebbero causare l'esplosione.

- **Seguire tutte le istruzioni per la ricarica e non ricaricare le batterie o gli utensili all'infuori dell'intervallo di temperature specificato nelle istruzioni.** Eseguire la ricarica in modo improprio o all'infuori dell'intervallo specificato potrebbe danneggiare la batteria e aumentare il rischio d'incendio.

MANUTENZIONE

- **Far svolgere la manutenzione da personale qualificato utilizzando solo parti di ricambio identiche.** Ciò permette di mantenere la sicurezza dell'elettrodomestico.
- **Non riparare mai le batterie danneggiate.** La riparazione delle batterie dev'essere eseguita solo dal fabbricante o da fornitori di assistenza autorizzati.

AVVERTENZE DI SICUREZZA DECESPUGLIATORE

- **Tenere tutte le parti del corpo lontane dalla lama di taglio. Non rimuovere materiale tagliato o materiale da tagliare che si sta reggendo con le mani mentre le lame sono in movimento. Assicurarsi che l'interruttore sia spento quando si rimuove del materiale incastrato tra le lame.** Un momento di disattenzione mentre si mette in funzione il prodotto potrà causare gravi lesioni personali.
- **Trasportare il decespugliatore dal manico con la lama arrestata. Quando si trasporta o si ripone il decespugliatore, inserire sempre il coperchio sul dispositivo di taglio.** Utilizzare il decespugliatore in modo corretto ridurrà eventuali lesioni che potranno essere causate dalla lama di taglio.
- **Reggere l'elettrodomestico dalle superfici isolate dal momento che la lama di taglio potrà entrare in contatto con cavi nascosti o con il suo stesso cavo.** Se le lame di taglio entrano in contatto con un cavo "vivo" potranno rendere "vive" le parti in metallo dell'elettrodomestico causando scosse elettriche all'operatore.

ULTERIORI AVVERTENZE DI SICUREZZA

- In alcune regioni norme specifiche limitano l'utilizzo del prodotto ad alcune operazioni. Rivolgersi alle autorità locali per eventuali consigli. Leggere tutte le istruzioni.
- Pulire l'area di lavoro prima di ogni utilizzo. Rimuovere tutti gli oggetti come cavi, luci, fili, o corde che potranno essere scagliate o rimanere impigliate nei dispositivi di taglio.
- Controllare la siepe e rimuovere eventuali corpi estranei come corde e cavi di recinzioni.

EN
FR
DE
ES
IT
NL
PT
DA
SV
FI
NO
RU
PL
CS
HU
RO
LV
LT
ET
HR
SL
SK
BG
UK
TR





- Prestare particolare attenzione quando si utilizza il prodotto in prossimità di recinti, pali, edifici o altri oggetti fissi.
- Fare attenzione ad oggetti scagliati; tenere osservatori, bambini e animali almeno 15 metri lontani dall'area di lavoro.
- Non permettere a bambini o a persone non qualificate di utilizzare questo prodotto.
- Norme di sicurezza generali non utilizzare questo apparecchio in una zona scarsamente illuminata. L'area di lavoro deve essere pulita per essere in grado di individuare potenziali rischi.
- Assicurarsi sempre che i manici e i paralame siano stati correttamente installati sull'utensile. Non tentare mai di utilizzare un prodotto incompleto o uno dotato di una modifica non autorizzata.
- Assicurarsi prima di ciascun utilizzo che tutti i comandi e i dispositivi di sicurezza funzionino correttamente. Non utilizzare l'utensile se l'interruttore "off" (spento) non arresta il motore.
- Controllare l'utensile prima di ogni utilizzo. Controllare la presenza di eventuali dispositivi di blocco allentati. Assicurarsi che paralame e manici siano montati accuratamente e correttamente. Sostituire le parti danneggiate prima dell'utilizzo. Controllare che il gruppo batterie non perda.
- Non modificare in alcun modo il prodotto.
- Indossare occhiali e cuffie di protezione mentre si utilizza questo prodotto. Nel caso in cui si sia lavorando in un'area dove vi sia rischio di caduta di oggetti, indossare sempre una protezione per la testa.
- Indossare pantaloni lunghi e resistenti, stivali e guanti da lavoro. Non indossare abbigliamento con parti svolazzanti, pantaloni corti, gioielli di ogni genere né utilizzare il dispositivo a piedi scalzi.
- Assicurare i capelli lunghi al di sopra delle spalle per evitare che rimangano impigliati nelle parti in movimento.
- L'utilizzo di dispositivi di protezione ridurrà la capacità di ascoltare eventuali segnali d'allarme (grida o avvertimenti). L'operatore dovrà prestare attenzione a ciò che accade nella zona di lavoro.
- Mettere in funzione utensili simili troppo vicino al proprio corpo aumenterà il rischio di lesioni all'udito e i rischi potenziali per le persone che entrano nell'area di lavoro.
- Non mettere in funzione il prodotto se stanchi, malati o sotto l'influenza di alcool, droghe e medicinali.
- Mantenere sempre un appoggio saldo e l'equilibrio. Non protendersi. Protendersi troppo potrà causare una perdita di equilibrio e gravi lesioni.
- Tenere tutte le parti del proprio corpo lontane dalle parti in movimento.
- Prima di avviare l'utensile, assicurarsi che le lame di

taglio non entrino in contatto con nulla.

- Mentre si mette in funzione il decespugliatore, tenerlo sempre con entrambe le mani dai manici e assicurarsi che la posizione di funzionamento sia sicura. La ditta produttrice raccomanda di non utilizzare scale o scalette. Se si desidera svolgere operazioni di taglio a una altezza superiore, utilizzare un utensile estendibile.
- Le lame sono affilate. Quando si gestisce il montaggio della lama, indossare guanti di protezione anti-scivolo e da lavoro. Non posizionare mani o dita tra le lame o in una qualsiasi posizione nella quale potrebbero rimanere impigliate o tagliarsi. Non toccare la lama o l'unità senza aver prima rimosso il gruppo batterie.
- Spegnerne e rimuovere la batteria. Assicurarsi che tutte le parti in movimento si siano arrestate:
 - prima di lasciare il prodotto incustodito
 - prima di svolgere operazioni di pulizia o rimuovere un blocco
 - prima di regolare la posizione di lavoro degli utensili di taglio
 - prima di svolgere operazioni di controllo, manutenzione o lavoro sul prodotto
- Non forzare cespugli pesanti nel prodotto. Ciò potrà causare alle lame di rimanere inceppate e di rallentare. Se le lame rallentano, ridurre il passo.
- Non tentare di tagliare arbusti o rami più spessi di 17 mm o troppo grandi da inserire nelle lame di taglio. Utilizzare una sega non operata elettricamente o una sega per potatura per tagliare rami grandi.
- Non utilizzare il prodotto se le lame sono danneggiate o eccessivamente consumate.
- Non consentire che la familiarità conseguita con l'uso frequente degli utensili faccia diventare disinvolti al punto di ignorare i principi di sicurezza. Eventuali disattenzioni potranno causare gravi lesioni in una frazione di un secondo.
- Per ottenere i risultati migliori, l'utensile a batterie dovrà essere ricaricato in un luogo in cui la temperatura sia superiore a 10 °C ma inferiore a 38 °C. Per ridurre il rischio di gravi lesioni personali, non riporre all'esterno né lasciare all'interno di veicoli.



AVVERTENZA!

Se il prodotto cade, subisce impatti pesanti o inizia a vibrare in maniera anomala, arrestarlo e controllare eventuali danni per identificare la causa delle vibrazioni. Riparare eventuali danni o far sostituire i pezzi da un centro servizi autorizzato.

Rimuovere la batteria prima di iniziare qualsiasi lavoro sul prodotto.

Non smaltire i gruppi batteria utilizzati tra i rifiuti domestici né bruciarli. I distributori ECHO offrono la raccolta delle batterie usate per proteggere l'ambiente.

Non conservare la batteria insieme a degli oggetti metallici (rischio di corto circuito).



Per caricare le batterie usare solo il caricatore ECBC-58VEU/ECBC-58VUK.

Non usare le batterie di altri sistemi.

Gruppo batterie compatibili: ECBP-58V20, ECBP-58V40

In condizioni di carichi estremi o temperature estreme le batterie possono danneggiarsi con fuoriuscita di acido. In caso di contatto con l'acido della batteria lavarsi immediatamente con acqua e sapone. In caso di contatto con gli occhi risciacquarli accuratamente per almeno 10 minuti e poi rivolgersi a un medico.

AVVERTENZE AGGIUNTIVE PER LA SICUREZZA DELLA BATTERIA



AVVERTENZA!

Per ridurre il rischio d'incendio, di lesioni o di danni al prodotto causati da corto circuito, non immergere mai l'utensile, la batteria ricaricabile o il carica batterie in un liquido e non lasciare mai penetrare alcun liquido all'interno dei dispositivi e delle batterie. I fluidi corrosivi o conduttori come acqua salata, alcuni agenti chimici, agenti candeggianti o prodotti contenenti agenti candeggianti potrebbero provocare un corto circuito.

RISCHI RESIDUI

Anche quando il prodotto viene utilizzato come indicato, è impossibile eliminare completamente alcuni fattori di rischio residuo. Si potranno verificare i seguenti rischi durante l'utilizzo e l'operatore dovrà prestare attenzione speciale per evitare quanto segue:

- lesioni da contatto con le lame
 - Non tenere la protezione lame sulle stesse durante le operazioni di taglio. Tenere la lama lontana da sé stessi e dagli altri. Assicurarsi che i proteggilama siano installati quando il prodotto non è utilizzato.
- Lesioni causate da vibrazioni.
 - Utilizzare sempre l'utensile adatto per svolgere il lavoro, utilizzare i manici appositi e limitare le ore di lavoro e l'esposizione.
- Danni causati all'udito dall'esposizione al rumore.
 - Indossare cuffie di protezione e limitare l'esposizione.

RIDUZIONE DEL RISCHIO

Si è accertato che le vibrazioni causate da utensili a mano possono contribuire a causare una condizione chiamata Sindrome di Raynaud in alcune persone. I sintomi, comprendenti formicolio, intorpidimento e perdita di colore alle dita, si verificano di solito quando ci si espone al freddo. Fattori ereditari, esposizione a freddo e umidità, una dieta scorretta, fumo e condizioni di lavoro non sicure potranno contribuire allo sviluppo di questi sintomi. È possibile

prendere delle precauzioni per ridurre le vibrazioni:

- Tenere il corpo al caldo a basse temperature. Quando si utilizza il prodotto indossare guanti per tenere le mani e i polsi caldi. Le basse temperature contribuiscono a causare la Sindrome di Raynaud.
- Dopo aver utilizzato l'utensile per un certo periodo, fare degli esercizi per stimolare la circolazione del sangue.
- Fare spesso delle pause. Limitare la quantità di esposizione giornaliera.

Nel caso in cui si provino i sintomi di questa condizione, interrompere immediatamente l'utilizzo dell'utensile e consultare un dottore.



AVVERTENZA!

Il prolungato utilizzo dell'utensile potrà causare o aggravare lesioni. Quando si utilizza questo utensile per periodi di tempo prolungati, assicurarsi di fare sempre delle pause regolari.

UTILIZZO RACCOMANDATO

Il potasiepi a batteria è destinato al solo uso all'aperto. Per ragioni di sicurezza, l'utensile deve essere adeguatamente controllato utilizzando sempre due mani.

Prodotto disegnato per utilizzo privato o domestico. Ideale per tagliare e sfrondare siepi, cespugli e altra vegetazione simile.

Utilizzare solo in luoghi asciutti e ben illuminati.

NON adatto a tagliare erba, alberi o rami. Non utilizzare per scopi diversi oltre a sfrondare siepi.

Non usare il prodotto per qualsiasi scopo che non sia elencato nell'Uso previsto.

FAMILIARIZZARE CON IL PRODOTTO

Vedere le pagine 6 - 7.

1. Interruttore presenza operatore
2. Tasto linguetta batteria
3. Batteria
4. Fermo del grilletto del gas.
5. Manico posteriore
6. Leva acceleratore
7. Caricatore
8. Coperchio lama
9. Lama
10. Schermo di protezione
11. Manico anteriore

TRASPORTO E RIPONIMENTO

- Arrestare il prodotto, rimuovere le batterie e lasciare che si raffreddi prima di riportarlo o trasportarlo.
- Rimuovere eventuali materiali di scarto dal prodotto. Riporre in un luogo asciutto e ben ventilato non

accessibile ai bambini. Per ulteriore sicurezza, riporre la batteria separatamente dal bordatore. tenerlo a distanza da agenti corrosivi, come le sostanze chimiche per il giardinaggio e il fondente chimico. Non riporre all'esterno.

- Coprire la lama con il copilame prima di riporre l'unità o durante il trasporto.
- Per il trasporto, assicurare il prodotto contro ogni movimento o contro eventuali cadute per evitare lesioni a persone o danni al prodotto.

MANUTENZIONE



AVVERTENZA!

Usare solo accessori e parti di ricambio ECHO. In caso contrario si potranno causare lesioni, prestazioni basse e la garanzia verrà invalidata. In caso di sostituzione di componenti che non sono stati descritti, rivolgersi a uno degli agenti di assistenza ECHO.



AVVERTENZA!

Le operazioni di manutenzione devono essere svolte con grande attenzione e accortezza solo da un tecnico qualificato. Per la manutenzione, portare il prodotto presso un centro servizi autorizzato. Quando si svolgono le operazioni di manutenzione, utilizzare solo parti di ricambio originali della ditta produttrice.



AVVERTENZA!

Le lame di taglio sono estremamente affilate. Per evitare lesioni alla persona, fare estrema attenzione durante le operazioni di pulizia, lubrificazione e regolazione o quando si rimuove il dispositivo di protezione delle lame. Spegnerne l'utensile e rimuovere la batteria prima di effettuare qualsiasi intervento di manutenzione o pulizia.

- Rimuovere la batteria prima di svolgere le operazioni di regolazione, manutenzione o pulizia.
- Sarà solo possibile svolgere le regolazioni o riparazioni indicate nel presente manuale. Per ulteriori riparazioni, contattare il centro servizi autorizzato.
- Dopo ogni utilizzo, pulire il corpo dell'utensile e le impugnature del prodotto con un panno asciutto morbido.
- Dopo ogni utilizzo, rimuovere gli scarti dalle lame con una spazzola rigida, e quindi applicare attentamente un lubrificante per prevenire la ruggine prima di reinstallare il proteggi lame. La ditta produttrice raccomanda di utilizzare uno spray lubrificante e preventivo della ruggine da applicare in maniera equa e ridurre il rischio di lesioni personali dal contatto con le lame. Per

informazioni su un prodotto spray adatto, controllare con il proprio centro servizi autorizzato.

- Si potrà voler lubrificare le lame leggermente prima dell'utilizzo se necessario, utilizzando il metodo di cui sopra.
- Controllare frequentemente dadi, bulloni e viti, verificando che siano stati assicurati correttamente per fare in modo che il prodotto garantisca condizioni di lavoro ottimali. Riparare eventuali parti danneggiate o farle sostituire da un centro servizi autorizzato.

BATTERIE

- Le batterie che non sono state usate per qualche tempo devono essere ricaricate prima dell'uso.
- Temperature superiori a 50°C (122°F) riducono le prestazioni della batteria. Evitare la prolungata esposizione al calore o ai raggi solari (rischio di surriscaldamento).
- I contatti di caricatori e pacchi batterie devono essere tenuti puliti.
- Per una durata ottimale le batterie devono essere caricate completamente dopo l'uso.
- Per ottenere la massima durata possibile della batteria, rimuoverla dal caricatore una volta che sia totalmente carica.

Se si ripongono le batterie per oltre 30 giorni:

- Riporre il gruppo batterie a temperature inferiori ai 27°C e lontano da umidità.
- Riporre i gruppi batterie con una carica del 30%-50%.
- Caricare il gruppo batterie ogni sei mesi.
- Seguire tutte le istruzioni per la ricarica e non ricaricare le batterie o gli utensili all'infuori dell'intervallo di temperature specificato nelle istruzioni. Eseguire la ricarica in modo improprio o all'infuori dell'intervallo specificato potrebbe danneggiare la batteria e aumentare il rischio d'incendio.

TRASPORTO BATTERIE AL LITIO

La batteria agli ioni di litio è soggetta a legislazione sui materiali pericolosi.

Il trasporto delle batterie deve avvenire nel rispetto delle disposizioni e delle normative locali, nazionali e internazionali.

- L'operatore può trasportare batterie su strada senza dover sottostare a ulteriori normative.
- Il trasporto commerciale delle batterie agli ioni di litio da parte di terzi è soggetto ai regolamenti sulle merci pericolose. La preparazione per il trasporto e il trasporto sono esclusivamente da portare a termine da persone che abbiano ricevuto adeguate istruzioni in materia e il procedimento deve essere accompagnato da esperti in materia.

Durante il trasporto delle batterie:

- Assicurarsi che i terminali dei contatti della batteria siano protetti e isolati per prevenire corto circuiti.
- Assicurarsi che la batteria sia fissata per evitarne il movimento dentro l'imballaggio.
- Non trasportare batterie rotte o che perdono liquidi.

Consultare la ditta produttrice per eventuali ulteriori consigli.

SIMBOLI



Avvertenza



Leggere e comprendere tutte le istruzioni prima di mettere in funzione il prodotto, seguire tutte le istruzioni e le avvertenze di sicurezza.



Indossare cuffie di protezione.



Indossare dispositivi di protezione occhi.



Reggere sempre il decespugliatore con entrambe le mani durante le operazioni.



Per prevenire gravi lesioni, non toccare le lame di taglio.



Indossare guanti di protezione resistenti e anti-scivolo.



Non esporre a pioggia o umidità.



Fare attenzione ad oggetti scagliati o lanciati dall'utensile. Tenere lontani tutti gli osservatori, soprattutto bambini e animali, ad almeno 15 m dalla zona di funzionamento.



Marchio di conformità ucraino



Marchio di conformità EurAsian



I prodotti elettrici non devono essere smaltiti con i rifiuti domestici. Vi sono strutture per smaltire tali prodotti. Informarsi presso il proprio Comune o rivenditore di sicurezza per smaltire adeguatamente tali rifiuti.



Questo apparecchio è conforme a tutte le norme vigenti nel paese dell'UE in cui è stato acquistato.



Il livello di pressione sonora garantito indicato su questa etichetta è di 93 dB.

I seguenti simboli indicano i livelli di rischio associati a questo prodotto.

PERICOLO

Indica una situazione pericolosa che, se non evitata attentamente, potrà causare gravi lesioni alla persona o morte.

AVVERTENZA

Indica una situazione potenzialmente pericolosa che, se non evitata attentamente, potrà causare gravi lesioni alla persona o morte

ATTENZIONE

Indica una situazione potenzialmente pericolosa che, se non evitata attentamente, potrà causare lesioni minori o moderate alla persona.

ATTENZIONE

Senza simbolo di allerta di sicurezza

Indica una situazione che potrà risultare in gravi danni a cose.



TECHNISCHE GEGEVENS

HEGGENSCHAAR

ECHT-58V

Serienummer	94501401000001 - 94501401999999
Snelheid zonder lading	3400 min ⁻¹
Snijbladlengte	610 mm
Snoeilengte	563 mm
Accuspanning	51,1V, 58V MAX
Gewicht (met accu van 2,0 Ah)	5,5 kg
Gewicht (met accu van 4,0 Ah)	6,1 kg
Gewicht (zonder batterij)	4,3 kg

Gegevens geluid/trilling (in overeenstemming met EN 60745-1, EN 60745-2-15)

A-gewogen geluidsniveaus:

Geluidsdrukniveau	$L_{pA} = 79,0$ dB(A)
Onzekerheid	K= 3,0 dB
Geluidsniveau	$L_{WA} = 90,0$ dB(A)
Onzekerheid	K= 2,3 dB

Draag altijd gehoorbescherming!

Totale trillingswaarden (vectorsom in de drie assen) bepaald volgens EN 60745-1, EN 60745-2-15.

Trillingsemisiewaarde (ah)

Achterste handvat	ah = 3,4 m/s ²
Voorste handvat	ah = 2,6 m/s ²
Onzekerheid	K = 1,5 m/s

***SPM (slagen per minuut) is het aantal slagen dat de drijfstaag binnen een minuut voltooit.**

ACCU EN OPLADER

ECHT-58V

Compatibele accupacks	ECBP-58V20 / ECBP-58V40
Compatibele oplader	ECBC-58VEU and ECBC-58VUK



WAARSCHUWING!

Het trillingsemisieniveau in dit informatieblad is gemeten in overeenkomst met een gestandaardiseerde testmethode en kan gebruikt worden om gereedschappen met elkaar te vergelijken. Deze waarde kan gebruikt worden voor een voorafgaande beoordeling van blootstelling.

Het verklaarde trillingsemisieniveau vertegenwoordigt de belangrijkste toepassingen van het gereedschap. Als het gereedschap echter voor andere toepassingen of met andere accessoires gebruikt wordt of slecht onderhouden wordt, kan de trillingsemisie afwijken. Dit kan het blootstellingsniveau over de gehele gebruikperiode aanzienlijk verhogen.

Een schatting van het niveau van blootstelling aan trilling dient ook rekening te houden met de perioden dat het gereedschap uitgeschakeld is, of ingeschakeld is maar niet gebruikt wordt. Dit kan het blootstellingsniveau over de gehele gebruikperiode aanzienlijk verlagen.

Neem aanvullende veiligheidsmaatregelen om de bediener te beschermen tegen de effecten van trilling, zoals: Zorg dat het gereedschap en de accessoires in goede staat verkeren, houd de handen warm en organiseer werkpatronen.





WAARSCHUWING!

Lees alle veiligheidswaarschuwingen en instructies. Wanneer niet de waarschuwingen en instructies niet opvolgt, kan dit leiden tot elektrische schok en/of ernstig letsel.

Bewaar deze waarschuwingen en voorschriften zorgvuldig om ze ook later te kunnen inzien.

De term "elektrisch gereedschap" in de waarschuwingen verwijst naar gereedschap dat met de stroomtoevoer is verbonden (met snoer) of accu-aangedreven (snoerloos) gereedschap.

ALGEMENE VEILIGHEIDSWAARSCHUWINGEN

WERKOMGEVING

- **Houd de werkplek schoon en goed verlicht.** Vervuilde of donkere plekken nodigen uit tot ongevallen.
- **Gebruik elektrische werktuigen niet in explosieve omgevingen, zoals in de aanwezigheid van ontvlambare vloeistoffen, gassen of stof.** Elektrisch gereedschap kan vonken veroorzaken die het stof of de gassen kunnen ontsteken.
- **Houd kinderen en omstanders weg terwijl u elektrisch gereedschap gebruikt.** Wanneer u wordt afgeleid, kunt u de controle verliezen.

ELEKTRISCHE VEILIGHEID

- **Stekkers van elektrisch gereedschap moeten overeenkomen met de contactdoos. Wijzig de stekker nooit. Gebruik geen adapters met gaeerde elektrische werktuigen.** Niet-gewijzigde stekkers en overeenkomstige contactdozen zullen het risico op elektrische schok verminderen.
- **Vermijd lichaamscontact met een geaard oppervlak, zoals buizen, radiatoren, kookfornuizen en koelkasten.** Er bestaat een verhoogd risico voor elektrische schokken als uw lichaam is geaard.
- **Stel het product niet bloot aan regen of natte omstandigheden.** Water dat een elektrisch werktuig binnendringt, verhoogt het risico op elektrische schokken.
- **Misbruik het snoer niet. Gebruik het snoer nooit om het elektrisch werktuig te dragen, eraan te trekken of het uit de contactdoos te trekken. Houd het snoer weg van hitte, olie, scherpe randen of bewegende onderdelen.** Beschadigde of verstrikte snoeren verhogen het risico op elektrische schokken.
- **Gebruik een verlengsnoer geschikt voor buitenshuis gebruik wanneer u een elektrisch werktuig buitenshuis gebruikt.** Het gebruik van een snoer dat geschikt is voor buitenshuis gebruik, vermindert het risico op elektrische schokken.

- **Als het gebruik van een elektrisch werktuig op een vochtige plaats onvermijdelijk is, gebruikt u een contactdoos die beschermd is door een aardlekschakelaar.** Het gebruik van een aardlekschakelaar vermindert het risico op elektrische schokken.

PERSOONLIJKE VEILIGHEID

- **Blijf alert, kijk naar wat u doet en gebruik uw gezond verstand wanneer u elektrisch gereedschap gebruikt. Gebruik een elektrisch werktuig niet wanneer u moe of onder de invloed van drugs, alcohol of medicijnen bent.** Een ogenblik van onoplettendheid terwijl u elektrisch gereedschap gebruikt, kan leiden tot ernstige verwondingen.
- **Gebruik een persoonlijke beschermuitrusting. Draag altijd gehoorbescherming.** Beschermonderdelen, zoals een stofmasker, antislipschoeisel, helm of gehoorbescherming dat op een geschikte manier wordt gebruikt, zal het risico op verwondingen verlagen.
- **Ongewenst starten voorkomen. Zorg ervoor dat de schakelaar zich in de uit-stand bevindt voor u de machine met een stroombron en/of accupack verbindt, de machine opheft of draagt.** Wanneer u elektrisch gereedschap draagt met de vinger op de schakelaar of wanneer het gereedschap met de stroombron is verbonden, kan dit leiden tot ongevallen.
- **Verwijder alle afstelsleutels voor u het elektrisch werktuig inschakelt.** Een sleutel die op een draaiend onderdeel van het elektrisch gereedschap werd achtergelaten, kan leiden tot verwondingen.
- **Overrek u niet. Ga altijd stevig op uw benen staan en reik niet te ver weg met uw arm.** Dit maakt een betere controle van het werktuig in onverwachte omstandigheden mogelijk.
- **Draag geen wijde kleding, dassen of sieraden die klem kunnen raken en u naar de bewegende delen toe kunnen trekken. Draag geen losse kledij of juwelen. Houd uw haar, kledij en handschoenen weg van de bewegende onderdelen.** Losse kledij, juwelen of lang haar kan in bewegende onderdelen verstrikt raken.
- **Als er apparaten worden geleverd voor de verbinding met een stofextractie en verzamelfaciliteiten, zorgt u ervoor dat deze zijn verbonden en goed worden gebruikt.** Het gebruik van een stofverzamelaar vermindert stof-gerelateerde gevaren.
- **Voorkom dat u door het frequent gebruik van gereedschappen laks wordt en de veiligheidsvoorschriften uit het oog verliest.** Een onzorgvuldige handeling kan binnen enkele seconden leiden tot ernstige verwondingen.

GEBRUIK VAN EN ZORG VOOR UW ELEKTRISCH GE-REEDSCHAP

- **Forceer het product niet. Gebruik het correcte werktuig voor uw toepassing.** Het juiste werktuig zal de taak beter en veiliger uitvoeren aan het tempo waarvoor het werd ontworpen.



- **Gebruik het elektrisch werktuig niet als de schakelaar het niet kan in- of uitschakelen.** Een elektrisch werktuig dat niet met behulp van de schakelaar kan worden bediend, is gevaarlijk en moet worden gerepareerd.
- **Trek de stekker uit de contactdoos en/of ontkoppel het accupack van het werktuig voor u de machine afstelt, accessoires vervangt of het werktuig opbergt.** Zulke preventieve veiligheidsmaatregelen kunnen het risico op ongewenst starten van de machine verminderen.
- **Bewaar ongebruikt elektrisch gereedschap buiten het bereik van kinderen en niet-opgeleide personen die het gereedschap of deze gebruiksaanwijzingen niet kennen.** Elektrisch gereedschap is gevaarlijk in de handen van niet-opgeleide gebruikers.
- **Onderhoud elektrisch gereedschap.** Controleer op verkeerde aflijning of verstrikt raken van bewegende delen, defecten van onderdelen en alle andere situaties die de werking van het werktuig kunnen beïnvloeden. Indien beschadigd, laat u het elektrisch gereedschap repareren voor gebruik. Veel ongevallen worden veroorzaakt door slecht onderhouden elektrische werktuigen.
- **Houd de zaagwerktuigen scherp en schoon.** Correct onderhouden zaagwerktuigen met scherpe randen zijn minder geneigd om verstrikt te raken en kunnen makkelijker worden bestuurd.
- **Gebruik het werktuig, de accessoires en werktuigonderdelen, etc. in overeenstemming met deze instructies en houd rekening met de bedrijfsomstandigheden en het uit te voeren werk.** Het gebruik van een elektrisch werktuig voor zaken die niet in het voorgeschreven gebruik zijn beschreven, kan leiden tot gevaarlijke situaties.
- **Houd handvatten en grepen droog, schoon en vrij van olie en vet.** Gladde handvatten en grepen laten u niet toe om de machine veilig te bedienen en in onverwachte situaties te controleren?.

GEBRUIK EN ONDERHOUD VAN HET ACCUAANGEDREVEN WERKTUIG

- **Herlaad enkel met de oplader die door de fabrikant is gespecificeerd.** Een oplader die voor een type accupack is geschikt kan een brandgevaar betekenen wanneer het met een ander accupack wordt gebruikt.
- **Gebruik elektrisch gereedschap uitsluitend met de specifiek toegewezen accupacks.** Het gebruik van andere accupacks kan leiden tot risico's op letsels en brand.
- **Wanneer het accupack niet wordt gebruikt, moet u het weg houden van andere metalen objecten, zoals papierclips, munten, sleutels, spijkers, schroeven of andere kleine metalen voorwerpen die een verbinding kan maken van een terminal naar een andere.** De batterijterminals kortsluiten kan leiden tot brandwonden of brand.

- **In oneigenlijke omstandigheden, kan een vloeistof uit de accu lekken; vermijd contact hiermee. Als per ongeluk contact voorkomt, spoelt u met water. Als de vloeistof in contact komt met de ogen, dient u bijkomend medische hulp te raadplegen.** Vloeistof die uit de accu lekt, kan irritatie of brandwonden veroorzaken.
- **Gebruik geen beschadigde of gewijzigde accu of gereedschap.** Beschadigde of gewijzigde accu's kunnen onvoorspelbaar gedrag vertonen en leiden tot brand, explosies, of het risico op letsel.
- **Stel accu's of gereedschap niet bloot aan vuur of hoge temperaturen.** Blootstelling aan vuur of extreme temperaturen boven 130°C kan explosies veroorzaken.
- **Volg alle instructies en laad de accu of het gereedschap niet op buiten het temperatuurbereik dat in de handleiding wordt aangegeven.** Onjuist opladen of opladen bij temperaturen buiten het aangegeven bereik kan schade aan de accu veroorzaken en risico op brand verhogen.

ONDERHOUD

- **Laat uw elektrisch gereedschap onderhouden door een gekwalificeerd onderhoudspersoon en gebruik hierbij uitsluitend identieke vervangonderdelen.** Dit zal ervoor zorgen dat de veiligheid van het werktuig wordt behouden.
- **Beschadigde accu's mogen niet worden onderhouden.** Onderhoud van accu's mag uitsluitend worden uitgevoerd door de fabrikant of erkende dienstverleners.

VEILIGHEIDSWAARSCHUWINGEN VOOR HAAGTRIMMER

- **Houd alle lichaamsdelen weg van het snijblad. Verwijder geen gesnoeid materiaal of houd geen materiaal dat moet worden gesnoeid vast wanneer de snijbladen bewegen.** Zorg ervoor dat de schakelaar is uitgeschakeld wanneer u geblokkeerd materiaal vrijmaakt. Een ogenblik van onoplettendheid tijdens het gebruik van het product kan leiden tot ernstige persoonlijke letsels.
- **Houd de heggeschaar aan het handvat vast als het snijblad is stilgevallen.** Wanneer u de heggeschaar transporteert of opbergt, dient u altijd de beschermhoes van de snijbladen te bevestigen. Wanneer u de heggeschaar degelijk gebruikt, vermindert de kans op verwondingen door de snijbladen.
- **Houd het werktuig uitsluitend aan de geïsoleerde handvatten vast omdat de snijbladen in contact kunnen komen met verborgen kabels of het eigen stroomsnoer.** Snijbladen die in contact komen met een kabel "onder spanning" kunnen ervoor zorgen dat blootgestelde metalen onderdelen van het werktuig ook "onder spanning" komen te staan, wat de gebruiker een elektrische schok kan geven.



BIJKOMENDE VEILIGHEIDSWAARSCHUWINGEN

- In enkele streken gelden regels die het gebruik van het product tot enkele handelingen beperken. Raadpleeg uw lokale autoriteit voor advies. Lees alle aanwijzingen.
- Maak voor elk gebruik de werkplek vrij. Verwijder alle voorwerpen, zoals snoeren, lampen, draad of kabels die in het zaagmechanisme verstrikt kunnen raken of weggegooid worden.
- Controleer de haag op vreemde voorwerpen, zoals draadomheiningen.
- Wees voorzichtig wanneer u het product gebruikt in de buurt van schuttingen, palen, gebouwen of andere onbeweegbare objecten.
- Pas op voor weggeslingerde voorwerpen; houd alle omstaanders, kinderen en huisdieren op tenminste 15 m afstand van het werkgebied.
- Laat kinderen of niet-opgeleide personen dit product niet gebruiken.
- Gebruik dit apparaat niet op plekken waar u niet goed kunt zien. De gebruiker heeft een duidelijk overzicht nodig van het werkgebied om mogelijke gevaren te identificeren.
- Zorg er altijd voor dat alle handvatten en beschermers zijn gemonteerd wanneer u de machine gebruikt. Probeer nooit gebruik te maken van een onvolledig product of een product dat is uitgerust met ongeautoriseerde aanpassingen.
- Controleer voor elk gebruik of alle bedieningsknoppen en veiligheidsinrichtingen goed functioneren. Gebruik het werktuig niet als de "uit"-knop het product niet stillegt.
- Controleer de machine voor elk gebruik. Controleer op losse binders. Zorg ervoor dat alle beschermers en handvatten goed en veilig zijn vastgemaakt. Vervang alle beschadigde onderdelen voor gebruik. Controleer het accupack op lekken.
- Wijzig het product op geen enkele manier.
- Draag volledige gezichts- en gehoorbescherming terwijl u het product bedient. Als u op een plaats werkt waar het risico bestaat op vallende voorwerpen moet een veiligheidshelm worden gedragen.
- Draag een zware lange broek, laarzen en handschoenen. Draag geen losse kleding, korte broek, juwelen van enig soort en gebruik het apparaat niet met blote voeten.
- Maak lang haar vast boven schouderhoogte om te voorkomen dat het verstrikt raakt in de bewegende delen.
- Het gebruik van gehoorbescherming vermindert de mogelijkheid om waarschuwingen (verbaal of alarmeren) te horen. De gebruiker moet extra aandacht hebben voor wat er op de werkplaats gebeurt.
- Het gebruik van gelijksoortige apparaten in de nabijheid verhoogt het risico van letsel en de mogelijkheid dat er andere mensen in uw werkgebied komen.
- Gebruik het product niet wanneer u moe, ziek of onder de invloed bent van alcohol, drugs of medicijnen.
- Bewaar steeds een stevige houvast en goed evenwicht. Overrek u niet. Overreiken kan leiden tot evenwichtsverlies en ernstige verwondingen.
- Houd alle lichaamsdelen weg van de bewegende delen.
- Voor u de machine start, dient u ervoor te zorgen dat zaagbladen niet in contact kunnen komen met andere voorwerpen.
- Draag de haagtrimmer tijdens het gebruik altijd stevig met beide handen op de twee handgrepen en controleer of de gebruikpositie veilig en stevig is. De fabrikant raadt het gebruik van een ladder niet aan. Gebruik een verlengaccessoire voor hoger trimwerk.
- zaagbladen zijn scherp. Draag zware antislip beschermhandschoenen als u het zaagblad hanteert. Plaats uw hand of vingers niet tussen de snijbladen of in een positie waar ze gekneld kunnen raken of snijwonden kunnen oplopen. Raak het snijblad nooit aan of voer geen onderhoudswerken uit tenzij het batterijpack verwijderd is.
- Schakel de stroomvoorziening uit en verwijder de accu. Zorg ervoor dat alle bewegende delen volledig tot stilstand zijn gekomen:
 - voordat u het product onbewaakt achterlaat
 - voor u een blokkering reinigt of weghaalt
 - vóórdat de positie van de snijdende delen wordt ingesteld
 - voor het controleren, onderhouden of werken aan het product.
- Duw het product niet met kracht door dichte heesters. Dit kan ervoor zorgen dat het snijblad vast raakt en vertraagt. Als de snijbladen vertragen, vermindert u het tempo.
- Probeer geen twijgen of takken te snoeien die dikker zijn dan 17 mm of die te groot zijn voor het snijblad. Gebruik een handzaag of snoeizaag om grote stammen te snoeien.
- Gebruik het product niet met beschadigde of extreem versleten bladen.
- Voorkom dat u door het frequent gebruik van gereedschappen laks wordt en de veiligheidsvoorschriften uit het oog verliest. Een onzorgvuldige handeling kan binnen enkele seconden leiden tot ernstige verwondingen
- Voor de beste resultaten moet uw accu aangedreven werktuig worden opgeladen op een plaats waar de temperatuur hoger is dan 10 °C maar lager dan 38 °C. Om het risico op ernstige verwondingen te verminderen, bewaar niet buiten of in voertuigen.



WAARSCHUWING!

Als u het product laat vallen, het een ernstige impact ondergaat of abnormaal begint te trillen, legt u het product onmiddellijk stil en controleert u het op schade of zoekt u naar de oorzaak van de trillingen. Enige schade moet direct worden gerepareerd of vervangen door een bevoegd onderhoudscentrum.

Verwijder de accu voordat u werkzaamheden aan het product uitvoert.

Gooi gebruikte accu's niet weg met het huishoudelijk afval of verbrand ze niet. ECHO-distributeurs nemen oude accu's terug ter bescherming van ons milieu.

Bewaar de accu niet samen met metalen voorwerpen (gevaar van kortsluiting).

Gebruik alleen een ECBC-58VEU/ECBC-58VUK-oplader voor het opladen van de accu.

Gebruik geen accu's van andere systemen.

Compatibele accupacks: ECBP-58V20, ECBP-58V40

Bij te zware belasting of extreme temperaturen kan er accuzuur uit een beschadigde accu lekken. In geval van contact met accuzuur: reinig de huid onmiddellijk met water en zeep. In geval van contact met de ogen: spoel de ogen minstens 10 minuten lang grondig met water en zoek dan onmiddellijk medische hulp.

EXTRA WAARSCHUWINGEN BATTERIJVEILIGHEID



WAARSCHUWING!

Vorkom brand, persoonlijk letsel of materiële schade door kortsluiting en dompel het gereedschap, de wisselaccu en het laadtoestel niet onder in vloeistoffen en waarborg dat geen vloeistoffen in de apparaten en accu's kunnen dringen. Corrosieve of geleidende vloeistoffen zoals zout water, bepaalde chemicaliën, bleekmiddelen of producten die bleekmiddelen bevatten, kunnen een kortsluiting veroorzaken.

RESTRISICO'S

Zelfs wanneer het product zoals voorgeschreven wordt gebruikt, is het nog steeds onmogelijk om bepaalde restrisico's volledig te elimineren. De volgende gevaren kunnen zich voordoen tijdens het gebruik en de gebruiker dient in het bijzonder aandacht te hebben om de volgende situaties te vermijden:

- verwondingen als gevolg van contact met de maaibladen
 - De zaagbladen kunnen tijdens het zagen niet worden beveiligd. Houd het zaagblad weg van uzelf en anderen. Zorg ervoor dat de mesbeschermers zijn geplaatst wanneer het product niet in gebruik is.
- Letsels veroorzaakt door trillingen.

- Gebruik altijd het juiste gereedschap voor de taak, gebruik de toegewezen handvaten en beperk de gebruikstijd en blootstelling.

- Gehoorschade veroorzaakt door blootstelling aan geluid.

- Draag gehoorbescherming en beperk de blootstelling.

RISICOBEPERKING

Er zijn meldingen dat trillingen van handwerktuigen bij sommige mensen bijdragen tot het Syndroom van Raynaud. Symptomen kunnen ondermeer tintelingen, gevoelloosheid en bleek worden van de vingers omvatten, wat normaal gezien duidelijk wordt bij blootstelling aan koude. Erfelijke factoren, blootstelling aan koude en vocht, dieet, roken en werkroutine kunnen allemaal bijdragen tot de ontwikkeling van deze symptomen. Er kunnen door de bediener maatregelen worden genomen om de gevolgen van de trillingen te beperken:

- Houd bij koud weer uw lichaam warm. Draag handschoenen terwijl u het product gebruikt om de handen en polsen warm te houden. Men neemt aan dat koud weer een belangrijke factor is die bijdraagt tot het Syndroom van Raynaud.
- Doe oefeningen om de bloeddoorstroming te bevorderen na elke periode van gebruik.
- Neem regelmatig een pauze. Beperk het aantal uren dat u per dag wordt blootgesteld.

Wanneer u enige van de symptomen van deze aandoening ervaart, stop dan onmiddellijk met het gebruik van het toestel en raadpleeg uw dokter



WAARSCHUWING!

Letsels kunnen worden veroorzaakt of ernstiger worden door verlengd gebruik van een werktuig. Als u een werktuig gedurende langere periodes gebruikt, neem dan regelmatig pauze.

VOORGESCHREVEN GEBRUIK

De snoerlose heggenschaar is alleen bedoeld voor gebruik buitenshuis. Om veiligheidsredenen moet dit product met twee handen op de juiste wijze worden bediend en vastgehouden.

Het product is geschikt voor huishoudelijk gebruik. Het is bedoeld om heggen, struiken en gelijkaardige vegetatie te snoeien en trimmen.

Het moet worden gebruikt in droge, goed verlichte omstandigheden.

Het is NIET bedoeld om gras, bomen of takken te snijden. Het mag niet worden gebruikt voor enig ander doel dan het snoeien van heggen.

Gebruik het product niet voor doeleinden die niet in de lijst voor beoogd gebruik staan.

KEN UW PRODUCT

Zie pagina 6 - 7.

1. Gebruikeraanwezigheidsschakelaar
2. Batterijvergrendelknop
3. Accu
4. Gashendelvergrendeling
5. Achterste handvat
6. Gashendel
7. Lader
8. Maaibladdeksel
9. Zaagblad
10. Afscherming
11. Voorste handvat

TRANSPORT EN OPSLAG

- Leg het product stil, verwijder de batterij en laat beide afkoelen voor u ze opbergt of transporteert.
- Verwijder alle vreemde voorwerpen van het product. Bewaar op een koele, droge en goed geventileerde plaats die niet toegankelijk is voor kinderen. Om de veiligheid te verhogen, bewaart u de batterij afzonderlijk van de heggenschaar. Houd corrosieve producten, zoals tuinchemicaliën en strooizout uit de buurt van het apparaat. Bewaar niet buitenshuis.
- Bedek het maaiblad met een maaibladbeschermer voor u de machine opbergt of tijdens transport.
- Voor transport beveilig u het product tegen bewegen of vallen om lichamelijke letsels of schade aan het product te voorkomen.

ONDERHOUD



WAARSCHUWING!

Gebruik alleen accessoires en reserveonderdelen van ECHO. Als u dit niet doet, kan dit mogelijks letsels of slechte prestaties veroorzaken waardoor uw garantie kan vervallen. Als er onderdelen vervangen moeten worden die niet beschreven zijn, neem dan contact op met een van onze ECHO-onderhoudsvertegenwoordigers.



WAARSCHUWING!

Het onderhoud vereist extreme voorzichtigheid en deskundigheid en mag enkel door een gekwalificeerde onderhoudstechnicus worden uitgevoerd. Voor onderhoud brengt u het product naar een geautoriseerd onderhoudscentrum. Gebruik uitsluitend originele vervangonderdelen wanneer u onderhoudswerken aan de machine uitvoert.



WAARSCHUWING!

De snijmesses zijn uiterst scherp. Wees extreem voorzichtig bij het reinigen, smeren en plaatsen of verwijderen van de bladbescherming om persoonlijk letsel te voorkomen. Schakel het apparaat uit en verwijder de accu voordat u onderhouds- of reinigingswerkzaamheden uitvoert.

- Verwijder de batterij voor u de machine afstelt, onderhoudt of reinigt.
- U mag uitsluitend de afstellingen of herstellingen uitvoeren die in deze gebruiksaanwijzing worden beschreven. Voor andere herstellingen, neemt u contact op met uw geautoriseerd onderhoudsagent.
- Reinig na elk gebruik het lichaam en de handvaten van het product met een zachte doek.
- Verwijder na elk gebruik het afval van de bladen met een stijve borstel en breng dan voorzichtig een tegen roest beschermend smeermiddel aan voordat u de bladbescherming weer terugplaatst. De fabrikant raadt aan om een tegen roest beschermende smeerspray te gebruiken om een gelijkmatige laag aan te brengen en om persoonlijk letsel te voorkomen door contact met de bladen. Ga voor informatie over een geschikte spray naar uw plaatselijke bevoegde onderhoudscentrum.
- U kunt zo nodig de bladen licht smeren voor elk gebruik door de bovenstaande methode te gebruiken.
- Controleer regelmatig of alle moeren, bouten en vijzen goed zijn vastgemaakt om zeker te zijn dat het product veilig kan worden gebruikt. Een beschadigd onderdeel moet door een geautoriseerd onderhoudscentrum goed worden gerepareerd of vervangen.

ACCU'S

- Accu's die lange tijd niet gebruikt zijn, dienen voor gebruik opnieuw opgeladen te worden.
- De prestatie van de accu vermindert bij temperaturen boven de 50°C. Vermijd langdurige blootstelling aan hitte of zonlicht (gevaar van oververhitting).
- De contactpunten van laders en accu's moeten schoongehouden worden.
- Voor een optimale levensduur dient de accu na gebruik volledig opgeladen te worden.
- Haal de accu uit de oplader nadat hij volledig opgeladen is, om voor een zo lang mogelijke levensduur te zorgen.

Om het accupack langer te bewaren dan 30 dagen:

- Bewaar het accupack op een plaats waar de temperatuur lager is dan 27°C en weg van vocht.
- Bewaar accupacks in een laadtoestand van 30%-50%.
- Laad het pack tijdens het bewaren elke zes maanden normaal op.
- Volg alle instructies en laad de accu of het gereedschap niet op buiten het temperatuurbereik dat

in de handleiding wordt aangegeven. Onjuist opladen of opladen bij temperaturen buiten het aangegeven bereik kan schade aan de accu veroorzaken en risico op brand verhogen.

LITHIUMBATTERIJEN TRANSPORTEREN

De lithium-ionaccu is onderworpen aan de wetgeving inzake gevaarlijke stoffen.

Vervoer van de accu's vindt plaats volgens plaatselijke, nationale en internationale voorwaarden en regelgeving.

- De gebruiker kan de batterijen via de weg transporteren zonder bijkomende vereisten.
- Commercieel vervoer van lithium-ionaccu's door derde partijen is onderhevig aan regelgeving voor gevaarlijke stoffen. De voorbereidingen voor het transport en het transport zelf mag uitsluitend worden uitgevoerd door personeel dat vakkundig werd opgeleid en het proces moet worden begeleid door overeenkomstige experts.

Tijdens het vervoeren van accu's:

- Zorg ervoor dat de batterijcontactterminals beschermd en geïsoleerd zijn om kortsluiting te voorkomen.
- Zorg ervoor dat de accu niet kan verschuiven binnen de verpakking.
- Transporteer geen accues die lekken of gebarsten zijn.

Overleg met het transportbedrijf voor verder advies.

SYMBOLLEN



Waarschuwing



Lees en begrijp alle instructies voor u het product bedient, volg alle waarschuwingen en veiligheidsinstructies.



Draag gehoorbescherming.



Draag gezichtsbescherming.



Houd de heggenschaar altijd met beide handen vast tijdens het gebruik.



Om ernstige letsels te voorkomen, raakt u de zaagbladen niet aan.



Draag zware antislip beschermhandschoenen.



Stel niet bloot aan regen of vocht.



Houd rekening met weggeslingerde of rondvliegende voorwerpen. Houd alle omstanders, in het bijzonder kinderen en huisdieren, op tenminste 15m afstand van het werkgebied.



Oekraïens conformiteitssymbool



EurAsian-symbool van overeenstemming



Elektrisch afval mag niet samen met ander huishoudafval worden weggegooid. Gelieve te recycleren indien de mogelijkheid bestaat. Neem contact op met uw lokaal bestuur of handelaar om advies te krijgen over recyclage.



Dit apparaat voldoet aan alle geldende normen van Lid-Staat van de Europese Unie waar het werd gekocht.



De gegarandeerde geluidsdruk wordt op dit etiket als zijnde 93 dB.

De volgende kernwoorden en verklaringen zijn bedoeld om de gevaarniveaus die op dit toestel betrekking hebben, te verklaren.

⚠ GEVAAR

Wijst op een gevaarlijke situatie die, als ze niet wordt voorkomen, dodelijk kan zijn of ernstige verwondingen kan veroorzaken.

⚠ WAARSCHUWING

Wijst op een mogelijks gevaarlijke situatie die, als ze niet wordt voorkomen, dodelijk kan zijn of ernstige verwondingen kan veroorzaken.

⚠ LET OP

Wijst op een mogelijks gevaarlijke situatie die, als ze niet wordt voorkomen, kleine of middelmatige verwondingen kan veroorzaken.

LET OP

Zonder veiligheidswaarschuwingssymbool

Wijst op een situatie die kan leiden tot materiële schade.



DADOS TÉCNICOS

CORTA-SEBES

ECHT-58V

EN
FR
DE
ES
IT
NL
PT
DA
SV
FI
NO
RU
PL
CS
HU
RO
LV
LT
ET
HR
SL
SK
BG
UK
TR

Número de série	94501401000001 - 94501401999999
Velocidade sem carga	3400 min ⁻¹
Comprimento da lâmina	610 mm
Comprimento de corte	563 mm
Voltagem da bateria	51,1V, 58V MAX
Peso (com o conjunto de baterias de 2,0 Ah)	5,5 kg
Peso (com o conjunto de baterias de 4,0 Ah)	6,1 kg
Peso (sem a bateria)	4,3 kg

Informação de ruído/vibração (em conformidade com EN 60745-1, EN 60745-2-15)

Níveis de ruído medidos em dB(A):

Nível da pressão sonora	$L_{pA} = 79,0$ dB(A)
Incerteza	K = 3,0 dB
Nível de potência do som	$L_{WA} = 90,0$ dB(A)
Incerteza	K = 2,3 dB

Use sempre protecção dos ouvidos!

Os valores totais de vibração total (soma dos vectores nos 3 eixos) foram obtidos de acordo com a Norma EN 60745-1, EN 60745-2-15.

Valor de emissão de vibrações (ah)

Pega traseira	ah = 3,4 m/s ²
Pega frontal	ah = 2,6 m/s ²
Incerteza	K = 1,5 m/s

***SPM (cursos por minuto) consiste no número de cursos que a biela de ligação completa num minuto.**

BATERIA E CARREGADOR

ECHT-58V

Baterias compatíveis	ECBP-58V20 / ECBP-58V40
Carregador compatível	ECBC-58VEU and ECBC-58VUK



ADVERTÊNCIA!

O nível de emissão de vibrações dado nesta folha de informações foi medido de acordo com um teste normalizado e pode ser utilizado para fazer comparações entre ferramentas. Pode ser utilizado para uma avaliação preliminar da exposição.

O nível declarado de emissão de vibrações representa as aplicações principais da ferramenta. Contudo, se a ferramenta for utilizada para várias aplicações, com diferentes acessórios ou se receber manutenção insuficiente, a emissão de vibrações pode ser diferente. Isto pode aumentar significativamente o nível de exposição ao longo do período total de trabalho.

Uma estimativa do nível de exposição às vibrações deverá também levar em conta os tempos que a ferramenta está desligada ou que está a funcionar mas sem estar a ser utilizada para trabalho. Isto pode reduzir significativamente o nível de exposição ao longo do período total de trabalho.

Identifique medidas de segurança adicionais para proteger o operador contra os efeitos da vibração, como por exemplo: fazer a manutenção correcta da ferramenta e dos acessórios, manter as mãos aquecidas, organizar o escalas de trabalho.





ADVERTÊNCIA!

Leia todos os avisos de segurança e todas as instruções. O facto de não seguir os avisos e as instruções pode conduzir a choque eléctrico, fogo e/ou lesão grave.

Conserve estas advertências e instruções para que possa consultá-las mais tarde.

O termo "ferramenta eléctrica" nos avisos refere-se à ferramenta operada através de ligação à rede eléctrica (com fios) ou à ferramenta operada através de bateria (sem fios).

AVISOS GERAIS DE SEGURANÇA

AMBIENTE DE TRABALHO

- **Mantenha a área de trabalho limpa e bem iluminada.** As áreas desordenadas ou escuras são um convite para acidentes.
- **Não opere ferramentas eléctricas em atmosferas explosivas, tais como na presença de líquidos inflamáveis, gases ou poeira.** As ferramentas eléctricas criam faíscas que podem causar a inflamação de poeiras ou vapores.
- **Ao operar esta ferramenta eléctrica, mantenha as crianças e as pessoas presentes afastadas.** Distrações podem fazer com que perca o controlo.

SEGURANÇA ELÉCTRICA

- **As fichas eléctricas da ferramenta têm de corresponder à tomada. Nunca altere a ficha seja de que maneira for. Não use quaisquer fichas adaptadoras com ferramentas de ligação com terra.** As fichas não modificadas e tomadas compatíveis reduzirão o risco de choque eléctrico.
- **Evite o contacto do corpo com superfícies com ligação terra ou enterradas, tais como tubos, radiadores, fogões e frigoríficos.** Há um aumento do risco de choque eléctrico se o seu corpo estiver ligado à terra.
- **Não exponha este produto à chuva ou humidade elevada.** A entrada de água na ferramenta eléctrica aumentará o risco de choque eléctrico.
- **Não abuse do cabo de alimentação. Nunca use o cabo para carregar, puxar ou retirar a ficha da ferramenta da tomada. Mantenha o cabo afastado do calor, óleo, pontas afiadas ou peças móveis.** Os cabos danificados ou emaranhados aumentam o risco de choque eléctrico.
- **Ao operar uma ferramenta eléctrica ao ar livre, use um cabo de extensão apropriado para o uso ao ar livre.** A utilização de um cabo apropriado para o uso ao ar livre reduz o risco de choque eléctrico.
- **Se operar uma ferramenta eléctrica num local húmido é inevitável, use uma fonte com protecção**

de dispositivo de corrente residual (RCD). O uso de um RCD reduz o risco de choque eléctrico.

SEGURANÇA PESSOAL

- **Ao operar esta ferramenta eléctrica, permaneça alerta, tenha em atenção ao que está a fazer e use o bom senso. Não utilize a ferramenta eléctrica quando se sentir cansado ou se se encontrar sob a influência de drogas, álcool ou medicamentos.** Um momento de desatenção enquanto opera estas ferramentas eléctricas pode resultar em ferimentos graves.
 - **Utilizar equipamento de protecção. Use sempre protecção para os olhos.** O equipamento de protecção tal como a máscara contra pó, calçado anti-derrapante de segurança, capacete, ou protecção para os ouvidos, usado para condições apropriadas irá reduzir a probabilidade de ferimentos.
 - **Evite o arranque involuntário. Assegure-se de que o interruptor se encontra na posição de desligado antes de o ligar à fonte de energia e/ou bateria, levantando ou transportando a ferramenta.** Transportar ferramentas eléctricas com o seu dedo no interruptor ou ligar à corrente ferramentas eléctricas que têm o interruptor ligado são um convite a acidentes.
 - **Remova qualquer chave de ajuste antes de ligar a ferramenta eléctrica.** Uma chave-inglesa ou uma chave colocada numa peça móvel da ferramenta eléctrica pode causar lesões pessoais.
 - **Não se aproxime em demasia. Fique sempre bem apoiado nas pernas e não estique demasiado o braço.** Isto possibilita um melhor controlo da ferramenta eléctrica em situações inesperadas.
 - **Use roupas adequadas. Não use roupa larga ou acessórios de jóias. Mantenha o seu cabelo, roupa e luvas longe das peças móveis.** A roupa larga, jóias ou cabelo comprido podem ficar presos nas peças móveis.
 - **Se são fornecidos os dispositivos para a ligação de espaços de extracção e recolha de pó, assegure-se de que estes se encontram conectados e usados correctamente.** A utilização de um colectador de pó pode reduzir os perigos relacionados com o pó.
 - **Estar familiarizado com as ferramentas por as utilizar com frequência não é razão para se tornar descuidado e para ignorar os princípios de segurança referentes a ferramentas.** Uma ação imprudente pode provocar lesões graves numa fração de segundo.
- ### UTILIZAÇÃO E MANUTENÇÃO DA FERRAMENTA ELÉCTRICA
- **Não force o produto. Use a ferramenta eléctrica correcta para a sua aplicação.** A ferramenta fará o seu trabalho melhor e de forma mais segura trabalhando ao ritmo para que foi concebida.
 - **Não use uma ferramenta caso o interruptor não ligue e desligue a ferramenta eléctrica**



correctamente. Qualquer ferramenta eléctrica que não possa ser controlada com o interruptor é perigosa e deve ser reparada.

- **Desligue a ficha da alimentação eléctrica e/ou a bateria da ferramenta antes de proceder a quaisquer ajustes, substituição de acessórios ou de armazenar a ferramenta.** Estas medidas de segurança preventivas reduzem o risco de arranque accidental da ferramenta eléctrica.
- **Armazene as ferramentas eléctricas fora do alcance das crianças e não permita que pessoas não familiarizadas com a ferramenta eléctrica ou com estas instruções utilizem a ferramenta eléctrica.** As ferramentas eléctricas são perigosas nas mãos de utilizadores inexperientes.
- **Realize a manutenção das ferramentas eléctricas. Verifique se existe desalinhamento ou emperramento das peças móveis, ruptura das peças e qualquer outra condição que possa ter afectado o funcionamento da ferramenta eléctrica. Se danificado, mande a ferramenta eléctrica ser reparada antes de a utilizar.** Muitos acidentes são causados por ferramentas eléctricas com fracas manutenções.
- **Mantenha as ferramentas de corte afiadas e limpas.** É menos provável que as ferramentas de corte com uma correcta manutenção e com pontas de corte afiadas fiquem presas e são mais fáceis de controlar.
- **Utilize a ferramenta, acessórios, peças eléctricas, etc., de acordo com estas instruções, tendo em conta as condições de trabalho e o trabalho que se vai realizar.** O uso da ferramenta eléctrica para as operações diferentes daquelas a que se destina podem causar uma situação perigosa.
- **Mantenha os cabos e as superfícies de agarre secos, limpos e livres de óleo ou gordura.** Os cabos e superfícies de fixação resvaladiças não permitem uma fixação e um controlo seguro da ferramenta em situações inesperadas.

UTILIZAÇÃO E MANUTENÇÃO DA BATERIA

- **Recarregue apenas com o carregador especificado pelo fabricante.** Um carregador que seja adequado para um tipo de bateria pode causar risco de incêndio, quando utilizado com outra bateria.
- **Use ferramentas eléctricas somente com baterias especificamente concebidas.** O uso de qualquer outro tipo de bateria pode causar risco de lesões e incêndio.
- **Quando a bateria não estiver a ser utilizada, mantenha-a afastada de outros objectos metálicos como cliques de papel, moedas, chaves, pregos, parafusos, ou outros pequenos objectos metálicos que podem fazer a ligação de um terminal para outro.** Ligar os terminais da bateria em conjunto pode causar queimaduras ou um incêndio.
- **Sob circunstâncias abusivas, o líquido pode ser ejectado da bateria, evite o contacto. Se o**

contacto ocorrer accidentalmente, limpe com água abundante. Se o líquido entrar em contacto com os olhos, procure adicionalmente assistência médica. O líquido ejectado da bateria pode causar irritação ou queimaduras.

- **Não use um conjunto de baterias ou uma ferramenta que tenha sido sofrido danos ou modificações.** Baterias danificadas ou modificadas podem ter um comportamento imprevisível, resultando em incêndio, explosão ou risco de ferimentos.
- **Não exponha um conjunto de baterias ou uma ferramenta ao fogo ou a temperaturas excessivas.** A exposição ao fogo ou a temperaturas excessivas (acima de 130 °C) pode causar uma explosão.
- **Siga todas as instruções de carregamento e não dê carga ao conjunto de baterias ou à ferramenta fora da amplitude de temperaturas especificada nas instruções.** O carregamento feito de forma incorrecta ou sob temperaturas fora da amplitude especificada pode danificar a bateria e aumentar o risco de incêndio.

MANUTENÇÃO

- **A manutenção da sua ferramenta eléctrica deve ser efectuada por uma pessoa qualificada para reparações, utilizando apenas peças de substituição idênticas.** Isto assegurará que a segurança da ferramenta eléctrica é mantida.
- **Nunca tente reparar nem fazer manutenção a conjuntos de baterias danificados.** A reparação e manutenção de conjuntos de baterias só deve ser feita pelo fabricante ou por um centro de assistência autorizado.

ALERTAS DE SEGURANÇA DO CORTA-SEBES

- **Mantenha todas as partes do corpo afastadas da lâmina de corte. Não remova o material de corte ou segure o material a ser cortado quando as lâminas se encontram em movimento.** Certifique-se que o interruptor está desligado ao libertar material encravado. Um momento de desatenção enquanto opera o produto pode resultar em ferimentos graves.
- **Transporte o aparador de pontas pela pega com a lâmina de corte parada. Ao transportar ou guardar o aparador de pontas, instale sempre a cobertura do dispositivo de corte.** O manuseamento adequado do aparador de pontas reduzirá as possíveis lesões pessoais causadas pelas lâminas de corte.
- **Segure a ferramenta eléctrica apenas pelas superfícies de agarre isoladas, visto que a lâmina de corte pode entrar em contacto com fios eléctricos escondidos ou com o seu próprio cabo.** As lâminas de corte que entrem em contacto com um cabo com corrente podem fazer com que as peças metálicas da ferramenta eléctrica conectada fiquem expostas, o que poderia provocar um choque eléctrico para o operador.





AVISOS DE SEGURANÇA ADICIONAIS

- Algumas regiões têm normas que restringem o uso do produto para algumas operações. Consulte a sua autoridade local para obter informação. Leia todas as instruções
- Desimpeça a área onde pretende trabalhar antes de cada utilização. Retire todos os objetos, cabos, luzes, arames ou correntes que possam lançar ou encravar nas partes cortantes.
- Verifique que não há objetos estranhos nas sebes, tais como arames.
- Tenha mais cuidado quando utilizar o produto junto a vedações, postes, edifícios ou outros objectos imóveis.
- Tenha cuidado com os objetos que são atirados; mantenha todos os transeuntes, crianças e animais afastados pelo menos 15 m da zona de trabalho.
- Não permita que crianças ou indivíduos inexperientes entrem em contacto com este produto.
- Não utilize esta ferramenta numa zona com pouca luz. O operador necessita de uma visão clara da área de trabalho para identificar potenciais perigos.
- Assegure-se sempre que todas as pegas e protecções se encontram instaladas na máquina. Nunca tente utilizar um produto incompleto nem um produto com uma modificação não autorizada.
- Certifique-se antes de cada uso que todos os controlos e dispositivos de segurança funcionam corretamente. Não utilize o aparelho se o interruptor "off" não parar o motor.
- Inspeccione a máquina antes de cada uso. Verifique se não existem fixadores soltos. Assegure-se de que todas as protecções e cabos estão unidos de forma correcta e segura. Substitua qualquer peça danificada antes da utilização. Verifique se existem fugas na bateria.
- Não faça nenhuma modificação ao produto.
- Use óculos de protecção total para os olhos e ouvidos ao utilizar este produto. Ao trabalhar numa área onde haja um risco de queda de objectos, tem que se usar uma protecção para a cabeça.
- Use luvas, botas e calças resistentes. Não utilize roupa larga, calções, joias nem utilize com os pés descalços.
- Prenda o cabelo comprido para que fique acima do nível dos ombros para evitar que fique emaranhado em peças móveis.
- O uso da protecção auditiva reduz a sua capacidade de ouvir avisos (gritos ou alarmes). O operador deve prestar atenção extra àquilo que está a acontecer na área de trabalho.
- Operar ferramentas similares nas proximidades aumenta tanto o risco de lesão auditiva e o potencial para outras pessoas entrarem na sua área de trabalho.
- Não opere este produto se estiver cansado ou sob a influência de drogas, álcool ou medicamentos.
- Mantenha-se bem apoiado e equilibrado. Não se aproxime em demasia. Um sobre-esforço pode dar lugar à perda do equilíbrio e a lesões graves.
- Mantenha qualquer peça em movimento longe do seu próprio corpo.
- Antes de arrancar a máquina, assegure-se de que as lâminas de corte não entram em contacto com nenhum objeto.
- Quando manipular um corta-sebes, segure-o firmemente com ambas mãos através das suas asas e assegure-se de que a posição de funcionamento é segura. O fabricante não recomenda o uso de degraus ou escadas. É preciso cortar a partir de uma posição mais alta, utilize uma ferramenta de alcance extensível.
- As lâminas são afiadas. Ao segurar o conjunto da lâmina, use luvas protetoras reforçadas anti-deslizantes. Não coloque as suas mãos ou dedos entre as lâminas nem em nenhuma posição onde possam ficar atacadados ou ser cortados. Nunca toque na lâmina nem efetue manutenção no aparelho sem primeiro retirar a bateria.
- Desligue com o interruptor e desmonte o conjunto de baterias. Certifique-se de que todas as peças em movimento pararam completamente:
 - antes de deixar o produto desacompanhado
 - antes de limpar ou despejar uma obstrução
 - antes de afinar a posição de trabalho dos meios de corte
 - antes de verificar, fazer a manutenção ou funcionar com o produto
- Não force o produto a atravessar arbustos muito densos. Isto pode fazer com que as lâminas prendam e abrandem. Se as lâminas abrandarem, reduza o ritmo.
- Não tente cortar caules ou galhos com espessura superior a 17 mm, ou daqueles que são claramente demasiado grandes para passarem pela lâmina de corte. Use uma serra manual não motorizada ou uma serra de desbaste para aparar os caules maiores.
- Não utilize o produto com as lâminas danificadas ou excessivamente desgastadas.
- Estar familiarizado com as ferramentas por as utilizar com frequência não é razão para se tornar descuidado e para ignorar os princípios de segurança referentes a ferramentas. Uma ação imprudente pode provocar lesões graves numa fração de segundo.
- Para melhores resultados, a sua ferramenta com bateria deve ser carregada num local onde a temperatura seja superior a 10 °C, mas inferior a 38 °C. Para reduzir o risco de graves danos pessoais, não guarde este produto ao ar livre ou em veículos.





ADVERTÊNCIA!

Se o aparelho cair, sofrer um impacto forte ou começar a vibrar de maneira anormal, pare-o imediatamente e verifique se está danificado ou identifique o motivo da vibração. Qualquer dano deve ser devidamente reparado ou substituído por um centro de assistência autorizado.

Antes de fazer quaisquer trabalhos de manutenção ou limpeza ao produto, desmonte o conjunto de baterias.

Não deite fora baterias usadas juntamente com o lixo doméstico nem queimando-as. Os Distribuidores ECHO estão disponíveis para recolher baterias velhas, para proteger o meio-ambiente.

Não guarde o conjunto de baterias juntamente com objectos metálicos (risco de curto-circuito).

Utilize apenas o carregador ECBC-58VEU/ECBC-58VUK para dar carga aos conjuntos de baterias.

Não utilize conjuntos de baterias de outros sistemas.

Baterias compatíveis: ECBP-58V20, ECBP-58V40

Sob condições extremas de carga ou de temperatura, baterias danificadas podem verter ácido de baterias. Em caso de contacto com ácido de baterias, lave a área afectada imediatamente com água e sabão. Em caso de contacto com os olhos, enxagúe imediatamente e de modo completo com água durante pelo menos 10 minutos e consulte um médico sem demora.

AVISOS DE SEGURANÇA ADICIONAIS DAS BATERIAS



ADVERTÊNCIA!

Para evitar o risco de incêndio, de feridas ou de danificação do produto causado por um curto-circuito, não imerja a bateria intercambiável ou o carregador em líquidos e assegure-se de que líquidos não penetrem nos aparelhos ou nas baterias. Líquidos corrosivos ou condutivos como água salgada, determinadas substâncias químicas ou produtos que contêm branqueadores podem causar um curto-circuito.

RISCOS RESIDUAIS

Mesmo quando se utiliza o produto segundo as instruções, continua a ser impossível eliminar por completo certos fatores de risco residuais. Os seguintes perigos podem surgir na utilização e o operador deve prestar especial atenção para evitar o seguinte:

- dano produzido por contacto com as lâminas
 - As lâminas não podem estar protegidas enquanto estão a cortar. Mantenha a lâmina afastada de si e dos outros. Quando o produto não estiver a ser utilizado, certifique-se de que os protectores da lâmina estão aplicados.

- Lesões por vibração.
 - Use sempre a ferramenta certa para o trabalho, use pegas concebidas e restrinja o tempo e exposição de trabalho.
- Danos auditivos causados pela exposição ao ruído.
 - Use proteção para os ouvidos e limite o tempo de exposição.

REDUÇÃO DO RISCO

Foi reportado que as vibrações das ferramentas de mão podem contribuir para uma doença designada de Síndrome de Raynaud em determinados indivíduos. Os sintomas podem incluir formigueiro, entorpecimento e empalidezimento dos dedos, habitualmente visível aquando da exposição ao frio. Estima-se que os factores hereditários, exposição ao frio e humidade, dieta, tabagismo e práticas de trabalho contribuem todos para o desenvolvimento destes sintomas. Existem medidas que podem ser tomadas pelo operador para possivelmente reduzir os efeitos da vibração:

- Mantenha o seu corpo quente durante o tempo frio. Ao operar o produto, use luvas para manter as mãos e os pulsos quentes. Encontra-se reportado que o tempo frio é um grande factor que contribui para o Síndrome de Raynaud.
- Após cada período de operação, exercite para aumentar a circulação sanguínea.
- Faça pausas frequentes no trabalho. Limite o tempo de exposição por dia.

Caso sinta algum dos sintomas desta doença, interrompa de imediato a sua utilização e consulte o seu médico sobre estes sintomas.



ADVERTÊNCIA!

O uso prolongado de uma ferramenta pode causar o agravar lesões. Ao usar qualquer ferramenta durante períodos prolongados, assegure-se que faz intervalos regulares.

USO PREVISTO

O recortador de sebes eléctrico recarregável destina-se a ser utilizado apenas ao ar livre. Por motivos de segurança, o produto tem obrigatoriamente de ser controlado adequadamente, utilizando ambas as mãos durante a operação.

O produto foi concebido para uso doméstico. É concebida para cortar e aparar pontas, arbustos e vegetação similar.

Deve ser usada num local seco e bem iluminado.

NÃO se destina a cortar relva, árvores ou ramos. Não deve ser usada para qualquer outro fim que não seja aparar pontas.

Não utilize o produto para nenhum outro objectivo diferente do especificado na Utilização Prevista.

CONHEÇA O SER APARELHO

Ver páginas 6-7.

1. Interruptor de presença do operador
2. Botão de fixação da bateria
3. Bateria
4. Tranca do gatilho do acelerador
5. Pega traseira
6. Actuador do acelerador
7. Carregador
8. Cobertura da lâmina
9. Lâmina
10. Anteparo de protecção
11. Pega frontal

TRANSPORTE E ARMAZENAMENTO

- Pare o produto, retire a bateria e deixe que ambos arrefeçam antes de guardar ou de transportar.
- Limpe todos os materiais estranhos do produto. Guarde-o num local fresco e seco e bem ventilado a que as crianças não consigam aceder. Para maior segurança, guarde a bateria e o corta-sebes em separado. Mantenha-o afastado de substâncias corrosivas, tais como produtos químicos utilizados em jardinagem e sais de descongelação. Não armazenar ao ar livre.
- Cubra a lâmina com a devida protecção antes de a guardar, ou durante o transporte da mesma.
- Para transportar, prenda o aparelho de modo a evitar que este se mova ou caia, para evitar lesões ou danos no produto.

MANUTENÇÃO

ADVERTÊNCIA!

Utilize apenas acessórios ECHO e sobresselentes ECHO. A inobservância desta indicação pode causar um fraco desempenho, possíveis lesões e poderá anular a sua garantia. Se for necessário substituir componentes que não foram descritos, entre em contacto com um dos nossos agentes de assistência técnica ECHO.

ADVERTÊNCIA!

Os serviços de manutenção requerem extremo cuidado e conhecimentos e devem apenas ser realizado por um técnico de assistência qualificado. Para operações de serviço, leve o produto a um centro de serviço autorizado. Durante as operações de manutenção, utilize peças de substituição originais do fabricante.

ADVERTÊNCIA!

As lâminas são extremamente afiadas. Para evitar lesões pessoais, tenha muito cuidado ao limpar, lubrificar e montar ou desmontar o protetor da lâmina. Antes de fazer quaisquer trabalhos de manutenção ou limpeza ao produto, desligue e desmonte o conjunto de baterias.

- Retire a bateria antes de qualquer operação de ajuste, manutenção ou limpeza.
- Só pode proceder aos ajustes ou reparações descritas neste manual. Para outro tipo de reparações entre em contacto com um agente de serviço autorizado.
- Após cada utilização, limpe a estrutura e as pegas do aparelho com um pano seco e macio.
- Após cada utilização, limpe os detritos das lâminas com uma escova dura e, em seguida, aplique cuidadosamente um lubrificante que previne a ferrugem antes de voltar a colocar o protetor de lâmina. O fabricante recomenda-lhe que utilize um pulverizador lubrificante e preventivo contra ferrugem a aplicar numa distribuição uniforme e reduzir assim o risco de lesões do contacto com as lâminas. Para mais informações sobre o produto pulverizador apropriado, verifique com o seu centro de assistência autorizado local.
- Poderá desejar lubrifique as lâminas ligeiramente antes da utilização, se necessário, usando o método acima.
- Verifique todas as porcas, pregos e parafusos com intervalos frequentes para confirmar a tensão apropriada e se certificar que o produto está em condições seguras de funcionamento. Qualquer peça danificada deve ser substituída ou reparada adequadamente por um centro de serviço autorizado.

BATERIAS

- Conjuntos de baterias que tenham estado algum tempo sem serem utilizados devem ser recarregados antes de serem utilizados.
- Temperaturas acima de 50 °C (122 °F) reduzem o desempenho do conjunto de baterias. Evite a exposição prolongada ao calor ou à luz solar directa (risco de sobreaquecimento).
- Os contactos dos carregadores e dos conjuntos de baterias têm de ser mantidos limpos.
- Para assegurar a máxima vida útil, os conjuntos de baterias têm obrigatoriamente de ser totalmente carregados depois de serem utilizados.
- Para obter a máxima vida útil da bateria, desmonte o conjunto de baterias do carregador quando estiver totalmente carregado.

Para a armazenagem da bateria durante mais de 30 dias:

- Armazene o compartimento das baterias com temperatura abaixo dos 27°C e longe da humidade.
- Guarde a bateria com 30%-50% de carga.

- Cada seis meses de armazenagem, carregue a bateria da forma habitual.
- Siga todas as instruções de carregamento e não dê carga ao conjunto de baterias ou à ferramenta fora da amplitude de temperaturas especificada nas instruções. O carregamento feito de forma incorrecta ou sob temperaturas fora da amplitude especificada pode danificar a bateria e aumentar o risco de incêndio.

TRANSPORTE DE BATERIAS DE LÍLIO

A bateria de íão de lítio está sujeita à legislação de mercadorias perigosas.

O transporte dessas baterias tem de ser feito de acordo com as disposições e os regulamentos locais, nacionais e internacionais.

- O utilizador pode transportar as baterias por estrada sem requisitos adicionais.
- O transporte comercial de baterias de íões de lítio por terceiros está sujeito à regulamentação de Mercadorias Perigosas. A preparação do transporte e o transporte apenas devem ser realizados por pessoal com a formação adequada e o processo deve ser supervisionado pelos especialistas correspondentes.

Quando transportar baterias:

- Assegure-se que os terminais de contacto da bateria estão protegidos e isolados para evitar curto-circuitos.
- Utilize materiais de embalagem para se certificar de que o conjunto de baterias está acondicionado de forma segura, contra movimentos ou quedas.
- Não transporte baterias que estejam rachadas ou com fugas.

Confirme com a empresa de envio para mais conselhos.

SÍMBOLOS



Aviso



Leia e compreenda todas as instruções antes de manipular o produto, respeite os alertas e as instruções de segurança.



Use protecção para os ouvidos.



Usar protecção para os olhos.



Segure sempre o corta-sebes com ambas as mãos quando o estiver a utilizando.



Para prevenir lesões graves, não toque nas lâminas de corte



Utilize luvas protectoras antideslizantes resistentes.



Não o exponha à chuva ou a condições de humidade.



Tenha cuidado com os objectos voláteis ou lançados. Mantenha todos os espectadores, especialmente crianças e animais de estimação, a pelo menos 15 m da área de funcionamento.



Marca de conformidade ucraniana



Marca de conformidade EurAsian



Os aparelhos eléctricos antigos não devem ser eliminados juntamente com o lixo doméstico. Recicle onde existem instalações para o efeito. Verifique com as suas Autoridades Locais ou revendedor para obter informações sobre reciclagem.



Esta ferramenta obedece a todas as normas regulamentares do país da UE onde foi comprada.



O nível garantido de potência sonora mostrado neste rótulo é de 93 dB.

As seguintes palavras de sinal e significados destinam-se a explicar os níveis de risco associados a este produto.

⚠ PERIGO

Indica uma situação perigosa iminente, que, se não evitada, poderá resultar em morte ou ferimentos graves.

⚠ ADVERTÊNCIA

Indica uma situação potencialmente perigosa, que, se não evitada, poderá conduzir à morte ou graves lesões.

⚠ ADVERTÊNCIA

Indica uma situação potencialmente perigosa, que, se não evitada, poderá resultar em pequenas ou moderadas lesões.

ADVERTÊNCIA

Sem símbolo de alerta de segurança

Indica uma situação que pode resultar em danos de propriedade.



TEKNISKE DATA

HÆKKEKLIPPER

ECHT-58V

Serienummer	94501401000001 - 94501401999999
Tomgangshastighed	3400 min ⁻¹
Knivlængde	610 mm
Skærelængde	563 mm
Batterispænding	51,1V, 58V MAX
Vægt (med 2,0 Ah batteripakke)	5,5 kg
Vægt (med 4,0 Ah batteripakke)	6,1 kg
Vægt (uden batteri)	4,3 kg

Information om støj/vibration (i henhold til EN 60745-1, EN 60745-2-15)

A-vægtede støjniveauer:

Lydtryksniveau	$L_{pA} = 79,0$ dB(A)
Usikkerhed	K = 3,0 dB
Lydeffektniveau	$L_{WA} = 90,0$ dB(A)
Usikkerhed	K = 2,3 dB

Brug altid høreværn

Totale vibrationsværdier (vektorsum i de tre akser) fastslået i henhold til EN 60745-1, EN 60745-2-15.

Vibrationsemissionsværdi (ah)

Baghåndtag	ah = 3,4 m/s ²
Forhåndtag	ah = 2,6 m/s ²
Usikkerhed	K = 1,5 m/s

**SPM (slag pr. minut) er det antal slag, som plejlstangen udfører på et minut.*

BATTERI OG OPLADER

ECHT-58V

Kompatible batterier	ECBP-58V20 / ECBP-58V40
Kompatibel oplader	ECBC-58VEU and ECBC-58VUK

ADVARSEL!

Vibrationsemissionsniveauet angivet i dette informationsblad er målt i overensstemmelse med en standardiseret testmetode og kan bruges til at sammenligne et værktøj med et andet. Den kan bruges som en foreløbig vurdering af udsættelse.

Det angivne vibrationsemissionsniveau repræsenterer værktøjets hovedanvendelser. Men hvis værktøjet anvendes til andre formål med forskelligt tilbehør eller i dårlig vedligeholdet stand, kan vibrationsemissionen afvige. Dette kan i væsentlig grad forøge udsættelsesniveauet over den samlede arbejdsperiode.

Et overslag over udsættelsesniveauet for vibration bør også tage højde for de tidspunkter, hvor værktøjet er slukket, eller når det kører, men ikke udfører arbejde. Dette kan i betragteligt omfang reducere udsættelsesniveauet over den samlede arbejdsperiode.

Find yderligere sikkerhedsforanstaltninger til at beskytte operatøren mod virkninger af vibration som f.eks.: vedligehold værktøjet og tilbehøret, hold hænderne varme, organisering af arbejdsmønstre.





ADVARSEL!

Alle sikkerhedsadvarsler og alle anvisninger skal læses. Manglende overholdelse af advarselne og anvisningerne kan medføre elektrisk stød, brand og/eller alvorlige personskader.

Gem vejledningen med advarsler og anvisninger til senere opslag.

Med udtrykket "elværktøj" i advarselne henvises til dit lysnet-drevne (via ledning) elværktøj eller batteridrevne (ledningsfri) elværktøj.

GENERELLE SIKKERHEDSADVARSLER

ARBEJDSOMGIVELSER

- **Hold arbejdsområdet rent og godt oplyst.** Rodede eller mørke områder inviterer til ulykker.
- **Brug ikke elværktøjer i eksplosive omgivelser som fx i nærheden af brandbar væske, gas eller støv.** Elværktøjer udløser gnister, som kan antænde støvet eller dampene.
- **Der må ikke være børn og tilskuere i nærheden, når et elværktøj anvendes.** Distractioner kan medføre, at du mister kontrollen.

ELEKTRISK SIKKERHED

- **Elværktøjets elstik skal passe til elnetkontakten.** Elstikket må aldrig modificeres på nogen som helst måde. Undlad brug af adapterstik til jordede (stelforbundne) elværktøjer. Umodificerede elstik og passende elnetkontakter reducerer faren for elektrisk stød.
- **Undgå kropskontakt med jordede eller stelforbundne overflader som fx rør, radiatorer, komfurer og køleskabe.** Der er forøget risiko for elektrisk stød, hvis din krop er forbundet med jord eller stel.
- **Dette produkt må ikke udsættes for regn eller fugt.** Hvis der trænger vand ind i et elværktøj, øges faren for elektrisk stød.
- **Undlad at misbruge ledningen.** Ledningen må aldrig bruges til at bære eller trække i elværktøjet eller til at trække stikket ud. Ledningen må ikke komme i nærheden af varme, olie, skarpe kanter eller bevægelige dele. Beskadede eller sammenfiltrede ledninger øger faren for elektrisk stød.
- **Når et elværktøj anvendes i det fri, skal der bruges en forlængerledning, der er egnet til udendørs brug.** Brug af ledninger beregnet til udendørs brug reducerer faren for elektrisk stød.
- **Hvis man er nødt til at bruge et elværktøj i fugtige omgivelser, skal strømforsyningen have en fejlstrømsafbryder (RCD-afbryder).** Brug af fejlstrømssikring reducerer faren for elektrisk stød.

PERSONLIG SIKKERHED

- **Når man bruger et elværktøj, skal man være agtpågivende, iagttage hvad man gør og bruge sund fornuft. Undlad at bruge et elværktøj, hvis du er træt eller påvirket af narkotika, alkohol eller medikamenter.** Et øjeblikvis uopmærksomhed under brug af motoriserede værktøjer kan medføre alvorlige personskader.
- **Brug personlige værnemidler. Brug altid øjenværn.** Værnemidler som fx støvmaske, skridfast sikkerhedsfodtøj, hjelm eller høreværn anvendt korrekt i forhold til de givne forhold reducerer faren for personskader.
- **Forebyg utilsigtet start. Kontrollér, at kontakten er i pos. OFF (=slukket), inden værktøjet sluttes til strømkilde og/eller batteri, samles op eller bæres.** At bære elværktøjer med fingeren på kontakten eller at slutte strøm til elværktøjer med tændt kontakt er at invitere til ulykker.
- **Fjern evt. skruenøgler, inden der tændes for elværktøjet.** En efterladt skruenøgle fastgjort til en roterende del af elværktøjet kan medføre personskader.
- **Overstræk ikke. Sørg for altid at have godt fodfæste og god balance.** Dette giver bedre kontrol over elværktøjet i uventede situationer.
- **Vær ordentligt klædt på. Bær ikke løftsiddende tøj eller smykker.** Sørg for, at hår, tøj og handsker ikke kommer i nærheden af bevægelige dele. Løstsiddende tøj, smykker eller langt hår kan hænge fast i bevægelige dele.
- **Hvis der findes anordninger for tilslutning af støvudsugnings- og -opsamlingsudstyr, skal disse tilsluttes og anvendes korrekt.** Brug af støvopsamling kan reducere støvrelaterede faremomenter.
- **Lad ikke fortroligheden, der er opstået ud fra hyppig brug af et redskab, påvirke dig til at være tilbagelænet og ignorere sikkerhedsprincipper.** En uforsigtig handling kan forårsage alvorlige personskader på en brøkdel af et sekund.

BRUG OG PLEJE AF ELVÆRKTØJ

- **Undlad at tvinge produktet. Brug elværktøjet til det tiltænkte anvendelsesformål.** Det korrekte elværktøj klarer opgaven bedre og sikrer med den hastighed, det er designet til.
- **Elværktøjet må ikke tages i brug, hvis TÆND/SLUK-kontakten ikke virker.** Et elværktøj, der ikke kan kontrolleres med TÆND/SLUK-kontakten, er farligt og skal repareres.
- **Inden udførelse af justeringer, udskiftning af tilbehør eller opbevaring af elværktøjer skal elstikket trækkes ud af elnetkontakten, og/eller batteriet skal tages ud af elværktøjet.** Disse forebyggende sikkerhedsforanstaltninger reducerer faren for utilsigtet start af elværktøjet.
- **Når elværktøjer ikke bruges, skal de opbevares utilgængeligt for børn; personer, som ikke**

er fortlørlige med elværktøjet eller denne brugsanvisning, må ikke anvende elværktøjet. Elværktøjer er farlige i hænderne på ukyndige brugere.

- **Elværktøjer skal vedligeholdes.** Kontrollér, om der er forkert indjusterede eller forbundne bevægelige dele, afbrækkede dele samt andre tilstande, som kan påvirke elværktøjets funktionsmåde. Hvis der konstateres skader, skal elværktøjet repareres inden brug. Mange ulykker skyldes dårligt vedligeholdte elværktøjer.
- **Skærende værktøjer skal holdes skarpe og rene.** Korrekt vedligeholdte skærende værktøjer med skarpe skær er mindre tilbøjelige til at binde/blokere og er lettere at kontrollere.
- **Brug elværktøjet, tilbehøret og værktøjs-bits osv. som foreskrevet i denne brugsanvisning, og tag højde for arbejdsforholdene og den aktuelle arbejdsopgave.** Brug af elværktøjet i strid med de tiltænkte anvendelsesformål kan medføre farlige situationer.
- **Hold håndtagene og grebfladerne tørre, rene og fri for olie og fedt.** Glatte håndtag og grebflader umuliggør sikker håndtering og kontrol af redskabet i uventede situationer.

BRUG OG PLEJE AF BATTERIVÆRKTØJ

- **Opladning må kun finde sted med den af producenten foreskrevne oplader.** En oplader, der er beregnet til én type batteri, kan udgøre en brandrisiko, hvis den bruges til en anden batteritype.
- **Brug kun elværktøjer sammen med specifikt godkendte batterier.** Brug af andre batterityper kan medføre fare for personskaade og brand.
- **Når batteriet ikke bruges, må det ikke opbevares sammen med metalgenstande som fx papirclips, mønter, nøgler, søm, skruer eller andre metalgenstande, som kan skabe forbindelse mellem batteriets poler.** Hvis batteriets poler kortsluttes, kan det forårsage forbrændinger eller ildebrand.
- **Hvis batteriet misbruges, kan der sprøjte væske ud af det; undgå kontakt med batterivæsken. Ved kontakt med batterivæsken skylles med vand. Hvis der kommer væske i øjnene, søges desuden læge.** Udsprøjtet batterivæske kan forårsage irritation eller forbrændinger.
- **Brug ikke et batteri eller værktøj, der er beskadiget eller modificeret.** Beskadigede eller modificerede batterier kan være ustabile, hvilket kan medføre brand, eksplosion eller personskaade.
- **Udsæt ikke et batteri eller værktøj for brand eller høje temperaturer.** Hvis batterier eller værktøj udsættes for temperaturer over 130 °C, kan det medføre eksplosion.
- **Følg vejledningen for opladning, og oplad ikke batteriet eller værktøjet uden for det temperaturområde, der er angivet i vejledningen.** Forkert opladning eller opladning ved temperaturer

uden for det angivne område kan beskadige batteriet og øge risikoen for brand.

VEDLIGEHODELSE

- **Sørg for, at elværktøjet serviceres af en kvalificeret reparatør, som kun benytter sig af originale reservedele.** Herved garanteres sikkerheden for elproduktet.
- **Efterse aldrig beskadigede batteripakker.** Eftersyn af batteripakker bør kun udføres af producenten eller autoriserede serviceleverandører.

SIKKERHEDSADVARSLER VEDR HÆKKEKLIPPEREN

- **Hold alle legemsdele på afstand af kniven. Forsøg ikke at fjerne afklippet materiale eller holde om materiale, der skal klippes, mens knivene er i bevægelse.** Kontrollér, at kontakten er slukket, når du fjerner fastsiddende materiale. Et øjeblikks uopmærksomhed under anvendelse af produktet kan medføre alvorlige personskaade.
- **Bær hækkeklipperen i håndtaget, mens kniven er standset. Når hækkeklipperen transporteres eller opbevares, skal man altid påsætte skeden.** Korrekt håndtering af hækkeklipperen nedsætter faren for personskaade i forbindelse med knivene.
- **Elværktøjet må kun holdes i de isolerede grebflader, da kniven kan komme i kontakt med skjulte ledninger eller sin egen elledning.** Klinger, som kommer i kontakt med en strømførende ledning, kan gøre udsatte metaldele på elværktøjet strømførende og kan give operatøren elektrisk stød.

EKSTRA SIKKERHEDSADVARSLER

- Nogle områder har regler, som begrænser brugen af produktet til visse formål. Forhør dig hos de lokale myndigheder. Læs alle anvisningerne
- Ryd arbejdsområdet inden hver ibrugtagning. Fjern alle objekter som fx ledninger, lamper, kabler eller snore, som kan blive udslyngtet eller viklet ind i knivene.
- Kontrollér hækken for fremmedlegemer som fx ståltrådshegn.
- Udvis ekstra forsigtighed, når du anvender produktet i nærheden af hegn, pæle, bygninger eller andre faste genstande.
- Pas på udslyngede genstande; hold alle tilskuere, børn og kæledyr mindst 15 m væk fra arbejdsområdet.
- Lad ikke børn eller uskolede personer bruge dette produkt.
- Må ikke anvendes under dårlige lysforhold. Operatøren skal have tydeligt overblik over arbejdsområdet, så han/hun kan identificere evt. faremomenter.



- Når du bruger maskinen, skal du kontrollere, at alle håndtag og skærme er monteret korrekt. Forsøg aldrig at bruge et ukomplet produkt eller et produkt, der er ændret uden godkendelse.
- Inden hver brug skal man kontrollere, at alle betjenings-elementer og alt sikkerhedsudstyr fungerer upåklageligt. Undlad at bruge produktet, hvis motoren ikke kan standses med "SLUK"-kontakten.
- Husk altid at inspicere maskinen inden brug. Kontrollér for løse fastgørelses-elementer. Kontrollér, at alle skærme, og håndtag er fastgjort ordentligt og sikkert. Udskift evt. beskadigede dele inden brug. Kontrollér for batterilækager.
- Du må ikke ændre produktet på nogen måde.
- Benyt fuldt øjen- og høreværn under arbejde med dette produkt. Hvis der arbejdes i et område med fare for nedfaldende genstande, skal der bæres hovedværn.
- Bær kraftige, lange bukser, støvler og handsker. Undlad at bære løstsiddende tøj, korte bukser, smykker af enhver art eller gå barfodet.
- Langt hår skal bindes op over skulderniveau, så det ikke risikerer at vikle sig ind i bevægelige dele.
- Vær opmærksom på, at høreværn begrænser evnen til at høre advarsler (alarmer eller råb). Operatøren skal være ekstra opmærksom på, hvad der sker i arbejdsområdet.
- Brug af lignende værktøjer i nærheden øger både risikoen for høreskader og for, at uvedkommende personer kommer ind i dit arbejdsområde.
- Undlad at bruge dette produkt, hvis du er træt, syg eller påvirket af alkohol, narkotika eller medikamenter.
- Hold et godt fodfæste og balance. Overstræk ikke. Ved at læne sig for langt frem risikerer man at miste balancen og øge risikoen for alvorlige personskader.
- Hold alle legemsdele på afstand af alle bevægelige dele.
- Inden man starter maskinen, skal man sikre sig, at klippeknivene ikke kommer i kontakt med noget.
- Når man benytter hækkeklipperen, skal man altid holde den godt fast med begge hænder og sørge for at stå i en sikker og bekvem arbejdsstilling. Producenten anbefaler ikke, at man benytter skamler eller stiger. Hvis hækkeklipperen skal anvendes højere op, skal man benytte et hertil indrettet redskab, med hvilket man kan forlænge sin rækkevidde.
- Knivene er skarpe. Ved håndtering af knivmodulet skal man benytte skridsikre, kraftige beskyttelseshandsker. Undlad at anbringe hånden eller fingrene mellem knive eller i en position, hvor de kunne blive klemt eller afklippet. Undgå at røre ved kniven eller serviceenheden, før batteriet er taget ud.
- Sluk, og fjern batteripakken Kontrollér, at alle bevægelige dele er standset fuldstændigt:
 - før du går fra produktet

- ingen rengøring eller afhjælpning af en blokering.
- inden justering af arbejdsposition for skæremidler
- inden kontrol, vedligeholdelse eller arbejde på produktet
- Lad være med at tvinge stavhækkeklipperen gennem kraftigt buskads. Dette kan få knivene til at blokere eller køre langsommere. Hvis knivene kører langsommere, reducerer man bevægelsestempoet.
- Forsøg ikke at klippe stammer eller kviste, der er tykkere end 17 mm, eller som tydeligvis er for tykke til at komme ind i klippekniven. Brug en manuel håndsav eller beskæringssav til klipping af lange stammer.
- Brug ikke produktet med beskadigede eller alt for slidte klinger.
- Lad ikke fortroligheden, der er opstået ud fra hyppig brug af et redskab, påvirke dig til at være tilbagelænet og ignorere sikkerhedsprincipper. En uforsigtig handling kan forårsage alvorlige personskader på en brøddel af et sekund.
- For bedste resultat bør man oplade batteriværktøjet i omgivelser, hvor temperaturen er højere end 10 °C men lavere end 38 °C. For at reducere faren for alvorlige personskader må produktet ikke opbevares i det fri eller i køretøjer.



ADVARSEL!

Hvis produktet tabes, udsættes for stød eller begynder at vibrere unormalt, skal man omgående stoppe det og inspicere det for skader eller lokalisere årsagen til vibrationen. Enhver beskadiget del skal repareres ordentligt eller udskiftes på et autoriseret servicecenter.

Aftag batterisættet før der eventuelt udføres arbejde på produktet.

Brugte batterier må ikke bortskaffes som husholdningsaffald eller afbrændes. ECHO's forhandlere tilbyder at modtage gamle batterier for at beskytte miljøet.

Opbevar ikke batteripakken sammen med metalgenstande (risiko for kortslutning).

Brug kun ECBC-58VEU/ECBC-58VUK-lader til opladning af batteripakker.

Brug ikke batteripakker fra andre systemer.

Kompatible batterier: ECBP-58V20, ECBP-58V40

Der kan sive batterisyre ud af beskadigede batterier under ekstrem belastning eller ekstreme temperaturer. I tilfælde af kontakt med batterisyre skal den vaskes af med det samme med vand og sæbe. Skyl i tilfælde af øjenkontakt grundigt med vand i mindst 10 minutter, og søg øjeblikkeligt lægehjælp.



YDERLIGERE SIKKERHEDSADVARSLER OM BATTERI



ADVARSEL!

For at undgå risiko for brand, kvæstelser eller beskadigelse af produktet forårsaget af kortslutning må værktøjet, batteripakken eller opladeren ikke nedsænkes i vand. Sørg ligeledes for, at der ikke trænger væske ind i enhederne og batterierne. Korroderende eller ledende væsker, f.eks. saltvand, bestemte kemikalier, blegestoffer eller produkter, som indeholder blegestoffer, kan forårsage kortslutning.

UUNDGÅELIGE RISICI

Selv om produktet anvendes som foreskrevet, er det stadig umuligt at eliminere visse uundgåelige risikofaktorer fuldstændigt. Følgende risici kan opstå under brug, og operatøren bør være særligt opmærksom for at undgå følgende:

- personskade pga. kontakt med knivene
 - Knivene kan ikke beskyttes, mens der skæres. Kniven skal holdes på afstand af én selv og andre. Sørg for, at klingskærmene er monteret, når produktet ikke er i brug.
- Personskader forårsaget af vibration.
 - Brug altid det rigtige værktøj i forhold til arbejdsopgaven, benyt de hertil indrettede håndtag, og sørg for at begrænse arbejds- og eksponeringstiden.
- Fare for høreskader som følge af eksponering til støj.
 - Benyt høreværn, og begræns eksponering.

RISIKOREDUKTION

Der er rapporteret om, at vibrationer fra håndholdte værktøjer kan være medvirkende til en lidelse kaldet Raynauds syndrom hos visse personer. Symptomerne herpå kan være prikken, følelsesløshed og blegning af fingrene, der normalt viser sig ved kuldepåvirkning. Faktorer som arvelighed, udsættelse for kulde og fugt, kost, rygning og arbejdsvaner menes alle at medvirke til udviklingen af disse symptomer. Der findes forholdsregler, som operatøren kan træffe for at begrænse påvirkningen fra vibrationer:

- Hold kroppen varm i koldt vejr. Brug handsker, så hænder og vrister holdes varme under arbejdet. Der er rapporteret om, at koldt vejr er en væsentlig faktor til Raynauds syndrom.
- Motionér efter hver arbejdsperiode for at øge blodcirkulationen.
- Hold hyppige arbejdspauser. Begræns eksponeringen for vibrationer pr. dag.

Hvis du mærker nogen af symptomerne på denne tilstand, skal du straks ophøre med arbejdet og søge læge.



ADVARSEL!

Længere tids brug af et værktøj kan forårsage - eller forværre - personskader. Når man bruger et værktøj i længere perioder ad gangen, skal man huske at holde hyppige pauser.

TILTÆNK ANVENDELSESFORMÅL

Den batteridrevne hækketrimmer er kun beregnet til udendørsbrug. Af sikkerhedsmæssige årsager skal produktet betjenes med to hænder, så man kan kontrollere det ordentligt.

Produktet er beregnet til privat eller hjemlig brug. Det er beregnet til at klippe og trimme hække, buske og lignende vegetation.

Bør anvendes under tørre, godt oplyste forhold.

Det er IKKE beregnet til klipping af græs, træer eller grene. Det bør ikke bruges til andre formål end hækkeklipping.

Brug ikke produktet til noget formål, der ikke er anført i Tilsiget brug.

KEND PRODUKTET

Se side 6 - 7.

1. Dødemandskontakt
2. Batteri-låseknop
3. Batteri
4. Gashåndtagslås
5. Baghåndtag
6. Gashåndtag (klemmegreb)
7. Oplader
8. Knivdæksel
9. Klinge
10. Sikkerhedsskærm
11. Forhåndtag

TRANSPORT OG OPBEVARING

- Stop produktet, fjern batteriet, og lad begge dele køle af inden opbevaring eller transport.
- Afrens alle fremmedlegemer fra produktet. Opbevar den på et køligt, tørt og godt ventileret sted utilgængeligt for børn. For at være på den sikre side skal batteriet opbevares separat fra hækkeklipperen. Opbevar motorsaven på afstand af ætsende midler som f.eks. havekemikalier og optønings salt. Må ikke opbevares udendørs.
- Beskyt klingens med klingsbeskytteren inden opbevaring af produktet - eller under transport.
- Til transport skal man sikre produktet, så den ikke kan bevæge sig eller vælte; dette for at forebygge personskader eller skader på produktet.

VEDLIGEHOLDELSE



ADVARSEL!

Brug kun ECHO-tilbehør og ECHO-reservedele. I modsat fald er der fare for personskader, dårlig maskinydelse og annullering af garantien. Hvis komponenter skal udskiftes, men ikke er blevet beskrevet, så kontakt et af vores ECHO servicecentre.



ADVARSEL!

Vedligeholdelse kræver stor omhyggelighed og viden og kun bør udføres af en kvalificeret tekniker. Servicing af produktet skal ske på et autoriseret servicecenter. Brug kun originale reservedele fra maskinproducenten i forbindelse med servicearbejde.



ADVARSEL!

Knivene er ekstremt skarpe. For at forebygge personskader skal man være ekstremt forsigtig, når man rengør, smører, monterer eller fjerner knivbeskytteren. Sluk produktet og fjern batteripakken, inden der udføres vedligeholdelses- eller rengøringsarbejde.

- Husk at fjerne batteriet inden justering, vedligeholdelse eller rengøring.
- Man kan selv foretage de justeringer eller reparationer, der er beskrevet i denne brugsanvisning. Til andre reparationsopgaver skal man kontakte den autoriserede servicemontør.
- Produktlegemet og -håndtagene skal rengøres med en blød klud efter hver brug.
- Efter hver brug skal man fjerne affald fra knivene med en stiv børste og derefter forsigtigt påføre rustbeskyttelsesmiddel, inden man genmonterer knivbeskytteren. Producenten anbefaler, at man bruger en rustbeskyttende smøremiddelspray, som fordeles jævnt og reducerer faren for personskade som følge af kontakt med knivene. For information mht. passende sprayprodukt henvises til det lokale autoriserede servicecenter.
- Hvis man evt. ønsker at smøre knivene en smule inden brug, skal man følge ovenstående fremgangsmåde.
- Tjek ofte alle møtrikker, bolte og skruer om de sidder godt fast, og sørg for at produktet fungerer ordentligt. Enhver del, som bliver beskadiget, skal repareres ordentligt eller udskiftes på et autoriseret servicecenter.

BATTERIER

- Batteripakker, der ikke er brugt i et stykke tid, skal genoplades inden brug.

- Temperaturer på mere end 50° C nedsætter batteripakkens ydelse. Undgå lang tids udsættelse for varme eller sol (risiko for overophedning).
- Kontakterne på opladere og batteripakker skal holdes rene.
- For at opnå en optimal levetid for batteripakker skal de oplades fuldstændigt efter brug.
- For at opnå længst muligt batterilevetid skal batteripakken fjernes fra laderen, når den er fuldt opladet.

Hvis batteriet skal opbevares længere end 30 dage:

- Batteriet skal opbevares på et sted, hvor temperaturen er under 27°C, og der ikke findes fugt.
- Batterier bør opbevares i en tilstand, hvor de er 30%-50% opladet.
- Efter seks måneders opbevaring oplades batteriet på normal vis.
- Følg vejledningen for opladning, og oplad ikke batteriet eller værktøjet uden for det temperaturområde, der er angivet i vejledningen. Forkert opladning eller opladning ved temperaturer uden for det angivne område kan beskadige batteriet og øge risikoen for brand.

TRANSPORT AF LITHIUM-BATTERIER

Lithium-ion-batteriet er omfattet af lovgivningen om farligt gods.

Transport af de batterier skal foretaget i overensstemmelse med lokale, nationale og internationale forskrifter og forordninger.

- Brugeren kan transportere batterierne på offentlig vej uden yderligere krav.
- Kommerciel transport af lithium-ion-batterier foretaget af tredjeparter er underlagt forordninger om farligt gods. Forberedelse af transport og selve transporten må kun forestås af behørigt uddannet personale, og processen skal ledsages af relevante fagfolk.

Ved transport af batterier:

- Kontrollér, at batteriets kontaktklemmer er beskyttet og isoleret for at forebygge kortslutning.
- Sørg for, at batteripakken er sikret mod bevægelse inden i emballagen.
- Undlad at transportere batterier med revner eller utætheder.

Rådfrø dig desuden hos speditøren.

SYMBOLER



Sikkerheds Varsel



Alle vejledninger skal læses og forstås, inden produktet benyttes; følg alle advarsler og sikkerhedsinstrukser.



Bær høreværn.



Benyt øjenværn.



Hold altid hækkklipperen med begge hænder under brug.



For at undgå alvorlige personskader må man ikke røre knivene.



Brug friktionsfri, kraftige beskyttelseshandsker.



Må ikke udsættes for regn eller bruges på fugtige steder.



Pas på udslyngede eller flyvende objekter. Sørg for, at tilskuere (især børn og dyr) er mindst 15 m fra arbejdsområdet.



Ukrainsk overensstemmelsesmærke



EurAsian overensstemmelsesmærke



Elektriske affaldsprodukter bør ikke afskaffes sammen med husholdningsaffald. Genbrug venligst hvor faciliteterne tillader dette. Tjek med din lokale kommune eller forhandler for genbrugsråd.



Dette redskab overholder alle lovkrav og standarder i det EU-land, hvor det er købt.



Det garanterede lydtrykniveau vist på denne mærkat er 93 dB.

De følgende ikoner og betydninger er beregnet til at forklare risikoen involveret i at anvende denne enhed.

FARE

Indikerer en meget farlig situation, som hvis ikke undgås, kan føre til alvorlige skader og i værste fald døden.

ADVARSEL

Indikerer en potentielt farlig situation, som hvis ikke undgås, kan føre til alvorlige skader og i værste fald døden.

PAS PA

Indikerer en potentielt farlig situation, som hvis ikke undgås, kan føre til mindre eller moderate skader.

PAS PA

Uden sikkerhedsadvarselssymbol

Indikerer en situation, som kan medføre materiel skade.



TEKNISKA UPPGIFTER

HÄCKTRIMMER

ECHT-58V

EN
FR
DE
ES
IT
NL
PT
DA
SV
FI
NO
RU
PL
CS
HU
RO
LV
LT
ET
HR
SL
SK
BG
UK
TR

Serienummer	94501401000001 - 94501401999999
Hastighet utan belastning	3400 min ⁻¹
Bladets längd	610 mm
Skärlängd	563 mm
Batterispänning	51,1V, 58V MAX
Vikt (med 2,0 Ah batteripaket)	5,5 kg
Vikt (med 4,0 Ah batteripaket)	6,1 kg
Vikt (utan batteri)	4,3 kg

Information om ljud/vibrationer (enligt EN 60745-1, EN 60745-2-15)

A-viktade ljudnivåer:

Ljudtrycksnivå	$L_{pA} = 79,0 \text{ dB(A)}$
Osäkerhet	$K = 3,0 \text{ dB}$
Ljudnivå	$L_{WA} = 90,0 \text{ dB(A)}$
Osäkerhet	$K = 2,3 \text{ dB}$

Använd alltid hörselskydd!

Totala vibrationsvärden (vektorsumma för tre axlar) fastställda enligt EN 60745-1, EN 60745-2-15.

Emissionsvärde vibration (ah)

Bakre handtag	ah = 3,4 m/s ²
Främre handtag	ah = 2,6 m/s ²
Osäkerhet	K = 1,5 m/s

*SPM (slag per minut) är det antal slag som den anslutande kolven utför per minut.

BATTERI OCH BATTERILADDARE

ECHT-58V

Kompatibla batteripaket	ECBP-58V20 / ECBP-58V40
Kompatibel laddare	ECBC-58VEU and ECBC-58VUK

VARNING!

Den nivå för emission av vibrationer som anges på detta informationsblad har uppmätts i enlighet med en standardiserad provningsmetod och kan användas för att jämföra olika verktyg. Den kan användas för en preliminär bedömning av exponering.

Den angivna nivån för emission av vibrationer representerar verktygets huvudsakliga användningsområden. Om verktyget emellertid används i andra tillämpningar, med andra tillbehör eller underhålls bristfälligt, kan emissionen av vibrationer skilja sig från den angivna. Detta kan öka exponeringsnivån under den totala arbetsperioden avsevärt.

En uppskattning av exponeringsnivån för vibrationer bör även ta med i beräkningen de tider då verktyget är avstängt eller när det är igång men inte används i arbete. Detta kan minska exponeringsnivån under den totala arbetsperioden betydligt.

Identifiera ytterligare säkerhetsåtgärder för att skydda operatören från vibrationseffekter, såsom: underhåll av verktyg och tillbehör, håll händerna varma, organisera arbetsrutiner.





VARNING!

Läs alla säkerhetsvarningar och alla instruktioner. Om du inte följer varningarna och anvisningarna kan du orsaka elektrisk stöt, brand och allvarlig skada.

Spara dessa varningar och instruktioner för senare behov.

Termen "kraftverktyg" i varningarna hänvisar till ditt eldrivna (med sladd) verktyg eller ditt batteridrivna (utan sladd) verktyg.

ALLMÄNNA SÄKERHETSFÖRESKRIFTER

ARBETSMILJÖ

- **Håll arbetsområdet rent och välupplyst.** Oordnade och mörka områden inbjuder till olyckor.
- **Använd inte kraftverktyg i explosiva atmosfärer, exempelvis i närheten av brännbara vätskor, gaser eller damm.** Kraftverktyg ger upphov till gnistor vilka kan antända damm eller ångor.
- **Håll barn och åskådare borta när du använder ett kraftverktyg.** Distractioner kan få dig att tappa kontrollen.

ELEKTRISK SÄKERHET

- **Kraftverktygets kontakt måste matcha uttaget. Modifiera inte kontakten på något sätt. Använd inga adapterkontakter med jordade kraftverktyg.** Omodifierade kontakter och matchande uttag minskar risken för elektrisk stöt.
- **Undvik kroppskontakt med jordade ytor, som exempelvis rör, element, spis och kylskåp.** Det föreligger en förhöjd risk för elektrisk stöt om din kropp är jordad.
- **Exponera inte produkten för regn eller våta förhållanden.** Vatten som tränger in i ett kraftverktyg ökar risken för elektrisk stöt.
- **Misshandla inte sladden. Använd aldrig sladden för att bära, dra eller koppla bort kraftverktyget. Håll sladden borta från värme, olja, vassa kanter och rörliga delar.** Skadade eller intrasslade elsladdar ökar risken för elektrisk stöt.
- **Använd en förlängningsladd avsedd för utomhusbruk när du använder kraftverktyget utomhus.** Användning av en sladd lämplig för utomhusbruk minskar risken för elektrisk stöt.
- **Använd en jordfelsbrytare om det är oundvikligt att använda ett kraftverktyg i en fuktig miljö.** Användningen av en jordfelsbrytare minskar risken för elektrisk stöt.

PERSONLIG SÄKERHET

- **Var uppmärksam på vad du gör och använd sunt förnuft när du använder ett kraftverktyg. Använd inte ett kraftverktyg när du är trött eller påverkad**

av droger, alkohol eller mediciner. Ett ögonblicks uppmärksamhet när du använder kraftverktyg kan orsaka allvarlig personskada.

- **Använd skyddsutrustning. Bär alltid ögonskydd.** Skyddsutrustning, som exempelvis andningsskydd, halkskyddade säkerhetsskor, huvudskydd och hörselskydd minskar i tillämpliga fall risken för personsador.
 - **Förhindra oavsiktlig start. Säkerställ att strömbrytaren är i av-läge innan du ansluter till uttaget och/eller batteripaket, innan du lyfter upp verktyget och innan du bär det.** Att bära kraftverktyg med fingret på avtryckaren eller kraftverktyg som är igång bjuder in olyckor.
 - **Ta bort eventuella justerings- eller skiftnycklar innan du startar kraftverktyget.** En skiftnyckel eller justeringsnyckel som lämnas kvar i en roterande del av kraftverktyget kan orsaka personskada.
 - **Sträck dig inte. Ha alltid ett bra fotfäste och en god balans.** Det ger dig bättre kontroll över kraftverktyget i oväntade situationer.
 - **Klä dig korrekt. Använd inte löst åtsittande kläder eller smycken. Håll ditt hår, dina kläder och handskar borta från rörliga delar.** Lösliggande kläder, smycken och långt hår kan fastna i rörliga delar.
 - **Om några uppsamlingsenheter för damm och avfall medföljer ska dessa vara ansluta och användas på ett korrekt sätt.** Användningen av en dammuppsamlare kan minska dammrelaterade faror.
 - **Låt inte den erfarenhet som följer med vana vid verktygsanvändning göra dig oförsiktig och ignorera säkerhetsprinciper för verktygsanvändningen.** En oförsiktig handling kan orsaka allvarlig personskada på bara bråkdelen av en sekund.
- ### ANVÄND OCH TA HAND OM KRAFTVERKTYGET
- **Tvinga inte produkten. Använd rätt kraftverktyg för ditt jobb.** Rätt kraftverktyg gör jobbet bättre och säkrare om det används i den takt som det är designat för.
 - **Använd inte kraftverktyget om strömbrytaren inte fungerar för att stänga av och sätta på verktyget.** Alla kraftverktyg som inte kan kontrolleras med strömbrytaren är farliga och måste repareras.
 - **Koppla bort kontakten från uttaget och/eller ta bort batteripaket från kraftverktyget innan du utför några justeringar, byter ut tillbehör eller förvarar kraftverktyget.** Sådana förebyggande åtgärder minskar risken för att kraftverktyget startar oavsiktligt.
 - **Förvara avstängda kraftverktyg utom räckhåll för barn och låt inte personer som är obekanta med kraftverktyg, eller dessa instruktioner, använda kraftverktyget.** Kraftverktyg är farliga i händerna på otränade användare.
 - **Underhåll dina kraftverktyg. Kontrollera så att inga rörliga delar är felinriktade eller sitter fast, att inga delar har gått sönder samt att ingenting**

annat föreligger som kan påverka kraftverktygets användning. Reparera kraftverktyget innan användning om det är skadat. Många olyckor uppstår på grund av dåligt underhållna kraftverktyg.

- **Håll skärverktyg vassa och rena.** Korrekt underhållna skärverktyg med vassa skärkanter fastnar inte lika lätt och är lättare att kontrollera.
- **Använd kraftverktyget, tillbehören och borrspetsar etc. i enlighet med dessa anvisningar och ta hänsyn till arbetsförhållanden och det jobb som ska utföras.** Användning av kraftverktyget till andra saker än det är avsett för kan resultera i en farlig situation.
- **Håll handtag och grepp torra, rena och fria från olja och smörjfett.** Hala handtag och grepp innebär osäker hantering och dålig kontroll över verktyget i oväntade situationer.

ANVÄNDNING OCH UNDERHÅLL AV BATTERIET

- **Använd endast den batteriladdare som tillverkaren rekommenderar.** En batteriladdare som passar en typ av batteripack kan vara en brandfara om den används med en annan typ av batteripack.
- **Använd eldrivna verktyg med batteripaket som är speciellt utformade för användning tillsammans med produkterna.** Om du använder andra batteripaket ökar du risken för skador och brand.
- **När batteripaketet inte används ska det hållas bort från metallföremål som gem, mynt, nycklar, spikar, skruvar och andra små metallföremål som kan kortsluta batteriets kontakter.** Vid kortslutning av batteriets kontakter finns det risk för brännskador eller brand.
- **Vätska kan läcka ut från batteripacket vid felaktig användning; undvik kontakt med vätskan. Spola med vatten om du kommer i kontakt med den. Uppsök omedelbart läkarhjälp om du får vätska i ögonen.** Den kan orsaka irritation och brännskador.
- **Använd inte en batterienhet eller ett verktyg som är skadat eller har modifierats.** Skadade eller modifierade batterier kan bete sig oförutsägbart, vilket kan leda till brand, explosion eller risk för olycksfall.
- **Utsätt inte en batterienhet eller ett verktyg för eld eller mycket höga temperaturer.** Exponering för eld eller mycket höga temperaturer över 130 °C kan orsaka explosion.
- **Följ alla anvisningar för laddning och ladda inte batterienheten eller verktyget vid en temperatur utanför det intervall som anges i anvisningarna.** Att ladda på felaktigt sätt eller vid temperaturer utanför det angivna intervallet kan skada batteriet och ökar brandrisken.

UNDERHÅLL

- **Låt en kvalificerad serviceperson serva ditt kraftverktyg med identiska utbytesdelar.** Detta säkerställer att kraftverktygets säkerhet bibehålls.
- **Reparera aldrig skadade batteripaket.** Reparation av

batteripaket får endast utföras av tillverkaren eller en auktoriserad serviceverkstad.

SÄKERHETSFORESKRIFTER FÖR HÄCKSAX

- **Se till att alla delar av kroppen hålls på avstånd från skärklingan. Ta inte bort avskuret material och håll inte i material som ska skäras då klingan är i rörelse. Se till att strömbrytaren är avslagen då intrasslat material tas bort.** Ett ögonblick av bristande uppmärksamhet vid användning av produkten kan innebära risk för allvarlig personskada.
- **Bär häcksaxen i handtaget när skärklingan är helt stoppad. Vid transport och förvaring av häcksaxen ska alltid skyddet träs på skärklingan.** Korrekt hantering av häcksaxen kommer att minska risken för personskada från skärklingan.
- **Håll enbart i elverktygets isolerade handtag eftersom skärklingan kan komma i kontakt med "aktiva" ledningar eller sin egen kabel.** Om klingan kommer i kontakt med "aktiv" ledning kan metalldelar exponeras och ge användaren en elektrisk stöt.

YTTERLIGARE SÄKERHETSFORESKRIFTER

- En del regioner har regelverk som begränsar produktens användning till vissa funktioner. Ta kontakt med lokala myndigheter för information. Läs alla anvisningar
- Rensa upp på arbetsområdet innan arbetet påbörjas. Ta bort alla föremål som kablar, lampor, rep eller trådar som kan trasslas in i skärklingan.
- Kontrollera häcken avseende främmande föremål som t.ex. trädstaket etc.
- Var extra försiktig vid användning av produkten nära staket, stolpar, byggnader eller andra fasta föremål.
- Se upp för kringflygande föremål; håll alla åskådare, barn och husdjur på minst 15 meters avstånd.
- Låt inte barn eller icke utbildade personer använda produkten.
- Använd endast i god belysning. Operatören måste ha god överblick över arbetsområdet för att upptäcka potentiella faror.
- Se alltid till att alla handtag och skydd sitter på när maskinen används. Försök aldrig att använda en ofullständig produkt eller en produkt som modifierats på ej auktoriserat sätt.
- Kontrollera före användning så att reglage och säkerhetsanordningar fungerar som de ska. Använd inte produkten om "Off"-läget inte stoppar motorn.
- Se över maskinen inför varje användning. Kontrollera lösa fästen. Se till att alla skydd och handtag sitter fast ordentligt. Byt ut eventuella skadade delar före

användning. Kontrollera läckor från batteriet.

- Ändra inte produkten på något sätt.
- Använd alltid ögon- och hörselskydd vid användning av produkten. Skyddshjälm ska användas på platser där det finns risk för fallande föremål.
- Bär grova, långa byxor, stövlar och handskar. Bär inte löst sittande kläder, korta byxor eller smycken. Ha skor på fötterna.
- Sätt upp hår som är längre än till axlarna så att det inte trasslas in i rörliga delar.
- När du använder hörselskydd minskar din förmåga att uppfatta varningar (skrik och alarm). Du måste vara extra uppmärksam på vad som sker i arbetsområdet.
- Användning av liknande maskiner i närheten ökar risken för både hörselskador och för andra personer i närheten av arbetsområdet.
- Använd inte produkten om du är trött, sjuk eller påverkad av alkohol, droger eller medicin.
- Bibehåll ett bra fotfäste och bra balans. Sträck dig inte. Sträcker du dig för långt finns risk att du tappar balansen och orsakar allvarlig personskada.
- Håll alla kroppsdelar borta från rörliga delar.
- Innan maskinen startas ska du se till att skärklingan inte är i kontakt med något.
- Vid användning av häcksaxen ska den hållas fast med båda händerna på handtagen och arbetsläget ska vara säkert och tryggt. Tillverkaren rekommenderar inte användning av stegar eller trappor. Om det ska klippas på högre höjd ska förlängningstillbehör användas.
- Bladen är vassa. Vid hantering av klingan ska du använda halkfria, grova skyddshandskar. Placera inte händer eller fingrar mellan bladen eller på något ställe där de kan klämmas eller skäras. Rör inte blad eller serviceenheten såvida inte batteriet är fränkopplat.
- Stäng av och plocka ur batteripaketet. Se till att samtliga rörliga delar har stannat helt:
 - innan produkten lämnas utan uppsikt
 - före rengöring eller rensning av ett stopp
 - innan du ändrar arbetsläge för skärmekanismen
 - före kontroll av, rengöring av eller arbete med produkten
- Tvinga inte produkten igenom grova buskar. Detta kan orsaka att knivbladen fastnar och saktar ned. Om knivarna saktar ned, reducera hastigheten
- Försök inte klippa stammar eller grenar som är tjockare än 17 mm, eller de som uppenbarligen är för grova för att få in i skärbladet. Använd en ej motordriven handsåg för att kapa grova stammar.
- Använd inte denna produkt med skadade eller mycket slitna blad.
- Låt inte den erfarenhet som följer med vana vid verktygsanvändning göra dig oförsiktig och ignorera

säkerhetsprinciper för verktygsanvändningen. En oförsiktig handling kan orsaka allvarlig personskada på bara bråkdelen av en sekund.

- För bästa resultat bör dina batteriverktyg laddas på en plats där temperaturen är mellan 10 °C och 38 °C. För att minska risken för allvarlig skada ska produkten inte förvaras utomhus eller i bilar.



VARNING!

Om produkten tappas, utsätts för hårda slag eller börjar vibrera onormalt mycket ska produkten omedelbart stoppas och kontrolleras för eventuella skador eller orsak till vibrationerna. Eventuella skador ska repareras ordentligt eller bytas ut av ett auktoriserat servicecenter.

Ta bort batteripaketet innan du påbörjar arbete på produkten.

Kasta inte förbrukade batterier i hushållssoporna eller genom att bränna dem. ECHO Distributors erbjuder sig att ta hand om gamla batterier för att skydda vår miljö.

Förvara inte batteripaketet tillsammans med metallföremål (risk för kortslutning).

Använd endast laddaren ECBC-58VEU/ECBC-58VUK för att ladda batteripaketet.

Använd inte batteripaket från andra system.

Kompatibla batteripaket: ECBP-58V20, ECBP-58V40

Vid extrem belastning eller extrema temperaturer kan battersyra läcka från skadade batterier. Vid kontakt med battersyra, tvätta bort den omedelbart med tvål och vatten. Vid ögonkontakt, skölj noggrant under minst 10 minuter och uppsök omedelbart läkarvård.

YTTERLIGARE SÄKERHETSVARNINGAR FÖR BATTERIER



VARNING!

För att undvika den fara för brand, personskador eller produktskador som orsakas av en kortslutning, doppa inte ner verktyget, utbytesbatteriet eller laddaren i vätskor och se till att ingen vätska kan tränga in i apparaterna eller batterierna. Korroderande eller ledande vätskor, som saltvatten, vissa kemikalier, blekningsmedel eller produkter som innehåller blekmedel, kan orsaka en kortslutning.

KVARSTÅENDE RISKER

Även om produkten används enligt instruktionerna går det inte att eliminera alla eventuella riskfaktorer. Följande risker kan uppkomma under bruk och användaren ska vara extra uppmärksam för att undvika följande:

- Skada från kontakt med skärkniven
 - Bladen kan inte skyddas under kapning. Håll bladet

borta från dig själv och andra. Se till att bladskydden sitter på när produkten inte används.

- Skada orsakad av vibration.
 - Använd alltid rätt verktyg för arbetet, håll ordentligt i handtagen och begränsa arbetstid och exponering.
- Hörselskada orsakad av oljud.
 - Använd hörselskydd och begränsa exponeringen.

RISKMINSKNING

Det finns rapporter om att vibrationer från handhållna verktyg kan bidra till ett tillstånd som kallas Raynauds syndrom för vissa personer. Symptomen brukar vara att det sticker i fingrarna och att de domnar bort; fingrarna kan också bli vita, särskilt vid kyla. Årftliga faktorer, kyla och fukt, diet, rökning och arbetsrutiner tros alla bidra till att orsaka dessa symptom. Det finns förebyggande åtgärder som du kan vidta för att försöka minska vibrationernas påverkan:

- Håll dig varm när du arbetar i kallt väder. Använd handskar för att hålla händer och handleder varma under användning. Kyla har rapporterats som en viktig del i utvecklandet av Raynauds syndrom.
- Träna och rör på dig efter varje användningstillfälle för att öka blodcirkulationen.
- Ta ofta pauser från arbetet. Begränsa tiden du utsätter dig för varje dag.

Upphör omedelbart om du upplever några av dessa symptom och uppsök din läkare.



VARNING!

Risk för person- eller slitageskador vid användning av verktyget under lång tid. Om verktyget används under längre perioder krävs regelbundna pauser.

ANVÄNDINGSOMRÅDE

Den sladdlösa häcktrimmern är endast avsedd för användning utomhus. Av säkerhetsskäl ska båda händerna användas för korrekt manövrering av produkten.

Produkten är avsedd för hemma- eller privat bruk. Det är avsett för att skära och trimma häckar, buskar och liknande växtlighet.

Det ska användas under torra, väl belysta förhållanden.

Det är INTE avsett för att klippa gräs, kapa träd eller skära grenar. Det ska inte användas för något annat än att klippa eller trimma häckar.

Använd inte produkten för något syfte som inte tagits upp under "Avsedd användning".

LÄR KÄNNA PRODUKTEN

Se sida 6 - 7.

1. Brytare för operatörs närvaro

2. Knapp för batterispärr
3. Batteri
4. Gasreglagets spärr
5. Bakre handtag
6. Avtryckare med hastighetsreglage
7. Batteriladdare
8. Bladskydd
9. Blad
10. Skyddskåpa
11. Främre handtag

TRANSPORT OCH FÖRVARING

- Stoppa produkten, ta ur batteriet och låt de båda svalna före transport eller förvaring.
- Ta bort allt främmande material från produkten. Förvara den svalt och välventilerat på en plats där barn inte kan komma åt den. För extra säkerhet, förvara batteriet separat från häcktrimmern. Förvara på avstånd från frätande medel, t.ex. trädgårdskemikalier och vägsalt. Förvara den inte utomhus.
- Täck bladet med bladskyddet innan du förvarar eller transporterar enheten.
- Vid transport ska produkten säkras mot rörelser eller fallande för att förhindra personskador eller att produkten skadas.

UNDERHÅLL



VARNING!

Använd endast tillbehör och reservdelar från ECHO. Om inte kan det eventuellt orsaka skador, sämre resultat och kan upphäva garantin. Om komponenter som inte har beskrivits här behöver ersättas, var vänlig kontakta en av våra ECHO serviceverkstäder.



VARNING!

Att serva produkten kräver extrem försiktighet och kunskap och bör endast utföras av en kvalificerad servicetekniker. Vid service ska produkten lämnas till auktoriserat servicecenter. Under servicearbete ska enbart tillverkarens originaltillbehör användas.



VARNING!

Skärbladen är extremt vassa. För att förhindra personskador ska stor försiktighet iakttagas vid rengöring, smörjning och anpassning eller borttagning av bladskyddet. Slå från och ta bort batterierna innan du utför något underhålls- eller rengöringsarbete.

- Ta bort batteriet före justeringar, underhåll och rengöring.
- Du får enbart göra justeringar eller reparationer som nämns i denna manual. För alla andra reparationer ska godkänt servicecenter kontaktas.

- Efter varje användning ska produktens yttre och handtag rengöras med en torr, mjuk trasa.
- Efter varje användning ska skräp rensas bort från bladen med en styv borste, rostskyddsmedel appliceras och bladskyddet fästas på nytt. Tillverkaren rekommenderar användning av rostskyddsmedel i sprayform för jämn fördelning och mindre skaderisk vid kontakt med bladen. Information om lämpligt rostskyddsspray finns hos auktoriserat servicecenter.
- Om du vill smörja bladen före användning ska samma metod användas.
- För att vara säker på att produkten är säker att använda, kontrollera alla muttrar, bultar och skruvar regelbundet för att säkerställa att de är åtdragna ordentligt. Skadade delar skall repareras ordentligt eller bytas ut av en auktoriserad servicefirma.

BATTERIER

- Batteripaket som inte har använts under någon tid skall laddas före användning.
- Temperaturer över 50°C (122°F) minskar batteripaketets prestanda. Undvik långvarig exponering för värme eller solljus (risk för överhettning).
- Laddarna och batteriernas kontakter måste hållas rena.
- För optimal livslängd skall batteripaketen laddas upp helt och hållet efter användning.
- För att få längsta möjliga batterilivslängd, avlägsna batteriet från laddaren när det är fulladdat.

Vid förvaring längre än 30 dagar:

- Förvara batteripaketet där temperaturen är under 27°C och där det inte är fuktigt.
- Förvara batteripack med 30%-50% laddning.
- Ladda batteripaketet som vanligt var 6:e månad.
- Följ alla anvisningar för laddning och ladda inte batterienheten eller verktyget vid en temperatur utanför det intervall som anges i anvisningarna. Att ladda på felaktigt sätt eller vid temperaturer utanför det angivna intervallet kan skada batteriet och ökar brandrisken.

TRANSPORTERA LITIUMBATTERIER

Litiumionbatteriet ska hanteras som farligt gods.

Transport av dessa batterier måste ske i enlighet med lokala, nationella och internationella bestämmelser och föreskrifter.

- Användaren kan transportera batterierna på väg utan ytterligare krav.
- Kommersiell transport av litiumjon-batterier genom tredje part lyder under bestämmelser om farligt gods. Transportförberedelse och transport får enbart utföras av därför utbildade personer och processen ska övervakas av motsvarande experter.

Vid transport av batterier:

- Se till att batteriernas kontakterminaler är skyddade och isolerade så att kortslutning förhindras.
- Säkerställ att batteripaketet inte kan röra sig inuti förpackningen.
- Transportera aldrig batterier som har spruckit eller som läcker.

Kontrollera med det transporterande företaget för vidare rådgivning.

SYMBOLER



Säkerhetsvarning



Läs igenom och var införstådd med alla instruktioner före användning av produkten, var uppmärksam på alla varningar och säkerhetsinstruktioner.



Använd hörselskydd.



Bär ögonskydd.



Håll alltid häcktrimmern med båda händerna när du använder den.



För att undvika allvarlig personskada ska inte skärbladen vidröras.



Använd kraftiga, halkskyddade handskar.



Utsätt inte för regn eller våta omgivelningar.



Se upp med kringkastade eller flygande föremål. Håll alla åskådare, barn och husdjur på minst 15 meters avstånd från arbetsområdet.



Ukrainskt märke för överensstämmelse



EurAsian överensstämmelsesymbol



Gamla elektroniska produkter ska inte kastas med hushållsoporna. Återvinn där sådana faciliteter finns. Kontrollera med din lokala myndighet eller säljaren för att få återvinningstips.



Detta verktyg uppfyller alla standarder i de EU-länder där det kan köpas.



Den garanterade ljudnivån som visas på denna etikett är 93 dB.

Följande signalord och betydelser är tänkta att förklara de olika risknivåerna som är associerade med denna produkt.

⚠ FARA

Indikerar en överhängande farlig situation som kan, om den inte undviks, resultera i dödsfall eller allvarlig skada.

⚠ VARNING

Indikerar en potentiellt farlig situation som kan, om den inte undviks, resultera i dödsfall eller allvarlig skada.

⚠ PÅMINNELSE

Indikerar en potentiellt farlig situation som kan, om den inte undviks, resultera i mindre eller medelstora skador.

PÅMINNELSE

Utan säkerhetssymbol

Visar på en situation som kan orsaka skada på egendom.

EN
FR
DE
ES
IT
NL
PT
DA
SV
FI
NO
RU
PL
CS
HU
RO
LV
LT
ET
HR
SL
SK
BG
UK
TR



**TEKNISET TIEDOT****PENSASLEIKKURI****ECHT-58V**

Sarjanumero	94501401000001 - 94501401999999
Nopeus ilman kuormaa	3400 min ⁻¹
Terän pituus	610 mm
Leikkuupituus	563 mm
Akkujännite	51,1V, 58V MAX
Paino (2,0 Ah akkupaketilla)	5,5 kg
Paino (4,0 Ah akkupaketilla)	6,1 kg
Paino (ilman akkua)	4,3 kg

Melu/tärinätiedot (standardin EN 60745-1, EN 60745-2-15 mukaisesti)

A-painotetut äänenpainetasot:

Äänipaine	$L_{pA} = 79,0 \text{ dB(A)}$
Epätarkkuus	$K = 3,0 \text{ dB}$
Äänenteho	$L_{WA} = 90,0 \text{ dB(A)}$
Epätarkkuus	$K = 2,3 \text{ dB}$

Käytä aina kuulosuojaimia!

Kokonaistärinäarvot (vektorisumma kolmella akselilla) määritelty EN 60745-1, EN 60745-2-15 standardin mukaisesti.

Tärinäpäästöarvo (ah)

Takakädensija	ah = 3,4 m/s ²
Etukädensija	ah = 2,6 m/s ²
Epätarkkuus	K = 1,5 m/s

***SPM (iskua minuutissa) on määrä iskuja, jotka kiertokanki antaa yhdessä minuutissa.**

AKKU JA LATURI**ECHT-58V**

Yhteensopivat akut	ECBP-58V20 / ECBP-58V40
Yhteensopiva laturi	ECBC-58VEU and ECBC-58VUK

**VAROITUS!**

Tässä tietolehtisessä annettu tärinäpäästöarvo on mitattu standardoidulla testimenetelmällä ja sitä voidaan käyttää työkalun vertaamiseen toiseen työkaluun. Sitä voidaan käyttää altistumisen alustavaan arvioimiseen.

Ilmoitettu tärinäpäästöarvo vastaa työkalun pääkäyttötarkoituksia. Jos työkalua käytetään eri käyttötarkoituksiin, eri tarvikkeilla tai huonosti huollettuna, tärinäpäästö voi vaihdella. Se saattaa huomattavasti nostaa altistumistasoa kokonaistyöjakson aikana.

Tärinän altistumistason arviointi tulisi ottaa myös huomioon silloin, kun työkalu on kytketty pois päältä tai kun se on käynnissä mutta sitä ei varsinaisesti käytetä. Se saattaa huomattavasti vähentää altistumistasoa kokonaistyöjakson aikana.

Tunnista lisäturvatoimenpiteet käyttäjän suojelemiseksi tärinän vaikutuksilta, kuten: työkalun ja tarvikkeiden käsitteleminen, käsien lämpimänä pitäminen, työjärjestelyiden organisointi.





VAROITUS!

Lue kaikki turvallisuusvaroitukset ja ohjeet. Varoitusten ja ohjeiden laiminlyönnistä voi seurata sähköisku, tulipalo ja/tai vakava loukkaantuminen.

Säilytä nämä varoitukset ja ohjeet myöhempiä tarvetta varten.

Sana "sähkötyökalu" viittaa varoituksissa verkkovirta- (langalliseen) tai akkukäyttöiseen (langattomaan) sähkötyökaluun.

YLEISET TURVALLISUUSVAROITUKSET

TYÖYMPÄRISTÖ

- Pidä työalue siistinä ja valoosana. Epäjärjestyksessä olevat ja pimeät alueet myötävaikuttavat onnettomuuksiin.
- Älä käytä sähkötyökalua räjähdysalttiissa paikoissa, kuten helposti syttyvien nesteiden tai kaasujen tai pölyn läheisyydessä. Sähkötyökalut kipinöivät, mikä saattaa sytyttää pölyn tai höyryt.
- Pidä lapset ja sivulliset loitolla, kun käytät sähkötyökaluja. Häiriöt voivat saada koneen riistätymään hallinnasta.

SÄHKÖTURVALLISUUS

- Pistokkeen on sovittava pistorasiaan. Älä koskaan muunna pistoketta millään tavalla. Älä käytä maadoitettujen sähkötyökalujen kanssa minkäänlaisia sovintipistokkeita. Alkuperäiset pistokkeet ja niitä vastaavat pistorasiat pienentävät sähköiskun vaaraa.
- Älä kosketa maadoitettuihin pintoihin, kuten putkiin, lämpöpattereihin, helioihin tai jääkaappeihin. Jos ruumiisi on maadoitettu, sähköiskun vaara on suurempi.
- Älä altista tuotetta sateelle tai kosteudelle. Sähkötyökaluun joutunut vesi kasvattaa sähköiskun vaaraa.
- Pidä huolta sähköjohdosta. Älä koskaan kannata tai vedä sähkötyökalua johdosta tai irrota pistoketta johdosta vetämällä. Pidä johto etäällä kuumista paikoista, öljyistä, terävistä kulmista ja liikkuvista osista. Vioittunut tai takkuinen johto lisää sähköiskun vaaraa.
- Kun käytät sähkötyökalua ulkotiloissa, käytä ulkokäyttöön sopivaa jatkojohtoa. Ulkokäyttöön sopivan johdon käyttö pienentää sähköiskun vaaraa.
- Jos sähkötyökalua on pakko käyttää kosteissa tiloissa, käytä jäännösvirtalaitteella (RCD) suojattua pistorasiaa. RCD:n käyttö pienentää sähköiskun vaaraa.

KÄYTTÄJÄN TURVALLISUUS

- Ole valpas, katso mitä teet ja käytä maalaisjärkeä, kun käytät sähkötyökalua. Älä käytä sähkötyökalua

väsyneenä tai huumeiden, alkoholin tai lääkkeiden vaikutuksen alaisena. Tarkkaamattomuus sähkötyökalua käytettäessä saattaa johtaa vakavaan loukkaantumiseen.

- Käytä henkilökohtaisia suojavarusteita. Käytä aina suojalaseja. Suojalaitteet, kuten pölynaamari, luistamattomat suojakengät, kypärä ja kuulosuojaimet vähentävät loukkaantumisen vaaraa.
- Älä anna koneen käynnistyä vahingossa. Varmista, että katkaisin on poissa päältä, ennen kuin kytket koneen virtalähteeseen ja/tai akkuun ja ennen kuin nostat tai kannat konetta. Sähkötyökalun kantaminen sormi katkaisimella ja virran kytkeminen koneeseen, joka on päällä, saattaa johtaa onnettomuuksiin.
- Irrota säätöavaimet ja jakoavaimet ennen sähkötyökalun käynnistystä. Sähkötyökalun pyöryvään osaan jätetty jako- tai säätöavain saattaa johtaa loukkaantumiseen.
- Älä kurkota liian pitkälle. Pysytkte tukevasti jaloillasi äläkä kurkota käsivartta liian kauas. Tällöin sähkötyökalua on helpompi hallita odottamattomissa tilanteissa.
- Älä pukeudu väliin vaatteisiin, kravattiin tai koruihin, jotka voivat juuttua liikkuviin osiin. Älä käytä väliä vaatteita tai koruja. Pidä hiukset, vaatteet ja käsineet etäällä liikkuvista osista. Löysät vaatteet, korut ja pitkät hiukset saattavat tarttua liikkuviin osiin.
- Jos laitetta varten on pölynpoisto- ja keräyslaite, kytke se asianmukaisesti ja käytä sitä oikein. Pölyn kerääminen voi vähentää pölyyn liittyviä vaaroja.
- Älä ole huolimaton ja laiminlyö turvaohjeita vain siksi, että olet kokenut muiden laitteiden käytössä. Huolimaton toiminto voi aiheuttaa välittömän loukkaantumisen.

SÄHKÖTYÖKALUN KÄYTTÖ JA HUOLTO

- Älä pakota tuotetta. Käytä työhön sopivaa sähkötyökalua. Asianmukainen sähkötyökalu hoitaa työt paremmin ja turvallisemmin sillä vauhilla, jota varten se on suunniteltu.
- Älä käytä sähkötyökalua, jos se ei käynnisty ja sammu katkaisimesta. Jos sähkötyökalua ei voida hallita katkaisimella, se on vaarallinen ja vaatii korjaamista.
- Irrota pistoke virranlähteestä ja/tai akku työkoneesta, ennen kuin teet säätöjä, vaihdat varusteita tai varastoit koneen. Tällaiset varoimet pienentävät sitä vaaraa, että kone käynnistyy vahingossa.
- Varastoi sähkötyökalu pois lasten ulottuvilta äläkä anna kenenkään, joka ei tunne työkonetta tai näitä ohjeita, käyttää sitä. Sähkötyökalut ovat vaarallisia kouluttamattomien käyttäjien käsissä.
- Huolla sähkötyökalut. Tarkista, että liikkuvat osat on kohdistettu oikein ja että ne liikkuvat kunnolla,

että osia ei ole rikkoutunut ja että mikään muu seikka ei häiritse sähkötyökalun toimintaa. Jos sähkötyökalu vioittuu, korjaa se ennen käyttöä. Onnettomuudet johtuvat usein sähkötyökalujen huonosta huollosta.

- **Pidä leikkuutyökalut terävinä ja puhtaina.** Asianmukaisesti huolletut leikkuutyökalut, joiden leikkuupinnat ovat teräviä, eivät jumiuudu helposti ja niitä on helppo hallita.
- **Käytä työkonetta, lisävarusteita, teriä jne. näiden ohjeiden mukaisesti, ja huomioi työolosuhteet ja tehtävän työn laatu.** Työkoneen käyttö muuhun kuin sille tarkoitettuun työhön voi aiheuttaa vaarallisia tilanteita.
- **Pidä kädensijat ja tartuntapinnat kuivina ja puhtaina liasta, öljystä ja rasvasta.** Liukkaat kahvat ja tartuntapinnat tekevät käytöstä vaarallista, eikä laitetta voi hallita odottamattomissa tilanteissa.

AKKUKÄYTTÖISEN TYÖKALUN KÄYTTÖ JA HOITO

- **Käytä lataukseen ainoastaan valmistajan suosittelemaa laturia.** Yhden tyyppiselle akulle sopivan laturin käyttö toisenlaisen akun kanssa voi olla vaarallista.
- **Käytä sähkötyökalua ainoastaan sitä varten suunniteltujen akkujen kanssa.** Muiden akkujen käyttö voi johtaa loukkaantumiseen ja tulipaloon.
- **Kun akkua ei käytetä, pidä se erillään metalliesineistä, kuten paperiliittimistä, kolikoista, avaimista, nautoista, ruuveista ja muista pienistä metalliesineistä, jotka voivat yhdistää akun navat.** Akun napojen oikosulkeminen voi aiheuttaa palovammoja ja tulipalon.
- **Jos akkua käsitellään väärin, siitä voi vuotaa nestettä; älä kosketa sitä. Jos kosketat sitä vahingossa, huuhtelee se vedellä. Jos nestettä pääsee silmiin, hakeudu lisäksi lääkärin hoitoon.** Akusta vuotanut neste voi ärsyttää ihoa ja aiheuttaa palovammoja.
- **Vaurioitunutta tai muunneltua akkua tai työkalua ei saa käyttää.** Vaurioituneet tai muunnellut akut voivat käyttäytyä odottamattomasti, ja ne voivat johtaa tulipaloon, räjähdykseen, varaan tai tapaturmaan.
- **Älä altista akkua tai työkalua tulelle tai liian korkealle lämpötilalle.** Tullelle tai yli 130°C:n lämpötilalle altistuminen voi johtaa räjähdykseen.
- **Noudata kaikkia latausohjeita äläkä lataa akkua tai työkalua muissa kuin ohjeissa määritellyissä lämpötilaolosuhteissa.** Virheellinen lataus tai määritellyistä poikkeavat lämpötilat saattavat johtaa akun vaurioitumiseen ja lisätä tulipalon vaaraa.

HUOLTO

- **Huollata työkonetta pätevällä huoltomiehellä, joka käyttää ainoastaan asianmukaisia varaosia.** Tämä varmistaa, että sähkötyökalu on turvallinen.
- **Vaurioituneita akkuja ei koskaan saa huoltaa.**

Akkua saa huoltaa vain valmistaja tai valtuutettu huoltoilike.

PENSASLEIKKURIN TURVALLISUUSVAROITUKSET

- **Älä kosketa leikkuuterää millään ruumiinosalla. Älä poista leikkuumateriaalia tai pitele sitä terien liikuessa. Varmista, että kytkin on poissa päältä jumittunutta materiaalia poistettaessa.** Tarkkaamattomuus tuotetta käytettäessä saattaa johtaa vakavaan loukkaantumiseen.
- **Kannapensasleikkuriahkavastateräpysähdyksissä. Kun kuljetat pensasleikkuria tai varastoit sen, käytä aina leikkurinsuojusta.** Pensasleikkurin asianmukainen käsitteleminen ehkäisee leikkuuterän aiheuttamaa loukkaantumisen vaaraa.
- **Pitele sähkötyökalua ainoastaan eristetyistä kosketuspinnista, sillä leikkuuterä saattaa osua kätkettyihin johtoihin tai omaan johtoonsa.** Jos leikkuuterä osuu sähköistettyyn johtoon, sähkötyökalun paljaat metalliosat sähköistyvät ja voivat aiheuttaa käyttäjälle sähköiskun.

MUITA TURVALLISUUSVAROITUKSIA

- Joillain alueilla vallitsee säädöksiä, jotka rajoittavat tämän tuotteen käyttöä joissain toiminnoissa. Pyydä paikallisilta viranomaisilta neuvoa. Lue kaikki ohjeet.
- Siivoa työalue ennen jokaista käyttöä. Poista kaikki sellaiset esineet, kuten johdot, valot ja langat, jotka voivat singota tai tarttua terään.
- Tarkista pensasaita vieraskappaleiden, kuten lanka-aidan, varalta.
- Noudata erityistä varovaisuutta, kun käytät laitetta aitausten, pylväiden, rakennusten ja vastaavien kiinteiden rakenteiden lähellä.
- Varo sinkoilevia kappaleita; pidä kaikki sivulliset, lapset ja lemmikit vähintään 15 metrin päässä työalueesta.
- Älä anna lasten tai kouluttamattomien henkilöiden käyttää tätä tuotetta.
- Älä käytä tätä työkalua huonosti valaistussa paikassa. Käyttäjällä on oltava esteetön näkyvyys työalueelle, jotta hän näkee mahdolliset vaaratekijät.
- Tarkista aina, että kaikki kahvat ja suojukset ovat paikoillaan ennen käyttöä. Älä koskaan yritä käyttää puutteellista tai luvattomasti muokattua tuotetta.
- Varmista aina ennen käyttöä, että kaikki hallinta- ja turvallisuuslaitteet toimivat asianmukaisesti. Älä käytä tuotetta, jos Off-kytkin ei sammuta moottoria.
- Tarkista laite aina ennen käyttöä. Tarkista liitäntöjen kireys. Varmista, että kaikki suojukset ja kädensijat on kiinnitetty tukevasti. Vaihda kaikki vioittuneet osat ennen käyttöä. Tarkista, onko akussa vuotoja.



- Älä muokkaa tuotetta millään tapaa.
- Käytä tuotetta käyttäessäsi täysisiä suojalaseja ja kuulosuojaimia. Suojakypärää on käytettävä alueilla, joissa on putoavien kappaleiden vaara.
- Käytä paksuja pitkiä housuja, saappaita ja käsineitä. Älä käytä löysiä vaatteita, shortseja tai minkäänlaisia koruja tai kulje paljasjaloin.
- Sido pitkät hiukset hartioiden yläpuolelle, jotta ne eivät pääse tarttumaan liikkuviin osiin.
- Kuulosuojaimet vaikeuttavat varoitusten kuulemistä (hälytyksiä ja huutoja). Käyttäjän on kiinnitettävä enemmän huomiota siihen, mitä työalueella tapahtuu.
- Samankaltaisten laitteiden käyttö lähettyvillä kasvattaa kuulovaurion riskiä sekä vaaraa, että joku muu tulee työalueellesi.
- Älä käytä tätä tuotetta väsyneenä, sairaana tai huumeiden, alkoholin tai lääkkeiden vaikutuksen alaisena.
- Pidä vakaa tasapaino. Älä kurkota liian pitkälle. Liian pitkälle kurottelu voi johtaa tasapainon menetykseen ja vakavaan loukkaantumiseen.
- Pidä kaikki ruumiinosat kaukana liikkuvista osista.
- Varmista ennen laitteen käynnistämistä, että leikkuuterät eivät pääse koskettamaan mitään.
- Kun käytät pensasleikkuria, pitele sitä aina tukevasti molemmin käsin molemmista kahvoista ja varmista, että käyttöasento on turvallinen ja vakaa. Valmistaja ei suosittele tuotteen käyttöä tikkailla. Jos trimmausta on suoritettava korkeammalla, käytä jatkolaitetta.
- Terät ovat teräviä. Käytä teräkokooppaosa käsitellessäsi luisumattomia raskaan käytön suojakäsineitä. Älä aseta kättä tai sormia terien väliin tai mihinkään, missä ne voivat joutua puristuksiin tai leikkaantua. Älä koskaan kosketa terää tai korjaa yksikköä poistamatta ensin akkua.
- Katkaise virta ja irrota akku. Varmista, että kaikki liikkuvat osat ovat pysähtyneet täysin:
 - ennen laitteen luota poistamista
 - ennen tukoksen poistamista.
 - ennen leikkuuvälineiden työasennon säätämistä
 - ennen tuotteen tarkastusta, ylläpitoa ja huoltoa
- Älä pakota laitetta vahvan pensaikon läpi. Tämä voi saada terän tarttumaan ja hidastumaan. Jos terät hidastuvat, hidasta tahtia.
- Älä yritä leikata runkoja tai oksia, jotka ovat paksumpia kuin 17 mm tai selvästi liian suuria leikkuuterälle. Trimmaa paksimmat varret käsikäyttöisellä sahalla tai karsintasahalla.
- Älä käytä laitetta, jos terät ovat vahingoittuneet tai voimakkaasti kuluneet.
- Älä ole huolimaton ja laiminlyö turvaohjeita vain siksi, että olet kokenut muiden laitteiden käytössä.

Huolimaton toiminto voi aiheuttaa välittömän loukkaantumisen.

- Parhaat tulokset syntyvät, kun akku ladataan paikassa, jonka lämpötila on välillä 10–38 °C. Älä säilytä akkua ulkona tai ajoneuvoissa, jotta loukkaantumisen vaara pienenee.



VAROITUS!

Jos tuote putoaa, saa kovan iskun tai alkaa tärähtää normaalia enemmän, sammuta se heti ja tarkista se vaurioiden varalta tai paikanna tärinän syy. Valtuutetun huoltopisteen on korjattava tai vaihdettava vaurioituneet osat asianmukaisesti.

Irrota akkuyksikkö laitteesta ennen kuin teet siihen mitään toimenpiteitä.

Älä hävitä akkuja talousjätteiden seassa tai polttamalla. ECHO:n tuotejakeelijat ottavat takaisin vanhat akut ympäristön suojelemiseksi.

Älä säilytä akkupakettia metallisten esineiden kanssa (oikosulkuriski).

Lataa akkupaketit vain ECBC-58VEU/ECBC-58VUK -laturilla.

Älä käytä muiden järjestelmien akkupaketteja.

Yhteensopivat akut: ECBP-58V20, ECBP-58V40

Akkuhappoa saattaa vuotaa viallisista akuista äärimmäisten kuormitusten tai lämpötilojen vuoksi. Jos joudut kosketuksiin akkuhapon kanssa, pese se heti pois saippualla ja vedellä. Jos sitä pääsee silmiin, huuhtelee kunnolla vähintään 10 minuutin ajan ja käänny välittömästi lääkärin puoleen.

LISÄÄ AKUN TURVALLISUUSVAROITUKSIA



VAROITUS!

Jotta vältetään lyhytsulun aiheuttama tulipalon, loukkaantumisen tai tuotteen vahingoittumisen vaara, älä koskaan upota työkalua, vaihtoakkua tai latauslaitetta nesteeseen ja huolehdi siitä, ettei mitään nesteitä pääse tunkeutumaan laitteiden tai akkujen sisään. Syövyttävät tai sähköä johtavat nesteet, kuten suolavesi, tietyt kemikaalit ja lalkaisuaineet tai valkaisuaineita sisältävät tuotteet voivat aiheuttaa lyhytsulun.

KÄYTTÖÖN LIITTYVÄT RISKIT

Vaikka tuotetta käytettäisiin ohjeiden mukaisesti, ei ole mahdollista täysin eliminoida tiettyjä käyttöön liittyviä riskitekijöitä. Käytössä voi aiheutua seuraavia vaaroja, ja käyttäjän tulee kiinnittää erityistä huomiota niiden välttämiseen:

- leikkuuterää koskettamisesta aiheutuva vamma
 - Teriä ei voi suojata leikkauksen aikana. Pidä



terä kaukana itsestäsi ja muista. Varmista, että teräsuojukset kiinnitetään aina, kun tuotteen käyttö päätetään.

- Tärinän aiheuttama vamma.
 - Käytä aina työhön sopivaa laitetta, käytä nimettyjä kahvoja ja rajoita työaikaa sekä altistumista.
- Melulle altistumisesta aiheutunut kuulovamma.
 - Käytä suojalaseja ja rajoita altistumista.

RISKIEN VÄHENTÄMINEN

Raporttien mukaan käsikäyttöisten laitteiden tärinä voi joidenkin kohdalla myötävaikuttaa Raynaud's Syndromen (Raynaudin oireen) ilmenemiseen. Oireita ovat pistely, turtuus ja sormien kalpeneminen, yleensä kylmässä ilmassa. Perinnölliset tekijät, kylmyys ja kosteus, ruokavalio, tupakointi sekä työtavat voivat kaikki myötävaikuttaa näiden oireiden ilmenemiseen. Käyttäjä voi ehkäistä tärinän aiheuttamia vaikutuksia seuraavasti:

- Pidä itsesi lämpimänä kylmällä säällä. Käytä tuotteen käytön aikana käsineitä, jotta kätesi ja ranteesi pysyvät lämpöisinä. Raporttien mukaan kylmä ilma on tärkeä tekijä Raynaud's Syndromen (Raunaudin oireiden) ilmenemisessä.
- Harjoita kunkin käyttöjakson jälkeen liikuntaa, jotta verenkierto lisääntyy.
- Pidä työn aikana säännöllisesti taukoja. Rajoita päivittaisen tärinän määrä.

Jos mitään yllä mainittuja oireita ilmenee, lopeta heti laitteen käyttö ja kerro oireista lääkärille.



VAROITUS!

Laitteen pitkittynyt käyttö voi aiheuttaa tai vaikeuttaa vammoja. Kun käytät mitä tahansa laitetta pitkiä aikoja, muista pitää säännöllisiä taukoja.

KÄYTTÖTARKOITUS

Akkukäyttöinen pensasaitaleikkuri on tarkoitettu vain ulkokäyttöön. Turvallisuuden varmistamiseksi tuotetta on ohjattava hallintakahvoilla kahdella kädellä.

Tuote on tarkoitettu kotikäyttöön. Se on tarkoitettu pensasaitojen, pensaikkojen ja vastaavien kasvien leikkaamiseen ja trimmaukseen.

Setä tulee käyttää kuivassa, hyvin valaistussa ympäristössä.

Sillä EI saa leikata ruohoa, puita eikä oksia. Sitä ei saa käyttää muuhun tarkoitukseen kuin pensaiden trimmaukseen.

Älä käytä laitetta tarkoituksiin, joita ei ole mainittu Tarkoitettu käyttö -osiossa.

TUNNE TUOTTEESI

Katso sivut 6-7.

1. Käyttäjän läsnäolokytin
2. Akun salpapainike
3. Akku
4. Kaasuliipaisimen lukko
5. Takakädensija
6. Kaasuliipaisin
7. Laturi
8. Terän suojus
9. Terä
10. Pantalla protectora
11. Etukädensija

KULJETUS JA VARASTOITAESSA

- Sammuta tuote, irrota akku ja anna molempien jäähtyä ennen varastointia ja kuljetusta.
- Puhdista laitteesta kaikki vieraat materiaalit. Varastoi laite viileään, kuivaan ja hyvin tuuletettuun paikkaan, jossa lapset eivät pääse siihen käsiksi. Lisätäkseen turvallisuutta varastoi akku erilleen pensasleikkurista. Pidä poissa syövyttäviltä aineilta kuten puutarhakemikaaleilta ja jäänsulatussuolalta. Älä säilytä ulkona.
- Peitä terä teränsuojuksella ennen yksikön varastointia sekä kuljetuksen ajaksi.
- Kiinnitä tuote kuljettaessa siten, että se ei pääse liikkumaan tai kaatumaan, jotta vältytään loukkaantumisilta ja vaurioilta.

HUOLTO



VAROITUS!

Käytä vain ECHO:n tarvikkeita ja varaosia. Tämän noudattamatta jättäminen voi johtaa loukkaantumiseen ja huonoon tulokseen ja voi mitätöidä takuun. Jos sinun on vaihdettava komponentteja, joita ei ole kuvailtu tässä, ota yhteys yhteen ECHO:n huoltohenkilöstämme.



VAROITUS!

Huolto kaipaa suurta huolellisuutta ja hyvää työkalun tuntemusta: Se on annettava pätevän teknikon tehtäväksi. Kun tuote vaatii huoltoa, vie tuote valtuutettuun huoltoon. Käytä huollossa ainoastaan alkuperäisiä valmistajan tuottamia varaosia.



VAROITUS!

Terät ovat erittäin teräviä. Jotta vältty loukkaantumiselta, ole erittäin varovainen puhdistaussasi, voidellesasi ja kiinnittäessäsi tai irrottaessasi teränsuojaa. Kytke virta pois ja irrota akku ennen kuin teet mitään puhdistus- tai huoltotoimenpidettä.

- Irrota akku ennen säätöä, huoltoa ja puhdistusta.
- Sinulla on lupa suorittaa ainoastaan tässä käsikirjassa kuvattuja säätöjä ja korjauksia. Jos laite vaatii muuta huoltoa, ota yhteys valtuutettuun huoltopisteeseen.
- Puhdista tuotteet runko ja kahvat pehmeällä, kuivalla liinalla jokaisen käyttökerran jälkeen.
- Puhdista roskat jokaisen käyttökerran jälkeen teristä kovalla harjalla ja levitä sen jälkeen huolella ruosteesto-voiteluainetta ennen teränsuojuksen kiinnittämistä. Valmistaja suosittelee, että levität ruosteestoainetta ja voiteluainetta suihkeena, jotta ne leviäisivät tasaisesti ja jotta välttyisit teriin koskettamisesta aiheutuvasta loukkaantumisvaarasta. Lisätietoja asianmukaisesta suihkeesta saa paikallisesta valtuutetusta huollosta.
- Terät kannattaa tarvittaessa voidella kevyesti ennen käyttöä yllä kuvatulla tavalla.
- Varmista aina, että ruuvit ja mutterit ovat tiukasti kiinni, jotta tuote olisi aina turvallinen ja käyttövalmis. Valtuutetun huoltopisteen on korjattava tai vaihdettava voittuneet osat asianmukaisesti.

AKUT

- Jos akkupaketteja ei ole käytetty vähään aikaan, ne on syytä ladata uudelleen ennen käyttöä.
- Yli 50 °C (122 °F) lämpötilat alentavat akkupaketin suorituskykyä. Vältä akkupakettien pitkäaikaista altistumista kuumuudelle tai auringonvalolle (ylikuumenemisriski).
- Laturin ja akun kontaktipinnat täytyy pitää puhtaina.
- Akkupakettien tulee olla täyteen ladattuja käytön jälkeen niiden eliniän optimoimiseksi.
- Pidätkäksesi akkupakettien elinikää poista akkupaketti laturista heti, kun se on täyteen ladattu.

Jos akku varastoidaan yli 30 päiväksi:

- Säilytä akkua alle 27°C lämpötilassa ja kuivassa tilassa.
- Säilytä akkua 30-50 % ladattuna.
- Lataa akku normaalisti kuuden varastointikuukauden välein.
- Noudata kaikkia latausohjeita äläkä lataa akkua tai työkalua muissa kuin ohjeissa määritellyissä lämpötilaolosuhteissa. Virheellinen lataus tai määritellyistä poikkeavat lämpötilat saattavat johtaa akun vaurioitumiseen ja lisätä tulipalon vaaraa.

LITIUMAKKUJEN KULJETTAMINEN

Litiumioniakku on vaarallisten tuotteiden lainsäädännön alainen.

Akkujen kuljettamisessa on noudatettava paikallisia, kansallisia ja kansainvälisiä säännöksiä ja määräyksiä.

- Käyttäjät voi kuljettaa akkuja maanteitse ilman muita vaatimuksia.
- Litiumioniakkujen kaupallinen kuljetus kolmansien osapuolten toimesta on vaarallisten aineiden säännösten alainen. Kuljetusvalmistelut ja kuljetus vaativat yksinomaan asianmukaisesti koulutettua henkilöstöä, ja vastaavien asiantuntijoiden on valvottava toimintaa.

Akkujen kuljettaminen:

- Varmista, että akkujen navat on suojattu ja eristetty oikosuluilta.
- Varmista, että akkupaketti on pakattu turvallisesti niin, ettei se liiku pakkauksessa.
- Älä kuljeta akkuja, jotka ovat halkeilleet tai vuotavat.

Kysy välitystykseltä lisäneuvoja.

SYMBOLIT



Varoitus



Lue ja ymmärrä kaikki ohjeet ennen tuotteen käyttöä ja noudata kaikkia varoituksia ja turvallisuusohjeita.



Käytä kuulosuojaimia.



Käytä silmäsuojaimia.



Pitele pensasleikkuria aina kaksin käsin sitäettäessäsi.



Älä kosketa teriin, jotta vältty vakavalta loukkaantumiselta.



Käytä luisumattomia raskaan käytön suojakäsineitä.



Älä altista konetta sateelle tai kosteudelle.



Varo sinkoutuneita ja muita lentäviä esineitä. Pidä kaikki sivulliset vähintään 15 metrin päässä toiminta-alueelta – erityisesti lapset ja lemmikit.

EN
FR
DE
ES
IT
NL
PT
DA
SV
FI
NO
RU
PL
CS
HU
RO
LV
LT
ET
HR
SL
SK
BG
UK
TR



Ukrainalainen
säästömerkintä



EurAsian-vaatimustenmukaisuusmerkki



Käytöstä poistettavia sähkölaitteita ei pidä hävittää talousjätteiden mukana. Ne on mahdollisuuksien mukaan pantava kiertoon. Kierrätysohjeita antavat kunnan viranomaiset ja vähittäiskauppiat.



Tämä työkalu on sen EU-maan kaikkien sääntömääräisten standardien mukainen, josta se on ostettu.



Tässä tarrassa näytetty taattu äänenpaine on 93 dB.

Seuraavat signaalisanat ja merkitykset on tarkoitettu selittämään tähän tuotteeseen liittyviä riskin tasoja.

VAARA

Ilmaisee välitöntä vaaratilannetta, joka ellei sitä vältetä, johtaa kuolemaan tai vakavaan loukkaantumiseen.

VAROITUS

Ilmaisee potentiaalisen vaaratilanteen, joka ellei sitä vältetä, johtaa kuolemaan tai vakavaan loukkaantumiseen.

HUOMAUTUS

Ilmaisee potentiaalisen vaaratilanteen, joka ellei sitä vältetä, saattaa johtaa pienempään tai keskivaikeaan loukkaantumiseen.

HUOMAUTUS

Ilman turvallisuusvaroitussymbolia

Ilmoittaa tilanteesta, jossa omaisuutta saattaa vaurioitua.





TEKNISKE DATA

HEKSAKS

ECHT-58V

Serienummer	94501401000001 - 94501401999999
Tomgangshastighet	3400 min ⁻¹
Bladlengde	610 mm
Skjærelengde	563 mm
Batterispenning	51,1V, 58V MAX
Vekt (med en batteripakke på 2,0 Ah)	5,5 kg
Vekt (med en batteripakke på 4,0 Ah)	6,1 kg
Vekt (uten batteri)	4,3 kg

EN
FR
DE
ES
IT
NL
PT
DA
SV
FI
NO
RU
PL
CS
HU
RO
LV
LT
ET
HR
SL
SK
BG
UK
TR

Informasjon om støy/vibrering (iht. EN EN 60745-1, EN 60745-2-15)

A-vektede støynivåer:

Lydtryknivå	$L_{pA} = 79,0 \text{ dB(A)}$
Usikkerhet	$K = 3,0 \text{ dB}$
Lydeffektnivå	$L_{WA} = 90,0 \text{ dB(A)}$
Usikkerhet	$K = 2,3 \text{ dB}$

Bruk alltid hørselvern!

De totale vibrasjonsverdiene (de tre akslene samlet) er fastslått ifølge EN 60745-1, EN 60745-2-15.

Verdien på utslippet fra vibreringen (ah)

Bakre håndtak	ah = 3,4 m/s ²
Fremre håndtak	ah = 2,6 m/s ²
Usikkerhet	K = 1,5 m/s

***SPM (slag per minutt) er antall slag som tilkoblingsstangen fullfører på ett minutt**

BATTERI OG LADER

ECHT-58V

Kompatible batteripakker	ECBP-58V20 / ECBP-58V40
Kompatibel lader	ECBC-58VEU and ECBC-58VUK



ADVARSEL!

Nivået på utslippet fra vibreringen som er gitt i dette infoheftet er målt i samsvar med en standardisert testmetode og kan brukes til å sammenligne et verktøy med et annet. Det kan brukes for å gi en utslippsvurdering.

Det opplyste utslippsnivået fra vibreringen stammer fra verktøyets hovedapplikasjoner. Utslipet fra vibreringen kan være annerledes hvis verktøyet brukes til andre ting med forskjellig tilbehør, eller hvis det er dårlig vedlikeholdt. Dette kan øke farenivået betraktelig i løpet av arbeidsperioden.

En vurdering av farenivået fra vibreringen bør også ta hensyn til de gangene verktøyet er slått av eller går på tomgang. Dette kan redusere farenivået betraktelig i løpet av arbeidsperioden.

Du kan også utføre følgende sikkerhetstiltak for å beskytte operatøren mot virkningene av vibreringen: vedlikehold verktøyet og tilbehøret, hold hendene varme og organiser skiftene.





ADVARSEL!

Les alle sikkerhetsadvarslene og alle instruksjonene. Å unnlate å følge advarslene og instruksjonene kan føre til elektrisk støt, brann og alvorlig personskade.

Ta vare på disse advarslene og instruksene for å se i dem senere.

Begrepet "elektrisk verktøy" i advarslene gjelder ditt elektriske verktøy koblet til strømmettet (med ledning) eller batteridrevet (uten ledning) elektrisk verktøy.

GENERELLE SIKKERHETSADVARSLER

ARBEIDSOMGIVELSER

- **Hold arbeidsområdet rent, ryddig og godt opplyst.** Ryddige og dårlig opplyste områder fører lett til ulykker.
- **Ikke bruk elektrisk verktøy i eksplosive atmosfærer, som der det finnes brennbare væsker, gasser eller støv.** Elektrisk verktøy skaper gnister som kan antenne støv eller gasser.
- **Hold barn og andre på avstand når et elektrisk verktøy brukes.** Distraksjon kan føre til tap av kontroll.

ELEKTRISK SIKKERHET

- **Støpslet på det elektriske verktøyet må stemme med stikkkontakten. Foreta aldri noen form for endringer av støpslet. Ikke bruk noen form for adapterstøpsel til jordet elektrisk verktøy.** Umodifiserte støpsler og passende stikkontakter vil redusere risikoen for elektrisk støt.
- **Unngå kroppskontakt med jodede overflater, som vannrør, radiatorer, kokeapparater og kjøleaggregater.** Det er økt risiko for elektrisk støt dersom kroppen din har kontakt med jord.
- **Ikke utsett produktet for regn eller høy fuktighet.** Vann som trenger inn i et elektrisk verktøy vil øke faren for elektrisk støt.
- **Ikke misbruk den elektriske ledningen. Bruk aldri ledningen til å bære det elektriske verktøyet eller trekke støpslet ut av stikkkontakten. Hold ledningen vekk fra varme, olje, skarpe kanter eller bevegelige deler.** Skadet eller sammenfloknet ledning øker risikoen for elektrisk støt.
- **Når du bruker det elektriske verktøyet utendørs, bruk en skjøteledning som er tilpasset utendørs bruk.** Bruk av ledning som er tilpasset utendørs bruk reduserer risikoen for elektrisk støt.
- **Dersom bruk av elektrisk verktøy i fuktige omgivelser ikke er til å unngå, bruk en strømkrets med sikring som er tilpasset verktøyet.** Bruk av strømkrets med sikring reduserer risikoen for elektrisk støt.

PERSONLIG SIKKERHET

- **Vær våken, se på hva du gjør og bruk fornuft når du arbeider med et elektrisk verktøy. Ikke bruk elektrisk verktøy når du er sliten eller under påvirkning av narkotiske stoffer, alkohol eller medisiner som kan påvirke din reaksjonsevne og/eller dømmekraft.** Et øyeblikks uoppmerksomhet når elektrisk verktøy brukes kan føre til alvorlige personskade.
- **Bruk personlig verneutstyr. Bruk alltid øyebeskyttelse.** Verneutstyr som støvmaske, sklisikre vernesko, hjelm eller hørselsvern brukt i passende sammenhenger vil redusere risikoen for personskade.
- **Unngå utilsiktet start. Sørg for at bryteren er i posisjon OFF før utstyret kobles til strømmettet og / eller batteripakken, plukkes opp eller bæres.** Å bære det elektriske verktøyet med fingeren på startknappen eller koble strøm til et elektrisk verktøy med bryteren i ON inviterer til ulykker.
- **Fjern justeringsnøkler og annet verktøy før du setter strøm på det elektriske verktøyet.** En fastnøkkel eller annet verktøy festet til en roterende del av et elektrisk verktøy når det startes kan føre til personskade.
- **Ikke len deg for langt. Sørg for godt fotfeste og god balanse til enhver tid.** Dette gir bedre kontroll over det elektriske verktøyet i en uventet situasjon.
- **Kle deg riktig. Ikke bruk løstsittende plagg og/eller løsthengende smykker. Hold hår, klær og hansker vekke fra bevegelige deler.** Løse plagg, smykker og langt hår kan fanges opp av bevegelige deler.
- **Hvis det finnes tilkoblingsmuligheter for oppsugnings- og oppsamlingsutstyr for støv, sørg for at dette blir tilkoblet og brukt på riktig måte.** Bruk av støvoppsamler kan redusere støvrelatert faresituasjoner.
- **Ikke la hyppig bruk av verktøyet føre til at du blir lettfeilig og ignorerer sikkerhetsprinsipper.** En uforsiktig handling kan føre til alvorlige personskader på en brøkdels av et sekund.

BRUK OG BEHANDLING AV ELEKTRISK VERKTØY

- **Ikke press maskinen. Bruk korrekt elektrisk verktøy for jobben som skal gjøres.** Riktig elektrisk verktøy vil gjøre jobben bedre og tryggere når det brukes slik det var tiltenkt.
- **Ikke bruk verktøyet hvis bryteren ikke slår verktøyet av og på.** Ethvert elektrisk verktøy som ikke kan kontrolleres med bryteren er farlig og må repareres før det kan brukes.
- **Trekk støpslet ut av den elektriske kontakten og/eller batteripakken fra det elektriske verktøyet før du foretar endringer, skifter tilbehør eller lagrer det elektriske verktøyet.** Slike forebyggende sikkerhetstiltak reduserer risikoen for utilsiktet start av det elektriske verktøyet.
- **Oppbevar elektrisk verktøy som ikke brukes utenfor barns rekkevidde og la ikke personer som ikke er kjent med det elektriske verktøyet eller dets**

instruksjoner bruke det. Elektrisk verktøy er farlig i hendene på uerfarne brukere.

- **Vedlikehold av elektrisk verktøy. Kontroller for feilinnretting og at bevegelige deler løper fritt, at det ikke finnes ødelagte deler og enhver annen tilstand som kan påvirke det elektriske verktøyets drift. Hvis skadet må det elektriske verktøyet repareres før bruk.** Mange ulykker skyldes dårlig vedlikeholdt elektrisk verktøy.
- **Hold skjæredeskaper skarpe og rene.** Korrekt vedlikeholdt skjæreverktøy med skarpe skjærekanter har mindre mulighet for å blokkere seg og er lettere å kontrollere.
- **Bruk det elektriske verktøyet, tilbehøret, verktøybits etc i henhold til disse instruksjonene, der du tar hensyn til arbeidsforholdene og det arbeidet som skal utføres.** Bruk av elektrisk verktøy på en måte det ikke var tiltenkt kan skape farlige situasjoner.
- **Hold håndtak og andre holdeoverflater tørre, rene og fri for olje og smøring.** Unngå at håndtak og andre holdeoverflater er glatte for det reduserer sikker håndtering og styring av verktøyet i uforutsette situasjoner.

BATTERIPRODUKTER - BRUK OG STELL

- **Lad bare med ladere som er spesifisert av produsenten.** En lader som passer til en type batteripakke kan skape risiko for brann dersom den brukes til en annen type batteripakke.
- **Bruk patteriprodukter kun med spesielt tiltenkte batteripakker.** Bruk av andre batteripakker kan føre til risiko for skade og brann.
- **Når batteripakken ikke er i bruk, hold den vekke fra metallgjenstander som binders, mynter, nøkler, spiker, skruer og annet som kan forbinde de to terminalene med hverandre.** Kortslutning av batteriterminalene kan føre til brenning eller brann.
- **Dersom batteriet misbrukes kan det slippe ut væske, unngå hudkontakt med væsken. Hvis du får kontakt med væsken fra batteriet, skyl med rikelige mengder vann. Hvis væsken får kontakt med øynene må det søkes medisinsk hjelp.** Væske som kommer ut av batteriet kan føre til irritasjon eller brann.
- **Ikke bruk et batteri eller verktøy som er skadet eller endret.** Batterier som er skadd eller endret, kan oppføre seg uforutsigbart, noe som kan føre til brann, eksplosjon og personskaade.
- **Ikke utsett batteriet eller verktøyet for ild eller høy temperatur.** Eksponering for brann eller høy temperatur over 130 °C kan føre til eksplosjon.
- **Alle ladeinstruksjoner må følges. Ikke lad batteriet eller verktøyet hvis omgivelsestemperaturen er utenfor området som er angitt i bruksanvisningen.** Feil lading eller lading ved temperaturer utenfor det angitte området kan ødelegge batteriet og øke risikoen for brann.

VEDLIKEHOLD

- **Sørg for at reparasjoner og vedlikehold av ditt elektriske verktøy utføres av kvalifiserte teknikere som kun bruker originale erstatningsdeler.** Dette vil sørge for at sikkerheten med det elektriske verktøyet ivaretas.
- **Aldri utfør vedlikehold på skadde batteripakker.** Vedlikehold av batterier skal bare utføres av produsenten eller autoriserte serviceleverandører.

HEKKLIPPER SIKKERHETSADVARSLER

- **Hold alle deler av kroppen vekke fra skjærebladet. Ikke fjern avkappet materiale eller hold ting som skal klippes mens knivene beveger seg. Påse at bryteren er i posisjon AV når knivene skal renses for materialer som har blokkert seg.** Et øyeblikk med uoppmerksomhet under bruk av produktet kan føre til alvorlige personskaader.
- **Bær heksaksen i håndtaket med skjærebladene stanset. Når du transporterer eller lagrer heksaksen, husk alltid å sette sliren over knivene.** Korrekt håndtering av heksaksen vil redusere faren for å bli skadet av knivene.
- **Hold verktøyet i de isolerte gripeflatene idet knivene kan komme i kontakt med skjulte strømførende ledninger eller maskinens egen elektriske ledning.** Dersom skjærebladene får kontakt med en strømførende ledning kan verktøyets metaldeler også bli strømførende og gi brukeren elektrisk støt.

SPESIELLE SIKKERHETSADVARSLER

- Visse regioner har forskrifter som begrenser bruken av produktet til definerte operasjoner. Spør de lokale myndigheter for råd. Les alle instruksjonene
- Klargjør arbeidsstedet før hver gangs bruk. Fjern alle gjenstander som snorer, lys, wire eller hyssing som kan bli slengt ut eller feste seg i kutteenheten.
- Kontroller at det ikke er fremmedlegemer i hekken, som f.eks. nettinggjerdar.
- Utøv ekstra forsiktighet ved bruk av produktet i nærheten av gjerder, stolper, bygninger og andre ubevegelige gjenstander.
- Vær oppmerksom på gjenstander som kan bli slengt ut, hold alle tilskuere, barn og kjæledyr minst 15 m unna arbeidsområde.
- Ikke la barn eller ukundige bruke dette utstyret.
- Ikke bruk i dårlig lys. Operatøren må ha klar sikt over arbeidsfeltet for å identifisere potensielle farer.
- Påse at alle håndtak og beskyttelsesutstyr er montert før du tar maskinen i bruk. Forsøk aldri å bruke et ufullstendig produkt eller et produkt med en uautorisert modifisering



- Kontroller før hver bruk at alle styreenheter og sikkerhetsanordninger fungerer som de skal. Ikke bruk dette produktet hvis "av"-knappen ikke stanser motoren.
- Sjekk maskinen før hver bruk. Sjekk at ingen fester er løse. Påse at alle deksler, stropper og håndtak er korrekt og trygt montert. Erstatt alle skadede deler før fortsatt bruk. Sjekk for lekkasjer fra batteripakken.
- Ikke endre produktet på noen måte.
- Ha på deg passende vernebriller og hørselvern når du bruker produktet. Hvis du jobber i områder der det er fare for fallende objekter, må du bruke hjelm.
- Bruk tette langbukser, støvler og hansker. Ikke bruk løstsittende klær, kortbukser, smykker av alle slag og ikke gå barbert.
- Sørg for at langt hår ikke når lenger ned en til skuldrene for å hindre at det kan fanges opp av roterende deler.
- Bruk av hørselsvern reduserer muligheten for å høre advarsler (rop eller alarmer). Brukeren må være ekstra oppmerksom med hensyn til hva som skjer på arbeidsområdet.
- Bruk av lignende utstyr i nærheten øker faren for både hørselskade og muligheten for at andre kommer inn i din arbeidssone.
- Ikke bruk utstyret når du er sliten, syk eller under påvirkning av alkohol, narkotika eller medisiner som kan påvirke reaksjonsevne og dømmekraft.
- Ha god fotfeste og ballanse til enhver tid. Ikke len deg for langt. Å bøye seg for langt over ting kan føre til at man mister balansen og resultere i alvorlige personskader.
- Hold alle deler av kroppen vekke fra bevegelige deler.
- Før du starter maskinen, sjekk at kuttebladene ikke kommer i kontakt med noe.
- Når du bruker hekklipperen må du alltid holde godt med begge hender på håndtakene og sikre at posisjonen du bruker den i er sikker og trygg. Produsenten anbefaler ikke bruk av stiger, trapper eller lignende. Hvis du trenger å klippe høyere, bruk et forlengelsesverktøy.
- Bladene er skarpe. Når du håndterer bladenheten, bruk profesjonelle vernehansker med antiskli. Ikke sett hånden eller fingrene mellom bladene eller et annet sted der de kan bli kuttet eller klemt. Ikke berør kniv eller driftsenhet uten at batteriet er fjernet.
- Slå av og ta ut batteripakken. Påse at alle bevegelige deler har stoppet helt:
 - før produktet etterlates uten oppsyn
 - før du renser eller åpner tette enheter
 - før justering av arbeidsposisjonen for kutteutstyr
 - før kontroll, vedlikehold og arbeider på produktet
- Produktet skal ikke tvinges gjennom store buskas og kratt. Dette kan føre til at bladet blokkeres og saktner hastigheten. Hvis hastigheten på bladet synker, reduser klippehastigheten.

- Ikke gjør forsøk på å klippe stammer eller grener som er tykkere enn 17 mm, eller de som åpenbart er for tykke til å bli matet inn mellom klippebladene. Bruk en manuell hånsgag eller grensag for å kappe tykke stammer eller grener.
- Ikke bruk produktet med skadde eller for slitte blader.
- Ikke la hyppig bruk av verktøyet føre til at du blir lettfeilig og ignorerer sikkerhetsprinsipper. En uforsiktig handling kan føre til alvorlige personskader på en brøkdell av et sekund.
- For best resultat bør batteriproduktet plasseres på et sted der temperaturen er mer enn 10 °C men mindre enn 38 °C. For å redusere faren for personlig skade, ikke oppbevar utendørs eller i et kjøretøy.



ADVARSEL!

Dersom produktet faller i bakken, får et sterkt slag eller starter å vibrere unormalt, stans produktet omgående og sjekk for skader eller finn ut hva som er årsaken for vibrasjonene. Enhver skade må reparere helt eller delen skiftes av et autorisert serviceverksted.

Fjern batteripakken før du starter arbeid på produktet.

Ikke brenn kast brukte batterier sammen med husholdningsavfall. Skal ikke brennes. Utladde batterier kan leveres til ECHO-distributører.

Batteripakken skal ikke oppbevares sammen med metallgjenstander (fare for kortslutning).

Batteripakker skal bare lades med ECBC-58VEU/ECBC-58VUK-laderen.

Ikke bruk batteripakker fra andre systemer.

Kompatible batteripakker: ECBP-58V20, ECBP-58V40

Under ekstrem last eller temperaturer kan batterisyre lekke fra skadede batterier. Hvis du kommer i kontakt med batterisyre, må dette umiddelbart vaskes av med såpe og vann. Hvis batterisyren kommer i kontakt med øynene, må du skylle dem i 10 minutter og deretter kontakte lege.

EKSTRA ADVARSLER FOR BATTERISIKKERHET



ADVARSEL!

For å unngå fare for en brann forårsaket av en kortslutning, av personskader eller skader av produktet, må det forhindres at batteripakken eller laderen dryppes i væsker og også sørges for at ingen væsker kan komme inn i apparatene eller batteriene. Korroderende og ledende væsker som saltvann, visse kjemikalier og blekemidler eller produkt som inneholder blekemidler kan forårsake en kortslutning.



GJENVÆRENDE RISIKO

Selv om utstyret brukes som beskrevet er det ikke mulig å unngå enhver gjenværende risiko. Følgende faresituasjoner kan oppstå ved bruk, og operatøren må legge spesielt vekt på å unngå følgende:

- Personskader pga. kontakt med bladet
 - Bladene kan ikke ha beskyttelse under kuttingen. Hold bladet unna deg selv og andre. Sikre at bladskjermen er på plass når produktet er i bruk.
- Personskade på grunn av vibrasjon.
 - Bruk alltid riktig verktøy til jobben, bruk håndtakene og begrens arbeidstiden og eksponeringen.
- Eksponering for støy kan gi hørselsskader.
 - Bruk hørselvern og begrens eksponeringen.

FAREREDUKSJON

Det foreligger rapporter om at vibrasjoner fra håndholdt verktøy for enkelte personer kan bidra til en tilstand som kalles Raynauds Syndrome. Symptomene kan omfatte følelsesløshet og gjøre fingrene bleke, vanligvis synlig ved eksponering til lave temperaturer. Arvelige faktorer, eksponering mot lave temperaturer og fuktighet, diett, røyking og arbeidspraksis blir alle ansett for å kunne bidra til å utvikle disse symptomene. Brukeren kan iverksette tiltak for mulig å redusere virkningene av vibrasjonene:

- Hold kroppen din varm i kaldt vær. Bruk hansker og hold hender og håndledd varme ved bruk av produktet. Det er rapportert at kaldt vær er en viktig faktor som bidrar til Raynauds Syndrome.
- Etter hver arbeidsperiode bør det utføres øvelser for å øke blodsirkulasjonen.
- Ta ofte pauser fra arbeidet som utføres. Begrens mengden av eksponering pr. dag.

Hvis du opplever noen av symptomene på denne tilstanden må du øyeblikkelig avbryte arbeidet og oppsøke en lege med disse symptomene.



ADVARSEL!

Hvis man bruker verktøyet for lenge av gangen, kan det føre til eller forverre allerede eksisterende personskade. Når du bruker et verktøy over en lenger tidsperiode, husk å ta regelmessige pauser.

TILTENKT BRUK

Den kabelfrie hekktrimmeren er kun beregnet til bruk utendørs. Av sikkerhetshensyn må produktet betjenes på forsvarlig vis med to hender.

Dette produktet er konstruert for hjemmebruk. Dette produktet er ment for klipping og trimming av hekker, busker og lignende vegetasjon.

Det må brukes under tørre og godt opplyste forhold.

Det er IKKE ment for klipping av gress, kapping av grener eller felling av trær. Det må ikke brukes for andre formål enn klipping/trimming av hekker/kraut.

Ikke bruk produktet til noe annet formål som ikke er opplistet i Tiltent bruk.

KJENN PRODUKTET DITT

Se side 6-7.

1. Operatørbryter
2. Utløserknapp for batteri
3. Batteri
4. Startgassperre
5. Bakre håndtak
6. Gasshendel
7. Lader
8. Knivdeksel
9. Blad
10. Beskyttelsesskjerm
11. Fremre håndtak

TRANSPORT OG LAGRING

- Slå av produktet og la det kjøles ned før lagring eller transport.
- Fjern alle fremmedelementer fra produktet. Lagres på et kjølig, tørt og godt ventilert sted som er utilgjengelig for barn. For ekstra sikkerhet skal batteriet lagres separat fra hekksaksen. Hold den borte fra korrosive materialer, så som ugressmidler og veisalt. Ikke oppbevar utendørs.
- Dekk bladet med bladsliren før du lagrer enheten eller ved transport.
- Ved transport må produktet sikres mot å komme i bevegelse eller falle for å unngå skade på personer eller produktet.

VEDLIKEHOLD



ADVARSEL!

Bruk bare tilbehør og reservedeler fra ECHO. Dersom dette ikke følges, kan det forårsake personskader, dårlig funksjon og kan annullere garantien din. Kontakt en av ECHO-serviceagentene våre hvis du må erstatte deler som ikke er omtalt her.



ADVARSEL!

Service krever meget stor forsiktighet og kunnskap og bør utføres kun av kvalifisert teknisk personale. For service skal produktet leveres til et autorisert serviceverksted. For service av maskinen, bruk kun produsentens originale reservedeler.



ADVARSEL!

Kappeknivene er ekstremt skarpe. For å unngå personskade, vær meget forsiktig når du rengjør, smører og setter på eller fjerner bladbeskyttelsen. Slå av og fjern batteriet før du rengjør eller utfører vedlikehold på produktet.

- Fjern batteriet før du utfører justeringer, vedlikehold eller rengjøring.
- Du kan bare foreta justeringer og reparasjoner som er beskrevet i denne brukermanualen. For andre reparasjoner, ta kontakt med et autorisert serviceverksted.
- Etter hver bruk, rens produktets ytre med en myk tørr klut.
- Etter hvert bruk, fjern avfall fra bladene med en stiv børste og påfør forsiktig antirustsmøring før du setter på bladbeskyttelsen igjen. Produsenten anbefaler at du påfører smørespray med antirustfunksjon som en jevn hinne og dermed minske faren for personskade. For mer informasjon om passende sprayprodukter, ta kontakt med ditt lokale autoriserte servicesenter.
- Du kan også ved behov smøre bladene lett før bruk, som beskrevet over.
- Kontroller all mutter, bolter og skruer med jevne mellomrom at de er skrudd fast for å sikre at produktet er i driftssikker stand. Enhver del som er skadet må repareres eller skiftes ut ved et autorisert serviceverksted.

BATTERIER

- Batteripakker som ikke har vært brukt på en stund bør lades opp før du bruker dem.
- Temperaturer over 50°C reduserer batteripakkens ytelse. Produktet må ikke utsettes for varme eller solskinn (fare for overoppheting).
- Ladekontaktene og batteripakkene må holdes rene.
- Batteripakkene må lades helt opp etter bruk hvis du ønsker at de skal vare lengst mulig.
- Fjern batteripakken fra laderen når det er fulladet, sånn at det varer lengst mulig.

For batteripakkelagring i mer enn 30 dager:

- Oppbevar batteripakken der temperaturen er under 27°C, og vekke fra fuktighet.
- Oppbevar batteripakken i 30%-50% ladet tilstand.
- For hver seks måneders lagringstid, lad batteriet på normal måte.
- Alle ladeinstruksjoner må følges. Ikke lad batteriet eller verktøyet hvis omgivelsestemperaturen er utenfor området som er angitt i bruksanvisningen. Feil lading eller lading ved temperaturer utenfor det angitte området kan ødelegge batteriet og øke risikoen for brann.

TRANSPORTERE LITIUM-BATTERIER

Litium ion-batteri omfattes av lovgivning for farlig gods.

Transport av disse batteriene må gjøres i samsvar med lokale, nasjonale og internasjonale bestemmelser og forskrifter.

- Brukeren kan transportere batteriene på åpen vei uten innfrielse av ytterligere krav.
- Kommersiell frakt av Lithium-ion-batterier er underlagt bestemmelsene om transport av farlig gods. Klargjøring av transporten og transporten kan kun utføres av passende opplærte personer og prosessen må følges av tilsvarende kvalifiserte eksperter.

Iverksatt følgende tiltak når du frakter batteriene:

- Påse at batterienes kontaktkontakter er beskyttet og isolert for å hindre kortslutning.
- Se til at batteripakken er sikret mot bevegelse inni pakningen.
- Ikke transporter batterier som er sprukne eller som lekker.

Kontakt speditøren for å få ytterligere råd.

SYMBOLER



Sikkerhetsalarm



Les og forstå alle instruksjoner før du tar i bruk produktet, følg alle advarsler og sikkerhetsanvisninger.



Bruk hørselsvern.



Bruk øyebeskyttelse.



Hold alltid hekkaksen med begge hender når den brukes.



For å hindre alvorlige personskader, ikke ta på kuttebladene.



Bruk sklisikre og kraftige beskyttelseshansker.



Ikke utsette for regn eller fuktige forhold.



Vær oppmerksom på utkastede eller flygende gjenstander. Hold tilskuere, spesielt barn og dyr, på god avstand, det vil si minst 15 meter fra arbeidsområdet



Ukrainsk merke for konformitet



EurAsian Konformitetstegn



Avfall fra elektriske produkter skal ikke kastes sammen med husholdningsavfall. Vennligst resirkulervedeksisterende avfallsbehandlingssted. Undersøk hos dine lokale myndigheter eller forhandler for råd om resirkulering.



Dette verktøyet overholder samtlige standarder i det EU-landet det er kjøpt i.



Det garanterte lydtrykksnivået er på 93 dB og er angitt på etiketten.

Følgende symboler og betydninger forklarer risikonivået som er assosiert med dette produktet.

⚠ FARE

Indikerer en øyeblikkelig farlig situasjon, som, hvis ikke unngås, kan resultere i død eller alvorlig personskade.

⚠ ADVARSEL

Indikerer en potensiell farlig situasjon, som, hvis ikke unngås, kan resultere i død eller alvorlig personskade.

⚠ FORSIKTIGHETSREGEL

Indikerer en potensiell farlig situasjon, som, hvis ikke unngås, kan resultere i mindre eller moderat personskade.

FORSIKTIGHETSREGEL

Uten sikkerhetsvarselsymbol

Indikerer en situasjon som kan føre til skade på eiendom.



**ТЕХНИЧЕСКИЕ ХАРАКТЕРИСТИКИ****ШАПАЛЕРНЫЕ НОЖНИЦЫ****ECHT-58V**

Заводской номер	94501401000001 - 94501401999999
Холостная скорость	3400 min ⁻¹
Длина режущего полотна	610 мм
Длина резания	563 мм
Напряжение аккумулятора	51,1V, 58V MAX
Вес (с аккумуляторным блоком 2 Ач)	5,5 kg
Вес (с аккумуляторным блоком 4 Ач)	6,1 kg
Вес (без батарей)	4,3 kg

Данные об уровне шума/вибрации (в соответствии с EN 60745-1, EN 60745-2-15)

Амплитудно-взвешенные уровни шума:

Уровень звукового давления	$L_{pA} = 79,0 \text{ dB(A)}$
Погрешность	$K = 3,0 \text{ dB}$
Уровень акустической мощности	$L_{WA} = 90,0 \text{ dB(A)}$
Погрешность	$K = 2,3 \text{ dB}$

Всегда используйте средства защиты органов слуха!

Общие значения вибрации (векторная сумма по трем осям) установлены в соответствии со стандартом EN 60745-1, EN 60745-2-15.

Значение вибрационного воздействия, Ач

Задняя ручка	$a_h = 3,4 \text{ m/s}^2$
Передняя ручка	$a_h = 2,6 \text{ m/s}^2$
Погрешность	$K = 1,5 \text{ m/s}$

*SPM (удары в минуту) - количество ходов, совершаемых шатуном за одну минуту.

АККУМУЛЯТОРНАЯ БАТАРЕЯ И ЗАРЯДНОЕ УСТРОЙСТВО**ECHT-58V**

Совместимая аккумуляторная батарея	ECBP-58V20 / ECBP-58V40
Совместимое зарядное устройство	ECBC-58VEU and ECBC-58VUK

**ОСТОРОЖНО!**

Данные об уровне вибрационного воздействия, указанные в настоящей брошюре, получены в ходе стандартизированного исследования и могут использоваться для сравнения инструментов. Они могут применяться в рамках предварительной оценки степени воздействия.

Указанный уровень вибрационного воздействия учитывает основные области применения инструмента. При этом, если инструмент используется иным образом, с другим оборудованием либо некачественно обслуживается, степень вибрационного воздействия может отличаться. В рамках всего периода эксплуатации это может способствовать значительному повышению уровня воздействия.

Установление уровня вибрационного воздействия должно также проводиться с учетом количества выключений инструмента и случаев работы на холостом ходу. В рамках всего периода эксплуатации это может способствовать значительному снижению уровня воздействия.

Определите дополнительные меры защиты оператора от воздействия вибрации, например: обслуживание инструмента и дополнительного оборудования, поддержание температуры рук, составление схем организации работ.





ОСТОРОЖНО!

Прочтите все предупреждения и инструкции по технике безопасности. Несоблюдение приводимых ниже предупреждений и инструкций может привести к поражению электрическим током, возгоранию или тяжким телесным повреждениям.

Сохраните все предупреждения и инструкции по технике безопасности для последующего использования.

Термин "электроинструмент" в данном описании относится к инструментам с питанием от сети (проводные) и от аккумуляторных батарей (беспроводные).

ОБЩИЕ ПРАВИЛА БЕЗОПАСНОСТИ

БЕЗОПАСНОСТЬ НА РАБОЧЕМ МЕСТЕ

- Рабочая зона должна быть свободна и хорошо освещена. Загромождение или плохое освещение рабочей зоны может привести к несчастным случаям.
- Не используйте электроинструмент во взрывоопасной среде, например в присутствии легковоспламеняющихся жидкостей, газов или пыли. В электроинструментах происходит искрообразование, что может привести к воспламенению пыли или газа.
- Не допускайте присутствия детей и посторонних лиц при работе с инструментом. Невнимательность может привести к утрате контроля.

ЭЛЕКТРОБЕЗОПАСНОСТЬ

- Вилка кабеля питания инструмента должна соответствовать используемой розетке. Не подвергайте вилку кабеля каким-либо изменениям. Не используйте какие-либо переходники с электроинструментами с заземляющим проводом. Использование оригинальных штепсельных вилок и соответствующих розеток предотвращает опасность поражения электрическим током.
- Не допускайте контакта частей тела с поверхностями заземленных предметов, таких как трубы, радиаторы отопления, кухонные плиты, холодильники. При соприкосновении частей тела человека с заземленными участками возрастает опасность поражения электрическим током.
- Не допускайте попадания влаги на изделие и не используйте его во влажной атмосфере. Попавшая внутрь инструмента вода повышает опасность поражения электрическим током.
- Обращайтесь с кабелем питания надлежащим образом. Не используйте кабель для переноски,

перемещения или отключения инструмента от сети питания. Оберегайте кабель от источников тепла, масляных и острых предметов и движущихся деталей. Поврежденные или запутанные провода повышают опасность поражения электрическим током.

- При работе с электроинструментом вне помещений используйте удлинительным кабелем, предназначенным для наружного применения. Использование кабеля, предназначенного для наружного применения, снижает опасность поражения электрическим током.
- Если нет возможности избежать работы в условиях повышенной влажности, подключайте инструмент через устройство защитного отключения. При использовании устройства защитного отключения снижается опасность поражения электрическим током.

ЛИЧНАЯ БЕЗОПАСНОСТЬ

- Соблюдайте осторожность, следите за своими действиями и пользуйтесь здравым смыслом при работе с электроинструментом. Не пользуйтесь инструментом в состоянии усталости или под воздействием наркотических средств, алкоголя или медицинских препаратов. Малейшая невнимательность при работе с инструментом может привести к тяжкому телесному повреждению.
- Используйте средства индивидуальной защиты. Всегда надевайте средства защиты зрения. Средства защиты, такие как пылезащитная маска, нескользящая защитная обувь, шлем-каска, средства защита органов слуха, используемые надлежащим образом, снижают опасность телесного повреждения.
- Не допускайте случайного запуска. Перед подключением к источнику питания или установкой аккумуляторной батареи, подъемом или перемещением инструмента убедитесь, что переключатель находится в положении «выключено». Во избежание несчастных случаев при перемещении инструмента не держите пальцы на переключателе инструмента и не подключайте его к источнику питания при включенном положении переключателя.
- Перед включением инструмента уберите все регулировочные и гаечные ключи. Гаечные или регулировочные ключи, оставленные на вращающихся частях инструмента, могут привести к телесному повреждению.
- Не перенапрягать. Старайтесь сохранять устойчивость и подыскивайте твердую опору. Это обеспечивает лучшую управляемость электроинструментом в непредвиденных ситуациях.
- Одевайтесь соответствующим образом. Не надевайте свободную одежду и украшения. Не допускайте попадания волос, одежды и

перчаток в движущиеся части. Свободная одежда, украшения и длинные волосы могут попасть в движущиеся части.

- Если в инструменте предусмотрено использование устройства удаления и сбора пыли, обеспечьте их надежное крепление и надлежащее использование. Использование пылесборника снижает опасность, связанную с пылеобразованием.
- Не нарушайте правила техники безопасности, даже несмотря на длительный опыт работы с инструментами. Неосторожное действие может стать причиной тяжелых травм в течение доли секунды.

ИСПОЛЬЗОВАНИЕ И ОБРАЩЕНИЕ С ИНСТРУМЕНТОМ

- Не прикладывайте чрезмерных усилий при работе с данным инструментом. В каждом случае используйте надлежащий электроинструмент. Правильно выбранный электроинструмент позволяет выполнить работу, для которой он предназначен, более качественно и более безопасно.
- Не пользуйтесь инструментом, если выключатель не включается или не выключается. Любой электроинструмент, не управляемый выключателем, представляет опасность и должен быть отремонтирован.
- Перед выполнением каких-либо регулировок, заменой приспособлений или хранением инструмента отключите вилку кабеля источника питания и/или аккумуляторной батареи от электроинструмента. Такие меры предосторожности помогут предотвратить опасность случайного пуска инструмента.
- Храните неиспользуемые электроинструменты в месте, недоступном для детей, а также не допускайте к использованию данного инструмента лиц, не знакомых с его работой или не ознакомленных с данными данными инструкциями. Инструмент в руках неподготовленного лица представляет опасность.
- Бережно обращайтесь с инструментом. Проверяйте инструмент на отсутствие перекосов или заклинивания движущихся частей, их неисправности или других причин, которые могут отразиться на работе инструмента. При повреждении инструмента перед его дальнейшим использованием его следует отремонтировать. Многие несчастные случаи вызваны ненадлежащим обращением с инструментом.
- Содержите режущее устройство в чистоте и заточенном виде. При надлежащем техническом обслуживании режущего инструмента снижается вероятность застревания режущих частей и облегчается управляемость.
- Используйте инструмент, принадлежности,

насадки и т.п. в соответствии с данными указаниями, и принимая во внимание условия работы и выполняемую работу. Использование данного электроинструмента не по назначению может создать опасную ситуацию.

- Держите ручки и поверхности захватывания сухими, чистым, не допускайте попадания на них смазочных веществ. Скользкие ручки и поверхности захватывания не позволяют безопасно управлять и контролировать инструмент в непредвиденных ситуациях.

ЭКСПЛУАТАЦИЯ УСТРОЙСТВА С АККУМУЛЯТОРНЫМ ПИТАНИЕМ И УХОД ЗА НИМ

- Зарядку выполняйте только с использованием зарядного устройства, указанного изготовителем. Зарядное устройство, подходящее к одному типу аккумуляторных батарей, может создать опасность возгорания при использовании с аккумуляторными батареями другого типа.
- Используйте электрические устройства только со специально предназначенными для них аккумуляторными батареями. Использование аккумуляторных батарей другого типа может привести к телесным повреждениям или возгоранию.
- Если аккумуляторная батарея не используется, храните ее отдельно от других металлических предметов, например канцелярских скрепок, монет, ключей, гвоздей, винтов и других мелких металлических предметов, которые могут привести к замыканию контактов батареи. Замыкание контактов батареи может вызвать ожоги или привести к возгоранию.
- При ненормальных условиях из батареи может вытечь жидкость, избегайте контакта с ней. Если этого избежать не удалось, смойте жидкость водой. Если жидкость попала в глаза, после их промывания обратитесь за медицинской помощью. Жидкость, вытекающая из батареи, может вызвать раздражение или ожог.
- Не используйте поврежденный или модифицированный аккумуляторный блок и инструмент. Поврежденные или модифицированные аккумуляторы могут вести себя непредсказуемо, что может привести к пожару, взрыву или послужить причиной травмы.
- Не подвергайте аккумуляторный блок и инструмент воздействию огня и высокой температуры. Воздействие огня или температуры выше 130°C может привести к взрыву.
- Заряжайте аккумуляторные блоки и инструмент в соответствии с инструкцией, не подвергая их при этом воздействию температур вне диапазона, указанного в инструкции. Несоблюдение инструкций и зарядка при воздействии температур вне диапазона, указанного в инструкции, может привести к повреждению аккумулятора и повысить риск возгорания.



ОБСЛУЖИВАНИЕ

- Техническое обслуживание и ремонт инструмента должно выполняться только квалифицированным специалистом с использованием взаимозаменяемых запасных частей. Это обеспечит нормальное техническое состояние устройства.
- Обслуживание аккумуляторных блоков с признаками повреждения не допускается. Обслуживание аккумуляторных блоков должно выполняться производителем или авторизованным сервисным центром.

ОСОБЕННОСТИ ТЕХНИКИ БЕЗОПАСНОСТИ ПРИ ЭКСПЛУАТАЦИИ ТРИММЕРА-КУСТОРЕЗА

- Удерживайте режущее полотно на безопасном расстоянии от частей тела. Не пытайтесь удалить материал резания или удерживать разрезаемый материал при работающих режущих полотнах. При очистке инструмента от замятого материала отключите питание. Малейшая невнимательность при работе с устройством может привести к серьезным травмам.
- Переносите инструмент за ручку с остановленным режущим полотном. При транспортировке или хранении шпалерных ножниц устанавливайте защитное покрытие на режущее устройство. Использование шпалерных ножниц в соответствии с указаниями предотвратит телесные повреждения от режущих полотен.
- Держите только инструмент за изолированные поверхности, так как режущее полотно может задеть скрытую проводку или собственный кабель питания. При повреждении режущим полотном провода, находящегося под напряжением, металлические части инструмента также могут оказаться под напряжением, что может привести к поражению работающего электрическим током.

ДОПОЛНИТЕЛЬНЫЕ УКАЗАНИЯ ПО БЕЗОПАСНОСТИ

- В некоторых регионах существуют ограничения на использование некоторых операций с данным устройством. Проконсультируйтесь с местными органами власти. Прочтите все указания
- Перед каждым использованием проверяйте рабочую зону. Уберите такие объекты, как провода или шнуры, которые могут отлетать или запутываться в режущих принадлежностях.
- Убедитесь, что в кустарнике нет посторонних предметов, таких как проволочные ограждения.
- Необходимо соблюдать особую осторожность при использовании изделия вблизи ограждений, постов, зданий и других неподвижных объектов.

- Берегитесь отлетающих объектов, не допускайте прохожих, детей и домашних животных ближе чем на 15 м от рабочей зоны.
- Не позволяйте пользоваться устройством детям или не обученным лицам.
- Не работайте при недостаточном освещении. Оператор должен четко видеть рабочую зону в целях выявления потенциальных опасностей.
- Перед использованием устройства установите все ручки и защитные устройства. Использование некомплектного изделия или модифицированного изделия не допускается.
- Убедитесь перед каждым использованием, что все элементы управления и предохранительные устройства функционируют правильно. Не используйте устройство, если невозможно остановить двигатель выключателем.
- Проверяйте устройство перед каждым использованием. Проверьте надежность креплений. Проверьте правильность установки и надежность крепления всех защитных устройств и ручек. Перед использованием замените поврежденные детали. Проверьте аккумуляторную батарею на отсутствие протечки.
- Изменение конструкции изделия не допускается.
- Используйте надежные приспособления для защиты глаз и органов слуха при работе с продуктом. При работе в зоне, где есть риск падения предметов, необходимо носить защитную каску.
- Работайте в толстых длинных брюках, сапогах и перчатках. Не допускается ношение слишком свободной одежды, коротких брюк, ювелирных изделий. Запрещается работать босиком.
- Соберите длинные волосы выше плеч, чтобы предотвратить их попадание в движущиеся части.
- Использование средств защиты органов слуха снижает способность услышать предупреждения (крики или сигналы). Работающий уделять повышенное внимание к происходящему в зоне работы.
- Эксплуатация аналогичных устройств вблизи рабочей зоны повышает риск повреждения слуха и опасность появления посторонних лиц в вашей рабочей зоне.
- Не работайте с данным устройством в случае усталости, болезненного состояния или под воздействием алкоголя, наркотиков или медикаментов.
- Держать устойчивую опору и баланс. Не перенапрягать. Попытка дотянуться слишком далеко может вызвать потерю равновесия и привести к серьезной травме.
- Не допускайте попадания частей тела в движущиеся детали.





- Перед запуском устройства убедитесь, что режущие лезвия не вступают в контакт ни с чем.
- Во время эксплуатации триммера-кусторез всегда крепко держите его обеими руками за две ручки и убедитесь, что рабочее положение является надежным и безопасным. Производитель не рекомендует использовать стремянки или лестницы. Если требуется обрезать выше, используйте удлинительную насадку.
- Лезвия имеют острые кромки. При выполнении всех операций с лезвиями носите нескользкие прочные защитные перчатки. Не допускайте попадания руки или пальцев между лезвиями и держите их так, чтобы невозможно было их прищемить или порезать. Никогда не прикасайтесь к пильному диску и не проводите техническое обслуживание, пока не будет извлечена батарея.
- Отключите устройство и извлеките аккумуляторный блок. Убедитесь в полной остановке всех движущихся деталей:
 - перед тем, как оставить инструмент без присмотра
 - перед очисткой или устранением забивания
 - перед сменой рабочего положения режущих инструментов
 - перед проверкой, техобслуживанием и эксплуатацией устройства
- Использование изделия для резки густого кустарника не допускается. Это может привести к зажиму и замедлению работы режущих полотен. Если движение режущих полотен замедляется, уменьшите ход работы.

- Не пытайтесь обрезать стебли или ветви толщиной более 17 мм или заведомо не проходящие в режущие полотна. Для обрезания больших стеблей используйте ручную пилу или ножовку.
- Запрещается работать с изделием, лезвия которого имеют повреждения или чрезмерный износ.
- Не нарушайте правила техники безопасности, даже несмотря на длительный опыт работы с инструментами. Неосторожное действие может стать причиной тяжелых травм в течение доли секунды.
- Аккумуляторную батарею следует заряжать при температуре не ниже 10 °С и не выше 38 °С. Во избежание тяжелых телесных повреждений не храните устройство вне помещений или в автомобилях.



ОСТОРОЖНО!

Если устройство уронили, оно издает громкий стук или начинает чрезмерно вибрировать, немедленно остановите его и проверьте на наличие повреждений или выясните причину вибрации. Любые поврежденные детали должны быть надлежащим образом отремонтированы или заменены в авторизованном сервисном центре.

Перед запуском и использованием изделия извлеките аккумуляторный блок.

Не выбрасывайте использованные батареи как бытовой мусор и не сжигайте их. Дистрибьюторы ECHO предлагают услугу возврата старых аккумуляторов для защиты окружающей среды.

Хранение аккумуляторного блока вместе с металлическими предметами не допускается (риск короткого замыкания).

Для зарядки аккумуляторных блоков используйте только зарядное устройство ECBC-58VEU/ECBC-58VUK.

Использование аккумуляторных блоков от других систем не допускается.

Совместимая аккумуляторная батарея: ECBP-58V20, ECBP-58V40

Существует опасность утечки электролита под экстремальной нагрузкой или при экстремальных температурах. При попадании электролита на кожу незамедлительно смойте его водой с мылом. При попадании в глаза тщательно промойте не менее 10 минут и немедленно обратитесь к врачу.

ТРЕБОВАНИЯ БЕЗОПАСНОСТИ ПРИ ИСПОЛЬЗОВАНИИ ДОПОЛНИТЕЛЬНОЙ АККУМУЛЯТОРНОЙ БАТАРЕИ



ОСТОРОЖНО!

Для предотвращения опасности пожара в результате короткого замыкания, травм и повреждения изделия не опускайте инструмент, сменный аккумулятор или зарядное устройство в жидкости и не допускайте попадания жидкостей внутрь устройств или аккумуляторов. Коррозионные и проводящие жидкости, такие как соленый раствор, определенные химикаты, отбеливающие средства или содержащие их продукты, могут привести к короткому замыканию.

БУДЬТЕ ВСЕГДА ОСТОРОЖНЫ

Даже когда изделие используют согласно инструкциям, невозможно полностью устранить факторы риска. При эксплуатации могут возникнуть следующие ситуации, которым пользователь должен уделять особое внимание, чтобы избежать проблем:



- травма от контакта с лезвием
 - Лопасты не могут быть защищены во время резки. Держать лезвие подальше от себя и других лиц. Когда инструмент не используется, на лезвиях должны быть установлены защитные устройства.
- Травмы, вызываемые вибрацией.
 - Применяйте инструмент только по своему назначению, используйте надлежащие ручки и соблюдайте рабочий режим.
- Повреждение слуха, вызываемое воздействием шума.
 - Носите устройства защиты слуха и ограничивайте продолжительность шумового воздействия.

СНИЖЕНИЕ РИСКА

Считается, что вибрация ручного инструмента может привести к проявлению у отдельных лиц так называемой болезни Рейно (Raynaud's Syndrome). К симптомам могут относиться покалывание, онемение и побеление пальцев (как при переохлаждении). Считают, что наследственные факторы, охлаждение и влажность, диета, курение и практический опыт способствуют развитию этих симптомов. Ниже приводятся меры, которые может принять оператор для снижения воздействия вибрации:

- Одевайтесь теплее в холодную погоду. При эксплуатации изделия носите перчатки, чтобы сохранить руки и запястья в тепле. Считается, что холодная погода является основным фактором, способствующим возникновению болезни Рейно (Raynaud's Syndrome).
- После каждого этапа работы выполните упражнения для усиления кровообращения.
- Чаще делайте перерывы в работе. Сократите длительность ежедневного пребывания на открытом воздухе.

При появлении каких-либо из указанных симптомов сразу же прекратите работу и обратитесь по их поводу к врачу.



ОСТОРОЖНО!

Слишком продолжительное использование инструмента может привести к травме. При использовании инструмента в течение длительного времени делайте регулярные перерывы.

НАЗНАЧЕНИЕ

Беспроводной кусторез предназначен для использования только вне помещений. В целях безопасности инструментом необходимо управлять двумя руками.

Изделие предназначено для домашнего использования. Данный инструмент предназначен для обрезки и подравнивания живой изгороди, кустарников и подобной растительности.

Пользоваться инструментом следует в сухих хорошо освещенных условиях.

Устройство НЕ предназначено для подрезки травы, деревьев или веток. Инструмент не следует использовать в каких-либо других целях, кроме подрезки живой изгороди.

Использование изделия допускается только в целях, указанных в разделе "Назначение".

ИЗУЧИТЕ УСТРОЙСТВО

См. стр. 6-7.

1. Переключатель присутствия оператора
2. Кнопка фиксатора батареи
3. Аккумулятор
4. Фиксатор дроссельного регулятора
5. Задняя ручка
6. Курок акселератора
7. Зарядное устройство
8. Крышка режущего полотна
9. Пильное полотно
10. Защитный щиток
11. Передняя ручка

ТРАНСПОРТИРОВКА И ХРАНЕНИЕ

- Остановите устройство, извлеките батарею и дайте им остыть перед постановкой на хранение или транспортировкой.
- Очистите устройство от всех посторонних материалов. Храните его в прохладном, сухом, хорошо проветриваемом и недоступном для детей месте. В целях дополнительной безопасности храните батарею отдельно от кустореза. Не держите бензопилу рядом с коррозионными веществами, такими как садовые химикаты или размораживающая соль. Не храните на открытом воздухе.
- Надевайте защитное устройство на режущее полотно перед помещением устройства на хранение или при транспортировке.
- Для транспортировки закрепите изделие так, чтобы оно не могло перемещаться или упасть во избежание травмирования персонала или повреждения изделия.

EN
FR
DE
ES
IT
NL
PT
DA
SV
FI
NO
RU
PL
CS
HU
RO
LV
LT
ET
HR
SL
SK
BG
UK
TR

ТЕХНИЧЕСКОЕ ОБСЛУЖИВАНИЕ



ОСТОРОЖНО!

Используйте только дополнительное оборудование ЕСНО и запасные детали ЕСНО. Невыполнение этого требования может привести к травме, к снижению производительности и к аннулированию гарантии. При необходимости замены неуказанных здесь компонентов обратитесь к одному из сервисных представителей ЕСНО.



ОСТОРОЖНО!

Обслуживание требует чрезвычайной заботы и знания и должно быть выполнено только квалифицированным техником обслуживания. Обратитесь в авторизованный сервисный центр для техобслуживания. При выполнении технического обслуживания используйте только оригинальные запчасти от производителя.



ОСТОРОЖНО!

Режущие лезвия чрезвычайно острые. Во избежание травм проявляйте крайнюю осторожность при очистке, смазке и установке или снятии защитного устройства для лезвия. Перед проведением технического обслуживания или очистки выключите устройство и извлеките аккумуляторный блок.

- Извлекайте батарею перед регулировкой, обслуживанием или очисткой.
- Вы можете выполнять работы по регулировке и обслуживанию, которые описаны в данном руководстве. По вопросу ремонта обращайтесь в авторизованный сервисный центр.
- После каждого использования протирайте корпус и ручки изделия мягкой сухой тканью.
- После каждого использования, очистите лезвия от мусора жесткой щеткой, а затем аккуратно нанесите на него антикоррозионную смазку перед установкой защитного приспособления для лезвия. Производитель рекомендует использовать антикоррозионную распыляемую смазку, чтобы нанести ровный слой и снизить риск получения травмы от контакта с лезвиями. Для получения информации о подходящих распыляемых смазках свяжитесь с местным авторизованным сервисным центром.
- Вы можете при необходимости слегка смазывать лезвия перед эксплуатацией, используя данный метод.
- Проверить все болты, задвижки, и винты, через короткие интервалы, на надлежащую плотность, чтобы убедиться, что изделие находится в

безопасном, рабочем состоянии. В случае повреждения какой-либо детали необходимо обратиться в авторизованный сервисный центр для выполнения надлежащего ремонта или замены.

БАТАРЕИ

- Аккумуляторные блоки, которые не использовались какое-то время, перед началом эксплуатации необходимо зарядить.
- При температуре свыше 50°C (122°F) производительность аккумуляторного блока снижается. Не допускайте длительного воздействия жары или солнечных лучей (риск перегрева).
- Контакты зарядного устройства и аккумуляторных блоков должны содержаться в чистоте.
- Для обеспечения оптимального срока службы после использования изделия аккумуляторные блоки необходимо полностью заряжать.
- Для обеспечения максимального срока службы аккумуляторного блока после каждой зарядки извлекайте его из зарядного устройства.

Для хранения аккумуляторной батареи свыше 30 дней:

- Храните аккумуляторную батарею при температуре ниже 27°C в местах без повышенной влажности.
- Храните батарею с зарядом 30%-50% от номинального.
- После каждых шести месяцев хранения зарядите ее обычным образом.
- Заряжайте аккумуляторные блоки и инструмент в соответствии с инструкцией, не подвергая их при этом воздействию температур вне диапазона, указанного в инструкции. Несоблюдение инструкций и зарядка при воздействии температур вне диапазона, указанного в инструкции, может привести к повреждению аккумулятора и повысить риск возгорания.

ПЕРЕВОЗКА ЛИТИЕВЫХ БАТАРЕЙ

При обращении с литий-ионной батареей выполняйте рекомендации постановлений об обращении с опасными изделиями.

Транспортировка указанных аккумуляторов должна осуществляться в соответствии с региональными, национальными и международными нормами и правилами.

- Пользователь может перевозить батареи автотранспортом без дополнительных требований.
- Коммерческая транспортировка литий-ионных аккумуляторов третьими лицами регулируется правилами обращения с опасными грузами. Подготовка транспорта и перевозка должны выполняться только обученным работником и под наблюдением соответствующих специалистов.

При транспортировке аккумуляторов:

- Убедитесь, что батарея и контакты защищены и изолированы для предотвращения короткого замыкания.
- Убедитесь в том, что аккумуляторный блок надежно зафиксирован внутри упаковки.
- Не транспортируйте поврежденные или протекающие батареи.

За консультацией обращайтесь в транспортно-экспедиционную компанию.

УСЛОВНЫЕ ОБОЗНАЧЕНИЯ



Внимание

Внимательно прочитайте все инструкции перед началом работы с продуктом, соблюдайте все предупреждения и инструкции по безопасности.



Следует надевать средства защиты органов слуха.



Используйте средства защиты органов зрения.



При работе удерживайте шпалерные ножницы обеими руками.



Во избежание серьезных травм не касайтесь режущих лезвий.



Надевайте нескользящие защитные перчатки для тяжелых условий работы.



Не подвергайте инструмент воздействию дождя и не используйте в условиях повышенной влажности.



Помните об опасности, которую представляют собой отбрасываемые устройством или вылетающие из-под него предметы. Не допускайте приближения посторонних лиц, особенно детей и домашних животных к рабочей зоне ближе чем на 15 м



Украинский знак стандартизации



Знак Евразийского Соответствия



Отработанная электротехническая продукция должна уничтожаться вместе с бытовыми отходами. Утилизируйте, если имеется специальное техническое оборудование. По вопросам утилизации проконсультируйтесь с местным органом власти или предприятием розничной торговли.



Настоящий инструмент отвечает всем официальным стандартам страны ЕС, в которой он был приобретен.



Гарантированный уровень звуковой мощности, указанный на настоящей табличке, составляет 93 дБ.

Следующие сигнальные слова и значения предназначены, чтобы объяснить уровни риска, связанного с этим изделием.

ОПАСНО

Указывает неизбежно опасную ситуацию, которая, если не избежать, кончится смертельным или серьезным ущербом.

ОСТОРОЖНО

Указывает потенциально опасную ситуацию, которая, если не избежать, может кончиться смертельным или серьезным ущербом.

ПРЕДОСТЕРЕЖЕНИЕ

Указывает потенциально опасную ситуацию, которая, если не избежать, может кончиться малым или уменьшенным ущербом.

ПРЕДОСТЕРЕЖЕНИЕ

Употребляется без предупреждающего знака

Указывает на ситуацию, которая может привести к повреждению имущества.

ТРАНСПОРТИРОВКА:

Категорически не допускается падение и любые механические воздействия на упаковку при транспортировке.

При разгрузке/погрузке не допускается использование любого вида техники, работающей по принципу зажима упаковки.

ХРАНЕНИЕ:

Необходимо хранить в сухом месте.

Необходимо хранить вдали от источников повышенных температур и воздействия солнечных лучей.

При хранении необходимо избегать резкого перепада температур.

Хранение без упаковки не допускается.

СРОК СЛУЖБЫ ИЗДЕЛИЯ:

Срок службы изделия составляет 5 лет.

Не рекомендуется к эксплуатации по истечении 5 лет хранения с даты изготовления без предварительной проверки.

Дата изготовления (код даты) отштампован на поверхности корпуса изделия.

Пример:

W17 Y2015, где Y2015 - год изготовления

W17 – неделя изготовления

Определить месяц изготовления можно согласно приведенной ниже таблице, на примере 2015 года.

Обратите внимание! Количество недель в месяце различается от года в год.

Месяц	Январь	Февраль	Март	Апрель	Май	Июнь	Июль	Август	Сентябрь	Октябрь	Ноябрь	Декабрь	Год
Неделя	01	05	09	14	18	22	27	31	36	40	44	49	2015
	02	06	10	15	19	23	28	32	37	41	45	50	
	03	07	11	16	20	24	29	33	38	42	46	51	
	04	08	12	17	21	25	30	34	39	43	47	52	
	05	09	13	18	22	26	31	35	40	44	48	53	
		14			27								

**DANE TECHNICZNE****PRZYCINARKA DO ŻYWOPŁOTÓW****ECHT-58V**

Numer seryjny	94501401000001 - 94501401999999
Prędkość obrotowa bez obciążenia	3400 min ⁻¹
Długość ostrza	610 mm
Długość cięcia	563 mm
Napięcie akumulatora	51,1V, 58V MAX
Ciężar (z akumulatorem 2,0 Ah)	5,5 kg
Ciężar (z akumulatorem 4,0 Ah)	6,1 kg
Masa (bez akumulatora)	4,3 kg

EN
FR
DE
ES
IT
NL
PT
DA
SV
FI
NO
RU
PL
CS
HU
RO
LV
LT
ET
HR
SL
SK
BG
UK
TR

Informacje o hałasie/wibracjach (zgodnie z normą EN 60745-1, EN 60745-2-15)

Poziomy dźwięku A:

Poziomy ciśnienia akustycznego	$L_{pA} = 79,0 \text{ dB(A)}$
Niepewność pomiaru	$K = 3,0 \text{ dB}$
Poziom natężenia dźwięku	$L_{WA} = 90,0 \text{ dB(A)}$
Niepewność pomiaru	$K = 2,3 \text{ dB}$

Zawsze nosić ochronniki słuchu!

Łączny poziom wibracji (sumę wektorową w trzech kierunkach) określono zgodnie z normą EN 60745-1, EN 60745-2-15.

Poziom emisji wibracji (ah)

Tylny uchwyt	$ah = 3,4 \text{ m/s}^2$
Przedni uchwyt	$ah = 2,6 \text{ m/s}^2$
Niepewność pomiaru	$K = 1,5 \text{ m/s}$

***SPM (suwy na minutę) to liczba kompletnych suwów, które korbowód wykonuje w trakcie minuty.**

AKUMULATOR I ŁADOWARKA**ECHT-58V**

Pasujące akumulatory	ECBP-58V20 / ECBP-58V40
Zgodna ładowarka	ECBC-58VEU and ECBC-58VUK

**OSTRZEŻENIE!**

Podany w niniejszym arkuszu informacyjnym poziom emisji wibracji zmierzono zgodnie ze znormalizowaną metodą testowania — może on być wykorzystywany do wzajemnego porównywania narzędzi. Można go wykorzystywać do wstępnej oceny narażenia.

Deklarowany poziom emisji wibracji odpowiada głównym zastosowaniom narzędzia. Jeżeli jednak narzędzie będzie używane do innych zastosowań lub z innymi akcesoriami, bądź też jeśli będzie niewłaściwie konserwowane, poziom emisji wibracji będzie się różnić. Może to prowadzić do znaczącego wzrostu poziomu narażenia w całym okresie eksploatacji.

Oszacowanie poziomu narażenia na wibracje powinno również uwzględniać okresy, w których narzędzie jest wyłączone bądź działa, ale nie jest wykorzystywane do pracy. Może to prowadzić do znaczącego ograniczenia poziomu narażenia w całym okresie eksploatacji.

Zidentyfikować dodatkowe środki bezpieczeństwa w celu ochrony operatora przed skutkami wibracji, czyli na przykład: konserwować narzędzie i akcesoria, dbać o odpowiednią ciepłotę dłoni, odpowiednio układać harmonogram prac.





OSTRZEŻENIE!

Zapoznaj się ze wszystkimi zasadami bezpieczeństwa i instrukcjami. Niezastosowanie się do ostrzeżeń i instrukcji może spowodować porażenie prądem, pożar oraz/lub poważne obrażenia ciała.

Zachowajcie te ostrzeżenia i zalecenia, aby móc się do nich odnieść w późniejszym czasie.

Termin "elektronarzędzia" stosowany w przedstawionych tu zasadach bezpieczeństwa odnosi się zarówno do urządzeń zasilanych z sieci energetycznej (przewodowych) jak i urządzeń zasilanych z akumulatora (beprzewodowych).

OGÓLNE OSTRZEŻENIA DOTYCZĄCE BEZPIECZEŃSTWA

OTOCZENIE ROBOCZE

- Miejsce pracy musi być utrzymywane w czystości i dobrze oświetlone. Obszary zaśmieczone lub niewystarczająco oświetlone mogą być przyczyną wypadku.
- Nie wolno uruchamiać urządzeń elektrycznych w miejscach, gdzie grozi z wybuchem, na przykład w pobliżu łatwopalnych cieczy, gazów lub pyłów. Urządzenia elektryczne mogą wytwarzać iskry, które mogą być przyczyną zaplonu pyłów lub oparów.
- Podczas używania narzędzi elektrycznych należy utrzymywać osoby postronne i dzieci z dala od miejsca pracy. Odwrócenie uwagi operatora może spowodować utratę kontroli nad urządzeniem.

ZASADY BEZPIECZEŃSTWA DOTYCZĄCE OBSŁUGI URZĄDZEŃ ELEKTRYCZNYCH

- Wtyczki zasilania elektronarzędzi muszą pasować do gniazd sieciowych. Nie wolno modyfikować wtyczek w żaden sposób. Nie wolno używać żadnych przejściówek do podłączania urządzeń posiadających przewód zasilania z uziemieniem. Stosowanie oryginalnych wtyczek i dopasowanych gniazd sieciowych zmniejsza ryzyko porażenia prądem.
- Unikać kontaktu ciała z powierzchniami uziemionymi lub podłączonymi do bieguna zerowego, np. rury, instalacje grzewcze i chłodnicze. Kontakt ciała z masą lub uziemieniem zwiększa ryzyko porażenia prądem.
- Nie narażać tego produktu na działanie deszczu lub wody. Przedostanie się wody do wnętrza elektronarzędzia zwiększa ryzyko porażenia prądem.
- Nie uszkodzić przewodu zasilania. Nie wolno używać przewodu zasilania do przenoszenia, ciągnięcia urządzenia lub jego odłączania z gniazda sieciowego. Przewody elektryczne trzymać z dala od źródeł ciepła, oleju, ostrych krawędzi lub ruchomych elementów. Uszkodzony lub zaplątany przewód elektryczny zwiększa ryzyko porażenia prądem.

- W przypadku używania urządzenia na zewnątrz, ewentualne przedłużacze muszą być do tego przystosowane. Zastosowanie przedłużacza przystosowanego do warunków zewnętrznych zmniejsza ryzyko porażenia prądem.
- Jeśli nie można uniknąć użytkowania urządzenia elektrycznego w warunkach wilgotnych, należy je zasilac z obwodu zabezpieczonego wyłącznikiem różnicowo-prądowym (RCD). Zastosowanie takiego wyłącznika pozwala zmniejszyć ryzyko porażenia prądem elektrycznym.

BEZPIECZEŃSTWO OSOBISTE

- Zachowywać skupienie, uważnie obserwować wykonywane czynności, stosować zasady zdrowego rozsądku podczas obsługi urządzenia. Nie używać urządzeń elektrycznych w stanie zmęczenia lub będąc pod wpływem leków, alkoholu lub środków odurzających. Moment nieuwagi podczas obsługi elektronarzędzia może być przyczyną poważnego zranienia.
- Stosować środki ochrony osobistej. Zawsze nosić okulary ochronne. Stosowanie takich środków ochrony osobistej jak maska przeciwpyłowa, obuwie antypoślizgowe, twarde nakrycie głowy, nauszники pozwoli zmniejszyć ryzyko zranienia.
- Unikać możliwości przypadkowego uruchomienia urządzenia. Przed podłączeniem do zasilania/założeniem akumulatora lub w celu jego podniesienia lub przeniesienia należy upewnić się, że wyłącznik zasilania znajduje się w położeniu wyłączonym. Przenoszenie elektronarzędzia z palcem na wyłączniku lub podłączenie zasilania do urządzenia, w którym wyłącznik znajduje się w położeniu włączonym grozi wypadkiem.
- Usunąć wszelkie narzędzia i klucze przed włączeniem zasilania. Uruchomienie elektronarzędzia z kluczem założonym na ruchomym elemencie grozi poważnym wypadkiem.
- Nie sięgać zbyt daleko. Należy cały czas pewnie opierać stopy i utrzymywać równowagę. Zapewni to lepsze panowanie nad urządzeniem w nieprzewidywanych sytuacjach.
- Należy zakładać odpowiednią odzież ochronną. Nie zakładać luźnego ubioru ani biżuterii. Trzymać włosy, ubranie i okulary z dala od ruchomych elementów. Mogą być one wciągnięte przez ruchome części urządzenia.
- Jeśli używane urządzenie posiada przyłącznie do wyciągu i gromadzenia kurzu, należy go używać w odpowiedni sposób. Stosowanie metod usuwania pyłu zmniejsza zagrożenie związane z jego gromadzeniem.
- Nie należy dopuszczać do tego, aby wcześniejsza znajomość obsługi podobnych narzędzi doprowadziła do ignorowania zasad bezpiecznego posługiwania się narzędziem. Nieostrożna obsługa może spowodować poważne urazy ciała w ciągu ułamka sekundy.



UŻYTKOWANIE I KONSERWACJA URZĄDZEŃ ELEKTRYCZNYCH

- **Nie przeciążać urządzenia.** Używać odpowiedniego narzędzia do odpowiedniego rodzaju prac. Najlepsze efekty pracy, przy zachowaniu pełnego bezpieczeństwa, zapewni używanie urządzeń w zakresie parametrów znamionowych i stosownie do ich przeznaczenia.
- **Nie używać tego urządzenia, jeśli wyłącznik nie pracuje poprawnie.** Używanie elektronarzędzia bez sprawnego wyłącznika jest zbyt niebezpieczne - należy oddać je do naprawy.
- **Przed przystąpieniem do regulacji, wymiany akcesoriów lub przed odłożeniem elektronarzędzia w miejsce przechowywania należy wyjąć wtyczkę z gniazda sieciowego lub wyjąć akumulator.** Tego rodzaju środki zapobiegawcze pozwolą zmniejszyć ryzyko przypadkowego uruchomienia elektronarzędzia.
- **Nieużywane urządzenia należy przechowywać poza zasięgiem dzieci.** Nie wolno zezwalać osobom nie obeznanym z obsługą urządzeń elektrycznych na ich używanie. Urządzenia elektryczne mogą być niebezpieczne w rękach osób nieposiadających odpowiedniego przygotowania.
- **Urządzenia elektryczne wymagają konserwacji.** Należy sprawdzać wyrównanie elementów ruchomych, sprawdzać, czy nie ma jakichkolwiek uszkodzeń, uwzględniać wszelkie aspekty mające wpływ na bezpieczną pracę urządzenia. W przypadku stwierdzenia uszkodzeń, oddać urządzenie do naprawy. Wiele wypadków spowodowane jest używaniem urządzeń w niewłaściwym stanie technicznym.
- **Elementy tnące muszą być ostre i czyste.** Odpowiednio ostre krawędzie tnące ułatwią prowadzenie urządzenia i są bardziej odporne na uszkodzenie.
- **Wszelkie urządzenia, przystawki, akcesoria itp. należy używać zgodnie z dołączonymi instrukcjami obsługi, z uwzględnieniem warunków i charakteru wykonywanej pracy.** Używanie narzędzi w sposób niezgodny z ich przeznaczeniem grozi poważnym niebezpieczeństwem.
- **Uchwyty i powierzchnie do trzymania muszą zawsze być suche, czyste i wolne od smaru oraz oleju.** Śliskie uchwyty i powierzchnie do trzymania nie umożliwiają bezpiecznej obsługi i kontrolowania narzędzia w nieoczekiwanych sytuacjach.

UŻYTKOWANIE I OBSŁUGA AKUMULATORA

- **Ładować wyłącznie za pomocą ładowarki dostarczonej przez producenta.** Ładowarka przeznaczona do jednego modelu akumulatora może być przyczyną pożaru w przypadku zastosowania do ładowania akumulatora innego typu.
- **Używać narzędzi ręcznych z napędem elektrycznym wyłącznie z akumulatorami przeznaczonymi do tych urządzeń.** Używanie innych akumulatorów wiąże

się ze zwiększonym ryzykiem pożaru lub obrażeń ciała.

- **Gdy akumulator nie jest używany, przechowywać go z dala od innych metalowych przedmiotów, np. spinaczy, monet, kluczy, gwóźdźi, śrub lub innych małych metalowych przedmiotów, które mogłyby utworzyć połączenie między stykami, prowadząc do zwarcia.** Zwarcie styków akumulatora może spowodować oparzenia lub pożar.
- **W przypadku niewłaściwej obsługi może dojść do wycieku płynu z akumulatora, należy unikać kontaktu z tym płynem.** Miejsce ewentualnego kontaktu przepłukać wodą. W przypadku, gdy płyn dostanie się do oczu, po przemyciu zwrócić się o pomoc do lekarza. Płyn wyciekający z akumulatora może powodować podrażnienia i oparzenia.
- **Nie stosować uszkodzonych ani zmodyfikowanych akumulatorów i narzędzi.** Uszkodzone lub zmodyfikowane akumulatory mogą zachowywać się w sposób nieprzewidywalny, co może prowadzić do pożaru, wybuchu lub ryzyka obrażeń.
- **Nie narażać akumulatora lub narzędzia na działanie ognia lub zbyt wysokich temperatur.** Narażenie na działanie ognia lub temperatury powyżej 130°C może spowodować wybuch.
- **Przestrzegać wszystkich instrukcji ładowania i nie ładować akumulatora ani narzędzia poza podanym w instrukcji zakresem temperatur.** Ładowanie w niewłaściwy sposób lub w temperaturze poza określonym zakresem może doprowadzić do uszkodzenia akumulatora i wzrostu zagrożenia pożarowego.

KONSERWACJA

- **Urządzenie elektryczne powinno być naprawiane przez wykwalifikowany personel, z zastosowaniem identycznych części zamiennych.** Dzięki temu zapewnione będzie bezpieczeństwo użytkownika urządzenia.
- **Nigdy nie serwisować uszkodzonych akumulatorów.** Serwisowaniem akumulatorów powinien zajmować się wyłącznie producent lub autoryzowany serwis.

OSTRZEŻENIA DOTYCZĄCE BEZPIECZNEJ OBSŁUGI NŹYC DO ŻYWOPŁOTU

- **Wszystkie kończyny należy trzymać z dala od ostrza. Nie usuwać nagromadzonej ścinki ani nie trzymać gałęzi do przecięcia w rękach gdy ostrza pracują. Przed przystąpieniem do usuwania nagromadzonego materiału upewnić się, że urządzenie jest wyłączone.** Chwila nieuwagi podczas obsługi urządzenia może spowodować poważne urazy ciała.
- **Przycinarkę należy prznosić trzymając za rękojeść, ostrza nie mogą pracować. Do transportu lub przechowywania zakładać osłonę na element tnący.** Odpowiednie obchodzenie się z przycinarką



pozwole zmniejszyć ryzyko zranienia przez jej ostrza.

- **Elektronarzędzie należy trzymać wyłącznie za przewidziane do tego celu izolowane uchwyty, ponieważ istnieje ryzyko przypadkowego zetknięcia się ostrza z niewidocznym przewodem elektrycznym lub własnym przewodem.** Kontakt ostrza z przewodem pod napięciem może spowodować przepływ prądu przez metalowe elementy urządzenia i porażenie operatora.

DODATKOWE OSTRZEŻENIA DOTYCZĄCE BEZPIECZEŃSTWA

- W niektórych regionach obowiązują przepisy ograniczające używanie produktu w przypadku określonych działań. Informacje na ten temat można uzyskać w lokalnych urzędach. Przeczytać wszystkie instrukcje
- Oczyszczyć miejsce pracy każdorazowo przed rozpoczęciem pracy. Należy usunąć wszelkie objekty, takie jak przewody, światła lub druty, ponieważ mogą być one odrzucone przez ostrza lub mogą się w nie zaplątać.
- Należy sprawdzić, czy w żywopłocie nie ma obcych obiektów, takich jak drut ogrodzenia.
- W trakcie używania produktu w pobliżu ogrodzeń, słupków, budynków lub innych nieruchomości należy zachować szczególną ostrożność.
- Należy zwrócić uwagę na wyrzucane objekty; wszyscy przechodnie, dzieci oraz zwierzęta muszą znajdować się w odległości 15 m od obszaru pracy.
- Nie wolno zezwalać dzieciom ani osobom bez odpowiedniego przeszkolenia na korzystanie z tego urządzenia.
- Nie pracować w słabym oświetleniu. Operator musi dobrze widzieć miejsce pracy, aby móc zidentyfikować potencjalne zagrożenia.
- Przed przystąpieniem do użytkowania urządzenia należy upewnić się, że wszystkie uchwyty i osłony są prawidłowo zamontowane. Nigdy nie próbować używać produktu niekompletnego lub zmodyfikowanego w sposób niezatwierdzony.
- Przed użyciem należy sprawdzić, czy wszystkie przyrządy sterowania oraz zabezpieczenia działają prawidłowo. Nie należy używać narzędzia, jeśli wyłącznik („off”) nie umożliwi wyłączenia produktu.
- Przed każdym użyciem należy sprawdzić maszynę. Sprawdzić, czy wszystkie mocowania są dobrze dokręcone. Upewnić się, że wszystkie elementy zabezpieczające, osłony i uchwyty są prawidłowo i bezpiecznie zamocowane. Wymienić wszystkie uszkodzone elementy przed rozpoczęciem użytkowania. Sprawdzić, czy akumulator nie ma wycieków.
- Nie modyfikować produktu w jakikolwiek sposób.
- Należy nosić pełne zabezpieczenie oczu i uszu podczas

obsługi produktu. W przypadku pracy w miejscu, gdzie występuje ryzyko spadających przedmiotów, należy nosić kask.

- Założyć grube, długie spodnie, wysokie buty i rękawice. Nie należy nosić luźnego ubrania, krótkich spodenek, biżuterii oraz nie chodzić boszo.
- Długie włosy należy związać, aby znajdowały się powyżej ramion i aby nie zostały pochwycone przez maszynę.
- Stosowanie środków ochrony słuchu zmniejsza słyszalność ostrzeżeń (alarmów, okrzyków). Należy zwracać większą uwagę na to, co dzieje się w miejscu pracy.
- Praca podobnych narzędzi w pobliżu zwiększa ryzyko urazu słuchu oraz wtargnięcia innej osoby na miejsce pracy.
- Nie obsługiwać tego urządzenia w stanie zmęczenia, choroby, będąc pod wpływem alkoholu, środków odurzających lub lekarstw.
- Stać stabilnie, zachowując równowagę. Nie sięgać zbyt daleko. Nadmierne wychylenie się może spowodować utratę równowagi i może spowodować poważne urazy ciała.
- Wszystkie kończyny należy trzymać z dala od ruchomych elementów urządzenia.
- Przed uruchomieniem urządzenia należy upewnić się, że ostrza tnące nie dotkną żadnego przedmiotu.
- Podczas obsługi nożyc do żywopłotu zawsze należy trzymać je obiema rękoma, chwytając obu uchwytów, zwracając uwagę na zapewnienie bezpiecznej i pewnej pozycji roboczej. Producent nie zaleca stosowania stopni ani drabin. Jeśli wymagane jest przycinanie wysokiego żywopłotu, należy zastosować narzędzie z wysięgnikiem.
- Ostrza są ostre. Podczas prac związanych z zespołem ostrza, należy nosić antypoślizgowe, grube rękawice ochronne. Nie wkładać rąk lub palców pomiędzy ostrza ani w miejsce, gdzie może dojść do przecięcia lub zakleszczenia. Nigdy nie wolno dotykać ostrza ani serwisować urządzenia, jeśli pakiet akumulatora nie został odłączony
- Wyłączyć zasilanie i wymontować akumulator. Upewnić się, że wszystkie elementy ruchome zostały całkowicie zatrzymane:
 - przed pozostawieniem produktu bez nadzoru
 - przed czyszczeniem lub usuwaniem zablokowanego materiału
 - przed przystąpieniem do regulacji położenia roboczego noża
 - przed sprawdzeniem, konserwacją lub obsługą produktu
- Nie wypychać produktu na siłę w gęsto zakrzewione obszary. Może to spowodować stępienie noży i zwolnienie ich pracy. Gdy noże zwalnają, zmniejszyć prędkość posuwu.

- Nie należy próbować przecinać konarów lub gałęzi o średnicy większej niż 17 mm lub zbyt dużych. Do docinania większych konarów należy używać piły ręcznej lub piły ogrodniczej.
- Nie obsługiwać produktu z uszkodzonymi lub nadmiernie zużytymi ostrzami.
- Nie należy dopuszczać do tego, aby wcześniejsza znajomość obsługi podobnych narzędzi doprowadziła do ignorowania zasad bezpiecznego posługiwania się narzędziem. Nieostrożna obsługa może spowodować poważne urazy ciała w ciągu ułamka sekundy.
- Najlepsze efekty ładowania można uzyskać przy temperaturze otoczenia w zakresie od 10 °C do 38 °C. Aby zmniejszyć ryzyko poważnych obrażeń, nie należy przechowywać tego urządzenia na zewnątrz pomieszczeń ani w pojazdach.



OSTRZEŻENIE!

W przypadku upuszczenia produktu, narażenia jej na silne uderzenie lub w przypadku wystąpienia nietypowych wibracji należy natychmiast zatrzymać produkt i sprawdzić, czy nie ma oznak uszkodzenia lub ustalić przyczynę wibracji. Wszelkie uszkodzone części muszą być odpowiednio naprawione lub wymienione w autoryzowanym punkcie serwisowym.

Przed rozpoczęciem pracy z produktem wymontować akumulator.

Nie należy wyrzucać zużytych akumulatorów z odpadami domowymi ani ich palić. Dystrybutorzy sprzętu ECHO oferują odbiór zużytych akumulatorów w celu ochrony środowiska.

Nie przechowywać akumulatora z metalowymi przedmiotami (ryzyko zwarcia).

Ładować akumulatory wyłącznie ładowarką ECBC-58VEU/ECBC-58VUK.

Nie stosować akumulatorów z innych systemów.

Pasujące akumulatory: ECBP-58V20, ECBP-58V40

Przy skrajnym obciążeniu lub w skrajnych temperaturach może dochodzić do wycieków kwasu z uszkodzonych akumulatorów. W przypadku kontaktu z kwasem z akumulatora należy go natychmiast zmyć wodą z mydłem. W przypadku przedostania się do oczu dokładnie płukać przez co najmniej 10 minut i natychmiast zasięgnąć porady lekarza.

AKUMULATOR — DODATKOWE OSTRZEŻENIA DOTYCZĄCE BEZPIECZEŃSTWA



OSTRZEŻENIE!

Aby uniknąć niebezpieczeństwa pożaru, obrażeń lub uszkodzeń produktu na skutek zwarcia, nie wolno zanurzać narzędzia, akumulatora wymiennego ani ładowarki w cieczach i należy zatroszczyć się o to, aby do urządzeń i akumulatorów nie dostały się żadne ciecze. Zwarcie spowodować mogą korodujące lub przewodzące ciecze, takie jak woda morska, określone chemikalia i wybielacze lub produkty zawierające wybielacze.

RYZYKO ZWIĄZANE Z UŻYTKOWANIEM

Nawet jeśli produkt jest używany zgodnie z zaleceniami, nadal nie jest możliwe wyeliminowanie określonych czynników ryzyka. Następujące zagrożenia mogą wystąpić podczas używania urządzenia i operator powinien zwracać szczególną uwagę na poniższe punkty:

- Urazy ciała spowodowane kontaktem z ostrzem
 - Ostrzy nie można zabezpieczyć podczas cięcia. Nie zbliżać ostrza do swojego ciała ani do innych osób. Osłony ostrzy muszą być zamontowane, kiedy produkt nie jest używany.
- Urazy ciała spowodowane przez wibracje.
 - Zawsze należy używać do określonego zadania odpowiednich narzędzi, korzystać z przeznaczonych do tego uchwytów i stosować się do zaleceń dotyczących czasu pracy i narażenia.
- Uszkodzenie słuchu spowodowane narażeniem na hałas.
 - Należy nosić środki ochrony uszu oraz ograniczyć poziom narażenia.

OGRANICZENIE RYZYKA

Badania dowodzą, że wibracje powodowane przez narzędzia ręczne mogą wywoływać u niektórych osób objawy syndromu Raynauda. Typowe objawy to mrowienie, drętwienie i blednięcie palców, widoczne zwykle po wystawieniu na działanie zimna. Uważa się, że czynniki dziedziczne, wystawienie na działanie zimna i wilgoci, dieta, palenie papierosów i przyjęte zwyczaje przyczyniają się do rozwoju tych objawów. Istnieją środki zaradcze, które może podjąć operator narzędzia, aby zmniejszyć efekt wibracji:

- Zadbaj w niskich temperaturach o ciepłotę własnego ciała, zakładając odpowiednie ubranie. Podczas obsługi produktu należy nosić rękawice, aby dłonie i nadgarstki były ciepłe. Wiadomo, że niskie temperatury są główną przyczyną powstawania objawu Raynauda.

- Podczas przerw w pracy należy wykonywać ćwiczenia poprawiające krążenie krwi..
- Podczas pracy robić częste przerwy. Ograniczyć ekspozycję w ciągu dnia.

W razie doświadczenia dowolnego z wymienionych objawów, należy niezwłocznie zaprzestać użytkowania tego urządzenia i skontaktować się z lekarzem.



OSTRZEŻENIE!

Długotrwałe użytkowanie narzędzia może spowodować obrażenia ciała lub nasilić dolegliwości zdrowotne. W przypadku używania narzędzia przed dłuższy czas należy pamiętać o regularnych przerwach.

PRZEZNACZENIE

Bezprzewodowe nożyce do żywopłotu przeznaczone są do stosowania wyłącznie poza pomieszczeniami. Ze względów bezpieczeństwa produkt należy obsługiwać dwiema rękami.

Produkt jest przeznaczony do domowego użytkowania. Urządzenie jest przeznaczone do cięcia i przycinania żywopłotów, krzewów i podobnych roślin.

Urządzenie należy stosować w warunkach suchych, przy dobrym oświetleniu.

NIE JEST ono przeznaczone do koszenia trawy, piłowania drzew lub konarów. Nie należy używać tego urządzenia w celu innym niż przycinanie żywopłotów.

Nie używać produktu do celów innych niż wymienione jako zgodne z przeznaczeniem.

ZAPOZNAJ SIĘ ZE SWOIM PRODUKTEM

Patrz str. 6-7

1. Przycisk kontrolny operatora
2. Przycisk zatrzaśki akumulatora
3. Akumulator
4. Blokada spustu przepustnicy
5. Tylny uchwyt
6. Spust przepustnicy
7. Ładowarka
8. Osłona ostrza
9. Ostrze
10. Osłona ochronna
11. Przedni uchwyt

TRANSPORT I PRZECHOWYWANIE

- Przed schowaniem lub transportem produktu należy zatrzymać go, wyjąć akumulator i odczekać, aż ostygnie.
- Usunąć z produktu wszelkie zanieczyszczenia. Należy przechowywać urządzenie w chłodnym, suchym i dobrze wentylowanym miejscu, które jest niedostępne dla dzieci. Aby zapewnić wyższy poziom

bezpieczeństwa, akumulator należy przechowywać oddzielnie od nożyc do żywopłotu. Nie chowajcie jej w pobliżu czynników żrących, takich jak ogrodowe produkty chemiczne czy sole odmrażające. Nie przechowywać na zewnątrz.

- Do przechowywania lub transportu na ostrze należy zakładać osłonę.
- W przypadku transportu produktu należy zabezpieczyć go przed przemieszczaniem się lub upadkiem, aby nie dopuścić do obrażeń ciała lub uszkodzenia urządzenia.

KONSERWACJA



OSTRZEŻENIE!

Stosować wyłącznie akcesoria i części zamienne ECHO. W przeciwnym razie może dojść do obrażeń ciała, niskiej wydajności oraz do unieważnienia gwarancji. W przypadku zaistnienia konieczności wymiany komponentów na nieopisane w niniejszej instrukcji należy skontaktować się z jednym z naszych agentów serwisowych ECHO.



OSTRZEŻENIE!

Serwisowanie wymaga wyjątkowej staranności i wiedzy. Może być wykonywane wyłącznie przez wykwalifikowany personel serwisowy. Serwisowanie produktu należy zlecić autoryzowanemu przedstawicielowi serwisu. Do serwisowania należy stosować wyłącznie oryginalne części zamienne producenta.



OSTRZEŻENIE!

Ostrza są bardzo ostre. Aby uniknąć obrażeń ciała, należy zachować szczególną ostrożność przy czyszczeniu, smarowaniu oraz montażu i demontażu osłony ostrza. Przed przystąpieniem do konserwacji lub czyszczenia należy zawsze wyłączyć urządzenie i wyjąć akumulator.

- Przed regulacją, konserwacją lub czyszczeniem należy wyjąć akumulator.
- Użytkownik może jedynie wykonywać czynności regulacyjne i naprawcze opisane w tej instrukcji obsługi. W przypadku innych napraw należy skontaktować się autoryzowanym punktem serwisowym.
- Po każdym użyciu należy wyczyścić korpus oraz uchwyty produktu miękką, suchą szmatką.
- Po każdym użyciu należy usunąć pozostałości z ostrzy za pomocą sztywnej szczotki, a następnie, przed montażem osłony ostrza, ostrożnie nanieść środek smary chroniący przed rdzą. Producent zaleca stosowanie natryskowego środka smarnego chroniącego przed rdzą w celu naniesienia równomiernej warstwy oraz aby ograniczyć ryzyko

obrażeń ciała na skutek kontaktu z ostrzami. Informacje na temat odpowiedniego produktu natryskowego można uzyskać w lokalnym autoryzowanym punkcie serwisowym.

- Przy pomocy powyżej metody można nasmarować lekko ostrza przed użyciem, jeśli występuje taka potrzeba.
- Systematycznie sprawdzać, czy wszystkie nakrętki, wkręty i śruby są dobrze dokręcone, aby upewnić się, że produkt jest w bezpiecznym stanie. Każdą uszkodzoną część należy odpowiednio naprawić lub wymienić w autoryzowanym punkcie serwisowym.

AKUMULATORY

- Akumulatory, które nie były używane od pewnego czasu, należy ponownie naładować przed użyciem.
- Temperatury przekraczające 50°C (122°F) zmniejszają efektywność akumulatora. Unikać długotrwałego narażenia na działanie promieni słonecznych (ryzyko przegrzania).
- Konieczne jest utrzymywanie czystości styków ładowarek i akumulatorów.
- W celu uzyskania optymalnej żywotności akumulatory należy ładować do pełna po każdym użyciu.
- W celu uzyskania najdłuższej możliwej żywotności akumulatora należy wyjmować go z ładowarki po naładowaniu do pełna.

W przypadku przechowywania akumulatora dłużej niż 30 dni:

- Akumulator należy przechowywać w miejscach o temperaturze poniżej 27°C i z dala od wilgoci.
- Utrzymywać stan naładowania 30%-50%.
- Co każde sześć miesięcy przechowywania, należy normalnie naładować akumulator.
- Przestrzegać wszystkich instrukcji ładowania i nie ładować akumulatora ani narzędzia poza podanym w instrukcji zakresem temperatur. Ładowanie w niewłaściwy sposób lub w temperaturze poza określonym zakresem może doprowadzić do uszkodzenia akumulatora i wzrostu zagrożenia pożarowego.

TRANSPORTOWANIE AKUMULATORÓW LITOWYCH

Akumulator litowo-jonowy podlega przepisom dotyczącym produktów niebezpiecznych.

Transport tych akumulatorów musi odbywać się zgodnie z przepisami i regulacjami lokalnymi, krajowymi oraz międzynarodowymi.

- Użytkownik może przewozić baterie środkami transportu drogowego bez dodatkowych wymagań.
- Komercyjny transport akumulatorów litowo-jonowych przez osoby trzecie podlega przepisom o towarach

niebezpiecznych. Przygotowanie transportu oraz przewóz mogą być realizowane wyłącznie przez dobrze przeszkolony personel, a proces musi być nadzorowany przez odpowiednich ekspertów.

W trakcie transportowania akumulatorów:

- Należy upewnić się, że styki baterii są zabezpieczone i zabezpieczone, aby nie dopuścić do zwarcia.
- Upewnić się, że akumulator został zabezpieczony przed przemieszczaniem się w opakowaniu.
- Nie należy transportować pękniętych ani nieszczelnych akumulatorów.

Szczegółowe porady można uzyskać w firmie spedycyjnej.

SYMBOLE



Alarm bezpieczeństwa



Należy przeczytać i zrozumieć wszystkie instrukcje przed rozpoczęciem obsługi produktu oraz przestrzegać wszystkich ostrzeżeń i instrukcji dotyczących bezpieczeństwa.



Nosić środki ochrony słuchu.



Zakładać środki ochrony wzroku.



Podczas pracy przycinarkę do żywoptów należy trzymać obiema rękami.



Aby nie dopuścić do poważnych urazów ciała, nie należy dotykać ostrzy.



Nosić nieślizgające się, trwale rękawice ochronne.



Nie wystawiać urządzenia na działanie deszczu ani nie używać w miejscach o dużej wilgotności.



Uwaga na odrzucane przedmioty. Wszystkie osoby postronne, a szczególnie dzieci i zwierzęta, muszą znajdować się w odległości przynajmniej 15 metrów od miejsca pracy.



Ukraiński znak zgodności



Znak zgodności EurAsian

EN
FR
DE
ES
IT
NL
PT
DA
SV
FI
NO
RU
PL
CS
HU
RO
LV
LT
ET
HR
SL
SK
BG
UK
TR



Zużyte produkty elektryczne nie powinny być utylizowane z odpadami domowymi. Prosimy poddawać recyklingowi w odpowiednich miejscach. Informacje o właściwych metodach recyklingu można uzyskać u władz lokalnych lub sprzedawcy.



Narzędzie to spełnia wymogi wszystkich norm reglamentacji kraju UE, w którym było ono zakupione.



Podany na tej etykiecie gwarantowany poziom dźwięku to 93 dB.

Poniższe symbole i nazwy które im nadano, pozwalają wyjaśnić różne poziomy ryzyka związanego z używaniem tego narzędzia.

NIEBEZPIECZEŃSTWO

Wskazuje na realne zagrożenie, które może spowodować śmierć lub poważne zranienie, jeżeli się nie uniknie tego niebezpieczeństwa.

OSTRZEŻENIE

Wskazuje na potencjalne zagrożenie, które może spowodować śmierć lub poważne zranienie, jeżeli się nie uniknie tego niebezpieczeństwa.

UWAGA

Wskazuje na potencjalne zagrożenie, które może spowodować mniejsze lub bardziej poważne zranienie, jeżeli się nie uniknie tego niebezpieczeństwa.

UWAGA

Bez symbolu ostrzeżenia

Sytuacja, która może grozić uszkodzeniem mienia.





TECHNICKÉ ÚDAJE

PLOTOSTŘIH

ECHT-58V

Výrobní číslo	94501401000001 - 94501401999999
Rychlost naprázdno	3400 min ⁻¹
Délka žací lišty	610 mm
Délka stříhu	563 mm
Napětí akumulátoru	51,1V, 58V MAX
Hmotnost (s akumulátory 2,0 Ah)	5,5 kg
Hmotnost (s akumulátory 4,0 Ah)	6,1 kg
Hmotnost (bez baterie)	4,3 kg

EN
FR
DE
ES
IT
NL
PT
DA
SV
FI
NO
RU
PL
CS
HU
RO
LV
LT
ET
HR
SL
SK
BG
UK
TR

Informace o hluku/vibracích (v souladu s EN 60745-1, EN 60745-2-15)

Hladina akustického tlaku:

Hladina akustického tlaku $L_{pA} = 79,0$ dB(A)

Nejistota $K = 3,0$ dB

Hladina akustického výkonu $L_{WA} = 90,0$ dB(A)

Nejistota $K = 2,3$ dB

Vždy noste chrániče uší!

Celkové úrovně vibrací (vektorový součet tří směrů) určené podle EN 60745-1, EN 60745-2-15.

Úroveň vibrací (ah)

Zadní rukojeť $ah = 3,4$ m/s²

Přední rukojeť $ah = 2,6$ m/s²

Nejistota $K = 1,5$ m/s

***SPM (strikes per minute) je počet zdvihů, které ojnice vykoná za jednu minutu.**

NABÍJEČKA A BATERIE

ECHT-58V

Kompatibilní akumulátory	ECBP-58V20 / ECBP-58V40
Kompatibilní nabíječka	ECBC-58VEU and ECBC-58VUK



VAROVÁNÍ!

Úroveň vibrací uvedená v tomto návodu byla změřena standardizovanou zkušební metodou a může být použita k porovnání jednoho nářadí s druhým. Může být použita k předběžnému posouzení vystavení.

Deklarovaná úroveň vibrací zastupuje hlavní způsoby použití přístroje. Pokud je však přístroj použit jiným způsobem, s jiným příslušenstvím nebo při nedostatečné údržbě, úrovně vibrací se mohou lišit. To může podstatně zvýšit úroveň vystavení za celou pracovní dobu.

Při odhadu úrovně vystavení vibracím byste měli brát v úvahu také dobu, kdy je přístroj vypnutý nebo spuštěn, ale právě nevykonává práci. To může podstatně snížit úroveň vystavení za celou pracovní dobu.

Určete další bezpečnostní opatření pro ochranu obsluhy před účinky vibrací, např.: udržovat nástroj i příslušenství, udržovat ruce teplé, organizace pracovních postupů.





VAROVÁNÍ!

Přečtěte si všechny pokyny a bezpečnostní varování. Opomenutí dodržování varování a pokynů uvedených níže může způsobit úraz elektrinou požár a/ nebo vážná poranění osob.

Uchovejte všechny pokyny a upozornění, abyste se k nim mohli v budoucnosti vrátit.

Pojem „elektricky poháněný nástroj“ ve varování poukazuje na váš nástroj, který je napájen pomocí napájecího kabelu z elektrické sítě (s kabelem) nebo z baterie (bez přívodního kabelu).

VŠEOBECNÁ BEZPEČNOSTNÍ VAROVÁNÍ

PRACOVNÍ PROSTŘEDÍ

- Udržujte pracovní prostor čistý a dobře osvětlený. Zatarasené nebo tmavé oblasti vedou k nehodám.
- Nepracujte s tímto elektricky poháněným nástrojem ve výbušných prostředích, například v přítomnosti hořlavých kapalin, plynů nebo prachu. Elektricky poháněné nástroje vytváří jiskry, které mohou zapálit prach nebo výpary.
- Udržujte děti a přihlízející během práce s elektricky poháněným nástrojem stranou. Rozptylování může způsobit ztrátu kontroly.

ELEKTRICKÁ BEZPEČNOST

- Zástrčky elektricky poháněného nástroje musí být shodné s elektrickou zásuvkou. Nepokoušejte se zástrčku jakýmkoliv způsobem upravovat. Nepoužívejte žádný adaptér zástrček se zemněným (uzemněným) elektricky poháněným nástrojem. Neupravené zástrčky a shodné zásuvky snižují nebezpečí elektrického úrazu.
- Předcházejte tělesnému kontaktu s uzemněnými nebo zemněnými povrchy, například trubkami, radiátory, sporáky a lednicemi. Je zde zvýšené nebezpečí zásahu elektrickým proudem, pokud je vaše tělo zemněno nebo uzemněno.
- Nevystavujte tento přístroj dešti nebo vlhkým podmínkám. Voda vnikající do elektricky poháněného nástroje zvyšuje nebezpečí elektrického úrazu.
- Nepoškožujte napájecí kabel. Nikdy pro odpojování, táhnutí nebo přenášení elektricky poháněného nástroje nepoužívejte kabel. Udržujte kabel mimo horké plochy, olej, pohyblivé součásti nebo ostré hrany. Poškozené nebo zamotané kabely zvyšují nebezpečí elektrického úrazu.
- Pokud používáte elektricky poháněný nástroj ve venkovním prostředí, používejte prodlužovací kabel vhodný pro venkovní prostředí. Použití kabelu vhodného pro venkovní prostředí snižuje nebezpečí elektrického úrazu.
- Pokud používáte elektricky poháněný nástroj ve

vlhkém prostředí, je nezbytné používat proudový chránič (PCH). Použitím PCH snížíte nebezpečí poranění elektrickým proudem.

OSOBNÍ BEZPEČNOST

- **Budte ve střehu, hlídejte, co děláte a používejte zdravý rozum při provozu tohoto elektricky poháněného nástroje. Elektrický nástroj nepoužívejte, pokud jste unaveni nebo pod vlivem drog, alkoholu nebo léků.** Chvilce nepozornosti při práci s tímto elektricky poháněným nástrojem může způsobit vážná poranění osob.
 - **Používejte osobní ochrannou výbavu. Vždy noste ochranu očí.** Ochranná výbava jako respirátor, protiskluzová obuv, ochranná přilba nebo ochrana sluchu používaná pro příslušné podmínky snižuje osobní poranění.
 - **Zabraňte náhodnému spuštění. Zabezpečte, aby byl spínač v poloze vypnuto (off) před připojením zdroje energie a/nebo bloku baterií, přípravou nebo nesením nástroje.** Nošení elektrického nástroje s vaším prstem na spínači nebo se zapojenou zástrčkou elektrického nástroje může při zapnutí vést k nehodě.
 - **Odstraňte všechny seřizovací klíče nebo šroubováky, než zapnete poháněný nástroj.** Klíč nebo šroubovák ponechaný přiložený k pohyblivému dílu elektricky poháněného nástroje může způsobit poranění osob.
 - **Nepřeceňujte se. Udržujte řádné postavení a rovnováhu po celou dobu práce.** Toto umožňuje lepší ovládnutí poháněného nástroje v neočekávaných situacích.
 - **Správně se oblékejte. Nenoste volný oděv nebo šperky. Udržujte svoje vlasy, oděv a rukavice mimo pohyblivé části.** Volný oděv, šperky nebo dlouhé vlasy mohou být zachyceny do pohyblivých dílů.
 - **Pokud jsou zařízení vybavena přípojkou pro odsávání prachu a sběrným zařízením, ujistěte se, že jsou správně připojeny k nástroji, a že se správně používají.** Použití odsavače prachu může snížit nebezpečí související s prachem.
 - **Nenechte se ukolébát znalostmi získanými při častém používání nástrojů a neignorujte bezpečnostní pravidla.** Nedbalá činnost může způsobit poranění ze zlomku sekundy.
- ### POUŽITÍ A PÉČE O NÁSTROJ
- **Nepoužívejte nadměrnou sílu na nástroj. Nářadí vybírejte podle povahy práce, kterou chcete provádět.** Správný elektricky poháněný nástroj bude svou práci provádět lépe a bezpečněji při práci, pro kterou byl navržen.
 - **Elektricky poháněný nástroj nepoužívejte, pokud spínač nezapíná a nevypíná.** Každý elektricky poháněný nástroj, který nemůže být ovládnut spínačem, je nebezpečný a musí být opraven.
 - **Odpojte zástrčku od zdroje napájení a/nebo bateriový modul dříve, než provedete jakákoliv**



nastavení, výměnu příslušenství nebo než elektrický nástroj uložíte. Také bezpečnostní preventivní opatření snižují riziko náhodného spuštění elektrického nástroje.

- Ukládejte nečinný elektricky poháněný nástroj mimo dosah dětí a nenechávejte neznámé osoby pracovat s elektricky poháněným nástrojem nebo s těmito pokyny k obsluze elektrického nástroje. Elektricky poháněné nástroje jsou nebezpečné v rukou nekvalifikovaných uživatelů.
- Udržujte elektrické nástroje. Kontrolujte vychýlení nebo zasekávání pohyblivých dílů, rozbité části a každé jiné podmínky, které mohou ovlivnit funkci elektricky poháněných nástrojů. Zjistí-li se poškození, musí se elektricky poháněný nástroj před použitím opravit. Mnoho úrazů je způsobeno nedostatečně udržovanými elektricky poháněnými nástroji.
- Udržujte řezné nástroje ostré a čisté. Řádně udržované řezné nástroje s ostrými řeznými hranami mají nízkou pravděpodobnost zaseknutí a jsou snadněji ovladatelné.

- Poháněné nástroje, příslušenství a vrtáky, atd. používejte v souladu s těmito pokyny s ohledem k pracovním podmínkám a práci, která má být provedena. Použití elektricky poháněného nástroje pro práce jiné, než zamýšlené by mohlo mít za následek nebezpečnou situaci.
- Udržujte rukojeti a úchopové oblasti suché, čisté a bez mastnot a oleje. Kluzké rukojeti a úchopové plochy neumožňují bezpečnou manipulaci a kontrolu nad nástrojem v neočekávaných situacích.

POUŽITÍ A PÉČE O NÁSTROJ NA BATERIE

- Dobíjejte pouze nabíječkou určenou výrobcem. Nabíječka, která je vhodná pro jeden typ akumulátoru může způsobit nebezpečí požáru, pokud se používá s jiným bateriovým modulem.
- Elektrický nástroj používejte pouze s přesně určeným bateriovým modulem. Použití jakéhokoliv jiného akumulátoru může způsobit nebezpečí poranění a požáru.
- Pokud akumulátor nepoužíváte, uchovávejte jej mimo kovové předměty jako svorky pro papír, mince, klíče, hřebíky, šrouby nebo jiné malé kovové předměty, které mohou vytvořit propojení jednoho vývodu s druhým. Zkratování vývodů baterie může způsobit požár nebo popálení.
- Za nevhodných podmínek může z baterie vytékat kapalina; zabraňte kontaktu. Pokud dojde k náhodnému kontaktu, omyjte vodou. Pokud kapalina přijde do kontaktu s očima, vyhledejte lékařskou pomoc. Kapalina vytečená z baterie způsobit podráždění nebo popálení.
- Nepoužívejte baterie ani nástroj, který je poškozený nebo upravený. Poškozené nebo upravené baterie se mohou chovat nepředvídatelně a důsledkem může být požár, výbuch nebo riziko zranění.

- Nevystavujte baterii ani nástroj ohni nebo příliš vysokým teplotám. Vystavení ohni nebo příliš vysokým teplotám převyšujícím 130°C může způsobit výbuch.

- Postupujte podle všech pokynů k nabíjení a nenabíjejte baterie nebo nástroj mimo teplotní rozsah uvedený v pokynech. Nesprávné nabíjení nebo při teplotách mimo uvedený rozsah může poškodit baterii a zvýšit riziko požáru.

ÚDRŽBA

- Váš elektricky poháněný nástroj smí opravovat pouze kvalifikovaný opravárenský pracovník a musí používat pouze shodné náhradní díly. Toto zajišťuje udržování bezpečnosti elektricky poháněného nástroje.
- Nikdy neopravujte poškozené baterie. Baterie by měl opravovat pouze výrobce nebo autorizovaný servis.

BEZPEČNOSTNÍ VAROVÁNÍ K PLOTOSTŘIHU

- Udržujte všechny části těla mimo ostří nože. Neodstraňujte pořezaný nebo zachycený materiál, když se nože pohybují. Přesvědčte se, že je spínač vypnut, když čistíte zaseknutý materiál. Chvilce nepozornosti při práci s tímto výrobkem může způsobit vážná osobní poranění.
- Plotostřih přenášíte za rukojeť se zastavenou žací lištou. Pokud plotostřih přepravujete nebo skladujete, vždy nasadte ochranné pouzdro nože. Správná obsluha nůžek pro živý plot snižuje možné osobní poranění od řezacích nožů.
- Elektrický nástroj držte pouze za izolované úchopové plochy, protože může dojít ke styku nože se skrytými nebo jeho vlastním kabelem. Kontakt s nože „živým“ vodičem způsobí, že kovové části elektrického nástroje se stanou také „živými“ a způsobí elektrický úraz obsluze.

DOPLŇUJÍCÍ BEZPEČNOSTNÍ VAROVÁNÍ

- Místní předpisy mohou omezovat použití výrobku. Ověřte si u svého orgánu místní správy toto nařízení. Přečtěte si všechny pokyny
- Před každým použitím si vyčistěte pracovní oblast. Odstraňte všechny předměty, například kabely, svítilna, dráty nebo strunu, které se mohou vymrštit nebo zamotat do sekacího nástroje.
- Zkontrolujte živý plot na cizí předměty, např. drátěný plot.
- Při používání výrobku v blízkosti plotů, sloupů, budov a jiných nemovitých předmětů dbejte zvýšené pozornosti.
- Vyhněte se při sekání odmršťování předmětů; všechny přihlížející, zvláště děti a zvířata, udržujte ve vzdálenosti alespoň 15 m od pracovní oblasti.





- Nenechávejte děti nebo neproškolené osoby používat tento přístroj.
- Neprovozujte při slabém osvětlení. Obsluha musí mít čistý výhled na pracovní oblast k identifikaci potenciálních nebezpečí.
- Vždy se ujistěte, že jsou nainstalovány všechny rukojeti a ochrany, když stroj používáte. Nikdy se nepokoušejte používat neuplný výrobek nebo výrobek opatřený neautorizovanými úpravami.
- Před každým použitím se ujistěte, že všechny ovladače a jističe řádně fungují. Nástroj nepoužívejte, pokud přepínač „nevypíná“ (off) nástroj.
- Zkontrolujte nástroj před každým použitím. Zkontrolujte, zda nejsou uvolněny upínací prvky. Ujistěte se, že jsou všechny ochranné kryty a rukojeti správně a bezpečně nasazeny. Před použitím vyměňte jakékoliv poškozené součásti. Proveďte kontrolu akumulátoru na netěsnost.
- Výrobek žádným způsobem neupravujte.
- Při práci s výrobkem používejte kompletní ochranu zraku a sluchu. Noste ochrannou helmu, kde hrozí nebezpečí pádu předmětů.
- Noste silné dlouhé kalhoty, boty a rukavice. Nenoste volné oděvy, krátké kalhoty, jakékoli šperky; nebuďte při práci bosí.
- Dlouhé vlasy si svažte nad rameny, aby se nemohly zaplést do pohyblivých částí.
- Uvědomte si, že použití ochrany sluchu snižuje vaši schopnost slyšet varování (poplachy nebo výkřiky). Obsluha si musí být tohoto vědoma a platí speciální upozornění, aby si všimla události v jeho pracovní oblasti.
- Obsluha podobných nástrojů zvyšuje jak nebezpečí poranění sluchu, tak osob vstupujících do zóny práce.
- Nepoužívejte, pokud jste unaveni nebo pod vlivem drog, alkoholu nebo léků.
- Udržujte bezpečné postavení a rovnováhu. Nepřečeňujte se. Přeceňování může mít za následek ztrátu rovnováhy a vážné poranění.
- Udržujte všechny části těla mimo pohyblivé součásti.
- Před spuštěním nástroje se ujistěte, že nože nůžek nejsou s ničím v kontaktu.
- Při stříhání živého plotu držte vždy nářadí pevně oběma rukama a zajistěte, abyste měli bezpečnou pracovní polohu. Výrobce nedoporučuje používat žebřík nebo schůdky. Je-li třeba práci vykonávat ve výšce, použijte nástroj pro práci ve výškách.
- Žací lišty jsou ostré. Noste neklouzavé, odolné ochranné rukavice, když manipulujete s žací lištou. Nedávejte své ruce a prsty mezi žací lišty nebo do jakéhokoliv místa, kdy by se mohli uřezat nebo přiskřípnout. Nikdy se nedotýkejte žací lišty ani neprovádějte údržbu zařízení, pokud není vyndán akumulátor.
- Rozmetadlo vypněte a vyjměte baterii. Ujistěte se, že se zastavily všechny pohyblivé díly:
 - před opuštěním výrobku
 - před čištěním nebo odstraněním ucpávky,
 - před seřizováním provozní polohy řezných prostředků
 - před kontrolou, čištěním nebo prací na nástroji,
- Nesnažte se plotostřih používat na hustý porost s použitím síly. Může to způsobit zaseknutí nože do dřeva a zpomalování. Pokud se nože zpomalují, snižte rychlost.
- Nepokoušejte se řezat větve nebo kmeny silnější než 17 mm nebo evidentně příliš silné, na které nože nestačí. Použijte neelektrickou ruční pilu nebo vyvívavací pilu pro řezání velkých větví.
- Polostřih nepoužívejte s poškozenými nebo nadměrně opotřebenými ostřími.
- Nenechte se ukolébat znalostmi získanými při častém používání nástrojů a neignorujte bezpečnostní pravidla. Nedbalá činnost může způsobit poranění ze zlomku sekundy.
- Pro nejlepší výsledky je nutno dobíjet nástroj na akumulátory v místě, kde se teplota pohybuje v rozmezí od 10 °C do 38 °C. Pro snížení nebezpečí vážného poranění osob neskladujte ve venkovním prostoru nebo ve vozidlech.



VAROVÁNÍ!

Pokud začne po pádu, silných nárazech nástroj nenormálně vibrovat, zastavte nástroj a ihned zjistěte příčinu vibrací a rozsah škod. Pokud je nějaká část poškozena, musí se nechat řádně opravit nebo vyměnit pověřeným servisním střediskem.

Před započítím jakékoli práce na fukaru nejdříve vyjměte baterii.

Nelikvidujte baterie v domovním odpadu či ohni. Distributoři ECHO nabízejí odběr starých baterií pro ochranu životního prostředí.

Neskladujte akumulátory společně s kovovými předměty (riziko zkratu).

Akumulátory dobíjejte pouze pomocí nabíječky ECBC-58VEU/ECBC-58VUK.

Nepoužívejte akumulátory z jiných systémů.

Kompatibilní akumulátory: ECBP-58V20, ECBP-58V40

Akumulátorová kyselina může z poškozených akumulátorů vytékat pod extrémní zátěží nebo v extrémních teplotách. Pokud se dotknete akumulátorové kyseliny, okamžitě postižené místo omyjte vodou a mýdlem. Pokud se dostane do očí, důkladně vymyjte nejméně 10 minut a okamžitě vyhledejte lékaře.



DOPLŇUJÍCÍ BEZPEČNOSTNÍ UPOZORNĚNÍ K BATERII



VAROVÁNÍ!

Abyste zabránili nebezpečí požáru způsobeného zkratem, poraněním nebo poškozením výrobku, neponořujte nářadí, výměnnou baterii nebo nabíječku do kapalin a zajistěte, aby do zařízení a akumulátorů nevnikly žádné tekutiny. Korodující nebo vodivé kapaliny, jako je slaná voda, určité chemikálie a bělicí prostředky nebo výrobky, které obsahují bělidlo, mohou způsobit zkrat.

ZBYTKOVÁ RIZIKA

Dokonce, i když se výrobek provozuje jak je předepsáno, je stále nemožné zcela eliminovat veškeré zbytkové rizikové faktory. Následující nebezpečí mohou nastat při používání; vyhýbejte se:

- zranění z kontaktu s nožem.
 - Nože nesmí být v obalu během jejich práce. Nůž udržujte od sebe a osob i zvířat. Když se výrobek nepoužívá, musí být nasazené chrániče čepelí.
- Poranění způsobené vibracemi.
 - Pro danou práci vždy používejte správný nástroj, navržené rukojeti a dodržujte pracovní dobu a expozici.
- Poškození sluchu způsobeného expozicí hluku.
 - Noste ochranu sluchu a omezte vystavení.

SNÍŽENÍ RIZIKA

Bylo zjištěno, že vibrace z ručních pracovních nástrojů mohou u některých osob přispívat ke stavu tzv. Raynaud's Syndrome (Raynaudovu syndromu). Mezi jeho příznaky patří brnění, necitlivost a zblednutí prstů, patrné obvykle po pobytu v chladu. Vědci se domnívají, že k rozvinutí těchto příznaků přispívají dědičné faktory, pobyt v chladu a vlhku, strava, kouření a pracovní návyky. Uživatel může omezit případné působení vibrací použitím vhodných opatření:

- Za chladného počasí se teple oblečte. Při práci s výrobkem si navlekněte rukavice, abyste udrželi ruce a zápěstí v teple. Bylo zjištěno, že chladné počasí je hlavním faktorem přispívajícím k Raynaud's Syndrome (Raynaudovu syndromu).
- Během práce si v pravidelných intervalech zacvičte, abyste zvýšili krevní oběh.
- Zařazujte časté pracovní přestávky. Omezte dobu práce za den.

Jakmile pocítíte některý z výše uvedených příznaků tohoto syndromu, okamžitě přerušete práci a vyhledejte lékaře.



VAROVÁNÍ!

Poranění mohou být způsobena, či zhoršena, prodlouženým používáním nástroje. Když používáte jakýkoliv nástroj delší dobu, dělejte pravidelně přestávky.

ZAMÝŠLENÉ POUŽITÍ

Tento akumulátorový polotostřih je určen pouze pro venkovní použití. Z bezpečnostních důvodů je nutné s produktem řádně manipulovat oběma rukama.

Výrobek je navržen pro domácí používání. Tento výrobek je navržen pro sekání a úpravu živých plotů, keřů a podobné vegetace.

Měl by se používat v suchých, dobře osvětlených podmínkách.

NENÍ určen pro sekání trávy, stromů nebo větví. Neměl by se používat pro jiné účely než stříhání živých plotů.

Nepoužívejte jej k žádným jiným než určeným účelům.

POZNEJTE SVŮJ NÁSTROJ

Viz strana 6 - 7.

1. Spínač přítomnosti obsluhy
2. Tlačítko západky akumulátoru
3. Baterie
4. Zámek palivové páčky
5. Zadní rukojeť
6. Spouštěč - zvyšování otáček
7. Nabíječka
8. Kryt nože
9. Nůž
10. Ochrana přední ruky
11. Přední rukojeť

TRANSPORT A SKLADOVÁNÍ

- Před skladováním a transportem výrobku vyndejte akumulátor a nechejte výrobek vždy vychladnout.
- Odstraňte z výrobku všechn cizí materiál. Ukládejte v chladných, suchých a dobře větraných prostorech, které nejsou přístupné dětem. Před skladováním vždy vyjměte akumulátorový modul ze zařízení pro zvýšení bezpečnosti. Nářadí neuskładňujte v blízkosti žiravých látek, jako například v blízkosti zahrádkářských nebo zahradnických chemických přípravků nebo soli na zimní sypání komunikací. Neskladujte mimo budovu.
- Před skladováním nebo přepravováním výrobku vždy na nůž umístěte chránič nože.
- Při transportu výrobku zajistěte proti pohybům nebo pádu, abyste zabránili poranění osob nebo poškození výrobku.

ÚDRŽBA



VAROVÁNÍ!

Používejte pouze příslušenství ECHO a náhradní díly ECHO. Zanedbání může zapříčinit možné poranění, slabý výkon a může dojít ke ztrátě záruky. Pokud je potřeba vyměnit díly a není to popsáno, obraťte se prosím na naše servisní střediska ECHO.



VAROVÁNÍ!

Údržba vyžaduje extrémní péči a znalosti a měla by být prováděna pouze kvalifikovaným servisním technikem. Pro servis vraťte výrobek do autorizovaného servisního centra. Při údržbě používejte pouze původní náhradní díly výrobce.



VAROVÁNÍ!

Řezací nože jsou velmi ostré. Pro zabránění poranění osob buďte velmi opatrní při čištění, mazání a upevňování či demontáži krytu nože. Před údržbou nebo čištěním výrobek vypněte a vyjměte baterii.

- Před seřizováním, údržbou a čištěním vyjměte akumulátor.
- Můžete provádět pouze v návodu k obsluze uvedené opravy a seřízení. Další opravy se smí provádět pouze u pověřených servisních prodejců.
- Po každém použití očistěte těleso a rukojeť výrobku měkkým a suchým hadříkem.
- Po každém použití očistěte nečistoty z nožů tvrdým štětcem a poté opatrně naneste antikorozní přípravek před upevněním krytu nože. Výrobce doporučuje používat antikorozní a mazací sprej pro rovnoměrné nanesení a snížení nebezpečí poranění při kontaktu s noží. Informace o vhodném spreji získáte u místního pověřeného servisního střediska.
- Před každým použitím lze nože lehce namazat, je-li to nutné, aplikujte metodu uvedenou výše.
- Zkontrolujte všechny šrouby, matice v častých intervalech na řádné utažení, aby se zajistilo, že výrobek bude pracovat v bezpečných pracovních podmínkách. Jakýkoliv poškozený díl je nutné správně opravit nebo nechat vyměnit v autorizovaném servisním středisku.

BATERIE

- Akumulátory, které nebyly nějakou dobu používány, by měly být před použitím dobít.
- Teploty přesahující 50°C (122°F) snižují výkon akumulátoru. Vyvarujte se delšímu vystavení horku nebo slunečnímu svitu (riziko přehřátí).
- Kontakty na nabíječku a baterii musí být vždy čisté.

- Pro optimální životnost by se akumulátory měly po použití plně dobít.
- Chcete-li získat co nejdelší životnost akumulátoru, vyjměte po plném dobití akumulátor z nabíječky.

Pro akumulátory skladované na déle jak 30 dní:

- Akumulátor skladujte tam, kde teplota nepřesáhne 27°C, a mimo vlhkost.
- Akumulátory skladujte při 30%-50% nabití.
- Každých šest měsíců akumulátor klasicky nabijte.
- Postupujte podle všech pokynů k nabíjení a nenabíjejte baterie nebo nástroj mimo teplotní rozsah uvedený v pokynech. Nesprávné nabíjení nebo při teplotách mimo uvedený rozsah může poškodit baterii a zvýšit riziko požáru.

TRANSPORT LITHIOVÝCH BATERÍ

Lithium-iontová baterie podléhá legislativě o nebezpečném zboží.

Přeprava takových baterií musí probíhat podle místních, státních a mezinárodních opatření a předpisů.

- Uživatel může přepravovat baterie po silnici bez dalších požadavků.
- Komerční přeprava akumulátorů lithium-ion třetími stranami podléhá předpisům týkajících se nebezpečného zboží. Přípravu na přepravu a přepravu je výlučně nutné provádět řádně vyškolenými osobami a proces musí být pod dohledem odpovídajících odborníků.

Při přepravě akumulátorů:

- Ujistěte se, že kontakty baterie jsou chráněny a izolovány, aby se zabránilo zkratu.
- Zajistěte, aby akumulátory byly v obalu zajištěny proti pohybu.
- Nepřepravujte prasklé nebo baterie s unikajícím elektrolytem.

Ptejte se u zásilkové společnosti na další radu.

SYMBOLY



Bezpečnostní výstraha



Řádně si návod přečtete, porozumíte veškerým pokynům a dodržujete všechny bezpečnostní pokyny a bezpečnostní varování.



Noste ochranu sluchu.



Noste ochranu očí.



Plotstřih vždy držte během používání pevně oběma rukama.



Pro zabránění poranění se nedotýkejte řezacích nožů.



Navlékněte si pevné neklouzávé pracovní rukavice.



Nevystavujte dešti nebo nepoužívejte ve vlhkých podmínkách.



Dávejte pozor na odmrštěné nebo odletující předměty. Všechny přihlížející, zvláště děti a zvířata udržujte ve vzdálenosti alespoň 15 m od pracovní oblasti.



Ukrajinská značka shody



Euroasijská značka shody



Odpad elektrických výrobků se nesmí likvidovat v domovním odpadu. Recyklujte prosím na sběrných místech. Ptejte se u místních úřadů nebo prodejce na postup při recyklaci.



Toto nářadí je v souladu se všemi normami a předpisy platnými v zemi EU, ve které bylo zakoupeno.



Garantovaná hladina akustického výkonu zobrazená na tomto štítku je 93 dB.

VAROVÁNÍ

Bez symbolu bezpečnostní výstrahy

Určuje situaci, která může mít za následek vážné poškození.

EN
FR
DE
ES
IT
NL
PT
DA
SV
FI
NO
RU
PL
CS
HU
RO
LV
LT
ET
HR
SL
SK
BG
UK
TR

Následující signální slova a významy jsou vhodné pro vysvětlení úrovně nebezpečí spojených s tímto výrobkem.

⚠ NEBEZPEČÍ

Označuje bezprostředně rizikovou situaci, které je třeba předejít, jinak bude jejím následkem smrt nebo vážné zranění.

⚠ VAROVÁNÍ

Označuje možnou rizikovou situaci, které je třeba předejít, jinak jejím následkem může být smrt nebo vážné zranění.

⚠ VAROVÁNÍ

Označuje možnou rizikovou situaci, které je třeba předejít, jinak jejím následkem může být smrt nebo vážné zranění.



MŰSZAKI ADATOK

SÖVÉNYVÁGÓ

ECHT-58V

Sorozatszám	94501401000001 - 94501401999999
Üresjárat fordulatszám	3400 min ⁻¹
Kés hossza	610 mm
Vágási hossz	563 mm
Akkumulátor feszültsége	51,1V, 58V MAX
Gépsúly (2,0 Ah-s akkucsomaggal)	5,5 kg
Gépsúly (4,0 Ah-s akkucsomaggal)	6,1 kg
Tömeg (akkumulátor nélkül)	4,3 kg

Zaj/rezgési információ (összhangban az EN 60745-1, EN 60745-2-15 szabvánnyal)

„A” súlyozott zajszintjei:

Hangnyomásszint	$L_{pA} = 79,0 \text{ dB(A)}$
Bizonytalanság	$K = 3,0 \text{ dB}$
Hangteljesítményszint	$L_{WA} = 90,0 \text{ dB(A)}$
Bizonytalanság	$K = 2,3 \text{ dB}$

Mindig viseljen fülvédőt!

Teljes rezgési értékek (a három tengely vektorösszege) EN 60745-1, EN 60745-2-15 szerint meghatározva.

Rezgés kibocsátási értéke (ah)

Hátsó fogantyú	$ah = 3,4 \text{ m/s}^2$
Elülső fogantyú	$ah = 2,6 \text{ m/s}^2$
Bizonytalanság	$K = 1,5 \text{ m/s}$

***Az SPM (löketek száma percenként) az összekötőrúd által egy perc alatt megtett löketek száma.**

AKKUMULÁTOR ÉS TÖLTŐ

ECHT-58V

Kompatibilis akkumulátorok	ECBP-58V20 / ECBP-58V40
Kompatibilis töltő	ECBC-58VEU and ECBC-58VUK



FIGYELMEZTETÉS!

Az információs lapon megadott rezgés kibocsátási szintjét szabványosított vizsgálat segítségével mértük, amelynek segítségével az eszközök egymással összehasonlíthatóak. Alkalmazható a kitétség előzetes felmérésére is.

A megadott rezgés kibocsátási szint az eszköz fő alkalmazásait jelöli. Azonban, ha az eszközt különböző alkalmazásokra használják, eltérő tartozékokkal, vagy ha a karbantartása nem megfelelő, a rezgés kibocsátás változhat. Ez jelentősen növelheti kitétségi szintet a teljes működési időtartam során.

A rezgésnek való kitétségi szint becslést értékét akkor is figyelembe kell venni, amikor az eszköz ki van kapcsolva, vagy amikor jár, de nem végez tényleges munkát. Ez jelentősen csökkentheti a kitétségi szintet a teljes működési időtartam során.

Annak érdekében, hogy a kezelőt megvédje a rezgés hatásaitól, határozzon meg kiegészítő biztonsági intézkedéseket, például: az eszköz és a tartozékok karbantartása, a kezek melegen tartása, munkarend szervezése.





FIGYELMEZTETÉS!

Olvassa el az összes biztonsági figyelmeztetést és útmutatást. A figyelmeztetések és utasítások be nem tartása elektromos áramütést, tüzet és/vagy súlyos sérülést eredményezhet.

Őrizz meg ezeket a figyelmeztetéseket és utasításokat a későbbi tájékozódásra is.

A figyelmeztetéseken a „szerszámgép” kifejezés az elektromos hálózatról (kábelrel) működtetett vagy akkumulátorról (kábel nélkül) működtetett gépet jelenti.

ÁLTALÁNOS BIZTONSÁGI FIGYELMEZTETÉSEK

MUNKATERÜLET

- A munkaterületet tartsa tisztán és jól megvilágítva. A rendetlen vagy sötét munkaterületek balesetekhez vezethetnek.
- Az elektromos szerszámgépeket ne működtesse robbanásveszélyes környezetben, mint például robbanásveszélyes folyadékok, gázok vagy porok jelenlétében. Az elektromos gépekben szikrák keletkeznek, amik begyűjthetik a port vagy a gőzöket.
- Az elektromos szerszámgép használatakor a gyerekeket és a kivállálókat tartsa távol. A figyelem elterelődése az irányítás elvesztését okozhatja.

ELEKTROMOS BIZTONSÁG

- A szerszámgép dugaszának illeszkednie kell az aljzathoz. Semmilyen módon ne módosítsa a dugaszt. A földelt elektromos gépekhez ne használjon adapter dugaszt. A nem módosított és illeszkedő dugasz csökkenti az áramütés kockázatát.
- Kerülje az érintkezést földelt felületekkel, mint például csövekkel, radiátorokkal és hűtőkkel. Megnöveli az áramütés kockázatát, ha a teste földeltté válik.
- Ne tegye ki a terméket esőnek vagy nedves környezet hatásának. A szerszámgépekbe kerülő víz növeli az áramütés kockázatát.
- Ne rongálja meg a kábelt. A szerszámgép kábelét soha ne használja a szerszám hordozására, húzására vagy kihúzására. A kábelt hőtől, olajtól, éles tárgyaktól vagy mozgó alkatrészekről tartsa távol. A sérült vagy beakadt kábelek növelik az áramütés kockázatát.
- Szerszámgépnek a szabadban való működtetésekor kültéri használatra is megfelelő hosszabbító kábelt használjon. Kültéri használatra megfelelő hosszabbító kábel csökkenti az áramütés kockázatát.
- Ha a szerszámgép használata nedves környezetben elkerülhetetlen, használjon áram-védőkacslót (RCD). Az RCD használata csökkenti az áramütés kockázatát.

SZEMÉLYI BIZTONSÁG

- Elektromos szerszámgép működtetésekor legyen mindig éber, figyeljen arra, amit csinál, és használja a józan esztét. Ne használja a szerszámgépet, ha fáradt vagy alkoholt, gyógyszerrel vagy más tudatmódosító szerek hatása alatt áll. A gép használata közben már egyetlen figyelmen kívül hagyás is súlyos személyi sérüléshez vezethet.
- Használjon személyi védelmi eszközöket. Mindig viseljen védőszemüveget. A védelmi felszerelések, mint például a pormaszk, a csúszásmentes biztonsági lábbelik, a védősisak vagy a fülvédő megfelelő használata csökkenti a személyi sérüléseket.
- Kerülje el a véletlen bekapcsolást. A szerszám szállítás vagy felemelése, az áramellátás és/vagy akkumulátor csatlakoztatása előtt ellenőrizze, hogy a kapcsoló kikapcsolt állásban van. Szerszámgépek szállítása a kapcsolón tartott ujjal vagy bekapcsolt szerszámgépek áram alá helyezése balesetekhez vezet.
- A szerszámgépről bekapcsolás előtt távolítson el minden beállító kulcsot és csavarkulcsot. Egy a szerszámgép forgó alkatrészén maradt beállító kulcs vagy csavarkulcs személyi sérülést eredményezhet.
- Ne hajoljon ki túlságosan. Mindig tartson megfelelő testtartást és egyensúlyt. Ez a szerszámgép jobb irányítását teszi lehetővé váratlan szituációkban.
- Viseljen megfelelő ruházatot. Ne vegyen fel laza ruhát vagy ékszereket. A haját, a ruhát és a kesztyűjét tartsa távol a forgó alkatrészekről. A laza ruházat, ékszerek vagy a hosszú haj beakadhatnak a mozgó alkatrészekbe.
- Ha a gép el van látva porkivezető vagy -gyűjtő berendezésekhez való csatlakozási lehetőséggel, akkor ügyeljen rá, hogy ezeket csatlakoztassák és megfelelően használják. A porfogó használata csökkentheti a porral kapcsolatos veszélyeket.
- Ne töltse el elégedettséggel az, hogy a gyakori eszközhasználatból kellő jártasságot szerzett, és ne hagyja figyelmen kívül az eszköz biztonsági alapelveit. Egy figyelmen kívül hagyás a másodperc törtrésze alatt súlyos sérüléseket okozhat.

A SZERSZÁMGÉP HASZNÁLATA ÉS KARBANTARTÁSA

- Ne erőltesse a terméket. A feladathoz a megfelelő szerszámgépet használja. A megfelelő szerszámgép jobb teljesítménnyel és sokkal biztonságosabban fog dolgozni olyan körülmények között, amilyenekre azt tervezték.
- Ne használja a szerszámgépet, ha a kapcsoló nem kapcsol be és ki. Bármilyen szerszámgép veszélyes, amit a kapcsolóval nem lehet irányítani, ezért azt meg kell javítani.
- Bármilyen beállítás, tartozékcseré elvégzése vagy a szerszámgép tárolása előtt húzza ki a szerszámgépet a hálózatról és/vagy vegye ki az akkumulátort a szerszámgépből. Az ilyen megelőző



biztonsági óvintézkedések csökkentik a szerszámgép véletlen bekapcsolódásának kockázatát.

- **A használaton kívüli gépet gyerekek számára nem elérhető helyen tárolja, és ne hagyja, hogy a szerszámgépet vagy a kézikönyvet nem ismerő személyek használják a szerszámgépet.** Gyakorlatlan felhasználók kezében a szerszámgépek veszélyesek.
- **Tartsa megfelelő állapotban a szerszámgépeket.** Ellenőrizze a mozgó alkatrészek akadását vagy helytelen beállítását, az alkatrészek törését és minden más körülményt, ami hatással lehet a szerszámgép működésére. Ha sérült, a szerszámgépet használat előtt meg kell javítani. Sok balesetet a rosszul karbantartott szerszámgépek okoznak.
- **A vágószerszámok legyenek élesek és tiszták.** A megfelelően karbantartott, éles vágóélű vágószerszámok kevésbé akadnak be és könnyebben irányíthatók.
- **A szerszámgépet, a tartozékokat és a biteket stb. ezen utasításban leírtaknak megfelelően használja, figyelembe véve a munkakörülményeket és az elvégzendő feladatot.** A szerszámgép rendeltetésétől eltérő műveletekre való használata veszélyes helyzeteket eredményezhet.
- **A fogantyúkat és a fogófelületeket tartsa szárazon, tisztán, olajtól és kenőzsírtól mentesen.** A csúszós fogantyúk és fogófelületek nem teszik lehetővé a gép kezelését és irányítását egy váratlan helyzetben.

AKKUMULÁTOROS SZERSZÁMGÉP HASZNÁLATA ÉS KARBANTARTÁSA

- **Csak a gyártó által megadott töltővel töltsze az akkumulátorokat.** Egy adott akkumulátortípushoz való töltő egy másik típusú akkumulátorral való használata tűzveszélyes lehet.
- **A szerszámokat csak a hozzájuk való akkumulátorokkal üzemeltesse.** Más akkumulátorok használata tűzveszélyes lehet, és sérüléseket okozhat.
- **Az akkumulátort használaton kívül tartsa távol más fém tárgyaktól, úgymint gemkapcsoktól, érméktől, kulcsoktól, szögektől, csavaroktól vagy más kisméretű fém tárgyaktól, amelyek rövidre zárhatják a két érintkezőt.** Az akkumulátor érintkezőinek rövidre zárása tüzet vagy égéseket okozhat.
- **Nem megfelelő körülmények esetén folyadék távozhat az akkumulátorból, kerülje az azzal való érintkezést.** Ha mégis érintkezik vele, öblítse le vízzel. Ha a folyadék szembe kerül, forduljon orvoshoz. Az akkumulátorból kifolyt folyadék irritációt vagy égéseket okozhat.
- **Ne használjon sérült vagy átalakított akkucsomagot vagy eszközt.** A sérült vagy átalakított akkumulátor előre nem látható módon üzemelhet, ami tüzet, robbanást, más kockázatot vagy sérülést okozhat.
- **Ne tegye ki az akkucsomagot vagy az eszközt túl**

magas hőmérsékleti hatásnak és ne tegye tűzbe ezeket. A tűznek vagy a 130°C feletti hőmérsékletnek való kitettséggel robbanást okozhat.

- **Tartsa be az összes feltöltési utasítást és ne töltsze az akkucsomagot vagy az eszközt az utasításban megadott hőmérséklet-tartományon kívül.** A helytelen töltés vagy a megadott tartományon kívüli hőmérsékleten való feltöltés az akkumulátort károsíthatja, és a tűzveszély kockázatát növelheti.

KARBANTARTÁS

- **A szerszámgépet csak szakképzett szervizszakemberrel szervizeltesse, csak azonos cserealkatrészeket használva.** Ez biztosítja, hogy a szerszámgép használata továbbra is biztonságos legyen.
- **Soha ne javítson sérült akkucsomagokat.** Az akkucsomagok javítását csak a gyártó vagy a hivatalos szervizek végezhetik.

SÖVÉNYVÁGÓ BIZTONSÁGI FIGYELMEZTETÉSEK

- **Minden testrészét tartsa távol a vágókéstől.** Ne távolítsa el a levágott anyagot, és ne tartsa a levágni kívánt anyagot mozgó kések mellett. **Az elakadt anyagtól való megtisztításakor ügyeljen arra, hogy a kapcsoló kikapcsolt állásban legyen.** A termékek használata közben már egyetlen figyelmen kívül hagyott pillanat is súlyos személyi sérüléshez vezethet.
- **A sövényvágót a fogantyúnál fogva, leállított vágókéssel szállítsa.** A sövényvágó szállításakor vagy tárolásakor mindig rakja fel a vágóeszköz burkolatát. A sövényvágó helyes kezelése lecsökkenti a vágókések okozta személyi sérülések bekövetkeztének lehetőségét.
- **A szerszámgépeket mindig a szigetelő fogófelületeiknél fogja, mert a vágóeszköz rejtett vezetékbe vagy a saját kábelébe vághat.** Az „élő” vezetékkel érintkező vágóeszköz következtében a szerszám fém alkatrészei áram alá kerülhetnek, minek következtében a kezelőt áramütés érheti.

TOVÁBBI BIZTONSÁGI FIGYELMEZTETÉSEK

- Egyes régiókban olyan előírások érvényesek, amelyek korlátozzák a termék bizonyos műveletekre való használatát. További információért forduljon a helyi önkormányzathoz. Olvassa el az összes utasítást
- **A használat előtt tisztítsa meg a munkaterületet.** Távolítsa el az összes tárgyat, például a kábeleket, lámpákat, drótokat vagy zsinórokat, amelyek kirepülhetnek vagy beakadhatnak a vágókésbe.
- **Ellenőrizze a sövényt idegen tárgyak, pl. drótkerítés tekintetében.**
- **Különösen óvatos legyen, amikor a terméket kerítés,**





oszlopok, épületek vagy egyéb mozdíthatatlan tárgyak mellett használja.

- Figyeljen a kivetett tárgyakra; a nézelődők, különösen a gyerekek és a háziállatok, legyenek legalább 15m-es távolságra a használati területtől.
- Ne engedje, hogy gyerekek vagy megfelelő gyakorlattal nem rendelkező személyek használják a terméket.
- Ne használja a gépet gyenge megvilágítás esetén. A kezelőnek tisztá rálátással kell rendelkeznie a munkaterületre, hogy azonosíthassa a potenciális veszélyeket.
- A gép használatakor mindig ügyeljen rá, hogy minden fogantyú és védőburkolat fel legyen szerelve. Soha ne használjon hiányosan, vagy olyan terméket, melyen jogszerűtlen módosítást hajtottak végre.
- Minden használat előtt ellenőrizze, hogy az összes kezelőszerv és biztonsági eszköz megfelelően működik. Ne használja a gépet, ha a főkapcsoló nem állítja le a motort.
- Minden használat előtt vizsgálja át a gépet. Ellenőrizze a meglazult szorítókat. Ügyeljen rá, hogy minden a védőburkolat és fogantyú megfelelően fel legyen szerelve és rögzítve. Használat előtt cserélje ki az összes sérült alkatrészt. Ellenőrizze az akkumulátor szivárgását.
- Ne alakítsa át a terméket semmilyen módon.
- Viseljen teljes szem- és fülvédőt a termék használata közben. Kötelező a fejtámasz viselete, ha olyan területen dolgozik, ahol tárgyak hullhatnak le.
- Viseljen vastag anyagból készült hosszú nadrágot, csizmát és kesztyűt. Ne vegyen fel laza ruhát, rövid nadrágot, semmilyen ékszert, illetve ne legyen meztelb.
- Ha hosszú a haja, azt a vállvonal felett rögzítse, nehogy beakadjon valamilyen mozgó alkatrészbe.
- Fülvédő viseletekor csak korlátozottan hallja a figyelmeztetéseket (riasztást vagy kiáltást). A kezelőnek jobban oda kell figyelnie arra, hogy mi folyik a munkaterületen.
- Hasonló gépek egymás közelében történő használata növeli a halláskárosodás veszélyét, valamint annak veszélyét, hogy más személyek lépnek be az Ön munkaterületére.
- Ne használja a terméket, ha fáradt, beteg vagy alkoholt, gyógyszereket, illetve más tudatmódosítók hatása alatt áll.
- Stabílan álljon és vegyen fel megfelelő egyensúlyt. Ne hajoljon ki túlságosan. A túlzott kinyúlás egyensúlyvesztést és súlyos sérülést eredményezhet.
- A testrészeit tartsa távol a mozgó alkatrészeketől.
- A gép bekapcsolása előtt győződjön meg róla, hogy a vágókések semmivel nem fognak érintkezni.
- A sövényvágót használat közben mindig a két

fogantyúnál fogja mindkét kezével, és vigyázzon arra, hogy biztonságos és stabil legyen a testhelyzete a használat közben. A gyártó nem javasolja fellépők vagy létrák használatát. Ha a magasban kell vágni, használjon nagyobb hatótávolságú gépet.

- A kések élesek. A késszerelvény kezelésekor viseljen csúszásmentes, nehéz igénybevételre tervezett védőkesztyűt. Az ujjait vagy a kezét ne tegye a kések közé vagy bármilyen más pozícióba, ahol becsípődhetnek vagy levághatja azokat. Ne érjen a késhez és ne szervizelje a gépet addig, amíg az akkumulátort el nem távolította.
- Kapcsolja ki és távolítsa el az akkumulátort. Ellenőrizze, hogy minden mozgó rész teljesen megállt:
 - mielőtt magára hagyná a terméket
 - tisztítás vagy eltömődés megszüntetése előtt
 - mielőtt a vágóeszköz munkahelyzetét beállítja
 - ellenőrzés, karbantartás vagy a gépen végzett bármilyen művelet megkezdése előtt
- Ne erőltesse a terméket nagyon sűrű bozótban. Ez a kések beakadását és a lelassulását okozhatja. Ha a kés lelassult, csökkentse a haladási sebességét.
- Ne próbáljon olyan ágakat vagy tüskéket elvágni, amelyek vastagabbak 17 mm-nél, és olyanokat sem, amiket nem lehet „megetetni” a vágókéssel. A vastagabb ágakat egy kézfűrészes vagy ágazófűrészes segítségével vágja le.
- Ne használja a készüléket sérült vagy erősen kopott késekkel.
- Ne töltsen el elégedettséggel az, hogy a gyakori eszközhasználatból kellő jártasságot szerzett, és ne hagyja figyelmen kívül az eszköz biztonsági alapelveit. Egy figyelmen kívül hagyott művelet a másodperc törtrésze alatt súlyos sérüléseket okozhat.
- A legjobb eredmény érdekében az akkumulátoros terméket olyan helyen kell tölteni, ahol a hőmérséklet 10 °C és 38 °C között van. A súlyos személyi sérülések veszélyének csökkentése érdekében ne tárolja a készüléket a szabadban vagy járművekben.

EN
FR
DE
ES
IT
NL
PT
DA
SV
FI
NO
RU
PL
CS
HU
RO
LV
LT
ET
HR
SL
SK
BG
UK
TR



FIGYELMEZTETÉS!

Ha a gép leesett, erős ütést kapott vagy rendellenesen kezd vibrálni, azonnal állítsa le a gépet, és vizsgálja át sérülések tekintetében vagy azonosítsa a vibráció okát. Minden sérülést hivatalos szervizközpontban kell megjavíttatni vagy kicseréltetni.

A terméken végzett bármilyen munkálat előtt vegye ki az akkumulátort

Ne dobja a háztartási hulladékok közé és ne égesse el az akkumulátorokat. Környezetünk védelme érdekében az ECHO viszonteladói átveszik a régi akkumulátorokat.

Az akkucsomagot ne tárolja együtt fém tárgyakkal (rövidzárlat veszélye miatt).

Az akkucsomagok töltéséhez csak ECBC-58VEU/ECBC-58VUK töltőt használjon.





Ne használja más rendszerek akkucsomagjait.

Kompatibilis akkumulátorok: ECBP-58V20, ECBP-58V40

Az akkumulátorsav extrém terhelés vagy extrém hőmérsékletek mellett szivároghat a sérült akkumulátorokból. Ha bőre akkumulátorsavval érintkezik, azonnal mossa le szappanos vízzel. Ha szembe kerül, alaposan mossa ki legalább 10 percen át, és azonnal forduljon orvoshoz.

AZ AKKUMULÁTOR KIEGÉSZÍTŐ BIZTONSÁGI FIGYELMEZTETÉSEI



FIGYELMEZTETÉS!

A rövidzárlat általi tűz, sérülések vagy termékkárosodások veszélye elkerülésére ne merítse a szerszámot, a cserélhető akkut vagy a töltőkészüléket folyadékokba, és gondoskodjon arról, hogy ne hatoljanak folyadékok a készülékekbe és az akkukba. A korrozív hatású vagy vezetőképes folyadékok, mint pl. a sós víz, bizonyos vegyi anyagok, fehérítők vagy fehérítő tartalmú termékek, rövidzárlatot okozhatnak.

FENNMARADÓ KOCKÁZAT

Még a termék rendeltetésszerű használata esetén sem lehet teljesen kiküszöbölni minden kockázati tényezőt. A gép használata során a következő veszélyek merülhetnek fel, és a kezelőnek különösen oda kell figyelnie az alábbiak elkerülésére:

- kések érintése okozta sérülés
 - A kések vágás közben nem fedhetők le védőburkolattal. A kést önmagától és másoktól tartsa távol. Győződjön meg arról, hogy a késvédők a helyükön vannak, amikor a terméket nem használja.
- A vibráció sérüléseket okozhat.
 - Mindig a munkához megfelelő célszerszámot használja, használja a gépre szerelt fogantyúkat, és korlátozza a munkaidőt és a vibrációnak való kitettséget.
- A zajnak való kitettség halláskárosodást okoz.
 - Viseljen hallásvédőt és korlátozza a zajnak való kitettséget.

KOCKÁZATCSÖKKENTÉS

Arról számoltak be, hogy a kéziszerszámok használata során fellépő vibráció bizonyos személyeknél hozzájárulhat az úgynevezett Raynaud-szindróma (Raynaud's Syndrome) nevű állapot kialakulásához. A tünetei lehetnek: az ujjak zsibbadása, elfehéredése, szúrások érzése, amelyek hidegnek kitéve gyakran felerősödnek. Az örökítő tényezők, a hidegnek kitettség és verejtékezés, a diéta, a dohányzás és munka közben

alkalmazott fogások valószínűleg mind hozzájárulhatnak ezen tünetek megjelenéséhez. A vibráció hatásainak csökkentése érdekében a kezelőnek be kell tartani az alábbi óvintézkedéseket:

- Hideg időben tartsa melegen a testét. A termék használatakor viseljen kesztyűt a kéz és a csukló melegen tartásához. Arról számoltak be, hogy a hideg időjárásnak fontos szerepe van a Raynaud-szindróma kialakulásában.
- Bizonyos időtartamú használat után mindig végezzen gyakorlatokat a vérkeringés javításához.
- Gyakran tartson munkaszünetet. Korlátozza a napi munkaidőt.

Ha ezen állapot bármelyik tünetét tapasztalja, azonnal hagyja abba a munkát, és tájékoztassa az orvosát a tünetekről.



FIGYELMEZTETÉS!

Hosszabb használat sérülést okozhat. Ha a gépet hosszú időn át kell használnia, tartson gyakran szünetet.

RENDELTETÉSSZERŰ HASZNÁLAT

A vezeték nélküli sövénynyíró csak kültéren használható. Biztonsági okokból a terméket kétkezes működtetéssel megfelelő ellenőrzés alatt kell tartani.

A termék otthoni vagy háztartási használatra készült. A termék sövény, cserje és más hasonló növényzet vágására és nyírására szolgál.

Száraz, jól megvilágított környezetben kell használni.

NEM használható fű, fák vagy ágak vágására. Sövényvágáson kívül más célra nem használható.

A készüléket csak rendeltetési céljának megfelelően használja.

ISMERJE MEG A TERMÉKET

Lásd 6. -7. oldal.

1. Kezelő jelenléte kapcsoló
2. Akkumulátor reteszelő gomb
3. Akkumulátor
4. Gázkar zár
5. Hátsó fogantyú
6. Ravasz (gázadagoló gomb)
7. Töltő
8. Késvédő
9. Kés
10. Védőlemez
11. Elülső fogantyú

SZÁLLÍTÁS ÉS TÁROLÁS

- Szállítás és tárolás előtt állítsa le a terméket, vegye ki az akkumulátort és hagyja lehűlni mindkettőt.





- Minden idegen anyagtól tisztítsa meg a terméket. Hűvös, száraz és jól szellőztetett, gyerekektől elzárt helyiségben tárolja. Az extra biztonság érdekében az akkumulátort a sövényvágótól külön tárolja. Ne tárolja olyan oxidálószerrel közelében, mint pl. kerti munkáknál használatos vegyszerek vagy jégmentesítő sok. Ne tárolja a szabadban.
- A gép tárolásakor vagy szállításkor helyezze fel a késvédő burkolatot a késekre.
- Szállításkor rögzítse a terméket elmozdulás és leesés ellen, hogy elkerülje a sérüléseket és a termék sérülését.

KARBANTARTÁS



FIGYELMEZTETÉS!

Csak ECHO tartozékokat és ECHO pótalkatrészeket használjon. Ennek figyelmen kívül hagyása gyenge motorteljesítményt, esetleges sérülést és a jótállás elvesztését okozhatja. Ha olyan alkatrészeket kell kicserélni, amelyről nincs leírás, forduljon egy ECHO szervizpartnerhez.



FIGYELMEZTETÉS!

szervizelés különös figyelmet és hozzáértést igényel, és csak szakképzett szerelő végezheti el. A szervizeléshez vigye el a terméket egy hivatalos szervizközpontba. Szervizeléskor csak eredeti, gyártó által előállított cserealkatrészeket használjon.



FIGYELMEZTETÉS!

A vágókések különösen élesek. A személyi sérülés megelőzése érdekében legyen különösen óvatos a késvédő tisztításakor, kenésekor, valamint fel- és leszerelésekor. Bármilyen karbantartási vagy tisztítási munka végrehajtása előtt kapcsolja ki a készüléket és vegye ki az akkucsomagot.

- Beállítás, karbantartás és tisztítás előtt vegye ki az akkumulátort.
- Ön csak a használati útmutatóban leírt beállításokat és javításokat végezheti el. Az egyéb javításokhoz vegye fel a kapcsolatot a hivatalos szervizzel.
- Minden egyes használat után egy puha, száraz ruhával tisztítsa meg a termék házát és fogantyúit.
- Egy kemény kefével minden használat után tisztítsa meg a kést a hulladékoktól, majd a késvédő felszerelése előtt kenjen rá rozsdásodásgátlót. A gyártó azt javasolja, hogy permetezhető rozsdásodásgátlót és kenőanyagot vigyen fel egyenletes rétegben, mert azzal meggátolhatja a késsel való érintkezés miatti személyi sérüléseket. A megfelelő permetezhető termékről kérdezze a helyi hivatalos szervizközpontot.

- A fenti módszert követve használat előtt is felvihet kenőanyagot a késekre.
- Gyakori időközönként ellenőrizze a csavaranyák, csavarok és fejecscsavarok megfelelő meghúzását, hogy a termék biztonságos üzemi állapotban legyen. A sérült alkatrészeket egy hivatalos szervizközpontban kell megjavíttatni vagy kicseréltetni.

AKKUMULÁTOROK

- A hosszabb ideig nem használt akkucsomagokat használat előtt újból fel kell tölteni.
- Az 50 °C (122 °F) feletti hőmérséklet csökkenti az akkucsomag teljesítményét. Kerülje a hőnek vagy napnak való hosszabb kitettséget (túlmelegedési veszély).
- A töltés és akkucsomagok érintkezőit tartsa tisztán.
- Az optimális élettartam érdekében használat után az akkucsomagokat teljesen fel kell tölteni.
- A lehető leghosszabb akkumulátor-élettartam eléréséhez a teljes feltöltéskor távolítsa el a töltőből az akkucsomagot.

Ha az akkumulátort 30 napnál hosszabb ideig tárolja:

- Az akkumulátort olyan helyen tárolja, ahol a hőmérséklet 27°C alatt van, és azt nem érheti nedvesség.
- Az akkumulátort 30%-50%-os töltöttségű állapotban tárolja.
- A tárolás minden hatodik hónapjában töltsen fel az akkumulátort.
- Tartsa be az összes feltöltési utasítást és ne töltsen az akkucsomagot vagy az eszközt az utasításban megadott hőmérséklet-tartományon kívül. A helytelen töltés vagy a megadott tartományon kívüli hőmérsékleten való feltöltés az akkumulátort károsíthatja, és a tűzveszély kockázatát növelheti.

LÍTIUM AKKUMULÁTOROK SZÁLLÍTÁSA

A lítium-ion akkumulátor a veszélyes árukra vonatkozó szabályozás hatálya alá tartozik.

Az akkumulátorok szállítását a helyi, nemzeti és nemzetközi előírásokkal és szabályozásokkal összhangban kell végezni.

- A felhasználó közúton külön feltételek teljesítése nélkül szállíthatja az akkumulátorokat.
- A lítiumion akkumulátorok harmadik fél általi kereskedelmi szállítására a veszélyes árucikkek szabályai vonatkoznak. A szállítás előkészítését és a szállítást kizárólag megfelelően képzett személyek végezhetik, és a folyamatot szakértőknek folyamatosan ellenőrizniük kell.

Az akkumulátorok szállításakor:

- Ügyeljen arra, hogy a rövidzárlat elkerülése érdekében az akkumulátor érintkezői védve és szigetelve



legyenek.

- A csomagoláson belül biztosítsa az akkucsomagot, hogy ne mozduljon el.
- Ne szállítson repedt vagy szivárgó akkumulátorokat.

További információért vegye fel a kapcsolatot a továbbítást végző céggel.

SZIMBÓLUMOK



Biztonsági figyelmeztetés



A termék használata előtt olvassa el és érte meg a kezelési útmutatóban leírtakat, és tartsa be az összes figyelmeztető és biztonsági utasítást.



Viseljen fülvédőt.



Viseljen védőszemüveget.



Használat közben mindig két kézzel fogja a sövényvágót.



A súlyos sérülések elkerülése végett ne érintse meg a vágókéseket.



Viseljen csúszásgátló bevonatú, nehéz igénybevételre tervezett védőkesztyűt.



Ne tegye ki esőnek, és ne használja nedves környezetben.



Figyeljen a kivetett vagy repülő tárgyra. Az összes nézelődő, különösen a gyerekek és a háziállatok, legyenek legalább 15 m-es távolságra a használati területtől.



Ukrainai megfelelőségi nyilatkozat



Eurázsiai megfelelőségi jelzés



A kiselejtezett elektromos termékeket nem szabad a háztartási hulladékkal együtt kidobni. Ezeket újra kell hasznosítani, ha van rá lehetőség. Az újrahasznosítással kapcsolatban érdeklődjön a helyi önkormányzatnál vagy a termék forgalmazójánál.



Ez a szerszám minden, a vásárlás európai uniós országában hatályos szabványnak megfelel.



A címkén látható garantált hangteljesítményszint 93 dB.

⚠ VESZÉLY

Egy bekövetkező veszélyes helyzetet jelez, ami, ha nem előzik meg, halált vagy komoly sérülést eredményez.

⚠ FIGYELMEZTETÉS

Egy potenciálisan bekövetkező veszélyes helyzetet jelez, amit, ha nem előznek meg, halált vagy komoly sérülést eredményezhet.

⚠ FIGYELEMFELHÍVÁS

Egy potenciálisan veszélyes helyzetet jelez, ami, ha nem előzik meg, kisebb vagy mérsékelt sérülést eredményezhet.

FIGYELEMFELHÍVÁS

Biztonsági figyelmeztető szimbólum nélkül

Egy olyan helyzetet jelez, ami anyagi kárt eredményezhet.



DATE TEHNICE MOTOUNEALTĂ PENTRU TUNS GARD VIU

ECHT-58VEN
FR
DE
ES
IT
NL
PT
DA
SV
FI
NO
RU
PL
CS
HU
RO
LV
LT
ET
HR
SL
SK
BG
UK
TR

Număr de serie	94501401000001 - 94501401999999
Viteză fără sarcină	3400 min ⁻¹
Lungimea lamei	610 mm
Lungime de tăiere	563 mm
Tensiune baterie	51,1V, 58V MAX
Greutate (cu acumulator de 2 A)	5,5 kg
Greutate (cu acumulator de 4 A)	6,1 kg
Greutate (fără acumulator)	4,3 kg

Informații despre zgomot și vibrații (în conformitate cu EN 60745-1, EN 60745-2-15)

Nivelurile măsurate A de zgomot:

Nivel de presiune sonoră	$L_{pA} = 79,0 \text{ dB(A)}$
Incertitudine	$K = 3,0 \text{ dB}$
Nivel de putere sonoră	$L_{WA} = 90,0 \text{ dB(A)}$
Incertitudine	$K = 2,3 \text{ dB}$

Purtați întotdeauna antifoane!

Valoarea totală a vibrațiilor (suma vectorială pe cele 3 axe) este determinată conform standardului EN 60745-1, EN 60745-2-15.

Valoarea vibrațiilor (ah)

Mânerul principal	$ah = 3,4 \text{ m/s}^2$
Mâner anterior	$ah = 2,6 \text{ m/s}^2$
Incertitudine	$K = 1,5 \text{ m/s}$

***SPM (lovituri pe minut) este numărul de lovituri pe care biela le completează într-un minut.**

BATERIA ȘI ÎNCĂRCĂTORUL

ECHT-58V

Acumulatori compatibili

ECBP-58V20 / ECBP-58V40

Încărcător compatibil

ECBC-58VEU and ECBC-58VUK



AVERTISMENT!

Nivelul de vibrații menționat în această broșură informativă a fost măsurat în conformitate cu o metodă de testare standardizată și poate fi util pentru compararea uneltelor între ele. Poate fi utilizat pentru evaluarea preliminară a expunerii.

Nivelul de vibrații declarat este relevant pentru domeniul de utilizare a acestei unele. Totuși, dacă unealta este utilizată în alte scopuri, cu alte accesorii sau este întreținută necorespunzător, nivelul vibrațiilor poate fi diferit. În acest caz, nivelul de expunere total, pe parcursul întregii perioade de lucru, poate crește.

O estimare a nivelului de expunere la vibrații trebuie să țină cont și de numărul de porniri-opriri, precum și de perioada în care unealta funcționează fără să lucreze (în gol). În acest caz, nivelul de expunere total, pe parcursul întregii perioade de lucru, poate fi mai mic.

Identificați măsurile de siguranță suplimentare necesare pentru a proteja operatorul împotriva efectelor vibrațiilor. De exemplu: întrețineți unealta și accesoriile, încălziți-vă mâinile, organizați-vă lucrul.





AVERTISMENT!

Citiți toate avertismentele și instrucțiunile de siguranță. Nerespectarea acestor avertismente și instrucțiuni poate conduce la șocuri electrice, incendii și/ sau accidente grave.

Păstrați aceste avertismente și instrucțiuni, pentru a le putea consulta ulterior.

Termenul de "unealtă electrică" folosit în avertismente se referă la uneltele electrice alimentate de la rețea (cu cablu) sau cu acumulator (fără cablu).

AVERTISMENTE GENERALE PRIVIND SIGURANȚA

MEDIUL DE LUCRU

- **Mențineți curată și bine iluminată zona de lucru.** Zonele dezordonate și întunecate prezintă pericol de accidente.
- **Nu operați cu unealta electrică în atmosfere explozive, precum în prezența lichidelor, gazelor sau a prafului inflamabil(e).** Uneltele electrice creează scântei care pot aprinde praful sau vaporii.
- **Țineți copiii și persoanele din jur la distanță în timpul operării unei unelte electrice.** Distragerea atenției vă poate face să pierdeți controlul.

SIGURANȚA ELECTRICĂ

- **Ștecărele uneltelor electrice trebuie să se potrivească cu priza. Nu modificați niciodată ștecărul în nici un fel. Nu folosiți niciodată adaptoare de ștecăr cu uneltele electrice cu împământare.** Ștecărele nemodificate și prizele potrivite reduc riscul de electrocutare.
- **Evitați contactul corpului cu suprafețele conectate la împământare, precum țevi, radiatoare, reșouri, mașini de gătit și frigider.** Există un risc crescut de electrocutare când corpul dumneavoastră are contact cu împământarea.
- **Nu expuneți produsul la ploaie sau condiții de umiditate.** Apa care intră într-o unealtă electrică va crește riscul de electrocutare.
- **Nu forțați cablul. Nu trageți niciodată unealta electrică de cablul de alimentare pentru a o transporta, a o trage sau a scoate ștecărul din priză. Țineți cablul de alimentare departe de căldură, ulei, muchii ascuțite sau piese în mișcare.** Cablurile deteriorate sau încurcate cresc riscul de electrocutare.
- **Atunci când lucrați cu o unealtă electrică în aer liber, folosiți un prelungitor adecvat pentru utilizarea în aer liber.** Folosirea unui prelungitor adecvat pentru utilizarea în aer liber reduce riscul de electrocutare.
- **În cazul în care operarea unei unelte electrice într-o zonă umedă nu poate fi evitată, folosiți o alimentare protejată cu un dispozitiv de curent rezidual (RCD).**

Utilizarea unui RCD reduce riscul de electrocutare.

SIGURANȚĂ PERSONALĂ

- **Fiți vigilenți, fiți atenți la ceea ce faceți, acționați cu simț practic când operați o unealtă electrică. Nu folosiți unealta electrică în timp ce sunteți obosit sau sub influența drogurilor, a alcoolului sau a medicamentelor.** Un moment de neatenție în timpul operării uneltelor electrice poate cauza vătămare personală gravă.
 - **Utilizați echipament personal de protecție. Purtați întotdeauna ochelari de protecție.** Echipamentele de protecție, precum masca de praf, încălțăminte de protecție antiderapantă, casca sau protecția auditivă, folosite în condiții adecvate, vor reduce riscul rănilor.
 - **Prevenirea pornirii neintenționate. Asigurați-vă că comutatorul este în poziția oprit înainte deconectarea la sursa de alimentare și / sau la acumulator, ridicarea sau transportul uneltei.** Transportarea uneltelor electrice cu degetul pe comutator sau punerea sub tensiune a uneltelor electrice care au comutatorul în poziția pornit predispune la accidente.
 - **Îndepărtați orice cheie de reglare înainte de a porni unealta.** O cheie sau rămasă atașată de o piesă rotativă a uneltei electrice poate cauza vătămări corporale.
 - **Nu vă aplecați excesiv. În timpul operării dispozitivului, păstrați-vă în permanență echilibrul și stabilitatea.** Acest lucru permite un mai bun control al uneltei electrice în situații neașteptate.
 - **Îmbrăcați-vă corespunzător. Nu purtați haine largi sau bijuterii. Mențineți părul, hainele și mănușile departe de piesele în mișcare.** Hainele largi, bijuteriile sau părul lung pot fi prinse de piesele aflate în mișcare.
 - **Dacă sunt prevăzute dispozitive pentru conectarea facilităților de extracție și de colectare a prafului, asigurați-vă că acestea sunt conectate și folosite corect.** Utilizarea colectării prafului poate reduce riscurile legate de praf.
 - **Obișnuința dobândită prin utilizarea frecventă a instrumentelor nu trebuie să vă facă impasibili și să ignorați principiile de siguranță privind instrumentele.** O acțiune neatență poate cauza vătămarea gravă într-o fracțiune de secundă.
- ### FOLOSIREA ȘI ÎNTREȚINEREA UNELTEI ELECTRICE
- **Nu forțați produsul. Folosiți unealta electrică corectă pentru aplicație.** Unealta electrică corectă va funcționa mai bine și mai sigur la viteza pentru care a fost proiectată.
 - **Nu folosiți unealta electrică dacă comutatorul nu o poate porni și opri.** Orice unealtă electrică, care nu poate fi controlată cu comutatorul este periculoasă și trebuie reparată.
 - **Deconectați ștecărul de la sursa de alimentare și / sau acumulator de la unealta electrică înainte de a efectua orice reglaje, a schimba accesorii sau de a stoca uneltele electrice.** Astfel de măsuri preventive



de siguranță reduc riscul de pornire accidentală a unelei electrice.

- **Nu lăsați uneltele electrice la îndemâna copiilor și nu permiteți persoanelor nefamiliarizate cu unealta electrică sau cu aceste instrucțiuni să folosească unealta.** Uneltele electrice sunt periculoase în mâinile utilizatorilor neinstruiți.
- **Întrețineți uneltele electrice.** Verificați alinierea sau lipirea pieselor în mișcare, spargerea pieselor, precum și orice altă stare care poate afecta funcționarea unelei electrice. Dacă este deteriorată, solicitați repararea unelei înainte de utilizare. Multe accidente sunt cauzate de uneltele electrice întreținute necorespunzător.
- **Păstrați uneltele de tăiere ascuțite și curate.** Uneltele de tăiere corect întreținute, cu muchii de tăiere ascuțite au o probabilitate mai redusă de lipire și sunt mai ușor de controlat.
- **Folosiți unealta electrică, accesoriile și burghiile etc. în conformitate cu aceste instrucțiuni, ținând cont de condițiile de lucru și de lucrarea care urmează să fie efectuată.** Utilizarea unelei electrice pentru alte operații decât cele preconizate poate duce la situații periculoase.
- **Țineți mânerul și suprafețele de apucare uscate, curate, fără ulei sau grăsimi.** Mănerul alunecoasă și suprafețele neregulate nu permit manipularea sigură și un control al aparatului în situații neașteptate.

FOLOSIREA ȘI ÎNTREȚINEREA MAȘINII CU ACUMULATOR

- **Reîncărcați numai cu încărcătorul specificat de producător.** Un încărcător destinat unui anumit tip de acumulator este folosit la încărcarea altor acumulatori există pericolul de incendii.
- **Folosiți uneltele electrice numai cu acumulatorii indicați.** Utilizarea oricărui altă acumulatori poate crea un risc de vătămare și de incendiu.
- **Atunci când acumulatorul nu este în uz, păstrați-l departe de alte obiecte metalice, cum ar fi agrafe de birou, monede, chei, cuie, șuruburi sau alte obiecte metalice mici, care pot face o conexiune de la o bornă la alta.** Scurtcircuitarea bornelor bateriei poate provoca arsuri sau incendiu.
- **Ca urmare a folosirii necorespunzătoare, din acumulator se poate scurge lichid; evitați contactul cu acesta. În cazul unui contact accidental, spălați cu apă. În cazul contactului cu ochii, consultați suplimentar un medicul.** Lichidul care iese din acumulator poate provoca iritații sau arsuri.
- **Nu utilizați acumulatorii sau uneltele deteriorate sau modificate.** Acumulatorii deteriorați sau modificați au un comportament imprevizibil și prezintă pericol de incendiu, explozie sau accidentare.
- **Nu expuneți acumulatorii sau uneltele la foc sau temperaturi excesive.** Expunerea la foc sau temperaturi peste 130°C prezintă pericol de explozie.

- **Respectați toate instrucțiunile de încărcare și nu încărcați acumulatorul sau unealta la temperaturi din afara intervalului specificat în instrucțiuni.** Încărcarea necorespunzătoare sau la o temperatură din afara intervalului specificat poate deteriora acumulatorul și crește riscul de incendiu.

ÎNȚEȚINERE

- **Solicitați efectuarea lucrărilor de service la unealta dvs. electrică numai de către o persoană calificată în reparații, folosind numai piese de schimb identice.** Acest lucru va garanta că siguranța unelei electrice este menținută.
- **Nu trebuie să efectuați niciodată reparații asupra acumulatorilor deteriorate.** Reparațiile asupra acumulatorilor trebuie să fie efectuate numai de către producător sau de furnizorii de servicii autorizați.

AVERTIZĂRI DE SIGURANȚĂ ASUPRA MAȘINII DE TUNS GARDUL VIU

- **Țineți toate părțile corpului la distanță de lama cuțitului. Nu îndepărtați materialul tăiat și nu țineți materialul ce urmează a fi tăiat, atunci când lamelele sunt în mișcare. Asigurați-vă că comutatorul este oprit, atunci când curățați materiale blocate.** Un moment de neatenție în timpul operării produsului poate rezulta în vătămare personală gravă.
- **Transportați foarfeca de grădină de mâner cu lama cuțitului oprită. Atunci când transportați sau depozitați foarfeca de grădină, întotdeauna fixați capacul dispozitivului de tăiere.** Manipularea adecvată a foarfecei de grădină va reduce posibilele vătămări personale cauzate de lamelele cuțitului.
- **Țineți unealta de tăiere numai de suprafețele de prindere izolate deoarece lama cuțitului poate intra în contact cu fire ascunde sau cu propriul cablu.** Lamelele de tăiere care intră în contact cu un conductor sub curent pot expune la curent părțile metalice ale unelei electrice și pot conduce la electrocutarea operatorului.

AVERTIZĂRI SUPPLEMENTARE DE SIGURANȚĂ

- Unele regiuni au reglementări care restricționează utilizarea produsului la unele operațiuni. Pentru sfaturi întrebați autoritățile dvs. locale. Citiți toate instrucțiunile
- Eliberați zona de lucru înainte de fiecare utilizare. Îndepărtați toate obiectele precum cabluri, becuri, fire, șnururi ce pot fi aruncate sau încurate în mijloacele de tăiere.
- Verificați gardul viu de obiecte străine precum garduri de sârmă.
- Luați măsuri de precauție suplimentare atunci când utilizați produsul în apropierea gardurilor, indicatoarelor, clădirilor sau a altor obiecte imobile.





- Fiți atent la obiectele aruncate, mențineți toți trecătorii, copiii și animalele de companie la cel puțin 15 metri de zona de lucru.
- Nu permiteți copiilor sau persoanele fără experiență să utilizeze acest produs.
- Nu utilizați în condiții de iluminare necorespunzătoare. Operatorul necesită o panoramă clară a zonei de lucru pentru identificarea potențialelor pericole.
- Asigurați-vă întotdeauna că toate mânerele și protecțiile sunt montate când utilizați mașina. Nu încercați niciodată să utilizați un produs incomplet sau cu modificări neautorizate.
- Asigurați-vă că înainte de fiecare folosire toate funcțiile de control și dispozitivele de siguranță funcționează corect. Nu folosiți produsul dacă întrerupătorul "oprit" nu oprește produsul.
- Inspectați aparatul înainte de fiecare folosire. Verificați să nu fie slăbite închizătorile. Asigurați-vă că toate dispozitivele de protecție și mânerele sunt fixate corect și strâns. Înlocuiți toate piesele deteriorate înainte de utilizare. Verificați dacă există scurgeri la nivelul acumulatorului.
- Nu modificați produsul în niciun mod.
- Purtați protecție completă a ochilor și urechilor în timpul operării produsului. Dacă în zona de lucru există riscul căderii de obiecte, trebuie purtată protecție a capului.
- Purtați pantaloni lungi groși, cizme și mănuși. Nu purtați haine largi, pantaloni scurți, bijuterii de niciun fel sau să fiți desculți.
- Prindeți părul lung deasupra umerilor pentru a preveni prinderea lui de părțile în mișcare.
- Utilizarea antifoaanelor reduce capacitatea de auzi avertismente (alarme sau strigăte). Operatorul trebuie să fie foarte atent la ceea ce se întâmplă în zona de lucru.
- Operarea de aparate similare în vecinătate crește atât riscul unei deteriorări a auzului cât și posibilitatea ca alte persoane să intre în zona dvs. de lucru.
- Nu operați acest produs atunci când sunteți obosit, bolnav sau sub influența alcoolului, drogurilor sau a medicamentelor.
- Mențineți sprijin ferm pe picioare și echilibru. Nu vă aplecați excesiv. Întinderea excesivă poate rezulta în pierderea echilibrului și poate rezulta în vătămare gravă.
- Țineți toate părțile corpului la distanță de orice piesă în mișcare.
- Înainte de pornirea aparatului asigurați-vă ca lamele să nu vină în contact cu nimic.
- În timpul operării mașinii de tuns gardul viu, țineți-o ferm întotdeauna cu ambele mâini de cele două mâneri și asigurați-vă că poziția de operare este sigură și fixă. Producătorul nu recomandă folosirea treptelor sau a scârilor. Dacă este necesară o tundere la o înălțime

mai mare folosiți o unealtă prelungitoare.

- Lamele sunt ascuțite. Atunci când manipulați ansamblul de lame, purtați mănuși rezistente, nealunecoase. Nu puneți degetele sau mâna între lame sau în orice poziție unde pot fi ciupite sau tăiate. Nu atingeți niciodată lama sau unitatea service decât dacă acumulatorul este îndepărtat.
- Opriti alimentarea și deconectați acumulatorul. Asigurați-vă că toate piesele mobile s-au oprit complet:
 - înainte de a lăsa produsul nesupravegheat
 - înaintea curățării sau deblocării înfundării
 - înainte de a ajusta poziția de lucru a cuțitelor
 - înaintea verificării, efectuării întreținerii sau utilizării produsului
- Nu forțați produsul prin mărăciș dens. Acest lucru poate cauza lipirea și încetinirea lamelor. În cazul în care lamele încetinesc, reduceți ritmul.
- Nu încercați să tăiați tulpini sau crengi care au o grosime mai mare de 17 mm, sau cele care sunt prea mari pentru a intra în lama de tăiere. Utilizați un ferăstrău manual sau un ferăstrău pentru curățarea crengilor pentru a tăia tulpinile groase.
- Nu lucrați cu produsul care are lamele defecte sau excesiv uzate.
- Obișnuița dobândită prin utilizarea frecventă a instrumentelor nu trebuie să vă facă impasibili și să ignorați principiile de siguranță privind instrumentele. O acțiune neatență poate cauza vătămarea gravă într-o fracțiune de secundă.
- Pentru a obține cele mai bune rezultate, produsul dumneavoastră cu acumulator trebuie încărcat într-un loc în care temperatura este mai mare de 10 °C, dar mai mică de 38 °C. Pentru a reduce riscul de răniri personale grave, nu depozitați produsului în aer liber sau în vehicule.



AVERTISMENT!

Dacă produsul este scăpat, suferă un impact dur sau începe să vibreze anormal, opriți imediat produsul și inspectați dacă este deteriorat sau identificați cauza vibrației. Orice deteriorare trebuie reparată corespunzător sau înlocuită la un centru service autorizat.

Decuplați acumulatorul înainte de a realiza orice fel de operație de întreținere sau reparație asupra produsului.

Nu aruncați acumulatorii uzați la gunoierul menajer sau să-i ardeți. Distribuitorii ECHO se oferă să preia spre reciclare acumulatorii uzați, pentru a proteja mediul.

Nu stocați acumulatorul împreună cu obiecte metalice (riscul de scurtcircuit).

Utilizați doar încărcătorul ECBC-58VEU/ECBC-58VUK pentru a încărca acumulatorii.

Nu utilizați acumulatori de la alte unelte/sisteme.

Acumulatori compatibili: ECBP-58V20, ECBP-58V40



Acidul din acumulatorii defecti se poate scurge in cazul suprasolicitarii sau al expunerii la temperaturi ridicate. In cazul contactului direct cu acidul din baterii, spălați-vă imediat cu apă și săpun. In cazul contactului cu ochii, clătiți intens timp de 10 minute și consultați imediat un medic.

AVERTISMENTE SUPLIMENTARE PRIVIND SIGURANȚA LA UTILIZAREA BATERIILOR



AVERTISMENT!

Pentru a reduce pericolul unui incendiu și evitarea rănilor sau deteriorarea produsului în urma unui scurtcircuit nu imersați scula, acumulatorul de schimb sau încărcătorul în lichide și asigurați-vă să nu pătrundă lichide în aparate și acumulatori. Lichidele corosive sau cu conductibilitate, precum apa sărată, anumite substanțe chimice și înălbitori sau produse ce conțin înălbitori, pot provoca un scurtcircuit.

RISCURI REZIDUALE

Chiar dacă produsul este folosit așa cum a fost prescris, este totuși imposibil să se elimine complet anumiți factori de risc reziduali. Următoarele pericole pot apărea în timpul folosirii și operatorul trebuie să acorde atenție specială pentru a evita următoarele:

- vătămare de la contactul cu lamele
 - Lamele nu pot fi apărate în timpul tăierii. Țineți lama ferită de dvs sau alte persoane. Asigurați-vă că protecțiile pentru lamă sunt montate când produsul nu este utilizat.
- Vătămare cauzată de vibrație.
 - Folosiți întotdeauna aparatul potrivit pentru sarcină, folosiți mânerul prevăzute și restricționați timpul de lucru și expunerea.
- Poate fi cauzată vătămarea auzului de la expunerea la zgomot.
 - Purtați protecție pentru auz și limitați expunerea.

REDUCEREA RISCULUI

S-a raportat faptul că vibrațiile produse de uneltele manuale pot contribui, la anumite persoane, la o afecțiune denumită Sindromul Raynaud. Simptomele pot include furnicături, amorțeală și albirea degetelor, care apare, de obicei, după expunerea la frig. Factori ereditari, expunerea la frig și umiditate, dieta, fumatul și practicile de muncă contribuie la dezvoltarea acestor simptome. Există măsurător care pot fi efectuate de către operator pentru a reduce efectele de vibrațiilor:

- Păstrați-vă temperatura corporală ridicată pe vreme rece. Când operați produsul purtați mănuși pentru a menține calde mâinile și încheieturile. S-a constatat

că vremea rece este un factor major care contribuie la sindromul Raynaud.

- După fiecare perioadă de operare, trebuie făcute exerciții pentru a crește circulația sângelui.
- Trebuie făcute pauze la intervale de timp regulate. Limitați expunerea zilnică.

Dacă sunt experimentate oricare dintre simptomele acestei afecțiuni, trebuie întreruptă utilizarea și consultat un medic.



AVERTISMENT!

Pot fi cauzate sau agravate vătămarile de la folosirea prelungită a aparatului. Atunci când folosiți o sculă pentru perioade prelungite, asigurați-vă că luați pauze regulate.

UTILIZARE PREVĂZUTĂ

Mașina fără fir de tuns gard viu este destinată numai pentru utilizarea în exterior. Din motive de siguranță, produsul trebuie manevrat corespunzător, cu ambele mâini.

Produsul este proiectat pentru uz casnic și domestic. Este destinat pentru tăierea și îngrijirea gardurilor vii, a arbuștilor și a vegetației similare.

Trebuie folosit în zone uscate și bine iluminate.

NU este destinat pentru tăierea ierbii, a copacilor sau a ramurilor. Nu trebuie folosit în nici un alt scop, altul decât tăierea gardurilor vii.

A nu se utiliza produsul pentru un scop care nu este prevăzut prin proiect.

CUNOAȘTEȚI-VĂ PRODUSUL

Vezi paginile 6-7.

1. Întrerupător de prezență a operatorului
2. Buton zăvor a bateriei
3. Acumulator
4. Piedica accelerației
5. Mânerul principal
6. Trăgaciul accelerotorului
7. Încărcător
8. Capac lamă
9. Lamă
10. Ecran de protecție
11. Mâner anterior

TRANSPORTAREA ȘI DEPOZITAREA

- Oprii produsul, scoateți acumulatorul și lăsați-le să se răcească înainte de a le depozita sau transporta.
- Curățați toate materialele străine din produs. Depozitați-l într-un loc răcoros, uscat și bine aerisit ce este inaccesibil copiilor. Pentru o siguranță suplimentară, depozitați acumulatorul separat de mașina de tuns gardul viu. Nu-l depozitați în apropiere de agenți corozivi cum ar fi produși chimici de grădinar

sau săruri antigel. Nu depozitați în aer liber.

- Acoperiți lama cu protecția pentru lamă înainte de a depozita unitatea sau în timpul transportului.
- Pentru transportare, fixați produsul împotriva mișcării sau căderii pentru a preveni vătămarea persoanelor sau deteriorarea produsului.

ÎNȚREȚINEREA



AVERTISMENT!

Utilizați doar accesorii și piese de schimb ECHO. Neurmarea acestora poate cauza posibilă vătămare, slaba funcționare și ar putea anula garanția. În cazul în care este necesară înlocuirea unor componente despre care nu se discută aici, vă rugăm să contactați unul dintre agenții de service ai ECHO.



AVERTISMENT!

Service-ul necesită atenție și cunoștințe deosebite și trebuie îndeplinit doar de către un tehnician service calificat. Pentru service, duceți produsul la un centru service autorizat. La efectuarea serviciului, folosiți doar piese de schimb originale ale producătorului.



AVERTISMENT!

Lamele cuțitelor sunt extrem de ascuțite. Pentru a preveni vătămarea personală, acordați maximă atenție atunci când curățați, lubrifiați, fixați sau îndepărtați protecția lamei/discului. Opriți echipamentul și îndepărtați bateria înainte de a efectua orice tip de lucrări de întreținere sau de curățare.

- Îndepărtați acumulatorul înainte de orice lucrare de reglare, întreținere sau curățare.
- Puteți face doar reglajele sau reparațiile descrise în acest manual. Pentru alte reparații, contactați agentul service autorizat.
- După fiecare folosire, curățați corpul și mânerul produsului cu o cârpă moale și uscată.
- După fiecare folosire, curățați resturile de pe lame/discuri cu o perie tare și apoi cu atenție aplicați un lubrifiant de prevenire a ruginii înainte de a atașa protecția lamei/discului. Producătorul recomandă să folosiți un spray lubrifiant de prevenire a ruginii și să aplicați pe o suprafață dreaptă pentru a reduce riscul de vătămare personală de la contactul cu lamele/discurile. Pentru informații privind spray-ul corespunzător, întrebați centrul dvs service local autorizat.
- Puteți lubrifia ușor lamele/discurile înainte de folosire, folosind metoda de mai sus.

- Verificați toate piulițele, suruburile la intervale frecvente de timp ca să fie corespunzător strânse pentru a vă asigura că produsul este în stare de lucru în siguranță. Orice piesă deteriorată trebuie să fie reparată în mod corespunzător sau înlocuită de un service autorizat.

ACUMULATORI

- Acumulatorii care nu au fost utilizați o perioadă mai lungă de timp trebuie încărcăți înainte de utilizare.
- Temperaturile mai mari de 50°C (122°F) reduc performanțele acumulatorului. Evitați expunerea prelungită la căldură sau lumină solară (risca de supraîncălzire).
- Contactele bateriilor trebuie menținute în permanență curate.
- Pentru o durată de viață cât mai lungă, acumulatorii trebuie încărcăți complet după fiecare utilizare.
- Pentru a obține o durată de viață maximă a acumulatorului, scoateți acumulatorul din încărcător după finalizarea încărcării.

În cazul depozitării acumulatorului pentru un interval mai mare de 30 de zile:

- Depozitați acumulatorul într-un loc cu temperatura mai mică de 27°C și departe de umezeală.
- Depozitați acumulatorii la un nivel de încărcare de 30%-50%.
- La fiecare șase luni de depozitare, încărcăți acumulatorul în mod obișnuit.
- Respectați toate instrucțiunile de încărcare și nu încărcăți acumulatorul sau unealta la temperaturi din afara intervalului specificat în instrucțiuni. Încărcarea necorespunzătoare sau la o temperatură din afara intervalului specificat poate deteriora acumulatorul și crește riscul de incendiu.

TRANSPORTAREA BATERIILOR DE LITIU

Bateria de litiu-ion este subiecta legislației privind bunurile periculoase.

Transportul acumulatorilor trebuie realizat în concordanță cu prevederile și reglementările locale, naționale și internaționale.

- Utilizatorul poate transporta bateriile pe șosea fără alte reglementări.
- Transportul comercial al acumulatorilor Li-Ion de către terți face obiectul reglementărilor privind bunurile periculoase. Pregătirea transportării și transportarea sunt exclusiv îndeplinite de către persoane instruite corespunzător și procesul trebuie să fie însoțit de experții corespunzători.

Atunci când transportați acumulatori:

- Asigurați-vă că bornele de contact a bateriilor sunt protejate și izolate pentru a preveni scurtcircuitarea lor.

- Asigurați-vă că acumulatorul nu se poate mișca în interiorul ambalajului.
- Nu transportați bateriile ce sunt crăpate sau care au scurgeri.

Verificați cu firma transportatoare pentru recomandări ulterioare.

SIMBOLURI



Avertizare de siguranță



Citiți și înțelegeți toate instrucțiunile înainte operării produsului, urmați toate avertizările și instrucțiunile de siguranță.



Purtați protecție pentru urechi.



Purtați întotdeauna ochelari de protecție.



Țineți întotdeauna motounelul de tuns gard viu cu ambele mâini atunci când funcționează.



Pentru prevenirea vătămării grave nu atingeți lamele de tăiere.



Purtați mănuși care nu alunecă, de protecție la sarcinile dificile.



Nu expuneți la ploaie sau umezeală.



Feriți-vă de obiecte proiectate sau în zbor. Țineți toți trecătorii, în special copiii și animalele de companie la cel puțin 15 metri de zona de operare.



Semn de conformitate ucrainean



Marcaj de conformitate EurAsian



Deșeurile produselor electrice nu trebuie să fie aruncate împreună cu deșeurile casnice. Vă rugăm reciclați acolo unde există facilități. Verificați la autoritatea dvs locală sau la vânzător pentru sfaturi privind reciclarea.



Acest aparat este conform cu ansamblul normelor reglementare din țara din UE în care a fost cumpărat.



Nivelul de putere acustică indicat pe eticheta acestui echipament este de 93 dB.

Următoarele cuvinte simbol și înțelesul lor au intenția de a explica nivelele de risc asociate cu acest produs.

⚠ PERICOL

Indică o situație periculoasă iminentă, care dacă nu este evitată va cauza decesul sau vătămarea gravă.

⚠ AVERTISMENT

Indică o situație periculoasă iminentă, care dacă nu este evitată poate rezulta în deces sau vătămare gravă.

⚠ ATENȚIE

Indică o situație potențial periculoasă, care dacă nu este evitată poate cauza vătămarea moderată sau ușoară.

ATENȚIE

Fără a simbolul de alertă privind siguranța

Indică o situație care poate duce la pagube materiale.

**TEHNISKIE DATI****DŽĪVŽOGU TRIMMERIS****ECHT-58V**

Sērijas numurs	94501401000001 - 94501401999999
Greitis be apkrovimo	3400 min ⁻¹
Asmeņu garums	610 mm
Griešanas garums	563 mm
Akumulatora spriegums	51,1V, 58V MAX
Svars (ar 2,0 Ah akumulatora bloku)	5,5 kg
Svars (ar 4,0 Ah akumulatora bloku)	6,1 kg
Svars (bez baterijas)	4,3 kg

Trokšņu/vibrācijas informācija (saskaņā ar EN 60745-1, EN 60745-2-15)

A-svērtie trokšņu līmeņi:

Skaņas spiediena līmenis	$L_{pA} = 79,0 \text{ dB(A)}$
Nenoteiktība	$K = 3,0 \text{ dB}$
Skaņas stipruma līmenis	$L_{WA} = 90,0 \text{ dB(A)}$
Nenoteiktība	$K = 2,3 \text{ dB}$

Vienmēr valkājiet dzirdes aizsarglīdzekļus!**Kopējās vibrācijas vērtības** (vektoru summa trīs asīs) noteiktas saskaņā ar EN 60745-1, EN 60745-2-15.

Vibrāciju veidošanās vērtība (ah)

Aizmugurējais rokturis	ah = 3,4 m/s ²
Priekšējais rokturis	ah = 2,6 m/s ²
Nenoteiktība	K = 1,5 m/s

SPM (sitieni minūtē) ir savienotāja stieņa veikto gājienu skaits minūtē.*AKUMULATORA UN LĀDĒTĀJS****ECHT-58V**

Savietojami akumulatoru komplekti	ECBP-58V20 / ECBP-58V40
Saderīgs lādētājs	ECBC-58VEU and ECBC-58VUK

**BRĪDINĀJUMS!**

Vibrāciju veidošanās līmenis, kas sniegts šajā informatīvajā lapā ir mērīts saskaņā ar standartizētas pārbaudes metodi, un to var izmantot viena instrumenta salīdzināšanai ar citu. To var izmantot sākotnējai ietekmes novērtēšanai.

Deklarētais vibrāciju veidošanās līmenis atspoguļots galvenajam instrumenta pielietojumam. Tomēr, ja instruments tiek izmantots citam pielietojumam, ar citiem aksesuāriem, vai netiek pienācīgi kopts, vibrāciju līmenis var atšķirties. Tas var būtiski ietekmēt vibrāciju ietekmes līmeni visā darba laikā.

Vibrāciju iedarbības līmeņa noteikšanai jāņem vērā arī laika posmi, kad instruments ir izslēgts, vai arī darbojas, bet ar to netiek veikts darbs. Tas var būtiski samazināt vibrāciju ietekmes līmeni visā darba laikā.

Nosakiet papildus drošības pasākumus, kas aizsargātu lietotāju no vibrācijas ietekmes, kā: uzturiet instrumentu un papildaprīkojumu darba kārtībā, strādājiet ar sitām rokām, veidojiet cikliskas darba kustības.





BRĪDINĀJUMS!

Izlasiet visus drošības brīdinājumus un norādījumus. Brīdinājumu un norādījumu neizpildīšana var izraisīt elektrisko triecienu, aizdegšanos un/vai smagu ievainojumu.

Brīdinājumus un instrukcijas saglabājiet turpmākai uzziņai.

Nosaukums "elektroinstruments" brīdinājumos attiecas uz jūsu elektrisko (ar vadu) elektroinstrumentu vai ar akumulatoru darbināmo (bez vada) elektroinstrumentu.

VISPĀRĪGIE DROŠĪBAS BRĪDINĀJUMI

DARBA VIETA

- Turiet darba vietu tīru un labi apgaismotu. Pārblīvētas un tumšas vietas izraisa negadījumus.
- Nedarbiniet elektroinstrumentus sprādzienbīstamā vidē, piemēram, degošu šķidrumu, gāzu vai putekļu klātbūtnē. Elektroinstrumenti rada dzirksteles, kas var aizdedzināt putekļus vai gāzes.
- Neļaujiet bērniem un blakusstāvētājiem tuvoties darbā esošiem elektroinstrumentiem. Izklaidības dēļ jūs varat zaudēt kontroli.

ELEKTRODROŠĪBA

- Elektroinstrumenta kontaktdakšai jāatbilst kontaktlīdzdai. Nekad nepārveidojiet kontaktdakšu. Sazemētiem elektroinstrumentiem nelietojiet pārejas ligzdas. Nepārveidotas kontaktdakšas un atbilstošas kontaktligzdas samazinās elektriskā trieciena risku.
- Nepieļaujiet ķermeņa kontaktu ar sazemētām virsmām, piemēram, caurulēm, radiatoriem, pavadiem un saldētāvam. Ja jūsu ķermenis ir sazemēts, pastāv palielināts elektriskā trieciena risks.
- Nepakļaujiet precī lielumam vai slāpjiem apstākļiem. Ūdens iekļūšana elektroinstrumentā palielina elektriskā trieciena risku.
- Neizmantojiet kabeli nepareizi. Nekad neizmantojiet vadu, lai nestu, vilktu elektroinstrumentu vai atvienotu kontaktdakšu. Turiet kabeli tālu no siltuma avota, eļļas, asiem priekšmetiem vai kustīgām detaļām. Bojāts vai savērpts kabelis palielina elektriskā trieciena iespēju.
- Strādājot ar elektroinstrumentu ārpus telpām, lietojiet āra lietošanai piemērotu pagarinātāju. Elektriskā trieciena risku samazina lietošanai ārpus telpām piemērota kabeļa izmantošana.
- Ja elektroinstruments ir jālieto mitrās telpās, izmantojiet strāvas noplūdes automātslēdzi (RCD) barošanas vadā. Paliekošas strāvas ierīces izmantošana samazina elektriskā trieciena risku.

PERSONISKĀ DROŠĪBA

- Uzmanieties darba laikā un izmantojiet veselo saprātu, darbojoties ar elektroinstrumentu. Neizmantojiet elektroierīci, ja esat noguris vai narkotisko vielu, alkohola vai medikamentu ietekmē. Neuzmanības brīdis, strādājot ar elektroinstrumentiem, var izraisīt smagus ievainojumus.
- Lietojiet personīgo aizsargaprīkojumu. Vienmēr lietojiet aizsargbrilles. Aizsargaprīkojums, piemēram, putekļu maska, neslīdoši aizsargapavi, aizsargķivere vai ausu aizsargi, kas lietoti atbilstošos apstākļos, samazina personas ievainojumu iespēju.
- Nepieļaujiet nejašu iedarbināšanu. Pirms pievienot enerģijas avotam un/vai akumulatoram, pacelt un pārvietot darbarīku, pārliecinieties, ka slēdzis ir izslēgtā stāvoklī. Elektroinstrumentu pārmēsāšana, turot pirkstu uz slēdža vai ieslēgtu elektroinstrumentu pārmēsāšana var izraisīt nelaimes gadījumus.
- Noņemiet visas regulēšanas uzgriežņu atslēgas pirms elektroierīces ieslēgšanas. Uzgriežņu atslēga vai atslēga, kas palikusi piestiprināta pie elektroinstrumenta rotējošās detaļas, var izraisīt personas ievainojumu.
- Nepersitēmpkite. Visu laiku stāviet stingri un stabili. Tas ļauj labāk vadīt elektroinstrumentu negaidītās situācijās.
- Apģērbieties pareizi. Nevalkājiet vaļīgu apģērbu vai rotaslietas. Turiet savus matus, apģērbu un cimdus tālu no kustīgām detaļām. Vaļīgs apģērbs, rotaslietas vai gari mati var tikt ierauti starp kustīgām detaļām.
- Ja ierīce ir aprīkota ar putekļu nosūcēja un savācēja pievienojumu, pārliecinieties, ka tas ir pievienots un tiek pareizi lietots. Putekļu savācēja lietošana var samazināt putekļu izraisītos riskus.
- Neļaujiet biežas instrumentu lietošanas radītam pieradumam ļaut palikt nevērigam un neievērot instrumentu drošības principus. Neuzmanīga rīcība var radīt smagas traumas tikai dažu sekunžu laikā.

ELEKTROINSTRUMENTU LIETOŠANA UN APRŪPE

- Nepielietojiet spēku, izmantojot ražojumu. Izmantojiet savam darbam atbilstošu elektroierīci. Pareizais elektroinstruments veiks darbu labāk un drošāk ar ātrumu, kādam ticis konstruēts.
- Nelietojiet elektroinstrumentu, ja ar slēdzi to nevar ieslēgt un izslēgt. Ja elektroinstrumentu nevar vadīt ar slēdzi, tas ir bīstams un jāremontē.
- Atvienojiet kontaktdakšu no enerģijas avota un/vai akumulatoru no elektroinstrumenta pirms veikt jebkādas regulējumus, piederumu maiņu vai novietot glabāšanai elektroinstrumentus. Šādi profilakses pasākumi samazina elektroierīces nejaušas iedarbināšanas iespēju.
- Glabājiet neizmantotus elektroinstrumentus bērniem nepieejamās vietās un neļaujiet neapmācītām personām darboties ar

EN
FR
DE
ES
IT
NL
PT
DA
SV
FI
NO
RU
PL
CS
HU
RO
LV
LT
ET
HR
SL
SK
BG
UK
TR



elektroinstrumentiem. Elektroinstrumenti ir bīstami neapmācītu personu rokās.

- **Apkopt elektroinstrumentus.** Pārbaudiet kustīgo detaļu savienojumu pareizību, detaļu berzi un citus apstākļus, kas var ietekmēt elektroinstrumenta darbu. Ja elektroinstrumenti ir bojāti, pirms lietošanas veiciet tā remontu. Daudzus negadījumus izraisa slikti apkopti elektroinstrumenti.
- **Turiet griezējrikus asus un tīrus.** Pareizi apkopti griezējriki instrumenti ar asām griezējšķautnēm retāk pielīp un ir vieglāk vadāmi.
- **Izmantojiet elektroierīci, piederumus, darbinstrumentus u.c. saskaņā ar šiem norādījumiem, ņemiet vērā darba apstākļus un veicamo darbu.** Elektroinstrumenta izmantošana neparedzētu darbību veikšanai var radīt bīstamu situāciju.
- **Rokturiem un citām satverošām virsmām ir jābūt sausām, tīrām un bez eļļas un smērvielu plankumiem.** Negaidītās situācijās slideni rokturi un slidena satvēriena virsmas padara darbarīka lietošanu nedrošu un nekontrolējamu.

AR AKUMULATORU DARBINĀMU IERĪČU LIETOŠANA UN KOPŠANA

- **Uzlādējiet tikai ar ražotāja noteikto lādētāju.** Lādētājs, kas paredzēts lietošanai ar viena veida akumulatoru, var būt ugunsnedrošs, ja to izmanto ar citu akumulatoru.
- **Lietojiet elektriskos instrumentus tikai ar konkrētajai ierīcei paredzēto akumulatoru.** Jebkura cita akumulatora lietošana var radīt ievainojumu un ugunsgrēka risku.
- **Kad nelietojat akumulatoru, neturiet to citu metāla priekšmetu tuvumā, piemēram: papīra saspraudes, monētas, atslēgas, naglas, skrūves vai citi sīki metāla priekšmeti, kas var veidot savienojumu starp spailēm.** Akumulatora spaiļu īsslēgums var radīt aizdegšanos vai ugunsgrēku.
- **Nepareizas rīcības gadījumā no akumulatora var izkļūt šķidrums; izvairieties no saskares ar to. Nejaušas saskares gadījumā skalojiet skarto vietu ar ūdeni. Ja šķidrums nokļūst acīs, nepieciešama arī medicīniskā palīdzība.** No akumulatora izkļuvušais šķidrums var izraisīt kairinājumu vai apdegumus.
- **Neizmantojiet akumulatoru bloku, kas ir bojāts vai pārveidots.** Bojāts vai pārveidots akumulatoru bloks var izraisīt neparedzamu darbību, kas var izraisīt uzliesmošanu, sprādzienu vai ievainojumu risku.
- **Nepakļaujiet akumulatoru bloku vai instrumentu liesmu vai paaugstinātas temperatūras iedarbībai.** Pakļaujot liesmām vai paaugstinātai temperatūrai virs 130°C var izraisīt sprādzienu.
- **Ievērojiet visas lādēšanas instrukcijas un nelādējiet akumulatoru bloku vai instrumentu, ja temperatūra ir ārpus diapazona, kas norādīts instrukcijās.** Nepareiza lādēšana vai lādēšana temperatūrā, kas

ir ārpus norādītā diapazona, var izraisīt akumulatora bojājumus un palielināt uzliesmošanas risku.

APKOPE

- **Vai jūsu elektroinstrumentu apkalpo kvalificēts personāls, izmantojot tikai identiskas rezerves daļas.** Tas nodrošinās elektroinstrumenta drošības saglabāšanu.
- **Nekad neveiciet bojātu akumulatoru bloku remontu.** Akumulatoru bloku remontu drīkst veikt tikai ražotājs vai pilnvarots servisa nodrošinātājs.

DZĪVŽOGA TRIMMERA DROŠĪBAS BRĪDINĀJUMI

- **Turiet visas ķermeņa daļas prom no asmens.** Neņņemiet sagrieztus materiālus un neturiet griešanai paredzētus materiālus, kad asmeņi atrodas kustībā. Pārliecinieties, vai slēdzis ir izslēgts pirms atbrīvošanās no iestrēgušiem materiāliem. Neuzmanīga rīcība, darbojoties ar ierīci var radīt smagu personisku traumu.
- **Pārnēsājiet dzīvžogu trimmeri aiz roktura un ar apturētu asmeni.** Pārvietojot vai novietojot dzīvžogu trimmeri, vienmēr uzlieciet griešanas ierīces pārsegu. Pareiza rīkošanās ar dzīvžogu trimmeri samazinās iespējamu savainojumu gūšanu no asmeņiem.
- **Turiet elektroinstrumentu tikai aiz izolētajām satveršanai paredzētajām virsmām, jo asmens var nonākt saskarē ar apslēptu elektroinstalāciju vai pats ar savu kabeli.** Ar spriegumu pieslēgtu vadu saskarē nonākuši asmeņi var radīt spriegumu elektroinstrumenta atklātajās metāla daļās un pakļaut operatoru elektrošokam.

PAPILDU DROŠĪBAS BRĪDINĀJUMI

- **Dažos reģionos pastāv noteikumi, kas ierobežo darbības, kurām produkts ir izmantojams.** Vērsieties pie atbildīgajam amatpersonām pēc padoma. Izlasiet visus norādījumus
- **Pirms katras izmantošanas attīriet darba zonu.** Aiznesiet visas lietas, piemēram, vadus, apgaismojumus, kabelus vai saites, kas var lidot vai sapīties griešanas brīdī.
- **Pārbaudiet, vai žogā nav priekšmeti, piemēram, žoga stieples.**
- **Ievērojiet papildu piesardzību, izmantojot produktu sētu, stabu, ēku vai citu nekustīgu objektu tuvumā.**
- **Uzmanieties no krītošām lietām; raugieties, lai tuvāk stāvošie - bērni, un dzīvnieki atrodas vismaz 15 m no jūsu darbošanās vietas.**
- **Neļaujiet bērniem vai personām bez apmācības izmantot šo ražojumu.**
- **Nelietojiet sliktā apgaismojumā.** Lietotājam jābūt





plnai redzamībai pār darba zonu, lai spētu identificēt iespējamus draudus.

- Pirms izmantot iekārtu, vienmēr pārlicinieties, vai ir uzstādīti visi rokturi un aizsargi. Nekad nemēģiniet lietot nepilnīgu instrumentu vai tādu, kam veiktas neatļautas izmaiņas.
- Pirms katras lietošanas reizes pārlicinieties, ka visas kontroles un drošības sistēmas ir darba kārtībā. Neizmantojiet ierīci, ja izslēgšanas slēdzis neapstādina motoru.
- Pirms katras lietošanas reizes pārbaudiet ierīci. Pārbaudiet, vai stiprinājumi nav vaļīgi. Pārbaudiet, vai visi aizsargi un rokturi ir pareizi un stingri piestiprināti. Pirms lietošanas nomainiet visas bojātās detaļas. Pārbaudiet sūces akumulatora komplektā.
- Nekādā veidā neveiciet instrumenta pārveidi.
- Darbinot precī, valkājiet pilnus acu un ausu aizsargus. Ja strādājat zonā, kur pastāv krītošu priekšmetu risks, jāvalkā galvas aizsargs.
- Velciet izturīgas garās bikses, zābakus un cimdus. Nevelciet platu un vaļīgu apģērbu, īsās bikses, jebkādas rotaslietas un nelietojiet bez apaviem.
- Nostipriniet garus matus tā, lai tie ir virs plecu līmeņa, lai novērstu sapīšanas kustīgajās daļās.
- Dzirdes aizsargu lietošana mazinās jūsu spēju dzirdēt brīdinājumus (bjāvienus vai skaņas signālus). Operatoram jāpievērš sevišķa uzmanība tam, kas notiek darba zonā.
- Līdzīgas ierīces izmantošana tuvumā palielina gan risku sabojāt dzirdi, gan iespēju, ka otrs cilvēks ieies jūsu darba zonā.
- Nerīkojieties ar šo ražojumu, kad esat noguris, slims vai esot alkohola, narkotiku vai zāļu ietekmē.
- Visada tvirtai stovēkite ir īslaikīkite pusiausvyrā. Nepersitempkite. Stiepšanās var radīt līdzsvara zudumu un var novest pie nopietnas traumas.
- Turiet visas ķermeņa daļas tālu no visām kustīgajām detaļām.
- Pirms ieslēdzat ierīci, pārlicinieties, vai zāgēšanas asmeņi ne ar ko nesaskarsies.
- Lietojot dzīvzoga trimmeri to jātur stingri ar abām rokām aiz abiem rokturiem, un jāpārlicinās par darba vietas drošību. Ražotājs neiesaka lietot iekārtu uz pakāpieniem vai trepēm. Ja griešana nepieciešama augstākā vietā, lietojiet pagarināšanu papildrīku.
- Asmeņi ir asi. Uzstādot asmeni, izmantojiet neslidošus tam paredzētus aizsargcimdus. Neievietojiet roku vai pirkstus starp asmeņiem vai jebkurā citā vietā, kur tos var saspīest vai nogriezt. Nekādā gadījumā nepieskarieties asmenim un neveiciet ierīces apkopi, ja vien nav izņemta bateriju pakete.
- Izslēdziet un noņemiet akumulatora bloku. Pārlicinieties, ka visas kustīgās daļas ir pilnīgi apstājušās:

- pirms atstāt izstrādājumu bez uzraudzības
- pirms tīrīšanas vai šķēršļu izcīršanas
- pirms griešanas pielāgojuma darba stāvokļa regulēšanas
- pirms ierīces pārbaudīšanas, apkopes vai darbināšanas
- Nevirziet izstrādājumu ar spēku caur bieziem krūmiem. Tas var izraisīt asmeņu darbības palēnināšanos un iesprūšanu. Ja asmeņu kustības ātrums samazinās, palēniniet gaitu.
- Nemēģiniet apgriezt stublājus vai zarus, kuru biezums pārsniedz 17 mm, jo tie acīmredzami ir pārāk lieli griežjasmaņiem. Izmantojiet neelektrisko rokas zāģi vai dārznieka zāģīti, lai apgrieztu lielus stublājus.
- Neizmantojiet produktu ar bojātiem vai pārmērīgi nodilušiem asmeņiem.
- Neļaujiet biežas instrumentu lietošanas radītam pieradumam ļaut palikt nevērigam un neievērot instrumentu drošības principus. Neuzmanīga rīcība var radīt smagas traumas tikai dažu sekunžu laikā.
- Lai nodrošinātu vislabākos rezultātus, akumulatora instruments jāuzklādē vietā, kur temperatūra ir virs 10 °C un zem 38 °C. Lai mazinātu nopietnu traumu risku, nēglabājiet ārā vai transportlīdzekļos.

EN
FR
DE
ES
IT
NL
PT
DA
SV
FI
NO
RU
PL
CS
HU
RO
LV
ET
HR
SL
SK
BG
UK
TR



BRĪDINĀJUMS!

Ja ierīce tiek nomesta, tā ir saskārusies ar smagu triecienu vai tā sāk nevaldāmi vibrēt, nekavējoties izslēdziet ierīci un centieties atrast bojājumu vai arī cēloni šādai vibrācijai. Jebkāda tehniska apkope ir jāveic tikai autorizētos tehniskās apkopes centros.

Noņemiet akumulatora bloku pirms veikt jebkādas darbus ar pūtēju.

Neizmetiet izlietotos akumulatorus sadzīves atkritumos un nededziniet tos. ECHO izplatītāji piedāvā nolietoto akumulatoru savākšanu, lai aizsargātu mūsu vidi.

Nēglabājiet akumulatoru bloku kopā ar metāliskiem priekšmetiem (īssavienojuma risks).

Akumulatoru bloku uzlādēšanai izmantojiet tikai ECBC-58VEU/ECBC-58VUK lādētāju.

Neizmantojiet akumulatoru blokus citām sistēmām.

Savietojami akumulatoru komplekti: ECBP-58V20, ECBP-58V40

Ekstrēmu slodžu vai ekstrēmu temperatūru gadījumā no akumulatoru blokiem var notikt akumulatoru skābes noplūde. Nonākot saskarsmē ar akumulatoru skābi, nekavējoties to nomazgājiet ar ziepēm un ūdeni. Skābei iekļūstot acīs, rūpīgi, vismaz 10 minūtes skalojiet ar ūdeni un nekavējoties griezieties pēc medicīniskas palīdzības.



PAPILDU AKUMULATORU BLOKA DROŠĪBAS BRĪDINĀJUMI



BRĪDINĀJUMS!

Lai novērstu īssavienojuma izraisītu aizdegšanās, savainojumu vai produkta bojājuma risku, neiegremdējiet instrumentu, maināmo akumulatoru vai uzlādes ierīci šķidrums un rūpējieties par to, lai ierīcēs un akumulatoros neiekļūtu šķidrums. Koroziju izraisoši vai vadītspējīgi šķidrums, piemēram, sālsūdens, noteiktas ķīmikālijas, balinātāji vai produkti, kas satur balinātājus, var izraisīt īssavienojumu.

OBJEKTĪVIE RISKI

Pat ka prece ir lietotā kā noteikts, nav iespējams pilnībā novērst noteiktus riska faktorus. Lietošanas laikā var rasties šādas bīstamas situācijas, un lietotājam ir jāpievērš pastiprināta uzmanība, lai tās novērstu:

- savainojumi no saskares ar asmeņiem
 - Zāgēšanas laikā, asmeņi nevar tikt nosegti ar aizsargiem. Turiet asmeni prom no jums un no citiem. Nodrošiniet, ka izstrādājuma asmens aizsargi ir uzstādīti, arī kad izstrādājums netiek lietots.
- Vibrācijas radīts ievainojums.
 - Vienmēr izmantojiet pareizos rīkus tiem paredzētajam darba, izmantojiet norādītos rokturus un ierobežojiet laiku, cik ilgi izmantojat ierīci.
- Pakļaušanas troksnis var radīt dzirdes bojājumus.
 - Valkājiet ausu aizsargu un ierobežojiet saskarsmi.

RISKA SAMAZINĀŠANA

Ir ticis ziņots, ka vibrācijas no rokas instrumentiem atsevišķos cilvēkos var veicināt kaiti, ko sauc par Reino sindromu. Simptomi var ietvert pirkstu tīkšķēšanu, nejutīgumu un nobālēšanu, parasti aukstā laikā. Tiek uzskatīts, ka tradicionālie faktori, aukstums un mitrums, uzturs, smēķēšana un darba prakse sekmē šo simptomu attīstību. Operators var veikt pasākumus, lai iespējami samazinātu vibrācijas efektu:

- Aukstā laikā ķermenim jābūt siltam. Kad darbināt precīz valkājiet cimdus, lai rokas un plaukstu locītavas būtu siltas. Ir pētījumi, ka auksts laiks ir galvenais faktors, kas veicina Reino sindromu.
- Ik pēc laika apturiet darbu un veiciet vingrinājumus, kas uzlabo asins cirkulāciju.
- Strādājot jābūt biežiem pārtraukumiem. Ierobežojiet iedarbības ilgumu dienā.

Ja jūs izjūtat kādu no šiem simptomiem, nekavējoties apturiet ierīces lietošanu un sazinieties ar ārstu par šiem simptomiem.



BRĪDINĀJUMS!

Ilgstoša preces lietošana var radīt ievainojumus vai pasliktināt jau esošos. Ilgstoši lietojot jebkuru instrumentu, pārliecinieties, ka tiek veikti regulāri pārtraukumi.

PAREDZĒTAIS LIETOJUMS

Akumulatora krūmu šķēres ir paredzētas lietošanai tikai ārpus telpām. Drošības nolūkos, trimmeri jāizmanto, to atbilstoši vadot ar abām rokām.

Šī ierīce ir paredzēta lietošanai mājās apstākļos. Tas ir paredzēts dzīvzogu, krūmu un tamlidzīgas veģetācijas griešanai un apcirpšanai.

To ieteicams lietot sausos, labi apgaismotos apstākļos.

Tas NAV paredzēts zāles, koku un zaru griešanai. To nav ieteicams lietot jebkādiem citiem nolūkiem, izņemot dzīvzogu griešanu.

Neizmantojiet produktu jebkādam nolūkam, kas nav uzskaitīts sadaļā Paredzētais pielietojums.

PAZĪSTIET SAVU IERĪCI

Skatiet 6.-7. lpp.

1. Lietotāja klātbūtnes slēdzis
2. Akumulatora stiprinājuma poga
3. Akumulators
4. Droseļvārsta mēlītes aizslēgs
5. Aizmugurējais rokturis
6. Slēdzis
7. Lādētājs
8. Asmens vāks
9. Asmens
10. Vairogs
11. Priekšējais rokturis

TRANSPORTĒŠANA UN UZGLABĀŠANA

- Apturiet ierīci, izņemiet bateriju un ļaujiet abiem atdzist pirms uzglabāšanas vai transportēšanas.
- Nofriēt visus svešķermeņus no izstrādājuma. Uzglabājiet to vēsā, sausā un labi vēdinātā vietā, kurai nevar piekļūt bērni. Papildu drošībai, glabājiet bateriju atsevišķi no žoga trimera. Neglabājiet to vietā, kur tuvumā atrodas korozīvas vielas, piemēram dārza darbos izmantojamas ķīmikālijas vai atsaldēšanai domāta sāls. Neuzglabājiet ārpus telpām.
- Nosedziet asmeni ar asmens aizsargu pirms ierīces glabāšanas vai tās transportēšanas laikā.
- Transportējot nostipriniet ierīci, lai tā nekustētos un neapgāztos, jo tas var izraisīt miesas bojājumus un ierīces bojājumus.

APKOPE



BRĪDINĀJUMS!

Izmantojiet tikai ECHO papildaprīkojumu un ECHO rezerves daļas. Pretējā gadījumā var tikt radīti ievainojumi un parādīts slikts sniegums, kā arī var tikt anulēta garantija. Ja nepieciešams nomainīt daļas, kuras nav aprakstītas, lūdzu, sazinieties ar vienu no mūsu ECHO servisu pārstāvjiem.



BRĪDINĀJUMS!

Apkopes veikšanai ir nepieciešama piesardzība un pieredze, un to drīkst veikt tikai kvalificēts tehniķis. Lai veiktu remontu, nogādājiet ierīci pilnvarotā servisa centrā. Veicot apkopi, lietojiet tikai oriģinālās ražotāja rezerves daļas.



BRĪDINĀJUMS!

Cērtošie asmeņi ir ļoti asi. Lai novērstu ievainojumus, ievērojiet īpašu piesardzību tīrot, ieeļļojot, un pieliekot vai noņemot asmeņu aizsargu. Izslēdziet un noņemiet akumulatoru bloku, pirms veikt jebkādas apkopes vai tīrīšanas darbus.

- Pirms regulēšanas, apkopes vai tīrīšanas izņemiet bateriju.
- Jūs varat veikt tikai šajā rokasgrāmatā aprakstīto regulēšanu un remontdarbus. Lai veiktu citus remontdarbus, sazinieties ar pilnvarotu servisa darbinieku.
- Pēc katras lietošanas reizes, notīriet ierīci un tās rokturus ar mikstu, sausu audumu.
- Pēc katras lietošanas reizes, notīriet iežus no asmeņiem ar stingru otīņu, un uzmanīgi uzklājiet pretrūsu aizsargājošu eļļu, pirms pieliekat asmeņu aizsargus. Ražotājs iesaka vienmērīgi uzklāt un lietot pretrūsu aizsargājošu un ieeļļojošu aerosolu, lai samazinātu risku savainoties darbojoties ap asmeņiem. Konsultējieties ar vietējo autorizēto pārstāvi, lai iegūtu informāciju par piemērotiem līdzekļiem.
- Pirms lietošanas ieteicams nedaudz ieeļļot asmeņus, ja nepieciešams, izmantojot iepriekšminēto metodi.
- Regulāri pārbaudiet visus uzgriežņus, stiprinājumus un skrūves, lai pārliecinātos, ka tās ir cieši pievilktas un izstrādājums ir drošā darba stāvoklī. Jebkura bojāta detaļa jānodod remontam vai nomaīņai pilnvarotā apkopes centrā.

AKUMULATORI

- Akumulatoru blokus, kuri kādu laiku nav bijuši lietošanā, pirms lietošanas nepieciešams uzlādēt.
- Temperatūras, kas pārsniedz 50°C (122°F) samazina akumulatoru bloka veiktspēju. Izvairieties no ilgstošas

pakļaušanas karstumam vai tiešiem saules stariem (pārkaršanas risks).

- Akumulatoru bloku un lādētāju kontakti ir jāuztur tīri.
- Optimālam darba mūžam akumulatoru bloku pēc lietošanas pilnībā jāuzlādē.
- Lai iegūtu garāko iespējamo akumulatora darba mūžu, izņemiet akumulatoru bloku no lādētāja, kad tas ir līdz galam uzlādēts.

Ja akumulators tiek glabāts ilgāk par 30 dienām:

- Glabājiet akumulatoru vietās, kur temperatūra ir zem 27°C un nav mitruma.
- Glabājiet akumulatorus ar 30%-50% uzlādes līmeni.
- Ik pēc sešiem glabāšanas mēnešiem uzlādējiet akumulatoru normālā režīmā.
- Ievērojiet visas lādēšanas instrukcijas un nelādējiet akumulatoru bloku vai instrumentu, ja temperatūra ir ārpus diapazona, kas norādīts instrukcijās. Nepareiza lādēšana vai lādēšana temperatūrā, kas ir ārpus norādītā diapazona, var izraisīt akumulatora bojājumus un palielināt uzliesmošanas risku.

LITĪJA BATERIJU TRANSPORTĒŠANA

Litija jonu baterija ir pakļauta bīstamo preču likumdošanai.

Šo akumulatoru pārvadāšana ir jāveic saskaņā ar vietējo, valsts un starptautisko likumdošanu un normatīvajiem aktiem.

- Lietotājs var transportēt baterijas pa ceļu bez turpmākām prasībām.
- Uz Litija jonu akumulatoru trešo pušu veiktiem komercpārvadājumiem tiek attiecināti Bīstamo kravu pārvadājumu noteikumi. Transporta sagatavošanu un transportēšanu veic attiecīgi apmācītas personas un procesus jāpārtrauga ekspertiem.

Pārvadājot akumulatorus:

- Nodrošiniet, ka baterijas saskarsē termināļi ir aizsargāti un izolēti, lai novērstu īssavienojumus.
- Nodrošiniet, ka akumulatora bloks iepakojumā ir nekustīgi nostiprināts.
- Netransportējiet iekļautas baterijas vai baterijas, kurām ir noplūde.

Lūdziet padomu kravu pārvadāšanas uzņēmumam.

APZĪMĒJUMI



Drošības brīdinājums



Pirms preces darbināšanas izlasiet un izprotiet visus norādījumus, ievērojiet visus brīdinājumus un drošības norādījumus.



Lietojiet dzirdes aizsargus.



Valkājiet acu aizsargaprīkojumu.



Vienmēr, strādājot ar dzīvzoga trimmeri, turiet to ar abām rokām.



Lai novērstu smagu traumu iegūšanu, nepieskarieties zāga asmeņiem.



Nēsājiet neslidošus, smagam darbam piemērotus aizsargcimdus.



Nepakļaujiet lietum vai mitriem apstākļiem.



Sargieties no izmestiem vai lidojošiem priekšmetiem. Rūpējieties, lai visi tuvumā stāvošie, īpaši bērni un dzīvnieki atrastos vismaz 15 m attālumā no darba zonas



Ukrainas apstiprinājuma zīme



EurAsian atbilstības marķējums



Izlietotie elektroprodukti nedrīkst tikt izmesti kopā ar mājāsaimniecības atkritumiem. Lūdzu, nododiet tos attiecīgajās atk ār tolas izmantošanas vietās. Sazinieties ar savu vietējo varas pārstāvi vai izplatītāju, lai noskaidrotu, kur iespējama atkārtota pārstrāde.



Darbarīks atbilst visām normām ES valstī, kurā tas ir iegādāts.



Uz šīs etiķetes norādītais garantētā skaņas spiediena jauda ir 93 dB.

Lai izskaidrotu risku, kas saistīti ar izstrādājumu, līmeni, paredzēti šādi norādījuma vārdi un jēdzieni.

⚠ BĪSTAMI

Norāda draudošo bīstamo situāciju, kas, ja no tās neizvairās, var novest pie nāves vai nopietnas traumas.

⚠ BRĪDINĀJUMS

Norāda potenciālo bīstamo situāciju, kas, ja no tās neizvairās, var novest pie nāves vai nopietnas traumas.

⚠ UZMANĪBU

Norāda potenciālo bīstamo situāciju, kas, ja no tās neizvairās, var novest pie nelielas vai vidējas traumas.

UZMANĪBU

Bez drošības brīdinājuma apzīmējuma Norāda uz situāciju, kas var radīt īpašuma bojājumus.

**TECHNINIAI DUOMENYS****GYVATVORĖS APKARPOMO MAŠINĖLĖ****ECHT-58V**EN
FR
DE
ES
IT
NL
PT
DA
SV
FI
NO
RU
PL
CS
HU
RO
LV
LT
ET
HR
SL
SK
BG
UK
TR

Serijinis numeris	94501401000001 - 94501401999999
Greitis be apkrovimo	3400 min ⁻¹
Geležties ilgis	610 mm
Pjovimo ilgis	563 mm
Akumuliatoriaus įtampa	51,1V, 58V MAX
Svoris (su 2,0 Ah akumulatoriumi)	5,5 kg
Svoris (su 4,0 Ah akumulatoriumi)	6,1 kg
Svoris (be akumuliatorinės baterijos)	4,3 kg

Informacija apie keliamą triukšmą / vibraciją (pagal EN 60745-1, EN 60745-2-15)

Išmatuoti tiegi garso lygiai A:

Garso slėgio lygis	$L_{pA} = 79,0 \text{ dB(A)}$
Nepastovumas	$K = 3,0 \text{ dB}$
Akustinio galingumo lygis	$L_{WA} = 90,0 \text{ dB(A)}$
Nepastovumas	$K = 2,3 \text{ dB}$

Visada dėvėkite ausų apsaugos priemones!**Vibracijos bendroji vertė** (trijų ašių vektorių suma), nustatyta atsižvelgiant į EN 60745-1, EN 60745-2-15.

Vibracijos emisijos vertė (ah)

Galinė rankena	$ah = 3,4 \text{ m/s}^2$
Priekinė rankena	$ah = 2,6 \text{ m/s}^2$
Nepastovumas	$K = 1,5 \text{ m/s}$

SPM (taktai per minutę) – tai taktų skaičius, kuriuos švaistiklis atlieka per vieną minutę.*AKUMULIATORIUS IR ĮKROVIKLIS****ECHT-58V**

Suderinami baterijos paketai	ECBP-58V20 / ECBP-58V40
Suderinamas įkroviklis	ECBC-58VEU and ECBC-58VUK

**ĮSPĖJIMAS!**

Šiame informaciniame lapelyje nurodyta keliamoji vibracija nustatyta atsižvelgiant į standartinį bandymo metodą, todėl ją galima palyginti su kitų elektrinių įrankių keliamoji vibracija. Nurodyta keliamoji vibracija taip pat gali būti naudojama preliminariam vibracijos poveikiui įvertinti.

Nurodytoji vibracija kyla naudojant įrankį pagrindiniams numatytiems darbams. Tačiau, jei šiuo įrankiu atliekami kiti darbai, naudojant kitus priedus arba prastai prižiūrimus priedus, vibracijos emisija gali skirtis. Dėl to gali žymiai padidėti vibracijos poveikis per visą darbo laiką.

Vertinant vibracijos poveikio lygį per tam tikrą darbo laikotarpį, reikia atsižvelgti ne tik į laiką, kai įrankis veikia, bet ir į tą laiką, kai įrankis yra išjungtas ir į laiką, kai jis veikia parengties režimu. Dėl to gali žymiai sumažėti vibracijos poveikis per visą darbo laiką.

Imkitės papildomų saugos priemonių, kad apsaugotumėte nuo vibracijos poveikio, pavyzdžiui: techniškai prižiūrėkite įrankį ir jo priedus, laikykite rankas šiltai, planuokite darbą.





ĮSPĖJIMAS!

Perskaitykite visus saugos įspėjimus ir visą instrukciją. Įspėjimų ir instrukcijų nesilaikymas gali sukelti elektros smūgį, gaisrą ir (ar) rimtus sužeidimus.

Saugokite šiuos įspėjimus ir nurodymus, kad galėtumėte vadovautis jais vėliau.

Įspėjimuose nurodytas terminas „elektrinis įrankis“ reiškia elektrinio įrankio naudojimą, jį prijungus prie maitinimo tinklo (laidu) arba maitinimo baterijos (belaidis).

BENDRIEJI SAUGOS ĮSPĖJIMAI

DARBO APLINKA

- Darbo vieta turi būti švari ir gerai apšviesta. Nelaimingi atsitikimai įvyksta netvarkingose ar tamsiose vietose.
- Nenaudokite elektrinių įrankių, jei šalia yra degios ir sprogti galinčios medžiagos (skysčiai, dujos ar dulkės). Elektriniai įrankiai kibirkščiuoja ir gali uždegti dulkes arba garus.
- Neleiskite vaikams ir šalia esantiems asmenims būti šalia įjungto elektrinio įrankio. Išsiblaškę galite prarasti kontrolę.

ELEKTROS SAUGA

- Elektrinio įrankio kištukai turi atitikti kištukinį lizdą. Niekada nekeiskite kištuko. Su įžemintais (įžeminimo) elektriniais įrankiais niekada nenaudokite kištukų adapterių. Nepakeisti kištukai ir atitinkantys lizdai sumažina elektros smūgio pavojų.
- Stenkitės nesiliesti prie įžemintų ar įžeminimo paviršių (vamzdžių, radiatorių, grandinių / viryklių, šaldytuvų). Įžeminus savo kūną, padidės elektros smūgio pavojus.
- Gaminio negalima naudoti ar laikyti lietuje ar drėgmėje. Dėl vandens, patekusio į elektrinį įrankį, padidėja elektros smūgio pavojus.
- Laidą naudokite pagal jo paskirtį. Niekada jo nenaudokite elektriniams įrankiams pernešti, tempti ar išjungti. Saugokite maitinimo laidą nuo karščio, tepalų, aštrių kampų ir judančių detalių. Pažeisti ar supainioti laidai padidina elektros smūgio galimybę.
- Dirbdami su elektriniu įrankiu lauke, naudokite tik lauke naudoti skirtus ilginamuosius laidus. Naudojant tinkamą laukui laidą sumažinama elektros smūgio tikimybė.
- Jei būtina naudotis elektriniu įrankiu drėgnomis oro sąlygomis, naudokite likutinės srovės prietaisą (RCD). Naudojant RCD sumažinama elektros smūgio tikimybė.

ASMENINĖ SAUGA

- Būkite budrūs ir stebėkite, ką darote, bei sąmoningai naudokite elektrinį įrankį. Nesinaudokite įrankiu, kai esate pavargę ar paveikti narkotinių medžiagų, alkoholio ar vaistų. Neatidumas darbo su elektriniu įrankiu metu gali sukelti sunkius sužeidimus.
- Naudokite asmeninės apsaugos įrangą. Visada dėvėkite akių apsaugos priemones. Atitinkamomis sąlygomis naudojamos apsaugos priemonės, pvz. dulkių kaukė, neslystantys apsauginiai batai, šalmas ar apsaugos ausims, sumažina asmeninių sužeidimų pavojų.
- Saugokitės, kad įrankis netyčia neįsijungtų. Įsitinkinkite, kad prieš prijungiant įrankį prie maitinimo šaltinio ir (ar) baterijos, pakeliant ar nešant įrankį, jungiklis yra išjungtas. Nešant elektrinį įrankį, uždėjęs pirštą ant jungiklio, arba elektrinį įrankį, kurio jungiklis yra įjungtoje padėtyje, gali įvykti nelaimingas atsitikimas.
- Prieš įjungiant elektrinį įrankį, išimkite derinimo raktą ar veržliaraktį. Jei juos paliksite pridėtus prie besisukančios įrankio dalies, galite susižaloti.
- Nepersitempkite. Visada tvirtai stovėkite ir išlaikykite pusiausvyrą. Tai padės geriau kontroliuoti įrankį netikėtų situacijų metu.
- Dėvėkite tik darbui tinkamus drabužius. Nedėvėkite laisvų, neprigludusių drabužių ir juvelyrinių dirbinių. Saugokite plaukus, drabužius ir pirštines toliau nuo judančių dalių. Laisvi drabužiai, papuošalai ar ilgi plaukai gali įsipainioti į judančias įrankio dalis.
- Jei įrengti dulkių ištraukimo ir surinkimo įrengimai, įsitinkinkite, kad jie prijungti ir naudojami tinkamai. Su dulkelėmis susijusiam pavojui sumažinti naudokite dulkių surinkimą.
- Nepasitikėkite vien savo patirtimi, įgyta dažnai naudojantis įrankiais,– neignoruokite įrankio naudojimo saugos taisyklių. Nerūpestingai elgiantis, galima susižeisti per sekundes dalį.

ELEKTRINIO ĮRANKIO NAUDOJIMAS IR PRIEŽIŪRA

- Nenaudokite per didelės jėgos. Pritaikykite tinkamą elektrinį įrankį atliekamam darbui. Naudodami pagal paskirtį pagamintą tinkamą elektrinį įrankį, darba atliksite geriau ir saugiau.
- Nenaudokite elektrinio įrankio, jei jungiklio negalite įjungti ir išjungti. Jungikliu nevaldomas elektrinis įrankis yra pavojingas ir jį reikia taisyti.
- Prieš sureguliuojant įrankį, keičiant atsargines dalis ar sandėliavimą atjunkite laidą nuo maitinimo šaltinio ir (ar) akumuliatoriaus. Tokios saugumo priemonės apsaugos nuo atsitiktinio įrankio įsijungimo.
- Laikykite elektrinį įrankį vaikams neprieinamoje vietoje ir neleiskite juo naudotis asmenims, kurie nemoka juo naudotis. Neįgudusiems asmenims elektriniai įrankiai yra pavojingi.



- **Pržiūrėkite elektrinius įrankius.** Patikrinkite judančių detalių nesutapimus, sukibimą, ar sumontuotos detalės nesulūžusios bei kitą būklę, kuri gali turėti neigiamos įtakos įrankio veikimui. Jei įrankis sugedęs, prieš naudojimą jį reikia suremontuoti. Nemažai nelaimingų atsitikimų įvyksta dėl netinkamai prižiūrimų elektrinių įrankių.
- **Pjovimo įrankius reikia pastoviai galėsti ir valyti.** Tinkamai prižiūrėti aštriais ašmenimis pjovimo įrankiai mažiau stringa ir juos lengviau valdyti.
- **Naudokite elektrinius įrankius, atsargines detales, grąžtus ir t. t., pagal šias instrukcijas ir atsižvelgdami į darbo sąlygas bei turimą atlikti darbą.** Naudokite elektrinį įrankį tik pagal tiesioginę paskirtį, kitaip sukelsite pavojingą situaciją.
- **Rankenos ir suėmimo paviršiai turi būti sausi, švarūs ir nesutepti alyva ar tepalais.** Jeigu rankenos ar suėmimo paviršiai slidūs, krūmapjovę naudoti ir valdyti nesaugu netikėtomis situacijomis.

ĮRANKIO SU AKUMULIATORIUMI NAUDOJIMAS IR PRIEŽIŪRA

- **Pakartotinai kraukite prietaisą tik naudodami gamintojo nurodytą kroviklį.** Vieno tipo akumuliatoriui tinkantis įkroviklis gali kelti gaisro pavojų kitokiam akumuliatoriui.
- **Elektrinius įrankius naudokite tik su jiems skirtais baterijų paketais.** Naudojant kitokius akumulatorius, galima susižeisti ar sukelti gaisrą.
- **Kai akumuliatorius nenaudojamas, jį laikykite toliau nuo kitų metalinių daiktų, pavyzdžiui, sąvaržėlių, monetų, raktų, vinių, varžtų ar kitų mažų metalinių daiktų, kurie vieną gnybtą gali sujungti su kitu.** Sutrupinus vieną akumuliatoriaus gnybtą su kitu, galima nusideginti arba sukelti gaisrą.
- **Netinkamomis sąlygomis iš akumuliatoriaus gali ištėkėti skystis - nelieskite jo.** Jei atsitiktinai prisilietėte - nuplaukite vandeniu. Jei skysčio pateko į akis, papildomai kreipkitės į gydytoją. Iš akumuliatoriaus ištėkęs skystis gali nudeginti ar sukelti sudirginimus.
- **Nenaudokite akumuliatorių bloko ar įrankio, kuris yra sugadintas arba pakeistas.** Sugadinti arba pakeisti akumuliatoriai gali veikti neprognozuojamai ir dėl to gali kilti gaisras, sprongimas arba pavojus susižaloti.
- **Neleiskite, kad akumuliatorių blokas patektų į ugnį arba kad jį veiktų per didelė temperatūra.** Patekus į ugnį arba veikiant aukštesnei kaip 130 °C temperatūrai gali kilti sprongimas.
- **Laikykitės visų įkrovimo instrukcijų ir neįkraukite akumuliatorių bloko ar įrankio jei temperatūra yra už instrukcijose nurodyto diapazono ribų.** Netinkamai įkraunant arba jei temperatūra yra už nurodyto diapazono ribų gali būti sugadinti akumuliatoriai ir padidėti gaisro pavojus.

TECHNINIS APTARNAVIMAS

- **Elektrinį įrankį turi remontuoti tik kvalifikuoti darbuotojai, kurie naudoja identiškas atsargines dalis.** Tai užtikrina elektrinio įrankio saugumą.
- **Niekada neremontuokite pažeistų akumuliatorių.** Akumuliatoriaus remontuoti gali tik jo gamintojai arba įgaliotieji techninės priežiūros paslaugų teikėjai.

KRŪMAPJOVĖS SAUGOS PERSPĖJIMAI

- **Laikykitės toliau nuo pjoviklio ašmenų. Kai geležtės juda, pjaunamos medienos ar tos medienos, kurią laikote ir ketinate pjauti, nebandykite pašalinti. Prieš šalinami įstrigusias medžiagas patikrinkite, ar jungiklis yra įjungtas.** Naudojant krūmapjovę, dėl menkiausio neatidumo, galima sunkiai susižeisti.
- **Neškite gyvatvorės apkarpymo mašinėlę už rankenos ir įjungta geležte. Įrankio transportavimo ar saugojimo metu visada uždėkite apsauginį dangtį.** Tinkama gyvatvorės apkarpyimo mašinėlės priežiūra sumažina sužeidimų nuo pjovimo geležtės pavojų.
- **Elektrinį įrankį laikykite tik už izoliuotų laikymo paviršių, nes pjovimo geležtė gali susiliesti su paslėptais laidais ar savo paties laidu.** Pjovimo geležtės, prisilietę prie laido, prijungto prie maitinimo šaltinio, gali aktyvuoti metalines elektrinio įrankio detales ir sukelti operatoriui elektros smūgį.

PAPILDOMI SAUGOS ĮSPĖJIMAI

- Kai kuriuose regionuose šio gaminio naudojimą tam tikriems darbams apriboja galiojantys įstatymai. Kreipkitės patarimo į vietos įstaigą. Perskaitykite visas instrukcijas
- Prieš pradėdami darbą sutvarkykite darbo vietą. Pašalinkite visus objektus, kaip laidai, apšvietimai, vielos ar virvės, kurie gali atsitrenkti į pjovimo įtaisus ar juose įspainioti.
- Reikia patikrinti, ar gyvatvorėje nėra pašalinių objektų, pavyzdžiui, vielinių aptvėrimų.
- Būkite itin atsargus, kai naudojate prietaisą šalia tvorų, stulpų, pastatų ar kitų nejudančių objektų.
- Saugokitės ištiškusių objektų: visi pašaliniai asmenys, vaikai ir naminiai gyvūnai turi būti ne mažiau, kaip 15 m atstumu nuo darbo srities.
- Neleiskite vaikams ar neapmokytiems asmenims naudotis šiuo prietaisu.
- Dirbkite gerai apšviestoje aplinkoje. Kad pastebėtų galimus pavojus, prietaisu dirbančiam asmeniui turi būti sudarytos gero matomumo sąlygos.
- Prieš pradėdami naudotis įrankiu visada išitikinkite, kad visos rankenos ir apsaugos yra tinkamai pritvirtintos. Niekada nebandykite naudoti nesurinkto gaminio arba atlikę neleistinus pakeitimus.





- Prieš kiekvieną naudojimą patikrinkite, ar tinkamai veikia visi valdikliai ir saugos įtaisai. Nenaudokite krūmapjovės, jeigu išjungimo jungiklio nepavyksta sustabdyti variklio.
- Prieš kiekvieną naudojimą apžiūrėkite krūmapjovę. Patikrinkite, ar nėra atsipalaidavusių tvirtinamųjų elementų. Patikrinkite, ar visos apsaugos, rankenos tinkamai ir patikimai pritvirtintos. Prieš naudodami prietaisą pakeiskite visas pažeistas dalis. Patikrinkite, ar nėra ištekėjimo iš akumulatoriaus.
- Draudžiama kaip nors modifikuoti gaminį.
- Naudodami šį įrenginį, dėvėkite pilną akių ir klausos apsaugą. Dirbant zonoje, kurioje gali kristi objektai, būtina dėvėti galvos apsaugos priemones.
- Dėvėkite sunkias ilgus kelnes, batus ir pirštines. Nedėvėkite dukšlių drabužių, trumpų kelnų, papuošalų ir atviros avalynės.
- Ilgus plaukus reikia susėgti virš pečių lygio, kad neįsispainiotų į judančias dalis.
- Klausos apsaugos priemonių naudojimas sumažina išpėjamųjų garsų (ryksmų arba pavojaus signalų) girdėjimo galimybę. Operatorius turi atkreipti ypatingą dėmesį, kas vyksta darbo vietoje.
- Netoliese naudojant panašius prietaisus padidėja pavojus pakenkti klausą ir galimybė kitiems asmenims patekti į darbo zoną.
- Nesinaudokite šiuo prietaisu, kai esate pavargę, sergate, ar esate pavartoję alkoholio, narkotikų ar vaistų.
- Visada tvirtai stovėkite ir išlaikykite pusiausvyrą. Nepersitempkite. Per plačiai užsimo0jus, galima netekti pusiausvyros ir sunkiai susižeisti.
- Stovėkite toliau nuo visų judančių įrankio detalių.
- Prieš paleisdami krūmapjovę, patikrinkite, ar pjovimo geležtės į nieką neatsitrenks.
- Naudodami krūmapjovę būtina ją tvirtai laikyti abiem rankomis už dviejų rankenų ir pasirūpinkite, kad darbo padėtis būtų saugi ir patikima. Gamintojas nepataria pasilypti ant laiptelių ar kopėčių. Jeigu reikia pjauti aukščiau, naudokite pailgintą įrankį.
- Geležtės aštrios. Lieskite geležtes tik dėvėdami neslidžias, tvirtas apsaugines pirštines. Nedėkite plaštakos ar pirštų tarp geležčių ar ten, kur jie gali būti sugnybti ar įpjauti. Ašmenis ar žirkles galima liesti tik kai baterijų paketas yra išimtas.
- Išjunkite gaminį ir išimkite akumuliatorių: Patikrinkite, ar visos judančio dalys visiškai nustojo sukintis:
 - Prieš palikdami įrenginį be priežiūros
 - prieš valant ar išimant susidariusį kamštį
 - prieš keisdami pjovimo įtaisų darbo padėtį;
 - prieš tikrinant, prižiūrint ar naudojant krūmapjovę
- Nestumkite gaminio jėga, norėdami nupjauti tankius krūmus. Dėl geležtės gali užsikirsti ir pradėti lėčiau

dirbti. Geležtėms sulėtėjus sumažinkite darbo tempą.

- Nepjaukite stiebų ar šakų, storesnių nei 17 mm, ar kitų, akivaizdžiai per didelių, kad tilptų tarp geležčių. Norėdami nupjauti storesnius stiebus ir šakas, naudokite rankinį arba genėjimo pjūklą.
- Nenaudokite šio įrenginio, jei jo peiliai yra apgadinti arba pernelyg nusidėvėję.
- Nepasitikėkite vien savo patirtimi, įgyta dažnai naudojantis įrankiais,– neignorruokite įrankio naudojimo saugos taisyklių. Nerūpestingai elgiantis, galima susižeisti per sekundės dalį.
- Siekiami geriausių rezultatų, akumuliatorinį prietaisą kraukite tokioje aplinkoje, kurios temperatūra yra didesnė nei 10 °C, bet mažesnė nei 38 °C. Siekiant sumažinti sužeidimų pavojų, prietaiso nelaikykite lauke ir transporto priemonėse.



ĮSPĖJIMAS!

Numetus krūmapjovę, jai stipriai susitrenkus ar pradėjus neįprastai vibruoti, ją reikia nedelsiant sustabdyti ir patikrinti, ar nepakenkta arba nustatyti vibravimo priežastį. Pakenktos dalys turi būti tinkamai sutaisytos arba pakeistos įgijotame techninio aptarnavimo centre.

Prieš pradėdami bet kokius darbus gaminyje išimkite akumuliatorių bloką.

Nemeskite panaudotų baterijų bloką kartu su buitinėmis atliekomis ir nedeginkite jų. ECHO platintojai siūlo sugrąžinti senus akumuliatorius perdirbimui, kad būtų saugoma gamta.

Nelaikykite akumulatoriaus kartu su metaliniais daiktais (dėl galimo trumpojo jungimo pavojaus).

Akumuliatorius kraukite tik krovikliu ECBC-58VEU/ECBC-58VUK.

Nenaudokite akumuliatorių iš kitų sistemų.

Suderinami baterijos paketai: ECBP-58V20, ECBP-58V40

Esant ekstremaliai apkrovai ar ekstremaliai temperatūrai, iš pažeisto akumulatoriaus gali pradėti tekėti rūgštis. Jei akumulatoriaus rūgštis patektų ant odos, tuoj pat nuplaukite vandeniu ir muilu. Jei patektų į akis, kruopščiai skalaukite vandeniu mažiausiai 10 minučių ir tuoj pat kreipkitės medicininės pagalbos.



PAPILDOMI AKUMULIATORIAUS SAUGOS ĮSPĖJIMAI



ĮSPĖJIMAS!

Siekdami išvengti trumpojo jungimo sukeliama gaisro pavojaus, sužalojimų arba produkto pažeidimų, neikiškite įrankio, keičiamo akumulatoriaus arba įkroviklio į skysčius ir pasirūpinkite, kad į prietaisus arba akumulatorius nepatektų jokių skysčių. Koroziją sukiantys arba laidūs skysčiai, pvz., sūrus vanduo, tam tikri chemikalai ir balikliai arba produktai, kurių sudėtyje yra baliklių, gali sukelti trumpąjį jungimą.

ŠALUTINIAI PAVOJAI

Net naudojant gaminį pagal nurodymus, neįmanoma visiškai atmesti visų pavojaus veiksnių. Gali kilti toliau nurodyti pavojai, todėl operatorius turi būti itin dėmesingas, kad išvengtų šių dalykų:

- sužeidimai prisilietus prie geležčių
 - Geležčių negalima apsaugoti genint. Laikykite geležtę atokiai nuo savęs ir kitų asmenų. Kai įrenginys nenaudojamas, geležčių apsauginiai dėklai turi būti uždėti.
- Vibracijos sukeltas sužalojimas.
 - Kiekvieną darbą atlikite jam skirtu įrankiu, naudokite atitinkamas rankenas ir ribokite darbo bei buvimo sveikatai žalingoje aplinkoje laiką.
- Klausos pakenkimas dėl buvimo triukšme.
 - Dėvėkite akių apsaugą ir ribokite poveikio trukmę.

RIZIKOS MAŽINIMAS

Turime pranešimų, kad vibracija nuo ranka laikomų įrankių kai kuriems asmenims gali turėti neigiamos įtakos vystantis Raynaud sindromui. Šios ligos požymiai yra pirštų dilgčiojimas, nutirpimas ir pabalimas, paprastai pasireiškiantis nuo šalčio. Šie simptomai vystosi dėl paveldimų veiksnių, nesisaugant nuo šalčio ir drėgmės, dėl mitybos, rūkymo ir darbo praktikos. Operatorius gali imtis šių priemonių, kurios gali sumažinti vibracijos poveikį:

- Apsirenkite kuo šilčiau šaltu oru. Naudojant gaminį, reikia mūvėti pirštines, kad plaštakos ir riešai neatšaltų. Turime pranešimų, kad Raynaud sindromas labiausiai vystosi nuo šalto oro sąlygų.
- po darbo kiekvieną kartą pasportuokite, kad pagerėtų kraujo apytaka;
- dažnai darykite darbo pertraukas. Apribokite darbo laikotarpį per dieną.

Jei jums pasireiškia kokie nors šios būklės simptomai, nedelsdami nutraukite darbą ir kreipkitės į gydytoją.



ĮSPĖJIMAS!

Ilgiau naudojant, įrankis kelia sužeidimų pavojų ir apsunkina darbą. Ilgiau naudojant įrankius, reikia reguliariai daryti pertraukas.

NAUDOJIMO PASKIRTIS

Ši akumuliatorinė krūmapjovė skirta naudoti tik lauke. Darbo šiuo įrenginiu saugą galima užtikrinti tik dirbant abiem rankomis.

Gaminys skirtas namų savininkams arba buitiniams naudojimui. Įrankis skirtas pjauti ir apkarpyti gyvatvores, krūmokšnius ir panašius augalus.

Jį reikia naudoti sausose ir gerai apšviestose vietose.

Jis NESKIRTAS pjauti žolę, medžius ar šakas. Šio įrankio nenaudokite jokiai kitam darbui, tik gyvatvorių apkarpymui.

Nenaudokite šio įrenginio jokiems kitiems tikslams, išskyrus išvardintuosius numatytosios naudojimo paskirties skyriuje.

PAŽINKITE SAVO GRANDININĮ PJŪKLĄ

Žr. 6 – 7 psl.

1. Įtaisą naudojančio asmens buvimo jungiklis
2. Baterijos užšovo mygtukas
3. Baterija
4. Droselinės sklendės paleidiklio užraktas
5. Galinė rankena
6. Akceleratoriaus mygtukas
7. Įkroviklis
8. Geležtės gaubtas
9. Geležtė
10. Apsauginis skydelis
11. Priekinė rankena

GABENIMAS IR LAIKYMAS

- Prieš gaminį padedant į sandėlį ar gabenant, jį reikia sustabdyti, išimti bateriją ir palaukti, kol įtaisiai atvės.
- Nuo įrankio nuvalykite visas pašalines medžiagas. Laikykite vėsioje, sausoje, gerai vėdinamoje ir vaikams nepasiekiamoje vietoje. Kad būtų saugiau, akumuliatorių reikia laikyti padėtą atskirai nuo krūmapjovės. Nelaikykite jo arti nuo tokių koroziją sukeliančių reagentų kaip cheminės sodininkystės medžiagos arba druskos, naudojamos prieš apledėjimą. Nelaikykite lauke.
- Prieš padėdami įrankį saugoti ar jį pervežant, geležtę visada uždenkite apsauginiu gaubtu.
- Paruošiant gabenimui, gaminį reikia pritvirtinti, kad nejudėtų ir nenukrsitų, nes priešingu atveju jis gali sužaloti žmones arba sugesti pats.

PRIEŽIŪRA



ĮSPĖJIMAS!

Naudokite tik ECHO priedus ir ECHO atsargines dalis. Neoriginalios dalys gali būti sužeidimų ir įrenginio blogo veikimo priežastis, ir dėl to gali būti anuliuotas garantinis pažymėjimas. Jei reikėtų pakeisti naudojimo instrukcijoje neaprašytus komponentus, kreipkitės į ECHO techninės priežiūros atstovus.



ĮSPĖJIMAS!

Aptarnavimą atlikti būtina itin atidžiai, todėl rekomenduojame, kad techninę apžiūrą vykdytų kvalifikuotas specialistas. Jei reikia atlikti techninio aptarnavimo darbus, nugabenkite gaminį į įgaliotą techninio aptarnavimo centrą. Atlikdami prietaiso techninę priežiūrą, keitimui naudokite tik originalias, prietaiso gamintojo atsargines dalis.



ĮSPĖJIMAS!

Pjovimo įtaiso geležtės ypatingai aštrios. Kad nesusižeistumėte, būkite ypatingai atsargūs valydami bei tėpdami įtaisą ir uždėdami arba nuimdami geležčių apsauginį įrenginį. Prieš atlikdami bet kokius techninės priežiūros ar valymo darbus, išjunkite įrenginį ir išimkite akumuliatorių paketą.

- Prieš atlikdami grandininio pjūklo reguliavimo, priežiūros ar valymo darbus, išimkite bateriją.
- Gaminį reguliuoti ar taisyti patiems galima tik tiek, kiek aprašyta šiame vadove. Dėl kitų remonto darbų kreipkitės į įgaliotą techninio aptarnavimo centrą.
- Po kiekvieno panaudojimo nuvalykite įtaiso korpusą ir rankenas minkšta sausa servetėle.
- Po kiekvieno panaudojimo nuvalykite sąnašas nuo geležčių standžiu šepetčiu, po to rūpestingai iššepkite nuo rūdijimo apsaugančiu tepalu ir tik tada uždėkite geležčių apsauginį įrenginį. Gamintojas pataria naudoti purškiamąjį nuo rūdijimo apsaugantį tepalą, kad tolygiai pasiskirstytų ant geležčių bei būtų mažesnis pavojus susižeisti prie jų prisilietus. Informacijos apie tinkamą purškiamąjį tepalą kreipkitės į vietinį įgaliotą techninio aptarnavimo centrą.
- Jei reikia, galite minėtuoju būdu truputį patepti geležtės prieš naudodami įtaisą.
- Dažnai tikrinkite visas varžles, varžtus ir sraigtus, ar jie tvirtai laikosi ir ar gaminyje yra saugios darbo būklės stovyje. Bet kurią apgadintą detalę leidžiama remontuoti arba keisti tik autorizuotame aptarnavimo centre.

AKUMULIATORIUS

- Ilgai nenaudotus akumuliatorius prieš naudojimą privaloma įkrauti.
- Esant aukštesnei nei 50 °C (122 °F) temperatūrai, akumuliatoriaus veiksmingumas sumažėja. Saugokite nuo ilgalaikio karščio arba saulėkaitos poveikio (gali kilti perkaitimo pavojus).
- Kroviklių ir akumuliatorių blokų kontaktai turi visada būti švarūs.
- Norint, kad akumuliatorius tarnautų optimaliai ilgai, po kiekvieno panaudojimo jį būtina visiškai įkrauti.
- Norint, kad akumuliatorius kuo ilgiau tarnautų, atjunkite jį nuo kroviklio, kai tik jis bus visiškai įkrautas.

Jei būtina akumuliatorių laikyti daugiau nei 30 dienų:

- Akumuliatorių laikykite aplinkoje, kurios temperatūra neviršija 27°C ir toliau nuo drėgmės.
- Akumuliatorių padėkite saugoti, kai jis yra įkrautas iki 30%-50%.
- Praėjus šešiesiems mėnesiams nuo saugojimo, akumuliatorių įkraukite, kaip visada.
- Laikykitės visų įkrovimo instrukcijų ir neįkraukite akumuliatorių bloko ar įrankio jei temperatūra yra už instrukcijose nurodyto diapazono ribų. Netinkamai įkraunant arba jei temperatūra yra už nurodyto diapazono ribų gali būti sugadinti akumuliatoriai ir padidėti gaisro pavojus.

LIČIO BATERIJŲ TRANSPORTAVIMAS

Ličio-jonų akumuliatoriui taikomi įstatymai dėl pavojingų prekių.

Šie akumuliatoriai transportuojami laikantis atitinkamų vietos, nacionalinių ir tarptautinių taisyklių bei reglamentų.

- Baterijų gabenimui sausumos transportu papildomi reikalavimai nekeliama.
- Trečiųjų šalių vykdomam komerciniam ličio jonų akumuliatorių transportavimui taikomos taisyklės dėl pavojingų prekių vežimo. Parengti gabenimui ir gabenti išimtinai gali tik atitinkamai apmokyti asmenys, o visą procesą turi prižiūrėti atitinkami specialistai.

Veždami akumuliatorius:

- Baterijų kontaktiniai gnybtai turi būti apsaugoti ir izoliuoti, kad nevyktų trumpasis jungimas.
- Užtikrinkite, kad akumuliatorius būtų tvirtai ir saugiai supakuotas.
- Įskilusių ir tekančių akumuliatorių negabenkite.

Dėl tolesnių patarimų kreipkitės į transporto įmonę.

ŽENKLAI



Pranešimas apie saugumą



Prieš naudodami įrenginį, atidžiai perskaitykite instrukcijas, laikykitės įspėjimų ir saugos nurodymų.



Dėvėkite ausų apsaugos priemones.



Dėvėkite apsauginius akinius.



Dirbdami su gyvatvorės apkarpyimo mašinėle ją laikykite abiem rankomis.



Kad sunkiai nesusižeistumėte, nelieskite pjovimo geležčių.



Mūvėkite neslystančias, tvirtas apsaugines pirštines.



Nenaudoti lyjant ar esant drėgnoms sąlygoms.



Saugokitės išmetamų arba skrendančių objektų. Visi pašaliniai asmenys, ypač vaikai ir naminiai gyvūnai, turi būti ne arčiau kaip 15 m nuo darbo vietos.



Ukrainos atitikties ženklas



„EurAsian“ atitikties ženklas



Elektrinių produktų atliekos neturi būti metamos kartu su namų ūkio atliekomis. Prašome perdirbkite jas ten, kur yra tokios perdirbimo bazės. Dėl perdirbimo patarimo kreipkitės į savo vietinę savivaldybę ar pardavėją.



Šis prietaisas atitinka visas reglamentuotas normas ES šalyse, kur jis buvo nupirktas.



Garantuotas garso galios lygis rodomas šioje etiketėje yra 93 dB.

Šie signaliniai žodžiai yra skirti nurodyti su prietaiso naudojimu susijusio pavojaus lygį.

⚠ PAVOJUS

Reiškia ypač pavojingą padėtį, kurios neišvengus bus patirti sunkūs ar net mirtini sužeidimai.

⚠ ĮSPĖJIMAS

Reiškia potencialiai pavojingą situaciją, kurios neišvengus galimi sunkūs ar net mirtini sužeidimai.

⚠ ATSARGIAI

Reiškia potencialiai pavojingą situaciją, kurios neišvengus galimi lengvi ar vidutinio sunkumo sužeidimai.

ATSARGIAI

Be įspėjamųjų simbolių

Reiškia nuosavybės žalos tikimybę.

EN
FR
DE
ES
IT
NL
PT
DA
SV
FI
NO
RU
PL
CS
HU
RO
LV
LT
ET
HR
SL
SK
BG
UK
TR

**TEHNILISED ANDMED****HEKITRIMMER****ECHT-58V**

Seerianumber	94501401000001 - 94501401999999
Tühikäigukiirus	3400 min ⁻¹
Lõiketera pikkus	610 mm
Tera pikkus	563 mm
Aku pinge	51,1V, 58V MAX
Mass (koos 2,0 Ah akuga)	5,5 kg
Mass (koos 4,0 Ah akuga)	6,1 kg
Kaal (ilma akuta)	4,3 kg

Andmed müra/vibratsiooni kohta (vastavalt standardile EN 60745-1, EN 60745-2-15)

A-korrigeeritud müratasemed:

Helirõhu tase	$L_{pA} = 79,0 \text{ dB(A)}$
Määramatus	$K = 3,0 \text{ dB}$
Helivõimsuse tase	$L_{WA} = 90,0 \text{ dB(A)}$
Määramatus	$K = 2,3 \text{ dB}$

Kasutage alati kuulmiskaitsevahendeid!

Vibratsioonitase (kolme telje vektorsumma) kindlaks tehtud kooskõlas standardiga EN 60745-1, EN 60745-2-15.

Vibratsioonitase (ah)

Tagumine käepide	$ah = 3,4 \text{ m/s}^2$
Eesmine käepide	$ah = 2,6 \text{ m/s}^2$
Määramatus	$K = 1,5 \text{ m/s}$

**l/min (lööki minutis) näitab kepsu löökide arvu ühes minutis.*

AKU JA LAADIJA**ECHT-58V**

Ühilduvad akupaketid	ECBP-58V20 / ECBP-58V40
Ühilduv laadija	ECBC-58VEU and ECBC-58VUK

**HOIATUS!**

Käesolevas juhendis toodud vibratsioonitase on mõõdetud standardmeetodi järgi ja seda saab kasutada tööriistade omavaheliseks võrdlemiseks. See sobib ka vibratsiooni esialgseks hindamiseks.

Toodud vibratsioonitase on tüüpiline tööriista kasutamisel ettenähtud töödeks. Kui aga tööriista kasutatakse muudeks töödeks, rakendatakse teisi tarvikuid või kui tööriista hooldus pole piisav, võib vibratsioonitase kõikumada. See võib vibratsiooni tööperioodi jooksul tunduvalt suurendada.

Vibratsiooni täpseks hindamiseks tuleb arvesse võtta ka aega, mil seade on välja lülitatud või küll sisse lülitatud, kuid tegelikult tööle rakendamata. See võib vibratsiooni tööperioodi jooksul tunduvalt vähendada.

Rakendage tööriista kasutaja kaitsmiseks vibratsiooni mõju eest täiendavaid kaitsemeetmeid, näiteks: hooldage tööriista ja tarvikuid piisavalt, hoidke käed soojas, tagage sujuv töökorraldus.





HOIATUS!

Lugege kõik ohuhoiatused ja juhised läbi. Hoiatuste ja juhiste eiramisel on oht saada elektrilööki või raskeid kehavigastusi ning/või põhjustada tulekahju.

Hoidke kõik hoiatused ja juhised tulevikus vaatamiseks alles.

Hoiatuses kasutatav termin „elektritööriist“ tähendab mehaanilist tööriista, mis saab toidet elektrivõrgust (juhtmega) või akust (ilma juhtmeta).

OHUTUSE ÜLDEESKIRJAD

TÖÖKOHT

- **Hoidke töökoht puhas ja hästi valgustatud.** Korrastamata ja pimedas kohas töötamisel võivad juhtuda õnnetused.
- **Ärge kasutage elektritööriistu plahvatusohtlike keskkondades, näiteks kergestisüttivate vedelike ja gaaside läheduses ega tolmuses kohas.** Elektritööriistad tekitavad sädemeid, mis võivad tolmu või auru süüdata.
- **Elektritööriistaga töötamisel hoidke lapsed ja kõrvalised isikud eemal.** Tähelepanu hajumise korral võib teil kontroll kaduda.

ELEKTROHUTUS

- **Elektritööriistade pistikud peavad pistikupesasa sobima.** Ärge püüdke pistiku konstruktsiooni mingil moel muuta. Ärge ühendage maanduskontaktiga (kordusmaandusega) elektritööriistu elektrivõrku läbi vahepistikke. Pistiku ja pistikupesasa konstruktsiooni muutmise korral tekib elektrilöögi oht.
- **Hoiduge kehalisest kontaktist maandatud pindadega, näiteks torud, radiaatorid, elektripliidid ja külmikud.** Kehaosade maandamisel suureneb elektrilöögi saamise oht.
- **Ärge jätke kultivaatorit vihma kätte või märga kohta.** Vee sattumisel elektrilise tööriista sisemusse suureneb elektrilöögi saamise oht.
- **Ärge kasutage toitejuhet mittesihipäraselt.** Ärge kasutage toitejuhet tööriista kandmiseks, vedamiseks või pistikupesast väljatõmbamiseks. Hoidke toitejuhe eemal kuumusest, õlist, teravatest servadest ja liikuvatest osadest. Vigastatud või keerdsu toitekaablid suurendavad elektrilöögi ohtu.
- **Väljas töötamisel kasutage välistingimustes kasutamiseks sobivaid pikendusjuhtmeid.** Välistingimustele sobiva pikendusjuhtme kasutamine vähendab elektrilöögi ohtu.
- **Kui elektritööriistaga töötamine niisketes oludes on vältimatut, siis kasutage rikkevoolu-kaitselülitiga (RCD) kaitstud vooluvõrku.** RCD kasutamine vähendab elektrilöögi ohtu.

ISIKUKAITSE

- **Mehaanilise tööriistaga töötamisel jälgige tööpiirkonda ja kasutage sealjuures tervet mõistust.** Ärge kasutage tööriista siis, kui te olete väsinud, uimastite, alkoholi või ravimite mõju all. Hetkeline tähelepanu hajumine tööriista kasutamise ajal võib põhjustada raske kehavigastuse.
- **Kasutage isikukaitsevahendeid. Kandke alati silmakaitsevahendeid.** Kui tööolud seda nõuavad, tuleb kasutada isikukaitsevahendeid, näiteks tolmumaski, libisemiskindlaid turvajalatsid, kiivrit ja kuulmiskaitsevahendeid, mis kehavigastuste riski vähendavad.
- **Vältige tahtmatut käivitumist. Enne toitejuhtme või aku ühendamist, tööriista kätevtõstmist või teisaldamist veenduge, et tööriista lüliti on välja lülitatud.** Õnnetuste vältimiseks ärge hoidke tööriista kandmise ajal sõrme lülitusvõlvi ega ühendage tööriista toitevõrku siis, kui lüliti on sisse lülitatud.
- **Enne tööriista sisselülitamist eemaldage sellel reguleerivõti või mutrivõti.** Elektritööriista külge jäetud reguleerivõti või mutrivõti võivad põhjustada raske kehavigastuse.
- **Ärge kummardage. Hoidke end pidevalt jalgadel ja tasakaalus.** Siis on teil ootamatu olukorra tekkimisel tööriista üle parem kontroll.
- **Kandke tööks sobivat riietust. Ärge kandke lõtvu riideid ja ehteid.** Hoidke juuksed, riietusesemed ja töökindad liikuvatest osadest eemal. Lõdvad riietusesemed, ehted ja pikad juuksed võivad haakuda liikuvate osade külge.
- **Kui tööriistal tuleb kasutada tolmu eraldamis- või kogumisseadist, siis veenduge, et need on ühendatud ja nõuetekohases kasutuses.** Tolmukoguri kasutamisega saab vähendada tolmu seotud ohtusid.
- **Ärge muutuge hooletuks ega ignoreerige tööriista ohutusnõudeid, kui te seadete juba tunnete ja olete seda tihti kasutanud.** Hooletu tegutsemine võib põhjustada raske kehavigastuse mõne sekundi mürdosa jooksul.

ELEKTROTÖÖRIISTA KASUTAMINE JA KORRASHOID

- **Ärge kasutage töötamisel liigset jõudu.** Kasutage tööks sobivat elektritööriista. Õigesti valitud elektritööriist töötab ettenähtud võimsuspiirkonnas paremini ja ohutumalt.
- **Ärge kasutage elektritööriista, kui lüliti ei lülita seda sisse ja välja.** Lülitiga lülitamatu tööriista kasutamine on ohtlik ja see tuleb lasta ära remondida.
- **Enne tööriista reguleerimist, tarvikute vahetamist või hoistamist võtke toitejuhe pistikupesast välja või eemaldage aku.** Mitte ennetavad ohutusmeetmed vähendavad tööriista tahtmatu käivitumise riski.
- **Hoidke kasutuses mitteolevaid elektritööriistu lastele kättesaamatus kohas ja ärge lubage elektritööriista mitte tundvaid või kasutusjuhendiga**

EN
FR
DE
ES
IT
NL
PT
DA
SV
FI
NO
RU
PL
CS
HU
RO
LV
LT
ET
HR
SL
SK
BG
UK
TR



mitte tutvunud isikuid elektritööriista kasutada. Oskamatu kasutaja käes olev elektritööriist on ohtlik.

- Mehaaniliste elektritööriistade hooldus. Kontrollige liikuvate osade mittetsentreeritust ja kinnitumist, osade vigastusi ning tehke kindlaks muud seisundid, mis võivad mõjustada elektritööriista tööd. Kui mõni osa on vigastatud, siis laske elektritööriist enne kasutamist ära parandada. Halvasti hooldatud elektritööriistad põhjustavad palju õnnetusi.
- Hoidke lõiketerad teravad ja puhtad. Teravate lõiketeradega ja nõuetekohaselt hooldatud lõikeriistad jäävad harvemini kinni ning neid on kergem kontrolli all hoida.
- Tööriistade, tarvikute, otsakute ja muude lisaseadmete kasutamisel juhenduge nende kasutusjuhenditest, võttes arvesse tehtavat tööd ja tööolusid. Tööoperatsiooniks mitte ettenähtud tööriista kasutamine võib tekitada ohtliku olukorra.
- Hoidke tööriista käepidemed ja haardepinnad kuivana, puhtana ja ärge laske neile sattuda õli või määret. Libedad käepidemed ja haardepinnad ei võimalda tööriista turvaliselt haarata ja ootamatutes olukordades kontrollida.

AKUTÖÖRIISTA KASUTAMINE JA KORRASHOID

- Laadige akut ainult tootja poolt ettenähtud laadijaga. Akulaadaja, mis sobib ühele akupaketile võib põhjustada tulekahju, kui seda kasutada teise akupaketiga.
- Kasutage akutööriista ainult selleks ettenähtud akudega. Muude akupaketide kasutamine võib põhjustada kehavigastusi või tulekahju.
- Sel ajal kui akupaketi ei ole kasutusel, hoidke seda eemal metallesemetest nagu kirjaklambrid, mündid, võtmed, naelad, kruvid ja muudest väikestest metallobjektidest, mis võivad akuklemmid lühistada. Aku klemmide lühistamine võib põhjustada põletust või tulekahju.
- Aku vale kasutamise korral võib akuvedelik välja voolata - vältige sellega kokkupuudet. Akuvedeliku nahale sattumisel peske see veega maha. Akuvedeliku silma sattumisel pöörduge arsti poole. Väljapriitsiv akuvedelik võib tekitada nahaärritust või -põletust.
- Ärge kasutage vigast või ümbertehtud akut ega tööriista. Vigased või ümbertehtud akud võivad toimida ettearvamatult, mille tagajärjeks on tulekahju, plahvatus või vigastuste oht.
- Ärge jätke akut või tööriista tule lähedale ega liiga kõrge temperatuuri kätte. Tuli või temperatuur üle 130 °C võib põhjustada plahvatust.
- Järgige kõiki laadimisjuhiseid ning ärge laadige akut ega tööriista väljaspool juhistes määratletud temperatuurivahemikku. Vale laadimine või laadimine väljaspool määratletud temperatuurivahemikku võib akut rikkuda ja suurendada tulekahju ohtu.

TEENINDAMINE

- Laske oma elektrilist tööriista hooldada väljaõppinud teenindustöötajal; remontimisel tohib kasutada ainult originaalvaruosi. See tagab elektriseadme ohutuse.
- Ärge kunagi remontige vigast akut. Vigast akut tohivad remontida vaid tootja või volitatud hooldustöötajad.

HEKITRIMMERI OHUTUSEESKIRJAD

- Hoidke kõik kehaosad lõiketerast eemal. Ärge üritage eemaldada ega hoida lõigatavat materjali sel ajal kui lõiketerad liiguvad. Kui oks jääb terade vahele kinni, siis lülitage trimmer välja. Hetkeline tähelepanu hajumine seadme kasutamise ajal võib põhjustada raske kehavigastuse.
- Teisaldamise ajaks lülitage hekitrimmer välja ja kandke seda käepidemest. Hekitrimmeri teisaldamisel või hoiulepanekul paigaldage latile alati kaitsekate. Hekitrimmeri õige käsitsemine vähendab lõiketeradega seotud kehavigastusi.
- Hoidke tööriista kinni ainult isoleeritud haardepindadest, sest lõiketera võib sattuda kokkupuutesse varjatud juhtmega või tööriista enda toitejuhtmega. Kui tööriist satub kontakti pingele all olevate juhtmehetega, jäävad tööriista isoleerimata metallosad pingele alla ja kasutaja võib saada elektrilöögi.

TÄIENDAVID OHUTUSJUHISED

- Mõnedes piirkondades on seadused, mis piiravad toote kasutamist teatud tööde tegemiseks. Lisateavet saate kohalikust omavalitsusest. Lugege kõik juhised läbi
- Enne töö alustamist tuleb tööpiirkond alati korrastada. Eemaldage kõik esemed, nagu traadid, valgustid, juhtmed või nõõrid, mis võivad välja lennata või takerduda lõiketera külge.
- Kontrollige, et hekis ei ole võõrkehased, näiteks traatvõrku.
- Olge veelgi ettevaatlikum, kui kasutate toodet piirdeaedade, postide, hoonete või teiste liikumatute objektide lähedal.
- Hoidke kõik kõrvalseisjad, lapsed ja lemmikloomad vähemalt 15 meetri kaugusel.
- Ärge lubage seadet kasutada lastel ega väljaõppeta isikutel.
- Ärge kasutage seadet halva valgustatuse korral. Töötajal peab tööpiirkonnale olema selge väljavaade, et tuvastada võimalikud ohud.
- Seadme kasutamisel tagage alati, et kõik käepidemed ja kaitsekatted on oma kohtadel. Ärge kunagi proovige kasutada puudulikku või lubamatult muudetud toodet.
- Enne seadme kasutamise alustamist veenduge, et





kõik juht- ja ohutusseadised töötavad nõuetekohaselt. Kui seade nupule OFF vajutamisel välja ei lülitu, ärge hakake tööriista kasutama.

- Kontrollige seade iga kord enne kasutamist üle. Kontrollige saag üle lõtvunud kinnitite suhtes. Veenduge, et kõik kaitsed ja käepidemed on õigesti ja ohutult kinnitatud. Enne kasutamist asendage kõik vigastatud koosteosad. Kontrollige, et akupakett ei leki.
- Ärge muutke toodet mitte mingil viisil.
- Kandke selle seadme kasutamisel kaitseprille ja kõrvaklappe. Töötamisel kohtades, kus on allakukkivate esemete oht, tuleb kanda kiivrit.
- Kandke tugevast riidest pikki pükse, saapaid ja kindaid. Ärge kandke lõtvu riideid, lühikesi pükse, mistahes ehteid ega töötage paljajalu.
- Kinnitage pikad juuksed õlgadest kõrgemale, et vältida nende takerdumist liikuvate osade vahele.
- Kuulmiskaitsevahendid takistavad häälohistuste (hüüded ja helisignaalid) kuulmist. Operaator peab seda arvesse võtma ja pöörama täiendavat tähelepanu sellele, mis toimub tema töökohal.
- Mitme sarnase seadme töötamisel samas piirkonnas suurendab kuulmiskahjustuse riski töötajal ja inimestel, kes tööpiirkonda sisenevad.
- Ärge kasutage seadet väsinuna või haigena ega siis, kui olete uimaste, alkoholi või ravimite mõju all.
- Hoidke kindlat jalgade asendit ja tasakaalu. Ärge kummardage. Liigse ette küünitamise tõttu võite kaotada tasakaalu ja see võib põhjustada raskeid vigastusi.
- Hoidke kõik kehaosad liikuvatest osadest eemal.
- Enne seadme käivitamist veenduge, et lõiketerad ei satu millegagi kokkupuutesse.
- Hoidke trimmerit töötamise ajal mõlema käega kindlalt kinni ja veenduge, et tööasend on ohutu ja kindel. Tootja ei soovita kasutada treppe ja redeleid. Kui on vaja trimmida kõrgelt, kasutage pikendatud tööulatusega seadet.
- Lõiketerad on teravad. Terade käitlemisel kandke libisemiskindlaid, tugevdatud kaitsekindaid. Ärge pange oma kätt või sõrmi terade vahele või sellisesse asendisse, kus need võivad pitsitusi või sisselõikeid saada. Ärge mingil juhul puudutage lõiketera ja ärge hakake seadet hooldama, ilma et akupakett oleks eemaldatud.
- Lülitage välja ja eemaldage aku. Veenduge, et kõik masina liikuvad osad on täielikult seisunud:
 - enne toote juurest lahkumist
 - enne puhastamist ja ummistuse kõrvaldamist
 - enne lõikamisvahendite tööasendi reguleerimist
 - enne seadme kontrollimist, hooldamist ja sellega töötamist.

- Ärge suruge toodet jõuga läbi tiheda pöösastiku. See võib põhjustada terade kinnijäämise ja töökiiruse languse. Kui töökiirus langeb, siis alandage käiku.
- Ärge püüdke lõigata võsusid või võrseid, mille läbimõõt on üle 17 mm või mis ilmselt ei mahu lõiketerade vahele. Suurte varte piiramiseks kasutage käsisaagi või mootoriga oksasaagi.
- Ärge kasutage toodet, kui terad on kahjustatud või väga kulunud.
- Ärge muutuge hooletuks ega ignoreerige tööriista ohutusnõudeid, kui te seadet juba tunnete ja olete seda tihti kasutanud. Hooletu tegutsemine võib põhjustada raske kehavigastuse mõne sekundi murdosa jooksul.
- Parimate laadimistulemuste saavutamiseks peab laadimiskoha temperatuur olema vahemikus 10 °C kuni 38 °C. Raske kehavigastuse ohu vähendamiseks ärge hoidke seda õues või autos.



HOIATUS!

Kui seade on maha kukkunud, saanud tugeva löögi või hakkab ebanormaalselt vibreerima, seisake seade viivitamatult ja kontrollige see üle vigastuste suhtes. Kõik vigastused tuleb lasta volitatud hooldustöökojas parandada või asendada.

Enne mistahes tööde tegemist toote kallal võtke aku välja. Ärge pange kasutatud akupakette majapidamisjäätmete hulka ega püüdke neid põletada. ECHO müügiesindused võtavad vastu vanu akusid, et kaitsta keskkonda.

Ärge hoiustage akut koos metalliesemetega (lühise oht).

Aku laadimiseks kasutage vaid ECBC-58VEU/ECBC-58VUK laadijat.

Ärge kasutage ühtegi teist akut.

Ühilduvad akupaketid: ECBP-58V20, ECBP-58V40

Suure koormuse või äärmusliku temperatuuri korral võib akuhape vigastatud akust välja lekkida. Akuhappega kokkupuute korral peske kahjustatud kohta otsekohe seebiveega. Kui vedelik satub silma, loputage silma põhjalikult vähemalt 10 minuti jooksul ja pöörduge otsekohe arsti poole.

AKU LISAOHUTUSJUHISED



HOIATUS!

Lühisest põhjustatud tuleohtu, vigastuste või toote kahjustuste vältimiseks ärge kastke tööriista, vahetusakut ega laadimiseadet vedelikku ning jälgige, et vedelikke ei tungiks seadmetesse ega akusse. Korrodeeruvad või elektrit juhtivad vedelikud, nagu soolvesi, teatud kemikaalid ja pleegitusained või pleegitusaineid sisaldavad tooted, võivad põhjustada lühist.





JÄÄKRISKID

Isegi siis, kui kultivaatorit kasutatakse kirjeldatud viisil, ei ole võimalik kõrvaldada kõiki jääkriskide mõjureid. Töötamise ajal võivad tekkida järgmised ohud, millele operaator peab pöörama erilist tähelepanu.


- lõiketerade kokkupuutest tingitud kehavigastus
 - Lõiketerade eest ei saa töötamise ajal kaitsta. Hoidke lõiketera oma ja teiste kehast eemal. Kontrollige, et lõiketeral on kaitsekate peal, kui toodet ei kasutata.
- Vibratsioonist põhjustatud kehavigastus.
 - Kasutage töötamiseks õiget seadet, kasutage ettenähtud käepidemeid, piirake tööaega ja kokkupuudet vibratsiooniga.
- Müraga kokkupuutumine võib kuulmist kahjustada.
 - Kandke kuulmiskaitsevahendeid ja piirake müraga kokkupuudet.

RISKI ALANDAMINE

Teadaolevalt võib käsitööriistade kasutamine põhjustada mõnedel inimestel seisundit, mida nimetatakse Raynaud' sündroomiks. Sümptomidena võib ilmned sõrmede tuimus ja valkjaks muutumine, mis tavaliselt ilmneb külmas töötamisel. Nende sümptomite puhul tuleb hoiduda külmast ja niiskusest, dieedist ning suitsetamisest ja kasutada õigeid töövõtteid. Vibratsiooni mõju vähendamiseks tuleb rakendada järgmisi abinõusid.

- Külma ilmaga hoidke oma keha soe. Kandke kindaid, et hoida oma käed ja randmed soojad. Uuringud näitavad, et Raynaud's Syndrome ilmneb põhiliselt külma ilmaga.
- Pärast külmas töötamist tehke harjutusi, et verearvustust kiirendada.
- Tehke regulaarselt töövaheaegasid. Piirake tööperioodi pikkust.

Kui ilmnevad haigustunnused, lõpetage kohe töö ja pöörduge arsti poole.

 **HOIATUS!**

Seadme pikaajalisel kasutamisel võite saada kehavigastusi ja varasemad vigastused võivad süveneda. Seadme kasutamisel pika aja jooksul tuleb teha korralisi vaheaegasid.

OTSTARBEKOHANE KASUTAMINE

Juhtmeta hekilõikur on mõeldud kasutamiseks ainult välitingimustes. Ohutuse tagamise eesmärgil peab töötamise ajal hoidma tööriista kahe käega, et seda saaks piisavalt kontrollida.

Seade on ette nähtud kasutamiseks kodumajapidamises. See on ette nähtud hekkide, okste ja sarnate taimeosade lõikamiseks ja trimmimiseks.

Seda tuleb kasutada kuivas ja heades valgustustingimustes.

See EI OLE ette nähtud rohu, puude või jämedate okste lõikamiseks. Seda ei tohi kasutada muuks otstarbeks kui heki trimmimiseks.

Ärge kasutage toodet ühelgi muul eesmärgil, mida ei ole loetletud sihipärase kasutuse all.

ÕPPIGE OMA TOODET TUNDMA


Vaadake lehti 6–7.

1. Operaatori kohaloleku lüliti
2. Aku riivi nupp
3. Aku
4. Turvalüliti
5. Tagumine käepide
6. Päästik
7. Laadija
8. Lõiketera kate
9. Saeleht
10. Kaitse
11. Eesmine käepide

TRANSPORTIMINE JA HOIUSTAMINE

- Enne hoiule panekut või teisaldamist seisake mootor, võtke aku välja ja laske jahtuda.
- Puhastage seade kõikidest võõrkehadest. Hoidke kuivas ja hästi ventileeritud kohas, mis on lastele juurdepääsmatu. Täiendava ohutusabinõuna hoidke akut hekitrimmerist eraldi. Hoidke kettsaagi eemal söövitavatest ainetest nagu aiakemikaalid ja jäätõrjevahendid. Ärge hoiustage õues.
- Enne seadme hoiulepanekut või transportimise alustamist katke lõiketera selleks ettenähtud kaitsekattega.
- Vedamise ajal tõkestage kultivaator liikuma hakkamise ja alla kukkumise vastu, et vältida kehavigastusi ja masinaosade kahjustamist.

HOOLDUS

 **HOIATUS!**

Kasutage üksnes ECHO tarvikuid ja ECHO varuosi. Selle nõude eiramine võib põhjustada, kehavigastuse, tootluse languse ja teile antud garantii tühistamise. Kui on vaja asendada osi, mida siin ei ole kirjeldatud, võtke ühendust ECHO hooldusspetsialistiga.





HOIATUS!

Hooldamine nõuab ülimalt korrashoidu ja teadmisi ning tuleks teostada ainult kvalifitseeritud hooldustehnikute poolt. Hoolduseks andke seade volitatud hoolduskeskusesse. Muruniiduki hooldamisel kasutage ainult tootja originaalvaruosi.



HOIATUS!

Lõikuri terad on väga teravad. Kehavigastuse vältimiseks olge äärmiselt ettevaatlik kui seadet puhastate, määrите, tarvikut paigaldate või eemaldate terakaitset. Enne hooldus- ja puhastustöid lülitage tööriist välja ja eemaldage aku.

- Enne reguleerimist, hooldust või puhastamist eemaldage aku.
- Lubatud on teha ainult selles kasutusjuhendis kirjeldatud reguleerimis- ja parandustoiminguid. Muude remonditööde tegemiseks võtke ühendust volitatud hooldajaga.
- Pärast iga kasutuskorda pühkige seadme korpus ja käepidemed pehme kuiva lapiga puhtaks.
- Pärast iga kasutuskorda pühkige praht teradelt ära tugeva harjaga ja kandke seejärel neile roostetõrjemääret, enne kui tera kaitse uuesti kohale panete. Tootja soovib kasutada roostekaitsevahendit ja määrida tera ühtlase aerosoolvahendi kihiga, et alandada riski töötajatele kokkupuutel lõketeradega. Teavet sellise aerosoolvahendi kohta saate oma kohalikest hoolduskeskusest
- Võite soovi korral sellel viisil määrida lõiketerasid kergelt enne kasutamist.
- Kontrollige kõiki mutreid, polte ja kruvisid sagedaste intervallidega õige pinguloleku suhtes, et veenduda toote ohutus töökorras olemises. Vigastatud osad tuleb lasta pädeval hooldajal parandada või asendada.

AKUD

- Kui akut ei ole mõnda ECHOa kasutatud, tuleb see enne kasutamist uuesti laadida.
- Temperatuurid üle 50 °C vähendavad aku jõudlust. Vältige pikaajalist kokkupuudet kuumuse ja päikesega (ülekuumenemise oht).
- Laadijate ja akude kontaktid tuleb hoida puhtana.
- Optimaalse kasutusaja jaoks tuleb aku pärast kasutamist täis laadida.
- Et tagada aku pikim kasutusECHO, eemaldage täislaetud aku laadijast.

Aku hoiustamisel üle 30 päeva tehke järgmist.

- Hoidke akut kuivas kohas temperatuuril alla 27°C.
- Hoiustage akut laadimisolekus 30% - 50%.

- Pärast iga kuue kuu möödumist laadige aku tavalisel viisil.
- Järgige kõiki laadimisjuhiseid ning ärge laadige akut ega tööriista väljaspool juhistes määratletud temperatuurivahemikku. Vale laadimine või laadimine väljaspool määratletud temperatuurivahemikku võib akut rikkuda ja suurendada tulekahju ohtu.

LIITIUMAKUDE TEISALDAMINE

Liitiumioonakule kehtib ohtlike kaupade seadusandlus.

Nende akude transportimisel peab järgima kohalikke, riiklikke ja rahvusvahelisi sätteid ja määruseid.

- Tavakasutajale ei ole kehtestatud akude maanteetranspordiks erinõudeid.
- Ärilsel eesmärgil toimuvale liitium-ioonakude transpordile kolmandate isikute poolt kohalduvad ohtlike kaupadega seotud eeskirjad. Veoks ettevalmistamist ja vedu tohivad korraldada ainult vastava väljaõppega töötajad pädevate asjatundjate järelevalve all.

Akude transportimisel:

- Veenduge, et aku kontaktklemmid on nii kaitstud ja isoleeritud, et lühiühendus on vedamise ajal välditud.
- veenduge, et aku ei liiguks pakendis.
- Ärge transportige pragunenud või lekkivaid akusid.

Küsige lisateavet transportettevõttelt.

SÜMBOLID



Ohutusala teave



Enne seadmega töö alustamist lugege kõik juhised hoolikalt läbi ja pidage kinni hoiatustest ja ohutusega seotud juhistest.



Kandke kuulmiskaitsevahendeid.



Kandke silmakaitsevahendeid.



Kasutamise ajal hoidke hekitrimmerit alati kahe käega.



Ärge puudutage lõiketera, et mitte rasket vigastust saada.



Kandke libisemiskindlaid, tugevdatud kaitsekindlaid.



Ärge jätke vihma kätte või kasutage niiskes kohas.



Hoiduge ülespaisatud ja lendavate esemete eest. Hoidke kõik kõrvalseisjad, eriti lapsed ja lemmikloomad tööalalt vähemalt 15 meetri kaugusele.



Ukraina vastavusmärgis



Euraasia vastavusmärk



Mittekasutatavaid elektritooteid ei tohi visata olmejäätmete hulka. Vaid tuleb viia vastavasse kogumispunkti. Vajadusel küsige sellekohast nõu oma edasimüüjalt või vastavalt kohaliku omavalitsuse institutsioonilt.



Vastab kõigile eeskirjadele EL-i liikmesriigis, kus toode on ostenud.



Etiketil näidatud tagatud helivõimsusetase on 93 dB.

Järgnevad märguandesõnad ja tähendused on mõeldud selle toote kasutamise ja seotud riskitasemete kirjeldamiseks.

⚠ OHT.

Viitab kohe tekkivale ohtlikule situatsioonile, mis, kui ei väldita, lõpeb surma või tõsise vigastusega.

⚠ HOIATUS

Viitab võimalikule ohtlikule situatsioonile, mis, kui ei väldita, võib lõppeda surma või tõsise vigastusega.

⚠ ETTEVAATUST

Viitab võimalikule ohtlikule situatsioonile, mis, kui ei väldita, võib lõppeda väiksemate või keskmiste vigastusega.

ETTEVAATUST

Ilma hoiatussümbolita

Osutab olukorrale, mis võib põhjustada varakahju.



**TEHNIČKI PODACI****TRIMER ZA OGRADU****ECHT-58V**

Serijski broj	94501401000001 - 94501401999999
Brzina bez opterećenja	3400 min ⁻¹
Duljina noža	610 mm
Duljina rezanja	563 mm
Napon baterije	51,1V, 58V MAX
Težina (s baterijom kapaciteta 2,0 Ah)	5,5 kg
Težina (s baterijom kapaciteta 4,0 Ah)	6,1 kg
Težina (bez baterije)	4,3 kg

EN
FR
DE
ES
IT
NL
PT
DA
SV
FI
NO
RU
PL
CS
HU
RO
LV
LT
ET
HR
SL
SK
BG
UK
TR

Informacije o buci/vibracijama (u skladu s EN 60745-1, EN 60745-2-15)

Izmjerene razine buke:

Razina zvučnog tlaka	$L_{pA} = 79,0 \text{ dB(A)}$
Neodređenost	$K = 3,0 \text{ dB}$
Razina zvučne snage	$L_{WA} = 90,0 \text{ dB(A)}$
Neodređenost	$K = 2,3 \text{ dB}$

Uvijek nosite zaštitu za sluh!**Ukupne vrijednosti vibracija** (vektorska suma na tri osi) utvrđena prema EN 60745-1, EN 60745-2-15.

Vrijednost emisije vibracija (ah)

Stražnja ručica	$a_h = 3,4 \text{ m/s}^2$
Prednja ručka	$a_h = 2,6 \text{ m/s}^2$
Neodređenost	$K = 1,5 \text{ m/s}$

SPM (taktovi u minuti, engl. strikes per minutes) je broj taktova koje ojnica izvrši u jednoj minuti.*BATERIJA I PUNJAČ****ECHT-58V**

Kompatibilna pakiranja baterija	ECBP-58V20 / ECBP-58V40
Kompatibilni punjači	ECBC-58VEU and ECBC-58VUK

**UPOZORENJE!**

Razina emisije vibracija navedena u ovoj tablici s informacijama izmjerena je u skladu sa standardiziranom ispitnom metodom i može se koristiti za usporedbu jednog alata s drugim. Može se koristiti za preliminarnu procjenu izloženosti.

Deklarirana vrijednost razine emisije vibracija predstavlja glavne primjene alata. Međutim, ako se alat koristi za druge primjene, s različitim dodacima ili ako se loše održava, emisija vibracija se može razlikovati od navedene vrijednosti. Ovo može uzrokovati značajno povećanje razine izloženosti u ukupnom vremenu rada alatom.

Procjena razine izloženosti vibracijama također bi trebala uzeti u obzir i vrijeme u kojem je alat isključen ili radi, ali se ne koristi za obavljanje radnje. Ovo može uzrokovati značajno smanjenje razine izloženosti u ukupnom vremenu rada alatom.

Za zaštitu operatera od djelovanja vibracija odredite dodatne zaštitne mjere, primjerice: održavajte alat i dodatke za alat, održavajte ruke toplima, organizirajte radne uzorke.





UPOZORENJE!

Pročitajte sva sigurnosna upozorenja i sve upute. Nepridržavanje upozorenja i uputa može izazvati strujni udar, požar i/ili ozbiljne ozljede.

Sačuvajte ova upozorenja i upute kako biste ih naknadno mogli konzultirati.

Pojam „električni alat“ u upozorenjima odnosi se na vaš glavni alat (napajanje preko kabela) ili električni alat koji se napaja preko baterije (bez kabela).

OPĆA SIGURNOSNA PRAVILA

RADNA OKOLINA

- **Držite radni prostor čistim i dobro osvijetljenim.** Zatrpani i neosvijetljeni radni prostori izazivaju nezgode.
- **Nemojte rukovati električnim alatima u eksplozivnim atmosferama u kojima su prisutne zapaljive tekućine, plinovi ili prašina.** Električni alati stvaraju iskre koje mogu zapaliti prašinu ili pare.
- **Tijekom rada s električnim alatom držite podalje djecu i promatrače.** Ometanje može dovesti do toga da izgubite kontrolu.

ELEKTRIČNA SIGURNOST

- **Utikači električnog alata moraju odgovarati utičnici.** Nikada nemojte modificirati utikače ni na koji način. Nemojte koristiti nikakve adapter utikače s uzemljenim električnim alatima. Originalni utikači i odgovarajuće utičnice smanjuju opasnost od strujnog udara.
- **Izbjegavajte kontakt tijela s uzemljenim površinama poput cijevi, radijatora, štednjaka i hladnjaka.** Ako je vaše tijelo uzemljeno, povećava se opasnost od strujnog udara.
- **Nemojte proizvod izlagati kiši ili vlažnim uvjetima.** Ulazak vode u električni alat povećava opasnost od strujnog udara.
- **Nemojte zlorabiti kabel.** Nikada nemojte koristiti kabel za nošenje, povlačenje ili isključivanje električnog alata. Držite kabel podalje od topline, ulja, oštih rubova ili pokretnih dijelova uređaja. Oštećeni ili zapleteni kabeli povećavaju opasnost od strujnog udara.
- **Kada radite s električnim alatom na otvorenom, koristite produžni kabel prikladan za rad na otvorenom.** Korištenje kabela prikladnog za rad na otvorenom smanjuje opasnost od strujnog udara.
- **Ako se ne može izbjeći rad s električnim alatom u vlažnoj lokaciji koristite FID sklopku (RCD uređaj) za zaštitu napajanja.** Korištenje RCD uređaja smanjuje opasnost od električnog udara.

OSOBNJA SIGURNOST

- **Budite na oprezu, gledajte to što radite i pri radu s električnim alatom koristite zdrav razum.** Nemojte koristiti električni alat kad ste umorni ili pod utjecajem droge, alkohola ili lijekova. Trenutak nepažnje pri radu s električnim alatima može dovesti do teških osobnih ozljeda.
- **Koristite osobnu zaštitnu opremu. Uvijek nosite zaštitna sredstva za oči.** Zaštitna oprema poput maske za prašinu, zaštitna obuća sa zaštitom od klizanja, kaciga ili zaštita za uši koja se koristi u odgovarajućim uvjetima smanjuje osobne ozljede.
- **Spriječite slučajno pokretanje.** Osigurajte da je prije priključivanja na izvor napajanja i/ili baterije, podizanja ili nošenja alata, sklopka u položaju OFF (isključeno). Nošenje električnog alata s vašim prstom na sklopki ili uključivanje električnih alata sa sklopkom postavljenom na položaj on (uključeno) dovodi do nezgoda.
- **Prije uključivanja električnog alata uklonite sve klinove za podešavanje i ključeve.** Ključ ili klin ostavljen priključen na rotirajućem dijelu električnog alata može dovesti do osobne ozljede.
- **Ne sežite preko određene granice. Cijelo vrijeme držite pravilno uporište i ravnotežu.** Ovo u neočekivanim situacijama omogućuje bolju kontrolu nad električnim alatom.
- **Pravilno se odjenite. Nemojte nositi široku odjeću ili nakit.** Kosu, odjeću i rukavice držite podalje od pokretnih dijelova. Široka odjeća, nakit ili dugačka kosa mogu biti zahvaćeni u pokretne dijelove alata.
- **Ako su uređaji opremljeni s priključkom aparata za odvajanje i prikupljanje prašine, osigurajte da su oni priključeni i pravilno korišteni.** Korištenje uređaja za sakupljanje prašine smanjuje opasnosti vezane uz prašinu.
- **Nemojte dopustiti da vas poznavanje alata zbog česte uporabe opusti toliko da zanemarite sigurnosne principe rukovanja alatom.** Nepažljiv rad može uzrokovati ozbiljne povrede unutar djelića sekunde.

KORIŠTENJE I BRIGA O ELEKTRIČNOM ALATU

- **Nemojte proizvod koristiti iznad njegovih mogućnosti.** Za vašu primjenu koristite točan električni alat. Točan električni alat bolje će i sigurnije uraditi posao u odnosu na što je namijenjen.
- **Nemojte koristiti električni alat ako ga sklopka pravilno ne uključuje i isključuje.** Svaki električni alat koji se ne može kontrolirati pomoću sklopke je opasan i mora se popraviti.
- **Prije nego što izvršite bilo kakva podešavanja, zamijenite dodatni pribor ili pohranite električne alate, odspojite utikač iz izvora napajanja i/ili bateriju iz električnog alata.** Ovakve preventivne sigurnosne mjere smanjuju opasnost od slučajnog pokretanja električnog alata.



- **Električne alate pohranite u stanju mirovanja izvan dohvata djece i ne dopustite rad s električnim alatom osobama koje nisu upoznate s električnim alatom ili ovim uputama.** Električni alati su opasni u rukama nestručnih korisnika.
- **Održavanje električnih alata.** Provjerite radi pogrešnog poravnanja ili savijanja pokretnih dijelova, puknuća dijelova i drugih uvjeta koji mogu utjecati na rad električnog alata. Ako je oštećen, električni alat prije korištenja popravite. Većina nezgoda uzrokovano je od strane električnih alata koji su slabo održavani.
- **Rezne alate držite oštrim i čistim.** Pravilno održanim reznim alatima s oštrim rubovima za rezanje, manja je vjerojatnost zahvaćanja i lakše se kontroliraju.
- **Koristite električni alat, pribor i dijelove alata itd., u skladu s ovim uputama i uzevši u obzir radne uvjete i rad koji treba izvršiti.** Korištenje električnog alata za radove drugačije od njegove namjene može dovesti do opasne situacije.
- **Održavajte ručke i površine hvata suhim, čistim i da na njima nema ulja i masti.** Skliske ručke i površine za hvatanje ne omogućuju sigurno rukovanje i kontrolu alata u neočekivanim situacijama.

KORIŠTENJE I BRIGA O AKU ALATU

- **Punite samo s punjačem navedenim od proizvođača.** Punjač koji je prikladan za jednu vrstu baterija može dovesti do opasnosti od požara kada se koristi s drugom baterijom.
- **Koristite AKU alate samo s posebno naznačenim baterijama.** Korištenje bilo kojih drugih baterija dovodi do opasnosti od ozljeda i požara.
- **Kada se baterija ne koristi držite je dalje od drugih metalnih predmeta kao što su spajalice za papir, kovanice, ključevi, čavli, vijci ili drugi mali metalni predmeti koji mogu spojiti jedan pol na drugi.** Kratki spoj polova baterije može izazvati opekotine ili požar.
- **Pod uvjetima loma može doći do izbacivanja tekućine iz baterije, izbjegavajte kontakt.** Ako dođe do nehotičnog kontakta, isperite to mjesto s vodom. Ako tekućina dospije u oči, dodatno potražite liječničku pomoć. Tekućina koja istječe iz baterije može dovesti do iritacije ili opekotina.
- **Nemojte koristiti bateriju ili alat koji su oštećeni ili modificirani.** Oštećene ili modificirane baterije mogu imati nepredvidivo ponašanje, što može dovesti do požara, eksplozije ili rizika od tjelesnih ozljeda.
- **Nemojte izlagati bateriju ili alat vatri ili visokim temperaturama.** Izlaganje vatri ili temperaturama višim od 130°C može dovesti do eksplozije.
- **Slijedite sve upute za punjenje i nemojte puniti bateriju ili alat na temperaturama izvan temperaturnog raspona specificiranog u uputama.** Nepravilno punjenje ili punjenje na temperaturama izvan specificiranog raspona može oštetiti bateriju i povećati rizik od požara.

ODRŽAVANJE

- **Neka vaš električni alat servisira kvalificirana osoba za popravak koristeći samo identične zamjenske dijelove.** Ovo će osigurati da se održi sigurnost električnog alata.
- **Nikada nemojte popravljati oštećene baterije.** Popravak oštećenih baterija smije izvoditi isključivo proizvođač ili ovlašteni servisni centar.

SIGURNOSNA UPOZORENJA ZA TRIMER ZA OGRADU

- **Držite sve dijelove tijela dalje od noža rezača. Nemojte ukloniti odrezani materijal ili držati materijal za rezanje kad se oštrice pomiču. Osigurajte da je uređaj isključen kada čistite zaglavljivi materijal.** Trenutak nepažnje pri radu s proizvodom može dovesti do teških osobnih ozljeda.
- **Nosite Trimer za ogradu za ručku sa zaustavljenim nožem rezača. Kada transportirate ili skladištite trimer za ogradu uvijek postavite pokrov reznog uređaja.** Pravilno rukovanje trimerom za ogradu smanjuje mogućnost ozljeda od noževa rezača.
- **Držite električni alat za izoliranu površinu za hvatanje jer rezač može doći u kontakt sa skrivenim ožičenjem ili njegovim vlastitim kabelom.** Dodirivanje „žive“ žice noževima rezača može izložiti metalne dijelove alata električnoj energiji i može dovesti do strujnog udara na operatera.

DODATNA SIGURNOSNA UPOZORENJA

- Neke regije imaju pravila koja ograničavaju korištenje proizvoda za neke radove. Provjerite kod lokalnih tijela za savjet. Pročitajte sve upute
- Prije svakog korištenja očistite radno područje. Uklonite sve predmete poput kabela, žarulja, žica ili konopa koji mogu biti odbačeni ili se mogu zaglaviti u nožu rezača.
- Provjerite ogradu za strane predmete, poput žica ograde.
- Postupajte s posebnim oprezom kada proizvodom rukujete u blizini ograda, stupova, zgrada ili drugih nepokretnih objekata.
- Pazite se odbačenih predmeta, držite sve promatrače, djecu i kućne ljubimce dalje od radnog područja.
- Nemojte dopustiti djeci ili nestručnim osobama da koriste ovaj proizvod.
- Nemojte raditi u slabom osvjetljenju. Operateru treba jasan pogled radnog područja kako bi identificirao potencijalne opasnosti.
- Uvijek osigurajte da su sve ručke i štitnici pravilno učvršćeni prilikom korištenja uređaja. Nikada nemojte pokušavati koristiti nepotpuni proizvod ili proizvod s neovlaštenim modifikacijama.





- Osigurajte prije svakog korištenja da svi upravljački elementi i sigurnosni uređaji pravilno funkcioniraju. Ne koristite alat ako sklopka „isključeno“ ne zaustavlja proizvod.
- Prije korištenja provjerite uređaj. Provjerite za olabavljene zatezače. Osigurajte da su svi štitnici i ručke pravilno i čvrsto priključeni. Prije korištenja zamijenite sve oštećene dijelove. Provjerite baterije na curenje.
- Nemojte na nikakav način modificirati ovaj proizvod.
- Kada radite s ovim proizvodom nosite zaštitu za oči i sluh. Ako radite u području gdje postoji opasnost od padajućih predmeta, morate nositi zaštitu za glavu.
- Nosite hlače s dugim nogavicama, čizme i rukavice. Nemojte nositi široku odjeću, kratke hlače, nakit bilo kakve vrste ili hodati bosonogi.
- Osigurajte dugu kosu na način da je iznad razine ramena kako biste spriječili zahvaćanje u pokretne dijelove.
- Korištenje zaštite za sluh smanjuje vašu mogućnost da čujete upozorenja (viku ili alarme). Rukovatelj mora obratiti posebnu pozornost na to što se događa u radnom području.
- Rad u blizini sličnim alatom dovodi do opasnosti povreda sluha i mogućim ulaskom drugih osoba u radno područje.
- Nemojte raditi s ovim proizvodom kada ste umorni ili pod utjecajem alkohola, droge ili lijekova.
- Zauzmite čvrst stav i ravnotežu. Ne sežite preko određene granice. Naginjanje preko ruba može dovesti do gubitka ravnoteže i uzrokovati ozbiljne ozljede.
- Držite sve dijelove tijela dalje od svih pokretnih dijelova.
- Prije pokretanja uređaja osigurajte da oštrice za rezanje neće doći u kontakt s ničim.
- Prilikom rada s trimerom za ogradu, uvijek ga držite čvrsto s obje ruke za obje ručke i osigurajte da je radni položaj siguran i čvrst. Proizvođač ne preporučuje korištenje stepenica ili ljestvi. Ako je potrebno rezanje na višoj razini, koristite produžetke za alat.
- Noževi su oštri. Kada rukujete sa sklopom noža, nosite zaštitne rukavice velike debljine koje se ne klizu. Ne stavljate ruku ili prste između noževa ili u neku poziciju gdje mogu biti prignječeni ili odrezani. Nikada ne dodirujte oštricu ili servisirajte jedinicu ako baterija nije uklonjena.
- Isključite i izvadite baterijski sklop. Provjerite da su svi pokretni dijelovi zaustavljeni:
 - prije ostavljanja proizvoda bez nadzora
 - prije čišćenja i odblokiranja
 - prije prilagodbe radnog položaja reznih mehanizama
 - prije provjere, održavanja ili rada na uređaju
- Nemojte silom gurati proizvod kroz gusto žbunje. Ovo može uzrokovati tromost oštrica i usporavanje. Ako

oštrice uspore smanjite brzinu hoda.

- Nemojte pokušati rezati stabiljke ili grane koje su veće debljine od 17 mm ili onih koji su očito preveliki da uđu u oštrice za rezanje. Koristite ručnu pilu ili pilu za sječenja za trimanje velikih stabiljki.
- Ne radite s proizvodom s oštećenim ili prekomjerno istrošenim noževima.
- Nemojte dopustiti da vas poznavanje alata zbog česte uporabe opusti toliko da zanemarite sigurnosne principe rukovanja alatom. Nepažljiv rad može uzrokovati ozbiljne povrede unutar djelića sekunde.
- Za najbolje rezultate AKU alat treba puniti na mjestu gdje su temperature veće od 10 °C, no manje od 38 °C. Za smanjenje opasnosti od ozbiljnih osobnih ozljeda nemojte uređaj držati na otvorenom ili u vozilu.



UPOZORENJE!

Ako je proizvod ispao, pretrpio težak udar ili abnormalno vibrira, odmah zaustavite proizvod i provjerite na oštećenje ili identificirajte uzrok vibracija. Svaki oštećeni dio trebao bi pravilno popraviti ili zamijeniti ovlašteni servisni centar.

Prije započinjanja bilo kakvih radova na proizvodu uklonite bateriju.

Ne odlažite iskorištenu bateriju u kućni otpad ili ih spaljivati. Kako bi doprinijeli zaštiti okoliša, distributeri tvrtke ECHO nude mogućnost povrata starih baterija.

Nemojte pohranjivati bateriju uređaja zajedno s metalnim predmetima (opasnost od kratkog spoja).

Za punjenje baterija uređaja koristite isključivo punjač ECBC-58VEU/ECBC-58VUK.

Nemojte koristiti baterije s drugih sustava.

Kompatibilna pakiranja baterija: ECBP-58V20, ECBP-58V40

U uvjetima ekstremnog opterećenja ili ekstremnih temperatura može doći do curenja kiseline iz oštećenih baterija. U slučaju dodira s kiselinom iz baterije, mjesto dodira odmah isperite sapunom i vodom. U slučaju dodira kiseline s očima, temeljito ispirite oči 10 minuta i odmah potražite liječničku pomoć.

DODATNA SIGURNOSNA UPOZORENJA ZA BATERIJU



UPOZORENJE!

Zbog izbjegavanja opasnosti od požara jednim kratkim spojem, opasnosti od ozljeda ili oštećenja proizvoda, alat, izmjenjivi akumulator ili napravu za punjenje ne uronjavati u tekućine i pobrinite se za to, da u uređaje ili akumulator ne prodiru nikakve tekućine. Korozirajuće ili vodljive tekućine kao slana voda, određene kemikalije i sredstva za bijeljenje ili proozvodi koji sadrže sredstva bijeljenja, mogu prouzročiti kratak spoj.



OSTALE OPASNOSTI

Čak i kad je proizvod korišten kao što je prethodno opisano, još uvijek nije moguće potpuno isključiti ostale čimbenike opasnosti. Može doći do sljedećih opasnosti prilikom korištenja i operater mora obratiti posebnu pozornost kako bi izbjegao sljedeće:

- Ozljede od kontakta s pločom za rezanje
 - Oštrice se ne mogu štiti dok režu. Držite oštrice dalje od sebe i drugih. Provjerite jesu li štitnici noža pričvršćeni kada proizvod nije u uporabi.
- Ozljede uzrokovane vibracijom.
 - Uvijek koristite pravi alat za posao, koristite označenu kopču i ograničite radno vrijeme i izloženost.
- Oštećenje sluha uzrokovano izlaganjem buci.
 - Nosite zaštitu za sluh i ograničite izloženost.

SMANJENJE OPASNOSTI

Prijavljeno je da vibracije alata koje se drži u ruci kod određenih pojedinaca mogu doprinijeti stanju pod nazivom Raynaud's Syndrome. Simptomi mogu uključivati trnce, ukočenost i bjelinu prstiju, obično uočljivo po izlaganju hladnoći i vlazi, dijeta, pušenje i radni postupci pridonose razvoju ovih simptoma. Postoje mjere koje operater može poduzeti kako bi smanjio moguće učinke vibracije:

- Održavajte svoje tijelo toplim u hladnim vremenskim uvjetima. Kad radite s proizvodom nosite rukavice kako biste ruke i zglobove održavali toplima. Prijavljeno je da je hladnoća glavni čimbenik koji doprinosi Raynaud's Syndrome.
- Nakon svakog perioda rada vježbajte kako biste povećali cirkulaciju krvi.
- Uzimajte česte stanke u radu. Ograničite količinu izlaganja po danu.

Ako osjetite neke od simptoma ovog stanja, odmah prekinite korištenje i obratite se svome liječniku vezano uz ove simptome.



UPOZORENJE!

Povrede mogu biti uzrokovane ili zadobivene produljenim korištenjem alata. Kada koristite bilo koji alat dulje vremena, osigurajte da uzimate povremene stanke.

NAMJENA

Akumulatorski trimmer za živicu namijenjen je isključivo uporabi na otvorenom prostoru. Iz sigurnosnih razloga proizvod za vrijeme rukovanja uvijek držite pod kontrolom držeći ga s obje ruke.

Ovaj proizvod namijenjen je za kućnu ili upotrebu u domaćinstvu. Namijenjen je za rezanje i obrizivanje ograda, šikara i slične vegetacije.

Treba se koristiti samo u suhim, dobro osvijetljenim uvjetima.

NIJE namijenjen za rezanje trave, drveća ili grana. Ne smije se koristiti za nikakvu drugu svrhu osim za obrazivanje ograde.

Proizvod ne koristite ni za kakvu svrhu koja nije navedena u dijelu Predviđena namjena.

UPOZNAJTE SVOJ PROIZVOD

Pogledajte stranice 6 - 7.

1. Sklopka prisutnosti rukovatelja
2. Gumb za zasun baterije
3. Baterija
4. Blokada prekidača gasa
5. Stražnja ručica
6. Otponac akceleratora
7. Punjač
8. Poklopac oštrice
9. Oštrica
10. Štitnik
11. Prednja ručica

PRIJEVOZ I SKLADIŠTENJE

- Zaustavite uređaj, uklonite bateriju i omogućite da se ohladi prije spremanja ili transporta.
- Očistite svaki strani materijal s uređaja. Skladištite ga na suhom i dobro ventiliranom mjestu koje nije pristupačno djeci. Za dodatnu sigurnost, spremite bateriju odvojeno od trimera za ogradu. Nemojte ju ostavljati u blizini korozivnih agenasa kao ni vrtnih kemijskih proizvoda i soli za odmrzavanje. Ne ostavljajte na otvorenom.
- Prije pohranjivanja jedinice ili tijekom transporta pokrijte oštricu sa štitnikom za oštricu.
- Za prijevoz, osigurajte uređaj protiv pomicanja ili pada kako biste spriječili povrede osoba ili oštećenja na uređaju.

ODRŽAVANJE



UPOZORENJE!

Koristite isključivo nastavke, dodatke i rezervne dijelove tvrtke ECHO. Nepoštivanje ovih uputa može dovesti do mogućih ozljeda, loše učinkovitosti i može dovesti do poništenja jamstva. Ako je potrebno zamijeniti komponente koje nisu ovdje opisane, obratite se našem ECHO servisnom agentu.



UPOZORENJE!

Servisiranje iziskuje krajnju pažnju i znanje i treba da ga vrši samo kvalificirani serviser. Radi servisa, donesite proizvod u ovlaštenu servisnu centar. Prilikom servisiranja, koristite samo originalne zamjenske dijelove od proizvođača.



UPOZORENJE!

Rezne oštrice iznimno su oštre. Za sprječavanje osobnih ozljeda, budite osobito pažljivi kada čistite, podmazujete i postavljate ili uklanjate štitnik oštrice. Prije provođenja bilo kakvih radova održavanja ili čišćenja, isključite i uklonite komplet baterija.

- Prije podešavanja, održavanja ili čišćenja uklonite bateriju.
- Možete samo vršiti podešavanje ili popravke opisane u ovom manualu. Za druge popravke, obratite se ovlaštenom servisnom agentu.
- Nakon svakog korištenja, očistite kućište sa suhom mekom krpom.
- Nakon svakog korištenja, očistite ostatke s oštrica sa čvrstom četkom i potom pažljivo primijenite sredstvo protiv hrđe prije ponovnog postavljanja štitnika oštrice. Proizvođač preporučuje da koristite sprej protiv hrđe i sredstvo za podmazivanje ravnomjerno i smanjite opasnost od osobnih ozljeda od kontakata s oštricama. Za informacije o prikladnim proizvodima kao sprej, provjerite kod lokalnog ovlaštenog servisnog centra.
- Možda budete željeli podmazati oštrice prije korištenja, po potrebi, korištenjem gornjeg načina.
- Često provjeravajte sve matice i zavrtnje da li su dobro pritegnuti kako biste bili sigurni da je proizvod u sigurnom radnom stanju. Svaki oštećeni dio trebao bi pravilno popraviti ili zamijeniti ovlaštenu servisnu centar.

BATERIJE

- Baterije uređaja koje nisu korištene neko vrijeme treba ponovno napuniti prije korištenja.
- Temperature koje prelaze 50 °C (122 °F) smanjuju performanse baterije. Izbjegavajte izlaganje toplini ili sunčevoj svjetlosti (opasnost od pregrijavanja).
- Priključci baterije i punjača moraju se održavati čistima.
- Za optimalni životni vijek bateriju nakon korištenja ponovno potpuno napunite.
- Kako biste postigli najdulji mogući životni vijek baterije, nakon punjenja bateriju uklonite iz punjača.

Za pohranu baterije dulje od 30 dana:

- Pohranite bateriju na mjestu na kojem je temperatura ispod 27 °C i dalje od vlage.
- Pohranite bateriju napunjenu 30%-50%.

- Svaki šest mjeseci od pohrane, puniti bateriju kao obično.
- Slijedite sve upute za punjenje i nemojte puniti bateriju ili alat na temperaturama izvan temperaturnog raspona specificiranog u uputama. Nepravilno punjenje ili punjenje na temperaturama izvan specificiranog raspona može oštetiti bateriju i povećati rizik od požara.

TRANSPORTIRANJE LITIJSKIH BATERIJA

Litij ionska baterija je predmet zakona o opasnim tvarima.

Prijevoz tih baterija mora se izvršiti u skladu s lokalnim, nacionalnim i međunarodnim odredbama i propisima.

- Korisnik može transportirati baterije cestom bez dodatnih zahtjeva.
- Komercijalni transport litij-ionskih baterija od strane trećih strana podložno je relevantnim Propisima o opasnoj robi (Dangerous Goods Regulations, DGR). Priprema transporta i transport isključivo provode odgovarajuće obučene osobe i pristupak treba uskladiti s odgovarajućim stručnjacima.

Prilikom transporta baterija:

- Osigurajte da su kontaktni terminali baterije zaštićeni i izolirani za sprječavanje kratkog spoja.
- Osigurajte da je baterija u ambalaži učvršćena tako da se spriječi njeno pomicanje.
- Nemojte transportirati baterije koje su polomljene ili cure.

Provjerite kod kompanije koji transportirate za daljnju pomoć.

SIMBOLI



Sigurnosno upozorenje



Pročitajte i razumite sve upute prije rada s proizvodom, slijedite sva upozorenja i sigurnosne upute.



Nosite zaštitu za sluh.



Nosite sredstva za zaštitu očiju.



Uvijek držite trimer za ogradu s obje ruke prilikom rada.



Za spreječavanje ozbiljnih ozljeda, ne dodirujte oštrice za rezanje.



Nosite zaštitne rukavice velike debljine koje se ne klizu.



Ne izlažite kiši ili vlažnim uvjetima.



Čuvajte se odbačenih ili letećih predmeta. Držite sve promatrače naročito djecu i kućne ljubimce, na udaljenosti najmanje 15 m od radnog područja.



Ukrajinska oznaka za sukladnost



EurAsian znak konformnosti



Otpadni električni proizvodi ne treba da se odlažu s otpadom iz domaćinstva. Molimo da reciklirate gdje je to moguće. Potražite savjet od lokalnih vlasti ili prodavca kako reciklirati.



Ovaj alat usklađen je sa svim normama i propisima zemlje Europske unije u kojoj je kupljen.



Deklarirani zvučni tlak prikazan na ovoj naljepnici iznosi 93 dB.

Slijedeće riječi upozorenja i značenja imaju namjeru da objasne nivo rizika u vezi s ovim proizvodom.

⚠ OPASNOST

Ukazuje na neposrednu opasnu situaciju, koja, ukoliko se ne izbjegne, može rezultirati smrću ili opasnim povredama

⚠ UPOZORENJE

Ukazuje na moguću opasnu situaciju, koja, ukoliko se ne izbjegne, može rezultirati smrću ili opasnim povredama

⚠ UPOZORENJE

Ukazuje na moguću opasnu situaciju, koja, ukoliko se ne izbjegne, može rezultirati manjim ili blažim povredama

UPOZORENJE

Bez sigurnosnog simbola upozorenja

Naznačuje situaciju koja može rezultirati oštećenjem imovine.





TEHNIČNI PODATKI

OBREZOVALNIK ŽIVE MEJE

ECHT-58V

Serijska številka	94501401000001 - 94501401999999
Hitrost neobremenjenega motorja	3400 min ⁻¹
Dolžina rezila	610 mm
Dolžina rezanja	563 mm
Napetost baterije	51,1V, 58V MAX
Teža (z baterijo 2,0 Ah)	5,5 kg
Teža (z baterijo 4,0 Ah)	6,1 kg
Teža (brez baterije)	4,3 kg

Informacije o hrupu/vibracijah (v skladu s standardom EN 60745-1, EN 60745-2-15)

A-uravnotežene ravni hrupa:

Raven zvočnega tlaka	$L_{pA} = 79,0$ dB(A)
Negotovost	K= 3,0 dB
Raven jakosti zvoka	$L_{WA} = 90,0$ dB(A)
Negotovost	K= 2,3 dB

Vedno nosite ščitnike za ušesa!

Skupna vrednost vibracij (vektorska vsota treh smeri), določena v skladu s standardom EN 60745-1, EN 60745-2-15.

Vrednost oddajanja vibracij (ah)

Zadnji ročaj	ah = 3,4 m/s ²
Sprednji ročaj	ah = 2,6 m/s ²
Negotovost	K = 1,5 m/s

***SPM (gibi na minuto) je število gibov, ki jih priključni drog izvede v eni minuti.**

BATERIJA IN POLNILNIK

ECHT-58V

Združljive baterije	ECBP-58V20 / ECBP-58V40
Združljiv polnilec	ECBC-58VEU and ECBC-58VUK



OPOZORILO!

Vrednost emisij vibracij, navedena v tem informativnem letaku, je bila izmerjena v skladu z metodo standardiziranega preskusa in se lahko uporablja za medsebojno primerjavo orodja. Uporablja se lahko za predhodno oceno stopnje izpostavljenosti.

Navedena raven oddajanja vibracij velja za glavne namene uporabe orodja. Vendar, če se orodje uporablja v druge namene, z drugačnimi dodatki ali je slabo vzdrževano, je lahko raven oddajanja vibracij drugačna. S tem se lahko stopnja izpostavljenosti v celotnem delovnem obdobju občutno zviša.

V oceni stopnje izpostavljenosti vibracijam je treba upoštevati tudi obdobja, v katerih je orodje ugasnjeno oziroma teče, vendar ni v dejanski uporabi. S tem se lahko stopnja izpostavljenosti v celotnem delovnem obdobju občutno zniža.

Določite dodatne varnostne ukrepe za zaščito uporabnika pred učinki vibracij, kot so: vzdrževanje orodja in vibracij, vzdrževanje toplih rok, organizacija časovne razporeditve izvajanja dela.





OPOZORILO!

Preberite vsa varnostna opozorila in navodila. Zaradi neupoštevanja opozoril in navodil lahko pride do električnega udara, požara in/ali resnih poškodb.

Shranite vsa opozorila in navodila za kasnejšo uporabo.

Izraz »električno orodje« v opozorilih se nanaša na orodja, ki jih poganja električni tok (žična), ali na akumulatorska (brezžična) orodja.

SPLOŠNA VARNOSTNA OPOZORILA

DELOVNO OBMOČJE

- **Delovno območje naj bo čisto in dobro osvetljeno.** V neurejenih in temnih območjih se rade zgodijo nesreče.
- **Električnih orodij ne uporabljajte v eksplozivnih okoljih npr. v bližini vnetljivih tekočin, plinov ali prahu.** Električna orodja proizvajajo iskre, ki lahko vnamejo prah ali hlape.
- **Med uporabo električnega orodja v bližino ne pustite otrok in drugih ljudi.** Zaradi zmanjšane koncentracije lahko izgubite nadzor.

ELEKTRIČNA VARNOST

- **Vtiči električnih orodij se morajo prilegati vtičnicam.** Vtiča nikoli in na noben način ne smete spreminjati. Z ozemljenimi električnimi orodji ne uporabljajte adapterjev vtiča. Nespremenjeni vtiči in ustrezne vtičnice zmanjšajo tveganje električnega udara.
- **Izogibajte se telesnemu stiku z ozemljenimi površinami, kot so cevi, radiatorji, kuhalniki in hladilniki.** Če je vaše telo ozemljeno, obstaja povečano tveganje električnega udara.
- **Izdelka ne izpostavljajte dežju ali vlagi.** Voda v električnem orodju znatno poveča tveganje električnega udara.
- **Kabla ne uporabljajte za neustrezne namene.** Kabla nikoli ne uporabljajte za prenašanje, vleko ali izklop električnega orodja. Pazite, da kabel ne pride v stik z vročino, oljem, ostrimi robovi ali gibljivimi deli. Poškodovani ali zapleteni kabli zvišujejo tveganje električnega udara.
- **Med uporabo električnega orodja na prostem uporabljajte podaljševalni kabel, ki je primeren za zunanjo uporabo.** Uporaba kabla, primerne za zunanjo uporabo, znižuje tveganje električnega udara.
- **Če je delo z električnim orodjem v vlažnem okolju neizogibno, uporabite tokovno zaščitno stikalo (RCD).** Uporaba naprave RCD zmanjša tveganje za električni udar.

OSEBNA VARNOST

- **Med obratovanjem bodite pozorni, spremljajte potek dela in uporabljajte zdrav razum.** Električnega orodja ne uporabljajte, ko ste utrujeni oz. pod vplivom drog, alkohola ali zdravil. Trenutek nepazljivosti med uporabo električnega orodja lahko povzroči hude telesne poškodbe.
 - **Uporabljajte osebno zaščitno opremo. Vedno nosite zaščito za oči.** Če v različnih okoliščinah nosite ustrezno zaščitno opremo, kot so maska proti prahu, obutev z nredsečim podplatom, trdno pokrivalo glave in zaščita za sluh, zmanjšate možnost telesnih poškodb.
 - **Preprečite neželen zagon. Preden orodje priključite na vir napajanja, vstavite baterije, ga vzamete v roke ali prenašate, se prepričajte, da je stikalo v izključenem položaju.** Prenašanje električnih orodij, tako da prst držite na stikalu, ali dovajanje napajanja električnim orodjem, pri katerih je stikalo v položaju »on (vklop)« poveča tveganje nesreč.
 - **Pred vklopom električnega orodja odstranite morebitne nastavitvene ključe ali izvijače.** Izvijač ali ključ, ki ostane pritrjen na vrtljivi del električnega orodja, lahko povzroči telesne poškodbe.
 - **Nesiahajte priliš daleko. Pazite, da stojite stabilno in da imate ravnotežje.** To omogoča boljši nadzor nad električnim orodjem v nepričakovanih situacijah.
 - **Bodite primerno oblečeni. Ne nosite ohlapnih oblačil ali nakita.** Pazite, da lasje, oblačila in rokavice ne pridejo v bližino gibljivih delov. Ohlapna oblačila, nakit ali dolgi lasje se lahko zapletejo v gibljive dele.
 - **Če so naprave namenjene priključitvi na pripomočke za sesanje in zbiranje prahu, se prepričajte, da so ti priključeni in ustrezno uporabljeni.** Uporaba zbiralca prahu lahko zmanjša nevarnosti, povezane s prahom.
 - **Pazite, da zaradi pogoste uporabe orodja ne postanete preveč samozavestni pri svojem delu in ne namenite pozornosti upoštevanju varnostnih načel uporabe.** Neprevidnost lahko že v delčku sekunde povzroči hudo poškodbo.
- ### UPORABA IN NEGA ELEKTRIČNEGA ORODJA
- **Izdelka ne preobremenjujte.** Uporabite električno orodje, ki ustreza vašemu delu. Ustrezno električno orodje bo nalogo opravilo bolje in varneje v kategoriji, za katero je bilo zasnovano.
 - **Ne uporabljajte električnega orodja, če ga stikalo ne vklopi ali izklopi, kot bi bilo treba.** Kakršno koli električno orodje, ki ga ni mogoče nadzirati s stikalom, je nevarno in ga je potrebno popraviti.
 - **Odklopite vtič z vira napajanja in/ali baterije, preden opravljate kakršne koli prilagoditve, menjate dodatke ali shranjujete električno orodje.** Tovrstni preventivni varnostni ukrepi zmanjšajo možnost slučajnega zagona električnega orodja.
 - **Električna orodja, ki niso v uporabi, shranjujte izven dosega otrok in ne dovolite, da bi električno orodje**

uporabljale osebe, ki niso seznanjene z električnim orodjem ali s temi navodili. Električna orodja so v rokah neusposobljenih uporabnikov nevarna.

- **Električna orodja redno vzdržujte.** Preverite, če so gibljivi deli napačno poravnani ali zaskočeni, če so sestavni deli polomljeni ali če obstaja kakršno koli druge stanje, ki lahko vpliva na varno delovanje električnega orodja. Če je električno orodje poškodovano, ga pred ponovno uporabo dajte v popravilo. Številne nesreče zakrivijo neustrezno vzdrževana električna orodja.
- **Rezalna orodja naj bodo vedno nabrušena in čista.** Pravilno vzdrževana rezalna orodja z ostrimi rezili se težje zaskočijo in jih je lažje nadzirati.
- **Električno orodje, dodatke, nastavke za orodje itd. uporabljajte v skladu s temi navodili ter upoštevajte delovne pogoje in vrsto dela, ki ga boste izvajali.** Uporaba električnega orodja za namene, ki so drugačni od tistih, za katere je bilo orodje zasnovano, lahko povzroči nevarne situacije.
- **Ročaji in površine za prijem naj bodo suhe in čiste, na njih naj ne bo olja ter maščobe.** Če so ročaji ali površine za prijem spolzke, ni zagotovljeno varno rokovanje in upravljanje z orodjem v nepričakovanih situacijah.

UPORABA IN VZDRŽEVANJE BATERIJSKEGA ORODJA

- **Baterijo polnite le s polnilnikom, ki ga določa proizvajalec.** Polnilnik, ki ustreza eni vrsti baterij, morda lahko povzroči požar, če z njim polnite drugo vrsto baterij.
- **Baterijska orodja uporabljajte samo s predpisano vrsto baterij.** Uporaba katerih koli drugih baterij ustvari tveganje poškodb in požara.
- **Ko baterije ne uporabljajte, pazite, da bo odmaknjena od kovinskih predmetov, kot so papirne sponke, kovanci, ključi, žebliji, vijaki ali drugih majhni kovinski predmeti, ki bi lahko povzročili povezavo med obema terminaloma.** Kratak stik zaradi povezanih terminalov baterije lahko povzroči opekline ali požar.
- **Ob zlorabi baterije lahko iz nje steče tekočina. Če se po nesreči dotaknete tekočine, mesto dotika sperite z vodo. Če pride tekočina v stik z očmi, poiščite zdravstveno pomoč.** Tekočina, ki izteče iz baterije, lahko povzroči vnetje ali opekline.
- **Poškodovanega ali spremenjenega akumulatorja oziroma orodja ne uporabljajte.** Poškodovani ali spremenjeni akumulatorji lahko delujejo na nepredvidljiv način, kar lahko povzroči požar, eksplozijo ali nevarnost telesne poškodbe.
- **Akumulatorja ali orodja ne izpostavljajte ognju ali previsokim temperaturam.** Ob izpostavljenosti ognju ali temperaturam, višjim od 130 °C, lahko pride do eksplozije.
- **Dosledno upoštevajte navodila za polnjenje in**

akumulatorja oziroma orodja ne polnite izven temperaturnega razpona, predpisanega v navodilih. Ob nepravilnem polnjenju oziroma polnjenju pri temperaturah izven predpisanega razpona se lahko poškoduje akumulator in poveča nevarnost požara.

SERVISIRANJE

- **Električno orodje naj servisira usposobljena oseba, uporabljati pa sme le originalne nadomestne dele.** To bo zagotovilo vzdrževanje varnostni električnega orodja.
- **Nikoli ne servisirajte poškodovanih akumulatorjev.** Akumulatorje lahko servisira samo proizvajalec ali pooblaščen serviser.

OBREZOVALNIK ŽIVE MEJE – VARNOSTNA OPOZORILA

- **Delov telesa nikoli ne izpostavljajte rezilom. Ne odstranjujte zagodenega materiala medtem, ko se rezilo premika. Prepričajte se, da je naprava izklopljena, ko odstranjujete zagoden material.** Trenutek nepazljivosti med uporabo izdelka lahko privede do resnih telesnih poškodb.
- **Obrezovalnik žive meje prenašajte tako, da ga držite za ročaj, rezilo pa naj bo pri tem ustavljeno. Med transportom ali skladiščenjem obrezovalnika žive meje vedno namestite pokrov naprave.** Ustrezno ravnanje z obrezovalnikom žive meje zmanjša tveganje poškodb zaradi rezil.
- **Za varnost električno orodje držite le za izolirane držalne površine, saj lahko rezilo neželeno pride v stik s skrito žico ali kablom.** Če se rezila dotaknejo žice, ki je pod električno napetostjo, lahko izpostavljeni kovinski deli električnega orodja postanejo »živi« in povzročijo električni udar.

DODATNA VARNOSTNA OPOZORILA

- V nekaterih regijah predpisi omejujejo uporabo izdelka na določene namene. Za nasvet se obrnite na lokalne oblasti. Preberite vsa navodila
- Pred vsako uporabo temeljito očistite območje obratovanja. Odstranite vse predmete, ki se lahko vključijo ali zapletejo v rezilo, kot npr. kabli, svetilke, žica ali vrvica.
- Živo mejo preverite za morebitne tujke, npr. žične ograje.
- Pri uporabi izdelka v bližini ograje, stebrov, stavb ali drugih nepremičnih predmetov bodite posebej pozorni.
- Bodite pozorni na izvržene predmete. Vsi prisotni, otroci in živali naj bodo vsaj 15 m stran od delovnega območja.
- Otrokom in neusposobljenim osebam ne dovolite, da bi uporabljali ta izdelek.



- S cepilnikom ne upravljajte pri slabi osvetljavi. Upravljavac mora imeti jasen pregled nad delovnim območjem, da lahko prepozna morebitne nevarnosti.
- Med uporabo naj bodo ročaji in varovala vedno nameščeni. Nikdy sa nepokúšajte používať nekompletný výrobok alebo výrobok s nepovolenými úpravami.
- Pred vsako uporabo zagotovite, da vse kontrole in varnostne naprave delujejo pravilno. Izdelka ne uporabljajte, če stikalo za izklop ne zaustavi motorja.
- Prev vsako uporabo preglejte stroj. Preverite, ali so pritrjena dobro pritrjena. Prepričajte se, da so vsa varovala in ročaji pravilno in trdno pritrjeni. Pred uporabo zamenjajte poškodovane dele. Preverite, ali baterija pušča.
- Výrobok žiadnym spôsobom neupravujte.
- Pri uporabi izdelka vedno nosite popolno zaščito za oči in sluh. Pri delu na območju, kjer obstaja tveganje za padajoče predmete, morate nositi zaščito za glavo.
- Nosite trdne, dolge hlače, škornje in rokavice. Ne nosite ohlajnih oblačil, kratkih hlač, nobenega nakita in ne uporabljajte bosí.
- Dolge lase si snpite nad rameni in tako preprečite njihovo ujetje v premikajoče se dele.
- Zaščita za sluh zmanjša vašo sposobnost, da slišite opozorila (alarme ali klice). Upravljavac mora še bolj paziti na dogajanje v okolici.
- Uporaba podobnih orodij v bližini poveča nevarnost za poškodbe sluha in nevarnost, da druge osebe vstopijo v vaše delovno območje.
- Izdelka ne uporabljajte, če ste utrujeni, bolni ali pod vplivom alkohola, drog ali zdravil.
- Pazite na ravnotežje in ne pretiravajte. Nesiahajte priliš daleko. Če sežete predaleč, lahko izgubite ravnotežje, kar lahko vodi do hude poškodbe.
- Dele telesa držite proč od premikajočih se delov.
- Preden stroj zaženete, se prepričajte, da se rezila ne dotikajo ničesar.
- Med uporabo obrezovalnik žive meje vedno trdno držite z obema rokama za oba ročaja, pri tem pa poskrbite, da je delovni položaj varen in zavarovan. Proizvajalec priporoča, da ne uporabljate stopnic ali lestev. Če morate obrezovati na višini, uporabite podaljševalno orodje.
- Rezila so ostra. Pri sestavljanju rezil si nadenite nedrseče zaščitne rokavice za groba dela. Dlani ali prstov ne polagajte med rezila ali na katera koli mesta, kjer bi jih lahko preščipnili ali porezali. Rezila ali pogonske enote se nikoli ne dotikajte, razen če je baterija odstranjena.
- Izklopite in odstranite akumulatorski vložek. Prepričajte se, da so se vsi premikajoči se deli popolnoma zaustavili:

- preden zapustite napravo
- pred čiščenjem ali odstranjevanjem blokade
- pred nastavljanjem delovnega položaja rezil
- pred preverjanjem in vzdrževanjem izdelka ali delom na njem
- Izdelka ne potiskajte skozi gosto grmičevje. S tem se rezila lahko upočasnijo. Če se rezila upočasnijo, upočasnite tempo.
- Ne režite debel ali vej, ki so debelejšje od 17 mm ali takih, ki so očitno prevelike, da bi ustrežale velikosti rezila. Velika stebela odrežite z neelektrično ročno žago.
- Ne uporabljajte izdelka, če ima poškodovana ali prekomerno obrabljena rezila.
- Pazite, da zaradi pogoste uporabe orodja ne postanete preveč samozavestni pri svojem delu in ne namenite pozornosti upoštevanju varnostnih načel uporabe. Nepredvidnost lahko že v delčku sekunde povzroči hudo poškodbo.
- Za najboljše delovanje naj se vaše baterijsko orodje polni na mestu, kjer je temperatura višja od 10 °C in nižja od 38 °C. Da bi zmanjšali tveganje za telesne poškodbe, izdelka ne shranjujte zunaj ali v vozilu.



OPOZORILO!

Če izdelek pade, močno trči ali začne nenormalno vibrirati, ga nemudoma zaustavite in preverite, ali je poškodovan oziroma poiščite vzrok vibriranja. Vsakršno poškodbo mora ustrezno popraviti ali zamenjati pooblaščen servisni center.

Pred izvajanjem del na pripomočku odstranite akumulatorski vložek.

Uporabljenih baterij ne odlagajte med gospodinjске odpadke oziroma jih ne sežigajte. Distributerji družbe ECHO ponujajo prevzem starih baterij z namenom varovanja okolja.

Baterij ne shranjujte skupaj z drugimi kovinskimi predmeti (nevarnost kratkega stika).

Baterije polnite izključno s polnilcem ECBC-58VEU/ECBC-58VUK.

Ne uporabljajte baterij, ki pripadajo drugim sistemom.

Združljive baterije: ECBP-58V20, ECBP-58V40

Pri ekstremnih obremenitvah ali ekstremnih temperaturah lahko iz poškodovanih baterij uhaja baterijska kislina. Če se dotaknete baterijske kisline, jo takoj sperite z milom in vodo. V primeru stika z očmi jih temeljito spirajte vsaj 10 minut in nemudoma poiščite zdravniško pomoč.



DODATNA VARNOSTNA OPOZORILA ZA BATERIJO



OPOZORILO!

V izogib, s kratkim stikom povzročene nevarnosti požara, poškodb ali okvar na proizvodu, orodja, izmenljivega akumulatorja ali polnilne naprave ne potaplajte v tekočine in poskrbite, da ne bo prihajalo do vdora tekočin v napravo in akumulatorje. Korozivne ali prevodne tekočine, kot so slana voda, določene kemikalije in belila ali proizvodi, ki le ta vsebujejo, lahko povzročijo kratek stik.

REZIDUALNA TVEGANJA

Tudi če izdelek uporabljate tako, kot je predpisano, še vedno ne moremo izključiti določenih preostalih dejavnikov tveganja. Med uporabo se lahko pojavijo naslednje nevarnosti, upravljavec pa naj bo pozoren na sledeče:

- Poškodbe zaradi stika z rezili
 - Rezila med rezanjem ne morejo biti varovana. Rezilo držite proč od vas in ostalih. Prepričajte se, da so nameščena varovala rezil, kadar naprava ni v uporabi.
- Poškodbe zaradi vibracij.
 - Vedno uporabljajte pravo orodje za opravilo, uporabite ustrezne ročaje in omejite delovni čas in izpostavljenost.
- Poškodbe sluha zaradi izpostavljenosti hrupu
 - Nosite zaščito za sluh in omejite izpostavljenost.

ZMANJŠANJE TVEGANJA

Ugotovljeno je bilo, da lahko pri nekaterih posameznikih vibracije ročnih orodij povzročijo Raynaudov sindrom. Simptomi so lahko mravljinca, otrplost in pobledele prsti, kar je običajno vidno, kadar je oseba izpostavljena mrazu. Dedni dejavniki, izpostavljenost mrazu in vlagi, dieta, kajenje in delovne navade naj bi pripomogle k razvoju teh simptomov. Za zmanjšanje učinkov vibracij lahko upravljavec upošteva naslednja navodila:

- Poskrbite, da bo vaše telo na mrazu toplo. Med upravljanjem nosite rokavice in tako ohranjate toploto vaših dlani in zapestij. Kot poročajo, je mraz glavni dejavnik, ki prispeva k Raynaudovemu sindromu.
- Po vsakem obdobju upravljanja naprave telovadite in tako pospešite krvni obtok.
- Pogosto si vzemite odmor. Omejite dnevno količino izpostavljenosti.

Če zaznavate kakršne koli simptome takšnega stanja, takoj prenehajte z uporabo naprave in se o simptomih posvetujte z zdravnikom.



OPOZORILO!

Daljša uporaba orodja lahko privede do poškodb ali pa so poškodbe lahko hujše. Kadar orodje uporabljate dalj časa, si večkrat vzemite odmor.

NAMEN UPORABE

Brezžični obrezovalnik grmičevja je namenjen izključno uporabi na prostem. Zaradi varnosti je zahtevano dvoročno krmljenje naprave.

Izdelek je namenjen za domačo uporabo. Izdelek je namenjen obrezovanju žive meje, grmičevja in podobnega rastlinja.

Uporabljati ga je treba v suhih razmerah z dobro svetlobo.

NI namenjen košenju trave, obrezovanju drevja ali vej. Ne smete ga uporabljati za druge namen kot pa za obrezovanje žive meje.

Ne uporabljajte izdelka za noben namen, ki ni naveden v razdelku Predvidena uporaba.

SPOZNAJTE SVOJ IZDELEK

Glejte stran 6-7.

1. Stikalo za prisotnost upravljavca
2. Gumb zapaha za baterijo
3. Akumulator
4. Zaklep ročice za plin
5. Zadnji ročaj
6. Stikalo dušilne lopute
7. Polnilec
8. Pokrov rezila
9. Rezilo
10. Ščitnik
11. Sprednji ročaj

TRANSPORT IN SHRANJEVANJE

- Ustavite napravo, odstranite baterijo in počakajte, da se ohladi, preden ju shranite ali transportirate.
- Očistite vse tuje z izdelka. Shranite jo na suhem in dobro prezračujem mestu, ki ni na dosegu otrok. Za dodatno varnost akumulator hranite ločeno od škarij za obrezovanje žive meje. Hranite proč od jedkih sredstev, kot so kemikalije za vrtnarjenje in soli za odmrzovanje. Ne shranjujte na prostem.
- Pred shranjevanjem ali med transportom vedno zavarujte rezilo z zaščito rezila.
- Za transport zavarujte izdelek pred premiki ali padci, da preprečite poškodbe oseb ali izdelka.

VZDRŽEVANJE



OPOZORILO!

Uporabljajte samo dodatke ECHO in rezervne dele ECHO. V nasprotnem primeru naprava lahko slabo deluje, povzroči poškodbe, garancija pa ne velja več. Če je treba zamenjati dele, ki tukaj niso navedeni, se obrnite na enega od servisov družbe ECHO.



OPOZORILO!

Servisiranje zahteva posebno pozornost in znanje in naj jo zato opravlja samo izurjeni servisni tehnik. Za servisiranje odnesite izdelek na pooblaščen servis. Pri servisiranju uporabljajte samo originalne nadomestne dele.



OPOZORILO!

Rezila so izredno ostra. Da preprečite poškodbe oseb, bodite pri čiščenju, mazanju in nameščanju ter odstranjevanju zaščitne rezila izredno previdni. Pred vzdrževanjem ali čiščenjem izklopite baterijski sklop in ga odstranite.

- Pred prilagajanjem, vzdrževanjem ali čiščenjem odstranite baterijo.
- Opravite lahko samo tukaj navedene prilagoditve ali popravila. Za ostala popravila se obrnite na pooblaščenega serviserja.
- Po vsaki uporabi z mehko suho krpo očistite trup in ročaje izdelka.
- Po vsaki uporabi s trdo krtačo z rezila odstranite ostanke, nato pa previdno nanesite mazivo proti rji, preden znova namestite zaščito rezila. Proizvajalec priporoča uporabo zaščitnega sredstva pred rjo ter spreja, ki ju enakomerno nanesete, ter s tem zmanjšate tveganje za poškodbe oseb zaradi stika z rezilom. Za informacije o ustreznem spreju se obrnite na lokalni pooblaščen servisni center.
- Pred uporabo lahko rezila po potrebi rahlo namažete, pri tem pa upoštevajte zgornjo metodo.
- Pogosto preverjajte, ali so vse matice in vijaki dobro pritrjeni in tako zagotovite varno delovno stanje izdelka. Vsak poškodovani del mora ustrezno popraviti ali zamenjati pooblaščen servisni center.

BATERIJE

- Baterije, ki jih nekaj časa niste uporabljali, je treba pred uporabo napolniti.
- Temperature nad 50°C (122°F) zmanjšajo učinkovitost baterij. Preprečite dolgotrajno izpostavljenost toploti ali sončni svetlobi (nevarnost pregretja).
- Kontakti polnilnika in akumulatorskega sklopa morajo biti čisti.

- Za zagotovitev optimalne življenjske dobe baterij jih je treba po uporabi povsem napolniti.
- Za zagotovitev najdaljše možne življenjske dobe baterij jih odstranite iz polnilca, ko so povsem napolnjene.

Za shranjevanje baterije, ki je daljše od 30 dni:

- Baterijo shranite tam, kjer je temperatura pod 27°C in kjer ni vlage.
- Ob shranjevanju naj bodo baterije napolnjene 30-50 %.
- Vsakih šest mesecev shranjevanja baterijo napolnite kot običajno.
- Dosledno upoštevajte navodila za polnjenje in akumulatorja oziroma orodja ne polnite izven temperaturnega razpona, predpisanega v navodilih. Ob nepravilnem polnjenju oziroma polnjenju pri temperaturah izven predpisanega razpona se lahko poškoduje akumulator in poveča nevarnost požara.

PRENAŠANJE LITIJEVIH BATERIJ

Za litij-ionsko baterijo velja zakonodaja o nevarnem blagu.

Prevoz teh baterij je treba izvesti v skladu z lokalnimi, nacionalnimi in mednarodnimi določbami ter predpisi.

- Uporabnik lahko baterije prevaža po cesti brez dodatnih zahtev.
- Za komercialni prevoz litijevih baterij s strani tretjih oseb se uporabljajo predpisi o nevarnem blagu. Priprave za transport in transport mora izvajati ustrezno usposobljeno osebje, proces pa morajo spremljati ustrezni strokovnjaki.

Pri prevozu baterij:

- Zagotovite, da bodo kontakti baterij zaščiteni in izolirani, da ne bo prišlo do kratkega stika.
- poskrbite, da embalaža prepreči premikanje baterij.
- Ne prevažajte poškodovanih baterij oz. baterij, ki puščajo.

Za nadaljnje informacije se obrnite na posredovalno podjetje.

SIMBOLI



Varnostni alarm



Pred uporabo izdelka morate prebrati in razumeti vsa navodila, upoštevati vsa opozorila in varnostne napotke.



Nosite zaščito za ušesa.



Nosite zaščito za oči.



Obrezovalnik med delom vedno držite z obema rokama.



Da bi preprečili resne poškodbe, se ne dotikajte rezil.



Nadenite si nedrseče zaščitne rokavice za težka dela.



Ne izpostavljajte ga dežju ali vlagi.



Pazite na izvržene ali leteče predmete. Prisotni (še posebej otroci in živali) naj bodo med obratovanjem oddaljeni vsaj 15 m od delovnega območja.



Ukrajinska oznaka za skladnost



EurAsian oznaka o skladnosti



Odpadne električne izdelke odlagajte skupaj z ostalimi gospodinjstvi odpadki. Reciklažo opravljajte na predpisanih mestih. Za reciklažni nasvet se obrnite na lokalne oblasti.



Ustreza vsem predpisanim standardom v državi članici EU, kjer je bil kupljen izdelek.



Zajamčena raven zvočne moči na tej oznaki je 93 dB.

Sledeče signalne besede in pomeni naj bi pojasnili ravni tveganja, ki so povezane s tem izdelkom.

⚠ NEVARNOST

Označuje neizbežno tvegano stanje, ki če se ji ne izognete lahko povzroči smrt ali resno poškodbo.

⚠ OPOZORILO

Označuje morebitno tvegano stanje, ki če se ji ne izognete lahko povzroči smrt ali resno poškodbo.

⚠ POZOR

Označuje morebitno tvegano stanje, ki če se mu ne izognete lahko povzroči manjšo ali srednje resno poškodbo.

POZOR

Brez simbola za varnostno opozorilo

Prikazuje situacijo, ki lahko povzroči materialno škodo.



TECHNICKÉ ÚDAJE

STRIHAČ ŽIVÉHO PLOTU

ECHT-58V

Sériové číslo	94501401000001 - 94501401999999
Rýchlosť naprázdno	3400 min ⁻¹
Dĺžka ostria	610 mm
Dĺžka strihu	563 mm
Napätie akumulátora	51,1V, 58V MAX
Hmotnosť (so 2,0 Ah akumulátorom)	5,5 kg
Hmotnosť (so 4,0 Ah akumulátorom)	6,1 kg
Hmotnosť (bez akumulátora)	4,3 kg

EN
FR
DE
ES
IT
NL
PT
DA
SV
FI
NO
RU
PL
CS
HU
RO
LV
LT
ET
HR
SL
BG
UK
TR

Informácie o hluku/vibráciách (podľa normy EN 60745-1, EN 60745-2-15)

A-vážené úrovne hluku:

Hladina akustického tlaku	$L_{pA} = 79,0 \text{ dB(A)}$
Neurčitosť	$K = 3,0 \text{ dB}$
Hladina akustického výkonu	$L_{WA} = 90,0 \text{ dB(A)}$
Neurčitosť	$K = 2,3 \text{ dB}$

Vždy používajte ochranu sluchu!

Celkové hodnoty vibrácií (vektorový trojosový súčet) stanovené podľa normy EN 60745-1, EN 60745-2-15.

Hodnota emisií vibrácií (ah)

Zadná rukoväť	$a_h = 3,4 \text{ m/s}^2$
Predná rukoväť	$a_h = 2,6 \text{ m/s}^2$
Neurčitosť	$K = 1,5 \text{ m/s}$

***SPM (pohyby za minútu) je počet pohybov spojovacej tyče vykonaných počas jednej minúty.**

AKUMULÁTOR A NABÍJAČKA

ECHT-58V

Kompatibilné jednotky akumulátorov	ECBP-58V20 / ECBP-58V40
Kompatibilná nabíjačka	ECBC-58VEU and ECBC-58VUK



VAROVANIE!

Úroveň emisií vibrácií uvedená v tejto karte s informáciami bola nameraná v súlade so štandardizovaným testom a môže sa používať na porovnávanie náradia s inými. Môže sa používať na predbežné posúdenie expozície.

Deklarovaná úroveň emisií vibrácií predstavuje hlavné použitia náradia. No ak sa náradie používa na iné aplikácie, v spojení s iným príslušenstvom alebo je jeho údržba nepostačujúca, emisie vibrácií sa môžu líšiť. To môže značne zvýšiť úroveň expozície počas celkovej pracovnej doby.

Odhad úrovne expozície účinkom vibrácií musí taktiež zohľadniť časy vypnutia náradia alebo ak je spustené, no v skutočnosti prácu nevykonáva. To môže značne znížiť úroveň expozície počas celkovej pracovnej doby.

Stanovte doplnkové bezpečnostné opatrenia na ochranu obsluhy pred účinkami vibrácií, napríklad: vykonávanie údržby náradia a príslušenstva, zahrievanie rúk, organizácia pracovných postupov.





VAROVANIE!

Prečítajte si všetky bezpečnostné výstrahy a pokyny. Pri nedodržaní týchto výstrah a pokynov môže dôjsť k úrazu elektrickým prúdom, požiaru a/alebo závažnému poraneniu.

Odložte všetky upozornenia a pokyny použité v budúcnosti.

Pojem „mechanický nástroj“ vo výstrahách sa vzťahuje na váš sieťový (káblový) mechanický nástroj alebo akumulátorový (bezkáblový) mechanický nástroj.

VŠEOBECNÉ BEZPEČNOSTNÉ VÝSTRAHY

PRACOVNÝ PRIESTOR

- Pracovisko udržiavajte v čistote a správne osvetlené. Prepchané alebo tmavé miesta zvyšujú pravdepodobnosť nehôd.
- Nepracujte s mechanickými nástrojmi vo výbušných atmosférach, napríklad v blízkosti zápalných tekutín, plynov alebo prachu. Mechanické nástroje vytvárajú iskry, ktoré môžu podpáliť takýto prach alebo výpary.
- Deti a okolostojaci sa počas práce s mechanickým nástrojom nesmú zdržovať v jeho blízkosti. Rozptýlenie môže spôsobiť, že stratíte nad nástrojom kontrolu.

ELEKTRICKÁ BEZPEČNOSŤ

- Zástrčky mechanického nástroja musia zodpovedať zásuvke. Zástrčku nikdy žiadnym spôsobom neupravujte. S uzemnenými mechanickými nástrojmi nepoužívajte rozdvojnú zásuvku. Použitím neupravovaných zástrčiek a zodpovedajúcich zásuviek sa znižuje riziko úrazu elektrickým prúdom.
- Vyhýbajte sa telesnému kontaktu s uzemnenými povrchmi, napríklad rúrami, radiátormi, sporákmi a chladničkami. Ak je vaše telo uzemnené, hrozí vysoké riziko úrazu elektrickým prúdom.
- Nevystavujte produkt dažďu ani mokrému prostrediu. Voda, ktorá vnikne do mechanického nástroja, zvyšuje riziko úrazu elektrickým prúdom.
- Kábel nemahajte. Nikdy nepoužívajte kábel na prenášanie, ťahanie alebo odpájanie mechanického nástroja. Kábel nedávajte do blízkosti tepla, oleja, ostrých okrajov alebo pohyblivých dielov. Poškodené alebo zamotané káble zvyšujú riziko úrazu elektrickým prúdom.
- Pri práci s mechanickým nástrojom v exteriéri používajte predlžovací kábel vhodný pre použitie v exteriéri. S káblom vhodným pre použitie v exteriéri sa znižuje riziko úrazu elektrickým prúdom.
- Ak je nevyhnutné pracovať s mechanickým nástrojom vo vlhkom prostredí, použite zdroj

chránený zariadením pre zvyškový prúd. Použitie zariadenia pre zvyškový prúd znižuje riziko úrazu elektrickým prúdom.

OSOBNÁ BEZPEČNOSŤ

- Pri práci s mechanickým nástrojom buďte ostražití, sledujte, čo robíte a používajte zdravý rozum. Nepoužívajte mechanický nástroj, keď ste unavení alebo pod vplyvom drog, alkoholu alebo liekov. Chvilka nepozornosti počas práce s mechanickými nástrojmi môže spôsobiť závažné osobné poranenie.
 - Používajte osobné ochranné pomôcky. Vždy používajte chrániče zraku. Ochranné pomôcky ako protiprachová maska, protišmyková bezpečnostná obuv, pevný kloúb alebo chrániče sluchu, používané pre príslušné podmienky, znižujú riziko vzniku osobného poranenia.
 - Zabráňte neúmyselnému spusteniu. Pred zapojením zariadenia do siete a/alebo k jednotke akumulátora, zdvíhaním alebo prenášaním nástroja vždy skontrolujte, či je spínač vo vypnutej polohe. Pri prenášaní mechanických nástrojov s prstom položeným na spínači alebo pripájaní mechanických nástrojov so zapnutým spínačom sa zvyšuje riziko úrazu.
 - Pred zapnutím nástroja odstráňte prípadný nastavovací klin alebo kľúč. Keď necháte kľúč alebo klin nasadený na rotujúci diel mechanického nástroja, môže dôjsť k vážnemu poraneniu osôb.
 - Neprečeňujte sa. Neustále zachovávajte pevnú oporu nôh a rovnováhu. Tak si zaistíte lepšiu kontrolu nad mechanickým nástrojom v nečakaných situáciách.
 - Primerane sa oblečte. Nenoste voľný odev ani šperky. Vlasy, odev a rukavice nepriblížte k pohyblivým sa dielom. Voľný odev, šperky či dlhé vlasy sa môžu zachytiť do pohyblivých častí.
 - Ak sú zariadenia vybavené pripojením na prostriedky na odsávanie a zber prachu, zaistíte, aby boli správne pripojené a primerane sa používali. Pri použití týchto prostriedkov sa znižujú riziká pochádzajúce z prachu.
 - Nedovoľte, aby znalosti získané počas častého používania náradia spôsobili, že budete ignorovať princípy bezpečnosti pre náradie. Nedbanlivosť môže spôsobiť závažné poranenie v zlomku sekundy.
- ### POUŽÍVANIE ELEKTRICKÉHO NÁSTROJA A STABILNOSŤ OŇ
- Na nástroj nevyvíjajte silu. Používajte vhodný nástroj pre dané použitie. Správny mechanický nástroj splní svoju úlohu lepšie a bezpečnejšie pri rýchlosti, na ktorú je určený.
 - Mechanický nástroj nepoužívajte, ak spínač nezapína a nevypína nástroj. Mechanický nástroj, ktorý sa nedá ovládať spínačom, je nebezpečný a musí sa dať opraviť.
 - Pred vykonaním akýchkoľvek úprav, výmene príslušenstva alebo odložením mechanického



nástroja odpojte zástrčku zo sieťovej zásuvky a/ alebo jednotky akumulátora. Takéto preventívne opatrenie znižuje riziko neúmyselného spustenia mechanického nástroja.

- Nečinné mechanické nástroje odložte mimo dosahu detí a nedovoľte používať mechanický nástroj osobám neoboznámeným s mechanickým nástrojom alebo týmito pokynmi. Mechanické nástroje sú v rukách netrénovaných osôb nebezpečné.
- Na mechanických nástrojoch vykonávajte údržbu. Skontrolujte, či pohyblivé diely nie sú nesprávne nastavené alebo zablokované, či niektoré diely nie sú poškodené, ako aj akýkoľvek iný stav, ktorý by mohol ovplyvniť činnosť mechanického nástroja. V prípade poškodenia nechajte mechanický nástroj pre použitím opraviť. Veľké množstvo nehôd je spôsobených nedostatočnou údržbou mechanických nástrojov.
- Rezacie nástroje udržiavajte ostré a v čistote. Správne udržiavané rezacie nástroje s ostrými ostriami sa menej pravdepodobne zaseknú a ľahšie sa ovládajú.
- Mechanický nástroj, príslušenstvo a vrtáky a pod., používajte v súlade s týmito návodom, pričom berte do úvahy pracovné podmienky a úlohu, ktorú chcete vykonať. Pri používaní mechanického nástroja na iné ako určené činnosti môže dôjsť k nebezpečným situáciám.
- Rukoväte a úchopné povrchy udržiavajte suché, čisté a bez zvyškov oleja či maziva. Klzké rukoväte a úchopné povrchy neumožňujú bezpečnú manipuláciu a ovládanie nástroja v neočakávaných situáciách.

POUŽÍVANIE AKUMULÁTORA A STAROSTLIVOSŤ OŇ

- Nabíjajte len s použitím nabíjačky špecifikovanej výrobcom. Nabíjačka, ktorá je vhodná pre jeden typ jednotky akumulátora, môže pri použití s inou jednotkou akumulátora spôsobiť riziko požiaru.
- Používajte len mechanické nástroje so špecificky určenými jednotkami akumulátorov. Pri použití iných jednotiek akumulátora vzniká riziko poranenia a požiaru.
- Keď sa jednotka akumulátora nepoužíva, nedávajte ju do blízkosti iných kovových objektov, ako sú papierové sponky, mince, kľúče, kince, skrutky či iné malé kovové predmety, ktoré by mohli skratovať svorky. Pri skratovaní svoriek akumulátora môže dôjsť k popáleninám alebo požiaru.
- Za nevhodných podmienok, keď by z batérie vytekala kvapalina, predchádzajte kontaktu s ňou. Pri náhodnom kontakte opláchnite vodou. Ak tekutina zasiahne oči, dodatočne vyhľadajte lekársku pomoc. Tekutina vytečená z akumulátora môže spôsobiť podráždenie alebo popáleniny.
- Poškodenú alebo upravenú súpravu batérií alebo náradie nepoužívajte. Poškodené alebo upravené batérie môžu vykazovať nepredvídateľné správanie s následkom požiaru, výbuchu alebo poranenia.

- Súpravu batérií ani náradie nevystavujte účinkom ohňa ani nadmerných teplôt. Vystavenie účinkom ohňa alebo nadmernej teploty nad 130 °C môže spôsobiť výbuch.
- Dodržiavajte všetky pokyny na nabíjanie a súpravu batérií ani náradie nenabíjajte mimo rozsahu teplôt, ktorý je uvedený v pokynoch. Nesprávne nabíjanie alebo nabíjanie pri teplotách mimo uvedeného rozsahu môže poškodiť batériu a zvýšiť riziko vzniku požiaru.

OPRAVY

- Servis mechanického nástroja prenechajte kvalifikovanému servisnému pracovníkovi s použitím len identických náhradných dielov. Takto zachováte bezpečnosť mechanického nástroja.
- Nikdy nevykonávajte servis poškodených súprav batérií. Servis súprav batérií sme vykonávať len výrobca alebo autorizovaní poskytovatelia servisu.

STRIHAČ ŽIVÉHO PLOTU – BEZPEČNOSTNÉ VÝSTRAHY

- Telo udržiavajte mimo dosahu rezného ostria. Neodstraňujte odstrihnutý materiál ani nedržte strihaný materiál, keď sa ostria pohybujú. Pri čistení zaseknutého materiálu musí byť spínač vypnutý. Chvíľa nepozornosti počas obsluhy produktu môže spôsobiť závažné osobné poranenie.
- Strihač živého plotu prenášajte za rukoväť, pričom rezné ostrie je zastavené. Pre prenášanie alebo skladovanie strihača plotu vždy nasadzte kryt strihacieho zariadenia. Pri správnom zaobchádzaní so strihačom živého plotu sa znižuje pravdepodobnosť osobného poranenia rezným ostrím.
- Elektrický nástroj držte len za izolované úchopné povrchy, lebo rezné ostrie sa môže dostať do kontaktu so skrytými vodičmi alebo vlastným káblom. Pri kontakte rezných ostrí so „živým“ vodičom by mohli byť obnažené kovové diely pod prúdom a spôsobiť obsluhujúcemu úder elektrickým prúdom.

AKUMULÁTOR – BEZPEČNOSTNÉ VÝSTRAHY

- Niektoré regióny majú nariadenia, ktoré obmedzujú použitie produktu na určité operácie. Poradte sa s miestnym úradom. Prečítajte si všetky inštrukcie
- Pred každým použitím vyčistite pracovisko. Odstráňte všetky predmety ako káble, svetlá, drôty alebo vlákna, ktoré by sa mohli vymrštiť alebo zamotať do rezného zariadenia.
- Skontrolujte, či v živom plote nie sú cudzie predmety, napríklad drôtené ploty.
- Dbajte na zvýšenú opatrnosť pri používaní výrobku v blízkosti oplotenia, stĺpkov, budov a iných pevných predmetov.
- Pozor na vymršťované predmety – všetky okolostojace

EN
FR
DE
ES
IT
NL
PT
DA
SV
FI
NO
RU
PL
CS
HU
RO
LV
LT
ET
HR
SL
SK
BG
UK
TR



osoby, deti a domáce zvieratá musia stáť minimálne 15 m od pracoviska.

- Nedovoľte tento produkt používať deťom a nezaškoleným osobám.
- Nepracujte pri nedostatočnom osvetlení. Obsluhujúci musí mať jasný výhľad na pracovný priestor, aby mohol identifikovať potenciálne nebezpečenstvo.
- Pri používaní zariadenia vždy skontrolujte, či sú nasadené všetky rukoväte a kryty. Ne uporabljajte nepopolnega orodja ali orodja s priključením neodobrenim dodatkom.
- Pred každým použitím skontrolujte, či všetky ovládacie prvky a bezpečnostné zariadenia fungujú správne. Produkt nepoužívajte, ak hlavný spínač nevypína motor.
- Pred každým použitím nástroj skontrolujte. Skontrolujte, či nie sú uvoľnené upínadlá. Skontrolujte, či sú všetky kryty a rukoväte bezpečne nasadené. Pred použitím vymeňte všetky poškodené diely. Skontrolujte, či nedochádza k vytekaniu akumulátorovej jednotky.
- Izdelka na noben način ne spreminjajte.
- Pri práci s týmto zariadením používajte chrániče zraku a sluchu. Pri práci v priestore, kde existuje riziko pádu predmetov, používajte ochranu hlavy.
- Noste hrubé a dlhé nohavice, topánky a rukavice. Nenoste voľné pohodlné oblečenie, krátke nohavice, bižutériu žiadneho druhu, ani nepracujte bosí.
- Dlhé vlasy zaistite, aby boli nad úrovňou pliec a nedošlo tak k ich zamotaniu do pohyblivých dielov.
- Použitie ochrany sluchu znižuje schopnosť počuť zvukové výstrahy (výkriky alebo alarmy). Operátor musí dávať zvlášť pozor, čo sa deje v pracovnej oblasti.
- Pri používaní podobných nástrojov v blízkosti sa zvyšuje riziko poranenia sluchu a potenciál pre ostatné osoby, ktoré vstúpia do pracovného priestoru.
- Nepoužívajte tento produkt, keď ste unavení, chorí alebo pod vplyvom, alkoholu, drog alebo liekov.
- Udržujte bezpečný postoj a rovnováhu. Nepreceňujte sa. Pri siahaní príliš ďaleko môžete stratiť rovnováhu a utrpieť závažné poranenie.
- Žiadnu časť tela nedávajte do blízkosti žiadnej pohybujúcej sa časti.
- Pred spustením nástroja dbajte na to, aby rezné ostria neboli s ničím v kontakte.
- Pri práci so strihačom živého plotu ho vždy držte pevne za obe rukoväte a dbajte na to, aby bola každá pracovná poloha bezpečná a zaistená. Výrobca neodporúča používať schodíky alebo rebríky. Ak sa vyžaduje strihanie vo vyššej polohe, použite nástroj na ďaleký dosah.
- Ostria sú ostré. Pri manipulácii s jednotkou ostria používajte protišmykové silné ochranné rukavice. Nevkladajte ruky alebo prsty medzi ostria ani do žiadnej

inej pozície, kde by sa mohli zovrieť alebo porezať. Nikdy sa nedotýkajte ostria alebo servisnej jednotky, kým nevyberiete akumulátorovú jednotku.

- Vypnite a odpojte súpravu batérií. Skontrolujte, či sa všetky pohyblivé diely úplne zastavili:
 - pred ponechaním výrobu bez dozoru
 - pred čistením alebo odstránením upchatia
 - pred nastavením pracovnej polohy sečného zariadenia
 - pred kontrolou, údržbou alebo prácou na produkte
- Výrobkom nasilu nestrihajte hustý porast. To môže spôsobiť zovretie ostria a ich spomalenie. Ak ostria spomalila, znížte tempo.
- Nepokúšajte sa strihať kmene alebo vetvy hrubšie ako 17 mm alebo také, ktoré sú zjavne príliš veľké, aby vošli do rezného ostria. Na rezanie veľkých kmeňov použite ručnú pílu bez pohonu alebo odvetvovacia pílu.
- Tento výrobok nepoužívajte, ak sú jeho čepele poškodené alebo nadmerne opotrebované.
- Nedovoľte, aby znalosti získané počas častého používania náradia spôsobili, že budete ignorovať princípy bezpečnosti pre náradie. Nedbanlivosť môže spôsobiť závažné poranenie v zlomku sekundy.
- Najlepšie výsledky dosiahnete, keď budete akumulátorový nástroj nabíjať na mieste s teplotou v rozsahu 10 °C až 38 °C. Na zníženie rizika závažného osobného poranenia neskladujte vo vonkajších priestoroch alebo vo vozidlách.



VAROVANIE!

Ak produkt spadne, utrpí silný náraz alebo začne neštandardne vibrovať, okamžite ho zastavte s skontrolovaním, či nedošlo k poškodeniu alebo zistíte príčinu vibrácií Akékoľvek poškodenie sa musí náležite opraviť alebo vymeniť v autorizovanom servisnom centre.

Vyberte sadu batérií pred vykonávaním akýchkoľvek prác na výrobku.

Použitie akumulátory nevyhadzujte do komunálneho odpadu ani ich nespájajte. Predajcovia výrobkov značky ECHO ponúkajú službu prevzatia starých akumulátorov, aby sa šetrilo naše životné prostredie.

Akumulátor neskladujte spolu s kovovými predmetmi (riziko skratu).

Na nabíjanie akumulátorov používajte len nabíjačku ECBC-58VEU/ECBC-58VUK.

Nepoužívajte akumulátory z iných systémov.

Kompatibilné jednotky akumulátorov: ECBP-58V20, ECBP-58V40

Pri vysokom zaťažení alebo extrémnych teplotách môže z poškodených akumulátorov vytekať elektrolyt. V prípade kontaktu s elektrolytom z akumulátora si miesto okamžite umyte mydlom a vodou. V prípade zasiahnutia očí si ich dôkladne aspoň 10 minút vyplachujte vodou a okamžite vyhľadajte zdravotnícku pomoc.

DOPLNKOVÉ BEZPEČNOSTNÉ VÝSTRAHY PRE BATÉRIU



VAROVANIE!

Aby ste zabránili nebezpečenstvu požiaru spôsobeného skratom, poraneniam alebo poškodeniam výrobcu, neponárajte náradie, výmennú batériu alebo nabíjačku do kvapalín a postarajte sa o to, aby do zariadení a akumulátorov nevnikli žiadne tekutiny. Korodujúce alebo vodivé kvapaliny, ako je slaná voda, určité chemikálie a bieliace prostriedky alebo výrobky, ktoré obsahujú bielidlo, môžu spôsobiť skrat.

ZVYŠKOVÉ RIZIKÁ

Aj keď sa nástroj používa podľa predpisu, nie je možné eliminovať určité zvyškové rizikové faktory. Pri použití vznikajú nasledujúce riziká a obsluhujúca osoba musí venovať zvláštnu pozornosť, aby nedošlo k nasledovnému:

- zranenie pri kontakte s čepeľami
 - Ostria nie je možné počas rezania chrániť. Nedávajte ostrie do blízkosti vás a iných osôb. Uistite sa, že v čase, keď sa výrobok nepoužíva, má nasadený chránič nožov.
- Zranenie spôsobené vibráciami.
 - Vždy používajte vhodný nástroj pre danú úlohu, používajte určené rukoväte a obmedzte pracovný čas a mieru rizika.
- Poškodenie sluchu v dôsledku vystaveniu hluku.
 - Používajte ochranu sluchu a obmedzte expozíciu.

OBMEDZENIE RIZIKA

Boli hlásené prípady, kedy vibrácie z ručných nástrojov u niektorých osôb prispeli k stavu nazývanému Raynaudov syndróm. K symptómom patria: trpnutie, znecitlivenie a blednutie prstov, zvyčajne zjavné po vystavení zime. Je známe, že k vývoju týchto symptómov prispievajú: dedičné faktory, vystavovanie zime a vlhkosti, diéta, fajčenie a pracovné návyky. Opatrenia, ktoré môže vykonať obsluhujúca osoba na možné zníženie účinkov vibrácií:

- V studenom počasí udržiavajte svoje telo v teple. Pri práci s produktom noste rukavice, aby ste mali ruky a zápästia v teple. Boli hlásené prípady, kedy hlavným faktorom prispievajúcim k Raynaudovmu syndrómu bolo studené počasie.
- Po každom určenom časovom úseku prevádzky cvičte, aby ste zlepšili krvný obeh.
- Počas práce si doprajte časté prestávky. Obmedzte počet vystavení za deň.

Ak zistíte ktorýkoľvek zo symptómov tohto stavu, okamžite prerušte používanie zariadenia, navštívte svojho lekára a povedzte mu o symptómoch.



VAROVANIE!

Pri dlhodobom alebo zvýšenom používaní môže dôjsť k zraneniam. Pri používaní nástroja príliš dlhé obdobia si vždy doprajte pravidelné prestávky.

ÚČEL POUŽITIA

Akumulátorové nožnice na živý plot sú určené len na použitie v exteriéri. Z bezpečnostných dôvodov musí byť krovinorez náležite ovládaný pomocou oboch rúk.

Tento produkt je určený na domáce použitie. Je určené na rezanie a orezávanie živých plotov, raždia a podobnej vegetácie.

Musí sa používať v suchom a dobre osvetlenom prostredí.

NIE je určené na strihanie trávy, stromov či konárov. Nesmie sa používať na žiadne iné účely okrem strihania živých plotov.

Tento výrobok nepoužívajte na žiadny účel, ktorý nie je uvedený v časti Určené použitie.

OBOZNÁMTE SA S VAŠIM PRODUKTOM

Pozrite strany 6–7.

1. Spínač prítomnosti obsluhujúcej osoby
2. Tlačidlo západky akumulátora
3. Batéria
4. Poistka páčky plynu
5. Zadná rukoväť
6. Plynová páčka
7. Nabíjačka
8. Kryt ostria
9. Ostrie
10. Ochranný kryt
11. Predná rukoväť

PREPRAVA A SKLADOVANIE

- Pred uskladnením alebo prepravou zastavte produkt, vyberte akumulátor a nechajte oboje vychladnúť.
- Odstráňte zo zariadenia všetky cudzie materiály. Odložte ho na suché a dobre vetrané miesto, na ktoré nemajú prístup deti. Z bezpečnostných dôvodov skladujte akumulátor oddelene od strihača živého plotu. Náradie neuskladňujte v blízkosti žieravých látok, ako napríklad v blízkosti záhradníckych chemických prípravkov alebo solí na zimný posyp komunikácií. Neskladujte v exteriéri.
- Pred skladovaním zariadenia alebo počas prepravy zakryte ostrie ochranným krytom ostria.
- Pri preprave zaistite produkt pred pohybom alebo pádom, aby nedošlo k poraneniu osôb alebo poškodeniu produktu.

ÚDRŽBA



VAROVANIE!

Používajte len príslušenstvo ECHO a náhradné diely ECHO. V opačnom prípade môže dôjsť k možnému poraneniu, nedostatočnému výkonu a strate platnosti záruky. Ak potrebujete vymeniť súčasti, ktoré tu nie sú opísané, kontaktujte jedného zo servisných zástupcov spoločnosti ECHO.



VAROVANIE!

Údržba vyžaduje extrémnu starostlivosť a znalosti, a musí byť prevádzaná výhradne v autorizovanom servise. Ak chcete vykonať servis, prineste produkt do autorizovaného servisného centra. Pri servise používajte len originálne náhradné diely výrobcu.



VAROVANIE!

Rezné ostria sú veľmi ostré. Aby nedošlo k poraneniu osôb, buďte mimoriadne opatrní pri čistení, mazaní a montáži alebo demontáži ochranného krytu ostria. Vypnite a vyberte sadu batérií pred vykonávaním akejkoľvek údržby alebo čistenia.

- Pred úpravami, údržbou alebo čistením vyberte akumulátor.
- Môžete vykonávať len úpravy alebo opravy popísané v tejto príručke. Pri ostatných opravách sa obráťte na autorizovaného servisného zástupcu.
- Po každom použití vyčistite telo a rukoväť produktu suchou tkaninou.
- Po každom použití vyčistite sutinu z ostří pomocou tvrdej kefy a predtým, ako znova namontujete ochranný kryt ostria, dôkladne naneste prostriedok proti hrdzaveniu. Výrobca odporúča aplikovať a rovnomerne naniesť prostriedok proti hrdzaveniu a lubrikačný sprej, čím sa zníži riziko poranenia osôb následkom kontaktu s ostriami. Informácie o vhodnom sprejovom produkte dostanete v miestnom autorizovanom servisnom centre.
- Pomocou vyššie uvedenej metódy môžete v prípade potreby pred použitím ostria jemne namazať.
- Skontrolujte všetky skrutky, matice v častých intervaloch či sú riadne utiahnuté, aby sa zaistila bezpečná prevádzka produktu. Akýkoľvek poškodený diel sa musí náležite opraviť alebo vymeniť v autorizovanom servisnom centre.

AKUMULÁTORY

- Akumulátory, ktoré ste nejaký čas nepoužívali, treba pred použitím nabiť.
- Teploty nad 50 °C (122 °F) znižujú výkon akumulátora. Zabráňte dlhodobému vystaveniu účinkom tepla alebo snečného žiarenia (riziko prehriatia).

- Je potrebné zachovávať čistou kontaktov nabíjačiek a súprav batérií.
- Na dosiahnutie optimálnej životnosti je nutné akumulátory po použití nabiť.

- Na dosiahnutie najdlhšej možnej životnosti vyberte po úplnom nabití akumulátor z nabíjačky.

Pri skladovaní jednotka akumulátora dlhšie obdobie ako 30 dní:

- Jednotku akumulátora skladujte pri teplotách do 27°C a mimo dosahu vlhkosti.
- Jednotky akumulátora skladujte pri nabití 30%-50%.
- Každých šesť mesiacov skladovania nabite jednotku zvyčajným spôsobom.
- Dodržiavajte všetky pokyny na nabíjanie a súpravu batérií ani náradie nenabíjajte mimo rozsahu teplôt, ktorý je uvedený v pokynoch. Nesprávne nabíjanie alebo nabíjanie pri teplotách mimo uvedeného rozsahu môže poškodiť batériu a zvýšiť riziko vzniku požiaru.

PREPRAVA LÍTIOVÝCH AKUMULÁTOROV

Lítium-iónový akumulátor podlieha legislatíve pre nebezpečné náklady.

Prepravu týchto batérií treba vykonávať podľa miestnych, štátnych a medzinárodných ustanovení a nariadení.

- Užívateľ môže prepravovať akumulátory po cestných komunikáciách bez ďalších požiadaviek.
- Na komerčnú prepravu lítium-iónových akumulátorov tretími stranami sa vzťahujú nariadenia o nebezpečných tovaroch. Prípravu na prepravu a samotnú prepravu musia vykonávať výlučne primerane zaškolené osoby a tento proces musí byť doprevádzaný zodpovedajúcimi odborníkmi.

Pri preprave akumulátorov:

- Skontrolujte, či sú konektory akumulátorov sú chránené a izolované, aby nedošlo ku skratu.
- Akumulátor v balení zaistíte proti pohybu.
- Neprepravujte akumulátory, ktoré sú prasknuté alebo vytekajú.

Ďalšie pokyny zistíte u nasledujúcej spoločnosti.

SYMBOLY



Výstražná značka



Pred použitím produktu si s porozumením prečítajte všetky pokyny a dodržiavajte výstražné a bezpečnostné upozornenia.



Používajte chrániče sluchu.



Používajte chrániče zraku.



Strihač živého plotu pri práci vždy držte dvoma rukami.



Aby nedošlo k závažnému poranění, nedotýkajte sa rezných ostrí.



Používajte protišmykové odolné ochranné rukavice.



Nevystavujte dažďu ani nepoužívajte vo vlhkom prostredí.



Pozor na vymrštené alebo odletujúce objekty. Všetky okolostojace osoby (najmä deti a domáce zvieratá) musia stáť minimálne 15 m od miesta práce



Ukrajinské označenie zhody



Euroázijská značka zhody



Opotrebované elektrické zariadenia by ste nemali odhadzovať do domového odpadu. Prosíme o recykláciu ak je možné. Kontaktujte miestne úrady, alebo predajcu pre viac informácií o hľadom ekologického spracovania.



Vyhovuje všetkým regulačným normám v krajine EÚ, v ktorej bol výrobok zakúpený.



Garantovaná hladina akustického výkonu, uvedená na tomto štítku, je 93 dB.

Nasledujúce značky a významy vysvetľujú úroveň rizika spojeným s výrobkom.

NEBEZPEČENSTVO

Označuje bezprostredne nebezpečnú situáciu, ktorá môže vyústiť v smrť, alebo vážne zranenie.

VAROVANIE

Označuje potenciálne nebezpečnú situáciu, ktorá môže vyústiť v smrť, alebo vážne zranenie.

VÝSTRAHA

Označuje potenciálne nebezpečnú situáciu, ktorá môže vyústiť v ľahké, alebo stredne ťažké zranenie.

VÝSTRAHA

Bez symbolu bezpečnostného alarmu

Označuje situáciu, ktorá môže zapríčiniť poškodenie majetku.

EN
FR
DE
ES
IT
NL
PT
DA
SV
FI
NO
RU
PL
CS
HU
RO
LV
LT
ET
HR
SL
SK
BG
UK
TR

**ТЕХНИЧЕСКИ ДАННИ****НОЖИЦА ЗА ЖИВ ПЛЕТ****ЕСНТ-58V**

Сериен номер	94501401000001 - 94501401999999
Скорост в ненатоварен режим	3400 min ⁻¹
Дължина на острието	610 мм
Дължина на рязане	563 мм
Напрежение на батерията	51,1V, 58V MAX
Тегло (с акумулаторна батерия 2,0 Ah)	5,5 kg
Тегло (с акумулаторна батерия 4,0 Ah)	6,1 kg
Тегло (без батерията)	4,3 kg

Информация за шума/вибрациите (в съответствие с EN 60745-1, EN 60745-2-15)

Нива на шум с равнище A:

Ниво на шумово налягане	$L_{pA} = 79,0 \text{ dB(A)}$
Променливост	$K = 3,0 \text{ dB}$
Ниво на силата на шума	$L_{WA} = 90,0 \text{ dB(A)}$
Променливост	$K = 2,3 \text{ dB}$

Винаги носете протектори за ушите!**Общата стойност на вибрациите** (векторна сума по трите оси) е определена съгласно EN 60745-1, EN 60745-2-15.

Стойност на излъчените вибрации (ah)

Задна ръкохватка	$ah = 3,4 \text{ m/s}^2$
Предна ръкохватка	$ah = 2,6 \text{ m/s}^2$
Променливост	$K = 1,5 \text{ m/s}$

SPM (ходове в минута) е броят ходове, които извършва мототилката за една минута.*БАТЕРИЯ И ЗАРЯДНО УСТРОЙСТВО****ЕСНТ-58V**

Съвместими батерии	ECBP-58V20 / ECBP-58V40
Съвместимо зарядно устройство	ECBC-58VEU and ECBC-58VUK

**ПРЕДУПРЕЖДЕНИЕ!**

Нивото на излъчените вибрации, посочено в този информационен лист, е измерено в съответствие със стандартизиран тестов метод и може да се използва за сравнение на един инструмент с друг. То може да се използва за предварително оценяване на въздействието.

Декларираното ниво на излъчените вибрации представлява основните приложения на инструмента. Въпреки това, ако инструментът се използва за различни приложения, с различни аксесоари или поддръжката му е некачествена, излъчените вибрации могат да се различават. Това може значително да увеличи нивото на излагане през целия срок на работа.

При оценяване на нивото на излагане на вибрации също трябва да се вземе предвид колко пъти инструментът е бил изключван или колко пъти е бил включен, но реално не е използван. Това може значително да намали нивото на излагане през целия срок на работа.

Определете допълнителни мерки за безопасност, за да предпазите оператора от въздействията на вибрациите, като например: поддържайте инструмента и аксесоарите, дръжте ръцете затоплени и създайте организация от рутинни работни процедури.





ПРЕДУПРЕЖДЕНИЕ!

Прочетете всички предупреждения относно безопасността и всички инструкции. Неспазването на предупрежденията и инструкциите може да доведе до токов удар, пожар и/или сериозни наранявания.

Съхранявайте всички предупреждения и инструкции за бъдещи справки.

Терминът "електрически инструмент" в предупрежденията се отнася за вашия инструмент - със захранване от електрическата мрежа (с кабел) или на батерия (безжичен).

ОБЩИ ПРЕДУПРЕЖДЕНИЯ ЗА БЕЗОПАСНОСТ

БЕЗОПАСНОСТ НА РАБОТНАТА ЗОНА

- Поддържайте работното пространство чисто и добре осветено. Безпорядъкът или тъмнината в работното пространство са предпоставка за злополуки.
- Не използвайте електрически инструменти в експлозивни среди, например в присъствието на запалителни течности, газове или прах. По време на работа електрическите инструменти произвеждат искри, които могат да възпламенят прах или пари.
- Дръжте децата и страничните наблюдатели далече, докато боравите с електрически инструмент. Ако вниманието ви бъде отклонено, може да загубите контрола над електрическия инструмент.

ЕЛЕКТРИЧЕСКА БЕЗОПАСНОСТ

- Щепселът на електрическия инструмент трябва да е съвместим с контакта. В никакъв случай не внасяйте изменения в конструкцията на щепсела. Когато работите със занулени електрически инструменти, не използвайте адаптери за щепсела. Използването на оригиналните щепсели и контакти намалява риска от токов удар.
- Избягвайте допир със заземени повърхности, като тръби, радиатори, печки и хладилници. Когато тялото ви е заземено, рискът от възникване на токов удар е по-голям.
- Не излагайте продукта на дъжд или влажни условия. Проникването на вода в електрическия инструмент повишава опасността от токов удар.
- Не насилвайте захранващия кабел. Никога не носете, не изключвайте и не дърпайте електрическия инструмент за кабела. Предпазвайте кабела от нагряване, омасляване, допир до остри ръбове или до подвижни звена на машини. Повредените или усукани кабели

увеличават риска от токов удар.

- Когато работите с електрически инструмент на открито, използвайте само удължителни кабели, предназначени за работа на открито. Използването на удължител, предназначен за работа на открито, намалява риска токов удар.
- Ако не можете да избегнете използването на електрически инструмент на влажно място, използвайте RCD (прекъсвач със защитно изключение). Използването на RCD намалява опасността от електрически удар.

ЛИЧНА БЕЗОПАСНОСТ

- Бъдете бдителни, внимавайте какво правите и проявявайте благоразумие, когато боравите с електрически инструмент. Не използвайте електрическия инструмент, когато сте уморени или под влиянието на наркотични вещества, алкохол или лекарства. Миг невнимание, докато боравите с електрически инструмент, е достатъчен за получаването на сериозни наранявания.
- Използвайте лична защитна екипировка. Винаги носете защитни очила. Защитната екипировка, като маска против прах, пригодени против плъзгане защитни обувки, твърда шапка или антифони, използвани за подходящите условия, ще намали опасността от физически наранявания.
- Не допускайте нежелано стартиране. Преди да вдигате или носите инструмента и преди да го включвате в електрическата мрежа и/или батерия, винаги проверявайте дали превключвателят е на позиция OFF (изкл). Носенето на инструмента с пръст върху превключвателя или включването му към електричеството, докато превключвателят му е на включен, е предпоставка за злополуки.
- Махнете всички гаечни или френски ключове за настройка преди да включите инструмента. Помощен инструмент, забравен на въртящ се елемент, може да доведе до физически наранявания.
- Не се протягайте, за да работите на трудно достижими места. Винаги стъпвайте стабилно по време на работа и пазете равновесие. Това дава възможност за по-добър контрол над електрическия инструмент в неочаквани ситуации.
- Обличайте се целесъобразно. Не носете широки дрехи или украшения. Дръжте косата, дрехите и ръкавиците си на безопасно разстояние от подвижните елементи. Широките дрехи, украшенията, дългите коси могат да бъдат захванати и увлечени от движещи се елементи.
- Ако устройствата са оборудвани със съоръжение за издърпване и събиране на прах, уверете се, че е то свързано и функционира правилно. Използването на устройства за събиране на прах ще намали рисковете, свързани с работа в прашни условия.



- **Не позволявайте опита ви с често използване на инструменти да ви направи прекалено самоуверени и да ви накара да игнорирате принципите за безопасност.** Едно небрежно действие може да доведе до сериозно нараняване в рамките само на секунда.

ИЗПОЛЗВАНЕ И ОБСЛУЖВАНЕ НА ЕЛЕКТРИЧЕСКИЯ ИНСТРУМЕНТ

- **Не насилвайте продукта.** Използвайте електрическия инструмент, съобразно неговото предназначение. Правилно подобреният електрически инструмент ще свърши работата по-добре и по-безопасно в зададения от производителя диапазон на натоварване.
- **Не използвайте електрически инструменти, чиито пусков прекъсвач е повреден.** Електрически инструмент, който не може да бъде контролиран посредством превключвател, е опасен и трябва да бъде ремонтиран.
- **Изключете щепсела от източника на захранване и/или батерията от електрическия инструмент, преди да извършвате каквито и да е корекции, да сменяте принадлежностите и преди съхраняване на електрическите инструменти** Тази мярка премахва опасността от задействане на електрическия инструмент по невниманието.
- **Съхранявайте незаетите електрически инструменти на недостъпни за деца места и не позволявайте на лица, незапознати с инструмента или с тези указания, да боравят с него.** Когато са в ръцете на неопитни потребители, електрическите инструменти могат да бъдат изключително опасни.
- **Поддържайте електрическите инструменти в изправност.** Проверявайте за неизправности или заклинване в подвижните елементи, за счупени части или други обстоятелства, които могат да влошат работата на електрическия инструмент. Преди да използвате електрическия инструмент, се погрижете повредите да бъдат отстранени. Много от трудовите злополуки се дължат на недобре поддържани електрически инструменти.
- **Поддържайте режещите инструменти винаги добре заточени и чисти.** Инструменти, за които е полагана правилна грижа и са с добре наточени режещи елементи, се управляват по-лесно и вероятността да заядат е по-малка.
- **Използвайте електрическите инструменти, принадлежностите и режещите и др. части съобразно тези указания, като се съобразявате с работните условия и с работата, която ще извършвате.** Използването на електрически инструменти за различни от предвидените от производителя приложения повишава опасността от възникване на трудови злополуки.
- **Поддържайте ръкохватките и повърхностите за захващане сухи, чисти и неомаслени.** Хлъзгавите

ръкохватки и повърхности за захващане не дават възможност за безопасно управление и контролиране на инструмента при възникване на неочаквани ситуации.

ИЗПОЛЗВАНЕ И ОБСЛУЖВАНЕ НА ИНСТРУМЕНТА С БАТЕРИЯ

- **Презареждайте единствено със зарядното устройство, посочено от производителя.** Зарядно устройство, подходящо за зареждане на един вид батерии, може да предизвика риск от пожар, ако бъде използвано за други батерии.
 - **Използвайте електрически инструменти с батерии единствено със специално предназначени за тях батерии.** Използването на всякакви други батерии може да създаде риск от нараняване и пожар.
 - **Когато батерията не се използва, съхранявайте я далеч от други метални обекти, като например кламери, монети, ключове, гвоздеи, гайки или други малки метални обекти, които могат да направят връзка между клемите.** Късото съединение от клемите може да доведе до изгаряния или пожар.
 - **При неправилно използване батерията може да отдели течност; избягвайте контакт.** Ако случайно настъпи контакт, промийте с вода. Ако течността влезе в контакт с очите, потърсете допълнително медицинска помощ. Отделената от батерията течност може да причини възпаление или изгаряния.
 - **Не използвайте акумулаторна батерия или инструмент, които са повредени или променени по някакъв начин.** Повредените или променени батерии могат да работят по непредсказуем начин, което да доведе до пожар, взрив или опасност от наранявания.
 - **Не излагайте акумулаторната батерия или инструмент на огън или прекалено висока температура.** Излагането на огън или на температура над 130°C може да причини взрив.
 - **Следвайте всички инструкции за зареждане и не зареждайте акумулаторната батерия или инструмента извън температурния диапазон, посочен в инструкциите.** Неправилното зареждане или зареждането при температури извън посочения диапазон може да повреди батерията и да увеличи риска от пожар.
- ## **СЕРВИЗНО ОБСЛУЖВАНЕ**
- **Ремонтът на електрическите инструменти трябва да се извършва само от квалифицирани специалисти и само с използването на оригинални резервни части.** По този начин се гарантира поддържането на безопасност при работа с електрическия инструмент.
 - **Никога не обслужвайте повредени акумулаторни батерии.** Обслужването на акумулаторните батерии трябва да се извършва само от производителя или



от оторизирани доставчици на услуги по сервизно обслужване.

ПРЕДУПРЕЖДЕНИЯ ЗА БЕЗОПАСНА РАБОТА С ХРАСТОРЕЗА

- Дръжте режещия механизъм далеч от тялото си. Не отстранявайте отрязания материал и не дръжте материала, който ще режете, докато остриетата се движат. Уверете се, че превключвателят е в изключено положение, когато почиствате заседнал материал. Миг невнимание по време на работа с продукта може да предизвика сериозни физически наранявания.
- Носете ножицата за жив плет за дръжката, със спряло острие. При транспортиране или съхранение винаги поставяйте предпазителя на хростореза ще намали възможността за нараняване с острието.
- Дръжте електрическия инструмент само за изолираните повърхности за хващане, тъй като острието може да влезе в контакт със скрити кабели или с кабела на инструмента. Ако остриетата влязат в контакт с открити жици, може да протече ток по металните части на електрическия инструмент и операторът да бъде подложен на токов удар.

ДОПЪЛНИТЕЛНИ ПРЕДУПРЕЖДЕНИЯ ЗА БЕЗОПАСНОСТ

- В някои региони има разпоредби, ограничаващи използването на продукта до определени операции. За съвети се обръщайте към местните власти. Прочетете всички указания
- Винаги почиствайте работното пространство, преди да използвате уреда. Отстранете всички предмети като кабели, лампи, жици или върви, които могат да отхвърчат или да се заплетат в режещия механизъм.
- Проверете храстите за външни предмети, като например телени огради.
- Бъдете изключително внимателни, когато използвате продукта в близост до огради, стълбове, сгради или други неподвижни обекти.
- Внимавайте за отхвъркнали предмети; дръжте всички странични наблюдатели, деца и домашни животни на разстояние поне 15 метра от работната зона.
- Не позволявайте на деца или необучени лица да използват този продукт.
- Не използвайте тази машина при слабо осветление. Операторът трябва да има чиста видимост върху работното пространство, за да идентифицира потенциални опасности.
- По време на работа с този инструмент трябва да

са монтирани всички ръкохватки и предпазители. Никога не се опитвайте да използвате продукт с липсващи части или ако са направени неразрешени модификации.

- Преди всяка употреба проверявайте дали всички контроли и устройства за безопасност функционират правилно. Не използвайте продукта, ако превключвателят "OFF" ("Изключване") не спира мотора.
- Преди всяка употреба проверявайте машината за неизправности. Проверете за разхлабени свързки. Уверете се, че всички предпазители и дръжки са правилно стабилно прикрепени. Заменяйте повредените части преди употреба. Проверете батерията за течове.
- По никакъв начин не модифицирайте изделието.
- Носете пълна защитна екипировка за очите и слуха ви, когато боравите с продукта. Ако работите в зона, където съществува риск от падащи предмети, трябва да носите каска.
- Носете здрави дълги панталони, ботуши и ръкавици. Не носете широки дрехи, къси панталони или бижута и не използвайте машината, ако не сте с обувки.
- Дългата коса трябва да бъде прибрана на ниво над раменете, за да се избегне нейното заплитане в движещите се части.
- При използване на антифони ще се намали способността да чувате предупреждения (подвиквания или аларми). Операторът трябва да е особено внимателен за това, което се случва в работната зона.
- Ако наблизо се работи с подобни уреди, това увеличава както риска от увреждане на слуха, така и вероятността други хора да навлязат във вашето работно пространство.
- Не използвайте този продукт, ако сте уморени, болни или под влиянието на алкохол, наркотици или лекарства.
- Заемайте стабилна позиция и пазете баланс. Не се протягайте, за да работите на трудно достижими места. Прекомерното протягане може да доведе до загуба на равновесие, а това е предпоставка за сериозно нараняване.
- Дръжте движещите се части на разстояние от тялото си.
- Преди да стартирате машината, се уверете, че режещите остриета няма да влязат в контакт с нищо наоколо.
- Когато работите с хростореза, винаги го дръжте здраво с двете ръце за дръжките, за да гарантирате стабилната и безопасна работна позиция на машината. Производителят не препоръчва използването на стъпала или стълби по време на работа. Ако е необходимо да режете на по-голяма височина, използвайте подходящ удължител.



- Остриетата са много остри. Докато сглобявате режещия механизъм, носете здрави, неплъзгащи се защитни ръкавици. Не поставяйте ръката или пръстите си между остриетата или в позицията, в която могат да бъдат прещипани или порязани. Никога не докосвайте острието и не извършвайте дейности по поддръжка, ако не сте свалили акумулаторната батерия.
- Изключете и извадете акумулаторната батерия: Уверете се, че всички движещи се части са спрели напълно:
 - преди оставяне на izdelieto без надзор
 - преди почистване или отстраняване на запушвания
 - преди регулиране на работната позиция на режещите механизми;
 - преди проверка, поддръжка или работа по продукта
- Не насилвайте продукта през прекалено гъст хрусталак. Това може да причини задръстване в остриетата и ги забави. Ако остриетата се забавят, намалете темпото.
- Не режете стръкове и клонки, които са по-дебели от 17 мм или са очевидно прекалено големи, за да влязат между зъбите на острието. Използвайте обикновен ръчен трион или трион за кастрене, за да подрязвате дебели стъбла.
- Не работете с продукта, ако остриетата са повредени или прекалено износени.
- Не позволявайте опита ви с често използване на инструменти да ви направи прекалено самоуверени и да ви накара да игнорирате принципите за безопасност. Едно небрежно действие може да доведе до сериозно нараняване в рамките само на секунда.
- За най-добри резултати трябва да зареждате своя инструмент с батерии на място, където температурата е над 10 °С, но под 38 °С. За да намалите риска от сериозни физически наранявания, не го оставяйте на открито или в превозни средства.

Не съхранявайте акумулаторната батерия заедно с метални предмети (риск от късо съединение).

За зареждане на акумулаторните батерии използвайте само зарядно устройство ECBC-58VEU/ECBC-58VUK.

Не използвайте акумулаторни батерии от други системи.

Съвместими батерии: ECPB-58V20, ECPB-58V40

Киселината може да изтече от повредените батерии при екстремно натоварване или екстремни температури. При контакт с киселина от батерията я изплакнете незабавно със сапун и вода. При контакт с очите промийте обилно в продължение на минимум 10 минути и незабавно потърсете медицинска помощ.

ДОПЪЛНИТЕЛНИ ПРЕДУПРЕЖДЕНИЯ ЗА БЕЗОПАСНОСТ ЗА БАТЕРИЯТА



ПРЕДУПРЕЖДЕНИЕ!

За да избегнете опасността от пожар, предизвикана от късо съединение, както и нараняванията и повредите на продукта, не потапяйте инструмента, сменяемата акумулаторна батерия или зарядното устройство в течности и се погрижете в уредите и акумулаторните батерии да не попадат течности. Течностите, предизвикващи корозия или провеждащи електричество, като солена вода, определени химикали, изобелващи вещества или продукти, съдържащи изобелващи вещества, могат да предизвикат късо съединение.

НЕПРЕДВИДЕНИ РИСКОВЕ

Дори когато продуктът се използва по предназначение, е невъзможно напълно да се ограничи влиянието на определени рискови фактори. Рисковете, описани по-долу, може да възникнат по време на употреба и операторът трябва да внимава за избягването на следното:

- нараняване в следствие на контакт с остриетата
 - Няма как остриетата да бъдат обезопасени по време на рязане. Дръжте острието далече от себе си и от странични наблюдатели. Уверете се, че предпазителите на остриетата са поставени, когато продуктът не се използва.
- Нараняване, причинено от вибрация.
 - Винаги използвайте подходящия инструмент за съответната дейност и предназначенията за целта ръкохватки, като ограничавате времето на работа и излагането на рискове.
- Увреждане на слуха в следствие на излагане на шум.
 - Носете антифони и ограничете излагането.



ПРЕДУПРЕЖДЕНИЕ!

Ако продуктът бъде изпуснат, претърпи силен удар или започне да вибрира неестествено, незабавно изключете продукта и проверете за повреди или се опитайте да идентифицирате причината за вибрирането. Поправките и замените на части при повреда трябва да се извършват от оторизиран сервизен център.

Извадете батерията, преди да започнете каквато и да е работа по уреда.

Не извършвайте използваните батерии в битовите отпадъци и не се опитвайте да ги горите. Дистрибуторите на ЕСНО предлагат да приемат обратно стари батерии, за да защитят нашата околна среда.



НАМАЛЯВАНЕ НА РИСКА

Известно е, че вибрациите, произвеждани от ръчни инструменти може да предизвикат у някои индивиди заболяване, наречено Синдром на Рейнолд (Raynaud's Syndrome). Симптомите може да включват изтръпване, схващане и избледняване на пръстите, обикновено се забелязват при излагане на студ. Смята се, че наследствените фактори, излагането на студ и влага, диетите, пушенето и някои работни навици допринасят за развитието на тези симптоми. Могат да се вземат някои мерки, които могат да се предприемат от оператора, за да се намалят ефектите от вибрациите:

- Поддържайте телесната температура в студено време. Когато работите с продукта, носете ръкавици, за да поддържате ръцете и китките си топли. Според изследвания главният фактор, допринасящ за развитието на Raynaud's Syndrome, е студеното време.
- Правете упражнения за активизиране на кръвообращението след всеки работен цикъл.
- Редовно излизайте в почивка. Ограничете излагането на вибрации на ден.

При поява на някой от симптомите на това заболяване, незабавно прекратете употребата на инструмента и посетете лекар.



ПРЕДУПРЕЖДЕНИЕ!

Продължителното използване на инструмента може да доведе до наранявания или влошаване. При използване на инструмента за продължителни периоди от време правете чести почивки.

ПРЕДНАЗНАЧЕНИЕ

Безжичният хросторез е предназначен за употреба само на открито. От съображения за сигурност, продуктът трябва да бъде управляван адекватно чрез работа с двете ръце.

Този продукт е предназначен за домашна или битова употреба. Той е предназначен за рязане и подрязване на жив плет, храсти и подобни растения.

Трябва да се използва при сухи условия с добра осветеност.

Той НЕ е предназначен за рязане на трева, дървета или клони. Той не трябва да се използва за каквато и да е друга цел освен за подрязване на жив плет.

Не използвайте продукти за цели, различни от предназначението му.

ОПОЗНАЙТЕ ВАШИЯ ПРОДУКТ

Вж. стр. 6 – 7.

1. Защитно изключване при отсъствие на оператор

2. Бутон за фиксатора на батерията
3. Батерия
4. Фиксатор на дроселния спусък
5. Задна ръкохватка
6. Лост за скоростта
7. Зарядно устройство
8. Капак на острие
9. Острие
10. Предпазно приспособление
11. Предна ръкохватка

ТРАНСПОРТИРАНЕ И СЪХРАНЕНИЕ

- Спрете продукта, свалете батерията и изчакайте и двете да се охладят, преди да транспортирате уреда или да го приберете за съхранение.
- Почистете продукта от всички чужди частици. Съхранявайте я на хладно, сухо и добре проветрявано място, което е недостъпно за деца. За допълнителна сигурност съхранявайте акумулаторната батерия отделно от самия хросторез. Не го оставяйте в близост до корозивни материали като градински химикали или соли за размразяване. Не съхранявайте на открито.
- Съхранявайте и транспортирайте уреда само с монтиран предпазител на острието.
- Когато транспортирате продукта, го обезопасете така, че да не може да се движи или да падне, защото това може да доведе до евентуални наранявания на хора или повреди по продукта.

ПОДДРЪЖКА



ПРЕДУПРЕЖДЕНИЕ!

Използвайте само аксесоари и резервни части на ЕСНО. В противен случай може да се влоши работата на инструмента или да получите тежки контузии, а гаранцията ви ще стане невалидна. Ако компоненти, които не са описани, трябва да се подменят, се свържете с някой от нашите сервизни представители на ЕСНО.



ПРЕДУПРЕЖДЕНИЕ!

Сервизното обслужване изисква изключително внимание и специфични познания и следва да бъде извършвано само от квалифициран техник. За сервизно обслужване занесете продукта в оторизиран сервизен център. При извършване на сервизни дейности използвайте само оригинални резервни части от производителя.



ПРЕДУПРЕЖДЕНИЕ!

Режещите остриета са изключително остри. За да се предпазите от нараняване, бъдете особено внимателни, когато почиствате, смазвате, монтирате или сваляте протектора на острието. Изключете и извадете батерията, преди да извършите каквито и да било дейности по профилактика или почистване.

- Сваляйте батериите, когато извършвате дейности по регулиране, поддръжка или почистване на инструмента.
- Можете да правите само такива настройки и поправки, които са описани в настоящото ръководство. За други поправки се свържете с агент на упълномощения сервиз.
- След всяко използване почиствайте корпуса и дръжките на уреда с мека и суха кърпа.
- След всяко използване почиствайте остриетата от отломки с твърда четка, след което смазвайте с препарат против ръжда, преди да монтирате отново протектора на острието. Производителят препоръчва да използвате смазочен спрей против ръжда, за да можете да приложите препарата равномерно и да намалите риска от нараняване при евентуален контакт с остриетата. За повече информация относно подходящ смазочен спрей се обърнете към вашия местен оторизиран сервизен център.
- Преди да използвате уреда, можете да смажете леко остриетата, като използвате описания по-горе метод.
- Периодично проверявайте дали всички гайки, болтове и винтове са правилно затегнати, за да сте сигурни, че продуктът е в изправност. Всяка повредена част трябва да бъде поправена или заменена от упълномощен сервизен център.

БАТЕРИИ

- Акумулаторните батерии, които не са били използвани известно време, трябва да се презаредят преди употреба.
- Температури над 50°C (122°F) намаляват ефективността на акумулаторната батерия. Избягвайте продължително излагане на топлина или слънчева светлина (риск от прегряване).
- Контактите на зарядните устройства и батериите трябва да се поддържат чисти.
- За да се гарантира оптимален срок на използване на акумулаторните батерии, те трябва да се заредят напълно след употреба.
- За да гарантирате възможно най-дълъг срок на използване на акумулаторната батерия, я изваждайте от зарядното устройство, след като се зареди напълно.

За съхраняване на батерията над 30 дни:

- Съхранявайте батерията на места, където температурата е под 27°C и липсва влага.
- Съхранявайте батериите при заредено състояние от 30%-50%.
- На всеки шест месеца съхранение, зареждайте батериите по обичайния начин.
- Следвайте всички инструкции за зареждане и не зареждайте акумулаторната батерия или инструмента извън температурния диапазон, посочен в инструкциите. Неправилното зареждане или зареждането при температури извън посочения диапазон може да повреди батерията и да увеличи риска от пожар.

ТРАНСПОРТИРАНЕ НА ЛИТИЕВИ БАТЕРИИ

Литиево-йонната батерия подлежи на законодателството за опасни стоки.

Транспортирането на тези батерии трябва да се извършва в съответствие с местните, националните и международните разпоредби и наредби.

- Потребителят може да транспортира батериите по шосе, без да съблюдава допълнителни изисквания.
- Търговският транспорт на литиево-йонни батерии от трети страни е предмет на разпоредбите на нормативната уредба за опасните товари. Подготовката за транспортиране и самото транспортиране следва да се извършват от лица, изрично обучени за тези цели, като тези дейности трябва да се съблюдават от съответните експерти.

При транспортиране на батерии:

- Уверете се, че контактните клеми на батерията са защитени и изолирани, за да се предотврати възникването на късо съединение.
- Уверете се, че акумулаторната батерия е закрепена и не се движи в опаковката.
- Не транспортирайте батерии, които са спукани или текат.

Свържете се със следната компания за допълнителен съвет.

СИМВОЛИ



Предупреждение относно безопасността



Прочетете и осмислете всички указания, преди да започнете работа с продукта; спазвайте всички предупреждения и инструкции за безопасност.



Носете антифони.



Носете защитни средства за очи.



Винаги дръжте ножицата за жив плет с две ръце, докато работите.



За да избегнете сериозно физическо нараняване, не докосвайте режещите остриета.



Носете здрави предпазни ръкавици, пригодени против плъзгане.



Не излагайте на дъжд и на влажни условия.



Внимавайте за изхвърлени или летящи обекти. Не допускате странични наблюдатели, особено деца и домашни животни, на по-малко от 15 м от работната зона.



Украински знак за съответствие



EurAsian знак за съответствие



Електрическите уреди не трябва да се изхвърлят заедно с битовите отпадъци. Рециклирайте, където има възможност. Обърнете се за съвет по рециклирането към местните власти или разпространителите.



Тази машина е в съответствие с нормативната уредба на държавата от ЕС, където е била закупена.



Гарантираното ниво на силата на шум, показано на този етикет, е 93 dB.

Следните сигнални думи и значенията им са предназначени да обяснят нивата на опасност, свързани с този продукт.

ОПАСНОСТ

Указва неминуемо опасна ситуация, която ако не бъде избегната, ще доведе до сериозни наранявания или смърт.

ПРЕДУПРЕЖДЕНИЕ

Указва потенциално опасна ситуация, която ако не бъде избегната, може да доведе до сериозни наранявания или смърт.

ВНИМАНИЕ

Указва потенциално опасна ситуация, която ако не бъде избегната, може да доведе до дребни или средни наранявания.

ВНИМАНИЕ

Без предупредителен символ за безопасност

Указва ситуация, която може да доведе до имуществени щети.

EN
FR
DE
ES
IT
NL
PT
DA
SV
FI
NO
RU
PL
CS
HU
RO
LV
LT
ET
HR
SL
SK
BG
UK
TR





ТЕХНІЧНІ ХАРАКТЕРИСТИКИ

КУЩОРИЗ

ЕСНТ-58V

Серійний номер	94501401000001 - 94501401999999
Швидкість без навантаження	3400 min ⁻¹
Довжина ножа	610 мм
Ширина захоплення	563 мм
Напруга акумулятора	51,1V, 58V MAX
Вага (з акумулятором на 2,0 А/г)	5,5 kg
Вага (з акумулятором на 4,0 А/г)	6,1 kg
Вага (без акумулятора)	4,3 kg

Інформація про шум/вібрацію (відповідно до EN 60745-1, EN 60745-2-15)

Зважені по кривій А рівні звукового тиску:

Рівень звукового тиску	$L_{pA} = 79,0 \text{ dB(A)}$
Похибка	$K = 3,0 \text{ dB}$
Рівень звукової потужності	$L_{WA} = 90,0 \text{ dB(A)}$
Похибка	$K = 2,3 \text{ dB}$

Завжди використовуйте засоби захисту слуху!

Загальні значення вібрації (векторна сума за трьома вісями) визначені відповідно до EN 60745-1, EN 60745-2-15.

Рівень вібрації А/г

Задня ручка	$a_h = 3,4 \text{ m/s}^2$
Передня ручка	$a_h = 2,6 \text{ m/s}^2$
Похибка	$K = 1,5 \text{ m/s}$

***SPM (ударів за хвилину) - це кількість ударів, яку шатун виконує за одну хвилину.**

АКУМУЛЯТОР І ЗАРЯДНИЙ ПРИСТРІЙ

ЕСНТ-58V

Сумісні акумуляторні блоки	ECBP-58V20 / ECBP-58V40
Сумісний зарядний пристрій	ECBC-58VEU and ECBC-58VUK



ПОПЕРЕДЖЕННЯ!

Рівень вібрації, вказаний у цій брошурі, був вимірний відповідно до стандартизованого методу випробування та може бути використаний для порівняння одного інструменту з іншим. Він може бути використаний для попередньої оцінки впливу.

Зазначений рівень вібрації представляє основні застосування інструменту. Втім у разі використання інструмента не за призначенням, з іншими аксесуарами або при поганому догляді рівень вібрації може відрізнятись. Це може значно підвищити рівень впливу протягом усього робочого періоду.

При оцінюванні рівня впливу вібрації необхідно також враховувати час, коли інструмент вимкнений або коли він працює, але насправді не виконує ніякої роботи. Це може значно зменшити рівень впливу протягом усього робочого періоду.

Визначте додаткові заходи для захисту оператора від впливу вібрації, наприклад: догляд за інструментом та аксесуарами, зігрівання рук, план виконання робіт.





ПОПЕРЕДЖЕННЯ!

Прочитайте всі правила безпеки та інструкції. Недотримання попереджень та інструкцій може призвести до ураження електричним струмом, пожежі та / або серйозної травми.

Збережіть всі інструкції і вказівки для майбутнього використання.

Термін "електроінструмент" у попереджувальних повідомленнях відноситься до вашого мережевого електроінструменту (дротового) або електроінструменту, що живиться від акумуляторної батареї (бездротового).

ЗАГАЛЬНІ ЗАХОДИ БЕЗПЕКИ

БЕЗПЕКА РОБОЧОГО МІСЦЯ

- Утримуйте робоче місце в чистоті і добре освітленим. Безлад на робочому місці або темні місця спричиняють аварії.
- Не використовуйте продукт у вибухонебезпечних атмосферах, наприклад, у присутності легко займистих рідин, газів або пилу. Під час роботи косарки виникають іскри, що можуть призвести до займання пилу або парів.
- Тримайте дітей та сторонніх осіб подалі під час роботи електроінструментом. Відволікання уваги може призвести до втрати контролю.

ЕЛЕКТРОБЕЗПЕКА

- Вилка живлення електроінструменту повинна відповідати розетці. Ніколи не змінюйте вилку. Не використовуйте ніякі вилки-перехідники з заземленими (замкнутими на землю) електроінструментами. Не змінені вилки та відповідні розетки зменшують ризик ураження електричним струмом.
- Уникайте контакту тіла з заземленими поверхнями, такими як труби, радіатори, плити та холодильники. Якщо ваше тіло заземлене, існує підвищений ризик ураження електричним струмом.
- Не піддавайте електроінструменти впливу дощу або вологих умов. Попадання води на пристрій збільшує ризик ураження електричним струмом.
- Не зловжуйте шнур. Ніколи не використовуйте шнур живлення для перенесення, переміщення або вилучення вилки з розетки. Тримайте шнур подалі від тепла, масла, гострих кромок або рухомих частин. Пошкоджені або заплутані шнури збільшують ризик ураження електричним струмом.
- При роботі з електроінструментом на вулиці, використовуйте подовжувач, відповідний для використання на відкритому повітрі. Використання кабелю, призначеного для застосування на відкритому повітрі, знижує ризик ураження електричним струмом.

- При роботі з електроінструментом у вологому середовищі використовуйте залишковий поточний пристрій (ЗПП) захищеного живлення. Використання ЗПП знижує ризик ураження електричним струмом.

ОСОБИСТА БЕЗПЕКА

- Будьте уважні, дивіться, що ви робите, і використовуйте здоровий глузд при експлуатації виробу. Не працюйте з виробом, коли ви втомлені або знаходитесь під дією наркотиків, алкоголю або медикаментів. Найменша необережність при роботі з електроінструментом може призвести до серйозних травм.
 - Використовуйте персональне захисне обладнання. Завжди одягайте захисні окуляри. Засоби захисту, такі як респіратор, нековзне взуття, каска або засоби захисту органів слуху, що використовуються в належних умовах знизять ризик отримання травми.
 - Запобігайте випадковому запуску. Переконайтеся, що вимикач знаходиться у вимкненому положенні перед підключенням до джерела живлення та / або акумуляторної батареї, підніманням або переміщенням інструменту. Не переносьте електроінструмент з пальцем на вимикачі або подачею живлення на інструмент, який має перемикач, щоб запобігти нещасного випадку.
 - Перед включенням електроінструменту знімайте регульовальний або гайковий ключ. Гайковий ключ або регульовальний ключ, залишений на обертаємій частині електроінструменту, може призвести до травми.
 - Не тягніться. Зберігайте правильну стійку і баланс весь час. Це дозволяє краще контролювати інструмент в несподіваних ситуаціях.
 - Одягайтеся правильно. Не носіть вільний одяг або прикраси. Тримайте волосся, одяг і рукавички подалі від рухомих частин. Вільний одяг, прикраси або довге волосся можуть потрапити в рухомі частини.
 - Якщо є пристрої для підключення для збору пилу, переконайтеся, що вони під'єднані і використовуються правильно. Використання пилозбірника знижує небезпеку, пов'язану з запиленістю.
 - Не дозволяйте звичці від частого використання пристрою стати причиною втрати пильності та ігнорувати принципи безпеки роботи з пристроєм. Пам'ятайте, що достатньо частки секунди, щоб отримати серйозні травми.
- ### ВИКОРИСТАННЯ ТА ДОГЛЯД ЗА ЕЛЕКТРОІНСТРУМЕНТОМ
- Не перевантажуйте електроінструмент. Використовуйте відповідний для вашої потреби електроінструмент. Електроінструмент виконає роботу краще і безпечніше при швидкості, для якої



він був розроблений.

- Не використовуйте електроінструмент, якщо перемикач не включає та вимикає його. Будь-який електроінструмент, яким не можливо керувати за допомогою перемикача - небезпечний і повинен бути відремонтований.
- Відключіть вилку від джерела живлення та / або від акумулятора електроінструменту, перш ніж робити будь-які регулювання, зміну приладдя або при зберіганні електроінструменту. Такі запобіжні заходи знижують ризик випадкового запуску приладу.
- Зберігайте непрацюючі електроприлади у недоступному для дітей місці і не дозволяйте особам, які не знайомі з інструкціями електричного прилада або з даними інструкціями, працювати з електроприладами. Електроінструменти небезпечні в руках недосвідчених користувачів.
- Обслуговуйте електроінструмент. Перевіряйте рухомі частини на наявність зміщення елементів або некоректного з'єднання, а також поломки та будь-яких інших чинників, які можуть вплинути на роботу електроінструменту. Якщо пошкоджений, відремонтуйте електроінструмент перед використанням. Багато нещасних випадків є наслідком поганого догляду за електроінструментом.
- Тримайте ріжучий інструмент гострим і чистим. Добре доглянутий ріжучий інструмент з гострими ріжучими крайками рідше зв'язується і легше контролюється.
- Використовуйте електроприлади, приладдя та насадки відповідно до цих інструкцій, урахувавши умови та характер роботи. Використання електричного інструменту для операцій, які відрізняються від призначених, може призвести до небезпечної ситуації.
- Тримайте ручки та різальні поверхні сухими, чистими та очищеними від олії та мастил. Слизькі ручки та поверхні захвату не забезпечують безпечне маніпулювання та керування інструментом у неочікуваних ситуаціях.

ВИКОРИСТАННЯ І ДОГЛЯД ІНСТРУМЕНТУ НА БАТАРЕЙКАХ

- Перезаряджати тільки за допомогою зарядного пристрою, зазначеного виробником. Зарядний пристрій, що підходить для одного типу акумуляторів, може створити ризик загоряння при використанні з іншим акумуляторним блоком.
- Використовуйте електроінструменти тільки з призначеними для них акумуляторами. Використання будь-яких інших акумуляторів може створити ризик отримання травми або здійснення пожежі
- Коли акумуляторна батарея не використовується, тримайте її подалі від

металевих предметів, таких як кліпси, монети, ключі, цвяхи, гвинти або інші невеликі металеві предмети, які можуть замкнутися клеми. Коротке замикання контактів акумулятора може призвести до опіків або пожежі.

- У важких умовах експлуатації, рідина може бути випущена з батареї; уникайте контакту. При випадковому контакті змийте водою. При потрапленні рідини в очі, зверніться за медичною допомогою. Рідина з акумулятора може викликати роздратування або опіки.
- Заборонено використовувати акумулятор або пристрій, що були пошкоджені або модифіковані. Використання пошкоджених або модифікованих акумуляторів може мати непередбачувані наслідки, серед яких: виникнення пожежі, вибуху та ризик травмування.
- Уникайте загоряння та високої температури акумулятору або пристрою. Загоряння або висока температура понад 130°C можуть стати причиною вибуху.
- Дотримуйтесь усіх інструкцій щодо заряджання пристрою та уникайте заряджання поза діапазоном температур, що позначені у інструкції. Неправильне заряджання або заряджання при температурі, поза межами позначеними в інструкції, може пошкодити акумулятор та підвищити ризик виникнення пожежі.

ОБСЛУГОВУВАННЯ

- Дозволяйте обслуговувати ваш електроінструмент тільки кваліфікованому персоналу, використовуючи тільки ідентичні запасні частини. Це гарантуватиме безпечну експлуатацію електроінструменту.
- Заборонено використання пошкоджених акумуляторів. Обслуговування акумуляторів має бути здійснене тільки виробником або у авторизованому сервісному центрі.

ТЕХНІКА БЕЗПЕКИ ПРИ РОБОТІ ЗІ ШПАЛЕРНИМИ НОЖИЦЯМИ

- Тримайте всі частини тіла подалі від ріжучих лез. Не видаляйте обрізаний матеріал та не тримайте матеріал, що має різатись, руками, коли леза рухаються. Коли видаляєте затиснутий матеріал, переконайтеся, що перемикач вимкнений. Найменша необережність при роботі з електроінструментом може призвести до серйозних травм.
- Носіть тример для живоплоту на держалі за рукоятку та зупиненим ріжучим лезом. При транспортуванні або зберіганні тримера для живоплоту на держалі завжди встановіть кришку ріжучого пристрою. Правильне поводження з тримером для живоплоту на держалі знизить можливість травм від лез різачка.
- Тримайте електричний інструмент тільки за



ізолювані поверхні, тому що ріжуче лезо може контактувати із прихованою проводкою або зі своїм власним шнуром. Леза різачка, що контактують з проводом "під напругою" можуть зробити металеві частини електроінструменту "під напругою" і можуть вдарити оператора.

ДОДАТКОВІ ЗАГАЛЬНІ ПОПЕРЕДЖЕННЯ ЩОДО БЕЗПЕКИ

- У деяких регіонах існують правила, що обмежують використання продукту для деяких операцій. Перевірте з вашим місцевим органом влади для консультацій. Прочитайте всі інструкції.
- Очистіть робочу зону перед кожним використанням. Видалити всі об'єкти, такі, як шнури, ліхтарі, дроти, або мотузки, які можуть бути відкинута або заплуталися в ріжучих засобах.
- Перевірте живу огорожу на наявність сторонніх предметів, наприклад, дротових огорож.
- Потрібна додаткова обережність при використанні пристрою поблизу стовпів, будівель або інших нерухомих об'єктів.
- Остерігайтеся кинути, летючих або падаючих предметів; тримайте всіх перехожих, дітей і тварин, принаймні 15 м від робочої зони.
- Не дозволяйте дітям або ненавченим людям користуватися пристроєм.
- Не використовуйте при поганому освітленні. Оператор потрібне чіткий огляд робочої області, щоб визначити потенційні небезпеки.
- Завжди перед використанням кущоріза спочатку перевірте чи всі ручки та захисні частини прикріплені. Ніколи не намагайтеся використовувати не повністю зібраний кущоріз або кущоріз зі зміненою модифікацією.
- Перед кожним використанням переконайтеся, що всі елементи керування і безпеки функціонують правильно. Не використовуйте машину, якщо вимикач "ВИМК" не зупиняє машину.
- Огляньте виріб перед кожним використанням. Перевірте надійність кріплення. Переконайтеся, що всі захисні огорожі, дефлектори і ручки правильно і надійно закріплені. У разі виявлення пошкоджених частин замініть їх до початку роботи. Переконайтеся у відсутності витоків акумулятора.
- В жодному разі не вносивайте прилад.
- Носіть повний захист очей та слуху під час роботи з продуктом. При роботі в місцях, де є ризик падіння предметів, потрібно надягати захисний головний убір.
- Носіть важкі довгі штани, чоботи і рукавички. Не носіть широкий одяг, короткі штани, коштовності будь-якого виду та не використовуйте прилад босоніж.
- Зафіксуйте довге волосся вище рівня плеча, щоб запобігти заплутуванню в будь-яких рухомих частинах.
- Використання захисту органів слуху знижує здатність чути попередження (крики або сигнали тривоги). Оператор повинен звернути особливу увагу на те, що відбувається в робочій зоні.
- Операції з аналогічними інструментами неподалік збільшує ризик травми слуху і можливість потрапляння інших осіб у робочу зону.
- Не використовуйте цю машину, якщо ви втомилися, хворі, або під впливом алкоголю, наркотиків або ліків.
- Тримайте міцну опору і рівновагу. Не тягніться. Необробленими може призвести до втрати рівноваги і може призвести до серйозних травм.
- Тримайте всі частини вашого тіла подалі від рухомої частини.
- Перед запуском продукту, переконайтеся, що ріжучі леза не вступають в контакт з чим-небудь.
- Під час оперування пристроєм, завжди міцно тримайте його обома руками за дві ручки та переконайтеся, що робоча позиція є надійною та безпечною. Виробник не рекомендує використовувати сходи або дробини. Якщо потребується обрізання на висоті, скористайтеся подовжувачем.
- Леза дуже гострі. При обслуговуванні вузла лез, надягайте неслизькі, надмічні захисні рукавички. Не кладіть руку або пальці між лезами або в будь-якому положення, де вони можуть бути защемлені або порізані. Ніколи не торкайтеся леза або не обслуговуйте пристрій, якщо акумулятор не був видалений.
- Вимкніть та від'єднайте акумуляторну батарею. Переконайтеся, що всі рухомі частини зупинилися:
 - до того, як залишити продукт без нагляду
 - перед чищенням або перед усуненням забивання
 - перед регулюванням робочого положення різального пристрою
 - перед перевіркою, проведенням технічного обслуговування, або роботою з продуктом
- Не проштовхуйте пристрій на держалі через масивні чагарники. Це може призвести до заплутування лез і сповільнення. Якщо леза сповільнюються, зменшіть темп.
- Не намагайтеся різати стебла або гілочки, які товщиною більше 17 мм, або ті, очевидно, занадто великі, щоб поміститися в ріжучому лезі. Використовуйте ручну пилу без живлення або ножівку для обрізки великих стовбурів.
- Не використовуйте пристрій з пошкодженими або надмірно зношеними лезами.



- Не дозволяйте звичці від частого використання пристрою стати причиною втрати пильності та ігнорувати принципи безпеки роботи з пристроєм. Пам'ятайте, що достатньо частки секунди, щоб отримати серйозні травми.
- Для досягнення найкращих результатів треба заряджати акумуляторний пристрій у місцях, де температура складає від 10°C до 38°C. Для зменшення ризику серйозної травми не зберігайте його на відкритому повітрі або у транспортних засобах.



ПОПЕРЕДЖЕННЯ!

Якщо продукт впав, постраждав від важкого впливу або починає вібрувати, негайно зупиніть обладнання та перевірте на наявність пошкоджень або визначте причину вібрації. Будь-яке пошкодження має бути правильно відремонтовано або замінено в авторизованому сервісному центрі.

Вийміть батарею перед початком ремонту або технічного обслуговування приладу.

Не викидайте використані акумуляторні батареї у побутове сміття і не спалюйте їх. ECHO Distributors пропонує послугу забирання старих акумуляторів, щоби захистити довкілля.

Не зберігайте акумулятор разом із металевими предметами (через ризик короткого замикання).

Для заряджання акумуляторів використовуйте тільки зарядний пристрій ECBC-58VEU/ECBC-58VUK.

Не використовуйте акумулятори від інших систем.

Сумісні акумуляторні блоки: ECBP-58V20, ECBP-58V40

При надмірному навантаженні або екстремальних температурах акумуляторна кислота може витікати з пошкоджених акумуляторів. У разі контакту з акумуляторною кислотою негайно змийте її водою з милом. У разі потрапляння в очі ретельно промийте очі водою щонайменше впродовж 10 хвилин та негайно зверніться до лікаря.

ДОДАТКОВІ ПОПЕРЕДЖЕННЯ З ТЕХНІКИ БЕЗПЕКИ ЩОДО ВИКОРИСТАННЯ АКУМУЛЯТОРІВ



ПОПЕРЕДЖЕННЯ!

Для запобігання небезпеці пожежі в результаті короткого замикання, травмам і пошкодженню виробів не занурюйте інструмент, змінний акумулятор або зарядний пристрій у рідину і не допускайте потрапляння рідини всередину пристроїв або акумуляторів. Корозійні і струмопровідні рідини, такі як солоний розчин, певні хімікати, вибілювальні засоби або продукти, що їх містять, можуть призвести до короткого замикання.

НЕПЕРЕДБАЧЕНІ РИЗИКИ

Навіть за належного використання інструмента неможливо повністю нейтралізувати певні фактори залишкового ризику. Наступні небезпеки можуть виникати при використанні продукту та оператору слід звернути особливу увагу, щоб уникнути наступного:

- травми від контакту з лезами
 - Леза не можуть бути захищені під час різання. Тримайте лезо подалі від себе та інших. Переконайтеся що захисні щитки ножів встановлені, коли прилад не використовується.
- Травми спричинені вібрацією.
 - Завжди використовуйте правильний інструмент для роботи, використовуйте призначені ручки і обмежіть час роботи і вплив.
- Під впливом шуму може виникнути пошкодження слуху.
 - Надягайте захист для органів слуху та лімітуйте вплив.

ЗНИЖЕННЯ РИЗИКУ

Відомі випадки, коли вібрація від ручних інструментів сприяє появі так званого синдрому Рейно. Симптоми схожі на ті, що з'являються під впливом холоду, включаючи поколювання, оніміння та збліднення пальців. Вважається, що спадкові чинники, вплив холоду і сирості, харчування, куріння і деякі звички роботи сприяють розвитку цих симптомів. Можна прийняти деякі заходи, які можуть бути прийняті оператором, щоб зменшити вплив вібрації:

- Підтримувати температуру тіла в холодну погоду. При використанні інструменту надягайте рукавички, щоб тримати руки та зап'ястки у теплі. Згідно з дослідженнями, основний внесок в розвиток синдрому Рейно, є холодна погода.
- Вправа для активації кровообігу після кожного запуску.
- Регулярно йдуть на перерву. Лімітуйте кількість роботи на день.

Якщо ви виявили будь-який з цих симптомів, негайно припиніть використання і зверніться до вашого лікаря згідно цих симптомів.



ПОПЕРЕДЖЕННЯ!

Тривале використання інструменту може призвести до травмування або загострення існуючої травми. При використанні приладу протягом тривалого періоду часу, часті перерви.

ПЕРЕДБАЧУВАНОМУ ВИКОРИСТАННІ

Цей бездротовий куцоріз призначений для використання виключно на відкритому повітрі. Задля





безпеки керування інструментом має здійснюватися обома руками.

Продукт призначений для домашнього або місцевого використання. Він призначений для різання та обрізки живоплотів, чагарників та подібної рослинності.

Він повинен бути використаний у сухих, добре освітлених умовах.

Він не призначений для скошування трави, дерев або гілок. Він не повинен бути використаний для інших цілей, ніж підрізання живоплоту.

Не використовуйте продукт для будь-яких цілей, не зазначених у розділі "Передбачене застосування".

ЗНАЙ СВІЙ ПРОДУКТ

Дивіться сторінки 6-7.

1. Перемикач, що сигналізує про наявність оператора
2. Кнопка засувки акумулятора
3. Акумулятор
4. Фіксатор дросельної заслінки
5. Задня ручка
6. Тригер дроселя
7. Зарядний пристрій
8. Кришка леза
9. Лезо
10. Захист
11. Передня ручка

ТРАНСПОРТУВАННЯ ТА ЗБЕРІГАННЯ

- Зупиніть продукт, вийміть акумулятор і дозвольте обом охолонути перед зберіганням або транспортуванням.
- Очистіть всі сторонні матеріали з продукту. Зберігайте його в сухому прохолодному і добре провітрюваному місці, недоступному для дітей. Для додаткової безпеки, зберігайте батарею окремо від продукту. Зберігати подалі від агресивних агентів, таких як садові хімікати і солей проти обледеніння. Не зберігайте на відкритому повітрі.
- Накрийте лезо протектором леза, перш ніж зберігати пристрій, або під час транспортування.
- Для транспортування, забезпечіть машину від руху або падіння, щоб запобігти травми людей або пошкодження машини.

ТЕХНІЧНЕ ОБСЛУГОВУВАННЯ



ПОПЕРЕДЖЕННЯ!

Використовуйте лише аксесуари та запасні частини виробництва ЕСНО. Невиконання цієї вимоги може привести до можливої травми, поганої продуктивності та може призвести до втрати гарантії. У разі потреби у заміні компонентів, не описаних в інструкції, звертайтеся до сервісних центрів та агентів ЕСНО.



ПОПЕРЕДЖЕННЯ!

Обслуговування вимагає крайньої обережності і знання і повинно бути виконане тільки кваліфікованим фахівцем. Для обслуговування, доставте продукт до авторизованого сервісного центру. При технічному обслуговуванні використовуйте тільки ідентичні заміні частини.



ПОПЕРЕДЖЕННЯ!

Лопасті різачка дуже гострі. Для запобігання травм, проявляйте крайню обережність при чистці, змащенні і встановленні або видаленні протектора леза. Вимкніть і вийміть акумулятор перед проведінням технічного обслуговування і чищення.

- Зніміть акумулятор перед регулюванням, технічним обслуговуванням і чисткою.
- Ви можете зробити регулювання та ремонт, описані в цьому посібнику користувача. Для інших ремонтних робіт, зверніться до авторизованого сервісного агента.
- Після кожного використання, очистіть основну частину і ручки продукту м'якою сухою тканиною.
- Після кожного використання, очистіть леза від сміття жорсткою щіткою, а потім ретельно нанесіть мастило від іржі перед установкою протектора леза. Виробник рекомендує використовувати антикорозійний та змашувальний спрей для нанесення рівним шаром та зменшення ризику травм внаслідок контакту з лезами. Для отримання інформації про відповідний аерозольний продукт, зв'яжіться з вашим місцевим уповноваженим сервісним центром.
- Ви можете злегка змашувати леза перед використанням, якщо необхідно, використовуючи метод, описаний вище.
- Перевірте всі гайки, болти і гвинти після короткого проміжка часу на правильну герметичність, щоб забезпечити продукт у безпечному робочому стані. Будь-яка пошкоджена деталь, має бути правильно відремонтована або замінена в авторизованому сервісному центрі.

АКУМУЛЯТОРИ

- Якщо акумулятори не використовувалися впродовж певного часу, їх слід підзарядити перед експлуатацією.
- Робота акумуляторів погіршується за температури вище 50°C (122°F). Захищайте виріб від дуже високих температур та прямого сонячного світла (аби запобігти ризику перегріву).
- Контакти зарядного пристрою та акумуляторні батареї повинні зберігатися у чистоті.
- Щоб подовжити термін служби акумуляторів,



повністю заряджайте їх перед використанням.

- Щоб термін служби акумуляторів був максимальним, виймайте акумулятор із зарядного пристрою після повного заряджання.

Якщо акумуляторна батарея зберігається більше 30 днів:

- Зберігайте акумуляторну батарею при температурі нижче 27°C та уникайте вологи.
- Зберігайте акумуляторні батареї з рівнем зарядку 30-50%.
- Через кожні шість місяців зберігання заряджайте батарею як звичайно.
- Дотримуйтесь усіх інструкцій щодо заряджання пристрою та уникайте заряджання поза діапазоном температур, що позначені у інструкції. Неправильне заряджання або заряджання при температурі, поза межами позначеними в інструкції, може пошкодити акумулятор та підвищити ризик виникнення пожежі.

ПЕРЕВЕЗЕННЯ ЛІТІЄВИХ БАТАРЕЙ

Літій-іонні акумулятори підпадають під дію закону про поводження з небезпечними продуктами.

Транспортування цих акумуляторів має здійснюватися згідно з місцевими, національними та міжнародними директивами та правилами.

- Користувач може транспортувати акумулятори автомобільним транспортом без дотримання додаткових вимог.
- Комерційне перевезення літєво-іонних акумуляторів відбувається з дотриманням правил перевезення небезпечних вантажів. Підготовка до транспортування та транспортування має виконуватись виключно належним чином підготовленим персоналом та здійснюватись під наглядом відповідних експертів.

При перевезенні акумуляторів:

- Переконайтесь, що контакти з'єднання захищені та ізольовані щоб запобігти короткому замиканню.
- Переконайтесь, що акумулятор надійно закріплений у тарі.
- Чи не переносьте акумулятори, тріснути або бігу.

Зв'язатися з нами для отримання подальших рекомендацій.

СИМВОЛИ



Попередження



Читайте і зрозумійте всі інструкції перед експлуатацією виробу, дотримуйтесь всіх вказівок і попереджень з техніки безпеки.



Одягайте засоби для захисту слуху.



Одягайте захисні окуляри



Завжди тримайте виріб обома руками при роботі.



Для запобігання серйозних травм не торкайтесь лез.



Носіть неслизькі, надмічні рукавички.



Не надавайте впливу дощу або вогкому стану.



Остерігайтесь кинутих або літаючих об'єктів. Тримайте всіх перехожих, особливо дітей і домашніх тварин, принаймні 15 м від робочої зони.



Український знак відповідності



Євразійська знак відповідності.



Не викидати відпрацьовані електричні прилади разом із побутовими відходами. Утилізувати у спеціально призначених закладах. За консультацією по утилізації приладу зверніться до органу місцевої влади або дилера



Відповідає всім нормативним стандартам в країнах ЄС, де виріб було придбано.



Гарантований рівень звуку, показаний на цьому малюнку, становить 93 дБ.

Наступні сигнальні слова і змісти призначені для пояснення рівнів ризику, пов'язаних з продуктом.

⚠ НЕБЕЗПЕКА

Вказує на неминуче небезпечну ситуацію, яка, якщо її не уникнути, може призвести до смерті або серйозних травм.

⚠ Попередження

Вказує на потенційно небезпечну ситуацію, яка, якщо її не уникнути, може призвести до смерті або серйозних травм.

⚠ УВАГА

Вказує на потенційно небезпечну ситуацію, яка, якщо її не уникнути, може призвести до легкої або середньої травми.

УВАГА

Без попереджуючих символів

Вказує на ситуацію, яка може призвести до пошкодження майна.



TEKNİK VERİ**ÇIT BUDAMA MAKİNESİ****ECHT-58V**

Seri numarası	94501401000001 - 94501401999999
Yüksüz hız	3400 min ⁻¹
Bıçak Uzunluğu	610 mm
Kesme uzunluğu	563 mm
Pil voltajı	51,1V, 58V MAX
Ağırlık (2,0 Ah pil paketiyle)	5,5 kg
Ağırlık (4,0 Ah pil paketiyle)	6,1 kg
Ağırlık (batarya hariç)	4,3 kg

Gürültü/titreşim bilgisi (EN 60745-1, EN 60745-2-15 uyarınca)

A-ağırlıklı gürültü seviyeleri:

Ses basıncı seviyesi	$L_{pA} = 79,0$ dB(A)
Belirsiz	K= 3,0 dB
Ses gücü seviyesi	$L_{WA} = 90,0$ dB(A)
Belirsiz	K= 2,3 dB

Her zaman kullak koruyucu kullanın!

EN 60745-1, EN 60745-2-15'e göre belirlenmiş toplam titreşim değerleri (üç eksenin vektör toplamı).

Titreşim emisyon değeri (ah)

Arka kulp	ah = 3,4 m/s ²
Ön kulp	ah = 2,6 m/s ²
Belirsiz	K = 1,5 m/s

***SPM (Dakikada vuruş) bağlantı çubuğunun bir dakikada tamamladığı vuruş sayısıdır.**

PİL VE ŞARJ CİHAZI**ECHT-58V**

Uyumlu pil takımları	ECBP-58V20 / ECBP-58V40
Uyumlu şarj cihazı	ECBC-58VEU and ECBC-58VUK

! UYARI!

Bu bilgi föyünde belirtilen titreşim emisyon düzeyi standart bir yöntemle uygun olarak ölçülmüş olup, bir aleti diğeriyle karşılaştırmak için kullanılabilir. Ön maruz kalma değerlendirmesi için kullanılabilir.

Belirtilen titreşim emisyon seviyesi aletin ana uygulamaları için geçerlidir. Ancak alet farklı uygulamalar için, farklı aksesuarlarla kullanılıyorsa ya da bakımı yapılmadıysa titreşim emisyonu farklılık gösterebilir. Bu da toplam çalışma süresindeki maruz kalma seviyesini büyük oranda artırabilir.

Titreşime maruz kalma seviyesine yönelik tahminlerde aletin kapalı olduğu ve kullanılmadığı ancak açık olduğu zamanların da göz önünde bulundurulması gereklidir. Bu da toplam çalışma süresindeki maruz kalma seviyesini büyük oranda azaltabilir.

Kullanıcıyı aşağıda sıralanan titreşimin etkilerinden koruyacak ek emniyet önlemlerini belirleyin: alet ve aksesuarların bakımını yapın, elleri sıcak tutun, çalışma şablonu organizasyonu.



UYARI!

Tüm güvenlik uyarılarını ve tüm talimatları okuyun. Uyarılara ve talimatlara uymamak elektrik çarpması, yangın ve/veya ciddi yaralanma ile sonuçlanabilir.

İleride başvurmak üzere tüm uyarıları ve talimatları saklayın.

Uyarılarda yer alan "elektrikli alet" terimi şebeke gücüyle çalıştırılan (kablolu) elektrikli aleti veya pille çalıştırılan (kablosuz) elektrikli aleti ifade eder.

GENEL GÜVENLİK UYARILARI

ÇALIŞMA ALANI GÜVENLİĞİ

- **Çalışma alanını temiz tutun ve iyi şekilde aydınlatın.** Dağınık veya karanlık alanlar kazaya davetiye çıkarır.
- **Elektrikli aletleri yanıcı sıvıların, gazların veya tozun mevcut olduğu patlayıcı atmosferlerde kullanmayın.** Elektrikli aletler tozu veya buharları ateşleyebilecek kıvılcımlar oluşturur.
- **Bir elektrikli alet kullanırken çocukları ve çevredeki insanları uzaklaştırın.** Dikkat dağınıklığı kontrolü kaybetmenize neden olabilir.

ELEKTRİKSEL GÜVENLİK

- **Elektrik fişleri prize uygun olmalıdır. Fişi hiçbir zaman hiçbir şekilde değiştirmeyin. Topraklı elektrikli aletlerle birlikte herhangi bir adaptörlü fiş kullanmayın.** Üzerinde değişiklik yapılmayan fişler ve uygun prizler elektrik çarpması riskini azaltır.
- **Vücudunuzla borular, radyatörler, kuzine ve buzdolabı gibi topraklı ürünlere temas etmekten kaçınınız.** Vücudunuz topraklanırsa yüksek elektrik çarpması riski mevcuttur.
- **Ürünü yağmura veya ıslak koşullara maruz bırakmayın.** Elektrikli alete su girmesi elektrik çarpması riskini artırır.
- **Kabloyu amacı dışında kullanmayın. Kabloyu hiçbir zaman elektrikli aleti taşımak, çekmek veya fişten çıkarmak için kullanmayın. Kabloyu ısıdan, yağdan, keskin kenarlardan veya hareketli parçalardan uzak tutun.** Hasarlı veya dolanmış kablolar elektrik çarpması riskini artırabilir.
- **Bir elektrikli aleti açık alanda kullanırken açık alanda kullanıma uygun bir uzatma kablosu kullanın.** Açık alanda kullanıma uygun bir kablo kullanmak elektrik çarpması riskini azaltır.
- **Eğer bir elektrikli aleti nemli bir yerde kullanmanız kaçınılmazsa bir artık akım cihazı (RCD) korumalı kaynak kullanın.** Bir RCD kullanmak elektrik çarpması riskini azaltır.

KİŞİSEL GÜVENLİK

- **Bir elektrikli alet kullanırken dikkatli olun, yaptığınız işe dikkat edin ve sağduyulu olun.** Yorgunken

veya uyuşturucu, alkol veya ilaç etkisi altındayken bir elektrikli alet kullanmayın. Elektrikli aletleri kullanırken bir anlık dikkatsizlik ciddi fiziksel yaralanma ile sonuçlanabilir.

- **Kişisel koruyucu ekipman kullanın. Koruyucu gözlük takın.** Uygun koşullarda kullanılan toz maskesi, kaymaz güvenlik ayakkabıları, kask veya kulak tıkaçı fiziksel yaralanma riskini azaltacaktır.
- **Kasıtsız başlamayı önleyin. Aleti yerinden alırken veya taşırken güç kaynağına ve/veya pil takımına bağlamadan önce anahtarın kapalı konumda olduğundan emin olun.** Elektrikli aletleri parmağınız anahtarın üzerindeyken veya anahtarlı elektrikli aletlerin gücü açıkken taşımak tehlikeye davetiye çıkarır.
- **Elektrikli aleti açmadan önce ayar kamasını veya anahtarını çıkartın.** Bir ayar anahtarının veya kamanın elektrikli aletin döner parçasına takılı hâlde bırakılması fiziksel yaralanma ile sonuçlanabilir.
- **Yukarıya doğru erişmeye çalışmayın. Yere sağlam basın ve dengeyi her zaman koruyun.** Bu, beklenmedik durumlarda gücün daha iyi kontrol edilmesini sağlar.
- **Uygun şekilde giyinin. Bol kıyafet giymeyin veya takı takmayın. Saçınızı, kıyafetinizi ve eldivenlerinizi hareketli parçalardan uzak tutun.** Bol kıyafetler, takı veya uzun saç hareketli parçalara yakalanabilir.
- **Eğer toz tahliye ve toplama aparatları için bağlantı cihazları sağlanmışsa bunların doğru şekilde bağlandığından ve kullanıldığından emin olun.** Toz toplama aparatı kullanmak tozdan kaynaklanan tehlikeleri azaltabilir.
- **Makinelerin sık kullanılması ile elde edilen aşınalığın konsantrasyonunuzu kaybettirmesine ve alet güvenliği ilkelerini göz ardı etmenizi sağlamasına izin vermeyin.** Dikkatsizce yapılan bir davranış birkaç saniye içinde ciddi yaralanmaya neden olabilir.

ELEKTRİKLİ ALET KULLANIMI VE BAKIMI

- **Elektrikli aletin kapasitesini zorlamayın. Uygulamanız için doğru elektrikli aleti kullanın.** Doğru elektrikli alet tasarlandığı işi daha iyi ve daha güvenli bir şekilde yapacaktır.
- **Eğer anahtar açılıp kapanmıyorsa makineyi kullanmayın.** Anahtarla kontrol edilemeyen her elektrikli alet tehlikelidir ve onarılmalıdır.
- **Herhangi bir ayar yapmadan, aksesuarları değiştirmeden veya elektrikli aletleri depolamadan önce fişi güç kaynağından ve/veya pil takımını elektrikli aletten ayırın.** Bu gibi önleyici güvenlik tedbirleri elektrikli aletin kazara çalışma riskini azaltır.
- **Boş konumda olan elektrikli aletleri çocukların ulaşamayacağı yerde depolayın ve elektrikli aleti tanımayan veya bu talimatları bilmeyen kişilerin elektrikli aleti kullanmasına izin vermeyin.** Elektrikli aletler eğitimsiz kullanıcıların elinde tehlikelidir.
- **Elektrikli aletlerin bakımını yapın. Hareketli parçaların hıza kaymasını ve bağlantısını, parçaların**



kırık olup olmadığını ve elektrikli aletin çalışmasını etkileyebilecek diğer durumları kontrol edin. Eğer hasarlıysa elektrikli aleti kullanmadan önce onartın. Pek çok kaza bakımı kötü yapılmış elektrikli aletlerden kaynaklanır.

- Kesici aletleri keskin ve temiz tutun. Uygun şekilde bakımı yapılan keskin kesme kenarlarına sahip kesme aletlerinin sıkışma olasılığı daha azdır ve kontrol edilmesi daha kolaydır.
- Elektrik aleti, aksesuarları ve alet uçlarını vb. çalışma koşullarını ve yapılacak çalışmayı dikkate alarak bu talimatlara uygun şekilde kullanın. Elektrikli aleti amaçlananlar dışındaki çalışmalar için kullanmak tehlikeli bir durumun oluşmasına yol açabilir.
- Kulpları ve kavrama yüzeylerini kuru, temiz ve yağdan ve gresten arındırılmış hâlde tutun. Kaygan kulplar ve kavrama yüzeyleri beklenmedik durumlarda aletin güvenli şekilde taşınmasına ve kontrol edilmesine izin vermez.

PİLLİ ALET KULLANIMI VE BAKIMI

- Sadece üretici tarafından belirtilen şarj cihazı ile şarj edin. Tek bir pil takımı tipine uygun bir şarj cihazı başka bir pil takımı ile birlikte kullanıldığında yangın riski oluşturabilir.
- Elektrikli aletleri sadece özel olarak belirtilmiş pil takımları ile birlikte kullanın. Başka bir pil takımı kullanmak yaralanma ve yangın riski oluşturabilir.
- Pil takımı kullanılmadığı zaman ataş, bozuk para, anahtar, çivi, vida ve diğer metal nesnelere gibi bir terminalden diğerine bağlantı oluşturabilecek diğer metal nesnelere uzak tutun. Pil terminalerinin birlikte kısa devre yapması yangına veya yangına neden olabilir.
- Kötü koşullarda pilden sıvı boşalabilir; temas etmekten kaçının. Eğer kazara temas ederseniz temas eden yeri suyla yıkayın. Eğer sıvı gözlerinize temas ederse ek olarak tıbbi yardım alın. Pilden boşalan sıvı tahrişe veya yanıklara neden olabilir.
- Hasar görmüş ya da değiştirilmiş pil paketi ya da aleti kullanmayın. Hasar görmüş ya da değiştirilmiş piller yangın, patlama ya da yaralanma riskine yol açabilecek beklenmeyen davranış sergileyebilir.
- Pil paketi ya da aleti ateş ya da aşırı ısıya maruz bırakmayın. Ateş ya da 130°C üzerinde ısıya maruz bırakıldığında patlama olabilir.
- Şarj işlemine ilişkin tüm talimatlara uyun ve pil paketi ya da aleti talimatlarda belirtilen sıcaklık aralığı dışında şarj etmeyin. Belirtilen sıcaklık aralığı dışında şarj edildiğinde pil zarar görebilir ve yangın riski artar.

SERVİS

- Elektrikli aletinizi sadece aynı yedek parçaları kullanarak nitelikli bir tamirciye onartın. Bu, elektrikli aletin güvenliğinin muhafaza edilmesini sağlar.
- Hasarlı pil takımlarına asla bakım uygulamayın.

Pil takımlarının bakımı üretici ya da yetkili hizmet sağlayıcılar tarafından yapılmalıdır.

ÇİT BUDAMA MAKİNESİ GÜVENLİK UYARILARI

- Tüm vücut parçalarını kesme bıçağından uzak tutun. Bıçaklar hareket halindeyken kesilmiş malzemeyi çıkarmayın ya da kesilecek malzemeyi tutmayın. Sıkışmış malzemeyi çıkarmaya çalışırken güç anahtarının kapalı olduğundan emin olun. Ürünü kullanırken bir anlık dikkatsizlik ciddi kişisel yaralanmaya yol açabilir.
- Ürünü kesici bıçaklar durmuş konumda, kulbundan tutarak taşıyın. Çit budama makinesini taşırken ya da depolarken her zaman kesme aleti kılıfını kullanın. Ürünün doğru kullanılması kesici aksamdan bedensel yaralanma ihtimalini düşürür.
- Kesici aksam gizli teller ya da kendi kablosuyla temas edebileceği için elektrikli aleti sadece yapılmış kavrama yüzeylerinden tutun. Kesici aksamın "akımlı" bir telle temas etmesi elektrikli aletin açıldığında metal kısımlarının "akımlı" olmasına ve operatörün elektrik çarpmasına maruz kalmasına neden olabilir.

EK GÜVENLİK UYARILARI

- Bazı bölgeler ürünün bazı çalışmalarda kullanımına kısıtlama getiren yönetmeliklere sahiptir. Tavsiye için bölgenizdeki yetkili mercie başvurun. Tüm talimatları okuyun.
- Her kullanım öncesi çalışma alanını temizleyin. Kesici aksama girebilecek ya da sıkışabilecek ip, ampul, tel veya kablo gibi bütün cisimleri uzaklaştırın.
- Çiti tel örgü gibi yabancı maddeler açısından kontrol edin.
- Ürünü direkler, binalar ya da benzer sabit cisimler yakınında kullanırken çok daha dikkatli olun.
- Fırlayan veya düşen nesnelere karşı dikkatli olun; çevredeki kişileri, çocukları ve hayvanları çalışma alanından en az 15 m uzaklaştırın.
- Çocukların ve eğitimimsiz kişilerin bu üniteyi kullanmasına izin vermeyin.
- Kötü aydınlatmalı koşullarda kullanmayın. Kullanıcının potansiyel tehlikeleri belirlemesi için çalışma alanını net olarak görmesi gerekir.
- Ürünü kullanırken tüm elciklerin ve koruyucuların yerinde olduğundan daima emin olun. Hiçbir zaman eksik veya izin verilmeyen bir değişiklik yapılmış makineyi kullanmaya çalışmayın.
- Her kullanım öncesi tüm kontrollerin ve güvenlik cihazlarının doğru şekilde çalıştığından emin olun. Eğer "kapalı" anahtarları ürünü durdurmuyorsa ürünü kullanmayın.



- Her kullanım öncesi makineyi inceleyin. Gevşemiş tespit elemanları olup olmadığını kontrol edin. Tüm korkuluk ve tutamakların yerlerinde bulduklarından emin olun. Kullanmadan önce hasarlı parçaları değiştirin. Pil sızıntı olup olmadığını kontrol edin
- Üründe herhangi bir şekilde değişiklik yapmayın
- Bu ekipmanı kullanırken koruyucu gözlük ve kulak tıkacı takın. Eğer nesnelerin düşme riskinin bulunduğu bir alanda çalışıyorsanız kask takılmalıdır.
- Uzun ağır iş pantolonu, botu ve eldiveni giyin. Bol kıyafetler, kısa pantolon giymeyin, herhangi bir takı takmayın veya çıplak ayakla kullanmayın.
- Saçlarınızı uzunsanız hareketli parçalara dolaşmasını önlemek için omuz seviyesinin üzerinde toplayın.
- Kulak tıkacı kullanımı uyarıları (sesler veya alarmlar) duyma kabiliyetinizi azaltır. Kullanıcı çalışma alanında yapılan işe ekstra dikkat etmelidir.
- Yakında benzer aletler kullanmak hem işitme kaybı riskini hem de diğer insanların çalıştığınız alana girme riskini artırır.
- Ürünü hiçbir zaman yorgunken, hastayken veya alkol, uyuşturucu veya ilaç etkisi altındayken kullanmayın.
- Yere sağlam basın ve dengede durun. Yukarıya doğru erişmeye çalışmayın. Aşırı uzanmak denge kaybına yol açabilir ve ciddi yaralanmalarla sonuçlanabilir.
- Vücudunuzun tüm uzuvlarını hareketli parçalardan uzak tutun.
- Ürünü çalıştırmadan önce, kesici aksamın hiçbir şeye temas etmeyeceğinden emin olun.
- Ürünü çalıştırırken mutlaka iki elinizle her iki kulbundan sıkıca tutun ve çalışma konumunun güvenli olduğundan emin olun. Üretici, basamak veya merdiven kullanmanızı tavsiye etmez. Eğer daha yüksekte budama yapmanız gerekirse daha ileriye uzanan bir alet kullanın.
- Bıçaklar keskindir. Bıçak düzeneğini tutarken kaymaz, ağır işe yönelik koruyucu eldiven takın. Elinizi veya parmaklarınızı bıçakların arasına veya delinebilecekleri veya kesilebilecekleri herhangi bir yere koymayın. Pil takımı çıkarılmadıkça, bıçağa asla dokunmayın ya da ürüne bakım yapmayın.
- Ürünü depolamadan, pil paketini çıkarın. Tüm hareketli parçaların tamamen durduğundan emin olun:
 - ürünün yanından ayrılmadan önce
 - temizlik yapmadan veya bir tıkanıklığı açmadan önce
 - ve kesici aksamın konumunu ayarlamaya başlamadan önce
 - ürünü kontrol etmeden, bakım veya başka bir çalışma yapmadan önce
- Ürünü yoğun çalı içinde zorla çalıştırmayın. Aksi hâlde bıçakların körelmesine ve yavaşlamasına neden olabilir. Eğer bıçaklar yavaşlarsa hızını düşürün.

- 17 mm'den daha kalın veya kesme bıçağını beslemek için açıkça çok büyük gövdeleri veya ince dalları kesmeye çalışmayın. Büyük gövdeleri budamak için güç destekli olmayan bir el testeresi veya budama testeresi kullanın.
- Ürünü hasar görmüş ya da iyice aşınmış bıçaklarla kullanmayın.
- Makinelerin sık kullanılması ile elde edilen aşınalığın konsantrasyonunu kaybettirmesine ve alet güvenliğini ilkelerini göz ardı etmenizi sağlamasına izin vermeyin. Dikkatsizce yapılan bir davranış birkaç saniye içinde ciddi yaralanmaya neden olabilir.
- En iyi sonuçlar için bataryalı aletin sıcaklığın 10°C'nin üzerinde ve 38°C'nin altında olduğu bir yerde şarj edilmelidir. Ciddi fiziksel yaralanma riskini azaltmak için açık alanda veya taşıt içinde depolamayın.



UYARI!

Eğer ürün düşerse, ağır darbe alırsa veya anormal şekilde titremeye başlarsa ürünü derhal durdurun ve hasara karşı inceleyin veya titreşimin nedenini belirleyin. Her tür hasar yetkili servis merkezi tarafından uygun şekilde onarılmalı veya değiştirilmelidir.

Ürün üzerinde herhangi bir çalışma yapmaya başlamadan önce batarya takımını çıkartın.

Kullanılmış pil paketlerini ev atıklarına katarak ya da yakarak bertaraf etmeyin. ECHO Distribütörleri çevremizi korumak için eski pilleri geri almayı önerir.

Pil takımını madeni cisimlerle birlikte depolamayın (kısa devre riski).

Pil paketlerinin şarjı için sadece ECBC-58VEU/ECBC-58VUK şarj cihazı kullanın.

Başka sistemlerin pil paketlerini kullanmayın.

Uyumlu pil takımları: ECBP-58V20, ECBP-58V40

Hasarlı pil takımları aşırı yük veya aşırı ısılarla pil asidi sızdırabilir. Pil asidiyle temas halinde, zaman geçirmeden sabunlu suyla yıkayın. Göz teması halinde, en az 10 dakika boyunca adamakıllı yıkayın ve zaman geçirmeden tıbbi yardım alın.

PİL İÇİN EK GÜVENLİK UYARILARI



UYARI!

Bir kısa devreden kaynaklanan yangın, yaralanma veya ürün hasarları tehlikesini önlemek için aleti, güç paketini veya şarj cihazını asla sıvıların içine daldırmayınız ve cihazların ve pillerin içine sıvı girmesini önleyiniz. Tuzlu su, belirli kimyasallar, ağartıcı madde veya ağartıcı madde içeren ürünler gibi korozif veya iletken sıvılar kısa devreye neden olabilir.

ARTIK RİSKLER

Ürün belirtilen şekilde kullanıldığında bile belirli artık risk faktörlerini tamamen ortadan kaldırmak mümkün değildir. Kullanım sırasında aşağıdaki tehlikeler ortaya çıkabilir ve kullanıcının aşağıdaki durumları önlemek için özellikle dikkatli olması gerekir:

- Bıçak nedeniyle oluşan yaralanma
 - Bıçak kesim sırasında korunamaz. Bıçağı kendinizden ve başkalarından uzak tutun. Ürün kullanılmadığı zaman kanat koruyucularının takılı olmasını sağlayın.
- Titreşim nedeniyle yaralanma.
 - İş için her zaman doğru aleti kullanın, belirtilen saplardan tutun; çalışma ve maruz kalma süresini sınırlandırın.
- Gürültüye maruz kalma nedeniyle işitme kaybı meydana gelebilir.
 - Kulak tıkacı takın ve maruz kalma süresini sınırlandırın.

RİSK AZALTMA

El aletlerinden kaynaklanan titreşimlerin belirli kişilerde Raynaud Sendromu adı verilen bir durumu etkilediği bildirilmiştir. Semptomlar içerisinde parmaklarda genellikle soğuğa maruz kaldığında açığa çıkan karıncalanma, hissizlik ve ağarma yer bulunabilir. Kalıtsal faktörler, soğuğa ve neme maruz kalma, diyet, sigara içme ve çalışma uygulamalarının hepsinin bu semptomların gelişimini etkilediği düşünülmektedir. Titreşim etkilerini azaltmak için kullanıcı tarafından alınabilecek önlemler vardır:

- Soğuk havada vücut ısınızı koruyun. Ürünü kullanırken ellerinizi ve bileklerinizi sıcak tutmak için eldiven giyin. Soğuk havanın Raynaud Sendromu'nu etkileyen önemli bir faktör olduğu bildirilmiştir.
- Her kullanım süresinden sonra kan dolaşımını artırmak için egzersiz yapın.
- Sık çalışma molası verin. Günlük maruz kalma miktarını sınırlayın.

Eğer bu durumla ilgili herhangi bir semptom görürseniz çalışmayı derhal bırakın ve doktorunuza başvurun.



UYARI!

Ürünün uzun süre kullanılması nedeniyle yaralanmalar meydana gelebilir veya kötüleşebilir. Herhangi bir alet uzun süre kullanıldığında düzenli molalar verdiğinizden emin olun.

KULLANIM AMACI

Kablosuz çit budama makinesi sadece dış mekânlarda kullanılmak üzere geliştirilmiştir. Güvenlik nedenleriyle

ürün iki elle kullanılarak uygun şekilde kontrol edilmelidir.

Ürün evde veya domestik kullanım için tasarlanmıştır. Bu ürün çalı çitleri, bodur ağaçları ve benzer bitkileri kesmeye ve budamaya yöneliktir.

Kuru, aydınlatmanın iyi olduğu durumlarda kullanılmalıdır.

Çim kesmeye, ağaç veya dalları budamaya yönelik DEĞİLDİR. Çit budama dışında herhangi bir amaçla kullanılmamalıdır.

Ürünü Kullanım Amacı bölümünde belirtilmeyen hiçbir amaç için kullanmayın.

ÜRÜNÜNÜZÜ TANIYIN

Bkz. sayfa 6-7.

1. Operatör varlık anahtar
2. Mandallı batarya düğmesi
3. Pili
4. Gaz keleşi kilidi
5. Arka kulp
6. Gaz keleşi tetiği
7. Şarj cihazı
8. Bıçak koruyucusu
9. Bıçak
10. Koruma
11. Ön kulp

TAŞIMA VE DEPOLAMA

- Depolama ya da nakliyeden önce ürünü durdurun, pilini çıkarın ve soğumasını sağlayın
- Üründeki tüm yabancı maddeleri temizleyin. Çocukların erişemeyeceği serin, kuru ve iyi havalandırılan bir yerde depolayın. İlave güvenlik için, pili üründen ayrı bir yerde saklayın. Bahçe kimyasalları ve buz çözücü tuzlar gibi korozif maddelerden uzak tutun. Açık alanda depolamayın.
- Üniteyi depolamadan önce veya taşıma sırasında bıçağı bıçak koruyucu ile koruma altına alın.
- Taşınacağı zaman insanların yaralanmasını veya ürünün zarar görmesini önlemek amacıyla ürünü hareket etmemesi veya düşmemesi için sabitleyin.

BAKİM



UYARI!

Sadece ECHO aksesuarları ve ECHO yedekleri kullanın. Aksi hâlde olası yaralanmalara, zayıf performansa neden olabilir ve garantinizi geçersiz kılabilir. Tanımlanmamış parçaların değiştirilmesi gerektiğinde, lütfen ECHO servis acentelerimizden biriyle iletişime geçin.



UYARI!

Servis çalışması en yüksek düzeyde dikkat ve bilgi gerektirir ve sadece nitelikli bir servis teknisyeni tarafından yapılmalıdır. Servis için ürünü onarım amacıyla size en yakın yetkili servis merkezi'ne göndermenizi öneriyoruz. Servis yapılırken sadece aynı yedek parçaları kullanın.



UYARI!

Bıçaklar keskindir. Bedensel yaralanmaları önlemek için, temizleme ve yağlama sırasında ya da bıçak koruyucusunu takıp çıkarırken azami dikkat gösterin. Bakım ya da temizlik işlemi için ürünü kapatın ve pil paketini çıkarın.

- Ürünü ayarlamadan, bakımını yapmadan ya da temizlemeden önce pil takımını çıkarın.
- Sadece bu kılavuzda açıklandığı şekilde ayar veya onarım yapabilirsiniz. Diğer onarımlar için yetkili servis temsilcisini arayın.
- Her kullanım sonrası ürünün gövdesini ve kulplarını yumuşak ve kuru bir bezle temizleyin.
- Her kullanımdan sonra bıçaklardaki kalıntıları sert bir fırçayla temizleyin ve ardından, bıçak koruyucuyu tekrar takmadan önce dikkatlice, paslanma önleyici bir yağlama maddesi sürün. Üretici, eşit bir dağıtım sağlamak ve bıçaklara temas nedeniyle yaralanmayı önlemek için bir paslanma önleyici ve yağlama spreyi kullanmanızı tavsiye etmektedir. Uygun sprey ürünü hakkında bilgi almak için yerel yetkili servis merkezinizle görüşün.
- Eğer gerekirse kullanmadan önce bıçakları, yukarıdaki yöntemi kullanarak yağlayabilirsiniz.
- Ürünün güvenli çalışma durumunda olduğundan emin olmak için tüm somunların, civataların ve vidaların doğru sıklıkta sık aralıklarla takıldığını kontrol edin. Hasarlı her tür parça yetkili servis merkezi tarafından uygun şekilde onarılmalı veya değiştirilmelidir.

BATARYALAR

- Belirli bir süre kullanılmamış pil takımlarının kullanımdan önce şarj edilmeleri gerekir.
- 50°C'yi (122°F) aşkın ısılar pil takımının performansını düşürür. Isıya veya güneş ışığına uzun süre maruz bırakmayın (aşırı ısınma riski).
- Şarj cihazları ve pil paketlerinin temas noktalarının temiz tutulması gerekmektedir.
- Optimal bir ömür için, pil takımlarının kullanımdan sonra yeniden şarj edilmesi gerekir.
- Olası en uzun ömrü elde etmek için, şarj olduktan sonra pil takımını şarj aletinden ayırın.

30 günden daha uzun süre depolanacak batarya takımını için:

- Batarya takımını sıcaklığın 27°C'nin altında ve nemden uzak bir yerde depolayın.
- Batarya takımlarını %30-%50 şarjlı hâlde depolayın.
- Depolandıktan sonra her altı ayda bir batarya takımını normal şekilde şarj edin.
- Şarj işlemine ilişkin tüm talimatlara uyun ve pil paketi ya da aleti talimatlarda belirtilen sıcaklık aralığı dışında şarj etmeyin. Belirtilen sıcaklık aralığı dışında şarj edildiğinde pil zarar görebilir ve yangın riski artar.

LİTYUM BATARYALARIN TAŞINMASI

Lityum-iyon pil, Tehlikeli Madde Düzenlemelerine gerekliliklerine tabidir.

Bu pillerin nakliyesi yerel, ulusal, uluslararası hüküm ve düzenlemelere uygun olarak yapılmalıdır.

- Kullanıcı, pilleri başka gereklilikler olmadan kara yoluyla taşıyabilir.
- Lityum-iyon pillerin üçüncü taraflarca ticari nakliyesi Tehlikeli Maddeler düzenlemelerine tabidir. Taşıma hazırlığı ve taşıma yalnızca uygun eğitimi almış kişilerce gerçekleştirilmeli ve taşıma sürecine ilgili uzmanlar eşlik etmelidir.

Pil taşırken:

- Kısa devreyi önlemek için pil kontak terminalerinin korumalı ve yalıtımlı olduğundan emin olun.
- Pil paketinin ambalaj içinde hareket etmeyecek gibi tespit edilmesini sağlayın.
- Çatlak veya sızdıran bataryaları taşımayın.

Ek tavsiye için nakliye şirketi ile birlikte kontrol edin.

SEMBOLLER



Güvenlik ikazı



Ürünü kullanmadan önce tüm talimatları okuyun ve anlayın, tüm uyarılara ve güvenlik talimatlarına uyun.



Kulak tıkacı takın.



Koruyucu gözlük takın.



Çit budama makinesini kullanırken her zaman iki elinizle tutun.



Ciddi yaralanmaları önlemek için kesme bıçaklarına dokunmayın.



Kaymaz, ağır iş eldiveni giyin.



Ürünü yağmura veya nemli koşullara maruz bırakmayın.



Fırlayan ve sıçrayan nesnelere dikkat edin. Üçüncü şahısları, özellikle çocukları ve evcil hayvanları çalışma alanından en az 15 m uzakta tutun.



Ukrayna uygunluk işareti.



EurAsian Uygunluk İşareti



Atık elektrikli ürünler evsel atıklarla birlikte atılmamalıdır. Lütfen tesislerin mevcut olduğu yerlerde geri dönüştürün. Geri dönüşüm tavsiyesi için bölgenizdeki yetkili merciyeye veya satıcıya başvurun.



Ürünün satın alındığı AB ülkesindeki tüm düzenleyici standartlara uygundur.



Güvenceli ses gücü seviyesi bu etikette 93 dB olarak gösterilmektedir.

Aşağıdaki işaret sözcükler ve anlamları bu ürünle ilişkili risk seviyelerinin açıklanmasına yöneliktir.

TEHLİKE

Önlenmemesi durumunda ölüm veya ciddi yaralanma ile sonuçlanacak ciddi tehlike içeren bir durumu gösterir.

UYARI

Önlenmemesi durumunda ölüm veya ciddi yaralanma ile sonuçlanabilecek potansiyel olarak tehlikeli bir durumu gösterir.

İKAZ

Önlenmemesi durumunda önemsiz veya orta derece yaralanma ile sonuçlanabilecek potansiyel olarak tehlikeli bir durumu gösterir.

İKAZ

Güvenlik uyarısı sembolü olmadığında Maddi hasarla sonuçlanabilecek bir durumu gösterir.

DECLARATION OF CONFORMITY

The undersigned manufacturer:

YAMABIKO CORPORATION
1-7-2 Suehirocho, Ohme, Tokyo 198-8760
JAPAN

This declaration of conformity is issued under the sole responsibility of the manufacturer.

declares that the hereunder specified new unit:

Brand: HEDGE TRIMMER
Type: ECHO
ECHE-58V, ECBP-58V20/ECBP-58V40



assembled by:

Techtronic Industries (Dongguan) Co., Ltd
No. 1, Chuangke Road, Houjie Town Industrial Park, Houjie Town, Dongguan, Guangdong,
523941, P.R. China

complies with:

- the requirements of Directive 2006/42/EC (use of harmonized standard EN 60745-1:2009+A11:2010, EN 60745-2-15:2009+A1:2010)
- the requirements of Directive 2014/30/EU (use of harmonized standard EN 55014-1:2017, EN 55014-2:2015)
- the requirements of Directive 2011/65/EU (use of harmonized standard EN 50581:2012)
- the requirements of Directive 2000/14/EC amended by 2005/88/EC
Conformity assessment procedure followed ANNEX V
Measured sound power level: 92.3 dB(A)
Guaranteed sound power level: 93 dB(A)

ECHE-58V: Serial number 94501401000001-94501401999999

ECBP-58V20: Serial number 34502001000001-34502001999999

ECBP-58V40: Serial number 34502101000001-34502101999999

Tokyo, Apr. 20, 2018

YAMABIKO CORPORATION



Hisashi Kobayashi for Masayuki Kimura
General Manager
Quality Assurance Dept.

The authorized representative in Europe who is authorized to compile the technical file
Company: Certification Experts B.V.
Address: Stationplein 30, 1382AD, Weesp, the Netherlands

Mr. Philip Wicks



DÉCLARATION DE CONFORMITÉ

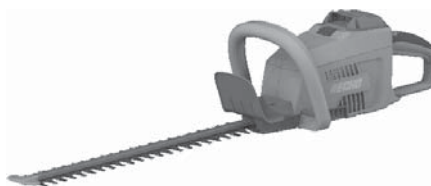
Le sous-signé fabricant :

YAMABIKO CORPORATION
1-7-2 Suehirocho, Ohme, Tokyo 198-8760
JAPAN

Cette déclaration de conformité est publiée sous la seule responsabilité du fabricant.

déclare que la nouvelle unité spécifiée ci-après :

Marque : TAILLE-HAIES
Type : ECHO
ECHT-58V, ECBP-58V20/ECBP-58V40



assemblée par :

Techtronic Industries (Dongguan) Co., Ltd
No. 1, Chuangke Road, Houjie Town Industrial Park, Houjie Town, Dongguan, Guangdong,
523941, P.R. China

est conforme aux :

- exigences de la Directive 2006/42/CE (norme harmonisée EN 60745-1:2009+A11:2010, EN 60745-2-15:2009+A1:2010)
- exigences de la Directive 2014/30/EU (norme harmonisée EN 55014-1:2017, EN 55014-2:2015)
- exigences de la Directive 2011/65/EU (norme harmonisée EN 50581:2012)
- exigences de la Directive 2000/14/CE, amendement 2005/88/CE
Procédure d'évaluation de la conformité en observance l'ANNEXE V
Niveau de puissance sonore mesuré: 92,3 dB(A)
Niveau de puissance sonore garanti: 93 dB(A)

ECHT-58V:	Numéro de série	94501401000001-94501401999999
ECBP-58V20:	Numéro de série	34502001000001-34502001999999
ECBP-58V40:	Numéro de série	34502101000001-34502101999999

Tokyo, le 20 avril 2018

YAMABIKO CORPORATION

Hisashi Kobayashi pour Masayuki Kimura
Directeur général
Service d'assurance qualité

Le représentant agréé en Europe autorisé à compiler le fichier technique

Société : Certification Experts B.V.
Adresse : Stationplein 30, 1382AD, Weesp, the Netherlands

Mr. Philip Wicks



KONFORMITÄTSERKLÄRUNG

Der unterzeichnete Hersteller:

YAMABIKO CORPORATION
1-7-2 Suehirocho, Ohme, Tokyo 198-8760
JAPAN

Diese Konformitätserklärung wird in alleiniger Verantwortung des Herstellers abgegeben.

erklärt, dass das hiermit spezifizierte neue Gerät:

HECKENSCHERE

Handelsmarke: ECHO

Typ: ECHT-58V, ECBP-58V20/ECBP-58V40



montiert von:

Techtronic Industries (Dongguan) Co., Ltd
No. 1, Chuangke Road, Houjie Town Industrial Park, Houjie Town, Dongguan, Guangdong,
523941, P.R. China

entspricht:

- den Anforderungen der Richtlinie 2006/42/EG (Nutzung der vereinheitlichten Norm EN 60745-1:2009+A11:2010, EN 60745-2-15:2009+A1:2010)
- den Anforderungen der Richtlinie 2014/30/EU (Nutzung der vereinheitlichten Norm EN 55014-1:2017, EN 55014-2:2015)
- den Anforderungen der Richtlinie 2011/65/EU (Nutzung der vereinheitlichten Norm EN 50581:2012)
- den Anforderungen der Richtlinie 2000/14/EG gemäß Änderung 2005/88/EG
Verfahren zur Konformitätserklärung gemäß ANHANG V
Gemessener Schalleistungspegel: 92,3 dB(A)
Garantierter Schalleistungspegel: 93 dB(A)

ECHT-58V: Seriennummer 94501401000001-94501401999999
ECBP-58V20: Seriennummer 34502001000001-34502001999999
ECBP-58V40: Seriennummer 34502101000001-34502101999999

Tokio, 20. Apr. 2018

YAMABIKO CORPORATION

**Der autorisierte Vertreter in Europa, der zur Zusammenstellung
der technischen Datei autorisiert ist**

Unternehmen: Certification Experts B.V.

Adresse: Stationplein 30, 1382AD, Weesp, the Netherlands

Hisashi Kobayashi

Mr. Philip Wicks

Hisashi Kobayashi für Masayuki Kimura
Geschäftsführer
Qualitätssicherungsabteilung

DECLARACIÓN DE CONFORMIDAD

El fabricante abajo firmante:

YAMABIKO CORPORATION
1-7-2 Suehirocho, Ohme, Tokyo 198-8760
JAPAN

La presente declaración de conformidad se emite bajo la responsabilidad exclusiva del fabricante.

declara que la nueva unidad especificada en el presente documento:

Marca: **ECHO**
Tipo: **CORTASETOS**
ECHE-58V, ECBP-58V20/ECBP-58V40



ha sido ensamblada por:

Techtronic Industries (Dongguan) Co., Ltd
No. 1, Chuangke Road, Houjie Town Industrial Park, Houjie Town, Dongguan, Guangdong, 523941,
P.R. China

está conforme con:

- los requisitos establecidos en la Directiva 2006/42/CE (uso de la norma armonizada EN 60745-1:2009+A11:2010, EN 60745-2-15:2009+A1:2010)
- los requisitos establecidos en la Directiva 2014/30/EU (uso de la norma armonizada EN 55014-1:2017, EN 55014-2:2015)
- los requisitos establecidos en la Directiva 2011/65/EU (uso de la norma armonizada EN 50581:2012)
- los requisitos establecidos en la Directiva 2000/14/CE, modificada por la Directiva 2005/88/CE
Procedimiento de evaluación de la conformidad utilizado: ANEXO V
Nivel de potencia acústica medido: 92,3 dB(A)
Nivel de potencia acústica garantizado: 93 dB(A)

ECHE-58V: Número de serie 94501401000001-94501401999999
ECBP-58V20: Número de serie 34502001000001-34502001999999
ECBP-58V40: Número de serie 34502101000001-34502101999999

Tokio, 20 de abril de 2018

YAMABIKO CORPORATION

El representante autorizado en Europa que cuenta con la autorización pertinente para la elaboración del archivo técnico
Empresa: Certification Experts B.V.
Dirección: Stationplein 30, 1382AD, Weesp, the Netherlands

Hisashi Kobayashi

Mr. Philip Wicks

Hisashi Kobayashi en lugar de Masayuki Kimura
Director general
Departamento de Control de Calidad



DICHIARAZIONE DI CONFORMITÀ

Il fabbricante sottoscritto:

YAMABIKO CORPORATION
1-7-2 Suehirocho, Ohme, Tokyo 198-8760
JAPAN

La presente dichiarazione di conformità viene emessa sotto la sola responsabilità del fabbricante.

dichiara che la seguente unità nuova specificata:

DECESPUGLIATORE

Marca:

ECHO

Tipo:

ECHE-58V, ECBP-58V20/ECBP-58V40



assemblata da:

Techtronic Industries (Dongguan) Co., Ltd
No. 1, Chuangke Road, Houjie Town Industrial Park, Houjie Town, Dongguan, Guangdong,
523941, P.R. China

rispetta:

- i requisiti della Direttiva 2006/42/CE (uso delle normative armonizzate EN 60745-1:2009+A11:2010, EN 60745-2-15:2009+A1:2010)
- i requisiti della Direttiva 2014/30/EU (uso delle normative armonizzate EN 55014-1:2017, EN 55014-2:2015)
- i requisiti della Direttiva 2011/65/EU (uso delle normative armonizzate EN 50581:2012)
- i requisiti della Direttiva 2000/14/CE modificata dalla 2005/88/CE
Procedura di valutazione della conformità seguita ALLEGATO V
Livello di potenza acustica misurato: 92,3 dB(A)
Livello di potenza acustica garantito: 93 dB(A)

ECHE-58V: Numero seriale 94501401000001-94501401999999

ECBP-58V20: Numero seriale 34502001000001-34502001999999

ECBP-58V40: Numero seriale 34502101000001-34502101999999

Tokyo, 20 apr. 2018

YAMABIKO CORPORATION

Il rappresentante autorizzato in Europa che è autorizzato a compilare la scheda tecnica

Azienda: Certification Experts B.V.

Indirizzo: Stationplein 30, 1382AD, Weesp, the Netherlands

Hisashi Kobayashi

Mr. Philip Wicks

Hisashi Kobayashi per Masayuki Kimura
Direttore Generale
Ufficio Assicurazione della Qualità





CONFORMITEITSVERKLARING

De ondergetekende fabrikant:

YAMABIKO CORPORATION

1-7-2 Suehirocho, Ohme, Tokyo 198-8760

JAPAN

Deze conformiteitsverklaring wordt uitgegeven onder de uitsluitende verantwoordelijkheid van de fabrikant.

verklaart dat de hieronder gespecificeerde nieuwe unit:

HEGGENSCHAAR

Merk:

ECHO

Type:

ECHT-58V, ECBP-58V20/ECBP-58V40



samengesteld door:

Techtronic Industries (Dongguan) Co., Ltd

No. 1, Chuangke Road, Houjie Town Industrial Park, Houjie Town, Dongguan, Guangdong, 523941, P.R. China

voldoet aan:

- de vereisten van Richtlijn 2006/42/EG (gebruik van de geharmoniseerde norm EN 60745-1:2009+A11:2010, EN 60745-2-15:2009+A1:2010)
- de vereisten van Richtlijn 2014/30/EU (gebruik van de geharmoniseerde norm EN 55014-1:2017, EN 55014-2:2015)
- de vereisten van Richtlijn 2011/65/EU (gebruik van de geharmoniseerde norm EN 50581:2012)
- de vereisten van Richtlijn 2000/14/EG wijzigen tegen 2005/88/EG Conformiteitsbeoordelingsprocedure volgens BIJLAGE V
Gemeten geluidsniveau: 92,3 dB(A)
Gegarandeerd geluidsniveau: 93 dB(A)

ECHT-58V: Serienummer 94501401000001-94501401999999

ECBP-58V20: Serienummer 34502001000001-34502001999999

ECBP-58V40: Serienummer 34502101000001-34502101999999

Tokyo, Apr. 20 2018

YAMABIKO CORPORATION

De geautoriseerde vertegenwoordiger in Europa die gemachtigd is om het technische dossier samen te stellen

Bedrijf: Certification Experts B.V.

Adres: Stationplein 30, 1382AD, Weesp, the Netherlands

Mr. Philip Wicks

Hisashi Kobayashi namens Masayuki Kimura
Algemeen manager
Afdeling kwaliteitszorg.



DECLARAÇÃO DE CONFORMIDADE

O fabricante abaixo assinado:

YAMABIKO CORPORATION
1-7-2 Suehirocho, Ohme, Tokyo 198-8760
JAPAN

Esta declaração de conformidade é emitida sob a exclusiva responsabilidade do fabricante.

declara pelo presente documento que a unidade nova especificada:

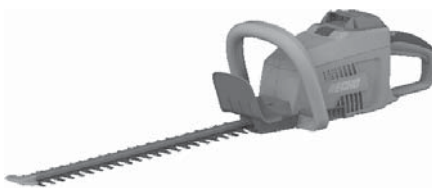
CORTA-SEBES

Marca:

ECHO

Tipo:

ECHT-58V, ECBP-58V20/ECBP-58V40



montado por:

Techtronic Industries (Dongguan) Co., Ltd
No. 1, Chuangke Road, Houjie Town Industrial Park, Houjie Town, Dongguan, Guangdong, 523941,
P.R. China

cumpre:

- os requisitos da Diretiva 2006/42/EC (utilização da norma harmonizada EN 60745-1:2009+A11:2010, EN 60745-2-15:2009+A1:2010)
- os requisitos da Diretiva 2014/30/EU (utilização da norma harmonizada EN 55014-1:2017, EN 55014-2:2015)
- os requisitos da Diretiva 2011/65/EU (utilização da norma harmonizada EN 50581:2012)
- os requisitos da Diretiva 2000/14/EC atualizada pela 2005/88/EC
Procedimento de avaliação de conformidade seguido ANEXO V
Nível de potência sonora medido: 92,3 dB(A)
Nível de potência sonora garantido: 93 dB(A)

ECHT-58V: Número de série 94501401000001-94501401999999

ECBP-58V20: Número de série 34502001000001-34502001999999

ECBP-58V40: Número de série 34502101000001-34502101999999

Tóquio, 20 de abril de 2018

YAMABIKO CORPORATION

**O representante autorizado na Europa com autorização para
compilar o ficheiro técnico**

Empresa: Certification Experts B.V.

Morada: Stationplein 30, 1382AD, Weesp, the Netherlands

Hisashi Kobayashi

Mr. Philip Wicks

Hisashi Kobayashi para Masayuki Kimura
Diretor geral
Departamento de Garantia de Qualidade

OVERENSSTEMMELSESERKLÆRING

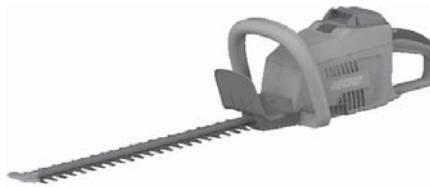
Undertegnede producent:

YAMABIKO CORPORATION
1-7-2 Suehirocho, Ohme, Tokyo 198-8760
JAPAN

Denne overensstemmelseserklæring er udstedt i henhold til producentens eneansvar.

erklærer, at den herunder angivne nye enhed:

Mærke: HÆKKEKLIPPER
Type: ECHO
ECHT-58V, ECBP-58V20/ECBP-58V40



samlet af:

Techtronic Industries (Dongguan) Co., Ltd
No. 1, Chuangke Road, Houjie Town Industrial Park, Houjie Town, Dongguan, Guangdong,
523941, P.R. China

er i overensstemmelse med:

- kravene i Direktiv 2006/42/EF (brug af harmoniseret standard EN 60745-1:2009+A11:2010, EN 60745-2-15:2009+A1:2010)
- kravene i Direktiv 2014/30/EU (brug af harmoniseret standard EN 55014-1:2017, EN 55014-2:2015)
- kravene i Direktiv 2011/65/EU (brug af harmoniseret standard EN 50581:2012)
- kravene i Direktiv 2000/14/EF ændret af 2005/88/EF
Vurderingsprocedure for overensstemmelse i henhold til TILLÆG V
Målt støjniveau: 92,3 dB(A)
Garanteret støjniveau: 93 dB(A)

ECHT-58V: Serienummer 94501401000001-94501401999999
ECBP-58V20: Serienummer 34502001000001-34502001999999
ECBP-58V40: Serienummer 34502101000001-34502101999999

Tokyo, den 20 apr. 2018

YAMABIKO CORPORATION

Den autoriserede repræsentant i Europa, der er bemyndiget til at
sammensætte den tekniske fil
Selskab: Certification Experts B.V.
Adresse: Stationplein 30, 1382AD, Weesp, the Netherlands

Hisashi Kobayashi

Mr. Philip Wicks

Hisashi Kobayashi til Masayuki Kimura
Direktør
Kvalitetssikringsafdeling

KONFORMITETSDEKLARATION

Undertecknad tillverkare:

YAMABIKO CORPORATION
1-7-2 Suehirocho, Ohme, Tokyo 198-8760
JAPAN

Utfärdandet av denna försäkring om överensstämmelse tillskrivs helt och hållet tillverkarens ansvar.

förklarar att den nedan angivna nya enheten:

HÄCKTRIMMER
Märke: ECHO
Typ: ECHT-58V, ECBP-58V20/ECBP-58V40



monterad av:

Techtronic Industries (Dongguan) Co., Ltd
No. 1, Chuangke Road, Houjie Town Industrial Park, Houjie Town, Dongguan, Guangdong,
523941, P.R. China

är överensstämmande med:

- kraven i direktiv 2006/42/EG (tillämpning av harmoniserade standarder EN 60745-1:2009+A11:2010, EN 60745-2-15:2009+A1:2010)
- kraven i direktiv 2014/30/EU (tillämpning av harmoniserade standarder EN 55014-1:2017, EN 55014-2:2015)
- kraven i direktiv 2011/65/EU (tillämpning av harmoniserade standarder EN 50581:2012)
- kraven i direktiv 2000/14/EG om arbetade 2005/88/EG
Rutin för bedömning av överensstämmelse som följts BILAGA V
Uppmått ljudeffektsnivå: 92,3 dB(A)
Garanterad ljudeffektsnivå: 93 dB(A)

ECHT-58V: Serienummer 94501401000001-94501401999999

ECBP-58V20: Serienummer 34502001000001-34502001999999

ECBP-58V40: Serienummer 34502101000001-34502101999999

Tokyo, april. 20 2018

YAMABIKO CORPORATION

Auktoriserad representant i Europa med tillstånd att kompilera den tekniska filen

Företag: Certification Experts B.V.

Adress: Stationplein 30, 1382AD, Weesp, the Netherlands

Hisashi K

Mr. Philip Wicks

Hisashi Kobayashi för Masayuki Kimura
General Manager
Kvalitetsförsäkringsavdelningen

SÄÄNNÖSTEN NOUDATTAMINEN

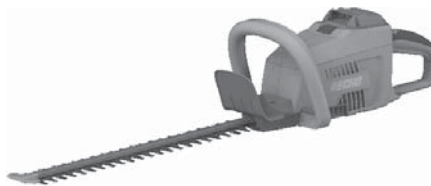
Allekirjoittanut valmistaja:

YAMABIKO CORPORATION
1-7-2 Suehirocho, Ohme, Tokyo 198-8760
JAPAN

Tämä vaatimustenmukaisuusvakuutus on annettu valmistajan yksinomaisella vastuulla:

vakuuttaa, että jäljempänä määritelty uusi yksikkö:

Tuotemerkki: PENSASLEIKKURI
Tyyppi: ECHO
ECHE-58V, ECBP-58V20/ECBP-58V40



kokoonpanija:

Techtronic Industries (Dongguan) Co., Ltd
No. 1, Chuangke Road, Houjie Town Industrial Park, Houjie Town, Dongguan, Guangdong,
523941, P.R. China

seuraavien säännösten mukainen:

- direktiivin 2006/42/EY vaatimukset (seuraavien yhdenmukaistettujen standardien käyttö: EN 60745-1:2009+A11:2010, EN 60745-2-15:2009+A1:2010)
- direktiivin 2014/30/EU vaatimukset (seuraavien yhdenmukaistettujen standardien käyttö: EN 55014-1:2017, EN 55014-2:2015)
- direktiivin 2011/65/EU vaatimukset (seuraavien yhdenmukaistettujen standardien käyttö: EN 50581:2012)
- direktiivillä 2005/88/EY muutetun direktiivin 2000/14/EY vaatimukset
Vaatimustenmukaisuuden arviointimenetelmä LIITTEEN V mukainen
Mitattu äänenteho: 92,3 dB(A)
Taattu äänenteho: 93 dB(A)

ECHE-58V: Sarjanumero 94501401000001-94501401999999
ECBP-58V20: Sarjanumero 34502001000001-34502001999999
ECBP-58V40: Sarjanumero 34502101000001-34502101999999

Tokiossa 20. huhtikuuta 2018

YAMABIKO CORPORATION

Tekniset asiakirjat laatimaan valtuutettu edustaja Euroopassa
Yhtiö: Certification Experts B.V.
Osoite: Stationplein 30, 1382AD, Weesp, the Netherlands

Hisashi Kobayashi

Mr. Philip Wicks

Hisashi Kobayashi Masayuki Kimuran sijasta
Toimitusjohtaja
Laadunvarmistusosasto

SAMSVARSERKLÆRING

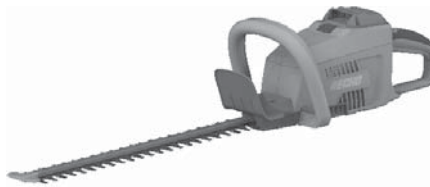
Den underskrevne produsenten:

YAMABIKO CORPORATION
1-7-2 Suehirocho, Ohme, Tokyo 198-8760
JAPAN

Denne samsvarserklæringen er utstedt under alene ansvar for produsenten.

erklærer at den herunder spesifiserte enheten:

Merke: HEKSSAKS
ECHO
Type: ECHT-58V, ECBP-58V20/ECBP-58V40



Montert av:

Techtronic Industries (Dongguan) Co., Ltd
No. 1, Chuangke Road, Houjie Town Industrial Park, Houjie Town, Dongguan, Guangdong,
523941, P.R. China

Er i samsvar med:

- kravene i direktiv 2006/42/EF (bruk av harmonisert standard EN 60745-1:2009+A11:2010, EN 60745-2-15:2009+A1:2010)
- kravene i direktiv 2014/30/EU (bruk av harmonisert standard EN 55014-1:2017, EN 55014-2:2015)
- kravene i direktiv 2011/65/EU (bruk av harmonisert standard EN 50581:2012)
- kravene i direktiv 2000/14/EF endret ved 2005/88/EF
Samsvarsvurderingsprosedyre fulgte VEDLEGG V
Målt lydeffektnivå: 92,3 dB(A)
Garantert lydeffektnivå: 93 dB(A)

ECHT-58V: Serienummer 94501401000001-94501401999999
ECBP-58V20: Serienummer 34502001000001-34502001999999
ECBP-58V40: Serienummer 34502101000001-34502101999999

Tokyo, Apr. 20 2018

YAMABIKO CORPORATION

Den autoriserte representanten i Europa som er autorisert til å
kompilere den tekniske filen
Selskap: Certification Experts B.V.
Adresse: Stationplein 30, 1382AD, Weesp, the Netherlands

Hisashi Kobayashi

Mr. Philip Wicks

Hisashi Kobayashi for Masayuki Kimura
General Manager
Kvalitetssikringsavd.

ЗАЯВЛЕНИЕ О СООТВЕТСТВИИ ТРЕБОВАНИЯМ СТАНДАРТОВ

Нижеподписавшийся производитель:

YAMABIKO CORPORATION
1-7-2 Suehirocho, Ohme, Tokyo 198-8760
JAPAN

Настоящая декларация о соответствии выдана под личную ответственность производителя.

заявляет, что указанное новое изделие:

ШПАЛЕРНЫЕ НОЖНИЦЫ

Марка:

ЕCHO

Тип:

ЕСНТ-58V, ЕСВР-58V20/ЕСВР-58V40



кем собрано:

Techtronic Industries (Dongguan) Co., Ltd
No. 1, Chuangke Road, Houjie Town Industrial Park, Houjie Town, Dongguan, Guangdong,
523941, P.R. China

соответствует:

- требованиям Директивы 2006/42/EC (применение гармонизированного стандарта EN 60745-1:2009+A11:2010, EN 60745-2-15:2009+A1:2010)
- требованиям Директивы 2014/30/EU (применение гармонизированного стандарта EN 55014-1:2017, EN 55014-2:2015)
- требованиям Директивы 2011/65/EU (применение гармонизированного стандарта EN 50581:2012)
- требованиям Директивы 2000/14/EC в редакции 2005/88/EC
Оценка соответствия проведена в соответствии ПРИЛОЖЕНИЕМ V
Измеренный уровень звуковой мощности: 92,3 dB(A)
Гарантируемый уровень звуковой мощности: 93 dB(A)

ЕСНТ-58V: Заводской номер 94501401000001-94501401999999

ЕСВР-58V20: Заводской номер 34502001000001-34502001999999

ЕСВР-58V40: Заводской номер 34502101000001-34502101999999

Токио, 20 апр. 2018 г.

YAMABIKO CORPORATION



Хисаши Кобаяши для Масаюки Кимуры
Генеральный директор
Департамент контроля качества

Уполномоченный представитель в Европе, отвечающий
за составление технического файла

Компания: Certification Experts B.V.

Адрес: Stationplein 30, 1382AD, Weesp, the Netherlands

Mr. Philip Wicks

DEKLARACJA ZGODNOŚCI

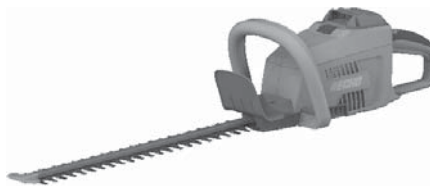
Niżej podpisany producent:

YAMABIKO CORPORATION
1-7-2 Suehirocho, Ohme, Tokyo 198-8760
JAPAN

Niniejsza deklaracja zgodności jest wydawana na wyłączną odpowiedzialność producenta.

oświadcza, że wyszczególnione poniżej nowe urządzenie:

Marka: PRZYCINARKA DO ŻYWOPŁOTÓW
Typ: ECHO
ECHT-58V, ECBP-58V20/ECBP-58V40



wykonawca montażu:

Techtronic Industries (Dongguan) Co., Ltd
No. 1, Chuangke Road, Houjie Town Industrial Park, Houjie Town, Dongguan, Guangdong,
523941, P.R. China

jest zgodne z:

- wymaganiami Dyrektywy 2006/42/WE (zastosowano normy zharmonizowane EN 60745-1:2009+A11:2010, EN 60745-2-15:2009+A1:2010)
- wymaganiami Dyrektywy 2014/30/EU (zastosowano normy zharmonizowane EN 55014-1:2017, EN 55014-2:2015)
- wymaganiami Dyrektywy 2011/65/EU (zastosowano normy zharmonizowane EN 50581:2012)
- wymaganiami Dyrektywy 2000/14/WE zmienionej przez 2005/88/WE
Procedurę oceny zgodności zrealizowano według ZAŁĄCZNIKA V
Zmierzony poziom natężenia hałasu: 92,3 dB(A)
Maksymalny poziom natężenia hałasu: 93 dB(A)

ECHT-58V: Numer seryjny 94501401000001-94501401999999
ECBP-58V20: Numer seryjny 34502001000001-34502001999999
ECBP-58V40: Numer seryjny 34502101000001-34502101999999

Tokio, dn. 20 kwietnia 2018 r.

YAMABIKO CORPORATION

**Autoryzowany przedstawiciel w Europie, upoważniony do
sporządzenia dokumentacji technicznej**
Przedsiębiorstwo: Certification Experts B.V.
Adres: Stationplein 30, 1382AD, Weesp, the Netherlands

Hisashi Kobayashi

Mr. Philip Wicks

Hisashi Kobayashi w imieniu Masayukiiego Kimury
Dyrektor generalny
Dział Zapewnienia Jakości

PROHLÁŠENÍ O SHODĚ

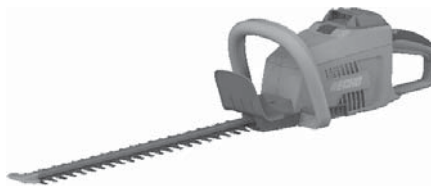
Níže podepsaný výrobce:

YAMABIKO CORPORATION
1-7-2 Suehirocho, Ohme, Tokyo 198-8760
JAPAN

Toto prohlášení o shodě vystavuje výrobce na svoji výhradní zodpovědnost.

prohlašuje, že níže uvedený nový výrobek:

Značka: **PLOTOSTŘIH**
Typ: **ECHO**
ECHE-58V, ECBP-58V20/ECBP-58V40



smontoval(a):

Techtronic Industries (Dongguan) Co., Ltd
No. 1, Chuangke Road, Houjie Town Industrial Park, Houjie Town, Dongguan, Guangdong,
523941, P.R. China

splňuje:

- požadavky směrnice 2006/42/ES (použití harmonizovaných norem EN 60745-1:2009+A11:2010, EN 60745-2-15:2009+A1:2010)
- požadavky směrnice 2014/30/EU (použití harmonizovaných norem EN 55014-1:2017, EN 55014-2:2015)
- požadavky směrnice 2011/65/EU (použití harmonizovaných norem EN 50581:2012)
- požadavky směrnice 2000/14/ES doplněné směrnicí 2005/88/ES
Postup posouzení shody proveden podle přílohy V
Změřená hladina akustického výkonu: 92,3 dB(A)
Zaručená hladina akustického výkonu: 93 dB(A)

ECHE-58V: Výrobní číslo 94501401000001-94501401999999

ECBP-58V20: Výrobní číslo 34502001000001-34502001999999

ECBP-58V40: Výrobní číslo 34502101000001-34502101999999

Tokio, 20. dubna 2018

YAMABIKO CORPORATION

Pověřený zástupce v Evropě, který je oprávněn sestavovat technickou dokumentaci

Společnost: Certification Experts B.V.

Adresa: Stationplein 30, 1382AD, Weesp, the Netherlands

Hisaši Kobajaši

Mr. Philip Wicks

Hisaši Kobajaši v zastoupení ředitele: Masajuki Kimura
Ředitel

Oddělení zajišťování jakosti

MEGFELELŐSÉGI NYILATKOZAT

Alulírott gyártó:

YAMABIKO CORPORATION
1-7-2 Suehirocho, Ohme, Tokyo 198-8760
JAPAN

Ezt a megfelelőségi nyilatkozatot a gyártó kizárólagos felelőssége mellett adják ki.

kijelenti, hogy az alábbiakban megadott új egység:

SÖVÉNYVÁGÓ

Márka:

ECHO

Típus:

ECHT-58V, ECBP-58V20/ECBP-58V40



összeszerelte:

Techtronic Industries (Dongguan) Co., Ltd
No. 1, Chuangke Road, Houjie Town Industrial Park, Houjie Town, Dongguan, Guangdong,
523941, P.R. China

megfelel a következőknek:

- a 2006/42/EK irányelv (harmonizált szabvány használata, EN 60745-1:2009+A11:2010, EN 60745-2-15:2009+A1:2010)
- a 2014/30/EU irányelv (harmonizált szabvány használata, EN 55014-1:2017, EN 55014-2:2015)
- a 2011/65/EU irányelv (harmonizált szabvány használata, EN 50581:2012)
- a 2000/14/EK irányelv 2005/88/EK által módosított változata
a V. MELLÉKLET szerinti megfelelőségértékelési eljárás
Mért hangteljesítményszint: 92,3 dB(A)
Garantált hangteljesítményszint: 93 dB(A)

ECHT-58V: Sorozatszám 94501401000001-94501401999999

ECBP-58V20: Sorozatszám 34502001000001-34502001999999

ECBP-58V40: Sorozatszám 34502101000001-34502101999999

Tokió, 2018. április 20.

YAMABIKO CORPORATION

**A meghatalmazott képviselő Európában, aki fel van hatalmazva a
műszaki dokumentáció összeállításával**

Cég: Certification Experts B.V.

Cím: Stationplein 30, 1382AD, Weesp, the Netherlands

Hisashi Kobayashi

Mr. Philip Wicks

Hisashi Kobayashi Masayuki Kimura nevében
Vezérigazgató
Minőségbiztosítási Osztály

DECLARAȚIE DE CONFORMITATE

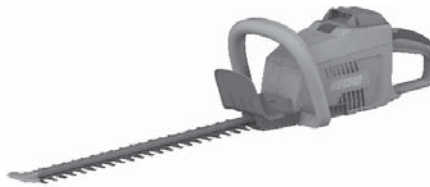
Subsemnatul producător:

YAMABIKO CORPORATION
1-7-2 Suehirocho, Ohme, Tokyo 198-8760
JAPAN

Această declarație de conformitate este emisă exclusiv pe responsabilitatea producătorului.

declară că noua unitate specificată prin prezenta:

Marca: MOTOUNEALTĂ PENTRU TUNS GARD VIU
Tip: ECHO
ECHT-58V, ECBP-58V20/ECBP-58V40



asamblat de:

Techtronic Industries (Dongguan) Co., Ltd
No. 1, Chuangke Road, Houjie Town Industrial Park, Houjie Town, Dongguan, Guangdong,
523941, P.R. China

în conformitate cu:

- cerințele Directivei 2006/42/EC (aplicarea standardului armonizat EN 60745-1:2009+A11:2010, EN 60745-2-15:2009+A1:2010)
- cerințele Directivei 2014/30/EU (aplicarea standardului armonizat EN 55014-1:2017, EN 55014-2:2015)
- cerințele Directivei 2011/65/EU (aplicarea standardului armonizat EN 50581:2012)
- cerințele Directivei 2000/14/EC modificată de 2005/88/EC
Procedura de evaluare a conformității în concordanță cu ANEXA V
Nivelul măsurat al puterii acustice: 92,3 dB(A)
Nivel garantat al puterii acustice: 93 dB(A)

ECHT-58V: Număr de serie 94501401000001-94501401999999
ECBP-58V20: Număr de serie 34502001000001-34502001999999
ECBP-58V40: Număr de serie 34502101000001-34502101999999

Tokyo, Apr. 20 2018

YAMABIKO CORPORATION

Hisashi Kobayashi for Masayuki Kimura
Director General
Dep. Asigurarea Calității

Reprezentantul autorizat în Europa care este autorizat să
compileze fișierul tehnic
Compania: Certification Experts B.V.
Adresă: Stationplein 30, 1382AD, Weesp, the Netherlands

Mr. Philip Wicks

ATBILSTĪBAS DEKLARĀCIJA

Apakšā parakstīties ražotājs:

YAMABIKO CORPORATION
1-7-2 Suehirocho, Ohme, Tokyo 198-8760
JAPAN

Šī atbilstības deklarācija ir izsniegta saskaņā tikai ar paša ražotāja atbildību.

ar šo deklarē, ka šeit norādītā jaunā ierīce:

DZĪVŽOGU TRIMMERIS

Zīmols:

ECHO

Veids:

ECHT-58V, ECBP-58V20/ECBP-58V40



salikšanas vieta:

Techtronic Industries (Dongguan) Co., Ltd
No. 1, Chuangke Road, Houjie Town Industrial Park, Houjie Town, Dongguan, Guangdong,
523941, P.R. China

atbilst:

- Direktīvas 2006/42/EK prasībām (izmantots harmonizētais standarts EN 60745-1:2009+A11:2010, EN 60745-2-15:2009+A1:2010)
- Direktīvas 2014/30/EU prasībām (izmantots harmonizētais standarts EN 55014-1:2017, EN 55014-2:2015)
- Direktīvas 2011/65/EU prasībām (izmantots harmonizētais standarts EN 50581:2012)
- Direktīvas 2000/14/EK prasībām, kuru aizstāj Direktīva 2005/88/EK
Atbilstības novērtēšanas procedūra izklāstīta V Pielikumā
Izmērītās skaņas jaudas līmenis: 92,3 dB(A)
Garantētais skaņas intensitātes līmenis: 93 dB(A)

ECHT-58V: Sērijas numurs 94501401000001-94501401999999

ECBP-58V20: Sērijas numurs 34502001000001-34502001999999

ECBP-58V40: Sērijas numurs 34502101000001-34502101999999

Tokija, 2018. gada 20. aprīlis

YAMABIKO CORPORATION

Pilnvarotais pārstāvis Eiropā, kas pilnvarots sastādīt tehnisko failu

Uzņēmums: Certification Experts B.V.

Adrese: Stationplein 30, 1382AD, Weesp, the Netherlands

Hisashi Kobayashi

Mr. Philip Wicks

Hisashi Kobayashi priekš Masayuki Kimura

Vadītājs

Kvalitātes nodrošināšanas nodaļa

ATITIKTIES PAREIŠKIMAS

Toliau pasirašęs gamintojas:

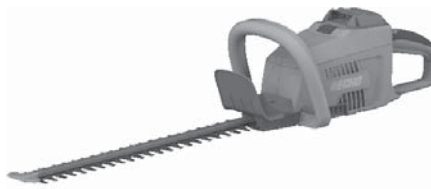
YAMABIKO CORPORATION
1-7-2 Suehirocho, Ohme, Tokyo 198-8760
JAPAN
Ši atitikties deklaracija išduota tik gamintojo atsakomybe.

patvirtina, kad toliau nurodytas naujas įrenginys:

**Prekės
ženklas:
Tipas:**

**GYVATVORĖS APKARPYMO MAŠINĖLĖ
ECHO**

ECHT-58V, ECBP-58V20/ECBP-58V40



surinktas:

Techtronic Industries (Dongguan) Co., Ltd
No. 1, Chuangke Road, Houjie Town Industrial Park, Houjie Town, Dongguan, Guangdong,
523941, P.R. China

atitinka:

- Direktyvos 2006/42/EB reikalavimus (pagal suderintus standartus EN 60745-1:2009+A11:2010, EN 60745-2-15:2009+A1:2010)
- Direktyvos 2014/30/EU reikalavimus (pagal suderintus standartus EN 55014-1:2017, EN 55014-2:2015)
- Direktyvos 2011/65/EU reikalavimus (pagal suderintus standartus EN 50581:2012)
- Direktyvos 2000/14/EB, iš dalies pakeistos Direktyva 2005/88/EB, reikalavimus
Atitikties įvertinimo procedūra atlikta pagal V PRIEDĄ
Išmatuotas akustinis lygis: 92,3 dB(A)
Garantuotas akustinis lygis: 93 dB(A)

ECHT-58V: Serijinis numeris 94501401000001-94501401999999
ECBP-58V20: Serijinis numeris 34502001000001-34502001999999
ECBP-58V40: Serijinis numeris 34502101000001-34502101999999

Tokijas, 2018 m. balandžio 20 d.

YAMABIKO CORPORATION

Įgaliotasis atstovas Europoje, įgaliotas sudaryti techninį dokumentą

Kompanija: Certification Experts B.V.
Adresas: Stationplein 30, 1382AD, Weesp, the Netherlands

Hisashi K

Mr. Philip Wicks

Hisashi Kobayashi Masayuki Kimura vardu
Generalinis direktorius
Kokybės užtikrinimo skyr.

VASTAVUSDEKLARATSIOON

Allakirjutanud tootja:

YAMABIKO CORPORATION

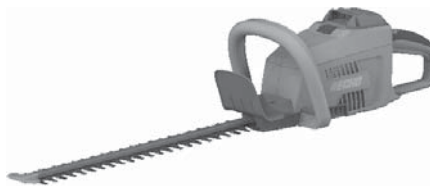
1-7-2 Suehirocho, Ohme, Tokyo 198-8760

JAPAN

Käesolev vastavusdeklaratsioon on välja antud tootja ainuvastutusel.

teatab, et allpool kirjeldatud uus toode:

HEKITRIMMER
TOOTEMARK: ECHO
TÜÜP: ECHT-58V, ECBP-58V20/ECBP-58V40



kokku pannud:

Techtronic Industries (Dongguan) Co., Ltd

No. 1, Chuangke Road, Houjie Town Industrial Park, Houjie Town, Dongguan, Guangdong, 523941, P.R. China

on kooskõlas:

- direktiivi 2006/42/EÜ (harmoneeritud standardi EN 60745-1:2009+A11:2010, EN 60745-2-15:2009+A1:2010 kasutamine) nõuetega
- direktiivi 2014/30/EU (harmoneeritud standardi EN 55014-1:2017, EN 55014-2:2015 kasutamine) nõuetega
- direktiivi 2011/65/EU (harmoneeritud standardi EN 50581:2012 kasutamine) nõuetega
- direktiivi 2000/14/EÜ nõuetega (muudetud direktiiviga 2005/88/EÜ)
Järgitud vastavushindamismenetlus LISA V
Mõõdetud helivõimsuse tase: 92,3 dB(A)
Garanteeritud helivõimsuse tase: 93 dB(A)

ECHT-58V: Seerianumber 94501401000001-94501401999999

ECBP-58V20: Seerianumber 34502001000001-34502001999999

ECBP-58V40: Seerianumber 34502101000001-34502101999999

Tokyo, 20. aprill 2018

YAMABIKO CORPORATION

Volitatud esindaja Euroopas, kellel on õigus koostada tehniline dokumentatsioon

Ettevõtte: Certification Experts B.V.

Address: Stationplein 30, 1382AD, Weesp, the Netherlands

Hisashi Kobayashi

Mr. Philip Wicks

Hisashi Kobayashi (Masayuki Kimura nimel)

Peadirektor

Kvaliteedi tagamise osakond



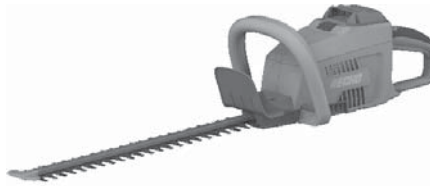
IZJAVA O USKLAĐENOSTI

Dolje potpisani proizvođač:

YAMABIKO CORPORATION
1-7-2 Suehirocho, Ohme, Tokyo 198-8760
JAPAN
Ova izjava o sukladnosti izdana je pod isključivom odgovornošću proizvođača.

izjavljuje da dolje navedena nova jedinica:

TRIMER ZA OGRADU
Robna marka: ECHO
Vrsta: ECHT-58V, ECBP-58V20/ECBP-58V40



sastavljena u:

Techtronic Industries (Dongguan) Co., Ltd
No. 1, Chuangke Road, Houjie Town Industrial Park, Houjie Town, Dongguan, Guangdong,
523941, P.R. China

u sukladnosti je sa:

- zahtjevima Direktive 2006/42/EZ (uporaba usklađenih normi EN 60745-1:2009+A11:2010, EN 60745-2-15:2009+A1:2010)
- zahtjevima Direktive 2014/30/EU (uporaba usklađenih normi EN 55014-1:2017, EN 55014-2:2015)
- zahtjevima Direktive 2011/65/EU (uporaba usklađenih normi EN 50581:2012)
- zahtjevima Direktive 2000/14/EZ koja je izmijenjena i dopunjena Direktivom 2005/88/EZ
Postupak procjene sukladnosti slijedio je PRILOG V
Mért hangteljesítményszint: 92,3 dB(A)
Jamčena razina zvučne snage: 93 dB(A)

ECHT-58V: Serijski broj 94501401000001-94501401999999
ECBP-58V20: Serijski broj 34502001000001-34502001999999
ECBP-58V40: Serijski broj 34502101000001-34502101999999

Tokio, trav. 20 2018.

YAMABIKO CORPORATION

**Ovlašteni zastupnik u Europi koji je ovlašten za ispunjavanje
tehničke dokumentacije**
Tvrtka: Certification Experts B.V.
Adresa: Stationplein 30, 1382AD, Weesp, the Netherlands

Hisashi Kobayashi

Mr. Philip Wicks

Hisashi Kobayashi za Masayuki Kimura
Glavni direktor
Odjel za osig. kvalitete





IZJAVA O SKLADNOSTI

Spodaj podpisani proizvajalec:

YAMABIKO CORPORATION
1-7-2 Suehirocho, Ohme, Tokyo 198-8760
JAPAN

Ta izjava o izpolnjevanju skladnosti je izdana izključno na odgovornost proizvajalca.

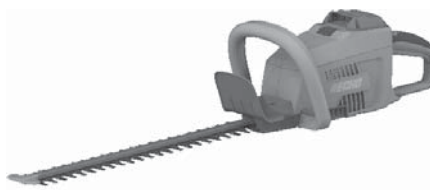
izjavlja, da spodaj navedena nova enota:

**Blagovna
znamka:**

**OBREZOVALNIK ŽIVE MEJE
ECHO**

Tip:

ECHE-58V, ECBP-58V20/ECBP-58V40



sestavljavec:

Techtronic Industries (Dongguan) Co., Ltd
No. 1, Chuangke Road, Houjie Town Industrial Park, Houjie Town, Dongguan, Guangdong,
523941, P.R. China

je skladen z:

- zahtevami Direktive 2006/42/ES (uporaba usklajenega standarda EN 60745-1:2009+A11:2010, EN 60745-2-15:2009+A1:2010)
- zahtevami Direktive 2014/30/EU (uporaba usklajenega standarda EN 55014-1:2017, EN 55014-2:2015)
- zahtevami Direktive 2011/65/EU (uporaba usklajenega standarda EN 50581:2012)
- zahtevami Direktive 2000/14/ES, spremenjene z 2005/88/ES
Upoštevan postopek ugotavljanja skladnosti v PRILOGI V
Izmerjena raven zvočne moči: 92,3 dB(A)
Zajamčena raven zvočne moči: 93 dB(A)

ECHE-58V: Serijska številka 94501401000001-94501401999999

ECBP-58V20: Serijska številka 34502001000001-34502001999999

ECBP-58V40: Serijska številka 34502101000001-34502101999999

Tokio, 20. april 2018

YAMABIKO CORPORATION

**Pooblaščen zastopnik v Evropi, ki je pooblaščen za pripravo
tehnične dokumentacije**

Podjetje: Certification Experts B.V.

Naslov: Stationplein 30, 1382AD, Weesp, the Netherlands

Hisashi K

Mr. Philip Wicks

Hisashi Kobayashi za Masayuki Kimura
Generalni direktor
Oddelek za zagotavljanje skladnosti



PREHLÁSENIE O ZHODE

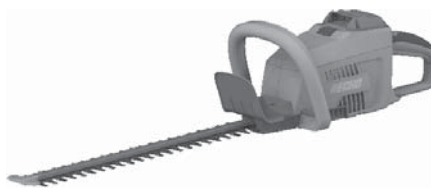
Dolupodpísaný výrobca:

YAMABIKO CORPORATION
1-7-2 Suehirocho, Ohme, Tokyo 198-8760
JAPAN

Toto vyhlásenie o zhode bolo vydané v rámci výlučnej zodpovednosti výrobcu.

vyhlasuje, že v tomto dokumente uvádzaná nová jednotka:

Značka: STRIHAČ ŽIVÉHO PLOTU
Typ: ECHO
ECBT-58V, ECBP-58V20/ECBP-58V40



zostavil:

Techtronic Industries (Dongguan) Co., Ltd
No. 1, Chuangke Road, Houjie Town Industrial Park, Houjie Town, Dongguan, Guangdong,
523941, P.R. China

vyhovuje:

- požiadavkám smernice 2006/42/ES (použitie harmonizovaných noriem EN 60745-1:2009+A11:2010, EN 60745-2-15:2009+A1:2010)
- požiadavkám smernice 2014/30/EU (použitie harmonizovaných noriem EN 55014-1:2017, EN 55014-2:2015)
- požiadavkám smernice 2011/65/EU (použitie harmonizovaných noriem EN 50581:2012)
- požiadavkám smernice 2000/14/ES v znení zmien a doplnení podľa smernice 2005/88/ES
Postup posúdenia zhody podľa PRÍLOHY V
Nameraná úroveň hluku: 92,3 dB(A)
Garantovaná úroveň hluku: 93 dB(A)

ECBT-58V: Sériové číslo 94501401000001-94501401999999
ECBP-58V20: Sériové číslo 34502001000001-34502001999999
ECBP-58V40: Sériové číslo 34502101000001-34502101999999

Tokio, 20. apríl 2018

YAMABIKO CORPORATION

Oprávnený zástupca v Európe, ktorý je oprávnený za zostavenie technickej dokumentácie

Spoločnosť: Certification Experts B.V.

Adresa: Stationplein 30, 1382AD, Weesp, the Netherlands

Hisashi Kobayashi

Mr. Philip Wicks

Hisashi Kobayashi za p. Masayuki Kimura
Generálny riaditeľ
Oddelenie zabezpečenia kvality

ДЕКЛАРАЦИЯ ЗА СЪОТВЕТСТВИЕ

Долуподписаният производител:

YAMABIKO CORPORATION
1-7-2 Suehirocho, Ohme, Tokyo 198-8760
JAPAN

Тази декларация за съответствие се публикува изцяло на отговорността на производителя.

декларира, че посоченият тук нов уред:

НОЖИЦА ЗА ЖИВ ПЛЕТ

Бранд:

ЕСНО

Тип:

ЕСНТ-58V, ЕСВР-58V20/ЕСВР-58V40



сглобен от:

Techtronic Industries (Dongguan) Co., Ltd
No. 1, Chuangke Road, Houjie Town Industrial Park, Houjie Town, Dongguan, Guangdong,
523941, P.R. China

съответства на:

- изискванията на Директива 2006/42/ЕО (използване на хармонизирания стандарт EN 60745-1:2009+A11:2010, EN 60745-2-15:2009+A1:2010)
- изискванията на Директива 2014/30/EU (използване на хармонизирания стандарт EN 55014-1:2017, EN 55014-2:2015)
- изискванията на Директива 2011/65/EU (използване на хармонизирания стандарт EN 50581:2012)
- изискванията на Директива 2000/14/ЕО, изменена от 2005/88/ЕО
Спазвана процедура за оценка за съвместимост ПРИЛОЖЕНИЕ V
Измерено ниво на шум: 92,3 dB(A)
Гарантирано ниво на шум: 93 dB(A)

ЕСНТ-58V: Серийн номер 94501401000001-94501401999999

ЕСВР-58V20: Серийн номер 34502001000001-34502001999999

ЕСВР-58V40: Серийн номер 34502101000001-34502101999999

Токио, 20 април 2018 г.

YAMABIKO CORPORATION

Hisashi Kobayashi

Упълномощен представител в Европа, който има право да състави техническото досие
Дружество: Certification Experts B.V.
Адрес: Stationplein 30, 1382AD, Weesp, the Netherlands

Mr. Philip Wicks

Хисаши Кобаяши от името на Масаюки Кимура
Управител
Отдел за гарантиране на качеството

ДЕКЛАРАЦІЯ ПРО ВІДПОВІДНІСТЬ

Нижчепідписаний виробник:

YAMABIKO CORPORATION
1-7-2 Suehirocho, Ohme, Tokyo 198-8760
JAPAN

За цією декларацією про відповідність виробник несе одноосібну відповідальність.

підтверджує, що продукція:

Марка: КУЩОРИЗ
Тип: ЕСНО
ЕСНТ-58V, ЕСВР-58V20/ЕСВР-58V40



складена:

Techtronic Industries (Dongguan) Co., Ltd
No. 1, Chuangke Road, Houjie Town Industrial Park, Houjie Town, Dongguan, Guangdong,
523941, P.R. China

відповідає:

- вимогам Директиви 2006/42 / ЄС (використання гармонізованого стандарту EN 60745-1:2009+A11:2010, EN 60745-2-15:2009+A1:2010).
- вимогам Директиви 2014/30/EU (використання гармонізованого стандарту EN 55014-1:2017, EN 55014-2:2015).
- вимогам Директиви 2011/65/EU (використання гармонізованого стандарту EN 50581:2012).
- вимогам Директиви 2000/14 / ЄС поправка 2005/88 / ЄС
Процедура оцінки відповідності згідно ДОДАТКУ V
Вимірний рівень звукової потужності: 92,3 dB(A)
Гарантований рівень звукової потужності: 93 dB(A)

ЕСНТ-58V: Серійний номер 94501401000001-94501401999999
ЕСВР-58V20: Серійний номер 34502001000001-34502001999999
ЕСВР-58V40: Серійний номер 34502101000001-34502101999999

Токіо, квіт. 20 2018

YAMABIKO CORPORATION

Уповноважений представник у Європі, що має право
складати технічні документи
Компанія: Certification Experts B.V.
Адреса: Stationplein 30, 1382AD, Weesp, the Netherlands

Hisashi Kimura

Mr. Philip Wicks

Hisashi Kobayashi для Masayuki Kimura
Головний менеджер
Департ. забезпечення якості

UYGUNLUK BEYANI

Aşağıda imzası bulunan üretici:

YAMABIKO CORPORATION

1-7-2 Suehirocho, Ohme, Tokyo 198-8760

JAPAN

Bu uygunluk beyanı üreticinin yegane sorumluluğu kapsamında yapılmıştır.

aşağıda belirtilen yeni ürünle ilgili olarak beyan eder ki:

ÇIT BUDAMA MAKINESİ

Marka:

ECHO

Tip:

ECHT-58V, ECBP-58V20/ECBP-58V40



toplayan:

Techtronic Industries (Dongguan) Co., Ltd

No. 1, Chuangke Road, Houjie Town Industrial Park, Houjie Town, Dongguan, Guangdong, 523941, P.R. China

uyumlu olduğu yönergeler:

- 2006/42/EC Yönergesi (uyumlandırılmış EN EN 60745-1:2009+A11:2010, EN 60745-2-15:2009+A1:2010 standartları kullanımı) gereklilikleri
- 2014/30/EU Yönergesi (uyumlandırılmış EN EN 55014-1:2017, EN 55014-2:2015 standartları kullanımı) gereklilikleri
- 2011/65/EU Yönergesi (uyumlandırılmış EN EN 50581:2012 standartları kullanımı) gereklilikleri
- 2005/88EC ile değiştirilmiş 2000/14/EC Yönergesi gereklilikleri
EX V uyarınca uygunluk değerlendirme prosedürü
Ölçülen ses gücü seviyesi: 92,3 dB(A)
Güvenceli ses gücü seviyesi: 93 dB(A)

ECHT-58V: Seri numarası 94501401000001-94501401999999

ECBP-58V20: Seri numarası 34502001000001-34502001999999

ECBP-58V40: Seri numarası 34502101000001-34502101999999

Tokyo, 20 Nisan 2018

YAMABIKO CORPORATION

Teknik dosyayı derlemek için yetkilendirilmiş Avrupa yetkili temsilcisi

Şirket: Certification Experts B.V.

Adres: Stationplein 30, 1382AD, Weesp, the Netherlands

Hisashi Kobayashi

Mr. Philip Wicks

Masayuki Kimura için Hisashi Kobayashi

Genel Müdür

Kalite Güvencesi Bölümü

ECHO®

YAMABIKO CORPORATION
1-7-2 Suehirocho, Ohme,
Tokyo 198-8760 JAPAN

www.echotools.com



Made in China
Fabriqué en Chine
Hergestellt in China
Fabricado en China
Prodotto in Cina
Vervaardigd in China
Fabricado na China
Produceret i Kina
Tillverkad i Kina

Valmistettu Kiinassa
Produseret i Kina
Сделано в Китае
Wyprodukowano w Chinach
Vyrobeno v Číně
Kínában készült
Fabricat în China
Ražots Ķīnā
Pagaminta Kinijoje

Valmistatud Hiinas
Proizvedeno u Kini
Izdelano na Kitajskem
Vyrobené v Číne
Произведено в Китае
Виготовлено в Китаї
Çin mali

961193007-02